



Product Catalog

Water Source Heat Pump Axiom™ Horizontal/Vertical – GEH/GEV 0.5 to 25 Tons – 60 Hz





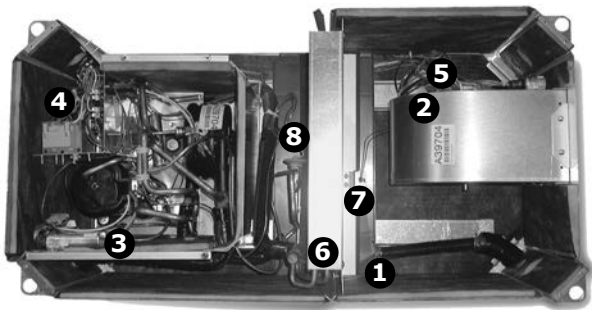
Introduction

Imagine a full range of comfort utilizing efficiency, sound attenuation, integrated controls, and superior maintenance accessibility. The GEH and GEV models are Trane® water source comfort solutions.

The GEH unit is a ceiling hung product that provides a serviceability to maintenance components; indoor air quality standards; sound attenuation; and best of all, higher efficiencies rated in accordance to ANSI/AHRI/ASHRAE/ISO13256-1 performance and ASHRAE 90.1 standards.

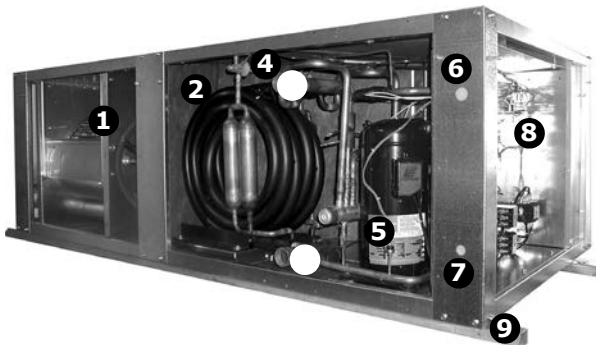
Highlights of the 0.5 to 25 tons GEH/V line are included, but not limited to the below items.

Figure 1. GEH unit (0.5 to 5 tons)



1. Dual-sloped, non-corrosive drain pan
2. Multi-speed motor
3. Insulated enclosure for quiet unit design
4. Integrated controls
5. Orifice ring motor mounting device (standard for ease of motor service)
6. Internal air-to-refrigerant coil (horizontal design)
7. 24V condensate overflow switch
8. TXV

Figure 2. GEH unit (10 tons)



1. Fan blower section
2. Co-axial heat exchanger
3. Water connections
4. Thermal expansion valve
5. Dual compressor
6. Low voltage
7. High voltage
8. Integrated controls
9. Hanging rails

Copyright

This document and the information in it are the property of Trane, and may not be used or reproduced in whole or in part without written permission. Trane reserves the right to revise this publication at any time, and to make changes to its content without obligation to notify any person of such revision or change.

Trademarks

All trademarks referenced in this document are the trademarks of their respective owners.

Revision History

- Model Number Description updated to include foil-faced as standard
- Mechanical Specification updated to include foil-faced as standard



Table of Contents

Features and Benefits	4
Airflow Combinations	4
Application Considerations	18
Systems	18
Model Number Descriptions	27
General Data	28
Performance Data	33
Unit Fan Performance	138
Controls	174
Deluxe 24V Electronic Controls	174
Tracer® Controls	176
Thermostats and Zone Sensors	182
Electrical Data	185
Unit Dimensions	207
Service Clearances	207
Mechanical Specifications	247

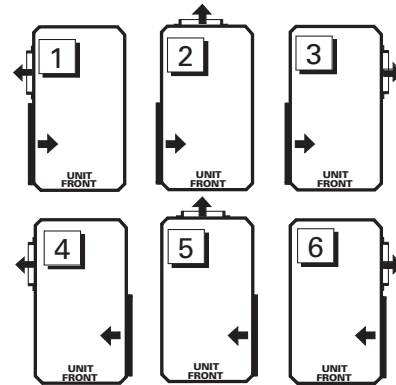
Features and Benefits

Airflow Combinations

GEH 0.5 to 5 Tons

The GEH model configuration may be built to order or modified on-site to meet unique installation requirements.

1. Left return-air with left supply-air combination
2. Left return-air with back supply-air combination
3. Left return-air with right supply-air combination
4. Right return-air with left supply-air combination
5. Right return-air with back supply-air combination
6. Right return-air with right supply-air combination^(a)

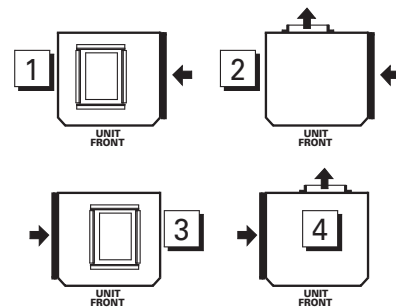


(a) It is recommended to order a bottom access filter rack with right return/right supply combination due to a potential problem with return air filter removal.

GEV 0.5 to 5 Tons

The GEV model is also capable of on-site modifications. With the vertical configuration, the supply-air is easily converted from a top supply-air to a back supply-air (or vice versa) with a service retrofit kit. The return-air option is order specific.

1. Right return-air with top supply-air combination
2. Right return-air with back supply-air combination
3. Left return-air with top supply -air combination
4. Left return-air with back supply-air combination

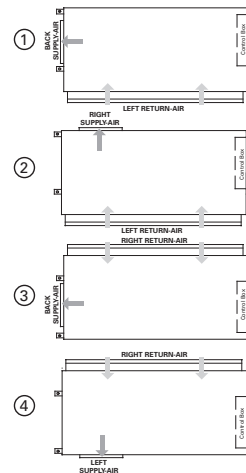


GEH 6 to 15 Tons

The 6 to 15 ton horizontal cabinet airflow flexibility includes the following combinations to aid in applications where the equipment is required to hug a corridor or wall.

The four configurations are:

1. Left return-air with back supply-air combination
2. Left return-air with right supply-air combination
3. Right return-air with back supply-air combination
4. Right return-air with left supply-air combination

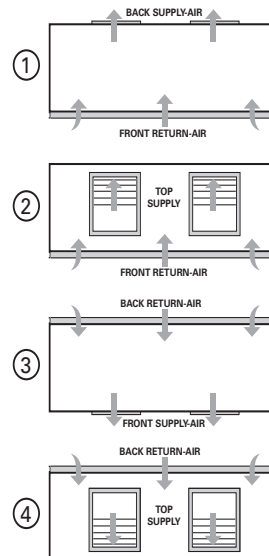


GEV 6 to 25 Tons

The sleek, narrow cabinet of the 6 to 25 ton vertical cabinet is designed to fit through a standard 36 in. doorway for installation during new or retrofit construction. The equipment is available in four supply-air/return-air combinations. These combinations are order specific via the unit model number.

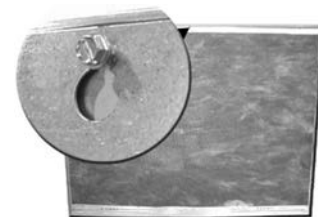
The four configurations are:

1. Front return-air with back supply-air combination
2. Front return-air with top supply-air combination
3. Back return-air with front supply-air combination
4. Back return-air with top supply-air combination



Access Panels

The upper panels of the GEV 12.5 to 25 ton units feature a key hole hanging design for ease of maintenance of the unit, allowing the panel to be hooked into place when attaching the panel to the unit. The panels are also sealed with a rubber gasket at all four edges to help eliminate air from escaping around the panel edge.



Features and Benefits

Air-side Filter (0.5 to 25 Tons)

The air-side filter incorporates a 1-inch thick (nominal) or 2-inch thick (nominal), MERV 8 or MERV 13 disposable filter option. These filters include an average synthetic dust weight tolerance of approximately 75%. This dust holding capability includes a colorless, odorless adhesive to retain dirt particles within the filter media after fiber contact.



Air to Refrigerant Coil (0.5 to 5 Tons)

The air-to-refrigerant heat exchanger is constructed of staggered copper tubes with die-formed corrugated lanced aluminum fins. The fins are then mechanically bonded to the tubes through expansion.

The coil is placed internal of the unit design for the GEH model to provide an optional dual filtration application. With dual filtration to the GEH unit, maintenance to the filter is significantly less than with a single filtration system. This design also offers maximum flexibility of the supply and return air configurations.

The maximum working pressure for both the GEH and GEV coils is 650 psig. It is designed for maximum capacity with an additional benefit of physical unit size reduction.

Coil specifications for both GEH and GEV models may be found in the General Data section of this catalog.



Blower Housing

The blower housing is constructed of non-corrosive galvanized steel. For 0.5 to 5 ton direct drive units, a factory-mounted orifice ring is provided for ease of motor serviceability. In addition, air-side panels are interchangeable with one another for ease of field convertibility of the supply-air on the GEH model. For 6 to 25 ton units, the housing is a double wide/double inlet, forward curved wheel moved by an integral horsepower motor with sealed bearings.

Blower Motor (0.5 to 5 Tons)

The supply-air (blower) motor is a multi-speed motor with internal thermal overload protection. The motor bearings are permanently lubricated and sealed. The motor is isolated from the fan housing using rubber isolators to minimize vibration transmission. See fan performance tables for static ranges. All motors are factory wired to the option selected. A high, medium, and low speed tap is provided for field modification on most voltages. The speed tap modification can be made in the control box of the unit.

Note: *The 380, 415, 460 and 575 volt designs are provided in a dual or three-speed version only. See Fan Performance for factory ratings.*

Serviceability to the motor is made through either of the two air-side access doors for the horizontal configuration, and through one air-side access door on vertical configuration. The motor and blower wheel are removable by an orifice ring mounted to the fan housing.



Boilerless Control, Electric Heat (option)

In cooling dominant regions where heat may be used 15 to 30 days out of the winter season, eliminating the boiler may be an economical advantage to the building owner. Eliminating a boiler from the system reduces costs associated with the mechanical system installation, as well as the maintenance and service of the boiler.

How can heat be provided for the few days of the year when heat is necessary? Through the water-source heat pump of course. The advantage of the water-source heat pump is its ability to provide heat recovery within the closed water-loop. While some WSHPs may be extracting heat from the closed water loop, other WSHPs may be adding heat to the closed water loop. This creates a perfect system balance for heat sharing or movement from one space to another.

But when water temperatures fall in a boilerless system, and no further heat recovery may be made using the closed loop, heat may be added to the space through a boilerless control electric heat option.

For 0.5 to 25 ton units, what is NOT available with the boilerless electric heat option? Hot gas reheat, 115¹ and 575V ratings and supplemental² or emergency heat applications and a factory-installed heater¹.

How It Works

In heating mode, when the water temperature falls below 55°F (factory setting), the electric heater is energized, locking out the compressor. The system's electric heat source will continue to be utilized for primary heating until the loop temperature rises above 60°F. Once the entering water temperature rises above 60°F, the boilerless controller returns the unit to normal compressor heating operation and locks out the electric heater. This maximizes efficiency from the unit during the few days requiring heat from the mechanical system.

For geothermal applications, the boilerless controller has an adjustable setting of 25, 35, 45, 55 and 60°F.

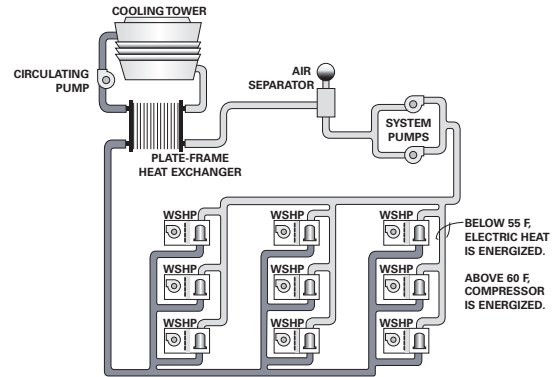
¹ Only applies to 0.5 to 5 ton GEH/V units.

² Only applies to 6 to 25 ton GEH/V units.

Boilerless Control, Electric Heat System

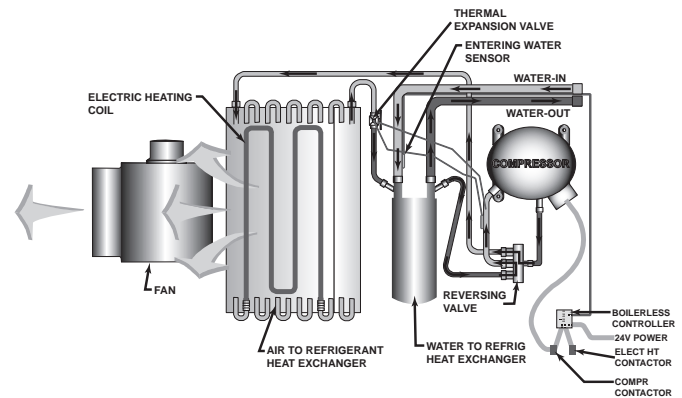
For 0.5 to 5 ton units, with the internal boilerless electric heat option, the heat pump encompasses an internal nichrome open wire heating element (factory mounted and wired). It is comprised of a single stage of electric heat designed to operate an electric heater in place of the compressor in the event entering water temperature falls below 55°F or a field adjusted temperature setting between 25°F to 60°F.

For 6 to 25 ton units, with the boilerless electric heat option, the models will contain boilerless controls ONLY to interface for a field provided supplemental electric heat selection. The heater for this model shall be placed external to the equipment by the contractor for ease of installation. All power connections for the electric heater will be completely separate from the unit for field supplied electric heat.



Factory Mounted and Wired Boilerless Control, Electric Heat

A boilerless controls option for field installed electric heat is also available. In this application, the heater shall be placed external to the equipment. All power connections for the electric heater will be completely separate from the unit. The unit contains boilerless controls to interface with the field provided electric heat.



Cabinet Description

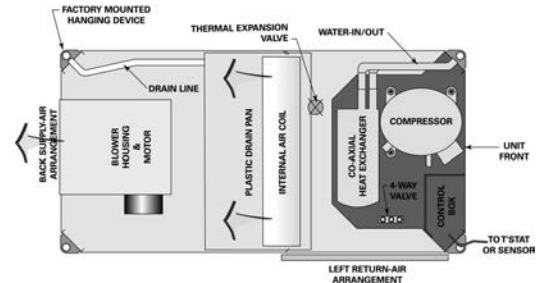
The cabinet design contains a platform utilizing similar parts and assemblies throughout the product line. It is constructed of heavy gauge (non-painted), galvanized metal for maximum durability and corrosive resistive exterior.

On the GEH/V 0.5 to 25 ton units, the cabinet front allows service access for the controls. For GEH/V 0.5 to 5 ton models, refrigeration circuitry is accessed through the cabinet front. In addition, water-in/out connection, drain connection and high/low voltage hook-up is accomplished at the 45° chamfered corners on the front-side of the equipment.

For 6 to 15 ton units, hanging the horizontal configuration is accomplished through the robust metal stiffeners located beneath the unit. Optional vibration isolators are available to help decrease sound vibration during equipment operation.

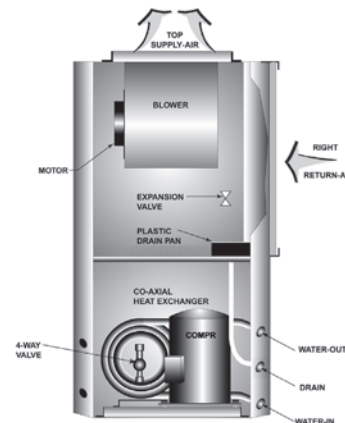
GEH Cabinet (0.5 to 5 tons)

There are six product variations of return-air and supply-air combinations which may be order-specific or job-site modified.



GEV Cabinet (0.5 to 5 tons)

The vertical design offers four product variations of return-air and supply-air combinations. The supply air arrangement of GEV models may be field converted through a service kit to aid in stocking of a single unit variation.



Cabinet Insulation

The cabinet insulation design meets UL 181 requirements. The air-stream surface of the insulation is fabricated of a non-biodegradable source.

Co-axial Water-to-Refrigerant Coil

The unit's internal heat exchanging water coil is engineered for maximum heat transfer.

The copper or cupro-nickel seamless tubing is a tube within a tube design. The inner-water tube contains a deep fluted curve to enhance heat transfer and minimize fouling and scaling. It is available in either copper or cupro-nickel (selectable option) coil. The outer refrigerant gas tube is made from steel material. The coil is leak tested to assure there is no cross leakage between the water tube and the refrigerant gas (steel tube) coil. Co-axial heat exchangers are more tolerant to freeze rupture.



Features and Benefits

Compressors

The unit's design includes a wide variety of compressor motors to accommodate dedicated voltages and tonnage sizes. The 0.5 to 1.5 ton products have a rotary compressor design. The scroll compressor design is in 2 to 5 ton units.

In 6 to 25 ton units, dual circuit designs of the GEH and GEV models feature scroll compressors. The compressors are highly efficient and incorporate external vibration isolators and thermal overload protection.

These different styles allow Trane to provide the voltage variations along with noise reduction required in today's applications.



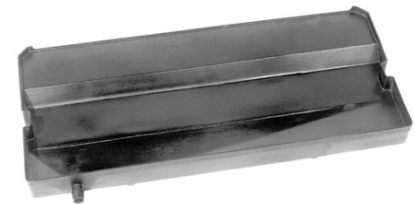
Compressor and Co-axial Coil Isolation (0.5 to 5 Tons)

Vibration isolation of the compressor and co-axial water coil is accomplished by increasing the rigidity and stiffness at the base. The platform provides double isolation to the compressor and single isolation to the co-axial water coil for additional attenuation during compressor start and stop.

Drain Pan

The unit drain pan is composed of plastic material. The pan is positively sloped to comply with ASHRAE 62 for (IAQ) indoor air quality conformity.

Access to the drain pan is provided through two access panels for cleaning purposes.



Dual Filtration (GEH 0.5 to 5 Tons)

Flexibility of the GEH allows for dual filtration in a free return application. With the field installed dual filtration accessory, filter maintenance of the unit is significantly less.

The accessory package includes both the bottom and top filter rack, and one, 1-inch or 2-inch filter. [Table 1, p. 10](#) provides dual filtration accessory numbers appropriate to unit size.

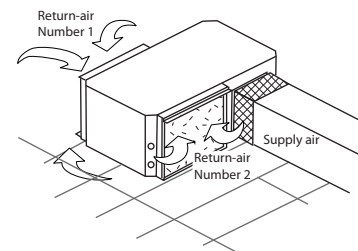


Table 1. Dual filter accessory kit numbers - 0.5 to 5 tons

Unit size 1 in. filter	1 in. filter kit part no.	2 in. filter kit part no.
(GEH) 006-015	4474 0630 0100	4474 0634 0100
(GEH) 018-030	4474 5629 0100	4474 5630 0100
(GEH) 035, 042	4474 0632 0100	4474 0636 0100
(GEH) 048, 060	4474 0633 0100	4474 0637 0100

Ducted Filter Rack (0.5 to 5 tons)

When it is necessary to have filter access at the unit in a ducted return, a ducted filter rack is available. This option allows access to the filter at the unit. Vertical unit filter racks are available in right or left access configurations. Horizontal units are available in top, bottom or side access configurations.

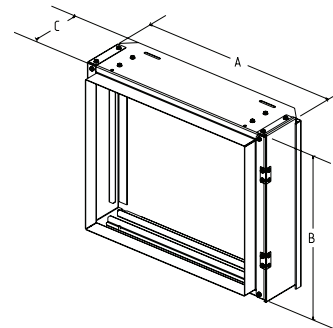


Table 2. Ducted filter opening size - 0.5 to 5 tons

Unit Size	A (in.)	B (in.)	C (in.)
GEH 006-015	21.1	15.4	5.4
GEH 018-030	24.5	18.4	5.6
GEH 035-042	26.4	19.4	5.5
GEH 048-060	30.7	21.4	5.5
GEV 006-015	20.7	17.1	5.5
GEV 018-040	20.7	23.1	5.5
GEV 036-042	25.7	22.4	4.3
GEV 048-060	30.7	26.6	5.5

Note: All dimensions in inches

Ducted Panel - Return Air (0.5 to 5 tons)

The return-air arrangement may be easily converted from a free return-air system, to a ducted return-air system with the addition of a return-air side panel. By replacing the filter racks with the return-air panel, a complete seal from the duct to the unit is possible. The 1.5 in. duct flange facilitates ease of field connection to the duct system. This accessory is typically used when the return-air filter is placed in a built-in ceiling grille, or placed within a field provided filter rack assembly.

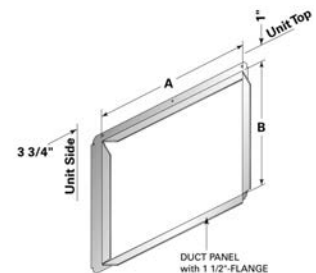


Table 3. Ducted panel - return air (0.5 to 5 tons)

Unit size (60 Hz)	A (in.)	B (in.)	Duct Collar Part Number
GEH/V006-015	17.5	13	447411330100
GEH/V018-030	20.5	16	447456280100
GEH/V036-042	22.5	17	447411350100
GEH/V048-060	26.5	19	447411360100

Features and Benefits

Expansion Valve

The refrigerant flow metering is made through the thermal expansion valve (TXV). It allows the unit to operate with an entering fluid temperature from 25°F to 110°F^(a) and entering air temperatures from 55°F to 95°F^(b). The valve is designed to meter refrigerant flow through the circuitry to achieve desired heating or cooling.

Unlike cap-tube assemblies, the expansion valve device allows the exact amount of refrigerant required to meet the coil load demands. This precise metering by the TXV increases the efficiency of the unit and eliminates the need for a water regulating valve.

- (a) 120°F applicable to GEH/V 6 to 25 ton units
(b) 85°F applicable to GEH/V 6 to 25 ton units



Hanging Device

The hanging bracket resides in the chamfered corner of the horizontal 0.5 to 5 ton equipment. This partially-concealed bracket design eliminates added height, width, or length to the product. The brackets are factory mounted to shorten job installation requirements. The 0.5 to 5 ton unit is shown to the left.

The structural integrity of the design helps assure no bracket deflection or unit bowing from the unit's weight. Isolation for the hanging bracket is provided with a neoprene rubber grommet design.

The grommets are a separately ordered accessory on the GEH 6 to 15 tons models. A grommet kit (KIT15407) containing four grommets can be ordered if desired.

This isolation device helps prevent sound vibration from reaching the structural support members of the building during compressor start and stop.

The hanging channel for the horizontal unit (GEH 6 to 15 tons) runs the length of the equipment.



Hot Gas Reheat

For space conditioning and climate control, Trane provides an accurate and cost effective dehumidification control through a hot gas reheat option.

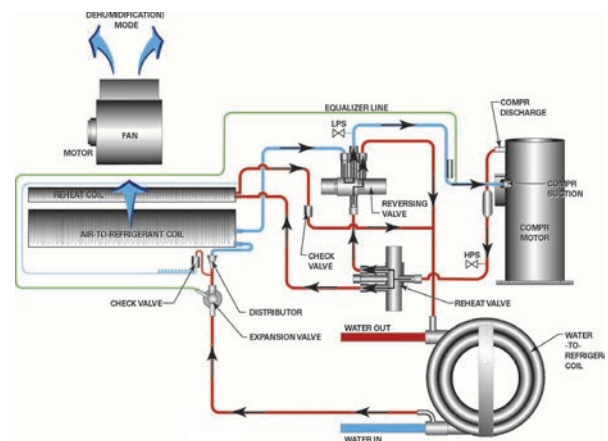
With this reheat option, the return air from the space is conditioned by the air-to-refrigerant coil, then reheated by the reheat coil to control not only the space temperature, but to also reduce the relative humidity of the space. The moisture removal capability of a specific heat pump is determined by the units latent capacity rating.

When operating in the reheat mode (meaning the sensible temperature has been met in the space), the humidistat signals the reheat relay coil to energize, allowing the high pressure refrigerant gas to flow from the compressor, through the reheat valve, into the reversing valve, and through the reheat coil for dehumidification.

Note: GEHV 0.5 to 5 tons image shown to the left.

Trane places an air separation space between the air-to-refrigerant coil, and the reheat coil to allow for maximum moisture removal.

For 0.5 to 5 ton units, a switching relay has been provided for the reheat application to adjust the blower motor from normal operation to low speed when hot gas reheat is energized.



Hot Gas Reheat - Applications

The hot gas reheat option is designed to support building applications requiring fresh-air ventilation units delivering unconditioned-air directly to the space. It also provides dehumidification to large latent load spaces such as auditoriums, theaters and classrooms, or anywhere humidity control is a problem.

Hot Gas Reheat - Design

Water-source heat pumps with hot gas reheat should not be used as a make-up air unit.

A high-static blower motor option will be required to support the hot gas reheat option for the 0.5 to 5 ton equipment.

Water regulating valves should not be used with the hot gas reheat option. Trane places a thermal expansion valve on all water-source heat pumps, as well as ground-source heat pumps, to regulate refrigerant flow vs. water flow, making the heat pump more efficient to run.

Motorized Water Valve

The motorized water valve is installed on the return line of the water loop system between the loop and the loop's pump module. This isolation device is less expensive and a very effective alternative to the water regulating valve.

When the compressor begins running, the valve will open, allowing water to flow through the unit. As the compressor shuts down, the valve slowly closes off. The main purpose of the motorized valve is to shut-off the flow of water through the unit when the unit is off, thus reducing water consumption. The motorized valve is fast opening to prevent compressor trip-out, and slow closing to prevent water hammer.

Features and Benefits

Pump Module

The pump module and hose kit make a complete self-contained pumping package for distributed pumping systems. These kits contain all the necessary components for the installation, operation and maintenance of the water circuit of a closed loop geothermal application. Standard pump module features include insulated Grundfos pumps, insulated cabinet or cast iron pump, and 3-way brass valves. Literature number WSHPC-IN-5 will provide electrical and dimensional requirements for the PMCA products.



Pump Module Hose Kit

The pump module hose kit consists of two brass, 3/4 in. or 1 in., male pipe thread (MPT)-by-barb fittings; two brass 90° 1-inch, MPT-by-barb elbows with pressure/temperature ports; and 10 ft of rubber hose with 4 hose clamps. The pump module hose kit is available separately from the pump module.



Refrigerant Piping

The unit's copper tubing is created from a 99% pure copper formation that conforms to the American Society of Testing (ASTM) B743 for seamless, light-annealed processing.

The unit's copper refrigeration system is designed to be free from contaminants and conditions such as drilling fragments, dirt, or oil. This excludes the possibility of these contaminants from damaging the compressor motor.

Reversing Valve

A system reversing valve (4-way valve) is included with all heating/cooling units. This valve is piped to be energized in the cooling mode to allow the system to provide heat if valve failure were to occur. Once the valve is energized for cooling, it will remain energized until the control system is turned to the OFF position, or a heating cycle is initiated.



Schrader Connections

For 0.5 to 5 ton vertical units, the Schrader/CoreMax® connections are located adjacent to the unit control box. For 6 to 25 ton and 0.5 to 5 ton horizontal units, these connections are brazed to the suction and the discharge lines.



Sound Attenuation Package (0.5 to 5 Ton Units)

Testing of conventional units has identified that the sound radiated by the casing of the unit is an important component of the sound that reaches occupants, especially when the unit is located directly over the occupied space.

This sound reduction package reduces radiated noise from the cabinet. Trane® double-isolates the compressor and single-isolates the co-axial coil in the unit. This design absorbs the vibration that contributes to radiated sound. For sound critical spaces, an enhanced sound package as described in the following table provides additional attenuation.

Table 4. Sound package (0.5 to 5 Ton GEH units ONLY)

Enhanced Sound Attenuation Package (Standard)	Deluxe Sound Attenuation Package (Option)
18-gauge compressor enclosure	16-gauge compressor enclosure
20-gauge single wall front panel	16-gauge single wall front panel
lined compressor enclosure with 1/2-inch cabinet insulation	lined compressor enclosure with 1/2-inch cabinet insulation
14-gauge compressor/water-to-refrigerant heat exchanger pan with second stage of vibration isolation	14-gauge compressor/water-to-refrigerant heat exchanger pan with second stage of vibration isolation
compressor vibration isolation	compressor vibration isolation
water-to-refrigerant heat exchanger vibration isolation	water-to-refrigerant heat exchanger vibration isolation
lengthwise unit base stiffeners	lengthwise unit base stiffeners
	3/32-inch foam gasket sealant placed around the perimeter

Two-Speed Blower Motor (6 to 25 Ton Option)

The 6 to 25 ton GEH/V models have indoor blowers that are available with 2 speed motors, selectable in the model number (Digit 12, drive packages 1-9). High speed airflow matches the single speed motor airflow, referenced in the fan performance tables. Low fan speed airflow is approximately 50% of high fan speed airflow.

The 6 to 25 ton GEH/V 2 speed blower motors are available with the following options: deluxe 24V or UC400 controls, heat pump or heat pump w/hot gas reheat or heat pump w/waterside economizer. Not available with boilerless or supplemental electric heat.

Table 5. 6 to 25 ton GEH/V fan speed for 2 speed drive packages 1 to 9

RV State	Fan	Compressor 1	Compressor 2	Fan Speed
Heat	OFF	OFF	OFF	OFF
Heat	ON	OFF	OFF	LOW
Heat	ON	ON	OFF	HIGH

Features and Benefits

Table 5. 6 to 25 ton GEH/V fan speed for 2 speed drive packages 1 to 9 (continued)

RV State	Fan	Compressor 1	Compressor 2	Fan Speed
Heat	ON	ON	ON	HIGH
Cool	OFF	OFF	OFF	OFF
Cool	ON	OFF	OFF	LOW
Cool	ON	ON	OFF	LOW
Cool	ON	ON	ON	HIGH

Water Connections (0.5 to 5 Tons)

The water-in/water-out connections to the co-axial water coil are located on the right-hand chamfered corner of the unit. The fittings are mounted flush to the chamfered wall to help limit shipping damage.

The water connection devices are constructed of copper material and include a National Female Pipe Thread (NFPT) junction. The connections are attached to the unit's chamfer corner to alleviate the need for a back-up wrench during installation.

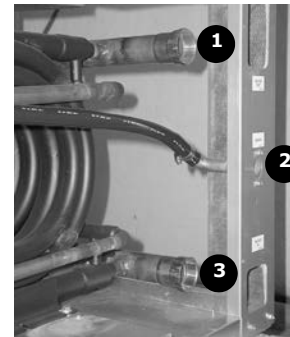


Water Connections (6 to 25 Tons)

Water hookups for the 6 to 25 ton units are located internal to the equipment to help alleviate damage to the water copper during shipment or job storage of units prior to installation. Each unit (although dual circuit) contains a single supply and return water connection. The following figure provides large tonnage water hook-up information for model GEV.

1. Water-out
2. Drain
3. Water-in

Fittings for the supply and return are internally threaded.



Waterside Economizer (option)

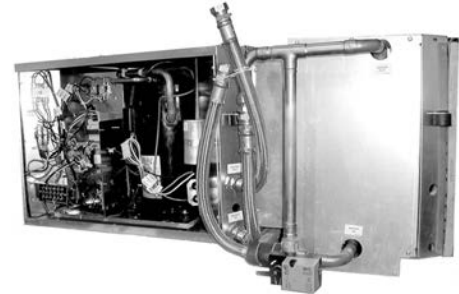
The beauty of the waterside economizer is its ability to take advantage of any loop condition that results in cool water temperatures. A prime example would be during fall, winter and spring when cooling towers have more capacity than required and could be controlled to lower temperatures for economizer support.

Another more common inexpensive means of free comfort cooling includes buildings systems where perimeter heating and core cooling are needed. In this system, the perimeter units extract heat from the building loop while in the heating mode, forcing the building loop temperature to drop. Where as, the core are of a building may require cooling in summer or in winter based upon lighting, people and equipment.

Waterside Economizer Package

The waterside economizer is available on all 0.5 to 15 ton GEH models and 6 to 25 GEV models. 0.5 to 5 ton GEH model shown.

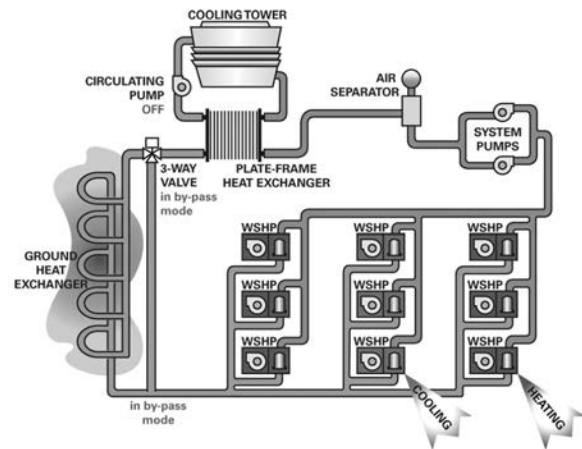
- Condensate overflow protection for the waterside economizer coil is field provided



Waterside Economizer System (0.5 to 25 Tons)

If the water-source system design contains an economizing coil option, the moderate temperature loop water circulated through a core water-source system can provide an inexpensive means to satisfy room comfort without operating the water-source heat pump's compressor.

During economizer mode, fluid enters the unit, and passes by a water temperature sensing bulb. This temperature sensing bulb determines whether the two position, three-way valve will direct the water through the waterside economizing coil, and to the heat pump condenser, or through the condenser only. If the water temperature is 55°F or less, fluid will flow into the economizing coil, while simultaneously halting mechanical operation of the compressor. Mechanical cooling will continue on a call for second stage from the thermostat.



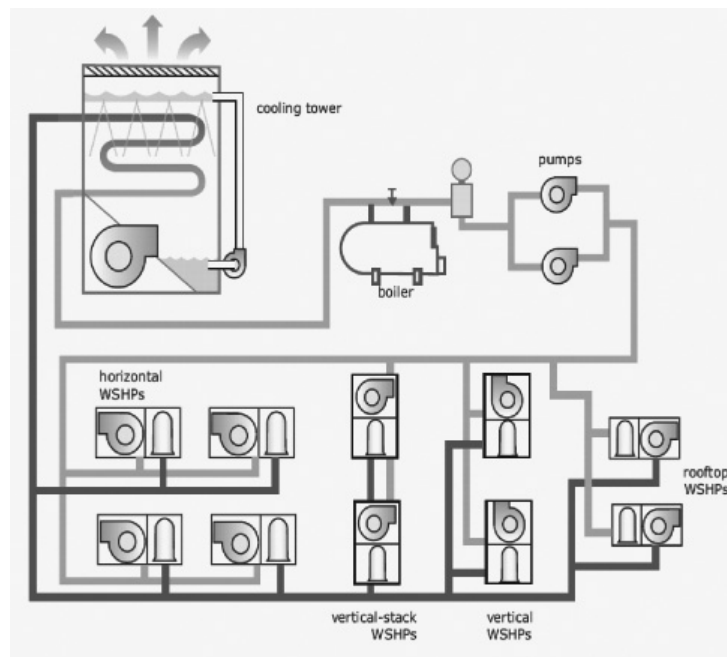
Application Considerations

Systems

Water-source heat pump systems are used to provide comfort in a wide range of building types and climates. The system utilizes energy-conserving, heat-recovery capabilities to transfer heat from one area to another to meet individual zone requirements. When used with system design and control strategies, these high-performance systems reduce operating costs for the building owner and improving occupant comfort.

Heat pump units are available in many different configurations and the design simplicity can be adapted to suit almost any building plan. The vertical and horizontal water-source heat pump system is versatile for installation in a boiler/cooling tower applications, as well as ground source (geothermal) applications.

Figure 3. Conventional water-source heat pump system



Boiler/Cooling Tower

In this type of system, units are distributed throughout the building to provide cooling and heating to the space. Units are connected to a water distribution loop which circulated water throughout the building to transfer heat from one area to another. This common water loop yields what is essentially a heat-recovery system. Units providing heating extract heat from loop water while units providing cooling reject heat to the loop. In effect the system recovers and redistributes heat where needed.

Also connected to this water loop are a heat rejecter such as a cooling tower, a heat adder such as a boiler, circulation pumps, and related accessories. Typically, outdoor air is conditioned and delivered by a separate, dedicated ventilation system.

During warm weather when all or most of the units are cooling, the cooling tower is used to dissipate heat from the condensing process. The condensing water is cooled for recirculation back to the water-to-refrigerant heat exchanger by using a combination of heat and mass transfer by evaporation.

A boiler is also used to add heat to the water loop during winter months when most units are heating. The boiler is typically enabled when the water loop temperature falls to a minimum value.

During moderate weather, such as spring or fall, the heat pumps serving the sunny side and interior of the building often operate in cooling mode and reject heat into the water loop. The heat pumps serving the shady side of the building often operate in heating mode and absorb heat from the water loop.

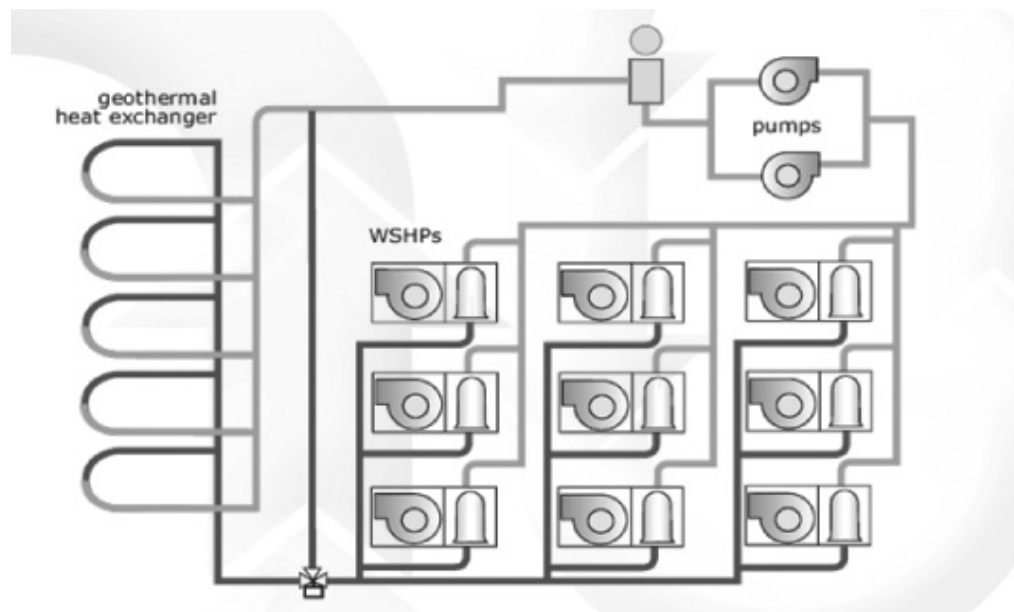
Heat rejected by the units operating in cooling mode is used to offset the heat absorbed by the units in heating mode. In this manner, a WSHP system provides a form of heat recovery and an opportunity to save energy by reducing the need to operate the boiler or cooling tower. For example, if the water temperature stays in the desired range between 60°F (16°C) and 90°F (32°C) neither the boiler nor the cooling tower need to operate.

In applications such as office buildings, heat generated by lights, people, and office equipment often results in the need to provide year-round cooling in the interior zones of the building. In these applications, the benefit of this heat recovery further reduces boiler energy use during the winter months.

Ground Source

The advantages of a geothermal heat pump system can potentially minimize heating and cooling cost by 30 to 40 percent. In this application the cooling tower and boiler are replaced with a ground heat exchanger. The ground heat exchanger is a series of pipes buried in the earth. The earth is used as an energy storage tank. Ground-source heat pump systems offer the potential for saving energy because they can reduce (or eliminate) the energy needed to operate a cooling tower and/or boiler. Eliminating the cooling tower has architectural and maintenance advantages, and eliminating the boiler frees up floor space in the building.

Figure 4. Ground source heat pump system



The fluctuating temperatures of fluid from the earth are more stable than air, allowing the equipment to operate at a lower discharge pressure and use fewer kilowatts. The constant earth temperature will heat or cool the fluid running through buried high density polyethylene pipe to provide heating and cooling to a building.

A geothermal loop can be installed either horizontally or vertically. Vertical loops require less overall land area to reject (i.e., sink) the excess heat from the building. Horizontal loops require trenches in the ground spanning a larger overall land area.

Application Considerations

Although external piping is the responsibility of the installer and/or piping manufacturer, many electric utilities and rural electric cooperatives are offering monetary incentives to install geothermal systems. Utility companies offer the incentives because of reduced peak loads that flatten out their demand curve over time, and save them money. These savings are ultimately transferred to the consumer.

Hybrid Systems

Hybrid systems involve adding a small cooling tower or dry cooler to a ground source system that is installed in a cooling-dominated climate or adding a small boiler to a system in a heating-dominated climate. In either case, the geothermal heat exchanger is sized based on the smaller of the two loads: for the total heat absorbed in a cooling-dominated climate or the total heat rejected in a heating-dominated climate. Then, a small cooling tower (or boiler) is added to reject (or add) the remaining heat.

A hybrid system may also be used in existing buildings with existing ground loops as additional rooms or buildings are added to the system. A cooling tower may be the solution to off-load the peak demand of the new building addition as an example. Other additions may include a requirement for fresh-air ventilation. A fresh-air, air handler, along with a water to water unit may be introduced to the closed loop system to allow tempered fresh-air into the building.

The buildings heating and cooling needs are not based off of one type of component, but perform harmoniously of each other. Heat recovery from the loop itself can be shared with the other major components.

Hybrid systems can often make the system more economical, opening up the possibility to reap the potential energy savings.

Figure 5. Hybrid system

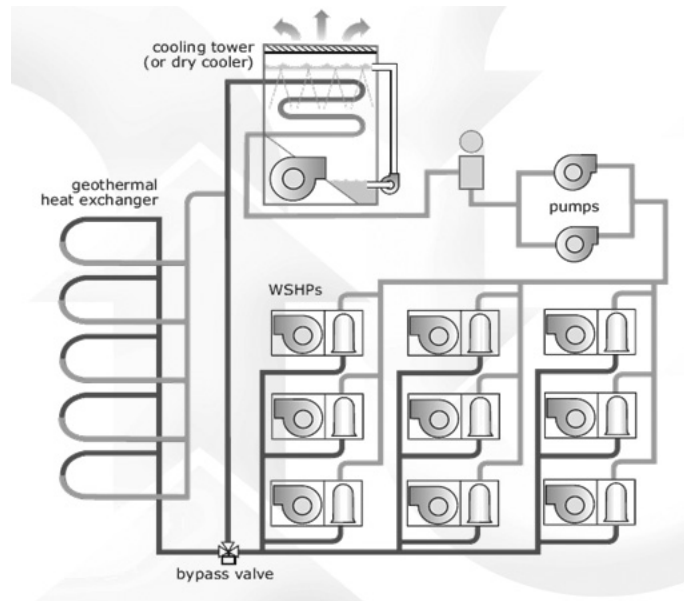
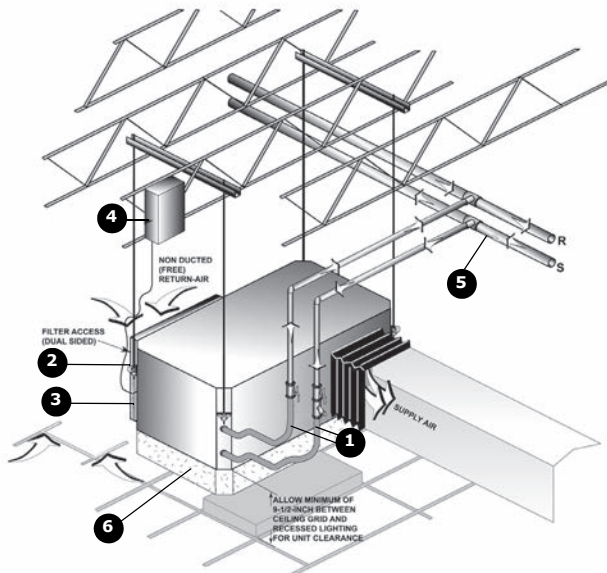


Figure 6. Central pumping system



Units that employ a central pumping system contain single or dual pumps to fulfill pumping requirements for the entire building system.

The central system's supply and return lines should be sized to handle the required flow with a minimum pressure drop.

The water-source heat pump (GEH) may include add-on accessories to help aid in system balancing, acoustics and safety requirements. Some of these items may be ordered from the factory, then field installed. Many are provided by the contractor.

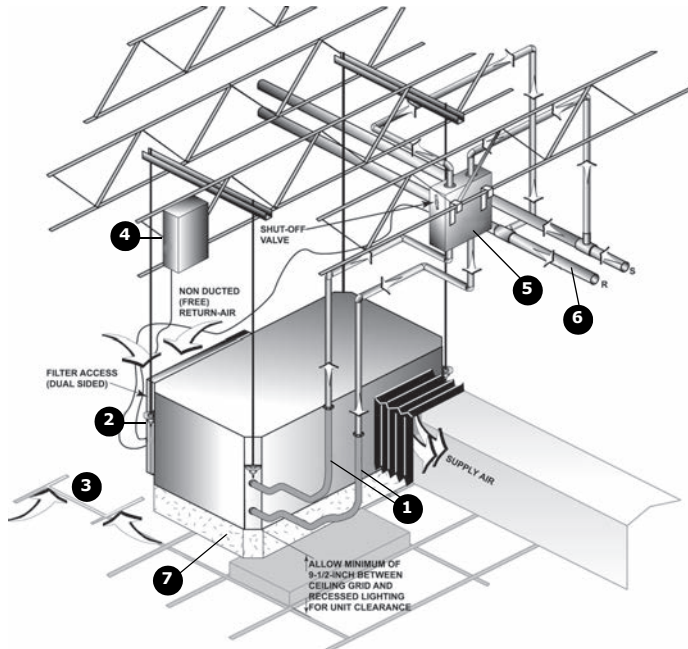
- Hose kits (item 1) are used to connect the water supply and return line to the water inlets and outlets. Trane offers various hose kit combinations to better facilitate system flow balancing. These flexible hoses also aid in the reduction of vibration between the unit and the rigid central piping system.
- A two position isolation valve is often applied to systems which incorporate variable frequency pumping. This valve is capable of stopping/starting water flow to the unit, which in-turn reduces the pumping requirements for the entire system.
- The unit's (item 2) 3/4-inch high voltage and (item 3) 0.5-inch low voltage connections are located on the left chamfered corner of the unit. They are designed to accept conduit.
- A field supplied line voltage disconnect (item 4) should be installed for branch circuit protection. Check local codes for requirements.
- The central system supply and return lines (item 5) should be sized to handle the required flow with a minimum pressure drop.

Note: *Pipe will sweat if low temperature water is below the dew point of the surrounding space. Trane recommends that these lines be insulated to prevent damage from condensation when condenser loop is designed to be below 60°F. Equipment installed in attic/crawl space temperatures below 40°F may require antifreeze in the water loop.*

- For acoustically sensitive areas, a six-inch deep fiberglass insulation (item 6) is recommended to be field installed below the horizontal unit. This field supplied insulation should be approximately twice the footprint size of the unit. It provides sound damping of the unit while in operation.

Application Considerations

Figure 7. Distributed pumping system



A distributed pumping system contains either a single or dual pump module, specifically sized for each water-source heat pump, then connected directly to the units supply and return lines.

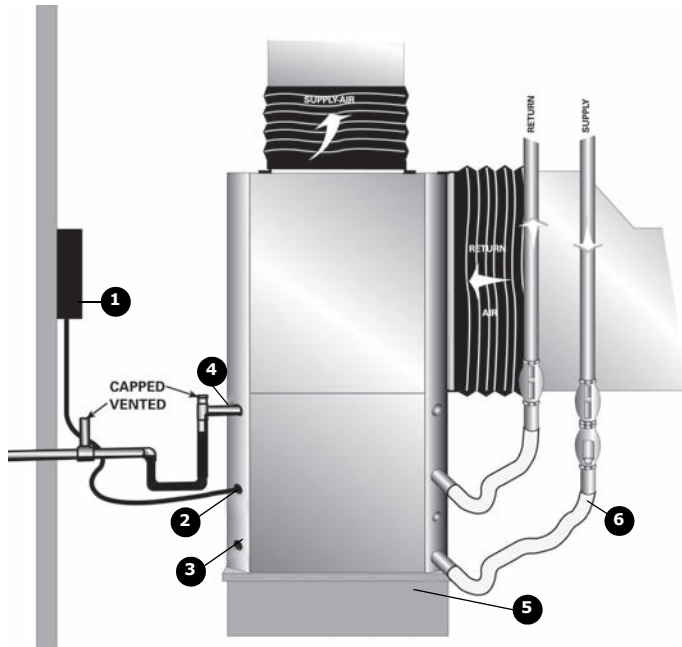
The distributed system's supply and return lines should be sized to handle the required flow with a minimum pressure drop.

- Hose kits (item 1) are used to connect the water supply and return line to the water inlets and outlets. Trane offers various hose kit combinations to better facilitate system flow balancing. These flexible hoses also aid in the reduction of vibration between the unit and the rigid central piping system.
- The unit's (item 2) 3/4-inch high voltage and (item 3) 0.5-inch low voltage connections are located on the left chamfered corner of the unit. They are designed to accept conduit.
- A field supplied line voltage disconnect (item 4) should be installed for branch circuit protection. Check local codes for requirements.
- Trane's self-contained pump module (item 5) and hose kit make a complete pumping package for distributed pumping systems. The module is designed for circulating commercial loops that require a maximum flow rate of 20 gpm. Each pump module is fully assembled for connection to water and electrical points. The kit contains all of the necessary components for the installation, operation and maintenance of a closed loop application. See WSHPC-IN-5 (72-9006-03) for electrical and dimensional requirements
- The distributed pumping system supply and return lines (item 6) should be sized to handle the required flow with a minimum pressure drop.

Note: *Pipe will sweat if low temperature water is below the dew point of the surrounding space. Trane recommends that these lines be insulated to prevent damage from condensation when condenser loop is designed to be below 60°F. Equipment installed in attic/crawl space temperatures below 40°F may require antifreeze in the water loop.*

- For acoustically sensitive areas, a six-inch deep fiberglass insulation (item 7) is recommended to be field installed below the horizontal unit. This field supplied insulation should be approximately twice the footprint size of the unit. It provides sound damping of the unit while in operation.

Figure 8. Installation of the 0.5 to 5 ton vertical



Whether securing the 0.5 to 5 ton GEV to a central pumping system, or a distributed pumping system, Trane recommends a few accessory considerations to the system installation.

- The field supplied line voltage disconnect (1) should be installed for branch circuit protection.
- The units (2) 3/4-inch high voltage and (3) 0.5-inch low voltage connections are located on the left chamfered corner of the unit. They are designed to accept conduit.
- Trane recommends that the condensate system (4) be set-up per negative pressure trapping in consideration of the unit's draw-through design. With this properly trapped system, when condensate forms during normal operation, the water level in the trap rises until there is a constant outflow. Refer to the Axiom™ Installation and Operations manual for negative pressure trapping guidelines.
- For acoustically sensitive areas, a 0.5-inch thick field provided vibration pad (5) should be installed below the vertical unit. This field provided piece should be equal to the overall footprint size of the unit to provide sound damping of the unit while in operation.
- Hose kits (6) are used to connect the water supply and return lines to the water inlet and outlets. Trane includes various hose kit combinations to better facilitate system flow balancing. These flexible hoses, reduce vibration between the unit and the rigid piping system.

Installation Made Easy (GEH 0.5 to 5 Tons)

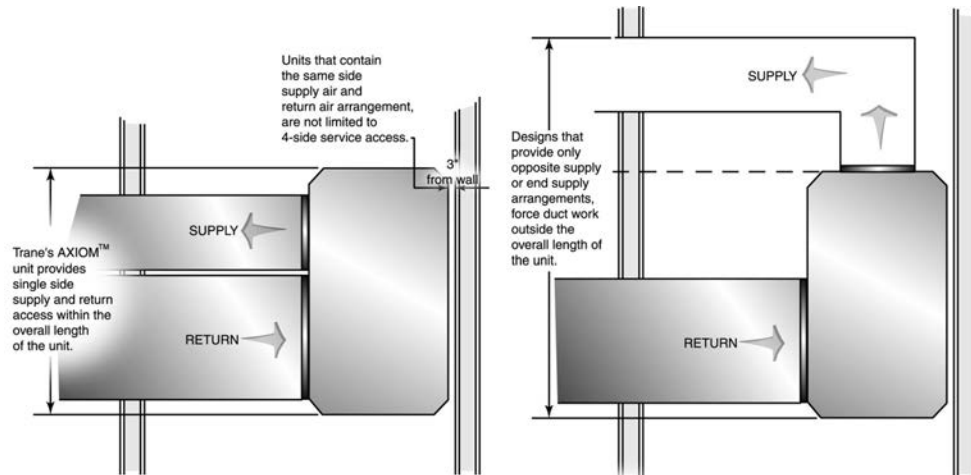
Installing a horizontal unit inside a corridor to enhance sound attenuation provides value to duct design. Trane takes this fact one step further.

The GEH design offers same side return-air/supply-air access to the unit. This access is contained within the overall dimension of the units length. The unit can be installed closely against a corridor wall without requiring extra space for the duct.

Most horizontal unit designs provide an opposite supply air from the return air arrangement, or an end supply arrangement option. See the end-supply example. An end-supply design increases the overall unit length of the system to accommodate a 90° duct turn. This not only requires added space, but also adds cost in both materials and installation.

Application Considerations

Additional value to the design is acquired through the same side supply/return-air design. This design eliminates a requirement for a four-sided service access. When installing the same side return/supply-air access, a brief 3-inch minimum is all that is required between the unit and the wall.

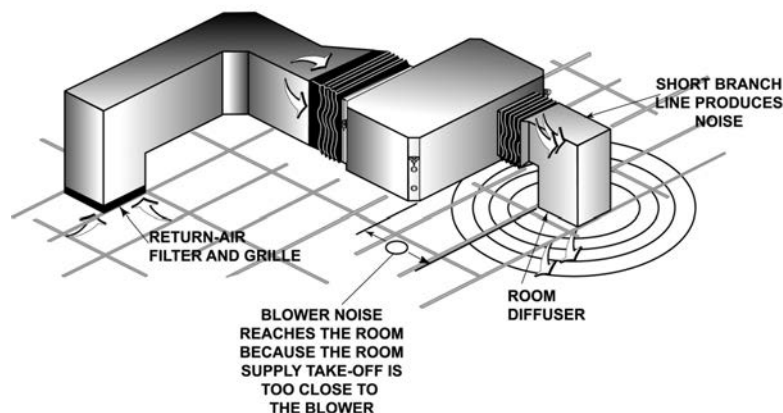


Duct Design for Noise Control

Proper acoustics are often a design requirement. Most of the problems that are associated with HVAC generated sound can be avoided by properly selecting and locating the components of the system. Acoustical modeling should be used to find the lowest cost design to meet a specific sound requirement, however, there are some general do's and don'ts that should be observed.

Improper Supply Air-Ducting (0.5 to 5 Tons)

The drawing below shows a supply air duct that is placed too close to the blower to provide substantial noise attenuation. It also, represents the effects on sound that a short supply branch connected to the discharge may produce. Avoid these forms of connections when designing ductwork where noise attenuation is critical.

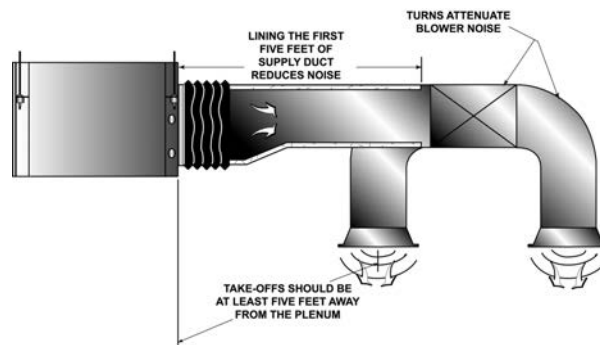


The following suggestions will reduce the amount of sound that reaches the occupied space:

- Design the duct run with two 90° turns
- Line the first 5 feet of the supply trunk
- Line elbows and transition pieces, as well as a short distance upstream and downstream of the fittings

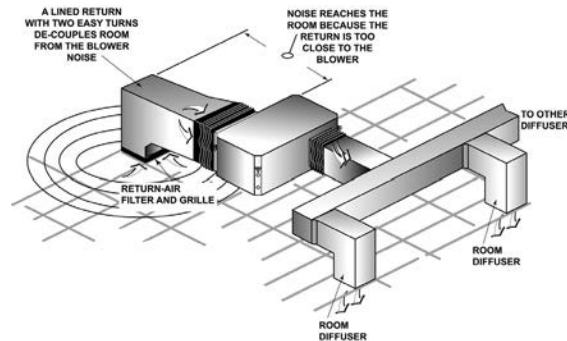
- Use flexible connections to isolate vibrations
- Provide multiple discharges
- Keep duct velocity low

Figure 9. Desired supply air ducting



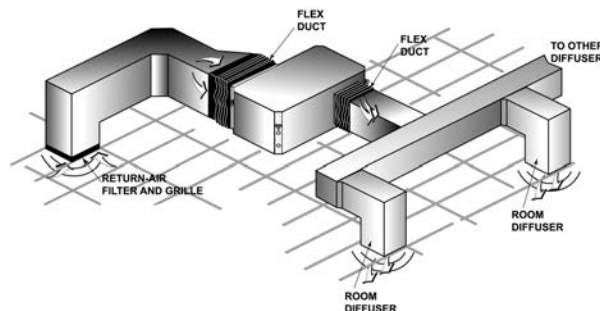
See [Figure 9](#) for a positive representation of supply duct work design for noise attenuation on units over 1.5 tons.

Figure 10. Improper return-air ducting



Sound control applies to the return side of the duct design as well as the supply side. [Figure 10](#) demonstrates a poor installation. Note that the return air opening is close to the cabinet of the unit.

Figure 11. Proper return-air ducting



[Figure 11](#) graphic represents proper installation of return-air duct. This includes

- Two 90° bends prior to the intake
- Lining the first 10 feet of the return air duct
- Locating the return-air intake away from the unit blower

A duct system design that takes noise control into account:

- Keeps air flow velocities low
- Uses aerodynamic fittings
- Uses a duct liner if metal duct is applied
- Avoids line-of-sight connections between a noise source and an outlet
- Avoids line-of-sight connection between a noise source and an inlet
- Properly locates balancing dampers



Application Considerations

- Seals cracks, seams, and joints in the duct run and equipment panels
- Blocks transmission through walls, ceiling and floors
- Mounts and supports the ductwork with isolation devices that absorb vibration
- Uses flexible duct connections
- Uses flexible braided hoses on the water connections

Water Flow Control

Trane's Axiom™ product line features thermal expansion valves on every unit. The operating range for the TXV is between 45°F and 110°F for cooling and between 25°F and 86°F for heating. On systems that expect low water temperatures, a waterside economizer can be employed to eliminate the need to operate the compressors and take full advantage of "free cooling." Water regulating valves are not recommended.

An isolation valve is recommended for use with the Axiom WSHP unit on systems utilizing variable water flow. The isolation valve allows full water flow through the unit when the compressor is in operation. When the compressor is off, the valve closes and shuts off water flow to the unit allowing the system pumps to unload and operate more efficiently. Isolation valves are typically provided as part of the hose kit and connect to the unit terminal strip. A variety of manual and automatic flow control kits including hoses are available as accessories for balancing a water source heat pump system. For a complete product listing, refer to the Hose Kit Accessories product catalog, WSHP-PRC025*-EN.



Model Number Descriptions

Digits 1-3 - Unit Configuration

- GEH = Standard Efficiency Horizontal
0.5 to 15 Tons
- GEV = Standard Efficiency Vertical
0.5 to 25 Tons

Digit 4 - Development Sequence

- E = R-410A

Digits 5-7 - Nominal Capacity

- 006 = 0.5 Tons
- 009 = 0.75 Tons
- 012 = 1 Tons
- 015 = 1.25 Tons
- 018 = 1.5 Tons
- 024 = 2 Tons
- 030 = 2.5 Tons
- 035 = 3 Tons (Horizontal only)
- 036 = 3 Tons (Vertical only)
- 042 = 3.5 Tons
- 048 = 4 Tons
- 060 = 5 Tons
- 072 = 6 Tons
- 090 = 7.5 Tons
- 120 = 10 Tons
- 150 = 12.5 Tons
- 180 = 15 Tons
- 240 = 20 Tons
- 300 = 25 Tons

Digit 8 - Voltage (Volts/Hz/Phase)

- 0 = 115/60/1¹
- 1 = 208/60/1
- 2 = 230/60/1
- 3 = 208/60/3
- 4 = 460/60/3
- 5 = 575/60/3
- 6 = 220-240/50/1
- 7 = 265/60/1
- 8 = 230/60/3
- 6 = 380-415/50/3

Digit 9 - Heat Exchanger

- 1 = Copper-Water Coil
- 2 = Cupro-Nickel Water Coil
- 7 = Insulated Copper-Water Coil
- 8 = Insulated Cupro-Nickel Water Coil

Digit 10 - Current Design Sequence

Digit 11 - Refrigeration Circuit

- 0 = Heating and Cooling Circuit
- 2 = Heating and Cooling Circuit with Hot Gas Reheat
- 3 = Heating and Cooling Circuit with Waterside Economizer
- 4 = Heating and Cooling Circuit with HGR and WSE²

Digit 12 - Blower Configuration

- 1 = Standard Blower Motor³
- 2 = High Static Blower Motor³
- A = Drive Package A
- B = Drive Package B
- C = Drive Package C
- D = Drive Package D
- E = Drive Package E
- F = Drive Package F
- G = Drive Package G
- H = Drive Package H
- J = Drive Package J
- 1* = 2 Speed Drive Package A
- 2* = 2 Speed Drive Package B
- 3 = 2 Speed Drive Package C
- 4 = 2 Speed Drive Package D
- 5 = 2 Speed Drive Package E
- 6 = 2 Speed Drive Package F
- 7 = 2 Speed Drive Package G
- 8 = 2 Speed Drive Package H
- 9 = 2 Speed Drive Package J

Digit 13 - Freeze Protection

- A = 20°F Freezestat⁴
- B = 35°F Freezestat

Digit 14 - Open Digit = 0

Digit 15 - Supply-Air Arrangement

- B = Back Supply-Air Arrangement
- F = Front Supply-Air Arrangement
- L = Left Supply-Air Arrangement
- R = Right Supply-Air Arrangement
- T = Top Supply-Air Arrangement⁵

Digit 16 - Return-Air Arrangement

- B = Back Return-Air Arrangement²
- F = Front Return-Air Arrangement²
- L = Left Return-Air Arrangement
- R = Right Return-Air Arrangement

Digit 17 - Control Types

- D = Deluxe 24V Controls
- B = Tracer® ZN524 Controls
- F = UC400
- G = UC400 w/Wireless Comm

Digit 18 - Tstat/Sensor Location

- 0 = Wall Mounted Location

Digit 19 - Fault Sensors

- 1 = Condensate Overflow Sensor
- 3 = Condensate Overflow and Filter Maintenance Timer
- 6 = Condensate Overflow and Fan Status
- J = Fan Status, Filter Maintenance Timer and Condensate Overflow Sensor

Digit 20 - Temperature Sensor

- 0 = No Temperature Sensor
- 1 = Entering Water Sensor

Digit 21 - Insulation

- 1 = Standard Fiberglass Insulation
- 2 = Foil-faced Insulation in Airstream³

Digit 22 - Electric Heat

- 0 = No Electric Heat
- 1 = Internal Boilerless Electric Heat³
- 4 = External Boilerless Electric Heat
- 5 = External Supplemental Electric Heat²

Digit 23 - ON/OFF Switch

- 0 = No ON/OFF Switch
- 1 = ON/OFF Switch⁶

Digit 24 - Filter Type

- 1 = 1" Throwaway Filter
- 2 = 2" Throwaway Filter
- 4 = 2" MERV 8
- 5 = 2" MERV 13

Digit 25 - Acoustic Arrangement

- 0 = Enhanced Sound Attenuation
- 1 = Deluxe Sound Attenuation⁷

Digits 26-34 - Do Not Apply to GEH or GEV

0000000000 = Digits 26-34 are not applicable to the GEH or GEV products

Digits 35

- A = Polymer Drain Pan
- B = Stainless Steel Drain Pan

¹ 0.5 to 1 Ton only

² 6 to 25 Tons only

³ 0.5 to 5 Tons only

⁴ Extended Range Geothermal

⁵ Only available on vertical units

⁶ ON/OFF switch not available with boilerless electric heat option or units over 60 amps

⁷ 0.5 to 5 Tons (horizontal only)



General Data

Table 6. Models GEH006-024 (0.5 to 2 tons)

Model GEH	006	009	012	015	018	024
Unit Size Depth x L x H (in)	40 x 20 x 15	40 x 20 x 15	40 x 20 x 15	40 x 20 x 15	46 x 23 x 18	46 x 23 x 18
Compressor Type	Rotary	Rotary	Rotary	Rotary	Rotary	Scroll
Net Weight (lbs.)	165	165	173	173	248	253
Ship Weight (lbs.)	195	195	203	203	268	285
Filter Size Nominal (in.)	15 x 20	15 x 20	15 x 20	15 x 20	18 x 24	18 x 24
Water in/out Size (FPT)	0.5	0.5	0.5	0.5	3/4	3/4
Condensate Size (NPTI)	3/4	3/4	3/4	3/4	3/4	3/4
Blower Wheel Size (in.) - Direct Drive	9 x 4	9 x 4	9 x 4	9 x 4	9 x 6	10 x 6

Table 7. Models GEH030-060 (2.5 to 5 tons)

Model GEH	030	035	042	048	060
Unit Size Depth x L x H (in)	46 x 23 x 18	50 x 25 x 19	50 x 25 x 19	58 x 33 x 21	58 x 33 x 21
Compressor Type	Scroll	Scroll	Scroll	Scroll	Scroll
Net Weight (lbs.)	253	313	288	398	398
Ship Weight (lbs.)	285	343	318	428	428
Filter Size Nominal (in.)	18 x 24	19 x 26	19 x 26	21 x 30	21 x 30
Water in/out Size (FPT)		3/4	3/4	1	1
Condensate Size (NPTI)	3/4	3/4	3/4	3/4	3/4
Blower Wheel Size (in.) - Direct Drive	10 x 6	11 x 8	11 x 8	10 x 10 Std Static 12 x 11 High Static	12 x 11

Table 8. Models GEH072-180 (6 to 15 tons)

Model GEH	072	090	120	150	180
Unit Size Depth x L x H (in)	41 x 79 X 21	41 x 79 x 21	41 x 79 x 21	47 x 85 x 28	47 x 85 x 28
Compressor Type	Scroll (2)	Scroll (2)	Scroll (2)	Scroll (2)	Scroll (2)
Net Weight (lbs.)	665	676	785	857	955
Ship Weight (lbs.)	714	724	827	899	997
Filter Size Nominal (in.)	20 x 25 (3)	20 x 25 (3)	20 x 25 (3)	20 x 25 (3)	20 x 25 (3)
Water in/out Size (FPT)	1.25	1.25	1.5	1.5	1.5
Condensate Size (NPTI)	0.5	0.5	0.5	0.5	0.5
Blower Wheel Size (in.)- Belt Drive	13 x 13	13 x 13	13 x 13	15 x 15	15 x 15

Table 9. Models GEV006-018 (0.5 to 1.5 tons)

Model GEV	006	009	012	015	018
Unit Size Depth x L x H (in)	22 x 19 x 31	22 x 19 x 31	22 x 19 x 31	22 x 19 x 31	22 x 21 x 39
Compressor Type	Rotary	Rotary	Rotary	Rotary	Rotary
Net Weight (lbs.)	165	165	173	173	248
Ship Weight (lbs.)	195	195	203	203	268
Filter Size Nominal (in.)	16 x 20	16 x 20	16 x 20	16 x 20	20 x 20
Water in/out Size (FPT)	0.5	0.5	0.5	0.5	3/4
Condensate Size (NPTI)	3/4	3/4	3/4	3/4	3/4
Blower Wheel Size (in.) - Direct Drive	9 x 4	9 x 4	9 x 4	9 x 4	9 x 6

Table 10. Models GEV024-042 (2 to 3.5 tons)

Model GEV	024	030	036	042
Unit Size Depth x L x H (in)	22 x 21 x 39	22 x 21 x 39	26 x 24 x 42	26 x 24 x 42
Compressor Type	Scroll	Scroll	Scroll	Scroll
Net Weight (lbs.)	253	253	288	288
Ship Weight (lbs.)	285	285	308	308
Filter Size Nominal (in.)	20 x 20	20 x 20	20 x 25	20 x 25
Water in/out Size (FPT)	3/4	3/4	3/4	3/4
Condensate Size (NPTI)	3/4	3/4	3/4	3/4
Blower Wheel Size (in.)- Direct Drive	10 x 6	10 x 6	11 x 8	11 x 8

Table 11. Models GEV048-060 (4 to 5 tons)

Model GEV	048	060
Unit Size Depth x L x H (in)	30 x 26 x 47	30 x 26 x 47
Compressor Type	Scroll	Scroll
Net Weight (lbs.)	348	350
Ship Weight (lbs.)	396	396
Filter Size Nominal (in.)	24 x 30	24 x 30
Water in/out Size (FPT)	1	1
Condensate Size (NPTI)	3/4	3/4
Blower Wheel Size (in.) - Direct Drive	10 x 10 - Standard	12 x 11
	12 x 11 - High	

Table 12. Models GEV072-180 (6 to 15 tons)

Model GEV	072	090	120	150	180
Unit Size Depth x L x H (in)	42 x 36 x 63	42 x 36 x 63	42 x 36 x 63	81-5/8 x 36-1/4 x 68	81-5/8 x 36-1/4 x 68
Compressor Type	Scroll (2)	Scroll (2)	Scroll (2)	Scroll (2)	Scroll (2)
Net Weight (lbs.)	590	618	817	1162	1178
Ship Weight (lbs.)	630	658	857	1207	1223
Filter Size Nominal (in.)	20 x 20 (4)	20 x 20 (4)	20 x 20 (4)	20 x 25 (6)	20 x 25 (6)
Water in/out Size (FPT)	1-1/4	1-1/4	1.5	1.5	1.5
Condensate Size (NPTI)	3/4	3/4	3/4	3/4	3/4
Blower Wheel Size (in.) - Belt Drive	13 x 13	13 x 13	13 x 13	15 x 15	15 x 15



General Data

Table 13. Models GEV240-300 (20 to 25 tons)

Model GEV	240	300
Unit Size Depth x L x H (in)	81-5/8 x 36-1/4 x 68	81-5/8 x 36-1/4 x 68
Compressor Type	Scroll (2)	Scroll (2)
Net Weight (lbs.)	1599	1620
Ship Weight (lbs.)	1644	1665
Filter Size Nominal (in.)	20 x 25(6)	20 x 25 (6)
Water in/out Size (FPT)	2	2
Condensate Size (NPTI)	3/4	3/4
Blower Wheel Size (in.) - Belt Drive	(2) 13 x 13	(2) 15 x 11 or (2) 13 x 13 ^(a)

(a) Size determined by specific drive package ordered

Table 14. Models GEH006-024 (0.5 to 2 tons) air-to-refrigerant coil

Model GEH	006	009	012	015	018	024
Working Pressure (psig)	650	650	650	650	650	650
Tubes High	14	14	14	14	17	17
Tubes Deep	3	3	3	3	3	3
No. of Circuits	1	1	2	2	2	3
Finned Vol. (h,w,d)	14 x 16 x 2.6	14 x 16 x 2.6	14 x 16 x 2.6	14 x 16 x 2.6	16 x 19 x 2.6	16 x 19 x 2.6
Coil Surface Area (Sq. Ft.)	1.56	1.56	1.56	1.56	2.11	2.11
Fins per Inch	12	12	12	12	12	12
Tube Material	Copper	Copper	Copper	Copper	Copper	Copper
Tube OD (in.)	3/8	3/8	3/8	3/8	3/8	3/8
Wall Thickness	0.014	0.014	0.014	0.014	0.014	0.014
Return Bends	Copper	Copper	Copper	Copper	Copper	Copper

Table 15. Models GEH030-060 (2.5 to 5 tons) air-to-refrigerant coil

Model GEH	030	035	042	048	060
Working Pressure (psig)	650	650	650	650	650
Tubes High	17	18	18	20	20
Tubes Deep	4	4	4	4	4
No. of Circuits	4	4	4	5	5
Finned Vol. (h,w,d)	16 x 19 x 3.5	18 x 21 x 2.6	18 x 21 x 3.5	20 x 29 x 3.5	20 x 29 x 3.5
Coil Surface Area (Sq. Ft.)	2.11	2.63	2.63	4.03	4.03
Fins per Inch	12	12	12	12	12
Tube Material	Copper	Copper	Copper	Copper	Copper
Tube OD (in.)	3/8	3/8	3/8	3/8	3/8
Wall Thickness	0.014	0.014	0.014	0.014	0.014
Return Bends	Copper	Copper	Copper	Copper	Copper

Table 16. Models GEV006-024 (0.5 to 2 tons) air-to-refrigerant coil

Model GEV	006	009	012	015	018	024
Working Pressure (psig)	650	650	650	650	650	650
Tubes High	14	14	14	14	21	21
Tubes Deep	3	3	3	3	3	3
No. of Circuits	1	1	2	2	2	3
Finned Vol. (h,w,d)	14 x 16 x 2.6	14 x 16 x 2.6	14 x 21 x 2.6	14 x 21 x 2.6	21 x 16 x 2.6	21 x 16 x 2.6
Coil Surface Area (Sq. Ft.)	1.56	1.56	1.56	1.56	2.33	2.33
Fins per Inch	12	12	12	12	12	12
Tube Material	Copper	Copper	Copper	Copper	Copper	Copper
Tube OD (in.)	3/8	3/8	3/8	3/8	3/8	3/8
Wall Thickness	0.014	0.014	0.014	0.014	0.014	0.014
Return Bends	Copper	Copper	Copper	Copper	Copper	Copper

Table 17. Models GEV030-060 (2.5 to 5 tons) single compressor circuit, air-to-refrigerant coil

Model GEV	030	036	042	048	060
Working Pressure (psig)	650	650	650	650	650
Tubes High	21	18	18	24	24
Tubes Deep	4	3	4	4	4
No. of Circuits	4	3	4	6	6
Finned Vol. (h,w,d)	21 x 16.3 x 3.5	18 x 21 x 2.6	18 x 21 x 3.5	24 x 25 x 3.5	24 x 25 x 3.5
Coil Surface Area (Sq. Ft.)	2.33	2.63	2.63	4.17	4.17
Fins per Inch	12	12	12	12	12
Tube Material	Copper	Copper	Copper	Copper	Copper
Tube OD (in.)	3/8	3/8	3/8	3/8	3/8
Wall Thickness	0.014	0.014	0.014	0.014	0.014
Return Bends	Copper	Copper	Copper	Copper	Copper

Table 18. Models GEH/V 072-300 (6 to 25 tons) dual compressor circuit, air-to-refrigerant coil

Unit Size	072	090	120	150	180	240	300
Working Pressure	650	650	650	650	650	650	650
Tubes High	(GEH) 18 (GEV) 24	(GEH) 18 (GEV) 28	(GEH) 18 (GEV) 36	(GEH) 24 (GEV) 28	(GEH) 24 (GEV) 32	(GEV) 36	(GEV) 36
Tubes Deep	4	4	4	(GEH) 4 (GEV) 2	(GEH) 4 (GEV) 3	(GEV) 4	(GEV) 4
No. of Circuits	(GEH) 6 refrig flow paths (2X) (GEV) 6 refrig flow paths (2X)	(GEH) 6 refrig flow paths (2X) (GEV) 7 refrig flow paths (2X)	(GEH) 9 refrig flow paths (2X) (GEV) 9 refrig flow paths (2X)	(GEH) 8 refrig flow paths (2X) (GEV) 7 refrig flow paths (2X)	(GEH) 6 refrig flow paths (2X) (GEV) 8 refrig flow paths (2X)	(GEV) 18 refrig flow paths (2X)	(GEV) 18 refrig flow paths (2X)
Finned Vol. (h,w,d)	(GEH) 18 x 48 x 3.5 (GEV) 24 x 34 x 3.5	(GEH) 18 x 54 x 3.5 (GEV) 28 x 34 x 3.5	(GEH) 18 x 73 x 3.5 (GEV) 36 x 34 x 3.5	(GEH) 24 x 73 x 3.5 (GEV) 28 x 73 x 1.7	(GEH) 24 x 73 x 3.5 (GEV) 32 x 73 x 2.6	(GEV) 36 x 73 x 3.5	(GEV) 36 x 73 x 3.5
Coil Surface Area (Ft ²)	(GEH) 6.00 (GEV) 5.67	(GEH) 6.75 (GEV) 6.61	(GEH) 9.125 (GEV) 8.50	(GEH) 12.167 (GEV) 14.19	(GEH) 12.167 (GEV) 16.22	(GEV) 18.25	(GEV) 18.25
Fins Per Inch	14	14	14	14	14	14	14
Tube Material	Copper	Copper	Copper	Copper	Copper	Copper	Copper
Tube OD (in)	3/8	3/8	3/8	3/8	3/8	3/8	3/8
Wall Thickness	0.014	0.014	0.014	0.014	0.014	0.014	0.014



General Data

Table 18. Models GEH/V 072-300 (6 to 25 tons) dual compressor circuit, air-to-refrigerant coil

Unit Size	072	090	120	150	180	240	300
Return Bends	Copper	Copper	Copper	Copper	Copper	Copper	Copper

Table 19. Models GEH006-060 (0.5 to 5 tons) water-to-refrigerant coil

Model GEH	006	009	012	015	018	024	030	035	042	048	060
Refrigerant Working Pressure (psig)	780	780	780	780	780	780	780	660	780	660	660
Water Working Pressure	400	400	400	400	400	400	400	400	400	400	400

Table 20. Models GEV006-060 (0.5 to 5 tons) water-to-refrigerant coil

Model GEV	006	009	012	015	018	024	030	036	042	048	060
Refrigerant Working Pressure (psig)	780	780	780	780	780	780	780	660	780	660	660
Water Working Pressure	400	400	400	400	400	400	400	400	400	400	400

Table 21. Models GEH072-180 (6 to 15 tons) water-to-refrigerant coil

Model GEH	072	090	120	150	180
Refrigerant Working Pressure (psig)	780	660	660	660	660
Water Working Pressure	400	400	400	400	400

Table 22. Models GEV072-300 (6 to 25 tons) water-to-refrigerant coil

Model GEV	072	090	120	150	180	240	300
Refrigerant Working Pressure (psig)	780	660	660	660	660	660	660
Water Working Pressure	400	400	400	400	400	400	400



Performance Data

Table 23. ANSI/AHRI/ASHRAE/ISO13256-1 WLHP, GWHP and GLHP performance - 0.5 to 25 Tons^(a)

Model	Rated GPM	Rated CFM	Water Loop Heat Pump				Ground Water Heat Pump				Ground Loop Heat Pump			
			Cooling 86°F		Heating 68°F		Cooling 59°F		Heating 50°F		Full Cool 77°F		Full Heat 32°F	
			Capacity Btuh	EER	Capacity Btuh	COP	Capacity Btuh	EER	Capacity Btuh	COP	Capacity Btuh	EER	Capacity Btuh	COP
GEH006	1.8	215	7,500	12.00	9,300	4.30	8,600	18.00	7,900	3.72	7,900	14.10	6,000	3.20
GEH009	2.1	285	8,800	12.38	11,300	4.56	10,100	18.00	9,300	3.91	9,300	14.10	7,200	3.20
GEH012	2.8	380	11,700	13.20	14,600	4.69	12,700	18.86	12,000	4.02	12,000	14.52	9,300	3.26
GEH015	3.5	475	14,300	12.85	18,300	4.30	15,800	19.61	15,300	3.72	14,800	14.66	12,100	3.20
GEH018	4.2	570	18,000	13.00	21,900	4.47	19,500	18.56	18,100	3.91	18,500	14.18	14,300	3.20
GEH024	5.6	760	24,000	13.60	29,700	4.55	26,800	20.60	24,900	4.07	25,100	15.87	19,300	3.29
GEH030	7.0	900	28,200	13.04	35,700	4.46	32,000	19.27	29,800	3.97	29,500	14.83	22,800	3.29
GEH035	8.4	1140	33,800	13.70	41,200	4.70	38,200	20.20	33,800	4.00	35,300	15.80	25,900	3.20
GEH042	9.8	1330	41,500	13.00	51,900	4.46	45,900	18.42	42,900	3.88	43,100	14.55	34,100	3.29
GEH048	11.2	1520	49,700	13.13	58,200	4.65	55,700	19.46	49,300	4.07	51,800	15.02	38,700	3.49
GEH060	14.0	1900	59,700	13.00	70,500	4.36	66,200	18.23	58,000	3.88	62,200	14.55	46,400	3.29
GEH072	18.0	2100	75,500	13.40	83,800	4.80	83,200	21.90	69,100	4.20	74,600	16.00	54,400	3.50
GEH090	22.5	2625	84,800	14.10	99,200	4.68	94,600	20.67	83,000	4.07	88,100	15.80	64,500	3.40
GEH120	30.0	3500	116,800	13.35	147,100	4.60	129,000	19.30	122,600	4.10	120,600	14.90	99,200	3.20
GEH150	37.5	4375	152,800	14.30	175,000	4.40	166,800	20.60	147,800	4.10	158,000	16.40	118,000	3.40
GEH180	45.0	5250	180,800	13.10	222,700	4.40	204,700	18.50	183,100	4.00	188,500	14.70	147,900	3.50
GEV006	1.8	215	7,600	12.20	9,500	4.47	8,500	18.00	8,000	3.82	7,800	14.10	6,200	3.20
GEV009	2.1	285	8,800	12.38	11,300	4.75	10,000	18.00	9,300	4.00	9,100	14.10	7,200	3.26
GEV012	2.8	380	11,600	13.20	14,900	4.79	12,800	19.61	12,200	4.12	12,000	14.90	9,400	3.35
GEV015	3.5	475	14,400	13.14	18,300	4.56	15,900	20.28	15,000	3.91	14,800	14.85	11,700	3.26
GEV018	4.2	570	17,800	13.00	22,200	4.47	19,400	18.28	18,400	3.82	18,300	14.10	14,500	3.26
GEV024	5.6	760	24,700	13.89	29,500	4.65	26,900	21.16	24,600	4.17	25,500	16.06	19,500	3.39
GEV030	7.0	900	28,800	13.60	34,900	4.75	31,900	20.41	29,300	4.17	29,900	15.59	23,200	3.49
GEV036	8.4	1140	36,300	14.28	46,200	4.57	40,100	21.71	38,100	4.02	37,600	16.37	30,100	3.20
GEV042	9.8	1330	41,000	13.13	51,700	4.55	45,900	19.37	42,800	3.97	43,100	15.12	33,800	3.39
GEV048	11.2	1520	49,500	13.32	51,400	4.46	55,200	19.75	43,000	3.88	51,300	15.30	34,200	3.29
GEV060	14.0	1900	61,600	13.23	71,700	4.65	67,600	18.90	58,600	4.07	64,100	15.02	46,800	3.39
GEV072	18.0	2100	75,600	15.24	82,800	4.64	84,800	22.85	70,200	4.18	78,800	17.50	54,500	3.44
GEV090	22.5	2625	88,800	15.10	103,600	4.50	98,600	22.91	83,600	4.10	92,100	17.40	65,600	3.40
GEV120	30.0	3500	118,300	14.54	134,300	4.50	131,400	21.05	113,900	4.06	123,200	16.60	90,400	3.40
GEV150	37.5	4375	154,300	15.40	185,300	4.80	170,400	22.20	152,900	4.30	158,900	17.30	120,600	3.60
GEV180	45.0	5250	185,700	14.10	221,500	4.40	205,000	20.10	180,400	4.10	192,200	16.10	143,500	3.50
GEV240	60.0	7000	249,800	15.10	270,800	4.60	280,200	22.10	223,800	4.20	258,000	17.00	177,900	3.50
GEV300	75.0	8750	305,700	13.90	350,400	4.30	339,400	19.50	286,400	3.80	315,500	15.70	234,600	3.30

Note: Models with capacities greater than 135,000 Btuh are not included in the ANSI/AHRI/ASHRAE/ISO13256-1 water-to-air and brine-to-air heat pump certification program.

(a) Rated in accordance with ANSI/AHRI/ASHRAE/ISO13256-1. Certified conditions are 80.6F DB/66.2F WB EAT in cooling and 68F DB/59F WB EAT in heating.



Performance Data

Table 24. Cooling capacities 0.5 tons (net) - GEH006

EWT	GPM	Total Mbtuh	Sen Mbtuh	SHR	Power kW	EER	Reject Mbtuh	LWT	Feet Head
45	1.1	8.4	6.2	0.73	0.48	17.4	10.1	63.4	2.0
45	1.4	8.5	6.2	0.73	0.47	18.1	10.1	59.5	3.1
45	1.6	8.5	6.2	0.72	0.47	18.3	10.1	57.7	4.0
45	1.7	8.6	6.2	0.72	0.46	18.5	10.1	56.9	4.4
45	1.8	8.7	6.2	0.72	0.47	18.6	10.3	56.4	4.9
45	1.9	8.7	6.3	0.72	0.46	18.7	10.3	55.8	5.4
45	2.0	8.7	6.3	0.72	0.46	18.8	10.3	55.3	5.9
55	1.1	8.1	6.0	0.74	0.52	15.7	9.9	73.0	2.0
55	1.4	8.2	6.0	0.74	0.50	16.3	9.9	69.2	3.0
55	1.6	8.2	6.1	0.74	0.50	16.6	9.9	67.4	3.8
55	1.7	8.2	6.1	0.74	0.49	16.7	9.9	66.7	4.2
55	1.8	8.3	6.1	0.74	0.49	16.8	9.9	66.1	4.7
55	1.9	8.3	6.1	0.73	0.49	16.8	9.9	65.5	5.2
55	2.0	8.3	6.1	0.73	0.49	17.0	10.0	65.0	5.6
68	1.1	7.8	5.9	0.75	0.57	13.6	9.8	85.7	1.9
68	1.4	7.9	5.9	0.75	0.56	14.1	9.8	81.9	2.9
68	1.6	7.9	5.9	0.75	0.55	14.4	9.8	80.2	3.6
68	1.7	7.9	5.9	0.75	0.55	14.5	9.8	79.5	4.1
68	1.8	7.9	5.9	0.75	0.55	14.6	9.8	78.9	4.5
68	1.9	7.9	5.9	0.75	0.54	14.6	9.8	78.3	4.9
68	2.0	8.0	6.0	0.75	0.54	14.7	9.8	77.8	5.4
77	1.1	7.6	5.8	0.76	0.62	12.3	9.7	94.7	1.8
77	1.4	7.7	5.8	0.76	0.60	12.7	9.7	90.9	2.8
77	1.6	7.7	5.8	0.76	0.59	12.9	9.7	89.1	3.5
77	1.7	7.7	5.9	0.76	0.59	13.0	9.7	88.4	3.9
77	1.8	7.7	5.9	0.76	0.59	13.1	9.7	87.8	4.3
77	1.9	7.7	5.9	0.76	0.59	13.2	9.7	87.2	4.8
77	2.0	7.7	5.9	0.76	0.58	13.2	9.7	86.7	5.2
86	1.1	7.4	5.7	0.77	0.68	11.0	9.7	103.7	1.8
86	1.4	7.5	5.7	0.77	0.66	11.4	9.7	99.9	2.7
86	1.6	7.5	5.8	0.77	0.65	11.5	9.7	98.1	3.4
86	1.7	7.5	5.8	0.77	0.65	11.6	9.7	97.4	3.8
86	1.8	7.5	5.8	0.77	0.64	11.7	9.7	96.8	4.2
86	1.9	7.5	5.8	0.77	0.64	11.7	9.7	96.2	4.7
86	2.0	7.5	5.8	0.77	0.64	11.8	9.7	95.7	5.1
95	1.1	7.2	5.6	0.78	0.74	9.7	9.7	112.7	1.7
95	1.4	7.2	5.7	0.78	0.72	10.0	9.7	108.8	2.6
95	1.6	7.2	5.7	0.78	0.71	10.2	9.7	107.1	3.3
95	1.7	7.3	5.7	0.78	0.71	10.3	9.7	106.4	3.7
95	1.8	7.3	5.7	0.78	0.70	10.3	9.7	105.7	4.1
95	1.9	7.3	5.7	0.78	0.70	10.4	9.7	105.2	4.5
95	2.0	7.3	5.7	0.78	0.69	10.4	9.6	104.6	5.0
105	1.1	6.9	5.5	0.80	0.82	8.4	9.7	122.6	1.7
105	1.4	6.9	5.5	0.80	0.80	8.7	9.6	118.8	2.6

Table 24. Cooling capacities 0.5 tons (net) - GEH006 (continued)

EWT	GPM	Total Mbtuh	Sen Mbtuh	SHR	Power kW	EER	Reject Mbtuh	LWT	Feet Head
105	1.6	6.9	5.5	0.80	0.79	8.8	9.6	117.1	3.3
105	1.7	7.0	5.5	0.80	0.79	8.9	9.6	116.3	3.6
105	1.8	7.0	5.5	0.80	0.78	8.9	9.6	115.7	4.0
105	1.9	7.0	5.5	0.80	0.78	8.9	9.6	115.1	4.4
105	2.0	7.0	5.6	0.80	0.78	9.0	9.6	114.6	4.8
110	1.1	6.7	5.4	0.81	0.87	7.7	9.7	127.6	1.7
110	1.4	6.8	5.5	0.81	0.85	7.9	9.7	123.8	2.5
110	1.6	6.8	5.5	0.81	0.84	8.1	9.6	122.1	3.2
110	1.7	6.8	5.5	0.81	0.83	8.1	9.6	121.3	3.6
110	1.8	6.8	5.5	0.81	0.83	8.2	9.6	120.7	4.0
110	1.9	6.8	5.5	0.81	0.82	8.2	9.6	120.1	4.3
110	2.0	6.8	5.5	0.81	0.82	8.2	9.6	119.6	4.8

Notes: Cooling performance data is tabulated at 80.6°F DB/66.2°F WB entering air at ANSI/AHRI/ASHRAE/ISO13256-1 rated cfm. For ANSI/AHRI/ASHRAE/ISO13256-1 certified ratings, refer to the ANSI/AHRI/ASHRAE/ISO13256-1 WLHP, GWHP and GLHP performance table. See performance correction tables to correct performance at conditions other than those tabulated. Data shown is for unit performance only. Interpolation of data is permissible; extrapolation is not. Rated GPM: 1.8 Minimum cfm 172; Rated cfm 215; Maximum cfm 258

Table 25. Heating capacities 0.5 tons (net) - GEH006

EWT	GPM	Htg Cap Mbtuh	Absorb Mbtuh	Power kW	COP	LWT	Feet Head
25	1.1	5.6	3.6	0.59	2.8	18.5	2.3
25	1.4	5.7	3.7	0.59	2.9	19.7	3.5
25	1.6	5.8	3.8	0.59	2.9	20.3	4.4
25	1.7	5.8	3.8	0.59	2.9	20.5	4.9
25	1.8	5.9	3.8	0.59	2.9	20.7	5.4
25	1.9	5.9	3.9	0.59	2.9	20.9	5.9
25	2.0	5.9	3.9	0.59	2.9	21.1	6.5
32	1.1	6.2	4.1	0.59	3.0	24.5	2.2
32	1.4	6.3	4.3	0.60	3.1	25.9	3.4
32	1.6	6.4	4.4	0.60	3.1	26.5	4.3
32	1.7	6.4	4.4	0.60	3.2	26.8	4.8
32	1.8	6.5	4.4	0.60	3.2	27.1	5.3
32	1.9	6.5	4.5	0.60	3.2	27.3	5.8
32	2.0	6.5	4.5	0.60	3.2	27.5	6.3
45	1.1	7.4	5.3	0.62	3.5	35.3	1.8
45	1.4	7.6	5.5	0.62	3.6	37.1	2.7
45	1.6	7.7	5.6	0.62	3.6	38.0	3.4
45	1.7	7.8	5.6	0.62	3.7	38.4	3.8
45	1.8	7.8	5.7	0.62	3.7	38.7	4.2
45	1.9	7.8	5.7	0.62	3.7	39.0	4.6
45	2.0	7.8	5.7	0.62	3.7	39.3	5.1
55	1.1	8.3	6.2	0.64	3.8	43.8	1.7
55	1.4	8.6	6.4	0.64	3.9	45.8	2.6
55	1.6	8.7	6.5	0.64	4.0	46.9	3.3
55	1.7	8.7	6.5	0.64	4.0	47.3	3.7
55	1.8	8.8	6.6	0.65	4.0	47.7	4.1



Performance Data

Table 25. Heating capacities 0.5 tons (net) - GEH006 (continued)

EWT	GPM	Htg Cap Mbtuh	Absorb Mbtuh	Power kW	COP	LWT	Feet Head
55	1.9	8.8	6.6	0.65	4.0	48.1	4.5
55	2.0	8.9	6.6	0.65	4.0	48.4	4.9
68	1.1	9.5	7.3	0.66	4.2	54.8	1.7
68	1.4	9.8	7.5	0.67	4.3	57.3	2.5
68	1.6	10.0	7.7	0.67	4.3	58.4	3.2
68	1.7	10.0	7.7	0.67	4.3	59.0	3.5
68	1.8	10.0	7.7	0.67	4.4	59.4	3.9
68	1.9	10.1	7.8	0.67	4.4	59.8	4.3
68	2.0	10.1	7.8	0.68	4.4	60.2	4.7
75	1.1	10.2	7.9	0.68	4.4	60.7	1.6
75	1.4	10.4	8.1	0.68	4.5	63.4	2.4
75	1.6	10.6	8.3	0.69	4.5	64.6	3.1
75	1.7	10.7	8.3	0.69	4.5	65.2	3.4
75	1.8	10.7	8.3	0.69	4.6	65.7	3.8
75	1.9	10.7	8.4	0.69	4.6	66.2	4.2
75	2.0	10.8	8.4	0.69	4.6	66.6	4.5
86	1.1	11.1	8.8	0.70	4.7	70.1	1.6
86	1.4	11.5	9.1	0.71	4.7	73.0	2.4
86	1.6	11.6	9.2	0.71	4.8	74.5	3.0
86	1.7	11.7	9.3	0.72	4.8	75.1	3.3
86	1.8	11.8	9.3	0.72	4.8	75.6	3.7
86	1.9	11.8	9.4	0.72	4.8	76.1	4.0
86	2.0	11.9	9.4	0.72	4.8	76.6	4.4

Notes: Heating performance data is tabulated at 68°F DB entering air at ANSI/AHRI/ASHRAE/ISO13256-1 rated cfm. For ANSI/AHRI/ASHRAE/ISO13256-1 certified ratings, refer to the ANSI/AHRI/ASHRAE/ISO13256-1 WLHP, GWHP and GLHP performance table. See performance correction tables to correct performance at conditions other than those tabulated. Data shown is for unit performance only. Interpolation of data is permissible; extrapolation is not. Rated GPM: 1.8 Minimum cfm 172; Rated cfm 215; Maximum cfm 258

Table 26. Fan correction factors 0.5 tons - GEH006

Entering cfm	Cooling Capacity	Sensible Capacity	Cooling Input Watts	Heating Capacity	Heating Input Watts
172	0.956	0.878	1.002	0.982	1.093
183	0.964	0.907	0.998	0.990	1.066
194	0.979	0.939	1.000	0.995	1.041
204	0.990	0.970	1.000	1.000	1.019
215	1.000	1.000	1.000	1.000	1.000
237	1.018	1.060	1.000	1.012	0.970
247	1.026	1.088	1.000	1.015	0.956
258	1.034	1.118	1.000	1.015	0.942

Table 27. Cooling capacities 0.5 tons (net) - GEV006

EWT	GPM	Total Mbtuh	Sen Mbtuh	SHR	Power kW	EER	Reject Mbtuh	LWT	Feet Head
45	1.1	8.5	6.1	0.71	0.50	17.0	10.2	63.5	1.3
45	1.4	8.6	6.1	0.71	0.49	17.5	10.3	59.7	2.0
45	1.6	8.6	6.1	0.71	0.49	17.8	10.3	57.9	2.6
45	1.7	8.6	6.1	0.71	0.48	17.8	10.3	57.1	2.9
45	1.8	8.7	6.1	0.71	0.48	17.9	10.3	56.4	3.2
45	1.9	8.6	6.1	0.71	0.48	18.0	10.3	55.8	3.5
45	2.0	8.6	6.1	0.71	0.48	18.0	10.3	55.3	3.8
55	1.1	8.0	5.9	0.73	0.52	15.5	9.8	72.8	1.3
55	1.4	8.1	5.9	0.73	0.50	16.0	9.8	69.0	2.0
55	1.6	8.1	5.9	0.73	0.50	16.2	9.8	67.3	2.5
55	1.7	8.1	5.9	0.73	0.50	16.3	9.8	66.6	2.8
55	1.8	8.1	5.9	0.73	0.50	16.4	9.8	65.9	3.1
55	1.9	8.2	5.9	0.73	0.49	16.5	9.8	65.4	3.4
55	2.0	8.2	5.9	0.73	0.49	16.6	9.8	64.8	3.7
68	1.1	7.8	5.8	0.74	0.58	13.5	9.7	85.7	1.2
68	1.4	7.8	5.8	0.74	0.56	13.9	9.7	81.9	1.9
68	1.6	7.8	5.8	0.74	0.55	14.2	9.7	80.2	2.4
68	1.7	7.8	5.8	0.74	0.55	14.3	9.7	79.4	2.6
68	1.8	7.9	5.8	0.74	0.55	14.4	9.7	78.8	2.9
68	1.9	7.9	5.8	0.74	0.55	14.4	9.7	78.2	3.2
68	2.0	7.9	5.8	0.74	0.54	14.5	9.7	77.7	3.5
77	1.1	7.6	5.7	0.75	0.63	12.1	9.7	94.7	1.2
77	1.4	7.6	5.7	0.75	0.61	12.5	9.7	90.8	1.8
77	1.6	7.6	5.7	0.75	0.60	12.7	9.7	89.1	2.3
77	1.7	7.6	5.7	0.75	0.60	12.8	9.7	88.4	2.6
77	1.8	7.7	5.7	0.75	0.59	12.9	9.7	87.8	2.8
77	1.9	7.7	5.7	0.75	0.59	13.0	9.7	87.2	3.1
77	2.0	7.7	5.7	0.75	0.59	13.0	9.7	86.7	3.4
86	1.1	7.4	5.6	0.76	0.68	10.8	9.7	103.6	1.2
86	1.4	7.4	5.6	0.76	0.66	11.2	9.7	99.8	1.8
86	1.6	7.4	5.6	0.76	0.65	11.3	9.6	98.1	2.2
86	1.7	7.4	5.6	0.76	0.65	11.4	9.6	97.3	2.5
86	1.8	7.4	5.6	0.76	0.65	11.5	9.6	96.7	2.8
86	1.9	7.4	5.6	0.76	0.64	11.5	9.6	96.1	3.0
86	2.0	7.4	5.6	0.76	0.64	11.6	9.6	95.6	3.3
95	1.1	7.1	5.5	0.77	0.75	9.5	9.7	112.6	1.1
95	1.4	7.1	5.5	0.77	0.73	9.8	9.6	108.7	1.7
95	1.6	7.2	5.5	0.77	0.72	10.0	9.6	107.0	2.2
95	1.7	7.2	5.5	0.77	0.71	10.0	9.6	106.3	2.4
95	1.8	7.2	5.5	0.77	0.71	10.1	9.6	105.7	2.7
95	1.9	7.2	5.5	0.77	0.71	10.1	9.6	105.1	3.0
95	2.0	7.2	5.5	0.77	0.71	10.2	9.6	104.6	3.2
105	1.1	6.8	5.4	0.79	0.84	8.1	9.7	122.6	1.1
105	1.4	6.8	5.4	0.79	0.82	8.4	9.6	118.8	1.7



Performance Data

Table 27. Cooling capacities 0.5 tons (net) - GEV006 (continued)

EWT	GPM	Total Mbtuh	Sen Mbtuh	SHR	Power kW	EER	Reject Mbtuh	LWT	Feet Head
105	1.6	6.9	5.4	0.79	0.81	8.5	9.6	117.0	2.1
105	1.7	6.9	5.4	0.79	0.80	8.6	9.6	116.3	2.4
105	1.8	6.9	5.4	0.79	0.80	8.6	9.6	115.7	2.6
105	1.9	6.9	5.4	0.79	0.79	8.6	9.6	115.1	2.9
105	2.0	6.9	5.4	0.79	0.79	8.7	9.6	114.6	3.1
110	1.1	6.6	5.3	0.80	0.91	7.3	9.7	127.7	1.1
110	1.4	6.7	5.3	0.80	0.88	7.6	9.7	123.8	1.7
110	1.6	6.7	5.3	0.80	0.87	7.7	9.6	122.1	2.1
110	1.7	6.7	5.3	0.80	0.86	7.7	9.6	121.3	2.3
110	1.8	6.7	5.3	0.80	0.86	7.8	9.6	120.7	2.6
110	1.9	6.7	5.3	0.80	0.86	7.8	9.6	120.1	2.8
110	2.0	6.7	5.3	0.80	0.85	7.8	9.6	119.6	3.1

Notes: Cooling performance data is tabulated at 80.6°F DB/66.2°F WB entering air at ANSI/AHRI/ASHRAE/ISO13256-1 rated cfm. For ANSI/AHRI/ASHRAE/ISO13256-1 certified ratings, refer to the ANSI/AHRI/ASHRAE/ISO13256-1 WLHP, GWHP and GLHP performance table. See Performance correction tables to correct performance at conditions other than those tabulated. Data shown is for unit performance only. Interpolation of data is permissible; extrapolation is not. Rated GPM: 1.8 Minimum cfm 172; Rated cfm 215; Maximum cfm 258

Table 28. Heating capacities 0.5 tons (net) - GEV006

EWT	GPM	Htg Cap Mbtuh	Absorb Mbtuh	Power kW	COP	LWT	Feet Head
25	1.1	5.6	3.6	0.59	2.8	18.5	2.0
25	1.4	5.7	3.7	0.59	2.9	19.7	3.1
25	1.6	5.8	3.8	0.59	2.9	20.3	3.9
25	1.7	5.8	3.8	0.59	2.9	20.5	4.3
25	1.8	5.8	3.8	0.59	2.9	20.7	4.7
25	1.9	5.9	3.9	0.59	2.9	20.9	5.2
25	2.0	5.9	3.9	0.59	2.9	21.1	5.7
32	1.1	6.2	4.1	0.59	3.0	24.5	2.0
32	1.4	6.3	4.3	0.60	3.1	25.9	3.0
32	1.6	6.4	4.4	0.60	3.1	26.5	3.8
32	1.7	6.4	4.4	0.60	3.2	26.8	4.2
32	1.8	6.5	4.4	0.60	3.2	27.1	4.6
32	1.9	6.5	4.5	0.60	3.2	27.3	5.1
32	2.0	6.5	4.5	0.60	3.2	27.5	5.5
45	1.1	7.4	5.3	0.61	3.5	35.3	1.6
45	1.4	7.6	5.5	0.62	3.6	37.1	2.4
45	1.6	7.7	5.6	0.62	3.7	38.0	3.0
45	1.7	7.8	5.7	0.62	3.7	38.3	3.4
45	1.8	7.8	5.7	0.62	3.7	38.7	3.7
45	1.9	7.8	5.7	0.62	3.7	39.0	4.1
45	2.0	7.9	5.7	0.62	3.7	39.3	4.5
55	1.1	8.3	6.2	0.63	3.9	43.7	1.5
55	1.4	8.6	6.4	0.64	4.0	45.8	2.3
55	1.6	8.7	6.5	0.64	4.0	46.8	2.9
55	1.7	8.7	6.6	0.64	4.0	47.3	3.2
55	1.8	8.8	6.6	0.64	4.0	47.7	3.6

Table 28. Heating capacities 0.5 tons (net) - GEV006 (continued)

EWT	GPM	Htg Cap Mbtuh	Absorb Mbtuh	Power kW	COP	LWT	Feet Head
55	1.9	8.8	6.6	0.64	4.0	48.0	3.9
55	2.0	8.9	6.7	0.64	4.0	48.3	4.3
68	1.1	9.5	7.3	0.66	4.3	54.8	1.4
68	1.4	9.8	7.6	0.66	4.4	57.2	2.2
68	1.6	9.9	7.7	0.66	4.4	58.4	2.8
68	1.7	10.0	7.7	0.66	4.4	58.9	3.1
68	1.8	10.0	7.8	0.67	4.4	59.4	3.4
68	1.9	10.1	7.8	0.67	4.4	59.8	3.7
68	2.0	10.2	7.9	0.67	4.5	60.1	4.1
75	1.1	10.2	7.9	0.67	4.5	60.6	1.4
75	1.4	10.5	8.2	0.68	4.5	63.3	2.1
75	1.6	10.6	8.3	0.68	4.6	64.6	2.7
75	1.7	10.7	8.4	0.68	4.6	65.2	3.0
75	1.8	10.7	8.4	0.68	4.6	65.7	3.3
75	1.9	10.8	8.4	0.68	4.6	66.1	3.6
75	2.0	10.8	8.5	0.68	4.6	66.5	4.0
86	1.1	11.2	8.8	0.69	4.7	70.0	1.4
86	1.4	11.5	9.1	0.70	4.8	73.0	2.1
86	1.6	11.6	9.2	0.70	4.9	74.5	2.6
86	1.7	11.7	9.3	0.70	4.9	75.1	2.9
86	1.8	11.8	9.4	0.71	4.9	75.6	3.2
86	1.9	11.8	9.4	0.71	4.9	76.1	3.5
86	2.0	11.8	9.4	0.71	4.9	76.6	3.8

Notes: Heating performance data is tabulated at 68°F DB entering air at ANSI/AHRI/ASHRAE/ISO13256-1 rated cfm. For ANSI/AHRI/ASHRAE/ISO13256-1 certified ratings, refer to the ANSI/AHRI/ASHRAE/ISO13256-1 WLHP, GWHP and GLHP performance table. See performance correction tables to correct performance at conditions other than those tabulated. Data shown is for unit performance only. Interpolation of data is permissible; extrapolation is not. Rated GPM: 1.8 Minimum cfm 172; Rated cfm 215; Maximum cfm 258

Table 29. Fan correction factors 0.5 tons GEV006

Entering cfm	Cooling Capacity	Sensible Capacity	Cooling Input Watts	Heating Capacity	Heating Input Watts
172	0.956	0.882	1.006	0.983	1.094
183	0.969	0.912	1.004	0.988	1.066
194	0.980	0.941	1.003	0.989	1.039
204	0.991	0.971	1.002	0.997	1.020
215	1.000	1.000	1.000	1.000	1.000
237	1.019	1.060	0.999	1.009	0.969
247	1.027	1.090	0.998	1.010	0.954
258	1.035	1.120	0.998	1.014	0.942

Table 30. Cooling capacities 0.75 tons (net) - GEH009

EWT	GPM	Total Mbtuh	Sen Mbtuh	SHR	Power kW	EER	Reject Mbtuh	LWT	Feet Head
45	1.4	10.2	7.6	0.75	0.55	18.6	12.1	62.3	2.0
45	1.7	10.3	7.7	0.74	0.54	19.0	12.2	59.4	2.8
45	1.9	10.4	7.7	0.74	0.54	19.3	12.3	57.9	3.4
45	2.1	10.5	7.7	0.74	0.54	19.5	12.3	56.7	4.0



Performance Data

Table 30. Cooling capacities 0.75 tons (net) - GEH009 (continued)

EWT	GPM	Total Mbtuh	Sen Mbtuh	SHR	Power kW	EER	Reject Mbtuh	LWT	Feet Head
45	2.2	10.5	7.8	0.74	0.54	19.6	12.4	56.2	4.4
45	2.3	10.6	7.8	0.74	0.54	19.7	12.4	55.8	4.7
45	2.5	10.6	7.8	0.73	0.53	19.9	12.4	55.0	5.5
55	1.4	9.8	7.5	0.76	0.58	16.8	11.7	71.8	1.9
55	1.7	9.9	7.5	0.76	0.57	17.3	11.8	68.9	2.7
55	1.9	9.9	7.5	0.76	0.57	17.5	11.9	67.5	3.2
55	2.1	10.0	7.5	0.76	0.56	17.7	11.9	66.3	3.9
55	2.2	10.0	7.6	0.76	0.56	17.8	11.9	65.8	4.2
55	2.3	10.0	7.6	0.75	0.56	17.9	11.9	65.4	4.6
55	2.5	10.0	7.6	0.75	0.56	18.0	11.9	64.6	5.3
68	1.4	9.3	7.3	0.78	0.64	14.6	11.5	84.4	1.8
68	1.7	9.4	7.3	0.78	0.62	15.0	11.5	81.5	2.5
68	1.9	9.4	7.3	0.78	0.62	15.2	11.5	80.1	3.1
68	2.1	9.4	7.3	0.78	0.61	15.4	11.5	79.0	3.7
68	2.2	9.5	7.4	0.78	0.61	15.5	11.5	78.5	4.0
68	2.3	9.5	7.4	0.78	0.61	15.5	11.6	78.0	4.3
68	2.5	9.5	7.4	0.78	0.61	15.6	11.6	77.3	5.0
77	1.4	9.0	7.2	0.80	0.69	13.0	11.4	93.3	1.8
77	1.7	9.1	7.2	0.79	0.68	13.4	11.4	90.4	2.5
77	1.9	9.1	7.2	0.79	0.67	13.6	11.4	89.0	3.0
77	2.1	9.1	7.2	0.79	0.66	13.7	11.4	87.8	3.6
77	2.2	9.1	7.2	0.79	0.66	13.8	11.4	87.4	3.9
77	2.3	9.1	7.2	0.79	0.66	13.9	11.4	86.9	4.2
77	2.5	9.2	7.2	0.79	0.65	14.0	11.4	86.1	4.9
86	1.4	8.7	7.1	0.81	0.76	11.6	11.3	102.2	1.7
86	1.7	8.8	7.1	0.81	0.74	11.9	11.3	99.3	2.4
86	1.9	8.8	7.1	0.81	0.73	12.0	11.3	97.9	2.9
86	2.1	8.8	7.1	0.81	0.72	12.2	11.3	96.7	3.5
86	2.2	8.8	7.1	0.81	0.72	12.2	11.3	96.2	3.8
86	2.3	8.8	7.1	0.81	0.72	12.3	11.3	95.8	4.1
86	2.5	8.8	7.1	0.81	0.72	12.4	11.3	95.0	4.8
95	1.4	8.5	7.0	0.82	0.84	10.1	11.3	111.2	1.7
95	1.7	8.5	7.0	0.82	0.82	10.4	11.3	108.3	2.3
95	1.9	8.5	7.0	0.82	0.81	10.5	11.3	106.9	2.9
95	2.1	8.5	7.0	0.82	0.80	10.6	11.3	105.7	3.4
95	2.2	8.5	7.0	0.82	0.80	10.6	11.2	105.2	3.7
95	2.3	8.5	7.0	0.82	0.80	10.7	11.2	104.8	4.0
95	2.5	8.5	7.0	0.82	0.79	10.8	11.2	104.0	4.6
105	1.4	8.2	6.9	0.84	0.96	8.6	11.5	121.4	1.6
105	1.7	8.2	6.9	0.84	0.94	8.8	11.4	118.4	2.3
105	1.9	8.2	6.9	0.84	0.92	8.9	11.4	117.0	2.8
105	2.1	8.2	6.9	0.84	0.92	9.0	11.3	115.8	3.3
105	2.2	8.2	6.9	0.84	0.91	9.0	11.3	115.3	3.6
105	2.3	8.2	6.9	0.84	0.91	9.0	11.3	114.8	3.9
105	2.5	8.2	6.9	0.84	0.90	9.1	11.3	114.0	4.5

Table 30. Cooling capacities 0.75 tons (net) - GEH009 (continued)

EWT	GPM	Total Mbtuh	Sen Mbtuh	SHR	Power kW	EER	Reject Mbtuh	LWT	Feet Head
110	1.4	8.1	6.8	0.84	1.06	7.7	11.8	126.8	1.6
110	1.7	8.1	6.8	0.84	1.04	7.9	11.7	123.7	2.2
110	1.9	8.1	6.8	0.84	1.01	8.0	11.5	122.1	2.7
110	2.1	8.1	6.8	0.84	1.01	8.0	11.6	121.0	3.3
110	2.2	8.1	6.8	0.84	1.00	8.1	11.5	120.5	3.5
110	2.3	8.1	6.8	0.84	0.99	8.1	11.5	120.0	3.8
110	2.5	8.1	6.8	0.84	1.00	8.1	11.5	119.2	4.4

Notes: Cooling performance data is tabulated at 80.6°F DB/66.2°F WB entering air at ANSI/AHRI/ASHRAE/ISO13256-1 rated cfm. For ANSI/AHRI/ASHRAE/ISO13256-1 certified ratings, refer to the ANSI/AHRI/ASHRAE/ISO13256-1 WLHP, GWHP and GLHP performance table. See Performance correction tables to correct performance at conditions other than those tabulated. Data shown is for unit performance only. Interpolation of data is permissible; extrapolation is not. Rated GPM: 2.1 Minimum cfm 228; Rated cfm 285; Maximum cfm 342

Table 31. Heating capacities 0.75 tons (net) - GEH009

EWT	GPM	Htg Cap Mbtuh	Absorb Mbtuh	Power kW	COP	LWT	Feet Head
25	1.4	6.4	4.2	0.64	2.9	19.0	2.8
25	1.7	6.5	4.3	0.64	3.0	19.9	4.0
25	1.9	6.6	4.4	0.64	3.0	20.4	4.8
25	2.1	6.6	4.4	0.64	3.0	20.8	5.7
25	2.2	6.7	4.5	0.64	3.0	20.9	6.2
25	2.3	6.7	4.5	0.64	3.0	21.1	6.7
25	2.5	6.7	4.5	0.65	3.1	21.4	7.8
32	1.4	7.1	4.8	0.65	3.2	25.1	2.8
32	1.7	7.2	5.0	0.65	3.2	26.1	3.9
32	1.9	7.3	5.1	0.66	3.3	26.7	4.7
32	2.1	7.4	5.1	0.66	3.3	27.1	5.6
32	2.2	7.4	5.1	0.66	3.3	27.3	6.0
32	2.3	7.4	5.2	0.66	3.3	27.5	6.5
32	2.5	7.5	5.2	0.66	3.3	27.8	7.5
45	1.4	8.5	6.2	0.68	3.7	36.1	2.2
45	1.7	8.7	6.4	0.68	3.8	37.5	3.1
45	1.9	8.8	6.5	0.68	3.8	38.2	3.8
45	2.1	8.9	6.6	0.68	3.8	38.7	4.5
45	2.2	8.9	6.6	0.68	3.8	39.0	4.9
45	2.3	9.0	6.6	0.68	3.9	39.2	5.2
45	2.5	9.0	6.7	0.68	3.9	39.6	6.1
55	1.4	9.6	7.3	0.69	4.1	44.6	2.1
55	1.7	9.8	7.5	0.70	4.2	46.2	3.0
55	1.9	9.9	7.6	0.70	4.2	47.0	3.6
55	2.1	10.1	7.7	0.70	4.2	47.7	4.3
55	2.2	10.1	7.7	0.70	4.2	48.0	4.7
55	2.3	10.1	7.8	0.70	4.3	48.3	5.0
55	2.5	10.2	7.8	0.70	4.3	48.7	5.8
68	1.4	11.1	8.6	0.71	4.6	55.7	2.0
68	1.7	11.4	8.9	0.72	4.6	57.5	2.8
68	1.9	11.5	9.1	0.72	4.7	58.5	3.5



Performance Data

Table 31. Heating capacities 0.75 tons (net) - GEH009 (continued)

EWT	GPM	Htg Cap Mbtuh	Absorb Mbtuh	Power kW	COP	LWT	Feet Head
68	2.1	11.6	9.2	0.72	4.7	59.3	4.1
68	2.2	11.6	9.2	0.72	4.7	59.6	4.5
68	2.3	11.7	9.2	0.72	4.7	60.0	4.8
68	2.5	11.8	9.3	0.72	4.8	60.5	5.6
75	1.4	11.9	9.4	0.73	4.8	61.5	2.0
75	1.7	12.2	9.7	0.73	4.9	63.6	2.8
75	1.9	12.3	9.8	0.73	4.9	64.7	3.4
75	2.1	12.5	10.0	0.74	5.0	65.5	4.0
75	2.2	12.6	10.0	0.74	5.0	65.9	4.3
75	2.3	12.6	10.1	0.74	5.0	66.3	4.7
75	2.5	12.7	10.1	0.74	5.0	66.9	5.4
86	1.4	13.2	10.6	0.75	5.1	70.8	1.9
86	1.7	13.5	10.9	0.76	5.2	73.2	2.7
86	1.9	13.7	11.1	0.76	5.3	74.3	3.3
86	2.1	13.8	11.2	0.76	5.3	75.3	3.9
86	2.2	13.9	11.3	0.76	5.3	75.8	4.2
86	2.3	13.9	11.3	0.77	5.3	76.2	4.5
86	2.5	14.1	11.4	0.77	5.3	76.9	5.2

Notes: Heating performance data is tabulated at 68°F DB entering air at ANSI/AHRI/ASHRAE/ISO13256-1 rated cfm. For ANSI/AHRI/ASHRAE/ISO13256-1 certified ratings, refer to the ANSI/AHRI/ASHRAE/ISO13256-1 WLHP, GWHP and GLHP performance table. See performance correction tables to correct performance at conditions other than those tabulated. Data shown is for unit performance only. Interpolation of data is permissible; extrapolation is not. Rated GPM: 2.1 Minimum cfm 228; Rated cfm 285; Maximum cfm 342

Table 32. Fan correction factors 0.75 tons GEH009

Entering cfm	Cooling Capacity	Sensible Capacity	Cooling Input Watts	Heating Capacity	Heating Input Watts
228	0.960	0.876	1.003	0.984	1.087
242	0.971	0.907	1.002	0.990	1.060
257	0.982	0.937	1.002	0.990	1.036
271	0.992	0.969	1.002	0.995	1.017
285	1.000	1.000	1.000	1.000	1.000
314	1.017	1.060	1.001	1.003	0.969
328	1.022	1.088	0.999	1.007	0.957
342	1.028	1.121	0.998	1.008	0.946

Table 33. Cooling capacities 0.75 tons (net) - GEV009

EWT	GPM	Total Mbtuh	Sen Mbtuh	SHR	Power kW	EER	Reject Mbtuh	LWT	Feet Head
45	1.4	10.1	7.5	0.74	0.55	18.4	12.0	62.1	2.1
45	1.7	10.2	7.5	0.74	0.54	18.8	12.1	59.2	2.9
45	1.9	10.3	7.6	0.74	0.54	19.1	12.1	57.8	3.6
45	2.1	10.3	7.6	0.73	0.54	19.3	12.2	56.6	4.2
45	2.2	10.4	7.6	0.73	0.53	19.4	12.2	56.1	4.6
45	2.3	10.4	7.6	0.73	0.53	19.5	12.2	55.6	5.0
45	2.5	10.4	7.6	0.73	0.53	19.6	12.3	54.8	5.8
55	1.4	9.6	7.3	0.76	0.58	16.6	11.5	71.5	2.0
55	1.7	9.7	7.3	0.76	0.57	17.1	11.6	68.6	2.8
55	1.9	9.7	7.4	0.76	0.56	17.3	11.7	67.3	3.4
55	2.1	9.8	7.4	0.75	0.56	17.5	11.7	66.1	4.1
55	2.2	9.8	7.4	0.75	0.56	17.6	11.7	65.6	4.4
55	2.3	9.8	7.4	0.75	0.56	17.7	11.7	65.2	4.8
55	2.5	9.9	7.4	0.75	0.56	17.8	11.8	64.4	5.6
68	1.4	9.1	7.1	0.78	0.63	14.4	11.3	84.2	1.9
68	1.7	9.2	7.2	0.78	0.62	14.9	11.3	81.3	2.7
68	1.9	9.2	7.2	0.78	0.61	15.1	11.3	79.9	3.3
68	2.1	9.3	7.2	0.78	0.61	15.2	11.4	78.8	3.9
68	2.2	9.3	7.2	0.77	0.61	15.3	11.4	78.3	4.2
68	2.3	9.3	7.2	0.77	0.61	15.4	11.4	77.9	4.6
68	2.5	9.3	7.2	0.77	0.60	15.5	11.4	77.1	5.3
77	1.4	8.9	7.0	0.79	0.68	13.0	11.2	93.0	1.8
77	1.7	8.9	7.1	0.79	0.67	13.3	11.2	90.2	2.6
77	1.9	8.9	7.1	0.79	0.66	13.5	11.2	88.8	3.2
77	2.1	9.0	7.1	0.79	0.66	13.6	11.2	87.7	3.8
77	2.2	9.0	7.1	0.79	0.66	13.7	11.2	87.2	4.1
77	2.3	9.0	7.1	0.79	0.65	13.8	11.2	86.7	4.4
77	2.5	9.0	7.1	0.79	0.65	13.9	11.2	86.0	5.1
86	1.4	8.6	6.9	0.81	0.75	11.5	11.2	101.9	1.8
86	1.7	8.6	7.0	0.81	0.73	11.8	11.1	99.1	2.5
86	1.9	8.7	7.0	0.80	0.72	12.0	11.1	97.7	3.1
86	2.1	8.7	7.0	0.80	0.72	12.1	11.1	96.6	3.7
86	2.2	8.7	7.0	0.80	0.71	12.2	11.1	96.1	4.0
86	2.3	8.7	7.0	0.80	0.71	12.2	11.1	95.7	4.3
86	2.5	8.7	7.0	0.80	0.71	12.3	11.1	94.9	5.0
95	1.4	8.4	6.9	0.82	0.83	10.1	11.2	111.0	1.7
95	1.7	8.4	6.9	0.82	0.81	10.4	11.1	108.1	2.5
95	1.9	8.4	6.9	0.82	0.80	10.5	11.1	106.7	3.0
95	2.1	8.4	6.9	0.82	0.79	10.6	11.1	105.6	3.6
95	2.2	8.4	6.9	0.82	0.79	10.6	11.1	105.1	3.9
95	2.3	8.4	6.9	0.82	0.79	10.7	11.1	104.6	4.2
95	2.5	8.4	6.9	0.82	0.78	10.8	11.1	103.8	4.9
105	1.4	8.1	6.8	0.83	0.94	8.6	11.3	121.2	1.7
105	1.7	8.1	6.8	0.83	0.92	8.8	11.2	118.2	2.4



Performance Data

Table 33. Cooling capacities 0.75 tons (net) - GEV009 (continued)

EWT	GPM	Total Mbtuh	Sen Mbtuh	SHR	Power kW	EER	Reject Mbtuh	LWT	Feet Head
105	1.9	8.1	6.8	0.83	0.91	8.9	11.2	116.8	2.9
105	2.1	8.1	6.8	0.83	0.90	9.0	11.2	115.6	3.5
105	2.2	8.1	6.8	0.83	0.89	9.1	11.1	115.1	3.8
105	2.3	8.1	6.8	0.83	0.89	9.1	11.1	114.7	4.1
105	2.5	8.1	6.8	0.83	0.89	9.1	11.1	113.9	4.7
110	1.4	8.0	6.7	0.84	1.03	7.8	11.5	126.5	1.7
110	1.7	8.0	6.7	0.84	1.01	8.0	11.4	123.5	2.4
110	1.9	8.0	6.7	0.84	0.99	8.1	11.4	122.0	2.9
110	2.1	8.0	6.7	0.84	0.98	8.1	11.3	120.8	3.4
110	2.2	8.0	6.7	0.84	0.98	8.2	11.3	120.3	3.7
110	2.3	8.0	6.7	0.84	0.97	8.2	11.3	119.8	4.0
110	2.5	8.0	6.7	0.84	0.97	8.2	11.3	119.0	4.7

Notes: Cooling performance data is tabulated at 80.6°F DB/66.2°F WB entering air at ANSI/AHRI/ASHRAE/ISO13256-1 rated cfm. For ANSI/AHRI/ASHRAE/ISO13256-1 certified ratings, refer to the ANSI/AHRI/ASHRAE/ISO13256-1 WLHP, GWHP and GLHP performance table. See Performance correction tables to correct performance at conditions other than those tabulated. Data shown is for unit performance only. Interpolation of data is permissible; extrapolation is not. Rated GPM: 2.1 Minimum cfm 228; Rated cfm 285; Maximum cfm 342

Table 34. Heating capacities 0.75 tons (net) - GEV009

EWT	GPM	Htg Cap Mbtuh	Absorb Mbtuh	Power kW	COP	LWT	Feet Head
25	1.4	6.5	4.3	0.63	3.0	18.8	3.0
25	1.7	6.6	4.4	0.64	3.0	19.8	4.3
25	1.9	6.7	4.5	0.64	3.1	20.3	5.2
25	2.1	6.7	4.5	0.64	3.1	20.7	6.2
25	2.2	6.7	4.6	0.64	3.1	20.9	6.7
25	2.3	6.8	4.6	0.64	3.1	21.0	7.2
25	2.5	6.8	4.6	0.64	3.1	21.3	8.3
32	1.4	7.1	4.9	0.64	3.2	25.0	3.0
32	1.7	7.3	5.1	0.65	3.3	26.0	4.1
32	1.9	7.3	5.1	0.65	3.3	26.6	5.0
32	2.1	7.4	5.2	0.65	3.3	27.1	6.0
32	2.2	7.4	5.2	0.65	3.4	27.3	6.5
32	2.3	7.5	5.2	0.65	3.4	27.4	7.0
32	2.5	7.5	5.3	0.65	3.4	27.8	8.1
45	1.4	8.5	6.3	0.66	3.8	36.1	2.4
45	1.7	8.7	6.4	0.67	3.8	37.4	3.3
45	1.9	8.8	6.5	0.67	3.9	38.2	4.0
45	2.1	8.8	6.6	0.67	3.9	38.7	4.8
45	2.2	8.9	6.6	0.67	3.9	39.0	5.2
45	2.3	8.9	6.6	0.67	3.9	39.2	5.6
45	2.5	9.0	6.7	0.67	3.9	39.7	6.5
55	1.4	9.6	7.3	0.68	4.1	44.6	2.3
55	1.7	9.8	7.4	0.68	4.2	46.2	3.2
55	1.9	9.8	7.5	0.68	4.2	47.1	3.9
55	2.1	9.9	7.6	0.68	4.3	47.8	4.6
55	2.2	10.0	7.6	0.68	4.3	48.1	5.0

Table 34. Heating capacities 0.75 tons (net) - GEV009 (continued)

EWT	GPM	Htg Cap Mbtuh	Absorb Mbtuh	Power kW	COP	LWT	Feet Head
55	2.3	10.0	7.7	0.68	4.3	48.3	5.4
55	2.5	10.1	7.7	0.68	4.3	48.8	6.3
68	1.4	10.9	8.5	0.69	4.6	55.8	2.2
68	1.7	11.2	8.8	0.69	4.7	57.7	3.1
68	1.9	11.3	8.9	0.70	4.7	58.6	3.7
68	2.1	11.4	9.0	0.70	4.8	59.4	4.4
68	2.2	11.4	9.0	0.70	4.8	59.8	4.8
68	2.3	11.4	9.1	0.70	4.8	60.1	5.2
68	2.5	11.5	9.1	0.70	4.8	60.7	6.0
75	1.4	11.6	9.2	0.70	4.9	61.8	2.1
75	1.7	11.9	9.5	0.70	5.0	63.8	3.0
75	1.9	12.0	9.6	0.71	5.0	64.9	3.6
75	2.1	12.1	9.7	0.71	5.0	65.7	4.3
75	2.2	12.2	9.8	0.71	5.0	66.1	4.7
75	2.3	12.2	9.8	0.71	5.1	66.5	5.0
75	2.5	12.3	9.9	0.71	5.1	67.1	5.8
86	1.4	12.8	10.3	0.72	5.2	71.2	2.1
86	1.7	13.1	10.6	0.72	5.3	73.5	2.9
86	1.9	13.2	10.7	0.72	5.4	74.7	3.5
86	2.1	13.3	10.8	0.72	5.4	75.7	4.2
86	2.2	13.4	10.9	0.73	5.4	76.1	4.5
86	2.3	13.4	11.0	0.73	5.4	76.5	4.9
86	2.5	13.5	11.0	0.73	5.4	77.2	5.6

Notes: Heating performance data is tabulated at 68°F DB entering air at ANSI/AHRI/ASHRAE/ISO13256-1 rated cfm. For ANSI/AHRI/ASHRAE/ISO13256-1 certified ratings, refer to the ANSI/AHRI/ASHRAE/ISO13256-1 WLHP, GWHP and GLHP performance table. See performance correction tables to correct performance at conditions other than those tabulated. Data shown is for unit performance only. Interpolation of data is permissible; extrapolation is not. Rated GPM: 2.1 Minimum cfm 228; Rated cfm 285; Maximum cfm 342

Table 35. Fan correction factors 0.75 tons GEV009

Entering cfm	Cooling Capacity	Sensible Capacity	Cooling Input Watts	Heating Capacity	Heating Input Watts
228	0.959	0.874	1.005	0.979	1.075
242	0.969	0.905	1.002	0.985	1.053
257	0.981	0.937	1.002	0.991	1.033
271	0.991	0.968	1.001	0.994	1.014
285	1.000	1.000	1.000	1.000	1.000
314	1.017	1.066	0.997	1.006	0.972
328	1.020	1.093	0.993	1.012	0.962
342	1.027	1.123	0.993	1.011	0.950

Table 36. Cooling capacities 1 tons (net) - GEH012

EWT	GPM	Total Mbtuh	Sen Mbtuh	SHR	Power kW	EER	Reject Mbtuh	LWT	Feet Head
45	1.8	12.6	9.7	0.76	0.63	20.0	14.8	61.5	1.9
45	2.2	12.7	9.7	0.76	0.62	20.6	14.8	58.5	2.7
45	2.5	12.7	9.7	0.76	0.61	21.0	14.8	56.8	3.4
45	2.8	12.8	9.7	0.76	0.60	21.3	14.8	55.6	4.1



Performance Data

Table 36. Cooling capacities 1 tons (net) - GEH012 (continued)

EWT	GPM	Total Mbtuh	Sen Mbtuh	SHR	Power kW	EER	Reject Mbtuh	LWT	Feet Head
45	2.9	12.8	9.7	0.76	0.60	21.4	14.8	55.2	4.4
45	3.1	12.8	9.7	0.76	0.59	21.5	14.8	54.6	5.0
45	3.4	12.8	9.7	0.76	0.59	21.7	14.8	53.7	5.8
55	1.8	12.4	9.6	0.77	0.70	17.7	14.8	71.4	1.8
55	2.2	12.4	9.6	0.77	0.68	18.2	14.7	68.4	2.6
55	2.5	12.4	9.6	0.77	0.67	18.5	14.7	66.8	3.3
55	2.8	12.5	9.6	0.77	0.66	18.8	14.7	65.5	4.0
55	2.9	12.5	9.6	0.77	0.66	18.8	14.7	65.2	4.2
55	3.1	12.5	9.6	0.77	0.66	19.0	14.7	64.5	4.8
55	3.4	12.5	9.6	0.77	0.65	19.2	14.7	63.7	5.6
68	1.8	12.0	9.4	0.79	0.80	14.9	14.7	84.3	1.7
68	2.2	12.0	9.4	0.78	0.78	15.4	14.7	81.3	2.5
68	2.5	12.0	9.4	0.78	0.77	15.7	14.7	79.7	3.1
68	2.8	12.1	9.4	0.78	0.76	15.9	14.6	78.5	3.8
68	2.9	12.1	9.4	0.78	0.76	15.9	14.6	78.1	4.0
68	3.1	12.1	9.4	0.78	0.75	16.0	14.6	77.4	4.5
68	3.4	12.1	9.5	0.78	0.75	16.2	14.6	76.6	5.3
77	1.8	11.7	9.3	0.80	0.88	13.3	14.7	93.3	1.7
77	2.2	11.7	9.3	0.80	0.86	13.6	14.6	90.3	2.4
77	2.5	11.7	9.3	0.80	0.85	13.9	14.6	88.7	3.0
77	2.8	11.7	9.3	0.79	0.84	14.0	14.6	87.4	3.7
77	2.9	11.7	9.3	0.79	0.83	14.1	14.6	87.1	3.9
77	3.1	11.8	9.3	0.79	0.83	14.2	14.6	86.4	4.4
77	3.4	11.8	9.3	0.79	0.82	14.3	14.6	85.6	5.2
86	1.8	11.3	9.2	0.81	0.97	11.7	14.6	102.3	1.6
86	2.2	11.4	9.2	0.81	0.95	12.0	14.6	99.3	2.3
86	2.5	11.4	9.2	0.81	0.93	12.2	14.6	97.7	2.9
86	2.8	11.4	9.2	0.81	0.92	12.4	14.5	96.4	3.6
86	2.9	11.4	9.2	0.81	0.92	12.4	14.5	96.0	3.8
86	3.1	11.4	9.2	0.81	0.91	12.5	14.5	95.4	4.3
86	3.4	11.4	9.2	0.81	0.91	12.6	14.5	94.5	5.0
95	1.8	11.0	9.0	0.82	1.07	10.2	14.6	111.3	1.6
95	2.2	11.0	9.1	0.82	1.05	10.5	14.6	108.2	2.3
95	2.5	11.0	9.1	0.82	1.03	10.7	14.5	106.6	2.9
95	2.8	11.0	9.1	0.82	1.02	10.8	14.5	105.4	3.5
95	2.9	11.0	9.1	0.82	1.02	10.8	14.5	105.0	3.7
95	3.1	11.0	9.1	0.82	1.01	10.9	14.5	104.3	4.2
95	3.4	11.0	9.1	0.82	1.01	11.0	14.5	103.5	4.9
105	1.8	10.5	8.9	0.84	1.21	8.7	14.6	121.3	1.6
105	2.2	10.5	8.9	0.84	1.18	9.0	14.6	118.2	2.2
105	2.5	10.6	8.9	0.84	1.16	9.1	14.5	116.6	2.8
105	2.8	10.6	8.9	0.84	1.15	9.2	14.5	115.3	3.4
105	2.9	10.6	8.9	0.84	1.14	9.2	14.5	115.0	3.6
105	3.1	10.6	8.9	0.84	1.14	9.3	14.5	114.3	4.1
105	3.4	10.6	8.9	0.84	1.13	9.3	14.4	113.5	4.8

Table 36. Cooling capacities 1 tons (net) - GEH012 (continued)

EWT	GPM	Total Mbtuh	Sen Mbtuh	SHR	Power kW	EER	Reject Mbtuh	LWT	Feet Head
110	1.8	10.2	8.8	0.86	1.29	7.9	14.6	126.2	1.5
110	2.2	10.2	8.8	0.86	1.26	8.2	14.5	123.2	2.2
110	2.5	10.3	8.8	0.85	1.24	8.3	14.5	121.6	2.7
110	2.8	10.3	8.8	0.85	1.23	8.4	14.5	120.4	3.3
110	2.9	10.3	8.8	0.85	1.22	8.4	14.5	120.0	3.6
110	3.1	10.3	8.8	0.85	1.22	8.5	14.5	119.3	4.0
110	3.4	10.3	8.8	0.85	1.21	8.5	14.5	118.5	4.7

Notes: Cooling performance data is tabulated at 80.6°F DB/66.2°F WB entering air at ANSI/AHRI/ASHRAE/ISO13256-1 rated cfm. For ANSI/AHRI/ASHRAE/ISO13256-1 certified ratings, refer to the ANSI/AHRI/ASHRAE/ISO13256-1 WLHP, GWHP and GLHP performance table. See performance correction tables to correct performance at conditions other than those tabulated. Data shown is for unit performance only. Interpolation of data is permissible; extrapolation is not. Rated GPM: 2.8 Minimum cfm 304; Rated cfm 380; Maximum cfm 456

Table 37. Heating capacities 1 tons (net) - GEH012

EWT	GPM	Htg Cap Mbtuh	Absorb Mbtuh	Power kW	COP	LWT	Feet Head
25	1.8	8.5	5.5	0.87	2.8	18.9	2.8
25	2.2	8.6	5.7	0.87	2.9	19.9	4.0
25	2.5	8.7	5.7	0.88	2.9	20.4	5.0
25	2.8	8.8	5.8	0.88	2.9	20.8	6.1
25	2.9	8.8	5.8	0.88	2.9	21.0	6.5
25	3.1	8.9	5.9	0.88	3.0	21.2	7.3
25	3.4	8.9	5.9	0.88	3.0	21.5	8.5
32	1.8	9.3	6.3	0.89	3.1	25.0	2.7
32	2.2	9.5	6.5	0.89	3.1	26.1	3.9
32	2.5	9.6	6.6	0.89	3.2	26.7	4.8
32	2.8	9.7	6.7	0.89	3.2	27.2	5.9
32	2.9	9.8	6.7	0.89	3.2	27.4	6.3
32	3.1	9.8	6.7	0.89	3.2	27.6	7.0
32	3.4	9.9	6.8	0.90	3.2	28.0	8.3
45	1.8	11.2	8.0	0.92	3.6	36.1	2.2
45	2.2	11.4	8.3	0.92	3.6	37.5	3.1
45	2.5	11.5	8.4	0.92	3.7	38.3	3.9
45	2.8	11.6	8.5	0.92	3.7	38.9	4.7
45	2.9	11.7	8.5	0.92	3.7	39.1	5.0
45	3.1	11.7	8.6	0.92	3.7	39.5	5.7
45	3.4	11.8	8.7	0.92	3.7	39.9	6.6
55	1.8	12.5	9.3	0.94	3.9	44.6	2.1
55	2.2	12.8	9.6	0.94	4.0	46.3	3.0
55	2.5	12.9	9.7	0.94	4.0	47.2	3.7
55	2.8	13.1	9.9	0.94	4.1	48.0	4.6
55	2.9	13.2	9.9	0.95	4.1	48.1	4.8
55	3.1	13.2	10.0	0.95	4.1	48.5	5.4
55	3.4	13.3	10.0	0.95	4.1	49.1	6.4
68	1.8	14.3	11.0	0.96	4.4	55.7	2.0
68	2.2	14.6	11.3	0.97	4.4	57.7	2.9
68	2.5	14.8	11.5	0.97	4.5	58.8	3.6



Performance Data

Table 37. Heating capacities 1 tons (net) - GEH012 (continued)

EWT	GPM	Htg Cap Mbtuh	Absorb Mbtuh	Power kW	COP	LWT	Feet Head
68	2.8	15.0	11.7	0.98	4.5	59.6	4.3
68	2.9	15.1	11.8	0.98	4.5	59.9	4.6
68	3.1	15.1	11.8	0.97	4.6	60.4	5.2
68	3.4	15.3	11.9	0.98	4.6	61.0	6.1
75	1.8	15.3	12.0	0.98	4.6	61.7	2.0
75	2.2	15.7	12.3	0.98	4.7	63.8	2.8
75	2.5	15.9	12.5	0.99	4.7	65.0	3.5
75	2.8	16.0	12.7	0.99	4.7	66.0	4.2
75	2.9	16.1	12.8	0.99	4.8	66.2	4.5
75	3.1	16.2	12.8	0.99	4.8	66.7	5.1
75	3.4	16.4	13.0	1.00	4.8	67.4	5.9
86	1.8	16.8	13.4	1.01	4.9	71.1	1.9
86	2.2	17.2	13.8	1.01	5.0	73.5	2.7
86	2.5	17.4	14.0	1.02	5.0	74.8	3.4
86	2.8	17.7	14.2	1.02	5.1	75.9	4.1
86	2.9	17.7	14.3	1.02	5.1	76.2	4.4
86	3.1	17.8	14.3	1.02	5.1	76.8	4.9
86	3.4	17.9	14.4	1.02	5.1	77.5	5.7

Notes: Heating performance data is tabulated at 68°F DB entering air at ANSI/AHRI/ASHRAE/ISO13256-1 rated cfm. For ANSI/AHRI/ASHRAE/ISO13256-1 certified ratings, refer to the ANSI/AHRI/ASHRAE/ISO13256-1 WLHP, GWHP and GLHP performance table. See performance correction tables to correct performance at conditions other than those tabulated. Data shown is for unit performance only. Interpolation of data is permissible; extrapolation is not. Rated GPM: 2.8 Minimum cfm 304; Rated cfm 380; Maximum cfm 456

Table 38. Fan correction factors 1 tons GEH012

Entering cfm	Cooling Capacity	Sensible Capacity	Cooling Input Watts	Heating Capacity	Heating Input Watts
304	0.959	0.874	1.005	0.987	1.094
323	0.970	0.906	1.003	0.989	1.065
342	0.981	0.937	1.002	0.996	1.041
361	0.991	0.969	1.001	0.994	1.016
380	1.000	1.000	1.000	1.000	1.000
418	1.017	1.062	0.999	1.002	0.964
437	1.024	1.091	0.998	1.006	0.952
456	1.031	1.121	0.997	1.004	0.937

Table 39. Cooling capacities 1 tons (net) - GEV012

EWT	GPM	Total Mbtuh	Sen Mbtuh	SHR	Power kW	EER	Reject Mbtuh	LWT	Feet Head
45	1.8	12.4	9.5	0.77	0.61	20.3	14.5	61.1	1.9
45	2.2	12.4	9.5	0.77	0.59	20.9	14.4	58.1	2.7
45	2.5	12.5	9.5	0.77	0.59	21.3	14.5	56.6	3.4
45	2.8	12.5	9.6	0.77	0.58	21.6	14.4	55.3	4.2
45	2.9	12.5	9.6	0.77	0.57	21.7	14.4	55.0	4.5
45	3.1	12.5	9.6	0.77	0.57	21.9	14.4	54.3	5.0
45	3.4	12.5	9.6	0.76	0.57	22.1	14.4	53.5	5.9
55	1.8	12.3	9.5	0.77	0.71	17.3	14.7	71.4	1.9
55	2.2	12.4	9.6	0.77	0.69	17.9	14.7	68.4	2.6

Table 39. Cooling capacities 1 tons (net) - GEV012 (continued)

EWT	GPM	Total Mbtuh	Sen Mbtuh	SHR	Power kW	EER	Reject Mbtuh	LWT	Feet Head
55	2.5	12.4	9.6	0.77	0.68	18.2	14.7	66.8	3.3
55	2.8	12.4	9.6	0.77	0.67	18.5	14.7	65.5	4.1
55	2.9	12.4	9.6	0.77	0.67	18.5	14.7	65.1	4.3
55	3.1	12.4	9.6	0.77	0.67	18.7	14.7	64.5	4.9
55	3.4	12.4	9.6	0.77	0.66	18.8	14.7	63.7	5.7
68	1.8	11.9	9.4	0.79	0.81	14.8	14.6	84.3	1.8
68	2.2	11.9	9.4	0.79	0.79	15.2	14.6	81.3	2.5
68	2.5	12.0	9.4	0.79	0.77	15.4	14.6	79.7	3.2
68	2.8	12.0	9.4	0.79	0.77	15.6	14.6	78.4	3.9
68	2.9	12.0	9.4	0.79	0.76	15.7	14.6	78.1	4.1
68	3.1	12.0	9.4	0.79	0.76	15.8	14.6	77.4	4.6
68	3.4	12.0	9.4	0.78	0.75	15.9	14.6	76.6	5.4
77	1.8	11.6	9.3	0.80	0.88	13.1	14.6	93.2	1.7
77	2.2	11.6	9.3	0.80	0.86	13.5	14.5	90.2	2.4
77	2.5	11.6	9.3	0.80	0.85	13.7	14.5	88.6	3.1
77	2.8	11.6	9.3	0.80	0.84	13.9	14.5	87.4	3.8
77	2.9	11.6	9.3	0.80	0.84	13.9	14.5	87.0	4.0
77	3.1	11.7	9.3	0.80	0.83	14.0	14.5	86.4	4.5
77	3.4	11.7	9.3	0.80	0.83	14.1	14.5	85.5	5.3
86	1.8	11.2	9.1	0.81	0.97	11.6	14.5	102.1	1.7
86	2.2	11.3	9.1	0.81	0.94	11.9	14.5	99.2	2.4
86	2.5	11.3	9.1	0.81	0.93	12.1	14.4	97.6	3.0
86	2.8	11.3	9.2	0.81	0.92	12.3	14.4	96.3	3.6
86	2.9	11.3	9.2	0.81	0.92	12.3	14.4	95.9	3.9
86	3.1	11.3	9.2	0.81	0.91	12.4	14.4	95.3	4.4
86	3.4	11.3	9.2	0.81	0.91	12.5	14.4	94.5	5.1
95	1.8	10.8	9.0	0.83	1.06	10.1	14.4	111.0	1.6
95	2.2	10.9	9.0	0.83	1.04	10.5	14.4	108.1	2.3
95	2.5	10.8	9.0	0.83	1.02	10.6	14.3	106.4	2.9
95	2.8	10.8	9.0	0.83	1.02	10.7	14.3	105.2	3.6
95	2.9	10.9	9.0	0.83	1.01	10.8	14.4	104.9	3.8
95	3.1	10.9	9.0	0.83	1.00	10.9	14.3	104.2	4.3
95	3.4	10.9	9.0	0.83	1.00	11.0	14.3	103.4	5.0
105	1.8	10.7	9.0	0.82	1.21	8.8	14.8	121.5	1.6
105	2.2	10.8	9.0	0.82	1.17	9.2	14.8	118.4	2.3
105	2.5	10.7	9.0	0.82	1.14	9.3	14.6	116.7	2.8
105	2.8	10.7	9.0	0.82	1.12	9.5	14.5	115.4	3.5
105	2.9	10.7	9.0	0.82	1.12	9.6	14.5	115.0	3.7
105	3.1	10.7	9.0	0.82	1.10	9.7	14.5	114.3	4.2
105	3.4	10.7	9.0	0.82	1.10	9.8	14.5	113.5	4.9
110	1.8	10.3	8.8	0.83	1.25	8.3	14.6	126.2	1.6
110	2.2	10.4	8.9	0.82	1.21	8.6	14.5	123.2	2.2
110	2.5	10.3	8.8	0.83	1.19	8.7	14.4	121.5	2.8
110	2.8	10.3	8.8	0.83	1.17	8.8	14.3	120.2	3.4
110	2.9	10.4	8.8	0.83	1.16	8.9	14.3	119.9	3.7



Performance Data

Table 39. Cooling capacities 1 tons (net) - GEV012 (continued)

EWT	GPM	Total Mbtuh	Sen Mbtuh	SHR	Power kW	EER	Reject Mbtuh	LWT	Feet Head
110	3.1	10.4	8.8	0.83	1.15	9.0	14.3	119.2	4.1
110	3.4	10.4	8.8	0.83	1.14	9.1	14.3	118.4	4.9

Notes: Cooling performance data is tabulated at 80.6°F DB/66.2°F WB entering air at ANSI/AHRI/ASHRAE/ISO13256-1 rated cfm. For ANSI/AHRI/ASHRAE/ISO13256-1 certified ratings, refer to the ANSI/AHRI/ASHRAE/ISO13256-1 WLHP, GWHP and GLHP performance table. See performance correction tables to correct performance at conditions other than those tabulated. Data shown is for unit performance only. Interpolation of data is permissible; extrapolation is not. Rated GPM: 2.8 Minimum cfm 304; Rated cfm 380; Maximum cfm 456

Table 40. Heating capacities 1 tons (net) - GEV012

EWT	GPM	Htg Cap Mbtuh	Absorb Mbtuh	Power kW	COP	LWT	Feet Head
25	1.8	8.7	5.7	0.88	2.9	18.7	2.8
25	2.2	8.9	5.9	0.88	2.9	19.7	3.9
25	2.5	8.9	5.9	0.88	3.0	20.3	4.9
25	2.8	9.0	6.0	0.88	3.0	20.7	6.0
25	2.9	9.0	6.0	0.88	3.0	20.8	6.4
25	3.1	9.1	6.1	0.89	3.0	21.1	7.1
25	3.4	9.2	6.1	0.89	3.0	21.4	8.4
32	1.8	9.6	6.5	0.89	3.1	24.8	2.7
32	2.2	9.7	6.7	0.90	3.2	25.9	3.8
32	2.5	9.8	6.8	0.90	3.2	26.6	4.8
32	2.8	9.9	6.9	0.90	3.2	27.1	5.8
32	2.9	10.0	6.9	0.90	3.2	27.2	6.2
32	3.1	10.0	6.9	0.90	3.3	27.5	6.9
32	3.4	10.1	7.0	0.90	3.3	27.9	8.1
45	1.8	11.4	8.2	0.92	3.6	35.9	2.2
45	2.2	11.6	8.4	0.92	3.7	37.3	3.1
45	2.5	11.7	8.6	0.92	3.7	38.1	3.8
45	2.8	11.8	8.7	0.93	3.7	38.8	4.7
45	2.9	11.8	8.7	0.93	3.7	39.0	5.0
45	3.1	11.9	8.7	0.93	3.8	39.4	5.6
45	3.4	12.0	8.8	0.93	3.8	39.8	6.5
55	1.8	12.7	9.5	0.94	4.0	44.4	2.1
55	2.2	13.0	9.8	0.94	4.0	46.1	3.0
55	2.5	13.1	9.9	0.95	4.1	47.1	3.7
55	2.8	13.2	10.0	0.95	4.1	47.8	4.5
55	2.9	13.3	10.1	0.95	4.1	48.0	4.8
55	3.1	13.4	10.2	0.95	4.1	48.4	5.4
55	3.4	13.4	10.2	0.95	4.1	49.0	6.3
68	1.8	14.5	11.2	0.97	4.4	55.6	2.0
68	2.2	14.8	11.5	0.97	4.5	57.5	2.8
68	2.5	15.0	11.7	0.98	4.5	58.6	3.5
68	2.8	15.2	11.8	0.98	4.6	59.5	4.3
68	2.9	15.2	11.9	0.98	4.6	59.8	4.6
68	3.1	15.3	12.0	0.98	4.6	60.3	5.1
68	3.4	15.4	12.0	0.98	4.6	60.9	6.0
75	1.8	15.5	12.1	0.98	4.6	61.5	1.9

Table 40. Heating capacities 1 tons (net) - GEV012 (continued)

EWT	GPM	Htg Cap Mbtuh	Absorb Mbtuh	Power kW	COP	LWT	Feet Head
75	2.2	15.9	12.5	0.99	4.7	63.6	2.8
75	2.5	16.1	12.7	0.99	4.8	64.8	3.4
75	2.8	16.2	12.8	0.99	4.8	65.8	4.2
75	2.9	16.3	12.9	0.99	4.8	66.1	4.4
75	3.1	16.4	13.0	1.00	4.8	66.6	5.0
75	3.4	16.5	13.1	1.00	4.8	67.3	5.9
86	1.8	17.0	13.6	1.01	4.9	70.9	1.9
86	2.2	17.4	14.0	1.02	5.0	73.3	2.7
86	2.5	17.6	14.2	1.02	5.1	74.7	3.3
86	2.8	17.8	14.3	1.02	5.1	75.8	4.0
86	2.9	17.9	14.4	1.02	5.1	76.1	4.3
86	3.1	18.0	14.5	1.03	5.1	76.7	4.8
86	3.4	18.1	14.6	1.03	5.2	77.4	5.7

Notes: Heating performance data is tabulated at 68°F DB entering air at ANSI/AHRI/ASHRAE/ISO13256-1 rated cfm. For ANSI/AHRI/ASHRAE/ISO13256-1 certified ratings, refer to the ANSI/AHRI/ASHRAE/ISO13256-1 WLHP, GWHP and GLHP performance table. See performance correction tables to correct performance at conditions other than those tabulated. Data shown is for unit performance only. Interpolation of data is permissible; extrapolation is not. Rated GPM: 2.8 Minimum cfm 304; Rated cfm 380; Maximum cfm 456

Table 41. Fan correction factors 1 tons GEV012

Entering cfm	Cooling Capacity	Sensible Capacity	Cooling Input Watts	Heating Capacity	Heating Input Watts
304	0.958	0.872	1.005	0.987	1.094
323	0.969	0.904	1.003	0.990	1.065
342	0.980	0.936	1.002	0.993	1.041
361	0.990	0.968	1.001	0.998	1.021
380	1.000	1.000	1.000	1.000	1.000
418	1.017	1.063	0.998	1.003	0.968
437	1.025	1.093	0.997	1.004	0.954
456	1.032	1.124	0.997	1.008	0.944

Table 42. Cooling capacities 1.25 tons (net) - GEH015

EWT	GPM	Total Mbtuh	Sen Mbtuh	SHR	Power kW	EER	Reject Mbtuh	LWT	Feet Head
45	2.2	15.5	11.7	0.76	0.71	21.8	17.9	61.3	2.5
45	2.8	15.6	11.8	0.76	0.68	23.1	17.9	57.8	3.8
45	3.1	15.6	11.8	0.75	0.66	23.6	17.9	56.5	4.6
45	3.5	15.6	11.8	0.75	0.65	24.2	17.9	55.2	5.7
45	3.6	15.7	11.8	0.75	0.64	24.3	17.9	54.9	6.0
45	3.8	15.7	11.8	0.75	0.64	24.5	17.8	54.4	6.6
45	4.2	15.7	11.8	0.75	0.63	25.0	17.8	53.5	7.9
55	2.2	15.2	11.6	0.76	0.83	18.4	18.0	71.4	2.4
55	2.8	15.3	11.7	0.76	0.79	19.4	18.0	67.9	3.7
55	3.1	15.3	11.7	0.76	0.78	19.7	18.0	66.6	4.4
55	3.5	15.4	11.7	0.76	0.76	20.1	18.0	65.3	5.5
55	3.6	15.4	11.7	0.76	0.76	20.2	18.0	65.0	5.8
55	3.8	15.4	11.7	0.76	0.75	20.4	17.9	64.4	6.3
55	4.2	15.4	11.7	0.76	0.75	20.6	17.9	63.5	7.6



Performance Data

Table 42. Cooling capacities 1.25 tons (net) - GEH015 (continued)

EWT	GPM	Total Mbtuh	Sen Mbtuh	SHR	Power kW	EER	Reject Mbtuh	LWT	Feet Head
68	2.2	14.7	11.5	0.78	0.97	15.2	18.1	84.4	2.3
68	2.8	14.8	11.5	0.78	0.94	15.8	18.0	80.9	3.5
68	3.1	14.9	11.5	0.77	0.92	16.1	18.0	79.6	4.2
68	3.5	14.9	11.5	0.77	0.91	16.3	18.0	78.3	5.2
68	3.6	14.9	11.5	0.77	0.91	16.4	18.0	78.0	5.5
68	3.8	14.9	11.5	0.77	0.90	16.5	18.0	77.5	6.0
68	4.2	14.9	11.5	0.77	0.89	16.7	18.0	76.6	7.2
77	2.2	14.4	11.3	0.79	1.08	13.4	18.1	93.4	2.2
77	2.8	14.4	11.4	0.79	1.04	13.9	18.0	89.9	3.4
77	3.1	14.5	11.4	0.79	1.03	14.0	18.0	88.6	4.1
77	3.5	14.5	11.4	0.78	1.02	14.2	18.0	87.3	5.1
77	3.6	14.5	11.4	0.78	1.01	14.3	18.0	87.0	5.3
77	3.8	14.5	11.4	0.78	1.01	14.4	18.0	86.4	5.9
77	4.2	14.5	11.4	0.78	1.00	14.5	17.9	85.5	7.0
86	2.2	14.0	11.2	0.80	1.19	11.7	18.0	102.4	2.2
86	2.8	14.0	11.2	0.80	1.15	12.2	18.0	98.8	3.3
86	3.1	14.0	11.2	0.80	1.14	12.3	17.9	97.6	4.0
86	3.5	14.1	11.2	0.80	1.13	12.5	17.9	96.2	4.9
86	3.6	14.1	11.2	0.80	1.12	12.5	17.9	95.9	5.2
86	3.8	14.1	11.2	0.80	1.12	12.6	17.9	95.4	5.7
86	4.2	14.1	11.2	0.80	1.11	12.7	17.9	94.5	6.8
95	2.2	13.6	11.0	0.81	1.31	10.3	18.0	111.4	2.1
95	2.8	13.6	11.0	0.81	1.28	10.7	18.0	107.8	3.2
95	3.1	13.6	11.0	0.81	1.26	10.8	17.9	106.6	3.9
95	3.5	13.6	11.0	0.81	1.25	10.9	17.9	105.2	4.8
95	3.6	13.6	11.0	0.81	1.25	10.9	17.9	104.9	5.0
95	3.8	13.6	11.0	0.81	1.24	11.0	17.9	104.4	5.5
95	4.2	13.6	11.0	0.81	1.23	11.1	17.8	103.5	6.6
105	2.2	13.1	10.8	0.83	1.47	8.9	18.1	121.5	2.1
105	2.8	13.1	10.8	0.83	1.43	9.2	18.0	117.8	3.1
105	3.1	13.1	10.8	0.83	1.42	9.3	17.9	116.6	3.8
105	3.5	13.1	10.8	0.83	1.40	9.4	17.9	115.2	4.7
105	3.6	13.1	10.8	0.83	1.40	9.4	17.9	114.9	4.9
105	3.8	13.1	10.8	0.83	1.39	9.4	17.9	114.4	5.4
105	4.2	13.1	10.8	0.83	1.38	9.5	17.8	113.5	6.4
110	2.2	12.8	10.7	0.84	1.57	8.2	18.2	126.5	2.0
110	2.8	12.8	10.7	0.84	1.52	8.4	18.0	122.9	3.1
110	3.1	12.8	10.7	0.84	1.51	8.5	18.0	121.6	3.7
110	3.5	12.8	10.7	0.84	1.49	8.6	17.9	120.2	4.6
110	3.6	12.8	10.7	0.84	1.49	8.6	17.9	120.0	4.8
110	3.8	12.8	10.7	0.84	1.48	8.7	17.9	119.4	5.3
110	4.2	12.8	10.7	0.84	1.47	8.7	17.9	118.5	6.3

Notes: Cooling performance data is tabulated at 80.6°F DB/66.2°F WB entering air at ANSI/AHRI/ASHRAE/ISO13256-1 rated cfm. For ANSI/AHRI/ASHRAE/ISO13256-1 certified ratings, refer to the ANSI/AHRI/ASHRAE/ISO13256-1 WLHP, GWHP and GLHP performance table. See performance correction tables to correct performance at conditions other than those tabulated. Data shown is for unit performance only. Interpolation of data is permissible; extrapolation is not. Rated GPM: 3.5 Minimum cfm 380; Rated cfm 475; Maximum cfm 570

Table 43. Heating capacities 1.25 tons (net) - GEH015

EWT	GPM	Htg Cap Mbtuh	Absorb Mbtuh	Power kW	COP	LWT	Feet Head
25	2.2	10.7	7.0	1.07	2.9	18.6	3.9
25	2.8	10.9	7.3	1.07	3.0	19.8	5.9
25	3.1	11.0	7.3	1.07	3.0	20.3	7.1
25	3.5	11.1	7.4	1.08	3.0	20.7	8.7
25	3.6	11.1	7.5	1.08	3.0	20.9	9.2
25	3.8	11.2	7.5	1.08	3.0	21.1	10.1
25	4.2	11.3	7.6	1.08	3.1	21.4	12.0
32	2.2	11.7	8.0	1.09	3.1	24.7	3.8
32	2.8	12.0	8.3	1.10	3.2	26.1	5.7
32	3.1	12.1	8.3	1.10	3.2	26.6	6.9
32	3.5	12.2	8.5	1.10	3.3	27.2	8.5
32	3.6	12.2	8.5	1.10	3.3	27.3	8.9
32	3.8	12.3	8.5	1.10	3.3	27.5	9.8
32	4.2	12.4	8.6	1.10	3.3	27.9	11.6
45	2.2	13.9	10.0	1.14	3.6	35.9	3.0
45	2.8	14.3	10.4	1.14	3.7	37.6	4.6
45	3.1	14.4	10.5	1.15	3.7	38.2	5.5
45	3.5	14.6	10.6	1.15	3.7	38.9	6.8
45	3.6	14.6	10.6	1.15	3.7	39.1	7.2
45	3.8	14.6	10.7	1.15	3.7	39.4	7.9
45	4.2	14.7	10.8	1.15	3.7	39.9	9.4
55	2.2	15.6	11.6	1.17	3.9	44.4	2.9
55	2.8	16.1	12.0	1.18	4.0	46.4	4.4
55	3.1	16.2	12.2	1.19	4.0	47.1	5.3
55	3.5	16.4	12.3	1.19	4.0	47.9	6.6
55	3.6	16.4	12.3	1.19	4.0	48.1	6.9
55	3.8	16.5	12.4	1.19	4.1	48.5	7.6
55	4.2	16.6	12.5	1.19	4.1	49.0	9.0
68	2.2	17.9	13.7	1.22	4.3	55.5	2.8
68	2.8	18.4	14.2	1.23	4.4	57.8	4.2
68	3.1	18.6	14.4	1.23	4.4	58.7	5.1
68	3.5	18.8	14.6	1.24	4.5	59.6	6.2
68	3.6	18.9	14.7	1.24	4.5	59.9	6.6
68	3.8	19.0	14.8	1.24	4.5	60.2	7.2
68	4.2	19.1	14.9	1.24	4.5	60.9	8.6
75	2.2	19.2	14.9	1.24	4.5	61.4	2.7
75	2.8	19.7	15.4	1.25	4.6	64.0	4.1
75	3.1	19.9	15.7	1.25	4.7	64.9	4.9
75	3.5	20.2	15.9	1.26	4.7	65.9	6.1
75	3.6	20.2	15.9	1.26	4.7	66.2	6.4
75	3.8	20.3	16.0	1.26	4.7	66.6	7.0
75	4.2	20.5	16.2	1.26	4.8	67.3	8.4
86	2.2	21.1	16.8	1.27	4.9	70.8	2.6
86	2.8	21.7	17.4	1.28	5.0	73.6	4.0



Performance Data

Table 43. Heating capacities 1.25 tons (net) - GEH015 (continued)

EWT	GPM	Htg Cap Mbtuh	Absorb Mbtuh	Power kW	COP	LWT	Feet Head
86	3.1	21.9	17.6	1.28	5.0	74.7	4.8
86	3.5	22.2	17.8	1.29	5.1	75.8	5.9
86	3.6	22.2	17.8	1.28	5.1	76.1	6.2
86	3.8	22.3	18.0	1.29	5.1	76.5	6.8
86	4.2	22.5	18.1	1.29	5.1	77.4	8.1

Notes: Heating performance data is tabulated at 68°F DB entering air at ANSI/AHRI/ASHRAE/ISO13256-1 rated cfm. For ANSI/AHRI/ASHRAE/ISO13256-1 certified ratings, refer to the ANSI/AHRI/ASHRAE/ISO13256-1 WLHP, GWHP and GLHP performance table. See performance correction tables to correct performance at conditions other than those tabulated. Data shown is for unit performance only. Interpolation of data is permissible; extrapolation is not. Rated GPM: 3.5 Minimum cfm 380; Rated cfm 475; Maximum cfm 570

Table 44. Fan correction factors 1.25 tons GEH015

Entering cfm	Cooling Capacity	Sensible Capacity	Cooling Input Watts	Heating Capacity	Heating Input Watts
380	0.960	0.878	1.005	0.993	1.100
404	0.970	0.907	1.004	0.991	1.067
428	0.981	0.939	1.002	0.998	1.045
451	0.991	0.969	1.001	0.996	1.017
475	1.000	1.000	1.000	1.000	1.000
523	1.017	1.059	0.998	1.000	0.963
546	1.024	1.088	0.997	1.000	0.948
570	1.031	1.117	0.996	1.002	0.932

Table 45. Cooling capacities 1.25 tons (net) - GEV015

EWT	GPM	Total Mbtuh	Sen Mbtuh	SHR	Power kW	EER	Reject Mbtuh	LWT	Feet Head
45	2.2	15.5	11.9	0.77	0.70	22.1	17.9	61.3	2.6
45	2.8	15.6	11.9	0.77	0.66	23.5	17.8	57.7	4.1
45	3.1	15.6	11.9	0.76	0.65	24.0	17.8	56.5	4.9
45	3.5	15.7	12.0	0.76	0.64	24.6	17.9	55.2	6.0
45	3.6	15.7	12.0	0.76	0.63	24.8	17.8	54.9	6.3
45	3.8	15.7	12.0	0.76	0.63	25.0	17.9	54.4	7.0
45	4.2	15.7	12.0	0.76	0.62	25.5	17.8	53.5	8.3
55	2.2	15.2	11.8	0.77	0.82	18.7	18.0	71.4	2.5
55	2.8	15.3	11.8	0.77	0.78	19.6	18.0	67.8	3.9
55	3.1	15.3	11.8	0.77	0.77	20.0	17.9	66.6	4.7
55	3.5	15.4	11.8	0.77	0.75	20.4	17.9	65.2	5.8
55	3.6	15.4	11.8	0.77	0.75	20.5	17.9	65.0	6.1
55	3.8	15.4	11.8	0.77	0.74	20.7	17.9	64.4	6.7
55	4.2	15.4	11.8	0.77	0.73	21.0	17.9	63.5	8.0
68	2.2	14.8	11.6	0.79	0.96	15.4	18.1	84.4	2.4
68	2.8	14.8	11.6	0.78	0.93	16.0	18.0	80.9	3.7
68	3.1	14.9	11.6	0.78	0.91	16.3	18.0	79.6	4.5
68	3.5	14.9	11.7	0.78	0.90	16.5	18.0	78.3	5.5
68	3.6	14.9	11.7	0.78	0.90	16.6	18.0	78.0	5.8
68	3.8	14.9	11.7	0.78	0.89	16.7	18.0	77.5	6.4
68	4.2	14.9	11.7	0.78	0.88	16.9	18.0	76.5	7.6
77	2.2	14.4	11.5	0.80	1.07	13.5	18.1	93.4	2.4

Table 45. Cooling capacities 1.25 tons (net) - GEV015 (continued)

EWT	GPM	Total Mbtuh	Sen Mbtuh	SHR	Power kW	EER	Reject Mbtuh	LWT	Feet Head
77	2.8	14.5	11.5	0.79	1.03	14.0	18.0	89.9	3.6
77	3.1	14.5	11.5	0.79	1.02	14.2	18.0	88.6	4.3
77	3.5	14.5	11.5	0.79	1.01	14.4	18.0	87.3	5.4
77	3.6	14.5	11.5	0.79	1.01	14.4	18.0	87.0	5.6
77	3.8	14.5	11.5	0.79	1.00	14.5	18.0	86.5	6.2
77	4.2	14.6	11.5	0.79	0.99	14.7	17.9	85.5	7.4
86	2.2	14.0	11.3	0.81	1.18	11.9	18.1	102.4	2.3
86	2.8	14.1	11.3	0.81	1.15	12.3	18.0	98.9	3.5
86	3.1	14.1	11.3	0.80	1.13	12.4	18.0	97.6	4.2
86	3.5	14.1	11.4	0.80	1.12	12.6	17.9	96.3	5.2
86	3.6	14.1	11.4	0.80	1.12	12.7	17.9	96.0	5.5
86	3.8	14.1	11.4	0.80	1.11	12.7	17.9	95.4	6.0
86	4.2	14.2	11.4	0.80	1.10	12.9	17.9	94.5	7.2
95	2.2	13.6	11.2	0.82	1.31	10.4	18.1	111.4	2.2
95	2.8	13.7	11.2	0.82	1.27	10.8	18.0	107.9	3.4
95	3.1	13.7	11.2	0.82	1.26	10.9	18.0	106.6	4.1
95	3.5	13.7	11.2	0.82	1.24	11.0	17.9	105.2	5.1
95	3.6	13.7	11.2	0.82	1.24	11.1	17.9	105.0	5.3
95	3.8	13.7	11.2	0.82	1.23	11.1	17.9	104.4	5.9
95	4.2	13.7	11.2	0.82	1.22	11.2	17.9	103.5	7.0
105	2.2	13.2	11.0	0.84	1.46	9.0	18.1	121.5	2.2
105	2.8	13.2	11.0	0.83	1.42	9.3	18.0	117.9	3.3
105	3.1	13.2	11.0	0.83	1.41	9.4	18.0	116.6	4.0
105	3.5	13.2	11.0	0.83	1.39	9.5	17.9	115.3	4.9
105	3.6	13.2	11.0	0.83	1.39	9.5	17.9	115.0	5.2
105	3.8	13.2	11.0	0.83	1.38	9.6	17.9	114.4	5.7
105	4.2	13.2	11.0	0.83	1.37	9.6	17.9	113.5	6.8
110	2.2	12.9	10.9	0.84	1.55	8.3	18.2	126.6	2.1
110	2.8	12.9	10.9	0.84	1.51	8.6	18.1	122.9	3.3
110	3.1	12.9	10.9	0.84	1.49	8.7	18.0	121.6	3.9
110	3.5	12.9	10.9	0.84	1.48	8.8	18.0	120.3	4.9
110	3.6	12.9	10.9	0.84	1.47	8.8	18.0	120.0	5.1
110	3.8	12.9	10.9	0.84	1.47	8.8	18.0	119.5	5.6
110	4.2	13.0	10.9	0.84	1.46	8.9	17.9	118.5	6.7

Notes: Cooling performance data is tabulated at 80.6°F DB/66.2°F WB entering air at ANSI/AHRI/ASHRAE/ISO13256-1 rated cfm. For ANSI/AHRI/ASHRAE/ISO13256-1 certified ratings, refer to the ANSI/AHRI/ASHRAE/ISO13256-1 WLHP, GWHP and GLHP performance table. See Performance correction tables to correct performance at conditions other than those tabulated. Data shown is for unit performance only. Interpolation of data is permissible; extrapolation is not. Rated GPM: 3.5 Minimum cfm 380; Rated cfm 475; Maximum cfm 570



Performance Data

Table 46. Heating capacities 1.25 tons (net) - GEV015

EWT	GPM	Htg Cap Mbtuh	Absorb Mbtuh	Power kW	COP	LWT	Feet Head
25	2.2	10.8	7.2	1.05	3.0	18.5	3.6
25	2.8	11.0	7.4	1.06	3.0	19.7	5.5
25	3.1	11.0	7.4	1.06	3.1	20.2	6.5
25	3.5	11.2	7.5	1.06	3.1	20.7	8.1
25	3.6	11.2	7.6	1.06	3.1	20.8	8.5
25	3.8	11.2	7.6	1.06	3.1	21.0	9.3
25	4.2	11.3	7.7	1.06	3.1	21.4	11.1
32	2.2	11.7	8.1	1.07	3.2	24.7	3.5
32	2.8	12.0	8.3	1.08	3.3	26.1	5.3
32	3.1	12.1	8.4	1.08	3.3	26.6	6.3
32	3.5	12.2	8.5	1.08	3.3	27.1	7.8
32	3.6	12.2	8.5	1.08	3.3	27.3	8.2
32	3.8	12.3	8.6	1.09	3.3	27.5	9.0
32	4.2	12.4	8.7	1.09	3.3	27.9	10.7
45	2.2	14.0	10.1	1.12	3.7	35.8	2.8
45	2.8	14.2	10.4	1.12	3.7	37.6	4.3
45	3.1	14.3	10.5	1.12	3.7	38.2	5.1
45	3.5	14.5	10.6	1.13	3.8	38.9	6.3
45	3.6	14.5	10.7	1.13	3.8	39.1	6.6
45	3.8	14.6	10.8	1.13	3.8	39.3	7.3
45	4.2	14.6	10.8	1.13	3.8	39.9	8.6
55	2.2	15.6	11.6	1.15	4.0	44.4	2.7
55	2.8	16.0	12.0	1.16	4.0	46.4	4.1
55	3.1	16.1	12.1	1.16	4.1	47.2	4.9
55	3.5	16.3	12.3	1.16	4.1	48.0	6.1
55	3.6	16.3	12.3	1.16	4.1	48.2	6.4
55	3.8	16.4	12.4	1.16	4.1	48.5	7.0
55	4.2	16.5	12.5	1.17	4.1	49.1	8.3
68	2.2	17.8	13.8	1.19	4.4	55.5	2.6
68	2.8	18.2	14.2	1.19	4.5	57.9	3.9
68	3.1	18.4	14.3	1.20	4.5	58.7	4.7
68	3.5	18.5	14.5	1.20	4.5	59.7	5.8
68	3.6	18.6	14.5	1.20	4.5	59.9	6.1
68	3.8	18.7	14.6	1.20	4.6	60.3	6.7
68	4.2	18.8	14.7	1.20	4.6	61.0	7.9
75	2.2	19.0	14.9	1.21	4.6	61.5	2.5
75	2.8	19.5	15.4	1.21	4.7	64.0	3.8
75	3.1	19.7	15.5	1.22	4.7	65.0	4.6
75	3.5	19.8	15.7	1.22	4.8	66.0	5.6
75	3.6	19.9	15.7	1.22	4.8	66.3	5.9
75	3.8	20.0	15.8	1.22	4.8	66.7	6.5
75	4.2	20.1	15.9	1.22	4.8	67.4	7.7
86	2.2	20.9	16.7	1.23	5.0	70.8	2.4
86	2.8	21.4	17.2	1.24	5.1	73.7	3.7

Table 46. Heating capacities 1.25 tons (net) - GEV015 (continued)

EWT	GPM	Htg Cap Mbtuh	Absorb Mbtuh	Power kW	COP	LWT	Feet Head
86	3.1	21.6	17.4	1.24	5.1	74.8	4.4
86	3.5	21.8	17.6	1.24	5.2	75.9	5.4
86	3.6	21.9	17.7	1.24	5.2	76.2	5.7
86	3.8	21.9	17.7	1.24	5.2	76.7	6.3
86	4.2	22.1	17.8	1.24	5.2	77.5	7.5

Notes: Heating performance data is tabulated at 68°F DB entering air at ANSI/AHRI/ASHRAE/ISO13256-1 rated cfm. For ANSI/AHRI/ASHRAE/ISO13256-1 certified ratings, refer to the ANSI/AHRI/ASHRAE/ISO13256-1 WLHP, GWHP and GLHP performance table. See performance correction tables to correct performance at conditions other than those tabulated. Data shown is for unit performance only. Interpolation of data is permissible; extrapolation is not. Rated GPM: 3.5 Minimum cfm 380; Rated cfm 475; Maximum cfm 570

Table 47. Fan correction factors 1.25 tons GEV015

Entering cfm	Cooling Capacity	Sensible Capacity	Cooling Input Watts	Heating Capacity	Heating Input Watts
380	0.958	0.873	1.007	0.992	1.100
404	0.970	0.905	1.005	0.998	1.073
428	0.981	0.938	1.003	1.001	1.048
451	0.991	0.969	1.002	0.999	1.020
475	1.000	1.000	1.000	1.000	1.000
523	1.017	1.062	0.997	1.007	0.968
546	1.024	1.092	0.996	1.006	0.953
570	1.031	1.122	0.995	1.009	0.940

Table 48. Cooling capacities 1.5 tons (net) - GEH018

EWT	GPM	Total Mbtuh	Sen Mbtuh	SHR	Power kW	EER	Reject Mbtuh	LWT	Feet Head
45	2.7	18.8	14.4	0.77	0.93	20.2	22.0	61.3	3.4
45	3.3	18.8	14.4	0.77	0.90	20.9	21.9	58.3	4.8
45	3.7	18.8	14.4	0.76	0.89	21.3	21.9	56.8	5.9
45	4.2	18.8	14.4	0.76	0.87	21.7	21.8	55.4	7.4
45	4.4	18.8	14.3	0.76	0.86	21.8	21.8	54.9	8.1
45	4.6	18.8	14.4	0.76	0.86	21.9	21.8	54.5	8.7
45	5.0	18.8	14.3	0.76	0.85	22.1	21.7	53.7	10.1
55	2.7	18.7	14.3	0.77	1.05	17.8	22.3	71.5	3.3
55	3.3	18.7	14.3	0.77	1.02	18.4	22.2	68.4	4.6
55	3.7	18.7	14.4	0.77	1.00	18.7	22.1	67.0	5.7
55	4.2	18.7	14.3	0.77	0.99	19.0	22.1	65.5	7.1
55	4.4	18.7	14.4	0.77	0.98	19.1	22.1	65.0	7.7
55	4.6	18.8	14.4	0.76	0.98	19.2	22.1	64.6	8.4
55	5.0	18.8	14.4	0.76	0.97	19.4	22.1	63.8	9.7
68	2.7	18.3	14.2	0.77	1.23	15.0	22.5	84.7	3.1
68	3.3	18.4	14.2	0.77	1.19	15.5	22.5	81.6	4.4
68	3.7	18.4	14.2	0.77	1.17	15.7	22.4	80.1	5.4
68	4.2	18.5	14.3	0.77	1.16	16.0	22.4	78.7	6.8
68	4.4	18.5	14.3	0.77	1.15	16.0	22.4	78.2	7.4
68	4.6	18.5	14.3	0.77	1.15	16.1	22.4	77.7	8.0
68	5.0	18.5	14.3	0.77	1.14	16.3	22.4	77.0	9.3



Performance Data

Table 48. Cooling capacities 1.5 tons (net) - GEH018 (continued)

EWT	GPM	Total Mbtuh	Sen Mbtuh	SHR	Power kW	EER	Reject Mbtuh	LWT	Feet Head
77	2.7	17.9	14.1	0.78	1.35	13.3	22.6	93.7	3.0
77	3.3	18.0	14.1	0.78	1.32	13.7	22.5	90.6	4.3
77	3.7	18.1	14.1	0.78	1.30	13.9	22.5	89.2	5.3
77	4.2	18.1	14.1	0.78	1.28	14.1	22.5	87.7	6.6
77	4.4	18.1	14.1	0.78	1.28	14.2	22.5	87.2	7.2
77	4.6	18.1	14.1	0.78	1.27	14.3	22.4	86.8	7.7
77	5.0	18.1	14.1	0.78	1.26	14.4	22.4	86.0	9.0
86	2.7	17.4	13.8	0.79	1.50	11.6	22.5	102.7	2.9
86	3.3	17.5	13.9	0.79	1.45	12.0	22.5	99.6	4.2
86	3.7	17.6	13.9	0.79	1.44	12.2	22.5	98.1	5.1
86	4.2	17.6	13.9	0.79	1.42	12.4	22.4	96.7	6.4
86	4.4	17.6	13.9	0.79	1.41	12.5	22.4	96.2	7.0
86	4.6	17.6	13.9	0.79	1.41	12.5	22.4	95.7	7.5
86	5.0	17.6	13.9	0.79	1.40	12.6	22.4	95.0	8.7
95	2.7	16.9	13.6	0.81	1.65	10.2	22.5	111.7	2.9
95	3.3	16.9	13.6	0.81	1.61	10.5	22.4	108.6	4.1
95	3.7	17.0	13.7	0.81	1.59	10.6	22.4	107.1	5.0
95	4.2	17.0	13.7	0.81	1.57	10.8	22.4	105.6	6.2
95	4.4	17.0	13.7	0.80	1.57	10.9	22.4	105.2	6.8
95	4.6	17.0	13.7	0.80	1.56	10.9	22.3	104.7	7.3
95	5.0	17.0	13.7	0.80	1.55	11.0	22.3	103.9	8.5
105	2.7	16.2	13.3	0.82	1.86	8.7	22.5	121.7	2.8
105	3.3	16.2	13.3	0.82	1.82	8.9	22.4	118.6	4.0
105	3.7	16.2	13.3	0.82	1.80	9.0	22.4	117.1	4.9
105	4.2	16.3	13.3	0.82	1.77	9.2	22.3	115.6	6.1
105	4.4	16.3	13.3	0.82	1.77	9.2	22.3	115.1	6.6
105	4.6	16.3	13.3	0.82	1.76	9.2	22.3	114.7	7.1
105	5.0	16.3	13.3	0.82	1.75	9.3	22.2	113.9	8.3
110	2.7	15.8	13.2	0.83	2.00	7.9	22.6	126.8	2.7
110	3.3	15.8	13.2	0.83	1.95	8.1	22.5	123.6	3.9
110	3.7	15.8	13.2	0.83	1.92	8.2	22.4	122.1	4.8
110	4.2	15.9	13.2	0.83	1.90	8.4	22.3	120.6	6.0
110	4.4	15.9	13.2	0.83	1.89	8.4	22.3	120.2	6.5
110	4.6	15.9	13.2	0.83	1.88	8.4	22.3	119.7	7.0
110	5.0	15.9	13.2	0.83	1.87	8.5	22.3	118.9	8.1

Notes: Cooling performance data is tabulated at 80.6°F DB/66.2°F WB entering air at ANSI/AHRI/ASHRAE/ISO13256-1 rated cfm. For ANSI/AHRI/ASHRAE/ISO13256-1 certified ratings, refer to the ANSI/AHRI/ASHRAE/ISO13256-1 WLHP, GWHP and GLHP performance table. See performance correction tables to correct performance at conditions other than those tabulated. Data shown is for unit performance only. Interpolation of data is permissible; extrapolation is not. Rated GPM: 4.2 Minimum cfm 456; Rated cfm 570; Maximum cfm 684

Table 49. Heating capacities 1.5 tons (net) - GEH018

EWT	GPM	Htg Cap Mbtuh	Absorb Mbtuh	Power kW	COP	LWT	Feet Head
25	2.7	12.6	8.4	1.24	3.0	18.8	4.9
25	3.3	12.8	8.6	1.24	3.0	19.8	7.0
25	3.7	13.0	8.7	1.25	3.1	20.3	8.5

Table 49. Heating capacities 1.5 tons (net) - GEH018 (continued)

EWT	GPM	Htg Cap Mbtuh	Absorb Mbtuh	Power kW	COP	LWT	Feet Head
25	4.2	13.1	8.8	1.25	3.1	20.8	10.6
25	4.4	13.1	8.9	1.25	3.1	21.0	11.5
25	4.6	13.2	8.9	1.25	3.1	21.1	12.4
25	5.0	13.3	9.0	1.25	3.1	21.4	14.4
32	2.7	13.8	9.5	1.26	3.2	25.0	4.8
32	3.3	14.1	9.8	1.27	3.3	26.1	6.8
32	3.7	14.2	9.9	1.27	3.3	26.6	8.3
32	4.2	14.4	10.0	1.27	3.3	27.2	10.3
32	4.4	14.5	10.1	1.28	3.3	27.4	11.2
32	4.6	14.5	10.2	1.28	3.3	27.6	12.1
32	5.0	14.6	10.3	1.28	3.3	27.9	14.0
45	2.7	16.6	12.1	1.32	3.7	36.0	3.9
45	3.3	17.0	12.5	1.33	3.8	37.4	5.5
45	3.7	17.2	12.7	1.33	3.8	38.1	6.7
45	4.2	17.4	12.9	1.34	3.8	38.9	8.3
45	4.4	17.5	12.9	1.34	3.8	39.1	9.0
45	4.6	17.6	13.0	1.34	3.8	39.4	9.7
45	5.0	17.7	13.1	1.34	3.9	39.8	11.2
55	2.7	18.8	14.2	1.37	4.0	44.5	3.7
55	3.3	19.3	14.6	1.38	4.1	46.1	5.2
55	3.7	19.5	14.8	1.38	4.1	47.0	6.4
55	4.2	19.7	15.0	1.38	4.2	47.9	8.0
55	4.4	19.8	15.1	1.38	4.2	48.1	8.6
55	4.6	19.9	15.1	1.39	4.2	48.4	9.3
55	5.0	20.0	15.3	1.39	4.2	48.9	10.8
68	2.7	21.7	16.8	1.42	4.5	55.5	3.5
68	3.3	22.1	17.3	1.42	4.6	57.5	5.0
68	3.7	22.4	17.5	1.43	4.6	58.5	6.1
68	4.2	22.6	17.7	1.43	4.6	59.6	7.6
68	4.4	22.7	17.8	1.43	4.6	59.9	8.2
68	4.6	22.8	17.9	1.44	4.7	60.2	8.9
68	5.0	22.9	18.0	1.43	4.7	60.8	10.3
75	2.7	23.1	18.2	1.43	4.7	61.5	3.5
75	3.3	23.6	18.7	1.44	4.8	63.7	4.9
75	3.7	23.8	18.9	1.44	4.8	64.8	6.0
75	4.2	24.1	19.1	1.44	4.9	65.9	7.4
75	4.4	24.2	19.2	1.45	4.9	66.3	8.0
75	4.6	24.2	19.3	1.45	4.9	66.6	8.7
75	5.0	24.4	19.5	1.45	4.9	67.2	10.0
86	2.7	25.1	20.1	1.45	5.1	71.1	3.3
86	3.3	25.5	20.6	1.45	5.2	73.5	4.7
86	3.7	25.8	20.8	1.45	5.2	74.7	5.8
86	4.2	26.0	21.1	1.45	5.3	76.0	7.2
86	4.4	26.1	21.2	1.45	5.3	76.4	7.8
86	4.6	26.2	21.3	1.45	5.3	76.7	8.4



Performance Data

Table 49. Heating capacities 1.5 tons (net) - GEH018 (continued)

EWT	GPM	Htg Cap Mbtuh	Absorb Mbtuh	Power kW	COP	LWT	Feet Head
86	5.0	26.3	21.3	1.44	5.3	77.5	9.7

Notes: Heating performance data is tabulated at 68°F DB entering air at ANSI/AHRI/ASHRAE/ISO13256-1 rated cfm. For ANSI/AHRI/ASHRAE/ISO13256-1 certified ratings, refer to the ANSI/AHRI/ASHRAE/ISO13256-1 WLHP, GWHP and GLHP performance table. See performance correction tables to correct performance at conditions other than those tabulated. Data shown is for unit performance only. Interpolation of data is permissible; extrapolation is not. Rated GPM: 4.2 Minimum cfm 456; Rated cfm 570; Maximum cfm 684

Table 50. Fan correction factors 1.5 tons GEH018

Entering cfm	Cooling Capacity	Sensible Capacity	Cooling Input Watts	Heating Capacity	Heating Input Watts
456	0.963	0.880	1.003	0.983	1.089
485	0.973	0.909	1.002	0.991	1.063
513	0.983	0.940	1.001	0.995	1.039
542	0.993	0.971	1.001	0.995	1.017
570	1.000	1.000	1.000	1.000	1.000
627	1.014	1.060	1.000	1.001	0.964
656	1.021	1.086	1.000	1.004	0.951
684	1.026	1.113	1.000	1.006	0.939

Table 51. Cooling capacities 1.5 tons (net) - GEV018

EWT	GPM	Total Mbtuh	Sen Mbtuh	SHR	Power kW	EER	Reject Mbtuh	LWT	Feet Head
45	2.7	18.5	14.1	0.76	0.92	20.1	21.6	61.0	3.2
45	3.3	18.5	14.1	0.76	0.89	20.8	21.6	58.1	4.6
45	3.7	18.5	14.1	0.76	0.88	21.2	21.5	56.6	5.6
45	4.2	18.5	14.1	0.76	0.86	21.5	21.5	55.2	7.0
45	4.4	18.5	14.1	0.76	0.85	21.7	21.4	54.7	7.6
45	4.6	18.5	14.1	0.76	0.85	21.8	21.4	54.3	8.2
45	5.0	18.5	14.1	0.76	0.84	22.0	21.4	53.6	9.5
55	2.7	18.5	14.1	0.76	1.05	17.7	22.1	71.4	3.1
55	3.3	18.5	14.1	0.76	1.01	18.3	22.0	68.3	4.4
55	3.7	18.5	14.1	0.76	1.00	18.6	21.9	66.8	5.4
55	4.2	18.5	14.1	0.76	0.98	18.9	21.9	65.4	6.7
55	4.4	18.5	14.1	0.76	0.97	19.0	21.8	64.9	7.3
55	4.6	18.5	14.1	0.76	0.97	19.1	21.8	64.5	7.9
55	5.0	18.5	14.1	0.76	0.96	19.3	21.8	63.7	9.2
68	2.7	18.2	14.0	0.77	1.22	14.9	22.4	84.6	2.9
68	3.3	18.3	14.0	0.77	1.19	15.4	22.3	81.5	4.2
68	3.7	18.3	14.0	0.76	1.17	15.7	22.3	80.1	5.1
68	4.2	18.3	14.0	0.76	1.15	15.9	22.3	78.6	6.4
68	4.4	18.3	14.0	0.76	1.15	16.0	22.2	78.1	7.0
68	4.6	18.3	14.0	0.76	1.14	16.1	22.2	77.7	7.5
68	5.0	18.3	14.0	0.76	1.13	16.2	22.2	76.9	8.7
77	2.7	17.9	13.8	0.77	1.35	13.2	22.5	93.7	2.9
77	3.3	17.9	13.9	0.77	1.31	13.7	22.4	90.6	4.1
77	3.7	18.0	13.9	0.77	1.29	13.9	22.4	89.1	5.0
77	4.2	18.0	13.9	0.77	1.28	14.1	22.3	87.6	6.2
77	4.4	18.0	13.9	0.77	1.27	14.2	22.3	87.2	6.8

Table 51. Cooling capacities 1.5 tons (net) - GEV018 (continued)

EWT	GPM	Total Mbtuh	Sen Mbtuh	SHR	Power kW	EER	Reject Mbtuh	LWT	Feet Head
77	4.6	18.0	13.9	0.77	1.27	14.2	22.3	86.7	7.3
77	5.0	18.0	13.9	0.77	1.26	14.3	22.3	85.9	8.5
86	2.7	17.4	13.7	0.78	1.49	11.7	22.5	102.7	2.8
86	3.3	17.5	13.7	0.78	1.45	12.0	22.4	99.6	4.0
86	3.7	17.5	13.7	0.78	1.43	12.2	22.4	98.1	4.8
86	4.2	17.5	13.7	0.78	1.42	12.4	22.4	96.7	6.1
86	4.4	17.6	13.7	0.78	1.41	12.5	22.4	96.2	6.6
86	4.6	17.6	13.7	0.78	1.40	12.5	22.4	95.7	7.1
86	5.0	17.6	13.7	0.78	1.39	12.6	22.3	94.9	8.2
95	2.7	16.9	13.5	0.80	1.66	10.2	22.6	111.7	2.7
95	3.3	17.0	13.5	0.80	1.61	10.5	22.5	108.6	3.9
95	3.7	17.0	13.5	0.80	1.59	10.7	22.4	107.1	4.7
95	4.2	17.0	13.5	0.80	1.57	10.8	22.4	105.7	5.9
95	4.4	17.0	13.5	0.79	1.57	10.9	22.4	105.2	6.4
95	4.6	17.0	13.5	0.79	1.56	10.9	22.4	104.7	6.9
95	5.0	17.0	13.5	0.79	1.55	11.0	22.3	103.9	8.0
105	2.7	16.3	13.3	0.81	1.87	8.7	22.7	121.8	2.6
105	3.3	16.4	13.3	0.81	1.83	9.0	22.6	118.7	3.7
105	3.7	16.4	13.3	0.81	1.80	9.1	22.5	117.2	4.6
105	4.2	16.4	13.3	0.81	1.78	9.2	22.5	115.7	5.7
105	4.4	16.4	13.3	0.81	1.78	9.2	22.4	115.2	6.2
105	4.6	16.4	13.3	0.81	1.76	9.3	22.4	114.7	6.7
105	5.0	16.4	13.3	0.81	1.75	9.3	22.4	114.0	7.8
110	2.7	16.0	13.2	0.82	2.02	7.9	22.9	127.0	2.6
110	3.3	16.0	13.2	0.82	1.97	8.2	22.8	123.8	3.7
110	3.7	16.0	13.2	0.82	1.94	8.3	22.7	122.3	4.5
110	4.2	16.1	13.2	0.82	1.92	8.4	22.6	120.8	5.7
110	4.4	16.1	13.2	0.82	1.91	8.4	22.6	120.3	6.1
110	4.6	16.1	13.2	0.82	1.90	8.5	22.5	119.8	6.6
110	5.0	16.1	13.2	0.82	1.89	8.5	22.5	119.0	7.7

Notes: Cooling performance data is tabulated at 80.6°F DB/66.2°F WB entering air at ANSI/AHRI/ASHRAE/ISO13256-1 rated cfm. For ANSI/AHRI/ASHRAE/ISO13256-1 certified ratings, refer to the ANSI/AHRI/ASHRAE/ISO13256-1 WLHP, GWHP and GLHP performance table. See performance correction tables to correct performance at conditions other than those tabulated. Data shown is for unit performance only. Interpolation of data is permissible; extrapolation is not. Rated GPM: 4.2 Minimum cfm 456; Rated cfm 570; Maximum cfm 684

Table 52. Heating capacities 1.5 tons (net) - GEV018

EWT	GPM	Htg Cap Mbtuh	Absorb Mbtuh	Power kW	COP	LWT	Feet Head
25	2.7	13.1	8.8	1.26	3.0	18.5	4.5
25	3.3	13.3	9.0	1.26	3.1	19.6	6.4
25	3.7	13.4	9.1	1.26	3.1	20.1	7.9
25	4.2	13.5	9.2	1.27	3.1	20.6	9.8
25	4.4	13.6	9.2	1.27	3.1	20.8	10.6
25	4.6	13.6	9.3	1.27	3.1	21.0	11.5
25	5.0	13.7	9.3	1.27	3.2	21.3	13.3
32	2.7	14.3	9.9	1.28	3.3	24.7	4.4



Performance Data

Table 52. Heating capacities 1.5 tons (net) - GEV018 (continued)

EWT	GPM	Htg Cap Mbtuh	Absorb Mbtuh	Power kW	COP	LWT	Feet Head
32	3.3	14.5	10.2	1.29	3.3	25.8	6.2
32	3.7	14.7	10.3	1.29	3.3	26.5	7.6
32	4.2	14.8	10.4	1.29	3.4	27.0	9.5
32	4.4	14.9	10.5	1.29	3.4	27.2	10.3
32	4.6	14.9	10.5	1.29	3.4	27.4	11.1
32	5.0	15.0	10.6	1.29	3.4	27.8	12.9
45	2.7	17.1	12.5	1.34	3.7	35.7	3.6
45	3.3	17.5	12.9	1.35	3.8	37.2	5.0
45	3.7	17.6	13.0	1.35	3.8	38.0	6.1
45	4.2	17.8	13.2	1.35	3.9	38.7	7.6
45	4.4	17.9	13.3	1.35	3.9	39.0	8.3
45	4.6	18.0	13.3	1.36	3.9	39.2	9.0
45	5.0	18.1	13.4	1.36	3.9	39.6	10.4
55	2.7	19.2	14.5	1.38	4.1	44.3	3.4
55	3.3	19.6	14.9	1.39	4.1	46.0	4.8
55	3.7	19.8	15.1	1.39	4.2	46.8	5.9
55	4.2	20.1	15.3	1.40	4.2	47.7	7.4
55	4.4	20.1	15.3	1.40	4.2	48.0	8.0
55	4.6	20.2	15.4	1.40	4.2	48.3	8.6
55	5.0	20.3	15.5	1.40	4.2	48.8	10.0
68	2.7	21.9	17.0	1.43	4.5	55.4	3.3
68	3.3	22.4	17.5	1.44	4.6	57.4	4.6
68	3.7	22.6	17.7	1.44	4.6	58.4	5.6
68	4.2	22.8	17.9	1.44	4.6	59.5	7.0
68	4.4	22.9	17.9	1.44	4.6	59.8	7.6
68	4.6	22.9	18.0	1.44	4.7	60.2	8.2
68	5.0	23.1	18.2	1.45	4.7	60.7	9.5
75	2.7	23.3	18.3	1.45	4.7	61.4	3.2
75	3.3	23.7	18.8	1.45	4.8	63.6	4.5
75	3.7	24.0	19.0	1.45	4.8	64.7	5.5
75	4.2	24.2	19.2	1.46	4.9	65.8	6.8
75	4.4	24.3	19.3	1.46	4.9	66.2	7.4
75	4.6	24.3	19.4	1.46	4.9	66.6	8.0
75	5.0	24.5	19.5	1.46	4.9	67.2	9.3
86	2.7	25.3	20.3	1.46	5.1	71.0	3.1
86	3.3	25.8	20.8	1.47	5.2	73.4	4.3
86	3.7	25.9	20.9	1.46	5.2	74.7	5.3
86	4.2	26.1	21.1	1.46	5.3	75.9	6.6
86	4.4	26.2	21.2	1.45	5.3	76.4	7.2
86	4.6	26.3	21.3	1.45	5.3	76.7	7.7
86	5.0	26.3	21.3	1.45	5.3	77.5	8.9

Notes: Heating performance data is tabulated at 68°F DB entering air at ANSI/AHRI/ASHRAE/ISO13256-1 rated cfm. For ANSI/AHRI/ASHRAE/ISO13256-1 certified ratings, refer to the ANSI/AHRI/ASHRAE/ISO13256-1 WLHP, GWHP and GLHP performance table. See performance correction tables to correct performance at conditions other than those tabulated. Data shown is for unit performance only. Interpolation of data is permissible; extrapolation is not. Rated GPM: 4.2 Minimum cfm 456; Rated cfm 570; Maximum cfm 684

Table 53. Fan correction factors 1.5 tons GEV018

Entering cfm	Cooling Capacity	Sensible Capacity	Cooling Input Watts	Heating Capacity	Heating Input Watts
456	0.962	0.879	1.010	0.990	1.097
485	0.972	0.909	1.006	0.996	1.072
513	0.982	0.940	1.003	0.993	1.042
542	0.991	0.970	1.002	0.998	1.019
570	1.000	1.000	1.000	1.000	1.000
627	1.016	1.060	0.997	1.006	0.968
656	1.022	1.089	0.996	1.009	0.955
684	1.029	1.118	0.995	1.012	0.943

Table 54. Cooling capacities 2 tons (net) - GEH024

EWT	GPM	Total Mbtuh	Sen Mbtuh	SHR	Power kW	Reject Mbtuh	LWT	Feet Head
45	3.6	27.1	18.9	0.70	1.23	31.3	62.2	6.2
45	4.5	27.2	19.0	0.70	1.18	31.3	59.0	8.8
45	5.0	27.4	19.1	0.70	1.16	31.3	57.4	10.7
45	5.6	27.4	19.1	0.70	1.14	31.3	56.2	12.8
45	5.9	27.4	19.1	0.70	1.13	31.3	55.7	14.0
45	6.2	27.5	19.1	0.70	1.13	31.3	55.2	15.2
45	6.7	27.5	19.2	0.70	1.11	31.3	54.3	17.7
55	3.6	26.2	18.5	0.70	1.39	30.9	72.0	5.9
55	4.5	26.4	18.6	0.70	1.35	31.0	68.8	8.3
55	5.0	26.4	18.6	0.70	1.32	31.0	67.3	10.2
55	5.6	26.5	18.7	0.70	1.31	31.0	66.1	12.2
55	5.9	26.5	18.7	0.70	1.30	31.0	65.5	13.3
55	6.2	26.5	18.7	0.70	1.29	31.0	65.1	14.5
55	6.7	26.6	18.8	0.70	1.28	31.0	64.2	16.9
68	3.6	24.8	18.1	0.73	1.59	30.3	84.6	5.5
68	4.5	25.0	18.3	0.73	1.54	30.3	81.5	7.8
68	5.0	25.1	18.3	0.73	1.52	30.3	80.0	9.6
68	5.6	25.2	18.4	0.73	1.50	30.3	78.8	11.5
68	5.9	25.2	18.4	0.73	1.50	30.3	78.3	12.5
68	6.2	25.2	18.4	0.73	1.49	30.3	77.8	13.6
68	6.7	25.3	18.5	0.73	1.48	30.3	77.0	15.9
75	3.6	24.2	17.9	0.74	1.72	30.1	91.5	5.3
75	4.5	24.4	18.0	0.74	1.67	30.1	88.4	7.6
75	5.0	24.5	18.1	0.74	1.65	30.1	86.9	9.3
75	5.6	24.5	18.1	0.74	1.63	30.1	85.8	11.1
75	5.9	24.6	18.2	0.74	1.62	30.1	85.2	12.1
75	6.2	24.6	18.2	0.74	1.62	30.1	84.8	13.2
75	6.7	24.6	18.2	0.74	1.60	30.1	84.0	15.4
86	3.6	23.0	17.4	0.76	1.93	29.6	102.3	5.2
86	4.5	23.2	17.5	0.76	1.88	29.6	99.2	7.3
86	5.0	23.2	17.6	0.76	1.86	29.6	97.7	8.9
86	5.6	23.3	17.6	0.76	1.84	29.6	96.6	10.7
86	5.9	23.3	17.7	0.76	1.83	29.6	96.1	11.6



Performance Data

Table 54. Cooling capacities 2 tons (net) - GEH024 (continued)

EWT	GPM	Total Mbtuh	Sen Mbtuh	SHR	Power kW	Reject Mbtuh	LWT	Feet Head
86	6.2	23.4	17.7	0.76	1.82	29.6	95.6	12.6
86	6.7	23.4	17.7	0.76	1.81	29.6	94.8	14.7
95	3.6	22.0	17.1	0.77	2.14	29.4	111.1	5.3
95	4.5	22.2	17.2	0.77	2.09	29.3	108.1	7.3
95	5.0	22.3	17.3	0.77	2.06	29.3	106.6	8.8
95	5.6	22.4	17.3	0.77	2.04	29.4	105.5	10.5
95	5.9	22.4	17.3	0.77	2.03	29.3	105.0	11.4
95	6.2	22.4	17.3	0.77	2.02	29.3	104.5	12.3
95	6.7	22.5	17.4	0.77	2.01	29.3	103.7	14.3
105	3.6	20.9	16.6	0.80	2.39	29.0	121.0	5.5
105	4.5	21.1	16.8	0.80	2.33	29.0	118.0	7.4
105	5.0	21.2	16.9	0.80	2.30	29.0	116.5	8.8
105	5.6	21.2	16.9	0.80	2.28	29.0	115.4	10.4
105	5.9	21.2	16.9	0.80	2.27	29.0	114.9	11.3
105	6.2	21.3	17.0	0.80	2.27	29.0	114.4	12.2
105	6.7	21.3	17.0	0.80	2.25	29.0	113.6	14.1
110	3.6	20.3	16.4	0.81	2.52	28.9	125.9	5.8
110	4.5	20.4	16.6	0.81	2.47	28.9	122.9	7.6
110	5.0	20.5	16.7	0.81	2.44	28.8	121.4	8.9
110	5.6	20.6	16.7	0.81	2.42	28.8	120.3	10.5
110	5.9	20.6	16.7	0.81	2.41	28.8	119.8	11.3
110	6.2	20.6	16.7	0.81	2.40	28.8	119.4	12.2
110	6.7	20.7	16.8	0.81	2.38	28.8	118.6	14.0

Notes: Cooling performance data is tabulated at 80.6°F DB/66.2°F WB entering air at ANSI/AHRI/ASHRAE/ISO13256-1 rated cfm. For ANSI/AHRI/ASHRAE/ISO13256-1 certified ratings, refer to the ANSI/AHRI/ASHRAE/ISO13256-1 WLHP, GWHP and GLHP performance table. See performance correction tables to correct performance at conditions other than those tabulated. Data shown is for unit performance only. Interpolation of data is permissible; extrapolation is not. Rated GPM: 5.6 Minimum cfm 608; Rated cfm 760; Maximum cfm 912

Table 55. Heating capacities 2 tons (net) - GEH024

EWT	GPM	Htg Cap Mbtuh	Absorb Mbtuh	Power kW	LWT	Feet Head
25	3.6	17.9	11.7	1.83	18.6	6.8
25	4.5	18.2	12.0	1.83	19.7	9.6
25	5.0	18.4	12.1	1.83	20.2	11.7
25	5.6	18.5	12.2	1.83	20.6	13.9
25	5.9	18.5	12.3	1.83	20.8	15.2
25	6.2	18.6	12.3	1.83	21.0	16.4
25	6.7	18.7	12.4	1.83	21.3	19.1
32	3.6	19.6	13.4	1.84	24.7	6.6
32	4.5	20.0	13.7	1.84	25.9	9.3
32	5.0	20.2	13.9	1.84	26.5	11.4
32	5.6	20.3	14.0	1.84	27.0	13.6
32	5.9	20.4	14.1	1.84	27.2	14.8
32	6.2	20.4	14.1	1.84	27.4	16.0
32	6.7	20.5	14.2	1.84	27.8	18.6
45	3.6	23.2	16.9	1.87	35.7	6.2

Table 55. Heating capacities 2 tons (net) - GEH024 (continued)

EWT	GPM	Htg Cap Mbtuh	Absorb Mbtuh	Power kW	LWT	Feet Head
45	4.5	23.6	17.2	1.87	37.3	8.8
45	5.0	23.9	17.5	1.88	38.1	10.7
45	5.6	24.0	17.6	1.88	38.7	12.8
45	5.9	24.1	17.7	1.88	39.0	14.0
45	6.2	24.1	17.7	1.87	39.3	15.2
45	6.7	24.2	17.8	1.88	39.7	17.7
55	3.6	26.1	19.5	1.91	44.3	5.9
55	4.5	26.5	20.0	1.91	46.1	8.3
55	5.0	26.8	20.2	1.92	47.0	10.2
55	5.6	26.9	20.4	1.92	47.7	12.2
55	5.9	27.0	20.5	1.92	48.0	13.3
55	6.2	27.1	20.5	1.92	48.3	14.5
55	6.7	27.2	20.7	1.93	48.9	16.9
68	3.6	29.2	22.4	1.99	55.7	5.5
68	4.5	29.9	23.0	2.00	57.7	7.8
68	5.0	30.2	23.3	2.01	58.7	9.6
68	5.6	30.6	23.7	2.02	59.5	11.5
68	5.9	30.6	23.7	2.02	59.9	12.5
68	6.2	30.7	23.8	2.02	60.3	13.6
68	6.7	30.8	23.9	2.02	60.9	15.9
75	3.6	31.3	24.4	2.04	61.6	5.3
75	4.5	32.1	25.0	2.07	63.8	7.6
75	5.0	32.4	25.3	2.08	64.9	9.3
75	5.6	32.7	25.6	2.09	65.9	11.1
75	5.9	32.9	25.7	2.09	66.3	12.1
75	6.2	33.0	25.8	2.10	66.6	13.2
75	6.7	33.2	26.0	2.10	67.3	15.4
86	3.6	34.9	27.5	2.17	70.9	5.2
86	4.5	35.8	28.2	2.21	73.4	7.3
86	5.0	36.2	28.6	2.23	74.7	8.9
86	5.6	36.5	28.9	2.25	75.7	10.7
86	5.9	36.7	29.0	2.25	76.1	11.6
86	6.2	36.8	29.1	2.26	76.6	12.6
86	6.7	37.1	29.3	2.27	77.3	14.7

Notes: Heating performance data is tabulated at 68°F DB entering air at ANSI/AHRI/ASHRAE/ISO13256-1 rated cfm. For ANSI/AHRI/ASHRAE/ISO13256-1 certified ratings, refer to the ANSI/AHRI/ASHRAE/ISO13256-1 WLHP, GWHP and GLHP performance table. See performance correction tables to correct performance at conditions other than those tabulated. Data shown is for unit performance only. Interpolation of data is permissible; extrapolation is not. Rated GPM: 5.6 Minimum cfm 608; Rated cfm 760; Maximum cfm 912

Table 56. Fan correction factors 2 tons GEH024

Entering cfm	Cooling Capacity	Sensible Capacity	Cooling Input Watts	Heating Capacity	Heating Input Watts
608	0.958	0.879	1.001	0.985	1.080
646	0.970	0.911	1.001	0.989	1.056
684	0.981	0.940	1.000	0.990	1.033
722	0.991	0.971	1.000	0.998	1.017



Performance Data

Table 56. Fan correction factors 2 tons GEH024 (continued)

Entering cfm	Cooling Capacity	Sensible Capacity	Cooling Input Watts	Heating Capacity	Heating Input Watts
760	1.000	1.000	1.000	1.000	1.000
836	1.019	1.062	1.001	1.002	0.967
874	1.027	1.092	1.001	1.004	0.954
912	1.034	1.122	1.001	1.010	0.945

Table 57. Cooling capacities 2 tons (net) - GEV024

EWT	GPM	Total Mbtuh	Sen Mbtuh	SHR	Power kW	Reject Mbtuh	LWT	Feet Head
45	3.6	26.8	18.7	0.70	1.24	31.0	62.0	6.0
45	4.5	26.9	18.8	0.70	1.19	31.0	58.8	8.4
45	5.0	27.0	18.9	0.70	1.17	31.0	57.3	10.3
45	5.6	27.1	18.9	0.70	1.15	31.0	56.1	12.3
45	5.9	27.1	19.0	0.70	1.14	31.0	55.6	13.4
45	6.2	27.2	19.0	0.70	1.14	31.1	55.1	14.6
45	6.7	27.2	19.0	0.70	1.12	31.1	54.2	17.1
55	3.6	26.0	18.4	0.71	1.41	30.8	71.9	5.7
55	4.5	26.1	18.5	0.71	1.36	30.8	68.7	8.0
55	5.0	26.2	18.6	0.71	1.34	30.8	67.2	9.8
55	5.6	26.3	18.6	0.71	1.32	30.8	66.0	11.8
55	5.9	26.3	18.6	0.71	1.31	30.8	65.5	12.8
55	6.2	26.3	18.6	0.71	1.31	30.8	65.0	13.9
55	6.7	26.4	18.7	0.71	1.29	30.8	64.2	16.3
68	3.6	25.0	18.5	0.74	1.61	30.5	84.7	5.3
68	4.5	25.1	18.6	0.74	1.57	30.5	81.6	7.6
68	5.0	25.2	18.7	0.74	1.54	30.5	80.1	9.2
68	5.6	25.3	18.7	0.74	1.53	30.5	78.9	11.1
68	5.9	25.3	18.7	0.74	1.52	30.5	78.4	12.1
68	6.2	25.4	18.8	0.74	1.51	30.5	77.9	13.1
68	6.7	25.4	18.8	0.74	1.50	30.5	77.1	15.4
75	3.6	24.4	18.2	0.75	1.75	30.3	91.7	5.1
75	4.5	24.5	18.4	0.75	1.70	30.3	88.5	7.4
75	5.0	24.6	18.4	0.75	1.67	30.3	87.0	9.0
75	5.6	24.7	18.5	0.75	1.66	30.4	85.8	10.8
75	5.9	24.7	18.5	0.75	1.65	30.4	85.3	11.7
75	6.2	24.8	18.5	0.75	1.64	30.4	84.9	12.7
75	6.7	24.8	18.6	0.75	1.63	30.4	84.0	14.9
86	3.6	23.5	18.0	0.77	1.97	30.2	102.6	5.0
86	4.5	23.7	18.1	0.77	1.91	30.2	99.5	7.1
86	5.0	23.8	18.2	0.77	1.89	30.2	98.0	8.7
86	5.6	23.8	18.3	0.77	1.87	30.2	96.8	10.4
86	5.9	23.8	18.3	0.77	1.86	30.2	96.3	11.3
86	6.2	23.9	18.3	0.77	1.85	30.2	95.8	12.2
86	6.7	23.9	18.3	0.77	1.84	30.2	95.0	14.3
95	3.6	22.6	17.7	0.78	2.18	30.0	111.5	5.0
95	4.5	22.7	17.8	0.78	2.12	30.0	108.4	7.0

Table 57. Cooling capacities 2 tons (net) - GEV024 (continued)

EWT	GPM	Total Mbtuh	Sen Mbtuh	SHR	Power kW	Reject Mbtuh	LWT	Feet Head
95	5.0	22.8	17.9	0.78	2.10	30.0	106.9	8.5
95	5.6	22.9	17.9	0.78	2.07	30.0	105.7	10.2
95	5.9	22.9	17.9	0.78	2.07	30.0	105.2	11.0
95	6.2	22.9	18.0	0.78	2.06	30.0	104.7	12.0
95	6.7	23.0	18.0	0.78	2.04	29.9	103.9	13.9
105	3.6	21.4	17.3	0.81	2.44	29.7	121.3	5.1
105	4.5	21.6	17.4	0.81	2.38	29.7	118.3	7.1
105	5.0	21.6	17.4	0.81	2.35	29.7	116.8	8.5
105	5.6	21.7	17.5	0.81	2.33	29.7	115.6	10.1
105	5.9	21.7	17.5	0.81	2.32	29.6	115.1	10.9
105	6.2	21.7	17.5	0.81	2.31	29.6	114.6	11.8
105	6.7	21.8	17.6	0.81	2.30	29.6	113.8	13.7
110	3.6	20.7	17.0	0.82	2.59	29.6	126.2	5.2
110	4.5	20.9	17.1	0.82	2.52	29.5	123.2	7.2
110	5.0	21.0	17.2	0.82	2.50	29.5	121.7	8.6
110	5.6	21.1	17.3	0.82	2.47	29.5	120.5	10.1
110	5.9	21.1	17.3	0.82	2.46	29.5	120.0	10.9
110	6.2	21.1	17.3	0.82	2.45	29.5	119.6	11.8
110	6.7	21.1	17.3	0.82	2.43	29.4	118.8	13.6

Notes: Cooling performance data is tabulated at 80.6°F DB/66.2°F WB entering air at ANSI/AHRI/ASHRAE/ISO13256- rated cfm. For ANSI/AHRI/ASHRAE/ISO13256-1 certified ratings, refer to the ANSI/AHRI/ASHRAE/ISO13256-1 WLHP, GWHP and GLHP performance table. See performance correction tables to correct performance at conditions other than those tabulated. Data shown is for unit performance only. Interpolation of data is permissible; extrapolation is not. Rated GPM: 5.6 Minimum cfm 608; Rated cfm 760; Maximum cfm 912

Table 58. Heating capacities 2 tons (net) - GEV024

EWT	GPM	Htg Cap Mbtuh	Absorb Mbtuh	Power kW	LWT	Feet Head
25	3.6	18.0	11.9	1.77	18.4	6.5
25	4.5	18.3	12.3	1.78	19.5	9.2
25	5.0	18.5	12.4	1.78	20.1	11.2
25	5.6	18.6	12.5	1.78	20.5	13.4
25	5.9	18.6	12.5	1.77	20.7	14.6
25	6.2	18.7	12.6	1.78	20.9	15.9
25	6.7	18.7	12.7	1.78	21.2	18.6
32	3.6	19.7	13.6	1.79	24.5	6.4
32	4.5	20.1	14.0	1.79	25.8	8.9
32	5.0	20.3	14.2	1.79	26.4	10.9
32	5.6	20.3	14.2	1.79	26.9	13.1
32	5.9	20.4	14.3	1.79	27.1	14.2
32	6.2	20.5	14.4	1.80	27.3	15.5
32	6.7	20.6	14.5	1.80	27.7	18.1
45	3.6	23.2	17.0	1.83	35.7	6.0
45	4.5	23.6	17.3	1.84	37.3	8.4
45	5.0	23.8	17.5	1.84	38.1	10.3
45	5.6	23.9	17.7	1.84	38.7	12.3
45	5.9	24.0	17.7	1.84	39.0	13.4



Performance Data

Table 58. Heating capacities 2 tons (net) - GEV024 (continued)

EWT	GPM	Htg Cap Mbtuh	Absorb Mbtuh	Power kW	LWT	Feet Head
45	6.2	24.1	17.8	1.84	39.2	14.6
45	6.7	24.2	17.9	1.84	39.7	17.1
55	3.6	26.0	19.6	1.87	44.2	5.7
55	4.5	26.4	20.0	1.87	46.1	8.0
55	5.0	26.6	20.2	1.88	47.0	9.8
55	5.6	26.8	20.4	1.88	47.7	11.8
55	5.9	26.9	20.5	1.88	48.0	12.8
55	6.2	27.0	20.6	1.88	48.3	13.9
55	6.7	27.1	20.7	1.89	48.8	16.3
68	3.6	29.1	22.4	1.94	55.7	5.3
68	4.5	29.8	23.1	1.96	57.7	7.6
68	5.0	30.1	23.4	1.96	58.7	9.2
68	5.6	30.3	23.6	1.96	59.6	11.1
68	5.9	30.4	23.7	1.97	59.9	12.1
68	6.2	30.5	23.8	1.97	60.3	13.1
68	6.7	30.7	23.9	1.97	60.9	15.4
75	3.6	31.2	24.4	1.99	61.6	5.1
75	4.5	31.9	25.0	2.01	63.8	7.4
75	5.0	32.3	25.4	2.02	64.9	9.0
75	5.6	32.6	25.6	2.03	65.8	10.8
75	5.9	32.7	25.7	2.03	66.2	11.7
75	6.2	32.8	25.8	2.04	66.6	12.7
75	6.7	33.0	26.0	2.05	67.3	14.9
86	3.6	34.7	27.5	2.11	70.9	5.0
86	4.5	35.6	28.3	2.15	73.4	7.1
86	5.0	36.0	28.6	2.17	74.6	8.7
86	5.6	36.3	28.9	2.18	75.7	10.4
86	5.9	36.5	29.0	2.19	76.1	11.3
86	6.2	36.6	29.1	2.19	76.5	12.2
86	6.7	36.8	29.3	2.20	77.3	14.3

Notes: Heating performance data is tabulated at 68°F DB entering air at ANSI/AHRI/ASHRAE/ISO13256-1 rated cfm. For ANSI/AHRI/ASHRAE/ISO13256-1 certified ratings, refer to the ANSI/AHRI/ASHRAE/ISO13256-1 WLHP, GWHP and GLHP performance table. See performance correction tables to correct performance at conditions other than those tabulated. Data shown is for unit performance only. Interpolation of data is permissible; extrapolation is not. Rated GPM: 5.6 Minimum cfm 608; Rated cfm 760; Maximum cfm 912

Table 59. Fan correction factors 2 tons GEV024

Entering cfm	Cooling Capacity	Sensible Capacity	Cooling Input Watts	Heating Capacity	Heating Input Watts
608	0.957	0.874	1.001	0.987	1.077
646	0.969	0.905	1.000	0.991	1.055
684	0.980	0.937	1.000	0.995	1.036
722	0.990	0.968	1.000	1.001	1.021
760	1.000	1.000	1.000	1.000	1.000
836	1.018	1.062	1.001	1.004	0.972
874	1.026	1.093	1.001	1.007	0.961
912	1.034	1.123	1.002	1.008	0.950

Table 60. Cooling capacities 2.5 tons (net) - GEH030

EWT	GPM	Total Mbtuh	Sen Mbtuh	SHR	Power kW	Reject Mbtuh	LWT	Feet Head
45	4.6	33.1	23.8	0.72	1.40	37.9	61.6	6.8
45	5.6	33.4	24.0	0.72	1.35	38.0	58.6	10.0
45	6.3	33.5	24.1	0.72	1.33	38.0	57.1	12.3
45	7.0	33.6	24.2	0.72	1.31	38.1	55.9	14.9
45	7.4	33.7	24.2	0.72	1.30	38.1	55.4	16.2
45	7.7	33.7	24.2	0.72	1.29	38.1	54.9	17.6
45	8.4	33.8	24.3	0.72	1.28	38.2	54.1	20.4
55	4.6	32.0	23.4	0.73	1.59	37.4	71.4	6.6
55	5.6	32.2	23.5	0.73	1.54	37.5	68.4	9.6
55	6.3	32.4	23.6	0.73	1.51	37.5	66.9	11.9
55	7.0	32.5	23.7	0.73	1.49	37.5	65.7	14.3
55	7.4	32.5	23.7	0.73	1.48	37.6	65.2	15.6
55	7.7	32.5	23.7	0.73	1.48	37.6	64.8	16.9
55	8.4	32.6	23.8	0.73	1.46	37.6	64.0	19.7
68	4.6	30.8	22.4	0.73	1.88	37.2	84.3	6.4
68	5.6	31.0	22.5	0.73	1.83	37.2	81.3	9.3
68	6.3	31.1	22.6	0.73	1.81	37.2	79.8	11.4
68	7.0	31.1	22.6	0.73	1.79	37.2	78.6	13.8
68	7.4	31.2	22.7	0.73	1.78	37.2	78.1	15.0
68	7.7	31.2	22.7	0.73	1.77	37.2	77.7	16.3
68	8.4	31.2	22.7	0.73	1.76	37.2	76.9	18.9
75	4.6	29.9	22.0	0.74	2.04	36.9	91.2	6.2
75	5.6	30.1	22.2	0.74	1.98	36.9	88.2	9.1
75	6.3	30.2	22.2	0.74	1.96	36.8	86.7	11.1
75	7.0	30.2	22.3	0.74	1.93	36.8	85.5	13.4
75	7.4	30.3	22.3	0.74	1.93	36.8	85.0	14.6
75	7.7	30.3	22.3	0.74	1.92	36.9	84.6	15.9
75	8.4	30.3	22.3	0.74	1.90	36.8	83.8	18.5
86	4.6	28.3	21.9	0.77	2.23	35.9	101.8	5.9
86	5.6	28.5	22.0	0.77	2.17	35.9	98.8	8.7
86	6.3	28.6	22.1	0.77	2.15	35.9	97.4	10.7
86	7.0	28.7	22.1	0.77	2.12	35.9	96.3	12.8
86	7.4	28.7	22.2	0.77	2.11	35.9	95.8	14.0
86	7.7	28.7	22.2	0.77	2.11	35.9	95.3	15.2
86	8.4	28.8	22.2	0.77	2.09	35.9	94.5	17.7
95	4.6	27.2	21.4	0.79	2.47	35.6	110.6	5.7
95	5.6	27.3	21.6	0.79	2.41	35.6	107.7	8.2
95	6.3	27.4	21.6	0.79	2.38	35.6	106.3	10.1
95	7.0	27.5	21.7	0.79	2.36	35.5	105.2	12.2
95	7.4	27.5	21.7	0.79	2.35	35.5	104.7	13.3
95	7.7	27.5	21.7	0.79	2.34	35.5	104.2	14.5
95	8.4	27.6	21.7	0.79	2.32	35.5	103.5	16.8
105	4.6	25.7	20.9	0.81	2.77	35.2	120.5	5.5
105	5.6	25.9	21.0	0.81	2.70	35.1	117.5	8.0



Performance Data

Table 60. Cooling capacities 2.5 tons (net) - GEH030 (continued)

EWT	GPM	Total Mbtuh	Sen Mbtuh	SHR	Power kW	Reject Mbtuh	LWT	Feet Head
105	6.3	26.0	21.1	0.81	2.67	35.1	116.1	9.9
105	7.0	26.1	21.2	0.81	2.64	35.1	115.0	11.9
105	7.4	26.1	21.2	0.81	2.63	35.1	114.5	12.9
105	7.7	26.1	21.2	0.81	2.62	35.0	114.1	14.1
105	8.4	26.2	21.2	0.81	2.61	35.1	113.3	16.4
110	4.6	24.9	20.6	0.83	2.94	35.0	125.4	5.5
110	5.6	25.1	20.7	0.83	2.87	34.9	122.5	7.9
110	6.3	25.2	20.8	0.83	2.83	34.9	121.1	9.7
110	7.0	25.3	20.9	0.83	2.81	34.9	120.0	11.7
110	7.4	25.3	20.9	0.83	2.80	34.8	119.5	12.8
110	7.7	25.3	20.9	0.83	2.79	34.9	119.1	13.9
110	8.4	25.4	20.9	0.83	2.77	34.8	118.3	16.2

Notes: Cooling performance data is tabulated at 80.6°F DB/66.2°F WB entering air at ANSI/AHRI/ASHRAE/ISO13256-1 rated cfm. For ANSI/AHRI/ASHRAE/ISO13256-1 certified ratings, refer to the ANSI/AHRI/ASHRAE/ISO13256-1 WLHP, GWHP and GLHP performance table. See performance correction tables to correct performance at conditions other than those tabulated. Data shown is for unit performance only. Interpolation of data is permissible; extrapolation is not. Rated GPM: 7.0 Maximum cfm 720; Rated cfm 900; Maximum cfm 1080

Table 61. Heating capacities 2.5 tons (net) - GEH030

EWT	GPM	Htg Cap Mbtuh	Absorb Mbtuh	Power kW	LWT	Feet Head
25	4.6	20.7	13.9	2.00	18.9	7.5
25	5.6	20.9	14.1	2.00	20.0	11.0
25	6.3	21.0	14.2	2.00	20.5	13.6
25	7.0	21.1	14.3	2.00	20.9	16.4
25	7.3	21.2	14.3	2.01	21.1	17.9
25	7.7	21.5	14.7	2.01	21.2	19.4
25	8.4	21.6	14.8	2.01	21.5	22.5
32	4.6	22.8	15.9	2.02	25.0	7.3
32	5.6	23.3	16.3	2.03	26.2	10.7
32	6.3	23.4	16.5	2.04	26.8	13.2
32	7.0	23.6	16.7	2.04	27.2	16.0
32	7.3	23.7	16.7	2.04	27.5	17.5
32	7.7	23.9	16.9	2.04	27.6	18.9
32	8.4	23.9	16.9	2.04	28.0	21.9
45	4.6	27.3	20.2	2.10	36.1	6.8
45	5.6	28.0	20.8	2.12	37.6	10.0
45	6.3	28.2	20.9	2.12	38.4	12.3
45	7.0	28.4	21.2	2.12	38.9	14.9
45	7.3	28.5	21.2	2.12	39.2	16.2
45	7.7	28.5	21.3	2.12	39.5	17.6
45	8.4	28.8	21.6	2.13	39.9	20.4
55	4.6	30.8	23.4	2.16	44.7	6.6
55	5.6	31.5	24.0	2.18	46.4	9.6
55	6.3	31.8	24.3	2.18	47.3	11.9
55	7.0	32.0	24.6	2.19	48.0	14.3
55	7.3	32.3	24.8	2.20	48.3	15.6

Table 61. Heating capacities 2.5 tons (net) - GEH030 (continued)

EWT	GPM	Htg Cap Mbtuh	Absorb Mbtuh	Power kW	LWT	Feet Head
55	7.7	32.2	24.8	2.19	48.6	16.9
55	8.4	32.4	24.9	2.19	49.1	19.7
68	4.6	34.8	27.0	2.28	56.1	6.4
68	5.6	35.7	27.9	2.30	58.0	9.3
68	6.3	36.0	28.2	2.30	59.0	11.4
68	7.0	36.4	28.5	2.30	59.9	13.8
68	7.3	36.5	28.6	2.31	60.2	15.0
68	7.7	36.6	28.7	2.31	60.5	16.3
68	8.4	36.8	28.9	2.31	61.1	18.9
75	4.6	37.4	29.5	2.33	62.1	6.2
75	5.6	38.3	30.3	2.35	64.2	9.1
75	6.3	38.7	30.6	2.36	65.3	11.1
75	7.0	39.0	30.9	2.36	66.2	13.4
75	7.3	39.2	31.1	2.37	66.5	14.6
75	7.7	39.4	31.3	2.37	66.9	15.9
75	8.4	39.7	31.6	2.38	67.5	18.5
86	4.6	41.5	33.2	2.42	71.4	5.9
86	5.6	42.5	34.2	2.45	73.8	8.7
86	6.3	43.0	34.6	2.46	75.0	10.7
86	7.0	43.4	35.0	2.47	76.0	12.8
86	7.3	43.6	35.1	2.47	76.4	14.0
86	7.7	43.7	35.3	2.48	76.8	15.2
86	8.4	44.0	35.5	2.48	77.5	17.7

Notes: Heating performance data is tabulated at 68°F DB entering air at ANSI/AHRI/ASHRAE/ISO13256-1 rated cfm. For ANSI/AHRI/ASHRAE/ISO13256-1 certified ratings, refer to the ANSI/AHRI/ASHRAE/ISO13256-1 WLHP, GWHP and GLHP performance table. See performance correction tables to correct performance at conditions other than those tabulated. Data shown is for unit performance only. Interpolation of data is permissible; extrapolation is not. Rated GPM: 7.0 Maximum cfm 720; Rated cfm 900; Maximum cfm 1080

Table 62. Fan correction factors 2.5 tons GEH030

Entering cfm	Cooling Capacity	Sensible Capacity	Cooling Input Watts	Heating Capacity	Heating Input Watts
720	0.955	0.877	1.002	0.986	1.082
765	0.968	0.907	1.002	0.989	1.057
810	0.979	0.939	1.001	0.993	1.037
855	0.990	0.970	1.000	0.997	1.019
900	1.000	1.000	1.000	1.000	1.000
990	1.018	1.060	0.999	1.006	0.973
1035	1.025	1.089	0.999	1.009	0.961
1080	1.033	1.120	0.999	1.013	0.951

Table 63. Cooling capacities 2.5 tons (net) - GEV030

EWT	GPM	Total Mbtuh	Sen Mbtuh	SHR	Power kW	Reject Mbtuh	LWT	Feet Head
45	4.6	32.3	22.9	0.71	1.44	37.3	61.4	6.3
45	5.6	32.6	23.1	0.71	1.38	37.3	58.3	9.1
45	6.3	32.7	23.2	0.71	1.36	37.3	56.8	11.2
45	7.0	32.8	23.2	0.71	1.33	37.4	55.7	13.5



Performance Data

Table 63. Cooling capacities 2.5 tons (net) - GEV030 (continued)

EWT	GPM	Total Mbtuh	Sen Mbtuh	SHR	Power kW	Reject Mbtuh	LWT	Feet Head
45	7.4	32.8	23.3	0.71	1.33	37.4	55.2	14.7
45	7.7	32.9	23.3	0.71	1.32	37.4	54.7	16.0
45	8.4	32.9	23.3	0.71	1.30	37.4	53.9	18.6
55	4.6	31.3	22.5	0.72	1.62	36.8	71.2	6.0
55	5.6	31.5	22.6	0.72	1.57	36.8	68.2	8.7
55	6.3	31.6	22.7	0.72	1.55	36.8	66.7	10.7
55	7.0	31.6	22.8	0.72	1.53	36.9	65.5	13.0
55	7.4	31.7	22.8	0.72	1.52	36.9	65.0	14.1
55	7.7	31.7	22.8	0.72	1.51	36.9	64.6	15.3
55	8.4	31.8	22.8	0.72	1.50	36.9	63.8	17.8
68	4.6	30.0	22.3	0.74	1.86	36.4	84.0	5.6
68	5.6	30.2	22.4	0.74	1.81	36.4	81.0	8.2
68	6.3	30.3	22.5	0.74	1.78	36.4	79.5	10.1
68	7.0	30.4	22.5	0.74	1.76	36.4	78.4	12.1
68	7.4	30.4	22.6	0.74	1.75	36.4	77.9	13.2
68	7.7	30.4	22.6	0.74	1.75	36.4	77.5	14.3
68	8.4	30.5	22.6	0.74	1.73	36.4	76.7	16.7
75	4.6	29.2	22.0	0.75	2.01	36.1	90.9	5.5
75	5.6	29.4	22.1	0.75	1.95	36.1	87.9	7.9
75	6.3	29.5	22.2	0.75	1.93	36.1	86.5	9.8
75	7.0	29.6	22.2	0.75	1.91	36.1	85.3	11.8
75	7.4	29.6	22.3	0.75	1.90	36.1	84.8	12.9
75	7.7	29.6	22.3	0.75	1.89	36.1	84.4	14.0
75	8.4	29.7	22.3	0.75	1.88	36.1	83.6	16.3
86	4.6	27.9	21.5	0.77	2.26	35.6	101.7	5.3
86	5.6	28.1	21.6	0.77	2.20	35.6	98.7	7.7
86	6.3	28.1	21.6	0.77	2.17	35.6	97.3	9.5
86	7.0	28.2	21.7	0.77	2.15	35.6	96.2	11.4
86	7.4	28.2	21.7	0.77	2.14	35.6	95.7	12.4
86	7.7	28.3	21.7	0.77	2.14	35.6	95.2	13.5
86	8.4	28.3	21.8	0.77	2.12	35.6	94.5	15.7
95	4.6	26.7	21.0	0.79	2.50	35.3	110.5	5.1
95	5.6	26.9	21.2	0.79	2.44	35.2	107.6	7.3
95	6.3	27.0	21.2	0.79	2.41	35.2	106.2	9.0
95	7.0	27.0	21.3	0.79	2.39	35.2	105.1	10.8
95	7.4	27.1	21.3	0.79	2.38	35.2	104.6	11.8
95	7.7	27.1	21.3	0.79	2.37	35.2	104.1	12.8
95	8.4	27.1	21.3	0.79	2.35	35.2	103.4	14.9
105	4.6	25.3	20.4	0.81	2.81	34.9	120.3	4.9
105	5.6	25.4	20.5	0.81	2.74	34.8	117.4	7.1
105	6.3	25.5	20.6	0.81	2.71	34.8	116.0	8.7
105	7.0	25.6	20.7	0.81	2.68	34.8	114.9	10.5
105	7.4	25.6	20.7	0.81	2.67	34.7	114.4	11.5
105	7.7	25.6	20.7	0.81	2.66	34.7	114.0	12.5
105	8.4	25.7	20.7	0.81	2.65	34.7	113.3	14.5

Table 63. Cooling capacities 2.5 tons (net) - GEV030 (continued)

EWT	GPM	Total Mbtuh	Sen Mbtuh	SHR	Power kW	Reject Mbtuh	LWT	Feet Head
110	4.6	24.5	20.1	0.82	2.98	34.6	125.2	4.9
110	5.6	24.7	20.3	0.82	2.92	34.7	122.4	7.0
110	6.3	24.7	20.3	0.82	2.87	34.5	121.0	8.6
110	7.0	24.8	20.3	0.82	2.85	34.5	119.9	10.4
110	7.4	24.8	20.3	0.82	2.84	34.5	119.4	11.3
110	7.7	24.8	20.4	0.82	2.83	34.5	119.0	12.3
110	8.4	24.9	20.4	0.82	2.81	34.5	118.2	14.3

Notes: Cooling performance data is tabulated at 80.6°F DB/66.2°F WB entering air at ANSI/AHRI/ASHRAE/ISO13256-1 rated cfm. For ANSI/AHRI/ASHRAE/ISO13256-1 certified ratings, refer to the ANSI/AHRI/ASHRAE/ISO13256-1 WLHP, GWHP and GLHP performance table. See performance correction tables to correct performance at conditions other than those tabulated. Data shown is for unit performance only. Interpolation of data is permissible; extrapolation is not. Rated GPM: 7.0 Maximum cfm 720; Rated cfm 900; Maximum cfm 1080

Table 64. Heating capacities 2.5 tons (net) - GEV030

EWT	GPM	Htg Cap Mbtuh	Absorb Mbtuh	Power kW	LWT	Feet Head
25	4.6	21.2	14.5	1.96	18.6	6.8
25	5.6	21.6	14.9	1.96	19.7	9.9
25	6.3	21.8	15.1	1.97	20.2	12.3
25	7.0	21.9	15.2	1.97	20.7	14.9
25	7.3	22.1	15.3	1.97	20.8	16.2
25	7.7	22.1	15.4	1.97	21.0	17.6
25	8.4	22.2	15.5	1.97	21.3	20.5
32	4.6	23.3	16.5	1.99	24.7	6.7
32	5.6	23.7	16.9	1.99	26.0	9.8
32	6.3	24.0	17.2	1.99	26.5	12.1
32	7.0	24.2	17.4	2.00	27.0	14.6
32	7.3	24.3	17.5	2.00	27.3	15.9
32	7.7	24.4	17.6	2.00	27.4	17.2
32	8.4	24.5	17.7	2.00	27.8	20.0
45	4.6	27.1	20.1	2.04	36.2	6.3
45	5.6	27.7	20.7	2.05	37.6	9.1
45	6.3	28.0	20.9	2.06	38.4	11.2
45	7.0	28.2	21.2	2.06	38.9	13.5
45	7.3	28.4	21.3	2.07	39.2	14.7
45	7.7	28.5	21.4	2.07	39.4	16.0
45	8.4	28.7	21.6	2.07	39.9	18.6
55	4.6	30.4	23.3	2.10	44.8	6.0
55	5.6	31.3	24.1	2.12	46.4	8.7
55	6.3	31.7	24.4	2.12	47.2	10.7
55	7.0	31.9	24.7	2.13	47.9	13.0
55	7.3	32.1	24.8	2.13	48.3	14.1
55	7.7	32.2	24.9	2.13	48.5	15.3
55	8.4	32.3	25.0	2.13	49.0	17.8
68	4.6	34.3	26.8	2.20	56.2	5.6
68	5.6	35.3	27.7	2.22	58.1	8.2
68	6.3	35.7	28.1	2.22	59.1	10.1



Performance Data

Table 64. Heating capacities 2.5 tons (net) - GEV030 (continued)

EWT	GPM	Htg Cap Mbtuh	Absorb Mbtuh	Power kW	LWT	Feet Head
68	7.0	36.0	28.4	2.23	59.9	12.1
68	7.3	36.1	28.5	2.23	60.3	13.2
68	7.7	36.3	28.7	2.23	60.6	14.3
68	8.4	36.6	28.9	2.24	61.1	16.7
75	4.6	36.8	29.2	2.24	62.2	5.5
75	5.6	37.8	30.1	2.26	64.2	7.9
75	6.3	38.3	30.6	2.28	65.3	9.8
75	7.0	38.8	31.0	2.28	66.2	11.8
75	7.3	38.9	31.1	2.29	66.5	12.9
75	7.7	39.1	31.3	2.29	66.9	14.0
75	8.4	39.4	31.5	2.30	67.5	16.3
86	4.6	41.0	33.1	2.34	71.5	5.3
86	5.6	42.2	34.1	2.36	73.8	7.7
86	6.3	42.8	34.7	2.38	75.0	9.5
86	7.0	43.1	35.0	2.38	76.0	11.4
86	7.3	43.3	35.2	2.39	76.4	12.4
86	7.7	43.5	35.4	2.39	76.8	13.5
86	8.4	43.9	35.7	2.40	77.5	15.7

Notes: Heating performance data is tabulated at 68°F DB entering air at ANSI/AHRI/ASHRAE/ISO13256-1 rated cfm. For ANSI/AHRI/ASHRAE/ISO13256-1 certified ratings, refer to the ANSI/AHRI/ASHRAE/ISO13256-1 WLHP, GWHP and GLHP performance table. See performance correction tables to correct performance at conditions other than those tabulated. Data shown is for unit performance only. Interpolation of data is permissible; extrapolation is not. Rated GPM: 7.0 Maximum cfm 720; Rated cfm 900; Maximum cfm 1080

Table 65. Fan correction factors 2.5 tons GEV030

Entering cfm	Cooling Capacity	Sensible Capacity	Cooling Input Watts	Heating Capacity	Heating Input Watts
720	0.956	0.876	1.005	0.989	1.075
765	0.968	0.910	1.004	0.993	1.054
810	0.979	0.941	1.001	0.997	1.036
855	0.990	0.969	1.001	1.002	1.020
900	1.000	1.000	1.000	1.000	1.000
990	1.017	1.060	0.999	1.008	0.976
1035	1.025	1.088	0.999	1.007	0.963
1080	1.033	1.116	0.999	1.008	0.952

Table 66. Cooling capacities 3 tons (net) - GEH035

EWT	GPM	Total Mbtuh	Sen Mbtuh	SHR	Power kW	Reject Mbtuh	LWT	Feet Head
45	5.4	38.7	28.0	0.72	1.17	44.7	61.6	5.9
45	6.6	38.8	28.1	0.72	1.10	44.6	58.5	8.5
45	7.5	38.9	28.2	0.72	1.07	44.6	56.9	10.7
45	8.4	38.9	28.2	0.72	1.04	44.5	55.6	13.2
45	8.7	38.9	28.2	0.72	1.04	44.4	55.2	14.1
45	9.1	39.0	28.2	0.72	1.03	44.5	54.8	15.3
45	10	39.0	28.2	0.72	1.01	44.4	53.9	18.2
55	5.4	37.8	27.8	0.74	1.40	44.6	71.5	5.3
55	6.6	37.9	27.8	0.73	1.34	44.5	68.5	7.6

Table 66. Cooling capacities 3 tons (net) - GEH035 (continued)

EWT	GPM	Total Mbtuh	Sen Mbtuh	SHR	Power kW	Reject Mbtuh	LWT	Feet Head
55	7.5	38.0	27.9	0.73	1.31	44.5	66.9	9.7
55	8.4	38.0	27.9	0.73	1.28	44.4	65.6	11.9
55	8.7	38.1	28.0	0.73	1.27	44.4	65.2	12.7
55	9.1	38.1	28.0	0.73	1.26	44.4	64.8	13.8
55	10	38.1	28.0	0.73	1.25	44.4	63.9	16.4
68	5.4	36.0	26.8	0.74	1.70	43.8	84.2	4.9
68	6.6	36.1	26.9	0.75	1.64	43.7	81.2	7.0
68	7.5	36.1	26.9	0.75	1.60	43.6	79.6	8.8
68	8.4	36.2	27.0	0.75	1.58	43.6	78.4	10.8
68	8.7	36.2	27.0	0.75	1.57	43.6	78.0	11.5
68	9.1	36.2	27.0	0.75	1.56	43.5	77.6	12.5
68	10	36.3	27.1	0.75	1.54	43.6	76.7	14.8
75	5.4	34.9	26.3	0.75	1.87	43.3	91.0	4.8
75	6.6	34.9	26.3	0.75	1.80	43.1	88.1	6.8
75	7.5	35.0	26.4	0.75	1.77	43.0	86.5	8.5
75	8.4	35.1	26.4	0.75	1.74	43.0	85.2	10.4
75	8.7	35.1	26.4	0.75	1.73	43.0	84.9	11.0
75	9.1	35.1	26.4	0.75	1.73	43.0	84.5	12.0
75	10	35.1	26.4	0.75	1.71	42.9	83.6	14.2
86	5.4	33.0	25.5	0.77	2.15	42.3	101.7	4.7
86	6.6	33.1	25.6	0.77	2.08	42.2	98.8	6.5
86	7.5	33.2	25.7	0.77	2.05	42.2	97.3	8.1
86	8.4	33.2	25.7	0.77	2.02	42.1	96.0	9.9
86	8.7	33.2	25.7	0.77	2.02	42.1	95.7	10.5
86	9.1	33.3	25.7	0.77	2.01	42.1	95.3	11.4
86	10	33.3	25.7	0.77	1.99	42.1	94.4	13.4
95	5.4	31.5	25.0	0.79	2.40	41.7	110.4	4.6
95	6.6	31.6	25.1	0.79	2.34	41.6	107.6	6.4
95	7.5	31.7	25.2	0.79	2.31	41.6	106.1	7.9
95	8.4	31.7	25.2	0.79	2.28	41.5	104.9	9.6
95	8.7	31.8	25.3	0.80	2.27	41.6	104.6	10.2
95	9.1	31.8	25.3	0.80	2.26	41.5	104.1	11.1
95	10	31.8	25.3	0.80	2.25	41.5	103.3	13.0
105	5.4	29.9	24.6	0.82	2.73	41.2	120.3	4.4
105	6.6	29.9	24.6	0.82	2.66	41.0	117.4	6.2
105	7.5	30.0	24.7	0.82	2.63	41.0	115.9	7.7
105	8.4	30.1	24.8	0.82	2.60	41.0	114.8	9.4
105	8.7	30.1	24.8	0.82	2.59	41.0	114.4	9.9
105	9.1	30.1	24.8	0.82	2.58	40.9	114.0	10.7
105	10	30.1	24.8	0.82	2.57	40.9	113.2	12.6
110	5.4	29.0	24.3	0.84	2.90	40.9	125.1	4.2
110	6.6	29.1	24.4	0.84	2.84	40.8	122.4	6.0
110	7.5	29.1	24.4	0.84	2.80	40.7	120.9	7.5
110	8.4	29.2	24.5	0.84	2.78	40.7	119.7	9.2
110	8.7	29.2	24.5	0.84	2.77	40.7	119.4	9.8



Performance Data

Table 66. Cooling capacities 3 tons (net) - GEH035 (continued)

EWT	GPM	Total Mbtuh	Sen Mbtuh	SHR	Power kW	Reject Mbtuh	LWT	Feet Head
110	9.1	29.2	24.5	0.84	2.76	40.6	118.9	10.6
110	10	29.3	24.5	0.84	2.74	40.7	118.1	12.4

Notes: Cooling performance data is tabulated at 80.6°F DB/66.2°F WB entering air at ANSI/AHRI/ASHRAE/ISO13256-1 rated cfm. For ANSI/AHRI/ASHRAE/ISO13256-1 certified ratings, refer to the ANSI/AHRI/ASHRAE/ISO13256-1 WLHP, GWHP and GLHP performance table. See performance correction tables to correct performance at conditions other than those tabulated. Data shown is for unit performance only. Interpolation of data is permissible; extrapolation is not. Rated GPM: 8.4 Minimum cfm 912; Rated cfm 1140; Maximum cfm 1368

Table 67. Heating capacities 3 tons (net) - GEH035

EWT	GPM	Htg Cap Mbtuh	Absorb Mbtuh	Power kW	LWT	Feet Head
25	7.5	24.80	16.6	1.81	20.6	14.1
25	8.4	25.00	16.8	1.81	21.0	17.2
25	8.7	25.10	16.9	1.81	21.1	18.3
25	9.1	25.10	16.9	1.81	21.3	19.7
25	10	25.30	17.1	1.81	21.6	23.3
32	5.4	26.70	18.4	1.83	25.2	7.2
32	6.6	27.30	19.0	1.84	26.2	10.1
32	7.5	27.50	19.2	1.84	26.9	12.7
32	8.4	27.80	19.5	1.85	27.4	15.5
32	8.7	27.80	19.5	1.85	27.5	16.5
32	9.1	27.90	19.6	1.85	27.7	17.9
32	10	28.10	19.8	1.85	28.0	21.2
45	5.4	31.70	23.2	1.91	36.4	5.9
45	6.6	32.40	23.9	1.92	37.8	8.5
45	7.5	32.70	24.1	1.92	38.6	10.7
45	8.4	33.00	24.4	1.93	39.2	13.2
45	8.7	33.10	24.5	1.93	39.4	14.1
45	9.1	33.20	24.6	1.93	39.6	15.3
45	10	33.50	24.9	1.93	40.0	18.2
55	5.4	35.7	27.0	1.97	45.0	5.3
55	6.6	36.5	27.7	1.98	46.6	7.6
55	7.5	37.0	28.2	1.99	47.5	9.7
55	8.4	37.4	28.6	2.00	48.2	11.9
55	8.7	37.5	28.7	2.00	48.4	12.7
55	9.1	37.6	28.8	2.00	48.7	13.8
55	10	37.9	29.0	2.01	49.2	16.4
68	5.4	41.3	32.2	2.07	56.1	4.9
68	6.6	42.3	33.2	2.09	57.9	7.0
68	7.5	42.9	33.7	2.10	59.0	8.8
68	8.4	43.4	34.2	2.11	59.9	10.8
68	8.7	43.6	34.4	2.12	60.1	11.5
68	9.1	43.8	34.6	2.12	60.4	12.5
68	10	44.1	34.8	2.13	61.0	14.8
75	5.4	44.5	35.2	2.13	62.0	4.8
75	6.6	45.7	36.3	2.16	64.0	6.8
75	7.5	46.4	37.0	2.17	65.1	8.5

Table 67. Heating capacities 3 tons (net) - GEH035 (continued)

EWT	GPM	Htg Cap Mbtuh	Absorb Mbtuh	Power kW	LWT	Feet Head
75	8.4	47.0	37.5	2.19	66.1	10.4
75	8.7	47.1	37.6	2.19	66.4	11.0
75	9.1	47.4	37.9	2.20	66.7	12.0
75	10	47.8	38.3	2.21	67.3	14.2
86	5.4	49.9	40.2	2.26	71.1	4.7
86	6.6	51.3	41.5	2.29	73.4	6.5
86	7.5	52.2	42.3	2.31	74.7	8.1
86	8.4	53.0	43.0	2.33	75.8	9.9
86	8.7	53.2	43.2	2.34	76.1	10.5
86	9.1	53.4	43.4	2.34	76.5	11.4
86	10	54.0	44.0	2.36	77.2	13.4

Notes: Heating performance data is tabulated at 68°F DB entering air at ANSI/AHRI/ASHRAE/ISO13256-1 rated cfm. For ANSI/AHRI/ASHRAE/ISO13256-1 certified ratings, refer to the ANSI/AHRI/ASHRAE/ISO13256-1 WLHP, GWHP and GLHP performance table. See performance correction tables to correct performance at conditions other than those tabulated. Data shown is for unit performance only. Interpolation of data is permissible; extrapolation is not. Rated GPM: 8.4 Minimum cfm 912; Rated cfm 1140; Maximum cfm 1368

Table 68. Fan correction factors 3 tons GEH035

Entering cfm	Cooling Capacity	Sensible Capacity	Cooling Input Watts	Heating Capacity	Heating Input Watts
912	0.962	0.875	1.001	0.983	1.090
969	0.973	0.905	1.001	0.988	1.063
1026	0.983	0.936	1.000	0.993	1.039
1083	0.992	0.968	1.000	0.996	1.018
1140	1.000	1.000	1.000	1.000	1.000
1254	1.015	1.062	1.000	1.006	0.969
1311	1.021	1.091	0.999	1.009	0.955
1368	1.027	1.118	0.999	1.011	0.943

Table 69. Cooling capacities 3 tons (net) - GEV036

EWT	GPM	Total Mbtuh	Sen Mbtuh	SHR	Power kW	Reject Mbtuh	LWT	Feet Head
45	5.5	40.2	28.6	0.71	1.83	46.4	62.0	6.1
45	6.7	40.4	28.8	0.71	1.76	46.5	58.8	8.8
45	7.6	40.6	28.8	0.71	1.73	46.5	57.3	10.8
45	8.4	40.7	28.9	0.71	1.71	46.5	56.1	13.0
45	8.8	40.7	29.0	0.71	1.69	46.5	55.5	14.2
45	9.2	40.7	29.0	0.71	1.68	46.5	55.1	15.4
45	10.1	40.8	29.0	0.71	1.67	46.5	54.2	18.0
55	5.5	38.9	28.1	0.72	2.06	45.9	71.8	5.8
55	6.7	39.2	28.3	0.72	2.00	46.0	68.7	8.4
55	7.6	39.3	28.4	0.72	1.97	46.0	67.2	10.4
55	8.4	39.3	28.4	0.72	1.94	46.0	65.9	12.5
55	8.8	39.4	28.5	0.72	1.93	46.0	65.4	13.7
55	9.2	39.4	28.5	0.72	1.92	46.0	65.0	14.8
55	10.1	39.5	28.5	0.72	1.91	46.0	64.1	17.2
68	5.5	37.3	27.6	0.74	2.35	45.4	84.6	5.5
68	6.7	37.6	27.8	0.74	2.29	45.4	81.5	7.9



Performance Data

Table 69. Cooling capacities 3 tons (net) - GEV036 (continued)

EWT	GPM	Total Mbtuh	Sen Mbtuh	SHR	Power kW	Reject Mbtuh	LWT	Feet Head
68	7.6	37.7	27.9	0.74	2.26	45.4	80.0	9.8
68	8.4	37.7	27.9	0.74	2.23	45.4	78.8	11.8
68	8.8	37.8	27.9	0.74	2.22	45.4	78.3	12.8
68	9.2	37.8	28.0	0.74	2.21	45.4	77.8	13.9
68	10.1	37.9	28.0	0.74	2.20	45.4	77.0	16.2
75	5.5	36.3	27.3	0.75	2.52	44.9	91.5	5.3
75	6.7	36.5	27.4	0.75	2.46	44.9	88.4	7.7
75	7.6	36.6	27.5	0.75	2.43	44.9	86.9	9.5
75	8.4	36.7	27.6	0.75	2.40	44.9	85.7	11.5
75	8.8	36.7	27.6	0.75	2.39	44.9	85.2	12.5
75	9.2	36.8	27.6	0.75	2.38	44.9	84.7	13.6
75	10.1	36.8	27.6	0.75	2.37	44.9	83.9	15.8
86	5.5	34.8	26.8	0.77	2.81	44.4	102.3	5.1
86	6.7	35.0	27.0	0.77	2.74	44.3	99.2	7.4
86	7.6	35.1	27.0	0.77	2.71	44.3	97.7	9.1
86	8.4	35.2	27.1	0.77	2.68	44.3	96.5	11.0
86	8.8	35.2	27.1	0.77	2.67	44.3	96.0	12.0
86	9.2	35.2	27.1	0.77	2.66	44.3	95.6	13.0
86	10.1	35.3	27.2	0.77	2.64	44.3	94.8	15.1
95	5.5	33.2	26.3	0.79	3.08	43.8	111.0	4.9
95	6.7	33.4	26.4	0.79	3.01	43.7	108.0	7.1
95	7.6	33.5	26.5	0.79	2.98	43.7	106.6	8.7
95	8.4	33.6	26.6	0.79	2.95	43.7	105.4	10.5
95	8.8	33.7	26.6	0.79	2.94	43.7	104.9	11.4
95	9.2	33.7	26.6	0.79	2.93	43.7	104.5	12.4
95	10.1	33.7	26.7	0.79	2.91	43.7	103.7	14.4
105	5.5	31.4	25.6	0.82	3.42	43.0	120.8	4.8
105	6.7	31.6	25.8	0.82	3.34	43.0	117.8	6.9
105	7.6	31.7	25.9	0.82	3.31	43.0	116.4	8.4
105	8.4	31.8	25.9	0.82	3.28	42.9	115.2	10.2
105	8.8	31.8	26.0	0.82	3.27	42.9	114.7	11.1
105	9.2	31.8	26.0	0.82	3.26	42.9	114.3	12.0
105	10.1	31.9	26.0	0.82	3.24	42.9	113.5	14.0
110	5.5	30.4	25.3	0.83	3.61	42.7	125.6	4.7
110	6.7	30.6	25.5	0.83	3.53	42.6	122.7	6.8
110	7.6	30.7	25.6	0.83	3.49	42.6	121.3	8.3
110	8.4	30.8	25.6	0.83	3.46	42.6	120.1	10.0
110	8.8	30.8	25.6	0.83	3.45	42.6	119.6	10.9
110	9.2	30.8	25.7	0.83	3.44	42.5	119.2	11.9
110	10.1	30.9	25.7	0.83	3.42	42.5	118.4	13.8

Notes: Cooling performance data is tabulated at 80.6°F DB/66.2°F WB entering air at ANSI/AHRI/ASHRAE/ISO13256-1 rated cfm. For ANSI/AHRI/ASHRAE/ISO13256-1 certified ratings, refer to the ANSI/AHRI/ASHRAE/ISO13256-1 WLHP, GWHP and GLHP performance table. See performance correction tables to correct performance at conditions other than those tabulated. Data shown is for unit performance only. Interpolation of data is permissible; extrapolation is not. Rated GPM: 8.4 Minimum cfm 912; Rated cfm 1140; Maximum cfm 1368

Table 70. Heating capacities 3 tons (net) - GEV036

EWT	GPM	Htg Cap Mbtuh	Absorb Mbtuh	Power kW	LWT	Feet Head
25	5.5	27.6	18.6	2.61	18.2	6.6
25	6.7	27.9	19.0	2.61	19.3	9.5
25	7.6	28.2	19.2	2.62	19.9	11.8
25	8.4	28.3	19.4	2.62	20.4	14.3
25	8.8	28.4	19.5	2.62	20.6	15.6
25	9.2	28.5	19.5	2.63	20.8	16.9
25	10.1	28.6	19.7	2.63	21.1	19.6
32	5.5	30.2	21.2	2.66	24.2	6.5
32	6.7	30.8	21.7	2.67	25.5	9.4
32	7.6	31.0	21.9	2.67	26.2	11.6
32	8.4	31.3	22.1	2.68	26.7	14.0
32	8.8	31.3	22.2	2.68	27.0	15.3
32	9.2	31.3	22.2	2.67	27.2	16.6
32	10.1	31.5	22.4	2.67	27.6	19.2
45	5.5	35.8	26.4	2.74	35.3	6.1
45	6.7	36.4	27.0	2.75	37.0	8.8
45	7.6	36.6	27.2	2.75	37.8	10.8
45	8.4	36.9	27.5	2.76	38.5	13.0
45	8.8	37.0	27.6	2.76	38.7	14.2
45	9.2	37.1	27.6	2.76	39.0	15.4
45	10.1	37.2	27.8	2.77	39.5	18.0
55	5.5	40.3	30.7	2.84	43.8	5.8
55	6.7	41.0	31.3	2.85	45.7	8.4
55	7.6	41.3	31.6	2.85	46.6	10.4
55	8.4	41.6	31.9	2.86	47.4	12.5
55	8.8	41.7	31.9	2.86	47.8	13.7
55	9.2	41.9	32.1	2.86	48.1	14.8
55	10.1	42.1	32.3	2.87	48.6	17.2
68	5.5	45.9	35.7	2.99	54.9	5.5
68	6.7	46.9	36.7	3.01	57.1	7.9
68	7.6	47.5	37.1	3.03	58.2	9.8
68	8.4	47.6	37.3	3.02	59.1	11.8
68	8.8	47.8	37.4	3.03	59.5	12.8
68	9.2	47.9	37.5	3.03	59.9	13.9
68	10.1	48.1	37.7	3.03	60.5	16.2
75	5.5	49.5	39.0	3.09	60.7	5.3
75	6.7	50.5	39.9	3.10	63.1	7.7
75	7.6	50.9	40.3	3.10	64.3	9.5
75	8.4	51.3	40.7	3.11	65.3	11.5
75	8.8	51.4	40.8	3.11	65.7	12.5
75	9.2	51.5	40.9	3.12	66.1	13.6
75	10.1	51.8	41.1	3.12	66.8	15.8
86	5.5	54.9	43.9	3.22	69.9	5.1
86	6.7	56.1	45.0	3.26	72.6	7.4



Performance Data

Table 70. Heating capacities 3 tons (net) - GEV036 (continued)

EWT	GPM	Htg Cap Mbtuh	Absorb Mbtuh	Power kW	LWT	Feet Head
86	7.6	56.6	45.5	3.27	74.0	9.1
86	8.4	57.0	45.8	3.28	75.1	11.0
86	8.8	57.1	45.9	3.28	75.6	12.0
86	9.2	57.3	46.1	3.29	76.0	13.0
86	10.1	57.6	46.3	3.29	76.8	15.1

Notes: Heating performance data is tabulated at 68°F DB entering air at ANSI/AHRI/ASHRAE/ISO13256-1 rated cfm. For ANSI/AHRI/ASHRAE/ISO13256-1 certified ratings, refer to the ANSI/AHRI/ASHRAE/ISO13256-1 WLHP, GWHP and GLHP performance table. See performance correction tables to correct performance at conditions other than those tabulated. Data shown is for unit performance only. Interpolation of data is permissible; extrapolation is not. Rated GPM: 8.4 Minimum cfm 912; Rated cfm 1140; Maximum cfm 1368

Table 71. Fan correction factors 3 tons GEV036

Entering cfm	Cooling Capacity	Sensible Capacity	Cooling Input Watts	Heating Capacity	Heating Input Watts
912	0.953	0.870	1.002	0.989	1.077
969	0.966	0.903	1.002	0.992	1.054
1026	0.978	0.935	1.002	0.996	1.034
1083	0.990	0.968	1.000	0.998	1.016
1140	1.000	1.000	1.000	1.000	1.000
1254	1.019	1.064	1.000	1.007	0.973
1311	1.027	1.095	1.000	1.005	0.959
1368	1.035	1.126	1.000	1.006	0.948

Table 72. Cooling capacities 3.5 tons (net) - GEH042

EWT	GPM	Total Mbtuh	Sen Mbtuh	SHR	Power kW	Reject Mbtuh	LWT	Feet Head
45	6.4	47.1	34.2	0.73	2.22	54.7	62.2	7.8
45	7.8	47.4	34.4	0.73	2.16	54.8	59.0	11.3
45	8.8	47.6	34.6	0.73	2.13	54.9	57.5	13.8
45	9.8	47.7	34.6	0.73	2.11	54.9	56.2	16.6
45	10.3	47.7	34.6	0.73	2.11	54.9	55.7	18.1
45	10.8	47.8	34.7	0.73	2.10	55.0	55.2	19.6
45	11.8	47.9	34.7	0.73	2.08	55.0	54.3	22.9
55	6.4	45.5	33.6	0.74	2.44	53.9	71.9	7.5
55	7.8	45.8	33.7	0.74	2.38	53.9	68.7	10.8
55	8.8	45.9	33.8	0.74	2.35	53.9	67.2	13.3
55	9.8	46.0	33.9	0.74	2.33	54.0	66.0	16.0
55	10.3	46.1	34.0	0.74	2.32	54.0	65.5	17.4
55	10.8	46.1	34.0	0.74	2.31	54.0	65.0	18.9
55	11.8	46.2	34.1	0.74	2.30	54.0	64.2	21.9
68	6.4	44.0	33.3	0.76	2.75	53.4	84.8	7.0
68	7.8	44.3	33.5	0.76	2.68	53.4	81.6	10.1
68	8.8	44.4	33.5	0.76	2.65	53.4	80.1	12.5
68	9.8	44.5	33.6	0.76	2.63	53.4	78.9	15.0
68	10.3	44.5	33.6	0.76	2.62	53.4	78.4	16.3
68	10.8	44.5	33.7	0.76	2.61	53.4	77.9	17.7
68	11.8	44.6	33.7	0.76	2.59	53.4	77.1	20.6
75	6.4	42.7	32.8	0.77	2.95	52.8	91.6	6.8

Table 72. Cooling capacities 3.5 tons (net) - GEH042 (continued)

EWT	GPM	Total Mbtuh	Sen Mbtuh	SHR	Power kW	Reject Mbtuh	LWT	Feet Head
75	7.8	42.9	32.9	0.77	2.87	52.8	88.5	9.9
75	8.8	43.1	33.1	0.77	2.84	52.8	87.0	12.1
75	9.8	43.2	33.1	0.77	2.81	52.8	85.8	14.6
75	10.3	43.2	33.1	0.77	2.80	52.8	85.3	15.9
75	10.8	43.2	33.2	0.77	2.79	52.8	84.8	17.2
75	11.8	43.3	33.2	0.77	2.78	52.8	84.0	20.1
86	6.4	40.8	32.2	0.79	3.29	52.0	102.3	6.5
86	7.8	41.0	32.4	0.79	3.20	52.0	99.3	9.5
86	8.8	41.1	32.4	0.79	3.17	51.9	97.8	11.6
86	9.8	41.2	32.5	0.79	3.14	51.9	96.6	14.0
86	10.3	41.3	32.5	0.79	3.12	51.9	96.1	15.2
86	10.8	41.3	32.6	0.79	3.11	51.9	95.6	16.5
86	11.8	41.3	32.6	0.79	3.09	51.9	94.8	19.2
95	6.4	38.9	31.4	0.81	3.62	51.3	111.1	6.2
95	7.8	39.1	31.6	0.81	3.54	51.2	108.1	8.9
95	8.8	39.2	31.7	0.81	3.50	51.2	106.6	11.0
95	9.8	39.3	31.7	0.81	3.46	51.1	105.4	13.3
95	10.3	39.3	31.8	0.81	3.45	51.1	104.9	14.4
95	10.8	39.4	31.8	0.81	3.44	51.1	104.5	15.7
95	11.8	39.4	31.8	0.81	3.42	51.1	103.7	18.3
105	6.4	36.7	30.5	0.83	4.06	50.5	120.9	6.0
105	7.8	36.9	30.7	0.83	3.96	50.4	117.9	8.7
105	8.8	37.0	30.8	0.83	3.91	50.4	116.4	10.7
105	9.8	37.1	30.9	0.83	3.88	50.3	115.3	12.9
105	10.3	37.1	30.9	0.83	3.86	50.3	114.8	14.1
105	10.8	37.1	30.9	0.83	3.85	50.3	114.3	15.3
105	11.8	37.2	31.0	0.83	3.83	50.2	113.5	17.8
110	6.4	35.5	30.1	0.85	4.30	50.2	125.8	5.9
110	7.8	35.7	30.3	0.85	4.20	50.1	122.8	8.6
110	8.8	35.8	30.3	0.85	4.15	50.0	121.3	10.6
110	9.8	35.9	30.4	0.85	4.11	49.9	120.2	12.7
110	10.3	35.9	30.4	0.85	4.10	49.9	119.7	13.9
110	10.8	35.9	30.4	0.85	4.08	49.9	119.3	15.1
110	11.8	36.0	30.5	0.85	4.06	49.8	118.5	17.5

Notes: Cooling performance data is tabulated at 80.6°F DB/66.2°F WB entering air at ANSI/AHRI/ASHRAE/ISO13256-1 rated cfm. For ANSI/AHRI/ASHRAE/ISO13256-1 certified ratings, refer to the ANSI/AHRI/ASHRAE/ISO13256-1 WLHP, GWHP and GLHP performance table. See performance correction tables to correct performance at conditions other than those tabulated. Data shown is for unit performance only. Interpolation of data is permissible; extrapolation is not. Rated GPM: 9.3 Minimum cfm 960; Rated cfm 1200; Maximum cfm 1440

Table 73. Heating capacities 3.5 tons (net) - GEH042

EWT	GPM	Htg Cap Mbtuh	Absorb Mbtuh	Power kW	LWT	Feet Head
25	6.4	30.6	20.8	2.89	18.5	8.6
25	7.8	31.1	21.2	2.89	19.6	12.4
25	8.8	31.4	21.5	2.90	20.1	15.2
25	9.8	31.4	21.5	2.90	20.6	18.2



Performance Data

Table 73. Heating capacities 3.5 tons (net) - GEH042 (continued)

EWT	GPM	Htg Cap Mbtuh	Absorb Mbtuh	Power kW	LWT	Feet Head
25	10.3	31.5	21.6	2.90	20.8	19.8
25	10.8	31.7	21.8	2.90	21.0	21.5
25	11.8	31.9	21.9	2.91	21.3	24.9
32	6.4	33.6	23.6	2.92	24.6	8.4
32	7.8	34.1	24.1	2.92	25.8	12.2
32	8.8	34.3	24.4	2.93	26.5	14.9
32	9.8	34.6	24.6	2.93	27.0	17.9
32	10.3	34.6	24.6	2.92	27.2	19.4
32	10.8	34.7	24.7	2.93	27.4	21.0
32	11.8	34.8	24.8	2.93	27.8	24.4
45	6.4	39.4	29.1	3.02	35.9	7.8
45	7.8	40.0	29.7	3.02	37.4	11.3
45	8.8	40.4	30.0	3.02	38.2	13.8
45	9.8	40.7	30.4	3.03	38.8	16.6
45	10.3	40.7	30.4	3.03	39.1	18.1
45	10.8	40.9	30.5	3.03	39.3	19.6
45	11.8	41.0	30.7	3.04	39.8	22.9
55	6.4	44.5	33.8	3.11	44.4	7.5
55	7.8	45.2	34.6	3.12	46.2	10.8
55	8.8	45.6	34.9	3.13	47.1	13.3
55	9.8	45.9	35.2	3.14	47.8	16.0
55	10.3	46.1	35.4	3.14	48.1	17.4
55	10.8	46.2	35.5	3.14	48.4	18.9
55	11.8	46.4	35.7	3.15	48.9	21.9
68	6.4	50.2	39.1	3.27	55.7	7.0
68	7.8	51.2	40.0	3.29	57.8	10.1
68	8.8	51.9	40.6	3.32	58.8	12.5
68	9.8	52.3	41.0	3.33	59.6	15.0
68	10.3	52.5	41.1	3.34	60.0	16.3
68	10.8	52.7	41.3	3.34	60.3	17.7
68	11.8	53.0	41.6	3.34	60.9	20.6
75	6.4	54.0	42.5	3.38	61.7	6.8
75	7.8	55.3	43.6	3.42	63.9	9.9
75	8.8	56.0	44.2	3.44	65.0	12.1
75	9.8	56.7	44.8	3.47	65.8	14.6
75	10.3	56.9	45.0	3.48	66.2	15.9
75	10.8	57.1	45.2	3.48	66.6	17.2
75	11.8	57.3	45.4	3.49	67.3	20.1
86	6.4	60.6	48.2	3.63	70.9	6.5
86	7.8	62.1	49.5	3.68	73.4	9.5
86	8.8	62.7	50.1	3.71	74.6	11.6
86	9.8	63.4	50.6	3.74	75.7	14.0
86	10.3	63.7	50.9	3.75	76.1	15.2
86	10.8	63.9	51.1	3.76	76.5	16.5
86	11.8	64.2	51.3	3.78	77.3	19.2

Table 73. Heating capacities 3.5 tons (net) - GEH042 (continued)

EWT	GPM	Htg Cap Mbtuh	Absorb Mbtuh	Power kW	LWT	Feet Head
Notes: Heating performance data is tabulated at 68°F DB entering air at ANSI/AHRI/ASHRAE/ISO13256-1 rated cfm. For ANSI/AHRI/ASHRAE/ISO13256-1 certified ratings, refer to the ANSI/AHRI/ASHRAE/ISO13256-1 WLHP, GWHP and GLHP performance table. See performance correction tables to correct performance at conditions other than those tabulated. Data shown is for unit performance only. Interpolation of data is permissible; extrapolation is not. Rated GPM: 9.3 Minimum cfm 960; Rated cfm 1200; Maximum cfm 1440						

Table 74. Fan correction factors 3.5 tons GEH042

Entering cfm	Cooling Capacity	Sensible Capacity	Cooling Input Watts	Heating Capacity	Heating Input Watts
1064	0.955	0.873	0.996	0.989	1.070
1131	0.968	0.906	0.997	0.992	1.049
1197	0.980	0.936	0.998	0.996	1.031
1264	0.991	0.969	0.999	0.998	1.014
1330	1.000	1.000	1.000	1.000	1.000
1463	1.017	1.063	1.002	1.003	0.972
1530	1.025	1.093	1.003	1.005	0.961
1596	1.033	1.120	1.004	1.005	0.950

Table 75. Cooling capacities 3.5 tons (net) - GEV042

EWT	GPM	Total Mbtuh	Sen Mbtuh	SHR	Power kW	Reject Mbtuh	LWT	Feet Head
45	6.4	46.7	33.7	0.72	2.22	54.3	62.0	7.3
45	7.8	46.9	33.9	0.72	2.16	54.3	58.9	10.6
45	8.8	47.1	34.0	0.72	2.14	54.4	57.3	13.1
45	9.8	47.2	34.0	0.72	2.12	54.4	56.1	15.7
45	10.3	47.2	34.1	0.72	2.11	54.4	55.6	17.1
45	10.8	47.3	34.1	0.72	2.10	54.4	55.1	18.5
45	11.8	47.3	34.1	0.72	2.09	54.4	54.3	21.5
55	6.4	45.2	33.1	0.73	2.44	53.5	71.8	7.0
55	7.8	45.4	33.3	0.73	2.38	53.5	68.7	10.2
55	8.8	45.5	33.3	0.73	2.35	53.5	67.1	12.5
55	9.8	45.6	33.4	0.73	2.33	53.6	65.9	15.1
55	10.3	45.6	33.4	0.73	2.32	53.6	65.4	16.4
55	10.8	45.7	33.5	0.73	2.31	53.6	64.9	17.8
55	11.8	45.8	33.5	0.73	2.29	53.6	64.1	20.7
68	6.4	43.3	32.6	0.75	2.75	52.7	84.6	6.6
68	7.8	43.6	32.8	0.75	2.67	52.7	81.4	9.6
68	8.8	43.7	32.9	0.75	2.64	52.7	80.0	11.9
68	9.8	43.8	33.0	0.75	2.62	52.7	78.8	14.2
68	10.3	43.9	33.0	0.75	2.61	52.8	78.3	15.5
68	10.8	43.9	33.0	0.75	2.60	52.8	77.8	16.8
68	11.8	44.0	33.1	0.75	2.58	52.8	77.0	19.6
75	6.4	42.1	32.2	0.76	2.94	52.2	91.4	6.5
75	7.8	42.4	32.3	0.76	2.87	52.2	88.3	9.4
75	8.8	42.5	32.4	0.76	2.84	52.2	86.8	11.5
75	9.8	42.6	32.5	0.76	2.81	52.2	85.7	13.9
75	10.3	42.6	32.5	0.76	2.80	52.2	85.1	15.1
75	10.8	42.7	32.6	0.76	2.79	52.2	84.7	16.4



Performance Data

Table 75. Cooling capacities 3.5 tons (net) - GEV042 (continued)

EWT	GPM	Total Mbtuh	Sen Mbtuh	SHR	Power kW	Reject Mbtuh	LWT	Feet Head
75	11.8	42.7	32.6	0.76	2.77	52.2	83.9	19.1
86	6.4	39.7	30.9	0.78	3.26	50.8	102.0	6.2
86	7.8	40.0	31.1	0.78	3.18	50.8	99.0	9.0
86	8.8	40.1	31.2	0.78	3.15	50.8	97.5	11.1
86	9.8	40.2	31.3	0.78	3.12	50.8	96.4	13.3
86	10.3	40.2	31.3	0.78	3.11	50.8	95.9	14.5
86	10.8	40.2	31.4	0.78	3.10	50.8	95.4	15.7
86	11.8	40.3	31.4	0.78	3.08	50.8	94.6	18.2
95	6.4	38.0	30.3	0.80	3.60	50.3	110.8	5.9
95	7.8	38.2	30.5	0.80	3.51	50.2	107.8	8.5
95	8.8	38.4	30.6	0.80	3.47	50.2	106.4	10.5
95	9.8	38.4	30.7	0.80	3.44	50.2	105.2	12.6
95	10.3	38.5	30.7	0.80	3.43	50.2	104.8	13.8
95	10.8	38.5	30.7	0.80	3.42	50.2	104.3	14.9
95	11.8	38.6	30.8	0.80	3.39	50.2	103.5	17.4
105	6.4	36.0	29.5	0.82	4.02	49.7	120.6	5.7
105	7.8	36.2	29.7	0.82	3.93	49.6	117.6	8.3
105	8.8	36.3	29.8	0.82	3.88	49.5	116.2	10.2
105	9.8	36.4	29.9	0.82	3.85	49.5	115.1	12.3
105	10.3	36.4	29.9	0.82	3.83	49.5	114.6	13.4
105	10.8	36.4	29.9	0.82	3.82	49.5	114.2	14.5
105	11.8	36.5	30.0	0.82	3.80	49.5	113.4	16.9
110	6.4	34.9	29.1	0.84	4.25	49.4	125.5	5.7
110	7.8	35.1	29.3	0.84	4.16	49.3	122.6	8.2
110	8.8	35.2	29.4	0.84	4.11	49.2	121.2	10.1
110	9.8	35.3	29.5	0.84	4.07	49.2	120.0	12.1
110	10.3	35.3	29.5	0.84	4.06	49.2	119.6	13.2
110	10.8	35.4	29.6	0.84	4.04	49.2	119.1	14.3
110	11.8	35.4	29.6	0.84	4.02	49.1	118.4	16.7

Notes: Cooling performance data is tabulated at 80.6°F DB/66.2°F WB entering air at ANSI/AHRI/ASHRAE/ISO13256-1 rated cfm. For ANSI/AHRI/ASHRAE/ISO13256-1 certified ratings, refer to the ANSI/AHRI/ASHRAE/ISO13256-1 WLHP, GWHP and GLHP performance table. See performance correction tables to correct performance at conditions other than those tabulated. Data shown is for unit performance only. Interpolation of data is permissible; extrapolation is not. Rated GPM: 9.8 Minimum cfm 1064; Rated cfm 1330; Maximum cfm 1596

Table 76. Heating capacities 3.5 tons (net) - GEV042

EWT	GPM	Htg Cap Mbtuh	Absorb Mbtuh	Power kW	LWT	Feet Head
25	6.4	30.4	20.8	2.82	18.5	8.0
25	7.8	30.9	21.2	2.82	19.6	11.7
25	8.8	31.1	21.4	2.83	20.1	14.4
25	9.8	31.2	21.6	2.83	20.6	17.2
25	10.3	31.3	21.6	2.83	20.8	18.7
25	10.8	31.3	21.7	2.83	21.0	20.2
25	11.8	31.4	21.8	2.84	21.3	23.4
32	6.4	33.8	24.0	2.89	24.5	7.8
32	7.8	34.4	24.5	2.90	25.7	11.4

Table 76. Heating capacities 3.5 tons (net) - GEV042 (continued)

EWT	GPM	Htg Cap Mbtuh	Absorb Mbtuh	Power kW	LWT	Feet Head
32	8.8	34.6	24.7	2.90	26.4	14.0
32	9.8	34.9	25.0	2.90	26.9	16.8
32	10.3	34.9	25.0	2.90	27.1	18.3
32	10.8	35.0	25.1	2.90	27.3	19.8
32	11.8	35.1	25.2	2.91	27.7	22.9
45	6.4	39.8	29.6	3.01	35.7	7.3
45	7.8	40.5	30.2	3.02	37.3	10.6
45	8.8	40.8	30.5	3.02	38.1	13.1
45	9.8	41.0	30.7	3.02	38.7	15.7
45	10.3	41.1	30.8	3.02	39.0	17.1
45	10.8	41.2	30.9	3.03	39.3	18.5
45	11.8	41.5	31.1	3.04	39.7	21.5
55	6.4	44.8	34.2	3.11	44.3	7.0
55	7.8	45.6	34.9	3.12	46.1	10.2
55	8.8	46.0	35.3	3.13	47.0	12.5
55	9.8	46.3	35.6	3.14	47.7	15.1
55	10.3	46.4	35.7	3.14	48.1	16.4
55	10.8	46.5	35.8	3.14	48.4	17.8
55	11.8	46.7	36.0	3.15	48.9	20.7
68	6.4	50.7	39.5	3.28	55.6	6.6
68	7.8	51.7	40.5	3.30	57.7	9.6
68	8.8	52.1	40.8	3.31	58.7	11.9
68	9.8	52.7	41.4	3.34	59.6	14.2
68	10.3	52.9	41.5	3.34	59.9	15.5
68	10.8	53.1	41.7	3.34	60.3	16.8
68	11.8	53.3	41.9	3.34	60.9	19.6
75	6.4	54.5	42.9	3.39	61.5	6.5
75	7.8	55.7	44.0	3.43	63.8	9.4
75	8.8	56.4	44.6	3.45	64.9	11.5
75	9.8	57.0	45.2	3.47	65.8	13.9
75	10.3	57.3	45.4	3.48	66.2	15.1
75	10.8	57.5	45.6	3.49	66.5	16.4
75	11.8	57.7	45.8	3.50	67.2	19.1
86	6.4	61.1	48.7	3.64	70.7	6.2
86	7.8	62.6	50.0	3.70	73.2	9.0
86	8.8	63.2	50.5	3.72	74.6	11.1
86	9.8	63.9	51.0	3.75	75.6	13.3
86	10.3	64.1	51.3	3.76	76.0	14.5
86	10.8	64.3	51.4	3.77	76.5	15.7
86	11.8	64.7	51.8	3.79	77.2	18.2

Notes: Heating performance data is tabulated at 68°F DB entering air at ANSI/AHRI/ASHRAE/ISO13256-1 rated cfm. For ANSI/AHRI/ASHRAE/ISO13256-1 certified ratings, refer to the ANSI/AHRI/ASHRAE/ISO13256-1 WLHP, GWHP and GLHP performance table. See performance correction tables to correct performance at conditions other than those tabulated. Data shown is for unit performance only. Interpolation of data is permissible; extrapolation is not. Rated GPM: 9.8 Minimum cfm 1064; Rated cfm 1330; Maximum cfm 1596



Performance Data

Table 77. Fan correction factors 3.5 tons GEV042

Entering cfm	Cooling Capacity	Sensible Capacity	Cooling Input Watts	Heating Capacity	Heating Input Watts
1064	0.956	0.874	0.997	0.990	1.069
1131	0.969	0.907	0.998	0.993	1.049
1197	0.981	0.939	0.999	0.995	1.030
1264	0.991	0.969	0.999	0.997	1.013
1330	1.000	1.000	1.000	1.000	1.000
1463	1.017	1.062	1.001	1.004	0.973
1530	1.024	1.093	1.002	1.005	0.961
1596	1.032	1.123	1.003	1.007	0.952

Table 78. Cooling capacities 4 tons (net) - GEH048

EWT	GPM	Total Mbtuh	Sen Mbtuh	SHR	Power kW	Reject Mbtuh	LWT	Feet Head
45	7.3	56.7	40.8	0.72	2.58	65.5	63.0	4.7
45	9.0	57.2	41.2	0.72	2.47	65.7	59.7	6.8
45	10.1	57.5	41.4	0.72	2.42	65.8	58.0	8.4
45	11.2	57.7	41.6	0.72	2.38	65.8	56.8	10.1
45	11.8	57.8	41.6	0.72	2.36	65.8	56.2	11.0
45	12.3	57.9	41.7	0.72	2.34	65.9	55.7	12.0
45	13.4	58.1	41.8	0.72	2.31	66.0	54.8	14.0
55	7.3	54.8	40.0	0.73	2.92	64.8	72.8	4.6
55	9.0	55.4	40.4	0.73	2.81	65.0	69.5	6.6
55	10.1	55.5	40.6	0.73	2.76	65.0	67.9	8.1
55	11.2	55.8	40.7	0.73	2.72	65.0	66.6	9.8
55	11.8	55.9	40.8	0.73	2.70	65.1	66.1	10.6
55	12.3	56.0	40.9	0.73	2.69	65.1	65.6	11.6
55	13.4	56.1	40.9	0.73	2.66	65.1	64.7	13.5
68	7.3	52.5	39.4	0.75	3.32	63.9	85.5	4.4
68	9.0	53.1	39.8	0.75	3.22	64.1	82.3	6.3
68	10.1	53.3	40.0	0.75	3.18	64.1	80.7	7.8
68	11.2	53.5	40.1	0.75	3.13	64.2	79.5	9.4
68	11.8	53.6	40.2	0.75	3.11	64.2	78.9	10.2
68	12.3	53.7	40.2	0.75	3.09	64.2	78.4	11.1
68	13.4	53.8	40.4	0.75	3.07	64.3	77.6	12.9
75	7.3	51.0	38.9	0.76	3.58	63.2	92.4	4.3
75	9.0	51.6	39.3	0.76	3.47	63.4	89.2	6.2
75	10.1	51.8	39.5	0.76	3.43	63.5	87.6	7.6
75	11.2	52.0	39.7	0.76	3.39	63.5	86.3	9.1
75	11.8	52.1	39.7	0.76	3.37	63.6	85.8	10.0
75	12.3	52.1	39.8	0.76	3.35	63.6	85.3	10.8
75	13.4	52.3	39.9	0.76	3.33	63.6	84.5	12.6
86	7.3	48.3	37.8	0.78	3.99	61.9	103.0	4.2
86	9.0	48.8	38.1	0.78	3.87	62.0	99.8	6.0
86	10.1	49.1	38.3	0.78	3.82	62.1	98.3	7.4
86	11.2	49.3	38.5	0.78	3.78	62.2	97.1	8.9

Table 78. Cooling capacities 4 tons (net) - GEH048 (continued)

EWT	GPM	Total Mbtuh	Sen Mbtuh	SHR	Power kW	Reject Mbtuh	LWT	Feet Head
86	11.8	49.4	38.6	0.78	3.76	62.2	96.6	9.7
86	12.3	49.4	38.6	0.78	3.75	62.2	96.1	10.5
86	13.4	49.6	38.7	0.78	3.72	62.2	95.3	12.2
95	7.3	46.1	36.8	0.80	4.38	61.0	111.8	4.0
95	9.0	46.6	37.2	0.80	4.26	61.1	108.6	5.8
95	10.1	46.8	37.4	0.80	4.21	61.2	107.1	7.1
95	11.2	47.0	37.6	0.80	4.17	61.2	105.9	8.6
95	11.8	47.1	37.6	0.80	4.15	61.2	105.4	9.3
95	12.3	47.2	37.7	0.80	4.13	61.3	105.0	10.1
95	13.4	47.3	37.8	0.80	4.10	61.3	104.1	11.8
105	7.3	43.3	35.9	0.83	4.87	60.0	121.5	3.9
105	9.0	43.8	36.3	0.83	4.75	60.1	118.4	5.6
105	10.1	44.1	36.5	0.83	4.69	60.1	116.9	6.9
105	11.2	44.3	36.6	0.83	4.64	60.1	115.7	8.3
105	11.8	44.3	36.7	0.83	4.62	60.1	115.2	9.1
105	12.3	44.4	36.8	0.83	4.61	60.1	114.8	9.8
105	13.4	44.6	36.9	0.83	4.58	60.2	114.0	11.5
110	7.3	41.9	35.3	0.84	5.14	59.4	126.3	3.8
110	9.0	42.4	35.7	0.84	5.01	59.5	123.3	5.5
110	10.1	42.6	35.9	0.84	4.95	59.5	121.8	6.8
110	11.2	42.8	36.1	0.84	4.91	59.6	120.6	8.2
110	11.8	42.9	36.1	0.84	4.89	59.6	120.1	8.9
110	12.3	43.0	36.2	0.84	4.87	59.6	119.7	9.7
110	13.4	42.4	35.8	0.84	4.90	59.2	118.8	11.3

Notes: Cooling performance data is tabulated at 80.6°F DB/66.2°F WB entering air at ANSI/AHRI/ASHRAE/ISO13256-1 rated cfm. For ANSI/AHRI/ASHRAE/ISO13256-1 certified ratings, refer to the ANSI/AHRI/ASHRAE/ISO13256-1 WLHP, GWHP and GLHP performance table. See performance correction tables to correct performance at conditions other than those tabulated. Data shown is for unit performance only. Interpolation of data is permissible; extrapolation is not. Rated GPM: 11.2 Minimum cfm 1216; Rated cfm 1520; Maximum cfm 1824

Table 79. Heating capacities 4 tons (net) - GEH048

EWT	GPM	Htg Cap Mbtuh	Absorb Mbtuh	Power kW	LWT	Feet Head
25	7.3	35.7	24.4	3.31	18.3	5.1
25	9.0	36.4	25.0	3.32	19.4	7.3
25	10.1	36.6	25.3	3.32	20.0	9.1
25	11.2	36.9	25.5	3.32	20.4	10.9
25	11.8	37.1	25.7	3.33	20.6	11.9
25	12.3	37.3	25.9	3.33	20.8	13.0
25	13.4	37.3	26.0	3.33	21.1	15.1
32	7.3	39.1	27.7	3.35	24.4	5.0
32	9.0	39.8	28.3	3.37	25.7	7.2
32	10.1	40.3	28.8	3.38	26.3	8.9
32	11.2	40.8	29.2	3.39	26.8	10.7
32	11.8	40.8	29.2	3.38	27.0	11.7
32	12.3	41.0	29.4	3.39	27.2	12.7
32	13.4	41.1	29.6	3.39	27.6	14.8



Performance Data

Table 79. Heating capacities 4 tons (net) - GEH048 (continued)

EWT	GPM	Htg Cap Mbtuh	Absorb Mbtuh	Power kW	LWT	Feet Head
45	7.3	45.9	34.0	3.48	35.7	4.7
45	9.0	46.8	34.9	3.50	37.2	6.8
45	10.1	47.1	35.2	3.50	38.0	8.4
45	11.2	47.6	35.6	3.51	38.6	10.1
45	11.8	47.7	35.7	3.51	38.9	11.0
45	12.3	47.9	35.9	3.52	39.2	12.0
45	13.4	48.1	36.1	3.52	39.6	14.0
55	7.3	51.6	39.4	3.58	44.2	4.6
55	9.0	52.7	40.4	3.60	46.0	6.6
55	10.1	53.4	41.0	3.61	46.9	8.1
55	11.2	53.6	41.3	3.62	47.6	9.8
55	11.8	53.9	41.6	3.62	47.9	10.6
55	12.3	54.1	41.7	3.62	48.2	11.6
55	13.4	54.4	42.0	3.63	48.7	13.5
68	7.3	57.5	44.9	3.72	55.7	4.4
68	9.0	59.0	46.2	3.74	57.7	6.3
68	10.1	59.8	46.9	3.76	58.7	7.8
68	11.2	60.5	47.7	3.78	59.5	9.4
68	11.8	60.8	47.9	3.77	59.8	10.2
68	12.3	61.1	48.2	3.79	60.2	11.1
68	13.4	61.3	48.4	3.78	60.8	12.9
75	7.3	61.8	48.8	3.79	61.6	4.3
75	9.0	63.5	50.4	3.82	63.7	6.2
75	10.1	64.3	51.2	3.84	64.8	7.6
75	11.2	64.9	51.8	3.85	65.8	9.1
75	11.8	65.2	52.0	3.85	66.1	10.0
75	12.3	65.5	52.3	3.86	66.5	10.8
75	13.4	66.1	52.8	3.87	67.1	12.6
86	7.3	68.9	55.5	3.93	70.8	4.2
86	9.0	70.6	57.0	3.96	73.3	6.0
86	10.1	71.6	58.0	3.99	74.5	7.4
86	11.2	72.2	58.6	3.98	75.5	8.9
86	11.8	72.5	58.9	3.99	76.0	9.7
86	12.3	72.9	59.2	4.00	76.4	10.5
86	13.4	73.5	59.8	4.01	77.1	12.2

Notes: Heating performance data is tabulated at 68°F DB entering air at ANSI/AHRI/ASHRAE/ISO13256-1 rated cfm. For ANSI/AHRI/ASHRAE/ISO13256-1 certified ratings, refer to the ANSI/AHRI/ASHRAE/ISO13256-1 WLHP, GWHP and GLHP performance table. See performance correction tables to correct performance at conditions other than those tabulated. Data shown is for unit performance only. Interpolation of data is permissible; extrapolation is not. Rated GPM: 11.2 Minimum cfm 1216; Rated cfm 1520; Maximum cfm 1824

Table 80. Fan correction factors 4 tons GEH048

Entering cfm	Cooling Capacity	Sensible Capacity	Cooling Input Watts	Heating Capacity	Heating Input Watts
1216	0.958	0.877	1.005	0.982	1.067
1292	0.970	0.908	1.004	0.986	1.046
1368	0.981	0.937	1.002	0.990	1.028

Table 80. Fan correction factors 4 tons GEH048 (continued)

Entering cfm	Cooling Capacity	Sensible Capacity	Cooling Input Watts	Heating Capacity	Heating Input Watts
1444	0.991	0.969	1.001	0.996	1.014
1520	1.000	1.000	1.000	1.000	1.000
1672	1.016	1.060	0.999	1.007	0.974
1748	1.023	1.088	0.999	1.004	0.961
1824	1.029	1.118	0.998	1.007	0.951

Table 81. Cooling capacities 4 tons (net) - GEV048

EWT	GPM	Total Mbtuh	Sen Mbtuh	SHR	Power kW	Reject Mbtuh	LWT	Feet Head
45	7.3	56.4	40.3	0.72	2.60	65.2	62.9	8.3
45	9.0	56.9	40.7	0.72	2.49	65.4	59.6	4.9
45	10.1	57.1	40.9	0.72	2.44	65.4	58.0	6.4
45	11.2	57.3	41.0	0.72	2.40	65.5	56.7	7.8
45	11.8	57.4	41.0	0.72	2.39	65.5	56.1	8.9
45	12.3	57.4	41.1	0.72	2.37	65.5	55.6	9.7
45	13.4	57.6	41.2	0.72	2.34	65.6	54.8	11.0
55	7.3	54.6	39.6	0.73	2.92	64.6	72.7	7.9
55	9.0	55.1	40.0	0.73	2.82	64.7	69.4	4.7
55	10.1	55.3	40.1	0.73	2.78	64.8	67.9	6.2
55	11.2	55.5	40.3	0.73	2.74	64.8	66.6	7.5
55	11.8	55.6	40.3	0.73	2.72	64.9	66.0	8.6
55	12.3	55.6	40.4	0.73	2.71	64.9	65.5	9.4
55	13.4	55.8	40.5	0.73	2.68	64.9	64.7	10.6
68	7.3	52.2	39.1	0.75	3.28	63.3	85.4	7.7
68	9.0	52.6	39.5	0.75	3.17	63.5	82.2	4.5
68	10.1	52.9	39.7	0.75	3.13	63.6	80.6	6.0
68	11.2	53.1	39.8	0.75	3.09	63.6	79.4	7.3
68	11.8	53.2	39.9	0.75	3.07	63.7	78.8	8.3
68	12.3	53.3	39.9	0.75	3.06	63.7	78.3	9.0
68	13.4	53.4	40.0	0.75	3.03	63.7	77.5	10.2
75	7.3	50.7	38.5	0.76	3.52	62.7	92.2	7.4
75	9.0	51.2	38.9	0.76	3.43	62.9	89.0	4.4
75	10.1	51.4	39.1	0.76	3.38	63.0	87.5	5.8
75	11.2	51.6	39.2	0.76	3.34	63.0	86.3	7.1
75	11.8	51.7	39.3	0.76	3.32	63.1	85.7	8.1
75	12.3	51.8	39.4	0.76	3.31	63.1	85.2	8.8
75	13.4	51.9	39.5	0.76	3.28	63.1	84.4	9.9
86	7.3	48.4	37.7	0.78	4.00	62.0	103.0	7.1
86	9.0	48.9	38.1	0.78	3.88	62.1	99.9	4.2
86	10.1	49.1	38.3	0.78	3.83	62.2	98.3	5.6
86	11.2	49.3	38.4	0.78	3.79	62.2	97.1	6.8
86	11.8	49.4	38.5	0.78	3.77	62.3	96.6	7.7
86	12.3	49.5	38.6	0.78	3.76	62.3	96.1	8.4
86	13.4	49.6	38.7	0.78	3.73	62.3	95.3	9.5
95	7.3	46.2	36.9	0.80	4.38	61.1	111.8	3.3



Performance Data

Table 81. Cooling capacities 4 tons (net) - GEV048 (continued)

EWT	GPM	Total Mbtuh	Sen Mbtuh	SHR	Power kW	Reject Mbtuh	LWT	Feet Head
95	9.0	46.6	37.3	0.80	4.27	61.2	108.7	4.8
95	10.1	46.9	37.5	0.80	4.22	61.3	107.2	5.9
95	11.2	47.1	37.6	0.80	4.17	61.3	105.9	7.1
95	11.8	47.2	37.7	0.80	4.16	61.3	105.4	7.7
95	12.3	47.2	37.8	0.80	4.14	61.4	105.0	8.4
95	13.4	47.4	37.9	0.80	4.11	61.4	104.1	9.8
105	7.3	43.5	35.9	0.83	4.87	60.1	121.5	3.2
105	9.0	43.9	36.3	0.83	4.75	60.2	118.4	4.7
105	10.1	44.2	36.5	0.83	4.69	60.2	116.9	5.7
105	11.2	44.4	36.6	0.83	4.65	60.3	115.8	6.9
105	11.8	44.5	36.7	0.83	4.63	60.3	115.2	7.5
105	12.3	44.5	36.8	0.83	4.61	60.3	114.8	8.2
105	13.4	44.7	36.9	0.83	4.58	60.3	114.0	9.5
110	7.3	42.1	35.4	0.84	5.14	59.6	126.4	3.2
110	9.0	42.5	35.8	0.84	5.02	59.6	123.3	4.6
110	10.1	42.8	36.0	0.84	4.96	59.7	121.8	5.6
110	11.2	43.0	36.1	0.84	4.92	59.7	120.7	6.8
110	11.8	43.0	36.2	0.84	4.88	59.7	120.2	7.4
110	12.3	43.1	36.2	0.84	4.87	59.7	119.7	8.0
110	13.4	43.2	36.4	0.84	4.84	59.7	118.9	9.4

Notes: Cooling performance data is tabulated at 80.6°F DB/66.2°F WB entering air at ANSI/AHRI/ASHRAE/ISO13256-1 rated cfm. For ANSI/AHRI/ASHRAE/ISO13256-1 certified ratings, refer to the ANSI/AHRI/ASHRAE/ISO13256-1 WLHP, GWHP and GLHP performance table. See performance correction tables to correct performance at conditions other than those tabulated. Data shown is for unit performance only. Interpolation of data is permissible; extrapolation is not. Rated GPM: 11.2 Minimum cfm 1216; Rated cfm 1520; Maximum cfm 1824

Table 82. Heating capacities 4 tons (net) - GEV048

EWT	GPM	Htg Cap Mbtuh	Absorb Mbtuh	Power kW	LWT	Feet Head
25	7.3	32.1	21.1	3.23	19.2	5.0
25	9.0	32.8	21.8	3.24	20.1	4.4
25	10.1	33.2	22.1	3.25	20.6	6.2
25	11.2	33.4	22.3	3.25	21.0	7.7
25	11.8	33.5	22.4	3.26	21.2	9.3
25	12.3	33.7	22.5	3.26	21.3	10.1
25	13.4	33.8	22.7	3.26	21.6	11.0
32	7.3	35.4	24.2	3.28	25.3	13.0
32	9.0	36.0	24.8	3.29	26.5	4.3
32	10.1	36.2	25.0	3.29	27.0	6.1
32	11.2	36.6	25.3	3.30	27.5	7.5
32	11.8	36.7	25.4	3.30	27.7	9.0
32	12.3	36.9	25.6	3.30	27.8	9.9
32	13.4	36.9	25.6	3.30	28.2	10.8
45	7.3	40.9	29.4	3.38	36.9	8.3
45	9.0	41.6	30.1	3.39	38.3	4.9
45	10.1	41.9	30.3	3.39	39.0	6.4
45	11.2	42.2	30.6	3.40	39.5	7.8

Table 82. Heating capacities 4 tons (net) - GEV048 (continued)

EWT	GPM	Htg Cap Mbtuh	Absorb Mbtuh	Power kW	LWT	Feet Head
45	11.8	42.3	30.7	3.40	39.8	8.9
45	12.3	42.4	30.8	3.40	40.0	9.7
45	13.4	42.6	31.0	3.41	40.4	11.0
55	7.3	46.2	34.4	3.46	45.6	7.9
55	9.0	46.9	35.1	3.47	47.2	4.7
55	10.1	47.3	35.4	3.48	48.0	6.2
55	11.2	47.7	35.8	3.49	48.6	7.5
55	11.8	47.8	35.9	3.49	48.9	8.6
55	12.3	48.0	36.1	3.49	49.1	9.4
55	13.4	48.1	36.2	3.49	49.6	10.6
68	7.3	52.3	40.1	3.59	57.0	7.7
68	9.0	53.2	40.9	3.61	58.9	4.5
68	10.1	53.7	41.4	3.62	59.8	6.0
68	11.2	54.1	41.8	3.62	60.5	7.3
68	11.8	54.2	41.8	3.62	60.9	8.3
68	12.3	54.4	42.0	3.63	61.2	9.0
68	13.4	54.6	42.2	3.63	61.7	10.2
75	7.3	56.3	43.8	3.66	63.0	7.4
75	9.0	57.4	44.8	3.68	65.0	4.4
75	10.1	57.9	45.3	3.69	66.0	5.8
75	11.2	58.3	45.7	3.70	66.8	7.1
75	11.8	58.7	46.0	3.71	67.2	8.1
75	12.3	58.7	46.1	3.71	67.5	8.8
75	13.4	59.0	46.3	3.71	68.1	9.9
86	7.3	62.8	50.0	3.76	72.3	7.1
86	9.0	64.0	51.1	3.78	74.6	4.2
86	10.1	64.9	51.9	3.80	75.7	5.6
86	11.2	65.0	52.1	3.80	76.7	6.8
86	11.8	65.2	52.3	3.80	77.1	7.7
86	12.3	65.4	52.5	3.80	77.5	8.4
86	13.4	65.8	52.8	3.81	78.1	9.5

Notes: Heating performance data is tabulated at 68°F DB entering air at ANSI/AHRI/ASHRAE/ISO13256-1 rated cfm. For ANSI/AHRI/ASHRAE/ISO13256-1 certified ratings, refer to the ANSI/AHRI/ASHRAE/ISO13256-1 WLHP, GWHP and GLHP performance table. See performance correction tables to correct performance at conditions other than those tabulated. Data shown is for unit performance only. Interpolation of data is permissible; extrapolation is not. Rated GPM: 11.2 Minimum cfm 1216; Rated cfm 1520; Maximum cfm 1824

Table 83. Fan correction factors 4 tons GEV04

Entering cfm	Cooling Capacity	Sensible Capacity	Cooling Input Watts	Heating Capacity	Heating Input Watts
1216	0.958	0.878	1.005	0.990	1.061
1292	0.970	0.909	1.002	0.994	1.044
1368	0.981	0.939	1.001	0.994	1.026
1444	0.991	0.970	1.001	0.997	1.012
1520	1.000	1.000	1.000	1.000	1.000
1672	1.016	1.061	0.999	1.003	0.978
1748	1.023	1.090	0.998	1.004	0.969



Performance Data

Table 83. Fan correction factors 4 tons GEV04 (continued)

Entering cfm	Cooling Capacity	Sensible Capacity	Cooling Input Watts	Heating Capacity	Heating Input Watts
1824	1.030	1.121	0.998	1.006	0.960

Table 84. Cooling capacity 5 tons (net) - GEH060

EWT	GPM	Total Mbtuh	Sen Mbtuh	SHR	Power kW	Reject Mbtuh	LWT	Feet Head
45	9.1	69.0	48.1	0.70	3.47	80.8	62.8	7.3
45	11.2	69.3	48.3	0.70	3.38	80.9	59.4	10.6
45	12.6	69.5	48.5	0.70	3.33	80.9	57.8	13.0
45	14.0	69.6	48.5	0.70	3.30	80.9	56.6	15.7
45	14.7	69.7	48.6	0.70	3.29	80.9	56.0	17.1
45	15.4	69.7	48.6	0.70	3.27	80.9	55.5	9.3
45	16.8	69.8	48.7	0.70	3.25	80.9	54.6	10.8
55	9.1	65.9	46.9	0.71	3.76	78.7	72.3	7.1
55	11.2	66.2	47.2	0.71	3.66	78.7	69.1	10.2
55	12.6	66.5	47.3	0.71	3.62	78.8	67.5	12.6
55	14.0	66.6	47.4	0.71	3.58	78.8	66.3	15.1
55	14.7	66.7	47.5	0.71	3.56	78.8	65.7	16.5
55	15.4	66.7	47.5	0.71	3.55	78.8	65.2	17.9
55	16.8	66.8	47.6	0.71	3.52	78.8	64.4	20.8
68	9.1	63.6	46.7	0.73	4.18	77.9	85.1	6.8
68	11.2	64.0	47.0	0.73	4.08	77.9	81.9	9.9
68	12.6	64.2	47.1	0.73	4.03	77.9	80.4	12.1
68	14.0	64.3	47.2	0.73	4.00	78.0	79.1	14.6
68	14.7	64.4	47.3	0.73	3.98	77.9	78.6	15.9
68	15.4	64.4	47.3	0.73	3.96	77.9	78.1	17.3
68	16.8	64.5	47.4	0.73	3.94	78.0	77.3	20.1
75	9.1	61.9	46.0	0.74	4.46	77.1	91.9	6.7
75	11.2	62.3	46.3	0.74	4.36	77.1	88.8	9.6
75	12.6	62.4	46.4	0.74	4.31	77.1	87.2	11.9
75	14.0	62.5	46.5	0.74	4.27	77.1	86.0	14.3
75	14.7	62.6	46.5	0.74	4.25	77.1	85.5	15.6
75	15.4	62.6	46.6	0.74	4.24	77.1	85.0	16.9
75	16.8	62.7	46.6	0.74	4.21	77.1	84.2	19.7
86	9.1	59.0	44.9	0.76	4.94	75.8	102.7	6.5
86	11.2	59.3	45.2	0.76	4.83	75.8	99.5	9.3
86	12.6	59.5	45.3	0.76	4.77	75.8	98.0	11.5
86	14.0	59.6	45.4	0.76	4.72	75.7	96.8	13.9
86	14.7	59.7	45.5	0.76	4.70	75.7	96.3	15.1
86	15.4	59.7	45.5	0.76	4.68	75.7	95.8	16.4
86	16.8	59.8	45.6	0.76	4.65	75.7	95.0	19.1
95	9.1	56.4	44.0	0.78	5.39	74.8	111.4	6.2
95	11.2	56.7	44.3	0.78	5.26	74.7	108.3	9.0
95	12.6	56.9	44.4	0.78	5.21	74.6	106.8	11.1
95	14.0	57.0	44.5	0.78	5.16	74.6	105.7	13.4
95	14.7	57.0	44.6	0.78	5.14	74.6	105.1	14.6

Table 84. Cooling capacity 5 tons (net) - GEH060 (continued)

EWT	GPM	Total Mbtuh	Sen Mbtuh	SHR	Power kW	Reject Mbtuh	LWT	Feet Head
95	15.4	57.0	44.6	0.78	5.12	74.5	104.7	15.8
95	16.8	57.2	44.7	0.78	5.09	74.6	103.9	18.4
105	9.1	53.2	42.6	0.80	5.95	73.5	121.1	0.0
105	11.2	53.5	42.9	0.80	5.82	73.4	118.1	0.0
105	12.6	53.7	43.1	0.80	5.76	73.3	116.6	10.8
105	14.0	53.8	43.2	0.80	5.71	73.3	115.5	13.0
105	14.7	53.9	43.2	0.80	5.69	73.3	115.0	14.2
105	15.4	53.9	43.2	0.80	5.67	73.3	114.5	15.4
105	16.8	54.0	43.3	0.80	5.64	73.2	113.7	17.9
110	9.1	51.5	42.0	0.82	6.27	72.8	126.0	6.0
110	11.2	51.9	42.4	0.82	6.13	72.8	123.0	0.0
110	12.6	52.0	42.5	0.82	6.07	72.7	121.5	10.6
110	14.0	52.1	42.6	0.82	6.01	72.6	120.4	12.8
110	14.7	52.2	42.6	0.82	5.99	72.6	119.9	14.0
110	15.4	52.2	42.6	0.82	5.97	72.6	119.4	15.2
110	16.8	52.5	42.9	0.82	5.94	72.7	118.7	17.7

Notes: Cooling performance data is tabulated at 80.6°F DB/66.2°F WB entering air at ANSI/AHRI/ASHRAE/ISO13256-1 rated cfm. For ANSI/AHRI/ASHRAE/ISO13256-1 certified ratings, refer to the ANSI/AHRI/ASHRAE/ISO13256-1 WLHP, GWHP and GLHP performance table. See performance correction tables to correct performance at conditions other than those tabulated. Data shown is for unit performance only. Interpolation of data is permissible; extrapolation is not. Rated GPM: 14.0 Minimum cfm 1520; Rated cfm 1900; Maximum cfm 2280

Table 85. Heating capacities 5 tons (net) - GEH060

EWT	GPM	Htg Cap Mbtuh	Absorb Mbtuh	Power kW	LWT	Feet Head
25	9.1	43.7	29.2	4.26	18.6	7.9
25	11.2	44.5	29.9	4.28	19.7	11.5
25	12.6	44.7	30.1	4.28	20.2	14.1
25	14.0	45.1	30.4	4.30	20.7	16.8
25	14.7	45.0	30.4	4.29	20.9	18.2
25	15.4	45.2	30.5	4.29	21.0	19.7
25	16.8	45.4	30.8	4.30	21.3	22.7
32	9.1	47.9	33.1	4.33	24.7	7.8
32	11.2	48.8	34.0	4.36	25.9	11.2
32	12.6	49.1	34.2	4.36	26.6	13.8
32	14.0	49.3	34.5	4.36	27.1	16.5
32	14.7	49.5	34.6	4.36	27.3	17.9
32	15.4	49.7	34.8	4.37	27.5	19.4
32	16.8	50.1	35.1	4.38	27.8	22.3
45	9.1	55.2	39.9	4.47	36.2	7.3
45	11.2	56.1	40.8	4.48	37.7	10.6
45	12.6	56.4	41.1	4.49	38.5	13.0
45	14.0	56.8	41.4	4.49	39.1	15.7
45	14.7	57.0	41.6	4.50	39.3	17.1
45	15.4	57.1	41.7	4.51	39.6	9.3
45	16.8	57.4	42.0	4.51	40.0	10.8
55	9.1	62.0	46.3	4.60	44.8	7.1



Performance Data

Table 85. Heating capacities 5 tons (net) - GEH060 (continued)

EWT	GPM	Htg Cap Mbtuh	Absorb Mbtuh	Power kW	LWT	Feet Head
55	11.2	63.2	47.4	4.63	46.5	10.2
55	12.6	63.5	47.7	4.63	47.4	12.6
55	14.0	63.9	48.1	4.63	48.1	15.1
55	14.7	64.2	48.3	4.64	48.4	16.5
55	15.4	64.3	48.5	4.65	48.7	17.9
55	16.8	64.6	48.7	4.65	49.2	20.8
68	9.1	70.8	54.3	4.83	56.1	6.8
68	11.2	72.3	55.8	4.86	58.0	9.9
68	12.6	73.1	56.4	4.87	59.0	12.1
68	14.0	73.6	57.0	4.89	59.9	14.6
68	14.7	73.8	57.1	4.89	60.2	15.9
68	15.4	74.0	57.3	4.89	60.6	17.3
68	16.8	74.6	57.8	4.91	61.1	20.1
75	9.1	76.2	59.3	4.96	62.0	6.7
75	11.2	77.9	60.9	4.99	64.1	9.6
75	12.6	78.7	61.6	5.01	65.2	11.9
75	14.0	79.2	62.1	5.02	66.1	14.3
75	14.7	79.5	62.3	5.02	66.5	15.6
75	15.4	79.8	62.6	5.03	66.9	16.9
75	16.8	80.2	63.0	5.04	67.5	19.7
86	9.1	84.7	67.0	5.17	71.3	6.5
86	11.2	87.1	69.3	5.24	73.6	9.3
86	12.6	87.8	69.9	5.25	74.9	11.5
86	14.0	89.0	70.9	5.29	75.9	13.9
86	14.7	89.2	71.1	5.29	76.3	15.1
86	15.4	89.5	71.4	5.30	76.7	16.4
86	16.8	90.0	71.9	5.32	77.4	19.1

Notes: Heating performance data is tabulated at 68°F DB entering air at ANSI/AHRI/ASHRAE/ISO13256-1 rated cfm. For ANSI/AHRI/ASHRAE/ISO13256-1 certified ratings, refer to the ANSI/AHRI/ASHRAE/ISO13256-1 WLHP, GWHP and GLHP performance table. See performance correction tables to correct performance at conditions other than those tabulated. Data shown is for unit performance only. Interpolation of data is permissible; extrapolation is not. Rated GPM: 14.0 Minimum cfm 1520; Rated cfm 1900; Maximum cfm 2280

Table 86. Fan correction factors 5 tons GEH060

Entering cfm	Cooling Capacity	Sensible Capacity	Cooling Input Watts	Heating Capacity	Heating Input Watts
1520	0.955	0.876	1.001	0.986	1.061
1615	0.968	0.908	1.002	0.989	1.042
1710	0.979	0.937	1.002	0.993	1.026
1805	0.990	0.969	1.000	0.996	1.012
1900	1.000	1.000	1.000	1.000	1.000
2090	1.018	1.059	1.001	1.003	0.978
2185	1.026	1.089	1.001	1.010	0.970
2280	1.033	1.116	1.001	1.007	0.958

Table 87. Cooling capacity 5 tons (net) - GEV060

EWT	GPM	Total Mbtuh	Sen Mbtuh	SHR	Power kW	Reject Mbtuh	LWT	Feet Head
45	9.1	68.1	48.5	0.71	3.46	80.0	62.6	8.0
45	11.2	68.7	48.8	0.71	3.36	80.1	59.3	11.5
45	12.6	68.9	49.0	0.71	3.32	80.3	57.7	14.2
45	14.0	69.1	49.2	0.71	3.28	80.3	56.5	17.1
45	14.7	69.3	49.3	0.71	3.26	80.4	55.9	18.6
45	15.4	69.3	49.3	0.71	3.25	80.4	55.4	20.2
45	16.8	69.5	49.4	0.71	3.22	80.5	54.6	23.5
55	9.1	65.9	47.6	0.72	3.82	78.9	72.3	7.7
55	11.2	66.3	47.9	0.72	3.72	79.0	69.1	11.1
55	12.6	66.6	48.1	0.72	3.68	79.1	67.6	13.7
55	14.0	66.8	48.2	0.72	3.63	79.1	66.3	16.5
55	14.7	66.8	48.3	0.72	3.61	79.1	65.8	17.9
55	15.4	66.9	48.3	0.72	3.60	79.2	65.3	19.5
55	16.8	67.0	48.4	0.72	3.57	79.2	64.4	22.7
68	9.1	63.9	47.5	0.74	4.27	78.4	85.2	7.4
68	11.2	64.3	47.9	0.74	4.17	78.6	82.0	10.7
68	12.6	64.6	48.0	0.74	4.11	78.6	80.5	13.1
68	14.0	64.8	48.2	0.74	4.07	78.6	79.2	15.8
68	14.7	64.8	48.2	0.74	4.05	78.7	78.7	17.3
68	15.4	64.9	48.3	0.74	4.03	78.7	78.2	18.7
68	16.8	65.0	48.4	0.74	4.01	78.7	77.4	21.8
75	9.1	62.0	46.8	0.75	4.55	77.6	92.0	7.2
75	11.2	62.5	47.1	0.75	4.44	77.7	88.9	10.4
75	12.6	62.7	47.3	0.75	4.39	77.7	87.3	12.8
75	14.0	62.9	47.4	0.75	4.35	77.7	86.1	15.5
75	14.7	63.0	47.5	0.75	4.33	77.8	85.6	16.9
75	15.4	63.0	47.5	0.75	4.32	77.8	85.1	18.3
75	16.8	63.2	47.6	0.75	4.29	77.8	84.3	21.3
86	9.1	59.1	45.7	0.77	5.01	76.1	102.7	7.0
86	11.2	59.5	46.0	0.77	4.88	76.2	99.6	10.1
86	12.6	59.8	46.2	0.77	4.83	76.2	98.1	12.4
86	14.0	59.9	46.3	0.77	4.79	76.3	96.9	15.0
86	14.7	60.0	46.4	0.77	4.77	76.3	96.4	16.3
86	15.4	60.1	46.4	0.77	4.75	76.3	95.9	17.7
86	16.8	60.2	46.5	0.77	4.72	76.3	95.1	20.6
95	9.1	56.5	44.8	0.79	5.45	75.1	111.5	6.7
95	11.2	56.8	45.0	0.79	5.33	75.0	108.4	9.7
95	12.6	57.1	45.2	0.79	5.27	75.1	106.9	12.0
95	14.0	57.2	45.3	0.79	5.23	75.1	105.7	14.5
95	14.7	57.3	45.4	0.79	5.21	75.1	105.2	15.8
95	15.4	57.4	45.4	0.79	5.19	75.1	104.7	17.1
95	16.8	57.5	45.5	0.79	5.16	75.1	103.9	19.9
105	9.1	53.1	43.4	0.82	6.01	73.7	121.2	6.6
105	11.2	53.5	43.7	0.82	5.88	73.6	118.1	9.5



Performance Data

Table 87. Cooling capacity 5 tons (net) - GEV060 (continued)

EWT	GPM	Total Mbtuh	Sen Mbtuh	SHR	Power kW	Reject Mbtuh	LWT	Feet Head
105	12.6	53.7	43.9	0.82	5.81	73.6	116.7	11.6
105	14.0	53.8	43.9	0.82	5.76	73.4	115.5	14.1
105	14.7	54.0	44.1	0.82	5.74	73.6	115.0	15.3
105	15.4	54.1	44.2	0.82	5.73	73.6	114.6	16.6
105	16.8	54.2	44.3	0.82	5.69	73.6	113.8	19.4
110	9.1	51.4	42.8	0.83	6.32	73.0	126.0	6.5
110	11.2	51.9	43.2	0.83	6.19	73.0	123.0	9.3
110	12.6	52.1	43.4	0.83	6.12	73.0	121.6	11.5
110	14.0	52.2	43.4	0.83	6.07	72.9	120.4	13.9
110	14.7	52.3	43.5	0.83	6.05	72.9	119.9	15.1
110	15.4	52.4	43.6	0.83	6.03	72.9	119.5	16.4
110	16.8	52.5	43.6	0.83	5.99	72.9	118.7	19.1

Notes: Cooling performance data is tabulated at 80.6°F DB/66.2°F WB entering air at ANSI/AHRI/ASHRAE/ISO13256-1 rated cfm. For ANSI/AHRI/ASHRAE/ISO13256-1 certified ratings, refer to the ANSI/AHRI/ASHRAE/ISO13256-1 WLHP, GWHP and GLHP performance table. See performance correction tables to correct performance at conditions other than those tabulated. Data shown is for unit performance only. Interpolation of data is permissible; extrapolation is not. Rated GPM: 14.0 Minimum cfm 1520; Rated cfm 1900; Maximum cfm 2280

Table 88. Heating capacities 5 tons (net) - GEV060

EWT	GPM	Htg Cap Mbtuh	Absorb Mbtuh	Power kW	LWT	Feet Head
25	9.1	43.4	29.0	4.23	18.6	8.8
25	11.2	44.1	29.6	4.24	19.7	12.4
25	12.6	44.4	29.9	4.25	20.2	15.3
25	14.0	44.7	30.2	4.25	20.7	18.4
25	14.7	44.9	30.4	4.26	20.9	20.0
25	15.4	45.0	30.5	4.26	21.0	21.7
25	16.8	45.1	30.6	4.26	21.4	25.3
32	9.1	47.8	33.1	4.31	24.7	8.6
32	11.2	48.5	33.8	4.32	26.0	12.2
32	12.6	49.0	34.2	4.33	26.6	15.0
32	14.0	49.3	34.5	4.33	27.1	18.0
32	14.7	49.3	34.5	4.33	27.3	19.6
32	15.4	49.3	34.5	4.33	27.5	21.3
32	16.8	49.7	34.9	4.34	27.8	24.8
45	9.1	55.3	40.1	4.43	36.2	8.0
45	11.2	56.2	41.0	4.45	37.7	11.5
45	12.6	56.5	41.3	4.45	38.4	14.2
45	14.0	56.8	41.6	4.46	39.1	17.1
45	14.7	56.9	41.7	4.46	39.3	18.6
45	15.4	57.2	42.0	4.48	39.5	20.2
45	16.8	57.3	42.1	4.47	40.0	23.5
55	9.1	62.2	46.6	4.56	44.8	7.7
55	11.2	63.2	47.6	4.58	46.5	11.1
55	12.6	63.7	48.0	4.59	47.4	13.7
55	14.0	64.1	48.4	4.60	48.1	16.5
55	14.7	64.2	48.5	4.60	48.4	17.9

Table 88. Heating capacities 5 tons (net) - GEV060 (continued)

EWT	GPM	Htg Cap Mbtuh	Absorb Mbtuh	Power kW	LWT	Feet Head
55	15.4	64.4	48.7	4.60	48.7	19.5
55	16.8	64.8	49.0	4.61	49.2	22.7
68	9.1	72.0	55.6	4.80	55.8	7.4
68	11.2	73.2	56.7	4.83	57.9	10.7
68	12.6	74.2	57.6	4.85	58.9	13.1
68	14.0	74.8	58.2	4.86	59.7	15.8
68	14.7	75.0	58.4	4.87	60.1	17.3
68	15.4	75.3	58.6	4.87	60.4	18.7
68	16.8	75.8	59.1	4.89	61.0	21.8
75	9.1	77.0	60.2	4.91	61.8	7.2
75	11.2	79.0	62.1	4.95	63.9	10.4
75	12.6	79.7	62.7	4.97	65.0	12.8
75	14.0	80.4	63.4	4.99	65.9	15.5
75	14.7	80.7	63.7	4.99	66.3	16.9
75	15.4	81.0	64.0	5.00	66.7	18.3
75	16.8	81.5	64.4	5.01	67.3	21.3
86	9.1	86.3	68.7	5.14	70.9	7.0
86	11.2	88.6	70.8	5.19	73.3	10.1
86	12.6	89.6	71.8	5.22	74.6	12.4
86	14.0	90.2	72.3	5.23	75.7	15.0
86	14.7	90.6	72.7	5.24	76.1	16.3
86	15.4	90.8	72.9	5.24	76.5	17.7
86	16.8	91.4	73.4	5.26	77.3	20.6

Notes: Heating performance data is tabulated at 68°F DB entering air at ANSI/AHRI/ASHRAE/ISO13256-1 rated cfm. For ANSI/AHRI/ASHRAE/ISO13256-1 certified ratings, refer to the ANSI/AHRI/ASHRAE/ISO13256-1 WLHP, GWHP and GLHP performance table. See performance correction tables to correct performance at conditions other than those tabulated. Data shown is for unit performance only. Interpolation of data is permissible; extrapolation is not. Rated GPM: 14.0 Minimum cfm 1520; Rated cfm 1900; Maximum cfm 2280

Table 89. Fan correction factors 5 tons GEV060

Entering cfm	Cooling Capacity	Sensible Capacity	Cooling Input Watts	Heating Capacity	Heating Input Watts
1520	0.955	0.874	1.001	0.985	1.059
1615	0.968	0.905	0.999	0.990	1.042
1710	0.980	0.938	0.999	0.993	1.026
1805	0.990	0.970	1.000	0.997	1.012
1900	1.000	1.000	1.000	1.000	1.000
2090	1.017	1.060	1.000	1.002	0.975
2185	1.025	1.091	1.001	1.004	0.966
2280	1.032	1.122	1.001	1.006	0.957

Table 90. Gross cooling capacities 6 tons GEH072

EWT	GPM	Gross Cap Mbtuh	Sen. Mbtuh	SHR	Power kW	Reject Mbtuh	LWT	Feet Head
45	9.0	91.3	67.3	0.74	3.03	101.6	67.6	4.0
45	12.0	92.1	67.6	0.73	2.74	101.5	61.9	6.7
45	15.0	92.6	67.9	0.73	2.56	101.4	58.5	10.0
45	18.0	93.0	68.1	0.73	2.43	101.3	56.3	13.8



Performance Data

Table 90. Gross cooling capacities 6 tons GEH072 (continued)

EWT	GPM	Gross Cap Mbtuh	Sen. Mbtuh	SHR	Power kW	Reject Mbtuh	LWT	Feet Head
45	21.0	93.3	68.1	0.73	2.34	101.3	54.6	18.2
55	9.0	88.0	66.0	0.75	3.68	100.5	77.3	3.9
55	12.0	88.6	66.3	0.75	3.39	100.1	71.7	6.5
55	15.0	88.9	66.4	0.75	3.22	99.9	68.3	9.6
55	18.0	89.2	66.5	0.75	3.10	99.8	66.1	13.3
55	21.0	89.4	66.7	0.75	3.01	99.7	64.5	17.5
59	9.0	86.6	65.5	0.76	3.94	100.1	81.2	3.8
59	12.0	87.2	65.7	0.75	3.65	99.6	75.6	6.4
59	15.0	87.5	65.9	0.75	3.48	99.4	72.3	9.5
59	18.0	87.8	66.0	0.75	3.36	99.2	70.0	13.1
59	21.0	87.9	66.0	0.75	3.28	99.1	68.4	17.2
68	9.0	83.6	64.3	0.77	4.56	99.2	90.0	3.7
68	12.0	84.1	64.5	0.77	4.26	98.6	84.4	6.2
68	15.0	84.3	64.6	0.77	4.08	98.3	81.1	9.2
68	18.0	84.5	64.7	0.77	3.96	98.1	78.9	12.7
68	21.0	84.7	64.8	0.76	3.87	97.9	77.3	16.7
77	9.0	80.3	63.0	0.78	5.48	99.0	99.0	3.6
77	12.0	80.8	63.2	0.78	5.09	98.2	93.4	6.0
77	15.0	81.0	63.3	0.78	4.87	97.6	90.0	8.9
77	18.0	81.2	63.4	0.78	4.72	97.3	87.8	12.3
77	21.0	81.3	63.4	0.78	4.62	97.1	86.2	16.2
86	9.0	76.9	61.5	0.80	6.11	97.7	107.7	3.5
86	12.0	77.4	61.7	0.80	5.74	97.0	102.2	5.9
86	15.0	77.6	61.8	0.80	5.52	96.5	98.9	8.7
86	18.0	77.8	61.9	0.80	5.39	96.2	96.7	12.0
86	21.0	77.9	61.9	0.79	5.29	96.0	95.1	15.7
95	9.0	72.9	60.1	0.82	7.15	97.3	116.6	3.4
95	12.0	73.5	60.5	0.82	6.73	96.4	111.1	5.7
95	15.0	73.8	60.4	0.82	6.48	96.0	107.8	8.5
95	18.0	74.1	60.5	0.82	6.32	95.6	105.6	11.7
95	21.0	74.3	60.3	0.81	6.19	95.4	104.1	15.3
105	9.0	68.7	57.7	0.84	8.230	96.8	126.5	3.1
105	12.0	69.5	58.9	0.85	7.745	95.9	121.0	5.3
105	15.0	70.0	58.4	0.83	7.460	95.5	117.7	7.9
105	18.0	70.2	59.0	0.84	7.281	95.1	115.6	10.9
105	21.0	70.6	58.6	0.83	7.114	94.9	114.0	14.1
115	9.0	64.0	55.7	0.87	9.300	95.7	136.3	2.8
115	12.0	65.0	56.6	0.87	9.000	95.7	131.0	4.6
115	15.0	66.0	56.8	0.86	8.700	95.7	127.8	6.9
115	18.0	66.5	57.5	0.87	8.300	94.8	125.5	9.7
115	21.0	68.0	57.1	0.84	8.100	95.6	124.1	12.5
120	18.0	64.0	56.3	0.88	8.950	94.5	130.5	8.8

Table 90. Gross cooling capacities 6 tons GEH072 (continued)

EWT	GPM	Gross Cap Mbtuh	Sen. Mbtuh	SHR	Power kW	Reject Mbtuh	LWT	Feet Head
120	21.0	65.0	55.9	0.86	8.700	94.7	129.0	11.5

Notes: Performance data is tabulated for cooling at 80.6°F DB/66.2°F WB entering air. For conditions other than what is tabulated, multipliers must be used to correct performance. See the fan correction factors table for CFM other than rated and the cooling correction factors for variations in entering air temperature. WLHP data is performance data at ANSI/AHRI/ASHRAE/ISO13256-1. For ANSI/AHRI/ASHRAE/ISO13256-1 GLHP conditions, apply 15% methanol by volume per the antifreeze correction factors found in the performance correction tables. The minimum gpm/ton is 3.0 when the EWT is greater than 115°F and the EAT is less than 67°F WB. Rated GPM: 18.0 Minimum CFM 1920; Nominal CFM 2400, Maximum CFM 2880

Table 91. Heating capacities 6 tons (gross) GEH072

EWT	GPM	Gross Cap Mbtuh	Absorb Mbtuh	Power kW	LWT	Feet Head
25	15.0	43.7	30.6	3.84	20.9	11.8
25	18.0	44.2	31.1	3.85	21.5	16.2
25	21.0	44.9	31.7	3.86	22.0	21.2
32	9.0	47.2	33.9	3.90	24.5	4.7
32	12.0	48.8	35.4	3.93	26.1	7.8
32	15.0	49.9	36.5	3.94	27.1	11.4
32	18.0	50.7	37.2	3.95	27.9	15.7
32	21.0	51.3	37.8	3.96	28.4	20.6
45	9.0	57.2	43.4	4.04	35.4	4.6
45	12.0	59.2	45.4	4.07	37.4	7.6
45	15.0	60.7	46.7	4.09	38.8	11.1
45	18.0	61.7	47.6	4.11	39.7	15.3
45	21.0	62.4	48.3	4.11	40.4	20.0
50	9.0	62.1	48.0	4.12	39.3	4.5
50	12.0	64.4	50.2	4.15	41.6	7.3
50	15.0	65.8	51.5	4.17	43.1	10.8
50	18.0	66.8	52.5	4.18	44.2	14.9
50	21.0	67.6	53.2	4.21	44.9	19.4
55	9.0	66.1	51.8	4.18	43.5	4.4
55	12.0	68.7	54.3	4.23	46.0	7.2
55	15.0	70.5	55.9	4.26	47.5	10.6
55	18.0	71.4	56.8	4.27	48.7	14.6
55	21.0	72.2	57.6	4.28	49.5	19.0
68	9.0	77.2	62.3	4.37	54.2	4.2
68	12.0	80.2	65.2	4.41	57.1	6.9
68	15.0	82.1	67.0	4.44	59.1	10.1
68	18.0	83.8	68.5	4.48	60.4	13.9
68	21.0	84.5	69.2	4.48	61.4	18.2
75	9.0	83.2	68.0	4.47	59.9	4.1
75	12.0	86.6	71.1	4.53	63.1	6.7
75	15.0	88.8	73.2	4.56	65.2	9.9
75	18.0	90.1	74.5	4.58	66.7	13.6
75	21.0	91.2	75.5	4.60	67.8	17.7
86	9.0	93.0	77.2	4.65	68.9	3.9
86	12.0	96.6	80.6	4.69	72.6	6.5
86	15.0	99.1	82.9	4.73	74.9	9.5



Performance Data

Table 91. Heating capacities 6 tons (gross) GEH072 (continued)

EWT	GPM	Gross Cap Mbtuh	Absorb Mbtuh	Power kW	LWT	Feet Head
86	18.0	100.5	84.3	4.75	76.6	13.1
86	21.0	101.7	85.5	4.77	77.9	17.1

Notes: Performance data is tabulated for heating at 68°F DB entering air. For conditions other than what is tabulated, multipliers must be used to correct performance. See the *fan correction factors table* for CFM other than rated and the heating correction factors for variations in entering air temperature. WLHP data is performance data at ANSI/AHRI/ASHRAE/ISO13256-1. For ANSI/AHRI/ASHRAE/ISO13256-1 GLHP conditions, apply 15% methanol by volume per the antifreeze correction factors found in the performance correction tables. Rated GPM: 18.0 Minimum CFM 1920; Nominal CFM 2400, Maximum CFM 2880

Table 92. Fan correction factors - 6 tons GEH072

Entering CFM	Cooling Capacity	Sensible Capacity	Cooling Input Watts	Heating Capacity	Heating Input Watts
1920	0.953	0.879	1.008	0.980	1.082
2160	0.979	0.940	1.004	0.989	1.035
2400	1.000	1.000	1.000	1.000	1.000
2640	1.019	1.060	0.996	1.003	0.967
2880	1.034	1.116	0.994	1.008	0.941

Table 93. Gross cooling capacities 6 tons GEV072

EWT	GPM	Gross Cap Mbtuh	Gross Sen Mbtuh	SHR	Comp Power kW	Reject Mbtuh	LWT	Feet Head
45	9.0	88.8	65.9	0.74	2.56	97.5	66.7	4.0
45	12.0	90.5	66.5	0.74	2.30	98.3	61.4	6.7
45	15.0	91.4	67.0	0.73	2.14	98.7	58.2	10.0
45	18.0	92.0	67.2	0.73	2.02	98.9	56.0	13.8
45	21.0	92.9	67.5	0.73	1.94	99.6	54.5	18.2
55	9.0	85.5	64.6	0.76	3.11	96.2	76.4	3.9
55	12.0	87.0	65.1	0.75	2.86	96.7	71.1	6.5
55	15.0	87.9	65.5	0.74	2.71	97.1	68.0	9.6
55	18.0	88.6	65.7	0.74	2.61	97.5	65.8	13.3
55	21.0	88.9	65.8	0.74	2.54	97.6	64.3	17.5
59	9.0	84.3	64.1	0.76	3.33	95.6	80.3	3.8
59	12.0	85.6	64.6	0.75	3.08	96.2	75.0	6.4
59	15.0	86.5	64.9	0.75	2.94	96.5	71.9	9.5
59	18.0	87.1	65.2	0.75	2.84	96.8	69.8	13.1
59	21.0	87.6	65.3	0.75	2.76	97.0	68.2	17.2
68	9.0	81.5	63.1	0.77	3.84	94.6	89.0	3.7
68	12.0	82.7	63.5	0.77	3.59	95.0	83.8	6.2
68	15.0	83.5	63.8	0.76	3.44	95.3	80.7	9.2
68	18.0	84.0	64.0	0.76	3.34	95.4	78.6	12.7
68	21.0	84.4	64.2	0.76	3.28	95.6	77.1	16.7
77	9.0	78.6	62.1	0.79	4.37	93.6	97.8	3.6
77	12.0	79.8	62.5	0.78	4.13	93.9	92.7	6.0
77	15.0	80.5	62.7	0.78	3.98	94.1	89.5	8.9
77	18.0	81.0	63.0	0.78	3.87	94.2	87.5	12.3
77	21.0	81.4	63.0	0.77	3.80	94.3	86.0	16.2
86	9.0	75.9	61.2	0.81	4.96	92.8	106.6	3.5
86	12.0	77.0	61.6	0.80	4.69	93.0	101.5	5.9

Table 93. Gross cooling capacities 6 tons GEV072 (continued)

EWT	GPM	Gross Cap Mbtuh	Gross Sen Mbtuh	SHR	Comp Power kW	Reject Mbtuh	LWT	Feet Head
86	15.0	77.6	61.8	0.80	4.54	93.1	98.4	8.7
86	18.0	78.0	61.9	0.79	4.44	93.1	96.3	12.0
86	21.0	78.4	62.1	0.79	4.36	93.3	94.9	15.7
95	9.0	72.7	60.0	0.83	5.60	91.8	115.4	3.4
95	12.0	73.8	60.4	0.82	5.32	91.9	110.3	5.7
95	15.0	74.4	60.6	0.81	5.16	92.0	107.3	8.5
95	18.0	75.0	60.9	0.81	5.05	92.2	105.2	11.7
95	21.0	75.3	61.0	0.81	4.97	92.2	103.8	15.3
105	9.0	69.1	58.9	0.85	6.389	90.9	125.2	3.3
105	12.0	70.1	59.2	0.84	6.093	90.9	120.1	5.5
105	15.0	70.7	59.4	0.84	5.920	90.9	117.1	8.2
105	18.0	71.1	59.5	0.84	5.806	90.9	115.1	11.4
105	21.0	71.3	59.6	0.84	5.726	90.9	113.7	14.9
115	9.0	64.9	57.6	0.89	7.290	89.8	135.0	3.2
115	12.0	66.0	57.9	0.88	6.975	89.8	130.0	5.4
115	15.0	66.6	58.1	0.87	6.789	89.7	127.0	8.0
115	18.0	66.9	58.3	0.87	6.661	89.7	125.0	11.1
115	21.0	67.2	58.3	0.87	6.581	89.7	123.5	14.5
120	18.0	64.7	57.6	0.89	7.145	89.1	129.9	10.9
120	21.0	64.9	57.6	0.89	7.056	89.0	128.5	14.3

Notes: Performance data is tabulated for cooling at 80.6°F DB/66.2°F WB entering air. For conditions other than what is tabulated, multipliers must be used to correct performance. See the fan correction factors table for CFM other than rated and the cooling correction factors for variations in entering air temperature. WLHP data is performance data at ANSI/AHRI/ASHRAE/ISO13256-1. For ANSI/AHRI/ASHRAE/ISO13256-1 GLHP conditions, apply 15% methanol by volume per the antifreeze correction factors found in the performance correction tables. The minimum gpm/ton is 3.0 when the EWT is greater than 115°F and the EAT is less than 67°F WB. Rated GPM: 18.0 Minimum CFM 1920; Nominal CFM 2400, Maximum CFM 2880

Table 94. Heating capacities 6 tons (gross) - GEV072

EWT	GPM	Gross Cap Mbtuh	Absorb Mbtuh	Comp Power kW	LWT	Feet Head
25	15.0	46.2	32.7	3.96	20.6	11.8
25	18.0	47.1	33.6	3.97	21.3	16.2
25	21.0	47.8	34.2	3.98	21.7	21.2
32	9.0	49.1	35.5	3.98	24.1	4.7
32	12.0	50.9	37.2	4.01	25.8	7.8
32	15.0	51.8	38.1	4.01	26.9	11.5
32	18.0	52.6	38.9	4.02	27.7	15.7
32	21.0	53.1	39.4	4.03	28.3	20.6
45	9.0	58.9	44.9	4.11	35.0	4.6
45	12.0	61.2	47.0	4.14	37.2	7.6
45	15.0	62.5	48.3	4.16	38.6	11.1
45	18.0	63.4	49.2	4.17	39.5	15.3
45	21.0	64.1	49.8	4.18	40.3	20.0
50	9.0	64.0	49.7	4.19	39.0	4.5
50	12.0	66.4	52.0	4.23	41.3	7.3
50	15.0	67.6	53.1	4.24	42.9	10.8
50	18.0	68.6	54.1	4.26	44.0	14.9



Performance Data

Table 94. Heating capacities 6 tons (gross) - GEV072 (continued)

EWT	GPM	Gross Cap Mbtuh	Absorb Mbtuh	Comp Power kW	LWT	Feet Head
50	21.0	69.3	54.7	4.27	44.8	19.4
55	9.0	68.2	53.6	4.26	43.1	4.4
55	12.0	70.7	56.0	4.30	45.7	7.2
55	15.0	72.2	57.4	4.32	47.3	10.6
55	18.0	73.2	58.4	4.33	48.5	14.6
55	21.0	73.8	59.0	4.34	49.4	19.0
68	9.0	79.4	64.3	4.44	53.7	4.2
68	12.0	82.4	67.1	4.49	56.8	6.9
68	15.0	84.2	68.8	4.51	58.8	10.1
68	18.0	85.4	69.9	4.53	60.2	13.9
68	21.0	86.2	70.7	4.54	61.3	18.2
75	9.0	85.6	70.1	4.55	59.4	4.1
75	12.0	88.9	73.2	4.60	62.8	6.7
75	15.0	90.7	75.0	4.61	65.0	9.9
75	18.0	92.1	76.3	4.63	66.5	13.6
75	21.0	93.0	77.2	4.65	67.7	17.7
86	9.0	95.4	79.3	4.71	68.4	3.9
86	12.0	99.0	82.8	4.76	72.2	6.5
86	15.0	101.1	84.8	4.79	74.7	9.5
86	18.0	102.5	86.1	4.81	76.4	13.1
86	21.0	103.3	86.9	4.81	77.7	17.1

Notes: Performance data is tabulated for heating at 68°F DB entering air. For conditions other than what is tabulated, multipliers must be used to correct performance. See the fan correction factors table for CFM other than rated and the heating correction factors for variations in entering air temperature. WLHP data is performance data at ANSI/AHRI/ASHRAE/ISO13256-1. For ANSI/AHRI/ASHRAE/ISO13256-1 GLHP conditions, apply 15% methanol by volume per the antifreeze correction factors found in the performance correction tables. Rated GPM: 18.0 Minimum CFM 1920; Nominal CFM 2400, Maximum CFM 2800

Table 95. Fan correction factors 6 tons GEV072

Entering CFM	Cooling Capacity	Sensible Capacity	Cooling Input Watts	Heating Capacity	Heating Input Watts
1920	0.962	0.880	1.004	0.978	1.098
2160	0.983	0.939	1.003	0.994	1.068
2400	1.000	1.000	1.000	1.000	1.000
2640	1.013	1.059	0.997	1.008	0.986
2880	1.026	1.122	0.996	1.015	0.957

Table 96. Cooling capacities 7.5 tons (gross) - GEH090

EWT	GPM	Gross Cap Mbtuh	Sen Mbtuh	SHR	Power kW	Reject Mbtuh	LWT	Feet Head
45	11.3	107.5	80.6	0.75	3.31	118.7	66.0	4.7
45	15.0	108.4	80.9	0.75	3.04	118.7	60.8	7.7
45	18.8	109.0	81.2	0.74	2.86	118.8	57.6	11.6
45	22.5	109.4	81.4	0.74	2.75	118.8	55.6	15.9
45	26.3	109.7	81.5	0.74	2.66	118.8	54.0	21.0
55	11.3	104.1	79.4	0.76	3.90	117.4	75.8	4.5
55	15.0	104.9	79.5	0.76	3.62	117.3	70.6	7.4
55	18.8	105.5	79.8	0.76	3.46	117.3	67.5	11.1

Table 96. Cooling capacities 7.5 tons (gross) - GEH090 (continued)

EWT	GPM	Gross Cap Mbtuh	Sen Mbtuh	SHR	Power kW	Reject Mbtuh	LWT	Feet Head
55	22.5	105.8	79.9	0.75	3.35	117.2	65.4	15.3
55	26.3	106.0	79.9	0.75	3.27	117.2	63.9	20.2
59	11.3	102.7	78.8	0.77	4.13	116.8	79.7	4.4
59	15.0	103.5	79.1	0.76	3.87	116.7	74.6	7.3
59	18.8	104.0	79.3	0.76	3.70	116.6	71.4	11.0
59	22.5	104.3	79.2	0.76	3.59	116.5	69.4	15.1
59	26.3	104.5	79.3	0.76	3.51	116.5	67.9	19.9
68	11.3	99.4	77.4	0.78	4.69	115.3	88.4	4.3
68	15.0	100.1	77.6	0.78	4.41	115.1	83.3	7.1
68	18.8	100.5	77.8	0.77	4.25	115.0	80.2	10.6
68	22.5	100.8	77.8	0.77	4.14	114.9	78.2	14.6
68	26.3	101.0	78.0	0.77	4.07	114.9	76.7	19.2
77	11.3	95.8	75.7	0.79	5.28	113.8	97.2	4.2
77	15.0	96.5	76.0	0.79	5.00	113.6	92.1	6.9
77	18.8	96.9	76.3	0.79	4.83	113.4	89.1	10.3
77	22.5	97.2	76.4	0.79	4.71	113.3	87.1	14.2
77	26.3	97.3	76.4	0.79	4.64	113.2	85.6	18.7
86	11.3	91.9	74.4	0.81	5.96	112.2	105.9	4.1
86	15.0	92.5	74.7	0.81	5.65	111.8	100.9	6.7
86	18.8	93.0	74.9	0.81	5.47	111.6	97.9	10.0
86	22.5	93.2	74.9	0.80	5.35	111.4	95.9	13.8
86	26.3	93.4	75.1	0.80	5.27	111.3	94.5	18.1
95	11.3	87.9	72.9	0.83	6.70	110.8	114.6	4.0
95	15.0	88.5	73.1	0.83	6.37	110.3	109.7	6.6
95	18.8	88.9	73.3	0.82	6.18	110.0	106.7	9.8
95	22.5	89.1	73.4	0.82	6.06	109.8	104.8	13.4
95	26.3	89.3	73.4	0.82	5.97	109.7	103.3	17.7
105	11.3	83.0	71.9	0.87	7.636	109.1	124.3	3.9
105	15.0	83.6	72.1	0.86	7.291	108.5	119.5	6.4
105	18.8	84.0	71.8	0.85	7.075	108.1	116.5	9.5
105	22.5	84.2	71.9	0.85	6.946	107.9	114.6	13.0
105	26.3	84.5	72.1	0.85	6.852	107.9	113.2	17.2
115	11.3	77.7	69.3	0.89	8.697	107.4	134.0	3.8
115	15.0	78.3	69.6	0.89	8.322	106.7	129.2	6.2
115	18.8	78.6	69.7	0.89	8.105	106.3	126.3	9.3
115	22.5	78.9	70.2	0.89	7.960	106.1	124.4	12.7
115	26.3	79.1	70.2	0.89	7.857	105.9	123.1	16.7
120	22.5	76.1	68.5	0.90	8.539	105.2	129.4	12.6
120	26.3	76.2	68.5	0.90	8.431	105.0	128.0	16.5

Notes: Performance data is tabulated for cooling at 80.6°F DB/66.2°F WB entering air. For conditions other than what is tabulated, multipliers must be used to correct performance. See the fan correction factors table for CFM other than rated and the cooling correction factors for variations in entering air temperature. WLHP data is performance data at ANSI/AHRI/ASHRAE/ISO13256-1. For ANSI/AHRI/ASHRAE/ISO13256-1 GLHP conditions, apply 15% methanol by volume per the antifreeze correction factors found in the performance correction tables. The minimum gpm/ton is 3.0 when the EWT is greater than 115°F and the EAT is less than 67°F WB. Rated GPM: 22.5 Minimum CFM 2400; Nominal CFM 3000, Maximum CFM 3600



Performance Data

Table 97. Heating capacities 7.5 tons (gross) - GEH090

EWT	GPM	Gross Cap Mbtuh	Absorb Mbtuh	Power kW	LWT	Feet Head
25	18.8	58.5	42.9	4.58	20.4	13.4
25	22.5	59.6	43.9	4.59	21.1	18.3
25	26.3	60.7	45.0	4.60	21.6	24.1
32	11.3	60.9	45.1	4.62	24.0	5.4
32	15.0	62.3	46.5	4.64	25.8	8.8
32	18.8	64.2	48.3	4.66	26.9	13.0
32	22.5	65.2	49.3	4.67	27.6	17.8
32	26.3	65.8	49.8	4.68	28.2	23.4
45	11.3	72.8	56.5	4.77	35.0	5.2
45	15.0	75.5	59.1	4.81	37.1	8.6
45	18.8	77.2	60.7	4.83	38.5	12.7
45	22.5	78.6	62.0	4.86	39.5	17.3
45	26.3	79.3	62.7	4.86	40.2	22.7
50	11.3	79.2	62.5	4.89	38.9	5.1
50	15.0	81.9	65.1	4.92	41.3	8.3
50	18.8	83.8	66.9	4.95	42.9	12.3
50	22.5	84.9	68.0	4.96	44.0	16.8
50	26.3	85.8	68.8	4.97	44.8	22.1
55	11.3	84.3	67.3	4.97	43.1	5.0
55	15.0	87.3	70.2	5.01	45.6	8.2
55	18.8	89.2	72.1	5.03	47.3	12.1
55	22.5	90.4	73.2	5.04	48.5	16.5
55	26.3	91.5	74.3	5.06	49.4	21.7
68	11.3	98.4	80.6	5.20	53.7	4.8
68	15.0	102.0	84.1	5.26	56.8	7.8
68	18.8	104.4	86.4	5.28	58.8	11.5
68	22.5	106.0	87.9	5.30	60.2	15.7
68	26.3	107.2	89.1	5.32	61.2	20.7
75	11.3	106.1	87.9	5.34	59.4	4.7
75	15.0	110.0	91.6	5.38	62.8	7.6
75	18.8	113.4	94.8	5.45	64.9	11.3
75	22.5	115.1	96.4	5.47	66.4	15.4
75	26.3	116.4	97.7	5.49	67.6	20.2
86	11.3	118.6	99.7	5.55	68.4	4.5
86	15.0	123.8	104.6	5.63	72.1	7.4
86	18.8	127.1	107.7	5.69	74.5	10.9
86	22.5	129.2	109.7	5.72	76.2	14.8
86	26.3	130.7	111.1	5.74	77.5	19.5

Notes: Performance data is tabulated for heating at 68°F DB entering air. For conditions other than what is tabulated, multipliers must be used to correct performance. See the fan correction factors table for CFM other than rated and the heating correction factors for variations in entering air temperature. WLHP data is performance data at ANSI/AHRI/ASHRAE/ISO13256-1. For ANSI/AHRI/ASHRAE/ISO13256-1 GLHP conditions, apply 15% methanol by volume per the antifreeze correction factors found in the performance correction tables. Rated GPM: 22.5 Minimum CFM 2400; Rated CFM 3000, Maximum CFM 3600

Table 98. Fan correction factors 7.5 tons GEH090

Entering cfm	Cooling Capacity	Sensible Capacity	Cooling Input Watts	Heating Capacity	Heating Input Watts
2400	0.959	0.878	1.002	0.989	1.090
2700	0.981	0.939	1.002	0.997	1.043
3000	1.000	1.000	1.000	1.000	1.000
3300	1.016	1.059	0.999	1.006	0.968
3600	1.030	1.121	0.996	1.013	0.944

Table 99. Cooling capacities 7.5 tons (gross) - GEV090

EWT	GPM	Gross Cap Mbtuh	Gross Sen Mbtuh	SHR	Comp Power kW	Reject Mbtuh	LWT	Feet Head
45	11.3	108.3	80.0	0.74	3.40	119.9	66.2	4.5
45	15.0	109.3	80.4	0.74	3.13	120.0	61.0	7.5
45	18.8	109.9	80.6	0.73	2.96	120.0	57.8	11.3
45	22.5	110.4	80.8	0.73	2.85	120.1	55.7	15.5
45	26.3	110.7	80.9	0.73	2.77	120.1	54.1	20.4
55	11.3	105.1	78.8	0.75	3.98	118.7	76.0	4.4
55	15.0	106.0	79.1	0.75	3.72	118.7	70.8	7.3
55	18.8	106.5	79.3	0.74	3.54	118.6	67.6	10.8
55	22.5	106.9	79.5	0.74	3.44	118.7	65.5	14.9
55	26.3	107.2	79.6	0.74	3.36	118.7	64.0	19.6
59	11.3	103.8	78.4	0.76	4.22	118.2	79.9	4.3
59	15.0	104.6	78.6	0.75	3.95	118.1	74.7	7.2
59	18.8	105.1	78.8	0.75	3.79	118.1	71.6	10.7
59	22.5	105.5	78.9	0.75	3.68	118.1	69.5	14.7
59	26.3	105.7	79.0	0.75	3.60	118.0	68.0	19.4
68	11.3	100.6	77.1	0.77	4.77	116.9	88.7	4.2
68	15.0	101.3	77.4	0.76	4.49	116.7	83.6	6.9
68	18.8	101.8	77.6	0.76	4.33	116.6	80.4	10.4
68	22.5	102.1	77.7	0.76	4.22	116.5	78.4	14.2
68	26.3	102.3	77.7	0.76	4.15	116.5	76.9	18.7
77	11.3	97.2	76.0	0.78	5.38	115.5	97.5	4.1
77	15.0	97.9	76.2	0.78	5.09	115.3	92.4	6.7
77	18.8	98.3	76.3	0.78	4.91	115.1	89.2	10.0
77	22.5	98.6	76.4	0.77	4.80	115.0	87.2	13.8
77	26.3	98.8	76.5	0.77	4.72	114.9	85.7	18.2
86	11.3	93.4	74.5	0.80	6.05	114.1	106.2	4.0
86	15.0	94.1	74.8	0.79	5.74	113.7	101.2	6.6
86	18.8	94.5	74.9	0.79	5.54	113.5	98.1	9.8
86	22.5	94.8	75.0	0.79	5.43	113.3	96.1	13.4
86	26.3	95.0	75.1	0.79	5.34	113.2	94.6	17.7
95	11.3	89.6	73.3	0.82	6.81	112.8	115.0	3.9
95	15.0	90.2	73.4	0.81	6.47	112.3	110.0	6.4
95	18.8	90.6	73.5	0.81	6.28	112.0	106.9	9.5
95	22.5	90.8	73.6	0.81	6.15	111.8	104.9	13.1
95	26.3	91.0	73.7	0.81	6.05	111.7	103.5	17.2



Performance Data

Table 99. Cooling capacities 7.5 tons (gross) - GEV090 (continued)

EWT	GPM	Gross Cap Mbtuh	Gross Sen Mbtuh	SHR	Comp Power kW	Reject Mbtuh	LWT	Feet Head
105	11.3	85.0	71.8	0.84	7.770	111.5	124.7	3.8
105	15.0	85.6	71.8	0.84	7.409	110.9	119.8	6.2
105	18.8	86.0	72.0	0.84	7.187	110.5	116.8	9.3
105	22.5	86.2	72.1	0.84	7.050	110.3	114.8	12.7
105	26.3	86.4	72.2	0.84	6.951	110.1	113.4	16.7
115	11.3	80.0	69.9	0.87	8.904	110.4	134.5	3.7
115	15.0	80.7	70.3	0.87	8.504	109.7	129.6	6.1
115	18.8	81.1	70.5	0.87	8.261	109.3	126.6	9.0
115	22.5	81.3	70.6	0.87	8.111	109.0	124.7	12.4
115	26.3	81.5	70.7	0.87	8.008	108.8	123.3	16.3
120	22.5	78.6	69.6	0.89	8.722	108.4	129.6	12.2
120	26.3	78.7	69.7	0.88	8.611	108.1	128.2	16.1

Notes: Performance data is tabulated for cooling at 80.6°F DB/66.2°F WB entering air. For conditions other than what is tabulated, multipliers must be used to correct performance. See the *fan correction factors table* for CFM other than rated and the *cooling correction factors* for variations in entering air temperature. WLHP data is performance data at ANSI/AHRI/ASHRAE/ISO13256-1. For ANSI/AHRI/ASHRAE/ISO13256-1 GLHP conditions, apply 15% methanol by volume per the antifreeze correction factors found in the performance correction tables. The minimum gpm/ton is 3.0 when the EWT is greater than 115°F and the EAT is less than 67°F WB. Rated GPM: 22.5 Minimum CFM 2400; Nominal CFM 3000, Maximum CFM 3600

Table 100. Heating capacities 7.5 tons (gross) - GEV090

EWT	GPM	Gross Cap Mbtuh	Absorb Mbtuh	Comp Power kW	LWT	Feet Head
25	18.8	55.7	40.0	4.61	20.7	13.1
25	22.5	57.0	41.2	4.62	21.3	17.9
25	26.3	58.9	43.1	4.63	21.7	23.4
32	11.3	59.1	43.2	4.66	24.3	5.2
32	15.0	61.1	45.1	4.68	26.0	8.6
32	18.8	62.4	46.4	0.00	25.4	12.7
32	22.5	63.3	47.3	4.70	27.8	17.4
32	26.3	64.5	48.5	0.00	27.1	22.8
45	11.3	70.7	54.4	4.78	35.4	5.1
45	15.0	73.1	56.6	4.81	37.4	8.3
45	18.8	74.7	58.2	4.82	38.8	12.3
45	22.5	75.8	59.2	4.84	39.7	16.9
45	26.3	76.7	60.1	4.85	40.4	22.1
50	11.3	76.3	59.7	4.86	39.4	5.0
50	15.0	79.0	62.3	4.89	41.7	8.1
50	18.8	80.8	64.0	4.91	43.2	12.0
50	22.5	82.0	65.1	4.93	44.2	16.4
50	26.3	82.8	65.9	4.94	45.0	21.5
55	11.3	81.1	64.3	4.92	43.6	4.9
55	15.0	84.0	67.1	4.96	46.1	8.0
55	18.8	85.9	68.9	4.99	47.7	11.8
55	22.5	87.1	70.1	5.00	48.8	16.1
55	26.3	88.0	70.9	5.01	49.6	21.1
68	11.3	94.0	76.6	5.11	54.4	4.7
68	15.0	97.6	80.0	5.15	57.3	7.6

Table 100. Heating capacities 7.5 tons (gross) - GEV090 (continued)

EWT	GPM	Gross Cap Mbtuh	Absorb Mbtuh	Comp Power kW	LWT	Feet Head
68	18.8	99.9	82.2	5.18	59.3	11.2
68	22.5	101.4	83.6	5.20	60.6	15.3
68	26.3	102.6	84.8	5.21	61.6	20.1
75	11.3	101.2	83.4	5.21	60.2	4.5
75	15.0	105.1	87.1	5.26	63.4	7.4
75	18.8	107.6	89.5	5.29	65.5	11.0
75	22.5	109.2	91.1	5.32	66.9	15.0
75	26.3	110.4	92.2	5.33	68.0	19.6
86	11.3	112.6	94.3	5.39	69.3	4.4
86	15.0	116.9	98.4	5.44	72.9	7.2
86	18.8	120.0	101.2	5.49	75.2	10.6
86	22.5	121.9	103.0	5.51	76.8	14.5
86	26.3	122.7	103.9	5.52	78.1	18.9

Notes: Performance data is tabulated for heating at 68°F DB entering air. For conditions other than what is tabulated, multipliers must be used to correct performance. See the fan correction factors table for CFM other than rated and the heating correction factors for variations in entering air temperature. WLHP data is performance data at ANSI/AHRI/ASHRAE/ISO13256-1. For ANSI/AHRI/ASHRAE/ISO13256-1 GLHP conditions, apply 15% methanol by volume per the antifreeze correction factors found in the performance correction tables. Rated GPM: 22.5 Minimum CFM 2400; Nominal CFM 3000, Maximum CFM 3600

Table 101. Fan correction factors 7.5 tons GEV090

Entering CFM	Cooling Capacity	Sensible Capacity	Cooling Input Watts	Heating Capacity	Heating Input Watts
2400	0.960	0.876	1.006	0.978	1.091
2700	0.982	0.938	1.003	0.990	1.039
3000	1.000	1.000	1.000	1.000	1.000
3300	1.016	1.062	0.999	1.009	0.968
3600	1.031	1.124	0.997	1.016	0.942

Table 102. Cooling capacities 10 tons (gross) - GEH120

EWT	GPM	Gross Cap Mbtuh	Sen Mbtuh	SHR	Power kW	Reject Mbtuh	LWT	Feet Head
45	15.0	142.9	108.1	0.76	4.54	158.4	66.1	4.7
45	20.0	143.9	108.5	0.75	4.19	158.2	60.8	7.9
45	25.0	144.4	108.7	0.75	3.99	158.0	57.6	11.7
45	30.0	144.8	108.9	0.75	3.85	157.9	55.5	16.2
45	35.0	145.1	109.0	0.75	3.75	157.9	54.0	21.3
55	15.0	138.5	106.2	0.77	5.29	156.5	75.9	4.6
55	20.0	139.4	106.6	0.77	4.94	156.3	70.6	7.6
55	25.0	139.9	106.8	0.76	4.74	156.1	67.5	11.3
55	30.0	140.2	107.0	0.76	4.60	155.9	65.4	15.6
55	35.0	140.5	107.1	0.76	4.51	155.9	63.9	20.5
59	15.0	136.6	105.5	0.77	5.60	155.7	79.8	4.5
59	20.0	137.5	105.8	0.77	5.25	155.4	74.5	7.5
59	25.0	138.0	106.1	0.77	5.05	155.2	71.4	11.1
59	30.0	138.4	106.3	0.77	4.91	155.1	69.3	15.4
59	35.0	138.6	106.3	0.77	4.81	155.0	67.9	20.2
68	15.0	132.2	103.6	0.78	6.34	153.8	88.5	4.4



Performance Data

Table 102. Cooling capacities 10 tons (gross) - GEH120 (continued)

EWT	GPM	Gross Cap Mbtuh	Sen Mbtuh	SHR	Power kW	Reject Mbtuh	LWT	Feet Head
68	20.0	133.1	104.0	0.78	5.97	153.5	83.3	7.3
68	25.0	133.6	104.1	0.78	5.76	153.2	80.3	10.8
68	30.0	133.9	104.3	0.78	5.62	153.1	78.2	14.9
68	35.0	134.1	104.5	0.78	5.52	153.0	76.7	19.6
77	15.0	127.6	101.7	0.80	7.11	151.8	97.2	4.2
77	20.0	128.4	102.0	0.79	6.74	151.4	92.1	7.1
77	25.0	128.9	102.2	0.79	6.53	151.2	89.1	10.5
77	30.0	129.2	102.4	0.79	6.39	151.0	87.1	14.5
77	35.0	129.5	102.4	0.79	6.29	150.9	85.6	19.0
86	15.0	122.7	99.6	0.81	7.95	149.8	106.0	4.1
86	20.0	123.5	100.0	0.81	7.57	149.3	100.9	6.9
86	25.0	124.0	100.2	0.81	7.34	149.1	97.9	10.2
86	30.0	124.3	100.3	0.81	7.19	148.8	95.9	14.1
86	35.0	124.5	100.4	0.81	7.08	148.7	94.5	18.4
95	15.0	117.5	97.4	0.83	8.86	147.7	114.7	4.0
95	20.0	118.3	97.8	0.83	8.46	147.2	109.7	6.7
95	25.0	118.8	98.0	0.82	8.23	146.9	106.8	9.9
95	30.0	119.1	98.1	0.82	8.08	146.7	104.8	13.7
95	35.0	119.4	98.2	0.82	7.97	146.6	103.4	18.0
105	15.0	110.8	95.9	0.87	9.960	144.8	124.3	3.9
105	20.0	112.3	95.4	0.85	9.576	144.9	119.5	6.5
105	25.0	112.7	95.5	0.85	9.309	144.5	116.6	9.6
105	30.0	113.0	95.6	0.85	9.147	144.2	114.6	13.3
105	35.0	113.2	95.7	0.84	9.033	144.0	113.2	17.5
115	15.0	103.7	93.4	0.90	11.231	142.0	133.9	3.8
115	20.0	104.6	93.6	0.90	10.795	141.4	129.1	6.3
115	25.0	105.1	93.9	0.89	10.539	141.0	126.3	9.4
115	30.0	105.3	94.0	0.89	10.370	140.7	124.4	13.0
115	35.0	105.6	94.0	0.89	10.250	140.5	123.0	17.0
120	30.0	101.7	92.7	0.91	11.030	139.4	129.3	12.8
120	35.0	102.0	92.7	0.91	10.907	139.2	128.0	16.8

Notes: Performance data is tabulated for cooling at 80.6°F DB/66.2°F WB entering air. For conditions other than what is tabulated, multipliers must be used to correct performance. See the fan correction factors table for CFM other than rated and the cooling correction factors for variations in entering air temperature. WLHP data is performance data at ANSI/AHRI/ASHRAE/ISO13256-1. For ANSI/AHRI/ASHRAE/ISO13256-1 GLHP conditions, apply 15% methanol by volume per the antifreeze correction factors found in the performance correction tables. The minimum gpm/ton is 3.0 when the EWT is greater than 115°F and the EAT is less than 67°F WB. Rated GPM: 30.0 Minimum CFM 3200; Nominal CFM 4000, Maximum CFM 4800

Table 103. Heating capacities 10 tons (gross) - GEH120

EWT	GPM	Gross Cap Mbtuh	Absorb Mbtuh	Power kW	LWT	Feet Head
25	25.0	73.7	54.5	5.63	20.6	13.6
25	30.0	74.5	55.3	5.62	21.3	18.7
25	35.0	75.4	56.2	5.62	21.8	24.4
32	15.0	79.2	59.7	5.71	24.0	5.4
32	20.0	80.6	61.1	5.72	25.9	9.0
32	25.0	81.5	62.0	5.72	27.0	13.2

Table 103. Heating capacities 10 tons (gross) - GEH120 (continued)

EWT	GPM	Gross Cap Mbtuh	Absorb Mbtuh	Power kW	LWT	Feet Head
32	30.0	81.4	61.9	5.71	27.9	18.1
32	35.0	81.9	62.3	5.72	28.4	23.7
45	15.0	94.3	74.0	5.93	35.1	5.3
45	20.0	95.5	75.3	5.93	37.5	8.7
45	25.0	96.1	75.9	5.93	38.9	12.8
45	30.0	97.3	77.0	5.95	39.9	17.6
45	35.0	96.3	76.1	5.91	40.7	23.0
50	15.0	103.5	82.6	6.10	39.0	5.1
50	20.0	104.4	83.6	6.09	41.6	8.5
50	25.0	104.2	83.5	6.06	43.3	12.5
50	30.0	104.1	83.5	6.05	44.4	17.1
50	35.0	103.8	83.2	6.03	45.2	22.4
55	15.0	109.7	88.5	6.21	43.2	5.1
55	20.0	111.4	90.2	6.21	46.0	8.3
55	25.0	110.8	89.7	6.17	47.8	12.2
55	30.0	110.3	89.4	6.14	49.0	16.8
55	35.0	110.0	89.1	6.13	49.9	21.9
68	15.0	127.7	105.5	6.51	53.9	4.8
68	20.0	129.1	106.9	6.51	57.3	7.9
68	25.0	129.2	107.0	6.49	59.4	11.7
68	30.0	129.3	107.2	6.48	60.9	16.0
68	35.0	127.7	105.8	6.43	62.0	20.9
75	15.0	137.9	115.0	6.71	59.7	4.7
75	20.0	139.6	116.7	6.72	63.3	7.7
75	25.0	139.8	116.9	6.70	65.6	11.4
75	30.0	140.2	117.3	6.71	67.2	15.6
75	35.0	137.6	115.0	6.63	68.4	20.4
86	15.0	154.9	130.7	7.07	68.6	4.6
86	20.0	157.0	132.8	7.11	72.7	7.5
86	25.0	158.2	133.8	7.13	75.3	11.0
86	30.0	155.3	131.3	7.05	77.2	15.1
86	35.0	153.7	129.8	7.00	78.6	19.7

Notes: Performance data is tabulated for heating at 68°F DB entering air. For conditions other than what is tabulated, multipliers must be used to correct performance. See the fan correction factors table for CFM other than rated and the heating correction factors for variations in entering air temperature. WLHP data is performance data at ANSI/AHRI/ASHRAE/ISO13256-1. For ANSI/AHRI/ASHRAE/ISO13256-1 GLHP conditions, apply 15% methanol by volume per the antifreeze correction factors found in the performance correction tables. Rated GPM: 30.0 Minimum CFM 3200; Nominal CFM 4000, Maximum CFM 4800

Table 104. Fan correction factors 10 tons GEH120

Entering cfm	Cooling Capacity	Sensible Capacity	Cooling Input Watts	Heating Capacity	Heating Input Watts
3200	0.958	0.881	0.999	0.971	0.961
3600	0.981	0.941	1.001	0.986	0.928
4000	1.000	1.000	1.000	1.000	1.000
4400	1.016	1.057	1.001	1.003	0.876
4800	1.031	1.112	1.001	1.019	0.860



Performance Data

Table 105. Cooling capacities 10 tons (gross) - GEV120

EWT	GPM	Gross Cap Mbtuh	Gross Sen Mbtuh	SHR	Comp Power kW	Reject Mbtuh	LWT	Feet Head
45	15.0	144.4	105.4	0.73	4.25	158.9	66.2	4.7
45	20.0	145.9	106.0	0.73	3.87	159.1	60.9	7.9
45	25.0	146.8	106.4	0.72	3.65	159.3	57.7	11.7
45	30.0	147.4	106.6	0.72	3.50	159.4	55.6	16.2
45	35.0	147.9	106.8	0.72	3.40	159.5	54.1	21.3
55	15.0	139.9	103.8	0.74	5.02	157.1	75.9	4.6
55	20.0	141.4	104.3	0.74	4.68	157.4	70.7	7.6
55	25.0	142.3	104.6	0.74	4.46	157.5	67.6	11.3
55	30.0	142.9	104.8	0.73	4.32	157.6	65.5	15.6
55	35.0	143.3	105.0	0.73	4.22	157.7	64.0	20.5
59	15.0	138.0	102.9	0.75	5.34	156.2	79.8	4.5
59	20.0	139.4	103.5	0.74	4.99	156.4	74.6	7.5
59	25.0	140.4	103.9	0.74	4.79	156.7	71.5	11.1
59	30.0	141.0	104.1	0.74	4.65	156.8	69.5	15.4
59	35.0	141.4	104.3	0.74	4.54	156.9	68.0	20.2
68	15.0	133.4	101.3	0.76	6.05	154.0	88.5	4.4
68	20.0	134.8	101.8	0.76	5.71	154.3	83.4	7.3
68	25.0	135.8	102.3	0.75	5.50	154.6	80.4	10.8
68	30.0	136.3	102.5	0.75	5.37	154.6	78.3	14.9
68	35.0	136.7	102.5	0.75	5.27	154.7	76.8	19.6
77	15.0	128.7	99.5	0.77	6.81	152.0	97.3	4.2
77	20.0	130.1	99.9	0.77	6.46	152.1	92.2	7.1
77	25.0	130.9	100.2	0.77	6.25	152.2	89.2	10.5
77	30.0	131.4	100.5	0.76	6.11	152.3	87.2	14.5
77	35.0	131.8	100.6	0.76	6.02	152.3	85.7	19.0
86	15.0	123.8	97.9	0.79	7.62	149.8	106.0	4.1
86	20.0	125.1	98.3	0.79	7.26	149.9	101.0	6.9
86	25.0	125.9	98.5	0.78	7.04	149.9	98.0	10.2
86	30.0	126.4	98.7	0.78	6.90	150.0	96.0	14.1
86	35.0	126.8	98.9	0.78	6.80	150.0	94.6	18.4
95	15.0	118.5	96.1	0.81	8.51	147.5	114.7	4.0
95	20.0	119.9	96.6	0.81	8.13	147.6	109.8	6.7
95	25.0	120.6	96.8	0.80	7.92	147.7	106.8	9.9
95	30.0	121.2	96.9	0.80	7.77	147.7	104.8	13.7
95	35.0	121.5	97.0	0.80	7.65	147.6	103.4	18.0
105	15.0	112.1	94.0	0.84	9.555	144.7	124.3	3.9
105	20.0	113.6	94.6	0.83	9.174	144.9	119.5	6.5
105	25.0	114.4	94.8	0.83	8.947	144.9	116.6	9.6
105	30.0	114.9	95.0	0.83	8.798	144.9	114.7	13.3
105	35.0	115.3	95.1	0.83	8.696	145.0	113.3	17.5
115	15.0	105.2	91.8	0.87	10.713	141.8	133.9	3.8
115	20.0	106.6	92.4	0.87	10.316	141.8	129.2	6.3
115	25.0	107.4	92.6	0.86	10.093	141.9	126.3	9.4
115	30.0	107.9	92.6	0.86	9.930	141.8	124.5	13.0

Table 105. Cooling capacities 10 tons (gross) - GEV120 (continued)

EWT	GPM	Gross Cap Mbtuh	Gross Sen Mbtuh	SHR	Comp Power kW	Reject Mbtuh	LWT	Feet Head
115	35.0	108.3	92.8	0.86	9.821	141.8	123.1	17.0
120	30.0	104.2	91.5	0.88	10.546	140.2	129.3	12.8
120	35.0	104.6	91.7	0.88	10.437	140.2	128.0	16.8

Notes: Performance data is tabulated for cooling at 80.6°F DB/66.2°F WB entering air. For conditions other than what is tabulated, multipliers must be used to correct performance. See the fan correction factors table for CFM other than rated and the cooling correction factors for variations in entering air temperature. WLHP data is performance data at ANSI/AHRI/ASHRAE/ISO13256-1. For ANSI/AHRI/ASHRAE/ISO13256-1 GLHP conditions, apply 15% methanol by volume per the antifreeze correction factors found in the performance correction tables. The minimum gpm/ton is 3.0 when the EWT is greater than 115°F and the EAT is less than 67°F WB. Rated GPM: 30.0 Minimum CFM 3200; Nominal CFM 4000, Maximum CFM 4800

Table 106. Heating capacities 10 tons (gross) - GEV120

EWT	GPM	Gross Cap Mbtuh	Absorb Mbtuh	Comp Power kW	LWT	EWT
25	25.0	74.7	54.2	5.99	20.7	13.6
25	30.0	75.8	55.3	6.01	21.3	18.7
25	35.0	76.5	56.0	6.02	21.8	24.4
32	15.0	78.5	57.9	6.03	24.3	5.4
32	20.0	81.1	60.4	6.06	26.0	9.0
32	25.0	82.8	62.1	6.08	27.0	13.2
32	30.0	84.0	63.2	6.10	27.8	18.1
32	35.0	84.9	64.0	6.11	28.3	23.7
45	15.0	93.1	71.9	6.21	35.4	5.3
45	20.0	96.2	74.9	6.25	37.5	8.7
45	25.0	98.5	77.1	6.28	38.8	12.8
45	30.0	100.0	78.5	6.30	39.8	17.6
45	35.0	101.2	79.6	6.33	40.5	23.1
50	15.0	101.3	79.6	6.34	39.4	5.1
50	20.0	104.8	83.0	6.41	41.7	8.5
50	25.0	106.9	85.0	6.44	43.2	12.5
50	30.0	108.6	86.5	6.47	44.2	17.1
50	35.0	109.7	87.6	6.49	45.0	22.4
55	15.0	107.7	85.7	6.46	43.6	5.0
55	20.0	111.3	89.0	6.51	46.1	8.3
55	25.0	113.8	91.4	6.56	47.7	12.2
55	30.0	115.4	92.9	6.58	48.8	16.8
55	35.0	116.6	94.1	6.60	49.6	22.0
68	15.0	124.6	101.6	6.74	54.5	4.8
68	20.0	129.1	105.8	6.82	57.4	7.9
68	25.0	132.0	108.5	6.87	59.3	11.7
68	30.0	133.9	110.3	6.91	60.6	16.0
68	35.0	135.2	111.6	6.93	61.6	20.9
75	15.0	134.3	110.6	6.93	60.3	4.7
75	20.0	139.2	115.2	7.02	63.5	7.7
75	25.0	142.4	118.2	7.09	65.5	11.4
75	30.0	144.5	120.1	7.13	67.0	15.6
75	35.0	145.8	121.4	7.13	68.1	20.4
86	15.0	149.7	125.0	7.24	69.3	4.5



Performance Data

Table 106. Heating capacities 10 tons (gross) - GEV120 (continued)

EWT	GPM	Gross Cap Mbtuh	Absorb Mbtuh	Comp Power kW	LWT	EWT
86	20.0	155.3	130.2	7.36	73.0	7.5
86	25.0	158.8	133.4	7.44	75.3	11.0
86	30.0	161.1	135.5	7.49	77.0	15.1
86	35.0	162.7	137.0	7.53	78.2	19.7

Notes: Performance data is tabulated for heating at 68°F DB entering air. For conditions other than what is tabulated, multipliers must be used to correct performance. See the fan correction factors table for CFM other than rated and the heating correction factors for variations in entering air temperature. WLHP data is performance data at ANSI/AHRI/ASHRAE/ISO13256-1. For ANSI/AHRI/ASHRAE/ISO13256-1 GLHP conditions, apply 15% methanol by volume per the antifreeze correction factors found in the performance correction tables. Rated GPM: 30.0 Minimum CFM 3200; Nominal CFM 4000, Maximum CFM 4800

Table 107. Fan correction factors 10 tons GEV120

Entering CFM	Cooling Capacity	Sensible Capacity	Cooling Input Watts	Heating Capacity	Heating Input Watts
3200	0.960	0.873	0.998	0.980	1.086
3600	0.981	0.936	0.999	0.991	1.038
4000	1.000	1.000	1.000	1.000	1.000
4400	1.016	1.063	1.001	1.008	0.970
4800	1.031	1.127	1.001	1.017	0.947

Table 108. Cooling capacities 12.5 tons (gross) - GEH150

EWT	GPM	Gross Cap Mbtuh	Sen Mbtuh	SHR	Power kW	Reject Mbtuh	LWT	Feet Head
45	18.8	182.2	135.2	0.74	6.52	204.5	66.8	4.5
45	25.0	183.8	135.8	0.74	6.16	204.9	61.4	7.5
45	31.3	184.8	136.2	0.74	5.94	205.1	58.1	11.2
45	37.5	185.5	136.5	0.74	5.80	205.3	56.0	15.4
45	43.8	186.1	136.7	0.73	5.70	205.5	54.4	20.3
55	18.8	177.1	133.3	0.75	7.34	202.2	76.5	4.4
55	25.0	178.6	133.8	0.75	6.94	202.2	71.2	7.2
55	31.3	179.5	134.2	0.75	6.71	202.4	67.9	10.8
55	37.5	180.1	134.4	0.75	6.57	202.5	65.8	14.9
55	43.8	180.5	134.6	0.75	6.46	202.6	64.2	19.6
59	18.8	175.0	132.4	0.76	7.68	201.2	80.4	4.3
59	25.0	176.4	133.0	0.75	7.29	201.3	75.1	7.1
59	31.3	177.2	133.3	0.75	7.04	201.3	71.9	10.6
59	37.5	177.8	133.5	0.75	6.89	201.3	69.7	14.6
59	43.8	178.2	133.7	0.75	6.79	201.4	68.2	19.3
68	18.8	169.9	130.5	0.77	8.52	199.0	89.2	4.2
68	25.0	171.2	131.0	0.77	8.10	198.8	83.9	6.9
68	31.3	172.0	131.3	0.76	7.85	198.8	80.7	10.3
68	37.5	172.5	131.5	0.76	7.69	198.8	78.6	14.2
68	43.8	172.9	131.6	0.76	7.58	198.7	77.1	18.7
77	18.8	164.4	128.4	0.78	9.44	196.6	97.9	4.0
77	25.0	165.7	128.9	0.78	9.00	196.4	92.7	6.7
77	31.3	166.4	129.2	0.78	8.72	196.2	89.5	10.0
77	37.5	166.9	129.3	0.78	8.56	196.1	87.5	13.8
77	43.8	167.2	129.5	0.77	8.43	196.0	85.9	18.1

Table 108. Cooling capacities 12.5 tons (gross) - GEH150 (continued)

EWT	GPM	Gross Cap Mbtuh	Sen Mbtuh	SHR	Power kW	Reject Mbtuh	LWT	Feet Head
86	18.8	158.5	126.3	0.80	10.47	194.2	106.7	3.9
86	25.0	159.7	126.7	0.79	9.99	193.8	101.5	6.5
86	31.3	160.4	127.0	0.79	9.71	193.6	98.4	9.7
86	37.5	160.9	127.1	0.79	9.52	193.4	96.3	13.4
86	43.8	161.2	127.3	0.79	9.39	193.3	94.8	17.6
95	18.8	152.0	123.9	0.82	11.55	191.4	115.4	3.8
95	25.0	153.2	124.3	0.81	11.07	191.0	110.3	6.4
95	31.3	153.9	124.6	0.81	10.78	190.7	107.2	9.5
95	37.5	154.3	124.7	0.81	10.59	190.5	105.2	13.0
95	43.8	154.6	124.8	0.81	10.46	190.3	103.7	17.1
105	18.8	144.1	121.2	0.84	12.896	188.1	125.0	3.7
105	25.0	145.3	121.6	0.84	12.377	187.6	120.0	6.2
105	31.3	146.0	121.9	0.83	12.072	187.2	117.0	9.2
105	37.5	146.5	122.0	0.83	11.874	187.0	115.0	12.7
105	43.8	146.8	122.1	0.83	11.733	186.9	113.5	16.7
115	18.8	135.4	118.4	0.87	14.355	184.4	134.6	3.6
115	25.0	136.7	118.8	0.87	13.828	183.9	129.7	6.0
115	31.3	137.4	119.0	0.87	13.511	183.5	126.7	9.0
115	37.5	137.9	119.2	0.86	13.306	183.3	124.8	12.3
115	43.8	138.2	119.3	0.86	13.158	183.1	123.4	16.2
120	37.5	133.2	117.7	0.88	14.081	181.2	129.7	12.2
120	43.8	133.5	117.8	0.88	13.959	181.2	128.3	16.0

Notes: Performance data is tabulated for cooling at 80.6°F DB/66.2°F WB entering air. For conditions other than what is tabulated, multipliers must be used to correct performance. See the fan correction factors table for CFM other than rated and the cooling correction factors for variations in entering air temperature. WLHP data is performance data at ANSI/AHRI/ASHRAE/ISO13256-1. For ANSI/AHRI/ASHRAE/ISO13256-1 GLHP conditions, apply 15% methanol by volume per the antifreeze correction factors found in the performance correction tables. The minimum gpm/ton is 3.0 when the EWT is greater than 115°F and the EAT is less than 67°F WB. Rated GPM: 37.5 Minimum CFM 4000; Nominal CFM 5000, Maximum CFM 6000

Table 109. Heating capacities 12.5 tons (gross) - GEH150

EWT	GPM	Gross Cap Mbtuh	Absorb Mbtuh	Comp Power kW	LWT	Feet Head
25	31.3	104.1	75.2	8.47	20.2	12.6
25	37.5	105.2	76.3	8.47	20.9	17.3
25	43.8	106.1	77.2	8.48	21.5	22.6
32	18.8	109.0	79.7	8.58	23.5	5.1
32	25.0	112.6	83.2	8.62	25.3	8.3
32	31.3	114.8	85.3	8.64	26.6	12.2
32	37.5	116.4	86.9	8.64	27.4	16.8
32	43.8	117.6	88.1	8.65	28.0	22.0
45	18.8	128.7	98.9	8.74	34.5	4.9
45	25.0	133.3	103.3	8.79	36.7	8.1
45	31.3	136.2	106.2	8.82	38.2	11.9
45	37.5	138.4	108.2	8.84	39.2	16.3
45	43.8	139.9	109.7	8.85	40.0	21.4
50	18.8	138.7	108.3	8.91	38.5	4.8
50	25.0	143.6	113.1	8.94	41.0	7.8



Performance Data

Table 109. Heating capacities 12.5 tons (gross) - GEH150 (continued)

EWT	GPM	Gross Cap Mbtuh	Absorb Mbtuh	Comp Power kW	LWT	Feet Head
50	31.3	146.8	116.2	8.96	42.6	11.6
50	37.5	148.9	118.2	8.98	43.7	15.8
50	43.8	150.4	119.7	9.00	44.5	20.8
55	18.8	147.1	116.4	9.00	42.6	4.7
55	25.0	152.6	121.7	9.06	45.3	7.7
55	31.3	156.1	125.0	9.09	47.0	11.4
55	37.5	158.4	127.3	9.12	48.2	15.5
55	43.8	160.2	129.0	9.13	49.1	20.4
68	18.8	170.4	138.5	9.33	53.3	4.5
68	25.0	177.2	145.1	9.40	56.4	7.3
68	31.3	181.7	149.5	9.44	58.4	10.8
68	37.5	184.9	152.5	9.47	59.9	14.8
68	43.8	187.1	154.7	9.49	60.9	19.4
75	18.8	183.2	150.8	9.50	59.0	4.4
75	25.0	191.1	158.3	9.61	62.3	7.2
75	31.3	196.6	163.5	9.69	64.6	10.6
75	37.5	200.6	167.3	9.75	66.1	14.5
75	43.8	203.1	169.9	9.75	67.2	19.0
86	18.8	205.2	171.4	9.89	67.8	4.2
86	25.0	214.9	180.8	10.01	71.5	6.9
86	31.3	221.3	186.8	10.09	74.1	10.2
86	37.5	225.6	191.0	10.14	75.8	14.0
86	43.8	228.8	194.1	10.17	77.1	18.3

Notes: Performance data is tabulated for heating at 68°F DB entering air. For conditions other than what is tabulated, multipliers must be used to correct performance. See the fan correction factors table for CFM other than rated and the heating correction factors for variations in entering air temperature. WLHP data shown is performance data at ANSI/AHRI/ASHRAE/ISO13256-1. For ANSI/AHRI/ASHRAE/ISO13256-1 GLHP conditions, apply 15% methanol by volume per the antifreeze correction factors found in the performance correction tables. Rated GPM: 37.5 Minimum CFM 4000; Nominal CFM 5000, Maximum CFM 6000

Table 110. Fan correction factors 12.5 tons GEH150

Entering CFM	Cooling Capacity	Sensible Capacity	Cooling Input Watts	Heating Capacity	Heating Input Watts
4000	0.959	0.880	1.003	1.075	1.144
4500	0.981	0.940	1.003	0.987	1.040
5000	1.000	1.000	1.000	1.000	1.000
5500	1.016	1.059	0.999	1.011	0.968
6000	1.030	1.118	0.997	1.020	0.943

Table 111. Cooling capacities 12.5 tons (gross) - GEV150

EWT	GPM	Gross Cap Mbtuh	Gross Sen Mbtuh	SHR	Comp Power kW	Reject Mbtuh	LWT	Feet Head
45	18.8	183.1	131.4	0.72	6.72	206.0	66.9	4.5
45	25.0	184.8	132.1	0.71	6.31	206.4	61.5	7.5
45	31.3	186.0	132.6	0.71	6.08	206.8	58.2	11.2
45	37.5	186.8	132.9	0.71	5.93	207.0	56.0	15.4
45	43.8	188.2	133.8	0.71	5.61	207.3	54.5	20.1
55	18.8	177.3	129.4	0.73	7.47	202.8	76.6	4.4

Table 111. Cooling capacities 12.5 tons (gross) - GEV150 (continued)

EWT	GPM	Gross Cap Mbtuh	Gross Sen Mbtuh	SHR	Comp Power kW	Reject Mbtuh	LWT	Feet Head
55	25.0	179.0	130.0	0.73	7.06	203.1	71.2	7.2
55	31.3	180.1	130.4	0.72	6.81	203.3	68.0	10.8
55	37.5	180.8	130.6	0.72	6.65	203.5	65.9	14.9
55	43.8	181.3	130.8	0.72	6.54	203.6	64.3	19.6
59	18.8	174.9	128.6	0.74	7.79	201.5	80.4	4.3
59	25.0	176.6	129.2	0.73	7.38	201.8	75.1	7.1
59	31.3	177.6	129.5	0.73	7.13	202.0	71.9	10.6
59	37.5	178.3	129.8	0.73	6.96	202.1	69.8	14.6
59	43.8	178.8	129.9	0.73	6.85	202.2	68.2	19.3
68	18.8	169.5	126.8	0.75	8.60	198.8	89.1	4.2
68	25.0	171.0	127.3	0.74	8.14	198.8	83.9	6.9
68	31.3	172.0	127.6	0.74	7.88	198.9	80.7	10.3
68	37.5	172.6	127.8	0.74	7.71	198.9	78.6	14.2
68	43.8	173.1	128.0	0.74	7.58	199.0	77.1	18.7
77	18.8	163.7	124.8	0.76	9.47	196.0	97.9	4.0
77	25.0	165.2	125.4	0.76	9.00	196.0	92.7	6.7
77	31.3	166.2	125.7	0.76	8.72	195.9	89.5	10.0
77	37.5	166.8	125.9	0.75	8.53	195.9	87.4	13.8
77	43.8	167.2	126.0	0.75	8.40	195.8	85.9	18.1
86	18.8	157.4	122.9	0.78	10.43	193.0	106.5	3.9
86	25.0	159.1	123.4	0.78	9.96	193.1	101.4	6.5
86	31.3	160.0	123.7	0.77	9.64	192.9	98.3	9.7
86	37.5	160.6	123.9	0.77	9.46	192.8	96.3	13.4
86	43.8	161.0	124.0	0.77	9.32	192.8	94.8	17.6
95	18.8	150.5	120.1	0.80	11.46	189.6	115.2	3.8
95	25.0	152.1	121.1	0.80	10.95	189.5	110.2	6.4
95	31.3	152.8	120.9	0.79	10.66	189.2	107.1	9.5
95	37.5	153.6	121.3	0.79	10.47	189.3	105.1	13.0
95	43.8	154.3	121.8	0.79	10.32	189.5	103.7	17.1
105	18.8	142.5	117.7	0.83	12.691	185.8	124.8	3.7
105	25.0	144.1	118.1	0.82	12.178	185.6	119.9	6.2
105	31.3	145.0	118.3	0.82	11.871	185.5	116.9	9.2
105	37.5	145.7	118.6	0.81	11.670	185.5	114.9	12.7
105	43.8	146.0	118.7	0.81	11.522	185.3	113.5	16.7
115	18.8	133.5	114.8	0.86	14.028	181.4	134.3	3.6
115	25.0	135.4	115.3	0.85	13.513	181.5	129.5	6.0
115	31.3	136.3	115.7	0.85	13.197	181.4	126.6	9.0
115	37.5	137.0	116.0	0.85	12.986	181.3	124.7	12.4
115	43.8	137.4	116.1	0.85	12.834	181.2	123.3	16.2
120	37.5	132.2	114.4	0.87	13.689	178.9	129.5	12.2
120	43.8	133.1	114.7	0.86	13.543	179.3	128.2	16.0

Notes: Performance data is tabulated for cooling at 80.6°F DB/66.2°F WB entering air. For conditions other than what is tabulated, multipliers must be used to correct performance. See the fan correction factors table for CFM other than rated and the cooling correction factors for variations in entering air temperature. WLHP data is performance data at ANSI/AHRI/ASHRAE/ISO13256-1. For ANSI/AHRI/ASHRAE/ISO13256-1 GLHP conditions, apply 15% methanol by volume per the antifreeze correction factors found in the performance correction tables. The minimum gpm/ton is 3.0 when the EWT is greater than 115°F and the EAT is less than 67°F WB. Rated GPM: 37.5 Minimum CFM 4000; Nominal CFM 5000, Maximum CFM 6000



Performance Data

Table 112. Heating capacities 12.5 tons (gross) - GEV150

EWT	GPM	Gross Cap Mbtuh	Absorb Mbtuh	Comp Power kW	LWT	Feet Head
25	31.3	106.0	76.8	8.54	20.1	12.6
25	37.5	107.2	78.0	8.54	20.8	17.3
25	43.8	108.3	79.1	8.56	21.4	22.6
32	18.8	111.2	81.9	8.60	23.3	5.1
32	25.0	114.8	85.4	8.63	25.2	8.3
32	31.3	116.5	87.0	8.62	26.4	12.3
32	37.5	118.1	88.6	8.65	27.3	16.8
32	43.8	119.1	89.6	8.65	27.9	22.0
45	18.8	131.3	101.2	8.83	34.2	4.9
45	25.0	135.4	105.1	8.87	36.6	8.1
45	31.3	138.0	107.7	8.88	38.1	11.9
45	37.5	139.5	109.2	8.89	39.2	16.3
45	43.8	140.7	110.4	8.90	40.0	21.4
50	18.8	142.2	111.5	8.99	38.1	4.8
50	25.0	146.7	115.9	9.05	40.7	7.8
50	31.3	149.4	118.5	9.07	42.4	11.6
50	37.5	151.0	120.0	9.08	43.6	15.9
50	43.8	151.9	120.9	9.08	44.5	20.8
55	18.8	150.8	119.7	9.12	42.3	4.7
55	25.0	155.9	124.5	9.18	45.0	7.7
55	31.3	158.6	127.2	9.21	46.9	11.4
55	37.5	160.1	128.7	9.22	48.1	15.5
55	43.8	161.3	129.8	9.22	49.1	20.4
68	18.8	174.1	141.7	9.49	52.9	4.5
68	25.0	180.1	147.4	9.56	56.2	7.3
68	31.3	183.6	150.9	9.59	58.4	10.8
68	37.5	185.7	152.9	9.61	59.8	14.8
68	43.8	186.9	154.1	9.62	61.0	19.4
75	18.8	187.3	154.2	9.70	58.6	4.4
75	25.0	194.0	160.6	9.79	62.2	7.2
75	31.3	198.1	164.5	9.83	64.5	10.6
75	37.5	200.4	166.8	9.86	66.1	14.5
75	43.8	201.5	167.9	9.84	67.3	19.0
86	18.8	209.0	174.6	10.06	67.4	4.2
86	25.0	217.2	182.4	10.18	71.4	6.9
86	31.3	222.0	187.1	10.25	74.0	10.2
86	37.5	224.5	189.4	10.27	75.9	14.0
86	43.8	225.7	190.6	10.27	77.3	18.3

Notes: Performance data is tabulated for heating at 68°F DB entering air. For conditions other than what is tabulated, multipliers must be used to correct performance. See the fan correction factors table for CFM other than rated and the heating correction factors for variations in entering air temperature. WLHP data is performance data at ANSI/AHRI/ASHRAE/ISO13256-1. For ANSI/AHRI/ASHRAE/ISO13256-1 GLHP conditions, apply 15% methanol by volume per the antifreeze correction factors found in the performance correction tab. Rated GPM: 37.5 Minimum CFM 4000; Nominal CFM 5000, Maximum CFM 6000

Table 113. Fan correction factors - 12.5 tons GEV150

Entering CFM	Cooling Capacity	Sensible Capacity	Cooling Input Watts	Heating Capacity	Heating Input Watts
4000	0.958	0.873	0.998	0.980	1.086
4500	0.980	0.936	0.999	0.991	1.038
5000	1.000	1.000	1.000	1.000	1.000
5500	1.017	1.063	1.001	1.008	0.970
6000	1.032	1.127	1.001	1.017	0.947

Table 114. Cooling capacities 15 tons (gross) - GEH180

EWT	GPM	Gross Cap Mbtuh	Gross Sen Mbtuh	SHR	Comp Power kW	Reject Mbtuh	LWT	Feet Head
45	22.5	218.6	160.0	0.73	8.99	249.3	67.2	6.2
45	30.0	219.2	160.2	0.73	8.63	248.6	61.6	10.2
45	37.5	219.9	160.7	0.73	8.33	248.3	58.2	14.8
45	45.0	220.5	161.0	0.73	8.16	248.3	56.0	20.8
45	52.5	221.2	161.3	0.73	8.03	248.6	54.5	27.0
55	22.5	215.1	159.4	0.74	9.79	248.5	77.1	5.9
55	30.0	215.6	159.6	0.74	9.32	247.4	71.5	9.8
55	37.5	215.9	159.7	0.74	9.04	246.8	68.2	14.6
55	45.0	216.3	159.8	0.74	8.86	246.5	66.0	20.2
55	52.5	216.4	159.8	0.74	8.73	246.2	64.4	26.6
59	22.5	212.2	158.2	0.75	10.22	247.1	81.0	5.8
59	30.0	212.9	158.5	0.74	9.73	246.1	75.4	9.7
59	37.5	213.5	158.7	0.74	9.45	245.7	72.1	14.4
59	45.0	213.6	158.5	0.74	9.27	245.2	69.9	19.9
59	52.5	213.9	158.9	0.74	9.13	245.1	68.3	26.2
68	22.5	205.6	155.7	0.76	11.26	244.0	89.7	5.6
68	30.0	206.8	155.8	0.75	10.74	243.4	84.2	9.4
68	37.5	207.0	156.2	0.75	10.42	242.6	80.9	14.0
68	45.0	207.5	156.1	0.75	10.23	242.4	78.8	19.3
68	52.5	207.3	156.3	0.75	10.09	241.7	77.2	25.4
77	22.5	198.8	153.2	0.77	12.44	241.2	98.4	5.5
77	30.0	199.7	153.5	0.77	11.85	240.1	93.0	9.1
77	37.5	200.1	153.6	0.77	11.51	239.4	89.8	13.6
77	45.0	200.4	153.8	0.77	11.30	239.0	87.6	18.7
77	52.5	200.6	153.8	0.77	11.14	238.7	86.1	24.6
86	22.5	191.1	150.3	0.79	13.70	237.8	107.1	5.3
86	30.0	192.6	150.9	0.78	13.09	237.2	101.8	8.9
86	37.5	193.2	151.1	0.78	12.73	236.6	98.6	13.2
86	45.0	192.6	150.9	0.78	12.49	235.2	96.5	18.2
86	52.5	193.3	151.2	0.78	12.35	235.4	95.0	23.9
95	22.5	183.3	147.8	0.81	15.20	235.1	115.9	5.2
95	30.0	184.1	148.0	0.80	14.53	233.7	110.6	8.7
95	37.5	184.6	148.2	0.80	14.13	232.9	107.4	12.9
95	45.0	185.0	148.3	0.80	13.87	232.3	105.3	17.7
95	52.5	185.2	148.3	0.80	13.70	231.9	103.8	23.3
105	22.5	174.0	144.8	0.83	17.109	232.4	125.7	5.1



Performance Data

Table 114. Cooling capacities 15 tons (gross) - GEH180 (continued)

EWT	GPM	Gross Cap Mbtuh	Gross Sen Mbtuh	SHR	Comp Power kW	Reject Mbtuh	LWT	Feet Head
105	30.0	174.9	145.1	0.83	16.361	230.7	120.4	8.4
105	37.5	175.3	145.2	0.83	15.925	229.7	117.2	12.5
105	45.0	175.6	145.3	0.83	15.659	229.1	115.2	17.2
105	52.5	175.8	145.4	0.83	15.460	228.6	113.7	22.6
115	22.5	164.0	141.8	0.86	19.355	230.1	135.5	4.9
115	30.0	164.7	141.9	0.86	18.532	227.9	130.2	8.2
115	37.5	165.5	142.3	0.86	18.060	227.1	127.1	12.2
115	45.0	165.7	142.4	0.86	17.758	226.3	125.1	16.8
115	52.5	165.8	142.3	0.86	17.538	225.6	123.6	22.0
120	45.0	160.1	140.5	0.88	18.972	224.8	130.0	16.6
120	52.5	160.4	140.6	0.88	18.741	224.3	128.5	21.8

Notes: Performance data is tabulated for cooling at 80.6°F DB/66.2°F WB entering air. For conditions other than what is tabulated, multipliers must be used to correct performance. See the fan correction factors table for CFM other than rated and the cooling correction factors for variations in entering air temperature. WLHP data is performance data at ANSI/AHRI/ASHRAE/ISO13256-1. For ANSI/AHRI/ASHRAE/ISO13256-1 GLHP conditions, apply 15% methanol by volume per the antifreeze correction factors found in the performance correction tables. The minimum gpm/ton is 3.0 when the EWT is greater than 115°F and the EAT is less than 67°F WB. Rated GPM: 45.0 Minimum CFM 4800; Nominal CFM 6000, Maximum CFM 7200

Table 115. Heating capacities (gross) - 15 tons GEH180

EWT	GPM	Gross Cap Mbtuh	Absorb Mbtuh	Comp Power kW	LWT	Feet Head
25	45.0	133.1	99.1	9.98	20.6	23.6
25	52.5	133.9	99.8	9.99	21.2	30.9
32	22.5	138.7	104.2	10.11	22.7	6.9
32	30.0	142.6	107.8	10.18	24.8	11.3
32	37.5	144.3	109.5	10.20	26.2	16.7
32	45.0	145.9	111.0	10.22	27.1	22.9
32	52.5	146.3	111.5	10.21	27.8	30.0
45	22.5	161.7	125.6	10.56	33.8	6.7
45	30.0	166.5	130.2	10.65	36.3	11.0
45	37.5	169.2	132.7	10.70	37.9	16.3
45	45.0	170.7	134.1	10.73	39.0	22.3
45	52.5	171.6	134.9	10.74	39.9	29.2
50	22.5	175.2	138.1	10.86	37.7	6.5
50	30.0	179.9	142.5	10.94	40.5	10.7
50	37.5	182.3	144.8	10.99	42.3	15.8
50	45.0	183.5	145.9	11.02	43.5	21.7
50	52.5	184.2	146.5	11.03	44.4	28.3
55	22.5	185.4	147.6	11.08	41.9	6.4
55	30.0	190.7	152.4	11.20	44.8	10.5
55	37.5	193.3	154.9	11.26	46.7	15.5
55	45.0	194.6	156.1	11.29	48.1	21.3
55	52.5	195.4	156.9	11.30	49.0	27.8
68	22.5	214.2	173.9	11.80	52.5	6.1
68	30.0	220.6	179.8	11.96	56.0	10.0
68	37.5	223.9	182.8	12.03	58.3	14.8
68	45.0	225.9	184.7	12.07	59.8	20.3

Table 115. Heating capacities (gross) - 15 tons GEH180 (continued)

EWT	GPM	Gross Cap Mbtuh	Absorb Mbtuh	Comp Power kW	LWT	Feet Head
68	52.5	226.9	185.6	12.10	60.9	26.5
75	22.5	230.8	189.1	12.23	58.2	6.0
75	30.0	238.4	196.1	12.41	61.9	9.8
75	37.5	243.0	200.2	12.54	64.3	14.4
75	45.0	244.2	201.3	12.58	66.1	19.8
75	52.5	244.9	201.9	12.60	67.3	25.9
86	22.5	258.1	213.8	12.97	67.0	5.8
86	30.0	266.8	221.8	13.18	71.2	9.5
86	37.5	271.5	226.0	13.33	73.9	13.9
86	45.0	273.5	227.8	13.39	75.9	19.1
86	52.5	274.2	228.3	13.43	77.3	25.0

Notes: Performance data is tabulated for heating at 68°F DB entering air. For conditions other than what is tabulated, multipliers must be used to correct performance. See the fan correction factors table for CFM other than rated and the heating correction factors for variations in entering air temperature. WLHP data is performance data at ANSI/AHRI/ASHRAE/ISO13256-1. For ANSI/AHRI/ASHRAE/ISO13256-1 GLHP conditions, apply 15% methanol by volume per the antifreeze correction factors found in the performance correction tables. Rated GPM: 45.0 Minimum CFM 4800; Nominal CFM 6000, Maximum CFM 7200

Table 116. Fan correction factors 15 tons GEH180

Entering CFM	Cooling Capacity	Sensible Capacity	Cooling Input Watts	Heating Capacity	Heating Input Watts
4800	0.960	0.877	1.002	0.978	1.080
5400	0.983	0.939	1.003	0.991	1.002
6000	1.000	1.000	1.000	1.000	1.000
6600	1.018	1.063	1.002	1.007	0.940
7200	1.034	1.126	1.003	1.011	0.917

Table 117. Cooling capacities 15 tons (gross) - GEV180

EWT	GPM	Gross Cap Mbtuh	Gross Sen Mbtuh	SHR	Comp Power kW	Reject Mbtuh	LWT	Feet Head
45	22.5	221.9	156.8	0.71	8.71	251.6	67.4	6.1
45	30.0	222.5	157.2	0.71	8.26	250.7	61.7	10.2
45	37.5	222.9	157.1	0.71	7.82	249.6	58.3	15.0
45	45.0	223.4	157.3	0.70	7.61	249.4	56.1	20.8
45	52.5	223.8	157.6	0.70	7.43	249.2	54.5	27.0
55	22.5	216.0	154.7	0.72	9.69	249.1	77.1	5.9
55	30.0	216.9	155.1	0.72	9.23	248.4	71.6	9.8
55	37.5	217.3	155.3	0.71	8.93	247.8	68.2	14.6
55	45.0	217.6	155.2	0.71	8.75	247.4	66.0	20.2
55	52.5	217.8	155.5	0.71	8.63	247.2	64.4	26.6
59	22.5	213.4	153.7	0.72	10.09	247.9	81.0	5.8
59	30.0	214.3	154.0	0.72	9.62	247.2	75.5	9.7
59	37.5	214.8	154.4	0.72	9.35	246.7	72.2	14.4
59	45.0	215.1	154.5	0.72	9.17	246.4	70.0	19.9
59	52.5	215.3	154.4	0.72	9.03	246.1	68.4	26.2
68	22.5	207.3	151.8	0.73	11.06	245.1	89.8	5.6
68	30.0	208.2	151.9	0.73	10.56	244.3	84.3	9.4
68	37.5	208.8	152.3	0.73	10.27	243.8	81.0	14.0



Performance Data

Table 117. Cooling capacities 15 tons (gross) - GEV180 (continued)

EWT	GPM	Gross Cap Mbtuh	Gross Sen Mbtuh	SHR	Comp Power kW	Reject Mbtuh	LWT	Feet Head
68	45.0	209.1	152.2	0.73	10.08	243.5	78.8	19.3
68	52.5	209.3	152.5	0.73	9.94	243.2	77.3	25.4
77	22.5	200.6	149.6	0.75	12.18	242.1	98.5	5.5
77	30.0	201.2	149.4	0.74	11.61	240.8	93.1	9.1
77	37.5	202.1	150.2	0.74	11.29	240.7	89.8	13.6
77	45.0	202.5	150.2	0.74	11.08	240.3	87.7	18.7
77	52.5	202.7	150.3	0.74	10.94	240.0	86.1	24.6
86	22.5	192.8	146.5	0.76	13.39	238.5	107.2	5.3
86	30.0	193.8	146.8	0.76	12.81	237.5	101.8	8.9
86	37.5	194.3	147.0	0.76	12.47	236.9	98.6	13.2
86	45.0	194.7	147.0	0.76	12.26	236.5	96.5	18.2
86	52.5	194.9	147.1	0.75	12.11	236.2	95.0	23.9
95	22.5	185.1	144.0	0.78	14.76	235.5	115.9	5.2
95	30.0	186.1	144.3	0.78	14.13	234.3	110.6	8.7
95	37.5	186.6	144.5	0.77	13.76	233.6	107.5	12.9
95	45.0	187.0	144.6	0.77	13.53	233.2	105.4	17.7
95	52.5	187.2	144.7	0.77	13.36	232.8	103.9	23.3
105	22.5	176.0	141.3	0.80	16.496	232.3	125.6	5.1
105	30.0	177.0	141.6	0.80	15.809	231.0	120.4	8.4
105	37.5	177.6	141.8	0.80	15.411	230.2	117.3	12.5
105	45.0	177.9	141.9	0.80	15.150	229.6	115.2	17.2
105	52.5	178.2	141.9	0.80	14.980	229.3	113.7	22.6
115	22.5	166.1	138.4	0.83	18.418	228.9	135.4	4.9
115	30.0	167.1	138.7	0.83	17.737	227.7	130.2	8.2
115	37.5	167.7	138.9	0.83	17.308	226.7	127.1	12.2
115	45.0	168.0	139.0	0.83	17.026	226.1	125.1	16.8
115	52.5	168.2	139.1	0.83	16.828	225.7	123.6	22.0
120	45.0	162.6	137.3	0.84	18.090	224.4	130.0	16.6
120	52.5	162.9	137.4	0.84	17.881	223.9	128.5	21.8

Notes: Performance data is tabulated for cooling at 80.6°F DB/66.2°F WB entering air. For conditions other than what is tabulated, multipliers must be used to correct performance. See the fan correction factors table for CFM other than rated and the cooling correction factors for variations in entering air temperature. WLHP data is performance data at ANSI/AHRI/ASHRAE/ISO13256-1. For ANSI/AHRI/ASHRAE/ISO13256-1 GLHP conditions, apply 15% methanol by volume per the antifreeze correction factors found in the performance correction tables. The minimum gpm/ton is 3.0 when the EWT is greater than 115°F and the EAT is less than 67°F WB. Rated GPM: 45.0 Minimum CFM 4800; Nominal CFM 6000, Maximum CFM 7200

Table 118. Heating capacities 15 tons (gross) - GEV180

EWT	GPM	Gross Cap Mbtuh	Absorb Mbtuh	Comp Power kW	LWT	Feet Head
25	45.0	132.2	98.1	9.99	20.6	23.6
25	52.5	133.2	99.1	10.01	21.2	30.9
32	22.5	137.3	102.7	10.13	22.9	6.9
32	30.0	141.0	106.1	10.20	24.9	11.3
32	37.5	143.6	108.6	10.25	26.2	16.7
32	45.0	144.8	109.8	10.26	27.1	22.9
32	52.5	145.9	110.8	10.28	27.8	30.0
45	22.5	160.8	124.5	10.63	33.9	6.7

Table 118. Heating capacities 15 tons (gross) - GEV180 (continued)

EWT	GPM	Gross Cap Mbtuh	Absorb Mbtuh	Comp Power kW	LWT	Feet Head
45	30.0	165.4	128.8	10.71	36.4	11.0
45	37.5	168.5	131.7	10.77	38.0	16.3
45	45.0	170.3	133.4	10.81	39.1	22.3
45	52.5	171.4	134.5	10.84	39.9	29.2
50	22.5	173.3	136.0	10.93	37.9	6.5
50	30.0	178.7	141.0	11.03	40.6	10.7
50	37.5	181.7	143.8	11.09	42.3	15.8
50	45.0	183.5	145.4	11.14	43.5	21.7
50	52.5	184.5	146.5	11.15	44.4	28.3
55	22.5	183.6	145.5	11.16	42.1	6.4
55	30.0	189.5	150.9	11.30	44.9	10.5
55	37.5	192.8	154.0	11.37	46.8	15.5
55	45.0	194.6	155.7	11.41	48.1	21.3
55	52.5	195.4	156.5	11.42	49.0	27.8
68	22.5	211.7	171.2	11.88	52.8	6.1
68	30.0	219.1	177.9	12.07	56.1	10.0
68	37.5	223.2	181.6	12.18	58.3	14.8
68	45.0	225.3	183.6	12.22	59.8	20.3
68	52.5	227.3	185.5	12.25	60.9	26.5
75	22.5	227.8	185.7	12.32	58.5	6.0
75	30.0	236.7	194.0	12.53	62.1	9.8
75	37.5	241.4	198.2	12.66	64.4	14.4
75	45.0	244.1	200.7	12.73	66.1	19.8
75	52.5	245.5	201.9	12.77	67.3	25.9
86	22.5	254.7	210.2	13.06	67.3	5.8
86	30.0	264.8	219.2	13.35	71.4	9.5
86	37.5	270.3	224.3	13.48	74.0	13.9
86	45.0	273.3	227.0	13.57	75.9	19.1
86	52.5	274.6	228.1	13.61	77.3	25.0

Notes: Performance data is tabulated for heating at 68°F DB entering air. For conditions other than what is tabulated, multipliers must be used to correct performance. See the fan correction factors table for CFM other than rated and the heating correction factors for variations in entering air temperature. WLHP data shown is performance data at ANSI/AHRI/ASHRAE/ISO13256-1. For ANSI/AHRI/ASHRAE/ISO13256-1 GLHP conditions, apply 15% methanol by volume per the antifreeze correction factors found in the performance correction tables. Rated GPM: 45.0 Minimum CFM 4800; Nominal CFM 6000, Maximum CFM 7200

Table 119. Fan correction factors - 15 tons GEV180

Entering CFM	Cooling Capacity	Sensible Capacity	Cooling Input Watts	Heating Capacity	Heating Input Watts
4800	0.955	0.877	1.004	0.976	1.083
5400	0.980	0.938	1.001	0.989	1.036
6000	1.000	1.000	1.000	1.000	1.000
6600	1.018	1.061	0.998	1.008	0.971
7200	1.032	1.123	0.997	1.016	0.947



Performance Data

Table 120. Cooling capacities 20 tons (gross) - GEV240

EWT	GPM	Gross Cap Mbtuh	Gross Sen Mbtuh	SHR	Comp Power kW	Reject Mbtuh	LWT	Feet Head
45	30.0	296.8	219.9	0.74	9.96	330.8	67.1	4.7
45	40.0	298.7	220.8	0.74	9.40	330.8	61.5	7.9
45	50.0	299.5	220.7	0.74	9.11	330.6	58.2	11.5
45	60.0	301.5	221.7	0.74	8.82	331.6	56.1	16.2
45	70.0	303.2	222.2	0.73	8.59	332.5	54.5	20.8
55	30.0	288.5	217.3	0.75	11.23	326.9	76.8	4.5
55	40.0	290.6	218.1	0.75	10.65	326.9	71.3	7.6
55	50.0	291.9	218.5	0.75	10.30	327.0	68.1	11.3
55	60.0	292.7	218.8	0.75	10.07	327.1	65.9	15.6
55	70.0	293.4	219.0	0.75	9.91	327.2	64.3	20.5
59	30.0	285.2	215.9	0.76	11.78	325.4	80.7	4.5
59	40.0	287.2	216.8	0.75	11.16	325.3	75.3	7.5
59	50.0	288.3	217.0	0.75	10.81	325.2	72.0	11.1
59	60.0	289.1	217.5	0.75	10.58	325.2	69.8	15.4
59	70.0	289.7	217.5	0.75	10.42	325.2	68.3	20.2
68	30.0	277.5	213.1	0.77	13.04	322.0	89.5	4.3
68	40.0	279.1	213.7	0.77	12.42	321.5	84.1	7.3
68	50.0	280.2	214.1	0.76	12.04	321.3	80.9	10.8
68	60.0	280.8	214.3	0.76	11.81	321.1	78.7	14.9
68	70.0	281.3	214.5	0.76	11.64	321.0	77.2	19.5
77	30.0	269.1	210.1	0.78	14.44	318.4	98.2	4.2
77	40.0	270.7	210.6	0.78	13.78	317.7	92.9	7.0
77	50.0	271.5	210.9	0.78	13.40	317.3	89.7	10.5
77	60.0	272.2	211.1	0.78	13.15	317.0	87.6	14.4
77	70.0	272.6	211.3	0.78	12.97	316.8	86.1	19.0
86	30.0	260.0	206.8	0.80	15.98	314.6	107.0	4.1
86	40.0	261.5	207.3	0.79	15.23	313.5	101.7	6.9
86	50.0	262.4	207.6	0.79	14.82	312.9	98.5	10.2
86	60.0	262.9	207.8	0.79	14.55	312.6	96.4	14.0
86	70.0	263.3	207.9	0.79	14.36	312.3	94.9	18.4
95	30.0	250.2	203.5	0.81	17.68	310.6	115.7	4.0
95	40.0	251.6	204.0	0.81	16.92	309.4	110.5	6.7
95	50.0	252.4	204.3	0.81	16.48	308.7	107.3	9.9
95	60.0	253.0	204.5	0.81	16.20	308.2	105.3	13.7
95	70.0	253.3	204.6	0.81	16.00	307.9	103.8	17.9
105	30.0	238.2	199.5	0.84	19.841	305.9	125.4	3.9
105	40.0	239.6	200.0	0.83	18.996	304.4	120.2	6.5
105	50.0	240.4	200.2	0.83	18.516	303.6	117.1	9.6
105	60.0	240.9	200.4	0.83	18.205	303.0	115.1	13.3
105	70.0	241.3	200.5	0.83	17.987	302.7	113.6	17.4
115	30.0	224.7	195.4	0.87	22.283	300.8	135.1	3.8
115	40.0	226.3	195.9	0.87	21.396	299.3	130.0	6.3
115	50.0	227.1	196.2	0.86	20.879	298.4	126.9	9.4
115	60.0	227.6	196.4	0.86	20.540	297.7	124.9	13.0

Table 120. Cooling capacities 20 tons (gross) - GEV240 (continued)

EWT	GPM	Gross Cap Mbtuh	Gross Sen Mbtuh	SHR	Comp Power kW	Reject Mbtuh	LWT	Feet Head
115	70.0	228.0	196.5	0.86	20.303	297.3	123.5	17.0
120	60.0	220.2	193.9	0.88	21.893	294.9	129.8	12.8
120	70.0	219.9	193.9	0.88	21.602	293.6	128.4	16.8

Notes: Performance data is tabulated for cooling at 80.6°F DB/66.2°F WB entering air. For conditions other than what is tabulated, multipliers must be used to correct performance. See the fan correction factors table for CFM other than rated and the cooling correction factors for variations in entering air temperature. WLHP data shown is performance data at ANSI/AHRI/ASHRAE/ISO13256-1. For ANSI/AHRI/ASHRAE/ISO13256-1 GLHP conditions, apply 15% methanol by volume per the antifreeze correction factors found in the performance correction tables. The minimum gpm/ton is 3.0 when the EWT is greater than 115°F and the EAT is less than 67°F WB. Rated GPM: 60.0 Minimum CFM 6400; Nominal CFM 8000, Maximum CFM 9600

Table 121. Heating capacities 20 tons (gross) - GEV240

EWT	GPM	Gross Cap Mbtuh	Absorb Mbtuh	Comp Power kW	LWT	Feet Head
25	50.0	154.9	113.2	12.24	20.5	13.6
25	60.0	157.0	115.1	12.29	21.2	18.7
25	70.0	158.6	116.5	12.33	21.7	24.4
32	30.0	162.8	120.7	12.36	24.0	5.4
32	40.0	168.1	125.6	12.45	25.7	9.0
32	50.0	171.6	128.8	12.51	26.8	13.2
32	60.0	173.9	131.1	12.54	27.6	18.1
32	70.0	175.7	132.8	12.58	28.2	23.7
45	30.0	192.9	149.1	12.82	35.1	5.3
45	40.0	199.9	155.7	12.95	37.2	8.7
45	50.0	204.5	160.0	13.04	38.6	12.8
45	60.0	207.7	163.0	13.10	39.6	17.6
45	70.0	210.1	165.3	13.14	40.3	23.1
50	30.0	208.1	163.2	13.14	39.1	5.1
50	40.0	215.5	170.2	13.26	41.5	8.5
50	50.0	220.3	174.7	13.35	43.0	12.5
50	60.0	223.7	177.9	13.43	44.1	17.1
50	70.0	226.3	180.3	13.48	44.8	22.4
55	30.0	221.0	175.4	13.38	43.3	5.1
55	40.0	229.2	183.0	13.54	45.8	8.3
55	50.0	234.6	188.1	13.64	47.5	12.2
55	60.0	238.4	191.6	13.72	48.6	16.8
55	70.0	241.3	194.2	13.78	49.5	22.0
68	30.0	256.8	208.6	14.13	54.1	4.8
68	40.0	267.2	218.3	14.33	57.1	7.9
68	50.0	274.1	224.7	14.48	59.0	11.7
68	60.0	279.1	229.3	14.60	60.4	16.0
68	70.0	282.8	232.7	14.69	61.4	21.0
75	30.0	277.2	227.5	14.56	59.8	4.7
75	40.0	289.1	238.4	14.85	63.1	7.7
75	50.0	297.2	245.8	15.05	65.2	11.4
75	60.0	302.7	250.8	15.19	66.6	15.7
75	70.0	307.0	254.7	15.31	67.7	20.5
86	30.0	310.9	258.3	15.42	68.8	4.6



Performance Data

Table 121. Heating capacities 20 tons (gross) - GEV240 (continued)

EWT	GPM	Gross Cap Mbtuh	Absorb Mbtuh	Comp Power kW	LWT	Feet Head
86	40.0	325.4	271.5	15.77	72.4	7.5
86	50.0	334.7	280.0	16.03	74.8	11.0
86	60.0	341.1	285.8	16.21	76.5	15.1
86	70.0	345.9	290.1	16.35	77.7	19.7

Notes: Performance data is tabulated for heating at 68°F DB entering air. For conditions other than what is tabulated, multipliers must be used to correct performance. See the fan correction factors table for CFM other than rated and the heating correction factors for variations in entering air temperature. WLHP data shown is performance data at ANSI/AHRI/ASHRAE/ISO13256-1. For ANSI/AHRI/ASHRAE/ISO13256-1 GLHP conditions, apply 15% methanol by volume per the antifreeze correction factors found in the performance correction tables. Rated GPM: 60.0 Minimum CFM 6400; Nominal CFM 8000, Maximum CFM 9600

Table 122. Fan correction factors 20 tons GEV240

Entering CFM	Cooling Capacity	Sensible Capacity	Cooling Input Watts	Heating Capacity	Heating Input Watts
6400	0.958	0.872	0.997	0.973	1.074
7200	0.981	0.936	0.998	0.988	1.031
8000	1.000	1.000	1.000	1.000	1.000
8800	1.017	1.065	1.001	1.010	0.975
9600	1.032	1.130	1.003	1.018	0.955

Table 123. Cooling capacities 25 tons (gross) - GEV300

EWT	GPM	Gross Cap Mbtuh	Gross Sen Mbtuh	SHR	Comp Power kW	Reject Mbtuh	LWT	Feet Head
45	37.5	368.3	268.9	0.73	13.6	414.6	67.1	4.4
45	50.0	372.3	270.5	0.73	13.0	416.6	61.7	7.4
45	62.5	374.9	271.4	0.72	12.6	418.0	58.4	11.1
45	75.0	376.6	272.1	0.72	12.4	418.9	56.2	15.3
45	87.5	377.9	272.5	0.72	12.3	419.7	54.6	20.1
55	37.5	356.8	264.6	0.74	14.9	407.8	76.7	4.3
55	50.0	360.5	266.3	0.74	14.3	409.2	71.4	7.2
55	62.5	362.7	267.2	0.74	13.9	410.1	68.1	10.6
55	75.0	364.2	267.3	0.73	13.6	410.8	66.0	14.7
55	87.5	365.4	268.0	0.73	13.5	411.4	64.4	19.3
59	37.5	352.1	263.4	0.75	15.5	405.0	80.6	4.2
59	50.0	355.7	264.6	0.74	14.8	406.3	75.3	7.1
59	62.5	357.8	265.4	0.74	14.4	407.1	72.0	10.5
59	75.0	359.3	265.9	0.74	14.2	407.8	69.9	14.5
59	87.5	360.4	266.3	0.74	14.0	408.2	68.3	19.0
68	37.5	341.1	259.3	0.76	17.0	399.2	89.3	4.1
68	50.0	344.6	260.7	0.76	16.3	400.1	84.0	6.8
68	62.5	346.5	261.3	0.75	15.8	400.5	80.8	10.2
68	75.0	347.9	261.8	0.75	15.5	400.8	78.7	14.0
68	87.5	348.8	262.1	0.75	15.3	401.1	77.2	18.4
77	37.5	329.5	255.2	0.77	18.6	393.0	98.0	4.0
77	50.0	332.8	256.5	0.77	17.8	393.6	92.7	6.6
77	62.5	334.8	257.2	0.77	17.4	394.0	89.6	9.9
77	75.0	336.0	257.7	0.77	17.1	394.3	87.5	13.6
77	87.5	336.9	257.9	0.77	16.9	394.5	86.0	17.9

Table 123. Cooling capacities 25 tons (gross) - GEV300 (continued)

EWT	GPM	Gross Cap Mbtuh	Gross Sen Mbtuh	SHR	Comp Power kW	Reject Mbtuh	LWT	Feet Head
86	37.5	317.1	251.0	0.79	20.5	387.0	106.6	3.9
86	50.0	320.4	252.1	0.79	19.6	387.2	101.5	6.5
86	62.5	322.3	252.7	0.78	19.1	387.4	98.4	9.6
86	75.0	323.4	253.1	0.78	18.7	387.3	96.3	13.2
86	87.5	324.3	253.5	0.78	18.5	387.5	94.9	17.4
95	37.5	303.9	246.7	0.81	22.4	380.4	115.3	3.8
95	50.0	307.1	247.7	0.81	21.5	380.6	110.2	6.3
95	62.5	309.0	248.3	0.80	21.0	380.7	107.2	9.3
95	75.0	310.2	248.7	0.80	20.7	380.8	105.2	12.9
95	87.5	311.0	249.0	0.80	20.5	380.8	103.7	16.9
105	37.5	288.2	241.9	0.84	24.9	373.0	124.9	3.7
105	50.0	291.4	242.9	0.83	23.9	373.1	119.9	6.1
105	62.5	293.2	243.4	0.83	23.4	373.0	116.9	9.1
105	75.0	294.4	243.8	0.83	23.0	373.0	114.9	12.5
105	87.5	295.3	244.0	0.83	22.8	373.0	113.5	16.5
115	37.5	270.7	236.8	0.87	27.5	364.7	134.5	3.6
115	50.0	274.1	237.8	0.87	26.6	364.9	129.6	6.0
115	62.5	276.1	238.3	0.86	26.0	364.8	126.7	8.9
115	75.0	277.3	238.7	0.86	25.6	364.8	124.7	12.2
115	87.5	278.1	239.0	0.86	25.4	364.7	123.3	16.0
120	75.0	267.9	236.0	0.88	27.1	360.3	129.6	12.1
120	87.5	268.8	236.2	0.88	26.8	360.2	128.2	15.8

Notes: Performance data is tabulated for cooling at 80.6°F DB/66.2°F WB entering air. For conditions other than what is tabulated, multipliers must be used to correct performance. See the fan correction factors table for CFM other than rated and the cooling correction factors for variations in entering air temperature. WLHP data shown is performance data at ANSI/AHRI/ASHRAE/ISO13256-1. For ANSI/AHRI/ASHRAE/ISO13256-1 GLHP conditions, apply 15% methanol by volume per the antifreeze correction factors found in the performance correction tables. The minimum gpm/ton is 3.0 when the EWT is greater than 115°F and the EAT is less than 67°F WB. Rated GPM: 75.0 Minimum CFM 8000; Nominal CFM 10000, Maximum CFM 12000

Table 124. Heating capacities 25 tons (gross) - GEV300

EWT	GPM	Gross Cap Mbtuh	Absorb Mbtuh	Comp Power kW	LWT	Feet Head
25	62.5	206.6	148.8	16.9	20.2	12.6
25	75.0	209.3	151.3	17.0	21.0	17.3
25	87.5	211.4	153.1	17.1	21.5	22.6
32	37.5	216.0	157.8	17.04	23.6	5.0
32	50.0	223.0	164.3	17.22	25.4	8.3
32	62.5	227.6	168.5	17.33	26.6	12.2
32	75.0	230.9	171.4	17.41	27.4	16.8
32	87.5	233.3	173.7	17.48	28.0	21.9
45	37.5	254.4	193.5	17.83	34.7	4.9
45	50.0	263.6	202.1	18.02	36.9	8.1
45	62.5	269.6	207.6	18.17	38.4	11.9
45	75.0	273.7	211.5	18.25	39.4	16.3
45	87.5	276.9	214.4	18.31	40.1	21.3
50	37.5	273.9	211.1	18.41	38.7	4.8
50	50.0	283.6	220.1	18.62	41.2	7.8



Performance Data

Table 124. Heating capacities 25 tons (gross) - GEV300 (continued)

EWT	GPM	Gross Cap Mbtuh	Absorb Mbtuh	Comp Power kW	LWT	Feet Head
50	62.5	289.9	225.9	18.74	42.8	11.5
50	75.0	294.2	230.0	18.83	43.9	15.8
50	87.5	297.6	233.0	18.90	44.7	20.7
55	37.5	290.3	226.2	18.77	42.9	4.7
55	50.0	300.9	236.1	19.00	45.6	7.7
55	62.5	307.8	242.5	19.14	47.2	11.3
55	75.0	312.7	247.0	19.26	48.4	15.5
55	87.5	316.5	250.5	19.34	49.3	20.3
68	37.5	335.3	267.4	19.87	53.7	4.5
68	50.0	348.7	279.8	20.19	56.8	7.3
68	62.5	357.6	287.9	20.40	58.8	10.8
68	75.0	363.7	293.6	20.56	60.2	14.8
68	87.5	368.2	297.7	20.66	61.2	19.4
75	37.5	360.7	290.6	20.55	59.5	4.4
75	50.0	375.8	304.5	20.90	62.8	7.2
75	62.5	385.6	313.5	21.15	65.0	10.5
75	75.0	392.4	319.7	21.28	66.5	14.5
75	87.5	397.4	324.4	21.41	67.6	18.9
86	37.5	402.2	328.3	21.65	68.5	4.2
86	50.0	419.9	344.4	22.13	72.2	6.9
86	62.5	432.0	355.2	22.49	74.6	10.2
86	75.0	440.0	362.5	22.71	76.3	14.0
86	87.5	445.9	368.0	22.83	77.6	18.3

Notes: Performance data is tabulated for heating at 68°F DB entering air. For conditions other than what is tabulated, multipliers must be used to correct performance. See the fan correction factors table for CFM other than rated and the heating correction factors for variations in entering air temperature. WLHP data shown is performance data at ANSI/AHRI/ASHRAE/ISO13256-1. For ANSI/AHRI/ASHRAE/ISO13256-1 GLHP conditions, apply 15% methanol by volume per the antifreeze correction factors found in the performance correction tables. Rated GPM: 75.0 Minimum CFM 8000; Nominal CFM 10000, Maximum CFM 12000

Table 125. Fan correction factors 25 tons GEV300

Entering CFM	Cooling Capacity	Sensible Capacity	Cooling Input Watts	Heating Capacity	Heating Input Watts
8000	0.958	0.872	0.997	0.973	1.074
9000	0.981	0.936	0.998	0.988	1.031
10000	1.000	1.000	1.000	1.000	1.000
11000	1.017	1.065	1.001	1.010	0.975
12000	1.032	1.130	1.003	1.018	0.955

Table 126. Correction factors for variation in entering air temperature 0.5 tons, GEH006

Cooling Entering Air WB°F	Cooling Capacity	Cooling Input Watts	Sensible vs. Entering Dry Bulb Multipliers					Heating Entering Air DB°F	Heating Capacity	Heating Input Watts
			65.6	70.6	75.6	80.6	85.6			
49.4	0.899	1.045	0.979	1.048	1.121	*	*	53.0	1.031	0.879
56.3	0.898	1.045	0.819	1.013	1.119	*	*	58.0	1.022	0.919
60.3	0.898	1.045	0.627	0.849	1.064	*	*	63.0	1.014	0.960
63.2	0.960	1.015	0.480	0.706	0.928	1.139	*	68.0	1.000	1.000
66.2	1.000	1.000		0.533	0.778	1.000	1.209	73.0	0.996	1.049

Table 126. Correction factors for variation in entering air temperature 0.5 tons, GEH006 (continued)

Cooling Entering Air WB°F	Cooling Capacity	Cooling Input Watts	Sensible vs. Entering Dry Bulb Multipliers					Heating Entering Air DB°F	Heating Capacity	Heating Input Watts
			65.6	70.6	75.6	80.6	85.6			
72.1	1.061	0.975			0.541	0.695	0.920	78.0	0.987	1.095
77.1	1.139	0.967				0.446	0.658	83.0	0.978	1.143

Note: * = Sensible equals total capacity

Table 127. Correction factors for variation in entering air temperature 0.5 tons, GEV006

Cooling Entering Air WB°F	Cooling Capacity	Cooling Input Watts	Sensible vs. Entering Dry Bulb Multipliers					Heating Entering Air DB°F	Heating Capacity	Heating Input Watts
			65.6	70.6	75.6	80.6	85.6			
49.4	0.723	1.011	*	*	*	*	*	53.0	1.024	0.828
56.3	0.830	1.005	0.813	0.939	*	*	*	58.0	1.016	0.883
60.3	0.896	1.002	0.656	0.861	0.994	1.075	*	63.0	1.008	0.940
63.2	0.946	1.001	0.487	0.751	0.935	1.058	1.135	68.0	1.000	1.000
66.2	1.000	1.000	-----		0.832	1.000	1.116	73.0	0.991	1.064
72.1	1.111	0.999	-----	-----	0.522	0.781	0.976	78.0	0.983	1.131
77.1	1.211	1.001	-----	-----	-----	-----	0.767	83.0	0.975	1.202

Note: * = Sensible equals total capacity

Table 128. Correction factors for variation in entering air temperature 0.75 ton, GEH009

Cooling Entering Air WB°F	Cooling Capacity	Cooling Input Watts	Sensible vs. Entering Dry Bulb Multipliers					Heating Entering Air DB°F	Heating Capacity	Heating Input Watts
			65.6	70.6	75.6	80.6	85.6			
49.4	0.949	1.020	0.952	1.031	1.103		*	53.0	1.030	0.879
56.3	0.948	1.021	0.805	0.951	1.102	*	*	58.0	1.018	0.915
60.3	0.947	1.021	0.605	0.838	1.059	*	*	63.0	1.007	0.956
63.2	0.947	1.019	0.455	0.690	0.923	1.138	*	68.0	1.000	1.000
66.2	1.000	1.000		0.534	0.767	1.000	1.221	73.0	0.992	1.046
72.1	1.074	0.969			0.452	0.686	0.915	78.0	0.983	1.098
77.1	1.127	0.950				0.408	0.644	83.0	0.979	1.153

Note: * = Sensible equals total capacity

Table 129. Correction factors for variation in entering air temperature 0.75 ton, GEV009

Cooling Entering Air WB°F	Cooling Capacity	Cooling Input Watts	Sensible vs. Entering Dry Bulb Multipliers					Heating Entering Air DB°F	Heating Capacity	Heating Input Watts
			65.6	70.6	75.6	80.6	85.6			
49.4	0.953	1.011	0.983	1.050	1.117	*	*	53.0	1.033	0.881
56.3	0.952	1.012	0.808	1.044	1.116	*	*	58.0	1.021	0.918
60.3	0.951	1.012	0.599	0.838	1.076	*	*	63.0	1.011	0.958
63.2	0.961	1.009	0.444	0.684	0.923	1.162	*	68.0	1.000	1.000
66.2	1.000	1.000		0.522	0.759	1.000	1.238	73.0	0.988	1.044
72.1	1.076	0.972			0.436	0.675	0.909	78.0	0.984	1.097
77.1	1.131	0.953				0.390	0.629	83.0	0.970	1.144

Note: * = Sensible equals total capacity



Performance Data

Table 130. Correction factors for variation in entering air temperature 1 ton, GEH012

Cooling Entering Air WB°F	Cooling Capacity	Cooling Input Watts	Sensible vs. Entering Dry Bulb Multipliers					Heating Entering Air DB°F	Heating Capacity	Heating Input Watts
			65.6	70.6	75.6	80.6	85.6			
49.4	0.949	1.010	0.983	1.046	1.110	*	*	53.0	1.012	0.851
56.3	0.948	1.010	0.809	1.033	1.109	*	*	58.0	1.006	0.896
60.3	0.948	1.010	0.598	0.838	1.071	*	*	63.0	1.005	0.947
63.2	0.960	1.007	0.442	0.684	0.923	1.150	*	68.0	1.000	1.000
66.2	1.000	1.000		0.520	0.761	1.000	1.221	73.0	0.995	1.053
72.1	1.080	0.979			0.435	0.675	0.912	78.0	0.991	1.111
77.1	1.144	0.966				0.393	0.632	83.0	0.983	1.166

Note: * = Sensible equals total capacity

Table 131. Correction factors for variation in entering air temperature 1 ton, GEV012

Cooling Entering Air WB°F	Cooling Capacity	Cooling Input Watts	Sensible vs. Entering Dry Bulb Multipliers					Heating Entering Air DB°F	Heating Capacity	Heating Input Watts
			65.6	70.6	75.6	80.6	85.6			
49.4	0.949	1.010	0.980	1.042	1.105	*	*	53.0	1.013	0.857
56.3	0.948	1.010	0.808	1.032	1.104	*	*	58.0	1.009	0.902
60.3	0.947	1.010	0.597	0.837	1.071	*	*	63.0	1.005	0.950
63.2	0.959	1.007	0.440	0.682	0.923	1.146	*	68.0	1.000	1.000
66.2	1.000	1.000		0.519	0.760	1.000	1.221	73.0	0.996	1.055
72.1	1.081	0.982			0.433	0.674	0.912	78.0	0.989	1.108
77.1	1.145	0.967				0.391	0.632	83.0	0.983	1.165

Note: * = Sensible equals total capacity

Table 132. Correction factors for variation in entering air temperature 1.25 tons, GEH015

Cooling Entering Air WB°F	Cooling Capacity	Cooling Input Watts	Sensible vs. Entering Dry Bulb Multipliers					Heating Entering Air DB°F	Heating Capacity	Heating Input Watts
			65.6	70.6	75.6	80.6	85.6			
49.4	0.944	1.010	0.990	1.054	1.118	*	*	53.0	1.012	0.842
56.3	0.943	1.012	0.810	1.036	1.117	*	*	58.0	1.006	0.891
60.3	0.943	1.012	0.598	0.839	1.074	*	*	63.0	1.002	0.943
63.2	0.965	1.008	0.439	0.683	0.923	1.156	*	68.0	1.000	1.000
66.2	1.000	1.000		0.517	0.759	1.000	1.227	73.0	0.993	1.054
72.1	1.081	0.978			0.428	0.671	0.911	78.0	0.989	1.110
77.1	1.147	0.950				0.384	0.625	83.0	0.986	1.168

Note: * = Sensible equals total capacity

Table 133. Correction factors for variation in entering air temperature 1.25 tons, GEV015

Cooling Entering Air WB°F	Cooling Capacity	Cooling Input Watts	Sensible vs. Entering Dry Bulb Multipliers					Heating Entering Air DB°F	Heating Capacity	Heating Input Watts
			65.6	70.6	75.6	80.6	85.6			
49.4	0.947	1.011	0.990	1.051	1.113	*	*	53.0	1.016	0.846
56.3	0.947	1.011	0.811	1.036	1.112	*	*	58.0	1.011	0.896
60.3	0.946	1.011	0.598	0.839	1.073	*	*	63.0	1.008	0.949
63.2	0.961	1.007	0.440	0.683	0.924	1.152	*	68.0	1.000	1.000

Table 133. Correction factors for variation in entering air temperature 1.25 tons, GEV015 (continued)

Cooling Entering Air WB°F	Cooling Capacity	Cooling Input Watts	Sensible vs. Entering Dry Bulb Multipliers					Heating Entering Air DB°F	Heating Capacity	Heating Input Watts
			65.6	70.6	75.6	80.6	85.6			
66.2	1.000	1.000		0.518	0.759	1.000	1.222	73.0	0.997	1.058
72.1	1.078	0.971			0.429	0.671	0.909	78.0	0.993	1.115
77.1	1.143	0.943				0.385	0.625	83.0	0.989	1.174

Note: * = Sensible equals total capacity

Table 134. Correction factors for variation in entering air temperature 1.5 tons, GEH018

Cooling Entering Air WB°F	Cooling Capacity	Cooling Input Watts	Sensible vs. Entering Dry Bulb Multipliers					Heating Entering Air DB°F	Heating Capacity	Heating Input Watts
			65.6	70.6	75.6	80.6	85.6			
49.4	0.930	1.022	0.975	1.045	1.116	*	*	53.0	1.018	0.855
56.3	0.929	1.022	0.803	1.011	1.114	*	*	58.0	1.015	0.902
60.3	0.929	1.022	0.608	0.840	1.055	*	*	63.0	1.005	0.948
63.2	0.950	1.026	0.457	0.692	0.923	1.136	*	68.0	1.000	1.000
66.2	1.000	1.000		0.533	0.769	1.000	1.209	73.0	0.992	1.049
72.1	1.066	0.967			0.446	0.681	0.912	78.0	0.979	1.100
77.1	1.114	0.940				0.402	0.633	83.0	0.973	1.155

Note: * = Sensible equals total capacity

Table 135. Correction factors for variation in entering air temperature 1.5 tons, GEV018

Cooling Entering Air WB°F	Cooling Capacity	Cooling Input Watts	Sensible vs. Entering Dry Bulb Multipliers					Heating Entering Air DB°F	Heating Capacity	Heating Input Watts
			65.6	70.6	75.6	80.6	85.6			
49.4	0.943	1.019	1.012	1.076	1.141	*	*	53.0	1.020	0.858
56.3	0.943	1.019	0.818	1.048	1.140	*	*	58.0	1.014	0.903
60.3	0.942	1.019	0.606	0.845	1.081	*	*	63.0	1.008	0.951
63.2	0.963	1.013	0.447	0.688	0.926	1.159	*	68.0	1.000	1.000
66.2	1.000	1.000		0.521	0.762	1.000	1.230	73.0	0.994	1.054
72.1	1.070	0.972			0.427	0.666	0.903	78.0	0.985	1.107
77.1	1.117	0.943				0.374	0.614	83.0	0.981	1.163

Note: * = Sensible equals total capacity

Table 136. Correction factors for variation in entering air temperature 2 tons GEH024

Cooling Entering Air WB°F	Cooling Capacity	Cooling Input Watts	Sensible vs. Entering Dry Bulb Multipliers					Heating Entering Air DB°F	Heating Capacity	Heating Input Watts
			65.6	70.6	75.6	80.6	85.6			
49.4	0.925	1.007	1.020	1.088	1.156	*	*	53.0	1.023	0.857
56.3	0.926	1.008	0.811	1.040	1.158	*	*	58.0	1.015	0.904
60.3	0.930	1.007	0.607	0.841	1.073	*	*	63.0	1.005	0.948
63.2	0.965	1.004	0.451	0.690	0.924	1.159	*	68.0	1.000	1.000
66.2	1.000	1.000	—	0.526	0.765	1.000	1.236	73.0	0.989	1.047
72.1	1.082	0.999	—	—	0.430	0.676	0.916	78.0	0.980	1.099
77.1	1.153	1.008	—	—	—	0.383	0.630	83.0	0.972	1.152

Note: * = Sensible equals total capacity



Performance Data

Table 137. Correction factors for variation in entering air temperature 2 tons GEV024

Cooling Entering Air WB°F	Cooling Capacity	Cooling Input Watts	Sensible vs. Entering Dry Bulb Multipliers					Heating Entering Air DB°F	Heating Capacity	Heating Input Watts
			65.6	70.6	75.6	80.6	85.6			
49.4	0.929	1.007	1.007	1.075	1.143	*	*	53.0	1.025	0.863
56.3	0.930	1.007	0.806	1.035	1.144	*	*	58.0	1.017	0.908
60.3	0.931	1.006	0.600	0.836	1.070	*	*	63.0	1.009	0.953
63.2	0.963	1.005	0.445	0.684	0.920	1.157	*	68.0	1.000	1.000
66.2	1.000	1.000	—	0.523	0.761	1.000	1.236	73.0	0.992	1.051
72.1	1.081	1.001	—	—	0.431	0.674	0.913	78.0	0.982	1.101
77.1	1.153	1.008	—	—	—	0.387	0.632	83.0	0.973	1.154

Note: * = Sensible equals total capacity

Table 138. Correction factors for variation in entering air temperature 2.5 tons GEH030

Cooling Entering Air WB°F	Cooling Capacity	Cooling Input Watts	Sensible vs. Entering Dry Bulb Multipliers					Heating Entering Air DB°F	Heating Capacity	Heating Input Watts
			65.6	70.6	75.6	80.6	85.6			
49.4	0.924	1.009	0.994	1.060	1.129	*	*	53.0	1.026	0.864
56.3	0.925	1.009	0.805	1.022	1.129	*	*	58.0	1.022	0.912
60.3	0.926	1.009	0.618	0.839	1.058	*	*	63.0	1.012	0.956
63.2	0.958	1.006	0.479	0.702	0.922	1.141	*	68.0	1.000	1.000
66.2	1.000	1.000	—	0.553	0.775	1.000	1.220	73.0	0.991	1.051
72.1	1.090	0.989	—	—	0.480	0.706	0.928	78.0	0.981	1.101
77.1	1.166	0.984	—	—	—	0.446	0.672	83.0	0.972	1.154

Note: * = Sensible equals total capacity

Table 139. Correction factors for variation in entering air temperature 2.5 tons GEV030

Cooling Entering Air WB°F	Cooling Capacity	Cooling Input Watts	Sensible vs. Entering Dry Bulb Multipliers					Heating Entering Air DB°F	Heating Capacity	Heating Input Watts
			65.6	70.6	75.6	80.6	85.6			
49.4	0.922	1.009	0.992	1.061	1.131	*	*	53.0	1.030	0.868
56.3	0.924	1.009	0.800	1.013	1.132	*	*	58.0	1.021	0.911
60.3	0.926	1.009	0.612	0.837	1.055	*	*	63.0	1.010	0.954
63.2	0.956	1.008	0.467	0.694	0.922	1.138	*	68.0	1.000	1.000
66.2	1.000	1.000	—	0.545	0.775	1.000	1.214	73.0	0.988	1.049
72.1	1.095	0.991	—	—	0.467	0.697	0.925	78.0	0.982	1.101
77.1	1.174	0.984	—	—	—	0.425	0.663	83.0	0.970	1.151

Note: * = Sensible equals total capacity

Table 140. Correction factors for variation in entering air temperature 3 tons GEH035

Cooling Entering Air WB°F	Cooling Capacity	Cooling Input Watts	Sensible vs. Entering Dry Bulb Multipliers					Heating Entering Air DB°F	Heating Capacity	Heating Input Watts
			65.6	70.6	75.6	80.6	85.6			
49.4	0.723	1.011	*	*	*	*	53.0	1.024	0.828	49.4
56.3	0.830	1.005	0.813	0.939	*	*	58.0	1.016	0.883	56.3
60.3	0.896	1.002	0.656	0.861	1.075	*	63.0	1.008	0.940	60.3
63.2	0.946	1.001	0.487	0.751	1.058	1.135	68.0	1.000	1.000	63.2

Table 140. Correction factors for variation in entering air temperature 3 tons GEH035 (continued)

Cooling Entering Air WB°F	Cooling Capacity	Cooling Input Watts	Sensible vs. Entering Dry Bulb Multipliers					Heating Entering Air DB°F	Heating Capacity	Heating Input Watts
			65.6	70.6	75.6	80.6	85.6			
66.2	1.000	1.000	—		1.000	1.116	73.0	0.991	1.064	66.2
72.1	1.111	0.999	—	—	0.781	0.976	78.0	0.983	1.131	72.1
77.1	1.211	1.001	—	—	—	0.767	83.0	0.975	1.202	77.1

Note: * = Sensible equals total capacity

Table 141. Correction factors for variation in entering air temperature 3 tons GEV036

Cooling Entering Air WB°F	Cooling Capacity	Cooling Input Watts	Sensible vs. Entering Dry Bulb Multipliers					Heating Entering Air DB°F	Heating Capacity	Heating Input Watts
			65.6	70.6	75.6	80.6	85.6			
49.4	0.926	1.004	0.993	1.062	1.131	*	*	53.0	1.019	0.866
56.3	0.927	1.005	0.800	1.032	1.133	*	*	58.0	1.015	0.909
60.3	0.928	1.005	0.594	0.832	1.072	*	*	63.0	1.007	0.954
63.2	0.959	1.002	0.440	0.681	0.920	1.157	*	68.0	1.000	1.000
66.2	1.000	1.000	—	0.518	0.758	1.000	1.237	73.0	0.992	1.046
72.1	1.092	0.999	—	—	0.429	0.672	0.915	78.0	0.984	1.095
77.1	1.176	0.999	—	—	—	0.382	0.629	83.0	0.975	1.145

Note: * = Sensible equals total capacity

Table 142. Correction factors for variation in entering air temperature 3.5 tons GEH042

Cooling Entering Air WB°F	Cooling Capacity	Cooling Input Watts	Sensible vs. Entering Dry Bulb Multipliers					Heating Entering Air DB°F	Heating Capacity	Heating Input Watts
			65.6	70.6	75.6	80.6	85.6			
49.4	0.926	0.997	0.970	1.037	1.105	*	*	53.0	1.024	0.867
56.3	0.927	0.997	0.795	1.008	1.107	*	*	58.0	1.013	0.906
60.3	0.928	0.997	0.601	0.832	1.051	*	*	63.0	1.009	0.952
63.2	0.954	0.997	0.459	0.688	0.919	1.136	*	68.0	1.000	1.000
66.2	1.000	1.000	—	0.538	0.769	1.000	1.216	73.0	0.990	1.047
72.1	1.098	1.009	—	—	0.467	0.699	0.931	78.0	0.983	1.099
77.1	1.176	0.999	—	—	—	0.382	0.629	83.0	0.975	1.154

Note: * = Sensible equals total capacity

Table 143. Correction factors for variation in entering air temperature 3.5 tons GEV042

Cooling Entering Air WB°F	Cooling Capacity	Cooling Input Watts	Sensible vs. Entering Dry Bulb Multipliers					Heating Entering Air DB°F	Heating Capacity	Heating Input Watts
			65.6	70.6	75.6	80.6	85.6			
49.4	0.927	0.998	0.990	1.056	1.123	*	*	53.0	1.023	0.868
56.3	0.928	0.998	0.800	1.026	1.124	*	*	58.0	1.014	0.907
60.3	0.929	0.999	0.600	0.834	1.065	*	*	63.0	1.008	0.953
63.2	0.955	0.997	0.450	0.686	0.921	1.150	*	68.0	1.000	1.000
66.2	1.000	1.000	—	0.529	0.763	1.000	1.229	73.0	0.988	1.045
72.1	1.096	1.005	—	—	0.446	0.686	0.924	78.0	0.983	1.097
77.1	1.182	1.018	—	—	—	0.407	0.649	83.0	0.975	1.151

Note: * = Sensible equals total capacity



Performance Data

Table 144. Correction factors for variation in entering air temperature 4 tons GEH048

Cooling Entering Air WB°F	Cooling Capacity	Cooling Input Watts	Sensible vs. Entering Dry Bulb Multipliers					Heating Entering Air DB°F	Heating Capacity	Heating Input Watts
			65.6	70.6	75.6	80.6	85.6			
49.4	0.937	1.011	1.012	1.074	1.137	*	*	53.0	1.035	0.849
56.3	0.937	1.010	0.812	1.033	1.138	*	*	58.0	1.023	0.897
60.3	0.938	1.011	0.621	0.843	1.068	*	*	63.0	1.007	0.943
63.2	0.959	1.008	0.480	0.702	0.925	1.146	*	68.0	1.000	1.000
66.2	1.000	1.000	—	0.554	0.775	1.000	1.219	73.0	0.983	1.050
72.1	1.078	0.982	—	—	0.475	0.701	0.924	78.0	0.973	1.107
77.1	1.149	0.972	—	—	—	0.442	0.666	83.0	0.961	1.165

Note: * = Sensible equals total capacity

Table 145. Correction factors for variation in entering air temperature 4 tons GEV048

Cooling Entering Air WB°F	Cooling Capacity	Cooling Input Watts	Sensible vs. Entering Dry Bulb Multipliers					Heating Entering Air DB°F	Heating Capacity	Heating Input Watts
			65.6	70.6	75.6	80.6	85.6			
49.4	0.933	1.009	1.003	1.068	1.133	*	*	53.0	1.021	0.872
56.3	0.935	1.009	0.810	1.030	1.134	*	*	58.0	1.014	0.912
60.3	0.935	1.009	0.618	0.840	1.066	*	*	63.0	1.007	0.956
63.2	0.958	1.006	0.475	0.699	0.925	1.147	*	68.0	1.000	1.000
66.2	1.000	1.000	—	0.550	0.774	1.000	1.222	73.0	0.991	1.045
72.1	1.083	0.985	—	—	0.474	0.700	0.925	78.0	0.985	1.095
77.1	1.158	0.975	—	—	—	0.440	0.666	83.0	0.980	1.148

Note: * = Sensible equals total capacity

Table 146. Correction factors for variation in entering air temperature 5 tons GEH060

Cooling Entering Air WB°F	Cooling Capacity	Cooling Input Watts	Sensible vs. Entering Dry Bulb Multipliers					Heating Entering Air DB°F	Heating Capacity	Heating Input Watts
			65.6	70.6	75.6	80.6	85.6			
49.4	0.920	1.001	0.995	1.064	1.135	*	*	53.0	1.030	0.883
56.3	0.921	1.001	0.799	1.020	1.136	*	*	58.0	1.023	0.921
60.3	0.922	1.001	0.603	0.834	1.059	*	*	63.0	1.013	0.960
63.2	0.955	1.002	0.457	0.690	0.919	1.144	*	68.0	1.000	1.000
66.2	1.000	1.000		0.533	0.767	1.000	1.223	73.0	0.987	1.040
72.1	1.099	1.001			0.459	0.690	0.922	78.0	0.977	1.085
77.1	1.188	1.003				0.419	0.657	83.0	0.966	1.131

Note: * = Sensible equals total capacity

Table 147. Correction factors for variation in entering air temperature 5 tons GEV060

Cooling Entering Air WB°F	Cooling Capacity	Cooling Input Watts	Sensible vs. Entering Dry Bulb Multipliers					Heating Entering Air DB°F	Heating Capacity	Heating Input Watts
			65.6	70.6	75.6	80.6	85.6			
49.4	0.926	1.001	0.993	1.060	1.129	*	*	53.0	1.032	0.884
56.3	0.927	1.001	0.800	1.025	1.130	*	*	58.0	1.022	0.921
60.3	0.928	1.001	0.605	0.833	1.064	*	*	63.0	1.008	0.957
63.2	0.955	1.001	0.458	0.691	0.920	1.147	*	68.0	1.000	1.000

Table 147. Correction factors for variation in entering air temperature 5 tons GEV060 (continued)

Cooling Entering Air WB°F	Cooling Capacity	Cooling Input Watts	Sensible vs. Entering Dry Bulb Multipliers					Heating Entering Air DB°F	Heating Capacity	Heating Input Watts
			65.6	70.6	75.6	80.6	85.6			
66.2	1.000	1.000		0.533	0.765	1.000	1.225	73.0	0.985	1.039
72.1	1.092	0.998			0.457	0.689	0.923	78.0	0.976	1.084
77.1	1.174	1.000				0.418	0.654	83.0	0.965	1.130

Note: * = Sensible equals total capacity

Table 148. Correction factors for variation in entering air temperature 6 tons GEH072

Cooling Entering Air WB F	Cooling Capacity	Cooling Comp Power Watts	Sensible vs. Entering Dry Bulb Multipliers					Heating Entering Air DB F	Heating Capacity	Heating Comp Power Watts
			65.6	70.6	75.6	80.6	85.6			
44.5	0.926	0.982	0.951	1.020	1.092	*	*	43	1.048	0.703
49.4	0.926	0.982	0.952	1.021	1.093	*	*	48	1.038	0.760
56.3	0.927	0.982	0.798	0.997	1.094	*	*	53	1.028	0.817
60.3	0.928	0.983	0.619	0.835	1.049	*	*	58	1.018	0.879
63.2	0.953	0.989	0.492	0.705	0.922	1.140	*	63	1.009	0.938
66.2	1.000	1.000	—	0.573	0.789	1.000	1.208	68	1.000	1.000
72.1	1.114	1.020	—	—	0.518	0.731	0.945	73	0.989	1.065
77.1	1.214	1.029				0.496	0.713	78	0.980	1.134

Note: * = Sensible equals total capacity

Table 149. Correction factors for variation in entering air temperature 6 tons GEV072

Cooling Entering Air WB F	Cooling Capacity	Cooling Comp Power Watts	Sensible vs. Entering Dry Bulb Multipliers					Heating Entering Air DB F	Heating Capacity	Heating Comp Power Watts
			65.6	70.6	75.6	80.6	85.6			
44.5	0.949	0.983	1.005	1.068	1.131	*	*	43	1.063	0.692
49.4	0.950	0.983	1.005	1.068	1.132	*	*	48	1.047	0.748
56.3	0.951	0.983	0.813	1.040	1.134	*	*	53	1.035	0.808
60.3	0.951	0.984	0.623	0.843	1.070	*	*	58	1.023	0.869
63.2	0.962	0.989	0.481	0.702	0.924	1.154	*	63	1.012	0.934
66.2	1.000	1.000	—	0.553	0.775	1.000	1.233	68	1.000	1.000
72.1	1.083	1.019	—	—	0.477	0.700	0.922	73	0.989	1.068
77.1	1.154	1.030	—	—	—	0.437	0.658	78	0.976	1.143

Note: * = Sensible equals total capacity

Table 150. Correction factors for variation in entering air temperature 7.5 tons GEH090

Cooling Entering Air WB F	Cooling Capacity	Cooling Comp Power Watts	Sensible vs. Entering Dry Bulb Multipliers					Heating Entering Air DB F	Heating Capacity	Heating Comp Power Watts
			65.6	70.6	75.6	80.6	85.6			
44.5	0.934	0.977	0.963	1.027	1.094	*	*	43	1.056	0.728
49.4	0.934	0.977	0.963	1.028	1.094	*	*	48	1.043	0.779
56.3	0.935	0.978	0.801	1.002	1.095	*	*	53	1.033	0.831
60.3	0.938	0.979	0.612	0.835	1.045	*	*	58	1.022	0.887
63.2	0.957	0.987	0.477	0.698	0.921	1.124	*	63	1.012	0.943



Performance Data

Table 150. Correction factors for variation in entering air temperature 7.5 tons GEH090 (continued)

Cooling Entering Air WB F	Cooling Capacity	Cooling Comp Power Watts	Sensible vs. Entering Dry Bulb Multipliers					Heating Entering Air DB F	Heating Capacity	Heating Comp Power Watts
			65.6	70.6	75.6	80.6	85.6			
66.2	1.000	1.000	—	0.555	0.779	1.000	1.195	68	1.000	1.000
72.1	1.100	1.024	—	—	0.490	0.718	0.937	73	0.988	1.061
77.1	1.188	1.039	—	—	—	0.466	0.695	78	0.976	1.123

Note: * = Sensible equals total capacity

Table 151. Correction factors for variation in entering air temperature 7.5 tons GEV090

Cooling Entering Air WB F	Cooling Capacity	Cooling Comp Power Watts	Sensible vs. Entering Dry Bulb Multipliers					Heating Entering Air DB F	Heating Capacity	Heating Comp Power Watts
			65.6	70.6	75.6	80.6	85.6			
44.5	0.943	0.981	0.994	1.058	1.125	*	*	43	1.068	0.713
49.4	0.944	0.981	0.995	1.059	1.125	*	*	48	1.057	0.768
56.3	0.945	0.981	0.806	1.020	1.127	*	*	53	1.042	0.824
60.3	0.946	0.982	0.615	0.837	1.067	*	*	58	1.028	0.880
63.2	0.963	0.988	0.459	0.690	0.920	1.140	*	63	1.014	0.938
66.2	1.000	1.000	—	0.535	0.767	1.000	1.210	68	1.000	1.000
72.1	1.088	1.023	—	—	0.455	0.688	0.920	73	0.988	1.066
77.1	1.169	1.037	—	—	—	0.415	0.652	78	0.974	1.133

Notes: * = Sensible equals total capacity

Table 152. Correction factors for variation in entering air temperature 10 tons GEH120

Cooling Entering Air WB F	Cooling Capacity	Cooling Comp Power Watts	Sensible vs. Entering Dry Bulb Multipliers					Heating Entering Air DB F	Heating Capacity	Heating Comp Power Watts
			65.6	70.6	75.6	80.6	85.6			
44.5	0.937	0.987	0.966	1.029	1.094	*	*	43	1.119	0.748
49.4	0.937	0.987	0.967	1.029	1.095	*	*	48	1.088	0.794
56.3	0.938	0.987	0.803	1.005	1.096	*	*	53	1.065	0.843
60.3	0.939	0.987	0.618	0.838	1.047	*	*	58	1.041	0.893
63.2	0.954	0.992	0.479	0.702	0.922	1.130	*	63	1.021	0.946
66.2	1.000	1.000	—	0.557	0.780	1.000	1.202	68	1.000	1.000
72.1	1.096	1.016	—	—	0.489	0.714	0.937	73	0.967	1.049
77.1	1.184	1.028	—	—	—	0.461	0.687	78	0.940	1.103

Note: * = Sensible equals total capacity

Table 153. Correction factors for variation in entering air temperature 10 tons GEV120

Cooling Entering Air WB F	Cooling Capacity	Cooling Comp Power Watts	Sensible vs. Entering Dry Bulb Multipliers					Heating Entering Air DB F	Heating Capacity	Heating Comp Power Watts
			65.6	70.6	75.6	80.6	85.6			
44.5	0.943	0.997	1.007	1.073	1.140	*	*	43	1.077	0.718
49.4	0.944	0.997	1.008	1.073	1.141	*	*	48	1.057	0.769
56.3	0.945	0.997	0.803	1.041	1.142	*	*	53	1.042	0.824
60.3	0.946	0.997	0.594	0.834	1.077	*	*	58	1.030	0.881
63.2	0.962	0.997	0.439	0.679	0.920	1.164	*	63	1.015	0.941
66.2	1.000	1.000	—	0.515	0.756	1.000	1.245	68	1.000	1.000

Table 153. Correction factors for variation in entering air temperature 10 tons GEV120 (continued)

Cooling Entering Air WB F	Cooling Capacity	Cooling Comp Power Watts	Sensible vs. Entering Dry Bulb Multipliers					Heating Entering Air DB F	Heating Capacity	Heating Comp Power Watts
			65.6	70.6	75.6	80.6	85.6			
72.1	1.088	1.004	—	—	0.430	0.672	0.913	73	0.985	1.062
77.1	1.169	1.010	—	—	—	0.385	0.630	78	0.970	1.126

Note: * = Sensible equals total capacity

Table 154. Correction factors for variation in entering air temperature 12.5 tons GEH150

Cooling Entering Air WB F	Cooling Capacity	Cooling Comp Power Watts	Sensible vs. Entering Dry Bulb Multipliers					Heating Entering Air DB F	Heating Capacity	Heating Comp Power Watts
			65.6	70.6	75.6	80.6	85.6			
44.5	0.934	0.994	0.991	1.053	1.117	*	*	43	1.050	0.748
49.4	0.935	0.994	0.991	1.054	1.118	*	*	48	1.040	0.793
56.3	0.936	0.995	0.810	1.031	1.119	*	*	53	1.030	0.840
60.3	0.936	0.995	0.621	0.842	1.064	*	*	58	1.020	0.891
63.2	0.957	0.996	0.476	0.701	0.924	1.148	1.252	63	1.010	0.945
66.2	1.000	1.000	—	0.553	0.778	1.000	1.225	68	1.000	1.000
72.1	1.098	1.009	—	—	0.480	0.704	0.929	73	0.990	1.060
77.1	1.189	1.016	—	—	—	0.442	0.673	78	0.980	1.124

Note: * = Sensible equals total capacity

Table 155. Correction factors for variation in entering air temperature 12.5 tons GEV150

Cooling Entering Air WB F	Cooling Capacity	Cooling Comp Power Watts	Sensible vs. Entering Dry Bulb Multipliers					Heating Entering Air DB F	Heating Capacity	Heating Comp Power Watts
			65.6	70.6	75.6	80.6	85.6			
44.5	0.936	0.994	1.018	1.081	1.147	*	*	43	1.056	0.763
49.4	0.937	0.994	1.018	1.214	1.147	*	*	48	1.047	0.807
56.3	0.938	0.994	0.809	1.047	1.149	*	*	53	1.035	0.851
60.3	0.938	0.994	0.603	0.841	1.077	*	*	58	1.023	0.897
63.2	0.961	0.996	0.449	0.683	0.924	1.162	*	63	1.015	0.951
66.2	1.000	1.000	—	0.522	0.758	1.000	1.240	68	1.000	1.000
72.1	1.088	1.008	—	—	0.431	0.672	0.908	73	0.987	1.054
77.1	1.171	1.015	—	—	—	0.383	0.625	78	0.975	1.111

Note: * = Sensible equals total capacity

Table 156. Correction factors for variation in entering air temperature 15 tons GEH180

Cooling Entering Air WB F	Cooling Capacity	Cooling Comp Power Watts	Sensible vs. Entering Dry Bulb Multipliers					Heating Entering Air DB F	Heating Capacity	Heating Comp Power Watts
			65.6	70.6	75.6	80.6	85.6			
44.5	0.940	0.985	1.004	1.067	1.132	*	*	43	1.052	0.783
49.4	0.941	0.985	1.005	1.068	1.133	*	*	48	1.041	0.821
56.3	0.942	0.986	0.808	1.038	1.135	*	*	53	1.032	0.862
60.3	0.943	0.986	0.607	0.839	1.072	*	*	58	1.021	0.907
63.2	0.962	0.991	0.461	0.689	0.923	1.158	*	63	1.011	0.953
66.2	1.000	1.000	—	0.536	0.766	1.000	1.238	68	1.000	1.000
72.1	1.094	1.022	—	—	0.457	0.687	0.922	73	0.986	1.051



Performance Data

Table 156. Correction factors for variation in entering air temperature 15 tons GEH180 (continued)

Cooling Entering Air WB F	Cooling Capacity	Cooling Comp Power Watts	Sensible vs. Entering Dry Bulb Multipliers					Heating Entering Air DB F	Heating Capacity	Heating Comp Power Watts
			65.6	70.6	75.6	80.6	85.6			
77.1	1.185	1.038	—	—	—	0.419	0.648	78	0.972	1.103

Note: * = Sensible equals total capacity

Table 157. Correction factors for variation in entering air temperature 15 tons GEV180

Cooling Entering Air WB F	Cooling Capacity	Cooling Comp Power Watts	Sensible vs. Entering Dry Bulb Multipliers					Heating Entering Air DB F	Heating Capacity	Heating Comp Power Watts
			65.6	70.6	75.6	80.6	85.6			
44.5	0.938	0.995	1.041	1.105	1.172	*	*	48	1.052	0.783
49.4	0.938	0.995	1.041	1.105	1.173	*	*	53	1.043	0.822
56.3	0.939	0.995	0.814	1.055	1.176	*	*	58	1.033	0.865
60.3	0.940	0.995	0.601	0.841	1.087	*	*	63	1.025	0.908
63.2	0.965	0.994	0.444	0.683	0.923	1.174	*	68	1.011	0.951
66.2	1.000	1.000	—	0.517	0.758	1.000	1.253	73	1.000	1.000
72.1	1.095	1.004	—	—	0.423	0.677	0.903	78	0.987	1.049
77.1	1.174	1.010	—	—	—	0.377	0.643	83	0.975	1.102

Note: * = Sensible equals total capacity

Table 158. Correction factors for variation in entering air temperature 20 tons GEV240

Cooling Entering Air WB F	Cooling Capacity	Cooling Comp Power Watts	Sensible vs. Entering Dry Bulb Multipliers					Heating Entering Air DB F	Heating Capacity	Heating Comp Power Watts
			65.6	70.6	75.6	80.6	85.6			
44.5	0.941	0.991	0.996	1.059	1.124	*	*	43	1.059	0.769
49.4	0.942	0.991	0.997	1.060	1.125	*	*	48	1.047	0.811
56.3	0.943	0.991	0.805	1.036	1.126	*	*	53	1.036	0.856
60.3	0.943	0.991	0.610	0.838	1.068	*	*	58	1.024	0.903
63.2	0.958	0.993	0.468	0.690	0.922	1.155	*	63	1.012	0.950
66.2	1.000	1.000	—	0.549	0.770	1.000	1.234	68	1.000	1.000
72.1	1.102	1.019	—	—	0.459	0.702	0.927	73	0.988	1.055
77.1	1.188	1.032	—	—	—	0.423	0.674	78	0.977	1.112

Note: * = Sensible equals total capacity

Table 159. Correction factors for variation in entering air temperature 25 tons GEV300

Cooling Entering Air WB F	Cooling Capacity	Cooling Comp Power Watts	Sensible vs. Entering Dry Bulb Multipliers					Heating Entering Air DB F	Heating Capacity	Heating Comp Power Watts
			65.6	70.6	75.6	80.6	85.6			
44.5	0.939	0.993	1.014	1.075	1.137	*	*	43	1.059	0.775
49.4	0.940	0.993	1.015	1.076	1.138	*	*	48	1.048	0.816
56.3	0.941	0.992	0.812	1.047	1.139	*	*	53	1.035	0.857
60.3	0.942	0.993	0.606	0.841	1.077	*	*	58	1.023	0.901
63.2	0.962	0.994	0.457	0.688	0.923	1.161	*	63	1.011	0.949
66.2	1.000	1.000	—	0.532	0.764	1.000	1.237	68	1.000	1.000
72.1	1.093	1.012	—	—	0.452	0.687	0.919	73	0.988	1.053

Table 159. Correction factors for variation in entering air temperature 25 tons GEV300 (continued)

Cooling Entering Air WB F	Cooling Capacity	Cooling Comp Power Watts	Sensible vs. Entering Dry Bulb Multipliers					Heating Entering Air DB F	Heating Capacity	Heating Comp Power Watts
			65.6	70.6	75.6	80.6	85.6			
77.1	1.177	1.024	—	—	—	0.421	0.653	78	0.977	1.109

Note: * = Sensible equals total capacity



Unit Fan Performance

Table 160. Fan performance for standard static motor (includes wet coils and 1" filter)

Model Number		Max	Min cfm	External Static Pressure (in. of wg)										
				0	0.05	0.1	0.15	0.2	0.25	0.3	0.35	0.4	0.45	0.5
GEH/GEV006	High	258		—	—	—	—	—	—	—	—	—	—	258
GEH/GEV006	Med			—	—	—	—	—	—	—	266	253	239	222
GEH/GEV006	Low		172	—	—	—	—	—	263	249	235	222	208	191
GEH/GEV009	High	342		—	—	—	—	345	330	316	302	289	275	258
GEH/GEV009	Med			—	356	341	325	309	294	280	266	253	239	222
GEH/GEV009	Low		228	342	325	310	294	278	263	249	235	222	—	—
GEH/GEV012	High	456		—	—	—	—	—	—	—	—	—	—	—
GEH/GEV012	Med			—	—	—	—	—	459	451	447	446	446	443
GEH/GEV012	Low		304	—	—	464	453	441	431	423	419	418	418	415
GEH/GEV015	High	550		550	537	526	515	503	493	485	481	480	480	477
GEH/GEV015	Med			516	503	492	481	469	459	451	447	446	446	443
GEH/GEV015	Low		380	488	475	464	453	441	431	423	419	418	418	415
GEH/GEV018	High	684		—	—	688	675	664	649	633	612	587	560	522
GEH/GEV018	Med			657	652	644	633	621	605	587	568	543	512	475
GEH/GEV018	Low		456	632	624	615	604	592	578	561	540	513	481	431
GEH/GEV024	High	912		—	—	—	—	—	922	903	883	860	833	802
GEH/GEV024	Med			915	901	891	879	866	851	835	819	801	779	751
GEH/GEV024	Low		608	827	819	806	793	780	769	756	741	723	701	674
GEH/GEV030	High	1009		1009	988	971	955	939	922	903	883	860	833	802
GEH/GEV030	Med			915	901	891	879	866	851	835	819	801	779	751
GEH/GEV030	Low		720	827	819	806	793	780	769	756	741	723	701	—
GEH035/GEV036	High	1368		—	—	—	—	—	1381	1366	1351	1334	1315	1295
GEH035/GEV036	Med			1221	1218	1216	1211	1206	1199	1190	1181	1170	1159	1146
GEH035/GEV036	Low		912	1099	1094	1090	1087	1083	1079	1075	1069	1062	1052	1040
GEH/GEV042	High	1436		1436	1427	1417	1406	1394	1381	1366	1351	1334	1315	1295
GEH/GEV042	Med			1221	1218	1216	1211	1206	1199	1190	1181	1170	1159	1146
GEH/GEV042	Low		1064	1099	1094	1090	1087	1083	1079	1075	1069	1062	—	—
GEH/GEV048	High	1824		1850	1786	1732	1686	1646	1608	1572	1536	1499	1459	1417
GEH/GEV048	Med			1783	1724	1675	1632	1595	1560	1526	1491	1455	1417	1376
GEH/GEV048	Low		1216	1687	1639	1598	1562	1530	1499	1467	1434	1399	1362	1321
GEH/GEV060	High	2226		2266	2246	2221	2194	2165	2133	2099	2063	2024	1984	1943
GEH/GEV060	Med			2056	2036	2011	1984	1955	1923	1889	1853	1814	1774	1733
GEH/GEV060	Low		1520	1883	1863	1838	1811	1782	1750	1716	1680	1641	1601	1560

Unit Fan Performance

Table 160. Fan performance for standard static motor (includes wet coils and 1" filter) (continued)

Model Number		Max cfm	Min cfm	External Static Pressure (in. of wg)										
				0.55	0.6	0.65	0.7	0.75	0.8	0.85	0.9	0.95	1	1.05
GEH/GEV006	High	258		236	205	161	—	—	—	—	—	—	—	—
GEH/GEV006	Med			200	169	—	—	—	—	—	—	—	—	—
GEH/GEV006	Low		172	169	—	—	—	—	—	—	—	—	—	—
GEH/GEV009	High	342		236	205	—	—	—	—	—	—	—	—	—
GEH/GEV009	Med			—	—	—	—	—	—	—	—	—	—	—
GEH/GEV009	Low		228	—	—	—	—	—	—	—	—	—	—	—
GEH/GEV012	High	456		462	424	347	211	—	—	—	—	—	—	—
GEH/GEV012	Med			428	390	313	177	—	—	—	—	—	—	—
GEH/GEV012	Low		304	400	362	285	—	—	—	—	—	—	—	—
GEH/GEV015	High	550		462	424	347	—	—	—	—	—	—	—	—
GEH/GEV015	Med			428	390	313	—	—	—	—	—	—	—	—
GEH/GEV015	Low		380	400	362	—	—	—	—	—	—	—	—	—
GEH/GEV018	High	684		457	427	—	—	—	—	—	—	—	—	—
GEH/GEV018	Med			429	—	—	—	—	—	—	—	—	—	—
GEH/GEV018	Low		456	—	—	—	—	—	—	—	—	—	—	—
GEH/GEV024	High	912		766	723	675	623	572	—	—	—	—	—	—
GEH/GEV024	Med			715	670	621	577	—	—	—	—	—	—	—
GEH/GEV024	Low		608	642	605	—	—	—	—	—	—	—	—	—
GEH/GEV030	High	1009		766	723	675	—	—	—	—	—	—	—	—
GEH/GEV030	Med			715	—	—	—	—	—	—	—	—	—	—
GEH/GEV030	Low		720	—	—	—	—	—	—	—	—	—	—	—
GEH035/GEV036	High	1368		1272	1247	1219	1187	1152	1112	1068	1018	963	901	—
GEH035/GEV036	Med			1132	1116	1096	1073	1044	1010	969	922	867	—	—
GEH035/GEV036	Low		912	1025	1007	985	958	927	890	—	—	—	—	—
GEH/GEV042	High	1436		1272	1247	1219	1187	1152	1112	1068	1018	—	—	—
GEH/GEV042	Med			1132	1116	1096	1073	1044	—	—	—	—	—	—
GEH/GEV042	Low		1064	—	—	—	—	—	—	—	—	—	—	—
GEH/GEV048	High	1824		1371	1323	1272	1216	—	—	—	—	—	—	—
GEH/GEV048	Med			1332	1285	1216	—	—	—	—	—	—	—	—
GEH/GEV048	Low		1216	1278	1216	—	—	—	—	—	—	—	—	—
GEH/GEV060	High	2226		1899	1854	1808	1761	1712	1664	1615	1566	1517	—	—
GEH/GEV060	Med			1689	1644	1598	1551	1502	—	—	—	—	—	—
GEH/GEV060	Low		1520	1516	—	—	—	—	—	—	—	—	—	—

Table 161. Fan performance for high static motor (includes wet coil and 1" filter)

Model Number		Max cfm	Min cfm	External Static Pressure (in. of wg)										
				0	0.05	0.1	0.15	0.2	0.25	0.3	0.35	0.4	0.45	0.5
GEH/GEV006	High	258		—	—	—	—	—	—	—	—	—	—	—
GEH/GEV006	Med			—	—	—	—	—	—	—	—	—	—	258
GEH/GEV006	Low		172	—	—	—	—	—	—	—	266	253	239	222
GEH/GEV009	High	342		—	—	—	—	—	—	—	345	332	318	301
GEH/GEV009	Med			—	—	—	—	345	330	316	302	289	275	258
GEH/GEV009	Low		228	—	356	341	325	309	294	280	266	253	239	222



Unit Fan Performance

Table 161. Fan performance for high static motor (includes wet coil and 1" filter) (continued)

Model Number		Max	Min	External Static Pressure (in. of wg)										
GEH/GEV012	High	456		—	—	—	—	—	—	—	—	—	—	—
GEH/GEV012	Med			—	—	—	—	—	—	—	—	—	—	—
GEH/GEV012	Low		304	—	—	—	—	—	459	451	447	446	446	443
GEH/GEV015	High	570		—	—	552	541	529	519	511	507	506	506	503
GEH/GEV015	Med			550	537	526	515	503	493	485	481	480	480	477
GEH/GEV015	Low		380	516	503	492	481	469	459	451	447	446	446	443
GEH/GEV018	High	684		—	—	—	—	—	—	—	—	—	—	—
GEH/GEV018	Med			—	—	—	—	—	—	—	—	—	—	705
GEH/GEV018	Low		456	—	—	—	—	—	—	—	—	—	708	668
GEH/GEV024	High	912		—	—	—	—	—	—	—	—	935	906	875
GEH/GEV024	Med			—	—	—	—	—	922	903	883	860	833	802
GEH/GEV024	Low		608	915	901	891	879	866	851	835	819	801	779	751
GEH/GEV030	High	1080		—	1097	1074	1053	1033	1011	988	962	935	906	875
GEH/GEV030	Med			1009	988	971	955	939	922	903	883	860	833	802
GEH/GEV030	Low		720	915	901	891	879	866	851	835	819	801	779	751
GEH035/GEV036	High	1368		—	—	—	—	—	—	—	—	—	—	—
GEH035/GEV036	Med			—	—	—	—	—	1381	1366	1351	1334	1315	1295
GEH035/GEV036	Low		912	1221	1218	1216	1211	1206	1199	1190	1181	1170	1159	1146
GEH/GEV042	High	1596		—	1605	1585	1566	1548	1531	1512	1493	1472	1449	1424
GEH/GEV042	Med			1436	1427	1417	1406	1394	1381	1366	1351	1334	1315	1295
GEH/GEV042	Low		1064	1221	1218	1216	1211	1206	1199	1190	1181	1170	1159	1146
GEH/GEV048	High	1824		—	—	—	—	—	—	—	—	—	—	—
GEH/GEV048	Med			—	—	—	—	—	—	—	—	—	—	—
GEH/GEV048	Low		1216	—	—	—	—	—	—	—	1853	1814	1774	1733
GEH/GEV060	High	2280		—	—	2291	2264	2235	2203	2169	2133	2094	2054	2013
GEH/GEV060	Med			2266	2246	2221	2194	2165	2133	2099	2063	2024	1984	1943
GEH/GEV060	Low		1520	2056	2036	2011	1984	1955	1923	1889	1853	1814	1774	1733

Unit Fan Performance

Table 161. Fan performance for high static motor (includes wet coil and 1" filter) (continued)

Model Number		Max cfm	Min cfm	External Static Pressure (in. of wg)										
				0.55	0.6	0.65	0.7	0.75	0.8	0.85	0.9	0.95	1	1.05
GEH/GEV006	High	258		279	248	204	143	—	—	—	—	—	—	—
GEH/GEV006	Med			236	205	161	100	—	—	—	—	—	—	—
GEH/GEV006	Low		172	200	169	125	—	—	—	—	—	—	—	—
GEH/GEV009	High	342		279	248	204	—	—	—	—	—	—	—	—
GEH/GEV009	Med			236	205	—	—	—	—	—	—	—	—	—
GEH/GEV009	Low		228	—	—	—	—	—	—	—	—	—	—	—
GEH/GEV012	High	456		488	450	373	237	—	—	—	—	—	—	—
GEH/GEV012	Med			462	424	347	211	—	—	—	—	—	—	—
GEH/GEV012	Low		304	428	390	313	177	—	—	—	—	—	—	—
GEH/GEV015	High	570		488	450	373	237	—	—	—	—	—	—	—
GEH/GEV015	Med			462	424	347	—	—	—	—	—	—	—	—
GEH/GEV015	Low		380	428	390	313	—	—	—	—	—	—	—	—
GEH/GEV018	High	684		725	676	623	566	503	431	—	—	—	—	—
GEH/GEV018	Med			657	608	556	504	450	—	—	—	—	—	—
GEH/GEV018	Low		456	626	580	533	483	431	—	—	—	—	—	—
GEH/GEV024	High	912		841	802	755	695	615	504	—	—	—	—	—
GEH/GEV024	Med			766	723	675	623	572	—	—	—	—	—	—
GEH/GEV024	Low		608	715	670	621	577	—	—	—	—	—	—	—
GEH/GEV030	High	1080		841	802	755	695	—	—	—	—	—	—	—
GEH/GEV030	Med			766	723	675	—	—	—	—	—	—	—	—
GEH/GEV030	Low		720	715	—	—	—	—	—	—	—	—	—	—
GEH035/GEV036	High	1368		1396	1364	1329	1291	1249	1203	1154	1100	1042	979	—
GEH035/GEV036	Med			1272	1247	1219	1187	1152	1112	1068	1018	963	901	—
GEH035/GEV036	Low		912	1132	1116	1096	1073	1044	1010	969	922	867	—	—
GEH/GEV042	High	1596		1396	1364	1329	1291	1249	1203	1154	1100	1042	—	—
GEH/GEV042	Med			1272	1247	1219	1187	1152	1112	1068	1018	—	—	—
GEH/GEV042	Low		1064	1132	1116	1096	1073	1044	—	—	—	—	—	—
GEH/GEV048	High	1824		—	—	—	1831	1782	1734	1684	1636	1587	1540	—
GEH/GEV048	Med			—	1854	1808	1761	1712	1664	1615	1566	1517	1470	—
GEH/GEV048	Low		1216	1689	1644	1598	1551	1502	1454	1405	1356	1307	1260	—
GEH/GEV060	High	2280		1969	1924	1878	1831	1782	1734	1684	1636	1587	1540	—
GEH/GEV060	Med			1899	1854	1808	1761	1712	1664	1615	1566	1517	—	—
GEH/GEV060	Low		1520	1689	1644	1598	1551	1502	—	—	—	—	—	—

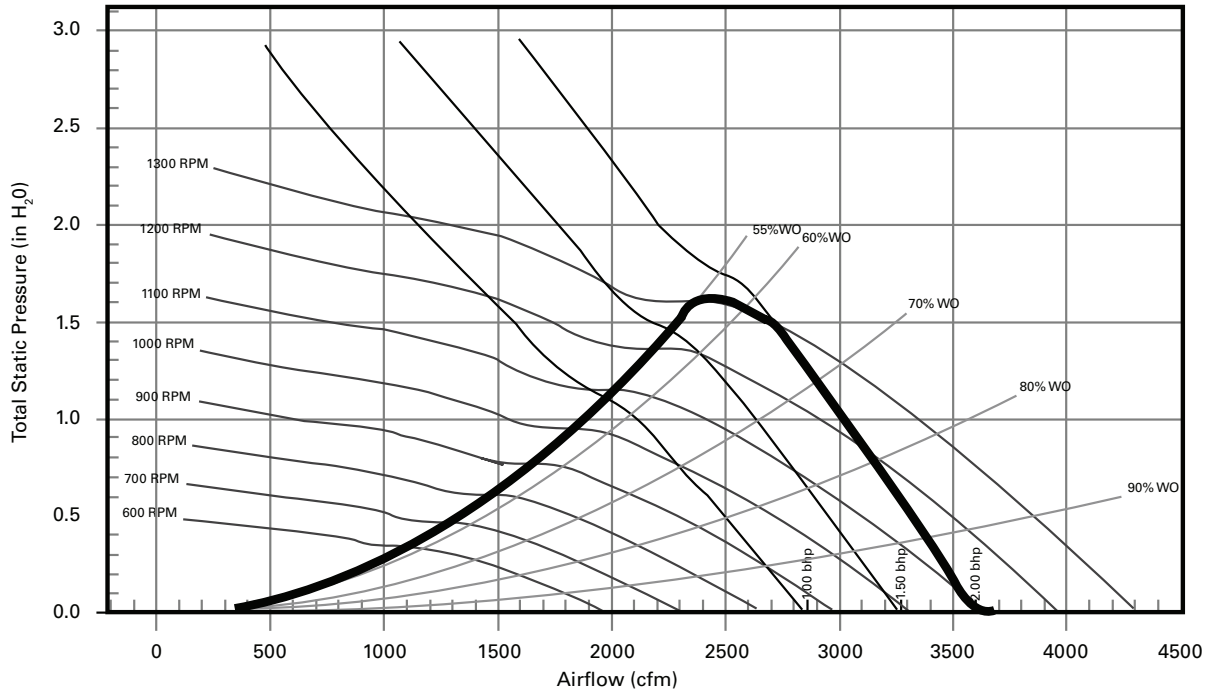
Table 162. Fan performance for high static motor (includes wet coil and 1" filter)

Model Number		Max cfm	Min cfm	External Static Pressure (in. of wg)							
				1.1	1.15	1.2	1.25	1.3	1.35	1.4	
GEH/GEV048	High	1824		1448	1404	1362	1321	1281	1242	1201	
GEH/GEV048	Med			1378	1334	1292	1251	1211	—	—	
GEH/GEV048	Low		1216	—	—	—	—	—	—	—	



Unit Fan Performance

Figure 12. Fan performance curve 6 tons GEH072(a)



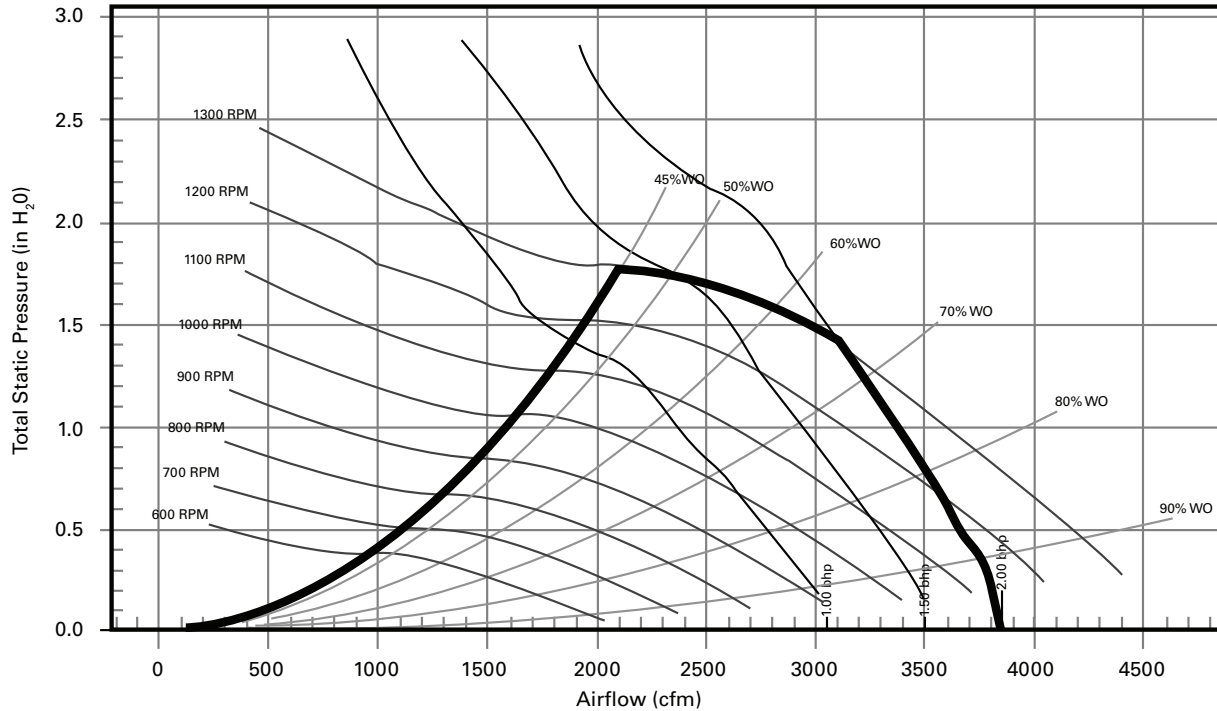
(a) Includes wet coil, no filter

Table 163. Fan performance 6 tons GEH072 (includes wet coil, no filter)

Std Airflow CFM	Unit External Static Pressure inches W.G. (Wet Coil, No Drive Loss Included & No Return Air Filter)													
	0.1		0.2		0.3		0.4		0.5		0.6		0.7	
	RPM	BHP	RPM	BHP	RPM	BHP	RPM	BHP	RPM	BHP	RPM	BHP	RPM	BHP
1920	632(a)	0.35(a)	682(a)	0.40(a)	729(a)	0.46(a)	774(a)	0.51(a)	818(a)	0.57(a)	860(a)	0.62(a)	901(a)	0.68(a)
2160	699(a)	0.49(a)	745(a)	0.55(a)	787(a)	0.60(a)	829(a)	0.66(a)	869(a)	0.72(a)	907(a)	0.79(a)	945(b)	0.85(b)
2400	767(a)	0.66(a)	808(a)	0.72(a)	848(a)	0.78(a)	886(a)	0.85(a)	923(a)	0.91(a)	959(b)	0.98(b)	994(c)	1.05(c)
2640	836(a)	0.86(a)	874(a)	0.93(a)	911(a)	1.00(a)	946(c)	1.07(c)	980(c)	1.14(c)	1014(c)	1.21(c)	1047(c)	1.28(c)
2880	905(c)	1.10(c)	940(c)	1.17(c)	974(c)	1.25(c)	1008(c)	1.33(c)	1039(c)	1.40(c)	1071(c)	1.48(c)	1102(d)	1.56(d)
Std Airflow CFM	Unit External Static Pressure inches W.G. (Wet Coil, No Drive Loss Included & No Return Air Filter)													
	0.8		0.9		1.0		1.1		1.2		1.3			
	RPM	BHP	RPM	BHP	RPM	BHP	RPM	BHP	RPM	BHP	RPM	BHP		
1920	941(b)	0.74(b)	979(b)	0.80(b)	1027(b)	0.89(b)	1077(b)	0.98(b)	1120(c)	1.06(c)	1159(c)	1.14(c)		
2160	982(b)	0.91(b)	1018(b)	0.98(b)	1053(c)	1.05(c)	1087(c)	1.12(c)	1122(c)	1.19(c)	1171(c)	1.30(c)		
2400	1029(c)	1.12(c)	1062(c)	1.19(c)	1095(c)	1.26(c)	1128(c)	1.33(c)	1159(c)	1.41(c)	1191(c)	1.49(c)		
2640	1078(c)	1.36(c)	1111(c)	1.44(c)	1142(d)	1.51(d)	1171(d)	1.59(d)	1202(d)	1.67(d)	1231(d)	1.75(d)		
2880	1132(d)	1.64(d)	1161(d)	1.72(d)	1191(d)	1.80(d)	1220(d)	1.89(d)	1248(d)	1.97(d)	—	—		

Digit 12 - Drive Package		
Legend	single speed motor	two speed motor
(a)	A	1
(b)	B	2
(c)	C	3
(d)	D	4

Figure 13. Fan performance curve (top supply) 6 tons GEV072(a)



(a) Includes wet coil, no filter

Table 164. Fan performance (top supply) 6 tons GEV072 (includes wet coil, no filter)

Std Airflow CFM	Unit External Static Pressure inches W.G. (Wet Coil, No Drive Loss Included & No Return Air Filter)													
	0.1		0.2		0.3		0.4		0.5		0.6		0.7	
	RPM	BHP	RPM	BHP	RPM	BHP	RPM	BHP	RPM	BHP	RPM	BHP	RPM	BHP
1920	595(a)	0.27(a)	649(a)	0.32(a)	698(a)	0.36(a)	744(a)	0.40(a)	788(a)	0.45(a)	830(a)	0.50(a)	871(a)	0.55(a)
2160	655(a)	0.37(a)	705(a)	0.42(a)	751(a)	0.47(a)	794(a)	0.52(a)	835(a)	0.57(a)	874(a)	0.63(a)	912(b)	0.68(b)
2400	717(a)	0.50(a)	763(a)	0.56(a)	806(a)	0.61(a)	846(a)	0.67(a)	884(a)	0.72(a)	921(b)	0.78(b)	957(b)	0.83(b)
2640	780(a)	0.65(a)	822(a)	0.71(a)	862(a)	0.78(a)	900(b)	0.84(b)	937(b)	0.90(b)	971(b)	0.96(b)	1005(c)	1.02(c)
2880	844(a)	0.84(a)	882(a)	0.90(a)	920(b)	0.97(b)	956(c)	1.04(c)	990(c)	1.10(c)	1023(c)	1.17(c)	1055(c)	1.23(c)

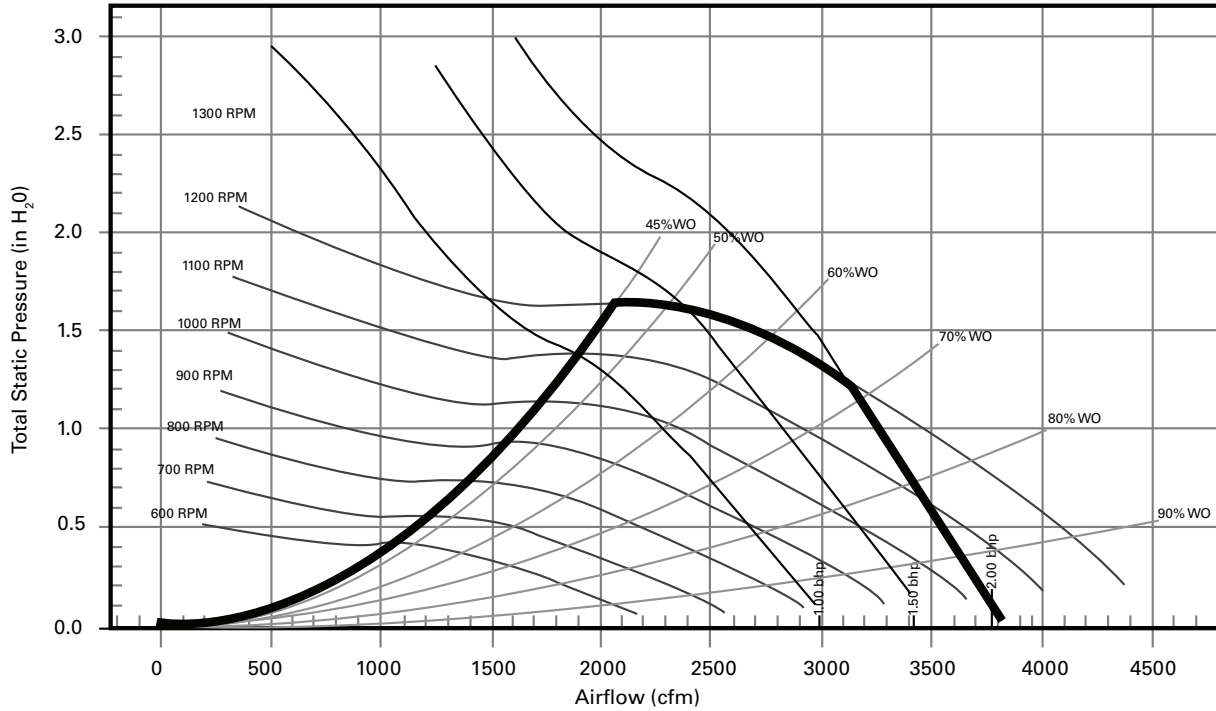
Std Airflow CFM	Unit External Static Pressure inches W.G. (Wet Coil, No Drive Loss Included & No Return Air Filter)											
	0.8		0.9		1.0		1.1		1.2		1.3	
	RPM	BHP	RPM	BHP	RPM	BHP	RPM	BHP	RPM	BHP	RPM	BHP
1920	912(b)	0.60(b)	953(b)	0.65(b)	993(b)	0.70(b)	1034(b)	0.76(b)	1072(b)	0.84(b)	1111(b)	0.92(b)
2160	949(b)	0.74(b)	985(b)	0.79(b)	1021(b)	0.85(b)	1058(b)	0.90(b)	1094(b)	0.95(b)	1129(c)	1.02(c)
2400	991(b)	0.89(b)	1024(b)	0.96(b)	1057(c)	1.02(c)	1091(c)	1.08(c)	1123(c)	1.14(c)	1157(c)	1.20(c)
2640	1038(c)	1.08(c)	1069(c)	1.15(c)	1100(c)	1.21(c)	1130(c)	1.28(c)	1161(c)	1.35(c)	1191(c)	1.42(c)
2880	1086(c)	1.30(c)	1116(c)	1.36(c)	1145(c)	1.43(c)	1175(d)	1.51(d)	1203(d)	1.58(d)	1231(d)	1.66(d)

Digit 12 - Drive Package		
Legend	single speed motor	two speed motor
(a)	A	1
(b)	B	2
(c)	C	3
(d)	D	4



Unit Fan Performance

Figure 14. Fan performance curve (front/back supply) 6 tons GEV072^(a)



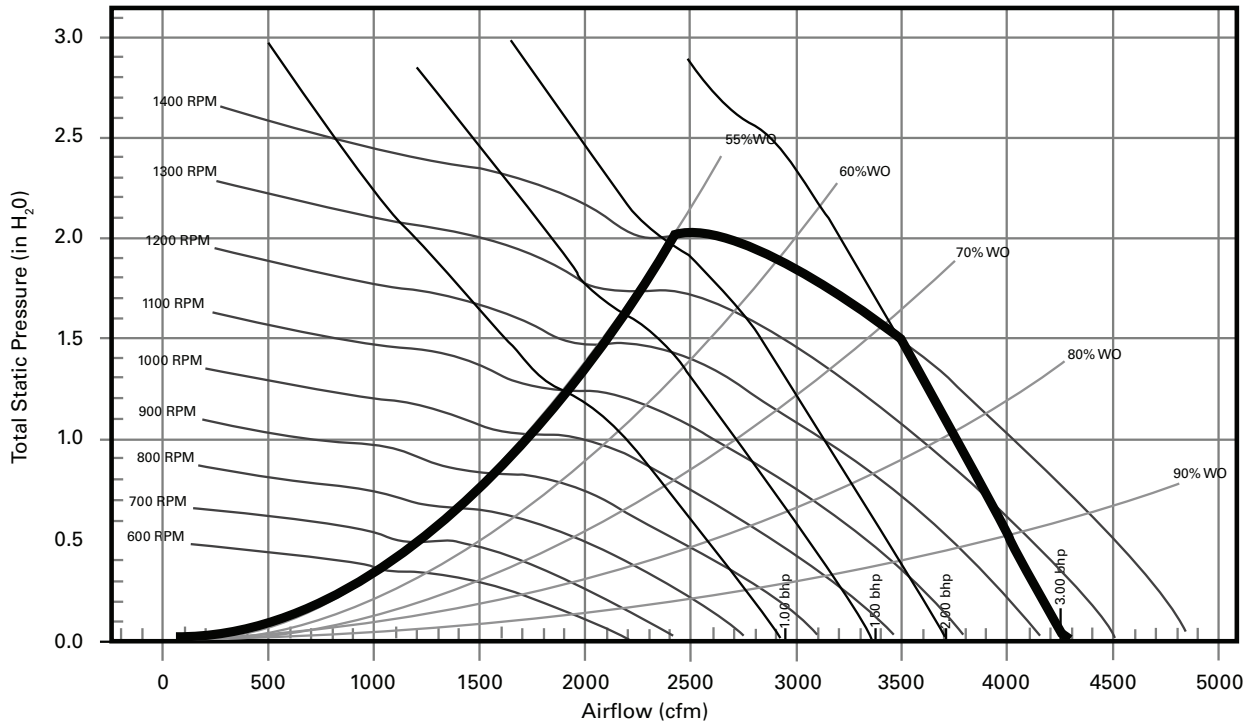
(a) Includes wet coil, no filter

Table 165. Fan performance (front/back supply) 6 tons GEV072 (includes wet coil, no filter)

Std Airflow CFM	Unit External Static Pressure inches W.G. (Wet Coil, No Drive Loss Included & No Return Air Filter)													
	0.1		0.2		0.3		0.4		0.5		0.6		0.7	
	RPM	BHP	RPM	BHP	RPM	BHP	RPM	BHP	RPM	BHP	RPM	BHP	RPM	BHP
1920	559(a)	0.30(a)	611(a)	0.34(a)	660(a)	0.39(a)	706(a)	0.44(a)	749(a)	0.48(a)	790(a)	0.53(a)	831(a)	0.59(a)
2160	616(a)	0.41(a)	663(a)	0.46(a)	708(a)	0.51(a)	751(a)	0.56(a)	792(a)	0.62(a)	830(a)	0.67(a)	867(a)	0.73(a)
2400	674(a)	0.55(a)	717(a)	0.60(a)	759(a)	0.66(a)	799(a)	0.72(a)	837(a)	0.78(a)	873(a)	0.84(a)	909(b)	0.90(b)
2640	733(a)	0.71(a)	773(a)	0.78(a)	811(a)	0.84(a)	849(a)	0.90(a)	884(a)	0.97(a)	919(c)	1.03(c)	953(c)	1.10(c)
2880	793(a)	0.91(a)	830(a)	0.98(a)	865(c)	1.05(c)	900(c)	1.12(c)	934(c)	1.19(c)	966(c)	1.26(c)	998(c)	1.33(c)
Std Airflow CFM	Unit External Static Pressure inches W.G. (Wet Coil, No Drive Loss Included & No Return Air Filter)													
	0.8		0.9		1.0		1.1		1.2		1.3			
	RPM	BHP	RPM	BHP	RPM	BHP	RPM	BHP	RPM	BHP	RPM	BHP	RPM	BHP
1920	869(a)	0.64(a)	907(b)	0.70(b)	947(b)	0.76(b)	988(b)	0.83(b)	1030(b)	0.90(b)	1068(b)	0.97(b)		
2160	904(b)	0.78(b)	939(b)	0.84(b)	974(b)	0.91(b)	1008(b)	0.97(b)	1042(c)	1.04(c)	1079(c)	1.11(c)		
2400	943(b)	0.96(b)	975(c)	1.02(c)	1007(c)	1.08(c)	1040(c)	1.15(c)	1071(c)	1.22(c)	1102(c)	1.29(c)		
2640	985(c)	1.16(c)	1016(c)	1.23(c)	1046(c)	1.29(c)	1076(c)	1.36(c)	1106(c)	1.43(c)	1135(d)	1.51(d)		
2880	1029(c)	1.40(c)	1060(c)	1.47(c)	1088(d)	1.54(d)	1116(d)	1.61(d)	1144(d)	1.69(d)	1172(d)	1.77(d)		

Digit 12 - Drive Package		
Legend	single speed motor	two speed motor
(a)	A	1
(b)	B	2
(c)	C	3
(d)	D	4

Figure 15. Fan performance curve 7.5 tons GEH090(a)



(a) Includes wet coil, no filter

Table 166. Fan performance 7.5 tons GEH090 (includes wet coil, no filter)

Std Airflow CFM	Unit External Static Pressure inches W.G. (Wet Coil, No Drive Loss Included & No Return Air Filter)															
	0.1		0.2		0.3		0.4		0.5		0.6		0.7		0.8	
	RPM	BHP	RPM	BHP	RPM	BHP	RPM	BHP	RPM	BHP	RPM	BHP	RPM	BHP	RPM	BHP
2400	727(a)	0.59(a)	769(a)	0.65(a)	810(a)	0.72(a)	849(a)	0.78(a)	886(a)	0.84(a)	923(a)	0.90(a)	958(a)	0.96(a)	993(c)	1.03(c)
2700	809(a)	0.82(a)	845(a)	0.89(a)	883(a)	0.96(a)	919(b)	1.03(b)	953(b)	1.10(b)	986(c)	1.17(c)	1018(c)	1.24(c)	1051(c)	1.31(c)
3000	891(b)	1.11(b)	924(b)	1.19(b)	957(b)	1.26(b)	991(c)	1.34(c)	1023(c)	1.42(c)	1053(c)	1.50(c)	1083(d)	1.57(d)	1113(d)	1.65(d)
3300	975(b)	1.47(b)	1003(d)	1.54(d)	1033(d)	1.63(d)	1064(d)	1.71(d)	1095(d)	1.80(d)	1124(d)	1.89(d)	1152(d)	1.97(d)	1179(e)	2.06(e)
3600	1059(d)	1.89(d)	1084(d)	1.97(d)	1111(e)	2.06(e)	1140(e)	2.15(e)	1168(e)	2.25(e)	1196(e)	2.35(e)	1222(e)	2.44(e)	1248(e)	2.53(e)

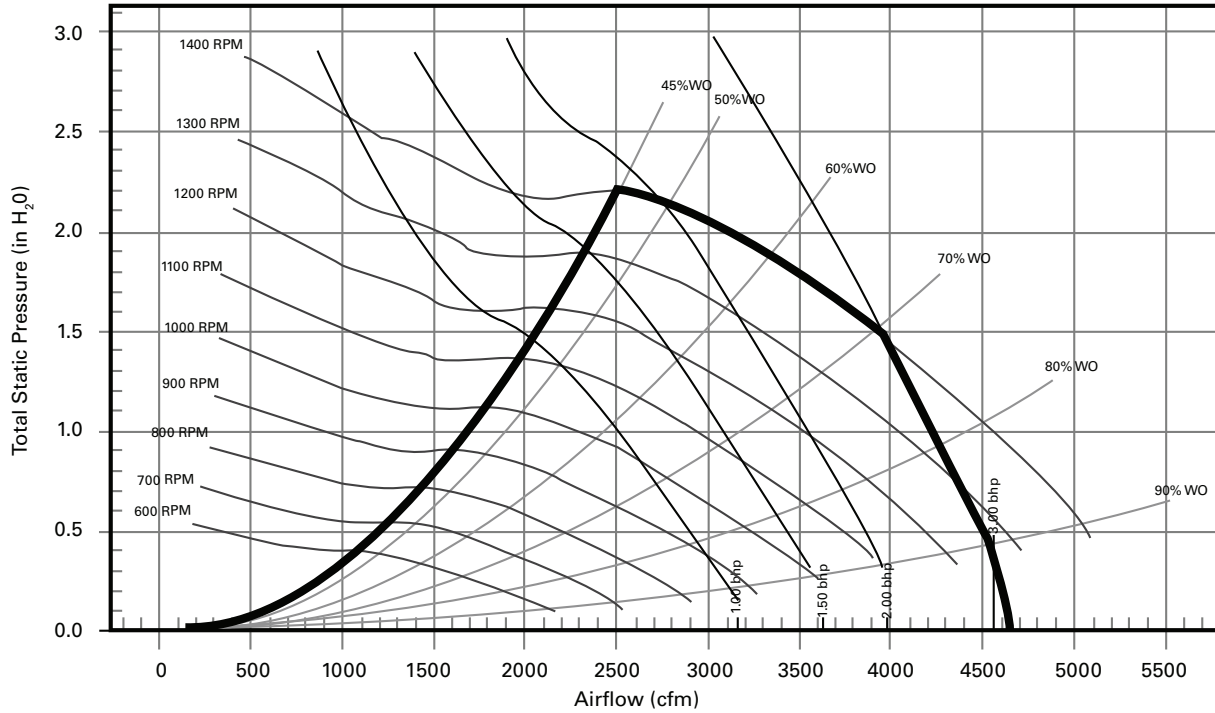
Std Airflow CFM	Unit External Static Pressure inches W.G. (Wet Coil, No Drive Loss Included & No Return Air Filter)													
	0.9		1.0		1.1		1.2		1.3		1.4		1.5	
	RPM	BHP	RPM	BHP	RPM	BHP	RPM	BHP	RPM	BHP	RPM	BHP	RPM	BHP
2400	1026(c)	1.09(c)	1059(c)	1.16(c)	1091(c)	1.23(c)	1123(c)	1.30(c)	1154(c)	1.37(c)	1185(c)	1.45(c)	1217(d)	1.53(d)
2700	1082(c)	1.38(c)	1113(c)	1.45(c)	1143(d)	1.53(d)	1172(d)	1.60(d)	1202(d)	1.68(d)	1230(d)	1.76(d)	1257(d)	1.83(d)
3000	1143(d)	1.73(d)	1171(d)	1.81(d)	1199(d)	1.89(d)	1228(d)	1.97(d)	1255(e)	2.05(e)	1281(e)	2.13(e)	1308(e)	2.21(e)
3300	1206(e)	2.14(e)	1233(e)	2.22(e)	1259(e)	2.31(e)	1286(e)	2.40(e)	1312(e)	2.49(e)	1337(e)	2.57(e)	1362(e)	2.66(e)
3600	1273(e)	2.62(e)	1298(e)	2.71(e)	1323(e)	2.81(e)	1348(e)	2.90(e)	1372(e)	2.99(e)	—	—	—	—

Digit 12 - Drive Package		
Legend	single speed motor	two speed motor
(a)	A	1
(b)	B	2
(c)	C	3
(d)	D	4
(e)	E	5



Unit Fan Performance

Figure 16. Fan performance curve (top supply) 7.5 tons GEV090(a)



(a) Includes wet coil, no filter

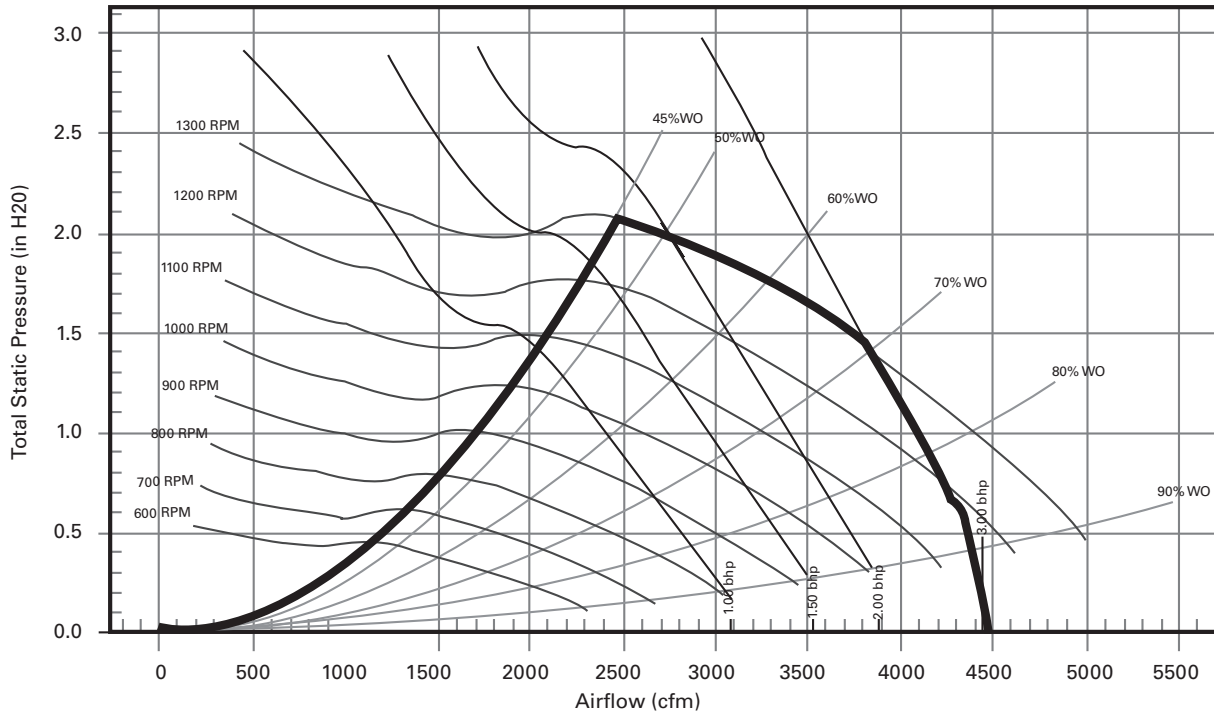
Table 167. Fan performance (top supply) 7.5 tons GEV090 (includes wet coil, no filter)

Std Airflow CFM	Unit External Static Pressure inches W.G. (Wet Coil, No Drive Loss Included & No Return Air Filter)															
	0.1		0.2		0.3		0.4		0.5		0.6		0.7		0.8	
	RPM	BHP	RPM	BHP	RPM	BHP	RPM	BHP	RPM	BHP	RPM	BHP	RPM	BHP	RPM	BHP
2400	655(a)	0.44(a)	703(a)	0.49(a)	748(a)	0.54(a)	790(a)	0.59(a)	830(a)	0.64(a)	868(b)	0.70(b)	905(b)	0.75(b)	941(b)	0.81(b)
2700	725(a)	0.61(a)	768(a)	0.66(a)	809(a)	0.72(a)	849(b)	0.78(b)	886(b)	0.84(b)	922(b)	0.90(b)	957(b)	0.96(b)	990(c)	1.02(c)
3000	797(a)	0.82(a)	836(a)	0.88(a)	873(b)	0.94(b)	910(c)	1.01(c)	945(c)	1.07(c)	979(c)	1.14(c)	1012(c)	1.20(c)	1043(d)	1.27(d)
3300	869(c)	1.07(c)	904(c)	1.14(c)	939(c)	1.21(c)	973(c)	1.28(c)	1006(c)	1.35(c)	1039(c)	1.43(c)	1069(d)	1.50(d)	1099(e)	1.57(e)
3600	942(c)	1.38(c)	974(c)	1.45(c)	1007(e)	1.53(e)	1038(e)	1.61(e)	1069(e)	1.68(e)	1099(e)	1.76(e)	1129(e)	1.84(e)	1157(e)	1.92(e)

Std Airflow CFM	Unit External Static Pressure inches W.G. (Wet Coil, No Drive Loss Included & No Return Air Filter)													
	0.9		1.0		1.1		1.2		1.3		1.4		1.5	
	RPM	BHP	RPM	BHP	RPM	BHP	RPM	BHP	RPM	BHP	RPM	BHP	RPM	BHP
2400	977(b)	0.86(b)	1012(b)	0.92(b)	1045(b)	0.98(b)	1078(d)	1.04(d)	1111(d)	1.11(d)	1144(d)	1.17(d)	1177(d)	1.24(d)
2700	1023(c)	1.08(c)	1055(d)	1.14(d)	1087(d)	1.21(d)	1118(d)	1.27(d)	1147(d)	1.34(d)	1178(d)	1.41(d)	1207(d)	1.47(d)
3000	1074(d)	1.33(d)	1104(d)	1.40(d)	1133(d)	1.47(d)	1162(e)	1.54(e)	1191(e)	1.61(e)	1219(e)	1.68(e)	1246(e)	1.76(e)
3300	1128(e)	1.64(e)	1157(e)	1.71(e)	1184(e)	1.79(e)	1211(e)	1.86(e)	1238(e)	1.94(e)	1265(f)	2.01(f)	1291(f)	2.09(f)
3600	1185(e)	1.99(e)	1212(f)	2.07(f)	1239(f)	2.15(f)	1264(f)	2.23(f)	1290(f)	2.31(f)	1315(f)	2.39(f)	1340(f)	2.48(f)

Legend	Digit 12 - Drive Package	
	single speed motor	two speed motor
(a)	A	1
(b)	B	2
(c)	C	3
(d)	D	4
(e)	E	5
(f)	F	6

Figure 17. Fan performance curve (front/back supply) 7.5 tons GEV090(a)



(a) Includes wet coil, no filter

Table 168. Fan performance (front/back supply) 7.5 tons GEV090 (includes wet coil, no filter)

Std Airflow CFM	Unit External Static Pressure inches W.G. (Wet Coil, No Drive Loss Included & No Return Air Filter)															
	0.1		0.2		0.3		0.4		0.5		0.6		0.7		0.8	
	RPM	BHP	RPM	BHP	RPM	BHP	RPM	BHP	RPM	BHP	RPM	BHP	RPM	BHP	RPM	BHP
2400	620(a)	0.47(a)	666(a)	0.53(a)	709(a)	0.58(a)	750(a)	0.64(a)	790(a)	0.70(a)	828(a)	0.76(a)	864(a)	0.82(a)	900(a)	0.88(a)
2700	687(a)	0.66(a)	728(a)	0.72(a)	767(a)	0.78(a)	805(a)	0.84(a)	842(a)	0.91(a)	877(a)	0.97(a)	912(c)	1.04(c)	945(c)	1.11(c)
3000	754(a)	0.88(a)	792(a)	0.95(a)	828(b)	1.02(b)	863(b)	1.09(b)	897(b)	1.16(b)	930(c)	1.23(c)	962(c)	1.31(c)	993(c)	1.38(c)
3300	822(b)	1.16(b)	857(b)	1.24(b)	890(b)	1.31(b)	922(c)	1.39(c)	954(c)	1.46(c)	984(d)	1.54(d)	1015(d)	1.62(d)	1044(d)	1.70(d)
3600	891(b)	1.49(b)	922(d)	1.57(d)	954(d)	1.66(d)	984(d)	1.74(d)	1013(d)	1.82(d)	1042(d)	1.90(d)	1070(d)	1.98(d)	1098(e)	2.07(e)

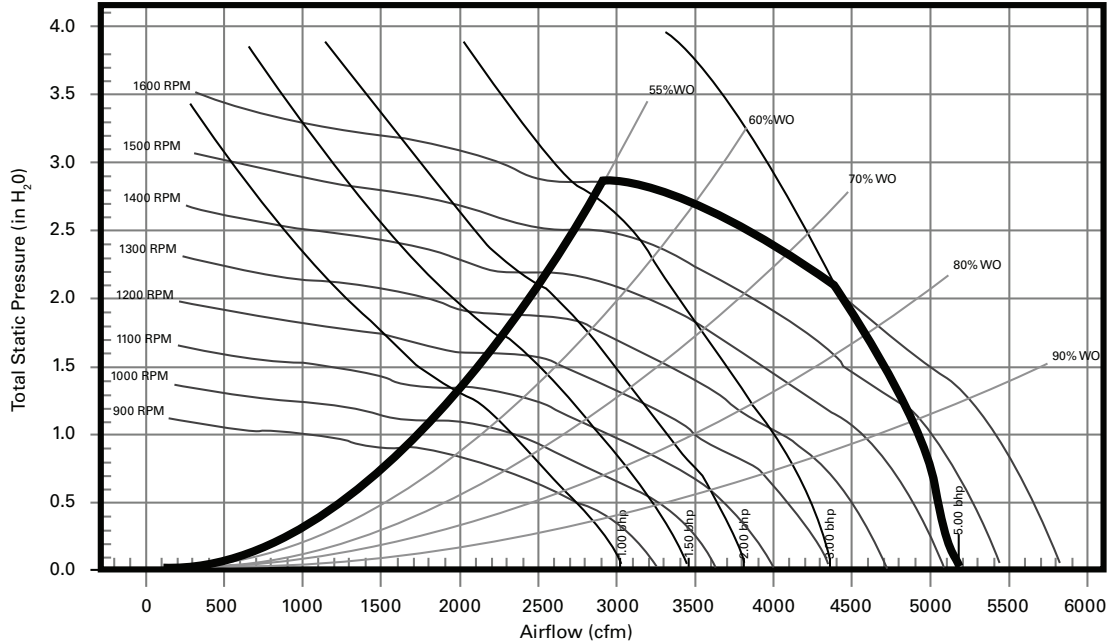
Std Airflow CFM	Unit External Static Pressure inches W.G. (Wet Coil, No Drive Loss Included & No Return Air Filter)															
	0.9		1.0		1.1		1.2		1.3		1.4		1.5			
	RPM	BHP	RPM	BHP	RPM	BHP	RPM	BHP	RPM	BHP	RPM	BHP	RPM	BHP		
2400	934(a)	0.95(a)	966(c)	1.01(c)	999(c)	1.07(c)	1031(c)	1.13(c)	1063(c)	1.19(c)	1093(c)	1.25(c)	1124(c)	1.31(c)		
2700	977(c)	1.18(c)	1008(c)	1.25(c)	1039(c)	1.32(c)	1068(c)	1.39(c)	1098(c)	1.46(c)	1126(d)	1.53(d)	1154(d)	1.59(d)		
3000	1024(c)	1.46(c)	1053(d)	1.53(d)	1083(d)	1.61(d)	1111(d)	1.69(d)	1138(d)	1.77(d)	1166(d)	1.84(d)	1192(d)	1.92(d)		
3300	1074(d)	1.78(d)	1102(d)	1.86(d)	1129(d)	1.95(d)	1156(e)	2.03(e)	1182(e)	2.12(e)	1208(e)	2.20(e)	1233(e)	2.28(e)		
3600	1125(e)	2.16(e)	1152(e)	2.25(e)	1178(e)	2.34(e)	1204(e)	2.43(e)	1230(e)	2.52(e)	1255(e)	2.61(e)	1279(e)	2.70(e)		

Legend	Digit 12 - Drive Package	
	single speed motor	two speed motor
(a)	A	1
(b)	B	2
(c)	C	3
(d)	D	4
(e)	E	5



Unit Fan Performance

Figure 18. Fan performance curve 10 tons GEH120(a)



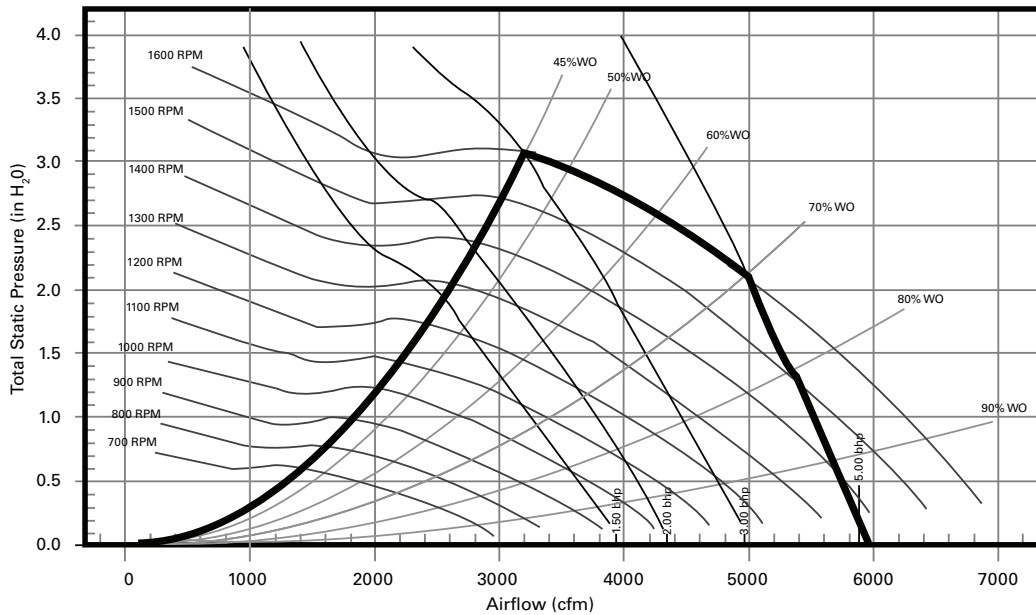
(a) Includes wet coil, no filter

Table 169. Fan performance 10 tons GEH120 (includes wet coil, no filter)

Std Airflow CFM	Unit External Static Pressure inches W.G. (Wet Coil, No Drive Loss Included & No Return Air Filter)															
	0.1		0.2		0.3		0.4		0.5		0.6		0.7		0.8	
	RPM	BHP	RPM	BHP	RPM	BHP	RPM	BHP	RPM	BHP	RPM	BHP	RPM	BHP	RPM	BHP
3200	897(a)	1.23(a)	916(a)	1.27(a)	935(a)	1.31(a)	958(a)	1.36(a)	987(a)	1.43(a)	1018(b)	1.51(b)	1051(b)	1.60(b)	1081(b)	1.68(b)
3600	1005(b)	1.74(b)	1022(b)	1.78(b)	1038(b)	1.83(b)	1055(b)	1.87(b)	1076(b)	1.94(b)	1102(c)	2.01(c)	1129(c)	2.10(c)	1158(c)	2.20(c)
4000	1114(c)	2.37(c)	1128(c)	2.42(c)	1143(c)	2.47(c)	1158(c)	2.52(c)	1173(c)	2.57(c)	1192(c)	2.64(c)	1214(c)	2.72(c)	1238(c)	2.82(c)
4400	1222(e)	3.15(e)	1235(e)	3.20(e)	1249(e)	3.26(e)	1262(e)	3.31(e)	1276(e)	3.37(e)	1290(e)	3.42(e)	1306(e)	3.49(e)	1326(e)	3.58(e)
4800	1331(f)	4.08(f)	1343(f)	4.14(f)	1355(f)	4.19(f)	1367(f)	4.25(f)	1380(f)	4.31(f)	1392(f)	4.37(f)	1405(f)	4.43(f)	1419(f)	4.50(f)
Std Airflow CFM	Unit External Static Pressure inches W.G. (Wet Coil, No Drive Loss Included & No Return Air Filter)															
	0.9		1.0		1.1		1.2		1.3		1.4		1.5		1.6	
	RPM	BHP	RPM	BHP	RPM	BHP	RPM	BHP	RPM	BHP	RPM	BHP	RPM	BHP	RPM	BHP
3200	1109(b)	1.76(b)	1138(b)	1.84(b)	1164(b)	1.92(b)	1192(c)	2.01(c)	1219(c)	2.09(c)	1246(c)	2.17(c)	1272(c)	2.25(c)	1298(c)	2.34(c)
3600	1186(c)	2.29(c)	1213(c)	2.39(c)	1239(c)	2.48(c)	1264(c)	2.57(c)	1288(c)	2.65(c)	1312(c)	2.74(c)	1336(f)	2.83(f)	1361(f)	2.93(f)
4000	1264(c)	2.92(c)	1289(e)	3.02(e)	1315(f)	3.13(f)	1340(f)	3.24(f)	1363(f)	3.34(f)	1385(f)	3.43(f)	1408(f)	3.54(f)	1429(f)	3.63(f)
4400	1347(e)	3.68(e)	1369(f)	3.78(f)	1392(f)	3.90(f)	1416(f)	4.02(f)	1440(f)	4.13(f)	1463(f)	4.25(f)	1484(f)	4.36(f)	1505(f)	4.47(f)
4800	1437(e)	4.60(e)	1455(f)	4.70(f)	1475(f)	4.81(f)	1496(f)	4.93(f)	—	—	—	—	—	—	—	—
Std Airflow CFM	Unit External Static Pressure inches W.G. (Wet Coil, No Drive Loss Included & No Return Air Filter)															
	1.7		1.8		1.9		2.0									
	RPM	BHP	RPM	BHP	RPM	BHP	RPM	BHP								
3200	1323(d)	2.42(d)	1349(d)	2.51(d)	1374(d)	2.60(d)	1398(d)	2.68(d)								
3600	1384(f)	3.02(f)	1408(f)	3.12(f)	1431(f)	3.21(f)	1454(f)	3.30(f)								
4000	1452(f)	3.74(f)	1474(f)	3.84(f)	1496(f)	3.94(f)	1517(f)	4.04(f)								
4400	1526(f)	4.58(f)	1546(f)	4.69(f)	1565(f)	4.80(f)	1586(f)	4.91(f)								
4800	—	—	—	—	—	—	—	—								

Digit 12 - Drive Package		
Legend	single speed motor	two speed motor
(a)	A	1
(b)	B	2
(c)	C	3
(d)	D	4
(e)	E	5
(f)	F	6

Figure 19. Fan performance curve (top supply) 10 tons GEV120(a)



(a) Includes wet coil, no filter

Table 170. Fan performance (top supply) 10 tons GEV120 (includes wet coil, no filter)

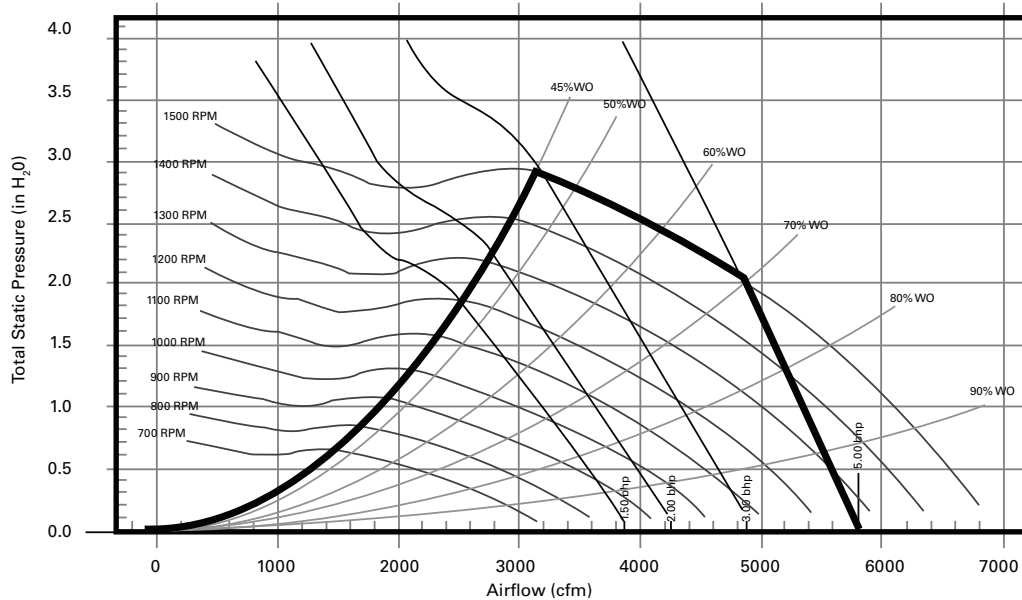
Std Airflow CFM	Unit External Static Pressure inches W.G. (Wet Coil, No Drive Loss Included & No Return Air Filter)															
	0.1		0.2		0.3		0.4		0.5		0.6		0.7		0.8	
	RPM	BHP	RPM	BHP	RPM	BHP	RPM	BHP	RPM	BHP	RPM	BHP	RPM	BHP	RPM	BHP
3200	759(a)	0.83(a)	797(a)	0.89(a)	833(a)	0.95(a)	868(a)	1.01(a)	903(a)	1.08(a)	937(a)	1.16(a)	970(a)	1.22(a)	1003(a)	1.29(a)
3600	845(a)	1.16(a)	878(a)	1.23(a)	912(a)	1.30(a)	944(a)	1.36(a)	975(a)	1.44(a)	1006(b)	1.51(b)	1036(c)	1.59(c)	1066(c)	1.68(c)
4000	932(b)	1.58(b)	962(b)	1.66(b)	992(b)	1.73(b)	1021(b)	1.80(b)	1050(b)	1.87(b)	1079(b)	1.95(b)	1106(d)	2.04(d)	1134(d)	2.13(d)
4400	1019(d)	2.08(d)	1046(d)	2.17(d)	1074(d)	2.25(d)	1101(d)	2.33(d)	1128(d)	2.41(d)	1154(d)	2.49(d)	1180(d)	2.58(d)	1205(d)	2.67(d)
4800	1108(d)	2.69(d)	1132(d)	2.78(d)	1157(d)	2.87(d)	1182(d)	2.96(d)	1207(f)	3.05(f)	1232(f)	3.14(f)	1256(f)	3.22(f)	1279(f)	3.31(f)
Std Airflow CFM	Unit External Static Pressure inches W.G. (Wet Coil, No Drive Loss Included & No Return Air Filter)															
	0.9		1.0		1.1		1.2		1.3		1.4		1.5		1.6	
	RPM	BHP	RPM	BHP	RPM	BHP	RPM	BHP	RPM	BHP	RPM	BHP	RPM	BHP	RPM	BHP
3200	1035(a)	1.35(a)	1065(a)	1.42(a)	1095(a)	1.49(a)	1124(c)	1.56(c)	1153(c)	1.63(c)	1181(c)	1.70(c)	1208(c)	1.77(c)	1234(c)	1.84(c)
3600	1096(c)	1.75(c)	1125(c)	1.82(c)	1154(c)	1.89(c)	1181(c)	1.97(c)	1207(d)	2.04(d)	1234(d)	2.13(d)	1260(d)	2.21(d)	1285(d)	2.29(d)
4000	1161(d)	2.22(d)	1188(d)	2.32(d)	1215(d)	2.40(d)	1241(d)	2.47(d)	1266(d)	2.55(d)	1293(d)	2.63(d)	1316(d)	2.71(d)	1341(e)	2.81(e)
4400	1230(d)	2.76(d)	1255(d)	2.87(d)	1280(d)	2.97(d)	1304(f)	3.07(f)	1329(f)	3.16(f)	1353(g)	3.25(g)	1376(g)	3.33(g)	1399(g)	3.41(g)
4800	1303(f)	3.41(f)	1326(f)	3.51(f)	1349(f)	3.62(f)	1371(g)	3.73(g)	1394(g)	3.85(g)	1417(g)	3.96(g)	1439(g)	4.06(g)	1461(g)	4.16(g)
Std Airflow CFM	Unit External Static Pressure inches W.G. (Wet Coil, No Drive Loss Included & No Return Air Filter)															
	1.7		1.8		1.9		2.0									
	RPM	BHP	RPM	BHP	RPM	BHP	RPM	BHP								
3200	1261(c)	1.91(c)	1286(c)	1.98(c)	1313(d)	2.06(d)	1336(e)	2.13(e)								
3600	1310(d)	2.37(d)	1335(d)	2.45(d)	1359(e)	2.52(e)	1382(e)	2.60(e)								
4000	1365(e)	2.90(e)	1387(e)	2.99(e)	1411(g)	3.08(g)	1434(g)	3.16(g)								
4400	1422(g)	3.50(g)	1445(g)	3.60(g)	1467(g)	3.69(g)	1488(g)	3.79(g)								
4800	1483(g)	4.25(g)	1505(g)	4.34(g)	1525(g)	4.43(g)	1547(g)	4.52(g)								

Digit 12 - Drive Package		
Legend	single speed motor	two speed motor
(a)	A	1
(b)	B	2
(c)	C	3
(d)	D	4
(e)	E	5
(f)	F	6
(g)	G	7



Unit Fan Performance

Figure 20. Fan performance curve (front/back supply) 10 tons GEV120(a)



(a) Includes wet coil, no filter

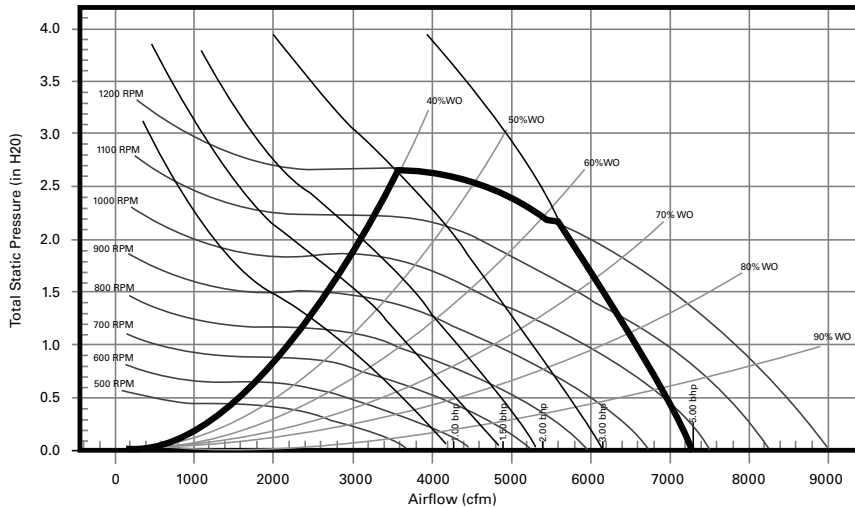
Table 171. Fan performance (front/back supply) 10 tons GEV120 (includes wet coil, no filter)

Std Airflow CFM	Unit External Static Pressure inches W.G. (Wet Coil, No Drive Loss Included & No Return Air Filter)															
	0.1		0.2		0.3		0.4		0.5		0.6		0.7		0.8	
	RPM	BHP	RPM	BHP	RPM	BHP	RPM	BHP	RPM	BHP	RPM	BHP	RPM	BHP	RPM	BHP
3200	727(a)	0.90(a)	761(a)	0.96(a)	794(a)	1.03(a)	829(a)	1.10(a)	863(a)	1.17(a)	896(a)	1.24(a)	929(a)	1.31(a)	962(a)	1.38(a)
3600	809(a)	1.26(a)	840(a)	1.33(a)	870(a)	1.41(a)	900(a)	1.48(a)	931(b)	1.56(b)	961(b)	1.64(b)	991(b)	1.71(b)	1021(c)	1.79(c)
4000	893(b)	1.71(b)	920(b)	1.79(b)	947(b)	1.87(b)	974(b)	1.96(b)	1001(d)	2.04(d)	1029(d)	2.12(d)	1057(d)	2.21(d)	1084(d)	2.30(d)
4400	977(d)	2.25(d)	1002(d)	2.34(d)	1027(d)	2.44(d)	1051(d)	2.53(d)	1076(d)	2.62(d)	1100(d)	2.71(d)	1126(d)	2.80(d)	1151(d)	2.90(d)
4800	1061(d)	2.91(d)	1084(f)	3.01(f)	1107(f)	3.11(f)	1130(f)	3.21(f)	1152(f)	3.30(f)	1175(f)	3.40(f)	1198(f)	3.51(f)	1220(f)	3.61(f)
Std Airflow CFM	Unit External Static Pressure inches W.G. (Wet Coil, No Drive Loss Included & No Return Air Filter)															
	0.9		1.0		1.1		1.2		1.3		1.4		1.5		1.6	
	RPM	BHP	RPM	BHP	RPM	BHP	RPM	BHP	RPM	BHP	RPM	BHP	RPM	BHP	RPM	BHP
3200	993(a)	1.45(a)	1023(c)	1.52(c)	1053(c)	1.60(c)	1081(c)	1.67(c)	1109(c)	1.74(c)	1136(c)	1.81(c)	1162(c)	1.88(c)	1189(c)	1.96(c)
3600	1049(c)	1.87(c)	1078(c)	1.95(c)	1106(d)	2.03(d)	1133(d)	2.11(d)	1160(d)	2.20(d)	1187(d)	2.28(d)	1212(d)	2.36(d)	1237(d)	2.44(d)
4000	1111(d)	2.38(d)	1138(d)	2.47(d)	1163(d)	2.56(d)	1190(d)	2.65(d)	1214(d)	2.74(d)	1239(d)	2.83(d)	1264(e)	2.92(e)	1288(e)	3.01(e)
4400	1176(d)	2.99(d)	1201(f)	3.09(f)	1225(f)	3.18(f)	1248(f)	3.28(f)	1273(g)	3.38(g)	1296(g)	3.47(g)	1319(g)	3.57(g)	1343(g)	3.67(g)
4800	1243(f)	3.71(f)	1266(g)	3.81(g)	1289(g)	3.91(g)	1311(g)	4.02(g)	1334(g)	4.12(g)	1356(g)	4.23(g)	1378(g)	4.33(g)	1399(g)	4.44(g)
Std Airflow CFM	Unit External Static Pressure inches W.G. (Wet Coil, No Drive Loss Included & No Return Air Filter)															
	1.7		1.8		1.9		2.0									
	RPM	BHP	RPM	BHP	RPM	BHP	RPM	BHP								
3200	1214(d)	2.03(d)	1239(d)	2.11(d)	1264(e)	2.18(e)	1289(e)	2.27(e)								
3600	1260(e)	2.52(e)	1284(e)	2.60(e)	1308(e)	2.68(e)	1332(e)	2.77(e)								
4000	1311(g)	3.10(g)	1335(g)	3.19(g)	1357(g)	3.28(g)	1378(g)	3.37(g)								
4400	1365(g)	3.77(g)	1387(g)	3.87(g)	1409(g)	3.97(g)	1430(g)	4.07(g)								
4800	1422(g)	4.55(g)	1443(g)	4.66(g)	1463(g)	4.76(g)	1483(g)	4.87(g)								

Digit 12 - Drive Package

Legend	single speed motor	two speed motor
(a)	A	1
(b)	B	2
(c)	C	3
(d)	D	4
(e)	E	5
(f)	F	6
(g)	G	7

Figure 21. Fan performance curve 12.5 tons GEH150(a)



(a) Includes wet coil, no filter

Table 172. Fan performance 12.5 tons GEH150 (includes wet coil, no filter)

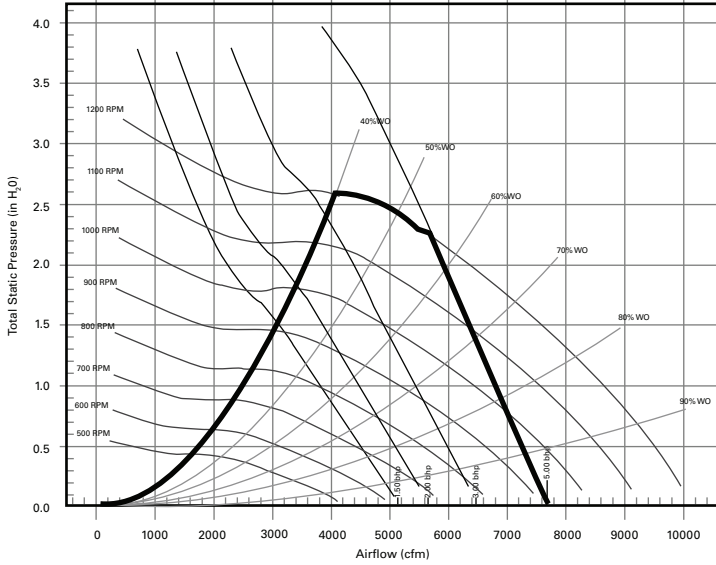
Std Airflow CFM	Unit External Static Pressure inches W.G. (Wet Coil, No Drive Loss Included & No Return Air Filter)															
	0.1		0.2		0.3		0.4		0.5		0.6		0.7		0.8	
	RPM	BHP	RPM	BHP	RPM	BHP	RPM	BHP	RPM	BHP	RPM	BHP	RPM	BHP	RPM	BHP
4000	559(a)	0.89(a)	590(a)	0.96(a)	622(a)	1.05(a)	654(a)	1.14(a)	685(a)	1.23(a)	717(a)	1.32(a)	749(a)	1.42(a)	779(b)	1.52(b)
4500	622(a)	1.24(a)	648(a)	1.33(a)	677(a)	1.42(a)	706(b)	1.52(b)	734(b)	1.62(b)	761(b)	1.72(b)	790(b)	1.82(b)	819(b)	1.93(b)
5000	686(b)	1.69(b)	709(b)	1.77(b)	734(b)	1.87(b)	760(b)	1.98(b)	786(c)	2.09(c)	811(c)	2.20(c)	836(c)	2.31(c)	861(c)	2.42(c)
5500	750(c)	2.23(c)	771(c)	2.32(c)	793(c)	2.42(c)	816(c)	2.53(c)	840(c)	2.65(c)	863(c)	2.77(c)	886(c)	2.89(c)	909(e)	3.02(e)
6000	815(c)	2.88(c)	833(c)	2.97(c)	853(e)	3.08(e)	874(e)	3.20(e)	895(e)	3.32(e)	917(e)	3.45(e)	939(e)	3.58(e)	960(e)	3.71(e)
Std Airflow CFM	Unit External Static Pressure inches W.G. (Wet Coil, No Drive Loss Included & No Return Air Filter)															
	0.9		1.0		1.1		1.2		1.3		1.4		1.5		1.6	
	RPM	BHP	RPM	BHP	RPM	BHP	RPM	BHP	RPM	BHP	RPM	BHP	RPM	BHP	RPM	BHP
4000	807(b)	1.61(b)	833(b)	1.71(b)	857(b)	1.80(b)	881(b)	1.89(b)	905(b)	1.98(b)	928(d)	2.07(d)	951(d)	2.16(d)	974(d)	2.26(d)
4500	846(c)	2.04(c)	872(c)	2.15(c)	898(c)	2.26(c)	921(d)	2.36(d)	944(d)	2.46(d)	965(d)	2.56(d)	987(d)	2.66(d)	1009(d)	2.77(d)
5000	887(c)	2.54(c)	912(d)	2.66(d)	937(d)	2.78(d)	962(d)	2.91(d)	985(e)	3.03(e)	1007(e)	3.14(e)	1027(f)	3.26(f)	1047(f)	3.37(f)
5500	932(e)	3.14(e)	954(e)	3.26(e)	978(e)	3.40(e)	1002(e)	3.53(e)	1024(f)	3.66(f)	1047(f)	3.80(f)	1068(f)	3.93(f)	1090(f)	4.07(f)
6000	981(e)	3.85(e)	1002(e)	3.98(e)	1022(f)	4.11(f)	1044(f)	4.26(f)	1065(f)	4.40(f)	1086(f)	4.54(f)	1108(f)	4.69(f)	1128(f)	4.83(f)
Std Airflow CFM	Unit External Static Pressure inches W.G. (Wet Coil, No Drive Loss Included & No Return Air Filter)															
	1.7		1.8		1.9		2.0									
	RPM	BHP	RPM	BHP	RPM	BHP	RPM	BHP								
4000	996(d)	2.36(d)	1018(d)	2.46(d)	1040(d)	2.57(d)	1061(d)	2.67(d)								
4500	1030(d)	2.88(d)	1049(d)	2.97(d)	1069(f)	3.08(f)	1090(f)	3.19(f)								
5000	1067(f)	3.48(f)	1087(f)	3.60(f)	1106(f)	3.71(f)	1125(f)	3.83(f)								
5500	1109(f)	4.19(f)	1127(f)	4.32(f)	1146(f)	4.44(f)	1164(f)	4.57(f)								
6000	1148(f)	4.98(f)	—	—	—	—	—	—								

Digit 12 - Drive Package		
Legend	single speed motor	two speed motor
(a)	A	1
(b)	B	2
(c)	C	3
(d)	D	4
(e)	E	5
(f)	F	6



Unit Fan Performance

Figure 22. Fan performance curve (top supply) 12.5 tons GEV150(a)



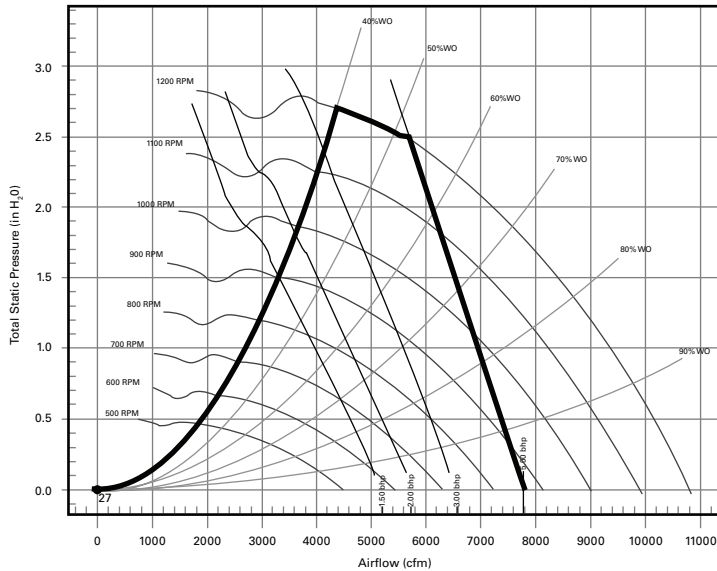
(a) Includes wet coil, no filter

Table 173. Fan performance (top supply) 12.5 tons GEV150 (includes wet coil, no filter)

Std Airflow CFM	Unit External Static Pressure inches W.G. (Wet Coil, 3% Drive Loss Included & No Return Air Filter)													
	0.1		0.2		0.3		0.4		0.5		0.6		0.7	
	RPM	BHP	RPM	BHP	RPM	BHP	RPM	BHP	RPM	BHP	RPM	BHP	RPM	BHP
4000	—	—	—	—	—	—	626(a)	1.07(a)	660(a)	1.16(a)	692(a)	1.25(a)	724(a)	1.34(a)
4500	—	—	607(a)	1.22(a)	639(a)	1.31(a)	671(a)	1.41(a)	702(a)	1.52(a)	733(a)	1.62(a)	762(a)	1.72(a)
5000	630(a)	1.50(a)	661(a)	1.62(a)	690(a)	1.72(a)	718(a)	1.83(a)	747(a)	1.94(a)	776(a)	2.06(a)	803(b)	2.17(b)
5500	686(a)	1.96(a)	716(a)	2.10(a)	742(b)	2.22(b)	768(b)	2.33(b)	794(b)	2.45(b)	820(b)	2.58(b)	847(b)	2.71(b)
6000	743(b)	2.52(b)	771(b)	2.68(b)	796(b)	2.81(b)	820(b)	2.94(b)	844(b)	3.06(b)	868(b)	3.19(b)	892(d)	3.33(d)
Std Airflow CFM	Unit External Static Pressure inches W.G. (Wet Coil, 3% Drive Loss Included & No Return Air Filter)													
	0.8		0.9		1.0		1.1		1.2		1.3		1.4	
	RPM	BHP	RPM	BHP	RPM	BHP	RPM	BHP	RPM	BHP	RPM	BHP	RPM	BHP
4000	754(a)	1.43(a)	783(a)	1.52(a)	810(a)	1.62(a)	837(a)	1.72(a)	864(a)	1.81(a)	890(a)	1.90(a)	915(c)	1.99(c)
4500	791(a)	1.82(a)	818(a)	1.92(a)	845(a)	2.02(a)	871(b)	2.12(b)	896(b)	2.23(b)	920(b)	2.34(b)	943(c)	2.45(c)
5000	830(b)	2.29(b)	856(b)	2.40(b)	882(b)	2.51(b)	906(b)	2.62(b)	931(b)	2.73(b)	954(c)	2.84(c)	977(c)	2.96(c)
5500	872(b)	2.83(b)	897(b)	2.96(b)	921(b)	3.08(b)	944(d)	3.21(d)	967(d)	3.33(d)	990(d)	3.45(d)	1013(d)	3.57(d)
6000	916(d)	3.47(d)	939(d)	3.61(d)	962(d)	3.75(d)	985(d)	3.88(d)	1007(d)	4.02(d)	1028(d)	4.15(d)	1050(d)	4.29(d)
Std Airflow CFM	Unit External Static Pressure inches W.G. (Wet Coil, 3% Drive Loss Included & No Return Air Filter)													
	1.5		1.6		1.7		1.8		1.9		2.0			
	RPM	BHP	RPM	BHP	RPM	BHP	RPM	BHP	RPM	BHP	RPM	BHP		
4000	939(c)	2.09(c)	963(c)	2.19(c)	987(c)	2.29(c)	1010(c)	2.39(c)	1034(c)	2.50(c)	1059(c)	2.61(c)		
4500	967(c)	2.56(c)	991(c)	2.19(c)	1013(c)	2.76(c)	1035(c)	2.87(c)	1057(c)	2.98(c)	1077(c)	3.09(c)		
5000	999(c)	3.08(c)	1021(c)	3.21(c)	1043(d)	3.33(d)	1065(d)	3.45(d)	1085(d)	3.56(d)	1106(d)	3.68(d)		
5500	1034(d)	3.69(d)	1056(d)	3.82(d)	1076(d)	3.95(d)	1097(d)	4.09(d)	1117(d)	4.22(d)	1136(d)	4.35(d)		
6000	1070(d)	4.42(d)	1091(d)	4.55(d)	1111(d)	4.68(d)	1131(d)	4.81(d)	—	—	—	—		

Digit 12 - Drive Package		
Legend	single speed motor	two speed motor
(a)	A	1
(b)	B	2
(c)	C	3
(d)	D	4

Figure 23. Fan performance curve (front/back supply) 12.5 tons GEV150^(a)



(a) Includes wet coil, no filter

Table 174. Fan performance (front/back supply) 12.5 tons GEV150 (includes wet coil, no filter)

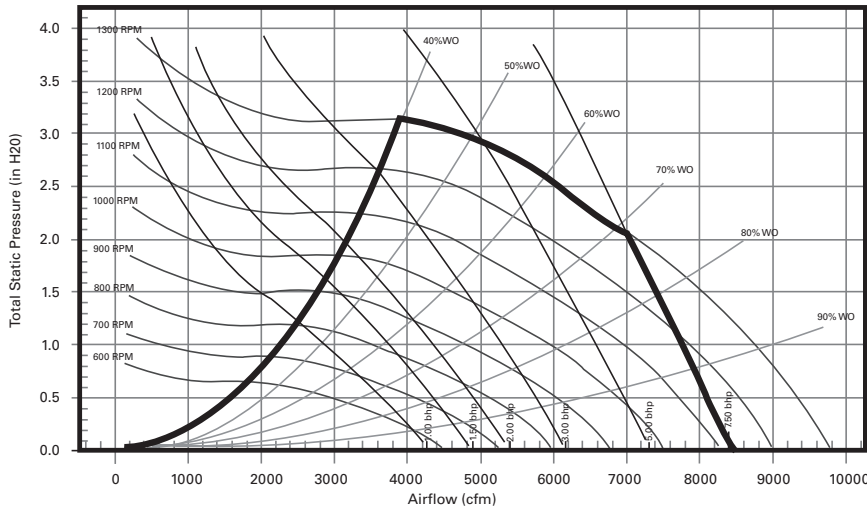
Std Airflow CFM	Unit External Static Pressure inches W.G. (Wet Coil, 3% Drive Loss Included & No Return Air Filter)													
	0.1		0.2		0.3		0.4		0.5		0.6		0.7	
	RPM	BHP	RPM	BHP	RPM	BHP	RPM	BHP	RPM	BHP	RPM	BHP	RPM	BHP
4000	—	—	—	—	—	—	—	—	626(a)	1.11(a)	658(a)	1.20(a)	689(a)	1.28(a)
4500	—	—	—	—	606(a)	1.28(a)	636(a)	1.37(a)	666(a)	1.46(a)	695(a)	1.55(a)	723(a)	1.64(a)
5000	—	—	626(a)	1.58(a)	654(a)	1.68(a)	681(a)	1.78(a)	708(a)	1.88(a)	735(a)	1.98(a)	761(b)	2.08(b)
5500	652(a)	1.95(a)	677(b)	2.06(b)	703(b)	2.17(b)	728(b)	2.28(b)	753(b)	2.39(b)	778(b)	2.50(b)	802(b)	2.61(b)
6000	707(b)	2.51(b)	730(b)	2.63(b)	753(b)	2.75(b)	777(b)	2.87(b)	800(b)	2.99(b)	—	—	—	—
Std Airflow CFM	Unit External Static Pressure inches W.G. (Wet Coil, 3% Drive Loss Included & No Return Air Filter)													
	0.8		0.9		1.0		1.1		1.2		1.3		1.4	
	RPM	BHP	RPM	BHP	RPM	BHP	RPM	BHP	RPM	BHP	RPM	BHP	RPM	BHP
4000	719(a)	1.36(a)	749(a)	1.45(a)	778(a)	1.54(a)	805(a)	1.62(a)	832(a)	1.71(a)	858(a)	1.80(a)	884(a)	1.89(a)
4500	751(a)	1.74(a)	779(a)	1.84(a)	806(a)	1.93(a)	833(b)	2.03(b)	858(b)	2.12(b)	884(b)	2.22(b)	908(c)	2.32(c)
5000	787(b)	2.19(b)	812(b)	2.29(b)	838(b)	2.40(b)	863(b)	2.51(b)	888(c)	2.62(c)	911(c)	2.72(c)	935(c)	2.83(c)
5500	826(b)	2.72(b)	850(b)	2.83(b)	873(b)	2.95(b)	897(d)	3.07(d)	919(d)	3.18(d)	942(d)	3.30(d)	965(d)	3.42(d)
6000	—	—	890(d)	3.46(d)	912(d)	3.59(d)	933(d)	3.71(d)	955(d)	3.84(d)	976(d)	3.97(d)	997(d)	4.10(d)
Std Airflow CFM	Unit External Static Pressure inches W.G. (Wet Coil, 3% Drive Loss Included & No Return Air Filter)													
	1.5		1.6		1.7		1.8		1.9		2.0			
	RPM	BHP	RPM	BHP	RPM	BHP	RPM	BHP	RPM	BHP	RPM	BHP		
4000	910(c)	1.98(c)	936(c)	2.08(c)	962(c)	2.18(c)	987(c)	2.29(c)	1011(c)	2.39(c)	1035(c)	2.49(c)		
4500	932(c)	2.42(c)	955(c)	2.51(c)	978(c)	2.61(c)	1002(c)	2.72(c)	1025(c)	2.83(c)	1048(c)	2.94(c)		
5000	958(c)	2.93(c)	980(d)	3.04(d)	1002(d)	3.15(d)	1024(d)	3.25(d)	1046(d)	3.37(d)	1067(d)	3.48(d)		
5500	987(d)	3.54(d)	1009(d)	3.65(d)	1030(d)	3.77(d)	1050(d)	3.88(d)	1071(d)	4.00(d)	1091(d)	4.12(d)		
6000	1017(d)	4.22(d)	1038(d)	4.35(d)	1059(d)	4.48(d)	1078(d)	4.60(d)	1099(d)	4.73(d)	1118(d)	4.86(d)		

Digit 12 - Drive Package		
Legend	single speed motor	two speed motor
(a)	A	1
(b)	B	2
(c)	C	3
(d)	D	4



Unit Fan Performance

Figure 24. Fan performance curve 15 tons GEH180(a)



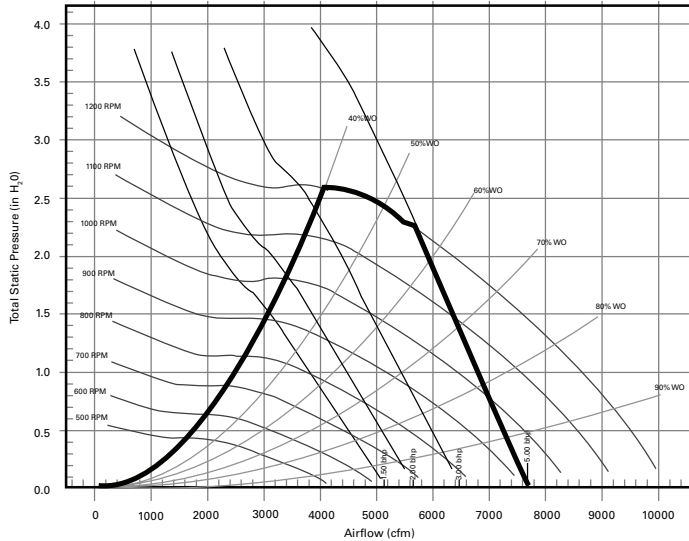
(a) Includes wet coil, no filter

Table 175. Fan performance 15 tons GEH180 (includes wet coil, no filter)

Std Airflow CFM	Unit External Static Pressure inches W.G. (Wet Coil, No Drive Loss Included & No Return Air Filter)															
	0.1		0.2		0.3		0.4		0.5		0.6		0.7		0.8	
	RPM	BHP	RPM	BHP	RPM	BHP	RPM	BHP	RPM	BHP	RPM	BHP	RPM	BHP	RPM	BHP
4800	660(a)	1.50(a)	685(a)	1.58(a)	711(a)	1.68(a)	738(a)	1.78(a)	765(a)	1.89(a)	791(a)	1.99(a)	817(c)	2.10(c)	844(c)	2.22(c)
5400	737(b)	2.11(b)	758(b)	2.20(b)	781(b)	2.30(b)	805(b)	2.41(b)	828(b)	2.53(b)	853(c)	2.65(c)	876(c)	2.77(c)	899(c)	2.89(c)
6000	815(b)	2.88(b)	833(b)	2.97(b)	853(d)	3.08(d)	874(d)	3.20(d)	895(d)	3.32(d)	917(d)	3.45(d)	939(d)	3.58(d)	960(d)	3.71(d)
6600	892(d)	3.81(d)	909(d)	3.91(d)	927(d)	4.02(d)	945(d)	4.14(d)	965(d)	4.27(d)	984(d)	4.41(d)	1004(d)	4.55(d)	1023(e)	4.69(e)
7200	971(d)	4.92(d)	986(f)	5.03(f)	1002(f)	5.15(f)	1018(f)	5.27(f)	1036(f)	5.41(f)	1053(f)	5.55(f)	1071(f)	5.70(f)	1089(f)	5.86(f)
Std Airflow CFM	Unit External Static Pressure inches W.G. (Wet Coil, No Drive Loss Included & No Return Air Filter)															
	0.9		1.0		1.1		1.2		1.3		1.4		1.5		1.6	
	RPM	BHP	RPM	BHP	RPM	BHP	RPM	BHP	RPM	BHP	RPM	BHP	RPM	BHP	RPM	BHP
4800	870(c)	2.33(c)	896(c)	2.45(c)	921(c)	2.56(c)	946(c)	2.68(c)	969(c)	2.79(c)	990(c)	2.90(c)	1011(c)	3.00(c)	1031(e)	3.12(e)
5400	922(d)	3.01(d)	946(d)	3.14(d)	969(d)	3.26(d)	993(d)	3.40(d)	1016(d)	3.53(d)	1039(e)	3.66(e)	1060(e)	3.79(e)	1081(e)	3.92(e)
6000	981(d)	3.85(d)	1002(d)	3.98(d)	1022(e)	4.11(e)	1044(e)	4.26(e)	1065(e)	4.40(e)	1086(e)	4.54(e)	1108(e)	4.69(e)	1128(e)	4.83(e)
6600	1043(e)	4.84(e)	1062(e)	4.99(e)	1081(f)	5.13(f)	1100(f)	5.28(f)	1119(f)	5.43(f)	1138(f)	5.58(f)	1157(g)	5.74(g)	1177(g)	5.90(g)
7200	1107(f)	6.01(f)	1125(f)	6.17(f)	1143(f)	6.33(f)	1160(g)	6.49(g)	1178(g)	6.65(g)	1195(g)	6.81(g)	1212(g)	6.97(g)	1229(g)	7.13(g)
Std Airflow CFM	Unit External Static Pressure inches W.G. (Wet Coil, No Drive Loss Included & No Return Air Filter)															
	1.7		1.8		1.9		2.0									
	RPM	BHP	RPM	BHP	RPM	BHP	RPM	BHP								
4800	1051(e)	3.23(e)	1071(e)	3.34(e)	1091(e)	3.45(e)	1111(e)	3.56(e)								
5400	1100(e)	4.04(e)	1119(e)	4.16(e)	1138(e)	4.29(e)	1156(e)	4.41(e)								
6000	1148(e)	4.98(e)	1168(g)	5.13(g)	1187(g)	5.27(g)	1205(g)	5.41(g)								
6600	1196(g)	6.05(g)	1215(g)	6.22(g)	1234(g)	6.37(g)	1253(g)	6.54(g)								
7200	1248(g)	7.31(g)	1266(g)	7.48(g)	—	—	—	—								

Digit 12 - Drive Package		
Legend	single speed motor	two speed motor
(a)	A	1
(b)	B	2
(c)	C	3
(d)	D	4
(e)	E	5
(f)	F	6
(g)	G	7

Figure 25. Fan performance curve (top supply) 15 tons GEV180(a)



(a) Includes wet coil, no filter

Table 176. Fan performance (top supply) 15 tons GEV180 (includes wet coil, no filter)

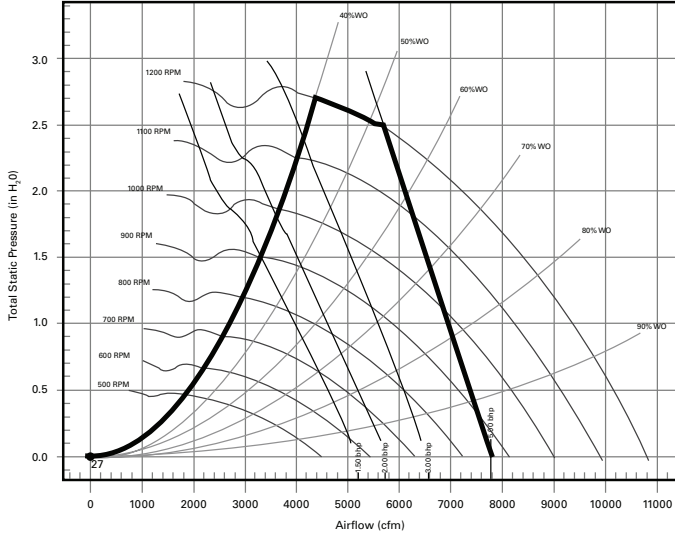
Std Airflow CFM	Unit External Static Pressure inches W.G. (Wet Coil, 3% Drive Loss Included & No Return Air Filter)															
	0.1		0.2		0.3		0.4		0.5		0.6		0.7		0.8	
	RPM	BHP	RPM	BHP	RPM	BHP	RPM	BHP	RPM	BHP	RPM	BHP	RPM	BHP	RPM	BHP
4800	—	—	—	—	—	—	669(a)	1.55(a)	698(a)	1.66(a)	727(a)	1.77(a)	754(a)	1.87(a)	781(a)	1.98(a)
5400	—	—	670(a)	1.84(a)	698(a)	1.96(a)	724(a)	2.08(a)	750(a)	2.20(a)	777(a)	2.32(a)	802(a)	2.44(a)	827(a)	2.56(a)
6000	710(a)	2.37(a)	731(a)	2.47(a)	758(a)	2.60(a)	782(a)	2.73(a)	806(a)	2.86(a)	830(a)	3.00(a)	853(b)	3.13(b)	877(b)	3.26(b)
6600	—	—	794(b)	3.23(b)	819(b)	3.37(b)	843(b)	3.52(b)	864(b)	3.66(b)	886(b)	3.81(b)	907(b)	3.95(b)	928(b)	4.09(b)
7200	848(b)	4.06(b)	860(b)	4.14(b)	880(b)	4.28(b)	904(b)	4.45(b)	924(b)	4.60(b)	943(b)	4.76(b)	963(b)	4.92(b)	—	—
Std Airflow CFM	Unit External Static Pressure inches W.G. (Wet Coil, 3% Drive Loss Included & No Return Air Filter)															
	0.9		1.0		1.1		1.2		1.3		1.4		1.5		1.6	
	RPM	BHP	RPM	BHP	RPM	BHP	RPM	BHP	RPM	BHP	RPM	BHP	RPM	BHP	RPM	BHP
4800	808(a)	2.08(a)	834(a)	2.19(a)	860(a)	2.30(a)	885(a)	2.41(a)	909(c)	2.52(c)	933(c)	2.63(c)	956(c)	2.73(c)	979(c)	2.84(c)
5400	852(a)	2.68(a)	876(a)	2.80(a)	900(c)	2.92(c)	923(c)	3.04(c)	946(b)	3.17(b)	969(b)	3.29(b)	991(b)	3.41(b)	1013(b)	3.53(b)
6000	899(b)	3.40(b)	922(b)	3.53(b)	944(b)	3.66(b)	966(b)	3.80(b)	987(b)	3.93(b)	1008(b)	4.06(b)	1030(d)	4.20(d)	1050(d)	4.34(d)
6600	950(b)	4.24(b)	971(b)	4.39(b)	992(b)	4.54(b)	1012(b)	4.69(b)	1032(d)	4.83(d)	1053(d)	4.98(d)	1072(e)	5.12(e)	1091(e)	5.27(e)
7200	1003(e)	5.23(e)	1023(e)	5.39(e)	1042(e)	5.56(e)	1061(e)	5.72(e)	1080(e)	5.88(e)	1099(e)	6.04(e)	1118(e)	6.20(e)	1136(e)	6.36(e)
Std Airflow CFM	Unit External Static Pressure inches W.G. (Wet Coil, 3% Drive Loss Included & No Return Air Filter)															
	1.7		1.8		1.9		2.0									
	RPM	BHP	RPM	BHP	RPM	BHP	RPM	BHP								
4800	1001(c)	2.96(c)	1023(d)	3.07(d)	1045(d)	3.19(d)	1065(d)	3.30(d)								
5400	1034(d)	3.65(d)	1056(d)	3.78(d)	1075(d)	3.89(d)	1096(d)	4.02(d)								
6000	1071(d)	4.47(d)	1091(d)	4.61(d)	1111(d)	4.75(d)	1131(d)	4.88(d)								
6600	1111(e)	5.42(e)	1130(e)	5.57(e)	1149(e)	5.72(e)	1167(e)	5.87(e)								
7200	1154(e)	6.52(e)	1172(e)	6.67(e)	1190(e)	6.83(e)	—	—								

Digit 12 - Drive Package		
Legend	single speed motor	two speed motor
(a)	A	1
(b)	B	2
(c)	C	3
(d)	D	4
(e)	E	5



Unit Fan Performance

Figure 26. Fan performance curve (front/back supply) 15 tons GEV180(a)



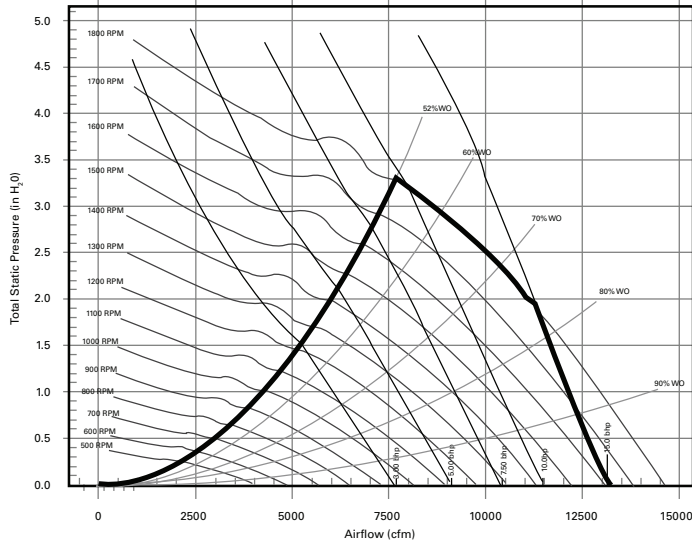
(a) Includes wet coil, no filter

Table 177. Fan performance (front/back supply) 15 tons GEV180 (includes wet coil, no filter)

Std Airflow CFM	Unit External Static Pressure inches W.G. (Wet Coil, No Drive Loss Included & No Return Air Filter)															
	0.1		0.2		0.3		0.4		0.5		0.6		0.7		0.8	
	RPM	BHP	RPM	BHP	RPM	BHP	RPM	BHP	RPM	BHP	RPM	BHP	RPM	BHP	RPM	BHP
4800	—	—	—	—	—	—	—	—	668(a)	1.60(a)	696(a)	1.70(a)	724(a)	1.79(a)	750(a)	1.89(a)
5400	—	—	—	—	665(a)	1.92(a)	692(a)	2.03(a)	717(a)	2.13(a)	743(a)	2.24(a)	768(a)	2.35(a)	793(a)	2.46(a)
6000	670(a)	2.28(a)	696(a)	2.41(a)	722(a)	2.54(a)	746(a)	2.66(a)	770(a)	2.78(a)	793(a)	2.91(a)	816(a)	3.02(a)	839(b)	3.14(b)
6600	732(a)	3.01(a)	755(b)	3.15(b)	780(b)	3.30(b)	802(b)	3.43(b)	824(b)	3.56(b)	846(b)	3.70(b)	867(b)	3.83(b)	888(b)	3.96(b)
7200	795(b)	3.89(b)	815(b)	4.03(b)	838(b)	4.19(b)	860(b)	4.35(b)	880(b)	4.49(b)	900(b)	4.63(b)	920(b)	4.78(b)	940(b)	4.93(b)
Std Airflow CFM	Unit External Static Pressure inches W.G. (Wet Coil, No Drive Loss Included & No Return Air Filter)															
	0.9		1.0		1.1		1.2		1.3		1.4		1.5		1.6	
	RPM	BHP	RPM	BHP	RPM	BHP	RPM	BHP	RPM	BHP	RPM	BHP	RPM	BHP	RPM	BHP
4800	776(a)	1.98(a)	802(a)	2.08(a)	827(a)	2.18(a)	853(a)	2.28(a)	878(a)	2.38(a)	902(c)	2.48(c)	925(c)	2.59(c)	949(c)	2.69(c)
5400	818(a)	2.57(a)	841(a)	2.67(a)	864(a)	2.78(a)	887(a)	2.88(a)	910(c)	3.00(c)	934(c)	3.12(c)	955(c)	3.22(c)	978(d)	3.34(d)
6000	861(b)	3.27(b)	884(b)	3.39(b)	906(b)	3.51(b)	927(b)	3.63(b)	947(b)	3.74(b)	969(d)	3.86(d)	990(d)	3.98(d)	1011(d)	4.11(d)
6600	908(b)	4.09(b)	929(b)	4.23(b)	950(b)	4.36(b)	970(d)	4.50(d)	990(d)	4.63(d)	1010(d)	4.76(d)	1029(d)	4.89(d)	1048(d)	5.02(d)
7200	—	—	—	—	—	—	1016(e)	5.50(e)	1035(e)	5.65(e)	1053(e)	5.80(e)	1071(e)	5.94(e)	1090(e)	6.09(e)
Std Airflow CFM	Unit External Static Pressure inches W.G. (Wet Coil, No Drive Loss Included & No Return Air Filter)															
	1.7		1.8		1.9		2.0									
	RPM	BHP	RPM	BHP	RPM	BHP	RPM	BHP								
4800	972(c)	2.79(c)	995(c)	2.90(c)	1018(c)	3.01(c)	1040(d)	3.11(d)								
5400	999(d)	3.45(d)	1021(d)	3.57(d)	1041(d)	3.68(d)	1063(d)	3.80(d)								
6000	1031(d)	4.23(d)	1051(d)	4.35(d)	1071(d)	4.48(d)	1090(d)	4.61(d)								
6600	1066(e)	5.14(e)	1085(e)	5.28(e)	1105(e)	5.42(e)	1124(e)	5.56(e)								
7200	1107(e)	6.22(e)	1125(e)	6.36(e)	1142(e)	6.50(e)	1160(e)	6.65(e)								

Digit 12 - Drive Package		
Legend	single speed motor	two speed motor
(a)	A	1
(b)	B	2
(c)	C	3
(d)	D	4
(e)	E	5

Figure 27. Fan performance curve (top supply) 20 tons GEV240(a)



(a) Includes wet coil, no filter

Table 178. Fan performance (top supply) 20 tons GEV240 (includes wet coil, no filter)

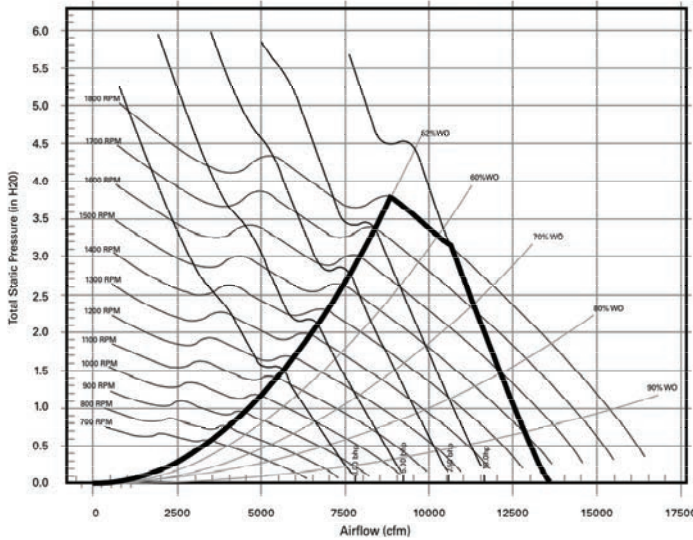
Std Airflow CFM	Unit External Static Pressure inches W.G. (Wet Coil, 3% Drive Loss Included & No Return Air Filter)													
	0.1		0.2		0.3		0.4		0.5		0.6		0.7	
	RPM	BHP	RPM	BHP	RPM	BHP	RPM	BHP	RPM	BHP	RPM	BHP	RPM	BHP
6400	---	---	893(a)	2.17(a)	928(a)	2.31(a)	962(a)	2.46(a)	995(a)	2.61(a)	1028(a)	2.76(a)	1059(a)	2.91(a)
7200	956(a)	2.83(a)	988(a)	3.00(a)	1019(a)	3.16(a)	1049(a)	3.32(a)	1080(a)	3.49(a)	1110(b)	3.66(b)	1139(b)	3.83(b)
8000	1055(a)	3.84(a)	1085(a)	4.03(a)	1113(b)	4.21(b)	1141(b)	4.39(b)	1168(b)	4.57(b)	1195(b)	4.76(b)	1222(b)	4.95(b)
8800	---	---	---	---	---	---	1234(c)	5.67(c)	1259(c)	5.87(c)	1283(c)	6.07(c)	1308(c)	6.27(c)
9600	1255(c)	6.54(c)	1280(c)	6.76(c)	1305(c)	6.98(c)	1328(c)	7.20(c)	1352(c)	7.42(c)	1374(d)	7.63(d)	1397(d)	7.85(d)
Std Airflow CFM	Unit External Static Pressure inches W.G. (Wet Coil, 3% Drive Loss Included & No Return Air Filter)													
	0.8		0.9		1.0		1.1		1.2		1.3		1.4	
	RPM	BHP	RPM	BHP	RPM	BHP	RPM	BHP	RPM	BHP	RPM	BHP	RPM	BHP
6400	1091(b)	3.07(b)	1120(b)	3.22(b)	1149(b)	3.37(b)	1179(b)	3.53(b)	1207(b)	3.69(b)	1236(b)	3.85(b)	1263(b)	4.01(b)
7200	1168(b)	4.00(b)	1196(b)	4.17(b)	1224(b)	4.34(b)	1250(b)	4.52(b)	1277(b)	4.69(b)	1302(b)	4.86(b)	1328(b)	5.03(b)
8000	1249(c)	5.13(c)	1275(c)	5.32(c)	1301(c)	5.52(c)	1326(c)	5.70(c)	1352(c)	5.90(c)	1376(c)	6.08(c)	1399(c)	6.28(c)
8800	1333(c)	6.48(c)	1357(c)	6.69(c)	1382(c)	6.90(c)	1405(c)	7.11(c)	1429(c)	7.32(c)	1452(c)	7.53(c)	1474(f)	7.73(f)
9600	1420(d)	8.07(d)	1443(d)	8.30(d)	1465(d)	8.53(d)	1487(f)	8.75(f)	1509(f)	8.98(f)	1531(f)	9.21(f)	1553(f)	9.44(f)
Std Airflow CFM	Unit External Static Pressure inches W.G. (Wet Coil, 3% Drive Loss Included & No Return Air Filter)													
	1.5		1.6		1.7		1.8		1.9		2.0		2.1	
	RPM	BHP	RPM	BHP	RPM	BHP	RPM	BHP	RPM	BHP	RPM	BHP	RPM	BHP
6400	1289(b)	4.17(b)	1317(b)	4.35(b)	1343(b)	4.51(b)	1369(c)	4.68(c)	1394(c)	4.85(c)	1420(c)	5.04(c)	1444(c)	5.21(c)
7200	1353(c)	5.22(c)	1378(c)	5.39(c)	1403(c)	5.57(c)	1428(c)	5.77(c)	1451(c)	5.95(c)	1475(c)	6.13(c)	1498(e)	6.32(e)
8000	1423(c)	6.47(c)	1447(c)	6.66(c)	1469(c)	6.85(c)	1492(f)	7.05(f)	1515(f)	7.25(f)	1537(f)	7.45(f)	1559(f)	7.65(f)
8800	1496(f)	7.94(f)	1519(f)	8.16(f)	1540(f)	8.36(f)	1562(f)	8.58(f)	1583(f)	8.78(f)	1605(f)	9.01(f)	1625(f)	9.22(f)
9600	1574(f)	9.67(f)	1595(f)	9.90(f)	1616(g)	10.12(g)	1637(g)	10.36(g)	1658(g)	10.58(g)	1676(g)	10.80(g)	1696(g)	11.04(g)
Std Airflow CFM	Unit External Static Pressure inches W.G. (Wet Coil, 3% Drive Loss Included & No Return Air Filter)													
	2.2		2.3		2.4		2.4		2.6		2.7		2.8	
	RPM	BHP	RPM	BHP	RPM	BHP	RPM	BHP	RPM	BHP	RPM	BHP	RPM	BHP
6400	1470(c)	5.40(c)	1496(g)	5.59(g)	1523(c)	5.80(g)	---	---	---	---	---	---	---	---
7200	1523(e)	6.52(e)	1545(e)	6.71(e)	1568(e)	6.91(e)	1589(e)	7.10(e)	1612(e)	7.31(e)	1635(e)	7.51(e)	1656(f)	7.71(f)
8000	1581(f)	7.85(f)	1603(f)	8.06(f)	1624(f)	8.26(f)	1647(f)	8.49(f)	1668(f)	8.70(f)	1688(f)	8.91(f)	1708(f)	9.12(f)
8800	1646(f)	9.43(f)	1666(f)	9.65(f)	1687(f)	9.87(f)	1707(g)	10.09(g)	1727(g)	10.32(g)	1747(g)	10.54(g)	1767(g)	10.78(g)
9600	1715(g)	11.26(g)	1735(g)	11.50(g)	1754(g)	11.74(g)	1773(g)	11.96(g)	1793(g)	12.22(g)	---	---	---	---
Std Airflow CFM	Unit External Static Pressure inches W.G. (Wet Coil, 3% Drive Loss Included & No Return Air Filter)													
	2.9		3.0											
	RPM	BHP	RPM	BHP										
6400	---	---	---	---										
7200	1680(f)	7.94(f)	1704(f)	8.17(f)										
8000	1728(f)	9.33(f)	1748(f)	9.54(f)										
8800	1786(g)	11.00(g)	---	---										
9600	---	---	---	---										

Digit 12 - Drive Package	
Legend	
(a)	single speed motor
(b)	1
(c)	2
(d)	3
(e)	4
(f)	5
(g)	6
	7



Unit Fan Performance

Figure 28. Fan performance curve (front/back supply) 20 tons GEV240^(a)



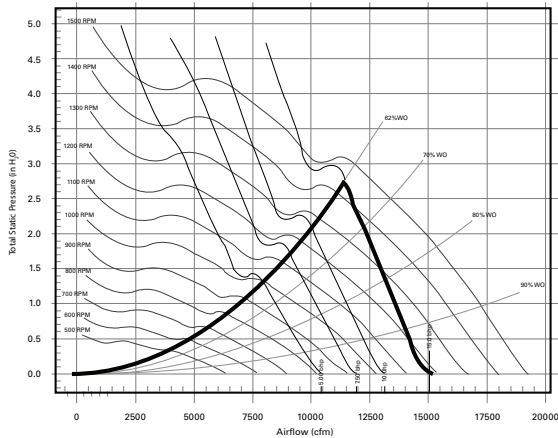
(a) Includes wet coil, no filter

Table 179. Fan performance (front/back supply) 20 tons GEV240 (includes wet coil, no filter)

Std Airflow CFM	Unit External Static Pressure inches W.G. (Wet Coil, 3% Drive Loss Included & No Return Air Filter)													
	0.1		0.2		0.3		0.4		0.5		0.6		0.7	
	RPM	BHP	RPM	BHP	RPM	BHP	RPM	BHP	RPM	BHP	RPM	BHP	RPM	BHP
6400	—	—	—	—	—	—	—	—	899(a)	2.43(a)	931(a)	2.57(a)	962(a)	2.70(a)
7200	—	—	—	—	910(a)	2.94(a)	941(a)	3.10(a)	972(a)	3.25(a)	1001(a)	3.41(a)	1030(a)	3.56(a)
8000	933(a)	3.58(a)	962(a)	3.75(a)	990(a)	3.91(a)	1019(a)	4.09(a)	1048(a)	4.26(a)	1075(a)	4.43(a)	1102(b)	4.60(b)
8800	1021(a)	4.73(b)	1047(a)	4.91(a)	1073(a)	5.09(a)	1100(c)	5.28(c)	1126(c)	5.48(c)	1151(c)	5.67(c)	1176(c)	5.86(c)
9600	1109(c)	6.10(c)	1133(c)	6.30(c)	1157(c)	6.50(c)	1181(c)	6.70(c)	1205(c)	6.91(c)	1229(c)	7.12(c)	1253(c)	7.33(c)
Std Airflow CFM	Unit External Static Pressure inches W.G. (Wet Coil, 3% Drive Loss Included & No Return Air Filter)													
	0.8		0.9		1.0		1.1		1.2		1.3		1.4	
	RPM	BHP	RPM	BHP	RPM	BHP	RPM	BHP	RPM	BHP	RPM	BHP	RPM	BHP
6400	993(a)	2.85(a)	1023(a)	2.99(a)	1052(a)	3.13(a)	1080(a)	3.27(a)	1107(b)	3.41(b)	1134(b)	3.55(b)	1160(b)	3.69(b)
7200	1059(a)	3.72(a)	1086(a)	3.87(a)	1114(b)	4.03(b)	1140(b)	4.19(b)	1166(b)	4.35(b)	1192(b)	4.51(b)	1217(b)	4.66(b)
8000	1128(b)	4.77(b)	1154(b)	4.95(b)	1179(c)	5.12(c)	1204(c)	5.29(c)	1230(c)	5.47(c)	1253(c)	5.64(c)	1277(d)	5.82(d)
8800	1201(c)	6.04(c)	1225(c)	6.23(c)	1249(c)	6.42(c)	1272(d)	6.61(d)	1295(d)	6.79(d)	1317(d)	6.98(d)	1340(d)	7.18(d)
9600	1276(e)	7.54(e)	1298(e)	7.74(e)	1320(e)	7.94(e)	1342(e)	8.14(e)	1364(e)	8.35(e)	1385(e)	8.55(e)	1406(e)	8.76(e)
Std Airflow CFM	Unit External Static Pressure inches W.G. (Wet Coil, 3% Drive Loss Included & No Return Air Filter)													
	1.5		1.6		1.7		1.8		1.9		2.0		2.1	
	RPM	BHP	RPM	BHP	RPM	BHP	RPM	BHP	RPM	BHP	RPM	BHP	RPM	BHP
6400	1186(b)	3.83(b)	1211(b)	3.97(b)	1235(b)	4.10(b)	1258(b)	4.24(b)	1282(b)	4.38(b)	1307(b)	4.54(b)	—	—
7200	1241(b)	4.82(b)	1265(b)	4.97(b)	1288(d)	5.13(d)	1313(d)	5.30(d)	1335(d)	5.45(d)	1357(d)	5.62(d)	1378(d)	5.76(d)
8000	1300(d)	6.00(d)	1323(d)	6.17(d)	1346(d)	6.35(d)	1368(d)	6.52(d)	1390(d)	6.70(d)	1412(d)	6.88(d)	1432(d)	7.05(d)
8800	1362(d)	7.37(d)	1384(e)	7.56(e)	1406(e)	7.76(e)	1426(e)	7.95(e)	1449(e)	8.15(e)	1469(e)	8.34(e)	1489(g)	8.53(g)
9600	1428(e)	8.97(e)	1448(e)	9.18(e)	1470(e)	9.40(e)	1489(g)	9.60(g)	1510(g)	9.82(g)	1529(g)	10.03(g)	—	—
Std Airflow CFM	Unit External Static Pressure inches W.G. (Wet Coil, 3% Drive Loss Included & No Return Air Filter)													
	2.2		2.3		2.4		2.4		2.6		2.7		2.8	
	RPM	BHP	RPM	BHP	RPM	BHP	RPM	BHP	RPM	BHP	RPM	BHP	RPM	BHP
6400	—	—	—	—	—	—	—	—	—	—	—	—	—	—
7200	1399(d)	5.91(d)	1420(d)	6.07(d)	1442(d)	6.24(d)	—	—	—	—	—	—	—	—
8000	1454(d)	7.23(d)	1475(d)	7.41(d)	1494(g)	7.58(g)	1513(g)	7.75(g)	1533(g)	7.92(g)	1551(g)	8.08(g)	1570(g)	8.25(g)
8800	1509(g)	8.72(g)	1529(g)	8.92(g)	1548(g)	9.11(g)	1567(g)	9.30(g)	1587(g)	9.50(g)	1605(g)	9.69(g)	1625(g)	9.89(g)
9600	—	—	—	—	—	—	—	—	—	—	—	—	—	—
Std Airflow CFM	Unit External Static Pressure inches W.G. (Wet Coil, 3% Drive Loss Included & No Return Air Filter)													
	2.9		3.0											
	RPM	BHP	RPM	BHP										
6400	—	—	—	—										
7200	—	—	—	—										
8000	1589(g)	8.43(g)	1608(g)	8.61(g)										
8800	—	—	—	—										
9600	—	—	—	—										

Digit 12 - Drive Package	
Legend	single speed motor
(a)	A
(b)	B
(c)	C
(d)	D
(e)	E
(g)	G

Figure 29. Fan performance curve (with 11x15 blower wheel) 25 tons GEV300^(a)



(a) Includes wet coil, no filter

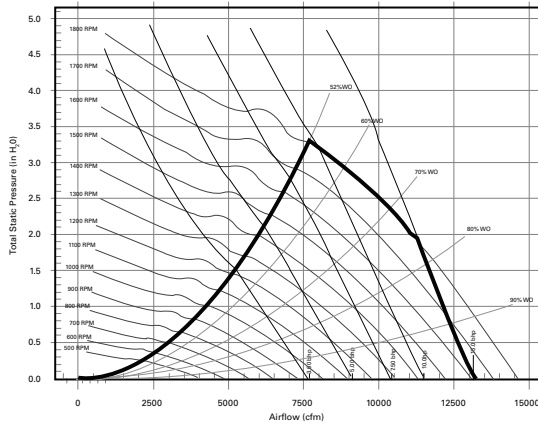
Table 180. Fan performance (top supply with 11x15 blower wheel) 25 tons GEV300 (includes wet coil, no filter)

Std Airflow CFM	Unit External Static Pressure inches W.G. (Wet Coil, 3% Drive Loss Included & No Return Air Filter)													
	0.1		0.2		0.3		0.4		0.5		0.6		0.7	
	RPM	BHP	RPM	BHP	RPM	BHP	RPM	BHP	RPM	BHP	RPM	BHP	RPM	BHP
8000	—	—	—	—	—	—	760(a)	3.23(a)	787(a)	3.42(a)	814(a)	3.60(a)	839(a)	3.79(a)
9000	—	—	781(a)	3.98(a)	805(a)	4.17(a)	829(a)	4.36(a)	853(a)	4.57(a)	878(a)	4.79(a)	901(a)	5.00(a)
10000	—	—	858(b)	5.36(b)	879(b)	5.57(b)	901(b)	5.78(b)	923(b)	6.00(b)	945(b)	6.23(b)	966(b)	6.48(b)
11000	917(b)	6.81(b)	936(b)	7.04(b)	955(b)	7.26(b)	975(b)	7.50(b)	994(d)	7.73(d)	1014(d)	7.98(d)	1034(d)	8.23(d)
12000	997(d)	8.79(d)	1015(d)	9.05(d)	1032(d)	9.29(d)	1050(d)	9.54(d)	1068(d)	9.79(d)	1086(f)	10.05(f)	1104(f)	10.31(f)
Std Airflow CFM	Unit External Static Pressure inches W.G. (Wet Coil, 3% Drive Loss Included & No Return Air Filter)													
	0.8		0.9		1.0		1.1		1.2		1.3		1.4	
	RPM	BHP	RPM	BHP	RPM	BHP	RPM	BHP	RPM	BHP	RPM	BHP	RPM	BHP
8000	866(a)	3.99(a)	891(a)	4.19(a)	916(a)	4.38(a)	939(a)	4.57(a)	963(a)	4.76(a)	987(b)	4.97(b)	1011(b)	5.19(b)
9000	925(b)	5.21(b)	948(b)	5.43(b)	971(b)	5.65(b)	993(b)	5.87(b)	1016(b)	6.10(b)	1037(b)	6.31(b)	1058(b)	6.52(b)
10000	988(b)	6.72(b)	1009(b)	6.95(b)	1030(b)	7.18(b)	1051(b)	7.41(b)	1072(d)	7.66(d)	1092(d)	7.91(d)	1112(d)	8.16(d)
11000	1054(d)	8.50(d)	1074(d)	8.76(d)	1093(d)	9.02(d)	1112(d)	9.27(d)	1131(d)	9.53(d)	1150(d)	9.78(d)	1169(f)	10.06(f)
12000	1122(f)	10.59(f)	1141(f)	10.88(f)	1158(f)	11.17(f)	1177(f)	11.47(f)	1194(f)	11.74(f)	1212(f)	12.02(f)	1229(f)	12.29(f)
Std Airflow CFM	Unit External Static Pressure inches W.G. (Wet Coil, 3% Drive Loss Included & No Return Air Filter)													
	1.5		1.6		1.7		1.8		1.9		2.0		2.1	
	RPM	BHP	RPM	BHP	RPM	BHP	RPM	BHP	RPM	BHP	RPM	BHP	RPM	BHP
8000	1037(b)	5.43(b)	—	—	—	—	—	—	—	—	—	—	—	—
9000	1080(c)	6.74(c)	1101(c)	6.97(c)	1122(c)	7.21(c)	1144(c)	7.46(c)	—	—	—	—	—	—
10000	1132(d)	8.41(d)	1151(d)	8.65(d)	1170(e)	8.88(e)	1190(e)	9.13(e)	1209(e)	9.37(e)	1227(e)	9.60(e)	1247(e)	9.88(e)
11000	1187(f)	10.32(f)	1206(f)	10.60(f)	1224(f)	10.88(f)	1243(f)	11.16(f)	1261(f)	11.42(f)	1278(f)	11.68(f)	1295(f)	11.94(f)
12000	1247(f)	12.57(f)	1264(f)	12.86(f)	1281(f)	13.15(f)	1298(f)	13.46(f)	1315(f)	13.76(f)	1331(f)	14.04(f)	1349(f)	14.37(f)
Std Airflow CFM	Unit External Static Pressure inches W.G. (Wet Coil, 3% Drive Loss Included & No Return Air Filter)													
	2.2		2.3											
	RPM	BHP	RPM	BHP										
8000	—	—	—	—										
9000	—	—	—	—										
10000	1266(f)	10.16(f)	1286(f)	10.45(f)										
11000	1313(f)	12.21(f)	1330(f)	12.47(f)										
12000	1365(f)	14.65(f)	1381(f)	14.93(f)										
Digit 12 - Drive Package														
Legend	single speed motor	two speed motor												
(a)	A	1												
(b)	B	2												
(c)	C	3												
(d)	D	4												
(e)	E	5												
(f)	F	6												



Unit Fan Performance

Figure 30. Fan performance curve (top supply with 12x12 blower wheel) 25 tons GEV300^(a)



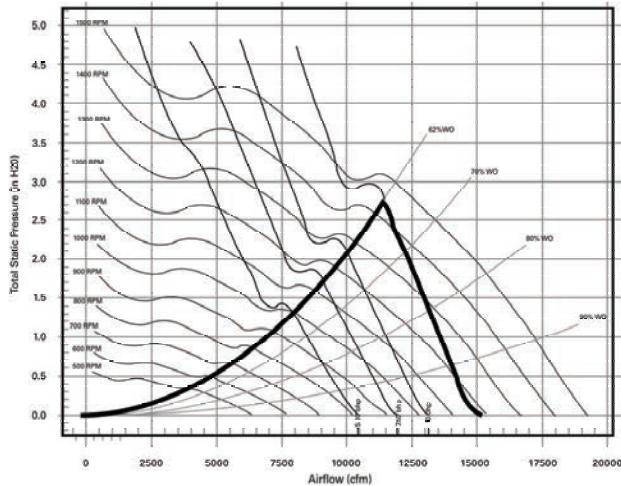
(a) Includes wet coil, no filter

Table 181. Fan performance (top supply with 12x12 blower wheel) 25 tons GEV300 (includes wet coil, no filter)

Std Airflow CFM	Unit External Static Pressure inches W.G. (Wet Coil, 3% Drive Loss Included & No Return Air Filter)															
	1.6		1.7		1.8		1.9		2.0		2.1		2.2		2.3	
	RPM	BHP	RPM	BHP	RPM	BHP	RPM	BHP	RPM	BHP	RPM	BHP	RPM	BHP	RPM	BHP
8000	1434(g)	6.56(g)	1458(g)	6.76(g)	1481(g)	6.96(g)	1503(g)	7.14(g)	1525(g)	7.34(g)	1548(g)	7.55(g)	1569(h)	7.74(h)	1592(h)	7.96(h)
9000	—	—	—	—	—	—	1588(h)	9.07(h)	1609(h)	9.29(h)	1629(h)	9.50(h)	1650(h)	9.73(h)	1670(h)	9.94(h)
10000	—	—	—	—	—	—	—	—	—	—	—	—	—	—	—	—
11000	—	—	—	—	—	—	—	—	—	—	—	—	—	—	—	—
12000	—	—	—	—	—	—	—	—	—	—	—	—	—	—	—	—
Std Airflow CFM	Unit External Static Pressure inches W.G. (Wet Coil, 3% Drive Loss Included & No Return Air Filter)															
	2.4		2.5		2.6		2.7		2.8		2.9		3.0			
	RPM	BHP	RPM	BHP	RPM	BHP	RPM	BHP	RPM	BHP	RPM	BHP	RPM	BHP	RPM	BHP
8000	1613(h)	8.16(h)	1635(h)	8.37(h)	1657(h)	8.60(h)	1677(h)	8.80(h)	1698(h)	9.01(h)	1718(h)	9.22(h)	1738(h)	9.43(h)	—	—
9000	1691(h)	10.17(h)	1710(h)	10.39(h)	1731(h)	10.63(h)	1749(h)	10.84(h)	1769(j)	11.07(j)	1790(j)	11.32(j)	—	—	—	—
10000	1775(j)	12.58(j)	—	—	—	—	—	—	—	—	—	—	—	—	—	—
11000	—	—	—	—	—	—	—	—	—	—	—	—	—	—	—	—
12000	—	—	—	—	—	—	—	—	—	—	—	—	—	—	—	—

Digit 12 - Drive Package		
Legend	single speed motor	two speed motor
(g)	G	7
(h)	H	8
(j)	J	9

Figure 31. Fan performance curve (front/back supply with 11x15 blower wheel) 25 tons GEV300^(a)



(a) Includes wet coil, no filter

Table 182. Fan performance (front/back supply with 11x15 blower wheel) 25 tons GEV300 (includes wet coil, no filter)

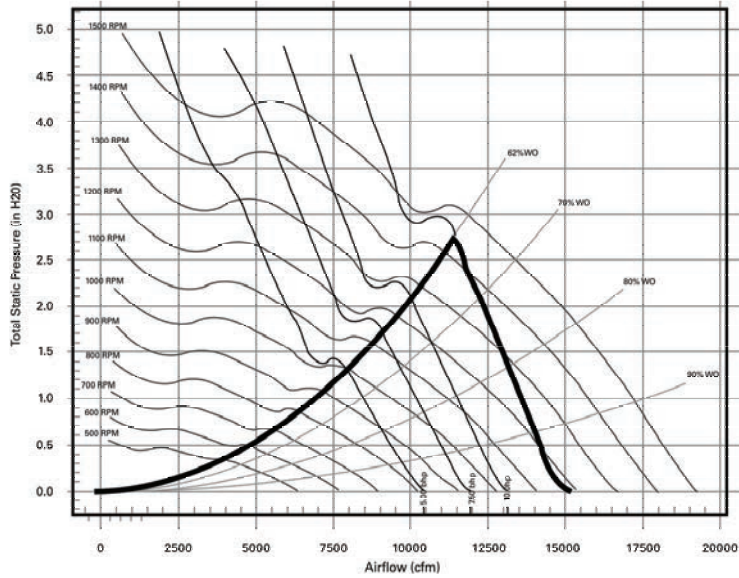
Std Airflow CFM	Unit External Static Pressure inches W.G. (Wet Coil, 3% Drive Loss Included & No Return Air Filter)													
	0.1		0.2		0.3		0.4		0.5		0.6		0.7	
	RPM	BHP	RPM	BHP	RPM	BHP	RPM	BHP	RPM	BHP	RPM	BHP	RPM	BHP
8000	—	—	—	—	—	—	—	—	—	—	755(a)	3.42(a)	780(a)	3.59(a)
9000	—	—	—	—	760(a)	4.18(a)	777(a)	4.31(a)	795(a)	4.44(a)	814(a)	4.58(a)	836(a)	4.75(a)
10000	—	—	—	—	835(b)	5.64(b)	849(b)	5.78(b)	864(b)	5.92(b)	880(b)	6.06(b)	897(b)	6.21(b)
11000	885(b)	7.09(b)	898(b)	7.25(b)	910(b)	7.41(b)	923(d)	7.56(d)	936(d)	7.72(d)	950(d)	7.87(d)	965(d)	8.02(d)
12000	963(d)	9.17(d)	975(d)	9.35(d)	987(d)	9.52(d)	998(d)	9.69(d)	1010(d)	9.86(d)	1022(d)	10.02(d)	—	—
Std Airflow CFM	Unit External Static Pressure inches W.G. (Wet Coil, 3% Drive Loss Included & No Return Air Filter)													
	0.8		0.9		1.0		1.1		1.2		1.3		1.4	
	RPM	BHP	RPM	BHP	RPM	BHP	RPM	BHP	RPM	BHP	RPM	BHP	RPM	BHP
8000	804(a)	3.75(a)	829(a)	3.93(a)	853(a)	4.10(a)	876(a)	4.27(a)	898(a)	4.43(a)	921(a)	4.61(a)	944(a)	4.80(a)
9000	859(a)	4.95(a)	881(b)	5.14(b)	903(b)	5.33(b)	925(b)	5.52(b)	946(b)	5.71(b)	966(b)	5.90(b)	987(b)	6.09(b)
10000	916(b)	6.39(b)	936(b)	6.59(b)	957(b)	6.82(b)	976(b)	7.02(b)	996(b)	7.23(b)	1016(b)	7.44(b)	1035(d)	7.65(d)
11000	980(d)	8.18(d)	996(d)	8.37(d)	1014(d)	8.58(d)	1032(d)	8.81(d)	1050(d)	9.04(d)	1069(d)	9.28(d)	1087(d)	9.51(d)
12000	—	—	—	—	—	—	—	—	1107(d)	11.16(d)	1124(d)	11.41(d)	1141(d)	11.67(d)
Std Airflow CFM	Unit External Static Pressure inches W.G. (Wet Coil, 3% Drive Loss Included & No Return Air Filter)													
	1.5		1.6		1.7		1.8		1.9		2.0		2.1	
	RPM	BHP	RPM	BHP	RPM	BHP	RPM	BHP	RPM	BHP	RPM	BHP	RPM	BHP
8000	967(a)	4.99(a)	990(b)	5.21(b)	1015(b)	5.47(b)	—	—	—	—	—	—	—	—
9000	1008(b)	6.29(b)	1028(b)	6.48(b)	1047(b)	6.67(b)	1067(c)	6.88(c)	1087(c)	7.11(c)	1109(c)	7.36(c)	—	—
10000	1054(d)	7.87(d)	1073(d)	8.08(d)	1091(d)	8.29(d)	1110(d)	8.52(d)	1127(d)	8.72(d)	1146(e)	8.94(e)	1164(e)	9.16(e)
11000	1105(d)	9.74(d)	1122(d)	9.97(d)	1140(d)	10.21(d)	—	—	—	—	—	—	—	—
12000	—	—	—	—	—	—	—	—	—	—	—	—	—	—
Std Airflow CFM	Unit External Static Pressure inches W.G. (Wet Coil, 3% Drive Loss Included & No Return Air Filter)													
	2.2		2.3		2.4									
	RPM	BHP	RPM	BHP	RPM	BHP								
8000	—	—	—	—	—	—								
9000	—	—	—	—	—	—								
10000	1182(e)	9.40(e)	1200(e)	9.64(e)	1219(e)	9.91(e)								
11000	—	—	—	—	—	—								
12000	—	—	—	—	—	—								

Digit 12 - Drive Package		
Legend	single speed motor	two speed motor
(a)	A	1
(b)	B	2
(c)	C	3
(d)	D	4
(e)	E	5



Unit Fan Performance

Figure 32. Fan performance curve (front/back supply with 12x12 blower wheel) 25 tons GEV300^(a)



(a) Includes wet coil, no filter

Table 183. Fan performance (front/back supply with 12x12 blower wheel) 25 tons GEV300 (includes wet coil, no filter)

Std Airflow CFM	Unit External Static Pressure inches W.G. (Wet Coil, 3% Drive Loss Included & No Return Air Filter)													
	1.8		1.9		2.0		2.1		2.2		2.3		2.4	
	RPM	BHP	RPM	BHP	RPM	BHP	RPM	BHP	RPM	BHP	RPM	BHP	RPM	BHP
8000	1356(g)	6.25(g)	1379(g)	6.42(g)	1400(g)	6.59(g)	1422(g)	6.76(g)	1443(g)	6.93(g)	1463(g)	7.1(g)	1484(g)	7.27(g)
9000	—	—	—	—	—	—	1490(h)	8.55(h)	1510(h)	8.74(h)	1531(h)	8.94(h)	1549(h)	9.12(h)
10000	—	—	—	—	—	—	—	—	—	—	—	—	—	—
11000	—	—	—	—	—	—	—	—	—	—	—	—	—	—
12000	—	—	—	—	—	—	—	—	—	—	—	—	—	—
Std Airflow CFM	Unit External Static Pressure inches W.G. (Wet Coil, 3% Drive Loss Included & No Return Air Filter)													
	2.5		2.6		2.7		2.8		2.9		3.0			
	RPM	BHP	RPM	BHP	RPM	BHP	RPM	BHP	RPM	BHP	RPM	BHP	RPM	BHP
8000	1505(h)	7.45(h)	1522(h)	7.6(h)	1542(h)	7.76(h)	1562(h)	7.94(h)	1581(h)	8.11(h)	1600(h)	8.29(h)	—	—
9000	1569(h)	9.32(h)	1588(h)	9.5(h)	1608(h)	9.71(h)	1625(h)	9.89(h)	1644(h)	10.08(h)	1662(h)	10.28(h)	—	—
10000	—	—	1658(j)	11.76(j)	1676(j)	11.96(j)	1693(j)	12.17(j)	1711(j)	12.38(j)	1729(j)	12.6(j)	—	—
11000	—	—	—	—	—	—	1765(j)	14.82(j)	—	—	—	—	—	—
12000	—	—	—	—	—	—	—	—	—	—	—	—	—	—

Digit 12 - Drive Package		
Legend	single speed motor	two speed motor
(g)	G	7
(h)	H	8
(j)	J	9

Table 184. Added pressure drop through optional filters (inches water column), 0.5 to 5 tons, GE*006-060

Model No.	CFM	MERV 8	MERV 13
GEH006	172	0.03	0.04
GEH006	183	0.04	0.04
GEH006	194	0.04	0.04
GEH006	204	0.04	0.05
GEH006	215	0.04	0.05
GEH006	237	0.05	0.06
GEH006	247	0.05	0.06
GEH006	258	0.06	0.06
GEH009	228	0.05	0.05
GEH009	242	0.05	0.06
GEH009	257	0.05	0.06
GEH009	271	0.06	0.06
GEH009	285	0.06	0.07
GEH009	314	0.07	0.08
GEH009	328	0.07	0.08
GEH009	342	0.08	0.09
GEH012	304	0.07	0.07
GEH012	323	0.07	0.08
GEH012	342	0.08	0.09
GEH012	361	0.08	0.09
GEH012	380	0.09	0.10
GEH012	418	0.10	0.11
GEH012	437	0.10	0.12
GEH012	456	0.11	0.12
GEH015	380	0.09	0.10
GEH015	404	0.09	0.11
GEH015	428	0.10	0.11
GEH015	451	0.11	0.12
GEH015	475	0.11	0.13
GEH015	523	0.13	0.15
GEH015	546	0.13	0.16
GEH015	570	0.14	0.16
GEH018	456	0.07	0.08
GEH018	485	0.08	0.09
GEH018	513	0.08	0.09
GEH018	542	0.09	0.10
GEH018	570	0.09	0.11
GEH018	627	0.11	0.12
GEH018	656	0.11	0.13
GEH018	684	0.12	0.14
GEH024	608	0.10	0.12
GEH024	646	0.11	0.13
GEH024	684	0.12	0.14
GEH024	722	0.13	0.15



Unit Fan Performance

Table 184. Added pressure drop through optional filters (inches water column), 0.5 to 5 tons, GE*006-060 (continued)

Model No.	CFM	MERV 8	MERV 13
GEH024	760	0.13	0.16
GEH024	836	0.15	0.18
GEH024	874	0.16	0.19
GEH024	912	0.17	0.20
GEH030	720	0.11	0.13
GEH030	765	0.12	0.14
GEH030	810	0.13	0.15
GEH030	855	0.14	0.16
GEH030	900	0.15	0.18
GEH030	990	0.17	0.20
GEH030	1035	0.18	0.21
GEH030	1080	0.19	0.23
GEH035	912	0.16	0.18
GEH035	969	0.17	0.20
GEH035	1026	0.18	0.22
GEH035	1083	0.19	0.23
GEH035	1140	0.21	0.25
GEH035	1254	0.23	0.29
GEH035	1311	0.25	0.31
GEH035	1368	0.26	0.32
GEH042	1064	0.19	0.23
GEH042	1131	0.20	0.25
GEH042	1197	0.22	0.27
GEH042	1264	0.24	0.29
GEH042	1330	0.25	0.31
GEH042	1463	0.29	0.36
GEH042	1530	0.30	0.38
GEH042	1596	0.32	0.41
GEH048	1216	0.15	0.17
GEH048	1292	0.16	0.19
GEH048	1368	0.17	0.20
GEH048	1444	0.18	0.22
GEH048	1520	0.19	0.23
GEH048	1672	0.22	0.26
GEH048	1748	0.23	0.28
GEH048	1824	0.24	0.30
GEH060	1520	0.19	0.23
GEH060	1615	0.21	0.25
GEH060	1710	0.22	0.27
GEH060	1805	0.24	0.30
GEH060	1900	0.26	0.32
GEH060	2090	0.29	0.36
GEH060	2185	0.31	0.39
GEH060	2280	0.33	0.41
GEV006	172	0.03	0.04

Unit Fan Performance

Table 184. Added pressure drop through optional filters (inches water column), 0.5 to 5 tons, GE*006-060 (continued)

Model No.	CFM	MERV 8	MERV 13
GEV006	183	0.03	0.04
GEV006	194	0.04	0.04
GEV006	204	0.04	0.04
GEV006	215	0.04	0.05
GEV006	237	0.05	0.05
GEV006	247	0.05	0.05
GEV006	258	0.05	0.06
GEV009	228	0.04	0.05
GEV009	242	0.05	0.05
GEV009	257	0.05	0.06
GEV009	271	0.05	0.06
GEV009	285	0.06	0.06
GEV009	314	0.06	0.07
GEV009	328	0.07	0.08
GEV009	342	0.07	0.08
GEV012	304	0.06	0.07
GEV012	323	0.07	0.07
GEV012	342	0.07	0.08
GEV012	361	0.08	0.08
GEV012	380	0.08	0.09
GEV012	418	0.09	0.10
GEV012	437	0.09	0.11
GEV012	456	0.10	0.11
GEV015	380	0.08	0.09
GEV015	404	0.09	0.10
GEV015	428	0.09	0.10
GEV015	451	0.10	0.11
GEV015	475	0.10	0.12
GEV015	523	0.12	0.14
GEV015	546	0.12	0.14
GEV015	570	0.13	0.15
GEV018	456	0.07	0.07
GEV018	485	0.07	0.08
GEV018	513	0.08	0.09
GEV018	542	0.08	0.09
GEV018	570	0.09	0.10
GEV018	627	0.10	0.11
GEV018	656	0.10	0.12
GEV018	684	0.11	0.12
GEV024	608	0.09	0.11
GEV024	646	0.10	0.11
GEV024	684	0.11	0.12
GEV024	722	0.11	0.13
GEV024	760	0.12	0.14
GEV024	836	0.14	0.16



Unit Fan Performance

Table 184. Added pressure drop through optional filters (inches water column), 0.5 to 5 tons, GE*006-060 (continued)

Model No.	CFM	MERV 8	MERV 13
GEV024	874	0.14	0.17
GEV024	912	0.15	0.18
GEV030	720	0.11	0.13
GEV030	765	0.12	0.14
GEV030	810	0.13	0.15
GEV030	855	0.14	0.16
GEV030	900	0.15	0.18
GEV030	990	0.17	0.20
GEV030	1035	0.18	0.21
GEV030	1080	0.19	0.23
GEV036	912	0.13	0.16
GEV036	969	0.14	0.17
GEV036	1026	0.15	0.18
GEV036	1083	0.16	0.20
GEV036	1140	0.18	0.21
GEV036	1254	0.20	0.24
GEV036	1311	0.21	0.26
GEV036	1368	0.22	0.27
GEV042	1064	0.16	0.19
GEV042	1131	0.17	0.21
GEV042	1197	0.19	0.22
GEV042	1264	0.20	0.24
GEV042	1330	0.21	0.26
GEV042	1463	0.24	0.30
GEV042	1530	0.26	0.32
GEV042	1596	0.27	0.34
GEV048	1216	0.10	0.12
GEV048	1292	0.11	0.12
GEV048	1368	0.12	0.13
GEV048	1444	0.12	0.14
GEV048	1520	0.13	0.15
GEV048	1672	0.15	0.17
GEV048	1748	0.16	0.18
GEV048	1824	0.16	0.20
GEV060	1520	0.13	0.15
GEV060	1615	0.14	0.17
GEV060	1710	0.15	0.18
GEV060	1805	0.16	0.19
GEV060	1900	0.17	0.21
GEV060	2090	0.20	0.24
GEV060	2185	0.21	0.25
GEV060	2280	0.22	0.27

Note: Added pressure drop should be considered when utilizing optional MERV 8 and MERV 13 filters

Table 185. Added pressure drop through optional filters (inches water column), 6 to 25 tons, GE*072-300

Model No.	CFM	MERV 8	MERV 13
GEH072	1920	0.09	0.10
GEH072	2160	0.10	0.12
GEH072	2400	0.12	0.14
GEH072	2640	0.13	0.15
GEH072	2880	0.15	0.17
GEH090	2400	0.12	0.14
GEH090	2700	0.13	0.16
GEH090	3000	0.15	0.18
GEH090	3300	0.17	0.21
GEH090	3600	0.19	0.23
GEH120	3200	0.17	0.20
GEH120	3600	0.19	0.23
GEH120	4000	0.22	0.27
GEH120	4400	0.25	0.31
GEH120	4800	0.28	0.35
GEH150	4000	0.17	0.20
GEH150	4500	0.19	0.23
GEH150	5000	0.22	0.27
GEH150	5500	0.25	0.31
GEH150	6000	0.28	0.35
GEH180	4800	0.21	0.25
GEH180	5400	0.24	0.30
GEH180	6000	0.28	0.35
GEH180	6600	0.32	0.40
GEH180	7200	0.36	0.46
GEV072	1920	0.08	0.09
GEV072	2160	0.10	0.11
GEV072	2400	0.11	0.12
GEV072	2640	0.12	0.14
GEV072	2880	0.14	0.16
GEV090	2400	0.11	0.12
GEV090	2700	0.13	0.15
GEV090	3000	0.14	0.17
GEV090	3300	0.16	0.19
GEV090	3600	0.18	0.21
GEV120	3200	0.15	0.18
GEV120	3600	0.18	0.21
GEV120	4000	0.20	0.25
GEV120	4400	0.23	0.28
GEV120	4800	0.26	0.32
GEV150	4000	0.09	0.11
GEV150	4500	0.11	0.12
GEV150	5000	0.12	0.14
GEV150	5500	0.14	0.16
GEV150	6000	0.15	0.18



Unit Fan Performance

Table 185. Added pressure drop through optional filters (inches water column), 6 to 25 tons, GE*072-300 (continued)

Model No.	CFM	MERV 8	MERV 13
GEV180	4800	0.12	0.14
GEV180	5400	0.13	0.16
GEV180	6000	0.15	0.18
GEV180	6600	0.17	0.21
GEV180	7200	0.19	0.23
GEV240	6400	0.17	0.20
GEV240	7200	0.19	0.23
GEV240	8000	0.22	0.27
GEV240	8800	0.25	0.31
GEV240	9600	0.28	0.35
GEV300	8000	0.22	0.27
GEV300	9000	0.26	0.32
GEV300	10000	0.30	0.37
GEV300	11000	0.34	0.43
GEV300	12000	0.38	0.49

Note: Added pressure drop should be considered when utilizing optional MERV 8 and MERV 13 filters

Table 186. Waterside economizer performance 0.5 to 25 tons

Input Data				Output Data									
Tonnage of Heat Pump	Unit Model Number	scfm	GPM	Air Velocity (SFPM) (a)	Total Capacity (Mbh)	Sensible Capacity (Mbh)	LVG. Air DB (°F)	LVG. Air WB (°F)	Standard APD (in. wg.)	LVG. Fluid Temp (°F)	Fluid PD (FT H2O)	Fluid PD Coil In (FT H2O)	Fluid PD Coil Out (FT H2O)
0.50	GEH006	215	1.5	—	6.63	4.92	58.8	57.3	0.04	53.8	0.34	—	—
0.50	GEH006	215	1.8	—	7.15	5.01	58.4	56.5	0.04	52.9	0.46	—	—
0.50	GEH006	215	2.0	—	7.45	5.11	58.0	56.0	0.04	52.5	0.55	—	—
0.75	GEH009	285	1.7	—	7.86	5.91	61.1	58.4	0.07	54.2	0.42	—	—
0.75	GEH009	285	2.1	—	8.49	6.14	60.3	57.7	0.07	53.1	0.60	—	—
0.75	GEH009	285	2.3	—	8.76	6.25	60.0	57.3	0.07	52.6	0.71	—	—
1.00	GEH012	380	2.2	—	9.75	7.41	62.2	59.1	0.11	53.8	0.65	—	—
1.00	GEH012	380	2.8	—	10.60	7.72	61.4	58.3	0.11	52.6	0.99	—	—
1.00	GEH012	380	3.1	—	11.03	7.91	61.0	57.9	0.11	52.1	1.18	—	—
1.25	GEH015	460	2.8	—	11.44	8.68	62.7	59.3	0.15	53.1	0.99	—	—
1.25	GEH015	460	3.5	—	12.33	9.03	62.1	58.7	0.15	52.0	1.46	—	—
1.25	GEH015	460	3.8	—	12.69	9.19	61.7	58.4	0.15	51.7	1.69	—	—
1.50	GEH018	570	3.3	—	16.27	11.71	61.2	58.1	0.12	54.8	1.36	—	—
1.50	GEH018	570	4.2	—	17.61	12.25	60.4	57.3	0.12	53.4	2.08	—	—
1.50	GEH018	570	4.6	—	18.05	12.42	60.1	57.0	0.12	52.8	2.45	—	—
2.00	GEH024	760	4.4	—	20.25	14.65	62.4	58.7	0.19	54.2	2.26	—	—
2.00	GEH024	760	5.5	—	21.58	15.21	61.7	0.2	0.19	52.8	3.4	—	—
2.00	GEH024	760	6.1	—	22.19	15.43	61.4	57.9	0.19	52.3	4.03	—	—
2.50	GEH030	900	5.5	—	23.27	16.81	62.9	59.0	0.25	53.4	3.4	—	—
2.50	GEH030	900	6.9	—	24.71	17.38	62.3	58.5	0.25	52.1	5.01	—	—
2.50	GEH030	900	7.6	—	25.28	17.64	62.1	58.3	0.25	51.6	5.95	—	—
3.00	GEH035	1140	6.6	—	29.28	21.57	62.7	59.1	0.19	53.8	2.39	—	—
3.00	GEH035	1140	8.3	—	31.47	22.41	62.0	58.4	0.19	52.6	5.25	—	—
3.00	GEH035	1140	9.1	—	32.20	22.20	61.8	58.2	0.19	52.1	6.19	—	—
3.50	GEH042	1330	7.8	—	32.88	24.88	63.4	59.4	0.25	53.4	4.70	—	—
3.50	GEH042	1330	9.7	—	34.81	25.05	62.8	58.9	0.25	52.2	6.92	—	—
3.50	GEH042	1330	10.7	—	35.67	25.37	62.6	58.7	0.25	51.6	8.24	—	—
4.00	GEH048	1520	8.8	—	39.77	29.11	62.5	58.9	0.17	54.0	1.24	—	—
4.00	GEH048	1520	11.0	—	42.44	30.25	61.8	58.3	0.17	52.7	1.86	—	—
4.00	GEH048	1520	12.1	—	43.65	30.69	61.5	58.0	0.17	52.2	2.21	—	—
5.00	GEH060	1900	11.6	—	47.59	34.73	63.3	59.3	0.24	53.2	2.04	—	—
5.00	GEH060	1900	14.5	—	50.66	35.94	62.7	58.7	0.24	52.0	3.05	—	—



Unit Fan Performance

Table 186. Waterside economizer performance 0.5 to 25 tons (continued)

Input Data				Output Data								
Tonnage of Heat Pump	Unit Model Number	scfm	GPM	Air Velocity (SFPM) ^(a)	Total Capacity (Mbh)	Sensible Capacity (Mbh)	LVG. Air DB (°F)	LVG. Air WB (°F)	Standard APD ¹ (in. wg.)	LVG. Fluid Temp (°F)	Fluid PD Coil In (FT H2O)	Fluid PD Coil Out (FT H2O)
5.00	GEH060	1900	16.0	—	51.87	36.39	62.5	58.5	0.24	51.5	—	3.65
6.00	GEH072	2400	13.2	400	65.2	52.3	60.1	58.6	0.26	54.8	3.8	1.1
6.00	GEH072	2400	16.8	400	73.1	55.3	58.9	57.4	0.27	53.7	6.1	1.7
6.00	GEH072	2400	18.6	400	76.2	56.5	58.5	57.0	0.27	53.2	7.5	2.1
7.50	GEH090	3000	16.5	444	83.4	52.5	60.0	58.3	0.31	55.1	6.1	1.7
7.50	GEH090	3000	21.0	444	92.2	55.2	59.0	57.3	0.32	53.8	9.8	2.7
7.50	GEH090	3000	23.3	444	95.6	56.3	58.6	56.9	0.32	53.2	12.0	3.3
10.00	GEH120	4000	22.0	438	119.8	54.5	59.2	57.6	0.31	55.9	9.3	1.2
10.00	GEH120	4000	28.0	438	130.3	57.0	58.3	56.7	0.32	54.3	15.1	1.9
10.00	GEH120	4000	31.0	438	134.4	58.0	57.9	56.3	0.32	53.6	18.5	2.3
12.50	GEH150	5000	27.5	411	153.5	116.2	58.7	57.3	0.28	56.1	10.7	1.6
12.50	GEH150	5000	35.0	411	167.5	121.8	57.7	56.4	0.28	54.5	17.4	2.6
12.50	GEH150	5000	38.8	411	172.9	123.9	57.3	56.0	0.29	53.9	21.3	3.1
15.00	GEH180	6000	33.0	493	176.9	135.0	59.4	57.8	0.37	55.7	15.5	2.3
15.00	GEH180	6000	42.0	493	191.8	140.8	58.5	56.9	0.38	54.1	25.0	3.7
15.00	GEH180	6000	46.5	493	197.8	143.2	58.2	56.6	0.38	53.5	30.7	4.5
6.00	GEV072	2400	13.2	424	72.1	55.0	59.1	57.6	0.29	55.9	8.3	1.1
6.00	GEV072	2400	16.8	424	78.7	57.6	58.1	56.6	0.30	54.3	13.4	1.7
6.00	GEV072	2400	18.6	424	81.3	58.6	57.7	56.2	0.30	53.7	16.4	2.1
7.50	GEV090	3000	16.5	454	88.8	67.9	59.3	57.7	0.32	55.7	10.0	1.7
7.50	GEV090	3000	21.0	454	96.7	71.0	58.4	56.8	0.33	54.2	16.2	2.7
7.50	GEV090	3000	23.3	454	99.8	72.2	58.0	56.4	0.34	53.6	19.9	3.3
10.00	GEV120	4000	22.0	471	117.4	89.9	59.4	57.8	0.34	55.6	10.1	1.4
10.00	GEV120	4000	28.0	471	127.7	94.0	58.5	56.9	0.35	54.1	16.3	2.2
10.00	GEV120	4000	31.0	471	131.8	95.6	58.2	56.6	0.36	53.5	20.0	2.7
12.50	GEV150	5000	27.5	308	160.4	120.6	58.0	56.9	0.18	56.6	6.9	0.9
12.50	GEV150	5000	35.0	308	177.4	127.3	56.7	55.7	0.18	55.1	11.2	1.5
12.50	GEV150	5000	38.8	308	184.0	130.0	56.2	55.2	0.19	54.5	13.8	1.8
15.00	GEV180	6000	33.0	370	187.3	141.4	58.5	57.2	0.23	56.3	9.8	1.3
15.00	GEV180	6000	42.0	370	205.4	148.5	57.4	56.1	0.24	54.8	15.9	2.2
15.00	GEV180	6000	46.5	370	212.3	151.3	56.9	55.7	0.25	54.1	19.5	2.7
20.00	GEV240	8000	44.0	438	241.7	183.4	59.0	57.5	0.30	56.0	8.6	0.7
20.00	GEV240	8000	56.0	438	263.0	191.8	58.1	56.6	0.32	54.4	13.9	1.1

Table 186. Waterside economizer performance 0.5 to 25 tons (continued)

Input Data				Output Data									
Tonnage of Heat Pump	Unit Model Number	scfm	GPM	Air Velocity (SFPM) (a)	Total Capacity (Mbh)	Sensible Capacity (Mbh)	LVG. Air DB (°F)	LVG. Air WB (°F)	Standard APD (in. wg.)	LVG. Fluid Temp (°F)	Fluid PD (FT H2O)	Fluid PD Coil In (FT H2O)	Fluid PD Coil Out (FT H2O)
20.00	GEV240	8000	62.0	438	271.3	195.1	57.7	56.2	0.32	53.7	—	17.0	1.4
25.00	GEV300	10000	55.0	548	280.8	219.5	60.1	58.2	0.52	55.2	—	9.8	1.1
25.00	GEV300	10000	70.0	548	299.0	228.4	59.3	57.5	0.52	53.5	—	15.8	1.8
25.00	GEV300	10000	77.5	548	306.8	232.1	58.9	57.3	0.53	52.9	—	19.4	2.2

Notes:

1. Entering Air DB/WB (80/67). Entering Fluid (°F) 45.
 2. For 6 to 25 ton units, performance data is tabulated for cooling at 80°F DB/67°F WB entering air and 45°F entering fluid at AHRI 410 rated SCFM.
- (a) Applicable only to 6 to 25 tons (072 to 300)

Unit Fan Performance

Table 187. Antifreeze correction factors

Methanol (concentration by volume)						
Item	0%	10%	20%	30%	40%	50%
Cooling Capacity	1.000	0.998	0.997	0.995	0.993	0.992
Heating Capacity	1.000	0.995	0.990	0.985	0.979	0.974
Pressure Drop	1.000	1.023	1.057	1.091	1.122	1.160
Ethylene Glycol (concentration by volume)						
Item	0%	10%	20%	30%	40%	50%
Cooling Capacity	1.000	0.996	0.991	0.987	0.983	0.979
Heating Capacity	1.000	0.993	0.985	0.977	0.969	0.961
Pressure Drop	1.000	1.024	1.068	1.124	1.188	1.263
Propylene Glycol (concentration by volume)						
Item	0%	10%	20%	30%	40%	50%
Cooling Capacity	1.000	0.993	0.987	0.980	0.974	0.968
Heating Capacity	1.000	0.986	0.973	0.960	0.948	0.935
Pressure Drop	1.000	1.040	1.098	1.174	1.273	1.405
Brine (NaCL) (concentration by volume)						
Item	0%	10%	20%	30%	40%	50%
Cooling Capacity	1.000	0.994	0.987	0.979	0.971	0.963
Heating Capacity	1.000	0.993	0.987	0.982	0.978	0.976
Pressure Drop	1.000	1.154	1.325	1.497	1.669	1.841

Examples

Example 1 (Ethylene Glycol):

The antifreeze solution is 20% by volume of Ethylene Glycol. Determine the corrected cooling capacity and waterside pressure drop for a GEHE018 when the EWT is 86°F and the GPM is 4.2.

From the catalog data, the cooling capacity at these conditions with 100% water is 17.6 Mbtuh, and the waterside pressure drop is 6.4 feet of head. At 20% Ethylene Glycol, the correction factor for cool capacity is 0.991 and the pressure drop is 1.068.

The corrected cooling capacity (Mbtuh) = $17.6 * 0.991 = 17.4$. The corrected water side pressure drop (Ft. head) = $6.4 * 1.068 = 6.8$.

Example 2 (Propylene Glycol):

The antifreeze solution is 30% by volume of Propylene Glycol. Determine the corrected heating capacity and waterside pressure drop for a GEHE042 when the EWT is 45°F and the GPM is 9.8.

From the catalog data, the heating capacity at these conditions with 100% water is 40.7 Mbtuh, and the waterside pressure drop is 16.6 feet of head. At 30% Propylene Glycol, the correction factor for heat capacity is 0.960 and the pressure drop is 1.174.

The corrected heating capacity (Mbtuh) = $40.7 * 0.960 = 39.1$. The corrected water side pressure drop (Ft. head) = $16.6 * 1.174 = 19.5$.

Figure 33. Cooling capacity correction factor

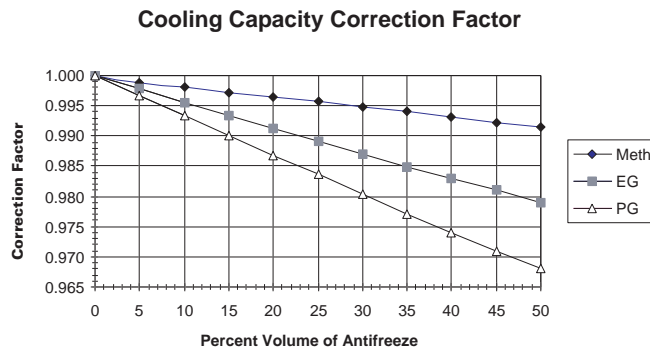


Figure 34. Heating capacity correction factor

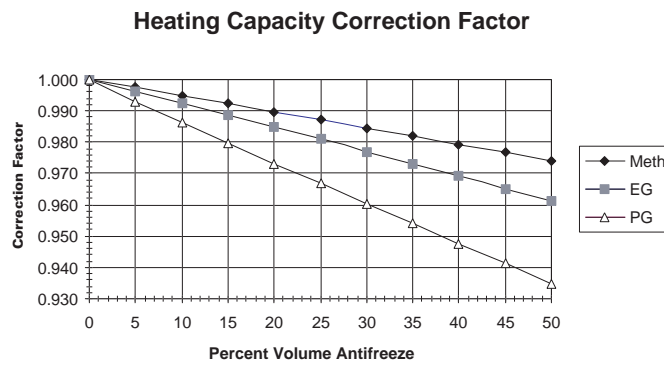
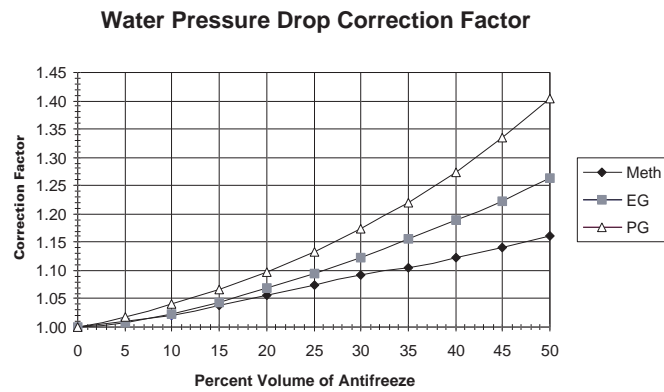


Figure 35. Water pressure drop correction factor

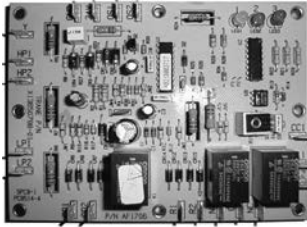


Controls

From our industry-leading building automation systems to equipment controls and sensors, Trane offers a complete portfolio of controls products. Trane unit mounted controls are mounted, wired, configured and tested to deliver a high quality product with time savings at the jobsite.

Our building controls are web-based, flexible and scalable, mobile, easy to use and install, and support open standard protocols such as BACnet®, LONTalk™, Modbus and many others.

Figure 36. Deluxe 24V control board



The 24 V deluxe design is a microprocessor-based control board conveniently located in the control box. The board is unique to Trane water-source products and is designed to control the unit as well as provide outputs for unit status and fault detection.

The board is factory wired to a terminal strip to provide all necessary terminals for field connections.

Deluxe 24V Electronic Controls

The deluxe controls may be applied as a stand-alone control system. The stand-alone design provides accurate temperature control directly through a wall-mounted electronic thermostat.

This system set-up may be utilized in a replacement design where a single unit retrofit is needed. It may be easily interfaced with a field provided control system by way of the factory installed 18-pole terminal strip. This stand-alone control is frequently utilized on small jobs where a building controller may not be necessary, or where field installed direct digital controls are specified. This type of control design does require a constant flow of water to the water source heat pump. With a positive way to sense flow to the unit, the units safety devices will trigger the unit off. The stand-alone system design provides a low cost option of installation while still allowing room control for each unit.

Points on the Deluxe controls include:

- 18-pole strip for low voltage field wiring
- For 0.5 to 5 tons, 50 VA¹ transformer (75 VA for 6 to 25 tons)
- Anti-short cycle compressor protection
- Brown out protection
- Compressor contactor
- Compressor delay on start
- Compressor lock-out relay
- Condensate overflow
- Electric heat and compressor enable (6 to 25 tons)
- Freeze protection
- High pressure switch
- Hot gas reheat
- Low pressure switch
- Low pressure time delay
- Multi-speed fan motor

¹ For 0.5 to 5 tons, available on standard heat pump and cooling units only. Hot gas reheat and electric heat units with deluxe controls offer a 75 VA transformer.

- Random start delay
- Reversing valve coil
- Soft lockout mode

Deluxe 24V Features

Anti-short Cycle Timer

The anti-short cycle timer provides a three minute time delay between compressor stop and compressor restart.

Brown-out Protection

The brown-out protection function measures the input voltage to the controller and halts the compressor operation. Once a brown-out situation has occurred, the anti-short cycle timer will become energized. The general fault contact will not be affected by this condition. The voltage will continue to be monitored until the voltage increases. The compressors will be enabled at this time if all start-up time delays have expired, and all safeties have been satisfied.

Compressor Disable

The compressor disable relay provides a temporary disable in compressor operation. The signal would be provided from a water loop controller in the system. It would disable the compressor because of low water flow, peak limiting or if the unit goes into an unoccupied state. Once the compressor has been disabled, the anti-short cycle time period will begin. Once the compressor disable signal is no longer present, and all safeties are satisfied, the control will allow the compressor to restart.

Diagnostics

Three LEDs (light emitting diodes) are provided for indicating the operating mode of the controller. See the unit IOM for diagnostics or troubleshooting through the use of the LEDs.

Generic Relay

The generic relay is provided for field use. Night setback or pump restart are two options that may be wired to the available relay.

A 24 Vac signal will energize the relay coil on terminals R1 and R2. Terminals C (common), NO (normally open), and NC (normally closed) will be provided for the relay contacts.

Random Start

The random start relay provides a time delay start-up of the compressor when cycling in the occupied mode. A new start delay time between 3 and 10 seconds is applied each time power is enabled to the unit.

Safety Control

The deluxe controller receives separate input signals from the refrigerant high pressure switch, low suction pressure switch, freezestat and condensate overflow.

In a high pressure situation, the compressor contactor is de-energized, which suspends compressor operation. The control will go into soft lockout mode initializing a three minute time delay and a random start of 3 to 10 second time delays. Once these delays have expired, the unit will be allowed to run. If a high pressure situation occurs within one hour of the first situation, the control will be placed into a manual lockout mode, halting compressor operation, and initiating the general alarm.

In a low temperature situation, the low pressure switch will transition open after the compressor starts. If the switch is open for 45 seconds during compressor start, the unit will go into soft lockout mode initializing a three minute time delay and a random start of 3 to 10 second time delays. Once these delays have expired, the unit will be allowed to run. If the low pressure situation occurs again

Controls

within 30 minutes, and the device is open for more than 45 seconds, the control will be placed into a manual lockout mode, halting compressor operation, and initiating the general alarm.

In a condensate overflow situation, the control will go into manual lockout mode, halting compressor operation, and initiating the general alarm.

The general alarm is initiated when the control goes into a manual lockout mode for either high pressure, low pressure, freeze-stat or condensate overflow conditions.

Figure 37. Safety devices



System safety devices are provided through the use of low/high pressure switches in the refrigeration circuit to help prevent compressor damage.

The low pressure switch is set to activate at refrigerant pressures of 40 psig to fit most applications.

In cases where a low charge, or excessive loss of charge occurs, each compressor comes equipped with an external overload device to halt the compressor operation.

The high pressure switch prevents compressor operation during high or excessive discharge pressures that exceed 650 psig.

A lockout relay provides the mechanical communication of the low and high pressure switches to prevent compressor operation if the unit is under low or high refrigerant circuit pressure, or during a condensate overflow condition. The lockout relay may be reset at the thermostat, or by cycling power to the unit.

General alarm is accomplished through the lockout relay and will drive dry contacts only, and cannot be used to drive field installed control inputs.

Tracer® Controls

The Tracer® family of controllers, ZN524 and UC400 offer the combined advantages of simple and dependable operation with the latest Trane-designed controller. Standard control features include options normally available on more elaborate control systems. All control options are available factory-configured or the ZN controls can be field-configured using Rover service software and the UC400 is serviced via Tracer® TU. For more detailed information, refer to CNT-SVX11*-EN (for Tracer® ZN524) and BAS-SVX065*-EN (for UC400), or the most recent version of the publication. Tracer® ZN524 and UC400 are DDC that when applied to water-source equipment provide control of the entire unit, as well as outputs for unit status and fault detection. Each device is factory installed, commissioned, and tested to ensure the highest level of quality in unit design.

Figure 38. Tracer® UC400



Each controller feature and option was selected to coordinate with the unit hardware to provide greater energy efficiency and equipment safety to prolong the equipment life.

Trane® WSHP with DDC controllers features include 75VA transformer, compressor contactor, compressor lockout function, random start delay, heating/cooling status, occupied/unoccupied mode, low pressure switch, high pressure switch, fan and filter status optional, reversing valve coil multi-speed fan motor, 18-pole terminal strip (for low voltage field wiring), condensate overflow and freeze protection. Additional features include water isolation valve support (for variable speed pumping). Optional features include boilerless control for electric heat, waterside economizer, hot gas reheat (for dehumidification).

Tracer® ZN524

The ZN524 controller can be used in a stand-alone application or as part of a Trane® Integrated Comfort™ System (ICS). The Tracer® ZN524 is LonTalk® certified. It is capable of working with, and talking to other LonTalk® certified controllers providing the building owner more choices, and the design engineers more flexibility to meet the challenges of building automation.

Tracer® UC400

The Tracer® UC400 is a BTL Listed BACnet® controller that can operate stand-alone or within a Building Automation system such as Tracer® SC.

Tracer® UC400/ZN524 Functions Include:

Boilerless Control Electric Heat

The controller supports a single stage of boilerless electric heat operation.

Electric heat is used when boilerless heat is enabled/configured and the EWT is too low for compressor operation. When this condition is met, the isolation valve will be closed shutting down the water flow to the unit.

Supplemental Electric Heat (6 to 25 tons only)

When the unit is configured for boilerless control, the EWT will be used to determine whether DX heating should be disabled and the electric heater enabled. When these conditions are met, the isolation valve(s) are driven open for three minutes and the entering water temperature reading is taken. The determination as to whether or not to utilize electric heat will be made and the controller will take appropriate action. If boilerless electric heat is enabled, then the isolation valve will be closed, shutting down the water flow to the unit.

When the unit is configured for concurrent operation of DX heating (compressor in heat pump mode) and electric heat, the electric heat will act as a second stage of heat for single compressor units, and a third stage of heat for dual compressor units.

Note: *With concurrent (or supplemental) electric heat, the electric heater is field provided.*

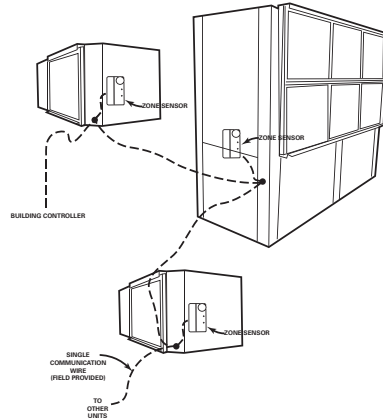
Compressor Operation

The compressor is cycled on and off to meet heating or cooling zone demands. Units (for 6 to 25 tons, single and dual compressor) use the unit capacity and pulse width modulation (PWM) logic along with minimum on/off timers to determine the compressor's operation. The compressor is controlled ON for longer periods as capacity increases and shorter periods as capacity decreases.

Condensate Overflow

When condensate reaches the trip point, a condensate overflow signal generates a diagnostic which disables the fan, unit water valves (if present), and compressor. The unit will remain in a halted state until the condensation returns to a normal level. At this time, the switch in the drain pan will automatically reset. However, the controller's condensate overflow diagnostic must be manually reset to clear the diagnostic and restart the unit.

Figure 39. Building control advantages



The Tracer® ZN524 or UC400 controllers have the ability to share information with one or several units on the same communication link.

An advantage of installing a Tracer® UC400 or ZN524 is its capability to work with other BACnet® or LonTalk® controllers. This provides greater flexibility to the building owner, as well as greater flexibility in design.

Integrating the UC400 or ZN524 on water-source equipment, and tying it to a Tracer® SC or other BAS system provides a complete building management system. With a Building Automation system like a Tracer® SC, the system can initiate an alarm on a loss of performance on equipment malfunctions; allowing problems to be handled in a timely manner before compromising comfort.

This type of application would most commonly be used for a large space(s) that may require more than one unit. In addition to this application design, UC400 and ZN524 controller provides a way for units located within the same space to share the same zone sensor to prevent units from simultaneously heating and cooling in the same space.

Note: The sharing of information is made possible with a twisted pair of wire and a building automation system or through Trane's Rover™ service tool.

Data Sharing

The Tracer® UC400 and ZN524 controller are capable of sending or receiving data (setpoints, fan request, or space temperature) to and from other controllers on the communication link. This allows multiple units to share a common space temperature sensor in both stand-alone and building automation applications.

Dehumidification

Dehumidification¹ for the water-source heat pump is applicable with the UC400 and ZN524. The controller is capable of directing one stage of DX cooling in conjunction with one stage of reheat (hot gas reheat).

Dehumidification can only occur when the controller is in the cooling mode. A humidity sensor is used to measure the zone's relative humidity (RH), then compares the zone relative humidity to the relative humidity enable/disable setpoint parameters. The dehumidification enable and disable points are configurable.

Fan Operation

The supply air fan operates at the factory wired speed in the occupied or occupied standby mode. When switch is set to AUTO, the fan is configured for cycling ON with heating or cooling. In heat mode, the fan will run for 30 seconds beyond compressor shutdown in both occupied and unoccupied mode.

Filter Maintenance Timer

The controller filter status is based on the unit fan's cumulative run hours. The controller compares the fan run time against an adjustable fan run hours limit and recommends unit maintenance as required.

¹ For 6 to 25 ton units, applicable to single and dual circuited

High and Low Pressure Switches

The Tracer® UC400 and ZN524 detects the state of the high pressure or low pressure switches. When a fault is sensed by one of these switches, the corresponding message is sent to the controller to be logged into the fault log. When the circuit returns to normal, the high pressure control and low pressure control automatically reset. If a second fault is detected within a thirty-minute time span, the unit must be manually reset.

Occupancy Modes

The four operations of the Tracer® UC400 and ZN524 controller include occupied, occupied standby, occupied bypass and unoccupied.

In an occupied situation, the controller uses occupied heating and cooling setpoints to provide heating and cooling to the building. This occupied operation is normally used during the daytime hours when the building is at the highest occupancy level.

In an occupied standby situation, the controllers heating and cooling setpoints are usually wider than the occupied setpoints. This occupied standby operation is used during daytime hours when people are not present in the space (such as lunchtime or recess). To determine the space occupancy, an occupancy sensor is applied.

In an unoccupied situation, the controller assumes the building is vacant, which normally falls in evening hours when a space may be empty. In the unoccupied mode, the controller uses the default unoccupied heating and cooling setpoints stored in the controller. When the building is in unoccupied mode, individual units may be manually placed into timed override of the unoccupied mode at the units wall sensor. During timed override, the controller interprets the request and initiates the occupied setpoint operation, then reports the effective occupancy mode as occupied bypass.

In the occupied bypass mode, the controller applies the occupied heating and cooling setpoint for a 120-minute time limit.

Random Start

To prevent all of the units in a building from energizing major loads at the same time, the controller observes a random start from 0 to 25 seconds. This timer halts the controller until the random start time expires.

Reversing Valve Operation

For cooling, the reversing valve output is energized simultaneously with the compressor. It will remain energized until the controller turns on the compressor for heating. At this time, the reversing valve moves to a de-energized state. In the event of a power failure or controller OFF situation, the reversing valve output will default to the heating (de-energized) state.

Entering Water Temperature Sampling

The controller will sample the entering water temperature to determine proper control action for units equipped with boilerless electric heat or waterside economizer.

Waterside Economizer

Entering water temperature (EWT) sampling will automatically occur at power up when the unit is equipped with a waterside economizer (WSE). The EWT is used to determine if economizing is feasible. When the conditions are met, the isolation valve(s) are driven open for three minutes and the EWT reading is taken. The determination as to whether or not the economizer can be enabled will be made and the controller will take appropriate action. The isolation valve will remain open regardless if the WSE or the DX cooling is enabled.

The unit's waterside economizer will contain a 2-position water valve wired to the controller. The economizing water coil will be optimized to provide 100% of the unit capacity at 80.6°F/66.2°F return air temperature with 45°F entering water. The flow rate is established at 86 F entering water temperature and 96°F leaving water temperature.

Low leaving air protection will be furnished to protect the unit against delivering air that is cold enough to sweat discharge air grilles. Coil icing protection will also be provided.

Waterside economizer cooling will be active during occupied, unoccupied and standby cooling modes.

Water Isolation Valve

Variable speed pumping systems are supported by the controller when water isolation valves (12 VA max) are present. up to two isolation valves are supported by the UC400 and ZN524 controller (one for each compressor circuit). The valves are normally closed unless DX heating, DX cooling, waterside economizer or dehumidification is requested. When the isolation valves are driven open for operation, the outputs will be driven for 20 seconds to ensure adequate water flow before the compressor outputs are energized. Once an isolation valve has been opened, it will remain open for a 10 minute minimum to reduce excessive cycling of the valve.

Isolation Valve “ON” Control

The isolation valve output will be energized (controlled open) during compressor heating, compressor cooling, waterside economizing or dehumidification.

When the isolation valve is driven open for compressor operation, the output will be energized 20 seconds prior to the compressor and indoor fan (if not already energized) outputs to ensure adequate water flow to the heat exchanger. To reduce excessive cycling of the isolation valve once opened, the isolation valve will remain open for a minimum of 10 minutes.

Isolation Valve “OFF” Control

The isolation valve output will be de-energized (controlled closed) when there is no longer a call for compressor or WSE operation and the 10 minute minimum on time has expired.

Trane® Air-Fi® Wireless Systems



Trane® Air-Fi® wireless systems provides significant advantages to better meet customer by providing a lower initial cost; ease of installation for reduced risk; increased reliability and flexibility for easier problem solving; and fewer maintenance issues for worry-free operation and cost savings over the life of the system. Trane® Air-Fi® wireless systems helps save time and money, with industry-leading technology and performance.

Air-Fi® Wireless Communications Interface (WCI)

The Air-Fi® Wireless Communications Interface (WCI) enables wireless communications between system controls, unit controls, and wireless sensors for Trane® control products that use the BACnet® protocol. The WCI replaces the need for communications wire in all system applications.

The WCI is available in three configurations:

- The universal model is the most common. It installs the same as a wired zone sensor in indoor applications.
- The outdoor model is housed in an enclosure suitable for outdoor environments. It is usually used on equipment above the roof deck.
- The flush mount model is used on fan coils, blower coils, and unit ventilators.

Air-Fi® Wireless Communications Sensor (WCS)

The Air-Fi® Wireless Communications Sensor (WCS) is compatible with any Trane® controller that uses a WCI. The WCS provides the same functions as many currently available Trane® wired sensors. No further software or hardware is necessary for site evaluation, installation, or

maintenance. Space temperature is standard on all models. (A service tool cannot be connected to a Trane® wireless sensor.)

Three WCS models are available:

- Digital display (WCS-SD) model
- Base (WCS-SB) model has no exposed display or user interface
- 2% relative humidity sensor module (WCS-SH), which can be field installed inside either the WCS-SD or WCS-SB.

In most applications, one WCS-SD or WCS-SB sensor will be used per WCI acting as a router. However, up to 6 WCS-SD or WCS-SB sensors can be associated to a single equipment controller or BCI.

Compatibility with Previous Generation Wireless Zone Products

Our previous line of wireless zone sensors (WZS, WTS, and WDS) are not compatible with the Air-Fi® Wireless Communications Interface (WCI).

The new Air-Fi® Wireless Communications Sensor (WCS) are compatible with old WCIs that have updated firmware.





Wired Zone Sensors

Wired zone sensors can be used with Air-Fi® wireless systems.









Thermostats and Zone Sensors

Table 188. Thermostat selection for use with the Deluxe Controller

Thermostat	Part Number	Description
	X13511535010	1 Heat/1 Cool, non-programmable commercial thermostat for conventional air conditioners and heat pumps that are configured without auxiliary heat <ul style="list-style-type: none"> • 1 H/1 C
	X13511536010	3 Heat/2 Cool, non-programmable commercial thermostat for conventional air conditioners and heat pumps that are configured with or without auxiliary heat. <ul style="list-style-type: none"> • 3 H/2 C
	X13511537010	3 Heat/2 Cool, programmable commercial thermostat for conventional (rooftop) air conditioners and heat pumps that are configured with or without auxiliary heat. <ul style="list-style-type: none"> • 3 H/2 C
	X13511538010	3Heat/2 Cool, programmable touch screen thermostat for conventional air conditioners and heat pump systems. The thermostat will provide the human interface, zone temperature sensing both local and optional remote temperature sensing, and set point scheduling on a daily/weekly basis. This thermostat can also display humidity with a control signal for dehumidification with a local humidity sensor or optional remote humidity sensor. <ul style="list-style-type: none"> • 3 H/2 C





Thermostats and Zone Sensors

Table 189. Zone sensor selection for use with Tracer® ZN524 and UC400 Controller

Sensor	Part Number	Description
	X13790886010	Wired temperature sensor with an LCD display <ul style="list-style-type: none"> Allows an occupant to control the temperature setpoint, request timed override of system operation, and provides a COMM module to service technicians. Tracer® ZN524 and UC400 Compatible
	X13651467020	Communication Module <ul style="list-style-type: none"> Sold in packs of 12 Provides local RJ22 connection to Trane® service tools for easy, low cost maintenance.
	X13511529010	Zone Sensor <ul style="list-style-type: none"> Tracer® UC400 and ZN524 compatible External setpoint adjustment wheel
	X13511527010	Zone Sensor <ul style="list-style-type: none"> Tracer® UC400 and ZN524 compatible External setpoint adjustment wheel ON and CANCEL buttons
	X1379084501	Zone Sensor <ul style="list-style-type: none"> Tracer® UC400 and ZN524 compatible External setpoint adjustment wheel ON and CANCEL buttons Fan switch AUTO-OFF
	X1379044401	Temperature and relative humidity sensor <ul style="list-style-type: none"> Tracer® UC400 and ZN524 compatible

Thermostats and Zone Sensors

Table 190. Wireless zone sensor selection for use with Tracer® UC400 controller

Sensor	Part Number	Description
	X13790955050	Trane Air-Fi® WCS-SD (display) <ul style="list-style-type: none"> • Tracer® UC400 Compatible • Easy-to-use interface for clear and simple monitoring and control.
	X13790956010	Trane Air-Fi® WCS-SB (base) <ul style="list-style-type: none"> • Tracer® UC400 Compatible • Simplicity • Eliminates local temperature control when higher control level is required.
	X13790993001	Commercial Touch Screen Programmable Zone Sensor <ul style="list-style-type: none"> • Supports Standby, Occupied, and Unoccupied • 7 day, 5+2 day, and 5+1+1 day
	X13790992001	Residential Touch Screen Programmable Zone Sensor <ul style="list-style-type: none"> • Supports Awake, Away, Home, and Sleep • 7 day, 5+2 day, and 5+1+1 day

Electrical Data



Electrical Data

Table 191. Electrical data standard static motors (0.5 to 25 tons), single speed blower motor (6 to 25 tons)

Model	Volts	Total Unit FLA	Comp LRA RLA (ea)	Comp LRA (ea)	Comp No. of Comp	Cmp MCC	Blower Motor FLA	Blower Motor hp	Fan Motors	Minimum Circuit Ampacity	Maximum Overcurrent Protective Device	Electric Heat kW(a)	Electric Heat Amps(a)
GEH/V006	115/60/1	6.8	5.6	30.0	1	7.5	1.20	1/12	1	8.20	15	0.0	0.0
GEH/V006	208/60/1	3.9	3.3	14.0	1	4.2	0.60	1/12	1	4.73	15	0.0	0.0
GEH/V006	208/60/1	4.5	3.3	14.0	1	4.2	0.60	1/12	1	5.68	15	0.8	3.9
GEH/V006	230/60/1	3.8	3.2	15.0	1	4.2	0.60	1/12	1	4.60	15	0.0	0.0
GEH/V006	230/60/1	4.9	3.2	15.0	1	4.2	0.60	1/12	1	6.18	15	1.0	4.3
GEH/V006	220-240/50/1	3.4	2.9	17.0	1	4.0	0.52	1/12	1	4.15	15	0.0	0.0
GEH/V006	220-240/50/1	7.4	2.9	17.0	1	4.0	0.52	1/12	1	9.19	15	1.6	6.8
GEH/V006	265/60/1	3.0	2.5	11.0	1	3.5	0.52	1/12	1	3.65	15	0.0	0.0
GEH/V006	265/60/1	5.5	2.5	11.0	1	3.5	0.52	1/12	1	6.92	15	1.3	5.0
GEH/V009	115/60/1	7.6	6.4	36.0	1	8.6	1.20	1/12	1	9.20	15	0.0	0.0
GEH/V009	208/60/1	4.3	3.7	16.0	1	4.8	0.60	1/12	1	5.23	15	0.0	0.0
GEH/V009	208/60/1	6.5	3.7	16.0	1	4.8	0.60	1/12	1	8.14	15	1.2	5.9
GEH/V009	230/60/1	4.1	3.5	17.0	1	4.8	0.60	1/12	1	4.98	15	0.0	0.0
GEH/V009	230/60/1	7.1	3.5	17.0	1	4.8	0.60	1/12	1	8.90	15	1.5	6.5
GEH/V009	220-240/50/1	6.0	5.3	23.0	1	7.4	0.72	1/8	1	7.35	15	0.0	0.0
GEH/V009	220-240/50/1	9.8	5.3	23.0	1	7.4	0.72	1/8	1	12.20	15	2.2	9.0
GEH/V009	265/60/1	3.3	2.8	13.0	1	3.7	0.52	1/12	1	4.02	15	0.0	0.0
GEH/V009	265/60/1	8.1	2.8	13.0	1	3.7	0.52	1/12	1	10.08	15	2.0	7.5
GEH/V012	115/60/1	13.7	12.1	58.0	1	16.9	1.57	1/8	1	16.70	25	0.0	0.0
GEH/V012	208/60/1	7.0	6.3	30.0	1	8.8	0.70	1/8	1	8.58	15	0.0	0.0
GEH/V012	208/60/1	8.5	6.3	27.0	1	8.8	0.70	1/8	1	10.67	15	1.6	7.8
GEH/V012	230/60/1	7.0	6.3	30.0	1	8.8	0.70	1/8	1	8.58	15	0.0	0.0
GEH/V012	230/60/1	9.4	6.3	30.0	1	8.8	0.70	1/8	1	11.74	15	2.0	8.7
GEH/V012	220-240/50/1	7.4	6.7	30.0	1	9.4	0.72	1/8	1	9.10	15	0.0	0.0
GEH/V012	220-240/50/1	12.0	6.7	30.0	1	9.4	0.72	1/8	1	14.96	15	2.7	11.3
GEH/V012	265/60/1	5.7	5.0	23.0	1	7.0	0.72	1/8	1	6.97	15	0.0	0.0
GEH/V012	265/60/1	10.7	5.0	23.0	1	7.0	0.72	1/8	1	13.40	15	2.7	10.0

Electrical Data

Table 191. Electrical data standard static motors (0.5 to 25 tons), single speed blower motor (6 to 25 tons) (continued)

Model	Volts	Total Unit FLA	Comp RLA (ea)	Comp LRA (ea)	No. of Comp	Cmp MCC	Blower Motor FLA	Blower Motor hp	Fan Motors	Minimum Circuit Ampacity	Maximum Overcurrent Protective Device	Electric Heat kW(a)	Electric Heat Amps(a)
GEH/V015	208/60/1	8.6	7.9	36.0	1	11.1	0.70	1/8	1	10.58	15	0.0	0.0
GEH/V015	208/60/1	10.3	7.9	36.0	1	11.1	0.70	1/8	1	12.89	15	2.0	9.6
GEH/V015	230/60/1	8.6	7.9	36.0	1	11.1	0.70	1/8	1	10.58	15	0.0	0.0
GEH/V015	230/60/1	11.6	7.9	36.0	1	11.1	0.70	1/8	1	14.46	15	2.5	10.9
GEH/V015	220-240/50/1	9.0	8.2	36.0	1	11.5	0.80	1/8	1	11.05	15	0.0	0.0
GEH/V015	220-240/50/1	14.5	8.2	36.0	1	11.5	0.80	1/8	1	18.08	20	3.3	13.7
GEH/V015	265/60/1	7.1	6.4	30.0	1	9.0	0.72	1/8	1	8.72	15	0.0	0.0
GEH/V015	265/60/1	13.2	6.4	30.0	1	9.0	0.72	1/8	1	16.47	20	3.3	12.5
GEH/V018	208/60/1	10.5	9.6	42.0	1	13.4	0.90	1/8	1	12.90	20	0.0	0.0
GEH/V018	208/60/1	12.7	9.6	42.0	1	13.4	0.90	1/8	1	15.91	20	2.5	11.8
GEH/V018	230/60/1	10.5	9.6	42.0	1	13.4	0.90	1/8	1	12.90	20	0.0	0.0
GEH/V018	230/60/1	13.9	9.6	42.0	1	13.4	0.90	1/8	1	17.43	20	3.0	13.0
GEH/V018	220-240/50/1	11.1	9.6	54.0	1	15	1.53	1/3	1	13.53	20	0.0	0.0
GEH/V018	220-240/50/1	19.7	9.6	54.0	1	15	1.53	1/3	1	24.57	25	4.4	18.1
GEH/V018	265/60/1	8.5	7.7	35.0	1	10.8	0.80	1/8	1	10.43	15	0.0	0.0
GEH/V018	265/60/1	15.9	7.7	35.0	1	10.8	0.80	1/8	1	19.87	20	4.0	15.1
GEH/V018	380-415/50/3	5.2	4.2	28.0	1	6.5	0.95	1/3	1	6.20	15	0.0	0.0
GEH/V018	380-415/50/3	7.0	3.6	28.0	1	5.6	0.95	1/3	1	8.75	15	4.4	6.1
GEH/V024	208/60/1	14.9	12.8	58.3	1	20.0	2.10	1/3	1	18.10	30	0.0	0.0
GEH/V024	208/60/1	17.8	12.8	58.3	1	20.0	2.10	1/3	1	22.22	30	3.3	15.7
GEH/V024	230/60/1	14.9	12.8	58.3	1	20.0	2.10	1/3	1	18.10	30	0.0	0.0
GEH/V024	230/60/1	19.5	12.8	58.3	1	20.0	2.10	1/3	1	24.36	30	4.0	17.4
GEH/V024	220-240/50/1	12.7	11.2	60.0	1	17.5	1.53	1/3	1	15.53	25	0.0	0.0
GEH/V024	220-240/50/1	24.0	11.2	60.0	1	17.5	1.53	1/3	1	30.04	35	5.4	22.5
GEH/V024	265/60/1	11.1	9.6	54.0	1	15.0	1.53	1/3	1	13.53	20	0.0	0.0
GEH/V024	265/60/1	21.5	9.6	54.0	1	15.0	1.53	1/3	1	26.91	30	5.3	20.0
GEH/V024	208/60/3	9.2	7.7	53.7	1	12.0	1.53	1/3	1	11.16	15	0.0	0.0
GEH/V024	208/60/3	10.6	7.7	53.7	1	12.0	1.53	1/3	1	13.22	15	3.3	9.0
GEH/V024	230/60/3	9.8	7.7	53.7	1	12.0	2.10	1/3	1	11.73	15	0.0	0.0

Table 191. Electrical data standard static motors (0.5 to 25 tons), single speed blower motor (6 to 25 tons) (continued)

Model	Volts	Total Unit FLA	Comp RLA (ea)	Comp LRA (ea)	No. of Comp	Cmp MCC	Blower Motor FLA	Blower Motor hp	Fan Motors	Minimum Circuit Ampacity	Maximum Overcurrent Protective Device	Electric Heat kW(a)	Electric Heat Amps(a)
GEH/V024	230/60/3	12.1	7.7	53.7	1	12.0	2.10	1/3	1	15.18	20	4.0	10.0
GEH/V024	380-415/50/3	5.2	4.2	28.0	1	6.5	0.95	1/3	1	6.20	15	0.0	0.0
GEH/V024	380-415/50/3	8.5	4.2	28.0	1	6.5	0.95	1/3	1	10.58	15	5.4	7.5
GEH/V024	460/60/3	4.6	3.6	28.0	1	5.6	0.95	1/3	1	5.45	15	0.0	0.0
GEH/V024	460/60/3	7.6	3.6	28.0	1	5.6	0.95	1/3	1	9.50	15	5.3	6.7
GEH/V030	208/60/1	16.2	14.1	73.0	1	22.0	2.10	1/3	1	19.73	30	0.0	0.0
GEH/V030	208/60/1	21.8	14.1	73.0	1	22.0	2.10	1/3	1	27.26	30	4.1	19.7
GEH/V030	230/60/1	16.2	14.1	73.0	1	22.0	2.10	1/3	1	19.73	30	0.0	0.0
GEH/V030	230/60/1	23.8	14.1	73.0	1	22.0	2.10	1/3	1	29.80	30	5.0	21.7
GEH/V030	220-240/50/1	16.3	13.5	72.0	1	21.0	2.77	1/2	1	19.65	30	0.0	0.0
GEH/V030	220-240/50/1	29.9	13.5	72.0	1	21.0	2.77	1/2	1	37.42	40	6.5	27.2
GEH/V030	265/60/1	12.7	11.2	60.0	1	17.5	1.53	1/3	1	15.53	25	0.0	0.0
GEH/V030	265/60/1	26.4	11.2	60.0	1	17.5	1.53	1/3	1	33.04	35	6.6	24.9
GEH/V030	208/60/3	11.0	8.9	58.0	1	13.9	2.10	1/3	1	13.23	20	0.0	0.0
GEH/V030	208/60/3	13.5	8.9	58.0	1	13.9	2.10	1/3	1	16.85	20	4.1	11.4
GEH/V030	230/60/3	11.0	8.9	58.0	1	13.9	2.10	1/3	1	13.23	20	0.0	0.0
GEH/V030	230/60/3	14.7	8.9	58.0	1	13.9	2.10	1/3	1	18.31	20	5.0	12.6
GEH/V030	380-415/50/3	7.5	5.8	38.0	1	9	1.70	1/2	1	8.95	15	0.0	0.0
GEH/V030	380-415/50/3	10.8	5.8	38.0	1	9	1.70	1/2	1	13.46	15	6.5	9.1
GEH/V030	460/60/3	5.2	4.2	28.0	1	6.5	0.95	1/3	1	6.20	15	0.0	0.0
GEH/V030	460/60/3	9.2	4.2	28.0	1	6.5	0.95	1/3	1	11.54	15	6.6	8.3
GEH035	208/60/1	17.7	14.1	77.0	1	22.0	3.60	1/2	1	21.23	35	0.0	0.0
GEH035	208/60/1	27.2	14.1	77.0	1	22.0	3.60	1/2	1	33.95	35	4.9	23.6
GEH035	230/60/1	17.7	14.1	77.0	1	22.0	3.60	1/2	1	21.23	35	0.0	0.0
GEH035	230/60/1	29.7	14.1	77.0	1	22.0	3.60	1/2	1	37.11	40	6.0	26.1
GEH035	265/60/1	15.0	12.2	72.0	1	19.0	2.77	1/2	1	18.02	30	0.0	0.0
GEH035	265/60/1	32.8	12.2	72.0	1	19.0	2.77	1/2	1	40.96	45	8.0	30.0
GEH035	208/60/3	12.6	9.0	71.0	1	14.0	3.60	1/2	1	14.85	20	0.0	0.0
GEH035	208/60/3	17.2	9.0	71.0	1	14.0	3.60	1/2	1	21.50	25	4.9	13.6
GEH035	230/60/3	12.6	9.0	71.0	1	14.0	3.60	1/2	1	14.85	20	0.0	0.0

Electrical Data

Table 191. Electrical data standard static motors (0.5 to 25 tons), single speed blower motor (6 to 25 tons) (continued)

Model	Volts	Total Unit FLA	Comp RLA (ea)	Comp LRA (ea)	No. of Comp	Cmp MCC	Blower Motor FLA	Blower Motor hp	Fan Motors	Minimum Circuit Ampacity	Maximum Overcurrent Protective Device	Electric Heat kW(a)	Electric Heat Amps(a)
GEH035	230/60/3	18.7	9.0	71.0	1	14.0	3.60	1/2	1	23.33	25	6.0	15.1
GEH035	380-415/50/3	7.7	6.0	44.0	1	9.3	1.70	1/2	1	9.20	15	0.0	0.0
GEH035	380-415/50/3	11.6	6.0	44.0	1	9.3	1.70	1/2	1	14.56	15	7.2	9.9
GEH035	460/60/3	7.3	5.6	38.0	1	8.8	1.70	1/2	1	8.70	15	0.0	0.0
GEH035	460/60/3	11.7	5.6	38.0	1	8.8	1.70	1/2	1	14.60	15	8.0	10.0
GEV036	208/60/1	20.3	16.7	79.0	1	26.0	3.60	1/2	1	24.48	40	0.0	0.0
GEV036	208/60/1	27.2	16.7	79.0	1	26.0	3.60	1/2	1	33.95	40	4.9	23.6
GEV036	230/60/1	20.3	16.7	79.0	1	26.0	3.60	1/2	1	24.48	40	0.0	0.0
GEV036	230/60/1	29.7	16.7	79.0	1	26.0	3.60	1/2	1	37.11	40	6.0	26.1
GEV036	265/60/1	16.3	13.5	72.0	1	21.0	2.77	1/2	1	19.65	30	0.0	0.0
GEV036	265/60/1	32.8	13.5	72.0	1	21.0	2.77	1/2	1	40.96	45	8.0	30.0
GEV036	208/60/3	14.0	10.4	73.0	1	16.3	3.60	1/2	1	16.60	25	0.0	0.0
GEV036	208/60/3	17.2	10.4	73.0	1	16.3	3.60	1/2	1	21.50	25	4.9	13.6
GEV036	230/60/3	14.0	10.4	73.0	1	16.3	3.60	1/2	1	16.60	25	0.0	0.0
GEV036	230/60/3	18.7	10.4	73.0	1	16.3	3.60	1/2	1	23.33	25	6.0	15.1
GEH035	380-415/50/3	7.7	7.7	44.0	1	9.3	1.70	1/2	1	9.20	15	0.0	0.0
GEH035	380-415/50/3	11.6	11.6	44.0	1	9.3	1.70	1/2	1	14.56	15	7.2	9.9
GEV036	460/60/3	7.5	7.5	38.0	1	9.0	1.70	1/2	1	8.95	15	0.0	0.0
GEV036	460/60/3	11.7	11.7	38.0	1	9.0	1.70	1/2	1	14.60	15	8.0	10.0
GEH/V042	208/60/1	21.5	17.9	112.0	1	28.0	3.60	1/2	1	25.98	40	0.0	0.0
GEH/V042	208/60/1	31.0	17.9	112.0	1	28.0	3.60	1/2	1	38.75	40	5.7	27.4
GEH/V042	230/60/1	21.5	17.9	112.0	1	28.0	3.60	1/2	1	25.98	40	0.0	0.0
GEH/V042	230/60/1	34.0	17.9	112.0	1	28.0	3.60	1/2	1	42.54	45	7.0	30.4
GEH/V042	208/60/3	17.1	13.5	88.0	1	21.1	3.60	1/2	1	20.48	30	0.0	0.0
GEH/V042	208/60/3	19.4	13.5	88.0	1	21.1	3.60	1/2	1	24.28	30	5.7	15.8
GEH/V042	230/60/3	17.1	13.5	88.0	1	21.1	3.60	1/2	1	20.48	30	0.0	0.0
GEH/V042	230/60/3	21.2	13.5	88.0	1	21.1	3.60	1/2	1	26.46	30	7.0	17.6
GEH/V042	380-415/50/3	7.7	6.3	55.5	1	9.9	1.40	1/2	1	9.28	15	0.0	0.0
GEH/V042	380-415/50/3	13.4	6.3	55.0	1	9.9	1.40	1/2	1	16.71	20	8.6	12.0
GEH/V042	460/60/3	7.7	6.0	44.0	1	9.3	1.70	1/2	1	9.20	15	0.0	0.0

Table 191. Electrical data standard static motors (0.5 to 25 tons), single speed blower motor (6 to 25 tons) (continued)

Model	Volts	Total Unit FLA	Comp RLA (ea)	Comp LRA (ea)	No. of Comp	Cmp MCC	Blower Motor FLA	Blower Motor hp	Fan Motors	Minimum Circuit Ampacity	Maximum Overcurrent Protective Device	Electric Heat kW(a)	Electric Heat Amps(a)
GEH/V042	460/60/3	13.4	6.0	44.0	1	9.3	1.70	1/2	1	16.72	20	9.3	11.7
GEH/V042	575/60/3	6.2	4.9	34.0	1	7.7	1.31	1/2	1	7.44	15	0.0	0.0
GEH/V048	208/60/1	24.2	21.4	135.0	1	33.4	2.80	1/2	1	29.55	50	0.0	0.0
GEH/V048	208/60/1	34.1	21.4	135.0	1	33.4	2.80	1/2	1	42.56	50	6.5	31.3
GEH/V048	230/60/1	24.2	21.4	135.0	1	33.4	2.80	1/2	1	29.55	50	0.0	0.0
GEH/V048	230/60/1	37.6	21.4	135.0	1	33.4	2.80	1/2	1	46.98	50	8.0	34.8
GEH/V048	208/60/3	17.3	14.5	98.0	1	22.6	2.80	1/2	1	20.93	35	0.0	0.0
GEH/V048	208/60/3	20.8	14.5	98.0	1	22.6	2.80	1/2	1	26.05	35	6.5	18.0
GEH/V048	230/60/3	17.3	14.5	98.0	1	22.6	2.80	1/2	1	20.93	35	0.0	0.0
GEH/V048	230/60/3	22.9	14.5	98.0	1	22.6	2.80	1/2	1	28.60	35	8.0	20.1
GEH/V048	380-415/50/3	10.5	7.8	52.0	1	12.1	2.70	1	1	12.45	20	0.0	0.0
GEH/V048	380-415/50/3	14.7	7.8	52.0	1	12.1	2.70	1	1	18.33	20	8.6	12.0
GEH/V048	460/60/3	7.7	6.3	55.0	1	9.9	1.40	1/2	1	9.28	15	0.0	0.0
GEH/V048	460/60/3	14.7	6.3	55.0	1	9.9	1.40	1/2	1	18.38	20	10.6	13.3
GEH/V048	575/60/3	7.4	6.0	41.0	1	9.4	1.40	1/2	1	8.90	15	0.0	0.0
GEH/V060	208/60/1	31.7	26.3	134.0	1	41.0	5.40	1	1	38.28	60	0.0	0.0
GEH/V060	208/60/1	36.7	26.3	134.0	1	41.0	5.40	1	1	45.81	60	6.5	31.3
GEH/V060	230/60/1	31.7	26.3	134.0	1	41.0	5.40	1	1	38.28	60	0.0	0.0
GEH/V060	230/60/1	40.2	26.3	134.0	1	41.0	5.40	1	1	50.23	60	8.0	34.8
GEH/V060	208/60/3	21.0	15.6	110.0	1	24.4	5.40	1	1	24.90	40	0.0	0.0
GEH/V060	208/60/3	23.4	15.6	110.0	1	24.4	5.40	1	1	29.30	40	6.5	18.0
GEH/V060	230/60/3	21.0	15.6	110.0	1	24.4	5.40	1	1	24.90	40	0.0	0.0
GEH/V060	230/60/3	25.5	15.6	110.0	1	24.4	5.40	1	1	31.85	40	8.0	20.1
GEH/V060	380-415/50/3	12.3	9.6	75.0	1	15	2.70	1	1	14.70	20	0.0	0.0
GEH/V060	380-415/50/3	14.7	9.6	75.0	1	15	2.70	1	1	18.33	20	8.6	12.0
GEH/V060	460/60/3	10.5	7.8	52.0	1	12.1	2.70	1	1	12.45	20	0.0	0.0
GEH/V060	460/60/3	16.0	7.8	52.0	1	12.1	2.70	1	1	20.01	25	10.6	13.3
GEH/V060	575/60/3	8.0	5.8	38.9	1	9.1	2.20	1	1	9.45	15	0.0	0.0
GEH072	208/60/1	39.9	16.7	79	2	26	6.5	1.0	1	44.08	60	—	—
GEH072	230/60/1	39.9	16.7	79	2	26	6.5	1.0	1	44.08	60	—	—
GEH072	208/60/1	42.7	16.7	79	2	26	9.3	1.5	1	46.88	60	—	—

Electrical Data

Table 191. Electrical data standard static motors (0.5 to 25 tons), single speed blower motor (6 to 25 tons) (continued)

Model	Volts	Total Unit FLA	Comp RLA (ea)	Comp LRA (ea)	No. of Comp	Cmp MCC	Blower Motor FLA	Blower Motor hp	Fan Motors	Minimum Circuit Ampacity	Maximum Overcurrent Protective Device	Electric Heat kW(a)	Electric Heat Amps(a)
GEH072	230/60/1	42.3	16.7	79	2	26	8.9	1.5	1	46.48	60	—	—
GEH072	208/60/1	44.6	16.7	79	2	26	11.2	2.0	1	48.78	60	—	—
GEH072	230/60/1	43.6	16.7	79	2	26	10.2	2.0	1	47.78	60	—	—
GEH072	380-415/50/3	13.9	7.1/5.1	48/35	2	11/8	1.70	0.75	1	15.68	20	—	—
GEH072	208/60/3	24.3	10.4	73	2	16.3	3.5	1.0	1	26.90	35	—	—
GEH072	230/60/3	24.6	10.4	73	2	16.3	3.8	1.0	1	27.20	35	—	—
GEH072	460/60/3	13.4	5.8	38	2	9	1.8	1.0	1	14.85	20	—	—
GEH072	380-415/50/3	14.3	7.1/5.1	48/35	2	11/8	2.10	1.0	1	16.08	20	—	—
GEH072	208/60/3	26.4	10.4	73	2	16.3	5.6	1.5	1	29.00	35	—	—
GEH072	230/60/3	25.6	10.4	73	2	16.3	4.8	1.5	1	28.20	35	—	—
GEH072	380-415/50/3	15.2	7.1/5.1	48/35	2	11/8	3.00	1.5	1	16.98	20	—	—
GEH072	460/60/3	14.0	5.8	38	2	9	2.4	1.5	1	15.45	20	—	—
GEH072	208/60/3	27.9	10.4	73	2	16.3	7.1	2.0	1	30.50	40	—	—
GEH072	230/60/3	27.0	10.4	73	2	16.3	6.2	2.0	1	29.60	40	—	—
GEH072	380-415/50/3	15.6	7.1/5.1	48/35	2	11/8	3.40	2.0	1	17.38	20	—	—
GEH072	460/60/3	14.7	5.8	38	2	9	3.10	2.0	1	16.15	20	—	—
GEH072	380-415/50/3	17.4	7.1/5.1	48/35	2	11/8	5.20	3.0	1	19.18	25	—	—
GEH090	208/60/3	28.4	14.5/10.4	98/73	2	22.6/16.3	3.5	1.0	1	32.03	45	—	—
GEH090	230/60/3	28.7	14.5/10.4	98/73	2	22.6/16.3	3.8	1.0	1	32.33	45	—	—
GEH090	460/60/3	13.9	6.3/5.8	55/38	2	9.9/9	1.8	1.0	1	15.48	20	—	—
GEH090	208/60/3	30.5	14.5/10.4	98/73	2	22.6/16.3	5.6	1.5	1	34.13	45	—	—
GEH090	230/60/3	29.7	14.5/10.4	98/73	2	22.6/16.3	4.8	1.5	1	33.33	45	—	—
GEH090	380-415/50/3	22.2	9.6	64.0	2	15	3.00	1.5	1	24.60	30	—	—
GEH090	460/60/3	14.5	6.3/5.8	55/38	2	9.9/9	2.4	1.5	1	16.08	20	—	—
GEH090	208/60/3	32.0	14.5/10.4	98/73	2	22.6/16.3	7.1	2.0	1	35.63	50	—	—
GEH090	230/60/3	31.1	14.5/10.4	98/73	2	22.6/16.3	6.2	2.0	1	34.73	45	—	—

Table 191. Electrical data standard static motors (0.5 to 25 tons), single speed blower motor (6 to 25 tons) (continued)

Model	Volts	Total Unit FLA	Comp LRA RLA (ea)	Comp LRA (ea)	No. of Comp	Cmp MCC	Blower Motor FLA	Blower Motor hp	Fan Motors	Minimum Circuit Ampacity	Maximum Overcurrent Protective Device	Electric Heat kW(a)	Electric Heat Amps(a)
GEH090	380-415/50/3	22.6	9.6	64.0	2	15	3.40	2.0	1	25.00	30	—	—
GEH090	460/60/3	15.2	6.3/5.8	55/38	2	9.9/9	3.1	2.0	1	16.78	20	—	—
GEH090	575/60/3	12.1	6/3.8	41/36.5	2	9.4/5.9	2.3	2.0	1	13.60	15	—	—
GEH090	208/60/3	34.3	14.5/10.4	98/73	2	22.6/16.3	9.4	3.0	1	37.93	50	—	—
GEH090	230/60/3	33.1	14.5/10.4	98/73	2	22.6/16.3	8.2	3.0	1	36.73	50	—	—
GEH090	380-415/50/3	24.4	9.6	64.0	2	15	5.20	3.0	1	26.80	35	—	—
GEH090	460/60/3	16.7	6.3	55	2	9.9	4.1	3.0	1	18.28	20	—	—
GEH090	575/60/3	13.1	6/3.8	41/36.5	2	9.4/5.9	3.3	3.0	1	14.60	20	—	—
GEH090	380-415/50/3	23.3	10.6	74.0	2	16.5	2.10	1.0	1	25.95	35	—	—
GEH120	208/60/3	37.6	16	110	2	24.9	5.6	1.5	1	41.60	50	—	—
GEH120	230/60/3	36.8	16	110	2	24.9	4.8	1.5	1	40.80	50	—	—
GEH120	380-415/50/3	24.2	10.6	74.0	2	16.5	3.00	1.5	1	26.85	35	—	—
GEH120	460/60/3	18.0	7.8	52	2	12.1	2.4	1.5	1	19.95	25	—	—
GEH120	208/60/3	39.1	16	110	2	24.9	7.1	2.0	1	43.10	50	—	—
GEH120	230/60/3	38.2	16	110	2	24.9	6.2	2.0	1	42.20	50	—	—
GEH120	380-415/50/3	24.6	10.6	74.0	2	16.5	3.40	2.0	1	27.25	35	—	—
GEH120	460/60/3	18.7	7.8	52	2	12.1	3.1	2.0	1	20.65	25	—	—
GEH120	575/60/3	13.7	5.7	38.9	2	8.9	2.3	2.0	1	15.13	20	—	—
GEH120	208/60/3	41.4	16	110	2	24.9	9.4	3.0	1	45.40	60	—	—
GEH120	230/60/3	40.2	16	110	2	24.9	8.2	3.0	1	44.20	60	—	—
GEH120	380-415/50/3	26.4	10.6	74.0	2	16.5	5.20	3.0	1	29.05	35	—	—
GEH120	460/60/3	19.7	7.8	52	2	12.1	4.1	3.0	1	21.65	25	—	—
GEH120	575/60/3	14.7	5.7	38.9	2	8.9	3.3	3.0	1	16.13	20	—	—
GEH120	208/60/3	46.0	16	110	2	24.9	14.0	5.0	1	50.00	60	—	—
GEH120	230/60/3	45.0	16	110	2	24.9	13.0	5.0	1	49.00	60	—	—
GEH120	460/60/3	22.1	7.8	52	2	12.1	6.5	5.0	1	24.05	30	—	—
GEH120	575/60/3	16.7	5.7	38.9	2	8.9	5.3	5.0	1	18.13	20	—	—

Electrical Data

Table 191. Electrical data standard static motors (0.5 to 25 tons), single speed blower motor (6 to 25 tons) (continued)

Model	Volts	Total Unit FLA	Comp RLA (ea)	Comp LRA (ea)	No. of Comp	Cmp MCC	Blower Motor FLA	Blower Motor hp	Fan Motors	Minimum Circuit Ampacity	Maximum Overcurrent Protective Device	Electric Heat kW(a)	Electric Heat Amps(a)
GEH150	208/60/3	50.4	22.4	149	2	35	5.6	1.5	1	56.00	70	—	—
GEH150	230/60/3	49.6	22.4	149	2	35	4.8	1.5	1	55.20	70	—	—
GEH150	380-415/50/3	27.4	12.2	101.0	2	19	3.00	1.5	1	30.45	40	—	—
GEH150	460/60/3	23.6	10.6	75	2	16.5	2.4	1.5	1	26.25	35	—	—
GEH150	575/60/3	17.3	7.7	54	2	12	1.9	1.5	1	19.23	25	—	—
GEH150	208/60/3	51.9	22.4	149	2	35	7.1	2.0	1	57.50	70	—	—
GEH150	230/60/3	51.0	22.4	149	2	35	6.2	2.0	1	56.60	70	—	—
GEH150	380-415/50/3	27.8	12.2	101.0	2	19	3.40	2.0	1	30.85	40	—	—
GEH150	460/60/3	24.3	10.6	75	2	16.5	3.1	2.0	1	26.96	35	—	—
GEH150	575/60/3	17.7	7.7	54	2	12	2.3	2.0	1	19.63	25	—	—
GEH150	208/60/3	54.2	22.4	149	2	35	9.4	3.0	1	59.80	80	—	—
GEH150	230/60/3	53.0	22.4	149	2	35	8.2	3.0	1	58.60	80	—	—
GEH150	380-415/50/3	29.6	12.2	101.0	2	19	5.20	3.0	1	32.65	40	—	—
GEH150	460/60/3	25.3	10.6	75	2	16.5	4.1	3.0	1	27.95	35	—	—
GEH150	575/60/3	18.7	7.7	54	2	12	3.3	3.0	1	20.63	25	—	—
GEH150	208/60/3	58.8	22.4	149	2	35	14.0	5.0	1	64.40	80	—	—
GEH150	230/60/3	57.8	22.4	149	2	35	13.0	5.0	1	63.40	80	—	—
GEH150	380-415/50/3	32.6	12.2	101.0	2	19	8.20	5.0	1	35.65	45	—	—
GEH150	460/60/3	27.7	10.6	75	2	16.5	6.5	5.0	1	30.35	40	—	—
GEH150	575/60/3	20.7	7.7	54	2	12	5.3	5.0	1	22.63	30	—	—
GEH180	208/60/3	57.1	25	164	2	39	7.1	2.0	1	63.35	80	—	—
GEH180	230/60/3	56.2	25	164	2	39	6.2	2.0	1	62.45	80	—	—
GEH180	460/60/3	27.5	12.2	100	2	19	3.1	2.0	1	30.56	40	—	—
GEH180	575/60/3	20.3	9	78	2	14	2.3	2.0	1	22.55	30	—	—
GEH180	208/60/3	59.4	25	164	2	39	9.4	3.0	1	65.65	90	—	—
GEH180	230/60/3	58.2	25	164	2	39	8.2	3.0	1	64.45	80	—	—
GEH180	460/60/3	28.5	12.2	100	2	19	4.1	3.0	1	31.55	40	—	—
GEH180	575/60/3	21.3	9	78	2	14	3.3	3.0	1	23.55	30	—	—
GEH180	208/60/3	64.0	25	164	2	39	14.0	5.0	1	70.25	90	—	—
GEH180	230/60/3	63.0	25	164	2	39	13.0	5.0	1	69.25	90	—	—
GEH180	460/60/3	30.9	12.2	100	2	19	6.5	5.0	1	33.95	45	—	—

Table 191. Electrical data standard static motors (0.5 to 25 tons), single speed blower motor (6 to 25 tons) (continued)

Model	Volts	Total Unit FLA	Comp RLA (ea)	Comp LRA (ea)	No. of Comp	Cmp MCC	Blower Motor FLA	Blower Motor hp	Fan Motors	Minimum Circuit Ampacity	Maximum Overcurrent Protective Device	Electric Heat kW(a)	Electric Heat Amps(a)
GEH180	575/60/3	23.3	9	78	2	14	5.3	5.0	1	25.55	30	—	—
GEH180	208/60/3	70.0	25	164	2	39	20.0	7.5	1	76.25	100	—	—
GEH180	230/60/3	69.4	25	164	2	39	19.4	7.5	1	75.65	100	—	—
GEH180	460/60/3	34.1	12.2	100	2	19	9.7	7.5	1	37.15	45	—	—
GEH180	575/60/3	26.0	9	78	2	14	8.0	7.5	1	28.25	35	—	—
GEV072	208/60/1	40.0	16.7	79	2	26	6.6	1.0	1	44.13	60	—	—
GEV072	230/60/1	39.9	16.7	79	2	26	6.5	1.0	1	44.08	60	—	—
GEV072	208/60/1	42.7	16.7	79	2	26	9.3	1.5	1	46.88	60	—	—
GEV072	230/60/1	42.3	16.7	79	2	26	8.9	1.5	1	46.48	60	—	—
GEV072	208/60/1	44.6	16.7	79	2	26	11.2	2.0	1	48.78	60	—	—
GEV072	230/60/1	43.6	16.7	79	2	26	10.2	2.0	1	47.81	60	—	—
GEV072	380-415/50/3	13.9	7.1/5.1	48/35	2	11/8	1.70	0.75	1	15.68	20	—	—
GEV072	208/60/3	24.3	10.4	73	2	16.3	3.5	1.0	1	26.90	35	—	—
GEV072	230/60/3	24.6	10.4	73	2	16.3	3.8	1.0	1	27.20	35	—	—
GEV072	460/60/3	13.4	5.8	38	2	9	1.8	1.0	1	14.85	20	—	—
GEV072	380-415/50/3	14.3	7.1/5.1	48/35	2	11/8	2.10	1.0	1	16.08	20	—	—
GEV072	208/60/3	26.4	10.4	73	2	16.3	5.6	1.5	1	29.00	35	—	—
GEV072	230/60/3	25.6	10.4	73	2	16.3	4.8	1.5	1	28.20	35	—	—
GEV072	380-415/50/3	15.2	7.1/5.1	48/35	2	11/8	3.00	1.5	1	16.98	20	—	—
GEV072	460/60/3	14.0	5.8	38	2	9	2.4	1.5	1	15.45	20	—	—
GEV072	208/60/3	27.9	10.4	73	2	16.3	7.1	2.0	1	30.50	40	—	—
GEV072	230/60/3	27.0	10.4	73	2	16.3	6.2	2.0	1	29.60	40	—	—
GEV072	380-415/50/3	15.6	7.1/5.1	48/35	2	11/8	3.40	2.0	1	17.38	20	—	—
GEV072	460/60/3	14.7	5.8	38	2	9	3.1	2.0	1	16.16	20	—	—
GEV072	380-415/50/3	17.7	7.1/5.1	48/35	2	11/8	5.50	3.0	1	19.48	25	—	—
GEV090	380-415/50/3	21.3	9.6	64.0	2	15	2.10	1.0	1	23.70	30	—	—
GEV090	208/60/3	28.4	14.5/10.4	98/73	2	22.6/16.3	3.5	1.0	1	32.03	45	—	—
GEV090	230/60/3	28.7	14.5/10.4	98/73	2	22.6/16.3	3.8	1.0	1	32.33	45	—	—
GEV090	460/60/3	13.9	6.3/5.8	55/38	2	9.9/9	1.8	1.0	1	15.48	20	—	—

Electrical Data

Table 191. Electrical data standard static motors (0.5 to 25 tons), single speed blower motor (6 to 25 tons) (continued)

Model	Volts	Total Unit FLA	Comp RLA (ea)	Comp LRA (ea)	No. of Comp	Cmp MCC	Blower Motor FLA	Blower Motor hp	Fan Motors	Minimum Circuit Ampacity	Maximum Overcurrent Protective Device	Electric Heat kW(a)	Electric Heat Amps(a)
GEV090	208/60/3	30.5	14.5/10.4	98/73	2	22.6/ 16.3	5.6	1.5	1	34.13	45	—	—
GEV090	230/60/3	29.7	14.5/10.4	98/73	2	22.6/ 16.3	4.8	1.5	1	33.33	45	—	—
GEV090	380-415/ 50/3	22.2	9.6	64.0	2	15	3.00	1.5	1	24.60	30	—	—
GEV090	460/60/3	14.5	6.3/5.8	55/38	2	9.9/9	2.4	1.5	1	16.08	20	—	—
GEV090	208/60/3	32.0	14.5/10.4	98/73	2	22.6/ 16.3	7.1	2.0	1	35.63	50	—	—
GEV090	230/60/3	31.1	14.5/10.4	98/73	2	22.6/ 16.3	6.2	2.0	1	34.73	45	—	—
GEV090	380-415/ 50/3	22.6	9.6	64.0	2	15	3.40	2.0	1	25.00	30	—	—
GEV090	460/60/3	15.2	6.3/5.8	55/38	2	9.9/9	3.1	2.0	1	16.79	20	—	—
GEV090	575/60/3	12.1	6/3.8	41/36.5	2	9.4/ 5.9	2.3	2.0	1	13.60	15	—	—
GEV090	208/60/3	34.3	14.5/10.4	98/73	2	22.6/ 16.3	9.4	3.0	1	37.93	50	—	—
GEV090	230/60/3	33.1	14.5/10.4	98/73	2	22.6/ 16.3	8.2	3.0	1	36.73	50	—	—
GEV090	380-415/ 50/3	24.4	9.6	64.0	2	15	5.20	3.0	1	26.80	35	—	—
GEV090	460/60/3	16.2	6.3/5.8	55/38	2	9.9/9	4.1	3.0	1	17.78	20	—	—
GEV090	575/60/3	13.1	6/3.8	41/36.5	2	9.4/ 5.9	3.3	3.0	1	14.60	20	—	—
GEV120	380-415/ 50/3	24.2	10.6	74.0	2	16.5	3.00	1.5	1	26.85	35	—	—
GEV120	380-415/ 50/3	24.6	10.6	74.0	2	16.5	3.40	2.0	1	27.25	35	—	—
GEV120	380-415/ 50/3	26.4	10.6	74.0	2	16.5	5.20	3.0	1	29.05	35	—	—
GEV120	208/60/3	37.6	16	110	2	24.9	5.6	1.5	1	41.60	50	—	—
GEV120	230/60/3	36.8	16	110	2	24.9	4.8	1.5	1	40.80	50	—	—
GEV120	460/60/3	18.0	7.8	52	2	12.1	2.4	1.5	1	19.95	25	—	—
GEV120	208/60/3	39.1	16	110	2	24.9	7.1	2.0	1	43.10	50	—	—
GEV120	230/60/3	38.2	16	110	2	24.9	6.2	2.0	1	42.20	50	—	—
GEV120	460/60/3	18.7	7.8	52	2	12.1	3.1	2.0	1	20.66	25	—	—
GEV120	575/60/3	13.7	5.7	38.9	2	8.9	2.3	2.0	1	15.13	20	—	—
GEV120	208/60/3	41.4	16	110	2	24.9	9.4	3.0	1	45.40	60	—	—

Table 191. Electrical data standard static motors (0.5 to 25 tons), single speed blower motor (6 to 25 tons) (continued)

Model	Volts	Total Unit FLA	Comp RLA (ea)	Comp LRA (ea)	No. of Comp	Cmp MCC	Blower Motor FLA	Blower Motor hp	Fan Motors	Minimum Circuit Ampacity	Maximum Overcurrent Protective Device	Electric Heat kW(a)	Electric Heat Amps(a)
GEV120	230/60/3	40.2	16	110	2	24.9	8.2	3.0	1	44.20	60	—	—
GEV120	460/60/3	19.7	7.8	52	2	12.1	4.1	3.0	1	21.65	25	—	—
GEV120	575/60/3	14.7	5.7	38.9	2	8.9	3.3	3.0	1	16.13	20	—	—
GEV120	208/60/3	46.0	16	110	2	24.9	14.0	5.0	1	50.00	60	—	—
GEV120	230/60/3	45.0	16	110	2	24.9	13.0	5.0	1	49.00	60	—	—
GEV120	460/60/3	22.1	7.8	52	2	12.1	6.5	5.0	1	24.05	30	—	—
GEV120	575/60/3	16.7	5.7	38.9	2	8.9	5.3	5.0	1	18.13	20	—	—
GEV150	208/60/3	51.9	22.4	149	2	35	7.1	2.0	1	57.50	70	—	—
GEV150	230/60/3	51.0	22.4	149	2	35	6.2	2.0	1	56.60	70	—	—
GEV150	380-415/50/3	27.8	12.2	101.0	2	19	3.40	2.0	1	30.85	40	—	—
GEV150	460/60/3	24.3	10.6	75	2	16.5	3.1	2.0	1	26.96	35	—	—
GEV150	575/60/3	17.7	7.7	54	2	12	2.3	2.0	1	19.63	25	—	—
GEV150	208/60/3	54.2	22.4	149	2	35	9.4	3.0	1	59.80	80	—	—
GEV150	230/60/3	53.0	22.4	149	2	35	8.2	3.0	1	58.60	80	—	—
GEV150	380-415/50/3	29.6	12.2	101.0	2	19	5.20	3.0	1	32.65	40	—	—
GEV150	460/60/3	25.3	10.6	75	2	16.5	4.1	3.0	1	27.95	35	—	—
GEV150	575/60/3	18.7	7.7	54	2	12	3.3	3.0	1	20.63	25	—	—
GEV150	208/60/3	58.8	22.4	149	2	35	14.0	5.0	1	64.40	80	—	—
GEV150	230/60/3	57.8	22.4	149	2	35	13.0	5.0	1	63.40	80	—	—
GEV150	380-415/50/3	32.6	12.2	101.0	2	19	8.20	5.0	1	35.65	45	—	—
GEV150	460/60/3	27.7	10.6	75	2	16.5	6.5	5.0	1	30.35	40	—	—
GEV150	575/60/3	20.7	7.7	54	2	12	5.3	5.0	1	22.63	30	—	—
GEV180	208/60/3	59.4	25	164	2	39	9.4	3.0	1	65.65	90	—	—
GEV180	230/60/3	58.2	25	164	2	39	8.2	3.0	1	64.45	80	—	—
GEV180	380-415/50/3	38.6	16.7	111.0	2	26	5.20	3.0	1	42.78	50	—	—
GEV180	460/60/3	28.5	12.2	100	2	19	4.1	3.0	1	31.55	40	—	—
GEV180	575/60/3	21.3	9	78	2	14	3.3	3.0	1	23.55	30	—	—
GEV180	208/60/3	64.0	25	164	2	39	14.0	5.0	1	70.25	90	—	—
GEV180	230/60/3	63.0	25	164	2	39	13.0	5.0	1	69.25	90	—	—
GEV180	380-415/50/3	41.6	16.7	111.0	2	26	8.20	5.0	1	45.78	60	—	—
GEV180	460/60/3	30.9	12.2	100	2	19	6.5	5.0	1	33.95	45	—	—

Electrical Data

Table 191. Electrical data standard static motors (0.5 to 25 tons), single speed blower motor (6 to 25 tons) (continued)

Model	Volts	Total Unit FLA	Comp RLA (ea)	Comp LRA (ea)	No. of Comp	Cmp MCC	Blower Motor FLA	Blower Motor hp	Fan Motors	Minimum Circuit Ampacity	Maximum Overcurrent Protective Device	Electric Heat kW(a)	Electric Heat Amps(a)
GEV180	575/60/3	23.3	9	78	2	14	5.3	5.0	1	25.55	30	—	—
GEV180	208/60/3	70.0	25	164	2	39	20.0	7.5	1	76.25	100	—	—
GEV180	230/60/3	69.4	25	164	2	39	19.4	7.5	1	75.65	100	—	—
GEV180	380-415/50/3	44.9	16.7	111.0	2	26	11.50	7.5	1	49.08	60	—	—
GEV180	460/60/3	34.1	12.2	100	2	19	9.7	7.5	1	37.15	45	—	—
GEV180	575/60/3	26.0	9.0	78	2	14	8.0	7.5	1	28.25	35	—	—
GEV240	380-415/50/3	42.4	18.6	118.0	2	29	5.20	3.0	1	47.05	60	—	—
GEV240	208/60/3	74.2	30.1	225	2	47	14.0	5.0	1	81.73	110	—	—
GEV240	230/60/3	73.2	30.1	225	2	47	13.0	5.0	1	80.73	110	—	—
GEV240	380-415/50/3	45.4	18.6	118.0	2	29	8.20	5.0	1	50.05	60	—	—
GEV240	460/60/3	39.9	16.7	114	2	26	6.5	5.0	1	44.08	60	—	—
GEV240	575/60/3	29.7	12.2	80	2	19	5.3	5.0	1	32.75	40	—	—
GEV240	208/60/3	80.2	30.1	225	2	47	20.0	7.5	1	87.73	110	—	—
GEV240	230/60/3	79.6	30.1	225	2	47	19.4	7.5	1	87.13	110	—	—
GEV240	380-415/50/3	48.7	18.6	118.0	2	29	11.50	7.5	1	53.35	70	—	—
GEV240	460/60/3	43.1	16.7	114	2	26	9.7	7.5	1	47.28	60	—	—
GEV240	575/60/3	32.4	12.2	80	2	19	8.0	7.5	1	35.45	45	—	—
GEV240	208/60/3	86.2	30.1	225	2	47	26.0	10.0	1	93.73	110	—	—
GEV240	230/60/3	85.2	30.1	225	2	47	25.0	10.0	1	92.73	110	—	—
GEV240	460/60/3	45.9	16.7	114	2	26	12.5	10.0	1	50.08	60	—	—
GEV240	575/60/3	34.4	12.2	80	2	19	10.0	10.0	1	37.45	45	—	—
GEV240	208/60/3	97.2	30.1	225	2	47	37.0	15.0	1	106.45	125	—	—
GEV240	230/60/3	96.2	30.1	225	2	47	36.0	15.0	1	105.20	125	—	—
GEV240	380-415/50/3	52.2	18.6	118.0	2	29	15.0	10.0	1	56.85	70	—	—
GEV240	460/60/3	51.4	16.7	114	2	26	18.0	15.0	1	55.90	70	—	—
GEV240	575/60/3	38.5	12.2	80	2	19	14.1	15.0	1	42.03	50	—	—
GEV300	208/60/3	110.2	48.1	245	2	75	14.0	5.0	1	122.23	150	—	—
GEV300	230/60/3	109.2	48.1	245	2	75	13.0	5.0	1	121.23	150	—	—
GEV300	460/60/3	43.7	18.6	125	2	29	6.5	5.0	1	48.35	60	—	—
GEV300	575/60/3	34.7	14.7	100	2	23	5.3	5.0	1	38.38	50	—	—
GEV300	208/60/3	116.2	48.1	245	2	75	20.0	7.5	1	128.23	175	—	—

Table 191. Electrical data standard static motors (0.5 to 25 tons), single speed blower motor (6 to 25 tons) (continued)

Model	Volts	Total Unit FLA	Comp RLA (ea)	Comp LRA (ea)	No. of Comp	Cmp MCC	Blower Motor FLA	Blower Motor hp	Fan Motors	Minimum Circuit Ampacity	Maximum Overcurrent Protective Device	Electric Heat kW(a)	Electric Heat Amps(a)
GEV300	230/60/3	115.6	48.1	245	2	75	19.4	7.5	1	127.63	175	—	—
GEV300	460/60/3	46.9	18.6	125	2	29	9.7	7.5	1	51.55	70	—	—
GEV300	575/60/3	37.4	14.7	100	2	23	8.0	7.5	1	41.08	50	—	—
GEV300	208/60/3	122.2	48.1	245	2	75	26.0	10.0	1	134.23	175	—	—
GEV300	230/60/3	121.2	48.1	245	2	75	25.0	10.0	1	133.23	175	—	—
GEV300	460/60/3	49.7	18.6	125	2	29	12.5	10.0	1	54.35	70	—	—
GEV300	575/60/3	39.4	14.7	100	2	23	10.0	10.0	1	43.08	50	—	—
GEV300	208/60/3	133.2	48.1	245	2	75	37.0	15.0	1	145.23	175	—	—
GEV300	230/60/3	132.2	48.1	245	2	75	36.0	15.0	1	144.23	175	—	—
GEV300	460/60/3	55.2	18.6	125	2	29	18.0	15.0	1	59.85	70	—	—
GEV300	575/60/3	43.5	14.7	100	2	23	14.1	15.0	1	47.18	60	—	—

(a) Applies to 0.5 to 5 tons units only

Table 192. Electrical data high static motors 0.5 to 5 tons

Model No.	Volts	Total Unit FLA	Comp RLA (ea)	Comp LRA (ea)	No. of Comp.	Cmp MCC	Blower Motor FLA	Blower Motor hp	Fan Motor Num	Minimum Circuit Ampacity	Maximum Overcurrent Protective Device	Electric Heat kW	Electric Heat Amps
GEH/V006	115/60/1	6.8	5.6	30.0	1	7.5	1.20	1/12	1	8.20	15	0.0	0.0
GEH/V006	208/60/1	3.9	3.3	14.0	1	4.2	0.60	1/12	1	4.73	15	0.0	0.0
GEH/V006	208/60/1	4.5	3.3	14.0	1	4.2	0.60	1/12	1	5.68	15	0.8	3.9
GEH/V006	230/60/1	3.8	3.2	15.0	1	4.2	0.60	1/12	1	4.60	15	0.0	0.0
GEH/V006	230/60/1	4.9	3.2	15.0	1	4.2	0.60	1/12	1	6.18	15	1.0	4.3
GEH/V006	220-240/50/1	3.4	2.9	17.0	1	4.0	0.52	1/12	1	4.15	15	0.0	0.0
GEH/V006	220-240/50/1	7.4	2.9	17.0	1	4.0	0.52	1/12	1	9.19	15	1.6	6.8
GEH/V006	265/60/1	3.0	2.5	11.0	1	3.5	0.52	1/12	1	3.65	15	0.0	0.0
GEH/V006	265/60/1	5.5	2.5	11.0	1	3.5	0.52	1/12	1	6.92	15	1.3	5.0
GEH/V009	115/60/1	7.6	6.4	36.0	1	8.6	1.20	1/12	1	9.20	15	0.0	0.0
GEH/V009	208/60/1	4.3	3.7	16.0	1	4.8	0.60	1/12	1	5.23	15	0.0	0.0
GEH/V009	208/60/1	6.5	3.7	16.0	1	4.8	0.60	1/12	1	8.14	15	1.2	5.9
GEH/V009	230/60/1	4.1	3.5	17.0	1	4.8	0.60	1/12	1	4.98	15	0.0	0.0
GEH/V009	230/60/1	7.1	3.5	17.0	1	4.8	0.60	1/12	1	8.90	15	1.5	6.5
GEH/V009	220-240/50/1	6.0	5.3	23.0	1	7.4	0.72	1/8	1	7.35	15	0.0	0.0
GEH/V009	220-240/50/1	9.8	5.3	23.0	1	7.4	0.72	1/8	1	12.20	15	2.2	9.0



Electrical Data

Table 192. Electrical data high static motors 0.5 to 5 tons (continued)

Model No.	Volts	Total Unit FLA	Comp RLA (ea)	Comp LRA (ea)	Comp No. of Comp.	Cmp MCC	Blower Motor FLA	Blower Motor hp	Fan Motor Num	Minimum Circuit Ampacity	Maximum Overcurrent Protective Device	Electric Heat kW	Electric Heat Amps
GEH/V009	265/60/1	3.3	2.8	13.0	1	3.7	0.52	1/12	1	4.02	15	0.0	0.0
GEH/V009	265/60/1	8.1	2.8	13.0	1	3.7	0.52	1/12	1	10.08	15	2.0	7.5
GEH/V012	115/60/1	13.7	12.1	58.0	1	16.9	1.57	1/8	1	16.70	25	0.0	0.0
GEH/V012	208/60/1	7.0	6.3	30.0	1	8.8	0.70	1/8	1	8.58	15	0.0	0.0
GEH/V012	208/60/1	8.5	6.3	27.0	1	8.8	0.70	1/8	1	10.67	15	1.6	7.8
GEH/V012	230/60/1	7.0	6.3	30.0	1	8.8	0.70	1/8	1	8.58	15	0.0	0.0
GEH/V012	230/60/1	9.4	6.3	30.0	1	8.8	0.70	1/8	1	11.74	15	2.0	8.7
GEH/V012	220-240/50/1	7.4	6.7	30.0	1	9.4	0.72	1/8	1	9.10	15	0.0	0.0
GEH/V012	220-240/50/1	12.0	6.7	30.0	1	9.4	0.72	1/8	1	14.96	15	2.7	11.3
GEH/V012	265/60/1	5.7	5.0	23.0	1	7.0	0.72	1/8	1	6.97	15	0.0	0.0
GEH/V012	265/60/1	10.7	5.0	23.0	1	7.0	0.72	1/8	1	13.40	15	2.7	10.0
GEH/V015	208/60/1	8.6	7.9	36.0	1	11.1	0.70	1/8	1	10.58	15	0.0	0.0
GEH/V015	208/60/1	10.3	7.9	36.0	1	11.1	0.70	1/8	1	12.89	15	2.0	9.6
GEH/V015	230/60/1	8.6	7.9	36.0	1	11.1	0.70	1/8	1	10.58	15	0.0	0.0
GEH/V015	230/60/1	11.6	7.9	36.0	1	11.1	0.70	1/8	1	14.46	15	2.5	10.9
GEH/V015	220-240/50/1	9.7	8.2	36.0	1	11.5	1.53	1/3	1	11.78	15	0.0	0.0
GEH/V015	220-240/50/1	15.2	8.2	36.0	1	11.5	1.53	1/3	1	19.00	20	3.3	13.7
GEH/V015	265/60/1	7.1	6.4	30.0	1	9.0	0.72	1/8	1	8.72	15	0.0	0.0
GEH/V015	265/60/1	13.2	6.4	30.0	1	9.0	0.72	1/8	1	16.47	20	3.3	12.5
GEH/V018	208/60/1	11.7	9.6	42.0	1	13.4	2.10	1/3	1	14.10	20	0.0	0.0
GEH/V018	208/60/1	13.9	9.6	42.0	1	13.4	2.10	1/3	1	17.41	20	2.5	11.8
GEH/V018	230/60/1	11.7	9.6	42.0	1	13.4	2.10	1/3	1	14.10	20	0.0	0.0
GEH/V018	230/60/1	15.1	9.6	42.0	1	13.4	2.10	1/3	1	18.93	20	3.0	13.0
GEH/V018	220-240/50/1	11.1	9.6	54.0	1	15.0	1.53	1/3	1	13.53	20	0.0	0.0
GEH/V018	220-240/50/1	19.7	9.6	54.0	1	15.0	1.53	1/3	1	24.57	25	4.4	18.1
GEH/V018	265/60/1	9.2	7.7	35.0	1	10.8	1.53	1/3	1	11.16	15	0.0	0.0
GEH/V018	265/60/1	16.6	7.7	35.0	1	10.8	1.53	1/3	1	20.78	25	4.0	15.1
GEH/V018	380-415/50/3	5.2	4.2	28.0	1	6.5	0.95	1/3	1	6.20	15	0.0	0.0
GEH/V018	380-415/50/3	7.0	3.6	28.0	1	5.6	0.95	1/3	1	8.75	15	4.4	6.1
GEH/V024	208/60/1	14.9	12.8	58.3	1	20.0	2.10	1/3	1	18.10	30	0.0	0.0
GEH/V024	208/60/1	17.8	12.8	58.3	1	20.0	2.10	1/3	1	22.22	30	3.3	15.7
GEH/V024	230/60/1	14.9	12.8	58.3	1	20.0	2.10	1/3	1	18.10	30	0.0	0.0
GEH/V024	230/60/1	19.5	12.8	58.3	1	20.0	2.10	1/3	1	24.36	30	4.0	17.4
GEH/V024	220-240/50/1	12.7	11.2	60.0	1	17.5	1.53	1/3	1	15.53	25	0.0	0.0

Table 192. Electrical data high static motors 0.5 to 5 tons (continued)

Model No.	Volts	Total Unit FLA	Comp RLA (ea)	Comp LRA (ea)	Comp No. of Comp.	Cmp MCC	Blower Motor FLA	Blower Motor hp	Fan Motor Num	Minimum Circuit Ampacity	Maximum Overcurrent Protective Device	Electric Heat kW	Electric Heat Amps
GEH/V024	220-240/50/1	24.0	11.2	60.0	1	17.5	1.53	1/3	1	30.04	35	5.4	22.5
GEH/V024	265/60/1	11.1	9.6	54.0	1	15.0	1.53	1/3	1	13.53	20	0.0	0.0
GEH/V024	265/60/1	21.5	9.6	54.0	1	15.0	1.53	1/3	1	26.91	30	5.3	20.0
GEH/V024	208/60/3	9.2	7.7	53.7	1	12.0	1.53	1/3	1	11.16	15	0.0	0.0
GEH/V024	208/60/3	10.6	7.7	53.7	1	12.0	1.53	1/3	1	13.22	15	3.3	9.0
GEH/V024	230/60/3	9.8	7.7	53.7	1	12.0	2.10	1/3	1	11.73	15	0.0	0.0
GEH/V024	230/60/3	12.1	7.7	53.7	1	12.0	2.10	1/3	1	15.18	20	4.0	10.0
GEH/V024	380-415/50/3	5.2	4.2	28.0	1	6.5	0.95	1/3	1	6.20	15	0.0	0.0
GEH/V024	380-415/50/3	8.5	4.2	28.0	1	6.5	0.95	1/3	1	10.58	15	5.4	7.5
GEH/V024	460/60/3	4.6	3.6	28.0	1	5.6	0.95	1/3	1	5.45	15	0.0	0.0
GEH/V024	460/60/3	7.6	3.6	28.0	1	5.6	0.95	1/3	1	9.50	15	5.3	6.7
GEH/V030	208/60/1	16.2	14.1	73.0	1	22.0	2.10	1/3	1	19.73	30	0.0	0.0
GEH/V030	208/60/1	21.8	14.1	73.0	1	22.0	2.10	1/3	1	27.26	30	4.1	19.7
GEH/V030	230/60/1	16.2	14.1	73.0	1	22.0	2.10	1/3	1	19.73	30	0.0	0.0
GEH/V030	230/60/1	23.8	14.1	73.0	1	22.0	2.10	1/3	1	29.80	30	5.0	21.7
GEH/V030	220-240/50/1	16.3	13.5	72.0	1	21.0	2.77	1/2	1	19.65	30	0.0	0.0
GEH/V030	220-240/50/1	29.9	13.5	72.0	1	21.0	2.77	1/2	1	37.42	40	6.5	27.2
GEH/V030	265/60/1	12.7	11.2	60.0	1	17.5	1.53	1/3	1	15.53	25	0.0	0.0
GEH/V030	265/60/1	26.4	11.2	60.0	1	17.5	1.53	1/3	1	33.04	35	6.6	24.9
GEH/V030	208/60/3	11.0	8.9	58.0	1	13.9	2.10	1/3	1	13.23	20	0.0	0.0
GEH/V030	208/60/3	13.5	8.9	58.0	1	13.9	2.10	1/3	1	16.85	20	4.1	11.4
GEH/V030	230/60/3	11.0	8.9	58.0	1	13.9	2.10	1/3	1	13.23	20	0.0	0.0
GEH/V030	230/60/3	14.7	8.9	58.0	1	13.9	2.10	1/3	1	18.31	20	5.0	12.6
GEH/V030	380-415/50/3	7.5	5.8	38.0	1	9.0	1.70	1/2	1	8.95	15	0.0	0.0
GEH/V030	380-415/50/3	10.8	5.8	38.0	1	9.0	1.70	1/2	1	13.46	15	6.5	9.1
GEH/V030	460/60/3	5.2	4.2	28.0	1	6.5	0.95	1/3	1	6.20	15	0.0	0.0
GEH/V030	460/60/3	9.2	4.2	28.0	1	6.5	0.95	1/3	1	11.54	15	6.6	8.3
GEH035	208/60/1	17.7	14.1	77.0	1	22.0	3.60	1/2	1	21.23	35	0.0	0.0
GEH035	208/60/1	27.2	14.1	77.0	1	22.0	3.60	1/2	1	33.95	35	4.9	23.6
GEH035	230/60/1	17.7	14.1	77.0	1	22.0	3.60	1/2	1	21.23	35	0.0	0.0
GEH035	230/60/1	29.7	14.1	77.0	1	22.0	3.60	1/2	1	37.11	40	6.0	26.1
GEH035	265/60/1	15.0	12.2	72.0	1	19.0	2.77	1/2	1	18.02	30	0.0	0.0
GEH035	265/60/1	32.8	12.2	72.0	1	19.0	2.77	1/2	1	40.96	45	8.0	30.0
GEH035	208/60/3	12.6	9.0	71.0	1	14.0	3.60	1/2	1	14.85	20	0.0	0.0



Electrical Data

Table 192. Electrical data high static motors 0.5 to 5 tons (continued)

Model No.	Volts	Total Unit FLA	Comp RLA (ea)	Comp LRA (ea)	No. of Comp.	Cmp MCC	Blower Motor FLA	Blower Motor hp	Fan Motor Num	Minimum Circuit Ampacity	Maximum Overcurrent Protective Device	Electric Heat kW	Electric Heat Amps
GEH035	208/60/3	17.2	9.0	71.0	1	14.0	3.60	1/2	1	21.50	25	4.9	13.6
GEH035	230/60/3	12.6	9.0	71.0	1	14.0	3.60	1/2	1	14.85	20	0.0	0.0
GEH035	230/60/3	18.7	9.0	71.0	1	14.0	3.60	1/2	1	23.33	25	6.0	15.1
GEH035	380-415/50/3	7.7	6.0	44.0	1	9.3	1.70	1/2	1	9.20	15	0.0	0.0
GEH035	380-415/50/3	11.6	6.0	44.0	1	9.3	1.70	1/2	1	14.56	15	7.2	9.9
GEH035	460/60/3	7.3	5.6	38.0	1	8.8	1.70	1/2	1	8.70	15	0.0	0.0
GEH035	460/60/3	11.7	5.6	38.0	1	8.8	1.70	1/2	1	14.60	15	8.0	10.0
GEV036	208/60/1	20.3	16.7	79.0	1	26.0	3.60	1/2	1	24.48	40	0.0	0.0
GEV036	208/60/1	27.2	16.7	79.0	1	26.0	3.60	1/2	1	33.95	40	4.9	23.6
GEV036	230/60/1	20.3	16.7	79.0	1	26.0	3.60	1/2	1	24.48	40	0.0	0.0
GEV036	230/60/1	29.7	16.7	79.0	1	26.0	3.60	1/2	1	37.11	40	6.0	26.1
GEV036	265/60/1	16.3	13.5	72.0	1	21.0	2.77	1/2	1	19.65	30	0.0	0.0
GEV036	265/60/1	32.8	13.5	72.0	1	21.0	2.77	1/2	1	40.96	45	8.0	30.0
GEV036	208/60/3	14.0	10.4	73.0	1	16.3	3.60	1/2	1	16.60	25	0.0	0.0
GEV036	208/60/3	17.2	10.4	73.0	1	16.3	3.60	1/2	1	21.50	25	4.9	13.6
GEV036	230/60/3	14.0	10.4	73.0	1	16.3	3.60	1/2	1	16.60	25	0.0	0.0
GEV036	230/60/3	18.7	10.4	73.0	1	16.3	3.60	1/2	1	23.33	25	6.0	15.1
GEV036	380-415/50/3	7.7	6.0	44.0	1	9.3	1.70	1/2	1	9.20	15	0.0	0.0
GEV036	380-415/50/3	11.6	6.0	44.0	1	9.3	1.70	1/2	1	14.56	15	7.2	9.9
GEV036	460/60/3	7.5	5.8	38.0	1	9.0	1.70	1/2	1	8.95	15	0.0	0.0
GEV036	460/60/3	11.7	5.8	38.0	1	9.0	1.70	1/2	1	14.60	15	8.0	10.0
GEH/V042	208/60/1	21.5	17.9	112.0	1	28.0	3.60	1/2	1	25.98	40	0.0	0.0
GEH/V042	208/60/1	31.0	17.9	112.0	1	28.0	3.60	1/2	1	38.75	40	5.7	27.4
GEH/V042	230/60/1	21.5	17.9	112.0	1	28.0	3.60	1/2	1	25.98	40	0.0	0.0
GEH/V042	230/60/1	34.0	17.9	112.0	1	28.0	3.60	1/2	1	42.54	45	7.0	30.4
GEH/V042	208/60/3	17.1	13.5	88.0	1	21.1	3.60	1/2	1	20.48	30	0.0	0.0
GEH/V042	208/60/3	19.4	13.5	88.0	1	21.1	3.60	1/2	1	24.28	30	5.7	15.8
GEH/V042	230/60/3	17.1	13.5	88.0	1	21.1	3.60	1/2	1	20.48	30	0.0	0.0
GEH/V042	230/60/3	21.2	13.5	88.0	1	21.1	3.60	1/2	1	26.46	30	7.0	17.6
GEH/V042	380-415/50/3	9.0	6.3	55.0	1	9.9	2.70	1	1	10.58	15	0.0	0.0
GEH/V042	380-415/50/3	14.7	6.3	55.0	1	9.9	2.70	1	1	18.33	20	8.6	12.0
GEH/V042	460/60/3	7.7	6.0	44.0	1	9.3	1.70	1/2	1	9.20	15	0.0	0.0
GEH/V042	460/60/3	13.4	6.0	44.0	1	9.3	1.70	1/2	1	16.72	20	9.3	11.7
GEH/V042	575/60/3	6.2	4.9	34.0	1	7.7	1.31	1/2	1	7.44	15	0.0	0.0

Table 192. Electrical data high static motors 0.5 to 5 tons (continued)

Model No.	Volts	Total Unit FLA	Comp RLA (ea)	Comp LRA (ea)	No. of Comp.	Cmp MCC	Blower Motor FLA	Blower Motor hp	Fan Motor Num	Minimum Circuit Ampacity	Maximum Overcurrent Protective Device	Electric Heat kW	Electric Heat Amps
GEH/V048	208/60/1	26.8	21.4	135.0	1	33.4	5.40	1	1	32.15	50	0.0	0.0
GEH/V048	208/60/1	36.7	21.4	135.0	1	33.4	5.40	1	1	45.81	50	6.5	31.3
GEH/V048	230/60/1	26.8	21.4	135.0	1	33.4	5.40	1	1	32.15	50	0.0	0.0
GEH/V048	230/60/1	40.2	21.4	135.0	1	33.4	5.40	1	1	50.23	60	8.0	34.8
GEH/V048	208/60/3	19.9	14.5	98.0	1	22.6	5.40	1	1	23.53	35	0.0	0.0
GEH/V048	208/60/3	23.4	14.5	98.0	1	22.6	5.40	1	1	29.30	35	6.5	18.0
GEH/V048	230/60/3	19.9	14.5	98.0	1	22.6	5.40	1	1	23.53	35	0.0	0.0
GEH/V048	230/60/3	25.5	14.5	98.0	1	22.6	5.40	1	1	31.85	35	8.0	20.1
GEH/V048	380-415/50/3	10.5	7.8	52.0	1	12.1	2.70	1	1	12.45	20	0.0	0.0
GEH/V048	380-415/50/3	14.7	7.8	52.0	1	12.1	2.70	1	1	18.33	20	8.6	12.0
GEH/V048	460/60/3	9.0	6.3	55.0	1	9.9	2.70	1	1	10.58	15	0.0	0.0
GEH/V048	460/60/3	16.0	6.3	55.0	1	9.9	2.70	1	1	20.01	25	10.6	13.3
GEH/V048	575/60/3	8.2	6.0	41.0	1	9.4	2.20	1	1	9.70	15	0.0	0.0
GEH/V060	208/60/1	31.7	26.3	134.0	1	41.0	5.40	1	1	38.28	60	0.0	0.0
GEH/V060	208/60/1	36.7	26.3	134.0	1	41.0	5.40	1	1	45.81	60	6.5	31.3
GEH/V060	230/60/1	31.7	26.3	134.0	1	41.0	5.40	1	1	38.28	60	0.0	0.0
GEH/V060	230/60/1	40.2	26.3	134.0	1	41.0	5.40	1	1	50.23	60	8.0	34.8
GEH/V060	208/60/3	21.0	15.6	110.0	1	24.4	5.40	1	1	24.90	40	0.0	0.0
GEH/V060	208/60/3	23.4	15.6	110.0	1	24.4	5.40	1	1	29.30	40	6.5	18.0
GEH/V060	230/60/3	21.0	15.6	110.0	1	24.4	5.40	1	1	24.90	40	0.0	0.0
GEH/V060	230/60/3	25.5	15.6	110.0	1	24.4	5.40	1	1	31.85	40	8.0	20.1
GEH/V060	380-415/50/3	12.3	9.6	75.0	1	15.0	2.70	1	1	14.70	20	0.0	0.0
GEH/V060	380-415/50/3	14.7	9.6	75.0	1	15.0	2.70	1	1	18.33	20	8.6	12.0
GEH/V060	460/60/3	10.5	7.8	52.0	1	12.1	2.70	1	1	12.45	20	0.0	0.0
GEH/V060	460/60/3	16.0	7.8	52.0	1	12.1	2.70	1	1	20.01	25	10.6	13.3
GEH/V060	575/60/3	8.0	5.8	38.9	1	9.1	2.20	1	1	9.45	15	0.0	0.0

Electrical Data
Table 193. Electrical data two speed blower motor 6 to 25 tons

Model No.	Volts	Total FLA	Comp RLA (ea)	Comp LRA (ea)	No. of Comp.	Comp MCC	Blower Motor FLA	Blower Motor HP	Fan Motor No.	Minimum Circuit Ampacity	Maximum Overcurrent Protective Device
GEH072	208/60/3	24.1	10.4	73	2	16.3	3.3	1.0	1	26.70	35
GEH072	230/60/3	23.8	10.4	73	2	16.3	3.0	1.0	1	26.40	35
GEH072	460/60/3	13.1	5.8	38	2	9	1.5	1.0	1	14.55	20
GEH072	208/60/3	25.7	10.4	73	2	16.3	4.9	1.5	1	28.30	35
GEH072	230/60/3	25.2	10.4	73	2	16.3	4.4	1.5	1	27.80	35
GEH072	460/60/3	13.8	5.8	38	2	9	2.2	1.5	1	15.25	20
GEH072	208/60/3	27.5	10.4	73	2	16.3	6.7	2.0	1	30.10	40
GEH072	230/60/3	26.9	10.4	73	2	16.3	6.1	2.0	1	29.50	35
GEH072	460/60/3	14.7	5.8	38	2	9	3.1	2.0	1	16.15	20
GEH090	208/60/3	28.2	14.5/10.4	98/73	2	22.6/16.3	3.3	1.0	1	31.83	45
GEH090	230/60/3	27.9	14.5/10.4	98/73	2	22.6/16.3	3.0	1.0	1	31.53	45
GEH090	460/60/3	13.6	6.3/5.8	55/38	2	9.9/9	1.5	1.0	1	15.18	20
GEH090	208/60/3	29.8	14.5/10.4	98/73	2	22.6/16.3	4.9	1.5	1	33.43	45
GEH090	230/60/3	29.3	14.5/10.4	98/73	2	22.6/16.3	4.4	1.5	1	32.93	45
GEH090	460/60/3	14.3	6.3/5.8	55/38	2	9.9/9	2.2	1.5	1	15.88	20
GEH090	208/60/3	31.6	14.5/10.4	98/73	2	22.6/16.3	6.7	2.0	1	35.23	45
GEH090	230/60/3	31.0	14.5/10.4	98/73	2	22.6/16.3	6.1	2.0	1	34.63	45
GEH090	460/60/3	15.2	6.3/5.8	55/38	2	9.9/9	3.1	2.0	1	16.78	20
GEH090	208/60/3	33.7	14.5/10.4	98/73	2	22.6/16.3	8.8	3.0	1	37.33	50
GEH090	230/60/3	32.9	14.5/10.4	98/73	2	22.6/16.3	8.0	3.0	1	36.53	50
GEH090	460/60/3	16.6	6.3	55	2	9.9	4.0	3.0	1	18.18	20
GEH120	208/60/3	36.9	16	110	2	24.9	4.9	1.5	1	40.90	50
GEH120	230/60/3	36.4	16	110	2	24.9	4.4	1.5	1	40.40	50
GEH120	460/60/3	17.8	7.8	52	2	12.1	2.2	1.5	1	19.75	25
GEH120	208/60/3	38.7	16	110	2	24.9	6.7	2.0	1	42.70	50
GEH120	230/60/3	38.1	16	110	2	24.9	6.1	2.0	1	42.10	50
GEH120	460/60/3	18.7	7.8	52	2	12.1	3.1	2.0	1	20.65	25
GEH120	208/60/3	40.8	16	110	2	24.9	8.8	3.0	1	44.80	60
GEH120	230/60/3	40.0	16	110	2	24.9	8.0	3.0	1	44.00	60
GEH120	460/60/3	19.6	7.8	52	2	12.1	4.0	3.0	1	21.55	25
GEH120	208/60/3	46.6	16	110	2	24.9	14.6	5.0	1	50.60	60
GEH120	230/60/3	45.2	16	110	2	24.9	13.2	5.0	1	49.20	60
GEH120	460/60/3	22.2	7.8	52	2	12.1	6.6	5.0	1	24.15	30

Table 193. Electrical data two speed blower motor 6 to 25 tons (continued)

Model No.	Volts	Total FLA	Comp RLA (ea)	Comp LRA (ea)	No. of Comp.	Cmp MCC	Blower Motor FLA	Blower Motor HP	Fan Motor No.	Minimum Circuit Ampacity	Maximum Overcurrent Protective Device
GEH150	208/60/3	49.7	22.4	149	2	35	4.9	1.5	1	55.30	70
GEH150	230/60/3	49.2	22.4	149	2	35	4.4	1.5	1	54.80	70
GEH150	460/60/3	23.4	10.6	75	2	16.5	2.2	1.5	1	26.05	35
GEH150	208/60/3	51.5	22.4	149	2	35	6.7	2.0	1	57.10	70
GEH150	230/60/3	50.9	22.4	149	2	35	6.1	2.0	1	56.50	70
GEH150	460/60/3	24.3	10.6	75	2	16.5	3.1	2.0	1	26.95	35
GEH150	208/60/3	53.6	22.4	149	2	35	8.8	3.0	1	59.20	80
GEH150	230/60/3	52.8	22.4	149	2	35	8.0	3.0	1	58.40	80
GEH150	460/60/3	25.2	10.6	75	2	16.5	4.0	3.0	1	27.85	35
GEH150	208/60/3	59.4	22.4	149	2	35	14.6	5.0	1	65.00	80
GEH150	230/60/3	58.0	22.4	149	2	35	13.2	5.0	1	63.60	80
GEH150	460/60/3	27.8	10.6	75	2	16.5	6.6	5.0	1	30.45	40
GEH180	208/60/3	56.7	25	164	2	39	6.7	2.0	1	62.95	80
GEH180	230/60/3	56.1	25	164	2	39	6.1	2.0	1	62.35	80
GEH180	460/60/3	27.5	12.2	100	2	19	3.1	2.0	1	30.55	40
GEH180	208/60/3	58.8	25	164	2	39	8.8	3.0	1	65.05	90
GEH180	230/60/3	58.0	25	164	2	39	8.0	3.0	1	64.25	80
GEH180	460/60/3	28.4	12.2	100	2	19	4.0	3.0	1	31.45	40
GEH180	208/60/3	64.6	25	164	2	39	14.6	5.0	1	70.85	90
GEH180	230/60/3	63.2	25	164	2	39	13.2	5.0	1	69.45	90
GEH180	460/60/3	31.0	12.2	100	2	19	6.6	5.0	1	34.05	45
GEH180	208/60/3	72.1	25	164	2	39	22.1	7.5	1	78.35	100
GEH180	230/60/3	70.0	25	164	2	39	20.0	7.5	1	76.25	100
GEH180	460/60/3	34.4	12.2	100	2	19	10.0	7.5	1	37.45	45
GEV072	208/60/3	24.1	10.4	73	2	16.3	3.3	1.0	1	26.70	35
GEV072	230/60/3	23.8	10.4	73	2	16.3	3.0	1.0	1	26.40	35
GEV072	460/60/3	13.1	5.8	38	2	9	1.5	1.0	1	14.55	20
GEV072	208/60/3	25.7	10.4	73	2	16.3	4.9	1.5	1	28.30	35
GEV072	230/60/3	25.2	10.4	73	2	16.3	4.4	1.5	1	27.80	35
GEV072	460/60/3	13.8	5.8	38	2	9	2.2	1.5	1	15.25	20
GEV072	208/60/3	27.5	10.4	73	2	16.3	6.7	2.0	1	30.10	40
GEV072	230/60/3	26.9	10.4	73	2	16.3	6.1	2.0	1	29.50	35
GEV072	460/60/3	14.7	5.8	38	2	9	3.1	2.0	1	16.15	20
GEV090	208/60/3	28.2	14.5/10.4	98/73	2	22.6/16.3	3.3	1.0	1	31.83	45

Electrical Data
Table 193. Electrical data two speed blower motor 6 to 25 tons (continued)

Model No.	Volts	Total FLA	Comp RLA (ea)	Comp LRA (ea)	No. of Comp.	Cmp MCC	Blower Motor FLA	Blower Motor HP	Fan Motor No.	Minimum Circuit Ampacity	Maximum Overcurrent Protective Device
GEV090	230/60/3	27.9	14.5/10.4	98/73	2	22.6/16.3	3.0	1.0	1	31.53	45
GEV090	460/60/3	13.6	6.3/5.8	55/38	2	9.9/9	1.5	1.0	1	15.18	20
GEV090	208/60/3	29.8	14.5/10.4	98/73	2	22.6/16.3	4.9	1.5	1	33.43	45
GEV090	230/60/3	29.3	14.5/10.4	98/73	2	22.6/16.3	4.4	1.5	1	32.93	45
GEV090	460/60/3	14.3	6.3/5.8	55/38	2	9.9/9	2.2	1.5	1	15.88	20
GEV090	208/60/3	31.6	14.5/10.4	98/73	2	22.6/16.3	6.7	2.0	1	35.23	45
GEV090	230/60/3	31.0	14.5/10.4	98/73	2	22.6/16.3	6.1	2.0	1	34.63	45
GEV090	460/60/3	15.2	6.3/5.8	55/38	2	9.9/9	3.1	2.0	1	16.78	20
GEV090	208/60/3	33.7	14.5/10.4	98/73	2	22.6/16.3	8.8	3.0	1	37.33	50
GEV090	230/60/3	32.9	14.5/10.4	98/73	2	22.6/16.3	8.0	3.0	1	36.53	50
GEV090	460/60/3	16.1	6.3/5.8	55/38	2	9.9/9	4.0	3.0	1	17.68	20
GEV120	208/60/3	36.9	16	110	2	24.9	4.9	1.5	1	40.90	50
GEV120	230/60/3	36.4	16	110	2	24.9	4.4	1.5	1	40.40	50
GEV120	460/60/3	17.8	7.8	52	2	12.1	2.2	1.5	1	19.75	25
GEV120	208/60/3	38.7	16	110	2	24.9	6.7	2.0	1	42.70	50
GEV120	230/60/3	38.1	16	110	2	24.9	6.1	2.0	1	42.10	50
GEV120	460/60/3	18.7	7.8	52	2	12.1	3.1	2.0	1	20.65	25
GEV120	208/60/3	40.8	16	110	2	24.9	8.8	3.0	1	44.80	60
GEV120	230/60/3	40.0	16	110	2	24.9	8.0	3.0	1	44.00	60
GEV120	460/60/3	19.6	7.8	52	2	12.1	4.0	3.0	1	21.55	25
GEV120	208/60/3	46.6	16	110	2	24.9	14.6	5.0	1	50.60	60
GEV120	230/60/3	45.2	16	110	2	24.9	13.2	5.0	1	49.20	60
GEV120	460/60/3	22.2	7.8	52	2	12.1	6.6	5.0	1	24.15	30
GEV150	208/60/3	51.5	22.4	149	2	35	6.7	2.0	1	57.10	70
GEV150	230/60/3	50.9	22.4	149	2	35	6.1	2.0	1	56.50	70
GEV150	460/60/3	24.3	10.6	75	2	16.5	3.1	2.0	1	26.95	35
GEV150	208/60/3	53.6	22.4	149	2	35	8.8	3.0	1	59.20	80
GEV150	230/60/3	52.8	22.4	149	2	35	8.0	3.0	1	58.40	80
GEV150	460/60/3	25.2	10.6	75	2	16.5	4.0	3.0	1	27.85	35
GEV150	208/60/3	59.4	22.4	149	2	35	14.6	5.0	1	65.00	80
GEV150	230/60/3	58.0	22.4	149	2	35	13.2	5.0	1	63.60	80
GEV150	460/60/3	27.8	10.6	75	2	16.5	6.6	5.0	1	30.45	40
GEV180	208/60/3	58.8	25	164	2	39	8.8	3.0	1	65.05	90
GEV180	230/60/3	58.0	25	164	2	39	8.0	3.0	1	64.25	80

Table 193. Electrical data two speed blower motor 6 to 25 tons (continued)

Model No.	Volts	Total FLA	Comp RLA (ea)	Comp LRA (ea)	No. of Comp.	Cmp MCC	Blower Motor FLA	Blower Motor HP	Fan Motor No.	Minimum Circuit Ampacity	Maximum Overcurrent Protective Device
GEV180	460/60/3	28.4	12.2	100	2	19	4.0	3.0	1	31.45	40
GEV180	208/60/3	64.6	25	164	2	39	14.6	5.0	1	70.85	90
GEV180	230/60/3	63.2	25	164	2	39	13.2	5.0	1	69.45	90
GEV180	460/60/3	31.0	12.2	100	2	19	6.6	5.0	1	34.05	45
GEV180	208/60/3	72.1	25	164	2	39	22.1	7.5	1	78.35	100
GEV180	230/60/3	70.0	25	164	2	39	20.0	7.5	1	76.25	100
GEV180	460/60/3	34.4	12.2	100	2	19	10.0	7.5	1	37.45	45
GEV240	208/60/3	74.8	30.1	225	2	47	14.6	5.0	1	82.33	110
GEV240	230/60/3	73.4	30.1	225	2	47	13.2	5.0	1	80.93	110
GEV240	460/60/3	40.0	16.7	114	2	26	6.6	5.0	1	44.18	60
GEV240	208/60/3	82.3	30.1	225	2	47	22.1	7.5	1	89.83	110
GEV240	230/60/3	80.2	30.1	225	2	47	20.0	7.5	1	87.73	110
GEV240	460/60/3	43.4	16.7	114	2	26	10.0	7.5	1	47.58	60
GEV240	208/60/3	87.8	30.1	225	2	47	27.6	10.0	1	95.33	125
GEV240	230/60/3	85.2	30.1	225	2	47	25.0	10.0	1	92.73	110
GEV240	460/60/3	46.4	16.7	114	2	26	13.0	10.0	1	50.58	60
GEV240	460/60/3	53.4	16.7	114	2	26	20.0	15.0	1	58.40	70
GEV300	208/60/3	110.8	48.1	245	2	75	14.6	5.0	1	122.83	150
GEV300	230/60/3	109.4	48.1	245	2	75	13.2	5.0	1	121.43	150
GEV300	460/60/3	43.8	18.6	125	2	29	6.6	5.0	1	48.45	60
GEV300	208/60/3	118.3	48.1	245	2	75	22.1	7.5	1	130.33	175
GEV300	230/60/3	116.2	48.1	245	2	75	20.0	7.5	1	128.23	175
GEV300	460/60/3	47.2	18.6	125	2	29	10.0	7.5	1	51.85	70
GEV300	208/60/3	123.8	48.1	245	2	75	27.6	10.0	1	135.83	175
GEV300	230/60/3	121.2	48.1	245	2	75	25.0	10.0	1	133.23	175
GEV300	460/60/3	50.2	18.6	125	2	29	13.0	10.0	1	54.85	70
GEV300	460/60/3	57.2	18.6	125	2	29	20.0	15.0	1	62.20	80



Electrical Data

Table 194. Electrical minimum and maximum 0.5 to 25 tons

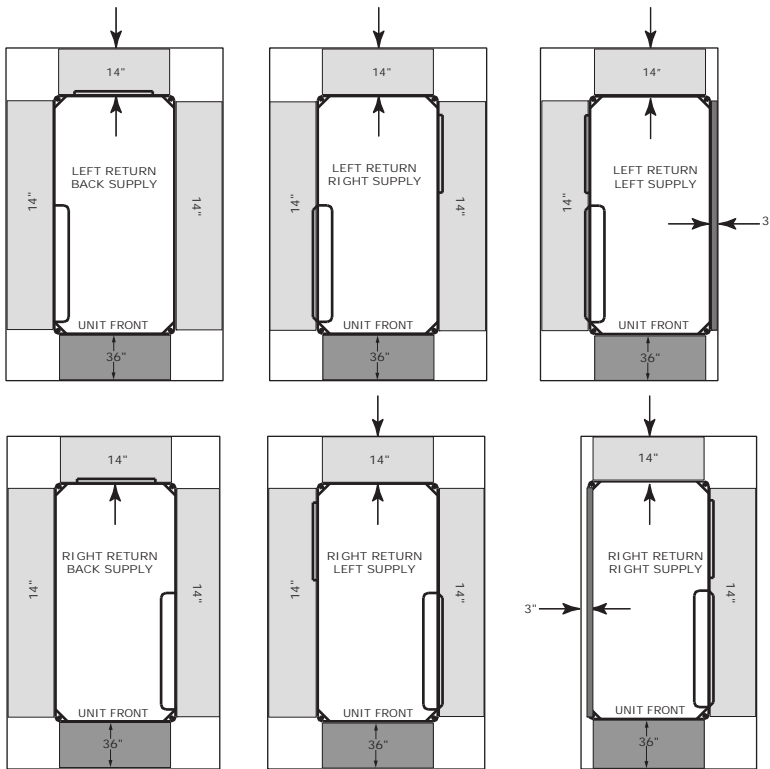
Digit 8	Rated Voltage	Hz	Ph	Min Utiliz. Volts	Max Utiliz. Volts
0	115	60	1	104	126
1	208	60	1	197	229
2	230	60	1	207	253
3	208	60	3	187	229
4	460	60	3	414	506
5	575	60	3	518	633
6	220-240	50	1	198	264
7	265	60	1	239	292
8	230	60	3	207	253
9	380-415	50	3	342	456

Unit Dimensions

Service Clearances

Per NEC requirements, 36 inches of access and working space shall be provided and maintained around all control boxes and electrical equipment to permit ready and safe operation and maintenance of such equipment. Local codes may require more clearance to electrical equipment. Check all code requirements prior to unit installation.

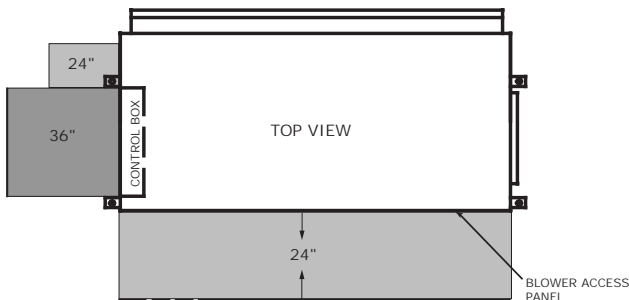
Figure 40. Clearances - GEH 0.5 to 5 tons



A minimum 14 inch clearance for servicing the unit is required for all 0.5 to 5 ton configurations from other mechanical and electrical equipment (where shown) to enable panel removal from the unit for service/maintenance ability. The optimum clearance required is 20 inches.

Equipment containing a same-side supply/return combination requires a 3 inches limitation on one side. Access to the TXV may not be possible with this 3 inches clearance. This configuration is typically applied in a corridor installation, where space limitations force the left or right side of the unit against a wall.

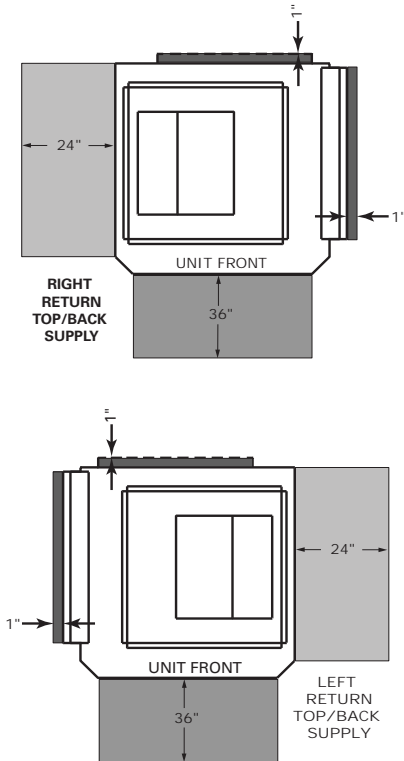
Figure 41. Clearance - GEH 6 to 15 Tons



Service clearance dimensions for the GEH 6 to 15 tons horizontal includes a two side access appropriate for control and blower motor/wheel access.

Unit Dimensions

Figure 42. Clearance - GEV 0.5 to 5 tons

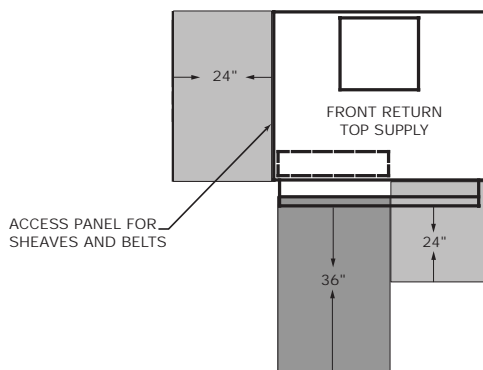


A 24 inch clearance from other mechanical and electrical equipment (where shown) is recommended for all configurations. This will enable panel removal from the unit for service/maintenance.

A 1 inch minimum clearance between the filter rack and any obstacle is required for units in a free return application to provide proper air flow to the air-to-refrigerant coil. A 12 inch minimum clearance between the filter rack and any obstacle should be provided to properly attached ductwork.

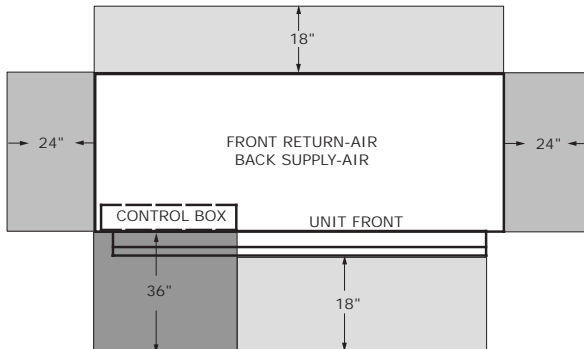
The 1 inch dimension shown in the back of the unit represents the supply duct collar for the back supply option. This clearance is needed to clear these flanges.

Figure 43. Clearance - GEV 6 to 10 tons



A 24 inch clearance from other mechanical and electrical equipment (where shown) is recommended for all configurations. The unit may be serviced through the front access panel or remaining open sides.

Figure 44. Clearance - GEV 12.5 to 25 tons



A 24 inch clearance from other mechanical and electrical equipment (where shown) is recommended for all configurations. The unit may be serviced through the front access panel.

Unit Dimensions

Figure 45. Left return/left supply (GEH)

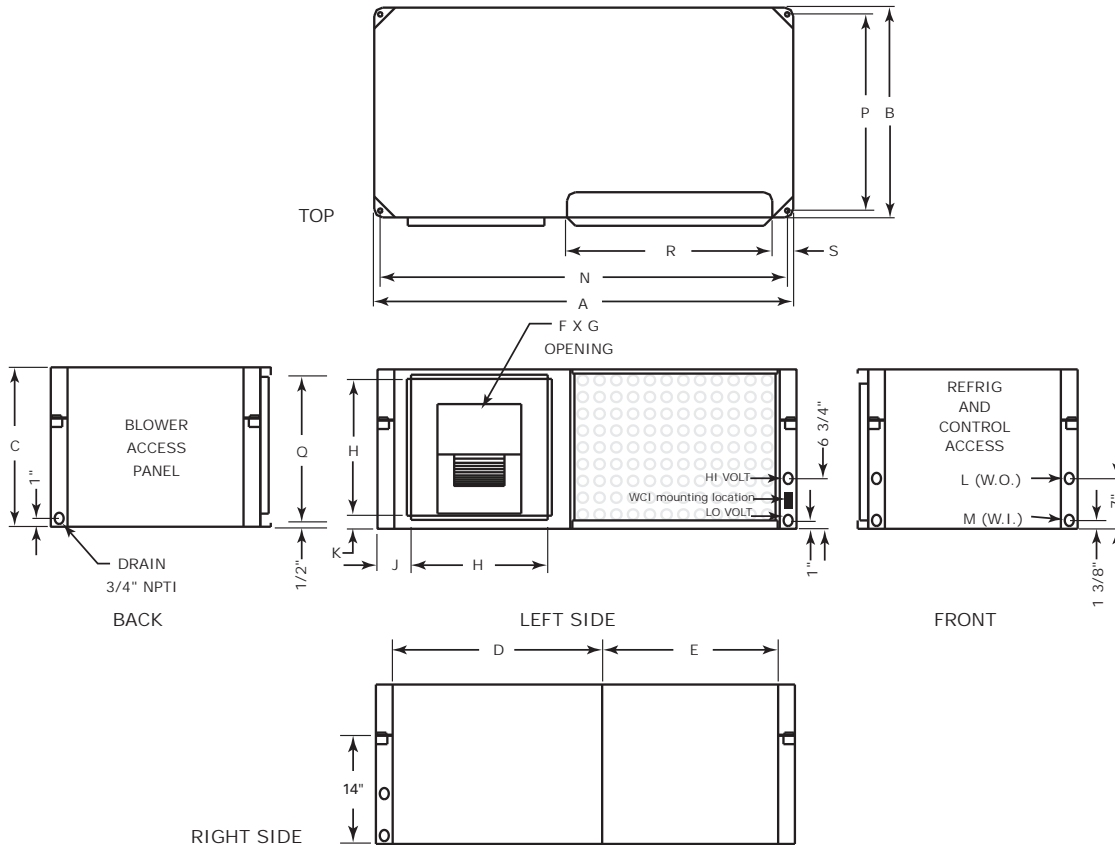


Table 195. Dimensional data left return/left supply (GEH)

GEH Unit (60 Hz)	GEH Unit (50 Hz)	A	B	C	D ^(a)	E	F x G	H	J	K	L NPTI	M NPTI	N	P	Q	R ^(b)	S
006, 009	006	40	20	15	20	15	6-7/8 x 8	11-1/2	4-1/2	1-3/4	1/2	1/2	38-3/4	18-3/4	13-5/8	18-1/2	3-1/4
012, 015	009, 012	40	20	15	20	15	6-7/8 x 9-7/8	11-1/2	4-1/4	3/4	1/2	1/2	38-3/4	18-3/4	13-5/8	18-1/2	3-1/4
	018	46	23	18	23	18	8-1/4 x 9-3/4	13-1/2	4-3/4	1-3/8	3/4	3/4	44-3/4	21-3/4	16-5/8	18-1/2	4-1/4
024, 030	018, 024	46	23	18	23	18	8-1/4 x 11-3/8	13-1/2	4-3/4	1-3/8	3/4	3/4	44-3/4	21-3/4	16-5/8	18-1/2	4-1/4
035, 042	030, 036	50	25	19	25	20	10-1/2 x 13-1/2	17	4	1	3/4	3/4	48-3/4	23-3/4	17-5/8	23-1/2	3-1/4
Std-048	Std-042	58	33	21	29-1/2	23-1/2	13-1/8 x 11-3/8	18	5-1/4	1-1/2	1	1	56-3/4	31-3/4	19-5/8	23-1/2	5-1/2
Hi-048, 060	Hi-042, 048, 060	58	33	21	29-1/2	23-1/2	13-7/8 x 13-7/8	18	5-1/4	1-1/2	1	1	56-3/4	31-3/4	19-5/8	23-1/2	5-1/2

Notes:

- When a horizontal model is ordered with the same side return and supply in a ducted application, bottom filter removal is required due to limited access on either side of the filter.
- Equipment containing a same-side supply/return combination requires a 3 in. clearance on one side. Access to the TXV may not be possible with this 3 in. clearance.

(a) Return air opening dimension.
 (b) Filter rack dimension.

Figure 46. Left return/back supply (GEH)

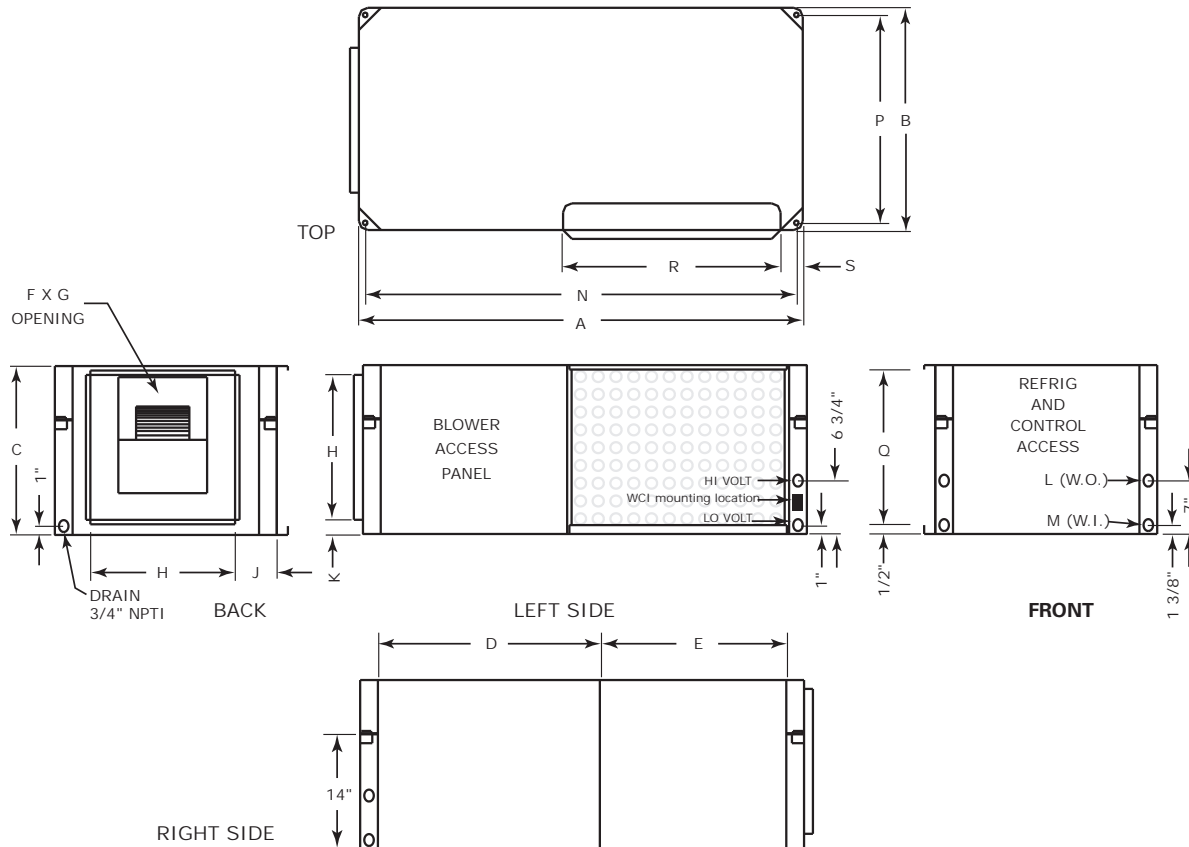


Table 196. Dimensional data left return/back supply (GEH)

GEH Unit (60 Hz)	GEH Unit (50 Hz)	A	B	C	D ^(a)	E	F x G	H	J	K	L NPTI	M NPTI	N	P	Q	R ^(b)	S
006, 009	006	40	20	15	20	15	6-7/8 x 8	11-1/2	4-1/2	1-3/4	1/2	1/2	38-3/4	18-3/4	13-5/8	18-1/2	3-1/4
012, 015	009, 012	40	20	15	20	15	6-7/8 x 9-7/8	11-1/2	4-1/4	3/4	1/2	1/2	38-3/4	18-3/4	13-5/8	18-1/2	3-1/4
	018	46	23	18	23	18	8-1/4 x 9-3/4	13-1/2	4-3/4	1-3/8	3/4	3/4	44-3/4	21-3/4	16-5/8	18-1/2	4-1/4
024, 030	018, 024	46	23	18	23	18	8-1/4 x 11-3/8	13-1/2	4-3/4	1-3/8	3/4	3/4	44-3/4	21-3/4	16-5/8	18-1/2	4-1/4
035, 042	030, 036	50	25	19	25	20	10-1/2 x 13-1/2	17	4	1	3/4	3/4	48-3/4	23-3/4	17-5/8	23-1/2	3-1/4
Std-048	Std-042	58	33	21	29-1/2	23-1/2	13-1/8 x 11-3/8	18	5-1/4	1-1/2	1	1	56-3/4	31-3/4	19-5/8	23-1/2	5-1/2
Hi-048, 060	Hi-042, 048, 060	060	58	33	29-1/2	23-1/2	13-7/8 x 13-7/8	18	5-1/4	1-1/2	1	1	56-3/4	31-3/4	19-5/8	23-1/2	5-1/2

Note: Equipment containing a same-side supply/return combination requires a 3 in. clearance on one side. Access to the TXV may not be possible with this 3 in. clearance.

- (a) Return air opening dimension.
- (b) Filter rack dimension.

Unit Dimensions

Figure 47. Left return/right supply (GEH)

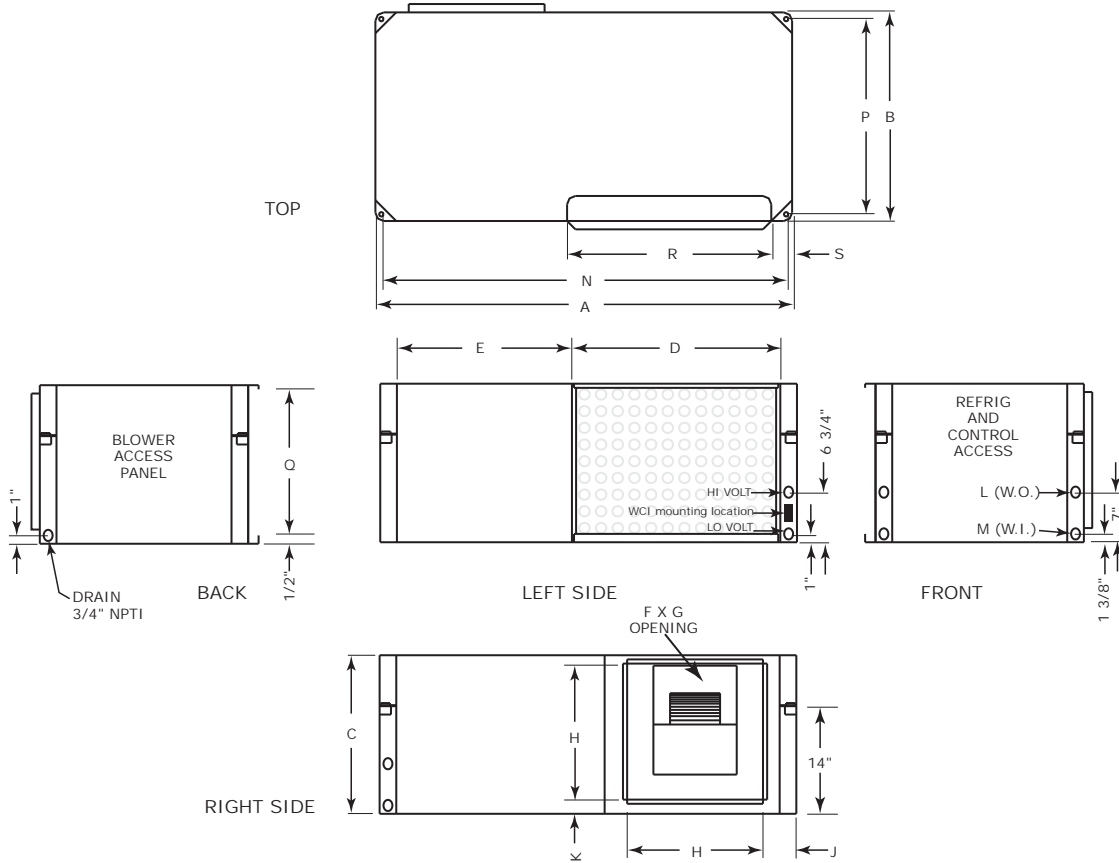


Table 197. Dimensional data left return/right supply (GEH)

GEH Unit (60 Hz)	GEH Unit (50 Hz)	A	B	C	D ^(a)	E	F x G	H	J	K	L NPTI	M NPTI	N	P	Q	R ^(b)	S
006, 009	006	40	20	15	20	15	6-7/8 x 8	11-1/2	4-1/2	1-3/4	1/2	1/2	38-3/4	18-3/4	13-5/8	18-1/2	3-1/4
012, 015	009, 012	40	20	15	20	15	6-7/8 x 9-7/8	11-1/2	4-1/4	3/4	1/2	1/2	38-3/4	18-3/4	13-5/8	18-1/2	3-1/4
	018	46	23	18	23	18	8-1/4 x 9-3/4	13-1/2	4-3/4	1-3/8	3/4	3/4	44-3/4	21-3/4	16-5/8	18-1/2	4-1/4
024, 030	018, 024	46	23	18	23	18	8-1/4 x 11-3/8	13-1/2	4-3/4	1-3/8	3/4	3/4	44-3/4	21-3/4	16-5/8	18-1/2	4-1/4
035, 042	030, 036	50	25	19	25	20	10-1/2 x 13-1/2	17	4	1	3/4	3/4	48-3/4	23-3/4	17-5/8	23-1/2	3-1/4
Std-048	Std-042	58	33	21	29-1/2	23-1/2	13-1/8 x 11-3/8	18	5-1/4	1-1/2	1	1	56-3/4	31-3/4	19-5/8	23-1/2	5-1/2
Hi-048, 060	Hi-042, 048, 060	58	33	21	29-1/2	23-1/2	13-7/8 x 13-7/8	18	5-1/4	1-1/2	1	1	56-3/4	31-3/4	19-5/8	23-1/2	5-1/2

Note: Equipment containing a same-side supply/return combination requires a 3 in. clearance on one side. Access to the TXV may not be possible with this 3 in. clearance.

(a) Return air opening dimension.

(b) Filter rack dimension.

Figure 48. Right return/left supply (GEH)

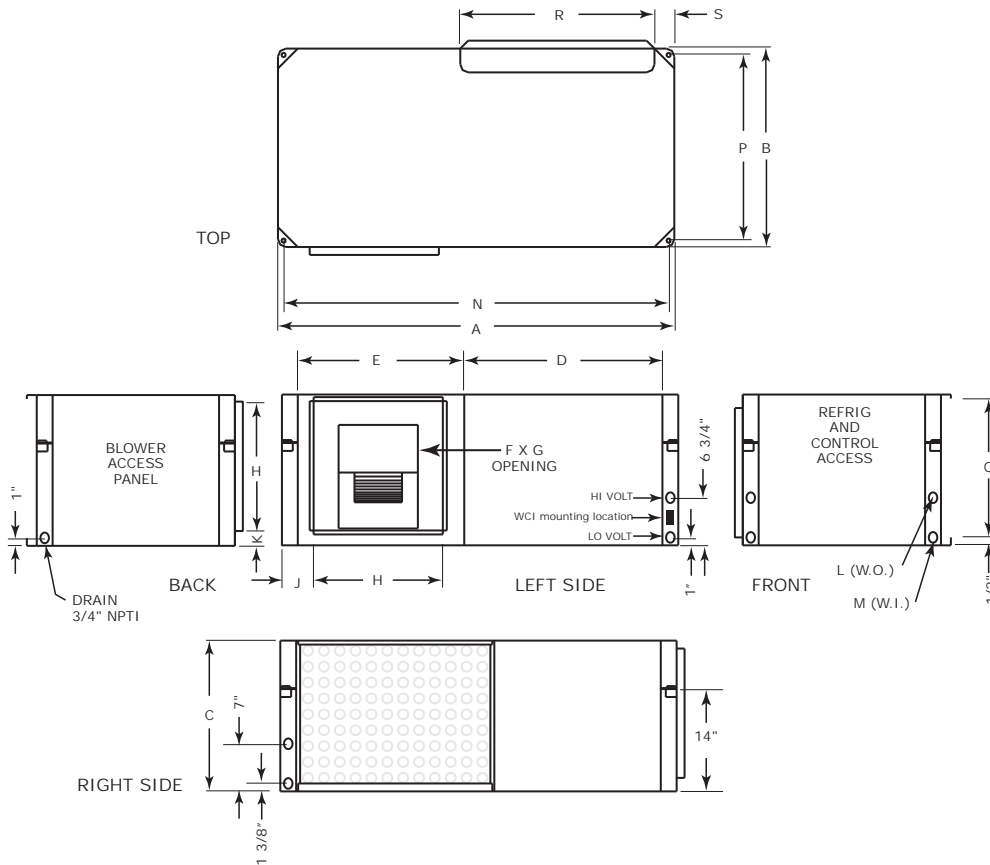


Table 198. Dimensional data right return/left supply (GEH)

GEH Unit (60 Hz)	GEH Unit (50 Hz)	A	B	C	D ^(a)	E	F x G	H	J	K	L NPTI	M NPTI	N	P	Q	R ^(b)	S
006, 009	006	40	20	15	20	15	6-7/8 x 8	11-1/2	4-1/2	1-3/4	1/2	1/2	38-3/4	18-3/4	13-5/8	18-1/2	3-1/4
012, 015	009, 012	40	20	15	20	15	6-7/8 x 9-7/8	11-1/2	4-1/4	3/4	1/2	1/2	38-3/4	18-3/4	13-5/8	18-1/2	3-1/4
018	015	46	23	18	23	18	8-1/4 x 9-3/4	13-1/2	4-3/4	1-3/8	3/4	3/4	44-3/4	21-3/4	16-5/8	18-1/2	4-1/4
024, 030	018, 024	46	23	18	23	18	8-1/4 x 11-3/8	13-1/2	4-3/4	1-3/8	3/4	3/4	44-3/4	21-3/4	16-5/8	18-1/2	4-1/4
035, 042	030, 036	50	25	19	25	20	10-1/2 x 13-1/2	17	4	1	3/4	3/4	48-3/4	23-3/4	17-5/8	23-1/2	3-1/4
Std-048	Std-042	58	33	21	29-1/2	23-1/2	13-1/8 x 11-3/8	18	5-1/4	1-1/2	1	1	56-3/4	31-3/4	19-5/8	23-1/2	5-1/2
Hi-048, 060	Hi-042, 048, 060	58	33	21	29-1/2	23-1/2	13-7/8 x 13-7/8	18	5-1/4	1-1/2	1	1	56-3/4	31-3/4	19-5/8	23-1/2	5-1/2

Note: Equipment containing a same-side supply/return combination requires a 3 in. clearance on one side. Access to the TXV may not be possible with this 3 in. clearance.

(a) Return air opening dimension.

(b) Filter rack dimension.

Unit Dimensions

Figure 49. Right return/back supply (GEH)

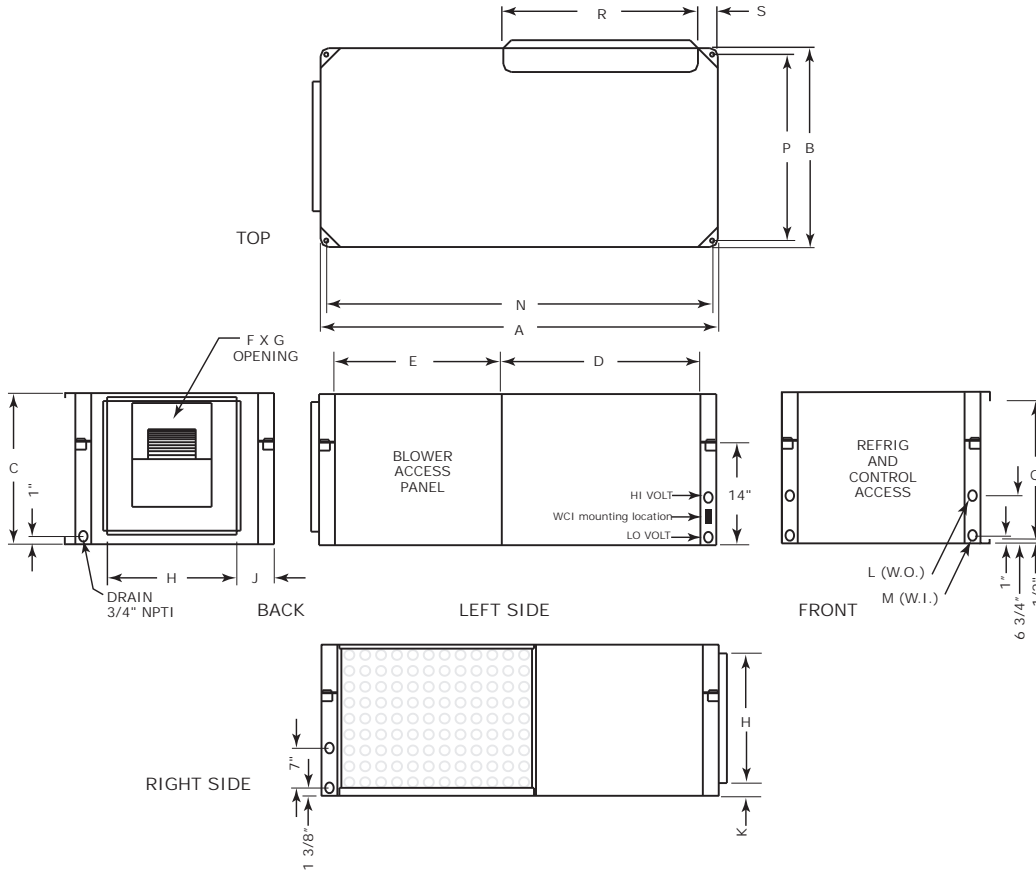


Table 199. Dimensional data right return/back supply (GEH)

GEH Unit (60 Hz)	GEH Unit (50 Hz)	A	B	C	D ^(a)	E	F x G	H	J	K	L NPTI	M NPTI	N	P	Q	R ^(b)	S
006, 009	006	40	20	15	20	15	6-7/8 x 8	11-1/2	4-1/2	1-3/4	1/2	1/2	38-3/4	18-3/4	13-5/8	18-1/2	3-1/4
012, 015	009, 012	40	20	15	20	15	6-7/8 x 9-7/8	11-1/2	4-1/4	3/4	1/2	1/2	38-3/4	18-3/4	13-5/8	18-1/2	3-1/4
018	015	46	23	18	23	18	8-1/4 x 9-3/4	13-1/2	4-3/4	1-3/8	3/4	3/4	44-3/4	21-3/4	16-5/8	18-1/2	4-1/4
024, 030	018, 024	46	23	18	23	18	8-1/4 x 11-3/8	13-1/2	4-3/4	1-3/8	3/4	3/4	44-3/4	21-3/4	16-5/8	18-1/2	4-1/4
035, 042	030, 036	50	25	19	25	20	10-1/2 x 13-1/2	17	4	1	3/4	3/4	48-3/4	23-3/4	17-5/8	23-1/2	3-1/4
Std-048	Std-042	58	33	21	29-1/2	23-1/2	13-1/8 x 11-3/8	18	5-1/4	1-1/2	1	1	56-3/4	31-3/4	19-5/8	23-1/2	5-1/2
Hi-048, 060	Hi-042, 048, 060	58	33	21	29-1/2	23-1/2	13-7/8 x 13-7/8	18	5-1/4	1-1/2	1	1	56-3/4	31-3/4	19-5/8	23-1/2	5-1/2

Note: Equipment containing a same-side supply/return combination requires a 3 in. clearance on one side. Access to the TXV may not be possible with this 3 in. clearance.

(a) Return air opening dimension.

(b) Filter rack dimension.

Figure 50. Right return/right supply (GEH)

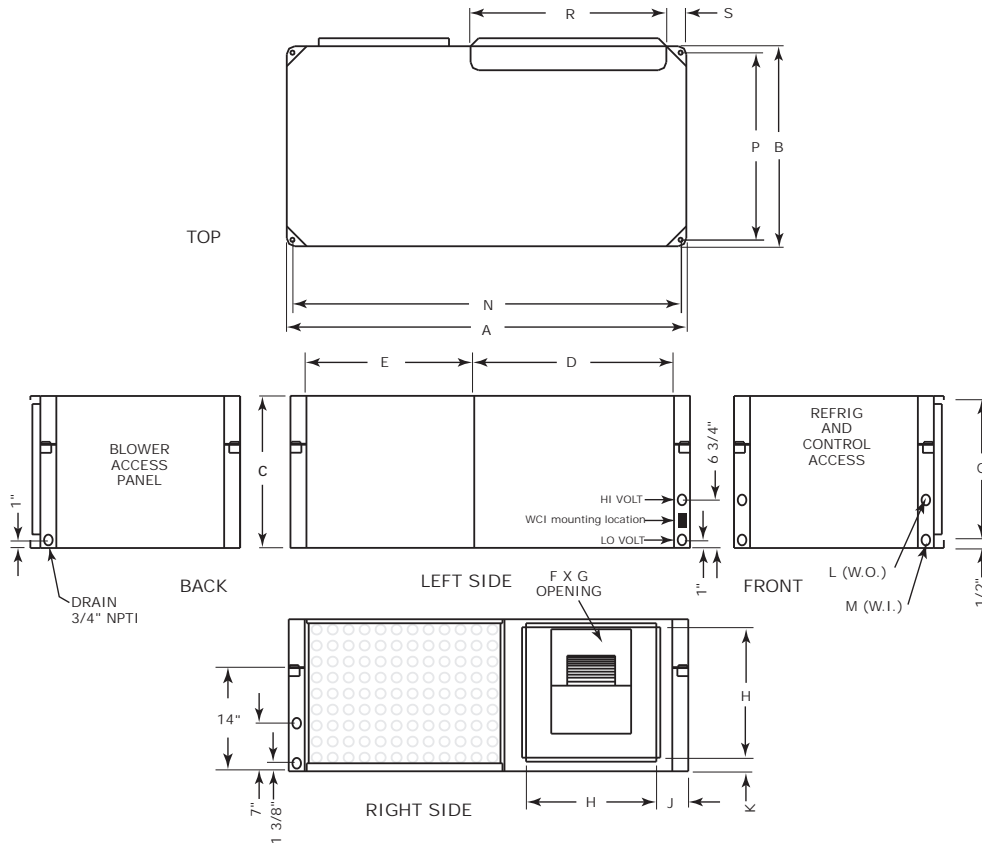


Table 200. Dimensional data right return/right supply (GEH)

GEH Unit (60 Hz)	GEH Unit (50 Hz)	A	B	C	D ^(a)	E	F x G	H	J	K	L NPTI	M NPTI	N	P	Q	R ^(b)	S
006, 009	006	40	20	15	20	15	6-7/8 x 8	11-1/2	4-1/2	1-3/4	1/2	1/2	38-3/4	18-3/4	13-5/8	18-1/2	3-1/4
012, 015	009, 012	40	20	15	20	15	6-7/8 x 9-7/8	11-1/2	4-1/4	3/4	1/2	1/2	38-3/4	18-3/4	13-5/8	18-1/2	3-1/4
	018	46	23	18	23	18	8-1/4 x 9-3/4	13-1/2	4-3/4	1-3/8	3/4	3/4	44-3/4	21-3/4	16-5/8	18-1/2	4-1/4
024, 030	018, 024	46	23	18	23	18	8-1/4 x 11-3/8	13-1/2	4-3/4	1-3/8	3/4	3/4	44-3/4	21-3/4	16-5/8	18-1/2	4-1/4
035, 042	030, 036	50	25	19	25	20	10-1/2 x 13-1/2	17	4	1	3/4	3/4	48-3/4	23-3/4	17-5/8	23-1/2	3-1/4
Std-048	Std-042	58	33	21	29-1/2	23-1/2	13-1/8 x 11-3/8	18	5-1/4	1-1/2	1	1	56-3/4	31-3/4	19-5/8	23-1/2	5-1/2
Hi-048, 060	Hi-042, 048, 060	58	33	21	29-1/2	23-1/2	13-7/8 x 13-7/8	18	5-1/4	1-1/2	1	1	56-3/4	31-3/4	19-5/8	23-1/2	5-1/2

Notes:

- When a horizontal model is ordered with the same side return and supply in a ducted application, bottom filter removal is required due to limited access on either side of the filter.
- Equipment containing a same-side supply/return combination requires a 3 in. clearance on one side. Access to the TXV may not be possible with this 3 in. clearance.

(a) Return air opening dimension.
 (b) Filter rack dimension.

Unit Dimensions

Figure 51. Left return/top supply (GEV)

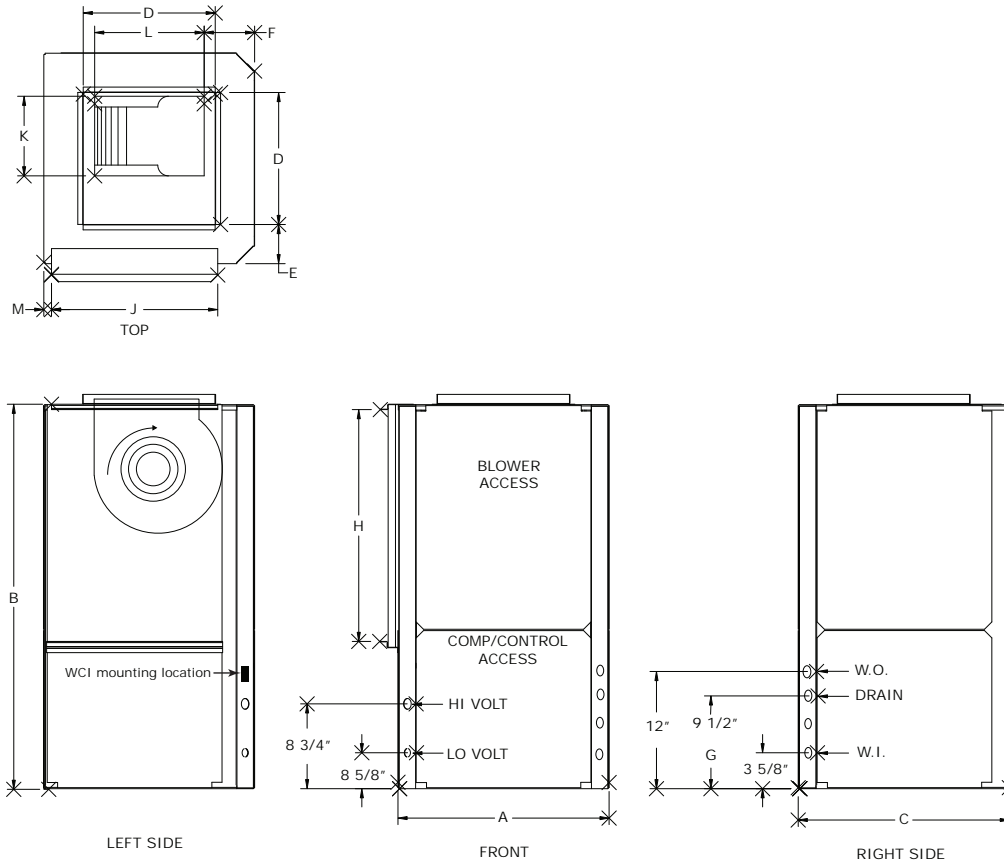


Table 201. Dimensional data left return/top supply (GEV)

GEV Unit (60 Hz)	GEV Unit (50 Hz)	A	B	C	D	E	F	G	H	J	K	L	M	W.I. NPTI	W.O. NPTI	Drain FPT
006 - 015	006-012	19-1/2	31-1/4	21-1/2	11-1/2	4	5-3/4	9-1/2	15	17	6-7/8	8	3/4	1/2	1/2	3/4
018 - 030	015-024	21-1/2	39-1/4	21-1/2	13-1/2	4	4	9-1/2	20-1/2	20	8-1/4	9-3/4	3/4	3/4	3/4	3/4
036, 042	030, 036	24-1/2	41-7/8	26-1/2	18	3-1/4	5-3/4	9-1/2	19	23	10-1/2	13-1/2	1/4	3/4	3/4	3/4
Std-48	Std-42	26-1/2	46-7/8	30-1/2	18	4-1/4	2	9-1/2	29	27-7/8	13-1/8	11-3/8	1/2	1	1	3/4
Hi-048, 060	Hi-042, 048, 060	26-1/2	46-7/8	30-1/2	18	4-1/4	2	9-1/2	29	27-7/8	13-7/8	13-7/8	1/2	1	1	3/4

Note: Units in a free return application will require more than a 1 in. clearance to provide proper air flow to the unit's air-to-refrigerant coil.

Figure 52. Left return/back supply (GEV)

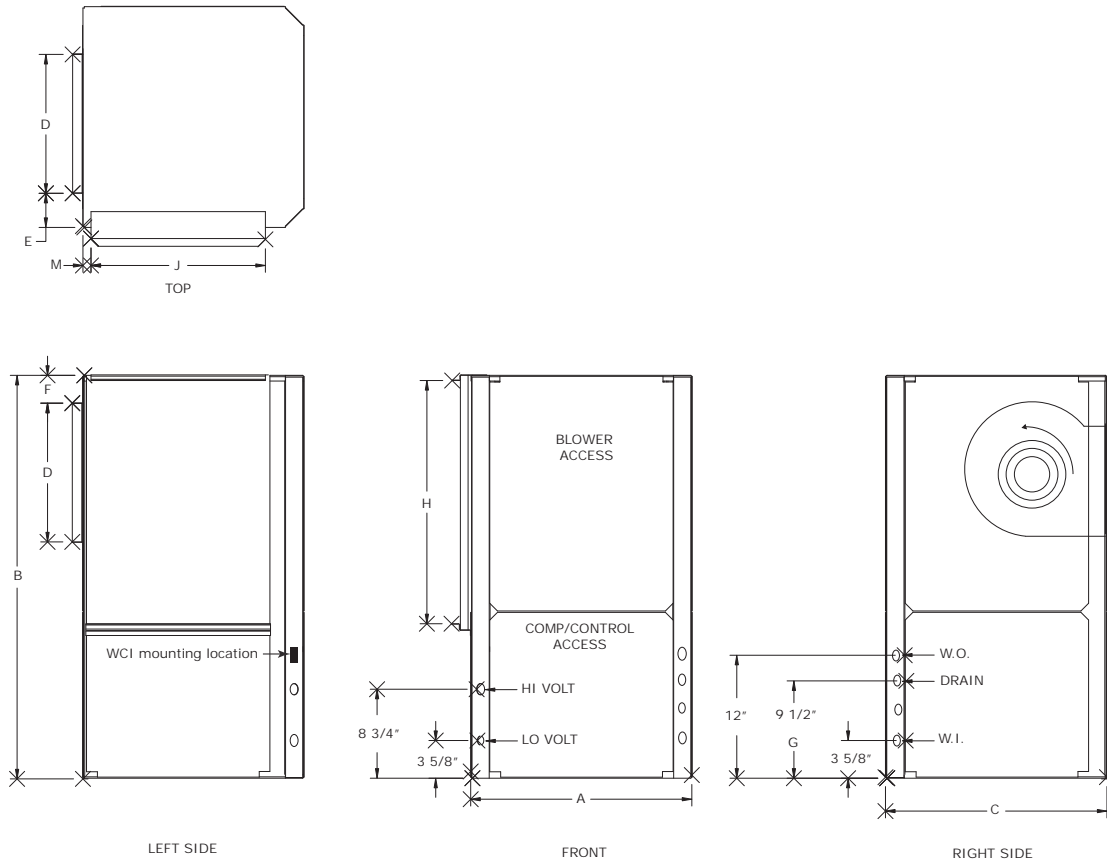


Table 202. Dimensional data left return/back supply (GEV)

GEV Unit (60 Hz)	GEV Unit (50 Hz)	A	B	C	D	E	F	G	H	J	K	L	M	W.I. NPTI	W.O. NPTI	Drain FPT
006 - 009	006	19-1/2	31-1/4	21-1/2	11-1/2	4	1-3/4	9-1/2	15	17	6-7/8	8	3/4	1/2	1/2	3/4
012 - 015	009-012	19-1/2	31-1/4	21-1/2	11-1/2	4-3/4	3-3/4	9-1/2	15	17	6-7/8	8	3/4	1/2	1/2	3/4
018 - 030	015-024	21-1/2	39-1/4	21-1/2	13-1/2	4	3-7/8	9-1/2	20-1/2	20	8-1/4	9-3/4	3/4	3/4	3/4	3/4
036, 042	030, 036	24-1/2	41-7/8	26-1/2	18	3-1/4	1-7/8	9-1/2	19	23	10-1/2	13-1/2	1/4	3/4	3/4	3/4
Std-48	Std-42	26-1/2	46-7/8	30-1/2	18	4-1/4	2	9-1/2	29	27-7/8	13-1/8	11-3/8	1/2	1	1	3/4
Hi-048, 060	Hi-042, 048, 060	26-1/2	46-7/8	30-1/2	18	4-1/4	2	9-1/2	29	27-7/8	13-7/8	13-7/8	1/2	1	1	3/4

Note: Units in a free return application will require more than a 1 in. clearance to provide proper air flow to the unit's air-to-refrigerant coil.

Unit Dimensions

Figure 53. Right return/top supply (GEV)

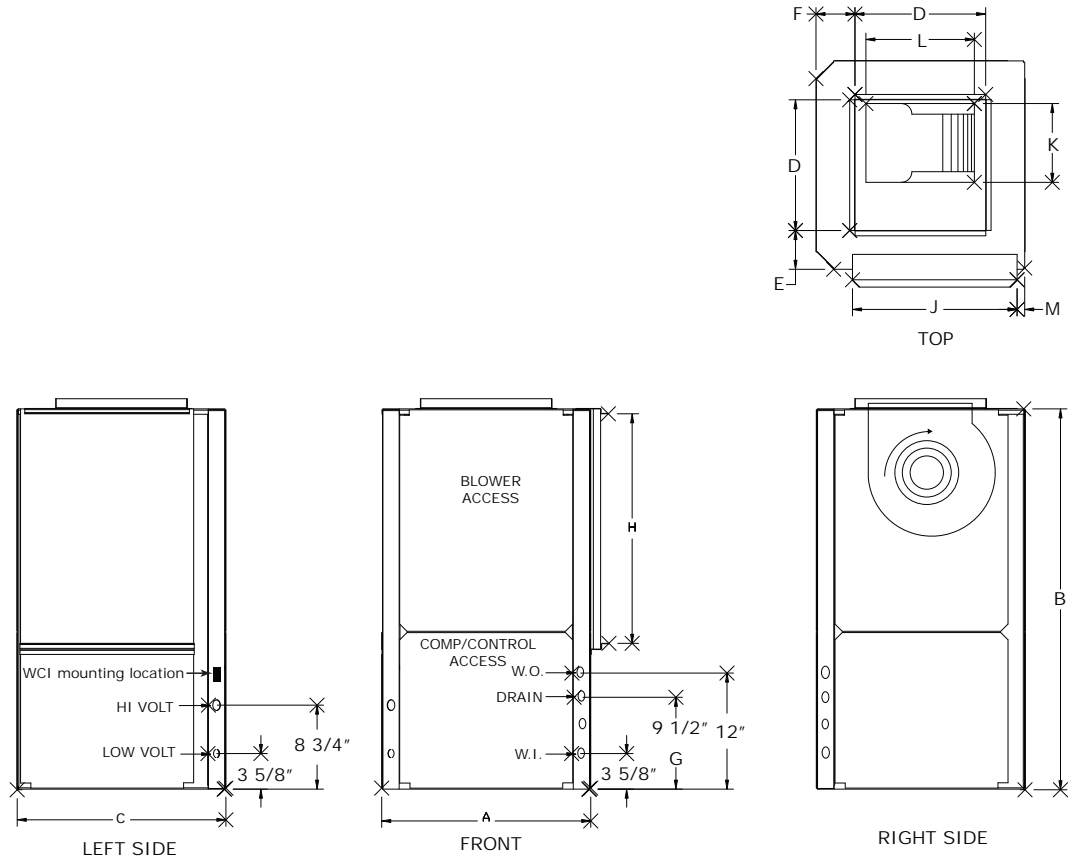


Table 203. Right return/top supply (GEV)

GEV Unit (60 Hz)	GEV Unit (50 Hz)	A	B	C	D	E	F	G	H	J	K	L	M	W.I. NPTI	W.O. NPTI	Drain FPT
006 - 015	006 - 012	19-1/2	31-1/4	21-1/2	11-1/2	4	5-3/4	9-1/2	15	17	6-7/8	8	3/4	1/2	1/2	3/4
018 - 024	015-018	21-1/2	39-1/4	21-1/2	13-1/2	4	4	9-1/2	20-1/2	20	8-1/4	9-3/4	3/4	3/4	3/4	3/4
	030	21-1/2	39-1/4	21-1/2	13-1/2	4	4	9-1/2	20-1/2	20	8-1/4	11-3/8	3/4	3/4	3/4	3/4
036, 042	030, 036	24-1/2	41-7/8	26-1/2	18	3-1/4	5-3/4	9-1/2	19	23	10-1/2	13-1/2	3/4	3/4	3/4	3/4
Std-48	Std-42	26-1/2	46-7/8	30-1/2	18	4-1/4	2	9-1/2	29	27-7/8	13-1/8	11-3/8	1/2	1	1	3/4
Hi-048, 060	Hi-042, 048, 060	26-1/2	46-7/8	30-1/2	18	4-1/4	2	9-1/2	29	27-7/8	13-7/8	13-7/8	1/2	1	1	3/4

Note: Units in a free return application will require more than a 1 in. clearance to provide proper air flow to the unit's air-to-refrigerant coil.

Figure 54. Right return/back supply (GEV)

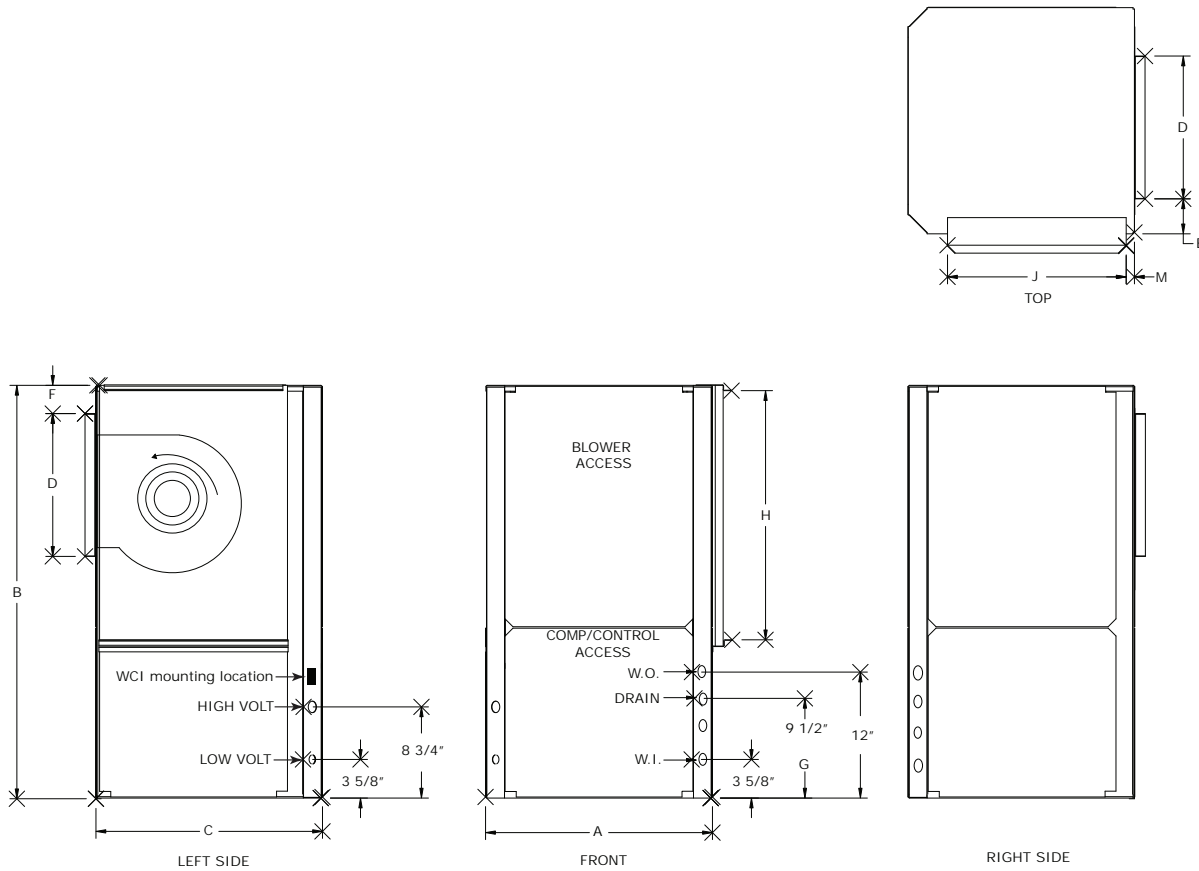


Table 204. Dimensional data right return/back supply (GEV)

GEV Unit (60 Hz)	GEV Unit (50 Hz)	A	B	C	D	E	F	G	H	J	K	L	M	W.I. NPTI	W.O. NPTI	Drain FPT
006 - 009	006	19-1/2	31-1/4	21-1/2	11-1/2	4	1-3/4	9-1/2	15	17	6-7/8	8	3/4	1/2	1/2	3/4
012 - 015	009 - 012	19-1/2	31-1/4	21-1/2	11-1/2	6	1-1/4	9-1/2	15	17	6-7/8	8	3/4	1/2	1/2	3/4
018 - 024	015-018	21-1/2	39-1/4	21-1/2	13-1/2	4	3-7/8	9-1/2	20-1/2	20	8-1/4	9-3/4	3/4	3/4	3/4	3/4
	030	21-1/2	39-1/4	21-1/2	13-1/2	4	3-7/8	9-1/2	20-1/2	20	8-1/4	11-3/8	3/4	3/4	3/4	3/4
036, 042	030, 036	24-1/2	41-7/8	26-1/2	18	3-1/4	1-7/8	9-1/2	19	23	10-1/2	13-1/2	3/4	3/4	3/4	3/4
Std-48	Std-42	26-1/2	46-7/8	30-1/2	18	4-1/4	2	9-1/2	29	27-7/8	13-1/8	11-3/8	1/2	1	1	3/4
Hi-048, 060	Hi-042, 048, 060	26-1/2	46-7/8	30-1/2	18	4-1/4	2	9-1/2	29	27-7/8	13-7/8	13-7/8	1/2	1	1	3/4

Note: Units in a free return application will require more than a 1 in. clearance to provide proper air flow to the unit's air-to-refrigerant coil.

Unit Dimensions

Figure 55. Right return/left supply - GEH 6 to 10 tons (60 Hz); GEH 6 to 7.5 tons (50 Hz)

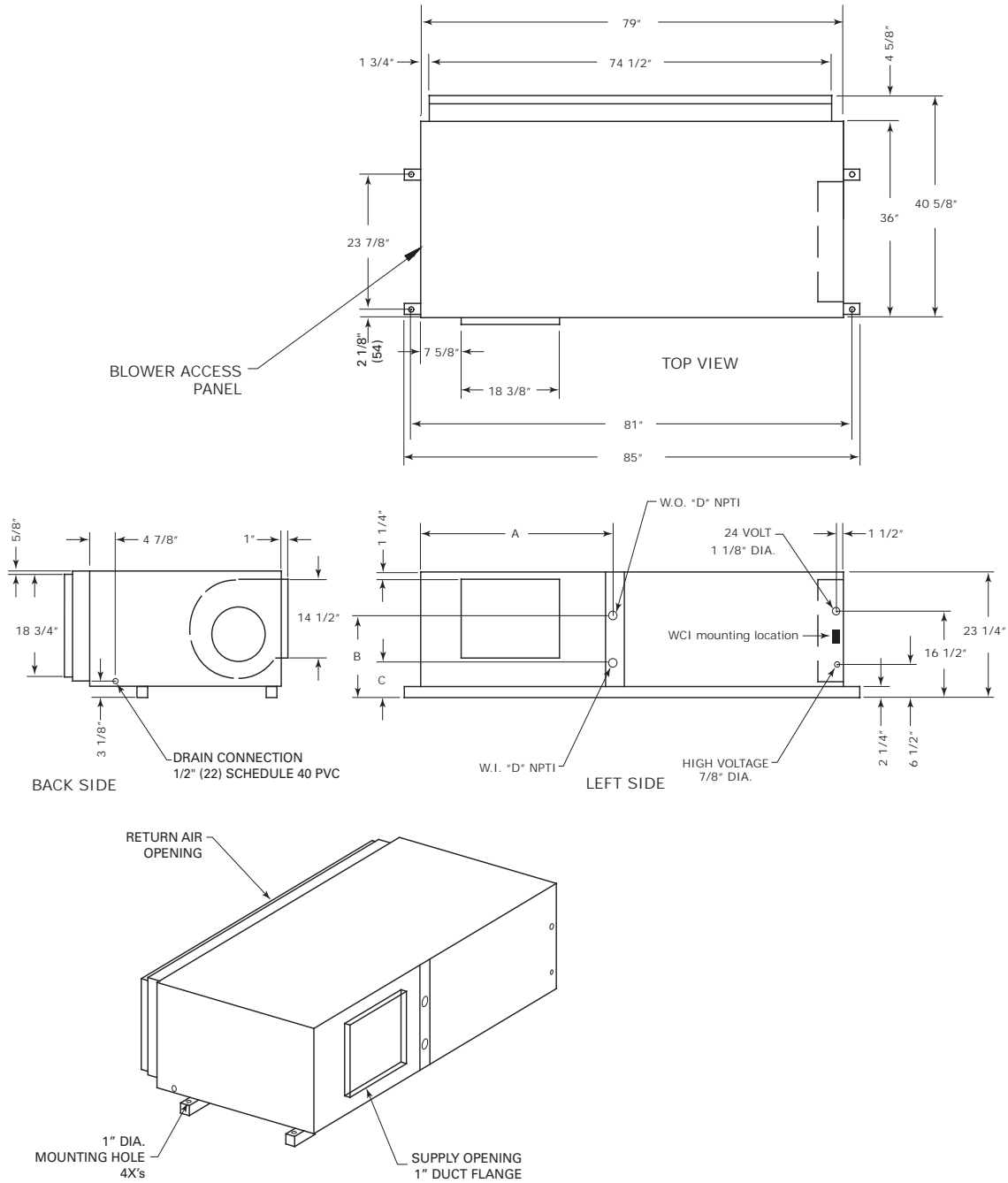


Table 205. Dimensional data right return/left supply - GEH 6 to 10 tons (60 Hz); GEH 6 to 7.5 tons (50 Hz)

GEH (60 Hz)	GEH (50 Hz)	A	B	C	D
072	—	36-1/4 in.	15-5/8 in.	6-5/8 in.	1-1/4 in.
090	072	36-1/8 in.	12-3/4 in.	6-3/4 in.	1-1/4 in.
120	090	36-1/8 in.	13 in.	7-1/4 in.	1-1/2 in.

Figure 56. Right return/back supply - GEH 6 to 10 tons (60 Hz); GEH 6 to 7.5 tons (50 Hz)

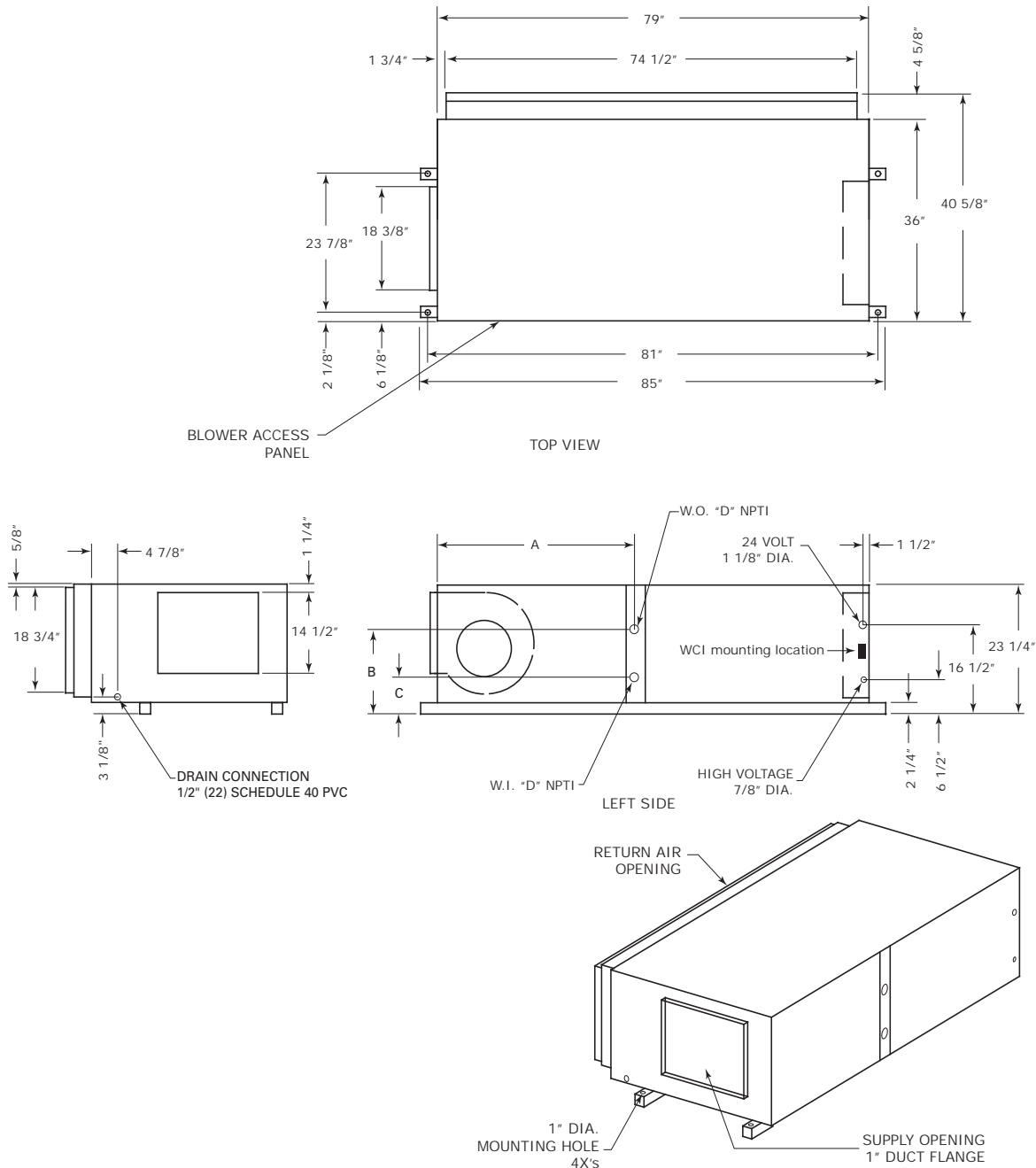


Table 206. Dimensional data right return/back supply - GEH 6 to 10 tons (60 Hz); GEH 6 to 7.5 tons (50 Hz)

GEH (60 Hz)	GEH (50 Hz)	A	B	C	D
072	—	36-1/4 in.	15-5/8 in.	6-5/8 in.	1-1/4 in.
090	072	36-1/8 in.	12-3/4 in.	6-3/4 in.	1-1/4 in.
120	090	36-1/8 in.	13 in.	7-1/4 in.	1-1/2 in.

Unit Dimensions

Figure 57. Left return/right supply GEH 6 to 10 tons (60 Hz); GEH 6 to 7.5 tons (50 Hz)

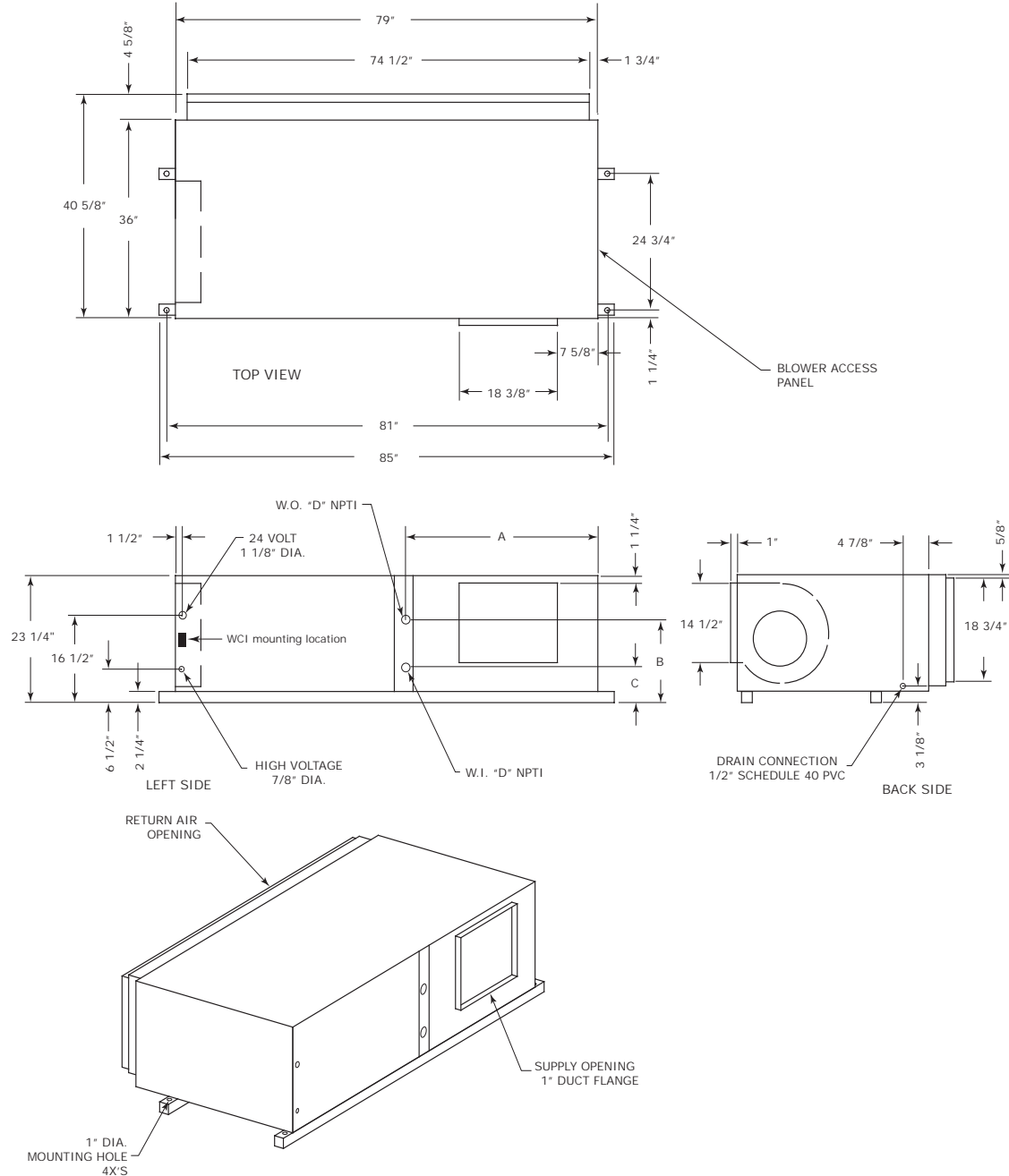


Table 207. Dimensional data left return/right supply - GEH 6 to 10 tons (60 Hz); GEH 6 to 7.5 tons (50 Hz)

GEH (60 Hz)	GEH (50 Hz)	A	B	C	D
072	—	36-1/8 in.	17 in.	8 in.	1-1/4 in.
090	072	36-1/8 in.	13-3/4 in.	7-3/4 in.	1-1/4 in.
120	090	36-1/8 in.	13 in.	7-1/4 in.	1-1/2 in.

Figure 58. Left return/back supply GEH 6 to 10 tons (60 Hz); GEH 6 to 7.5 tons (50 Hz)

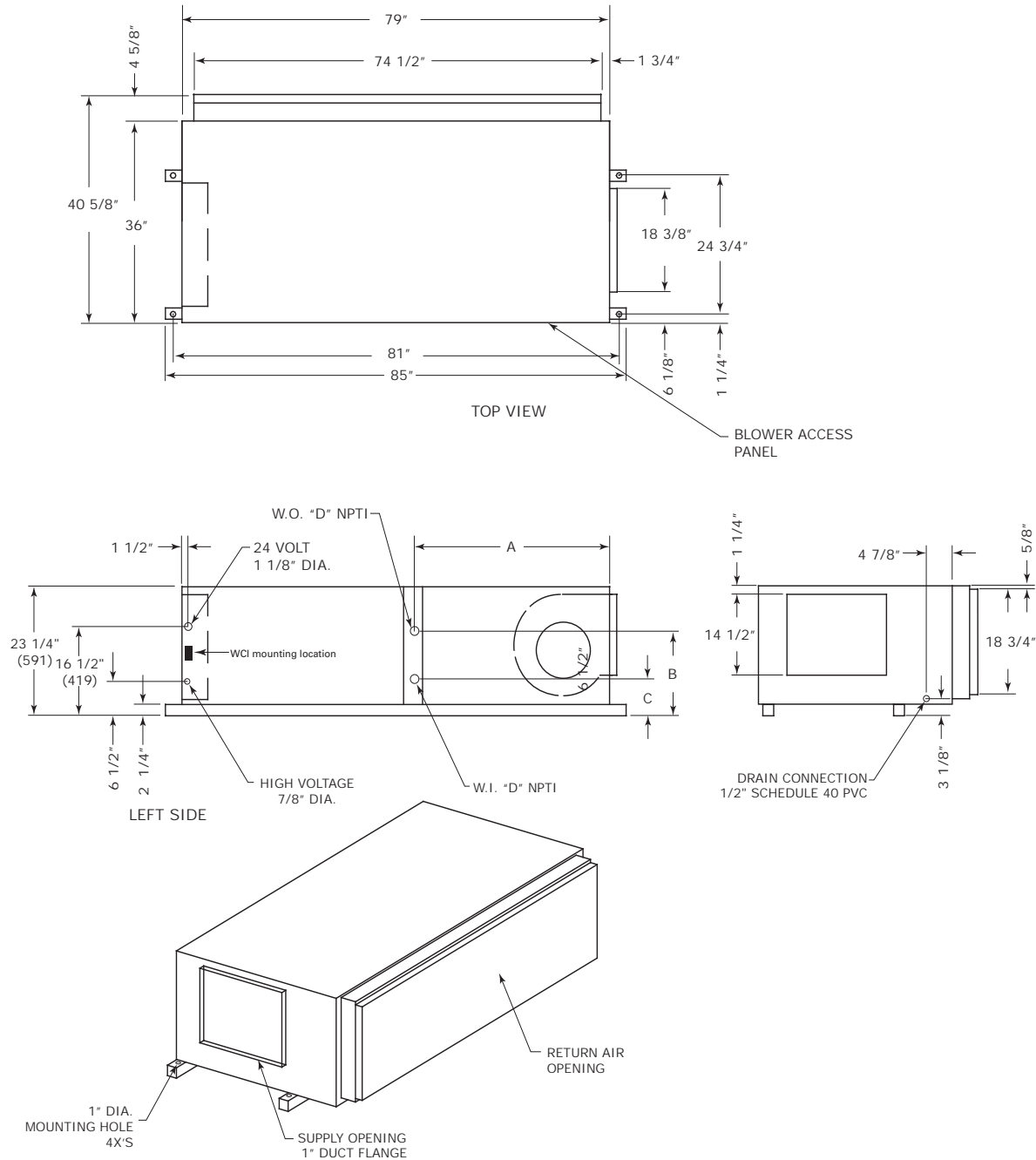


Table 208. Dimensional data left return/back supply GEH 6 to 10 tons (60 Hz); GEH 6 to 7.5 tons (50 Hz)

GEH (60 Hz)	GEH (50 Hz)	A	B	C	D
072	—	36-1/8 in.	17 in.	8 in.	1-1/4 in.
090	072	36-1/8 in.	13-3/4 in.	7-3/4 in.	1-1/4 in.
120	090	36-1/8 in.	13 in.	7-1/4 in.	1-1/2 in.

Unit Dimensions

Figure 59. Right return/back supply GEH 12.5 to 15 tons (60 Hz); GEH 10 to 12.5 tons (50 Hz)

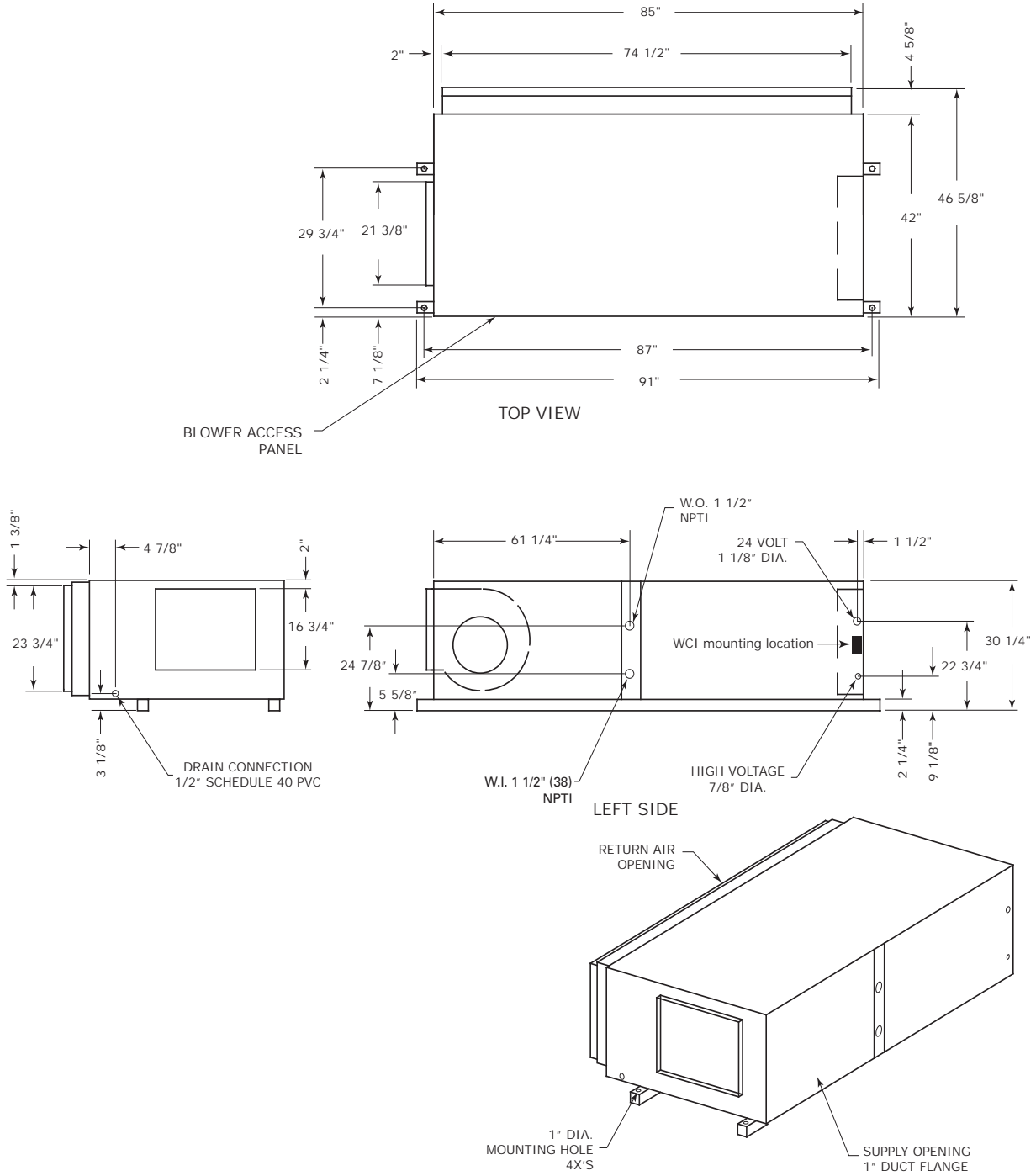
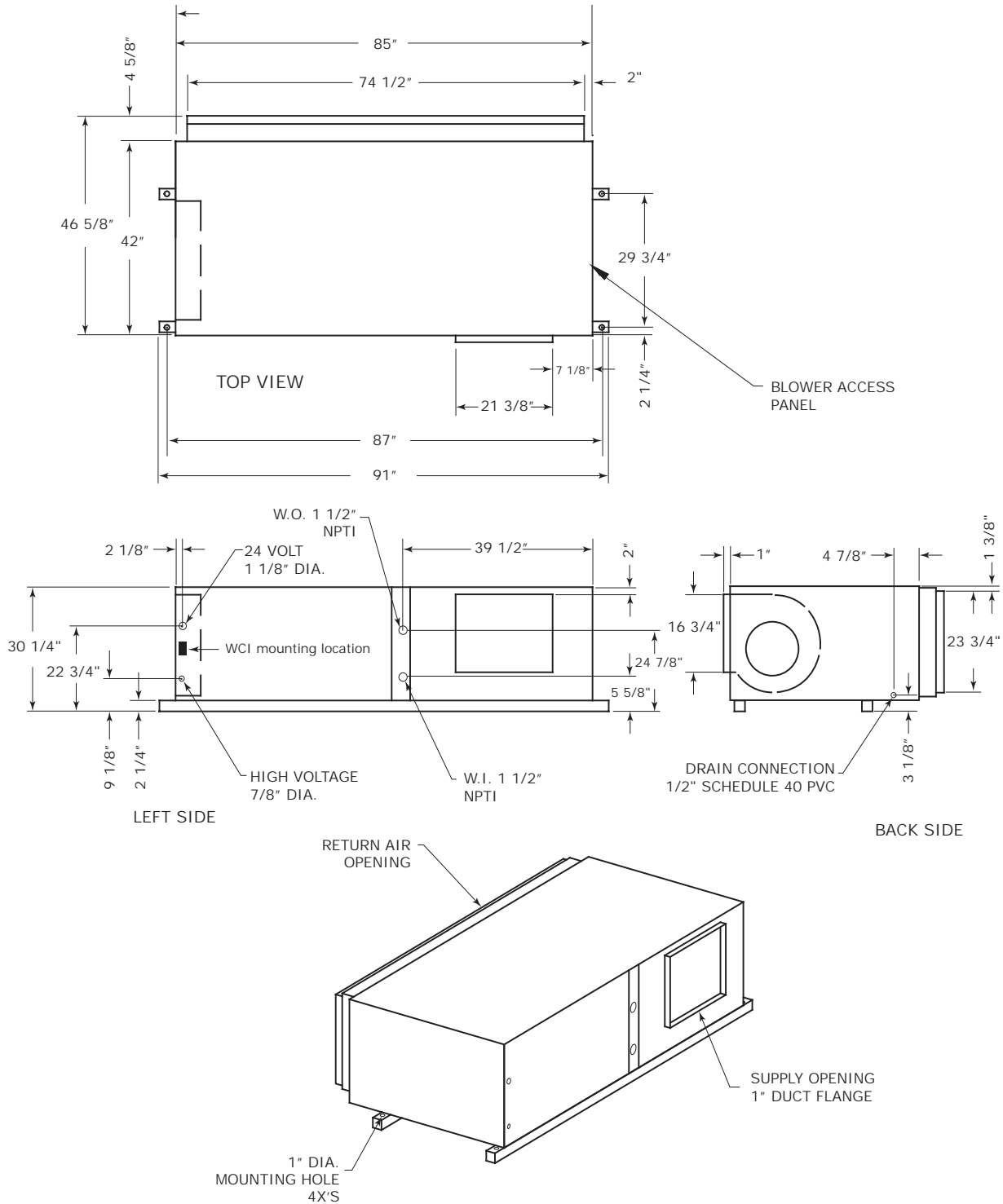


Figure 60. Left return/right supply GEH 12.5 to 15 tons (60 Hz); GEH 10 to 12.5 tons (50 Hz)



Unit Dimensions

Figure 61. Left return/back supply GEH 12.5 to 15 tons (60 Hz); GEH 10 to 12.5 tons (50 Hz)

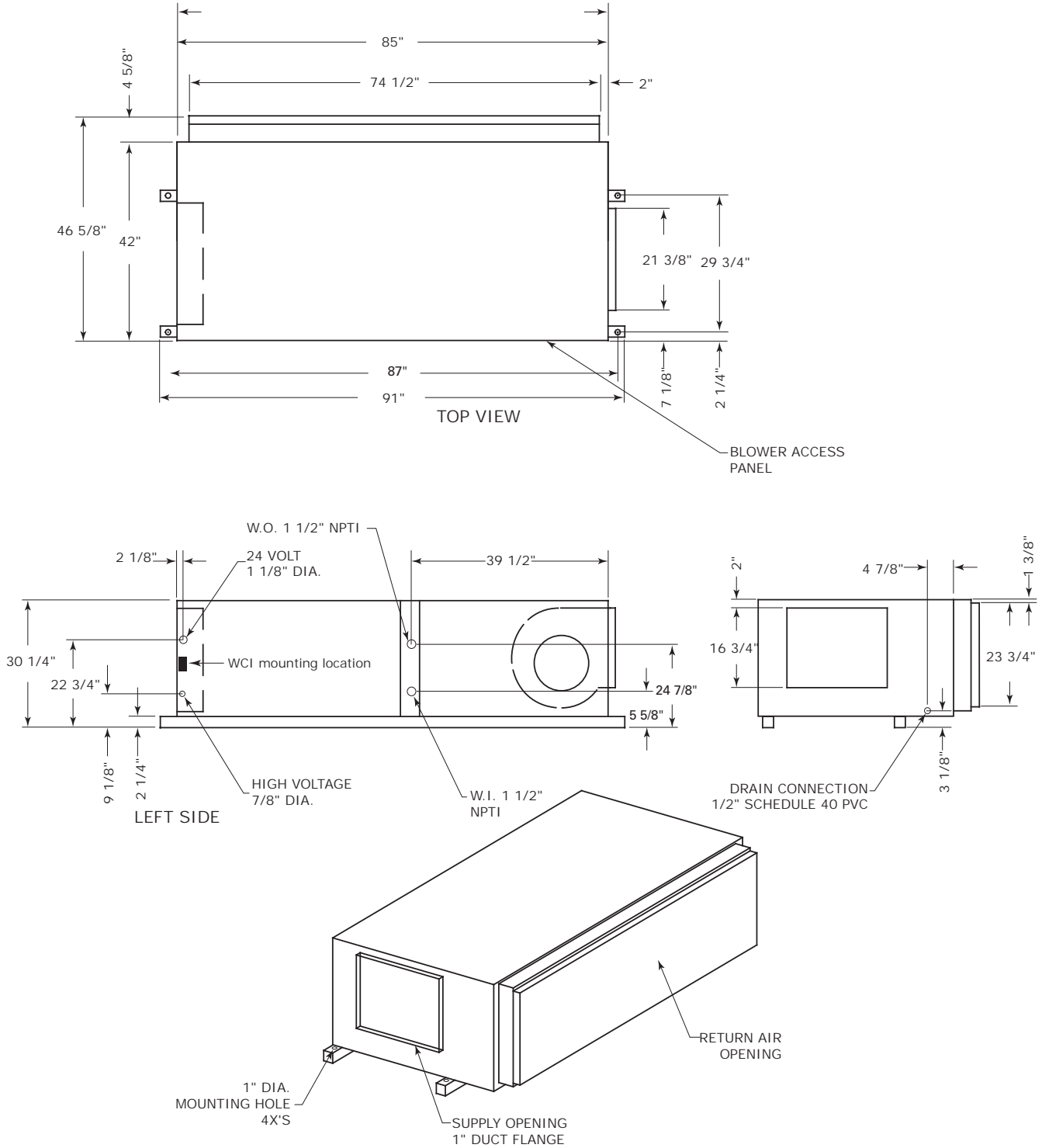
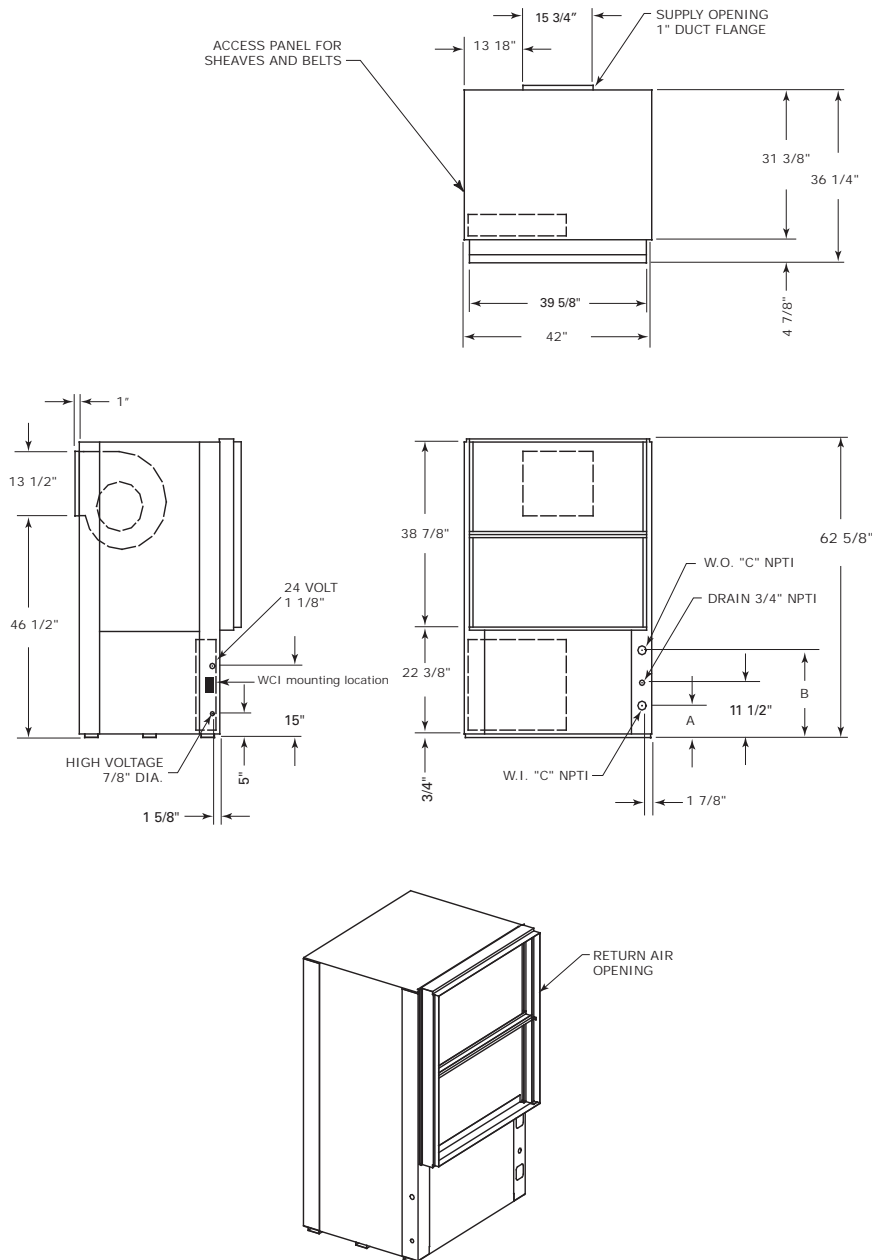


Figure 62. Front return/back supply^(a) GEV 6 to 10 tons (60 Hz); 6 and 7.5 tons (50 Hz)



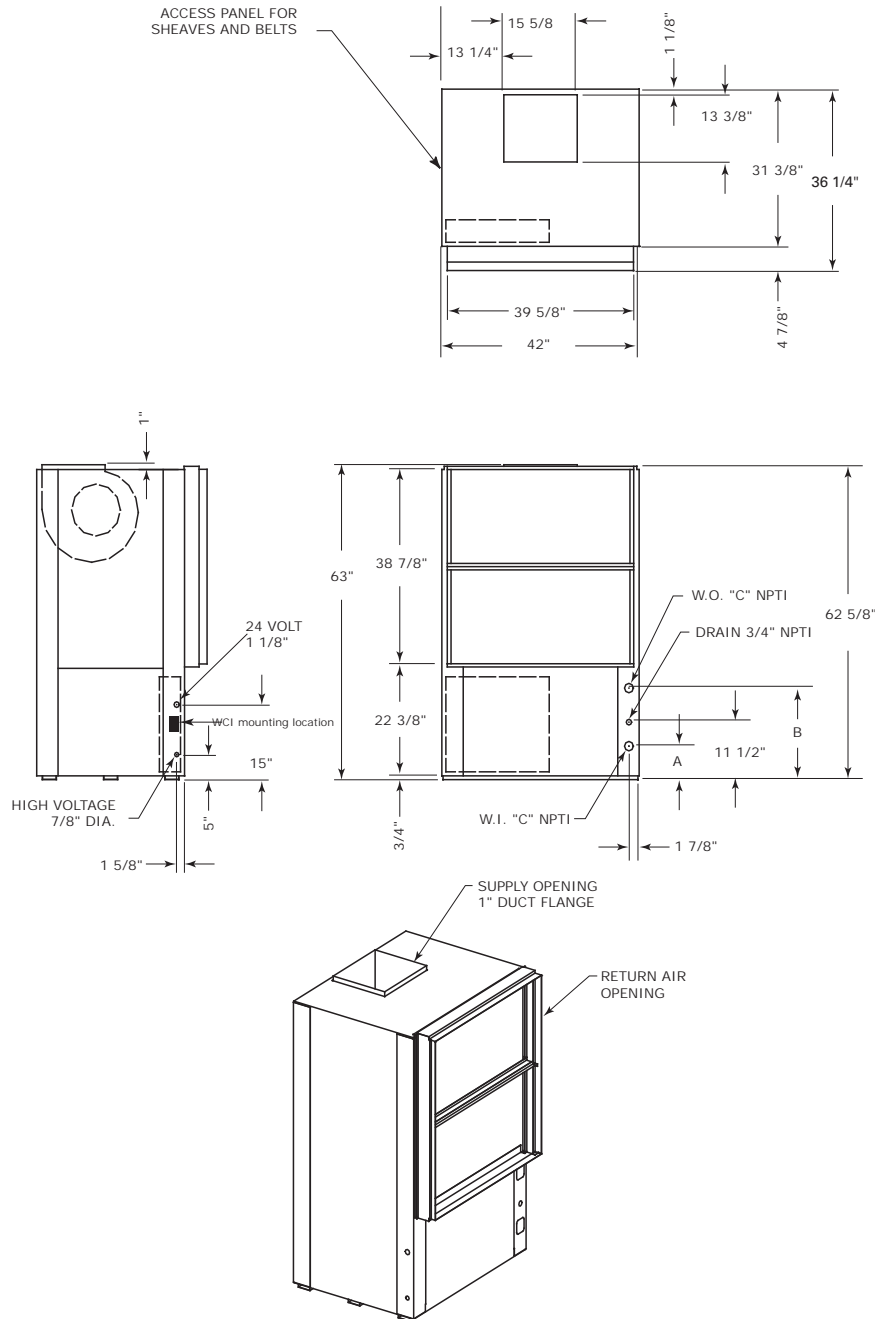
(a) NEC requires that the GEV072-300 front return must be a non-ducted return.

Table 209. Dimensional data front return/back supply GEV 6 to 10 tons (60 Hz); 6 and 7.5 tons (50 Hz)

Unit (60 Hz)	Unit (50 Hz)	A	B	C
6 tons	—	6-5/8 in.	18-3/8 in.	1-1/4 in.
7.5 tons	6 tons	6-5/8 in.	18-3/8 in.	1-1/4 in.
10 tons	7.5 tons	6-1/2 in.	18-1/2 in.	1-1/2 in.

Unit Dimensions

Figure 63. Front return/top supply^(a) GEV 6 to 10 tons (60 Hz); 6 and 7.5 tons (50 Hz)

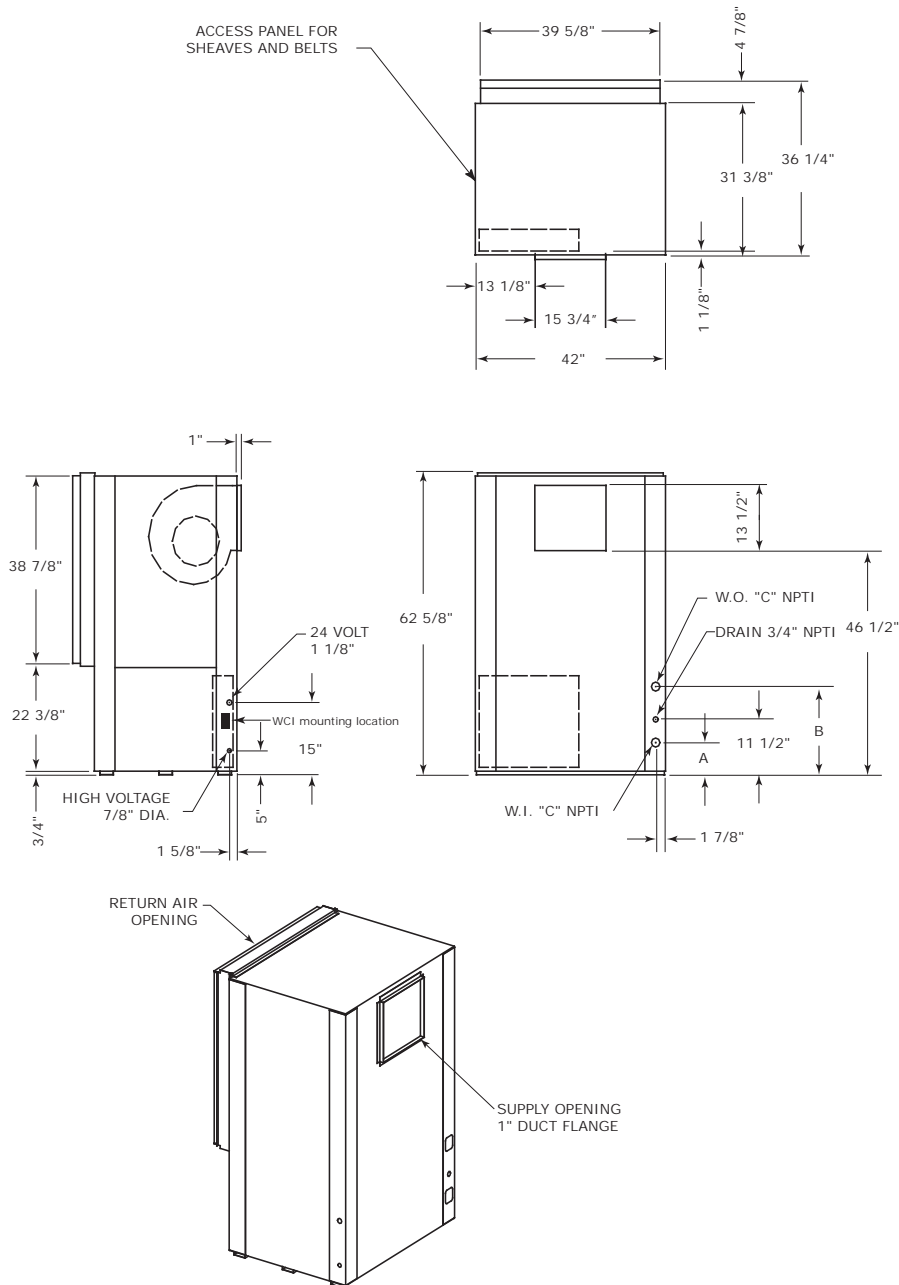


(a) NEC requires that the GEV072-300 front return must be a non-ducted return.

Table 210. Dimensional data front return/top supply GEV 6 to 10 tons (60 Hz); 6 and 7.5 tons (50 Hz)

Unit (60 Hz)	Unit (50 Hz)	A	B	C
6 tons	—	6-5/8 in.	18-3/8 in.	1-1/4 in.
7.5 tons	6 tons	6-5/8 in.	18-3/8 in.	1-1/4 in.
10 tons	7.5 tons	6-1/2 in.	18-1/2 in.	1-1/2 in.

Figure 64. Back return/front supply^(a) GEV 6 to 10 tons (60 Hz); 6 and 7.5 tons (50 Hz)



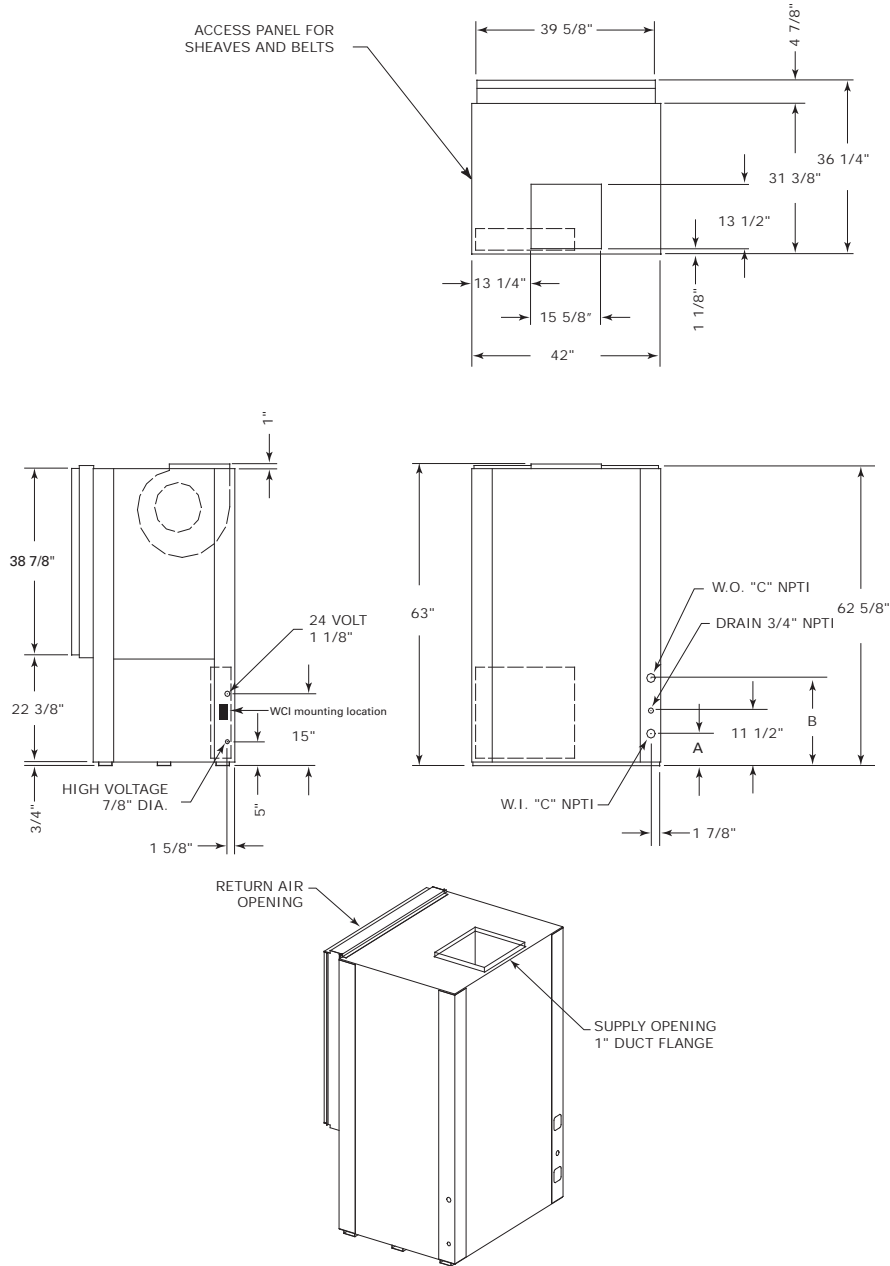
(a) NEC requires that the GEV072-300 front return must be a non-ducted return.

Table 211. Dimensional data back return/front supply GEV 6 to 10 tons (60 Hz); 6 and 7.5 tons (50 Hz)

Unit (60 Hz)	Unit (50 Hz)	A	B	C
6 tons	—	6-5/8 in.	18-3/8 in.	1-1/4 in.
7.5 tons	6 tons	6-5/8 in.	18-3/8 in.	1-1/4 in.
10 tons	7.5 tons	6-1/2 in.	18-1/2 in.	1-1/2 in.

Unit Dimensions

Figure 65. Back return/top supply^(a) GEV 6 to 10 tons (60 Hz); 6 and 7.5 tons (50 Hz)

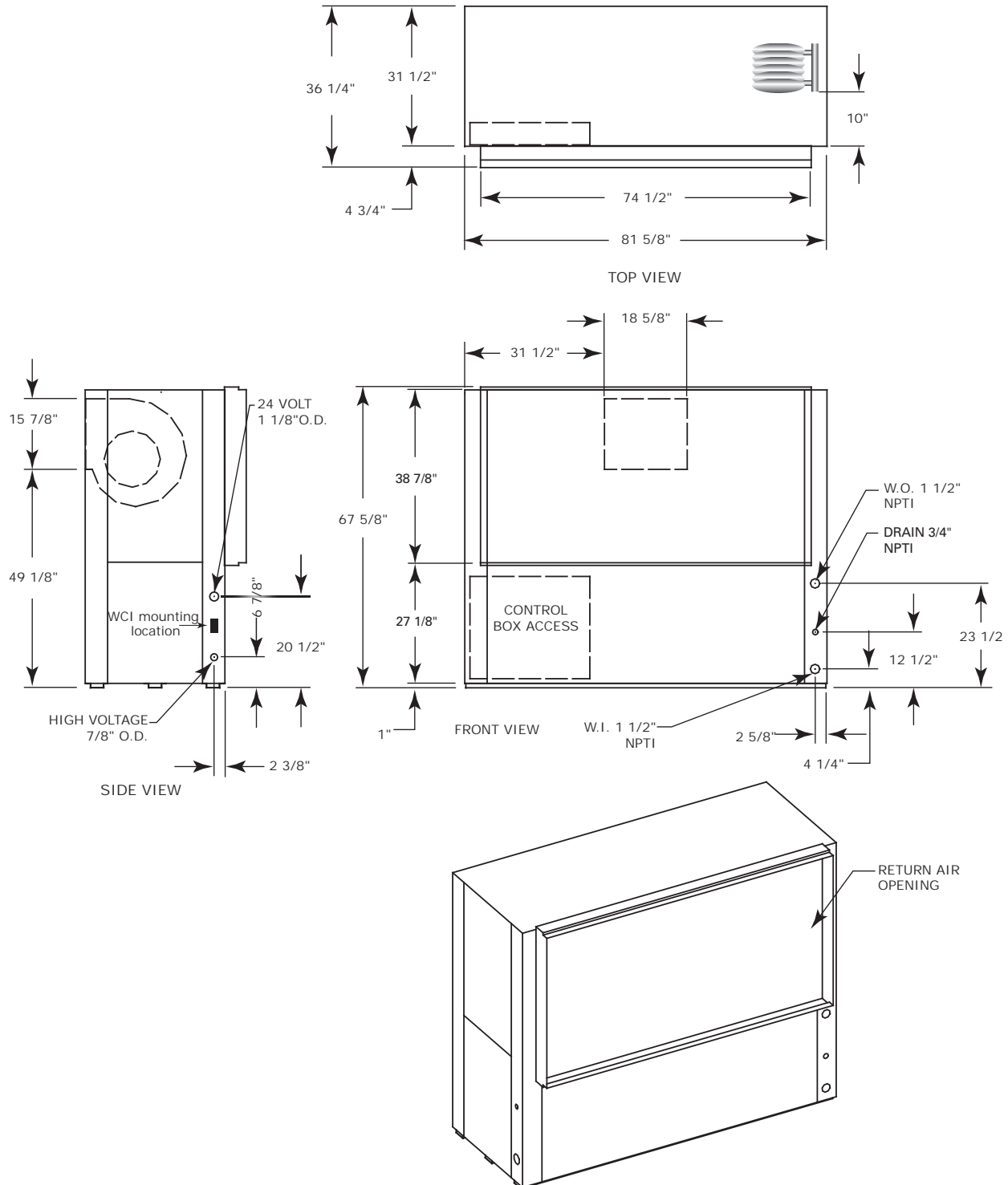


(a) NEC requires that the GEV072-300 front return must be a non-ducted return.

Table 212. Dimensional data back return/top supply GEV 6 to 10 tons (60 Hz); 6 and 7.5 tons (50 Hz)

Unit (60 Hz)	Unit (50 Hz)	A	B	C
6 tons	—	6-5/8 in.	18-3/8 in.	1-1/4 in.
7.5 tons	6 tons	6-5/8 in.	18-3/8 in.	1-1/4 in.
10 tons	7.5 tons	6-1/2 in.	18-1/2 in.	1-1/2 in.

Figure 66. Front return/back supply^(a) GEV 12.5 to 15 tons (60 Hz); GEV 10 and 12.5 tons (50 Hz)



(a) NEC requires that the GEV072-300 front return must be a non-ducted return.



Unit Dimensions

Figure 67. Back return/front supply GEV 12.5 to 15 tons (60 Hz); GEV 10 and 12.5 tons (50 Hz)

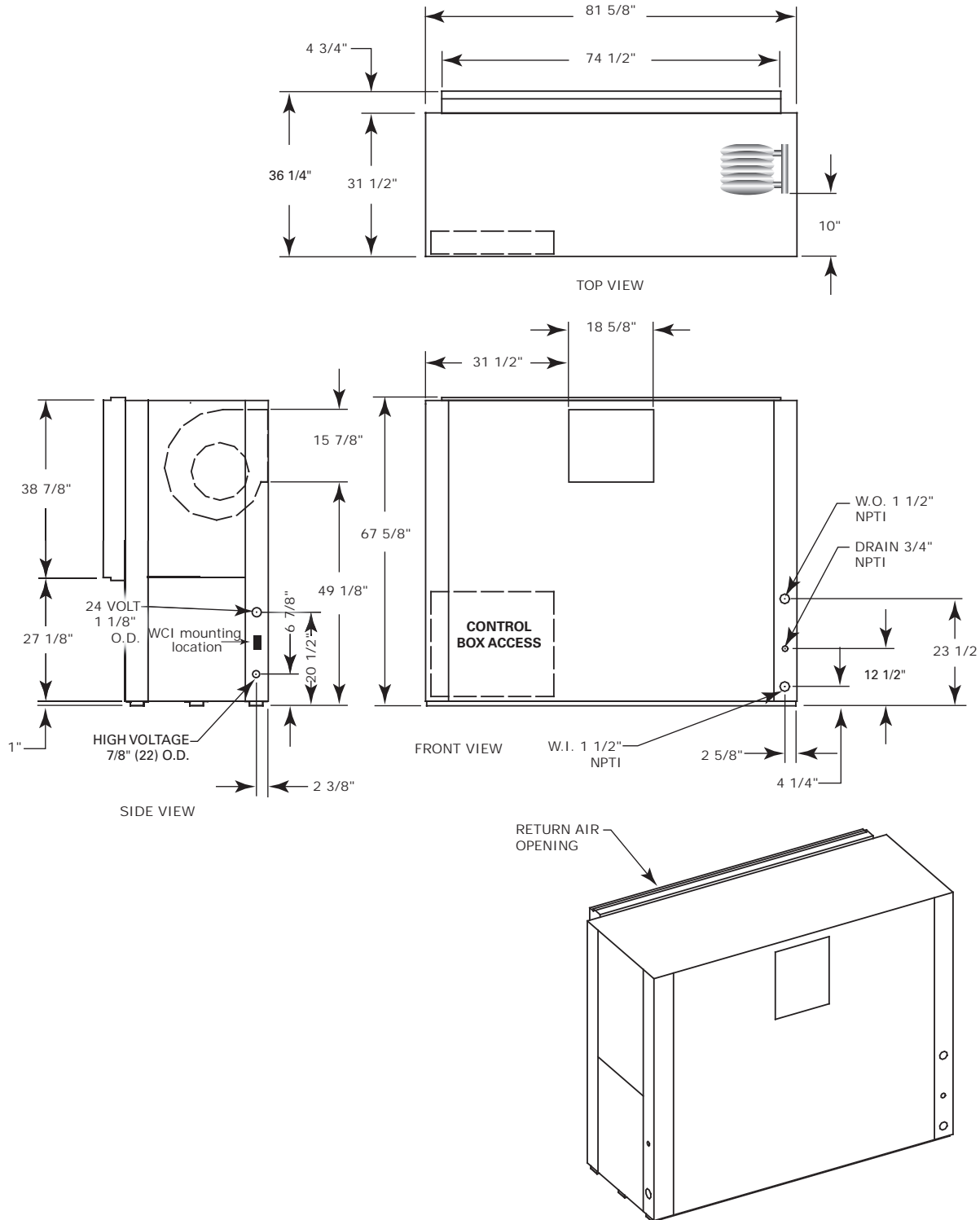
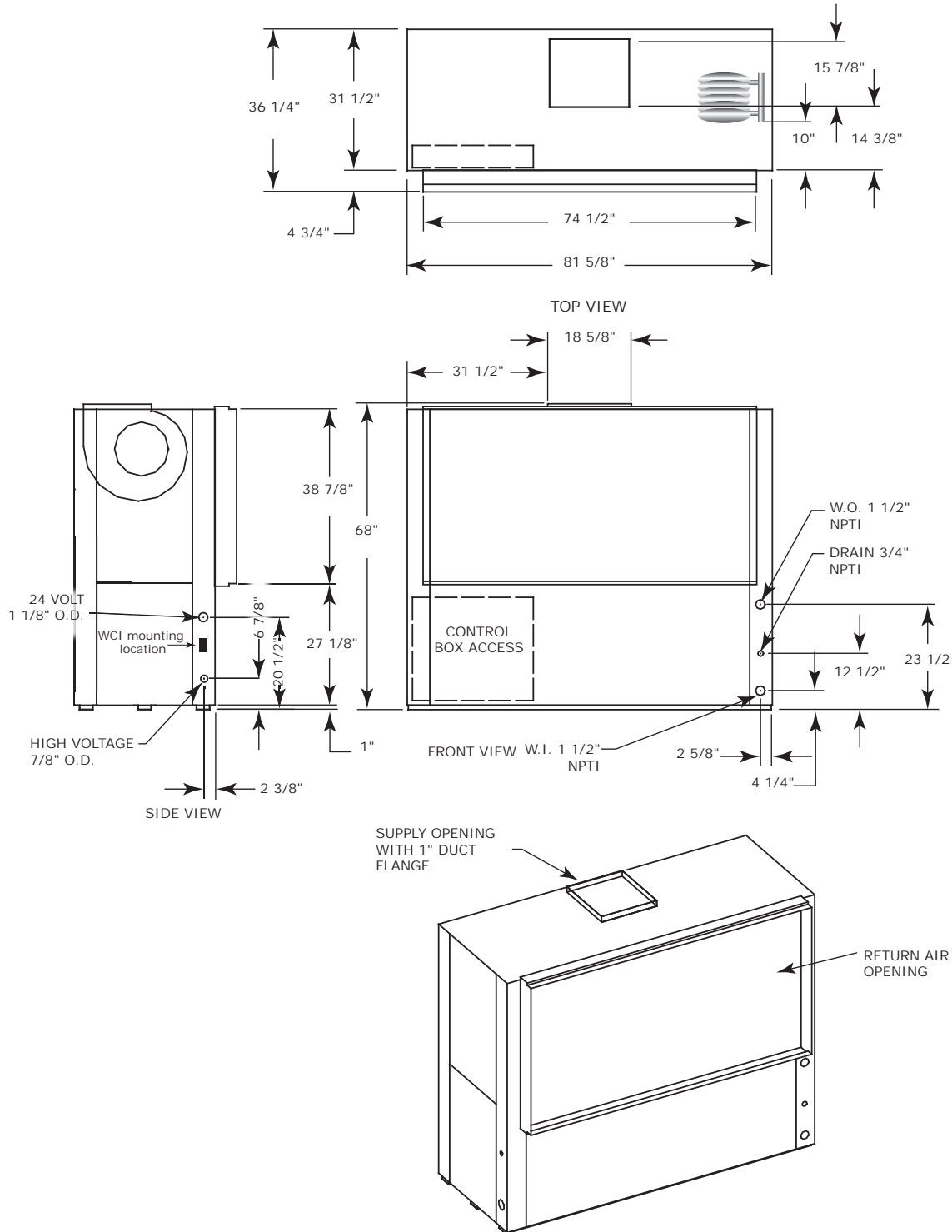
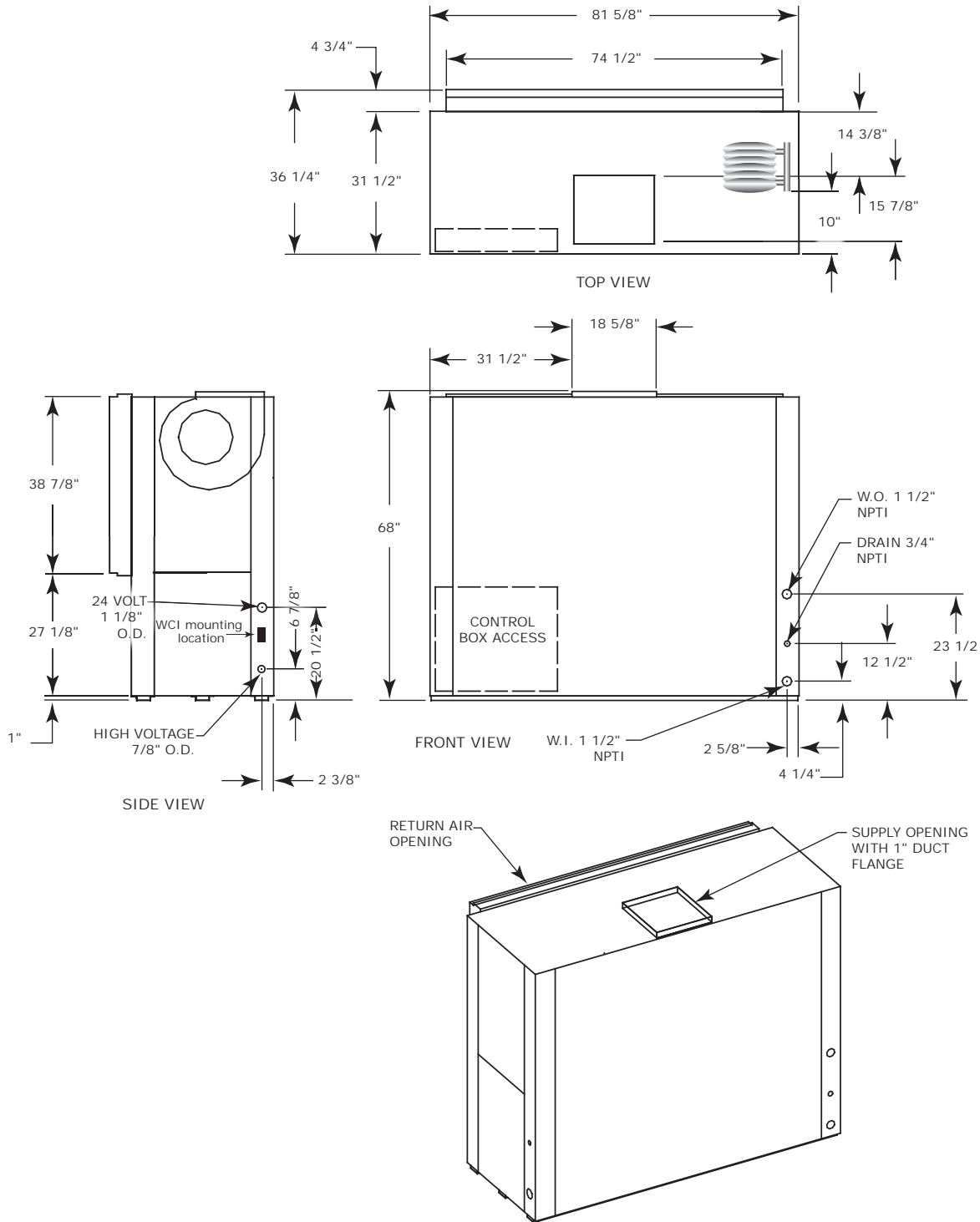


Figure 68. Front return/top supply^(a) GEV 12.5 to 15 tons (60 Hz); GEV 10 and 12.5 tons (50 Hz)



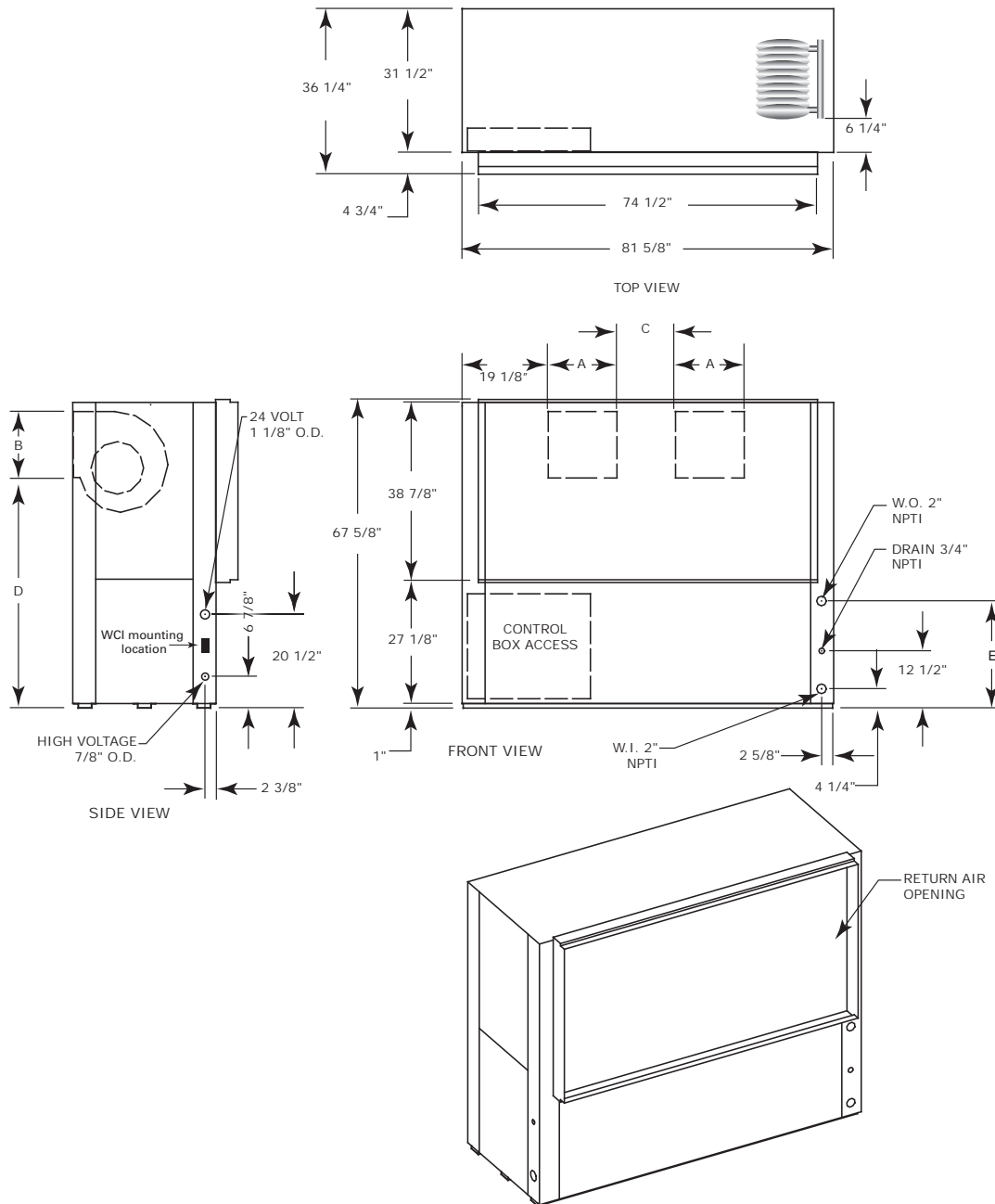
Unit Dimensions

Figure 69. Back return/top supply^(a) GEV 12.5 to 15 tons (60 Hz); GEV 10 and 12.5 tons (50 Hz)



(a) NEC requires that the GEV072-300 front return must be a non-ducted return.

Figure 70. Front return/back supply^(a) GEV 20 and 25 tons (60 Hz); GEV 15 and 20 tons (50 Hz)



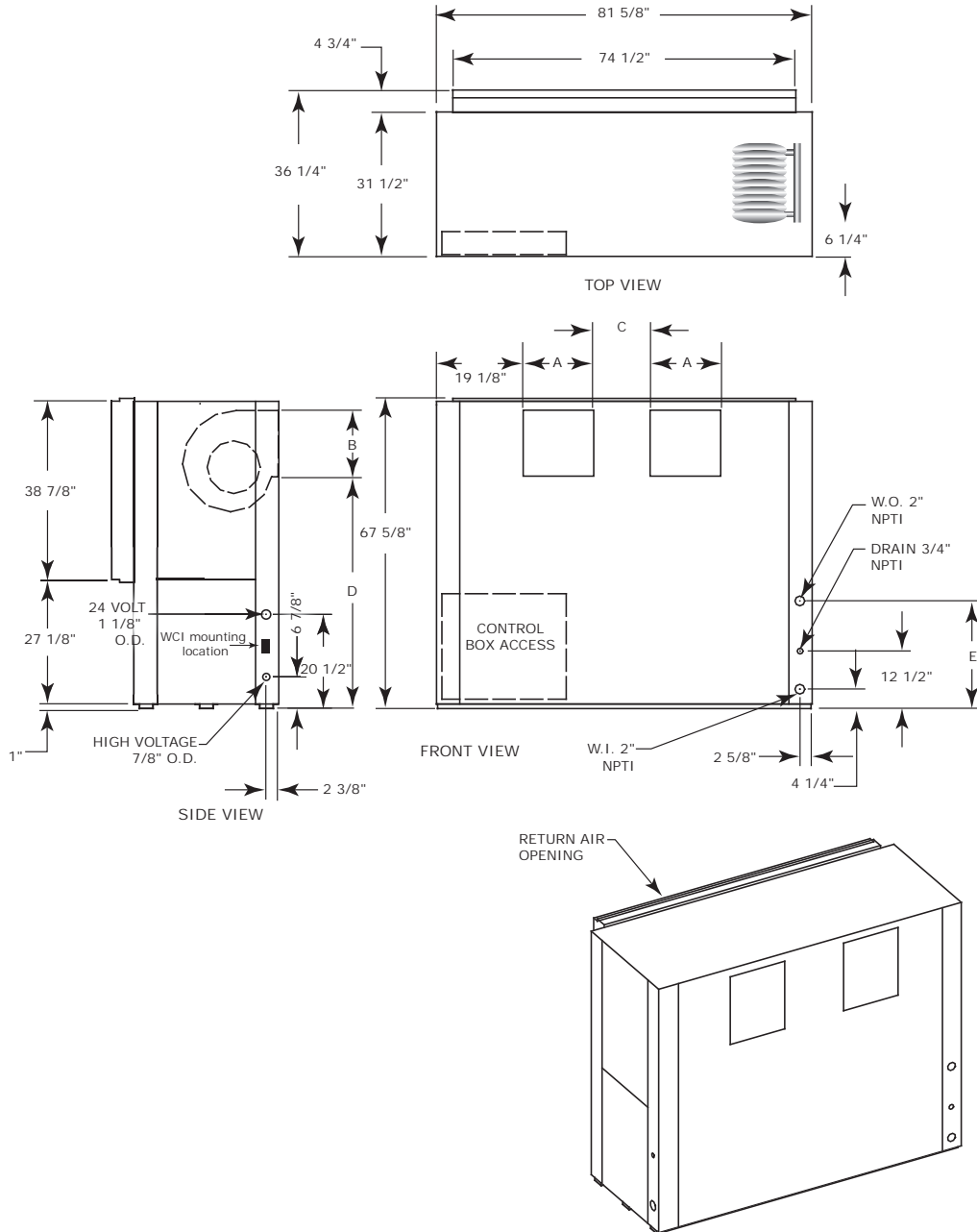
(a) NEC requires that the GEV072-300 front return must be a non-ducted return.

Table 213. Dimensional data front return/back supply GEV 20 and 25 tons (60 Hz); GEV 15 and 20 tons (50 Hz)

Unit (60 Hz)	Unit (50 Hz)	A	B	C	D	E
20 tons	15 tons	15-5/8 in.	13-1/2 in.	12 in.	51-5/8 in.	20-7/8 in.
25 tons Std Static	20 tons Std Static	14-3/4 in.	15-7/8 in.	13-7/8 in.	49-1/8 in.	23-1/2 in.
25 tons High Static	20 tons High Static	15-5/8 in.	13-1/2 in.	12 in.	51-5/8 in.	23-1/2 in.

Unit Dimensions

Figure 71. Back return/front supply^(a) GEV 20 and 25 tons (60 Hz); GEV 15 and 20 tons (50 Hz)

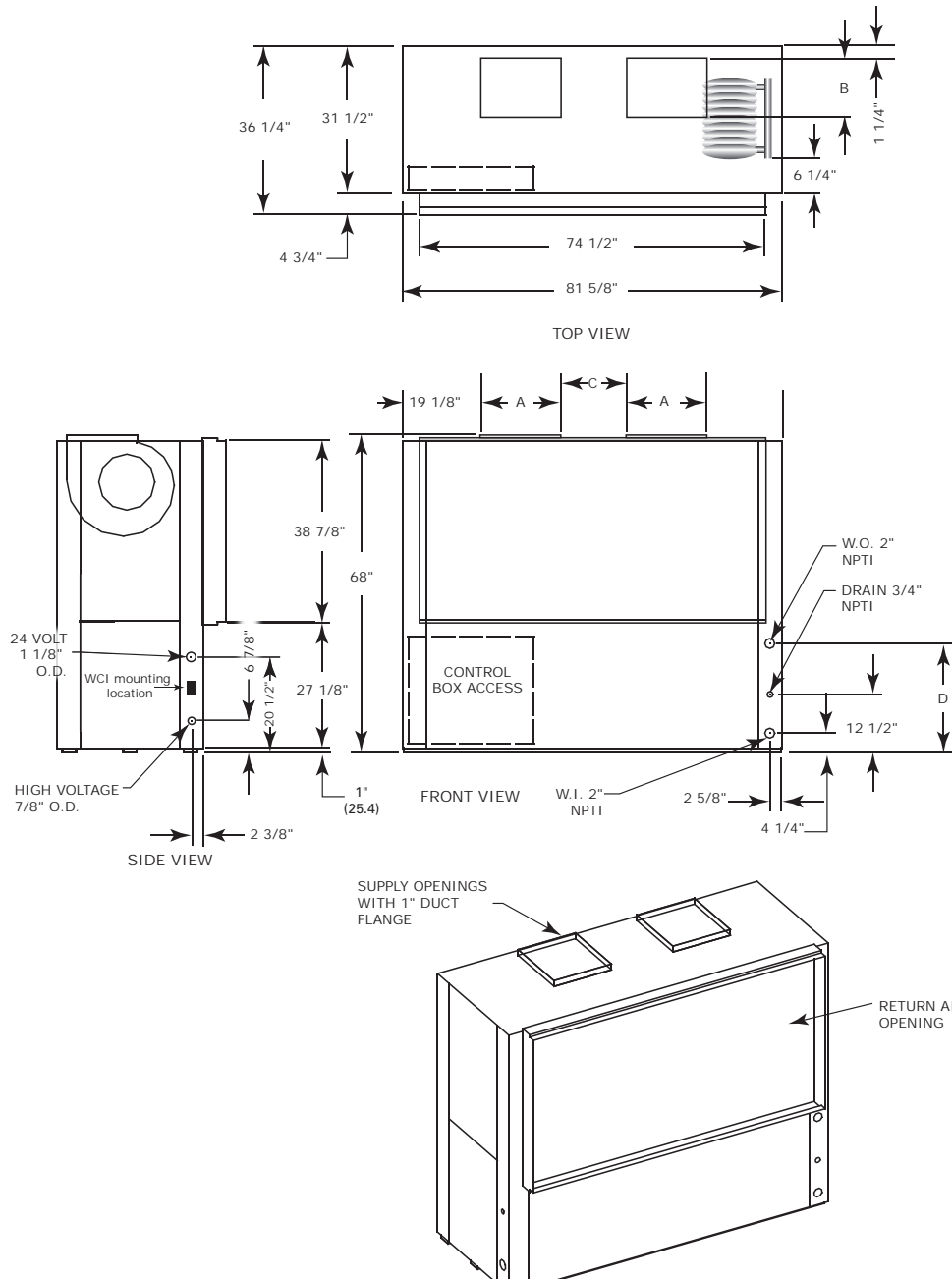


(a) NEC requires that the GEV072-300 front return must be a non-ducted return.

Table 214. Dimensional data back return/front supply GEV 20 and 25 tons (60 Hz); GEV 15 and 20 tons (50 Hz)

Unit (60 Hz)	Unit (50 Hz)	A	B	C	D	E
20 tons	15 tons	15-5/8 in.	13-1/2 in.	12 in.	51-5/8 in.	20-7/8 in.
25 tons Std Static	20 tons Std Static	14-3/4 in.	15-7/8 in.	13-7/8 in.	49-1/8 in.	23-1/2 in.
25 tons High Static	20 tons High Static	15-5/8 in.	13-1/2 in.	12 in.	51-5/8 in.	23-1/2 in.

Figure 72. Front return/top supply^(a) GEV 20 and 25 tons (60 Hz); GEV 15 and 20 tons (50 Hz)



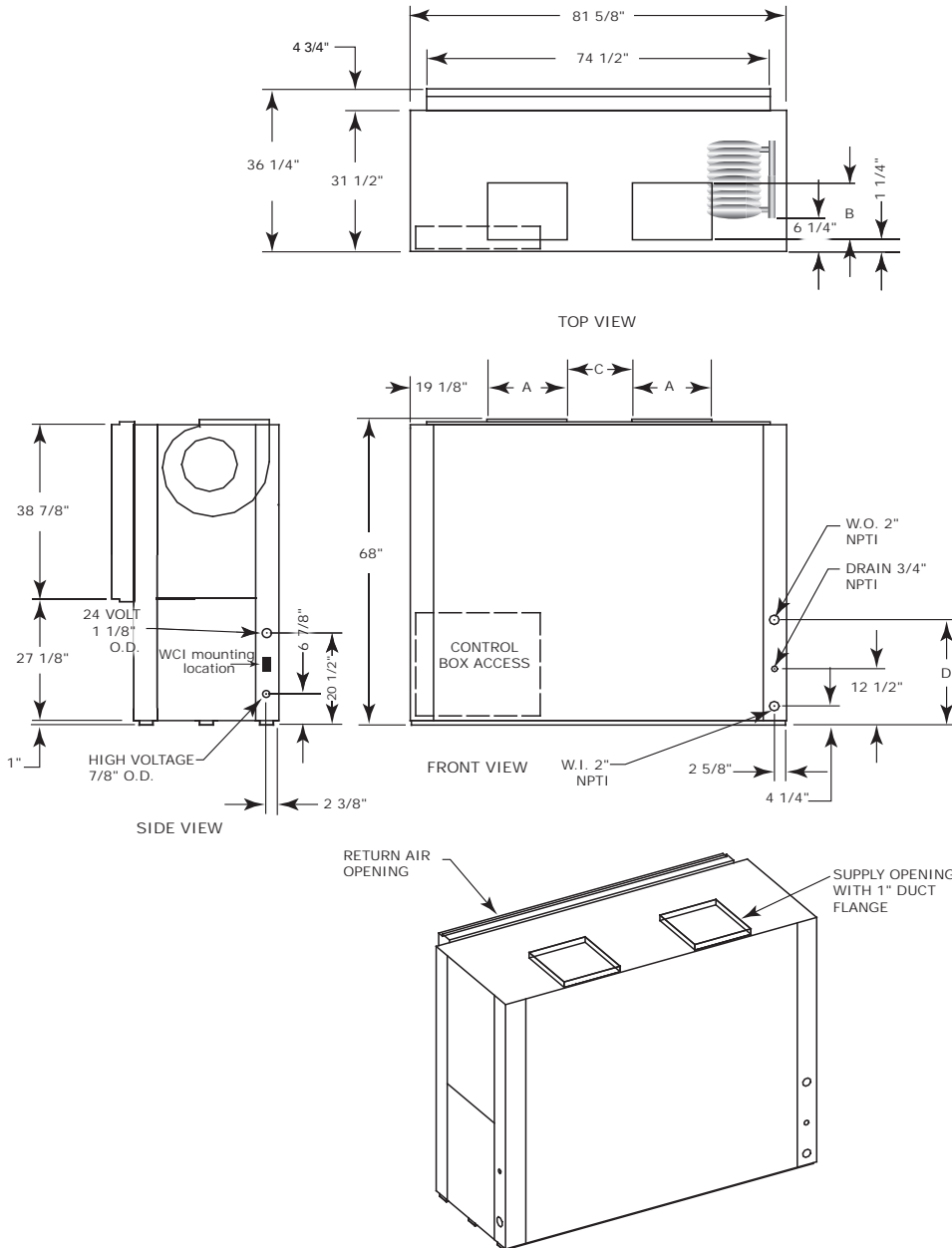
(a) NEC requires that the GEV072-300 front return must be a non-ducted return.

Table 215. Dimensional data front return/top supply GEV 20 and 25 tons (60 Hz); GEV 15 and 20 tons (50 Hz)

Unit (60 Hz)	Unit (50 Hz)	A	B	C	D
20 tons	15 tons	15-5/8 in.	13-1/2 in.	12 in.	20-7/8 in.
25 tons Std Static	20 tons Std Static	14-3/4 in.	15-7/8 in.	13-7/8 in.	23-1/2 in.
25 tons High Static	20 tons High Static	15-5/8 in.	13-1/2 in.	12 in.	23-1/2 in.

Unit Dimensions

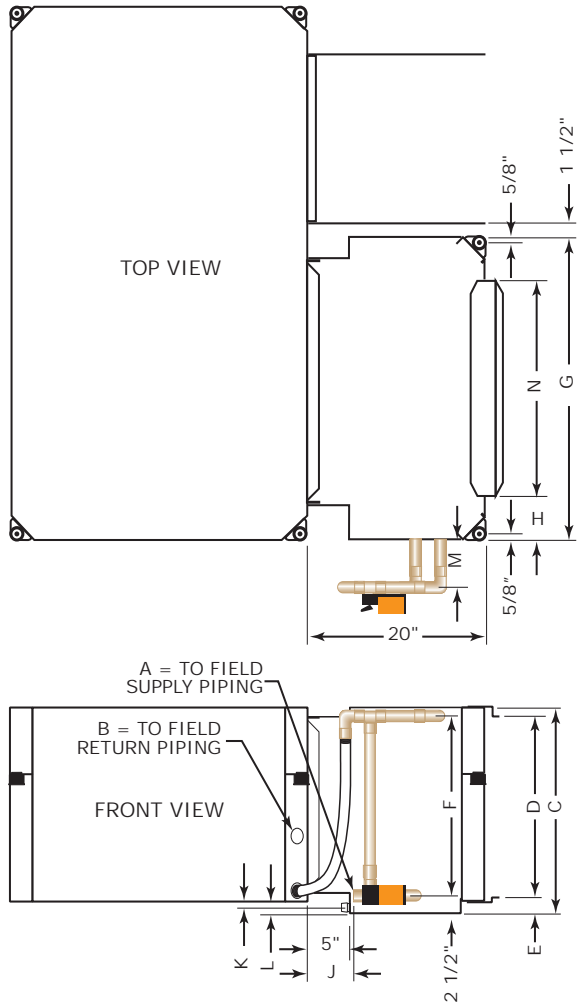
Figure 73. Back return/top supply^(a) GEV 20 and 25 tons (60 Hz); GEV 15 and 20 tons (50 Hz)



(a) NEC requires GEV072-300 front return must be non-ducted return.

Table 216. Dimensional data back return/top supply GEV 20 and 25 tons (240 and 300) 60 Hz; GEV 15 and 20 tons (180 and 240) 50 Hz

Unit (60 Hz)	Unit (50 Hz)	A	B	C	D
20 tons	15 tons	15-5/8 in.	13-1/2 in.	12 in.	20-7/8 in.
25 tons Std Static	20 tons Std Static	14-3/4 in.	15-7/8 in.	13-7/8 in.	23-1/2 in.
25 tons High Static	20 tons High Static	15-5/8 in.	13-1/2 in.	12 in.	23-1/2 in.

Figure 74. Waterside economizer^(a) (GEH)


(a) Waterside economizer installation requires field piping.

Table 217. Dimensional data waterside economizer (GEH)

GEH (60 Hz)	GEH (50 Hz)	A NPTI	B NPTI	C	D	E	F	G	H	J	K	L	M	N
006-015	006-012	1/2	1/2	16-1/8	13-5/8	1-1/2	10-3/4	23	2-1/4	7-1/2	1/2	1	4	18-1/2
018-030	015-024	3/4	3/4	18-1/2	15-5/8	1-1/2	13-3/4	26	3-1/4	6-7/8	1/2	1	4	18-1/2
035-042	030-036	3/4	3/4	21	17-5/8	2-1/4	16-1/2	30	3-3/4	6-1/4	1-1/4	2	4-1/2	23-1/2
048-060	042-060	1	1	23-1/8	19-5/8	2-1/2	19-1/2	34	5-1/4	5-7/8	1-1/4	2	4-1/2	23-1/2

Unit Dimensions

Figure 75. Hanging unit waterside economizer (GEH)

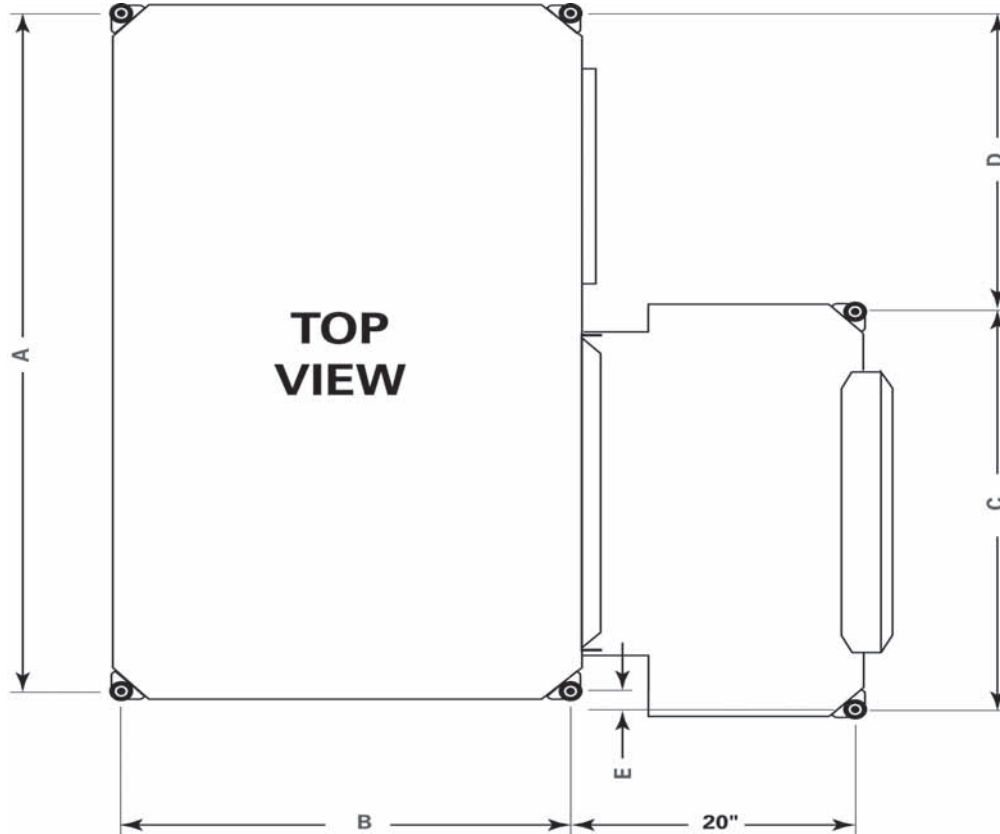
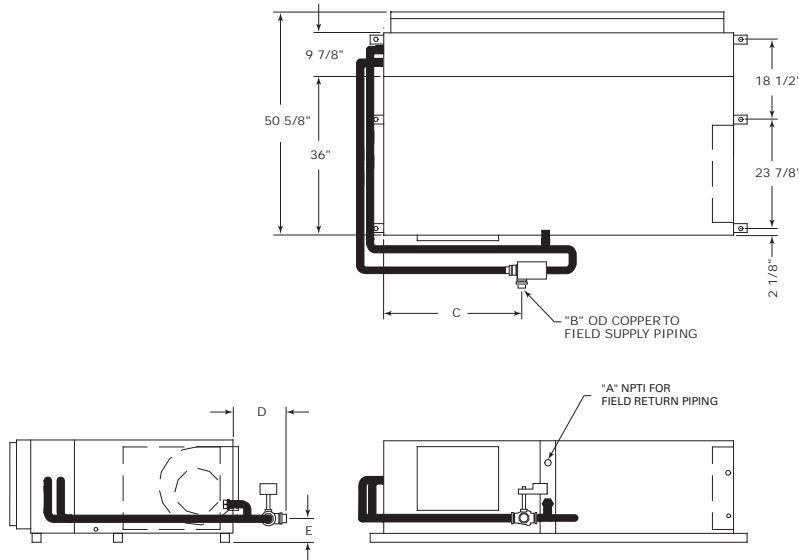


Table 218. Dimensional data hanging unit waterside economizer (GEH)

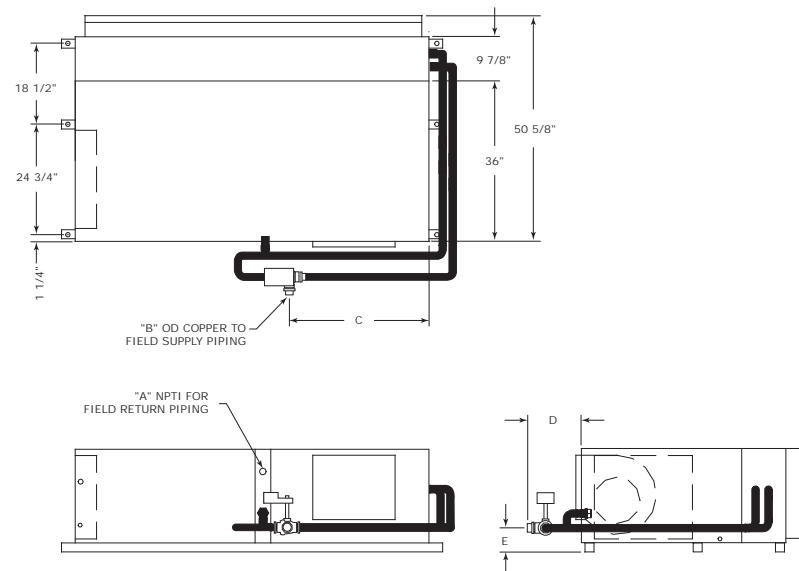
GEH Unit (60 Hz)	GEH Unit (50 Hz)	A	B	C	D	E	Hanging Weight	Shipping Weight
006-015	006-012	38-3/4	18-3/4	21-3/4	17	0	54 lbs	84 lbs
018-030	015-024	44-3/4	21-3/4	24-3/4	21	1	65 lbs	95 lbs
035-042	030-036	48-3/4	23-3/4	28-3/4	21	2	76 lbs	106 lbs
048-060	042-048	56-3/4	31-3/4	32-3/4	25	1	97 lbs	127 lbs

Figure 76. GEH 6 to 10 tons (60 Hz), GEH 6 to 75 tons (50 Hz) - right return with waterside economizer^(a)



(a) Field piping required on waterside economizer.

Figure 77. GEH 6 to 10 tons (60 Hz), GEH 6 to 75 tons (50 Hz) - left return with waterside economizer^(a)



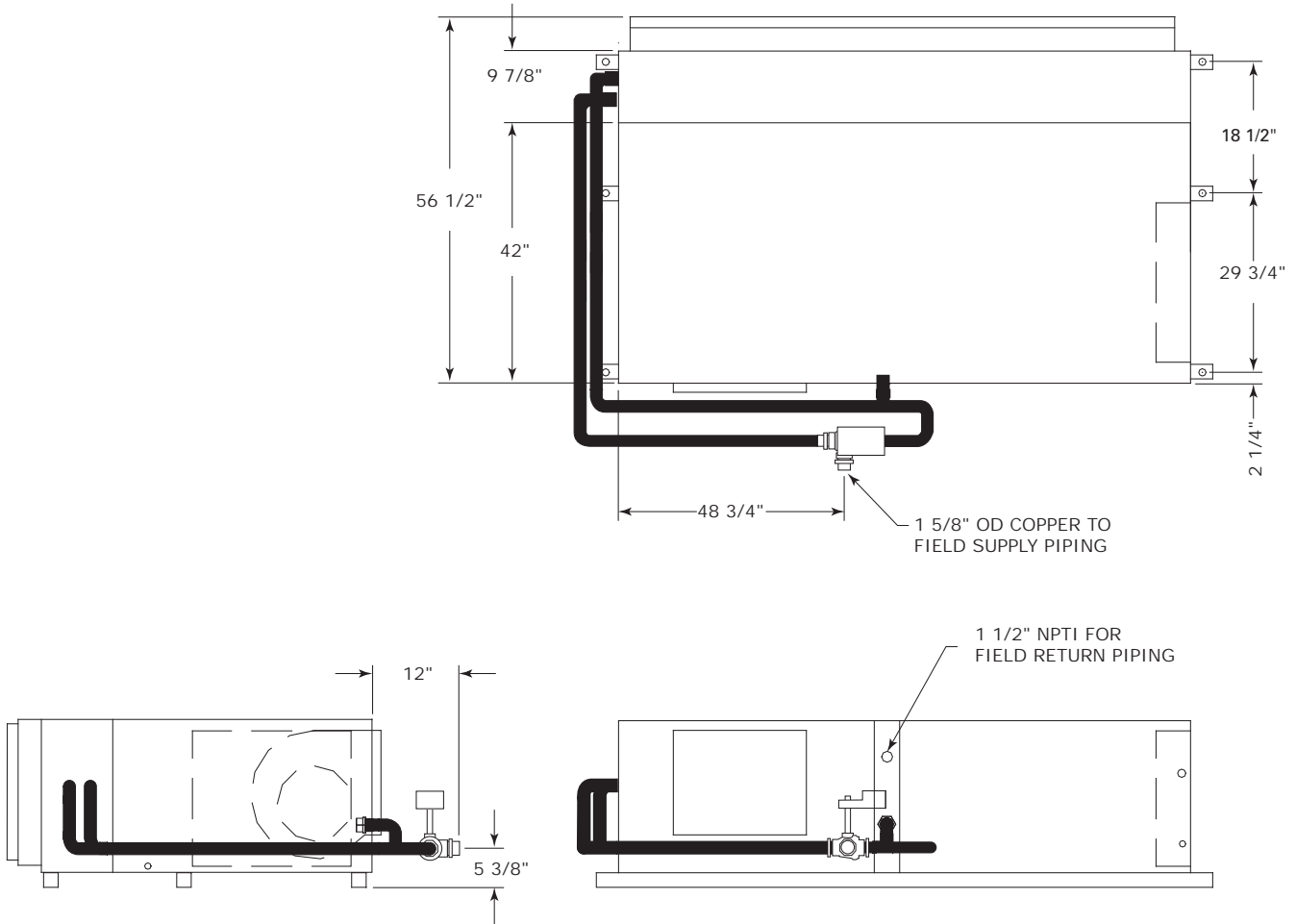
(a) Field piping required on waterside economizer.

Table 219. Dimensional data GEH 6 to 10 tons (60 Hz), GEH 6 to 75 tons (50 Hz), waterside economizer

GEH (60 Hz)	GEH (50 Hz)	A	B	C	D	E	Hanging Weight	Shipping Weight
072	—	1-1/4	1-3/8	31	9-7/8	3-7/8	138 lbs	168 lbs
090	072	1-1/4	1-3/8	31	9-7/8	3-7/8	144 lbs	174 lbs
120	090	1-1/2	1-5/8	30-3/4	12-1/2	4-1/2	166 lbs	196 lbs

Unit Dimensions

Figure 78. GEH 12.5 to 15 tons (60 Hz), GEH 10 to 12.5 tons (50 Hz), right return with waterside economizer^(a)

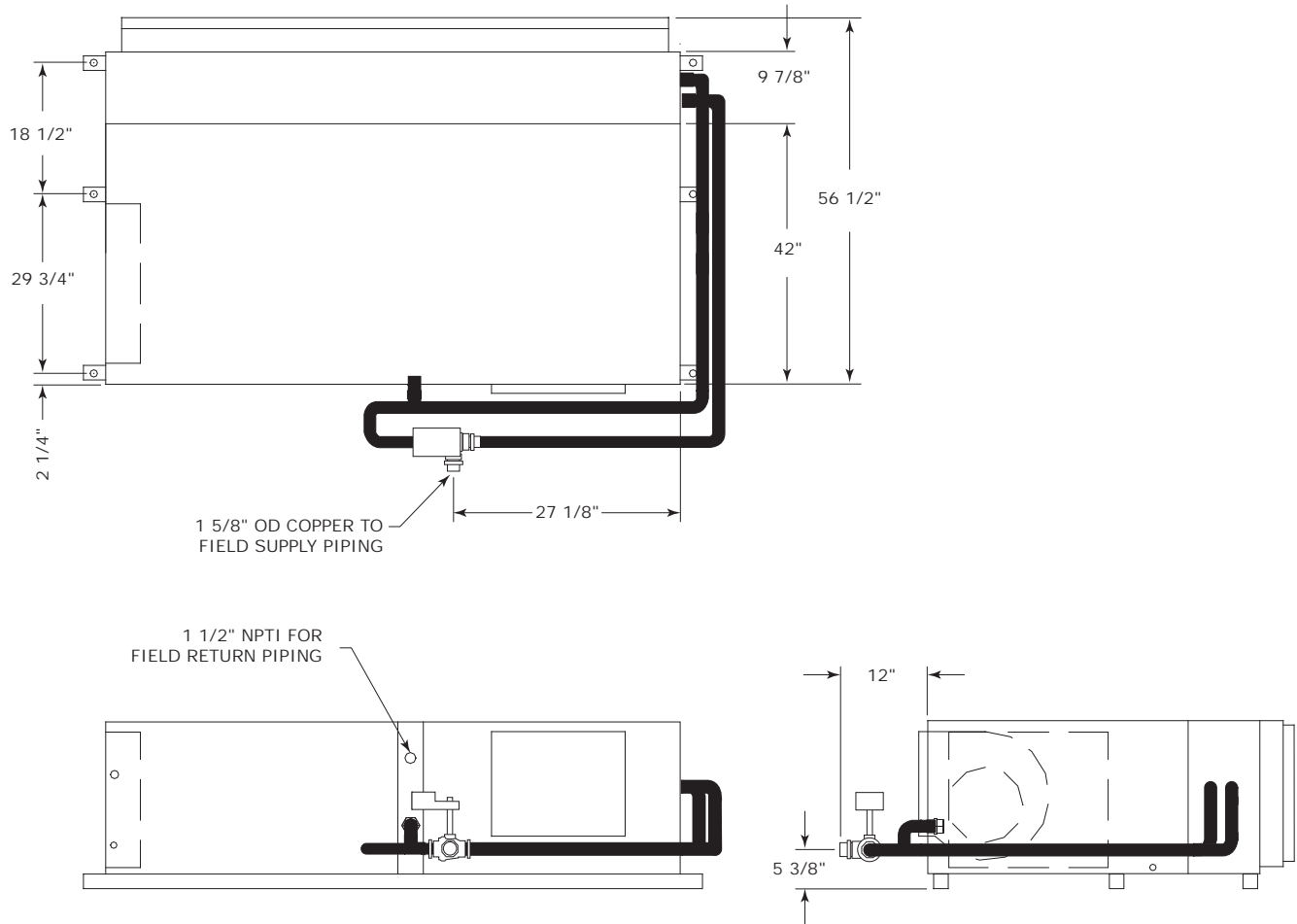


(a) Field piping required on waterside economizer.

Table 220. Dimensional data GEH 12.5 to 15 tons (60 Hz), GEH 10 to 12.5 tons (50 Hz), right return with waterside economizer

GEH (60 Hz)	GEH (50 Hz)	Hanging Weight	Shipping Weight
150	120	138 lbs	168 lbs
180	150	144 lbs	174 lbs

Figure 79. GEH 12.5 to 15 tons (60 Hz), GEH 10 to 12.5 tons (50 Hz), left return with waterside economizer^(a)



(a) Field piping required on waterside economizer.

Table 221. Dimensional data GEH 12.5 to 15 tons (60 Hz), GEH 10 to 12.5 tons (50 Hz) - left return with waterside economizer

GEH (60 Hz)	GEH (50 Hz)	Hanging Weight	Shipping Weight
150 - 180	120-150	213 lbs	243 lbs

Unit Dimensions

Figure 80. GEV 6 to 10 tons (60 Hz), 6 and 7.5 tons (50 Hz) - waterside economizer

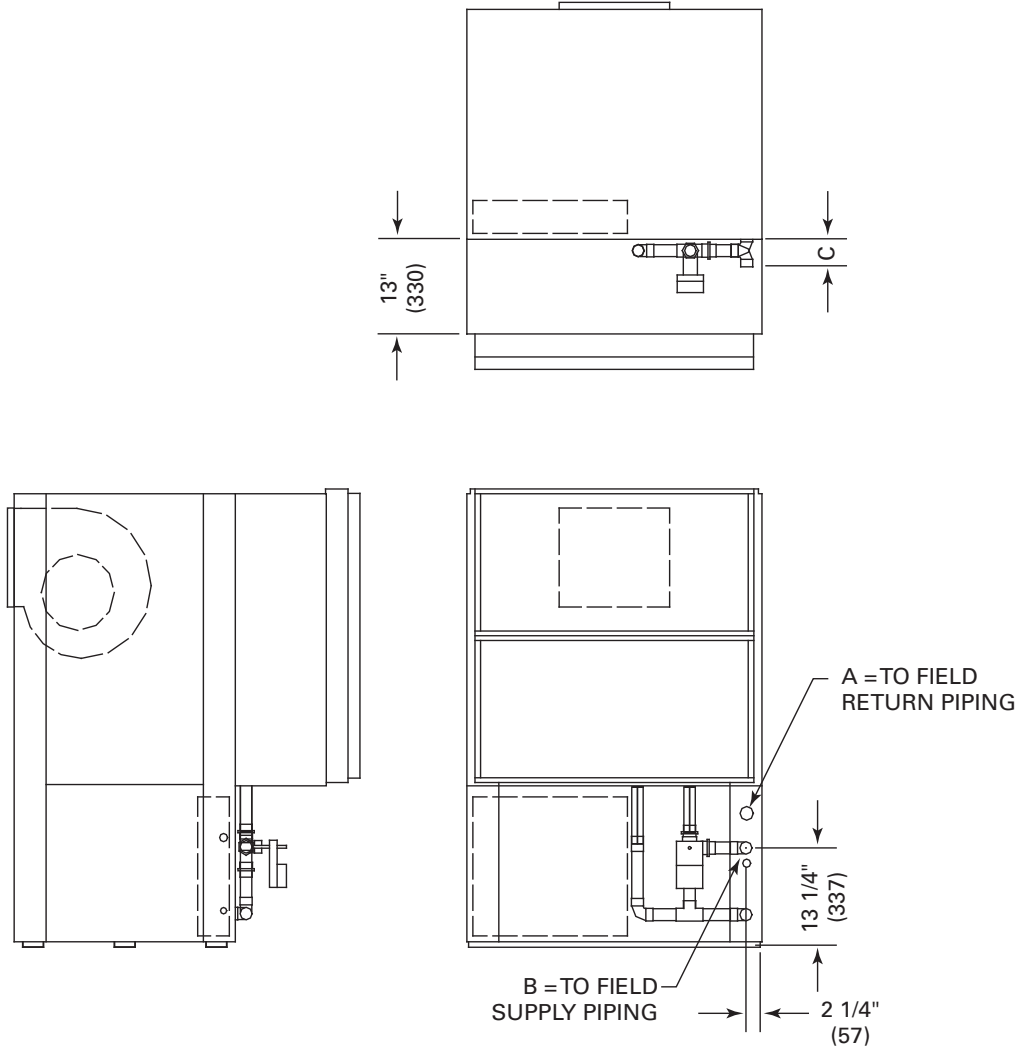
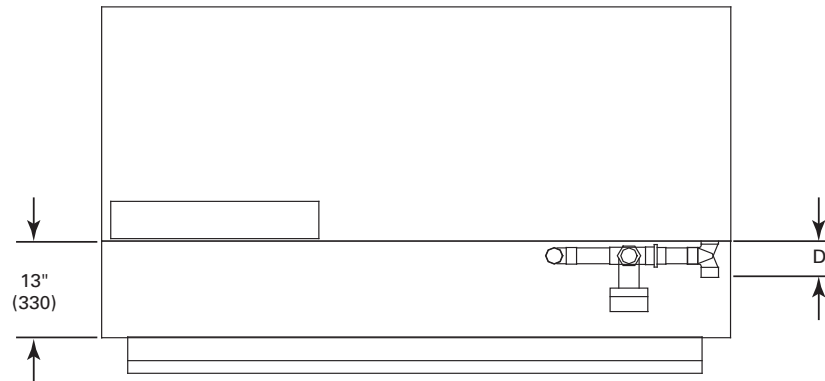
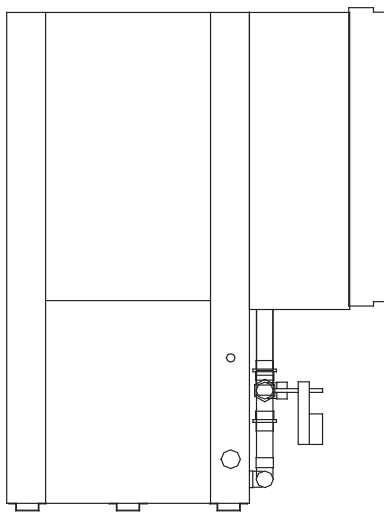
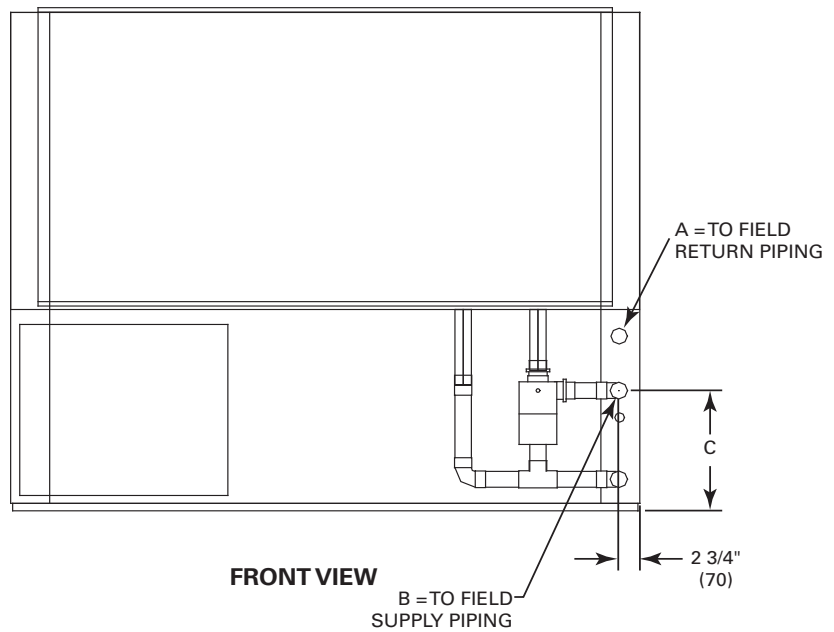


Table 222. Dimensional data GEV 6 to 10 tons (60 Hz), 6 and 7.5 tons (50 Hz) - waterside economizer

Unit (60 Hz)	Unit (50 Hz)	A	B	C	Hanging Weight	Shipping Weight
072	—	1-1/4	1-3/8	4	148 lbs	178 lbs
090	072	1-1/4	1-1/4	4	168 lbs	198 lbs
120	090	1-1/2	1-5/8	4-3/8	207 lbs	237 lbs

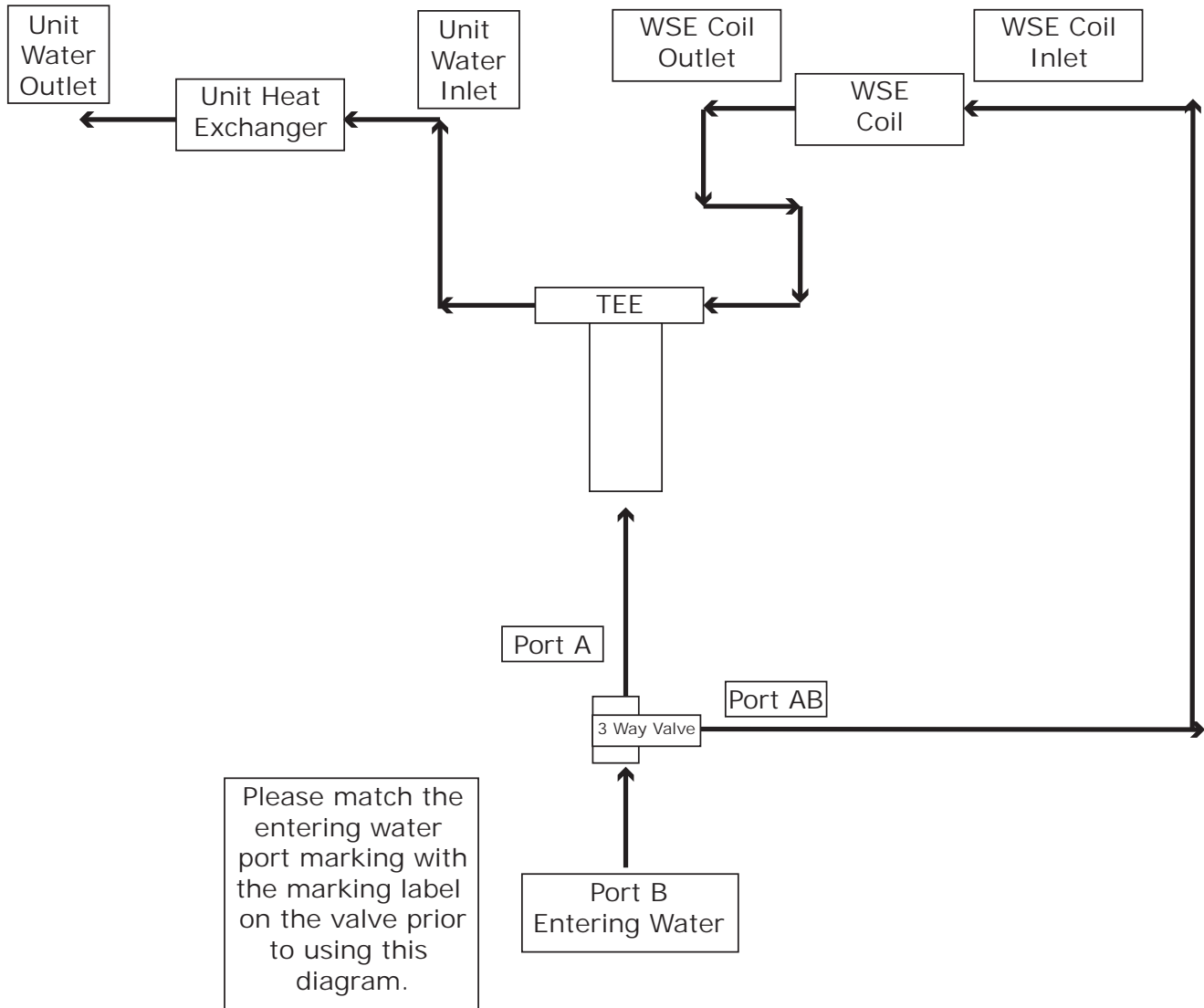
Figure 81. GEV 12.5 to 25 tons - waterside economizer

TOP VIEW

SIDE VIEW

FRONT VIEW
Table 223. Dimensional data GEV 12.5 to 25 tons - waterside economizer

GEV (60 Hz)	GEV (50 Hz)	A NPTI	B I.D.	C	D	Hanging Weight	Shipping Weight
150-180	120-150	1-1/2	1-5/8	15-7/8	4-3/8	275 lbs	305 lbs
240	180	2	2-1/8	16-1/4	4-7/8	310 lbs	340 lbs
300	240	2	2-1/8	16-1/4	4-7/8	395 lbs	425 lbs

Unit Dimensions

Figure 82. Waterside economizer coil piping diagram

Note: (applicable only to 6 to 25 ton models)





Mechanical Specifications

General

Equipment shall be completely assembled, piped, internally wired, fully charged with R-410A refrigerant and test operated at the factory. Filters, thermostat field interface terminal strip, and all safety controls are furnished and factory installed.

The system water inlet and outlet connections shall be female NPT composed of copper.

Equipment shall contain ETL, CETL listings and labels prior to leaving the factory. Units meet the efficiency standards of the ASHRAE 90.1-2016 standard. Units 135,000 BTUH and below are certified to ANSI/AHRI/ASHRAE/ISO 13256-1. Units greater than 135,000 BTUH are outside the scope of the program and are rated in accordance with ANSI/AHRI/ASHRAE/ISO 13256-1. Service and caution area labels shall also be placed on the unit in their appropriate locations. Units from 12.5 to 25 ton units are outside the scope of AHRI and are rated in accordance with ANSI/AHRI/ASHRAE/ISO13256-1.

All units come standard with a 5-year compressor warranty.

Air-to-Refrigerant Coil

Internally finned, 3/8-inch copper tubes mechanically bonded to a configured aluminum plate fin as standard. Coils are leak tested at the factory to ensure the pressure integrity. The coil shall be leak tested to 450 psig and pressure tested to 650 psig. The tubes are to be completely evacuated of air and correctly charged with proper volume of refrigerant prior to shipment.

The refrigerant coil distributor assembly shall be of orifice style with round copper distributor tubes. The tubes are sized consistently with the capacity of the coil. Suction header is fabricated from rounded copper pipe.

A thermostatic expansion valve is factory selected and installed for a wide range of control.

Ball Valves

Ball valves are field installed between the unit and the supply and return lines of the loop to stop water flow to the unit in a maintenance or service situation.

DDC Controller (option)

The UC400 and ZN524 controller shall utilize factory furnished and mounted DDC controls. The DDC control package shall include a 75 VA transformer, high and low pressure switch, condensate overflow and freeze protection. The controller shall provide random start delay, heating/cooling status, occupied/unoccupied mode, fan status and filter maintenance options.

On the GEH/V product line, the discharge air sensor and leaving water sensor are standard for the ZN524 and UC400 controls.

The controller shall be capable of a standalone application, or as applied to a full building automation installation.

With this controller, the unit shall be capable of a hot gas reheat (for dehumidification), boilerless control for electric heat, waterside economizing, and support of variable speed pump control applications.

Deluxe Controls

The deluxe control package has a 50 VA transformer (fused) or 75 VA transformer with circuit breaker, low and high pressure switch, condensate overflow and freeze protection. The controller shall include a lockout function, anti-short cycle compressor protection, random start delay, brown-out protection, low pressure time delay, compressor delay on start and an open relay. Hot gas reheat or electric heat shall also be provided (option). Three LEDs (light emitting diodes) are included for diagnostics of the equipment.

Cabinet

Unit casing shall be constructed of zinc coated, heavy gauge, galvanized steel.

Mechanical Specifications

For 6 to 25 ton units, service to the refrigerant and controls shall be provided through a single access panel at the front of the equipment. Access to the refrigerant and controls for the larger units shall be provided through the front and side access panels.

Panels shall be insulated with either 1/2-inch thick dual density bonded glass fiber, 1/2-inch thick foil-faced glass fiber, or closed cell elastomeric foam. Foil faced insulation edges are encapsulated to prevent glass fibers from entering the airstream. The elastomeric foam is UL listed with a flammability rating of 5V. The glass fiber insulations have a flame spread of 25 or less and a smoke developed classification of 50 or less per ASTM E-84 and UL 723. The dual density insulation has a minimum rated service air velocity of 3600 feet per minute (FPM) and meets the erosion requirements of UL 181.

Access for inspection and cleaning of the unit drain pan, coils and fan section shall be provided. The unit shall be installed for proper access.

Hanging Rod Grommets

For 0.5 to 5 ton units, four rubber grommets are enclosed with every GEH* unit. These grommets are to be used in conjunction with unit hanging rods to isolate vibration. Rubber grommets are only factory provided on 0.5 to 5 ton units. Grommets must be ordered separately for 6 to 15 ton GEH units.

Compressor

The unit will contain a high efficiency rotary or scroll compressor. External vibration isolation shall be provided by rubber mounting devices located underneath the mounting base of the compressor. On 0.5 to 5 ton units, a second isolation of the refrigeration assembly shall be supported under the compressor mounting base.

Internal thermal overload protection shall be provided. Protection against excessive discharge pressure is provided by means of a high pressure switch. Protection against a loss of charge is provided by a low pressure safety.

Polymer Drain Pan

The condensate pan shall be constructed of corrosion resistant material and insulated to prevent sweating. The bottom of the drain pan shall be sloped on two planes which pitches the condensate to the drain connection. The drain pan shall be flame rated per UL945V-B. A UL508 float switch shall be installed on all units to protect against the overflow of condensate from the drain pan.

Stainless Steel Drain Pan

The stainless steel drain pan and the drain stubout shall be constructed of heavy gauge type 304 stainless steel. The stainless steel material shall meet the requirements of ASTM A480/A480M and comply with the chemical composition requirements of ASTM A240. The drain pan shall be insulated to prevent moisture accumulation on the drain pan material. The drain pan insulation material shall be suitable to be used in the airflow and consists of closed cell elastomeric insulation, complying with flammability requirements of UL94-5V.

Economizing Coil

The waterside economizing package shall be an external unit accessory pre-piped and pre-wired ready for turn-key installation to the unit. The economizing coil shall be designed to perform with the WSHP at unit measured flow rate of 80.6°F DB/66.2°F WB with 45°F EWT. The working water pressure of the waterside economizer coil is 400 psi.

All hydronic coils are of 5/8 in. copper and aluminum plate fin combination. All coils shall be proof and leak tested from the manufacturer. The proof test shall be performed at 1.5 times the maximum operating pressure and the leak test at the maximum operating pressure.

A dual sloped noncorrosive drain pan is easily accessible and cleanable for the hydronic economizing coil.

An electronic two-position, 3-way valve shall meter water flow to the economizing coil during the economizing mode. It is factory set to energize the economizing mode at 55°F, while simultaneously halting mechanical operation of the compressor.

For 0.5 to 5 ton units, hanging brackets with rubber isolation shall be provided for the horizontal version of the economizing coil option. The bracket design shall be the same throughout the equipment.

Electrical

The unit control box shall contain all necessary devices to allow heating and cooling operation to occur from a remote wall thermostat. These devices are as follows:

- 24 Vac energy limiting class II [50 VA (minimum) transformer applicable to 0.5 to 5 ton units.
- 24 Vac blower motor relay.
- 24 Vac compressor contactor for compressor control.
- Field thermostat connections shall be provided for ease of hook-up to a terminal strip located in the unit's control box.
- Lockout function controls cycling of the compressor shall be provided to protect the compressor during adverse operating conditions. The device may be reset by interrupting power to the 24 Vac control circuit. Reset may be done either at a remote thermostat or through a momentary main power interruption.
- A high pressure switch shall protect the compressor against operation at refrigerant system pressures exceeding 650 psig.
- Factory installed wire harness shall be available for the Deluxe, ZN524 and UC400 control packages.

Nameplate information shall be provided for the application of either time-delay fuses or HACR circuit breakers for branch circuit protection from the primary source of power.

Electric Heat (option)

For 0.5 to 5 ton units, internal boilerless control electric heat shall be factory wired and tested. It shall be composed of a nichrome open wire coil designed for 2-kW per unit ton. The design consist of a single stage of electric heat used as a primary heating source when compressor lockout has occurred due to the entering water temperature falling below 55°F with an adjustable range between 25°F to 60°F. The electric heat option is not intended for secondary heat. All power connections to the electric heat shall be made in the equipment's control box.

External boilerless electric heat control option is composed of a control interface for a field provided electric heat. The heater is placed external to the unit by the installer. Power connection to the electric heat is separate from the unit.

Filters

The 0.5 to 5 ton units come standard with a flat filter rack for non-ducted return air applications. One-inch throwaway filters are standard. Two-inch throwaway, two-inch MERV 8 or 13 filters are available as an option. For 0.5 to 5 ton units, an optional ducted filter rack is available as a field installed accessory.

For 6 to 25 ton units, one inch or two inch, throwaway filters are standard and factory installed. Two-inch MERV 8 or 13 filters are also available as an option. The filters have an average arrestance of 75% and dust holding capacity of 26-grams per square foot.

Hot Gas Reheat (option)

Dehumidification shall be provided through a hot gas reheat option. The coil shall consist of 3/8" copper tubes mechanically expanded into evenly spaced aluminum fins. All coils shall be proof and leak tested. The proof test must be performed at 1.5 time the maximum operating pressure and the leak test performed at the maximum operating pressure.

Mechanical Specifications

Indoor Fan (0.5 to 5 tons)

The blower shall be a forward-curved style wheel with multiple speed combinations available. All direct drive motors shall have sealed bearings that do not require field lubrication. The motor has a permanent split capacitor with thermal overload protection. Options of standard static or high static can be selected. The motor contains a quick disconnect plug. They are constructed of corrosion resistant galvanized material. Removal of the motor and fan wheel can be made with the assistance of a factory provided orifice ring device. This device attaches the wheel and motor to the fan housing in a single assembly eliminating the need for access to the set screw on the backside of the fan hub.

Indoor Fan (6 to 25 tons)

The blower shall have multiple blower motor/sheave combinations available. Options of the blower motor/fan packages shall be selected and wired from the factory to match performance criteria suggested in the performance section. The fan(s) shall be placed in a draw-through configuration. They shall be constructed of corrosion resistant galvanized material. All 6 to 25 ton units are belt drive.

ON/OFF Switch (option)

The switch is mounted on the left hand front corner of the unit and shall be sized per requirements of UL1995 to handle the unit load. The field power connections shall be made at the ON/OFF switch when this option is ordered. The switch shall be mounted on a NEMA compliant junction box. The junction box shall be UL 514 compliant. The junction box shall have knock outs on all four sides to provide access for field wiring to the switch. The switch shall be UL508 Compliant and the body shall be constructed of glass reinforced thermoplastic.

Orifice Ring (0.5 to 5 tons)

Removal of the motor and fan wheel for the 0.5 to 5 ton units shall be made with the assistance of a factory provided orifice ring device. This device shall attach the wheel and motor to the fan housing in one assembly providing single side service access.

Pump Module (field installed accessory)

The pump module shall consist of either a single or dual 1/6 HP cast iron pump and a brass 3-way shut-off valve. The pump module kits shall contain the necessary components for the installation, operation and maintenance of the water circuit of a closed-loop distributed pumping application.

Refrigerant Circuits

The refrigerant circuit shall contain a thermal expansion device. Service pressure ports shall be factory supplied on the high and low pressure sides for easy refrigerant pressure or temperature testing. Filter driers are standard.

Refrigerant Tubing

The refrigerant tubing shall be of 99% pure copper. This system shall be free from contaminants and conditions such as drilling fragments, dirt and oil. All water lines that are located in the indoor air stream shall be insulated with 3/8 inch thick elastomeric insulation. The refrigerant lines that are located in the indoor air stream that are not directly over the drain pan area shall be insulated with 3/8 inch thick elastomeric insulation.

Sound Attenuation

Sound attenuation shall be applied as a standard feature in the product design. For 0.5 to 5 ton GEH units, the sound reduction package shall include vibration isolation to the compressor and water-to-refrigerant coil, unit base stiffeners, insulated metal compressor enclosure, and a second stage of vibration isolation to the compressor and water-to-refrigerant base pan.

Water-to-Refrigerant Heat Exchanger

The water-to-refrigerant heat exchanger shall be of a high quality co-axial coil for maximum heat transfer. The copper or optional cupro-nickel coil shall be deeply fluted to enhance heat transfer and minimize fouling and scaling. The coil has a working pressure of 400 psig on the water side and 650 psig on the refrigerant side. The factory shall provide rubber isolation to the heat exchanging device to enhance sound attenuation.

Water-to-Refrigerant Heat Exchanger and Suction Lines - Insulated Option

The water-to-refrigerant heat exchanger(s), water lines, and refrigerant suction lines shall be insulated to prevent condensation at low temperatures below 60°F. This is not a standard option. This can be added to the existing water-to refrigerant heat exchanger spec when the insulated option is selected. This would be both for the copper or optional cupro-nickel coil.



Ingersoll Rand (NYSE:IR) advances the quality of life by creating comfortable, sustainable and efficient environments. Our people and our family of brands—including Club Car®, Ingersoll Rand®, Thermo King® and Trane®—work together to enhance the quality and comfort of air in homes and buildings; transport and protect food and perishables; and increase industrial productivity and efficiency. We are a global business committed to a world of sustainable progress and enduring results.



ingersollrand.com



The AHRI Certified mark indicates Ingersoll Rand's participation in the AHRI Certification program. For verification of individual certified products, go to www.ahridirectory.org.

Ingersoll Rand has a policy of continuous product and product data improvement and reserves the right to change design and specifications without notice.
We are committed to using environmentally conscious print practices.