

AQN12VFUAGM Max, wall mounted evaporator, single zone split system

Job Name	Location		
Purchaser	Engineer		
Submitted to	Reference	Approval	Construction
Unit Designation	Schedule #		

Specifications

Performance	Nominal Capacity	Cooling (Btu/h)	12,000	
		Heating (Btu/h)	13,600	
	Capacity Range	Cooling (Btu/h)	2,800 - 13,600	
		Heating (Btu/h)	2,700 - 17,516	
	SEER / EER		18.0 / 11	
	HSPF		8.5	
Condensate (pints/hour)		2.96		
Power	Voltage (øV/Hz)		1 / 208-230 / 60	
	Working Voltage Range (VAC)		176 - 254 (max. 3% deviation from each)	
	Rated Current (Low/Std./Max.)	Cooling (A)		1.5 / 5.5 / 5.8
		Heating (A)		1.3 / 6.1 / 7.0
	Max. Breaker (A)			15
	Min. Circuit Ampacity (A)			6.2
Dimensions	W X H X D (inches)	Indoor Unit	32 9/32 X 11 1/4 X 7 7/8	
		Outdoor Unit	31 1/8 X 21 9/16 X 11 1/4	
	Weight (lbs.)	Indoor Unit	18	
		Outdoor Unit	68	
	Condensate Connection		11/16" OD	
Heat Exchanger	Indoor & Outdoor Unit	Type	Aluminum Fin - Copper Tube	
		FPI	18	
		Pipe Diameter	1/4 inch	
	Indoor Unit		2 row / 14 step	
Outdoor Unit		1 row / 24 step		
Sound Pressure Level	Indoor Unit (dB) (L/H)		22 / 36	
	Outdoor Unit (dB) High		45	
Operating Temperatures (°F)	Outdoor	Cooling	Standard: 14 ≤ T ≤ 115 0 ≤ T ≤ 115 with wind baffle accessory	
		Heating	5 ≤ T ≤ 75	
	Indoor	Cooling	61 ≤ T ≤ 90	
		Heating	T ≤ 80	
Pipe Connections	Indoor & Outdoor	High side (flare)	1/4"	
		Low side (flare)	3/8"	
	Maximum / Minimum Line Set Length (ft.)		50 / 10	
	Maximum Vertical Separation (ft.)		26	
Refrigerant	Type		R410A	
	Control Method		Electronic Expansion Valve	
	Factory Charge (oz.)		31.7	
	Charged for		25 ft.	
	Additional Refrigerant		0.16 oz./ft. over 25 ft.	
Compressor	Manufacturer		Samsung	
	Type		DC, Inverter Driven, Rotary	
	RLA (A)		3.9	
	Operating Frequency (Hz)	Cooling (low/std./high)		20 / 71 / 82
Heating (low/std./high)			20 / 83 / 100	
Evaporator Fan	Type		BLDC motor with cross-flow fan (1)	
	Air Volume (max. CFM)		280	
	Consumption W		17	
Operating Current (A)			0.2	
Condenser Fan	Motor		BLDC motor with axial fan (1)	
	Output W		39	
	FLA Amps		0.17	
Accessories	Condensate pump		ASP-MO-UNIV 110-250	
	Wired Controller	Standard	AQN-WRS (includes sub-PCB and MWR-WH00 controller)	
		Premium	AQN-WRP (includes sub-PCB and MWR-WE10 controller with scheduling)	
	Wall bracket (for outdoor unit)		CKN-250	
	Line sets - insulated and flared, interconnect cables included		25' - ILS2506 50' - ILS5006	
	Wind Baffle	Front		WBMF-9/12/18
Back			WBMB-9/12/18/36	
Safety	Certifications		ETL & ETLc	
	Devices		PCB fuses, indoor unit terminal block thermal fuse, current transformer, over-voltage protection, crankcase heating, temperature limit protection logic, compressor overload sensing	
Warranty			5 Years compressor, 3 Year Parts, 120 Day limited labor	



AQN12VFUAGM



AQX12VFUAGM

- Low ambient control built in
- Outdoor unit shall provide 208/230V power to indoor unit via 14 AWG X 3 interconnect power cable
- Electro-static, washable, HD (high density) main filter as standard

Construction

Indoor unit chassis shall be UL94 V0 with a galvanized steel mounting bracket
The outdoor unit shall be galvanized steel with a baked on powder coated finish for durability

Heat Exchanger

The heat exchanger shall be mechanically bonded fin to copper tube

Refrigerant System

The compressor shall be hermetically sealed, inverter controlled, Twin BLDC Rotary
Refrigerant flow shall be controlled by EEV (electronic expansion valve) at outdoor unit

Indoor Fan

The indoor fan shall be a single, antibacterial cross-flow type
Three fan speed settings and auto setting

Controls

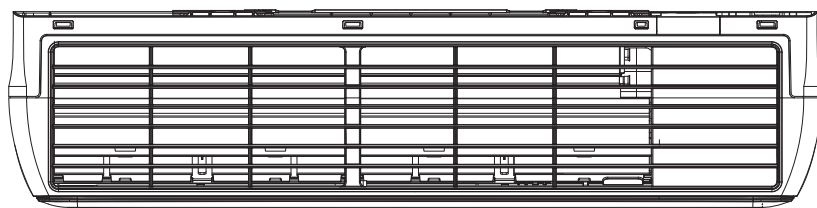
Control signal shall be DDC type signal
Interconnect control wiring shall be 16 AWG X 2 shielded wire between outdoor and indoor units
Unit shall be operated via wireless controller (included)
Optional wired control available

Convenience

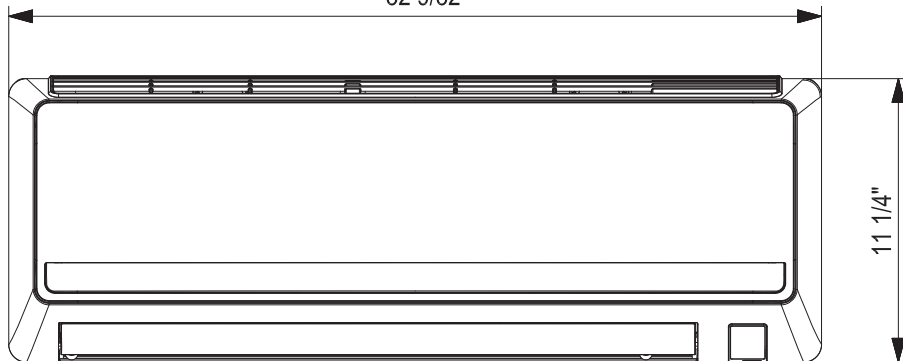
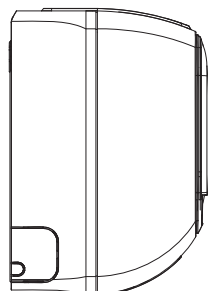
- Auto restart
- Turbo mode (during cooling operation only)
- Auto changeover
- 24 hour timer
- Good'sleep mode
- Quiet mode
- Dry mode



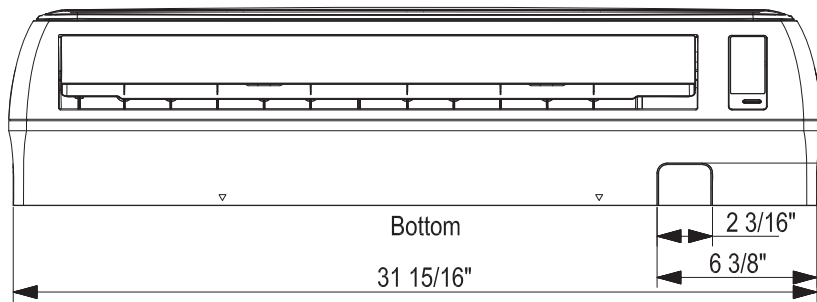
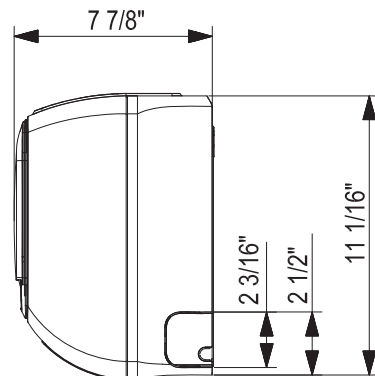
Nominal cooling capacities are based on: Indoor temperature: 80°F DB, 67°F WB. Outdoor temperature: 95°F DB, 75°F WB.
Nominal heating capacities are based on: Indoor temperature: 70°F DB, 60°F WB. Outdoor temperature: 47°F DB, 43°F WB.
Samsung HVAC maintains a policy of ongoing development, specifications are subject to change without notice. Refer to www.AHRIdirectory.org for current reference numbers.



Top
32 9/32"



Front

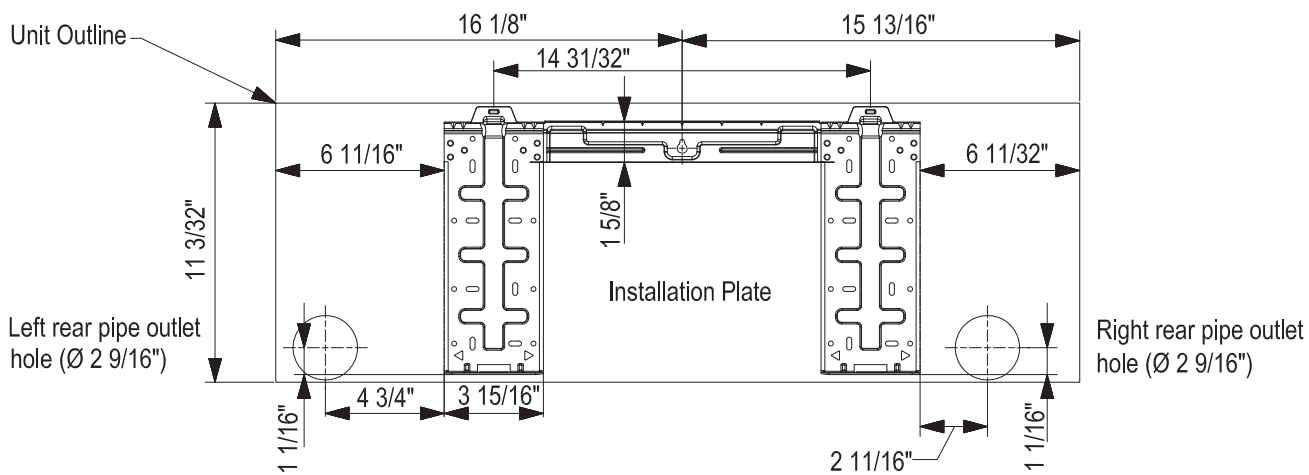


Bottom
31 15/16"

Unit Outline

Left rear pipe outlet hole (Ø 2 9/16")

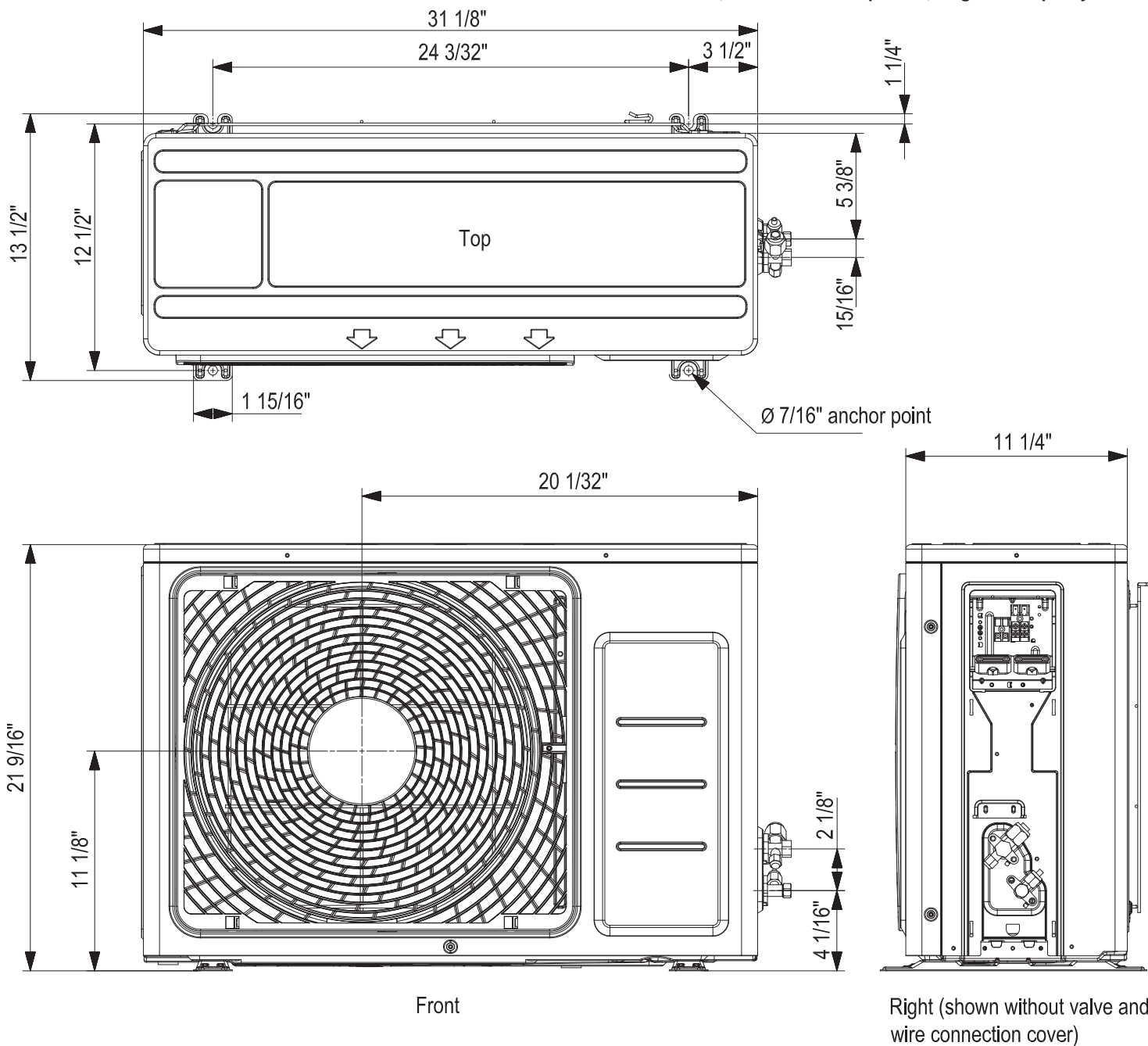
Right rear pipe outlet hole (Ø 2 9/16")



SUBMITTAL AQN12VFUAGM / AQX12VFUAGM

www.SamsungHVAC.com

AQN12VFUAGM Max, wall mounted evaporator, single zone split system



For reference only. Always refer to installation manual for complete details.

