

SAMSUNG

FJM

Technical Data Book

Free Joint Multi for America
(R410A, 60Hz, HP)



Model : Outdoor unit: JXH**J*T (AJ***TXJ*CH/AA)

Indoor unit: RNS***BT (AR**TSF*BWKNCV), JNH***DT (AJ***TN*DCH/AA)

History

Version	Modification	Date	Remark
Ver.1.0	Released FJM IDU,ODU for North America New Protocol TDB	20. 02. 14	
Ver.1.1	Updated the combination Table	20. 04. 29	
Ver.1.2	Updated the Fan Characteristics data (P.75)	21. 01. 06	

Nomenclature

Outdoor Units

Model Name

AJ	020	T	X	J	2	C	H	/	AA
(1)	(2)	(3)	(4)	(5)	(6)	(7)	(8)		Buyer

(1) Model

AC	CAC
AM	DVM
AJ	FJM (Free Joint Multi)
AE	EHS

(2) Capacity

X 1,000 Btu/h (3 digits)

(3) Version

T	2020
----------	------

(4) Product Type

S	SET (NASA)
N	Indoor Unit (NASA)
X	Outdoor Unit (NASA)
A	SET (Non NASA)
B	Indoor Unit (Non NASA)
C	Outdoor Unit (Non NASA)

(5) Product Notation

J	Free Joint Multi
----------	------------------

(6) Feature

2	2 Room
3	3 Room
4	4 Room
5	5 Room

(7) Rating Voltage

A	115V, 60Hz
B	220V, 60Hz
C	208~230V, 60Hz
D	200 ~ 220V, 50Hz
E	220 ~ 240V, 50Hz

(8) Mode

C	Cooling Only (R410A)
H	Heat Pump (R410A)
R	Heat Recovery (R410A)

Nomenclature

Indoor Unit

Wall Mounted Type

Model Name

AR	09	T	S	F	A	B	WK	N	CV
(1)	(2)	(3)	(4)	(5)	(6)	(7)	(8)	(9)	Buyer

(1) Classification

AR	RAC
-----------	-----

(2) Capacity

x1000 Btu/h

(3) Year

T	2020
----------	------

(4) Product Type

X	INVERTER HP R410A
----------	-------------------

(5) Characteristics

C	Motion Detect Sensor +Wi-Fi + Tri-care Filter
E	Wi-Fi + Tri-care Filter
F	Wi-Fi
H	-

(6) Design Segment

A	Wind-Free GEO
C	Wind-Free AIRISE
Y	GEO
Z	AIRISE

(7) Version

A-Z (1 digit)

(8) Color

WK	DA White
-----------	----------

(9) Set

N	Indoor Unit
X	Outdoor Unit
/	Set

Nomenclature

Indoor Units

4Way Cassette(600x600), Duct, Console Type

Model Name

AJ	009	T	N	N	D	C	H	/	AA
(1)	(2)	(3)	(4)	(5)	(6)	(7)	(8)		Buyer

(1) Classification

AJ	FJM
-----------	-----

(2) Capacity

X1,000 Btu/h (3 digits)

(3) Version

T	2020
----------	------

(4) Product Type

N	Indoor Unit (NASA)
----------	--------------------

(5) Product Notation

N	4Way CST (600x600)
L	Slim duct
J	Console

(6) Feature

D	Deluxe
S	Standard
P	Premium

(7) Rating Voltage

A	115V, 60Hz
B	220V, 60Hz
C	208 ~ 230V, 60Hz
D	200 ~ 220V, 50Hz
E	220 ~ 240V, 50Hz

(8) Mode

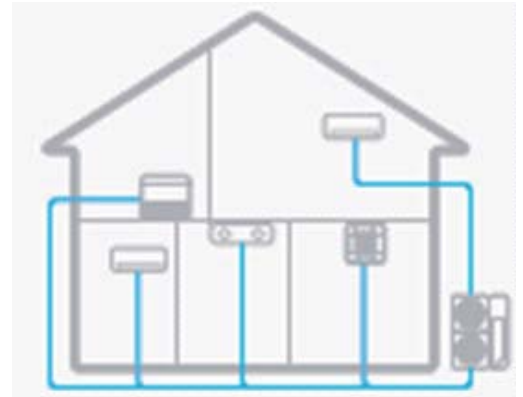
C	Cooling Only (R410A)
H	Heat Pump (R410A)
R	Heat Recovery (R410A)

Features & Benefits

FJM

Universal Connection

A single outdoor unit can support up to five indoor units. FJM systems are ideal for residential and light commercial spaces with multiple rooms to increase space efficiency.

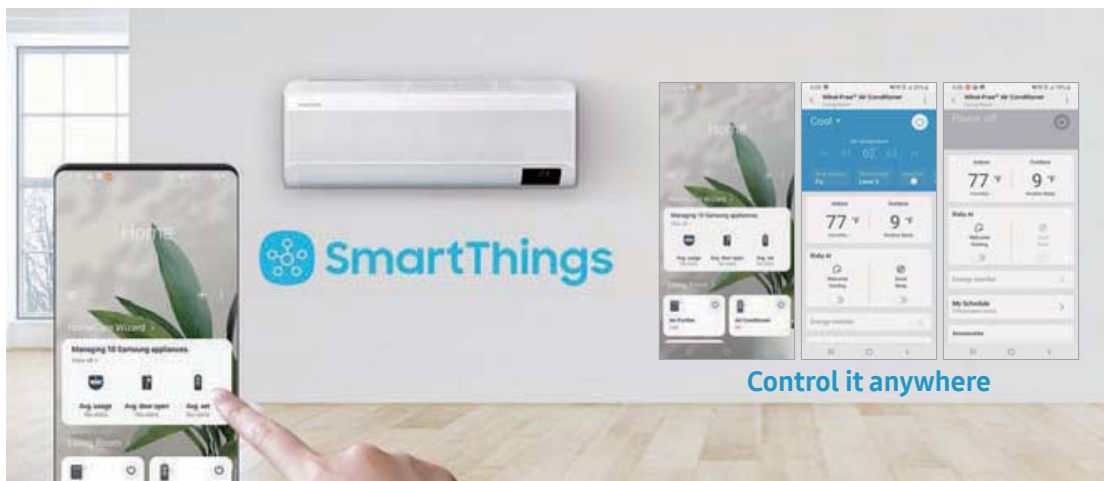


Auto addressing & Auto pipe inspection

It can automatically set the address of the indoor unit and inspect pipes with one push of the button. Installation is very simple.

SmartThings

Control the air conditioner remotely and with your voice.



Control the temperature in your home anytime and anywhere. Using the SmartThings App* you can remotely control and monitor the air conditioner with just a touch. Or simply tell the voice control artificial intelligence (AI) system* what you want** and it does it. It even suggests the best settings.

* Available on Android and iOS devices. A W-Fi connection and a Samsung account are required.





** Voice control supported in English (US, UK, Indian), Chinese, Korean, French, German, Italian and Spanish. Portuguese will also be supported by the end of 2019.

Contents




1. Line-up	8
2. Specification	10
3. Electrics Characteristics	24
4. Combination Table	25
5. Dimensional Drawing	49
6. Center of Gravity	58
7. Electrical Wiring Diagram	63
8. Sound Data	69
9. Fan Characteristics (PQ curve)	75
10. Operation Range	79
11. Piping Diagram	80
12. Installation	84

1. Line-up

1-1. Outdoor units










Capacity (kBtu/h)	18	22	32	47
Image				
Model	JXH20J2T (AJ020TXJ2CH/AA)	JXH24J3T (AJ024TXJ3CH/AA)	JXH36J4T (AJ036TXJ4CH/AA)	JXH48J5T (AJ048TXJ5CH/AA)

1-2. Indoor units

Capacity (kBtu/h)	7	9	12	15	18	24
Type						
Wind-Free™ 2.0						
Quantum 2.0						
(Wind-Free) 4Way Cassette (600x600)						
Slim duct						
Console						

1. Line-up

1-3. Outdoor units

Indoor Unit \ Outdoor Unit		Model				
			JXH20J2T (AJ020TXJ2CH/AA)	JXH24J3T (AJ024TXJ3CH/AA)	JXH36J4T (AJ036TXJ4CH/AA)	JXH48J5T (AJ048TXJ5CH/AA)
Model		Capacity (k Btu/h)	18	22	32	47
Wind-Free™ 2.0	RNS**ABT (AR**TSFABWKNCV) 	7	●	●	●	●
		9	●	●	●	●
		12	●	●	●	●
		15	●	●	●	●
		18		●	●	●
		24				●
Quantum 2.0	RNS**YBT (AR**TSFYBWKNCV) 	7	●	●	●	●
		9	●	●	●	●
		12	●	●	●	●
		15	●	●	●	●
		18		●	●	●
		24				●
(Wind-Free) 4Way Cassette (600x600)	JNH**NDT (AJ***TNNDCH/AA) 	9	●	●	●	●
		12	●	●	●	●
		18		●	●	●
Slim duct	JNH**LDT (AJ***TNLDCH/AA) 	9	●	●	●	●
		12	●	●	●	●
		18		●	●	●
Console	JNH**JDT (AJ***TNJDCH/AA) 	9	●	●	●	●
		12	●	●	●	●
		15	●	●	●	●
		18		●	●	●

2. Specification

Free Joint Multi

Model Name				AJ020TXJ2CH/AA	AJ024TXJ3CH/AA	AJ036TXJ4CH/AA	AJ048TXJ5CH/AA		
US Code				JXH20J2T	JXH24J3T	JXH36J4T	JXH48J5T		
Power Supply			Φ, #, V, Hz	1,2,208-230,60	1,2,208-230,60	1,2,208-230,60	1,2,208-230,60		
Mode				-	HEAT PUMP	HEAT PUMP	HEAT PUMP		
Performance	TON	TON		1.50	1.83	2.67	3.92		
		Capacity	Cooling	kW	5.30	6.50	9.40	13.78	
	Btu/h			18,000	22,000	32,000	47,000		
	USRT			1.50	1.83	2.67	3.92		
	Capacity	Heating	kW	6.50	7.30	10.60	14.21		
			Btu/h	22,000	25,000	36,000	48,500		
			US RT	1.83	2.08	2.99	4.03		
Maximum number of connectable Indoor Units				EA	2	3	4	5	
Power	Power Input (Nominal)	Cooling	kW	1.41	1.73	2.56	4.47		
		Heating		1.73	1.78	2.55	3.79		
	Current Input (Nominal)	Cooling	A	6.8	8.3	12.2	21.4		
		Heating		8.3	8.5	12.2	18.1		
	Current	MCA	A	16.5	19.5	26.0	37.0		
	MOP	20		25	30	40			
Efficiency	EER	Cooling (Non-Ducted)	(Btu/h)/W	12.70	12.70	12.50	10.5		
	COP	Heating (Non-Ducted)	W/W	3.73	4.12	4.14	3.75		
	SEER	Non-Ducted	(Btu/h)/W	19.5	19.0	19.5	19.7		
	HSPF	Non-Ducted	(Btu/h)/W	10.0	10.0	10.0	10.3		
Casing	Material	Body	-	GI steel plate	GI steel plate	GI steel plate	GI steel plate		
		Base	-	GI steel plate	GI steel plate	GI steel plate	GI steel plate		
Heat Exchanger	Type	-		Fin & Tube	Fin & Tube	Fin & Tube	Fin & Tube		
	Material	Fin	-	Al	Al	Al	Al		
		Tube	-	Cu	Cu	Cu	Cu		
	Fin Treatment	-		Anti-Corrosion	Anti-Corrosion	Anti-Corrosion	Anti-Corrosion		
Compressor	Type	-		Twin BLDC Rotary Inverter	Twin BLDC Rotary Inverter	Twin BLDC Rotary Inverter	Twin BLDC Rotary Inverter		
	Output	kW x n		5.919 x 1	7.766 x 1	10.010 x 1	10.010 x 1		
	Model Name	-		UG4T200FUA E4	G8T260FUA EW	KTF310D43UMT	KTF310D43UMT		
	Oil	Type	-		POE	POE	POE	POE	
Initial Charge		cc (fl. oz)	650 (22.0)	700 (23.7)	1,000 (33.8)	1,000 (33.8)			
Fan	Type	-		Propeller Fan	Propeller Fan	Propeller Fan	Propeller Fan		
	Discharge direction	-		Front (Horizontal)	Front (Horizontal)	Front (Horizontal)	Front (Horizontal)		
	Quantity	EA		1	1	1	2		
	Air Flow Rate	m ³ /min		47.5	47.5	70.6	94.0		
		ft ³ /min		1667.4	1667.4	2493.2	3884.6		
		l/s		792	792	1,177	1,833		
	External Static Pressure	Max.	mmAq		-	-	-	-	
Pa			-	-	-	-			
In Wg			-	-	-	-			
Fan Motor	Type	-		BLDC	BLDC	BLDC	BLDC		
	Output x n	W		125 x 1	125 x 1	125 x 1	125 x 2		
Piping Connections	Liquid Pipe	Type		Flare connection	Flare connection	Flare connection	Flare connection		
		Φ, mm x EA		6.35 x 2	6.35 x 3	6.35 x 4	6.35 x 5		
		Φ, inch x EA		1/4 x 2	1/4 x 3	1/4 x 4	1/4 x 5		
	Gas Pipe	Type		Flare connection	Flare connection	Flare connection	Flare connection		
		Φ, mm x EA		9.52 x 1 + 12.70 x 1	9.52 x 1 + 12.70 x 2	9.52 x 2 + 12.70 x 2	9.52 x 2 + 12.70 x 3		
		Φ, inch x EA		3/8 x 1 + 1/2 x 1	3/8 x 1 + 1/2 x 2	3/8" x 2 + 1/2 x 2	3/8 x 2 + 1/2 x 3		
	Heat insulation				Both Liquid & Gas pipes	Both Liquid & Gas pipes	Both Liquid & Gas pipes	Both Liquid & Gas pipes	
	Installation Limitation	Length	Total Piping Length		m (ft)	50 (164.0)	70 (229.7)	70 (229.7)	70 (229.7)
			Max. Length (OD~ID)		m (ft)	25 (82.0)	25 (82.0)	25 (82.0)	25 (82.0)
		Height	Max. Height (OD~ID)		m (ft)	15 (49.2)	15 (49.2)	15 (49.2)	15 (49.2)
Max. Height (ID~ID)			m (ft)	7.5 (24.6)	7.5 (24.6)	7.5 (24.6)	7.5 (24.6)		
Wiring Connection	Communication	Min.	Φ	0.75 ~ 1.5	0.75 ~ 1.5	0.75 ~ 1.5	0.75 ~ 1.5		
		Remark	-	F1, F2	F1, F2	F1, F2	F1, F2		

2. Specification

Free Joint Multi

Model Name			AJ020TXJ2CH/AA	AJ024TXJ3CH/AA	AJ036TXJ4CH/AA	AJ048TXJ5CH/AA	
US Code			JXH20J2T	JXH24J3T	JXH36J4T	JXH48J5T	
Refrigerant	Type	-	R410A	R410A	R410A	R410A	
	Factory Charging	kg	2.20	2.65	3.10	3.80	
		lbs	4.85	5.84	6.83	8.34	
Sound	Sound Pressure	Cooling	48	48	54	52	
		Heating	51	51	56	55	
External Dimension	Net Weight		kg (lbs)	53.0 (116.8)	57.0 (125.7)	76.5 (168.7)	87.5 (192.9)
	Shipping Weight		kg (lbs)	57.0 (125.7)	61.0 (134.5)	82.5 (181.9)	99.0 (218.3)
	Net Dimensions (WxHxD)		mm	880 x 798 x 310	880 x 798 x 310	940 x 998 x 330	940 x 1,210 x 330
			inch	34.6 x 31.4 x 12.2	34.6 x 31.4 x 12.2	37.0 x 39.3 x 13.0	37.0 x 47.6 x 13.0
	Shipping Dimensions (WxHxD)		mm	1,023 x 896 x 413	1,023 x 896 x 413	995 x 1,096 x 426	1,093 x 1,388 x 426
			inch	44.2 x 35.3 x 16.3	44.2 x 35.3 x 16.3	39.2 x 43.1 x 16.8	40.0 x 54.6 x 16.8
Operating Temp. Range	Cooling	°C(°F)	-10.0 ~ 46.0 (14.0 ~ 114.8)	-10.0 ~ 46.0 (14.0 ~ 114.8)	-10.0 ~ 46.0 (14.0 ~ 114.8)	-10.0 ~ 46.0 (14.0 ~ 114.8)	
	Heating	°C(°F)	-15.0 ~ 24.0 (5.0 ~ 75.2)	-15.0 ~ 24.0 (5.0 ~ 75.2)	-15.0 ~ 24.0 (5.0 ~ 75.2)	-15.0 ~ 24.0 (5.0 ~ 75.2)	

NOTE

- Specifications may be subject to change without prior notice.
- 1) Performances are based on the following test conditions.
 - Cooling : Indoor temperature : 80°F(26.7°C) DB, 67°F(19.4°C) WB, Outdoor temperature : 95°F(35°C) DB, 75°F(23.9°C) WB
 - Heating : Indoor temperature : 70°F(21.1°C) DB, 60°F(15.6°C) WB, Outdoor temperature : 47°F(8.3°C) DB, 43°F(6.1°C) WB
 - Equivalent refrigerant pipe length 16.4ft(5m), Level differences 0ft(0m)
 - 2) Select wire size based on the value of MCA
 - 3) Sound pressure level is obtained in an anechoic room.
 - Sound pressure level is a relative value, depending on the distance and acoustic environment.
 - Sound pressure level may differ depending on operation condition.
 - dBA = A-weighted sound pressure level
 - Reference acoustic pressure 0 dB = 20uPa
 - 4) Sound power level is an absolute value that a sound source generates.
 - dBA = A-weighted sound power level
 - Reference power : 1pW
 - Measured according to ISO 3741
 - 5) These products contain R410A which is fluorinated greenhouse gas.

2. Specification

Wind-Free™ 2.0

Model Name			AR07TSFABWKNCV	AR09TSFABWKNCV	AR12TSFABWKNCV		
US Code			RNS07ABT	RNS09ABT	RNS12ABT		
Power Supply		Φ, #, V, Hz	1,2,208-230,60	1,2,208-230,60	1,2,208-230,60		
Mode		-	HEAT PUMP	HEAT PUMP	HEAT PUMP		
Performance	TON	Capacity	TON	0.58	0.75	1.00	
			Cooling	kW	2.05	2.64	3.52
				Btu/h	7,000	9,000	12,000
				US RT	0.58	0.75	1.00
			Heating	kW	2.20	3.22	3.52
				Btu/h	7,500	11,000	12,000
US RT	0.62	0.91		1.00			
Power	Power Input	Cooling	W	40	40	40	
				Heating	40	40	40
	Current Input	Cooling	A	0.4	0.4	0.4	
				Heating	0.4	0.4	0.4
Heat exchanger	Type		-	Fin & Tube	Fin & Tube	Fin & Tube	
	Material	Fin	-	Al	Al	Al	
		Tube	-	Cu	Cu	Cu	
	Fin Treatment		-	Green Hydrophile	Green Hydrophile	Green Hydrophile	
Fan	Type		-	Cross Flow Fan	Cross Flow Fan	Cross Flow Fan	
	Quantity		EA	1	1	1	
	Air Flow Rate	Cooling (T/H/M/L)	m ³ /min	9.9 / 9.2 / 8.4 / 7.3	10.3 / 9.6 / 8.4 / 7.3	10.7 / 9.6 / 8.5 / 7.1	
			ft ³ /min	350 / 323 / 297 / 258	364 / 337 / 298 / 258	378 / 340 / 301 / 250	
			l/s	165 / 153 / 140 / 122	172 / 159 / 141 / 122	178 / 160 / 142 / 118	
		Heating (T/H/M/L)	m ³ /min	10.8 / 10.0 / 9.3 / 8.2	11.2 / 10.4 / 9.3 / 8.2	11.7 / 10.6 / 9.5 / 8.0	
			ft ³ /min	381 / 355 / 328 / 288	396 / 369 / 329 / 289	413 / 374 / 335 / 282	
l/s			180 / 167 / 155 / 136	187 / 174 / 155 / 136	195 / 176 / 158 / 133		
Fan Motor	Type		-	BLDC	BLDC	BLDC	
	Output x n		W	27 x 1	27 x 1	27 x 1	
Piping Connections	Liquid Pipe		Type	Flare connection	Flare connection	Flare connection	
			Φ, mm (inch)	6.35 (1/4)	6.35 (1/4)	6.35 (1/4)	
	Gas Pipe		Type	Flare connection	Flare connection	Flare connection	
			Φ, mm (inch)	9.52 (3/8)	9.52 (3/8)	9.52 (3/8)	
	Heat Insulation		-	Both Liquid & Gas pipes	Both Liquid & Gas pipes	Both Liquid & Gas pipes	
Drain Pipe		Φ, inch	16.3, 21.6	16.3, 21.6	16.3, 21.6		
Wiring connections	Communication	Min.	mm ²	0.75 ~ 1.5	0.75 ~ 1.5	0.75 ~ 1.5	
		Remark	-	F1, F2	F1, F2	F1, F2	
Refrigerant	Type		-	R410A	R410A	R410A	
	Electronic Expansion Valve		-	EEV NOT INCLUDED	EEV NOT INCLUDED	EEV NOT INCLUDED	
Sound	Sound Pressure Level	H / Silent	dB(A)	38 / 23	38 / 23	39 / 23	
External Dimension	Net Weight		kg (lbs)	10.6 (23.4)	10.6 (23.4)	10.6 (23.4)	
	Shipping Weight		kg (lbs)	12.0 (26.5)	12.0 (26.5)	12.0 (26.5)	
	Net Dimensions (WxHxD)		mm	889 x 299 x 215	889 x 299 x 215	889 x 299 x 215	
			inch	35.00 x 11.77 x 8.46	35.00 x 11.77 x 8.46	35.00 x 11.77 x 8.46	
	Shipping Dimensions (WxHxD)		mm	950 x 290 x 375	950 x 290 x 375	950 x 290 x 375	
			inch	37.40 x 11.42 x 14.76	37.40 x 11.42 x 14.76	37.40 x 11.42 x 14.76	
Casing	Material		-	HIPS	HIPS	HIPS	
Additional Accessories	Air Filter		-	Pre-Filter	Pre-Filter	Pre-Filter	

2. Specification

Wind-Free™ 2.0

Model Name			AR15TSFABWKNCV	AR18TSFABWKNCV	AR24TSFABWKNCV	
US Code			RNS15ABT	RNS18ABT	RNS24ABT	
Power Supply			Φ, #, V, Hz	1,2,208-230,60	1,2,208-230,60	
Mode			-	HEAT PUMP	HEAT PUMP	
Performance	TON	Cooling	TON	1.25	1.50	1.75
			kW	4.40	5.28	6.15
	Capacity	Cooling	Btu/h	15,000	18,000	21,000
			US RT	1.25	1.50	1.74
		Heating	kW	5.23	6.04	8.06
			US RT	1.50	1.71	2.28
Power	Power Input	Cooling	W	40	50	50
		Heating		40	50	50
	Current Input	Cooling	A	0.4	0.5	0.5
		Heating		0.4	0.5	0.5
Heat exchanger	Type		-	Fin & Tube	Fin & Tube	Fin & Tube
	Material	Fin	-	Al	Al	Al
		Tube	-	Cu	Cu	Cu
Fin Treatment		-	Green Hydrophile	Green Hydrophile	Green Hydrophile	
Fan	Type		-	Cross Flow Fan	Cross Flow Fan	Cross Flow Fan
	Quantity		EA	1	1	1
	Air Flow Rate	Cooling (T/H/M/L)	m³/min	11.5 / 10.4 / 8.9 / 7.4	16.2 / 15.2 / 13.6 / 12.1	20.1 / 18.0 / 15.9 / 13.7
			ft³/min	406 / 366 / 313 / 260	572 / 536 / 481 / 427	711 / 636 / 560 / 484
			l/s	192 / 173 / 148 / 123	270 / 253 / 227 / 201	336 / 300 / 264 / 228
		Heating (T/H/M/L)	m³/min	12.0 / 10.8 / 9.4 / 7.9	16.8 / 15.7 / 14.2 / 12.7	20.4 / 18.2 / 16.0 / 13.9
ft³/min	422 / 383 / 331 / 279		592 / 556 / 501 / 447	719 / 643 / 566 / 490		
l/s	199 / 181 / 156 / 132	280 / 262 / 237 / 211	340 / 303 / 267 / 231			
Fan Motor	Type		-	BLDC	BLDC	BLDC
	Output x n		W	27 x 1	27 x 1	27 x 1
Piping Connections	Liquid Pipe	Type	Flare connection	Flare connection	Flare connection	
		Φ, mm (inch)	6.35 (1/4)	6.35 (1/4)	6.35 (1/4)	
	Gas Pipe	Type	Flare connection	Flare connection	Flare connection	
		Φ, mm (inch)	9.52 (3/8)	12.70 (1/2)	15.88 (5/8)	
Heat Insulation		-	Both Liquid & Gas pipes	Both Liquid & Gas pipes	Both Liquid & Gas pipes	
Drain Pipe		Φ, inch	16.3, 21.6	16.3, 21.6	16.3, 21.6	
Wiring connections	Communication	Min.	mm²	0.75 ~ 1.5	0.75 ~ 1.5	0.75 ~ 1.5
		Remark	-	F1, F2	F1, F2	F1, F2
Refrigerant	Type		-	R410A	R410A	R410A
	Electronic Expansion Valve		-	EEV NOT INCLUDED	EEV NOT INCLUDED	EEV NOT INCLUDED
Sound	Sound Pressure Level	H / Silent	dB(A)	40 / 23	42 / 25	47 / 28
External Dimension	Net Weight		kg (lbs)	10.6 (23.4)	12.5 (27.6)	12.5 (27.6)
	Shipping Weight		kg (lbs)	12.0 (26.5)	14.3 (31.5)	14.3 (31.5)
	Net Dimensions (WxHxD)	mm	889 x 299 x 215	1,055 x 299 x 215	1,055 x 299 x 215	
		inch	35.00 x 11.77 x 8.46	41.54 x 11.77 x 8.46	41.54 x 11.77 x 8.46	
Shipping Dimensions (WxHxD)	mm	950 x 290 x 375	1,115 x 290 x 375	1,115 x 290 x 375		
	inch	37.40 x 11.42 x 14.76	43.90 x 11.42 x 14.76	43.90 x 11.42 x 14.76		
Casing	Material		-	HIPS	HIPS	HIPS
Additional Accessories	Air Filter		-	Pre-Filter	Pre-Filter	Pre-Filter

2. Specification

Wind-Free™ 2.0

NOTE

- Specifications may be subject to change without prior notice.
- 1) Performances are based on the following test conditions.
 - Cooling : Indoor temperature : 80°F(26.7°C) DB, 67°F(19.4°C) WB, Outdoor temperature : 95°F(35°C) DB, 75°F(23.9°C) WB
 - Heating : Indoor temperature : 70°F(21.1°C) DB, 60°F(15.6°C) WB, Outdoor temperature : 47°F(8.3°C) DB, 43°F(6.1°C) WB
 - Equivalent refrigerant pipe length 16.4ft(5m), Level differences 0ft(0m)
 - 2) Select wire size based on the value of MCA
 - 3) Sound pressure level is obtained in an anechoic room.
 - Sound pressure level is a relative value, depending on the distance and acoustic environment.
 - Sound pressure level may differ depending on operation condition.
 - dBA = A-weighted sound pressure level
 - Reference acoustic pressure 0 dB = 20uPa
 - 4) Sound power level is an absolute value that a sound source generates.
 - dBA = A-weighted sound power level
 - Reference power : 1pW
 - Measured according to ISO 3741
 - 5) These products contain R410A which is fluorinated greenhouse gas.

2. Specification

Quantum 2.0

Model Name			AR07TSFYBWKNVCV	AR09TSFYBWKNVCV	AR12TSFYBWKNVCV	
US Code			RNS07YBT	RNS09YBT	RNS12YBT	
Power Supply			1,2,208-230,60	1,2,208-230,60	1,2,208-230,60	
Mode			-	HEAT PUMP	HEAT PUMP	
Performance	TON		TON	0.58	0.75	1.00
		Capacity	Cooling	kW	2.05	2.64
	Btu/h			7,000	9,000	12,000
	US RT		0.58	0.75	1.00	
	Heating		kW	2.20	3.22	3.52
		Btu/h	7,500	11,000	12,000	
US RT	2.62	0.91	1.00			
Power	Power Input	Cooling	W	30	30	30
		Heating		30	30	30
	Current Input	Cooling	A	0.3	0.3	0.3
		Heating		0.3	0.3	0.3
Heat exchanger	Type		-	Fin & Tube	Fin & Tube	Fin & Tube
	Material	Fin	-	Al	Al	Al
		Tube	-	Cu	Cu	Cu
Fin Treatment		-	Green Hydrophile	Green Hydrophile	Green Hydrophile	
Fan	Type		-	Cross Flow Fan	Cross Flow Fan	Cross Flow Fan
	Quantity		EA	1	1	1
	Air Flow Rate	Cooling (T/H/M/L)	m ³ /min	9.9 / 9.5 / 9.1 / 8.7	10.3 / 9.9 / 9.5 / 8.7	10.7 / 10.3 / 9.5 / 8.8
			ft ³ /min	350 / 336 / 322 / 309	364 / 350 / 335 / 307	378 / 364 / 337 / 309
		l/s	165 / 159 / 152 / 146	172 / 165 / 159 / 146	178 / 172 / 159 / 146	
		Heating (T/H/M/L)	m ³ /min	10.8 / 10.4 / 10.0 / 9.6	11.2 / 10.8 / 10.4 / 9.6	11.7 / 11.3 / 10.5 / 9.7
ft ³ /min	381 / 368 / 354 / 340		396 / 381 / 367 / 339	413 / 399 / 371 / 343		
l/s	180 / 173 / 167 / 160	187 / 180 / 174 / 161	195 / 188 / 175 / 162			
Fan Motor	Type		-	BLDC	BLDC	BLDC
	Output x n		W	27 x 1	27 x 1	27 x 1
Piping Connections	Liquid Pipe	Type		Flare connection	Flare connection	Flare connection
		Φ, mm (inch)		6.35 (1/4)	6.35 (1/4)	6.35 (1/4)
	Gas Pipe	Type		Flare connection	Flare connection	Flare connection
		Φ, mm (inch)		9.52 (3/8)	9.52 (3/8)	9.52 (3/8)
Heat Insulation		-	Both Liquid & Gas pipes	Both Liquid & Gas pipes	Both Liquid & Gas pipes	
Drain Pipe		Φ, inch	16.3, 21.6	16.3, 21.6	16.3, 21.6	
Wiring connections	Communication	Min.	mm ²	0.75 ~ 1.5	0.75 ~ 1.5	0.75 ~ 1.5
		Remark	-	F1, F2	F1, F2	F1, F2
Refrigerant	Type		-	R410A	R410A	R410A
	Electronic Expansion Valve		-	EEV NOT INCLUDED	EEV NOT INCLUDED	EEV NOT INCLUDED
Sound	Sound Pressure Level	H / Silent	dB(A)	37 / 23	37 / 23	38 / 23
External Dimension	Net Weight		kg (lbs)	9.1 (20.1)	9.1 (20.1)	9.1 (20.1)
	Shipping Weight		kg (lbs)	10.4 (22.9)	10.4 (22.9)	10.4 (22.9)
	Net Dimensions (WxHxD)	mm		820 x 299 x 215	820 x 299 x 215	820 x 299 x 215
		inch		32.28 x 11.77 x 8.46	32.28 x 11.77 x 8.46	32.28 x 11.77 x 8.46
Shipping Dimensions (WxHxD)	mm		880 x 290 x 375	880 x 290 x 375	880 x 290 x 375	
	inch		35.04 x 11.42 x 14.76	35.04 x 11.42 x 14.76	35.04 x 11.42 x 14.76	
Casing	Material		-	HIPS	HIPS	HIPS
Additional Accessories	Air Filter		-	Pre-Filter	Pre-Filter	Pre-Filter

2. Specification

Quantum 2.0

Model Name			AR15TSFYBWKNCV	AR18TSFYBWKNCV	AR24TSFYBWKNCV	
US Code			RNS15YBT	RNS18YBT	RNS24YBT	
Power Supply		Φ, #, V, Hz	1,2,208-230,60	1,2,208-230,60	1,2,208-230,60	
Mode		-	HEAT PUMP	HEAT PUMP	HEAT PUMP	
Performance	TON	TON	1.25	1.50	1.83	
		Capacity	Cooling	kW	4.40	5.28
	Btu/h			15,000	18,000	22,000
	Heating		US RT	1.25	1.50	1.83
			kW	5.23	6.15	7.03
	Btu/h	18,000	21,000	24,000		
US RT	1.50	1.74	1.99			
Power	Power Input	Cooling	W	40	50	50
				Heating	40	50
	Current Input	Cooling	A	0.4	0.5	0.5
				Heating	0.4	0.5
Heat exchanger	Type		-	Fin & Tube	Fin & Tube	Fin & Tube
	Material	Fin	-	Al	Al	Al
		Tube	-	Cu	Cu	Cu
	Fin Treatment		-	Green Hydrophile	Green Hydrophile	Green Hydrophile
Fan	Type		-	Cross Flow Fan	Cross Flow Fan	Cross Flow Fan
	Quantity		EA	1	1	1
	Air Flow Rate	Cooling (T/H/M/L)	m ³ /min	11.5 / 10.4 / 8.9 / 7.4	13.8 / 13.3 / 12.3 / 11.4	17.7 / 16.5 / 14.9 / 13.2
			ft ³ /min	406 / 366 / 313 / 260	486 / 469 / 435 / 401	623 / 584 / 525 / 465
			l/s	192 / 173 / 148 / 123	230 / 221 / 205 / 189	294 / 276 / 248 / 220
		Heating (T/H/M/L)	m ³ /min	12.0 / 10.8 / 9.4 / 7.9	14.2 / 13.7 / 12.7 / 11.7	17.8 / 16.7 / 15.0 / 13.3
ft ³ /min			423 / 384 / 332 / 280	623 / 584 / 525 / 465	629 / 589 / 529 / 470	
l/s			200 / 181 / 157 / 132	237 / 229 / 212 / 196	297 / 278 / 250 / 222	
Fan Motor	Type		-	BLDC	BLDC	BLDC
	Output x n		W	27 x 1	27 x 1	27 x 1
Piping Connections	Liquid Pipe		Type	Flare connection	Flare connection	Flare connection
			Φ, mm (inch)	6.35 (1/4)	6.35 (1/4)	6.35 (1/4)
	Gas Pipe		Type	Flare connection	Flare connection	Flare connection
			Φ, mm (inch)	9.52 (3/8)	12.70 (1/2)	15.88 (5/8)
Heat Insulation		-	Both Liquid & Gas pipes	Both Liquid & Gas pipes	Both Liquid & Gas pipes	
Drain Pipe		Φ, inch	16.3, 21.6	16.3, 21.6	16.3, 21.6	
Wiring connections	Communication	Min.	mm ²	0.75 ~ 1.5	0.75 ~ 1.5	0.75 ~ 1.5
		Remark	-	F1, F2	F1, F2	F1, F2
Refrigerant	Type		-	R410A	R410A	R410A
	Electronic Expansion Valve		-	EEV NOT INCLUDED	EEV NOT INCLUDED	EEV NOT INCLUDED
Sound	Sound Pressure Level	H / Silent	dB(A)	41 / 25	41 / 28	45 / 30
External Dimension	Net Weight		kg (lbs)	10.6 (23.4)	11.5 (25.4)	11.5 (25.4)
	Shipping Weight		kg (lbs)	12.0 (26.5)	13.1 (28.9)	13.1 (28.9)
	Net Dimensions (WxHxD)		mm	889 x 299 x 215	1,055 x 299 x 215	1,055 x 299 x 215
			inch	35.00 x 11.77 x 8.46	41.54 x 11.77 x 8.46	41.54 x 11.77 x 8.46
	Shipping Dimensions (WxHxD)		mm	950 x 290 x 375	1,115 x 290 x 375	1,115 x 290 x 375
			inch	37.40 x 11.42 x 14.76	43.90 x 11.42 x 14.76	43.90 x 11.42 x 14.76
Casing	Material		-	HIPS	HIPS	HIPS
Additional Accessories	Air Filter		-	Pre-Filter	Pre-Filter	Pre-Filter

2. Specification

Quantum 2.0

NOTE

- Specifications may be subject to change without prior notice.
- Capacities are based on (Equivalent refrigerant piping : 7.5m(24.6ft), Level differences : 0m(0ft)
 - Cooling : Indoor temperature : 80°F(26.7°C) DB, 67°F(19.4°C) WB / Outdoor temperature : 95°F(35°C) DB, 75°F(23.9°C) WB
 - Heating : Indoor temperature : 70°F(21.1°C) DB, 60°F(15.6°C) WB / Outdoor temperature : 47°F(8.3°C) DB, 43°F(6.1°C) WB
- Select wire size based on the value of MCA
- Sound pressure level is obtained in an anechoic room.
 - Sound pressure level is a relative value, depending on the distance and acoustic environment.
 - Sound pressure level may differ depending on operation condition.
 - dBA = A-weighted sound pressure level
 - Reference acoustic pressure 0 dB = 20uPa
- Sound power level is an absolute value that a sound source generates.
 - dBA = A-weighted sound power level
 - Reference power : 1pW
 - Measured according to ISO 3741
- These products contain R410A which is fluorinated greenhouse gas.

2. Specification

(Wind-Free) 4Way Cassette (600x600)

Model Name			AJ009TNNDC/AA	AJ012TNNDC/AA	AJ018TNNDC/AA	
US Code			JNH09NDT	JNH12NDT	JNH18NDT	
Power Supply		Φ, #, V, Hz	1,2,208-230,60	1,2,208-230,60	1,2,208-230,60	
Mode			HEAT PUMP	HEAT PUMP	HEAT PUMP	
Performance	TON		TON	0.74	0.99	1.47
		Capacity	Cooling	kW	2.60	3.50
	Btu/h			8,900	11,900	17,700
	Heating		US RT	0.74	0.99	1.47
			kW	2.90	3.80	5.60
	Btu/h	9,900	13,000	19,100		
US RT	0.82	1.08	1.59			
Power	Power Input	Cooling	W	19	22	28
				Heating	19	22
	Current Input	Cooling	A	0.51	0.52	0.53
				Heating	0.51	0.52
Heat exchanger	Type		-	Fin & Tube	Fin & Tube	Fin & Tube
	Material	Fin	-	Al	Al	Al
		Tube	-	Cu	Cu	Cu
	Fin Treatment		-	Green Hydrophile	Green Hydrophile	Green Hydrophile
Fan	Type		-	Turbo Fan	Turbo Fan	Turbo Fan
	Quantity		EA	65 x1	65 x1	65 x1
	Air Flow Rate	H/M/L	m ³ /min	9.0 / 8.2 / 6.9	10.5 / 9.0 / 7.4	10.5 / 9.0 / 7.4
			ft ³ /min	317.8 / 289.6 / 243.7	370.8 / 317.8 / 261.3	370.8 / 317.8 / 261.3
			l/s	150 / 137 / 115	175 / 150 / 123	175 / 150 / 123
	External Static Pressure	Max. (Min/Std/Max)	mmAq	-	-	-
Pa			-	-	-	
In Wg			-	-	-	
Fan Motor	Type		-	BLDC	BLDC	BLDC
	Output x n		W	65 x1	65 x1	65 x1
Piping Connections	Liquid Pipe		Type	Flare connection	Flare connection	Flare connection
			Φ, mm (inch)	6.35 (1/4)	6.35 (1/4)	6.35 (1/4)
	Gas Pipe		Type	Flare connection	Flare connection	Flare connection
			Φ, mm (inch)	9.52 (3/8)	9.52 (3/8)	12.70 (1/2)
	Heat Insulation		-	Both Liquid & Gas pipes	Both Liquid & Gas pipes	Both Liquid & Gas pipes
Drain Pipe		Φ, inch	ID 0.98 Hose	ID 0.98 Hose	ID 0.98 Hose	
Wiring connections	Communication	Min.	Φ	0.75 ~ 1.5	0.75 ~ 1.5	0.75 ~ 1.5
		Remark	-	F1, F2	F1, F2	F1, F2
Refrigerant	Type		-	R410A	R410A	R410A
	Electronic Expansion Valve		-	EEV NOT INCLUDED	EEV NOT INCLUDED	EEV NOT INCLUDED
Sound	Sound Pressure	H/M/L	dB(A)	33 / 29 / 24	35 / 31 / 27	39 / 36 / 32
External Dimension	Net Weight		kg (lbs)	11.5 (25.4)	11.5 (25.4)	11.8 (26.0)
	Shipping Weight		kg (lbs)	13.5 (29.8)	13.5 (29.8)	13.8 (30.4)
	Net Dimensions (WxHxD)		mm	575 x 250 x 575	575 x 250 x 575	575 x 250 x 575
			inch	22.64 x 9.84 x 22.64	22.64 x 9.84 x 22.64	22.64 x 9.84 x 22.64
	Shipping Dimensions (WxHxD)		mm	623 x 298 x 653	623 x 298 x 653	623 x 298 x 653
			inch	24.53 x 11.73 x 25.71	24.53 x 11.73 x 25.71	24.53 x 11.73 x 25.71
Casing	Material		-	Polypropylene	Polypropylene	Polypropylene
	Model Name		-	PC4SUFMUN	PC4SUFMUN	PC4SUFMUN
Panel 1	Type		-	Wind-Free	Wind-Free	Wind-Free
	Material		-	HIPS	HIPS	HIPS
	Color		-	DA White	DA White	DA White
	Net Weight		kg (lbs)	2.7 (5.95)	2.7 (5.95)	2.7 (5.95)
	Shipping Weight		kg (lbs)	3.9 (8.60)	3.9 (8.60)	3.9 (8.60)
	Net Dimensions (WxHxD)		mm	620 x 57 x 620	620 x 57 x 620	620 x 57 x 620
			inch	24.41 x 2.24 x 24.41	24.41 x 2.24 x 24.41	24.41 x 2.24 x 24.41
	Shipping Dimensions (WxHxD)		mm	670 x 120 x 655	670 x 120 x 655	670 x 120 x 655
			inch	26.38 x 4.72 x 25.78	26.38 x 4.72 x 25.78	26.38 x 4.72 x 25.78

2. Specification

(Wind-Free) 4Way Cassette (600x600)

Model Name			AJ009TNNDCH/AA	AJ012TNNDCH/AA	AJ018TNNDCH/AA	
US Code			JNH09NDT	JNH12NDT	JNH18NDT	
Panel 2	Model Name	-	PC4SUSMUN	PC4SUSMUN	PC4SUSMUN	
	Type	-	Normal (Waffle Type)	Normal (Waffle Type)	Normal (Waffle Type)	
	Material	-	HIPS	HIPS	HIPS	
	Color	-	White	White	White	
	Net Weight	kg (lbs)	2.7 (5.95)	2.7 (5.95)	2.7 (5.95)	
	Shipping Weight	kg (lbs)	3.5 (7.72)	3.5 (7.72)	3.5 (7.72)	
	Net Dimensions (W×H×D)	mm		620 x 45 x 620	620 x 45 x 620	620 x 45 x 620
		inch		24.41 x 1.77 x 24.41	24.41 x 1.77 x 24.41	24.41 x 1.77 x 24.41
	Shipping Dimensions (W×H×D)	mm		667 x 102 x 655	667 x 102 x 655	667 x 102 x 655
inch			26.25 x 4.02 x 25.78	26.25 x 4.02 x 25.78	26.25 x 4.02 x 25.78	
Drain pump	Drain pump	-	Built In	Built In	Built In	
	Max. lifting Height / Displacement	mm/Liter/h	750 / 24	750 / 24	750 / 24	
Additional Accessories	Air Filter	-	Option (Removable / Washable)	Option (Removable / Washable)	Option (Removable / Washable)	

NOTE

- Specifications may be subject to change without prior notice.
- Capacities are based on (Equivalent refrigerant piping : 7.5m(24.6ft), Level differences : 0m(0ft)
 - Cooling : Indoor temperature : 80°F(26.7°C) DB, 67°F(19.4°C) WB / Outdoor temperature : 95°F(35°C) DB, 75°F(23.9°C) WB
 - Heating : Indoor temperature : 70°F(21.1°C) DB, 60°F(15.6°C) WB / Outdoor temperature : 47°F(8.3°C) DB, 43°F(6.1°C) WB
- Select wire size based on the value of MCA
- Sound pressure level is obtained in an anechoic room.
 - Sound pressure level is a relative value, depending on the distance and acoustic environment.
 - Sound pressure level may differ depending on operation condition.
 - dBA = A-weighted sound pressure level
 - Reference acoustic pressure 0 dB = 20uPa
- Sound power level is an absolute value that a sound source generates.
 - dBA = A-weighted sound power level
 - Reference power : 1pW
 - Measured according to ISO 3741
- These products contain R410A which is fluorinated greenhouse gas.

2. Specification

Slim duct 1

Model Name			AJ009TNLDCH/AA	AJ012TNLDCH/AA	AJ018TNLDCH/AA		
US Code			JNH09LDT	JNH12LDT	JNH18LDT		
Power Supply		Φ, #, V, Hz	1,2,208-230,60	1,2,208-230,60	1,2,208-230,60		
Mode		-	HEAT PUMP	HEAT PUMP	HEAT PUMP		
Performance	TON	Cooling	TON	0.74	0.99	1.47	
			kW	2.6	3.5	5.2	
	Capacity	Cooling	Btu/h	8,900	11,900	17,700	
			US RT	0.74	0.99	1.47	
		Heating	kW	2.9	3.8	5.6	
			Btu/h	9,900	13,000	19,100	
US RT	0.82	1.08	1.59				
Power	Power Input	Cooling	W	50	50	50	
		Heating		50	50	50	
	Current Input	Cooling	A	0.45	0.45	0.45	
		Heating		0.45	0.45	0.45	
Heat exchanger	Type		-	Fin & Tube	Fin & Tube	Fin & Tube	
	Material	Fin	-	Al	Al	Al	
		Tube	-	Cu	Cu	Cu	
	Fin Treatment		-	Green Hydrophile	Green Hydrophile	Green Hydrophile	
Fan	Type		-	Sirroco Fan	Sirroco Fan	Sirroco Fan	
	Quantity		EA	2	2	2	
	Air Flow Rate	H/M/L	m ³ /min	9.3 / 6.7 / 4.5	10.7 / 7.6 / 4.5	14.0 / 9.8 / 5.4	
			ft ³ /min	328.4 / 236.6 / 158.9	377.87 / 268.4 / 158.9	494.4 / 346.1 / 190.7	
			l/s	154 / 111 / 74	178 / 126 / 75	232 / 163 / 90	
	External Static Pressure	Max. (Min/Std/Max)	mmAq	0 / 2 / 5.1	0 / 2 / 5.1	0 / 2 / 5.1	
Pa			0 / 19.6 / 50.0	0 / 19.6 / 50.0	0 / 19.6 / 50.0		
In Wg			0 / 0.08 / 0.2	0 / 0.08 / 0.2	0 / 0.08 / 0.2		
Fan Motor	Type		-	BLDC	BLDC	BLDC	
	Output x n		W	84 x 1	84 x 1	84 x 1	
Piping Connections	Liquid Pipe		Type	Flare connection	Flare connection	Flare connection	
			Φ, mm (inch)	6.35 (1/4)	6.35 (1/4)	6.35 (1/4)	
	Gas Pipe		Type	Flare connection	Flare connection	Flare connection	
			Φ, mm (inch)	9.52 (3/8)	9.52 (3/8)	12.70 (1/2)	
Heat Insulation		-	Both Liquid & Gas pipes	Both Liquid & Gas pipes	Both Liquid & Gas pipes		
Drain Pipe		Φ, inch	ID 0.98 Hose	ID 0.98 Hose	ID 0.98 Hose		
Wiring connections	Communication	Min.	mm ²	0.75 ~ 1.5	0.75 ~ 1.5	0.75 ~ 1.5	
		Remark	-	F1, F2	F1, F2	F1, F2	
Refrigerant	Type		-	R410A	R410A	R410A	
	Electronic Expansion Valve		-	EEV NOT INCLUDED	EEV NOT INCLUDED	EEV NOT INCLUDED	
Sound	Sound Pressure		H/M/L	dB(A)	28 / 25 / 23	30 / 25 / 23	33 / 29 / 23
	Net Weight		kg (lbs)	18.9 (41.7)	18.9 (41.7)	18.9 (41.7)	
External Dimension	Shipping Weight		kg (lbs)	21.8 (48.1)	21.8 (48.1)	21.8 (48.1)	
	Net Dimensions (WxHxD)		mm	900 x 199 x 440	900 x 199 x 440	900 x 199 x 440	
			inch	35.43 x 7.83 x 17.32	35.43 x 7.83 x 17.32	35.43 x 7.83 x 17.32	
	Shipping Dimensions (WxHxD)		mm	1151 x 280 x 544	1151 x 280 x 544	1151 x 280 x 544	
			inch	45.31 x 11.02 x 21.42	45.31 x 11.02 x 21.42	45.31 x 11.02 x 21.42	
	Casing	Material		-	EGI Steel Plate	EGI Steel Plate	EGI Steel Plate
Drain pump		-	Built In	Built In	Built In		
Drain pump	Max. lifting Height / Displacement		mm / Liter/h	750/24	750/24	750/24	

2. Specification

Slim duct 1

Model Name				AJ009TNLDCH/AA	AJ012TNLDCH/AA	AJ018TNLDCH/AA
US Code				JNH09LDT	JNH12LDT	JNH18LDT
Additional Accessories	Drain Pump	External Model	-	-	-	-
		Internal Model	-	MDP-E075SEE3	MDP-E075SEE3	MDP-E075SEE3
		Max. lifting Height / Displacement	mm / Liter/h	750/24	750/24	750/24
	Air Filter		-	INCLUDED Removable / Washable	INCLUDED Removable / Washable	INCLUDED Removable / Washable

NOTE

- Specifications may be subject to change without prior notice.
- Capacities are based on (Equivalent refrigerant piping : 7.5m(24.6ft), Level differences : 0m(0ft)
 - Cooling : Indoor temperature : 80°F(26.7°C) DB, 67°F(19.4°C) WB / Outdoor temperature : 95°F(35°C) DB, 75°F(23.9°C) WB
 - Heating : Indoor temperature : 70°F(21.1°C) DB, 60°F(15.6°C) WB / Outdoor temperature : 47°F(8.3°C) DB, 43°F(6.1°C) WB
- Select wire size based on the value of MCA
- Sound pressure level is obtained in an anechoic room.
 - Sound pressure level is a relative value, depending on the distance and acoustic environment.
 - Sound pressure level may differ depending on operation condition.
 - dBA = A-weighted sound pressure level
 - Reference acoustic pressure 0 dB = 20uPa
- Sound power level is an absolute value that a sound source generates.
 - dBA = A-weighted sound power level
 - Reference power : 1pW
 - Measured according to ISO 3741
- These products contain R410A which is fluorinated greenhouse gas.

2. Specification

Console

Model Name				AJ009TNJDCH/AA	AJ012TNJDCH/AA	AJ015TNJDCH/AA	AJ018TNJDCH/AA	
US Code				JNH09JDT	JNH12JDT	JNH15JDT	JNH18JDT	
Power Supply			Φ, #, V, Hz	1,2,208-230,60	1,2,208-230,60	1,2,208-230,60	1,2,208-230,60	
Mode				-	HEAT PUMP	HEAT PUMP	HEAT PUMP	
Performance	TON	Cooling	TON	0.74	0.99	1.25	1.47	
			kW	2.6	3.5	4.4	5.2	
	"Capacity"		BTU/h	8,900	11,900	15,000	17,700	
				US RT	0.74	0.99	1.25	1.47
			Heating	kW	2.9	3.8	5.3	5.6
				BTU/h	9,900	13,000	18,000	19,100
US RT	0.82	1.08	1.50	1.59				
Power	Power Input	Cooling	W	30	35	50	50	
		Heating		30	35	50	50	
	Current Input	Cooling		A	0.25	0.29	0.35	0.35
		Heating			0.25	0.29	0.35	0.35
"Heat exchanger"	Type		-	Fin & Tube	Fin & Tube	Fin & Tube	Fin & Tube	
	Material	Fin	-	Al	Al	Al	Al	
		Tube	-	Cu	Cu	Cu	Cu	
	Fin Treatment		-	Green Hydrophile	Green Hydrophile	Green Hydrophile	Green Hydrophile	
Fan	Type		-	Turbo Fan	Turbo Fan	Turbo Fan	Turbo Fan	
	Quantity		EA	1	1	1	1	
	Air Flow Rate	m ³ /min		7.5 / 6.8 / 6.0	8.5 / 7.2 / 6.2	9.0 / 8.2 / 7.2	9.4 / 8.4 / 7.4	
		ft ³ /min		264.9 / 240.1 / 211.9	300.2 / 254.3 / 219.0	317.8 / 289.6 / 254.3	332.0 / 296.6 / 261.3	
		l/s		125 / 113 / 100	141 / 120 / 103	149 / 136 / 120	156 / 139 / 123	
	"External Static pressure"	"Max. (Min/Std/Max)"	mmAq		-	-	-	-
			Pa		-	-	-	-
In Wg			-	-	-	-		
Fan Motor	Type		-	BLDC	BLDC	BLDC	BLDC	
	Output x n		W	35 x 1	35 x 1	35 x 1	35 x 1	
"Piping Connections"	Liquid Pipe	Type		Flare connection	Flare connection	Flare connection	Flare connection	
		Φ, mm (inch)		6.35 (1/4)	6.35 (1/4)	6.35 (1/4)	6.35 (1/4)	
	Gas Pipe	Type		Flare connection	Flare connection	Flare connection	Flare connection	
		Φ, mm (inch)		9.52 (3/8)	9.52 (3/8)	12.70 (1/2)	12.70 (1/2)	
	Heat Insulation		-	Both Liquid & Gas pipes	Both Liquid & Gas pipes	Both Liquid & Gas pipes	Both Liquid & Gas pipes	
Drain Pipe		Φ, inch	ID 0.98 Hose	ID 0.98 Hose	ID 0.98 Hose	ID 0.98 Hose		
"Wiring connections"	Communication	Min.	mm ²	0.75 ~ 1.5	0.75 ~ 1.5	0.75 ~ 1.5	0.75 ~ 1.5	
		Remark	-	F1, F2	F1, F2	F1, F2	F1, F2	
Refrigerant	Type		-	R410A	R410A	R410A	R410A	
	Electronic Expansion Valve		-	EEV NOT INCLUDED	EEV NOT INCLUDED	EEV NOT INCLUDED	EEV NOT INCLUDED	
Sound	Sound Pressure	H/M/L	dB(A)	38 / 35 / 33	38 / 35 / 33	42 / 39 / 36	42 / 39 / 36	
	Net Weight		kg (lbs)	15.7 (34.6)	15.7 (34.6)	15.7 (34.6)	15.7 (34.6)	
"External Dimension"	Shipping Weight		kg (lbs)	20.3 (44.8)	20.3 (44.8)	20.3 (44.8)	20.3 (44.8)	
	Net Dimensions (W×H×D)	mm		720 x 620 x 199	720 x 620 x 199	720 x 620 x 199	720 x 620 x 199	
		inch		28.3 x 24.4 x 7.8	28.3 x 24.4 x 7.8	28.3 x 24.4 x 7.8	28.3 x 24.4 x 7.8	
	Shipping Dimensions (W×H×D)	mm		805 x 297 x 705	805 x 297 x 705	805 x 297 x 705	805 x 297 x 705	
		inch		31.7 x 11.7 x 27.8	31.7 x 11.7 x 27.8	31.7 x 11.7 x 27.8	31.7 x 11.7 x 27.8	
Casing	Material		-	HIPS	HIPS	HIPS	HIPS	
	Drain pump		-	DA White	DA White	DA White	DA White	
Drain pump	Max. lifting Height / Displacement		mm / Liter/h	-	-	-	-	

2. Specification

Console

Model Name				AJ009TNDCH/AA	AJ012TNDCH/AA	AJ015TNDCH/AA	AJ018TNDCH/AA
US Code				JNH09JDT	JNH12JDT	JNH15JDT	JNH18JDT
"Additional Accessories"	Drain pump	External Model	-	-	-	-	-
		Internal Model	-	-	-	-	-
		Max. lifting Height / Displacement	mm / liter/h	-	-	-	-
	SPI		-	Default	Default	Default	Default
	Air Filter		-	Removable / Washable	Removable / Washable	Removable / Washable	Removable / Washable

NOTE

- Specifications may be subject to change without prior notice.
- Capacities are based on (Equivalent refrigerant piping : 7.5m(24.6ft), Level differences : 0m(0ft)
 - Cooling : Indoor temperature : 80°F(26.7°C) DB, 67°F(19.4°C) WB / Outdoor temperature : 95°F(35°C) DB, 75°F(23.9°C) WB
 - Heating : Indoor temperature : 70°F(21.1°C) DB, 60°F(15.6°C) WB / Outdoor temperature : 47°F(8.3°C) DB, 43°F(6.1°C) WB
- Select wire size based on the value of MCA
- Sound pressure level is obtained in an anechoic room.
 - Sound pressure level is a relative value, depending on the distance and acoustic environment.
 - Sound pressure level may differ depending on operation condition.
 - dBA = A-weighted sound pressure level
 - Reference acoustic pressure 0 dB = 20uPa
- Sound power level is an absolute value that a sound source generates.
 - dBA = A-weighted sound power level
 - Reference power : 1pW
 - Measured according to ISO 3741
- These products contain R410A which is fluorinated greenhouse gas.

3. Electrics Characteristics

Capacity (Cooling) [kBtu/h]	Model	Power Supply		Voltage Range		Running Current [A]		Current [A]		ODU Fan Motor [kW]
		Hz	Voltage	Min. (-10%)	Max. (+10%)	Cooling	Heating	MCA	MOP	
18	JXH20J2T (AJ020TXJ2CH)	60	208-230	187	253	6.4	7.8	16.5	20	0.125
22	JXH24J3T (AJ024TXJ3CH)	60	208-230	187	253	7.9	8.1	19.5	25	0.125
32	JXH36J4T (AJ036TXJ4CH)	60	208-230	187	253	11.7	12.9	26.0	30	0.125
47	JXH48J5T (AJ048TXJ5CH)	60	208-230	187	253	20.5	16.9	37.0	40	0.250

 **NOTE**

- MCA : Mimium circuit amperes
- MOP : Maximum Overcurrent Protective Device (A)
- Select wire size based on the value of MCA

4. Combination Table

4-1. AJ020TXJ2CH

Cooling (Ducted)

Unit	Indoor Index					Cooling Capacity (Btu)						Capacity			Power Consumption			Current			EER
	A	B	C	D	E	A	B	C	D	E	TTL	Btu			W			A			btu/W
												MIN	Rated	MAX	MIN	Rated	MAX	MIN	Rated	MAX	
1	9					9,000					9,000	5,500	9,000	9,000	450	830	830	2.20	4.00	4.00	10.84
	12					12,000					12,000	5,500	12,000	12,000	450	1,140	1,140	2.20	5.50	5.50	10.53
2	9	9				9,000	9,000				18,000	6,500	18,000	18,000	460	1,540	1,540	2.20	7.40	7.40	11.69
	9	12				7,700	10,300				18,000	6,500	18,000	18,000	460	1,540	1,540	2.20	7.40	7.40	11.69
	12	12				9,000	9,000				18,000	6,500	18,000	18,000	460	1,540	1,540	2.20	7.40	7.40	11.69

Heating (Ducted)

Unit	Indoor Index					Heating Capacity (Btu)						Capacity			Power Consumption			Current			COP
	A	B	C	D	E	A	B	C	D	E	TTL	Btu			W			A			W/W
												MIN	Rated	MAX	MIN	Rated	MAX	MIN	Rated	MAX	
1	9					10,900					10,900	7,600	10,900	13,500	690	1,120	1,390	3.30	5.40	6.70	2.85
	12					14,000					14,000	7,600	14,000	17,000	690	1,370	1,710	3.30	6.60	8.20	3.00
2	9	9				11,000	11,000				22,000	3,500	22,000	25,300	400	1,850	2,290	1.90	8.90	11.00	3.49
	9	12				9,400	12,600				22,000	3,500	22,000	25,500	400	1,850	2,290	1.90	8.90	11.00	3.49
	12	12				11,000	11,000				22,000	3,500	22,000	25,800	400	1,850	2,290	1.90	8.90	11.00	3.49

4. Combination Table

4-1. AJ020TXJ2CH

Cooling (Non Ducted)

Unit	Indoor Index					Cooling Capacity (Btu)						Capacity			Power Consumption			Current			EER
	A	B	C	D	E	A	B	C	D	E	TTL	Btu			W			A			btu/W
												MIN	Rated	MAX	MIN	Rated	MAX	MIN	Rated	MAX	
1	7					7,000					7,000	5,500	7,000	7,000	450	680	680	2.20	3.30	3.30	10.29
	9					9,000					9,000	5,500	9,000	9,000	450	820	820	2.20	3.90	3.90	10.98
	12					12,000					12,000	5,500	12,000	12,000	450	1,120	1,120	2.20	5.40	5.40	10.71
	15					15,000					15,000	5,500	15,000	15,000	450	1,270	1,270	2.20	6.10	6.10	11.81
2	7	7				7,000	7,000				14,000	6,500	14,000	14,000	460	1,170	1,170	2.20	5.60	5.60	11.97
	7	9				7,100	8,900				16,000	6,500	16,000	16,000	460	1,270	1,270	2.20	6.10	6.10	12.6
	7	12				6,600	11,400				18,000	6,500	18,000	18,000	460	1,410	1,410	2.20	6.70	6.70	12.7
	7	15				5,700	12,300				18,000	6,500	18,000	18,000	460	1,410	1,410	2.20	6.70	6.70	12.7
	9	9				9,000	9,000				18,000	6,500	18,000	18,000	460	1,410	1,410	2.20	6.70	6.70	12.7
	9	12				7,700	10,300				18,000	6,500	18,000	18,000	460	1,410	1,410	2.20	6.70	6.70	12.7
	9	15				6,800	11,200				18,000	6,500	18,000	18,000	460	1,410	1,410	2.20	6.70	6.70	12.7
	12	12				9,000	9,000				18,000	6,500	18,000	18,000	460	1,410	1,410	2.20	6.70	6.70	12.7
12	15				8,000	10,000				18,000	6,500	18,000	18,000	460	1,410	1,410	2.20	6.70	6.70	12.7	

Heating (Non Ducted)

Unit	Indoor Index					Heating Capacity (Btu)						Capacity			Power Consumption			Current			COP
	A	B	C	D	E	A	B	C	D	E	TTL	Btu			W			A			W/W
												MIN	Rated	MAX	MIN	Rated	MAX	MIN	Rated	MAX	
1	7					7,500					7,500	3,500	7,500	8,000	450	900	1,450	2.20	4.30	6.90	2.44
	9					10,900					10,900	3,500	10,900	13,500	450	1,210	1,970	2.20	5.80	9.40	2.64
	12					14,000					14,000	3,500	14,000	15,000	450	1,460	2,380	2.20	7.00	11.40	2.81
	15					18,000					18,000	3,500	18,000	19,200	450	1,540	2,480	2.20	7.40	11.90	3.43
2	7	7				7,500	7,500				15,000	3,500	15,000	21,800	400	1,170	1,820	1.90	5.60	8.70	3.76
	7	9				7,500	10,900				18,400	3,500	18,400	26,400	400	1,410	2,160	1.90	6.70	10.30	3.82
	7	12				7,600	13,900				21,500	3,500	21,500	24,700	400	1,730	2,180	1.90	8.30	10.40	3.64
	7	15				7,000	15,000				22,000	3,500	22,000	25,800	400	1,760	2,270	1.90	8.40	10.90	3.66
	9	9				11,000	11,000				22,000	3,500	22,000	25,300	400	1,730	2,230	1.90	8.30	10.70	3.73
	9	12				9,400	12,600				22,000	3,500	22,000	25,500	400	1,730	2,250	1.90	8.30	10.80	3.73
	9	15				8,300	13,700				22,000	3,500	22,000	26,100	400	1,760	2,270	1.90	8.40	10.90	3.66
	12	12				11,000	11,000				22,000	3,500	22,000	25,800	400	1,760	2,270	1.90	8.40	10.90	3.66
12	15				9,800	12,200				22,000	3,500	22,000	26,400	400	1,760	2,270	1.90	8.40	10.90	3.66	

NOTE

- Cooling capacity is based on 26.7°CDB / 19.4°CWB (indoor temperature), 35°CDB (outdoor temperature).
- Heating capacity is based on 21.1°CDB (indoor temperature), 8.33°CDB/6.11°CWB (outdoor temperature).
- Capacities are based on the following conditions:
 - Corresponding refrigerant piping length : 7.5m / - Level difference : 0m
- The total combination Index of connected a indoor unit is up to 27.
- It is impossible to connect the indoor unit for one room only.

4. Combination Table

4-2. AJ024TXJ3CH

Cooling (Ducted)

Unit	Indoor Index					Cooling Capacity (Btu)						Capacity			Power Consumption			Current			EER
	A	B	C	D	E	A	B	C	TTL	Btu			W			A			btu/W		
										MIN	Rated	MAX	MIN	Rated	MAX	MIN	Rated	MAX			
1	9					9,000				9,000	6,500	9,000	9,000	540	840	840	2.60	4.00	4.00	10.71	
	12					12,000				12,000	6,500	12,000	12,000	540	1,240	1,240	2.60	5.90	5.90	9.68	
	18					17,100	0			17,100	7,500	17,100	17,100	550	1,720	1,720	2.60	8.20	8.20	9.94	
2	9	9				9,000	9,000			18,000	7,500	18,000	18,000	550	1,660	1,660	2.60	7.90	7.90	10.84	
	9	12				8,600	11,400			20,000	7,500	20,000	20,000	550	1,920	1,920	2.60	9.20	9.20	10.42	
	9	18				6,700	13,300			20,000	7,500	20,000	20,000	550	1,990	1,990	2.60	9.50	9.50	10.05	
	12	12				10,000	10,000			20,000	7,500	20,000	20,000	550	1,920	1,920	2.60	9.20	9.20	10.42	
	12	18				8,000	12,000			20,000	7,500	20,000	20,000	550	2,030	2,030	2.60	9.70	9.70	9.85	
3	9	9	9			7,300	7,300	7,400		22,000	7,500	22,000	22,000	550	2,180	2,180	2.60	10.40	10.40	10.09	
	9	9	12			6,600	6,600	8,800		22,000	7,500	22,000	22,000	550	2,180	2,180	2.60	10.40	10.40	10.09	

Heating (Ducted)

Unit	Indoor Index					Heating Capacity (Btu)						Capacity			Power Consumption			Current			COP
	A	B	C	D	E	A	B	C	D	CE	TTL	Btu			W			A			W/W
												MIN	Rated	MAX	MIN	Rated	MAX	MIN	Rated	MAX	
1	9					10,900					10,900	5,500	10,900	13,000	650	1,230	1,380	3.10	5.90	6.60	2.60
	12					14,000					14,000	5,500	14,000	14,000	650	1,420	1,500	3.10	6.80	7.20	2.89
	18					20,000					20,000	5,500	20,000	20,000	650	2,030	2,400	3.10	9.70	11.50	2.89
2	9	9				11,000	11,000				22,000	4,800	22,000	28,300	460	1,840	2,610	2.20	8.80	12.50	3.50
	9	12				9,900	13,100				23,000	4,800	23,000	29,700	460	1,970	3,020	2.20	9.40	14.40	3.42
	9	18				7,800	15,700				23,500	4,800	23,500	28,800	460	1,800	2,980	2.20	8.60	14.30	3.83
	12	12				11,500	11,500				23,000	4,800	23,000	30,100	460	1,970	3,060	2.20	9.40	14.60	3.42
	12	18				9,400	14,100				23,500	4,800	23,500	29,200	460	1,830	3,020	2.20	8.80	14.40	3.76
3	9	9	9			8,300	8,300	8,400			25,000	4,300	25,000	29,200	390	1,810	3,030	1.90	8.70	14.50	4.05
	9	9	12			7,500	7,500	10,000			25,000	4,300	25,000	29,600	390	1,810	3,030	1.90	8.70	14.50	4.05

4. Combination Table

4-2. AJ024TXJ3CH

Cooling (Non Ducted)

Unit	Indoor Index					Cooling Capacity (Btu)						Capacity			Power Consumption			Current			EER
	A	B	C	D	E	A	B	C	D	E	TTL	Btu			W			A			btu/W
												MIN	Rated	MAX	MIN	Rated	MAX	MIN	Rated	MAX	Rated
1	7					7,000					7,000	6,500	7,000	7,000	540	650	650	2.60	3.10	3.10	10.77
	9					9,000					9,000	6,500	9,000	9,000	540	810	810	2.60	3.90	3.90	11.11
	12					12,000					12,000	6,500	12,000	12,000	540	1,070	1,070	2.60	5.10	5.10	11.21
	15					15,000					15,000	7,500	15,000	15,000	550	1,260	1,260	2.60	6.00	6.00	11.90
	18					17,100					17,100	7,500	17,100	17,100	550	1,590	1,590	2.60	7.60	7.60	10.75
2	7	7				7,000	7,000				14,000	7,500	14,000	14,000	550	1,310	1,310	2.60	6.30	6.30	10.69
	7	9				7,100	8,900				16,000	7,500	16,000	16,000	550	1,460	1,460	2.60	7.00	7.00	10.96
	7	12				6,900	12,100				19,000	7,500	19,000	19,000	550	1,830	1,830	2.60	8.80	8.80	10.38
	7	15				6,200	13,300				19,500	7,500	19,500	19,500	550	1,930	1,930	2.60	9.20	9.20	10.10
	7	18				5,600	14,400				20,000	7,500	20,000	20,000	550	1,800	1,800	2.60	8.60	8.60	11.11
	9	9				9,000	9,000				18,000	7,500	18,000	18,000	550	1,600	1,600	2.60	7.70	7.70	11.25
	9	12				8,600	11,400				20,000	7,500	20,000	20,000	550	1,870	1,870	2.60	8.90	8.90	10.70
	9	15				7,500	12,500				20,000	7,500	20,000	20,000	550	1,970	1,970	2.60	9.40	9.40	10.15
	9	18				6,700	13,300				20,000	7,500	20,000	20,000	550	1,840	1,840	2.60	8.80	8.80	10.87
	12	12				10,000	10,000				20,000	7,500	20,000	20,000	550	1,780	1,780	2.60	8.50	8.50	11.24
	12	15				8,900	11,100				20,000	7,500	20,000	20,000	550	1,840	1,840	2.60	8.80	8.80	10.87
	12	18				8,000	12,000				20,000	7,500	20,000	20,000	550	1,870	1,870	2.60	8.90	8.90	10.70
	15	15				10,000	10,000				20,000	7,500	20,000	20,000	550	1,890	1,890	2.60	9.00	9.00	10.58
3	7	7	7			7,000	7,000	7,000			21,000	7,500	21,000	21,000	550	1,850	1,850	2.60	8.90	8.90	11.35
	7	7	9			6,700	6,700	8,600			22,000	7,500	22,000	22,000	550	1,890	1,890	2.60	9.00	9.00	11.64
	7	7	12			5,900	5,900	10,200			22,000	7,500	22,000	22,000	550	1,730	1,820	2.60	8.30	8.70	12.72
	7	7	15			5,300	5,300	11,400			22,000	7,500	22,000	22,000	550	1,730	1,820	2.60	8.30	8.70	12.72
	7	9	9			6,200	7,900	7,900			22,000	7,500	22,000	22,000	550	1,730	1,820	2.60	8.30	8.70	12.72
	7	9	12			5,500	7,100	9,400			22,000	7,500	22,000	22,000	550	1,730	1,820	2.60	8.30	8.70	12.72
	7	9	15			5,000	6,400	10,600			22,000	7,500	22,000	22,000	550	1,730	1,820	2.60	8.30	8.70	12.72
	9	9	9			7,300	7,300	7,400			22,000	7,500	22,000	22,000	550	1,730	1,820	2.60	8.30	8.70	12.72
9	9	12			6,600	6,600	8,800			22,000	7,500	22,000	22,000	550	1,730	1,820	2.60	8.30	8.70	12.72	

4. Combination Table

4-2. AJ024TXJ3CH

Heating (Non Ducted)

Unit	Indoor Index				Heating Capacity (Btu/h)							Capacity			Power Consumption			Current			COP
	A	B	C	D	E	A	B	C	D	E	TTL	Btu			W			A			W/W
												MIN	Rated	MAX	MIN	Rated	MAX	MIN	Rated	MAX	Rated
1	7					7,500					7,500	5,500	7,500	11,800	650	970	1,180	3.10	4.60	5.60	2.27
	9					10,900					10,900	5,500	10,900	13,000	650	1,230	1,320	3.10	5.90	6.30	2.60
	12					14,000					14,000	5,500	14,000	14,000	650	1,440	1,440	3.10	6.90	6.90	2.85
	15					18,000					18,000	5,500	18,000	19,200	650	1,840	1,840	3.10	8.80	8.80	2.87
	18					20,000					20,000	5,500	20,000	20,000	650	1,900	1,900	3.10	9.10	9.10	3.09
2	7	7				7,500	7,500				15,000	4,800	15,000	20,800	460	1,280	1,940	2.20	6.10	9.30	3.43
	7	9				7,500	10,900				18,400	4,800	18,400	24,600	460	1,540	2,260	2.20	7.40	10.80	3.50
	7	12				7,600	13,900				21,500	4,800	21,500	27,500	460	1,750	2,510	2.20	8.40	12.00	3.60
	7	15				7,300	15,700				23,000	4,800	23,000	30,100	460	1,980	2,950	2.20	9.50	14.10	3.40
	7	18				6,600	16,900				23,500	4,800	23,500	28,400	460	1,740	2,770	2.20	8.30	13.30	3.96
	9	9				10,900	10,900				21,800	4,800	21,800	28,300	460	1,780	2,580	2.20	8.50	12.30	3.59
	9	12				9,900	13,100				23,000	4,800	23,000	29,700	460	1,920	2,890	2.20	9.20	13.80	3.51
	9	15				8,600	14,400				23,000	4,800	23,000	30,500	460	2,010	2,980	2.20	9.60	14.30	3.35
	9	18				7,800	15,700				23,500	4,800	23,500	28,800	460	1,770	2,800	2.20	8.50	13.40	3.89
	12	12				11,500	11,500				23,000	4,800	23,000	30,100	460	1,960	2,930	2.20	9.40	14.00	3.44
	12	15				10,400	13,100				23,500	4,800	23,500	30,900	460	2,050	3,020	2.20	9.80	14.40	3.36
	12	18				9,400	14,100				23,500	4,800	23,500	29,200	460	1,800	2,840	2.20	8.60	13.60	3.83
	15	15				11,800	11,700				23,500	4,300	23,500	29,900	390	1,850	2,930	1.90	8.90	14.00	3.72
3	7	7	7			7,500	7,500	7,500			22,500	4,300	22,500	26,500	390	1,630	2,600	1.90	7.80	12.40	4.05
	7	7	9			7,200	7,200	9,100			23,500	4,300	23,500	28,000	390	1,750	2,740	1.90	8.40	13.10	3.94
	7	7	12			6,800	6,800	11,400			25,000	4,300	25,000	28,400	390	1,780	2,780	1.90	8.50	13.30	4.12
	7	7	15			6,100	6,100	12,800			25,000	4,300	25,000	29,200	390	1,780	2,870	1.90	8.50	13.70	4.12
	7	9	9			7,000	9,000	9,000			25,000	4,300	25,000	28,800	390	1,780	2,810	1.90	8.50	13.40	4.12
	7	9	12			6,300	8,000	10,700			25,000	4,300	25,000	29,200	390	1,780	2,850	1.90	8.50	13.60	4.12
	7	9	15			5,600	7,300	12,100			25,000	4,300	25,000	29,900	390	1,780	2,940	1.90	8.50	14.10	4.12
	9	9	9			8,300	8,300	8,400			25,000	4,300	25,000	29,200	390	1,780	2,850	1.90	8.50	13.60	4.12
9	9	12			7,500	7,500	10,000			25,000	4,300	25,000	29,600	390	1,780	2,880	1.90	8.50	13.80	4.12	

NOTE

- 1 Cooling capacity is based on 26.7°CDB / 19.4°CWB (indoor temperature), 35°CDB (outdoor temperature).
- 2 Heating capacity is based on 21.1°CDB (indoor temperature), 8.33°CDB/6.11°CWB (outdoor temperature).
- 3 Capacities are based on the following conditions:
 - Corresponding refrigerant piping length : 7.5m / - Level difference : 0m
- 4 The total combination Index of connected a indoor unit is up to 27.
- 5 It is impossible to connect the indoor unit for one room only.

4. Combination Table

4-3. AJ036TXJ4CH

Cooling (Ducted)

Unit	Indoor Index					Cooling Capacity (Btu)						Capacity			Power Consumption			Current			EER
	A	B	C	D	E	A	B	C	D	E	TTL	Btu			W			A			btu/W
												MIN	Rated	MAX	MIN	Rated	MAX	MIN	Rated	MAX	Rated
1	9					9,000					9,000	8,500	9,000	9,000	660	820	820	3.20	3.90	3.90	10.98
	12					12,000					12,000	8,500	12,000	12,000	660	1,170	1,170	3.20	5.60	5.60	10.26
	18					17,100					17,100	9,500	17,100	17,100	680	1,510	1,510	3.30	7.20	7.20	11.32
2	9	9				9,000	9,000				18,000	9,000	18,000	18,000	670	1,560	1,560	3.20	7.50	7.50	11.54
	9	12				9,000	12,000				21,000	9,000	21,000	21,000	670	1,800	1,800	3.20	8.60	8.60	11.67
	9	18				8,300	16,700				25,000	9,000	25,000	25,000	670	2,620	2,620	3.20	12.50	12.50	9.54
	12	12				12,000	12,000				24,000	9,000	24,000	24,000	670	2,180	2,180	3.20	10.40	10.40	11.01
	12	18				11,200	16,800				28,000	9,000	28,000	28,000	670	2,960	2,960	3.20	14.20	14.20	9.46
	18	18				16,300	16,200				32,500	9,000	32,500	32,500	670	3,550	3,550	3.20	17.00	17.00	9.15
3	9	9	9			8,800	8,800	8,900			26,500	9,500	26,500	26,500	600	2,370	2,370	2.90	11.30	11.30	11.18
	9	9	12			8,400	8,400	11,200			28,000	9,500	28,000	28,000	600	2,970	2,970	2.90	14.20	14.20	9.43
	9	9	18			8,100	8,100	16,300			32,500	9,500	32,500	32,500	600	3,560	3,560	2.90	17.00	17.00	9.13
	9	12	12			8,800	11,600	11,600			32,000	9,500	32,000	32,000	600	3,320	3,320	2.90	15.90	15.90	9.64
	9	12	18			7,500	10,000	15,000			32,500	9,500	32,500	32,500	600	3,600	3,600	2.90	17.20	17.20	9.03
	9	18	18			6,500	13,000	13,000			32,500	9,500	32,500	32,500	600	3,600	3,600	2.90	17.20	17.20	9.03
	12	12	12			10,800	10,800	10,900			32,500	9,500	32,500	32,500	600	3,600	3,600	2.90	17.20	17.20	9.03
	12	12	18			9,300	9,300	13,900			32,500	9,500	32,500	32,500	600	3,600	3,600	2.90	17.20	17.20	9.03
4	9	9	9	9		8,500	8,500	8,500	8,500		34,000	9,500	34,000	34,000	600	3,650	3,650	2.90	17.50	17.50	9.32
	9	9	9	12		7,800	7,800	7,800	10,600		34,000	9,500	34,000	34,000	600	3,650	3,650	2.90	17.50	17.50	9.32
	9	9	9	18		6,800	6,800	6,800	13,600		34,000	9,500	34,000	34,000	600	3,650	3,650	2.90	17.50	17.50	9.32
	9	9	12	12		7,300	7,300	9,700	9,700		34,000	9,500	34,000	34,000	600	3,650	3,650	2.90	17.50	17.50	9.32
	9	12	12	12		6,700	9,100	9,100	9,100		34,000	9,500	34,000	34,000	600	3,650	3,650	2.90	17.50	17.50	9.32

4. Combination Table

4-3. AJ036TXJ4CH

Heating (Ducted)

Unit	Indoor Index					Heating Capacity (btu)						Capacity			Power Consumption			Current			COP
	A	B	C	D	E	A	B	C	D	E	TTL	Btu			W			A			W/W
												MIN	Rated	MAX	MIN	Rated	MAX	MIN	Rated	MAX	Rated
1	9					10,900					10,900	7,600	10,900	13,500	690	1,120	1,390	3.30	5.40	6.70	2.85
	12					14,000					14,000	7,600	14,000	17,000	690	1,370	1,710	3.30	6.60	8.20	3.00
	18					20,000					20,000	7,600	20,000	24,000	690	1,910	2,460	3.30	9.10	11.80	3.07
2	9	9				11,000	11,000				22,000	7,600	22,000	26,400	450	1,830	2,700	2.20	8.80	12.90	3.52
	9	12				10,500	14,000				24,500	7,600	24,500	29,400	450	2,030	2,970	2.20	9.70	14.20	3.54
	9	18				10,100	20,300				30,400	7,600	30,400	31,600	450	2,770	3,160	2.20	13.30	15.10	3.22
	12	12				13,500	13,500				27,000	7,600	27,000	32,500	450	2,180	3,250	2.20	10.40	15.60	3.63
	12	18				12,800	19,200				32,000	7,600	32,000	32,800	450	2,890	3,270	2.20	13.80	15.60	3.25
	18	18				17,600	17,500				35,100	7,600	35,100	36,200	450	3,210	3,630	2.20	15.40	17.40	3.20
3	9	9	9			10,500	10,500	10,500			31,500	7,600	31,500	32,400	450	2,860	3,240	2.20	13.70	15.50	3.23
	9	9	12			9,800	9,800	12,900			32,500	7,600	32,500	33,700	450	2,940	3,350	2.20	14.10	16.00	3.24
	9	9	18			9,000	9,000	18,000			36,000	7,600	36,000	38,000	450	2,970	3,550	2.20	14.20	17.00	3.55
	9	12	12			9,200	12,200	12,200			33,600	7,600	33,600	34,900	450	3,030	3,460	2.20	14.50	16.60	3.25
	9	12	18			8,300	11,100	16,600			36,000	7,600	36,000	38,000	450	2,980	3,580	2.20	14.30	17.10	3.54
	9	18	18			7,200	14,400	14,400			36,000	7,600	36,000	38,000	450	3,120	3,650	2.20	14.90	17.50	3.38
	12	12	12			11,600	11,600	11,700			34,900	7,600	34,900	36,200	450	3,150	3,570	2.20	15.10	17.10	3.25
	12	12	18			10,300	10,300	15,400			36,000	7,600	36,000	38,000	450	3,010	3,620	2.20	14.40	17.30	3.51
4	9	9	9	9		9,000	9,000	9,000	9,000		36,000	7,600	36,000	38,000	450	2,980	3,590	2.20	14.30	17.20	3.54
	9	9	9	12		8,300	8,300	8,300	11,100		36,000	7,600	36,000	38,000	450	3,020	3,630	2.20	14.40	17.40	3.49
	9	9	9	18		7,200	7,200	7,200	14,400		36,000	7,600	36,000	38,000	450	3,050	3,560	2.20	14.60	17.00	3.46
	9	9	12	12		7,700	7,700	10,300	10,300		36,000	7,600	36,000	38,000	450	3,060	3,650	2.20	14.60	17.50	3.45
	9	12	12	12		7,200	9,600	9,600	9,600		36,000	7,600	36,000	38,000	450	3,060	3,650	2.20	14.60	17.50	3.45
	9	9	9	9	9	8,000	8,000	8,000	8,000	8,000	40,000	7,600	40,000	44,000	450	3,310	3,850	2.20	15.80	18.40	3.54

4. Combination Table

4-3. AJ036TXJ4CH

Cooling (Non Ducted)

Unit	Indoor Index					Cooling Capacity (Btu)						Capacity			Power Consumption			Current			EER
	A	B	C	D	E	A	B	C	D	E	TTL	Btu			W			A			btu/W
												MIN	Rated	MAX	MIN	Rated	MAX	MIN	Rated	MAX	
1	7					7,000					7,000	6,500	7,000	7,000	660	720	720	3.20	3.40	3.40	9.72
	9					9,000					9,000	6,500	9,000	9,000	660	800	800	3.20	3.80	3.80	11.25
	12					12,000					12,000	6,500	12,000	12,000	660	1,090	1,090	3.20	5.20	5.20	11.01
	15					15,000					15,000	8,500	15,000	15,000	660	1,310	1,310	3.20	6.30	6.30	11.45
	18					17,100					17,100	9,500	17,100	17,100	680	1,480	1,480	3.30	7.10	7.10	11.55
	24					22,000					22,000	9,500	22,000	22,000	680	2,050	2,050	3.30	9.80	9.80	10.73
2	7	7				7,000	7,000				14,000	9,000	14,000	14,000	670	1,290	1,290	3.20	6.20	6.20	10.85
	7	9				7,000	9,000				16,000	9,000	16,000	16,000	670	1,410	1,410	3.20	6.70	6.70	11.35
	7	12				7,000	12,000				19,000	9,000	19,000	19,000	670	1,670	1,670	3.20	8.00	8.00	11.38
	7	15				7,000	15,000				22,000	9,000	22,000	22,000	670	1,900	1,900	3.20	9.10	9.10	11.58
	7	18				7,000	18,000				25,000	9,000	25,000	25,000	670	2,070	2,070	3.20	9.90	9.90	12.08
	7	24				6,400	22,100				28,500	9,000	28,500	31,000	670	2,480	3,000	3.20	11.90	14.40	11.49
	9	9				9,000	9,000				18,000	9,000	18,000	18,000	670	1,540	1,540	3.20	7.40	7.40	11.69
	9	12				9,000	12,000				21,000	9,000	21,000	21,000	670	1,800	1,800	3.20	8.60	8.60	11.67
	9	15				9,000	15,000				24,000	9,000	24,000	24,000	670	2,030	2,030	3.20	9.70	9.70	11.82
	9	18				9,000	18,000				27,000	9,000	27,000	27,000	670	2,530	2,530	3.20	12.10	12.10	10.67
	9	24				7,800	20,700				28,500	9,000	28,500	32,000	670	2,480	3,180	3.20	11.90	15.20	11.49
	12	12				12,000	12,000				24,000	9,000	24,000	24,000	670	2,110	2,110	3.20	10.10	10.10	11.37
	12	15				12,000	15,000				27,000	9,000	27,000	27,000	670	2,660	2,660	3.20	12.70	12.70	10.15
	12	18				11,400	17,100				28,500	9,000	28,500	30,000	670	2,480	2,880	3.20	11.90	13.80	11.49
	12	24				9,500	19,000				28,500	9,000	28,500	32,000	670	2,480	3,060	3.20	11.90	14.60	11.49
	15	15				14,300	14,200				28,500	9,000	28,500	30,000	670	2,480	2,880	3.20	11.90	13.80	11.49
	15	18				13,000	15,500				28,500	9,000	28,500	32,000	670	2,480	3,180	3.20	11.90	15.20	11.49
	15	24				11,000	17,500				28,500	9,000	28,500	32,000	670	2,480	3,150	3.20	11.90	15.10	11.49
18	18				14,300	14,200				28,500	9,000	28,500	32,000	670	2,480	3,430	3.20	11.90	16.40	11.49	
18	24				12,200	16,300				28,500	9,000	28,500	32,000	670	2,480	3,150	3.20	11.90	15.10	11.49	
3	7	7	7			7,000	7,000	7,000			21,000	9,500	21,000	21,000	600	1,830	1,830	2.90	8.80	8.80	11.48
	7	7	9			7,000	7,000	9,000			23,000	9,500	23,000	23,000	600	1,950	1,950	2.90	9.30	9.30	11.79
	7	7	12			7,000	7,000	12,000			26,000	9,500	26,000	26,000	600	2,540	2,540	2.90	12.20	12.20	10.24
	7	7	15			7,100	7,100	15,300			29,500	9,500	29,500	29,500	600	2,890	2,890	2.90	13.80	13.80	10.21
	7	7	18			6,600	6,600	16,800			30,000	9,500	30,000	32,000	600	2,510	3,080	2.90	12.00	14.70	11.95
	7	7	24			5,500	5,600	18,900			30,000	9,500	30,000	35,000	600	2,510	3,600	2.90	12.00	17.20	11.95
	7	9	9			7,000	9,000	9,000			25,000	9,500	25,000	25,000	600	2,080	2,080	2.90	10.00	10.00	12.02
	7	9	12			7,000	9,000	12,000			28,000	9,500	28,000	28,000	600	2,720	2,720	2.90	13.00	13.00	10.29
	7	9	15			7,000	9,000	15,000			31,000	9,500	31,000	31,000	600	3,040	3,040	2.90	14.50	14.50	10.20
	7	9	18			6,200	7,900	15,900			30,000	9,500	30,000	34,000	600	2,510	3,270	2.90	12.00	15.60	11.95
	7	9	24			5,300	6,800	17,900			30,000	9,500	30,000	35,000	600	2,510	3,600	2.90	12.00	17.20	11.95
	7	12	12			7,000	12,000	12,000			31,000	9,500	31,000	31,000	600	3,060	3,060	2.90	14.60	14.60	10.13
	7	12	15			6,200	10,600	13,200			30,000	9,500	30,000	34,000	600	2,510	3,270	2.90	12.00	15.60	11.95
	7	12	18			5,700	9,700	14,600			30,000	9,500	30,000	35,000	600	2,510	3,600	2.90	12.00	17.20	11.95
7	12	24			4,900	8,400	16,700			30,000	9,500	30,000	35,000	600	2,510	3,600	2.90	12.00	17.20	11.95	
7	15	15			5,700	12,200	12,100			30,000	9,500	30,000	35,000	600	2,510	3,600	2.90	12.00	17.20	11.95	

4. Combination Table

4-3. AJ036TXJ4CH

Unit	Indoor Index					Cooling Capacity (Btu)						Capacity			Power Consumption			Current			EER
	A	B	C	D	E	A	B	C	D	E	TTL	Btu			W			A			btu/W
												MIN	Rated	MAX	MIN	Rated	MAX	MIN	Rated	MAX	Rated
3	7	15	18			5,300	11,300	13,400			30,000	9,500	30,000	35,000	600	2,510	3,600	2.90	12.00	17.20	11.95
	7	18	18			4,900	12,600	12,500			30,000	9,500	30,000	35,000	600	2,510	3,600	2.90	12.00	17.20	11.95
	9	9	9			9,000	9,000	9,000			27,000	9,500	27,000	27,000	600	2,540	2,540	2.90	12.20	12.20	10.63
	9	9	12			9,000	9,000	12,000			30,000	9,500	30,000	30,000	600	2,890	2,890	2.90	13.80	13.80	10.38
	9	9	15			8,200	8,200	13,600			30,000	9,500	30,000	34,000	600	2,510	3,250	2.90	12.00	15.60	11.95
	9	9	18			7,500	7,500	15,000			30,000	9,500	30,000	34,000	600	2,510	3,440	2.90	12.00	16.50	11.95
	9	9	24			6,400	6,500	17,100			30,000	9,500	30,000	35,000	600	2,510	3,600	2.90	12.00	17.20	11.95
	9	12	12			8,200	10,900	10,900			30,000	9,500	30,000	34,000	600	2,510	3,250	2.90	12.00	15.60	11.95
	9	12	15			7,500	10,000	12,500			30,000	9,500	30,000	35,000	600	2,510	3,600	2.90	12.00	17.20	11.95
	9	12	18			7,000	9,200	13,800			30,000	9,500	30,000	35,000	600	2,510	3,600	2.90	12.00	17.20	11.95
	9	12	24			6,000	8,000	16,000			30,000	9,500	30,000	35,000	600	2,510	3,600	2.90	12.00	17.20	11.95
	9	15	15			7,000	11,500	11,500			30,000	9,500	30,000	35,000	600	2,510	3,600	2.90	12.00	17.20	11.95
	9	15	18			6,400	10,700	12,900			30,000	9,500	30,000	35,000	600	2,510	3,600	2.90	12.00	17.20	11.95
	9	18	18			6,000	12,000	12,000			30,000	9,500	30,000	35,000	600	2,510	3,600	2.90	12.00	17.20	11.95
	12	12	12			10,000	10,000	10,000			30,000	9,500	30,000	35,000	600	2,510	3,600	2.90	12.00	17.20	11.95
	12	12	15			9,200	9,200	11,600			30,000	9,500	30,000	35,000	600	2,510	3,600	2.90	12.00	17.20	11.95
	12	12	18			8,600	8,600	12,800			30,000	9,500	30,000	35,000	600	2,510	3,600	2.90	12.00	17.20	11.95
	12	15	15			8,600	10,700	10,700			30,000	9,500	30,000	35,000	600	2,510	3,600	2.90	12.00	17.20	11.95
	12	15	18			8,000	10,000	12,000			30,000	9,500	30,000	35,000	600	2,510	3,600	2.90	12.00	17.20	11.95
	15	15	15			10,000	10,000	10,000			30,000	9,500	30,000	35,000	600	2,510	3,600	2.90	12.00	17.20	11.95
4	7	7	7	7		7,000	7,000	7,000	7,000		28,000	9,500	28,000	28,000	600	2,750	2,750	2.90	13.20	13.20	10.18
	7	7	7	9		7,000	7,000	7,000	9,000		30,000	9,500	30,000	30,000	600	2,920	2,920	2.90	14.00	14.00	10.27
	7	7	7	12		6,800	6,800	6,800	11,600		32,000	9,500	32,000	33,000	600	2,560	3,280	2.90	12.20	15.70	12.50
	7	7	7	15		6,200	6,200	6,200	13,400		32,000	9,500	32,000	36,000	600	2,560	3,600	2.90	12.20	17.20	12.50
	7	7	7	18		5,700	5,700	5,700	14,900		32,000	9,500	32,000	36,000	600	2,560	3,600	2.90	12.20	17.20	12.50
	7	7	7	24		5,000	5,000	5,000	17,000		32,000	9,500	32,000	36,000	600	2,560	3,600	2.90	12.20	17.20	12.50
	7	7	9	9		7,000	7,000	9,000	9,000		32,000	9,500	32,000	32,000	600	2,560	3,540	2.90	12.20	16.90	12.50
	7	7	9	12		6,400	6,400	8,200	11,000		32,000	9,500	32,000	35,000	600	2,560	3,450	2.90	12.20	16.50	12.50
	7	7	9	15		5,900	5,900	7,600	12,600		32,000	9,500	32,000	36,000	600	2,560	3,600	2.90	12.20	17.20	12.50
	7	7	9	18		5,500	5,500	7,000	14,000		32,000	9,500	32,000	36,000	600	2,560	3,600	2.90	12.20	17.20	12.50
	7	7	12	12		5,900	5,900	10,100	10,100		32,000	9,500	32,000	36,000	600	2,560	3,600	2.90	12.20	17.20	12.50
	7	7	12	15		5,500	5,500	9,400	11,600		32,000	9,500	32,000	36,000	600	2,560	3,600	2.90	12.20	17.20	12.50
	7	7	12	18		5,100	5,100	8,700	13,100		32,000	9,500	32,000	36,000	600	2,560	3,600	2.90	12.20	17.20	12.50
	7	7	15	15		5,100	5,100	10,900	10,900		32,000	9,500	32,000	36,000	600	2,560	3,600	2.90	12.20	17.20	12.50
	7	9	9	9		6,500	8,500	8,500	8,500		32,000	9,500	32,000	34,000	600	2,560	3,280	2.90	12.20	15.70	12.50
	7	9	9	12		6,100	7,800	7,800	10,300		32,000	9,500	32,000	36,000	600	2,560	3,600	2.90	12.20	17.20	12.50
	7	9	9	15		5,600	7,200	7,200	12,000		32,000	9,500	32,000	36,000	600	2,560	3,600	2.90	12.20	17.20	12.50
	7	9	9	18		5,200	6,700	6,700	13,400		32,000	9,500	32,000	36,000	600	2,560	3,600	2.90	12.20	17.20	12.50
	7	9	12	12		5,600	7,200	9,600	9,600		32,000	9,500	32,000	36,000	600	2,560	3,600	2.90	12.20	17.20	12.50
	7	9	12	15		5,200	6,700	8,900	11,200		32,000	9,500	32,000	36,000	600	2,560	3,600	2.90	12.20	17.20	12.50
7	12	12	12		5,300	8,900	8,900	8,900		32,000	9,500	32,000	36,000	600	2,560	3,600	2.90	12.20	17.20	12.50	
9	9	9	9		8,000	8,000	8,000	8,000		32,000	9,500	32,000	36,000	600	2,560	3,600	2.90	12.20	17.20	12.50	
9	9	9	12		7,400	7,400	7,400	9,800		32,000	9,500	32,000	36,000	600	2,560	3,600	2.90	12.20	17.20	12.50	
9	9	9	15		6,900	6,900	6,900	11,300		32,000	9,500	32,000	36,000	600	2,560	3,600	2.90	12.20	17.20	12.50	
9	9	9	18		6,400	6,400	6,400	12,800		32,000	9,500	32,000	36,000	600	2,560	3,600	2.90	12.20	17.20	12.50	
9	9	12	12		6,900	6,900	9,100	9,100		32,000	9,500	32,000	36,000	600	2,560	3,600	2.90	12.20	17.20	12.50	
9	9	12	15		6,400	6,400	8,500	10,700		32,000	9,500	32,000	36,000	600	2,560	3,600	2.90	12.20	17.20	12.50	
9	12	12	12		6,500	8,500	8,500	8,500		32,000	9,500	32,000	36,000	600	2,560	3,600	2.90	12.20	17.20	12.50	

4. Combination Table

4-3. AJ036TXJ4CH

Heating (Non Ducted)

Unit	Indoor Index					Heating Capacity (btu)						Capacity			Power Consumption			Current			COP
	A	B	C	D	E	A	B	C	D	E	TTL	Btu			W			A			W/W
												MIN	Rated	MAX	MIN	Rated	MAX	MIN	Rated	MAX	Rated
1	7					7,500					7,500	7,500	7,500	8,000	690	980	1,340	3.30	4.70	6.40	2.24
	9					10,900					10,900	7,600	10,900	13,500	690	1,210	1,670	3.30	5.80	8.00	2.64
	12					14,000					14,000	7,600	14,000	17,000	690	1,390	1,910	3.30	6.70	9.10	2.95
	15					18,000					18,000	7,600	18,000	19,200	690	1,780	2,410	3.30	8.50	11.50	2.96
	18					20,000					20,000	7,600	20,000	24,000	690	1,870	2,550	3.30	8.90	12.20	3.13
	24					25,500					25,500	7,600	25,500	25,500	690	2,380	2,790	3.30	11.40	13.30	3.14
2	7	7				7,900	7,900				15,800	7,600	15,800	19,800	450	1,430	2,070	2.20	6.80	9.90	3.24
	7	9				8,300	10,600				18,900	7,600	18,900	23,300	450	1,650	2,400	2.20	7.90	11.50	3.36
	7	12				7,900	13,500				21,400	7,600	21,400	25,900	450	1,820	2,640	2.20	8.70	12.60	3.45
	7	15				7,800	16,700				24,500	7,600	24,500	29,400	450	2,030	2,980	2.20	9.70	14.30	3.54
	7	18				7,700	19,900				27,600	7,600	27,600	35,500	450	2,480	3,570	2.20	11.90	17.10	3.26
	7	24				7,100	24,400				31,500	7,600	31,500	34,500	450	2,770	3,380	2.20	13.30	16.20	3.33
	9	9				11,000	11,000				22,000	7,600	22,000	26,400	450	1,860	2,690	2.20	8.90	12.90	3.47
	9	12				10,500	14,000				24,500	7,600	24,500	29,400	450	2,030	2,980	2.20	9.70	14.30	3.54
	9	15				10,100	16,900				27,000	7,600	27,000	32,000	450	2,210	3,220	2.20	10.60	15.40	3.58
	9	18				10,200	20,500				30,700	7,600	30,700	32,000	450	2,560	3,150	2.20	12.20	15.10	3.51
	9	24				8,700	23,300				32,000	7,600	32,000	37,400	450	2,980	3,650	2.20	14.30	17.50	3.15
	12	12				13,500	13,500				27,000	7,600	27,000	32,000	450	2,210	3,220	2.20	10.60	15.40	3.58
	12	15				13,600	17,100				30,700	7,600	30,700	32,000	450	2,560	3,150	2.20	12.20	15.10	3.51
	12	18				12,400	18,600				31,000	7,600	31,000	32,300	450	2,720	3,340	2.20	13.00	16.00	3.34
	12	24				11,300	22,500				33,800	7,600	33,800	37,400	450	3,140	3,830	2.20	15.00	18.30	3.15
	15	15				15,500	15,500				31,000	7,600	31,000	32,300	450	2,720	3,340	2.20	13.00	16.00	3.34
	15	18				14,500	17,500				32,000	7,600	32,000	37,400	450	2,980	3,650	2.20	14.30	17.50	3.15
	15	24				13,500	21,500				35,000	7,600	35,000	37,400	450	3,080	3,860	2.20	14.70	18.50	3.33
18	18				16,900	16,900				33,800	7,600	33,800	37,400	450	3,220	3,840	2.20	15.40	18.40	3.08	
18	24				15,000	20,000				35,000	7,600	35,000	37,400	450	3,080	3,860	2.20	14.70	18.50	3.33	
3	7	7	7			7,500	7,500	7,600			22,600	7,600	22,600	27,400	450	1,970	2,820	2.20	9.40	13.50	3.36
	7	7	9			7,900	7,900	10,000			25,800	7,600	25,800	30,400	450	2,190	3,100	2.20	10.50	14.80	3.45
	7	7	12			7,600	7,600	13,100			28,300	7,600	28,300	30,800	450	2,450	3,040	2.20	11.70	14.50	3.39
	7	7	15			7,900	7,900	17,000			32,800	7,600	32,800	34,100	450	2,820	3,370	2.20	13.50	16.10	3.41
	7	7	18			7,400	7,400	19,100			33,900	7,600	33,900	34,900	450	2,910	3,440	2.20	13.90	16.50	3.41
	7	7	24			6,400	6,400	22,200			35,000	7,600	35,000	40,000	450	2,510	3,790	2.20	12.00	18.10	4.09
	7	9	9			8,100	10,400	10,400			28,900	7,600	28,900	30,300	450	2,490	3,010	2.20	11.90	14.40	3.40
	7	9	12			7,800	10,100	13,400			31,300	7,600	31,300	32,400	450	2,650	3,190	2.20	12.70	15.30	3.46
	7	9	15			7,500	9,700	16,100			33,300	7,600	33,300	34,500	450	2,840	3,380	2.20	13.60	16.20	3.44
	7	9	18			7,200	9,300	18,500			35,000	7,600	35,000	37,800	450	2,510	3,700	2.20	12.00	17.70	4.09
	7	9	24			6,100	7,900	21,000			35,000	7,600	35,000	40,000	450	2,510	3,830	2.20	12.00	18.30	4.09
	7	12	12			7,500	12,900	12,900			33,300	7,600	33,300	34,500	450	2,840	3,380	2.20	13.60	16.20	3.44
	7	12	15			7,200	12,400	15,400			35,000	7,600	35,000	37,800	450	2,510	3,700	2.20	12.00	17.70	4.09
	7	12	18			6,600	11,400	17,000			35,000	7,600	35,000	39,900	450	2,510	3,890	2.20	12.00	18.60	4.09
	7	12	24			5,700	9,800	19,500			35,000	7,600	35,000	40,000	450	2,510	3,900	2.20	12.00	18.70	4.09
	7	15	15			6,600	14,200	14,200			35,000	7,600	35,000	39,900	450	2,510	3,890	2.20	12.00	18.60	4.09
	7	15	18			6,100	13,100	15,800			35,000	7,600	35,000	40,000	450	2,510	3,830	2.20	12.00	18.30	4.09
	7	18	18			5,700	14,700	14,600			35,000	7,600	35,000	40,000	450	2,510	3,900	2.20	12.00	18.70	4.09
9	9	9			10,600	10,600	10,600			31,800	7,600	31,800	32,800	450	2,690	3,230	2.20	12.90	15.50	3.46	
9	9	12			10,200	10,200	13,500			33,900	7,600	33,900	34,900	450	2,890	3,420	2.20	13.80	16.40	3.44	
9	9	15			9,500	9,600	15,900			35,000	7,600	35,000	37,400	450	2,510	3,650	2.20	12.00	17.50	4.09	

4. Combination Table

4-3. AJ036TXJ4CH

Unit	Indoor Index					Heating Capacity (btu)						Capacity			Power Consumption			Current			COP
	A	B	C	D	E	A	B	C	D	E	TTL	Btu			W			A			W/W
												MIN	Rated	MAX	MIN	Rated	MAX	MIN	Rated	MAX	Rated
3	9	9	18			8,800	8,800	17,400			35,000	7,600	35,000	40,000	450	2,510	3,780	2.20	12.00	18.10	4.09
	9	9	24			7,500	7,500	20,000			35,000	7,600	35,000	40,000	450	2,510	3,900	2.20	12.00	18.70	4.09
	9	12	12			9,600	12,700	12,700			35,000	7,600	35,000	37,400	450	2,510	3,650	2.20	12.00	17.50	4.09
	9	12	15			8,800	11,700	14,500			35,000	7,600	35,000	39,500	450	2,510	3,830	2.20	12.00	18.30	4.09
	9	12	18			8,100	10,800	16,100			35,000	7,600	35,000	40,000	450	2,510	3,820	2.20	12.00	18.30	4.09
	9	12	24			7,000	9,300	18,700			35,000	7,600	35,000	40,000	450	2,510	3,900	2.20	12.00	18.70	4.09
	9	15	15			8,000	13,500	13,500			35,000	7,600	35,000	40,000	450	2,510	3,820	2.20	12.00	18.30	4.09
	9	15	18			7,500	12,500	15,000			35,000	7,600	35,000	40,000	450	2,510	3,860	2.20	12.00	18.50	4.09
	9	18	18			7,000	14,000	14,000			35,000	7,600	35,000	40,000	450	2,510	3,900	2.20	12.00	18.70	4.09
	12	12	12			11,700	11,700	11,600			35,000	7,600	35,000	39,500	450	2,510	3,830	2.20	12.00	18.30	4.09
	12	12	15			10,800	10,800	13,400			35,000	7,600	35,000	40,000	450	2,510	3,820	2.20	12.00	18.30	4.09
	12	12	18			10,000	10,000	15,000			35,000	7,600	35,000	40,000	450	2,510	3,860	2.20	12.00	18.50	4.09
	12	15	15			10,000	12,500	12,500			35,000	7,600	35,000	40,000	450	2,510	3,860	2.20	12.00	18.50	4.09
	12	15	18			9,300	11,700	14,000			35,000	7,600	35,000	40,000	450	2,510	3,900	2.20	12.00	18.70	4.09
15	15	15			11,700	11,700	11,600			35,000	7,600	35,000	40,000	450	2,510	3,900	2.20	12.00	18.70	4.09	

4. Combination Table

4-3. AJ036JCJ5CH/AA

Unit	Indoor Index					Heating Capacity (btu)						Capacity			Power Consumption			Current			COP
	A	B	C	D	E	A	B	C	D	E	TTL	Btu			W			A			W/W
												MIN	Rated	MAX	MIN	Rated	MAX	MIN	Rated	MAX	Rated
4	7	7	7	7		7,400	7,400	7,400	7,300		29,500	7,600	29,500	30,800	450	2,560	3,070	2.20	12.20	14.70	3.38
	7	7	7	9		7,500	7,500	7,500	9,800		32,300	7,600	32,300	33,300	450	2,790	3,300	2.20	13.30	15.80	3.39
	7	7	7	12		7,300	7,300	7,300	12,500		34,400	7,600	34,400	35,700	450	2,960	3,530	2.20	14.20	16.90	3.41
	7	7	7	15		7,000	7,000	7,000	15,000		36,000	7,600	36,000	42,000	450	2,550	3,830	2.20	12.20	18.30	4.14
	7	7	7	18		6,500	6,500	6,500	16,500		36,000	7,600	36,000	42,000	450	2,550	3,660	2.20	12.20	17.50	4.14
	7	7	7	24		5,600	5,600	5,600	19,200		36,000	7,600	36,000	42,000	450	2,550	3,770	2.20	12.20	18.00	4.14
	7	7	9	9		7,600	7,700	9,800	9,800		34,900	7,600	34,900	36,200	450	3,000	3,560	2.20	14.40	17.00	3.41
	7	7	9	12		7,200	7,200	9,300	12,300		36,000	7,600	36,000	38,200	450	2,550	3,750	2.20	12.20	17.90	4.14
	7	7	9	15		6,600	6,600	8,600	14,200		36,000	7,600	36,000	42,000	450	2,550	3,790	2.20	12.20	18.10	4.14
	7	7	9	18		6,100	6,100	8,000	15,800		36,000	7,600	36,000	42,000	450	2,550	3,730	2.20	12.20	17.80	4.14
	7	7	12	12		6,600	6,600	11,400	11,400		36,000	7,600	36,000	42,000	450	2,550	3,790	2.20	12.20	18.10	4.14
	7	7	12	15		6,100	6,100	10,600	13,200		36,000	7,600	36,000	42,000	450	2,550	3,730	2.20	12.20	17.80	4.14
	7	7	12	18		5,700	5,700	9,900	14,700		36,000	7,600	36,000	42,000	450	2,550	3,760	2.20	12.20	18.00	4.14
	7	7	15	15		5,700	5,700	12,300	12,300		36,000	7,600	36,000	42,000	450	2,550	3,760	2.20	12.20	18.00	4.14
	7	9	9	9		7,500	9,500	9,500	9,500		36,000	7,600	36,000	38,700	450	2,550	3,790	2.20	12.20	18.10	4.14
	7	9	9	12		6,800	8,800	8,800	11,600		36,000	7,600	36,000	42,000	450	2,550	3,790	2.20	12.20	18.10	4.14
	7	9	9	15		6,300	8,100	8,100	13,500		36,000	7,600	36,000	42,000	450	2,550	3,830	2.20	12.20	18.30	4.14
	7	9	9	18		5,900	7,500	7,500	15,100		36,000	7,600	36,000	42,000	450	2,550	3,760	2.20	12.20	18.00	4.14
	7	9	12	12		6,300	8,100	10,800	10,800		36,000	7,600	36,000	42,000	450	2,550	3,830	2.20	12.20	18.30	4.14
	7	9	12	15		5,900	7,500	10,000	12,600		36,000	7,600	36,000	42,000	450	2,550	3,900	2.20	12.20	18.70	4.14
	7	12	12	12		6,000	10,000	10,000	10,000		36,000	7,600	36,000	42,000	450	2,550	3,900	2.20	12.20	18.70	4.14
	9	9	9	9		9,000	9,000	9,000	9,000		36,000	7,600	36,000	42,000	450	2,550	3,830	2.20	12.20	18.30	4.14
	9	9	9	12		8,300	8,300	8,300	11,100		36,000	7,600	36,000	42,000	450	2,550	3,870	2.20	12.20	18.50	4.14
	9	9	9	15		7,700	7,700	7,700	12,900		36,000	7,600	36,000	42,000	450	2,550	3,900	2.20	12.20	18.70	4.14
	9	9	9	18		7,200	7,200	7,200	14,400		36,000	7,600	36,000	42,000	450	2,550	3,800	2.20	12.20	18.20	4.14
	9	9	12	12		7,700	7,700	10,300	10,300		36,000	7,600	36,000	42,000	450	2,550	3,900	2.20	12.20	18.70	4.14
	9	9	12	15		7,200	7,200	9,600	12,000		36,000	7,600	36,000	42,000	450	2,550	3,900	2.20	12.20	18.70	4.14
9	12	12	12		7,200	9,600	9,600	9,600		36,000	7,600	36,000	42,000	450	2,550	3,900	2.20	12.20	18.70	4.14	

NOTE

- 1 Cooling capacity is based on 26.7°CDB / 19.4°CWB (indoor temperature), 35°CDB (outdoor temperature).
- 2 Heating capacity is based on 21.1°CDB (indoor temperature), 8.33°CDB/6.11°CWB (outdoor temperature).
- 3 Capacities are based on the following conditions:
 - Corresponding refrigerant piping length : 7.5m / - Level difference : 0m
- 4 The total combination Index of connected a indoor unit is up to 27.
- 5 It is impossible to connect the indoor unit for one room only.

4. Combination Table

4-4. AJ048TXJ5CH

Cooling (Ducted)

Unit	Indoor Index					Cooling Capacity (Btu)						Capacity			Power Consumption			Current			EER
	A	B	C	D	E	A	B	C	D	E	TTL	Btu			W			A			btu/W
												MIN	Rated	MAX	MIN	Rated	MAX	MIN	Rated	MAX	Rated
1	9					9,000					9,000	8,500	9,000	9,000	660	800	800	3.20	3.80	3.80	11.25
	12					12,000					12,000	8,500	12,000	12,000	660	1,090	1,090	3.20	5.20	5.20	11.01
	18					17,100					17,100	9,500	17,100	17,100	680	1,480	1,480	3.30	7.10	7.10	11.55
2	9	9				9,000	9,000				18,000	9,000	18,000	18,900	656	2,110	2,320	3.10	10.10	11.10	8.53
	9	12				9,000	12,000				21,000	9,000	21,000	22,050	657	2,320	2,550	3.10	11.10	12.20	9.05
	9	18				8,700	17,400				26,100	9,000	26,100	27,410	659	3,020	3,320	3.20	14.40	15.90	8.64
	12	12				12,000	12,000				24,000	9,000	24,000	25,200	661	2,530	2,780	3.20	12.10	13.30	9.49
	12	18				11,600	17,500				29,100	9,000	29,100	30,560	663	3,320	3,650	3.20	15.90	17.50	8.77
	18	18				17,100	17,100				34,200	9,000	34,200	35,910	668	3,860	4,250	3.20	18.50	20.30	8.86
3	9	9	9			9,000	9,000	9,000			27,000	9,500	27,000	28,350	600	3,100	3,410	2.90	14.80	16.30	8.71
	9	9	12			9,000	9,000	12,000			30,000	9,500	30,000	31,500	600	3,400	3,740	2.90	16.30	17.90	8.82
	9	9	18			9,000	9,000	18,000			36,000	9,500	36,000	37,800	600	3,930	4,320	2.90	18.80	20.70	9.16
	9	12	12			9,000	12,000	12,000			33,000	9,500	33,000	34,650	600	3,750	4,130	2.90	17.90	19.80	8.80
	9	12	18			9,000	12,000	18,000			39,000	9,500	39,000	40,950	600	5,050	5,350	2.90	24.20	25.60	7.72
	9	18	18			9,000	18,000	18,000			45,000	9,500	45,000	47,250	600	5,140	5,350	2.90	24.60	25.60	8.75
	12	12	12			12,000	12,000	12,000			36,000	9,500	36,000	37,800	600	4,250	4,680	2.90	20.30	22.40	8.47
	12	12	18			12,000	12,000	18,000			42,000	9,500	42,000	44,100	600	5,100	5,350	2.90	24.40	25.60	8.24
	12	18	18			11,400	17,300	17,300			46,000	9,500	46,000	46,000	600	5,350	5,350	2.90	25.60	25.60	8.60
	18	18	18			15,300	15,300	15,400			46,000	9,500	46,000	46,000	600	5,350	5,350	2.90	25.60	25.60	8.60
4	9	9	9	9		9,000	9,000	9,000	9,000		36,000	9,500	36,000	39,600	600	4,180	4,600	2.90	20.00	22.00	8.61
	9	9	9	12		9,000	9,000	9,000	12,000		39,000	9,500	39,000	42,900	600	4,940	5,350	2.90	23.60	25.60	7.89
	9	9	9	18		9,000	9,000	9,000	18,000		45,000	9,500	45,000	46,000	600	5,030	5,350	2.90	24.10	25.60	8.95
	9	9	12	12		9,000	9,000	12,000	12,000		42,000	9,500	42,000	46,000	600	4,990	5,350	2.90	23.90	25.60	8.42
	9	9	12	18		8,600	8,600	11,500	17,300		46,000	9,500	46,000	46,000	600	5,350	5,350	2.90	25.60	25.60	8.60
	9	9	18	18		7,700	7,700	15,300	15,300		46,000	9,500	46,000	46,000	600	5,350	5,350	2.90	25.60	25.60	8.60
	9	12	12	12		9,000	12,000	12,000	12,000		45,000	9,500	45,000	46,000	600	5,040	5,350	2.90	24.10	25.60	8.93
	9	12	12	18		8,100	10,800	10,800	16,300		46,000	9,500	46,000	46,000	600	5,350	5,350	2.90	25.60	25.60	8.60
	9	12	18	18		7,300	9,700	14,500	14,500		46,000	9,500	46,000	46,000	600	5,350	5,350	2.90	25.60	25.60	8.60
	12	12	12	12		11,500	11,500	11,500	11,500		46,000	9,500	46,000	46,000	600	5,350	5,350	2.90	25.60	25.60	8.60
	12	12	12	18		10,200	10,200	10,200	15,400		46,000	9,500	46,000	46,000	600	5,350	5,350	2.90	25.60	25.60	8.60
	5	9	9	9	9	9	9,200	9,200	9,200	9,200	9,200	46,000	9,500	46,000	46,000	600	5,350	5,350	2.90	25.60	25.60
9		9	9	9	12	8,600	8,600	8,600	8,600	11,600	46,000	9,500	46,000	46,000	600	5,350	5,350	2.90	25.60	25.60	8.60
9		9	9	9	18	7,700	7,700	7,700	7,700	15,200	46,000	9,500	46,000	46,000	600	5,350	5,350	2.90	25.60	25.60	8.60
9		9	9	12	12	8,100	8,100	8,100	10,800	10,900	46,000	9,500	46,000	46,000	600	5,350	5,350	2.90	25.60	25.60	8.60
9		9	9	12	18	7,300	7,300	7,300	9,700	14,400	46,000	9,500	46,000	46,000	600	5,350	5,350	2.90	25.60	25.60	8.60
9		9	12	12	12	7,700	7,700	10,200	10,200	10,200	46,000	9,500	46,000	46,000	600	5,350	5,350	2.90	25.60	25.60	8.60
9		12	12	12	12	7,300	9,700	9,700	9,700	9,600	46,000	9,500	46,000	46,000	600	5,350	5,350	2.90	25.60	25.60	8.60

4. Combination Table

4-4. AJ048TXJ5CH

Heating (Ducted)

Unit	Indoor Index					Heating Capacity (btu)						Capacity			Power Consumption			Current			COP
	A	B	C	D	E	A	B	C	D	E	TTL	Btu			W			A			W/W
												MIN	Rated	MAX	MIN	Rated	MAX	MIN	Rated	MAX	Rated
1	9					10,900					10,900	7,600	10,900	13,500	690	1,070	1,390	3.30	5.10	6.70	2.99
	12					14,000					14,000	7,600	14,000	17,000	690	1,290	1,720	3.30	6.20	8.20	3.18
	18					20,000					20,000	7,600	20,000	24,000	690	1,860	2,450	3.30	8.90	11.70	3.15
2	9	9				10,900	10,900				21,800	7,600	21,800	26,700	450	2,710	3,000	2.20	13.00	14.40	2.36
	9	12				10,700	14,200				24,900	7,600	24,900	29,300	450	2,880	3,300	2.20	13.80	15.80	2.53
	9	18				10,300	20,600				30,900	7,600	30,900	47,300	450	3,580	3,900	2.20	17.10	18.70	2.53
	12	12				14,000	14,000				28,000	7,600	28,000	32,000	450	3,040	3,500	2.20	14.50	16.70	2.70
	12	18				13,600	20,400				34,000	7,600	34,000	50,500	450	3,810	4,200	2.20	18.20	20.10	2.62
	18	18				20,000	20,000				40,000	7,600	40,000	58,600	450	4,260	4,800	2.20	20.40	23.00	2.75
3	9	9	9			10,800	10,800	10,700			32,300	7,600	32,300	48,900	450	3,680	4,000	2.20	17.60	19.10	2.57
	9	9	12			10,400	10,400	13,700			34,500	7,600	34,500	52,100	450	3,910	4,300	2.20	18.70	20.60	2.59
	9	9	18			9,500	9,500	19,100			38,100	7,600	38,100	57,600	450	4,220	4,700	2.20	20.20	22.50	2.65
	9	12	12			10,000	13,300	13,300			36,600	7,600	36,600	55,400	450	4,080	4,500	2.20	19.50	21.50	2.63
	9	12	18			9,300	12,400	18,600			40,300	7,600	40,300	49,600	450	4,140	4,300	2.20	19.80	20.60	2.85
	9	18	18			8,300	16,600	16,500			41,400	7,600	41,400	51,000	450	4,240	4,500	2.20	20.30	21.50	2.86
	12	12	12			12,900	12,900	12,900			38,700	7,600	38,700	58,600	450	4,250	4,800	2.20	20.30	23.00	2.67
	12	12	18			11,600	11,600	17,500			40,700	7,600	40,700	50,200	450	4,170	4,400	2.20	20.00	21.10	2.86
	12	18	18			11,600	17,400	17,500			46,500	7,600	46,500	51,400	450	4,450	4,750	2.20	21.30	22.70	3.06
	18	18	18			15,500	15,500	15,500			46,500	7,600	46,500	52,800	450	4,450	4,880	2.20	21.30	23.30	3.06
4	9	9	9	9		10,000	10,000	10,000	10,000		40,000	7,600	40,000	49,300	450	4,130	4,300	2.20	19.80	20.60	2.84
	9	9	9	12		9,800	9,800	9,800	13,200		42,600	7,600	42,600	50,800	450	4,300	4,600	2.20	20.60	22.00	2.90
	9	9	9	18		8,700	8,700	8,700	17,600		43,700	7,600	43,700	52,200	450	4,400	4,700	2.20	21.10	22.50	2.91
	9	9	12	12		9,200	9,200	12,300	12,300		43,000	7,600	43,000	51,400	450	4,330	4,700	2.20	20.70	22.50	2.91
	9	9	12	18		8,700	8,700	11,700	17,400		46,500	7,600	46,500	51,700	450	4,450	4,790	2.20	21.30	22.90	3.06
	9	9	18	18		7,800	7,800	15,500	15,400		46,500	7,600	46,500	53,000	450	4,450	4,920	2.20	21.30	23.50	3.06
	9	12	12	12		8,700	11,600	11,600	11,600		43,500	7,600	43,500	51,900	450	4,360	4,700	2.20	20.90	22.50	2.92
	9	12	12	18		8,200	10,900	11,000	16,400		46,500	7,600	46,500	52,200	450	4,450	4,830	2.20	21.30	23.10	3.06
	9	12	18	18		7,300	9,800	14,700	14,700		46,500	7,600	46,500	53,600	450	4,450	4,970	2.20	21.30	23.80	3.06
	12	12	12	12		11,600	11,600	11,600	11,700		46,500	7,600	46,500	51,400	450	4,450	4,740	2.20	21.30	22.70	3.06
	12	12	12	18		10,300	10,300	10,300	15,600		46,500	7,600	46,500	52,800	450	4,450	4,870	2.20	21.30	23.30	3.06
	5	9	9	9	9	9	9,300	9,300	9,300	9,300	9,300	46,500	7,600	46,500	51,400	450	4,450	4,800	2.20	21.30	23.00
9		9	9	9	12	8,700	8,700	8,700	8,700	11,700	46,500	7,600	46,500	51,900	450	4,450	4,820	2.20	21.30	23.10	3.06
9		9	9	9	18	7,800	7,800	7,800	7,800	15,300	46,500	7,600	46,500	53,300	450	4,450	4,960	2.20	21.30	23.70	3.06
9		9	9	12	12	8,200	8,200	8,200	10,900	11,000	46,500	7,600	46,500	52,500	450	4,450	4,860	2.20	21.30	23.30	3.06
9		9	9	12	18	7,300	7,300	7,300	9,900	14,700	46,500	7,600	46,500	53,900	450	4,450	5,000	2.20	21.30	23.90	3.06
9		9	12	12	12	7,800	7,800	10,300	10,300	10,300	46,500	7,600	46,500	53,000	450	4,450	4,910	2.20	21.30	23.50	3.06
9		12	12	12	12	7,300	9,800	9,800	9,800	9,800	46,500	7,600	46,500	53,600	450	4,450	4,960	2.20	21.30	23.70	3.06

4. Combination Table

4-4. AJ048TXJ5CH

Cooling (Non Ducted)

Unit	Indoor Index					Cooling Capacity (Btu)						Capacity			Power Consumption			Current			EER
	A	B	C	D	E	A	B	C	D	E	TTL	Btu			W			A			btu/W
												MIN	Rated	MAX	MIN	Rated	MAX	MIN	Rated	MAX	Rated
1	7					7,000					7,000	6,500	7,000	7,000	660	720	720	3.20	3.40	3.40	9.72
	9					9,000					9,000	6,500	9,000	9,000	660	800	800	3.20	3.80	3.80	11.25
	12					12,000					12,000	6,500	12,000	12,000	660	1,090	1,090	3.20	5.20	5.20	11.01
	15					15,000					15,000	8,500	15,000	15,000	660	1,410	1,410	3.20	6.70	6.70	10.64
	18					17,100					17,100	9,500	17,100	17,100	680	1,480	1,480	3.30	7.10	7.10	11.55
	24					22,000					22,000	9,500	22,000	22,000	680	2,050	2,050	3.30	9.80	9.80	10.73
2	7	7				7,000	7,000				14,000	9,000	14,000	14,700	650	1,140	1,250	3.10	5.50	6.00	12.28
	7	9				7,000	9,000				16,000	9,000	16,000	16,800	651	1,250	1,380	3.10	6.00	6.60	12.80
	7	12				7,000	12,000				19,000	9,000	19,000	19,950	652	1,460	1,610	3.10	7.00	7.70	13.01
	7	15				7,000	15,000				22,000	9,000	22,000	23,100	653	1,670	1,840	3.10	8.00	8.80	13.17
	7	18				6,700	17,400				24,100	9,000	24,100	25,310	654	1,800	1,980	3.10	8.60	9.50	13.39
	7	24				6,500	22,500				29,000	9,000	29,000	30,450	655	2,720	2,990	3.10	13.00	14.30	10.66
	9	9				9,000	9,000				18,000	9,000	18,000	18,900	656	1,350	1,490	3.10	6.50	7.10	13.33
	9	12				9,000	12,000				21,000	9,000	21,000	22,050	657	1,560	1,720	3.10	7.50	8.20	13.46
	9	15				9,000	15,000				24,000	9,000	24,000	25,200	658	1,770	1,950	3.10	8.50	9.30	13.56
	9	18				8,700	17,400				26,100	9,000	26,100	27,410	659	2,260	2,490	3.20	10.80	11.90	11.55
	9	24				8,500	22,500				31,000	9,000	31,000	32,550	660	2,880	3,170	3.20	13.80	15.20	10.76
	12	12				12,000	12,000				24,000	9,000	24,000	25,200	661	1,770	1,950	3.20	8.50	9.30	13.56
	12	15				12,000	15,000				27,000	9,000	27,000	28,350	662	2,380	2,620	3.20	11.40	12.50	11.34
	12	18				11,600	17,500				29,100	9,000	29,100	30,560	663	2,560	2,820	3.20	12.20	13.50	11.37
	12	24				11,300	22,700				34,000	9,000	34,000	35,700	664	3,420	3,760	3.20	16.40	18.00	9.94
	15	15				15,000	15,000				30,000	9,000	30,000	31,500	665	2,730	3,000	3.20	13.10	14.40	10.99
	15	18				14,600	17,500				32,100	9,000	32,100	33,710	666	2,910	3,200	3.20	13.90	15.30	11.03
	15	24				14,200	22,800				37,000	9,000	37,000	38,850	667	3,490	3,840	3.20	16.70	18.40	10.60
	18	18				17,100	17,100				34,200	9,000	34,200	35,910	668	3,100	3,410	3.20	14.80	16.30	11.03
	18	24				16,800	22,300				39,100	9,000	39,100	41,060	669	3,520	3,870	3.20	16.80	18.50	11.11
24	24				22,000	22,000				44,000	9,000	44,000	46,200	670	4,400	4,750	3.20	21.10	22.70	10.00	
3	7	7	7			7,000	7,000	7,000			21,000	9,500	21,000	22,050	600	1,860	2,050	2.90	8.90	9.80	11.29
	7	7	9			7,000	7,000	9,000			23,000	9,500	23,000	24,150	600	2,000	2,200	2.90	9.60	10.50	11.50
	7	7	12			7,000	7,000	12,000			26,000	9,500	26,000	27,300	600	2,220	2,440	2.90	10.60	11.70	11.71
	7	7	15			7,000	7,000	15,000			29,000	9,500	29,000	30,450	600	2,510	2,760	2.90	12.00	13.20	11.55
	7	7	18			7,000	7,000	18,000			32,000	9,500	32,000	33,600	600	2,750	3,030	2.90	13.20	14.50	11.64
	7	7	24			7,000	7,000	24,000			38,000	9,500	38,000	39,900	600	4,170	4,590	2.90	20.00	22.00	9.11
	7	9	9			7,000	9,000	9,000			25,000	9,500	25,000	26,250	600	2,120	2,330	2.90	10.10	11.10	11.79
	7	9	12			7,000	9,000	12,000			28,000	9,500	28,000	29,400	600	2,370	2,610	2.90	11.30	12.50	11.81
	7	9	15			7,000	9,000	15,000			31,000	9,500	31,000	32,550	600	2,720	2,990	2.90	13.00	14.30	11.40
	7	9	18			7,000	9,000	18,000			34,000	9,500	34,000	35,700	600	2,890	3,180	2.90	13.80	15.20	11.76
	7	9	24			7,000	9,000	24,000			40,000	9,500	40,000	42,000	600	4,190	4,610	2.90	20.00	22.10	9.55
	7	12	12			7,000	12,000	12,000			31,000	9,500	31,000	32,550	600	2,730	3,000	2.90	13.10	14.40	11.36
	7	12	15			7,000	12,000	15,000			34,000	9,500	34,000	35,700	600	3,020	3,320	2.90	14.40	15.90	11.26
	7	12	18			7,000	12,000	18,000			37,000	9,500	37,000	38,850	600	3,390	3,730	2.90	16.20	17.80	10.91
	7	12	24			7,000	12,000	24,000			43,000	9,500	43,000	45,150	600	4,240	4,660	2.90	20.30	22.30	10.14
	7	15	15			7,000	15,000	15,000			37,000	9,500	37,000	38,850	600	3,430	3,770	2.90	16.40	18.00	10.79
7	15	18			7,000	15,000	18,000			40,000	9,500	40,000	42,000	600	4,210	4,630	2.90	20.10	22.20	9.50	
7	15	24			7,000	15,000	24,000			46,000	9,500	46,000	48,200	600	4,320	4,750	2.90	20.70	22.70	10.65	
7	18	18			7,000	18,000	18,000			43,000	9,500	43,000	45,150	600	4,240	4,660	2.90	20.30	22.30	10.14	

4. Combination Table

4-4. AJ048TXJ5CH

Unit	Indoor Index					Cooling Capacity (Btu)						Capacity			Power Consumption			Current			EER
	A	B	C	D	E	A	B	C	D	E	TTL	Btu			W			A			Rated
												MIN	Rated	MAX	MIN	Rated	MAX	MIN	Rated	MAX	
3	7	18	24			6,700	17,300	23,000			47,000	9,500	47,000	48,200	600	4,470	4,750	2.90	21.40	22.70	10.51
	7	24	24			6,000	20,500	20,500			47,000	9,500	47,000	48,200	600	4,470	4,750	2.90	21.40	22.70	10.51
	9	9	9			9,000	9,000	9,000			27,000	9,500	27,000	28,350	600	2,220	2,440	2.90	10.60	11.70	12.16
	9	9	12			9,000	9,000	12,000			30,000	9,500	30,000	31,500	600	2,520	2,770	2.90	12.10	13.30	11.90
	9	9	15			9,000	9,000	15,000			33,000	9,500	33,000	34,650	600	2,860	3,150	2.90	13.70	15.10	11.54
	9	9	18			9,000	9,000	18,000			36,000	9,500	36,000	37,800	600	3,050	3,360	2.90	14.60	16.10	11.80
	9	9	24			9,000	9,000	24,000			42,000	9,500	42,000	44,100	600	4,220	4,640	2.90	20.20	22.20	9.95
	9	12	12			9,000	12,000	12,000			33,000	9,500	33,000	34,650	600	2,870	3,160	2.90	13.70	15.10	11.50
	9	12	15			9,000	12,000	15,000			36,000	9,500	36,000	37,800	600	4,140	4,550	2.90	19.80	21.80	8.70
	9	12	18			9,000	12,000	18,000			39,000	9,500	39,000	40,950	600	4,170	4,590	2.90	20.00	22.00	9.35
	9	12	24			9,000	12,000	24,000			45,000	9,500	45,000	47,250	600	4,270	4,700	2.90	20.40	22.50	10.54
	9	15	15			9,000	15,000	15,000			39,000	9,500	39,000	40,950	600	4,200	4,620	2.90	20.10	22.10	9.29
	9	15	18			9,000	15,000	18,000			42,000	9,500	42,000	44,100	600	4,230	4,650	2.90	20.20	22.20	9.93
	9	15	24			8,800	14,700	23,500			47,000	9,500	47,000	48,200	600	4,470	4,750	2.90	21.40	22.70	10.51
	9	18	18			9,000	18,000	18,000			45,000	9,500	45,000	47,250	600	4,260	4,690	2.90	20.40	22.40	10.56
	9	18	24			8,300	16,600	22,100			47,000	9,500	47,000	48,200	600	4,470	4,750	2.90	21.40	22.70	10.51
	9	24	24			7,400	19,800	19,800			47,000	9,500	47,000	48,200	600	4,470	4,750	2.90	21.40	22.70	10.51
	12	12	12			12,000	12,000	12,000			36,000	9,500	36,000	37,800	600	3,370	3,710	2.90	16.10	17.80	10.68
	12	12	15			12,000	12,000	15,000			39,000	9,500	39,000	40,950	600	4,190	4,610	2.90	20.00	22.10	9.31
	12	12	18			12,000	12,000	18,000			42,000	9,500	42,000	44,100	600	4,220	4,640	2.90	20.20	22.20	9.95
	12	12	24			11,800	11,800	23,400			47,000	9,500	47,000	48,200	600	4,470	4,750	2.90	21.40	22.70	10.51
	12	15	15			12,000	15,000	15,000			42,000	9,500	42,000	44,100	600	4,250	4,680	2.90	20.30	22.40	9.88
	12	15	18			12,000	15,000	18,000			45,000	9,500	45,000	47,250	600	4,280	4,710	2.90	20.50	22.50	10.51
	12	15	24			11,100	13,800	22,100			47,000	9,500	47,000	48,200	600	4,470	4,750	2.90	21.40	22.70	10.51
	12	18	18			11,800	17,600	17,600			47,000	9,500	47,000	48,200	600	4,470	4,750	2.90	21.40	22.70	10.51
	12	18	24			10,400	15,700	20,900			47,000	9,500	47,000	48,200	600	4,470	4,750	2.90	21.40	22.70	10.51
	15	15	15			15,000	15,000	15,000			45,000	9,500	45,000	47,250	600	4,330	4,750	2.90	20.70	22.70	10.39
	15	15	18			14,700	14,700	17,600			47,000	9,500	47,000	48,200	600	4,470	4,750	2.90	21.40	22.70	10.51
	15	15	24			13,100	13,100	20,800			47,000	9,500	47,000	48,200	600	4,470	4,750	2.90	21.40	22.70	10.51
	15	18	18			13,800	16,600	16,600			47,000	9,500	47,000	48,200	600	4,470	4,750	2.90	21.40	22.70	10.51
15	18	24			12,400	14,800	19,800			47,000	9,500	47,000	48,200	600	4,470	4,750	2.90	21.40	22.70	10.51	
18	18	18			15,700	15,700	15,600			47,000	9,500	47,000	48,200	600	4,470	4,750	2.90	21.40	22.70	10.51	
4	7	7	7	7		7,000	7,000	7,000	7,000		28,000	9,500	28,000	30,800	599	2,600	2,860	2.90	12.40	13.70	10.77
	7	7	7	9		7,000	7,000	7,000	9,000		30,000	9,500	30,000	33,000	600	2,760	3,040	2.90	13.20	14.50	10.87
	7	7	7	12		7,000	7,000	7,000	12,000		33,000	9,500	33,000	36,300	600	3,140	3,450	2.90	15.00	16.50	10.51
	7	7	7	15		7,000	7,000	7,000	15,000		36,000	9,500	36,000	39,600	600	4,050	4,460	2.90	19.40	21.30	8.89
	7	7	7	18		7,000	7,000	7,000	18,000		39,000	9,500	39,000	42,900	600	4,080	4,490	2.90	19.50	21.50	9.56
	7	7	7	24		7,000	7,000	7,000	24,000		45,000	9,500	45,000	48,200	600	4,180	4,600	2.90	20.00	22.00	10.77
	7	7	9	9		7,000	7,000	9,000	9,000		32,000	9,500	32,000	35,200	600	2,980	3,280	2.90	14.30	15.70	10.74
	7	7	9	12		7,000	7,000	9,000	12,000		35,000	9,500	35,000	38,500	600	3,300	3,630	2.90	15.80	17.40	10.61
	7	7	9	15		7,000	7,000	9,000	15,000		38,000	9,500	38,000	41,800	600	4,070	4,480	2.90	19.50	21.40	9.34
	7	7	9	18		7,000	7,000	9,000	18,000		41,000	9,500	41,000	45,100	600	4,100	4,510	2.90	19.60	21.60	10.00
	7	7	9	24		7,000	7,000	9,000	24,000		47,000	9,500	47,000	48,200	600	4,200	4,620	2.90	20.10	22.10	11.19
	7	7	12	12		7,000	7,000	12,000	12,000		38,000	9,500	38,000	41,800	600	4,060	4,470	2.90	19.40	21.40	9.36
	7	7	12	15		7,000	7,000	12,000	15,000		41,000	9,500	41,000	45,100	600	4,120	4,530	2.90	19.70	21.70	9.95
	7	7	12	18		7,000	7,000	12,000	18,000		44,000	9,500	44,000	48,200	600	4,150	4,570	2.90	19.90	21.90	10.60
	7	7	12	24		6,600	6,600	11,300	22,500		47,000	9,500	47,000	48,200	600	4,470	4,750	2.90	21.40	22.70	10.51
	7	7	15	15		7,000	7,000	15,000	15,000		44,000	9,500	44,000	48,200	600	4,190	4,610	2.90	20.00	22.10	10.50

4. Combination Table

4-4. AJ048TXJ5CH

Unit	Indoor Index					Cooling Capacity (Btu)						Capacity			Power Consumption			Current			EER
	A	B	C	D	E	A	B	C	D	E	TTL	Btu			W			A			btu/W
												MIN	Rated	MAX	MIN	Rated	MAX	MIN	Rated	MAX	
4	7	7	15	18		7,000	7,000	15,000	18,000		47,000	9,500	47,000	48,200	600	4,220	4,640	2.90	20.20	22.20	11.14
	7	7	15	24		6,200	6,200	13,300	21,300		47,000	9,500	47,000	48,200	600	4,470	4,750	2.90	21.40	22.70	10.51
	7	7	18	18		6,600	6,600	16,900	16,900		47,000	9,500	47,000	48,200	600	4,470	4,750	2.90	21.40	22.70	10.51
	7	7	18	24		5,900	5,900	15,100	20,100		47,000	9,500	47,000	48,200	600	4,470	4,750	2.90	21.40	22.70	10.51
	7	9	9	9		7,000	9,000	9,000	9,000		34,000	9,500	34,000	37,400	600	3,140	3,450	2.90	15.00	16.50	10.83
	7	9	9	12		7,000	9,000	9,000	12,000		37,000	9,500	37,000	40,700	600	4,030	4,430	2.90	19.30	21.20	9.18
	7	9	9	15		7,000	9,000	9,000	15,000		40,000	9,500	40,000	44,000	600	4,100	4,510	2.90	19.60	21.60	9.76
	7	9	9	18		7,000	9,000	9,000	18,000		43,000	9,500	43,000	47,300	600	4,130	4,540	2.90	19.80	21.70	10.41
	7	9	9	24		6,700	8,700	8,700	22,900		47,000	9,500	47,000	48,200	600	4,470	4,750	2.90	21.40	22.70	10.51
	7	9	12	12		7,000	9,000	12,000	12,000		40,000	9,500	40,000	44,000	600	4,080	4,490	2.90	19.50	21.50	9.80
	7	9	12	15		7,000	9,000	12,000	15,000		43,000	9,500	43,000	47,300	600	4,150	4,570	2.90	19.90	21.90	10.36
	7	9	12	18		7,000	9,000	12,000	18,000		46,000	9,500	46,000	48,200	600	4,180	4,600	2.90	20.00	22.00	11.00
	7	9	12	24		6,300	8,200	10,800	21,700		47,000	9,500	47,000	48,200	600	4,470	4,750	2.90	21.40	22.70	10.51
	7	9	15	15		7,000	9,000	15,000	15,000		46,000	9,500	46,000	48,200	600	4,210	4,630	2.90	20.10	22.20	10.93
	7	9	15	18		6,700	8,600	14,400	17,300		47,000	9,500	47,000	48,200	600	4,470	4,750	2.90	21.40	22.70	10.51
	7	9	15	24		6,000	7,700	12,800	20,500		47,000	9,500	47,000	48,200	600	4,470	4,750	2.90	21.40	22.70	10.51
	7	9	18	18		6,300	8,100	16,300	16,300		47,000	9,500	47,000	48,200	600	4,470	4,750	2.90	21.40	22.70	10.51
	7	12	12	12		7,000	12,000	12,000	12,000		43,000	9,500	43,000	47,300	600	4,130	4,540	2.90	19.80	21.70	10.41
	7	12	12	15		7,000	12,000	12,000	15,000		46,000	9,500	46,000	48,200	600	4,200	4,620	2.90	20.10	22.10	10.95
	7	12	12	18		6,700	11,500	11,500	17,300		47,000	9,500	47,000	48,200	600	4,470	4,750	2.90	21.40	22.70	10.51
	7	12	12	24		6,000	10,300	10,300	20,400		47,000	9,500	47,000	48,200	600	4,470	4,750	2.90	21.40	22.70	10.51
	7	12	15	15		6,700	11,500	14,400	14,400		47,000	9,500	47,000	48,200	600	4,470	4,750	2.90	21.40	22.70	10.51
	7	12	15	18		6,300	10,800	13,600	16,300		47,000	9,500	47,000	48,200	600	4,470	4,750	2.90	21.40	22.70	10.51
	7	12	18	18		6,000	10,400	15,300	15,300		47,000	9,500	47,000	48,200	600	4,470	4,750	2.90	21.40	22.70	10.51
	7	15	15	15		6,300	13,600	13,600	13,500		47,000	9,500	47,000	48,200	600	4,470	4,750	2.90	21.40	22.70	10.51
	7	15	15	18		6,000	12,800	12,800	15,400		47,000	9,500	47,000	48,200	600	4,470	4,750	2.90	21.40	22.70	10.51
	9	9	9	9		9,000	9,000	9,000	9,000		36,000	9,500	36,000	39,600	600	3,300	3,630	2.90	15.80	17.40	10.91
	9	9	9	12		9,000	9,000	9,000	12,000		39,000	9,500	39,000	42,900	600	4,060	4,470	2.90	19.40	21.40	9.61
	9	9	9	15		9,000	9,000	9,000	15,000		42,000	9,500	42,000	46,200	600	4,120	4,530	2.90	19.70	21.70	10.19
	9	9	9	18		9,000	9,000	9,000	18,000		45,000	9,500	45,000	48,200	600	4,150	4,570	2.90	19.90	21.90	10.84
	9	9	9	24		8,300	8,300	8,300	22,100		47,000	9,500	47,000	48,200	600	4,470	4,750	2.90	21.40	22.70	10.51
	9	9	12	12		9,000	9,000	12,000	12,000		42,000	9,500	42,000	46,200	600	4,110	4,520	2.90	19.70	21.60	10.22
	9	9	12	15		9,000	9,000	12,000	15,000		45,000	9,500	45,000	48,200	600	4,170	4,590	2.90	20.00	22.00	10.79
	9	9	12	18		8,800	8,800	11,800	17,600		47,000	9,500	47,000	48,200	600	4,470	4,750	2.90	21.40	22.70	10.51
	9	9	12	24		7,800	7,900	10,400	20,900		47,000	9,500	47,000	48,200	600	4,470	4,750	2.90	21.40	22.70	10.51
	9	9	15	15		8,800	8,800	14,700	14,700		47,000	9,500	47,000	48,200	600	4,470	4,750	2.90	21.40	22.70	10.51
	9	9	15	18		8,300	8,300	13,800	16,600		47,000	9,500	47,000	48,200	600	4,470	4,750	2.90	21.40	22.70	10.51
	9	9	15	24		7,400	7,400	12,400	19,800		47,000	9,500	47,000	48,200	600	4,470	4,750	2.90	21.40	22.70	10.51
	9	9	18	18		7,800	7,800	15,700	15,700		47,000	9,500	47,000	48,200	600	4,470	4,750	2.90	21.40	22.70	10.51
	9	12	12	12		9,000	12,000	12,000	12,000		45,000	9,500	45,000	48,200	600	4,160	4,580	2.90	19.90	21.90	10.82
9	12	12	15		8,800	11,800	11,800	14,600		47,000	9,500	47,000	48,200	600	4,470	4,750	2.90	21.40	22.70	10.51	
9	12	12	18		8,300	11,100	11,100	16,500		47,000	9,500	47,000	48,200	600	4,470	4,750	2.90	21.40	22.70	10.51	
9	12	12	24		7,400	9,900	9,900	19,800		47,000	9,500	47,000	48,200	600	4,470	4,750	2.90	21.40	22.70	10.51	
9	12	15	15		8,300	11,100	13,800	13,800		47,000	9,500	47,000	48,200	600	4,470	4,750	2.90	21.40	22.70	10.51	
9	12	15	18		7,800	10,400	13,100	15,700		47,000	9,500	47,000	48,200	600	4,470	4,750	2.90	21.40	22.70	10.51	
9	12	18	18		7,400	10,000	14,800	14,800		47,000	9,500	47,000	48,200	600	4,470	4,750	2.90	21.40	22.70	10.51	
9	15	15	15		7,800	13,100	13,100	13,000		47,000	9,500	47,000	48,200	600	4,470	4,750	2.90	21.40	22.70	10.51	
9	15	15	18		7,400	12,400	12,400	14,800		47,000	9,500	47,000	48,200	600	4,470	4,750	2.90	21.40	22.70	10.51	
12	12	12	12		11,800	11,800	11,700	11,700		47,000	9,500	47,000	48,200	600	4,470	4,750	2.90	21.40	22.70	10.51	

4. Combination Table

4-4. AJ048TXJ5CH

Unit	Indoor Index					Cooling Capacity (Btu)						Capacity			Power Consumption			Current			EER
	A	B	C	D	E	A	B	C	D	E	TTL	Btu			W			A			btu/W
												MIN	Rated	MAX	MIN	Rated	MAX	MIN	Rated	MAX	
4	12	12	12	15		11,100	11,100	11,100	13,700		47,000	9,500	47,000	48,200	600	4,470	4,750	2.90	21.40	22.70	10.51
	12	12	12	18		10,400	10,400	10,400	15,800		47,000	9,500	47,000	48,200	600	4,470	4,750	2.90	21.40	22.70	10.51
	12	12	15	15		10,400	10,400	13,100	13,100		47,000	9,500	47,000	48,200	600	4,470	4,750	2.90	21.40	22.70	10.51
	12	12	15	18		9,900	9,900	12,400	14,800		47,000	9,500	47,000	48,200	600	4,470	4,750	2.90	21.40	22.70	10.51
	12	15	15	15		9,800	12,400	12,400	12,400		47,000	9,500	47,000	48,200	600	4,470	4,750	2.90	21.40	22.70	10.51
5	7	7	7	7	7	7,000	7,000	7,000	7,000	7,000	35,000	9,500	35,000	38,500	600	3,330	3,660	2.90	15.90	17.50	10.51
	7	7	7	7	9	7,000	7,000	7,000	7,000	9,000	37,000	9,500	37,000	40,700	600	4,060	4,470	2.90	19.40	21.40	9.11
	7	7	7	7	12	7,000	7,000	7,000	7,000	12,000	40,000	9,500	40,000	44,000	600	4,110	4,520	2.90	19.70	21.60	9.73
	7	7	7	7	15	7,000	7,000	7,000	7,000	15,000	43,000	9,500	43,000	47,300	600	4,180	4,600	2.90	20.00	22.00	10.29
	7	7	7	7	18	7,000	7,000	7,000	7,000	18,000	46,000	9,500	46,000	48,200	600	4,210	4,630	2.90	20.10	22.20	10.93
	7	7	7	7	24	6,300	6,300	6,300	6,300	21,800	47,000	9,500	47,000	48,200	600	4,470	4,750	2.90	21.40	22.70	10.51
	7	7	7	9	9	7,000	7,000	7,000	9,000	9,000	39,000	9,500	39,000	42,900	600	4,090	4,500	2.90	19.60	21.50	9.54
	7	7	7	9	12	7,000	7,000	7,000	9,000	12,000	42,000	9,500	42,000	46,200	600	4,140	4,550	2.90	19.80	21.80	10.14
	7	7	7	9	15	7,000	7,000	7,000	9,000	15,000	45,000	9,500	45,000	48,200	600	4,200	4,620	2.90	20.10	22.10	10.71
	7	7	7	9	18	6,900	6,900	6,900	8,800	17,500	47,000	9,500	47,000	48,200	600	4,470	4,750	2.90	21.40	22.70	10.51
	7	7	7	9	24	6,100	6,100	6,100	7,800	20,900	47,000	9,500	47,000	48,200	600	4,470	4,750	2.90	21.40	22.70	10.51
	7	7	7	12	12	7,000	7,000	7,000	12,000	12,000	45,000	9,500	45,000	48,200	600	4,190	4,610	2.90	20.00	22.10	10.74
	7	7	7	12	15	6,900	6,900	6,900	11,800	14,500	47,000	9,500	47,000	48,200	600	4,470	4,750	2.90	21.40	22.70	10.51
	7	7	7	12	18	6,500	6,500	6,500	11,100	16,400	47,000	9,500	47,000	48,200	600	4,470	4,750	2.90	21.40	22.70	10.51
	7	7	7	12	24	5,800	5,800	5,800	9,900	19,700	47,000	9,500	47,000	48,200	600	4,470	4,750	2.90	21.40	22.70	10.51
	7	7	7	15	15	6,500	6,500	6,500	13,800	13,700	47,000	9,500	47,000	48,200	600	4,470	4,750	2.90	21.40	22.70	10.51
	7	7	7	15	18	6,100	6,100	6,100	13,100	15,600	47,000	9,500	47,000	48,200	600	4,470	4,750	2.90	21.40	22.70	10.51
	7	7	7	18	18	5,800	5,800	5,800	14,800	14,800	47,000	9,500	47,000	48,200	600	4,470	4,750	2.90	21.40	22.70	10.51
	7	7	9	9	9	7,000	7,000	9,000	9,000	9,000	41,000	9,500	41,000	45,100	600	4,110	4,520	2.90	19.70	21.60	9.98
	7	7	9	9	12	7,000	7,000	9,000	9,000	12,000	44,000	9,500	44,000	48,200	600	4,160	4,580	2.90	19.90	21.90	10.58
	7	7	9	9	15	7,000	7,000	9,000	9,000	15,000	47,000	9,500	47,000	48,200	600	4,230	4,650	2.90	20.20	22.20	11.11
	7	7	9	9	18	6,600	6,600	8,500	8,500	16,800	47,000	9,500	47,000	48,200	600	4,470	4,750	2.90	21.40	22.70	10.51
	7	7	9	9	24	5,900	5,900	7,600	7,600	20,000	47,000	9,500	47,000	48,200	600	4,470	4,750	2.90	21.40	22.70	10.51
	7	7	9	12	12	7,000	7,000	9,000	12,000	12,000	47,000	9,500	47,000	48,200	600	4,210	4,630	2.90	20.10	22.20	11.16
	7	7	9	12	15	6,600	6,600	8,500	11,300	14,000	47,000	9,500	47,000	48,200	600	4,470	4,750	2.90	21.40	22.70	10.51
	7	7	9	12	18	6,200	6,200	8,000	10,600	16,000	47,000	9,500	47,000	48,200	600	4,470	4,750	2.90	21.40	22.70	10.51
	7	7	9	15	15	6,200	6,200	8,000	13,300	13,300	47,000	9,500	47,000	48,200	600	4,470	4,750	2.90	21.40	22.70	10.51
	7	7	9	15	18	5,900	5,900	7,600	12,600	15,000	47,000	9,500	47,000	48,200	600	4,470	4,750	2.90	21.40	22.70	10.51
	7	7	12	12	12	6,600	6,600	11,300	11,300	11,200	47,000	9,500	47,000	48,200	600	4,470	4,750	2.90	21.40	22.70	10.51
	7	7	12	12	15	6,200	6,200	10,600	10,600	13,400	47,000	9,500	47,000	48,200	600	4,470	4,750	2.90	21.40	22.70	10.51
	7	7	12	12	18	5,900	5,900	10,100	10,100	15,000	47,000	9,500	47,000	48,200	600	4,470	4,750	2.90	21.40	22.70	10.51
	7	7	12	15	15	5,900	5,900	10,000	12,600	12,600	47,000	9,500	47,000	48,200	600	4,470	4,750	2.90	21.40	22.70	10.51
	7	9	9	9	9	7,000	9,000	9,000	9,000	9,000	43,000	9,500	43,000	47,300	600	4,140	4,550	2.90	19.80	21.80	10.39
	7	9	9	9	12	7,000	9,000	9,000	9,000	12,000	46,000	9,500	46,000	48,200	600	4,190	4,610	2.90	20.00	22.10	10.98
	7	9	9	9	15	6,800	8,600	8,600	8,600	14,400	47,000	9,500	47,000	48,200	600	4,470	4,750	2.90	21.40	22.70	10.51
	7	9	9	9	18	6,400	8,100	8,100	8,100	16,300	47,000	9,500	47,000	48,200	600	4,470	4,750	2.90	21.40	22.70	10.51
7	9	9	12	12	6,800	8,600	8,600	11,500	11,500	47,000	9,500	47,000	48,200	600	4,470	4,750	2.90	21.40	22.70	10.51	
7	9	9	12	15	6,400	8,100	8,100	10,800	13,600	47,000	9,500	47,000	48,200	600	4,470	4,750	2.90	21.40	22.70	10.51	
7	9	9	12	18	6,000	7,700	7,700	10,300	15,300	47,000	9,500	47,000	48,200	600	4,470	4,750	2.90	21.40	22.70	10.51	
7	9	9	15	15	6,000	7,700	7,700	12,800	12,800	47,000	9,500	47,000	48,200	600	4,470	4,750	2.90	21.40	22.70	10.51	
7	9	12	12	12	6,500	8,100	10,800	10,800	10,800	47,000	9,500	47,000	48,200	600	4,470	4,750	2.90	21.40	22.70	10.51	
7	9	12	12	15	6,000	7,700	10,300	10,300	12,700	47,000	9,500	47,000	48,200	600	4,470	4,750	2.90	21.40	22.70	10.51	
7	12	12	12	12	6,000	10,300	10,300	10,200	10,200	47,000	9,500	47,000	48,200	600	4,470	4,750	2.90	21.40	22.70	10.51	
9	9	9	9	9	9,000	9,000	9,000	9,000	9,000	45,000	9,500	45,000	48,200	600	4,160	4,580	2.90	19.90	21.90	10.82	

4. Combination Table

4-4. AJ048TXJ5CH

Unit	Indoor Index					Cooling Capacity (Btu)						Capacity			Power Consumption			Current			EER
	A	B	C	D	E	A	B	C	D	E	TTL	Btu			W			A			btu/W
												MIN	Rated	MAX	MIN	Rated	MAX	MIN	Rated	MAX	Rated
5	9	9	9	9	12	8,800	8,800	8,800	8,800	11,800	47,000	9,500	47,000	48,200	600	4,470	4,750	2.90	21.40	22.70	10.51
	9	9	9	9	15	8,300	8,300	8,300	8,300	13,800	47,000	9,500	47,000	48,200	600	4,470	4,750	2.90	21.40	22.70	10.51
	9	9	9	9	18	7,800	7,800	7,800	7,800	15,800	47,000	9,500	47,000	48,200	600	4,470	4,750	2.90	21.40	22.70	10.51
	9	9	9	12	12	8,300	8,300	8,300	11,100	11,000	47,000	9,500	47,000	48,200	600	4,470	4,750	2.90	21.40	22.70	10.51
	9	9	9	12	15	7,800	7,800	7,800	10,500	13,100	47,000	9,500	47,000	48,200	600	4,470	4,750	2.90	21.40	22.70	10.51
	9	9	9	12	18	7,400	7,400	7,400	10,000	14,800	47,000	9,500	47,000	48,200	600	4,470	4,750	2.90	21.40	22.70	10.51
	9	9	9	15	15	7,400	7,400	7,400	12,400	12,400	47,000	9,500	47,000	48,200	600	4,470	4,750	2.90	21.40	22.70	10.51
	9	9	12	12	12	7,900	7,900	10,400	10,400	10,400	47,000	9,500	47,000	48,200	600	4,470	4,750	2.90	21.40	22.70	10.51
	9	9	12	12	15	7,400	7,400	9,900	9,900	12,400	47,000	9,500	47,000	48,200	600	4,470	4,750	2.90	21.40	22.70	10.51
9	12	12	12	12	7,400	9,900	9,900	9,900	9,900	47,000	9,500	47,000	48,200	600	4,470	4,750	2.90	21.40	22.70	10.51	

4. Combination Table

4-4. AJ048TXJ5CH

Heating (Non Ducted)

Unit	Indoor Index					Heating Capacity (btu)						Capacity			Power Consumption			Current			COP
	A	B	C	D	E	A	B	C	D	E	TTL	Btu			W			A			W/W
												MIN	Rated	MAX	MIN	Rated	MAX	MIN	Rated	MAX	Rated
1	7					7,500					7,500	7,500	7,500	8,000	690	840	1,050	3.30	4.00	5.00	2.62
	9					10,900					10,900	7,600	10,900	13,500	690	1,070	1,390	3.30	5.10	6.70	2.99
	12					14,000					14,000	7,600	14,000	17,000	690	1,290	1,720	3.30	6.20	8.20	3.18
	15					18,000					18,000	7,600	18,000	19,200	690	1,830	2,410	3.30	8.80	11.50	2.88
	18					20,000					20,000	7,600	20,000	24,000	690	1,860	2,450	3.30	8.90	11.70	3.15
	24					25,500					25,500	7,600	25,500	25,500	690	2,380	2,380	3.30	11.40	11.40	3.14
2	7	7				7,500	7,500				15,000	7,600	15,000	20,100	450	1,400	2,300	2.20	6.70	11.00	3.14
	7	9				8,100	10,300				18,400	7,600	18,400	23,400	450	1,690	2,600	2.20	8.10	12.40	3.19
	7	12				7,900	13,600				21,500	7,600	21,500	26,000	450	1,850	2,900	2.20	8.90	13.90	3.41
	7	15				8,100	17,400				25,500	7,600	25,500	31,300	450	2,190	3,500	2.20	10.50	16.70	3.41
	7	18				7,700	19,800				27,500	7,600	27,500	43,300	450	2,550	3,600	2.20	12.20	17.20	3.16
	7	24				7,500	25,500				33,000	7,600	33,000	51,300	450	3,050	4,200	2.20	14.60	20.10	3.17
	9	9				10,900	10,900				21,800	7,600	21,800	26,700	450	1,890	3,000	2.20	9.00	14.40	3.38
	9	12				10,700	14,200				24,900	7,600	24,900	29,300	450	2,060	3,300	2.20	9.90	15.80	3.54
	9	15				10,800	18,100				28,900	7,600	28,900	45,700	450	2,680	3,800	2.20	12.80	18.20	3.16
	9	18				10,300	20,600				30,900	7,600	30,900	47,300	450	2,760	3,900	2.20	13.20	18.70	3.28
	9	24				9,900	26,500				36,400	7,600	36,400	55,400	450	3,260	4,500	2.20	15.60	21.50	3.27
	12	12				14,000	14,000				28,000	7,600	28,000	32,000	450	2,220	3,500	2.20	10.60	16.70	3.70
	12	15				14,200	17,800				32,000	7,600	32,000	48,900	450	2,850	4,000	2.20	13.60	19.10	3.29
	12	18				13,600	20,400				34,000	7,600	34,000	50,500	450	2,990	4,200	2.20	14.30	20.10	3.33
	12	24				13,200	26,300				39,500	7,600	39,500	58,600	450	3,430	4,800	2.20	16.40	23.00	3.38
	15	15				18,000	18,000				36,000	7,600	36,000	55,400	450	3,270	4,500	2.20	15.60	21.50	3.23
	15	18				17,300	20,700				38,000	7,600	38,000	57,000	450	3,350	4,700	2.20	16.00	22.50	3.32
	15	24				16,700	26,800				43,500	7,600	43,500	50,800	450	3,280	4,600	2.20	15.70	22.00	3.89
	18	18				20,000	20,000				40,000	7,600	40,000	58,600	450	3,440	4,800	2.20	16.50	23.00	3.41
	18	24				19,500	26,000				45,500	7,600	45,500	51,100	450	3,300	4,600	2.20	15.80	22.00	4.04
24	24				24,300	24,200				48,500	7,600	48,500	51,400	450	3,790	4,650	2.20	18.10	22.20	3.75	
3	7	7	7			7,300	7,300	7,400			22,000	7,600	22,000	33,200	450	2,030	2,900	2.20	9.70	13.90	3.18
	7	7	9			7,500	7,500	9,600			24,600	7,600	24,600	37,200	450	2,240	3,200	2.20	10.70	15.30	3.22
	7	7	12			7,900	7,900	13,400			29,200	7,600	29,200	44,100	450	2,600	3,700	2.20	12.40	17.70	3.29
	7	7	15			8,100	8,100	17,200			33,400	7,600	33,400	50,500	450	3,020	4,200	2.20	14.40	20.10	3.24
	7	7	18			7,500	7,500	19,500			34,500	7,600	34,500	52,100	450	3,110	4,300	2.20	14.90	20.60	3.25
	7	7	24			7,000	7,000	24,100			38,100	7,600	38,100	57,600	450	3,410	4,700	2.20	16.30	22.50	3.27
	7	9	9			8,300	10,700	10,700			29,700	7,600	29,700	44,900	450	2,650	3,700	2.20	12.70	17.70	3.28
	7	9	12			8,000	10,200	13,600			31,800	7,600	31,800	48,100	450	2,810	4,000	2.20	13.40	19.10	3.32
	7	9	15			8,200	10,500	17,400			36,100	7,600	36,100	54,600	450	3,230	4,500	2.20	15.50	21.50	3.28
	7	9	18			7,700	9,800	19,600			37,100	7,600	37,100	56,200	450	3,320	4,600	2.20	15.90	22.00	3.28
	7	9	24			7,100	9,100	24,200			40,400	7,600	40,400	49,800	450	3,340	4,300	2.20	16.00	20.60	3.55
	7	12	12			7,700	13,100	13,100			33,900	7,600	33,900	51,300	450	3,050	4,200	2.20	14.60	20.10	3.26
	7	12	15			7,900	13,500	16,800			38,200	7,600	38,200	57,800	450	3,400	4,700	2.20	16.30	22.50	3.29
	7	12	18			7,800	13,300	19,900			41,000	7,600	41,000	50,600	450	3,370	4,400	2.20	16.10	21.10	3.57
	7	12	24			6,600	11,400	22,800			40,800	7,600	40,800	50,300	450	3,370	4,400	2.20	16.10	21.10	3.55
	7	15	15			7,600	16,400	16,400			40,400	7,600	40,400	49,800	450	3,350	4,400	2.20	16.00	21.10	3.53
	7	15	18			7,100	15,200	18,300			40,600	7,600	40,600	50,000	450	3,360	4,400	2.20	16.10	21.10	3.54
	7	15	24			6,300	13,600	21,800			41,700	7,600	41,700	51,400	450	3,450	4,500	2.20	16.50	21.50	3.54
7	18	18			6,600	17,000	17,000			40,600	7,600	40,600	50,000	450	3,360	4,400	2.20	16.10	21.10	3.54	
7	18	24			6,900	17,800	23,800			48,500	7,600	48,500	51,500	450	3,790	4,690	2.20	18.10	22.40	3.75	

4. Combination Table

4-4. AJ048TXJ5CH

Unit	Indoor Index					Heating Capacity (btu)						Capacity			Power Consumption			Current			COP
	A	B	C	D	E	A	B	C	D	E	TTL	Btu			W			A			W/W
												MIN	Rated	MAX	MIN	Rated	MAX	MIN	Rated	MAX	Rated
3	7	24	24			6,200	21,200	21,100			48,500	7,600	48,500	52,900	450	3,790	4,810	2.20	18.10	23.00	3.75
	9	9	9			10,800	10,800	10,700			32,300	7,600	32,300	48,900	450	2,860	4,000	2.20	13.70	19.10	3.31
	9	9	12			10,400	10,400	13,700			34,500	7,600	34,500	52,100	450	3,090	4,300	2.20	14.80	20.60	3.27
	9	9	15			10,600	10,600	17,500			38,700	7,600	38,700	58,600	450	3,450	4,800	2.20	16.50	23.00	3.29
	9	9	18			9,500	9,500	19,100			38,100	7,600	38,100	57,600	450	3,400	4,700	2.20	16.30	22.50	3.28
	9	9	24			8,800	8,800	23,300			40,900	7,600	40,900	50,400	450	3,380	4,400	2.20	16.20	21.10	3.55
	9	12	12			10,000	13,300	13,300			36,600	7,600	36,600	55,400	450	3,260	4,500	2.20	15.60	21.50	3.29
	9	12	15			9,600	12,800	15,900			38,300	7,600	38,300	57,900	450	3,410	4,700	2.20	16.30	22.50	3.29
	9	12	18			9,300	12,400	18,600			40,300	7,600	40,300	49,600	450	3,320	4,300	2.20	15.90	20.60	3.56
	9	12	24			8,300	11,000	22,100			41,400	7,600	41,400	51,000	450	3,410	4,400	2.20	16.30	21.10	3.56
	9	15	15			9,400	15,700	15,700			40,800	7,600	40,900	50,400	450	3,390	4,400	2.20	16.20	21.10	3.54
	9	15	18			8,800	14,700	17,600			41,100	7,600	41,100	50,700	450	3,400	4,400	2.20	16.30	21.10	3.54
	9	15	24			9,100	15,200	24,200			48,500	7,600	48,500	51,900	450	3,790	4,720	2.20	18.10	22.60	3.75
	9	18	18			8,300	16,600	16,500			41,400	7,600	41,400	51,000	450	3,420	4,500	2.20	16.40	21.50	3.55
	9	18	24			8,600	17,100	22,800			48,500	7,600	48,500	52,200	450	3,790	4,740	2.20	18.10	22.70	3.75
	9	24	24			7,700	20,400	20,400			48,500	7,600	48,500	53,600	450	3,790	4,860	2.20	18.10	23.30	3.75
	12	12	12			12,900	12,900	12,900			38,700	7,600	38,700	58,600	450	3,430	4,800	2.20	16.40	23.00	3.31
	12	12	15			12,500	12,500	15,500			40,500	7,600	40,500	49,900	450	3,340	4,300	2.20	16.00	20.60	3.55
	12	12	18			11,600	11,600	17,500			40,700	7,600	40,700	50,200	450	3,350	4,400	2.20	16.00	21.10	3.56
	12	12	24			12,100	12,100	24,300			48,500	7,600	48,500	51,400	450	3,790	4,650	2.20	18.10	22.20	3.75
	12	15	15			11,800	14,800	14,800			41,400	7,600	41,400	51,000	450	3,420	4,500	2.20	16.40	21.50	3.55
	12	15	18			11,100	13,900	16,600			41,600	7,600	41,600	51,300	450	3,430	4,500	2.20	16.40	21.50	3.55
	12	15	24			11,400	14,300	22,800			48,500	7,600	48,500	52,500	450	3,790	4,760	2.20	18.10	22.80	3.75
	12	18	18			12,100	18,200	18,200			48,500	7,600	48,500	51,400	450	3,790	4,660	2.20	18.10	22.30	3.75
	12	18	24			10,800	16,200	21,500			48,500	7,600	48,500	52,800	450	3,790	4,780	2.20	18.10	22.90	3.75
	15	15	15			14,100	14,100	14,000			42,200	7,600	42,200	52,100	450	3,510	4,600	2.20	16.80	22.00	3.52
	15	15	18			15,200	15,200	18,100			48,500	7,600	48,500	52,200	450	3,790	4,750	2.20	18.10	22.70	3.75
	15	15	24			13,500	13,500	21,500			48,500	7,600	48,500	53,600	450	3,790	4,870	2.20	18.10	23.30	3.75
	15	18	18			14,300	17,100	17,100			48,500	7,600	48,500	52,500	450	3,790	4,770	2.20	18.10	22.80	3.75
	15	18	24			12,800	15,300	20,400			48,500	7,600	48,500	53,900	450	3,790	4,890	2.20	18.10	23.40	3.75
18	18	18			16,200	16,200	16,100			48,500	7,600	48,500	52,800	450	3,790	4,790	2.20	18.10	22.90	3.75	
4	7	7	7	7		7,900	7,900	7,900	7,900		31,600	7,600	31,600	38,900	450	2,630	3,500	2.20	12.60	16.70	3.52
	7	7	7	9		8,000	8,000	8,000	10,400		34,400	7,600	34,400	42,400	450	2,900	3,800	2.20	13.90	18.20	3.48
	7	7	7	12		7,800	7,800	7,800	13,200		36,600	7,600	36,600	45,100	450	3,060	4,000	2.20	14.60	19.10	3.51
	7	7	7	15		8,000	8,000	8,000	17,000		41,000	7,600	41,000	50,600	450	3,400	4,400	2.20	16.30	21.10	3.53
	7	7	7	18		7,500	7,500	7,500	19,500		42,000	7,600	42,000	50,100	450	3,270	4,600	2.20	15.60	22.00	3.76
	7	7	7	24		6,700	6,700	6,700	23,000		43,100	7,600	43,100	51,500	450	3,360	4,700	2.20	16.10	22.50	3.76
	7	7	9	9		8,100	8,100	10,400	10,500		37,100	7,600	37,100	45,800	450	3,100	4,000	2.20	14.80	19.10	3.51
	7	7	9	12		7,900	7,900	10,100	13,500		39,400	7,600	39,400	48,500	450	3,270	4,200	2.20	15.60	20.10	3.53
	7	7	9	15		7,800	7,800	10,000	16,700		42,300	7,600	42,300	50,500	450	3,300	4,600	2.20	15.80	22.00	3.76
	7	7	9	18		7,300	7,300	9,400	18,600		42,600	7,600	42,600	50,800	450	3,310	4,600	2.20	15.80	22.00	3.77
	7	7	9	24		6,500	6,500	8,400	22,300		43,700	7,600	43,700	52,200	450	3,400	4,700	2.20	16.30	22.50	3.77
	7	7	12	12		7,700	7,800	13,200	13,200		41,900	7,600	41,900	50,000	450	3,240	4,500	2.20	15.50	21.50	3.79
	7	7	12	15		7,300	7,300	12,500	15,700		42,800	7,600	42,800	51,100	450	3,330	4,600	2.20	15.90	22.00	3.77
	7	7	12	18		6,800	6,800	11,800	17,600		43,000	7,600	43,000	51,400	450	3,340	4,700	2.20	16.00	22.50	3.77
	7	7	12	24		6,800	6,800	11,600	23,300		48,500	7,600	48,500	51,700	450	3,790	4,710	2.20	18.10	22.50	3.75
7	7	15	15		7,000	7,000	14,900	14,800		43,700	7,600	43,700	52,200	450	3,410	4,800	2.20	16.30	23.00	3.76	

4. Combination Table

4-4. AJ048TXJ5CH

Unit	Indoor Index					Heating Capacity (btu)						Capacity			Power Consumption			Current			COP
	A	B	C	D	E	A	B	C	D	E	TTL	Btu			W			A			W/W
												MIN	Rated	MAX	MIN	Rated	MAX	MIN	Rated	MAX	Rated
4	7	7	15	18		6,600	6,600	14,000	16,800		44,000	7,600	44,000	52,500	450	3,420	4,800	2.20	16.40	23.00	3.77
	7	7	15	24		6,400	6,400	13,700	22,000		48,500	7,600	48,500	52,800	450	3,790	4,810	2.20	18.10	23.00	3.75
	7	7	18	18		6,800	6,800	17,500	17,400		48,500	7,600	48,500	51,700	450	3,790	4,720	2.20	18.10	22.60	3.75
	7	7	18	24		6,100	6,100	15,600	20,700		48,500	7,600	48,500	53,000	450	3,790	4,840	2.20	18.10	23.20	3.75
	7	9	9	9		8,200	10,600	10,600	10,500		39,900	7,600	39,900	49,200	450	3,310	4,300	2.20	15.80	20.60	3.53
	7	9	9	12		7,600	9,700	9,700	12,900		39,900	7,600	39,900	49,200	450	3,310	4,300	2.20	15.80	20.60	3.53
	7	9	9	15		7,500	9,700	9,700	16,000		42,900	7,600	42,900	51,200	450	3,340	4,700	2.20	16.00	22.50	3.76
	7	9	9	18		7,100	9,000	9,000	18,000		43,100	7,600	43,100	51,500	450	3,350	4,700	2.20	16.00	22.50	3.77
	7	9	9	24		6,900	8,900	8,900	23,800		48,500	7,600	48,500	51,800	450	3,790	4,720	2.20	18.10	22.60	3.75
	7	9	12	12		7,500	9,500	12,700	12,700		42,400	7,600	42,400	50,700	450	3,290	4,600	2.20	15.70	22.00	3.78
	7	9	12	15		7,100	9,100	12,100	15,100		43,400	7,600	43,400	51,800	450	3,370	4,700	2.20	16.10	22.50	3.77
	7	9	12	18		6,600	8,500	11,400	17,100		43,600	7,600	43,600	52,100	450	3,380	4,700	2.20	16.20	22.50	3.78
	7	9	12	24		6,500	8,400	11,200	22,400		48,500	7,600	48,500	52,400	450	3,790	4,760	2.20	18.10	22.80	3.75
	7	9	15	15		6,800	8,700	14,400	14,400		44,300	7,600	44,300	52,900	450	3,450	4,800	2.20	16.50	23.00	3.76
	7	9	15	18		7,000	8,900	14,800	17,800		48,500	7,600	48,500	52,100	450	3,790	4,750	2.20	18.10	22.70	3.75
	7	9	15	24		6,200	7,900	13,200	21,200		48,500	7,600	48,500	53,400	450	3,790	4,870	2.20	18.10	23.30	3.75
	7	9	18	18		6,500	8,400	16,800	16,800		48,500	7,600	48,500	52,400	450	3,790	4,770	2.20	18.10	22.80	3.75
	7	12	12	12		7,000	12,000	12,000	11,900		42,900	7,600	42,900	51,200	450	3,320	4,600	2.20	15.90	22.00	3.79
	7	12	12	15		6,700	11,400	11,400	14,300		43,800	7,600	43,800	52,300	450	3,400	4,700	2.20	16.30	22.50	3.78
	7	12	12	18		6,900	11,900	11,900	17,800		48,500	7,600	48,500	51,500	450	3,790	4,690	2.20	18.10	22.40	3.75
	7	12	12	24		6,200	10,600	10,600	21,100		48,500	7,600	48,500	52,900	450	3,790	4,810	2.20	18.10	23.00	3.75
	7	12	15	15		7,000	11,900	14,800	14,800		48,500	7,600	48,500	52,400	450	3,790	4,770	2.20	18.10	22.80	3.75
	7	12	15	18		6,500	11,200	14,000	16,800		48,500	7,600	48,500	52,600	450	3,790	4,790	2.20	18.10	22.90	3.75
	7	12	18	18		6,200	10,600	15,900	15,800		48,500	7,600	48,500	52,900	450	3,790	4,820	2.20	18.10	23.10	3.75
	7	15	15	15		6,500	14,000	14,000	14,000		48,500	7,600	48,500	53,400	450	3,790	4,880	2.20	18.10	23.30	3.75
	7	15	15	18		6,200	13,200	13,200	15,900		48,500	7,600	48,500	53,700	450	3,790	4,900	2.20	18.10	23.40	3.75
	9	9	9	9		10,000	10,000	10,000	10,000		40,000	7,600	40,000	49,300	450	3,310	4,300	2.20	15.80	20.60	3.54
	9	9	9	12		9,800	9,800	9,800	13,200		42,600	7,600	42,600	50,800	450	3,290	4,600	2.20	15.70	22.00	3.79
	9	9	9	15		9,300	9,300	9,300	15,600		43,500	7,600	43,500	51,900	450	3,370	4,700	2.20	16.10	22.50	3.78
	9	9	9	18		8,700	8,700	8,700	17,600		43,700	7,600	43,700	52,200	450	3,390	4,700	2.20	16.20	22.50	3.78
	9	9	9	24		8,600	8,600	8,600	22,700		48,500	7,600	48,500	52,500	450	3,790	4,770	2.20	18.10	22.80	3.75
	9	9	12	12		9,200	9,200	12,300	12,300		43,000	7,600	43,000	51,400	450	3,320	4,700	2.20	15.90	22.50	3.80
	9	9	12	15		8,800	8,800	11,700	14,700		44,000	7,600	44,000	52,500	450	3,400	4,800	2.20	16.30	23.00	3.79
	9	9	12	18		9,100	9,100	12,100	18,200		48,500	7,600	48,500	51,700	450	3,790	4,700	2.20	18.10	22.50	3.75
	9	9	12	24		8,100	8,100	10,800	21,500		48,500	7,600	48,500	53,000	450	3,790	4,820	2.20	18.10	23.10	3.75
	9	9	15	15		9,100	9,100	15,200	15,100		48,500	7,600	48,500	52,500	450	3,790	4,780	2.20	18.10	22.90	3.75
	9	9	15	18		8,600	8,600	14,300	17,000		48,500	7,600	48,500	52,800	450	3,790	4,800	2.20	18.10	23.00	3.75
	9	9	15	24		7,700	7,700	12,800	20,300		48,500	7,600	48,500	54,100	450	3,790	4,920	2.20	18.10	23.50	3.75
	9	9	18	18		8,100	8,100	16,200	16,100		48,500	7,600	48,500	53,000	450	3,790	4,830	2.20	18.10	23.10	3.75
	9	12	12	12		8,700	11,600	11,600	11,600		43,500	7,600	43,500	51,900	450	3,350	4,700	2.20	16.00	22.50	3.81
9	12	12	15		9,100	12,100	12,100	15,200		48,500	7,600	48,500	51,900	450	3,790	4,720	2.20	18.10	22.60	3.75	
9	12	12	18		8,600	11,400	11,400	17,100		48,500	7,600	48,500	52,200	450	3,790	4,740	2.20	18.10	22.70	3.75	
9	12	12	24		7,700	10,200	10,200	20,400		48,500	7,600	48,500	53,600	450	3,790	4,860	2.20	18.10	23.30	3.75	
9	12	15	15		8,600	11,400	14,300	14,200		48,500	7,600	48,500	53,000	450	3,790	4,830	2.20	18.10	23.10	3.75	
9	12	15	18		8,100	10,800	13,500	16,100		48,500	7,600	48,500	53,300	450	3,790	4,850	2.20	18.10	23.20	3.75	
9	12	18	18		7,700	10,200	15,300	15,300		48,500	7,600	48,500	53,600	450	3,790	4,870	2.20	18.10	23.30	3.75	
9	15	15	15		8,100	13,500	13,500	13,400		48,500	7,600	48,500	54,100	450	3,790	4,930	2.20	18.10	23.60	3.75	
9	15	15	18		7,700	12,800	12,800	15,200		48,500	7,600	48,500	54,400	450	3,790	4,960	2.20	18.10	23.70	3.75	

4. Combination Table

4-4. AJ048TXJ5CH

Unit	Indoor Index					Heating Capacity (btu)						Capacity			Power Consumption			Current			COP
	A	B	C	D	E	A	B	C	D	E	TTL	Btu			W			A			W/W
												MIN	Rated	MAX	MIN	Rated	MAX	MIN	Rated	MAX	Rated
4	12	12	12	12		12,100	12,100	12,100	12,200		48,500	7,600	48,500	51,400	450	3,790	4,650	2.20	18.10	22.20	3.75
	12	12	12	15		11,400	11,400	11,400	14,300		48,500	7,600	48,500	52,500	450	3,790	4,760	2.20	18.10	22.80	3.75
	12	12	12	18		10,800	10,800	10,800	16,100		48,500	7,600	48,500	52,800	450	3,790	4,780	2.20	18.10	22.90	3.75
	12	12	15	15		10,800	10,800	13,500	13,400		48,500	7,600	48,500	57,400	450	3,790	5,180	2.20	18.10	24.80	3.75
	12	12	15	18		10,200	10,200	12,800	15,300		48,500	7,600	48,500	53,900	450	3,790	4,890	2.20	18.10	23.40	3.75
	12	15	15	15		10,200	12,800	12,800	12,700		48,500	7,600	48,500	54,700	450	3,790	4,990	2.20	18.10	23.90	3.75
5	7	7	7	7	7	7,500	7,500	7,500	7,600	7,600	37,700	7,600	37,700	46,500	450	3,170	4,100	2.20	15.20	19.60	3.49
	7	7	7	7	9	7,700	7,700	7,700	7,700	9,700	40,500	7,600	40,500	49,900	450	3,380	4,400	2.20	16.20	21.10	3.51
	7	7	7	7	12	7,000	7,000	7,000	7,000	12,000	40,000	7,600	40,000	49,300	450	3,340	4,300	2.20	16.00	20.60	3.51
	7	7	7	7	15	7,000	7,000	7,000	7,000	15,000	43,000	7,600	43,000	51,400	450	3,370	4,700	2.20	16.10	22.50	3.74
	7	7	7	7	18	6,600	6,600	6,600	6,600	16,900	43,300	7,600	43,300	51,600	450	3,390	4,700	2.20	16.20	22.50	3.74
	7	7	7	7	24	6,500	6,500	6,500	6,500	22,500	48,500	7,600	48,500	51,900	450	3,790	4,760	2.20	18.10	22.80	3.75
	7	7	7	9	9	7,600	7,600	7,600	9,700	9,700	42,200	7,600	42,200	50,400	450	3,300	4,600	2.20	15.80	22.00	3.75
	7	7	7	9	12	7,100	7,100	7,100	9,200	12,200	42,700	7,600	42,700	51,000	450	3,330	4,600	2.20	15.90	22.00	3.76
	7	7	7	9	15	6,800	6,800	6,800	8,700	14,500	43,600	7,600	43,600	52,100	450	3,410	4,800	2.20	16.30	23.00	3.75
	7	7	7	9	18	7,100	7,100	7,100	9,100	18,100	48,500	7,600	48,500	51,300	450	3,790	4,690	2.20	18.10	22.40	3.75
	7	7	7	9	24	6,300	6,300	6,300	8,100	21,500	48,500	7,600	48,500	52,600	450	3,790	4,810	2.20	18.10	23.00	3.75
	7	7	7	12	12	6,700	6,700	6,700	11,500	11,500	43,100	7,600	43,100	51,500	450	3,360	4,700	2.20	16.10	22.50	3.76
	7	7	7	12	15	7,100	7,100	7,100	12,100	15,100	48,500	7,600	48,500	51,500	450	3,790	4,720	2.20	18.10	22.60	3.75
	7	7	7	12	18	6,700	6,700	6,700	11,400	17,000	48,500	7,600	48,500	51,800	450	3,790	4,740	2.20	18.10	22.70	3.75
	7	7	7	12	24	6,000	6,000	6,000	10,200	20,300	48,500	7,600	48,500	53,200	450	3,790	4,860	2.20	18.10	23.30	3.75
	7	7	7	15	15	6,700	6,700	6,700	14,200	14,200	48,500	7,600	48,500	52,600	450	3,790	4,820	2.20	18.10	23.10	3.75
	7	7	7	15	18	6,300	6,300	6,300	13,500	16,100	48,500	7,600	48,500	52,900	450	3,790	4,850	2.20	18.10	23.20	3.75
	7	7	7	18	18	6,000	6,000	6,000	15,300	15,200	48,500	7,600	48,500	53,200	450	3,790	4,870	2.20	18.10	23.30	3.75
	7	7	9	9	9	7,300	7,300	9,400	9,400	9,400	42,800	7,600	42,800	51,100	450	3,340	4,700	2.20	16.00	22.50	3.76
	7	7	9	9	12	6,900	6,900	8,900	8,900	11,700	43,300	7,600	43,300	51,600	450	3,370	4,700	2.20	16.10	22.50	3.77
	7	7	9	9	15	6,600	6,600	8,500	8,500	14,000	44,200	7,600	44,200	52,800	450	3,450	4,800	2.20	16.50	23.00	3.75
	7	7	9	9	18	6,800	6,800	8,700	8,700	17,500	48,500	7,600	48,500	51,900	450	3,790	4,750	2.20	18.10	22.70	3.75
	7	7	9	9	24	6,100	6,100	7,800	7,800	20,700	48,500	7,600	48,500	53,300	450	3,790	4,870	2.20	18.10	23.30	3.75
	7	7	9	12	12	6,500	6,500	8,300	11,200	11,200	43,700	7,600	43,700	52,200	450	3,400	4,700	2.20	16.30	22.50	3.77
	7	7	9	12	15	6,800	6,800	8,700	11,600	14,600	48,500	7,600	48,500	52,200	450	3,790	4,770	2.20	18.10	22.80	3.75
	7	7	9	12	18	6,400	6,400	8,200	11,000	16,500	48,500	7,600	48,500	52,500	450	3,790	4,790	2.20	18.10	22.90	3.75
	7	7	9	15	15	6,400	6,400	8,300	13,700	13,700	48,500	7,600	48,500	53,300	450	3,790	4,880	2.20	18.10	23.30	3.75
	7	7	9	15	18	6,100	6,100	7,800	13,000	15,500	48,500	7,600	48,500	53,600	450	3,790	4,900	2.20	18.10	23.40	3.75
	7	7	12	12	12	6,800	6,900	11,600	11,600	11,600	48,500	7,600	48,500	51,700	450	3,790	4,710	2.20	18.10	22.50	3.75
	7	7	12	12	15	6,400	6,400	11,000	11,000	13,700	48,500	7,600	48,500	52,800	450	3,790	4,810	2.20	18.10	23.00	3.75
	7	7	12	12	18	6,100	6,100	10,400	10,400	15,500	48,500	7,600	48,500	53,000	450	3,790	4,840	2.20	18.10	23.20	3.75
	7	7	12	15	15	6,100	6,100	10,300	13,000	13,000	48,500	7,600	48,500	53,900	450	3,790	4,920	2.20	18.10	23.50	3.75
7	9	9	9	9	7,000	9,100	9,100	9,100	9,100	43,400	7,600	43,400	51,800	450	3,380	4,700	2.20	16.20	22.50	3.76	
7	9	9	9	12	6,700	8,600	8,600	8,600	11,300	43,800	7,600	43,800	52,300	450	3,410	4,800	2.20	16.30	23.00	3.76	
7	9	9	9	15	7,000	8,900	8,900	8,900	14,800	48,500	7,600	48,500	52,400	450	3,790	4,780	2.20	18.10	22.90	3.75	
7	9	9	9	18	6,500	8,400	8,400	8,400	16,800	48,500	7,600	48,500	52,600	450	3,790	4,800	2.20	18.10	23.00	3.75	
7	9	9	12	12	6,900	8,900	8,900	11,900	11,900	48,500	7,600	48,500	51,800	450	3,790	4,720	2.20	18.10	22.60	3.75	
7	9	9	12	15	6,500	8,400	8,400	11,200	14,000	48,500	7,600	48,500	52,900	450	3,790	4,830	2.20	18.10	23.10	3.75	
7	9	9	12	18	6,200	7,900	7,900	10,600	15,900	48,500	7,600	48,500	53,200	450	3,790	4,850	2.20	18.10	23.20	3.75	
7	9	9	15	15	6,300	7,900	7,900	13,200	13,200	48,500	7,600	48,500	54,000	450	3,790	4,930	2.20	18.10	23.60	3.75	
7	9	12	12	12	6,500	8,400	11,200	11,200	11,200	48,500	7,600	48,500	52,400	450	3,790	4,760	2.20	18.10	22.80	3.75	

4. Combination Table

4-4. AJ048TXJ5CH

Unit	Indoor Index					Heating Capacity (btu)						Capacity			Power Consumption			Current			COP
	A	B	C	D	E	A	B	C	D	E	TTL	Btu			W			A			W/W
												MIN	Rated	MAX	MIN	Rated	MAX	MIN	Rated	MAX	Rated
5	7	9	12	12	15	6,200	7,900	10,600	10,600	13,200	48,500	7,600	48,500	53,400	450	3,790	4,870	2.20	18.10	23.30	3.75
	7	12	12	12	12	6,100	10,600	10,600	10,600	10,600	48,500	7,600	48,500	52,900	450	3,790	4,810	2.20	18.10	23.00	3.75
	9	9	9	9	9	8,800	8,800	8,800	8,800	8,800	44,000	7,600	44,000	52,500	450	3,410	4,800	2.20	16.30	23.00	3.78
	9	9	9	9	12	9,100	9,100	9,100	9,100	12,100	48,500	7,600	48,500	51,900	450	3,790	4,730	2.20	18.10	22.60	3.75
	9	9	9	9	15	8,600	8,600	8,600	8,600	14,100	48,500	7,600	48,500	53,000	450	3,790	4,840	2.20	18.10	23.20	3.75
	9	9	9	9	18	8,100	8,100	8,100	8,100	16,100	48,500	7,600	48,500	53,300	450	3,790	4,860	2.20	18.10	23.30	3.75
	9	9	9	12	12	8,600	8,600	8,600	11,400	11,300	48,500	7,600	48,500	52,500	450	3,790	4,770	2.20	18.10	22.80	3.75
	9	9	9	12	15	8,100	8,100	8,100	10,800	13,400	48,500	7,600	48,500	53,600	450	3,790	4,880	2.20	18.10	23.30	3.75
	9	9	9	12	18	7,700	7,700	7,700	10,200	15,200	48,500	7,600	48,500	53,900	450	3,790	4,900	2.20	18.10	23.40	3.75
	9	9	9	15	15	7,700	7,700	7,700	12,700	12,700	48,500	7,600	48,500	54,700	450	3,790	5,000	2.20	18.10	23.90	3.75
	9	9	12	12	12	8,100	8,100	10,800	10,800	10,700	48,500	7,600	48,500	53,000	450	3,790	4,820	2.20	18.10	23.10	3.75
	9	9	12	12	15	7,700	7,700	10,200	10,200	12,700	48,500	7,600	48,500	54,100	450	3,790	4,920	2.20	18.10	23.50	3.75
9	12	12	12	12	7,700	10,200	10,200	10,200	10,200	48,500	7,600	48,500	53,600	450	3,790	4,860	2.20	18.10	23.30	3.75	

NOTE

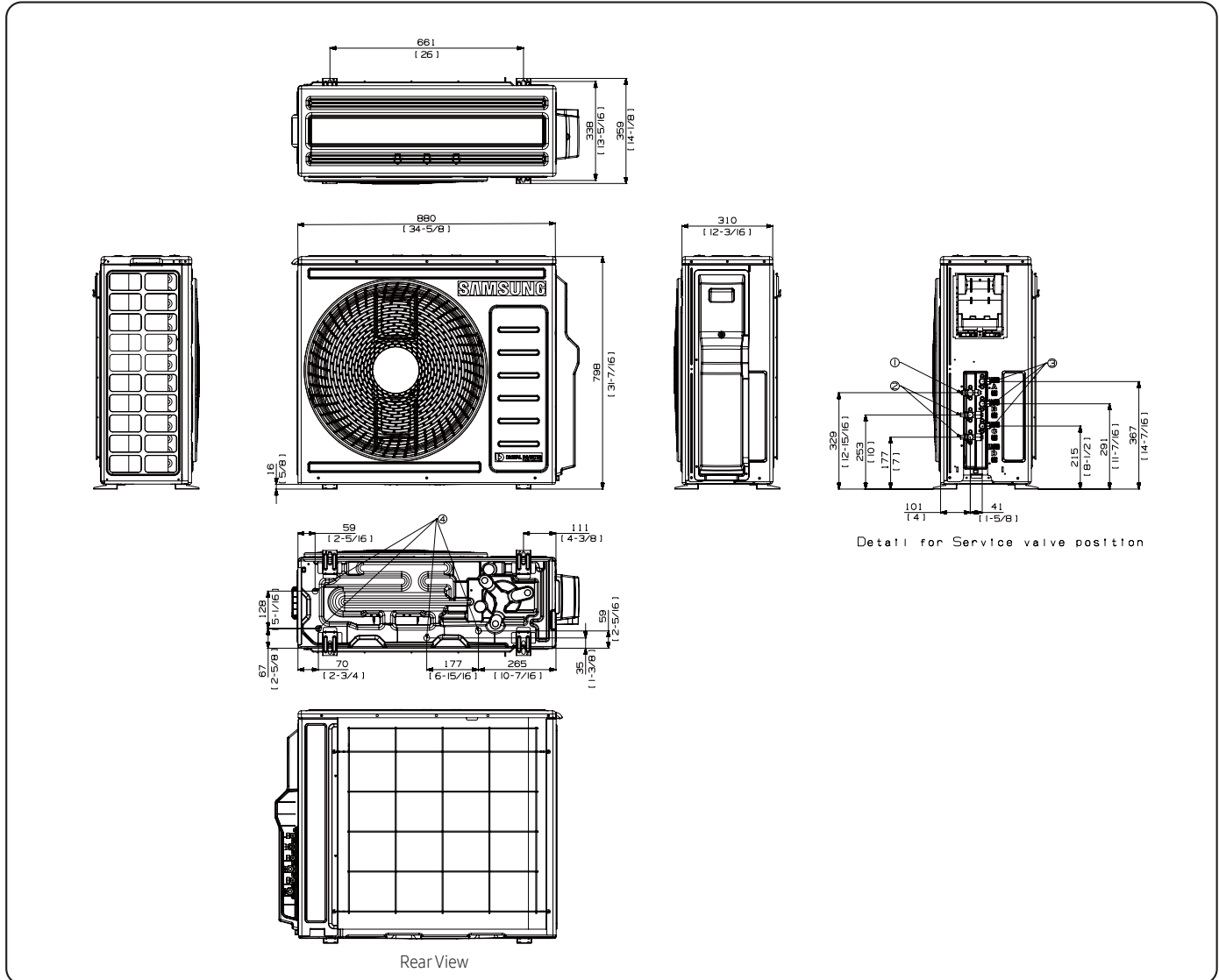
- 1 Cooling capacity is based on 26.7°CDB / 19.4°CWB (indoor temperature), 35°CDB (outdoor temperature).
- 2 Heating capacity is based on 21.1°CDB (indoor temperature), 8.33°CDB/6.11°CWB (outdoor temperature).
- 3 Capacities are based on the following conditions:
 - Corresponding refrigerant piping length : 7.5m / - Level difference : 0m
- 4 The total combination Index of connected a indoor unit is up to 27.
- 5 It is impossible to connect the indoor unit for one room only.

5. Dimensional Drawing

5-1. Outdoor units

JXH20J2T (AJ020TXJ2CH/AA), JXH24J3T (AJ024TXJ3CH/AA)

Units : mm [inches]



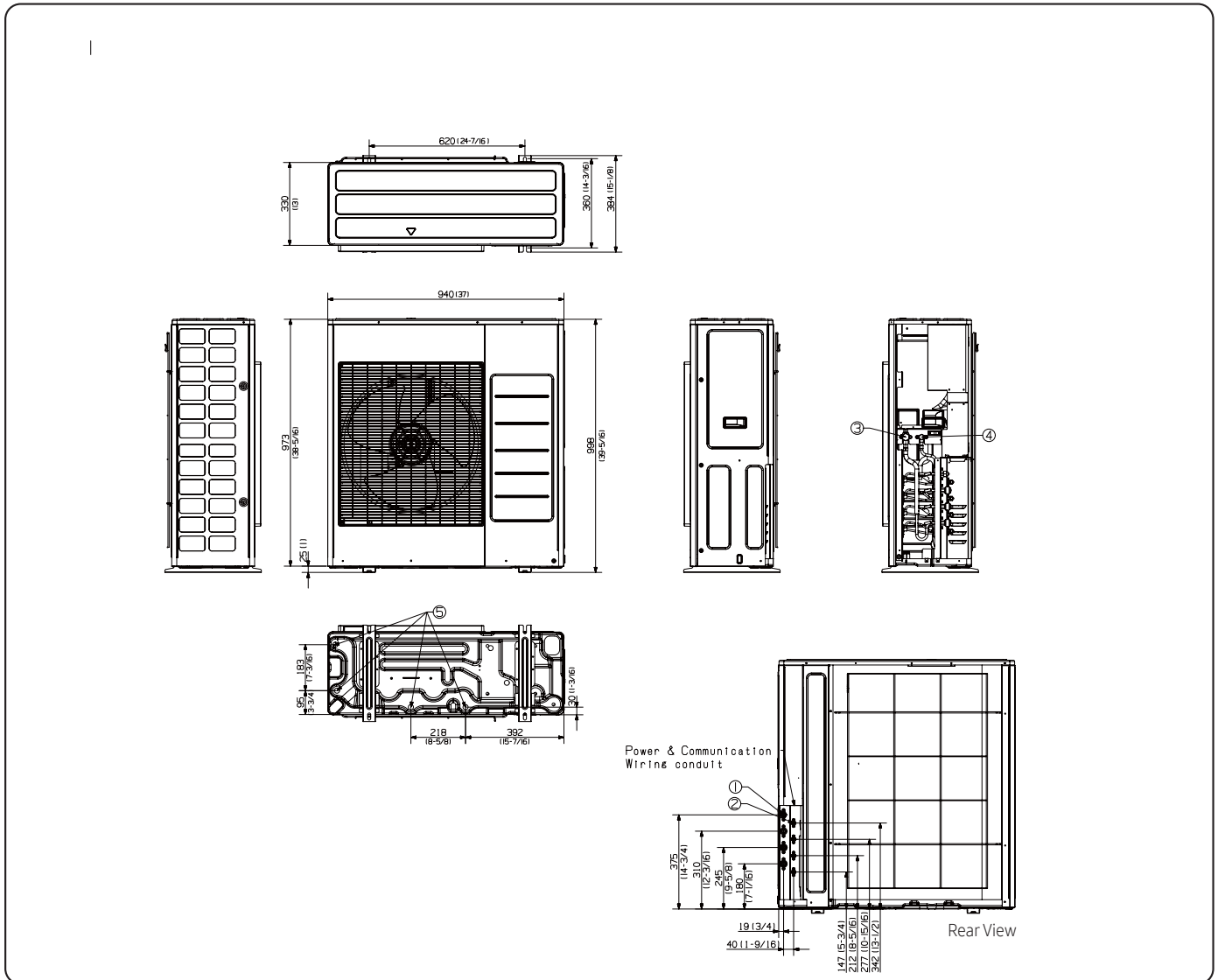
NO	Name	Description	
		JXH20J2T	JXH24J3T
1	Refrigerant gas pipe	Φ9.52 (Φ3/8) x 1 EA	Φ9.52 (Φ3/8) x 1 EA
2		Φ12.7 (Φ1/2) x 1 EA	Φ12.7 (Φ1/2) x 2 EA
3	Refrigerant liquid pipe	Φ6.35 (Φ1/4) X 2 EA	Φ6.35 (Φ1/4) X 3 EA
4	Drain hole	Connection with the provided drain plug.	

5. Dimensional Drawing

5-1. Outdoor units

JXH36J4T (AJ036TXJ4CH/AA)

Units : mm [inches]



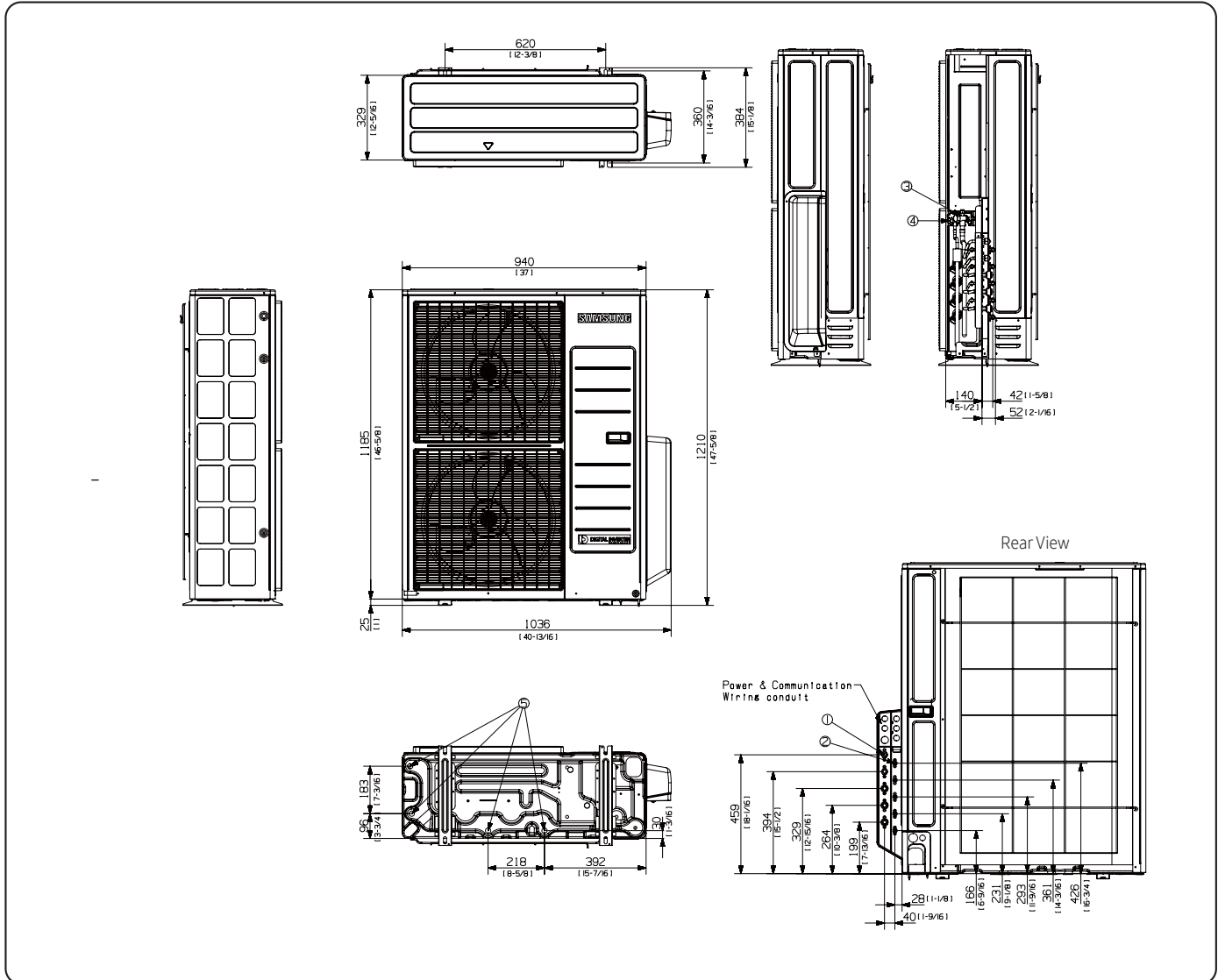
NO	Name	Description
		JXH36J4T
1	Refrigerant gas pipe	Φ9.52 (Φ3/8) x 1 EA, Φ12.7 (Φ1/2) x 3 EA
2	Refrigerant liquid pipe	Φ6.35 (Φ1/4) X 4 EA
3	Service valve (gas)	5/8"
4	Service valve (liquid)	3/8"
5	Drain hole	Connection with the provided drain plug.

5. Dimensional Drawing

5-1. Outdoor units

JXH48J5T (AJ048TXJ5CH/AA)

Units : mm [inches]



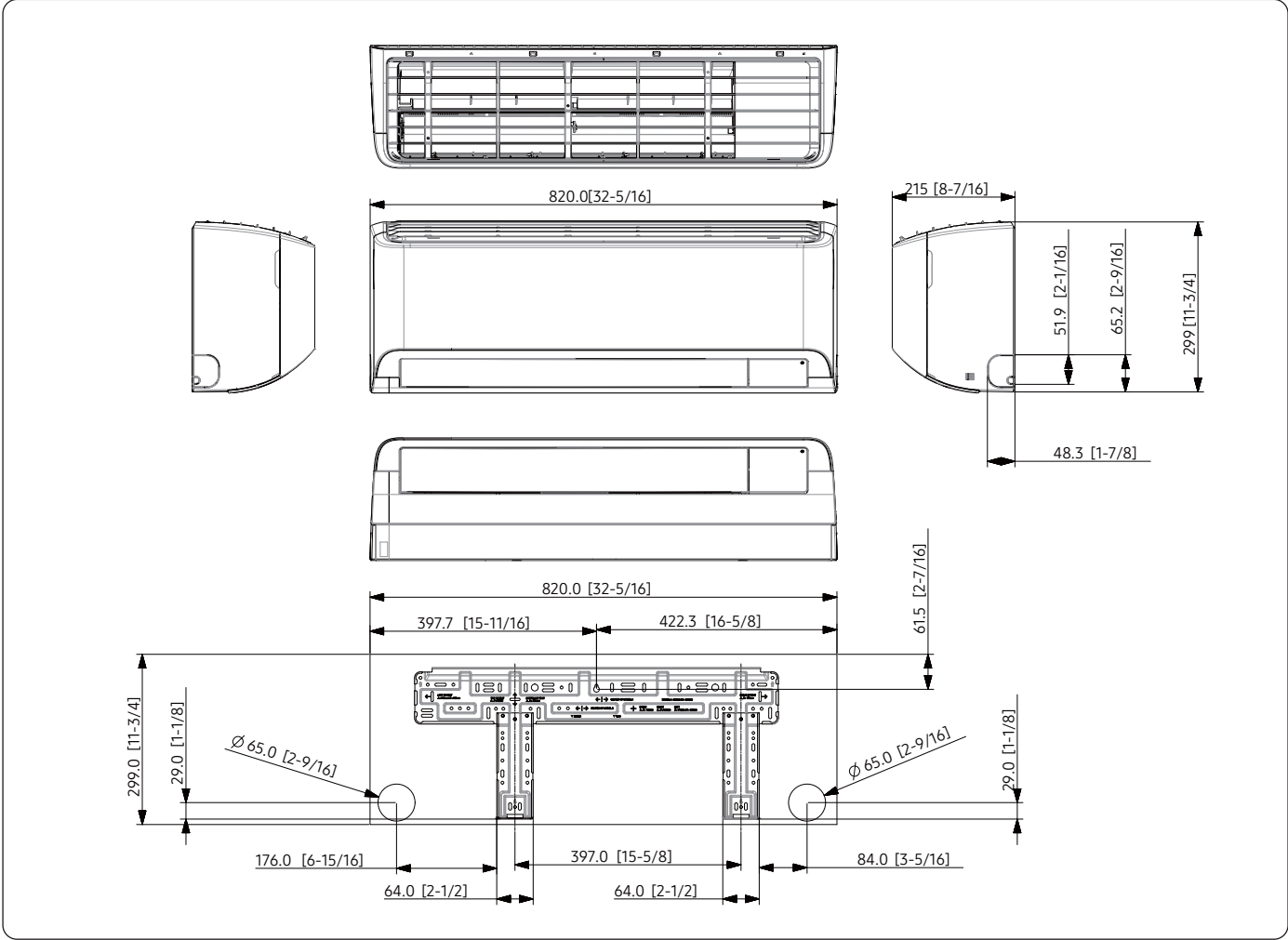
NO	Name	Description
		JXH48J5T
1	Refrigerant gas pipe	Φ9.52 (Φ3/8) x 2 EA, Φ12.7 (Φ1/2) x 3 EA
2	Refrigerant liquid pipe	Φ6.35 (Φ1/4) X 45EA
3	Service valve (gas)	5/8 "
4	Service valve (liquid)	3/8 "

5. Dimensional Drawing

5-2. Indoor units

1. Quantum 2.0 : RNS07YBT (AR07TSFYBWKNCV), RNS09YBT (AR09TSFYBWKNCV), RNS12YBT (AR12TSFYBWKNCV)

Unit : mm [inches]

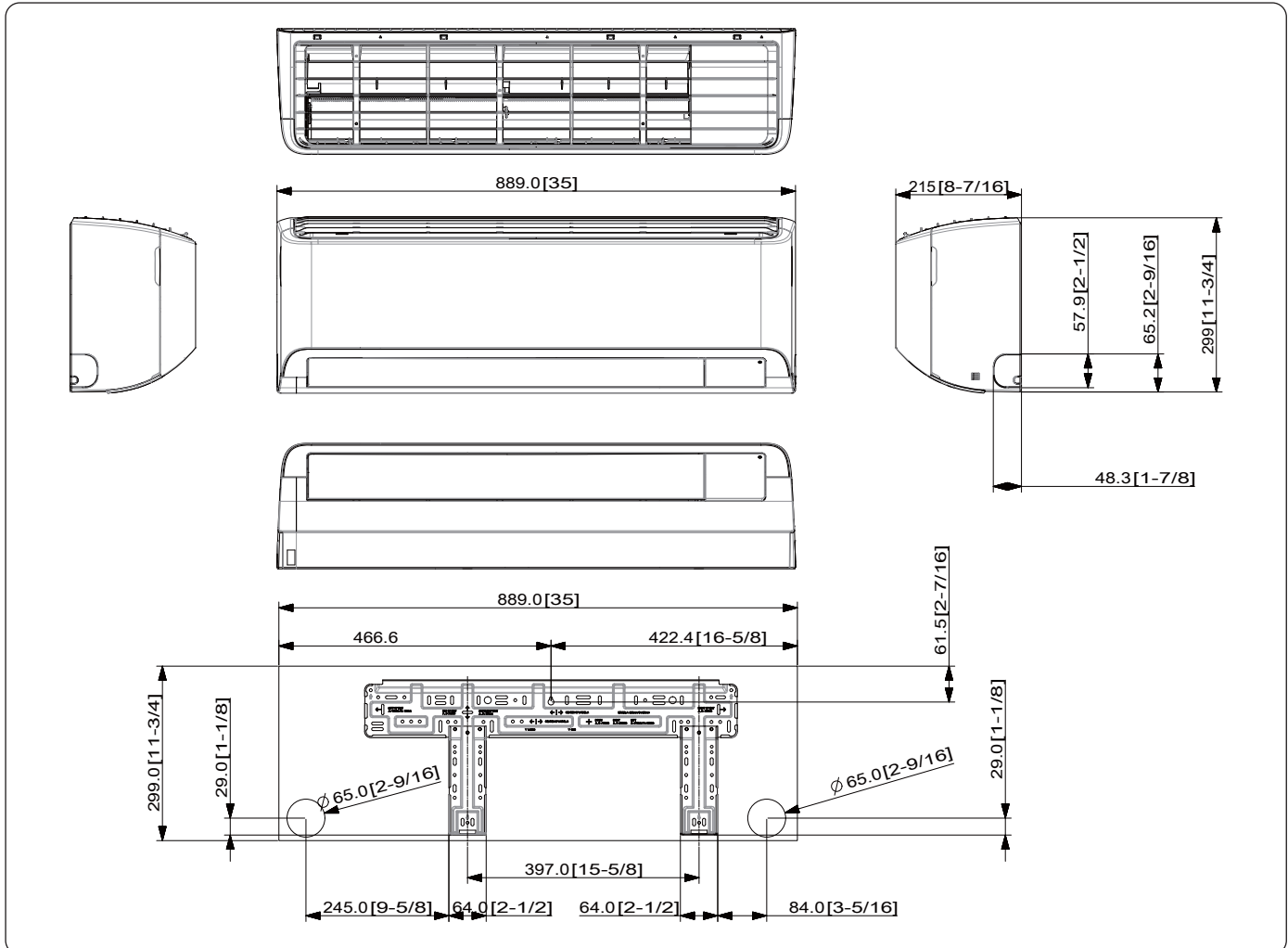


5. Dimensional Drawing

5-2. Indoor units

2. Wind-Free™ 2.0 : RNS07ABT (AR07TSFABWKNCV), RNS09ABT (AR09TSFABWKNCV),
RNS12ABT (AR12TSFABWKNCV), RNS15ABT (AR15TSFABWKNCV)
Quantum 2.0 : RNS15YBT (AR15TSFYBWKNCV)

Units : mm [inches]

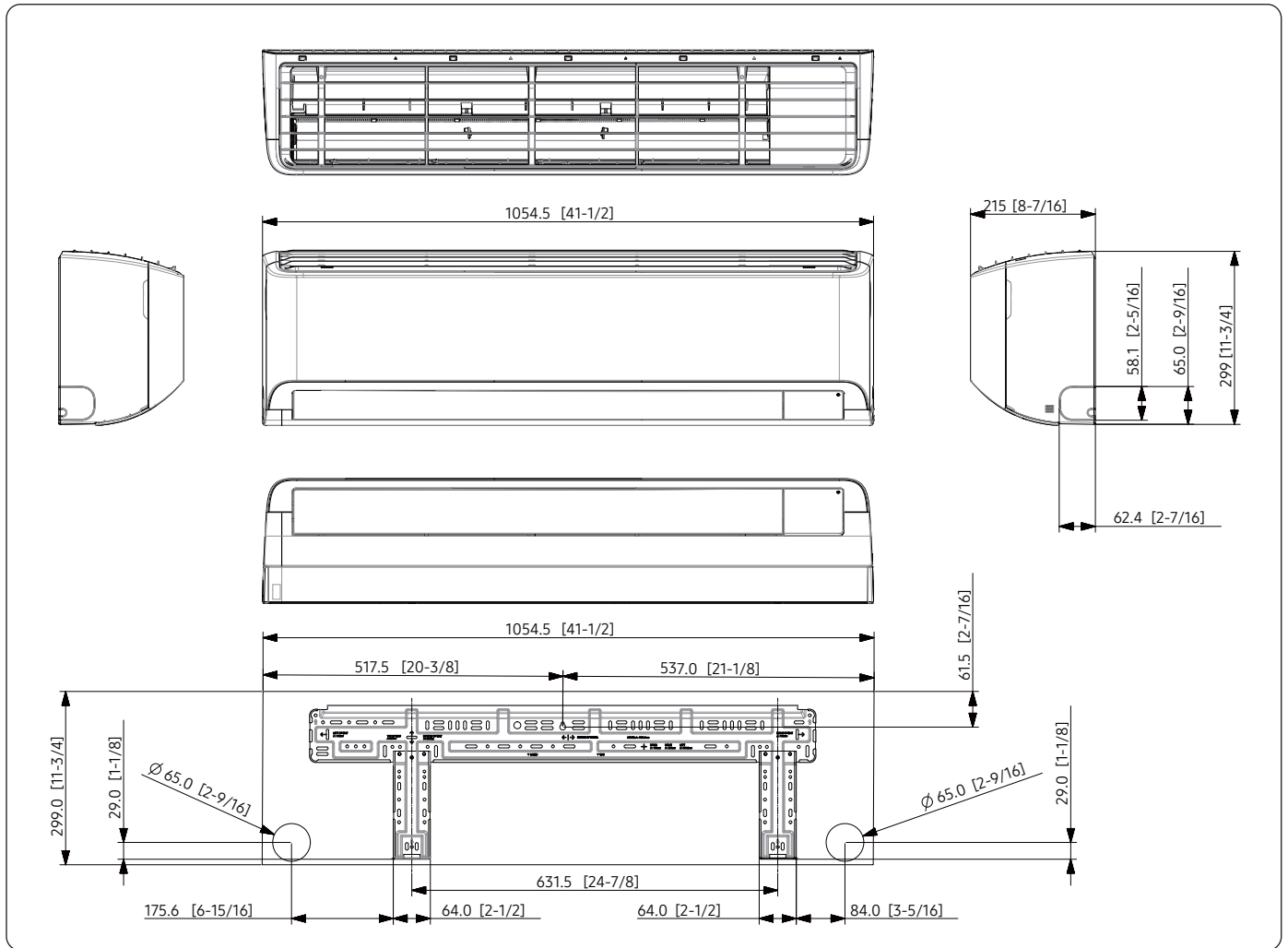


5. Dimensional Drawing

5-2. Indoor units

3. Wind-Free™ 2.0 : RNS18ABT (AR18TSFABWKNCV), RNS24ABT (AR24TSFABWKNCV) Quantum 2.0 : RNS18YBT (AR18TSFYBWKNCV), RNS24YBT (AR24TSFYBWKNCV)

Units : mm [inches]

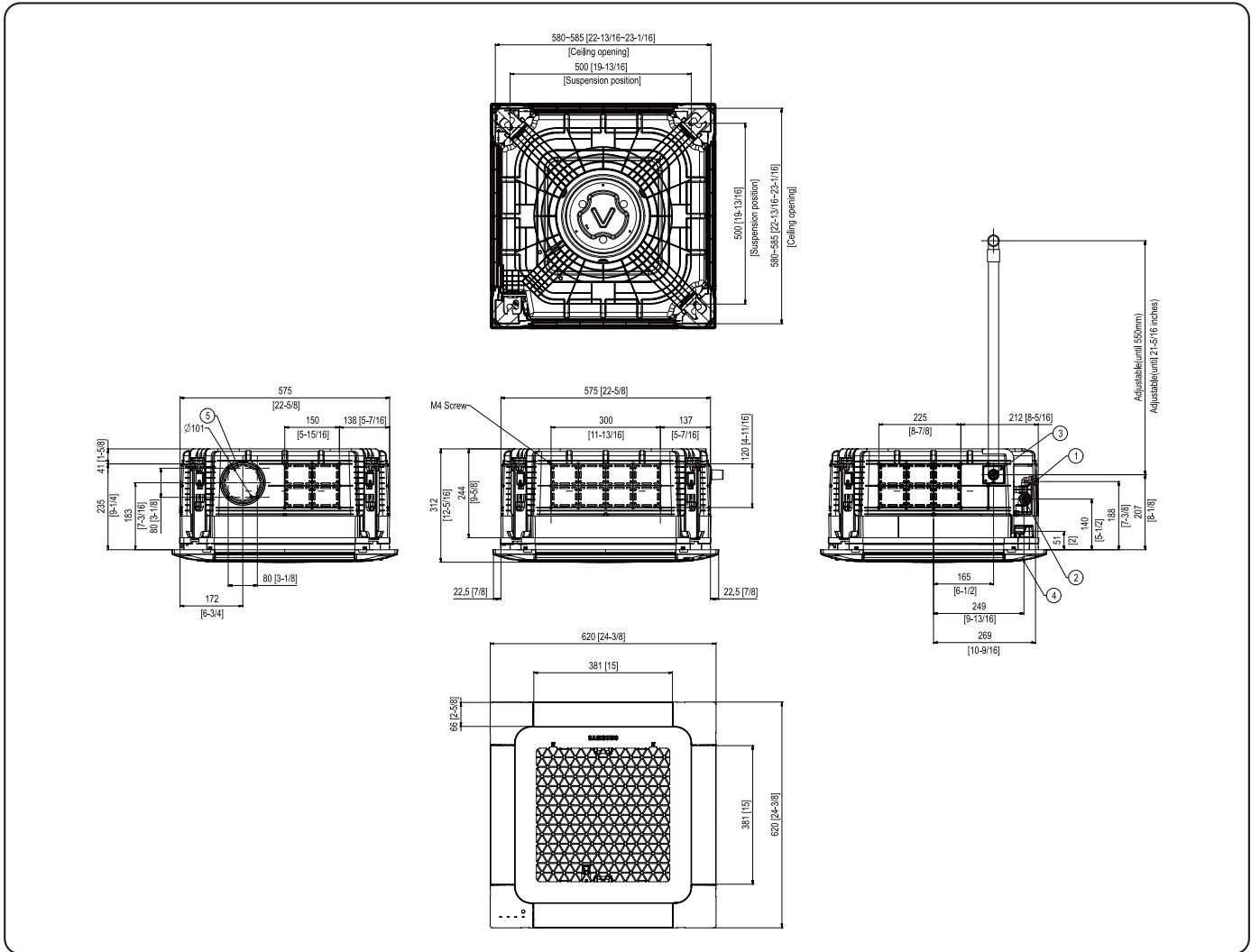


5. Dimensional Drawing

5-2. Indoor units

4. (Wind-Free) 4Way Cassette (600x600) : JNH09NDT (AJ009TNNNDCH/AA), JNH12NDT (AJ012TNNNDCH/AA), JNH18NDT (AJ018TNNNDCH/AA)

Units : mm [inches]



NO	Name	Description		
		JNH09NDT	JNH12NDT	JNH18NDT
1	Liquid pipe connection	Φ6.35 (1/4)		
2	Gas pipe connection	Φ9.52 (3/8)		Φ12.7(1/2)
3	Drain pipe connection	VP-25 (OD 32 mm, ID 25 mm)		
4	Power & Communication wiring conduit	-		
5	Knock hole for Fresh air intake	Φ101(4), Use M4 Screw		

NOTE

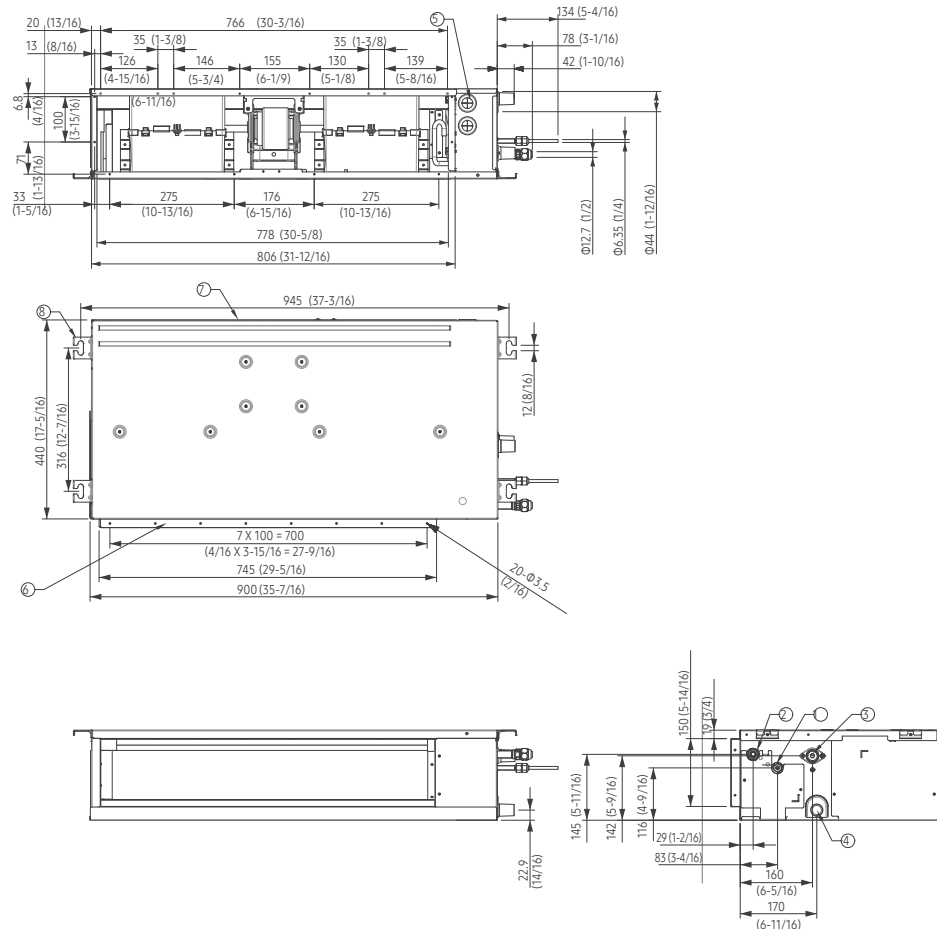
- As for suspension bolt, please use M10. (Produced at local site)

5. Dimensional Drawing

5-2. Indoor units

5. Slim duct : JNH09LDT (AJ009TNLDCH/AA), JNH12LDT (AJ012TNLDCH/AA), JNH18LDT (AJ018TNLDCH/AA)

Units : mm [inches]



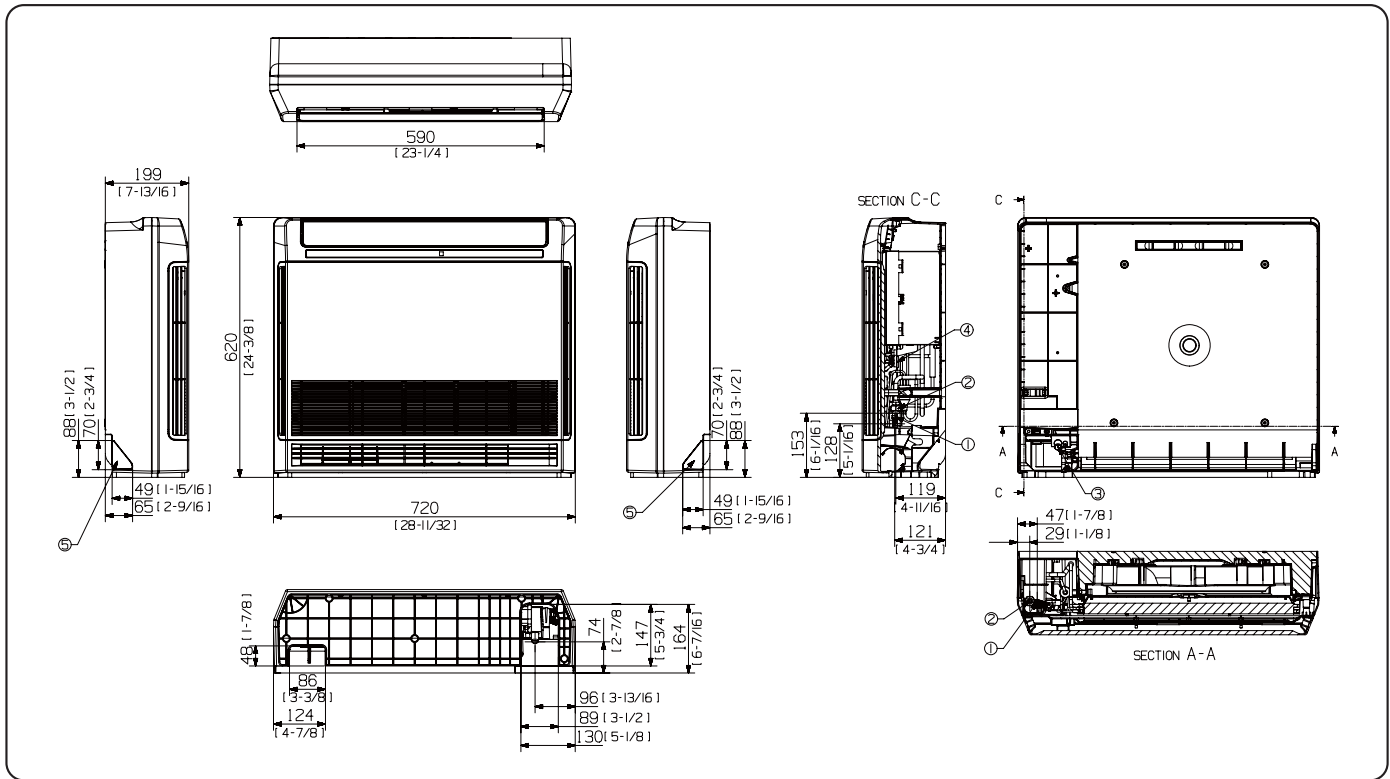
No	Name	Description
1	Gas pipe connection	9.52 (3/8)
2	Liquid pipe connection	JNH09/12LDT : 6.35 (1/4), JNH18LDT : 12.70 (1/2)
3	Knockout hole for Drain pump	-
4	Drain pipe connection	-
5	Conduit for power supply & Communication wiring	-
6	Air outlet duct flange	-
7	Return Air side	-
8	Suspension bolts connection	-

5. Dimensional Drawing

5-2. Indoor units

6. Console : JNH09JDT (AJ009TNJDCH/AA), JNH12JDT (AJ012TNJDCH/AA), JNH15JDT (AJ015TNJDCH/AA), JNH18JDT (AJ018TNJDCH/AA)

Units : mm [inches]



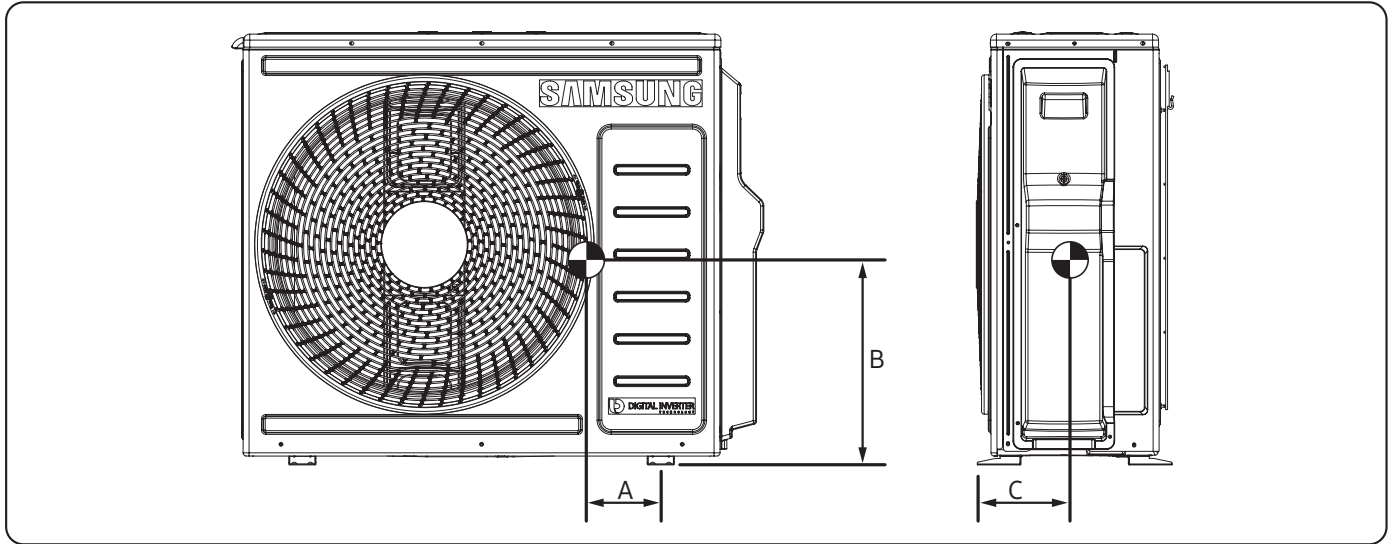
NO	Name	Description	
		JNH09JDT, JNH12JDT	JNH15JDT, JNH18JDT
1	Liquid pipe connection	Φ6.35(1/4)	
2	Gas pipe connection	Φ9.52(3/8)	Φ12.7(1/2)
3	Drain pipe connection	ID18mm [11/16inch] Hose	
4	Power supply & Communication wiring conduit	-	
6	Knockout hole for drain hose	-	

6. Center of Gravity

6-1. Outdoor units

1. JXH20J2T (AJ020TXJ2CH/AA), JXH24J3T (AJ024TXJ3CH/AA)

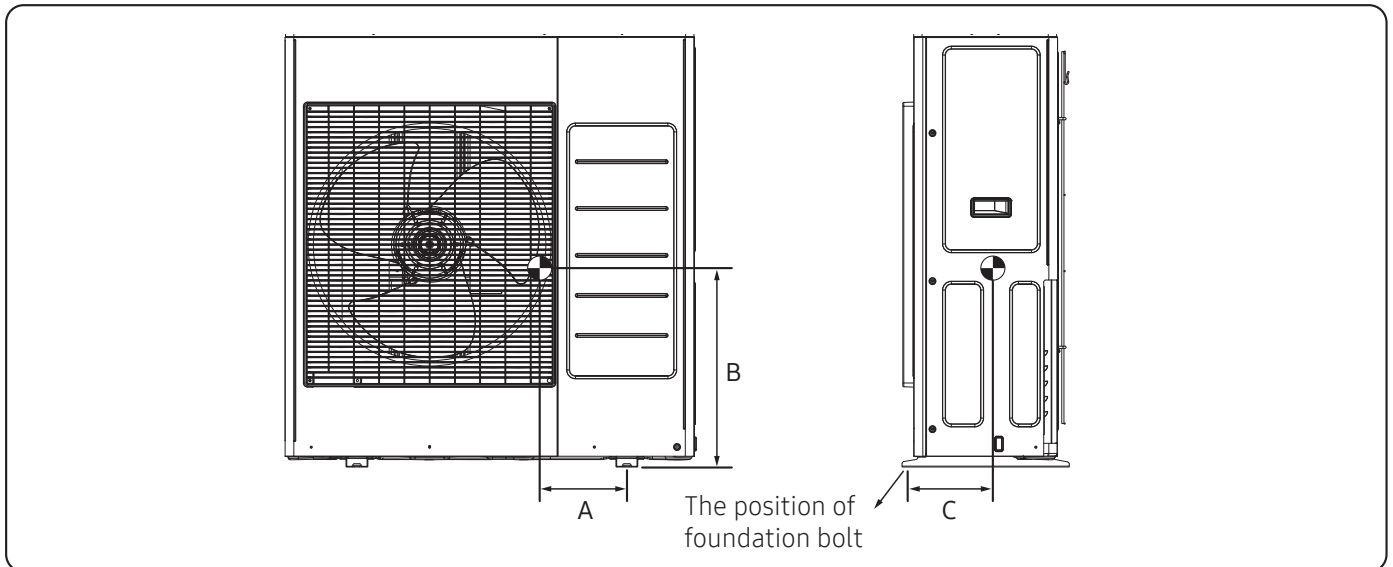
Units : mm [inches]



Model	A	B	C
JXH20J2T (AJ020TXJ2CH/AA)	159 [6-1/4]	327 [12-7/8]	153 [6]
JXH24J3T (AJ024TXJ3CH/AA)			

2. JXH36J4T (AJ036TXJ4CH/AA)

Units : mm [inches]



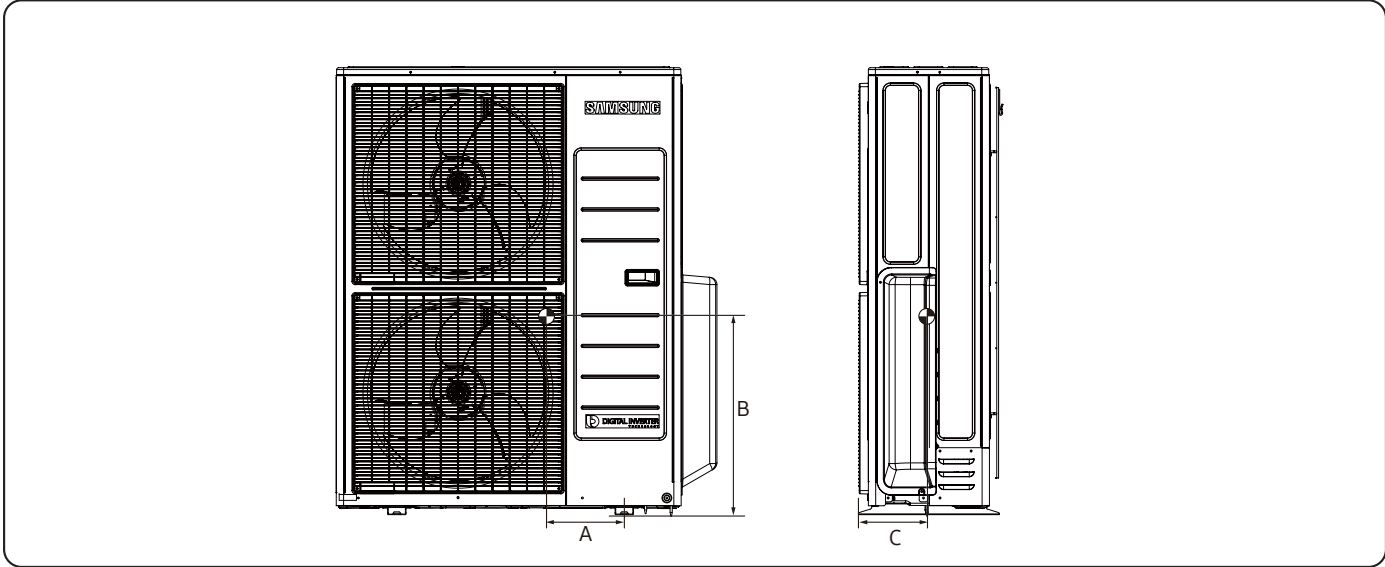
Model	A	B	C
JXH36J4T (AJ036TXJ4CH/AA)	207 [8-1/8]	444 [17-1/2]	176 [6-15/16]

6. Center of Gravity

6-1. Outdoor units

3. JXH48J5T (AJ048TXJ5CH/AA)

Units : mm (inches)



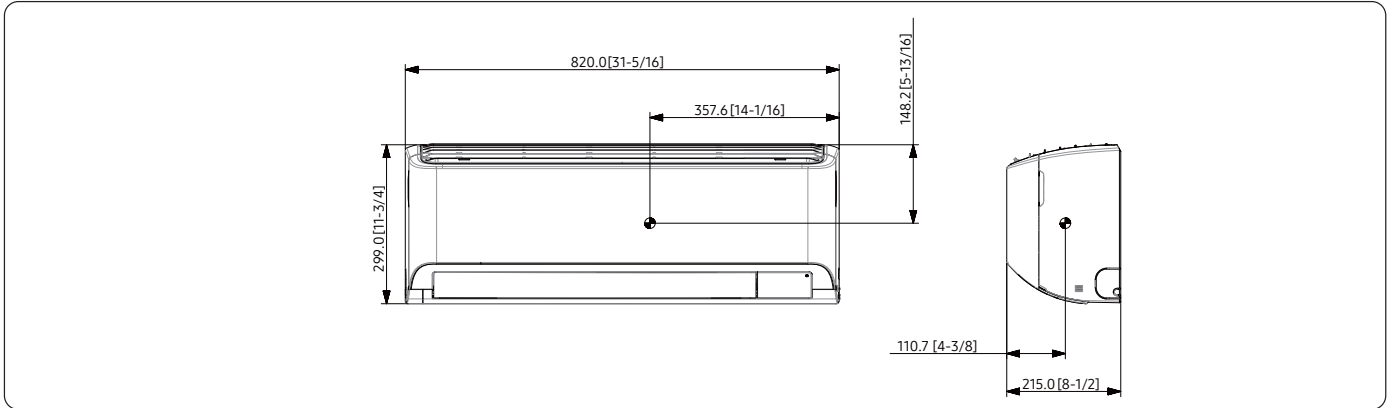
Model	A	B	C
JXH48J5T (AJ048TXJ5CH/AA)	205 [8-1/8]	530 [20-7/8]	176 [6-15/16]

6. Center of Gravity

6-2. Indoor units

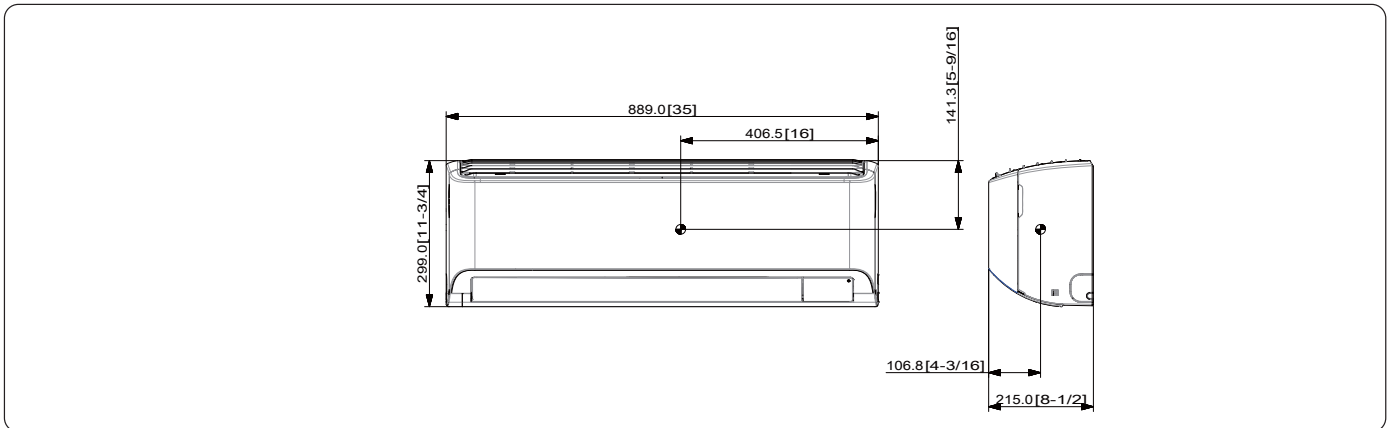
1. Quantum 2.0 : RNS07YBT (AR07TSFYBWKNCV), RNS09YBT (AR09TSFYBWKNCV), RNS12YBT (AR12TSFYBWKNCV)

Units : mm (inches)



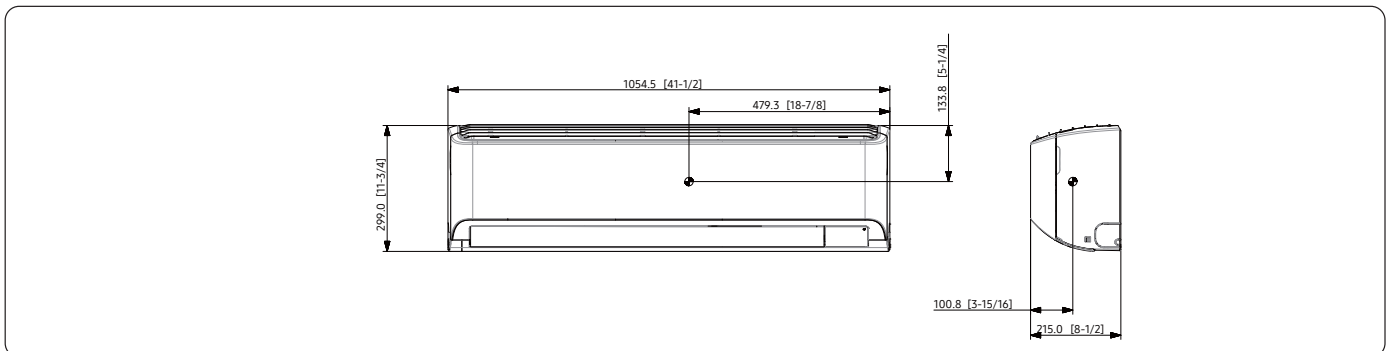
2. Wind-Free™ 2.0 : RNS07ABT (AR07TSFABWKNCV), RNS09ABT (AR09TSFABWKNCV), RNS12ABT (AR12TSFABWKNCV), RNS15ABT (AR15TSFABWKNCV)
 Quantum 2.0 : RNS15YBT (AR15TSFYBWKNCV)

Units : mm (inches)



3. Wind-Free™ 2.0 : RNS18ABT (AR18TSFABWKNCV), RNS24ABT (AR24TSFABWKNCV)
 Quantum 2.0 : RNS18YBT (AR18TSFYBWKNCV), RNS24YBT (AR24TSFYBWKNCV)

Units : mm (inches)

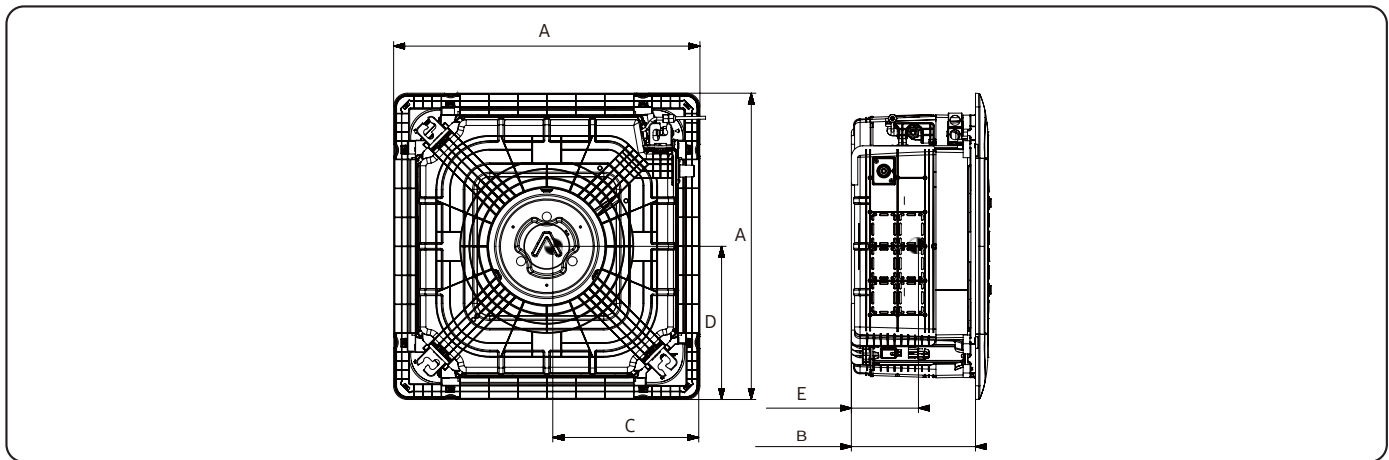


6. Center of Gravity

6-2. Indoor units

4. (Wind-Free) 4Way Cassette (600x600) : JNH09NDT (AJ009TNNDCH/AA), JNH12NDT (AJ012TNNDCH/AA), JNH18NDT (AJ018TNNDCH/AA)

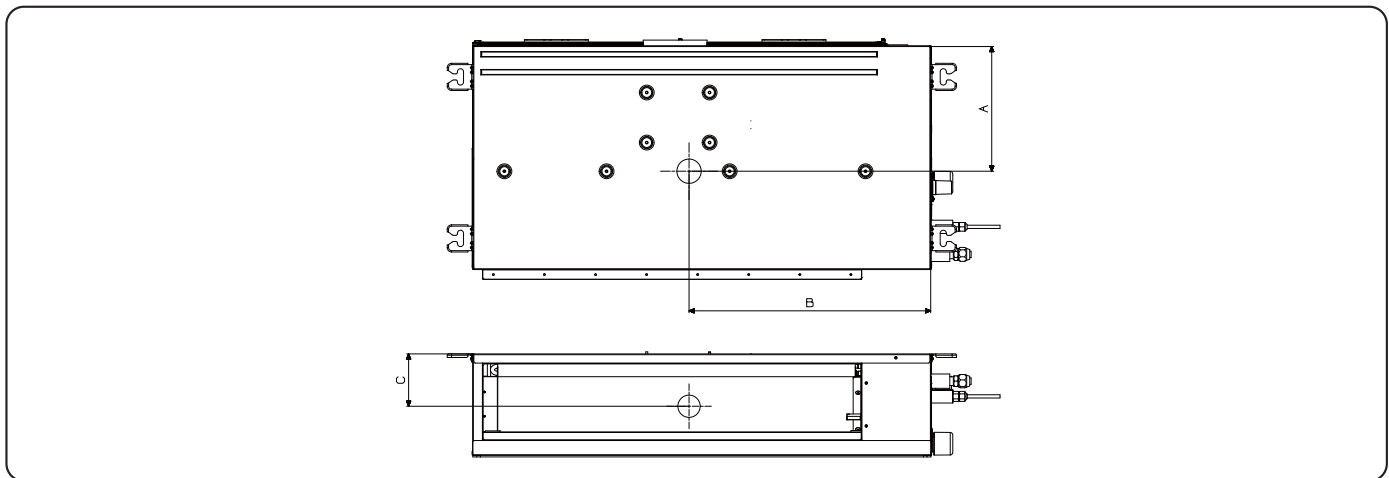
Units : mm (inches)



Model	A	B	C	D	E
JNH09NDT (AJ009TNNDCH/AA)	620 [24-3/8]	266 [10-7/16]	295 [11-5/8]	320 [12-5/16]	145 [5-11/16]
JNH12NDT (AJ012TNNDCH/AA)					
JNH18NDT (AJ018TNNDCH/AA)					

5. Slim duct : JNH09LDT (AJ009TNLDCH/AA), JNH12LDT (AJ012TNLDCH/AA), JNH18LDT (AJ018TNLDCH/AA)

Units : mm (inches)



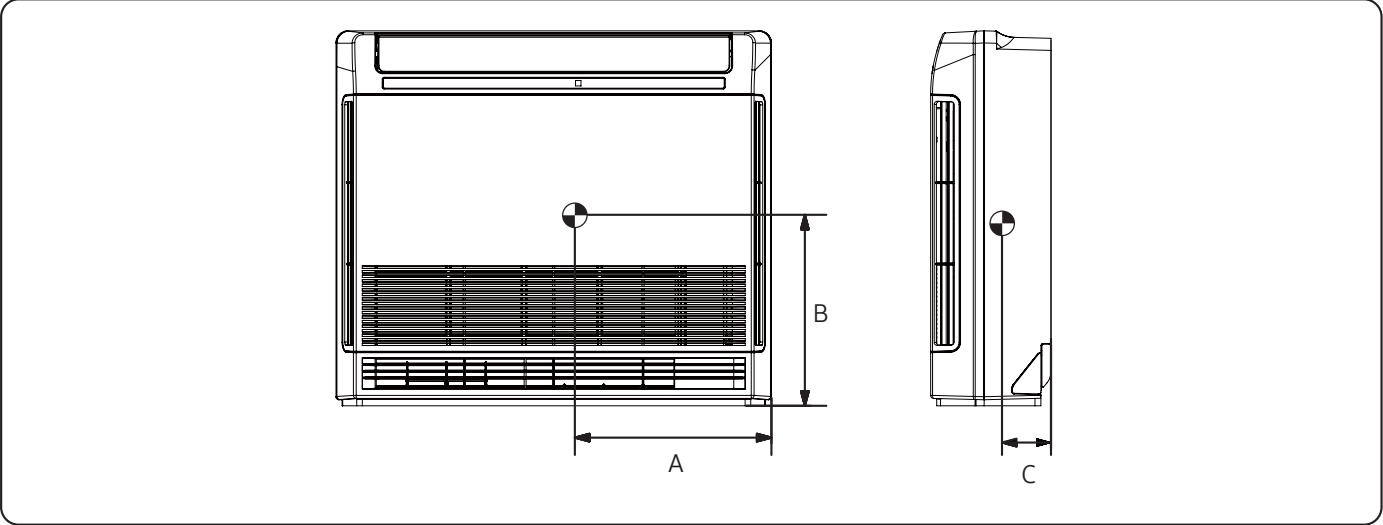
Model	A	B	C
JNH09LDT (AJ009TNLDCH/AA)	233 [9-3/16]	436 [17-3/16]	100 [3-15/16]
JNH12LDT (AJ012TNLDCH/AA)			
JNH18LDT (AJ018TNLDCH/AA)			

6. Center of Gravity

6-2. Indoor units

6. Console : JNH09JDT (AJ009TNJDCH/AA), JNH12JDT (AJ012TNJDCH/AA), JNH15JDT (AJ015TNJDCH/AA), JNH18JDT (AJ018TNJDCH/AA)

Units : mm (inches)

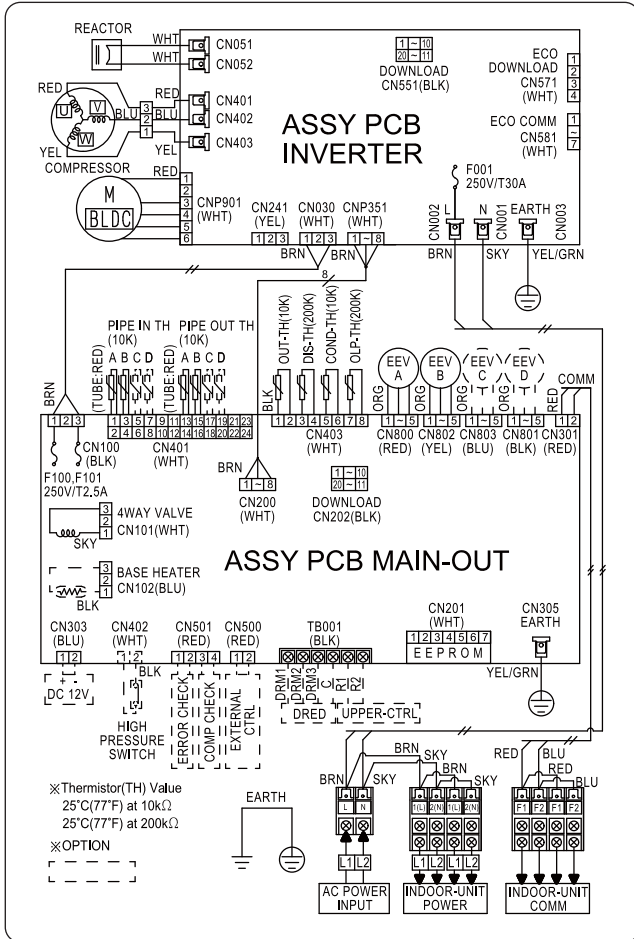


Model	A	B	C
JNH09JDT (AJ009TNJDCH/AA)	410 [16-1/8]	320 [12-5/8]	90 [3-9/16]
JNH12JDT (AJ012TNJDCH/AA)			
JNH15JDT (AJ015TNJDCH/AA)			
JNH18JDT (AJ018TNJDCH/AA)			

7. Electrical Wiring Diagram

7-1. Outdoor units

1. JXH20J2T (AJ020TXJ2CH/AA), JXH24J3T (AJ024TXJ3CH/AA)



ASSY PCB INVERTER	Printed circuit board
ASSY PCB MAIN-OUT	Printed circuit board
F001(250V/T30A)	Fuse(ASSY PCB INVERTER)
F100(250V/T2.5A)	Fuse(ASSY PCB MAIN-OUT)
F101(250V/T2.5A)	Fuse(ASSY PCB MAIN-OUT)
OUT-TH	Thermistor(Ambient Temp. - 10kohm)
DIS-TH	Thermistor(Discharge Temp. - 200kohm)
COND-TH	Thermistor(Condensor Temp. - 10kohm)
OLP-TH	Thermistor(Compressor Top Temp. - 200kohm)
PIPE IN TH - A	Thermistor(A Pipe In Temp. - 10kohm)
PIPE IN TH - B	Thermistor(B Pipe In Temp. - 10kohm)
PIPE IN TH - C	Thermistor(C Pipe In Temp. - 10kohm)
PIPE IN TH - D	Thermistor(D Pipe In Temp. - 10kohm)
PIPE OUT TH - A	Thermistor(A Pipe Out Temp. - 10kohm)
PIPE OUT TH - B	Thermistor(B Pipe Out Temp. - 10kohm)
PIPE OUT TH - C	Thermistor(C Pipe Out Temp. - 10kohm)
PIPE OUT TH - D	Thermistor(D Pipe Out Temp. - 10kohm)
EEV - A	Electronic Expansion Valve A
EEV - B	Electronic Expansion Valve B
EEV - C	Electronic Expansion Valve C
EEV - D	Electronic Expansion Valve D
COMPRESSOR	Motor(Compressor)
M-BLDC	Motor(FAN)
4WAY VALVE	Solenoid Valve(4Way)
BASE HEATER	Heating Wire

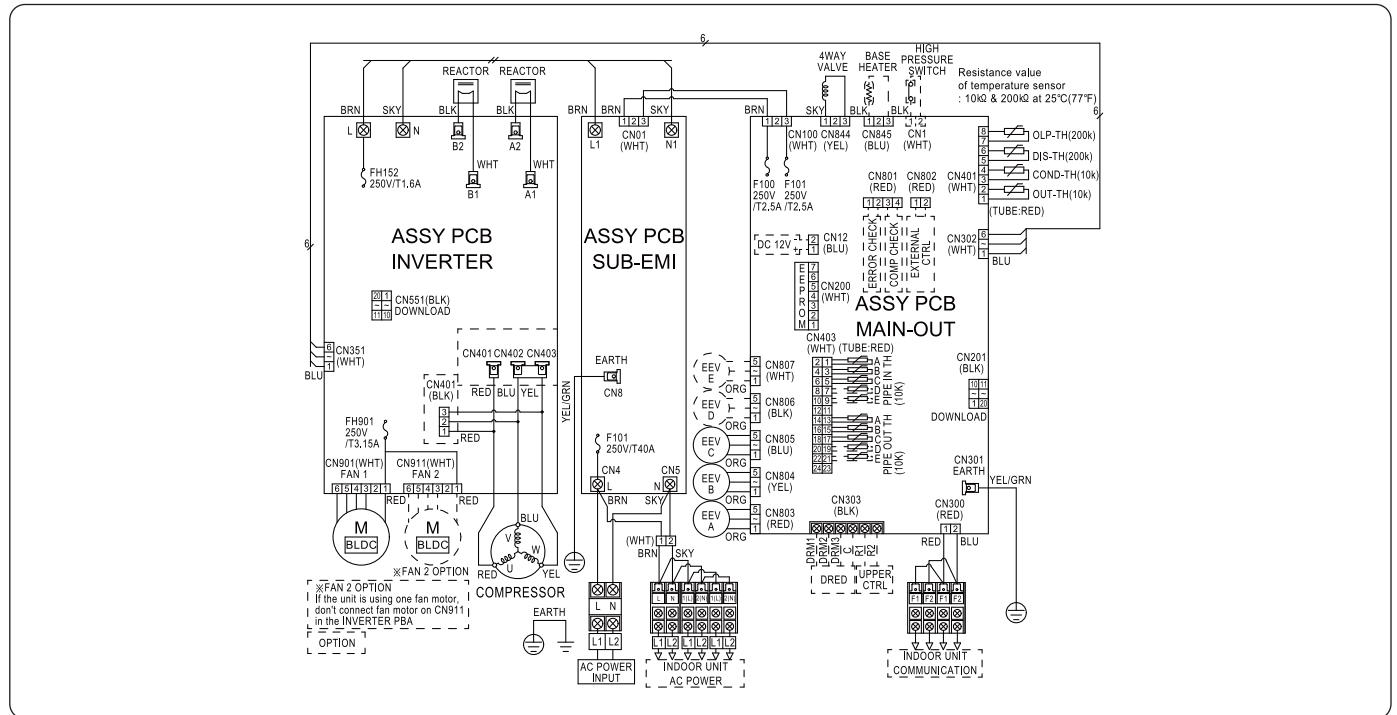
NOTE

- This wiring diagram applies only to the outdoor unit.
- Colors BLK : black, BRN : brown, SKY-BLU : sky-blue, GRN/YEL : green/yellow, RED : red, YEL : yellow, ORG : orange, BLU : blue, WHT:white
- For connection wiring indoor-outdoor transmission F1-F2, refer to the installation manual
- Protective earth(screw)

7. Electrical Wiring Diagram

7-1. Outdoor units

2. JXH36J4T (AJ036TXJ4CH/AA), JXH48J5T (AJ048TXJ5CH/AA)



ASSY PCB INVERTER	Printed circuit board	BASE HEATER	Heating Wire	PIPE OUT TH - A	Thermistor (A Pipe Out Temp. - 10kohm)
ASSY PCB SUB-EMI	Printed circuit board	OUT-TH	Thermistor (Ambient Temp. - 10kohm)	PIPE OUT TH - B	Thermistor (B Pipe Out Temp. - 10kohm)
ASSY PCB MAIN-OUT	Printed circuit board	DIS-TH	Thermistor (Discharge Temp. - 200kohm)	PIPE OUT TH - C	Thermistor (C Pipe Out Temp. - 10kohm)
FH152(250V/T1.6A)	Fuse(ASSY PCB INVERTER)	COND-TH	Thermistor (Condensor Temp. - 10kohm)	PIPE OUT TH - D	Thermistor (D Pipe Out Temp. - 10kohm)
FH901(250V/T3.15A)	Fuse(ASSY PCB INVERTER)	OLP-TH	Thermistor (Compressor Top Temp. - 200kohm)	PIPE OUT TH - E	Thermistor (E Pipe Out Temp. - 10kohm)
F101(250V/T40A)	Fuse(ASSY PCB SUB-EMI)	PIPE IN TH - A	Thermistor (A Pipe In Temp. - 10kohm)	EEV - A	Electronic Expansion Valve A
F100(250V/T2.5A)	Fuse(ASSY PCB MAIN-OUT)	PIPE IN TH - B	Thermistor (B Pipe In Temp. - 10kohm)	EEV - B	Electronic Expansion Valve B
F101(250V/T2.5A)	Fuse(ASSY PCB MAIN-OUT)	PIPE IN TH - C	Thermistor (C Pipe In Temp. - 10kohm)	EEV - C	Electronic Expansion Valve C
COMPRESSOR	Motor(Compressor)	PIPE IN TH - D	Thermistor (D Pipe In Temp. - 10kohm)	EEV - D	Electronic Expansion Valve D
M-BLDC	Motor(FAN)	PIPE IN TH - E	Thermistor (E Pipe In Temp. - 10kohm)	EEV - E	Electronic Expansion Valve E
4WAY VALVE	Solenoid Valve(4Way)				

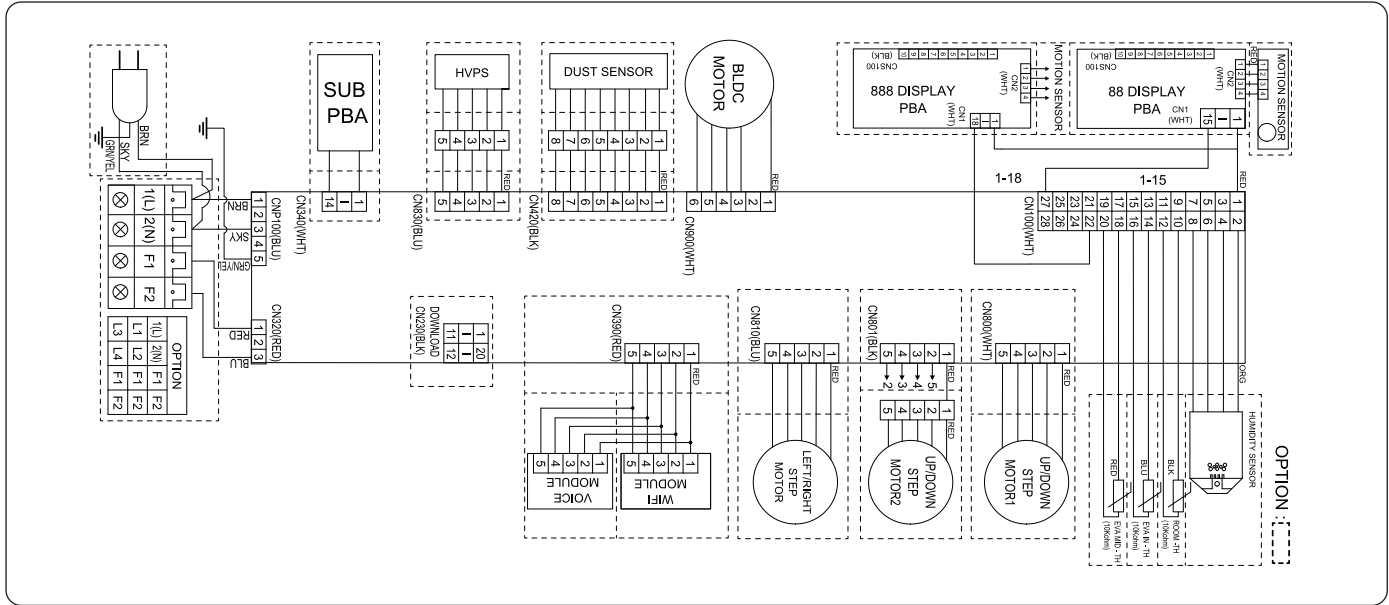
NOTE

- This wiring diagram applies only to the outdoor unit.
- Colors BLK : black, BRN : brown, SKY-BLU : sky-blue, GRN/YEL : green/yellow, RED : red, YEL : yellow, ORG : orange, BLU : blue, WHT:white
- For connection wiring indoor-outdoor transmission F1-F2, refer to the installation manual
- Protective earth(screw)

7. Electrical Wiring Diagram

7-2. Indoor units

1. Wind-Free™ 2.0 : RNS07ABT (AR07TSFABWKNCV), RNS09ABT (AR09TSFABWKNCV), RNS12ABT (AR12TSFABWKNCV), RNS15ABT (AR15TSFABWKNCV), RNS18ABT (AR18TSFABWKNCV), RNS24ABT (AR24TSFABWKNCV)
 Quantum 2.0 : RNS07YBT (AR07TSFYBWKNCV), RNS09YBT (AR09TSFYBWKNCV), RNS12YBT (AR12TSFYBWKNCV), RNS15YBT (AR15TSFYBWKNCV), RNS18YBT (AR18TSFYBWKNCV), RNS24YBT (AR24TSFYBWKNCV)



MAIN PBA	Printed circuit board(MAIN)	BLDC MOTOR	BLDC Motor	ROOM-TH(10K)	Thermistor ROOM
88 DISPLAY	Printed circuit board(DISPLAY)	HVPS	High voltage power supply(Optional)	EVA IN-TH(10K)	Thermistor EVA IN
SUB	Printed circuit board(SUB)	DUST SENSOR	Dust Sensor(Optional)	EVA MID-TH(10K)	Thermistor EVA OUT
WIFI MODULE	Wifi(Optional)	HUMIDITY SENSOR	Humidity Sensor(Optional)	STEP MOTOR1	Up/Down Louver
VOICE MODULE	Voice recognition(Optional)	STEP MOTOR	Left/Righth Louver	STEP MOTOR2	Up/Down Louver(Optional)

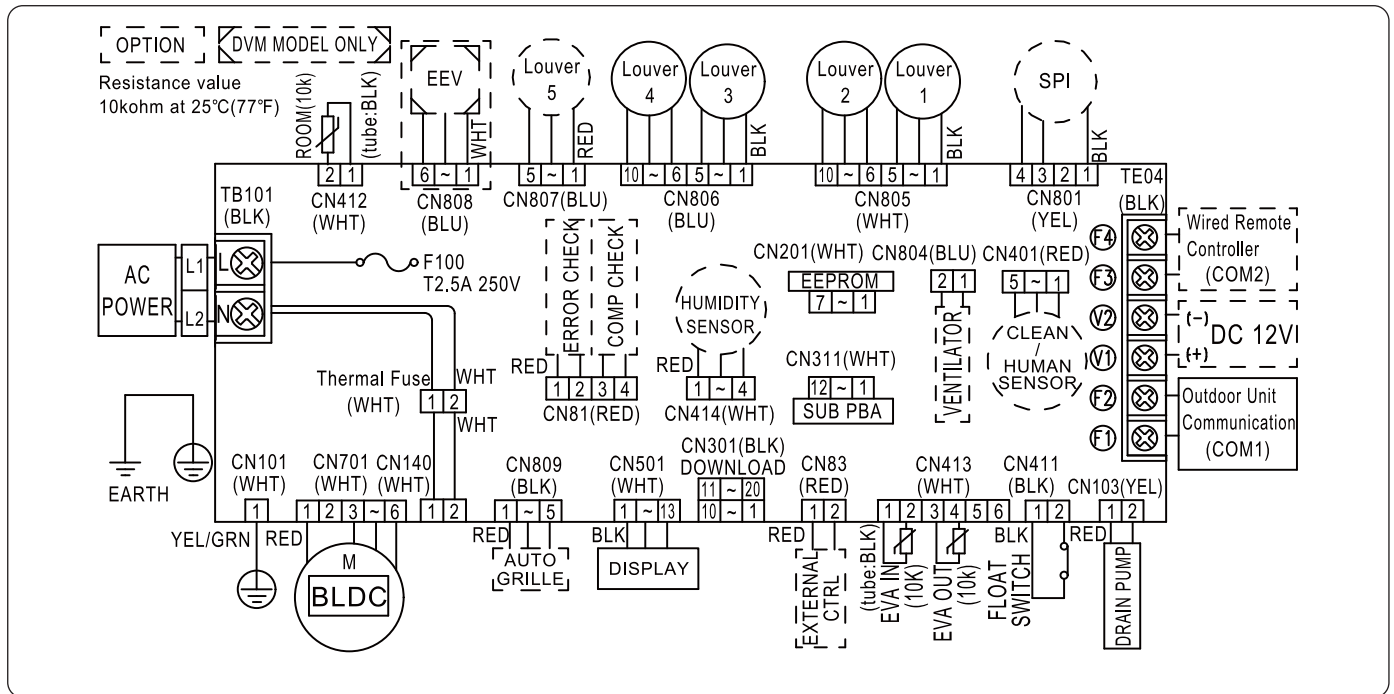
NOTE

- This wiring diagram applies only to the outdoor unit.
- Colors BLK : black, BRN : brown, SKY-BLU : sky-blue, GRN/YEL : green/yellow, RED : red, YEL : yellow, ORG : orange, BLU : blue, WHT:white
- For connection wiring indoor-outdoor transmission F1-F2, refer to the installation manual
- Protective earth(screw)

7. Electrical Wiring Diagram

7-2. Indoor units

2. (Wind-Free) 4Way Cassette (600x600) : JNH09NDT (AJ009TNNDCH/AA), JNH12NDT (AJ012TNNDCH/AA), JNH18NDT (AJ018TNNDCH/AA)



MAIN PBA	Printed circuit board(MAIN)	M-BLDC	BLDC Motor	ROOM-TH(10K)	Thermistor ROOM
FLOAT SWITCH	Switch of the float of Drain	EEV	Electronic Expansion Valve(Optional)	EVA IN-TH(10K)	Thermistor EVA IN
HUMIDITY SENSOR	Humidity Sensor(Optional)	SPI	S-Plasma ion(Optional)	EVA OUT-TH(10K)	Thermistor EVA OUT

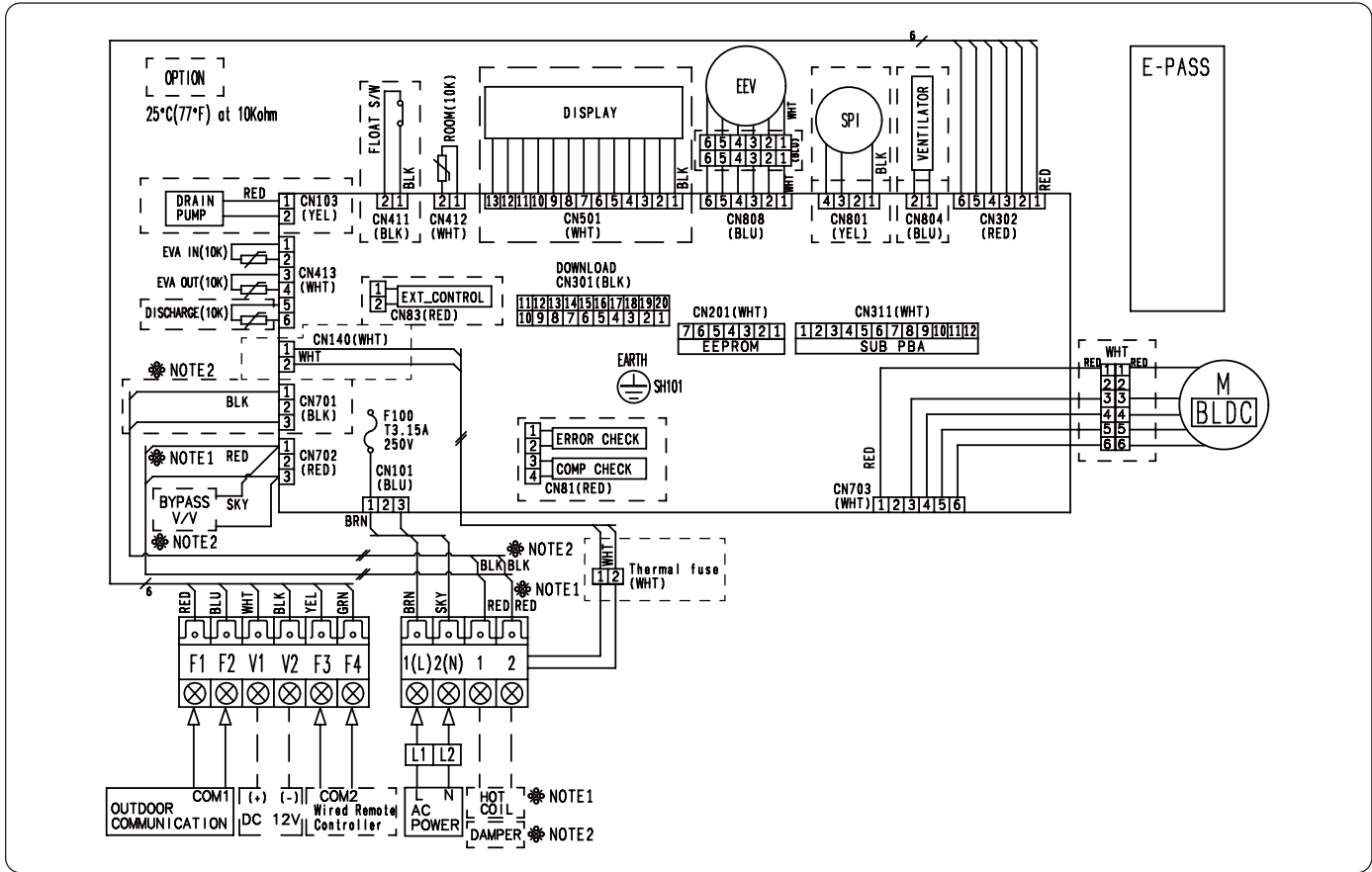
NOTE

- This wiring diagram applies only to the indoor unit.
- Colors BLK : black, BRN : brown, SKY-BLU : sky-blue, GRN/YEL : green/yellow, RED : red, YEL : yellow, ORG : orange, BLU : blue, WHT:white
- For connection wiring indoor-outdoor transmission F1-F2, indoor-wired remotecontroller transmission F3-F4, refer to the installation manual
- Protective earth(screw)

7. Electrical Wiring Diagram


7-2. Indoor units

3. Slim duct : JNH09LDT (AJ009TNLDCH/AA), JNH12LDT (AJ012TNLDCH/AA), JNH18LDT (AJ018TNLDCH/AA)



MAIN PCB	Printed circuit board(MAIN)	M-BLDC	BLDC Motor	ROOM-TH(10K)	Thermistor ROOM
DISPLAY PCB	Printed circuit board(Display_Option)	EEV	Electronic Expansion Valve(Optional)	EVA IN-TH(10K)	Thermistor EVA IN
FLOAT SWITCH	Switch of the float of Drain	SPI	S-Plasma ion(Optional)	EVA OUT-TH(10K)	Thermistor EVA OUT

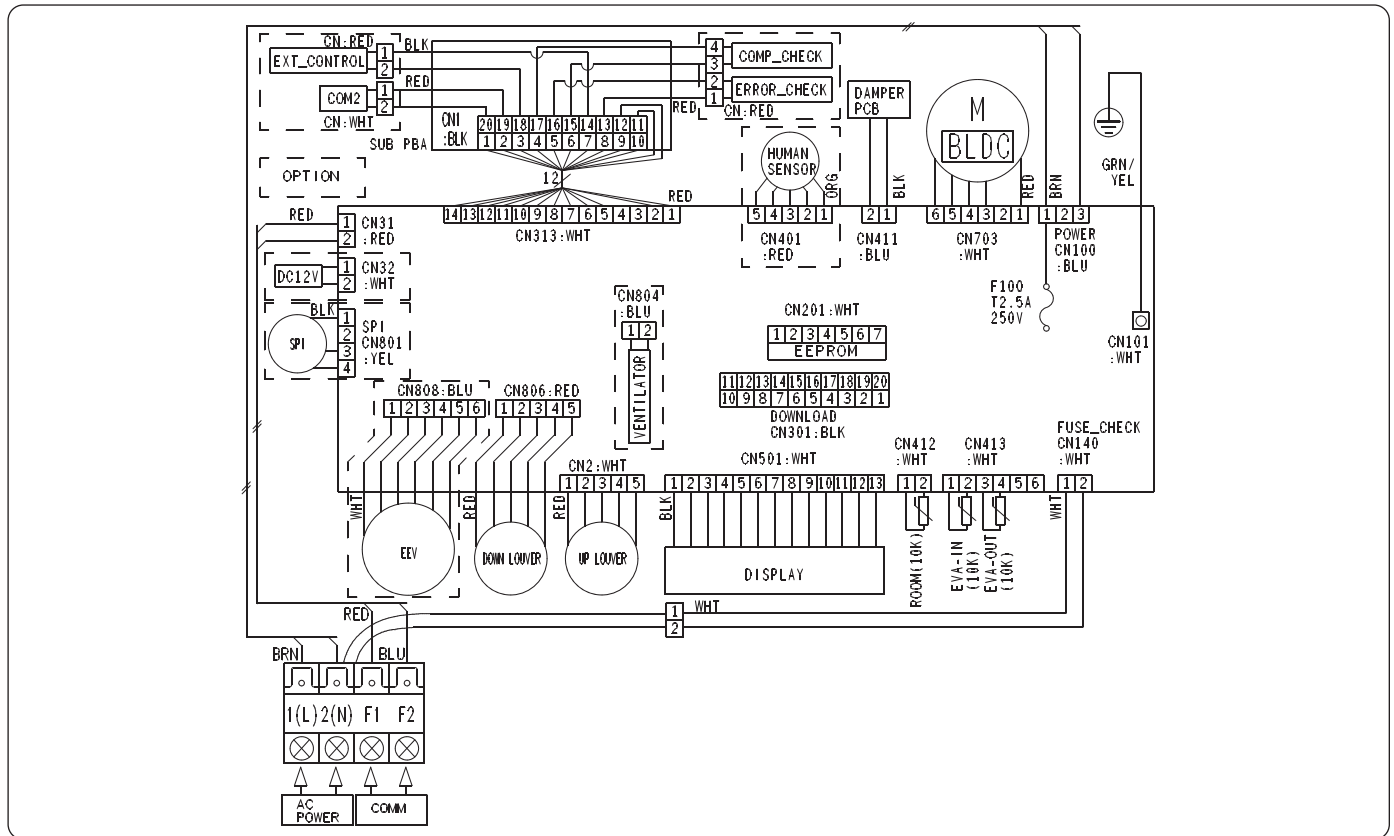
NOTE

- This wiring diagram applies only to the indoor unit.
- Colors BLK : black, BRN : brown, SKY-BLU : sky-blue, GRN/YEL : green/yellow, RED : red, YEL : yellow, ORG : orange, BLU : blue, WHT:white
- For connection wiring indoor-outdoor transmission F1-F2, indoor-wired remotecontroller transmission F3-F4, refer to the installation manual
-  Protective earth(screw)

7. Electrical Wiring Diagram


7-2. Indoor units

4. Console : JNH09JDT (AJ009TNJDCH/AA), JNH12JDT (AJ012TNJDCH/AA), JNH15JDT (AJ015TNJDCH/AA), JNH18JDT (AJ018TNJDCH/AA)



MAIN PCB	Printed circuit board(MAIN)	M-BLDC	BLDC Motor	ROOM-TH(10K)	Thermistor ROOM
DAMPER PCB	Printed circuit board(SUB)	EEV	Electronic Expansion Valve(Optional)	EVA IN-TH(10K)	Thermistor EVA IN
HUMIDITY SENSOR	Humidity Sensor(Optional)	SPI	S-Plasma ion(Optional)	EVA OUT-TH(10K)	Thermistor EVA OUT

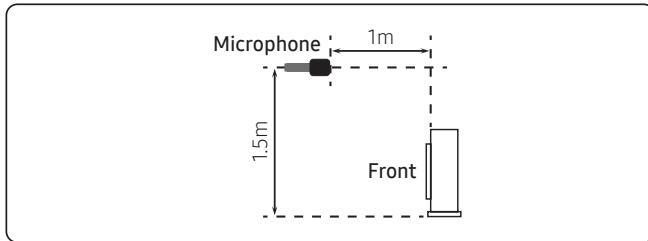
NOTE

- This wiring diagram applies only to the indoor unit.
- Colors BLK : black, BRN : brown, SKY-BLU : sky-blue, GRN/YEL : green/yellow, RED : red, YEL : yellow, ORG : orange, BLU : blue, WHT:white
- For connection wiring indoor-outdoor transmission F1-F2, indoor-wired remotecontroller transmission F3-F4, refer to the installation manual
-  Protective earth(screw)

8. Sound Data

8-1. Outdoor unit

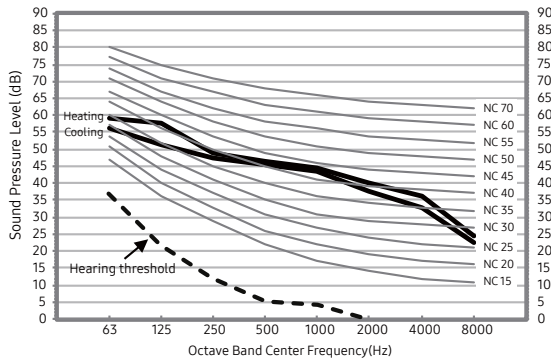
Sound Pressure level



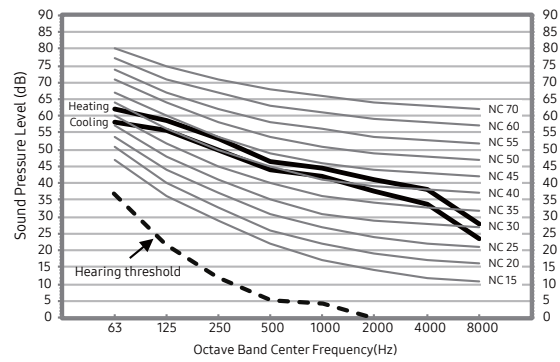
Model	Cooling	Heating
JXH20J2T (AJ020TXJ2CH/AA)	48	51
JXH24J3T (AJ024TXJ3CH/AA)	48	51
JXH36J4T (AJ036TXJ4CH/AA)	54	56
JXH48J5T (AJ048TXJ5CH/AA)	52	55

- NC Curve

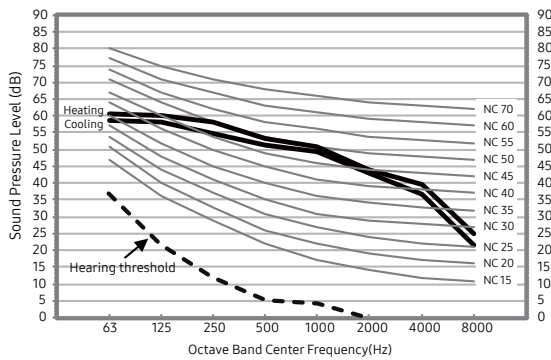
1) JXH20J2T (AJ020TXJ2CH/AA)



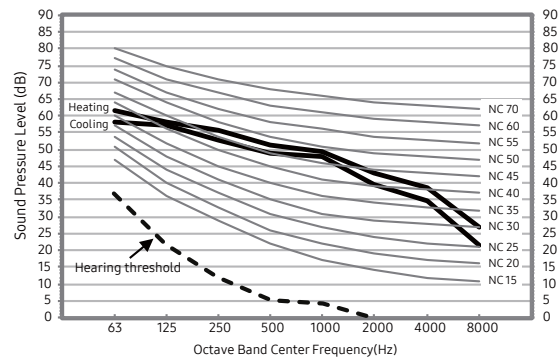
2) JXH20J2T (AJ020TXJ2CH/AA)



3) JXH36J4T (AJ036TXJ4CH/AA)



4) JXH48J5T (AJ048TXJ5CH/AA)



NOTE

- Sound Pressure Level
 - Sound pressure level is obtained in an anechoic room.
 - Sound pressure level is a relative value, depending on the distance and acoustic environment.
 - Sound pressure level may differ depending on operation condition.
 - dBA = A-weighted sound pressure level
 - Reference acoustic pressure 0 dB = 20μPa

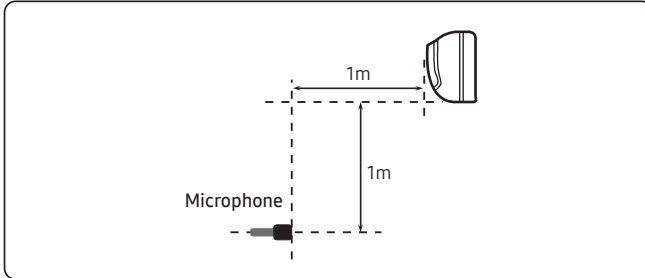
8. Sound Data

8-2. Indoor units

Sound Pressure level

1. Wind-Free™ 2.0

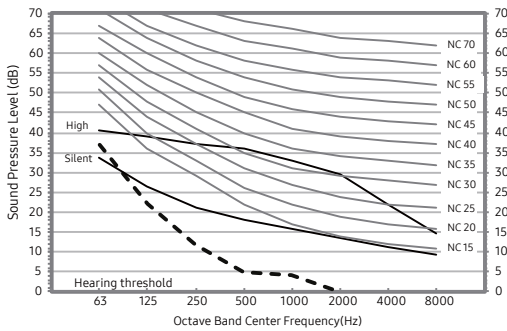
Unit : dB(A)



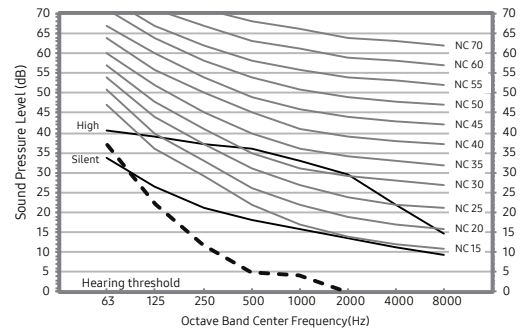
Model	High	Silent
RNS07ABT (AR07TSFABWKNCV)	38	23
RNS09ABT (AR09TSFABWKNCV)	38	23
RNS12ABT (AR12TSFABWKNCV)	39	23
RNS15ABT (AR15TSFABWKNCV)	40	23
RNS18ABT (AR18TSFABWKNCV)	42	25
RNS24ABT (AR24TSFABWKNCV)	47	28

- NC Curve

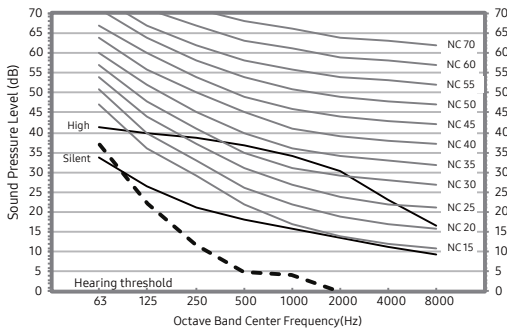
1) RNS07ABT (AR07TSFABWKNCV)



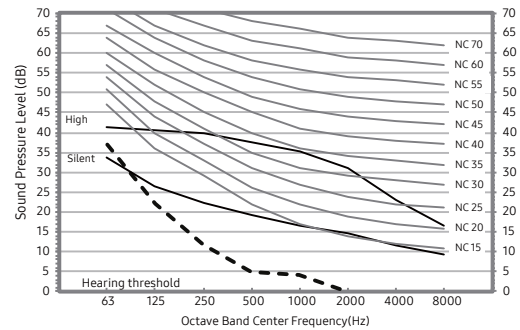
2) RNS09ABT (AR09TSFABWKNCV)



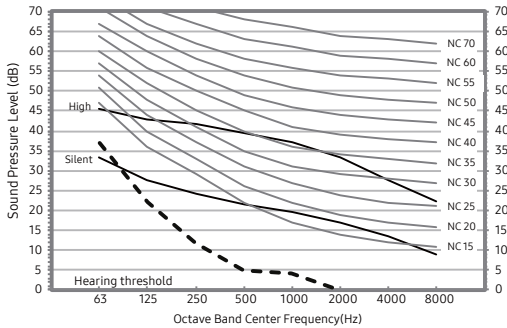
3) RNS12ABT (AR12TSFABWKNCV)



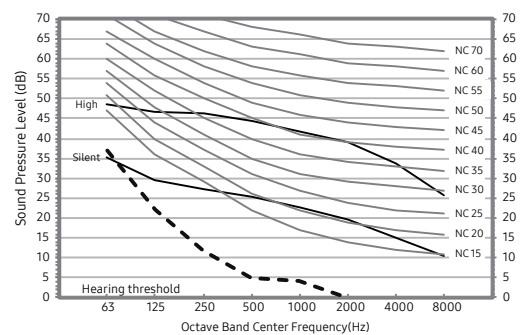
4) RNS15ABT (AR15TSFABWKNCV)



5) RNS18ABT (AR18TSFABWKNCV)



6) RNS24ABT (AR24TSFABWKNCV)



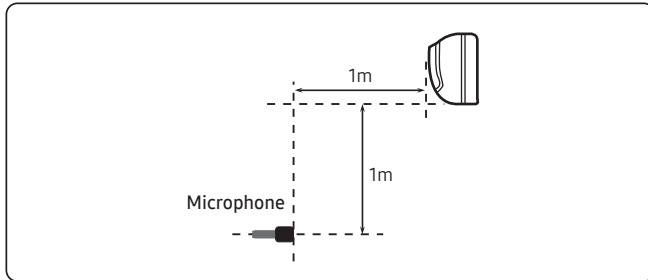
8. Sound Data

8-2. Indoor units

Sound Pressure level

2. Quantum 2.0

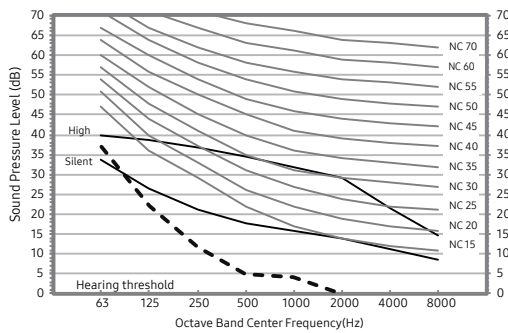
Unit : dB(A)



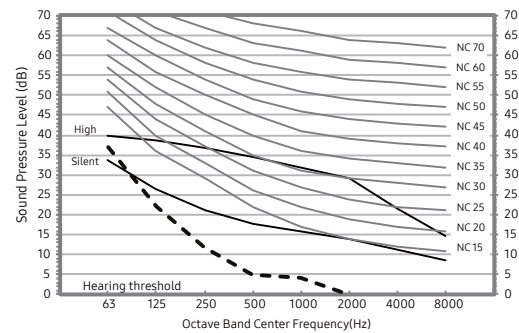
Model	High	Silent
RNS07YBT (AR07TSFYBWKNVCV)	37	23
RNS09YBT (AR09TSFYBWKNVCV)	37	23
RNS12YBT (AR12TSFYBWKNVCV)	38	23
RNS15YBT (AR15TSFYBWKNVCV)	41	25
RNS18YBT (AR18TSFYBWKNVCV)	41	28
RNS24YBT (AR24TSFYBWKNVCV)	45	30

- NC Curve

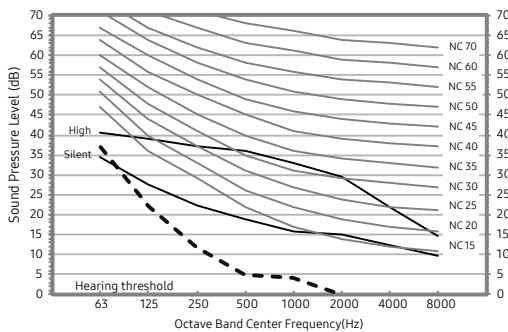
1) RNS07YBT (AR07TSFYBWKNVCV)



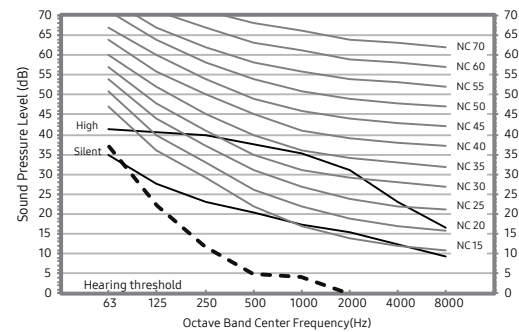
2) RNS09YBT (AR09TSFYBWKNVCV)



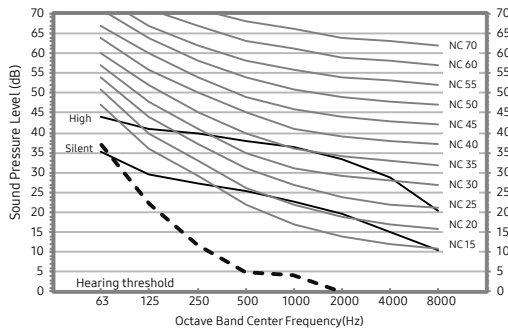
3) RNS12YBT (AR12TSFYBWKNVCV)



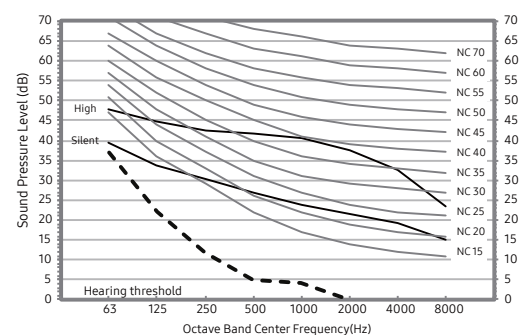
4) RNS15YBT (AR15TSFYBWKNVCV)



5) RNS18YBT (AR18TSFYBWKNVCV)



6) RNS24YBT (AR24TSFYBWKNVCV)



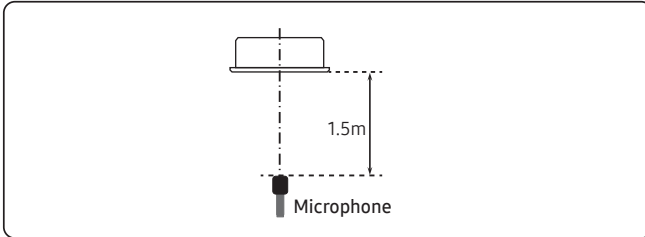
8. Sound Data

8-2. Indoor units

Sound Pressure level

3. (Wind-Free) 4Way Cassette (600x600)

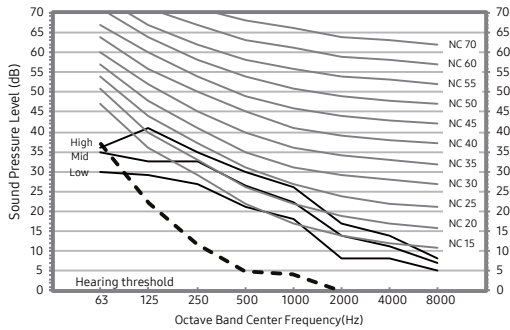
Unit : dB(A)



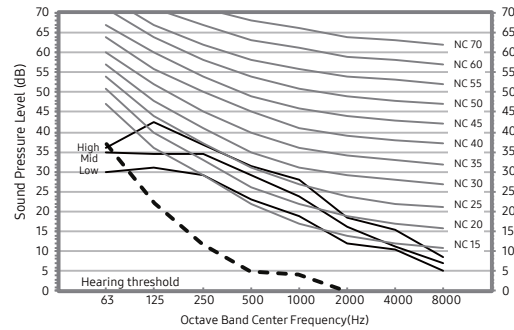
Model	High	Mid	Low
JNH09NDT (AJ009TNNDCH/AA)	33	29	24
JNH12NDT (AJ012TNNDCH/AA)	35	31	27
JNH18NDT (AJ018TNNDCH/AA)	39	36	32

- NC Curve

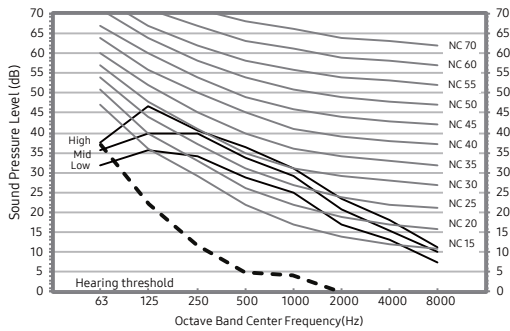
1) JNH09NDT (AJ009TNNDCH/AA)



2) JNH12NDT (AJ012TNNDCH/AA)



3) JNH18NDT (AJ018TNNDCH/AA)



NOTE

- Specifications may be subject to change without prior notice.
 - Sound pressure level is obtained in an anechoic room.
 - Sound pressure level is a relative value, depending on the distance and acoustic environment.
 - Sound pressure level may differ depending on operation condition.
 - dBA = A-weighted sound pressure level
 - Reference acoustic pressure 0 dB = 20μPa

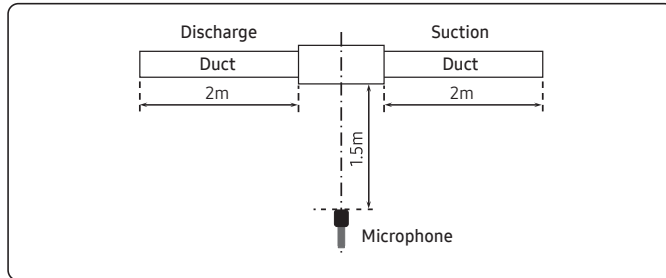
8. Sound Data

8-2. Indoor units

Sound Pressure level

4. Slim duct

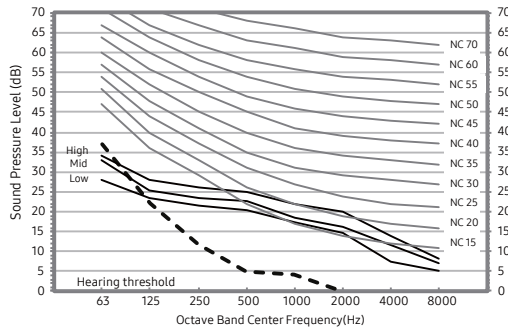
Unit : dB(A)



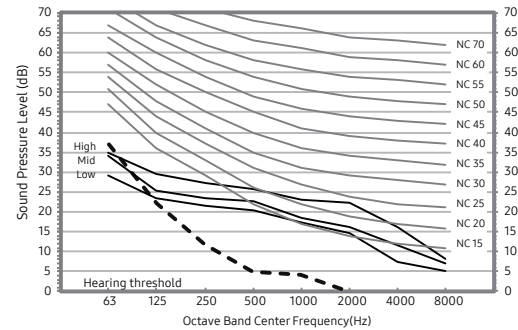
Model	High	Mid	Low
JNH09LDT (AJ009TNLDCH/AA)	28	25	23
JNH12LDT (AJ012TNLDCH/AA)	30	25	23
JNH18LDT (AJ018TNLDCH/AA)	33	29	23

- NC Curve

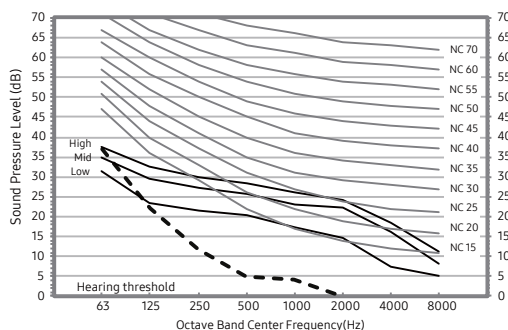
1) JNH09LDT (AJ009TNLDCH/AA)



2) JNH12LDT (AJ012TNLDCH/AA)



3) JNH18LDT (AJ018TNLDCH/AA)



NOTE

- Specifications may be subject to change without prior notice.
 - Sound pressure level is obtained in an anechoic room.
 - Sound pressure level is a relative value, depending on the distance and acoustic environment.
 - Sound pressure level may differ depending on operation condition.
 - dBA = A-weighted sound pressure level
 - Reference acoustic pressure 0 dB = 20μPa

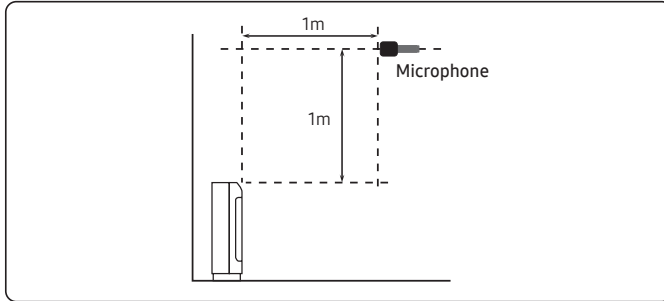
8. Sound Data

8-2. Indoor units

Sound Pressure level

5. Console

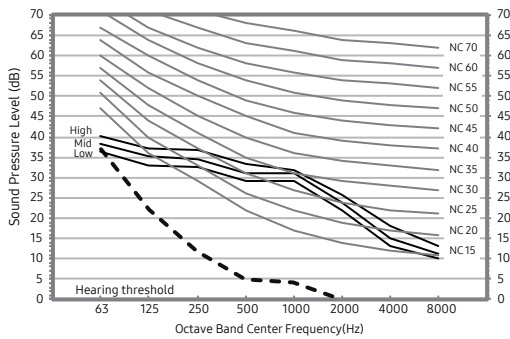
Unit : dB(A)



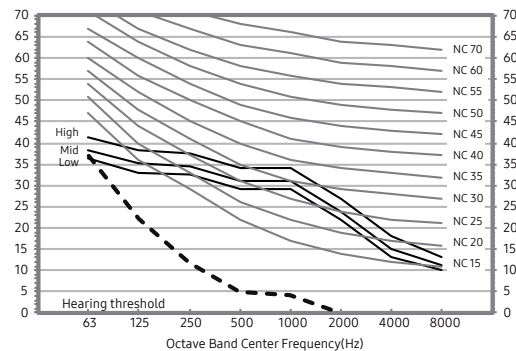
Model	High	Mid	Low
JNH09JDT (AJ009TNJDCH/AA)	38	35	33
JNH12JDT (AJ012TNJDCH/AA)	38	35	33
JNH15JDT (AJ015TNJDCH/AA)	42	39	36
JNH18JDT (AJ018TNJDCH/AA)	42	39	36

• NC Curve

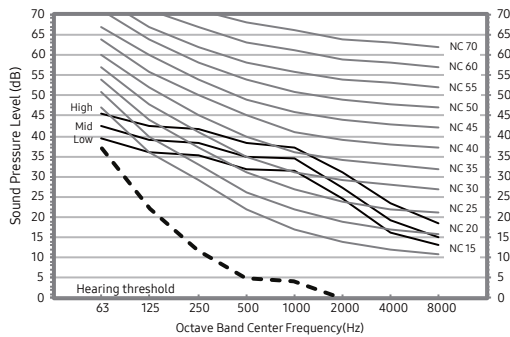
1) JNH09JDT (AJ009TNJDCH/AA)



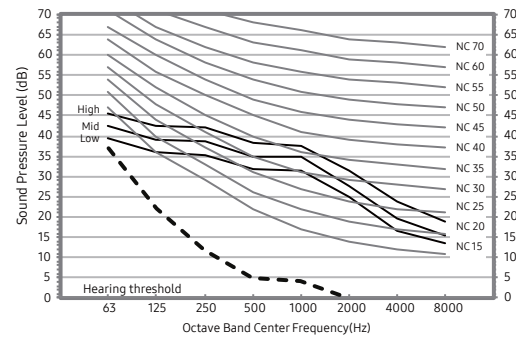
2) JNH12JDT (AJ012TNJDCH/AA)



3) JNH15JDT (AJ015TNJDCH/AA)



4) JNH18JDT (AJ018TNJDCH/AA)



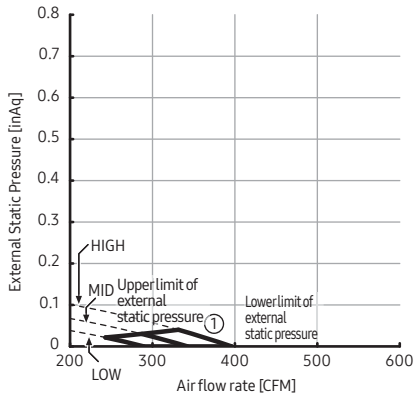
NOTE

- Specifications may be subject to change without prior notice.
 - Sound pressure level is obtained in an anechoic room.
 - Sound pressure level is a relative value, depending on the distance and acoustic environment.
 - Sound pressure level may differ depending on operation condition.
 - dBA = A-weighted sound pressure level
 - Reference acoustic pressure 0 dB = 20μPa

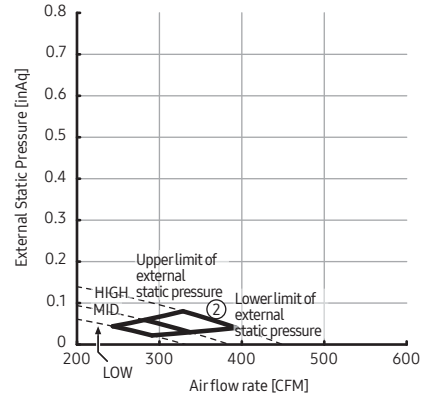
9. Fan Characteristics (PQ curve)

9-1. JNH09LDT (AJ009TNLDCH/AA)

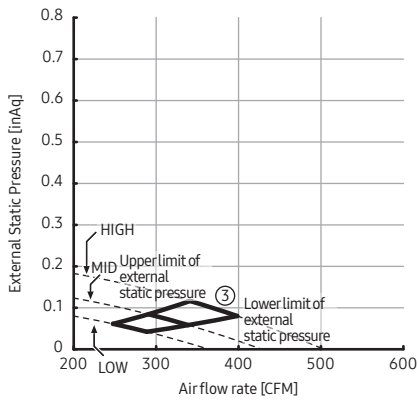
①	External Static Pressure(inAq)	Option Code
	$0 \leq SP \leq 0.04$	0103FC-1C541B-271A1D-370000



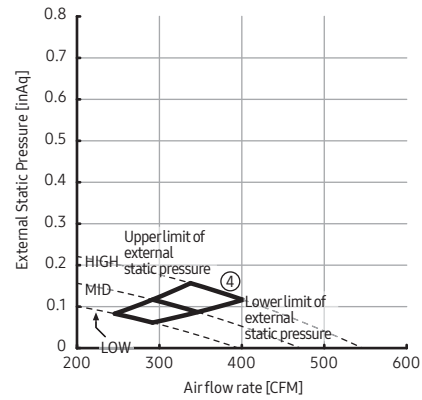
②	External Static Pressure(inAq)	Option Code
	$0.04 < SP \leq 0.08$ (Default)	0103FC-1C546B-271A1D-370000



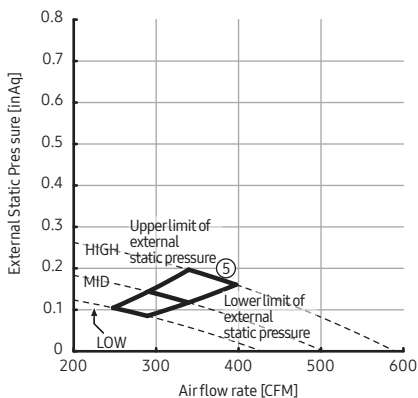
③	External Static Pressure(inAq)	Option Code
	$0.08 < SP \leq 0.12$	0103FC-1C54BE-271A1D-370000



④	External Static Pressure(inAq)	Option Code
	$0.12 < SP \leq 0.16$	0103FC-1C55F2-271A1D-370000



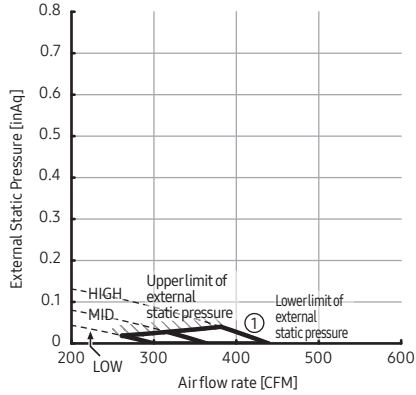
⑤	External Static Pressure(inAq)	Option Code
	$0.16 < SP \leq 0.2$	0103FC-1C5935-271A1D-370000



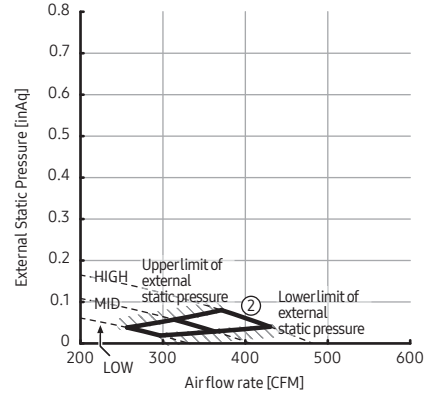
9. Fan Characteristics (PQ curve)

9-2. JNH12LDT (AJ012TNLDCH/AA)

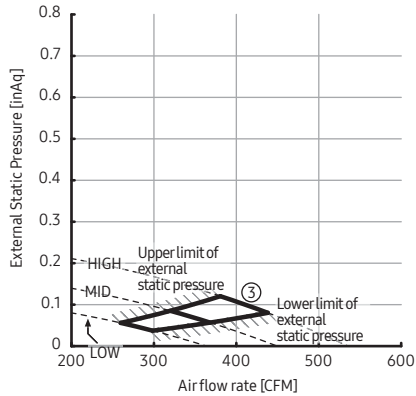
①	External Static Pressure(inAq) $0 \leq SP \leq 0.04$	Option Code 0103FC-1C5458-272326-370000
---	---	--



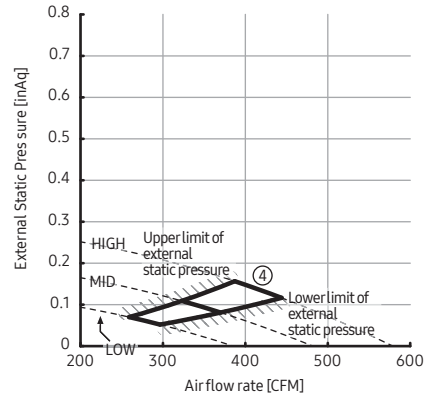
②	External Static Pressure(inAq) $0.04 < SP \leq 0.08$ (Default)	Option Code 0103FC-1C549B-272326-370000
---	---	--



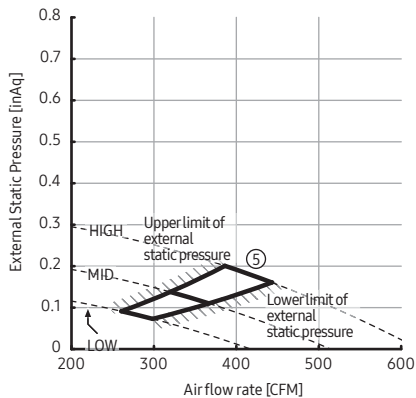
③	External Static Pressure(inAq) $0.08 < SP \leq 0.12$	Option Code 0103FC-1C54EE-272326-370000
---	---	--



④	External Static Pressure(inAq) $0.12 < SP \leq 0.16$	Option Code 0103FC-1C5920-272326-370000
---	---	--



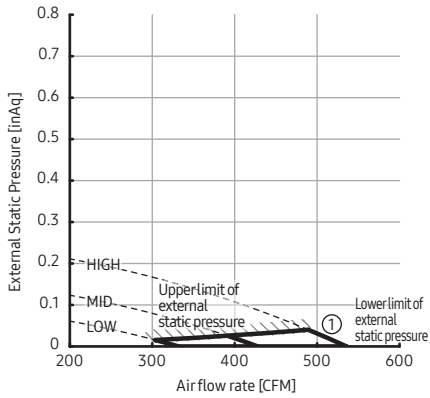
⑤	External Static Pressure(inAq) $0.16 < SP \leq 0.2$	Option Code 0103FC-1C5964-272326-370000
---	--	--



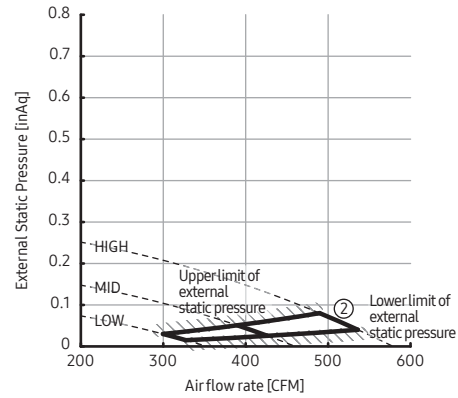
9. Fan Characteristics (PQ curve)

9-3. JNH18LDT (AJ018TNLDCH/AA)

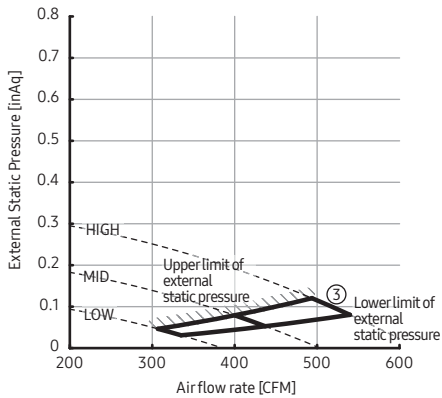
①	External Static Pressure(inAq)	Option Code
	$0 \leq SP \leq 0.04$	0103FC-1C54EB-273538-370000



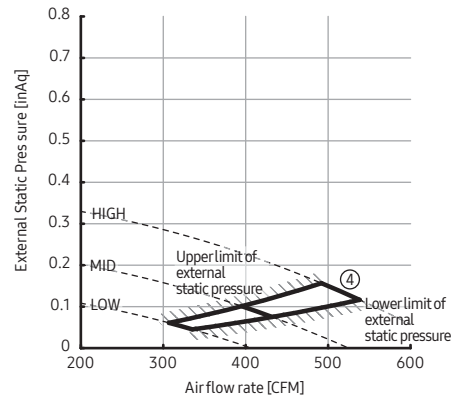
②	External Static Pressure(inAq)	Option Code
	$0.04 < SP \leq 0.08$ (Default)	0103FC-1C582D-273538-370000



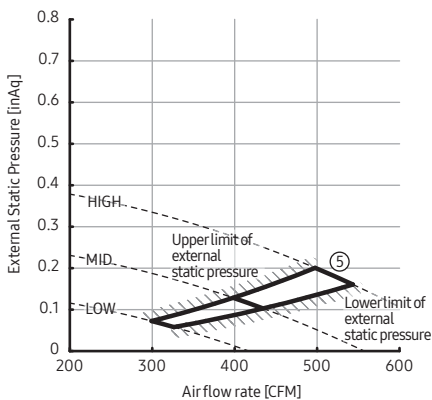
③	External Static Pressure(inAq)	Option Code
	$0.08 < SP \leq 0.12$	0103FC-1C5960-273538-370000



④	External Static Pressure(inAq)	Option Code
	$0.12 < SP \leq 0.16$	0103FC-1C5992-273538-370000



⑤	External Static Pressure(inAq)	Option Code
	$0.16 < SP \leq 0.2$	0103FC-1C59D3-273538-370000



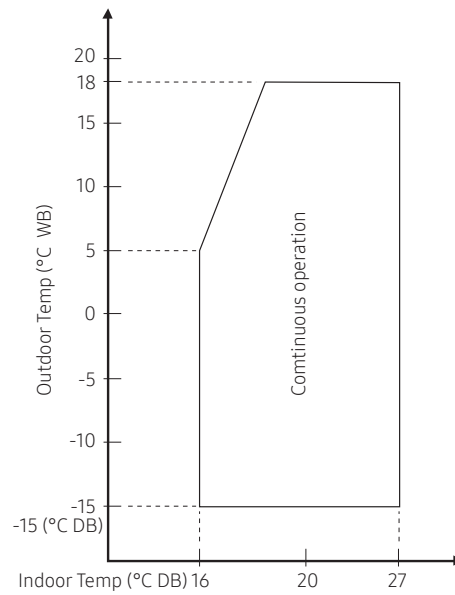
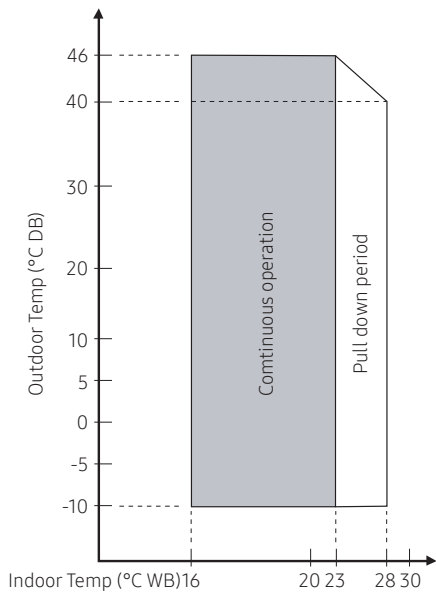
9. Fan Characteristics (PQ curve)

9-3. JNH18LDT (AJ018TNLDCH/AA)

NOTE

- Adjust option code according to the actual installation condition (external static pressure).
- The graphs display the available external static pressure range of installed indoor units. Therefore, they do not reflect the actual change of external static pressure and airflow rate according to adjusted airflow (High-Mid-Low) of installed indoor units.

10. Operation Range

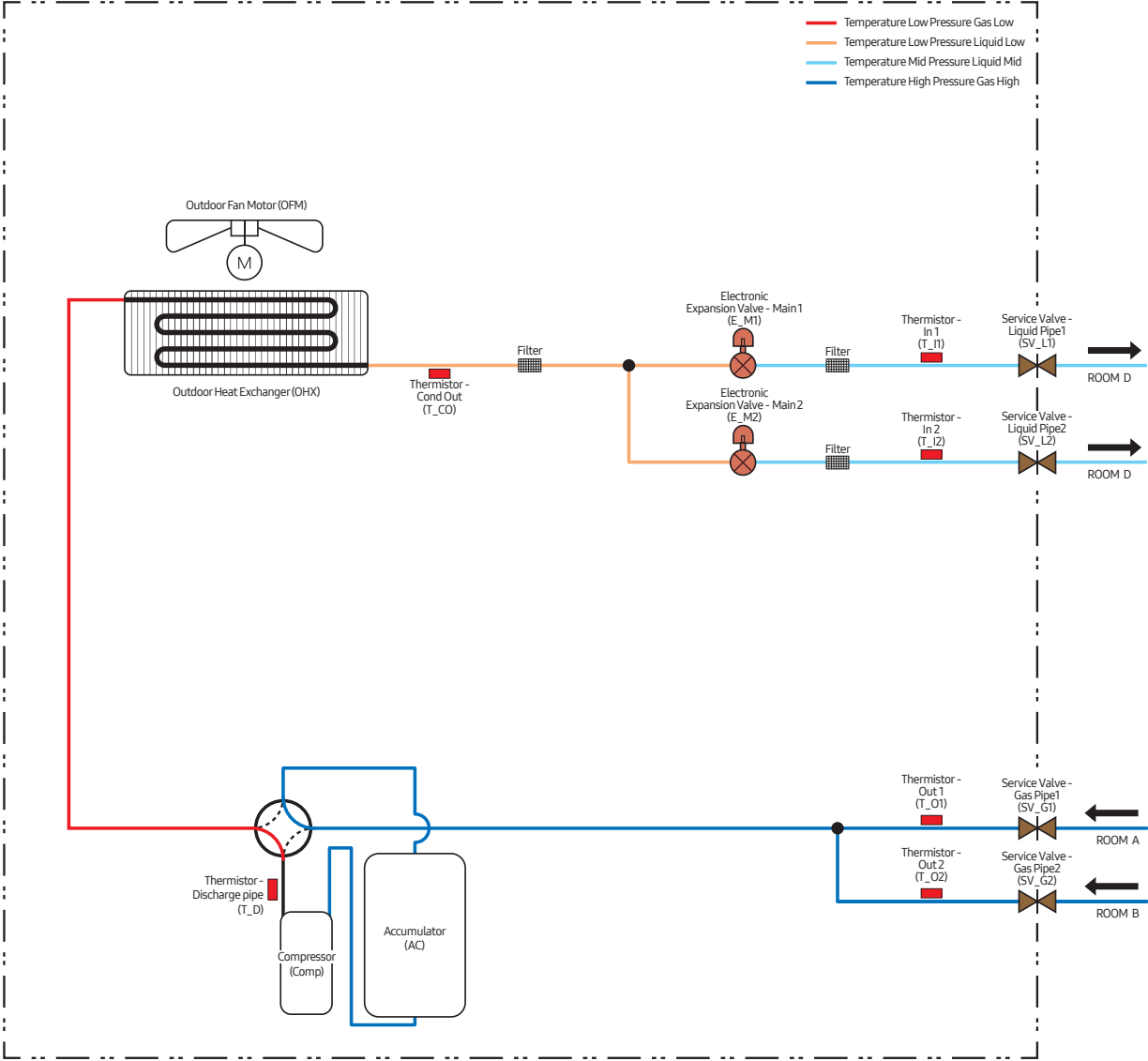


NOTE

- The graphs are based on the following conditions.
 - 1) Equivalent piping length : 7.5m (24.6ft)
 - 2) Level difference 0m (0ft)
 - 3) Air flow rate High

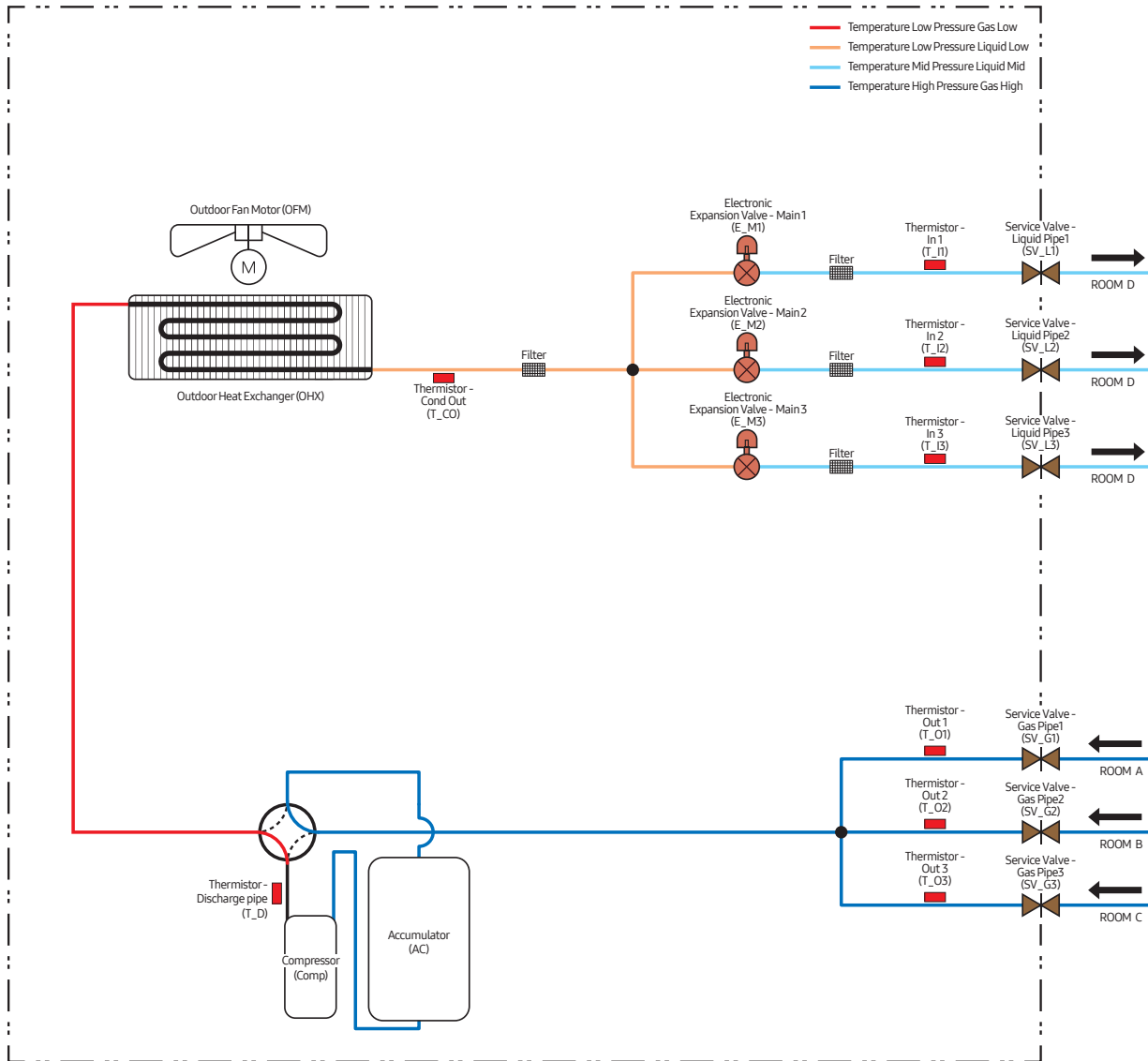
11. Piping Diagram

11-1. JXH20J2T (AJ020TXJ2CH/AA)



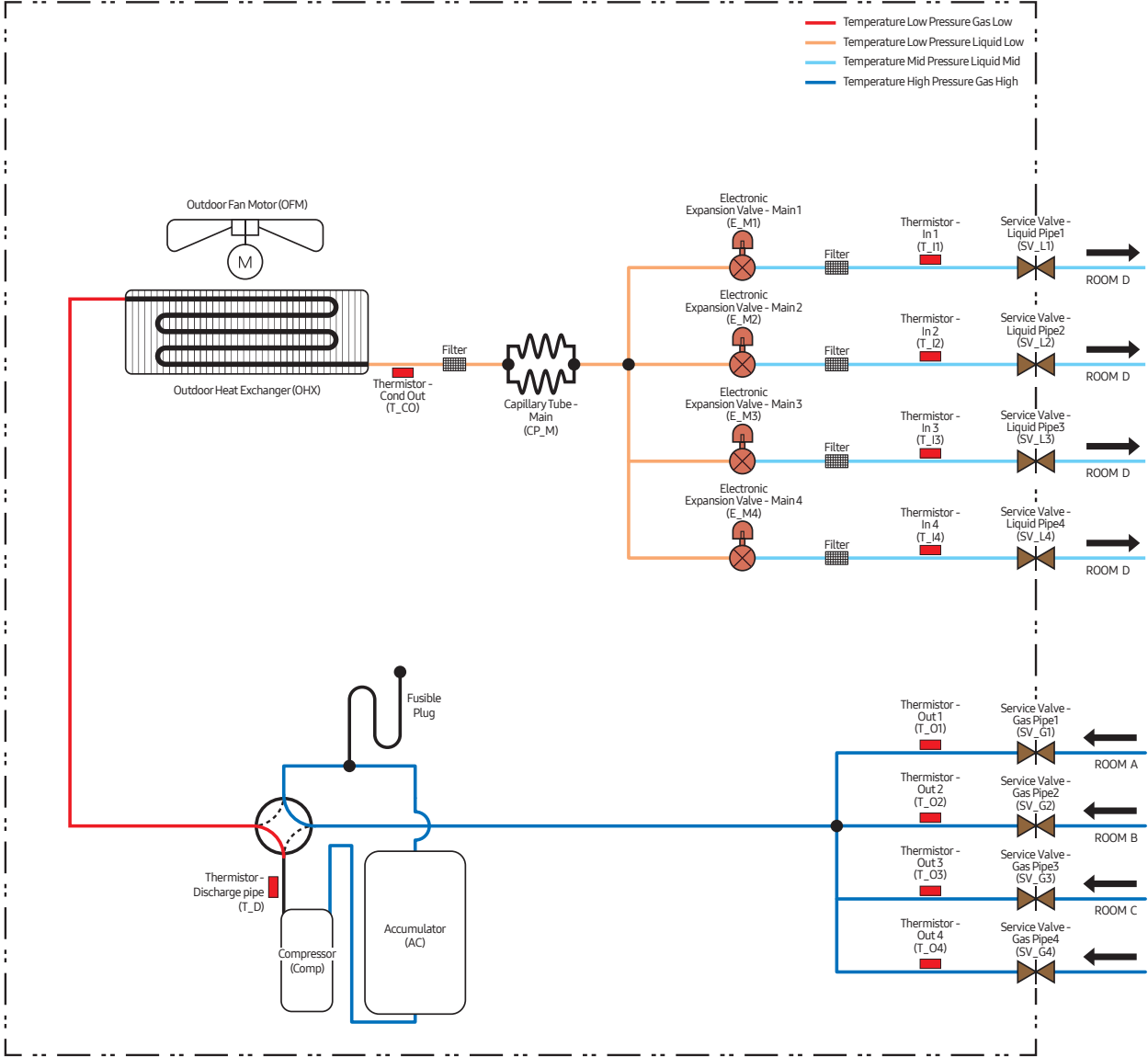
11. Piping Diagram

11-2. JXH24J3T (AJ024TXJ3CH/AA)



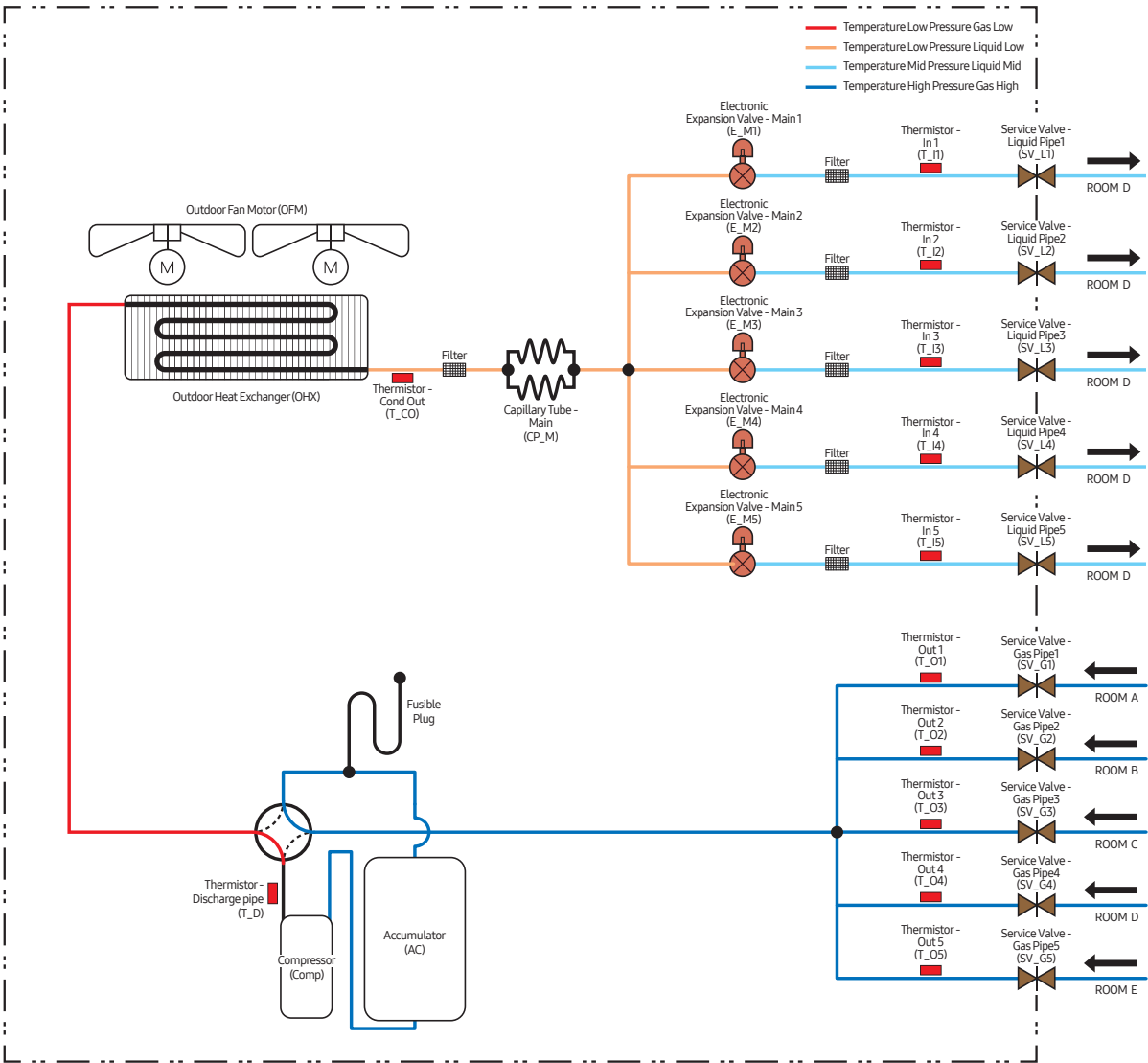
11. Piping Diagram

11-3. JXH36J4T (AJ036TXJ4CH/AA)



11. Piping Diagram

11-4. JXH48J5T(AJ048TXJ5CH/AA)

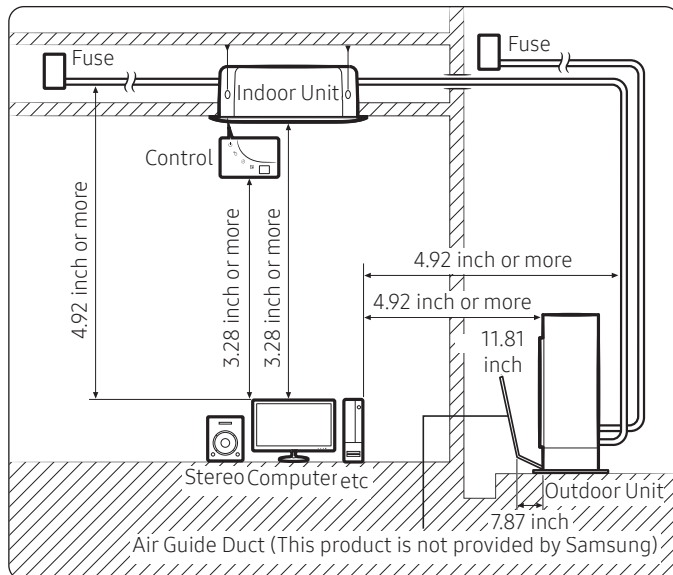


12. Installation

Choosing the installation location

Installation location requirements

- Do not place the outdoor unit on its side or upside down. Failing to do so may cause the compressor lubrication oil to run into the cooling circuit and lead to serious damage to the unit.
- Install the unit in a well-ventilated location away from direct sunlight or strong winds.
- Install the unit in a location that would not obstruct any passageways or thoroughfares.
- Install the unit in a location that would not inconvenience or disturb your neighbors, as they could be affected by the noise or the airflow coming from the unit.
- Install the unit in a location where the pipes and the cables can be easily connected to the indoor unit.
- Install the unit on a flat, stable surface that can withstand the weight of the unit. Otherwise, the unit can generate noise and vibration during operation.
- Install the unit so that the air flow is directed towards the open area.
- Maintain sufficient clearance around the outdoor unit, especially from a radio, computer, stereo system, etc.

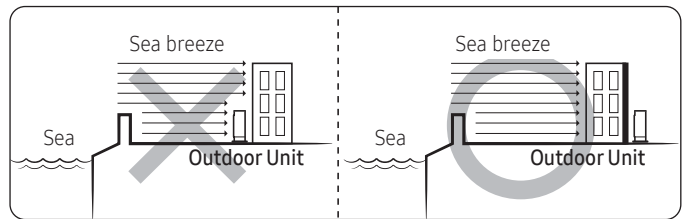


- Install the unit at a height where its base can be firmly fixed in place.
- Make sure that the water dripping from the drain hose runs away correctly and safely.

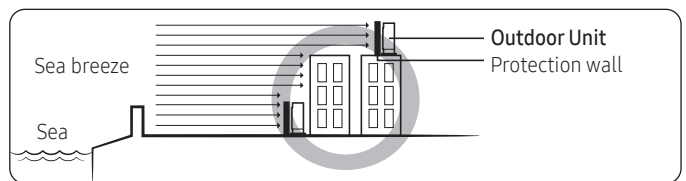
※ In case you want more information about the controllers and accessories, please refer to the Controller and Accessory TDB on pvi.Samsung.com site or Global Partner Portal site.

⚠ CAUTION

- You have just purchased a system air conditioner and it has been installed by your installation specialist.
- This device must be installed according to the national electrical rules.
- If your outdoor unit exceeds a net weight of 132.2 lb, do not install it on a suspended wall, but stand it on a floor.
- The reliability of our product cannot be guaranteed under conditions of -13°F or less.
- When installing the outdoor unit at the seaside, make sure that it is not directly exposed to sea breeze. If you cannot find an adequate place free from direct sea breeze, construct a protection wall or a protective fence.
 - Install the outdoor unit in a place (such as near buildings etc.) where it can be prevented from sea breeze. Failure to do so may cause a damage to the outdoor unit.



- If you cannot avoid installing the outdoor unit at the seaside, construct a protection wall around to block the sea breeze.
- Construct a protection wall with a solid material such as concrete to block the sea breeze. Make sure that the height and the width of the wall are 1.5 times larger than the size of the outdoor unit. Also, secure a space larger than 27.6 inch between the protection wall and the outdoor unit for exhausted air to ventilate.



⚠ CAUTION

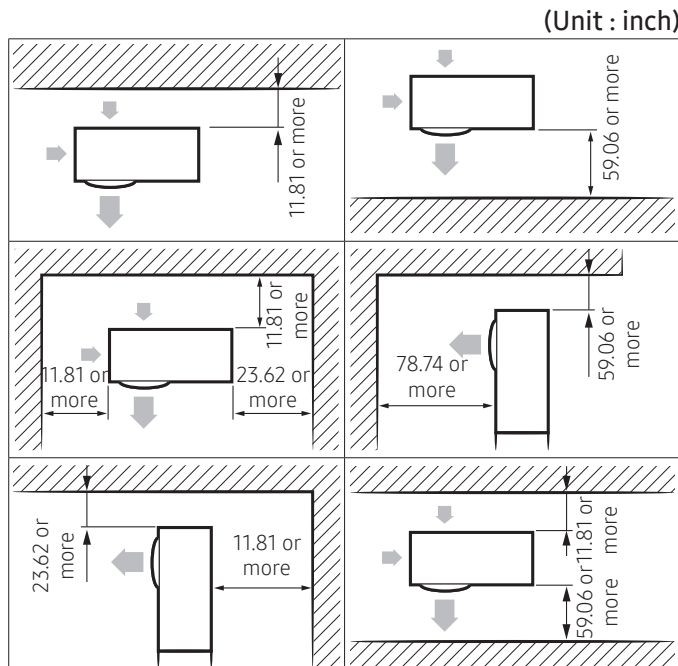
- Depending on the condition of the power supply, unstable power or voltage may cause malfunction of parts or control system (example: on a boat or places using power supplied from electric generator, etc.).

12. Installation

- Install the unit in a place where water can drain smoothly.
- If you have any difficulty finding installation location as prescribed above, contact your manufacturer for details.
- Consider that the salinity particles clinging to the external panels should be sufficiently washed out. Be sure to clean sea water and dust from the outdoor unit heat exchanger and apply a corrosion inhibitor on it at least once a year.
- Because the residual water at the bottom of the outdoor unit significantly promotes corrosion, make sure that the slope does not disturb drainage.
 - Keep the floor level so that rain does not accumulate.
 - Be careful not to block the drain hole due to foreign substance.
- Check the condition of the product periodically. When the product is to be shut down for a long period of time, such as off-peak hours, take appropriate measures like covering the product.
- If the product installed within 1640.4 ft of seashore, special anti-corrosion treatment is required.

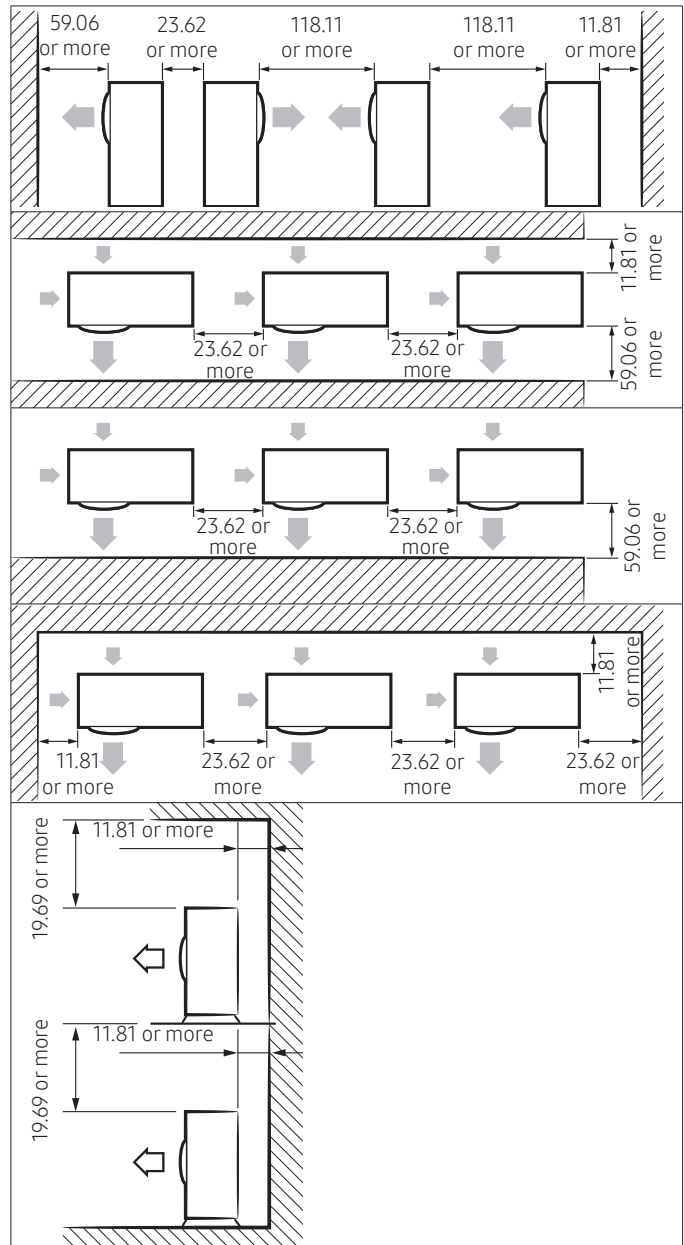
Minimum clearances for the outdoor unit

When installing 1 outdoor unit



When installing more than 1 outdoor unit

(Unit : inch)



⚠ CAUTION

- The outdoor unit must be installed according to the specified distances in order to permit accessibility from each side, to guarantee correct operation, maintenance, and repair of the unit. The components of the outdoor unit must be reachable and removable under safe conditions for people and the unit.

※ In case you want more information about the controllers and accessories, please refer to the Controller and Accessory TDB on pvi.Samsung.com site or Global Partner Portal site.

12. Installation

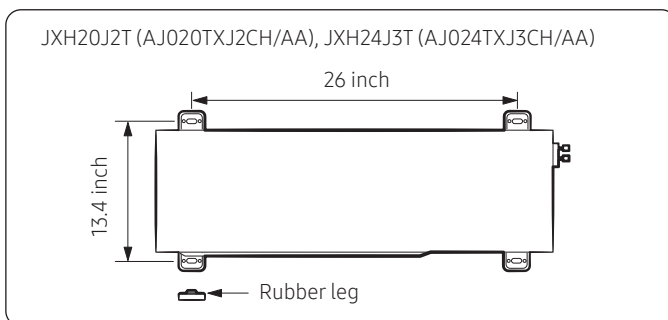
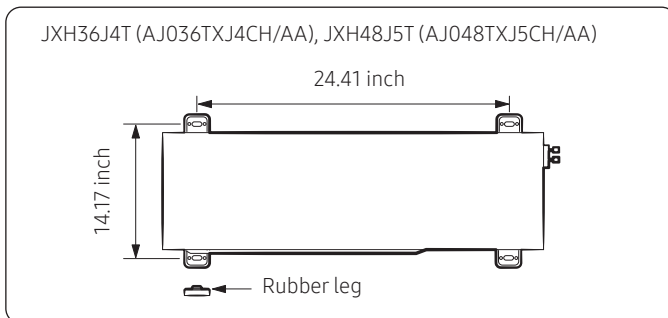
Fixing the outdoor unit in place

Install the outdoor unit on a rigid and stable base to prevent disturbance from any noise caused by vibration. When installing the unit on tall stands or in a location exposed to strong winds, fix the unit securely to the ground or structure.

- 1 Position the outdoor unit so that the air flow is directed towards the outside, as indicated by the arrows on the top of the unit.
- 2 Attach the outdoor unit to the appropriate support using anchor bolts.
 - The ground wire for the telephone line cannot be used to ground the air conditioner.
- 3 If the outdoor unit is exposed to strong winds, install shield plates around the outdoor unit, so that the fan can operate correctly.

NOTE

- Install provided rubber legs to prevent vibration and noise.



CAUTION

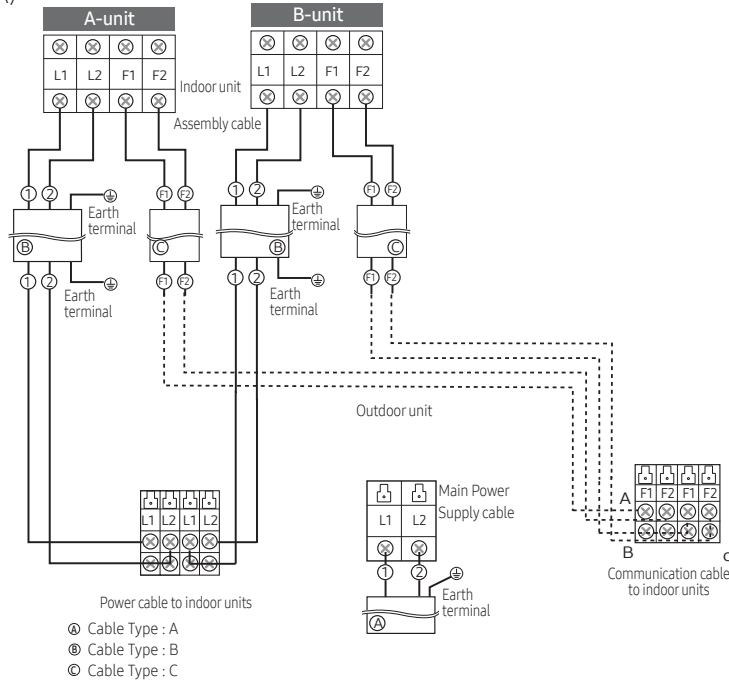
- Install a drain outlet at the lowest end around the base for outdoor unit drainage
- When installing the outdoor unit on the roof, waterproof the unit and check the ceiling strength.

※ In case you want more information about the controllers and accessories, please refer to the Controller and Accessory TDB on pvi.Samsung.com site or Global Partner Portal site.

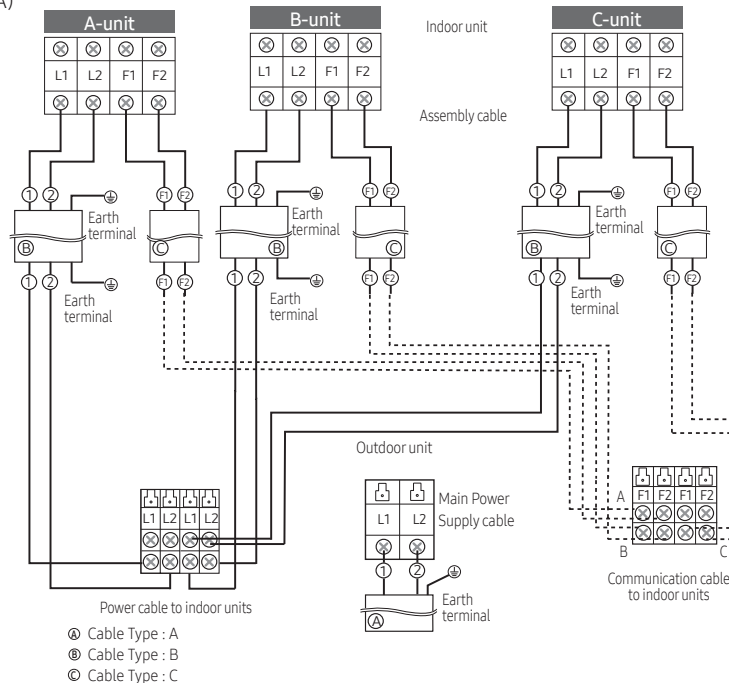
12. Installation

Conncting the cables to the outdoor unit

JXH20J2T (AJ020TXJ2CH/AA)



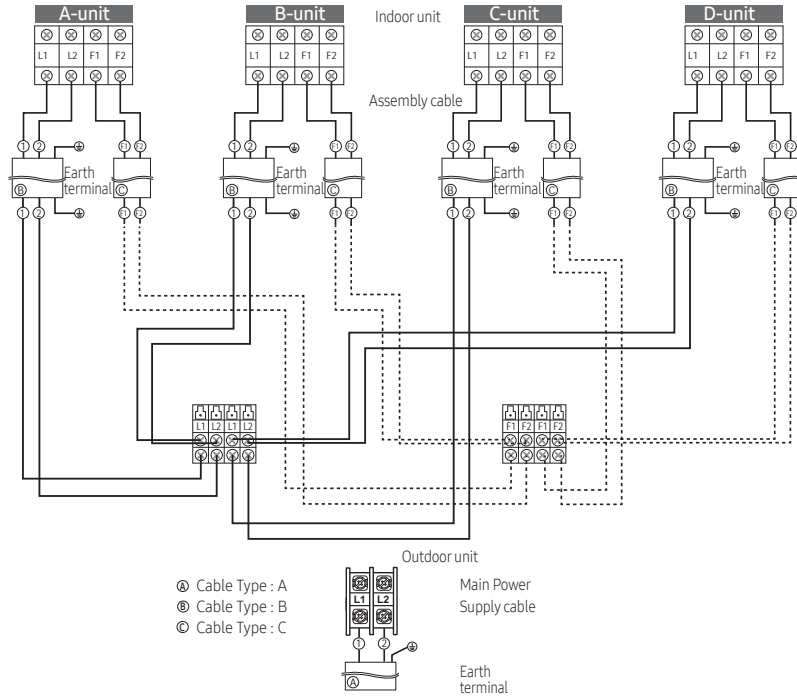
JXH24J3T (AJ024TXJ3CH/AA)



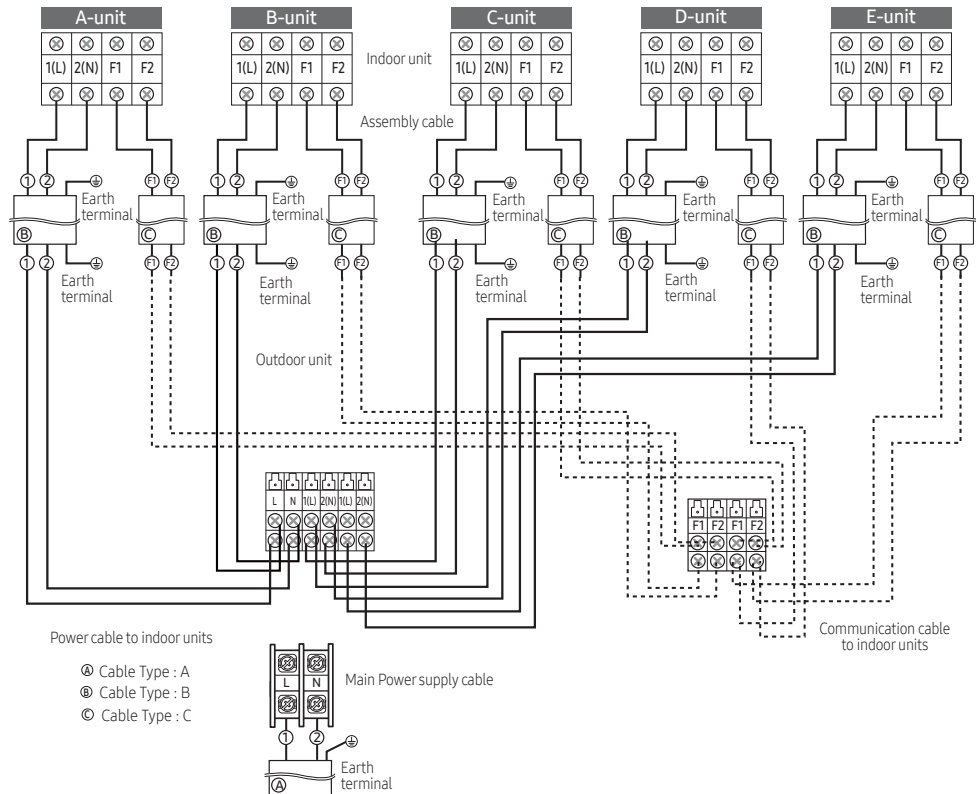
※ In case you want more information about the controllers and accessories, please refer to the Controller and Accessory TDB on pvi.Samsung.com site or Global Partner Portal site.

12. Installation

JXH36J4T (AJ036TXJ4CH/A)



JXH48J5T (AJ048TXJ5CH/AA)



※ In case you want more information about the controllers and accessories, please refer to the Controller and Accessory TDB on pvi.Samsung.com site or Global Partner Portal site.

12. Installation

Specification for circuit breaker and power supply cord

- Power supply cord is not supplied with air conditioner.
- Select the power supply cord in accordance with relevant local and national regulations.
- Wire size must comply with the applicable local and national code.
- Specifications for local wiring power supply cord and branch wiring are in compliance with local cord.

The specification for cables

Model	Main Power Supply Cable		Indoor Power Supply Cable		Communication Cable		FUSE	MCCB	Type GL
	Specification	Type	Specification	Type	Specification	Type			
JXH20J2T (AJ020TXJ2CH/AA) JXH24J3T (AJ024TXJ3CH/AA)	3G, 0.0039inch ² or more, H07RN-F	A	3G, 0.0023 to 0.0039 inch ² or more, H07RN-F	B	2G, 0.0012 to 0.0023 inch ² or more, H07RN-F	C	20A	Frame : 30A Trip : 20A	20A
JXH36J4T (AJ036TXJ4CH/AA) JXH48J5T (AJ048TXJ5CH/AA)	3G, 4.0 mm ² (8Kcmil or 0.0062 inch ² or 10AWG) or more, H07RN-F	A	3G, 1.5 mm ² (3Kcmil or 0.0023 inch ² or 14AWG) or more, H07RN-F	B	2G, 0.75 mm ² (1.5Kcmil or 0.0012 inch ² or 18AWG) or more, H07RN-F	C	30A	Frame : 35A Trip : 30A	30A
							40A	Frame : 50A Trip : 40A	40A

- Connect the power cable to the auxiliary circuit breaker.
An all-pole disconnection from the power supply must be incorporated in the fixed wiring with a contact opening of ≥ 0.12 inch (3 mm).

Tightening power terminal

- Connect the cables to the terminal board using the compressed ring terminal.
- Use rated cables only.
- Connect the cables with driver and wrench that can apply the rated torque to the screws.
- Make sure that appropriate tightening torque is applied for cable connection. If the terminal is loose, arc heat may occur and cause fire and if the terminal is connected too firmly, terminal may get damaged.

Screw	Tighten Torque (lbf-ft)
M4	0.87 ~1.30

※ In case you want more information about the controllers and accessories, please refer to the Controller and Accessory TDB on pvi.Samsung.com site or Global Partner Portal site.

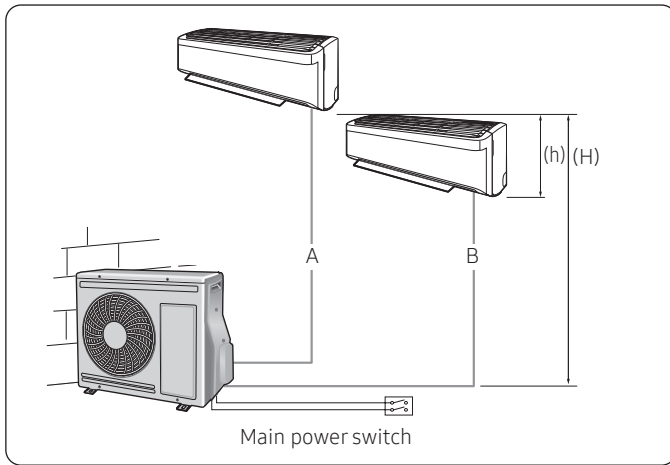
12. Installation

Connecting the refrigerant pipe

- JXH20J2T (AJ020TXJ2CH/AA)

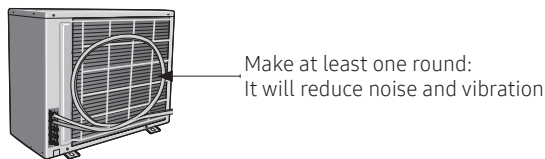
1 Piping outside diameter.

Indoor unit	Out unit	Power supply Ø, V, Hz	Outside diameter	
			Liquid	Gas
××07/09/12/007/009/012×× AR15×× AJ015××	JXH20J2T (AJ020TXJ2CH/AA)	1,208-230,60	1/4"	3/8" 1/2"



2 Piping length and the height.

	1 Room max length	3 Room total max length	Max height between indoor unit & outdoor unit	Max height between indoor units
Dimension	65.6 ft	98.4 ft	49.2 ft	24.6 ft
Composition	A,B	A+B	(H)	(h)



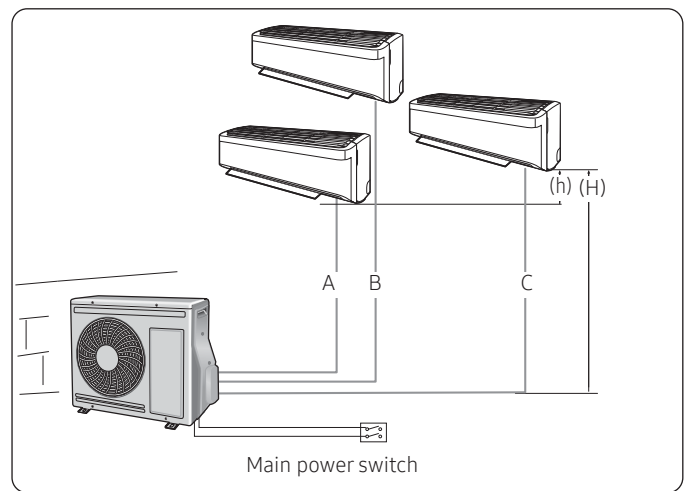
⚠ CAUTION

- 10 ft as minimum pipe length: It will reduce noise and vibration.
- The appearance of the unit may be different from the diagram depending on the model.

- JXH24J3T (AJ024TXJ3CH/AA)

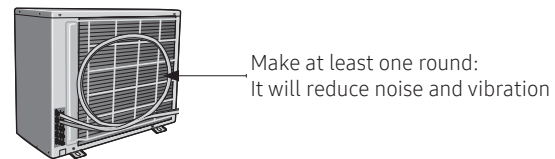
1 Piping outside diameter.

Indoor unit	Out unit	Power supply Ø, V, Hz	Outside diameter	
			Liquid	Gas
××07/09/12/007/009/012×× AR15××	JXH24J3T (AJ024TXJ3CH/AA)	1,208-230,60	1/4"	3/8"
××18/018×× AJ015××				1/2"



2 Piping length and the height.

	1 Room max length	3 Room total max length	Max height between indoor unit & outdoor unit	Max height between indoor units
Dimension	82.0 ft	229.7 ft	49.2 ft	24.6 ft
Composition	A,B,C	A+B+C	(H)	(h)



⚠ CAUTION

- 10 ft as minimum pipe length: It will reduce noise and vibration.
- The appearance of the unit may be different from the diagram depending on the model.

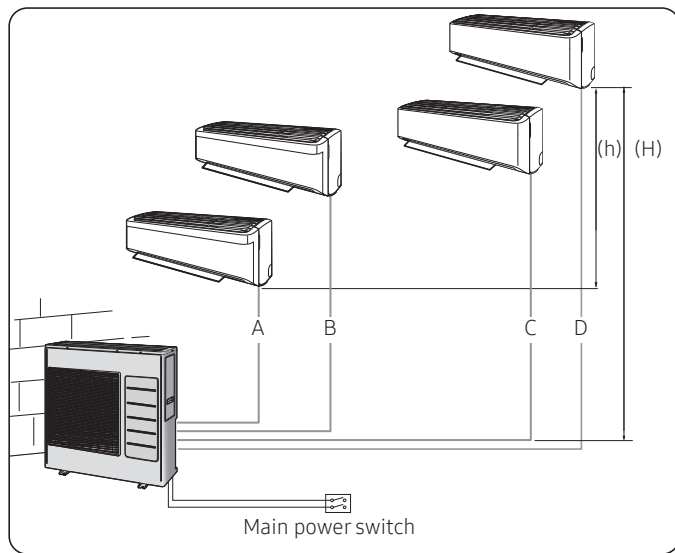
※ In case you want more information about the controllers and accessories, please refer to the Controller and Accessory TDB on pvi.Samsung.com site or Global Partner Portal site.

12. Installation

- JXH36J4T (AJ036TXJ4CH/AA)

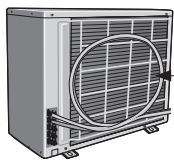
1 Piping outside diameter.

Indoor unit	Out unit	Power supply \emptyset , V, Hz	Outside diameter	
			Liquid	Gas
07/09/12/009/012, AR15**	JXH36J4T (AJ036TXJ4CH/AA)	1,208-230,60	1/4"	3/8"
18/018, AJ015**				1/2"
24				5/8"



2 Piping length and the height.

	1 Room max length	3 Room total max length	Max height between indoor unit & outdoor unit	Max height between indoor units
Dimension	82.0 ft	229.7 ft	49.2 ft	24.6 ft
Composition	A,B,C,D	A+B+C+D	(H)	(h)



Make at least one round:
It will reduce noise and vibration

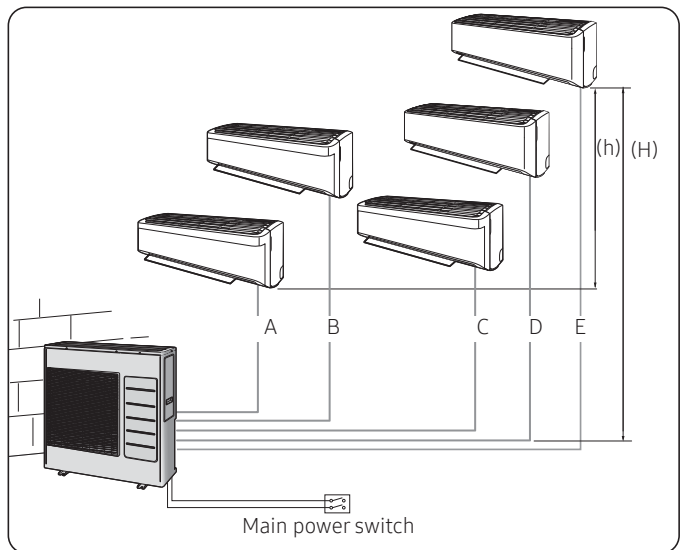
⚠ CAUTION

- 10 ft as minimum pipe length: It will reduce noise and vibration.
- The appearance of the unit may be different from the diagram depending on the model.

- JXH48J5T (AJ048TXJ5CH/AA)

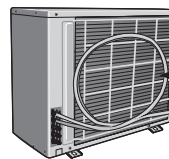
1 Piping outside diameter.

Indoor unit	Out unit	Power supply \emptyset , V, Hz	Outside diameter	
			Liquid	Gas
07/09/12/009/012, AR15**	JXH48J5T (AJ048TXJ5CH/AA)	1,220-240, 50	1/4"	3/8"
18/018, AJ015**				1/2"
24				5/8"



2 Piping length and the height.

	1 Room max length	4 Room total max length	Max height between indoor unit & outdoor unit	Max height between indoor units
Dimension	82.0 ft	229.7 ft	49.2 ft	24.6 ft
Composition	A,B,C,D,E	A+B+C+D+E	(H)	(h)



Make at least one round:
It will reduce noise and vibration

⚠ CAUTION

- 10 ft as minimum pipe length: It will reduce noise and vibration.
- The appearance of the unit may be different from the diagram depending on the model.

※ In case you want more information about the controllers and accessories, please refer to the Controller and Accessory TDB on pvi.Samsung.com site or Global Partner Portal site.



2021.01
Ver.1.2

Samsung Electronics Co., LTD.

Head Office (Suwon Korea) 129, Samsung-Ro, Yeongtong-Gu, Suwon City, Gyeonggi-Do, Korea 16677
Website : www.samsung.com, <https://partnerhub.samsung.com> Email : airconditioner@samsung.com
Images and data in this book may subject to change without prior notice.