



The new degree of comfort.™

Rheem High Efficiency Modulating EcoNet Enabled Air Handler

RHMV- Series

Constant CFM Motor (ECM)
Electronic Expansion Valve (EEV)
Efficiencies up to 20.5 SEER



- The RHMV Air Handler is part of a new line of Rheem smart heating, cooling and water heating products. Using the latest in sensor technology and a powerful EcoNet® monitoring system, Rheem provides homeowners with a new level of protection, control and energy savings. Rheem smart heating, cooling and water heating products will alert the homeowner if there is ever an issue via the EcoNet Smart Thermostat and the EcoNet Mobile app.* The EcoNet Mobile App makes it easy for homeowners to manage their home comfort environment at home or on-the-go,* while enjoying the convenience and savings benefits of a highly efficient system.
- The RHMV features an Electronic Expansion Valve (EEV)
- Features a constant CFM variable speed motor (ECM) which provides enhanced SEER performance. The RHMV is rated with RA17, RA20 air conditioners and RP17, RP20 heat pumps.
- Evaporator is constructed of aluminum fins bonded to internally grooved aluminum tubing.
- Versatile 4-way convertible design for upflow, downflow, horizontal left and horizontal right applications.
- Factory-installed indoor coil.
- Sturdy cabinet construction with 1.0 inch [25.4 mm] of foil faced insulation for excellent sound and insulating characteristics.
- Field-installed auxiliary electric heater kits provide exact heat for indoor comfort. Kits include circuit breakers which meet U.L. and cUL requirements for service disconnect.
- 1½ ton [5.3 kW] through 5 ton [17.6 kW] models are between 42½ to 57 inches [1080 to 1448 mm] tall and 22 inches [559 mm] deep.
- All models meet or exceed 330 to 400 CFM [156 to 189 L/s] per ton at .3 inches [.7 kPa] of external static pressure.
- Enhanced airflow up to .7" external static pressure.
- Cabinet air leakage less than 2.0% at 1.0 inch H₂O when tested in accordance with ASHRAE Standard 193.

*WiFi broadband internet connection required. Download the EcoNet App from the App Store or Google Play to set up your EcoNet Smart Thermostat. Receipt of notification depend on home WiFi set up. WiFi broadband internet connection required.

TABLE OF CONTENTS

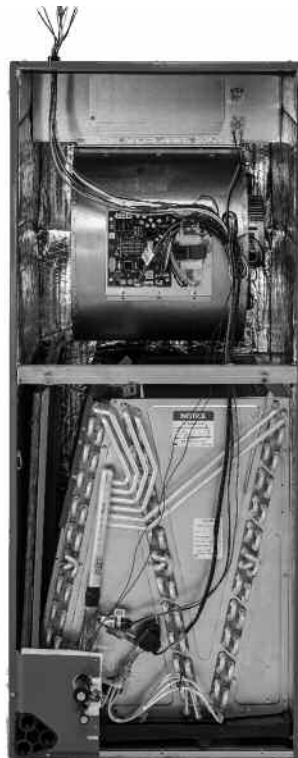
| | |
|-----------------------------------|-------|
| Engineering Features | 3 |
| Model Number Identification | 4 |
| Dimensional Data | 5-6 |
| Airflow Directional Data | 7 |
| Airflow Performance Data | 8-10 |
| Electrical Data..... | 11-14 |
| Electrical Wiring | 15 |
| Accessories..... | 16 |
| Limited Warranty | 17 |

Engineering Features

RHMV- Series

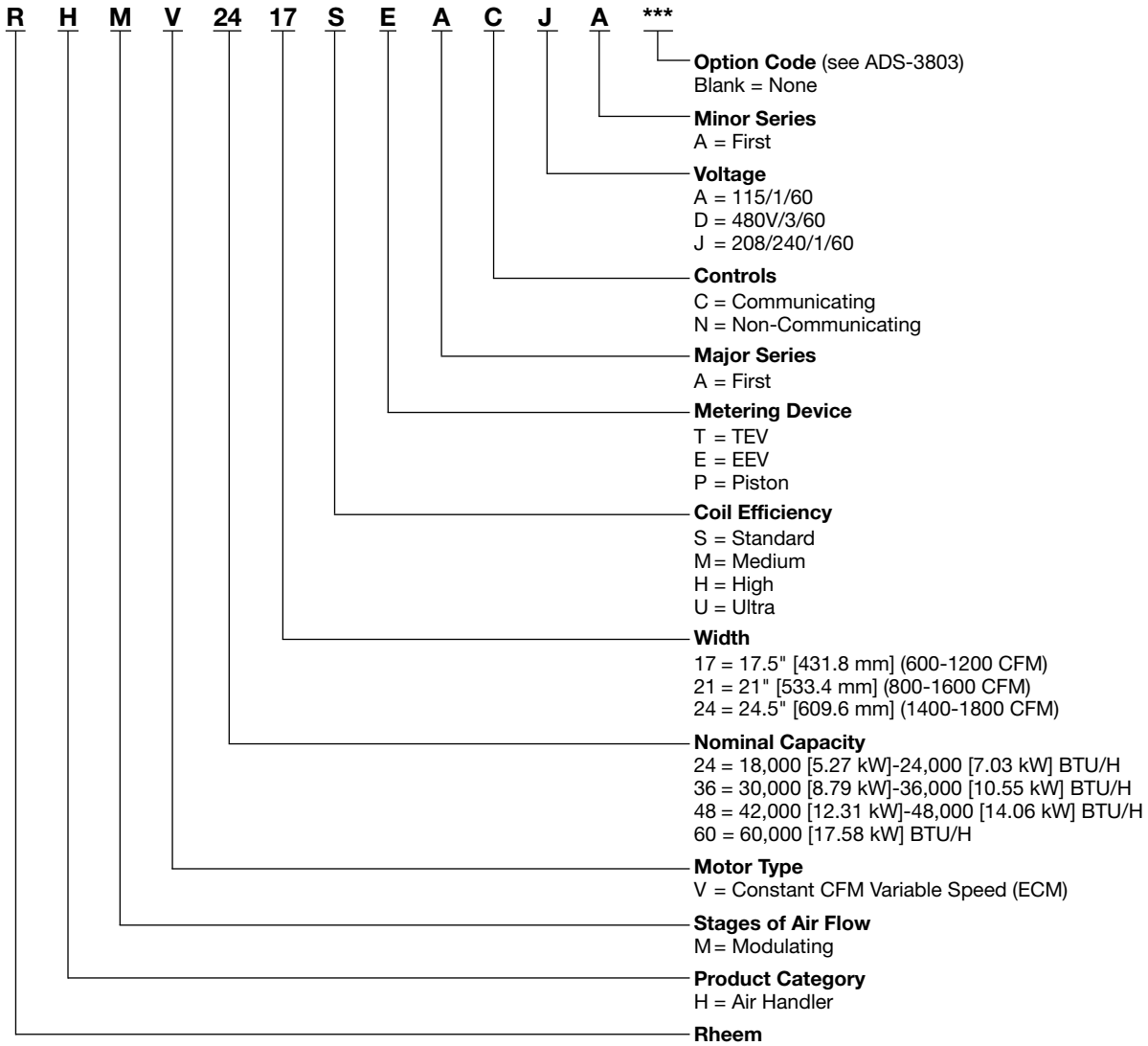
- WiFi broadband internet connection required. Download the EcoNet App from the App Store or Google Play to set up your EcoNet Smart Thermostat. Receipt of notification depend on home WiFi set up. WiFi broadband internet connection required.
- Equipped with an electronic expansion valve (EEV), which can intelligently change the EEV position based on system demands. By the measurement of the suction pressure via the vapor line pressure transducer (factory installed) and the vapor line thermistor (field connected to the vapor line, but factory provided within the air handler) the EcoNet enabled air handler control calculates the suction superheat at the indoor coil. This calculation permits the air handler control to make decisions for when to open and close the EEV for the purpose of maintaining a predetermined suction superheat. The EEV is equipped with a 4-pole removable external stator, and inlet and outlet chatleff fittings for optimal serviceability. These valves also have an internal check valve to provide heat pump compatibility. When operating in heating mode, the air handler control will open the EEV completely to permit the check valve to operate and maximize reverse refrigerant flow.
- The most compact unit design available, all standard heat air handler models only 42 1/2 to 57 inches [1079 to 1448 mm] high.
- Attractive pre-painted cabinet exterior.
- Rugged wall steel cabinet construction, designed for added strength and versatility.
- 1.0" foil faced insulation mechanically retained in blower compartment for excellent thermal and sound performance.
- Four leg blower motor mount.
- Blower housing with controls, motor and blower. Slide out design for service and maintenance convenience.
- Traditional open wire element design for heat applications.
- Field convertible for vertical downflow, horizontal left hand or right hand air supply.
- 3 combustible floor base accessories fit all model sizes when required for downflow installations on combustible floors.
- Indoor coil design provides low air side pressure drop, high performance and extremely compact size.
- Coils are constructed of aluminum fins bonded to internally grooved aluminum tubing.
- Coils are tested at the factory with an extensive refrigerant leak check.
- Coils have copper sweat refrigerant connections.
- Coils utilize chatleff metering device connections.
- Molded polymer corrosion resistant condensate drain pan is provided on all indoor coils.
- Supply duct flanges provided as standard on air handler cabinet.
- Provisions for field electrical, connections available from either side or top of the air handler cabinet.
- Connection point for high voltage wiring is inside the air handler cabinet. Low voltage connection is made on the outside of the air handler cabinet.
- Concentric knockouts are provided for power connection to cabinet. Installer may pull desired hole size up to 2 inches [51 mm] for 1 1/2 inch [38 mm] conduit.
- Front refrigerant and drain connections.

[] Designates Metric Conversions





Air



[] Designates Metric Conversions

Available Models at J Voltage

| |
|----------------|
| RHMV2417SEACJA |
| RHMV2421MEACJA |
| RHMV2421HEACJA |
| RHMV2421UEACJA |
| RHMV3617SEACJA |
| RHMV6021SEACJA |
| RHMV6024MEACJA |

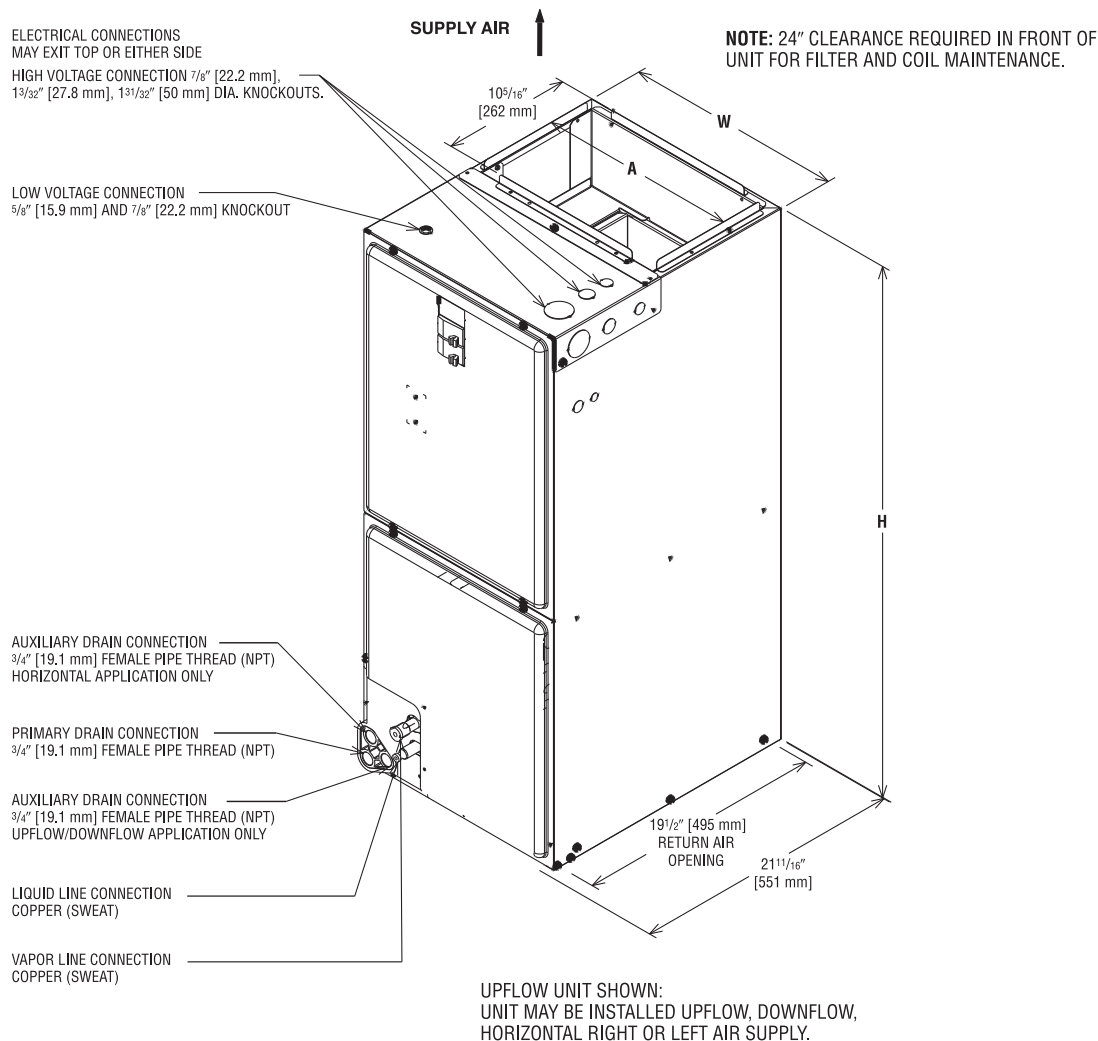


Unit Dimensions

Return Air Opening Dimensions

| Model Cabinet Size | Return Air Opening Width (Inches) | Return Air Opening Depth/Length (Inches) |
|--------------------|-----------------------------------|--|
| 17 | 15 ⁷ / ₈ | 19 ³ / ₄ |
| 21 | 19 ³ / ₈ | 19 ³ / ₄ |
| 24 | 22 ⁷ / ₈ | 19 ³ / ₄ |

[] Designates Metric Conversions



Unit Dimensions & Weights

| Model Size RHMV | Refrigerant Connections Sweat (In.) [mm] ID | | Unit Height H In. [mm] | Unit Width W In. [mm] | Supply Duct A In. [mm] | Unit Weight/Shipping Weight (Lbs.) [kg] |
|-----------------|---|-------------|------------------------|-----------------------|------------------------|---|
| | Liquid | Vapor | | | | Unit With Coil (Max. KW) |
| 2417SE | 3/8 [9.53] | 3/4 [19.05] | 42 1/2 [1080] | 17 1/2 [444.5] | 16 [406.4] | 92/106 [42/48] |
| 2421ME | 3/8 [9.53] | 3/4 [19.05] | 42 1/2 [1080] | 21 [533.4] | 19 1/2 [495.3] | 111/126 [50/57] |
| 2421HE | 3/8 [9.53] | 7/8 [22.23] | 55 1/2 [1410] | 21 [533.4] | 19 1/2 [495.3] | 130/146 [59/66] |
| 2421UE | 3/8 [9.53] | 7/8 [22.23] | 57 [1448] | 21 [533.4] | 19 1/2 [495.3] | 641/153 [64/69] |
| 3617SE | 3/8 [9.53] | 3/4 [19.05] | 42 1/2 [1080] | 17 1/2 [444.5] | 16 [406.4] | 96/110 [44/50] |
| 6021SE | 3/8 [9.53] | 7/8 [22.23] | 57 [1448] | 21 [533.4] | 19 1/2 [495.3] | 141/153 [64/69] |
| 6024ME | 3/8 [9.53] | 7/8 [22.23] | 55 1/2 [1410] | 24 1/2 [622.3] | 23 [584.0] | 161/178 [73/81] |

*Maximum dehumidification airflow.

Unit Dimensions

FIGURE 6
VERTICAL DOWNFLOW & HORIZONTAL RIGHT APPLICATION

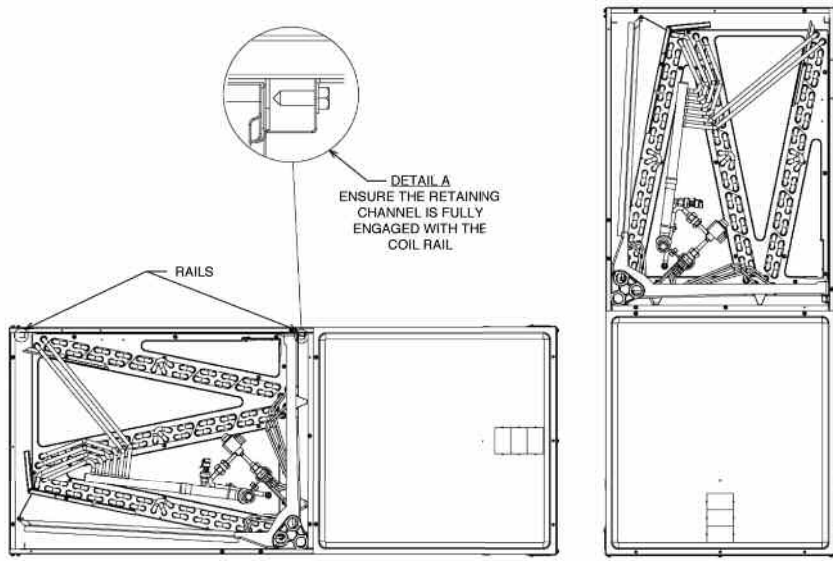
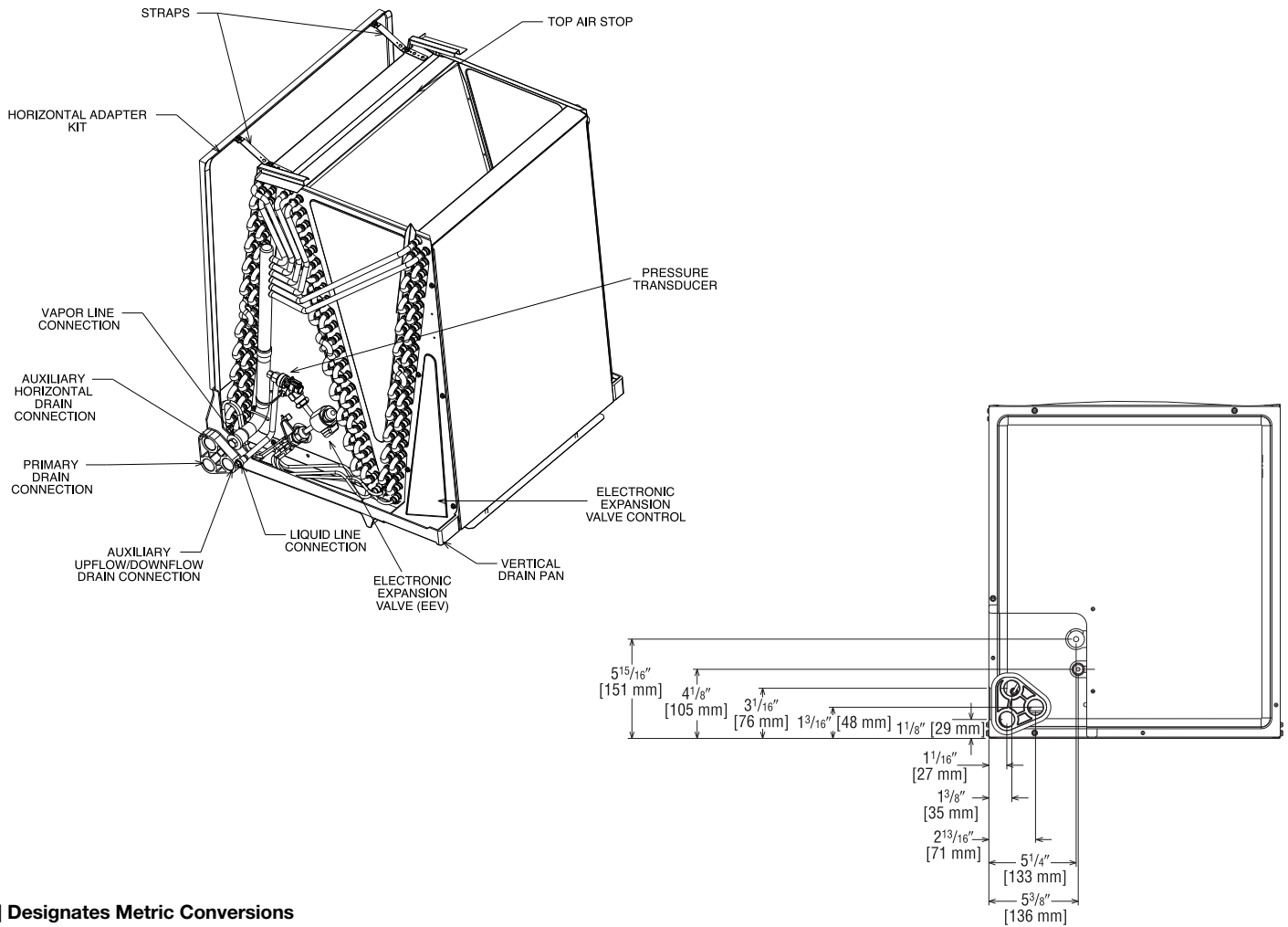
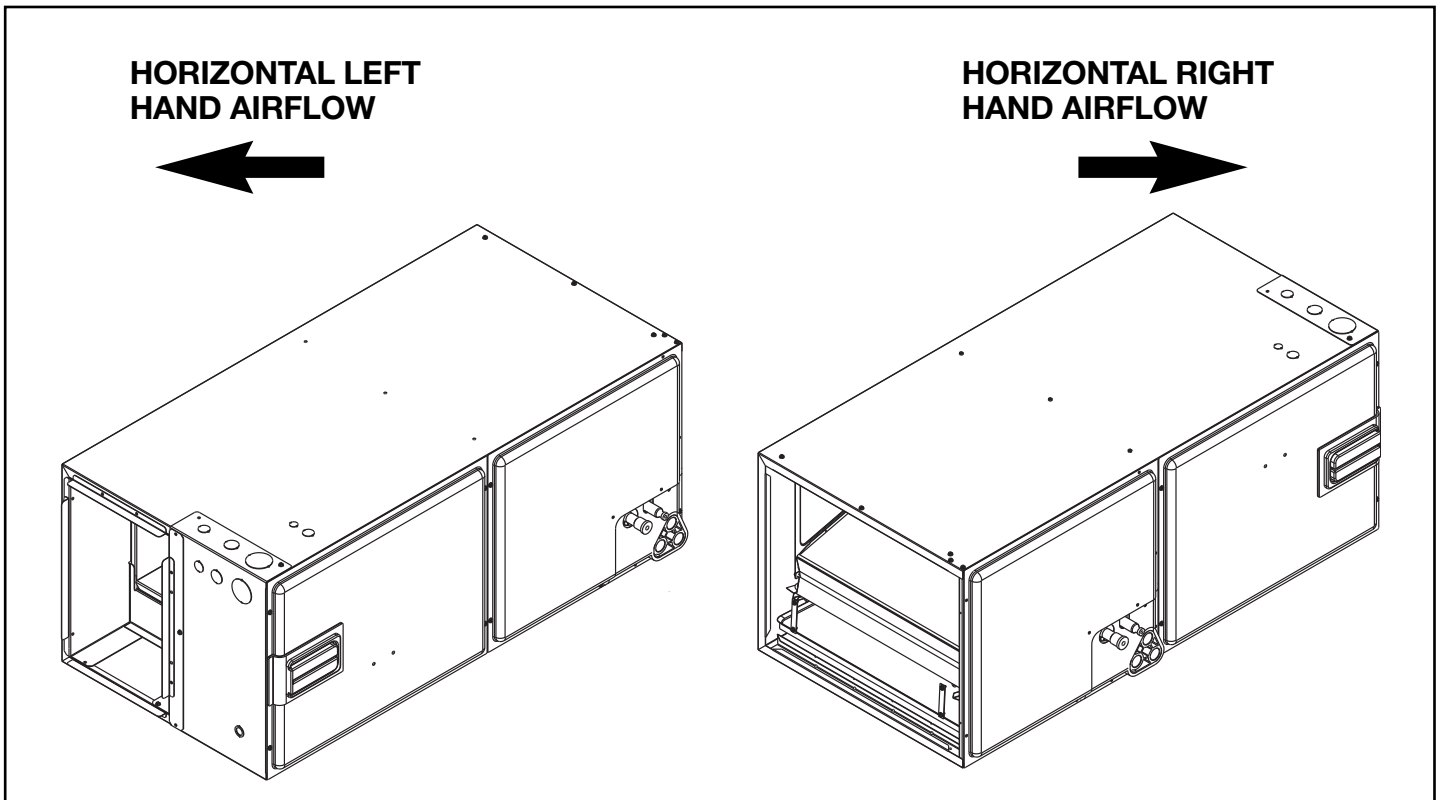
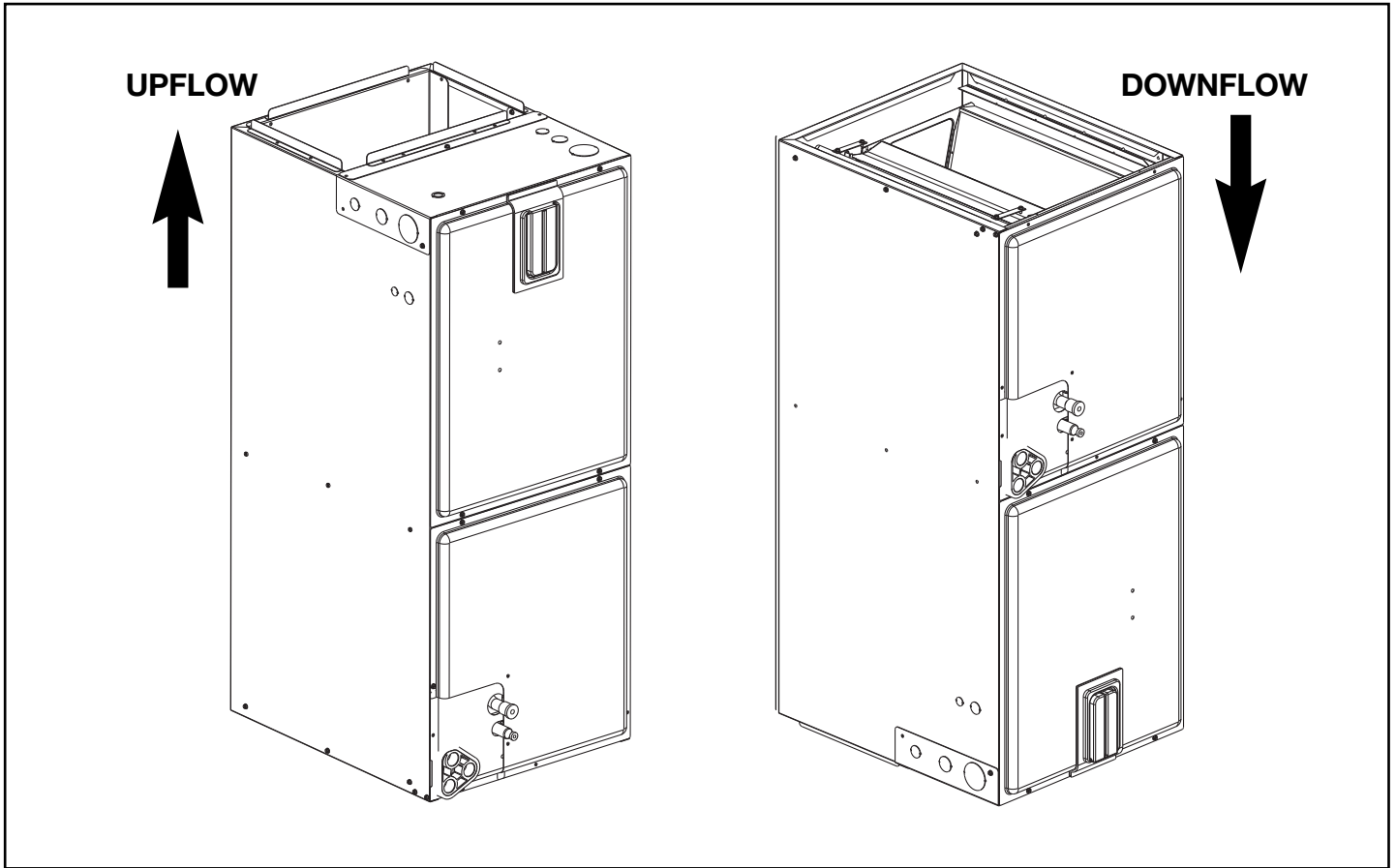


FIGURE 7
INDOOR COIL AND DRAIN PAN SET-UP



[] Designates Metric Conversions

Airflow Directional Data



Airflow Performance

Airflow performance data is based on cooling performance with a coil and no filter in place. Select performance table for appropriate unit size, voltage and number of electric heaters to be used. Make sure external static applied to unit allows operation within the minimum and maximum limits shown in table

below for both cooling and electric heat operation. For optimum blower performance, operate the unit in the .3 [8 mm] to .7 inches [18 mm] W.C. external static range. Units with coils should be applied with a minimum of .1 inch [3 mm] W.C. external static range.

Airflow Operating Limits

| Model Cabinet Width | 17/21 | 17/21 | 21 | 24 |
|---|--------------|---------------|---------------|---------------|
| Cooling BTUH x 1,000 | -24 | -36 | -48/-60 | -60 |
| Cooling Tons Nominal | 2 | 3 | 4/5 | 5 |
| Heat Pump or Air Conditioning Maximum Heat/Cool CFM [L/s] (37.5 CFM [18 L/s]/1,000 BTUH) (450 CFM [212 L/s]/Ton Nominal) | 900 [425] | 1350 [637] | 1800 [850] | 1930 [911] |
| Heat Pump or Air Conditioning Nominal Heat/Cool CFM [L/s] (33.3 CFM [16 L/s]/1,000 BTUH) (400 CFM [189 L/s]/Ton Nominal) | 800 [378] | 1200 [566] | 1600 [755] | 1800 [850] |
| Heat Pump or Air Conditioning Minimum Heat/Cool CFM [L/s] (30.0 CFM [14 L/s]/1,200 BTUH) (360 CFM [170 L/s]/Ton Nominal) | 720 [340] | 1080 [510] | 1440 [680] | 1620 [765] |
| Maximum kW Electric Heating & Minimum Electric Heat CFM [L/s] | 13 | 18 | 25 | 30 |
| Maximum Electric Heat Rise °F [°C] | 63 [17.2] | 51 [10.6] | 50 [10] | 54 [12.2] |

[] Designates Metric Conversions



Air

Airflow Performance Data
RHMV Series

RHMV Legacy Wiring Airflows in CFM [LPS] ‡

| Model | Blower Motor HP | Dip Switch S1/S2 | Dip Switch S3/S4 | Y1 + Y2 Cool/Heat | Y1 | Y1 + 15 Min | Y1 + B | Y1 + B + 15 Min | Dehum (ODD) Multiplier | Max External Static* | Matched OD Model** |
|----------------|-----------------|------------------|------------------|-------------------------|-----------|-------------|-----------|-----------------|------------------------|----------------------|------------------------------------|
| RHMV2417SEACJA | 1/3 | ANY | ANY | 750 [354] / 750 [354] | 548 [259] | 548 [259] | 540 [255] | 540 [255] | 0.85 | 1.00 iwc | (-)P1724A, (-)A1724A* |
| RHMV2421MEACJA | 1/3 | ANY | ANY | 835 [394] / 835 [394] | 309 [146] | 459 [217] | 309 [146] | 459 [217] | 0.85 | 1.00 iwc | (-)A2024A, (-)A1724A* |
| RHMV2421HEACJA | 1/2 | ANY | ANY | 855 [404] / 825 [389] | 325 [153] | 581 [274] | 561 [265] | 652 [308] | 0.85 | 1.00 iwc | (-)A2024A |
| RHMV2421UEACJA | 3/4 | ANY | ANY | 800 [378] / 800 [378] | 304 [143] | 427 [202] | 266 [126] | 427 [202] | 0.85 | 1.00 iwc | (-)P2024B |
| RHMV3617SEACJA | 1/2 | ANY | ANY | 1235 [583] / 1235 [583] | 655 [309] | 655 [309] | 655 [309] | 655 [309] | 0.85 | 1.00 iwc | (-)P1736A*, (-)A1736A* |
| RHMV6021SEACJA | 3/4 | OFF/OFF | OFF/OFF | 1660 [783] / 1600 [755] | 630 [297] | 890 [420] | 530 [250] | 855 [404] | 0.85 | 1.00 iwc | (-)P2048A, (-)P2048B, (-)P2060B |
| RHMV6021SEACJA | 3/4 | ON/OFF | ANY | 1565 [739] | 595 [281] | 835 [394] | — | — | 0.85 | 1.00 iwc | (-)RA2048A, (-)A1736A*, (-)A1748A* |
| RHMV6021SEACJA | 3/4 | OFF/ON | OFF/ON | 1235 [583] / 1225 [578] | 470 [222] | 660 [311] | 620 [293] | 950 [448] | 0.85 | 1.00 iwc | (-)P2036A, (-)P2036B, (-)A1736A* |
| RHMV6024MEACA | 3/4 | ANY | ANY | 1670 [788] | 500 [236] | 500 [236] | — | — | 0.85 | 1.00 iwc | (-)A1736A*, (-)A1748A*, (-)A1760A* |
| RHMV6024MEACA | 3/4 | ANY | ANY | 1670 [788] / 1675 [791] | 500 [236] | 755 [356] | 500 [236] | 755 [356] | 0.80 | 0.80 iwc | (-)A2060A, (-)P2060A |

‡ Legacy Wiring recommended only for limited use – Temporary use for (-)P20 B models only

* Legacy Wiring when matched with (-)A17 models will result in unacceptable airflows — Do not use



RHMV EcoNet® Wired Airflows in CFM [LPS]

| Model | OD Model | High Cool | Low Cool | Charge Cool** | High Heat | Low Heat | Charge Heat** | Max Dehum Multiplier | Max External Static* |
|----------------|-----------|------------|------------|---------------|------------|------------|---------------|----------------------|----------------------|
| RHMV2417SEACJA | (-)P1724A | 770 [363] | 570 [269] | — | 770 [363] | 570 [269] | — | 0.85 | 1.00 iwc |
| RHMV2417SEACJA | (-)A1724A | 720 [340] | 535 [252] | — | — | — | — | 0.85 | 1.00 iwc |
| RHMV2421MEACJA | (-)A2024A | 840 [396] | 310 [146] | — | — | — | — | 0.85 | 1.00 iwc |
| RHMV2421MEACJA | (-)A1724A | 720 [340] | 535 [252] | — | — | — | — | 0.85 | 1.00 iwc |
| RHMV2421HEACJA | (-)A2024A | 840 [396] | 310 [146] | — | — | — | — | 0.85 | 1.00 iwc |
| RHMV2421UEACJA | (-)P2024B | 800 [378] | 500 [236] | 800 [378] | 800 [378] | 600 [283] | 800 [378] | 0.85 | 1.00 iwc |
| RHMV3617SEACJA | (-)P1736A | 1235 [583] | 675 [319] | — | 1235 [583] | 675 [319] | — | 0.85 | 1.00 iwc |
| RHMV3617SEACJA | (-)A1736A | 1075 [507] | 825 [389] | — | — | — | — | 0.85 | 1.00 iwc |
| RHMV6021SEACJA | (-)A2036A | 1210 [571] | 580 [274] | — | — | — | — | 0.85 | 1.00 iwc |
| RHMV6021SEACJA | (-)A1736A | 1075 [507] | 825 [389] | — | — | — | — | 0.85 | 1.00 iwc |
| RHMV6021SEACJA | (-)A1748A | 1405 [663] | 1055 [498] | — | — | — | — | 0.85 | 1.00 iwc |
| RHMV6021SEACJA | (-)A1760A | 1580 [746] | 1200 [566] | — | — | — | — | 0.85 | 1.00 iwc |
| RHMV6021SEACJA | (-)P2036A | 1225 [578] | 471 [222] | — | 1225 [578] | 471 [222] | — | 0.85 | 1.00 iwc |
| RHMV6021SEACJA | (-)P2036B | 1200 [566] | 516 [244] | 1200 [566] | 1300 [614] | 960 [453] | 1300 [614] | 0.85 | 1.00 iwc |
| RHMV6021SEACJA | (-)P1748A | 1435 [677] | 900 [425] | — | 1435 [677] | 900 [425] | — | 0.85 | 1.00 iwc |
| RHMV6021SEACJA | (-)P2048A | 1600 [755] | 516 [244] | — | 1600 [755] | 516 [244] | — | 0.85 | 1.00 iwc |
| RHMV6021SEACJA | (-)P2048B | 1600 [755] | 550 [260] | 1600 [755] | 1500 [708] | 950 [448] | 1500 [755] | 0.85 | 1.00 iwc |
| RHMV6021SEACJA | (-)A2048A | 1565 [739] | 475 [224] | — | — | — | — | 0.85 | 1.00 iwc |
| RHMV6021SEACJA | (-)P1760A | 1575 [743] | 880 [415] | — | 1575 [743] | 880 [415] | — | 0.85 | 0.80 iwc |
| RHMV6021SEACJA | (-)P2060B | 1700 [802] | 1100 [519] | 1700 [802] | 1800 [850] | 1100 [519] | 1800 [850] | 0.85 | 0.80 iwc |
| RHMV6024MEACA | (-)A2060A | 1725 [814] | 516 [244] | — | — | — | — | 0.80 | 0.80 iwc |
| RHMV6024MEACA | (-)A1736A | 1075 [507] | 825 [389] | — | — | — | — | 0.85 | 1.00 iwc |
| RHMV6024MEACA | (-)A1748A | 1405 [663] | 1055 [498] | — | — | — | — | 0.85 | 1.00 iwc |
| RHMV6024MEACA | (-)A1760A | 1580 [746] | 1200 [566] | — | — | — | — | 0.85 | 1.00 iwc |
| RHMV6024MEACA | (-)P2060A | 1670 [788] | 516 [244] | — | 1670 [788] | 516 [244] | — | 0.80 | 0.80 iwc |

* Do Not Exceed Return Static after filter of more than 0.5"wc in design or condensate trap may not be sufficient

**Charge Mode only available on (-)P20 B models

Airflow When Electric Heat is on is controlled by EcoNet® based on Air Handler Electric Heat Setup in EcoNet® Smart Thermostat.

Electrical Data – Motor Only – No Electric Heat RHMV

Installation of the U.L. Listed original equipment manufacturer provided heater kits listed in the following table is recommended for all auxiliary heating requirements.

| Model (-)HMV | Voltage | Phase | Hz | Motor HP | Motor Amps | Minimum Circuit Ampacity | Maximum Overcurrent Protector |
|--------------|-----------|-------|----|----------|------------|--------------------------|-------------------------------|
| 2417SE | 208 / 240 | 1 | 60 | 1/3 | 2.7 | 3.4 | 15 / 15 |
| 2421ME | | | | 1/3 | 2.9 | 3.6 | 15 / 15 |
| 2421HE | | | | 1/2 | 3.9 | 4.9 | 15 / 15 |
| 2421UE | | | | 3/4 | 4.3 | 5.4 | 15 / 15 |
| 3617SE | | | | 1/2 | 3.4 | 4.3 | 15 / 15 |
| 6021SE | | | | 3/4 | 4.9 | 6.1 | 15 / 15 |
| 6024ME | | | | 3/4 | 4.9 | 6.1 | 15 / 15 |

NOTES:

* Values only. No single point kit available.

- Electric heater BTUH - (heater watts + motor watts) x 3.414 (see airflow table for motor watts.)
- Supply circuit protective devices may be fuses or "HACR" type circuit breakers.
- Largest motor load is included in single circuit and multiple circuit 1.
- If non-standard fuse size is specified, use next size larger fuse size.
- J Voltage (230V) single phase air handler is designed to be used with single or three phase 230 volt electric heaters. In the case of connecting 3-phase power to the air handler terminal block without the heater, bring only two leads to the terminal block. Cap, insulate and fully secure the third lead.
- If the kit is listed under both single and multiple circuits, the kit is shipped from factory as multiple circuits. For single phase application, Jumper bar kit RXBJ-A21 and RXBJ-A31 can be used to convert multiple circuits to a single supply circuit. Refer to Accessory Section for details.
- The airflow for continuous fan is set 50% of the cooling airflow.
- ?Heater kits connection type. A=Breaker B=Terminal Block C=Disconnect Pull Out

[] Designates Metric Conversions

Electrical Data – With Electric Heat RHMV

Installation of the U.L. Listed original equipment manufacturer provided heater kits listed in the following table is recommended for all auxiliary heating requirements.

| Air Handler Model RHMV | Heater Kit Model RXBH | Circuit | Voltage | Phase / Hertz | No. Elements | Heater kW (208 / 240) | Motor Ampacity | Minimum Circuit Ampacity | Maximum Circuit Protection |
|------------------------|-----------------------|---------|-----------|---------------|--------------|-----------------------|----------------|--------------------------|----------------------------|
| 2417SEAC | RXBH-1724A03J | Single | 208 / 240 | 1 / 60 | 1 | 10.8 / 12.5 | 1.7 | 16 / 18 | 20 / 20 |
| | RXBH-1724A05J | Single | 208 / 240 | 1 / 60 | 1 | 17.3 / 20.0 | 1.7 | 24 / 28 | 25 / 30 |
| | RXBH-1724A07J | Single | 208 / 240 | 1 / 60 | 2 | 26.0 / 30.0 | 1.7 | 35 / 40 | 35 / 40 |
| | RXBH-1724A10J | Single | 208 / 240 | 1 / 60 | 2 | 34.6 / 40.0 | 1.7 | 46 / 53 | 46 / 53 |
| | RXBH-1724B/C05J | Single | 208 / 240 | 1 / 60 | 1 | 17.3 / 20.0 | 1.7 | 24 / 28 | 25 / 30 |
| | RXBH-1724B/C07J | Single | 208 / 240 | 1 / 60 | 2 | 26.0 / 30.0 | 1.7 | 35 / 40 | 35 / 40 |
| | RXBH-1724B/C10J | Single | 208 / 240 | 1 / 60 | 2 | 34.6 / 40.0 | 1.7 | 46 / 53 | 46 / 53 |
| 2421MEAC | RXBH-1724A03J | Single | 208 / 240 | 1 / 60 | 1 | 10.8 / 12.5 | 1.7 | 16 / 18 | 20 / 20 |
| | RXBH-1724A05J | Single | 208 / 240 | 1 / 60 | 1 | 17.3 / 20.0 | 1.7 | 24 / 28 | 25 / 30 |
| | RXBH-1724A07J | Single | 208 / 240 | 1 / 60 | 2 | 26.0 / 30.0 | 1.7 | 35 / 40 | 35 / 40 |
| | RXBH-1724A10J | Single | 208 / 240 | 1 / 60 | 2 | 34.6 / 40.0 | 1.7 | 46 / 53 | 46 / 53 |
| | RXBH-1724B/C05J | Single | 208 / 240 | 1 / 60 | 1 | 17.3 / 20.0 | 1.7 | 24 / 28 | 25 / 30 |
| | RXBH-1724B/C07J | Single | 208 / 240 | 1 / 60 | 2 | 26.0 / 30.0 | 1.7 | 35 / 40 | 35 / 40 |
| | RXBH-1724B/C10J | Single | 208 / 240 | 1 / 60 | 2 | 34.6 / 40.0 | 1.7 | 46 / 53 | 46 / 53 |
| 2421HEAC | RXBH-1724A03J | Single | 208 / 240 | 1 / 60 | 1 | 10.8 / 12.5 | 3.4 | 18 / 20 | 20 / 20 |
| | RXBH-1724A05J | Single | 208 / 240 | 1 / 60 | 1 | 17.3 / 20.0 | 3.4 | 26 / 29.25 | 30 / 30 |
| | RXBH-1724A07J | Single | 208 / 240 | 1 / 60 | 2 | 26.0 / 30.0 | 3.4 | 37 / 42 | 40 / 45 |
| | RXBH-1724A10J | Single | 208 / 240 | 1 / 60 | 2 | 34.6 / 40.0 | 3.4 | 48 / 55 | 50 / 60 |
| | RXBH-1724B/C05J | Single | 208 / 240 | 1 / 60 | 1 | 17.3 / 20.0 | 3.4 | 26 / 29.25 | 30 / 30 |
| | RXBH-1724B/C07J | Single | 208 / 240 | 1 / 60 | 2 | 26.0 / 30.0 | 3.4 | 38 / 43 | 40 / 45 |
| | RXBH-1724B/C10J | Single | 208 / 240 | 1 / 60 | 2 | 34.6 / 40.0 | 3.4 | 49 / 56 | 50 / 60 |
| 2421UEAC | RXBH-1724A03J | Single | 208 / 240 | 1 / 60 | 1 | 10.8 / 12.5 | 4.3 | 19 / 21 | 20 / 25 |
| | RXBH-1724A05J | Single | 208 / 240 | 1 / 60 | 1 | 17.3 / 20.0 | 4.3 | 27 / 31 | 30 / 35 |
| | RXBH-1724A07J | Single | 208 / 240 | 1 / 60 | 2 | 26.0 / 30.0 | 4.3 | 38 / 43 | 40 / 45 |
| | RXBH-1724A10J | Single | 208 / 240 | 1 / 60 | 2 | 34.6 / 40.0 | 4.3 | 49 / 56 | 50 / 60 |
| | RXBH-1724B/C05J | Single | 208 / 240 | 1 / 60 | 1 | 17.3 / 20.0 | 4.3 | 27 / 31 | 30 / 35 |
| | RXBH-1724B/C07J | Single | 208 / 240 | 1 / 60 | 2 | 26.0 / 30.0 | 4.3 | 38 / 43 | 40 / 45 |
| | RXBH-1724B/C10J | Single | 208 / 240 | 1 / 60 | 2 | 34.6 / 40.0 | 4.3 | 49 / 56 | 50 / 60 |

NOTES:

- * Values only. No single point kit available.
- Electric heater BTUH - (heater watts + motor watts) x 3.414 (see airflow table for motor watts.)
- Supply circuit protective devices may be fuses or "HACR" type circuit breakers.
- Largest motor load is included in single circuit and multiple circuit 1.
- If non-standard fuse size is specified, use next size larger fuse size.
- J Voltage (230V) single phase air handler is designed to be used with single or three phase 230 volt electric heaters. In the case of connecting 3-phase power to the air handler terminal block without the heater, bring only two leads to the terminal block. Cap, insulate and fully secure the third lead.
- If the kit is listed under both single and multiple circuits, the kit is shipped from factory as multiple circuits. For single phase application, Jumper bar kit RXBJ-A21 and RXBJ-A31 can be used to convert multiple circuits to a single supply circuit. Refer to Accessory Section for details.
- The airflow for continuous fan is set 50% of the cooling airflow.
- ?Heater kits connection type. A=Breaker B=Terminal Block C=Disconnect Pull Out

[] Designates Metric Conversions

Electrical Data – With Electric Heat RHMV (Cont.)

Installation of the U.L. Listed original equipment manufacturer provided heater kits listed in the following table is recommended for all auxiliary heating requirements.

| Air Handler Model RHMV | Heater Kit Model RXBH | Circuit | Voltage | Phase / Hertz | No. Elements | Heater kW (208 / 240) | Motor Ampacity | Minimum Circuit Ampacity | Maximum Circuit Protection |
|------------------------|-----------------------|--------------|-----------|---------------|--------------|-----------------------|----------------|--------------------------|----------------------------|
| 3617SEAC | RXBH-1724A03J | Single | 208 / 240 | 1 / 60 | 1 | 10.8 / 12.5 | 3.4 | 18 / 20 | 20 / 20 |
| | RXBH-1724A05J | Single | 208 / 240 | 1 / 60 | 1 | 17.3 / 20.0 | 3.4 | 26 / 29.25 | 30 / 30 |
| | RXBH-1724A07J | Single | 208 / 240 | 1 / 60 | 2 | 26.0 / 30.0 | 3.4 | 37 / 42 | 40 / 45 |
| | RXBH-1724A10J | Single | 208 / 240 | 1 / 60 | 2 | 34.6 / 40.0 | 3.4 | 48 / 55 | 50 / 60 |
| | RXBH-1724A15J | Single* | 208 / 240 | 1 / 60 | 3 | 51.9 / 60.0 | 3.4 | 70 / 80 | 70 / 80 |
| | | Multi-Ckt. 1 | 208 / 240 | 1 / 60 | 1 | 17.3 / 20.0 | 3.4 | 26 / 29.25 | 30 / 30 |
| | | Multi-Ckt. 2 | 208 / 240 | 1 / 60 | 2 | 34.6 / 40.0 | 0.0 | 44 / 50 | 45 / 50 |
| | RXBH-1724A18J | Single* | 208 / 240 | 1 / 60 | 3 | 51.9 / 60.0 | 3.4 | 82 / 93 | 90 / 100 |
| | | Multi-Ckt. 1 | 208 / 240 | 1 / 60 | 1 | 17.3 / 20.0 | 3.4 | 30 / 34 | 30 / 35 |
| | | Multi-Ckt. 2 | 208 / 240 | 1 / 60 | 2 | 34.6 / 40.0 | 0.0 | 52 / 59 | 60 / 60 |
| | RXBH-1724B/C05J | Single | 208 / 240 | 1 / 60 | 1 | 17.3 / 20.0 | 3.4 | 26 / 29.25 | 30 / 30 |
| | RXBH-1724B/C07J | Single | 208 / 240 | 1 / 60 | 2 | 26.0 / 30.0 | 3.4 | 37 / 42 | 40 / 45 |
| RXBH-1724B/C10J | Single | 208 / 240 | 1 / 60 | 2 | 34.6 / 40.0 | 3.4 | 48 / 55 | 50 / 60 | |
| 6021SEAC | RXBH-1724A05J | Single | 208 / 240 | 1 / 60 | 1 | 17.3 / 20.0 | 4.9 | 28 / 32 | 30 / 35 |
| | RXBH-1724A07J | Single | 208 / 240 | 1 / 60 | 2 | 26.0 / 30.0 | 4.9 | 39 / 44 | 40 / 45 |
| | RXBH-1724A10J | Single | 208 / 240 | 1 / 60 | 2 | 34.6 / 40.0 | 4.9 | 50 / 57 | 50 / 60 |
| | RXBH-1724A15J | Single* | 208 / 240 | 1 / 60 | 3 | 51.9 / 60.0 | 4.9 | 72 / 82 | 80 / 90 |
| | | Multi-Ckt. 1 | 208 / 240 | 1 / 60 | 1 | 17.3 / 20.0 | 4.9 | 26 / 30 | 30 / 30 |
| | | Multi-Ckt. 2 | 208 / 240 | 1 / 60 | 2 | 34.6 / 40.0 | 0.0 | 44 / 50 | 45 / 50 |
| | RXBH-1724A18J | Single* | 208 / 240 | 1 / 60 | 3 | 51.9 / 60.0 | 4.9 | 84 / 95 | 90 / 100 |
| | | Multi-Ckt. 1 | 208 / 240 | 1 / 60 | 1 | 17.3 / 20.0 | 4.9 | 32 / 36 | 35 / 40 |
| | | Multi-Ckt. 2 | 208 / 240 | 1 / 60 | 2 | 34.6 / 40.0 | 0.0 | 52 / 59 | 60 / 60 |
| | RXBH-24A20J | Single* | 208 / 240 | 1 / 60 | 4 | 51.9 / 60.0 | 4.9 | 93 / 107 | 100 / 110 |
| | | Multi-Ckt. 1 | 208 / 240 | 1 / 60 | 2 | 34.6 / 40.0 | 4.9 | 50 / 57 | 50 / 60 |
| | | Multi-Ckt. 2 | 208 / 240 | 1 / 60 | 2 | 34.6 / 40.0 | 0.0 | 44 / 50 | 45 / 50 |
| | RXBH-24A25J | Single** | 208 / 240 | 1 / 60 | 6 | 18.0 / 24.0 | 4.9 | 115 / 132 | 125 / 150 |
| | | Multi-Ckt. 1 | 208 / 240 | 1 / 60 | 2 | 6.0 / 8.0 | 4.9 | 43 / 48 | 45 / 50 |
| | | Multi-Ckt. 2 | 208 / 240 | 1 / 60 | 2 | 6.0 / 8.0 | 0.0 | 37 / 42 | 40 / 45 |
| | | Multi-Ckt. 3 | 208 / 240 | 1 / 60 | 2 | 6.0 / 8.0 | 0.0 | 37 / 42 | 40 / 45 |
| | RXBH-1724B/C05J | Single | 208 / 240 | 1 / 60 | 1 | 17.3 / 20.0 | 4.9 | 28 / 32 | 30 / 35 |
| | RXBH-1724B/C07J | Single | 208 / 240 | 1 / 60 | 2 | 26.0 / 30.0 | 4.9 | 39 / 44 | 40 / 45 |
| RXBH-1724B/C10J | Single | 208 / 240 | 1 / 60 | 2 | 34.6 / 40.0 | 4.9 | 50 / 57 | 50 / 60 | |

NOTES:

* Values only. No single point kit available.

- Electric heater BTUH - (heater watts + motor watts) x 3.414 (see airflow table for motor watts.)
- Supply circuit protective devices may be fuses or "HACR" type circuit breakers.
- Largest motor load is included in single circuit and multiple circuit 1.
- If non-standard fuse size is specified, use next size larger fuse size.
- J Voltage (230V) single phase air handler is designed to be used with single or three phase 230 volt electric heaters. In the case of connecting 3-phase power to the air handler terminal block without the heater, bring only two leads to the terminal block. Cap, insulate and fully secure the third lead.
- If the kit is listed under both single and multiple circuits, the kit is shipped from factory as multiple circuits. For single phase application, Jumper bar kit RXBJ-A21 and RXBJ-A31 can be used to convert multiple circuits to a single supply circuit. Refer to Accessory Section for details.
- The airflow for continuous fan is set 50% of the cooling airflow.
- ?Heater kits connection type. A=Breaker B=Terminal Block C=Disconnect Pull Out

[] Designates Metric Conversions

Electrical Data – With Electric Heat RHMV (Cont.)

Installation of the U.L. Listed original equipment manufacturer provided heater kits listed in the following table is recommended for all auxiliary heating requirements.

| Air Handler Model RHMV | Heater Kit Model RXBH | Circuit | Voltage | Phase / Hertz | No. Elements | Heater kW (208 / 240) | Motor Ampacity | Minimum Circuit Ampacity | Maximum Circuit Protection |
|------------------------|-----------------------|--------------|-----------|---------------|--------------|-----------------------|----------------|--------------------------|----------------------------|
| 6024MEAC | RXBH-1724A05J | Single | 208 / 240 | 1 / 60 | 1 | 17.3 / 20.0 | 4.9 | 28 / 32 | 30 / 35 |
| | RXBH-1724A07J | Single | 208 / 240 | 1 / 60 | 2 | 26.0 / 30.0 | 4.9 | 39 / 44 | 40 / 45 |
| | RXBH-1724A10J | Single | 208 / 240 | 1 / 60 | 2 | 34.6 / 40.0 | 4.9 | 50 / 57 | 50 / 60 |
| | RXBH-1724A15J | Single* | 208 / 240 | 1 / 60 | 3 | 51.9 / 60.0 | 4.9 | 72 / 82 | 80 / 90 |
| | | Multi-Ckt. 1 | 208 / 240 | 1 / 60 | 1 | 17.3 / 20.0 | 4.9 | 28 / 32 | 30 / 35 |
| | | Multi-Ckt. 2 | 208 / 240 | 1 / 60 | 2 | 34.6 / 40.0 | 0.0 | 44 / 50 | 45 / 50 |
| | RXBH-1724A18J | Single* | 208 / 240 | 1 / 60 | 3 | 51.9 / 60.0 | 4.9 | 84 / 95 | 90 / 100 |
| | | Multi-Ckt. 1 | 208 / 240 | 1 / 60 | 1 | 17.3 / 20.0 | 4.9 | 32 / 36 | 35 / 40 |
| | | Multi-Ckt. 2 | 208 / 240 | 1 / 60 | 2 | 34.6 / 40.0 | 0.0 | 52 / 59 | 60 / 60 |
| | RXBH-24A20J | Single* | 208 / 240 | 1 / 60 | 4 | 51.9 / 60.0 | 4.9 | 93 / 107 | 100 / 110 |
| | | Multi-Ckt. 1 | 208 / 240 | 1 / 60 | 2 | 34.6 / 40.0 | 4.9 | 50 / 57 | 50 / 60 |
| | | Multi-Ckt. 2 | 208 / 240 | 1 / 60 | 2 | 34.6 / 40.0 | 0.0 | 44 / 50 | 45 / 50 |
| | RXBH-24A25J | Single** | 208 / 240 | 1 / 60 | 6 | 87.0 / 99.9 | 4.9 | 115 / 132 | 125 / 150 |
| | | Multi-Ckt. 1 | 208 / 240 | 1 / 60 | 2 | 29.0 / 33.3 | 4.9 | 43 / 48 | 45 / 50 |
| | | Multi-Ckt. 2 | 208 / 240 | 1 / 60 | 2 | 29.0 / 33.3 | 0.0 | 37 / 42 | 40 / 45 |
| | | Multi-Ckt. 3 | 208 / 240 | 1 / 60 | 2 | 29.0 / 33.3 | 0.0 | 37 / 42 | 40 / 45 |
| | RXBH-24A30J | Single** | 208 / 240 | 1 / 60 | 6 | 103.8 / 120.0 | 4.9 | 115 / 132 | 125 / 150 |
| | | Multi-Ckt. 1 | 208 / 240 | 1 / 60 | 2 | 34.6 / 40.0 | 4.9 | 43 / 48 | 45 / 50 |
| Multi-Ckt. 2 | | 208 / 240 | 1 / 60 | 2 | 34.6 / 40.0 | 0.0 | 37 / 42 | 40 / 45 | |
| Multi-Ckt. 3 | | 208 / 240 | 1 / 60 | 2 | 34.6 / 40.0 | 0.0 | 37 / 42 | 40 / 45 | |
| RXBH-1724B/C05J | Single | 208 / 240 | 1 / 60 | 1 | 17.3 / 20.0 | 4.9 | 28 / 32 | 30 / 35 | |
| RXBH-1724B/C07J | Single | 208 / 240 | 1 / 60 | 2 | 26.0 / 30.0 | 4.9 | 39 / 44 | 40 / 45 | |
| RXBH-1724B/C10J | Single | 208 / 240 | 1 / 60 | 2 | 34.6 / 40.0 | 4.9 | 50 / 57 | 50 / 60 | |

NOTES:

- * Values only. No single point kit available.
- Electric heater BTUH - (heater watts + motor watts) x 3.414 (see airflow table for motor watts.)
- Supply circuit protective devices may be fuses or "HACR" type circuit breakers.
- Largest motor load is included in single circuit and multiple circuit 1.
- If non-standard fuse size is specified, use next size larger fuse size.
- J Voltage (230V) single phase air handler is designed to be used with single or three phase 230 volt electric heaters. In the case of connecting 3-phase power to the air handler terminal block without the heater, bring only two leads to the terminal block. Cap, insulate and fully secure the third lead.
- If the kit is listed under both single and multiple circuits, the kit is shipped from factory as multiple circuits. For single phase application, Jumper bar kit RXBJ-A21 and RXBJ-A31 can be used to convert multiple circuits to a single supply circuit. Refer to Accessory Section for details.
- The airflow for continuous fan is set 50% of the cooling airflow.
- ?Heater kits connection type. A=Breaker B=Terminal Block C=Disconnect Pull Out

[] Designates Metric Conversions

Electrical Wiring

Power Wiring

- Field wiring must comply with the National Electrical Code (C.E.C. in Canada) and any applicable local ordinance.
- Supply wiring must be 75°C minimum copper conductors only.
- See electrical data for product Ampacity rating and Circuit Protector requirement.

Accessories

• Combustible Floor Base RXHB-

| Model Cabinet Size | Combustible Floor Base Model Number |
|--------------------|-------------------------------------|
| 17 | RXHB-17 |
| 21 | RXHB-21 |
| 24 | RXHB-24 |

- **Jumper Bar Kit 3 Ckt. to 1 Ckt. RXBJ-A31** is used to convert single phase multiple three circuit units to a single supply circuit. Kit includes cover and screw for line side terminals.
- **Jumper Bar Kit 2 Ckt. to 1 Ckt. RXBJ-A21** is used to convert single phase multiple two circuit units to a single supply circuit. Kit includes cover and screw for line side terminals.
- **Note:** No jumper bar kit is available to convert three phase multiple two circuit units to a single supply circuit.

• Auxiliary Horizontal Overflow Pan Accessory RXBM-

| Nominal Cooling Capacity-Tons | Auxiliary Horizontal Overflow Pan Accessory Model Number |
|-------------------------------|--|
| 2 - 3 | RXBM-AC48 |
| 4 - 5 | RXBM-AC61 |

• Supply and Return Air Sensor Kit RXHT-A02

The RXHT-A02 Thermistor Kit is to be used with the air handler control to monitor the system return and leaving air temperatures. These temperatures can be monitored with the EcoNet communicating thermostat.

Grounding

- This product must be sufficiently grounded in accordance with National Electrical Code (C.E.C. in Canada) and any applicable local ordinance.
- A grounding lug is provided.

• Auxiliary Electric Heater Kits RXBH-

Heater Kits include circuit breakers which meet UL and cUL requirements for service disconnect. See the Electric Heat Electrical Data in this specification sheet for specific Heater Kit Model numbers.

• Horizontal Adapter Kit RXHH-

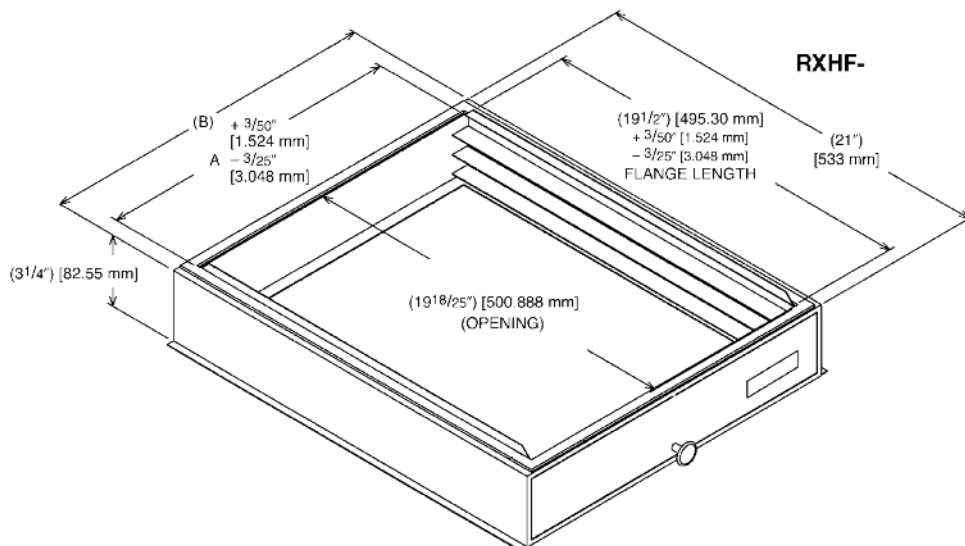
This horizontal adapter kit is used to convert Upflow/Downflow only models to horizontal flow. See the following table to order proper horizontal adapter kit.

| Coil Model | Horizontal Adapter Kit Model Number (Single Qty.) | Horizontal Adapter Kit Model Number (10-Pack Qty.) |
|----------------|---|--|
| 2414 | RXHH-A01 | RXHH-A01 x 10 |
| 2417 | RXHH-A02 | RXHH-A02 x 10 |
| 2421/3617/3621 | RXHH-A03 | RXHH-A03 x 10 |
| 4821/4824/6021 | RXHH-A06 | RXHH-A06 x 10 |
| 6024 | RXHH-A05 | RXHH-A05 x 10 |

• External Filter Base RXHF-

| Model Cabinet Size | Filter Size In. [mm] | Part Number* | A | B |
|--------------------|----------------------|--------------|-------|------|
| 17 | 16 x 20 [406 x 508] | RXHF-17 | 15.70 | 17.5 |
| 21 | 20 x 20 [508 x 508] | RXHF-21 | 19.20 | 21.0 |
| 24 | 25 x 20 [635 x 508] | RXHF-24 | 22.70 | 25.5 |

*Accommodates 1" or 2" filter



[] Designates Metric Conversions



THE ECONET® SMART THERMOSTAT

BUILT-IN WIFI

4.3" LCD TOUCH SCREEN

LOCAL WEATHER – Current conditions plus 6-day forecast

5 OPERATING MODES – Heat, Cool, Auto, Emergency Heat and Fan Only

7-DAY PROGRAMMABLE SCHEDULE – Offers comfort without thought

ONE-TOUCH AWAY – Quickly switch to your energy-saving away preferences

VACATION SCHEDULING – Allows you to save while you're away and come home to comfort

MOTION SENSOR – Automatically wakes the screen as you approach

STANDBY SCREEN – Displays indoor temperature and current weather



RETST700SYS

OPERATIONAL FEATURES

AUTOMATIC CHANGEOVER – Transitions between heating and cooling automatically to keep the house comfortable

INTEGRATED WATER CONTROL – Enables easy water heater management

SMOOTH ARRIVAL – Prompts the system to start ahead of schedule to ensure the home is at the desired temperature at the scheduled time

HUMIDITY CONTROL – Supports humidifier accessories or over-cool based dehumidification

DETAILED OPERATING STATUS – View pertinent equipment status information and run times

CONTINUOUS FAN – Offers 5 speeds (Low, Medium Low, Medium, Medium High, High)

SHORT-CYCLE PROTECTION – Avoids damage to equipment from short run cycles

MONITORING & REMOTE CONTROL FEATURES

ACTIVE MONITORING – Alerts to problems that need immediate attention

REMOTE CONTROL – Allows adjusting of comfort and settings from anywhere using a mobile device

SERVICE ALERTS – Sends routine maintenance reminders

AIR FILTER MONITORING – Detects when it's time to replace the air filter

ALARM HISTORY – Displays time-stamped alarm codes with clear descriptions

ECONET SMART THERMOSTAT COMPATIBILITY

| Models | Heating & Cooling | | | | | | | | | |
|-------------|-------------------|------|------|------|--------------|------|------------------|-------|------------|------|
| | Gas Furnaces | | | | Air Handlers | | Air Conditioners | | Heat Pumps | |
| | R802V | R96V | R97V | R98V | RHMV | RH2T | RA20 | RA17* | RP20 | RP17 |
| RETST700SYS | ✓ | ✓ | ✓ | ✓ | ✓ | ✓ | ✓ | ✓ | ✓ | ✓ |

**Models not EcoNet Enabled: RA1724AJ2NB, RA1736AJ2NB, RA1748AJ2NB, RA1760AJ2NB*

GENERAL TERMS OF LIMITED WARRANTY*

Rheem will furnish a replacement for any part of this product which fails in normal use and service within the applicable periods stated, in accordance with the terms of the limited warranty.

PartsTen (10) Years

***For complete details of the Limited and Conditional Warranties, including applicable terms and conditions, contact your local contractor or the Manufacturer for a copy of the product warranty certificate.**



The new degree of comfort.™

In keeping with its policy of continuous progress and product improvement, Rheem reserves the right to make changes without notice.

Rheem Heating, Cooling & Water Heating • 5600 Old Greenwood Road
Fort Smith, Arkansas 72908 • www.rheem.com

Rheem Canada Ltd./Ltée • 125 Edgeware Road, Unit 1
Brampton, Ontario • L6Y 0P5



INTEGRATED HOME COMFORT

PRINTED IN U.S.A. 3/19 QG FORM NO. H11-558 REV. 4