



The new degree of comfort.™

Commercial Renaissance™ Line Package Gas Electric Units



RGEDZT Commercial Prestige® Series

Nominal Sizes 7.5, 8.5, 10 & 12.5 Tons
Standard VFD and optional HumidiDry™ Technology
ASHRAE 90.1-2013 Compliant Models

RGEDZS Commercial Classic Plus® Series

Nominal Sizes 7.5, 8.5, 10 & 12.5 Tons
Optional VFD and HumidiDry™ Technology
ASHRAE 90.1-2007 Compliant Models
ASHRAE 90.1-2013 Compliant Models

RGEDZR Commercial Classic® Series

Nominal Sizes 7.5, 8.5 & 10 Tons
ASHRAE 90.1-2007 Compliant Models



TABLE OF CONTENTS

Unit Features & Benefits	3-11
Model Number Identification	12
Options	13
Selection Procedure	14
General Data	
ZR series	15
ZS series	16
ZT series	17
Heating Performance Data	19
Gross Systems Performance Data	
ZR series.....	20-22
ZS series.....	23-26
ZT series.....	27-30
HumidiDry™ (Reheat) Gross Systems Performance Data	
ZS series.....	31-34
ZT series.....	35-38
Airflow Performance Data	39-54
Electrical Data	
ZR series.....	55-60
ZS series.....	61-67
ZT series.....	68-71
Dimensional Data	72-74
Field Installed Accessories	75-95
Guide Specifications	96-102
Limited Warranty	103



TIER COMPARISON

	Single-Stage Cooling	Two-Stage Cooling	2018 DOE Efficiency Standards Compliant	2023 DOE Efficiency Standards Compliant	VFD Technology	HumidiDry™
<i>Commercial Prestige® Series (RGEDZT)</i>		X	X	X	X	X (Optional)
<i>Commercial Classic Plus® Series (RGEDZS)</i>		X	X		X (Optional)	X (Optional)
<i>Commercial Classic® Series (RGEDZR)</i>	X		X		Not Available	Not Available

RGED STANDARD FEATURES INCLUDE:

- Factory charged with R-410A HFC refrigerant
- Wired and run tested
- Scroll compressors with internal line break overload and high pressure protection
- Model RGEDZR has a single-stage compressor
- Models RGEDZS and RGEDZT have two-stage compressor
- Convertible airflow – vertical down flow or horizontal side flow
- Forkable base rails for easy handling and lifting
- Cooling operation up to 125°F ambient
- Two-stage gas heat input with direct spark ignition system, solid state furnace controls, and optimized induced draft combustion
- MicroChannel evaporator and condenser coil
- PlusOne® ServiceSmart package includes:
 - Qwik-Change Flex-Fit Rack™
 - Qwik-Slide Blower Assembly™
 - Qwik-Clean Drain Pan™
- Over-flow condensate sensor
- PlusOne® Diagnostics with Dual 7-Segment LED Display to meet code compliance
- One-piece top cover and base pan with drawn supply and return opening
- Two-piece control door
- ¼ turn fasteners on filter access door
- Color-coded and labeled wiring
- External lockable gauge ports
- TXV refrigerant metering system
- Solid-core liquid line filter drier
- High pressure and low pressure/loss of charge protection with built-in Smart Logic
- Insulation encapsulated throughout entire unit
- High performance belt drive motor with variable pitch pulleys and quick adjust belt system
- Variable Frequency Drive (VFD) blower is standard on Model RGEDZT and optional on model RGEDZS
- New product footprint with matching connections
- Improved factory lead times



FACTORY INSTALLED OPTIONS:

- Louvered panels
- Hinged access doors
- Stainless steel heat exchanger (20 year warranty)
- PlusOne® HumidiDry™ Dehumidification System (RGEDZT and RGEDZS Series only)
- Low ambient/freeze stat
- Powered convenience outlet
- Non-powered convenience outlet
- Unfused disconnect

- Circuit breaker
- Economizer (Title 24 and ASHRAE 90.1 2013 compliant)
- Supply and return smoke detector
- Return smoke detector
- ElectroFin® E-Coat for Microchannel Condenser Coil Coating
- ClearControl™ Direct Digital Control (DDC)
- Comfort Alert Phase-monitor Protection
- Vertical Economizer

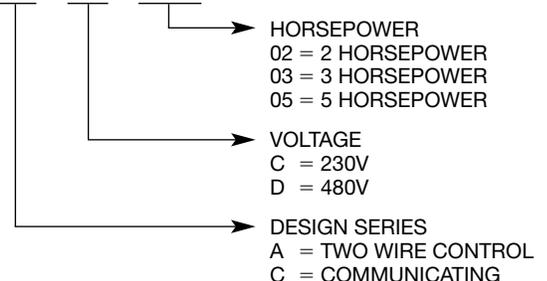
FIELD INSTALLED ACCESSORIES:

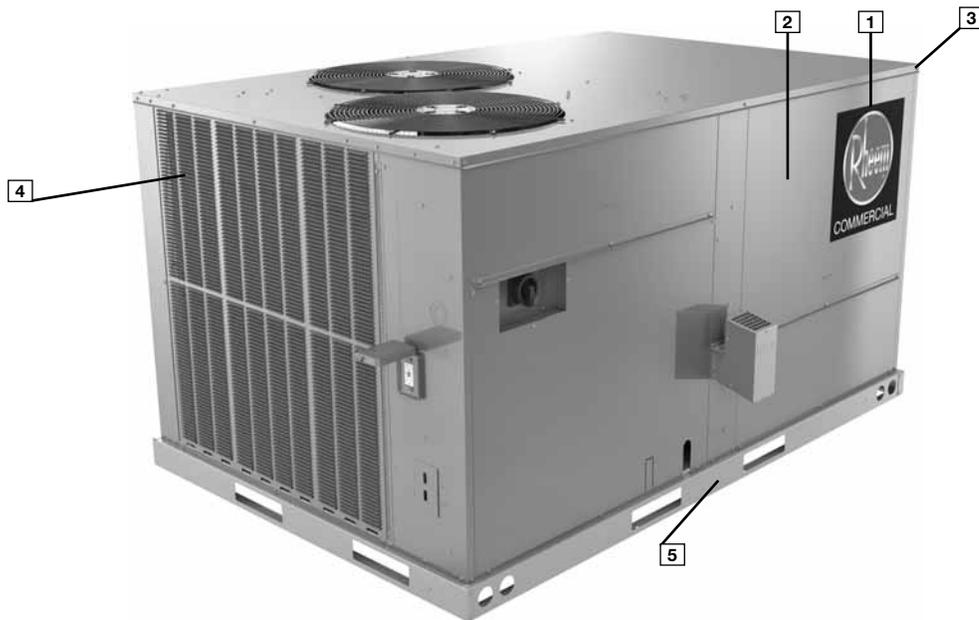
Accessory	Model Number	Factory Installation Available?
Economizer w/Single Enthalpy (Downflow)	RXRD-01MDDAM3	Yes
Economizer w/Single Enthalpy (Horizontal)	RXRD-01MDHAM3	No
Economizer-w/Single Enthalpy (Downflow) DDC	RXRD-01MDDBM3	Yes
Economizer w/Single Enthalpy (Horizontal) DDC	RXRD-01MDHBM3	No
Dual Enthalpy Kit	RXXR-BV01	No
Dual Enthalpy Kit DDC	RXXR-BV02	No
Carbon Dioxide Sensor (Wall Mount)	RXXR-AR02	No
Power Exhaust	RXXR-CDF01C	No
Power Exhaust	RXXR-CDF01D	No
Manual Fresh Air Damper	RXRF-ADA1	No
Motorized Fresh Air Damper	RXRF-ADB1	No
Motorized Fresh Air Damper (DDC)	RXRF-ADC1	No
Roofcurb, 14"	RXKG-DDD14	No
Roofcurb, 24'*	RXKG-DDD24	No
Roofcurb Adapter	RXXR-DDCAE	No
Concentric Diffuser 7.5/8.5 Ton Flush	RXRN-AEF2000	No
Concentric Diffuser 10.0 Ton Flush	RXRN-AEF3415	No
Concentric Diffuser 12.5 Ton Flush	RXRN-AEF3618	No
Concentric Diffuser 7.5/8.5 Ton Drop	RXRN-AED2000	No
Concentric Diffuser 10.0 Ton Drop	RXRN-AED3415	No
Concentric Diffuser 12.5 Ton Drop	RXRN-AED3618	No
Concentric Adapter 7.5/8.5 Ton Drop	RXMC-DD01	No
Concentric Adapter 10 Ton Drop	RXMC-DD02	No
Concentric Adapter 12.5 Ton Drop	RXMC-DD03	No

Accessory	Model Number	Factory Installation Available?
Outdoor Coil Louver Kit - GED-090/102/120	RXXR-ADD04A	Yes
Outdoor Coil Louver Kit - GED-150	RXXR-ADD04B	Yes
Unwired Convenience Outlet	RXXR-BN01	Yes
Unfused Service Disconnect	RXXR-BP01	Yes
Comfort Alert (1 Per Compressor)	RXXR-AZ02	Yes
BACnet Communication Card	RXXR-AY01	No
LonWorks Communication Card	RXXR-AY02	No
Room Humidity Sensor	RHC-ZNS4	No
Room Temperature and Relative Humidity Sensor	RHC-ZNS5	No
Low-Ambient Control Kit	RXRZ-A04	Yes
Freeze Stat Kit	RXXR-AM01	Yes
LP Conversion Kit	RXGJ-FP39	No
Variable Frequency Drive Kit* <small>*See model number break down below</small>	RXXR-AC02	No
	RXXR-AC03	No
	RXXR-AC05	No
	RXXR-AD02	No
	RXXR-AD03	No
	RXXR-AD05	No
	RXXR-CC02	No
	RXXR-CC03	No
	RXXR-CC05	No
	RXXR-CD02	No
RXXR-CD03	No	
RXXR-CD05	No	

*Compatible with 1st generation "B" series units

RXXR - A C 02





Cabinet and Foundation

Outwardly, the large *Rheem® Commercial Series* label (1) identifies the brand to the customer. The sheet-metal cabinet (2) uses 18-gauge material for structural components with an underlying coat of G90. To ensure the leak-proof integrity of these units, the design utilizes a one-piece top with a 1/8" drip lip (3) as well as gasket-protected panels and screws. The Rheem hail guard (optional) (4) sets the standard for coil protection in the industry. Electro deposition, baked-on enamel that is tested to withstand a rigorous 1000-hour salt spray test, per ASTM B117.

Anything built to last must start with the right foundation. Following that model, the foundation is comprised of 14-gauge, commercial-grade, full perimeter base rails (5) that integrate fork slots and rigging holes to save set-up time on the job site.

Easy Installation

The Renaissance line features a new footprint that simplifies the replacement process by eliminating the need for a new curb adapter and being able to match inlet, outlet and electrical connections of the most common/industry-standard configurations.

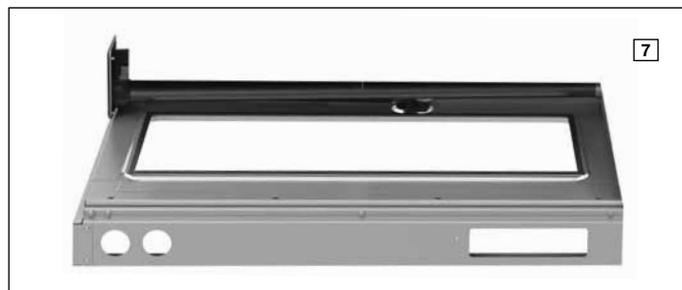
Base Pan

The base pan is stamped to form a 7/8" flange around the supply and return cover, which eliminates the worry of water entering the conditioned space (6). All insulation is secured with both adhesive and mechanical fasteners, and all edges are hidden.



Drain Pan

The Qwik-Clean Drain Pan™ (7) is made from a composite material that resists the growth of harmful bacteria. With both side and center drain options, the drain pan slides out completely for easy cleaning. It also features a standard overflow switch.



Test Standards

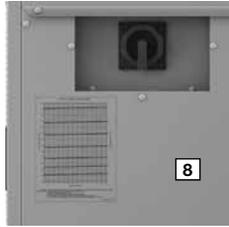
During development, each unit was tested to U.L. 1995, AHRI 340-360 as well as other Rheem-required reliability tests. Rheem adheres to stringent ISO 9002 quality procedures, and each unit bears the U.L. and AHRI certification labels located on the unit nameplate. Contractors can be assured that when a Rheem package unit arrives at the job, it is ready to go with a factory charge and quality checks. Each unit also proudly displays the "Made in the USA" designation.

Easy Access

All major compartments are easily accessible from the front of the unit: the electrical compartment, blower compartment, heating section, and outdoor section. Each compartment has mechanical fasteners. Panels are permanently embossed with the compartment name (e.g. control/filter access, blower access, and electric heat access). The filter compartment is accessed through a large, mechanically fastened panel. Information is readily available on the outside of the panel, with a nameplate that contains the model and serial numbers, electrical data, and other important unit information. Hinged access is available as an option for the electrical, blower, and filter compartments.

Charging Charts, Wiring Diagrams, & Labels

The unit charging chart is located on the outside of the compressor access panel. Electrical wiring diagrams are found on the control box cover, which allows contractors to move them to more readable locations. The model and serial numbers are located on the right of the control box. Having this information on the inside means easier model identification for the life of the product. The production line quality test assurance label is also placed in this location (8).



Filter Rack

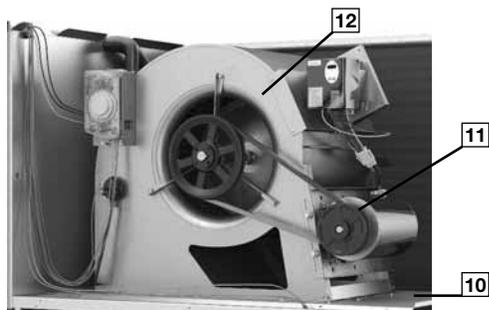
Located within the filter compartment, the Qwik-Change Flex-Fit Rack™ (9) allows easy changeover between 2" and 4" standard size and readily available filters.



Blower Assembly

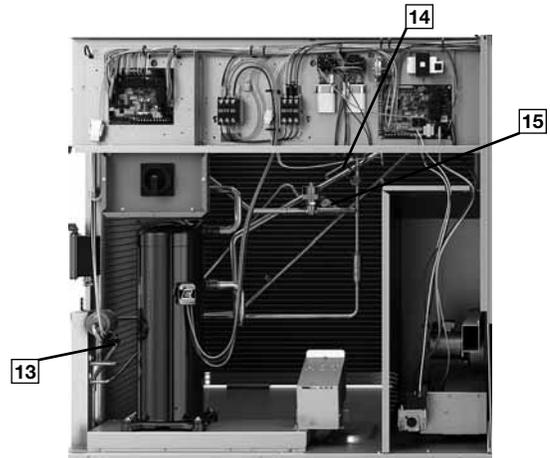
Removing three screws provides full access to the blower compartment. Inside, the Qwik-Slide Blower Assembly™ (10) is incredibly easy to access and remove. This makes servicing internal components such as blower motor, TXV, and microchannel coil much easier. The entire assembly slides out by removing the 3/8" screws from the blower retention bracket. The adjustable motor pulley (11) can easily be adjusted by loosening the bolts on either side of the motor mount. Removing the bolts allows for easy removal of the blower pulley by pushing the blower assembly up to loosen the belt. Once the pulley is removed, the motor sheave can be adjusted to the desired number of turns, ranging from 0 to 6 turns open.

Where the demands for the job require high static, Rheem offers drives that deliver nominal airflow up to 2" of static. By referring to the airflow performance tables listed in the installation instructions, proper static pressure and CFM requirements can be dialed in. The scroll housing (12) and blower scroll provide quiet and efficient airflow. The blower sheave is secured by an "H" bushing that firmly secures the pulley to the blower shaft, resulting in years of trouble-free operation. The "H" bushing allows for easy removal of the blower pulley from the shaft. This is an improvement from a set screw, which can score the shaft and create burrs that make blower-pulley removal difficult.



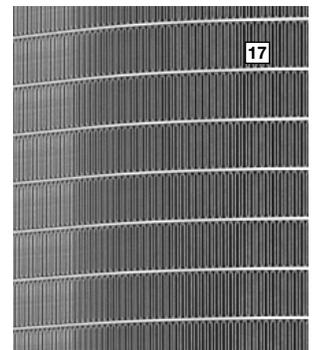
High and Low Pressure Switches & Freeze Stat

High pressure (13) and low pressure (14) switches are standard. They are located in the outdoor section along with the low-ambient control (15). The optional Freeze Stat (16) (standard on models with ClearControl), is clipped onto the suction line in the blower compartment. The low ambient control allows the compressor to operate down to 0 degrees ambient temperature by cycling the outdoor fans on high pressure. The high-pressure switch shuts off the compressors if pressures exceeding 610 PSIG are detected. The low-pressure switch shuts off the compressors if low pressure is detected due to loss of charge. Built-in Smart Logic reduces nuisance calls by only shutting off compressors after the third detection. The freeze stat protects the compressor if the evaporator coil gets too cold (below freezing) due to low airflow.



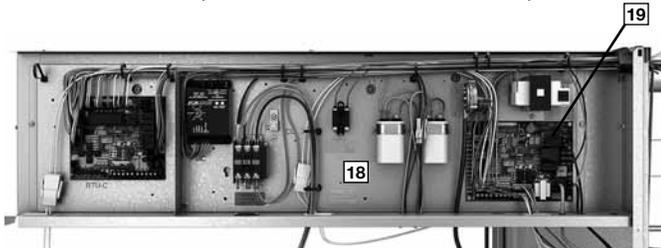
MicroChannel Evaporator & TXV

The Microchannel Evaporator (17) is accessible through the blower compartment, and through the filter rack, to simplify cleaning. The evaporator uses microchannel technology for maximum heat transfer, light weight, fewer manually brazed connections and reduced refrigerant charge. The TXV metering device maintains superheat over a wide range of varying temperatures optimizing unit performance for all conditions.



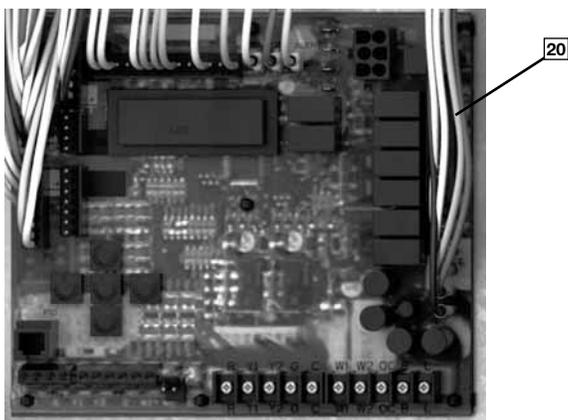
Control Box

Inside the control box (18), each electrical component is clearly labeled; that label matches the component to the wire diagram for ease of trouble shooting. All wiring is numbered on each end of the termination and is color-coded to match the wiring diagram. The integrated furnace control, incorporates the PlusOne Diagnostics: Dual 7-Segment LED Display (19) with easy-to-understand fault codes. The control transformer has a low voltage circuit breaker that trips if an electrical short occurs. There is a blower contactor and compressor contactor for each compressor.



ClearControl™

The optional ClearControl™ system consisting of a rooftop unit controller, temperature sensors, and pressure sensors, allows real-time monitoring and communication between rooftop units. The Rooftop Unit Controller (RTU-C) that is factory mounted and wired into the control panel. The RTU-C is a solid-state, micro-processor-based control board that provides flexible control and extensive diagnostics for all unit functions. The RTU-C, using proportional/integral control algorithms, performs specific unit functions that govern unit operation in response to zone conditions, system temperatures, system pressures, ambient conditions, and electrical inputs. The RTU-C features a 16 x 2 character LCD display and a five-button keypad for local configuration and direct diagnosis of the system (20). Features include a clogged filter switch (CFS), fan proving switch (FPS), return air temperature sensor (RAT), discharge air temperature sensor (DAT), and outdoor air temperature sensor (OAT). Freeze sensors (FS) are used in place of freeze stats to allow measurement of refrigerant suction line temperatures.

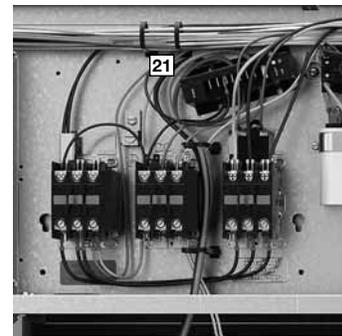


The RGED Gas Electric with the RTU-C is specifically designed to be applied in four distinct applications:

- 1. BACnet Communication** — The RGED is compatible with a third party building management system that supports the BACnet Application Specific Controller device profile, with the use of a field installed BACnet Communication Module. The BACnet Communication Module plugs onto the unit RTU-C controller and allows communication between the RTU-C and the BACnet MSTP network. A zone sensor, a BACnet network zone sensor, a BACnet thermostat, or DDC controller may be used to send the zone temperature or thermostat demands to the RTU-C. The BACnet Communication Module is compatible with MSTP EIA-485 daisy chain networks communicating at 38.4 bps. It is compatible with twisted pair, shielded cables.
- 2. LonWorks Communication** — The RGED is compatible with a third party building management system that supports the LonMark Space Comfort Controller (SCC) functional profile or LonMark Discharge Air Controller (DAC) functional profile. This is accomplished with a field installed LonMark communication module. The LonMark Communication Module plugs onto the RTU-C controller and allows communication between the RTU-C and a LonWorks network. A zone sensor, a LonTalk network zone sensor, or a LonTalk thermostat or DDC controller may be used to send the zone temperature or thermostat demands to the RTU-C. The LonMark Communication Module utilizes an FTT-10A free topology transceiver communicating at 78.8 kbps. It is compatible with Echelon qualified, twisted pair cable, Belden 8471, or NEMA Level 4 cables. The module can communicate up to 1640 feet with no repeater. The LonWorks limit of 64 nodes per segment applies to this device.
- 3. 24V Thermostat Compatibility** — The RGED is compatible with a programmable 24 volt thermostat. Connections are made via conventional thermostat screw terminals. Extensive unit status and diagnostics are displayed on the LCD screen of the RTU-C.
- 4. Zone Sensor Compatibility** — The RGED is compatible with a zone sensor and a mechanical or solid state time clock connected to the RTU-C. Extensive unit status and diagnostics are displayed on the LCD screen of the RTU-C.

ComfortAlert®

A factory or field installed Comfort Alert® (21) module is available for power phase-monitoring protection and additional compressor diagnostics. The alarms can be displayed on the RTU-C display, through the (BAS) network, or connected to the “L-Terminal” of a thermostat for notification.



Variable Frequency Drive

The supply fan Variable Frequency Drive (VFD) (22) optimizes energy usage year round by providing a lower speed for first stage cooling operation, improving IEER's over the conventional constant fan system. Operating in the constant fan mode at the reduced speed can use as little as 1/5 of the energy of a conventional constant fan system. Also, by operating at a lower speed on first stage cooling, up to 126% more moisture is removed, improving comfort during low load operation. VFD comes standard in ZT models and is a factory or field installed option in ZS models. The VFD supply fan factory option meets California Title 24 and ASHRAE 90.1-2016 requirements for multi blower speed control. VFD also ramps up to the desired speed, reducing stress on the supply fan components and noise from a sudden inrush of air. Because the airflow is cut in half during first stage cooling and constant fan operation, noise is much less during these modes of operation.



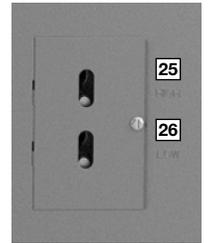
Convenience Outlet, Disconnect, & Circuit Breaker

For added convenience in the field, factory-installed options of powered and non-powered convenience outlet (23), disconnect (24) and circuit breakers are available. Low and high voltage can enter from the side or through the base. Low-voltage connections are made through the low-voltage terminal strip. For ease of access, the U.L.-required low voltage barrier can be temporarily removed for low-voltage termination and then reinstalled. The high-voltage connection is terminated at the number 1 compressor contactor. The suggested mounting for the field-installed disconnect or circuit breaker is on the exterior side of the electrical control box.



External Lockable Gauge Ports

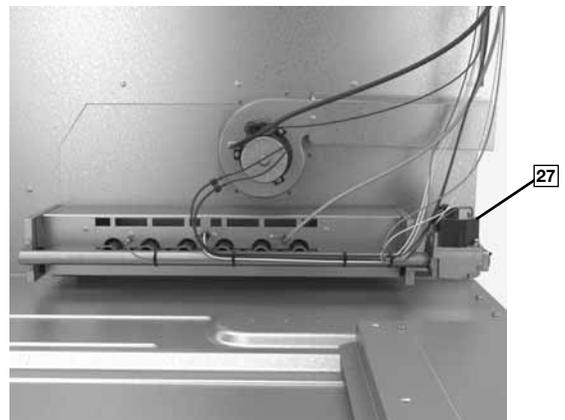
To the right left of the compressor compartment are the externally mounted lockable gauge ports. They are permanently identified by embossed lettering that identifies the compressor circuit, high pressure connection, (25) and low pressure connection (26). Because the gauge ports are mounted externally, an accurate diagnostic of system operation can be performed without removing access panels. Brass caps on the Schrader fitting ensure the gauge parts are leak proof.



Furnace & Gas Heat Exchanger

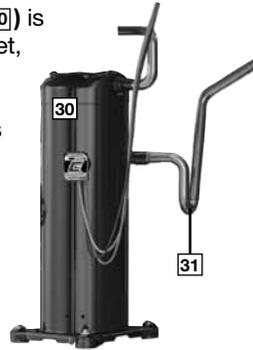
The furnace compartment contains the latest technology on the market. Each furnace is equipped with a two-stage gas valve (27) to provide two stages of gas heat input. The first stage operates at 70% of the second stage (full fire), 81% steady state efficiency is maintained. Stainless steel heat exchangers can be factory installed for those applications that have high fresh-air requirements or in applications with corrosive environments. The direct spark igniter (28) ensures reliable ignition in the most adverse conditions. This is coupled with remote flame sensor (29) so the flame is carried across the entire length of the burner assembly. Gas supply can be routed from the side or up through the base. Each furnace has the following safety devices to ensure consistent and reliable operation after ignition:

- Stainless steel heat exchanger warranty increases from 10 years to 20 years.
- Pressures switches to ensure adequate combustion airflow before ignition.
- Rollout switches to prevent obstruction or cracks in the heat exchanger.
- A limit device to protect the furnace from over-temperature problems.



Compressor

The compressor compartment houses the heart-beat of the unit. The scroll compressor (30) is known for its long life and for reliable, quiet, and efficient operation. The suction and discharge lines are designed with shock loops (31) to absorb the strain and stress that the starting torque, steady state operation, and shut-down cycle impose on the refrigerant tubing. ZS and ZT units have two stages of efficient cooling operation in which the first stage is approximately 50% of second stage. Each unit comes standard with a filter dryer.



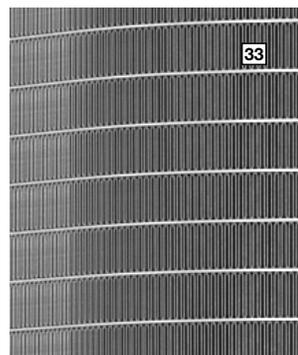
Condenser Fans

The condenser fan motors (32) can easily be accessed and maintained through the top of the unit. A down-mount fan provides corrosion protection and easy removal. The polarized plug connection allows the motor to be changed quickly and eliminates the need to snake wires through the unit.



MicroChannel Condenser Technology

The outdoor coil uses the latest microchannel technology (33) for the most effective method of heat transfer. The outdoor coil is protected by optional louvered panels, which allow unobstructed airflow while protecting the unit from both the environment and vandalism.



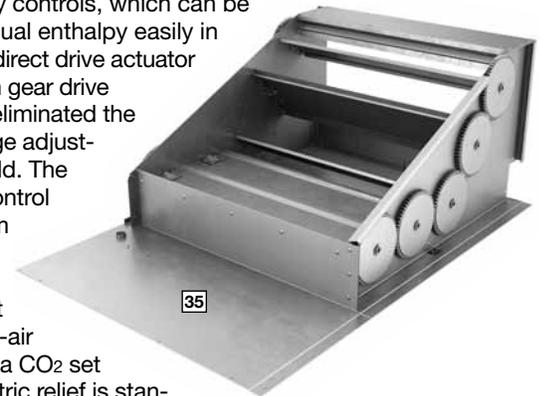
Coil Coating

Every unit offers the option of factory-applied ElectroFin® E-Coat condenser coating (34) that delivers superior corrosion resistance for outdoor coils to operate in the harshest of environments.



Economizer and Dampers

Each unit is designed for both down flow or horizontal applications (35) for job configuration flexibility. The return air compartment can also contain an economizer. Each unit is pre-wired for the economizer to allow quick, plug-in installation. Available as a factory-installed option, the economizer provides free cooling when outdoor conditions are suitable and also provides fresh air to meet local requirements. It comes standard with single enthalpy controls, which can be upgraded to dual enthalpy easily in the field. The direct drive actuator combined with gear drive dampers has eliminated the need for linkage adjustment in the field. The economizer control has a minimum position set point, an outdoor-air set point, a mixed-air set point, and a CO₂ set point. Barometric relief is standard on all economizers.



Power Exhaust is easily field-installed. The power exhaust is housed in the barometric relief opening and is easily slipped in with a plugin assembly. The wire harness to the economizer also has accommodations for a smoke detector.

The damper minimum position, actual damper position, power exhaust on/off set point, mixed air temperature limit set point, and Demand Controlled Ventilation (DCV) set point can be read and adjusted at the unit controller display or remotely through a network connection. The Space CO₂ level, mixed air temperature, and Economizer Status (free cooling available, single or dual enthalpy) can be read at the unit controller display or remotely through a network connection. Economizer faults will trigger a network alarm and can be read at the unit controller display or remotely through a network connection.



Roofcurb

The Rheem roofcurb (36) is made for tool-less assembly at the jobsite by engaging tabs in slots of adjacent curb sides, which makes the assembly process quick and easy.



HUMIDIDRY® SYSTEM FEATURES

HumidiDry® is a Rheem exclusive dehumidification package unit solution. It delivers maximum humidity control without compromising desired temperature set point for a high degree of comfort. HumidiDry maintains humidity levels at a desired set point when there's little or no demand for air conditioning. The HumidiDry rooftop unit is controlled by a thermostat and humidistat. The thermostat takes priority on single-stage system. When the thermostat is activated by temperatures that exceed its set point, HumidiDry operates like a standard rooftop unit. It can operate on first stage cooling when demand is low or at full capacity when air conditioning load is high. Unlike other rooftop or reheat units, HumidiDry is uniquely designed so the VFD will operate at a low speed, increasing moisture removal during first-stage cooling operation. This provides initial defense for controlling humidity. When temperature is desirable but humidity exceeds the humidistat set point, the HumidiDry rooftop unit initiates a dehumidification cycle using a combination of hot gas and sub-cooled liquid reheat and the VFD operates at low speed. During this cycle, the HumidiDry rooftop unit delivers dry, neutral air. On a two-stage system, it is possible for both a thermostat and humidistat to register readings above set point. Under this condition, the system runs in the high stage dehumidification cycle, and the VFD operates on high speed. This provides dry conditioned air.

Figure 1 shows the refrigerant path during the normal cooling mode. The liquid refrigerant leaves the TXV with the sudden pressure drop causing the liquid to expand to a vapor and absorbing the heat from the supply air going through the evaporator coil. The refrigerant vapor then travels to the compressor where it is elevated to a higher pressure and temperature. The superheated refrigerant vapor next carries the heat to the outside coil where the heat is then rejected and the refrigerant condenses into a subcooled liquid where the process repeats itself.

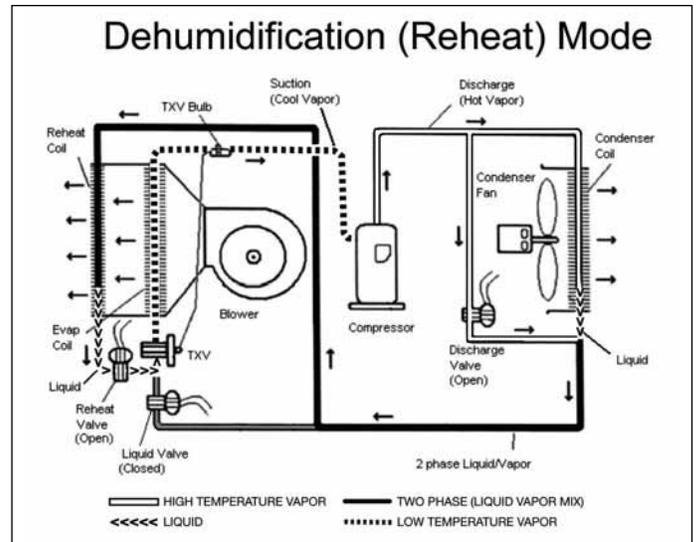
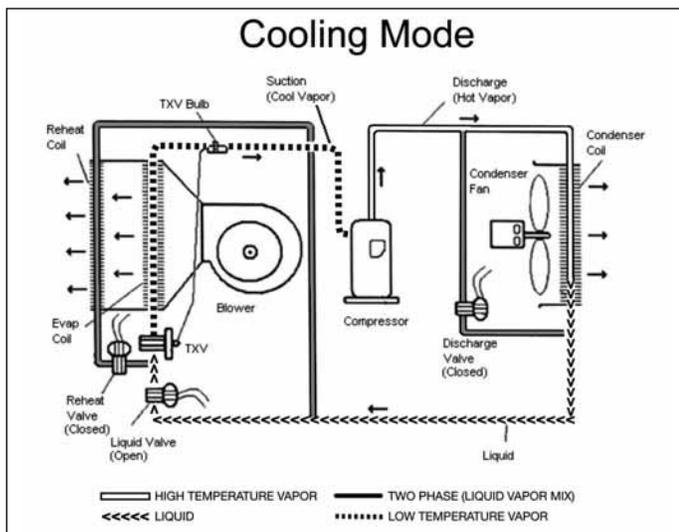


Figure 2 shows the refrigerant path during the reheat mode. When the reheat cycle is energized by the RTU-C, the reheat solenoid valve, downstream of the reheat coil, opens. The liquid solenoid valve, ahead of the TXV, closes. The discharge solenoid valve, in the compressor discharge line, opens. The liquid refrigerant leaves the TXV with the sudden pressure drop causing the liquid to expand to a vapor and absorbing the heat from the supply air going through the evaporator coil. The refrigerant vapor then travels to the compressor where it is elevated to a higher pressure and temperature. The refrigerant next carries the heat to a parallel path between the outside condenser coil and a bypass circuit. Some of the heat is rejected outdoors. The ratio of heat rejected outdoors versus indoors is controlled by an outdoor fan motor controller (OFMC) that monitors the two phase temperature and varies the fan speed. This 2-phase refrigerant vapor is then sent to the reheat coil it condenses into a subcooled liquid where the process repeats itself.



R **GE** **D** **ZT** **090** **A** **C** **A** **15** **2** **A** **A** *******
1 **23** **4** **56** **789** **10** **11** **12** **13 14** **15** **16** **17** **18 19 20**

1 – Brand

R = Rheem

2, 3 – Unit Type

GE = Package Gas Electric

4 – Cabinet Type

D = Medium Commercial

5, 6 – Series

ZT¹ = Tier 1 (*Commercial Prestige® Series*)

ZS² = Tier 2 (*Commercial Classic Plus® Series*)

ZR³ = Tier 3 (*Commercial Classic® Series*)

7, 8, 9 – Capacity

090 = 7.5 ton

102 = 8.5 ton

120 = 10 ton

150 = 12.5 ton⁴

10 – Major series

A

11 – Voltage

C = 3 phase 208-230/60

D = 3 phase 460/60

Y = 3 phase 575/60

12 – Drive

A = belt low static

B = belt med static

C = belt high static

F = belt VFD low static

G = belt VFD med static

H = belt VFD high static

13, 14 – Heat Capacity

15 = 150k

20 = 205k⁵

22 = 225k⁶

15 – Heat Configuration

2 = 2 stage

B = 2 stage Stainless

16 – Control

A = Non communicating

B = Comfort Alert/Phase Monitor

C = Clear Control

D = Clear Control & Comfort Alert

17 – Minor series

A

18, 19, 20 – Option Code

See next page

Notes:

1. ZT Series – can only select VFD drives (F, G, H) in character 12
2. ZS Series – can select any of the drive options in character 12
3. ZR Series – can only select standard drives (A, B, C) in character 12
4. ZR Series not available for 12.5 ton models
5. 205k heat capacity can only be selected for 7.5 ton models
6. 225k heat capacity can only be selected for 8.5 to 12.5 ton models



FACTORY INSTALLED OPTION CODES FOR RGED (7.5 TO 12.5 TON)

18					19					20				
LV = Louver protection					LF = Low Ambient / Freeze Stat					EC = Economizer				
RH = Reheat (HumidiDry™) ¹					PC = Powered Convenience Outlet—Coming Soon					SS = Supply and Return Smoke Detector				
HA = Hinged Access					NP = Non-powered Convenience Outlet					RS = Return Smoke Detector				
CC ² = Coil Coating					DC = Disconnect Switch									
					CB = Circuit Breaker—Coming Soon									
Option code character highlighted below					Option code character highlighted below					Option code character highlighted below				
A	None				A	None				0	None			
B	LV				B	LF				1	EC			
C	HA				C	NP				2	RS			
D	LV	HA			D	LF	NP			3	EC	RS		
E	LV	CC			E	DC				4	SS	RS		
F	LV	HA	CC		F	LF	DC			5	EC	SS	RS	
G	RH				G	Future Use								
H	LV	RH			H	NP	DC							
J	RH	HA			J	Future Use								
K	LV	RH	CC		K	LF	NP	DC						
L	LV	RH	HA		L	CB								
M	LV	RH	HA	CC	M	LF	CB							
					N	PC	CB							
					P	NP	CB							
					Q	LF	PC	CB						
					R	LF	NP	CB						

¹Reheat (HumidiDry™) option only available on units with F, G or H drives (VFD) and “C” or “D” control

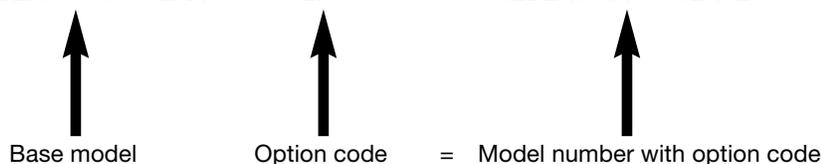
²CC—requires LV (louver protection)

Instructions for Factory Installed Option(s) Selection

Note: Three characters following the model number will be utilized to designate a factory-installed option or combination of options. If no factory option(s) is required, “AAO” follows the model number.

- **Step 1:** In the table above, based on the desired features, choose option code character from highlighted options on the left side under the number 18. For example, the option code character “E” has Louver protection and Coil Coating.
- **Step 2:** In the table above, based on the desired features, choose option code character from highlighted options on the left side under the number 19. For example, the option code character “F” has Low Ambient / Freeze Stat and Disconnect switch.
- **Step 3:** In the table above, based on the desired features, choose option code character from highlighted options on the left side under the number 20. For example, the option code character “3” has Economizer and Return Smoke.
- The resulting option code from examples above is: “EF3”
- **Step 4:** Add your option code selection to the end of model number

◦ Example: RGEDZR090ACC152AA EF3 = RGEDZR090ACC152AAEF3





To select an RGEDZ Cooling and Heating unit to meet a job requirement, follow this procedure, with example, using data supplied in this specification sheet.

1. DETERMINE COOLING AND HEATING REQUIREMENTS AND SPECIFIC OPERATING CONDITIONS FROM PLANS AND SPECS.

Example:

Voltage—	208/240V – 3 Phase
Total cooling capacity—	105,000 BTUH [30.77 kW]
Sensible cooling capacity—	90,000 BTUH [26.38 kW]
Heating capacity—	159,000 BTUH [46.60 kW]
*Condenser Entering Air—	95°F [35°C] DB
*Evaporator Mixed Air Entering—	65°F [18°C] WB; 78°F [26°C] DB
*Indoor Air Flow (vertical)—	3750 CFM [1770 L/s]
*External Static Pressure—	.70 in. WG

2. SELECT UNIT TO MEET COOLING REQUIREMENTS.

Since total cooling is within the range of a nominal 10 ton [35.2 kW] unit, enter cooling performance table at 95°F [35°C] DB condenser inlet air. Interpolate between 63°F [2°C] and 67°F [19°C] to determine total and sensible capacity and power input for 65°F [18°C] WB evap inlet air at 3750 CFM [1770 L/s] indoor air flow (table basis):

Total Capacity = 120,060 BTUH [35.2 kW]
Sensible Capacity = 101,350 BTUH [29.7 kW]
Power Input (Compressor and Cond. Fans) = 8,950 watts

Use formula $[1.10 \times \text{CFM} \times (1 - \text{DR}) \times (\text{dbE} - 80)]$ in note ① to determine sensible capacity at 80°F [26.7°C] DB evaporator entering air:

Sensible Capacity = 101,350 BTUH [29.7 kW]

3. CORRECT CAPACITIES OF STEP 2 FOR ACTUAL AIR FLOW.

Select factors from airflow correction table at 3700 & 3800 CFM, average data [1746.2 & 1793.4 L/s] and apply to data obtained in step 2 to obtain gross capacity:

Total Capacity, $120,060 \times .99 = 118,859$ BTUH [33.6 kW]
Sensible Capacity, $101,350 \times .95 = 96,283$ BTUH [28.2 kW]
Power Input $8,950 \times 1.0 = 8,950$ Watts

These are Gross Capacities, not corrected for blower motor heat or power.

4. DETERMINE BLOWER SPEED AND WATTS TO MEET SYSTEM DESIGN.

Enter Indoor Blower performance table at 3700 & 3800 CFM, average data [1746.2 & 1793.4 L/s]. Total ESP (external static pressure) per the spec of .70 in. includes the system duct and grilles. Add from the table “Component Air Resistance,” 0.08 for wet coil, for a total selection static pressure of .780 (.8) inches of water, and determine:

RPM = 835
WATTS = 1722
DRIVE = A (belt drive, low static)

5. CALCULATE INDOOR BLOWER BTUH HEAT EFFECT FROM MOTOR WATTS, STEP 4.

$$\text{BTUH} = 1,722 \times 3.412 = 5,875$$

6. CALCULATE NET COOLING CAPACITIES, EQUAL TO GROSS CAPACITY, STEP 3, MINUS INDOOR BLOWER MOTOR HEAT.

$$\text{Net Total Capacity} = 118,859 \text{ (step 3)} - 5,875 \text{ (step 5)} = 112,984 \text{ BTUH [33.1 kW]}$$

$$\text{Net Sensible Capacity} = 96,283 \text{ (step 3)} - 5,875 \text{ (step 5)} = 90,408 \text{ BTUH [26.5 kW]}$$

7. CALCULATE UNIT INPUT AND JOB EER.

$$\text{Total Power Input} = 8,950 \text{ (step 3)} + 5,875 \text{ (step 4)} = 10,672 \text{ Watts}$$

$$\text{EER} = \frac{\text{Net Total BTUH [kW] (step 6)}}{\text{Power Input, Watts (above)}} = \frac{112,984}{10,672} = 10.58$$

8. SELECT UNIT HEATING CAPACITY.

From Physical Data Table read that gas heating output (input rating x efficiency) is:

$$\text{Heating Capacity} = 159,000 \text{ BTUH [52.45 kW]}$$

Choose Model RGEDZS120ACA222AA

*NOTE: These operating conditions are typical of a commercial application in a 95°F/79°F [35°C/26°C] design area with indoor design of 76°F [24°C] DB and 50% RH and 10% ventilation air, with the unit roof mounted and centered on the zone it conditions by ducts.

[] Designates Metric Conversions



NOM. SIZES 7.5-12.5 TONS [26.4-44.0 kW] ASHRAE 90.1-2007 COMPLIANT MODELS

Model RGEDZR - Series	ZR090	ZR102	ZR120
Cooling Performance¹			
Gross Cooling Capacity Btu [kW]	88,000 [25.78]	99,000 [29.01]	118,000 [34.57]
EER/SEER ²	11/NA	11/NA	11/NA
Nominal CFM/AHRI Rated CFM [L/s]	3000/3175 [1416/1498]	3400/3200 [1604/1510]	4000/3480 [1888/1642]
AHRI Net Cooling Capacity Btu [kW]	85,000 [24.9]	96,000 [28.13]	114,000 [33.4]
Net Sensible Capacity Btu [kW]	62,700 [18.37]	68,300 [20.01]	80,600 [23.62]
Net Latent Capacity Btu [kW]	22,300 [6.53]	27,700 [8.12]	33,400 [9.79]
IEER ³	12.7	12.7	12.7
Net System Power kW	7.53	8.51	9.86
Compressor			
No./Type	1/Scroll	1/Scroll	1/Scroll
No. Stages	1	1	1
Outdoor Sound Rating (dB)⁴			
	88	88	88
Outdoor Coil - Fin Type			
Tube Type	Louvered	Louvered	Louvered
MicroChannel Depth in. [mm]	0.71 [18]	0.81 [20.6]	1 [25.4]
Face Area sq. ft. [sq. m]	25.4 [2.36]	25.6 [2.38]	25.6 [2.38]
Rows / FPI [FPcm]	1 / 23 [9]	1 / 23 [9]	1 / 23 [9]
Indoor Coil - Fin Type			
Tube Type	Louvered	Louvered	Louvered
MicroChannel Depth in. [mm]	1 [25.4]	1.26 [32]	1.26 [32]
Face Area sq. ft. [sq. m]	11 [1.02]	10.9 [1.01]	10.9 [1.01]
Rows / FPI [FPcm]	1 / 20 [8]	1 / 20 [8]	1 / 20 [8]
Refrigerant Control	TX Valves	TX Valves	TX Valves
Drain Connection No./Size in. [mm]	1/0.75 [19.05]	1/0.75 [19.05]	1/0.75 [19.05]
Outdoor Fan - Type			
No. Used/Diameter in. [mm]	Propeller 2/24 [609.6]	Propeller 2/24 [609.6]	Propeller 2/24 [609.6]
Drive Type/No. Speeds	Direct/1	Direct/1	Direct/1
CFM [L/s]	8000 [3775]	8000 [3775]	8500 [4011]
No. Motors/HP	2 at 1/5 HP	2 at 1/5 HP	2 at 1/3 HP
Motor RPM	820	820	1075
Indoor Fan - Type			
No. Used/Diameter in. [mm]	FC Centrifugal 1/15x15 [381x381]	FC Centrifugal 1/15x15 [381x381]	FC Centrifugal 1/15x15 [381x381]
Drive Type	Belt (Adjustable)	Belt (Adjustable)	Belt (Adjustable)
No. Speeds	Single	Single	Single
No. Motors	1	1	1
Motor RPM	1725	1725	1725
Motor Frame Size	56	56	56
Filter - Type			
Furnished	Disposable Yes	Disposable Yes	Disposable Yes
(NO.) Size Recommended in. [mm x mm x mm]	(4)2x20x20 [51x508x508]	(4)2x20x20 [51x508x508]	(4)2x20x20 [51x508x508]
Refrigerant Charge Oz. [g]			
	100 [2835]	117 [3317]	136 [3856]
Weights			
Net Weight lbs. [kg]	839 [381]	868 [394]	896 [406]
Ship Weight lbs. [kg]	878 [398]	907 [411]	935 [424]

See Page 18 for Notes.

[] Designates Metric Conversions

NOM. SIZES 7.5-12.5 TONS [26.4-44.0 kW] ASHRAE 90.1-2007* COMPLIANT MODELS

Model RGEDZS - Series	ZS090	ZS102	ZS120A	ZS150
Cooling Performance¹				
Gross Cooling Capacity Btu [kW]	88,000 [25.78]	99,000 [29.01]	118,000 [34.57]	148,000 [43.36]
EER/SEER ²	11/NA	11/NA	11/NA	10.8/NA
Nominal CFM/AHRI Rated CFM [L/s]	3000/3175 [1416/1498]	3400/3225 [1604/1522]	4000/3480 [1888/1642]	5000/3750 [2360/1770]
AHRI Net Cooling Capacity Btu [kW]	85,000 [24.9]	96,000 [28.13]	114,000 [33.4]	142,000 [41.61]
Net Sensible Capacity Btu [kW]	62,700 [18.37]	68,300 [20.01]	79,600 [23.32]	98,600 [28.89]
Net Latent Capacity Btu [kW]	22,300 [6.53]	27,700 [8.12]	34,400 [10.08]	43,400 [12.72]
IEER ³	12.7	12.7	12.7	12.2
Net System Power kW	7.35	7.35	9.83	13.69
Compressor				
No./Type	1/Scroll	1/Scroll	1/Scroll	2/Tandem Scroll
No. Stages	2	2	2	2
Outdoor Sound Rating (dB)⁴				
	88	88	88	88
Outdoor Coil - Fin Type				
Tube Type	Louvered	Louvered	Louvered	Louvered
MicroChannel Depth in. [mm]	MicroChannel	MicroChannel	MicroChannel	MicroChannel
Face Area sq. ft. [sq. m]	0.71 [18]	0.81 [20.6]	1 [25.4]	1 [25.4]
Rows / FPI [FPcm]	25.4 [2.36]	25.6 [2.38]	25.6 [2.38]	31.5 [2.93]
	1 / 23 [9]	1 / 23 [9]	1 / 23 [9]	1 / 23 [9]
Indoor Coil - Fin Type				
Tube Type	Louvered	Louvered	Louvered	Louvered
MicroChannel Depth in. [mm]	MicroChannel	MicroChannel	MicroChannel	MicroChannel
Face Area sq. ft. [sq. m]	1 [25.4]	1.26 [32]	1.26 [32]	1 [25.4]
Rows / FPI [FPcm]	11 [1.02]	10.9 [1.01]	10.9 [1.01]	13.8 [1.28]
	1 / 20 [8]	1 / 20 [8]	1 / 20 [8]	2 / 18 [7]
Refrigerant Control	TX Valves	TX Valves	TX Valves	TX Valves
Drain Connection No./Size in. [mm]	1/0.75 [19.05]	1/0.75 [19.05]	1/0.75 [19.05]	1/0.75 [19.05]
Outdoor Fan - Type				
No. Used/Diameter in. [mm]	Propeller	Propeller	Propeller	Propeller
Drive Type/No. Speeds	2/24 [609.6]	2/24 [609.6]	2/24 [609.6]	2/24 [609.6]
CFM [L/s]	Direct/1	Direct/1	Direct/1	Direct/1
No. Motors/HP	8000 [3775]	8000 [3775]	8500 [4011]	9000 [4247]
Motor RPM	2 at 1/5 HP	2 at 1/5 HP	2 at 1/3 HP	2 at 3/4 HP
	820	820	1075	1100
Indoor Fan - Type				
No. Used/Diameter in. [mm]	FC Centrifugal	FC Centrifugal	FC Centrifugal	FC Centrifugal
Drive Type	1/15x15 [381x381]	1/15x15 [381x381]	1/15x15 [381x381]	1/15x15 [381x381]
No. Speeds	Belt (Adjustable)	Belt (Adjustable)	Belt (Adjustable)	Belt (Adjustable)
No. Motors	Single	Single	Single	Single
Motor RPM	1	1	1	1
Motor Frame Size	1725	1725	1725	1725
	56	56	56	56
Filter - Type				
Furnished	Disposable	Disposable	Disposable	Disposable
(NO.) Size Recommended in. [mm x mm x mm]	Yes	Yes	Yes	Yes
	(4)2x20x20 [51x508x508]	(4)2x20x20 [51x508x508]	(4)2x20x20 [51x508x508]	(4)2x20x25 [51x508x635]
Refrigerant Charge Oz. [g]				
	100 [2835]	117 [3317]	136 [3856]	186 [5273]
Weights				
Net Weight lbs. [kg]	839 [381]	868 [394]	896 [406]	1094 [496]
Ship Weight lbs. [kg]	878 [398]	907 [411]	935 [424]	1133 [514]

See Page 18 for Notes.
 *2013 with optional VFD

[] Designates Metric Conversions

NOM. SIZES 7.5-12.5 TONS [26.4-44.0 kW] ASHRAE 90.1-2013 COMPLIANT MODELS

Model RGEDZT - Series	ZT090	ZT102	ZT120	ZT150
Cooling Performance¹				
Gross Cooling Capacity Btu [kW]	88,000 [25.78]	99,000 [29.01]	118,000 [34.57]	148,000 [43.36]
EER/SEER ²	11/NA	11/NA	11/NA	10.8/NA
Nominal CFM/AHRI Rated CFM [L/s]	3000/3175 [1416/1498]	3400/3225 [1604/1522]	4000/3480 [1888/1642]	5000/3750 [2360/1770]
AHRI Net Cooling Capacity Btu [kW]	85,000 [24.9]	96,000 [28.13]	114,000 [33.4]	142,000 [41.61]
Net Sensible Capacity Btu [kW]	62,700 [18.37]	68,300 [20.01]	79,600 [23.32]	98,600 [28.89]
Net Latent Capacity Btu [kW]	22,300 [6.53]	27,700 [8.12]	34,400 [10.08]	43,400 [12.72]
IEER ³	14.6	14.6	14.6	14
Net System Power kW	7.35	7.35	9.83	13.69
Compressor				
No./Type	1/Scroll	1/Scroll	1/Scroll	2/Tandem Scroll
No. Stages	2	2	2	2
Outdoor Sound Rating (dB)⁴				
	88	88	88	88
Outdoor Coil - Fin Type				
Tube Type	Louvered	Louvered	Louvered	Louvered
MicroChannel Depth in. [mm]	MicroChannel	MicroChannel	MicroChannel	MicroChannel
Face Area sq. ft. [sq. m]	0.71 [18]	0.81 [20.6]	1 [25.4]	1 [25.4]
Rows / FPI [FPcm]	25.4 [2.36]	25.6 [2.38]	25.6 [2.38]	31.5 [2.93]
	1 / 23 [9]	1 / 23 [9]	1 / 23 [9]	1 / 23 [9]
Indoor Coil - Fin Type				
Tube Type	Louvered	Louvered	Louvered	Louvered
MicroChannel Depth in. [mm]	MicroChannel	MicroChannel	MicroChannel	MicroChannel
Face Area sq. ft. [sq. m]	1 [25.4]	1.26 [32]	1.26 [32]	1 [25.4]
Rows / FPI [FPcm]	11 [1.02]	10.9 [1.01]	10.9 [1.01]	13.8 [1.28]
	1 / 20 [8]	1 / 20 [8]	1 / 20 [8]	2 / 18 [7]
Refrigerant Control	TX Valves	TX Valves	TX Valves	TX Valves
Drain Connection No./Size in. [mm]	1/0.75 [19.05]	1/0.75 [19.05]	1/0.75 [19.05]	1/0.75 [19.05]
Outdoor Fan - Type				
Propeller	Propeller	Propeller	Propeller	Propeller
No. Used/Diameter in. [mm]	2/24 [609.6]	2/24 [609.6]	2/24 [609.6]	2/24 [609.6]
Drive Type/No. Speeds	Direct/1	Direct/1	Direct/1	Direct/1
CFM [L/s]	8000 [3775]	8000 [3775]	8500 [4011]	9000 [4247]
No. Motors/HP	2 at 1/5 HP	2 at 1/5 HP	2 at 1/3 HP	2 at 3/4 HP
Motor RPM	820	820	1075	1100
Indoor Fan - Type				
FC Centrifugal	FC Centrifugal	FC Centrifugal	FC Centrifugal	FC Centrifugal
No. Used/Diameter in. [mm]	1/15x15 [381x381]	1/15x15 [381x381]	1/15x15 [381x381]	1/15x15 [381x381]
Drive Type	Belt (Adjustable)	Belt (Adjustable)	Belt (Adjustable)	Belt (Adjustable)
No. Speeds	Single	Single	Single	Single
No. Motors	1	1	1	1
Motor RPM	1725	1725	1725	1725
Motor Frame Size	56	56	56	184
Filter - Type				
Disposible	Disposible	Disposible	Disposible	Disposible
Furnished	Yes	Yes	Yes	Yes
(NO.) Size Recommended in. [mm x mm x mm]	(4)2x20x20 [51x508x508]	(4)2x20x20 [51x508x508]	(4)2x20x20 [51x508x508]	(4)2x20x25 [51x508x635]
Refrigerant Charge Oz. [g]				
	117 [3317]	136 [3856]	186 [5273]	
Weights				
Net Weight lbs. [kg]	839 [381]	868 [394]	896 [406]	1094 [496]
Ship Weight lbs. [kg]	878 [398]	907 [411]	935 [424]	1133 [514]

See Page 18 for Notes.

[] Designates Metric Conversions



NOTES:

1. Cooling Performance is rated at 95° F ambient, 80° F entering dry bulb, 67° F entering wet bulb. Gross capacity does not include the effect of fan motor heat. AHRI capacity is net and includes the effect of fan motor heat. Units are suitable for operation to $\pm 20\%$ of nominal cfm. Units are certified in accordance with the Unitary Air Conditioner Equipment certification program, which is based on AHRI Standard 340/360.
2. EER and/or SEER are rated at AHRI conditions and in accordance with DOE test procedures.
3. Integrated Energy Efficiency Ratio (IEER) is rated in accordance with AHRI Standard 340/360.
4. Outdoor Sound Rating shown is tested in accordance with AHRI Standard 270.

RGED** HEATING PERFORMANCE

Model RGED**	Heating Input BTU [kW] (1 st Stage / 2 nd Stage)	Heating Output BTU [kW] (1 st Stage / 2 nd Stage)	Temperature Rise Range °F [°C] (1 st Stage / 2 nd Stage)	Steady State Efficiency (%)	No. Burners	No. Stages	Gas Connection Pipe Size in. [mm]
090A**15**A	105,000/150,000 [30.76/43.95]	85,050/121,500 [24.92/35.6]	10-40 [5.6-22.2] / 25-55 [13.9-30.6]	81	6	2	0.75 [19]
090A**20**A	143,000/205,000 [42.06/60.06]	116,200/166,050 [34.07/48.66]	20-50 [11.1-27.8] / 35-65 [19.4-36.1]	81	9	2	0.75 [19]
102A**15**A	105,000/150,000 [30.76/43.95]	85,050/121,500 [24.92/35.6]	5-35 [2.8-19.4] / 15-45 [8.3-25]	81	6	2	0.75 [19]
102A**22**A	157,500/225,000 [46.16/65.92]	127,500/182,250 [37.39/53.4]	15-45 [8.3-25] / 35-65 [19.4-36.1]	81	9	2	0.75 [19]
120A**15**A	105,000/150,000 [30.76/43.95]	85,050/121,500 [24.92/35.6]	10-40 [5.6-22.2] / 20-50 [11.1-27.8]	81	6	2	0.75 [19]
120A**22**A	157,500/225,000 [46.16/65.92]	127,500/182,250 [37.39/53.4]	15-45 [8.3-25] / 35-65 [19.4-36.1]	81	9	2	0.75 [19]
150A**15**A	105,000/150,000 [30.76/43.95]	85,050/121,500 [24.92/35.6]	5-35 [2.8-19.4] / 15-45 [8.3-25]	81	6	2	0.75 [19]
150A**22**A	157,500/225,000 [46.16/65.92]	127,500/182,250 [37.39/53.4]	10-40 [5.6-22.2] / 25-55 [13.9-30.6]	81	9	2	0.75 [19]

Heating Performance limit settings and rating data were established and approved under laboratory test conditions using American National Standard Institute standards. Ratings shown are for elevations up to 2000 feet. For elevations above 2000 feet, ratings should be reduced at the rate of 4% for each 1000 feet above sea level.

COOLING PERFORMANCE DATA -- RGEDZR090A

wBE		ENTERING INDOOR AIR @ 80°F [26.7°C] dbE ①											
		71°F [21.7°C]		67°F [19.4°C]		63°F [17.2°C]		61°F [16.1°C]		59°F [15.0°C]			
CFM [L/s]		3600 [1699]	3175 [1498]	2400 [1133]	3600 [1699]	3175 [1498]	2400 [1133]	3600 [1699]	3175 [1498]	2400 [1133]	3600 [1699]	3175 [1498]	2400 [1133]
DR ①		0.22	0.19	0.14	0.22	0.19	0.14	0.22	0.19	0.14	0.22	0.19	0.14
Total BTUH [kW]	75 [23.9]	112 [32.8]	109.4 [32.0]	104.5 [30.6]	105.4 [30.9]	102.9 [30.1]	98.3 [28.8]	100.6 [29.5]	98.2 [28.8]	93.8 [27.5]	99.2 [29.1]	96.8 [28.4]	92.5 [27.1]
Sens BTUH [kW]		65.8 [19.3]	62 [18.2]	54.9 [16.1]	77.9 [22.8]	73.4 [21.5]	65 [19.0]	89.8 [26.3]	84.5 [24.8]	74.9 [21.9]	95.5 [28.0]	89.5 [27.9]	79.7 [23.4]
Power		4.7	4.6	4.5	4.6	4.6	4.5	4.6	4.5	4.4	4.5	4.5	4.4
Total BTUH [kW]	80 [26.7]	108.6 [31.8]	106.1 [31.1]	101.3 [29.7]	102 [29.9]	99.6 [29.2]	95.1 [27.8]	97.2 [28.5]	94.9 [27.8]	90.7 [26.6]	95.8 [28.1]	93.5 [27.4]	89.4 [26.2]
Sens BTUH [kW]		64.1 [18.8]	60.3 [17.7]	53.4 [15.7]	76.2 [22.3]	71.7 [21.0]	63.5 [18.6]	88 [25.8]	82.9 [24.3]	73.4 [21.5]	93.8 [27.5]	88.3 [26.9]	78.2 [22.9]
Power		5.1	5	4.9	5	4.9	4.8	4.9	4.9	4.8	4.9	4.9	4.8
Total BTUH [kW]	85 [29.4]	105.2 [30.8]	102.7 [30.1]	98.1 [28.8]	98.5 [28.9]	96.2 [28.2]	91.9 [26.9]	93.8 [27.5]	91.5 [26.8]	87.5 [25.6]	92.3 [27.1]	90.2 [26.4]	86.2 [25.2]
Sens BTUH [kW]		62.3 [18.3]	58.7 [17.2]	52 [15.2]	74.4 [21.8]	70 [20.5]	62.1 [18.2]	86.3 [25.3]	81.2 [23.8]	72 [21.1]	92 [27.0]	86.6 [25.4]	76.7 [22.5]
Power		5.5	5.5	5.3	5.5	5.4	5.3	5.4	5.3	5.2	5.4	5.3	5.2
Total BTUH [kW]	90 [32.2]	101.7 [29.8]	99.3 [29.1]	94.9 [27.8]	95.1 [27.9]	92.8 [27.2]	88.7 [26.0]	90.3 [26.5]	88.1 [25.8]	84.2 [24.7]	88.9 [26.0]	86.8 [25.4]	82.9 [24.3]
Sens BTUH [kW]		60.6 [17.8]	57 [16.7]	50.5 [14.8]	72.7 [21.3]	68.4 [20.0]	60.6 [17.8]	84.6 [24.8]	79.6 [23.3]	70.5 [20.7]	88.9 [26.0]	85 [24.9]	75.3 [22.1]
Power		6.1	6	5.9	6	5.9	5.8	5.9	5.9	5.7	5.9	5.8	5.7
Total BTUH [kW]	95 [35]	98.2 [28.8]	95.9 [28.1]	91.6 [26.9]	91.6 [26.8]	89.4 [26.2]	85.4 [25.0]	88.8 [25.4]	84.7 [24.8]	81 [23.7]	85.4 [25.0]	83.3 [24.4]	79.6 [23.3]
Sens BTUH [kW]		58.9 [17.3]	55.4 [16.2]	49.1 [14.4]	71 [20.8]	66.8 [19.6]	59.2 [17.3]	82.8 [24.3]	78 [22.8]	69.1 [20.2]	85.4 [25.0]	83.3 [24.4]	73.9 [21.6]
Power		6.7	6.6	6.5	6.6	6.5	6.4	6.6	6.5	6.3	6.5	6.5	6.3
Total BTUH [kW]	100 [37.8]	94.7 [27.7]	92.4 [27.1]	88.3 [25.9]	88 [25.8]	85.9 [25.2]	82.1 [24.1]	83.2 [24.4]	81.3 [23.8]	77.6 [22.8]	81.8 [24.0]	79.9 [23.4]	76.3 [22.4]
Sens BTUH [kW]		57.2 [16.8]	53.8 [15.8]	47.7 [14.0]	69.3 [20.3]	65.2 [19.1]	57.8 [16.9]	81.1 [23.8]	76.4 [22.4]	67.7 [19.8]	81.8 [24.0]	79.9 [23.4]	72.5 [21.2]
Power		7.4	7.3	7.1	7.3	7.2	7.1	7.2	7.2	7	7.2	7.1	7
Total BTUH [kW]	105 [40.6]	91.1 [26.7]	88.9 [26.1]	85 [24.9]	84.4 [24.7]	82.4 [24.2]	78.8 [23.1]	79.7 [23.3]	77.8 [22.8]	74.3 [21.8]	78.2 [22.9]	76.4 [22.4]	73 [21.4]
Sens BTUH [kW]		55.5 [16.3]	52.2 [15.3]	46.3 [13.6]	67.6 [19.8]	63.6 [18.6]	56.4 [16.5]	79.5 [23.3]	74.8 [21.9]	66.3 [19.4]	78.2 [22.9]	76.4 [22.4]	71.1 [20.8]
Power		8.1	8	7.9	8.1	8	7.8	8	7.9	7.8	8	8	7.7
Total BTUH [kW]	110 [43.3]	87.5 [25.6]	85.4 [25.0]	81.6 [23.9]	80.8 [23.7]	78.9 [23.1]	75.4 [22.1]	76 [22.3]	74.2 [21.8]	70.9 [20.8]	74.6 [21.9]	72.9 [21.3]	69.6 [20.4]
Sens BTUH [kW]		53.8 [15.8]	50.7 [14.8]	44.9 [13.2]	65.9 [19.3]	62.1 [18.2]	55 [16.1]	72.4 [21.2]	67.3 [20.1]	64.9 [19.0]	74.6 [21.9]	72.9 [21.3]	69.6 [20.4]
Power		9	8.9	8.7	8.9	8.8	8.6	8.9	8.8	8.6	8.8	8.7	8.5
Total BTUH [kW]	115 [46.1]	83.8 [24.6]	81.8 [24.0]	78.2 [22.9]	77.2 [22.6]	75.3 [22.1]	72 [21.1]	72.4 [21.2]	70.7 [20.7]	67.5 [19.8]	71 [20.8]	69.3 [20.3]	66.2 [19.4]
Sens BTUH [kW]		52.2 [15.3]	49.1 [14.4]	43.5 [12.8]	64.3 [18.8]	60.5 [17.7]	53.6 [15.7]	72.4 [21.2]	67.3 [20.1]	63.5 [18.6]	71 [20.8]	69.3 [20.3]	66.2 [19.4]
Power		9.9	9.8	9.6	9.8	9.7	9.5	9.8	9.7	9.5	9.8	9.6	9.4
Total BTUH [kW]	120 [48.9]	80.1 [23.5]	78.2 [22.9]	74.8 [21.9]	73.5 [21.5]	71.7 [21.0]	68.5 [20.1]	68.7 [20.1]	67.1 [19.6]	64.1 [18.8]	67.3 [19.7]	65.7 [19.2]	62.8 [18.4]
Sens BTUH [kW]		50.6 [14.8]	47.6 [14.0]	42.2 [12.4]	62.7 [18.4]	59 [17.3]	52.3 [15.3]	68.7 [20.1]	67.1 [19.6]	62.2 [18.2]	67.3 [19.7]	65.7 [19.2]	62.8 [18.4]
Power		10.9	10.8	10.5	10.8	10.7	10.5	10.8	10.7	10.4	10.7	10.6	10.4
Total BTUH [kW]	125 [51.7]	76.4 [22.4]	74.6 [21.9]	71.3 [20.9]	69.7 [20.4]	68.1 [20.0]	65.1 [19.1]	65 [19.0]	63.4 [18.6]	60.6 [17.8]	63.5 [18.6]	62 [18.2]	59.3 [17.4]
Sens BTUH [kW]		49 [14.4]	46.1 [13.5]	40.8 [12.0]	61.1 [17.9]	57.5 [16.8]	50.9 [14.9]	65 [19.0]	63.4 [18.6]	60.6 [17.8]	63.5 [18.6]	62 [18.2]	59.3 [17.4]
Power		12	11.8	11.6	11.9	11.8	11.5	11.9	11.7	11.5	11.8	11.7	11.4

DR — Depression ratio
 dbE — Entering air dry bulb
 wBE — Entering air wet bulb

Total — Total capacity x 1000 BTUH
 Sens — Sensible capacity x 1000 BTUH
 Power — kW Input

NOTES: ① When the entering air dry bulb is other than 80°F [27°C], adjust the sensible capacity from the table by adding [1.10 x CFM x (1 - DR) x (dbE - 80)].

[] Designates Metric Conversions

COOLING PERFORMANCE DATA — RGEDZR102A

wBE		ENTERING INDOOR AIR @ 80°F [26.7°C] dbE ①											
		71°F [21.7°C]		67°F [19.4°C]		63°F [17.2°C]		61°F [16.1°C]		59°F [15.0°C]			
CFM [L/s]	DR ①	4100 [1935]	3200 [1510]	2700 [1274]	4100 [1935]	3200 [1510]	2700 [1274]	4100 [1935]	3200 [1510]	2700 [1274]	4100 [1935]	3200 [1510]	2700 [1274]
75 [23.9]	Total BTUH [KW]	129.7 [38.0]	123.4 [36.2]	119.9 [35.1]	122.5 [35.9]	116.6 [34.2]	113.3 [33.2]	118.1 [34.6]	112.4 [32.9]	109.2 [32.0]	117.3 [34.4]	111.6 [32.7]	108.4 [31.8]
	Sens BTUH [KW]	75.5 [22.1]	66.7 [19.5]	61.8 [18.1]	90.5 [26.5]	80 [23.4]	74.2 [21.7]	104.2 [30.5]	92.1 [27.0]	85.4 [25.0]	110.3 [32.3]	97.5 [28.6]	90.4 [26.5]
	Power	6.2	6	5.9	6.1	6	5.9	6	5.9	5.8	6	5.8	5.8
80 [26.7]	Total BTUH [KW]	125.5 [36.8]	119.4 [35.0]	116 [34.0]	118.3 [34.7]	112.5 [33.0]	109.3 [32.0]	113.9 [33.4]	108.3 [31.7]	105.3 [30.8]	113.1 [33.1]	107.6 [31.5]	104.5 [30.6]
	Sens BTUH [KW]	73.3 [21.5]	64.8 [19.0]	60.1 [17.6]	88.4 [25.9]	78.2 [22.9]	72.5 [21.2]	102.1 [29.9]	90.3 [26.5]	83.7 [24.5]	108.2 [31.7]	95.6 [28.0]	88.7 [26.0]
	Power	6.5	6.4	6.3	6.5	6.3	6.2	6.4	6.2	6.2	6.4	6.2	6.1
85 [29.4]	Total BTUH [KW]	121.2 [35.5]	115.3 [33.8]	112.1 [32.8]	114 [33.4]	108.5 [31.8]	105.4 [30.9]	109.6 [32.1]	104.3 [30.6]	101.3 [29.7]	108.8 [31.9]	103.6 [30.3]	100.6 [29.5]
	Sens BTUH [KW]	71.2 [20.9]	62.9 [18.4]	58.4 [17.1]	86.3 [25.3]	76.3 [22.3]	70.7 [20.7]	100 [29.3]	88.4 [25.9]	81.9 [24.0]	106 [31.1]	93.7 [27.5]	86.9 [25.5]
	Power	6.9	6.7	6.7	6.8	6.7	6.6	6.8	6.6	6.5	6.7	6.6	6.5
90 [32.2]	Total BTUH [KW]	117 [34.3]	111.3 [32.6]	108.1 [31.7]	109.8 [32.2]	104.4 [30.6]	101.5 [29.7]	105.4 [30.9]	100.2 [29.4]	97.4 [28.5]	104.6 [30.6]	99.5 [29.2]	96.7 [28.3]
	Sens BTUH [KW]	69 [20.2]	61 [17.9]	56.6 [16.6]	84.1 [24.6]	74.3 [21.8]	68.9 [20.2]	97.8 [28.7]	86.5 [25.3]	80.2 [23.5]	103.9 [30.4]	91.8 [26.9]	85.1 [24.9]
	Power	7.3	7.2	7.1	7.3	7.1	7	7.2	7	7.5	7.2	7	6.9
95 [35]	Total BTUH [KW]	112.7 [33.0]	107.2 [31.4]	104.2 [30.5]	105.5 [30.9]	100.4 [29.4]	97.5 [28.6]	101.1 [29.6]	96.2 [28.2]	93.4 [27.4]	100.3 [29.4]	95.4 [28.0]	92.7 [27.2]
	Sens BTUH [KW]	66.8 [19.6]	59.1 [17.3]	54.8 [16.0]	81.9 [24.0]	72.4 [21.2]	67.1 [19.7]	95.6 [28.0]	84.5 [24.8]	78.3 [23.0]	100.3 [29.4]	89.8 [26.3]	83.3 [24.4]
	Power	7.8	7.6	7.5	7.7	7.5	7.4	7.6	7.5	7.4	7.6	7.4	7.3
100 [37.8]	Total BTUH [KW]	108.4 [31.8]	103.1 [30.2]	100.2 [29.4]	101.2 [29.7]	96.3 [28.2]	93.6 [27.4]	96.8 [28.4]	92.1 [27.0]	89.5 [26.2]	96 [28.1]	91.3 [26.8]	88.8 [26.0]
	Sens BTUH [KW]	64.6 [18.9]	57.1 [16.7]	52.9 [15.5]	79.6 [23.3]	70.4 [20.6]	65.2 [19.1]	93.3 [27.3]	82.5 [24.2]	76.5 [22.4]	96 [28.1]	87.9 [25.7]	81.4 [23.9]
	Power	8.3	8.1	7.9	8.2	8	7.9	8.1	7.9	7.8	8.1	7.9	7.8
105 [40.6]	Total BTUH [KW]	104.1 [30.5]	99 [29.0]	96.2 [28.2]	96.9 [28.4]	92.2 [27.0]	89.6 [26.2]	92.5 [27.1]	88 [25.8]	85.5 [25.1]	91.7 [26.9]	87.2 [25.7]	84.8 [24.8]
	Sens BTUH [KW]	62.3 [18.2]	55 [16.1]	51 [15.0]	77.3 [22.7]	68.3 [20.0]	63.4 [18.6]	91 [26.7]	80.5 [23.6]	74.6 [21.9]	91.7 [26.9]	85.8 [25.1]	79.6 [23.3]
	Power	8.8	8.6	8.4	8.7	8.5	8.4	8.6	8.4	8.3	8.6	8.4	8.3
110 [43.3]	Total BTUH [KW]	99.8 [29.2]	94.9 [27.8]	92.2 [27.0]	92.6 [27.1]	88.1 [25.8]	85.6 [25.1]	88.2 [25.8]	83.9 [24.6]	81.5 [23.9]	87.4 [25.6]	83.1 [24.4]	80.8 [23.7]
	Sens BTUH [KW]	59.9 [17.6]	53 [15.5]	49.1 [14.4]	75 [22.0]	66.3 [19.4]	61.5 [18.0]	88.2 [25.8]	78.4 [23.0]	72.7 [21.3]	87.4 [25.6]	83.1 [24.4]	77.6 [22.8]
	Power	9.3	9.1	9	9.2	9	8.9	9.2	9	8.8	9.1	8.9	8.8
115 [46.1]	Total BTUH [KW]	95.4 [28.0]	90.8 [26.6]	88.2 [25.9]	88.3 [25.9]	84 [24.6]	81.6 [23.9]	83.8 [24.6]	79.7 [22.7]	77.5 [22.4]	83.1 [24.3]	79 [23.2]	76.8 [22.5]
	Sens BTUH [KW]	57.5 [16.9]	50.9 [14.9]	47.2 [13.8]	72.6 [21.3]	64.2 [18.8]	59.5 [17.4]	83.8 [24.6]	76.3 [22.4]	70.7 [20.7]	83.1 [24.3]	79 [23.2]	75.7 [22.2]
	Power	9.9	9.6	9.5	9.8	9.6	9.4	9.8	9.5	9.4	9.7	9.5	9.4
120 [48.9]	Total BTUH [KW]	91.1 [26.7]	86.7 [25.4]	84.2 [24.7]	83.9 [24.6]	79.8 [23.4]	77.6 [22.7]	79.5 [23.3]	75.6 [22.2]	73.5 [21.5]	78.7 [23.1]	74.9 [21.9]	72.7 [21.3]
	Sens BTUH [KW]	55.1 [16.2]	48.7 [14.3]	45.2 [13.2]	70.2 [20.6]	62.1 [18.2]	57.5 [16.9]	79.5 [23.3]	74.2 [21.7]	68.8 [20.1]	78.7 [23.1]	74.9 [21.9]	72.7 [21.3]
	Power	10.5	10.2	10.1	10.4	10.2	10	10.4	10.1	10	10.3	10.1	9.9
125 [51.7]	Total BTUH [KW]	86.7 [25.4]	82.5 [24.2]	80.2 [23.5]	79.5 [23.3]	75.7 [22.2]	73.5 [21.5]	75.1 [22.0]	71.5 [20.9]	69.4 [20.3]	74.3 [21.8]	70.7 [20.7]	68.7 [20.1]
	Sens BTUH [KW]	52.7 [15.4]	46.6 [13.6]	43.2 [12.7]	67.7 [19.9]	59.9 [17.5]	55.5 [16.3]	75.1 [22.0]	71.5 [20.9]	66.8 [19.6]	74.3 [21.8]	70.7 [20.7]	68.7 [20.1]
	Power	11.1	10.9	10.7	11.1	10.8	10.6	11	10.7	10.6	11	10.7	10.5

DR — Depression ratio
 dbE — Entering air dry bulb
 wBE — Entering air wet bulb

Total capacity x 1000 BTUH
 Sens — Sensible capacity x 1000 BTUH
 Power — KW Input

NOTES: ① When the entering air dry bulb is other than 80°F [27°C], adjust the sensible capacity from the table by adding [1.10 x CFM x (1 - DR) x (dbE - 80)].

[] Designates Metric Conversions



COOLING PERFORMANCE DATA -- RGEDZR120A

wBE		ENTERING INDOOR AIR @ 80°F [26.7°C] dbE [1]												
		71°F [21.7°C]		67°F [19.4°C]		63°F [17.2°C]		61°F [16.1°C]		59°F [15.0°C]				
CFM [L/s]	DR [1]	4800 [2265]	3750 [1770]	3200 [1510]	4800 [2265]	3750 [1770]	3200 [1510]	4800 [2265]	3750 [1770]	3200 [1510]	4800 [2265]	3750 [1770]	3200 [1510]	
75 [23.9]	Total BTUH [kW] Sens BTUH [kW] Power	155.3 [45.5] 97.3 [28.5] 7.5	147.8 [43.3] 86.1 [25.2] 7.3	143.8 [42.2] 80.2 [23.5] 7.2	147.8 [43.3] 115.8 [33.9] 7.4	140.7 [41.2] 102.4 [30.0] 7.2	136.2 [39.9] 100.3 [29.4] 7.6	142.8 [41.8] 132.9 [38.9] 7.3	135.8 [39.8] 117.5 [34.4] 7.1	134.7 [39.5] 124.3 [36.4] 7.1	131.1 [38.4] 115.8 [33.9] 7	141.4 [41.4] 140.6 [41.2] 7.2	134.5 [39.4] 130.4 [38.2] 7	130.9 [38.4] 121.4 [35.6] 6.9
80 [26.7]	Total BTUH [kW] Sens BTUH [kW] Power	150.6 [44.1] 94.9 [27.8] 7.9	143.4 [42.0] 84 [24.6] 7.7	139.5 [40.9] 78.2 [22.9] 7.6	143.7 [42.0] 113.5 [33.2] 7.8	136.2 [39.9] 100.3 [29.4] 7.6	132.6 [38.9] 93.5 [27.4] 7.5	138.1 [40.5] 130.5 [38.2] 7.7	131.4 [38.5] 115.4 [33.8] 7.5	130.2 [38.2] 122.2 [35.8] 7.5	128.8 [37.1] 113.8 [33.4] 7.4	136.7 [40.1] 136.7 [40.1] 7.6	130.1 [38.1] 128.3 [37.6] 7.4	126.6 [37.1] 119.5 [35.0] 7.3
85 [29.4]	Total BTUH [kW] Sens BTUH [kW] Power	146 [42.8] 92.5 [27.1] 8.3	138.9 [40.7] 81.8 [24.0] 8.1	135.2 [39.6] 76.2 [22.3] 8	138.5 [40.6] 111 [32.5] 8.2	131.8 [38.6] 98.2 [28.8] 8	128.3 [37.6] 91.5 [26.8] 7.9	133.5 [39.1] 128.1 [37.5] 8.2	127 [37.2] 113.3 [33.2] 8	125.8 [36.9] 120.1 [35.2] 7.9	122.5 [35.9] 111.9 [32.8] 7.8	132.1 [38.7] 132.1 [38.7] 8.1	125.7 [36.8] 125.7 [36.8] 7.9	122.3 [35.9] 117.5 [34.4] 7.8
90 [32.2]	Total BTUH [kW] Sens BTUH [kW] Power	141.4 [41.4] 90.1 [26.4] 8.8	134.5 [39.4] 79.7 [23.3] 8.6	131 [38.4] 74.2 [21.7] 8.5	133.3 [39.2] 108.6 [31.8] 8.7	127.4 [37.3] 96 [28.1] 8.5	124 [36.3] 89.5 [26.2] 8.4	128.8 [37.8] 125.6 [36.8] 8.6	122.6 [35.9] 111.1 [32.6] 8.4	121.4 [35.6] 117.9 [34.5] 8.4	118.2 [34.6] 109.8 [32.2] 8.3	127.5 [37.4] 127.5 [37.4] 8.5	121.3 [35.5] 121.3 [35.5] 8.3	118.1 [34.6] 115.5 [33.8] 8.2
95 [35]	Total BTUH [kW] Sens BTUH [kW] Power	136.8 [40.1] 87.6 [25.7] 9.3	130.2 [38.1] 77.5 [22.7] 9.1	126.7 [37.1] 72.2 [21.1] 9	129.3 [37.9] 106.1 [31.1] 9.2	123 [36.1] 93.8 [27.5] 9	119.7 [35.1] 87.4 [25.6] 8.9	124.2 [36.4] 123.1 [36.1] 9.1	118.2 [34.6] 108.9 [31.9] 8.9	117 [34.3] 115.7 [33.9] 8.9	113.9 [33.4] 107.8 [31.6] 8.8	122.9 [36.0] 122.9 [36.0] 9.1	116.9 [34.3] 116.9 [34.3] 8.8	113.8 [33.3] 113.4 [33.2] 8.7
100 [37.8]	Total BTUH [kW] Sens BTUH [kW] Power	132.2 [38.7] 85.1 [24.9] 9.9	125.8 [36.9] 75.2 [22.0] 9.6	122.4 [35.9] 70.1 [20.5] 9.5	124.7 [36.5] 103.6 [30.3] 9.8	118.7 [34.8] 91.6 [26.8] 9.5	115.5 [33.8] 85.3 [25.0] 9.4	119.6 [35.1] 119.6 [35.1] 9.7	113.8 [33.4] 106.7 [31.3] 9.5	112.7 [33.0] 112.7 [33.0] 9.4	109.7 [32.1] 105.7 [31.0] 9.3	118.3 [34.7] 118.3 [34.7] 9.6	112.5 [33.0] 112.5 [33.0] 9.4	109.5 [32.1] 109.5 [32.1] 9.2
105 [40.6]	Total BTUH [kW] Sens BTUH [kW] Power	127.6 [37.4] 82.5 [24.2] 10.5	121.4 [35.6] 73 [21.4] 10.2	118.2 [34.6] 68 [19.9] 10.1	120.1 [35.2] 101 [29.6] 10.4	114.3 [33.5] 89.3 [26.2] 10.1	111.2 [32.6] 83.2 [24.4] 10	115.1 [33.7] 115.1 [33.7] 10.3	109.5 [32.1] 104.4 [30.6] 10	108.3 [31.7] 108.3 [31.7] 10.6	105.4 [30.9] 103.6 [30.4] 9.8	113.7 [33.3] 113.7 [33.3] 10.2	108.2 [31.7] 108.2 [31.7] 10.5	105.3 [30.9] 105.3 [30.9] 9.8
110 [43.3]	Total BTUH [kW] Sens BTUH [kW] Power	123 [36.1] 79.9 [23.4] 11.1	117.1 [34.3] 70.6 [20.7] 10.8	114 [33.4] 65.8 [19.3] 10.7	115.5 [33.9] 98.4 [28.8] 11	109.9 [32.2] 87 [25.5] 10.7	107 [31.4] 81.1 [23.8] 10.6	110.5 [32.4] 110.5 [32.4] 10.9	105.1 [30.8] 102.1 [29.9] 10.6	104 [30.5] 104 [30.5] 10.6	101.2 [29.7] 101.2 [29.7] 10.4	109.1 [32.0] 109.1 [32.0] 10.8	103.8 [30.4] 103.8 [30.4] 10.5	101.1 [29.6] 101.1 [29.6] 10.4
115 [46.1]	Total BTUH [kW] Sens BTUH [kW] Power	118.5 [34.7] 77.2 [22.6] 11.7	112.7 [33.0] 68.3 [20.0] 11.4	109.7 [32.2] 63.6 [18.6] 11.3	111 [32.5] 95.7 [28.1] 11.6	105.6 [31.0] 84.7 [24.8] 11.3	102.8 [30.1] 78.9 [23.1] 11.2	105.9 [31.0] 105.9 [31.0] 11.5	100.8 [29.5] 99.8 [29.2] 11.2	99.6 [29.2] 99.6 [29.2] 11.2	97 [28.4] 97 [28.4] 11.1	104.6 [30.6] 104.6 [30.6] 11.4	99.5 [29.2] 99.5 [29.2] 11.2	96.8 [28.4] 96.8 [28.4] 11
120 [48.9]	Total BTUH [kW] Sens BTUH [kW] Power	113.9 [33.4] 74.5 [21.8] 12.4	108.4 [31.8] 65.9 [19.3] 12.1	105.5 [30.9] 61.4 [18.0] 11.9	106.5 [31.2] 93 [27.3] 12.3	101.3 [29.7] 82.3 [24.1] 12	98.6 [28.9] 76.7 [22.5] 11.8	101.4 [29.7] 101.4 [29.7] 12.2	96.5 [28.3] 96.5 [28.3] 11.9	95.3 [27.9] 95.3 [27.9] 11.9	92.8 [27.2] 92.8 [27.2] 11.7	100 [29.3] 100 [29.3] 12.1	95.2 [27.9] 95.2 [27.9] 11.8	92.6 [27.1] 92.6 [27.1] 11.7
125 [51.7]	Total BTUH [kW] Sens BTUH [kW] Power	109.4 [32.1] 71.8 [21.0] 13.1	104.1 [30.5] 63.5 [18.6] 12.8	101.3 [29.7] 59.2 [17.3] 12.6	101.9 [29.9] 90.3 [26.5] 13	97 [28.4] 79.9 [23.4] 12.7	94.4 [27.7] 74.4 [21.8] 12.5	96.9 [28.4] 96.9 [28.4] 12.9	92.2 [27.0] 92.2 [27.0] 12.6	91 [26.7] 91 [26.7] 12.5	88.6 [26.0] 88.6 [26.0] 12.4	95.5 [28.0] 95.5 [28.0] 12.8	90.9 [26.6] 90.9 [26.6] 12.5	88.5 [25.9] 88.5 [25.9] 12.3

DR — Depression ratio
 dbE — Entering air dry bulb
 wBE — Entering air wet bulb

Total — Total capacity x 1000 BTUH
 Sens — Sensible capacity x 1000 BTUH
 Power — kW Input

NOTES: [1] When the entering air dry bulb is other than 80°F [27°C], adjust the sensible capacity from the table by adding $[1.10 \times \text{CFM} \times (1 - \text{DR}) \times (\text{dbE} - 80)]$.

[] Designates Metric Conversions

COOLING PERFORMANCE DATA — RGEDZS090A

wB/E		ENTERING INDOOR AIR @ 80°F [26.7°C] dbE ①													
		71°F [21.7°C]		67°F [19.4°C]		63°F [17.2°C]		61°F [16.1°C]		59°F [15.0°C]					
CFM [L/s]		3600 [1699]	2775 [1310]	2400 [1133]	2400 [1133]	2775 [1310]	3600 [1699]	2775 [1310]	2400 [1133]	3600 [1699]	2775 [1310]	2400 [1133]	3600 [1699]	2775 [1310]	2400 [1133]
DR ①		0.17	0.13	0.11	0.11	0.13	0.17	0.13	0.11	0.17	0.13	0.11	0.17	0.13	0.11
75 [23.9]	Total BTUH [kW]	119.6 [35.0]	113.5 [33.2]	110.7 [32.4]	104.3 [30.6]	107.8 [31.6]	112.7 [33.0]	102.3 [30.0]	99.8 [29.2]	106.4 [31.2]	100.9 [29.6]	98.4 [28.8]	105.8 [31.0]	100.4 [29.4]	97.9 [28.7]
	Sens BTUH [kW]	70.3 [20.6]	61.8 [18.1]	57.9 [17.0]	68.5 [20.1]	96 [28.1]	83.3 [24.4]	84.3 [24.7]	79 [23.2]	102.2 [29.9]	89.7 [26.3]	84.1 [24.6]	105.8 [31.0]	94.9 [27.8]	88.9 [26.1]
	Power	5.2	5.1	5	4.9	5.1	5.1	4.9	4.9	5	4.9	4.9	5	4.9	4.8
80 [26.7]	Total BTUH [kW]	116.1 [34.0]	110.1 [32.3]	107.4 [31.5]	101.1 [29.6]	104.3 [30.6]	109.2 [32.0]	99 [29.0]	96.5 [28.3]	102.9 [30.1]	97.6 [28.6]	95.2 [27.9]	102.3 [30.0]	97.1 [28.4]	94.7 [27.7]
	Sens BTUH [kW]	68.4 [20.1]	60.1 [17.6]	56.3 [16.5]	67 [19.6]	94.1 [27.6]	81.4 [23.9]	82.7 [24.2]	77.4 [22.7]	100.3 [29.4]	88.1 [25.8]	82.5 [24.2]	102.3 [30.0]	93.2 [27.3]	87.4 [25.6]
	Power	5.6	5.4	5.4	5.3	5.5	5.5	5.3	5.3	5.4	5.3	5.2	5.4	5.3	5.2
85 [29.4]	Total BTUH [kW]	112.6 [33.0]	106.8 [31.3]	104.2 [30.5]	97.8 [28.7]	100.8 [29.5]	105.7 [31.0]	95.6 [28.0]	93.3 [27.3]	99.3 [29.1]	94.2 [27.6]	91.9 [26.9]	98.8 [28.9]	93.7 [27.5]	91.4 [26.8]
	Sens BTUH [kW]	66.6 [19.5]	58.5 [17.1]	54.8 [16.0]	65.4 [19.2]	92.3 [27.0]	81 [23.7]	75.9 [22.2]	70.4 [20.1]	98.4 [28.8]	86.4 [25.3]	81 [23.7]	98.8 [28.9]	91.6 [26.8]	85.8 [25.1]
	Power	6	5.9	5.8	5.8	5.9	6	5.8	5.7	5.9	5.7	5.7	5.9	5.7	5.6
90 [32.2]	Total BTUH [kW]	109 [31.9]	103.4 [30.3]	100.9 [29.6]	94.5 [27.7]	97.2 [28.5]	102.1 [29.9]	92.2 [27.0]	90 [26.4]	95.8 [28.1]	90.9 [26.6]	88.6 [26.0]	95.2 [27.9]	90.3 [26.5]	88.1 [25.8]
	Sens BTUH [kW]	64.7 [19.0]	56.8 [16.7]	53.2 [15.6]	63.9 [18.7]	90.4 [26.5]	77.7 [22.8]	79.4 [23.3]	74.4 [21.8]	95.8 [28.1]	84.8 [24.8]	79.4 [23.3]	95.2 [27.9]	90 [26.4]	84.3 [24.7]
	Power	6.6	6.4	6.3	6.3	6.5	6.5	6.3	6.2	6.4	6.3	6.2	6.4	6.2	6.2
95 [35]	Total BTUH [kW]	105.4 [30.9]	100 [29.3]	97.5 [28.6]	91.2 [26.7]	93.6 [27.4]	98.5 [28.9]	88.8 [26.0]	86.6 [25.4]	92.2 [27.0]	87.4 [25.6]	85.3 [25.0]	91.6 [26.8]	86.9 [25.5]	84.8 [24.8]
	Sens BTUH [kW]	62.9 [18.4]	55.2 [16.2]	51.7 [15.2]	62.4 [18.3]	88.6 [26.0]	77.8 [22.8]	72.9 [21.4]	72.9 [21.4]	92.2 [27.0]	83.2 [24.4]	77.9 [22.8]	91.6 [26.8]	86.9 [25.5]	82.8 [24.3]
	Power	7.2	7	6.9	6.9	7.1	7.2	6.9	6.8	7.1	6.9	6.8	7	6.9	6.8
100 [37.8]	Total BTUH [kW]	101.7 [29.8]	96.5 [28.3]	94.2 [27.6]	87.8 [25.7]	90 [26.4]	94.9 [27.8]	86.3 [25.3]	83.3 [24.9]	88.5 [25.9]	84 [24.6]	81.9 [24.0]	88 [25.8]	83.4 [24.7]	81.4 [23.9]
	Sens BTUH [kW]	61 [17.9]	53.6 [15.7]	50.2 [14.7]	60.9 [17.8]	86.7 [25.4]	74 [21.7]	76.2 [22.3]	71.4 [20.9]	88.5 [25.9]	81.6 [23.9]	76.4 [22.4]	88 [25.8]	83.4 [24.7]	81.3 [23.8]
	Power	7.9	7.7	7.6	7.6	7.8	7.9	7.6	7.5	7.8	7.6	7.5	7.7	7.5	7.4
105 [40.6]	Total BTUH [kW]	98.1 [28.7]	93 [27.3]	90.7 [26.6]	84.4 [24.7]	86.3 [25.3]	91.2 [26.7]	81.9 [24.0]	79.8 [23.4]	84.8 [24.9]	80.5 [23.6]	78.5 [23.0]	84.3 [24.7]	79.9 [23.4]	78 [22.9]
	Sens BTUH [kW]	59.3 [17.4]	52 [15.2]	48.8 [14.3]	59.4 [17.4]	84.9 [24.9]	72.2 [21.2]	74.6 [21.9]	69.9 [20.5]	84.8 [24.9]	80 [23.4]	74.9 [22.0]	84.3 [24.7]	79.9 [23.4]	78 [22.9]
	Power	8.7	8.5	8.4	8.3	8.6	8.6	8.4	8.3	8.5	8.3	8.2	8.5	8.3	8.2
110 [43.3]	Total BTUH [kW]	94.3 [27.6]	89.5 [26.2]	87.3 [25.6]	81 [23.7]	82.6 [24.2]	87.5 [25.6]	78.3 [23.0]	76.4 [22.4]	81.1 [23.8]	76.9 [22.5]	75.1 [22.0]	80.5 [23.6]	76.4 [22.4]	74.5 [21.8]
	Sens BTUH [kW]	57.5 [16.8]	50.5 [14.8]	47.3 [13.9]	57.9 [17.0]	82.6 [24.2]	70.4 [20.6]	73 [21.4]	68.4 [20.1]	81.1 [23.8]	76.9 [22.5]	73.5 [21.5]	80.5 [23.6]	76.4 [22.4]	74.5 [21.8]
	Power	9.5	9.3	9.2	9.1	9.4	9.5	9.2	9.1	9.4	9.2	9	9.4	9.1	9
115 [46.1]	Total BTUH [kW]	90.6 [26.5]	85.9 [25.2]	83.8 [24.6]	77.5 [22.7]	78.8 [23.1]	83.7 [24.5]	74.8 [21.9]	72.9 [21.4]	77.3 [22.7]	73.4 [21.5]	71.6 [21.0]	76.8 [22.5]	72.8 [21.3]	71.1 [20.8]
	Sens BTUH [kW]	55.7 [16.3]	48.9 [14.3]	45.8 [13.4]	56.5 [16.6]	78.8 [23.1]	68.7 [20.1]	71.5 [20.9]	67 [19.6]	77.3 [22.7]	73.4 [21.5]	71.6 [21.0]	76.8 [22.5]	72.8 [21.3]	71.1 [20.8]
	Power	10.5	10.2	10.1	10	10.4	10.4	10.1	10	10.3	10.1	9.9	10.3	10	9.9
120 [48.9]	Total BTUH [kW]	86.8 [25.4]	82.3 [24.1]	80.3 [23.5]	74 [21.7]	75 [22.0]	79.9 [23.4]	71.1 [20.8]	69.4 [20.3]	73.5 [21.6]	69.8 [20.4]	68.1 [19.9]	73 [21.4]	69.2 [20.3]	67.5 [19.8]
	Sens BTUH [kW]	54 [15.8]	47.4 [13.9]	44.4 [13.0]	55.1 [16.1]	75 [22.0]	66.9 [19.6]	70 [20.5]	65.5 [19.2]	73.5 [21.6]	69.8 [20.4]	68.1 [19.9]	73 [21.4]	69.2 [20.3]	67.5 [19.8]
	Power	11.5	11.2	11.1	11	11.4	11.4	11.1	11	11.3	11.1	10.9	11.3	11	10.9
125 [51.7]	Total BTUH [kW]	82.9 [24.3]	78.7 [23.1]	76.8 [22.5]	70.4 [20.6]	71.2 [20.9]	76.1 [22.3]	67.5 [19.8]	65.8 [19.3]	69.7 [20.4]	66.1 [19.4]	64.5 [18.9]	69.1 [20.3]	65.6 [19.2]	64 [18.8]
	Sens BTUH [kW]	52.3 [15.3]	45.9 [13.4]	43 [12.6]	53.7 [15.7]	71.2 [20.9]	65.2 [19.1]	67.5 [19.8]	64.1 [18.8]	69.7 [20.4]	66.1 [19.4]	64.5 [18.9]	69.1 [20.3]	65.6 [19.2]	64 [18.8]
	Power	12.6	12.3	12.1	12.2	12.5	12.5	12.1	12	12.4	12.1	12	12.4	12.1	11.9

DR — Depression ratio
 dbE — Entering air dry bulb
 wB/E — Entering air wet bulb

① — Total capacity x 1000 BTUH
 — Sensible capacity x 1000 BTUH
 — Power — KW input

NOTES: ① When the entering air dry bulb is other than 80°F [27°C], adjust the sensible capacity from the table by adding [(1 - DR) x (dbE - 80)].

[] Designates Metric Conversions



COOLING PERFORMANCE DATA -- RGEDZS102A

wBE		ENTERING INDOOR AIR @ 80°F [26.7°C] dbE ①											
		71°F [21.7°C]		67°F [19.4°C]		63°F [17.2°C]		61°F [16.1°C]		59°F [15.0°C]			
CFM [L/s]		4100 [1935]	3200 [1510]	2700 [1274]	4100 [1935]	3200 [1510]	2700 [1274]	4100 [1935]	3200 [1510]	2700 [1274]	4100 [1935]	3200 [1510]	2700 [1274]
DR ①		0.11	0.05	0.01	0.11	0.05	0.01	0.11	0.05	0.01	0.11	0.05	0.01
Total BTUH [kW]	75 [23.9]	129.9 [38.1]	123.6 [36.2]	120.1 [35.2]	122.7 [36.0]	116.7 [34.2]	113.4 [33.2]	118.3 [34.7]	112.5 [33.0]	109.3 [32.0]	117.5 [34.4]	111.8 [32.8]	108.6 [31.8]
Sens BTUH [kW]		81.3 [23.8]	71.9 [21.1]	66.6 [19.5]	96.4 [28.2]	85.2 [25.0]	79 [23.1]	110.1 [32.3]	97.3 [28.5]	90.2 [26.4]	116.1 [34.0]	102.6 [30.1]	95.2 [27.9]
Power		6.2	6.1	6	6.1	5.9	5.8	6.1	5.9	5.8	6	5.9	5.8
Total BTUH [kW]	80 [26.7]	125.7 [36.8]	119.5 [35.0]	116.1 [34.0]	118.5 [34.7]	112.7 [33.0]	109.5 [32.1]	114 [33.4]	108.5 [31.8]	105.4 [30.9]	113.3 [33.2]	107.8 [31.6]	104.7 [30.7]
Sens BTUH [kW]		79.2 [23.2]	70 [20.5]	64.9 [19.0]	94.3 [27.6]	83.3 [24.4]	77.2 [22.6]	108 [31.6]	95.4 [28.0]	88.5 [25.9]	113.3 [33.2]	100.8 [29.5]	93.4 [27.4]
Power		6.6	6.4	6.3	6.5	6.3	6.2	6.4	6.3	6.2	6.4	6.2	6.1
Total BTUH [kW]	85 [29.4]	121.4 [35.6]	115.5 [33.8]	112.2 [32.9]	114.2 [33.5]	108.7 [31.8]	105.6 [30.9]	109.8 [32.2]	104.4 [30.6]	101.5 [29.7]	109 [31.9]	103.7 [30.4]	100.8 [29.5]
Sens BTUH [kW]		77 [22.6]	68.1 [20.0]	63.1 [18.5]	92.1 [27.0]	81.4 [23.9]	75.5 [22.1]	105.8 [31.0]	93.5 [27.4]	86.7 [25.4]	109 [31.9]	98.9 [29.0]	91.7 [26.9]
Power		6.9	6.8	6.7	6.9	6.7	6.6	6.8	6.6	6.6	6.8	6.6	6.5
Total BTUH [kW]	90 [32.2]	117.1 [34.3]	111.4 [32.7]	108.3 [31.7]	110 [32.2]	104.6 [30.7]	101.6 [29.8]	105.5 [30.9]	100.4 [29.4]	97.5 [28.6]	104.8 [30.7]	99.7 [29.2]	96.8 [28.4]
Sens BTUH [kW]		74.9 [21.9]	66.2 [19.4]	61.4 [18.0]	89.9 [26.4]	79.5 [23.3]	73.7 [21.6]	103.6 [30.4]	91.6 [26.8]	84.9 [24.9]	104.8 [30.7]	97 [28.4]	89.9 [26.3]
Power		7.4	7.2	7.1	7.3	7.1	7	7.2	7.1	7	7.2	7	6.9
Total BTUH [kW]	95 [35]	112.9 [33.1]	107.4 [31.5]	104.3 [30.6]	105.7 [31.0]	100.5 [29.5]	97.7 [28.6]	101.2 [29.7]	96.3 [28.2]	93.6 [27.4]	100.5 [29.4]	95.6 [28.0]	92.9 [27.2]
Sens BTUH [kW]		72.6 [21.3]	64.2 [18.8]	59.5 [17.4]	87.7 [25.7]	77.5 [22.7]	71.9 [21.1]	101.2 [29.7]	89.7 [26.3]	83.1 [24.4]	100.5 [29.4]	95 [27.8]	88.1 [25.8]
Power		7.8	7.6	7.5	7.7	7.6	7.4	7.7	7.5	7.4	7.6	7.5	7.4
Total BTUH [kW]	100 [37.8]	108.6 [31.8]	103.3 [30.3]	100.4 [29.4]	101.4 [29.7]	96.5 [28.3]	93.7 [27.5]	97 [28.4]	92.2 [27.0]	89.6 [26.3]	96.2 [28.2]	91.5 [26.8]	88.9 [26.1]
Sens BTUH [kW]		70.4 [20.6]	62.2 [18.2]	57.7 [16.9]	85.5 [25.0]	75.5 [22.1]	70 [20.5]	97 [28.4]	87.7 [25.7]	81.3 [23.8]	96.2 [28.2]	91.5 [26.8]	86.2 [25.3]
Power		8.3	8.1	8	8.2	8	7.9	8.2	8	7.8	8.1	7.9	7.8
Total BTUH [kW]	105 [40.6]	104.3 [30.6]	99.2 [29.1]	96.4 [28.2]	97.1 [28.4]	92.4 [27.1]	89.7 [26.3]	92.7 [27.2]	88.1 [25.8]	85.6 [25.1]	91.9 [26.9]	87.4 [25.6]	84.9 [24.9]
Sens BTUH [kW]		68.1 [20.0]	60.2 [17.6]	55.8 [16.4]	83.2 [24.4]	73.5 [21.5]	68.1 [20.0]	92.7 [27.2]	85.6 [25.1]	79.4 [23.3]	91.9 [26.9]	87.4 [25.6]	84.3 [24.7]
Power		8.8	8.6	8.5	8.7	8.5	8.4	8.7	8.5	8.3	8.6	8.4	8.3
Total BTUH [kW]	110 [43.3]	99.9 [29.3]	95.1 [27.9]	92.4 [27.1]	92.8 [27.2]	88.2 [25.9]	85.7 [25.1]	88.3 [25.9]	84 [24.6]	81.6 [23.9]	87.6 [25.7]	83.3 [24.4]	80.9 [23.7]
Sens BTUH [kW]		65.8 [19.3]	58.1 [17.0]	53.9 [15.8]	80.8 [23.7]	71.4 [20.9]	66.2 [19.4]	88.3 [25.9]	83.6 [24.5]	77.5 [22.7]	87.6 [25.7]	83.3 [24.4]	80.9 [23.7]
Power		9.3	9.1	9	9.3	9	8.9	9.2	9	8.9	9.2	9	8.8
Total BTUH [kW]	115 [46.1]	95.6 [28.0]	91 [26.7]	88.4 [25.9]	88.4 [25.9]	84.1 [24.7]	81.7 [24.0]	84 [24.6]	79.9 [23.4]	77.6 [22.8]	83.2 [24.4]	79.2 [23.2]	76.9 [22.5]
Sens BTUH [kW]		63.4 [18.6]	56 [16.4]	51.9 [15.2]	78.4 [23.0]	69.3 [20.3]	64.3 [18.8]	84 [24.6]	79.9 [23.4]	75.5 [22.1]	83.2 [24.4]	79.2 [23.2]	76.9 [22.5]
Power		9.9	9.7	9.5	9.8	9.6	9.5	9.8	9.5	9.4	9.7	9.5	9.4
Total BTUH [kW]	120 [48.9]	91.3 [26.7]	86.8 [25.4]	84.4 [24.7]	84.1 [24.6]	80 [23.4]	77.7 [22.8]	79.6 [23.3]	75.8 [22.2]	73.6 [21.6]	78.9 [23.1]	75 [22.0]	72.9 [21.4]
Sens BTUH [kW]		61 [17.9]	53.9 [15.8]	50 [14.6]	76 [22.3]	67.2 [19.7]	62.3 [18.3]	79.6 [23.3]	75.8 [22.2]	73.5 [21.6]	78.9 [23.1]	75 [22.0]	72.9 [21.4]
Power		10.5	10.3	10.1	10.5	10.2	10.1	10.4	10.1	10	10.4	10.1	10
Total BTUH [kW]	125 [51.7]	86.9 [25.5]	82.7 [24.2]	80.3 [23.5]	79.7 [23.4]	75.8 [22.2]	73.7 [21.6]	75.3 [22.1]	71.6 [21.0]	69.6 [20.4]	74.5 [21.8]	70.9 [20.8]	68.9 [20.2]
Sens BTUH [kW]		58.5 [17.1]	51.7 [15.2]	48 [14.1]	73.6 [21.6]	65 [19.1]	60.3 [17.7]	75.3 [22.1]	71.6 [21.0]	69.6 [20.4]	74.5 [21.8]	70.9 [20.8]	68.9 [20.2]
Power		11.2	10.9	10.7	11.1	10.8	10.7	11	10.8	10.6	11	10.7	10.6

DR — Depression ratio
dbE — Entering air dry bulb
wBE — Entering air wet bulb

Total — Total capacity x 1000 BTUH
Sens — Sensible capacity x 1000 BTUH
Power — KW Input

NOTES: ① When the entering air dry bulb is other than 80°F [27°C], adjust the sensible capacity from the table by adding $[1.10 \times \text{CFM} \times (1 - \text{DR}) \times (\text{dbE} - 80)]$.

② Designates Metric Conversions

COOLING PERFORMANCE DATA — RGEDZS120A

wBE		ENTERING INDOOR AIR @ 80°F [26.7°C] dbE ①														
		71°F [21.7°C]			67°F [19.4°C]			63°F [17.2°C]			61°F [16.1°C]			59°F [15.0°C]		
CFM [L/s]	DR ①	4800 [2265]	3750 [1770]	3200 [1510]	4800 [2265]	3750 [1770]	3200 [1510]	4800 [2265]	3750 [1770]	3200 [1510]	4800 [2265]	3750 [1770]	3200 [1510]	4800 [2265]	3750 [1770]	3200 [1510]
75 [23.9]	Total BTUH [KW] Sens BTUH [KW] Power	155.3 [45.5] 97.3 [28.5] 7.5	147.8 [43.3] 86.1 [25.2] 7.3	143.8 [42.2] 80.2 [23.5] 7.2	147.8 [43.3] 115.8 [33.9] 7.4	140.7 [41.2] 102.4 [30.0] 7.2	136.9 [40.1] 95.4 [28.0] 7.1	142.8 [41.8] 132.9 [38.9] 7.3	135.8 [39.8] 117.5 [34.4] 7.1	134.7 [39.5] 124.3 [36.4] 7.2	131.1 [38.4] 115.8 [33.9] 7	141.4 [41.4] 140.6 [41.2] 7.2	134.7 [39.5] 124.3 [36.4] 7.1	130.1 [38.1] 126.8 [37.1] 7.4	134.5 [39.4] 130.4 [36.2] 7	130.9 [38.4] 121.4 [35.6] 6.9
80 [26.7]	Total BTUH [KW] Sens BTUH [KW] Power	150.6 [44.1] 94.9 [27.8] 7.9	143.4 [42.0] 84 [24.6] 7.7	139.5 [40.9] 78.2 [22.9] 7.6	143.2 [42.0] 113.5 [33.2] 7.8	136.2 [39.9] 100.3 [29.4] 7.6	132.6 [38.2] 93.5 [27.4] 7.5	138.1 [40.5] 130.5 [38.2] 7.7	131.4 [38.5] 115.4 [33.8] 7.5	130.2 [38.2] 122.2 [35.8] 7.5	126.8 [37.1] 113.8 [33.4] 7.4	136.7 [40.1] 136.7 [40.1] 7.6	130.1 [38.1] 128.3 [37.6] 7.4	130.1 [38.1] 128.3 [37.6] 7.4	126.6 [37.1] 119.5 [35.0] 7.3	
85 [29.4]	Total BTUH [KW] Sens BTUH [KW] Power	146 [42.8] 92.5 [27.1] 8.3	138.9 [40.7] 81.8 [24.0] 8.1	135.2 [39.6] 76.2 [22.3] 8	138.5 [40.6] 111 [32.5] 8.2	131.8 [38.6] 98.2 [28.8] 8	128.3 [37.6] 91.5 [26.8] 7.9	133.5 [39.1] 128.1 [37.5] 8.2	127 [37.2] 113.3 [33.2] 8	125.8 [36.9] 120.1 [35.2] 7.9	122.5 [35.9] 111.9 [32.8] 7.8	132.1 [38.7] 132.2 [38.7] 8.1	125.7 [36.8] 125.7 [36.8] 7.9	125.7 [36.8] 125.7 [36.8] 7.9	122.3 [35.9] 117.5 [34.4] 7.8	
90 [32.2]	Total BTUH [KW] Sens BTUH [KW] Power	141.4 [41.4] 90.1 [26.4] 8.8	134.5 [39.4] 79.7 [23.3] 8.6	131 [38.4] 74.2 [21.7] 8.5	133.9 [39.2] 108.6 [31.8] 8.7	127.4 [37.1] 96 [28.1] 8.5	124 [36.3] 89.5 [26.2] 8.4	128.8 [37.8] 125.6 [36.8] 8.6	122.6 [35.9] 111.1 [32.6] 8.4	121.4 [35.6] 117.9 [34.5] 8.4	118.2 [34.6] 109.8 [32.2] 8.3	127.5 [37.4] 127.6 [37.4] 8.6	121.3 [35.5] 121.3 [35.5] 8.3	121.3 [35.5] 121.3 [35.5] 8.3	118.1 [34.6] 115.5 [33.8] 8.2	
95 [35]	Total BTUH [KW] Sens BTUH [KW] Power	136.8 [40.1] 87.6 [25.7] 9.3	130.2 [38.1] 77.5 [22.7] 9.1	126.7 [37.1] 72.2 [21.1] 9	129.3 [37.9] 106.1 [31.1] 9.2	123 [36.1] 93.8 [27.5] 9	119.7 [35.1] 87.4 [25.6] 8.9	124.2 [36.4] 123.1 [36.1] 9.1	118.2 [34.6] 108.9 [31.9] 8.9	117 [34.3] 115.7 [33.9] 8.9	113.9 [33.4] 107.8 [31.6] 8.8	123 [36.0] 123 [36.0] 9.1	117 [34.3] 115.7 [33.9] 8.9	116.9 [34.3] 116.9 [34.3] 8.8	113.8 [33.3] 113.4 [33.2] 8.7	
100 [37.8]	Total BTUH [KW] Sens BTUH [KW] Power	132.2 [38.7] 85.1 [24.9] 9.9	125.8 [36.9] 75.2 [22.0] 9.6	122.4 [35.9] 70.1 [20.5] 9.5	124.7 [36.5] 103.6 [30.3] 9.8	118.7 [34.8] 91.6 [26.8] 9.5	115.5 [33.8] 85.3 [25.0] 9.4	119.6 [35.1] 119.6 [35.1] 9.7	113.8 [33.4] 106.7 [31.3] 9.5	112.7 [33.0] 112.7 [33.0] 9.4	109.7 [32.1] 105.7 [31.0] 9.3	118.4 [34.7] 118.4 [34.7] 9.6	112.5 [33.0] 112.5 [33.0] 9.4	108.2 [31.7] 108.2 [31.7] 9.9	109.5 [32.1] 109.5 [32.1] 9.8	
105 [40.6]	Total BTUH [KW] Sens BTUH [KW] Power	127.6 [37.4] 82.5 [24.2] 10.5	121.4 [35.6] 73 [21.4] 10.2	118.2 [34.6] 68 [19.9] 10.1	120.1 [35.2] 101 [29.6] 10.4	114.3 [33.5] 89.3 [26.2] 10.1	111.2 [32.6] 83.2 [24.4] 10	115.1 [33.7] 115.1 [33.7] 10.3	109.5 [32.1] 104.4 [30.6] 10	108.3 [31.7] 108.3 [31.7] 10.2	105.4 [30.9] 103.6 [30.4] 9.8	113.7 [33.3] 113.7 [33.3] 10.2	108.2 [31.7] 108.2 [31.7] 9.9	105.3 [30.9] 105.3 [30.9] 10.4	105.3 [30.9] 105.3 [30.9] 10.4	
110 [43.3]	Total BTUH [KW] Sens BTUH [KW] Power	123 [36.1] 79.9 [23.4] 11.1	117.1 [34.3] 70.6 [20.7] 10.8	114 [33.4] 65.8 [19.3] 10.7	115.5 [33.9] 98.4 [28.8] 11	109.9 [32.2] 87 [25.5] 10.7	107 [31.4] 81.1 [23.8] 10.6	110.5 [32.4] 110.5 [32.4] 10.9	105.1 [30.8] 102.1 [29.9] 10.6	104 [30.5] 104 [30.5] 10.6	101.2 [29.7] 101.2 [29.7] 10.4	109.1 [32.0] 109.1 [32.0] 10.8	103.8 [30.4] 103.8 [30.4] 10.5	101.1 [29.6] 101.1 [29.6] 10.4	101.1 [29.6] 101.1 [29.6] 10.4	
115 [46.1]	Total BTUH [KW] Sens BTUH [KW] Power	118.5 [34.7] 77.2 [22.6] 11.7	112.7 [33.0] 68.3 [20.0] 11.4	109.7 [32.2] 63.6 [18.6] 11.3	111 [32.5] 95.7 [28.1] 11.6	105.6 [31.0] 84.7 [24.8] 11.3	102.8 [30.1] 78.9 [23.1] 11.2	105.9 [31.0] 105.9 [31.0] 11.5	100.8 [29.5] 99.8 [29.2] 11.2	99.6 [29.2] 99.6 [29.2] 11.2	97 [28.4] 97 [28.4] 11.1	104.7 [30.7] 104.7 [30.7] 11.5	99.5 [29.2] 99.5 [29.2] 11.2	96.8 [28.4] 96.8 [28.4] 11	96.8 [28.4] 96.8 [28.4] 11	
120 [48.9]	Total BTUH [KW] Sens BTUH [KW] Power	113.9 [33.4] 74.5 [21.8] 12.4	108.4 [31.8] 65.9 [19.3] 12.1	105.5 [30.9] 61.4 [18.0] 11.9	106.5 [31.2] 93 [27.3] 12.3	101.3 [29.7] 82.3 [24.1] 12	98.6 [28.9] 76.7 [22.5] 11.8	101.4 [29.7] 101.4 [29.7] 12.2	96.5 [28.3] 96.5 [28.3] 11.9	95.3 [27.9] 95.3 [27.9] 11.9	92.8 [27.2] 92.8 [27.2] 11.7	100.2 [29.4] 100.2 [29.4] 12.1	99.2 [29.3] 99.2 [29.3] 12.1	92.6 [27.1] 92.6 [27.1] 11.7	92.6 [27.1] 92.6 [27.1] 11.7	
125 [51.7]	Total BTUH [KW] Sens BTUH [KW] Power	109.4 [32.1] 71.8 [21.0] 13.1	104.1 [30.5] 63.5 [18.6] 12.8	101.3 [29.7] 59.2 [17.3] 12.6	101.9 [29.9] 90.3 [26.5] 13	97 [28.4] 79.9 [23.4] 12.7	94.4 [27.7] 74.4 [21.8] 12.5	96.9 [28.4] 96.9 [28.4] 12.9	92.2 [27.0] 92.2 [27.0] 12.6	91 [26.7] 91 [26.7] 12.5	88.6 [26.0] 88.6 [26.0] 12.4	95.6 [28.0] 95.6 [28.0] 12.9	95.5 [28.0] 95.5 [28.0] 12.8	88.5 [25.9] 88.5 [25.9] 12.3	88.5 [25.9] 88.5 [25.9] 12.3	

DR — Depression ratio
dbE — Entering air dry bulb
wBE — Entering air wet bulb

Total capacity x 1000 BTUH
Sens — Sensible capacity x 1000 BTUH
Power — KW Input

NOTES: ① When the entering air dry bulb is other than 80°F [27°C], adjust the sensible capacity from the table by adding [1.10 x CFM x (1 - DR) x (dbE - 80)].

[] Designates Metric Conversions





COOLING PERFORMANCE DATA – RGEDZS150A

		ENTERING INDOOR AIR @ 80°F [26.7°C] dbE ①									
wbE		71°F [21.7°C]			67°F [19.4°C]			63°F [17.2°C]			
CFM [L/s]		4500 [2124]	3750 [1770]	3000 [1416]	4500 [2124]	3750 [1770]	3000 [1416]	4500 [2124]	3750 [1770]	3000 [1416]	
DR ①		0	0.01	0.09	0	0.01	0.09	0	0.01	0.09	
OUTDOOR DRY BULB TEMPERATURE °F [°C]	75 [23.9]	Total BTUH [kW] Sens BTUH [kW] Power	179.6 [52.6] 113.4 [33.2] 10.2	173.3 [50.8] 97.4 [28.5] 10.0	167.0 [48.9] 82.6 [24.2] 9.9	172.2 [50.5] 131.0 [38.4] 10.1	166.2 [48.7] 113.8 [33.3] 9.9	160.2 [46.9] 97.7 [28.6] 9.8	167.3 [49.0] 147.4 [43.2] 10.0	161.4 [47.3] 128.9 [37.8] 9.9	155.5 [45.6] 111.5 [32.7] 9.7
	80 [26.7]	Total BTUH [kW] Sens BTUH [kW] Power	175.0 [51.3] 110.9 [32.5] 10.6	168.9 [49.5] 95.3 [27.9] 10.4	162.8 [47.7] 80.9 [23.7] 10.3	167.6 [49.1] 128.5 [37.7] 10.5	161.8 [47.4] 111.7 [32.7] 10.4	155.9 [45.7] 95.9 [28.1] 10.2	162.7 [47.7] 144.9 [42.5] 10.4	157.0 [46.0] 126.8 [37.2] 10.3	151.3 [44.3] 109.8 [32.2] 10.1
	85 [29.4]	Total BTUH [kW] Sens BTUH [kW] Power	170.5 [50.0] 108.5 [31.8] 11.1	164.5 [48.2] 93.2 [27.3] 10.9	158.5 [46.4] 79.1 [23.2] 10.7	163.1 [47.8] 126.1 [36.9] 11.0	157.4 [46.1] 109.6 [32.1] 10.8	151.6 [44.4] 94.1 [27.6] 10.6	158.1 [46.3] 142.4 [41.7] 10.9	152.5 [44.7] 124.6 [36.5] 10.7	147.0 [43.1] 108.0 [31.6] 10.5
	90 [32.2]	Total BTUH [kW] Sens BTUH [kW] Power	165.9 [48.6] 105.8 [31.0] 11.6	160.1 [46.9] 91.0 [26.7] 11.4	154.3 [45.2] 77.2 [22.6] 11.2	158.5 [46.4] 123.4 [36.2] 11.5	153.0 [44.8] 107.4 [31.5] 11.3	147.4 [43.2] 92.3 [27.0] 11.1	153.5 [45.0] 139.7 [40.9] 11.4	148.1 [43.4] 122.4 [35.9] 11.2	142.8 [41.8] 106.2 [31.1] 11
	95 [35]	Total BTUH [kW] Sens BTUH [kW] Power	161.4 [47.3] 103.3 [30.3] 12.1	155.7 [45.6] 88.8 [26.0] 11.9	150.0 [43.9] 75.3 [22.1] 11.6	154.0 [45.1] 120.9 [35.4] 12	148.6 [43.5] 105.2 [30.8] 11.8	143.2 [42.0] 90.5 [26.5] 11.6	149.0 [43.7] 137.2 [40.2] 11.9	143.8 [42.1] 120.3 [35.2] 11.7	138.5 [40.6] 104.3 [30.6] 11.5
	100 [37.8]	Total BTUH [kW] Sens BTUH [kW] Power	156.8 [45.9] 100.6 [29.5] 12.6	151.3 [44.3] 86.5 [25.3] 12.4	145.8 [42.7] 73.4 [21.5] 12.2	149.4 [43.8] 118.2 [34.6] 12.5	144.2 [42.3] 102.9 [30.1] 12.3	139.0 [40.7] 88.6 [26.0] 12.1	144.5 [42.3] 134.6 [39.4] 12.4	139.4 [40.8] 118.0 [34.6] 12.2	134.3 [39.3] 102.4 [30.0] 12.0
	105 [40.6]	Total BTUH [kW] Sens BTUH [kW] Power	152.3 [44.6] 98.0 [28.7] 13.2	147.0 [43.1] 84.3 [24.7] 13.0	141.6 [41.5] 71.5 [20.9] 12.7	144.9 [42.5] 115.6 [33.9] 13.1	139.8 [41.0] 100.6 [29.5] 12.9	134.8 [39.5] 86.7 [25.4] 12.6	139.9 [41.0] 131.9 [38.6] 13.0	135.0 [39.6] 115.7 [33.9] 12.8	130.1 [38.1] 100.5 [29.4] 12.5
	110 [43.3]	Total BTUH [kW] Sens BTUH [kW] Power	147.8 [43.3] 95.3 [27.9] 13.8	142.6 [41.8] 82.0 [24.0] 13.5	137.4 [40.3] 69.6 [20.4] 13.3	140.4 [41.1] 112.9 [33.1] 13.7	135.5 [39.7] 98.4 [28.8] 13.5	130.6 [38.3] 84.8 [24.8] 13.2	135.4 [39.7] 129.2 [37.9] 13.6	130.7 [38.3] 113.5 [33.3] 13.4	125.9 [36.9] 98.6 [28.9] 13.1
	115 [46.1]	Total BTUH [kW] Sens BTUH [kW] Power	143.3 [42.0] 92.6 [27.1] 14.4	138.3 [40.5] 79.7 [23.4] 14.2	133.3 [39.1] 67.7 [19.8] 13.9	135.9 [39.8] 110.1 [32.3] 14.3	131.2 [38.4] 96.0 [28.1] 14.1	126.4 [37.0] 82.7 [24.2] 13.8	130.9 [38.4] 126.4 [37.0] 14.2	126.4 [37.0] 111.1 [32.6] 14.0	121.8 [35.7] 96.6 [28.3] 13.7

DR —Depression ratio
dbE —Entering air dry bulb
wbE —Entering air wet bulb

Total —Total capacity x 1000 BTUH
Sens —Sensible capacity x 1000 BTUH
Power —KW input

NOTES: ① When the entering air dry bulb is other than 80°F [27°C], adjust the sensible capacity from the table by adding [1.10 x CFM x (1 – DR) x (dbE – 80)].

[] Designates Metric Conversions



COOLING PERFORMANCE DATA — RGEDZT090A

wBE		ENTERING INDOOR AIR @ 80°F [26.7°C] dbE ①														
		71°F [21.7°C]			67°F [19.4°C]			63°F [17.2°C]			61°F [16.1°C]			59°F [15.0°C]		
CFM [L/s]		3600 [1699]	2775 [1310]	2400 [1133]	3600 [1699]	2775 [1310]	2400 [1133]	3600 [1699]	2775 [1310]	2400 [1133]	3600 [1699]	2775 [1310]	2400 [1133]	3600 [1699]	2775 [1310]	2400 [1133]
75 [23.9]	Total BTU/H [kW]	119.6 [35.0]	113.5 [33.2]	110.7 [32.4]	112.7 [33.0]	107.3 [31.3]	104.3 [30.6]	107.8 [31.6]	102.3 [30.0]	99.8 [29.2]	106.4 [31.2]	100.9 [29.6]	98.4 [28.8]	105.8 [31.0]	100.4 [29.4]	97.9 [28.7]
	Sens BTU/H [kW]	70.3 [20.6]	61.8 [18.1]	57.9 [17.0]	83.3 [24.4]	73.2 [21.4]	68.5 [20.1]	96 [28.1]	84.3 [24.7]	79 [23.2]	102.2 [29.9]	89.7 [26.3]	84.1 [24.6]	105.8 [31.0]	94.9 [27.8]	88.9 [26.1]
	Power	5.2	5.1	5	5.1	5	4.9	5.1	4.9	4.9	5	4.9	4.9	5	4.9	4.8
80 [26.7]	Total BTU/H [kW]	116.1 [34.0]	110.1 [32.3]	107.4 [31.5]	109.2 [32.0]	103.6 [30.4]	101.1 [29.6]	104.3 [30.6]	99 [29.0]	96.5 [28.3]	102.9 [30.1]	97.6 [28.6]	95.2 [27.9]	102.3 [30.0]	97.1 [28.4]	94.7 [27.7]
	Sens BTU/H [kW]	68.4 [20.1]	60.1 [17.6]	56.3 [16.5]	81.4 [23.9]	71.5 [20.9]	67 [19.6]	94.1 [27.6]	82.7 [24.2]	77.4 [22.7]	100.3 [29.4]	88.1 [25.8]	82.5 [24.2]	102.3 [30.0]	93.2 [27.3]	87.4 [25.6]
	Power	5.6	5.4	5.4	5.5	5.4	5.3	5.5	5.3	5.3	5.4	5.3	5.2	5.4	5.3	5.2
85 [29.4]	Total BTU/H [kW]	112.6 [33.0]	106.8 [31.3]	104.2 [30.5]	105.7 [31.0]	100.3 [29.4]	97.8 [28.7]	100.8 [29.5]	95.6 [28.0]	93.3 [27.3]	99.3 [29.1]	94.2 [27.6]	91.9 [26.9]	98.8 [28.9]	93.7 [27.5]	91.4 [26.8]
	Sens BTU/H [kW]	66.6 [19.5]	58.5 [17.1]	54.8 [16.0]	79.5 [23.3]	69.8 [20.5]	65.4 [19.2]	92.3 [27.0]	81 [23.7]	75.9 [22.2]	98.4 [28.8]	86.4 [25.3]	81 [23.7]	98.8 [28.9]	91.6 [26.8]	85.8 [25.1]
	Power	6	5.9	5.8	6	5.8	5.8	5.9	5.8	5.8	5.9	5.7	5.7	5.9	5.7	5.6
90 [32.2]	Total BTU/H [kW]	109 [31.9]	103.4 [30.3]	100.9 [29.6]	102.1 [29.9]	96.9 [28.4]	94.5 [27.7]	97.2 [28.5]	92.2 [27.0]	90 [26.4]	95.8 [28.1]	90.9 [26.6]	88.6 [26.0]	95.2 [27.9]	90.3 [26.5]	88.1 [25.8]
	Sens BTU/H [kW]	64.7 [19.0]	56.8 [16.7]	53.2 [15.6]	77.7 [22.8]	68.2 [20.0]	63.9 [18.7]	90.4 [26.5]	79.4 [23.3]	74.4 [21.8]	95.8 [28.1]	84.8 [24.8]	79.4 [23.3]	95.2 [27.9]	90 [26.4]	84.3 [24.7]
	Power	6.6	6.4	6.3	6.5	6.4	6.3	6.5	6.3	6.3	6.4	6.3	6.2	6.4	6.2	6.2
95 [35]	Total BTU/H [kW]	105.4 [30.9]	100 [29.3]	97.5 [28.6]	98.5 [28.9]	93.5 [27.4]	91.2 [26.7]	93.6 [27.4]	88.8 [26.0]	86.6 [25.4]	92.2 [27.0]	87.4 [25.6]	85.3 [25.0]	91.6 [26.8]	86.9 [25.5]	84.8 [24.8]
	Sens BTU/H [kW]	62.9 [18.4]	55.2 [16.2]	51.7 [15.2]	75.8 [22.2]	66.6 [19.5]	62.4 [18.3]	88.6 [26.0]	77.8 [22.8]	72.9 [21.4]	92.2 [27.0]	83.2 [24.4]	77.9 [22.8]	91.6 [26.8]	86.9 [25.5]	82.8 [24.3]
	Power	7.2	7	6.9	7.2	7	6.9	7.1	6.9	6.9	7.1	6.9	6.8	7	6.9	6.8
100 [37.8]	Total BTU/H [kW]	101.7 [29.8]	96.5 [28.3]	94.2 [27.6]	94.9 [27.8]	90 [26.4]	87.8 [25.7]	90 [26.4]	85.4 [25.0]	83.3 [24.4]	88.5 [25.9]	84 [24.6]	81.9 [24.0]	88 [25.8]	83.4 [24.5]	81.4 [23.9]
	Sens BTU/H [kW]	61 [17.9]	53.6 [15.7]	50.2 [14.7]	74 [21.7]	65 [19.0]	60.9 [17.8]	86.7 [25.4]	76.2 [22.3]	71.4 [20.9]	88.5 [25.9]	81.6 [23.9]	76.4 [22.4]	88 [25.8]	83.4 [24.5]	81.3 [23.8]
	Power	7.9	7.7	7.6	7.9	7.7	7.6	7.8	7.6	7.6	7.8	7.6	7.5	7.7	7.5	7.4
105 [40.6]	Total BTU/H [kW]	98.1 [28.7]	93 [27.3]	90.7 [26.6]	91.2 [26.7]	86.5 [25.4]	84.4 [24.7]	86.3 [25.3]	81.9 [24.0]	79.8 [23.4]	84.8 [24.9]	80.5 [23.6]	78.5 [23.0]	84.3 [24.7]	79.9 [23.4]	78 [22.9]
	Sens BTU/H [kW]	59.3 [17.4]	52 [15.2]	48.8 [14.3]	72.2 [21.2]	63.4 [18.6]	59.4 [17.4]	84.9 [24.9]	74.6 [21.9]	69.9 [20.5]	84.8 [24.9]	80 [23.4]	74.9 [22.0]	84.3 [24.7]	79.9 [23.4]	78 [22.9]
	Power	8.7	8.5	8.4	8.6	8.4	8.3	8.6	8.4	8.4	8.5	8.3	8.2	8.5	8.3	8.2
110 [43.3]	Total BTU/H [kW]	94.3 [27.6]	89.5 [26.2]	87.3 [25.6]	87.5 [25.6]	83 [24.3]	81 [23.7]	82.6 [24.2]	78.3 [23.0]	76.4 [22.4]	81.1 [23.8]	76.9 [22.5]	75.1 [22.0]	80.5 [23.6]	76.4 [22.4]	74.5 [21.8]
	Sens BTU/H [kW]	57.5 [16.8]	50.5 [14.8]	47.3 [13.9]	70.4 [20.6]	61.9 [18.1]	57.9 [17.0]	82.6 [24.2]	73 [21.4]	68.4 [20.1]	81.1 [23.8]	76.9 [22.5]	73.5 [21.5]	80.5 [23.6]	76.4 [22.4]	74.5 [21.8]
	Power	9.5	9.3	9.2	9.5	9.2	9.1	9.4	9.2	9.1	9.4	9.2	9.2	9.4	9.1	9
115 [46.1]	Total BTU/H [kW]	90.6 [26.5]	85.9 [25.2]	83.8 [24.6]	83.7 [24.5]	79.4 [23.3]	77.5 [22.7]	78.8 [23.1]	74.8 [21.9]	72.9 [21.4]	77.3 [22.7]	73.4 [21.5]	71.6 [21.0]	76.8 [22.5]	72.8 [21.3]	71.1 [20.8]
	Sens BTU/H [kW]	55.7 [16.3]	48.9 [14.3]	45.8 [13.4]	68.7 [20.1]	60.3 [17.7]	56.5 [16.6]	78.8 [23.1]	71.5 [20.9]	67 [19.6]	77.3 [22.7]	73.4 [21.5]	71.6 [21.0]	76.8 [22.5]	72.8 [21.3]	71.1 [20.8]
	Power	10.5	10.2	10.1	10.4	10.2	10	10.4	10.1	10	10.3	10.1	9.9	10.3	10	9.9
120 [48.9]	Total BTU/H [kW]	86.8 [25.4]	82.3 [24.1]	80.3 [23.5]	79.9 [23.4]	75.8 [22.2]	74 [21.7]	75 [22.0]	71.1 [20.8]	69.4 [20.3]	73.5 [21.6]	69.8 [20.4]	68.1 [19.9]	73 [21.4]	69.2 [20.3]	67.5 [19.8]
	Sens BTU/H [kW]	54 [15.8]	47.4 [13.9]	44.4 [13.0]	66.9 [19.6]	58.8 [17.2]	55.1 [16.1]	75 [22.0]	70 [20.5]	65.5 [19.2]	73.5 [21.6]	69.8 [20.4]	68.1 [19.9]	73 [21.4]	69.2 [20.3]	67.5 [19.8]
	Power	11.5	11.2	11.1	11.4	11.1	11	11.4	11.1	11	11.3	11.1	10.9	11.3	11	10.9
125 [51.7]	Total BTU/H [kW]	82.9 [24.3]	78.7 [23.1]	76.8 [22.5]	76.1 [22.3]	72.2 [21.2]	70.4 [20.6]	71.2 [20.9]	67.5 [19.8]	65.8 [19.3]	69.7 [20.4]	66.1 [19.4]	64.5 [18.9]	69.1 [20.3]	65.6 [19.2]	64 [18.8]
	Sens BTU/H [kW]	52.3 [15.3]	45.9 [13.4]	43 [12.6]	65.2 [19.1]	57.3 [16.8]	53.7 [15.7]	71.2 [20.9]	67.5 [19.8]	64.1 [18.8]	69.7 [20.4]	66.1 [19.4]	64.5 [18.9]	69.1 [20.3]	65.6 [19.2]	64 [18.8]
	Power	12.6	12.3	12.1	12.5	12.2	12.1	12.5	12.1	12	12.4	12.1	12	12.4	12.1	11.9

DR — Depression ratio
 dbE — Entering air dry bulb
 wBE — Entering air wet bulb

① When the entering air dry bulb is other than 80°F [27°C], adjust the sensible capacity from the table by adding [1.10 x CFM x (1 - DR) x (dbE - 80)].

[] Designates Metric Conversions

Total capacity x 1000 BTU/H
 Sensible capacity x 1000 BTU/H
 Power — kW Input

COOLING PERFORMANCE DATA -- RGEDZT102A

wBE		ENTERING INDOOR AIR @ 80°F [26.7°C] dbE ①														
		71°F [21.7°C]		67°F [19.4°C]		63°F [17.2°C]		61°F [16.1°C]		59°F [15.0°C]						
CFM [L/s]		4100 [1935]	3200 [1510]	2700 [1274]	2700 [1274]	4100 [1935]	3200 [1510]	2700 [1274]	2700 [1274]	4100 [1935]	3200 [1510]	2700 [1274]	2700 [1274]	4100 [1935]	3200 [1510]	2700 [1274]
DR ①		0.11	0.05	0.01	0.01	0.11	0.05	0.01	0.01	0.11	0.05	0.01	0.01	0.11	0.05	0.01
Total BTUH [kW]	75 [23.9]	129.9 [38.1]	123.6 [36.2]	120.1 [35.2]	113.4 [33.2]	118.3 [34.7]	112.5 [33.0]	109.3 [32.0]	108.6 [31.8]	117.5 [34.4]	111.8 [32.8]	108.6 [31.8]	108.6 [31.8]	118 [34.6]	112.2 [32.9]	109 [32.0]
Sens BTUH [kW]		81.3 [23.8]	71.9 [21.1]	66.6 [19.5]	79 [23.1]	110.1 [32.3]	97.3 [28.5]	90.2 [26.4]	95.2 [27.9]	116.1 [34.0]	102.6 [30.1]	95.2 [27.9]	95.2 [27.9]	118 [34.6]	107.3 [31.5]	99.5 [29.2]
Power		6.2	6.1	6	5.9	6.1	5.9	5.8	5.8	6	5.9	5.8	5.8	6	5.9	5.8
Total BTUH [kW]	80 [26.7]	125.7 [36.8]	119.5 [35.0]	116.1 [34.0]	109.5 [32.1]	114 [33.4]	108.5 [31.8]	105.4 [30.9]	104.7 [30.7]	113.3 [33.2]	107.8 [31.6]	104.7 [30.7]	104.7 [30.7]	113.7 [33.3]	108.2 [31.7]	105.1 [30.8]
Sens BTUH [kW]		79.2 [23.2]	70 [20.5]	64.9 [19.0]	77.2 [22.6]	108 [31.6]	95.4 [28.0]	88.5 [25.9]	93.4 [27.4]	113.3 [33.2]	100.8 [29.5]	93.4 [27.4]	93.4 [27.4]	113.7 [33.3]	105.5 [30.9]	97.8 [28.7]
Power		6.6	6.4	6.3	6.2	6.4	6.3	6.2	6.2	6.4	6.2	6.2	6.2	6.4	6.2	6.1
Total BTUH [kW]	85 [29.4]	121.4 [35.6]	115.5 [33.8]	112.2 [32.9]	105.6 [30.9]	109.8 [32.2]	104.4 [30.6]	101.5 [29.7]	100.8 [29.5]	109 [31.9]	103.7 [30.4]	100.8 [29.5]	100.8 [29.5]	109.5 [32.1]	104.2 [30.5]	101.2 [29.7]
Sens BTUH [kW]		77 [22.6]	68.1 [20.0]	63.1 [18.5]	75.5 [22.1]	105.8 [31.0]	93.5 [27.4]	86.7 [25.4]	91.7 [26.9]	109 [31.9]	98.9 [29.0]	91.7 [26.9]	91.7 [26.9]	109.5 [32.1]	103.6 [30.4]	96 [28.1]
Power		6.9	6.8	6.7	6.6	6.8	6.6	6.6	6.6	6.8	6.6	6.5	6.5	6.7	6.6	6.5
Total BTUH [kW]	90 [32.2]	117.1 [34.3]	111.4 [32.7]	108.3 [31.7]	101.6 [29.8]	105.5 [30.9]	100.4 [29.4]	97.5 [28.6]	96.8 [28.4]	104.8 [30.7]	99.7 [29.2]	96.8 [28.4]	96.8 [28.4]	105.2 [30.8]	100.1 [29.3]	97.3 [28.5]
Sens BTUH [kW]		74.9 [21.9]	66.2 [19.4]	61.4 [18.0]	73.7 [21.6]	103.6 [30.4]	91.6 [26.8]	84.9 [24.9]	89.9 [26.3]	104.8 [30.7]	97 [28.4]	89.9 [26.3]	89.9 [26.3]	105.2 [30.8]	100.1 [29.3]	94.3 [27.6]
Power		7.4	7.2	7.1	7	7.2	7.1	7	7	7.2	7	6.9	6.9	7.2	7	6.9
Total BTUH [kW]	95 [35]	112.9 [33.1]	107.4 [31.5]	104.3 [30.6]	97.7 [28.6]	101.2 [29.7]	96.3 [28.2]	93.6 [27.4]	93.6 [27.4]	100.5 [29.4]	95.6 [28.0]	92.9 [27.2]	92.9 [27.2]	100.9 [29.6]	96 [28.1]	93.3 [27.3]
Sens BTUH [kW]		72.6 [21.3]	64.2 [18.8]	59.5 [17.4]	71.9 [21.1]	101.2 [29.7]	89.7 [26.3]	83.1 [24.4]	88.1 [25.8]	100.5 [29.4]	95 [27.8]	88.1 [25.8]	88.1 [25.8]	100.9 [29.6]	96 [28.1]	92.4 [27.1]
Power		7.8	7.6	7.5	7.4	7.7	7.5	7.4	7.4	7.6	7.5	7.4	7.4	7.6	7.4	7.3
Total BTUH [kW]	100 [37.8]	108.6 [31.8]	103.3 [30.3]	100.4 [29.4]	93.7 [27.5]	97 [28.4]	92.2 [27.0]	89.6 [26.3]	88.9 [26.1]	96.2 [28.2]	91.5 [26.8]	88.9 [26.1]	88.9 [26.1]	96.7 [28.3]	92 [26.9]	89.3 [26.2]
Sens BTUH [kW]		70.4 [20.6]	62.2 [18.2]	57.7 [16.9]	70 [20.5]	97 [28.4]	87.7 [25.7]	81.3 [23.8]	86.2 [25.3]	96.2 [28.2]	91.5 [26.8]	86.2 [25.3]	86.2 [25.3]	96.7 [28.3]	92 [26.9]	89.3 [26.2]
Power		8.3	8.1	8	7.9	8.2	8	8	7.8	8.1	7.9	7.8	7.8	8.1	7.9	7.8
Total BTUH [kW]	105 [40.6]	104.3 [30.6]	99.2 [29.1]	96.4 [28.2]	89.7 [26.3]	92.7 [27.2]	88.1 [25.8]	85.6 [25.1]	84.9 [25.6]	91.9 [26.9]	87.4 [25.6]	84.9 [25.6]	84.9 [25.6]	92.4 [27.1]	87.9 [25.7]	85.4 [25.0]
Sens BTUH [kW]		68.1 [20.0]	60.2 [17.6]	55.8 [16.4]	68.1 [20.0]	92.7 [27.2]	85.6 [25.1]	79.4 [23.3]	83.3 [24.4]	91.9 [26.9]	87.4 [25.6]	84.9 [25.6]	84.9 [25.6]	92.4 [27.1]	87.9 [25.7]	85.4 [25.0]
Power		8.8	8.6	8.5	8.4	8.7	8.5	8.5	8.3	8.6	8.4	8.3	8.3	8.6	8.4	8.3
Total BTUH [kW]	110 [43.3]	99.9 [29.3]	95.1 [27.9]	92.4 [27.1]	85.7 [25.1]	88.3 [25.9]	84 [24.6]	81.6 [23.9]	80.9 [23.7]	87.6 [25.7]	83.3 [24.4]	80.9 [23.7]	80.9 [23.7]	88 [25.8]	83.7 [24.5]	81.4 [23.8]
Sens BTUH [kW]		65.8 [19.3]	58.1 [17.0]	53.9 [15.8]	66.2 [19.4]	88.3 [25.9]	83.6 [24.5]	77.5 [22.7]	83.3 [24.4]	87.6 [25.7]	83.3 [24.4]	80.9 [23.7]	80.9 [23.7]	88 [25.8]	83.7 [24.5]	81.4 [23.8]
Power		9.3	9.1	9	8.9	9.2	9	9	8.9	9.2	9	8.8	8.8	9.1	8.9	8.8
Total BTUH [kW]	115 [46.1]	95.6 [28.0]	91 [26.7]	88.4 [25.9]	81.7 [24.0]	84 [24.6]	79.9 [23.4]	77.6 [22.8]	76.9 [22.5]	83.2 [24.4]	79.2 [23.2]	76.9 [22.5]	76.9 [22.5]	83.7 [24.5]	79.6 [23.3]	77.4 [22.7]
Sens BTUH [kW]		63.4 [18.6]	56 [16.4]	51.9 [15.2]	64.3 [18.8]	84 [24.6]	79.9 [23.4]	75.5 [22.1]	75.5 [22.1]	83.2 [24.4]	79.2 [23.2]	76.9 [22.5]	76.9 [22.5]	83.7 [24.5]	79.6 [23.3]	77.4 [22.7]
Power		9.9	9.7	9.5	9.5	9.8	9.6	9.5	9.4	9.8	9.5	9.4	9.4	9.7	9.5	9.4
Total BTUH [kW]	120 [48.9]	91.3 [26.7]	86.8 [25.4]	84.4 [24.7]	77.7 [22.8]	79.6 [23.3]	75.8 [22.2]	73.6 [21.6]	72.9 [21.4]	78.9 [23.1]	75 [22.0]	72.9 [21.4]	72.9 [21.4]	79.3 [23.3]	75.5 [22.1]	73.3 [21.5]
Sens BTUH [kW]		61 [17.9]	53.9 [15.8]	50 [14.6]	62.3 [18.3]	79.6 [23.3]	75.8 [22.2]	73.5 [21.6]	73.5 [21.6]	78.9 [23.1]	75 [22.0]	72.9 [21.4]	72.9 [21.4]	79.3 [23.3]	75.5 [22.1]	73.3 [21.5]
Power		10.5	10.3	10.1	10.1	10.4	10.1	10	10	10.4	10.1	10	10	10.3	10.1	9.9
Total BTUH [kW]	125 [51.7]	86.9 [25.5]	82.7 [24.2]	80.3 [23.5]	73.7 [21.6]	75.3 [22.1]	71.6 [21.0]	69.6 [20.4]	68.9 [20.2]	74.5 [21.8]	70.9 [20.8]	68.9 [20.2]	68.9 [20.2]	75 [22.0]	71.3 [20.9]	69.3 [20.3]
Sens BTUH [kW]		58.5 [17.1]	51.7 [15.2]	48 [14.1]	60.3 [17.7]	75.3 [22.1]	71.6 [21.0]	69.6 [20.4]	69.6 [20.4]	74.5 [21.8]	70.9 [20.8]	68.9 [20.2]	68.9 [20.2]	75 [22.0]	71.3 [20.9]	69.3 [20.3]
Power		11.2	10.9	10.7	10.7	11	10.8	10.6	10.6	11	10.7	10.6	10.6	11	10.7	10.5

DR — Depression ratio
 dbE — Entering air dry bulb
 wBE — Entering air wet bulb

Total — Total capacity x 1000 BTUH
 Sens — Sensible capacity x 1000 BTUH
 Power — KW Input

NOTES: ① When the entering air dry bulb is other than 80°F [27°C], adjust the sensible capacity from the table by adding [1.10 x CFM x (1 - DR) x (dbE - 80)].

[] Designates Metric Conversions

COOLING PERFORMANCE DATA — RGEDZT120A

wBE		ENTERING INDOOR AIR @ 80°F [26.7°C] dbE ①															
		71°F [21.7°C]			67°F [19.4°C]			63°F [17.2°C]			61°F [16.1°C]			59°F [15.0°C]			
CFM [L/s]		4800 [2265]	3750 [1770]	3200 [1510]	3200 [1770]	3750 [1770]	4800 [2265]	4800 [2265]	3200 [1510]	3200 [1770]	3750 [1770]	4800 [2265]	4800 [2265]	3200 [1510]	3200 [1770]	3750 [1770]	4800 [2265]
DR ①		0.09	0.03	0	0.03	0.09	0.09	0	0.03	0.03	0.09	0.09	0	0	0.03	0.03	0.09
75 [23.9]	Total BTUH [kW]	155.3 [45.5]	147.8 [43.3]	143.8 [42.2]	140.7 [41.2]	136.9 [40.1]	142.8 [41.8]	132.2 [38.7]	135.8 [39.8]	131.5 [38.4]	141.5 [41.5]	134.7 [39.5]	141.4 [41.4]	131.1 [38.4]	134.5 [39.4]	141.4 [41.4]	130.9 [38.4]
	Sens BTUH [kW]	97.3 [28.5]	86.1 [25.2]	80.2 [23.5]	102.4 [30.0]	95.4 [28.0]	132.9 [38.9]	109.5 [32.1]	117.5 [34.4]	115.8 [33.9]	140.6 [41.2]	124.3 [36.4]	141.4 [41.4]	115.8 [33.9]	130.4 [38.2]	141.4 [41.4]	121.4 [35.6]
	Power	7.5	7.3	7.2	7.2	7.1	7.3	7	7.1	7.1	7.2	7.2	7.2	7	7	7.2	6.9
80 [26.7]	Total BTUH [kW]	150.6 [44.1]	143.4 [42.0]	139.5 [40.9]	136.2 [39.9]	132.6 [38.9]	138.1 [40.5]	127.9 [37.5]	131.4 [38.5]	126.8 [37.1]	136.9 [40.1]	130.2 [38.2]	136.7 [40.1]	126.8 [37.1]	130.1 [38.1]	136.7 [40.1]	126.6 [37.1]
	Sens BTUH [kW]	94.9 [27.8]	84 [24.6]	78.2 [22.9]	100.3 [29.4]	93.5 [27.4]	130.5 [38.2]	107.5 [31.5]	115.4 [33.8]	113.8 [33.4]	136.9 [40.1]	122.2 [35.8]	136.7 [40.1]	113.8 [33.4]	128.3 [37.6]	136.7 [40.1]	119.5 [35.0]
	Power	7.9	7.7	7.6	7.6	7.5	7.7	7.4	7.5	7.4	7.7	7.5	7.6	7.4	7.4	7.6	7.3
85 [29.4]	Total BTUH [kW]	146 [42.8]	138.9 [40.7]	135.2 [39.6]	131.8 [38.6]	128.3 [37.6]	133.5 [39.1]	123.6 [36.2]	127 [37.2]	122.5 [35.9]	132.2 [38.7]	125.8 [36.9]	132.1 [38.7]	122.5 [35.9]	125.7 [36.8]	132.1 [38.7]	122.3 [35.9]
	Sens BTUH [kW]	92.5 [27.1]	81.8 [24.0]	76.2 [22.3]	98.2 [28.8]	91.5 [26.8]	128.1 [37.5]	105.5 [30.9]	113.3 [33.2]	111.9 [32.6]	132.2 [38.7]	120.1 [35.2]	132.1 [38.7]	111.9 [32.6]	125.7 [36.8]	132.1 [38.7]	117.5 [34.4]
	Power	8.3	8.1	8	8	7.9	8.2	7.9	8	7.9	8.1	7.9	8.1	7.8	7.9	8.1	7.8
90 [32.2]	Total BTUH [kW]	141.4 [41.4]	134.5 [39.4]	131 [38.4]	127.4 [37.1]	124 [36.3]	128.8 [37.8]	119.3 [35.0]	118.2 [34.6]	115.1 [33.7]	123 [36.0]	117 [34.3]	122.9 [36.0]	118.2 [34.6]	121.3 [35.5]	122.9 [36.0]	118.1 [34.6]
	Sens BTUH [kW]	90.1 [26.4]	79.7 [23.3]	74.2 [21.7]	96 [28.1]	89.5 [26.2]	125.6 [36.8]	103.5 [30.3]	111.1 [32.6]	103.5 [30.3]	127.6 [37.4]	117.9 [34.5]	122.9 [36.0]	103.5 [30.3]	121.3 [35.5]	122.9 [36.0]	115.5 [33.8]
	Power	8.8	8.6	8.5	8.5	8.4	8.6	8.3	8.4	8.3	8.6	8.4	8.5	8.3	8.5	8.5	8.2
95 [35]	Total BTUH [kW]	136.8 [40.1]	130.2 [38.1]	126.7 [37.1]	123 [36.1]	119.7 [35.1]	124.2 [36.4]	115.1 [33.7]	118.2 [34.6]	115.1 [33.7]	123 [36.0]	117 [34.3]	122.9 [36.0]	115.1 [33.7]	116.9 [34.3]	122.9 [36.0]	113.8 [33.3]
	Sens BTUH [kW]	87.6 [25.7]	77.5 [22.7]	72.2 [21.1]	93.8 [27.5]	87.4 [25.6]	123.1 [36.1]	101.5 [29.7]	108.9 [31.9]	101.5 [29.7]	123 [36.0]	115.7 [33.9]	122.9 [36.0]	101.5 [29.7]	116.9 [34.3]	122.9 [36.0]	113.4 [33.2]
	Power	9.3	9.1	9	9	8.9	9.1	8.8	8.9	8.8	9.1	8.9	9.1	8.8	8.8	9.1	8.7
100 [37.8]	Total BTUH [kW]	132.2 [38.7]	125.8 [36.9]	122.4 [35.9]	118.7 [34.8]	115.5 [33.8]	119.6 [35.1]	110.8 [32.5]	113.8 [33.4]	110.8 [32.5]	118.4 [34.7]	112.7 [33.0]	118.3 [34.7]	110.8 [32.5]	112.5 [33.0]	118.3 [34.7]	109.5 [32.1]
	Sens BTUH [kW]	85.1 [24.9]	75.2 [22.0]	70.1 [20.5]	91.6 [26.8]	85.3 [25.0]	119.6 [35.1]	99.4 [29.1]	106.7 [31.3]	99.4 [29.1]	118.4 [34.7]	112.7 [33.0]	118.3 [34.7]	99.4 [29.1]	112.5 [33.0]	118.3 [34.7]	109.5 [32.1]
	Power	9.9	9.6	9.5	9.5	9.4	9.7	9.3	9.5	9.3	9.6	9.4	9.6	9.3	9.4	9.6	9.2
105 [40.6]	Total BTUH [kW]	127.6 [37.4]	121.4 [35.6]	118.2 [34.6]	114.3 [33.5]	111.2 [32.6]	115.1 [33.7]	106.6 [31.2]	109.5 [32.1]	106.6 [31.2]	113.8 [33.4]	108.3 [31.7]	113.7 [33.3]	106.6 [31.2]	108.2 [31.7]	113.7 [33.3]	105.3 [30.9]
	Sens BTUH [kW]	82.5 [24.2]	73 [21.4]	68 [19.9]	89.3 [26.2]	83.2 [24.4]	115.1 [33.7]	97.3 [28.5]	104.4 [30.6]	97.3 [28.5]	113.8 [33.4]	108.3 [31.7]	113.7 [33.3]	97.3 [28.5]	108.2 [31.7]	113.7 [33.3]	105.3 [30.9]
	Power	10.5	10.2	10.1	10.1	10	10.3	9.9	10	9.9	10.2	10	10.2	9.9	9.9	10.2	9.8
110 [43.3]	Total BTUH [kW]	123 [36.1]	117.1 [34.3]	114 [33.4]	109.9 [32.2]	107 [31.4]	110.5 [32.4]	102.3 [30.0]	105.1 [30.8]	102.3 [30.0]	109.3 [32.0]	104 [30.5]	109.1 [32.0]	102.3 [30.0]	103.8 [30.4]	109.1 [32.0]	101.1 [29.6]
	Sens BTUH [kW]	79.9 [23.4]	70.6 [20.7]	65.8 [19.3]	87 [25.5]	81.1 [23.8]	105.9 [31.0]	95.1 [27.9]	102.1 [29.9]	95.1 [27.9]	109.3 [32.0]	104 [30.5]	109.1 [32.0]	95.1 [27.9]	103.8 [30.4]	109.1 [32.0]	101.1 [29.6]
	Power	11.1	10.8	10.7	10.7	10.6	10.9	10.5	10.6	10.5	10.8	10.6	10.8	10.4	10.5	10.8	10.4
115 [46.1]	Total BTUH [kW]	118.5 [34.7]	112.7 [33.0]	109.7 [32.2]	105.6 [31.0]	102.8 [30.1]	105.9 [31.0]	98.1 [28.8]	100.8 [29.5]	98.1 [28.8]	104.7 [30.7]	99.6 [29.2]	104.6 [30.6]	98.1 [28.8]	99.5 [29.2]	104.6 [30.6]	96.8 [28.4]
	Sens BTUH [kW]	77.2 [22.6]	68.3 [20.0]	63.6 [18.6]	84.7 [24.8]	78.9 [23.1]	105.9 [31.0]	92.9 [27.2]	99.8 [29.2]	92.9 [27.2]	104.7 [30.7]	99.6 [29.2]	104.6 [30.6]	99.8 [29.2]	99.5 [29.2]	104.6 [30.6]	96.8 [28.4]
	Power	11.7	11.4	11.3	11.3	11.2	11.5	11.1	11.2	11.1	11.5	11.2	11.4	11.1	11.2	11.4	11
120 [48.9]	Total BTUH [kW]	113.9 [33.4]	108.4 [31.8]	105.5 [30.9]	101.3 [29.7]	98.6 [28.9]	101.4 [29.7]	93.9 [27.5]	96.5 [28.3]	93.9 [27.5]	100.2 [29.4]	95.3 [27.9]	100 [29.3]	92.8 [27.2]	95.2 [27.9]	100 [29.3]	92.6 [27.1]
	Sens BTUH [kW]	74.5 [21.8]	65.9 [19.3]	61.4 [18.0]	82.3 [24.1]	76.7 [22.5]	101.4 [29.7]	90.7 [26.6]	96.5 [28.3]	90.7 [26.6]	100.2 [29.4]	95.3 [27.9]	100 [29.3]	92.8 [27.2]	95.2 [27.9]	100 [29.3]	92.6 [27.1]
	Power	12.4	12.1	11.9	12	11.8	12.2	11.7	11.9	11.9	12.1	11.9	12.1	11.7	11.8	12.1	11.7
125 [51.7]	Total BTUH [kW]	109.4 [32.1]	104.1 [30.5]	101.3 [29.7]	97 [28.4]	94.4 [27.7]	96.9 [28.4]	89.7 [26.3]	92.2 [27.0]	89.7 [26.3]	95.6 [28.0]	91 [26.7]	95.5 [28.0]	88.6 [26.0]	90.9 [26.6]	95.5 [28.0]	88.5 [25.9]
	Sens BTUH [kW]	71.8 [21.0]	63.5 [18.6]	59.2 [17.3]	79.9 [23.4]	74.4 [21.8]	96.9 [28.4]	88.5 [25.9]	92.2 [27.0]	88.5 [25.9]	95.6 [28.0]	91 [26.7]	95.5 [28.0]	88.6 [26.0]	90.9 [26.6]	95.5 [28.0]	88.5 [25.9]
	Power	13.1	12.8	12.6	12.7	12.5	12.9	12.4	12.6	12.4	12.9	12.5	12.8	12.4	12.5	12.8	12.3

DR — Depression ratio
 dbE — Entering air dry bulb
 wBE — Entering air wet bulb

① When the entering air dry bulb is other than 80°F [27°C], adjust the sensible capacity from the table by adding $[1.10 \times \text{CFM} \times (1 - \text{DR}) \times (\text{dbE} - 80)]$.

[] Designates Metric Conversions



COOLING PERFORMANCE DATA – RGEDZT150A

ENTERING INDOOR AIR @ 80°F [26.7°C] dbE ①											
wbE		71°F [21.7°C]			67°F [19.4°C]			63°F [17.2°C]			
CFM [L/s]		4500 [2124]	3750 [1770]	3000 [1416]	4500 [2124]	3750 [1770]	3000 [1416]	4500 [2124]	3750 [1770]	3000 [1416]	
DR ①		0	0.01	0.09	0	0.01	0.09	0	0.01	0.09	
OUTDOOR DRY BULB TEMPERATURE °F [°C]	75 [23.9]	Total BTUH [kW]	179.6 [52.6]	173.3 [50.8]	167.0 [48.9]	172.2 [50.5]	166.2 [48.7]	160.2 [46.9]	167.3 [49.0]	161.4 [47.3]	155.5 [45.6]
		Sens BTUH [kW]	113.4 [33.2]	97.4 [28.5]	82.6 [24.2]	131.0 [38.4]	113.8 [33.3]	97.7 [28.6]	147.4 [43.2]	128.9 [37.8]	111.5 [32.7]
		Power	10.2	10.0	9.9	10.1	9.9	9.8	10.0	9.9	9.7
	80 [26.7]	Total BTUH [kW]	175.0 [51.3]	168.9 [49.5]	162.8 [47.7]	167.6 [49.1]	161.8 [47.4]	155.9 [45.7]	162.7 [47.7]	157.0 [46.0]	151.3 [44.3]
		Sens BTUH [kW]	110.9 [32.5]	95.3 [27.9]	80.9 [23.7]	128.5 [37.7]	111.7 [32.7]	95.9 [28.1]	144.9 [42.5]	126.8 [37.2]	109.8 [32.2]
		Power	10.6	10.4	10.3	10.5	10.4	10.2	10.4	10.3	10.1
	85 [29.4]	Total BTUH [kW]	170.5 [50.0]	164.5 [48.2]	158.5 [46.4]	163.1 [47.8]	157.4 [46.1]	151.6 [44.4]	158.1 [46.3]	152.5 [44.7]	147.0 [43.1]
		Sens BTUH [kW]	108.5 [31.8]	93.2 [27.3]	79.1 [23.2]	126.1 [36.9]	109.6 [32.1]	94.1 [27.6]	142.4 [41.7]	124.6 [36.5]	108.0 [31.6]
		Power	11.1	10.9	10.7	11.0	10.8	10.6	10.9	10.7	10.5
	90 [32.2]	Total BTUH [kW]	165.9 [48.6]	160.1 [46.9]	154.3 [45.2]	158.5 [46.4]	153.0 [44.8]	147.4 [43.2]	153.5 [45.0]	148.1 [43.4]	142.8 [41.8]
		Sens BTUH [kW]	105.8 [31.0]	91.0 [26.7]	77.2 [22.6]	123.4 [36.2]	107.4 [31.5]	92.3 [27.0]	139.7 [40.9]	122.4 [35.9]	106.2 [31.1]
		Power	11.6	11.4	11.2	11.5	11.3	11.1	11.4	11.2	11.0
95 [35]	Total BTUH [kW]	161.4 [47.3]	155.7 [45.6]	150.0 [43.9]	154.0 [45.1]	148.6 [43.5]	143.2 [42.0]	149.0 [43.7]	143.8 [42.1]	138.5 [40.6]	
	Sens BTUH [kW]	103.3 [30.3]	88.8 [26.0]	75.3 [22.1]	120.9 [35.4]	105.2 [30.8]	90.5 [26.5]	137.2 [40.2]	120.3 [35.2]	104.3 [30.6]	
	Power	12.1	11.9	11.6	12.0	11.8	11.6	11.9	11.7	11.5	
100 [37.8]	Total BTUH [kW]	156.8 [45.9]	151.3 [44.3]	145.8 [42.7]	149.4 [43.8]	144.2 [42.3]	139.0 [40.7]	144.5 [42.3]	139.4 [40.8]	134.3 [39.3]	
	Sens BTUH [kW]	100.6 [29.5]	86.5 [25.3]	73.4 [21.5]	118.2 [34.6]	102.9 [30.1]	88.6 [26.0]	134.6 [39.4]	118.0 [34.6]	102.4 [30.0]	
	Power	12.6	12.4	12.2	12.5	12.3	12.1	12.4	12.2	12.0	
105 [40.6]	Total BTUH [kW]	152.3 [44.6]	147.0 [43.1]	141.6 [41.5]	144.9 [42.5]	139.8 [41.0]	134.8 [39.5]	139.9 [41.0]	135.0 [39.6]	130.1 [38.1]	
	Sens BTUH [kW]	98.0 [28.7]	84.3 [24.7]	71.5 [20.9]	115.6 [33.9]	100.6 [29.5]	86.7 [25.4]	131.9 [38.6]	115.7 [33.9]	100.5 [29.4]	
	Power	13.2	13.0	12.7	13.1	12.9	12.6	13	12.8	12.5	
110 [43.3]	Total BTUH [kW]	147.8 [43.3]	142.6 [41.8]	137.4 [40.3]	140.4 [41.1]	135.5 [39.7]	130.6 [38.3]	135.4 [39.7]	130.7 [38.3]	125.9 [36.9]	
	Sens BTUH [kW]	95.3 [27.9]	82.0 [24.0]	69.6 [20.4]	112.9 [33.1]	98.4 [28.8]	84.8 [24.8]	129.2 [37.9]	113.5 [33.3]	98.6 [28.9]	
	Power	13.8	13.5	13.3	13.7	13.5	13.2	13.6	13.4	13.1	
115 [46.1]	Total BTUH [kW]	143.3 [42.0]	138.3 [40.5]	133.3 [39.1]	135.9 [39.8]	131.2 [38.4]	126.4 [37.0]	130.9 [38.4]	126.4 [37.0]	121.8 [35.7]	
	Sens BTUH [kW]	92.6 [27.1]	79.7 [23.4]	67.7 [19.8]	110.1 [32.3]	96.0 [28.1]	82.7 [24.2]	126.4 [37.0]	111.1 [32.6]	96.6 [28.3]	
	Power	14.4	14.2	13.9	14.3	14.1	13.8	14.2	14.0	13.7	

DR —Depression ratio
dbE —Entering air dry bulb
wbE —Entering air wet bulb

Total —Total capacity x 1000 BTUH
Sens —Sensible capacity x 1000 BTUH
Power —KW input

NOTES: ① When the entering air dry bulb is other than 80°F [27°C], adjust the sensible capacity from the table by adding [1.10 x CFM x (1 – DR) x (dbE – 80)].

[] Designates Metric Conversions





GROSS SYSTEMS PERFORMANCE DATA (LOW REHEAT MODE) – RGEDZS090

		ENTERING INDOOR AIR @ 75°F [23.9°C] dbE ①									
wbE		65.3°F [18.5°C]			64°F [17.8°C]			62.5°F [16.9°C]			
CFM [L/s]		1800 [850]	1700 [802]	1200 [566]	1800 [850]	1700 [802]	1200 [566]	1800 [850]	1700 [802]	1200 [566]	
OUTDOOR DRY BULB TEMPERATURE °F [°C]	60 [15.6]	Total BTUH [kW]	29.7 [8.7]	29.4 [8.6]	27.9 [8.2]	27.0 [7.9]	26.7 [7.8]	25.3 [7.4]	26.6 [7.8]	26.4 [7.7]	24.9 [7.3]
		Sens BTUH [kW]	6.5 [1.9]	6.3 [1.8]	5.4 [1.6]	9.0 [2.6]	8.7 [2.6]	7.5 [2.2]	11.4 [3.4]	11.1 [3.3]	9.6 [2.8]
		Power	3.2	3.1	3.1	3.2	3.2	3.1	3.2	3.2	3.1
	65 [18.3]	Total BTUH [kW]	29.5 [8.6]	29.2 [8.5]	27.6 [8.1]	26.7 [7.8]	26.4 [7.7]	25.0 [7.3]	26.4 [7.7]	26.1 [7.6]	24.7 [7.2]
		Sens BTUH [kW]	5.0 [1.5]	4.9 [1.4]	4.2 [1.2]	7.6 [2.2]	7.4 [2.2]	6.3 [1.9]	10.0 [2.9]	9.7 [2.9]	8.4 [2.5]
		Power	3.2	3.2	3.1	3.3	3.2	3.2	3.2	3.2	3.1
	70 [21.1]	Total BTUH [kW]	28.8 [8.4]	28.5 [8.4]	27.0 [7.9]	26.0 [7.6]	25.8 [7.6]	24.4 [7.1]	25.7 [7.5]	25.4 [7.5]	24.1 [7.1]
Sens BTUH [kW]		3.7 [1.1]	3.6 [1.0]	3.1 [0.9]	6.2 [1.8]	6.0 [1.8]	5.2 [1.5]	8.6 [2.5]	8.4 [2.5]	7.2 [2.1]	
Power		3.2	3.2	3.1	3.3	3.3	3.2	3.3	3.3	3.2	
75 [23.9]	Total BTUH [kW]	27.8 [8.1]	27.5 [8.1]	26.0 [7.6]	25.0 [7.3]	24.7 [7.2]	23.4 [6.9]	24.7 [7.2]	24.4 [7.2]	23.1 [6.8]	
	Sens BTUH [kW]	2.3 [0.7]	2.3 [0.7]	2.0 [0.6]	4.9 [1.4]	4.7 [1.4]	4.1 [1.2]	7.3 [2.1]	7.1 [2.1]	6.1 [1.8]	
	Power	3.3	3.3	3.2	3.4	3.4	3.3	3.4	3.4	3.3	
80 [26.7]	Total BTUH [kW]	26.3 [7.7]	26.0 [7.6]	24.6 [7.2]	23.5 [6.9]	23.3 [6.8]	22.1 [6.5]	23.2 [6.8]	23.0 [6.7]	21.7 [6.4]	
	Sens BTUH [kW]	1.1 [0.3]	1.0 [0.3]	0.9 [0.3]	3.6 [1.0]	3.5 [1.0]	3.0 [0.9]	6.0 [1.8]	5.9 [1.7]	5.1 [1.5]	
	Power	3.4	3.4	3.3	3.5	3.5	3.4	3.5	3.5	3.4	
85 [29.4]	Total BTUH [kW]	24.5 [7.2]	24.2 [7.1]	22.9 [6.7]	21.7 [6.4]	21.5 [6.3]	20.3 [6.0]	21.4 [6.3]	21.1 [6.2]	20.0 [5.9]	
	Sens BTUH [kW]	-0.2 [-0.1]	-0.2 [0.0]	-0.1 [0.0]	2.4 [0.7]	2.3 [0.7]	2.0 [0.6]	4.8 [1.4]	4.7 [1.4]	4.0 [1.2]	
	Power	3.6	3.6	3.5	3.7	3.6	3.6	3.6	3.6	3.5	
90 [32.2]	Total BTUH [kW]	22.2 [6.5]	22.0 [6.4]	20.8 [6.1]	19.5 [5.7]	19.3 [5.6]	18.2 [5.3]	19.1 [5.6]	18.9 [5.5]	17.9 [5.3]	
	Sens BTUH [kW]	-1.3 [-0.4]	-1.3 [-0.4]	-1.1 [-0.3]	1.2 [0.3]	1.1 [0.3]	1.0 [0.3]	3.6 [1.1]	3.5 [1.0]	3.0 [0.9]	
	Power	3.8	3.7	3.6	3.8	3.8	3.7	3.8	3.8	3.7	

GROSS SYSTEMS PERFORMANCE DATA (HIGH REHEAT MODE) – RGEDZS090

		ENTERING INDOOR AIR @ 75°F [23.9°C] dbE ①									
wbE		65.3°F [18.5°C]			64°F [17.8°C]			62.5°F [16.9°C]			
CFM [L/s]		3600 [1699]	2900 [1369]	2400 [1133]	3600 [1699]	2900 [1369]	2400 [1133]	3600 [1699]	2900 [1369]	2400 [1133]	
OUTDOOR DRY BULB TEMPERATURE °F [°C]	60 [15.6]	Total BTUH [kW]	41.7 [12.2]	39.9 [11.7]	38.7 [11.3]	40.1 [11.8]	38.4 [11.3]	37.2 [10.9]	40.0 [11.7]	38.3 [11.2]	37.1 [10.9]
		Sens BTUH [kW]	8.9 [2.6]	8.0 [2.4]	7.4 [2.2]	12.8 [3.7]	11.5 [3.4]	10.5 [3.1]	18.5 [5.4]	16.7 [4.9]	15.3 [4.5]
		Power	5.0	4.9	4.8	4.9	4.8	4.8	4.9	4.8	4.8
	70 [21.1]	Total BTUH [kW]	39.8 [11.7]	38.1 [11.2]	36.9 [10.8]	38.3 [11.2]	36.7 [10.7]	35.5 [10.4]	38.1 [11.2]	36.5 [10.7]	35.4 [10.4]
		Sens BTUH [kW]	5.9 [1.7]	5.3 [1.6]	4.9 [1.4]	9.8 [2.9]	8.8 [2.6]	8.1 [2.4]	15.5 [4.6]	14.0 [4.1]	12.8 [3.8]
		Power	5.1	5.0	4.9	5.1	5.0	4.9	5.0	4.9	4.9
	80 [26.7]	Total BTUH [kW]	36.7 [10.7]	35.1 [10.3]	34.0 [10.0]	35.1 [10.3]	33.7 [9.9]	32.6 [9.6]	35.0 [10.3]	33.5 [9.8]	32.5 [9.5]
Sens BTUH [kW]		2.1 [0.6]	1.9 [0.5]	1.7 [0.5]	5.9 [1.7]	5.3 [1.6]	4.9 [1.4]	11.7 [3.4]	10.5 [3.1]	9.6 [2.8]	
Power		5.4	5.3	5.2	5.3	5.2	5.1	5.3	5.2	5.1	
90 [32.2]	Total BTUH [kW]	32.3 [9.5]	30.9 [9.1]	30.0 [8.8]	30.8 [9.0]	29.5 [8.6]	28.5 [8.4]	30.6 [9.0]	29.3 [8.6]	28.4 [8.3]	
	Sens BTUH [kW]	-2.7 [-0.8]	-2.4 [-0.7]	-2.2 [-0.6]	1.2 [0.3]	1.0 [0.3]	1.0 [0.3]	6.9 [2.0]	6.2 [1.8]	5.7 [1.7]	
	Power	5.8	5.6	5.6	5.7	5.6	5.5	5.7	5.6	5.5	
100 [37.8]	Total BTUH [kW]	26.7 [7.8]	25.5 [7.5]	24.7 [7.3]	25.1 [7.4]	24.1 [7.1]	23.3 [6.8]	25.0 [7.3]	23.9 [7.0]	23.2 [6.8]	
	Sens BTUH [kW]	-8.3 [-2.4]	-7.4 [-2.2]	-6.8 [-2.0]	-4.4 [-1.3]	-4.0 [-1.2]	-3.7 [-1.1]	1.3 [0.4]	1.2 [0.4]	1.1 [0.3]	
	Power	6.3	6.2	6.1	6.2	6.1	6.0	6.2	6.1	6.0	
110 [43.3]	Total BTUH [kW]	19.8 [5.8]	19.0 [5.6]	18.4 [5.4]	18.3 [5.4]	17.5 [5.1]	17.0 [5.0]	18.1 [5.3]	17.4 [5.1]	16.8 [4.9]	
	Sens BTUH [kW]	-14.7 [-4.3]	-13.2 [-3.9]	-12.2 [-3.6]	-10.9 [-3.2]	-9.8 [-2.9]	-9.0 [-2.6]	-5.1 [-1.5]	-4.6 [-1.4]	-4.2 [-1.2]	
	Power	6.9	6.8	6.7	6.9	6.7	6.6	6.9	6.7	6.6	
120 [48.9]	Total BTUH [kW]	11.7 [3.4]	11.2 [3.3]	10.8 [3.2]	10.1 [3.0]	9.7 [2.8]	9.4 [2.8]	10.0 [2.9]	9.6 [2.8]	9.3 [2.7]	
	Sens BTUH [kW]	-22.1 [-6.5]	-19.8 [-5.8]	-18.2 [-5.3]	-18.2 [-5.3]	-16.4 [-4.8]	-15.1 [-4.4]	-12.5 [-3.7]	-11.2 [-3.3]	-10.3 [-3.0]	
	Power	7.8	7.6	7.5	7.7	7.5	7.4	7.7	7.5	7.4	



GROSS SYSTEMS PERFORMANCE DATA (LOW REHEAT MODE) – RGEDZS102

		ENTERING INDOOR AIR @ 75°F [23.9°C] dbE ①									
wbE		65.3°F [18.5°C]			64°F [17.8°C]			62.5°F [16.9°C]			
CFM [L/s]		2100 [991]	1700 [802]	1400 [661]	2100 [991]	1700 [802]	1400 [661]	2100 [991]	1700 [802]	1400 [661]	
OUTDOOR DRY BULB TEMPERATURE °F [°C]	60 [15.6]	Total BTUH [kW]	36.6 [10.7]	35.1 [10.3]	33.9 [9.9]	34.5 [10.1]	33.1 [9.7]	32.1 [9.4]	31.9 [9.3]	30.6 [9.0]	29.6 [8.7]
		Sens BTUH [kW]	7.1 [2.1]	6.4 [1.9]	5.9 [1.7]	9.0 [2.6]	8.1 [2.4]	7.4 [2.2]	10.7 [3.1]	9.7 [2.8]	8.9 [2.6]
		Power	3.9	3.8	3.7	3.8	3.8	3.7	3.8	3.8	3.7
	65 [18.3]	Total BTUH [kW]	35.5 [10.4]	34.0 [10.0]	32.9 [9.6]	33.4 [9.8]	32.1 [9.4]	31.0 [9.1]	30.8 [9.0]	29.5 [8.6]	28.6 [8.4]
		Sens BTUH [kW]	6.1 [1.8]	5.5 [1.6]	5.0 [1.5]	8.0 [2.3]	7.2 [2.1]	6.6 [1.9]	9.7 [2.8]	8.7 [2.6]	8.0 [2.4]
		Power	3.9	3.8	3.8	3.9	3.8	3.8	3.9	3.8	3.8
	70 [21.1]	Total BTUH [kW]	34.1 [10.0]	32.7 [9.6]	31.7 [9.3]	32.1 [9.4]	30.8 [9.0]	29.8 [8.7]	29.5 [8.6]	28.3 [8.3]	27.4 [8.0]
Sens BTUH [kW]		4.8 [1.4]	4.3 [1.3]	4.0 [1.2]	6.7 [2.0]	6.0 [1.8]	5.5 [1.6]	8.5 [2.5]	7.6 [2.2]	7.0 [2.0]	
Power		4.0	3.9	3.9	4.0	3.9	3.9	4.0	3.9	3.9	
75 [23.9]	Total BTUH [kW]	32.7 [9.6]	31.3 [9.2]	30.3 [8.9]	30.6 [9.0]	29.4 [8.6]	28.4 [8.3]	28.0 [8.2]	26.8 [7.9]	26.0 [7.6]	
	Sens BTUH [kW]	3.3 [1.0]	3.0 [0.9]	2.8 [0.8]	5.2 [1.5]	4.7 [1.4]	4.3 [1.3]	7.0 [2.0]	6.3 [1.8]	5.8 [1.7]	
	Power	4.1	4.0	4.0	4.1	4.0	4.0	4.1	4.0	4.0	
80 [26.7]	Total BTUH [kW]	31.0 [9.1]	29.7 [8.7]	28.8 [8.4]	29.0 [8.5]	27.8 [8.1]	26.9 [7.9]	26.3 [7.7]	25.2 [7.4]	24.4 [7.2]	
	Sens BTUH [kW]	1.7 [0.5]	1.5 [0.4]	1.4 [0.4]	3.6 [1.0]	3.2 [0.9]	2.9 [0.9]	5.3 [1.6]	4.8 [1.4]	4.4 [1.3]	
	Power	4.3	4.2	4.1	4.3	4.2	4.1	4.3	4.2	4.1	
85 [29.4]	Total BTUH [kW]	29.1 [8.5]	27.9 [8.2]	27.0 [7.9]	27.1 [7.9]	26.0 [7.6]	25.1 [7.4]	24.4 [7.2]	23.4 [6.9]	22.7 [6.6]	
	Sens BTUH [kW]	-0.2 [-0.1]	-0.2 [-0.1]	-0.2 [-0.1]	1.7 [0.5]	1.5 [0.4]	1.4 [0.4]	3.4 [1.0]	3.1 [0.9]	2.8 [0.8]	
	Power	4.4	4.3	4.3	4.4	4.3	4.3	4.4	4.3	4.3	
90 [32.2]	Total BTUH [kW]	27.1 [7.9]	26.0 [7.6]	25.1 [7.4]	25.0 [7.3]	24.0 [7.0]	23.2 [6.8]	22.4 [6.6]	21.5 [6.3]	20.8 [6.1]	
	Sens BTUH [kW]	-2.3 [-0.7]	-2.1 [-0.6]	-1.9 [-0.6]	-0.4 [-0.1]	-0.4 [-0.1]	-0.4 [-0.1]	1.3 [0.4]	1.2 [0.3]	1.1 [0.3]	
	Power	4.6	4.5	4.4	4.6	4.5	4.4	4.6	4.5	4.4	

GROSS SYSTEMS PERFORMANCE DATA (HIGH REHEAT MODE) – RGEDZS102

		ENTERING INDOOR AIR @ 75°F [23.9°C] dbE ①									
wbE		65.3°F [18.5°C]			64°F [17.8°C]			62.5°F [16.9°C]			
CFM [L/s]		4100 [1935]	2900 [1369]	2700 [1274]	4100 [1935]	2900 [1369]	2700 [1274]	4100 [1935]	2900 [1369]	2700 [1274]	
OUTDOOR DRY BULB TEMPERATURE °F [°C]	60 [15.6]	Total BTUH [kW]	57.6 [16.9]	53.6 [15.7]	52.9 [15.5]	45.7 [13.4]	42.5 [12.5]	42.0 [12.3]	51.3 [15.0]	47.7 [14.0]	47.1 [13.8]
		Sens BTUH [kW]	12.7 [3.7]	10.7 [3.1]	10.3 [3.0]	14.6 [4.3]	12.2 [3.6]	11.8 [3.5]	20.5 [6.0]	17.2 [5.0]	16.6 [4.9]
		Power	6.6	6.4	6.3	5.2	5.0	5.0	6.3	6.1	6.0
	70 [21.1]	Total BTUH [kW]	52.7 [15.5]	49.1 [14.4]	48.4 [14.2]	40.9 [12.0]	38.0 [11.1]	37.5 [11.0]	46.4 [13.6]	43.2 [12.7]	42.6 [12.5]
		Sens BTUH [kW]	10.1 [3.0]	8.5 [2.5]	8.2 [2.4]	11.9 [3.5]	10.0 [2.9]	9.7 [2.8]	17.9 [5.2]	15.0 [4.4]	14.5 [4.2]
		Power	6.4	6.1	6.1	5.0	4.8	4.8	6.0	5.8	5.8
	80 [26.7]	Total BTUH [kW]	46.3 [13.6]	43.1 [12.6]	42.6 [12.5]	34.5 [10.1]	32.1 [9.4]	31.6 [9.3]	40.0 [11.7]	37.2 [10.9]	36.7 [10.8]
Sens BTUH [kW]		5.6 [1.6]	4.7 [1.4]	4.5 [1.3]	7.4 [2.2]	6.2 [1.8]	6.0 [1.8]	13.3 [3.9]	11.2 [3.3]	10.8 [3.2]	
Power		6.4	6.1	6.1	5.0	4.8	4.8	6.1	5.8	5.8	
90 [32.2]	Total BTUH [kW]	38.4 [11.2]	35.7 [10.5]	35.2 [10.3]	26.5 [7.8]	24.7 [7.2]	24.3 [7.1]	32.1 [9.4]	29.8 [8.7]	29.4 [8.6]	
	Sens BTUH [kW]	-0.9 [-0.3]	-0.7 [-0.2]	-0.7 [-0.2]	0.9 [0.3]	0.8 [0.2]	0.8 [0.2]	6.9 [2.0]	5.8 [1.7]	5.6 [1.6]	
	Power	6.6	6.4	6.4	5.2	5.1	5.0	6.3	6.1	6.1	
100 [37.8]	Total BTUH [kW]	28.9 [8.5]	26.9 [7.9]	26.5 [7.8]	17.0 [5.0]	15.8 [4.6]	15.6 [4.6]	22.6 [6.6]	21.0 [6.1]	20.7 [6.1]	
	Sens BTUH [kW]	-9.2 [-2.7]	-7.7 [-2.3]	-7.5 [-2.2]	-7.4 [-2.2]	-6.2 [-1.8]	-6.0 [-1.8]	-1.5 [-0.4]	-1.2 [-0.4]	-1.2 [-0.4]	
	Power	7.2	6.9	6.9	5.8	5.6	5.5	6.8	6.6	6.6	
110 [43.3]	Total BTUH [kW]	17.9 [5.2]	16.6 [4.9]	16.4 [4.8]	6.0 [1.8]	5.6 [1.6]	5.5 [1.6]	11.5 [3.4]	10.7 [3.1]	10.6 [3.1]	
	Sens BTUH [kW]	-19.5 [-5.7]	-16.3 [-4.8]	-15.8 [-4.6]	-17.7 [-5.2]	-14.8 [-4.3]	-14.3 [-4.2]	-11.7 [-3.4]	-9.8 [-2.9]	-9.5 [-2.8]	
	Power	7.9	7.7	7.6	6.5	6.3	6.3	7.6	7.4	7.3	
120 [48.9]	Total BTUH [kW]	5.3 [1.5]	4.9 [1.4]	4.9 [1.4]	-6.6 [-1.9]	-6.1 [-1.8]	-6.0 [-1.8]	-1.0 [-0.3]	-1.0 [-0.3]	-1.0 [-0.3]	
	Sens BTUH [kW]	-31.6 [-9.3]	-26.5 [-7.8]	-25.7 [-7.5]	-29.8 [-8.7]	-25.0 [-7.3]	-24.2 [-7.1]	-23.9 [-7.0]	-20.0 [-5.9]	-19.4 [-5.7]	
	Power	9.0	8.7	8.6	7.6	7.3	7.3	8.7	8.4	8.3	





GROSS SYSTEMS PERFORMANCE DATA (LOW REHEAT MODE) – RGEDZS120

		ENTERING INDOOR AIR @ 75°F [23.9°C] dbE ①									
wbE		65.3°F [18.5°C]			64°F [17.8°C]			62.5°F [16.9°C]			
CFM [L/s]		3000 [1416]	2400 [1133]	2000 [944]	3000 [1416]	2400 [1133]	2000 [944]	3000 [1416]	2400 [1133]	2000 [944]	
OUTDOOR DRY BULB TEMPERATURE °F [°C]	60 [15.6]	Total BTUH [kW]	46.5 [13.6]	44.4 [13.0]	43.1 [12.6]	43.1 [12.6]	41.2 [12.1]	40.0 [11.7]	40.3 [11.8]	38.6 [11.3]	37.4 [11.0]
		Sens BTUH [kW]	12.9 [3.8]	11.6 [3.4]	10.7 [3.1]	13.8 [4.0]	12.3 [3.6]	11.4 [3.3]	18.5 [5.4]	16.5 [4.8]	15.3 [4.5]
		Power	4.6	4.5	4.4	4.5	4.4	4.3	4.5	4.4	4.3
	65 [18.3]	Total BTUH [kW]	45.7 [13.4]	43.7 [12.8]	42.4 [12.4]	42.3 [12.4]	40.5 [11.9]	39.3 [11.5]	39.6 [11.6]	37.8 [11.1]	36.7 [10.8]
		Sens BTUH [kW]	10.5 [3.1]	9.4 [2.8]	8.7 [2.5]	11.4 [3.3]	10.2 [3.0]	9.4 [2.8]	16.1 [4.7]	14.4 [4.2]	13.3 [3.9]
		Power	4.6	4.5	4.5	4.6	4.5	4.4	4.5	4.4	4.4
	70 [21.1]	Total BTUH [kW]	44.7 [13.1]	42.7 [12.5]	41.4 [12.1]	41.3 [12.1]	39.5 [11.6]	38.3 [11.2]	38.5 [11.3]	36.9 [10.8]	35.7 [10.5]
Sens BTUH [kW]		8.3 [2.4]	7.4 [2.2]	6.9 [2.0]	9.2 [2.7]	8.2 [2.4]	7.6 [2.2]	13.9 [4.1]	12.4 [3.6]	11.4 [3.4]	
Power		4.7	4.6	4.6	4.7	4.6	4.5	4.6	4.5	4.5	
75 [23.9]	Total BTUH [kW]	43.4 [12.7]	41.5 [12.2]	40.2 [11.8]	40.0 [11.7]	38.3 [11.2]	37.1 [10.9]	37.2 [10.9]	35.6 [10.4]	34.5 [10.1]	
	Sens BTUH [kW]	6.3 [1.8]	5.6 [1.7]	5.2 [1.5]	7.2 [2.1]	6.4 [1.9]	5.9 [1.7]	11.9 [3.5]	10.6 [3.1]	9.8 [2.9]	
	Power	4.9	4.8	4.7	4.8	4.7	4.7	4.8	4.7	4.6	
80 [26.7]	Total BTUH [kW]	41.8 [12.2]	40.0 [11.7]	38.8 [11.4]	38.4 [11.3]	36.8 [10.8]	35.6 [10.4]	35.7 [10.5]	34.1 [10.0]	33.1 [9.7]	
	Sens BTUH [kW]	4.5 [1.3]	4.0 [1.2]	3.7 [1.1]	5.4 [1.6]	4.8 [1.4]	4.4 [1.3]	10.1 [2.9]	9.0 [2.6]	8.3 [2.4]	
	Power	5.1	5	4.9	5	4.9	4.9	5	4.9	4.8	
85 [29.4]	Total BTUH [kW]	40.0 [11.7]	38.2 [11.2]	37.1 [10.9]	36.6 [10.7]	35.0 [10.3]	33.9 [9.9]	33.8 [9.9]	32.4 [9.5]	31.4 [9.2]	
	Sens BTUH [kW]	2.9 [0.8]	2.6 [0.8]	2.4 [0.7]	3.8 [1.1]	3.4 [1.0]	3.1 [0.9]	8.5 [2.5]	7.6 [2.2]	7.0 [2.0]	
	Power	5.4	5.3	5.2	5.3	5.2	5.1	5.3	5.2	5.1	
90 [32.2]	Total BTUH [kW]	37.9 [11.1]	36.2 [10.6]	35.1 [10.3]	34.5 [10.1]	33.0 [9.7]	32.0 [9.4]	31.7 [9.3]	30.4 [8.9]	29.4 [8.6]	
	Sens BTUH [kW]	1.5 [0.4]	1.3 [0.4]	1.2 [0.4]	2.4 [0.7]	2.1 [0.6]	2.0 [0.6]	7.1 [2.1]	6.3 [1.9]	5.8 [1.7]	
	Power	5.7	5.6	5.5	5.6	5.5	5.4	5.6	5.5	5.4	

GROSS SYSTEMS PERFORMANCE DATA (HIGH REHEAT MODE) – RGEDZS120

		ENTERING INDOOR AIR @ 75°F [23.9°C] dbE ①									
wbE		65.3°F [18.5°C]			64°F [17.8°C]			62.5°F [16.9°C]			
CFM [L/s]		4800 [2265]	3800 [1793]	3200 [1510]	4800 [2265]	3800 [1793]	3200 [1510]	4800 [2265]	3800 [1793]	3200 [1510]	
OUTDOOR DRY BULB TEMPERATURE °F [°C]	60 [15.6]	Total BTUH [kW]	58.1 [17.0]	55.4 [16.2]	53.9 [15.8]	55.5 [16.3]	53.0 [15.5]	51.4 [15.1]	53.1 [15.6]	50.7 [14.9]	49.2 [14.4]
		Sens BTUH [kW]	10.5 [3.1]	9.3 [2.7]	8.6 [2.5]	15.6 [4.6]	13.9 [4.1]	12.9 [3.8]	19.9 [5.8]	17.7 [5.2]	16.4 [4.8]
		Power	7.0	6.9	6.8	6.9	6.8	6.7	6.9	6.8	6.7
	70 [21.1]	Total BTUH [kW]	53.4 [15.7]	51.0 [14.9]	49.5 [14.5]	50.8 [14.9]	48.5 [14.2]	47.1 [13.8]	48.4 [14.2]	46.2 [13.5]	44.9 [13.2]
		Sens BTUH [kW]	8.3 [2.4]	7.4 [2.2]	6.8 [2.0]	13.4 [3.9]	12.0 [3.5]	11.1 [3.2]	17.7 [5.2]	15.8 [4.6]	14.6 [4.3]
		Power	7.1	7.0	6.9	7.0	6.9	6.8	7.0	6.9	6.8
	80 [26.7]	Total BTUH [kW]	48.4 [14.2]	46.2 [13.5]	44.9 [13.2]	45.8 [13.4]	43.7 [12.8]	42.5 [12.4]	43.4 [12.7]	41.5 [12.1]	40.3 [11.8]
Sens BTUH [kW]		4.5 [1.3]	4.0 [1.2]	3.7 [1.1]	9.7 [2.8]	8.6 [2.5]	8.0 [2.3]	14.0 [4.1]	12.5 [3.6]	11.5 [3.4]	
Power		7.4	7.3	7.2	7.3	7.2	7.1	7.3	7.2	7.1	
90 [32.2]	Total BTUH [kW]	43.1 [12.6]	41.1 [12.0]	39.9 [11.7]	40.5 [11.9]	38.6 [11.3]	37.5 [11.0]	38.1 [11.2]	36.3 [10.6]	35.3 [10.3]	
	Sens BTUH [kW]	-0.8 [-0.2]	-0.7 [-0.2]	-0.6 [-0.2]	4.4 [1.3]	3.9 [1.1]	3.6 [1.1]	8.7 [2.5]	7.7 [2.3]	7.2 [2.1]	
	Power	7.9	7.7	7.6	7.8	7.7	7.5	7.8	7.6	7.5	
100 [37.8]	Total BTUH [kW]	37.4 [11.0]	35.7 [10.5]	34.6 [10.2]	34.8 [10.2]	33.2 [9.7]	32.2 [9.4]	32.4 [9.5]	30.9 [9.1]	30.0 [8.8]	
	Sens BTUH [kW]	-7.6 [-2.2]	-6.8 [-2.0]	-6.3 [-1.8]	-2.5 [-0.7]	-2.2 [-0.6]	-2.0 [-0.6]	1.8 [0.5]	1.6 [0.5]	1.5 [0.4]	
	Power	8.6	8.4	8.3	8.5	8.3	8.2	8.5	8.3	8.2	
110 [43.3]	Total BTUH [kW]	31.3 [9.2]	29.9 [8.8]	29.0 [8.5]	28.7 [8.4]	27.4 [8.0]	26.6 [7.8]	26.3 [7.7]	25.1 [7.4]	24.4 [7.1]	
	Sens BTUH [kW]	-16.0 [-4.7]	-14.3 [-4.2]	-13.2 [-3.9]	-10.9 [-3.2]	-9.7 [-2.8]	-9.0 [-2.6]	-6.6 [-1.9]	-5.9 [-1.7]	-5.5 [-1.6]	
	Power	9.5	9.3	9.2	9.4	9.2	9.1	9.4	9.2	9.0	
120 [48.9]	Total BTUH [kW]	24.9 [7.3]	23.8 [7.0]	23.1 [6.8]	22.3 [6.5]	21.3 [6.2]	20.7 [6.1]	19.9 [5.8]	19.0 [5.6]	18.5 [5.4]	
	Sens BTUH [kW]	-26.0 [-7.6]	-23.2 [-6.8]	-21.5 [-6.3]	-20.9 [-6.1]	-18.6 [-5.5]	-17.2 [-5.0]	-16.6 [-4.9]	-14.8 [-4.3]	-13.7 [-4.0]	
	Power	10.6	10.3	10.2	10.5	10.2	10.1	10.5	10.2	10.1	



GROSS SYSTEMS PERFORMANCE DATA (LOW REHEAT MODE) – RGEDZS150

			ENTERING INDOOR AIR @ 75°F [23.9°C] dbE ①								
wbE			65.3°F [18.5°C]			64°F [17.8°C]			62.5°F [16.9°C]		
CFM [L/s]			3000 [1416]	2400 [1133]	2000 [944]	3000 [1416]	2400 [1133]	2000 [944]	3000 [1416]	2400 [1133]	2000 [944]
OUTDOOR DRY BULB TEMPERATURE °F [°C]	60 [15.6]	Total BTUH [kW]	46.5 [13.6]	44.4 [13.0]	43.1 [12.6]	43.1 [12.6]	41.2 [12.1]	40.0 [11.7]	40.3 [11.8]	38.6 [11.3]	37.4 [11.0]
		Sens BTUH [kW]	12.9 [3.8]	11.6 [3.4]	10.7 [3.1]	13.8 [4.0]	12.3 [3.6]	11.4 [3.3]	18.5 [5.4]	16.5 [4.8]	15.3 [4.5]
		Power	4.6	4.5	4.4	4.5	4.4	4.3	4.5	4.4	4.3
	65 [18.3]	Total BTUH [kW]	45.7 [13.4]	43.7 [12.8]	42.4 [12.4]	42.3 [12.4]	40.5 [11.9]	39.3 [11.5]	39.6 [11.6]	37.8 [11.1]	36.7 [10.8]
		Sens BTUH [kW]	10.5 [3.1]	9.4 [2.8]	8.7 [2.5]	11.4 [3.3]	10.2 [3.0]	9.4 [2.8]	16.1 [4.7]	14.4 [4.2]	13.3 [3.9]
		Power	4.6	4.5	4.5	4.6	4.5	4.4	4.5	4.4	4.4
	70 [21.1]	Total BTUH [kW]	44.7 [13.1]	42.7 [12.5]	41.4 [12.1]	41.3 [12.1]	39.5 [11.6]	38.3 [11.2]	38.5 [11.3]	36.9 [10.8]	35.7 [10.5]
Sens BTUH [kW]		8.3 [2.4]	7.4 [2.2]	6.9 [2.0]	9.2 [2.7]	8.2 [2.4]	7.6 [2.2]	13.9 [4.1]	12.4 [3.6]	11.4 [3.4]	
Power		4.7	4.6	4.6	4.7	4.6	4.5	4.6	4.5	4.5	
75 [23.9]	Total BTUH [kW]	43.4 [12.7]	41.5 [12.2]	40.2 [11.8]	40.0 [11.7]	38.3 [11.2]	37.1 [10.9]	37.2 [10.9]	35.6 [10.4]	34.5 [10.1]	
	Sens BTUH [kW]	6.3 [1.8]	5.6 [1.7]	5.2 [1.5]	7.2 [2.1]	6.4 [1.9]	5.9 [1.7]	11.9 [3.5]	10.6 [3.1]	9.8 [2.9]	
	Power	4.9	4.8	4.7	4.8	4.7	4.7	4.8	4.7	4.6	
80 [26.7]	Total BTUH [kW]	41.8 [12.2]	40.0 [11.7]	38.8 [11.4]	38.4 [11.3]	36.8 [10.8]	35.6 [10.4]	35.7 [10.5]	34.1 [10.0]	33.1 [9.7]	
	Sens BTUH [kW]	4.5 [1.3]	4.0 [1.2]	3.7 [1.1]	5.4 [1.6]	4.8 [1.4]	4.4 [1.3]	10.1 [2.9]	9.0 [2.6]	8.3 [2.4]	
	Power	5.1	5	4.9	5	4.9	4.9	5	4.9	4.8	
85 [29.4]	Total BTUH [kW]	40.0 [11.7]	38.2 [11.2]	37.1 [10.9]	36.6 [10.7]	35.0 [10.3]	33.9 [9.9]	33.8 [9.9]	32.4 [9.5]	31.4 [9.2]	
	Sens BTUH [kW]	2.9 [0.8]	2.6 [0.8]	2.4 [0.7]	3.8 [1.1]	3.4 [1.0]	3.1 [0.9]	8.5 [2.5]	7.6 [2.2]	7.0 [2.0]	
	Power	5.4	5.3	5.2	5.3	5.2	5.1	5.3	5.2	5.1	
90 [32.2]	Total BTUH [kW]	37.9 [11.1]	36.2 [10.6]	35.1 [10.3]	34.5 [10.1]	33.0 [9.7]	32.0 [9.4]	31.7 [9.3]	30.4 [8.9]	29.4 [8.6]	
	Sens BTUH [kW]	1.5 [0.4]	1.3 [0.4]	1.2 [0.4]	2.4 [0.7]	2.1 [0.6]	2.0 [0.6]	7.1 [2.1]	6.3 [1.9]	5.8 [1.7]	
	Power	5.7	5.6	5.5	5.6	5.5	5.4	5.6	5.5	5.4	

GROSS SYSTEMS PERFORMANCE DATA (HIGH REHEAT MODE) – RGEDZS150

			ENTERING INDOOR AIR @ 75°F [23.9°C] dbE ①								
wbE			65.3°F [18.5°C]			64°F [17.8°C]			62.5°F [16.9°C]		
CFM [L/s]			6000 [2832]	4100 [1935]	4000 [1888]	6000 [2832]	4100 [1935]	4000 [1888]	6000 [2832]	4100 [1935]	4000 [1888]
OUTDOOR DRY BULB TEMPERATURE °F [°C]	60°F [15.6]	Total BTUH [kW]	99.3 [29.1]	91.5 [26.8]	91.1 [26.7]	101.6 [29.8]	93.7 [27.4]	93.2 [27.3]	92.7 [27.2]	85.5 [25.1]	85.2 [25.0]
		Sens BTUH [kW]	33.3 [9.7]	27.4 [8.0]	27.0 [7.9]	40.1 [11.8]	33.0 [9.7]	32.6 [9.6]	46.4 [13.6]	38.1 [11.2]	37.7 [11.0]
		Power	9.5	9.1	9.1	9.3	8.9	8.9	9.3	8.9	8.9
	70°F [21.1]	Total BTUH [kW]	94.4 [27.7]	87.1 [25.5]	86.7 [25.4]	96.7 [28.3]	89.2 [26.1]	88.8 [26.0]	87.9 [25.8]	81.1 [23.8]	80.7 [23.7]
		Sens BTUH [kW]	27 [7.9]	22.2 [6.5]	21.9 [6.4]	33.9 [9.9]	27.9 [8.2]	27.5 [8.1]	40.1 [11.7]	33.0 [9.7]	32.6 [9.5]
		Power	9.7	9.3	9.3	9.5	9.2	9.2	9.5	9.2	9.1
	80°F [26.7]	Total BTUH [kW]	87.6 [25.7]	80.8 [23.7]	80.4 [23.6]	89.9 [26.3]	82.9 [24.3]	82.5 [24.2]	81.1 [23.8]	74.8 [21.9]	74.4 [21.8]
Sens BTUH [kW]		20.1 [5.9]	16.5 [4.8]	16.3 [4.8]	27.0 [7.9]	22.2 [6.5]	21.9 [6.4]	33.2 [9.7]	27.3 [8.0]	27.0 [7.9]	
Power		10.2	9.8	9.8	10	9.6	9.6	10	9.6	9.6	
90°F [32.2]	Total BTUH [kW]	78.7 [23.1]	72.6 [21.3]	72.3 [21.2]	81.0 [23.7]	74.7 [21.9]	74.4 [21.8]	72.2 [21.2]	66.6 [19.5]	66.3 [19.4]	
	Sens BTUH [kW]	12.5 [3.7]	10.3 [3.0]	10.2 [3.0]	19.4 [5.7]	15.9 [4.7]	15.8 [4.6]	25.6 [7.5]	21.0 [6.2]	20.8 [6.1]	
	Power	11	10.5	10.5	10.8	10.4	10.3	10.8	10.3	10.3	
100°F [37.8]	Total BTUH [kW]	67.8 [19.9]	62.5 [18.3]	62.3 [18.2]	70.1 [20.5]	64.7 [18.9]	64.4 [18.9]	61.3 [18.0]	56.5 [16.6]	56.3 [16.5]	
	Sens BTUH [kW]	4.3 [1.3]	3.5 [1.0]	3.5 [1.0]	11.2 [3.3]	9.2 [2.7]	9.1 [2.7]	17.4 [5.1]	14.3 [4.2]	14.1 [4.1]	
	Power	11.9	11.5	11.4	11.8	11.3	11.3	11.8	11.3	11.3	
110 [43.3]	Total BTUH [kW]	54.9 [16.1]	50.6 [14.8]	50.4 [14.8]	57.2 [16.8]	52.7 [15.5]	52.5 [15.4]	48.4 [14.2]	44.6 [13.1]	44.4 [13.0]	
	Sens BTUH [kW]	-4.6 [-1.3]	-3.8 [-1.1]	-3.7 [-1.1]	2.3 [0.7]	1.9 [0.5]	1.9 [0.5]	8.5 [2.5]	7.0 [2.0]	6.9 [2.0]	
	Power	13.2	12.6	12.6	13	12.5	12.4	13	12.5	12.4	
120 [48.9]	Total BTUH [kW]	40.0 [11.7]	36.8 [10.8]	36.7 [10.8]	42.3 [12.4]	39.0 [11.4]	38.8 [11.4]	33.4 [9.8]	30.8 [9.0]	30.7 [9.0]	
	Sens BTUH [kW]	-14.1 [-4.1]	-11.6 [-3.4]	-11.5 [-3.4]	-7.2 [-2.1]	-6.0 [-1.7]	-5.9 [-1.7]	-1.0 [-0.3]	-0.9 [-0.2]	-0.8 [-0.2]	
	Power	14.6	14.1	14	14.5	13.9	13.9	14.4	13.9	13.8	





GROSS SYSTEMS PERFORMANCE DATA (LOW REHEAT MODE) – RGEDZT090

ENTERING INDOOR AIR @ 75°F [23.9°C] dbE ①											
wbE			65.3°F [18.5°C]			64°F [17.8°C]			62.5°F [16.9°C]		
CFM [L/s]			1800 [850]	1700 [802]	1200 [566]	1800 [850]	1700 [802]	1200 [566]	1800 [850]	1700 [802]	1200 [566]
OUTDOOR DRY BULB TEMPERATURE °F [°C]	60 [15.6]	Total BTUH [kW]	29.7 [8.7]	29.4 [8.6]	27.9 [8.2]	27.0 [7.9]	26.7 [7.8]	25.3 [7.4]	26.6 [7.8]	26.4 [7.7]	24.9 [7.3]
		Sens BTUH [kW]	6.5 [1.9]	6.3 [1.8]	5.4 [1.6]	9.0 [2.6]	8.7 [2.6]	7.5 [2.2]	11.4 [3.4]	11.1 [3.3]	9.6 [2.8]
		Power	3.2	3.1	3.1	3.2	3.2	3.1	3.2	3.2	3.2
	65 [18.3]	Total BTUH [kW]	29.5 [8.6]	29.2 [8.5]	27.6 [8.1]	26.7 [7.8]	26.4 [7.7]	25.0 [7.3]	26.4 [7.7]	26.1 [7.6]	24.7 [7.2]
		Sens BTUH [kW]	5.0 [1.5]	4.9 [1.4]	4.2 [1.2]	7.6 [2.2]	7.4 [2.2]	6.3 [1.9]	10.0 [2.9]	9.7 [2.9]	8.4 [2.5]
		Power	3.2	3.2	3.1	3.3	3.2	3.2	3.2	3.2	3.2
	70 [21.1]	Total BTUH [kW]	28.8 [8.4]	28.5 [8.4]	27.0 [7.9]	26.0 [7.6]	25.8 [7.6]	24.4 [7.1]	25.7 [7.5]	25.4 [7.5]	24.1 [7.1]
Sens BTUH [kW]		3.7 [1.1]	3.6 [1.0]	3.1 [0.9]	6.2 [1.8]	6.0 [1.8]	5.2 [1.5]	8.6 [2.5]	8.4 [2.5]	7.2 [2.1]	
Power		3.2	3.2	3.1	3.3	3.3	3.2	3.3	3.3	3.2	
75 [23.9]	Total BTUH [kW]	27.8 [8.1]	27.5 [8.1]	26.0 [7.6]	25.0 [7.3]	24.7 [7.2]	23.4 [6.9]	24.7 [7.2]	24.4 [7.2]	23.1 [6.8]	
	Sens BTUH [kW]	2.3 [0.7]	2.3 [0.7]	2.0 [0.6]	4.9 [1.4]	4.7 [1.4]	4.1 [1.2]	7.3 [2.1]	7.1 [2.1]	6.1 [1.8]	
	Power	3.3	3.3	3.2	3.4	3.4	3.3	3.4	3.4	3.3	
80 [26.7]	Total BTUH [kW]	26.3 [7.7]	26.0 [7.6]	24.6 [7.2]	23.5 [6.9]	23.3 [6.8]	22.1 [6.5]	23.2 [6.8]	23.0 [6.7]	21.7 [6.4]	
	Sens BTUH [kW]	1.1 [0.3]	1.0 [0.3]	0.9 [0.3]	3.6 [1.0]	3.5 [1.0]	3.0 [0.9]	6.0 [1.8]	5.9 [1.7]	5.1 [1.5]	
	Power	3.4	3.4	3.3	3.5	3.5	3.4	3.5	3.5	3.4	
85 [29.4]	Total BTUH [kW]	24.5 [7.2]	24.2 [7.1]	22.9 [6.7]	21.7 [6.4]	21.5 [6.3]	20.3 [6.0]	21.4 [6.3]	21.1 [6.2]	20.0 [5.9]	
	Sens BTUH [kW]	-0.2 [-0.1]	-0.2 [0.0]	-0.1 [0.0]	2.4 [0.7]	2.3 [0.7]	2.0 [0.6]	4.8 [1.4]	4.7 [1.4]	4.0 [1.2]	
	Power	3.6	3.6	3.5	3.7	3.6	3.6	3.6	3.6	3.5	
90 [32.2]	Total BTUH [kW]	22.2 [6.5]	22.0 [6.4]	20.8 [6.1]	19.5 [5.7]	19.3 [5.6]	18.2 [5.3]	19.1 [5.6]	18.9 [5.5]	17.9 [5.3]	
	Sens BTUH [kW]	-1.3 [-0.4]	-1.3 [-0.4]	-1.1 [-0.3]	1.2 [0.3]	1.1 [0.3]	1.0 [0.3]	3.6 [1.1]	3.5 [1.0]	3.0 [0.9]	
	Power	3.8	3.7	3.6	3.8	3.8	3.7	3.8	3.8	3.7	

GROSS SYSTEMS PERFORMANCE DATA (HIGH REHEAT MODE) – RGEDZT090

ENTERING INDOOR AIR @ 75°F [23.9°C] dbE ①											
wbE			65.3°F [18.5°C]			64°F [17.8°C]			62.5°F [16.9°C]		
CFM [L/s]			3600 [1699]	2900 [1369]	2400 [1133]	3600 [1699]	2900 [1369]	2400 [1133]	3600 [1699]	2900 [1369]	2400 [1133]
OUTDOOR DRY BULB TEMPERATURE °F [°C]	60 [15.6]	Total BTUH [kW]	41.7 [12.2]	39.9 [11.7]	38.7 [11.3]	40.1 [11.8]	38.4 [11.3]	37.2 [10.9]	40.0 [11.7]	38.3 [11.2]	37.1 [10.9]
		Sens BTUH [kW]	8.9 [2.6]	8.0 [2.4]	7.4 [2.2]	12.8 [3.7]	11.5 [3.4]	10.5 [3.1]	18.5 [5.4]	16.7 [4.9]	15.3 [4.5]
		Power	5.0	4.9	4.8	4.9	4.8	4.8	4.9	4.8	4.8
	70 [21.1]	Total BTUH [kW]	39.8 [11.7]	38.1 [11.2]	36.9 [10.8]	38.3 [11.2]	36.7 [10.7]	35.5 [10.4]	38.1 [11.2]	36.5 [10.7]	35.4 [10.4]
		Sens BTUH [kW]	5.9 [1.7]	5.3 [1.6]	4.9 [1.4]	9.8 [2.9]	8.8 [2.6]	8.1 [2.4]	15.5 [4.6]	14.0 [4.1]	12.8 [3.8]
		Power	5.1	5.0	4.9	5.1	5.0	4.9	5.0	4.9	4.9
	80 [26.7]	Total BTUH [kW]	36.7 [10.7]	35.1 [10.3]	34.0 [10.0]	35.1 [10.3]	33.7 [9.9]	32.6 [9.6]	35.0 [10.3]	33.5 [9.8]	32.5 [9.5]
Sens BTUH [kW]		2.1 [0.6]	1.9 [0.5]	1.7 [0.5]	5.9 [1.7]	5.3 [1.6]	4.9 [1.4]	11.7 [3.4]	10.5 [3.1]	9.6 [2.8]	
Power		5.4	5.3	5.2	5.3	5.2	5.1	5.3	5.2	5.1	
90 [32.2]	Total BTUH [kW]	32.3 [9.5]	30.9 [9.1]	30.0 [8.8]	30.8 [9.0]	29.5 [8.6]	28.5 [8.4]	30.6 [9.0]	29.3 [8.6]	28.4 [8.3]	
	Sens BTUH [kW]	-2.7 [-0.8]	-2.4 [-0.7]	-2.2 [-0.6]	1.2 [0.3]	1.0 [0.3]	1.0 [0.3]	6.9 [2.0]	6.2 [1.8]	5.7 [1.7]	
	Power	5.8	5.6	5.6	5.7	5.6	5.5	5.7	5.6	5.5	
100 [37.8]	Total BTUH [kW]	26.7 [7.8]	25.5 [7.5]	24.7 [7.3]	25.1 [7.4]	24.1 [7.1]	23.3 [6.8]	25.0 [7.3]	23.9 [7.0]	23.2 [6.8]	
	Sens BTUH [kW]	-8.3 [-2.4]	-7.4 [-2.2]	-6.8 [-2.0]	-4.4 [-1.3]	-4.0 [-1.2]	-3.7 [-1.1]	1.3 [0.4]	1.2 [0.4]	1.1 [0.3]	
	Power	6.3	6.2	6.1	6.2	6.1	6.0	6.2	6.1	6.0	
110 [43.3]	Total BTUH [kW]	19.8 [5.8]	19.0 [5.6]	18.4 [5.4]	18.3 [5.4]	17.5 [5.1]	17.0 [5.0]	18.1 [5.3]	17.4 [5.1]	16.8 [4.9]	
	Sens BTUH [kW]	-14.7 [-4.3]	-13.2 [-3.9]	-12.2 [-3.6]	-10.9 [-3.2]	-9.8 [-2.9]	-9.0 [-2.6]	-5.1 [-1.5]	-4.6 [-1.4]	-4.2 [-1.2]	
	Power	6.9	6.8	6.7	6.9	6.7	6.6	6.9	6.7	6.6	
120 [48.9]	Total BTUH [kW]	11.7 [3.4]	11.2 [3.3]	10.8 [3.2]	10.1 [3.0]	9.7 [2.8]	9.4 [2.8]	10.0 [2.9]	9.6 [2.8]	9.3 [2.7]	
	Sens BTUH [kW]	-22.1 [-6.5]	-19.8 [-5.8]	-18.2 [-5.3]	-18.2 [-5.3]	-16.4 [-4.8]	-15.1 [-4.4]	-12.5 [-3.7]	-11.2 [-3.3]	-10.3 [-3.0]	
	Power	7.8	7.6	7.5	7.7	7.5	7.4	7.7	7.5	7.4	



GROSS SYSTEMS PERFORMANCE DATA (LOW REHEAT MODE)–RGEDZT102

ENTERING INDOOR AIR @ 75°F [23.9°C] dbE ①											
wbE			65.3°F [18.5°C]			64°F [17.8°C]			62.5°F [16.9°C]		
CFM [L/s]			2100 [991]	1700 [802]	1400 [661]	2100 [991]	1700 [802]	1400 [661]	2100 [991]	1700 [802]	1400 [661]
OUTDOOR DRY BULB TEMPERATURE °F [°C]	60 [15.6]	Total BTUH [kW]	36.6 [10.7]	35.1 [10.3]	33.9 [9.9]	34.5 [10.1]	33.1 [9.7]	32.1 [9.4]	31.9 [9.3]	30.6 [9.0]	29.6 [8.7]
		Sens BTUH [kW]	7.1 [2.1]	6.4 [1.9]	5.9 [1.7]	9.0 [2.6]	8.1 [2.4]	7.4 [2.2]	10.7 [3.1]	9.7 [2.8]	8.9 [2.6]
		Power	3.9	3.8	3.7	3.8	3.8	3.7	3.8	3.8	3.7
	65 [18.3]	Total BTUH [kW]	35.5 [10.4]	34.0 [10.0]	32.9 [9.6]	33.4 [9.8]	32.1 [9.4]	31.0 [9.1]	30.8 [9.0]	29.5 [8.6]	28.6 [8.4]
		Sens BTUH [kW]	6.1 [1.8]	5.5 [1.6]	5.0 [1.5]	8.0 [2.3]	7.2 [2.1]	6.6 [1.9]	9.7 [2.8]	8.7 [2.6]	8.0 [2.4]
		Power	3.9	3.8	3.8	3.9	3.8	3.8	3.9	3.8	3.8
	70 [21.1]	Total BTUH [kW]	34.1 [10.0]	32.7 [9.6]	31.7 [9.3]	32.1 [9.4]	30.8 [9.0]	29.8 [8.7]	29.5 [8.6]	28.3 [8.3]	27.4 [8.0]
Sens BTUH [kW]		4.8 [1.4]	4.3 [1.3]	4.0 [1.2]	6.7 [2.0]	6.0 [1.8]	5.5 [1.6]	8.5 [2.5]	7.6 [2.2]	7.0 [2.0]	
Power		4.0	3.9	3.9	4.0	3.9	3.9	4.0	3.9	3.9	
75 [23.9]	Total BTUH [kW]	32.7 [9.6]	31.3 [9.2]	30.3 [8.9]	30.6 [9.0]	29.4 [8.6]	28.4 [8.3]	28.0 [8.2]	26.8 [7.9]	26.0 [7.6]	
	Sens BTUH [kW]	3.3 [1.0]	3.0 [0.9]	2.8 [0.8]	5.2 [1.5]	4.7 [1.4]	4.3 [1.3]	7.0 [2.0]	6.3 [1.8]	5.8 [1.7]	
	Power	4.1	4.0	4.0	4.1	4.0	4.0	4.1	4.0	4.0	
80 [26.7]	Total BTUH [kW]	31.0 [9.1]	29.7 [8.7]	28.8 [8.4]	29.0 [8.5]	27.8 [8.1]	26.9 [7.9]	26.3 [7.7]	25.2 [7.4]	24.4 [7.2]	
	Sens BTUH [kW]	1.7 [0.5]	1.5 [0.4]	1.4 [0.4]	3.6 [1.0]	3.2 [0.9]	2.9 [0.9]	5.3 [1.6]	4.8 [1.4]	4.4 [1.3]	
	Power	4.3	4.2	4.1	4.3	4.2	4.1	4.3	4.2	4.1	
85 [29.4]	Total BTUH [kW]	29.1 [8.5]	27.9 [8.2]	27.0 [7.9]	27.1 [7.9]	26.0 [7.6]	25.1 [7.4]	24.4 [7.2]	23.4 [6.9]	22.7 [6.6]	
	Sens BTUH [kW]	-0.2 [-0.1]	-0.2 [-0.1]	-0.2 [-0.1]	1.7 [0.5]	1.5 [0.4]	1.4 [0.4]	3.4 [1.0]	3.1 [0.9]	2.8 [0.8]	
	Power	4.4	4.3	4.3	4.4	4.3	4.3	4.4	4.3	4.3	
90 [32.2]	Total BTUH [kW]	27.1 [7.9]	26.0 [7.6]	25.1 [7.4]	25.0 [7.3]	24.0 [7.0]	23.2 [6.8]	22.4 [6.6]	21.5 [6.3]	20.8 [6.1]	
	Sens BTUH [kW]	-2.3 [-0.7]	-2.1 [-0.6]	-1.9 [-0.6]	-0.4 [-0.1]	-0.4 [-0.1]	-0.4 [-0.1]	1.3 [0.4]	1.2 [0.3]	1.1 [0.3]	
	Power	4.6	4.5	4.4	4.6	4.5	4.4	4.6	4.5	4.4	

GROSS SYSTEMS PERFORMANCE DATA (HIGH REHEAT MODE)–RGEDZT102

ENTERING INDOOR AIR @ 75°F [23.9°C] dbE ①											
wbE			65.3°F [18.5°C]			64°F [17.8°C]			62.5°F [16.9°C]		
CFM [L/s]			4100 [1935]	2900 [1369]	2700 [1274]	4100 [1935]	2900 [1369]	2700 [1274]	4100 [1935]	2900 [1369]	2700 [1274]
OUTDOOR DRY BULB TEMPERATURE °F [°C]	60 [15.6]	Total BTUH [kW]	57.6 [16.9]	53.6 [15.7]	52.9 [15.5]	45.7 [13.4]	42.5 [12.5]	42.0 [12.3]	51.3 [15.0]	47.7 [14.0]	47.1 [13.8]
		Sens BTUH [kW]	12.7 [3.7]	10.7 [3.1]	10.3 [3.0]	14.6 [4.3]	12.2 [3.6]	11.8 [3.5]	20.5 [6.0]	17.2 [5.0]	16.6 [4.9]
		Power	6.6	6.4	6.3	5.2	5.0	5.0	6.3	6.1	6.0
	70 [21.1]	Total BTUH [kW]	52.7 [15.5]	49.1 [14.4]	48.4 [14.2]	40.9 [12.0]	38.0 [11.1]	37.5 [11.0]	46.4 [13.6]	43.2 [12.7]	42.6 [12.5]
		Sens BTUH [kW]	10.1 [3.0]	8.5 [2.5]	8.2 [2.4]	11.9 [3.5]	10.0 [2.9]	9.7 [2.8]	17.9 [5.2]	15.0 [4.4]	14.5 [4.2]
		Power	6.4	6.1	6.1	5.0	4.8	4.8	6.0	5.8	5.8
	80 [26.7]	Total BTUH [kW]	46.3 [13.6]	43.1 [12.6]	42.6 [12.5]	34.5 [10.1]	32.1 [9.4]	31.6 [9.3]	40.0 [11.7]	37.2 [10.9]	36.7 [10.8]
Sens BTUH [kW]		5.6 [1.6]	4.7 [1.4]	4.5 [1.3]	7.4 [2.2]	6.2 [1.8]	6.0 [1.8]	13.3 [3.9]	11.2 [3.3]	10.8 [3.2]	
Power		6.4	6.1	6.1	5.0	4.8	4.8	6.1	5.8	5.8	
90 [32.2]	Total BTUH [kW]	38.4 [11.2]	35.7 [10.5]	35.2 [10.3]	26.5 [7.8]	24.7 [7.2]	24.3 [7.1]	32.1 [9.4]	29.8 [8.7]	29.4 [8.6]	
	Sens BTUH [kW]	-0.9 [-0.3]	-0.7 [-0.2]	-0.7 [-0.2]	0.9 [0.3]	0.8 [0.2]	0.8 [0.2]	6.9 [2.0]	5.8 [1.7]	5.6 [1.6]	
	Power	6.6	6.4	6.4	5.2	5.1	5.0	6.3	6.1	6.1	
100 [37.8]	Total BTUH [kW]	28.9 [8.5]	26.9 [7.9]	26.5 [7.8]	17.0 [5.0]	15.8 [4.6]	15.6 [4.6]	22.6 [6.6]	21.0 [6.1]	20.7 [6.1]	
	Sens BTUH [kW]	-9.2 [-2.7]	-7.7 [-2.3]	-7.5 [-2.2]	-7.4 [-2.2]	-6.2 [-1.8]	-6.0 [-1.8]	-1.5 [-0.4]	-1.2 [-0.4]	-1.2 [-0.4]	
	Power	7.2	6.9	6.9	5.8	5.6	5.5	6.8	6.6	6.6	
110 [43.3]	Total BTUH [kW]	17.9 [5.2]	16.6 [4.9]	16.4 [4.8]	6.0 [1.8]	5.6 [1.6]	5.5 [1.6]	11.5 [3.4]	10.7 [3.1]	10.6 [3.1]	
	Sens BTUH [kW]	-19.5 [-5.7]	-16.3 [-4.8]	-15.8 [-4.6]	-17.7 [-5.2]	-14.8 [-4.3]	-14.3 [-4.2]	-11.7 [-3.4]	-9.8 [-2.9]	-9.5 [-2.8]	
	Power	7.9	7.7	7.6	6.5	6.3	6.3	7.6	7.4	7.3	
120 [48.9]	Total BTUH [kW]	5.3 [1.5]	4.9 [1.4]	4.9 [1.4]	-6.6 [-1.9]	-6.1 [-1.8]	-6.0 [-1.8]	-1.0 [-0.3]	-1.0 [-0.3]	-1.0 [-0.3]	
	Sens BTUH [kW]	-31.6 [-9.3]	-26.5 [-7.8]	-25.7 [-7.5]	-29.8 [-8.7]	-25.0 [-7.3]	-24.2 [-7.1]	-23.9 [-7.0]	-20.0 [-5.9]	-19.4 [-5.7]	
	Power	9.0	8.7	8.6	7.6	7.3	7.3	8.7	8.4	8.3	



**GROSS SYSTEMS PERFORMANCE DATA (LOW REHEAT MODE) – RGEDZT120**

ENTERING INDOOR AIR @ 75°F [23.9°C] dbE ①											
wbE			65.3°F [18.5°C]			64°F [17.8°C]			62.5°F [16.9°C]		
CFM [L/s]			3000 [1416]	2400 [1133]	2000 [944]	3000 [1416]	2400 [1133]	2000 [944]	3000 [1416]	2400 [1133]	2000 [944]
OUTDOOR DRY BULB TEMPERATURE °F [°C]	60 [15.6]	Total BTUH [kW]	46.5 [13.6]	44.4 [13.0]	43.1 [12.6]	43.1 [12.6]	41.2 [12.1]	40.0 [11.7]	40.3 [11.8]	38.6 [11.3]	37.4 [11.0]
		Sens BTUH [kW]	12.9 [3.8]	11.6 [3.4]	10.7 [3.1]	13.8 [4.0]	12.3 [3.6]	11.4 [3.3]	18.5 [5.4]	16.5 [4.8]	15.3 [4.5]
		Power	4.6	4.5	4.4	4.5	4.4	4.3	4.5	4.4	4.3
	65 [18.3]	Total BTUH [kW]	45.7 [13.4]	43.7 [12.8]	42.4 [12.4]	42.3 [12.4]	40.5 [11.9]	39.3 [11.5]	39.6 [11.6]	37.8 [11.1]	36.7 [10.8]
		Sens BTUH [kW]	10.5 [3.1]	9.4 [2.8]	8.7 [2.5]	11.4 [3.3]	10.2 [3.0]	9.4 [2.8]	16.1 [4.7]	14.4 [4.2]	13.3 [3.9]
		Power	4.6	4.5	4.5	4.6	4.5	4.4	4.5	4.4	4.4
	70 [21.1]	Total BTUH [kW]	44.7 [13.1]	42.7 [12.5]	41.4 [12.1]	41.3 [12.1]	39.5 [11.6]	38.3 [11.2]	38.5 [11.3]	36.9 [10.8]	35.7 [10.5]
Sens BTUH [kW]		8.3 [2.4]	7.4 [2.2]	6.9 [2.0]	9.2 [2.7]	8.2 [2.4]	7.6 [2.2]	13.9 [4.1]	12.4 [3.6]	11.4 [3.4]	
Power		4.7	4.6	4.6	4.7	4.6	4.5	4.6	4.5	4.5	
75 [23.9]	Total BTUH [kW]	43.4 [12.7]	41.5 [12.2]	40.2 [11.8]	40.0 [11.7]	38.3 [11.2]	37.1 [10.9]	37.2 [10.9]	35.6 [10.4]	34.5 [10.1]	
	Sens BTUH [kW]	6.3 [1.8]	5.6 [1.7]	5.2 [1.5]	7.2 [2.1]	6.4 [1.9]	5.9 [1.7]	11.9 [3.5]	10.6 [3.1]	9.8 [2.9]	
	Power	4.9	4.8	4.7	4.8	4.7	4.7	4.8	4.7	4.6	
80 [26.7]	Total BTUH [kW]	41.8 [12.2]	40.0 [11.7]	38.8 [11.4]	38.4 [11.3]	36.8 [10.8]	35.6 [10.4]	35.7 [10.5]	34.1 [10.0]	33.1 [9.7]	
	Sens BTUH [kW]	4.5 [1.3]	4.0 [1.2]	3.7 [1.1]	5.4 [1.6]	4.8 [1.4]	4.4 [1.3]	10.1 [2.9]	9.0 [2.6]	8.3 [2.4]	
	Power	5.1	5	4.9	5	4.9	4.9	5	4.9	4.8	
85 [29.4]	Total BTUH [kW]	40.0 [11.7]	38.2 [11.2]	37.1 [10.9]	36.6 [10.7]	35.0 [10.3]	33.9 [9.9]	33.8 [9.9]	32.4 [9.5]	31.4 [9.2]	
	Sens BTUH [kW]	2.9 [0.8]	2.6 [0.8]	2.4 [0.7]	3.8 [1.1]	3.4 [1.0]	3.1 [0.9]	8.5 [2.5]	7.6 [2.2]	7.0 [2.0]	
	Power	5.4	5.3	5.2	5.3	5.2	5.1	5.3	5.2	5.1	
90 [32.2]	Total BTUH [kW]	37.9 [11.1]	36.2 [10.6]	35.1 [10.3]	34.5 [10.1]	33.0 [9.7]	32.0 [9.4]	31.7 [9.3]	30.4 [8.9]	29.4 [8.6]	
	Sens BTUH [kW]	1.5 [0.4]	1.3 [0.4]	1.2 [0.4]	2.4 [0.7]	2.1 [0.6]	2.0 [0.6]	7.1 [2.1]	6.3 [1.9]	5.8 [1.7]	
	Power	5.7	5.6	5.5	5.6	5.5	5.4	5.6	5.5	5.4	

GROSS SYSTEMS PERFORMANCE DATA (HIGH REHEAT MODE) – RGEDZT120

ENTERING INDOOR AIR @ 75°F [23.9°C] dbE ①											
wbE			65.3°F [18.5°C]			64°F [17.8°C]			62.5°F [16.9°C]		
CFM [L/s]			4800 [2265]	3800 [1793]	3200 [1510]	4800 [2265]	3800 [1793]	3200 [1510]	4800 [2265]	3800 [1793]	3200 [1510]
OUTDOOR DRY BULB TEMPERATURE °F [°C]	60 [15.6]	Total BTUH [kW]	58.1 [17.0]	55.4 [16.2]	53.9 [15.8]	55.5 [16.3]	53.0 [15.5]	51.4 [15.1]	53.1 [15.6]	50.7 [14.9]	49.2 [14.4]
		Sens BTUH [kW]	10.5 [3.1]	9.3 [2.7]	8.6 [2.5]	15.6 [4.6]	13.9 [4.1]	12.9 [3.8]	19.9 [5.8]	17.7 [5.2]	16.4 [4.8]
		Power	7.0	6.9	6.8	6.9	6.8	6.7	6.9	6.8	6.7
	70 [21.1]	Total BTUH [kW]	53.4 [15.7]	51.0 [14.9]	49.5 [14.5]	50.8 [14.9]	48.5 [14.2]	47.1 [13.8]	48.4 [14.2]	46.2 [13.5]	44.9 [13.2]
		Sens BTUH [kW]	8.3 [2.4]	7.4 [2.2]	6.8 [2.0]	13.4 [3.9]	12.0 [3.5]	11.1 [3.2]	17.7 [5.2]	15.8 [4.6]	14.6 [4.3]
		Power	7.1	7.0	6.9	7.0	6.9	6.8	7.0	6.9	6.8
	80 [26.7]	Total BTUH [kW]	48.4 [14.2]	46.2 [13.5]	44.9 [13.2]	45.8 [13.4]	43.7 [12.8]	42.5 [12.4]	43.4 [12.7]	41.5 [12.1]	40.3 [11.8]
Sens BTUH [kW]		4.5 [1.3]	4.0 [1.2]	3.7 [1.1]	9.7 [2.8]	8.6 [2.5]	8.0 [2.3]	14.0 [4.1]	12.5 [3.6]	11.5 [3.4]	
Power		7.4	7.3	7.2	7.3	7.2	7.1	7.3	7.2	7.1	
90 [32.2]	Total BTUH [kW]	43.1 [12.6]	41.1 [12.0]	39.9 [11.7]	40.5 [11.9]	38.6 [11.3]	37.5 [11.0]	38.1 [11.2]	36.3 [10.6]	35.3 [10.3]	
	Sens BTUH [kW]	-0.8 [-0.2]	-0.7 [-0.2]	-0.6 [-0.2]	4.4 [1.3]	3.9 [1.1]	3.6 [1.1]	8.7 [2.5]	7.7 [2.3]	7.2 [2.1]	
	Power	7.9	7.7	7.6	7.8	7.7	7.5	7.8	7.6	7.5	
100 [37.8]	Total BTUH [kW]	37.4 [11.0]	35.7 [10.5]	34.6 [10.2]	34.8 [10.2]	33.2 [9.7]	32.2 [9.4]	32.4 [9.5]	30.9 [9.1]	30.0 [8.8]	
	Sens BTUH [kW]	-7.6 [-2.2]	-6.8 [-2.0]	-6.3 [-1.8]	-2.5 [-0.7]	-2.2 [-0.6]	-2.0 [-0.6]	1.8 [0.5]	1.6 [0.5]	1.5 [0.4]	
	Power	8.6	8.4	8.3	8.5	8.3	8.2	8.5	8.3	8.2	
110 [43.3]	Total BTUH [kW]	31.3 [9.2]	29.9 [8.8]	29.0 [8.5]	28.7 [8.4]	27.4 [8.0]	26.6 [7.8]	26.3 [7.7]	25.1 [7.4]	24.4 [7.1]	
	Sens BTUH [kW]	-16.0 [-4.7]	-14.3 [-4.2]	-13.2 [-3.9]	-10.9 [-3.2]	-9.7 [-2.8]	-9.0 [-2.6]	-6.6 [-1.9]	-5.9 [-1.7]	-5.5 [-1.6]	
	Power	9.5	9.3	9.2	9.4	9.2	9.1	9.4	9.2	9.0	
120 [48.9]	Total BTUH [kW]	24.9 [7.3]	23.8 [7.0]	23.1 [6.8]	22.3 [6.5]	21.3 [6.2]	20.7 [6.1]	19.9 [5.8]	19.0 [5.6]	18.5 [5.4]	
	Sens BTUH [kW]	-26.0 [-7.6]	-23.2 [-6.8]	-21.5 [-6.3]	-20.9 [-6.1]	-18.6 [-5.5]	-17.2 [-5.0]	-16.6 [-4.9]	-14.8 [-4.3]	-13.7 [-4.0]	
	Power	10.6	10.3	10.2	10.5	10.2	10.1	10.5	10.2	10.1	



GROSS SYSTEMS PERFORMANCE DATA (LOW REHEAT MODE) – RGEDZT150

ENTERING INDOOR AIR @ 75°F [23.9°C] dbE ①											
wbE			65.3°F [18.5°C]			64°F [17.8°C]			62.5°F [16.9°C]		
CFM [L/s]			3000 [1416]	2400 [1133]	2000 [944]	3000 [1416]	2400 [1133]	2000 [944]	3000 [1416]	2400 [1133]	2000 [944]
OUTDOOR DRY BULB TEMPERATURE °F [°C]	60 [15.6]	Total BTUH [kW]	46.5 [13.6]	44.4 [13.0]	43.1 [12.6]	43.1 [12.6]	41.2 [12.1]	40.0 [11.7]	40.3 [11.8]	38.6 [11.3]	37.4 [11.0]
		Sens BTUH [kW]	12.9 [3.8]	11.6 [3.4]	10.7 [3.1]	13.8 [4.0]	12.3 [3.6]	11.4 [3.3]	18.5 [5.4]	16.5 [4.8]	15.3 [4.5]
		Power	4.6	4.5	4.4	4.5	4.4	4.3	4.5	4.4	4.3
	65 [18.3]	Total BTUH [kW]	45.7 [13.4]	43.7 [12.8]	42.4 [12.4]	42.3 [12.4]	40.5 [11.9]	39.3 [11.5]	39.6 [11.6]	37.8 [11.1]	36.7 [10.8]
		Sens BTUH [kW]	10.5 [3.1]	9.4 [2.8]	8.7 [2.5]	11.4 [3.3]	10.2 [3.0]	9.4 [2.8]	16.1 [4.7]	14.4 [4.2]	13.3 [3.9]
		Power	4.6	4.5	4.5	4.6	4.5	4.4	4.5	4.4	4.4
	70 [21.1]	Total BTUH [kW]	44.7 [13.1]	42.7 [12.5]	41.4 [12.1]	41.3 [12.1]	39.5 [11.6]	38.3 [11.2]	38.5 [11.3]	36.9 [10.8]	35.7 [10.5]
Sens BTUH [kW]		8.3 [2.4]	7.4 [2.2]	6.9 [2.0]	9.2 [2.7]	8.2 [2.4]	7.6 [2.2]	13.9 [4.1]	12.4 [3.6]	11.4 [3.4]	
Power		4.7	4.6	4.6	4.7	4.6	4.5	4.6	4.5	4.5	
75 [23.9]	Total BTUH [kW]	43.4 [12.7]	41.5 [12.2]	40.2 [11.8]	40.0 [11.7]	38.3 [11.2]	37.1 [10.9]	37.2 [10.9]	35.6 [10.4]	34.5 [10.1]	
	Sens BTUH [kW]	6.3 [1.8]	5.6 [1.7]	5.2 [1.5]	7.2 [2.1]	6.4 [1.9]	5.9 [1.7]	11.9 [3.5]	10.6 [3.1]	9.8 [2.9]	
	Power	4.9	4.8	4.7	4.8	4.7	4.7	4.8	4.7	4.6	
80 [26.7]	Total BTUH [kW]	41.8 [12.2]	40.0 [11.7]	38.8 [11.4]	38.4 [11.3]	36.8 [10.8]	35.6 [10.4]	35.7 [10.5]	34.1 [10.0]	33.1 [9.7]	
	Sens BTUH [kW]	4.5 [1.3]	4.0 [1.2]	3.7 [1.1]	5.4 [1.6]	4.8 [1.4]	4.4 [1.3]	10.1 [2.9]	9.0 [2.6]	8.3 [2.4]	
	Power	5.1	5	4.9	5	4.9	4.9	5	4.9	4.8	
85 [29.4]	Total BTUH [kW]	40.0 [11.7]	38.2 [11.2]	37.1 [10.9]	36.6 [10.7]	35.0 [10.3]	33.9 [9.9]	33.8 [9.9]	32.4 [9.5]	31.4 [9.2]	
	Sens BTUH [kW]	2.9 [0.8]	2.6 [0.8]	2.4 [0.7]	3.8 [1.1]	3.4 [1.0]	3.1 [0.9]	8.5 [2.5]	7.6 [2.2]	7.0 [2.0]	
	Power	5.4	5.3	5.2	5.3	5.2	5.1	5.3	5.2	5.1	
90 [32.2]	Total BTUH [kW]	37.9 [11.1]	36.2 [10.6]	35.1 [10.3]	34.5 [10.1]	33.0 [9.7]	32.0 [9.4]	31.7 [9.3]	30.4 [8.9]	29.4 [8.6]	
	Sens BTUH [kW]	1.5 [0.4]	1.3 [0.4]	1.2 [0.4]	2.4 [0.7]	2.1 [0.6]	2.0 [0.6]	7.1 [2.1]	6.3 [1.9]	5.8 [1.7]	
	Power	5.7	5.6	5.5	5.6	5.5	5.4	5.6	5.5	5.4	

GROSS SYSTEMS PERFORMANCE DATA (HIGH REHEAT MODE) – RGEDZT150

ENTERING INDOOR AIR @ 75°F [23.9°C] dbE ①											
wbE			65.3°F [18.5°C]			64°F [17.8°C]			62.5°F [16.9°C]		
CFM [L/s]			6000 [2832]	4100 [1935]	4000 [1888]	6000 [2832]	4100 [1935]	4000 [1888]	6000 [2832]	4100 [1935]	4000 [1888]
OUTDOOR DRY BULB TEMPERATURE °F [°C]	60°F [15.6]	Total BTUH [kW]	99.3 [29.1]	91.5 [26.8]	91.1 [26.7]	101.6 [29.8]	93.7 [27.4]	93.2 [27.3]	92.7 [27.2]	85.5 [25.1]	85.2 [25.0]
		Sens BTUH [kW]	33.3 [9.7]	27.4 [8.0]	27.0 [7.9]	40.1 [11.8]	33.0 [9.7]	32.6 [9.6]	46.4 [13.6]	38.1 [11.2]	37.7 [11.0]
		Power	9.5	9.1	9.1	9.3	8.9	8.9	9.3	8.9	8.9
	70°F [21.1]	Total BTUH [kW]	94.4 [27.7]	87.1 [25.5]	86.7 [25.4]	96.7 [28.3]	89.2 [26.1]	88.8 [26.0]	87.9 [25.8]	81.1 [23.8]	80.7 [23.7]
		Sens BTUH [kW]	27 [7.9]	22.2 [6.5]	21.9 [6.4]	33.9 [9.9]	27.9 [8.2]	27.5 [8.1]	40.1 [11.7]	33.0 [9.7]	32.6 [9.5]
		Power	9.7	9.3	9.3	9.5	9.2	9.2	9.5	9.2	9.1
	80°F [26.7]	Total BTUH [kW]	87.6 [25.7]	80.8 [23.7]	80.4 [23.6]	89.9 [26.3]	82.9 [24.3]	82.5 [24.2]	81.1 [23.8]	74.8 [21.9]	74.4 [21.8]
Sens BTUH [kW]		20.1 [5.9]	16.5 [4.8]	16.3 [4.8]	27.0 [7.9]	22.2 [6.5]	21.9 [6.4]	33.2 [9.7]	27.3 [8.0]	27.0 [7.9]	
Power		10.2	9.8	9.8	10	9.6	9.6	10	9.6	9.6	
90°F [32.2]	Total BTUH [kW]	78.7 [23.1]	72.6 [21.3]	72.3 [21.2]	81.0 [23.7]	74.7 [21.9]	74.4 [21.8]	72.2 [21.2]	66.6 [19.5]	66.3 [19.4]	
	Sens BTUH [kW]	12.5 [3.7]	10.3 [3.0]	10.2 [3.0]	19.4 [5.7]	15.9 [4.7]	15.8 [4.6]	25.6 [7.5]	21.0 [6.2]	20.8 [6.1]	
	Power	11	10.5	10.5	10.8	10.4	10.3	10.8	10.3	10.3	
100°F [37.8]	Total BTUH [kW]	67.8 [19.9]	62.5 [18.3]	62.3 [18.2]	70.1 [20.5]	64.7 [18.9]	64.4 [18.9]	61.3 [18.0]	56.5 [16.6]	56.3 [16.5]	
	Sens BTUH [kW]	4.3 [1.3]	3.5 [1.0]	3.5 [1.0]	11.2 [3.3]	9.2 [2.7]	9.1 [2.7]	17.4 [5.1]	14.3 [4.2]	14.1 [4.1]	
	Power	11.9	11.5	11.4	11.8	11.3	11.3	11.8	11.3	11.3	
110 [43.3]	Total BTUH [kW]	54.9 [16.1]	50.6 [14.8]	50.4 [14.8]	57.2 [16.8]	52.7 [15.5]	52.5 [15.4]	48.4 [14.2]	44.6 [13.1]	44.4 [13.0]	
	Sens BTUH [kW]	-4.6 [-1.3]	-3.8 [-1.1]	-3.7 [-1.1]	2.3 [0.7]	1.9 [0.5]	1.9 [0.5]	8.5 [2.5]	7.0 [2.0]	6.9 [2.0]	
	Power	13.2	12.6	12.6	13	12.5	12.4	13	12.5	12.4	
120 [48.9]	Total BTUH [kW]	40.0 [11.7]	36.8 [10.8]	36.7 [10.8]	42.3 [12.4]	39.0 [11.4]	38.8 [11.4]	33.4 [9.8]	30.8 [9.0]	30.7 [9.0]	
	Sens BTUH [kW]	-14.1 [-4.1]	-11.6 [-3.4]	-11.5 [-3.4]	-7.2 [-2.1]	-6.0 [-1.7]	-5.9 [-1.7]	-1.0 [-0.3]	-0.9 [-0.2]	-0.8 [-0.2]	
	Power	14.6	14.1	14	14.5	13.9	13.9	14.4	13.9	13.8	





AIRFLOW PERFORMANCE — 7.5 TON [26.4 kW] — 60 Hz — DOWNFLOW (con't.)

Airflow	AIRFLOW CORRECTION FACTORS *			COMPONENT AIRFLOW RESISTANCE				
	CFM [L/s]	Total MBH	Sensible MBH	Power kW	Wet Coil	Vertical Economizer FA Damper Open	Concentric Diffuser RXRN-AED2000 & Concentric Adapter RXMC-DD01 (Flush)	Concentric Diffuser RXRN-AED2000 & Concentric Adapter RXMC-DD01 (Drop)
2400 [1133]	0.96	0.89	0.98	0.98	0.04 [.01]	0.01 [.00]	0.66 [.16]	0.53 [.13]
2500 [1180]	0.96	0.90	0.99	0.99	0.05 [.01]	0.02 [.00]	0.71 [.18]	0.57 [.14]
2600 [1227]	0.97	0.92	0.99	0.99	0.05 [.01]	0.02 [.01]	0.75 [.19]	0.60 [.15]
2700 [1274]	0.97	0.93	0.99	0.99	0.05 [.01]	0.03 [.01]	0.80 [.20]	0.65 [.16]
2800 [1321]	0.98	0.95	0.99	0.99	0.06 [.01]	0.04 [.01]	0.85 [.21]	0.69 [.17]
2900 [1368]	0.98	0.96	1.00	1.00	0.06 [.02]	0.04 [.01]	0.91 [.23]	0.74 [.18]
3000 [1416]	0.99	0.97	1.00	1.00	0.07 [.02]	0.05 [.01]	0.96 [.24]	0.79 [.20]
3100 [1463]	1.00	0.99	1.00	1.00	0.07 [.02]	0.06 [.02]	1.02 [.25]	0.86 [.21]
3200 [1510]	1.00	1.00	1.01	1.01	0.07 [.02]	0.07 [.02]	1.08 [.27]	0.92 [.23]
3300 [1557]	1.01	1.02	1.01	1.01	0.08 [.02]	0.08 [.02]	1.15 [.29]	0.99 [.25]
3400 [1604]	1.01	1.03	1.01	1.01	0.08 [.02]	0.09 [.02]	1.21 [.30]	1.05 [.26]
3500 [1652]	1.02	1.05	1.01	1.01	0.09 [.02]	0.10 [.02]	1.29 [.32]	1.09 [.27]
3600 [1699]	1.02	1.06	1.02	1.02	0.09 [.02]	0.11 [.03]	1.36 [.34]	1.13 [.28]

*Multiply correction factor times gross performance data resulting sensible capacity cannot exceed total capacity.

[] Designates Metric Conversions



AIRFLOW PERFORMANCE— 7.5 TON [26.4 kW] — 60 Hz — SIDEFLOW

Air Flow CFM [L/s]	Model RGEDZ*090* Voltage 208/230, 460, 575 — 3 phase 60 Hz																																									
	External Static Pressure—Inches of Water [kPa]																																									
	0.1 [0.02]	0.2 [0.05]	0.3 [0.07]	0.4 [0.10]	0.5 [0.12]	0.6 [0.15]	0.7 [0.17]	0.8 [0.20]	0.9 [0.22]	1.0 [0.25]	1.1 [0.27]	1.2 [0.30]	1.3 [0.32]	1.4 [0.35]	1.5 [0.37]	1.6 [0.40]	1.7 [0.42]	1.8 [0.45]	1.9 [0.47]	2.0 [0.50]																						
2400 [1133]	—	—	—	558	822	594	853	629	887	663	925	697	965	730	1009	763	1056	794	1106	826	1159	856	1216	886	1275	915	1338	943	1404	971	1474	998	1546	1025	1622	1051	1700	1076	1782			
2500 [1180]	—	—	—	568	848	604	881	638	917	672	956	705	998	738	1044	769	1092	801	1144	831	1199	861	1258	890	1319	919	1384	947	1452	974	1523	1001	1597	1027	1674	1052	1755	1077	1838			
2600 [1227]	—	—	543	846	579	877	613	912	647	950	681	991	713	1035	745	1082	777	1132	807	1186	837	1243	867	1303	895	1366	923	1433	951	1502	978	1575	1004	1651	1029	1730	1054	1812	1078	1898		
2700 [1274]	—	—	554	877	589	910	623	946	657	986	689	1029	722	1074	753	1124	784	1176	814	1231	844	1290	872	1352	901	1417	928	1485	955	1556	981	1631	1007	1708	1032	1789	1056	1873	1079	1961		
2800 [1321]	—	—	566	911	600	946	634	984	666	1026	699	1070	730	1118	761	1169	792	1223	821	1280	850	1340	878	1404	906	1470	933	1540	959	1613	985	1690	1010	1769	1034	1852	1058	1938	1081	2027		
2900 [1368]	543	916	577	949	611	986	644	1026	676	1069	708	1115	739	1164	770	1217	799	1273	828	1332	857	1394	885	1451	891	1518	918	1588	944	1662	969	1738	994	1818	1017	1901	1041	1987	1063	2077	1085	2169
3000 [1416]	555	955	589	990	622	1029	655	1070	687	1115	718	1163	748	1214	778	1269	807	1326	836	1387	864	1451	891	1518	918	1588	944	1662	969	1738	994	1818	1017	1901	1041	1987	1063	2077	1085	2169		
3100 [1463]	568	998	601	1035	634	1075	666	1118	697	1165	728	1215	758	1268	787	1324	816	1383	844	1445	871	1511	898	1580	924	1652	949	1727	974	1806	998	1887	1022	1972	1044	2060	1066	2151	1088	2245		
3200 [1510]	581	1044	614	1083	646	1125	677	1170	708	1218	738	1270	768	1324	796	1382	824	1443	852	1507	879	1575	905	1646	931	1719	955	1796	980	1876	1003	1960	1026	2046	1048	2136	1070	2229	1091	2325		
3300 [1557]	594	1093	626	1134	658	1178	689	1225	719	1275	749	1328	778	1384	806	1444	833	1507	860	1573	887	1642	912	1714	937	1790	962	1869	985	1951	1008	2036	1031	2124	1052	2216	1073	2310	1094	2408		
3400 [1604]	607	1146	639	1189	670	1234	701	1283	730	1335	759	1390	788	1448	815	1509	843	1574	869	1642	895	1713	920	1787	944	1864	968	1945	991	2028	1014	2115	1036	2205	1057	2298	1077	2395	1097	2494		
3500 [1652]	621	1203	652	1247	683	1294	713	1344	742	1398	770	1455	798	1515	825	1578	852	1644	878	1714	903	1786	928	1862	952	1941	975	2024	997	2109	1019	2198	1041	2290	1061	2385	1081	2483	1101	2584		
3600 [1699]	635	1262	666	1308	696	1357	725	1409	754	1465	782	1523	809	1585	836	1650	862	1718	887	1789	912	1864	936	1941	959	2022	982	2106	1004	2194	1025	2284	1046	2378	1066	2474	1086	2574	1104	2677		

NOTE: A/F-Drive left of the bold line, B/G-Drive right of bold lines.

Drive Package	A/F	B/G	C/H
Motor H.P. [W]	2 [1491.4]	3 [2237.1]	3 [2237.1]
Blower Sheave	AK84H	AK84H	AK84H
Motor Sheave	1VL40*7/8	1VP50*7/8	1VP56*7/8
Belt	A49	A50	A51
Turns Open	0 1 2 3 4 5	0 1 2 3 4 5	0 1 2 3 4 5
RPM	765 720 676 633 589 544	989 949 908 865 823 780	1029 987 946

- NOTES: 1. Factory sheave settings are shown in bold type.
 2. Do not set motor sheave below minimum or maximum turns open shown.
 3. Re-adjustment of sheave required to achieve rated airflow at AHRI minimum External Static Pressure
 4. Add component resistance (below) to duct resistance to determine total External Static Pressure.

[] Designates Metric Conversions



**AIRFLOW PERFORMANCE — 7.5 TON [26.4 kW] — 60 Hz — SIDEFLOW (con't.)**

Airflow	AIRFLOW CORRECTION FACTORS *				COMPONENT AIRFLOW RESISTANCE			
	CFM [L/s]	Total MBH	Sensible MBH	Power kW	Wet Coil	Horizontal Economizer RA Damper Open	Concentric Diffuser RXRN-AEF2000 & Concentric Adapter RXMC-DD01 (Flush)	Concentric Diffuser RXRN-AED2000 & Concentric Adapter RXMC-DD01 (Drop)
2400 [1133]	0.96	0.89	0.98	0.98	0.04 [.01]	0.01 [.00]	0.66 [.16]	0.53 [.13]
2500 [1180]	0.96	0.90	0.99	0.99	0.05 [.01]	0.02 [.00]	0.71 [.18]	0.57 [.14]
2600 [1227]	0.97	0.92	0.99	0.99	0.05 [.01]	0.02 [.00]	0.75 [.19]	0.60 [.15]
2700 [1274]	0.97	0.93	0.99	0.99	0.05 [.01]	0.03 [.01]	0.80 [.20]	0.65 [.16]
2800 [1321]	0.98	0.95	0.99	0.99	0.06 [.01]	0.04 [.01]	0.85 [.21]	0.69 [.17]
2900 [1368]	0.98	0.96	1.00	1.00	0.06 [.02]	0.04 [.01]	0.91 [.23]	0.74 [.18]
3000 [1416]	0.99	0.97	1.00	1.00	0.07 [.02]	0.05 [.01]	0.96 [.24]	0.79 [.20]
3100 [1463]	1.00	0.99	1.00	1.00	0.07 [.02]	0.06 [.01]	1.02 [.25]	0.86 [.21]
3200 [1510]	1.00	1.00	1.01	1.01	0.07 [.02]	0.07 [.02]	1.08 [.27]	0.92 [.23]
3300 [1557]	1.01	1.02	1.01	1.01	0.08 [.02]	0.08 [.02]	1.15 [.29]	0.99 [.25]
3400 [1604]	1.01	1.03	1.01	1.01	0.08 [.02]	0.09 [.02]	1.21 [.30]	1.05 [.26]
3500 [1652]	1.02	1.05	1.01	1.01	0.09 [.02]	0.10 [.02]	1.29 [.32]	1.09 [.27]
3600 [1699]	1.02	1.06	1.02	1.02	0.09 [.02]	0.11 [.03]	1.36 [.34]	1.13 [.28]

*Multiply correction factor times gross performance data resulting sensible capacity cannot exceed total capacity.

[] Designates Metric Conversions



Air

Airflow Performance Data
RGED Series**AIRFLOW PERFORMANCE — 8.5 TON [29.9 kW] — 60 Hz — DOWNFLOW (con't.)**

Airflow	AIRFLOW CORRECTION FACTORS *				COMPONENT AIRFLOW RESISTANCE			
	CFM [L/s]	Total MBH	Sensible MBH	Power kW	Wet Coil	Vertical Economizer RA Damper Open	Concentric Diffuser RXRN-AED2000 & Concentric Adapter RXMC-DD01 (Flush)	Concentric Diffuser RXRN-AED2000 & Concentric Adapter RXMC-DD01 (Drop)
2700 [1274]	0.97	0.93	0.99	0.99	0.07 [.02]	0.03 [.01]	0.80 [.20]	0.65 [.16]
2800 [1321]	0.98	0.94	0.99	0.99	0.07 [.02]	0.03 [.01]	0.85 [.21]	0.69 [.17]
2900 [1368]	0.98	0.96	0.99	0.99	0.08 [.02]	0.04 [.01]	0.91 [.23]	0.74 [.18]
3000 [1416]	0.99	0.97	1.00	1.00	0.08 [.02]	0.05 [.01]	0.96 [.24]	0.79 [.20]
3100 [1463]	0.99	0.99	1.00	1.00	0.09 [.02]	0.06 [.01]	1.02 [.25]	0.86 [.21]
3200 [1510]	1.00	1.00	1.00	1.00	0.10 [.02]	0.07 [.02]	1.08 [.27]	0.92 [.23]
3300 [1557]	1.01	1.01	1.00	1.00	0.10 [.03]	0.08 [.02]	1.15 [.29]	0.99 [.25]
3400 [1604]	1.01	1.03	1.01	1.01	0.11 [.03]	0.09 [.02]	1.21 [.30]	1.05 [.26]
3500 [1652]	1.02	1.04	1.01	1.01	0.11 [.03]	0.10 [.02]	1.29 [.32]	1.09 [.27]
3600 [1699]	1.02	1.06	1.01	1.01	0.12 [.03]	0.11 [.03]	1.36 [.34]	1.13 [.28]
3700 [1746]	1.03	1.07	1.02	1.02	0.13 [.03]	0.12 [.03]	1.43 [.36]	1.18 [.29]
3800 [1793]	1.03	1.09	1.02	1.02	0.13 [.03]	0.13 [.03]	1.50 [.37]	1.23 [.31]
3900 [1840]	1.04	1.10	1.02	1.02	0.14 [.04]	0.15 [.04]	1.59 [.40]	1.31 [.33]
4000 [1888]	1.05	1.12	1.02	1.02	0.14 [.04]	0.16 [.04]	1.68 [.42]	1.38 [.34]
4100 [1935]	1.05	1.13	1.03	1.03	0.15 [.04]	0.17 [.04]	1.74 [.43]	1.44 [.36]

*Multiply correction factor times gross performance data resulting sensible capacity cannot exceed total capacity.

[] Designates Metric Conversions





Air

Airflow Performance Data
RGED Series**AIRFLOW PERFORMANCE — 8.5 TON [29.9 kW] — 60 Hz — SIDEFLOW (con't.)**

Airflow	AIRFLOW CORRECTION FACTORS *			COMPONENT AIRFLOW RESISTANCE				
	CFM [L/s]	Total MBH	Sensible MBH	Power kW	Wet Coil	Horizontal Economizer RA Damper Open	Concentric Diffuser RXRN-AED2000 & Concentric Adapter RXMC-DD01 (Flush)	Concentric Diffuser RXRN-AED2000 & Concentric Adapter RXMC-DD01 (Drop)
2700 [1274]	0.97	0.93	0.99	0.99	0.07 [.02]	0.03 [.01]	0.80 [.20]	0.65 [.16]
2800 [1321]	0.98	0.94	0.99	0.99	0.07 [.02]	0.03 [.01]	0.85 [.21]	0.69 [.17]
2900 [1368]	0.98	0.96	0.99	0.99	0.08 [.02]	0.04 [.01]	0.91 [.23]	0.74 [.18]
3000 [1416]	0.99	0.97	1.00	1.00	0.08 [.02]	0.05 [.01]	0.96 [.24]	0.79 [.20]
3100 [1463]	0.99	0.99	1.00	1.00	0.09 [.02]	0.06 [.01]	1.02 [.25]	0.86 [.21]
3200 [1510]	1.00	1.00	1.00	1.00	0.10 [.02]	0.07 [.02]	1.08 [.27]	0.92 [.23]
3300 [1557]	1.01	1.01	1.00	1.00	0.10 [.03]	0.08 [.02]	1.15 [.29]	0.99 [.25]
3400 [1604]	1.01	1.03	1.01	1.01	0.11 [.03]	0.09 [.02]	1.21 [.30]	1.05 [.26]
3500 [1652]	1.02	1.04	1.01	1.01	0.11 [.03]	0.10 [.02]	1.29 [.32]	1.09 [.27]
3600 [1699]	1.02	1.06	1.01	1.01	0.12 [.03]	0.11 [.03]	1.36 [.34]	1.13 [.28]
3700 [1746]	1.03	1.07	1.02	1.02	0.13 [.03]	0.12 [.03]	1.43 [.36]	1.18 [.29]
3800 [1793]	1.03	1.09	1.02	1.02	0.13 [.03]	0.13 [.03]	1.50 [.37]	1.23 [.31]
3900 [1840]	1.04	1.10	1.02	1.02	0.14 [.04]	0.15 [.04]	1.59 [.40]	1.31 [.33]
4000 [1888]	1.05	1.12	1.02	1.02	0.15 [.04]	0.16 [.04]	1.68 [.42]	1.38 [.34]
4100 [1935]	1.05	1.13	1.03	1.03	0.15 [.04]	0.17 [.04]	1.74 [.43]	1.44 [.36]

*Multiply correction factor times gross performance data resulting sensible capacity cannot exceed total capacity.

[] Designates Metric Conversions





Air

Airflow Performance Data
RGED Series**AIRFLOW PERFORMANCE — 10 TON [35.1 kW] — 60 Hz — DOWNFLOW (con't.)**

Airflow	AIRFLOW CORRECTION FACTORS *				COMPONENT AIRFLOW RESISTANCE			
	CFM [L/s]	Total MBH	Sensible MBH	Power kW	Wet Coil	Vertical Economizer RA Damper Open	Concentric Diffuser RXRN-AEF3415 & Diffuser RXMC-DD02 (Flush)	Concentric Diffuser RXRN-AEF3415 & Diffuser RXMC-DD02 (Drop)
3200 [1510]	0.97	0.93	0.99	0.99	0.10 [.02]	0.07 [.02]	0.74 [.18]	0.56 [.14]
3300 [1557]	0.98	0.94	0.99	0.99	0.10 [.03]	0.08 [.02]	0.79 [.20]	0.59 [.15]
3400 [1604]	0.98	0.96	0.99	0.99	0.11 [.03]	0.09 [.02]	0.84 [.21]	0.62 [.15]
3500 [1652]	0.99	0.97	1.00	1.00	0.11 [.03]	0.10 [.02]	0.90 [.22]	0.66 [.16]
3600 [1699]	0.99	0.98	1.00	1.00	0.12 [.03]	0.11 [.03]	0.95 [.24]	0.69 [.17]
3700 [1746]	1.00	0.99	1.00	1.00	0.13 [.03]	0.12 [.03]	1.00 [.25]	0.73 [.18]
3800 [1793]	1.00	1.01	1.00	1.00	0.13 [.03]	0.13 [.03]	1.04 [.26]	0.76 [.19]
3900 [1840]	1.01	1.02	1.00	1.00	0.14 [.04]	0.15 [.04]	1.09 [.27]	0.80 [.20]
4000 [1888]	1.01	1.03	1.01	1.01	0.15 [.04]	0.16 [.04]	1.13 [.28]	0.84 [.21]
4100 [1935]	1.02	1.04	1.01	1.01	0.15 [.04]	0.17 [.04]	1.19 [.30]	0.88 [.22]
4200 [1982]	1.02	1.06	1.01	1.01	0.16 [.04]	0.19 [.05]	1.24 [.31]	0.92 [.23]
4300 [2029]	1.03	1.07	1.01	1.01	0.17 [.04]	0.20 [.05]	1.31 [.33]	0.97 [.24]
4400 [2076]	1.03	1.08	1.01	1.01	0.18 [.04]	0.21 [.05]	1.37 [.34]	1.02 [.25]
4500 [2123]	1.04	1.09	1.02	1.02	0.19 [.05]	0.23 [.06]	1.43 [.35]	1.07 [.27]
4600 [2171]	1.04	1.11	1.02	1.02	0.19 [.05]	0.24 [.06]	1.48 [.37]	1.11 [.28]
4700 [2218]	1.05	1.12	1.02	1.02	0.20 [.05]	0.26 [.06]	1.54 [.38]	1.15 [.29]
4800 [2265]	1.05	1.13	1.02	1.02	0.21 [.05]	0.28 [.07]	1.59 [.40]	1.19 [.30]

*Multiply correction factor times gross performance data resulting sensible capacity cannot exceed total capacity.

[] Designates Metric Conversions



AIRFLOW PERFORMANCE—10 TON [35.1 kW] — 60 Hz — SIDEFLOW

Model RGEDZ*120* Voltage 208/230, 460, 575 — 3 phase 60 Hz

Air Flow CFM [L/s]	External Static Pressure—Inches of Water [kPa]																																										
	0.1 [0.02]		0.2 [0.05]		0.3 [0.07]		0.4 [0.10]		0.5 [0.12]		0.6 [0.15]		0.7 [0.17]		0.8 [0.20]		0.9 [0.22]		1.0 [0.25]		1.1 [0.27]		1.2 [0.30]		1.3 [0.32]		1.4 [0.35]		1.5 [0.37]		1.6 [0.40]		1.7 [0.42]		1.8 [0.45]		1.9 [0.47]		2.0 [0.50]				
	RPM	W	RPM	W	RPM	W	RPM	W	RPM	W	RPM	W	RPM	W	RPM	W	RPM	W	RPM	W	RPM	W	RPM	W	RPM	W	RPM	W	RPM	W	RPM	W	RPM	W	RPM	W	RPM	W	RPM	W	RPM	W	RPM
3200 [151.0]	575	1018	607	1057	637	1099	667	1143	697	1191	727	1240	756	1293	785	1348	814	1406	842	1466	870	1529	897	1595	924	1664	951	1735	978	1809	1004	1885	1030	1965	1055	2047	1080	2131	1105	2219			
3300 [155.7]	588	1060	618	1101	649	1146	679	1192	708	1242	737	1294	766	1349	795	1406	823	1466	850	1529	878	1595	905	1663	932	1734	958	1808	984	1884	1010	1963	1035	2045	1060	2129	1085	2216	1109	2306			
3400 [160.4]	600	1106	630	1150	660	1196	690	1245	719	1297	748	1352	776	1409	804	1469	832	1531	859	1597	886	1664	913	1735	939	1808	965	1884	990	1963	1016	2044	1040	2128	1065	2215	1089	2305	1113	2397			
3500 [165.2]	613	1156	643	1202	672	1251	701	1302	730	1357	758	1413	786	1473	814	1535	841	1600	868	1668	894	1738	920	1811	946	1887	972	1965	997	2046	1022	2130	1046	2217	1070	2306	1094	2397	1117	2492			
3600 [169.9]	626	1210	655	1258	684	1310	713	1364	741	1420	769	1479	796	1541	823	1606	850	1673	877	1743	903	1816	929	1892	954	1970	979	2050	1004	2134	1028	2220	1052	2309	1076	2400	1099	2494	1122	2591			
3700 [174.6]	639	1268	668	1319	696	1373	724	1429	752	1488	779	1550	806	1614	833	1681	860	1751	886	1823	911	1898	937	1976	962	2056	986	2140	1011	2225	1035	2314	1058	2405	1081	2499	1104	2596	1127	2695			
3800 [179.3]	652	1330	680	1384	708	1440	736	1498	763	1560	790	1624	817	1690	843	1760	869	1832	895	1907	920	1984	945	2064	970	2147	994	2233	1018	2321	1041	2412	1064	2505	1087	2602	1110	2701	1132	2802			
3900 [184.0]	665	1397	693	1452	721	1511	748	1572	775	1636	801	1702	828	1771	854	1843	879	1917	904	1995	929	2075	954	2157	978	2242	1001	2330	1025	2421	1048	2514	1071	2610	1093	2709	1115	2810	1137	2914			
4000 [188.8]	678	1467	706	1525	733	1566	760	1630	787	1716	813	1785	839	1856	864	1930	889	2007	914	2087	938	2169	962	2254	986	2341	1009	2432	1032	2525	1055	2620	1077	2719	1099	2820	1121	2923	1142	3030			
4100 [193.5]	692	1542	719	1602	746	1666	772	1731	798	1800	824	1871	850	1945	875	2022	899	2101	923	2183	947	2267	971	2355	994	2445	1017	2537	1040	2633	1062	2731	1084	2831	1105	2935	1126	3041	1147	3150			
4200 [198.2]	706	1621	732	1684	759	1749	785	1817	810	1888	836	1962	861	2038	885	2117	909	2199	933	2283	957	2370	980	2460	1003	2552	1025	2647	1047	2745	1069	2845	1091	2948	1112	3054	1132	3163	1153	3274			
4300 [202.9]	720	1704	746	1769	772	1837	797	1907	823	1981	847	2057	872	2135	896	2217	920	2301	943	2387	966	2477	989	2569	1012	2664	1034	2761	1055	2861	1077	2964	1098	3069	1118	3178	1139	3288	1158	3402			
4400 [207.6]	734	1791	760	1858	785	1928	810	2001	835	2077	859	2155	883	2237	907	2320	931	2407	954	2496	976	2587	999	2682	1020	2779	1042	2879	1063	2981	1084	3087	1105	3195	1125	3305	1145	3418	—	—			
4500 [212.3]	748	1882	773	1952	798	2024	823	2100	847	2178	871	2259	895	2342	918	2428	941	2517	964	2608	986	2702	1008	2799	1030	2899	1051	3001	1071	3106	1092	3214	1112	3324	1132	3437	1151	3552	—	—			
4600 [217.1]	762	1977	787	2049	812	2124	836	2202	860	2283	884	2366	907	2451	930	2540	952	2631	974	2725	996	2822	1018	2921	1039	3023	1059	3127	1080	3235	1100	3345	1120	3457	1139	3573	1158	3691	—	—			
4700 [221.8]	777	2076	801	2151	826	2228	849	2309	873	2391	896	2477	919	2565	941	2656	963	2750	985	2846	1006	2945	1027	3046	1048	3151	1068	3258	1088	3367	1108	3480	1127	3595	1146	3712	—	—	—	—			
4800 [226.5]	792	2180	816	2257	840	2337	863	2419	886	2504	909	2592	931	2683	953	2776	975	2872	996	2971	1017	3072	1037	3176	1058	3283	1077	3392	1097	3504	1116	3619	1135	3736	1153	3856	—	—	—	—			

NOTE: A/F-Drive left of the bold line, B/G-Drive right of bold lines.

Drive Package	A/F	B/G	C/H
Motor H.P. [W]	2 [1491.4]	3 [2237.1]	3 [2237.1]
Blower Sheave	AK79H	AK79H	AK79H
Motor Sheave	1VL40*7/8	1VP50*7/8	1VP56*7/8
Belt	A49	A50	A51
Turns Open	0 1 2 3 4 5	0 1 2 3 4 5	0 1 2 3 4 5
RPM	798 753 707 663 616 556	1041 998 955 912 867 824	1155 1119 1078 1037 994 951

- NOTES: 1. Factory sheave settings are shown in bold type.
 2. Do not set motor sheave below minimum or maximum turns open shown.
 3. Re-adjustment of sheave required to achieve rated airflow at AHRI minimum External Static Pressure
 4. Add component resistance (below) to duct resistance to determine total External Static Pressure.

[] Designates Metric Conversions





AIRFLOW PERFORMANCE — 10 TON [35.1 kW] — 60 Hz — SIDEFLOW (con't.)

Airflow	AIRFLOW CORRECTION FACTORS *			COMPONENT AIRFLOW RESISTANCE				
	CFM [L/s]	Total MBH	Sensible MBH	Power kW	Wet Coil	Horizontal Economizer RA Damper Open	Concentric Diffuser RXRN-AE3415 & Diffuser RXMC-DD02 (Flush)	Concentric Diffuser RXRN-AE3415 & Diffuser RXMC-DD02 (Drop)
					Resistance — Inches of Water [kPa]			
3200 [1510]	0.97	0.93	0.99	0.99	0.10 [.02]	0.07 [.02]	0.74 [.18]	0.56 [.14]
3300 [1557]	0.98	0.94	0.99	0.99	0.10 [.03]	0.08 [.02]	0.79 [.20]	0.59 [.15]
3400 [1604]	0.98	0.96	0.99	0.99	0.11 [.03]	0.09 [.02]	0.84 [.21]	0.62 [.15]
3500 [1652]	0.99	0.97	1.00	1.00	0.11 [.03]	0.10 [.02]	0.90 [.22]	0.66 [.16]
3600 [1699]	0.99	0.98	1.00	1.00	0.12 [.03]	0.11 [.03]	0.95 [.24]	0.69 [.17]
3700 [1746]	1.00	0.99	1.00	1.00	0.13 [.03]	0.12 [.03]	1.00 [.25]	0.73 [.18]
3800 [1793]	1.00	1.01	1.00	1.00	0.13 [.03]	0.13 [.03]	1.04 [.26]	0.76 [.19]
3900 [1840]	1.01	1.02	1.00	1.00	0.14 [.04]	0.15 [.04]	1.09 [.27]	0.80 [.20]
4000 [1888]	1.01	1.03	1.01	1.01	0.15 [.04]	0.16 [.04]	1.13 [.28]	0.84 [.21]
4100 [1935]	1.02	1.04	1.01	1.01	0.15 [.04]	0.17 [.04]	1.19 [.30]	0.88 [.22]
4200 [1982]	1.02	1.06	1.01	1.01	0.16 [.04]	0.19 [.05]	1.24 [.31]	0.92 [.23]
4300 [2029]	1.03	1.07	1.01	1.01	0.17 [.04]	0.20 [.05]	1.31 [.33]	0.97 [.24]
4400 [2076]	1.03	1.08	1.01	1.01	0.18 [.04]	0.21 [.05]	1.37 [.34]	1.02 [.25]
4500 [2123]	1.04	1.09	1.02	1.02	0.19 [.05]	0.23 [.06]	1.43 [.35]	1.07 [.27]
4600 [2171]	1.04	1.11	1.02	1.02	0.19 [.05]	0.24 [.06]	1.48 [.37]	1.11 [.28]
4700 [2218]	1.05	1.12	1.02	1.02	0.20 [.05]	0.26 [.06]	1.54 [.38]	1.15 [.29]
4800 [2265]	1.05	1.13	1.02	1.02	0.21 [.05]	0.28 [.07]	1.59 [.40]	1.19 [.30]

*Multiply correction factor times gross performance data resulting sensible capacity cannot exceed total capacity.

[] Designates Metric Conversions



AIRFLOW PERFORMANCE— 12.5 TON [43.9 kW] — 60 Hz — DOWNFLOW

Air Flow CFM [L/s]	Model RGEDZ*150* Voltage 208/230, 460, 575 — 3 phase 60 Hz																													
	External Static Pressure—Inches of Water [kPa]																													
	0.1 [0.02]	0.2 [0.05]	0.3 [0.07]	0.4 [0.10]	0.5 [0.12]	0.6 [0.15]	0.7 [0.17]	0.8 [0.20]	0.9 [0.22]	1.0 [0.25]	1.1 [0.27]	1.2 [0.30]	1.3 [0.32]	1.4 [0.35]	1.5 [0.37]	1.6 [0.40]	1.7 [0.42]	1.8 [0.45]	1.9 [0.47]	2.0 [0.50]										
4000 [1888]	766 [1776]	795 [1806]	824 [1842]	851 [1883]	878 [1931]	904 [1985]	929 [2044]	953 [2110]	976 [2181]	998 [2259]	1019 [2342]	1040 [2431]	1059 [2526]	1078 [2627]	1096 [2734]	1113 [2847]	1129 [2966]	1144 [3091]	1158 [3221]	1171 [3358]										
4100 [1935]	778 [1820]	807 [1856]	835 [1897]	862 [1944]	888 [1997]	913 [2056]	937 [2120]	961 [2191]	983 [2268]	1005 [2350]	1026 [2439]	1045 [2533]	1064 [2634]	1082 [2740]	1099 [2852]	1116 [2970]	1131 [3094]	1145 [3224]	1159 [3360]	1171 [3502]										
4200 [1982]	792 [1875]	820 [1915]	847 [1961]	873 [2014]	899 [2072]	923 [2136]	947 [2206]	969 [2282]	991 [2364]	1012 [2451]	1032 [2545]	1051 [2645]	1070 [2750]	1087 [2862]	1103 [2979]	1119 [3102]	1134 [3232]	1147 [3367]	1160 [3508]	1172 [3655]										
4300 [2029]	806 [1938]	833 [1984]	859 [2036]	885 [2093]	910 [2156]	934 [2226]	957 [2301]	979 [2382]	1000 [2469]	1020 [2562]	1040 [2661]	1058 [2766]	1076 [2877]	1092 [2993]	1108 [3116]	1123 [3244]	1137 [3379]	1150 [3519]	1162 [3665]	1174 [3818]										
4400 [2076]	820 [2012]	847 [2063]	873 [2119]	898 [2182]	922 [2251]	945 [2325]	967 [2406]	989 [2492]	1009 [2584]	1029 [2682]	1048 [2787]	1065 [2897]	1082 [3013]	1098 [3134]	1113 [3262]	1128 [3396]	1141 [3536]	1154 [3681]	1165 [3833]	1176 [3990]										
4500 [2123]	835 [2059]	861 [2115]	886 [2173]	911 [2231]	934 [2295]	957 [2364]	978 [2434]	999 [2509]	1019 [2591]	1038 [2681]	1056 [2777]	1073 [2877]	1090 [2981]	1105 [3090]	1120 [3205]	1133 [3327]	1146 [3455]	1158 [3588]	1168 [3726]	1178 [3874]										
4600 [2171]	851 [2107]	876 [2164]	901 [2223]	925 [2289]	947 [2356]	969 [2426]	989 [2498]	1009 [2574]	1028 [2654]	1046 [2739]	1063 [2827]	1080 [2919]	1097 [3015]	1113 [3115]	1128 [3220]	1141 [3330]	1154 [3444]	1165 [3563]	1174 [3687]	1182 [3821]										
4700 [2218]	867 [2154]	892 [2211]	916 [2270]	939 [2330]	961 [2391]	982 [2454]	1003 [2520]	1022 [2589]	1041 [2661]	1058 [2736]	1075 [2814]	1091 [2894]	1106 [2977]	1120 [3063]	1133 [3151]	1145 [3242]	1156 [3336]	1165 [3434]	1172 [3536]	1178 [3641]										
4800 [2265]	884 [2201]	908 [2258]	932 [2317]	954 [2378]	975 [2441]	996 [2506]	1016 [2574]	1034 [2644]	1052 [2717]	1069 [2792]	1085 [2869]	1101 [2948]	1115 [3029]	1128 [3112]	1140 [3197]	1151 [3284]	1160 [3373]	1168 [3464]	1173 [3558]	1177 [3654]										
4900 [2312]	902 [2253]	925 [2310]	948 [2369]	969 [2429]	989 [2491]	1008 [2554]	1026 [2619]	1043 [2686]	1059 [2754]	1075 [2824]	1090 [2894]	1105 [2966]	1119 [3039]	1132 [3113]	1144 [3188]	1155 [3264]	1164 [3342]	1171 [3421]	1177 [3501]	1181 [3582]										
5000 [2359]	920 [2303]	943 [2360]	965 [2419]	986 [2479]	1006 [2540]	1025 [2602]	1044 [2666]	1061 [2731]	1077 [2798]	1093 [2866]	1108 [2935]	1122 [3005]	1135 [3076]	1147 [3148]	1158 [3221]	1167 [3295]	1174 [3370]	1179 [3446]	1183 [3523]	1186 [3601]										
5100 [2406]	939 [2354]	961 [2411]	982 [2470]	1003 [2530]	1022 [2591]	1041 [2652]	1058 [2715]	1075 [2780]	1091 [2846]	1106 [2913]	1120 [2981]	1133 [3050]	1145 [3120]	1156 [3191]	1165 [3263]	1172 [3336]	1178 [3410]	1183 [3484]	1186 [3559]	1188 [3634]										
5200 [2454]	958 [2404]	980 [2461]	1000 [2520]	1020 [2580]	1039 [2641]	1056 [2702]	1074 [2764]	1090 [2827]	1106 [2891]	1120 [2956]	1133 [3021]	1145 [3087]	1156 [3154]	1166 [3221]	1174 [3289]	1180 [3358]	1185 [3428]	1189 [3498]	1191 [3569]	1192 [3640]										
5300 [2501]	978 [2455]	999 [2512]	1019 [2571]	1038 [2631]	1056 [2691]	1074 [2751]	1090 [2811]	1106 [2871]	1120 [2931]	1133 [2991]	1145 [3051]	1156 [3111]	1166 [3171]	1174 [3231]	1180 [3291]	1185 [3351]	1189 [3411]	1191 [3471]	1192 [3531]	1192 [3591]										
5400 [2548]	999 [2506]	1019 [2565]	1038 [2624]	1056 [2683]	1074 [2742]	1090 [2801]	1106 [2860]	1120 [2919]	1133 [2978]	1145 [3037]	1156 [3096]	1166 [3155]	1174 [3214]	1180 [3273]	1185 [3332]	1189 [3391]	1191 [3450]	1192 [3509]	1192 [3568]	1192 [3627]										
5500 [2595]	1020 [2657]	1040 [2716]	1059 [2775]	1077 [2834]	1095 [2893]	1112 [2952]	1128 [3011]	1144 [3070]	1159 [3129]	1174 [3188]	1188 [3247]	1201 [3306]	1213 [3365]	1224 [3424]	1234 [3483]	1243 [3542]	1250 [3601]	1256 [3660]	1260 [3719]	1262 [3778]										
5600 [2643]	1042 [2719]	1061 [2778]	1079 [2837]	1096 [2896]	1112 [2955]	1128 [3014]	1144 [3073]	1159 [3132]	1174 [3191]	1188 [3250]	1201 [3309]	1213 [3368]	1224 [3427]	1234 [3486]	1243 [3545]	1250 [3604]	1256 [3663]	1260 [3722]	1262 [3781]	1262 [3840]										
5700 [2690]	1064 [2838]	1083 [2897]	1100 [2956]	1117 [3015]	1132 [3074]	1147 [3133]	1161 [3192]	1174 [3251]	1188 [3310]	1201 [3369]	1213 [3428]	1224 [3487]	1234 [3546]	1243 [3605]	1250 [3664]	1256 [3723]	1260 [3782]	1262 [3841]	1262 [3900]	1262 [3959]										
5800 [2737]	1088 [3045]	1105 [3104]	1122 [3163]	1138 [3222]	1153 [3281]	1167 [3340]	1180 [3399]	1192 [3458]	1204 [3517]	1215 [3576]	1224 [3635]	1234 [3694]	1243 [3753]	1250 [3812]	1256 [3871]	1260 [3930]	1262 [3989]	1262 [4048]	1262 [4107]	1262 [4166]										
5900 [2784]	1111 [3262]	1128 [3321]	1144 [3380]	1159 [3439]	1174 [3498]	1187 [3557]	1200 [3616]	1211 [3675]	1221 [3734]	1229 [3793]	1236 [3852]	1243 [3911]	1249 [3970]	1255 [4029]	1260 [4088]	1262 [4147]	1262 [4206]	1262 [4265]	1262 [4324]	1262 [4383]										
6000 [2831]	1136 [3489]	1152 [3548]	1167 [3607]	1182 [3666]	1196 [3725]	1208 [3784]	1220 [3843]	1229 [3902]	1236 [3961]	1242 [4020]	1248 [4079]	1254 [4138]	1259 [4197]	1264 [4256]	1268 [4315]	1271 [4374]	1273 [4433]	1275 [4492]	1276 [4551]	1276 [4610]										

NOTE: AF-Drive left of the bold line, B/G-Drive right of bold lines.

Drive Package	A					B						
	Motor H.P. [W]	3 [1118.5]					5 [2237.1]					
Blower Sheave	AK71H					AK79H						
Motor Sheave	1VL44*7/8					1VP60*1x1/8						
Belt	A48					A52						
Turns Open	0	1	2	3	4	5	0	1	2	3	4	5
RPM	1003	958	912	863	814	764	1220	1171	1127	1085	1039	994

NOTES: 1. Factory sheave settings are shown in bold type.

2. Do not set motor sheave below minimum or maximum turns open shown.

3. Re-adjustment of sheave required to achieve rated airflow at AHRI minimum External Static Pressure

4. Drive data shown is for vertical airflow with dry coil. Add component resistance (below) to duct resistance to determine total External Static Pressure.

[] Designates Metric Conversions



**AIRFLOW PERFORMANCE — 12.5 TON [43.9 kW] — 60 Hz — DOWNFLOW (con't.)**

Airflow CFM [L/s]	AIRFLOW CORRECTION FACTORS *			COMPONENT AIRFLOW RESISTANCE			
	Total MBH	Sensible MBH	Power kW	Wet Coil	Vertical Economizer RA Damper Open	Concentric Diffuser RXRN-AED3618 & Concentric Adapter RXMC-DD03 (Flush)	Concentric Diffuser RXRN-AED3618 & Concentric Adapter RXMC-DD03 (Drop)
4000 [1888]	1.01	1.03	1.01	0.15 [.04]	0.16 [.04]	0.76 [.19]	0.68 [.17]
4100 [1935]	1.02	1.04	1.01	0.16 [.04]	0.17 [.04]	0.79 [.20]	0.72 [.18]
4200 [1982]	1.02	1.06	1.01	0.17 [.04]	0.19 [.05]	0.82 [.20]	0.75 [.19]
4300 [2029]	1.03	1.07	1.01	0.17 [.04]	0.20 [.05]	0.86 [.21]	0.79 [.20]
4400 [2076]	1.03	1.08	1.01	0.18 [.05]	0.21 [.05]	0.90 [.22]	0.83 [.21]
4500 [2123]	1.04	1.09	1.02	0.19 [.05]	0.23 [.06]	0.94 [.23]	0.86 [.21]
4600 [2171]	1.04	1.11	1.02	0.20 [.05]	0.24 [.06]	0.98 [.24]	0.89 [.22]
4700 [2218]	1.05	1.12	1.02	0.21 [.05]	0.26 [.06]	1.02 [.25]	0.94 [.23]
4800 [2265]	1.05	1.13	1.02	0.21 [.05]	0.28 [.07]	1.06 [.26]	0.98 [.24]
4900 [2312]	1.06	1.14	1.02	0.22 [.06]	0.29 [.07]	1.10 [.27]	1.01 [.25]
5000 [2359]	1.06	1.16	1.03	0.23 [.06]	0.31 [.08]	1.14 [.28]	1.04 [.26]
5100 [2407]	1.07	1.17	1.03	0.24 [.06]	0.33 [.08]	1.18 [.29]	1.07 [.27]
5200 [2454]	1.07	1.18	1.03	0.25 [.06]	0.35 [.09]	1.22 [.30]	1.10 [.27]
5300 [2501]	1.08	1.19	1.03	0.26 [.06]	0.36 [.09]	1.27 [.32]	1.15 [.29]
5400 [2548]	1.08	1.21	1.03	0.27 [.07]	0.38 [.09]	1.33 [.33]	1.20 [.30]
5500 [2595]	1.09	1.22	1.04	0.28 [.07]	0.40 [.10]	1.37 [.34]	1.25 [.31]
5600 [2643]	1.09	1.23	1.04	0.29 [.07]	0.42 [.10]	1.42 [.35]	1.30 [.32]
5700 [2690]	1.10	1.24	1.04	0.30 [.07]	0.44 [.11]	1.47 [.37]	1.34 [.33]
5800 [2737]	1.10	1.26	1.04	0.31 [.08]	0.46 [.11]	1.52 [.38]	1.38 [.34]
5900 [2784]	1.10	1.27	1.05	0.32 [.08]	0.48 [.12]	1.56 [.39]	1.42 [.35]
6000 [2831]	1.11	1.28	1.05	0.33 [.08]	0.51 [.13]	1.60 [.40]	1.45 [.36]

*Multiply correction factor times gross performance data resulting sensible capacity cannot exceed total capacity.

[] Designates Metric Conversions

AIRFLOW PERFORMANCE— 12.5 TON [43.9 kW] — 60 Hz — SIDEFLOW

Air Flow CFM [L/s]		Model RGEDZ*150* Voltage 208/230, 460, 575 — 3 phase 60 Hz																							
		External Static Pressure—Inches of Water [kPa]																							
		0.1 [0.2]	0.2 [0.05]	0.3 [0.07]	0.4 [0.10]	0.5 [0.12]	0.6 [0.15]	0.7 [0.17]	0.8 [0.20]	0.9 [0.22]	1.0 [0.25]	1.1 [0.27]	1.2 [0.30]	1.3 [0.32]	1.4 [0.35]	1.5 [0.37]	1.6 [0.40]	1.7 [0.42]	1.8 [0.45]	1.9 [0.47]	2.0 [0.50]				
4000 [1888]	—	—	791 [1757]	809 [1841]	836 [1911]	863 [1982]	880 [2077]	905 [2150]	929 [2225]	952 [2300]	975 [2371]	997 [2454]	1019 [2532]	1040 [2611]	1060 [2691]	1079 [2771]	1098 [2853]	1116 [2935]	1133 [3018]	1142 [3075]	1158 [3142]	1174 [3212]	1188 [3272]	1196 [3359]	
4100 [1935]	782 [1773]	809 [1841]	836 [1911]	863 [1982]	880 [2077]	905 [2150]	929 [2225]	952 [2300]	975 [2371]	997 [2454]	1019 [2532]	1040 [2611]	1060 [2691]	1079 [2771]	1098 [2853]	1116 [2935]	1133 [3018]	1142 [3075]	1158 [3142]	1174 [3212]	1188 [3272]	1196 [3359]	—	—	
4200 [1982]	801 [1860]	828 [1932]	854 [2004]	880 [2077]	905 [2150]	929 [2225]	952 [2300]	975 [2371]	997 [2454]	1019 [2532]	1040 [2611]	1060 [2691]	1079 [2771]	1098 [2853]	1116 [2935]	1133 [3018]	1142 [3075]	1158 [3142]	1174 [3212]	1188 [3272]	1196 [3359]	—	—	—	
4300 [2029]	819 [1954]	845 [2028]	871 [2102]	896 [2177]	920 [2254]	944 [2331]	967 [2409]	989 [2488]	1011 [2567]	1032 [2648]	1052 [2729]	1071 [2811]	1090 [2894]	1108 [2978]	1125 [3063]	1142 [3149]	1158 [3235]	1174 [3323]	1188 [3411]	1202 [3500]	—	—	—	—	
4400 [2076]	837 [2053]	863 [2129]	888 [2207]	912 [2284]	936 [2363]	959 [2443]	981 [2523]	1003 [2605]	1024 [2687]	1044 [2770]	1064 [2854]	1082 [2938]	1101 [3024]	1118 [3110]	1135 [3197]	1151 [3286]	1166 [3375]	1181 [3464]	1195 [3555]	1208 [3646]	—	—	—	—	
4500 [2123]	855 [2159]	880 [2237]	905 [2317]	929 [2397]	952 [2479]	974 [2561]	996 [2644]	1016 [2727]	1037 [2812]	1056 [2897]	1075 [2984]	1093 [3071]	1111 [3159]	1128 [3248]	1144 [3338]	1159 [3428]	1174 [3520]	1188 [3612]	1201 [3705]	1214 [3799]	—	—	—	—	
4600 [2171]	873 [2270]	898 [2351]	921 [2433]	944 [2516]	967 [2600]	988 [2684]	1009 [2770]	1030 [2856]	1049 [2943]	1068 [3031]	1086 [3120]	1104 [3210]	1121 [3300]	1137 [3392]	1152 [3484]	1167 [3577]	1181 [3671]	1195 [3766]	1207 [3861]	1219 [3958]	—	—	—	—	
4700 [2218]	891 [2387]	914 [2471]	938 [2556]	960 [2641]	982 [2727]	1003 [2814]	1023 [2902]	1043 [2991]	1062 [3080]	1080 [3171]	1097 [3262]	1114 [3354]	1130 [3447]	1146 [3541]	1161 [3636]	1175 [3732]	1188 [3828]	1201 [3925]	1213 [4023]	—	—	—	—	—	
4800 [2265]	908 [2511]	931 [2597]	954 [2684]	975 [2772]	996 [2860]	1017 [2950]	1036 [3040]	1055 [3132]	1074 [3224]	1091 [3317]	1108 [3410]	1124 [3505]	1140 [3601]	1155 [3697]	1169 [3794]	1182 [3892]	1195 [3991]	1207 [4091]	1219 [4191]	—	—	—	—	—	
4900 [2312]	925 [2640]	947 [2729]	969 [2818]	990 [2908]	1011 [3000]	1031 [3092]	1050 [3184]	1068 [3278]	1086 [3373]	1102 [3468]	1119 [3565]	1134 [3662]	1149 [3760]	1163 [3859]	1177 [3958]	1190 [4059]	1202 [4160]	1213 [4262]	—	—	—	—	—	—	
5000 [2359]	942 [2775]	964 [2866]	985 [2958]	1005 [3051]	1025 [3145]	1044 [3239]	1062 [3335]	1080 [3431]	1097 [3528]	1113 [3626]	1129 [3725]	1144 [3824]	1158 [3925]	1172 [4026]	1185 [4128]	1197 [4231]	1208 [4335]	1219 [4440]	—	—	—	—	—	—	
5100 [2407]	958 [2916]	979 [3010]	1000 [3104]	1020 [3200]	1039 [3296]	1057 [3393]	1075 [3491]	1092 [3589]	1108 [3689]	1124 [3789]	1139 [3891]	1153 [3993]	1167 [4096]	1180 [4200]	1192 [4304]	1204 [4410]	1214 [4516]	—	—	—	—	—	—	—	
5200 [2454]	975 [3063]	995 [3160]	1015 [3256]	1034 [3354]	1053 [3453]	1070 [3552]	1087 [3653]	1104 [3754]	1120 [3856]	1135 [3959]	1149 [4063]	1162 [4167]	1175 [4273]	1188 [4379]	1199 [4486]	1210 [4594]	1220 [4703]	—	—	—	—	—	—	—	
5300 [2501]	991 [3217]	1010 [3315]	1030 [3415]	1048 [3515]	1066 [3616]	1083 [3718]	1100 [3821]	1115 [3924]	1130 [4029]	1145 [4134]	1158 [4241]	1171 [4348]	1184 [4456]	1196 [4564]	1206 [4674]	1216 [4785]	—	—	—	—	—	—	—	—	
5400 [2548]	1006 [3376]	1026 [3477]	1044 [3579]	1062 [3681]	1079 [3785]	1096 [3889]	1111 [3995]	1126 [4101]	1141 [4208]	1155 [4316]	1168 [4425]	1180 [4534]	1192 [4645]	1203 [4756]	1213 [4868]	—	—	—	—	—	—	—	—	—	
5500 [2595]	1022 [3541]	1040 [3644]	1058 [3749]	1075 [3854]	1092 [3960]	1108 [4067]	1123 [4175]	1137 [4283]	1151 [4393]	1164 [4503]	1177 [4614]	1188 [4726]	1199 [4839]	1210 [4953]	1219 [5068]	—	—	—	—	—	—	—	—	—	
5600 [2643]	1037 [3712]	1055 [3818]	1072 [3924]	1089 [4032]	1105 [4141]	1120 [4250]	1134 [4361]	1148 [4472]	1161 [4584]	1174 [4697]	1185 [4810]	1196 [4925]	1207 [5040]	1216 [5156]	—	—	—	—	—	—	—	—	—	—	
5700 [2690]	1052 [3888]	1069 [3997]	1086 [4106]	1102 [4217]	1117 [4328]	1132 [4440]	1145 [4552]	1159 [4666]	1171 [4780]	1183 [4896]	1194 [5012]	1204 [5129]	1214 [5247]	—	—	—	—	—	—	—	—	—	—	—	
5800 [2737]	1067 [4071]	1083 [4182]	1099 [4294]	1115 [4407]	1129 [4520]	1143 [4635]	1156 [4750]	1169 [4866]	1181 [4983]	1192 [5101]	1202 [5220]	1212 [5339]	1221 [5460]	—	—	—	—	—	—	—	—	—	—	—	
5900 [2784]	1081 [4260]	1097 [4374]	1113 [4488]	1127 [4603]	1141 [4719]	1154 [4836]	1167 [4954]	1179 [5073]	1190 [5192]	1200 [5312]	1210 [5433]	1219 [5555]	—	—	—	—	—	—	—	—	—	—	—	—	
6000 [2831]	1095 [4455]	1111 [4571]	1126 [4688]	1139 [4805]	1153 [4924]	1165 [5043]	1177 [5164]	1188 [5285]	1199 [5407]	1209 [5529]	1218 [5653]	—	—	—	—	—	—	—	—	—	—	—	—	—	

NOTE: AF-Drive left of the bold line, B/G-Drive right of bold lines.

Drive Package	A					B						
	Motor H.P. [W]	3 [2237.1]					5 [3728.5]					
Blower Sheave	AK71H					AK79H						
Motor Sheave	1VL44*7/8					1VP60*1x1/8						
Belt	A48					A52						
Turns Open	0	1	2	3	4	5	0	1	2	3	4	5
RPM	1002	955	909	862	813	765	1208	1171	1127	1084	1038	995

NOTES: 1. Factory sheave settings are shown in bold type.

2. Do not set motor sheave below minimum or maximum turns open shown.

3. Re-adjustment of sheave required to achieve rated airflow at AHRI minimum External Static Pressure

4. Add component resistance (below) to duct resistance to determine total External Static Pressure.

[] Designates Metric Conversions



Air





AIRFLOW PERFORMANCE — 12.5 TON [43.9 kW] — 60 Hz — SIDEFLOW (con't.)

Airflow CFM [L/s]	AIRFLOW CORRECTION FACTORS *			COMPONENT AIRFLOW RESISTANCE			
	Total MBH	Sensible MBH	Power kW	Wet Coil	Vertical Economizer RA Damper Open	Concentric Diffuser RXRN-AED3618 & Concentric Adapter RXMC-DD03 (Flush)	Concentric Diffuser RXRN-AED3618 & Concentric Adapter RXMC-DD03 (Drop)
4000 [1888]	1.01	1.03	1.01	0.15 [.04]	0.16 [.04]	0.76 [.19]	0.68 [.17]
4100 [1935]	1.02	1.04	1.01	0.16 [.04]	0.17 [.04]	0.79 [.20]	0.72 [.18]
4200 [1982]	1.02	1.06	1.01	0.17 [.04]	0.19 [.05]	0.82 [.20]	0.75 [.19]
4300 [2029]	1.03	1.07	1.01	0.17 [.04]	0.20 [.05]	0.86 [.21]	0.79 [.20]
4400 [2076]	1.03	1.08	1.01	0.18 [.05]	0.21 [.05]	0.90 [.22]	0.83 [.21]
4500 [2123]	1.04	1.09	1.02	0.19 [.05]	0.23 [.06]	0.94 [.23]	0.86 [.21]
4600 [2171]	1.04	1.11	1.02	0.20 [.05]	0.24 [.06]	0.98 [.24]	0.89 [.22]
4700 [2218]	1.05	1.12	1.02	0.21 [.05]	0.26 [.06]	1.02 [.25]	0.94 [.23]
4800 [2265]	1.05	1.13	1.02	0.21 [.05]	0.28 [.07]	1.06 [.26]	0.98 [.24]
4900 [2312]	1.06	1.14	1.02	0.22 [.06]	0.29 [.07]	1.10 [.27]	1.01 [.25]
5000 [2359]	1.06	1.16	1.03	0.23 [.06]	0.31 [.08]	1.14 [.28]	1.04 [.26]
5100 [2407]	1.07	1.17	1.03	0.24 [.06]	0.33 [.08]	1.18 [.29]	1.07 [.27]
5200 [2454]	1.07	1.18	1.03	0.25 [.06]	0.35 [.09]	1.22 [.30]	1.10 [.27]
5300 [2501]	1.08	1.19	1.03	0.26 [.06]	0.36 [.09]	1.27 [.32]	1.15 [.29]
5400 [2548]	1.08	1.21	1.03	0.27 [.07]	0.38 [.09]	1.33 [.33]	1.20 [.30]
5500 [2595]	1.09	1.22	1.04	0.28 [.07]	0.40 [.10]	1.37 [.34]	1.25 [.31]
5600 [2643]	1.09	1.23	1.04	0.29 [.07]	0.42 [.10]	1.42 [.35]	1.30 [.32]
5700 [2690]	1.10	1.24	1.04	0.30 [.07]	0.44 [.11]	1.47 [.37]	1.34 [.33]
5800 [2737]	1.10	1.26	1.04	0.31 [.08]	0.46 [.11]	1.52 [.38]	1.38 [.34]
5900 [2784]	1.10	1.27	1.05	0.32 [.08]	0.48 [.12]	1.56 [.39]	1.42 [.35]
6000 [2831]	1.11	1.28	1.05	0.33 [.08]	0.51 [.13]	1.60 [.40]	1.45 [.36]

*Multiply correction factor times gross performance data resulting sensible capacity cannot exceed total capacity.

[] Designates Metric Conversions



ELECTRICAL DATA – GEDZR SERIES

		090ACA15 090ACA20	090ACB15 090ACC15 090ACC20 090ACB20	090ADA15 090ADA20	090ADB15 090ADB20 090ADC15 090ADC20	090AYA15	090AYA20
Unit Information	Unit Operating Voltage Range	187-253	187-253	414-506	414-506	517-633	517-633
	Volts	208/230	208/230	460	460	575	575
	Phase	3	3	3	3	3	3
	Hz	60	60	60	60	60	60
	Minimum Circuit Ampacity	41	43	21	23	16	16
	Minimum Overcurrent Protection Device Size	50	50	25	30	20	20
	Maximum Overcurrent Protection Device Size	60	60	30	35	25	25
Compressor Motor	No.	1	1	1	1	1	1
	Volts	208/230	208/230	460	460	575	575
	Phase	3	3	3	3	3	3
	RPM	3450	3450	3450	3450	3450	3450
	HP, Compressor 1	7	7	7	7	7	7
	Amps (RLA), Comp. 1	25	25	12.8	12.8	9.6	9.6
	Amps (LRA), Comp. 1	164	164	100	100	78	78
Condenser Motor	No.	2	2	2	2	2	2
	Volts	208/230	208/230	460	460	575	575
	Phase	1	1	1	1	1	1
	HP	1/5	1/5	1/5	1/5	1/5	1/5
	Amps (FLA, each)	1.2	1.2	0.8	0.8	0.6	0.6
	Amps (LRA, each)	2.3	2.3	1.4	1.4	1.1	1.1
Evaporator Fan	No.	1	1	1	1	1	1
	Volts	208/230	208/230	460	460	575	575
	Phase	3	3	3	3	3	3
	HP	2	3	2	3	2	2
	Amps (FLA, each)	6.6	9.1	3.3	4.6	2.5	2.5
	Amps (LRA, each)	47	74.5	22.5	38.1	19	19

ELECTRICAL DATA – GEDZR SERIES

		090AYB15	090AYB20	090AYC15	090AYC20
Unit Information	Unit Operating Voltage Range	517-633	517-633	517-633	517-633
	Volts	575	575	575	575
	Phase	3	3	3	3
	Hz	60	60	60	60
	Minimum Circuit Ampacity	17	17	17	17
	Minimum Overcurrent Protection Device Size	20	20	20	20
	Maximum Overcurrent Protection Device Size	25	25	25	25
Compressor Motor	No.	1	1	1	1
	Volts	575	575	575	575
	Phase	3	3	3	3
	RPM	3450	3450	3450	3450
	HP, Compressor 1	7	7	7	7
	Amps (RLA), Comp. 1	9.6	9.6	9.6	9.6
	Amps (LRA), Comp. 1	78	78	78	78
Condenser Motor	No.	2	2	2	2
	Volts	575	575	575	575
	Phase	1	1	1	1
	HP	1/5	1/5	1/5	1/5
	Amps (FLA, each)	0.6	0.6	0.6	0.6
	Amps (LRA, each)	1.1	1.1	1.1	1.1
Evaporator Fan	No.	1	1	1	1
	Volts	575	575	575	575
	Phase	3	3	3	3
	HP	3	3	3	3
	Amps (FLA, each)	3.5	3.5	3.5	3.5
	Amps (LRA, each)	20	20	20	20

ELECTRICAL DATA – GEDZR SERIES								
		102ACA15 102ACA22	102ACB15 102ACB22	102ACC15 102ACC22	102ADA15 102ADA22	102ADB15 102ADB22	102ADC15 102ADC22	102AYA15
Unit Information	Unit Operating Voltage Range	187-253	187-253	187-253	414-506	414-506	414-506	517-633
	Volts	208/230	208/230	208/230	460	460	460	575
	Phase	3	3	3	3	3	3	3
	Hz	60	60	60	60	60	60	60
	Minimum Circuit Ampacity	44	46	49	22	23	24	16
	Minimum Overcurrent Protection Device Size	60	60	60	25	30	30	20
	Maximum Overcurrent Protection Device Size	70	70	70	30	35	35	25
Compressor Motor	No.	1	1	1	1	1	1	1
	Volts	208/230	208/230	208/230	460	460	460	575
	Phase	3	3	3	3	3	3	3
	RPM	3450	3450	3450	3450	3450	3450	3450
	HP, Compressor 1	7 1/2	7 1/2	7 1/2	7 1/2	7 1/2	7 1/2	7 1/2
	Amps (RLA), Comp. 1	27.6	27.6	27.6	12.8	12.8	12.8	9.6
	Amps (LRA), Comp. 1	191	191	191	100	100	100	78
Condenser Motor	No.	2	2	2	2	2	2	2
	Volts	208/230	208/230	208/230	460	460	460	575
	Phase	1	1	1	1	1	1	1
	HP	1/5	1/5	1/5	1/5	1/5	1/5	1/5
	Amps (FLA, each)	1.2	1.2	1.2	0.8	0.8	0.8	0.6
	Amps (LRA, each)	2.3	2.3	2.3	1.4	1.4	1.4	1.1
Evaporator Fan	No.	1	1	1	1	1	1	1
	Volts	208/230	208/230	208/230	460	460	460	575
	Phase	3	3	3	3	3	3	3
	HP	2	3	3	2	3	3	2
	Amps (FLA, each)	7.1	9.1	12.0	3.5	4.6	6	2.5
	Amps (LRA, each)	45	74.5	74.5	22.5	38.1	38.1	19

ELECTRICAL DATA – GEDZR SERIES

		102AYA22	102AYB15	102AYB22	102AYC15	102AYC22
Unit Information	Unit Operating Voltage Range	517-633	517-633	517-633	517-633	517-633
	Volts	575	575	575	575	575
	Phase	3	3	3	3	3
	Hz	60	60	60	60	60
	Minimum Circuit Ampacity	16	17	17	17	17
	Minimum Overcurrent Protection Device Size	20	20	20	20	20
	Maximum Overcurrent Protection Device Size	25	25	25	25	25
Compressor Motor	No.	1	1	1	1	1
	Volts	575	575	575	575	575
	Phase	3	3	3	3	3
	RPM	3450	3450	3450	3450	3450
	HP, Compressor 1	7 1/2	7 1/2	7 1/2	7 1/2	7 1/2
	Amps (RLA), Comp. 1	9.6	9.6	9.6	9.6	9.6
	Amps (LRA), Comp. 1	78	78	78	78	78
Condenser Motor	No.	2	2	2	2	2
	Volts	575	575	575	575	575
	Phase	1	1	1	1	1
	HP	1/5	1/5	1/5	1/5	1/5
	Amps (FLA, each)	0.6	0.6	0.6	0.6	0.6
	Amps (LRA, each)	1.1	1.1	1.1	1.1	1.1
Evaporator Fan	No.	1	1	1	1	1
	Volts	575	575	575	575	575
	Phase	3	3	3	3	3
	HP	2	3	3	3	3
	Amps (FLA, each)	2.5	3.5	3.5	3.5	3.5
	Amps (LRA, each)	19	20	20	20	20

ELECTRICAL DATA – GEDZR SERIES

		120ACA15 120ACA22	120ACB15 120ACB22	120ACC15 120ACC22	120ADA15 120ADA22	120ADB15 120ADB22	120ADC15 120ADC22
Unit Information	Unit Operating Voltage Range	187-253	187-253	187-253	414-506	414-506	414-506
	Volts	208/230	208/230	208/230	460	460	460
	Phase	3	3	3	3	3	3
	Hz	60	60	60	60	60	60
	Minimum Circuit Ampacity	48	51	53	26	27	28
	Minimum Overcurrent Protection Device Size	60	60	60	30	30	35
	Maximum Overcurrent Protection Device Size	70	70	80	35	40	40
Compressor Motor	No.	1	1	1	1	1	1
	Volts	208/230	208/230	208/230	460	460	460
	Phase	3	3	3	3	3	3
	RPM	3450	3450	3450	3450	3450	3450
	HP, Compressor 1	10	10	10	10	10	10
	Amps (RLA), Comp. 1	28.2	28.2	28.2	14.7	14.7	14.7
	Amps (LRA), Comp. 1	239	239	239	130	130	130
Condenser Motor	No.	2	2	2	2	2	2
	Volts	208/230	208/230	208/230	460	460	460
	Phase	1	1	1	1	1	1
	HP	1/3	1/3	1/3	1/3	1/3	1/3
	Amps (FLA, each)	2.4	2.4	2.4	1.4	1.4	1.4
	Amps (LRA, each)	4.7	4.7	4.7	2.4	2.4	2.4
Evaporator Fan	No.	1	1	1	1	1	1
	Volts	208/230	208/230	208/230	460	460	460
	Phase	3	3	3	3	3	3
	HP	2	2	2	2	3	3
	Amps (FLA, each)	7.9	10.1	12	3.9	5	6
	Amps (LRA, each)	45	74.5	74.5	22.5	38.1	38.1

ELECTRICAL DATA – GEDZR SERIES

		120AYA15	120AYA22	120AYB15	120AYB22	120AYC15	120AYC22
Unit Information	Unit Operating Voltage Range	517-633	517-633	517-633	517-633	517-633	517-633
	Volts	575	575	575	575	575	575
	Phase	3	3	3	3	3	3
	Hz	60	60	60	60	60	60
	Minimum Circuit Ampacity	19	19	20	20	20	20
	Minimum Overcurrent Protection Device Size	25	25	25	25	25	25
	Maximum Overcurrent Protection Device Size	25	25	30	30	30	30
Compressor Motor	No.	1	1	1	1	1	1
	Volts	575	575	575	575	575	575
	Phase	3	3	3	3	3	3
	RPM	3450	3450	3450	3450	3450	3450
	HP, Compressor 1	10	10	10	10	10	10
	Amps (RLA), Comp. 1	11.3	11.3	11.3	11.3	11.3	11.3
	Amps (LRA), Comp. 1	93.7	93.7	93.7	93.7	93.7	93.7
Condenser Motor	No.	2	2	2	2	2	2
	Volts	575	575	575	575	575	575
	Phase	1	1	1	1	1	1
	HP	1/3	1/3	1/3	1/3	1/3	1/3
	Amps (FLA, each)	1	1	1	1	1	1
	Amps (LRA, each)	1.6	1.6	1.6	1.6	1.6	1.6
Evaporator Fan	No.	1	1	1	1	1	1
	Volts	575	575	575	575	575	575
	Phase	3	3	3	3	3	3
	HP	2	2	3	3	3	3
	Amps (FLA, each)	2.5	2.5	3.5	3.5	3.5	3.5
	Amps (LRA, each)	19	19	20	20	20	20

ELECTRICAL DATA – GEDZS SERIES

		090ACA15 090ACA20	090ACB15 090ACB20 090ACC15 090ACC20	090ACF15 090ACF20	090ACG15 090ACG20 090ACH15 090ACH20	090ADA15 090ADF15 090ADF20 090ADA20	090ADB15 090ADB20 090ADC15 090ADC20 090ADG15 090ADG20 090ADH15 090ADH20
Unit Information	Unit Operating Voltage Range	187-253	187-253	187-253	187-253	414-506	414-506
	Volts	208/230	208/230	208/230	208/230	460	460
	Phase	3	3	3	3	3	3
	Hz	60	60	60	60	60	60
	Minimum Circuit Ampacity	41	44	41	44	17	19
	Minimum Overcurrent Protection Device Size	50	50	50	50	20	25
	Maximum Overcurrent Protection Device Size	60	60	60	60	25	25
Compressor Motor	No.	1	1	1	1	1	1
	Volts	208/230	208/230	208/230	208/230	460	460
	Phase	3	3	3	3	3	3
	RPM	3450	3450	3450	3450	3450	3450
	HP, Compressor 1	7	7	7	7	7	7
	Amps (RLA), Comp. 1	25.3	25.3	25.3	25.3	9.6	9.6
	Amps (LRA), Comp. 1	184	184	184	184	84	84
Condenser Motor	No.	2	2	2	2	2	2
	Volts	208/230	208/230	208/230	208/230	460	460
	Phase	1	1	1	1	1	1
	HP	1/5	1/5	1/5	1/5	1/5	1/5
	Amps (FLA, each)	1.2	1.2	1.2	1.2	0.8	0.8
	Amps (LRA, each)	2.3	2.3	2.3	2.3	1.4	1.4
Evaporator Fan	No.	1	1	1	1	1	1
	Volts	208/230	208/230	208/230	208/230	460	460
	Phase	3	3	3	3	3	3
	HP	2	3	2	3	2	3
	Amps (FLA, each)	6.6	9.1	6.6	9.1	3.2	4.6
	Amps (LRA, each)	47	74.5	22.5	74.5	22.5	38.1

ELECTRICAL DATA – GEDZS SERIES

		090AYA15	090AYA20	090AYB15	090AYB20	090AYC15	090AYC20
Unit Information	Unit Operating Voltage Range	517-633	517-633	517-633	517-633	517-633	517-633
	Volts	575	575	575	575	575	575
	Phase	3	3	3	3	3	3
	Hz	60	60	60	60	60	60
	Minimum Circuit Ampacity	13	13	14	14	14	14
	Minimum Overcurrent Protection Device Size	15	15	20	20	20	20
	Maximum Overcurrent Protection Device Size	15	15	20	20	20	20
Compressor Motor	No.	1	1	1	1	1	1
	Volts	575	575	575	575	575	575
	Phase	3	3	3	3	3	3
	RPM	3450	3450	3450	3450	3450	3450
	HP, Compressor 1	7	7	7	7	7	7
	Amps (RLA), Comp. 1	7.1	7.1	7.1	7.1	7.1	7.1
	Amps (LRA), Comp. 1	60	60	60	60	60	60
Condenser Motor	No.	2	2	2	2	2	2
	Volts	575	575	575	575	575	575
	Phase	1	1	1	1	1	1
	HP	1/5	1/5	1/5	1/5	1/5	1/5
	Amps (FLA, each)	0.6	0.6	0.6	0.6	0.6	0.6
	Amps (LRA, each)	1.1	1.1	1.1	1.1	1.1	1.1
Evaporator Fan	No.	1	1	1	1	1	1
	Volts	575	575	575	575	575	575
	Phase	3	3	3	3	3	3
	HP	2	2	3	3	3	3
	Amps (FLA, each)	2.5	2.5	3.5	3.5	3.5	3.5
	Amps (LRA, each)	19	19	20	20	20	20

ELECTRICAL DATA – GEDZS SERIES

		102ACA15 102ACF15 102ACF22 102ACA22	102ACB15 102ACB22 102ACG15 102ACG22	102ACC15 102ACC22 102ACH15 102ACH22	102ADA15 102ADA22 102ADF15 102ADF22	102ADB15 102ADB22 102ADG15 102ADG22	102ADC15 102ADC22 102ADH15 102ADH22
Unit Information	Unit Operating Voltage Range	187-253	187-253	187-253	414-506	414-506	414-506
	Volts	208/230	208/230	208/230	460	460	460
	Phase	3	3	3	3	3	3
	Hz	60	60	60	60	60	60
	Minimum Circuit Ampacity	46	48	51	21	22	24
	Minimum Overcurrent Protection Device Size	60	60	60	25	25	30
	Maximum Overcurrent Protection Device Size	70	70	70	30	30	35
Compressor Motor	No.	1	1	1	1	1	1
	Volts	208/230	208/230	208/230	460	460	460
	Phase	3	3	3	3	3	3
	RPM	3450	3450	3450	3450	3450	3450
	HP, Compressor 1	7 1/2	7 1/2	7 1/2	7 1/2	7 1/2	7 1/2
	Amps (RLA), Comp. 1	28.8	28.8	28.8	12.5	12.5	12.5
	Amps (LRA), Comp. 1	191	191	191	100	100	100
Condenser Motor	No.	2	2	2	2	2	2
	Volts	208/230	208/230	208/230	460	460	460
	Phase	1	1	1	1	1	1
	HP	1/5	1/5	1/5	1/5	1/5	1/5
	Amps (FLA, each)	1.2	1.2	1.2	0.8	0.8	0.8
	Amps (LRA, each)	2.3	2.3	2.3	1.4	1.4	1.4
Evaporator Fan	No.	1	1	1	1	1	1
	Volts	208/230	208/230	208/230	460	460	460
	Phase	3	3	3	3	3	3
	HP	2	3	3	2	3	3
	Amps (FLA, each)	7	9.1	12	3.5	4.6	6
	Amps (LRA, each)	45	74.5	74.5	22.5	38.1	38.1

ELECTRICAL DATA – GEDZS SERIES

		102AYA15	102AYA22	102AYB15	102AYB22	102AYC15	102AYC22
Unit Information	Unit Operating Voltage Range	517-633	517-633	517-633	517-633	517-633	517-633
	Volts	575	575	575	575	575	575
	Phase	3	3	3	3	3	3
	Hz	60	60	60	60	60	60
	Minimum Circuit Ampacity	16	16	17	17	17	17
	Minimum Overcurrent Protection Device Size	20	20	20	20	20	20
	Maximum Overcurrent Protection Device Size	25	25	25	25	25	25
Compressor Motor	No.	1	1	1	1	1	1
	Volts	575	575	575	575	575	575
	Phase	3	3	3	3	3	3
	RPM	3450	3450	3450	3450	3450	3450
	HP, Compressor 1	7 1/2	7 1/2	7 1/2	7 1/2	7 1/2	7 1/2
	Amps (RLA), Comp. 1	9.7	9.7	9.7	9.7	9.7	9.7
	Amps (LRA), Comp. 1	70	70	70	70	70	70
Condenser Motor	No.	2	2	2	2	2	2
	Volts	575	575	575	575	575	575
	Phase	1	1	1	1	1	1
	HP	1/5	1/5	1/5	1/5	1/5	1/5
	Amps (FLA, each)	0.6	0.6	0.6	0.6	0.6	0.6
	Amps (LRA, each)	1.1	1.1	1.1	1.1	1.1	1.1
Evaporator Fan	No.	1	1	1	1	1	1
	Volts	575	575	575	575	575	575
	Phase	3	3	3	3	3	3
	HP	2	2	3	3	3	3
	Amps (FLA, each)	2.5	2.5	3.5	3.5	3.5	3.5
	Amps (LRA, each)	19	19	20	20	20	20

ELECTRICAL DATA – GEDZS SERIES

		120ACA15 120ACA22 120ACF15 120ACF22	120ACB15 120ACB22 120ACG15 120ACG22	120ACC15 120ACC22 120ACH15 120ACH22	120ADA15 120ADA22 120ADF15 120ADF22	120ADB15 120ADB22 120ADG15 120ADG22	120ADC15 120ADC22 120ADH15 120ADH22
Unit Information	Unit Operating Voltage Range	187-253	187-253	187-253	414-506	414-506	414-506
	Volts	208/230	208/230	208/230	460	460	460
	Phase	3	3	3	3	3	3
	Hz	60	60	60	60	60	60
	Minimum Circuit Ampacity	54	56	58	26	27	28
	Minimum Overcurrent Protection Device Size	70	70	70	30	30	35
	Maximum Overcurrent Protection Device Size	80	80	90	40	40	40
Compressor Motor	No.	1	1	1	1	1	1
	Volts	208/230	208/230	208/230	460	460	460
	Phase	3	3	3	3	3	3
	RPM	3450	3450	3450	3450	3450	3450
	HP, Compressor 1	10	10	10	10	10	10
	Amps (RLA), Comp. 1	32.6	32.6	32.6	14.8	14.8	14.8
	Amps (LRA), Comp. 1	240	240	240	130	130	130
Condenser Motor	No.	2	2	2	2	2	2
	Volts	208/230	208/230	208/230	460	460	460
	Phase	1	1	1	1	1	1
	HP	1/3	1/3	1/3	1/3	1/3	1/3
	Amps (FLA, each)	2.4	2.4	2.4	1.4	1.4	1.4
	Amps (LRA, each)	4.7	4.7	4.7	2.4	2.4	2.4
Evaporator Fan	No.	1	1	1	1	1	1
	Volts	208/230	208/230	208/230	460	460	460
	Phase	3	3	3	3	3	3
	HP	2	2	2	2	3	3
	Amps (FLA, each)	7.9	10.1	12	3.9	5.1	6
	Amps (LRA, each)	45	74.5	74.5	22.5	38.1	38.1

ELECTRICAL DATA – GEDZS SERIES

		120AYA15	120AYA22	120AYB15	120AYB22	120AYC15	120AYC22
Unit Information	Unit Operating Voltage Range	517-633	517-633	517-633	517-633	517-633	517-633
	Volts	575	575	575	575	575	575
	Phase	3	3	3	3	3	3
	Hz	60	60	60	60	60	60
	Minimum Circuit Ampacity	19	19	20	20	20	20
	Minimum Overcurrent Protection Device Size	25	25	25	25	25	25
	Maximum Overcurrent Protection Device Size	25	25	30	30	30	30
Compressor Motor	No.	1	1	1	1	1	1
	Volts	575	575	575	575	575	575
	Phase	3	3	3	3	3	3
	RPM	3450	3450	3450	3450	3450	3450
	HP, Compressor 1	10	10	10	10	10	10
	Amps (RLA), Comp. 1	11.1	11.1	11.1	11.1	11.1	11.1
	Amps (LRA), Comp. 1	93.7	93.7	93.7	93.7	93.7	93.7
Condenser Motor	No.	2	2	2	2	2	2
	Volts	575	575	575	575	575	575
	Phase	1	1	1	1	1	1
	HP	1/3	1/3	1/3	1/3	1/3	1/3
	Amps (FLA, each)	1	1	1	1	1	1
	Amps (LRA, each)	2.2	2.2	2.2	2.2	2.2	2.2
Evaporator Fan	No.	1	1	1	1	1	1
	Volts	575	575	575	575	575	575
	Phase	3	3	3	3	3	3
	HP	2	2	3	3	3	3
	Amps (FLA, each)	2.5	2.5	3.5	3.5	3.5	3.5
	Amps (LRA, each)	19	19	20	20	20	20

ELECTRICAL DATA – GEDZS SERIES

		150ACA15 150ACA22 150ACF15 150ACF22	150ACB15 150ACB22 150ACG15 150ACG22	150ADA15 150ADA22 150ADF15 150ADF22	150ADB15 150ADB22 150ADG15 150ADG22	150AYA15 150AYA22	150AYB15 150AYB22
Unit Information	Unit Operating Voltage Range	187-253	187-253	414-506	414-506	517-633	517-633
	Volts	208/230	208/230	460	460	575	575
	Phase	3	3	3	3	3	3
	Hz	60	60	60	60	60	60
	Minimum Circuit Ampacity	70	75	34	37	25	27
	Minimum Overcurrent Protection Device Size	80	90	40	40	30	30
	Maximum Overcurrent Protection Device Size	90	90	40	45	30	30
Compressor Motor	No.	2	2	2	2	2	2
	Volts	208/230	208/230	460	460	575	575
	Phase	3	3	3	3	3	3
	RPM	3450	3450	3450	3450	3450	3450
	HP, Compressor 1	6	6	6	6	6	6
	Amps (RLA), Comp. 1	22.4	22.4	10.6	10.6	7.7	7.7
	Amps (LRA), Comp. 1	164	164	100	100	78	78
	HP, Compressor 2	6	6	6	6	6	6
	Amps (RLA), Comp. 2	22.4	22.4	10.6	10.6	7.7	7.7
Amps (LRA), Comp. 2	164	164	100	100	78	78	
Condenser Motor	No.	2	2	2	2	2	2
	Volts	208/230	208/230	460	460	575	575
	Phase	1	1	1	1	1	1
	HP	3/4	3/4	3/4	3/4	3/4	3/4
	Amps (FLA, each)	4.2	4.2	2.3	2.3	1.6	1.6
	Amps (LRA, each)	10.1	10.1	4.9	4.9	3.4	3.4
Evaporator Fan	No.	1	1	1	1	1	1
	Volts	208/230	208/230	460	460	575	575
	Phase	3	3	3	3	3	3
	HP	3	5	3	5	3	5
	Amps (FLA, each)	10.4	16	5.2	8	4.4	5.9
	Amps (LRA, each)	74.5	82	38.1	41	20	38

ELECTRICAL DATA – GEDZT SERIES

		090ACF15 090ACF20	090ACG15 090ACG20 090ACH15 090ACH20	090ADF15 090ADF20	090ADG15 090ADG20 090ADH15 090ADH20
Unit Information	Unit Operating Voltage Range	187-253	187-253	414-506	414-506
	Volts	208/230	208/230	460	460
	Phase	3	3	3	3
	Hz	60	60	60	60
	Minimum Circuit Ampacity	41	44	17	19
	Minimum Overcurrent Protection Device Size	50	50	20	25
	Maximum Overcurrent Protection Device Size	60	60	25	25
Compressor Motor	No.	1	1	1	1
	Volts	208/230	208/230	460	460
	Phase	3	3	3	3
	RPM	3450	3450	3450	3450
	HP, Compressor 1	7	7	7	7
	Amps (RLA), Comp. 1	25.3	25.3	9.6	9.6
	Amps (LRA), Comp. 1	184	184	84	84
Condenser Motor	No.	2	2	2	2
	Volts	208/230	208/230	460	460
	Phase	1	1	1	1
	HP	1/5	1/5	1/5	1/5
	Amps (FLA, each)	1.2	1.2	0.8	0.8
	Amps (LRA, each)	2.3	2.3	1.4	1.4
Evaporator Fan	No.	1	1	1	1
	Volts	208/230	208/230	460	460
	Phase	3	3	3	3
	HP	2	3	2	3
	Amps (FLA, each)	6.6	9.1	3.2	4.6
	Amps (LRA, each)	22.5	74.5	22.5	38.1

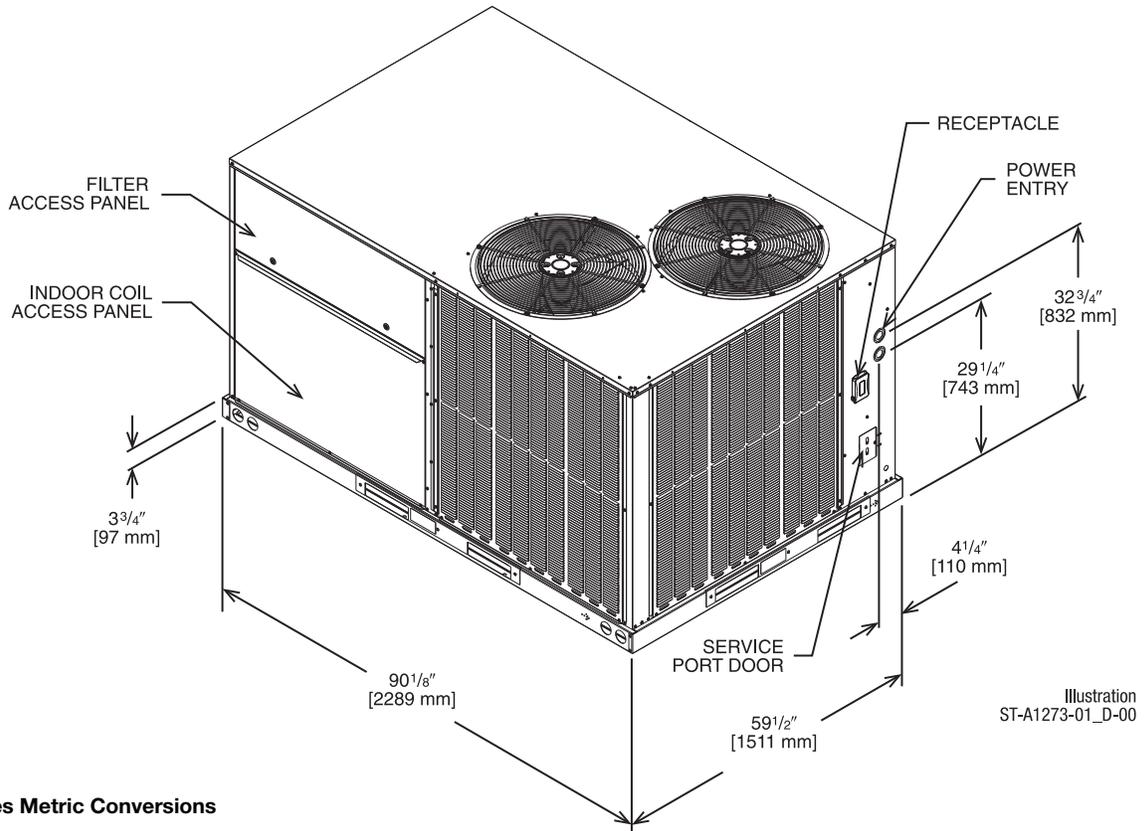
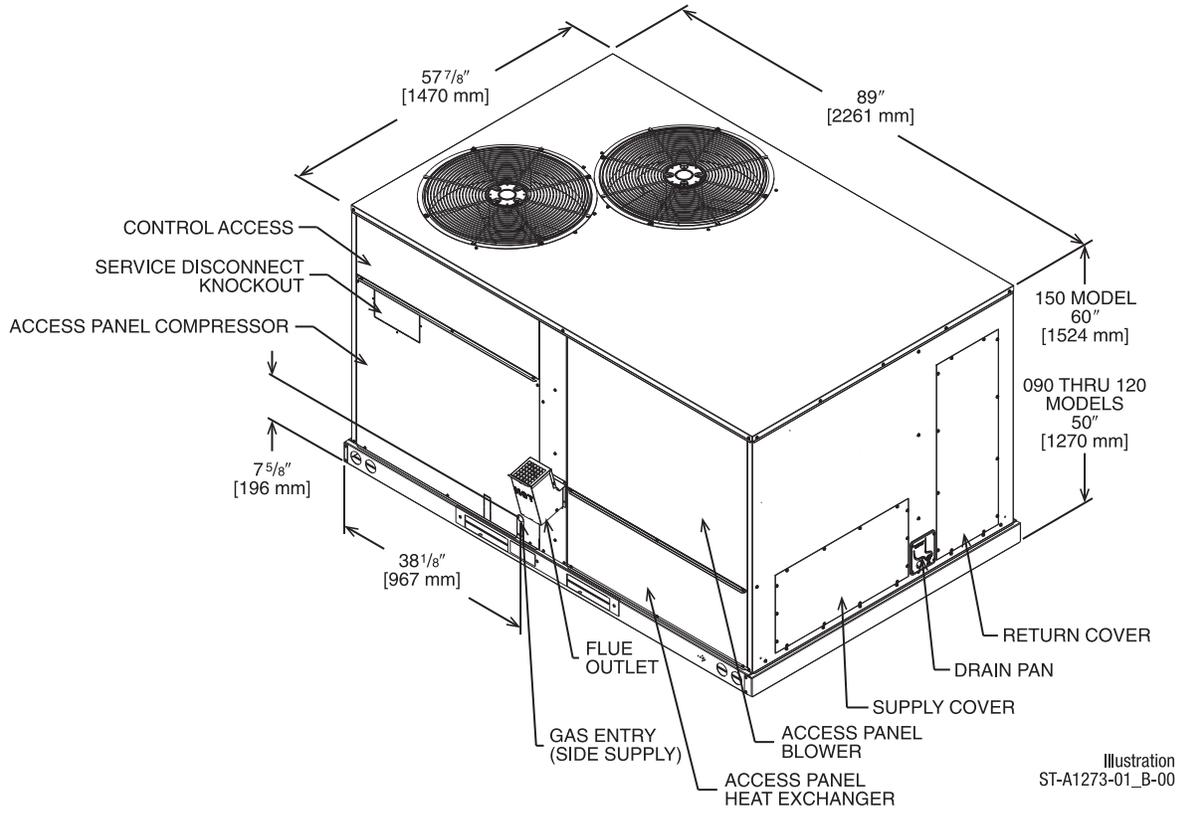
ELECTRICAL DATA – GEDZT SERIES

		102ACF15 102ACF22	102ACG15 102ACG22	102ACH15 102ACH22	102ADF15 102ADF22	102ADG15 102ADG22	102ADH15 102ADH22
Unit Information	Unit Operating Voltage Range	187-253	187-253	187-253	414-506	414-506	414-506
	Volts	208/230	208/230	208/230	460	460	460
	Phase	3	3	3	3	3	3
	Hz	60	60	60	60	60	60
	Minimum Circuit Ampacity	46	48	51	21	22	24
	Minimum Overcurrent Protection Device Size	60	60	60	25	25	30
	Maximum Overcurrent Protection Device Size	70	70	70	30	30	35
Compressor Motor	No.	1	1	1	1	1	1
	Volts	208/230	208/230	208/230	460	460	460
	Phase	3	3	3	3	3	3
	RPM	3450	3450	3450	3450	3450	3450
	HP, Compressor 1	7 1/2	7 1/2	7 1/2	7 1/2	7 1/2	7 1/2
	Amps (RLA), Comp. 1	28.8	28.8	28.8	12.5	12.5	12.5
	Amps (LRA), Comp. 1	191	191	191	100	100	100
Condenser Motor	No.	2	2	2	2	2	2
	Volts	208/230	208/230	208/230	460	460	460
	Phase	1	1	1	1	1	1
	HP	1/5	1/5	1/5	1/5	1/5	1/5
	Amps (FLA, each)	1.2	1.2	1.2	0.8	0.8	0.8
	Amps (LRA, each)	2.3	2.3	2.3	1.4	1.4	1.4
Evaporator Fan	No.	1	1	1	1	1	1
	Volts	208/230	208/230	208/230	460	460	460
	Phase	3	3	3	3	3	3
	HP	2	3	3	2	3	3
	Amps (FLA, each)	7	9.1	12	3.5	4.6	6
	Amps (LRA, each)	45	74.5	74.5	22.5	38.1	38.1

ELECTRICAL DATA – GEDZT SERIES

		120ACF15 120ACF22	120ACG15 120ACG22	120ACH15 120ACH22	120ADF15 120ADF22	120ADG15 120ADG22	120ADH15 120ADH22
Unit Information	Unit Operating Voltage Range	187-253	187-253	187-253	414-506	414-506	414-506
	Volts	208/230	208/230	208/230	460	460	460
	Phase	3	3	3	3	3	3
	Hz	60	60	60	60	60	60
	Minimum Circuit Ampacity	54	56	58	26	27	28
	Minimum Overcurrent Protection Device Size	70	70	70	30	30	35
	Maximum Overcurrent Protection Device Size	80	80	90	40	40	30
Compressor Motor	No.	1	1	1	1	1	1
	Volts	208/230	208/230	208/230	460	460	460
	Phase	3	3	3	3	3	3
	RPM	3450	3450	3450	3450	3450	3450
	HP, Compressor 1	10	10	10	10	10	10
	Amps (RLA), Comp. 1	32.6	32.6	32.6	14.8	14.8	14.8
	Amps (LRA), Comp. 1	240	240	240	130	130	130
Condenser Motor	No.	2	2	2	2	2	2
	Volts	208/230	208/230	208/230	460	460	460
	Phase	1	1	1	1	1	1
	HP	1/3	1/3	1/3	1/3	1/3	1/3
	Amps (FLA, each)	2.4	2.4	2.4	1.4	1.4	1.4
	Amps (LRA, each)	4.7	4.7	4.7	2.4	2.4	2.4
Evaporator Fan	No.	1	1	1	1	1	1
	Volts	208/230	208/230	208/230	460	460	460
	Phase	3	3	3	3	3	3
	HP	2	2	2	2	3	3
	Amps (FLA, each)	7.9	10.1	12	3.9	5.1	6
	Amps (LRA, each)	45	74.5	74.5	22.5	38.1	38.1

ELECTRICAL DATA – GEDZT SERIES					
		150ACF15 150ACF22	150ACG15 150ACG22	150ADF15 150ADF22	150ADG15 150ADG22
Unit Information	Unit Operating Voltage Range	187-253	187-253	414-506	414-506
	Volts	208/230	208/230	460	460
	Phase	3	3	3	3
	Hz	60	60	60	60
	Minimum Circuit Ampacity	70	75	34	37
	Minimum Overcurrent Protection Device Size	80	90	40	40
	Maximum Overcurrent Protection Device Size	90	90	40	45
Compressor Motor	No.	2	2	2	2
	Volts	208/230	208/230	460	460
	Phase	3	3	3	3
	RPM	3450	3450	3450	3450
	HP, Compressor 1	6	6	6	6
	Amps (RLA), Comp. 1	22.4	22.4	10.6	10.6
	Amps (LRA), Comp. 1	164	164	100	100
	HP, Compressor 2	6	6	6	6
	Amps (RLA), Comp. 2	22.4	22.4	10.6	10.6
	Amps (LRA), Comp. 2	164	164	100	100
Condenser Motor	No.	2	2	2	2
	Volts	208/230	208/230	460	460
	Phase	1	1	1	1
	HP	3/4	3/4	3/4	3/4
	Amps (FLA, each)	4.2	4.2	2.3	2.3
	Amps (LRA, each)	10.1	10.1	4.9	4.9
Evaporator Fan	No.	1	1	1	1
	Volts	208/230	208/230	460	460
	Phase	3	3	3	3
	HP	3	5	3	5
	Amps (FLA, each)	10.4	16	5.2	8
	Amps (LRA, each)	74.5	82	38.1	41



[] Designates Metric Conversions

SUPPLY AND RETURN DIMENSIONS FOR HORIZONTAL APPLICATIONS

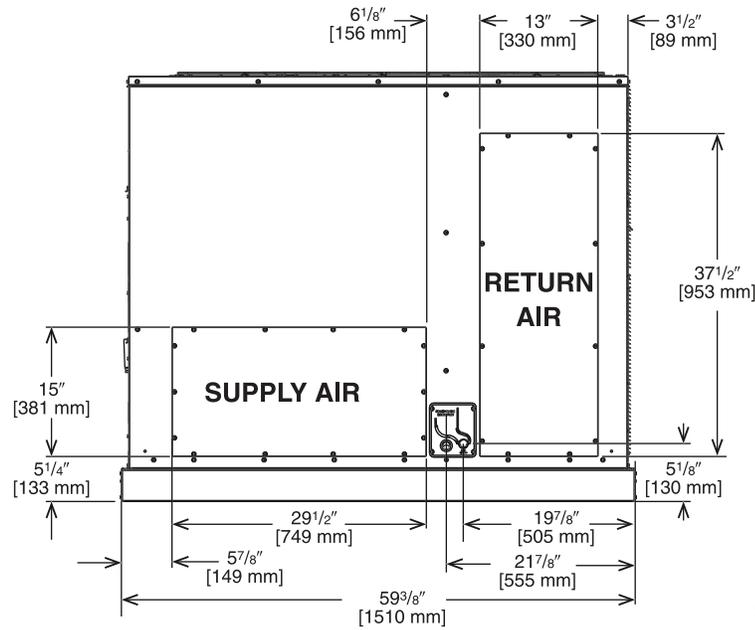


Illustration
ST-A1273-01-F

SUPPLY AND RETURN DIMENSIONS FOR DOWNFLOW APPLICATIONS

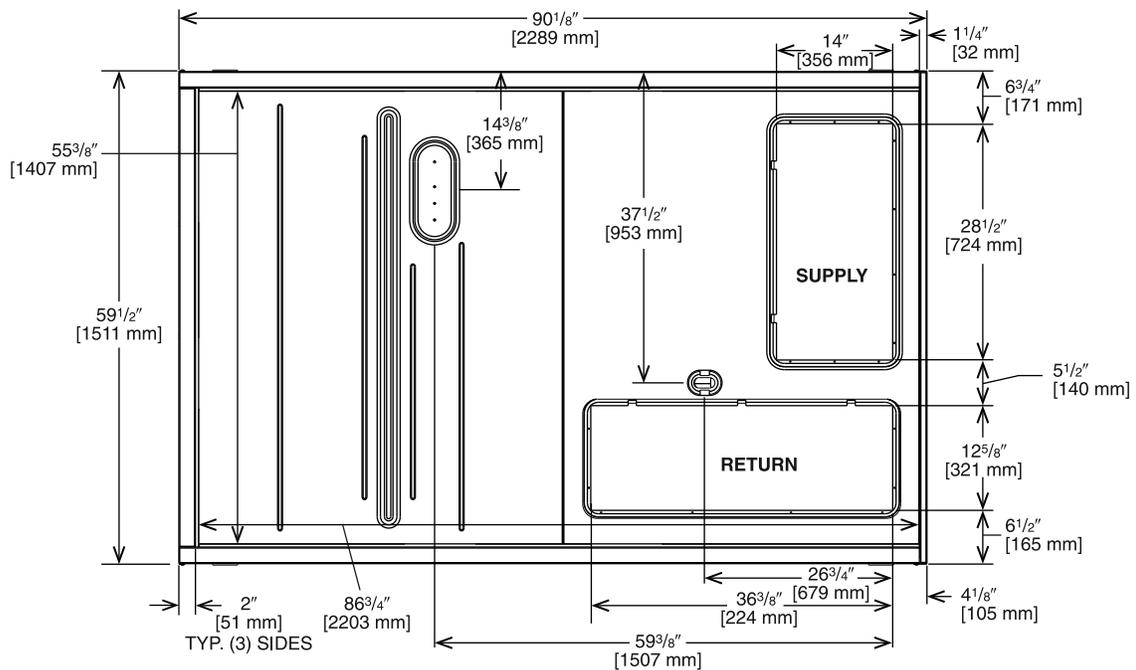


Illustration
ST-A1273-01_A-00

[] Designates Metric Conversions

WEIGHTS

Capacity Tons [kW]	Corner Weights by Percentage			
	A	B	C	D
7.5-12.5 [21.1-44.0]	26%	34%	17%	23%

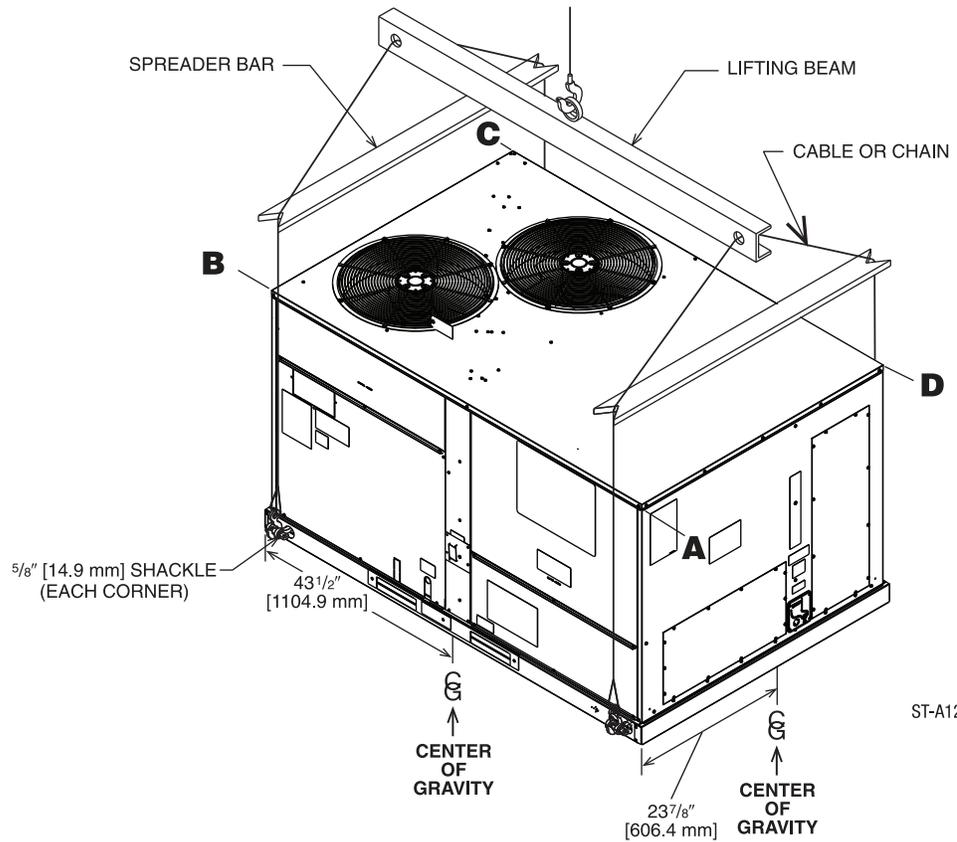


Illustration
ST-A1273-01_J-00

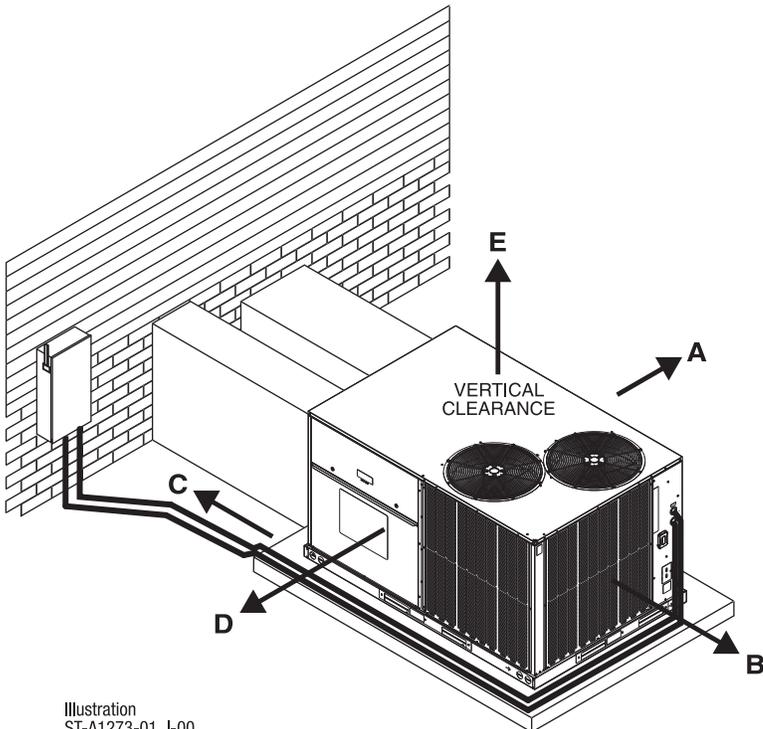


Illustration
ST-A1273-01_I-00

CLEARANCES

The following minimum clearances must be observed for proper unit performance and serviceability.

RECOMMENDED CLEARANCE In. [mm]	LOCATION
48 [1219]	A - FRONT
24 [609]	B - CONDENSER END
48 [1219] ①	C - DUCT END
24 [609] ②	D - FILTER SIDE
60 [1524]	E - ABOVE

① 18" [457 mm] MINIMUM IF DRAINPAN WILL NOT BE REMOVED.

② 48" [1219 MM] MINIMUM IF ECONOMIZER IS INSTALLED.

[] Designates Metric Conversions



Air

FIELD-INSTALLED ACCESSORY EQUIPMENT

Accessory Description	Model Number	Shipping Weight Lbs. [kg]	Installed Weight Lbs. [kg]	Factory Installation Available?
Economizer w/Single Enthalpy (Downflow)	RXRD-01MDDAM3	86 [39.0]	57 [25.9]	Yes
Economizer w/Single Enthalpy (Horizontal)	RXRD-01MDHAM3	84 [38.1]	55 [24.9]	No
Economizer-w/Single Enthalpy (Downflow) DDC	RXRD-01MDDBM3	86 [39.0]	57 [25.9]	Yes
Economizer w/Single Enthalpy (Horizontal) DDC	RXRD-01MDHBM3	84 [38.1]	55 [24.9]	No
Dual Enthalpy Kit	RXRX-BV01	1 [.5]	1 [.5]	No
Dual Enthalpy Kit DDC	RXRX-BV02	1 [.5]	1 [.5]	No
Carbon Dioxide Sensor (Wall Mount)	RXRX-AR02	3 [1.4]	2 [1.0]	No
Power Exhaust	RXRX-CDF01C	58 [26.3]	48 [21.8]	No
Power Exhaust	RXRX-CDF01D	50 [22.7]	44 [20.0]	No
Manual Fresh Air Damper	RXRF-ADA1	15 [6.8]	12 [5.4]	No
Motorized Fresh Air Damper	RXRF-ADB1	38 [17.2]	31 [14.06]	No
Motorized Fresh Air Damper (DDC)	RXRF-ADC1	38 [17.2]	31 [14.06]	No
Roofcurb, 14"	RXKG-DDD14	109 [49.4]	104 [47.2]	No
Roofcurb, 24'	RXKG-DDD24	145 [65.8]	140 [63.5]	No
Roofcurb Adapter*	RXRX-DDCAE	235 [106.6]	215 [97.5]	No
Concentric Diffuser 7.5/8.5 Ton Flush	RXRN-AEF2000	30 [13.6]	25 [11.3]	No
Concentric Diffuser 10.0 Ton Flush	RXRN-AEF3415	250 [113.4]	130 [59]	No
Concentric Diffuser 12.5 Ton Flush	RXRN-AEF3618	275 [124.7]	170 [77.1]	No
Concentric Diffuser 7.5/8.5 Ton Drop	RXRN-AED2000	35 [15.9]	30 [13.6]	No
Concentric Diffuser 10.0 Ton Drop	RXRN-AED3415	270 [122.5]	160 [72.6]	No
Concentric Diffuser 12.5 Ton Drop	RXRN-AED3618	300 [136.1]	180 [81.6]	No
Concentric Adapter 7.5/8.5 Ton Drop	RXMC-DD01	25 [11.3]	20 [9.1]	No
Concentric Adapter 10 Ton Drop	RXMC-DD02	75 [34]	65 [29.5]	No
Concentric Adapter 12.5 Ton Drop	RXMC-DD03	75 [34]	65 [29.5]	No
Outdoor Coil Louver Kit - GED-090/102/120	RXRX-ADD04A	52 [23.6]	47 [21.3]	Yes
Outdoor Coil Louver Kit - GED-150	RXRX-ADD04B	43 [19.5]	39 [17.7]	Yes
Unwired Convenience Outlet	RXRX-BN01	2 [1.0]	1.5 [.7]	Yes
Unfused Service Disconnect	RXRX-BP01	10 [4.5]	9 [4.1]	Yes
Comfort Alert (1 Per Compressor)	RXRX-AZ02	3 [1.5]	2 [0.9]	Yes
BACnet Communication Card	RXRX-AY01	1 [0.5]	1 [0.5]	No
LonWorks Communication Card	RXRX-AY02	1 [0.5]	1 [0.5]	No
Room Humidity Sensor	RHC-ZNS4	1 [0.5]	1 [0.5]	No
Room Temperature and Relative Humidity Sensor	RHC-ZNS5	1 [0.5]	1 [0.5]	No
Low-Ambient Control Kit	RXRZ-A04	4 [1.8]	3 [1.4]	Yes
Freeze Stat Kit	RXRX-AM01	2 [1.0]	1.5 [.7]	Yes
LP Kit	RXGJ-FP39	2 [1.0]	0 [.0]	No
Variable Frequency Drive Kit	RXRX-AC02	9.1 [4.1]	7.6 [3.4]	No
	RXRX-AC03	11.7 [5.3]	10.2 [4.6]	No
	RXRX-AC05	11.7 [5.3]	10.2 [4.6]	No
	RXRX-AD02	9.4 [4.3]	7.9 [3.6]	No
	RXRX-AD03	12.3 [5.6]	10.8 [4.9]	No
	RXRX-AD05	12.3 [5.6]	10.8 [4.9]	No
	RXRX-CC02	9.1 [4.1]	7.6 [3.4]	No
	RXRX-CC03	11.7 [5.3]	10.2 [4.6]	No
	RXRX-CC05	11.7 [5.3]	10.2 [4.6]	No
	RXRX-CD02	9.4 [4.3]	7.9 [3.6]	No
	RXRX-CD03	12.3 [5.6]	10.8 [4.9]	No
	RXRX-CD05	12.3 [5.6]	10.8 [4.9]	No

NOTICE: Please refer to conversion kit index provided with the unit for LP conversion kit.

*This adapter converts to "B" series units 1st generation.

[] Designates Metric Conversions



FLUSH MOUNT ROOM TEMPERATURE SENSORS FOR NETWORKED DDC APPLICATIONS



ROOM TEMPERATURE SENSOR with TIMED OVERRIDE BUTTON

RHC-ZNS1

10k Ω room temperature sensor transmits room temperature to DDC system. Timed override button allows tenant to change from unoccupied temperature setpoint to occupied temperature setpoint for a preset time.



ROOM TEMPERATURE SENSOR with TIMED OVERRIDE BUTTON and STATUS INDICATOR

RHC-ZNS2

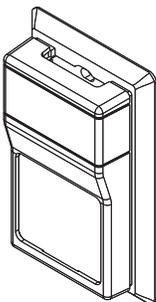
10k Ω room temperature sensor transmits room temperature to DDC system. Timed override button allows tenant to change from unoccupied temperature setpoint to occupied temperature setpoint for a preset time. Status Indicator Light transmits ALARM flash code to occupied space.



ROOM TEMPERATURE SENSOR with SETPOINT ADJUSTMENT and TIMED OVERRIDE BUTTON

RHC-ZNS3

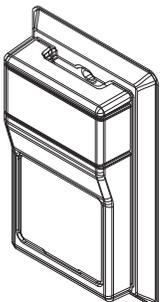
10k Ω room temperature sensor with setpoint adjustment transmits room temperature to DDC system along with desired occupied room temperature setpoint. Timed override button allows tenant to change from unoccupied temperature setpoint to occupied temperature setpoint for a preset time.



ROOM HUMIDITY SENSOR

RHC-ZNS4

Transmits room relative humidity to DDC System.



ROOM TEMPERATURE AND RELATIVE HUMIDITY SENSOR

RHC-ZNS5

Transmits room temperature and relative humidity to DDC System.

COMMUNICATION CARDS



BACnet® COMMUNICATION CARD RXRX-AY01

The field installed BACnet® Communication Card allows the RTU-C unit controller to communicate with a third party building management system that supports the BACnet Application Specific Controller device profile. The BACnet® Communication Module plugs onto the unit RTU-C controller and allows communication between the RTU-C and the BACnet MSTP network.



LonWorks® COMMUNICATION CARD RXRX-AY02

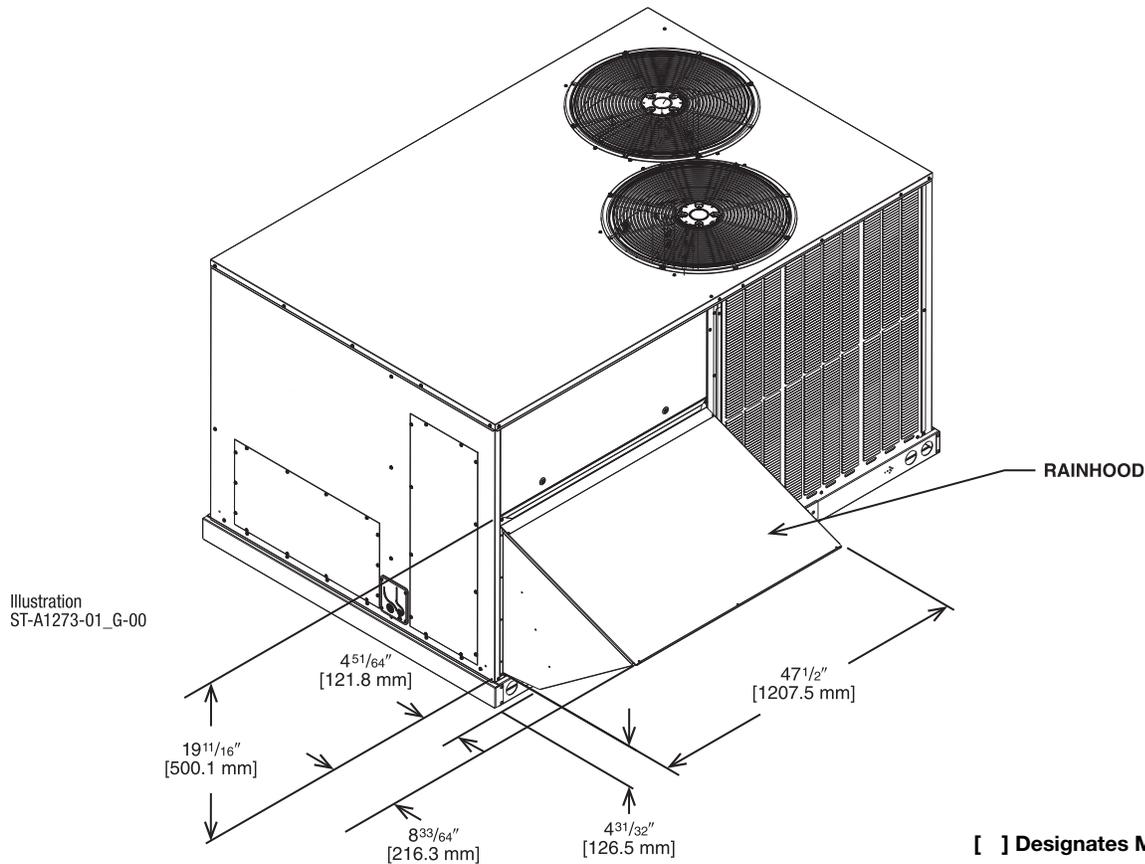
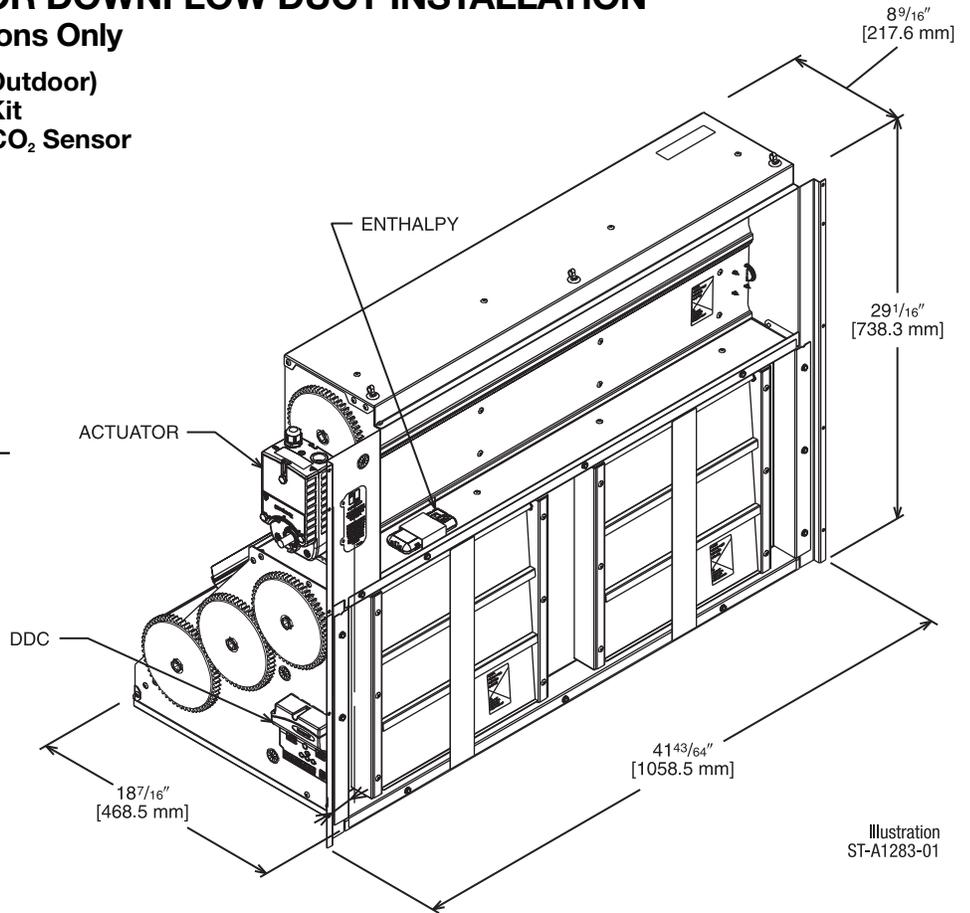
The field installed LonWorks® Communication Card allows the RTU-C unit controller to communicate with a third party building management system that supports the LonMark Space Comfort Controller (SCC) functional profile or LonMark Discharge Air Controller (DAC) functional profile. The LonMark Communication Module plugs onto the RTU-C controller and allows communication between the RTU-C and a LonWorks Network.

NON-DDC ECONOMIZER FOR DOWNFLOW DUCT INSTALLATION

Use to Select Field-Installed Options Only

- RXRD-01MDDAM3—Single Enthalpy (Outdoor)
- RXRX-BV01—Dual Enthalpy Upgrade Kit
- RXRX-AR02—Optional Wall-Mounted CO₂ Sensor

- Features **Honeywell JADE™** Digital Controls
- Available Factory Installed or Field Accessory
- Gear Driven Direct Drive Actuator
- Fully Modulating (0-100%)
- Ultra Low Leak Dampers meet California Title 24 requirements and ASHRAE 90.1 2013
- AMCA 511 Certified Class 1A Leakage—1" WG of differential pressure tested to AMCA Standard 500-D
- Slip-In Design for Easy Installation
- Plug-In Polarized 12-pin Electrical Connections
- Standard Barometric Relief Damper
- Single Enthalpy with Dual Enthalpy Upgrade Kit Available
- CO₂ Input Sensor Available
- Field Assembled Hood Ships with Economizer
- Economizer Ships Complete for Down-flow Duct Application.
- Field Installed Power Exhaust Available
- Fault detections and diagnostics



[] Designates Metric Conversions



NON-DDC ECONOMIZER FOR HORIZONTAL DUCT INSTALLATION

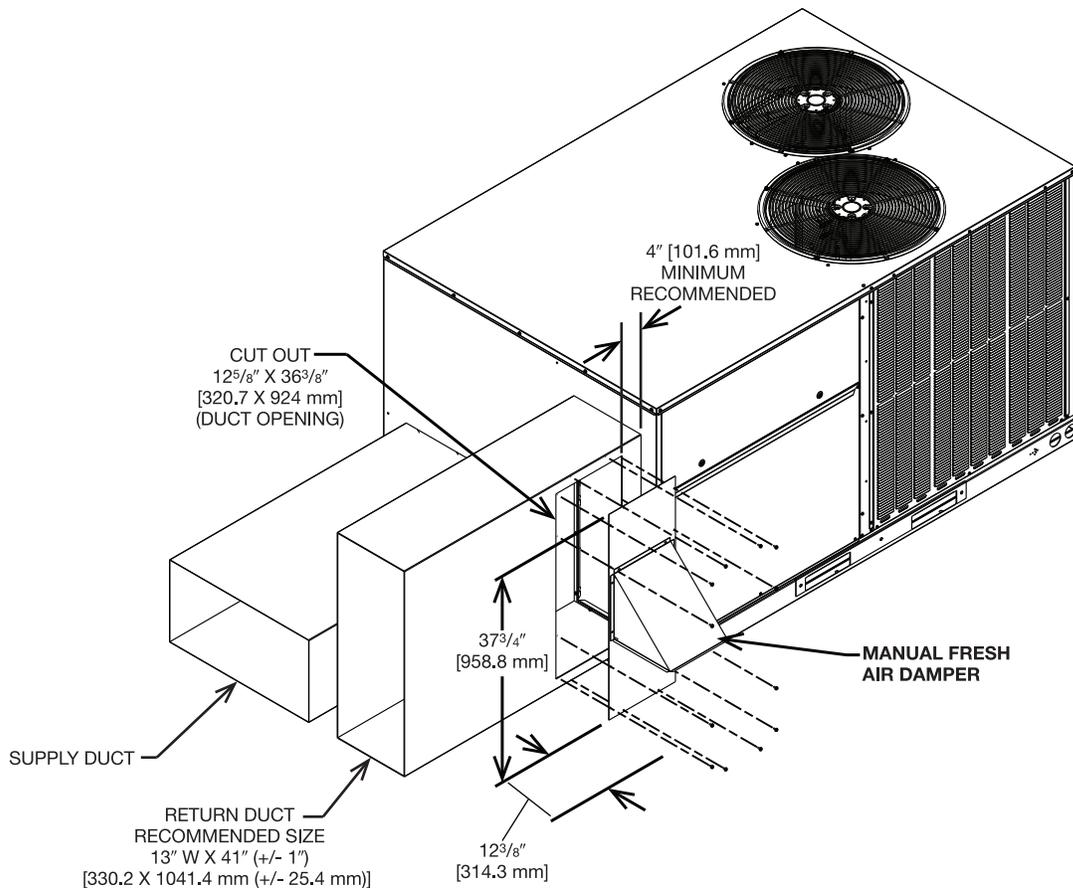
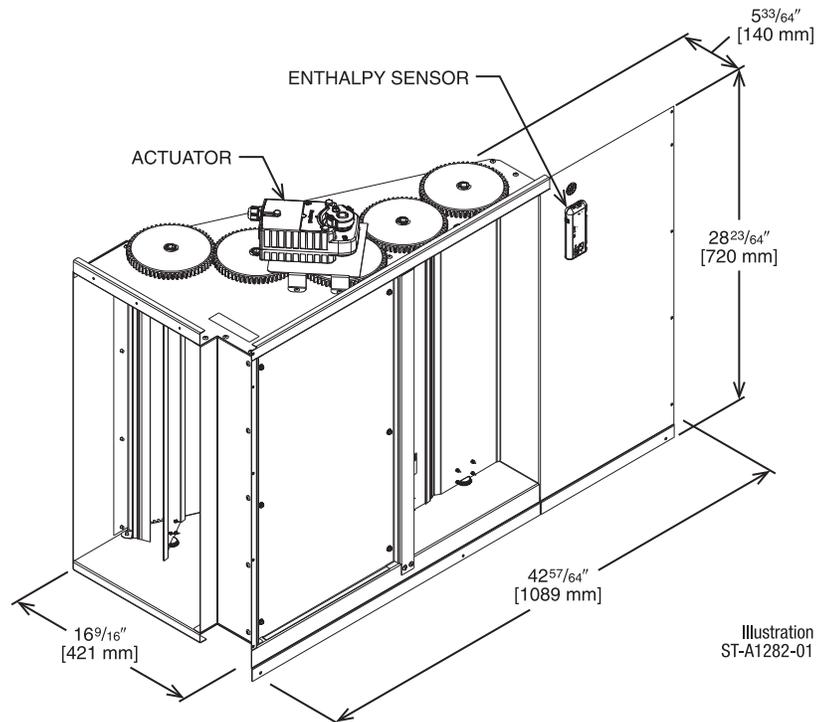
Field Installed Only

RXRD-01MDHAM3—Single Enthalpy (Outdoor)

RXXR-BV01—Dual Enthalpy Upgrade Kit

RXXR-AR02—Wall-mounted CO₂ Sensor

- Features **Honeywell JADE™** Digital Controls
- Available as a Field Installed Accessory Only
- Gear Driven Direct Drive Actuator
- Fully Modulating (0-100%)
- Ultra Low Leak Dampers meet California Title 24 requirements and ASHRAE 90.1 2013
- Slip-In Design for Easy Installation
- Standard Barometric Relief Damper
- Single Enthalpy with Dual Enthalpy Upgrade Kit Available
- CO₂ Input Sensor Available
- Field Assembled Hood Ships with Economizer
- Economizer Ships Complete for Horizontal Duct Application
- Field Installed Power Exhaust Available



[] Designates Metric Conversions



DDC — ECONOMIZER FOR DOWNFLOW DUCT INSTALLATION

Use to Select Field Installed Options Only

RXRD-01MDDBM3—Single Enthalpy (Outdoor)

RRRX-BV02—Dual Enthalpy Upgrade Kit

RRRX-AR02—Optional Wall-Mounted CO₂ Sensor

- Features **Honeywell** Controls
- Available Factory Installed or Field Accessory
- Gear Driven Direct Drive Actuator
- Fully Modulating (0-100%)
- Ultra Low Leak Dampers meet California Title 24 requirements and ASHRAE 90.1 2013
- Slip-In Design for Easy Installation
- Standard Barometric Relief Damper
- Single Enthalpy with Dual Enthalpy Upgrade Kit Available
- CO₂ Input Sensor Available
- Field Assembled Hood Ships with Economizer
- Economizer Ships Complete for Downflow Duct Application.
- Optional Remote Minimum Position Potentiometer (270 ohm) (Honeywell #S963B1136) is Available from Prostock.
- Field Installed Power Exhaust Available
- Prewired for Smoke Detector
- If connected to a Building Automation System (BAS), all economizer functions can be viewed on the (BAS), or 16 x 2 LCD screen
- If connected to thermostat, all economizer functions can be viewed on 16 x 2 LCD screen

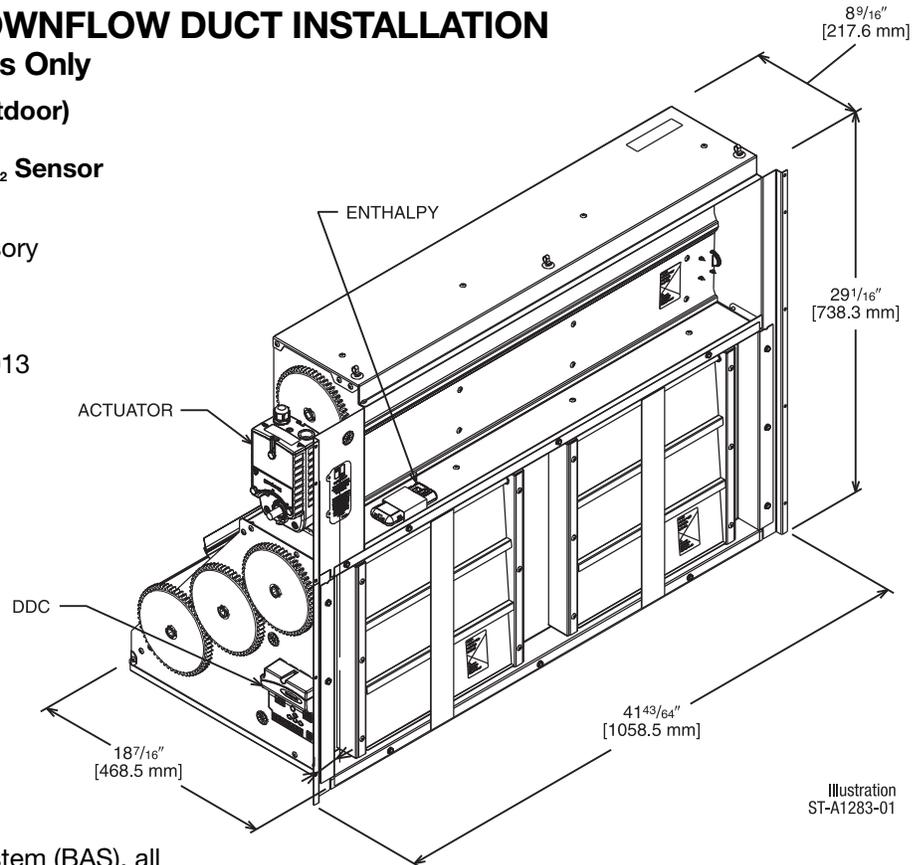


Illustration
ST-A1283-01

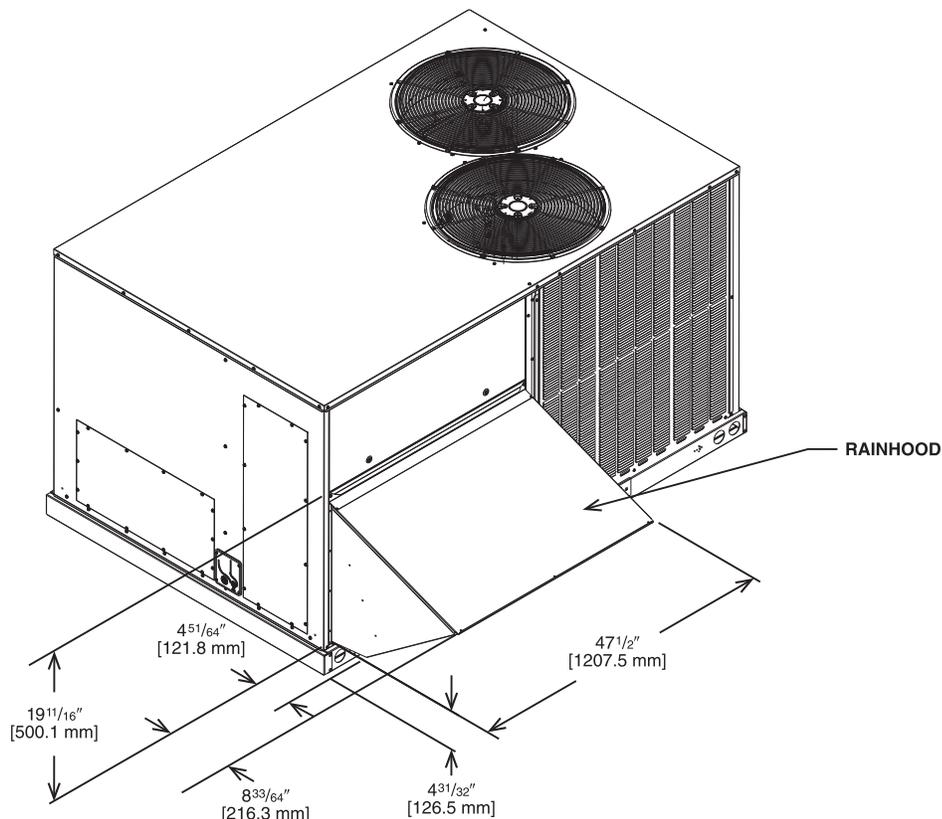


Illustration
ST-A1273-01_G-00

[] Designates Metric Conversions





DDC—ECONOMIZER FOR HORIZONTAL DUCT INSTALLATION

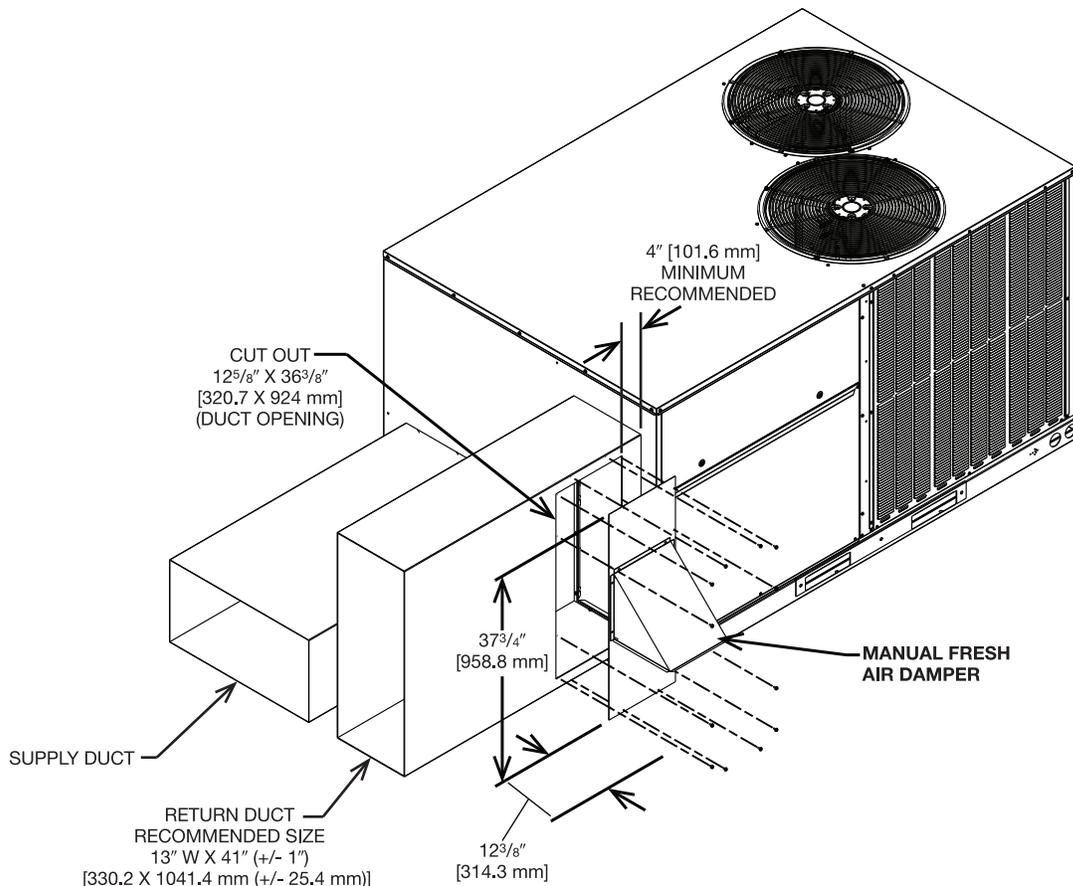
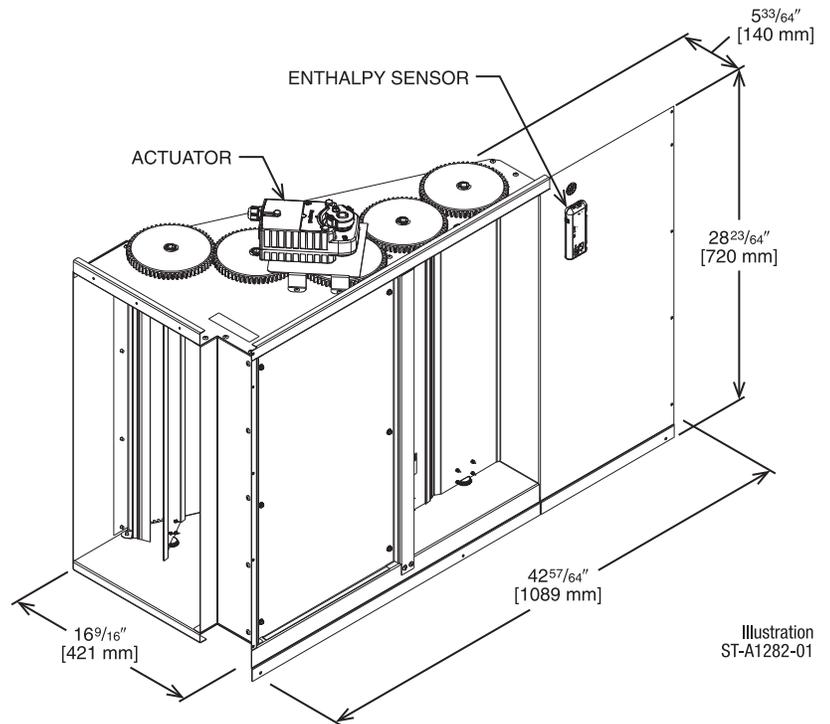
Field Installed Only

RXRD-01MDHBM3—Single Enthalpy (Outdoor)

RXXR-BV02—Dual Enthalpy Upgrade Kit

RXXR-AR02—Wall-mounted CO₂ Sensor

- Features **Honeywell** Controls
- Available as a Field Installed Accessory Only
- Gear Driven Direct Drive Actuator
- Fully Modulating (0-100%)
- Ultra Low Leak Dampers meet California Title 24 requirements and ASHRAE 90.1 2013
- Slip-In Design for Easy Installation
- Standard Barometric Relief Damper
- Single Enthalpy with Dual Enthalpy Upgrade Kit Available
- CO₂ Input Sensor Available
- Field Assembled Hood Ships with Economizer
- Economizer Ships Complete for Horizontal Duct Application
- Optional Remote Minimum Position Potentiometer (270 ohm) (Honeywell #S963B1136) is Available from Prostock
- Field Installed Power Exhaust Available
- If connected to a Building Automation System (BAS), all economizer functions can be viewed on the (BAS), or 16 x 2 LCD screen
- If connected to thermostat, all economizer functions can be viewed on 16 x 2 LCD screen



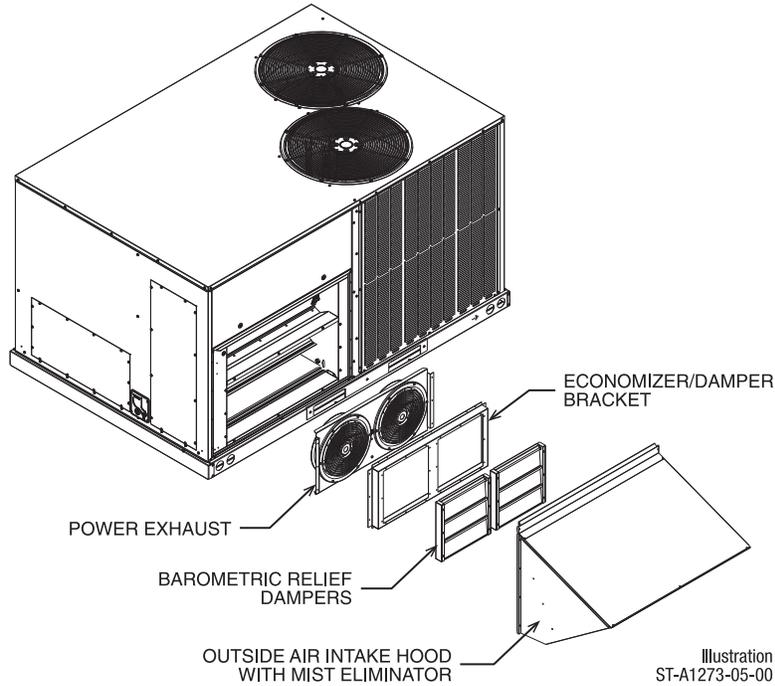
[] Designates Metric Conversions

POWER EXHAUST KIT FOR RXRD-01MDDAM3, RXRD-01MDDBM3, RXRD-01MDHAM3, RXRD-01MDHBM3 ECONOMIZERS

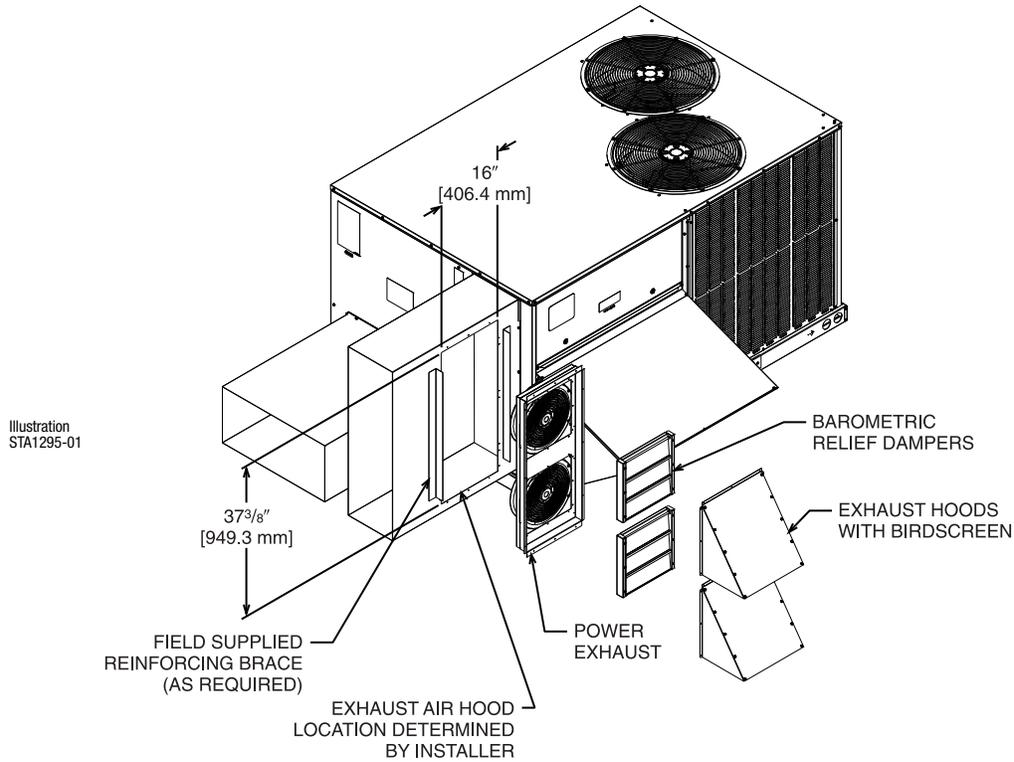
RXRX-CDF01 (C, D, or Y*)

*Voltage Code

VERTICAL AIRFLOW



HORIZONTAL AIRFLOW



Model No.	No. of Fans	Volts	Phase	HP (ea.)	CFM [L/s]*	RPM	FLA (ea.)	LRA (ea.)
RXRX-CDF01C	2	208-230	1	0.47	2200	3000	1.55	1.1
RXRX-CDF01D	2	460	3	0.40	1970	2750	0.51	1.9

*CFM is per fan at 0" w.c. external static pressure.

[] Designates Metric Conversions

FRESH AIR DAMPER

MOTORIZED DAMPER KIT RXRF-ADB1

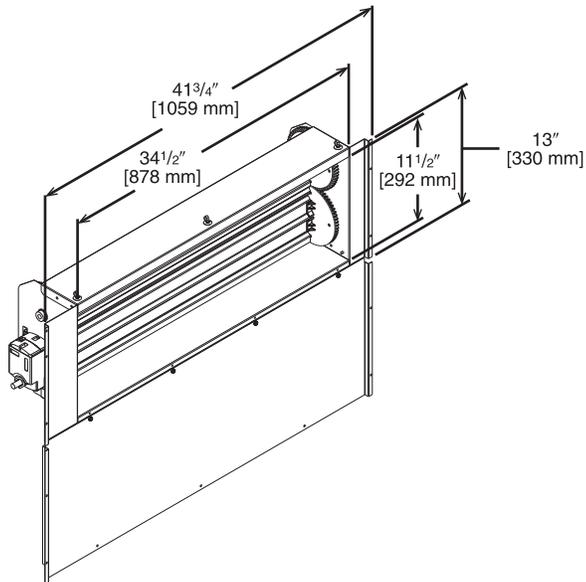


Illustration
ST-A1273-10-00

[] Designates Metric Conversions

MOTORIZED DAMPER KIT RXRX-ADC1 (Modulating Motor Kit with position feedback for DDC Models)

- Features **Honeywell** Controls
- Gear Driven Direct Drive Actuator
- Fully Modulating (0-100%)
- Low Leakage Dampers
- Slip-In Design for Easy Installation
- Plug-In Polarized 12-pin and 4-pin Electrical Connections
- Pre-Configured—No Field Adjustments Necessary
- Addition of Dual Enthalpy Upgrade Kit allows limited economizer function
- CO₂ Sensor Input Available for Demand Control Ventilation (DCV)
- All fresh air damper functions can be viewed at the RTU-C unit controller display
- If connected to a Building Automation System (BAS), all fresh air damper functions can be viewed on the (BAS), or 16 x 2 LCD screen
- If connected to thermostat, all fresh air damper functions can be viewed on 16 x 2 LCD screen

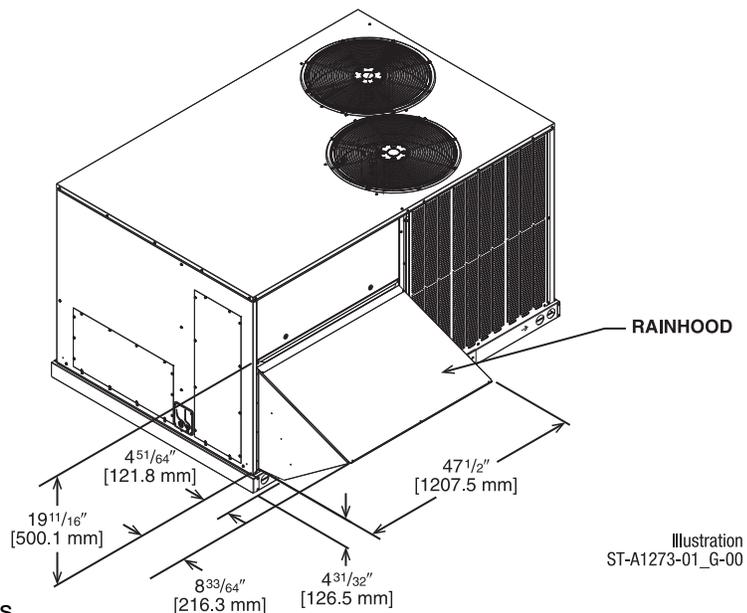


Illustration
ST-A1273-01_G-00

FRESH AIR DAMPER (Cont.)

AXRF-ADA1

DOWNFLOW APPLICATION

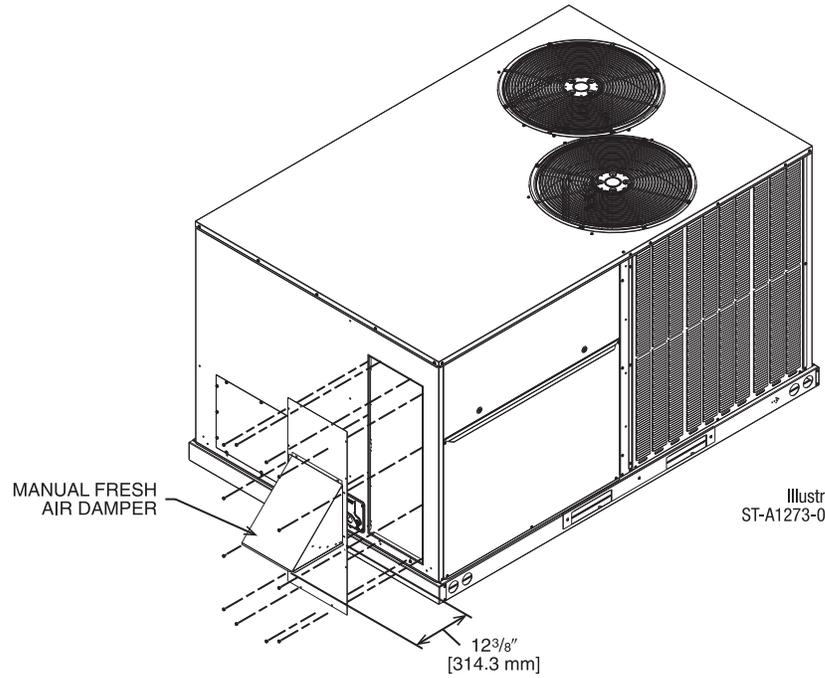


Illustration
ST-A1273-03-00

HORIZONTAL APPLICATION

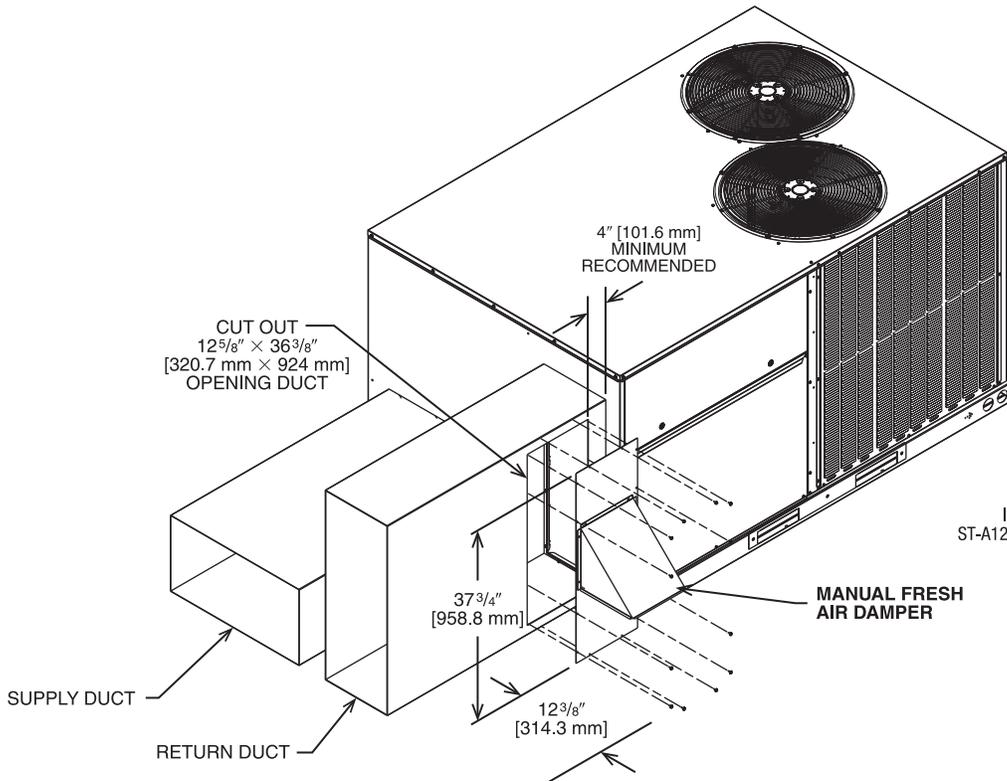
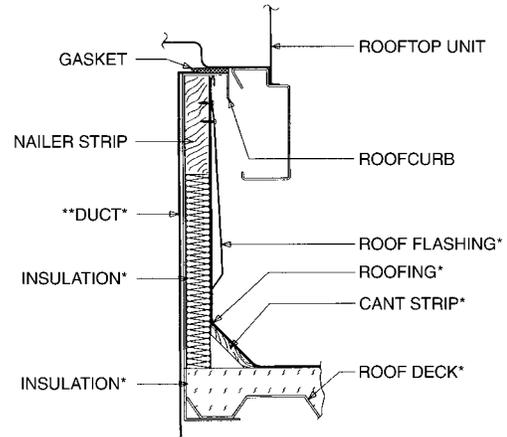


Illustration
ST-A1273-04-00

[] Designates Metric Conversions

ROOFCURBS (Full Perimeter)

- Rheem's roofcurb design can be utilized on all 7.5-12.5 ton [26.4-44.0 kW] RGED- models.
- Two available heights (14" [356 mm] and 24" [610 mm]) for ALL models.
- Quick assembly corners for simple and fast assembly.
- Opening provided in bottom pan to match the "Thru the Curb" electrical, gas piping, condensate, connection opening provided on the unit base pan.
- 1" [25 mm] x 4" [102 mm] Nailer provided.
- Sealing gasket (40' [12.2 m]) provided with Roofcurb.
- Packaged for easy field assembly.



*BY CONTRACTOR
**FOR INSTALLATION OF DUCT AS SHOWN, USE RECOMMENDED DUCT SIZES FROM ROOFCURB INSTALLATION INSTRUCTIONS. FOR DUCT FLANGE ATTACHMENT TO UNIT, SEE UNIT INSTALLATION INSTRUCTIONS FOR RECOMMENDED DUCT SIZES.

Illustration
ST-A0743-02

Roofcurb Model	Height of Curb
RXKG-DDD14	14" [356 mm]
RXKG-DDD24	24" [610 mm]

ROOFCURB INSTALLATION

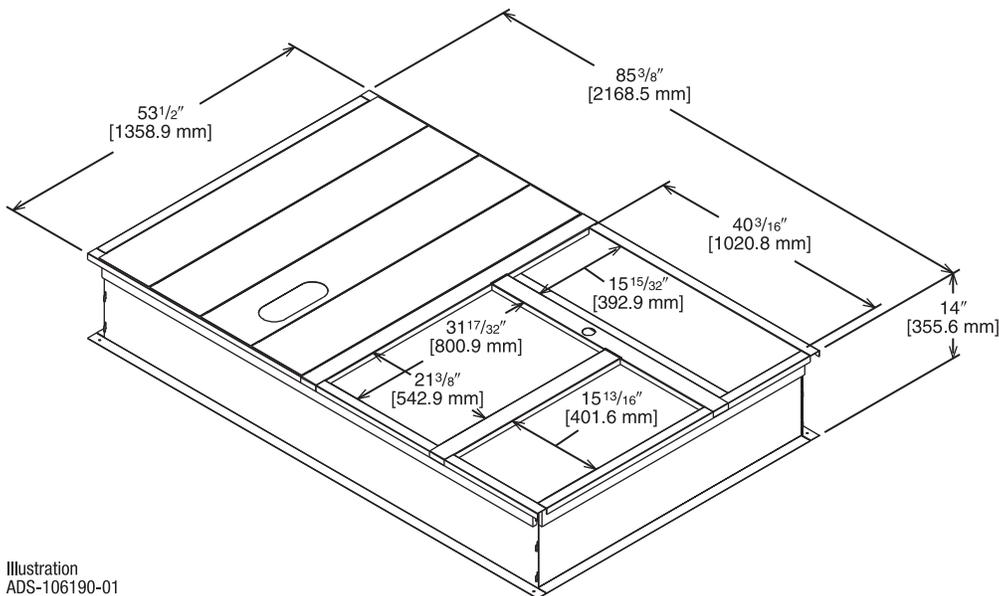


Illustration
ADS-106190-01

[] Designates Metric Conversions

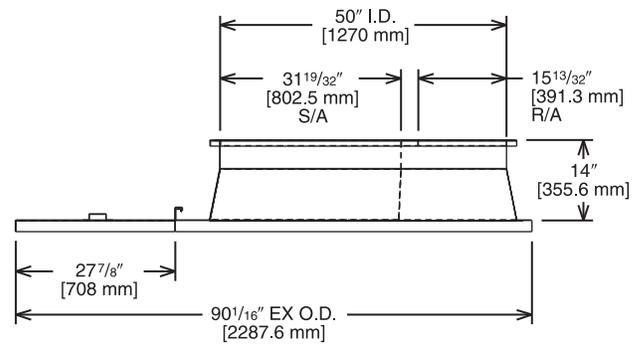
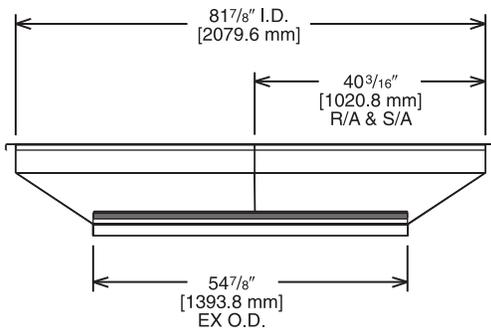
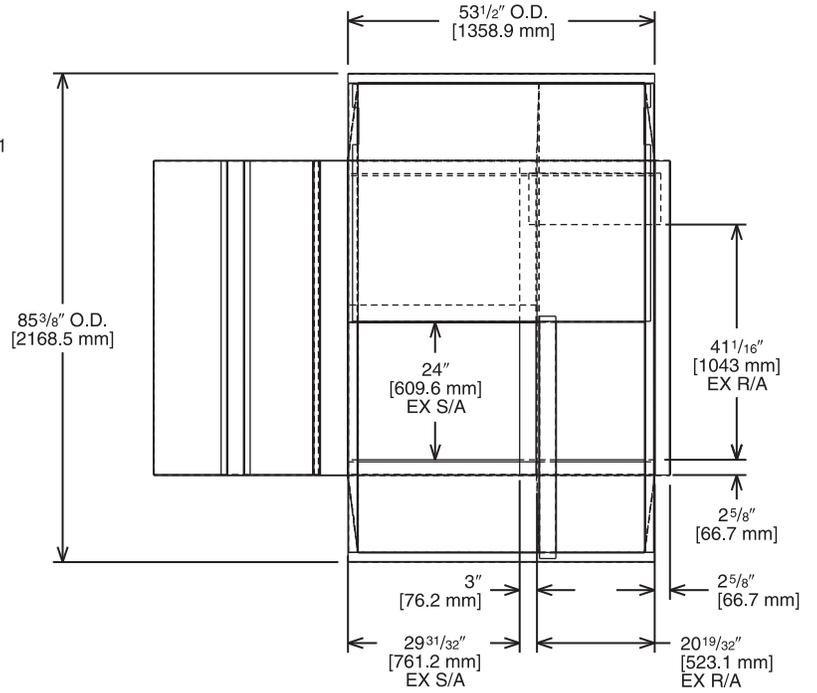
ROOFCURB ADAPTERS (Cont.)

RXRX-DDCAE

Illustration
ADS-106176-01
SHEET 2

APPROXIMATE STATIC PRESSURE DROP

@2,000 = 0.06" w.g.
@3,000 = 0.12" w.g.
@4,000 = 0.22" w.g.
@5,000 = 0.36" w.g.



TOP VIEW

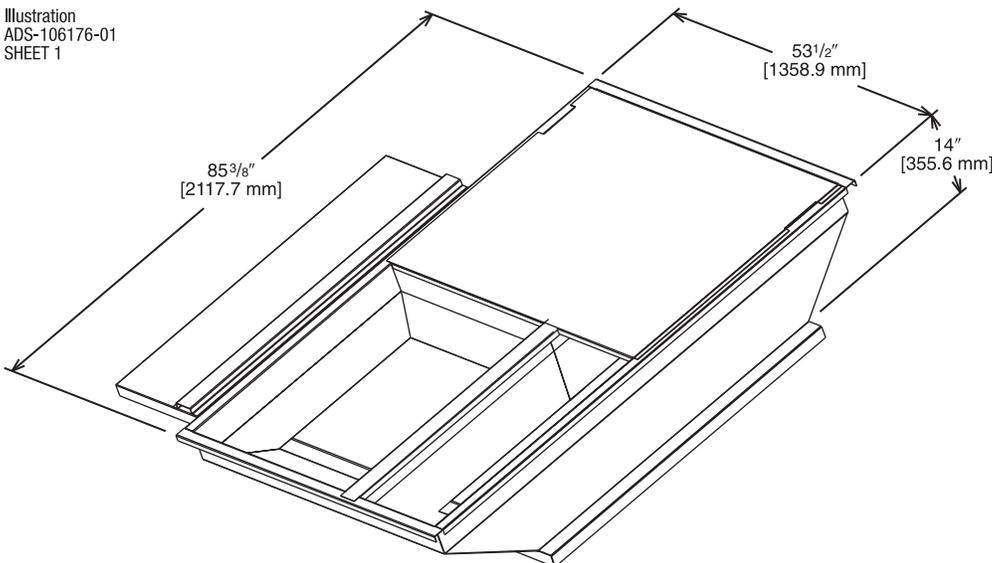
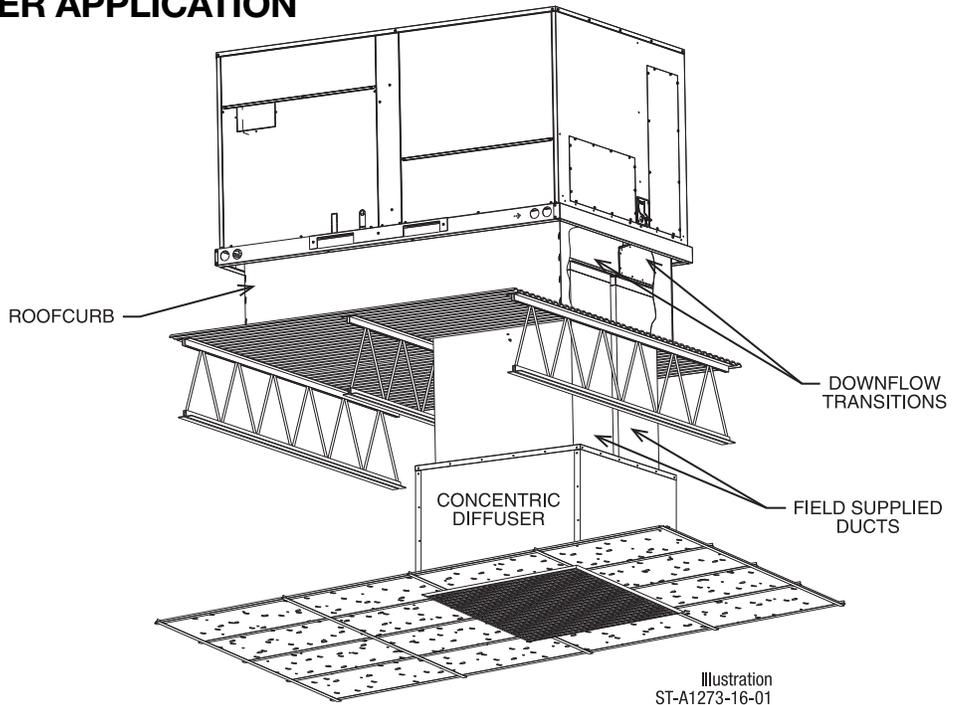


Illustration
ADS-106176-01
SHEET 1

[] Designates Metric Conversions

CONCENTRIC DIFFUSER APPLICATION



DOWNFLOW TRANSITION DRAWINGS

RXMC-DDO2

- Used with AEF3415 or AED3415 Concentric Diffusers.

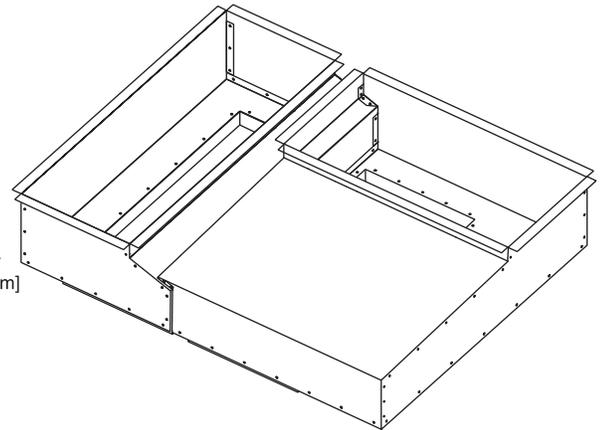
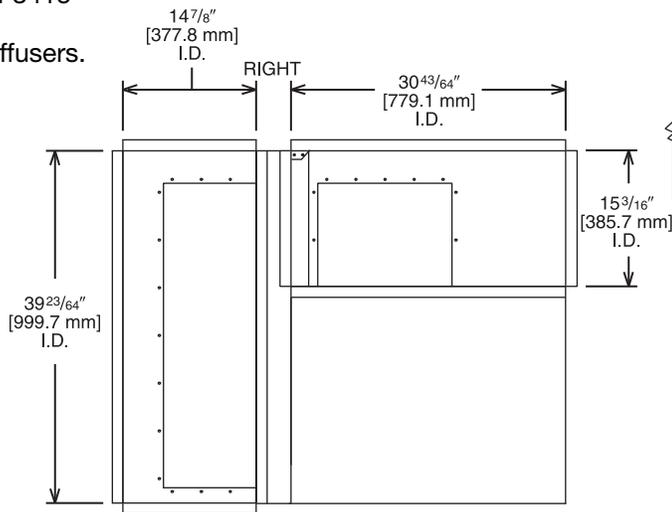
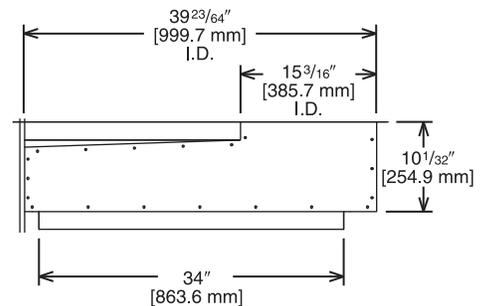
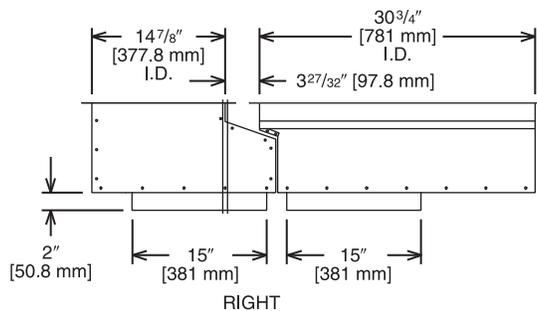


Illustration
ADS-106193-02



[] Designates Metric Conversions

DOWNFLOW TRANSITION DRAWINGS

RXMC-DD03

- Used with AEF3618 or AED3618 Concentric Diffusers.

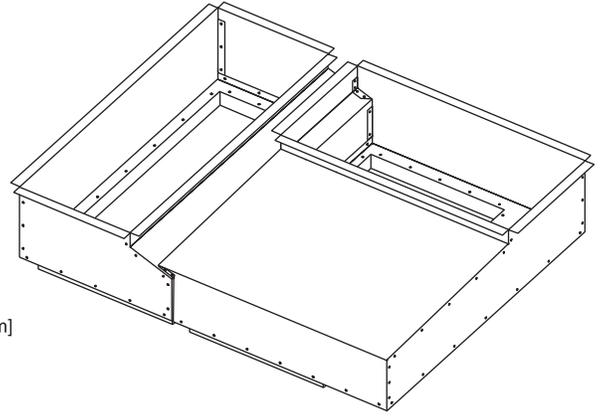
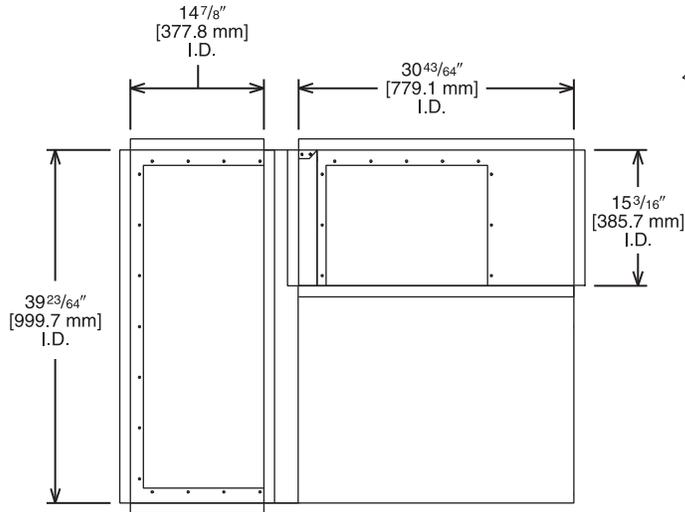
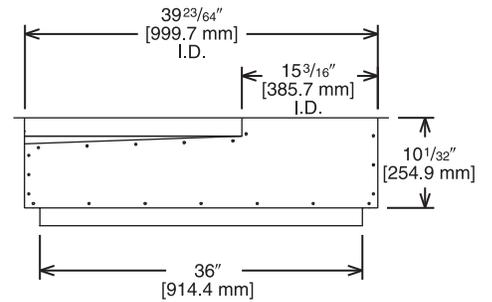
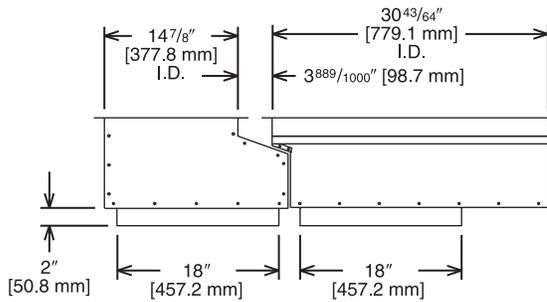


Illustration
ADS-106193-03



[] Designates Metric Conversions



Air

DOWNFLOW TRANSITION DRAWINGS

RXMC-DD01

- Used with AEF2000
or AED2000
Concentric Diffusers.

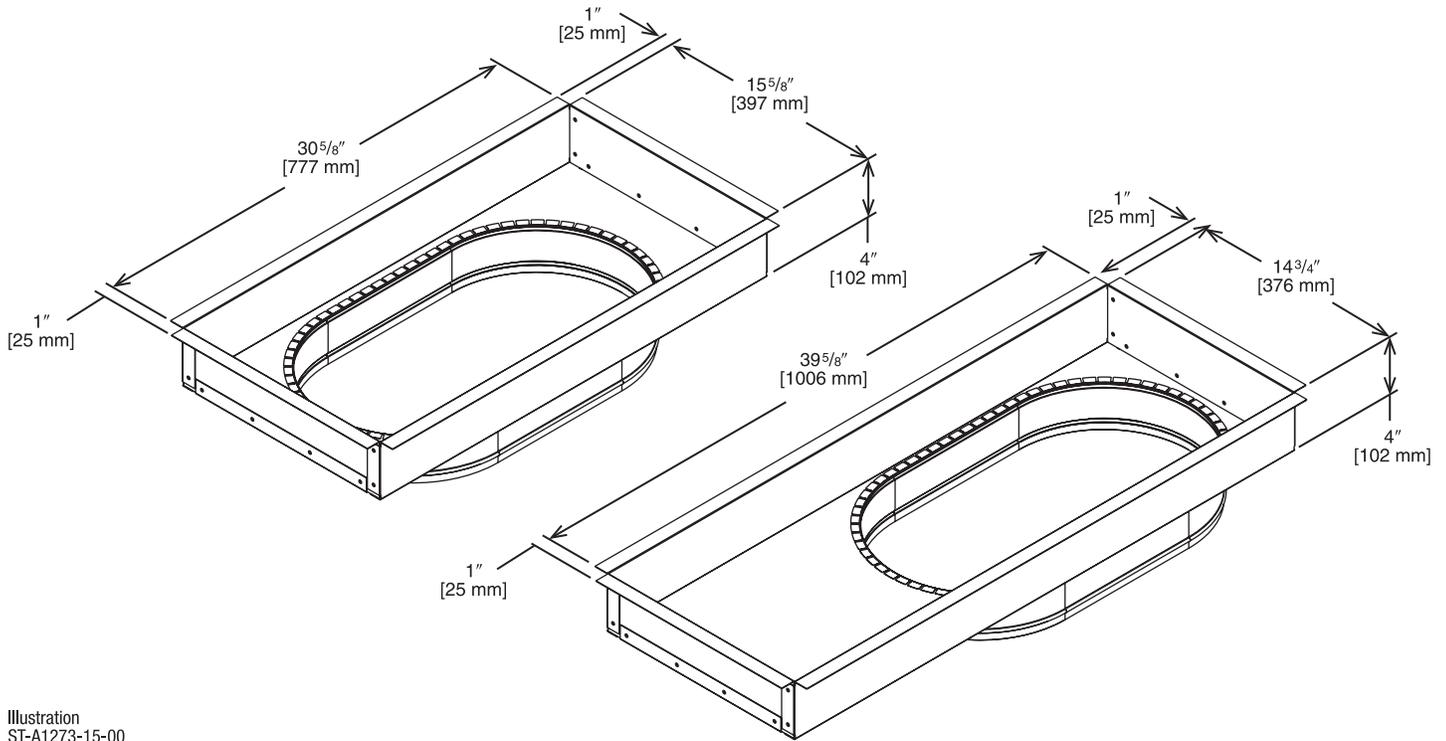


Illustration
ST-A1273-15-00

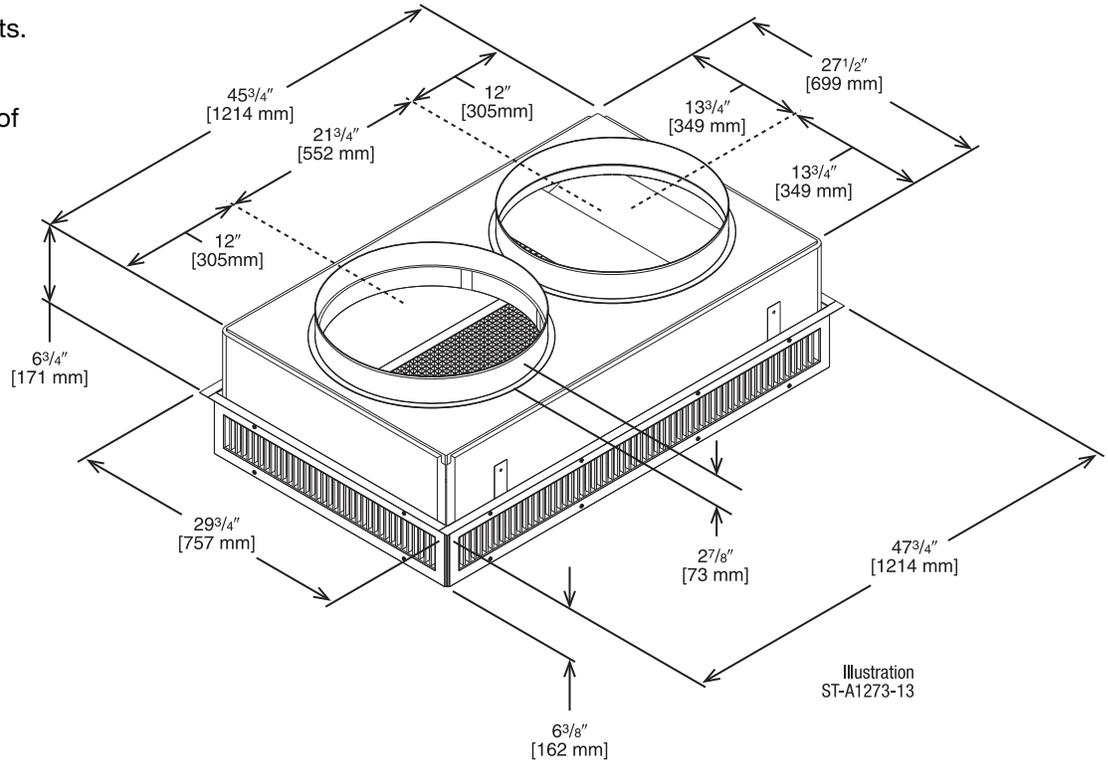
[] Designates Metric Conversions

CONCENTRIC DIFFUSER—STEP DOWN

RXRN-AED2000 (7.5 & 8.5 Ton [26.4 & 29.9 kW] Models)

For Use With Downflow Transition (RXMC-DD01) and 20" [508 mm] Round Supply and Return Ducts

- All aluminum diffuser with aluminum return air eggcrate.
- Built-in anti-sweat gasket.
- Molded fiberglass supports.
- Built-in hanging supports.
- Diffuser box constructed of sheetmetal insulated with 1" [25.4 mm] 1.5 lbs. [.7 kg] duct liner.



ENGINEERING DATA^①

Model No.	Flow Rate CFM [L/s]	Throw ^{② ③} Feet [m]	Neck Velocity fpm [m/s]	Noise Level ^④ (dbA)
RXRN-AED2000	2600 [1222]	22-39 [6.7-11.9]	669 [3.4]	32
	2800 [1316]	23-40 [7.1-12.2]	720 [3.7]	38
	3000 [1410]	25-42 [7.6-12.8]	772 [3.9]	40
	3200 [1504]	26-43 [7.9-13.1]	823 [4.2]	41
	3400 [1598]	27-45 [8.2-13.7]	874 [4.4]	42
	3600 [1692]	30-50 [9.1-15.2]	925.5 [4.7]	45
	3800 [1786]	32-53 [9.8-16.2]	976.8 [4.9]	48
	4000 [1880]	34-56 [10.4-17.1]	1028.1 [5.2]	50

- NOTES: ① All data is based on the air diffusion council guidelines.
 ② Throw data is based on 75 FPM Terminal Velocities using isothermal air.
 ③ Throw is based on diffuser blades being directed in a straight pattern.
 ④ Actual noise levels may vary due to duct design and do not include transmitted unit noise. Adequate duct attenuation must be provided to reduce sound output from the unit.

[] Designates Metric Conversions



CONCENTRIC DIFFUSER – STEP DOWN 15" x 34" [381 x 836 mm]

RXRN-AED3415 (8.5 & 10 Ton [29.9 kW & 35.2] Models)

For Use With Downflow Transition (RXMC-DD02)
and 15" x 34" [381 x 836 mm]
Supply and Return Ducts

- All aluminum diffuser with aluminum return air eggcrate.
- Built-in anti-sweat gasket.
- Molded fiberglass supports.
- Built-in hanging supports.
- Diffuser box constructed of sheetmetal insulated with 1" [25.4 mm] 1.5 lbs. [.7 kg] duct liner.
- Double deflection diffuser with the blades secured by spring steel.

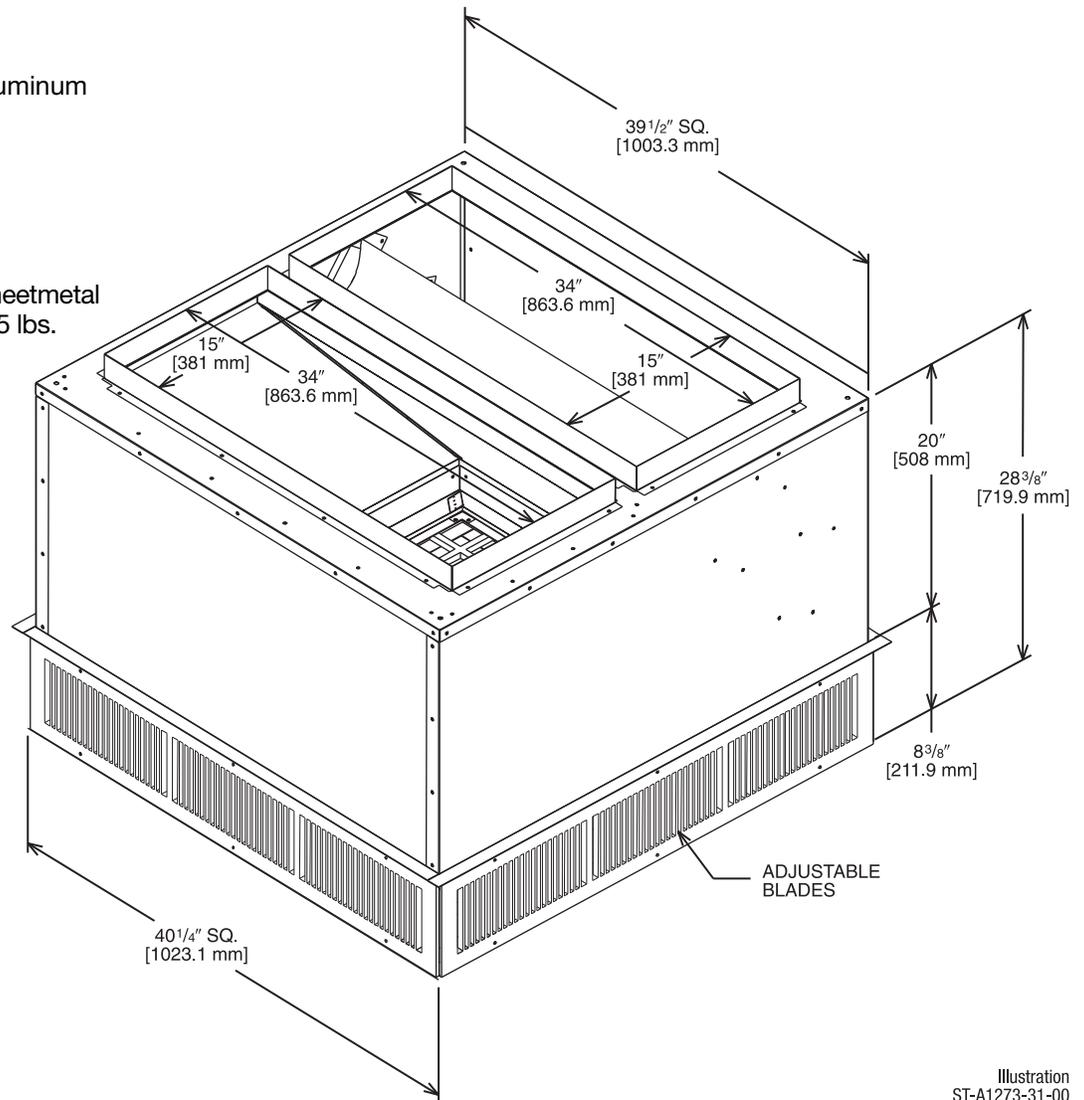


Illustration
ST-A1273-31-00

ENGINEERING DATA^①

Model No.	Flow Rate CFM [L/s]	Throw ^{② ③} Feet [m]	Neck Velocity fpm [m/s]	Noise Level ^④ (dba)
RXRN-AED3415	3600 [1692]	26-53 [7.9-16.2]	851 [4.3]	27
	3800 [1786]	27-55 [8.2-16.8]	898 [4.5]	29
	4000 [1880]	29-58 [8.8-17.7]	946 [4.8]	30
	4200 [1974]	31-61 [9.4-18.6]	993 [5.1]	32
	4400 [2068]	32-64 [9.8-19.5]	1040 [5.3]	33
	4600 [2162]	34-66 [10.4-20.1]	1087.5 [5.5]	35

NOTES: ① All data is based on the air diffusion council guidelines.

② Throw data is based on 75 FPM Terminal Velocities using isothermal air.

③ Throw is based on diffuser blades being directed in a straight pattern.

④ Actual noise levels may vary due to duct design and do not include transmitted unit noise.
Adequate duct attenuation must be provided to reduce sound output from the unit.

[] Designates Metric Conversions



CONCENTRIC DIFFUSER—STEP DOWN 18" x 36" [457 x 914 mm]

RXRN-AED3618 (12.5 & 15 Ton [44.0 & 52.8 kW] Models)

For Use With Downflow Transition (RXMC-DD03)
and 18" x 36" [457 x 914 mm]
Supply and Return Ducts

- All aluminum diffuser with aluminum return air eggcrate.
- Built-in anti-sweat gasket.
- Molded fiberglass supports.
- Built-in hanging supports.
- Diffuser box constructed of sheetmetal insulated with 1" [25.4 mm] 1.5 lbs. [.7 kg] duct liner.
- Double deflection diffuser with the blades secured by spring steel.

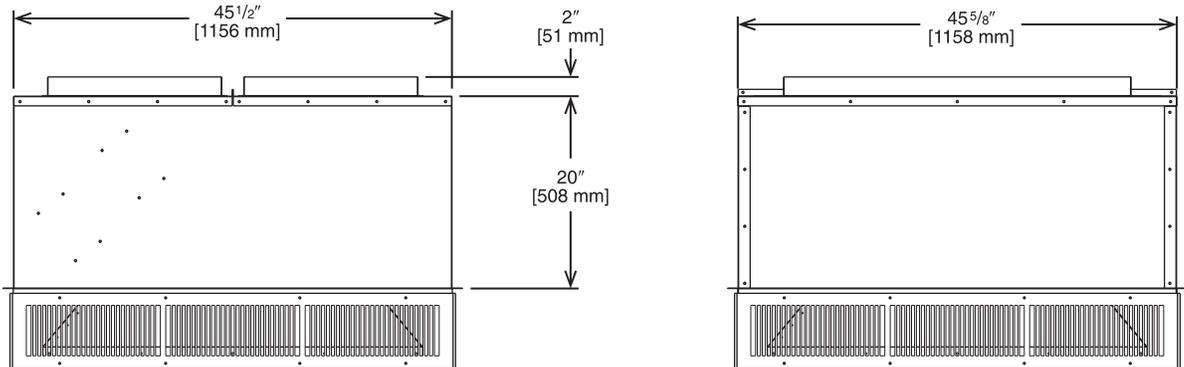
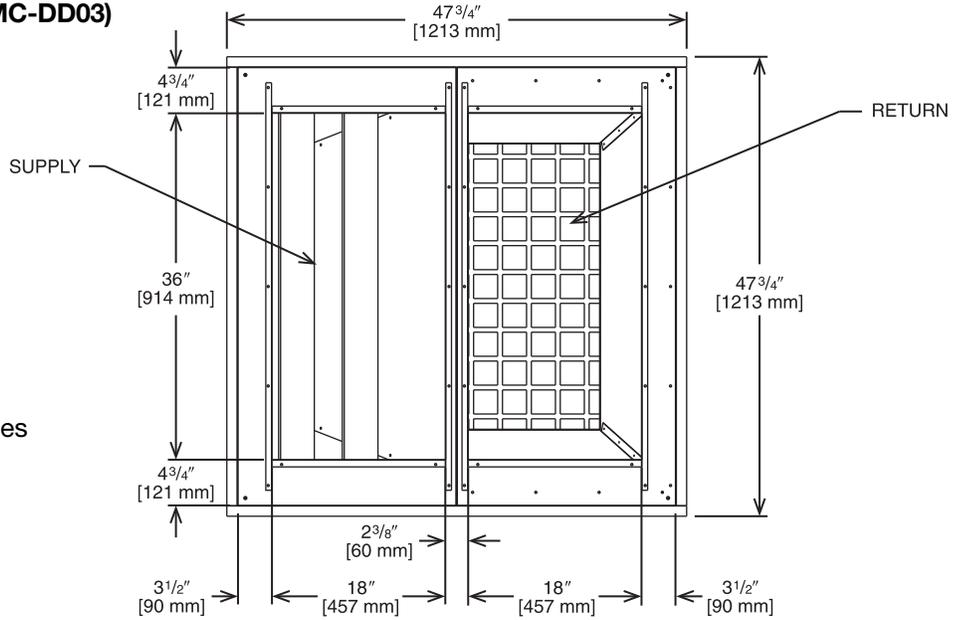


Illustration
ST-A1273-11-00

ENGINEERING DATA^①

Model No.	Flow Rate CFM [L/s]	Throw ^{② ③} Feet [m]	Neck Velocity fpm [m/s]	Noise Level ^④ (dbA)
RXRN-AED3618	4400 [2068]	29-55 [8.8-16.8]	841 [4.3]	26
	4600 [2162]	31-57 [9.4-17.4]	875 [4.4]	28
	4800 [2256]	32-60 [9.8-18.3]	915 [4.6]	29
	5000 [2350]	33-62 [10.1-18.9]	951 [4.8]	30
	5200 [2444]	34-65 [10.4-19.8]	988 [5.1]	31
	5400 [2538]	36-67 [10.9-20.4]	1025 [5.2]	32

- NOTES: ① All data is based on the air diffusion council guidelines.
 ② Throw data is based on 75 FPM Terminal Velocities using isothermal air.
 ③ Throw is based on diffuser blades being directed in a straight pattern.
 ④ Actual noise levels may vary due to duct design and do not include transmitted unit noise.
 Adequate duct attenuation must be provided to reduce sound output from the unit.

[] Designates Metric Conversions

FLUSH MOUNT CONCENTRIC DIFFUSER—FLUSH

RXRN-AEF2000 (7.5 & 8.5 Ton [26.4 & 29.9 kW] Models)

For Use With Downflow Transition (RXMC-DD01)
 20" [508 mm] Round Supply and Return Ducts

- All aluminum diffuser with aluminum return air eggcrate.
- Built-in anti-sweat gasket.
- Molded fiberglass supports.
- Built-in hanging supports.
- Diffuser box constructed of sheetmetal insulated with 1" [25.4 mm] 1.5 lbs. [.7 kg] duct liner.

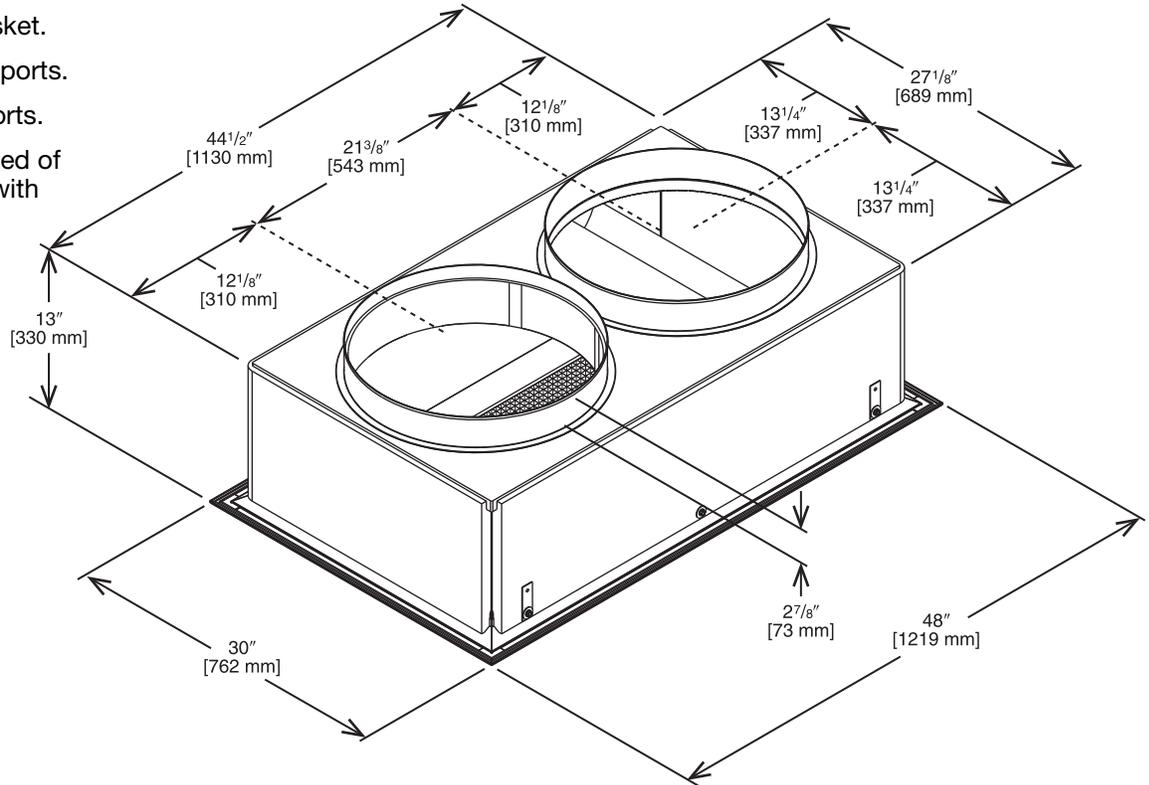


Illustration
 ST-A1273-14-00

ENGINEERING DATA^①

Model No.	Flow Rate CFM [L/s]	Throw ^{② ③} Feet [m]	Neck Velocity fpm [m/s]	Noise Level ^④ (dbA)
RXRN-AEF2000	2600 [1222]	17-24 [5.2-7.3]	663 [3.4]	30
	2800 [1316]	18-28 [5.5-8.5]	714 [3.6]	35
	3000 [1410]	20-30 [6.1-9.1]	765 [3.9]	35
	3200 [1504]	22-33 [6.7-10.1]	816 [4.1]	40
	3400 [1598]	23-37 [7-11.3]	867 [4.4]	40
	3600 [1692]	25-38 [7.6-11.6]	918 [4.7]	43
	3800 [1786]	26-39 [7.9-11.9]	969 [4.9]	45
	4000 [1880]	27-40 [8.2-12.2]	1020 [5.2]	48

- NOTES: ① All data is based on the air diffusion council guidelines.
 ② Throw data is based on 75 FPM Terminal Velocities using isothermal air.
 ③ Throw is based on diffuser blades being directed in a straight pattern.
 ④ Actual noise levels may vary due to duct design and do not include transmitted unit noise.
 Adequate duct attenuation must be provided to reduce sound output from the unit.

[] Designates Metric Conversions



CONCENTRIC DIFFUSER—FLUSH

18" x 36" [457 x 914 mm]

RXRN-AEF3415 (8.5 & 10 Ton [29.9 & 35.2] Models)

For Use With Downflow Transition (RXMC-DD02)
18" x 36" [457 x 914 mm]
Supply and Return Ducts

- All aluminum diffuser with aluminum return air eggcrate.
- Built-in anti-sweat gasket.
- Molded fiberglass supports.
- Built-in hanging supports.
- Diffuser box constructed of sheetmetal insulated with 1" [25.4 mm] 1.5 lbs. [.7 kg] duct liner.

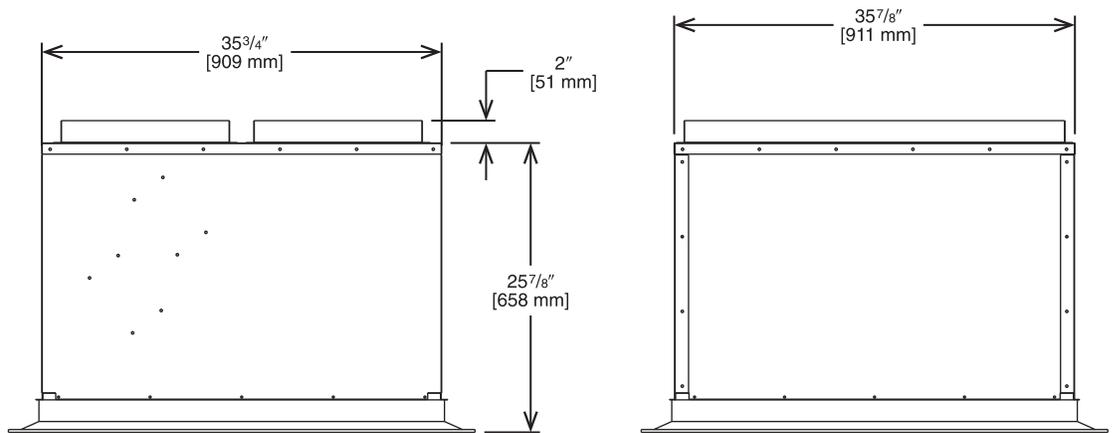
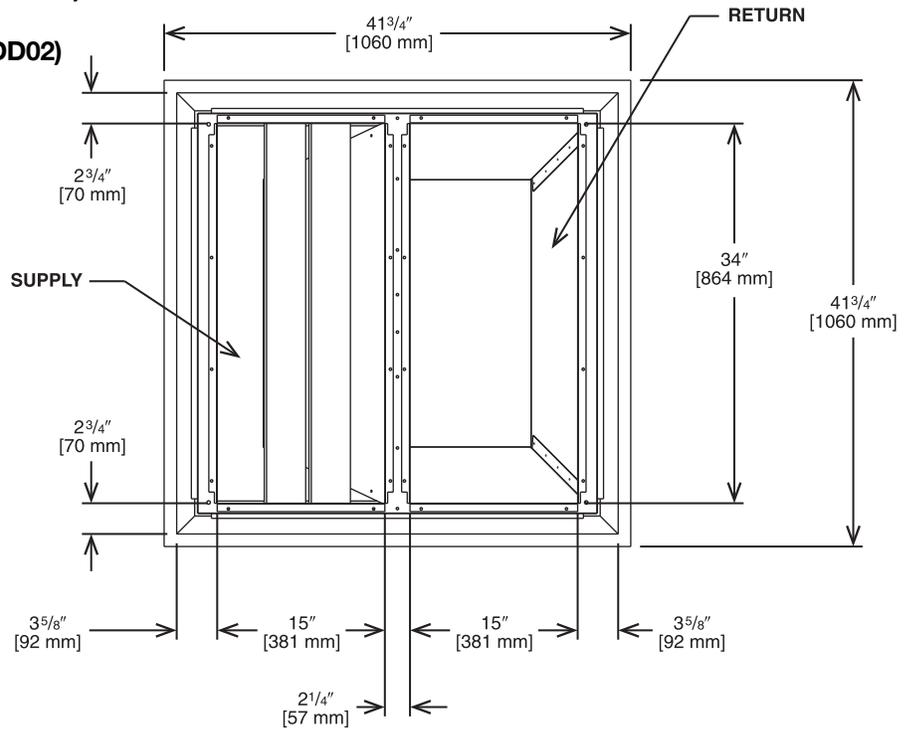


Illustration
ST-A1273-07-00

ENGINEERING DATA^①

Model No.	Flow Rate CFM [L/s]	Throw ^{② ③} Feet [m]	Neck Velocity fpm [m/s]	Noise Level ^④ (dbA)
RXRN-AEF3415	3600 [1692]	14-34 [4.3-10.4]	844 [4.3]	27
	3800 [1786]	15-36 [4.6-11.1]	891 [4.5]	29
	4000 [1880]	16-37 [4.9-11.3]	938 [4.8]	30
	4200 [1974]	17-39 [5.2-11.9]	985 [5.1]	32
	4400 [2068]	18-41 [5.5-12.5]	1032 [5.2]	33
	4600 [2162]	19-43 [5.8-13.1]	1079 [5.5]	35
	4800 [2256]	20-45 [6.1-13.7]	1126 [5.7]	36

- NOTES: ① All data is based on the air diffusion council guidelines.
 ② Throw data is based on 75 FPM Terminal Velocities using isothermal air.
 ③ Throw is based on diffuser blades being directed in a straight pattern.
 ④ Actual noise levels may vary due to duct design and do not include transmitted unit noise. Adequate duct attenuation must be provided to reduce sound output from the unit.

[] Designates Metric Conversions





CONCENTRIC DIFFUSER – FLUSH 18" x 36" [457 x 914 mm]

RXRN-AEF3618 (12.5 & 15 Ton [44.0 & 52.8 kW] Models)

For Use With Downflow Transition (RXMC-DD03)

18" x 36" [457 x 914 mm]

Supply and Return Ducts

- All aluminum diffuser with aluminum return air eggcrate.
- Built-in anti-sweat gasket.
- Molded fiberglass supports.
- Built-in hanging supports.
- Diffuser box constructed of sheetmetal insulated with 1" [25.4 mm] 1.5 lbs. [.7 kg] duct liner.

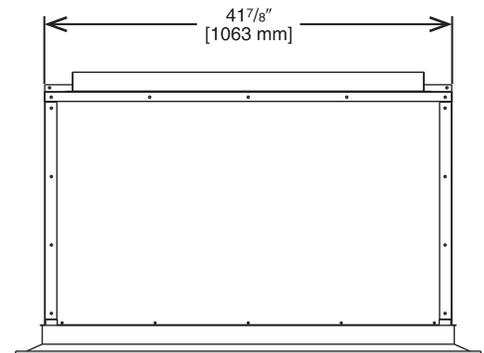
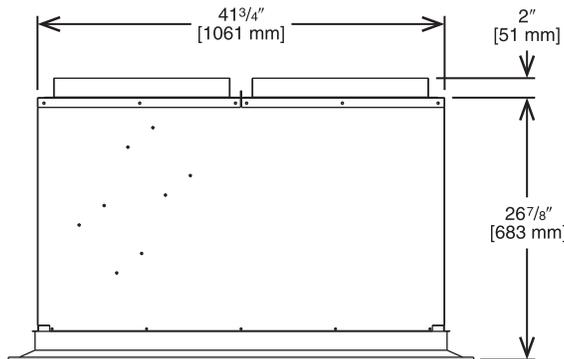
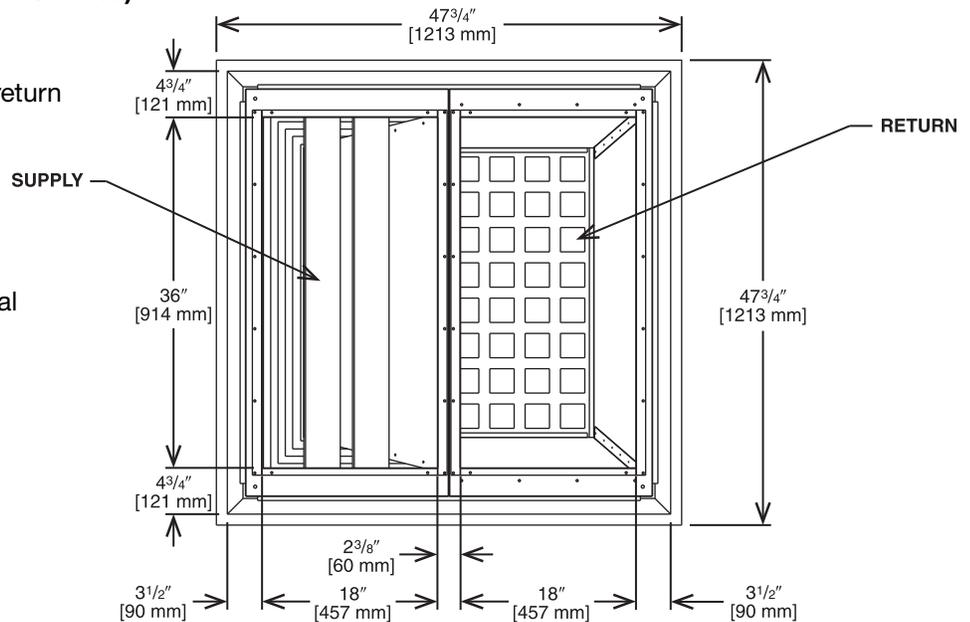


Illustration
ST-A1273-12-00

ENGINEERING DATA^①

Model No.	Flow Rate CFM [L/s]	Throw ^{② ③} Feet [m]	Neck Velocity fpm [m/s]	Noise Level ^④ (dbA)
RXRN-AEF3618	4400 [2068]	13-28 [4.1-8.5]	922 [47]	35
	4600 [2162]	14-30 [4.3-9.1]	962 [4.9]	37
	4800 [2256]	15-31 [4.6-9.4]	1002 [5.1]	39
	5000 [2350]	16-32 [4.9-9.8]	1043 [5.3]	40
	5200 [2444]	17-33 [5.2-10.1]	1083 [5.5]	42
	5400 [2538]	18-35 [5.5-10.7]	1123 [5.7]	43

NOTES: ① All data is based on the air diffusion council guidelines.

② Throw data is based on 75 FPM Terminal Velocities using isothermal air.

③ Throw is based on diffuser blades being directed in a straight pattern.

④ Actual noise levels may vary due to duct design and do not include transmitted unit noise. Adequate duct attenuation must be provided to reduce sound output from the unit.

[] Designates Metric Conversions



Guide Specifications RGED – 090 - 150

You may copy this document directly into your building specification. This specification is written to comply with the 2016 version of the “master format” as published by the Construction Specification Institute. www.csinet.org.

GAS HEAT PACKAGED ROOFTOP

HVAC Guide Specifications

Size Range: 7¹/₂ to 12¹/₂ Nominal Tons

Section	Description
---------	-------------

23 06 80	Schedules for Decentralized HVAC Equipment
-----------------	---

23 06 80.13	Decentralized Unitary HVAC Equipment Schedule
--------------------	--

23 06 80.13.A.	Rooftop unit schedule
----------------	-----------------------

1. Schedule is per the project specification requirements.

23 07 16	HVAC Equipment Insulation
-----------------	----------------------------------

23 07 16.00.A.	Evaporator fan compartment:
----------------	-----------------------------

1. Interior cabinet surfaces shall be insulated with a minimum 1/2-in. thick, minimum 1.6 LB density, flexible fiberglass insulation bonded with foil face on the air side.
2. Insulation and adhesive shall meet NFPA 90A requirements for flame spread and smoke generation.
3. Insulation shall also be mechanically fastened with welded pin and retainer washer.

23 07 16.00.B.	Gas heat compartment:
----------------	-----------------------

1. Aluminum foil-faced fiberglass insulation shall be used.
2. Insulation and adhesive shall meet NFPA 90A requirements for flame spread and smoke generation.
3. Insulation shall also be mechanically fastened with welded pin and retainer washer.

23 09 13	Instrumentation and Control Devices for HVAC
-----------------	---

23 09 13.23	Sensors and Transmitters:
--------------------	----------------------------------

23 09 13.23.A.	Thermostats
----------------	-------------

1. Thermostat must
 - a. energize both “W” and “G” when calling for heat.
 - b. have capability to energize 2 different stages of cooling, and 2 different stages of heating.
 - c. must include capability for occupancy scheduling.

23 09 33	Electric and Electronic Control System for HVAC
-----------------	--

23 09 33.00.A.	General:
----------------	----------

1. Shall be complete with self-contained low-voltage control circuit protected by a fuse on the 24-V transformer side (090-150 units have a resettable circuit breaker).
2. Shall utilize color-coded wiring.
3. Unit shall include self-contained low-voltage control circuit protected by a fuse on the 24-V transformer side with a resettable circuit breaker.
4. The heat exchanger shall be controlled by an integrated furnace controller (IFC) microprocessor. See heat exchanger section of this specification.
5. Unit shall include a minimum of one 8-pin screw terminal connection board for connection of control wiring.

23 09 33.00.B.	Safeties:
----------------	-----------

1. Compressor over-temperature, over current.
2. Low-pressure switch.
 - a. Units shall have low pressure, loss of charge automatic reset device that will shut off compressor when tripped.
3. High-pressure switch.
 - a. Unit shall be equipped with high pressure switch manual reset device that will shut off compressor when tripped.
4. Automatic reset, motor thermal overload protector.
5. Heating section shall be provided with the following minimum protections:
 - a. High-temperature limit switches.
 - b. Induced draft motor pressure switch.
 - c. Flame rollout switch.
 - d. Flame proving controls.

23 09 93 Sequence of Operations for HVAC Controls

23 09 93.00 INSERT SEQUENCE OF OPERATION

23 41 13 Panel Air Filters

23 41 13.00.A. Standard filter section shall

1. Shall consist of factory-installed, low velocity, throwaway 2-in. thick fiberglass filters of commercially available sizes.
2. Unit shall use only one filter size. Multiple sizes are not acceptable.
3. Filter face velocity shall not exceed 365 fpm at nominal airflows.
4. Filters shall be accessible through an access panel with “no-tool” removal as described in the unit cabinet section of the specification (23 81 19.13.H).

23 81 19 Self-Contained Air Conditioners

23 81 19.13 Small Capacity Self-Contained Air Conditioners

23 81 19.13.A. General

1. Outdoor, rooftop mounted, electrically controlled, heating and cooling unit utilizing a(n) hermetic scroll compressor(s) for cooling duty and gas combustion for heating duty.
2. Factory assembled, single-piece heating and cooling rooftop unit. Contained within the unit enclosure shall be all factory wiring, piping, controls, and special features required prior to field start-up.
3. Unit shall use environmentally safe, R410A refrigerant.
4. Unit shall be installed in accordance with the manufacturer’s instructions.
5. Unit must be selected and installed in compliance with local, state, and federal codes.

23 81 19.13.B. Quality Assurance

1. Unit meets ASHRAE 90.1-2007 and 2013 minimum efficiency requirements.
2. 3 phase units are Energy Star qualified.
3. Unit shall be rated in accordance with AHRI Standards 340/360.
4. Unit shall be designed to conform to ASHRAE 15.
5. Unit shall be UL-tested and certified in accordance with ANSI Z21.47 Standards and UL-listed and certified under Canadian standards as a total package for safety requirements.
6. Insulation and adhesive shall meet NFPA 90A requirements for flame spread and smoke generation.
7. Unit casing shall be capable of withstanding 1000-hour salt spray exposure per ASTM B117 (scribed specimen).
8. Unit shall be designed in accordance with ISO 9001:2015, and shall be manufactured in a facility registered by ISO 9001:2015.
9. Roof curb shall be designed to conform to NRCA Standards.
10. Unit shall be subjected to a completely automated run test on the assembly line. The data for each unit will be stored at the factory, and must be available upon request.
11. Unit shall be designed in accordance with UL Standard 1995, Fifth Ed. including tested to withstand rain.
12. Unit shall be constructed to prevent intrusion of snow and tested to prevent snow intrusion into the control box up to 40 mph.

23 81 19.13.C. Delivery, Storage, and Handling

1. Unit shall be stored and handled per manufacturer’s recommendations.
2. Lifted by crane requires either shipping top panel or spreader bars.
3. Unit shall only be stored or positioned in the upright position.

23 81 19.13.E. Project Conditions

1. As specified in the contract.

23 81 19.13.F. Operating Characteristics

1. Unit shall be capable of starting and running at 115°F (46°C) ambient outdoor temperature, meeting maximum load criteria of AHRI Standard 210/240 or 360 at ± 10% voltage.
2. Compressor with standard controls shall be capable of operation down to 50°F (10°C), ambient outdoor temperatures. Low ambient accessory kit is necessary if mechanically cooling at ambient temperatures to 0°F (-17.7°C).
3. Unit shall discharge supply air vertically or horizontally as shown on contract drawings.
4. Unit shall be factory configured for vertical supply & return configurations.
5. Unit shall be field convertible from vertical to horizontal configuration.
6. Unit shall be capable of mixed operation: vertical supply with horizontal return or horizontal supply with vertical return.

23 81 19.13.G. Electrical Requirements

1. Main power supply voltage, phase, and frequency must match those required by the manufacturer.

23 81 19.13.H. Unit Cabinet

1. Unit cabinet shall be constructed of galvanized steel.
2. Unit cabinet exterior paint shall be: pre-painted steel.
3. Evaporator fan compartment interior cabinet insulation shall conform to AHRI Standards 210 or 360 minimum exterior sweat criteria. Interior surfaces shall be insulated with a minimum 1/2-in. thick, 1.6 lb density, flexible fiberglass insulation, foil faced on the air side. Aluminum foil-faced fiberglass insulation shall be used in the gas heat compartment.
4. Base of unit shall have a location for thru-the-base gas and electrical connections standard.
5. Base Rail
 - a. Unit shall have base rails on a minimum of 4 sides.
 - b. Holes shall be provided in the base rails for rigging shackles to facilitate maneuvering and overhead rigging.
 - c. Holes shall be provided in the base rail for moving the rooftop for fork truck.
 - d. Base rail shall be a minimum of 14 gauge thickness.
6. Condensate pan and connections:
 - a. Shall be a sloped condensate drain pan made of a non-corrosive material and be removable for cleaning.
 - b. Shall comply with ASHRAE Standard 62.
 - c. Shall use a 3/4" NPT drain connection, possible either through the bottom or side of the drain pan. Connection shall be made per manufacturer's recommendations.
 - d. Shall be able to be easily removed.
7. Top panel:
 - a. Shall be a single piece top panel over indoor section.
8. Gas Connections:
 - a. All gas piping connecting to unit gas valve shall enter the unit cabinet at a single location on side of unit (horizontal plane).
 - b. Thru-the-base capability
 - i. Standard unit shall have a thru-the-base gas-line location using a continuous raised, flange around opening in the basepan.
 - ii. No basepan penetration, other than those authorized by the manufacturer, is permitted.
9. Electrical Connections
 - a. All unit power wiring shall enter unit cabinet a a single, factory-prepared, continuous raised flange opening in the basepan.
 - b. Thru-the-base capability
 - i. Standard unit shall have a thru-the-base electrical location(s) using a raised, continuous raised flange opening in the basepan.
 - ii. No basepan penetration, other than those authorized by the manufacturer, is permitted.
10. Component access panels (standard)
 - a. Cabinet panels shall be easily opened for servicing.
 - b. Panels covering control box, indoor fan, indoor fan motor, gas components (where applicable), and filters shall have hinges with 1/4 turn fasteners.
 - c. 1/4 fasteners shall be permanently attached.

23 81 19.13.I. Gas Heat

1. General
 - a. Heat exchanger shall be an induced draft design. Positive pressure heat exchanger designs shall not be allowed.
 - b. Shall incorporate a direct-spark ignition system and redundant main gas valve.
 - c. Heat exchanger design shall allow combustion process condensate to gravity drain; maintenance to drain the gas heat exchanger shall not be required.
 - d. Gas supply pressure at the inlet to the rooftop unit gas valve must match that required by the manufacturer.
2. The heat exchanger shall be controlled by an integrated furnace controller (IFC) microcompressor.
 - a. IFC board shall notify users of fault using two 7 segment displays.

3. Standard Heat Exchanger construction
 - a. Heat exchanger shall be of the tubular-section type constructed of a minimum of 20-gauge steel coated with a nominal 1.2 mil aluminum-silicone alloy for corrosion resistance.
 - b. Burners shall be of the in-shot type constructed of aluminum-coated steel.
 - c. Burners shall incorporate orifice for rated heat output up to 2,000 ft. (610m) elevation with a gas heating valve of 1050. Alternate orifices may be required depending on local gas heating valves and elevations.
 - d. Each heat exchanger tube shall contain tubulators for increased heating effectiveness.
4. Optional Stainless Steel Heat Exchanger construction
 - a. Use energy saving, direct-spark ignition system.
 - b. Use a redundant main gas valve.
 - c. Burners shall be of the in-shot type constructed of aluminum-coated steel.
 - d. All gas piping shall enter the unit cabinet at a single location on side of unit (horizontal plane).
 - e. The optional stainless steel heat exchanger shall be of the tubular-section type, constructed of a minimum of 20-gauge type 409 stainless steel.
 - f. Type 409 stainless steel shall be used in heat exchanger tubes.
 - g. Complete stainless steel heat exchanger allows for greater application flexibility.
5. Induced draft combustion motor and blower
 - a. Shall be a direct-drive, single inlet, forward-curved centrifugal type.
 - b. Shall be made from steel with a corrosion-resistant finish.
 - c. Shall be permanently lubricated sealed bearings.
 - d. Shall have inherent thermal overload protection.
 - e. Shall have an automatic reset feature.

23 81 19.13.J. Coils

1. Standard Aluminum/MicroChannel Coils:
 - a. Standard evaporator and condenser coils shall be aluminum.
 - b. Evaporator and condenser coils shall be leak tested to 150 psig, pressure tested to 400 psig, and qualified to UL 1995 burst test at 2,200 psi.

23 81 19.13.K. Refrigerant Components

1. Refrigerant circuit shall include the following control, safety, and maintenance features:
 - a. TXV metering system shall prevent mal-distribution of two-phase refrigerant.
 - b. Refrigerant filter drier.
 - c. Service gauge connections on suction and discharge lines.
 - d. External pressure gauge ports access shall be located in front exterior of cabinet.
2. Compressors
 - a. Unit shall use one fully hermetic, 2- stage scroll compressor for each independent refrigeration circuit.
 - b. Compressor motors shall be cooled by refrigerant gas passing through motor windings.
 - c. Compressors shall be internally protected from high discharge temperature conditions.
 - d. Compressors shall be protected from an over-temperature and over-amperage conditions by an internal, motor overload device.
 - e. Compressor shall be factory mounted on rubber grommets.
 - f. Compressor motors shall have internal line break thermal and current overload protection.
 - g. Crankcase heaters shall not be required for normal operating range.
 - h. Compressor shall have molded electrical plug.

23 81 19.13.L. Filter Section

1. Filters access is specified in the unit cabinet section of this specification.
2. Filters shall be held in place by filter tray, facilitating easy removal and installation.
3. Shall consist of factory-installed, low velocity, throw-away 2-in. thick fiberglass filters.
4. Filter face velocity shall not exceed 320 fpm at nominal airflows.
5. Filters shall be standard, commercially available sizes.
6. Only one size filter per unit is allowed.

23 81 19.13.M. Evaporator Fan and Motor

1. Evaporator fan motor:
 - a. Shall have permanently lubricated bearings
 - b. Shall have inherent automatic-reset thermal overload protection.
 - c. Shall have a maximum continuous bhp rating for continuous duty operation; no safety factors above that rating shall be required.
2. Belt-driven Evaporator Fan:
 - a. Belt drive shall include an adjustable-pitch motor pulley.
 - b. Shall use sealed, permanently lubricated ball-bearing type.
 - c. Blower fan shall be double-inlet type with forward-curved blades.
 - d. Shall be constructed from steel with a corrosion resistant finish and dynamically balanced.

23 81 19.13.N. Condenser Fans and Motors

1. Condenser fan motors:
 - a. Shall be a totally enclosed motor.
 - b. Shall use permanently lubricated bearings.
 - c. Shall have inherent thermal overload protection with an automatic reset feature.
 - d. Shall use a shaft-down design. Shaft-up designs including those with “rain-slinger devices” shall not be allowed.
2. Condenser Fans shall:
 - a. Shall be a direct-driven propeller type fan
 - b. Shall have aluminum blades riveted to corrosion-resistant steel spiders and shall be dynamically balanced.

23 81 19.13.O. Special Features

1. Integrated Economizers:
 - a. Integrated, gear-driven parallel modulating blade design type capable of simultaneous economizer and compressor operation.
 - b. Independent modules for vertical or horizontal return configurations shall be available. Vertical return modules shall be available as a factory installed option.
 - c. Damper blades shall be galvanized steel with metal gears. Plastic or composite blades on intake or return shall not be acceptable.
 - d. Shall include all hardware and controls to provide free cooling with outdoor air when temperature and/or humidity are below setpoints.
 - e. Shall be equipped with gear driven dampers for both the outdoor ventilation air and the return air for positive air stream control.
 - f. Shall be equipped with low-leakage dampers, not to exceed 2% leakage at 1 in. wg pressure differential.
 - g. Shall be capable of introducing up to 100% outdoor air.
 - h. Shall be equipped with a barometric relief damper capable of relieving up to 100% return air.
 - i. Shall be designed to close damper(s) during loss-of-power situations with spring return built into motor.
 - j. Enthalpy sensor shall be provided as standard. Outdoor air sensor set point shall be adjustable and shall range from 40 to 100°F / 4 to 38°C. Additional sensor options shall be available as accessories.
 - k. The economizer controller shall also provide control of an accessory power exhaust unit function. Factory set at 70%, with a range of 0% to 100%.
 - l. The economizer shall maintain minimum airflow into the building during occupied period and provide design ventilation rate for full occupancy. A remote potentiometer may be used to override the damper set point.
 - m. Dampers shall be completely closed when the unit is in the unoccupied mode.
 - n. Economizer controller shall accept a 2-10Vdc CO2 sensor input for IAQ/DCV control. In this mode, dampers shall modulate the outdoor-air damper to provide ventilation based on the sensor input.
 - o. Actuator shall be direct coupled to economizer gear. No linkage arms or control rods shall be acceptable.
 - p. Economizer controller shall provide indications when in free cooling mode, in the DCV mode, or the exhaust fan contact is closed.
 - q. Economizer wire harness will have provision for smoke detector.
2. Manual damper
 - a. Manual damper package shall consist of damper, air inlet screen, and rain hood which can be preset to admit up to 50% outdoor air for year round ventilation.

3. Liquid Propane (LP) Conversion Kit (sold separately)
 - a. Kit shall contain all the necessary hardware and instructions to convert a standard natural gas unit for use with liquefied propane, up to 2000 ft (610m) elevation.
4. Condenser Coil Hail Guard Assembly
 - a. Shall protect against damage from hail.
 - b. Shall be louvered style.
5. Unit-Mounted, Non-Fused Disconnect Switch:
 - a. Switch shall be factory-installed, internally mounted.
 - b. National Electric Code (NEC) and UL approved non-fused switch shall provide unit power shutoff.
 - c. Shall be accessible from outside the unit.
 - d. Shall provide local shutdown and lockout capability.
6. Convenience Outlet:
 - a. Powered convenience outlet.
 - b. Outlet shall be powered from main line power to the rooftop unit.
 - c. Outlet shall be powered from line side or load side of disconnect by installing contractor, as required by code. If outlet is powered from load side of disconnect, unit electrical ratings shall be UL certified and rated for additional outlet amperage.
 - d. Outlet shall be factory-installed and internally mounted with easily accessible 115-v female receptacle.
 - e. Outlet shall include 15 amp GFI receptacles with independent fuse protection.
 - f. Voltage required to operate convenience outlet shall be provided by a factory-installed step-down transformer.
 - g. Outlet shall be accessible from outside the unit.
 - h. Non-Powered convenience outlet.
 - i. Outlet shall be powered from a separate 115-120v power source.
 - j. A transformer shall not be included.
 - k. Outlet shall be field-installed and internally mounted with easily accessible 115-v female receptacle.
 - l. Outlet shall include 15 amp GFI receptacle with independent fuse protection.
 - m. Outlet shall be accessible from outside the unit.
7. Flue Hood:
 - a. Flue discharge deflector shall direct unit exhaust vertically instead of horizontally.
8. Propeller Power Exhaust:
 - a. Power exhaust shall be used in conjunction with an integrated economizer.
 - b. Independent modules for vertical or horizontal return configurations shall be available.
 - c. Horizontal power exhaust is shall be mounted in return ductwork.
 - d. Power exhaust shall be controlled by economizer controller operation. Exhaust fans shall be energized when dampers open past the 0-100% adjustable setpoint on the economizer control.
9. Roof Curbs (Vertical):
 - a. Formed galvanized steel with wood nailer strip and shall be capable of supporting entire unit weight.
 - b. Permits installation and securing of ductwork to curb prior to mounting unit on the curb.
10. Return Air Enthalpy Sensor:
 - a. The return air enthalpy sensor shall be used in conjunction with an outdoor air enthalpy sensor to provide differential enthalpy control.
11. Indoor Air Quality (CO2) Sensor:
 - a. Shall be able to provide demand ventilation indoor air quality (IAQ) control.
 - b. The IAQ sensor shall be available in duct mount, wall mount, or wall mount with LED display. The set point shall have adjustment capability.

12. Smoke detectors:
 - a. Shall be a Four-Wire Controller and Detector.
 - b. Shall be environmental compensated with differential sensing for reliable, stable, and drift-free sensitivity.
 - c. Shall use magnet-activated test/reset sensor switches.
 - d. Shall have tool-less connection terminal access.
 - e. Shall have a recessed momentary switch for testing and resetting the detector.
 - f. Controller shall include:
 - i. One set of normally open alarm initiation contacts for connection to an initiating device circuit on a fire alarm control panel
 - ii. Two Form-C auxiliary alarm relays for interface with rooftop unit or other equipment
 - iii. One Form-C supervision (trouble) relay to control the operation of the Trouble LED on a remote test/reset station
 - iv. Capable of direct connection to two individual detector modules.
 - v. Can be wired to up to 14 other duct smoke detectors for multiple fan shutdown applications.
13. Barometric relief
 - a. Shall include damper, seals, hard-ware, and hoods to relieve excess building pressure.
 - b. Damper shall gravity-close upon shutdown.
14. Time Guard
 - a. Shall prevent compressor short cycling by providing a 5-minute delay (± 2 minutes) before restarting a compressor after shutdown for any reason.
 - b. One device shall be required per compressor.

BEFORE PURCHASING THIS APPLIANCE, READ IMPORTANT ENERGY COST AND EFFICIENCY INFORMATION AVAILABLE FROM YOUR RETAILER.

GENERAL TERMS OF LIMITED WARRANTY*

Rheem will furnish a replacement for any part of this product which fails in normal use and service within the applicable periods stated, in accordance with the terms of the limited warranty.

***For complete details of the Limited and Conditional Warranties, including applicable terms and conditions, contact your local contractor or the Manufacturer for a copy of the product warranty certificate.**

- Compressor**
 3 Phase, Commercial Applications.....Five (5) Years
- Aluminized Heat Exchanger**
 3 Phase, Commercial Applications.....Ten (10) Years
- Stainless Steel Heat Exchanger**
 3 Phase, Commercial ApplicationsTwenty (20) Years
- Parts**
 3 Phase, Commercial Applications.....One (1) Year



The new degree of comfort.™

In keeping with its policy of continuous progress and product improvement, Rheem reserves the right to make changes without notice.

Rheem Heating, Cooling & Water Heating • P.O. Box 17010
Fort Smith, Arkansas 72917 • www.rheem.com

Rheem Canada Ltd./Ltée • 125 Edgeware Road, Unit 1
Brampton, Ontario • L6Y 0P5



INTEGRATED AIR & WATER

PRINTED IN U.S.A. 3/19 QG FORM NO. R11-872 REV. 3