



The new degree of comfort.™



Rheem *Classic*® Series Package Gas Electric Unit



RGEA14- 14 SEER Series

Nominal Sizes 2-5 Tons [7.0-17.6 kW]

RGEA14*U- 14 SEER Ultra Low NOx Series

Nominal Sizes 2-5 Tons [7.0-17.6 kW]

RGEA15- 15 SEER Series

Nominal Sizes 2-5 Tons [7.0-17.6 kW]

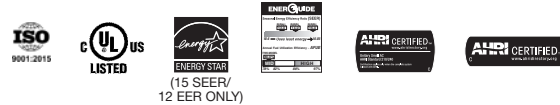
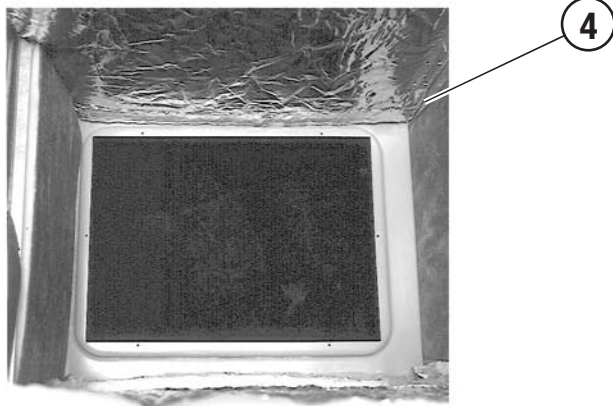
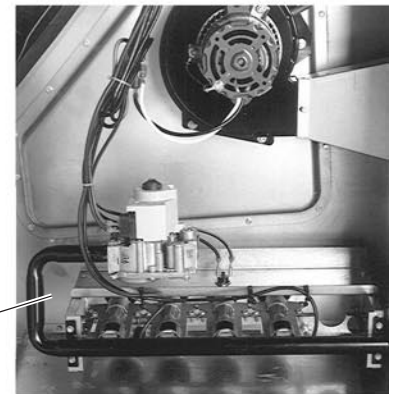
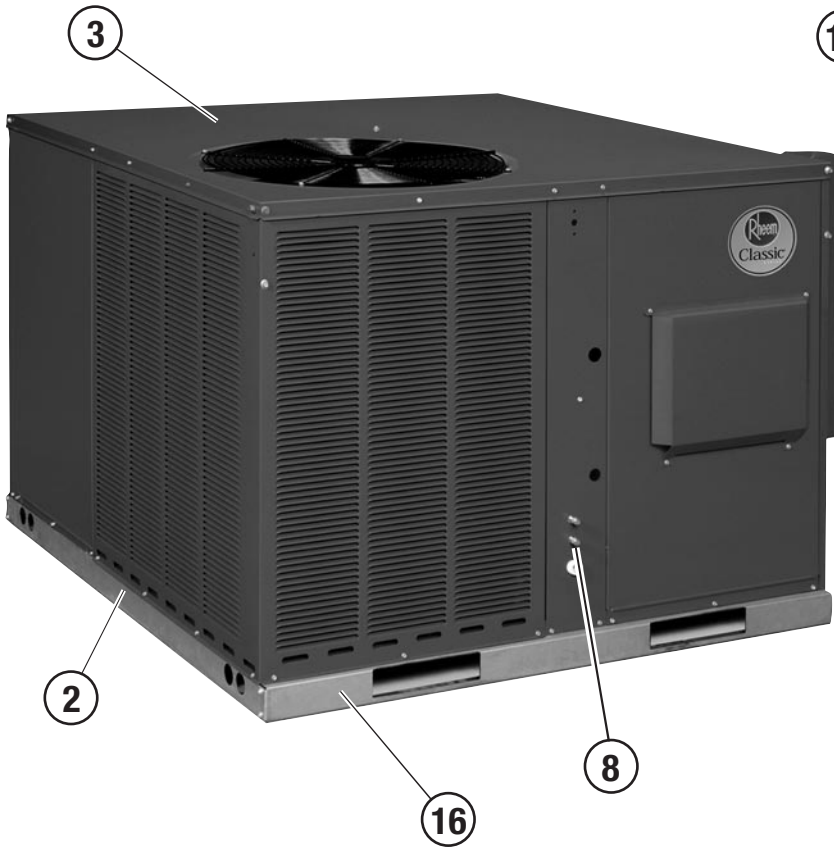
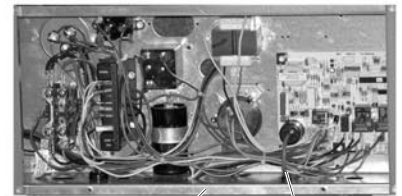
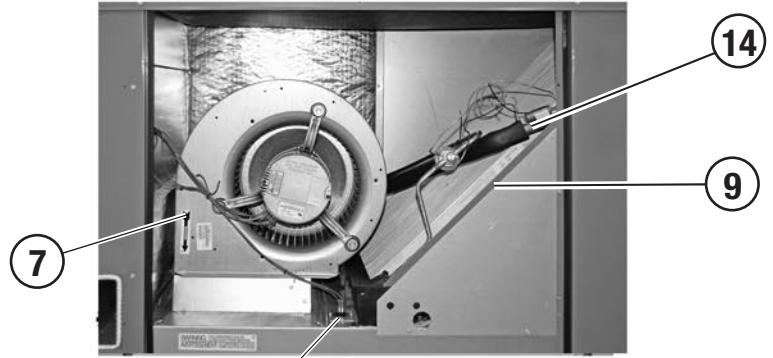
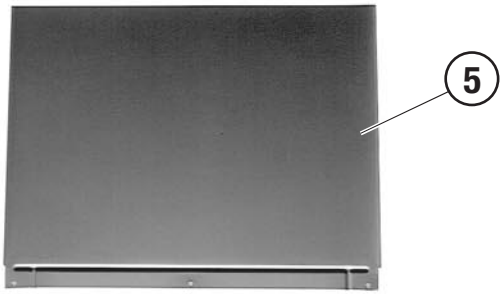


TABLE OF CONTENTS

Unit Features & Benefits	3-4
Model Number Identification	5
Available SKUs	6
Options	7
General Data	
RGEA14- Series	8-16
RGEA15- Series	17-21
General Data Notes	22
Gross Systems Performance Data	
RGEA14- Series	23-28
RGEA15- Series	29-34
Heating Performance.....	35
Indoor Airflow Performance.....	36-51
Electrical Data	
RGEA14- Series	52-58
RGEA15- Series	59-62
Dimensional Data	63-64
Typical Installations	65
Accessories.....	66-73
Limited Warranty.....	74

Package Gas Electric Unit Features:





RGEA14/15 Features Below Correspond to Photos on Page 3

1. All models feature Scroll® compressors for maximum efficiency and quiet operation. 5 Ton RGEA14/15 models feature UltraTech™ Scroll 2-Stage compressors with Comfort Alert™ diagnostics (see below), high/low pressure switches, and hard start kits.
2. Louvered condenser compartment for protecting the coil against yard hazards and/or weather extremes.
3. One-piece top with a drip flange to help keep water out of the unit.
4. Supply and return air openings feature a one-inch tall flange to prevent water migration into the ductwork.
5. Access panels have “weep holes” and channels to further help manage water run-off.
6. Side and down discharge options available on all models. All models are shipped ready for horizontal application.
7. Easily accessible blower section complete with slide-out blower.
8. Refrigerant connections are conveniently located for easy service diagnostics.
9. Micro Channel evaporator and condenser delivers superior performance with less refrigerant charge and less weight than conventional copper tube/aluminum fin coils. In addition the all aluminum construction has superior protection against formicary corrosion and aluminum tube rubbing potential. It is easier to clean and has a more robust surface.
10. Inside the easily accessible furnace compartment is the draft inducer motor. This motor is specially designed for quiet reliable operation. In addition to the draft inducer motor, the in-shot gas burners and manifold efficiently regulate the flow of gas for combustion. These gas/electric units also feature direct-spark ignition and remote flame sensors for added reliability and efficiency.
11. Easily accessible control box.
12. Single point wiring simplifies installation.
13. Our gas/electric package units feature a tubular heat exchanger design. The heat exchanger is backed by a 10 year limited warranty. Models with a stainless steel heat exchanger installed in a residential application are backed by a limited lifetime warranty.
14. Thermal expansion valve standard on all models for superior superheat control, reliability, and energy efficiency at all operating conditions.
15. Filter drier standard on all models (not shown).
16. Rugged baserail included for improved installation and handling
17. Complete factory charged, wired and run tested.
18. Molded compressor plugs.
19. A double sloped evaporator coil drain pan assures all water is removed from the unit to improve indoor air quality.

Comfort Alert™ Diagnostics – Faster Service And Improved Accuracy (2-Stage Models Only)

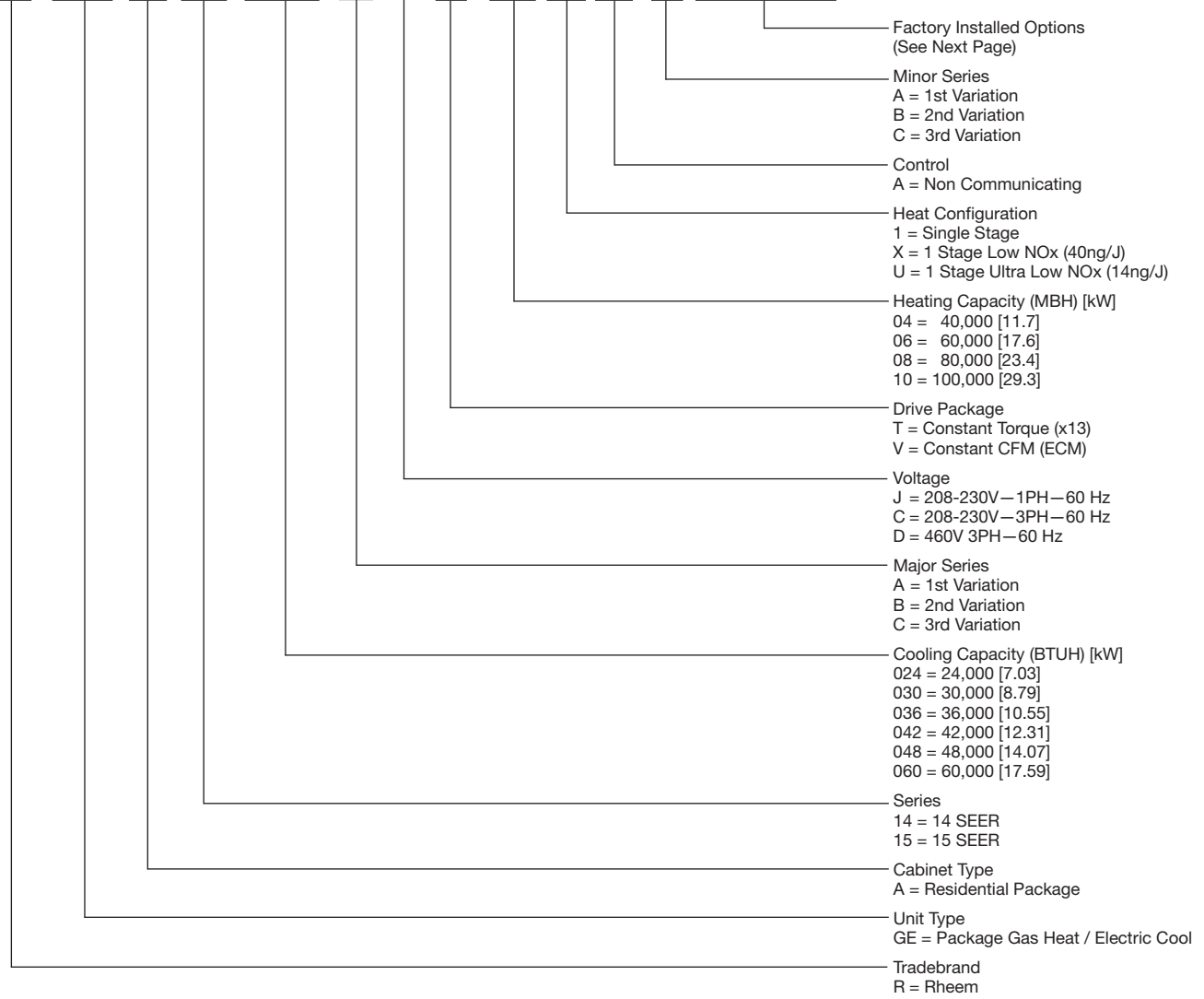
The Comfort Alert™ diagnostics module is a breakthrough innovation for troubleshooting air conditioning system failures. The module is installed in the control box near the compressor contactor. By monitoring and analyzing data from the Scroll® compressor and the thermostat demand, the module can accurately detect the cause of electrical and system related failures without any sensors. A flashing LED indicator communicates the ALERT code and guides the service technician more quickly and accurately to the root cause of a problem.

NOTE: Single phase module does not provide active compressor protection! The Comfort Alert module is a monitoring device and cannot control or shut down the compressor unless used with a compatible thermostat.

NOTE: Three phase module provides compressor protection and will shut down the compressor when compressor damaging conditions are detected.



R GE A 14 036 A J T 10 1 A A X X X



[] Designates Metric Conversions



Available SKUs

Available Standard Models					
RGEA14			RGEA15		
RGEA14024AJT061AC	RGEA14036BDT101AB	RGEA14048BCT081AA	RGEA15024BJV061AA	RGEA15036BDT101AA	RGEA15048ACT081AA
RGEA14024AJT081AC	RGEA14036AJT061AC	RGEA14048BCT101AA	RGEA15024BJV081AA	RGEA15036BJV061AA	RGEA15048ACT101AA
RGEA14030AJT061AC	RGEA14036AJT081AC	RGEA14048BDT101AA	RGEA15030AJV061AB	RGEA15036BJV081AA	RGEA15048ADT101AA
RGEA14030AJT081AC	RGEA14036AJT101AC	RGEA14048AJT081AB	RGEA15030AJV081AB	RGEA15036BJV101AA	RGEA15048AJV081AB
RGEA14036BCT061AB	RGEA14042ACT081AB	RGEA14048AJT101AB	RGEA15036BCT061AA	RGEA15042BCT081AA	RGEA15048AJV101AB
RGEA14036BCT081AB	RGEA14042ACT101AB	RGEA14060CCT101AA	RGEA15036BCT081AA	RGEA15042BCT101AA	RGEA15060ACT101AA
RGEA14036BCT101AB	RGEA14042AJT081AC	RGEA14060CDT101AA	RGEA15036BCT101AA	RGEA15042BJV081AA	RGEA15060ADT101AA
RGEA14036BDT061AB	RGEA14042AJT101AC	RGEA14060CJT101AB	RGEA15036BDT061AA	RGEA15042BJV101AA	RGEA15060AJV101AB
RGEA14036BDT081AB			RGEA15036BDT081AA		

Bold indicates two-stage cooling product

Available Low NOx Models (40 ng/J)					
RGEA14			RGEA15		
RGEA14024AJT06XAC	RGEA14036BDT10XAB	RGEA14048BCT08XAA	RGEA15024BJV06XAA	RGEA15036BDT10XAA	RGEA15048ACT08XAA
RGEA14024AJT08XAC	RGEA14036AJT06XAC	RGEA14048BCT10XAA	RGEA15024BJV08XAA	RGEA15036BJV06XAA	RGEA15048ACT10XAA
RGEA14030AJT06XAC	RGEA14036AJT08XAC	RGEA14048BDT10XAA	RGEA15030AJV06XAB	RGEA15036BJV08XAA	RGEA15048ADT10XAA
RGEA14030AJT08XAC	RGEA14036AJT10XAC	RGEA14048AJT08XAB	RGEA15030AJV08XAB	RGEA15036BJV10XAA	RGEA15048AJV08XAB
RGEA14036BCT06XAB	RGEA14042ACT08XAB	RGEA14048AJT10XAB	RGEA15036BCT06XAA	RGEA15042BCT08XAA	RGEA15048AJV10XAB
RGEA14036BCT08XAB	RGEA14042ACT10XAB	RGEA14060CCT10XAA	RGEA15036BCT08XAA	RGEA15042BCT10XAA	RGEA15060ADT10XAA
RGEA14036BCT10XAB	RGEA14042AJT08XAC	RGEA14060CDT10XAA	RGEA15036BCT10XAA	RGEA15042BJV08XAA	RGEA15060AJV10XAB
RGEA14036BDT06XAB	RGEA14042AJT10XAC	RGEA14060CJT10XAB	RGEA15036BDT06XAA	RGEA15042BJV10XAA	
RGEA14036BDT08XAB			RGEA15036BDT08XAA		

Bold indicates two-stage cooling product

Available Ultra Low NOx Models (14 ng/J)		
RGEA14		
RGEA14024AJT04UAA	RGEA14036ADT08UAA	RGEA14048ADT10UAA
RGEA14024AJT06UAA	RGEA14036AJT06UAA	RGEA14048AJT08UAA
RGEA14030AJT04UAA	RGEA14036AJT08UAA	RGEA14048AJT10UAA
RGEA14030AJT06UAA	RGEA14042ACT08UAA	RGEA14060ACT10UAA
RGEA14036ACT06UAA	RGEA14042AJT08UAA	RGEA14060ADT10UAA
RGEA14036ACT08UAA	RGEA14048ACT08UAA	RGEA14060AJT10UAA
RGEA14036ADT06UAA	RGEA14048ACT10UAA	

Bold indicates two-stage cooling product



Instructions for Factory Installed Option(s) Selection

Note: Three characters following the model number will be utilized to designate a factory-installed option or combination of options. If no factory option(s) is required, nothing follows the model number.

After a basic rooftop model is selected, choose a *three-character* option code from the FACTORY INSTALLED OPTION SELECTION TABLE.

FACTORY INSTALLED OPTION CODES

Option Code	Stainless Steel Heat Exchanger
AJA	x

"x" indicates factory installed option.

Example: No Option

RGEA14036AJD081AA

Example: Option with Stainless Steel Heat Exchanger

RGEA14036AJD081AAAJA

Notes: ULN models standard with Stainless Steel Heat Exchanger

Factory installed economizer is not available.

NOMINAL SIZES 2-5 TONS [7.0-17.6 kW]

Model RGEA14 Series	024AJT04UAA	024AJT061AB	024AJT061AC	030AJT04UAA
Cooling Performance¹				CONTINUED →
Gross Cooling Capacity Btu [kW]	24,200 [7.09]	24,200 [7.09]	24,200 [7.09]	29,200 [8.56]
EER/SEER ²	11/14	11/14	11/14	11/14
Nominal CFM/AHRI Rated CFM [L/s]	800/900 [378/425]	800/900 [378/425]	800/900 [378/425]	1000/1000 [472/472]
AHRI Net Cooling Capacity Btu [kW]	23,600 [6.91]	23,600 [6.91]	23,600 [6.91]	28,000 [8.2]
Net Sensible Capacity Btu [kW]	17,700 [5.19]	17,700 [5.19]	17,700 [5.19]	21,000 [6.15]
Net Latent Capacity Btu [kW]	5,900 [1.73]	5,900 [1.73]	5,900 [1.73]	7,000 [2.05]
Net System Power kW	2.03	2.03	2.03	2.37
Heating Performance (Gas)⁴				
Heating Input Btu [kW]	40,000 [11.72]	60,000 [17.58]	60,000 [17.58]	40,000 [11.72]
Heating Output Btu [kW]	32,800 [9.61]	48,000 [14.06]	48,000 [14.06]	32,800 [9.61]
Temperature Rise Range °F [°C]	30-60 [16.7-33.3]	40-70 [22.2-38.9]	40-70 [22.2-38.9]	30-60 [16.7-33.3]
AFUE %	81	81	81	81
Steady State Efficiency (%)	82	82	82	82
No. Burners	1	3	3	1
No. Stages	1	1	1	1
Gas Connection Pipe Size in. [mm]	0.5 [12.7]	0.5 [12.7]	0.5 [12.7]	0.5 [12.7]
Compressor				
No./Type	1/Scroll	1/Scroll	1/Scroll	1/Scroll
Outdoor Sound Rating (dB)³	76	76	76	76
Outdoor Coil - Fin Type	Louvered	Louvered	Louvered	Louvered
Tube Type	MicroChannel	MicroChannel	MicroChannel	MicroChannel
MicroChannel Depth in. [mm]	0.71 [18]	0.71 [18]	0.71 [18]	0.71 [18]
Face Area sq. ft. [sq. m]	7.1 [0.66]	7.1 [0.66]	7.12 [0.66]	9.9 [0.92]
Rows / FPI [FPcm]	1 / 23 [9]	1 / 23 [9]	1 / 23 [9]	1 / 23 [9]
Indoor Coil - Fin Type	Louvered	Louvered	Louvered	Louvered
Tube Type	MicroChannel	MicroChannel	MicroChannel	MicroChannel
MicroChannel Depth in. [mm]	1 [25.4]	1 [25.4]	1 [25.4]	1 [25.4]
Face Area sq. ft. [sq. m]	3.6 [0.33]	3.6 [0.33]	3.54 [0.33]	3.6 [0.33]
Rows / FPI [FPcm]	1 / 17 [7]	1 / 17 [7]	1 / 20 [8]	1 / 17 [7]
Refrigerant Control	TX Valves	TX Valves	TX Valves	TX Valves
Drain Connection No./Size in. [mm]	1/0.75 [19.05]	1/0.75 [19.05]	1/0.75 [19.05]	1/0.75 [19.05]
Outdoor Fan - Type	Propeller	Propeller	Propeller	Propeller
No. Used/Diameter in. [mm]	1/22 [558.8]	1/22 [558.8]	1/22 [558.8]	1/22 [558.8]
Drive Type/No. Speeds	Direct/1	Direct/1	Direct/1	Direct/1
CFM [L/s]	2500 [1180]	2500 [1180]	2500 [1180]	2500 [1180]
No. Motors/HP	1 at 1/3 HP	1 at 1/3 HP	1 at 1/3 HP	1 at 1/3 HP
Motor RPM	1075	1075	825	1075
Indoor Fan - Type	FC Centrifugal	FC Centrifugal	FC Centrifugal	FC Centrifugal
No. Used/Diameter in. [mm]	1/10x9 [254x229]	1/10x9 [254x229]	1/10x9 [254x229]	1/10x9 [254x229]
Drive Type	Direct	Direct	Direct	Direct
No. Speeds	Multiple	Multiple	Multiple	Multiple
No. Motors	1	1	1	1
Motor HP	1/3	1/3	1/3	1/2
Motor RPM	1075	1075	1075	1075
Motor Frame Size	48	48	48	48
Filter - Type	Field Supplied	Field Supplied	Field Supplied	Field Supplied
Furnished	No	No	No	No
(NO.) Size Recommended in. [mm x mm x mm]	(1)1x20x20 [25x508x508]	(1)1x20x20 [25x508x508]	(1)1x20x20 [25x508x508]	(1)1x24x24 [25x610x610]
Refrigerant Charge Oz. [g]	42.6 [1208]	42.6 [1208]	49.6 [1406]	46.8 [1327]
Weights⁵				
Net Weight lbs. [kg]	403 [183]	403 [183]	403 [183]	403 [183]
Ship Weight lbs. [kg]	413 [187]	413 [187]	413 [187]	413 [187]

See Page 22 for Notes.

[] Designates Metric Conversions

NOMINAL SIZES 2-5 TONS [7.0-17.6 kW]

Model RGEA14 Series	030AJT061AB	030AJT061AC	036ACT06UAA	036ADT06UAA
Cooling Performance¹				CONTINUED →
Gross Cooling Capacity Btu [kW]	29,200 [8.56]	29,200 [8.56]	35,000 [10.25]	35,000 [10.25]
EER/SEER ²	11/14	11/14	11/14	11/14
Nominal CFM/AHRI Rated CFM [L/s]	1000/1000 [472/472]	1000/1000 [472/472]	1200/1200 [566/566]	1200/1200 [566/566]
AHRI Net Cooling Capacity Btu [kW]	28,000 [8.2]	28,000 [8.2]	33,600 [9.84]	33,600 [9.84]
Net Sensible Capacity Btu [kW]	21,000 [6.15]	21,000 [6.15]	25,200 [7.38]	25,200 [7.38]
Net Latent Capacity Btu [kW]	7,000 [2.05]	7,000 [2.05]	8,400 [2.46]	8,400 [2.46]
Net System Power kW	2.37	2.37	2.93	2.93
Heating Performance (Gas)⁴				
Heating Input Btu [kW]	60,000 [17.58]	60,000 [17.58]	60,000 [17.58]	60,000 [17.58]
Heating Output Btu [kW]	48,000 [14.06]	48,000 [14.06]	49,200 [14.42]	49,200 [14.42]
Temperature Rise Range °F [°C]	40-70 [22.2-38.9]	40-70 [22.2-38.9]	40-70 [22.2-38.9]	40-70 [22.2-38.9]
AFUE %	81	81	81	81
Steady State Efficiency (%)	82	82	82	82
No. Burners	3	3	1	1
No. Stages	1	1	1	1
Gas Connection Pipe Size in. [mm]	0.5 [12.7]	0.5 [12.7]	0.5 [12.7]	0.5 [12.7]
Compressor				
No./Type	1/Scroll	1/Scroll	1/Scroll	1/Scroll
Outdoor Sound Rating (dB)³	76	76	76	76
Outdoor Coil - Fin Type	Louvered	Louvered	Louvered	Louvered
Tube Type	MicroChannel	MicroChannel	MicroChannel	MicroChannel
MicroChannel Depth in. [mm]	0.71 [18]	0.71 [18]	0.71 [18]	0.71 [18]
Face Area sq. ft. [sq. m]	9.9 [0.92]	9.86 [0.92]	9.8 [0.91]	9.8 [0.91]
Rows / FPI [FPcm]	1 / 23 [9]	1 / 23 [9]	1 / 23 [9]	1 / 23 [9]
Indoor Coil - Fin Type	Louvered	Louvered	Louvered	Louvered
Tube Type	MicroChannel	MicroChannel	MicroChannel	MicroChannel
MicroChannel Depth in. [mm]	1 [25.4]	1 [25.4]	1 [25.4]	1 [25.4]
Face Area sq. ft. [sq. m]	3.6 [0.33]	3.54 [0.33]	3.6 [0.33]	3.6 [0.33]
Rows / FPI [FPcm]	1 / 17 [7]	1 / 20 [8]	1 / 17 [7]	1 / 17 [7]
Refrigerant Control	TX Valves	TX Valves	TX Valves	TX Valves
Drain Connection No./Size in. [mm]	1/0.75 [19.05]	1/0.75 [19.05]	1/0.75 [19.05]	1/0.75 [19.05]
Outdoor Fan - Type	Propeller	Propeller	Propeller	Propeller
No. Used/Diameter in. [mm]	1/22 [558.8]	1/22 [558.8]	1/22 [558.8]	1/22 [558.8]
Drive Type/No. Speeds	Direct/1	Direct/1	Direct/1	Direct/1
CFM [L/s]	2500 [1180]	2500 [1180]	2700 [1274]	2700 [1274]
No. Motors/HP	1 at 1/3 HP	1 at 1/3 HP	1 at 1/3 HP	1 at 1/3 HP
Motor RPM	1075	825	1075	1075
Indoor Fan - Type	FC Centrifugal	FC Centrifugal	FC Centrifugal	FC Centrifugal
No. Used/Diameter in. [mm]	1/10x9 [254x229]	1/10x9 [254x229]	1/12x9 [305x229]	1/12x9 [305x229]
Drive Type	Direct	Direct	Direct	Direct
No. Speeds	Multiple	Multiple	Multiple	Multiple
No. Motors	1	1	1	1
Motor HP	1/2	1/2	1/2	1/2
Motor RPM	1075	1075	1075	1075
Motor Frame Size	48	48	48	48
Filter - Type	Field Supplied	Field Supplied	Field Supplied	Field Supplied
Furnished	No	No	No	No
(NO.) Size Recommended in. [mm x mm x mm]	(1)1x24x24 [25x610x610]	(1)1x24x24 [25x610x610]	(1)1x24x24 [25x610x610]	(1)1x24x24 [25x610x610]
Refrigerant Charge Oz. [g]	46.8 [1327]	46.4 [1315]	52.7 [1494]	52.7 [1494]
Weights⁵				
Net Weight lbs. [kg]	403 [183]	403 [183]	411 [186]	411 [186]
Ship Weight lbs. [kg]	413 [187]	413 [187]	421 [191]	421 [191]

See Page 22 for Notes.

[] Designates Metric Conversions



NOMINAL SIZES 2-5 TONS [7.0-17.6 kW]

Model RGEA14 Series	036AJT061AB	036AJT061AC	036AJT06UAA	036BCT061AA
Cooling Performance¹				CONTINUED →
Gross Cooling Capacity Btu [kW]	35,000 [10.25]	35,000 [10.25]	35,000 [10.25]	35,000 [10.25]
EER/SEER ²	11/14	11/14	11/14	11/14
Nominal CFM/AHRI Rated CFM [L/s]	1200/1200 [566/566]	1200/1200 [566/566]	1200/1200 [566/566]	1200/1200 [566/566]
AHRI Net Cooling Capacity Btu [kW]	33,600 [9.84]	33,600 [9.84]	33,600 [9.84]	33,600 [9.84]
Net Sensible Capacity Btu [kW]	25,200 [7.38]	25,200 [7.38]	25,200 [7.38]	25,200 [7.38]
Net Latent Capacity Btu [kW]	8,400 [2.46]	8,400 [2.46]	8,400 [2.46]	8,400 [2.46]
Net System Power kW	2.93	2.93	2.93	2.93
Heating Performance (Gas)⁴				
Heating Input Btu [kW]	60,000 [17.58]	60,000 [17.58]	60,000 [17.58]	60,000 [17.58]
Heating Output Btu [kW]	48,000 [14.06]	48,000 [14.06]	49,200 [14.42]	48,000 [14.06]
Temperature Rise Range °F [°C]	40-70 [22.2-38.9]	40-70 [22.2-38.9]	40-70 [22.2-38.9]	40-70 [22.2-38.9]
AFUE %	81	81	81	81
Steady State Efficiency (%)	82	82	82	82
No. Burners	3	3	1	3
No. Stages	1	1	1	1
Gas Connection Pipe Size in. [mm]	0.5 [12.7]	0.5 [12.7]	0.5 [12.7]	0.5 [12.7]
Compressor				
No./Type	1/Scroll	1/Scroll	1/Scroll	1/Scroll
Outdoor Sound Rating (dB)³	76	76	76	76
Outdoor Coil - Fin Type	Louvered	Louvered	Louvered	Louvered
Tube Type	MicroChannel	MicroChannel	MicroChannel	MicroChannel
MicroChannel Depth in. [mm]	0.71 [18]	0.71 [18]	0.71 [18]	0.71 [18]
Face Area sq. ft. [sq. m]	9.8 [0.91]	9.72 [0.9]	9.8 [0.91]	9.8 [0.91]
Rows / FPI [FPcm]	1 / 23 [9]	1 / 23 [9]	1 / 23 [9]	1 / 23 [9]
Indoor Coil - Fin Type	Louvered	Louvered	Louvered	Louvered
Tube Type	MicroChannel	MicroChannel	MicroChannel	MicroChannel
MicroChannel Depth in. [mm]	1 [25.4]	1 [25.4]	1 [25.4]	1 [25.4]
Face Area sq. ft. [sq. m]	3.6 [0.33]	3.54 [0.33]	3.6 [0.33]	3.6 [0.33]
Rows / FPI [FPcm]	1 / 17 [7]	1 / 20 [8]	1 / 17 [7]	1 / 17 [7]
Refrigerant Control	TX Valves	TX Valves	TX Valves	TX Valves
Drain Connection No./Size in. [mm]	1/0.75 [19.05]	1/0.75 [19.05]	1/0.75 [19.05]	1/0.75 [19.05]
Outdoor Fan - Type	Propeller	Propeller	Propeller	Propeller
No. Used/Diameter in. [mm]	1/22 [558.8]	1/22 [558.8]	1/22 [558.8]	1/22 [558.8]
Drive Type/No. Speeds	Direct/1	Direct/1	Direct/1	Direct/1
CFM [L/s]	2700 [1274]	2700 [1274]	2700 [1274]	2700 [1274]
No. Motors/HP	1 at 1/3 HP	1 at 1/3 HP	1 at 1/3 HP	1 at 1/3 HP
Motor RPM	1075	825	1075	1075
Indoor Fan - Type	FC Centrifugal	FC Centrifugal	FC Centrifugal	FC Centrifugal
No. Used/Diameter in. [mm]	1/12x9 [305x229]	1/12x9 [305x229]	1/12x9 [305x229]	1/12x9 [305x229]
Drive Type	Direct	Direct	Direct	Direct
No. Speeds	Multiple	Multiple	Multiple	Multiple
No. Motors	1	1	1	1
Motor HP	1	1	1/2	1/2
Motor RPM	1050	1050	1075	1075
Motor Frame Size	48	48	48	48
Filter - Type	Field Supplied	Field Supplied	Field Supplied	Field Supplied
Furnished	No	No	No	No
(NO.) Size Recommended in. [mm x mm x mm]	(1)1x24x24 [25x610x610]	(1)1x24x24 [25x610x610]	(1)1x24x24 [25x610x610]	(1)1x24x24 [25x610x610]
Refrigerant Charge Oz. [g]	52.7 [1494]	54.4 [1542]	52.7 [1494]	52.7 [1494]
Weights⁵				
Net Weight lbs. [kg]	411 [186]	411 [186]	411 [186]	411 [186]
Ship Weight lbs. [kg]	421 [191]	421 [191]	421 [191]	421 [191]

See Page 22 for Notes.

[] Designates Metric Conversions

NOMINAL SIZES 2-5 TONS [7.0-17.6 kW]

Model RGEA14 Series	036BCT061AB	036BDT061AA	036BDT061AB	042ACT081AA
Cooling Performance¹				CONTINUED →
Gross Cooling Capacity Btu [kW]	35,000 [10.25]	35,000 [10.25]	35,000 [10.25]	40,000 [11.72]
EER/SEER ²	11/14	11/14	11/14	11/14
Nominal CFM/AHRI Rated CFM [L/s]	1200/1200 [566/566]	1200/1200 [566/566]	1200/1200 [566/566]	1400/1300 [661/613]
AHRI Net Cooling Capacity Btu [kW]	33,600 [9.84]	33,600 [9.84]	33,600 [9.84]	39,000 [11.43]
Net Sensible Capacity Btu [kW]	25,200 [7.38]	25,200 [7.38]	25,200 [7.38]	29,250 [8.57]
Net Latent Capacity Btu [kW]	8,400 [2.46]	8,400 [2.46]	8,400 [2.46]	9,750 [2.86]
Net System Power kW	2.93	2.93	2.93	3.27
Heating Performance (Gas)⁴				
Heating Input Btu [kW]	60,000 [17.58]	60,000 [17.58]	60,000 [17.58]	80,000 [23.44]
Heating Output Btu [kW]	48,000 [14.06]	48,000 [14.06]	48,000 [14.06]	65,000 [19.04]
Temperature Rise Range °F [°C]	40-70 [22.2-38.9]	40-70 [22.2-38.9]	40-70 [22.2-38.9]	35-65 [19.4-36.1]
AFUE %	81	81	81	81
Steady State Efficiency (%)	82	82	82	82
No. Burners	3	3	3	4
No. Stages	1	1	1	1
Gas Connection Pipe Size in. [mm]	0.5 [12.7]	0.5 [12.7]	0.5 [12.7]	0.5 [12.7]
Compressor				
No./Type	1/Scroll	1/Scroll	1/Scroll	1/Scroll
Outdoor Sound Rating (dB)³	76	76	76	76
Outdoor Coil - Fin Type	Louvered	Louvered	Louvered	Louvered
Tube Type	MicroChannel	MicroChannel	MicroChannel	MicroChannel
MicroChannel Depth in. [mm]	0.71 [18]	0.71 [18]	0.71 [18]	0.71 [18]
Face Area sq. ft. [sq. m]	9.72 [0.9]	9.8 [0.91]	9.72 [0.9]	14.1 [1.31]
Rows / FPI [FPcm]	1 / 23 [9]	1 / 23 [9]	1 / 23 [9]	1 / 23 [9]
Indoor Coil - Fin Type	Louvered	Louvered	Louvered	Louvered
Tube Type	MicroChannel	MicroChannel	MicroChannel	MicroChannel
MicroChannel Depth in. [mm]	1 [25.4]	1 [25.4]	1 [25.4]	1 [25.4]
Face Area sq. ft. [sq. m]	3.54 [0.33]	3.6 [0.33]	3.54 [0.33]	3.6 [0.33]
Rows / FPI [FPcm]	1 / 20 [8]	1 / 17 [7]	1 / 20 [8]	1 / 17 [7]
Refrigerant Control	TX Valves	TX Valves	TX Valves	TX Valves
Drain Connection No./Size in. [mm]	1/0.75 [19.05]	1/0.75 [19.05]	1/0.75 [19.05]	1/0.75 [19.05]
Outdoor Fan - Type	Propeller	Propeller	Propeller	Propeller
No. Used/Diameter in. [mm]	1/22 [558.8]	1/22 [558.8]	1/22 [558.8]	1/22 [558.8]
Drive Type/No. Speeds	Direct/1	Direct/1	Direct/1	Direct/1
CFM [L/s]	2700 [1274]	2700 [1274]	2700 [1274]	3500 [1652]
No. Motors/HP	1 at 1/3 HP	1 at 1/3 HP	1 at 1/3 HP	1 at 1/3 HP
Motor RPM	825	1075	825	1075
Indoor Fan - Type	FC Centrifugal	FC Centrifugal	FC Centrifugal	FC Centrifugal
No. Used/Diameter in. [mm]	1/12x9 [305x229]	1/12x9 [305x229]	1/12x9 [305x229]	1/12x9 [305x229]
Drive Type	Direct	Direct	Direct	Direct
No. Speeds	Multiple	Multiple	Multiple	Multiple
No. Motors	1	1	1	1
Motor HP	1/2	1/2	1/2	3/4
Motor RPM	1075	1075	1075	1075
Motor Frame Size	48	48	48	48
Filter - Type	Field Supplied	Field Supplied	Field Supplied	Field Supplied
Furnished	No	No	No	No
(NO.) Size Recommended in. [mm x mm x mm]	(1)1x24x24 [25x610x610]	(1)1x24x24 [25x610x610]	(1)1x24x24 [25x610x610]	(1)1x24x24 [25x610x610]
Refrigerant Charge Oz. [g]	54.4 [1542]	52.7 [1494]	54.4 [1542]	53.6 [1520]
Weights⁵				
Net Weight lbs. [kg]	411 [186]	411 [186]	411 [186]	441 [200]
Ship Weight lbs. [kg]	421 [191]	421 [191]	421 [191]	451 [205]

See Page 22 for Notes.

[] Designates Metric Conversions



NOMINAL SIZES 2-5 TONS [7.0-17.6 kW]

Model RGEA14 Series	042ACT081AB	042ACT08UAA	042AJT081AB	042AJT081AC
Cooling Performance¹				CONTINUED →
Gross Cooling Capacity Btu [kW]	40,000 [11.72]	40,000 [11.72]	40,000 [11.72]	40,000 [11.72]
EER/SEER ²	11/14	11/14	11/14	11/14
Nominal CFM/AHRI Rated CFM [L/s]	1400/1300 [661/613]	1400/1300 [661/613]	1400/1300 [661/613]	1400/1300 [661/613]
AHRI Net Cooling Capacity Btu [kW]	39,000 [11.43]	39,000 [11.43]	39,000 [11.43]	39,000 [11.43]
Net Sensible Capacity Btu [kW]	29,250 [8.57]	29,250 [8.57]	29,250 [8.57]	29,250 [8.57]
Net Latent Capacity Btu [kW]	9,750 [2.86]	9,750 [2.86]	9,750 [2.86]	9,750 [2.86]
Net System Power kW	3.27	3.27	3.27	3.27
Heating Performance (Gas)⁴				
Heating Input Btu [kW]	80,000 [23.44]	80,000 [23.44]	80,000 [23.44]	80,000 [23.44]
Heating Output Btu [kW]	65,000 [19.04]	65,600 [19.22]	65,000 [19.04]	65,000 [19.04]
Temperature Rise Range °F [°C]	35-65 [19.4-36.1]	35-65 [19.4-36.1]	35-65 [19.4-36.1]	35-65 [19.4-36.1]
AFUE %	81	81	81	81
Steady State Efficiency (%)	82	82	82	82
No. Burners	4	1	4	4
No. Stages	1	1	1	1
Gas Connection Pipe Size in. [mm]	0.5 [12.7]	0.5 [12.7]	0.5 [12.7]	0.5 [12.7]
Compressor				
No./Type	1/Scroll	1/Scroll	1/Scroll	1/Scroll
Outdoor Sound Rating (dB)³	76	76	76	76
Outdoor Coil - Fin Type	Louvered	Louvered	Louvered	Louvered
Tube Type	MicroChannel	MicroChannel	MicroChannel	MicroChannel
MicroChannel Depth in. [mm]	0.71 [18]	0.71 [18]	0.71 [18]	0.71 [18]
Face Area sq. ft. [sq. m]	14.1 [1.31]	14.1 [1.31]	14.1 [1.31]	14.1 [1.31]
Rows / FPI [FPcm]	1 / 23 [9]	1 / 23 [9]	1 / 23 [9]	1 / 23 [9]
Indoor Coil - Fin Type	Louvered	Louvered	Louvered	Louvered
Tube Type	MicroChannel	MicroChannel	MicroChannel	MicroChannel
MicroChannel Depth in. [mm]	1 [25.4]	1 [25.4]	1 [25.4]	1 [25.4]
Face Area sq. ft. [sq. m]	3.54 [0.33]	3.6 [0.33]	3.6 [0.33]	3.54 [0.33]
Rows / FPI [FPcm]	1 / 20 [8]	1 / 17 [7]	1 / 17 [7]	1 / 20 [8]
Refrigerant Control	TX Valves	TX Valves	TX Valves	TX Valves
Drain Connection No./Size in. [mm]	1/0.75 [19.05]	1/0.75 [19.05]	1/0.75 [19.05]	1/0.75 [19.05]
Outdoor Fan - Type	Propeller	Propeller	Propeller	Propeller
No. Used/Diameter in. [mm]	1/22 [558.8]	1/22 [558.8]	1/22 [558.8]	1/22 [558.8]
Drive Type/No. Speeds	Direct/1	Direct/1	Direct/1	Direct/1
CFM [L/s]	3500 [1652]	3500 [1652]	3500 [1652]	3500 [1652]
No. Motors/HP	1 at 1/3 HP	1 at 1/3 HP	1 at 1/3 HP	1 at 1/3 HP
Motor RPM	825	1075	1075	825
Indoor Fan - Type	FC Centrifugal	FC Centrifugal	FC Centrifugal	FC Centrifugal
No. Used/Diameter in. [mm]	1/12x9 [305x229]	1/12x9 [305x229]	1/12x9 [305x229]	1/12x9 [305x229]
Drive Type	Direct	Direct	Direct	Direct
No. Speeds	Multiple	Multiple	Multiple	Multiple
No. Motors	1	1	1	1
Motor HP	3/4	3/4	3/4	3/4
Motor RPM	1075	1075	1075	1075
Motor Frame Size	48	48	48	48
Filter - Type	Field Supplied	Field Supplied	Field Supplied	Field Supplied
Furnished	No	No	No	No
(NO.) Size Recommended in. [mm x mm x mm]	(1)1x24x24 [25x610x610]	(1)1x24x24 [25x610x610]	(1)1x24x24 [25x610x610]	(1)1x24x24 [25x610x610]
Refrigerant Charge Oz. [g]	65.6 [1860]	53.6 [1520]	53.6 [1520]	65.6 [1860]
Weights⁵				
Net Weight lbs. [kg]	441 [200]	441 [200]	441 [200]	441 [200]
Ship Weight lbs. [kg]	451 [205]	451 [205]	451 [205]	451 [205]

See Page 22 for Notes.

[] Designates Metric Conversions

NOMINAL SIZES 2-5 TONS [7.0-17.6 kW]

Model RGEA14 Series	042AJT08UAA	048ACT08UAA	048ADT10UAA	048AJT081AB
Cooling Performance¹				CONTINUED →
Gross Cooling Capacity Btu [kW]	40,000 [11.72]	46,000 [13.48]	46,000 [13.48]	46,000 [13.48]
EER/SEER ²	11/14	11/14	11/14	11/14
Nominal CFM/AHRI Rated CFM [L/s]	1400/1300 [661/613]	1600/1550 [755/731]	1600/1550 [755/731]	1600/1550 [755/731]
AHRI Net Cooling Capacity Btu [kW]	39,000 [11.43]	44,500 [13.04]	44,500 [13.04]	44,500 [13.04]
Net Sensible Capacity Btu [kW]	29,250 [8.57]	31,150 [9.13]	31,150 [9.13]	31,150 [9.13]
Net Latent Capacity Btu [kW]	9,750 [2.86]	13,350 [3.91]	13,350 [3.91]	13,350 [3.91]
Net System Power kW	3.27	3.89	3.89	3.89
Heating Performance (Gas)⁴				
Heating Input Btu [kW]	80,000 [23.44]	80,000 [23.44]	100,000 [29.3]	80,000 [23.44]
Heating Output Btu [kW]	65,600 [19.22]	65,600 [19.22]	82,000 [24.03]	65,000 [19.04]
Temperature Rise Range °F [°C]	35-65 [19.4-36.1]	35-65 [19.4-36.1]	40-70 [22.2-38.9]	35-65 [19.4-36.1]
AFUE %	81	81	81	81
Steady State Efficiency (%)	82	82	82	82
No. Burners	1	1	1	4
No. Stages	1	1	1	1
Gas Connection Pipe Size in. [mm]	0.5 [12.7]	0.5 [12.7]	0.5 [12.7]	0.5 [12.7]
Compressor				
No./Type	1/Scroll	1/Scroll	1/Scroll	1/Scroll
Outdoor Sound Rating (dB)³	76	78	78	78
Outdoor Coil - Fin Type	Louvered	Louvered	Louvered	Louvered
Tube Type	MicroChannel	MicroChannel	MicroChannel	MicroChannel
MicroChannel Depth in. [mm]	0.71 [18]	0.71 [18]	0.71 [18]	0.7 [17.8]
Face Area sq. ft. [sq. m]	14.1 [1.31]	16.3 [1.51]	16.3 [1.51]	16.3 [1.51]
Rows / FPI [FPcm]	1 / 23 [9]	1 / 23 [9]	1 / 23 [9]	1 / 23 [9]
Indoor Coil - Fin Type	Louvered	Louvered	Louvered	Louvered
Tube Type	MicroChannel	MicroChannel	MicroChannel	MicroChannel
MicroChannel Depth in. [mm]	1 [25.4]	1 [25.4]	1 [25.4]	1.26 [32]
Face Area sq. ft. [sq. m]	3.6 [0.33]	4.1 [0.38]	4.1 [0.38]	4.1 [0.38]
Rows / FPI [FPcm]	1 / 17 [7]	1 / 20 [8]	1 / 20 [8]	1 / 20 [8]
Refrigerant Control	TX Valves	TX Valves	TX Valves	TX Valves
Drain Connection No./Size in. [mm]	1/0.75 [19.05]	1/0.75 [19.05]	1/0.75 [19.05]	1/0.75 [19.05]
Outdoor Fan - Type	Propeller	Propeller	Propeller	Propeller
No. Used/Diameter in. [mm]	1/22 [558.8]	1/22 [558.8]	1/22 [558.8]	1/22 [558.8]
Drive Type/No. Speeds	Direct/1	Direct/1	Direct/1	Direct/1
CFM [L/s]	3500 [1652]	3300 [1557]	3300 [1557]	3300 [1557]
No. Motors/HP	1 at 1/3 HP	1 at 1/3 HP	1 at 1/3 HP	1 at 1/3 HP
Motor RPM	1075	1075	1075	1075
Indoor Fan - Type	FC Centrifugal	FC Centrifugal	FC Centrifugal	FC Centrifugal
No. Used/Diameter in. [mm]	1/12x9 [305x229]	1/12x9 [305x229]	1/12x9 [305x229]	1/12x9 [305x229]
Drive Type	Direct	Direct	Direct	Direct
No. Speeds	Multiple	Multiple	Multiple	Multiple
No. Motors	1	1	1	1
Motor HP	3/4	3/4	3/4	3/4
Motor RPM	1075	1075	1075	1075
Motor Frame Size	48	48	48	48
Filter - Type	Field Supplied	Field Supplied	Field Supplied	Field Supplied
Furnished	No	No	No	No
(NO.) Size Recommended in. [mm x mm x mm]	(1)1x24x24 [25x610x610]	(1)1x24x24 [25x610x610]	(1)1x24x24 [25x610x610]	(1)1x24x24 [25x610x610]
Refrigerant Charge Oz. [g]	53.6 [1520]	85.3 [2418]	85.3 [2418]	85.3 [2418]
Weights⁵				
Net Weight lbs. [kg]	441 [200]	477 [216]	482 [219]	492 [223]
Ship Weight lbs. [kg]	451 [205]	487 [221]	492 [223]	502 [228]

See Page 22 for Notes.

[] Designates Metric Conversions

NOMINAL SIZES 2-5 TONS [7.0-17.6 kW]

Model RGEA14 Series	048AJT08UAA	048BCT081AA	048BDT101AA	060ACT10UAA
Cooling Performance¹				CONTINUED →
Gross Cooling Capacity Btu [kW]	46,000 [13.48]	46,000 [13.48]	46,000 [13.48]	58,000 [16.99]
EER/SEER ²	11/14	11/14	11/14	11/14
Nominal CFM/AHRI Rated CFM [L/s]	1600/1550 [755/731]	1600/1550 [755/731]	1600/1550 [755/731]	2000/1700 [944/802]
AHRI Net Cooling Capacity Btu [kW]	44,500 [13.04]	44,500 [13.04]	44,500 [13.04]	56,000 [16.41]
Net Sensible Capacity Btu [kW]	31,150 [9.13]	31,150 [9.13]	31,150 [9.13]	38,700 [11.34]
Net Latent Capacity Btu [kW]	13,350 [3.91]	13,350 [3.91]	13,350 [3.91]	17,300 [5.07]
Net System Power kW	3.89	3.66	3.66	5.14
Heating Performance (Gas)⁴				
Heating Input Btu [kW]	80,000 [23.44]	80,000 [23.44]	100,000 [29.3]	100,000 [29.3]
Heating Output Btu [kW]	65,600 [19.22]	65,000 [19.04]	81,000 [23.73]	82,000 [24.03]
Temperature Rise Range °F [°C]	35-65 [19.4-36.1]	35-65 [19.4-36.1]	45-75 [25-41.7]	35-65 [19.4-36.1]
AFUE %	81	81	81	81
Steady State Efficiency (%)	82	82	82	82
No. Burners	1	4	5	1
No. Stages	1	1	1	1
Gas Connection Pipe Size in. [mm]	0.5 [12.7]	0.5 [12.7]	0.5 [12.7]	0.5 [12.7]
Compressor				
No./Type	1/Scroll	1/Scroll	1/Scroll	1/Scroll
Outdoor Sound Rating (dB)³	78	78	78	79
Outdoor Coil - Fin Type	Louvered	Louvered	Louvered	Louvered
Tube Type	MicroChannel	MicroChannel	MicroChannel	MicroChannel
MicroChannel Depth in. [mm]	0.71 [18]	0.71 [18]	0.7 [17.8]	1 [25.4]
Face Area sq. ft. [sq. m]	16.3 [1.51]	16.3 [1.51]	16.3 [1.51]	15.3 [1.42]
Rows / FPI [FPcm]	1 / 23 [9]	1 / 23 [9]	1 / 23 [9]	1 / 23 [9]
Indoor Coil - Fin Type	Louvered	Louvered	Louvered	Louvered
Tube Type	MicroChannel	MicroChannel	MicroChannel	MicroChannel
MicroChannel Depth in. [mm]	1 [25.4]	1.26 [32]	1.26 [32]	1.26 [32]
Face Area sq. ft. [sq. m]	4.1 [0.38]	4.1 [0.38]	4.1 [0.38]	4.1 [0.38]
Rows / FPI [FPcm]	1 / 20 [8]	1 / 20 [8]	1 / 20 [8]	1 / 20 [8]
Refrigerant Control	TX Valves	TX Valves	TX Valves	TX Valves
Drain Connection No./Size in. [mm]	1/0.75 [19.05]	1/0.75 [19.05]	1/0.75 [19.05]	1/0.75 [19.05]
Outdoor Fan - Type	Propeller	Propeller	Propeller	Propeller
No. Used/Diameter in. [mm]	1/22 [558.8]	1/22 [558.8]	1/22 [558.8]	1/22 [558.8]
Drive Type/No. Speeds	Direct/1	Direct/1	Direct/1	Direct/1
CFM [L/s]	3300 [1557]	3300 [1557]	3300 [1557]	3400 [1604]
No. Motors/HP	1 at 1/3 HP	1 at 1/3 HP	1 at 1/3 HP	1 at 1/3 HP
Motor RPM	1075	1075	1075	1075
Indoor Fan - Type	FC Centrifugal	FC Centrifugal	FC Centrifugal	FC Centrifugal
No. Used/Diameter in. [mm]	1/12x9 [305x229]	1/12x9 [305x229]	1/12x9 [305x229]	1/12x9 [305x229]
Drive Type	Direct	Direct	Direct	Direct
No. Speeds	Multiple	Multiple	Multiple	Multiple
No. Motors	1	1	1	1
Motor HP	3/4	3/4	3/4	1
Motor RPM	1075	1075	1075	1075
Motor Frame Size	48	48	48	48
Filter - Type	Field Supplied	Field Supplied	Field Supplied	Field Supplied
Furnished	No	No	No	No
(NO.) Size Recommended in. [mm x mm x mm]	(1)1x24x24 [25x610x610]	(1)1x24x24 [25x610x610]	(1)1x24x24 [25x610x610]	(1)1x24x30 [25x610x762]
Refrigerant Charge Oz. [g]	85.3 [2418]	85.3 [2418]	85.3 [2418]	78 [2211]
Weights⁵				
Net Weight lbs. [kg]	477 [216]	492 [223]	497 [225]	512 [232]
Ship Weight lbs. [kg]	487 [221]	502 [228]	507 [230]	522 [237]

See Page 22 for Notes.

[] Designates Metric Conversions

NOMINAL SIZES 2-5 TONS [7.0-17.6 kW]

Model RGEA14 Series	060ADT10UAA	060AJT10UAA	060CCT101AA	060CDT101AA
Cooling Performance¹				CONTINUED →
Gross Cooling Capacity Btu [kW]	58,000 [16.99]	58,000 [16.99]	58,000 [16.99]	58,000 [16.99]
EER/SEER ²	11/14	11/14	11/14	11/14
Nominal CFM/AHRI Rated CFM [L/s]	2000/1700 [944/802]	2000/1700 [944/802]	2000/1700 [944/802]	2000/1700 [944/802]
AHRI Net Cooling Capacity Btu [kW]	56,000 [16.41]	56,000 [16.41]	56,000 [16.41]	56,000 [16.41]
Net Sensible Capacity Btu [kW]	38,700 [11.34]	38,700 [11.34]	38,700 [11.34]	38,700 [11.34]
Net Latent Capacity Btu [kW]	17,300 [5.07]	17,300 [5.07]	17,300 [5.07]	17,300 [5.07]
Net System Power kW	5.14	5.14	5.14	5.14
Heating Performance (Gas)⁴				
Heating Input Btu [kW]	100,000 [29.3]	100,000 [29.3]	100,000 [29.3]	100,000 [29.3]
Heating Output Btu [kW]	82,000 [24.03]	82,000 [24.03]	81,000 [23.73]	81,000 [23.73]
Temperature Rise Range °F [°C]	35-65 [19.4-36.1]	35-65 [19.4-36.1]	45-75 [25-41.7]	45-75 [25-41.7]
AFUE %	81	81	81	81
Steady State Efficiency (%)	82	82	82	82
No. Burners	1	1	5	5
No. Stages	1	1	1	1
Gas Connection Pipe Size in. [mm]	0.5 [12.7]	0.5 [12.7]	0.5 [12.7]	0.5 [12.7]
Compressor				
No./Type	1/Scroll	1/Scroll	1/Scroll	1/Scroll
Outdoor Sound Rating (dB)³	79	78	79	79
Outdoor Coil - Fin Type	Louvered	Louvered	Louvered	Louvered
Tube Type	MicroChannel	MicroChannel	MicroChannel	MicroChannel
MicroChannel Depth in. [mm]	1 [25.4]	1 [25.4]	1 [25.4]	1 [25.4]
Face Area sq. ft. [sq. m]	15.3 [1.42]	15.3 [1.42]	15.3 [1.42]	15.3 [1.42]
Rows / FPI [FPcm]	1 / 23 [9]	1 / 23 [9]	1 / 23 [9]	1 / 23 [9]
Indoor Coil - Fin Type	Louvered	Louvered	Louvered	Louvered
Tube Type	MicroChannel	MicroChannel	MicroChannel	MicroChannel
MicroChannel Depth in. [mm]	1.26 [32]	1.26 [32]	1.26 [32]	1.26 [32]
Face Area sq. ft. [sq. m]	4.1 [0.38]	4.1 [0.38]	4.1 [0.38]	4.1 [0.38]
Rows / FPI [FPcm]	1 / 20 [8]	1 / 20 [8]	1 / 20 [8]	1 / 20 [8]
Refrigerant Control	TX Valves	TX Valves	TX Valves	TX Valves
Drain Connection No./Size in. [mm]	1/0.75 [19.05]	1/0.75 [19.05]	1/0.75 [19.05]	1/0.75 [19.05]
Outdoor Fan - Type	Propeller	Propeller	Propeller	Propeller
No. Used/Diameter in. [mm]	1/22 [558.8]	1/22 [558.8]	1/22 [558.8]	1/22 [558.8]
Drive Type/No. Speeds	Direct/1	Direct/1	Direct/1	Direct/1
CFM [L/s]	3400 [1604]	3600 [1699]	3600 [1699]	3600 [1699]
No. Motors/HP	1 at 1/3 HP	1 at 1/3 HP	1 at 1/3 HP	1 at 1/3 HP
Motor RPM	1075	1075	1075	1075
Indoor Fan - Type	FC Centrifugal	FC Centrifugal	FC Centrifugal	FC Centrifugal
No. Used/Diameter in. [mm]	1/12x9 [305x229]	1/12x9 [305x229]	1/12x9 [305x229]	1/12x9 [305x229]
Drive Type	Direct	Direct	Direct	Direct
No. Speeds	Multiple	Multiple	Multiple	Multiple
No. Motors	1	1	1	1
Motor HP	1	1	1	1
Motor RPM	1075	1075	1075	1075
Motor Frame Size	48	48	48	48
Filter - Type	Field Supplied	Field Supplied	Field Supplied	Field Supplied
Furnished	No	No	No	No
(NO.) Size Recommended in. [mm x mm x mm]	(1)1x24x30 [25x610x762]	(1)1x24x30 [25x610x762]	(1)1x24x30 [25x610x762]	(1)1x24x30 [25x610x762]
Refrigerant Charge Oz. [g]	78 [2211]	78 [2211]	78 [2211]	78 [2211]
Weights⁵				
Net Weight lbs. [kg]	512 [232]	512 [232]	515 [234]	515 [234]
Ship Weight lbs. [kg]	522 [237]	522 [237]	525 [238]	525 [238]

See Page 22 for Notes.

[] Designates Metric Conversions



NOMINAL SIZES 2-5 TONS [7.0-17.6 kW]

Model RGEA14 Series	060CJT101AA
Cooling Performance¹	
Gross Cooling Capacity Btu [kW]	58,000 [16.99]
EER/SEER ²	11/14
Nominal CFM/AHRI Rated CFM [L/s]	2000/1700 [944/802]
AHRI Net Cooling Capacity Btu [kW]	56,000 [16.41]
Net Sensible Capacity Btu [kW]	38,700 [11.34]
Net Latent Capacity Btu [kW]	17,300 [5.07]
Net System Power kW	5.14
Heating Performance (Gas)⁴	
Heating Input Btu [kW]	100,000 [29.3]
Heating Output Btu [kW]	81,000 [23.73]
Temperature Rise Range °F [°C]	45-75 [25-41.7]
AFUE %	81
Steady State Efficiency (%)	82
No. Burners	5
No. Stages	1
Gas Connection Pipe Size in. [mm]	0.5 [12.7]
Compressor	
No./Type	1/Scroll
Outdoor Sound Rating (dB)³	
78	
Outdoor Coil - Fin Type	
Louvered	
Tube Type	MicroChannel
MicroChannel Depth in. [mm]	1 [25.4]
Face Area sq. ft. [sq. m]	15.3 [1.42]
Rows / FPI [FPcm]	1 / 23 [9]
Indoor Coil - Fin Type	
Louvered	
Tube Type	MicroChannel
MicroChannel Depth in. [mm]	1.26 [32]
Face Area sq. ft. [sq. m]	4.1 [0.38]
Rows / FPI [FPcm]	1 / 20 [8]
Refrigerant Control	TX Valves
Drain Connection No./Size in. [mm]	1/0.75 [19.05]
Outdoor Fan - Type	
Propeller	
No. Used/Diameter in. [mm]	1/22 [558.8]
Drive Type/No. Speeds	Direct/1
CFM [L/s]	3600 [1699]
No. Motors/HP	1 at 1/3 HP
Motor RPM	1075
Indoor Fan - Type	
FC Centrifugal	
No. Used/Diameter in. [mm]	1/12x9 [305x229]
Drive Type	Direct
No. Speeds	Multiple
No. Motors	1
Motor HP	1
Motor RPM	1075
Motor Frame Size	48
Filter - Type	
Field Supplied	
Furnished	No
(NO.) Size Recommended in. [mm x mm x mm]	(1)1x24x30 [25x610x762]
Refrigerant Charge Oz. [g]	
78 [2211]	
Weights⁵	
Net Weight lbs. [kg]	515 [234]
Ship Weight lbs. [kg]	525 [238]

See Page 22 for Notes.

[] Designates Metric Conversions

NOMINAL SIZES 2-5 TONS [7.0-17.6 kW]

Model RGEA15 Series	024BJV061AA	030AJV061AB	036BCT061AA	036BDT061AA
Cooling Performance¹				CONTINUED →
Gross Cooling Capacity Btu [kW]	24,400 [7.15]	29,200 [8.56]	36,000 [10.55]	36,000 [10.55]
EER/SEER ²	12/15	12/15	12/15	12/15
Nominal CFM/AHRI Rated CFM [L/s]	800/900 [378/425]	1000/975 [472/460]	1200/1115 [566/526]	1200/1115 [566/526]
AHRI Net Cooling Capacity Btu [kW]	24,000 [7.03]	28,600 [8.38]	35,200 [10.31]	35,200 [10.31]
Net Sensible Capacity Btu [kW]	18,100 [5.3]	21,450 [6.28]	23,960 [7.02]	23,960 [7.02]
Net Latent Capacity Btu [kW]	5,900 [1.73]	7,150 [2.09]	11,240 [3.29]	11,240 [3.29]
Net System Power kW	1.93	2.21	2.83	2.83
Heating Performance (Gas)⁴				
Heating Input Btu [kW]	60,000 [17.58]	60,000 [17.58]	60,000 [17.58]	60,000 [17.58]
Heating Output Btu [kW]	48,000 [14.06]	48,000 [14.06]	48,000 [14.06]	48,000 [14.06]
Temperature Rise Range °F [°C]	40-70 [22.2-38.9]	40-70 [22.2-38.9]	40-70 [22.2-38.9]	40-70 [22.2-38.9]
AFUE %	81	81	81	81
Steady State Efficiency (%)	82	82	82	82
No. Burners	2	3	3	3
No. Stages	1	1	1	1
Gas Connection Pipe Size in. [mm]	0.5 [12.7]	0.5 [12.7]	0.5 [12.7]	0.5 [12.7]
Compressor				
No./Type	1/Scroll	1/Scroll	1/Scroll	1/Scroll
Outdoor Sound Rating (dB)³	76	76	76	76
Outdoor Coil - Fin Type	Louvered	Louvered	Louvered	Louvered
Tube Type	MicroChannel	MicroChannel	MicroChannel	MicroChannel
MicroChannel Depth in. [mm]	0.71 [18]	0.71 [18]	0.71 [18]	0.71 [18]
Face Area sq. ft. [sq. m]	9.9 [0.92]	9.9 [0.92]	16.3 [1.51]	16.3 [1.51]
Rows / FPI [FPcm]	1 / 23 [9]	1 / 23 [9]	1 / 23 [9]	1 / 23 [9]
Indoor Coil - Fin Type	Louvered	Louvered	Louvered	Louvered
Tube Type	MicroChannel	MicroChannel	MicroChannel	MicroChannel
MicroChannel Depth in. [mm]	1 [25.4]	1 [25.4]	1 [25.4]	1 [25.4]
Face Area sq. ft. [sq. m]	3.6 [0.33]	3.6 [0.33]	4.1 [0.38]	4.1 [0.38]
Rows / FPI [FPcm]	1 / 17 [7]	1 / 17 [7]	1 / 20 [8]	1 / 20 [8]
Refrigerant Control	TX Valves	TX Valves	TX Valves	TX Valves
Drain Connection No./Size in. [mm]	1/0.75 [19.05]	1/0.75 [19.05]	1/0.75 [19.05]	1/0.75 [19.05]
Outdoor Fan - Type	Propeller	Propeller	Propeller	Propeller
No. Used/Diameter in. [mm]	1/22 [558.8]	1/22 [558.8]	1/22 [558.8]	1/22 [558.8]
Drive Type/No. Speeds	Direct/1	Direct/1	Direct/1	Direct/1
CFM [L/s]	2500 [1180]	2500 [1180]	2700 [1274]	2700 [1274]
No. Motors/HP	1 at 1/3 HP	1 at 1/3 HP	1 at 1/3 HP	1 at 1/3 HP
Motor RPM	1075	1075	1075	1075
Indoor Fan - Type	FC Centrifugal	FC Centrifugal	FC Centrifugal	FC Centrifugal
No. Used/Diameter in. [mm]	1/10x9 [254x229]	1/10x9 [254x229]	1/12x9 [305x229]	1/12x9 [305x229]
Drive Type	Direct	Direct	Direct	Direct
No. Speeds	Multiple	Multiple	Multiple	Multiple
No. Motors	1	1	1	1
Motor HP	1/2	1/2	1/2	1/2
Motor RPM	1050	1050	1075	1075
Motor Frame Size	48	48	48	48
Filter - Type	Field Supplied	Field Supplied	Field Supplied	Field Supplied
Furnished	No	No	No	No
(NO.) Size Recommended in. [mm x mm x mm]	(1)1x20x20 [25x508x508]	(1)1x24x24 [25x610x610]	(1)1x24x24 [25x610x610]	(1)1x24x24 [25x610x610]
Refrigerant Charge Oz. [g]	47 [1332]	46.8 [1327]	63 [1786]	63 [1786]
Weights⁵				
Net Weight lbs. [kg]	403 [183]	403 [183]	448 [203]	448 [203]
Ship Weight lbs. [kg]	413 [187]	413 [187]	458 [208]	458 [208]

See Page 22 for Notes.

[] Designates Metric Conversions



NOMINAL SIZES 2-5 TONS [7.0-17.6 kW]

Model RGEA15 Series	036BJV061AA	036BJV081AA	036BJV101AA	042BCT081AA
Cooling Performance¹				CONTINUED →
Gross Cooling Capacity Btu [kW]	36,000 [10.55]	36,000 [10.55]	36,000 [10.55]	41,500 [12.16]
EER/SEER ²	12/15	12/15	12/15	12/15
Nominal CFM/AHRI Rated CFM [L/s]	1200/1115 [566/526]	1200/1115 [566/526]	1200/1115 [566/526]	1400/1200 [661/566]
AHRI Net Cooling Capacity Btu [kW]	35,200 [10.31]	35,200 [10.31]	35,200 [10.31]	40,500 [11.87]
Net Sensible Capacity Btu [kW]	23,960 [7.02]	23,960 [7.02]	23,960 [7.02]	29,000 [8.5]
Net Latent Capacity Btu [kW]	11,240 [3.29]	11,240 [3.29]	11,240 [3.29]	11,500 [3.37]
Net System Power kW	2.83	2.83	2.83	3.28
Heating Performance (Gas)⁴				
Heating Input Btu [kW]	60,000 [17.58]	80,000 [23.44]	100,000 [29.3]	80,000 [23.44]
Heating Output Btu [kW]	48,000 [14.06]	65,000 [19.04]	81,000 [23.73]	65,000 [19.04]
Temperature Rise Range °F [°C]	40-70 [22.2-38.9]	35-65 [19.4-36.1]	45-75 [25-41.7]	35-65 [19.4-36.1]
AFUE %	81	81	81	81
Steady State Efficiency (%)	82	82	82	82
No. Burners	3	4	3	4
No. Stages	1	1	1	1
Gas Connection Pipe Size in. [mm]	0.5 [12.7]	0.5 [12.7]	0.5 [12.7]	0.5 [12.7]
Compressor				
No./Type	1/Scroll	1/Scroll	1/Scroll	1/Scroll
Outdoor Sound Rating (dB)³	76	76	76	76
Outdoor Coil - Fin Type	Louvered	Louvered	Louvered	Louvered
Tube Type	MicroChannel	MicroChannel	MicroChannel	MicroChannel
MicroChannel Depth in. [mm]	0.71 [18]	0.71 [18]	0.71 [18]	0.71 [18]
Face Area sq. ft. [sq. m]	16.3 [1.51]	16.3 [1.51]	16.3 [1.51]	16.3 [1.51]
Rows / FPI [FPcm]	1 / 23 [9]	1 / 23 [9]	1 / 23 [9]	1 / 23 [9]
Indoor Coil - Fin Type	Louvered	Louvered	Louvered	Louvered
Tube Type	MicroChannel	MicroChannel	MicroChannel	MicroChannel
MicroChannel Depth in. [mm]	1 [25.4]	1 [25.4]	1 [25.4]	1.26 [32]
Face Area sq. ft. [sq. m]	4.1 [0.38]	4.1 [0.38]	4.1 [0.38]	4.1 [0.38]
Rows / FPI [FPcm]	1 / 20 [8]	1 / 20 [8]	1 / 20 [8]	1 / 20 [8]
Refrigerant Control	TX Valves	TX Valves	TX Valves	TX Valves
Drain Connection No./Size in. [mm]	1/0.75 [19.05]	1/0.75 [19.05]	1/0.75 [19.05]	1/0.75 [19.05]
Outdoor Fan - Type	Propeller	Propeller	Propeller	Propeller
No. Used/Diameter in. [mm]	1/22 [558.8]	1/22 [558.8]	1/22 [558.8]	1/22 [558.8]
Drive Type/No. Speeds	Direct/1	Direct/1	Direct/1	Direct/1
CFM [L/s]	2700 [1274]	2700 [1274]	2700 [1274]	3500 [1652]
No. Motors/HP	1 at 1/3 HP	1 at 1/3 HP	1 at 1/3 HP	1 at 1/3 HP
Motor RPM	1075	1075	1075	1075
Indoor Fan - Type	FC Centrifugal	FC Centrifugal	FC Centrifugal	FC Centrifugal
No. Used/Diameter in. [mm]	1/10x9 [254x229]	1/10x9 [254x229]	1/10x9 [254x229]	1/12x9 [305x229]
Drive Type	Direct	Direct	Direct	Direct
No. Speeds	Multiple	Multiple	Multiple	Multiple
No. Motors	1	1	1	1
Motor HP	1/2	3/4	3/4	3/4
Motor RPM	1050	1050	1050	1075
Motor Frame Size	48	48	48	48
Filter - Type	Field Supplied	Field Supplied	Field Supplied	Field Supplied
Furnished	No	No	No	No
(NO.) Size Recommended in. [mm x mm x mm]	(1)1x24x24 [25x610x610]	(1)1x24x24 [25x610x610]	(1)1x24x24 [25x610x610]	(1)1x24x24 [25x610x610]
Refrigerant Charge Oz. [g]	63 [1786]	63 [1786]	63 [1786]	68 [1928]
Weights⁵				
Net Weight lbs. [kg]	448 [203]	453 [205]	458 [208]	482 [219]
Ship Weight lbs. [kg]	458 [208]	463 [210]	468 [212]	492 [223]

See Page 22 for Notes.

[] Designates Metric Conversions

NOMINAL SIZES 2-5 TONS [7.0-17.6 kW]

Model RGEA15 Series	042BJV081AA	048ACT081AA	048ADT101AA	048AJV081AB
Cooling Performance¹				CONTINUED →
Gross Cooling Capacity Btu [kW]	41,500 [12.16]	46,500 [13.62]	46,500 [13.62]	46,500 [13.62]
EER/SEER ²	12/15	12/14.7	12/14.7	12/14.7
Nominal CFM/AHRI Rated CFM [L/s]	1400/1200 [661/566]	1600/1550 [755/731]	1600/1550 [755/731]	1600/1550 [755/731]
AHRI Net Cooling Capacity Btu [kW]	40,500 [11.87]	45,000 [13.18]	45,000 [13.18]	45,000 [13.18]
Net Sensible Capacity Btu [kW]	29,000 [8.5]	31,500 [9.23]	31,500 [9.23]	31,500 [9.23]
Net Latent Capacity Btu [kW]	11,500 [3.37]	13,500 [3.96]	13,500 [3.96]	13,500 [3.96]
Net System Power kW	3.28	3.66	3.66	3.66
Heating Performance (Gas)⁴				
Heating Input Btu [kW]	80,000 [23.44]	80,000 [23.44]	100,000 [29.3]	80,000 [23.44]
Heating Output Btu [kW]	65,000 [19.04]	65,000 [19.04]	81,000 [23.73]	65,000 [19.04]
Temperature Rise Range °F [°C]	35-65 [19.4-36.1]	35-65 [19.4-36.1]	45-75 [25-41.7]	35-65 [19.4-36.1]
AFUE %	81	81	81	81
Steady State Efficiency (%)	82	82	82	82
No. Burners	4	4	5	4
No. Stages	1	1	1	1
Gas Connection Pipe Size in. [mm]	0.5 [12.7]	0.5 [12.7]	0.5 [12.7]	0.5 [12.7]
Compressor				
No./Type	1/Scroll	1/Scroll	1/Scroll	1/Scroll
Outdoor Sound Rating (dB)³	76	78	78	78
Outdoor Coil - Fin Type	Louvered	Louvered	Louvered	Louvered
Tube Type	MicroChannel	MicroChannel	MicroChannel	MicroChannel
MicroChannel Depth in. [mm]	0.71 [18]	0.71 [18]	0.7 [17.8]	0.7 [17.8]
Face Area sq. ft. [sq. m]	16.3 [1.51]	16.3 [1.51]	16.3 [1.51]	16.3 [1.51]
Rows / FPI [FPcm]	1 / 23 [9]	1 / 23 [9]	1 / 23 [9]	1 / 23 [9]
Indoor Coil - Fin Type	Louvered	Louvered	Louvered	Louvered
Tube Type	MicroChannel	MicroChannel	MicroChannel	MicroChannel
MicroChannel Depth in. [mm]	1.26 [32]	1.26 [32]	1.26 [32]	1.26 [32]
Face Area sq. ft. [sq. m]	4.1 [0.38]	4.1 [0.38]	4.1 [0.38]	4.1 [0.38]
Rows / FPI [FPcm]	1 / 20 [8]	1 / 20 [8]	1 / 20 [8]	1 / 20 [8]
Refrigerant Control	TX Valves	TX Valves	TX Valves	TX Valves
Drain Connection No./Size in. [mm]	1/0.75 [19.05]	1/0.75 [19.05]	1/0.75 [19.05]	1/0.75 [19.05]
Outdoor Fan - Type	Propeller	Propeller	Propeller	Propeller
No. Used/Diameter in. [mm]	1/22 [558.8]	1/22 [558.8]	1/22 [558.8]	1/22 [558.8]
Drive Type/No. Speeds	Direct/1	Direct/1	Direct/1	Direct/1
CFM [L/s]	3500 [1652]	3300 [1557]	3300 [1557]	3300 [1557]
No. Motors/HP	1 at 1/3 HP	1 at 1/3 HP	1 at 1/3 HP	1 at 1/3 HP
Motor RPM	1075	1075	1075	1075
Indoor Fan - Type	FC Centrifugal	FC Centrifugal	FC Centrifugal	FC Centrifugal
No. Used/Diameter in. [mm]	1/10x9 [254x229]	1/12x9 [305x229]	1/12x9 [305x229]	1/12x9 [305x229]
Drive Type	Direct	Direct	Direct	Direct
No. Speeds	Multiple	Multiple	Multiple	Multiple
No. Motors	1	1	1	1
Motor HP	3/4	3/4	3/4	1
Motor RPM	1050	1075	1075	1050
Motor Frame Size	48	48	48	48
Filter - Type	Field Supplied	Field Supplied	Field Supplied	Field Supplied
Furnished	No	No	No	No
(NO.) Size Recommended in. [mm x mm x mm]	(1)1x24x24 [25x610x610]	(1)1x24x24 [25x610x610]	(1)1x24x24 [25x610x610]	(1)1x24x24 [25x610x610]
Refrigerant Charge Oz. [g]	68 [1928]	85.3 [2418]	85.3 [2418]	85.3 [2418]
Weights⁵				
Net Weight lbs. [kg]	482 [219]	492 [223]	497 [225]	492 [223]
Ship Weight lbs. [kg]	492 [223]	502 [228]	507 [230]	502 [228]

See Page 22 for Notes.

[] Designates Metric Conversions



NOMINAL SIZES 2-5 TONS [7.0-17.6 kW]

Model RGEA15 Series	048BCT081AA	048BDT101AA	048BJV081AA	060ACT101AA
Cooling Performance¹				CONTINUED →
Gross Cooling Capacity Btu [kW]	48,500 [14.21]	48,500 [14.21]	48,500 [14.21]	58,000 [16.99]
EER/SEER ²	12/15	12/15	12/15	11/14.5
Nominal CFM/AHRI Rated CFM [L/s]	1600/1450 [755/684]	1600/1450 [755/684]	1600/1450 [755/684]	2000/1850 [944/873]
AHRI Net Cooling Capacity Btu [kW]	47,000 [13.77]	47,000 [13.77]	47,000 [13.77]	55,500 [16.26]
Net Sensible Capacity Btu [kW]	32,750 [9.6]	32,750 [9.6]	32,750 [9.6]	38,850 [11.38]
Net Latent Capacity Btu [kW]	14,250 [4.18]	14,250 [4.18]	14,250 [4.18]	16,650 [4.88]
Net System Power kW	4	4	4	5.02
Heating Performance (Gas)⁴				
Heating Input Btu [kW]	80,000 [23.44]	100,000 [29.3]	80,000 [23.44]	100,000 [29.3]
Heating Output Btu [kW]	65,000 [19.04]	81,000 [23.73]	65,000 [19.04]	81,000 [23.73]
Temperature Rise Range °F [°C]	35-65 [19.4-36.1]	45-75 [25-41.7]	35-65 [19.4-36.1]	45-75 [25-41.7]
AFUE %	81	81	81	81
Steady State Efficiency (%)	82	82	82	82
No. Burners	4	5	4	5
No. Stages	1	1	1	1
Gas Connection Pipe Size in. [mm]	0.5 [12.7]	0.5 [12.7]	0.5 [12.7]	0.5 [12.7]
Compressor				
No./Type	1/Scroll	1/Scroll	1/Scroll	1/Scroll
Outdoor Sound Rating (dB)³	78	78	78	78
Outdoor Coil - Fin Type	Louvered	Louvered	Louvered	Louvered
Tube Type	MicroChannel	MicroChannel	MicroChannel	MicroChannel
MicroChannel Depth in. [mm]	1 [25.4]	1 [25.4]	1 [25.4]	1 [25.4]
Face Area sq. ft. [sq. m]	15.25 [1.42]	15.25 [1.42]	15.25 [1.42]	15.3 [1.42]
Rows / FPI [FPcm]	1 / 23 [9]	1 / 23 [9]	1 / 23 [9]	1 / 23 [9]
Indoor Coil - Fin Type	Louvered	Louvered	Louvered	Louvered
Tube Type	MicroChannel	MicroChannel	MicroChannel	MicroChannel
MicroChannel Depth in. [mm]	1.26 [32]	1.26 [32]	1.26 [32]	1.26 [32]
Face Area sq. ft. [sq. m]	3.97 [0.37]	3.97 [0.37]	3.97 [0.37]	4 [0.37]
Rows / FPI [FPcm]	1 / 20 [8]	1 / 20 [8]	1 / 20 [8]	1 / 20 [8]
Refrigerant Control	TX Valves	TX Valves	TX Valves	TX Valves
Drain Connection No./Size in. [mm]	1/0.75 [19.05]	1/0.75 [19.05]	1/0.75 [19.05]	1/0.75 [19.05]
Outdoor Fan - Type	Propeller	Propeller	Propeller	Propeller
No. Used/Diameter in. [mm]	1/22 [558.8]	1/22 [558.8]	1/22 [558.8]	1/22 [558.8]
Drive Type/No. Speeds	Direct/1	Direct/1	Direct/1	Direct/1
CFM [L/s]	3300 [1557]	3300 [1557]	3300 [1557]	3300 [1557]
No. Motors/HP	1 at 1/3 HP	1 at 1/3 HP	1 at 1/3 HP	1 at 1/3 HP
Motor RPM	1050	1050	1050	1075
Indoor Fan - Type	FC Centrifugal	FC Centrifugal	FC Centrifugal	FC Centrifugal
No. Used/Diameter in. [mm]	1/12x9 [305x229]	1/12x9 [305x229]	1/12x9 [305x229]	1/12x9 [305x229]
Drive Type	Direct	Direct	Direct	Direct
No. Speeds	Multiple	Multiple	Multiple	Multiple
No. Motors	1	1	1	1
Motor HP	3/4	3/4	1	1
Motor RPM	1075	1075	1050	1075
Motor Frame Size	48	48	48	48
Filter - Type	Field Supplied	Field Supplied	Field Supplied	Field Supplied
Furnished	No	No	No	No
(NO.) Size Recommended in. [mm x mm x mm]	(1)1x24x24 [25x610x610]	(1)1x24x24 [25x610x610]	(1)1x24x24 [25x610x610]	(1)1x24x30 [25x610x762]
Refrigerant Charge Oz. [g]	81.6 [2313]	81.6 [2313]	81.6 [2313]	89.6 [2540]
Weights⁵				
Net Weight lbs. [kg]	492 [223]	497 [225]	492 [223]	515 [234]
Ship Weight lbs. [kg]	502 [228]	507 [230]	502 [228]	525 [238]

See Page 22 for Notes.

[] Designates Metric Conversions

NOMINAL SIZES 2-5 TONS [7.0-17.6 kW]

Model RGEA15 Series	060ADT101AA	060AJV101AB
Cooling Performance¹		
Gross Cooling Capacity Btu [kW]	58,000 [16.99]	58,000 [16.99]
EER/SEER ²	11/14.5	11/14.5
Nominal CFM/AHRI Rated CFM [L/s]	2000/1850 [944/873]	2000/1850 [944/873]
AHRI Net Cooling Capacity Btu [kW]	55,500 [16.26]	55,500 [16.26]
Net Sensible Capacity Btu [kW]	38,850 [11.38]	38,850 [11.38]
Net Latent Capacity Btu [kW]	16,650 [4.88]	16,650 [4.88]
Net System Power kW	5.02	5.02
Heating Performance (Gas)⁴		
Heating Input Btu [kW]	100,000 [29.3]	100,000 [29.3]
Heating Output Btu [kW]	81,000 [23.73]	81,000 [23.73]
Temperature Rise Range °F [°C]	45-75 [25-41.7]	45-75 [25-41.7]
AFUE %	81	81
Steady State Efficiency (%)	82	82
No. Burners	5	5
No. Stages	1	1
Gas Connection Pipe Size in. [mm]	0.5 [12.7]	0.5 [12.7]
Compressor		
No./Type	1/Scroll	1/Scroll
Outdoor Sound Rating (dB)³		
	78	78
Outdoor Coil - Fin Type		
Tube Type	Louvered	Louvered
MicroChannel Depth in. [mm]	MicroChannel	MicroChannel
Face Area sq. ft. [sq. m]	1 [25.4]	1 [25.4]
Rows / FPI [FPcm]	15.3 [1.42]	15.3 [1.42]
	1 / 23 [9]	1 / 23 [9]
Indoor Coil - Fin Type		
Tube Type	Louvered	Louvered
MicroChannel Depth in. [mm]	MicroChannel	MicroChannel
Face Area sq. ft. [sq. m]	1.26 [32]	1.26 [32]
Rows / FPI [FPcm]	4 [0.37]	4 [0.37]
	1 / 20 [8]	1 / 20 [8]
Refrigerant Control	TX Valves	TX Valves
Drain Connection No./Size in. [mm]	1/0.75 [19.05]	1/0.75 [19.05]
Outdoor Fan - Type		
No. Used/Diameter in. [mm]	Propeller	Propeller
Drive Type/No. Speeds	1/22 [558.8]	1/22 [558.8]
CFM [L/s]	Direct/1	Direct/1
No. Motors/HP	3300 [1557]	3300 [1557]
Motor RPM	1 at 1/3 HP	1 at 1/3 HP
	1075	1075
Indoor Fan - Type		
No. Used/Diameter in. [mm]	FC Centrifugal	FC Centrifugal
Drive Type	1/12x9 [305x229]	1/12x9 [305x229]
No. Speeds	Direct	Direct
No. Motors	Multiple	Multiple
Motor HP	1	1
Motor RPM	1	1
Motor Frame Size	1075	1050
	48	48
Filter - Type		
Furnished	Field Supplied	Field Supplied
(NO.) Size Recommended in. [mm x mm x mm]	No	No
	(1)1x24x30 [25x610x762]	(1)1x24x30 [25x610x762]
Refrigerant Charge Oz. [g]		
	89.6 [2540]	89.6 [2540]
Weights⁵		
Net Weight lbs. [kg]	515 [234]	515 [234]
Ship Weight lbs. [kg]	525 [238]	525 [238]

See Page 22 for Notes.

[] Designates Metric Conversions



NOTES:

1. Cooling Performance is rated at 95° F ambient, 80° F entering dry bulb, 67° F entering wet bulb. Gross capacity does not include the effect of fan motor heat. AHRI capacity is net and includes the effect of fan motor heat. Units are suitable for operation in CFM range shown in airflow tables. Units are certified in accordance with the Unitary Air Conditioner Equipment certification program, which is based on AHRI Standard 210/240.
2. EER and/or SEER are rated at AHRI conditions and in accordance with DOE test procedures.
3. Outdoor Sound Rating shown is tested in accordance with AHRI Standard 270.
4. See page 35 for additional heating inputs and configurations offered per model
5. Base model weights with lowest available heating input in general data. Add 5lbs for each 20 kBtu heating input increase.



GROSS SYSTEMS PERFORMANCE DATA – RGEA14024A

ENTERING INDOOR AIR @ 80°F [26.7°C] dbE ①											
wbE		71°F [21.7°C]			67°F [19.4°C]			63°F [17.2°C]			
CFM [L/s]		990 [467]	900 [425]	760 [359]	990 [467]	900 [425]	760 [359]	990 [467]	900 [425]	760 [359]	
DR ①		0.21	0.19	0.15	0.21	0.19	0.15	0.21	0.19	0.15	
OUTDOOR DRY BULB TEMPERATURE °F [°C]	75 [23.9]	Total BTUH [kW] Sens BTUH [kW] Power	30.9 [9.1] 18.7 [5.5] 1.4	30.4 [8.9] 17.9 [5.2] 1.4	29.5 [8.7] 16.6 [4.9] 1.4	29.1 [8.5] 21.9 [6.4] 1.4	28.6 [8.4] 20.9 [6.1] 1.4	27.8 [8.1] 19.4 [5.7] 1.4	27.5 [8.1] 24.6 [7.2] 1.4	27.0 [7.9] 23.5 [6.9] 1.4	26.2 [7.7] 21.8 [6.4] 1.4
	80 [26.7]	Total BTUH [kW] Sens BTUH [kW] Power	30.0 [8.8] 18.2 [5.3] 1.5	29.4 [8.6] 17.4 [5.1] 1.5	28.6 [8.4] 16.1 [4.7] 1.5	28.1 [8.2] 21.4 [6.3] 1.5	27.6 [8.1] 20.4 [6.0] 1.5	26.8 [7.9] 18.9 [5.5] 1.5	26.5 [7.8] 24.0 [7.0] 1.5	26.0 [7.6] 23.0 [6.7] 1.5	25.3 [7.4] 21.3 [6.2] 1.5
	85 [29.4]	Total BTUH [kW] Sens BTUH [kW] Power	29.0 [8.5] 17.6 [5.2] 1.6	28.5 [8.3] 16.8 [4.9] 1.6	27.7 [8.1] 15.6 [4.6] 1.6	27.1 [8.0] 20.8 [6.1] 1.6	26.7 [7.8] 19.9 [5.8] 1.6	25.9 [7.6] 18.4 [5.4] 1.6	25.5 [7.5] 23.5 [6.9] 1.6	25.1 [7.3] 22.4 [6.6] 1.6	24.4 [7.1] 20.8 [6.1] 1.6
	90 [32.2]	Total BTUH [kW] Sens BTUH [kW] Power	28.0 [8.2] 17.0 [5.0] 1.7	27.5 [8.1] 16.3 [4.8] 1.7	26.7 [7.8] 15.1 [4.4] 1.7	26.1 [7.7] 20.2 [5.9] 1.7	25.7 [7.5] 19.3 [5.7] 1.7	25.0 [7.3] 17.9 [5.3] 1.7	24.5 [7.2] 22.9 [6.7] 1.7	24.1 [7.1] 21.9 [6.4] 1.7	23.4 [6.9] 20.3 [5.9] 1.7
	95 [35]	Total BTUH [kW] Sens BTUH [kW] Power	27.0 [7.9] 16.5 [4.8] 1.9	26.5 [7.8] 15.7 [4.6] 1.8	25.7 [7.5] 14.6 [4.3] 1.8	25.1 [7.4] 19.7 [5.8] 1.8	24.7 [7.2] 18.8 [5.5] 1.8	24.0 [7.0] 17.4 [5.1] 1.8	23.5 [6.9] 22.3 [6.5] 1.8	23.1 [6.8] 21.3 [6.2] 1.8	22.4 [6.6] 19.8 [5.8] 1.8
	100 [37.8]	Total BTUH [kW] Sens BTUH [kW] Power	25.9 [7.6] 15.9 [4.6] 2.0	25.5 [7.5] 15.2 [4.4] 2.0	24.8 [7.3] 14.1 [4.1] 1.9	24.1 [7.1] 19.1 [5.6] 2.0	23.7 [6.9] 18.2 [5.3] 2.0	23.0 [6.7] 16.9 [5.0] 1.9	22.5 [6.6] 21.7 [6.4] 2.0	22.1 [6.5] 20.8 [6.1] 1.9	21.5 [6.3] 19.2 [5.6] 1.9
	105 [40.6]	Total BTUH [kW] Sens BTUH [kW] Power	24.9 [7.3] 15.3 [4.5] 2.1	24.5 [7.2] 14.6 [4.3] 2.1	23.8 [7.0] 13.5 [4.0] 2.1	23.1 [6.8] 18.5 [5.4] 2.1	22.6 [6.6] 17.7 [5.2] 2.1	22.0 [6.4] 16.4 [4.8] 2.1	21.4 [6.3] 21.1 [6.2] 2.1	21.1 [6.2] 20.2 [5.9] 2.1	20.5 [6.0] 18.7 [5.5] 2.0
	110 [43.3]	Total BTUH [kW] Sens BTUH [kW] Power	23.8 [7.0] 14.7 [4.3] 2.3	23.4 [6.9] 14.0 [4.1] 2.2	22.7 [6.7] 13.0 [3.8] 2.2	22.0 [6.4] 17.9 [5.2] 2.2	21.6 [6.3] 17.1 [5.0] 2.2	21.0 [6.1] 15.8 [4.6] 2.2	20.4 [6.0] 20.4 [6.0] 2.2	20.0 [5.9] 19.6 [5.7] 2.2	19.4 [5.7] 18.2 [5.3] 2.2
	115 [46.1]	Total BTUH [kW] Sens BTUH [kW] Power	22.8 [6.7] 14.1 [4.1] 2.4	22.3 [6.5] 13.4 [3.9] 2.4	21.7 [6.4] 12.5 [3.6] 2.3	20.9 [6.1] 17.3 [5.1] 2.4	20.5 [6.0] 16.5 [4.8] 2.4	19.9 [5.8] 15.3 [4.5] 2.3	19.3 [5.7] 19.3 [5.7] 2.4	18.9 [5.6] 18.9 [5.6] 2.4	18.4 [5.4] 17.6 [5.2] 2.3
	120 [48.9]	Total BTUH [kW] Sens BTUH [kW] Power	21.7 [6.3] 13.4 [3.9] 2.6	21.3 [6.2] 12.8 [3.8] 2.5	20.7 [6.1] 11.9 [3.5] 2.5	19.8 [5.8] 16.6 [4.9] 2.5	19.5 [5.7] 15.9 [4.7] 2.5	18.9 [5.5] 14.7 [4.3] 2.5	18.2 [5.3] 18.2 [5.3] 2.5	17.9 [5.2] 17.9 [5.2] 2.5	17.4 [5.1] 17.1 [5.0] 2.5
	125 [51.7]	Total BTUH [kW] Sens BTUH [kW] Power	20.5 [6.0] 12.8 [3.8] 2.7	20.2 [5.9] 12.2 [3.6] 2.7	19.6 [5.7] 11.3 [3.3] 2.7	18.7 [5.5] 16.0 [4.7] 2.7	18.4 [5.4] 15.3 [4.5] 2.7	17.8 [5.2] 14.2 [4.2] 2.7	17.1 [5.0] 17.1 [5.0] 2.7	16.8 [4.9] 16.8 [4.9] 2.7	16.3 [4.8] 16.3 [4.8] 2.6

DR —Depression ratio
dbE —Entering air dry bulb
wbE—Entering air wet bulb

Total —Total capacity x 1000 BTUH
Sens —Sensible capacity x 1000 BTUH
Power —KW input

NOTES: ① When the entering air dry bulb is other than 80°F [27°C], adjust the sensible capacity from the table by adding $[1.10 \times \text{CFM} \times (1 - \text{DR}) \times (\text{dbE} - 80)]$.

[] Designates Metric Conversions





GROSS SYSTEMS PERFORMANCE DATA—RGEA14030A

		ENTERING INDOOR AIR @ 80°F [26.7°C] dbE ①									
wbE		71°F [21.7°C]			67°F [19.4°C]			63°F [17.2°C]			
CFM [L/s]		1070 [505]	975 [460]	830 [392]	1070 [505]	975 [460]	830 [392]	1070 [505]	975 [460]	830 [392]	
DR ①		0.16	0.14	0.1	0.16	0.14	0.1	0.16	0.14	0.1	
OUTDOOR DRY BULB TEMPERATURE °F [°C]	75 [23.9]	Total BTUH [kW] Sens BTUH [kW] Power	36.8 [10.8] 21.5 [6.3] 1.7	36.1 [10.6] 20.5 [6.0] 1.7	35.2 [10.3] 19.1 [5.6] 1.6	34.3 [10.1] 25.1 [7.4] 1.7	33.7 [9.9] 24.0 [7.0] 1.6	32.8 [9.6] 22.4 [6.6] 1.6	32.4 [9.5] 28.3 [8.3] 1.6	31.8 [9.3] 27.1 [7.9] 1.6	31.0 [9.1] 25.2 [7.4] 1.6
	80 [26.7]	Total BTUH [kW] Sens BTUH [kW] Power	35.7 [10.5] 21.0 [6.1] 1.8	35.1 [10.3] 20.1 [5.9] 1.7	34.2 [10.0] 18.7 [5.5] 1.7	33.3 [9.7] 24.7 [7.2] 1.7	32.7 [9.6] 23.6 [6.9] 1.7	31.8 [9.3] 21.9 [6.4] 1.7	31.3 [9.2] 27.8 [8.2] 1.7	30.8 [9.0] 26.6 [7.8] 1.7	30.0 [8.8] 24.8 [7.3] 1.7
	85 [29.4]	Total BTUH [kW] Sens BTUH [kW] Power	34.7 [10.2] 20.5 [6.0] 1.9	34.1 [10.0] 19.6 [5.7] 1.8	33.2 [9.7] 18.2 [5.3] 1.8	32.2 [9.4] 24.2 [7.1] 1.8	31.7 [9.3] 23.1 [6.8] 1.8	30.8 [9.0] 21.5 [6.3] 1.8	30.3 [8.9] 27.4 [8.0] 1.8	29.8 [8.7] 26.2 [7.7] 1.8	29.0 [8.5] 24.3 [7.1] 1.8
	90 [32.2]	Total BTUH [kW] Sens BTUH [kW] Power	33.7 [9.9] 20.0 [5.9] 2.0	33.1 [9.7] 19.1 [5.6] 1.9	32.2 [9.4] 17.8 [5.2] 1.9	31.2 [9.1] 23.6 [6.9] 1.9	30.6 [9.0] 22.6 [6.6] 1.9	29.8 [8.7] 21.0 [6.2] 1.9	29.2 [8.6] 26.8 [7.9] 1.9	28.7 [8.4] 25.7 [7.5] 1.9	28.0 [8.2] 23.9 [7.0] 1.9
	95 [35]	Total BTUH [kW] Sens BTUH [kW] Power	32.6 [9.5] 19.4 [5.7] 2.1	32.0 [9.4] 18.6 [5.4] 2.1	31.2 [9.1] 17.3 [5.1] 2.0	30.1 [8.8] 23.1 [6.8] 2.1	29.6 [8.7] 22.1 [6.5] 2.0	28.8 [8.4] 20.5 [6.0] 2.0	28.2 [8.3] 26.3 [7.7] 2.0	27.7 [8.1] 25.1 [7.4] 2.0	26.9 [7.9] 23.4 [6.9] 2.0
	100 [37.8]	Total BTUH [kW] Sens BTUH [kW] Power	31.5 [9.2] 18.8 [5.5] 2.2	31.0 [9.1] 18.0 [5.3] 2.2	30.1 [8.8] 16.8 [4.9] 2.1	29.0 [8.5] 22.5 [6.6] 2.2	28.5 [8.4] 21.5 [6.3] 2.2	27.7 [8.1] 20.0 [5.9] 2.1	27.1 [7.9] 25.7 [7.5] 2.2	26.6 [7.8] 24.6 [7.2] 2.1	25.9 [7.6] 22.9 [6.7] 2.1
	105 [40.6]	Total BTUH [kW] Sens BTUH [kW] Power	30.4 [8.9] 18.2 [5.3] 2.3	29.9 [8.8] 17.4 [5.1] 2.3	29.1 [8.5] 16.2 [4.8] 2.3	27.9 [8.2] 21.9 [6.4] 2.3	27.4 [8.0] 20.9 [6.1] 2.3	26.7 [7.8] 19.5 [5.7] 2.3	26.0 [7.6] 25.1 [7.4] 2.3	25.6 [7.5] 24.0 [7.0] 2.3	24.9 [7.3] 22.3 [6.5] 2.2
	110 [43.3]	Total BTUH [kW] Sens BTUH [kW] Power	29.3 [8.6] 17.6 [5.2] 2.5	28.8 [8.4] 16.8 [4.9] 2.4	28.0 [8.2] 15.7 [4.6] 2.4	26.8 [7.9] 21.3 [6.2] 2.4	26.4 [7.7] 20.3 [6.0] 2.4	25.6 [7.5] 18.9 [5.5] 2.4	24.9 [7.3] 24.4 [7.2] 2.4	24.5 [7.2] 23.4 [6.9] 2.4	23.8 [7.0] 21.8 [6.4] 2.4
	115 [46.1]	Total BTUH [kW] Sens BTUH [kW] Power	28.2 [8.3] 16.9 [5.0] 2.6	27.7 [8.1] 16.2 [4.7] 2.6	27.0 [7.9] 15.1 [4.4] 2.5	25.7 [7.5] 20.6 [6.0] 2.6	25.3 [7.4] 19.7 [5.8] 2.6	24.6 [7.2] 18.3 [5.4] 2.5	23.8 [7.0] 23.8 [7.0] 2.6	23.4 [6.8] 22.7 [6.7] 2.6	22.7 [6.7] 21.2 [6.2] 2.5
	120 [48.9]	Total BTUH [kW] Sens BTUH [kW] Power	27.1 [7.9] 16.2 [4.8] 2.8	26.6 [7.8] 15.5 [4.5] 2.7	25.9 [7.6] 14.4 [4.2] 2.7	24.6 [7.2] 19.9 [5.8] 2.7	24.2 [7.1] 19.0 [5.6] 2.7	23.5 [6.9] 17.7 [5.2] 2.7	22.7 [6.6] 22.7 [6.6] 2.7	22.3 [6.5] 22.1 [6.5] 2.7	21.7 [6.3] 20.5 [6.0] 2.7
125 [51.7]	Total BTUH [kW] Sens BTUH [kW] Power	25.9 [7.6] 15.5 [4.5] 2.9	25.5 [7.5] 14.8 [4.3] 2.9	24.8 [7.3] 13.8 [4.0] 2.8	23.4 [6.9] 19.2 [5.6] 2.9	23.0 [6.7] 18.3 [5.4] 2.9	22.4 [6.6] 17.1 [5.0] 2.8	21.5 [6.3] 21.5 [6.3] 2.9	21.1 [6.2] 21.1 [6.2] 2.9	20.6 [6.0] 19.9 [5.8] 2.8	

DR —Depression ratio
dbE —Entering air dry bulb
wbE—Entering air wet bulb

Total —Total capacity x 1000 BTUH
Sens —Sensible capacity x 1000 BTUH
Power —KW input

NOTES: ① When the entering air dry bulb is other than 80°F [27°C], adjust the sensible capacity from the table by adding [1.10 x CFM x (1 - DR) x (dbE - 80)].

[] Designates Metric Conversions





GROSS SYSTEMS PERFORMANCE DATA—RGEA14036A

wbE		ENTERING INDOOR AIR @ 80°F [26.7°C] dbE ①									
		71°F [21.7°C]			67°F [19.4°C]			63°F [17.2°C]			
CFM [L/s]		1320 [623]	1200 [566]	1020 [481]	1320 [623]	1200 [566]	1020 [481]	1320 [623]	1200 [566]	1020 [481]	
DR ①		0.19	0.18	0.15	0.19	0.18	0.15	0.19	0.18	0.15	
OUTDOOR DRY BULB TEMPERATURE °F [°C]	75 [23.9]	Total BTUH [kW] Sens BTUH [kW] Power	44.8 [13.1] 26.2 [7.7] 2.0	44.0 [12.9] 25.0 [7.3] 2.0	42.8 [12.5] 23.3 [6.8] 2.0	41.9 [12.3] 30.6 [9.0] 2.0	41.1 [12.1] 29.2 [8.6] 2.0	40.0 [11.7] 27.2 [8.0] 2.0	38.9 [11.4] 33.9 [9.9] 2.0	38.2 [11.2] 32.4 [9.5] 2.0	37.2 [10.9] 30.1 [8.8] 2.0
	80 [26.7]	Total BTUH [kW] Sens BTUH [kW] Power	43.5 [12.8] 25.4 [7.5] 2.1	42.7 [12.5] 24.3 [7.1] 2.1	41.6 [12.2] 22.6 [6.6] 2.1	40.6 [11.9] 29.9 [8.7] 2.1	39.9 [11.7] 28.5 [8.4] 2.1	38.8 [11.4] 26.5 [7.8] 2.1	37.6 [11.0] 33.2 [9.7] 2.1	36.9 [10.8] 31.7 [9.3] 2.1	35.9 [10.5] 29.5 [8.6] 2.1
	85 [29.4]	Total BTUH [kW] Sens BTUH [kW] Power	42.2 [12.4] 24.7 [7.2] 2.3	41.4 [12.1] 23.6 [6.9] 2.2	40.3 [11.8] 21.9 [6.4] 2.2	39.3 [11.5] 29.1 [8.5] 2.2	38.6 [11.3] 27.8 [8.1] 2.2	37.5 [11.0] 25.9 [7.6] 2.2	36.3 [10.6] 32.4 [9.5] 2.2	35.6 [10.4] 31.0 [9.1] 2.2	34.6 [10.2] 28.8 [8.4] 2.2
	90 [32.2]	Total BTUH [kW] Sens BTUH [kW] Power	40.9 [12.0] 23.9 [7.0] 2.4	40.1 [11.8] 22.9 [6.7] 2.4	39.0 [11.4] 21.3 [6.2] 2.3	37.9 [11.1] 28.3 [8.3] 2.4	37.2 [10.9] 27.1 [7.9] 2.4	36.2 [10.6] 25.2 [7.4] 2.3	34.9 [10.2] 31.6 [9.3] 2.4	34.3 [10.1] 30.2 [8.9] 2.3	33.4 [9.8] 28.1 [8.2] 2.3
	95 [35]	Total BTUH [kW] Sens BTUH [kW] Power	39.5 [11.6] 23.1 [6.8] 2.5	38.8 [11.4] 22.1 [6.5] 2.5	37.7 [11.1] 20.6 [6.0] 2.5	36.6 [10.7] 27.5 [8.1] 2.5	35.9 [10.5] 26.3 [7.7] 2.5	34.9 [10.2] 24.5 [7.2] 2.5	33.6 [9.8] 30.9 [9.0] 2.5	33.0 [9.7] 29.5 [8.6] 2.5	32.1 [9.4] 27.4 [8.0] 2.5
	100 [37.8]	Total BTUH [kW] Sens BTUH [kW] Power	38.1 [11.2] 22.3 [6.5] 2.7	37.5 [11.0] 21.3 [6.3] 2.7	36.4 [10.7] 19.9 [5.8] 2.6	35.2 [10.3] 26.7 [7.8] 2.7	34.6 [10.1] 25.6 [7.5] 2.7	33.6 [9.9] 23.8 [7.0] 2.6	32.2 [9.4] 30.1 [8.8] 2.7	31.6 [9.3] 28.7 [8.4] 2.6	30.8 [9.0] 26.7 [7.8] 2.6
	105 [40.6]	Total BTUH [kW] Sens BTUH [kW] Power	36.8 [10.8] 21.5 [6.3] 2.9	36.1 [10.6] 20.6 [6.0] 2.8	35.1 [10.3] 19.1 [5.6] 2.8	33.8 [9.9] 25.9 [7.6] 2.8	33.2 [9.7] 24.8 [7.3] 2.8	32.3 [9.5] 23.0 [6.7] 2.8	30.8 [9.0] 29.2 [8.6] 2.8	30.3 [8.9] 27.9 [8.2] 2.8	29.5 [8.6] 26.0 [7.6] 2.8
	110 [43.3]	Total BTUH [kW] Sens BTUH [kW] Power	35.4 [10.4] 20.7 [6.1] 3.0	34.7 [10.2] 19.8 [5.8] 3.0	33.8 [9.9] 18.4 [5.4] 3.0	32.4 [9.5] 25.1 [7.4] 3.0	31.9 [9.3] 24.0 [7.0] 3.0	31.0 [9.1] 22.3 [6.5] 3.0	29.4 [8.6] 28.4 [8.3] 3.0	28.9 [8.5] 27.1 [8.0] 3.0	28.1 [8.2] 25.2 [7.4] 2.9
	115 [46.1]	Total BTUH [kW] Sens BTUH [kW] Power	34.0 [10.0] 19.8 [5.8] 3.2	33.4 [9.8] 18.9 [5.5] 3.2	32.4 [9.5] 17.6 [5.2] 3.2	31.0 [9.1] 24.2 [7.1] 3.2	30.5 [8.9] 23.1 [6.8] 3.2	29.6 [8.7] 21.5 [6.3] 3.1	28.0 [8.2] 27.5 [8.1] 3.2	27.5 [8.1] 26.3 [7.7] 3.2	26.8 [7.8] 24.5 [7.2] 3.1
	120 [48.9]	Total BTUH [kW] Sens BTUH [kW] Power	32.5 [9.5] 18.9 [5.6] 3.4	32.0 [9.4] 18.1 [5.3] 3.4	31.1 [9.1] 16.8 [4.9] 3.4	29.6 [8.7] 23.3 [6.8] 3.4	29.1 [8.5] 22.3 [6.5] 3.4	28.3 [8.3] 20.7 [6.1] 3.3	26.6 [7.8] 26.6 [7.8] 3.4	26.1 [7.7] 25.5 [7.5] 3.4	25.4 [7.4] 23.7 [6.9] 3.3
	125 [51.7]	Total BTUH [kW] Sens BTUH [kW] Power	31.1 [9.1] 18.0 [5.3] 3.6	30.5 [9.0] 17.2 [5.1] 3.6	29.7 [8.7] 16.0 [4.7] 3.6	28.2 [8.3] 22.4 [6.6] 3.6	27.7 [8.1] 21.4 [6.3] 3.6	26.9 [7.9] 19.9 [5.8] 3.6	25.2 [7.4] 25.2 [7.4] 3.6	24.7 [7.2] 24.6 [7.2] 3.6	24.1 [7.0] 22.9 [6.7] 3.5

DR —Depression ratio
dbE —Entering air dry bulb
wbE—Entering air wet bulb

Total —Total capacity x 1000 BTUH
Sens —Sensible capacity x 1000 BTUH
Power —KW input

NOTES: ① When the entering air dry bulb is other than 80°F [27°C], adjust the sensible capacity from the table by adding $[1.10 \times \text{CFM} \times (1 - \text{DR}) \times (\text{dbE} - 80)]$.

[] Designates Metric Conversions





GROSS SYSTEMS PERFORMANCE DATA—RGEA14042A

		ENTERING INDOOR AIR @ 80°F [26.7°C] dbE ①									
		71°F [21.7°C]			67°F [19.4°C]			63°F [17.2°C]			
wbE		1430 [675]	1300 [614]	1100 [519]	1430 [675]	1300 [614]	1100 [519]	1430 [675]	1300 [614]	1100 [519]	
CFM [L/s]		1430 [675]	1300 [614]	1100 [519]	1430 [675]	1300 [614]	1100 [519]	1430 [675]	1300 [614]	1100 [519]	
DR ①		0.15	0.14	0.1	0.15	0.14	0.1	0.15	0.14	0.1	
OUTDOOR DRY BULB TEMPERATURE °F [°C]	75 [23.9]	Total BTUH [kW] Sens BTUH [kW] Power	50.0 [14.7] 29.2 [8.5] 2.4	49.1 [14.4] 27.9 [8.2] 2.4	47.7 [14.0] 25.9 [7.6] 2.3	47.3 [13.9] 34.3 [10.0] 2.4	46.4 [13.6] 32.7 [9.6] 2.3	45.1 [13.2] 30.4 [8.9] 2.3	44.3 [13.0] 38.5 [11.3] 2.3	43.5 [12.8] 36.8 [10.8] 2.3	42.3 [12.4] 34.2 [10.0] 2.3
	80 [26.7]	Total BTUH [kW] Sens BTUH [kW] Power	48.7 [14.3] 28.5 [8.4] 2.5	47.9 [14.0] 27.3 [8.0] 2.5	46.5 [13.6] 25.3 [7.4] 2.5	46.0 [13.5] 33.7 [9.9] 2.5	45.2 [13.2] 32.2 [9.4] 2.5	43.9 [12.9] 29.8 [8.7] 2.4	43.0 [12.6] 37.9 [11.1] 2.5	42.3 [12.4] 36.2 [10.6] 2.5	41.1 [12.0] 33.6 [9.9] 2.4
	85 [29.4]	Total BTUH [kW] Sens BTUH [kW] Power	47.4 [13.9] 27.9 [8.2] 2.7	46.6 [13.6] 26.6 [7.8] 2.6	45.2 [13.3] 24.7 [7.2] 2.6	44.7 [13.1] 33.0 [9.7] 2.6	43.9 [12.9] 31.5 [9.2] 2.6	42.6 [12.5] 29.3 [8.6] 2.6	41.7 [12.2] 37.2 [10.9] 2.6	41.0 [12.0] 35.6 [10.4] 2.6	39.8 [11.7] 33.0 [9.7] 2.6
	90 [32.2]	Total BTUH [kW] Sens BTUH [kW] Power	46.0 [13.5] 27.2 [8.0] 2.8	45.2 [13.2] 26.0 [7.6] 2.8	43.9 [12.9] 24.1 [7.1] 2.8	43.3 [12.7] 32.3 [9.5] 2.8	42.5 [12.5] 30.8 [9.0] 2.8	41.3 [12.1] 28.6 [8.4] 2.7	40.3 [11.8] 36.5 [10.7] 2.8	39.6 [11.6] 34.9 [10.2] 2.8	38.5 [11.3] 32.4 [9.5] 2.7
	95 [35]	Total BTUH [kW] Sens BTUH [kW] Power	44.6 [13.1] 26.4 [7.7] 3.0	43.8 [12.8] 25.2 [7.4] 3.0	42.6 [12.5] 23.4 [6.9] 2.9	41.8 [12.3] 31.5 [9.2] 3.0	41.1 [12.0] 30.1 [8.8] 3.0	39.9 [11.7] 27.9 [8.2] 2.9	38.9 [11.4] 35.8 [10.5] 3.0	38.2 [11.2] 34.2 [10.0] 2.9	37.1 [10.9] 31.7 [9.3] 2.9
	100 [37.8]	Total BTUH [kW] Sens BTUH [kW] Power	43.1 [12.6] 25.6 [7.5] 3.2	42.3 [12.4] 24.4 [7.2] 3.1	41.1 [12.1] 22.7 [6.6] 3.1	40.4 [11.8] 30.7 [9.0] 3.2	39.6 [11.6] 29.3 [8.6] 3.1	38.5 [11.3] 27.2 [8.0] 3.1	37.4 [11.0] 34.9 [10.2] 3.1	36.7 [10.8] 33.4 [9.8] 3.1	35.7 [10.5] 31.0 [9.1] 3.1
	105 [40.6]	Total BTUH [kW] Sens BTUH [kW] Power	41.6 [12.2] 24.7 [7.2] 3.4	40.8 [12.0] 23.6 [6.9] 3.3	39.7 [11.6] 21.9 [6.4] 3.3	38.8 [11.4] 29.8 [8.7] 3.3	38.1 [11.2] 28.5 [8.3] 3.3	37.1 [10.9] 26.4 [7.7] 3.3	35.9 [10.5] 34.1 [10.0] 3.3	35.2 [10.3] 32.5 [9.5] 3.3	34.3 [10.0] 30.2 [8.8] 3.3
	110 [43.3]	Total BTUH [kW] Sens BTUH [kW] Power	40.0 [11.7] 23.8 [7.0] 3.6	39.3 [11.5] 22.7 [6.7] 3.5	38.2 [11.2] 21.1 [6.2] 3.5	37.2 [10.9] 28.9 [8.5] 3.5	36.6 [10.7] 27.6 [8.1] 3.5	35.6 [10.4] 25.6 [7.5] 3.5	34.3 [10.0] 33.1 [9.7] 3.5	33.7 [9.9] 31.6 [9.3] 3.5	32.7 [9.6] 29.4 [8.6] 3.5
	115 [46.1]	Total BTUH [kW] Sens BTUH [kW] Power	38.3 [11.2] 22.8 [6.7] 3.8	37.7 [11.0] 21.8 [6.4] 3.7	36.6 [10.7] 20.2 [5.9] 3.7	35.6 [10.4] 27.9 [8.2] 3.8	35.0 [10.2] 26.6 [7.8] 3.7	34.0 [10.0] 24.7 [7.2] 3.7	32.7 [9.6] 32.1 [9.4] 3.7	32.1 [9.4] 30.7 [9.0] 3.7	31.2 [9.1] 28.5 [8.4] 3.7
	120 [48.9]	Total BTUH [kW] Sens BTUH [kW] Power	36.7 [10.7] 21.7 [6.4] 4.0	36.0 [10.6] 20.8 [6.1] 4.0	35.0 [10.3] 19.3 [5.6] 3.9	33.9 [9.9] 26.8 [7.9] 4.0	33.3 [9.8] 25.6 [7.5] 3.9	32.4 [9.5] 23.8 [7.0] 3.9	31.0 [9.1] 31.0 [9.1] 4.0	30.4 [8.9] 29.7 [8.7] 3.9	29.6 [8.7] 27.6 [8.1] 3.9
	125 [51.7]	Total BTUH [kW] Sens BTUH [kW] Power	34.9 [10.2] 20.6 [6.1] 4.2	34.3 [10.1] 19.7 [5.8] 4.2	33.3 [9.8] 18.3 [5.4] 4.1	32.2 [9.4] 25.8 [7.5] 4.2	31.6 [9.3] 24.6 [7.2] 4.2	30.7 [9.0] 22.8 [6.7] 4.1	29.2 [8.6] 29.2 [8.6] 4.2	28.7 [8.4] 28.7 [8.4] 4.1	27.9 [8.2] 26.6 [7.8] 4.1

DR —Depression ratio
dbE —Entering air dry bulb
wbE —Entering air wet bulb

Total —Total capacity x 1000 BTUH
Sens —Sensible capacity x 1000 BTUH
Power —KW input

NOTES: ① When the entering air dry bulb is other than 80°F [27°C], adjust the sensible capacity from the table by adding [1.10 x CFM x (1 - DR) x (dbE - 80)].

[] Designates Metric Conversions





GROSS SYSTEMS PERFORMANCE DATA – RGEA14048A

		ENTERING INDOOR AIR @ 80°F [26.7°C] dbE ①									
		71°F [21.7°C]			67°F [19.4°C]			63°F [17.2°C]			
wbE		1700 [802]	1550 [732]	1320 [623]	1700 [802]	1550 [732]	1320 [623]	1700 [802]	1550 [732]	1320 [623]	
CFM [L/s]		1700 [802]	1550 [732]	1320 [623]	1700 [802]	1550 [732]	1320 [623]	1700 [802]	1550 [732]	1320 [623]	
DR ①		0.19	0.18	0.15	0.19	0.18	0.15	0.19	0.18	0.15	
OUTDOOR DRY BULB TEMPERATURE °F [°C]	75 [23.9]	Total BTUH [kW] Sens BTUH [kW] Power	58.3 [17.1] 33.2 [9.7] 2.7	57.3 [16.8] 31.8 [9.3] 2.6	55.8 [16.3] 29.6 [8.7] 2.6	54.6 [16.0] 39.2 [11.5] 2.7	53.7 [15.7] 37.5 [11.0] 2.6	52.2 [15.3] 34.9 [10.2] 2.6	51.6 [15.1] 44.7 [13.1] 2.6	50.7 [14.9] 42.8 [12.5] 2.6	49.3 [14.5] 39.8 [11.7] 2.6
	80 [26.7]	Total BTUH [kW] Sens BTUH [kW] Power	56.8 [16.7] 32.5 [9.5] 2.8	55.8 [16.4] 31.1 [9.1] 2.8	54.3 [15.9] 28.9 [8.5] 2.8	53.1 [15.6] 38.5 [11.3] 2.8	52.2 [15.3] 36.8 [10.8] 2.8	50.8 [14.9] 34.3 [10.0] 2.7	50.1 [14.7] 44.0 [12.9] 2.8	49.2 [14.4] 42.1 [12.3] 2.8	47.9 [14.0] 39.2 [11.5] 2.7
	85 [29.4]	Total BTUH [kW] Sens BTUH [kW] Power	55.3 [16.2] 31.7 [9.3] 3.0	54.3 [15.9] 30.3 [8.9] 2.9	52.8 [15.5] 28.2 [8.3] 2.9	51.5 [15.1] 37.7 [11.0] 2.9	50.6 [14.8] 36.0 [10.6] 2.9	49.3 [14.4] 33.6 [9.8] 2.9	48.5 [14.2] 43.2 [12.7] 2.9	47.7 [14.0] 41.3 [12.1] 2.9	46.4 [13.6] 38.4 [11.3] 2.9
	90 [32.2]	Total BTUH [kW] Sens BTUH [kW] Power	53.6 [15.7] 30.8 [9.0] 3.1	52.7 [15.4] 29.5 [8.6] 3.1	51.3 [15.0] 27.4 [8.0] 3.1	49.9 [14.6] 36.8 [10.8] 3.1	49.0 [14.4] 35.2 [10.3] 3.1	47.7 [14.0] 32.8 [9.6] 3.0	46.9 [13.7] 42.3 [12.4] 3.1	46.1 [13.5] 40.5 [11.9] 3.1	44.8 [13.1] 37.7 [11.0] 3.0
	95 [35]	Total BTUH [kW] Sens BTUH [kW] Power	51.9 [15.2] 29.9 [8.8] 3.3	51.0 [14.9] 28.6 [8.4] 3.3	49.6 [14.5] 26.6 [7.8] 3.2	48.2 [14.1] 35.9 [10.5] 3.3	47.3 [13.9] 34.3 [10.1] 3.3	46.1 [13.5] 32.0 [9.4] 3.2	45.2 [13.2] 41.4 [12.1] 3.3	44.4 [13.0] 39.6 [11.6] 3.3	43.2 [12.7] 36.8 [10.8] 3.2
	100 [37.8]	Total BTUH [kW] Sens BTUH [kW] Power	50.1 [14.7] 28.9 [8.5] 3.5	49.2 [14.4] 27.6 [8.1] 3.5	47.9 [14.0] 25.7 [7.5] 3.4	46.4 [13.6] 34.9 [10.2] 3.5	45.6 [13.4] 33.4 [9.8] 3.5	44.3 [13.0] 31.1 [9.1] 3.4	43.4 [12.7] 40.4 [11.8] 3.5	42.6 [12.5] 38.6 [11.3] 3.4	41.5 [12.2] 36.0 [10.5] 3.4
	105 [40.6]	Total BTUH [kW] Sens BTUH [kW] Power	48.2 [14.1] 27.8 [8.2] 3.7	47.4 [13.9] 26.6 [7.8] 3.7	46.1 [13.5] 24.8 [7.3] 3.6	44.5 [13.0] 33.8 [9.9] 3.7	43.7 [12.8] 32.4 [9.5] 3.7	42.6 [12.5] 30.1 [8.8] 3.6	41.5 [12.2] 39.3 [11.5] 3.7	40.8 [12.0] 37.6 [11.0] 3.7	39.7 [11.6] 35.0 [10.3] 3.6
	110 [43.3]	Total BTUH [kW] Sens BTUH [kW] Power	46.3 [13.6] 26.7 [7.8] 3.9	45.5 [13.3] 25.6 [7.5] 3.9	44.3 [13.0] 23.8 [7.0] 3.9	42.6 [12.5] 32.7 [9.6] 3.9	41.9 [12.3] 31.3 [9.2] 3.9	40.7 [11.9] 29.1 [8.5] 3.8	39.6 [11.6] 38.2 [11.2] 3.9	38.9 [11.4] 36.6 [10.7] 3.9	37.9 [11.1] 34.0 [10.0] 3.8
	115 [46.1]	Total BTUH [kW] Sens BTUH [kW] Power	44.3 [13.0] 25.5 [7.5] 4.2	43.5 [12.8] 24.4 [7.2] 4.2	42.4 [12.4] 22.7 [6.7] 4.1	40.6 [11.9] 31.6 [9.2] 4.2	39.9 [11.7] 30.2 [8.8] 4.1	38.8 [11.4] 28.1 [8.2] 4.1	37.6 [11.0] 37.1 [10.9] 4.2	36.9 [10.8] 35.5 [10.4] 4.1	35.9 [10.5] 33.0 [9.7] 4.1
	120 [48.9]	Total BTUH [kW] Sens BTUH [kW] Power	42.2 [12.4] 24.3 [7.1] 4.4	41.5 [12.2] 23.3 [6.8] 4.4	40.4 [11.8] 21.7 [6.3] 4.3	38.5 [11.3] 30.3 [8.9] 4.4	37.9 [11.1] 29.0 [8.5] 4.4	36.8 [10.8] 27.0 [7.9] 4.3	35.5 [10.4] 35.5 [10.4] 4.4	34.9 [10.2] 34.3 [10.0] 4.4	34.0 [10.0] 31.9 [9.3] 4.3
	125 [51.7]	Total BTUH [kW] Sens BTUH [kW] Power	40.1 [11.8] 23.0 [6.7] 4.7	39.4 [11.5] 22.0 [6.5] 4.7	38.3 [11.2] 20.5 [6.0] 4.6	36.4 [10.7] 29.0 [8.5] 4.7	35.7 [10.5] 27.8 [8.1] 4.6	34.8 [10.2] 25.9 [7.6] 4.6	33.4 [9.8] 33.4 [9.8] 4.7	32.8 [9.6] 32.8 [9.6] 4.6	31.9 [9.4] 30.8 [9.0] 4.6

DR —Depression ratio
dbE —Entering air dry bulb
wbE—Entering air wet bulb

Total —Total capacity x 1000 BTUH
Sens —Sensible capacity x 1000 BTUH
Power —KW input

NOTES: ① When the entering air dry bulb is other than 80°F [27°C], adjust the sensible capacity from the table by adding $[1.10 \times \text{CFM} \times (1 - \text{DR}) \times (\text{dbE} - 80)]$.

[] Designates Metric Conversions





GROSS SYSTEMS PERFORMANCE DATA—RGEA14060C

		ENTERING INDOOR AIR @ 80°F [26.7°C] dbE ①									
wbE		71°F [21.7°C]			67°F [19.4°C]			63°F [17.2°C]			
CFM [L/s]		2040 [963]	1700 [802]	1570 [741]	2040 [963]	1700 [802]	1570 [741]	2040 [963]	1700 [802]	1570 [741]	
DR ①		0.09	0.15	0.17	0.09	0.15	0.17	0.09	0.15	0.17	
OUTDOOR DRY BULB TEMPERATURE °F [°C]	75 [23.9]	Total BTUH [kW] Sens BTUH [kW] Power	72.6 [21.3] 43.7 [12.8] 3.8	70.1 [20.5] 37.5 [11.0] 3.7	69.1 [20.2] 35.2 [10.3] 3.7	68.3 [20.0] 50.8 [14.9] 3.8	65.9 [19.3] 44.1 [12.9] 3.7	65.0 [19.0] 41.7 [12.2] 3.7	64.7 [19.0] 57.8 [16.9] 3.7	62.4 [18.3] 50.6 [14.8] 3.7	61.5 [18.0] 47.9 [14.0] 3.6
	80 [26.7]	Total BTUH [kW] Sens BTUH [kW] Power	70.7 [20.7] 42.9 [12.6] 4.0	68.2 [20.0] 36.7 [10.8] 3.9	67.2 [19.7] 34.4 [10.1] 3.9	66.3 [19.4] 49.9 [14.6] 4.0	64.0 [18.8] 43.3 [12.7] 3.9	63.1 [18.5] 40.9 [12.0] 3.9	62.7 [18.4] 56.9 [16.7] 3.9	60.5 [17.7] 49.8 [14.6] 3.8	59.7 [17.5] 47.3 [13.9] 3.8
	85 [29.4]	Total BTUH [kW] Sens BTUH [kW] Power	68.6 [20.1] 41.8 [12.2] 4.2	66.2 [19.4] 35.8 [10.5] 4.1	65.3 [19.1] 33.7 [9.9] 4.1	64.3 [18.8] 49.0 [14.4] 4.2	62.0 [18.2] 42.5 [12.5] 4.1	61.2 [17.9] 40.2 [11.8] 4.1	60.7 [17.8] 56.0 [16.4] 4.1	58.5 [17.1] 49.0 [14.4] 4.1	57.7 [16.9] 46.5 [13.6] 4.0
	90 [32.2]	Total BTUH [kW] Sens BTUH [kW] Power	66.5 [19.5] 40.8 [12.0] 4.4	64.2 [18.8] 35.0 [10.3] 4.4	63.3 [18.5] 32.9 [9.6] 4.3	62.2 [18.2] 47.9 [14.0] 4.4	60.0 [17.6] 41.6 [12.2] 4.3	59.2 [17.3] 39.3 [11.5] 4.3	58.6 [17.2] 54.9 [16.1] 4.4	56.5 [16.6] 48.1 [14.1] 4.3	55.7 [16.3] 45.6 [13.4] 4.3
	95 [35]	Total BTUH [kW] Sens BTUH [kW] Power	64.4 [18.9] 39.7 [11.6] 4.7	62.1 [18.2] 34.0 [10.0] 4.6	61.2 [17.9] 31.9 [9.3] 4.6	60.1 [17.6] 46.8 [13.7] 4.7	57.9 [17.0] 40.6 [11.9] 4.6	57.1 [16.7] 38.4 [11.3] 4.5	56.4 [16.5] 53.7 [15.7] 4.6	54.4 [15.9] 47.1 [13.8] 4.5	53.7 [15.7] 44.7 [13.1] 4.5
	100 [37.8]	Total BTUH [kW] Sens BTUH [kW] Power	62.2 [18.2] 38.5 [11.3] 5.0	60.0 [17.6] 33.0 [9.7] 4.9	59.1 [17.3] 31.0 [9.1] 4.8	57.8 [16.9] 45.5 [13.3] 4.9	55.8 [16.3] 39.6 [11.6] 4.8	55.0 [16.1] 37.4 [11.0] 4.8	54.2 [15.9] 52.5 [15.4] 4.9	52.3 [15.3] 46.1 [13.5] 4.8	51.6 [15.1] 43.8 [12.8] 4.8
	105 [40.6]	Total BTUH [kW] Sens BTUH [kW] Power	59.9 [17.6] 37.2 [10.9] 5.3	57.8 [16.9] 31.9 [9.3] 5.2	57.0 [16.7] 30.0 [8.8] 5.1	55.6 [16.3] 44.4 [13.0] 5.2	53.6 [15.7] 38.6 [11.3] 5.1	52.9 [15.5] 36.5 [10.7] 5.1	51.9 [15.2] 51.3 [15.0] 5.2	50.1 [14.7] 45.1 [13.2] 5.1	49.4 [14.5] 42.8 [12.5] 5.1
	110 [43.3]	Total BTUH [kW] Sens BTUH [kW] Power	57.5 [16.8] 35.9 [10.5] 5.6	55.5 [16.3] 30.8 [9.0] 5.5	54.8 [16.1] 29.0 [8.5] 5.4	53.2 [15.6] 43.0 [12.6] 5.5	51.4 [15.1] 37.5 [11.0] 5.4	50.6 [14.8] 35.4 [10.4] 5.4	49.6 [14.5] 49.6 [14.5] 5.5	47.9 [14.0] 44.0 [12.9] 5.4	47.2 [13.8] 41.8 [12.2] 5.4
	115 [46.1]	Total BTUH [kW] Sens BTUH [kW] Power	55.2 [16.2] 34.5 [10.1] 5.9	53.2 [15.6] 29.6 [8.7] 5.8	52.5 [15.4] 27.9 [8.2] 5.8	50.8 [14.9] 41.5 [12.2] 5.9	49.1 [14.4] 36.3 [10.6] 5.8	48.4 [14.2] 34.3 [10.0] 5.7	47.2 [13.8] 47.2 [13.8] 5.8	45.5 [13.3] 42.7 [12.5] 5.7	44.9 [13.2] 40.6 [11.9] 5.7

DR —Depression ratio
dbE —Entering air dry bulb
wbE—Entering air wet bulb

Total —Total capacity x 1000 BTUH
Sens —Sensible capacity x 1000 BTUH
Power—KW input

NOTES: ① When the entering air dry bulb is other than 80°F [27°C], adjust the sensible capacity from the table by adding [1.10 x CFM x (1 – DR) x (dbE – 80)].

[] Designates Metric Conversions





GROSS SYSTEMS PERFORMANCE DATA – RGEA15024B

		ENTERING INDOOR AIR @ 80°F [26.7°C] dbE ①									
		wbE	71°F [21.7°C]			67°F [19.4°C]			63°F [17.2°C]		
		CFM [L/s]	990 [467]	900 [425]	760 [359]	990 [467]	900 [425]	760 [359]	990 [467]	900 [425]	760 [359]
		DR ①	0.18	0.2	0.22	0.18	0.2	0.22	0.18	0.2	0.22
OUTDOOR DRY BULB TEMPERATURE °F [°C]	75 [23.9]	Total BTUH [kW] Sens BTUH [kW] Power	30.2 [8.8] 18.3 [5.4] 1.4	29.7 [8.7] 17.0 [5.0] 1.4	28.8 [8.4] 14.9 [4.4] 1.4	28 [8.2] 21.7 [6.4] 1.4	27.5 [8.1] 20.2 [5.9] 1.4	26.7 [7.8] 18.0 [5.3] 1.4	26.3 [7.7] 24.3 [7.1] 1.4	25.8 [7.6] 22.7 [6.7] 1.4	25.1 [7.4] 20.4 [6.0] 1.4
	80 [26.7]	Total BTUH [kW] Sens BTUH [kW] Power	29.6 [8.7] 18.0 [5.3] 1.5	29.1 [8.5] 16.7 [4.9] 1.5	28.2 [8.3] 14.7 [4.3] 1.5	27.4 [8.0] 21.4 [6.3] 1.5	26.9 [7.9] 19.9 [5.8] 1.5	26.1 [7.6] 17.7 [5.2] 1.5	25.7 [7.5] 24.0 [7.0] 1.5	25.2 [7.4] 22.4 [6.6] 1.5	24.5 [7.2] 20.1 [5.9] 1.5
	85 [29.4]	Total BTUH [kW] Sens BTUH [kW] Power	28.9 [8.5] 17.6 [5.2] 1.6	28.3 [8.3] 16.2 [4.7] 1.6	27.5 [8.1] 14.3 [4.2] 1.6	26.7 [7.8] 20.9 [6.1] 1.6	26.2 [7.7] 19.5 [5.7] 1.6	25.4 [7.4] 17.3 [5.1] 1.6	24.9 [7.3] 23.6 [6.9] 1.6	24.5 [7.2] 22.1 [6.5] 1.6	23.8 [7.0] 19.8 [5.8] 1.6
	90 [32.2]	Total BTUH [kW] Sens BTUH [kW] Power	28.0 [8.2] 17.0 [5.0] 1.7	27.5 [8.1] 15.7 [4.6] 1.7	26.8 [7.9] 13.9 [4.1] 1.7	25.8 [7.6] 20.4 [6.0] 1.7	25.4 [7.4] 19.1 [5.6] 1.7	24.7 [7.2] 17.1 [5.0] 1.7	24.1 [7.1] 2.03 [6.7] 1.7	23.7 [6.9] 21.6 [6.3] 1.7	23.0 [6.7] 19.4 [5.7] 1.7
	95 [35]	Total BTUH [kW] Sens BTUH [kW] Power	27.1 [7.9] 16.4 [4.8] 1.8	26.6 [7.8] 15.2 [4.5] 1.8	25.9 [7.6] 13.4 [3.9] 1.8	24.9 [7.3] 19.9 [5.8] 1.8	24.5 [7.2] 18.6 [5.4] 1.8	23.8 [7.0] 16.6 [4.9] 1.8	23.2 [6.8] 22.5 [6.6] 1.8	22.8 [6.7] 21.1 [6.2] 1.8	22.2 [6.5] 19.0 [5.6] 1.8
	100 [37.8]	Total BTUH [kW] Sens BTUH [kW] Power	26.1 [7.6] 15.9 [4.7] 1.9	25.6 [7.5] 14.7 [4.3] 1.9	24.9 [7.3] 13.0 [3.8] 1.9	23.9 [7.0] 19.3 [5.7] 1.9	23.5 [6.9] 18.0 [5.3] 1.9	22.8 [6.7] 16.0 [4.7] 1.9	22.2 [6.5] 21.9 [6.4] 1.9	21.8 [6.4] 20.5 [6.0] 1.9	21.2 [6.2] 18.5 [5.4] 1.9
	105 [40.6]	Total BTUH [kW] Sens BTUH [kW] Power	25.0 [7.3] 15.2 [4.5] 2.0	24.5 [7.2] 14.0 [4.1] 2.0	23.9 [7.0] 12.4 [3.6] 2.0	22.8 [6.7] 18.6 [5.4] .02	22.4 [6.6] 17.4 [5.1] 2.0	21.7 [6.4] 15.5 [4.5] 2.0	21.1 [6.2] 21.1 [6.2] 2.0	20.7 [6.1] 19.9 [5.8] 2.0	20.1 [5.9] 17.9 [5.2] 2.0
	110 [43.3]	Total BTUH [kW] Sens BTUH [kW] Power	23.8 [7.0] 14.4 [4.2] 2.2	23.3 [6.8] 13.3 [3.9] 2.2	22.7 [6.7] 11.8 [3.5] 2.1	21.6 [6.3] 17.9 [5.2] 2.2	21.2 [6.2] 16.7 [4.9] 2.2	20.6 [6.0] 14.9 [4.4] 2.1	19.9 [5.8] 19.9 [5.8] 2.2	19.5 [5.7] 19.2 [5.6] 2.2	19.0 [5.6] 17.3 [5.1] 2.1
	115 [46.1]	Total BTUH [kW] Sens BTUH [kW] Power	22.5 [6.6] 13.6 [4.0] 2.3	22.1 [6.5] 12.6 [3.7] 2.3	21.4 [6.3] 1.01 [3.2] 2.3	20.2 [5.9] 17.0 [5.0] 2.3	19.9 [5.8] 15.9 [4.7] 2.3	19.3 [5.7] 14.2 [4.2] 2.3	18.5 [5.4] 18.5 [5.4] 2.3	18.2 [5.3] 18.2 [5.3] 2.3	17.7 [5.2] 16.6 [4.9] 2.3

DR —Depression ratio
dbE —Entering air dry bulb
wbE —Entering air wet bulb

Total —Total capacity x 1000 BTUH
Sens —Sensible capacity x 1000 BTUH
Power —KW input

NOTES: ① When the entering air dry bulb is other than 80°F [27°C], adjust the sensible capacity from the table by adding [1.10 x CFM x (1 – DR) x (dbE – 80)].

[] Designates Metric Conversions





GROSS SYSTEMS PERFORMANCE DATA—RGEA15030A

		ENTERING INDOOR AIR @ 80°F [26.7°C] dbE ①									
wbE		71°F [21.7°C]			67°F [19.4°C]			63°F [17.2°C]			
CFM [L/s]		1070 [505]	975 [460]	830 [392]	1070 [505]	975 [460]	830 [392]	1070 [505]	975 [460]	830 [392]	
DR ①		0.16	0.14	0.1	0.16	0.14	0.1	0.16	0.14	0.1	
OUTDOOR DRY BULB TEMPERATURE °F [°C]	75 [23.9]	Total BTUH [kW] Sens BTUH [kW] Power	36.8 [10.8] 21.5 [6.3] 1.7	36.1 [10.6] 20.5 [6.0] 1.7	35.2 [10.3] 19.1 [5.6] 1.6	34.3 [10.1] 25.1 [7.4] 1.7	33.7 [9.9] 24.0 [7.0] 1.6	32.8 [9.6] 22.4 [6.6] 1.6	32.4 [9.5] 28.3 [8.3] 1.6	31.8 [9.3] 27.1 [7.9] 1.6	31.0 [9.1] 25.2 [7.4] 1.6
	80 [26.7]	Total BTUH [kW] Sens BTUH [kW] Power	35.7 [10.5] 21.0 [6.1] 1.8	35.1 [10.3] 20.1 [5.9] 1.7	34.2 [10.0] 18.7 [5.5] 1.7	33.3 [9.7] 24.7 [7.2] 1.7	32.7 [9.6] 23.6 [6.9] 1.7	31.8 [9.3] 21.9 [6.4] 1.7	31.3 [9.2] 27.8 [8.2] 1.7	30.8 [9.0] 26.6 [7.8] 1.7	30.0 [8.8] 24.8 [7.3] 1.7
	85 [29.4]	Total BTUH [kW] Sens BTUH [kW] Power	34.7 [10.2] 20.5 [6.0] 1.9	34.1 [10.0] 19.6 [5.7] 1.8	33.2 [9.7] 18.2 [5.3] 1.8	32.2 [9.4] 24.2 [7.1] 1.8	31.7 [9.3] 23.1 [6.8] 1.8	30.8 [9.0] 21.5 [6.3] 1.8	30.3 [8.9] 27.4 [8.0] 1.8	29.8 [8.7] 26.2 [7.7] 1.8	29.0 [8.5] 24.3 [7.1] 1.8
	90 [32.2]	Total BTUH [kW] Sens BTUH [kW] Power	33.7 [9.9] 20.0 [5.9] 2.0	33.1 [9.7] 19.1 [5.6] 1.9	32.2 [9.4] 17.8 [5.2] 1.9	31.2 [9.1] 23.6 [6.9] 1.9	30.6 [9.0] 22.6 [6.6] 1.9	29.8 [8.7] 21.0 [6.2] 1.9	29.2 [8.6] 26.8 [7.9] 1.9	28.7 [8.4] 25.7 [7.5] 1.9	28.0 [8.2] 23.9 [7.0] 1.9
	95 [35]	Total BTUH [kW] Sens BTUH [kW] Power	32.6 [9.5] 19.4 [5.7] 2.1	32.0 [9.4] 18.6 [5.4] 2.1	31.2 [9.1] 17.3 [5.1] 2.0	30.1 [8.8] 23.1 [6.8] 2.1	29.6 [8.7] 22.1 [6.5] 2.0	28.8 [8.4] 20.5 [6.0] 2.0	28.2 [8.3] 26.3 [7.7] 2.0	27.7 [8.1] 25.1 [7.4] 2.0	26.9 [7.9] 23.4 [6.9] 2.0
	100 [37.8]	Total BTUH [kW] Sens BTUH [kW] Power	31.5 [9.2] 18.8 [5.5] 2.2	31.0 [9.1] 18.0 [5.3] 2.2	30.1 [8.8] 16.8 [4.9] 2.1	29.0 [8.5] 22.5 [6.6] 2.2	28.5 [8.4] 21.5 [6.3] 2.2	27.7 [8.1] 20.0 [5.9] 2.1	27.1 [7.9] 25.7 [7.5] 2.2	26.6 [7.8] 24.6 [7.2] 2.1	25.9 [7.6] 22.9 [6.7] 2.1
	105 [40.6]	Total BTUH [kW] Sens BTUH [kW] Power	30.4 [8.9] 18.2 [5.3] 2.3	29.9 [8.8] 17.4 [5.1] 2.3	29.1 [8.5] 16.2 [4.8] 2.3	27.9 [8.2] 21.9 [6.4] 2.3	27.4 [8.0] 20.9 [6.1] 2.3	26.7 [7.8] 19.5 [5.7] 2.3	26.0 [7.6] 25.1 [7.4] 2.3	25.6 [7.5] 24.0 [7.0] 2.3	24.9 [7.3] 22.3 [6.5] 2.2
	110 [43.3]	Total BTUH [kW] Sens BTUH [kW] Power	29.3 [8.6] 17.6 [5.2] 2.5	28.8 [8.4] 16.8 [4.9] 2.4	28.0 [8.2] 15.7 [4.6] 2.4	26.8 [7.9] 21.3 [6.2] 2.4	26.4 [7.7] 20.3 [6.0] 2.4	25.6 [7.5] 18.9 [5.5] 2.4	24.9 [7.3] 24.4 [7.2] 2.4	24.5 [7.2] 23.4 [6.9] 2.4	23.8 [7.0] 21.8 [6.4] 2.4
	115 [46.1]	Total BTUH [kW] Sens BTUH [kW] Power	28.2 [8.3] 16.9 [5.0] 2.6	27.7 [8.1] 16.2 [4.7] 2.6	27.0 [7.9] 15.1 [4.4] 2.5	25.7 [7.5] 20.6 [6.0] 2.6	25.3 [7.4] 19.7 [5.8] 2.6	24.6 [7.2] 18.3 [5.4] 2.5	23.8 [7.0] 23.8 [7.0] 2.6	23.4 [6.8] 22.7 [6.7] 2.6	22.7 [6.7] 21.2 [6.2] 2.5
	120 [48.9]	Total BTUH [kW] Sens BTUH [kW] Power	27.1 [7.9] 16.2 [4.8] 2.8	26.6 [7.8] 15.5 [4.5] 2.7	25.9 [7.6] 14.4 [4.2] 2.7	24.6 [7.2] 19.9 [5.8] 2.7	24.2 [7.1] 19.0 [5.6] 2.7	23.5 [6.9] 17.7 [5.2] 2.7	22.7 [6.6] 22.7 [6.6] 2.7	22.3 [6.5] 22.1 [6.5] 2.7	21.7 [6.3] 20.5 [6.0] 2.7
125 [51.7]	Total BTUH [kW] Sens BTUH [kW] Power	25.9 [7.6] 15.5 [4.5] 2.9	25.5 [7.5] 14.8 [4.3] 2.9	24.8 [7.3] 13.8 [4.0] 2.8	23.4 [6.9] 19.2 [5.6] 2.9	23.0 [6.7] 18.3 [5.4] 2.9	22.4 [6.6] 17.1 [5.0] 2.8	21.5 [6.3] 21.5 [6.3] 2.9	21.1 [6.2] 21.1 [6.2] 2.9	20.6 [6.0] 19.9 [5.8] 2.8	

DR —Depression ratio
dbE —Entering air dry bulb
wbE —Entering air wet bulb

Total —Total capacity x 1000 BTUH
Sens —Sensible capacity x 1000 BTUH
Power —KW input

NOTES: ① When the entering air dry bulb is other than 80°F [27°C], adjust the sensible capacity from the table by adding [1.10 x CFM x (1 - DR) x (dbE - 80)].

[] Designates Metric Conversions





GROSS SYSTEMS PERFORMANCE DATA—RGEA15036B

		ENTERING INDOOR AIR @ 80°F [26.7°C] dbE ①									
		71°F [21.7°C]			67°F [19.4°C]			63°F [17.2°C]			
wbE		1320 [623]	1115 [526]	1020 [481]	1320 [623]	1115 [526]	1020 [481]	1320 [623]	1115 [526]	1020 [481]	
CFM [L/s]		1320 [623]	1115 [526]	1020 [481]	1320 [623]	1115 [526]	1020 [481]	1320 [623]	1115 [526]	1020 [481]	
DR ①		0.17	0.22	0.25	0.17	0.22	0.25	0.17	0.22	0.25	
OUTDOOR DRY BULB TEMPERATURE °F [°C]	75 [23.9]	Total BTUH [kW] Sens BTUH [kW] Power	46.0 [13.5] 27.5 [8.1] 2.1	44.6 [13.1] 23.9 [7.0] 2.1	43.9 [12.9] 22.3 [6.5] 2.1	42.7 [12.5] 31.3 [9.2] 2.1	41.4 [12.1] 27.5 [8.1] 2.1	40.7 [11.9] 25.7 [7.5] 2.1	39.9 [11.7] 34.6 [10.1] 2.1	38.6 [11.3] 30.6 [9.0] 2.1	38.0 [11.1] 28.8 [8.4] 2.1
	80 [26.7]	Total BTUH [kW] Sens BTUH [kW] Power	44.7 [13.1] 26.8 [7.9] 2.2	43.2 [12.7] 23.2 [6.8] 2.2	42.6 [12.5] 21.7 [6.4] 2.2	41.4 [12.1] 30.6 [9.0] 2.2	40.0 [11.7] 26.8 [7.9] 2.2	39.4 [11.5] 25.2 [7.4] 2.2	38.6 [11.3] 33.9 [9.9] 2.2	37.3 [10.9] 29.9 [8.8] 2.2	36.7 [10.8] 28.1 [8.2] 2.2
	85 [29.4]	Total BTUH [kW] Sens BTUH [kW] Power	43.3 [12.7] 26.1 [7.6] 2.4	41.9 [12.3] 22.6 [6.6] 2.3	41.2 [12.1] 21.0 [6.2] 2.3	40.0 [11.7] 29.9 [8.8] 2.4	38.7 [11.3] 26.2 [7.7] 2.3	38.1 [11.2] 24.6 [7.2] 2.3	37.2 [10.9] 33.1 [9.7] 2.4	36.0 [10.5] 29.3 [8.6] 2.3	35.4 [10.4] 27.6 [8.1] 2.3
	90 [32.2]	Total BTUH [kW] Sens BTUH [kW] Power	41.9 [12.3] 25.2 [7.4] 2.5	40.5 [11.9] 21.8 [6.4] 2.5	39.9 [11.7] 20.4 [6.0] 2.5	38.6 [11.3] 29.0 [8.5] 2.5	37.3 [10.9] 25.4 [7.4] 2.5	36.7 [10.8] 23.8 [7.0] 2.4	35.8 [10.5] 32.2 [9.4] 2.5	34.6 [10.1] 28.5 [8.4] 2.5	34.1 [10.0] 26.9 [7.9] 2.4
	95 [35]	Total BTUH [kW] Sens BTUH [kW] Power	40.4 [11.8] 24.3 [7.1] 2.7	39.1 [11.5] 21.1 [6.2] 2.6	38.5 [11.3] 19.7 [5.8] 2.6	37.1 [10.9] 28.1 [8.2] 2.7	35.9 [10.5] 24.7 [7.2] 2.6	35.4 [10.4] 23.2 [6.8] 2.6	34.3 [10.0] 31.4 [9.2] 2.6	33.2 [9.7] 27.8 [8.1] 2.6	32.7 [9.6] 26.2 [7.7] 2.6
	100 [37.8]	Total BTUH [kW] Sens BTUH [kW] Power	39.0 [11.4] 23.5 [6.9] 2.8	37.7 [11.0] 20.3 [5.9] 2.8	37.1 [10.9] 18.9 [5.5] 2.8	35.7 [10.5] 27.3 [8.0] 2.8	34.5 [10.1] 23.9 [7.0] 2.8	34.0 [10.0] 22.5 [6.6] 2.8	32.9 [9.6] 30.5 [8.9] 2.8	31.8 [9.3] 27.0 [7.9] 2.8	31.3 [9.2] 25.4 [7.4] 2.8
	105 [40.6]	Total BTUH [kW] Sens BTUH [kW] Power	37.5 [11.0] 22.5 [6.6] 3.0	36.3 [10.6] 19.5 [5.7] 3.0	35.7 [10.5] 18.1 [5.3] 2.9	34.2 [10.0] 26.3 [7.7] 3.0	33.1 [9.7] 23.1 [6.8] 3.0	32.6 [9.6] 21.7 [6.4] 2.9	31.4 [9.2] 29.5 [8.6] 3.0	30.4 [8.9] 26.2 [7.7] 3.0	29.9 [8.8] 24.7 [7.2] 2.9
	110 [43.3]	Total BTUH [kW] Sens BTUH [kW] Power	36.0 [10.5] 21.5 [6.3] 3.2	34.8 [10.2] 18.6 [5.4] 3.2	34.3 [10.0] 17.4 [5.1] 3.1	32.7 [9.6] 25.3 [7.4] 3.2	31.6 [9.3] 22.2 [6.5] 3.2	31.1 [9.1] 20.8 [6.1] 3.1	29.9 [8.8] 28.7 [8.4] 3.2	28.9 [8.5] 25.4 [7.4] 3.1	28.5 [8.4] 24.0 [7.0] 3.1
	115 [46.1]	Total BTUH [kW] Sens BTUH [kW] Power	34.5 [10.1] 20.5 [6.0] 3.4	33.3 [9.8] 17.7 [5.2] 3.4	32.8 [9.6] 16.5 [4.8] 3.3	31.1 [9.1] 24.2 [7.1] 3.4	30.1 [8.8] 21.3 [6.2] 3.4	29.7 [8.7] 20.1 [5.9] 3.3	28.3 [8.3] 27.6 [8.1] 3.4	27.4 [8.0] 24.5 [7.2] 3.3	27.0 [7.9] 23.1 [6.8] 3.3

DR —Depression ratio
dbE —Entering air dry bulb
wbE—Entering air wet bulb

Total —Total capacity x 1000 BTUH
Sens —Sensible capacity x 1000 BTUH
Power —KW input

NOTES: ① When the entering air dry bulb is other than 80°F [27°C], adjust the sensible capacity from the table by adding [1.10 x CFM x (1 – DR) x (dbE – 80)].

[] Designates Metric Conversions



GROSS SYSTEMS PERFORMANCE DATA—RGEA15042B

		ENTERING INDOOR AIR @ 80°F [26.7°C] dbE ①									
wbE		71°F [21.7°C]			67°F [19.4°C]			63°F [17.2°C]			
CFM [L/s]		1430 [675]	1200 [566]	1100 [519]	1430 [675]	1200 [566]	1100 [519]	1430 [675]	1200 [566]	1100 [519]	
DR ①		0.04	0.08	0.11	0.04	0.08	0.11	0.04	0.08	0.11	
OUTDOOR DRY BULB TEMPERATURE °F [°C]	75 [23.9]	Total BTUH [kW] Sens BTUH [kW] Power	52.7 [15.4] 32.5 [9.5] 2.5	50.9 [14.9] 28.0 [8.2] 2.4	50.2 [14.7] 26.2 [7.7] 2.4	49.2 [14.4] 37.3 [10.9] 2.5	47.6 [13.9] 32.6 [9.6] 2.4	46.8 [13.7] 30.6 [9.0] 2.4	46.0 [13.5] 41.2 [12.1] 2.4	44.5 [13.0] 36.3 [10.6] 2.4	43.8 [12.8] 34.2 [10.0] 2.4
	80 [26.7]	Total BTUH [kW] Sens BTUH [kW] Power	51.2 [15.0] 31.8 [9.3] 2.6	49.5 [14.5] 27.5 [8.1] 2.6	48.7 [14.3] 25.7 [7.5] 2.5	47.7 [14.0] 36.7 [10.8] 2.6	46.1 [13.5] 32.1 [9.4] 2.5	45.4 [13.3] 30.2 [8.8] 2.5	44.5 [13.0] 40.6 [11.9] 2.6	43.0 [12.6] 35.8 [10.5] 2.5	42.3 [12.4] 33.7 [9.9] 2.5
	85 [29.4]	Total BTUH [kW] Sens BTUH [kW] Power	49.6 [14.5] 31.0 [9.1] 2.7	48.0 [14.1] 26.9 [7.9] 2.7	47.2 [13.8] 25.1 [7.4] 2.7	46.1 [13.5] 36.0 [10.5] 2.7	44.6 [13.1] 31.5 [9.2] 2.7	43.9 [12.9] 29.6 [8.7] 2.7	42.9 [12.6] 39.8 [11.7] 2.7	41.5 [12.2] 35.1 [10.3] 2.7	40.8 [12.0] 33.1 [9.7] 2.7
	90 [32.2]	Total BTUH [kW] Sens BTUH [kW] Power	48.0 [14.1] 30.3 [8.9] 2.9	46.4 [13.6] 26.2 [7.7] 2.8	45.7 [13.4] 24.5 [7.2] 2.8	44.5 [13.0] 35.1 [10.3] 2.9	43.0 [12.6] 30.7 [9.0] 2.8	42.4 [12.4] 28.9 [8.5] 2.8	41.3 [12.1] 39.0 [11.4] 2.9	39.9 [11.7] 34.4 [10.1] 2.8	39.3 [11.5] 32.5 [9.5] 2.8
	95 [35]	Total BTUH [kW] Sens BTUH [kW] Power	46.4 [13.6] 29.3 [8.6] 3.1	44.8 [13.1] 25.3 [7.4] 3.0	44.2 [13.0] 23.7 [6.9] 3.0	42.9 [12.6] 34.2 [10.0] 3.1	41.5 [12.2] 30.0 [8.8] 3.0	40.8 [12.0] 28.2 [8.3] 3.0	39.7 [11.6] 38.1 [11.2] 3.0	38.4 [11.3] 33.7 [9.9] 3.0	37.8 [11.1] 31.8 [9.3] 3.0
	100 [37.8]	Total BTUH [kW] Sens BTUH [kW] Power	44.8 [13.1] 28.4 [8.3] 3.2	43.3 [12.7] 24.6 [7.2] 3.2	42.6 [12.5] 23.0 [6.7] 3.2	41.3 [12.1] 33.2 [9.7] 3.2	39.9 [11.7] 29.1 [8.5] 3.2	39.3 [11.5] 27.4 [8.0] 3.2	38.1 [11.2] 37.2 [10.9] 3.2	36.8 [10.8] 32.8 [9.6] 3.2	36.2 [10.6] 30.9 [9.1] 3.1
	105 [40.6]	Total BTUH [kW] Sens BTUH [kW] Power	43.1 [12.6] 27.2 [8.0] 3.4	41.6 [12.2] 23.5 [6.9] 3.4	41.0 [12.0] 22.0 [6.4] 3.4	39.6 [11.6] 32.1 [9.4] 3.4	38.3 [11.2] 28.2 [8.3] 3.4	37.7 [11.0] 26.5 [7.8] 3.3	36.4 [10.7] 36.0 [10.5] 3.4	35.2 [10.3] 31.8 [9.3] 3.4	34.6 [10.1] 30.0 [8.8] 3.3
	110 [43.3]	Total BTUH [kW] Sens BTUH [kW] Power	41.4 [12.1] 26.0 [7.6] 3.6	40.0 [11.7] 22.5 [6.6] 3.6	39.4 [11.5] 21.0 [6.2] 3.6	37.9 [11.1] 30.9 [9.1] 3.6	36.6 [10.7] 27.1 [7.9] 3.6	36.0 [10.5] 25.5 [7.5] 3.5	34.7 [10.2] 34.7 [10.2] 3.6	33.5 [9.8] 30.7 [9.0] 3.6	33.0 [9.7] 29.0 [8.5] 3.5
	115 [46.1]	Total BTUH [kW] Sens BTUH [kW] Power	39.6 [11.6] 24.7 [7.2] 3.9	38.3 [11.2] 21.4 [6.3] 3.8	37.7 [11.0] 20.0 [5.9] 3.8	36.1 [10.6] 29.5 [8.6] 3.9	34.9 [10.2] 25.9 [7.6] 3.8	34.4 [10.1] 24.4 [7.1] 3.8	32.9 [9.6] 32.9 [9.6] 3.8	31.8 [9.3] 29.6 [8.7] 3.8	31.3 [9.2] 28.0 [8.2] 3.8

DR —Depression ratio
dbE —Entering air dry bulb
wbE—Entering air wet bulb

Total —Total capacity x 1000 BTUH
Sens —Sensible capacity x 1000 BTUH
Power—KW input

NOTES: ① When the entering air dry bulb is other than 80°F [27°C], adjust the sensible capacity from the table by adding [1.10 x CFM x (1 - DR) x (dbE - 80)].

[] Designates Metric Conversions





GROSS SYSTEMS PERFORMANCE DATA – RGEA15048A

		ENTERING INDOOR AIR @ 80°F [26.7°C] dbE ①									
		71°F [21.7°C]			67°F [19.4°C]			63°F [17.2°C]			
wbE		1700 [802]	1550 [732]	1320 [623]	1700 [802]	1550 [732]	1320 [623]	1700 [802]	1550 [732]	1320 [623]	
CFM [L/s]		1700 [802]	1550 [732]	1320 [623]	1700 [802]	1550 [732]	1320 [623]	1700 [802]	1550 [732]	1320 [623]	
DR ①		0.19	0.18	0.15	0.19	0.18	0.15	0.19	0.18	0.15	
OUTDOOR DRY BULB TEMPERATURE °F [°C]	75 [23.9]	Total BTUH [kW] Sens BTUH [kW] Power	58.3 [17.1] 33.2 [9.7] 2.7	57.3 [16.8] 31.8 [9.3] 2.6	55.8 [16.3] 29.6 [8.7] 2.6	54.6 [16.0] 39.2 [11.5] 2.7	53.7 [15.7] 37.5 [11.0] 2.6	52.2 [15.3] 34.9 [10.2] 2.6	51.6 [15.1] 44.7 [13.1] 2.6	50.7 [14.9] 42.8 [12.5] 2.6	49.3 [14.5] 39.8 [11.7] 2.6
	80 [26.7]	Total BTUH [kW] Sens BTUH [kW] Power	56.8 [16.7] 32.5 [9.5] 2.8	55.8 [16.4] 31.1 [9.1] 2.8	54.3 [15.9] 28.9 [8.5] 2.8	53.1 [15.6] 38.5 [11.3] 2.8	52.2 [15.3] 36.8 [10.8] 2.8	50.8 [14.9] 34.3 [10.0] 2.7	50.1 [14.7] 44.0 [12.9] 2.8	49.2 [14.4] 42.1 [12.3] 2.8	47.9 [14.0] 39.2 [11.5] 2.7
	85 [29.4]	Total BTUH [kW] Sens BTUH [kW] Power	55.3 [16.2] 31.7 [9.3] 3.0	54.3 [15.9] 30.3 [8.9] 2.9	52.8 [15.5] 28.2 [8.3] 2.9	51.5 [15.1] 37.7 [11.0] 2.9	50.6 [14.8] 36.0 [10.6] 2.9	49.3 [14.4] 33.6 [9.8] 2.9	48.5 [14.2] 43.2 [12.7] 2.9	47.7 [14.0] 41.3 [12.1] 2.9	46.4 [13.6] 38.4 [11.3] 2.9
	90 [32.2]	Total BTUH [kW] Sens BTUH [kW] Power	53.6 [15.7] 30.8 [9.0] 3.1	52.7 [15.4] 29.5 [8.6] 3.1	51.3 [15.0] 27.4 [8.0] 3.1	49.9 [14.6] 36.8 [10.8] 3.1	49.0 [14.4] 35.2 [10.3] 3.1	47.7 [14.0] 32.8 [9.6] 3.0	46.9 [13.7] 42.3 [12.4] 3.1	46.1 [13.5] 40.5 [11.9] 3.1	44.8 [13.1] 37.7 [11.0] 3.0
	95 [35]	Total BTUH [kW] Sens BTUH [kW] Power	51.9 [15.2] 29.9 [8.8] 3.3	51.0 [14.9] 28.6 [8.4] 3.3	49.6 [14.5] 26.6 [7.8] 3.2	48.2 [14.1] 35.9 [10.5] 3.3	47.3 [13.9] 34.3 [10.1] 3.3	46.1 [13.5] 32.0 [9.4] 3.2	45.2 [13.2] 41.4 [12.1] 3.3	44.4 [13.0] 39.6 [11.6] 3.3	43.2 [12.7] 36.8 [10.8] 3.2
	100 [37.8]	Total BTUH [kW] Sens BTUH [kW] Power	50.1 [14.7] 28.9 [8.5] 3.5	49.2 [14.4] 27.6 [8.1] 3.5	47.9 [14.0] 25.7 [7.5] 3.4	46.4 [13.6] 34.9 [10.2] 3.5	45.6 [13.4] 33.4 [9.8] 3.5	44.3 [13.0] 31.1 [9.1] 3.4	43.4 [12.7] 40.4 [11.8] 3.5	42.6 [12.5] 38.6 [11.3] 3.4	41.5 [12.2] 36.0 [10.5] 3.4
	105 [40.6]	Total BTUH [kW] Sens BTUH [kW] Power	48.2 [14.1] 27.8 [8.2] 3.7	47.4 [13.9] 26.6 [7.8] 3.7	46.1 [13.5] 24.8 [7.3] 3.6	44.5 [13.0] 33.8 [9.9] 3.7	43.7 [12.8] 32.4 [9.5] 3.7	42.6 [12.5] 30.1 [8.8] 3.6	41.5 [12.2] 39.3 [11.5] 3.7	40.8 [12.0] 37.6 [11.0] 3.7	39.7 [11.6] 35.0 [10.3] 3.6
	110 [43.3]	Total BTUH [kW] Sens BTUH [kW] Power	46.3 [13.6] 26.7 [7.8] 3.9	45.5 [13.3] 25.6 [7.5] 3.9	44.3 [13.0] 23.8 [7.0] 3.9	42.6 [12.5] 32.7 [9.6] 3.9	41.9 [12.3] 31.3 [9.2] 3.9	40.7 [11.9] 29.1 [8.5] 3.8	39.6 [11.6] 38.2 [11.2] 3.9	38.9 [11.4] 36.6 [10.7] 3.9	37.9 [11.1] 34.0 [10.0] 3.8
	115 [46.1]	Total BTUH [kW] Sens BTUH [kW] Power	44.3 [13.0] 25.5 [7.5] 4.2	43.5 [12.8] 24.4 [7.2] 4.2	42.4 [12.4] 22.7 [6.7] 4.1	40.6 [11.9] 31.6 [9.2] 4.2	39.9 [11.7] 30.2 [8.8] 4.1	38.8 [11.4] 28.1 [8.2] 4.1	37.6 [11.0] 37.1 [10.9] 4.2	36.9 [10.8] 35.5 [10.4] 4.1	35.9 [10.5] 33.0 [9.7] 4.1
	120 [48.9]	Total BTUH [kW] Sens BTUH [kW] Power	42.2 [12.4] 24.3 [7.1] 4.4	41.5 [12.2] 23.3 [6.8] 4.4	40.4 [11.8] 21.7 [6.3] 4.3	38.5 [11.3] 30.3 [8.9] 4.4	37.9 [11.1] 29.0 [8.5] 4.4	36.8 [10.8] 27.0 [7.9] 4.3	35.5 [10.4] 35.5 [10.4] 4.4	34.9 [10.2] 34.3 [10.0] 4.4	34.0 [10.0] 31.9 [9.3] 4.3
	125 [51.7]	Total BTUH [kW] Sens BTUH [kW] Power	40.1 [11.8] 23.0 [6.7] 4.7	39.4 [11.5] 22.0 [6.5] 4.7	38.3 [11.2] 20.5 [6.0] 4.6	36.4 [10.7] 29.0 [8.5] 4.7	35.7 [10.5] 27.8 [8.1] 4.6	34.8 [10.2] 25.9 [7.6] 4.6	33.4 [9.8] 33.4 [9.8] 4.7	32.8 [9.6] 32.8 [9.6] 4.6	31.9 [9.4] 30.8 [9.0] 4.6

DR —Depression ratio
dbE —Entering air dry bulb
wbE—Entering air wet bulb

Total —Total capacity x 1000 BTUH
Sens —Sensible capacity x 1000 BTUH
Power —KW input

NOTES: ① When the entering air dry bulb is other than 80°F [27°C], adjust the sensible capacity from the table by adding [1.10 x CFM x (1 – DR) x (dbE – 80)].

[] Designates Metric Conversions





GROSS SYSTEMS PERFORMANCE DATA— RGEA15060A

		ENTERING INDOOR AIR @ 80°F [26.7°C] dbE ①									
wbE		71°F [21.7°C]			67°F [19.4°C]			63°F [17.2°C]			
CFM [L/s]		2040 [963]	1700 [802]	1570 [741]	2040 [963]	1700 [802]	1570 [741]	2040 [963]	1700 [802]	1570 [741]	
DR ①		0.09	0.15	0.17	0.09	0.15	0.17	0.09	0.15	0.17	
OUTDOOR DRY BULB TEMPERATURE	75 [23.9]	Total BTUH [kW] Sens BTUH [kW] Power	72.6 [21.3] 43.7 [12.8] 3.8	70.1 [20.5] 37.5 [11.0] 3.7	69.1 [20.2] 35.2 [10.3] 3.7	68.3 [20.0] 50.8 [14.9] 3.8	65.9 [19.3] 44.1 [12.9] 3.7	65.0 [19.0] 41.7 [12.2] 3.7	64.7 [19.0] 57.8 [16.9] 3.7	62.4 [18.3] 50.6 [14.8] 3.7	61.5 [18.0] 47.9 [14.0] 3.6
	80 [26.7]	Total BTUH [kW] Sens BTUH [kW] Power	70.7 [20.7] 42.9 [12.6] 4.0	68.2 [20.0] 36.7 [10.8] 3.9	67.2 [19.7] 34.4 [10.1] 3.9	66.3 [19.4] 49.9 [14.6] 4.0	64.0 [18.8] 43.3 [12.7] 3.9	63.1 [18.5] 40.9 [12.0] 3.9	62.7 [18.4] 56.9 [16.7] 3.9	60.5 [17.7] 49.8 [14.6] 3.8	59.7 [17.5] 47.3 [13.9] 3.8
	85 [29.4]	Total BTUH [kW] Sens BTUH [kW] Power	68.6 [20.1] 41.8 [12.2] 4.2	66.2 [19.4] 35.8 [10.5] 4.1	65.3 [19.1] 33.7 [9.9] 4.1	64.3 [18.8] 49.0 [14.4] 4.2	62.0 [18.2] 42.5 [12.5] 4.1	61.2 [17.9] 40.2 [11.8] 4.1	60.7 [17.8] 56.0 [16.4] 4.1	58.5 [17.1] 49.0 [14.4] 4.1	57.7 [16.9] 46.5 [13.6] 4.0
	90 [32.2]	Total BTUH [kW] Sens BTUH [kW] Power	66.5 [19.5] 40.8 [12.0] 4.4	64.2 [18.8] 35.0 [10.3] 4.4	63.3 [18.5] 32.9 [9.6] 4.3	62.2 [18.2] 47.9 [14.0] 4.4	60.0 [17.6] 41.6 [12.2] 4.3	59.2 [17.3] 39.3 [11.5] 4.3	58.6 [17.2] 54.9 [16.1] 4.4	56.5 [16.6] 48.1 [14.1] 4.3	55.7 [16.3] 45.6 [13.4] 4.3
	95 [35]	Total BTUH [kW] Sens BTUH [kW] Power	64.4 [18.9] 39.7 [11.6] 4.7	62.1 [18.2] 34.0 [10.0] 4.6	61.2 [17.9] 31.9 [9.3] 4.6	60.1 [17.6] 46.8 [13.7] 4.7	57.9 [17.0] 40.6 [11.9] 4.6	57.1 [16.7] 38.4 [11.3] 4.5	56.4 [16.5] 53.7 [15.7] 4.6	54.4 [15.9] 47.1 [13.8] 4.5	53.7 [15.7] 44.7 [13.1] 4.5
	100 [37.8]	Total BTUH [kW] Sens BTUH [kW] Power	62.2 [18.2] 38.5 [11.3] 5.0	60.0 [17.6] 33.0 [9.7] 4.9	59.1 [17.3] 31.0 [9.1] 4.8	57.8 [16.9] 45.5 [13.3] 4.9	55.8 [16.3] 39.6 [11.6] 4.8	55.0 [16.1] 37.4 [11.0] 4.8	54.2 [15.9] 52.5 [15.4] 4.9	52.3 [15.3] 46.1 [13.5] 4.8	51.6 [15.1] 43.8 [12.8] 4.8
	105 [40.6]	Total BTUH [kW] Sens BTUH [kW] Power	59.9 [17.6] 37.2 [10.9] 5.3	57.8 [16.9] 31.9 [9.3] 5.2	57.0 [16.7] 30.0 [8.8] 5.1	55.6 [16.3] 44.4 [13.0] 5.2	53.6 [15.7] 38.6 [11.3] 5.1	52.9 [15.5] 36.5 [10.7] 5.1	51.9 [15.2] 51.3 [15.0] 5.2	50.1 [14.7] 45.1 [13.2] 5.1	49.4 [14.5] 42.8 [12.5] 5.1
	110 [43.3]	Total BTUH [kW] Sens BTUH [kW] Power	57.5 [16.8] 35.9 [10.5] 5.6	55.5 [16.3] 30.8 [9.0] 5.5	54.8 [16.1] 29.0 [8.5] 5.4	53.2 [15.6] 43.0 [12.6] 5.5	51.4 [15.1] 37.5 [11.0] 5.4	50.6 [14.8] 35.4 [10.4] 5.4	49.6 [14.5] 49.6 [14.5] 5.5	47.9 [14.0] 44.0 [12.9] 5.4	47.2 [13.8] 41.8 [12.2] 5.4
	115 [46.1]	Total BTUH [kW] Sens BTUH [kW] Power	55.2 [16.2] 34.5 [10.1] 5.9	53.2 [15.6] 29.6 [8.7] 5.8	52.5 [15.4] 27.9 [8.2] 5.8	50.8 [14.9] 41.5 [12.2] 5.9	49.1 [14.4] 36.3 [10.6] 5.8	48.4 [14.2] 34.3 [10.0] 5.7	47.2 [13.8] 47.2 [13.8] 5.8	45.5 [13.3] 42.7 [12.5] 5.7	44.9 [13.2] 40.6 [11.9] 5.7

DR —Depression ratio
dbE —Entering air dry bulb
wbE —Entering air wet bulb

Total —Total capacity x 1000 BTUH
Sens —Sensible capacity x 1000 BTUH
Power —KW input

NOTES: ① When the entering air dry bulb is other than 80°F [27°C], adjust the sensible capacity from the table by adding $[1.10 \times \text{CFM} \times (1 - \text{DR}) \times (\text{dbE} - 80)]$.

[] Designates Metric Conversions



RGEA14/15 STANDARD/LOW NO_x MODELS

INPUT	06*	08*	10*
Heating Input Btu [kW]	60,000 [17.58]	80,000 [23.44]	100,000 [29.3]
Heating Output Btu [kW]	48,000 [14.06]	65,000 [19.04]	81,000 [23.73]
Temperature Rise Range	40-70 [22.2-38.9]	35-65 [19.4-36.1]	45-75 [25-41.7]
AFUE %	81	81	81
Steady State Efficiency (%)	82	82	82
No. Burners	3	4	5
No. Stages	1	1	1
Gas Connection Pipe Size In. [mm]	0.5 [12.7]	0.5 [12.7]	0.5 [12.7]

RGEA14 ULN MODELS

ULN INPUT	40	60	80		100	
ULN Tonnage	2 / 2.5 TON	2 / 2.5 / 3 TON	3 TON	3.5 / 4 TON	4 TON	5 TON
Heating input Btu [kW]	40,000 [11.7]	60,000 [17.58]	80,000 [23.44]	80,000 [23.44]	100,000 [29.3]	100,000 [29.3]
Heating Output Btu [kW]	32800 [9.61]	48,000 [14.06]	65,000 [19.04]	65,000 [19.04]	81,000 [23.73]	81,000 [23.73]
Temperature Rise Range	30-60 [16.6-33.3]	40-70 [22.2-38.9]	40-70 [22.2-38.9]	35-65 [19.4-36.1]	40-70 [22.2-38.9]	35-65 [19.4-36.1]
AFUE %	81	81	81	81	81	81
Steady State Efficiency (%)	82	82	82	82	82	82
No. Burners	N/A	N/A	N/A	N/A	N/A	N/A
No. Stages	1	1	1	1	1	1
Gas Connection Pipe Size in. [mm]	0.5 [12.7]	0.5 [12.7]	0.5 [12.7]	0.5 [12.7]	0.5 [12.7]	0.5 [12.7]

[] Designates Metric Conversions

INDOOR AIRFLOW PERFORMANCE RGEA14/15 — 208 /230 VOLTS — STANDARD/LOW NOX MODELS CONSTANT TORQUE MOTOR

Nominal Cooling Capacity Tons [kW]	Motor Speed from Factory		Heating Input BTU/HR [kW]	Manufacturer Recommended Cooling Airflow (Min/Max)	Blower Size / Motor HP [W] & # of Speeds	Motor Speed / Tap	External Static Pressure - Inches W.C. (kPa) (Side Discharge-Dry Coil)														
	Cool	Heat					0.1 [0.2]	0.2 [0.05]	0.3 [0.07]	0.4 [1.10]	0.5 [1.12]	0.6 [1.15]	0.7 [1.17]	0.8 [1.20]	0.9 [1.22]	1.0 [1.25]					
2.0 [7.03]					10X9 Blower 1/3 HP [249] 5 Speed (Constant Torque)	Tap 1 FAN	CFM 805 [380]	749 [353]	702 [331]	634 [299]	580 [274]	542 [256]	480 [227]	438 [207]							
						RPM 674	721	783	832	886	916	962	1004								
						Watts 97	104	113	117	126	128	131	142								
		Tap 2		60,000 [17.58]			CFM 917 [433]	865 [408]	826 [390]	771 [364]	730 [345]	677 [320]	628 [296]	596 [281]							
							RPM 772	810	860	905	945	985	1013	1052							
							Watts 142	149	159	164	175	177	180	189							
		Tap 3		80,000 [23.45]		700 CFM / 950 CFM	CFM 1196 [564]	1154 [545]	1111 [524]	1078 [509]	1039 [490]	967 [456]	876 [413]	791 [373]							
							RPM 927	970	1009	1041	1079	1107	1124	1134							
		Tap 5					Watts 288	300	309	314	324	318	300	276							
							CFM 931 [439]	880 [415]	854 [403]	795 [375]	743 [351]	694 [328]	655 [309]	608 [287]							
2.5 [8.79]					10X9 Blower 1/2 HP [372] 5 Speed (Constant Torque)	Tap 1 FAN	CFM 917 [433]	865 [408]	826 [390]	771 [364]	730 [345]	677 [320]	628 [296]	596 [281]							
						RPM 772	810	860	905	945	985	1013	1052								
						Watts 142	149	159	164	175	177	180	189								
		Tap 2		60,000 [17.58]			CFM 917 [433]	865 [408]	826 [390]	771 [364]	730 [345]	677 [320]	628 [296]	596 [281]							
							RPM 772	810	860	905	945	985	1013	1052							
							Watts 142	149	159	164	175	177	180	189							
		Tap 3		80,000 [23.45]		850 CFM / 1150 CFM	CFM 1227 [579]	1180 [557]	1160 [547]	1123 [530]	1090 [514]	1054 [497]	1008 [476]	882 [416]							
							RPM 930	976	1006	1029	1065	1089	1124	1154							
		Tap 5					Watts 264	276	288	291	300	305	311	292							
							CFM 1013 [478]	980 [463]	939 [443]	893 [421]	864 [408]	792 [374]	752 [355]	687 [324]							
					RPM 820	854	901	934	976	1022	1064	1097									
					Watts 171	177	187	190	202	207	217	222									
	Tap 5				CFM 1227 [579]	1180 [557]	1160 [547]	1123 [530]	1090 [514]	1054 [497]	1008 [476]	882 [416]									
					RPM 930	976	1006	1029	1065	1089	1124	1154									
					Watts 264	276	288	291	300	305	311	292									

Notes: (1) Set 2 through 4 ton Cool to Tap 4 for AHRI rated performance. (2) Set 5 ton 2nd Stage Cool to Tap 4 for AHRI rated performance.

[] Designates Metric Conversions

INDOOR AIRFLOW PERFORMANCE RGEA14/15 — 208 /230 VOLTS — STANDARD/LOW NOX MODELS CONSTANT TORQUE MOTOR (continued)

Nominal Cooling Capacity Tons [kW]	Motor Speed from Factory		Heating Input BTU/HR [kW]	Manufacturer Recommended Cooling Airflow (Min/Max)	Blower Size / Motor HP [W] & # of Speeds	Motor Speed / Tap	External Static Pressure - Inches W.C. [kPa] (Side Discharge-Dry Coil)										
	Cool	Heat					0.1 [.02]	0.2 [.05]	0.3 [.07]	0.4 [.10]	0.5 [.12]	0.6 [.15]	0.7 [.17]	0.8 [.20]	0.9 [.22]	1.0 [.25]	
							CFM	RPM	Watts	CFM	RPM	Watts	CFM	RPM	Watts	CFM	RPM
3.0 [10.55]	Tap 1	60,000 [17.58]	1000 CFM/ 1400 CFM	12x9T Blower 1 HP [746] 5 Speed (Constant Torque)	Tap 1 FAN	907 [428]	850 [401]	801 [378]	723 [341]	648 [306]	576 [272]	520 [245]	432 [204]				
		632				690	730	778	829	856	894	922					
	Tap 2	80,000 [23.45]				1362 [643]	1322 [624]	1281 [605]	1247 [589]	1213 [572]	1158 [547]	1097 [518]	1058 [499]	996 [470]	856 [404]		
	Tap 3	100,000 [29.31]				1434 [677]	1419 [670]	1387 [655]	1340 [632]	1310 [618]	1258 [594]	1198 [565]	1160 [547]	1085 [512]	930 [439]		
	Tap 5					866	882	920	944	981	1008	1051	1078	1106	1131		
					Tap 4 Low Static Cool	1169 [552]	1115 [526]	1086 [513]	1047 [494]	993 [464]	931 [439]	855 [404]	784 [370]				
					Tap 5 High Static Cool	749	803	819	856	901	938	985	1029				
						217	231	233	246	259	266	277	289				
						1434 [677]	1419 [670]	1387 [655]	1340 [632]	1310 [618]	1258 [594]	1198 [565]	1160 [547]	1085 [512]	930 [439]		
						866	882	920	944	981	1008	1051	1078	1106	1131		
						372	377	390	399	413	421	426	443	445	412		

Notes: (1) Set 2 through 4 ton Cool to Tap 4 for AHRI rated performance. (2) Set 5 ton 2nd Stage Cool to Tap 4 for AHRI rated performance.

DOWN DISCHARGE PRESSURE DROP (ADD TO EXTERNAL STATIC PRESSURE)							
CFM [L/s]	800 [378]	1000 [472]	1200 [566]	1400 [661]	1600 [755]	1800 [849]	2000 [944]
Pressure Drop—Inches W.C. [kPa]	.02 [.005]	.05 [.012]	.07 [.017]	.1 [.025]	.12 [.030]	.15 [.037]	.17 [.042]

[] Designates Metric Conversions

INDOOR AIRFLOW PERFORMANCE RGEA14 – 208 /230 VOLTS – STANDARD/LOW NOX MODELS CONSTANT TORQUE MOTOR

Nominal Cooling Capacity Tons [kW]	Motor Speed from Factory		Heating Input BTU/HR [kW]	Manufacturer Recommended Cooling Airflow (Min/Max)	Blower Size / Motor HP [W] & # of Speeds	Motor Speed / Tap	External Static Pressure - Inches W.C. (kPa) (Side Discharge-Dry Coil)										
	Cool	Heat					0.1 [0.02]	0.2 [0.05]	0.3 [0.07]	0.4 [1.10]	0.5 [1.12]	0.6 [1.15]	0.7 [1.17]	0.8 [1.20]	0.9 [1.22]	1.0 [1.25]	
3.5 [12.31]	Tap 2	Tap 5	80,000 [23.45]	1200 CFM/ 1600 CFM	12x9T Blower 3/4 HP [559] 5 Speed (Constant Torque)	Tap 1	CFM	1336 [631]	1312 [619]	1295 [611]	1241 [586]	1200 [566]	1161 [548]	1119 [528]	1072 [506]	1001 [472]	939 [443]
						FAN	RPM	827	856	874	913	949	983	1013	1048	1092	1127
						Watts	298	308	313	341	352	361	374	387	402	420	
	Tap 3	Tap 3	100,000 [29.31]	1200 CFM/ 1600 CFM	12x9T Blower 3/4 HP [559] 5 Speed (Constant Torque)	Tap 2	CFM	1453 [686]	1424 [672]	1395 [658]	1347 [636]	1321 [623]	1279 [604]	1250 [590]	1214 [573]	1157 [546]	1119 [528]
						100K	RPM	836	867	904	942	953	992	1019	1048	1091	1114
						Static Cool	Watts	334	349	364	377	380	394	409	418	433	442
	Tap 4	Tap 4	100,000 [29.31]	1200 CFM/ 1600 CFM	12x9T Blower 3/4 HP [559] 5 Speed (Constant Torque)	Low	CFM	1336 [631]	1312 [619]	1295 [611]	1241 [586]	1200 [566]	1161 [548]	1119 [528]	1072 [506]	1001 [472]	939 [443]
						Static	RPM	827	856	874	913	949	983	1013	1048	1092	1127
						Cool	Watts	298	308	313	325	341	352	361	374	387	402
	4.0 [14.07]	Tap 2	Tap 5	80,000 [23.45]	1350 CFM/ 1850 CFM	12x9T Blower 3/4 HP [559] 5 Speed (Constant Torque)	Tap 1	CFM	1340 [632]	1305 [616]	1263 [596]	1227 [579]	1186 [560]	1162 [548]	1104 [521]	1020 [481]	960 [453]
FAN							RPM	776	796	831	869	898	925	966	1011	1044	1076
Watts							261	268	279	291	303	310	323	339	351	361	
Tap 3		Tap 3	100,000 [29.31]	1350 CFM/ 1850 CFM	12x9T Blower 3/4 HP [559] 5 Speed (Constant Torque)	Tap 2	CFM	1340 [632]	1305 [616]	1263 [596]	1227 [579]	1186 [560]	1162 [548]	1104 [521]	1020 [481]	960 [453]	897 [423]
						80K	RPM	776	796	831	869	898	925	966	1011	1044	1076
						Static Cool	Watts	261	268	279	291	303	310	323	339	351	
Tap 4		Tap 4	100,000 [29.31]	1350 CFM/ 1850 CFM	12x9T Blower 3/4 HP [559] 5 Speed (Constant Torque)	Tap 3	CFM	1467 [692]	1448 [683]	1404 [663]	1373 [648]	1339 [632]	1306 [616]	1250 [590]	1210 [571]	1164 [549]	1087 [513]
						100K	RPM	826	855	884	910	939	969	1003	1030	1067	1108
						Static Cool	Watts	328	344	348	363	379	387	398	408	418	434
Tap 5		Tap 5	100,000 [29.31]	1350 CFM/ 1850 CFM	12x9T Blower 3/4 HP [559] 5 Speed (Constant Torque)	Tap 4	CFM	1634 [771]	1595 [753]	1547 [730]	1530 [722]	1487 [702]	1462 [690]	1438 [679]	1378 [650]	1352 [638]	1298 [613]
	Low					RPM	894	923	950	981	1000	1030	1051	1079	1106	1126	
	Static Cool					Watts	432	446	451	468	479	490	508	510	520	520	
Tap 5	Tap 5	100,000 [29.31]	1350 CFM/ 1850 CFM	12x9T Blower 3/4 HP [559] 5 Speed (Constant Torque)	Tap 5	CFM	1941 [916]	1915 [904]	1878 [886]	1814 [856]	1773 [837]	1709 [807]	1655 [781]	1570 [741]	1488 [702]	1374 [648]	
					High	RPM	1028	1047	1068	1091	1104	1113	1124	1136	1142	1147	
					Static Cool	Watts	708	725	729	727	717	696	673	647	618	571	

Notes: (1) Set 2 through 4 ton Cool to Tap 4 for AHRI rated performance. (2) Set 5 ton 2nd Stage Cool to Tap 4 for AHRI rated performance.

[] Designates Metric Conversions

INDOOR AIRFLOW PERFORMANCE RGEA14 — 208 /230 VOLTS — STANDARD/LOW NOX MODELS CONSTANT TORQUE MOTOR (continued)

Nominal Cooling Capacity Tons [kW]	Motor Speed from Factory		Heating Input BTU/HR [kW]	Manufacturer Recommended Cooling Airflow (Min/Max)	Blower Size / Motor HP [W] & # of Speeds	Motor Speed / Tap	External Static Pressure - Inches W.C. [kPa] (Side Discharge-Dry Coil)									
	Cool	Heat					0.1 [.02]	0.2 [.05]	0.3 [.07]	0.4 [1.10]	0.5 [.12]	0.6 [.15]	0.7 [1.17]	0.8 [.20]	0.9 [.22]	1.0 [1.25]
							CFM	CFM	CFM	CFM	CFM	CFM	CFM	CFM	CFM	CFM
5.0 [17.59]	1st Stage Tap 2	Tap 1	100.000 [29.31]	1600 CFM/ 2100 CFM	12x9R Blower 1 HP [746] 5 Speed (Constant Torque)	Tap 1 100K Heat/FAN	1433 [676]	1407 [664]	1354 [639]	1329 [627]	1270 [599]	1235 [583]	1195 [564]	1137 [537]	1083 [511]	1030 [486]
		CFM				RPM	Watts	CFM	RPM	Watts	CFM	RPM	Watts	CFM	RPM	Watts
5.0 [17.59]	2nd Stage Tap 5	Tap 2	100.000 [29.31]	1600 CFM/ 2100 CFM	12x9R Blower 1 HP [746] 5 Speed (Constant Torque)	Tap 2 1st Stage Cool	1233 [582]	1158 [547]	1136 [536]	1090 [514]	1039 [490]	969 [457]	902 [426]	847 [400]	791 [373]	752 [355]
		CFM				RPM	Watts	CFM	RPM	Watts	CFM	RPM	Watts	CFM	RPM	Watts
5.0 [17.59]	2nd Stage Tap 5	Tap 3	100.000 [29.31]	1600 CFM/ 2100 CFM	12x9R Blower 1 HP [746] 5 Speed (Constant Torque)	Tap 3 2nd Stage Low Static Cool	1768 [834]	1730 [816]	1693 [799]	1626 [767]	1599 [755]	1558 [735]	1522 [718]	1503 [709]	1444 [681]	1399 [660]
		CFM				RPM	Watts	CFM	RPM	Watts	CFM	RPM	Watts	CFM	RPM	Watts
5.0 [17.59]	2nd Stage Tap 5	Tap 4	100.000 [29.31]	1600 CFM/ 2100 CFM	12x9R Blower 1 HP [746] 5 Speed (Constant Torque)	Tap 4 2nd Stage Med Static Cool	1926 [909]	1890 [892]	1864 [880]	1822 [860]	1794 [847]	1758 [830]	1710 [807]	1670 [788]	1579 [745]	1493 [705]
		CFM				RPM	Watts	CFM	RPM	Watts	CFM	RPM	Watts	CFM	RPM	Watts
5.0 [17.59]	2nd Stage Tap 5	Tap 5	100.000 [29.31]	1600 CFM/ 2100 CFM	12x9R Blower 1 HP [746] 5 Speed (Constant Torque)	Tap 5 2nd Stage High Static Cool	2096 [989]	2057 [971]	2003 [945]	1951 [921]	1890 [892]	1819 [858]	1756 [829]	1686 [796]	1610 [760]	1498 [707]
		CFM				RPM	Watts	CFM	RPM	Watts	CFM	RPM	Watts	CFM	RPM	Watts
						Static Cool	829	846	840	822	807	782	768	730	708	679

Notes: (1) Set 2 through 4 ton Cool to Tap 4 for AHRI rated performance. (2) Set 5 ton 2nd Stage Cool to Tap 4 for AHRI rated performance.

DOWN DISCHARGE PRESSURE DROP (ADD TO EXTERNAL STATIC PRESSURE)		
CFM [L/s]	800 [378]	1000 [472]
Pressure Drop—Inches W.C. [kPa]	.02 [.005]	.05 [.012]
	1400 [661]	1600 [755]
	.1 [.025]	.12 [.030]
	1800 [849]	2000 [944]
	.15 [.037]	.17 [.042]

[] Designates Metric Conversions

INDOOR AIRFLOW PERFORMANCE RGEA15 — 208 /230 VOLTS CONSTANT TORQUE MOTOR

Nominal Cooling Capacity Tons [kW]	Motor Speed from Factory		Heating Input BTU/HR [kW]	Manufacturer Recommended Cooling Airflow (Min/Max)	Blower Size / Motor HP [W] & # of Speeds	Motor Speed / Tap	External Static Pressure - Inches W.C. (kPa) (Side Discharge-Dry Coil)											
	Cool	Heat					0.1 [0.2]	0.2 [0.05]	0.3 [0.07]	0.4 [1.10]	0.5 [1.12]	0.6 [1.15]	0.7 [1.17]	0.8 [1.20]	0.9 [1.22]	1.0 [1.25]		
3.5 [12.31]	Tap 2	Tap 5	80,000 [23.45]	1200 CFM/ 1600 CFM	12x9T Blower 3/4 HP [559] 5 Speed (Constant Torque)	Tap 1 FAN	CFM	1336 [631]	1312 [619]	1295 [611]	1241 [586]	1200 [566]	1161 [548]	1119 [528]	1072 [506]	1001 [472]	939 [443]	
							RPM	827	856	874	913	949	983	1013	1048	1092	1127	
							Watts	298	308	313	325	341	352	361	374	387	402	
	Tap 3	Tap 2	80,000 [23.45]	1200 CFM/ 1600 CFM		12x9T Blower 3/4 HP [559] 5 Speed (Constant Torque)	Tap 2 80K	CFM	1336 [631]	1312 [619]	1295 [611]	1241 [586]	1200 [566]	1161 [548]	1119 [528]	1072 [506]	1001 [472]	939 [443]
								RPM	827	856	874	913	949	983	1013	1048	1092	1127
								Watts	298	308	313	325	341	352	361	374	387	402
	Tap 4	Tap 3	100,000 [29.31]	1200 CFM/ 1600 CFM		12x9T Blower 3/4 HP [559] 5 Speed (Constant Torque)	Tap 3 100K	CFM	1453 [686]	1424 [672]	1395 [658]	1347 [636]	1321 [623]	1279 [604]	1250 [590]	1214 [573]	1157 [546]	1119 [528]
								RPM	836	867	904	942	953	992	1019	1048	1091	1114
								Watts	334	349	364	377	380	394	409	418	433	442
	Tap 5	Tap 4	100,000 [29.31]	1200 CFM/ 1600 CFM		12x9T Blower 3/4 HP [559] 5 Speed (Constant Torque)	Tap 4 Low Static Cool	CFM	1312 [619]	1272	1233	1188	1134	1071	1012	953	877	858
RPM					738			762	805	835	872	918	955	985	1013	1035		
Watts					229			240	249	257	270	284	297	309	314	323		
Tap 5	Tap 5	100,000 [29.31]	1200 CFM/ 1600 CFM	12x9T Blower 3/4 HP [559] 5 Speed (Constant Torque)	Tap 5 High Static Cool	CFM	1591 [751]	1563 [738]	1558 [735]	1519 [717]	1490 [703]	1458 [688]	1410 [665]	1363 [643]	1277 [603]	1122 [530]		
						RPM	949	981	999	1027	1051	1086	1109	1129	1140	1158		
						Watts	476	490	501	515	527	542	546	543	522	478		
4.0 [14.07]	Tap 2	Tap 5	80,000 [23.45]	1350 CFM/ 1850 CFM	12x9T Blower 3/4 HP [559] 5 Speed (Constant Torque)	Tap 1 FAN	CFM	1340 [632]	1305 [616]	1263 [596]	1227 [579]	1186 [560]	1162 [548]	1104 [521]	1020 [481]	960 [453]	897 [423]	
							RPM	776	796	831	869	898	925	966	1011	1044	1076	
							Watts	261	268	279	291	303	310	323	339	351	361	
	Tap 3	Tap 2	80,000 [23.45]	1350 CFM/ 1850 CFM		12x9T Blower 3/4 HP [559] 5 Speed (Constant Torque)	Tap 2 80K	CFM	1340 [632]	1305 [616]	1263 [596]	1227 [579]	1186 [560]	1162 [548]	1104 [521]	1020 [481]	960 [453]	897 [423]
								RPM	776	796	831	869	898	925	966	1011	1044	1076
								Watts	261	268	279	291	303	310	323	339	351	361
	Tap 4	Tap 3	100,000 [29.31]	1350 CFM/ 1850 CFM		12x9T Blower 3/4 HP [559] 5 Speed (Constant Torque)	Tap 3 100K	CFM	1467 [692]	1448 [683]	1404 [663]	1373 [648]	1339 [632]	1306 [616]	1250 [590]	1210 [571]	1164 [549]	1087 [513]
								RPM	826	855	884	910	939	969	1003	1030	1067	1108
								Watts	328	344	348	363	379	387	398	408	418	434
	Tap 5	Tap 4	100,000 [29.31]	1350 CFM/ 1850 CFM		12x9T Blower 3/4 HP [559] 5 Speed (Constant Torque)	Tap 4 Low Static Cool	CFM	1634 [771]	1595 [753]	1547 [730]	1530 [722]	1487 [702]	1462 [690]	1438 [679]	1378 [650]	1352 [638]	1298 [613]
RPM					894			923	950	981	1000	1030	1051	1079	1106	1126		
Watts					432			446	451	468	479	490	508	510	520	520		
Tap 5	Tap 5	100,000 [29.31]	1350 CFM/ 1850 CFM	12x9T Blower 3/4 HP [559] 5 Speed (Constant Torque)	Tap 5 High Static Cool	CFM	1941 [916]	1915 [904]	1878 [886]	1814 [856]	1773 [837]	1709 [807]	1655 [781]	1570 [741]	1488 [702]	1374 [648]		
						RPM	1028	1047	1068	1091	1104	1113	1124	1136	1142	1147		
						Watts	708	725	729	727	717	696	673	647	618	571		

Notes: (1) Set 2 through 4 ton Cool to Tap 4 for AHRI rated performance. (2) Set 5 ton 2nd Stage Cool to Tap 4 for AHRI rated performance.

[] Designates Metric Conversions

INDOOR AIRFLOW PERFORMANCE RGEA15 — 208 /230 VOLTS CONSTANT TORQUE MOTOR (continued)

Nominal Cooling Capacity Tons [kW]	Motor Speed from Factory		Heating Input BTU/HR [kW]	Manufacturer Recommended Cooling Airflow (Min/Max)	Blower Size / Motor HP [W] & # of Speeds	Motor Speed / Tap	External Static Pressure - Inches W.C. [kPa]									
	Cool	Heat					0.1 [.02]	0.2 [.05]	0.3 [.07]	0.4 [1.10]	0.5 [.12]	0.6 [.15]	0.7 [1.17]	0.8 [.20]	0.9 [.22]	1.0 [1.25]
5.0 [17.59]	1st Stage Tap 2	Tap 1	100,000 [29.31]	1600 CFM/ 2100 CFM	12x9R Blower 1 HP [746] 5 Speed (Constant Torque)	Tap 1 100K Heat/FAN	1433 [676]	1407 [664]	1354 [639]	1329 [627]	1270 [599]	1235 [583]	1195 [564]	1137 [537]	1083 [511]	1030 [486]
		1st Stage Tap 2	1158 [547]			1136 [536]	1090 [514]	1039 [490]	969 [457]	902 [426]	847 [400]	791 [373]	752 [355]			
			734			774	793	822	860	892	934	957	983	1011		
	2nd Stage Tap 5	223	231			238	248	259	269	288	284	295	306			
		CFM	1768 [834]			1730 [816]	1693 [799]	1626 [767]	1599 [755]	1558 [735]	1522 [718]	1503 [709]	1444 [681]	1399 [660]		
		RPM	938			959	983	1011	1025	1052	1089	1090	1117	1134		
		Watts	520			533	541	560	563	578	599	599	605	615		
		CFM	1926 [909]			1890 [892]	1864 [880]	1822 [860]	1794 [847]	1758 [830]	1710 [807]	1670 [788]	1579 [745]	1493 [705]		
	RPM	999	1014			1040	1061	1079	1096	1119	1128	1138	1144			
	Watts	654	660			674	688	699	708	714	705	683	661			
CFM	2096 [989]	2057 [971]	2003 [945]	1951 [921]	1890 [892]	1819 [858]	1756 [829]	1686 [796]	1610 [760]	1498 [707]						
RPM	1069	1092	1106	1116	1121	1129	1138	1140	1148	1154						
Watts	829	846	840	822	807	782	768	730	708	679						

Notes: (1) Set 2 through 4 ton Cool to Tap 4 for AHRI rated performance. (2) Set 5 ton 2nd Stage Cool to Tap 4 for AHRI rated performance.

DOWN DISCHARGE PRESSURE DROP (ADD TO EXTERNAL STATIC PRESSURE)			
CFM [L/s]	800 [378]	1000 [472]	1200 [566]
Pressure Drop—Inches W.C. [kPa]	.02 [.005]	.05 [.012]	.07 [.017]
	.1 [.025]	.12 [.030]	.15 [.037]
			.17 [.042]

[] Designates Metric Conversions

INDOOR AIRFLOW PERFORMANCE RGEA14/15 — 460 VOLTS — STANDARD/LOW NOX MODELS CONSTANT TORQUE MOTOR

Nominal Cooling Capacity Tons [kW]	Motor Speed from Factory		Heating Input BTU/HR [kW]	Manufacturer Recommended Cooling Airflow (Min/Max)	Blower Size / Motor HP [W] & # of Speeds	Motor Speed / Tap	External Static Pressure - Inches W.C. (kPa) (Side Discharge-Dry Coil)											
	Cool	Heat					0.1 [0.02]	0.2 [0.05]	0.3 [0.07]	0.4 [1.10]	0.5 [1.12]	0.6 [1.15]	0.7 [1.17]	0.8 [1.20]	0.9 [1.22]	1.0 [1.25]		
3.0 [10.55]	Tap 1	CFM	912 [430]	871 [411]	808 [381]	734 [346]	655 [309]	571 [269]	520 [245]	447 [211]								
		RPM	634	664	722	769	811	850	881	906								
		Watts	111	116	131	137	149	151	162	165								
	Tap 2	CFM	1362 [643]	1327 [626]	1294 [611]	1267 [598]	1207 [570]	1151 [543]	1085 [512]	1022 [482]	956 [451]							
		RPM	794	833	872	897	948	976	1005	1038	1078							
		Watts	287	295	317	317	331	351	361	365	370							
	Tap 3	CFM	1435 [677]	1405 [663]	1378 [650]	1349 [637]	1309 [618]	1266 [597]	1233 [582]	1193 [563]	1134 [535]							
		RPM	844	867	892	927	961	991	1022	1052	1101							
		Watts	337	340	358	368	390	389	409	411	438							
	Tap 4	CFM	1163 [549]	1144 [540]	1086 [513]	1073 [506]	987 [466]	927 [437]	870 [411]	819 [387]								
RPM		749	761	810	836	887	920	964	1005									
Watts		202	205	217	230	248	248	266	271									
Tap 5	CFM	1435 [677]	1405 [663]	1378 [650]	1349 [637]	1309 [618]	1266 [597]	1233 [582]	1193 [563]	1134 [535]								
	RPM	844	867	892	927	961	991	1022	1052	1101								
	Watts	337	340	358	368	390	389	409	411	438								
4.0 [14.07]	Tap 1	CFM	1340 [632]	1305 [616]	1263 [596]	1227 [579]	1186 [560]	1162 [548]	1104 [521]	1020 [481]	960 [453]							
		RPM	776	796	831	869	898	925	966	1011	1044							
		Watts	261	268	279	291	303	310	323	339	351							
	Tap 2	CFM	1340 [632]	1305 [616]	1263 [596]	1227 [579]	1186 [560]	1162 [548]	1104 [521]	1020 [481]	960 [453]							
		RPM	776	796	831	869	898	925	966	1011	1044							
		Watts	261	268	279	291	303	310	323	339	351							
	Tap 3	CFM	1467 [692]	1448 [683]	1404 [663]	1373 [648]	1339 [632]	1306 [616]	1250 [590]	1210 [571]	1164 [549]							
		RPM	826	855	884	910	939	969	1003	1030	1067							
		Watts	328	344	348	363	379	387	398	408	418							
	Tap 4	CFM	1634 [771]	1595 [753]	1547 [730]	1530 [722]	1487 [702]	1462 [690]	1438 [679]	1378 [650]	1352 [638]							
RPM		894	923	950	981	1000	1030	1051	1079	1106								
Watts		432	446	451	468	479	490	508	510	520								
Tap 5	CFM	1941 [916]	1915 [904]	1878 [886]	1814 [856]	1773 [837]	1709 [807]	1655 [781]	1570 [741]	1488 [702]								
	RPM	1028	1047	1068	1091	1104	1113	1124	1136	1142								
	Watts	708	725	729	727	717	696	673	647	618								

Notes: (1) Set 2 through 4 ton Cool to Tap 4 for AHRI rated performance. (2) Set 5 ton 2nd Stage Cool to Tap 4 for AHRI rated performance.

[] Designates Metric Conversions

INDOOR AIRFLOW PERFORMANCE RGEA14/15 — 460 VOLTS — STANDARD/LOW NOX MODELS CONSTANT TORQUE MOTOR (continued)

Nominal Cooling Capacity Tons [kW]	Motor Speed from Factory		Heating Input BTU/HR [kW]	Manufacturer Recommended Cooling Airflow (Min/Max)	Blower Size / Motor HP [W] & # of Speeds	Motor Speed / Tap	External Static Pressure - Inches W.C. [kPa]													
	Cool	Heat					0.1 [.02]	0.2 [.05]	0.3 [.07]	0.4 [.10]	0.5 [.12]	0.6 [.15]	0.7 [.17]	0.8 [.20]	0.9 [.22]	1.0 [.25]				
							CFM	RPM	Watts	CFM	RPM	Watts	CFM	RPM	Watts	CFM	RPM	Watts		
5.0 [17.59]	1st Stage Tap 2	Tap 1	100.000 [29.31]	1600 CFM/ 2100 CFM	12x9R Blower 1 HP [746] 5 Speed (Constant Torque)	Tap 1 100K Heat/FAN	1484 [700]	812	841	1440 [680]	1405 [663]	863	889	918	1280 [604]	938	965	1026	1066	
		Tap 2				1289 [608]	726	755	1189 [561]	786	815	1140 [538]	1101 [520]	1052 [496]	969 [457]	918 [433]	860 [406]	812 [383]		
		Watts				233	248	249	259	275	292	309	308	321	330					
	2nd Stage Tap 5	Tap 3	100.000 [29.31]	1600 CFM/ 2100 CFM	12x9R Blower 1 HP [746] 5 Speed (Constant Torque)	Tap 3 2nd Stage Low Static Cool	1787 [843]	950	970	1746 [824]	1705 [805]	1000	1012	1621 [765]	1607 [758]	1530 [722]	1505 [710]	1424 [672]	1130	
		Tap 4				1954 [922]	1030	1042	1889 [892]	1061	1082	1808 [853]	1738 [820]	1671 [789]	1620 [765]	1543 [728]	1433 [676]			
		Watts				664	673	683	696	704	700	697	684	667	635					
	2nd Stage Tap 5	Tap 5	100.000 [29.31]	1600 CFM/ 2100 CFM	12x9R Blower 1 HP [746] 5 Speed (Constant Torque)	Tap 5 2nd Stage High Static Cool	2095 [989]	1103	1114	2045 [965]	1983 [936]	1114	1123	1840 [868]	1792 [846]	1712 [808]	1641 [774]	1558 [735]	1397 [659]	1148
		Watts				829	841	832	803	785	770	749	710	685	633					

Notes: (1) Set 2 through 4 ton Cool to Tap 4 for AHRI rated performance. (2) Set 5 ton 2nd Stage Cool to Tap 4 for AHRI rated performance.

DOWN DISCHARGE PRESSURE DROP (ADD TO EXTERNAL STATIC PRESSURE)			
CFM [L/s]	800 [378]	1000 [472]	1200 [566]
Pressure Drop—Inches W.C. [kPa]	.02 [.005]	.05 [.012]	.1 [.025]
		.12 [.030]	.15 [.037]
			.17 [.042]

[] Designates Metric Conversions

INDOOR AIRFLOW PERFORMANCE RGEA15 — 208/230 VOLTS CONSTANT VOLUME MOTOR

Nominal Cooling Capacity Tons [kW]	Blower Size/ Motor HP [W] & Motor Type	Nominal Heating Capacity Btu/hr [kW]	Motor Speed	External Static Pressure - Inches W.C. [kPa] (Side Discharge - Dry Coil)																
				0.1 [0.2]	0.2 [0.05]	0.3 [0.07]	0.4 [1.10]	0.5 [1.12]	0.6 [1.15]	0.7 [1.17]	0.8 [1.20]	0.9 [1.22]	1.0 [1.25]							
2.0 [7.03]	10 x 9 Blower 1/2 HP [372 W] ECM	60,000 [17.58]	Heat	CFM [l/s]	766 [362]	773 [365]	771 [364]	770 [363]	768 [362]	757 [357]	751 [354]	742 [350]	726 [343]	715 [337]	715 [337]	715 [337]	715 [337]	715 [337]		
				RPM	649	746	829	897	946	1000	1046	1088	1133	1170	1170	1170				
				Watts	83	107	130	152	169	188	206	222	240	255	255	255				
			Cool	CFM [l/s]	891 [421]	902 [426]	910 [429]	906 [428]	912 [430]	906 [428]	903 [426]	891 [421]	876 [413]	868 [410]	868 [410]	868 [410]	868 [410]	868 [410]	868 [410]	868 [410]
				RPM	747	831	895	957	1017	1068	1111	1151	1186	1223	1223	1223				
				Watts	123	152	176	200	225	247	268	288	302	321	321	321				
2.5 [8.79]	10 x 9 Blower 1/2 HP [372 W] ECM	80,000 [23.44]	Heat	CFM [l/s]	1189 [561]	1198 [565]	1203 [568]	1210 [571]	1212 [572]	1208 [570]	1193 [563]	1194 [564]	1146 [541]	1072 [506]	1072 [506]	1072 [506]	1072 [506]	1072 [506]		
				RPM	894	964	1008	1084	1142	1187	1234	1285	1301	1310	1310					
				Watts	236	273	299	344	378	411	441	477	475	446	446					
			Cool	CFM [l/s]	891 [421]	902 [426]	910 [429]	906 [428]	912 [430]	906 [428]	903 [426]	891 [421]	876 [413]	868 [410]	868 [410]	868 [410]	868 [410]	868 [410]	868 [410]	868 [410]
				RPM	747	831	895	957	1017	1068	1111	1151	1186	1223	1223	1223				
				Watts	123	152	176	200	225	247	268	288	302	321	321	321				
3.0 [10.55]	10 x 9 Blower 1/2 HP [372 W] ECM	60,000 [17.58]	Heat	CFM [l/s]	1189 [561]	1198 [565]	1203 [568]	1210 [571]	1212 [572]	1208 [570]	1193 [563]	1194 [564]	1146 [541]	1072 [506]	1072 [506]	1072 [506]	1072 [506]	1072 [506]		
				RPM	894	964	1008	1084	1142	1187	1234	1285	1301	1310	1310					
				Watts	236	273	299	344	378	411	441	477	475	446	446					
			Cool	CFM [l/s]	891 [421]	902 [426]	910 [429]	906 [428]	912 [430]	906 [428]	903 [426]	891 [421]	876 [413]	868 [410]	868 [410]	868 [410]	868 [410]	868 [410]	868 [410]	868 [410]
				RPM	747	831	895	957	1017	1068	1111	1151	1186	1223	1223	1223				
				Watts	123	152	176	200	225	247	268	288	302	321	321	321				
3.0 [10.55]	10 x 9 Blower 3/4 HP [559 W] ECM	80,000 [23.44] & 100,000 [29.3]	Heat	CFM [l/s]	1189 [561]	1198 [565]	1203 [568]	1210 [571]	1212 [572]	1208 [570]	1193 [563]	1194 [564]	1146 [541]	1072 [506]	1072 [506]	1072 [506]	1072 [506]	1072 [506]		
				RPM	894	964	1008	1084	1142	1187	1234	1285	1301	1310	1310					
				Watts	236	273	299	344	378	411	441	477	475	446	446					
			Cool	CFM [l/s]	891 [421]	902 [426]	910 [429]	906 [428]	912 [430]	906 [428]	903 [426]	891 [421]	876 [413]	868 [410]	868 [410]	868 [410]	868 [410]	868 [410]	868 [410]	868 [410]
				RPM	747	831	895	957	1017	1068	1111	1151	1186	1223	1223	1223				
				Watts	123	152	176	200	225	247	268	288	302	321	321	321				

Notes: (1) For Constant Volume Motors: Use dipswitch settings -10%, None and +10% on the ECM interface board to achieve rated airflow at AHRI minimum external static pressure. The +10% setting of the 5 ton high cool is not available to prevent water blow-off. See Installation Instructions Manual for airflow adjustment instructions.

[J] Designates Metric Conversions

INDOOR AIRFLOW PERFORMANCE RGEA15 – 208/230 VOLTS CONSTANT VOLUME MOTOR (continued)



Air

Indoor Airflow Performance
RGEA15 Series

Nominal Cooling Capacity Tons [kW]	Blower Size/ Motor HP [W] & Motor Type	Nominal Heating Capacity Btu/hr [kW]	Motor Speed	External Static Pressure - Inches W.C. [kPa] (Side Discharge - Dry Coil)													
				0.1 [0.02]	0.2 [0.05]	0.3 [0.07]	0.4 [1.10]	0.5 [1.12]	0.6 [1.15]	0.7 [1.17]	0.8 [1.20]	0.9 [1.22]	1.0 [1.25]				
3.5 [12.31]	10 x 9 Blower 3/4 HP [559 W] ECM	80,000 [23.44] & 100,000 [29.3]	Heat	CFM [l/s]	1186 [560]	1191 [562]	1191 [562]	1199 [566]	1192 [563]	1182 [558]	1171 [553]	1156 [546]	1123 [530]	1045 [483]			
				RPM	904	974	1023	1077	1129	1174	1216	1263	1288	1292			
			Cool	Watts	235	271	296	326	354	379	400	430	425	413	413	413	
				CFM [l/s]	1296 [612]	1294 [611]	1299 [613]	1299 [613]	1294 [611]	1288 [608]	1275 [602]	1259 [579]	1141 [538]	1050 [496]	1301	1301	
			4.0 [14.07]	12 x 9T Blower 1 HP [746 W] ECM	80,000 [23.44]	Heat	RPM	969	1035	1078	1133	1173	1220	1259	1295	1302	1301
							Watts	292	330	357	390	411	444	467	481	449	423
Cool	CFM [l/s]	1340 [632]				1305 [616]	1263 [596]	1227 [579]	1186 [560]	1162 [548]	1104 [521]	1020 [481]	960 [453]	897 [423]	1076	1076	
	RPM	776				796	831	869	898	925	966	1011	1044	1076	361	361	
5.0 [17.59]	12 x 9 Blower 1 HP [746 W] ECM	100,000 [29.3]				Heat	Watts	261	268	279	291	303	310	323	339	351	361
							CFM [l/s]	1233 [582]	1194 [564]	1144.5 [540]	1080.5 [510]	1041 [491]	995.8 [470]	945 [446]	901.5 [425]	845.5 [399]	823 [388]
			Cool	RPM	840	875	906	932	965	989	1011	1037	1062	1061	1061	1061	
				Watts	268	278.6	291.2	301.6	309.2	319.3	325.2	335.3	341	348.2	348.2	348.2	
			5.0 [17.59]	12 x 9 Blower 1 HP [746 W] ECM	100,000 [29.3]	Heat	CFM [l/s]	1496 [706]	1457 [688]	1417 [669]	1378 [650]	1329 [627]	1294 [611]	1243 [587]	1171 [553]	1090 [514]	1005 [474]
							RPM	970	1009	1033	1063	1088	1110	1131	1139	1147	1155
Cool	Watts	453				465	473.3	485	498	508	509	497.3	482	463.2	463.2		
	CFM [l/s]	1467 [692]				1448 [683]	1404 [663]	1373 [648]	1339 [632]	1306 [616]	1250 [590]	1210 [571]	1164 [549]	1087 [513]	1108	1108	
5.0 [17.59]	12 x 9 Blower 1 HP [746 W] ECM	100,000 [29.3]				Heat	RPM	826	855	884	910	939	969	1003	1030	1067	1108
							Watts	328	344	348	363	373	387	398	408	418	434
			Cool	CFM [l/s]	1233 [582]	1194 [564]	1144.5 [540]	1080.5 [510]	1041 [491]	996.8 [470]	945 [446]	901.5 [425]	845.5 [399]	823 [388]	823 [388]	823 [388]	
				RPM	840	875	906	932	965	989	1011	1037	1062	1061	1061		
			5.0 [17.59]	12 x 9 Blower 1 HP [746 W] ECM	100,000 [29.3]	Heat	Watts	268	278.6	291.2	301.6	309.2	319.3	325.2	335.3	341	348.2
							CFM [l/s]	1496 [706]	1457 [688]	1417 [669]	1378 [650]	1329 [627]	1294 [611]	1243 [587]	1171 [553]	1090 [514]	1005 [474]
Cool	RPM	970				1009	1033	1063	1088	1110	1131	1139	1147	1155	1155		
	Watts	453				465	473.3	485	498	508	509	497.3	482	463.2	463.2		
5.0 [17.59]	12 x 9 Blower 1 HP [746 W] ECM	100,000 [29.3]				Heat	CFM [l/s]	1206 [569]	1215 [573]	1219 [575]	1216 [574]	1218 [575]	1220 [576]	1216 [574]	1215 [573]	1205 [569]	1195 [564]
							RPM	730	796	837	885	926	962	999	1038	1075	1112
			Cool	Watts	1199	238	261	292	317	342	368	397	427	457	457		
				CFM [l/s]	1248 [589]	1256 [593]	1262 [596]	1261 [595]	1262 [596]	1264 [597]	1261 [595]	1261 [595]	1253 [591]	1243 [587]	1243 [587]		
			5.0 [17.59]	12 x 9 Blower 1 HP [746 W] ECM	100,000 [29.3]	Heat	RPM	749	808	853	903	942	979	1014	1051	1086	1121
							Watts	218	254	281	315	341	369	394	422	452	481
Cool	CFM [l/s]	1837 [867]				1850 [873]	1850 [873]	1853 [875]	1854 [875]	1847 [872]	1834 [866]	1834 [866]	1824 [861]	1818 [858]	1818 [858]		
	RPM	997				1053	1094	1128	1164	1202	1225	1256	1283	1305	1305		
Cool	Watts	604				670	719	762	810	860	872	889	927	956	956		

Notes: (1) For Constant Volume Motors: Use dipswitch settings -10%, None and +10% on the ECM interface board to achieve rated airflow at AHRI minimum external static pressure. The +10% setting of the 5 ton high cool is not available to prevent water blow-off. See Installation Instructions Manual for airflow adjustment instructions.

[] Designates Metric Conversions





INDOOR AIRFLOW PERFORMANCE RGEA14 – 208/230 VOLTS – ULN MODELS ONLY

Nominal Cooling Capacity Tons [kW]	Motor Speed from Factory	Heating Input BTU/HR [kW]	Manufacturer Recommended Cooling Airflow (Min/Max)	Blower Size / Motor HP [W] & # of Speeds	Motor Speed / Tap	External Static Pressure - Inches W.C. [kPa]												
						(Side Discharge-Dry Coil)												
						0.1 [0.02]	0.2 [0.05]	0.3 [0.07]	0.4 [0.10]	0.5 [0.12]	0.6 [0.15]	0.7 [0.17]	0.8 [0.20]	0.9 [0.22]	1.0 [0.25]			
2.0 [7.03]	Tap 4	40,000 [11.72]	700 CFM / 950 CFM	10X9 Blower 1/3 HP [249] 5 Speed (Constant Torque)	Tap 1 Fan	CFM	896 [423]	843 [398]	788 [372]	723 [341]	651 [307]	597 [582]	544 [257]	505 [238]				
						RPM	657	697	738	793	852	893	937	976				
						Watts	107	112	117	126	133	139	145	149				
		Tap 2		636 [300]	530 [250]	471 [222]	404 [191]	350 [165]	300 [142]	276 [130]	248 [117]	201 [92]						
		RPM	577	638	714	766	820	864	898	943	988	1029						
		Watts	62	68	74	80	84	88	91	94	97	102						
		Tap 3		816 [385]	764 [361]	699 [330]	622 [294]	574 [271]	518 [244]	469 [221]								
		RPM	642	688	731	788	844	883	931	977								
		Watts	101	106	111	119	126	132	138	145								
		Tap 4		936 [442]	877 [414]	822 [388]	758 [358]	696 [328]	647 [305]	597 [282]	549 [259]	508 [240]						
	RPM	697	736	774	819	874	924	963	1004	1044	1081							
	Watts	131	137	143	149	158	167	173	179	186	191							
2.5 [8.79]	Tap 4	60,000 [17.58]	850 CFM / 1150 CFM	10X9 Blower 1/2 HP [372] 5 Speed (Constant Torque)	Tap 1 Fan	CFM	1224 [578]	1184 [559]	1145 [540]	1102 [520]	1060 [500]	1016 [479]	974 [450]	911 [430]	859 [405]	822 [388]		
						RPM	822	872	907	954	998	1036	1070	1103	859	822		
						Watts	178	192	198	208	212	224	224	234	300	191		
		Tap 2		897 [423]	852 [402]	799 [377]	709 [335]	659 [311]	625 [295]	564 [266]	529 [250]	490 [231]						
		RPM	691	731	771	814	879	918	958	1002	1038	1074						
		Watts	123	129	135	142	151	158	164	170	176	182						
		Tap 3		623 [294]	521 [246]	468 [220]	411 [194]	329 [155]	277 [131]	220 [104]	142 [67]							
		RPM	551	605	683	728	782	848	892	946	990							
		Watts	63	67	75	79	84	90	94	99	102							
		Tap 4		829 [391]	774 [365]	691 [326]	598 [438]	583 [275]	537 [253]	490 [231]	442 [209]							
	RPM	652	696	745	805	851	892	892	933	974	1024							
	Watts	104	109	116	124	130	136	141	147	154								
	Tap 5		1025 [484]	979 [462]	928 [438]	879 [415]	792 [374]	742 [350]	699 [330]	661 [312]	619 [292]							
	RPM	744	783	823	870	905	966	1005	1041	1076	1113							
	Watts	160	167	175	183	189	203	208	214	222	228							
	Tap 5		1189 [561]	1151 [543]	1114 [526]	1078 [509]	1036 [489]	989 [467]	908 [429]	865 [408]	832 [393]							
	RPM	832	1189	1151	1114	1078	1036	989	908	865	832							
	Watts	229	238	246	254	262	269	282	295	304	313							

Notes: (1) For constant torque motors: Use motor taps 3-5 to achieve rated airflow at AHRI minimum External Static Pressure.

[] Designates Metric Conversions



INDOOR AIRFLOW PERFORMANCE RGEA14 – 208/230 VOLTS – ULN MODELS ONLY (continued)

Nominal Cooling Capacity Tons [kW]	Motor Speed from Factory		Heating Input BTU/HR [kW]	Manufacturer Recommended Cooling Airflow (Min/Max)	Blower Size / Motor HP [W] & # of Speeds	Motor Speed / Tap	External Static Pressure - Inches W.C. [kPa] (Side Discharge-Dry Coil)										
	Cool	Heat					0.1 [0.02]	0.2 [0.05]	0.3 [0.07]	0.4 [0.10]	0.5 [0.12]	0.6 [0.15]	0.7 [0.17]	0.8 [0.20]	0.9 [0.22]	1.0 [0.25]	
3.0 [10.55]		Tap 2	60,000 [17.58]	1000 CFM / 1400 CFM	12X9 Blower 1/2 HP [372] 5 Speed (Constant Torque)	Tap 1	CFM	904 [927]	834 [394]	769 [363]	694 [328]	596 [281]	514 [243]	442 [209]	402 [190]		
						Fan	RPM	663	709	754	797	841	885	906	919		
						Watts		126	135	142	149	157	163	167	170		
	Tap 4	Tap 3	80,000 [23.4]	1000 CFM / 1400 CFM	12X9 Blower 1/2 HP [372] 5 Speed (Constant Torque)	Tap 2	CFM	882 [416]	742 [350]	662 [312]	546 [258]	458 [216]	379 [179]	324 [153]	300 [142]		
						60K	RPM	580	676	728	774	818	844	864	901		
						Watts		99	106	112	120	125	132	140	144		
	Tap 4	Tap 3	80,000 [23.4]	1000 CFM / 1400 CFM	12X9 Blower 1/2 HP [372] 5 Speed (Constant Torque)	Tap 3	CFM	1170 [552]	1077 [508]	1028 [485]	964 [455]	911 [430]	849 [401]	762 [360]	688 [325]	616 [291]	
						80K	RPM	717	786	823	865	898	939	978	1013	1058	
						Watts		192	199	208	226	234	243	253	261	271	
	Tap 4	Tap 3	80,000 [23.4]	1000 CFM / 1400 CFM	12X9 Blower 1/2 HP [372] 5 Speed (Constant Torque)	Tap 4	CFM	1181 [557]	1126 [531]	1083 [511]	1025 [484]	979 [462]	924 [436]	858 [405]	794 [375]		
						Low Static Cool	RPM	775	791	814	848	888	919	956	994	1024	
						Watts		224	227	233	242	252	260	270	279	288	
	Tap 4	Tap 3	80,000 [23.4]	1000 CFM / 1400 CFM	12X9 Blower 1/2 HP [372] 5 Speed (Constant Torque)	Tap 5	CFM	1465 [691]	1381 [652]	1340 [632]	1299 [613]	1262 [596]	1215 [573]	1169 [552]	1124 [530]	1079 [509]	
						High Static Cool	RPM	848	1420	1381	1340	1299	1262	1215	1169	1124	1079
						Watts		342	353	363	373	384	394	407	418	428	440

Notes: (1) For constant torque motors: Use motor taps 3-5 to achieve rated airflow at AHRI minimum External Static Pressure.

DOWN DISCHARGE PRESSURE DROP (ADD TO EXTERNAL STATIC PRESSURE)		
CFM [L/s]	800 [378]	1000 [472]
Pressure Drop—Inches W.C. [kPa]	.02 [.005]	.05 [.012]
	1400 [661]	1600 [755]
	.1 [.025]	.12 [.030]
	1800 [849]	2000 [944]
	.15 [.037]	.17 [.042]

[] Designates Metric Conversions



Air

Indoor Airflow Performance

RGEA14 Series

INDOOR AIRFLOW PERFORMANCE RGEA14 – 208/230 VOLTS – ULN MODELS ONLY (continued)

Nominal Cooling Capacity Tons [kW]	Motor Speed from Factory	Heating Input BTU/HR [kW]	Manufacturer Recommended Cooling Airflow (Min/Max)	Blower Size / Motor HP [W] & # of Speeds	Motor Speed / Tap	External Static Pressure - Inches W.C. [kPa]											
						(Side Discharge-Dry Coil)											
						0.1 [0.2]	0.2 [0.5]	0.3 [0.7]	0.4 [1.0]	0.5 [1.2]	0.6 [1.5]	0.7 [1.7]	0.8 [2.0]	0.9 [2.2]	1.0 [2.5]		
3.5 [12.31]	Cool	Tap 4	1200 CFM / 1600 CFM	12x9T Blower 3/4 HP [559] 5 Speed (Constant Torque)	Tap 1 Fan	CFM	1136 [536]	1077 [508]	1034 [490]	984 [464]	922 [435]	868 [410]	798 [377]	709 [335]	632 [298]	574 [271]	
						RPM	691	732	767	805	847	883	926	968	1008	1034	
						Watts	174	184	191	200	208	216	225	235	243	249	
	Tap 2	80,000 [23.45]	Tap 4	1200 CFM / 1600 CFM	12x9T Blower 3/4 HP [559] 5 Speed (Constant Torque)	Tap 2 80K	CFM	1276 [602]	1234 [582]	1190 [562]	1145 [540]	1103 [521]	1051 [496]	995 [451]	945 [446]	875 [413]	773 [346]
							RPM	759	792	827	860	894	931	965	1001	1038	1083
							Watts	234	242	254	261	270	280	290	299	310	321
	Tap 3	80,000 [23.45]	Tap 4	1200 CFM / 1600 CFM	12x9T Blower 3/4 HP [559] 5 Speed (Constant Torque)	Tap 3 Not Used	CFM	1421 [670]	1373 [648]	1335 [630]	1297 [612]	1258 [594]	1218 [575]	1173 [554]	1122 [530]	1082 [511]	1024 [483]
							RPM	824	858	888	918	949	978	1011	1045	1075	1111
							Watts	308	319	328	339	350	358	370	382	391	404
	Tap 4	80,000 [23.45]	Tap 4	1200 CFM / 1600 CFM	12x9T Blower 3/4 HP [559] 5 Speed (Constant Torque)	Tap 4 Low Static Cool	CFM	1359 [641]	1309 [618]	1270 [599]	1228 [580]	1187 [560]	1143 [539]	1094 [516]	1050 [496]	1003 [473]	944 [446]
RPM							797	831	863	894	927	957	993	1023	1056	1092	
Watts							275	284	295	303	313	323	333	343	353	364	
Tap 5	100,000 [29.31]	Tap 4	1350 CFM / 1850 CFM	12x9T Blower 3/4 HP [559] 5 Speed (Constant Torque)	Tap 5 High Static Cool	CFM	1588 [750]	1544 [729]	1510 [713]	1472 [695]	1435 [677]	1407 [644]	1379 [651]	1334 [630]	1301 [614]	1256 [593]	
						RPM	906	934	963	991	1020	1047	1072	1102	1129	1160	
						Watts	421	432	444	456	467	478	490	502	513	527	
4.0 [14.07]	Cool	Tap 2	1350 CFM / 1850 CFM	12x9T Blower 3/4 HP [559] 5 Speed (Constant Torque)	Tap 1 Fan	CFM	1215 [573]	1156 [546]	1099 [519]	1049 [495]	996 [470]	922 [435]	844 [398]	757 [357]	699 [330]	632 [298]	
						RPM	661	703	744	779	817	859	896	934	969	1026	
						Watts	167	176	186	192	200	209	217	225	233	247	
	Tap 3	100,000 [29.31]	Tap 2	1350 CFM / 1850 CFM	12x9T Blower 3/4 HP [559] 5 Speed (Constant Torque)	Tap 2 80K	CFM	1582 [747]	1531 [723]	1492 [704]	1444 [681]	1397 [659]	1354 [639]	1311 [619]	1273 [601]	1226 [579]	1185 [559]
							RPM	863	891	918	949	979	1005	1035	1058	1085	1113
							Watts	350	361	370	381	392	401	413	421	431	443
	Tap 4	100,000 [29.31]	Tap 2	1350 CFM / 1850 CFM	12x9T Blower 3/4 HP [559] 5 Speed (Constant Torque)	Tap 3 100K	CFM	1510 [713]	1460 [689]	1410 [665]	1366 [645]	1322 [624]	1281 [605]	1244 [587]	1192 [563]	1138 [538]	1078 [509]
							RPM	801	833	865	899	933	960	986	1020	1050	1080
							Watts	297	308	317	329	340	358	366	367	377	387
	Tap 5	100,000 [29.31]	Tap 2	1350 CFM / 1850 CFM	12x9T Blower 3/4 HP [559] 5 Speed (Constant Torque)	Tap 4 Low Static Cool	CFM	1676 [791]	1631 [770]	1594 [752]	1549 [731]	1510 [713]	1472 [695]	1437 [678]	1396 [659]	1361 [642]	1316 [621]
RPM							865	898	921	950	982	1010	1038	1064	1088	1117	
Watts							389	402	411	423	434	446	456	467	477	488	
Tap 5	100,000 [29.31]	Tap 2	1350 CFM / 1850 CFM	12x9T Blower 3/4 HP [559] 5 Speed (Constant Torque)	Tap 5 High Static Cool	CFM	1910 [901]	1864 [880]	1815 [857]	1772 [836]	1723 [813]	1682 [799]	1656 [782]	1622 [765]	1589 [750]	1551 [732]	
						RPM	948	976	1007	1036	1069	1097	1123	1146	1170	1192	
						Watts	541	554	570	583	600	613	626	638	650	660	

Notes: (1) For constant torque motors: Use motor taps 3-5 to achieve rated airflow at AHRI minimum External Static Pressure.

[] Designates Metric Conversions



**INDOOR AIRFLOW PERFORMANCE RGEA14 – 208/230 VOLTS – ULN MODELS ONLY (continued)**

Nominal Cooling Capacity Tons [kW]	Motor Speed from Factory	Heating Input BTU/HR [kW]	Manufacturer Recommended Cooling Airflow (Min/Max)	Blower Size / Motor HP [W] & # of Speeds	Motor Speed / Tap	External Static Pressure - Inches W.C. [kPa] (Side Discharge-Dry Coil)											
						0.1 [0.02]	0.2 [0.05]	0.3 [0.07]	0.4 [0.10]	0.5 [0.12]	0.6 [0.15]	0.7 [0.17]	0.8 [0.20]	0.9 [0.22]	1.0 [0.25]		
5.0 [17.59]	Cool	Tap 1			Tap 1 100K Heat/Fan	CFM	1660 [783]	1610 [760]	1559 [736]	1506 [711]	1454 [686]	1404 [663]	1348 [636]	1291 [609]	1235 [583]	1194 [564]	
						RPM	803	824	853	877	901	925	949	977	1006	1029	
	1st Stage	Tap 2			12x9R Blower 1 HP [746] 5 Speed (Constant Torque)	Tap 2 1st Stage Cool	CFM	1310 [618]	1247 [589]	1192 [563]	1122 [530]	1061 [501]	988 [466]	902 [426]	818 [386]	754 [356]	686 [324]
							RPM	657	689	717	750	779	816	853	889	915	948
	2nd Stage	Tap 3				Tap 3 2nd Stage Low Static Cool	CFM	1845 [871]	1799 [849]	1738 [820]	1690 [798]	1640 [774]	1600 [755]	1548 [731]	1499 [707]	1458 [688]	1387 [655]
							RPM	915	937	961	986	1007	1026	1045	1072	1095	1126
	2nd Stage	Tap 3				Tap 4 2nd Stage Med Static Cool	CFM	1965 [927]	1921 [907]	1876 [885]	1827 [862]	1793 [846]	1750 [826]	1709 [807]	1663 [785]	1621 [765]	1571 [741]
							RPM	899	920	943	966	986	1009	1030	1053	1075	1098
	2nd Stage	Tap 3				Tap 5 2nd Stage High Static Cool	CFM	1999 [943]	1949 [920]	1904 [899]	1866 [881]	1829 [863]	1790 [845]	1754 [828]	1711 [806]	1673 [790]	1626 [767]
							RPM	918	943	962	980	1003	1021	1041	1061	1079	1103
						Watts	587	601	613	623	634	645	655	667	677	690	

Notes: (1) For constant torque motors: Use motor taps 3-5 to achieve rated airflow at AHRI minimum External Static Pressure.

DOWN DISCHARGE PRESSURE DROP (ADD TO EXTERNAL STATIC PRESSURE)		
CFM [L/s]	800 [378]	1000 [472]
Pressure Drop—Inches W.C. [kPa]	.02 [.005]	.05 [.012]
	1400 [661]	1600 [755]
	.1 [.025]	.12 [.030]
	1800 [849]	2000 [944]
	.15 [.037]	.17 [.042]

[] Designates Metric Conversions



INDOOR AIRFLOW PERFORMANCE RGEA14 — 460 VOLTS — ULN MODELS ONLY

Nominal Cooling Capacity Tons [kW]	Motor Speed from Factory	Heating Input BTU/HR [kW]	Manufacturer Recommended Cooling Airflow (Min/Max)	Blower Size / Motor HP [W] & # of Speeds	Motor Speed / Tap	External Static Pressure - Inches W.C. [kPa] (Side Discharge-Dry Coil)										
						0.1 [0.2]	0.2 [0.05]	0.3 [0.07]	0.4 [1.10]	0.5 [1.12]	0.6 [1.15]	0.7 [1.17]	0.8 [2.0]	0.9 [2.2]	1.0 [2.5]	
3.0 [10.55]	Cool			12x9T Blower 1/2 HP [372] 5 Speed (Constant Torque)	Tap 1 Fan	CFM	980 [463]	907 [428]	847 [400]	775 [366]	694 [328]	604 [285]	529 [250]	467 [220]	406 [192]	
						RPM	611	663	712	760	805	856	896	918	935	
						Watts	118	128	137	146	154	162	170	174	178	
	Tap 2	60K	60,000 [17.58]	1000 CFM / 1400 CFM	Tap 2 60K	CFM	936 [442]	878 [414]	788 [372]	704 [332]	616 [291]	530 [250]	441 [208]	377 [178]	343 [162]	311 [147]
						RPM	611	655	720	770	815	844	882	901	933	964
						Watts	114	121	132	137	144	151	154	156	160	165
	Tap 3	80K	80,000 [23.45]	1000 CFM / 1400 CFM	Tap 3 80K	CFM	1152 [544]	1107 [522]	1067 [504]	1008 [476]	953 [450]	886 [418]	818 [386]	741 [350]	676 [319]	605 [286]
						RPM	713	748	786	833	870	909	947	987	1019	1055
						Watts	192	201	210	222	233	240	250	260	269	278
	Tap 4	Low-Static Cool		1000 CFM / 1400 CFM	Tap 4 Low-Static Cool	CFM	1221 [576]	1174 [554]	1132 [534]	1086 [513]	1035 [488]	972 [459]	904 [427]	839 [396]	764 [361]	691 [326]
RPM						736	772	803	846	888	929	962	1003	1042	1075	
Watts						217	227	236	248	259	269	279	290	300	307	
Tap 5	High-Static Cool		1000 CFM / 1400 CFM	Tap 5 High-Static Cool	CFM	1502 [709]	1460 [690]	1423 [672]	1378 [650]	1340 [632]	1310 [618]	1267 [598]	1205 [569]	1115 [526]	983 [464]	
					RPM	871	897	925	957	990	1017	1049	1082	1100	1119	
					Watts	390	100	411	423	433	444	454	461	442	417	
4.0 [14.07]	Cool			12x9T Blower 3/4 HP [559] 5 Speed (Constant Torque)	Tap 1 Fan	CFM	1217 [574]	1160 [547]	1105 [522]	1057 [499]	1003 [473]	939 [443]	845 [399]	762 [360]	713 [336]	642 [303]
						RPM	672	714	754	791	830	871	919	957	1006	1040
						Watts	179	191	200	210	220	232	243	255	267	275
	Tap 2	80K	80,000 [23.45]	1350 CFM / 1850 CFM	Tap 2 80K	CFM	1293 [610]	1245 [588]	1194 [564]	1151 [543]	1104 [521]	1059 [500]	1001 [472]	915 [432]	866 [409]	795 [375]
						RPM	750	783	819	851	885	918	957	1001	1030	1066
						Watts	223	232	242	251	260	271	283	295	305	315
	Tap 3	100K	100,000 [29.31]	1350 CFM / 1850 CFM	Tap 3 100K	CFM	1520 [717]	1464 [691]	1420 [670]	1374 [648]	1326 [626]	1277 [603]	1236 [583]	1195 [564]	1138 [537]	1072 [506]
						RPM	794	829	862	895	928	966	993	1022	1061	1098
						Watts	310	322	334	347	360	374	382	395	410	425
	Tap 4	Low-Static Cool		1350 CFM / 1850 CFM	Tap 4 Low-Static Cool	CFM	1699 [802]	1650 [779]	1601 [756]	1558 [735]	1519 [717]	1483 [700]	1439 [679]	1405 [663]	1358 [641]	1272 [600]
RPM						874	903	937	962	991	1020	1052	1074	1103	1122	
Watts						419	433	449	458	472	485	498	512	520	506	
Tap 5	High-Static Cool		1350 CFM / 1850 CFM	Tap 5 High-Static Cool	CFM	2036 [961]	1988 [938]	1947 [919]	1899 [896]	1828 [863]	1752 [827]	1672 [789]	1593 [752]	1485 [701]	1364 [644]	
					RPM	1004	1030	1051	1074	1091	1110	1115	1026	1133	1138	
					Watts	685	701	712	722	711	691	665	641	600	564	

Notes: (1) For constant torque motors: Use motor taps 3-5 to achieve rated airflow at AHRI minimum External Static Pressure.

[] Designates Metric Conversions





INDOOR AIRFLOW PERFORMANCE RGEA14 — 460 VOLTS — ULN MODELS ONLY (continued)

Nominal Cooling Capacity Tons [kW]	Motor Speed from Factory	Heating Input BTU/HR [kW]	Manufacturer Recommended Cooling Airflow (Min/Max)	Blower Size / Motor HP [W] & # of Speeds	Motor Speed / Tap	External Static Pressure - Inches W.C. [kPa] (Side Discharge-Dry Coil)											
						0.1 [0.02]	0.2 [0.05]	0.3 [0.07]	0.4 [0.10]	0.5 [0.12]	0.6 [0.15]	0.7 [0.17]	0.8 [0.20]	0.9 [0.22]	1.0 [0.25]		
5.0 [17.59]	Cool	Tap 1	100,000 [29.31]		Tap 1 100K Heat/Fan	CFM	1638 [773]	1584 [748]	1540 [727]	1497 [707]	1447 [683]	1408 [665]	1352 [638]	1298 [613]	1238 [584]	1192 [563]	
						RPM	794	819	846	873	900	923	952	978	1010	1036	
	1st Stage Tap 2			12x9R Blower 1 HP [746] 5 Speed (Constant Torque)	1600 CFM / 2100 CFM	Tap 2 1st Stage Cool	CFM	1319 [622]	1260 [595]	1198 [565]	1139 [538]	1103 [521]	1077 [508]	1034 [441]	987 [405]	952 [396]	901 [331]
							RPM	680	713	743	778	809	849	889	919	952	983
	2nd Stage Tap 3					Tap 3 2nd Stage Low Static Cool	CFM	849	1746 [824]	1704 [802]	1659 [823]	1615 [782]	1573 [742]	1532 [702]	1479 [698]	1431 [675]	1376 [649]
							RPM	895	918	943	967	991	1013	1035	1061	1085	1113
	2nd Stage Tap 3					Tap 4 2nd Stage Med Static Cool	CFM	1935 [913]	1892 [893]	1845 [871]	1808 [853]	1766 [833]	1722 [813]	1687 [796]	1642 [775]	1589 [750]	1552 [732]
							RPM	901	918	947	970	993	1023	1038	1062	1089	1106
	2nd Stage Tap 3					Tap 5 2nd Stage High Static Cool	CFM	1979 [934]	1936 [914]	1890 [892]	1836 [866]	1813 [856]	1773 [837]	1731 [817]	1695 [800]	1651 [779]	1584 [748]
							RPM	920	942	965	996	1013	1033	1061	1082	1101	1114
					Watts	602	615	627	643	651	667	682	692	702	695		

Notes: (1) For constant torque motors: Use motor taps 3-5 to achieve rated airflow at AHRI minimum External Static Pressure.

DOWN DISCHARGE PRESSURE DROP (ADD TO EXTERNAL STATIC PRESSURE)		
CFM [L/s]	800 [378]	1000 [472]
Pressure Drop—Inches W.C. [kPa]	.02 [.005]	.05 [.012]
	1400 [661]	1600 [755]
	.1 [.025]	.12 [.030]
	1800 [849]	2000 [944]
	.15 [.037]	.17 [.042]

[] Designates Metric Conversions



ELECTRICAL DATA – RGEA14 SERIES

		024AJT04UAA	024AJT061AB	024AJT061AC	030AJT04UAA	030AJT061AB
Unit Information	Unit Operating Voltage Range	187-253	187-253	187-253	187-253	187-253
	Volts	208/230	208/230	208/230	208/230	208/230
	Phase	1	1	1	1	1
	Hz	60	60	60	60	60
	Minimum Circuit Ampacity	19	19	19	21	21
	Minimum Overcurrent Protection Device Size	20	20	25	25	25
	Maximum Overcurrent Protection Device Size	25	25	25	30	30
Compressor Motor	No.	1	1	1	1	1
	Volts	208/230	208/230	208/230	208/230	208/230
	Phase	1	1	1	1	1
	RPM	3450	3450	3450	3450	3450
	HP, Compressor 1	2 1/6	2 1/6	2 1/6	2 2/3	2 2/3
	Amps (RLA), Comp. 1	11.2	11.2	11.2	12.8	12.8
	Amps (LRA), Comp. 1	60.8	60.8	60.8	64	64
	HP, Compressor 2					
	Amps (RLA), Comp. 2					
Amps (LRA), Comp. 2						
Condenser Motor	No.	1	1	1	1	1
	Volts	208/230	208/230	208/230	208/230	208/230
	Phase	1	1	1	1	1
	HP	1/3	1/3	1/3	1/3	1/3
	Amps (FLA, each)	1.5	1.5	1.5	1.5	1.5
	Amps (LRA, each)	3	3	3	3	3
Evaporator Fan	No.	1	1	1	1	1
	Volts	208/230	208/230	208/230	208/230	208/230
	Phase	1	1	1	1	1
	HP	1/3	1/3	1/3	1/2	1/2
	Amps (FLA, each)	2.7	2.8	2.6	3.9	2.8
	Amps (LRA, each)					

1. Horsepower Per Compressor.
2. Amp Draw Per Motor. Multiply Value By Number of Motors to Determine Total Amps.

ELECTRICAL DATA – RGEA14 SERIES						
		030AJT061AC	036ACT06UAA	036ADT06UAA	036AJT061AB	036AJT061AC
Unit Information	Unit Operating Voltage Range	187-253	187-253	414-506	187-253	187-253
	Volts	208/230	208/230	460	208/230	208/230
	Phase	1	3	3	1	1
	Hz	60	60	60	60	60
	Minimum Circuit Ampacity	21	17	10	24	24
	Minimum Overcurrent Protection Device Size	25	20	15	30	30
	Maximum Overcurrent Protection Device Size	30	25	15	35	35
Compressor Motor	No.	1	1	1	1	1
	Volts	208/230	208/230	460	208/230	208/230
	Phase	1	3	3	1	1
	RPM	3450	3450	3450	3450	3450
	HP, Compressor 1	2 2/3	3 1/3	3 1/3	3 1/3	3 1/3
	Amps (RLA), Comp. 1	12.8	9	5.6	14.1	14.1
	Amps (LRA), Comp. 1	64	71	38	77	77
	HP, Compressor 2					
	Amps (RLA), Comp. 2					
	Amps (LRA), Comp. 2					
Condenser Motor	No.	1	1	1	1	1
	Volts	208/230	208/230	460	208/230	208/230
	Phase	1	1	1	1	1
	HP	1/3	1/3	1/3	1/3	1/3
	Amps (FLA, each)	1.5	1.5	0.8	1.5	1.5
	Amps (LRA, each)	3	3	1.6	3	3
Evaporator Fan	No.	1	1	1	1	1
	Volts	208/230	208/230	460/460	208/230	208/230
	Phase	1	1	1	1	1
	HP	1/2	1/2	1/2	1	1
	Amps (FLA, each)	2.6	3.9	2.1	4.8	4.8
	Amps (LRA, each)					

1. Horsepower Per Compressor.
2. Amp Draw Per Motor. Multiply Value By Number of Motors to Determine Total Amps.

ELECTRICAL DATA – RGEA14 SERIES

		036AJT06UAA	036BCT061AA	036BCT061AB	036BDT061AA	036BDT061AB
Unit Information	Unit Operating Voltage Range	187-253	187-253	187-253	414-506	414-506
	Volts	208/230	208/230	208/230	460	460
	Phase	1	3	3	3	3
	Hz	60	60	60	60	60
	Minimum Circuit Ampacity	24	17	17	10	10
	Minimum Overcurrent Protection Device Size	25	20	20	15	15
	Maximum Overcurrent Protection Device Size	35	25	25	15	15
Compressor Motor	No.	1	1	1	1	1
	Volts	208/230	208/230	208/230	460	460
	Phase	1	3	3	3	3
	RPM	3450	3450	3450	3450	3450
	HP, Compressor 1	3 1/3	3 1/3	3 1/3	3 1/3	3 1/3
	Amps (RLA), Comp. 1	14.1	9	9	5.6	5.6
	Amps (LRA), Comp. 1	77	71	71	38	38
	HP, Compressor 2					
	Amps (RLA), Comp. 2					
	Amps (LRA), Comp. 2					
Condenser Motor	No.	1	1	1	1	1
	Volts	208/230	208/230	208/230	460	460
	Phase	1	1	1	1	1
	HP	1/3	1/3	1/3	1/3	1/3
	Amps (FLA, each)	1.5	1.5	1.5	0.8	0.8
	Amps (LRA, each)	3	3	3	1.6	1.6
Evaporator Fan	No.	1	1	1	1	1
	Volts	208/230	208/230	208/230	460/460	460/460
	Phase	1	1	1	1	1
	HP	1/2	1/2	1/2	1/2	1/2
	Amps (FLA, each)	3.9	4.1	4.1	2.1	2.1
	Amps (LRA, each)					

1. Horsepower Per Compressor.

2. Amp Draw Per Motor. Multiply Value By Number of Motors to Determine Total Amps.

ELECTRICAL DATA – RGEA14 SERIES						
		042ACT081AA	042ACT081AB	042ACT08UAA	042AJT081AB	042AJT081AC
Unit Information	Unit Operating Voltage Range	187-253	187-253	187-253	187-253	187-253
	Volts	208/230	208/230	208/230	208/230	208/230
	Phase	3	3	3	1	1
	Hz	60	60	60	60	60
	Minimum Circuit Ampacity	24	22	24	30	28
	Minimum Overcurrent Protection Device Size	25	30	25	30	35
	Maximum Overcurrent Protection Device Size	35	35	35	45	45
Compressor Motor	No.	1	1	1	1	1
	Volts	208/230	208/230	208/230	208/230	208/230
	Phase	3	3	3	1	1
	RPM	3450	3450	3450	3450	3450
	HP, Compressor 1	3 1/2	3 1/2	3 1/2	3 1/2	3 1/2
	Amps (RLA), Comp. 1	13.2	13.2	13.2	17.9	17.9
	Amps (LRA), Comp. 1	88	88	88	112	112
	HP, Compressor 2					
	Amps (RLA), Comp. 2					
	Amps (LRA), Comp. 2					
Condenser Motor	No.	1	1	1	1	1
	Volts	208/230	208/230	208/230	208/230	208/230
	Phase	1	1	1	1	1
	HP	1/3	1/3	1/3	1/3	1/3
	Amps (FLA, each)	1.5	1.5	1.5	1.5	1.5
	Amps (LRA, each)	3	3	3	3	3
Evaporator Fan	No.	1	1	1	1	1
	Volts	208/230	208/230	208/230	208/230	208/230
	Phase	1	1	1	1	1
	HP	3/4	3/4	3/4	3/4	3/4
	Amps (FLA, each)	6	4	6	6	4
	Amps (LRA, each)					

1. Horsepower Per Compressor.
2. Amp Draw Per Motor. Multiply Value By Number of Motors to Determine Total Amps.

ELECTRICAL DATA – RGEA14 SERIES

		042AJT08UAA	048ACT08UAA	048ADT10UAA	048AJT081AB	048AJT08UAA
Unit Information	Unit Operating Voltage Range	187-253	187-253	187-253	187-253	187-253
	Volts	208/230	208/230	460	208/230	208/230
	Phase	1	3	3	1	1
	Hz	60	60	60	60	60
	Minimum Circuit Ampacity	30	25	12	33	33
	Minimum Overcurrent Protection Device Size	30	25	35	35	35
	Maximum Overcurrent Protection Device Size	45	35	15	50	50
Compressor Motor	No.	1	1	1	1	1
	Volts	208/230	208/230	460	208/230	208/230
	Phase	1	3	3	1	1
	RPM	3450	3450	3450	3450	3450
	HP, Compressor 1	3 1/2	4	4	4	4
	Amps (RLA), Comp. 1	17.9	13.1	6.1	19.9	19.9
	Amps (LRA), Comp. 1	112	83.1	43	109	109
	HP, Compressor 2					
	Amps (RLA), Comp. 2					
Amps (LRA), Comp. 2						
Condenser Motor	No.	1	1	1	1	1
	Volts	208/230	208/230	460	208/230	208/230
	Phase	1	1	1	1	1
	HP	1/3	1/3	1/3	1/3	1/3
	Amps (FLA, each)	1.5	2	1	2	2
	Amps (LRA, each)	3	3.9	2.2	3.9	3.9
Evaporator Fan	No.	1	1	1	1	1
	Volts	208/230	208/230	460	208/230	208/230
	Phase	1	1	1	1	1
	HP	3/4	3/4	3/4	3/4	3/4
	Amps (FLA, each)	6	6	3.2	6	6
	Amps (LRA, each)					

1. Horsepower Per Compressor.
2. Amp Draw Per Motor. Multiply Value By Number of Motors to Determine Total Amps.

ELECTRICAL DATA – RGEA14 SERIES						
		048BCT081AA	048BDT101AA	060ACT10UAA	060ADT10UAA	060AJT10UAA
Unit Information	Unit Operating Voltage Range	187-253	414-506	197-253	414-506	197-253
	Volts	208/230	460	208/230	460	208/230
	Phase	3	3	3	3	1
	Hz	60	60	60	60	60
	Minimum Circuit Ampacity	25	12	31	14	39
	Minimum Overcurrent Protection Device Size	25	35	35	20	45
	Maximum Overcurrent Protection Device Size	35	15	45	20	60
Compressor Motor	No.	1	1	1	1	1
	Volts	208/230	460	208/230	460	208/230
	Phase	3	3	3	3	1
	RPM	3450	3450	3450	3450	3450
	HP, Compressor 1	4	4	5	5	5
	Amps (RLA), Comp. 1	13.1	6.1	16.6	7.2	22.8
	Amps (LRA), Comp. 1	83.1	43	110	52	147.4
	HP, Compressor 2					
	Amps (RLA), Comp. 2					
	Amps (LRA), Comp. 2					
Condenser Motor	No.	1	1	1	1	1
	Volts	208/230	460	208/230	460	208/230
	Phase	1	1	1	1	1
	HP	1/3	1/3	1/3	1/3	1/3
	Amps (FLA, each)	2	1	2	1	2
	Amps (LRA, each)	3.9	3.9	3.9	2.2	3.9
Evaporator Fan	No.	1	1	1	1	1
	Volts	208/230	460	208/230	460	208/230
	Phase	1	1	1	1	1
	HP	3/4	3/4	1	1	1
	Amps (FLA, each)	6	3.2	7.4	4	7.4
	Amps (LRA, each)					

1. Horsepower Per Compressor.
2. Amp Draw Per Motor. Multiply Value By Number of Motors to Determine Total Amps.

ELECTRICAL DATA – RGEA14 SERIES

		060CCT101AA	060CDT101AA	060CJT101AA
Unit Information	Unit Operating Voltage Range	197-253	414-506	197-253
	Volts	208/230	460	208/230
	Phase	3	3	1
	Hz	60	60	60
	Minimum Circuit Ampacity	31	14	39
	Minimum Overcurrent Protection Device Size	35	20	45
	Maximum Overcurrent Protection Device Size	45	20	60
Compressor Motor	No.	1	1	1
	Volts	208/230	460	208/230
	Phase	3	3	1
	RPM	3450	3450	3450
	HP, Compressor 1	5	5	5
	Amps (RLA), Comp. 1	16.6	7.2	22.8
	Amps (LRA), Comp. 1	110	52	147.4
	HP, Compressor 2			
	Amps (RLA), Comp. 2			
Amps (LRA), Comp. 2				
Condenser Motor	No.	1	1	1
	Volts	208/230	460	208/230
	Phase	1	1	1
	HP	1/3	1/3	1/3
	Amps (FLA, each)	2	1	2
	Amps (LRA, each)	3.9	2.2	3.9
Evaporator Fan	No.	1	1	1
	Volts	208/230	460	208/230
	Phase	1	1	1
	HP	1	1	1
	Amps (FLA, each)	7.6	4	7.6
	Amps (LRA, each)			

1. Horsepower Per Compressor.
2. Amp Draw Per Motor. Multiply Value By Number of Motors to Determine Total Amps.

ELECTRICAL DATA – RGEA15 SERIES						
		024BJV061AA	030AJV061AB	036BCT061AA	036BDT061AA	036BJV061AA
Unit Information	Unit Operating Voltage Range	187-253	187-253	187-253	414-506	187-253
	Volts	208/230	208/230	208/230	460	208/230
	Phase	1	1	3	3	1
	Hz	60	60	60	60	60
	Minimum Circuit Ampacity	19	21	19	11	28
	Minimum Overcurrent Protection Device Size	25	25	25	15	30
	Maximum Overcurrent Protection Device Size	25	30	25	15	40
Compressor Motor	No.	1	1	1	1	1
	Volts	208/230	208/230	208/230	460	208/230
	Phase	1	1	3	3	1
	RPM	3450	3450	3450	3450	3450
	HP, Compressor 1	2	2 2/3	3	3	3
	Amps (RLA), Comp. 1	10.3	12.8	10.4	5.8	15.4
	Amps (LRA), Comp. 1	61.6	64	73	38	83.9
	HP, Compressor 2					
	Amps (RLA), Comp. 2					
	Amps (LRA), Comp. 2					
Condenser Motor	No.	1	1	1	1	1
	Volts	208/230	208/230	208/230	460	208/230
	Phase	1	1	1	1	1
	HP	1/3	1/3	1/3	1/3	1/3
	Amps (FLA, each)	1.5	1.5	1.5	0.8	1.5
	Amps (LRA, each)	3	3	3	1.6	3
Evaporator Fan	No.	1	1	1	1	1
	Volts	208/230	208/230	208/230	460/460	208/230
	Phase	1	1	1	1	1
	HP	1/2	1/2	1/2	1/2	1/2
	Amps (FLA, each)	4.3	3.5	4.1	2.1	4.3
	Amps (LRA, each)					

1. Horsepower Per Compressor.

2. Amp Draw Per Motor. Multiply Value By Number of Motors to Determine Total Amps.

ELECTRICAL DATA – RGEA15 SERIES

		036BJV081AA	036BJV101AA	042BCT081AA	042BJV081AA	048ACT081AA
Unit Information	Unit Operating Voltage Range	187-253	187-253	187-253	187-253	187-253
	Volts	208/230	208/230	208/230	208/230	208/230
	Phase	1	1	3	1	3
	Hz	60	60	60	60	60
	Minimum Circuit Ampacity	28	28	25	33	25
	Minimum Overcurrent Protection Device Size	30	30	30	35	25
	Maximum Overcurrent Protection Device Size	40	40	35	50	35
Compressor Motor	No.	1	1	1	1	1
	Volts	208/230	208/230	208/230	208/230	208/230
	Phase	1	1	3	1	3
	RPM	3450	3450	3450	3450	3450
	HP, Compressor 1	3	3	3 1/2	3 1/2	4
	Amps (RLA), Comp. 1	15.4	15.4	13.5	19.2	13.1
	Amps (LRA), Comp. 1	83.9	83.9	88	123.9	83.1
	HP, Compressor 2					
	Amps (RLA), Comp. 2					
Amps (LRA), Comp. 2						
Condenser Motor	No.	1	1	1	1	1
	Volts	208/230	208/230	208/230	208/230	208/230
	Phase	1	1	1	1	1
	HP	1/3	1/3	1/3	1/3	1/3
	Amps (FLA, each)	1.5	1.5	2	2	2
	Amps (LRA, each)	3	3	3	3	3.9
Evaporator Fan	No.	1	1	1	1	1
	Volts	208/230	208/230	208/230	208/230	208/230
	Phase	1	1	1	1	1
	HP	3/4	3/4	3/4	3/4	3/4
	Amps (FLA, each)	6.8	6.8	6	6.8	6
	Amps (LRA, each)					

1. Horsepower Per Compressor.
2. Amp Draw Per Motor. Multiply Value By Number of Motors to Determine Total Amps.

ELECTRICAL DATA – RGEA15 SERIES						
		048ADT101AA	048AJV081AB	048BCT081AA	048BDT101AA	048BJV081AA
Unit Information	Unit Operating Voltage Range	414-506	187-253	187-253	414-506	187-253
	Volts	460	208/230	208/230	460	208/230
	Phase	3	1	3	3	1
	Hz	60	60	60	60	60
	Minimum Circuit Ampacity	12	34	26	13	34
	Minimum Overcurrent Protection Device Size	35	40	30	15	40
	Maximum Overcurrent Protection Device Size	15	50	35	15	50
Compressor Motor	No.	1	1	1	1	1
	Volts	460	208/230	208/230	460	208/230
	Phase	3	1	3	3	1
	RPM	3450	3450	3500	3500	3500
	HP, Compressor 1	4	4	4	4	4
	Amps (RLA), Comp. 1	6.1	19.9	14	6.4	20.4
	Amps (LRA), Comp. 1	43	109	83.1	41	122.1
	HP, Compressor 2					
	Amps (RLA), Comp. 2					
	Amps (LRA), Comp. 2					
Condenser Motor	No.	1	1	1	1	1
	Volts	460	208/230	208/230	460	208/230
	Phase	1	1	1	1	1
	HP	1/3	1/3	1/3	1/3	1/3
	Amps (FLA, each)	1	2	2	1	2
	Amps (LRA, each)	3.9	3.9	3.9	3.9	3.9
Evaporator Fan	No.	1	1	1	1	1
	Volts	460	208/230	208/230	460	208/230
	Phase	1	1	1	1	1
	HP	3/4	1	3/4	3/4	1
	Amps (FLA, each)	3.2	6.8	6	3.2	6.1
	Amps (LRA, each)					

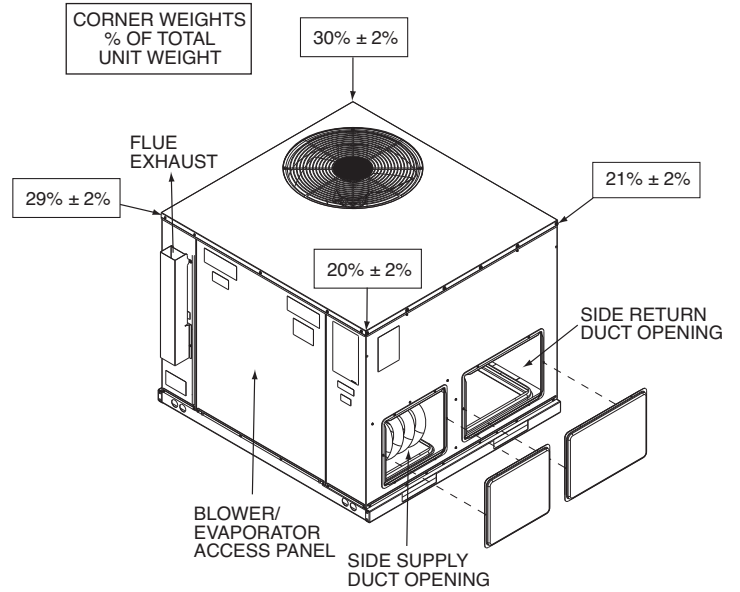
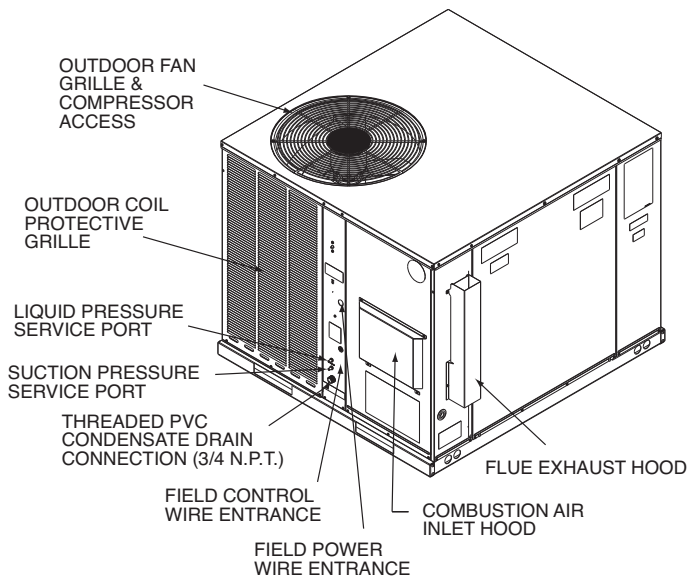
1. Horsepower Per Compressor.

2. Amp Draw Per Motor. Multiply Value By Number of Motors to Determine Total Amps.

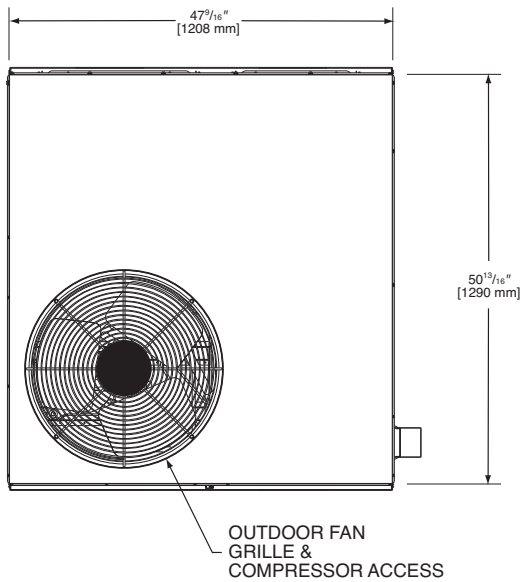
ELECTRICAL DATA – RGEA15 SERIES

		060ACT101AA	060ADT101AA	060AJV101AB
Unit Information	Unit Operating Voltage Range	197-253	414-506	197-253
	Volts	208/230	460	208/230
	Phase	3	3	1
	Hz	60	60	60
	Minimum Circuit Ampacity	30	15	45
	Minimum Overcurrent Protection Device Size	50	20	60
	Maximum Overcurrent Protection Device Size	45	20	70
Compressor Motor	No.	1	1	1
	Volts	208/230	460	208/230
	Phase	3	3	1
	RPM	3450	3450	3450
	HP, Compressor 1	5	5	5
	Amps (RLA), Comp. 1	16.2	7.6	28.8
	Amps (LRA), Comp. 1	110	52	152.9
	HP, Compressor 2			
	Amps (RLA), Comp. 2			
Amps (LRA), Comp. 2				
Condenser Motor	No.	1	1	1
	Volts	208/230	460	208/230
	Phase	1	1	1
	HP	1/3	1/3	1/3
	Amps (FLA, each)	2	1	2
	Amps (LRA, each)	3.9	2.2	3.9
Evaporator Fan	No.	1	1	1
	Volts	208/230	460/460	208/230
	Phase	1	1	1
	HP	1	1	1
	Amps (FLA, each)	7.6	4	6.8
	Amps (LRA, each)			

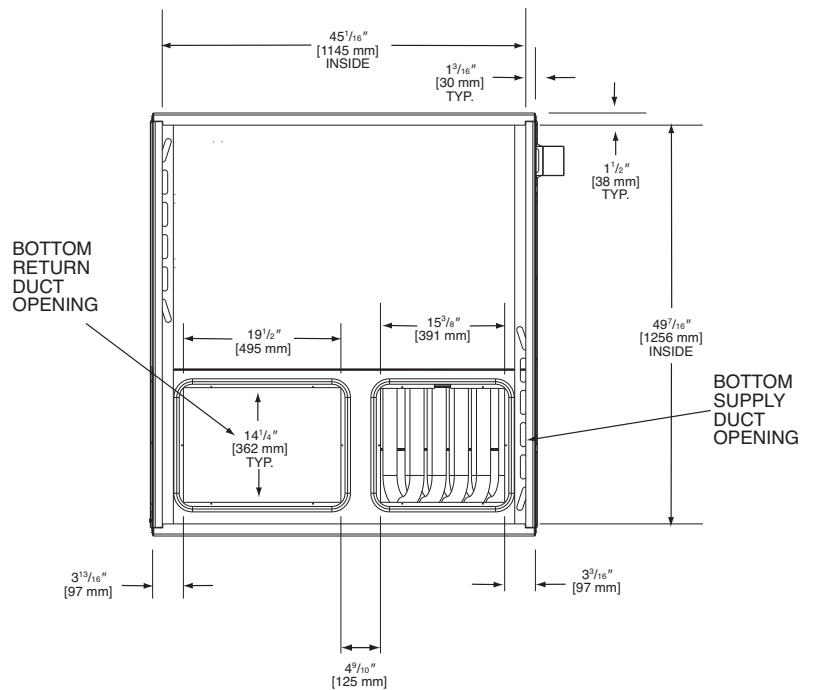
1. Horsepower Per Compressor.
2. Amp Draw Per Motor. Multiply Value By Number of Motors to Determine Total Amps.



TOP VIEW

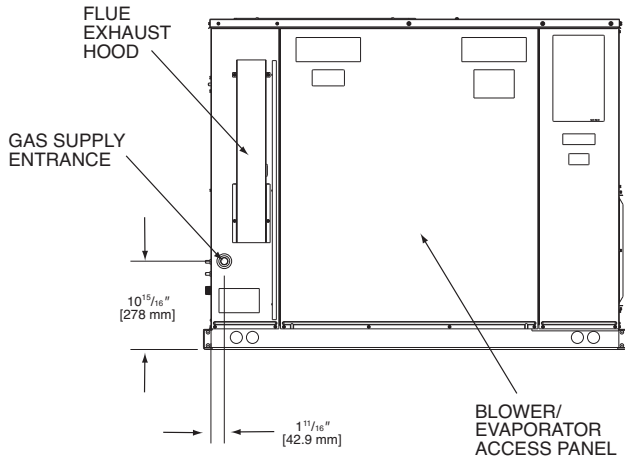


BOTTOM VIEW

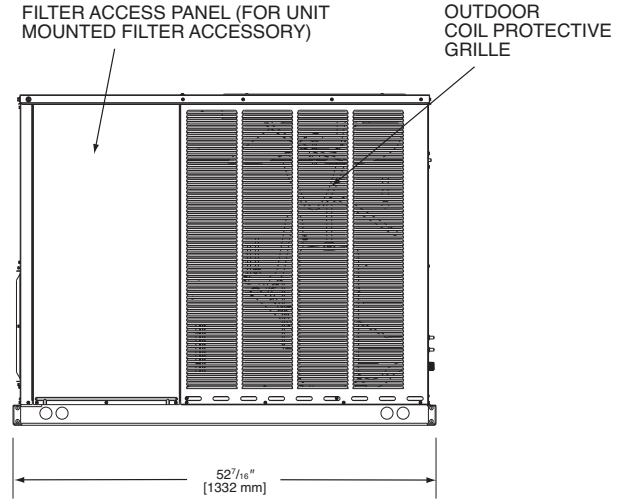


[] Designates Metric Conversions

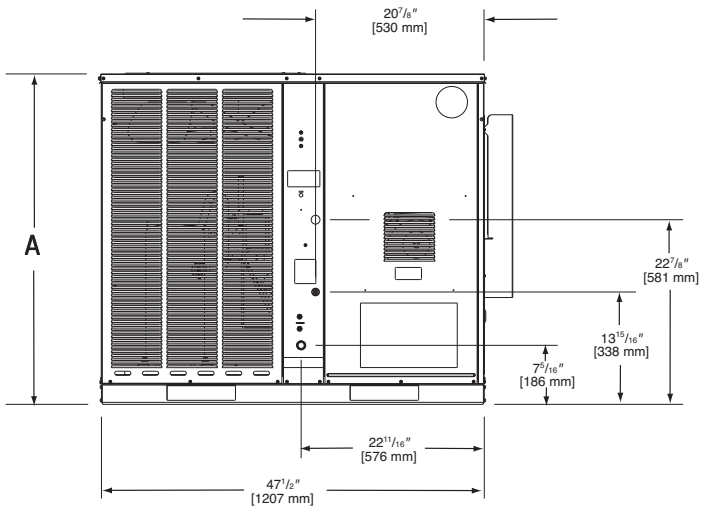
SIDE VIEW



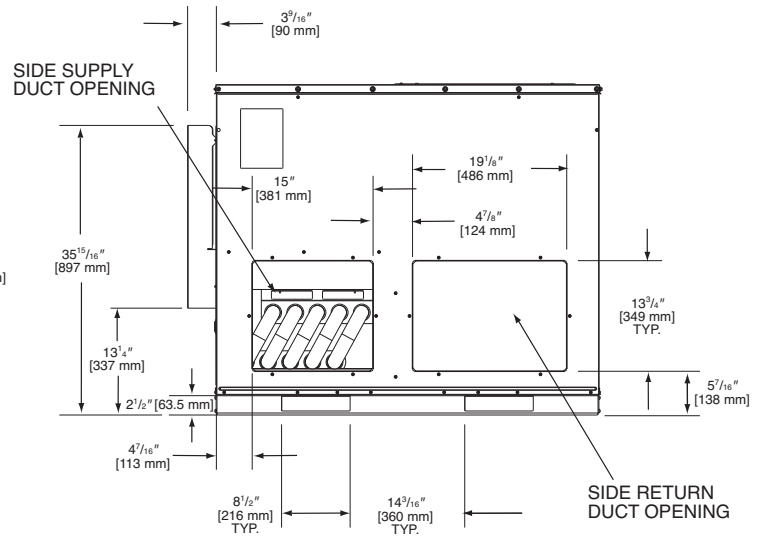
SIDE VIEW



FRONT VIEW



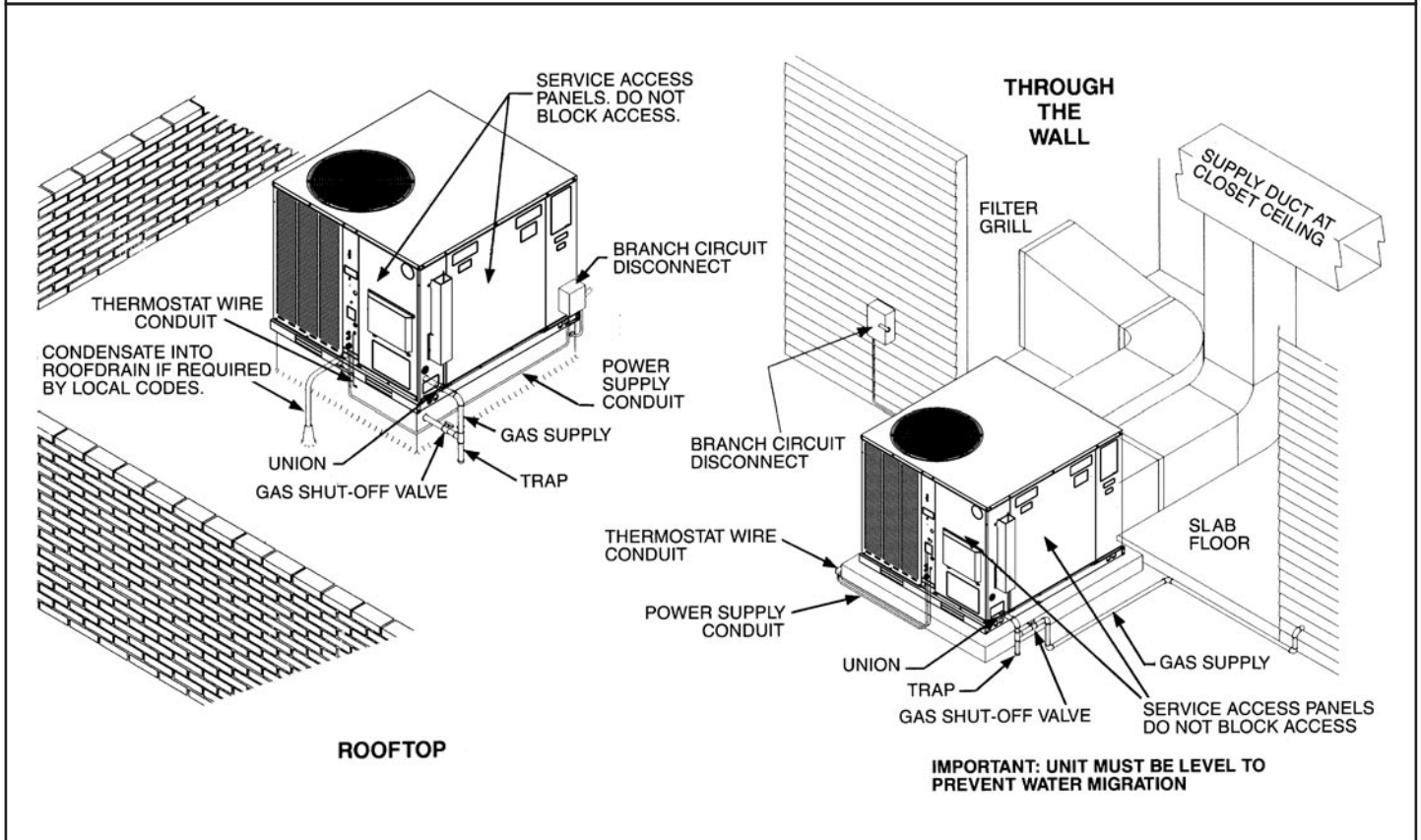
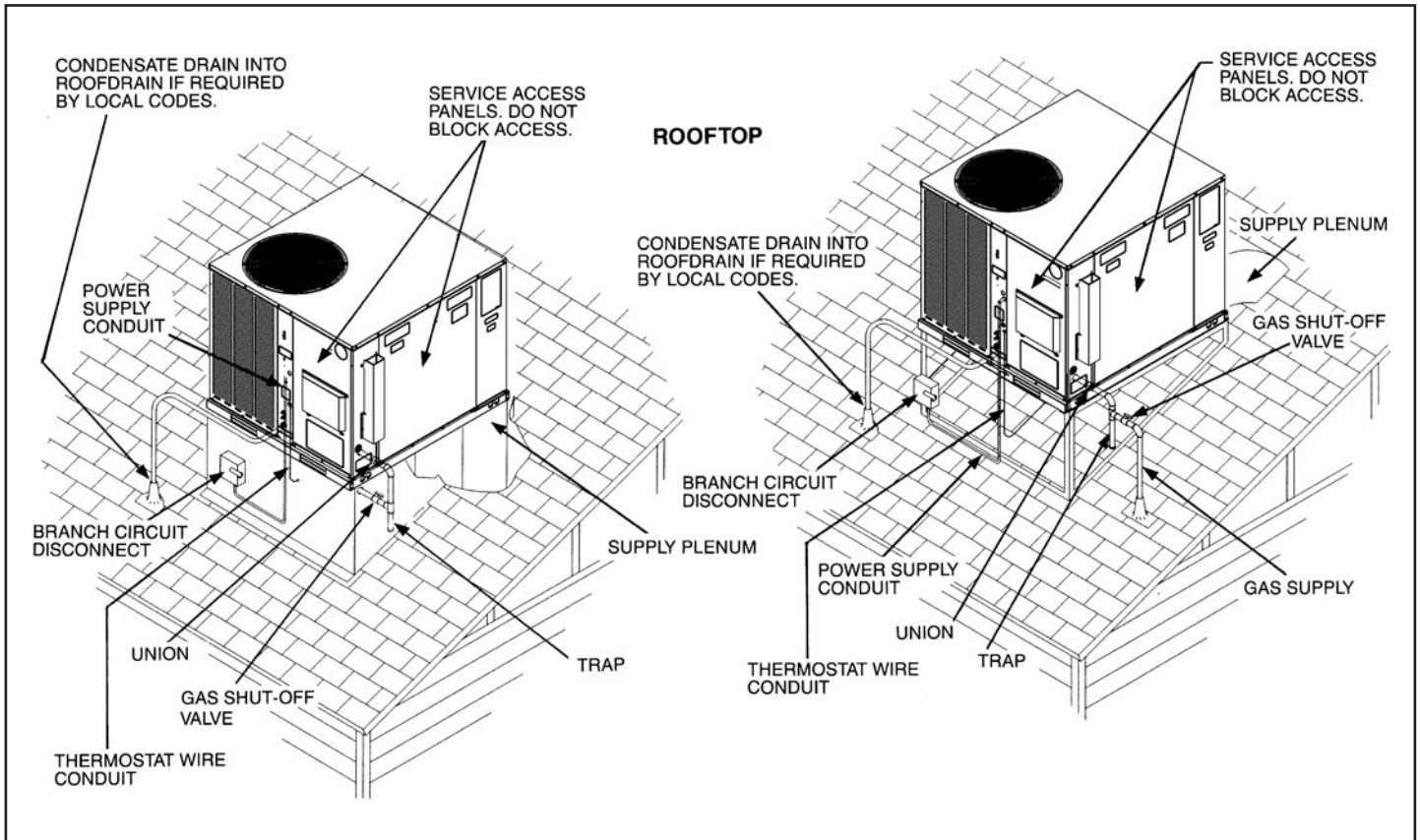
BACK VIEW



SHOWN WITH DUCT COVERS REMOVED.

Models RGEA 14/15	Height "A"
024, 030, 036, 042	$35^{15}/16"$
048, 060	41"

[] Designates Metric Conversions



[] Designates Metric Conversions

ACCESSORY EQUIPMENT

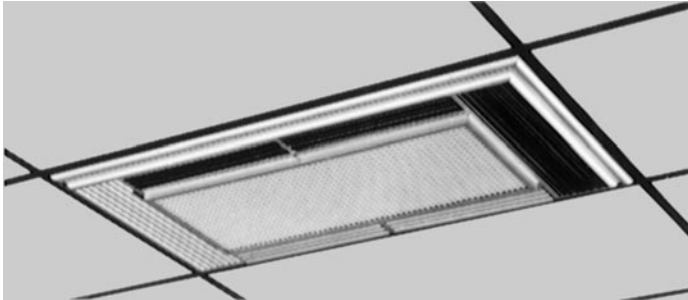
Accessory Description	Model Application	Accessory Model No.
Roofcurbs	RGEA14/15	RXSG-AAA08 (8" [203 mm] Height) RXSG-AAA14 (14" [356 mm] Height) RXSG-AAA24 (24" [610 mm] Height)
Supply & Return Diffusers	RGEA14/15	RXRN-BD15
Economizers (Convertible)	RGEA14/15	AXRD-O1RACAM3
Fresh Air Damper	RGEA14/15	AXRF-FAB1 (Motorized-35%) AXRF-FAA1 (Fixed-35%)
Rectangular to Round Transition (Downflow)	RGEA14/15	RXMC-CA02 (16" [406 mm] Ducts) RXMC-CA03 (18" [457 mm] Ducts)
Filter Kit	RGEA14/15	RXRY-B01
Sideflow Rectangular to Round Transition	RGEA14/15	AXMC-BA01
LP Conversion Kits	RGEA14/15	RXGJ-EP84W (White-Rodgers Gas Valve) RXGJ-EP85H (Honeywell Gas Valve) RXGJ-FP28
Low Ambient Control	RGEA14/15	RXRZ-B01
High Pressure Control	RGEA14/15 ²	RXAB-E01
Low Pressure Control	RGEA14/15 ²	RXAC-C01
Canadian High Altitude Kit (for Natural Gas only ¹)	RGEA14/15	RXRZ-AH01

¹ If a particular unit is to be converted to operate on LP (propane) for elevations above 2000 ft. [609.6 m] in Canada, the existing Natural Gas to LP Conversion Kits for the subject models already contain the necessary orifices and instructions to de-rate the input for 2000-4500 ft. [609.6-1371.6 m] Canadian applications.

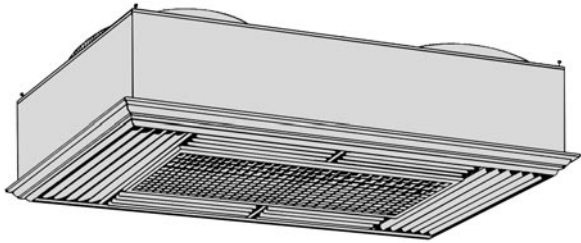
² High pressure switches are standard for RGEA15 Models.

[] Designates Metric Conversions

COMMON SUPPLY/RETURN CONCENTRIC AIR DIFFUSER



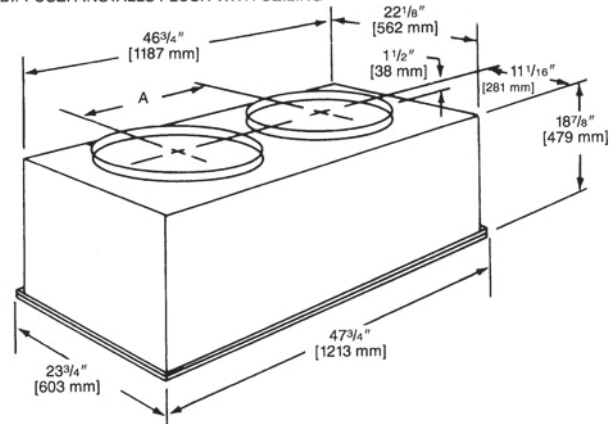
SUPPLY/RETURN DIFFUSER



Designed to convert a side by side or an over and under arrangement into a concentric distribution of air. The diffuser is flush mounted, completely insulated, assembled, and internally baffled to provide four way supply air distribution with a center return. To make the assembly complete and ready to fit into a 2' [0.61 m] x 4' [1.22 m] suspended ceiling grid, the diffuser includes adjustable supply louvers, hanging rings, anti-sweat gasket, and round flanges for use with flexible ducts.

Model No. RXRN-	Diameter Inches [mm]	Shipping Wt. Lbs. [kg]	Dimension A Inches [mm]
BD15	16 [406]	90 [40.82]	20 1/2 [521]

DIFFUSER INSTALLS FLUSH WITH CEILING



NOTE: The location of the combination supply and return diffuser should not exceed 10 feet [3.05 m] above the floor level for units @ 1000 CFM [472 L/s] or less and 12 [3.66 m] to 14 feet [4.27 m] above the floor level for units with CFM greater than 1000 [472 L/s]. If the diffuser is installed with a greater distance than recommended above, the supply air may become stratified above the required comfort area causing uncomfortable conditions.

AIRFLOW/PRESSURE DROP INFORMATION (INCHES W.C. [kPa])

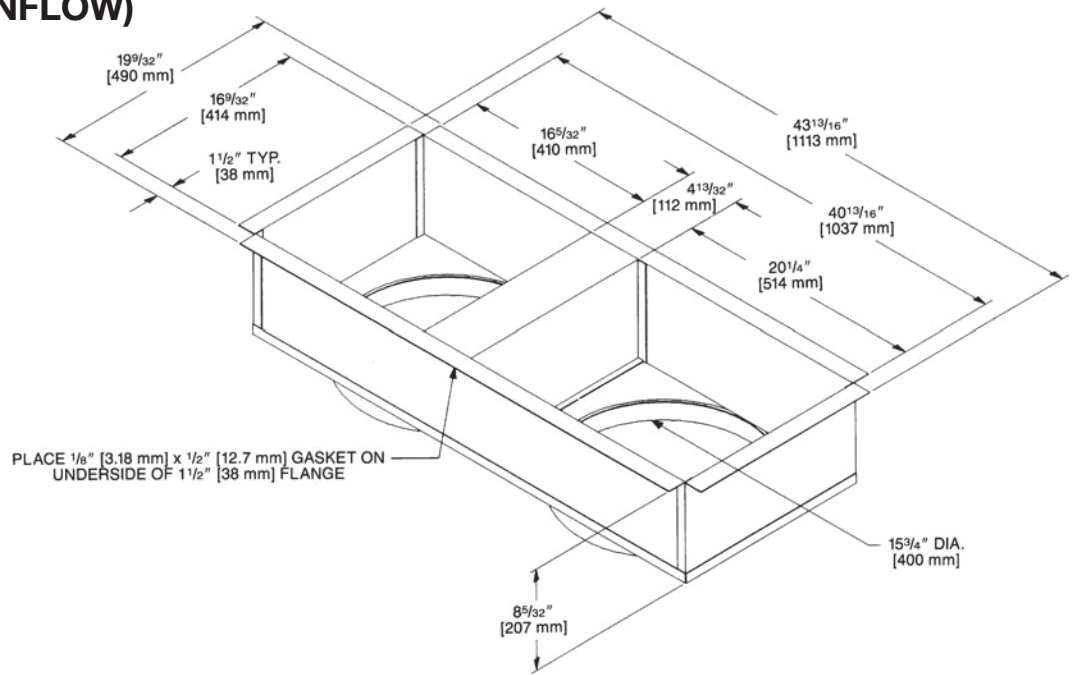
Accessory	Approximate CFM [L/s]-Supply Air			
	1300 [614]	1575 [743]	1800 [850]	2200 [1038]
Plenum & Supply/Return Duct	.07 [.017]	.10 [.024]	.12 [.030]	.17 [.042]
Diffuser	.09 [.022]	.13 [.032]	.16 [.040]	.24 [.060]
Economizer	.06 [.015]	.09 [.022]	.11 [.027]	.17 [.042]

SUPPLY AIR/PERFORMANCE

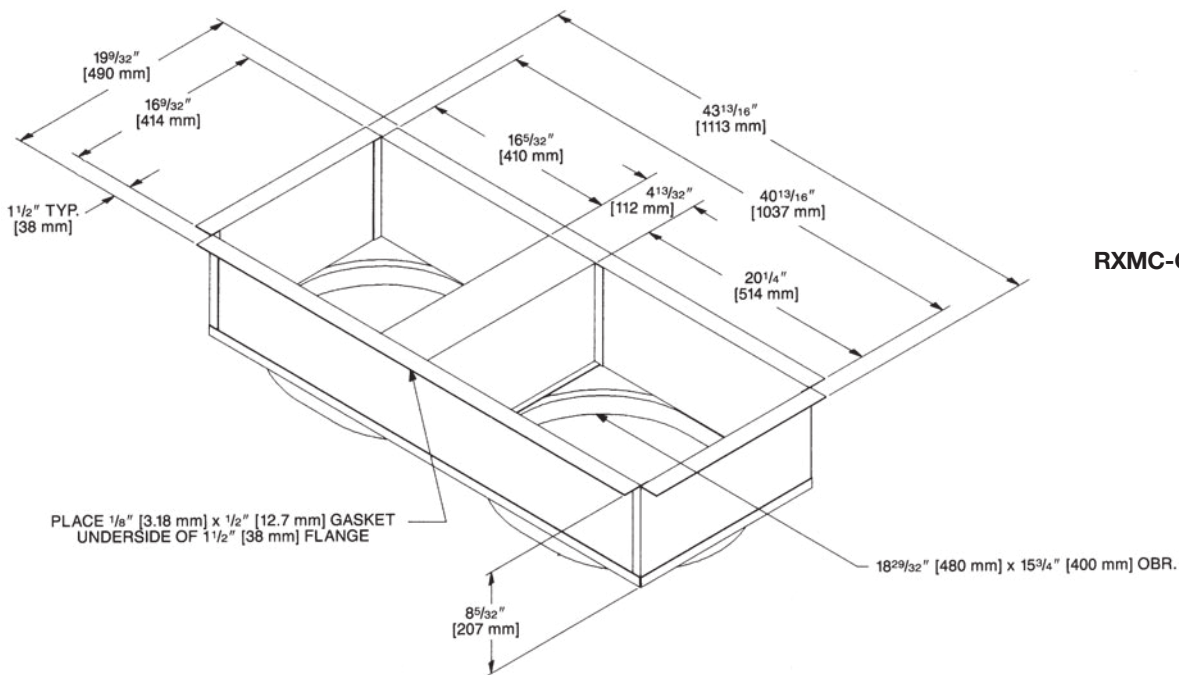
Diffuser Airflow CFM [L/s]	Range of Throw Ft. [m]
800 [378]-1200 [566]	14 [4.27]-16 [4.88]
1600 [755]-2000 [944]	18 [5.49]-28 [8.53]

DUCT ADAPTERS RECTANGULAR TO ROUND TRANSITIONS (DOWNFLOW)

RXMC-CA02



RXMC-CA03



[] Designates Metric Conversions

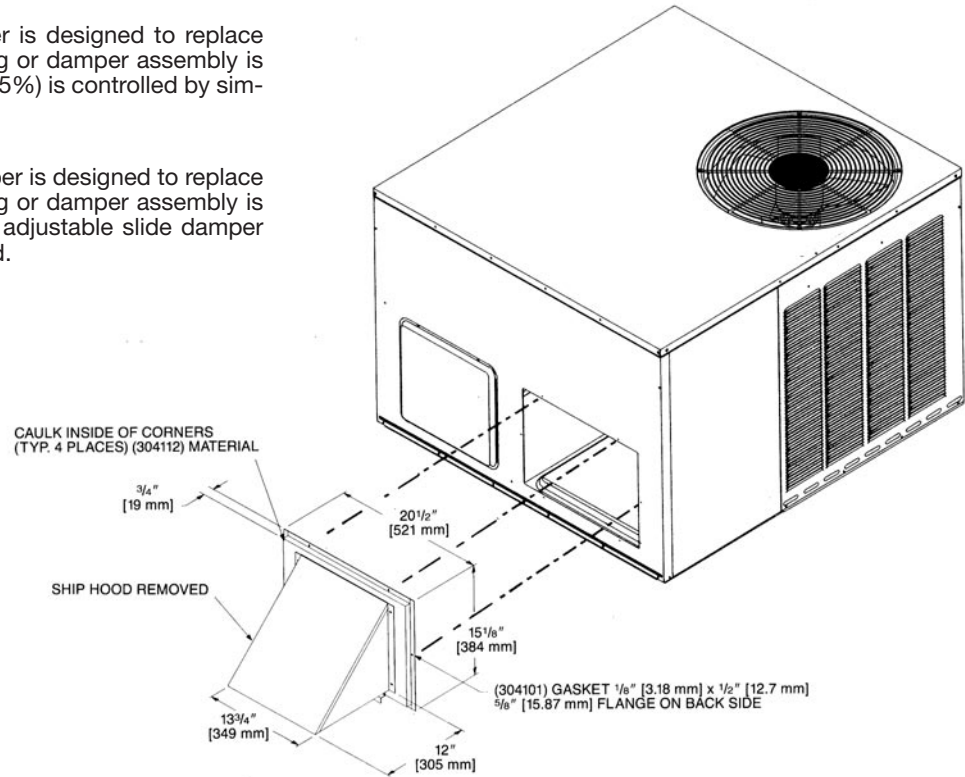
FRESH AIR DAMPER

AXRF-FAA1 (Fixed - 0-35%)

The 0-35% manual outside Air Damper is designed to replace the unit return air duct cover. No drilling or damper assembly is required. The amount of outside air (0-35%) is controlled by simply adjusting the side damper.

AXRF-FAB1 (Motorized - 0-35%)

The 0-35% motorized outside Air Damper is designed to replace the unit return air duct cover. No drilling or damper assembly is required. The control motor opens the adjustable slide damper when the unit blower motor is energized.



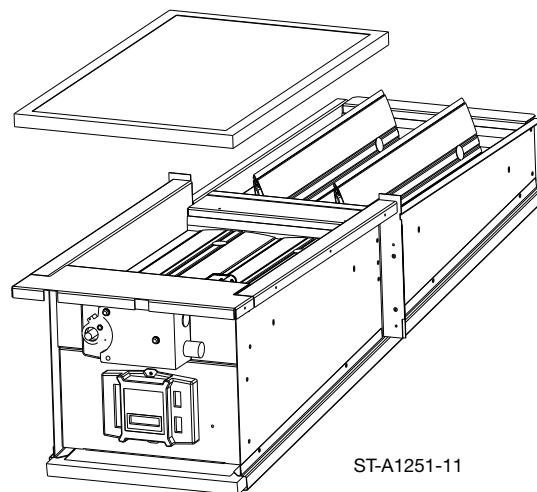
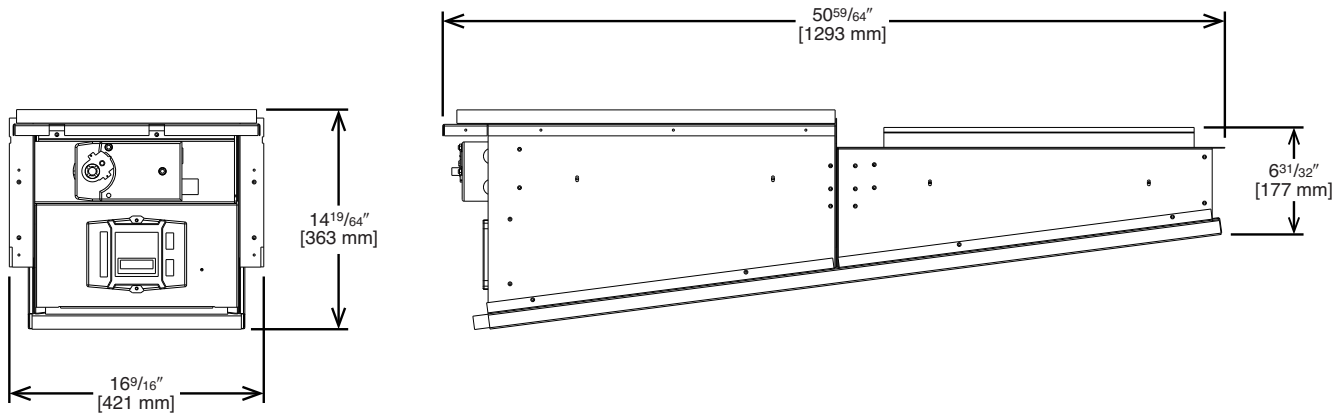
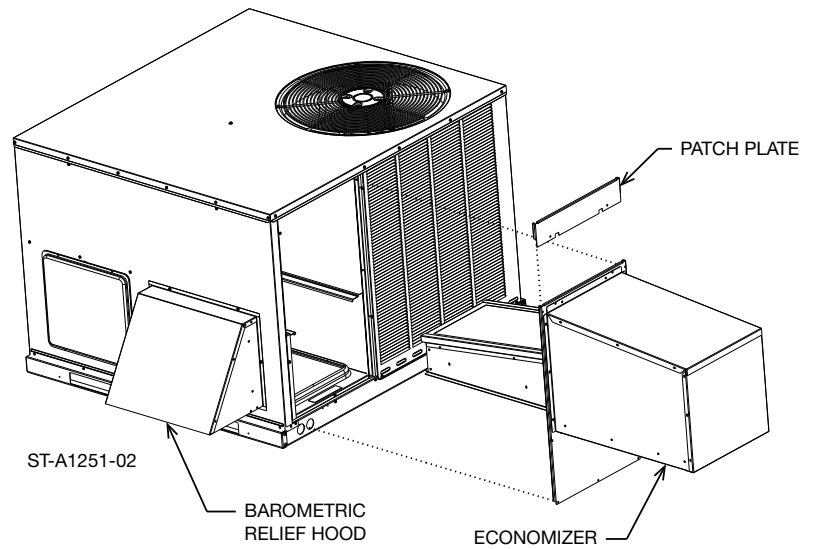
[] Designates Metric Conversions

ECONOMIZERS

AXRD-01RACAM3 (Fully Modulating)

Horizontally and Vertically Applicable

- LCD Screen for Continuous diagnostic and system status
- Programmable set points for accurate positioning
- Simplified wiring and color coded terminals
- Onboard fault detection and diagnostics (FDD)
- Operational Checkout to verify installation
- Enthalpy sensors and actuator that communicate through a Sylk Bus Network with the Jade Controller reducing wiring errors while providing more information
- CO₂ sensor input for DCV (Demand Control Ventilation) applications
- RXRX-AV04 Dual Enthalpy kit available for field installation
- AMCA licensed class 1A low leak Dampers

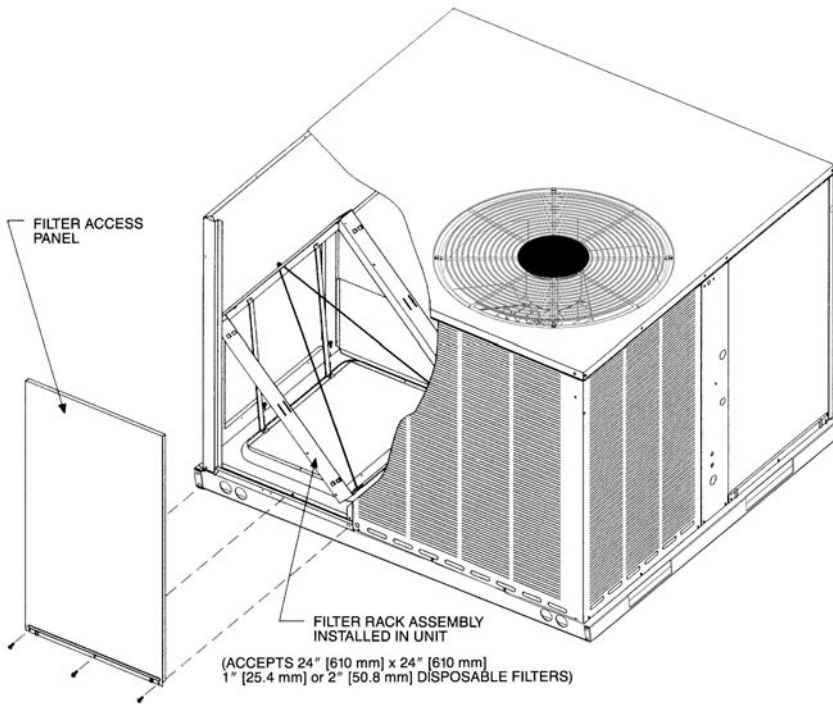


[] Designates Metric Conversions

FILTER KIT INSTALLATION

RXRY-B01

For use in either vertical or horizontal discharge.



Airflow Pressure Drop, Inches W.C. [kPa]

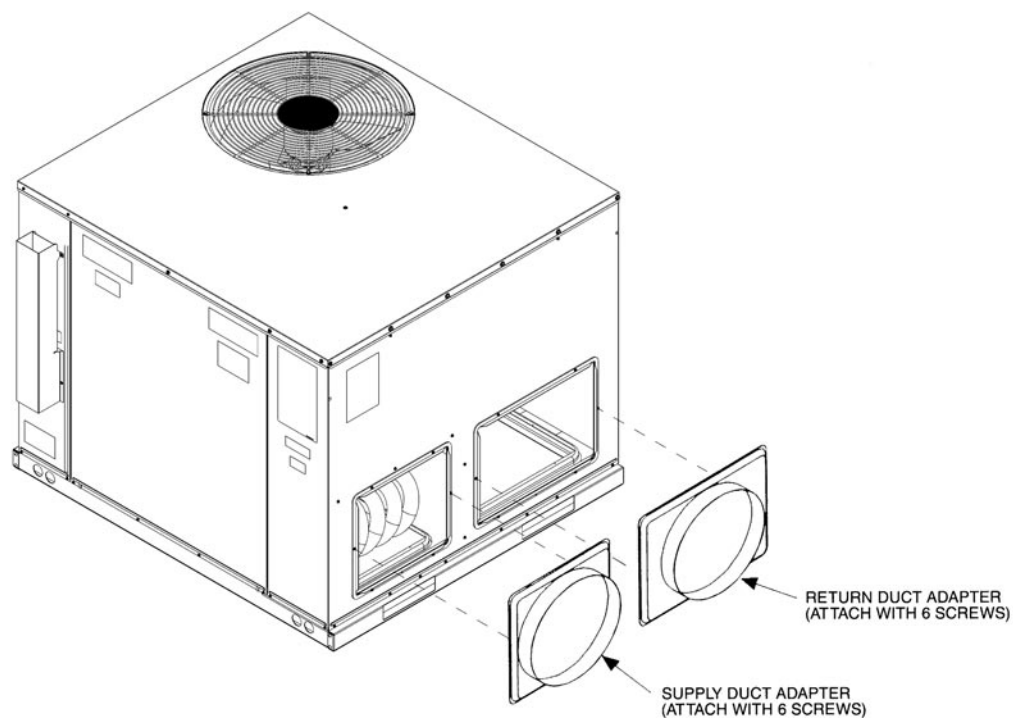
CFM [L/s]	1" Filter	2" Filter
500 [236]	.02 [.0050]	.03 [.0075]
600 [283]	.02 [.0050]	.03 [.0075]
700 [330]	.03 [.0075]	.04 [.0101]
800 [378]	.04 [.0101]	.05 [.0124]
900 [425]	.05 [.0124]	.06 [.0149]
1000 [472]	.07 [.0174]	.08 [.0199]
1100 [519]	.08 [.0199]	.09 [.0224]
1200 [566]	.10 [.0249]	.12 [.0299]
1300 [614]	.13 [.0324]	.15 [.0373]
1400 [661]	.16 [.0398]	.19 [.0473]
1500 [708]	.19 [.0473]	.21 [.0523]
1600 [755]	.20 [.0498]	.23 [.0572]
1700 [802]	.21 [.0523]	.24 [.0598]
1800 [850]	.22 [.0548]	.25 [.0623]
1900 [897]	.24 [.0598]	.27 [.0672]
2000 [944]	.26 [.0647]	.29 [.0722]

[] Designates Metric Conversions

DUCT ADAPTER SIDEFLOW SQUARE TO ROUND TRANSITION AXMC-BA01

Adapts the side rectangular supply and return openings to 14" [356 mm] diameter round openings. Adapters provided with same finish as unit and also provided with thermal insulation.

[] Designates Metric Conversions

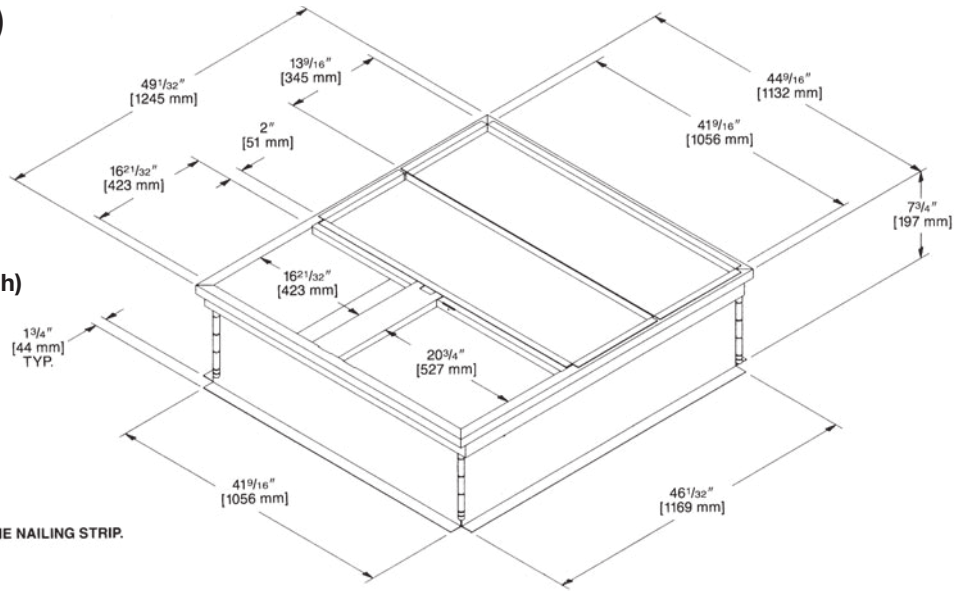


ROOFCURB (Full Perimeter)

RXSG-AAA08, RXSG-AAA14 and RXSG-AAA24

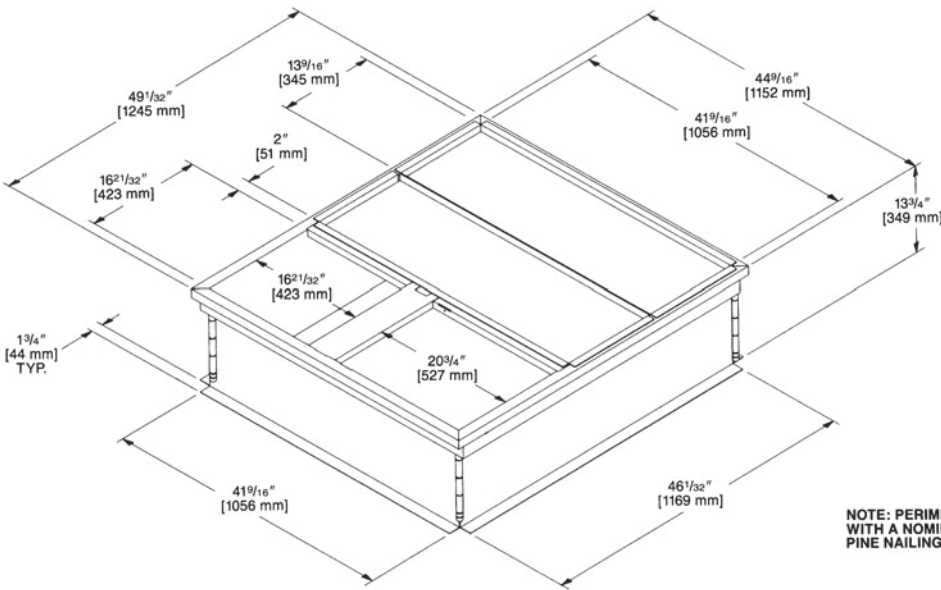
Hinged corners make for fast, easy set-up.

RXSG-AAA08
(8" [203 mm] High)



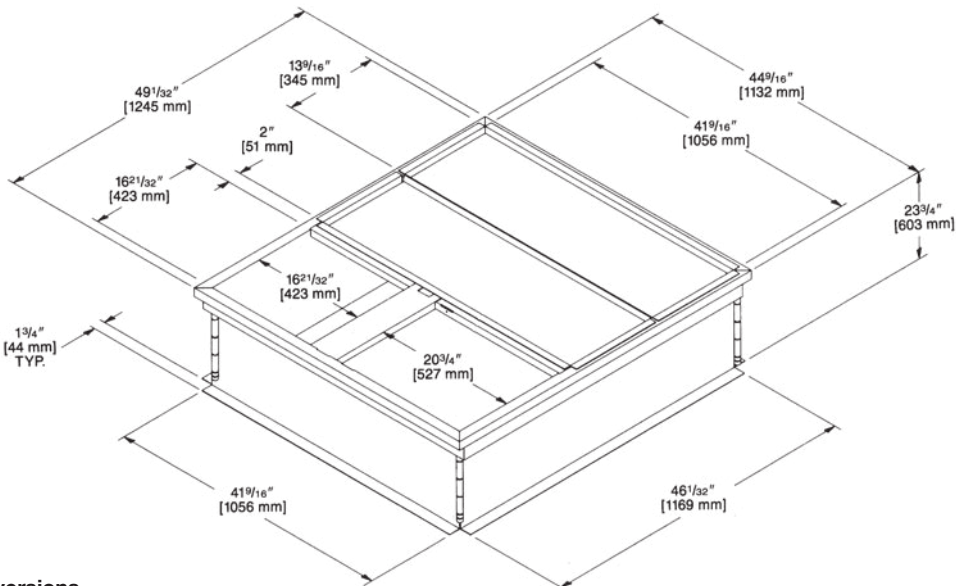
NOTE: PERIMETER OF ROOFCURB IS SUPPLIED WITH A NOMINAL 1" [25.4 mm] x 4" [102 mm] PINE NAILING STRIP.

RXSG-AAA14
(14" [356 mm] High)



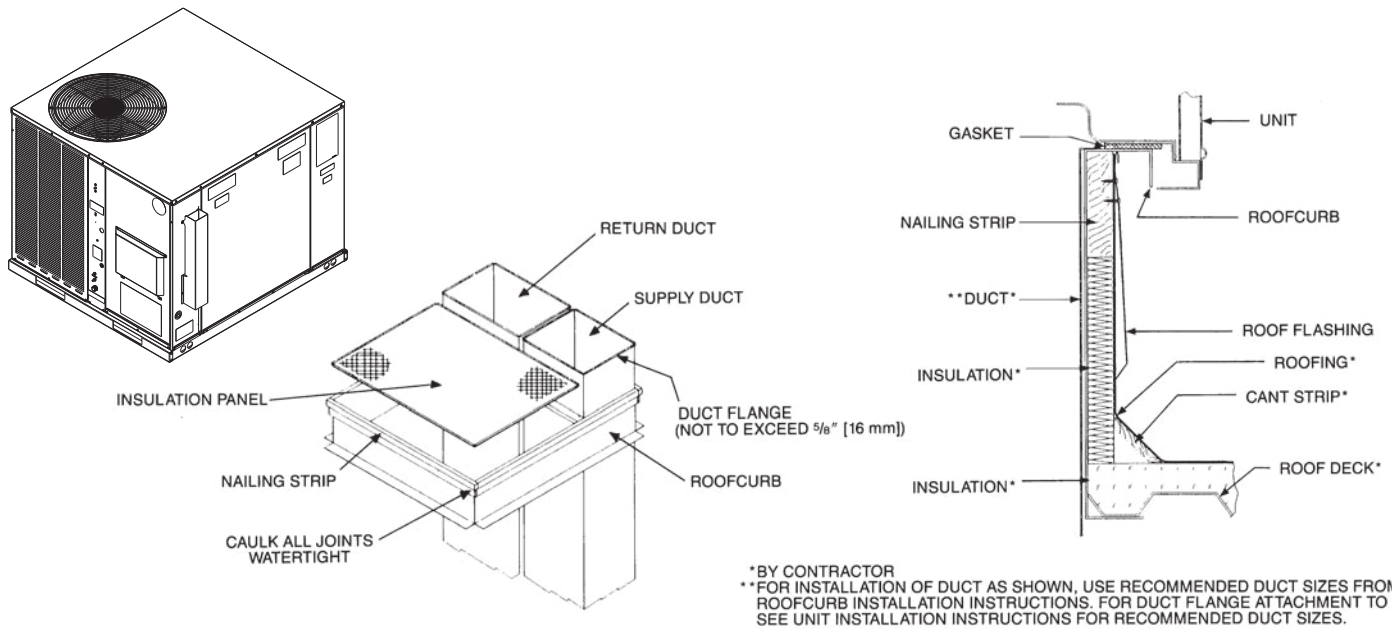
NOTE: PERIMETER OF ROOFCURB IS SUPPLIED WITH A NOMINAL 1" [25.4 mm] x 4" [102 mm] PINE NAILING STRIP.

RXSG-AAA24
(24" [610 mm] High)



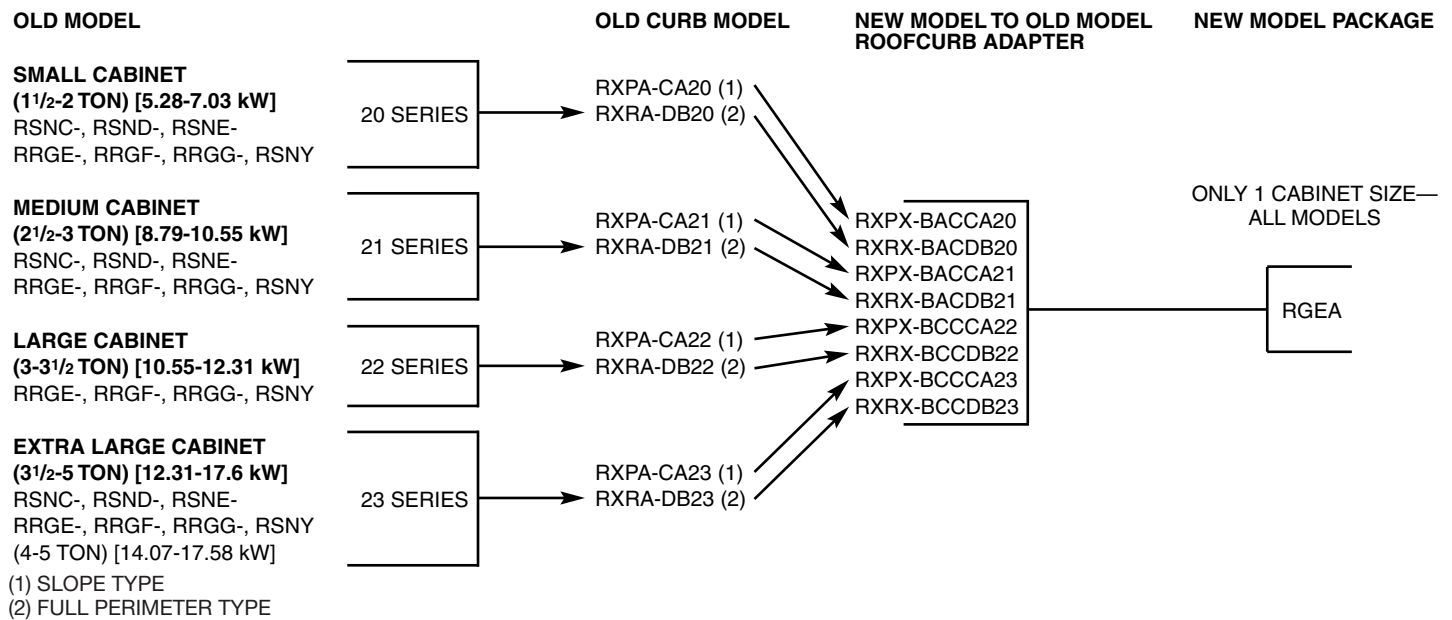
[] Designates Metric Conversions

PACKAGE AIR CONDITIONERS & PACKAGE GAS/ELECTRIC UNITS ROOFCURB INSTALLATION (Full Perimeter)



ROOFCURB ADAPTERS

Fabricated from galvanized steel to adapt the New cabinet to the old style curb. All are furnished with a New gasket.



[] Designates Metric Conversions



BEFORE PURCHASING THIS APPLIANCE, READ IMPORTANT ENERGY COST AND EFFICIENCY INFORMATION AVAILABLE FROM YOUR RETAILER.

GENERAL TERMS OF LIMITED WARRANTY*

Rheem will furnish a replacement for any part of this product which fails in normal use and service within the applicable periods stated, in accordance with the terms of the limited warranty.

Heat Exchanger

- Factory StandardTen (10) Years
- Stainless Steel/1-Phase & 3-Phase Models
- Commercial ApplicationTwenty (20) Years
- Stainless Steel/1-Phase Models
- Residential Application.....Limited Lifetime

Conditional Parts (Registration Required)

- 1 Phase, Residential ApplicationsTen (10) Years

Compressor

- 1 Phase, Residential Applications.....Ten (10) Years
- 1 & 3 Phase, Commercial ApplicationsFive (5) Years

Parts

- Commercial ApplicationsOne (1) Year

*For complete details of the Limited and Conditional Warranties, including applicable terms and conditions, contact your local contractor or the Manufacturer for a copy of the product warranty certificate.





The new degree of comfort.™

In keeping with its policy of continuous progress and product improvement, Rheem reserves the right to make changes without notice.

Rheem Heating, Cooling & Water Heating • 5600 Old Greenwood Road
Fort Smith, Arkansas 72908 • www.rheem.com

Rheem Canada Ltd./Ltée • 125 Edgeware Road, Unit 1
Brampton, Ontario • L6Y 0P5



INTEGRATED HOME COMFORT