



The new degree of comfort.™

Commercial 7.5-12.5 Ton Renaissance™ Line Package Air Conditioner



RACDZT Commercial Prestige® Series

Nominal Sizes 7.5, 8.5, 10 & 12.5 Tons
Standard VFD and optional HumidiDry® Technology
ASHRAE 90.1-2013 Compliant Models

RACDZS Commercial Classic Plus® Series

Nominal Sizes 7.5, 8.5, 10 & 12.5 Tons
Optional VFD and HumidiDry® Technology
ASHRAE 90.1-2007 Compliant Models
ASHRAE 90.1-2013 Compliant Models

RACDZR Commercial Classic® Series

Nominal Sizes 7.5, 8.5 & 10 Tons
ASHRAE 90.1-2007 Compliant Models



TABLE OF CONTENTS

Unit Features and Benefits	3-11
Model Number Identification	12
Options	13
Selection Procedure	14
General Data	
ZR Series	15
ZS Series	16
ZT Series	17
Gross Systems Performance Data	
ZR Series	19-21
ZS Series	22-25
ZT Series.....	26-29
HumidiDry™ (Reheat) Gross Systems Performance Data	
ZS Series	30-33
ZT Series.....	34-37
Airflow Performance Data	38-53
Electrical Data	
ZR Series	54-56
ZS Series	57-60
ZT Series.....	61-64
Electric Heater Kits.....	65-78
Dimensional Data	79-81
Field Installed Accessories.....	82-103
Guide Specifications	104-109
Limited Warranty	110



	Single-Stage Cooling	Two-Stage Cooling	2018 DOE Efficiency Standards Compliant	2023 DOE Efficiency Standards Compliant	VFD Technology	HumidiDry®
<i>Commercial Prestige® Series (RACDZT)</i>		X	X	X	X	X (Optional)
<i>Commercial Classic Plus® Series (RACDZS)</i>		X	X		X (Optional)	X (Optional)
<i>Commercial Classic® Series (RACDZR)</i>	X		X		Not Available	Not Available

RACD STANDARD FEATURES INCLUDE:

- Factory charged with R-410A HFC refrigerant
- Wired and run tested
- Scroll compressors with internal line break overload and high pressure protection
- Model RACDZR has a single-stage compressor
- Models RACDZS and RACDZT have two-stage compressor
- Convertible airflow – vertical down flow or horizontal side flow
- Forkable base rails for easy handling and lifting
- Cooling operation up to 125°F ambient
- MicroChannel evaporator and condenser coil
- PlusOne® ServiceSmart package includes:
Qwik-Change Flex-Fit Rack
Qwik-Slide Blower Assembly
Qwik-Clean Drain Pan
- Overflow condensate sensor
- PlusOne® Diagnostics with Dual 7-Segment LED Display to meet code compliance
- One-piece top cover and base pan with drawn supply and return opening
- Two-piece control door
- ¼ turn fasteners on filter access door
- Color-coded and labeled wiring
- External lockable gauge ports
- TXV refrigerant metering system
- Solid-core liquid line filter drier
- High pressure and low pressure/loss of charge protection with built in Smart Logic
- Insulation encapsulated throughout entire unit
- High performance belt drive motor with variable pitch pulleys and quick adjust belt system
- Variable Frequency Drive (VFD) blower is standard on Model RACDZT and optional on model RACDZS
- New product footprint with matching connections
- Improved factory lead times



FACTORY INSTALLED OPTIONS:

- Louvered panels
- Hinged access doors
- PlusOne® HumidiDry® Dehumidification System (ZS/ZT)
- Low ambient/freeze stat
- Non-powered convenience outlet
- Economizer (Title 24 and ASHRAE 90.1 2013 Compliant)

- Supply and return smoke detector
- Return smoke detector
- ElectroFin® E-Coat for Microchannel Condenser Coil
- ClearControl™ Direct Digital Control (DDC)
- Comfort Alert/Phase monitor
- Vertical economizer

FIELD INSTALLED ACCESSORY EQUIPMENT:

Accessory	Model Number	Factory Installation Available?
Economizer w/Single Enthalpy (Downflow)	RXRD-01MDDAM3	Yes
Economizer w/Single Enthalpy (Horizontal)	RXRD-01MDHAM3	No
Economizer-w/Single Enthalpy (Downflow) DDC	RXRD-01MDDBM3	Yes
Economizer w/Single Enthalpy (Horizontal) DDC	RXRD-01MDHBM3	No
Dual Enthalpy Kit	RXXR-BV01	No
Dual Enthalpy Kit DDC	RXXR-BV02	No
Carbon Dioxide Sensor (Wall Mount)	RXXR-AR02	No
Power Exhaust	RXXR-CDF01C	No
Power Exhaust	RXXR-CDF01D	No
Manual Fresh Air Damper	RXXR-ADA1	No
Motorized Fresh Air Damper	RXXR-ADB1	No
Motorized Fresh Air Damper (DDC)	RXXR-ADC1	No
Roofcurb, 14"	RXKG-DDD14	No
Roofcurb, 24"	RXKG-DDD24	No
Roofcurb Adapter	RXXR-DDCAE	No
Concentric Diffuser 7.5/8.5 Ton Flush	RXXR-AEF2000	No
Concentric Diffuser 10.0 Ton Flush	RXXR-AEF3415	No
Concentric Diffuser 12.5 Ton Flush	RXXR-AEF3618	No
Concentric Diffuser 7.5/8.5 Ton Drop	RXXR-AED2000	No
Concentric Diffuser 10.0 Ton Drop	RXXR-AED3415	No
Concentric Diffuser 12.5 Ton Drop	RXXR-AED3618	No
Concentric Adapter 7.5/8.5 Ton Drop	RXMC-DD01	No
Concentric Adapter 10 Ton Drop	RXMC-DD02	No
Concentric Adapter 12.5 Ton Drop	RXMC-DD03	No
Outdoor Coil Louver Kit - ACD/090/102/120	RXXR-ADD04A	Yes
Outdoor Coil Louver Kit - ACD150	RXXR-ADD04B	Yes
Unwired Convenience Outlet	RXXR-BN01	Yes
Unfused Service Disconnect	RXXR-BP01	Yes
Comfort Alert (1 Per Compressor)	RXXR-AZ01 DDC	Yes
Comfort Alert (1 Per Compressor)	RXXR-AZ02	Yes
BACnet Communication Card	RXXR-AY01	No

*See single point wiring kit model nomenclature on page 83.

*Variable Frequency Drive Kit model nomenclature on page 83.

Accessory	Model Number	Factory Installation Available?
LonWorks Communication Card	RXXR-AY02	No
Room Humidity Sensor	RHC-ZNS4	No
Room Temperature and Relative Humidity Sensor	RHC-ZNS5	No
Low-Ambient Control Kit	RXRZ-A04	Yes
Freeze Stat Kit	RXXR-AM01	Yes
Variable Frequency Drive Kit* *See model number break down below	RXXR-AC02	No
	RXXR-AC03	No
	RXXR-AC05	No
	RXXR-AD02	No
	RXXR-AD03	No
	RXXR-AD05	No
	RXXR-CC02	No
	RXXR-CC03	No
	RXXR-CC05	No
	RXXR-CD02	No
	RXXR-CD03	No
	RXXR-CD05	No
Electric Heater Kits	RXJJ-DD10CP	Yes
	RXJJ-DD15CP	Yes
	RXJJ-DD20CP	Yes
	RXJJ-DD30CP	Yes
	RXJJ-DD40CP	Yes
	RXJJ-DD10DNV	Yes
	RXJJ-DD15DNV	Yes
	RXJJ-DD20DNV	Yes
RXJJ-DD30DNV	Yes	
RXJJ-DD40DNV	Yes	
Single Point Wiring Kit*	RXJX-AC0605	No
	RXJX-AC0805	No
	RXJX-AD0605	No
	RXJX-AC0909	No
	RXJX-AD0609	No





Cabinet and Foundation

Outwardly, the large *Rheem® Commercial Series* label (1) identifies the brand to the customer. The sheet-metal cabinet (2) uses 18-gauge material for structural components with an underlying coat of G90. To ensure the leak-proof integrity of these units, the design utilizes a one-piece top with a 1/8" drip lip (3) as well as gasket-protected panels and screws. The Rheem hail guard (optional) (4) sets the standard for coil protection in the industry. Electro deposition, baked-on enamel that is tested to withstand a rigorous 1000-hour salt spray test, per ASTM B117.

Anything built to last must start with the right foundation. Following that model, the foundation is comprised of 14-gauge, commercial-grade, full perimeter base rails (5) that integrate fork slots and rigging holes to save set-up time on the job site.

Easy Installation

The Renaissance line features a new footprint that simplifies the replacement process by eliminating the need for a new curb adapter and being able to match inlet, outlet and electrical connections of the most common/industry-standard configurations.

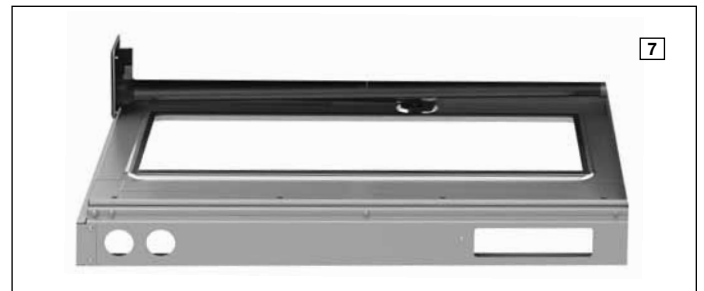
Base Pan

The base pan is stamped to form a 7/8" flange around the supply and return cover, which eliminates the worry of water entering the conditioned space (6). All insulation is secured with both adhesive and mechanical fasteners, and all edges are hidden.



Drain Pan

The Qwik-Clean Drain Pan™ (7) is made from a composite material that resists the growth of harmful bacteria. With both side and center drain options, the drain pan slides out completely for easy cleaning. It also features a standard overflow switch.



Test Standards

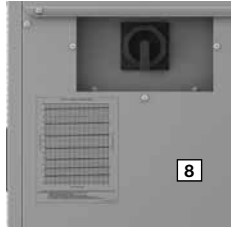
During development, each unit was tested to U.L. 1995, AHRI 340-360 as well as other Rheem-required reliability tests. Rheem adheres to stringent ISO 9002 quality procedures, and each unit bears the U.L. and AHRI certification labels located on the unit nameplate. Contractors can be assured that when a Rheem package unit arrives at the job, it is ready to go with a factory charge and quality checks. Each unit also proudly displays the "Made in the USA" designation.

Easy Access

All major compartments are easily accessible from the front of the unit: the electrical compartment, blower compartment, heating section, and outdoor section. Each compartment has mechanical fasteners. Panels are permanently embossed with the compartment name (e.g. control/filter access, blower access, and electric heat access). The filter compartment is accessed through a large, mechanically fastened panel. Information is readily available on the outside of the panel, with a nameplate that contains the model and serial numbers, electrical data, and other important unit information. Hinged access is available as an option for the electrical, blower, and filter compartments.

Charging Charts, Wiring Diagrams, & Labels

The unit charging chart is located on the outside of the compressor access panel. Electrical wiring diagrams are found on the control box cover, which allows contractors to move them to more readable locations. The model and serial numbers are located on the right of the control box. Having this information on the inside means easier model identification for the life of the product. The production line quality test assurance label is also placed in this location (8).



Filter Rack

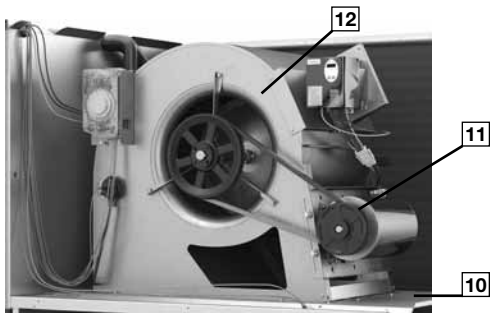
Located within the filter compartment, the Qwik-Change Flex-Fit Rack™ (9) allows easy changeover between 2" and 4" standard size and readily available filters.



Blower Assembly

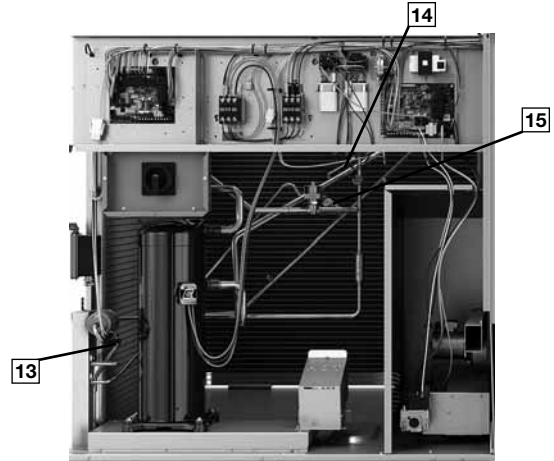
Removing three screws provides full access to the blower compartment. Inside, the Qwik-Slide Blower Assembly™ (10) is incredibly easy to access and remove. This makes servicing internal components such as blower motor, TXV, and microchannel coil much easier. The entire assembly slides out by removing the 3/8" screws from the blower retention bracket. The adjustable motor pulley (11) can easily be adjusted by loosening the bolts on either side of the motor mount. Removing the bolts allows for easy removal of the blower pulley by pushing the blower assembly up to loosen the belt. Once the pulley is removed, the motor sheave can be adjusted to the desired number of turns, ranging from 0 to 6 turns open.

Where the demands for the job require high static, Rheem offers drives that deliver nominal airflow up to 2" of static. By referring to the airflow performance tables listed in the installation instructions, proper static pressure and CFM requirements can be dialed in. The scroll housing (12) and blower scroll provide quiet and efficient airflow. The blower sheave is secured by an "H" bushing that firmly secures the pulley to the blower shaft, resulting in years of trouble-free operation. The "H" bushing allows for easy removal of the blower pulley from the shaft. This is an improvement from a set screw, which can score the shaft and create burrs that make blower-pulley removal difficult.



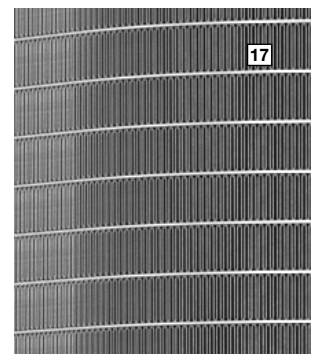
High and Low Pressure Switches & Freeze Stat

High pressure (13) and low pressure (14) switches are standard. They are located in the outdoor section along with the low-ambient control (15). The optional Freeze Stat (16) (standard on models with ClearControl), is clipped onto the suction line in the blower compartment. The low ambient control allows the compressor to operate down to 0 degrees ambient temperature by cycling the outdoor fans on high pressure. The high-pressure switch shuts off the compressors if pressures exceeding 610 PSIG are detected. The low-pressure switch shuts off the compressors if low pressure is detected due to loss of charge. Built-in Smart Logic reduces nuisance calls by only shutting off compressors after the third detection. The freeze stat protects the compressor if the evaporator coil gets too cold (below freezing) due to low airflow.



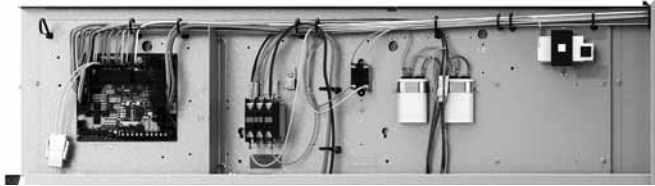
MicroChannel Evaporator & TXV

The Microchannel Evaporator (17) is accessible through the blower compartment, and through the filter rack, to simplify cleaning. The evaporator uses microchannel technology for maximum heat transfer, light weight, fewer manually brazed connections and reduced refrigerant charge. The TXV metering device maintains superheat over a wide range of varying temperatures optimizing unit performance for all conditions.



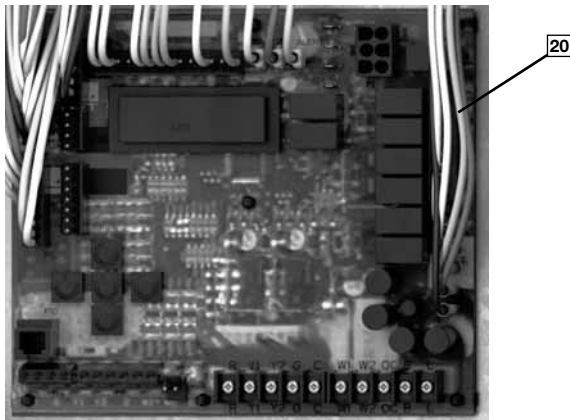
Control Box

Inside the control box (18), each electrical component is clearly labeled; that label matches the component to the wire diagram for ease of trouble shooting. All wiring is numbered on each end of the termination and is color-coded to match the wiring diagram. The control transformer has a low voltage circuit breaker that trips if an electrical short occurs. There is a blower contactor and compressor contactor for each compressor.



ClearControl™

The optional ClearControl™ system consisting of a rooftop unit controller, temperature sensors, and pressure sensors, allows real-time monitoring and communication between rooftop units. The Rooftop Unit Controller (RTU-C) that is factory mounted and wired into the control panel. The RTU-C is a solid-state, micro-processor-based control board that provides flexible control and extensive diagnostics for all unit functions. The RTU-C, using proportional/integral control algorithms, performs specific unit functions that govern unit operation in response to zone conditions, system temperatures, system pressures, ambient conditions, and electrical inputs. The RTU-C features a 16 x 2 character LCD display and a five-button keypad for local configuration and direct diagnosis of the system (20). Features include a clogged filter switch (CFS), fan proving switch (FPS), return air temperature sensor (RAT), discharge air temperature sensor (DAT), and outdoor air temperature sensor (OAT). Freeze sensors (FS) are used in place of freeze stats to allow measurement of refrigerant suction line temperatures.

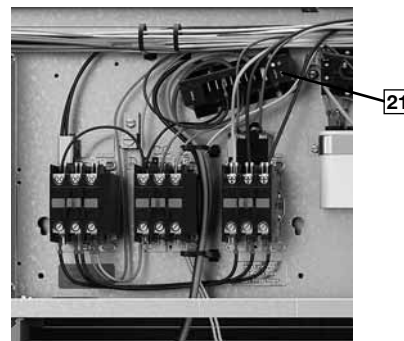


The RACD with the RTU-C is specifically designed to be applied in four distinct applications:

- 1. BACnet Communication** — The RACD is compatible with a third party building management system that supports the BACnet Application Specific Controller device profile, with the use of a field installed BACnet Communication Module. The BACnet Communication Module plugs onto the unit RTU-C controller and allows communication between the RTU-C and the BACnet MSTP network. A zone sensor, a BACnet network zone sensor, a BACnet thermostat, or DDC controller may be used to send the zone temperature or thermostat demands to the RTU-C. The BACnet Communication Module is compatible with MSTP EIA-485 daisy chain networks communicating at 38.4 bps. It is compatible with twisted pair, shielded cables.
- 2. LonWorks Communication** — The RACD is compatible with a third party building management system that supports the LonMark Space Comfort Controller (SCC) functional profile or LonMark Discharge Air Controller (DAC) functional profile. This is accomplished with a field installed LonMark communication module. The LonMark Communication Module plugs onto the RTU-C controller and allows communication between the RTU-C and a LonWorks network. A zone sensor, a LonTalk network zone sensor, or a LonTalk thermostat or DDC controller may be used to send the zone temperature or thermostat demands to the RTU-C. The LonMark Communication Module utilizes an FTT-10A free topology transceiver communicating at 78.8 kbps. It is compatible with Echelon qualified, twisted pair cable, Belden 8471, or NEMA Level 4 cables. The module can communicate up to 1640 feet with no repeater. The LonWorks limit of 64 nodes per segment applies to this device.
- 3. 24V Thermostat Compatibility** — The RACD is compatible with a programmable 24 volt thermostat. Connections are made via conventional thermostat screw terminals. Extensive unit status and diagnostics are displayed on the LCD screen of the RTU-C.
- 4. Zone Sensor Compatibility** — The RACD is compatible with a zone sensor and a mechanical or solid state time clock connected to the RTU-C. Extensive unit status and diagnostics are displayed on the LCD screen of the RTU-C.

ComfortAlert®

A factory or field installed Comfort Alert® (21) module is available for power phase-monitoring protection and additional compressor diagnostics. The alarms can be displayed on the RTU-C display, through the (BAS) network, or connected to the “L-Terminal” of a thermostat for notification.





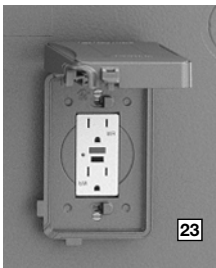
Variable Frequency Drive

The supply fan Variable Frequency Drive (VFD) (22) optimizes energy usage year round by providing a lower speed for first stage cooling operation, improving IEER's over the conventional constant fan system. Operating in the constant fan mode at the reduced speed can use as little as 1/5 of the energy of a conventional constant fan system. Also, by operating at a lower speed on first stage cooling, up to 126% more moisture is removed, improving comfort during low load operation. VFD comes standard in ZT models and is a factory or field installed option in ZS models. The VFD supply fan factory option meets California Title 24 and ASHRAE 90.1-2016 requirements for multi blower speed control. VFD also ramps up to the desired speed, reducing stress on the supply fan components and noise from a sudden inrush of air. Because the airflow is cut in half during first stage cooling and constant fan operation, noise is much less during these modes of operation.



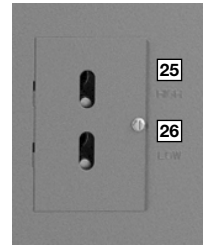
Convenience Outlet, Disconnect, & Circuit Breaker

For added convenience in the field, factory-installed options of powered and non-powered convenience outlet (23), disconnect (24) and circuit breakers are available. Low and high voltage can enter from the side or through the base. Low-voltage connections are made through the low-voltage terminal strip. For ease of access, the U.L.-required low voltage barrier can be temporarily removed for low-voltage termination and then reinstalled. The high-voltage connection is terminated at the number 1 compressor contactor. The suggested mounting for the field-installed disconnect or circuit breaker is on the exterior side of the electrical control box.



External Lockable Gauge Ports

To the right left of the compressor compartment are the externally mounted lockable gauge ports. They are permanently identified by embossed lettering that identifies the compressor circuit, high pressure connection, (25) and low pressure connection (26). Because the gauge ports are mounted externally, an accurate diagnostic of system operation can be performed without removing access panels. Brass caps on the Schrader fitting ensure the gauge parts are leak proof.



Compressor

The compressor compartment houses the heart-beat of the unit. The scroll compressor (27) is known for its long life and for reliable, quiet, and efficient operation. The suction and discharge lines are designed with shock loops (28) to absorb the strain and stress that the starting torque, steady state operation, and shut-down cycle impose on the refrigerant tubing. ZS and ZT units have two stages of efficient cooling operation in which the first stage is approximately 50% of second stage. Each unit comes standard with a filter dryer.



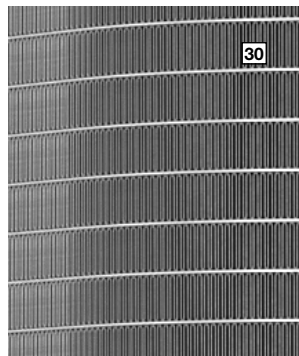
Condenser Fans

The condenser fan motors (29) can easily be accessed and maintained through the top of the unit. A down-mount fan provides corrosion protection and easy removal. The polarized plug connection allows the motor to be changed quickly and eliminates the need to snake wires through the unit.



MicroChannel Condenser Technology

The outdoor coil uses the latest microchannel technology (30) for the most effective method of heat transfer. The outdoor coil is protected by optional louvered panels, which allow unobstructed airflow while protecting the unit from both the environment and vandalism.



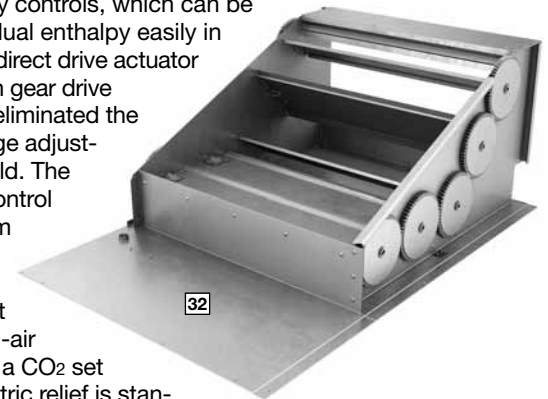
Coil Coating

Every unit offers the option of factory-applied ElectroFin® E-Coat condenser coating (31) that delivers superior corrosion resistance for outdoor coils to operate in the harshest of environments.



Economizer and Dampers

Each unit is designed for both down flow or horizontal applications (32) for job configuration flexibility. The return air compartment can also contain an economizer. Each unit is pre-wired for the economizer to allow quick, plug-in installation. Available as a factory-installed option, the economizer provides free cooling when outdoor conditions are suitable and also provides fresh air to meet local requirements. It comes standard with single enthalpy controls, which can be upgraded to dual enthalpy easily in the field. The direct drive actuator combined with gear drive dampers has eliminated the need for linkage adjustment in the field. The economizer control has a minimum position set point, an outdoor-air set point, a mixed-air set point, and a CO₂ set point. Barometric relief is standard on all economizers.



Power Exhaust is easily field-installed. The power exhaust is housed in the barometric relief opening and is easily slipped in with a plugin assembly. The wire harness to the economizer also has accommodations for a smoke detector.

The damper minimum position, actual damper position, power exhaust on/off set point, mixed air temperature limit set point, and Demand Controlled Ventilation (DCV) set point can be read and adjusted at the unit controller display or remotely through a network connection. The Space CO₂ level, mixed air temperature, and Economizer Status (free cooling available, single or dual enthalpy) can be read at the unit controller display or remotely through a network connection. Economizer faults will trigger a network alarm and can be read at the unit controller display or remotely through a network connection.



Roofcurb

The Rheem roofcurb (33) is made for tool-less assembly at the jobsite by engaging tabs in slots of adjacent curb sides, which makes the assembly process quick and easy.



HUMIDIDRY® SYSTEM FEATURES

HumidiDry® is Rheem's exclusive dehumidification package unit solution. It delivers maximum humidity control without compromising desired temperature set point for a high degree of comfort. HumidiDry maintains humidity levels at a desired set point when there's little or no demand for air conditioning. The HumidiDry rooftop unit is controlled by a thermostat and humidistat. The thermostat takes priority on single-stage system. When the thermostat is activated by temperatures that exceed its set point, HumidiDry operates like a standard rooftop unit. It can operate on first stage cooling when demand is low or at full capacity when air conditioning load is high. Unlike other rooftop or reheat units, HumidiDry is uniquely designed so the VFD (37) will operate at a low speed, increasing moisture removal during first-stage cooling operation. This provides initial defense for controlling humidity. When temperature is desirable but humidity exceeds the humidistat set point, the HumidiDry rooftop unit initiates a dehumidification cycle using a combination of hot gas and sub-cooled liquid reheat and the VFD operates at low speed. During this cycle, the HumidiDry rooftop unit delivers dry, neutral air. On a two-stage system, it is possible for both a thermostat and humidistat to register readings above set point. Under this condition, the system runs in the high stage dehumidification cycle, and the VFD operates on high speed. This provides dry conditioned air.

Figure 1 shows the refrigerant path during the normal cooling mode. The liquid refrigerant leaves the TXV with the sudden pressure drop causing the liquid to expand to a vapor and absorbing the heat from the supply air going through the evaporator coil. The refrigerant vapor then travels to the compressor where it is elevated to a higher pressure and temperature. The superheated refrigerant vapor next carries the heat to the outside coil where the heat is then rejected and the refrigerant condenses into a subcooled liquid where the process repeats itself.

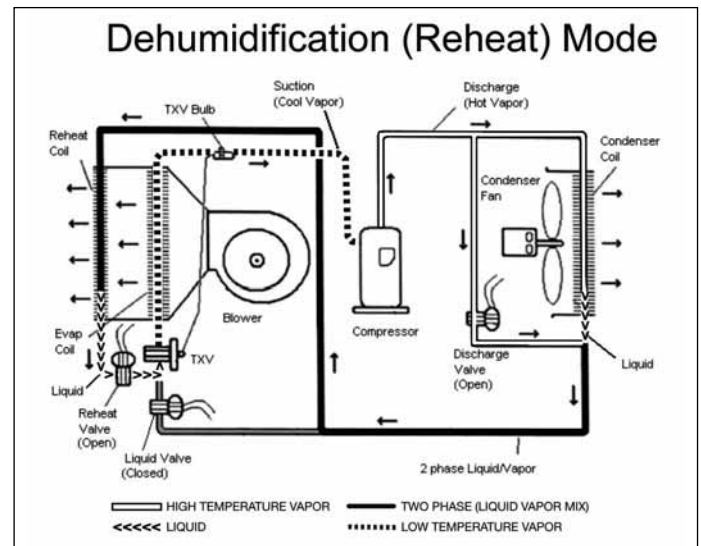
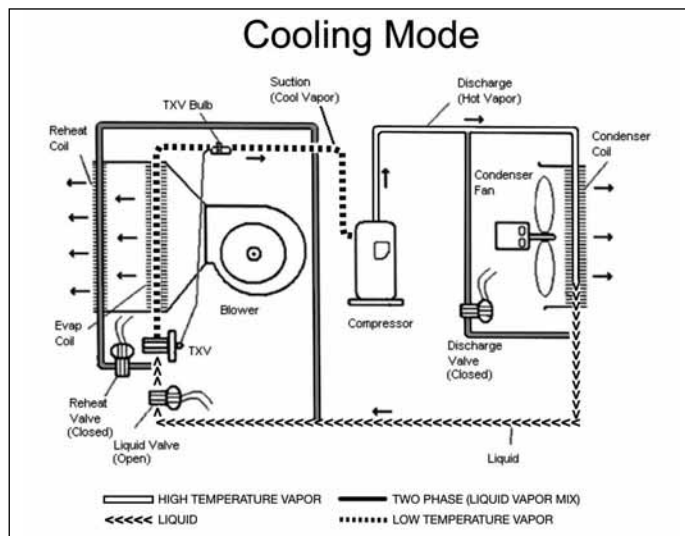


Figure 2 shows the refrigerant path during the reheat mode. When the reheat cycle is energized by the RTU-C, the reheat solenoid valve (38), downstream of the reheat coil (39), opens. The liquid solenoid valve (40), ahead of the TXV, closes. The discharge solenoid valve (41), in the compressor discharge line, opens. The liquid refrigerant leaves the TXV with the sudden pressure drop causing the liquid to expand to a vapor and absorbing the heat from the supply air going through the evaporator coil. The refrigerant vapor then travels to the compressor where it is elevated to a higher pressure and temperature. The refrigerant next carries the heat to a parallel path between the outside condenser coil and a bypass circuit. Some of the heat is rejected outdoors. The ratio of heat rejected outdoors versus indoors is controlled by an outdoor fan motor controller (OFMC) (42) that monitors the two phase temperature (43) and varies the fan speed. This 2-phase refrigerant vapor is then sent to the reheat coil. As the refrigerant travels through the reheat coil it condenses into a subcooled liquid where the process repeats itself.



R **AC** **D** **ZT** **090** **A** **C** **A** **15** **2** **A** **A** *******
1 **23** **4** **56** **789** **10** **11** **12** **13 14** **15** **16** **17** **18 19 20**

1 – Brand

R = Rheem

2, 3 – Unit Type

AC = Package AC

4 – Cabinet Type

D = Medium Commercial

5, 6 – Series

ZT¹ = Tier 1 (*Commercial Prestige® Series*)

ZS² = Tier 2 (*Commercial Classic Plus® Series*)

ZR³ = Tier 3 (*Commercial Classic® Series*)

7, 8, 9 – Capacity

090 = 7.5 ton

102 = 8.5 ton

120 = 10 ton

150 = 12.5 ton⁴

10 – Major series

A

11 – Voltage

C = 3 phase 208-230/60

D = 3 phase 460/60

Y = 3 phase 575/60

12 – Drive

A = belt low static

B = belt med static

C = belt high static

F = belt VFD low static

G = belt VFD med static

H = belt VFD high static

13, 14 – Heat Capacity

00 = No Heat

10 = 10kw

15 = 15kw

20 = 20kw

30 = 30kw

40 = 40kw

15 – Number of stages

0 = no stages

1 = 1 stage

2 = 2 stage

16 – Control

A = Non communicating

B = Comfort Alert/Phase Monitor

C = Clear Control

D = Clear Control & Comfort Alert

17 – Minor series

A

18, 19, 20 – Option Code

See next page

Notes:

1. ZT – can only select VFD drives (F, G, H) in character 12
2. ZS – can select any of the drive options in character 12
3. ZR – can only select standard drives (A, B, C) in character 12
4. ZR – not available for 12.5 ton models



FACTORY INSTALLED OPTION CODES FOR RACD (7.5 TO 12.5 TON)

18					19					20			
LV = Louver protection					LF = Low Ambient / Freeze Stat					EC = Economizer			
RH = Reheat (HumidiDry®) ¹ , only available with VFD					NP = Non-powered Convenience Outlet					SS = Supply Smoke			
HA = Hinged Access										RS = Return Smoke			
CC ² = Coil Coating													
Option code character highlighted below					Option code character highlighted below					Option code character highlighted below			
A	None				A	None				0	None		
B	LV				B	LF				1	EC		
C	HA				C	NP				2	RS		
D	LV	HA			D	LF	NP			3	EC	RS	
E	LV	CC								4	SS	RS	
F	LV	HA	CC							5	EC	SS	RS
G	RH												
H	LV	RH											
J	RH	HA											
K	LV	RH	CC										
L	LV	RH	HA										
M	LV	RH	HA	CC									

¹Reheat (HumidiDry®) only available on units with F, G or H drives (VFD) and “C” or “D” control

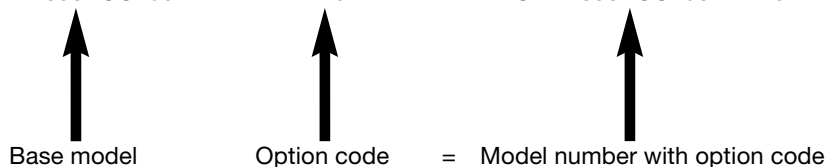
²CC-requires LV (louver protection)

Instructions for Factory Installed Option(s) Selection

Note: Three characters following the model number will be utilized to designate a factory-installed option or combination of options. If no factory option(s) is required, “AAO” follows the model number.

- **Step 1:** In the table above, based on the desired features, choose option code character from highlighted options on the left side under the number 18. For example, the option code character “E” has Louver protection and Coil Coating.
- **Step 2:** In the table above, based on the desired features, choose option code character from highlighted options on the left side under the number 19. For example, the option code character “D” has Low Ambient / Freeze Stat and Non-powered convenience outlet.
- **Step 3:** In the table above, based on the desired features, choose option code character from highlighted options on the left side under the number 20. For example, the option code character “3” has Economizer and Return Smoke.
- The resulting option code from examples above is: “ED3”
- **Step 4:** Add your option code selection to the end of model number

◦ Example: RACDZR090ACC150AA ED3 = RACDZR090ACC150AAED3





To select an RACDZS Cooling and Heating unit to meet a job requirement, follow this procedure, with example, using data supplied in this specification sheet.

1. DETERMINE COOLING AND HEATING REQUIREMENTS AND SPECIFIC OPERATING CONDITIONS FROM PLANS AND SPECS.

Example:

Voltage—	230 V – 3 Phase – 60 Hz
Total Cooling Capacity—	118,000 BTUH [34.57 kW]
Sensible Cooling Capacity—	79,600 BTUH [23.32 kW]
Heating Capacity—	150,000 BTUH [40 kW]
*Condenser Entering Air—	95°F [35.0°C] DB
*Evaporator Mixed Air Entering—	65°F [18.3°C] WB
	78°F [25.6°C] DB
*Indoor Air Flow (vertical)—	3600 CFM [1699 L/s]
*External Static Pressure—	0.40 in. WG [.10 kPa]

2. SELECT UNIT TO MEET COOLING REQUIREMENTS.

Since total cooling is within the range of a nominal 10 ton [35.1 kW] unit, enter cooling performance table at 95°F [35.0°C] DB condenser inlet air. Interpolate between 63°F [17.2°C] WB and 67°F [19.4°C] to determine total and sensible capacity and power input for 65°F [18.3°C] WB evaporator inlet air at 3750 CFM [1770 L/s] indoor air flow (table basis):

Total Cooling Capacity = 118,900 BTUH [34.82 kW]
Sensible Cooling Capacity = 99,950 BTUH [29.27 kW]
Power Input (Compressor and Cond. Fans) = 8,950 watts

Use formula $[1.10 \times \text{CFM} \times (1 - \text{DR}) \times (\text{dbE} - 80)]$ in note to determine sensible capacity at 80°F [26.7°C] DB evaporator entering air:

$99,950 + (1.10 \times 3,600 \times (1 - 0.03) \times (78 - 80))$
Sensible Cooling Capacity = 92,268 BTUH [27.02 kW]

3. CORRECT CAPACITIES OF STEP 2 FOR ACTUAL AIR FLOW.

Select factors from airflow correction table at 3600 CFM [1699 L/s] and apply to data obtained in step 2 to obtain gross capacity:

Total Capacity = $118,900 \times 0.98 = 116,522$ BTUH [34.12 kW]
Sensible Capacity = $92,268 \times 0.95 = 87,655$ BTUH [25.67 kW]
Power Input = $8,950 \times 0.99 = 8,861$ Watts

These are Gross Capacities, not corrected for blower motor heat or power.

4. DETERMINE BLOWER SPEED AND WATTS TO MEET SYSTEM DESIGN.

Enter Indoor Blower performance table at 3600 CFM [1699 L/s]. Total ESP (external static pressure) per the spec of 0.40 in. WG [.10 kPa] includes the system duct and grilles. Add from the table “Component Air Resistance,” 0.076 in. WG [.02 kPa] for wet coil, 0 in. WG [.00 kPa] for downflow air flow for a total selection static pressure of 0.476 (0.5) in. WG [.12 kPa], and determine:

RPM = 771
WATTS = 1,494
DRIVE = A (Belt drive, low static)

5. CALCULATE INDOOR BLOWER BTUH HEAT EFFECT FROM MOTOR WATTS, STEP 4.

$$1,576 \times 3.412 = 5,377 \text{ BTUH [1.57 kW]}$$

6. CALCULATE NET COOLING CAPACITIES, EQUAL TO GROSS CAPACITY, STEP 3, MINUS INDOOR BLOWER MOTOR HEAT.

$$\text{Net Total Capacity} = 116,522 - 5,377 = 111,145 \text{ BTUH [32.54 kW]}$$

$$\text{Net Sensible Capacity} = 87,655 - 5,377 = 82,278 \text{ BTUH [24.09 kW]}$$

7. CALCULATE UNIT INPUT AND JOB EER.

$$\text{Total Power Input} = 8,861 \text{ (step 3)} + 1,576 \text{ (step 4)} = 10,437 \text{ Watts}$$

$$\text{EER} = \frac{\text{Net Total BTUH [kW]} \text{ (step 6)}}{\text{Power Input, Watts (above)}} = \frac{111,145}{10,437} = 10.65$$

8. SELECT UNIT HEATING CAPACITY.

From Heater Kit Table select kW to meet heating capacity requirement; multiply kW x 3412 to convert to BTUH.

Use 40 kW Heater Kit

Heater Kit Model:	Heater Kit Capacity:
RXXJJ-DD40CP	135,120 BTUH [39.6 kW]

Add indoor blower heat effect (step 5) to Heater Kit Capacity to get total heating capacity:

$$135,120 + 5,377 = 140,497 \text{ BTUH [41.1 kW]}$$

9. CHOOSE MODEL RACDZS120ACA402AA.

*NOTE: These operating conditions are typical of a commercial application in a 95°F/79°F [35°C/26°C] design area with indoor design of 76°F [24°C] DB and 50% RH and 10% ventilation air, with the unit roof mounted and centered on the zone it conditions by ducts.

[] Designates Metric Conversions



NOM. SIZES 7.5-12.5 TONS [26.4-44.0 kW] ASHRAE 90.1-2007 COMPLIANT MODELS

Model RACDZR Series	ZR090	ZR102	ZR120
Cooling Performance¹			
Gross Cooling Capacity Btu [kW]	88,000 [25.78]	99,000 [29.01]	118,000 [34.57]
EER/SEER ²	11.2/NA	11.2/NA	11.2/NA
Nominal CFM/AHRI Rated CFM [L/s]	3000/3175 [1416/1498]	3400/3200 [1604/1510]	4000/3480 [1888/1642]
AHRI Net Cooling Capacity Btu [kW]	85,000 [24.9]	96,000 [28.13]	114,000 [33.4]
Net Sensible Capacity Btu [kW]	62,700 [18.37]	68,300 [20.01]	80,600 [23.62]
Net Latent Capacity Btu [kW]	22,300 [6.53]	27,700 [8.12]	33,400 [9.79]
EER ³	12.9	12.9	12.9
Net System Power kW	7.53	8.51	9.86
Compressor			
No./Type	1/Scroll	1/Scroll	1/Scroll
No. Stages	1	1	1
Outdoor Sound Rating (dB)⁴			
	88	88	88
Outdoor Coil - Fin Type			
Tube Type	Louvered	Louvered	Louvered
MicroChannel Depth in. [mm]	MicroChannel	MicroChannel	MicroChannel
Face Area sq. ft. [sq. m]	0.71 [18]	0.81 [20.6]	1 [25.4]
Rows / FPI [FPcm]	25.4 [2.36]	25.6 [2.38]	25.6 [2.38]
	1 / 23 [9]	1 / 23 [9]	1 / 23 [9]
Indoor Coil - Fin Type			
Tube Type	Louvered	Louvered	Louvered
MicroChannel Depth in. [mm]	MicroChannel	MicroChannel	MicroChannel
Face Area sq. ft. [sq. m]	1 [25.4]	1.26 [32]	1.26 [32]
Rows / FPI [FPcm]	11 [1.02]	10.9 [1.01]	10.9 [1.01]
Refrigerant Control	1 / 20 [8]	1 / 20 [8]	1 / 20 [8]
Drain Connection No./Size in. [mm]	TX Valves	TX Valves	TX Valves
	1/0.75 [19.05]	1/0.75 [19.05]	1/0.75 [19.05]
Outdoor Fan - Type			
No. Used/Diameter in. [mm]	Propeller	Propeller	Propeller
Drive Type/No. Speeds	2/24 [609.6]	2/24 [609.6]	2/24 [609.6]
CFM [L/s]	Direct/1	Direct/1	Direct/1
No. Motors/HP	8000 [3775]	8000 [3775]	8500 [4011]
Motor RPM	2 at 1/5 HP	2 at 1/5 HP	2 at 1/3 HP
	820	820	1075
Indoor Fan - Type			
No. Used/Diameter in. [mm]	FC Centrifugal	FC Centrifugal	FC Centrifugal
Drive Type	1/15x15 [381x381]	1/15x15 [381x381]	1/15x15 [381x381]
No. Speeds	Belt (Adjustable)	Belt (Adjustable)	Belt (Adjustable)
No. Motors	Single	Single	Single
Motor RPM	1	1	1
Motor Frame Size	1725	1725	1725
	56	56	56
Filter - Type			
Furnished	Disposable	Disposable	Disposable
(NO.) Size Recommended in. [mm x mm x mm]	Yes	Yes	Yes
	(4)2x20x20 [51x508x508]	(4)2x20x20 [51x508x508]	(4)2x20x20 [51x508x508]
Refrigerant Charge Oz. [g]			
	100 [2835]	117 [3317]	136 [3856]
Weights			
Net Weight lbs. [kg]	736 [334]	762 [346]	791 [359]
Ship Weight lbs. [kg]	775 [352]	801 [363]	830 [376]

See Page 18 for Notes.

[] Designates Metric Conversions

NOM. SIZES 7.5-12.5 TONS [26.4-44.0 kW] ASHRAE 90.1-2007* COMPLIANT MODELS

Model RACDZS Series	ZS090	ZS102	ZS120	ZS150
Cooling Performance¹				
Gross Cooling Capacity Btu [kW]	88,000 [25.78]	99,000 [29.01]	118,000 [34.57]	148,000 [43.36]
EER/SEER ²	11.2/NA	11.2/NA	11.2/NA	11/NA
Nominal CFM/AHRI Rated CFM [L/s]	3000/3200 [1416/1510]	3400/3225 [1604/1522]	4000/3480 [1888/1642]	5000/4150 [2360/1958]
AHRI Net Cooling Capacity Btu [kW]	85,000 [24.9]	96,000 [28.13]	114,000 [33.4]	142,000 [41.61]
Net Sensible Capacity Btu [kW]	62,700 [18.37]	68,300 [20.01]	79,600 [23.32]	98,600 [28.89]
Net Latent Capacity Btu [kW]	22,300 [6.53]	27,700 [8.12]	34,400 [10.08]	43,400 [12.72]
IEER ³	12.9	12.9	12.9	12.4
Net System Power kW	7.35	8.46	9.83	13.69
Compressor				
No./Type	1/Scroll	1/Scroll	1/Scroll	2/Tandem Scroll
No. Stages	2	2	2	2
Outdoor Sound Rating (dB)⁴				
	88	88	88	88
Outdoor Coil - Fin Type				
Tube Type	Louvered	Louvered	Louvered	Louvered
MicroChannel Depth in. [mm]	MicroChannel	MicroChannel	MicroChannel	MicroChannel
Face Area sq. ft. [sq. m]	0.71 [18]	0.81 [20.6]	1 [25.4]	1 [25.4]
Rows / FPI [FPcm]	25.4 [2.36]	25.6 [2.38]	25.6 [2.38]	31.5 [2.93]
	1 / 23 [9]	1 / 23 [9]	1 / 23 [9]	1 / 23 [9]
Indoor Coil - Fin Type				
Tube Type	Louvered	Louvered	Louvered	Louvered
MicroChannel Depth in. [mm]	MicroChannel	MicroChannel	MicroChannel	MicroChannel
Face Area sq. ft. [sq. m]	1 [25.4]	1.26 [32]	1.26 [32]	1 [25.4]
Rows / FPI [FPcm]	11 [1.02]	10.9 [1.01]	10.9 [1.01]	13.8 [1.28]
	1 / 20 [8]	1 / 20 [8]	1 / 20 [8]	2 / 18 [7]
Refrigerant Control	TX Valves	TX Valves	TX Valves	TX Valves
Drain Connection No./Size in. [mm]	1/0.75 [19.05]	1/0.75 [19.05]	1/0.75 [19.05]	1/0.75 [19.05]
Outdoor Fan - Type				
No. Used/Diameter in. [mm]	Propeller	Propeller	Propeller	Propeller
Drive Type/No. Speeds	2/24 [609.6]	2/24 [609.6]	2/24 [609.6]	2/24 [609.6]
CFM [L/s]	Direct/1	Direct/1	Direct/1	Direct/1
No. Motors/HP	8000 [3775]	8000 [3775]	8500 [4011]	9000 [4247]
Motor RPM	2 at 1/5 HP	2 at 1/5 HP	2 at 1/3 HP	2 at 3/4 HP
	820	820	1075	1100
Indoor Fan - Type				
No. Used/Diameter in. [mm]	FC Centrifugal	FC Centrifugal	FC Centrifugal	FC Centrifugal
Drive Type	1/15x15 [381x381]	1/15x15 [381x381]	1/15x15 [381x381]	1/15x15 [381x381]
No. Speeds	Belt (Adjustable)	Belt (Adjustable)	Belt (Adjustable)	Belt (Adjustable)
No. Motors	Single	Single	Single	Single
Motor RPM	1	1	1	1
Motor Frame Size	1725	1725	1725	1725
	56	56	56	56
Filter - Type				
Furnished	Disposable	Disposable	Disposable	Disposable
(NO.) Size Recommended in. [mm x mm x mm]	Yes	Yes	Yes	Yes
	(4)2x20x20 [51x508x508]	(4)2x20x20 [51x508x508]	(4)2x20x20 [51x508x508]	(4)2x20x25 [51x508x635]
Refrigerant Charge Oz. [g]				
	100 [2835]	117 [3317]	136 [3856]	186 [5273]
Weights				
Net Weight lbs. [kg]	736 [334]	762 [346]	791 [359]	993 [450]
Ship Weight lbs. [kg]	775 [352]	801 [363]	830 [376]	1032 [468]

See Page 18 for Notes.
 *2013 with optional VFD

[] Designates Metric Conversions

NOM. SIZES 7.5-12.5 TONS [26.4-44.0 kW] ASHRAE 90.1-2007 COMPLIANT MODELS

Model RACDZT Series	ZT090	ZT102	ZT120	ZT150
Cooling Performance¹				
Gross Cooling Capacity Btu [kW]	88,000 [25.78]	99,000 [29.01]	118,000 [34.57]	148,000 [43.36]
EER/SEER ²	11.2/NA	11.2/NA	11.2/NA	11/NA
Nominal CFM/AHRI Rated CFM [L/s]	3000/3200 [1416/1510]	3400/3225 [1604/1522]	4000/3480 [1888/1642]	5000/4150 [2360/1958]
AHRI Net Cooling Capacity Btu [kW]	85,000 [24.9]	96,000 [28.13]	114,000 [33.4]	142,000 [41.61]
Net Sensible Capacity Btu [kW]	62,700 [18.37]	68,300 [20.01]	79,600 [23.32]	98,600 [28.89]
Net Latent Capacity Btu [kW]	22,300 [6.53]	27,700 [8.12]	34,400 [10.08]	43,400 [12.72]
IEER ³	14.8	14.8	14.8	14.2
Net System Power kW	7.35	8.46	10.49	13.69
Compressor				
No./Type	1/Scroll	1/Scroll	1/Scroll	2/Tandem Scroll
No. Stages	2	2	2	2
Outdoor Sound Rating (dB)⁴				
	88	88	88	88
Outdoor Coil - Fin Type				
Tube Type	Louvered	Louvered	Louvered	Louvered
MicroChannel Depth in. [mm]	MicroChannel	MicroChannel	MicroChannel	MicroChannel
Face Area sq. ft. [sq. m]	0.71 [18]	0.81 [20.6]	1 [25.4]	1 [25.4]
Rows / FPI [FPcm]	25.4 [2.36]	25.6 [2.38]	25.6 [2.38]	31.5 [2.93]
	1 / 23 [9]	1 / 23 [9]	1 / 23 [9]	1 / 23 [9]
Indoor Coil - Fin Type				
Tube Type	Louvered	Louvered	Louvered	Louvered
MicroChannel Depth in. [mm]	MicroChannel	MicroChannel	MicroChannel	MicroChannel
Face Area sq. ft. [sq. m]	1 [25.4]	1.26 [32]	1.26 [32]	1 [25.4]
Rows / FPI [FPcm]	11 [1.02]	10.9 [1.01]	10.9 [1.01]	13.8 [1.28]
Refrigerant Control	1 / 20 [8]	1 / 20 [8]	1 / 20 [8]	2 / 18 [7]
Drain Connection No./Size in. [mm]	TX Valves	TX Valves	TX Valves	TX Valves
	1/0.75 [19.05]	1/0.75 [19.05]	1/0.75 [19.05]	1/0.75 [19.05]
Outdoor Fan - Type				
No. Used/Diameter in. [mm]	Propeller	Propeller	Propeller	Propeller
Drive Type/No. Speeds	2/24 [609.6]	2/24 [609.6]	2/24 [609.6]	2/24 [609.6]
CFM [L/s]	Direct/1	Direct/1	Direct/1	Direct/1
No. Motors/HP	8000 [3775]	8000 [3775]	8500 [4011]	9000 [4247]
Motor RPM	2 at 1/5 HP	2 at 1/5 HP	2 at 1/3 HP	2 at 3/4 HP
	820	820	1075	1100
Indoor Fan - Type				
No. Used/Diameter in. [mm]	FC Centrifugal	FC Centrifugal	FC Centrifugal	FC Centrifugal
Drive Type	1/15x15 [381x381]	1/15x15 [381x381]	1/15x15 [381x381]	1/15x15 [381x381]
No. Speeds	Belt (Adjustable)	Belt (Adjustable)	Belt (Adjustable)	Belt (Adjustable)
No. Motors	Single	Single	Single	Single
Motor RPM	1	1	1	1
Motor Frame Size	1725	1725	1725	1725
	56	56	56	56
Filter - Type				
Furnished	Disposable	Disposable	Disposable	Disposable
(NO.) Size Recommended in. [mm x mm x mm]	Yes	Yes	Yes	Yes
	(4)2x20x20 [51x508x508]	(4)2x20x20 [51x508x508]	(4)2x20x20 [51x508x508]	(4)2x20x25 [51x508x635]
Refrigerant Charge Oz. [g]				
	100 [2835]	117 [3317]	136 [3856]	186 [5273]
Weights				
Net Weight lbs. [kg]	736 [334]	762 [346]	791 [359]	993 [450]
Ship Weight lbs. [kg]	775 [352]	801 [363]	830 [376]	1032 [468]

See Page 18 for Notes.

[] Designates Metric Conversions

NOTES:

1. Cooling Performance is rated at 95° F ambient, 80° F entering dry bulb, 67° F entering wet bulb. Gross capacity does not include the effect of fan motor heat. AHRI capacity is net and includes the effect of fan motor heat. Units are suitable for operation to $\pm 20\%$ of nominal cfm. Units are certified in accordance with the Unitary Air Conditioner Equipment certification program, which is based on AHRI Standard 340/360.
2. EER and/or SEER are rated at AHRI conditions and in accordance with DOE test procedures.
3. Integrated Energy Efficiency Ratio (IEER) is rated in accordance with AHRI Standard 340/360.
4. Outdoor Sound Rating shown is tested in accordance with AHRI Standard 270.

[] Designates Metric Conversions



COOLING PERFORMANCE DATA—RACDZR090A

wbE		ENTERING INDOOR AIR @ 80°F [26.7°C] dbE ①									
		71°F [21.7°C]			67°F [19.4°C]			63°F [17.2°C]			
CFM [L/s]		4500 [2124]	3750 [1770]	3000 [1416]	4500 [2124]	3750 [1770]	3000 [1416]	4500 [2124]	3750 [1770]	3000 [1416]	
DR ①		0	0.01	0.09	0	0.01	0.09	0	0.01	0.09	
OUTDOOR DRY BULB TEMPERATURE °F [°C]	75 [23.9]	Total BTUH [kW] Sens BTUH [kW] Power	179.6 [52.6] 113.4 [33.2] 10.2	173.3 [50.8] 97.4 [28.5] 10.0	167.0 [48.9] 82.6 [24.2] 9.9	172.2 [50.5] 131.0 [38.4] 10.1	166.2 [48.7] 113.8 [33.3] 9.9	160.2 [46.9] 97.7 [28.6] 9.8	167.3 [49.0] 147.4 [43.2] 10.0	161.4 [47.3] 128.9 [37.8] 9.9	155.5 [45.6] 111.5 [32.7] 9.7
	80 [26.7]	Total BTUH [kW] Sens BTUH [kW] Power	175.0 [51.3] 110.9 [32.5] 10.6	168.9 [49.5] 95.3 [27.9] 10.4	162.8 [47.7] 80.9 [23.7] 10.3	167.6 [49.1] 128.5 [37.7] 10.5	161.8 [47.4] 111.7 [32.7] 10.4	155.9 [45.7] 95.9 [28.1] 10.2	162.7 [47.7] 144.9 [42.5] 10.4	157.0 [46.0] 126.8 [37.2] 10.3	151.3 [44.3] 109.8 [32.2] 10.1
	85 [29.4]	Total BTUH [kW] Sens BTUH [kW] Power	170.5 [50.0] 108.5 [31.8] 11.1	164.5 [48.2] 93.2 [27.3] 10.9	158.5 [46.4] 79.1 [23.2] 10.7	163.1 [47.8] 126.1 [36.9] 11.0	157.4 [46.1] 109.6 [32.1] 10.8	151.6 [44.4] 94.1 [27.6] 10.6	158.1 [46.3] 142.4 [41.7] 10.9	152.5 [44.7] 124.6 [36.5] 10.7	147.0 [43.1] 108.0 [31.6] 10.5
	90 [32.2]	Total BTUH [kW] Sens BTUH [kW] Power	165.9 [48.6] 105.8 [31.0] 11.6	160.1 [46.9] 91.0 [26.7] 11.4	154.3 [45.2] 77.2 [22.6] 11.2	158.5 [46.4] 123.4 [36.2] 11.5	153.0 [44.8] 107.4 [31.5] 11.3	147.4 [43.2] 92.3 [27.0] 11.1	153.5 [45.0] 139.7 [40.9] 11.4	148.1 [43.4] 122.4 [35.9] 11.2	142.8 [41.8] 106.2 [31.1] 11.0
	95 [35]	Total BTUH [kW] Sens BTUH [kW] Power	161.4 [47.3] 103.3 [30.3] 12.1	155.7 [45.6] 88.8 [26.0] 11.9	150.0 [43.9] 75.3 [22.1] 11.6	154.0 [45.1] 120.9 [35.4] 12.0	148.6 [43.5] 105.2 [30.8] 11.8	143.2 [42.0] 90.5 [26.5] 11.6	149.0 [43.7] 137.2 [40.2] 11.9	143.8 [42.1] 120.3 [35.2] 11.7	138.5 [40.6] 104.3 [30.6] 11.5
	100 [37.8]	Total BTUH [kW] Sens BTUH [kW] Power	156.8 [45.9] 100.6 [29.5] 12.6	151.3 [44.3] 86.5 [25.3] 12.4	145.8 [42.7] 73.4 [21.5] 12.2	149.4 [43.8] 118.2 [34.6] 12.5	144.2 [42.3] 102.9 [30.1] 12.3	139.0 [40.7] 88.6 [26.0] 12.1	144.5 [42.3] 134.6 [39.4] 12.4	139.4 [40.8] 118.0 [34.6] 12.2	134.3 [39.3] 102.4 [30.0] 12.0
	105 [40.6]	Total BTUH [kW] Sens BTUH [kW] Power	152.3 [44.6] 98.0 [28.7] 13.2	147.0 [43.1] 84.3 [24.7] 13.0	141.6 [41.5] 71.5 [20.9] 12.7	144.9 [42.5] 115.6 [33.9] 13.1	139.8 [41.0] 100.6 [29.5] 12.9	134.8 [39.5] 86.7 [25.4] 12.6	139.9 [41.0] 131.9 [38.6] 13.0	135.0 [39.6] 115.7 [33.9] 12.8	130.1 [38.1] 100.5 [29.4] 12.5
	110 [43.3]	Total BTUH [kW] Sens BTUH [kW] Power	147.8 [43.3] 95.3 [27.9] 13.8	142.6 [41.8] 82.0 [24.0] 13.5	137.4 [40.3] 69.6 [20.4] 13.3	140.4 [41.1] 112.9 [33.1] 13.7	135.5 [39.7] 98.4 [28.8] 13.5	130.6 [38.3] 84.8 [24.8] 13.2	135.4 [39.7] 129.2 [37.9] 13.6	130.7 [38.3] 113.5 [33.3] 13.4	125.9 [36.9] 98.6 [28.9] 13.1
	115 [46.1]	Total BTUH [kW] Sens BTUH [kW] Power	143.3 [42.0] 92.6 [27.1] 14.4	138.3 [40.5] 79.7 [23.4] 14.2	133.3 [39.1] 67.7 [19.8] 13.9	135.9 [39.8] 110.1 [32.3] 14.3	131.2 [38.4] 96.0 [28.1] 14.1	126.4 [37.0] 82.7 [24.2] 13.8	130.9 [38.4] 126.4 [37.0] 14.2	126.4 [37.0] 111.1 [32.6] 14.0	121.8 [35.7] 96.6 [28.3] 13.7

DR —Depression ratio
dbE —Entering air dry bulb
wbE—Entering air wet bulb

Total —Total capacity x 1000 BTUH
Sens —Sensible capacity x 1000 BTUH
Power —KW input

NOTES: ① When the entering air dry bulb is other than 80°F [27°C], adjust the sensible capacity from the table by adding [1.10 x CFM x (1 – DR) x (dbE – 80)].

[] Designates Metric Conversions





COOLING PERFORMANCE DATA—RACDZR102A

wbE		ENTERING INDOOR AIR @ 80°F [26.7°C] dbE ①									
		71°F [21.7°C]			67°F [19.4°C]			63°F [17.2°C]			
CFM [L/s]		4500 [2124]	3750 [1770]	3000 [1416]	4500 [2124]	3750 [1770]	3000 [1416]	4500 [2124]	3750 [1770]	3000 [1416]	
DR ①		0	0.01	0.09	0	0.01	0.09	0	0.01	0.09	
OUTDOOR DRY BULB TEMPERATURE °F [°C]	75 [23.9]	Total BTUH [kW]	179.6 [52.6]	173.3 [50.8]	167.0 [48.9]	172.2 [50.5]	166.2 [48.7]	160.2 [46.9]	167.3 [49.0]	161.4 [47.3]	155.5 [45.6]
		Sens BTUH [kW]	113.4 [33.2]	97.4 [28.5]	82.6 [24.2]	131.0 [38.4]	113.8 [33.3]	97.7 [28.6]	147.4 [43.2]	128.9 [37.8]	111.5 [32.7]
		Power	10.2	10.0	9.9	10.1	9.9	9.8	10.0	9.9	9.7
	80 [26.7]	Total BTUH [kW]	175.0 [51.3]	168.9 [49.5]	162.8 [47.7]	167.6 [49.1]	161.8 [47.4]	155.9 [45.7]	162.7 [47.7]	157.0 [46.0]	151.3 [44.3]
		Sens BTUH [kW]	110.9 [32.5]	95.3 [27.9]	80.9 [23.7]	128.5 [37.7]	111.7 [32.7]	95.9 [28.1]	144.9 [42.5]	126.8 [37.2]	109.8 [32.2]
		Power	10.6	10.4	10.3	10.5	10.4	10.2	10.4	10.3	10.1
	85 [29.4]	Total BTUH [kW]	170.5 [50.0]	164.5 [48.2]	158.5 [46.4]	163.1 [47.8]	157.4 [46.1]	151.6 [44.4]	158.1 [46.3]	152.5 [44.7]	147.0 [43.1]
		Sens BTUH [kW]	108.5 [31.8]	93.2 [27.3]	79.1 [23.2]	126.1 [36.9]	109.6 [32.1]	94.1 [27.6]	142.4 [41.7]	124.6 [36.5]	108.0 [31.6]
		Power	11.1	10.9	10.7	11.0	10.8	10.6	10.9	10.7	10.5
	90 [32.2]	Total BTUH [kW]	165.9 [48.6]	160.1 [46.9]	154.3 [45.2]	158.5 [46.4]	153.0 [44.8]	147.4 [43.2]	153.5 [45.0]	148.1 [43.4]	142.8 [41.8]
Sens BTUH [kW]		105.8 [31.0]	91.0 [26.7]	77.2 [22.6]	123.4 [36.2]	107.4 [31.5]	92.3 [27.0]	139.7 [40.9]	122.4 [35.9]	106.2 [31.1]	
Power		11.6	11.4	11.2	11.5	11.3	11.1	11.4	11.2	11.0	
95 [35]	Total BTUH [kW]	161.4 [47.3]	155.7 [45.6]	150.0 [43.9]	154.0 [45.1]	148.6 [43.5]	143.2 [42.0]	149.0 [43.7]	143.8 [42.1]	138.5 [40.6]	
	Sens BTUH [kW]	103.3 [30.3]	88.8 [26.0]	75.3 [22.1]	120.9 [35.4]	105.2 [30.8]	90.5 [26.5]	137.2 [40.2]	120.3 [35.2]	104.3 [30.6]	
	Power	12.1	11.9	11.6	12.0	11.8	11.6	11.9	11.7	11.5	
100 [37.8]	Total BTUH [kW]	156.8 [45.9]	151.3 [44.3]	145.8 [42.7]	149.4 [43.8]	144.2 [42.3]	139.0 [40.7]	144.5 [42.3]	139.4 [40.8]	134.3 [39.3]	
	Sens BTUH [kW]	100.6 [29.5]	86.5 [25.3]	73.4 [21.5]	118.2 [34.6]	102.9 [30.1]	88.6 [26.0]	134.6 [39.4]	118.0 [34.6]	102.4 [30.0]	
	Power	12.6	12.4	12.2	12.5	12.3	12.1	12.4	12.2	12.0	
105 [40.6]	Total BTUH [kW]	152.3 [44.6]	147.0 [43.1]	141.6 [41.5]	144.9 [42.5]	139.8 [41.0]	134.8 [39.5]	139.9 [41.0]	135.0 [39.6]	130.1 [38.1]	
	Sens BTUH [kW]	98.0 [28.7]	84.3 [24.7]	71.5 [20.9]	115.6 [33.9]	100.6 [29.5]	86.7 [25.4]	131.9 [38.6]	115.7 [33.9]	100.5 [29.4]	
	Power	13.2	13.0	12.7	13.1	12.9	12.6	13.0	12.8	12.5	
110 [43.3]	Total BTUH [kW]	147.8 [43.3]	142.6 [41.8]	137.4 [40.3]	140.4 [41.1]	135.5 [39.7]	130.6 [38.3]	135.4 [39.7]	130.7 [38.3]	125.9 [36.9]	
	Sens BTUH [kW]	95.3 [27.9]	82.0 [24.0]	69.6 [20.4]	112.9 [33.1]	98.4 [28.8]	84.8 [24.8]	129.2 [37.9]	113.5 [33.3]	98.6 [28.9]	
	Power	13.8	13.5	13.3	13.7	13.5	13.2	13.6	13.4	13.1	
115 [46.1]	Total BTUH [kW]	143.3 [42.0]	138.3 [40.5]	133.3 [39.1]	135.9 [39.8]	131.2 [38.4]	126.4 [37.0]	130.9 [38.4]	126.4 [37.0]	121.8 [35.7]	
	Sens BTUH [kW]	92.6 [27.1]	79.7 [23.4]	67.7 [19.8]	110.1 [32.3]	96 [28.1]	82.7 [24.2]	126.4 [37.0]	111.1 [32.6]	96.6 [28.3]	
	Power	14.4	14.2	13.9	14.3	14.1	13.8	14.2	14.0	13.7	

DR —Depression ratio
dbE —Entering air dry bulb
wbE—Entering air wet bulb

Total —Total capacity x 1000 BTUH
Sens —Sensible capacity x 1000 BTUH
Power—kW input

NOTES: ① When the entering air dry bulb is other than 80°F [27°C], adjust the sensible capacity from the table by adding [1.10 x CFM x (1 - DR) x (dbE - 80)].

[] Designates Metric Conversions



COOLING PERFORMANCE DATA — RACDZR120A

wBE		ENTERING INDOOR AIR @ 80°F [26.7°C] dbE ①														
		71°F [21.7°C]			67°F [19.4°C]			63°F [17.2°C]			61°F [16.1°C]			59°F [15.0°C]		
		4800 [2265]	3480 [1642]	3200 [1510]	4800 [2265]	3480 [1642]	3200 [1510]	4800 [2265]	3480 [1642]	3200 [1510]	4800 [2265]	3480 [1642]	3200 [1510]	4800 [2265]	3480 [1642]	3200 [1510]
CFM [L/s]		0.03	-0.03	-0.05	0.03	-0.03	-0.05	0.03	-0.03	-0.05	0.03	-0.03	-0.05	0.03	-0.03	-0.05
Total BTUH [kW]	75 [23.9]	158.0 [46.3]	147.8 [43.3]	145.6 [42.7]	150.4 [44.1]	140.7 [41.2]	138.6 [40.6]	145.2 [42.6]	135.8 [39.8]	133.9 [39.2]	132.7 [38.9]	143.8 [42.1]	143.8 [42.1]	134.5 [39.4]	132.6 [38.8]	125.5 [36.8]
Sens BTUH [kW]		101.3 [29.7]	86.1 [25.2]	82.8 [24.3]	120.6 [35.3]	102.4 [30.0]	98.6 [28.9]	138.3 [40.5]	117.5 [34.4]	113.1 [33.1]	119.6 [35.1]	143.8 [42.1]	143.8 [42.1]	130.4 [38.2]	125.5 [36.8]	7.0
Power		7.5	7.3	7.2	7.4	7.2	7.1	7.3	7.1	7.1	7.0	7.3	7.3	7.0	7.0	7.0
Total BTUH [kW]	80 [26.7]	153.2 [44.9]	143.4 [42.0]	141.3 [41.4]	145.6 [42.7]	136.2 [39.9]	134.2 [39.3]	140.5 [41.2]	135.9 [39.8]	132.5 [38.5]	129.5 [37.9]	139.2 [40.8]	139.1 [40.8]	130.1 [38.1]	128.2 [37.6]	7.4
Sens BTUH [kW]		98.8 [29.0]	84.0 [24.6]	80.8 [23.7]	118.1 [34.6]	100.3 [29.4]	96.6 [28.3]	135.9 [39.8]	115.4 [33.8]	111.1 [32.6]	117.6 [34.5]	139.1 [40.8]	139.1 [40.8]	128.3 [37.6]	123.4 [36.2]	7.4
Power		8.0	7.7	7.6	7.9	7.6	7.6	7.8	7.8	7.5	7.5	7.7	7.7	7.4	7.4	7.4
Total BTUH [kW]	85 [29.4]	148.5 [43.5]	138.9 [40.7]	136.9 [40.1]	140.9 [41.3]	131.8 [38.6]	129.9 [38.1]	135.8 [39.8]	127.0 [37.2]	125.1 [36.7]	125.1 [36.7]	134.4 [39.4]	134.4 [39.4]	125.7 [36.8]	123.9 [36.3]	8.3
Sens BTUH [kW]		96.3 [28.2]	81.8 [24.0]	78.8 [23.1]	115.6 [33.9]	98.2 [28.8]	94.5 [27.7]	133.3 [39.1]	113.3 [33.2]	109.0 [32.0]	115.6 [33.9]	134.4 [39.4]	134.4 [39.4]	125.7 [36.8]	121.4 [35.6]	7.8
Power		8.4	8.1	8.1	8.3	8.0	8.0	8.2	8.0	7.9	7.9	8.1	8.1	7.9	7.8	7.8
Total BTUH [kW]	90 [32.2]	143.8 [42.1]	134.5 [39.4]	132.6 [38.8]	136.2 [39.9]	127.4 [37.3]	125.5 [36.8]	131.1 [38.4]	122.6 [35.9]	120.8 [35.4]	119.6 [35.1]	129.7 [38.0]	129.7 [38.0]	121.3 [35.5]	119.5 [35.0]	8.3
Sens BTUH [kW]		93.8 [27.5]	79.7 [23.3]	76.7 [22.5]	113.0 [33.1]	96.0 [28.1]	92.4 [27.1]	130.8 [38.3]	111.1 [32.6]	106.9 [31.3]	113.5 [33.3]	129.7 [38.0]	129.7 [38.0]	121.3 [35.5]	119.3 [35.0]	8.3
Power		8.9	8.6	8.5	8.8	8.5	8.5	8.7	8.4	8.4	8.3	8.6	8.6	8.3	8.3	8.3
Total BTUH [kW]	95 [35]	139.1 [40.8]	130.2 [38.1]	128.2 [37.6]	131.5 [38.5]	123.0 [35.9]	121.2 [35.5]	126.4 [37.0]	118.2 [34.6]	116.5 [34.1]	115.3 [33.8]	125.0 [36.6]	125.0 [36.6]	116.9 [34.3]	115.2 [33.8]	8.8
Sens BTUH [kW]		91.2 [26.7]	77.5 [22.7]	74.6 [21.8]	110.4 [32.4]	93.8 [27.5]	90.3 [26.5]	126.4 [37.0]	108.9 [31.9]	104.8 [30.7]	111.3 [32.6]	125.0 [36.6]	125.0 [36.6]	116.9 [34.3]	115.2 [33.8]	8.8
Power		9.4	9.1	9.0	9.3	9.0	9.0	9.2	8.9	8.9	8.9	9.1	9.1	8.8	8.8	8.8
Total BTUH [kW]	100 [37.8]	134.5 [39.4]	125.8 [36.9]	123.9 [36.3]	126.8 [37.2]	118.7 [34.8]	116.9 [34.3]	121.7 [35.7]	113.8 [33.4]	112.2 [32.9]	111.0 [32.5]	120.3 [35.3]	120.3 [35.3]	112.5 [33.0]	110.9 [32.5]	9.3
Sens BTUH [kW]		88.5 [25.9]	75.2 [22.0]	72.4 [21.2]	107.8 [31.6]	91.6 [26.8]	88.1 [25.8]	121.7 [35.7]	106.7 [31.3]	102.7 [30.1]	109.2 [32.0]	120.3 [35.3]	120.3 [35.3]	112.5 [33.0]	110.9 [32.5]	9.3
Power		10.0	9.6	9.6	9.9	9.5	9.5	9.8	9.5	9.4	9.4	9.7	9.7	9.4	9.4	9.3
Total BTUH [kW]	105 [40.6]	129.8 [38.0]	121.4 [35.6]	119.6 [35.1]	122.2 [35.8]	114.3 [33.5]	112.6 [33.0]	117.0 [34.3]	109.5 [32.1]	107.9 [31.6]	115.8 [33.9]	120.3 [35.3]	120.3 [35.3]	115.6 [33.9]	115.6 [33.9]	10.5
Sens BTUH [kW]		85.9 [25.2]	73.0 [21.4]	70.2 [20.6]	105.1 [30.8]	89.3 [26.2]	86.0 [25.2]	117.0 [34.3]	104.4 [30.6]	100.5 [29.4]	115.8 [33.9]	120.3 [35.3]	120.3 [35.3]	115.6 [33.9]	115.6 [33.9]	10.5
Power		10.5	10.2	10.1	10.5	10.1	10.0	10.4	10.0	10.0	10.3	10.3	10.3	9.9	9.9	9.9
Total BTUH [kW]	110 [43.3]	125.1 [36.7]	117.1 [34.3]	115.4 [33.8]	117.5 [34.4]	109.9 [32.2]	108.3 [31.7]	112.4 [32.9]	105.1 [30.8]	103.6 [30.4]	111.1 [32.6]	111.0 [32.5]	111.0 [32.5]	108.2 [31.7]	106.6 [31.2]	11.1
Sens BTUH [kW]		83.1 [24.4]	70.6 [20.7]	68.0 [19.9]	102.4 [30.0]	87.0 [25.5]	83.7 [24.5]	112.4 [32.9]	102.1 [29.9]	98.3 [28.8]	111.1 [32.6]	111.0 [32.5]	111.0 [32.5]	108.2 [31.7]	106.6 [31.2]	11.1
Power		11.2	10.8	10.7	11.1	10.7	10.6	11.0	10.6	10.5	10.9	10.9	10.9	10.5	10.5	10.5
Total BTUH [kW]	115 [46.1]	120.5 [35.3]	112.7 [33.0]	111.1 [32.6]	112.9 [33.1]	105.6 [31.0]	104.1 [30.5]	107.8 [31.6]	100.8 [29.5]	99.3 [29.1]	106.5 [31.2]	106.4 [31.2]	106.4 [31.2]	99.5 [29.2]	98.0 [28.7]	11.1
Sens BTUH [kW]		80.4 [23.6]	68.3 [20.0]	65.7 [19.3]	99.7 [29.2]	84.7 [24.8]	81.5 [23.9]	107.8 [31.6]	99.8 [29.2]	96.0 [28.1]	106.5 [31.2]	106.4 [31.2]	106.4 [31.2]	99.5 [29.2]	98.0 [28.7]	11.1
Power		11.8	11.4	11.3	11.7	11.3	11.3	11.6	11.2	11.2	11.6	11.6	11.5	11.2	11.1	11.1
Total BTUH [kW]	120 [48.9]	115.9 [34.0]	108.4 [31.8]	106.8 [31.3]	108.3 [31.7]	101.3 [29.7]	99.8 [29.3]	103.1 [30.2]	96.5 [28.3]	95.1 [27.9]	101.9 [29.9]	101.7 [29.8]	101.7 [29.8]	95.2 [27.9]	93.8 [27.5]	11.7
Sens BTUH [kW]		77.6 [22.7]	65.9 [19.3]	63.5 [18.6]	96.9 [28.4]	82.3 [24.1]	79.2 [23.2]	103.1 [30.2]	96.5 [28.3]	93.7 [27.5]	101.9 [29.9]	101.7 [29.8]	101.7 [29.8]	95.2 [27.9]	93.8 [27.5]	11.7
Power		12.5	12.1	12.0	12.4	12.0	11.9	12.3	11.9	11.8	12.3	12.3	12.2	11.8	11.7	11.7
Total BTUH [kW]	125 [51.7]	111.3 [32.6]	104.1 [30.5]	102.6 [30.1]	103.7 [30.4]	97.0 [28.4]	95.6 [28.0]	98.5 [28.9]	92.2 [27.0]	90.8 [26.6]	97.3 [28.5]	97.1 [28.5]	97.1 [28.5]	90.9 [26.6]	89.5 [26.2]	12.4
Sens BTUH [kW]		74.8 [21.9]	63.5 [18.6]	61.1 [17.9]	94.0 [27.6]	79.9 [23.4]	76.9 [22.5]	98.5 [28.9]	92.2 [27.0]	90.8 [26.6]	97.3 [28.5]	97.1 [28.5]	97.1 [28.5]	90.9 [26.6]	89.5 [26.2]	12.4
Power		13.2	12.8	12.7	13.1	12.7	12.6	13.0	12.6	12.5	13.0	12.9	12.9	12.5	12.5	12.4

DR — Depression ratio
 dbE — Entering air dry bulb
 wBE — Entering air wet bulb

NOTES: ① When the entering air dry bulb is other than 80°F [27°C], adjust the sensible capacity from the table by adding [1.10 x CFM x (1 - DR) x (dbE - 80)].

② Total capacity x 1000 BTUH
 Sens — Sensible capacity x 1000 BTUH
 Power — KW Input

— Total capacity x 1000 BTUH
 Sens — Sensible capacity x 1000 BTUH
 Power — KW Input

③ Designates Metric Conversions

COOLING PERFORMANCE DATA — RACDZS090A

WBE		ENTERING INDOOR AIR @ 80°F [26.7°C] dbE ①														
		71°F [21.7°C]			67°F [19.4°C]			63°F [17.2°C]			61°F [16.1°C]			59°F [15.0°C]		
CFM [L/s]	DR ①	3600 [1699]	2400 [1133]	1510	3200 [1699]	2400 [1133]	1510	3600 [1699]	2400 [1133]	1510	3200 [1699]	2400 [1133]	1510	3600 [1699]	2400 [1133]	1510
75 [23.9]	Total BTUH [KW]	111.8 [32.8]	104.4 [30.6]	104.9 [30.1]	105.2 [30.8]	98.2 [28.8]	98.2 [28.8]	100.4 [29.4]	98.2 [28.8]	98.2 [28.8]	98.2 [28.8]	98.2 [28.8]	98.2 [28.8]	98.5 [28.9]	96.3 [28.2]	91.9 [26.9]
	Sens BTUH [KW]	65.6 [19.2]	54.7 [16.0]	73.3 [21.5]	77.6 [22.7]	64.8 [19.0]	64.8 [19.0]	89.5 [26.2]	84.5 [24.8]	84.5 [24.8]	84.5 [24.8]	84.5 [24.8]	84.5 [24.8]	95.2 [27.9]	89.9 [26.4]	84.0 [24.6]
	Power	4.5	4.3	4.4	4.4	4.4	4.4	4.4	4.3	4.3	4.3	4.3	4.3	4.3	4.3	4.2
80 [26.7]	Total BTUH [KW]	108.5 [31.8]	101.2 [29.7]	101.8 [29.8]	101.8 [29.8]	95.0 [27.8]	95.0 [27.8]	97.0 [28.4]	94.9 [27.8]	94.9 [27.8]	94.9 [27.8]	94.9 [27.8]	94.9 [27.8]	95.1 [27.9]	93.0 [27.2]	88.7 [26.0]
	Sens BTUH [KW]	63.8 [18.7]	53.3 [15.6]	71.7 [21.0]	75.9 [22.2]	63.3 [18.6]	63.3 [18.6]	87.7 [25.7]	82.9 [24.3]	82.9 [24.3]	82.9 [24.3]	82.9 [24.3]	82.9 [24.3]	93.4 [27.4]	88.3 [26.9]	82.5 [24.2]
	Power	4.9	4.7	4.8	4.8	4.7	4.7	4.8	4.7	4.7	4.7	4.7	4.7	4.7	4.6	4.5
85 [29.4]	Total BTUH [KW]	105.0 [30.8]	98.0 [28.7]	102.7 [30.1]	98.4 [28.8]	96.2 [28.2]	96.2 [28.2]	93.6 [27.4]	91.5 [26.8]	91.5 [26.8]	91.5 [26.8]	91.5 [26.8]	91.5 [26.8]	92.2 [27.0]	89.6 [26.3]	85.5 [25.1]
	Sens BTUH [KW]	62.1 [18.2]	51.8 [15.2]	70.0 [20.5]	74.1 [21.7]	61.9 [18.1]	61.9 [18.1]	85.9 [25.2]	81.2 [23.8]	81.2 [23.8]	81.2 [23.8]	81.2 [23.8]	81.2 [23.8]	91.7 [26.9]	86.6 [25.4]	81.1 [23.8]
	Power	5.3	5.2	5.2	5.3	5.1	5.1	5.2	5.2	5.2	5.2	5.2	5.2	5.2	5.0	5.0
90 [32.2]	Total BTUH [KW]	101.6 [29.8]	94.8 [27.8]	99.3 [29.1]	94.9 [27.8]	92.8 [27.2]	92.8 [27.2]	90.1 [26.4]	88.1 [25.8]	88.1 [25.8]	88.1 [25.8]	88.1 [25.8]	88.1 [25.8]	88.7 [26.0]	86.8 [25.4]	82.3 [24.1]
	Sens BTUH [KW]	60.3 [17.7]	50.4 [14.8]	69.0 [20.2]	72.4 [21.2]	58.4 [17.3]	58.4 [17.3]	84.2 [24.7]	79.6 [23.3]	79.6 [23.3]	79.6 [23.3]	79.6 [23.3]	79.6 [23.3]	88.7 [26.0]	85.0 [24.9]	79.6 [23.3]
	Power	5.9	5.7	6.4	6.4	6.4	6.4	6.4	6.3	6.3	6.3	6.3	6.3	6.3	6.1	6.1
95 [35]	Total BTUH [KW]	98.1 [28.7]	91.5 [26.8]	95.9 [28.1]	91.4 [26.8]	89.4 [26.2]	89.4 [26.2]	86.6 [25.4]	84.7 [24.8]	84.7 [24.8]	84.7 [24.8]	84.7 [24.8]	84.7 [24.8]	85.2 [25.0]	83.3 [24.4]	79.0 [23.2]
	Sens BTUH [KW]	58.6 [17.2]	48.9 [14.3]	66.8 [19.6]	70.7 [20.7]	56.8 [16.6]	56.8 [16.6]	82.5 [24.2]	78.0 [22.8]	78.0 [22.8]	78.0 [22.8]	78.0 [22.8]	78.0 [22.8]	85.2 [25.0]	83.3 [24.4]	78.2 [22.9]
	Power	6.5	6.3	6.4	6.4	6.2	6.2	6.4	6.3	6.3	6.3	6.3	6.3	6.3	6.1	6.1
100 [37.8]	Total BTUH [KW]	94.5 [27.7]	88.2 [25.9]	92.4 [27.1]	87.9 [25.8]	85.9 [25.2]	85.9 [25.2]	83.1 [24.4]	81.2 [23.8]	81.2 [23.8]	81.2 [23.8]	81.2 [23.8]	81.7 [23.9]	81.7 [23.9]	79.3 [23.3]	75.7 [22.2]
	Sens BTUH [KW]	56.9 [16.7]	47.5 [13.9]	65.3 [19.3]	69.0 [20.2]	55.4 [16.2]	55.4 [16.2]	80.8 [23.7]	76.4 [22.4]	76.4 [22.4]	76.4 [22.4]	76.4 [22.4]	76.4 [22.4]	81.1 [23.8]	79.3 [23.3]	75.7 [22.2]
	Power	7.2	6.9	7.1	7.1	7.0	7.0	7.1	7.0	7.0	7.0	7.0	7.0	7.0	6.8	6.8
105 [40.6]	Total BTUH [KW]	91.0 [26.7]	84.9 [24.9]	88.9 [26.1]	84.3 [24.7]	82.4 [24.2]	82.4 [24.2]	79.5 [23.3]	77.8 [22.8]	77.8 [22.8]	77.8 [22.8]	77.8 [22.8]	78.1 [22.9]	77.6 [22.7]	75.8 [22.2]	72.4 [21.2]
	Sens BTUH [KW]	55.3 [16.2]	46.1 [13.5]	63.6 [18.6]	67.3 [19.7]	53.6 [15.8]	53.6 [15.8]	79.2 [23.2]	74.8 [21.9]	74.8 [21.9]	74.8 [21.9]	74.8 [21.9]	78.1 [22.9]	77.6 [22.7]	75.8 [22.2]	72.4 [21.2]
	Power	7.9	7.7	7.9	7.9	7.8	7.8	7.8	7.7	7.7	7.7	7.7	7.8	7.8	7.7	7.5
110 [43.3]	Total BTUH [KW]	87.3 [25.6]	81.5 [23.9]	85.4 [25.0]	80.7 [23.6]	78.9 [23.1]	78.9 [23.1]	75.9 [22.2]	74.2 [21.7]	74.2 [21.7]	74.2 [21.7]	74.2 [21.7]	74.5 [21.8]	74.0 [21.7]	72.3 [21.2]	69.0 [20.2]
	Sens BTUH [KW]	53.6 [15.7]	44.8 [13.1]	61.5 [18.2]	65.7 [19.2]	50.7 [14.8]	50.7 [14.8]	75.9 [22.2]	73.2 [21.5]	73.2 [21.5]	73.2 [21.5]	73.2 [21.5]	74.5 [21.8]	74.0 [21.7]	72.3 [21.2]	69.0 [20.2]
	Power	8.8	8.5	8.7	8.7	8.6	8.6	8.7	8.6	8.6	8.6	8.6	8.6	8.6	8.5	8.3
115 [46.1]	Total BTUH [KW]	83.7 [24.5]	78.1 [22.9]	81.8 [24.0]	77.0 [22.6]	75.3 [22.1]	75.3 [22.1]	72.3 [21.2]	70.7 [20.7]	70.7 [20.7]	70.7 [20.7]	70.7 [20.7]	70.9 [20.8]	70.3 [20.6]	68.7 [20.1]	65.6 [19.2]
	Sens BTUH [KW]	52.0 [15.2]	43.4 [12.7]	60.5 [17.7]	64.0 [18.8]	49.1 [14.4]	49.1 [14.4]	72.3 [21.2]	70.7 [20.7]	70.7 [20.7]	70.7 [20.7]	70.7 [20.7]	70.9 [20.8]	70.3 [20.6]	68.7 [20.1]	65.6 [19.2]
	Power	9.7	9.4	9.6	9.6	9.5	9.5	9.6	9.5	9.5	9.5	9.5	9.6	9.5	9.4	9.2
120 [48.9]	Total BTUH [KW]	80.0 [23.4]	74.7 [21.9]	78.2 [22.9]	73.4 [21.5]	71.7 [21.0]	71.7 [21.0]	68.6 [20.1]	67.0 [19.6]	67.0 [19.6]	67.0 [19.6]	67.0 [19.6]	67.2 [19.7]	66.6 [19.5]	65.1 [19.1]	62.2 [18.2]
	Sens BTUH [KW]	50.4 [14.8]	42.0 [12.3]	59.0 [17.3]	62.4 [18.3]	47.6 [13.9]	47.6 [13.9]	68.6 [20.1]	67.0 [19.6]	67.0 [19.6]	67.0 [19.6]	67.0 [19.6]	67.2 [19.7]	66.6 [19.5]	65.1 [19.1]	62.2 [18.2]
	Power	10.7	10.3	10.6	10.6	10.5	10.5	10.6	10.5	10.5	10.5	10.5	10.6	10.5	10.4	10.2
125 [51.7]	Total BTUH [KW]	76.3 [22.4]	71.2 [20.9]	74.6 [21.9]	69.6 [20.4]	68.1 [20.0]	68.1 [20.0]	64.8 [19.0]	63.4 [18.6]	63.4 [18.6]	63.4 [18.6]	63.4 [18.6]	63.4 [18.6]	62.9 [18.4]	61.5 [18.0]	58.7 [17.2]
	Sens BTUH [KW]	48.8 [14.3]	40.7 [11.9]	57.5 [16.8]	60.8 [17.8]	46.1 [13.5]	46.1 [13.5]	64.8 [19.0]	63.4 [18.6]	63.4 [18.6]	63.4 [18.6]	63.4 [18.6]	63.4 [18.6]	62.9 [18.4]	61.5 [18.0]	58.7 [17.2]
	Power	11.8	11.4	11.6	11.7	11.6	11.6	11.7	11.5	11.5	11.5	11.5	11.6	11.6	11.5	11.2

DR —Depression ratio
 dbE —Entering air dry bulb
 wBE —Entering air wet bulb

Total capacity x 1000 BTUH
Sens BTUH
Power —KW input

NOTES: ① When the entering air dry bulb is other than 80°F [27°C], adjust the sensible capacity from the table by adding [1.10 x CFM x (1 – DR) x (dbE – 80)].

[] Designates Metric Conversions

COOLING PERFORMANCE DATA — RACDZS102A

		ENTERING INDOOR AIR @ 80°F [26.7°C] dbE ①																		
		71°F [21.7°C]				67°F [19.4°C]				63°F [17.2°C]				61°F [16.1°C]				59°F [15.0°C]		
		4100 [1935]	3225 [1522]	2700 [1274]	2100 [1026]	4100 [1935]	3225 [1522]	2700 [1274]	2100 [1026]	4100 [1935]	3225 [1522]	2700 [1274]	2100 [1026]	4100 [1935]	3225 [1522]	2700 [1274]	2100 [1026]	4100 [1935]	3225 [1522]	2700 [1274]
		0.21	0.17	0.14	0.11	0.21	0.17	0.14	0.11	0.21	0.17	0.14	0.11	0.21	0.17	0.14	0.11	0.21	0.17	0.14
75 [23.9]	Total BTUH [kW]	129.4 [37.9]	123.3 [36.1]	119.7 [35.1]	113.0 [33.1]	122.2 [35.8]	116.5 [34.5]	113.0 [33.1]	108.9 [31.9]	117.8 [34.5]	112.3 [32.9]	108.9 [31.9]	104.3 [30.6]	117.0 [34.3]	111.5 [32.7]	108.2 [31.7]	117.5 [34.4]	115.0 [33.7]	112.0 [32.8]	108.7 [31.8]
		75.0 [22.0]	66.6 [19.5]	61.5 [18.0]	59.9 [17.5]	90.0 [26.4]	83.7 [24.3]	73.9 [21.6]	66.0 [19.4]	103.7 [30.4]	92.0 [27.0]	85.0 [24.9]	78.3 [23.1]	109.7 [32.2]	97.4 [28.5]	90.0 [26.4]	115.0 [33.7]	112.0 [32.8]	102.1 [29.9]	94.3 [27.6]
		6.1	6.0	5.9	6.3	6.1	5.9	5.9	6.0	6.0	5.9	5.8	6.0	6.0	5.8	5.8	5.9	5.9	5.8	5.7
80 [26.7]	Total BTUH [kW]	125.2 [36.7]	119.3 [35.0]	115.8 [33.9]	109.1 [32.0]	118.0 [34.6]	112.4 [33.0]	109.1 [32.0]	105.0 [30.8]	113.6 [33.3]	108.2 [31.7]	105.0 [30.8]	101.1 [29.6]	112.8 [33.1]	107.5 [31.5]	104.3 [30.6]	113.3 [33.2]	112.9 [33.1]	108.0 [31.6]	104.8 [30.7]
		72.9 [21.4]	64.8 [19.0]	59.8 [17.5]	58.1 [17.0]	88.0 [25.8]	81.8 [24.1]	72.1 [21.1]	66.0 [19.4]	101.6 [29.8]	90.2 [26.4]	83.3 [24.4]	76.6 [22.6]	107.6 [31.5]	95.5 [28.0]	88.3 [25.9]	112.9 [33.1]	100.2 [29.4]	92.6 [27.1]	85.6 [25.1]
		6.5	6.3	6.3	6.6	6.4	6.4	6.6	6.7	6.4	6.2	6.1	6.1	6.3	6.2	6.1	6.3	6.3	6.2	6.1
85 [29.4]	Total BTUH [kW]	120.9 [35.4]	115.2 [33.8]	111.8 [32.8]	105.2 [30.8]	113.8 [33.3]	108.4 [31.8]	105.2 [30.8]	101.1 [29.6]	109.3 [32.0]	104.2 [30.5]	101.1 [29.6]	97.2 [28.5]	108.6 [31.8]	103.5 [30.9]	100.4 [29.4]	109.0 [32.0]	109.0 [32.0]	103.9 [30.5]	100.8 [29.5]
		70.8 [20.8]	62.9 [18.4]	58.1 [17.0]	56.3 [16.5]	85.8 [25.1]	76.2 [22.3]	70.4 [20.6]	66.0 [19.4]	99.5 [29.1]	88.3 [25.9]	81.6 [23.9]	74.9 [22.1]	105.5 [30.9]	93.6 [27.4]	86.5 [25.4]	109.0 [32.0]	98.3 [28.8]	90.9 [26.6]	83.6 [24.6]
		6.9	6.7	6.7	7.0	6.8	6.7	6.6	7.2	6.7	6.6	6.5	6.6	6.7	6.6	6.5	6.7	6.7	6.5	6.4
90 [32.2]	Total BTUH [kW]	116.7 [34.2]	111.2 [32.6]	107.9 [31.6]	101.3 [29.7]	109.5 [32.1]	104.4 [30.6]	101.3 [29.7]	97.3 [28.5]	105.1 [30.8]	100.1 [29.3]	97.2 [28.5]	93.2 [27.3]	104.3 [30.6]	99.4 [29.1]	96.5 [28.3]	104.8 [30.7]	104.8 [30.7]	99.9 [29.3]	96.9 [28.4]
		68.6 [20.1]	60.9 [17.9]	56.3 [16.5]	54.5 [16.0]	83.6 [24.5]	74.2 [21.8]	68.6 [20.1]	66.8 [19.6]	97.3 [28.5]	86.4 [25.3]	79.8 [23.4]	72.8 [21.3]	103.3 [30.3]	91.7 [26.9]	84.8 [24.8]	104.8 [30.7]	96.4 [28.3]	89.1 [26.4]	82.1 [24.1]
		7.3	7.1	7.1	7.5	7.2	7.1	7.0	7.4	7.2	7.0	6.9	6.9	7.1	7.0	6.9	7.1	7.1	6.9	6.8
95 [35]	Total BTUH [kW]	112.4 [32.9]	107.1 [31.4]	104.0 [30.5]	97.3 [28.5]	105.2 [30.8]	100.3 [29.4]	97.3 [28.5]	93.2 [27.3]	100.8 [29.5]	96.1 [28.2]	93.2 [27.3]	89.2 [26.3]	100.0 [29.3]	95.3 [27.9]	92.5 [27.1]	100.5 [29.5]	100.5 [29.5]	95.8 [28.1]	93.0 [27.2]
		66.4 [19.5]	59.0 [17.3]	54.5 [16.0]	52.6 [15.4]	81.4 [23.9]	72.3 [21.2]	66.8 [19.6]	66.8 [19.6]	95.1 [27.9]	84.4 [24.7]	78.0 [22.9]	70.4 [20.6]	100.0 [29.3]	89.8 [26.3]	82.9 [24.3]	100.5 [29.5]	94.5 [27.7]	87.3 [25.6]	80.3 [23.5]
		7.7	7.6	7.5	7.9	7.7	7.5	7.4	7.4	7.6	7.4	7.3	7.3	7.6	7.4	7.3	7.5	7.4	7.4	7.3
100 [37.8]	Total BTUH [kW]	108.1 [31.7]	103.0 [30.2]	100.0 [29.3]	93.4 [27.4]	100.9 [29.6]	96.2 [28.2]	93.4 [27.4]	89.3 [26.2]	96.5 [28.3]	92.0 [27.0]	89.3 [26.2]	85.3 [25.0]	95.8 [28.1]	91.3 [26.7]	88.6 [26.0]	96.2 [28.2]	96.2 [28.2]	91.7 [26.9]	89.0 [26.1]
		64.2 [18.8]	57.0 [16.7]	52.6 [15.4]	50.8 [14.9]	79.2 [23.2]	70.3 [20.6]	65.0 [19.0]	65.0 [19.0]	92.8 [27.2]	82.4 [24.1]	76.1 [22.3]	68.3 [20.6]	95.8 [28.1]	87.8 [25.7]	81.1 [23.8]	96.2 [28.2]	91.7 [26.9]	85.4 [25.0]	78.7 [23.3]
		8.2	8.0	7.9	8.2	8.2	8.0	7.9	7.9	8.1	7.9	7.8	7.8	8.1	7.9	7.8	8.0	8.0	7.8	7.7
105 [40.6]	Total BTUH [kW]	103.8 [30.4]	98.9 [29.0]	96.0 [28.1]	89.4 [26.2]	96.7 [28.3]	92.1 [27.0]	89.4 [26.2]	85.3 [25.0]	92.2 [27.0]	87.9 [25.8]	85.3 [25.0]	81.3 [23.8]	91.5 [26.8]	87.2 [25.5]	84.6 [24.8]	91.9 [26.9]	87.6 [25.7]	85.0 [24.9]	78.5 [23.3]
		61.9 [18.1]	54.9 [16.1]	50.8 [14.9]	48.9 [14.3]	76.9 [22.5]	68.3 [20.0]	63.1 [18.5]	63.1 [18.5]	90.6 [26.5]	80.4 [23.6]	74.3 [21.8]	66.6 [19.6]	91.5 [26.8]	85.7 [25.1]	79.2 [23.2]	91.9 [26.9]	87.6 [25.7]	83.6 [24.5]	76.8 [23.2]
		8.7	8.5	8.4	8.8	8.7	8.5	8.3	8.3	8.6	8.4	8.3	8.3	8.6	8.4	8.2	8.5	8.3	8.3	8.2
110 [43.3]	Total BTUH [kW]	99.5 [29.2]	94.8 [27.8]	92.0 [27.0]	85.4 [25.0]	92.3 [27.1]	88.0 [25.8]	85.4 [25.0]	81.3 [23.8]	87.9 [25.8]	83.8 [24.6]	81.3 [23.8]	77.3 [22.7]	87.1 [25.5]	83.1 [24.3]	80.6 [23.6]	87.6 [25.7]	83.5 [24.5]	81.0 [23.7]	74.5 [23.1]
		59.6 [17.5]	52.9 [15.5]	48.9 [14.3]	47.0 [13.6]	74.6 [21.9]	66.2 [19.4]	61.2 [17.9]	61.2 [17.9]	87.9 [25.8]	78.3 [22.9]	72.4 [21.2]	64.6 [19.0]	87.1 [25.5]	83.1 [24.3]	77.3 [22.7]	87.6 [25.7]	83.5 [24.5]	81.0 [23.7]	74.5 [23.1]
		9.3	9.1	9.0	9.2	9.2	9.0	8.9	8.9	9.1	8.9	8.8	8.8	9.1	8.9	8.8	9.1	8.9	8.9	8.7
115 [46.1]	Total BTUH [kW]	95.2 [27.9]	90.7 [26.6]	88.0 [25.8]	81.4 [23.9]	88.0 [25.8]	83.9 [24.5]	81.4 [23.9]	77.3 [22.7]	83.6 [24.5]	79.7 [23.3]	77.3 [22.7]	73.3 [21.5]	82.8 [24.3]	78.9 [23.1]	76.6 [22.4]	83.3 [24.4]	79.4 [23.3]	77.0 [22.6]	70.5 [21.4]
		57.2 [16.8]	50.8 [14.9]	46.9 [13.8]	45.0 [13.2]	72.2 [21.2]	64.1 [18.8]	59.2 [17.4]	59.2 [17.4]	83.6 [24.5]	76.2 [22.3]	70.4 [20.6]	62.6 [18.2]	82.8 [24.3]	78.9 [23.1]	75.4 [22.1]	83.3 [24.4]	79.4 [23.3]	77.0 [22.6]	70.5 [21.4]
		9.8	9.6	9.5	9.8	9.8	9.6	9.4	9.4	9.7	9.5	9.4	9.4	9.7	9.5	9.3	9.7	9.4	9.4	9.3
120 [48.9]	Total BTUH [kW]	90.8 [26.6]	86.6 [25.4]	84.0 [24.6]	77.4 [22.7]	83.7 [24.5]	79.7 [23.2]	77.4 [22.7]	73.3 [21.5]	79.2 [23.2]	75.5 [22.1]	73.3 [21.5]	69.3 [20.3]	78.5 [23.0]	74.8 [21.9]	72.6 [21.3]	78.9 [23.1]	75.2 [22.0]	73.0 [21.4]	66.5 [20.2]
		54.8 [16.1]	48.6 [14.3]	45.0 [13.2]	43.1 [12.6]	69.8 [20.5]	62.0 [18.2]	57.3 [16.8]	57.3 [16.8]	79.2 [23.2]	74.1 [21.7]	68.5 [20.1]	61.5 [18.0]	78.5 [23.0]	74.8 [21.9]	72.6 [21.3]	78.9 [23.1]	75.2 [22.0]	73.0 [21.4]	66.5 [20.2]
		10.5	10.2	10.1	10.4	10.4	10.1	10.0	10.0	10.3	10.1	9.9	9.9	10.3	10.0	9.9	10.3	10.0	10.0	9.9
125 [51.7]	Total BTUH [kW]	86.5 [25.3]	82.4 [24.2]	80.0 [23.4]	73.3 [21.5]	79.3 [23.2]	75.6 [22.1]	73.3 [21.5]	69.3 [20.3]	74.9 [21.9]	71.4 [20.9]	69.3 [20.3]	65.3 [19.5]	74.1 [21.7]	70.6 [20.7]	68.5 [20.1]	74.6 [21.9]	71.1 [20.8]	69.0 [20.2]	62.5 [19.0]
		52.4 [15.3]	46.5 [13.6]	42.9 [12.6]	41.0 [12.1]	67.4 [19.7]	59.8 [17.5]	55.3 [16.2]	55.3 [16.2]	74.9 [21.9]	71.4 [20.9]	66.4 [19.5]	61.5 [18.0]	74.1 [21.7]	70.6 [20.7]	68.5 [20.1]	74.6 [21.9]	71.1 [20.8]	69.0 [20.2]	62.5 [19.0]
		11.1	10.8	10.7	11.0	11.0	10.8	10.6	10.6	11.0	10.7	10.5	10.5	10.9	10.7	10.5	10.9	10.6	10.6	10.5

DR — Depression ratio
dbE — Entering air dry bulb
wbE — Entering air wet bulb

Total — Total capacity x 1000 BTUH
Sens — Sensible capacity x 1000 BTUH
Power — KW Input

NOTES: ① When the entering air dry bulb is other than 80°F [27°C], adjust the sensible capacity from the table by adding [1.10 x CFM x (t – DR) x (dbE – 80)].

[] Designates Metric Conversions



COOLING PERFORMANCE DATA — RACDZS120A

wBE		ENTERING INDOOR AIR @ 80°F [26.7°C] dbE ①											
		71°F [21.7°C]		67°F [19.4°C]		63°F [17.2°C]		61°F [16.1°C]		59°F [15.0°C]			
CFM [L/s]	DR ①	4800 [2265]	3750 [1770]	3200 [1510]	4800 [2265]	3750 [1770]	3200 [1510]	4800 [2265]	3750 [1770]	3200 [1510]	4800 [2265]	3750 [1770]	3200 [1510]
75 [23.9]	Total BTUH [KW]	155.3 [45.5]	147.8 [43.3]	143.8 [42.2]	147.8 [43.3]	140.7 [41.2]	136.9 [40.1]	132.2 [38.7]	141.5 [41.5]	131.1 [38.4]	141.4 [41.4]	134.5 [39.4]	130.9 [38.4]
	Sens BTUH [KW]	97.3 [28.5]	86.1 [25.2]	80.2 [23.5]	115.8 [33.9]	102.4 [30.0]	95.4 [28.0]	109.5 [32.1]	140.6 [41.2]	115.8 [33.9]	141.4 [41.4]	130.4 [38.2]	121.4 [35.6]
	Power	7.5	7.3	7.2	7.4	7.2	7.1	7.0	7.2	7.1	7.2	7.0	6.9
80 [26.7]	Total BTUH [KW]	150.6 [44.1]	143.4 [42.0]	139.5 [40.9]	143.2 [42.0]	136.2 [39.9]	132.6 [38.9]	127.9 [37.5]	136.9 [40.1]	126.8 [37.1]	136.7 [40.1]	130.1 [38.1]	126.6 [37.1]
	Sens BTUH [KW]	94.9 [27.8]	84.0 [24.6]	78.2 [22.9]	113.5 [33.2]	100.3 [29.4]	93.5 [27.4]	107.5 [31.5]	136.9 [40.1]	113.8 [33.4]	136.7 [40.1]	128.3 [37.6]	119.5 [35.0]
	Power	7.9	7.7	7.6	7.8	7.6	7.5	7.4	7.7	7.5	7.6	7.4	7.3
85 [29.4]	Total BTUH [KW]	146.0 [42.8]	138.9 [40.7]	135.2 [39.6]	138.5 [40.6]	131.8 [38.6]	128.3 [37.6]	123.6 [36.2]	132.2 [38.7]	122.5 [35.9]	132.1 [38.7]	125.7 [36.8]	122.3 [35.9]
	Sens BTUH [KW]	92.5 [27.1]	81.8 [24.0]	76.2 [22.3]	111.0 [32.5]	98.2 [28.8]	91.5 [26.8]	105.5 [30.9]	132.2 [38.7]	111.9 [32.8]	132.1 [38.7]	125.7 [36.8]	117.5 [34.4]
	Power	8.3	8.1	8.0	8.2	8.0	7.9	7.9	8.1	7.9	8.1	7.9	7.8
90 [32.2]	Total BTUH [KW]	141.4 [41.4]	134.5 [39.4]	131.0 [38.4]	133.9 [39.2]	127.4 [37.3]	124.0 [36.3]	119.3 [35.0]	127.6 [37.4]	118.2 [34.6]	127.5 [37.4]	121.3 [35.5]	118.1 [34.6]
	Sens BTUH [KW]	90.1 [26.4]	79.7 [23.3]	74.2 [21.7]	108.6 [31.8]	96.0 [28.1]	89.5 [26.2]	103.5 [30.3]	127.6 [37.4]	109.8 [32.2]	127.5 [37.4]	121.3 [35.5]	115.5 [33.8]
	Power	8.8	8.6	8.5	8.7	8.5	8.4	8.4	8.6	8.4	8.5	8.3	8.2
95 [35]	Total BTUH [KW]	136.8 [40.1]	130.2 [38.1]	126.7 [37.1]	129.3 [37.9]	123.0 [36.1]	119.7 [35.1]	115.1 [33.7]	123.0 [36.0]	113.9 [33.4]	122.9 [36.0]	116.9 [34.3]	113.8 [33.3]
	Sens BTUH [KW]	87.6 [25.7]	77.5 [22.7]	72.2 [21.1]	106.1 [31.1]	93.8 [27.5]	87.4 [25.6]	101.5 [29.7]	123.0 [36.0]	107.8 [31.6]	122.9 [36.0]	116.9 [34.3]	113.4 [33.2]
	Power	9.3	9.1	9.0	9.2	9.0	8.9	8.8	9.1	8.9	9.1	8.8	8.7
100 [37.8]	Total BTUH [KW]	132.2 [38.7]	125.8 [36.9]	122.4 [35.9]	124.7 [36.5]	118.7 [34.8]	115.5 [33.8]	110.8 [32.5]	118.4 [34.7]	109.7 [32.1]	118.3 [34.7]	112.5 [33.0]	109.5 [32.1]
	Sens BTUH [KW]	85.1 [24.9]	75.2 [22.0]	70.1 [20.5]	103.6 [30.3]	91.6 [26.8]	85.3 [25.0]	99.4 [29.1]	118.4 [34.7]	105.7 [31.0]	118.3 [34.7]	112.5 [33.0]	109.5 [32.1]
	Power	9.9	9.6	9.5	9.8	9.5	9.4	9.3	9.6	9.4	9.6	9.4	9.2
105 [40.6]	Total BTUH [KW]	127.6 [37.4]	121.4 [35.6]	118.2 [34.6]	120.1 [35.2]	114.3 [33.5]	111.2 [32.6]	106.6 [31.2]	113.8 [33.4]	105.4 [30.9]	113.7 [33.3]	108.2 [31.7]	105.3 [30.9]
	Sens BTUH [KW]	82.5 [24.2]	73.0 [21.4]	68.0 [19.9]	101.0 [29.6]	89.3 [26.2]	83.2 [24.4]	97.3 [28.5]	113.8 [33.4]	103.6 [30.4]	113.7 [33.3]	108.2 [31.7]	105.3 [30.9]
	Power	10.5	10.2	10.1	10.4	10.1	10.0	9.9	10.2	9.8	10.2	9.9	9.8
110 [43.3]	Total BTUH [KW]	123.0 [36.1]	117.1 [34.3]	114.0 [33.4]	115.5 [33.9]	109.9 [32.2]	107.0 [31.4]	102.3 [30.0]	109.3 [32.0]	101.2 [29.7]	109.1 [32.0]	103.8 [30.4]	101.1 [29.6]
	Sens BTUH [KW]	79.9 [23.4]	70.6 [20.7]	65.8 [19.3]	98.4 [28.8]	87.0 [25.5]	81.1 [23.8]	95.1 [27.9]	109.3 [32.0]	101.2 [29.7]	109.1 [32.0]	103.8 [30.4]	101.1 [29.6]
	Power	11.1	10.8	10.7	11.0	10.7	10.6	10.5	10.8	10.6	10.8	10.5	10.4
115 [46.1]	Total BTUH [KW]	118.5 [34.7]	112.7 [33.0]	109.7 [32.2]	111.0 [32.5]	105.6 [31.0]	102.8 [30.1]	98.1 [28.8]	104.7 [30.7]	97.0 [28.4]	104.6 [30.6]	99.5 [29.2]	96.8 [28.4]
	Sens BTUH [KW]	77.2 [22.6]	68.3 [20.0]	63.6 [18.6]	95.7 [28.1]	84.7 [24.8]	78.9 [23.1]	92.9 [27.2]	104.7 [30.7]	97.0 [28.4]	104.6 [30.6]	99.5 [29.2]	96.8 [28.4]
	Power	11.7	11.4	11.3	11.6	11.3	11.2	11.1	11.5	11.2	11.4	11.2	11.0
120 [48.9]	Total BTUH [KW]	113.9 [33.4]	108.4 [31.8]	105.5 [30.9]	106.5 [31.2]	101.3 [29.7]	98.6 [28.9]	93.9 [27.5]	100.2 [29.4]	92.8 [27.2]	100.0 [29.3]	95.2 [27.9]	92.6 [27.1]
	Sens BTUH [KW]	74.5 [21.8]	65.9 [19.3]	61.4 [18.0]	93.0 [27.3]	82.3 [24.1]	76.7 [22.5]	90.7 [26.6]	100.2 [29.4]	92.8 [27.2]	100.0 [29.3]	95.2 [27.9]	92.6 [27.1]
	Power	12.4	12.1	11.9	12.3	12.0	11.8	11.7	12.1	11.9	12.1	11.8	11.7
125 [51.7]	Total BTUH [KW]	109.4 [32.1]	104.1 [30.5]	101.3 [29.7]	101.9 [29.9]	97.0 [28.4]	94.4 [27.7]	89.7 [26.3]	95.6 [28.0]	88.6 [26.0]	95.5 [28.0]	90.9 [26.6]	88.5 [25.9]
	Sens BTUH [KW]	71.8 [21.0]	63.5 [18.6]	59.2 [17.3]	90.3 [26.5]	79.9 [23.4]	74.4 [21.8]	88.5 [25.9]	95.6 [28.0]	88.6 [26.0]	95.5 [28.0]	90.9 [26.6]	88.5 [25.9]
	Power	13.1	12.8	12.6	13.0	12.7	12.5	12.4	12.9	12.5	12.8	12.5	12.3

OUT DOOR DRY BULB TEMPERATURE °F [°C]

DR —Depression ratio
 dbE —Entering air dry bulb
 wBE —Entering air wet bulb

① Total capacity x 1000 BTUH
 Sensible capacity x 1000 BTUH
 Power —KW input

NOTES: ① When the entering air dry bulb is other than 80°F [27°C], adjust the sensible capacity from the table by adding [1 - DR] x (dbE - 80).

[] Designates Metric Conversions

COOLING PERFORMANCE DATA — RACDZS150A

w/E		ENTERING INDOOR AIR @ 80°F [26.7°C] dbE ①													
		71°F [21.7°C]			67°F [19.4°C]			63°F [17.2°C]							
		CFM [L/s]	4500 [2124]	3000 [1416]	0	3750 [1770]	4500 [2124]	3000 [1416]	0	3750 [1770]	4500 [2124]	3000 [1416]	0	3750 [1770]	4500 [2124]
75 [23.9]	Total BTUH [kW]	179.6 [52.6]	167.0 [48.9]	167.0 [48.9]	172.2 [50.5]	166.2 [48.7]	160.2 [46.9]	167.0 [48.9]	167.3 [49.0]	161.4 [47.3]	155.5 [45.6]	167.0 [48.9]	167.3 [49.0]	161.4 [47.3]	155.5 [45.6]
	Sens BTUH [kW]	113.4 [33.2]	82.6 [24.2]	82.6 [24.2]	131.0 [38.4]	113.8 [33.3]	97.7 [28.6]	131.0 [38.4]	147.4 [43.2]	128.9 [37.8]	111.5 [32.7]	131.0 [38.4]	147.4 [43.2]	128.9 [37.8]	111.5 [32.7]
	Power	10.2	9.9	9.9	10.1	9.9	9.8	10.1	10.0	9.9	9.7	10.0	10.0	9.9	9.7
80 [26.7]	Total BTUH [kW]	175.0 [51.3]	162.8 [47.7]	162.8 [47.7]	167.6 [49.1]	161.8 [47.4]	155.9 [45.7]	162.8 [47.7]	162.7 [47.7]	157.0 [46.0]	151.3 [44.3]	162.7 [47.7]	162.7 [47.7]	157.0 [46.0]	151.3 [44.3]
	Sens BTUH [kW]	110.9 [32.5]	80.9 [23.7]	80.9 [23.7]	128.5 [37.7]	111.7 [32.7]	95.9 [28.1]	128.5 [37.7]	144.9 [42.5]	126.8 [37.2]	109.8 [32.2]	128.5 [37.7]	144.9 [42.5]	126.8 [37.2]	109.8 [32.2]
	Power	10.6	10.3	10.3	10.5	10.4	10.2	10.5	10.4	10.3	10.1	10.4	10.3	10.2	10.1
85 [29.4]	Total BTUH [kW]	170.5 [50.0]	158.5 [46.4]	158.5 [46.4]	163.1 [47.8]	157.4 [46.1]	151.6 [44.4]	163.1 [47.8]	163.1 [47.8]	152.5 [44.7]	147.0 [43.1]	163.1 [47.8]	163.1 [47.8]	152.5 [44.7]	147.0 [43.1]
	Sens BTUH [kW]	108.5 [31.8]	79.1 [23.2]	79.1 [23.2]	126.1 [36.9]	109.6 [32.1]	94.1 [27.6]	126.1 [36.9]	142.4 [41.7]	124.6 [36.5]	108.0 [31.6]	126.1 [36.9]	142.4 [41.7]	124.6 [36.5]	108.0 [31.6]
	Power	11.1	10.7	10.7	11.0	10.8	10.6	11.0	10.9	10.7	10.5	10.6	10.9	10.7	10.5
90 [32.2]	Total BTUH [kW]	165.9 [48.6]	154.3 [45.2]	154.3 [45.2]	158.5 [46.4]	153.0 [44.8]	147.4 [43.2]	158.5 [46.4]	158.5 [46.4]	148.1 [43.4]	142.8 [41.8]	158.5 [46.4]	158.5 [46.4]	148.1 [43.4]	142.8 [41.8]
	Sens BTUH [kW]	105.8 [31.0]	77.2 [22.6]	77.2 [22.6]	123.4 [36.2]	107.4 [31.5]	92.3 [27.0]	123.4 [36.2]	139.7 [40.9]	122.4 [35.9]	106.2 [31.1]	123.4 [36.2]	139.7 [40.9]	122.4 [35.9]	106.2 [31.1]
	Power	11.6	11.2	11.2	11.5	11.3	11.1	11.5	11.4	11.2	11.0	11.1	11.4	11.2	11.0
95 [35]	Total BTUH [kW]	161.4 [47.3]	150.0 [43.9]	150.0 [43.9]	154.0 [45.1]	148.6 [43.5]	143.2 [42.0]	154.0 [45.1]	149.0 [43.7]	143.8 [42.1]	138.5 [40.6]	149.0 [43.7]	149.0 [43.7]	143.8 [42.1]	138.5 [40.6]
	Sens BTUH [kW]	103.3 [30.3]	75.3 [22.1]	75.3 [22.1]	120.9 [35.4]	105.2 [30.8]	90.5 [26.5]	120.9 [35.4]	137.2 [40.2]	120.3 [35.2]	104.3 [30.6]	120.9 [35.4]	137.2 [40.2]	120.3 [35.2]	104.3 [30.6]
	Power	12.1	11.6	11.6	12.0	11.8	11.6	12.0	11.9	11.7	11.5	11.6	11.9	11.7	11.5
100 [37.8]	Total BTUH [kW]	158.8 [45.9]	145.8 [42.7]	145.8 [42.7]	149.4 [43.8]	144.2 [42.3]	139.0 [40.7]	149.4 [43.8]	144.5 [42.3]	139.4 [40.8]	134.3 [39.3]	149.4 [43.8]	144.5 [42.3]	139.4 [40.8]	134.3 [39.3]
	Sens BTUH [kW]	100.6 [29.5]	73.4 [21.5]	73.4 [21.5]	118.2 [34.6]	102.9 [30.1]	88.6 [26.0]	118.2 [34.6]	134.6 [39.4]	118.0 [34.6]	102.4 [30.0]	118.2 [34.6]	134.6 [39.4]	118.0 [34.6]	102.4 [30.0]
	Power	12.6	12.2	12.2	12.5	12.3	12.1	12.5	12.4	12.2	12.0	12.1	12.4	12.2	12.0
105 [40.6]	Total BTUH [kW]	152.3 [44.6]	141.6 [41.5]	141.6 [41.5]	144.9 [42.5]	139.8 [41.0]	134.8 [39.5]	144.9 [42.5]	139.9 [41.0]	135.0 [39.6]	130.1 [38.1]	144.9 [42.5]	139.9 [41.0]	135.0 [39.6]	130.1 [38.1]
	Sens BTUH [kW]	98.0 [28.7]	71.5 [20.9]	71.5 [20.9]	115.6 [33.9]	100.6 [29.5]	86.7 [25.4]	115.6 [33.9]	131.9 [38.6]	115.7 [33.9]	100.5 [29.4]	115.6 [33.9]	131.9 [38.6]	115.7 [33.9]	100.5 [29.4]
	Power	13.2	12.7	12.7	13.1	12.9	12.6	13.1	13.0	12.8	12.5	12.6	13.0	12.8	12.5
110 [43.3]	Total BTUH [kW]	147.8 [43.3]	137.4 [40.3]	137.4 [40.3]	140.4 [41.1]	135.5 [39.7]	130.6 [38.3]	140.4 [41.1]	135.4 [39.7]	130.7 [38.3]	125.9 [36.9]	140.4 [41.1]	135.4 [39.7]	130.7 [38.3]	125.9 [36.9]
	Sens BTUH [kW]	95.3 [27.9]	69.6 [20.4]	69.6 [20.4]	112.9 [33.1]	98.4 [28.8]	84.8 [24.8]	112.9 [33.1]	129.2 [37.9]	113.5 [33.3]	98.6 [28.9]	112.9 [33.1]	129.2 [37.9]	113.5 [33.3]	98.6 [28.9]
	Power	13.8	13.3	13.3	13.7	13.5	13.2	13.7	13.6	13.4	13.1	13.2	13.6	13.4	13.1
115 [46.1]	Total BTUH [kW]	143.3 [42.0]	133.3 [39.1]	133.3 [39.1]	135.9 [39.8]	131.2 [38.4]	126.4 [37.0]	135.9 [39.8]	130.9 [38.4]	126.4 [37.0]	121.8 [35.7]	135.9 [39.8]	130.9 [38.4]	126.4 [37.0]	121.8 [35.7]
	Sens BTUH [kW]	92.6 [27.1]	67.7 [19.8]	67.7 [19.8]	110.1 [32.3]	96.0 [28.1]	82.7 [24.2]	110.1 [32.3]	126.4 [37.0]	111.1 [32.6]	96.6 [28.3]	110.1 [32.3]	126.4 [37.0]	111.1 [32.6]	96.6 [28.3]
	Power	14.4	13.9	13.9	14.3	14.1	13.8	14.3	14.2	14.0	13.7	13.8	14.2	14.0	13.7

DR — Depression ratio
 dbE — Entering air dry bulb
 w/E — Entering air wet bulb

Total capacity x 1000 BTUH
 Sensible capacity x 1000 BTUH
 Power — kW Input

NOTES: ① When the entering air dry bulb is other than 80°F [27°C], adjust the sensible capacity from the table by adding $[1.10 \times \text{CFM} \times (1 - \text{DR}) \times (\text{dbE} - 80)]$.

[] Designates Metric Conversions



Air

COOLING PERFORMANCE DATA — RACDZT090A

wBE	ENTERING INDOOR AIR @ 80°F [26.7°C] dbE ①														
	71°F [21.7°C]			67°F [19.4°C]			63°F [17.2°C]			61°F [16.1°C]			59°F [15.0°C]		
	3600 [1699]	2400 [1133]	1510	3600 [1699]	2400 [1133]	1510	3600 [1699]	2400 [1133]	1510	3600 [1699]	2400 [1133]	1510	3600 [1699]	2400 [1133]	1510
DR ①	0.22	0.14	0.2	0.22	0.14	0.2	0.22	0.14	0.2	0.22	0.14	0.2	0.22	0.14	0.2
Total BTUH [KW]	111.8 [32.8]	104.4 [30.6]	109.4 [32.0]	105.2 [30.8]	98.2 [28.8]	98.2 [28.8]	100.4 [29.4]	93.7 [27.5]	96.8 [28.4]	99.0 [29.0]	92.4 [27.1]	96.8 [28.4]	98.5 [28.9]	96.3 [28.2]	91.9 [26.9]
Sens BTUH [KW]	65.6 [19.2]	54.7 [16.0]	62.0 [18.2]	77.6 [22.7]	64.8 [19.0]	64.8 [19.0]	89.5 [26.2]	74.7 [21.9]	89.9 [26.4]	95.2 [27.9]	79.4 [23.3]	89.9 [26.4]	98.5 [28.9]	95.1 [27.9]	84.0 [24.6]
Power	4.5	4.3	4.4	4.4	4.4	4.4	4.4	4.3	4.3	4.3	4.2	4.3	4.3	4.3	4.2
Total BTUH [KW]	108.5 [31.8]	101.2 [29.7]	106.0 [31.1]	101.8 [29.8]	95.0 [27.8]	95.0 [27.8]	97.0 [28.4]	90.6 [26.5]	93.5 [27.4]	95.6 [28.0]	89.2 [26.2]	93.5 [27.4]	95.1 [27.9]	93.0 [27.2]	88.7 [26.0]
Sens BTUH [KW]	63.8 [18.7]	53.3 [15.6]	60.3 [17.7]	75.9 [22.2]	63.3 [18.6]	63.3 [18.6]	87.7 [25.7]	73.2 [21.4]	88.3 [25.9]	93.4 [27.4]	78.0 [22.8]	88.3 [25.9]	95.1 [27.9]	93.0 [27.2]	82.5 [24.2]
Power	4.9	4.7	4.8	4.8	4.7	4.7	4.8	4.7	4.7	4.7	4.6	4.7	4.7	4.6	4.5
Total BTUH [KW]	105.0 [30.8]	98.0 [28.7]	102.7 [30.1]	98.4 [28.8]	91.8 [26.9]	91.8 [26.9]	93.6 [27.4]	87.4 [25.6]	90.1 [26.4]	92.2 [27.0]	86.0 [25.2]	90.1 [26.4]	91.7 [26.9]	89.6 [26.3]	85.5 [25.1]
Sens BTUH [KW]	62.1 [18.2]	51.8 [15.2]	58.7 [17.2]	74.1 [21.7]	61.9 [18.1]	61.9 [18.1]	86.0 [25.2]	71.7 [21.0]	86.6 [25.4]	91.7 [26.9]	76.5 [22.4]	86.6 [25.4]	91.7 [26.9]	89.6 [26.3]	81.1 [23.8]
Power	5.3	5.2	5.3	5.3	5.1	5.1	5.2	5.0	5.1	5.2	5.0	5.1	5.2	5.1	5.0
Total BTUH [KW]	101.6 [29.8]	94.8 [27.8]	99.3 [29.1]	94.9 [27.8]	88.6 [26.0]	88.6 [26.0]	90.1 [26.4]	84.1 [24.7]	88.7 [26.0]	91.7 [26.9]	85.2 [25.0]	88.7 [26.0]	88.2 [25.8]	86.2 [25.3]	82.3 [24.1]
Sens BTUH [KW]	60.3 [17.7]	50.4 [14.8]	57.0 [16.7]	72.4 [21.2]	60.4 [17.7]	60.4 [17.7]	84.2 [24.7]	70.3 [20.6]	88.7 [26.0]	91.7 [26.9]	75.1 [22.0]	88.7 [26.0]	88.2 [25.8]	86.2 [25.3]	79.6 [23.3]
Power	5.9	5.7	5.8	5.8	5.6	5.6	5.8	5.6	5.7	5.7	5.5	5.7	5.7	5.6	5.5
Total BTUH [KW]	98.1 [28.7]	91.5 [26.8]	95.9 [28.1]	91.4 [26.8]	85.3 [25.0]	85.3 [25.0]	86.6 [25.4]	80.9 [23.7]	85.2 [25.0]	88.7 [26.0]	83.3 [24.4]	85.2 [25.0]	84.7 [24.8]	82.8 [24.3]	79.0 [23.2]
Sens BTUH [KW]	58.6 [17.2]	48.9 [14.3]	55.4 [16.2]	70.7 [20.7]	59.0 [17.3]	59.0 [17.3]	82.5 [24.2]	68.9 [20.2]	85.2 [25.0]	88.7 [26.0]	73.6 [21.6]	85.2 [25.0]	84.7 [24.8]	82.8 [24.3]	78.2 [22.9]
Power	6.5	6.3	6.4	6.4	6.2	6.2	6.4	6.2	6.3	6.3	6.1	6.3	6.3	6.2	6.1
Total BTUH [KW]	94.5 [27.7]	88.2 [25.9]	92.4 [27.1]	87.9 [25.8]	82.0 [24.0]	82.0 [24.0]	83.1 [24.4]	77.6 [22.7]	81.7 [23.9]	84.7 [24.8]	76.2 [22.3]	79.9 [23.4]	81.1 [23.8]	79.3 [23.3]	75.7 [22.2]
Sens BTUH [KW]	57.0 [16.7]	47.5 [13.9]	53.8 [15.8]	69.0 [20.2]	57.6 [16.9]	57.6 [16.9]	80.8 [23.7]	67.5 [19.8]	81.7 [23.9]	84.7 [24.8]	72.2 [21.2]	79.9 [23.4]	81.1 [23.8]	79.3 [23.3]	75.7 [22.2]
Power	7.2	6.9	7.1	7.1	6.9	6.9	7.1	6.8	7.0	7.0	6.8	7.0	7.0	6.9	6.8
Total BTUH [KW]	91.0 [26.7]	84.9 [24.9]	88.9 [26.1]	84.3 [24.7]	78.7 [23.1]	78.7 [23.1]	79.5 [23.3]	74.2 [21.8]	78.1 [22.9]	81.7 [23.9]	76.4 [22.4]	79.9 [23.4]	77.6 [22.7]	75.8 [22.2]	72.4 [21.2]
Sens BTUH [KW]	55.3 [16.2]	46.1 [13.5]	52.2 [15.3]	67.3 [19.7]	56.2 [16.5]	56.2 [16.5]	79.2 [23.2]	66.1 [19.4]	78.1 [22.9]	81.7 [23.9]	76.4 [22.4]	79.9 [23.4]	77.6 [22.7]	75.8 [22.2]	72.4 [21.2]
Power	7.9	7.7	7.9	7.9	7.6	7.6	7.8	7.6	7.8	7.8	7.7	7.8	7.8	7.7	7.5
Total BTUH [KW]	87.3 [25.6]	81.5 [23.9]	85.4 [25.0]	80.7 [23.6]	75.3 [22.1]	75.3 [22.1]	75.9 [22.2]	70.9 [20.8]	74.5 [21.8]	77.6 [22.7]	72.8 [21.3]	76.4 [22.4]	74.0 [21.7]	72.3 [21.2]	69.0 [20.2]
Sens BTUH [KW]	53.6 [15.7]	44.8 [13.1]	50.7 [14.8]	65.7 [19.2]	54.8 [16.1]	54.8 [16.1]	79.2 [23.2]	64.7 [19.0]	74.5 [21.8]	77.6 [22.7]	72.8 [21.3]	76.4 [22.4]	74.0 [21.7]	72.3 [21.2]	69.0 [20.2]
Power	8.8	8.5	8.7	8.7	8.4	8.4	8.7	8.4	8.6	8.6	8.5	8.5	8.6	8.5	8.3
Total BTUH [KW]	83.7 [24.5]	78.1 [22.9]	81.8 [24.0]	77.0 [22.6]	71.9 [21.1]	71.9 [21.1]	72.3 [21.2]	67.4 [19.8]	70.9 [20.8]	74.0 [21.7]	69.3 [20.3]	72.8 [21.3]	70.3 [20.6]	68.7 [20.1]	65.6 [19.2]
Sens BTUH [KW]	52.0 [15.2]	43.4 [12.7]	49.1 [14.4]	64.0 [18.8]	53.4 [15.7]	53.4 [15.7]	72.3 [21.2]	63.3 [18.6]	70.9 [20.8]	74.0 [21.7]	69.3 [20.3]	72.8 [21.3]	70.3 [20.6]	68.7 [20.1]	65.6 [19.2]
Power	9.7	9.4	9.6	9.6	9.3	9.3	9.6	9.3	9.6	9.6	9.5	9.5	9.5	9.4	9.2
Total BTUH [KW]	80.0 [23.4]	74.7 [21.9]	78.2 [22.9]	73.4 [21.5]	68.5 [20.1]	68.5 [20.1]	68.6 [20.1]	64.0 [18.8]	67.2 [19.7]	70.3 [20.6]	65.7 [19.2]	69.3 [20.3]	66.6 [19.5]	65.1 [19.1]	62.2 [18.2]
Sens BTUH [KW]	50.4 [14.8]	42.0 [12.3]	47.6 [13.9]	62.4 [18.3]	52.1 [15.3]	52.1 [15.3]	68.6 [20.1]	67.1 [19.6]	67.2 [19.7]	70.3 [20.6]	65.7 [19.2]	69.3 [20.3]	66.6 [19.5]	65.1 [19.1]	62.2 [18.2]
Power	10.7	10.3	10.6	10.6	10.3	10.3	10.6	10.5	10.6	10.6	10.4	10.4	10.5	10.4	10.2
Total BTUH [KW]	76.3 [22.4]	71.2 [20.9]	74.6 [21.9]	69.6 [20.4]	65.0 [19.0]	65.0 [19.0]	64.9 [19.0]	60.5 [17.7]	63.4 [18.6]	66.6 [19.5]	62.0 [18.2]	65.7 [19.2]	62.9 [18.4]	61.5 [18.0]	58.7 [17.2]
Sens BTUH [KW]	48.8 [14.3]	40.7 [11.9]	46.1 [13.5]	60.8 [17.8]	50.8 [14.9]	50.8 [14.9]	64.9 [19.0]	60.5 [17.7]	63.4 [18.6]	66.6 [19.5]	62.0 [18.2]	65.7 [19.2]	62.9 [18.4]	61.5 [18.0]	58.7 [17.2]
Power	11.8	11.4	11.6	11.7	11.6	11.6	11.7	11.3	11.6	11.6	11.5	11.5	11.6	11.5	11.2

OUT DOOR DRY BULB TEMPERATURE °F [°C]

DR —Depression ratio
dbE —Entering air dry bulb
wBE —Entering air wet bulb

Total capacity x 1000 BTUH
Sens —Sensible capacity x 1000 BTUH
Power —KW input

NOTES: ① When the entering air dry bulb is other than 80°F [27°C], adjust the sensible capacity from the table by adding [1.10 x CFM x (1 - DR) x (dbE - 80)].

[] Designates Metric Conversions



COOLING PERFORMANCE DATA — RACDZT120A

WBE		ENTERING INDOOR AIR @ 80°F [26.7°C] dbE ①											
		71°F [21.7°C]		67°F [19.4°C]		63°F [17.2°C]		61°F [16.1°C]		59°F [15.0°C]			
CFM [L/s]	DR ①	4800 [2265]	3750 [1770]	3200 [1510]	4800 [2265]	3750 [1770]	3200 [1510]	4800 [2265]	3750 [1770]	3200 [1510]	4800 [2265]	3750 [1770]	3200 [1510]
75 [23.9]	Total BTUH [kW]	155.3 [45.5]	147.8 [43.3]	143.8 [42.2]	147.8 [43.3]	140.7 [41.2]	136.9 [40.1]	142.8 [41.8]	135.8 [39.8]	132.2 [38.7]	141.5 [41.5]	134.7 [39.5]	131.1 [38.4]
	Sens BTUH [kW]	97.3 [28.5]	86.1 [25.2]	80.2 [23.5]	115.8 [33.9]	102.4 [30.0]	95.4 [28.0]	132.9 [38.9]	117.5 [34.4]	109.5 [32.1]	140.6 [41.2]	124.3 [36.4]	115.8 [33.9]
	Power	7.5	7.3	7.2	7.4	7.2	7.1	7.3	7.1	7.0	7.2	7.1	7.0
80 [26.7]	Total BTUH [kW]	150.6 [44.1]	143.4 [42.0]	139.5 [40.9]	143.2 [42.0]	136.2 [39.9]	132.6 [38.9]	138.1 [40.5]	131.4 [38.5]	127.9 [37.5]	136.9 [40.1]	130.2 [38.2]	126.8 [37.1]
	Sens BTUH [kW]	94.9 [27.8]	84.0 [24.6]	78.2 [22.9]	113.5 [33.2]	100.3 [29.4]	93.5 [27.4]	130.5 [38.2]	115.4 [33.8]	107.5 [31.5]	136.9 [40.1]	122.2 [35.8]	113.8 [33.4]
	Power	7.9	7.7	7.6	7.8	7.6	7.5	7.7	7.5	7.4	7.7	7.5	7.4
85 [29.4]	Total BTUH [kW]	146.0 [42.8]	138.9 [40.7]	135.2 [39.6]	138.5 [40.6]	131.8 [38.6]	128.3 [37.6]	133.5 [39.1]	127.0 [37.2]	123.6 [36.2]	132.2 [38.7]	125.8 [36.9]	122.5 [35.9]
	Sens BTUH [kW]	92.5 [27.1]	81.8 [24.0]	76.2 [22.3]	111.0 [32.5]	98.2 [28.8]	91.5 [26.8]	128.1 [37.5]	113.3 [33.2]	105.5 [30.9]	132.2 [38.7]	120.1 [35.2]	111.9 [32.8]
	Power	8.3	8.1	8.0	8.2	8.0	7.9	8.2	8.0	7.9	8.1	7.9	7.8
90 [32.2]	Total BTUH [kW]	141.4 [41.4]	134.5 [39.4]	131.0 [38.4]	133.9 [39.2]	127.4 [37.3]	124.0 [36.3]	128.8 [37.8]	122.6 [35.9]	119.3 [35.0]	127.6 [37.4]	121.4 [35.6]	118.2 [34.6]
	Sens BTUH [kW]	90.1 [26.4]	79.7 [23.3]	74.2 [21.7]	108.6 [31.8]	96.0 [28.1]	89.5 [26.5]	125.6 [36.8]	111.1 [32.6]	103.5 [30.3]	127.6 [37.4]	117.9 [34.5]	109.8 [32.2]
	Power	8.8	8.6	8.5	8.7	8.5	8.4	8.6	8.4	8.3	8.6	8.4	8.3
95 [35]	Total BTUH [kW]	136.8 [40.1]	130.2 [38.1]	126.7 [37.1]	129.3 [37.9]	123.0 [36.1]	119.7 [35.1]	124.2 [36.4]	118.2 [35.9]	115.1 [33.7]	123.0 [36.0]	117.0 [34.3]	113.9 [33.4]
	Sens BTUH [kW]	87.6 [25.7]	77.5 [22.7]	72.2 [21.1]	106.1 [31.1]	93.8 [27.5]	87.4 [25.6]	123.1 [36.1]	108.9 [31.9]	101.5 [29.7]	123.0 [36.0]	115.7 [33.9]	107.8 [31.6]
	Power	9.3	9.1	9.0	9.2	9.0	8.9	9.1	8.9	8.8	9.1	8.9	8.8
100 [37.8]	Total BTUH [kW]	132.2 [38.7]	125.8 [36.9]	122.4 [35.9]	124.7 [36.5]	118.7 [34.8]	115.5 [33.8]	119.6 [35.1]	113.8 [33.4]	110.8 [32.5]	118.4 [34.7]	112.7 [33.0]	109.7 [32.1]
	Sens BTUH [kW]	85.1 [24.9]	75.2 [22.0]	70.1 [20.5]	103.6 [30.3]	91.6 [26.8]	85.3 [25.0]	119.6 [35.1]	106.7 [31.3]	99.4 [29.1]	118.4 [34.7]	112.7 [33.0]	105.7 [31.0]
	Power	9.9	9.6	9.5	9.8	9.5	9.4	9.7	9.5	9.3	9.6	9.4	9.2
105 [40.6]	Total BTUH [kW]	127.6 [37.4]	121.4 [35.6]	118.2 [34.6]	120.1 [35.2]	114.3 [33.5]	111.2 [32.6]	115.1 [33.7]	109.5 [32.1]	106.6 [31.2]	113.8 [33.4]	108.3 [31.7]	105.4 [30.9]
	Sens BTUH [kW]	82.5 [24.2]	73.0 [21.4]	68.0 [19.9]	101.0 [29.6]	89.3 [26.2]	83.2 [24.4]	115.1 [33.7]	104.4 [30.6]	97.3 [28.5]	113.8 [33.4]	108.3 [31.7]	103.6 [30.4]
	Power	10.5	10.2	10.1	10.4	10.1	10.0	10.3	10.0	9.9	10.2	10.0	9.8
110 [43.3]	Total BTUH [kW]	123.0 [36.1]	117.1 [34.3]	114.0 [33.4]	115.5 [33.9]	109.9 [32.2]	107.0 [31.4]	110.5 [32.4]	105.1 [30.8]	102.3 [30.0]	109.3 [32.0]	104.0 [30.5]	101.2 [29.7]
	Sens BTUH [kW]	79.9 [23.4]	70.6 [20.7]	65.8 [19.3]	98.4 [28.8]	87.0 [25.5]	81.1 [23.8]	110.5 [32.4]	102.1 [29.9]	95.1 [27.9]	109.3 [32.0]	104.0 [30.5]	101.2 [29.7]
	Power	11.1	10.8	10.7	11.0	10.7	10.6	10.9	10.6	10.5	10.8	10.6	10.4
115 [46.1]	Total BTUH [kW]	118.5 [34.7]	112.7 [33.0]	109.7 [32.2]	111.0 [32.5]	105.6 [31.0]	102.8 [30.1]	105.9 [31.0]	100.8 [29.5]	98.1 [28.8]	104.7 [30.7]	99.6 [29.2]	97.0 [28.4]
	Sens BTUH [kW]	77.2 [22.6]	68.3 [20.0]	63.6 [18.6]	95.7 [28.1]	84.7 [24.8]	78.9 [23.1]	105.9 [31.0]	99.8 [29.2]	92.9 [27.2]	104.7 [30.7]	99.6 [29.2]	97.0 [28.4]
	Power	11.7	11.4	11.3	11.6	11.3	11.2	11.5	11.2	11.1	11.5	11.2	11.1
120 [48.9]	Total BTUH [kW]	113.9 [33.4]	108.4 [31.8]	105.5 [30.9]	106.5 [31.2]	101.3 [29.7]	98.6 [28.9]	101.4 [29.7]	96.5 [28.3]	93.9 [27.5]	100.2 [29.4]	95.3 [27.9]	92.8 [27.2]
	Sens BTUH [kW]	74.5 [21.8]	65.9 [19.3]	61.4 [18.0]	93.0 [27.3]	82.3 [24.1]	76.7 [22.5]	101.4 [29.7]	96.5 [28.3]	90.7 [26.6]	100.2 [29.4]	95.3 [27.9]	92.8 [27.2]
	Power	12.4	12.1	11.9	12.3	12.0	11.8	12.2	11.9	11.7	12.1	11.9	11.7
125 [51.7]	Total BTUH [kW]	109.4 [32.1]	104.1 [30.5]	101.3 [29.7]	101.9 [29.9]	97.0 [28.4]	94.4 [27.7]	96.9 [28.4]	92.2 [27.0]	89.7 [26.3]	95.6 [28.0]	91.0 [26.7]	88.6 [26.0]
	Sens BTUH [kW]	71.8 [21.0]	63.5 [18.6]	59.2 [17.3]	90.3 [26.5]	79.9 [23.4]	74.4 [21.8]	96.9 [28.4]	92.2 [27.0]	88.5 [25.9]	95.6 [28.0]	91.0 [26.7]	88.6 [26.0]
	Power	13.1	12.8	12.6	13.0	12.7	12.5	12.9	12.6	12.4	12.9	12.5	12.4

OUT DOOR DRY BULB TEMPERATURE °F [°C]

DR — Depression ratio
 dbE — Entering air dry bulb
 wBE — Entering air wet bulb

① Total capacity x 1000 BTUH
 — Sensible capacity x 1000 BTUH
 — Power — kW input

NOTES: ① When the entering air dry bulb is other than 80°F [27°C], adjust the sensible capacity from the table by adding [1.10 x CFM x (1 - DR) x (dbE - 80)].

[] Designates Metric Conversions

COOLING PERFORMANCE DATA — RACDZT150A

wDE		ENTERING INDOOR AIR @ 80°F [26.7°C] dbE ①											
		71°F [21.7°C]				67°F [19.4°C]				63°F [17.2°C]			
		4500 [2124]	3000 [1416]	0	0.01	4500 [2124]	3000 [1416]	0	0.01	4500 [2124]	3000 [1416]	0	0.01
75 [23.9]	Total BTUH [kW]	179.6 [52.6]	167.0 [48.9]	172.2 [50.5]	166.2 [48.7]	172.2 [50.5]	166.2 [48.7]	172.2 [50.5]	166.2 [48.7]	160.2 [46.9]	167.3 [49.0]	161.4 [47.3]	155.5 [45.6]
	Sens BTUH [kW]	113.4 [33.2]	82.6 [24.2]	131.0 [38.4]	113.8 [33.3]	131.0 [38.4]	113.8 [33.3]	131.0 [38.4]	113.8 [33.3]	97.7 [28.6]	147.4 [43.2]	128.9 [37.8]	111.5 [32.7]
	Power	10.2	9.9	10.1	9.9	10.1	9.9	10.1	9.9	9.8	10.0	9.9	9.7
80 [26.7]	Total BTUH [kW]	175.0 [51.3]	162.8 [47.7]	167.6 [49.1]	161.8 [47.4]	167.6 [49.1]	161.8 [47.4]	167.6 [49.1]	161.8 [47.4]	155.9 [45.7]	162.7 [47.7]	157.0 [46.0]	151.3 [44.3]
	Sens BTUH [kW]	110.9 [32.5]	80.9 [23.7]	128.5 [37.7]	111.7 [32.7]	128.5 [37.7]	111.7 [32.7]	128.5 [37.7]	111.7 [32.7]	95.9 [28.1]	144.9 [42.5]	126.8 [37.2]	109.8 [32.2]
	Power	10.6	10.3	10.5	10.4	10.5	10.4	10.5	10.4	10.2	10.4	10.3	10.1
85 [29.4]	Total BTUH [kW]	170.5 [50.0]	158.5 [46.4]	163.1 [47.8]	157.4 [46.1]	163.1 [47.8]	157.4 [46.1]	163.1 [47.8]	157.4 [46.1]	151.6 [44.4]	158.1 [46.3]	152.5 [44.7]	147.0 [43.1]
	Sens BTUH [kW]	108.5 [31.8]	79.1 [23.2]	126.1 [36.9]	109.6 [32.1]	126.1 [36.9]	109.6 [32.1]	126.1 [36.9]	109.6 [32.1]	94.1 [27.6]	142.4 [41.7]	124.6 [36.5]	108.0 [31.6]
	Power	11.1	10.7	11.0	10.8	11.0	10.8	11.0	10.8	10.6	10.9	10.7	10.5
90 [32.2]	Total BTUH [kW]	165.9 [48.6]	154.3 [45.2]	158.5 [46.4]	153.0 [44.8]	158.5 [46.4]	153.0 [44.8]	158.5 [46.4]	153.0 [44.8]	147.4 [43.2]	153.5 [45.0]	148.1 [43.4]	142.8 [41.8]
	Sens BTUH [kW]	105.8 [31.0]	77.2 [22.6]	123.4 [36.2]	107.4 [31.5]	123.4 [36.2]	107.4 [31.5]	123.4 [36.2]	107.4 [31.5]	92.3 [27.0]	139.7 [40.9]	122.4 [35.9]	106.2 [31.1]
	Power	11.6	11.2	11.5	11.3	11.5	11.3	11.5	11.3	11.1	11.4	11.2	11.0
95 [35]	Total BTUH [kW]	161.4 [47.3]	150.0 [43.9]	154.0 [45.1]	148.6 [43.5]	154.0 [45.1]	148.6 [43.5]	154.0 [45.1]	148.6 [43.5]	143.2 [42.0]	149.0 [43.7]	143.8 [42.1]	138.5 [40.6]
	Sens BTUH [kW]	103.3 [30.3]	75.3 [22.1]	120.9 [35.4]	105.2 [30.8]	120.9 [35.4]	105.2 [30.8]	120.9 [35.4]	105.2 [30.8]	90.5 [26.5]	137.2 [40.2]	120.3 [35.2]	104.3 [30.6]
	Power	12.1	11.6	12.0	11.8	12.0	11.8	12.0	11.8	11.6	11.9	11.7	11.5
100 [37.8]	Total BTUH [kW]	158.8 [45.9]	145.8 [42.7]	149.4 [43.8]	144.2 [42.3]	149.4 [43.8]	144.2 [42.3]	149.4 [43.8]	144.2 [42.3]	139.0 [40.7]	144.5 [42.3]	139.4 [40.8]	134.3 [39.3]
	Sens BTUH [kW]	100.6 [29.5]	73.4 [21.5]	118.2 [34.6]	102.9 [30.1]	118.2 [34.6]	102.9 [30.1]	118.2 [34.6]	102.9 [30.1]	88.6 [26.0]	134.6 [39.4]	118.0 [34.6]	102.4 [30.0]
	Power	12.6	12.2	12.5	12.3	12.5	12.3	12.5	12.3	12.1	12.4	12.2	12.0
105 [40.6]	Total BTUH [kW]	152.3 [44.6]	141.6 [41.5]	144.9 [42.5]	139.8 [41.0]	144.9 [42.5]	139.8 [41.0]	144.9 [42.5]	139.8 [41.0]	134.8 [39.5]	139.9 [41.0]	135.0 [39.6]	130.1 [38.1]
	Sens BTUH [kW]	98.0 [28.7]	71.5 [20.9]	115.6 [33.9]	100.6 [29.5]	115.6 [33.9]	100.6 [29.5]	115.6 [33.9]	100.6 [29.5]	86.7 [25.4]	131.9 [38.6]	115.7 [33.9]	100.5 [29.4]
	Power	13.2	12.7	13.1	12.9	13.1	12.9	13.1	12.9	12.6	13.0	12.8	12.5
110 [43.3]	Total BTUH [kW]	147.8 [43.3]	137.4 [40.3]	140.4 [41.1]	135.5 [39.7]	140.4 [41.1]	135.5 [39.7]	140.4 [41.1]	135.5 [39.7]	130.6 [38.3]	135.4 [39.7]	130.7 [38.3]	125.9 [36.9]
	Sens BTUH [kW]	95.3 [27.9]	69.6 [20.4]	112.9 [33.1]	98.4 [28.8]	112.9 [33.1]	98.4 [28.8]	112.9 [33.1]	98.4 [28.8]	84.8 [24.8]	129.2 [37.9]	113.5 [33.3]	98.6 [28.9]
	Power	13.8	13.3	13.7	13.5	13.7	13.5	13.7	13.5	13.2	13.6	13.4	13.1
115 [46.1]	Total BTUH [kW]	143.3 [42.0]	133.3 [39.1]	135.9 [39.8]	131.2 [38.4]	135.9 [39.8]	131.2 [38.4]	135.9 [39.8]	131.2 [38.4]	126.4 [37.0]	130.9 [38.4]	126.4 [37.0]	121.8 [35.7]
	Sens BTUH [kW]	92.6 [27.1]	67.7 [19.8]	110.1 [32.3]	96.0 [28.1]	110.1 [32.3]	96.0 [28.1]	110.1 [32.3]	96.0 [28.1]	82.7 [24.2]	126.4 [37.0]	111.1 [32.6]	96.6 [28.3]
	Power	14.4	13.9	14.3	14.1	14.3	14.1	14.3	14.1	13.8	14.2	14.0	13.7

[] Designates Metric Conversions

NOTES: ① When the entering air dry bulb is other than 80°F [27°C], adjust the sensible capacity from the table by adding $[1.10 \times \text{CFM} \times (1 - \text{DR}) \times (\text{dbE} - 80)]$.

DR — Depression ratio
 dbE — Entering air dry bulb
 wDE — Entering air wet bulb
 Total — Total capacity x 1000 BTUH
 Sens — Sensible capacity x 1000 BTUH
 Power — KW Input



GROSS SYSTEMS PERFORMANCE DATA (LOW REHEAT MODE) – RACDZS090

		ENTERING INDOOR AIR @ 75°F [23.9°C] dB _E ①									
wbE		65.3°F [18.5°C]			64°F [17.8°C]			62.5°F [16.9°C]			
CFM [L/s]		1800 [850]	1700 [802]	1200 [566]	1800 [850]	1700 [802]	1200 [566]	1800 [850]	1700 [802]	1200 [566]	
OUTDOOR DRY BULB TEMPERATURE °F [°C]	60 [15.6]	Total BTUH [kW]	29.7 [8.7]	29.4 [8.6]	27.9 [8.2]	27.0 [7.9]	26.7 [7.8]	25.3 [7.4]	26.6 [7.8]	26.4 [7.7]	24.9 [7.3]
		Sens BTUH [kW]	6.5 [1.9]	6.3 [1.8]	5.4 [1.6]	9.0 [2.6]	8.7 [2.6]	7.5 [2.2]	11.4 [3.4]	11.1 [3.3]	9.6 [2.8]
		Power	3.2	3.1	3.1	3.2	3.2	3.1	3.2	3.2	3.1
	65 [18.3]	Total BTUH [kW]	29.5 [8.6]	29.2 [8.5]	27.6 [8.1]	26.7 [7.8]	26.4 [7.7]	25.0 [7.3]	26.4 [7.7]	26.1 [7.6]	24.7 [7.2]
		Sens BTUH [kW]	5.0 [1.5]	4.9 [1.4]	4.2 [1.2]	7.6 [2.2]	7.4 [2.2]	6.3 [1.9]	10.0 [2.9]	9.7 [2.9]	8.4 [2.5]
		Power	3.2	3.2	3.1	3.3	3.2	3.2	3.2	3.2	3.1
	70 [21.1]	Total BTUH [kW]	28.8 [8.4]	28.5 [8.4]	27.0 [7.9]	26.0 [7.6]	25.8 [7.6]	24.4 [7.1]	25.7 [7.5]	25.4 [7.5]	24.1 [7.1]
Sens BTUH [kW]		3.7 [1.1]	3.6 [1.0]	3.1 [0.9]	6.2 [1.8]	6.0 [1.8]	5.2 [1.5]	8.6 [2.5]	8.4 [2.5]	7.2 [2.1]	
Power		3.2	3.2	3.1	3.3	3.3	3.2	3.3	3.3	3.2	
75 [23.9]	Total BTUH [kW]	27.8 [8.1]	27.5 [8.1]	26.0 [7.6]	25.0 [7.3]	24.7 [7.2]	23.4 [6.9]	24.7 [7.2]	24.4 [7.2]	23.1 [6.8]	
	Sens BTUH [kW]	2.3 [0.7]	2.3 [0.7]	2.0 [0.6]	4.9 [1.4]	4.7 [1.4]	4.1 [1.2]	7.3 [2.1]	7.1 [2.1]	6.1 [1.8]	
	Power	3.3	3.3	3.2	3.4	3.4	3.3	3.4	3.4	3.3	
80 [26.7]	Total BTUH [kW]	26.3 [7.7]	26.0 [7.6]	24.6 [7.2]	23.5 [6.9]	23.3 [6.8]	22.1 [6.5]	23.2 [6.8]	23.0 [6.7]	21.7 [6.4]	
	Sens BTUH [kW]	1.1 [0.3]	1.0 [0.3]	0.9 [0.3]	3.6 [1.0]	3.5 [1.0]	3.0 [0.9]	6.0 [1.8]	5.9 [1.7]	5.1 [1.5]	
	Power	3.4	3.4	3.3	3.5	3.5	3.4	3.5	3.5	3.4	
85 [29.4]	Total BTUH [kW]	24.5 [7.2]	24.2 [7.1]	22.9 [6.7]	21.7 [6.4]	21.5 [6.3]	20.3 [6.0]	21.4 [6.3]	21.1 [6.2]	20.0 [5.9]	
	Sens BTUH [kW]	-0.2 [-0.1]	-0.2 [0.0]	-0.1 [0.0]	2.4 [0.7]	2.3 [0.7]	2.0 [0.6]	4.8 [1.4]	4.7 [1.4]	4.0 [1.2]	
	Power	3.6	3.6	3.5	3.7	3.6	3.6	3.6	3.6	3.5	
90 [32.2]	Total BTUH [kW]	22.2 [6.5]	22.0 [6.4]	20.8 [6.1]	19.5 [5.7]	19.3 [5.6]	18.2 [5.3]	19.1 [5.6]	18.9 [5.5]	17.9 [5.3]	
	Sens BTUH [kW]	-1.3 [-0.4]	-1.3 [-0.4]	-1.1 [-0.3]	1.2 [0.3]	1.1 [0.3]	1.0 [0.3]	3.6 [1.1]	3.5 [1.0]	3.0 [0.9]	
	Power	3.8	3.7	3.6	3.8	3.8	3.7	3.8	3.8	3.7	

GROSS SYSTEMS PERFORMANCE DATA (HIGH REHEAT MODE) – RACDZS090

		ENTERING INDOOR AIR @ 75°F [23.9°C] dB _E ①									
wbE		65.3°F [18.5°C]			64°F [17.8°C]			62.5°F [16.9°C]			
CFM [L/s]		3600 [1699]	2900 [1369]	2400 [1133]	3600 [1699]	2900 [1369]	2400 [1133]	3600 [1699]	2900 [1369]	2400 [1133]	
OUTDOOR DRY BULB TEMPERATURE °F [°C]	60 [15.6]	Total BTUH [kW]	41.7 [12.2]	39.9 [11.7]	38.7 [11.3]	40.1 [11.8]	38.4 [11.3]	37.2 [10.9]	40.0 [11.7]	38.3 [11.2]	37.1 [10.9]
		Sens BTUH [kW]	8.9 [2.6]	8.0 [2.4]	7.4 [2.2]	12.8 [3.7]	11.5 [3.4]	10.5 [3.1]	18.5 [5.4]	16.7 [4.9]	15.3 [4.5]
		Power	5.0	4.9	4.8	4.9	4.8	4.8	4.9	4.8	4.8
	70 [21.1]	Total BTUH [kW]	39.8 [11.7]	38.1 [11.2]	36.9 [10.8]	38.3 [11.2]	36.7 [10.7]	35.5 [10.4]	38.1 [11.2]	36.5 [10.7]	35.4 [10.4]
		Sens BTUH [kW]	5.9 [1.7]	5.3 [1.6]	4.9 [1.4]	9.8 [2.9]	8.8 [2.6]	8.1 [2.4]	15.5 [4.6]	14.0 [4.1]	12.8 [3.8]
		Power	5.1	5.0	4.9	5.1	5.0	4.9	5.0	4.9	4.9
	80 [26.7]	Total BTUH [kW]	36.7 [10.7]	35.1 [10.3]	34.0 [10.0]	35.1 [10.3]	33.7 [9.9]	32.6 [9.6]	35.0 [10.3]	33.5 [9.8]	32.5 [9.5]
Sens BTUH [kW]		2.1 [0.6]	1.9 [0.5]	1.7 [0.5]	5.9 [1.7]	5.3 [1.6]	4.9 [1.4]	11.7 [3.4]	10.5 [3.1]	9.6 [2.8]	
Power		5.4	5.3	5.2	5.3	5.2	5.1	5.3	5.2	5.1	
90 [32.2]	Total BTUH [kW]	32.3 [9.5]	30.9 [9.1]	30.0 [8.8]	30.8 [9.0]	29.5 [8.6]	28.5 [8.4]	30.6 [9.0]	29.3 [8.6]	28.4 [8.3]	
	Sens BTUH [kW]	-2.7 [-0.8]	-2.4 [-0.7]	-2.2 [-0.6]	1.2 [0.3]	1.0 [0.3]	1.0 [0.3]	6.9 [2.0]	6.2 [1.8]	5.7 [1.7]	
	Power	5.8	5.6	5.6	5.7	5.6	5.5	5.7	5.6	5.5	
100 [37.8]	Total BTUH [kW]	26.7 [7.8]	25.5 [7.5]	24.7 [7.3]	25.1 [7.4]	24.1 [7.1]	23.3 [6.8]	25.0 [7.3]	23.9 [7.0]	23.2 [6.8]	
	Sens BTUH [kW]	-8.3 [-2.4]	-7.4 [-2.2]	-6.8 [-2.0]	-4.4 [-1.3]	-4.0 [-1.2]	-3.7 [-1.1]	1.3 [0.4]	1.2 [0.4]	1.1 [0.3]	
	Power	6.3	6.2	6.1	6.2	6.1	6.0	6.2	6.1	6.0	
110 [43.3]	Total BTUH [kW]	19.8 [5.8]	19.0 [5.6]	18.4 [5.4]	18.3 [5.4]	17.5 [5.1]	17.0 [5.0]	18.1 [5.3]	17.4 [5.1]	16.8 [4.9]	
	Sens BTUH [kW]	-14.7 [-4.3]	-13.2 [-3.9]	-12.2 [-3.6]	-10.9 [-3.2]	-9.8 [-2.9]	-9.0 [-2.6]	-5.1 [-1.5]	-4.6 [-1.4]	-4.2 [-1.2]	
	Power	6.9	6.8	6.7	6.9	6.7	6.6	6.9	6.7	6.6	
120 [48.9]	Total BTUH [kW]	11.7 [3.4]	11.2 [3.3]	10.8 [3.2]	10.1 [3.0]	9.7 [2.8]	9.4 [2.8]	10.0 [2.9]	9.6 [2.8]	9.3 [2.7]	
	Sens BTUH [kW]	-22.1 [-6.5]	-19.8 [-5.8]	-18.2 [-5.3]	-18.2 [-5.3]	-16.4 [-4.8]	-15.1 [-4.4]	-12.5 [-3.7]	-11.2 [-3.3]	-10.3 [-3.0]	
	Power	7.8	7.6	7.5	7.7	7.5	7.4	7.7	7.5	7.4	





GROSS SYSTEMS PERFORMANCE DATA (LOW REHEAT MODE) – RACDZS102

		ENTERING INDOOR AIR @ 75°F [23.9°C] dbE ①									
wbE		65.3°F [18.5°C]			64°F [17.8°C]			62.5°F [16.9°C]			
CFM [L/s]		2100 [991]	1700 [802]	1400 [661]	2100 [991]	1700 [802]	1400 [661]	2100 [991]	1700 [802]	1400 [661]	
OUTDOOR DRY BULB TEMPERATURE °F [°C]	60 [15.6]	Total BTUH [kW]	36.6 [10.7]	35.1 [10.3]	33.9 [9.9]	34.5 [10.1]	33.1 [9.7]	32.1 [9.4]	31.9 [9.3]	30.6 [9.0]	29.6 [8.7]
		Sens BTUH [kW]	7.1 [2.1]	6.4 [1.9]	5.9 [1.7]	9.0 [2.6]	8.1 [2.4]	7.4 [2.2]	10.7 [3.1]	9.7 [2.8]	8.9 [2.6]
		Power	3.9	3.8	3.7	3.8	3.8	3.7	3.8	3.8	3.7
	65 [18.3]	Total BTUH [kW]	35.5 [10.4]	34.0 [10.0]	32.9 [9.6]	33.4 [9.8]	32.1 [9.4]	31.0 [9.1]	30.8 [9.0]	29.5 [8.6]	28.6 [8.4]
		Sens BTUH [kW]	6.1 [1.8]	5.5 [1.6]	5.0 [1.5]	8.0 [2.3]	7.2 [2.1]	6.6 [1.9]	9.7 [2.8]	8.7 [2.6]	8.0 [2.4]
		Power	3.9	3.8	3.8	3.9	3.8	3.8	3.9	3.8	3.8
	70 [21.1]	Total BTUH [kW]	34.1 [10.0]	32.7 [9.6]	31.7 [9.3]	32.1 [9.4]	30.8 [9.0]	29.8 [8.7]	29.5 [8.6]	28.3 [8.3]	27.4 [8.0]
Sens BTUH [kW]		4.8 [1.4]	4.3 [1.3]	4.0 [1.2]	6.7 [2.0]	6.0 [1.8]	5.5 [1.6]	8.5 [2.5]	7.6 [2.2]	7.0 [2.0]	
Power		4.0	3.9	3.9	4.0	3.9	3.9	4.0	3.9	3.9	
75 [23.9]	Total BTUH [kW]	32.7 [9.6]	31.3 [9.2]	30.3 [8.9]	30.6 [9.0]	29.4 [8.6]	28.4 [8.3]	28.0 [8.2]	26.8 [7.9]	26.0 [7.6]	
	Sens BTUH [kW]	3.3 [1.0]	3.0 [0.9]	2.8 [0.8]	5.2 [1.5]	4.7 [1.4]	4.3 [1.3]	7.0 [2.0]	6.3 [1.8]	5.8 [1.7]	
	Power	4.1	4.0	4.0	4.1	4.0	4.0	4.1	4.0	4.0	
80 [26.7]	Total BTUH [kW]	31.0 [9.1]	29.7 [8.7]	28.8 [8.4]	29.0 [8.5]	27.8 [8.1]	26.9 [7.9]	26.3 [7.7]	25.2 [7.4]	24.4 [7.2]	
	Sens BTUH [kW]	1.7 [0.5]	1.5 [0.4]	1.4 [0.4]	3.6 [1.0]	3.2 [0.9]	2.9 [0.9]	5.3 [1.6]	4.8 [1.4]	4.4 [1.3]	
	Power	4.3	4.2	4.1	4.3	4.2	4.1	4.3	4.2	4.1	
85 [29.4]	Total BTUH [kW]	29.1 [8.5]	27.9 [8.2]	27.0 [7.9]	27.1 [7.9]	26.0 [7.6]	25.1 [7.4]	24.4 [7.2]	23.4 [6.9]	22.7 [6.6]	
	Sens BTUH [kW]	-0.2 [-0.1]	-0.2 [-0.1]	-0.2 [-0.1]	1.7 [0.5]	1.5 [0.4]	1.4 [0.4]	3.4 [1.0]	3.1 [0.9]	2.8 [0.8]	
	Power	4.4	4.3	4.3	4.4	4.3	4.3	4.4	4.3	4.3	
90 [32.2]	Total BTUH [kW]	27.1 [7.9]	26.0 [7.6]	25.1 [7.4]	25.0 [7.3]	24.0 [7.0]	23.2 [6.8]	22.4 [6.6]	21.5 [6.3]	20.8 [6.1]	
	Sens BTUH [kW]	-2.3 [-0.7]	-2.1 [-0.6]	-1.9 [-0.6]	-0.4 [-0.1]	-0.4 [-0.1]	-0.4 [-0.1]	1.3 [0.4]	1.2 [0.3]	1.1 [0.3]	
	Power	4.6	4.5	4.4	4.6	4.5	4.4	4.6	4.5	4.4	

GROSS SYSTEMS PERFORMANCE DATA (HIGH REHEAT MODE) – RACDZS102

		ENTERING INDOOR AIR @ 75°F [23.9°C] dbE ①									
wbE		65.3°F [18.5°C]			64°F [17.8°C]			62.5°F [16.9°C]			
CFM [L/s]		4100 [1935]	2900 [1369]	2700 [1274]	4100 [1935]	2900 [1369]	2700 [1274]	4100 [1935]	2900 [1369]	2700 [1274]	
OUTDOOR DRY BULB TEMPERATURE °F [°C]	60 [15.6]	Total BTUH [kW]	57.6 [16.9]	53.6 [15.7]	52.9 [15.5]	45.7 [13.4]	42.5 [12.5]	42.0 [12.3]	51.3 [15.0]	47.7 [14.0]	47.1 [13.8]
		Sens BTUH [kW]	12.7 [3.7]	10.7 [3.1]	10.3 [3.0]	14.6 [4.3]	12.2 [3.6]	11.8 [3.5]	20.5 [6.0]	17.2 [5.0]	16.6 [4.9]
		Power	6.6	6.4	6.3	5.2	5.0	5.0	6.3	6.1	6.0
	70 [21.1]	Total BTUH [kW]	52.7 [15.5]	49.1 [14.4]	48.4 [14.2]	40.9 [12.0]	38.0 [11.1]	37.5 [11.0]	46.4 [13.6]	43.2 [12.7]	42.6 [12.5]
		Sens BTUH [kW]	10.1 [3.0]	8.5 [2.5]	8.2 [2.4]	11.9 [3.5]	10.0 [2.9]	9.7 [2.8]	17.9 [5.2]	15.0 [4.4]	14.5 [4.2]
		Power	6.4	6.1	6.1	5.0	4.8	4.8	6.0	5.8	5.8
	80 [26.7]	Total BTUH [kW]	46.3 [13.6]	43.1 [12.6]	42.6 [12.5]	34.5 [10.1]	32.1 [9.4]	31.6 [9.3]	40.0 [11.7]	37.2 [10.9]	36.7 [10.8]
Sens BTUH [kW]		5.6 [1.6]	4.7 [1.4]	4.5 [1.3]	7.4 [2.2]	6.2 [1.8]	6.0 [1.8]	13.3 [3.9]	11.2 [3.3]	10.8 [3.2]	
Power		6.4	6.1	6.1	5.0	4.8	4.8	6.1	5.8	5.8	
90 [32.2]	Total BTUH [kW]	38.4 [11.2]	35.7 [10.5]	35.2 [10.3]	26.5 [7.8]	24.7 [7.2]	24.3 [7.1]	32.1 [9.4]	29.8 [8.7]	29.4 [8.6]	
	Sens BTUH [kW]	-0.9 [-0.3]	-0.7 [-0.2]	-0.7 [-0.2]	0.9 [0.3]	0.8 [0.2]	0.8 [0.2]	6.9 [2.0]	5.8 [1.7]	5.6 [1.6]	
	Power	6.6	6.4	6.4	5.2	5.1	5.0	6.3	6.1	6.1	
100 [37.8]	Total BTUH [kW]	28.9 [8.5]	26.9 [7.9]	26.5 [7.8]	17.0 [5.0]	15.8 [4.6]	15.6 [4.6]	22.6 [6.6]	21.0 [6.1]	20.7 [6.1]	
	Sens BTUH [kW]	-9.2 [-2.7]	-7.7 [-2.3]	-7.5 [-2.2]	-7.4 [-2.2]	-6.2 [-1.8]	-6.0 [-1.8]	-1.5 [-0.4]	-1.2 [-0.4]	-1.2 [-0.4]	
	Power	7.2	6.9	6.9	5.8	5.6	5.5	6.8	6.6	6.6	
110 [43.3]	Total BTUH [kW]	17.9 [5.2]	16.6 [4.9]	16.4 [4.8]	6.0 [1.8]	5.6 [1.6]	5.5 [1.6]	11.5 [3.4]	10.7 [3.1]	10.6 [3.1]	
	Sens BTUH [kW]	-19.5 [-5.7]	-16.3 [-4.8]	-15.8 [-4.6]	-17.7 [-5.2]	-14.8 [-4.3]	-14.3 [-4.2]	-11.7 [-3.4]	-9.8 [-2.9]	-9.5 [-2.8]	
	Power	7.9	7.7	7.6	6.5	6.3	6.3	7.6	7.4	7.3	
120 [48.9]	Total BTUH [kW]	5.3 [1.5]	4.9 [1.4]	4.9 [1.4]	-6.6 [-1.9]	-6.1 [-1.8]	-6.0 [-1.8]	-1.0 [-0.3]	-1.0 [-0.3]	-1.0 [-0.3]	
	Sens BTUH [kW]	-31.6 [-9.3]	-26.5 [-7.8]	-25.7 [-7.5]	-29.8 [-8.7]	-25.0 [-7.3]	-24.2 [-7.1]	-23.9 [-7.0]	-20.0 [-5.9]	-19.4 [-5.7]	
	Power	9.0	8.7	8.6	7.6	7.3	7.3	8.7	8.4	8.3	



GROSS SYSTEMS PERFORMANCE DATA (LOW REHEAT MODE) – RACDZS120

ENTERING INDOOR AIR @ 75°F [23.9°C] dbE ①											
wbE			65.3°F [18.5°C]			64°F [17.8°C]			62.5°F [16.9°C]		
CFM [L/s]			3000 [1416]	2400 [1133]	2000 [944]	3000 [1416]	2400 [1133]	2000 [944]	3000 [1416]	2400 [1133]	2000 [944]
OUTDOOR DRY BULB TEMPERATURE °F [°C]	60 [15.6]	Total BTUH [kW]	46.5 [13.6]	44.4 [13.0]	43.1 [12.6]	43.1 [12.6]	41.2 [12.1]	40.0 [11.7]	40.3 [11.8]	38.6 [11.3]	37.4 [11.0]
		Sens BTUH [kW]	12.9 [3.8]	11.6 [3.4]	10.7 [3.1]	13.8 [4.0]	12.3 [3.6]	11.4 [3.3]	18.5 [5.4]	16.5 [4.8]	15.3 [4.5]
		Power	4.6	4.5	4.4	4.5	4.4	4.3	4.5	4.4	4.3
	65 [18.3]	Total BTUH [kW]	45.7 [13.4]	43.7 [12.8]	42.4 [12.4]	42.3 [12.4]	40.5 [11.9]	39.3 [11.5]	39.6 [11.6]	37.8 [11.1]	36.7 [10.8]
		Sens BTUH [kW]	10.5 [3.1]	9.4 [2.8]	8.7 [2.5]	11.4 [3.3]	10.2 [3.0]	9.4 [2.8]	16.1 [4.7]	14.4 [4.2]	13.3 [3.9]
		Power	4.6	4.5	4.5	4.6	4.5	4.4	4.5	4.4	4.4
	70 [21.1]	Total BTUH [kW]	44.7 [13.1]	42.7 [12.5]	41.4 [12.1]	41.3 [12.1]	39.5 [11.6]	38.3 [11.2]	38.5 [11.3]	36.9 [10.8]	35.7 [10.5]
Sens BTUH [kW]		8.3 [2.4]	7.4 [2.2]	6.9 [2.0]	9.2 [2.7]	8.2 [2.4]	7.6 [2.2]	13.9 [4.1]	12.4 [3.6]	11.4 [3.4]	
Power		4.7	4.6	4.6	4.7	4.6	4.5	4.6	4.5	4.5	
75 [23.9]	Total BTUH [kW]	43.4 [12.7]	41.5 [12.2]	40.2 [11.8]	40.0 [11.7]	38.3 [11.2]	37.1 [10.9]	37.2 [10.9]	35.6 [10.4]	34.5 [10.1]	
	Sens BTUH [kW]	6.3 [1.8]	5.6 [1.7]	5.2 [1.5]	7.2 [2.1]	6.4 [1.9]	5.9 [1.7]	11.9 [3.5]	10.6 [3.1]	9.8 [2.9]	
	Power	4.9	4.8	4.7	4.8	4.7	4.7	4.8	4.7	4.6	
80 [26.7]	Total BTUH [kW]	41.8 [12.2]	40.0 [11.7]	38.8 [11.4]	38.4 [11.3]	36.8 [10.8]	35.6 [10.4]	35.7 [10.5]	34.1 [10.0]	33.1 [9.7]	
	Sens BTUH [kW]	4.5 [1.3]	4.0 [1.2]	3.7 [1.1]	5.4 [1.6]	4.8 [1.4]	4.4 [1.3]	10.1 [2.9]	9.0 [2.6]	8.3 [2.4]	
	Power	5.1	5	4.9	5	4.9	4.9	5	4.9	4.8	
85 [29.4]	Total BTUH [kW]	40.0 [11.7]	38.2 [11.2]	37.1 [10.9]	36.6 [10.7]	35.0 [10.3]	33.9 [9.9]	33.8 [9.9]	32.4 [9.5]	31.4 [9.2]	
	Sens BTUH [kW]	2.9 [0.8]	2.6 [0.8]	2.4 [0.7]	3.8 [1.1]	3.4 [1.0]	3.1 [0.9]	8.5 [2.5]	7.6 [2.2]	7.0 [2.0]	
	Power	5.4	5.3	5.2	5.3	5.2	5.1	5.3	5.2	5.1	
90 [32.2]	Total BTUH [kW]	37.9 [11.1]	36.2 [10.6]	35.1 [10.3]	34.5 [10.1]	33.0 [9.7]	32.0 [9.4]	31.7 [9.3]	30.4 [8.9]	29.4 [8.6]	
	Sens BTUH [kW]	1.5 [0.4]	1.3 [0.4]	1.2 [0.4]	2.4 [0.7]	2.1 [0.6]	2.0 [0.6]	7.1 [2.1]	6.3 [1.9]	5.8 [1.7]	
	Power	5.7	5.6	5.5	5.6	5.5	5.4	5.6	5.5	5.4	

GROSS SYSTEMS PERFORMANCE DATA (HIGH REHEAT MODE) – RACDZS120

ENTERING INDOOR AIR @ 75°F [23.9°C] dbE ①											
wbE			65.3°F [18.5°C]			64°F [17.8°C]			62.5°F [16.9°C]		
CFM [L/s]			4800 [2265]	3800 [1793]	3200 [1510]	4800 [2265]	3800 [1793]	3200 [1510]	4800 [2265]	3800 [1793]	3200 [1510]
OUTDOOR DRY BULB TEMPERATURE °F [°C]	60 [15.6]	Total BTUH [kW]	58.1 [17.0]	55.4 [16.2]	53.9 [15.8]	55.5 [16.3]	53.0 [15.5]	51.4 [15.1]	53.1 [15.6]	50.7 [14.9]	49.2 [14.4]
		Sens BTUH [kW]	10.5 [3.1]	9.3 [2.7]	8.6 [2.5]	15.6 [4.6]	13.9 [4.1]	12.9 [3.8]	19.9 [5.8]	17.7 [5.2]	16.4 [4.8]
		Power	7.0	6.9	6.8	6.9	6.8	6.7	6.9	6.8	6.7
	70 [21.1]	Total BTUH [kW]	53.4 [15.7]	51.0 [14.9]	49.5 [14.5]	50.8 [14.9]	48.5 [14.2]	47.1 [13.8]	48.4 [14.2]	46.2 [13.5]	44.9 [13.2]
		Sens BTUH [kW]	8.3 [2.4]	7.4 [2.2]	6.8 [2.0]	13.4 [3.9]	12.0 [3.5]	11.1 [3.2]	17.7 [5.2]	15.8 [4.6]	14.6 [4.3]
		Power	7.1	7.0	6.9	7.0	6.9	6.8	7.0	6.9	6.8
	80 [26.7]	Total BTUH [kW]	48.4 [14.2]	46.2 [13.5]	44.9 [13.2]	45.8 [13.4]	43.7 [12.8]	42.5 [12.4]	43.4 [12.7]	41.5 [12.1]	40.3 [11.8]
Sens BTUH [kW]		4.5 [1.3]	4.0 [1.2]	3.7 [1.1]	9.7 [2.8]	8.6 [2.5]	8.0 [2.3]	14.0 [4.1]	12.5 [3.6]	11.5 [3.4]	
Power		7.4	7.3	7.2	7.3	7.2	7.1	7.3	7.2	7.1	
90 [32.2]	Total BTUH [kW]	43.1 [12.6]	41.1 [12.0]	39.9 [11.7]	40.5 [11.9]	38.6 [11.3]	37.5 [11.0]	38.1 [11.2]	36.3 [10.6]	35.3 [10.3]	
	Sens BTUH [kW]	-0.8 [-0.2]	-0.7 [-0.2]	-0.6 [-0.2]	4.4 [1.3]	3.9 [1.1]	3.6 [1.1]	8.7 [2.5]	7.7 [2.3]	7.2 [2.1]	
	Power	7.9	7.7	7.6	7.8	7.7	7.5	7.8	7.6	7.5	
100 [37.8]	Total BTUH [kW]	37.4 [11.0]	35.7 [10.5]	34.6 [10.2]	34.8 [10.2]	33.2 [9.7]	32.2 [9.4]	32.4 [9.5]	30.9 [9.1]	30.0 [8.8]	
	Sens BTUH [kW]	-7.6 [-2.2]	-6.8 [-2.0]	-6.3 [-1.8]	-2.5 [-0.7]	-2.2 [-0.6]	-2.0 [-0.6]	1.8 [0.5]	1.6 [0.5]	1.5 [0.4]	
	Power	8.6	8.4	8.3	8.5	8.3	8.2	8.5	8.3	8.2	
110 [43.3]	Total BTUH [kW]	31.3 [9.2]	29.9 [8.8]	29.0 [8.5]	28.7 [8.4]	27.4 [8.0]	26.6 [7.8]	26.3 [7.7]	25.1 [7.4]	24.4 [7.1]	
	Sens BTUH [kW]	-16.0 [-4.7]	-14.3 [-4.2]	-13.2 [-3.9]	-10.9 [-3.2]	-9.7 [-2.8]	-9.0 [-2.6]	-6.6 [-1.9]	-5.9 [-1.7]	-5.5 [-1.6]	
	Power	9.5	9.3	9.2	9.4	9.2	9.1	9.4	9.2	9.0	
120 [48.9]	Total BTUH [kW]	24.9 [7.3]	23.8 [7.0]	23.1 [6.8]	22.3 [6.5]	21.3 [6.2]	20.7 [6.1]	19.9 [5.8]	19.0 [5.6]	18.5 [5.4]	
	Sens BTUH [kW]	-26.0 [-7.6]	-23.2 [-6.8]	-21.5 [-6.3]	-20.9 [-6.1]	-18.6 [-5.5]	-17.2 [-5.0]	-16.6 [-4.9]	-14.8 [-4.3]	-13.7 [-4.0]	
	Power	10.6	10.3	10.2	10.5	10.2	10.1	10.5	10.2	10.1	





GROSS SYSTEMS PERFORMANCE DATA (LOW REHEAT MODE) – RACDZS150

ENTERING INDOOR AIR @ 75°F [23.9°C] dbE ①											
wbE			65.3°F [18.5°C]			64°F [17.8°C]			62.5°F [16.9°C]		
CFM [L/s]			3000 [1416]	2400 [1133]	2000 [944]	3000 [1416]	2400 [1133]	2000 [944]	3000 [1416]	2400 [1133]	2000 [944]
OUTDOOR DRY BULB TEMPERATURE °F [°C]	60 [15.6]	Total BTUH [kW]	46.5 [13.6]	44.4 [13.0]	43.1 [12.6]	43.1 [12.6]	41.2 [12.1]	40.0 [11.7]	40.3 [11.8]	38.6 [11.3]	37.4 [11.0]
		Sens BTUH [kW]	12.9 [3.8]	11.6 [3.4]	10.7 [3.1]	13.8 [4.0]	12.3 [3.6]	11.4 [3.3]	18.5 [5.4]	16.5 [4.8]	15.3 [4.5]
		Power	4.6	4.5	4.4	4.5	4.4	4.3	4.5	4.4	4.3
	65 [18.3]	Total BTUH [kW]	45.7 [13.4]	43.7 [12.8]	42.4 [12.4]	42.3 [12.4]	40.5 [11.9]	39.3 [11.5]	39.6 [11.6]	37.8 [11.1]	36.7 [10.8]
		Sens BTUH [kW]	10.5 [3.1]	9.4 [2.8]	8.7 [2.5]	11.4 [3.3]	10.2 [3.0]	9.4 [2.8]	16.1 [4.7]	14.4 [4.2]	13.3 [3.9]
		Power	4.6	4.5	4.5	4.6	4.5	4.4	4.5	4.4	4.4
	70 [21.1]	Total BTUH [kW]	44.7 [13.1]	42.7 [12.5]	41.4 [12.1]	41.3 [12.1]	39.5 [11.6]	38.3 [11.2]	38.5 [11.3]	36.9 [10.8]	35.7 [10.5]
Sens BTUH [kW]		8.3 [2.4]	7.4 [2.2]	6.9 [2.0]	9.2 [2.7]	8.2 [2.4]	7.6 [2.2]	13.9 [4.1]	12.4 [3.6]	11.4 [3.4]	
Power		4.7	4.6	4.6	4.7	4.6	4.5	4.6	4.5	4.5	
75 [23.9]	Total BTUH [kW]	43.4 [12.7]	41.5 [12.2]	40.2 [11.8]	40.0 [11.7]	38.3 [11.2]	37.1 [10.9]	37.2 [10.9]	35.6 [10.4]	34.5 [10.1]	
	Sens BTUH [kW]	6.3 [1.8]	5.6 [1.7]	5.2 [1.5]	7.2 [2.1]	6.4 [1.9]	5.9 [1.7]	11.9 [3.5]	10.6 [3.1]	9.8 [2.9]	
	Power	4.9	4.8	4.7	4.8	4.7	4.7	4.8	4.7	4.6	
80 [26.7]	Total BTUH [kW]	41.8 [12.2]	40.0 [11.7]	38.8 [11.4]	38.4 [11.3]	36.8 [10.8]	35.6 [10.4]	35.7 [10.5]	34.1 [10.0]	33.1 [9.7]	
	Sens BTUH [kW]	4.5 [1.3]	4.0 [1.2]	3.7 [1.1]	5.4 [1.6]	4.8 [1.4]	4.4 [1.3]	10.1 [2.9]	9.0 [2.6]	8.3 [2.4]	
	Power	5.1	5	4.9	5	4.9	4.9	5	4.9	4.8	
85 [29.4]	Total BTUH [kW]	40.0 [11.7]	38.2 [11.2]	37.1 [10.9]	36.6 [10.7]	35.0 [10.3]	33.9 [9.9]	33.8 [9.9]	32.4 [9.5]	31.4 [9.2]	
	Sens BTUH [kW]	2.9 [0.8]	2.6 [0.8]	2.4 [0.7]	3.8 [1.1]	3.4 [1.0]	3.1 [0.9]	8.5 [2.5]	7.6 [2.2]	7.0 [2.0]	
	Power	5.4	5.3	5.2	5.3	5.2	5.1	5.3	5.2	5.1	
90 [32.2]	Total BTUH [kW]	37.9 [11.1]	36.2 [10.6]	35.1 [10.3]	34.5 [10.1]	33.0 [9.7]	32.0 [9.4]	31.7 [9.3]	30.4 [8.9]	29.4 [8.6]	
	Sens BTUH [kW]	1.5 [0.4]	1.3 [0.4]	1.2 [0.4]	2.4 [0.7]	2.1 [0.6]	2.0 [0.6]	7.1 [2.1]	6.3 [1.9]	5.8 [1.7]	
	Power	5.7	5.6	5.5	5.6	5.5	5.4	5.6	5.5	5.4	

GROSS SYSTEMS PERFORMANCE DATA (HIGH REHEAT MODE) – RACDZS150

ENTERING INDOOR AIR @ 75°F [23.9°C] dbE ①											
wbE			65.3°F [18.5°C]			64°F [17.8°C]			62.5°F [16.9°C]		
CFM [L/s]			6000 [2832]	4100 [1935]	4000 [1888]	6000 [2832]	4100 [1935]	4000 [1888]	6000 [2832]	4100 [1935]	4000 [1888]
OUTDOOR DRY BULB TEMPERATURE °F [°C]	60°F [15.6]	Total BTUH [kW]	99.3 [29.1]	91.5 [26.8]	91.1 [26.7]	101.6 [29.8]	93.7 [27.4]	93.2 [27.3]	92.7 [27.2]	85.5 [25.1]	85.2 [25.0]
		Sens BTUH [kW]	33.3 [9.7]	27.4 [8.0]	27.0 [7.9]	40.1 [11.8]	33.0 [9.7]	32.6 [9.6]	46.4 [13.6]	38.1 [11.2]	37.7 [11.0]
		Power	9.5	9.1	9.1	9.3	8.9	8.9	9.3	8.9	8.9
	70°F [21.1]	Total BTUH [kW]	94.4 [27.7]	87.1 [25.5]	86.7 [25.4]	96.7 [28.3]	89.2 [26.1]	88.8 [26.0]	87.9 [25.8]	81.1 [23.8]	80.7 [23.7]
		Sens BTUH [kW]	27 [7.9]	22.2 [6.5]	21.9 [6.4]	33.9 [9.9]	27.9 [8.2]	27.5 [8.1]	40.1 [11.7]	33.0 [9.7]	32.6 [9.5]
		Power	9.7	9.3	9.3	9.5	9.2	9.2	9.5	9.2	9.1
	80°F [26.7]	Total BTUH [kW]	87.6 [25.7]	80.8 [23.7]	80.4 [23.6]	89.9 [26.3]	82.9 [24.3]	82.5 [24.2]	81.1 [23.8]	74.8 [21.9]	74.4 [21.8]
Sens BTUH [kW]		20.1 [5.9]	16.5 [4.8]	16.3 [4.8]	27.0 [7.9]	22.2 [6.5]	21.9 [6.4]	33.2 [9.7]	27.3 [8.0]	27.0 [7.9]	
Power		10.2	9.8	9.8	10	9.6	9.6	10	9.6	9.6	
90°F [32.2]	Total BTUH [kW]	78.7 [23.1]	72.6 [21.3]	72.3 [21.2]	81.0 [23.7]	74.7 [21.9]	74.4 [21.8]	72.2 [21.2]	66.6 [19.5]	66.3 [19.4]	
	Sens BTUH [kW]	12.5 [3.7]	10.3 [3.0]	10.2 [3.0]	19.4 [5.7]	15.9 [4.7]	15.8 [4.6]	25.6 [7.5]	21.0 [6.2]	20.8 [6.1]	
	Power	11	10.5	10.5	10.8	10.4	10.3	10.8	10.3	10.3	
100°F [37.8]	Total BTUH [kW]	67.8 [19.9]	62.5 [18.3]	62.3 [18.2]	70.1 [20.5]	64.7 [18.9]	64.4 [18.9]	61.3 [18.0]	56.5 [16.6]	56.3 [16.5]	
	Sens BTUH [kW]	4.3 [1.3]	3.5 [1.0]	3.5 [1.0]	11.2 [3.3]	9.2 [2.7]	9.1 [2.7]	17.4 [5.1]	14.3 [4.2]	14.1 [4.1]	
	Power	11.9	11.5	11.4	11.8	11.3	11.3	11.8	11.3	11.3	
110 [43.3]	Total BTUH [kW]	54.9 [16.1]	50.6 [14.8]	50.4 [14.8]	57.2 [16.8]	52.7 [15.5]	52.5 [15.4]	48.4 [14.2]	44.6 [13.1]	44.4 [13.0]	
	Sens BTUH [kW]	-4.6 [-1.3]	-3.8 [-1.1]	-3.7 [-1.1]	2.3 [0.7]	1.9 [0.5]	1.9 [0.5]	8.5 [2.5]	7.0 [2.0]	6.9 [2.0]	
	Power	13.2	12.6	12.6	13	12.5	12.4	13	12.5	12.4	
120 [48.9]	Total BTUH [kW]	40.0 [11.7]	36.8 [10.8]	36.7 [10.8]	42.3 [12.4]	39.0 [11.4]	38.8 [11.4]	33.4 [9.8]	30.8 [9.0]	30.7 [9.0]	
	Sens BTUH [kW]	-14.1 [-4.1]	-11.6 [-3.4]	-11.5 [-3.4]	-7.2 [-2.1]	-6.0 [-1.7]	-5.9 [-1.7]	-1.0 [-0.3]	-0.9 [-0.2]	-0.8 [-0.2]	
	Power	14.6	14.1	14	14.5	13.9	13.9	14.4	13.9	13.8	



GROSS SYSTEMS PERFORMANCE DATA (LOW REHEAT MODE) – RACDZT090

ENTERING INDOOR AIR @ 75°F [23.9°C] dbE ①											
wbE			65.3°F [18.5°C]			64°F [17.8°C]			62.5°F [16.9°C]		
CFM [L/s]			1800 [850]	1700 [802]	1200 [566]	1800 [850]	1700 [802]	1200 [566]	1800 [850]	1700 [802]	1200 [566]
OUTDOOR DRY BULB TEMPERATURE °F [°C]	60 [15.6]	Total BTUH [kW]	29.7 [8.7]	29.4 [8.6]	27.9 [8.2]	27.0 [7.9]	26.7 [7.8]	25.3 [7.4]	26.6 [7.8]	26.4 [7.7]	24.9 [7.3]
		Sens BTUH [kW]	6.5 [1.9]	6.3 [1.8]	5.4 [1.6]	9.0 [2.6]	8.7 [2.6]	7.5 [2.2]	11.4 [3.4]	11.1 [3.3]	9.6 [2.8]
		Power	3.2	3.1	3.1	3.2	3.2	3.1	3.2	3.2	3.2
	65 [18.3]	Total BTUH [kW]	29.5 [8.6]	29.2 [8.5]	27.6 [8.1]	26.7 [7.8]	26.4 [7.7]	25.0 [7.3]	26.4 [7.7]	26.1 [7.6]	24.7 [7.2]
		Sens BTUH [kW]	5.0 [1.5]	4.9 [1.4]	4.2 [1.2]	7.6 [2.2]	7.4 [2.2]	6.3 [1.9]	10.0 [2.9]	9.7 [2.9]	8.4 [2.5]
		Power	3.2	3.2	3.1	3.3	3.2	3.2	3.2	3.2	3.2
	70 [21.1]	Total BTUH [kW]	28.8 [8.4]	28.5 [8.4]	27.0 [7.9]	26.0 [7.6]	25.8 [7.6]	24.4 [7.1]	25.7 [7.5]	25.4 [7.5]	24.1 [7.1]
Sens BTUH [kW]		3.7 [1.1]	3.6 [1.0]	3.1 [0.9]	6.2 [1.8]	6.0 [1.8]	5.2 [1.5]	8.6 [2.5]	8.4 [2.5]	7.2 [2.1]	
Power		3.2	3.2	3.1	3.3	3.3	3.2	3.3	3.3	3.2	
75 [23.9]	Total BTUH [kW]	27.8 [8.1]	27.5 [8.1]	26.0 [7.6]	25.0 [7.3]	24.7 [7.2]	23.4 [6.9]	24.7 [7.2]	24.4 [7.2]	23.1 [6.8]	
	Sens BTUH [kW]	2.3 [0.7]	2.3 [0.7]	2.0 [0.6]	4.9 [1.4]	4.7 [1.4]	4.1 [1.2]	7.3 [2.1]	7.1 [2.1]	6.1 [1.8]	
	Power	3.3	3.3	3.2	3.4	3.4	3.3	3.4	3.4	3.3	
80 [26.7]	Total BTUH [kW]	26.3 [7.7]	26.0 [7.6]	24.6 [7.2]	23.5 [6.9]	23.3 [6.8]	22.1 [6.5]	23.2 [6.8]	23.0 [6.7]	21.7 [6.4]	
	Sens BTUH [kW]	1.1 [0.3]	1.0 [0.3]	0.9 [0.3]	3.6 [1.0]	3.5 [1.0]	3.0 [0.9]	6.0 [1.8]	5.9 [1.7]	5.1 [1.5]	
	Power	3.4	3.4	3.3	3.5	3.5	3.4	3.5	3.5	3.4	
85 [29.4]	Total BTUH [kW]	24.5 [7.2]	24.2 [7.1]	22.9 [6.7]	21.7 [6.4]	21.5 [6.3]	20.3 [6.0]	21.4 [6.3]	21.1 [6.2]	20.0 [5.9]	
	Sens BTUH [kW]	-0.2 [-0.1]	-0.2 [0.0]	-0.1 [0.0]	2.4 [0.7]	2.3 [0.7]	2.0 [0.6]	4.8 [1.4]	4.7 [1.4]	4.0 [1.2]	
	Power	3.6	3.6	3.5	3.7	3.6	3.6	3.6	3.6	3.5	
90 [32.2]	Total BTUH [kW]	22.2 [6.5]	22.0 [6.4]	20.8 [6.1]	19.5 [5.7]	19.3 [5.6]	18.2 [5.3]	19.1 [5.6]	18.9 [5.5]	17.9 [5.3]	
	Sens BTUH [kW]	-1.3 [-0.4]	-1.3 [-0.4]	-1.1 [-0.3]	1.2 [0.3]	1.1 [0.3]	1.0 [0.3]	3.6 [1.1]	3.5 [1.0]	3.0 [0.9]	
	Power	3.8	3.7	3.6	3.8	3.8	3.7	3.8	3.8	3.7	

GROSS SYSTEMS PERFORMANCE DATA (HIGH REHEAT MODE) – RACDZT090

ENTERING INDOOR AIR @ 75°F [23.9°C] dbE ①											
wbE			65.3°F [18.5°C]			64°F [17.8°C]			62.5°F [16.9°C]		
CFM [L/s]			3600 [1699]	2900 [1369]	2400 [1133]	3600 [1699]	2900 [1369]	2400 [1133]	3600 [1699]	2900 [1369]	2400 [1133]
OUTDOOR DRY BULB TEMPERATURE °F [°C]	60 [15.6]	Total BTUH [kW]	41.7 [12.2]	39.9 [11.7]	38.7 [11.3]	40.1 [11.8]	38.4 [11.3]	37.2 [10.9]	40.0 [11.7]	38.3 [11.2]	37.1 [10.9]
		Sens BTUH [kW]	8.9 [2.6]	8.0 [2.4]	7.4 [2.2]	12.8 [3.7]	11.5 [3.4]	10.5 [3.1]	18.5 [5.4]	16.7 [4.9]	15.3 [4.5]
		Power	5.0	4.9	4.8	4.9	4.8	4.8	4.9	4.8	4.8
	70 [21.1]	Total BTUH [kW]	39.8 [11.7]	38.1 [11.2]	36.9 [10.8]	38.3 [11.2]	36.7 [10.7]	35.5 [10.4]	38.1 [11.2]	36.5 [10.7]	35.4 [10.4]
		Sens BTUH [kW]	5.9 [1.7]	5.3 [1.6]	4.9 [1.4]	9.8 [2.9]	8.8 [2.6]	8.1 [2.4]	15.5 [4.6]	14.0 [4.1]	12.8 [3.8]
		Power	5.1	5.0	4.9	5.1	5.0	4.9	5.0	4.9	4.9
	80 [26.7]	Total BTUH [kW]	36.7 [10.7]	35.1 [10.3]	34.0 [10.0]	35.1 [10.3]	33.7 [9.9]	32.6 [9.6]	35.0 [10.3]	33.5 [9.8]	32.5 [9.5]
Sens BTUH [kW]		2.1 [0.6]	1.9 [0.5]	1.7 [0.5]	5.9 [1.7]	5.3 [1.6]	4.9 [1.4]	11.7 [3.4]	10.5 [3.1]	9.6 [2.8]	
Power		5.4	5.3	5.2	5.3	5.2	5.1	5.3	5.2	5.1	
90 [32.2]	Total BTUH [kW]	32.3 [9.5]	30.9 [9.1]	30.0 [8.8]	30.8 [9.0]	29.5 [8.6]	28.5 [8.4]	30.6 [9.0]	29.3 [8.6]	28.4 [8.3]	
	Sens BTUH [kW]	-2.7 [-0.8]	-2.4 [-0.7]	-2.2 [-0.6]	1.2 [0.3]	1.0 [0.3]	1.0 [0.3]	6.9 [2.0]	6.2 [1.8]	5.7 [1.7]	
	Power	5.8	5.6	5.6	5.7	5.6	5.5	5.7	5.6	5.5	
100 [37.8]	Total BTUH [kW]	26.7 [7.8]	25.5 [7.5]	24.7 [7.3]	25.1 [7.4]	24.1 [7.1]	23.3 [6.8]	25.0 [7.3]	23.9 [7.0]	23.2 [6.8]	
	Sens BTUH [kW]	-8.3 [-2.4]	-7.4 [-2.2]	-6.8 [-2.0]	-4.4 [-1.3]	-4.0 [-1.2]	-3.7 [-1.1]	1.3 [0.4]	1.2 [0.4]	1.1 [0.3]	
	Power	6.3	6.2	6.1	6.2	6.1	6.0	6.2	6.1	6.0	
110 [43.3]	Total BTUH [kW]	19.8 [5.8]	19.0 [5.6]	18.4 [5.4]	18.3 [5.4]	17.5 [5.1]	17.0 [5.0]	18.1 [5.3]	17.4 [5.1]	16.8 [4.9]	
	Sens BTUH [kW]	-14.7 [-4.3]	-13.2 [-3.9]	-12.2 [-3.6]	-10.9 [-3.2]	-9.8 [-2.9]	-9.0 [-2.6]	-5.1 [-1.5]	-4.6 [-1.4]	-4.2 [-1.2]	
	Power	6.9	6.8	6.7	6.9	6.7	6.6	6.9	6.7	6.6	
120 [48.9]	Total BTUH [kW]	11.7 [3.4]	11.2 [3.3]	10.8 [3.2]	10.1 [3.0]	9.7 [2.8]	9.4 [2.8]	10.0 [2.9]	9.6 [2.8]	9.3 [2.7]	
	Sens BTUH [kW]	-22.1 [-6.5]	-19.8 [-5.8]	-18.2 [-5.3]	-18.2 [-5.3]	-16.4 [-4.8]	-15.1 [-4.4]	-12.5 [-3.7]	-11.2 [-3.3]	-10.3 [-3.0]	
	Power	7.8	7.6	7.5	7.7	7.5	7.4	7.7	7.5	7.4	





GROSS SYSTEMS PERFORMANCE DATA (LOW REHEAT MODE)–RACDZT102

ENTERING INDOOR AIR @ 75°F [23.9°C] dbE ①											
wbE			65.3°F [18.5°C]			64°F [17.8°C]			62.5°F [16.9°C]		
CFM [L/s]			2100 [991]	1700 [802]	1400 [661]	2100 [991]	1700 [802]	1400 [661]	2100 [991]	1700 [802]	1400 [661]
OUTDOOR DRY BULB TEMPERATURE °F [°C]	60 [15.6]	Total BTUH [kW]	36.6 [10.7]	35.1 [10.3]	33.9 [9.9]	34.5 [10.1]	33.1 [9.7]	32.1 [9.4]	31.9 [9.3]	30.6 [9.0]	29.6 [8.7]
		Sens BTUH [kW]	7.1 [2.1]	6.4 [1.9]	5.9 [1.7]	9.0 [2.6]	8.1 [2.4]	7.4 [2.2]	10.7 [3.1]	9.7 [2.8]	8.9 [2.6]
		Power	3.9	3.8	3.7	3.8	3.8	3.7	3.8	3.8	3.7
	65 [18.3]	Total BTUH [kW]	35.5 [10.4]	34.0 [10.0]	32.9 [9.6]	33.4 [9.8]	32.1 [9.4]	31.0 [9.1]	30.8 [9.0]	29.5 [8.6]	28.6 [8.4]
		Sens BTUH [kW]	6.1 [1.8]	5.5 [1.6]	5.0 [1.5]	8.0 [2.3]	7.2 [2.1]	6.6 [1.9]	9.7 [2.8]	8.7 [2.6]	8.0 [2.4]
		Power	3.9	3.8	3.8	3.9	3.8	3.8	3.9	3.8	3.8
	70 [21.1]	Total BTUH [kW]	34.1 [10.0]	32.7 [9.6]	31.7 [9.3]	32.1 [9.4]	30.8 [9.0]	29.8 [8.7]	29.5 [8.6]	28.3 [8.3]	27.4 [8.0]
Sens BTUH [kW]		4.8 [1.4]	4.3 [1.3]	4.0 [1.2]	6.7 [2.0]	6.0 [1.8]	5.5 [1.6]	8.5 [2.5]	7.6 [2.2]	7.0 [2.0]	
Power		4.0	3.9	3.9	4.0	3.9	3.9	4.0	3.9	3.9	
75 [23.9]	Total BTUH [kW]	32.7 [9.6]	31.3 [9.2]	30.3 [8.9]	30.6 [9.0]	29.4 [8.6]	28.4 [8.3]	28.0 [8.2]	26.8 [7.9]	26.0 [7.6]	
	Sens BTUH [kW]	3.3 [1.0]	3.0 [0.9]	2.8 [0.8]	5.2 [1.5]	4.7 [1.4]	4.3 [1.3]	7.0 [2.0]	6.3 [1.8]	5.8 [1.7]	
	Power	4.1	4.0	4.0	4.1	4.0	4.0	4.1	4.0	4.0	
80 [26.7]	Total BTUH [kW]	31.0 [9.1]	29.7 [8.7]	28.8 [8.4]	29.0 [8.5]	27.8 [8.1]	26.9 [7.9]	26.3 [7.7]	25.2 [7.4]	24.4 [7.2]	
	Sens BTUH [kW]	1.7 [0.5]	1.5 [0.4]	1.4 [0.4]	3.6 [1.0]	3.2 [0.9]	2.9 [0.9]	5.3 [1.6]	4.8 [1.4]	4.4 [1.3]	
	Power	4.3	4.2	4.1	4.3	4.2	4.1	4.3	4.2	4.1	
85 [29.4]	Total BTUH [kW]	29.1 [8.5]	27.9 [8.2]	27.0 [7.9]	27.1 [7.9]	26.0 [7.6]	25.1 [7.4]	24.4 [7.2]	23.4 [6.9]	22.7 [6.6]	
	Sens BTUH [kW]	-0.2 [-0.1]	-0.2 [-0.1]	-0.2 [-0.1]	1.7 [0.5]	1.5 [0.4]	1.4 [0.4]	3.4 [1.0]	3.1 [0.9]	2.8 [0.8]	
	Power	4.4	4.3	4.3	4.4	4.3	4.3	4.4	4.3	4.3	
90 [32.2]	Total BTUH [kW]	27.1 [7.9]	26.0 [7.6]	25.1 [7.4]	25.0 [7.3]	24.0 [7.0]	23.2 [6.8]	22.4 [6.6]	21.5 [6.3]	20.8 [6.1]	
	Sens BTUH [kW]	-2.3 [-0.7]	-2.1 [-0.6]	-1.9 [-0.6]	-0.4 [-0.1]	-0.4 [-0.1]	-0.4 [-0.1]	1.3 [0.4]	1.2 [0.3]	1.1 [0.3]	
	Power	4.6	4.5	4.4	4.6	4.5	4.4	4.6	4.5	4.4	

GROSS SYSTEMS PERFORMANCE DATA (HIGH REHEAT MODE)–RACDZT102

ENTERING INDOOR AIR @ 75°F [23.9°C] dbE ①											
wbE			65.3°F [18.5°C]			64°F [17.8°C]			62.5°F [16.9°C]		
CFM [L/s]			4100 [1935]	2900 [1369]	2700 [1274]	4100 [1935]	2900 [1369]	2700 [1274]	4100 [1935]	2900 [1369]	2700 [1274]
OUTDOOR DRY BULB TEMPERATURE °F [°C]	60 [15.6]	Total BTUH [kW]	57.6 [16.9]	53.6 [15.7]	52.9 [15.5]	45.7 [13.4]	42.5 [12.5]	42.0 [12.3]	51.3 [15.0]	47.7 [14.0]	47.1 [13.8]
		Sens BTUH [kW]	12.7 [3.7]	10.7 [3.1]	10.3 [3.0]	14.6 [4.3]	12.2 [3.6]	11.8 [3.5]	20.5 [6.0]	17.2 [5.0]	16.6 [4.9]
		Power	6.6	6.4	6.3	5.2	5.0	5.0	6.3	6.1	6.0
	70 [21.1]	Total BTUH [kW]	52.7 [15.5]	49.1 [14.4]	48.4 [14.2]	40.9 [12.0]	38.0 [11.1]	37.5 [11.0]	46.4 [13.6]	43.2 [12.7]	42.6 [12.5]
		Sens BTUH [kW]	10.1 [3.0]	8.5 [2.5]	8.2 [2.4]	11.9 [3.5]	10.0 [2.9]	9.7 [2.8]	17.9 [5.2]	15.0 [4.4]	14.5 [4.2]
		Power	6.4	6.1	6.1	5.0	4.8	4.8	6.0	5.8	5.8
	80 [26.7]	Total BTUH [kW]	46.3 [13.6]	43.1 [12.6]	42.6 [12.5]	34.5 [10.1]	32.1 [9.4]	31.6 [9.3]	40.0 [11.7]	37.2 [10.9]	36.7 [10.8]
Sens BTUH [kW]		5.6 [1.6]	4.7 [1.4]	4.5 [1.3]	7.4 [2.2]	6.2 [1.8]	6.0 [1.8]	13.3 [3.9]	11.2 [3.3]	10.8 [3.2]	
Power		6.4	6.1	6.1	5.0	4.8	4.8	6.1	5.8	5.8	
90 [32.2]	Total BTUH [kW]	38.4 [11.2]	35.7 [10.5]	35.2 [10.3]	26.5 [7.8]	24.7 [7.2]	24.3 [7.1]	32.1 [9.4]	29.8 [8.7]	29.4 [8.6]	
	Sens BTUH [kW]	-0.9 [-0.3]	-0.7 [-0.2]	-0.7 [-0.2]	0.9 [0.3]	0.8 [0.2]	0.8 [0.2]	6.9 [2.0]	5.8 [1.7]	5.6 [1.6]	
	Power	6.6	6.4	6.4	5.2	5.1	5.0	6.3	6.1	6.1	
100 [37.8]	Total BTUH [kW]	28.9 [8.5]	26.9 [7.9]	26.5 [7.8]	17.0 [5.0]	15.8 [4.6]	15.6 [4.6]	22.6 [6.6]	21.0 [6.1]	20.7 [6.1]	
	Sens BTUH [kW]	-9.2 [-2.7]	-7.7 [-2.3]	-7.5 [-2.2]	-7.4 [-2.2]	-6.2 [-1.8]	-6.0 [-1.8]	-1.5 [-0.4]	-1.2 [-0.4]	-1.2 [-0.4]	
	Power	7.2	6.9	6.9	5.8	5.6	5.5	6.8	6.6	6.6	
110 [43.3]	Total BTUH [kW]	17.9 [5.2]	16.6 [4.9]	16.4 [4.8]	6.0 [1.8]	5.6 [1.6]	5.5 [1.6]	11.5 [3.4]	10.7 [3.1]	10.6 [3.1]	
	Sens BTUH [kW]	-19.5 [-5.7]	-16.3 [-4.8]	-15.8 [-4.6]	-17.7 [-5.2]	-14.8 [-4.3]	-14.3 [-4.2]	-11.7 [-3.4]	-9.8 [-2.9]	-9.5 [-2.8]	
	Power	7.9	7.7	7.6	6.5	6.3	6.3	7.6	7.4	7.3	
120 [48.9]	Total BTUH [kW]	5.3 [1.5]	4.9 [1.4]	4.9 [1.4]	-6.6 [-1.9]	-6.1 [-1.8]	-6.0 [-1.8]	-1.0 [-0.3]	-1.0 [-0.3]	-1.0 [-0.3]	
	Sens BTUH [kW]	-31.6 [-9.3]	-26.5 [-7.8]	-25.7 [-7.5]	-29.8 [-8.7]	-25.0 [-7.3]	-24.2 [-7.1]	-23.9 [-7.0]	-20.0 [-5.9]	-19.4 [-5.7]	
	Power	9.0	8.7	8.6	7.6	7.3	7.3	8.7	8.4	8.3	





GROSS SYSTEMS PERFORMANCE DATA (LOW REHEAT MODE) – RACDZT120

ENTERING INDOOR AIR @ 75°F [23.9°C] dbE ①											
wbE			65.3°F [18.5°C]			64°F [17.8°C]			62.5°F [16.9°C]		
CFM [L/s]			3000 [1416]	2400 [1133]	2000 [944]	3000 [1416]	2400 [1133]	2000 [944]	3000 [1416]	2400 [1133]	2000 [944]
OUTDOOR DRY BULB TEMPERATURE °F [°C]	60 [15.6]	Total BTUH [kW]	46.5 [13.6]	44.4 [13.0]	43.1 [12.6]	43.1 [12.6]	41.2 [12.1]	40.0 [11.7]	40.3 [11.8]	38.6 [11.3]	37.4 [11.0]
		Sens BTUH [kW]	12.9 [3.8]	11.6 [3.4]	10.7 [3.1]	13.8 [4.0]	12.3 [3.6]	11.4 [3.3]	18.5 [5.4]	16.5 [4.8]	15.3 [4.5]
		Power	4.6	4.5	4.4	4.5	4.4	4.3	4.5	4.4	4.3
	65 [18.3]	Total BTUH [kW]	45.7 [13.4]	43.7 [12.8]	42.4 [12.4]	42.3 [12.4]	40.5 [11.9]	39.3 [11.5]	39.6 [11.6]	37.8 [11.1]	36.7 [10.8]
		Sens BTUH [kW]	10.5 [3.1]	9.4 [2.8]	8.7 [2.5]	11.4 [3.3]	10.2 [3.0]	9.4 [2.8]	16.1 [4.7]	14.4 [4.2]	13.3 [3.9]
		Power	4.6	4.5	4.5	4.6	4.5	4.4	4.5	4.4	4.4
	70 [21.1]	Total BTUH [kW]	44.7 [13.1]	42.7 [12.5]	41.4 [12.1]	41.3 [12.1]	39.5 [11.6]	38.3 [11.2]	38.5 [11.3]	36.9 [10.8]	35.7 [10.5]
Sens BTUH [kW]		8.3 [2.4]	7.4 [2.2]	6.9 [2.0]	9.2 [2.7]	8.2 [2.4]	7.6 [2.2]	13.9 [4.1]	12.4 [3.6]	11.4 [3.4]	
Power		4.7	4.6	4.6	4.7	4.6	4.5	4.6	4.5	4.5	
75 [23.9]	Total BTUH [kW]	43.4 [12.7]	41.5 [12.2]	40.2 [11.8]	40.0 [11.7]	38.3 [11.2]	37.1 [10.9]	37.2 [10.9]	35.6 [10.4]	34.5 [10.1]	
	Sens BTUH [kW]	6.3 [1.8]	5.6 [1.7]	5.2 [1.5]	7.2 [2.1]	6.4 [1.9]	5.9 [1.7]	11.9 [3.5]	10.6 [3.1]	9.8 [2.9]	
	Power	4.9	4.8	4.7	4.8	4.7	4.7	4.8	4.7	4.6	
80 [26.7]	Total BTUH [kW]	41.8 [12.2]	40.0 [11.7]	38.8 [11.4]	38.4 [11.3]	36.8 [10.8]	35.6 [10.4]	35.7 [10.5]	34.1 [10.0]	33.1 [9.7]	
	Sens BTUH [kW]	4.5 [1.3]	4.0 [1.2]	3.7 [1.1]	5.4 [1.6]	4.8 [1.4]	4.4 [1.3]	10.1 [2.9]	9.0 [2.6]	8.3 [2.4]	
	Power	5.1	5	4.9	5	4.9	4.9	5	4.9	4.8	
85 [29.4]	Total BTUH [kW]	40.0 [11.7]	38.2 [11.2]	37.1 [10.9]	36.6 [10.7]	35.0 [10.3]	33.9 [9.9]	33.8 [9.9]	32.4 [9.5]	31.4 [9.2]	
	Sens BTUH [kW]	2.9 [0.8]	2.6 [0.8]	2.4 [0.7]	3.8 [1.1]	3.4 [1.0]	3.1 [0.9]	8.5 [2.5]	7.6 [2.2]	7.0 [2.0]	
	Power	5.4	5.3	5.2	5.3	5.2	5.1	5.3	5.2	5.1	
90 [32.2]	Total BTUH [kW]	37.9 [11.1]	36.2 [10.6]	35.1 [10.3]	34.5 [10.1]	33.0 [9.7]	32.0 [9.4]	31.7 [9.3]	30.4 [8.9]	29.4 [8.6]	
	Sens BTUH [kW]	1.5 [0.4]	1.3 [0.4]	1.2 [0.4]	2.4 [0.7]	2.1 [0.6]	2.0 [0.6]	7.1 [2.1]	6.3 [1.9]	5.8 [1.7]	
	Power	5.7	5.6	5.5	5.6	5.5	5.4	5.6	5.5	5.4	

GROSS SYSTEMS PERFORMANCE DATA (HIGH REHEAT MODE) – RACDZT120

ENTERING INDOOR AIR @ 75°F [23.9°C] dbE ①											
wbE			65.3°F [18.5°C]			64°F [17.8°C]			62.5°F [16.9°C]		
CFM [L/s]			4800 [2265]	3800 [1793]	3200 [1510]	4800 [2265]	3800 [1793]	3200 [1510]	4800 [2265]	3800 [1793]	3200 [1510]
OUTDOOR DRY BULB TEMPERATURE °F [°C]	60 [15.6]	Total BTUH [kW]	58.1 [17.0]	55.4 [16.2]	53.9 [15.8]	55.5 [16.3]	53.0 [15.5]	51.4 [15.1]	53.1 [15.6]	50.7 [14.9]	49.2 [14.4]
		Sens BTUH [kW]	10.5 [3.1]	9.3 [2.7]	8.6 [2.5]	15.6 [4.6]	13.9 [4.1]	12.9 [3.8]	19.9 [5.8]	17.7 [5.2]	16.4 [4.8]
		Power	7.0	6.9	6.8	6.9	6.8	6.7	6.9	6.8	6.7
	70 [21.1]	Total BTUH [kW]	53.4 [15.7]	51.0 [14.9]	49.5 [14.5]	50.8 [14.9]	48.5 [14.2]	47.1 [13.8]	48.4 [14.2]	46.2 [13.5]	44.9 [13.2]
		Sens BTUH [kW]	8.3 [2.4]	7.4 [2.2]	6.8 [2.0]	13.4 [3.9]	12.0 [3.5]	11.1 [3.2]	17.7 [5.2]	15.8 [4.6]	14.6 [4.3]
		Power	7.1	7.0	6.9	7.0	6.9	6.8	7.0	6.9	6.8
	80 [26.7]	Total BTUH [kW]	48.4 [14.2]	46.2 [13.5]	44.9 [13.2]	45.8 [13.4]	43.7 [12.8]	42.5 [12.4]	43.4 [12.7]	41.5 [12.1]	40.3 [11.8]
Sens BTUH [kW]		4.5 [1.3]	4.0 [1.2]	3.7 [1.1]	9.7 [2.8]	8.6 [2.5]	8.0 [2.3]	14.0 [4.1]	12.5 [3.6]	11.5 [3.4]	
Power		7.4	7.3	7.2	7.3	7.2	7.1	7.3	7.2	7.1	
90 [32.2]	Total BTUH [kW]	43.1 [12.6]	41.1 [12.0]	39.9 [11.7]	40.5 [11.9]	38.6 [11.3]	37.5 [11.0]	38.1 [11.2]	36.3 [10.6]	35.3 [10.3]	
	Sens BTUH [kW]	-0.8 [-0.2]	-0.7 [-0.2]	-0.6 [-0.2]	4.4 [1.3]	3.9 [1.1]	3.6 [1.1]	8.7 [2.5]	7.7 [2.3]	7.2 [2.1]	
	Power	7.9	7.7	7.6	7.8	7.7	7.5	7.8	7.6	7.5	
100 [37.8]	Total BTUH [kW]	37.4 [11.0]	35.7 [10.5]	34.6 [10.2]	34.8 [10.2]	33.2 [9.7]	32.2 [9.4]	32.4 [9.5]	30.9 [9.1]	30.0 [8.8]	
	Sens BTUH [kW]	-7.6 [-2.2]	-6.8 [-2.0]	-6.3 [-1.8]	-2.5 [-0.7]	-2.2 [-0.6]	-2.0 [-0.6]	1.8 [0.5]	1.6 [0.5]	1.5 [0.4]	
	Power	8.6	8.4	8.3	8.5	8.3	8.2	8.5	8.3	8.2	
110 [43.3]	Total BTUH [kW]	31.3 [9.2]	29.9 [8.8]	29.0 [8.5]	28.7 [8.4]	27.4 [8.0]	26.6 [7.8]	26.3 [7.7]	25.1 [7.4]	24.4 [7.1]	
	Sens BTUH [kW]	-16.0 [-4.7]	-14.3 [-4.2]	-13.2 [-3.9]	-10.9 [-3.2]	-9.7 [-2.8]	-9.0 [-2.6]	-6.6 [-1.9]	-5.9 [-1.7]	-5.5 [-1.6]	
	Power	9.5	9.3	9.2	9.4	9.2	9.1	9.4	9.2	9.0	
120 [48.9]	Total BTUH [kW]	24.9 [7.3]	23.8 [7.0]	23.1 [6.8]	22.3 [6.5]	21.3 [6.2]	20.7 [6.1]	19.9 [5.8]	19.0 [5.6]	18.5 [5.4]	
	Sens BTUH [kW]	-26.0 [-7.6]	-23.2 [-6.8]	-21.5 [-6.3]	-20.9 [-6.1]	-18.6 [-5.5]	-17.2 [-5.0]	-16.6 [-4.9]	-14.8 [-4.3]	-13.7 [-4.0]	
	Power	10.6	10.3	10.2	10.5	10.2	10.1	10.5	10.2	10.1	





GROSS SYSTEMS PERFORMANCE DATA (LOW REHEAT MODE) – RACDZT150

ENTERING INDOOR AIR @ 75°F [23.9°C] dbE ①											
wbE			65.3°F [18.5°C]			64°F [17.8°C]			62.5°F [16.9°C]		
CFM [L/s]			3000 [1416]	2400 [1133]	2000 [944]	3000 [1416]	2400 [1133]	2000 [944]	3000 [1416]	2400 [1133]	2000 [944]
OUTDOOR DRY BULB TEMPERATURE °F [°C]	60 [15.6]	Total BTUH [kW]	46.5 [13.6]	44.4 [13.0]	43.1 [12.6]	43.1 [12.6]	41.2 [12.1]	40.0 [11.7]	40.3 [11.8]	38.6 [11.3]	37.4 [11.0]
		Sens BTUH [kW]	12.9 [3.8]	11.6 [3.4]	10.7 [3.1]	13.8 [4.0]	12.3 [3.6]	11.4 [3.3]	18.5 [5.4]	16.5 [4.8]	15.3 [4.5]
		Power	4.6	4.5	4.4	4.5	4.4	4.3	4.5	4.4	4.3
	65 [18.3]	Total BTUH [kW]	45.7 [13.4]	43.7 [12.8]	42.4 [12.4]	42.3 [12.4]	40.5 [11.9]	39.3 [11.5]	39.6 [11.6]	37.8 [11.1]	36.7 [10.8]
		Sens BTUH [kW]	10.5 [3.1]	9.4 [2.8]	8.7 [2.5]	11.4 [3.3]	10.2 [3.0]	9.4 [2.8]	16.1 [4.7]	14.4 [4.2]	13.3 [3.9]
		Power	4.6	4.5	4.5	4.6	4.5	4.4	4.5	4.4	4.4
	70 [21.1]	Total BTUH [kW]	44.7 [13.1]	42.7 [12.5]	41.4 [12.1]	41.3 [12.1]	39.5 [11.6]	38.3 [11.2]	38.5 [11.3]	36.9 [10.8]	35.7 [10.5]
Sens BTUH [kW]		8.3 [2.4]	7.4 [2.2]	6.9 [2.0]	9.2 [2.7]	8.2 [2.4]	7.6 [2.2]	13.9 [4.1]	12.4 [3.6]	11.4 [3.4]	
Power		4.7	4.6	4.6	4.7	4.6	4.5	4.6	4.5	4.5	
75 [23.9]	Total BTUH [kW]	43.4 [12.7]	41.5 [12.2]	40.2 [11.8]	40.0 [11.7]	38.3 [11.2]	37.1 [10.9]	37.2 [10.9]	35.6 [10.4]	34.5 [10.1]	
	Sens BTUH [kW]	6.3 [1.8]	5.6 [1.7]	5.2 [1.5]	7.2 [2.1]	6.4 [1.9]	5.9 [1.7]	11.9 [3.5]	10.6 [3.1]	9.8 [2.9]	
	Power	4.9	4.8	4.7	4.8	4.7	4.7	4.8	4.7	4.6	
80 [26.7]	Total BTUH [kW]	41.8 [12.2]	40.0 [11.7]	38.8 [11.4]	38.4 [11.3]	36.8 [10.8]	35.6 [10.4]	35.7 [10.5]	34.1 [10.0]	33.1 [9.7]	
	Sens BTUH [kW]	4.5 [1.3]	4.0 [1.2]	3.7 [1.1]	5.4 [1.6]	4.8 [1.4]	4.4 [1.3]	10.1 [2.9]	9.0 [2.6]	8.3 [2.4]	
	Power	5.1	5	4.9	5	4.9	4.9	5	4.9	4.8	
85 [29.4]	Total BTUH [kW]	40.0 [11.7]	38.2 [11.2]	37.1 [10.9]	36.6 [10.7]	35.0 [10.3]	33.9 [9.9]	33.8 [9.9]	32.4 [9.5]	31.4 [9.2]	
	Sens BTUH [kW]	2.9 [0.8]	2.6 [0.8]	2.4 [0.7]	3.8 [1.1]	3.4 [1.0]	3.1 [0.9]	8.5 [2.5]	7.6 [2.2]	7.0 [2.0]	
	Power	5.4	5.3	5.2	5.3	5.2	5.1	5.3	5.2	5.1	
90 [32.2]	Total BTUH [kW]	37.9 [11.1]	36.2 [10.6]	35.1 [10.3]	34.5 [10.1]	33.0 [9.7]	32.0 [9.4]	31.7 [9.3]	30.4 [8.9]	29.4 [8.6]	
	Sens BTUH [kW]	1.5 [0.4]	1.3 [0.4]	1.2 [0.4]	2.4 [0.7]	2.1 [0.6]	2.0 [0.6]	7.1 [2.1]	6.3 [1.9]	5.8 [1.7]	
	Power	5.7	5.6	5.5	5.6	5.5	5.4	5.6	5.5	5.4	

GROSS SYSTEMS PERFORMANCE DATA (HIGH REHEAT MODE) – RACDZT150

ENTERING INDOOR AIR @ 75°F [23.9°C] dbE ①											
wbE			65.3°F [18.5°C]			64°F [17.8°C]			62.5°F [16.9°C]		
CFM [L/s]			6000 [2832]	4100 [1935]	4000 [1888]	6000 [2832]	4100 [1935]	4000 [1888]	6000 [2832]	4100 [1935]	4000 [1888]
OUTDOOR DRY BULB TEMPERATURE °F [°C]	60°F [15.6]	Total BTUH [kW]	99.3 [29.1]	91.5 [26.8]	91.1 [26.7]	101.6 [29.8]	93.7 [27.4]	93.2 [27.3]	92.7 [27.2]	85.5 [25.1]	85.2 [25.0]
		Sens BTUH [kW]	33.3 [9.7]	27.4 [8.0]	27.0 [7.9]	40.1 [11.8]	33.0 [9.7]	32.6 [9.6]	46.4 [13.6]	38.1 [11.2]	37.7 [11.0]
		Power	9.5	9.1	9.1	9.3	8.9	8.9	9.3	8.9	8.9
	70°F [21.1]	Total BTUH [kW]	94.4 [27.7]	87.1 [25.5]	86.7 [25.4]	96.7 [28.3]	89.2 [26.1]	88.8 [26.0]	87.9 [25.8]	81.1 [23.8]	80.7 [23.7]
		Sens BTUH [kW]	27 [7.9]	22.2 [6.5]	21.9 [6.4]	33.9 [9.9]	27.9 [8.2]	27.5 [8.1]	40.1 [11.7]	33.0 [9.7]	32.6 [9.5]
		Power	9.7	9.3	9.3	9.5	9.2	9.2	9.5	9.2	9.1
	80°F [26.7]	Total BTUH [kW]	87.6 [25.7]	80.8 [23.7]	80.4 [23.6]	89.9 [26.3]	82.9 [24.3]	82.5 [24.2]	81.1 [23.8]	74.8 [21.9]	74.4 [21.8]
Sens BTUH [kW]		20.1 [5.9]	16.5 [4.8]	16.3 [4.8]	27.0 [7.9]	22.2 [6.5]	21.9 [6.4]	33.2 [9.7]	27.3 [8.0]	27.0 [7.9]	
Power		10.2	9.8	9.8	10	9.6	9.6	10	9.6	9.6	
90°F [32.2]	Total BTUH [kW]	78.7 [23.1]	72.6 [21.3]	72.3 [21.2]	81.0 [23.7]	74.7 [21.9]	74.4 [21.8]	72.2 [21.2]	66.6 [19.5]	66.3 [19.4]	
	Sens BTUH [kW]	12.5 [3.7]	10.3 [3.0]	10.2 [3.0]	19.4 [5.7]	15.9 [4.7]	15.8 [4.6]	25.6 [7.5]	21.0 [6.2]	20.8 [6.1]	
	Power	11	10.5	10.5	10.8	10.4	10.3	10.8	10.3	10.3	
100°F [37.8]	Total BTUH [kW]	67.8 [19.9]	62.5 [18.3]	62.3 [18.2]	70.1 [20.5]	64.7 [18.9]	64.4 [18.9]	61.3 [18.0]	56.5 [16.6]	56.3 [16.5]	
	Sens BTUH [kW]	4.3 [1.3]	3.5 [1.0]	3.5 [1.0]	11.2 [3.3]	9.2 [2.7]	9.1 [2.7]	17.4 [5.1]	14.3 [4.2]	14.1 [4.1]	
	Power	11.9	11.5	11.4	11.8	11.3	11.3	11.8	11.3	11.3	
110 [43.3]	Total BTUH [kW]	54.9 [16.1]	50.6 [14.8]	50.4 [14.8]	57.2 [16.8]	52.7 [15.5]	52.5 [15.4]	48.4 [14.2]	44.6 [13.1]	44.4 [13.0]	
	Sens BTUH [kW]	-4.6 [-1.3]	-3.8 [-1.1]	-3.7 [-1.1]	2.3 [0.7]	1.9 [0.5]	1.9 [0.5]	8.5 [2.5]	7.0 [2.0]	6.9 [2.0]	
	Power	13.2	12.6	12.6	13	12.5	12.4	13	12.5	12.4	
120 [48.9]	Total BTUH [kW]	40.0 [11.7]	36.8 [10.8]	36.7 [10.8]	42.3 [12.4]	39.0 [11.4]	38.8 [11.4]	33.4 [9.8]	30.8 [9.0]	30.7 [9.0]	
	Sens BTUH [kW]	-14.1 [-4.1]	-11.6 [-3.4]	-11.5 [-3.4]	-7.2 [-2.1]	-6.0 [-1.7]	-5.9 [-1.7]	-1.0 [-0.3]	-0.9 [-0.2]	-0.8 [-0.2]	
	Power	14.6	14.1	14	14.5	13.9	13.9	14.4	13.9	13.8	

AIRFLOW PERFORMANCE— 7.5 TON [26.4 kW] — 60 HZ — DOWNFLOW

Air Flow CFM [L/s]	Model RACDZ*090* Voltage 208/230, 460, 575 — 3 phase 60 Hz																																																																																																																																																																																																																														
	External Static Pressure—Inches of Water [kPa]																																																																																																																																																																																																																														
	0.1 [.02]	0.2 [.05]	0.3 [.07]	0.4 [.10]	0.5 [.12]	0.6 [.15]	0.7 [.17]	0.8 [.20]	0.9 [.22]	1.0 [.25]	1.1 [.27]	1.2 [.30]	1.3 [.32]	1.4 [.35]	1.5 [.37]	1.6 [.40]	1.7 [.42]	1.8 [.45]	1.9 [.47]	2.0 [.50]																																																																																																																																																																																																											
2400 [1133]	551	562	574	585	597	609	621	633	645	656	668	679	690	701	712	723	734	745	756	767	778	789	800	811	822	833	844	855	866	877	888	899	910	921	932	943	954	965	976	987	998	1009	1020	1031	1042	1053	1064	1075	1086	1097	1108	1119	1130	1141	1152	1163	1174	1185	1196	1207	1218	1229	1240	1251	1262	1273	1284	1295	1306	1317	1328	1339	1350	1361	1372	1383	1394	1405	1416	1427	1438	1449	1460	1471	1482	1493	1504	1515	1526	1537	1548	1559	1570	1581	1592	1603	1614	1625	1636	1647	1658	1669	1680	1691	1702	1713	1724	1735	1746	1757	1768	1779	1790	1801	1812	1823	1834	1845	1856	1867	1878	1889	1900	1911	1922	1933	1944	1955	1966	1977	1988	1999	2010	2021	2032	2043	2054	2065	2076	2087	2098	2109	2120	2131	2142	2153	2164	2175	2186	2197	2208	2219	2230	2241	2252	2263	2274	2285	2296	2307	2318	2329	2340	2351	2362	2373	2384	2395	2406	2417	2428	2439	2450	2461	2472	2483	2494	2505	2516	2527	2538	2549	2560	2571	2582	2593	2604	2615	2626	2637	2648	2659	2670	2681	2692	2703	2714	2725	2736	2747	2758	2769	2780	2791	2802	2813	2824	2835	2846	2857	2868	2879	2890	2901	2912	2923	2934	2945	2956	2967	2978	2989	3000

NOTE: A/F—Drive left of the bold line, B/G—Drive right of bold lines, C/H—Drive right of double line.

Drive Package	A/F	B/G	C/H
Motor H.P. [W]	2 [1491.4]	3 [2237.1]	3 [2237.1]
Blower Sheave	AK84H	AK84H	AK84H
Motor Sheave	1VL40*7/8	1VP50*7/8	1VP56*7/8
Belt	A49	A50	A51
Turns Open	0 1 2 3 4 5	0 1 2 3 4 5	0 1 2 3 4 5
RPM	767 721 678 635 590 548	992 949 908 866 823 782	1029 987 946 905

- NOTES: 1. Factory sheave settings are shown in bold type.
 2. Do not set motor sheave below minimum or maximum turns open shown.
 3. Re-adjustment of sheave required to achieve rated airflow at AHRI minimum External Static Pressure
 4. Add component resistance (below) to duct resistance to determine total External Static Pressure.

[] Designates Metric Conversions

AIRFLOW PERFORMANCE— 7.5 TON [26.4 kW] — 60 Hz — DOWNFLOW (con't.)

Airflow CFM [L/s]	AIRFLOW CORRECTION FACTORS *			COMPONENT AIRFLOW RESISTANCE			
	Total MBH	Sensible MBH	Power kW	Wet Coil	Vertical Economizer RA Damper Open	Concentric Diffuser RXRN-AEF2000 & Concentric Adapter RXMC-DD01 (Flush)	Concentric Diffuser RXRN-AED2000 & Concentric Adapter RXMC-DD01 (Drop)
2400 [1133]	0.96	0.89	0.98	0.04 [.01]	0.01 [.00]	0.66 [.16]	0.53 [.13]
2500 [1180]	0.96	0.90	0.99	0.05 [.01]	0.02 [.00]	0.71 [.18]	0.57 [.14]
2600 [1227]	0.97	0.92	0.99	0.05 [.01]	0.02 [.01]	0.75 [.19]	0.60 [.15]
2700 [1274]	0.97	0.93	0.99	0.05 [.01]	0.03 [.01]	0.80 [.20]	0.65 [.16]
2800 [1321]	0.98	0.95	0.99	0.06 [.01]	0.04 [.01]	0.85 [.21]	0.69 [.17]
2900 [1368]	0.98	0.96	1.00	0.06 [.02]	0.04 [.01]	0.91 [.23]	0.74 [.18]
3000 [1416]	0.99	0.97	1.00	0.07 [.02]	0.05 [.01]	0.96 [.24]	0.79 [.20]
3100 [1463]	1.00	0.99	1.00	0.07 [.02]	0.06 [.02]	1.02 [.25]	0.86 [.21]
3200 [1510]	1.00	1.00	1.01	0.07 [.02]	0.07 [.02]	1.08 [.27]	0.92 [.23]
3300 [1557]	1.01	1.02	1.01	0.08 [.02]	0.08 [.02]	1.15 [.29]	0.99 [.25]
3400 [1604]	1.01	1.03	1.01	0.08 [.02]	0.09 [.02]	1.21 [.30]	1.05 [.26]
3500 [1652]	1.02	1.05	1.01	0.09 [.02]	0.10 [.02]	1.29 [.32]	1.09 [.27]
3600 [1699]	1.02	1.06	1.02	0.09 [.02]	0.11 [.03]	1.36 [.34]	1.13 [.28]

*Multiply correction factor times gross performance data resulting sensible capacity cannot exceed total capacity.

[] Designates Metric Conversions

AIRFLOW PERFORMANCE— 7.5 TON [26.4 kW] — 60 Hz — SIDEFLOW (con't.)

Airflow	AIRFLOW CORRECTION FACTORS *			COMPONENT AIRFLOW RESISTANCE			
	Total MBH	Sensible MBH	Power kW	Wet Coil	Horizontal Economizer RA Damper Open	Concentric Diffuser RXRN-AEF2000 & Concentric Adapter RXMC-DD01 (Flush)	Concentric Diffuser RXRN-AED2000 & Concentric Adapter RXMC-DD01 (Drop)
CFM [L/s]	Resistance — Inches of Water [kPa]						
2400 [1133]	0.96	0.89	0.98	0.04 [.01]	0.01 [.00]	0.66 [.16]	0.53 [.13]
2500 [1180]	0.96	0.90	0.99	0.05 [.01]	0.02 [.00]	0.71 [.18]	0.57 [.14]
2600 [1227]	0.97	0.92	0.99	0.05 [.01]	0.02 [.00]	0.75 [.19]	0.60 [.15]
2700 [1274]	0.97	0.93	0.99	0.05 [.01]	0.03 [.01]	0.80 [.20]	0.65 [.16]
2800 [1321]	0.98	0.95	0.99	0.06 [.01]	0.04 [.01]	0.85 [.21]	0.69 [.17]
2900 [1368]	0.98	0.96	1.00	0.06 [.02]	0.04 [.01]	0.91 [.23]	0.74 [.18]
3000 [1416]	0.99	0.97	1.00	0.07 [.02]	0.05 [.01]	0.96 [.24]	0.79 [.20]
3100 [1463]	1.00	0.99	1.00	0.07 [.02]	0.06 [.01]	1.02 [.25]	0.86 [.21]
3200 [1510]	1.00	1.00	1.01	0.07 [.02]	0.07 [.02]	1.08 [.27]	0.92 [.23]
3300 [1557]	1.01	1.02	1.01	0.08 [.02]	0.08 [.02]	1.15 [.29]	0.99 [.25]
3400 [1604]	1.01	1.03	1.01	0.08 [.02]	0.09 [.02]	1.21 [.30]	1.05 [.26]
3500 [1652]	1.02	1.05	1.01	0.09 [.02]	0.10 [.02]	1.29 [.32]	1.09 [.27]
3600 [1699]	1.02	1.06	1.02	0.09 [.02]	0.11 [.03]	1.36 [.34]	1.13 [.28]

*Multiply correction factor times gross performance data resulting sensible capacity cannot exceed total capacity.

[] Designates Metric Conversions

AIRFLOW PERFORMANCE—8.5 TON [29.9 kW] — 60 Hz — DOWNFLOW

Air Flow CFM [L/s]	Model RACDZ*102* Voltage 208/230, 460, 575 — 3 phase 60 Hz																																							
	External Static Pressure—Inches of Water [kPa]																																							
	0.1 [0.02]	0.2 [0.05]	0.3 [0.07]	0.4 [0.10]	0.5 [0.12]	0.6 [0.15]	0.7 [0.17]	0.8 [0.20]	0.9 [0.22]	1.0 [0.25]	1.1 [0.27]	1.2 [0.30]	1.3 [0.32]	1.4 [0.35]	1.5 [0.37]	1.6 [0.40]	1.7 [0.42]	1.8 [0.45]	1.9 [0.47]	2.0 [0.50]																				
2700 [1274]	—	561	894	596	934	631	975	665	1018	698	1062	730	1108	762	1155	793	1203	823	1253	853	1304	882	1357	910	1411	937	1467	964	1524	990	1583	1015	1643	1039	1704	1063	1767	1086	1832	
2800 [1321]	—	573	927	608	969	642	1013	676	1058	708	1104	740	1152	771	1201	802	1252	832	1304	861	1358	889	1413	917	1470	943	1528	970	1587	995	1648	1020	1711	1044	1775	1067	1840	1090	1907	
2900 [1368]	—	586	964	620	1008	654	1054	688	1109	719	1150	750	1200	781	1252	811	1305	840	1360	869	1416	897	1473	924	1532	950	1593	976	1654	1001	1718	1025	1782	1048	1848	1071	1916	1093	1985	
3000 [1416]	564	959	1004	633	1051	666	1099	698	1149	730	1200	761	1253	791	1307	820	1362	849	1419	877	1477	904	1537	931	1598	957	1661	982	1725	1006	1791	1030	1858	1053	1926	1075	1996	1097	2067	
3100 [1463]	578	1001	612	1048	645	1098	678	1148	710	1200	741	1254	771	1308	801	1365	830	1423	858	1482	886	1542	912	1605	939	1668	964	1733	989	1800	1012	1868	1036	1937	1058	2008	1080	2080	1101	2154
3200 [1510]	592	1046	625	1096	658	1148	690	1201	721	1255	752	1311	782	1368	811	1427	840	1487	867	1548	894	1611	921	1676	946	1742	971	1809	995	1878	1019	1948	1041	2020	1063	2093	1085	2168	1105	2244
3300 [1557]	605	1096	638	1148	671	1202	702	1257	733	1314	763	1372	793	1432	821	1493	849	1555	877	1619	903	1684	929	1751	954	1819	979	1889	1002	1960	1025	2033	1047	2107	1069	2182	1090	2259	1110	2337
3400 [1604]	619	1149	652	1204	684	1262	715	1317	745	1376	775	1437	804	1499	832	1562	860	1627	886	1693	912	1761	938	1830	962	1900	986	1972	1009	2046	1032	2121	1053	2197	1074	2275	1095	2354	1114	2435
3500 [1652]	634	1206	666	1263	697	1322	728	1382	758	1443	787	1506	815	1570	843	1635	870	1702	896	1771	922	1841	946	1912	970	1985	994	2060	1017	2135	1038	2213	1060	2291	1080	2371	1100	2453	1119	2536
3600 [1699]	648	1267	680	1326	711	1387	741	1449	770	1513	799	1578	827	1645	854	1713	880	1782	906	1853	931	1925	955	1999	979	2074	1002	2151	1024	2229	1045	2308	1066	2389	1086	2472	1105	2556	1124	2641
3700 [1746]	663	1332	694	1393	724	1456	754	1521	783	1587	811	1654	838	1723	865	1793	891	1865	916	1938	941	2013	965	2089	988	2167	1010	2246	1032	2326	1053	2408	1073	2491	1092	2576	1111	2662	1129	2750
3800 [1793]	678	1400	708	1464	738	1529	767	1596	795	1665	823	1734	850	1805	876	1878	902	1952	926	2028	951	2105	974	2183	996	2263	1018	2344	1039	2427	1060	2511	1080	2597	1099	2684	1117	2772	1134	2862
3900 [1840]	693	1472	723	1538	752	1606	781	1675	808	1746	836	1818	862	1892	888	1966	913	2043	937	2121	961	2200	983	2281	1005	2363	1027	2447	1048	2532	1067	2618	1087	2706	1105	2796	1123	2886	1140	2979
4000 [1888]	708	1548	737	1617	766	1687	794	1758	822	1831	848	1906	874	1981	900	2059	924	2137	948	2218	971	2299	993	2382	1015	2467	1036	2553	1056	2640	1075	2729	1094	2819	1112	2911	1129	3004	1146	3099
4100 [1935]	723	1628	752	1699	781	1771	808	1845	835	1920	861	1997	887	2075	911	2155	935	2236	959	2318	981	2402	1003	2488	1024	2574	1045	2663	1064	2752	1083	2844	1101	2936	1119	3030	1136	3126	1152	3223

NOTE: A/F—Drive left of the bold line, B/G—Drive right of bold lines, C/H—Drive right of double line.

Drive Package	A/F	B/G					C/H											
Motor H.P. [W]	2 [1491.4]	3 [2237.1]					3 [2237.1]											
Blower Sheave	AK79H	AK79H					AK79H											
Motor Sheave	1VL40*7/8	1VP50*7/8					1VP56*7/8											
Belt	A49	A50					A51											
Turns Open	0	1	2	3	4	5	0	1	2	3	4	5	0	1	2	3	4	5
RPM	804	758	710	661	616	559	1048	1003	959	914	872	826	1168	1128	1087	1044	1002	957

NOTES: 1. Factory sheave settings are shown in bold type.

2. Do not set motor sheave below minimum or maximum turns open shown.

3. Re-adjustment of sheave required to achieve rated airflow at AHRI minimum External Static Pressure

4. Add component resistance (below) to duct resistance to determine total External Static Pressure.

[] Designates Metric Conversions

AIRFLOW PERFORMANCE— 8.5 TON [29.9 kW] — 60 Hz — DOWNFLOW (con't.)



Airflow	AIRFLOW CORRECTION FACTORS *			COMPONENT AIRFLOW RESISTANCE				
	Total MBH	Sensible MBH	Power kW	Wet Coil	Vertical Economizer RA Damper Open	Concentric Diffuser RXRN-AEF2000 & Concentric Adapter RXMC-DD01 (Flush)	Concentric Diffuser RXRN-AEF2000 & Concentric Adapter RXMC-DD01 (Drop)	
CFM [L/s]	Resistance — Inches of Water [kPa]							
2700 [1274]	0.97	0.93	0.99	0.07 [02]	0.03 [01]	0.80 [20]	0.65 [16]	
2800 [1321]	0.98	0.94	0.99	0.07 [02]	0.03 [01]	0.85 [21]	0.69 [17]	
2900 [1368]	0.98	0.96	0.99	0.08 [02]	0.04 [01]	0.91 [23]	0.74 [18]	
3000 [1416]	0.99	0.97	1.00	0.08 [02]	0.05 [01]	0.96 [24]	0.79 [20]	
3100 [1463]	0.99	0.99	1.00	0.09 [02]	0.06 [01]	1.02 [25]	0.86 [21]	
3200 [1510]	1.00	1.00	1.00	0.10 [02]	0.07 [02]	1.08 [27]	0.92 [23]	
3300 [1557]	1.01	1.01	1.00	0.10 [03]	0.08 [02]	1.15 [29]	0.99 [25]	
3400 [1604]	1.01	1.03	1.01	0.11 [03]	0.09 [02]	1.21 [30]	1.05 [26]	
3500 [1652]	1.02	1.04	1.01	0.11 [03]	0.10 [02]	1.29 [32]	1.09 [27]	
3600 [1699]	1.02	1.06	1.01	0.12 [03]	0.11 [03]	1.36 [34]	1.13 [28]	
3700 [1746]	1.03	1.07	1.02	0.13 [03]	0.12 [03]	1.43 [36]	1.18 [29]	
3800 [1793]	1.03	1.09	1.02	0.13 [03]	0.13 [03]	1.50 [37]	1.23 [31]	
3900 [1840]	1.04	1.10	1.02	0.14 [04]	0.15 [04]	1.59 [40]	1.31 [33]	
4000 [1888]	1.05	1.12	1.02	0.14 [04]	0.16 [04]	1.68 [42]	1.38 [34]	
4100 [1935]	1.05	1.13	1.03	0.15 [04]	0.17 [04]	1.74 [43]	1.44 [36]	

*Multiply correction factor times gross performance data resulting sensible capacity cannot exceed total capacity.

[] Designates Metric Conversions



AIRFLOW PERFORMANCE—8.5 TON [29.9 kW] — 60 Hz — SIDEFLOW

Air Flow CFM [L/s]	Model RACDZ*102* Voltage 208/230, 460, 575 — 3 phase 60 Hz																																							
	External Static Pressure—Inches of Water [kPa]																																							
	0.1 [0.02]	0.2 [0.05]	0.3 [0.07]	0.4 [0.10]	0.5 [0.12]	0.6 [0.15]	0.7 [0.17]	0.8 [0.20]	0.9 [0.22]	1.0 [0.25]	1.1 [0.27]	1.2 [0.30]	1.3 [0.32]	1.4 [0.35]	1.5 [0.37]	1.6 [0.40]	1.7 [0.42]	1.8 [0.45]	1.9 [0.47]	2.0 [0.50]																				
2700 [1274]	—	—	577	932	611	969	644	1009	677	1052	710	1098	742	1147	774	1199	806	1254	837	1312	868	1373	898	1437	929	1505	959	1575	988	1648	1017	1725	1046	1804	1074	1886	1102	1972		
2800 [1321]	—	556	926	589	962	622	1000	655	1042	667	1087	719	1134	751	1185	783	1239	814	1295	844	1355	875	1418	905	1484	934	1553	963	1624	992	1699	1021	1777	1049	1858	1071	1942	1106	2029	
2900 [1368]	—	568	958	601	995	633	1036	666	1079	697	1125	729	1174	760	1227	791	1282	821	1340	851	1402	881	1466	911	1533	940	1604	968	1677	997	1754	1025	1834	1052	1916	1080	2002	1107	2090	
3000 [1416]	—	580	994	613	1033	645	1074	676	1119	708	1167	738	1218	769	1272	799	1329	829	1389	859	1452	888	1518	917	1587	945	1659	973	1734	1001	1812	1029	1894	1056	1978	1082	2065	1109	2155	
3100 [1463]	561	996	593	1033	624	1073	656	1117	687	1163	718	1213	748	1265	778	1321	808	1379	837	1441	866	1506	895	1573	923	1644	951	1718	978	1794	1006	1874	1033	1957	1059	2043	1085	2132	1111	2224
3200 [1510]	574	1037	605	1076	636	1118	667	1163	698	1211	728	1262	758	1316	787	1373	816	1434	845	1497	873	1563	902	1632	929	1705	957	1780	984	1858	1010	1940	1037	2024	1063	2112	1088	2202	1113	2296
3300 [1557]	587	1082	618	1122	648	1166	679	1212	709	1262	738	1315	767	1371	796	1430	825	1491	853	1556	881	1624	908	1695	936	1769	962	1846	989	1926	1015	2009	1041	2095	1066	2184	1091	2276	1116	2372
3400 [1604]	600	1130	630	1172	660	1217	690	1266	720	1317	749	1371	777	1429	806	1489	834	1553	861	1619	888	1689	915	1761	942	1837	968	1916	994	1997	1020	2082	1045	2170	1070	2260	1094	2354	1118	2451
3500 [1652]	613	1182	643	1226	672	1273	702	1323	730	1376	759	1432	787	1491	815	1553	842	1618	869	1686	896	1757	922	1831	948	1909	974	1989	999	2072	1024	2158	1049	2248	1073	2340	1097	2436	1121	2534
3600 [1699]	626	1238	656	1283	685	1322	713	1383	741	1438	769	1495	797	1556	824	1620	851	1687	877	1756	904	1829	929	1905	955	1984	980	2066	1005	2151	1029	2238	1053	2329	1077	2423	1100	2520	1123	2621
3700 [1746]	640	1297	668	1344	697	1394	725	1447	753	1504	780	1563	807	1625	833	1690	860	1759	886	1830	911	1905	937	1982	961	2063	986	2146	1010	2233	1034	2322	1057	2415	1081	2510	1103	2609	1126	2711
3800 [1793]	653	1360	681	1409	709	1460	737	1515	764	1573	790	1634	817	1698	843	1765	869	1835	894	1908	919	1984	944	2063	968	2145	992	2230	1016	2318	1039	2410	1062	2504	1084	2601	1107	2701	1128	2805
3900 [1840]	667	1426	694	1477	721	1530	748	1587	775	1646	801	1709	827	1774	852	1843	878	1914	902	1989	927	2067	951	2147	975	2231	998	2318	1021	2408	1044	2500	1066	2596	1088	2695	1110	2797	1131	2902
4000 [1888]	680	1496	707	1548	734	1604	760	1662	786	1723	812	1787	837	1854	862	1924	887	1998	911	2074	935	2153	958	2235	981	2321	1004	2409	1027	2501	1049	2595	1071	2693	1092	2793	1113	2897	1134	3003
4100 [1935]	694	1570	720	1624	746	1681	772	1740	797	1803	822	1869	847	1938	872	2009	896	2084	919	2162	943	2243	965	2327	988	2414	1010	2504	1032	2597	1054	2693	1075	2792	1096	2895	1116	3000	1137	3108

NOTE: A/F—Drive left of the bold line, B/G—Drive right of bold lines, C/H—Drive right of double line.

Drive Package	A/F	B/G	C/H
Motor H.P. [W]	2 [1491.4]	3 [2237.1]	3 [2237.1]
Blower Sheave	AK79H	AK79H	AK79H
Motor Sheave	1VL40*7/8	1VP50*7/8	1VP56*7/8
Belt	A49	A50	A51
Turns Open	0	1	2
RPM	802	754	707
	1	2	3
	4	5	6
	7	8	9
	10	11	12
	13	14	15
	16	17	18
	19	20	21
	22	23	24
	25	26	27
	28	29	30
	31	32	33
	34	35	36
	37	38	39
	40	41	42
	43	44	45
	46	47	48
	49	50	51
	52	53	54
	55	56	57
	58	59	60
	61	62	63
	64	65	66
	67	68	69
	70	71	72
	73	74	75
	76	77	78
	79	80	81
	81	82	83
	83	84	85
	85	86	87
	87	88	89
	89	90	91
	91	92	93
	93	94	95
	95	96	97
	97	98	99
	99	100	101
	101	102	103
	103	104	105
	105	106	107
	107	108	109
	109	110	111
	111	112	113
	113	114	115
	115	116	117
	117	118	119
	119	120	121
	121	122	123
	123	124	125
	125	126	127
	127	128	129
	129	130	131
	131	132	133
	133	134	135
	135	136	137
	137	138	139
	139	140	141
	141	142	143
	143	144	145
	145	146	147
	147	148	149
	149	150	151
	151	152	153
	153	154	155
	155	156	157
	157	158	159
	159	160	161
	161	162	163
	163	164	165
	165	166	167
	167	168	169
	169	170	171
	171	172	173
	173	174	175
	175	176	177
	177	178	179
	179	180	181
	181	182	183
	183	184	185
	185	186	187
	187	188	189
	189	190	191
	191	192	193
	193	194	195
	195	196	197
	197	198	199
	199	200	201
	201	202	203
	203	204	205
	205	206	207
	207	208	209
	209	210	211
	211	212	213
	213	214	215
	215	216	217
	217	218	219
	219	220	221
	221	222	223
	223	224	225
	225	226	227
	227	228	229
	229	230	231
	231	232	233
	233	234	235
	235	236	237
	237	238	239
	239	240	241
	241	242	243
	243	244	245
	245	246	247
	247	248	249
	249	250	251
	251	252	253
	253	254	255
	255	256	257
	257	258	259
	259	260	261
	261	262	263
	263	264	265
	265	266	267
	267	268	269
	269	270	271
	271	272	273
	273	274	275
	275	276	277
	277	278	279
	279	280	281
	281	282	283
	283	284	285
	285	286	287
	287	288	289
	289	290	291
	291	292	293
	293	294	295
	295	296	297
	297	298	299
	299	300	301
	301	302	303
	303	304	305
	305	306</	

AIRFLOW PERFORMANCE— 8.5 TON [29.9 kW] — 60 Hz — SIDEFLOW (con't.)

Airflow	AIRFLOW CORRECTION FACTORS *			COMPONENT AIRFLOW RESISTANCE			
	Total MBH	Sensible MBH	Power kW	Wet Coil	Horizontal Economizer RA Damper Open	Concentric Diffuser RXRN-AEF2000 & Concentric Adapter RXMC-DD01 (Flush)	Concentric Diffuser RXRN-AEF2000 & Concentric Adapter RXMC-DD01 (Drop)
CFM [L/s]	Resistance — Inches of Water [kPa]						
2700 [1274]	0.97	0.93	0.99	0.07 [.02]	0.03 [.01]	0.80 [.20]	0.65 [.16]
2800 [1321]	0.98	0.94	0.99	0.07 [.02]	0.03 [.01]	0.85 [.21]	0.69 [.17]
2900 [1368]	0.98	0.96	0.99	0.08 [.02]	0.04 [.01]	0.91 [.23]	0.74 [.18]
3000 [1416]	0.99	0.97	1.00	0.08 [.02]	0.05 [.01]	0.96 [.24]	0.79 [.20]
3100 [1463]	0.99	0.99	1.00	0.09 [.02]	0.06 [.01]	1.02 [.25]	0.86 [.21]
3200 [1510]	1.00	1.00	1.00	0.10 [.02]	0.07 [.02]	1.08 [.27]	0.92 [.23]
3300 [1557]	1.01	1.01	1.00	0.10 [.03]	0.08 [.02]	1.15 [.29]	0.99 [.25]
3400 [1604]	1.01	1.03	1.01	0.11 [.03]	0.09 [.02]	1.21 [.30]	1.05 [.26]
3500 [1652]	1.02	1.04	1.01	0.11 [.03]	0.10 [.02]	1.29 [.32]	1.09 [.27]
3600 [1699]	1.02	1.06	1.01	0.12 [.03]	0.11 [.03]	1.36 [.34]	1.13 [.28]
3700 [1746]	1.03	1.07	1.02	0.13 [.03]	0.12 [.03]	1.43 [.36]	1.18 [.29]
3800 [1793]	1.03	1.09	1.02	0.13 [.03]	0.13 [.03]	1.50 [.37]	1.23 [.31]
3900 [1840]	1.04	1.10	1.02	0.14 [.04]	0.15 [.04]	1.59 [.40]	1.31 [.33]
4000 [1888]	1.05	1.12	1.02	0.15 [.04]	0.16 [.04]	1.68 [.42]	1.38 [.34]
4100 [1935]	1.05	1.13	1.03	0.15 [.04]	0.17 [.04]	1.74 [.43]	1.44 [.36]

*Multiply correction factor times gross performance data resulting sensible capacity cannot exceed total capacity.

[] Designates Metric Conversions



Air

Airflow Performance
RACD Series



INTEGRATED AIR & WATER

AIRFLOW PERFORMANCE— 10 TON [35.1 kW] — 60 HZ — DOWNFLOW

Air Flow CFM [L/s]	Model RACDZ*120* Voltage 208/230, 460, 575 — 3 phase 60 Hz																																							
	External Static Pressure—Inches of Water [kPa]																																							
	0.1 [0.2]	0.2 [0.05]	0.3 [0.07]	0.4 [0.10]	0.5 [0.12]	0.6 [0.15]	0.7 [0.17]	0.8 [0.20]	0.9 [0.22]	1.0 [0.25]	1.1 [0.27]	1.2 [0.30]	1.3 [0.32]	1.4 [0.35]	1.5 [0.37]	1.6 [0.40]	1.7 [0.42]	1.8 [0.45]	1.9 [0.47]	2.0 [0.50]																				
3200 [1510]	597	1046	629	1092	661	1141	692	1191	723	1242	753	1296	782	1351	811	1409	839	1468	867	1528	893	1591	920	1655	945	1722	970	1790	994	1859	1018	1931	1041	2004	1064	2080	1085	2157	1107	2236
3300 [1557]	610	1092	642	1141	674	1192	705	1244	735	1299	764	1355	793	1413	822	1473	849	1535	876	1599	903	1664	928	1731	954	1800	978	1871	1002	1943	1025	2018	1048	2094	1070	2172	1091	2251	1112	2333
3400 [1604]	624	1142	655	1194	686	1247	717	1303	747	1360	776	1419	804	1480	832	1542	859	1607	886	1673	912	1741	937	1811	962	1883	986	1956	1010	2031	1032	2108	1055	2187	1076	2268	1097	2350	1117	2435
3500 [1652]	638	1196	669	1251	699	1307	729	1365	759	1425	787	1487	815	1550	843	1616	870	1683	896	1752	921	1823	946	1895	971	1969	994	2046	1017	2124	1040	2203	1061	2285	1083	2368	1103	2454	1123	2541
3600 [1699]	651	1255	682	1312	712	1371	742	1432	771	1494	799	1559	827	1625	854	1693	880	1763	906	1835	931	1908	955	1984	979	2061	1003	2140	1025	2220	1047	2303	1068	2387	1089	2473	1109	2561	1129	2651
3700 [1746]	665	1317	696	1377	725	1439	755	1503	783	1568	811	1635	838	1704	865	1775	891	1848	916	1922	941	1998	965	2076	988	2156	1011	2238	1033	2321	1055	2406	1075	2493	1096	2582	1115	2673	1134	2765
3800 [1840]	693	1456	723	1521	752	1589	780	1658	808	1728	835	1801	861	1875	887	1952	912	2030	936	2110	960	2191	983	2275	1006	2360	1028	2447	1049	2536	1070	2627	1090	2719	1109	2813	1128	2909	1146	3007
4000 [1888]	708	1532	737	1600	765	1670	793	1741	820	1815	847	1890	873	1967	898	2046	923	2127	947	2210	970	2294	993	2380	1015	2468	1036	2558	1057	2650	1077	2743	1097	2838	1116	2935	1134	3034	1152	3135
4100 [1935]	722	1612	751	1682	779	1755	806	1830	833	1906	859	1984	884	2064	909	2145	933	2229	957	2314	980	2401	1002	2490	1024	2581	1045	2673	1065	2768	1085	2864	1104	2962	1123	3061	1141	3163	1158	3266
4200 [1982]	736	1696	765	1769	792	1845	819	1922	845	2001	871	2082	896	2164	921	2249	944	2335	968	2423	990	2513	1012	2604	1033	2698	1054	2793	1074	2890	1093	2989	1112	3090	1130	3192	1147	3296	1164	3402
4300 [2029]	751	1784	779	1861	806	1939	832	2019	858	2100	883	2184	908	2269	932	2356	955	2445	978	2536	1000	2629	1022	2723	1043	2819	1063	2917	1082	3017	1101	3118	1119	3222	1137	3327	1154	3434		
4400 [2076]	765	1877	793	1956	820	2037	846	2120	871	2204	896	2290	920	2378	944	2468	967	2560	989	2653	1010	2749	1032	2846	1052	2945	1072	3045	1091	3148	1109	3252	1127	3358	1144	3466	1161	3576		
4500 [2123]	780	1974	807	2056	833	2140	859	2225	884	2312	908	2401	932	2492	955	2584	978	2679	1000	2775	1021	2873	1041	2973	1061	3074	1081	3178	1099	3283	1117	3390	1135	3499	1152	3609	1168	3722		
4600 [2171]	795	2076	821	2160	847	2246	872	2335	897	2424	921	2516	944	2610	967	2705	989	2802	1010	2901	1031	3002	1051	3104	1071	3208	1090	3314	1108	3422	1126	3532	1143	3644	1159	3757				
4700 [2218]	810	2181	836	2269	861	2358	886	2448	910	2541	934	2635	957	2732	979	2830	1000	2929	1021	3031	1042	3134	1062	3240	1081	3347	1099	3455	1117	3566	1134	3679	1151	3793	1167	3909				
4800 [2265]	825	2291	850	2381	875	2473	900	2567	923	2662	946	2759	969	2858	991	2959	1012	3061	1033	3165	1052	3272	1072	3380	1090	3489	1108	3601	1126	3714	1143	3829	1159	3946						

NOTE: A/F-Drive left of the bold line, B/G-Drive right of bold lines, C/H-Drive right of double line.

Drive Package	A/F	B/G	C/H
Motor H.P. [W]	2 [1491.4]	3 [2237.1]	3 [2237.1]
Blower Sheave	AK79H	AK79H	AK79H
Motor Sheave	1VL40*7/8	1VP50*7/8	1VP56*7/8
Belt	A49	A50	A51
Turns Open	0	1	2
RPM	802	758	710
Turns Open	0	1	2
RPM	802	758	710
Turns Open	0	1	2
RPM	802	758	710

NOTES: 1. Factory sheave settings are shown in bold type.

2. Do not set motor sheave below minimum or maximum turns open shown.

3. Re-adjustment of sheave required to achieve rated airflow at AHR minimum External Static Pressure

4. Add component resistance (below) to duct resistance to determine total External Static Pressure.

[] Designates Metric Conversions

AIRFLOW PERFORMANCE— 10 TON [35.1 kW] — 60 Hz — DOWNFLOW (con't.)

Airflow CFM [L/s]	AIRFLOW CORRECTION FACTORS *			COMPONENT AIRFLOW RESISTANCE			
	Total MBH	Sensible MBH	Power kW	Wet Coil	Vertical Economizer RA Damper Open	Concentric Diffuser RXRN-AEF3415 & Diffuser RXMC-DD02 (Flush)	Concentric Diffuser RXRN-AEF3415 & Diffuser RXMC-DD02 (Drop)
3200 [1510]	0.97	0.93	0.99	0.10 [.02]	0.07 [.02]	0.74 [.18]	0.56 [.14]
3300 [1557]	0.98	0.94	0.99	0.10 [.03]	0.08 [.02]	0.79 [.20]	0.59 [.15]
3400 [1604]	0.98	0.96	0.99	0.11 [.03]	0.09 [.02]	0.84 [.21]	0.62 [.15]
3500 [1652]	0.99	0.97	1.00	0.11 [.03]	0.10 [.02]	0.90 [.22]	0.66 [.16]
3600 [1699]	0.99	0.98	1.00	0.12 [.03]	0.11 [.03]	0.95 [.24]	0.69 [.17]
3700 [1746]	1.00	0.99	1.00	0.13 [.03]	0.12 [.03]	1.00 [.25]	0.73 [.18]
3800 [1793]	1.00	1.01	1.00	0.13 [.03]	0.13 [.03]	1.04 [.26]	0.76 [.19]
3900 [1840]	1.01	1.02	1.00	0.14 [.04]	0.15 [.04]	1.09 [.27]	0.80 [.20]
4000 [1888]	1.01	1.03	1.01	0.15 [.04]	0.16 [.04]	1.13 [.28]	0.84 [.21]
4100 [1935]	1.02	1.04	1.01	0.15 [.04]	0.17 [.04]	1.19 [.30]	0.88 [.22]
4200 [1982]	1.02	1.06	1.01	0.16 [.04]	0.19 [.05]	1.24 [.31]	0.92 [.23]
4300 [2029]	1.03	1.07	1.01	0.17 [.04]	0.20 [.05]	1.31 [.33]	0.97 [.24]
4400 [2076]	1.03	1.08	1.01	0.18 [.04]	0.21 [.05]	1.37 [.34]	1.02 [.25]
4500 [2123]	1.04	1.09	1.02	0.19 [.05]	0.23 [.06]	1.43 [.35]	1.07 [.27]
4600 [2171]	1.04	1.11	1.02	0.19 [.05]	0.24 [.06]	1.48 [.37]	1.11 [.28]
4700 [2218]	1.05	1.12	1.02	0.20 [.05]	0.26 [.06]	1.54 [.38]	1.15 [.29]
4800 [2265]	1.05	1.13	1.02	0.21 [.05]	0.28 [.07]	1.59 [.40]	1.19 [.30]

*Multiply correction factor times gross performance data resulting sensible capacity cannot exceed total capacity.

[] Designates Metric Conversions

AIRFLOW PERFORMANCE — 10 TON [35.1 kW] — 60 HZ — SIDEFLOW

Air Flow CFM [L/s]	Model RACDZ*120* Voltage 208/230, 460, 575 — 3 phase 60 Hz																																							
	External Static Pressure—Inches of Water [kPa]																																							
	0.1 [0.02]	0.2 [0.05]	0.3 [0.07]	0.4 [0.10]	0.5 [0.12]	0.6 [0.15]	0.7 [0.17]	0.8 [0.20]	0.9 [0.22]	1.0 [0.25]	1.1 [0.27]	1.2 [0.30]	1.3 [0.32]	1.4 [0.35]	1.5 [0.37]	1.6 [0.40]	1.7 [0.42]	1.8 [0.45]	1.9 [0.47]	2.0 [0.50]																				
3200 [1510]	575	1018	607	1057	637	1099	667	1143	697	1191	727	1240	756	1293	785	1348	814	1406	842	1466	870	1529	897	1595	924	1664	951	1735	978	1809	1004	1885	1030	1965	1055	2047	1080	2131	1105	2219
3300 [1557]	588	1060	618	1101	649	1146	679	1192	708	1242	737	1294	766	1349	795	1406	823	1466	850	1529	878	1595	905	1663	932	1734	958	1808	984	1884	1010	1963	1035	2045	1060	2129	1085	2216	1109	2306
3400 [1604]	600	1106	630	1150	660	1196	690	1245	719	1297	748	1352	776	1409	804	1469	832	1531	859	1597	886	1668	913	1735	939	1808	965	1884	990	1963	1016	2044	1040	2128	1065	2215	1089	2305	1113	2397
3500 [1652]	613	1156	643	1202	672	1251	701	1302	730	1357	758	1413	786	1473	814	1535	841	1600	868	1668	894	1738	920	1811	946	1887	972	1965	997	2046	1022	2130	1046	2217	1070	2306	1094	2397	1117	2492
3600 [1699]	626	1210	655	1258	684	1310	713	1364	741	1420	769	1479	796	1541	823	1606	850	1673	877	1743	903	1816	929	1892	954	1970	979	2050	1004	2134	1028	2220	1052	2309	1076	2400	1099	2494	1122	2591
3700 [1746]	639	1268	668	1319	696	1373	724	1429	752	1488	779	1550	806	1614	833	1681	860	1751	886	1823	911	1898	937	1976	962	2056	986	2140	1011	2225	1035	2314	1058	2405	1081	2499	1104	2596	1127	2695
3800 [1793]	652	1330	680	1384	708	1440	736	1498	763	1560	790	1624	817	1690	843	1760	869	1832	895	1907	920	1984	945	2064	970	2147	994	2233	1018	2321	1041	2412	1064	2505	1087	2602	1110	2701	1132	2802
3900 [1840]	665	1397	693	1452	721	1511	748	1572	775	1636	801	1702	828	1771	854	1843	879	1917	904	1995	929	2075	954	2157	980	2242	1001	2330	1025	2421	1048	2514	1071	2610	1093	2709	1115	2810	1137	2914
4000 [1888]	678	1467	706	1525	733	1586	760	1650	787	1716	813	1785	839	1856	864	1930	889	2007	914	2087	938	2169	962	2254	986	2341	1009	2432	1032	2525	1055	2620	1077	2719	1099	2820	1121	2923	1142	3030
4100 [1935]	692	1542	719	1602	746	1666	772	1731	798	1800	824	1871	850	1945	875	2022	899	2101	923	2183	947	2267	971	2355	994	2445	1017	2537	1040	2633	1062	2731	1084	2831	1105	2935	1126	3041	1147	3150
4200 [1982]	706	1621	732	1684	759	1749	785	1817	810	1888	836	1962	861	2038	885	2117	909	2199	933	2283	957	2370	980	2460	1003	2552	1025	2647	1047	2745	1069	2845	1091	2948	1112	3054	1132	3163	1153	3274
4300 [2029]	720	1704	746	1769	772	1837	797	1907	823	1981	847	2057	872	2135	896	2217	920	2301	943	2387	966	2477	989	2569	1012	2664	1034	2761	1055	2861	1077	2964	1098	3069	1118	3178	1139	3288	1158	3402
4400 [2076]	734	1791	760	1858	785	1928	810	2001	835	2077	859	2155	883	2237	907	2320	931	2407	954	2496	976	2587	999	2682	1020	2779	1042	2879	1063	2981	1084	3087	1105	3195	1125	3305	1145	3418	—	—
4500 [2123]	748	1882	773	1952	798	2024	823	2100	847	2178	871	2259	895	2342	918	2428	941	2517	964	2608	986	2702	1008	2799	1030	2899	1051	3001	1071	3106	1092	3214	1112	3324	1132	3437	1151	3552	—	—
4600 [2171]	762	1977	787	2049	812	2124	836	2202	860	2283	884	2366	907	2451	930	2540	952	2631	974	2725	996	2822	1018	2921	1039	3023	1059	3127	1080	3235	1100	3345	1120	3457	1139	3573	1158	3691	—	—
4700 [2218]	777	2076	801	2151	826	2228	849	2309	873	2391	896	2477	919	2565	941	2656	963	2750	985	2846	1006	2945	1027	3046	1048	3151	1068	3258	1088	3367	1108	3480	1127	3595	1146	3712	—	—	—	—
4800 [2265]	792	2180	816	2257	840	2337	863	2419	886	2504	909	2592	931	2683	953	2776	975	2872	996	2971	1017	3072	1037	3176	1058	3283	1077	3392	1097	3504	1116	3619	1135	3736	1153	3856	—	—	—	—

NOTE: AVF-Drive left of the bold line, B/G-Drive right of bold lines, C/H-Drive right of double line.

Drive Package	A/F	B/G	C/H
Motor H.P. [W]	2 [1491.4]	3 [2237.1]	3 [2237.1]
Blower Sheave	AK79H	AK79H	AK79H
Motor Sheave	1VL40*7/8	1VP50*7/8	1VP56*7/8
Belt	A49	A50	A51
Turns Open	0	1	2
RPM	798	753	707
	707	663	616
	556	516	478
	1041	998	955
	912	867	824
	824	781	738
	1155	1119	1078
	1037	994	951

NOTES: 1. Factory sheave settings are shown in bold type.

2. Do not set motor sheave below minimum or maximum turns open shown.

3. Re-adjustment of sheave required to achieve rated airflow at AHRI minimum External Static Pressure

4. Add component resistance (below) to duct resistance to determine total External Static Pressure.

[] Designates Metric Conversions

AIRFLOW PERFORMANCE— 10 TON [35.1 kW] — 60 Hz — SIDEFLOW (con't.)

Airflow CFM [L/s]	AIRFLOW CORRECTION FACTORS *			COMPONENT AIRFLOW RESISTANCE			
	Total MBH	Sensible MBH	Power kW	Wet Coil	Horizontal Economizer RA Damper Open	Concentric Diffuser RXRN-AED3415 & Diffuser RXMC-DD02 (Flush)	Concentric Diffuser RXRN-AED3415 & Diffuser RXMC-DD02 (Drop)
3200 [1510]	0.97	0.93	0.99	0.10 [.02]	0.07 [.02]	0.74 [.18]	0.56 [.14]
3300 [1557]	0.98	0.94	0.99	0.10 [.03]	0.08 [.02]	0.79 [.20]	0.59 [.15]
3400 [1604]	0.98	0.96	0.99	0.11 [.03]	0.09 [.02]	0.84 [.21]	0.62 [.15]
3500 [1652]	0.99	0.97	1.00	0.11 [.03]	0.10 [.02]	0.90 [.22]	0.66 [.16]
3600 [1699]	0.99	0.98	1.00	0.12 [.03]	0.11 [.03]	0.95 [.24]	0.69 [.17]
3700 [1746]	1.00	0.99	1.00	0.13 [.03]	0.12 [.03]	1.00 [.25]	0.73 [.18]
3800 [1793]	1.00	1.01	1.00	0.13 [.03]	0.13 [.03]	1.04 [.26]	0.76 [.19]
3900 [1840]	1.01	1.02	1.00	0.14 [.04]	0.15 [.04]	1.09 [.27]	0.80 [.20]
4000 [1888]	1.01	1.03	1.01	0.15 [.04]	0.16 [.04]	1.13 [.28]	0.84 [.21]
4100 [1935]	1.02	1.04	1.01	0.15 [.04]	0.17 [.04]	1.19 [.30]	0.88 [.22]
4200 [1982]	1.02	1.06	1.01	0.16 [.04]	0.19 [.05]	1.24 [.31]	0.92 [.23]
4300 [2029]	1.03	1.07	1.01	0.17 [.04]	0.20 [.05]	1.31 [.33]	0.97 [.24]
4400 [2076]	1.03	1.08	1.01	0.18 [.04]	0.21 [.05]	1.37 [.34]	1.02 [.25]
4500 [2123]	1.04	1.09	1.02	0.19 [.05]	0.23 [.06]	1.43 [.35]	1.07 [.27]
4600 [2171]	1.04	1.11	1.02	0.19 [.05]	0.24 [.06]	1.48 [.37]	1.11 [.28]
4700 [2218]	1.05	1.12	1.02	0.20 [.05]	0.26 [.06]	1.54 [.38]	1.15 [.29]
4800 [2265]	1.05	1.13	1.02	0.21 [.05]	0.28 [.07]	1.59 [.40]	1.19 [.30]

*Multiply correction factor times gross performance data resulting sensible capacity cannot exceed total capacity.

[] Designates Metric Conversions

AIRFLOW PERFORMANCE— 12.5 TON [43.9 kW] — 60 Hz — DOWNFLOW

Air Flow CFM [L/s]	Model RACDZ*150* Voltage 208/230, 460, 575 — 3 phase 60 Hz																							
	External Static Pressure—Inches of Water [kPa]																							
	0.1 [0.02]	0.2 [0.05]	0.3 [0.07]	0.4 [0.10]	0.5 [0.12]	0.6 [0.15]	0.7 [0.17]	0.8 [0.20]	0.9 [0.22]	1.0 [0.25]	1.1 [0.27]	1.2 [0.30]	1.3 [0.32]	1.4 [0.35]	1.5 [0.37]	1.6 [0.40]	1.7 [0.42]	1.8 [0.45]	1.9 [0.47]	2.0 [0.50]				
4000 [1868]	766 [1776]	795 [1806]	824 [1842]	851 [1883]	878 [1931]	904 [1985]	929 [2044]	953 [2110]	976 [2181]	998 [2259]	1019 [2342]	1040 [2431]	1059 [2526]	1078 [2627]	1096 [2734]	1113 [2847]	1129 [2966]	1144 [3091]	1158 [3221]	1171 [3358]				
4100 [1935]	778 [1820]	807 [1856]	835 [1897]	862 [1944]	888 [1997]	913 [2056]	937 [2120]	961 [2191]	983 [2268]	1005 [2350]	1026 [2439]	1045 [2533]	1064 [2634]	1082 [2740]	1099 [2852]	1116 [2970]	1131 [3094]	1145 [3224]	1159 [3360]	1171 [3502]				
4200 [1982]	792 [1875]	820 [1915]	847 [1961]	873 [2013]	899 [2072]	923 [2136]	947 [2206]	969 [2282]	991 [2364]	1012 [2451]	1032 [2545]	1051 [2645]	1070 [2750]	1087 [2862]	1103 [2979]	1119 [3102]	1134 [3232]	1147 [3367]	1160 [3508]	1172 [3655]				
4300 [2029]	806 [1938]	833 [1984]	859 [2036]	885 [2093]	910 [2156]	934 [2226]	957 [2301]	979 [2382]	1000 [2469]	1020 [2562]	1040 [2661]	1058 [2766]	1076 [2877]	1092 [2993]	1108 [3116]	1123 [3244]	1137 [3379]	1150 [3519]	1162 [3665]	1174 [3818]				
4400 [2076]	820 [2012]	847 [2063]	873 [2119]	898 [2182]	922 [2251]	945 [2325]	967 [2404]	989 [2492]	1009 [2584]	1029 [2682]	1048 [2787]	1065 [2897]	1082 [3013]	1098 [3134]	1113 [3262]	1128 [3396]	1141 [3536]	1154 [3681]	1165 [3833]	1176 [3990]				
4500 [2123]	835 [2095]	861 [2151]	886 [2213]	911 [2281]	934 [2355]	957 [2434]	978 [2520]	999 [2611]	1019 [2709]	1038 [2812]	1056 [2922]	1073 [3037]	1090 [3158]	1105 [3285]	1119 [3418]	1133 [3557]	1146 [3702]	1158 [3853]	1168 [4009]	1178 [4172]				
4600 [2171]	851 [2187]	876 [2249]	901 [2316]	925 [2389]	947 [2468]	969 [2553]	990 [2644]	1010 [2740]	1030 [2843]	1048 [2952]	1065 [3066]	1082 [3187]	1097 [3313]	1112 [3445]	1126 [3584]	1139 [3728]	1151 [3878]	1162 [4034]	1172 [4196]	1182 [4363]				
4700 [2218]	867 [2290]	892 [2356]	916 [2428]	939 [2507]	961 [2591]	982 [2681]	1003 [2774]	1022 [2879]	1041 [2987]	1058 [3101]	1075 [3220]	1091 [3346]	1106 [3478]	1120 [3615]	1133 [3759]	1145 [3908]	1157 [4063]	1167 [4224]	1177 [4391]	1186 [4564]				
4800 [2265]	884 [2401]	908 [2473]	932 [2551]	954 [2634]	975 [2723]	996 [2819]	1016 [2920]	1034 [3027]	1052 [3140]	1069 [3259]	1085 [3384]	1101 [3515]	1115 [3652]	1128 [3795]	1141 [3943]	1153 [4098]	1163 [4258]	1173 [4425]	1182 [4597]	1190 [4775]				
4900 [2312]	902 [2523]	925 [2599]	948 [2682]	969 [2771]	990 [2866]	1009 [2966]	1029 [3073]	1047 [3185]	1065 [3303]	1081 [3427]	1097 [3558]	1111 [3694]	1125 [3836]	1138 [3984]	1149 [4137]	1160 [4297]	1170 [4463]	1180 [4634]	1188 [4812]	1195 [4995]				
5000 [2359]	920 [2653]	943 [2736]	965 [2824]	986 [2917]	1006 [3017]	1025 [3123]	1044 [3235]	1061 [3352]	1078 [3476]	1093 [3605]	1108 [3741]	1122 [3882]	1135 [4029]	1147 [4182]	1158 [4341]	1169 [4506]	1178 [4677]	1187 [4854]	1194 [5036]	1201 [5225]				
5100 [2407]	939 [2794]	961 [2881]	982 [2974]	1003 [3073]	1022 [3179]	1041 [3289]	1058 [3406]	1075 [3529]	1091 [3658]	1106 [3792]	1120 [3933]	1134 [4079]	1146 [4232]	1158 [4390]	1168 [4554]	1178 [4725]	1187 [4901]	1194 [5083]	1201 [5270]	1208 [5464]				
5200 [2454]	958 [2944]	980 [3036]	1000 [3135]	1020 [3239]	1039 [3349]	1057 [3465]	1074 [3588]	1090 [3716]	1105 [3849]	1120 [3989]	1133 [4135]	1146 [4287]	1158 [4444]	1168 [4608]	1178 [4777]	1187 [4953]	1196 [5134]	1203 [5321]	1209 [5514]	1215 [5713]				
5300 [2501]	978 [3103]	999 [3201]	1019 [3305]	1038 [3414]	1056 [3530]	1074 [3651]	1090 [3778]	1106 [3912]	1120 [4051]	1134 [4196]	1147 [4347]	1159 [4504]	1170 [4666]	1180 [4835]	1189 [5010]	1198 [5190]	1205 [5377]	1212 [5569]	1217 [5767]	1222 [5972]				
5400 [2548]	999 [3273]	1019 [3376]	1038 [3484]	1057 [3599]	1074 [3720]	1091 [3846]	1107 [3979]	1122 [4117]	1136 [4261]	1149 [4412]	1161 [4568]	1172 [4730]	1183 [4898]	1192 [5072]	1201 [5252]	1209 [5438]	1215 [5629]	1221 [5827]	1226 [6030]	—				
5500 [2595]	1020 [3451]	1040 [3559]	1058 [3673]	1076 [3793]	1093 [3919]	1109 [4051]	1124 [4188]	1138 [4332]	1152 [4482]	1164 [4637]	1176 [4799]	1186 [4966]	1196 [5139]	1205 [5318]	1213 [5503]	1220 [5694]	1226 [5891]	—	—	—				
5600 [2642]	1042 [3640]	1061 [3753]	1079 [3872]	1096 [3997]	1112 [4128]	1128 [4265]	1142 [4408]	1156 [4557]	1168 [4712]	1180 [4872]	1191 [5039]	1201 [5212]	1210 [5390]	1218 [5574]	1226 [5765]	—	—	—	—	—				
5700 [2690]	1064 [3838]	1083 [3956]	1100 [4080]	1117 [4211]	1132 [4347]	1147 [4489]	1161 [4637]	1174 [4791]	1186 [4951]	1197 [5117]	1207 [5289]	1216 [5467]	1225 [5650]	—	—	—	—	—	—	—				
5800 [2737]	1088 [4045]	1105 [4169]	1122 [4298]	1138 [4434]	1153 [4575]	1167 [4723]	1180 [4876]	1192 [5035]	1204 [5200]	1214 [5371]	1224 [5548]	—	—	—	—	—	—	—	—	—				
5900 [2784]	1111 [4262]	1128 [4391]	1144 [4526]	1160 [4666]	1174 [4813]	1187 [4966]	1200 [5124]	1211 [5289]	1222 [5459]	—	—	—	—	—	—	—	—	—	—	—				
6000 [2831]	1136 [4489]	1152 [4623]	1167 [4763]	1182 [4909]	1196 [5061]	1208 [5218]	1220 [5382]	—	—	—	—	—	—	—	—	—	—	—	—	—				

NOTE: A/F-Drive left of the bold line, B/G-Drive right of bold lines.

Drive Package	A/F	B/G
Motor H.P. [W]	3 [2237.1]	5 [3728.5]
Blower Sheave	AK71H	AK79H
Motor Sheave	1VL44*7/8	1VP60*1x1/8
Belt	A48	A52
Turns Open	0 1 2 3 4 5	0 1 2 3 4 5
RPM	1003 958 912 863 814 764	1220 1171 1127 1085 1039 994

- NOTES: 1. Factory sheave settings are shown in bold type.
 2. Do not set motor sheave below minimum or maximum turns open shown.
 3. Re-adjustment of sheave required to achieve rated airflow at AHRI minimum External Static Pressure
 4. Add component resistance (below) to duct resistance to determine total External Static Pressure.

[] Designates Metric Conversions

AIRFLOW PERFORMANCE— 12.5 TON [43.9 kW] — 60 HZ — DOWNFLOW (con't.)

Airflow	AIRFLOW CORRECTION FACTORS *			COMPONENT AIRFLOW RESISTANCE				
	CFM [L/s]	Total MBH	Sensible MBH	Power kW	Wet Coil	Vertical Economizer RA Damper Open	Resistance — Inches of Water [kPa]	
							Concentric Diffuser RXRN-AEF3618 & Concentric Adapter RXMC-DD03 (Flush)	Concentric Diffuser RXRN-AEF3618 & Concentric Adapter RXMC-DD03 (Drop)
4000 [1888]	1.01	1.03	1.01	1.01	0.15 [04]	0.16 [04]	0.76 [19]	0.68 [17]
4100 [1935]	1.02	1.04	1.01	1.01	0.16 [04]	0.17 [04]	0.79 [20]	0.72 [18]
4200 [1982]	1.02	1.06	1.01	1.01	0.17 [04]	0.19 [05]	0.82 [20]	0.75 [19]
4300 [2029]	1.03	1.07	1.01	1.01	0.17 [04]	0.20 [05]	0.86 [21]	0.79 [20]
4400 [2076]	1.03	1.08	1.01	1.01	0.18 [05]	0.21 [05]	0.90 [22]	0.83 [21]
4500 [2123]	1.04	1.09	1.02	1.02	0.19 [05]	0.23 [06]	0.94 [23]	0.86 [21]
4600 [2171]	1.04	1.11	1.02	1.02	0.20 [05]	0.24 [06]	0.98 [24]	0.89 [22]
4700 [2218]	1.05	1.12	1.02	1.02	0.21 [05]	0.26 [06]	1.02 [25]	0.94 [23]
4800 [2265]	1.05	1.13	1.02	1.02	0.21 [05]	0.28 [07]	1.06 [26]	0.98 [24]
4900 [2312]	1.06	1.14	1.02	1.02	0.22 [06]	0.29 [07]	1.10 [27]	1.01 [25]
5000 [2359]	1.06	1.16	1.03	1.03	0.23 [06]	0.31 [08]	1.14 [28]	1.04 [26]
5100 [2407]	1.07	1.17	1.03	1.03	0.24 [06]	0.33 [08]	1.18 [29]	1.07 [27]
5200 [2454]	1.07	1.18	1.03	1.03	0.25 [06]	0.35 [09]	1.22 [30]	1.10 [27]
5300 [2501]	1.08	1.19	1.03	1.03	0.26 [06]	0.36 [09]	1.27 [32]	1.15 [29]
5400 [2548]	1.08	1.21	1.03	1.03	0.27 [07]	0.38 [09]	1.33 [33]	1.20 [30]
5500 [2595]	1.09	1.22	1.04	1.04	0.28 [07]	0.40 [10]	1.37 [34]	1.25 [31]
5600 [2643]	1.09	1.23	1.04	1.04	0.29 [07]	0.42 [10]	1.42 [35]	1.30 [32]
5700 [2690]	1.10	1.24	1.04	1.04	0.30 [07]	0.44 [11]	1.47 [37]	1.34 [33]
5800 [2737]	1.10	1.26	1.04	1.04	0.31 [08]	0.46 [11]	1.52 [38]	1.38 [34]
5900 [2784]	1.10	1.27	1.05	1.05	0.32 [08]	0.48 [12]	1.56 [39]	1.42 [35]
6000 [2831]	1.11	1.28	1.05	1.05	0.33 [08]	0.51 [13]	1.60 [40]	1.45 [36]

*Multiply correction factor times gross performance data resulting sensible capacity cannot exceed total capacity.

[] Designates Metric Conversions

AIRFLOW PERFORMANCE— 12.5 TON [43.9 kW] — 60 Hz — SIDEFLOW

Air Flow CFM [L/s]	Model RACDZ*150* Voltage 208/230, 460, 575 — 3 phase 60 Hz																																								
	External Static Pressure—Inches of Water [kPa]																																								
	0.1 [0.02]	0.2 [0.05]	0.3 [0.07]	0.4 [0.10]	0.5 [0.12]	0.6 [0.15]	0.7 [0.17]	0.8 [0.20]	0.9 [0.22]	1.0 [0.25]	1.1 [0.27]	1.2 [0.30]	1.3 [0.32]	1.4 [0.35]	1.5 [0.37]	1.6 [0.40]	1.7 [0.42]	1.8 [0.45]	1.9 [0.47]	2.0 [0.50]																					
4000 [1888]	—	791	1757	819	1824	846	1892	872	1961	897	2031	922	2101	946	2173	970	2245	993	2318	1015	2392	1036	2467	1057	2542	1077	2619	1096	2696	1115	2774	1133	2853	1150	2933	1167	3014	1183	3095		
4100 [1935]	782	1773	809	1841	836	1911	863	1982	888	2053	913	2125	937	2198	961	2272	984	2346	1006	2422	1027	2498	1048	2576	1068	2654	1088	2733	1106	2812	1124	2893	1142	2975	1158	3057	1174	3140	1189	3224	
4200 [1982]	801	1860	828	1932	854	2004	880	2077	905	2150	929	2225	952	2300	975	2377	997	2454	1019	2532	1040	2611	1060	2691	1079	2771	1098	2853	1116	2935	1133	3018	1150	3102	1166	3187	1181	3272	1196	3359	
4300 [2029]	819	1954	845	2028	871	2102	896	2177	920	2254	944	2331	967	2409	989	2488	1011	2567	1032	2648	1052	2729	1071	2811	1090	2894	1108	2978	1125	3063	1142	3149	1158	3235	1174	3323	1188	3411	1202	3500	
4400 [2076]	837	2053	863	2129	888	2207	912	2284	936	2363	959	2443	981	2523	1003	2605	1024	2687	1044	2770	1064	2854	1082	2938	1101	3024	1118	3110	1135	3197	1151	3286	1166	3375	1181	3464	1195	3555	1208	3646	
4500 [2123]	855	2159	880	2237	905	2317	929	2397	952	2479	974	2561	996	2644	1016	2727	1037	2812	1056	2897	1075	2984	1093	3071	1111	3159	1128	3248	1144	3338	1159	3428	1174	3520	1188	3612	1201	3705	1214	3799	
4600 [2171]	873	2270	898	2351	921	2433	944	2516	967	2600	988	2684	1009	2770	1030	2856	1049	2943	1068	3031	1086	3120	1104	3210	1121	3300	1137	3392	1152	3484	1167	3577	1181	3671	1195	3766	1207	3861	1219	3958	
4700 [2218]	891	2387	914	2471	938	2556	960	2641	982	2727	1003	2814	1023	2902	1043	2991	1062	3080	1080	3171	1097	3262	1114	3354	1130	3447	1146	3541	1161	3636	1175	3732	1188	3828	1201	3925	1213	4023	—	—	
4800 [2265]	908	2511	931	2597	954	2684	975	2772	996	2860	1017	2950	1036	3040	1055	3132	1074	3224	1091	3317	1108	3410	1124	3505	1140	3601	1155	3697	1169	3794	1182	3892	1195	3991	1207	4091	1219	4191	—	—	
4900 [2312]	925	2640	947	2729	969	2818	990	2908	1011	3000	1031	3092	1050	3184	1068	3278	1086	3373	1102	3468	1119	3565	1134	3662	1149	3760	1163	3859	1177	3958	1190	4059	1202	4160	1213	4262	—	—	—	—	
5000 [2359]	942	2775	964	2866	985	2958	1005	3051	1025	3145	1044	3239	1062	3335	1080	3431	1097	3528	1113	3626	1129	3725	1144	3824	1158	3925	1172	4026	1185	4128	1197	4231	1208	4335	1219	4440	—	—	—	—	
5100 [2407]	958	2916	979	3010	1000	3104	1020	3200	1039	3296	1057	3393	1075	3491	1092	3589	1108	3689	1124	3789	1139	3891	1153	3993	1167	4096	1180	4200	1192	4304	1204	4410	1214	4516	—	—	—	—	—	—	
5200 [2454]	975	3063	995	3160	1015	3256	1034	3354	1053	3453	1070	3552	1087	3653	1104	3754	1120	3856	1135	3959	1149	4063	1162	4167	1175	4273	1188	4379	1199	4486	1210	4594	1220	4703	—	—	—	—	—	—	
5300 [2501]	991	3217	1010	3315	1030	3415	1048	3515	1066	3616	1083	3718	1100	3821	1115	3924	1130	4029	1145	4134	1158	4241	1171	4348	1184	4456	1195	4564	1206	4674	1216	4785	—	—	—	—	—	—	—		
5400 [2548]	1006	3376	1026	3477	1044	3579	1062	3681	1079	3785	1096	3889	1111	3995	1126	4101	1141	4208	1155	4316	1168	4425	1180	4534	1192	4645	1203	4756	1213	4868	—	—	—	—	—	—	—	—	—		
5500 [2595]	1022	3541	1040	3644	1058	3749	1075	3854	1092	3960	1108	4067	1123	4175	1137	4283	1151	4393	1164	4503	1177	4614	1188	4726	1199	4839	1210	4953	1219	5068	—	—	—	—	—	—	—	—	—		
5600 [2643]	1037	3712	1055	3818	1072	3924	1089	4032	1105	4141	1120	4250	1134	4361	1148	4472	1161	4584	1174	4697	1185	4810	1196	4925	1207	5040	1216	5156	—	—	—	—	—	—	—	—	—	—	—	—	
5700 [2690]	1052	3888	1069	3997	1086	4106	1102	4217	1117	4328	1132	4440	1145	4552	1159	4666	1171	4780	1183	4896	1194	5012	1204	5129	1214	5247	—	—	—	—	—	—	—	—	—	—	—	—	—	—	—
5800 [2737]	1067	4071	1083	4182	1099	4294	1115	4407	1129	4520	1143	4635	1156	4750	1169	4866	1181	4983	1192	5101	1202	5220	1212	5339	1221	5460	—	—	—	—	—	—	—	—	—	—	—	—	—	—	—
5900 [2784]	1081	4260	1097	4374	1113	4488	1127	4603	1141	4719	1154	4836	1167	4954	1179	5073	1190	5192	1200	5312	1210	5433	1219	5555	—	—	—	—	—	—	—	—	—	—	—	—	—	—	—	—	—
6000 [2831]	1095	4455	1111	4571	1126	4688	1139	4805	1153	4924	1165	5043	1177	5164	1188	5285	1199	5407	1209	5529	1218	5653	—	—	—	—	—	—	—	—	—	—	—	—	—	—	—	—	—	—	—

NOTE: A/F-Drive left of the bold line, B/G-Drive right of bold lines.

Drive Package	A/F										B/G							
Motor H.P. [W]	3 [2237.1]										5 [3728.5]							
Blower Sheave	AK71H										AK79H							
Motor Sheave	1V44*7/8										1VP60*1x1/2							
Belt	A48										A52							
Turns Open	0	1	2	3	4	5	0	1	2	3	4	5	0	1	2	3	4	5
RPM	1002	955	909	862	813	765	1208	1171	1127	1084	1038	995	1208	1171	1127	1084	1038	995

- NOTES: 1. Factory sheave settings are shown in bold type.
 2. Do not set motor sheave below minimum or maximum turns open shown.
 3. Re-adjustment of sheave required to achieve rated airflow at AHR minimum External Static Pressure
 4. Add component resistance (below) to duct resistance to determine total External Static Pressure.

[] Designates Metric Conversions

AIRFLOW PERFORMANCE— 12.5 TON [43.9 kW] — 60 Hz — SIDEFLOW (con't.)

Airflow CFM [L/s]	AIRFLOW CORRECTION FACTORS *			COMPONENT AIRFLOW RESISTANCE			
	Total MBH	Sensible MBH	Power kW	Wet Coil	Horizontal Economizer RA Damper Open	Concentric Diffuser RXRN-AEF3618 & Concentric Adapter RXMC-DD03 (Flush)	Concentric Diffuser RXRN-AEF3618 & Concentric Adapter RXMC-DD03 (Drop)
4000 [1888]	1.01	1.03	1.01	0.15 [.04]	0.16 [.04]	0.76 [.19]	0.68 [.17]
4100 [1935]	1.02	1.04	1.01	0.16 [.04]	0.17 [.04]	0.79 [.20]	0.72 [.18]
4200 [1982]	1.02	1.06	1.01	0.17 [.04]	0.19 [.05]	0.82 [.20]	0.75 [.19]
4300 [2029]	1.03	1.07	1.01	0.17 [.04]	0.20 [.05]	0.86 [.21]	0.79 [.20]
4400 [2076]	1.03	1.08	1.01	0.18 [.05]	0.21 [.05]	0.90 [.22]	0.83 [.21]
4500 [2123]	1.04	1.09	1.02	0.19 [.05]	0.23 [.06]	0.94 [.23]	0.86 [.21]
4600 [2171]	1.04	1.11	1.02	0.20 [.05]	0.24 [.06]	0.98 [.24]	0.89 [.22]
4700 [2218]	1.05	1.12	1.02	0.21 [.05]	0.26 [.06]	1.02 [.25]	0.94 [.23]
4800 [2265]	1.05	1.13	1.02	0.21 [.05]	0.28 [.07]	1.06 [.26]	0.98 [.24]
4900 [2312]	1.06	1.14	1.02	0.22 [.06]	0.29 [.07]	1.10 [.27]	1.01 [.25]
5000 [2359]	1.06	1.16	1.03	0.23 [.06]	0.31 [.08]	1.14 [.28]	1.04 [.26]
5100 [2407]	1.07	1.17	1.03	0.24 [.06]	0.33 [.08]	1.18 [.29]	1.07 [.27]
5200 [2454]	1.07	1.18	1.03	0.25 [.06]	0.35 [.09]	1.22 [.30]	1.10 [.27]
5300 [2501]	1.08	1.19	1.03	0.26 [.06]	0.36 [.09]	1.27 [.32]	1.15 [.29]
5400 [2548]	1.08	1.21	1.03	0.27 [.07]	0.38 [.09]	1.33 [.33]	1.20 [.30]
5500 [2595]	1.09	1.22	1.04	0.28 [.07]	0.40 [.10]	1.37 [.34]	1.25 [.31]
5600 [2643]	1.09	1.23	1.04	0.29 [.07]	0.42 [.10]	1.42 [.35]	1.30 [.32]
5700 [2690]	1.10	1.24	1.04	0.30 [.07]	0.44 [.11]	1.47 [.37]	1.34 [.33]
5800 [2737]	1.10	1.26	1.04	0.31 [.08]	0.46 [.11]	1.52 [.38]	1.38 [.34]
5900 [2784]	1.10	1.27	1.05	0.32 [.08]	0.48 [.12]	1.56 [.39]	1.42 [.35]
6000 [2831]	1.11	1.28	1.05	0.33 [.08]	0.51 [.13]	1.60 [.40]	1.45 [.36]

*Multiply correction factor times gross performance data resulting sensible capacity cannot exceed total capacity.

[] Designates Metric Conversions

ELECTRICAL DATA – RACDZR SERIES

		090ACA	090ACB 090ACC	090ADA	090ADB 090ADC	090AYA	090AYB	090AYC
Unit Information	Unit Operating Voltage Range	187-253	187-253	414-506	414-506	517-633	517-633	517-633
	Volts	208/230	208/230	460	460	575	575	575
	Phase	3	3	3	3	3	3	3
	Hz	60	60	60	60	60	60	60
	Minimum Circuit Ampacity	41	43	21	23	16	17	17
	Minimum Overcurrent Protection Device Size	50	50	25	30	20	20	20
	Maximum Overcurrent Protection Device Size	60	60	30	35	25	25	25
Compressor Motor	No.	1	1	1	1	1	1	1
	Volts	208/230	208/230	460	460	575	575	575
	Phase	3	3	3	3	3	3	3
	RPM	3450	3450	3450	3450	3450	3450	3450
	HP, Compressor 1	7	7	7	7	7	7	7
	Amps (RLA), Comp. 1	25	25	12.8	12.8	9.6	9.6	9.6
	Amps (LRA), Comp. 1	164	164	100	100	78	78	78
Condenser Motor	No.	2	2	2	2	2	2	2
	Volts	208/230	208/230	460	460	575	575	575
	Phase	1	1	1	1	1	1	1
	HP	1/5	1/5	1/5	1/5	1/5	1/5	1/5
	Amps (FLA, each)	1.2	1.2	0.8	0.8	0.6	0.6	0.6
	Amps (LRA, each)	2.3	2.3	1.4	1.4	1.1	1.1	1.1
Evaporator Fan	No.	1	1	1	1	1	1	1
	Volts	208/230	208/230	460	460	575	575	575
	Phase	3	3	3	3	3	3	3
	HP	2	3	2	3	2	3	3
	Amps (FLA, each)	6.6	9.1	3.3	4.6	2.5	3.5	3.5
	Amps (LRA, each)	47	74.5	22.5	38.1	19	20	20

ELECTRICAL DATA – RACDZR SERIES										
		102ACA	102ACB	102ACC	102ADA	102ADB	102ADC	102AYA	102AYB	102AYC
Unit Information	Unit Operating Voltage Range	187-253	187-253	187-253	414-506	414-506	414-506	517-633	517-633	517-633
	Volts	208/230	208/230	208/230	460	460	460	575	575	575
	Phase	3	3	3	3	3	3	3	3	3
	Hz	60	60	60	60	60	60	60	60	60
	Minimum Circuit Ampacity	44	46	49	22	23	24	16	17	17
	Minimum Overcurrent Protection Device Size	60	60	60	25	30	30	20	20	20
	Maximum Overcurrent Protection Device Size	70	70	70	30	35	35	25	25	25
Compressor Motor	No.	1	1	1	1	1	1	1	1	1
	Volts	208/230	209/230	208/230	460	460	460	575	575	575
	Phase	3	3	3	3	3	3	3	3	3
	RPM	3450	3450	3450	3450	3450	3450	3450	3450	3450
	HP, Compressor 1	7 1/2	7 1/2	7 1/2	7 1/2	7 1/2	7 1/2	7 1/2	7 1/2	7 1/2
	Amps (RLA), Comp. 1	27.6	27.6	27.6	12.8	12.8	12.8	9.6	9.6	9.6
	Amps (LRA), Comp. 1	191	191	191	100	100	100	78	78	78
Condenser Motor	No.	2	2	2	2	2	2	2	2	2
	Volts	208/230	208/230	208/230	460	460	460	575	575	575
	Phase	1	1	1	1	1	1	1	1	1
	HP	1/5	1/5	1/5	1/5	1/5	1/5	1/5	1/5	1/5
	Amps (FLA, each)	1.2	1.2	1.2	0.8	0.8	0.8	0.6	0.6	0.6
	Amps (LRA, each)	2.3	2.3	2.3	1.4	1.4	1.4	1.1	1.1	1.1
Evaporator Fan	No.	1	1	1	1	1	1	1	1	1
	Volts	208/230	208/230	208/230	460	460	460	575	575	575
	Phase	3	3	3	3	3	3	3	3	3
	HP	2	3	3	2	3	3	2	3	3
	Amps (FLA, each)	7.1	9.1	12	3.5	4.6	6	2.5	3.5	3.5
	Amps (LRA, each)	45	74.5	74.5	22.5	38.1	38.1	19	20	20

ELECTRICAL DATA – RACDZR SERIES

		120ACA	120ACB	120ACC	120ADA	120ADB	120ADC	120AYA	120AYB	120AYC
Unit Information	Unit Operating Voltage Range	187-253	187-253	187-253	414-506	414-506	414-506	517-633	518-632	518-632
	Volts	208/230	208/230	208/230	460	460	460	575	575	575
	Phase	3	3	3	3	3	3	3	3	3
	Hz	60	60	60	60	60	60	60	60	60
	Minimum Circuit Ampacity	48	51	53	26	27	28	19	20	20
	Minimum Overcurrent Protection Device Size	60	60	60	30	30	35	25	25	25
	Maximum Overcurrent Protection Device Size	70	70	80	35	40	40	25	30	30
Compressor Motor	No.	1	1	1	1	1	1	1	1	1
	Volts	208/230	208/230	208/230	460	460	460	575	575	575
	Phase	3	3	3	3	3	3	3	3	3
	RPM	3450	3450	3450	3450	3450	3450	3450	3450	3450
	HP, Compressor 1	10	10	10	10	10	10	10	10	10
	Amps (RLA), Comp. 1	28.2	28.2	28.2	14.7	14.7	14.7	11.3	11.3	11.3
	Amps (LRA), Comp. 1	239	239	239	130	130	130	93.7	93.7	93.7
Condenser Motor	No.	2	2	2	2	2	2	2	2	2
	Volts	208/230	208/230	208/230	460	460	460	575	575	575
	Phase	1	1	1	1	1	1	1	1	1
	HP	1/3	1/3	1/3	1/3	1/3	1/3	1/3	1/3	1/3
	Amps (FLA, each)	2.4	2.4	2.4	1.4	1.4	1.4	1	1	1
	Amps (LRA, each)	4.7	4.7	4.7	2.4	2.4	2.4	4.7	4.7	4.7
Evaporator Fan	No.	1	1	1	1	1	1	1	1	1
	Volts	208/230	208/230	208/230	460	460	460	575	575	575
	Phase	3	3	3	3	3	3	3	3	3
	HP	2	3	3	2	3	3	2	3	3
	Amps (FLA, each)	7.9	10.1	12	3.9	5	6	2.5	3.5	3.5
	Amps (LRA, each)	45	74.5	74.5	22.5	38.1	38.1	19	20	20

ELECTRICAL DATA – RACDZS SERIES

		090ACA 090ACF	090ACB 090ACG 090ACH 090ACC	090ADA 090ADF	090ADB 090ADC 090ADG 090ADH	090AYA	090AYB	090AYC
Unit Information	Unit Operating Voltage Range	187-253	187-253	414-506	414-506	517-633	517-633	517-633
	Volts	208/230	208/230	460	460	575	575	575
	Phase	3	3	3	3	3	3	3
	Hz	60	60	60	60	60	60	60
	Minimum Circuit Ampacity	41	44	17	19	13	14	14
	Minimum Overcurrent Protection Device Size	50	50	20	25	15	20	20
Maximum Overcurrent Protection Device Size	60	60	25	25	15	20	20	
Compressor Motor	No.	1	1	1	1	1	1	1
	Volts	208/230	208/230	460	460	575	575	575
	Phase	3	3	3	3	3	3	3
	RPM	3450	3450	3450	3450	3450	3450	3450
	HP, Compressor 1	7	7	7	7	7	7	7
	Amps (RLA), Comp. 1	25.3	25.3	9.6	9.6	7.1	7.1	7.1
	Amps (LRA), Comp. 1	184	184	84	84	60	60	60
Condenser Motor	No.	2	2	2	2	2	2	2
	Volts	208/230	208/230	460	460	575	575	575
	Phase	1	1	1	1	1	1	1
	HP	1/5	1/5	1/5	1/5	1/5	1/5	1/5
	Amps (FLA, each)	1.2	1.2	0.8	0.8	0.6	0.6	0.6
	Amps (LRA, each)	2.3	2.3	1.4	1.4	1.1	1.1	1.1
Evaporator Fan	No.	1	1	1	1	1	1	1
	Volts	208/230	208/230	460	460	575	575	575
	Phase	3	3	3	3	3	3	3
	HP	2	3	2	3	2	3	3
	Amps (FLA, each)	6.6	9.1	3.2	9.1	2.5	3.5	3.5
	Amps (LRA, each)	22.5	74.5	22.5	38.1	19	20	20

ELECTRICAL DATA – RACDZS SERIES

		102ACA 102ACF	102ACB 102ACG	102ACC 102ACH	102ADA 102ADF	102ADB 102ADG	102ADC	102ADH	102AYA	102AYB	102AYC
Unit Information	Unit Operating Voltage Range	187-253	187-253	187-253	414-506	414-506	414-506	414-506	517-633	517-633	517-633
	Volts	208/230	208/230	208/230	460	460	460	460	575	575	575
	Phase	3	3	3	3	3	3	3	3	3	3
	Hz	60	60	60	60	60	60	60	60	60	60
	Minimum Circuit	46	48	51	21	22	24	24	16	17	17
	Minimum Overcurrent Protection Device Size	60	60	60	25	25	30	30	20	20	20
	Maximum Overcurrent Protection Device Size	70	70	70	30	30	35	35	25	25	25
Compressor Motor	No.	1	1	1	1	1	1	1	1	1	1
	Volts	208/230	208/230	208/230	460	460	460	460	575	575	575
	Phase	3	3	3	3	3	3	3	3	3	3
	RPM	3450	3450	3450	3450	3450	3450	3450	3450	3450	3450
	HP, Compressor 1	7 1/2	7 1/2	7 1/2	7 1/2	7 1/2	7 1/2	7 1/2	7 1/2	7 1/2	7 1/2
	Amps (RLA), Comp. 1	28.8	28.8	28.8	12.5	12.5	12.5	12.5	9.7	9.7	9.7
	Amps (LRA), Comp. 1	191	191	191	100	100	100	100	70	70	70
Condenser Motor	No.	2	2	2	2	2	2	2	2	2	2
	Volts	208/230	208/230	208/230	460	460	460	460	575	575	575
	Phase	1	1	1	1	1	1	1	1	1	1
	HP	1/5	1/5	1/5	1/5	1/5	1/5	1/5	1/5	1/5	1/5
	Amps (FLA, each)	1.2	1.2	1.2	0.8	0.8	0.8	0.8	0.6	0.6	0.6
	Amps (LRA, each)	2.3	2.3	2.3	1.4	1.4	1.4	1.4	1.1	1.1	1.1
Evaporator Fan	No.	1	1	1	1	1	1	1	1	1	1
	Volts	208/230	208/230	208/230	460	460	460	460	575	575	575
	Phase	3	3	3	3	3	3	3	3	3	3
	HP	2	3	3	2	3	3	3	2	3	3
	Amps (FLA, each)	7.1	9.1	12	3.5	9.1	9.1	12	2.5	3.5	3.5
	Amps (LRA, each)	45	74.5	74.5	22.5	38.1	38.1	38.1	19	20	20

ELECTRICAL DATA – RACDZS SERIES

		120ACA 120ACF	120ACB 120ACG	120ACC 120ACH	120ADA 120ADF	120ADB 120ADG	120ADC 120ADH	120AYA	120AYB	120AYC
Unit Information	Unit Operating Voltage Range	187-253	187-253	187-253	414-506	414-506	414-506	517-633	518-632	518-632
	Volts	208/230	208/230	208/230	460	460	460	575	575	575
	Phase	3	3	3	3	3	3	3	3	3
	Hz	60	60	60	60	60	60	60	60	60
	Minimum Circuit Ampacity	54	56	58	26	27	28	19	20	20
	Minimum Overcurrent Protection Device Size	70	70	70	30	35	35	25	25	25
	Maximum Overcurrent Protection Device Size	80	80	90	40	40	40	25	30	30
Compressor Motor	No.	1	1	1	1	1	1	1	1	1
	Volts	208/230	208/230	208/230	460	460	460	575	575	575
	Phase	3	3	3	3	3	3	3	3	3
	RPM	3450	3450	3450	3450	3450	3450	3450	3450	3450
	HP, Compressor 1	10	10	10	10	10	10	10	10	10
	Amps (RLA), Comp. 1	32.6	32.6	32.6	14.8	14.8	14.8	11.1	11.1	11.1
	Amps (LRA), Comp. 1	240	240	240	130	130	130	93.7	93.7	93.7
Condenser Motor	No.	2	2	2	2	2	2	2	2	2
	Volts	208/230	208/230	208/230	460	460	460	575	575	575
	Phase	1	1	1	1	1	1	1	1	1
	HP	1/3	1/3	1/3	1/3	1/3	1/3	1/3	1/3	1/3
	Amps (FLA, each)	2.4	2.4	2.4	1.4	1.4	1.4	1	1	1
	Amps (LRA, each)	4.7	4.7	4.7	2.4	2.4	2.4	4.7	4.7	4.7
Evaporator Fan	No.	1	1	1	1	1	1	1	1	1
	Volts	208/230	208/230	208/230	460	460	460	575	575	575
	Phase	3	3	3	3	3	3	3	3	3
	HP	2	3	3	2	3	3	2	3	3
	Amps (FLA, each)	7.9	10.1	12	3.9	5.1	6.0	2.5	3.5	3.5
	Amps (LRA, each)	45	74.5	74.5	22.5	38.1	38.1	19	20	20

ELECTRICAL DATA – RACDZS SERIES

		150ACA	150ACB 150ACG	150ACF	150ADA 150ADF	150ADB 150ADG	150AYA	150AYB
Unit Information	Unit Operating Voltage Range	187-253	187-253	187-253	414-506	414-506	518-632	518-632
	Volts	208/230	208/230	208/230	460	460	575	575
	Phase	3	3	3	3	3	3	3
	Hz	60	60	60	60	60	60	60
	Minimum Circuit Ampacity	70	75	70	34	37	25	27
	Minimum Overcurrent Protection Device Size	80	90	80	40	40	30	30
Compressor Motor	Maximum Overcurrent Protection Device Size	90	90	90	40	45	30	30
	No.	2	2	2	2	2	2	2
	Volts	208/230	208/230	208/230	460	460	575	575
	Phase	3	3	3	3	3	3	3
	RPM	3450	3450	3450	3450	3450	3450	3450
	HP, Compressor 1	6	6	6	6	6	6	6
	Amps (RLA), Comp. 1	22.4	22.4	22.4	10.6	10.6	7.7	7.7
	Amps (LRA), Comp. 1	164	164	164	100	100	78	78
	HP, Compressor 2	0	0	0	0	0	0	0
Condenser Motor	Amps (RLA), Comp. 2	22.4	22.4	22.4	10.6	10.6	7.7	7.7
	Amps (LRA), Comp. 2	164	164	164	100	100	78	78
	No.	2	2	2	2	2	2	2
	Volts	208/230	208/230	208/230	460	460	575	575
	Phase	1	1	1	1	1	1	1
	HP	3/4	3/4	3/4	3/4	3/4	3/4	3/4
Evaporator Fan	Amps (FLA, each)	4.2	4.2	4.2	2.3	2.3	1.2	1.2
	Amps (LRA, each)	10.1	10.1	10.1	4.9	4.9		
	No.	1	1	1	1	1	1	1
	Volts	208/230	208/230	208/230	460	460	575	575
	Phase	3	3	3	3	3	3	3
	HP	3	5	3	3	5	3	5
Amps (FLA, each)	10.4	16	10.4	5.2	8	4.4	5.9	
Amps (LRA, each)	74.5	82	74.5	38.1	41	20	38	

ELECTRICAL DATA – ACDZT SERIES

		090ACF	090ACG 090ACH	090ADF	090ADG 090ADH
Unit Information	Unit Operating Voltage Range	187-253	187-253	414-506	414-506
	Volts	208/230	208/230	460	460
	Phase	3	3	3	3
	Hz	60	60	60	60
	Minimum Circuit Ampacity	41	44	17	21
	Minimum Overcurrent Protection Device Size	50	50	20	30
	Maximum Overcurrent Protection Device Size	60	60	25	30
Compressor Motor	No.	1	1	1	1
	Volts	208/230	208/230	460	460
	Phase	3	3	3	3
	RPM	3450	3450	3450	3450
	HP, Compressor 1	7	7	7	7
	Amps (RLA), Comp. 1	25.3	25.3	9.6	9.6
	Amps (LRA), Comp. 1	184	184	84	84
Condenser Motor	No.	2	2	2	2
	Volts	208/230	208/230	460	460
	Phase	1	1	1	1
	HP	1/5	1/5	1/5	1/5
	Amps (FLA, each)	1.2	1.2	0.8	0.8
	Amps (LRA, each)	2.3	2.3	1.4	1.4
Evaporator Fan	No.	1	1	1	1
	Volts	208/230	208/230	460	460
	Phase	3	3	3	3
	HP	2	3	2	3
	Amps (FLA, each)	6.6	9.1	3.2	4.6
	Amps (LRA, each)	22.5	74.5	22.5	38.1

ELECTRICAL DATA – ACDZT SERIES

		102ACF	102ACG	102ACH	102ADF	102ADG	102ADH
Unit Information	Unit Operating Voltage Range	187-253	187-253	187-253	414-506	414-506	414-506
	Volts	208/230	208/230	208/230	460	460	460
	Phase	3	3	3	3	3	3
	Hz	60	60	60	60	60	60
	Minimum Circuit Ampacity	46	48	51	21	22	24
	Minimum Overcurrent Protection Device Size	60	60	60	25	25	30
	Maximum Overcurrent Protection Device Size	70	70	70	30	30	35
Compressor Motor	No.	1	1	1	1	1	1
	Volts	208/230	208/230	208/230	460	460	460
	Phase	3	3	3	3	3	3
	RPM	3450	3450	3450	3450	3450	3450
	HP, Compressor 1	7 1/2	7 1/2	7 1/2	7 1/2	7 1/2	7 1/2
	Amps (RLA), Comp. 1	28.8	28.8	28.8	12.5	12.5	12.5
	Amps (LRA), Comp. 1	191	191	191	100	100	100
Condenser Motor	No.	2	2	2	2	2	2
	Volts	208/230	208/230	208/230	460	460	460
	Phase	1	1	1	1	1	1
	HP	1/5	1/5	1/5	1/5	1/5	1/5
	Amps (FLA, each)	1.2	1.2	1.2	0.8	0.8	0.8
	Amps (LRA, each)	2.3	2.3	2.3	1.4	1.4	1.4
Evaporator Fan	No.	1	1	1	1	1	1
	Volts	208/230	208/230	208/230	460	460	460
	Phase	3	3	3	3	3	3
	HP	2	3	3	2	3	3
	Amps (FLA, each)	7	9.1	12	3.5	4.6	6.0
	Amps (LRA, each)	45	74.5	74.5	22.5	38.1	38.1

ELECTRICAL DATA – ACDZT SERIES							
		120ACF	120ACG	120ACH	120ADF	120ADG	120ADH
Unit Information	Unit Operating Voltage Range	187-253	187-253	187-253	414-506	414-506	414-506
	Volts	208/230	208/230	208/230	460	460	460
	Phase	3	3	3	3	3	3
	Hz	60	60	60	60	60	60
	Minimum Circuit Ampacity	54	56	58	26	27	28
	Minimum Overcurrent Protection Device Size	70	70	70	30	35	35
	Maximum Overcurrent Protection Device Size	80	80	90	40	40	40
Compressor Motor	No.	1	1	1	1	1	1
	Volts	208/230	208/230	208/230	460	460	460
	Phase	3	3	3	3	3	3
	RPM	3450	3450	3450	3450	3450	3450
	HP, Compressor 1	10	10	10	10	10	10
	Amps (RLA), Comp. 1	32.6	32.6	32.6	14.8	14.8	14.8
	Amps (LRA), Comp. 1	240	240	240	130	130	130
Condenser Motor	No.	2	2	2	2	2	2
	Volts	208/230	208/230	208/230	460	460	460
	Phase	1	1	1	1	1	1
	HP	1/3	1/3	1/3	1/3	1/3	1/3
	Amps (FLA, each)	2.4	2.4	2.4	1.4	1.4	1.4
	Amps (LRA, each)	4.7	4.7	4.7	2.4	2.4	2.4
Evaporator Fan	No.	1	1	1	1	1	1
	Volts	208/230	208/230	208/230	460	460	460
	Phase	3	3	3	3	3	3
	HP	2	3	3	2	3	3
	Amps (FLA, each)	7.9	10.1	12	3.9	5.1	6.0
	Amps (LRA, each)	45	74.5	74.5	22.5	38.1	38.1

ELECTRICAL DATA – ACDZT SERIES

		150ACF	150ACG	150ADF	150ADG
Unit Information	Unit Operating Voltage Range	187-253	187-253	414-506	414-506
	Volts	208/230	208/230	460	460
	Phase	3	3	3	3
	Hz	60	60	60	60
	Minimum Circuit Ampacity	70	75	39	37
	Minimum Overcurrent Protection Device Size	80	90	40	40
	Maximum Overcurrent Protection Device Size	90	90	40	45
Compressor Motor	No.	2	2	2	2
	Volts	208/230	208/230	460	460
	Phase	3	3	3	3
	RPM	3450	3450	3450	3450
	HP, Compressor 1	6	6	6	6
	Amps (RLA), Comp. 1	22.4	22.4	10.6	10.6
	Amps (LRA), Comp. 1	164	164	100	100
	HP, Compressor 2	0	0	0	0
	Amps (RLA), Comp. 2	22.4	22.4	10.6	10.6
	Amps (LRA), Comp. 2	164	164	100	100
Condenser Motor	No.	2	2	2	2
	Volts	208/230	208/230	460	460
	Phase	1	1	1	1
	HP	3/4	3/4	3/4	3/4
	Amps (FLA, each)	4.2	4.2	2.3	2.3
	Amps (LRA, each)	10.1	10.1	4.9	4.9
Evaporator Fan	No.	1	1	1	1
	Volts	208/230	208/230	460	460
	Phase	3	3	3	3
	HP	3	5	3	5
	Amps (FLA, each)	10.4	16	5.2	8
	Amps (LRA, each)	74.5	82	38.1	41



Air

Electric Heater Kits
RACD Series**208/240 VOLT, THREE PHASE, 60 Hz, AUXILIARY ELECTRIC HEATER KITS CHARACTERISTICS AND APPLICATION**

Single Power Supply For Both Unit and Heater Kit										Separate Power Supply For Both Unit and Heater Kit										
Unit Model No. RACDZ-	Heater Kit					Air Conditioner					Heater Kit					Air Conditioner				
	RXJJ-Heater Kit Nominal kW	No. of Sequence Steps	Rated Heater kW @ 208/240 V	Heater KBTU/Hr @ 208/240 V	Heater Amp. @ 208/240 V	Unit Min. Ckt. Ampacity @ 208/240 V	Protective Device Size		Min. Circuit Ampacity 208/240 V	Max. Fuse Size 208/240 V	Min. Ckt. Ampacity 208/240 V	Over Current		Min. Circuit Ampacity 208/240 V	Max. Fuse Size 208/240 V	Min. Ckt. Ampacity 208/240 V	Over Current Protective Device Size Min./Max. @ 240 V			
							Min./Max. @ 208 V	Min./Max. @ 240 V				Min./Max. @ 208 V	Min./Max. @ 240 V							
R090ACA	No Heat	—	—	—	—	41/41	50/60	50/60	—	—	41/41	50/60	50/60	—	—	41/41	50/60			
	DD10CP	1	7.4/9.9	25.25/33.78	20.6/23.8	41/41	50/50	50/60	26/30	30/30	41/41	50/60	50/60	26/30	30/30	41/41	50/60			
	DD15CP	1	10.8/14.4	36.85/49.13	30.0/34.6	46/52	50/50	60/60	38/44	40/45	41/41	50/60	50/60	38/44	40/45	41/41	50/60			
	DD20CP	1	14.9/19.8	50.84/67.56	41.3/47.6	60/68	60/60	70/70	52/60	60/60	41/41	50/60	50/60	52/60	60/60	41/41	50/60			
R090ACB	DD30CP	1	21.6/28.8	73.70/98.27	60.0/69.3	84/95	90/90	100/100	75/87	80/90	41/41	50/60	50/60	75/87	80/90	41/41	50/60			
	DD40CP	1	29.7/39.6	101.34/135.12	82.5/95.2	112/128	125/125	150/150	104/119	110/125	41/41	50/60	50/60	104/119	110/125	41/41	50/60			
	No Heat	—	—	—	—	43/43	50/60	50/60	—	—	43/43	50/60	50/60	—	—	43/43	50/60			
	DD10CP	1	7.4/9.9	25.25/33.78	20.6/23.8	43/43	50/50	50/60	26/30	30/30	43/43	50/60	50/60	26/30	30/30	43/43	50/60			
R090ACC	DD15CP	1	10.8/14.4	36.85/49.13	30.0/34.6	49/55	50/50	60/60	38/44	40/45	43/43	50/60	50/60	38/44	40/45	43/43	50/60			
	DD20CP	1	14.9/19.8	50.84/67.56	41.3/47.6	63/71	70/70	80/80	52/60	60/60	43/43	50/60	50/60	52/60	60/60	43/43	50/60			
	DD30CP	1	21.6/28.8	73.70/98.27	60.0/69.3	87/98	90/90	100/100	75/87	80/90	43/43	50/60	50/60	75/87	80/90	43/43	50/60			
	DD40CP	1	29.7/39.6	101.34/135.12	82.5/95.2	115/131	125/125	150/150	104/119	110/125	43/43	50/60	50/60	104/119	110/125	43/43	50/60			
R102ACA	No Heat	—	—	—	—	44/44	60/70	60/70	—	—	44/44	60/70	60/70	—	—	44/44	60/70			
	DD10CP	1	7.4/9.9	25.25/33.78	20.6/23.8	44/44	60/70	60/70	26/30	30/30	44/44	60/70	60/70	26/30	30/30	44/44	60/70			
	DD15CP	1	10.8/14.4	36.85/49.13	30.0/34.6	47/53	60/70	60/70	38/44	40/45	44/44	60/70	60/70	38/44	40/45	44/44	60/70			
	DD20CP	1	14.9/19.8	50.84/67.56	41.3/47.6	61/69	70/70	70/70	52/60	60/60	44/44	60/70	60/70	52/60	60/60	44/44	60/70			
R102ACB	DD30CP	1	21.6/28.8	73.70/98.27	60.0/69.3	84/96	90/90	100/100	75/87	80/90	44/44	60/70	60/70	75/87	80/90	44/44	60/70			
	DD40CP	1	29.7/39.6	101.34/135.12	82.5/95.2	112/128	125/125	150/150	104/119	110/125	44/44	60/70	60/70	104/119	110/125	44/44	60/70			
	No Heat	—	—	—	—	46/46	60/70	60/70	—	—	46/46	60/70	60/70	—	—	46/46	60/70			
	DD10CP	1	7.4/9.9	25.25/33.78	20.6/23.8	46/46	60/70	60/70	26/30	30/30	46/46	60/70	60/70	26/30	30/30	46/46	60/70			
R102ACC	DD15CP	1	10.8/14.4	36.85/49.13	30.0/34.6	49/55	60/70	60/70	38/44	40/45	46/46	60/70	60/70	38/44	40/45	46/46	60/70			
	DD20CP	1	14.9/19.8	50.84/67.56	41.3/47.6	63/71	70/70	80/80	52/60	60/60	46/46	60/70	60/70	52/60	60/60	46/46	60/70			
	DD30CP	1	21.6/28.8	73.70/98.27	60.0/69.3	87/98	90/90	100/100	75/87	80/90	46/46	60/70	60/70	75/87	80/90	46/46	60/70			
	DD40CP	1	29.7/39.6	101.34/135.12	82.5/95.2	115/131	125/125	150/150	104/119	110/125	46/46	60/70	60/70	104/119	110/125	46/46	60/70			

* = For Canadian use only. Uses "rp" fuses for inductive circuit.

+ = Field installed only.



INTEGRATED AIR & WATER



208/240 VOLT, THREE PHASE, 60 HZ, AUXILIARY ELECTRIC HEATER KITS CHARACTERISTICS AND APPLICATION

Single Power Supply For Both Unit and Heater Kit										Separate Power Supply For Both Unit and Heater Kit					
Unit Model No. RACDZ-	Heater Kit				Air Conditioner			Heater Kit			Air Conditioner				
	RXJJ-Heater Kit Nominal kW	No. of Sequence Steps	Rated Heater kW @ 208/240 V	Heater KBTU/Hr @ 208/240 V	Heater Amp. @ 208/240 V	Unit Min. Ampacity @ 208/240 V	Over Current Protective Device Size Min./Max. @ 208 V	Min. Ckt. Ampacity 208/240 V	Max. Fuse Size 208/240 V	Min. Circuit Ampacity 208/240 V	Over Current Protective Device Size Min./Max. @ 208 V	Min./Max. @ 240 V			
R120ACA	No Heat	—	—	—	—	48/48	60/70	—	—	48/48	60/70	60/70			
	DD10CP	1	7.4/9.9	25.25/33.78	20.6/23.8	48/48	60/60	26/30	30/30	48/48	60/70	60/70			
	DD15CP	1	10.8/14.4	36.85/49.13	30.0/34.6	48/54	60/60	38/44	40/45	48/48	60/70	60/70			
	DD20CP	1	14.9/19.8	50.84/67.56	41.3/47.6	62/70	70/70	52/60	60/60	48/48	60/70	60/70			
	DD30CP	1	21.6/28.8	73.70/98.27	60.0/69.3	85/97	90/90	75/87	80/90	48/48	60/70	60/70			
DD40CP	1	29.7/39.6	101.34/135.12	82.5/95.2	113/129	125/125	104/119	110/125	48/48	60/70	60/70				
R120ACB	No Heat	—	—	—	—	51/51	60/70	—	—	51/51	60/70	60/70			
	DD10CP	1	7.4/9.9	25.25/33.78	20.6/23.8	51/51	60/60	26/30	30/30	51/51	60/70	60/70			
	DD15CP	1	10.8/14.4	36.85/49.13	30.0/34.6	51/56	60/60	38/44	40/45	51/51	60/70	60/70			
	DD20CP	1	14.9/19.8	50.84/67.56	41.3/47.6	65/73	70/70	52/60	60/60	51/51	60/70	60/70			
	DD30CP	1	21.6/28.8	73.70/98.27	60.0/69.3	88/100	90/90	75/87	80/90	51/51	60/70	60/70			
DD40CP	1	29.7/39.6	101.34/135.12	82.5/95.2	116/132	125/125	104/119	110/125	51/51	60/70	60/70				
R120ACC	No Heat	—	—	—	—	53/53	60/80	—	—	53/53	60/80	60/80			
	DD10CP	1	7.4/9.9	25.25/33.78	20.6/23.8	53/53	60/60	26/30	30/30	53/53	60/80	60/80			
	DD15CP	1	10.8/14.4	36.85/49.13	30.0/34.6	53/59	60/60	38/44	40/45	53/53	60/80	60/80			
	DD20CP	1	14.9/19.8	50.84/67.56	41.3/47.6	67/75	70/70	52/60	60/60	53/53	60/80	60/80			
	DD30CP	1	21.6/28.8	73.70/98.27	60.0/69.3	90/102	90/90	75/87	80/90	53/53	60/80	60/80			
DD40CP	1	29.7/39.6	101.34/135.12	82.5/95.2	119/134	125/125	104/119	110/125	53/53	60/80	60/80				
S090ACA	No Heat	—	—	—	—	41/41	50/60	—	—	41/41	50/60	50/60			
	DD10CP	1	7.4/9.9	25.25/33.78	20.6/23.8	41/41	50/50	26/30	30/30	41/41	50/60	50/60			
	DD15CP	1	10.8/14.4	36.85/49.13	30.0/34.6	46/52	50/50	38/44	40/45	41/41	50/60	50/60			
	DD20CP	1	14.9/19.8	50.84/67.56	41.3/47.6	60/68	60/60	52/60	60/60	41/41	50/60	50/60			
	DD30CP	1	21.6/28.8	73.70/98.27	60.0/69.3	84/95	90/90	75/87	80/90	41/41	50/60	50/60			
DD40CP	1	29.7/39.6	101.34/135.12	82.5/95.2	112/128	125/125	104/119	110/125	41/41	50/60	50/60				
S090ACB	No Heat	—	—	—	—	44/44	50/60	—	—	44/44	50/60	50/60			
	DD10CP	1	7.4/9.9	25.25/33.78	20.6/23.8	44/44	50/50	26/30	30/30	44/44	50/60	50/60			
	DD15CP	1	10.8/14.4	36.85/49.13	30.0/34.6	49/55	50/50	38/44	40/45	44/44	50/60	50/60			
	DD20CP	1	14.9/19.8	50.84/67.56	41.3/47.6	63/71	70/70	52/60	60/60	44/44	50/60	50/60			
	DD30CP	1	21.6/28.8	73.70/98.27	60.0/69.3	87/98	90/90	75/87	80/90	44/44	50/60	50/60			
DD40CP	1	29.7/39.6	101.34/135.12	82.5/95.2	115/131	125/125	104/119	110/125	44/44	50/60	50/60				
S090ACC	No Heat	—	—	—	—	44/44	50/60	—	—	44/44	50/60	50/60			
	DD10CP	1	7.4/9.9	25.25/33.78	20.6/23.8	44/44	50/50	26/30	30/30	44/44	50/60	50/60			
	DD15CP	1	10.8/14.4	36.85/49.13	30.0/34.6	49/55	50/50	38/44	40/45	44/44	50/60	50/60			
	DD20CP	1	14.9/19.8	50.84/67.56	41.3/47.6	63/71	70/70	52/60	60/60	44/44	50/60	50/60			
	DD30CP	1	21.6/28.8	73.70/98.27	60.0/69.3	87/98	90/90	75/87	80/90	44/44	50/60	50/60			
DD40CP	1	29.7/39.6	101.34/135.12	82.5/95.2	115/131	125/125	104/119	110/125	44/44	50/60	50/60				

* = For Canadian use only. Uses "P" fuses for inductive circuit.
+ = Field installed only.





Air

Electric Heater Kits
RACD Series**208/240 VOLT, THREE PHASE, 60 Hz, AUXILIARY ELECTRIC HEATER KITS CHARACTERISTICS AND APPLICATION**

Single Power Supply For Both Unit and Heater Kit										Separate Power Supply For Both Unit and Heater Kit										
Unit Model No. RACDZ-	Heater Kit					Air Conditioner					Heater Kit					Air Conditioner				
	RXJJ-Heater Kit Nominal kW	No. of Sequence Steps	Rated Heater kW @ 208/240 V	Heater KBTU/Hr @ 208/240 V	Heater Amp. @ 208/240 V	Unit Min. Ckt. Ampacity @ 208/240 V	Over Current Protective Device Size Min./Max. @ 208 V	Over Current Protective Device Size Min./Max. @ 240 V	Min. Circuit Ampacity 208/240 V	Max. Fuse Size 208/240 V	Min. Ckt. Ampacity 208/240 V	Over Current Protective Device Size Min./Max. @ 208 V	Over Current Protective Device Size Min./Max. @ 240 V	Min. Circuit Ampacity 208/240 V	Max. Fuse Size 208/240 V	Min. Ckt. Ampacity 208/240 V	Over Current Protective Device Size Min./Max. @ 208 V	Over Current Protective Device Size Min./Max. @ 240 V		
S090ACF	No Heat	—	—	—	—	41/41	50/60	50/60	41/41	—	—	50/60	50/60	41/41	—	50/60	50/60			
	DD10CP	1	7.4/9.9	25.25/33.78	20.6/23.8	41/41	50/50	50/50	26/30	30/30	26/30	50/60	50/60	41/41	30/30	50/60	50/60			
	DD15CP	1	10.8/14.4	36.85/49.13	30.0/34.6	46/52	60/60	60/60	38/44	40/45	38/44	50/60	50/60	41/41	40/45	50/60	50/60			
	DD20CP	1	14.9/19.8	50.84/67.56	41.3/47.6	60/68	70/70	70/70	52/60	60/60	52/60	50/60	50/60	41/41	60/60	50/60	50/60			
S090ACG	DD30CP	1	21.6/28.8	73.70/98.27	60.0/69.3	84/95	90/90	100/100	75/87	80/90	75/87	50/60	50/60	41/41	80/90	50/60	50/60			
	DD40CP	1	29.7/39.6	101.34/135.12	82.5/95.2	112/128	125/125	150/150	104/119	110/125	104/119	50/60	50/60	41/41	110/125	50/60	50/60			
	No Heat	—	—	—	—	44/44	50/60	50/60	—	—	—	50/60	50/60	44/44	—	50/60	50/60			
	DD10CP	1	7.4/9.9	25.25/33.78	20.6/23.8	44/44	50/50	50/50	26/30	30/30	26/30	50/60	50/60	44/44	30/30	50/60	50/60			
S090ACH	DD15CP	1	10.8/14.4	36.85/49.13	30.0/34.6	49/55	60/60	60/60	38/44	40/45	38/44	50/60	50/60	44/44	40/45	50/60	50/60			
	DD20CP	1	14.9/19.8	50.84/67.56	41.3/47.6	63/71	70/70	80/80	52/60	60/60	52/60	50/60	50/60	44/44	60/60	50/60	50/60			
	DD30CP	1	21.6/28.8	73.70/98.27	60.0/69.3	87/98	90/90	100/100	75/87	80/90	75/87	50/60	50/60	44/44	80/90	50/60	50/60			
	DD40CP	1	29.7/39.6	101.34/135.12	82.5/95.2	115/131	125/125	150/150	104/119	110/125	104/119	50/60	50/60	44/44	110/125	50/60	50/60			
S102ACA	No Heat	—	—	—	—	46/46	60/70	60/70	—	—	—	60/70	60/70	46/46	—	60/70	60/70			
	DD10CP	1	7.4/9.9	25.25/33.78	20.6/23.8	46/46	60/60	60/60	26/30	30/30	26/30	60/60	60/70	46/46	30/30	60/70	60/70			
	DD15CP	1	10.8/14.4	36.85/49.13	30.0/34.6	47/52	60/60	60/60	38/44	40/45	38/44	60/60	60/70	46/46	40/45	60/70	60/70			
	DD20CP	1	14.9/19.8	50.84/67.56	41.3/47.6	61/69	70/70	70/70	52/60	60/60	52/60	60/60	60/70	46/46	60/60	60/70	60/70			
S102ACB	DD30CP	1	21.6/28.8	73.70/98.27	60.0/69.3	84/96	90/90	100/100	75/87	80/90	75/87	60/60	60/70	46/46	80/90	60/70	60/70			
	DD40CP	1	29.7/39.6	101.34/135.12	82.5/95.2	112/128	125/125	150/150	104/119	110/125	104/119	60/70	60/70	46/46	110/125	60/70	60/70			
	No Heat	—	—	—	—	48/48	60/70	60/70	—	—	—	60/70	60/70	48/48	—	60/70	60/70			
	DD10CP	1	7.4/9.9	25.25/33.78	20.6/23.8	48/48	60/60	60/60	26/30	30/30	26/30	60/60	60/70	48/48	30/30	60/70	60/70			
S102ACC	DD15CP	1	10.8/14.4	36.85/49.13	30.0/34.6	49/55	60/60	60/60	38/44	40/45	38/44	60/60	60/70	48/48	40/45	60/70	60/70			
	DD20CP	1	14.9/19.8	50.84/67.56	41.3/47.6	63/71	70/70	80/80	52/60	60/60	52/60	60/60	60/70	48/48	60/60	60/70	60/70			
	DD30CP	1	21.6/28.8	73.70/98.27	60.0/69.3	87/98	90/90	100/100	75/87	80/90	75/87	60/60	60/70	48/48	80/90	60/70	60/70			
	DD40CP	1	29.7/39.6	101.34/135.12	82.5/95.2	115/131	125/125	150/150	104/119	110/125	104/119	60/70	60/70	48/48	110/125	60/70	60/70			
S102ACD	No Heat	—	—	—	—	51/51	60/70	60/70	—	—	—	60/70	60/70	51/51	—	60/70	60/70			
	DD10CP	1	7.4/9.9	25.25/33.78	20.6/23.8	51/51	60/60	60/60	26/30	30/30	26/30	60/60	60/70	51/51	30/30	60/70	60/70			
	DD15CP	1	10.8/14.4	36.85/49.13	30.0/34.6	53/59	60/60	60/60	38/44	40/45	38/44	60/60	60/70	48/48	40/45	60/70	60/70			
	DD20CP	1	14.9/19.8	50.84/67.56	41.3/47.6	67/75	70/70	80/80	52/60	60/60	52/60	60/60	60/70	48/48	60/60	60/70	60/70			
S102ACE	DD30CP	1	21.6/28.8	73.70/98.27	60.0/69.3	90/102	90/90	100/110	75/87	80/90	75/87	60/60	60/70	51/51	80/90	60/70	60/70			
	DD40CP	1	29.7/39.6	101.34/135.12	82.5/95.2	119/134	125/125	150/150	104/119	110/125	104/119	60/60	60/70	51/51	110/125	60/70	60/70			
	No Heat	—	—	—	—	119/134	125/125	150/150	—	—	—	60/70	60/70	51/51	—	60/70	60/70			
	DD10CP	1	7.4/9.9	25.25/33.78	20.6/23.8	119/134	125/125	150/150	104/119	110/125	104/119	60/60	60/70	51/51	110/125	60/70	60/70			

* = For Canadian use only. Uses "rp" fuses for inductive circuit.

+ = Field installed only.



INTEGRATED AIR & WATER



208/240 VOLT, THREE PHASE, 60 HZ, AUXILIARY ELECTRIC HEATER KITS CHARACTERISTICS AND APPLICATION

Single Power Supply For Both Unit and Heater Kit										Separate Power Supply For Both Unit and Heater Kit				
Unit Model No. RACDZ-	Heater Kit				Air Conditioner			Heater Kit		Air Conditioner				
	RXJJ-Heater Kit Nominal kW	No. of Sequence Steps	Rated Heater kW @ 208/240 V	Heater KBTU/Hr @ 208/240 V	Heater Amp. @ 208/240 V	Unit Min. Ampacity @ 208/240 V	Over Current Protective Device Size Min./Max. @ 208 V	Min. Ckt. Ampacity 208/240 V	Max. Fuse Size 208/240 V	Min. Circuit Ampacity 208/240 V	Over Current Protective Device Size Min./Max. @ 208 V	Over Current Protective Device Size Min./Max. @ 240 V		
S102ACF	No Heat	—	—	—	—	46/46	60/70	—	—	46/46	60/70	60/70		
	DD10CP	1	7.4/9.9	25.25/33.78	20.6/23.8	46/46	60/60	26/30	30/30	46/46	60/70	60/70		
	DD15CP	1	10.8/14.4	36.85/49.13	30.0/34.6	47/53	60/60	38/44	40/45	46/46	60/70	60/70		
	DD20CP	1	14.9/19.8	50.84/67.56	41.3/47.6	61/69	70/70	52/60	60/60	46/46	60/70	60/70		
	DD30CP	1	21.6/28.8	73.70/98.27	60.0/69.3	84/96	90/90	75/87	80/90	46/46	60/70	60/70		
S102ACG	DD40CP	1	29.7/39.6	101.34/135.12	82.5/95.2	112/128	125/125	104/119	110/125	46/46	60/70	60/70		
	No Heat	—	—	—	—	48/48	60/70	—	—	48/48	60/70	60/70		
	DD10CP	1	7.4/9.9	25.25/33.78	20.6/23.8	48/48	60/60	26/30	30/30	48/48	60/70	60/70		
	DD15CP	1	10.8/14.4	36.85/49.13	30.0/34.6	49/55	60/60	38/44	40/45	48/48	60/70	60/70		
	DD20CP	1	14.9/19.8	50.84/67.56	41.3/47.6	63/71	70/70	52/60	60/60	48/48	60/70	60/70		
S102ACH	DD30CP	1	21.6/28.8	73.70/98.27	60.0/69.3	87/98	90/90	75/87	80/90	48/48	60/70	60/70		
	DD40CP	1	29.7/39.6	101.34/135.12	82.5/95.2	115/131	125/125	104/119	110/125	48/48	60/70	60/70		
	No Heat	—	—	—	—	51/51	60/70	—	—	51/51	60/70	60/70		
	DD10CP	1	7.4/9.9	25.25/33.78	20.6/23.8	51/51	60/60	26/30	30/30	51/51	60/70	60/70		
	DD15CP	1	10.8/14.4	36.85/49.13	30.0/34.6	53/59	60/60	38/44	40/45	51/51	60/70	60/70		
S120ACA	DD20CP	1	14.9/19.8	50.84/67.56	41.3/47.6	67/75	70/70	52/60	60/60	51/51	60/70	60/70		
	DD30CP	1	21.6/28.8	73.70/98.27	60.0/69.3	90/102	90/90	75/87	80/90	51/51	60/70	60/70		
	DD40CP	1	29.7/39.6	101.34/135.12	82.5/95.2	119/134	125/125	104/119	110/125	51/51	60/70	60/70		
	No Heat	—	—	—	—	54/54	70/80	—	—	54/54	70/80	70/80		
	DD10CP	1	7.4/9.9	25.25/33.78	20.6/23.8	54/54	70/70	26/30	30/30	54/54	70/80	70/80		
S120ACB	DD15CP	1	10.8/14.4	36.85/49.13	30.0/34.6	54/54	70/70	38/44	40/45	54/54	70/80	70/80		
	DD20CP	1	14.9/19.8	50.84/67.56	41.3/47.6	62/70	70/70	52/60	60/60	54/54	70/80	70/80		
	DD30CP	1	21.6/28.8	73.70/98.27	60.0/69.3	85/97	90/90	75/87	80/90	54/54	70/80	70/80		
	DD40CP	1	29.7/39.6	101.34/135.12	82.5/95.2	113/129	125/125	104/119	110/125	54/54	70/80	70/80		
	No Heat	—	—	—	—	56/56	70/80	—	—	56/56	70/80	70/80		
S120ACC	DD10CP	1	7.4/9.9	25.25/33.78	20.6/23.8	56/56	70/70	26/30	30/30	56/56	70/80	70/80		
	DD15CP	1	10.8/14.4	36.85/49.13	30.0/34.6	56/56	70/70	38/44	40/45	56/56	70/80	70/80		
	DD20CP	1	14.9/19.8	50.84/67.56	41.3/47.6	65/73	70/70	52/60	60/60	56/56	70/80	70/80		
	DD30CP	1	21.6/28.8	73.70/98.27	60.0/69.3	88/100	90/90	75/87	80/90	56/56	70/80	70/80		
	DD40CP	1	29.7/39.6	101.34/135.12	82.5/95.2	116/132	125/125	104/119	110/125	56/56	70/80	70/80		
S120ACD	No Heat	—	—	—	—	58/58	70/90	—	—	58/58	70/90	70/90		
	DD10CP	1	7.4/9.9	25.25/33.78	20.6/23.8	58/58	70/70	26/30	30/30	58/58	70/90	70/90		
	DD15CP	1	10.8/14.4	36.85/49.13	30.0/34.6	58/59	70/70	38/44	40/45	58/58	70/90	70/90		
	DD20CP	1	14.9/19.8	50.84/67.56	41.3/47.6	67/75	70/70	52/60	60/60	58/58	70/90	70/90		
	DD30CP	1	21.6/28.8	73.70/98.27	60.0/69.3	90/102	90/90	75/87	80/90	58/58	70/90	70/90		
DD40CP	1	29.7/39.6	101.34/135.12	82.5/95.2	119/134	125/125	104/119	110/125	58/58	70/90	70/90			

* = For Canadian use only. Uses "P" fuses for inductive circuit.
+ = Field installed only.



208/240 VOLT, THREE PHASE, 60 Hz, AUXILIARY ELECTRIC HEATER KITS CHARACTERISTICS AND APPLICATION

Single Power Supply For Both Unit and Heater Kit										Separate Power Supply For Both Unit and Heater Kit										
Unit Model No. RACDZ-	Heater Kit					Air Conditioner					Heater Kit					Air Conditioner				
	RXJJ-Heater Kit Nominal kW	No. of Sequence Steps	Rated Heater kW @ 208/240 V	Heater KBTU/HR @ 208/240 V	Heater Amp. @ 208/240 V	Unit Min. Ckt. Ampacity @ 208/240 V	Protective Device Size		Min. Circuit Ampacity 208/240 V	Over Current Min./Max. @ 208 V	Min. Ckt. Ampacity 208/240 V	Max. Fuse Size 208/240 V	Protective Device Size		Min. Circuit Ampacity 208/240 V	Over Current Min./Max. @ 208 V				
							Min./Max. @ 240 V	Min./Max. @ 240 V					Min./Max. @ 208 V	Min./Max. @ 240 V						
S120ACF	No Heat	—	—	—	—	54/54	70/80	70/80	70/80	54/54	—	—	70/80	70/80	70/80	70/80				
	DD10CP	1	7.4/9.9	25.25/33.78	20.6/23.8	54/54	70/70	70/70	70/80	26/30	30/30	—	70/80	70/80	70/80	70/80				
	DD15CP	1	10.8/14.4	36.85/49.13	30.0/34.6	54/54	70/70	70/70	70/80	38/44	40/45	—	70/80	70/80	70/80	70/80				
	DD20CP	1	14.9/19.8	50.84/67.56	41.3/47.6	62/70	70/70	70/70	70/80	52/60	60/60	—	70/80	70/80	70/80	70/80				
S120ACG	DD30CP	1	21.6/28.8	73.70/98.27	60.0/69.3	85/97	90/90	100/100	90/90	75/87	80/90	—	70/80	70/80	70/80	70/80				
	DD40CP	1	29.7/39.6	101.34/135.12	82.5/95.2	113/129	125/125	150/150	125/125	104/119	110/125	—	70/80	70/80	70/80	70/80				
	No Heat	—	—	—	—	56/56	70/80	70/80	70/80	26/30	30/30	—	70/80	70/80	70/80	70/80				
	DD10CP	1	7.4/9.9	25.25/33.78	20.6/23.8	56/56	70/70	70/70	70/80	26/30	30/30	—	70/80	70/80	70/80	70/80				
S120ACH	DD15CP	1	10.8/14.4	36.85/49.13	30.0/34.6	56/56	70/70	70/70	70/80	38/44	40/45	—	70/80	70/80	70/80	70/80				
	DD20CP	1	14.9/19.8	50.84/67.56	41.3/47.6	65/73	70/70	80/80	70/70	52/60	60/60	—	70/80	70/80	70/80	70/80				
	DD30CP	1	21.6/28.8	73.70/98.27	60.0/69.3	88/100	90/90	100/100	90/90	75/87	80/90	—	70/80	70/80	70/80	70/80				
	DD40CP	1	29.7/39.6	101.34/135.12	82.5/95.2	116/132	125/125	150/150	125/125	104/119	110/125	—	70/80	70/80	70/80	70/80				
S150ACA	No Heat	—	—	—	—	58/58	70/90	70/90	70/90	26/30	30/30	—	70/90	70/90	70/90	70/90				
	DD10CP	1	7.4/9.9	25.25/33.78	20.6/23.8	58/58	70/70	70/70	70/70	26/30	30/30	—	70/90	70/90	70/90	70/90				
	DD15CP	1	10.8/14.4	36.85/49.13	30.0/34.6	58/59	70/70	70/70	70/70	38/44	40/45	—	70/90	70/90	70/90	70/90				
	DD20CP	1	14.9/19.8	50.84/67.56	41.3/47.6	67/75	70/70	80/80	70/70	52/60	60/60	—	70/90	70/90	70/90	70/90				
S150ACB	DD30CP	1	21.6/28.8	73.70/98.27	60.0/69.3	90/102	90/90	110/110	90/90	75/87	80/90	—	70/90	70/90	70/90	70/90				
	DD40CP	1	29.7/39.6	101.34/135.12	82.5/95.2	119/134	125/125	150/150	125/125	104/119	110/125	—	70/90	70/90	70/90	70/90				
	No Heat	—	—	—	—	70/70	80/90	80/90	80/90	26/30	30/30	—	80/90	80/90	80/90	80/90				
	DD10CP	1	7.4/9.9	25.25/33.78	20.6/23.8	70/70	80/90	80/90	80/90	26/30	30/30	—	80/90	80/90	80/90	80/90				
S150ACF	DD15CP	1	10.8/14.4	36.85/49.13	30.0/34.6	70/70	80/90	80/90	80/90	38/44	40/45	—	80/90	80/90	80/90	80/90				
	DD20CP	1	14.9/19.8	50.84/67.56	41.3/47.6	70/73	80/90	80/90	80/90	52/60	60/60	—	80/90	80/90	80/90	80/90				
	DD30CP	1	21.6/28.8	73.70/98.27	60.0/69.3	88/100	90/90	100/100	90/90	75/87	80/90	—	80/90	80/90	80/90	80/90				
	DD40CP	1	29.7/39.6	101.34/135.12	82.5/95.2	117/132	125/125	150/150	125/125	104/119	110/125	—	80/90	80/90	80/90	80/90				

* = For Canadian use only. Uses "rp" fuses for inductive circuit.

+ = Field installed only.



Air

Electric Heater Kits

RACD Series

208/240 VOLT, THREE PHASE, 60 HZ, AUXILIARY ELECTRIC HEATER KITS CHARACTERISTICS AND APPLICATION

Single Power Supply For Both Unit and Heater Kit										Separate Power Supply For Both Unit and Heater Kit				
Unit Model No. RACDZ-	Heater Kit				Air Conditioner				Heater Kit			Air Conditioner		
	RXJJ-Heater Kit Nominal kW	No. of Sequence Steps	Rated Heater kW @ 208/240 V	Heater KBTU/Hr @ 208/240 V	Heater Amp. @ 208/240 V	Unit Min. Ampacity @ 208/240 V	Over Current Protective Device Size Min./Max @ 208 V	Over Current Protective Device Size Min./Max. @ 240 V	Min. Ckt. Ampacity 208/240 V	Max. Fuse Size 208/240 V	Min. Circuit Ampacity 208/240 V	Over Current Protective Device Size Min./Max. @ 208 V	Over Current Protective Device Size Min./Max. @ 240 V	
S150AGG	No Heat	—	—	—	—	75/75	90/90	90/90	—	—	75/75	90/90	90/90	
	DD10CP	1	7.4/9.9	25.25/33.78	20.6/23.8	75/75	90/90	90/90	26/30	30/30	75/75	90/90	90/90	
	DD15CP	1	10.8/14.4	36.85/49.13	30.0/34.6	75/75	90/90	90/90	38/44	40/45	75/75	90/90	90/90	
	DD20CP	1	14.9/19.8	50.84/67.56	41.3/47.6	75/80	90/90	90/90	52/60	60/60	75/75	90/90	90/90	
T090ACF	DD30CP	1	21.6/28.8	73.70/98.27	60.0/69.3	95/107	100/100	110/110	75/87	80/90	75/75	90/90	90/90	
	DD40CP	1	29.7/39.6	101.34/135.12	82.5/95.2	124/139	125/125	150/150	104/119	110/125	75/75	90/90	90/90	
	DD10CP	1	7.4/9.9	25.25/33.78	20.6/23.8	41/41	50/60	50/60	—	—	41/41	50/60	50/60	
	DD15CP	1	10.8/14.4	36.85/49.13	30.0/34.6	46/52	50/50	60/60	26/30	30/30	41/41	50/60	50/60	
T090AGG	DD20CP	1	14.9/19.8	50.84/67.56	41.3/47.6	60/68	60/60	70/70	38/44	40/45	41/41	50/60	50/60	
	DD30CP	1	21.6/28.8	73.70/98.27	60.0/69.3	84/95	90/90	100/100	52/60	60/60	41/41	50/60	50/60	
	DD40CP	1	29.7/39.6	101.34/135.12	82.5/95.2	112/128	125/125	150/150	75/87	80/90	41/41	50/60	50/60	
	DD10CP	1	7.4/9.9	25.25/33.78	20.6/23.8	44/44	50/60	50/60	—	—	44/44	50/60	50/60	
T090ACH	DD15CP	1	10.8/14.4	36.85/49.13	30.0/34.6	44/44	50/50	50/50	26/30	30/30	44/44	50/60	50/60	
	DD20CP	1	14.9/19.8	50.84/67.56	41.3/47.6	49/55	50/50	60/60	38/44	40/45	44/44	50/60	50/60	
	DD30CP	1	21.6/28.8	73.70/98.27	60.0/69.3	63/71	70/70	80/80	52/60	60/60	44/44	50/60	50/60	
	DD40CP	1	29.7/39.6	101.34/135.12	82.5/95.2	87/98	90/90	100/100	75/87	80/90	44/44	50/60	50/60	
T102ACF	DD10CP	1	7.4/9.9	25.25/33.78	20.6/23.8	44/44	50/60	50/60	—	—	44/44	50/60	50/60	
	DD15CP	1	10.8/14.4	36.85/49.13	30.0/34.6	46/46	60/60	60/60	26/30	30/30	46/46	60/70	60/70	
	DD20CP	1	14.9/19.8	50.84/67.56	41.3/47.6	47/52	60/60	60/60	38/44	40/45	46/46	60/70	60/70	
	DD30CP	1	21.6/28.8	73.70/98.27	60.0/69.3	61/69	70/70	70/70	52/60	60/60	46/46	60/70	60/70	
T102ACG	DD40CP	1	29.7/39.6	101.34/135.12	82.5/95.2	84/96	90/90	100/100	75/87	80/90	46/46	60/70	60/70	
	DD10CP	1	7.4/9.9	25.25/33.78	20.6/23.8	112/128	125/125	150/150	104/119	110/125	46/46	60/70	60/70	
	DD15CP	1	10.8/14.4	36.85/49.13	30.0/34.6	48/48	60/60	60/60	—	—	48/48	60/70	60/70	
	DD20CP	1	14.9/19.8	50.84/67.56	41.3/47.6	49/55	60/60	60/60	26/30	30/30	48/48	60/70	60/70	
DD30CP	DD30CP	1	21.6/28.8	73.70/98.27	60.0/69.3	63/71	70/70	80/80	38/44	40/45	48/48	60/70	60/70	
	DD40CP	1	29.7/39.6	101.34/135.12	82.5/95.2	87/98	90/90	100/100	52/60	60/60	48/48	60/70	60/70	
	DD10CP	1	7.4/9.9	25.25/33.78	20.6/23.8	115/131	125/125	150/150	75/87	80/90	48/48	60/70	60/70	
	DD15CP	1	10.8/14.4	36.85/49.13	30.0/34.6	115/131	125/125	150/150	104/119	110/125	48/48	60/70	60/70	

* = For Canadian use only. Uses "P" fuses for inductive circuit.
 + = Field installed only.





Air

Electric Heater Kits
RACD Series

208/240 VOLT, THREE PHASE, 60 Hz, AUXILIARY ELECTRIC HEATER KITS CHARACTERISTICS AND APPLICATION

Single Power Supply For Both Unit and Heater Kit										Separate Power Supply For Both Unit and Heater Kit										
Unit Model No. RACDZ-	Heater Kit					Air Conditioner					Heater Kit					Air Conditioner				
	RXJJ-Heater Kit Nominal kW	No. of Sequence Steps	Rated Heater kW @ 208/240 V	Heater KBTU/HR @ 208/240 V	Heater Amp. @ 208/240 V	Unit Min. Ckt. Ampacity @ 208/240 V	Over Current Protective Device Size		Min. Circuit Ampacity 208/240 V	Max. Fuse Size 208/240 V	Min. Ckt. Ampacity 208/240 V	Over Current Protective Device Size		Min. Circuit Ampacity 208/240 V	Max. Fuse Size 208/240 V	Min. Ckt. Ampacity 208/240 V	Over Current Protective Device Size			
							Min./Max. @ 208 V	Min./Max. @ 240 V				Min./Max. @ 208 V	Min./Max. @ 240 V							
T1102ACH	No Heat	—	—	—	—	51/51	60/70	60/70	—	—	—	60/70	60/70	51/51	60/70	60/70	60/70	60/70		
	DD10CP	1	7.4/9.9	25.25/33.78	20.6/23.8	51/51	60/60	60/60	20.6/23.8	30/30	26/30	60/60	60/70	51/51	60/70	60/70	60/70	60/70		
	DD15CP	1	10.8/14.4	36.85/49.13	30.0/34.6	53/59	60/60	60/60	30.0/34.6	40/45	38/44	60/60	60/70	51/51	60/70	60/70	60/70	60/70		
	DD20CP	1	14.9/19.8	50.84/67.56	41.3/47.6	67/75	70/70	80/80	41.3/47.6	60/60	52/60	70/70	80/80	60/70	51/51	60/70	60/70	60/70	60/70	
	DD30CP	1	21.6/28.8	73.70/98.27	60.0/69.3	90/102	90/90	110/110	60.0/69.3	80/90	75/87	90/90	110/110	60/70	51/51	60/70	60/70	60/70	60/70	
T120ACF	No Heat	—	—	—	—	119/134	125/150	150/150	82.5/95.2	110/125	104/119	125/150	150/150	51/51	60/70	60/70	60/70	60/70		
	DD10CP	1	7.4/9.9	25.25/33.78	20.6/23.8	54/54	70/80	70/80	20.6/23.8	30/30	26/30	70/80	70/80	54/54	70/80	70/80	70/80	70/80		
	DD15CP	1	10.8/14.4	36.85/49.13	30.0/34.6	54/54	70/70	70/70	30.0/34.6	40/45	38/44	70/70	70/70	54/54	70/80	70/80	70/80	70/80		
	DD20CP	1	14.9/19.8	50.84/67.56	41.3/47.6	62/70	70/70	70/70	41.3/47.6	60/60	52/60	70/70	70/70	54/54	70/80	70/80	70/80	70/80		
	DD30CP	1	21.6/28.8	73.70/98.27	60.0/69.3	85/97	90/90	100/100	60.0/69.3	80/90	75/87	90/90	100/100	54/54	70/80	70/80	70/80	70/80		
T120ACG	No Heat	—	—	—	—	113/129	125/125	150/150	82.5/95.2	110/125	104/119	125/125	150/150	54/54	70/80	70/80	70/80	70/80		
	DD10CP	1	7.4/9.9	25.25/33.78	20.6/23.8	56/56	70/80	70/80	20.6/23.8	30/30	26/30	70/80	70/80	56/56	70/80	70/80	70/80	70/80		
	DD15CP	1	10.8/14.4	36.85/49.13	30.0/34.6	56/56	70/70	70/70	30.0/34.6	40/45	38/44	70/70	70/70	56/56	70/80	70/80	70/80	70/80		
	DD20CP	1	14.9/19.8	50.84/67.56	41.3/47.6	65/73	70/70	80/80	41.3/47.6	60/60	52/60	70/70	80/80	56/56	70/80	70/80	70/80	70/80		
	DD30CP	1	21.6/28.8	73.70/98.27	60.0/69.3	88/100	90/90	100/100	60.0/69.3	80/90	75/87	90/90	100/100	56/56	70/80	70/80	70/80	70/80		
T120ACH	No Heat	—	—	—	—	116/132	125/125	150/150	82.5/95.2	110/125	104/119	125/125	150/150	56/56	70/80	70/80	70/80	70/80		
	DD10CP	1	7.4/9.9	25.25/33.78	20.6/23.8	58/58	70/90	70/90	20.6/23.8	30/30	26/30	70/90	70/90	58/58	70/90	70/90	70/90	70/90		
	DD15CP	1	10.8/14.4	36.85/49.13	30.0/34.6	58/59	70/70	70/70	30.0/34.6	40/45	38/44	70/70	70/70	58/58	70/90	70/90	70/90	70/90		
	DD20CP	1	14.9/19.8	50.84/67.56	41.3/47.6	67/75	70/70	80/80	41.3/47.6	60/60	52/60	70/70	80/80	58/58	70/90	70/90	70/90	70/90		
	DD30CP	1	21.6/28.8	73.70/98.27	60.0/69.3	90/102	90/90	110/110	60.0/69.3	80/90	75/87	90/90	110/110	58/58	70/90	70/90	70/90	70/90		
150ACF	No Heat	—	—	—	—	119/134	125/125	150/150	82.5/95.2	110/125	104/119	125/125	150/150	58/58	70/90	70/90	70/90	70/90		
	DD10CP	1	7.4/9.9	25.25/33.78	20.6/23.8	70/70	90/90	90/90	20.6/23.8	30/30	26/30	90/90	90/90	70/70	80/90	80/90	80/90	80/90		
	DD15CP	1	9.0/14.4	36.85/49.13	30.0/34.6	70/70	90/90	90/90	30.0/34.6	40/45	38/44	90/90	90/90	70/70	80/90	80/90	80/90	80/90		
	DD20CP	1	14.9/19.8	50.84/67.56	41.3/47.6	70/73	90/90	90/90	41.3/47.6	60/60	52/60	90/90	90/90	70/70	80/90	80/90	80/90	80/90		
	DD30CP	1	21.6/28.8	73.70/98.27	60.0/69.3	88/100	90/100	90/100	60.0/69.3	80/90	75/87	90/100	90/100	70/70	80/90	80/90	80/90	80/90		
150ACG	No Heat	—	—	—	—	117/132	125/150	125/150	82.5/95.2	110/125	104/119	125/150	125/150	70/70	80/90	80/90	80/90	80/90		
	DD10CP	1	7.4/9.9	25.25/33.78	20.6/23.8	75/75	90/90	90/90	20.6/23.8	30/30	26/30	90/90	90/90	75/75	90/90	90/90	90/90	90/90		
	DD15CP	1	9.0/14.4	36.85/49.13	30.0/34.6	75/75	90/90	90/90	30.0/34.6	40/45	38/44	90/90	90/90	75/75	90/90	90/90	90/90	90/90		
	DD20CP	1	14.9/19.8	50.84/67.56	41.3/47.6	75/80	90/90	90/90	41.3/47.6	60/60	52/60	90/90	90/90	75/75	90/90	90/90	90/90	90/90		
	DD30CP	1	21.6/28.8	73.70/98.27	60.0/69.3	95/107	100/110	100/110	60.0/69.3	80/90	75/87	100/110	100/110	75/75	90/90	90/90	90/90	90/90		
DD40CP	1	29.7/39.6	101.34/135.12	82.5/95.2	124/139	125/150	125/150	82.5/95.2	110/125	104/119	125/150	125/150	75/75	90/90	90/90	90/90	90/90			

* = For Canadian use only. Uses "rp" fuses for inductive circuit.

+ = Field installed only.



INTEGRATED AIR & WATER

**480 VOLT, THREE PHASE, 60 Hz, AUXILIARY ELECTRIC HEATER KITS CHARACTERISTICS AND APPLICATION****Separate Power Supply For Both Unit and Heater Kit**

Unit Model No. RACDZ-	Single Power Supply For Both Unit and Heater Kit						Separate Power Supply For Both Unit and Heater Kit					
	Heater Kit			Air Conditioner			Heater Kit			Air Conditioner		
	RXJJ-Heater Kit Nominal kW	No. of Sequence Steps	Rated Heater kW @ 480 V	Heater KBTU/Hr @ 480 V	Heater Amp. @ 480 V	Unit Min. Ampacity @ 480 V	Over Current Protective Device Size Min./Max. @ 480 V	Min. Ckt. Ampacity 480 V	Max. Fuse Size 480 V	Min. Circuit Ampacity 480 V	Over Current Protective Device Size Min./Max. @ 480 V	
R090ADA	No Heat	—	—	—	—	21	25/30	—	—	21	25/30	
	DD10DNV	1	9.9	33.78	11.9	21	25/25	15	15	21	25/30	
	DD15DNV	1	14.4	49.13	17.3	26	30/30	22	25	21	25/30	
	DD20DNV	1	19.8	67.56	23.8	34	35/35	30	30	21	25/30	
R090ADB	DD30DNV	1	28.8	98.27	34.6	48	50/50	44	45	21	25/30	
	DD40DNV	1	39.6	135.12	47.6	64	70/70	60	60	21	25/30	
	No Heat	—	—	—	—	23	30/35	—	—	23	30/35	
	DD10DNV	1	9.9	33.78	11.9	23	30/30	15	15	23	30/35	
R090ADC	DD15DNV	1	14.4	49.13	17.3	28	30/30	22	25	23	30/35	
	DD20DNV	1	19.8	67.56	23.8	36	40/40	30	30	23	30/35	
	DD30DNV	1	28.8	98.27	34.6	49	50/50	44	45	23	30/35	
	DD40DNV	1	39.6	135.12	47.6	66	70/70	60	60	23	30/35	
R102ADA	No Heat	—	—	—	—	23	30/35	—	—	23	30/35	
	DD10DNV	1	9.9	33.78	11.9	23	30/30	15	15	23	30/35	
	DD15DNV	1	14.4	49.13	17.3	28	30/30	22	25	23	30/35	
	DD20DNV	1	19.8	67.56	23.8	36	40/40	30	30	23	30/35	
R102ADB	DD30DNV	1	28.8	98.27	34.6	49	50/50	44	45	23	30/35	
	DD40DNV	1	39.6	135.12	47.6	66	70/70	60	60	23	30/35	
	No Heat	—	—	—	—	22	25/30	—	—	22	25/30	
	DD10CP	1	36.2	123.52	45.6	62	70/70	57	60	22	25/30	
R102ADC	DD15CP	1	52.8	180.16	66.3	88	90/90	83	90	22	25/30	
	DD20CP	1	72.9	248.75	91.3	119	125/125	115	125	22	25/30	
	DD30CP	1	105.6	360.32	132.7	171	175/175	166	175	22	25/30	
	DD40CP	1	145.3	495.78	182.5	233	250/250	229	250	22	25/30	
R102ADZ	No Heat	—	—	—	—	23	30/35	—	—	23	30/35	
	DD10CP	1	36.2	123.52	45.6	63	70/70	57	60	23	30/35	
	DD15CP	1	52.8	180.16	66.3	89	90/90	83	90	23	30/35	
	DD20CP	1	72.9	248.75	91.3	120	125/125	115	125	23	30/35	
R102ADZ	DD30CP	1	105.6	360.32	132.7	172	175/175	166	175	23	30/35	
	DD40CP	1	145.3	495.78	182.5	234	250/250	229	250	23	30/35	
	No Heat	—	—	—	—	24	30/35	—	—	24	30/35	
	DD10CP	1	36.2	123.52	45.6	65	70/70	57	60	24	30/35	
R102ADZ	DD15CP	1	52.8	180.16	66.3	91	100/100	83	90	24	30/35	
	DD20CP	1	72.9	248.75	91.3	122	125/125	115	125	24	30/35	
	DD30CP	1	105.6	360.32	132.7	174	175/175	166	175	24	30/35	
	DD40CP	1	145.3	495.78	182.5	236	250/250	229	250	24	30/35	

* = For Canadian use only. Uses "pr" fuses for inductive circuit.
+ = Field installed only.

480 VOLT, THREE PHASE, 60 Hz, AUXILIARY ELECTRIC HEATER KITS CHARACTERISTICS AND APPLICATION

Single Power Supply For Both Unit and Heater Kit										Separate Power Supply For Both Unit and Heater Kit										
Unit Model No. RACDZ-	Heater Kit					Air Conditioner					Heater Kit					Air Conditioner				
	RXJJ- Heater Kit Nominal kW	No. of Sequence Steps	Rated Heater kW @ 480 V	Heater KBTU/Hr @ 480 V	Heater Amp. @ 480 V	Unit Min. Ampacity @ 480 V	Protective Device Size		Min. Ckt. Ampacity 480 V	Max. Fuse Size 480 V	Min. Circuit Ampacity 480 V	Over Current		Min. Ckt. Ampacity 480 V	Max. Fuse Size 480 V	Over Current				
							Min./Max @ 480 V	Min./Max @ 480 V				Min./Max @ 480 V	Min./Max @ 480 V							
R120ADA	No Heat	—	—	—	—	26	30/35	—	—	—	26	30/35	—	—	—	—	—			
	DD10DNV	1	9.9	33.78	11.9	26	30/30	—	15	26	30/35	—	26	30/35	—	26	30/35			
	DD15DNV	1	14.4	49.13	17.3	27	30/30	—	22	26	30/35	—	26	30/35	—	26	30/35			
	DD20DNV	1	19.8	67.56	23.8	35	35/35	—	30	30	30/35	—	26	30/35	—	26	30/35			
	DD30DNV	1	28.8	98.27	34.6	49	50/50	—	44	45	30/35	—	26	30/35	—	26	30/35			
	DD40DNV	1	39.6	135.12	47.6	65	70/70	—	60	60	30/35	—	26	30/35	—	26	30/35			
R120ADB	No Heat	—	—	—	—	27	30/40	—	—	—	27	30/40	—	—	—	—	—			
	DD10DNV	1	9.9	33.78	11.9	27	30/30	—	15	27	30/40	—	27	30/40	—	27	30/40			
	DD15DNV	1	14.4	49.13	17.3	28	30/30	—	22	25	30/40	—	27	30/40	—	27	30/40			
	DD20DNV	1	19.8	67.56	23.8	36	40/40	—	30	30	30/40	—	27	30/40	—	27	30/40			
	DD30DNV	1	28.8	98.27	34.6	50	50/50	—	44	45	30/40	—	27	30/40	—	27	30/40			
	DD40DNV	1	39.6	135.12	47.6	66	70/70	—	60	60	30/40	—	27	30/40	—	27	30/40			
R120ADC	No Heat	—	—	—	—	28	35/40	—	—	—	28	35/40	—	—	—	—	—			
	DD10DNV	1	9.9	33.78	11.9	28	35/35	—	15	28	35/40	—	28	35/40	—	28	35/40			
	DD15DNV	1	14.4	49.13	17.3	30	35/35	—	22	25	35/40	—	28	35/40	—	28	35/40			
	DD20DNV	1	19.8	67.56	23.8	38	40/40	—	30	30	35/40	—	28	35/40	—	28	35/40			
	DD30DNV	1	28.8	98.27	34.6	51	60/60	—	44	45	35/40	—	28	35/40	—	28	35/40			
	DD40DNV	1	39.6	135.12	47.6	67	70/70	—	60	60	35/40	—	28	35/40	—	28	35/40			
S090ADA	No Heat	—	—	—	—	17	20/25	—	—	—	17	20/25	—	—	—	—	—			
	DD10DNV	1	9.9	33.78	11.9	19	20/20	—	15	15	20/25	—	17	20/25	—	17	20/25			
	DD15DNV	1	14.4	49.13	17.3	26	30/30	—	22	25	20/25	—	17	20/25	—	17	20/25			
	DD20DNV	1	19.8	67.56	23.8	34	35/35	—	30	30	20/25	—	17	20/25	—	17	20/25			
	DD30DNV	1	28.8	98.27	34.6	48	50/50	—	44	45	20/25	—	17	20/25	—	17	20/25			
	DD40DNV	1	39.6	135.12	47.6	64	70/70	—	60	60	20/25	—	17	20/25	—	17	20/25			
S090ADB	No Heat	—	—	—	—	19	25/25	—	—	—	19	25/25	—	—	—	—	—			
	DD10DNV	1	9.9	33.78	11.9	27	30/30	—	15	15	25/25	—	19	25/25	—	19	25/25			
	DD15DNV	1	14.4	49.13	17.3	33	35/35	—	22	25	25/25	—	19	25/25	—	19	25/25			
	DD20DNV	1	19.8	67.56	23.8	42	45/45	—	30	30	25/25	—	19	25/25	—	19	25/25			
	DD30DNV	1	28.8	98.27	34.6	55	60/60	—	44	45	25/25	—	19	25/25	—	19	25/25			
	DD40DNV	1	39.6	135.12	47.6	71	80/80	—	60	60	25/25	—	19	25/25	—	19	25/25			
S090ADC	No Heat	—	—	—	—	19	25/25	—	—	—	19	25/25	—	—	—	—	—			
	DD10DNV	1	9.9	33.78	11.9	27	30/30	—	15	15	25/25	—	19	25/25	—	19	25/25			
	DD15DNV	1	14.4	49.13	17.3	33	35/35	—	22	25	25/25	—	19	25/25	—	19	25/25			
	DD20DNV	1	19.8	67.56	23.8	42	45/45	—	30	30	25/25	—	19	25/25	—	19	25/25			
	DD30DNV	1	28.8	98.27	34.6	55	60/60	—	44	45	25/25	—	19	25/25	—	19	25/25			
	DD40DNV	1	39.6	135.12	47.6	71	80/80	—	60	60	25/25	—	19	25/25	—	19	25/25			

* = For Canadian use only. Uses "rp" fuses for inductive circuit.
 + = Field installed only.



480 VOLT, THREE PHASE, 60 Hz, AUXILIARY ELECTRIC HEATER KITS CHARACTERISTICS AND APPLICATION

Single Power Supply For Both Unit and Heater Kit										Separate Power Supply For Both Unit and Heater Kit					
Unit Model No. RACDZ-	Heater Kit				Air Conditioner			Heater Kit			Air Conditioner				
	RXJJ-Heater Kit Nominal kW	No. of Sequence Steps	Rated Heater kW @ 480 V	Heater KBTU/Hr @ 480 V	Heater Amp. @ 480 V	Unit Min. Ampacity @ 480 V	Over Current Protective Device Size Min./Max. @ 480 V	Min. Ckt. Ampacity 480 V	Max. Fuse Size 480 V	Min. Circuit Ampacity 480 V	Over Current Protective Device Size Min./Max. @ 480 V	Min./Max. @ 480 V			
S090ADF	No Heat	—	—	—	—	17	20/25	—	—	17	20/25	—			
	DD10DNV	1	9.9	33.78	11.9	19	20/20	15	15	17	20/25	—			
	DD15DNV	1	14.4	49.13	17.3	26	30/30	22	25	17	20/25	—			
	DD20DNV	1	19.8	67.56	23.8	34	35/35	30	30	17	20/25	—			
S090ADG	DD30DNV	1	28.8	98.27	34.6	48	50/50	44	45	17	20/25	—			
	DD40DNV	1	39.6	135.12	47.6	64	70/70	60	60	17	20/25	—			
	No Heat	—	—	—	—	19	25/25	—	—	19	25/25	—			
	DD10DNV	1	9.9	33.78	11.9	27	30/30	15	15	19	25/25	—			
S090ADH	DD15DNV	1	14.4	49.13	17.3	33	35/35	22	25	19	25/25	—			
	DD20DNV	1	19.8	67.56	23.8	42	45/45	30	30	19	25/25	—			
	DD30DNV	1	28.8	98.27	34.6	55	60/60	44	45	19	25/25	—			
	DD40DNV	1	39.6	135.12	47.6	71	80/80	60	60	19	25/25	—			
S102ADA	No Heat	—	—	—	—	19	25/25	—	—	19	25/25	—			
	DD10DNV	1	9.9	33.78	11.9	27	30/30	15	15	19	25/25	—			
	DD15DNV	1	14.4	49.13	17.3	33	35/35	22	25	19	25/25	—			
	DD20DNV	1	19.8	67.56	23.8	42	45/45	30	30	19	25/25	—			
S102ADB	DD30DNV	1	28.8	98.27	34.6	48	50/50	44	45	21	25/30	—			
	DD40DNV	1	39.6	135.12	47.6	64	70/70	60	60	21	25/30	—			
	No Heat	—	—	—	—	21	25/30	—	—	21	25/30	—			
	DD10DNV	1	9.9	33.78	11.9	27	30/30	15	15	22	25/30	—			
S102ADC	DD15DNV	1	14.4	49.13	17.3	33	35/35	22	25	22	25/30	—			
	DD20DNV	1	19.8	67.56	23.8	42	45/45	30	30	22	25/30	—			
	DD30DNV	1	28.8	98.27	34.6	55	60/60	44	45	22	25/30	—			
	DD40DNV	1	39.6	135.12	47.6	71	80/80	60	60	22	25/30	—			
S102ADC	No Heat	—	—	—	—	24	30/35	—	—	24	30/35	—			
	DD10DNV	1	9.9	33.78	11.9	27	30/30	15	15	24	30/35	—			
	DD15DNV	1	14.4	49.13	17.3	33	35/35	22	25	24	30/35	—			
	DD20DNV	1	19.8	67.56	23.8	42	45/45	30	30	24	30/35	—			
S102ADC	DD30DNV	1	28.8	98.27	34.6	55	60/60	44	45	24	30/35	—			
	DD40DNV	1	39.6	135.12	47.6	71	80/80	60	60	24	30/35	—			

* = For Canadian use only. Uses "pr" fuses for inductive circuit.
 + = Field installed only.



Air

Electric Heater Kits
RACD Series**480 VOLT, THREE PHASE, 60 Hz, AUXILIARY ELECTRIC HEATER KITS CHARACTERISTICS AND APPLICATION****Single Power Supply For Both Unit and Heater Kit****Separate Power Supply For Both Unit and Heater Kit**

Unit Model No. RACDZ-	Heater Kit					Air Conditioner			Heater Kit			Air Conditioner		
	RXJJ-Heater Kit Nominal kW	No. of Sequence Steps	Rated Heater kW @ 480 V	Heater KBTU/Hr @ 480 V	Heater Amp. @ 480 V	Unit Min. Ampacity @ 480 V	Over Current Protective Device Size @ 480 V		Min. Ckt. Ampacity 480 V	Max. Fuse Size 480 V	Min. Circuit Ampacity 480 V	Over Current Protective Device Size @ 480 V		
							Min./Max	Min./Max				Min./Max	Min./Max	
S102ADF	No Heat	—	—	—	—	21	25/30	—	—	21	25/30	25/30	—	
	DD10DNV	1	9.9	33.78	11.9	21	25/25	—	15	21	25/30	25/30	—	
	DD15DNV	1	14.4	49.13	17.3	26	30/30	—	22	21	25/30	25/30	—	
	DD20DNV	1	19.8	67.56	23.8	35	35/35	—	30	21	25/30	25/30	—	
	DD30DNV	1	28.8	98.27	34.6	48	50/50	—	44	21	25/30	25/30	—	
DD40DNV	1	39.6	135.12	47.6	64	70/70	—	60	21	25/30	25/30	—		
S102ADG	No Heat	—	—	—	—	22	25/30	—	—	22	25/30	25/30	—	
	DD10DNV	1	9.9	33.78	11.9	27	30/30	—	15	22	25/30	25/30	—	
	DD15DNV	1	14.4	49.13	17.3	33	35/35	—	22	22	25/30	25/30	—	
	DD20DNV	1	19.8	67.56	23.8	42	45/45	—	30	22	25/30	25/30	—	
	DD30DNV	1	28.8	98.27	34.6	55	60/60	—	44	22	25/30	25/30	—	
DD40DNV	1	39.6	135.12	47.6	71	80/80	—	60	22	25/30	25/30	—		
S102ADH	No Heat	—	—	—	—	24	30/35	—	—	24	30/35	30/35	—	
	DD10DNV	1	9.9	33.78	11.9	30	30/35	—	15	24	30/35	30/35	—	
	DD15DNV	1	14.4	49.13	17.3	37	40/40	—	22	24	30/35	30/35	—	
	DD20DNV	1	19.8	67.56	23.8	45	45/50	—	30	24	30/35	30/35	—	
	DD30DNV	1	28.8	98.27	34.6	59	60/60	—	44	24	30/35	30/35	—	
DD40DNV	1	39.6	135.12	47.6	75	80/80	—	60	24	30/35	30/35	—		
S120ADA	No Heat	—	—	—	—	26	30/40	—	—	26	30/40	30/40	—	
	DD10DNV	1	9.9	33.78	11.9	26	30/30	—	15	26	30/40	30/40	—	
	DD15DNV	1	14.4	49.13	17.3	27	30/30	—	22	26	30/40	30/40	—	
	DD20DNV	1	19.8	67.56	23.8	35	35/35	—	30	26	30/40	30/40	—	
	DD30DNV	1	28.8	98.27	34.6	49	50/50	—	44	26	30/40	30/40	—	
DD40DNV	1	39.6	135.12	47.6	65	70/70	—	60	26	30/40	30/40	—		
S120ADB	No Heat	—	—	—	—	27	35/40	—	—	27	35/40	35/40	—	
	DD10DNV	1	9.9	33.78	11.9	27	35/40	—	15	27	35/40	35/40	—	
	DD15DNV	1	14.4	49.13	17.3	28	35/40	—	22	27	35/40	35/40	—	
	DD20DNV	1	19.8	67.56	23.8	37	40/40	—	30	27	35/40	35/40	—	
	DD30DNV	1	28.8	98.27	34.6	50	50/50	—	44	27	35/40	35/40	—	
DD40DNV	1	39.6	135.12	47.6	66	60/70	—	60	27	35/40	35/40	—		
S120ADC	No Heat	—	—	—	—	28	35/40	—	—	28	35/40	35/40	—	
	DD10DNV	1	9.9	33.78	11.9	28	35/40	—	15	28	35/40	35/40	—	
	DD15DNV	1	14.4	49.13	17.3	30	35/40	—	22	28	35/40	35/40	—	
	DD20DNV	1	19.8	67.56	23.8	38	40/40	—	30	28	35/40	35/40	—	
	DD30DNV	1	28.8	98.27	34.6	51	60/60	—	44	28	35/40	35/40	—	
DD40DNV	1	39.6	135.12	47.6	67	70/70	—	60	28	35/40	35/40	—		

* = For Canadian use only. Uses "rp" fuses for inductive circuit.

+ = Field installed only.



INTEGRATED AIR & WATER



Air

Electric Heater Kits

RACD Series

480 VOLT, THREE PHASE, 60 Hz, AUXILIARY ELECTRIC HEATER KITS CHARACTERISTICS AND APPLICATION

Single Power Supply For Both Unit and Heater Kit

Unit Model No. RACDZ-	Heater Kit						Air Conditioner				Heater Kit				Air Conditioner			
	RXJJ-Heater Kit Nominal kW	No. of Sequence Steps	Rated Heater kW @ 480 V	Heater KBTU/Hr @ 480 V	Heater Amp. @ 480 V	Unit Min. Ampacity @ 480 V	Over Current Protective Device Size		Min. Ckt. Ampacity 480 V	Max. Fuse Size 480 V	Min. Ckt. Ampacity 480 V	Over Current Protective Device Size		Min. Ckt. Ampacity 480 V	Max. Fuse Size 480 V	Over Current Protective Device Size		
							Min./Max. @ 480 V	Min./Max. @ 480 V				Min./Max. @ 480 V	Min./Max. @ 480 V					
S120ADF	No Heat	—	—	—	—	26	30/40	—	—	—	26	30/40	—	—	—	30/40	—	
	DD10DNV	1	9.9	33.78	11.9	26	30/30	—	15	15	26	30/40	—	15	15	30/40	—	
	DD15DNV	1	14.4	49.13	17.3	27	30/30	—	22	22	26	30/40	—	25	25	30/40	—	
	DD20DNV	1	19.8	67.56	23.8	35	35/35	—	30	30	26	30/40	—	30	30	30/40	—	
S120ADG	DD30DNV	1	28.8	98.27	34.6	49	50/50	—	44	44	26	30/40	—	45	45	30/40	—	
	DD40DNV	1	39.6	135.12	47.6	65	70/70	—	60	60	26	30/40	—	60	60	30/40	—	
	No Heat	—	—	—	—	27	35/40	—	15	15	27	35/40	—	15	15	35/40	—	
	DD10DNV	1	9.9	33.78	11.9	27	35/40	—	22	22	27	35/40	—	25	25	35/40	—	
S120ADH	DD15DNV	1	14.4	49.13	17.3	28	35/40	—	30	30	27	35/40	—	30	30	35/40	—	
	DD20DNV	1	19.8	67.56	23.8	37	40/40	—	44	44	27	35/40	—	45	45	35/40	—	
	DD30DNV	1	28.8	98.27	34.6	50	50/50	—	60	60	27	35/40	—	60	60	35/40	—	
	DD40DNV	1	39.6	135.12	47.6	70	70/70	—	60	60	27	35/40	—	60	60	35/40	—	
S150ADA	No Heat	—	—	—	—	28	35/40	—	15	15	28	35/40	—	15	15	35/40	—	
	DD10DNV	1	9.9	33.78	11.9	28	35/40	—	22	22	28	35/40	—	25	25	35/40	—	
	DD15DNV	1	14.4	49.13	17.3	30	35/40	—	30	30	28	35/40	—	30	30	35/40	—	
	DD20DNV	1	19.8	67.56	23.8	38	40/40	—	44	44	28	35/40	—	45	45	35/40	—	
S150ADB	DD30DNV	1	28.8	98.27	34.6	51	60/60	—	60	60	28	35/40	—	60	60	35/40	—	
	DD40DNV	1	39.6	135.12	47.6	67	70/70	—	60	60	28	35/40	—	60	60	35/40	—	
	No Heat	—	—	—	—	34	40/40	—	15	15	34	40/40	—	15	15	40/40	—	
	DD10DNV	1	9.9	33.78	11.9	34	40/40	—	22	22	34	40/40	—	25	25	40/40	—	
S150ADF	DD15DNV	1	14.4	49.13	17.3	34	40/40	—	30	30	34	40/40	—	30	30	40/40	—	
	DD20DNV	1	19.8	67.56	23.8	37	40/40	—	44	44	34	40/40	—	45	45	40/40	—	
	DD30DNV	1	28.8	98.27	34.6	50	50/50	—	60	60	34	40/40	—	60	60	40/40	—	
	DD40DNV	1	39.6	135.12	47.6	66	70/70	—	60	60	34	40/40	—	60	60	40/40	—	

* = For Canadian use only. Uses "P" fuses for inductive circuit.
 + = Field installed only.



480 VOLT, THREE PHASE, 60 Hz, AUXILIARY ELECTRIC HEATER KITS CHARACTERISTICS AND APPLICATION

Single Power Supply For Both Unit and Heater Kit										Separate Power Supply For Both Unit and Heater Kit										
Unit Model No. RACDZ-	Heater Kit					Air Conditioner					Heater Kit					Air Conditioner				
	RXJJ-Heater Kit Nominal kW	No. of Sequence Steps	Rated Heater kW @ 480 V	Heater KBTU/Hr @ 480 V	Heater Amp. @ 480 V	Unit Min. Ckt. Ampacity @ 480 V	Over Current Protective Device Size @ 480 V		Min. Ckt. Ampacity 480 V	Max. Fuse Size 480 V	Min. Circuit Ampacity 480 V	Over Current Protective Device Size @ 480 V		Min. Ckt. Ampacity 480 V	Max. Fuse Size 480 V	Min. Circuit Ampacity 480 V	Over Current Protective Device Size @ 480 V			
							Min./Max	Min./Max				Min./Max	Min./Max							
S150ADG	No Heat	—	—	—	—	37	40/45	—	—	—	37	40/45	—	—	—	37	40/45	—		
	DD10DNV	1	9.9	33.78	11.9	37	40/45	15	15	—	37	40/45	15	15	—	37	40/45	—		
	DD15DNV	1	14.4	49.13	17.3	37	40/45	22	25	—	37	40/45	22	25	—	37	40/45	—		
	DD20DNV	1	19.8	67.56	23.8	40	40/45	30	30	—	37	40/45	30	30	—	37	40/45	—		
	DD30DNV	1	28.8	98.27	34.6	54	60/60	44	45	—	37	40/45	44	45	—	37	40/45	—		
	DD40DNV	1	39.6	135.12	47.6	70	70/70	60	60	—	37	40/45	60	60	—	37	40/45	—		
T090ADF	No Heat	—	—	—	—	17	20/25	—	—	—	17	20/25	—	—	—	17	20/25	—		
	DD10DNV	1	9.9	33.78	11.9	19	20/25	15	15	—	17	20/25	15	15	—	17	20/25	—		
	DD15DNV	1	14.4	49.13	17.3	26	30/30	22	25	—	17	20/25	22	25	—	17	20/25	—		
	DD20DNV	1	19.8	67.56	23.8	34	35/35	30	30	—	17	20/25	30	30	—	17	20/25	—		
	DD30DNV	1	28.8	98.27	34.6	48	50/50	44	45	—	17	20/25	44	45	—	17	20/25	—		
	DD40DNV	1	39.6	135.12	47.6	64	70/70	60	60	—	17	20/25	60	60	—	17	20/25	—		
T090ADG	No Heat	—	—	—	—	21	30/30	—	—	—	21	30/30	—	—	—	21	30/30	—		
	DD10DNV	1	9.9	33.78	11.9	27	30/30	15	15	—	21	30/30	15	15	—	21	30/30	—		
	DD15DNV	1	14.4	49.13	17.3	33	35/35	22	25	—	21	30/30	22	25	—	21	30/30	—		
	DD20DNV	1	19.8	67.56	23.8	42	45/45	30	30	—	21	30/30	30	30	—	21	30/30	—		
	DD30DNV	1	28.8	98.27	34.6	55	60/60	44	45	—	21	30/30	44	45	—	21	30/30	—		
	DD40DNV	1	39.6	135.12	47.6	71	80/80	60	60	—	21	30/30	60	60	—	21	30/30	—		
T090ADH	No Heat	—	—	—	—	21	30/30	—	—	—	21	30/30	—	—	—	21	30/30	—		
	DD10DNV	1	9.9	33.78	11.9	27	30/30	15	15	—	21	30/30	15	15	—	21	30/30	—		
	DD15DNV	1	14.4	49.13	17.3	33	35/35	22	25	—	21	30/30	22	25	—	21	30/30	—		
	DD20DNV	1	19.8	67.56	23.8	42	45/45	30	30	—	21	30/30	30	30	—	21	30/30	—		
	DD30DNV	1	28.8	98.27	34.6	55	60/60	44	45	—	21	30/30	44	45	—	21	30/30	—		
	DD40DNV	1	39.6	135.12	47.6	71	80/80	60	60	—	21	30/30	60	60	—	21	30/30	—		
T102ADF	No Heat	—	—	—	—	21	25/30	—	—	—	21	25/30	—	—	—	21	25/30	—		
	DD10DNV	1	9.9	33.78	11.9	21	25/25	15	15	—	21	25/30	15	15	—	21	25/30	—		
	DD15DNV	1	14.4	49.13	17.3	26	30/30	22	25	—	21	25/30	22	25	—	21	25/30	—		
	DD20DNV	1	19.8	67.56	23.8	35	35/35	30	30	—	21	25/30	30	30	—	21	25/30	—		
	DD30DNV	1	28.8	98.27	34.6	48	50/50	44	45	—	21	25/30	44	45	—	21	25/30	—		
	DD40DNV	1	39.6	135.12	47.6	64	70/70	60	60	—	21	25/30	60	60	—	21	25/30	—		
T102ADG	No Heat	—	—	—	—	22	30/35	—	—	—	22	30/35	—	—	—	22	30/35	—		
	DD10DNV	1	9.9	33.78	11.9	27	30/30	15	15	—	22	30/35	15	15	—	22	30/35	—		
	DD15DNV	1	14.4	49.13	17.3	33	35/35	22	25	—	22	30/35	22	25	—	22	30/35	—		
	DD20DNV	1	19.8	67.56	23.8	42	45/45	30	30	—	22	30/35	30	30	—	22	30/35	—		
	DD30DNV	1	28.8	98.27	34.6	55	60/60	44	45	—	22	30/35	44	45	—	22	30/35	—		
	DD40DNV	1	39.6	135.12	47.6	71	80/80	60	60	—	22	30/35	60	60	—	22	30/35	—		

* = For Canadian use only. Uses "rp" fuses for inductive circuit.

+ = Field installed only.



480 VOLT, THREE PHASE, 60 Hz, AUXILIARY ELECTRIC HEATER KITS CHARACTERISTICS AND APPLICATION

Single Power Supply For Both Unit and Heater Kit										Separate Power Supply For Both Unit and Heater Kit				
Unit Model No. RACDZ-	Heater Kit				Air Conditioner			Heater Kit		Air Conditioner				
	RXJJ-Heater Kit Nominal kW	No. of Sequence Steps	Rated Heater kW @ 480 V	Heater KBTU/Hr @ 480 V	Heater Amp. @ 480 V	Unit Min. Ampacity @ 480 V	Over Current Protective Device Size Min./Max. @ 480 V	Min. Ckt. Ampacity 480 V	Max. Fuse Size 480 V	Min. Circuit Ampacity 480 V	Over Current Protective Device Size Min./Max. @ 480 V	Min./Max. @ 480 V		
T102ADH	No Heat	—	—	—	—	24	30/35	—	—	24	30/35	—		
	DD10DNV	1	9.9	33.78	11.9	24	30/35	15	15	24	30/35	—		
	DD15DNV	1	14.4	49.13	17.3	30	30/35	22	25	24	30/35	—		
	DD20DNV	1	19.8	67.56	23.8	38	40/40	30	30	24	30/35	—		
T120ADF	DD30DNV	1	28.8	98.27	34.6	51	60/60	44	45	24	30/35	—		
	DD40DNV	1	39.6	135.12	47.6	67	70/70	60	60	24	30/35	—		
	No Heat	—	—	—	—	26	30/40	—	—	26	30/40	—		
	DD10DNV	1	9.9	33.78	11.9	26	30/30	15	15	26	30/40	—		
T120ADG	DD15DNV	1	14.4	49.13	17.3	27	30/30	22	25	26	30/40	—		
	DD20DNV	1	19.8	67.56	23.8	35	35/35	30	30	26	30/40	—		
	DD30DNV	1	28.8	98.27	34.6	49	50/50	44	45	26	30/40	—		
	DD40DNV	1	39.6	135.12	47.6	65	70/70	60	60	26	30/40	—		
T120ADH	No Heat	—	—	—	—	27	35/40	—	—	27	35/40	—		
	DD10DNV	1	9.9	33.78	11.9	27	35/40	15	15	27	35/40	—		
	DD15DNV	1	14.4	49.13	17.3	28	35/40	22	25	27	35/40	—		
	DD20DNV	1	19.8	67.56	23.8	37	40/40	30	30	27	35/40	—		
T150ADF	DD30DNV	1	28.8	98.27	34.6	50	50/50	44	45	25	35/40	—		
	DD40DNV	1	39.6	135.12	47.6	70	70/70	60	60	25	35/40	—		
	No Heat	—	—	—	—	28	35/40	—	—	25	35/40	—		
	DD10DNV	1	9.9	33.78	11.9	28	35/40	15	15	25	35/40	—		
T150ADG	DD15DNV	1	14.4	49.13	17.3	30	35/40	22	25	25	35/40	—		
	DD20DNV	1	19.8	67.56	23.8	38	40/40	30	30	25	35/40	—		
	DD30DNV	1	28.8	98.27	34.6	51	60/60	44	45	25	35/40	—		
	DD40DNV	1	39.6	135.12	47.6	67	70/70	60	60	25	35/40	—		
T150ADH	No Heat	—	—	—	—	34	40/40	—	—	35	40/40	—		
	DD10DNV	1	9.9	33.78	11.9	34	40/40	15	15	35	40/40	—		
	DD15DNV	1	14.4	49.13	17.3	34	40/40	22	25	35	40/40	—		
	DD20DNV	1	19.8	67.56	23.8	37	40/40	30	30	35	40/40	—		
T150ADG	DD30DNV	1	28.8	98.27	34.6	50	50/50	44	45	35	40/40	—		
	DD40DNV	1	39.6	135.12	47.6	66	70/70	60	60	35	40/40	—		
	No Heat	—	—	—	—	37	40/45	—	—	37	40/45	—		
	DD10DNV	1	9.9	33.78	11.9	37	40/45	15	15	37	40/45	—		
T150ADH	DD15DNV	1	14.4	49.13	17.3	37	40/45	22	25	37	40/45	—		
	DD20DNV	1	19.8	67.56	23.8	40	40/45	30	30	37	40/45	—		
	DD30DNV	1	28.8	98.27	34.6	54	60/60	44	45	37	40/45	—		
	DD40DNV	1	39.6	135.12	47.6	70	70/70	60	60	37	40/45	—		

* = For Canadian use only. Uses "P" fuses for inductive circuit.
+ = Field installed only.

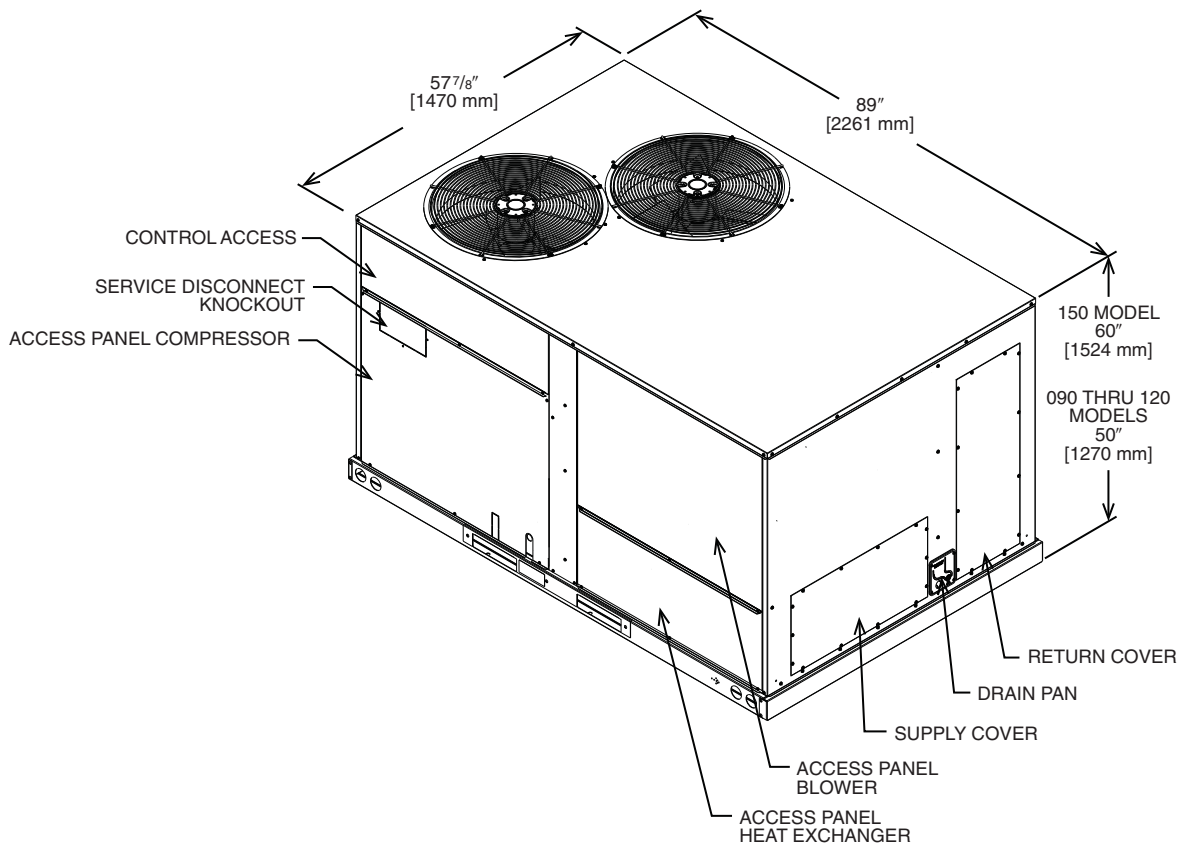


Illustration ST-A1273-26-00

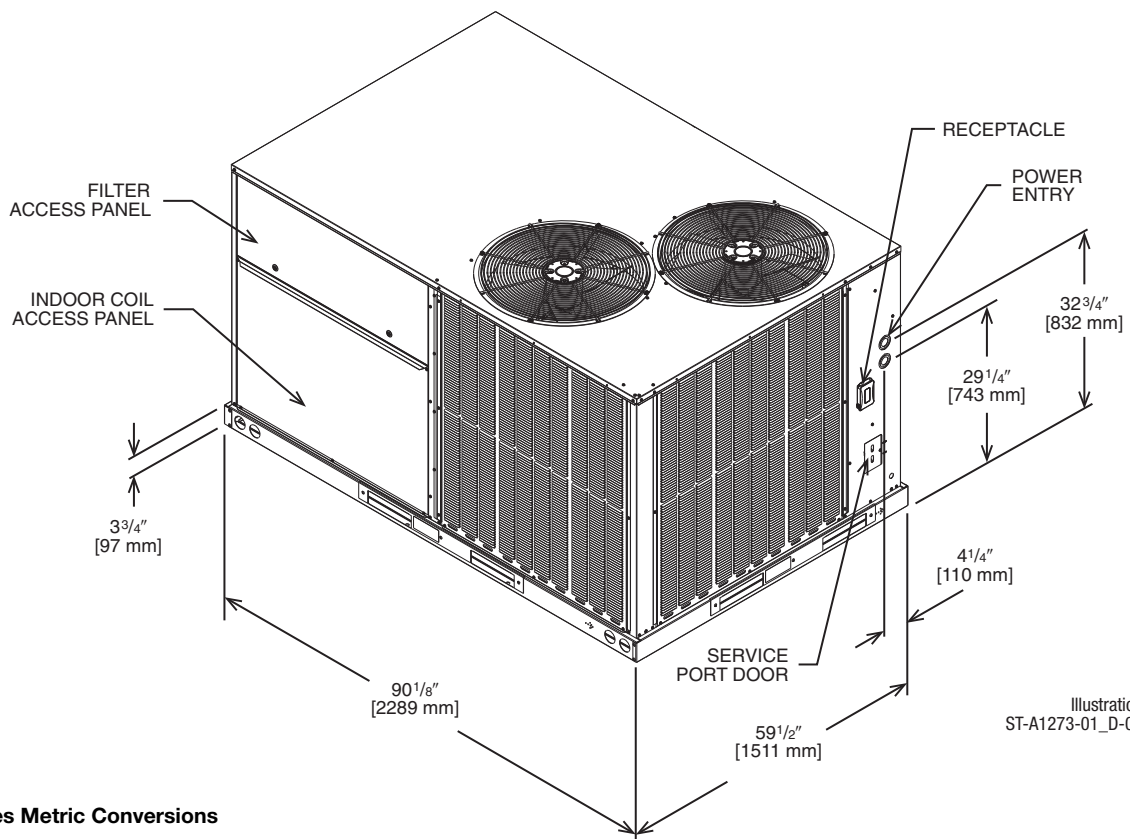
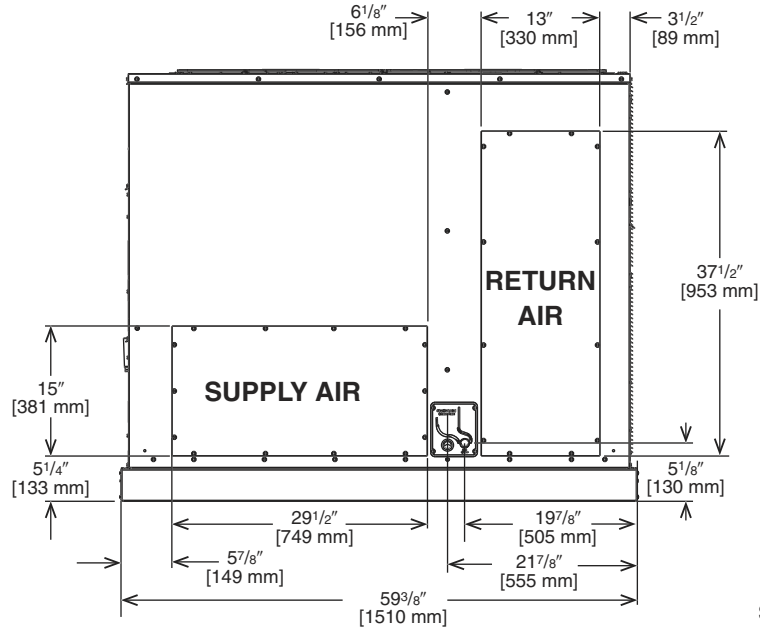


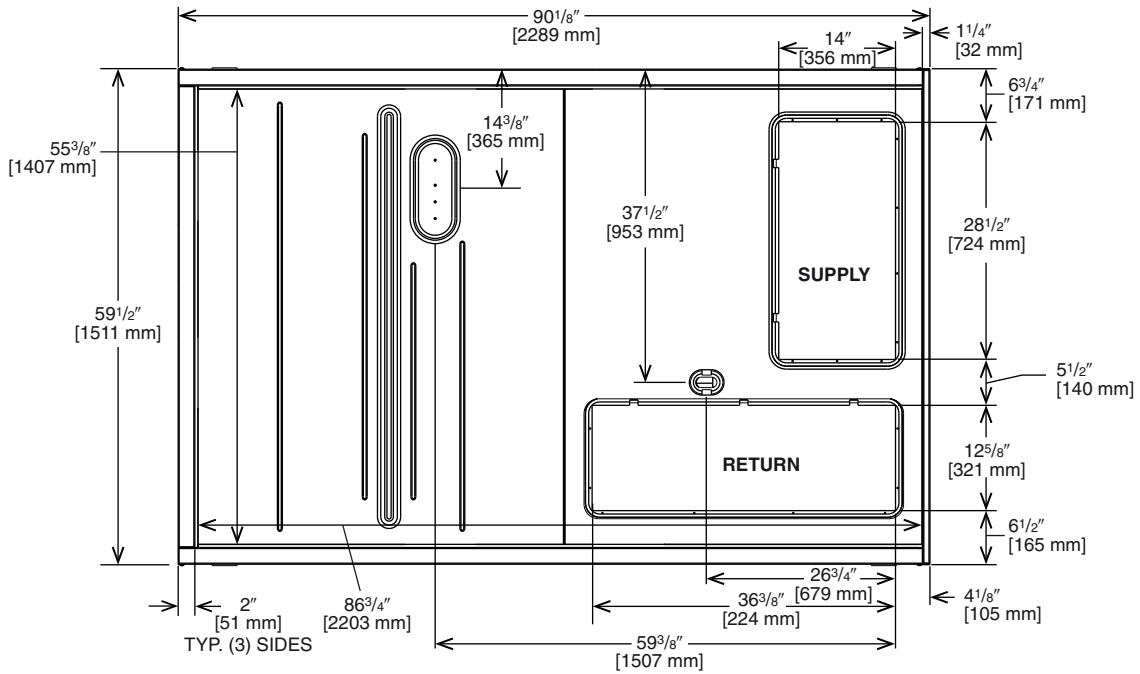
Illustration ST-A1273-01_D-00

[] Designates Metric Conversions

SUPPLY AND RETURN DIMENSIONS FOR HORIZONTAL APPLICATIONS



SUPPLY AND RETURN DIMENSIONS FOR DOWNFLOW APPLICATIONS



[] Designates Metric Conversions

WEIGHTS

Capacity Tons [kW]	Corner Weights by Percentage			
	A	B	C	D
7.5-12.5 [21.1-44.0]	26%	34%	17%	23%

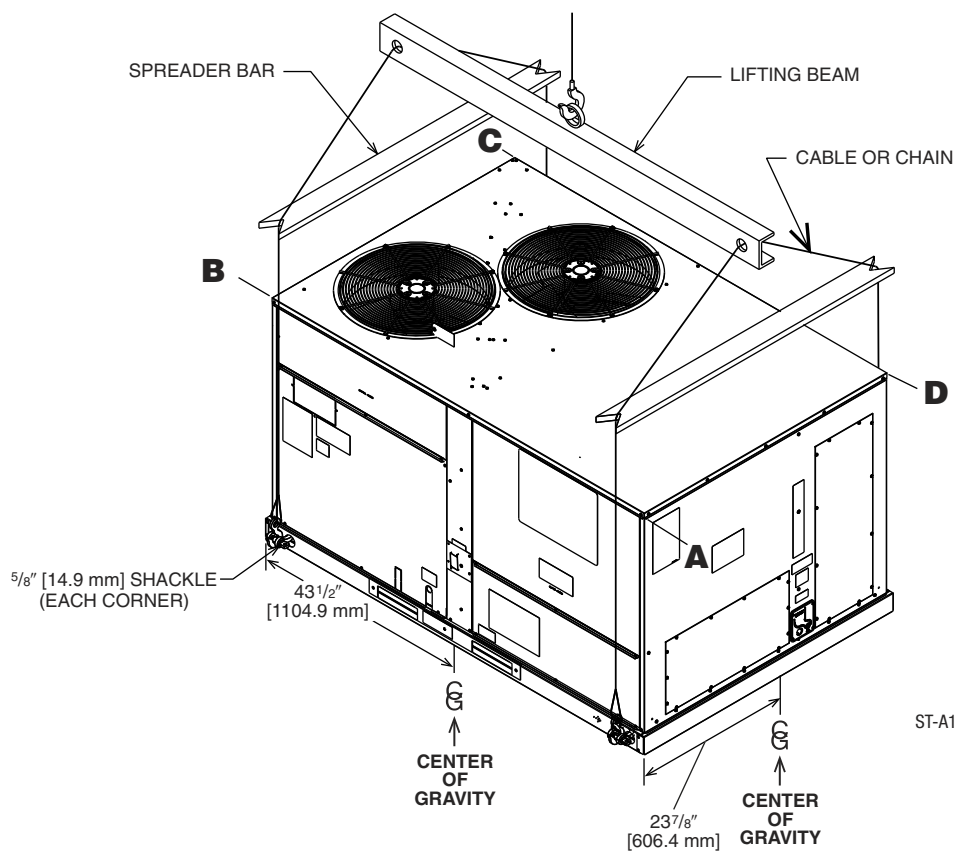


Illustration
ST-A1273-01_J-00

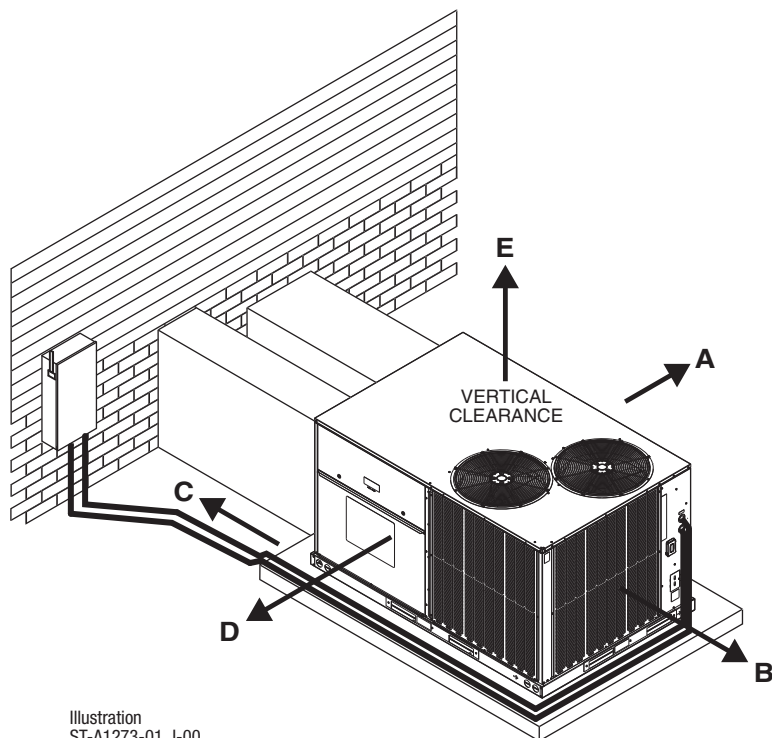


Illustration
ST-A1273-01_J-00

CLEARANCES

The following minimum clearances must be observed for proper unit performance and serviceability.

RECOMMENDED CLEARANCE In. [mm]	LOCATION
48 [1219]	A - FRONT
24 [609]	B - CONDENSER END
48 [1219] ①	C - DUCT END
24 [609] ②	D - FILTER SIDE
60 [1524]	E - ABOVE

① 18" [457 mm] MINIMUM IF DRAINPAN WILL NOT BE REMOVED.

② 48" [1219 MM] MINIMUM IF ECONOMIZER IS INSTALLED.



FIELD INSTALLED ACCESSORY EQUIPMENT (cont'd.)

Accessory	Model Number	Shipping Weight Lbs. [kg]	Installed Weight Lbs. [kg]	Factory Installation Available?
Economizer w/Single Enthalpy (Downflow)	RXRD-01MDDAM3	86 [39.0]	57 [25.9]	Yes
Economizer w/Single Enthalpy (Horizontal)	RXRD-01MDHAM3	84 [38.1]	55 [24.9]	Yes
Economizer-w/Single Enthalpy (Downflow) DDC	RXRD-01MDDBM3	86 [39.0]	57 [25.9]	No
Economizer w/Single Enthalpy (Horizontal) DDC	RXRD-01MDHBM3	84 [38.1]	55 [24.9]	No
Dual Enthalpy Kit	RXRX-BV01	1 [.5]	1 [.5]	No
Dual Enthalpy Kit DDC	RXRX-BV02	1 [.5]	1 [.5]	No
Carbon Dioxide Sensor (Wall Mount)	RXRX-AR02	3 [1.4]	2 [1.0]	No
Power Exhaust	RXRX-CDF01C	58 [26.3]	48 [21.8]	No
Power Exhaust	RXRX-CDF01D	50 [22.7]	44 [20.0]	No
Manual Fresh Air Damper	RXRF-ADA1	15 [6.8]	12 [5.4]	No
Motorized Fresh Air Damper	RXRF-ADB1	38 [17.2]	31 [14.06]	No
Motorized Fresh Air Damper (DDC)	RXRF-ADC1	38 [17.2]	31 [14.06]	No
Roofcurb, 14'	RXKG-DDD14	109 [49.4]	104 [47.2]	No
Roofcurb, 24'	RXKG-DDD24	145 [65.8]	140 [63.5]	No
Roofcurb Adapter	RXRX-DDCAE	235 [106.6]	215 [97.5]	No
Concentric Diffuser 7.5/8.5 Ton Flush	RXRN-AEF2000	235 [106.6]	215 [97.5]	No
Concentric Diffuser 10.0 Ton Flush	RXRN-AEF3415	30 [13.6]	25 [11.3]	No
Concentric Diffuser 12.5 Ton Flush	RXRN-AEF3618	250 [113.4]	130 [59]	No
Concentric Diffuser 7.5/8.5 Ton Drop	RXRN-AED2000	275 [124.7]	170 [77.1]	No
Concentric Diffuser 10.0 Ton Drop	RXRN-AED3415	35 [15.9]	30 [13.6]	No
Concentric Diffuser 12.5 Ton Drop	RXRN-AED3618	270 [122.5]	160 [72.6]	No
Concentric Adapter 7.5/8.5 Ton Drop	RXMC-DD01	300 [136.1]	180 [81.6]	No
Concentric Adapter 10 Ton Drop	RXMC-DD02	25 [11.3]	20 [9.1]	No
Concentric Adapter 12.5 Ton Drop	RXMC-DD03	75 [34]	65 [29.5]	No
Outdoor Coil Louver Kit - ACD/090/102/120	RXRX-ADD04A	52 [23.6]	47 [21.3]	Yes
Outdoor Coil Louver Kit - ACD150	RXRX-ADD04B	43 [19.5]	39 [17.7]	Yes
Unwired Convenience Outlet	RXRX-BN01	2 [1.0]	1.5 [.7]	Yes
Unfused Service Disconnect	RXRX-BP01	10 [4.5]	9 [4.1]	Yes
Comfort Alert (1 Per Compressor)	RXRX-AZ01 DDC	3 [1.5]	2 [0.9]	Yes
Comfort Alert (1 Per Compressor)	RXRX-AZ02	3 [1.5]	2 [0.9]	Yes
BACnet Communication Card	RXRX-AY01	1 [0.5]	1 [0.5]	No
LonWorks Communication Card	RXRX-AY02	1 [0.5]	1 [0.5]	No
Room Humidity Sensor	RHC-ZNS4	1 [0.5]	1 [0.5]	No
Room Temperature and Relative Humidity Sensor	RHC-ZNS5	1 [0.5]	1 [0.5]	No
Low-Ambient Control Kit	RXRZ-A04	4 [1.8]	3 [1.4]	Yes
Freeze Stat Kit	RXRX-AM01	2 [1.0]	1.5 [.7]	Yes

[] Designates Metric Conversions



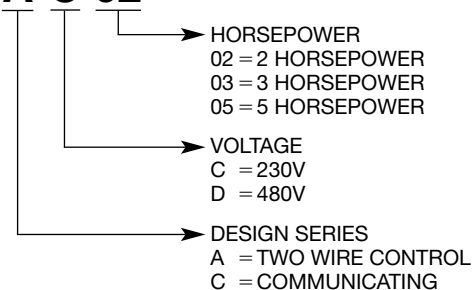
FIELD INSTALLED ACCESSORY EQUIPMENT

Accessory	Model Number	Shipping Weight Lbs. [kg]	Installed Weight Lbs. [kg]	Factory Installation Available?
Variable Frequency Drive Kit	RXXR-AC02	9.1 [4.1]	7.6 [3.4]	No
	RXXR-AC03	11.7 [5.3]	10.2 [4.6]	No
	RXXR-AC05	11.7 [5.3]	10.2 [4.6]	No
	RXXR-AD02	9.4 [4.3]	7.9 [3.6]	No
	RXXR-AD03	12.3 [5.6]	10.8 [4.9]	No
	RXXR-AD05	12.3 [5.6]	10.8 [4.9]	No
	RXXR-CC02	9.1 [4.1]	7.6 [3.4]	No
	RXXR-CC03	11.7 [5.3]	10.2 [4.6]	No
	RXXR-CC05	11.7 [5.3]	10.2 [4.6]	No
	RXXR-CD02	9.4 [4.3]	7.9 [3.6]	No
	RXXR-CD03	12.3 [5.6]	10.8 [4.9]	No
	RXXR-CD05	12.3 [5.6]	10.8 [4.9]	No
Electric Heater Kits	RXJJ-DD10CP	30 [13.6]	27.5 [12.5]	Yes
	RXJJ-DD15CP	32 [14.5]	29.5 [13.4]	Yes
	RXJJ-DD20CP	34 [15.4]	31.5 [14.3]	Yes
	RXJJ-DD30CP	37 [16.8]	34.5 [15.6]	Yes
	RXJJ-DD40CP	40 [18.1]	37.5 [17]	Yes
	RXJJ-DD10DNV	30 [13.6]	27.5 [12.5]	Yes
	RXJJ-DD15DNV	32 [14.5]	29.5 [13.4]	Yes
	RXJJ-DD20DNV	34 [15.4]	31.5 [14.3]	Yes
	RXJJ-DD30DNV	37 [16.8]	34.5 [15.6]	Yes
	RXJJ-DD40DNV	40 [18.1]	37.5 [17]	Yes
Single Point Wiring Kit	RXJX-AC0605	23 [10.4]	25 [11.3]	No
	RXJX-AC0805	24 [10.9]	26 [11.8]	No
	RXJX-AD0605	25 [11.3]	27 [12.2]	No
	RXJX-AC0909	26 [11.8]	28 [12.7]	No
	RXJX-AD0609	25 [11.3]	27 [12.2]	No

[] Designates Metric Conversions

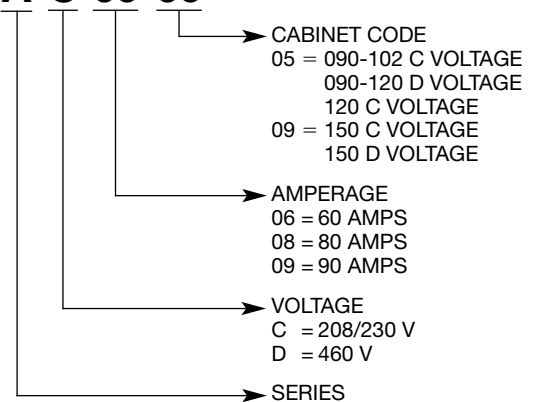
VARIABLE FREQUENCY DRIVE KIT

RXXR – A C 02



SINGLE POINT WIRING KIT

RXJX – A C 09 09



FLUSH MOUNT ROOM TEMPERATURE SENSORS FOR NETWORKED DDC APPLICATIONS



ROOM TEMPERATURE SENSOR ZNS-101 with TIMED OVERRIDE BUTTON

10k Ω room temperature sensor transmits room temperature to DDC system. Timed override button allows tenant to change from unoccupied temperature setpoint to occupied temperature setpoint for a preset time.



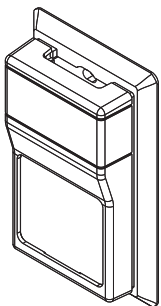
ROOM TEMPERATURE SENSOR ZNS-102 with TIMED OVERRIDE BUTTON and STATUS INDICATOR

10k Ω room temperature sensor transmits room temperature to DDC system. Timed override button allows tenant to change from unoccupied temperature setpoint to occupied temperature setpoint for a preset time. Status Indicator Light transmits ALARM flash code to occupied space.



ROOM TEMPERATURE SENSOR ZNS-103 with SETPOINT ADJUSTMENT and TIMED OVERRIDE BUTTON

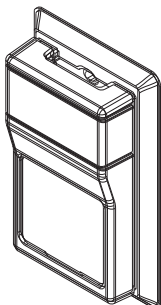
10k Ω room temperature sensor with setpoint adjustment transmits room temperature to DDC system along with desired occupied room temperature setpoint. Timed override button allows tenant to change from unoccupied temperature setpoint to occupied temperature setpoint for a preset time.



ROOM HUMIDITY SENSOR

RHC-ZNS4

Transmits room relative humidity to DDC System.



ROOM TEMPERATURE AND RELATIVE HUMIDITY SENSOR

RHC-ZNS5

Transmits room temperature and relative humidity to DDC System.

COMMUNICATION CARDS

Field Installed



BACnet® COMMUNICATION CARD RXRX-AY01

The field installed BACnet® Communication Card allows the RTU-C unit controller to communicate with a third party building management system that supports the BACnet Application Specific Controller device profile. The BACnet® Communication Module plugs onto the unit RTU-C controller and allows communication between the RTU-C and the BACnet MSTP network.



LonWorks® COMMUNICATION CARD RXRX-AY02

The field installed LonWorks® Communication Card allows the RTU-C unit controller to communicate with a third party building management system that supports the LonMark Space Comfort Controller (SCC) functional profile or LonMark Discharge Air Controller (DAC) functional profile. The LonMark Communication Module plugs onto the RTU-C controller and allows communication between the RTU-C and a LonWorks Network.



NON-DDC ECONOMIZER FOR DOWNFLOW DUCT INSTALLATION

Use to Select Factory Installed Options Only

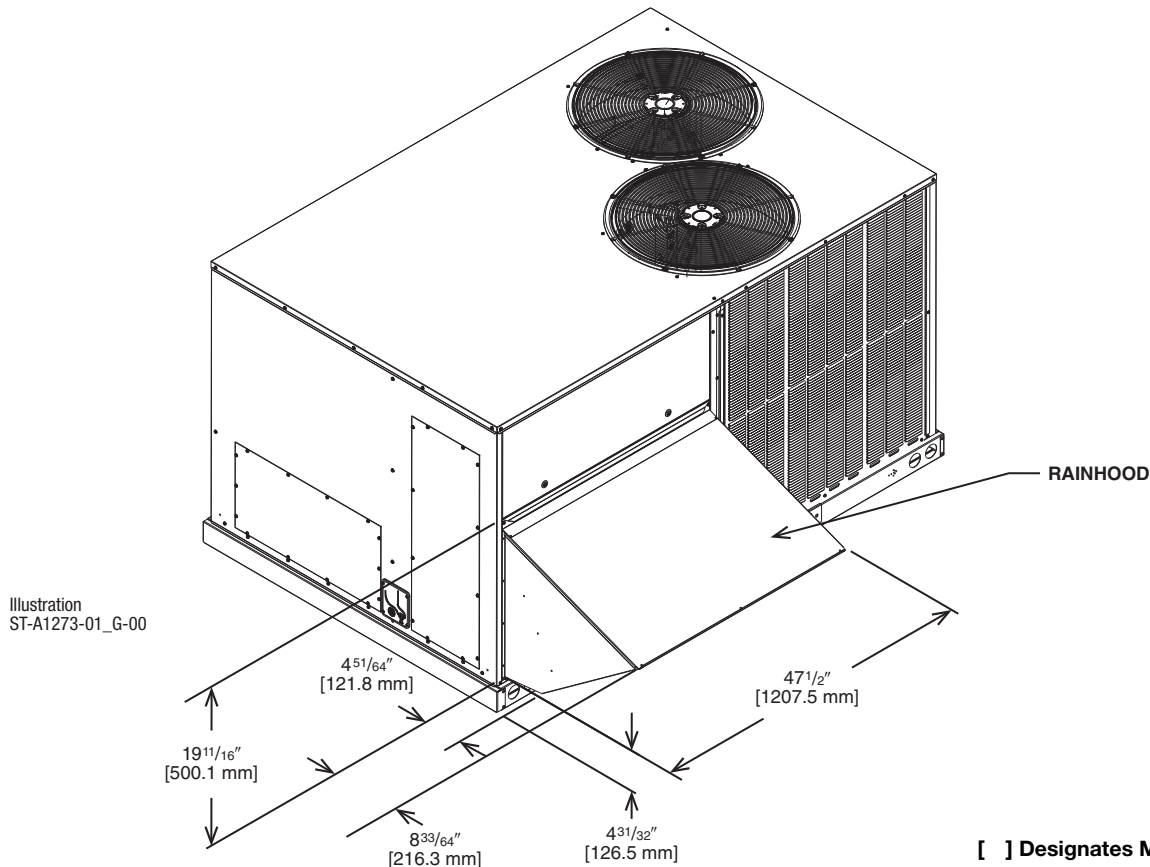
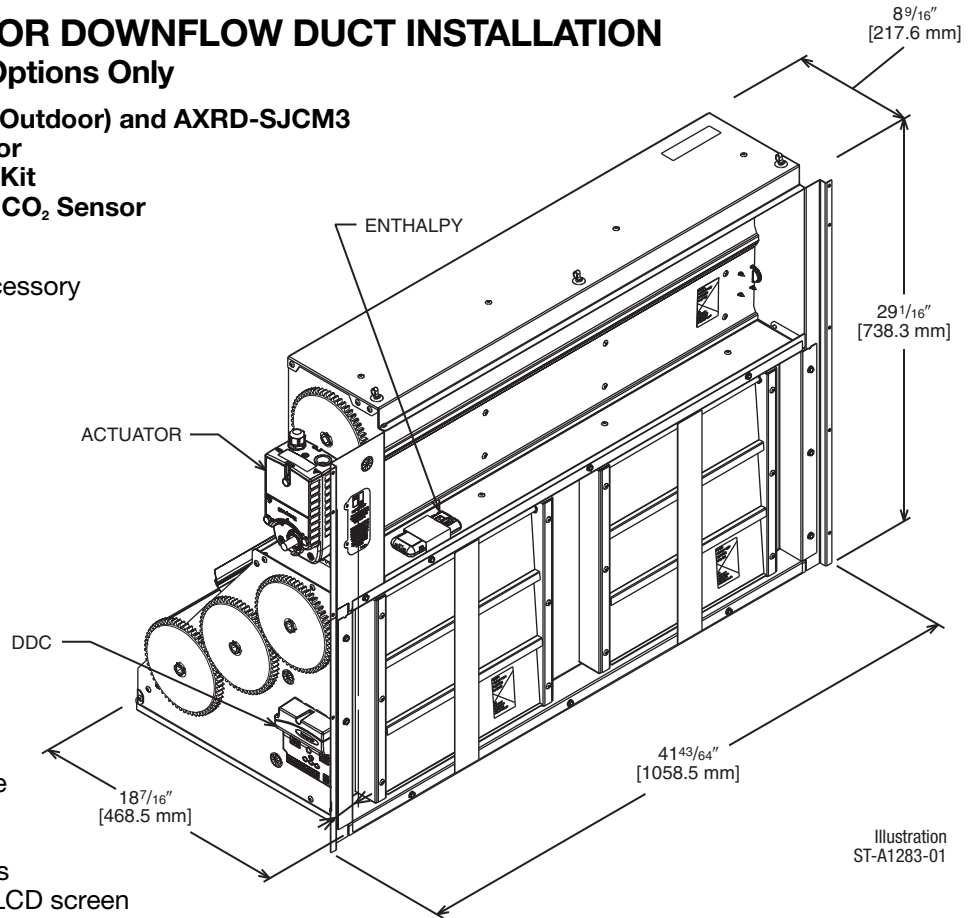
RXRD-01MDDAM3—Single Enthalpy (Outdoor) and AXRD-SJCM3

Single Enthalpy with Smoke Detector

RRX-BV02—Dual Enthalpy Upgrade Kit

RRX-AR02—Optional Wall-Mounted CO₂ Sensor

- Features **Honeywell** Controls
- Available Factory Installed or Field Accessory
- Gear Driven Direct Drive Actuator
- Fully Modulating (0-100%)
- Low Leakage Dampers
- Slip-In Design for Easy Installation
- Standard Barometric Relief Damper
- Single Enthalpy with Dual Enthalpy Upgrade Kit Available
- CO₂ Input Sensor Available
- Field Assembled Hood Ships with Economizer
- Economizer Ships Complete for Downflow Duct Application.
- Optional Remote Minimum Position Potentiometer (270 ohm) (Honeywell #S963B1136) is Available from Prostock.
- Field Installed Power Exhaust Available
- Prewired for Smoke Detector
- If connected to a Building Automation System (BAS), all economizer functions can be viewed on the (BAS) or 16 x 2 LCD screen
- If connected to thermostat, all economizer functions can be viewed on 16 x 2 LCD screen



[] Designates Metric Conversions



NON-DDC ECONOMIZER FOR HORIZONTAL DUCT INSTALLATION

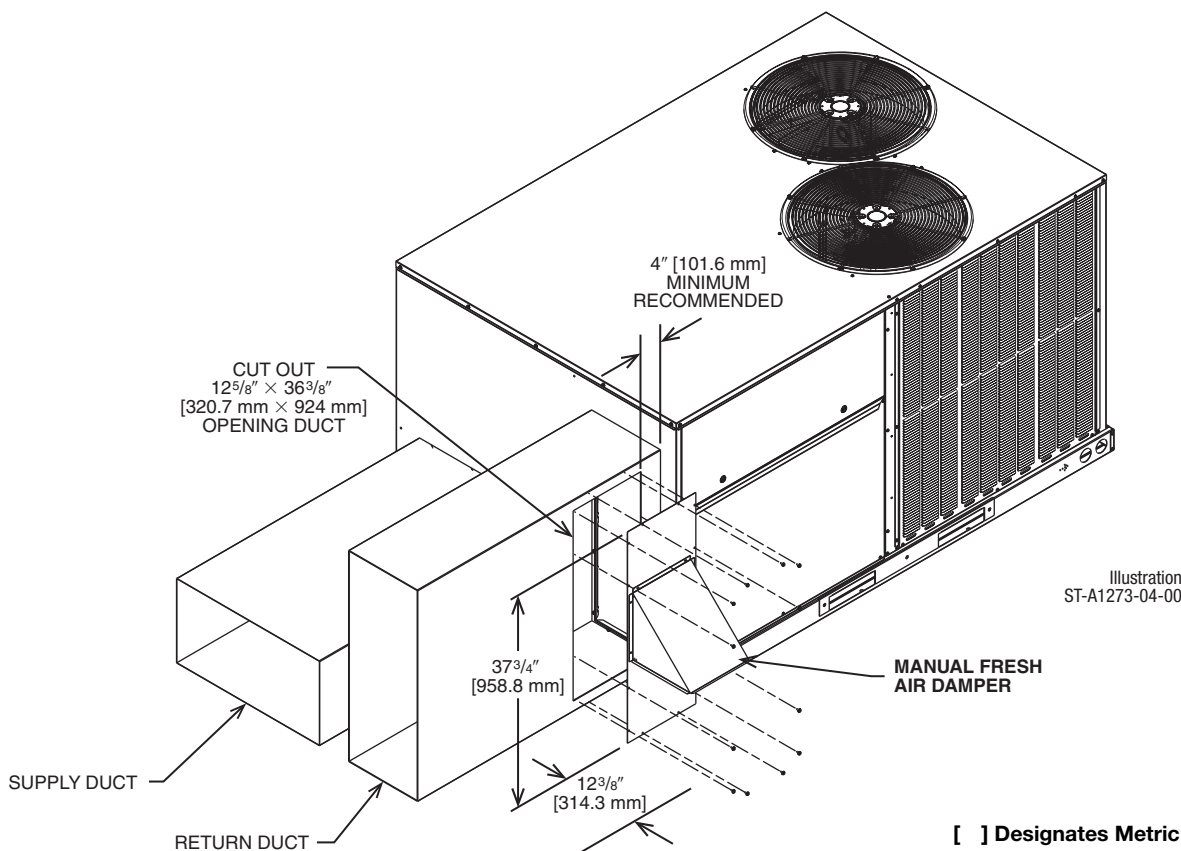
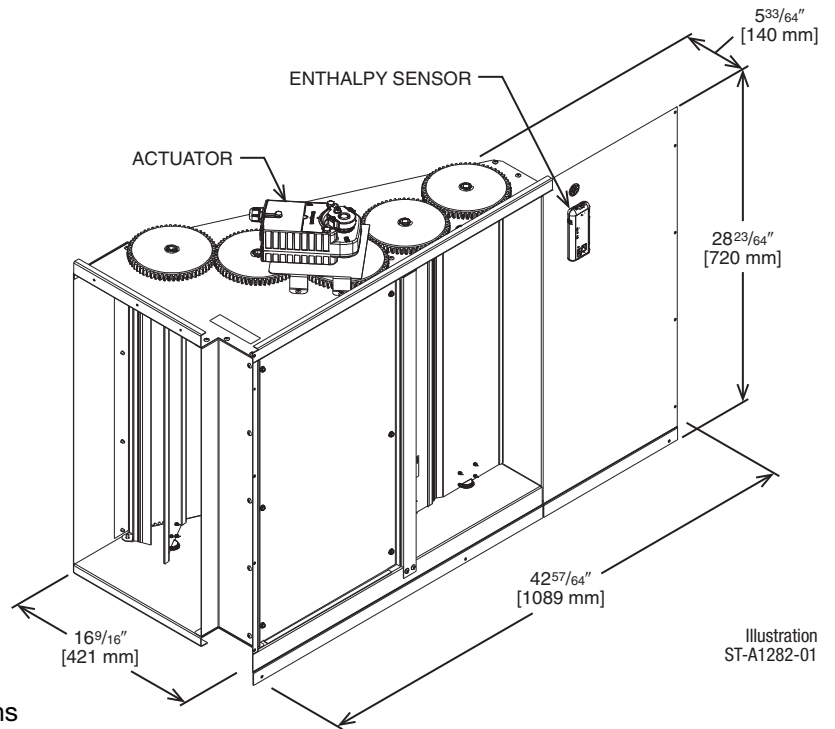
Field Installed Only

RXRD-01DAH3—Single Enthalpy (Outdoor)

RXXR-BV01—Dual Enthalpy Upgrade Kit

RXXR-AR02—Wall-mounted CO₂ Sensor

- Features **Honeywell** Controls
- Available as a Field Installed Accessory Only
- Gear Driven Direct Drive Actuator
- Fully Modulating (0-100%)
- Low Leakage Dampers
- Slip-In Design for Easy Installation
- Standard Barometric Relief Damper
- Single Enthalpy with Dual Enthalpy Upgrade Kit Available
- CO₂ Input Sensor Available
- Field Assembled Hood Ships with Economizer
- Economizer Ships Complete for Horizontal Duct Application
- Optional Remote Minimum Position Potentiometer (270 ohm) (Honeywell #S963B1136) is Available from Prostock
- Field Installed Power Exhaust Available
- If connected to a Building Automation System (BAS), all economizer functions can be viewed on the (BAS) or 16 x 2 LCD screen
- If connected to thermostat, all economizer functions can be viewed on 16 x 2 LCD screen



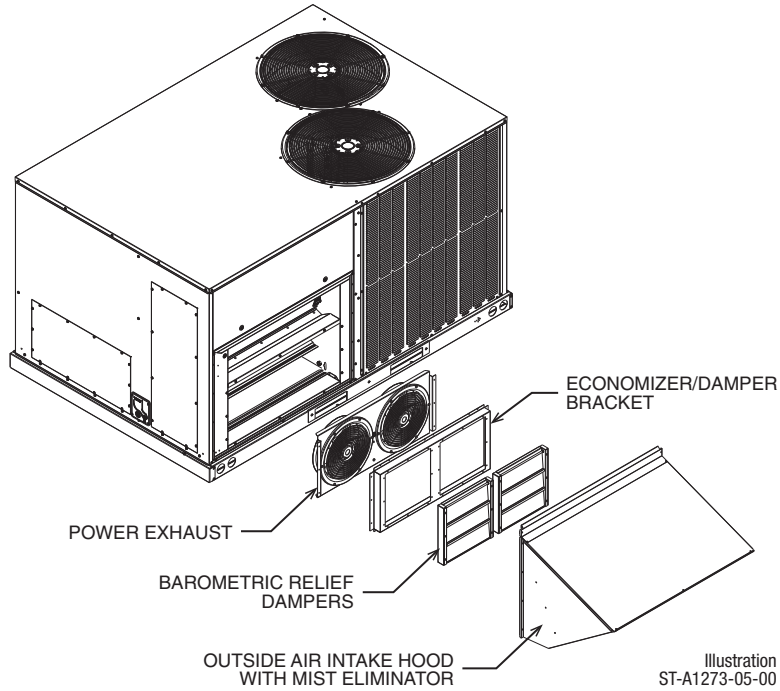
[] Designates Metric Conversions

POWER EXHAUST KIT FOR RXRD-01MDDAM3, RXRD-01MDDBM3, RXRD-01MDHAM3, RXRD-01MDHBM3 ECONOMIZERS

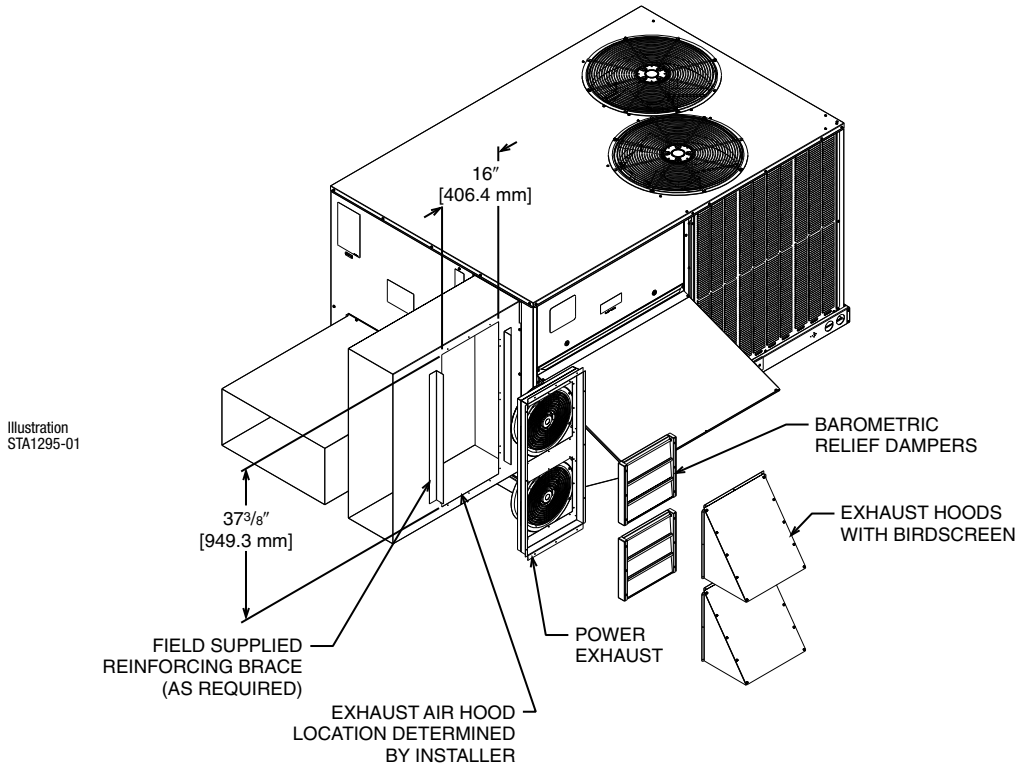
RXXR-CDF01

*Voltage Code

VERTICAL AIRFLOW



HORIZONTAL AIRFLOW



Model No.	No. of Fans	Volts	Phase	HP (ea.)	CFM [L/s]*	RPM	FLA (ea.)	LRA (ea.)
RXXR-CDF01C	2	208-230	1	0.47	2200	3000	1.55	1.1
RXXR-CDF01D	2	460	3	0.40	1970	2750	0.51	1.9

*CFM is per fan at 0" w.c. external static pressure.

[] Designates Metric Conversions



DDC—ECONOMIZER FOR DOWNFLOW DUCT INSTALLATION

Use to Select Field Installed Options Only

RXRD-01MDDBM3—Single Enthalpy (Outdoor)
RXRX-BV02—Dual Enthalpy Upgrade Kit
RXRX-AR02—Optional Wall-Mounted CO₂ Sensor

- Features **Honeywell** Controls
- Available Factory Installed or Field Accessory
- Gear Driven Direct Drive Actuator
- Fully Modulating (0-100%)
- Ultra Low Leak Dampers meet California Title 24 requirements
- Slip-In Design for Easy Installation
- Standard Barometric Relief Damper
- Single Enthalpy with Dual Enthalpy Upgrade Kit Available
- CO₂ Input Sensor Available
- Field Assembled Hood Ships with Economizer
- Economizer Ships Complete for Downflow Duct Application.
- Optional Remote Minimum Position Potentiometer (270 ohm) (Honeywell #S963B1136) is Available from Prostock.
- Field Installed Power Exhaust Available
- Prewired for Smoke Detector
- If connected to a Building Automation System (BAS), all economizer functions can be viewed on the (BAS), or 16 x 2 LCD screen
- If connected to thermostat, all economizer functions can be viewed on 16 x 2 LCD screen

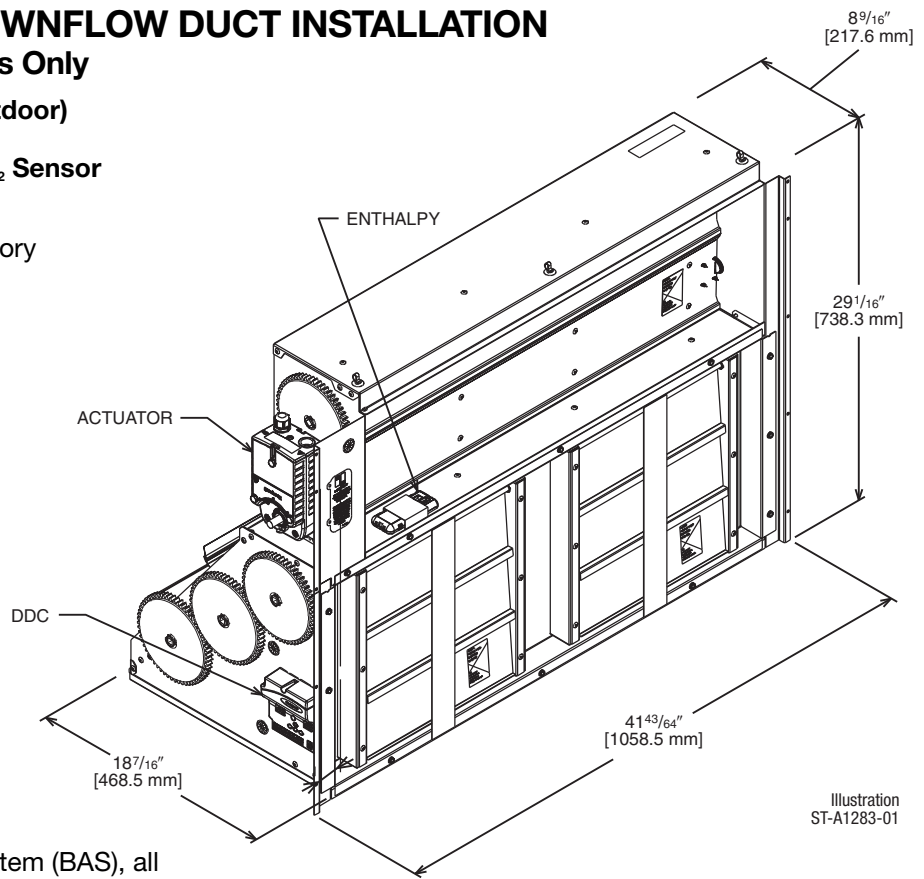


Illustration
ST-A1283-01

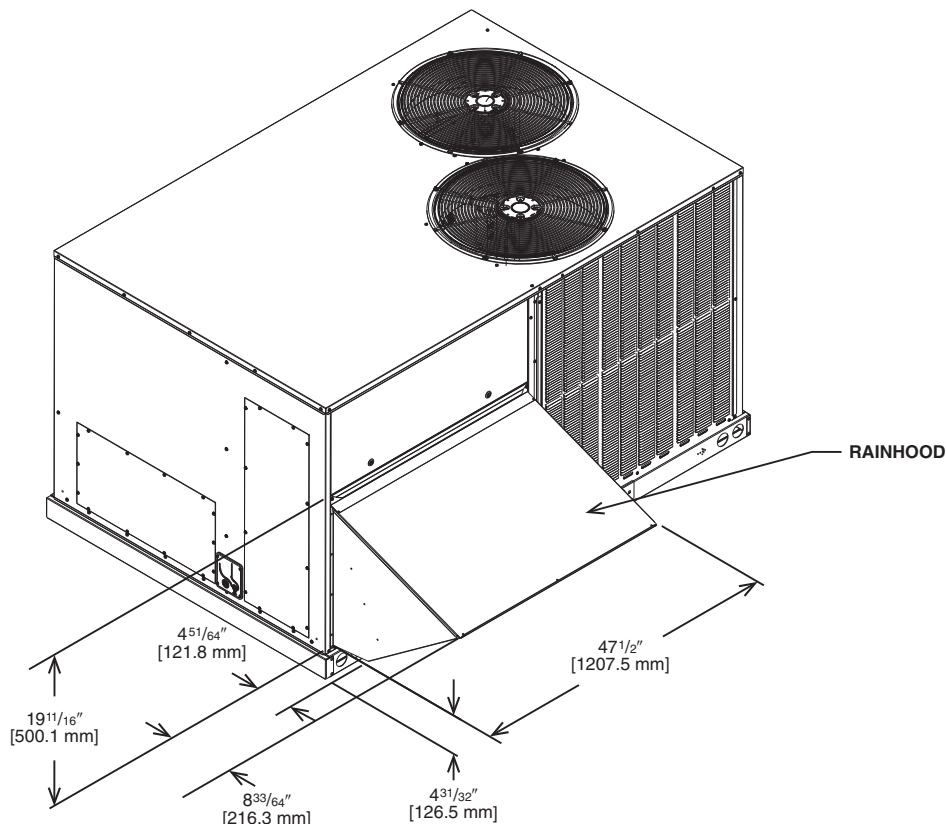


Illustration
ST-A1273-01_G-00

[] Designates Metric Conversions



DDC—ECONOMIZER FOR HORIZONTAL DUCT INSTALLATION

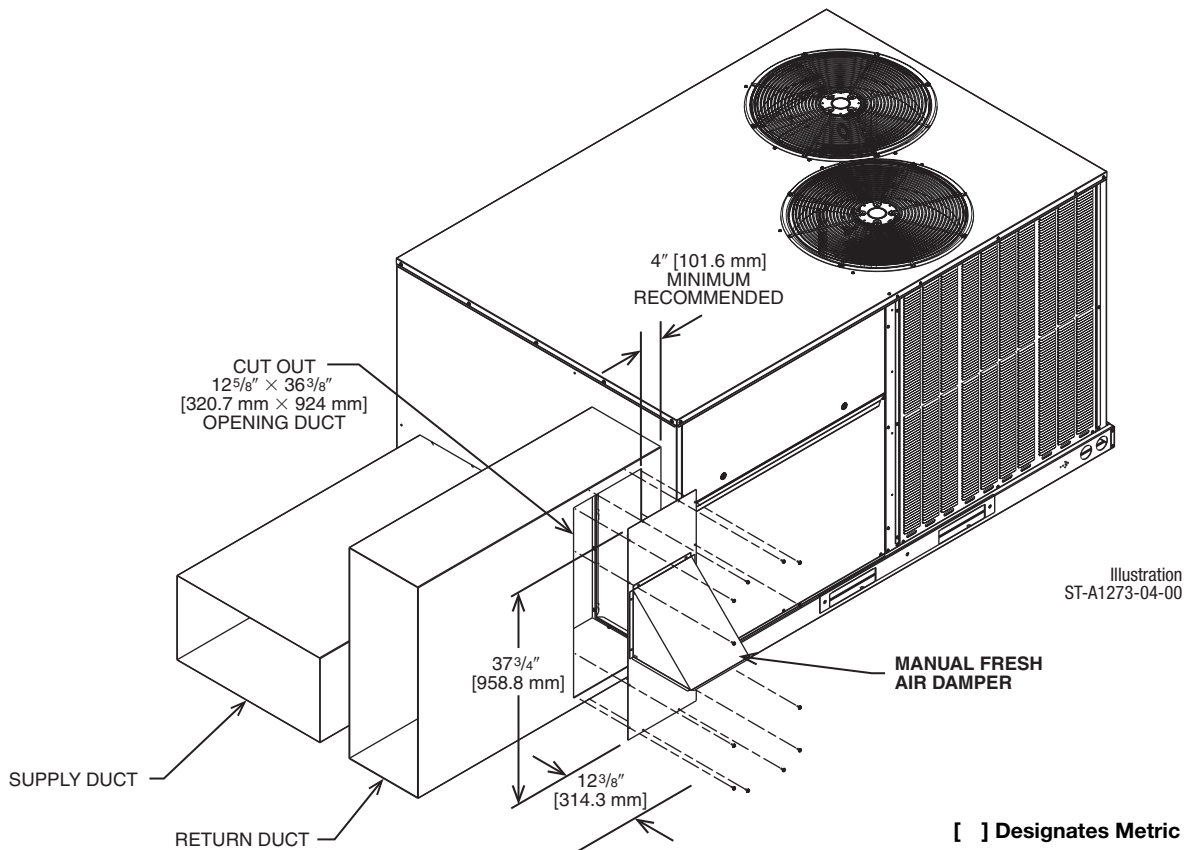
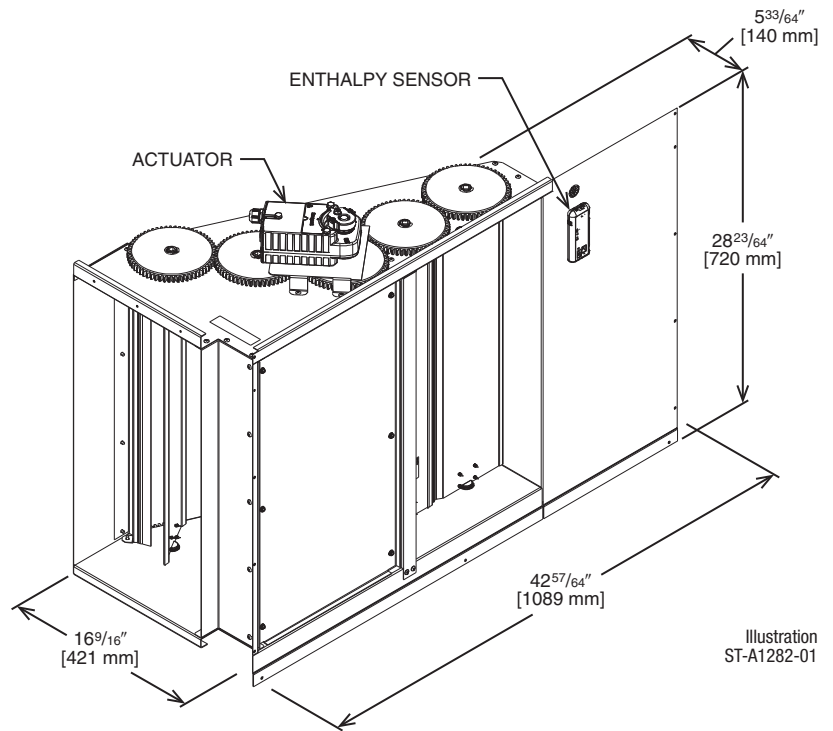
Field Installed Only

RXRD-01MDHBM3—Single Enthalpy (Outdoor)

RXRX-BV02—Dual Enthalpy Upgrade Kit

RXRX-AR02—Wall-mounted CO₂ Sensor

- Features **Honeywell** Controls
- Available as a Field Installed Accessory Only
- Gear Driven Direct Drive Actuator
- Fully Modulating (0-100%)
- Ultra Low Leak Dampers meet California Title 24 requirements
- Slip-In Design for Easy Installation
- Standard Barometric Relief Damper
- Single Enthalpy with Dual Enthalpy Upgrade Kit Available
- CO₂ Input Sensor Available
- Field Assembled Hood Ships with Economizer
- Economizer Ships Complete for Horizontal Duct Application
- Optional Remote Minimum Position Potentiometer (270 ohm) (Honeywell #S963B1136) is Available from Prostock
- Field Installed Power Exhaust Available
- If connected to a Building Automation System (BAS), all economizer functions can be viewed on the (BAS), or 16 x 2 LCD screen
- If connected to thermostat, all economizer functions can be viewed on 16 x 2 LCD screen



[] Designates Metric Conversions

FRESH AIR DAMPER

MOTORIZED DAMPER KIT RXRF-ADB1

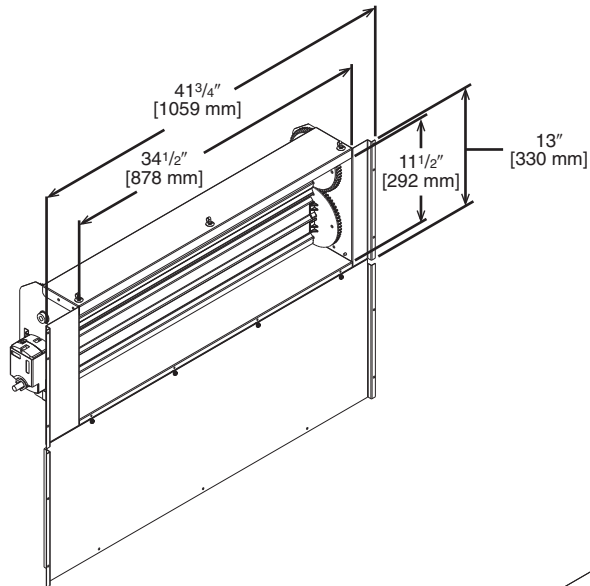


Illustration
ST-A1273-10-00

[] Designates Metric Conversions

MOTORIZED DAMPER KIT RXRX-ADC1 (Motor Kit for DDC Models)

RXRX-AW04 (Modulating Motor Kit w/position feedback for AXRF-KDA1)

- Features **Honeywell** Controls
- Gear Driven Direct Drive Actuator
- Fully Modulating (0-100%)
- Low Leakage Dampers
- Slip-In Design for Easy Installation
- Plug-In Polarized 12-pin and 4-pin Electrical Connections
- Pre-Configured—No Field Adjustments Necessary
- Addition of Dual Enthalpy Upgrade Kit allows limited economizer function
- CO₂ Sensor Input Available for Demand Control Ventilation (DCV)
- Optional Remote Minimum Position Potentiometer (270 ohm) (Honeywell #S963B1136) is available from Prostock
- All fresh air damper functions can be viewed at the RTU-C unit controller display
- If connected to a Building Automation System (BAS), all fresh air damper functions can be viewed on the (BAS)

[] Designates Metric Conversions

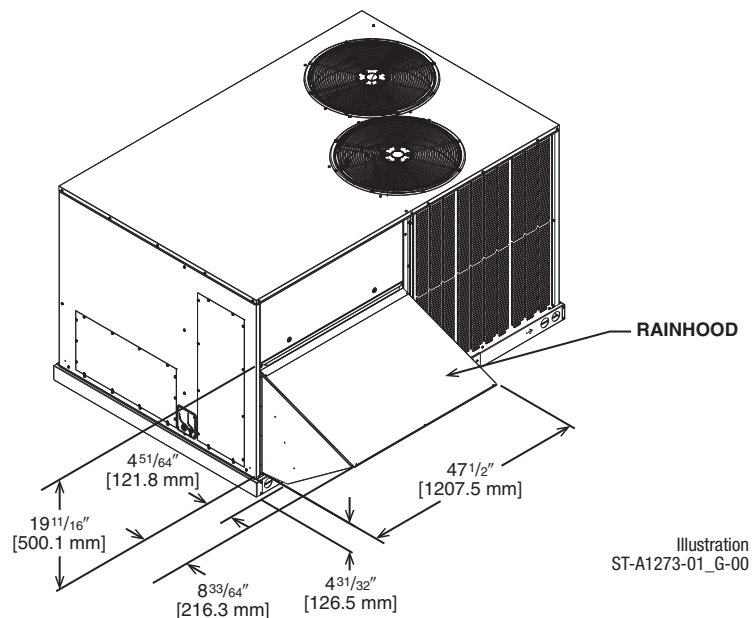


Illustration
ST-A1273-01_G-00

FRESH AIR DAMPER (Cont.)

RXRF-ADA1

DOWNFLOW APPLICATION

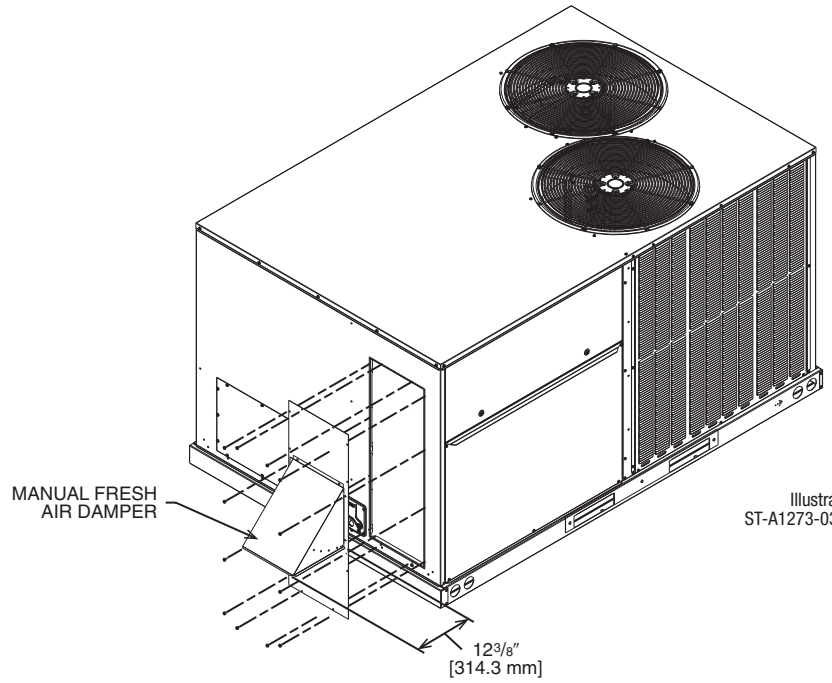


Illustration
ST-A1273-03-00

HORIZONTAL APPLICATION

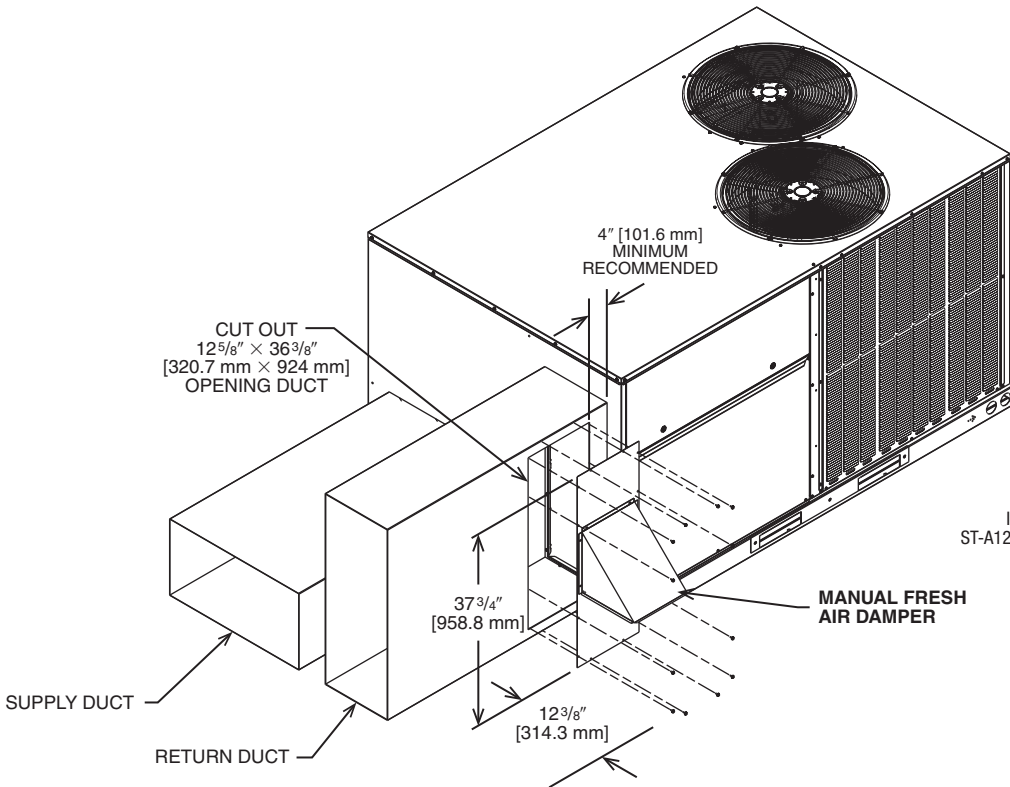


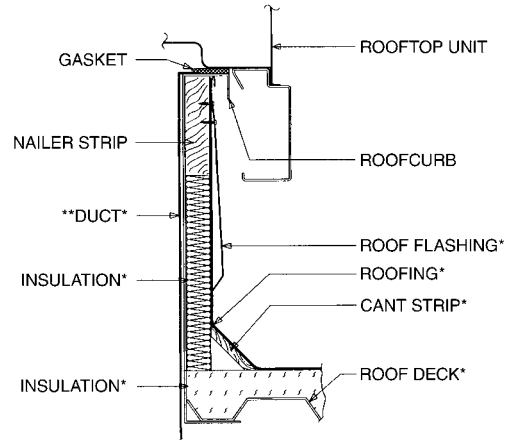
Illustration
ST-A1273-04-00

[] Designates Metric Conversions

ROOFCURBS (Full Perimeter)

- Rheem’s roofcurb design can be utilized on all 7.5-12.5 ton [26.4-44.0 kW] RACD.
- Two available heights (14" [356 mm] and 24" [610 mm]) for ALL models.
- Quick assembly corners for simple and fast assembly.
- Opening provided in bottom pan to match the “Thru the Curb” electrical connection opening provided on the unit base pan.
- 1" [25 mm] x 4" [102 mm] Nailer provided.
- Insulating panels not required because of insulated outdoor base pan.
- Sealing gasket (40' [12.2 m]) provided with Roofcurb.
- Packaged for easy field assembly.

Roofcurb Model	Height of Curb
RXKG-DDD14	14" [356 mm]
RXKG-DDD24	24" [610 mm]



*BY CONTRACTOR
**FOR INSTALLATION OF DUCT AS SHOWN, USE RECOMMENDED DUCT SIZES FROM ROOFCURB INSTALLATION INSTRUCTIONS. FOR DUCT FLANGE ATTACHMENT TO UNIT, SEE UNIT INSTALLATION INSTRUCTIONS FOR RECOMMENDED DUCT SIZES.

Illustration
ST-A0743-02

ROOFCURB INSTALLATION

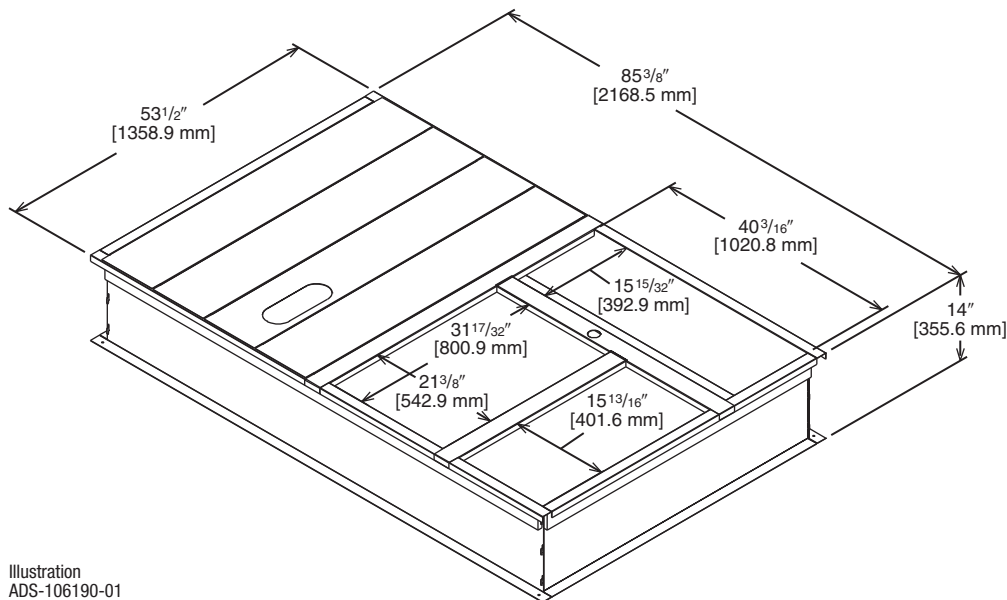


Illustration
ADS-106190-01

[] Designates Metric Conversions

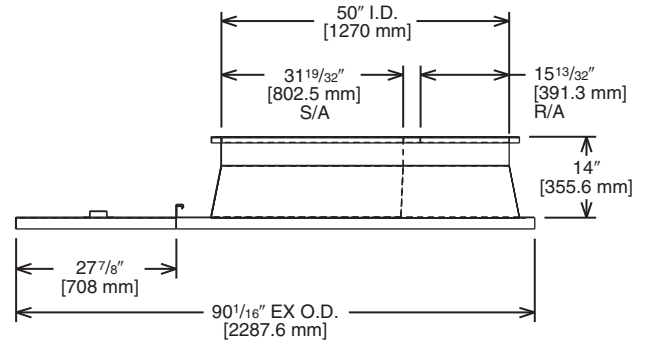
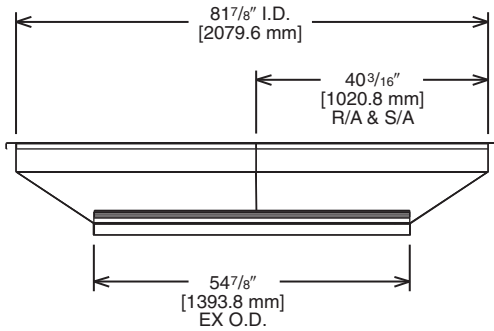
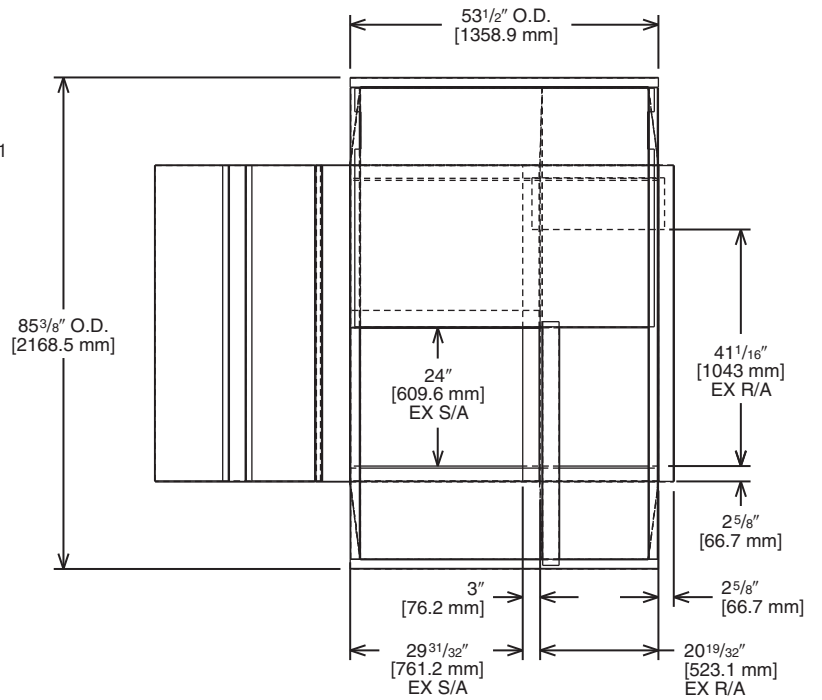
ROOFCURB ADAPTERS (Cont.)

RXRX-DDCAE

Illustration
ADS-106176-01
SHEET 2

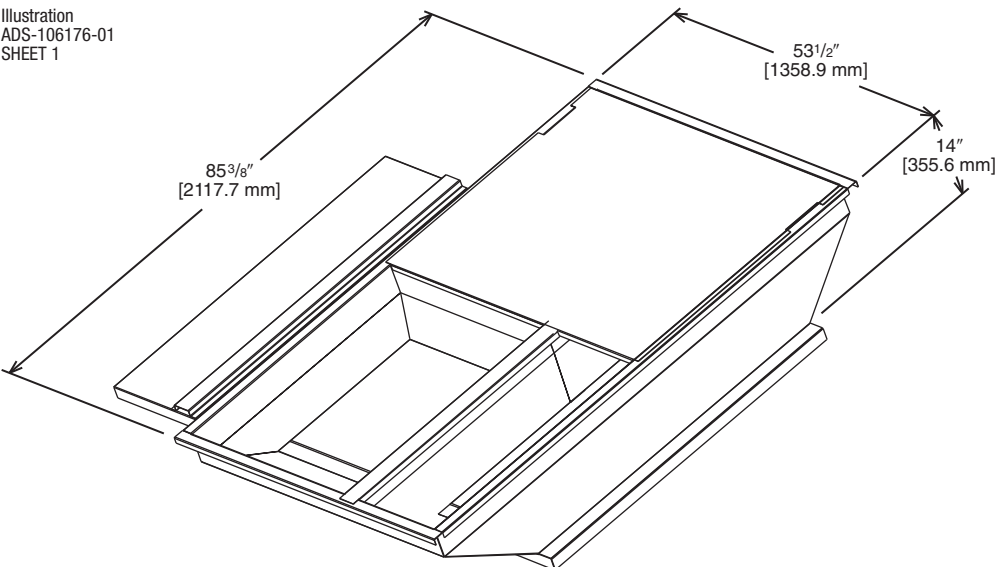
APPROXIMATE STATIC PRESSURE DROP

@2,000 = 0.06" w.g.
@3,000 = 0.12" w.g.
@4,000 = 0.22" w.g.
@5,000 = 0.36" w.g.



TOP VIEW

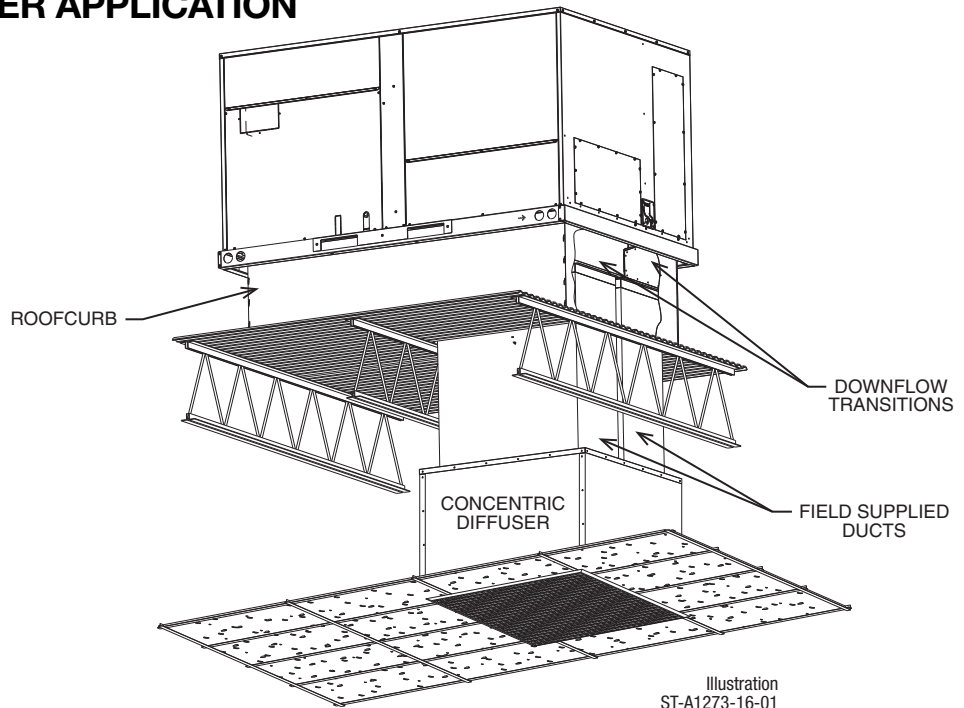
Illustration
ADS-106176-01
SHEET 1



[] Designates Metric Conversions



CONCENTRIC DIFFUSER APPLICATION



DOWNFLOW TRANSITION DRAWINGS

RXMC-DD02

- Used with RXRN-AEF3415 or RXRN-AED3415 Concentric Diffusers.

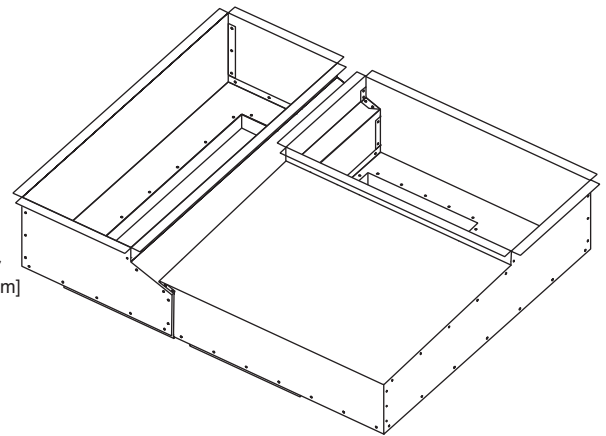
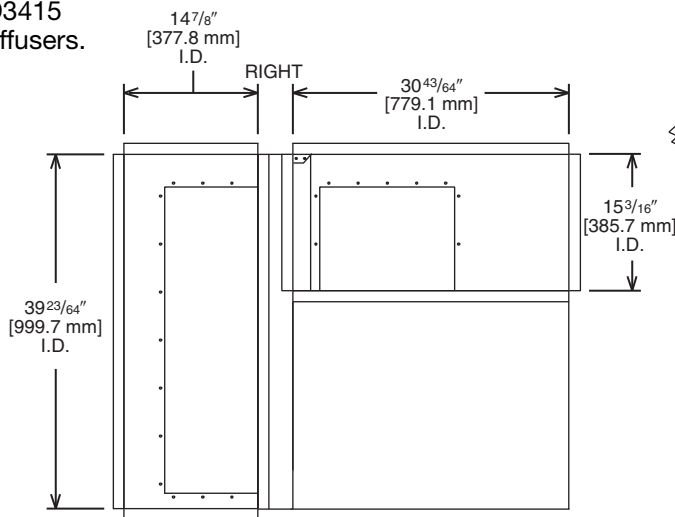
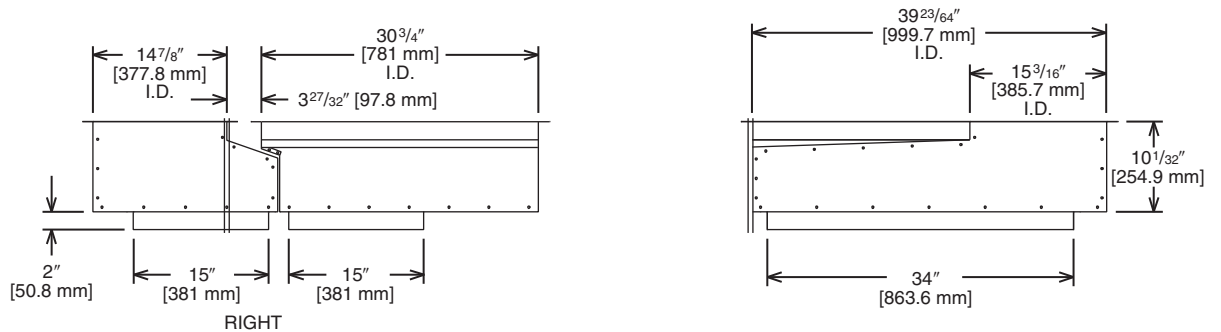


Illustration
ADS-106193-02



[] Designates Metric Conversions



DOWNFLOW TRANSITION DRAWINGS (Cont.)

RXMC-DD03

- Used with RXRN-AEF3618
or RXRN-AED3618
Concentric Diffusers.

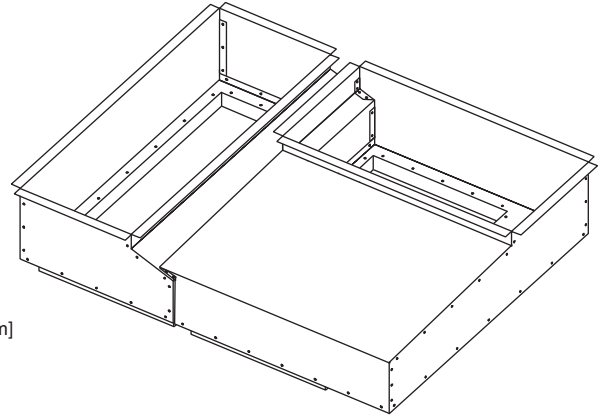
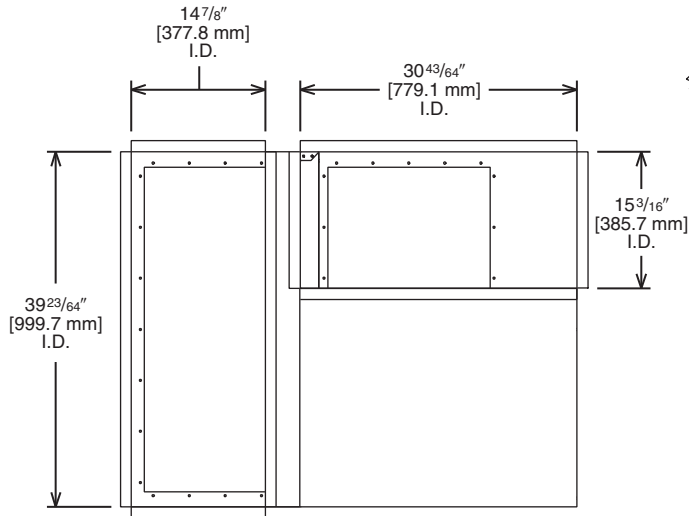
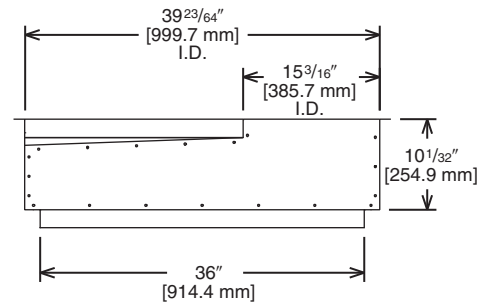
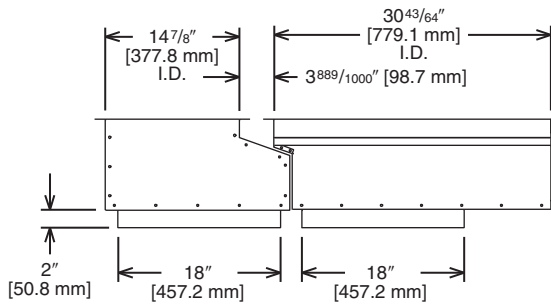


Illustration
ADS-106193-03



[] Designates Metric Conversions

DOWNFLOW TRANSITION DRAWINGS (Cont.)

RXMC-DD01

- Used with RXRN-AEF2000
or RXRN-AED2000
Concentric Diffusers.

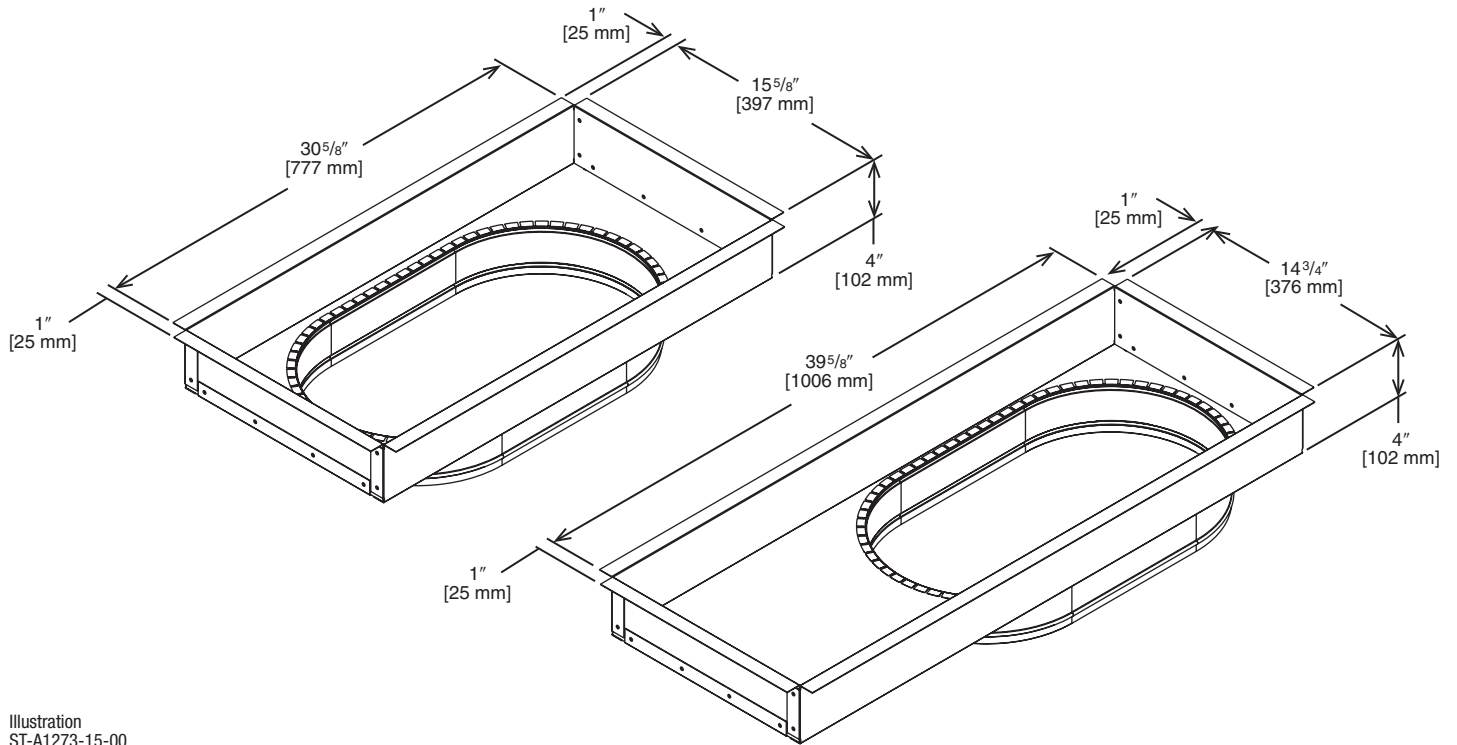


Illustration
ST-A1273-15-00

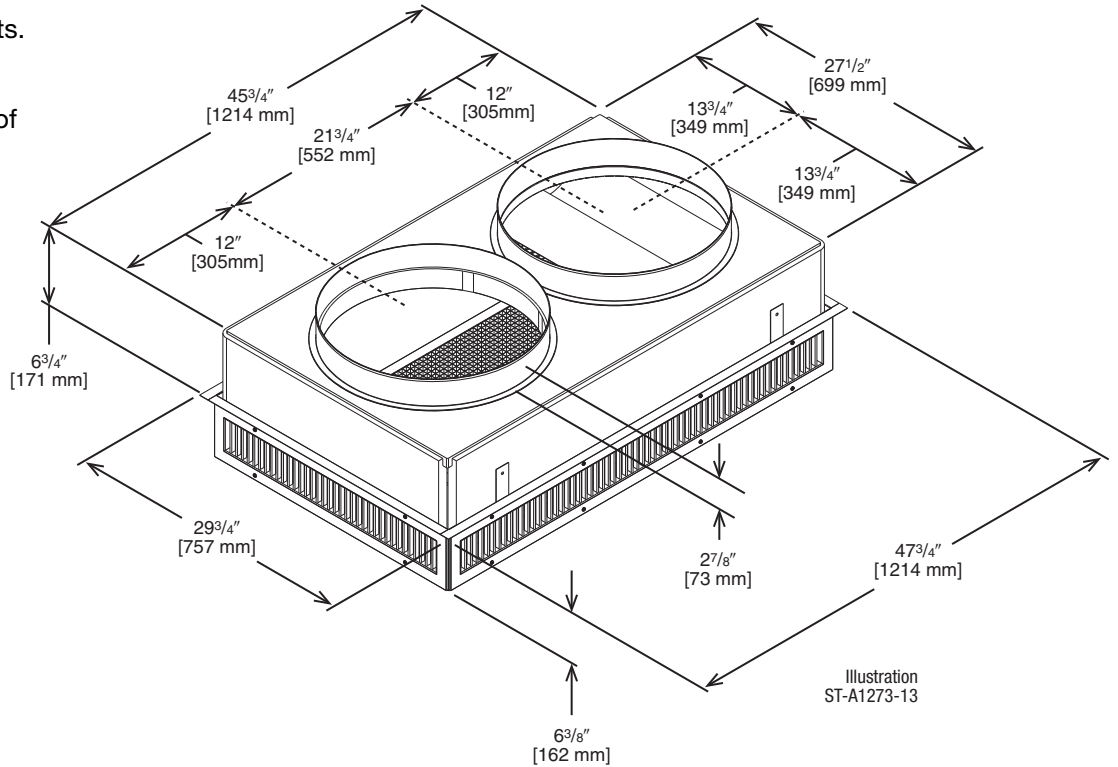
[] Designates Metric Conversions

CONCENTRIC DIFFUSER—STEP DOWN

RXRN-AED2000 (7.5 & 8.5 Ton [26.4 & 29.9 kW] Models)

For Use With Downflow Transition (RXMC-DD01)
and 20" [508 mm] Round Supply and Return Ducts

- All aluminum diffuser with aluminum return air eggcrate.
- Built-in anti-sweat gasket.
- Molded fiberglass supports.
- Built-in hanging supports.
- Diffuser box constructed of sheetmetal insulated with 1" [25.4 mm] 1.5 lbs. [.7 kg] duct liner.



ENGINEERING DATA^①

Model No.	Flow Rate CFM [L/s]	Throw ^{② ③} Feet [m]	Neck Velocity fpm [m/s]	Noise Level ^④ (dbA)
RXRN-AED2000	2600 [1222]	22-39 [6.7-11.9]	669 [3.4]	32
	2800 [1316]	23-40 [7.1-12.2]	720 [3.7]	38
	3000 [1410]	25-42 [7.6-12.8]	772 [3.9]	40
	3200 [1504]	26-43 [7.9-13.1]	823 [4.2]	41
	3400 [1598]	27-45 [8.2-13.7]	874 [4.4]	42
	3600 [1692]	30-50 [9.1-15.2]	925.5 [4.7]	45
	3800 [1786]	32-53 [9.8-16.2]	976.8 [4.9]	48
	4000 [1880]	34-56 [10.4-17.1]	1028.1 [5.2]	50

- NOTES: ① All data is based on the air diffusion council guidelines.
 ② Throw data is based on 75 FPM Terminal Velocities using isothermal air.
 ③ Throw is based on diffuser blades being directed in a straight pattern.
 ④ Actual noise levels may vary due to duct design and do not include transmitted unit noise.
 Adequate duct attenuation must be provided to reduce sound output from the unit.

[] Designates Metric Conversions

CONCENTRIC DIFFUSER – STEP DOWN

15" x 34" [381 x 836 mm]

RXRN-AED3415 (8.5 & 10 Ton [29.9 kW & 35.2] Models)

For Use With Downflow Transition (RXMC-DD02)
 and 15" x 34" [381 x 836 mm]
 Supply and Return Ducts

- All aluminum diffuser with aluminum return air eggcrate.
- Built-in anti-sweat gasket.
- Molded fiberglass supports.
- Built-in hanging supports.
- Diffuser box constructed of sheetmetal insulated with 1" [25.4 mm] 1.5 lbs. [.7 kg] duct liner.
- Double deflection diffuser with the blades secured by spring steel.

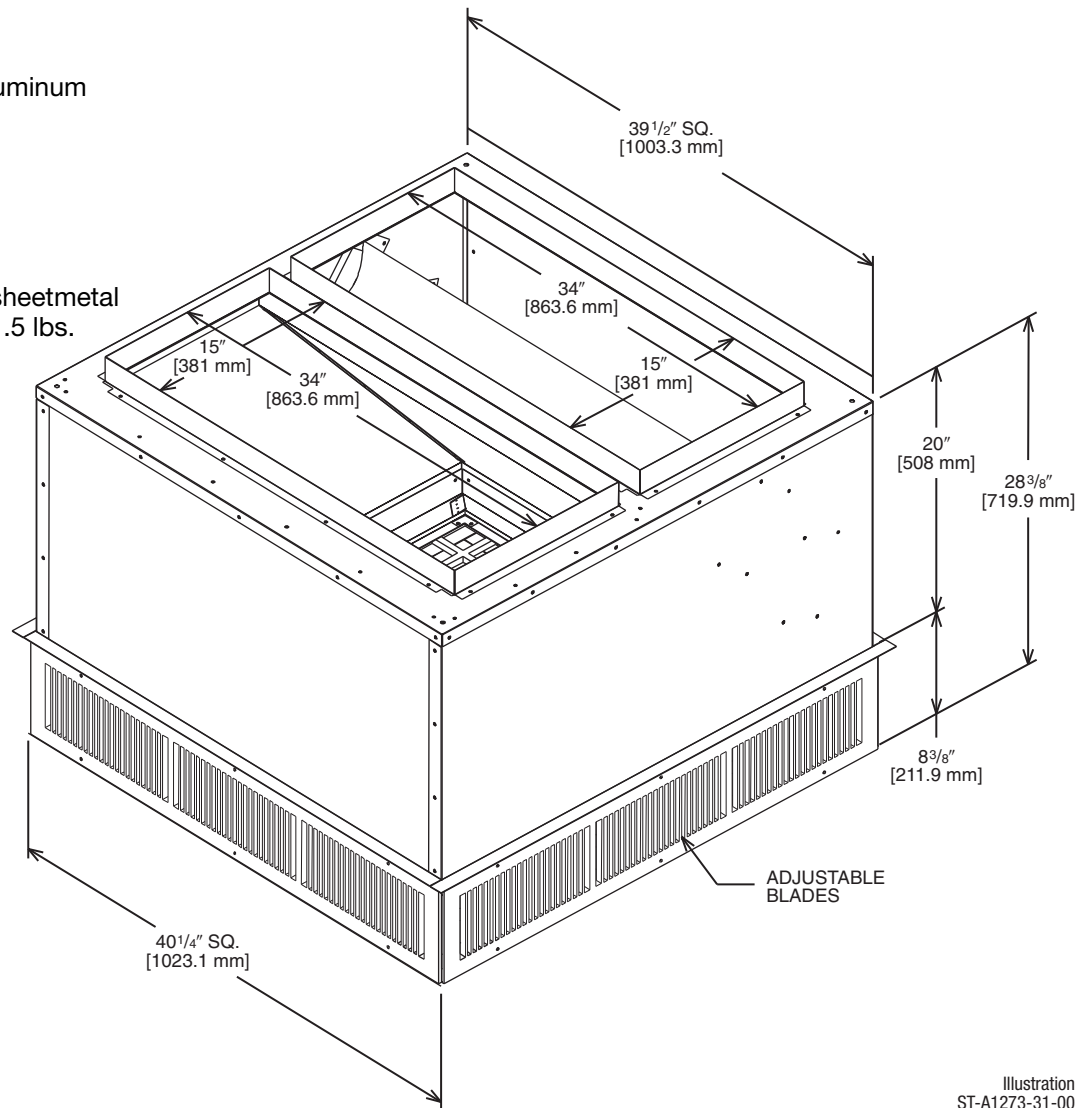


Illustration
 ST-A1273-31-00

ENGINEERING DATA^①

Model No.	Flow Rate CFM [L/s]	Throw ^{② ③} Feet [m]	Neck Velocity fpm [m/s]	Noise Level ^④ (dba)
RXRN-AED3415	3600 [1692]	26-53 [7.9-16.2]	851 [4.3]	27
	3800 [1786]	27-55 [8.2-16.8]	898 [4.5]	29
	4000 [1880]	29-58 [8.8-17.7]	946 [4.8]	30
	4200 [1974]	31-61 [9.4-18.6]	993 [5.1]	32
	4400 [2068]	32-64 [9.8-19.5]	1040 [5.3]	33
	4600 [2162]	34-66 [10.4-20.1]	1087.5 [5.5]	35

- NOTES: ① All data is based on the air diffusion council guidelines.
 ② Throw data is based on 75 FPM Terminal Velocities using isothermal air.
 ③ Throw is based on diffuser blades being directed in a straight pattern.
 ④ Actual noise levels may vary due to duct design and do not include transmitted unit noise.
 Adequate duct attenuation must be provided to reduce sound output from the unit.

[] Designates Metric Conversions

CONCENTRIC DIFFUSER—STEP DOWN 18" x 36" [457 x 914 mm]

RXRN-AED3618 (12.5 & 15 Ton [44.0 & 52.8 kW] Models)

For Use With Downflow Transition (RXMC-DD03)
and 18" x 36" [457 x 914 mm]
Supply and Return Ducts

- All aluminum diffuser with aluminum return air eggcrate.
- Built-in anti-sweat gasket.
- Molded fiberglass supports.
- Built-in hanging supports.
- Diffuser box constructed of sheetmetal insulated with 1" [25.4 mm] 1.5 lbs. [.7 kg] duct liner.
- Double deflection diffuser with the blades secured by spring steel.

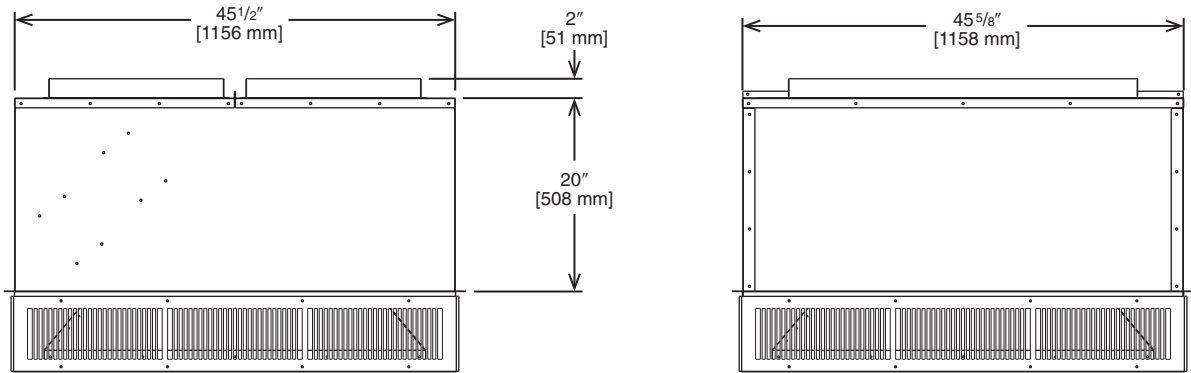
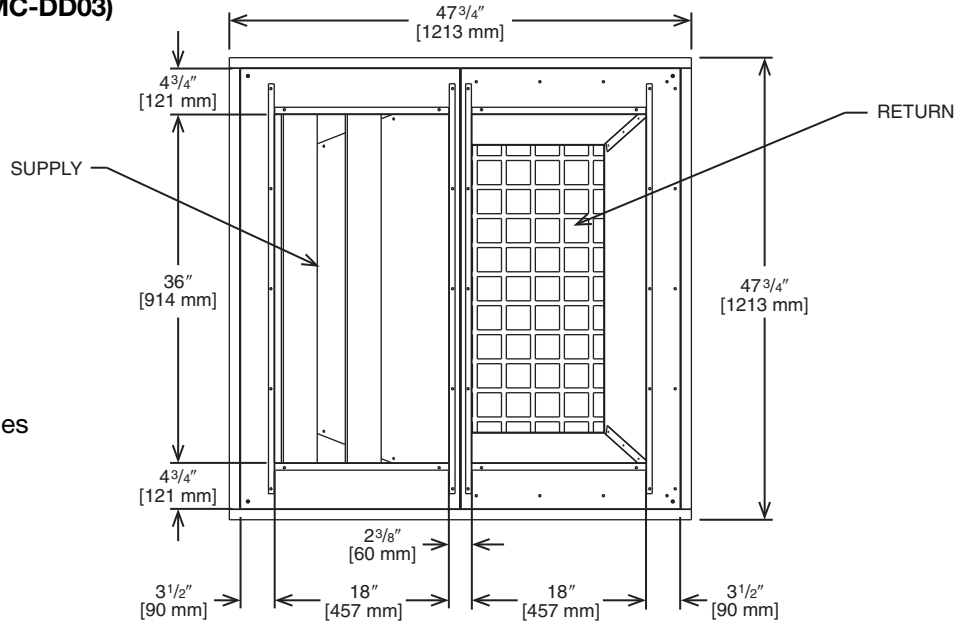


Illustration
ST-A1273-11-00

ENGINEERING DATA^①

Model No.	Flow Rate CFM [L/s]	Throw ^{② ③} Feet [m]	Neck Velocity fpm [m/s]	Noise Level ^④ (dbA)
RXRN-AED3618	4400 [2068]	29-55 [8.8-16.8]	841 [4.3]	26
	4600 [2162]	31-57 [9.4-17.4]	875 [4.4]	28
	4800 [2256]	32-60 [9.8-18.3]	915 [4.6]	29
	5000 [2350]	33-62 [10.1-18.9]	951 [4.8]	30
	5200 [2444]	34-65 [10.4-19.8]	988 [5.1]	31
	5400 [2538]	36-67 [10.9-20.4]	1025 [5.2]	32

- NOTES: ① All data is based on the air diffusion council guidelines.
 ② Throw data is based on 75 FPM Terminal Velocities using isothermal air.
 ③ Throw is based on diffuser blades being directed in a straight pattern.
 ④ Actual noise levels may vary due to duct design and do not include transmitted unit noise.
 Adequate duct attenuation must be provided to reduce sound output from the unit.

[] Designates Metric Conversions

FLUSH MOUNT CONCENTRIC DIFFUSER—FLUSH

RXRX-AEF2000 (7.5 & 8.5 Ton [26.4 & 29.9 kW] Models)

For Use With Downflow Transition (RXMC-DD01)
 20" [508 mm] Round Supply and Return Ducts

- All aluminum diffuser with aluminum return air eggcrate.
- Built-in anti-sweat gasket.
- Molded fiberglass supports.
- Built-in hanging supports.
- Diffuser box constructed of sheetmetal insulated with 1" [25.4 mm] 1.5 lbs. [.7 kg] duct liner.

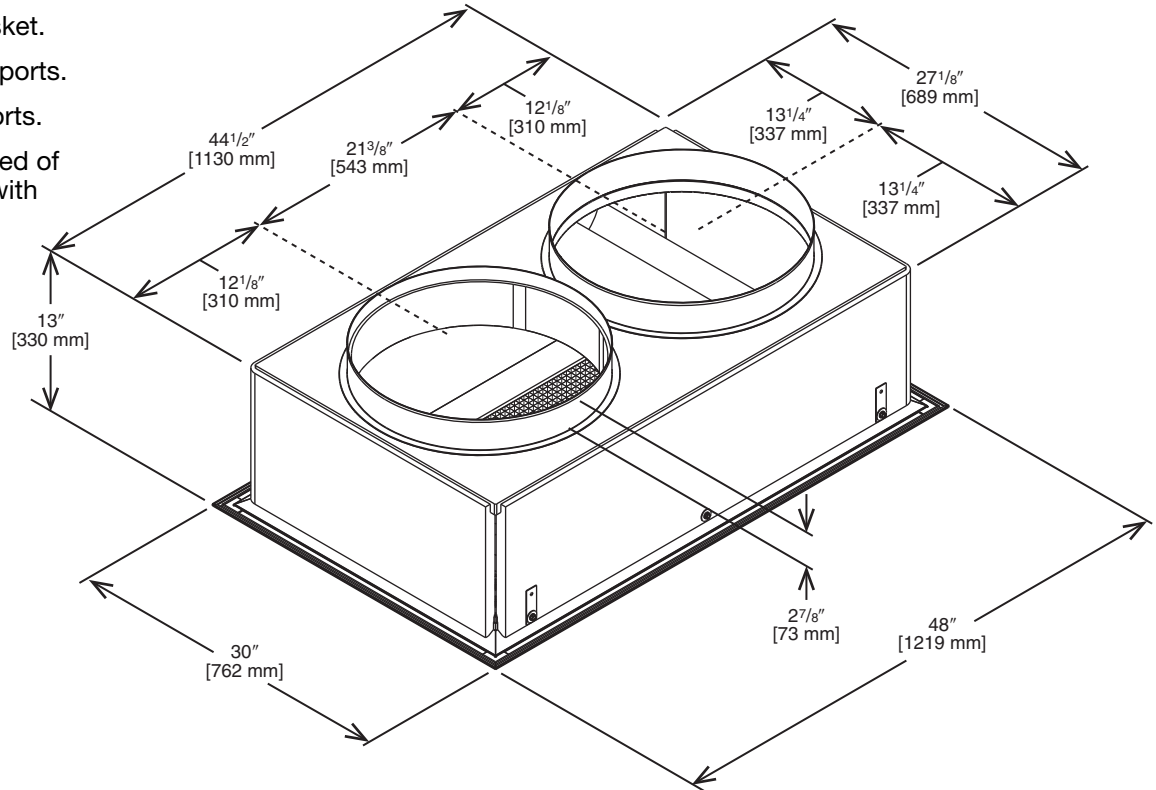


Illustration
 ST-A1273-14-00

ENGINEERING DATA^①

Model No.	Flow Rate CFM [L/s]	Throw ^{② ③} Feet [m]	Neck Velocity fpm [m/s]	Noise Level ^④ (dbA)
RXRN-AEF2000	2600 [1222]	17-24 [5.2-7.3]	663 [3.4]	30
	2800 [1316]	18-28 [5.5-8.5]	714 [3.6]	35
	3000 [1410]	20-30 [6.1-9.1]	765 [3.9]	35
	3200 [1504]	22-33 [6.7-10.1]	816 [4.1]	40
	3400 [1598]	23-37 [7-11.3]	867 [4.4]	40
	3600 [1692]	25-38 [7.6-11.6]	918 [4.7]	43
	3800 [1786]	26-39 [7.9-11.9]	969 [4.9]	45
	4000 [1880]	27-40 [8.2-12.2]	1020 [5.2]	48

- NOTES: ① All data is based on the air diffusion council guidelines.
 ② Throw data is based on 75 FPM Terminal Velocities using isothermal air.
 ③ Throw is based on diffuser blades being directed in a straight pattern.
 ④ Actual noise levels may vary due to duct design and do not include transmitted unit noise. Adequate duct attenuation must be provided to reduce sound output from the unit.

[] Designates Metric Conversions

CONCENTRIC DIFFUSER—FLUSH 15" x 34" [381 x 864 mm]

RXRN-AEF3415 (8.5 & 10 Ton [29.9 & 35.2] Models)

For Use With Downflow Transition (RXMC-DD02)
15" x 34" [381 x 864 mm]
Supply and Return Ducts

- All aluminum diffuser with aluminum return air eggcrate.
- Built-in anti-sweat gasket.
- Molded fiberglass supports.
- Built-in hanging supports.
- Diffuser box constructed of sheetmetal insulated with 1" [25.4 mm] 1.5 lbs. [.7 kg] duct liner.

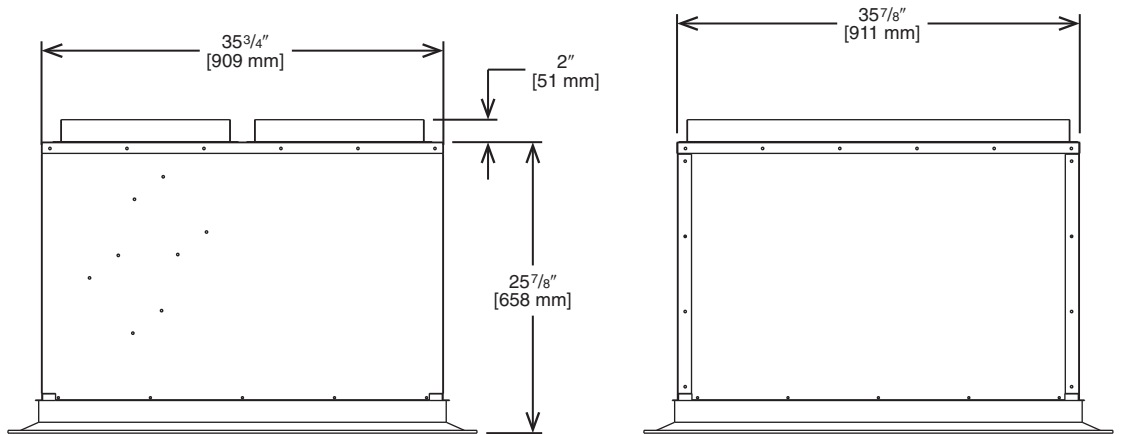
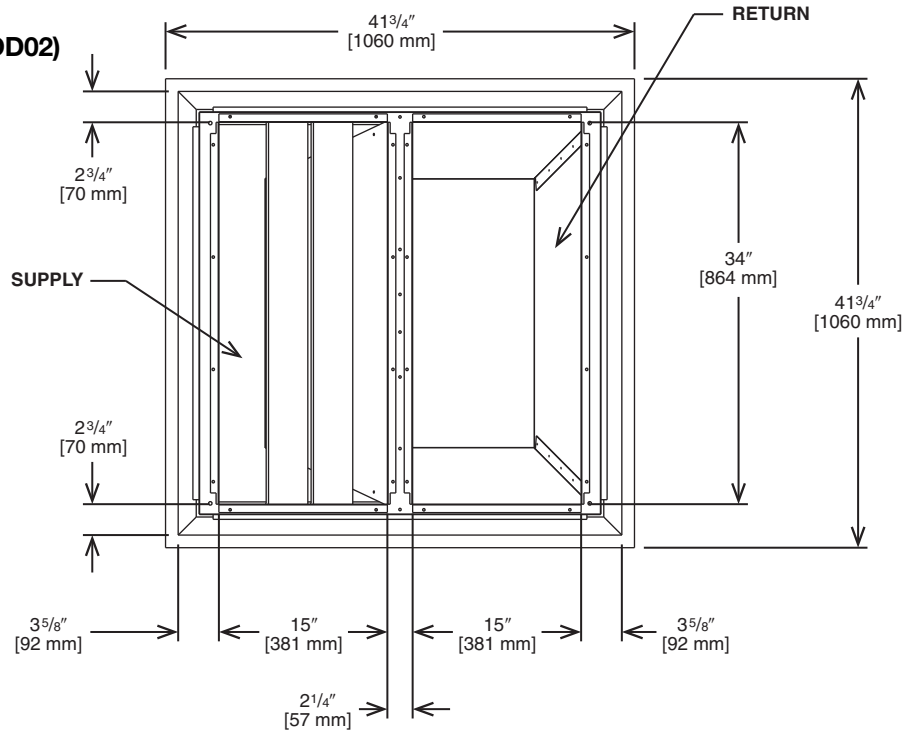


Illustration
ST-A1273-07-00

ENGINEERING DATA^①

Model No.	Flow Rate CFM [L/s]	Throw ^{② ③} Feet [m]	Neck Velocity fpm [m/s]	Noise Level ^④ (dbA)
RXRN-AEF3415	3600 [1692]	14-34 [4.3-10.4]	844 [4.3]	27
	3800 [1786]	15-36 [4.6-11.1]	891 [4.5]	29
	4000 [1880]	16-37 [4.9-11.3]	938 [4.8]	30
	4200 [1974]	17-39 [5.2-11.9]	985 [5.1]	32
	4400 [2068]	18-41 [5.5-12.5]	1032 [5.2]	33
	4600 [2162]	19-43 [5.8-13.1]	1079 [5.5]	35
	4800 [2256]	20-45 [6.1-13.7]	1126 [5.7]	36

NOTES: ① All data is based on the air diffusion council guidelines.
 ② Throw data is based on 75 FPM Terminal Velocities using isothermal air.
 ③ Throw is based on diffuser blades being directed in a straight pattern.
 ④ Actual noise levels may vary due to duct design and do not include transmitted unit noise. Adequate duct attenuation must be provided to reduce sound output from the unit.

[] Designates Metric Conversions

CONCENTRIC DIFFUSER – FLUSH 18" x 36" [457 x 914 mm]

RXRN-AEF3618 (12.5 Ton [44.0 kW] Models)

For Use With Downflow Transition (RXMC-DD03)
and 18" x 36" [457 x 914 mm]
Supply and Return Ducts

- All aluminum diffuser with aluminum return air eggcrate.
- Built-in anti-sweat gasket.
- Molded fiberglass supports.
- Built-in hanging supports.
- Diffuser box constructed of sheetmetal insulated with 1" [25.4 mm] 1.5 lbs. [.7 kg] duct liner.

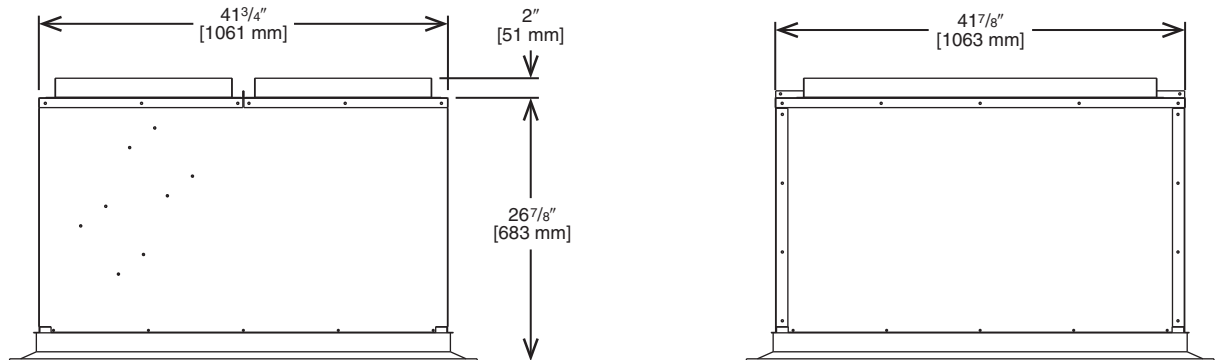
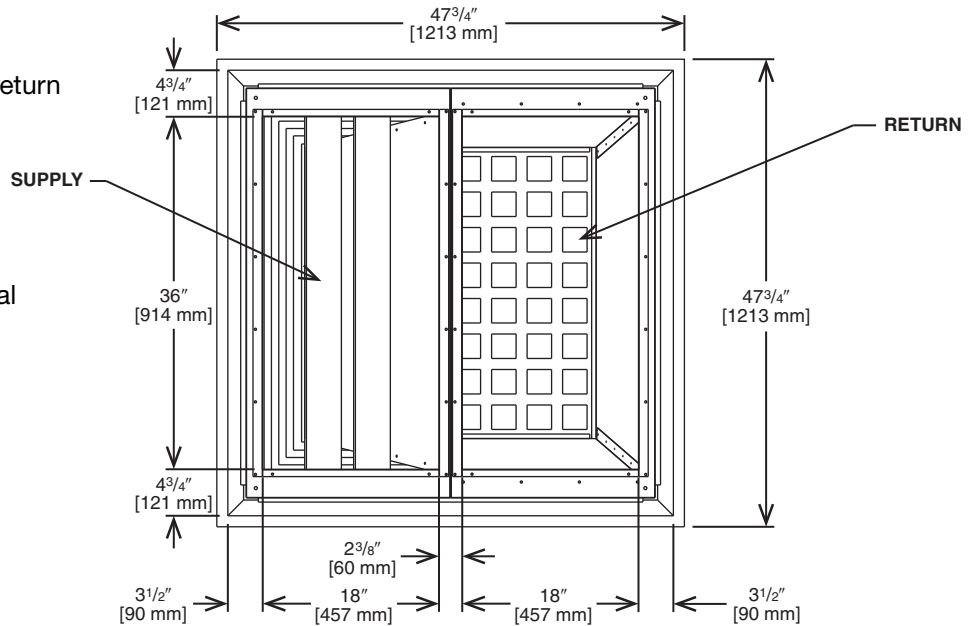


Illustration
ST-A1273-12-00

ENGINEERING DATA^①

Model No.	Flow Rate CFM [L/s]	Throw ^{② ③} Feet [m]	Neck Velocity fpm [m/s]	Noise Level ^④ (dbA)
RXRN-AEF3618	4400 [2068]	13-28 [4.1-8.5]	922 [47]	35
	4600 [2162]	14-30 [4.3-9.1]	962 [4.9]	37
	4800 [2256]	15-31 [4.6-9.4]	1002 [5.1]	39
	5000 [2350]	16-32 [4.9-9.8]	1043 [5.3]	40
	5200 [2444]	17-33 [5.2-10.1]	1083 [5.5]	42
	5400 [2538]	18-35 [5.5-10.7]	1123 [5.7]	43

NOTES: ① All data is based on the air diffusion council guidelines.

② Throw data is based on 75 FPM Terminal Velocities using isothermal air.

③ Throw is based on diffuser blades being directed in a straight pattern.

④ Actual noise levels may vary due to duct design and do not include transmitted unit noise.
Adequate duct attenuation must be provided to reduce sound output from the unit.

[] Designates Metric Conversions

GUIDE SPECIFICATIONS – RACD-090 thru 150

You may copy this document directly into your building specification. This specification is written to comply with the 2016 version of the “master format” as published by the Construction Specification Institute. www.csinet.org.

ELECTRIC HEAT PACKAGED ROOFTOP

HVAC Guide Specifications

Size Range: 7.5 to 12.5 Nominal Tons

Section Description

23 06 80 Schedules for Decentralized HVAC Equipment

23 06 80.13 Decentralized Unitary HVAC Equipment Schedule

23 06 80.13.A. Rooftop unit schedule

1. Schedule is per the project specification requirements.

23 07 16 HVAC Equipment Insulation

23 07 16.00.A Decentralized, Rooftop Units:

1. Interior cabinet surfaces shall be insulated with a minimum 1/2-in. thick, minimum 1.6 lb density, flexible fiberglass insulation bonded with a phenolic binder, with aluminum foil facing on the air side.
2. Insulation and adhesive shall meet NFPA 90A requirements for flame spread and smoke generation.

23 09 13 Instrumentation and Control Devices for HVAC

23 09 13.23 Sensors and Transmitters

23 09 13.23.A. Thermostats

1. Thermostat must
 - a. have capability to energize 2 different stages of cooling, and 2 different stages of heating.
 - b. must include capability for occupancy scheduling.

23 09 23 Direct-Digital Control System for HVAC

23 09 23.00.A. RTU-C controller

1. Shall be ASHRAE 62-2001 compliant.
2. Shall accept 18-32VAC input power.
3. Shall have an operating temperature range from -40°F (-40°C) to 158°F (70°C), 10%–95% RH (non-condensing).
4. Controller shall accept the following inputs: space temperature, setpoint adjustment, outdoor air temperature, indoor air quality, outdoor air enthalpy, fire shutdown, return air enthalpy, fan status, remote time clock/door switch.
5. Shall accept a CO₂ sensor in the conditioned space, and be Demand Control Ventilation (DCV) ready.
6. Shall provide the following outputs: Economizer, fan, cooling stage 1, cooling stage 2, heat stage 1, heat stage 2, exhaust, occupied.
7. Unit shall provide surge protection for the controller through a circuit breaker.
8. Shall have a field installed communication card allowing the unit to be Internet capable, and communicate at a Baud rate of 19.2K or faster
9. Shall have an LED display independently showing the status of activity on the communication bus, and processor operation.
10. Shall have either a field installed BACnet[®] plug-in communication card which includes an EIA-485 protocol communication port, or a field installed LonWorks[™] plug-in communications card.
11. Software upgrades will be accomplished by local download. Software upgrades through chip replacements are not allowed.
12. Shall be shock resistant in all planes to 5G peak, 11ms during operation, and 100G peak, 11ms during storage.
13. Shall be vibration resistant in all planes to 1.5G @ 20-300 Hz.
14. Shall support a bus length of 4000 ft max, 60 devices per 1000 ft section, and 1 RS-485 repeater per 1000 ft sections.

23 09 23.00.B. Open protocol, direct digital controller:

1. Shall be ASHRAE 62-2001 compliant.
2. Shall accept 18-30VAC, 50-60Hz, and consumer 15VA or less power.
3. Shall have an operating temperature range from -40°F (-40°C) to 130°F (54°C), 10% - 90% RH (non-condensing).
4. Shall have either a field installed BACnet[®] plug-in communication card which includes an EIA-485 protocol communication port, or a field installed LonWorks[™] plug-in communications card.
5. The BACnet[®] plug in communication card shall include built-in protocol for BACNET (MS/TP and PTP modes)
6. The LonWorks[™] plug in communication card shall include the Echelon processor required for all Lon applications.
7. Shall allow access of up to 62 network variables (SNVT). Shall be compatible with all open controllers
8. Baud rate Controller shall be selectable through the EIA-485 protocol communication port.
9. Shall have an LED display independently showing the status of serial communication, running, errors, power, all digital outputs, and all analog inputs.

10. Shall accept the following inputs: space temperature, setpoint adjustment, outdoor air temperature, indoor air quality, outdoor air enthalpy, compressor lock-out, fire shutdown, enthalpy switch, and fan status/filter status/ humidity/ remote occupancy.
11. Shall provide the following outputs: economizer, fan, cooling stage 1, cooling stage 2, heat stage 1, heat stage 2, exhaust.
12. Software upgrades will be accomplished by either local or remote download. No software upgrades through chip replacements are allowed.63

23 09 33 Electric and Electronic Control System for HVAC

23 09 33.00.A. General:

1. Shall be complete with self-contained low-voltage control circuit protected by a resettable circuit breaker on the 24-v transformer side. Transformer shall have 100VA capabilities.
2. Shall utilize color-coded wiring.
3. Shall include a central control terminal board to conveniently and safely provide connection points for vital control functions such as: smoke detectors, phase monitor, economizer, thermostat, DDC control options, loss of charge, freeze sensor, high pressure switches.
4. Unit shall include a minimum of one 10-pin screw terminal connection board for connection of control wiring.

23 09 33.00.B. Safeties:

1. Compressor over-temperature, over current.
2. Loss of charge switch.
 - a. Units with 2 compressors shall have different colored wires for the circuit 1 and circuit 2 low and high pressure switches.
 - b. Loss of charge switch shall use different color wire than the high pressure switch. The purpose is to assist the installer and service technician to correctly wire and or troubleshoot the rooftop unit.
 - c. Loss of charge switch shall have a different sized connector than the high pressure switch. They shall physically prevent the cross-wiring of the safety switches between the high and low pressure side of the system.
3. High-pressure switch.
 - a. Units with 2 compressors shall have different colored wires for the circuit 1 and circuit 2 low and high pressure switches.
 - b. High pressure switch shall use different color wire than the low pressure switch. The purpose is to assist the installer and service person to correctly wire and or troubleshoot the rooftop unit.
 - c. High pressure switch shall have a different sized connector than the loss of charge switch. They shall physically prevent the cross-wiring of the safety switches between the high and low pressure side of the system.
4. Freeze protection sensor, evaporator coil.
5. Automatic reset, motor thermal overload protector.

23 09 93 Sequence of Operations for HVAC Controls

23 09 93.00.A INSERT SEQUENCE OF OPERATION

23 41 13 Panel Air Filters

23 41 13.00.A. Standard filter section shall

1. Shall consist of factory-installed, low velocity, throwaway 2-in. thick fiberglass filters of commercially available sizes.
2. Filters shall be accessible through an access panel as described in the unit cabinet section of this specification (23 81 19.13.H).

23 81 19 Self-Contained Air Conditioners

23 81 19.13 Small-Capacity Self-Contained Air Conditioners

23 81 19.13.A. General

1. Outdoor, rooftop mounted, electrically controlled, heating and cooling unit utilizing a(n) hermetic scroll compressor(s) for cooling duty and heat pump for heating duty.
2. Factory assembled, single-piece heating and cooling rooftop unit. Contained within the unit enclosure shall be all factory wiring, piping, controls, and special features required prior to field start-up.
3. Unit shall use environmentally sound R-410a refrigerant.
4. Unit shall be installed in accordance with the manufacturer's instructions.
5. Unit must be selected and installed in compliance with local, state, and federal codes.

23 81 19.13.B. Quality Assurance

1. Unit meets ASHRAE 90.1-2007 and 2013 minimum efficiency requirements.
2. 3 phase units are Energy Star qualified.
3. Unit shall be rated in accordance with AHRI Standards 210/240 and 340/360.
4. Unit shall be designed to conform to ASHRAE 15.
5. Unit shall be UL-tested and certified in accordance with ANSI Z21.47 Standards and UL-listed and certified under Canadian standards as a total package for safety requirements.
6. Insulation and adhesive shall meet NFPA 90A requirements for flame spread and smoke generation.
7. Unit casing shall be capable of withstanding 1000-hour salt spray exposure per ASTM B117 (scribed specimen).

8. Unit shall be designed in accordance with ISO 9001:2015, and shall be manufactured in a facility registered by ISO 9001:2015.
 9. Roof curb shall be designed to conform to NRCA Standards.
 10. Unit shall be subjected to a completely automated run test on the assembly line. The data for each unit will be stored at the factory, and must be available upon request.
 11. Unit shall be designed in accordance with UL Standard 1995, Fifth Edition including tested to withstand rain.
 12. Unit shall be constructed to prevent intrusion of snow and tested to prevent snow intrusion into the control box up to 40 mph.
- 23 81 19.13.C. Delivery, Storage, and Handling
1. Unit shall be stored and handled per manufacturer's recommendations.
 2. Lifted by crane requires either shipping top panel or spreader bars.
 3. Unit shall only be stored or positioned in the upright position.
- 23 81 19.13.E. Project Conditions
1. As specified in the contract.
- 23 81 19.13.F. Operating Characteristics
1. Unit shall be capable of starting and running at 115°F (46°C) ambient outdoor temperature, meeting maximum load criteria of AHRI Standard 210/240 or 340/360 at ± 10% voltage.
 2. Compressor with standard controls shall be capable of operation from 40°F (4°C) , ambient outdoor temperatures. Accessory low ambient kit is necessary if mechanically cooling at ambient temperatures below 40°F (4°C).
 3. Unit shall discharge supply air vertically or horizontally as shown on contract drawings.
 4. Unit shall be factory configured for vertical supply & return configurations.
 5. Unit shall be field convertible from vertical to horizontal configuration.
- 23 81 19.13.G. Electrical Requirements
1. Main power supply voltage, phase, and frequency must match those required by the manufacturer.
- 23 81 19.13.H. Unit Cabinet
1. Unit cabinet shall be constructed of galvanized pre-painted steel.
 2. Unit cabinet exterior paint shall be: film thickness, (dry) 0.003 inches minimum, flat (per ASTM D523, 60°F): 60, Hardness: H-2H Pencil hardness.
 3. Evaporator fan compartment interior cabinet insulation shall conform to AHRI Standards 210/240 or 340/360 minimum exterior sweat criteria. Interior surfaces shall be insulated with a minimum 1/2-in. thick, 1.6 lb density, flexible fiberglass insulation, aluminum foil-faced on the air side.
 4. Base of unit shall have locations for thru-the-base electrical connections (factory installed or field installed), standard.
 5. Base Rail
 - a. Unit shall have base rails on all sides.
 - b. Holes shall be provided in the base rails for rigging shackles to facilitate maneuvering and overhead rigging.
 - c. Holes shall be provided in the base rail for moving the rooftop by fork truck.
 - d. Base rail shall be a minimum of 14 gauge thickness.
 6. Condensate pan and connections:
 - a. Shall be a sloped condensate drain pan made of a non-corrosive material.
 - b. Shall comply with ASHRAE Standard 62.
 - c. Shall use a 3/4" NPT drain connection, through the side of the drain pan. Connection shall be made per manufacturer's recommendations.
 7. Top panel:
 - a. Indoor section shall be a single piece top panel.
 8. Electrical Connections
 - a. All unit power wiring shall enter unit cabinet at a single, factory-prepared, knockout location.
 - b. Thru-the-base capability
 1. Standard unit shall have a thru-the-base electrical location(s) using a raised, embossed portion of the unit basepan.
 2. No basepan penetration, other than those authorized by the manufacturer, is permitted.
 9. Component access panels (standard)
 - a. Cabinet panels shall be easily removable for servicing.
 - b. Stainless steel metal hinges are standard on all doors.
 - c. Panels covering control box, indoor fan, indoor fan motor, and electric or gas heater components (where applicable), shall have 1/4 turn latches.

23 81 19.13.J. Coils

1. Standard Aluminum Micro Channel Coils: on all models.
 - a. Standard evaporator and condenser coils shall have aluminum micro channel coils.
 - b. Evaporator and Condenser coils shall be leak tested to 150 psig, pressure tested to 550 psig, and qualified to UL 1995 burst test at 2,200 psig.

23 81 19.13.K. Refrigerant Components

1. Refrigerant circuit shall include the following control, safety, and maintenance features:
 - a. Thermal Expansion Valve (TXV) with venturi type distributor .
 - b. Refrigerant filter drier.
 - c. External service gauge connections to unit suction and discharge lines.
2. Compressors
 - a. Unit shall use one fully hermetic, scroll compressor for each independent refrigeration circuit.
 - b. Compressor motors shall be cooled by refrigerant gas passing through motor windings.
 - d. Compressors shall be internally protected from high discharge temperature conditions.
 - e. Compressors shall be protected from an over-temperature and over-amperage conditions by an internal, motor overload device.
 - f. Compressor shall be factory mounted on rubber grommets.
 - g. Compressor motors shall have internal line break thermal, current overload and high pressure differential protection.
 - h. Crankcase heaters shall not be required for normal operating range.

23 81 19.13.L. Filter Section

1. Filters access is specified in the unit cabinet section of this specification.
2. Filters shall be held in place by a sliding filter tray, facilitating easy removal and installation.
3. Shall consist of factory-installed, low velocity, throw-away 2-in. thick fiberglass filters.
4. Filters shall be standard, commercially available sizes.
5. Filter face velocity shall not exceed 365 fpm at nominal airflows.

23 81 19.13.M. Evaporator Fan and Motor

1. Evaporator fan motor:
 - a. Shall have permanently lubricated bearings.
 - b. Shall have inherent automatic-reset thermal overload protection or circuit breaker.
 - c. Shall have a maximum continuous bhp rating for continuous duty operation; no safety factors above that rating shall be required.
2. Belt-driven Evaporator Fan:
 - a. Belt drive shall include an adjustable-pitch motor pulley.
 - b. Shall use sealed, permanently lubricated ball-bearing type.
 - c. Blower fan shall be double-inlet type with forward-curved blades.
 - d. Shall be constructed from steel with a corrosion resistant finish and dynamically balanced.

23 81 19.13.N. Condenser Fans and Motors

1. Condenser fan motors:
 - a. Shall be a totally enclosed motor.
 - b. Shall use permanently lubricated bearings.
 - c. Shall have inherent thermal overload protection with an automatic reset feature.
 - d. Shall use a shaft-down design. Shaft-up designs including those with “rain-slinger devices” shall not be allowed.
2. Condenser Fans:
 - a. Shall be a direct-driven propeller type fan.
 - b. Shall have aluminum blades riveted to corrosion-resistant steel spiders and shall be dynamically balanced.

23 81 19.13.O. Special Features, Options and Accessories

1. Integrated Economizers:
 - a. Integrated, gear-driven parallel modulating blade design type capable of simultaneous economizer and compressor operation.
 - b. Independent modules for vertical or horizontal return configurations shall be available. Vertical return modules shall be available as a factory installed option.
 - c. Damper blades shall be galvanized steel with metal gears. Plastic or composite blades on intake or return shall not be acceptable.

- d. Shall include all hardware and controls to provide free cooling with outdoor air when temperature and/or humidity are below setpoints.
 - e. Shall be equipped with gear driven dampers for both the outdoor ventilation air and the return air for positive air stream control.
 - f. Shall be capable of introducing up to 100% outdoor air.
 - g. Shall be equipped with a barometric relief damper capable of relieving up to 100% return air.
 - h. Shall be designed to close damper(s) during loss-of-power situations with spring return built into motor.
 - i. An outdoor single enthalpy sensor shall be provided as standard. Outdoor air sensor setpoint shall be adjustable and shall range from the enthalpy equivalent of 63°F @ 50% rh to 73°F @ 50% rh. Additional sensor options shall be available as accessories.
 - j. The economizer controller shall also provide control of an accessory power exhaust unit function. Factory set at 70%, with a range of 0% to 100%.
 - k. The economizer shall maintain minimum airflow into the building during occupied period and provide design ventilation rate for full occupancy. A remote potentiometer may be used to override the damper setpoint.
 - l. Dampers shall be completely closed when the unit is in the unoccupied mode.
 - m. Economizer controller shall accept a 2-10Vdc CO2 sensor input for IAQ/DCV control. In this mode, dampers shall modulate the outdoor-air damper to provide ventilation based on the sensor input.
 - n. Compressor lockout sensor on the unit controller is factory set at 35°F and is adjustable from 30°F (–1°C) to 50°F (10°C) and resets the cooling lockout at 5°F (+2.7°C) above the set point.
 - o. Actuator shall be direct coupled to economizer gear. No linkage arms or control rods shall be acceptable.
 - p. Economizer controller shall provide indications when in free cooling mode, in the DCV mode, or the exhaust fan contact is closed.
 - q. Economizer wire harness will have provision for smoke detector.
2. Two-Position Motorized Damper
- a. Damper shall be a Two-Position Motorized Damper. Damper travel shall be from the full closed position to the field adjustable %-open setpoint.
 - b. Damper shall include adjustable damper travel from 25% to 100% (full open).
 - c. Damper shall include single or dual blade, gear driven dampers and actuator motor.
 - d. Actuator shall be direct coupled to damper gear. No linkage arms or control rods shall be acceptable.
 - e. Damper will admit up to 100% outdoor air for applicable rooftop units.
 - f. Damper shall close upon indoor (evaporator) fan shutoff and/or loss of power.
 - g. The damper actuator shall plug into the rooftop unit's wiring harness plug. No hard wiring shall be required.
 - h. Outside air hood shall include aluminum water entrainment filter
3. Manual damper
- a. Manual damper package shall consist of damper, air inlet screen, and rain hood which can be preset to admit up to 50% outdoor air for year round ventilation.
4. Head Pressure Control Package
- a. Controller shall control coil head pressure by condenser-fan cycling.
5. Condenser Coil Hail Guard Assembly
- a. Shall protect against damage from hail.
 - b. Shall be louvered design.
6. Convenience Outlet:
- a. Non-Powered convenience outlet.
 - 1. Outlet shall be powered from a separate 115-120v power source.
 - 2. A transformer shall not be included.
 - 3. Outlet shall be factory-installed and internally mounted with easily accessible 115-v female receptacle.
 - 4. Outlet shall include 15 amp GFI receptacles.
 - 5. Outlet shall be accessible from outside the unit.
7. Fan/Filter Status Switch:
- a. Switch shall provide status of indoor evaporator fan (ON/OFF) or filter (CLEAN/DIRTY).
 - b. Status shall be displayed either over communication bus (when used with direct digital controls) or through the controller LCD display inside the unit control box.
8. Propeller Power Exhaust:
- a. Power exhaust shall be used in conjunction with an integrated economizer.
 - b. Independent modules for vertical or horizontal return configurations shall be available.

- c. Horizontal power exhaust is shall be mounted in return ductwork.
- d. Power exhaust shall be controlled by economizer controller operation. Exhaust fans shall be energized when dampers open past the 0-100% adjustable setpoint on the economizer control.
- 9. Roof Curbs (Vertical):
 - a. Full perimeter roof curb with exhaust capability providing separate air streams for energy recovery from the exhaust air without supply air contamination.
 - b. Formed galvanized steel with wood nailer strip and shall be capable of supporting entire unit weight.
 - c. Permits installation and securing of ductwork to curb prior to mounting unit on the curb.
- 10. High-Static Indoor Fan Motor(s) and Drive(s):
 - a. High-static motor(s) and drive(s) shall be factory-installed to provide additional performance range.
- 11. Outdoor Air Enthalpy Sensor:
 - a. The outdoor air enthalpy sensor shall be used to provide single enthalpy control. When used in conjunction with a return air enthalpy sensor, the unit will provide differential enthalpy control. The sensor allows the unit to determine if outside air is suitable for free cooling.
- 12.
- 13. Return Air Enthalpy Sensor:
 - a. The return air enthalpy sensor shall be used in conjunction with an outdoor air enthalpy sensor to provide differential enthalpy control.
- 14. Indoor Air Quality (CO2) Sensor:
 - a. Shall be able to provide demand ventilation indoor air quality (IAQ) control.
 - b. The IAQ sensor shall be available in wall mount with LED display. The setpoint shall have adjustment capability.
- 15. Smoke detectors:
 - a. Shall be a Four-Wire Controller and Detector.
 - b. Shall be environmental compensated with differential sensing for reliable, stable, and drift-free sensitivity.
 - c. Shall use magnet-activated test/reset sensor switches.
 - d. Shall have a recessed momentary switch for testing and resetting the detector.
 - e. Controller shall include:
 - 1. One set of normally open alarm initiation contacts for connection to an initiating device circuit on a fire alarm control panel.
 - 2. Two Form-C auxiliary alarm relays for interface with rooftop unit or other equipment.
 - 3. One Form-C supervision (trouble) relay to control the operation of the Trouble LED on a remote test/reset station.
 - 4. Capable of direct connection to two individual detector modules.
 - 5. Can be wired to up to 14 other duct smoke detectors for multiple fan shutdown applications.
- 16. Electric Heat:
 - a. Heating Section
 - 1. Heater element open coil resistance wire, nickel-chrome alloy, strung through ceramic insulators mounted on metal frame. Coil ends are staked and welded to terminal screw slots.
 - 2. Heater assemblies are provided with integral fusing for protection of internal heater circuits not exceeding 48 amps each. Auto reset thermo limit controls, magnetic heater contactors (24 v coil) and terminal block all mounted in electric heater control box (minimum 18 ga galvanized steel) attached to end of heater assembly.
- 26 29 23.12. Adjustable Frequency Drive
 - 1. Unit shall be supplied with an electronic variable frequency drive for the supply air fan.
 - 2. Drive shall be factory installed in an enclosed cabinet.
 - 3. Drive shall meet UL Standard 95-5V.
 - 4. The completed unit assembly shall be UL listed.
 - 5. Drives are to be accessible through a tooled access hinged door assembly.
 - 6. The unit manufacturer shall install all power and control wiring.
 - 7. The supply air fan drive output shall be controlled by the factory installed main unit control system and drive status and operating speed shall be monitored and displayed at the main unit control panel.
 - 8. Drive shall be programmed and factory run tested in the unit.

BEFORE PURCHASING THIS APPLIANCE, READ IMPORTANT ENERGY COST AND EFFICIENCY INFORMATION AVAILABLE FROM YOUR RETAILER.

GENERAL TERMS OF LIMITED WARRANTY*

Rheem will furnish a replacement for any part of this product which fails in normal use and service within the applicable periods stated, in accordance with the terms of the limited warranty.

***For complete details of the Limited and Conditional Warranties, including applicable terms and conditions, contact your local contractor or the Manufacturer for a copy of the product warranty certificate.**

Compressor	
3 Phase, Commercial Applications.....	Five (5) Years
Parts	
3 Phase, Commercial Applications.....	One (1) Year



The new degree of comfort.™

In keeping with its policy of continuous progress and product improvement, Rheem reserves the right to make changes without notice.

Rheem Heating, Cooling & Water Heating • P.O. Box 17010
Fort Smith, Arkansas 72917 • www.rheem.com

Rheem Canada Ltd./Ltée • 125 Edgeware Road, Unit 1
Brampton, Ontario • L6Y 0P5



INTEGRATED AIR & WATER

PRINTED IN U.S.A 6/18 QG FORM NO. S11-983 REV. 2