



The new degree of comfort.™

Rheem *Classic Plus*® Series Downflow Gas Furnace

R802P Downflow Series

80% A.F.U.E.†

Input Rates 50-150 kBTU



†A.F.U.E. (Annual Fuel Utilization Efficiency) calculated in accordance with Department of Energy test procedures.

- 80% residential Gas Furnace CSA certified
- Two stages of operation to save energy and maintain optimal comfort level.
- PlusOne™ Diagnostics – 7 Segment LED all units
- PlusOne™ Ignition System – DSI for reliability and longevity
- Heat exchanger is removable for improved serviceability. Aluminized steel construction provides maximum corrosion resistance and thermal fatigue reliability.
- Low profile 34" cabinet ideal for space constrained installations
- Integrated Control board features dip switches for easy system set up
- Insulated blower compartment
- QR code for quick access to product information from your smart phone or tablet



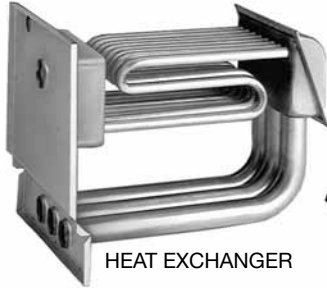
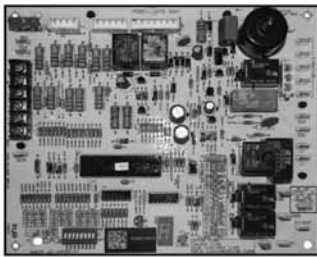
TABLE OF CONTENTS

Standard & Optional Equipment	3
Model Features/Physical Data & Specifications	4
Model Number Identification	5
Dimensional Data.....	6
Blower Performance Data.....	7
Accessories.....	8
Limited Warranty	9

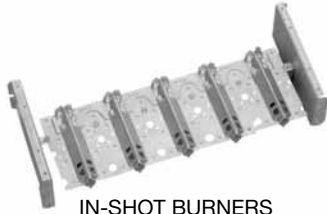


Air

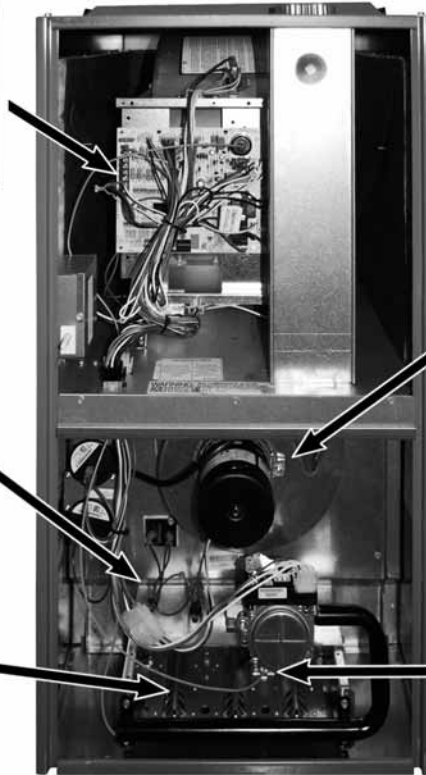
INTEGRATED
FURNACE
CONTROL



HEAT EXCHANGER



IN-SHOT BURNERS



DRAFT INDUCER MOTOR



DIRECT SPARK IGNITOR
WITH REMOTE SENSE

STANDARD EQUIPMENT

Completely assembled and wired; induced draft; pressure switch; redundant main gas control; blower compartment door safety switch; solid state time on/time off blower control; limit control; manual shut-off valve, pressure regulator for natural and L.P. (propane) gas; transformer; direct drive multi-speed blower motor. Furnaces are equipped with cooling/heating relay and transformer (40VA) ready for air conditioning applications. (Please note: a thermostat is not included as standard equipment.) Flame sensor diagnostics; on-board twinning; fused-protection (secondary), 3rd speed option for continuous fan; common heat/cool terminal.

OPTIONAL EQUIPMENT

NOTE: Furnace is not listed for use with fuels other than natural or L.P. (propane) gas.

The complete terms of limited and other warranties are available at our sales office, or through local installer.

All models can be converted by a qualified Rheem distributor or local service dealer to use L.P. (propane) gas without changing burners. Factory approved kits must be used to convert from natural to L.P. (propane) gas and may be ordered as optional accessories from a Rheem parts distributor.

For L.P. (propane) operation, refer to Conversion Kit Index Form.

NOTE: For natural and L.P. (propane) gas models, direct spark ignition is 100% lockout type.

WARNING

THIS FURNACE IS NOT APPROVED
OR RECOMMENDED
FOR USE IN MOBILE HOMES



Model Features

- 80% residential Gas Furnace CSA certified
- Two stages of operation to save energy and maintain optimal comfort level.
- PlusOne™ Diagnostics – 7 Segment LED all units
- PlusOne™ Ignition System – DSI for reliability and longevity
- Heat exchanger is removable for improved serviceability. Aluminized steel construction provides maximum corrosion resistance and thermal fatigue reliability.
- Low profile 34" cabinet ideal for space constrained installations
- Integrated Controls board features dip switches for easy system set up
- Insulated blower compartment
- QR code for quick access to product information from your smart phone or tablet

Physical Data and Specifications U.S. and Canadian Models

MODEL NUMBERS R802P (DOWNFLOW) SERIES	R802PA 050314Z*B	R802PA 075317Z*B	R802PA 100317Z*B	R802PA 100521Z*B	R802PA 125524Z*B	R802PA 150524Z*B
High Input–BTU–BTU/Hr [kW] ②	50,000 [15]	75,000 [22]	100,000 [29]	100,000 [29]	125,000 [37]	150,000 [44]
Heating Capacity–BTU/Hr [kW] ①	41,000 [12]	61,000 [18]	82,000 [24]	82,000 [24]	102,000 [30]	122,000 [36]
Low Input–BTU/Hr [kW]	35,000 [10]	52,500 [15]	70,000 [20]	70,000 [20]	87,500 [25]	105,000 [30]
Heating Capacity–BTU/Hr [kW]	28,000 [8]	41,600 [12]	56,000 [16]	56,000 [16]	70,000 [20]	84,000 [24]
Heating–Ext. Static Pressure [kPa]	.10 [.025]	.12 [.029]	.15 [.037]	.15 [.037]	.20 [.05]	.20 [.05]
Blower (D x W) [mm]	11 x 6 [279 x 152]	11 x 7 [279 x 178]	11 x 7 [279 x 178]	11 x 10 [279 x 254]	11 x 10 [279 x 254]	11 x 10 [279 x 254]
Motor H.P.–[W] Speeds–Type	1/2 [373] 4-PSC	1/2 [373] 4-PSC	1/2 [373] 4-PSC	3/4 [559] 4-PSC	3/4 [559] 4-PSC	3/4 [559] 4-PSC
Min. Circuit Ampacity	11	11	11	14	14	14
Min. Overload Protection Device	15	15	15	20	20	20
Max. Overload Protection Device	15	15	15	20	20	20
Heating Speed–High Fire	MED-LOW	MED-HIGH	MED-HIGH	MED-HIGH	MED-HIGH	MED-HIGH
Heating Speed–Low Fire	LOW	MED-LOW	LOW	LOW	LOW	LOW
Cooling Speed	HIGH	HIGH	HIGH	HIGH	HIGH	HIGH
Cooling CFM @ .5" [kPa] E.S.P. (Nominal) [L/s]	1200 [566]	1200 [566]	1200 [566]	2000 [944]	2000 [944]	2000 [944]
Max. E.S.P. (In. W.C.) [kPa]	0.5 [.12]	0.5 [.12]	0.5 [.12]	0.5 [.12]	0.5 [.12]	0.5 [.12]
Temperature Rise Range °F [°C] High Input	25-55 [13.9-30.6]	35-65 [19.4-36.1]	45-75 [25.0-41.7]	30-60 [16.7-33.3]	35-65 [19.4-36.1]	50-80 [27.8-44.4]
Temperature Rise Range °F [°C] Low Input	20-50 [11.1-27.8]	30-60 [16.7-33.0]	20-50 [11.1-27.8]	35-65 [19.4-36.1]	25-55 [13.9-30.6]	30-60 [16.7-33.3]
Max. Outlet Air Temp. °F [°C]	155 [68.3]	165 [78.3]	180 [82.2]	180 [82.2]	180 [82.2]	190 [87.7]
Approx. Shipping Weight (Lbs.) [kg]	85 [39]	105 [48]	115 [52]	120 [54]	140 [63]	150 [68]
AFUE ①	80.0%	80.0%	80.0%	80.0%	80.0%	80.0%

NOTES: All models are 115V, 60HZ, 1Ø. Gas connection size for all models is 1/2" [12.7 mm] N.P.T.

① In accordance with D.O.E. test procedures.

② See Conversion Kit Index for high altitude derate in U.S. applications.

This furnace does not meet air district requirements of 14 ng/J NOx emissions limit, and thus is subject to a mitigation fee of up to \$450. This furnace is not eligible for the Clean Air Furnace Rebate Program: www.CleanAirFurnaceRebate.com.

This furnace is to be installed for propane firing only in air districts requiring 14 ng/J NOx emission limits. Operating in natural gas mode is in violation of these Rules.

[] Designates Metric Conversions





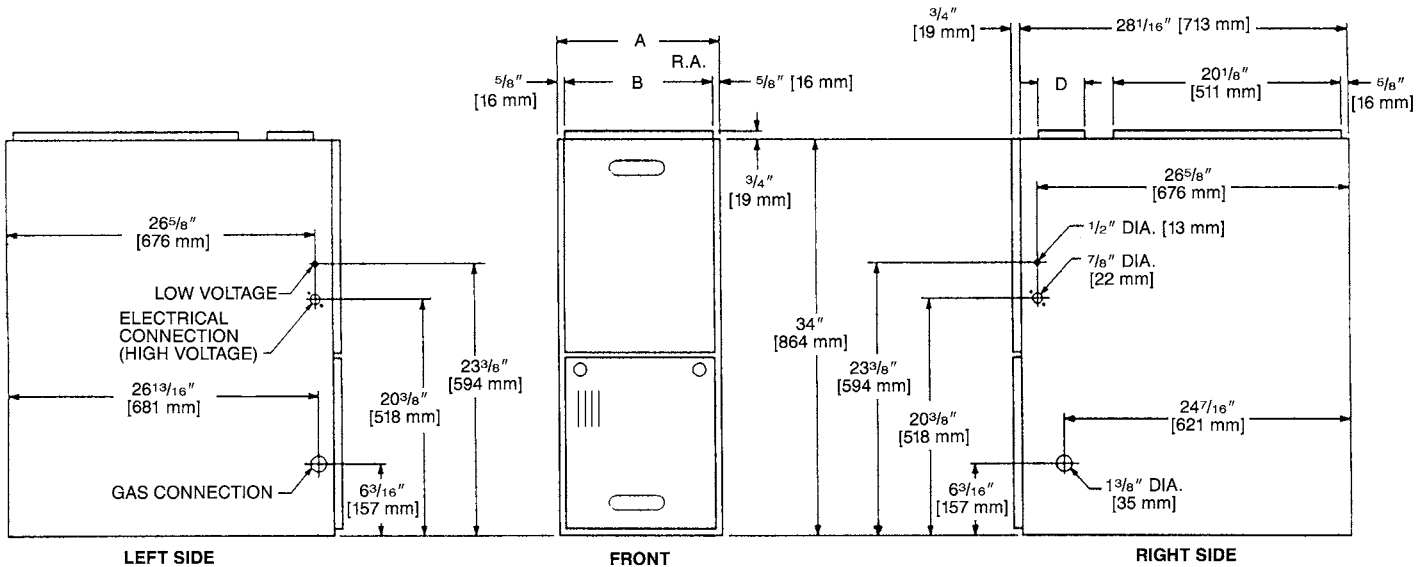
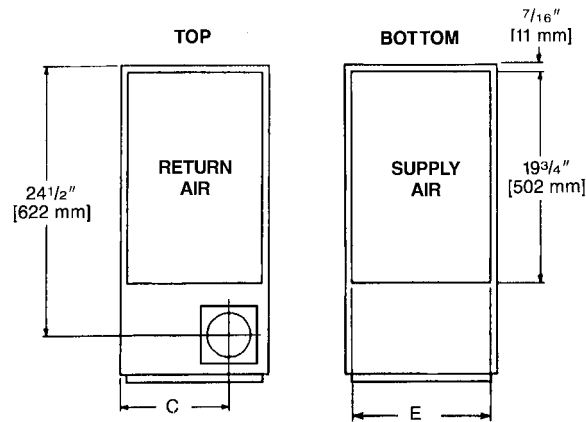
Model Number Identification—Downflow Models

<u>R</u>	<u>80</u>	<u>2</u>	<u>P</u>	<u>A</u>	<u>075</u>	<u>4</u>	<u>17</u>	<u>Z</u>	<u>S</u>	<u>A</u>
Rheem	80 = 80% AFUE	2 = Two Stage	P = Premium PSC	Design Series A = 1st Design	Input BTU/HR [kW]	3 = Up to 3 Ton	Cabinet Width	Z = Down and Zero Clearance Downflow	X = Low NO _x S = Standard	Revision- Marketing A – First Time Release B – 2nd Design Series
					050 = 50,000 [15]	4 = 2 ¹ / ₂ to 4 Ton	14 = 14"			
					075 = 75,000 [22]	5 = 3 ¹ / ₂ to 5 Ton	17 = 17.5"			
					100 = 100,000 [29]		21 = 21"			
					125 = 125,000 [37]		24 = 24.5"			
					150 = 150,000 [44]					

[] Designates Metric Conversions



Downflow Dimensions



Dimensions and Clearance to Combustible Material (inches) [mm]

MODEL R802P (DOWNFLOW) SERIES	A	B	C	D	E	REDUCED CLEARANCES (IN.) [mm]						
						LEFT SIDE	RIGHT SIDE	BACK	TOP	FRONT	VENT	SHIP. WGTS. (LBS.) [kg]
050	14 [356]	12 ²⁷ / ₃₂ [326]	10 ³ / ₈ [264]	Ⓛ	13 ¹ / ₈ [333]	0	4 ②	0	1 [25]	3 [76]	6 [152] ③	85 [38.6]
075	17 1/2 [445]	16 ¹¹ / ₃₂ [415]	12 ¹ / ₈ [308]	Ⓛ	16 ⁵ / ₈ [422]	0	3 ②	0	1 [25]	3 [76]	6 [152] ③	105 [47.6]
100317	17 1/2 [445]	16 ¹¹ / ₃₂ [415]	12 ¹ / ₈ [308]	Ⓛ	16 ⁵ / ₈ [422]	0	3 ②	0	1 [25]	3 [76]	6 [152] ③	115 [52.2]
100521	21 [533]	19 ²⁷ / ₃₂ [504]	13 ⁷ / ₈ [352]	Ⓛ	20 ¹ / ₈ [511]	0	0	0	1 [25]	3 [76]	6 [152] ③	120 [54.4]
125	24 1/2 [622]	23 ¹¹ / ₃₂ [593]	15 ⁵ / ₈ [397]	Ⓛ	23 ³ / ₈ [600]	0	0	0	1 [25]	3 [76]	6 [152] ③	140 [63.5]
150	24 1/2 [622]	23 ¹¹ / ₃₂ [593]	15 ⁵ / ₈ [397]	Ⓛ	23 ³ / ₈ [600]	0	0	0	1 [25]	3 [76]	6 [152] ③	150 [68]

NOTES: ① May require a 3" [76 mm] to 4" [102 mm] or 3" [76 mm] to 5" [127 mm] adapter.

② May be 0" [0 mm] with type B vent.

③ May be 1" [25 mm] with type B vent.

Furnaces must be vented in accordance with the National Fuel Gas Code, ANSI Z223.1 and in accordance with local codes.

[] Designates Metric Conversions



Air

Blower Performance Data—Downflow Models

R802P (DOWNFLOW) SERIES	BLOWER SIZE [mm]	MOTOR H.P. [W]	BLOWER SPEED	CFM [L/s] AIR DELIVERY EXTERNAL STATIC PRESSURE INCHES [kPa] WATER COLUMN						
				.1 [.02]	.2 [.05]	.3 [.07]	.4 [.10]	.5 [.12]	.6 [.15]	.7 [.17]
050314Z(A)	11 x 6 [279 x 152]	1/2 [373]	**LOW	655 [309]	630 [297]	600 [283]	565 [266]	532 [251]	500 [236]	467 [220]
			*MED-LO	975 [460]	943 [445]	915 [432]	886 [418]	852 [402]	813 [383]	770 [363]
			MED-HI	180 [557]	1140 [538]	1105 [521]	1067 [503]	1027 [484]	980 [462]	924 [436]
			HIGH	1335 [630]	1290 [608]	1250 [590]	1202 [567]	1157 [546]	1110 [524]	1060 [500]
075317Z(A)	11 x 7 [279 x 178]	1/2 [373]	LOW ①	910 [429]	887 [418]	863 [407]	839 [396]	814 [384]	776 [366]	738 [348]
			*MED-LO	1074 [507]	1054 [497]	1034 [488]	1007 [475]	979 [462]	944 [455]	908 [428]
			*MED-HI	1229 [580]	1207 [569]	1184 [558]	1159 [547]	1134 [535]	1099 [518]	1063 [501]
			HIGH	1409 [665]	1385 [653]	1361 [642]	1329 [627]	1297 [612]	1260 [594]	1223 [577]
100317Z(A)	11 x 7 [279 x 178]	1/2 [373]	**LOW	895 [422]	874 [412]	852 [402]	825 [389]	798 [376]	766 [362]	734 [346]
			MED-LO	1052 [496]	1033 [487]	1013 [478]	991 [467]	968 [457]	930 [439]	891 [420]
			*MED-HI	1238 [584]	1217 [574]	1196 [564]	1169 [551]	1143 [539]	1094 [516]	1044 [492]
			HIGH	1383 [652]	1366 [644]	1348 [636]	1317 [621]	1286 [607]	1245 [587]	1203 [567]
100521Z(A)	11 x 10 [279 x 254]	3/4 [559]	**LOW	1374 [648]	1356 [640]	1339 [632]	1323 [624]	1286 [607]	1249 [589]	1212 [572]
			MED-LO	1709 [806]	1686 [795]	1663 [784]	1635 [771]	1607 [758]	1562 [737]	1516 [715]
			*MED-HI	2132 [1006]	2085 [984]	2038 [961]	1988 [938]	1937 [914]	1882 [888]	1827 [862]
			HIGH	2362 [1114]	2300 [1085]	2237 [1055]	2173 [1025]	2108 [994]	2036 [960]	1964 [926]
125524Z(A)	11 x 10 [279 x 254]	3/4 [559]	**LOW	1315 [620]	1292 [609]	1269 [599]	1250 [590]	1231 [581]	1194 [563]	1157 [546]
			MED-LO	1618 [763]	1597 [753]	1576 [743]	1552 [732]	1528 [721]	1486 [701]	1443 [681]
			*MED-HI	2065 [974]	2025 [956]	1984 [936]	1938 [915]	1891 [892]	1824 [861]	1756 [829]
			HIGH	2275 [1074]	2219 [1047]	2163 [1021]	2103 [992]	2042 [964]	1982 [935]	1921 [907]
150524Z(A)	11 x 10 [279 x 254]	3/4 [559]	**LOW	1300 [614]	1280 [604]	1230 [580]	1205 [569]	1170 [552]	1115 [526]	1030 [486]
			MED-LO	1675 [791]	1650 [779]	1620 [765]	1570 [741]	1545 [729]	1485 [701]	1425 [673]
			*MED-HI	2105 [993]	2075 [979]	2035 [960]	1990 [939]	1955 [923]	1900 [897]	1815 [857]
			HIGH	—	2340 [1104]	2290 [1081]	2215 [1045]	2145 [1012]	2080 [982]	1995 [942]

NOTES: ① Not to be used as a low stage heating speed.

Data compiled with filters installed.

See Form Number C11-211 for "N" Coil Data.

Factory rated to 0.5" W.C.

()E = Standard

()N = NOx Models

*High Heat Factory Speed Tap

**Low Heat Factory Speed Tap

[] Designates Metric Conversions



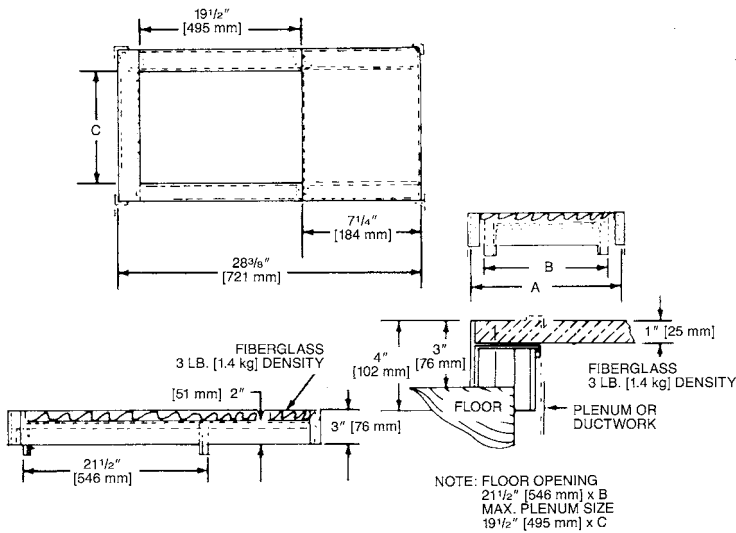
DOWNFLOW ACCESSORIES

DOWNFLOW WARNING: Unit design is certified for installation on non-combustible floor. A special factory supplied combustible floor sub-base is required when installing on a combustible floor. Failure to install the sub-base may result in fire, property damage and personal injury.

COMBUSTIBLE FLOOR BASE DIMENSIONS

COMBUSTIBLE FLOOR BASE	USE WITH FURNACE SIZES	A IN. [mm]	B IN. [mm]	C IN. [mm]
RXGC-B14	R802P050	14 ¹ / ₂ [368]	13 ¹ / ₄ [337]	11 ¹ / ₄ [286]
RXGC-B17	R802P075, R802P100317	18 [457]	16 ³ / ₄ [425]	14 ³ / ₄ [451]
RXGC-B21	R802P100521	21 ¹ / ₂ [546]	20 ¹ / ₄ [514]	18 ¹ / ₄ [464]
RXGC-B24	R802P125, R802P150	25 [635]	23 ³ / ₄ [603]	21 ³ / ₄ [552]

[] Designates Metric Conversions



RXGF-CC*

FILTER RACK—Downflow top return mount. Requires (2) 14 x 20 Filters.

NOTE: Filter racks are shipped without filters.

*Filters available through PROSTOCK ®.

FOR HIGH ALTITUDES:

HIGH ALTITUDE OPTION CODE: U.S.

None required for high altitudes.

HIGH ALTITUDE CONVERSION KITS: U.S.

None required for high altitudes.

80+ HIGH ALTITUDE INSTRUCTIONS

Caution: Always follow National Fuel Gas Code (NFGC) guidelines when converting for high altitudes.

High altitude option codes are not required for these models. However, the burner orifice size needs to be recalculated and verified at elevations above 2000 ft. See Installation Instructions for more information.

GENERAL TERMS OF LIMITED WARRANTY*

Rheem will furnish a replacement for any part of this product which fails in normal use and service within the applicable period stated, in accordance with the terms of the limited warranty.

***For complete details of the Limited and Conditional Warranties, including applicable terms and conditions, contact your local contractor or the Manufacturer for a copy of the product warranty certificate.**

Conditional Parts (Registration Required)Ten (10) Years
Heat ExchangerLimited Lifetime



The new degree of comfort.™

In keeping with its policy of continuous progress and product improvement, Rheem reserves the right to make changes without notice.

Rheem Heating, Cooling & Water Heating • P.O. Box 17010
Fort Smith, Arkansas 72917 • www.rheem.com

Rheem Canada Ltd./Ltée • 125 Edgeware Road, Unit 1
Brampton, Ontario • L6Y 0P5



INTEGRATED HOME COMFORT

PRINTED IN U.S.A. 9/18 QG FORM NO. G11-550 REV. 2