

RSA1(B,Q)E Series

High Efficiency Air Conditioner

14 SEER

1.5 - 5 Ton Capacity

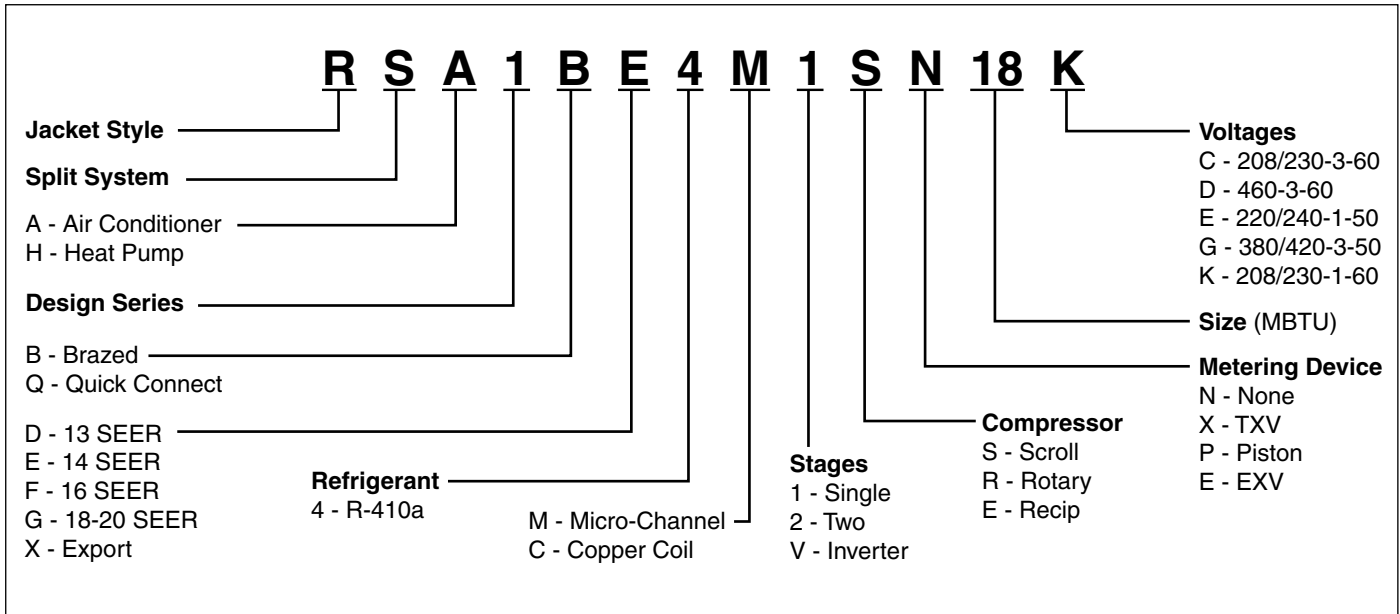
The RSA1(B,Q)E series of air conditioners offers exceptional performance. The unit, when combined with our engineered coils, offers a line of quality, 14 SEER split system cooling equipment.



FEATURES and BENEFITS

- **Composite Base Pan:** Absorbs sound and corrosion resistant. Composite is also stronger and lighter than steel.
- **Durable, Attractive Cabinet:** Designed using galvanized steel with a polyester urethane coat finish, it passes 950 hours of salt spray per ASTM Std. B117.
- **Removable Top Grille Assembly:** Allows ease of service from the top without disconnecting fan motor leads.
- **High Pressure Switch:** Protects against abnormally high system pressures. Auto-reset feature prevents nuisance service visits.
- **Liquid Line Filter Drier:** Included with unit, field installed.
- **One Piece Top/Orifice:** Designed for maximum airflow and quiet operation.
- **Easy Compressor and Control Access:** Designed to make servicing easier for the contractor, access panels are provided to all controls and the compressor from the side of the unit.
- **Complete Metal Wrapper:** Durable metal guard protects the coil from yard hazards and extreme weather.
- **Micro-Channel Coils:** All aluminum coils in all models which provides high corrosion resistance.
- **Service-Friendly Jacket:** Side panels can be easily removed and replaced without removing the top grill.

MODEL IDENTIFICATION CODES

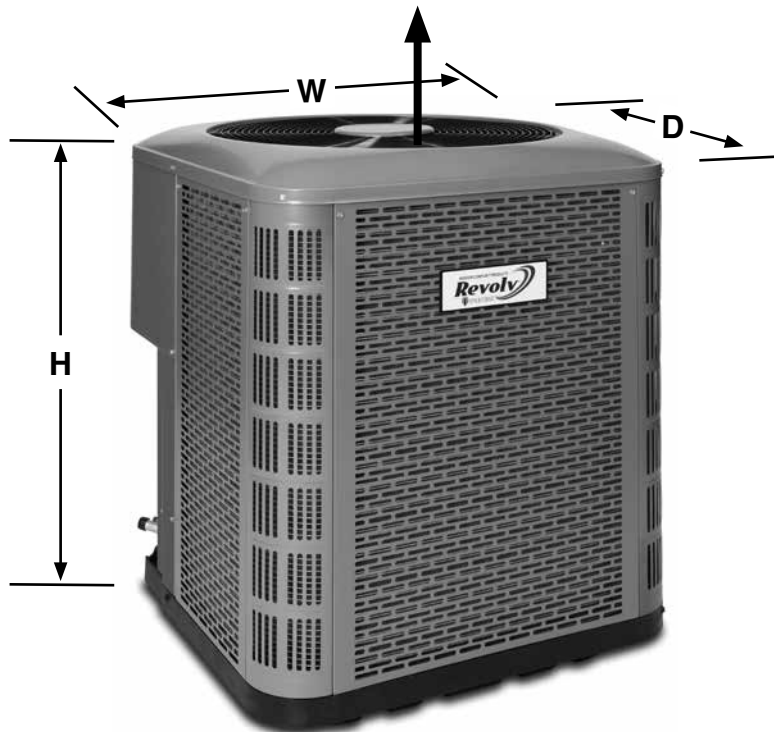


DIMENSIONS

AIR CONDITIONER OUTDOOR SECTION

RSA1(B,Q)E	18K	24K	30K	36K	42K	48K	60K
H	28.5	32.5	29.25	37.25	41.25	41.25	45.25
W	23.75	23.75	31.75	31.75	31.75	31.75	31.75
D	23.75	23.75	31.75	31.75	31.75	31.75	31.75

Air Discharge
Allow Adequate Clearance for Airflow



PHYSICAL AND ELECTRICAL SPECIFICATIONS / OUTDOOR UNITS

14 SEER — Extra High Efficiency — Single Phase

Model Number RSA1BE		18K	24K	30K	36K	42K	48K	60K	
Electrical Data	Volts-Cycles-Phase (1)	208/230-60-1							
	Total Amps	10.0	14.1	15.0	15.6	19.4	21.2	29.0	
	Max. Overcurrent Protection (2)	20	30	30	30	40	45	60	
	Min. Circuit Ampacity	12.4	17.5	18.5	19.1	23.8	26.2	35.6	
Component Data	Fan Motor	Type	PSC						BLDC
		Amps	0.7	0.7	0.91	1.46	1.46	1.4	2.6
		HP	0.1	0.1	0.125	0.25	0.25	0.25	0.333
	Compressor Data	RLA	9.3	13.4	14.1	14.1	17.9	19.8	26.4
		LRA	56.6	58.3	73	77	112	109	134
Refrigerant suction line O.D. NOTE: Liquid line is 3/8" O.D. for entire length.	0-24 ft.	3/4"	3/4"	3/4"	3/4"	7/8"	7/8"	7/8"	
	25-39 ft.	3/4"	3/4"	3/4"	7/8" (3)	7/8"	7/8"	1-1/8" (4)	
	40-75 ft.	3/4"	3/4"	3/4"	7/8" (3)	7/8"	7/8"	1-1/8" (4)	
Approximate Weight (lbs.)	Net	123	128	148	165	197	197	213	
	Ship	137	143	169	188	222	221	238	
Sound Rating dB		74	74	75	78	78	78	78	

Model Number RSA1QE		24K	30K	36K	42K	48K	
Electrical Data	Volts-Cycles-Phase (1)	208/230-60-1					
	Total Amps	9.0	10.8	15.6	19.4	21.2	
	Max. Overcurrent Protection (2)	15	20	30	40	45	
	Min. Circuit Ampacity	11.1	13.3	19.1	23.8	26.2	
Component Data	Fan Motor	Type	PSC				
		Amps	0.7	0.91	1.46	1.46	1.4
		HP	0.1	0.125	0.25	0.25	0.25
	Compressor Data	RLA	8.3	9.9	14.1	17.9	19.8
		LRA	50	69	77	112	109
Refrigerant suction line O.D. NOTE: Liquid line is 3/8" O.D. for entire length.	0-24 ft.	3/4"	3/4"	3/4"	7/8"	7/8"	
	25-39 ft.	3/4"	3/4"	7/8" (3)	7/8"	7/8"	
	40-75 ft.	3/4"	3/4"	7/8" (3)	7/8"	7/8"	
Approximate Weight (lbs.)	Net	123	146	156	195	195	
	Ship	138	167	179	219	219	
Sound Rating dB		72	73	79	79	75	

(1) Operating Voltage Range: 187v min. - 253v max.

(2) HACR Type Circuit Breakers may be used.

(3) Requires 7/8" to 3/4" reducer from line to unit.

(4) Requires 7/8" to 1-1/8" reducer from line to unit.

(5) Additional charge for line sets above 20 feet.

Values based on suction line as follows with 3/8" liquid line.

a) 3/4" = 0.6 oz. per additional foot.

b) 7/8" = 0.7 oz. per additional foot.

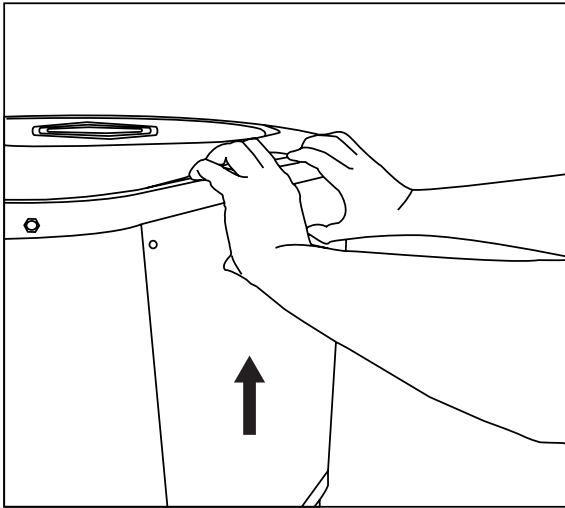
c) 1-1/8" = 0.8 oz. per additional foot.

(6) For additional charging instructions please refer to the QRD.

RSA1(B,Q)E ACCESSORIES

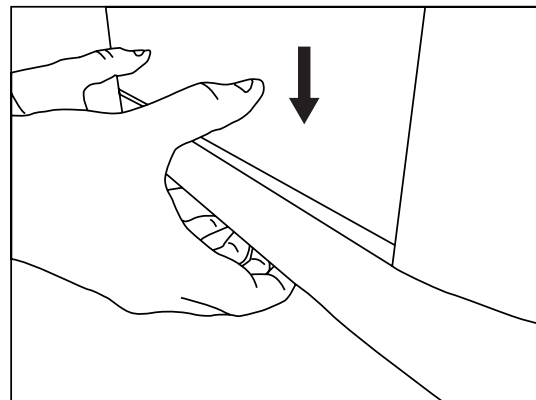
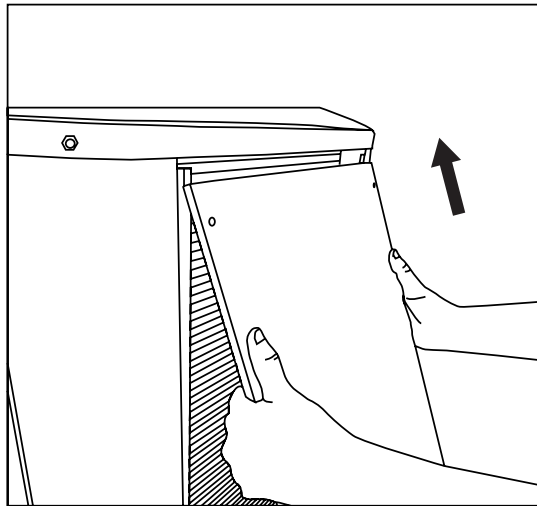
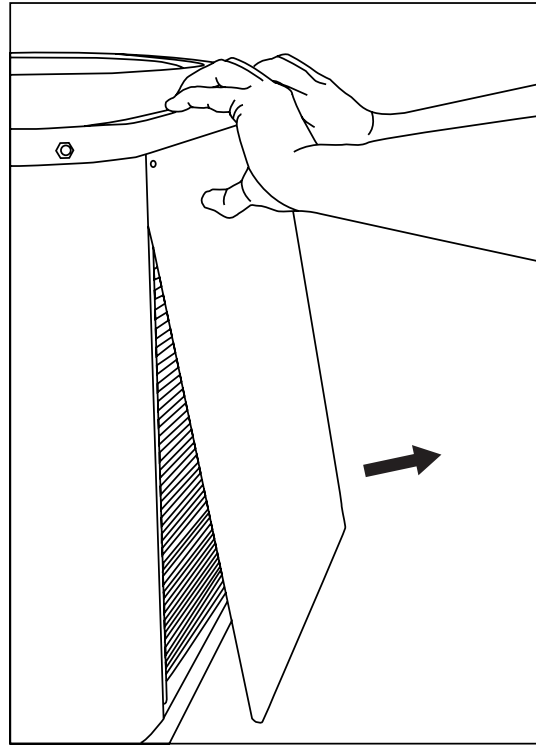
Description	Part Number
Start Assist Kit - Provides additional starting torque for the compressor motor when operating with low line voltage or high operating temperatures.	912933
Fan Delay Kit (TDR) - 80-second fan delay.	918476
Insulated Pre-Charged Line Sets - A line set consists of a liquid line, an insulated suction line, service gaugeports, and the quick-connect coupling. 15, 20, 25, 30, 40, and 50 ft. lengths are available. Lines are factory pre-charged such that no additional refrigerant charge is required on matched systems.	
Outdoor Thermostat - Two-stage logic provides ability to lock out electric strips down to balance point and bring on in stages.	913852

PANEL REMOVAL AND REPLACEMENT INSTRUCTIONS



Removing Panels:

1. Remove screws.
2. Pull up on panel.
3. Rotate bottom of panel out.
4. Pull panel off.



Reinstalling Panels:

1. Place panel back in towards top of unit.
2. Rotate bottom of panel inwards.
3. Push panel down until it fills gap at bottom of unit.
4. Replace screws.

SYSTEM COOLING CAPACITIES

14 SEER — Extra High Efficiency — Single Phase

With RG1 & RG7 Gas Furnace & M5 Oil Furnace						
Outdoor Unit	Indoor Unit	Coil Height	Cooling Capacity	SEER	EER	SCFM
RSA1QE4M1RN24K	C8QAMX24U-B	18"	23,400	14	12.2	780
RSA1QE4M1RN30K	C8QAMX30U-B	18"	29,000	14	12.2	960
RSA1QE4M1SN36K	C8QAMX36U-B	18"	34,000	14	12.2	1200
RSA1QE4M1SN42K	CM4Q-R42U	18.5" *	39,000	14	12.2	1250
RSA1QE4M1SN42K	CM4Q-G42U	24" **	39,500	14	12.2	1250
RSA1QE4M1SN48K	CM4Q-L48U	18.5" *	45,000	14	11.7	1430
RSA1QE4M1SN48K	CM4Q-G48U	24" **	45,000	14	11.7	1430

RSA1BE4M1SN18K	C8(B,D)AMX24U-B	18"	18,000	14	12.2	675
RSA1BE4M1SN24K	C8(B,D)AMX24U-B	18"	24,000	14	12.2	700
RSA1BE4M1SN30K	C8(B,D)AMX30U-B	18"	29,000	14	12.0	960
RSA1BE4M1SN36K	C8(B,D)AMX36U-B	18"	34,000	14	12.2	1200
RSA1BE4M1SN42K	CM4B-R42U	18.5" *	39,000	14	12.2	1250
RSA1BE4M1SN42K	CM4B-G42U	24" **	39,500	14	12.2	1250
RSA1BE4M1SN48K	CM4B-L48U	18.5" *	45,000	14	11.7	1435
RSA1BE4M1SN48K	CM4B-G48U	24" **	45,000	14	11.7	1430
RSA1BE4M1SN60K	CM4B-W60U	24.5" **	52,500	14	11.7	1540

* Requires M1/M7 18" Coil Box

** Requires M1/M7 24" Coil Box

With RE9 Furnace						
Outdoor Unit	Indoor Unit	Coil Height	Cooling Capacity	SEER	EER	SCFM
RSA1QE4M1RN24K	C8QAMX24U-B	18"	23,400	14	12.2	700
RSA1QE4M1RN30K	C8QAMX30U-B	18"	29,000	14	12.2	960
RSA1QE4M1SN36K	C8QAMX36U-B	18"	34,000	14	12.2	1200
RSA1QE4M1SN42K	CM4Q-R42U	18.5"	39,000	14	12.2	1250
RSA1QE4M1SN42K	CM4Q-G42U	24"	39,500	14	12.2	1250
RSA1QE4M1SN48K	CM4Q-L48U	18.5"	45,000	14	11.7	1430
RSA1QE4M1SN48K	CM4Q-G48U	24"	45,000	14	11.7	1430

RSA1BE4M1SN18K	C8(B,D)AMX24U-B	18"	18,000	14	12.2	675
RSA1BE4M1SN24K	C8(B,D)AMX24U-B	18"	24,000	14	12.2	700
RSA1BE4M1SN30K	C8(B,D)AMX30U-B	18"	29,000	14	12.0	960
RSA1BE4M1SN36K	C8(B,D)AMX36U-B	18"	34,000	14	12.2	1200
RSA1BE4M1SN42K	CM4B-R42U	18.5"	39,000	14	12.2	1250
RSA1BE4M1SN42K	CM4B-G42U	24"	39,500	14	12.2	1250
RSA1BE4M1SN48K	CM4B-L48U	18.5"	45,000	14	11.7	1430
RSA1BE4M1SN48K	CM4B-G48U	24"	45,000	14	11.7	1430
RSA1BE4M1SN60K	CM4B-W60U	24.5"	52,500	14	11.7	1540

See current AHRI Directory for certified combinations and ratings.

www.ahridirectory.org



GENERAL TERMS OF LIMITED WARRANTY

For complete details of the Limited Warranty, including applicable terms and conditions, see your local installer or contact the Style Crest® warranty department for a copy.

Before purchasing this appliance, read important energy cost and efficiency information available from your retailer. Specifications and illustrations subject to change without notice and without incurring obligations. Printed in U.S.A (06/2018)