

# QUICK REFERENCE DATA

## RS4QD & RS6QD SERIES SPLIT SYSTEM AIR CONDITIONER WITH QUICK CONNECT COUPLINGS

13 SEER

MODEL NUMBER:		RS6QD-024KA	RS6QD-030KA	RS6QD-036KA	RS4QD-042KD	RS4QD-048KC	
<b>ELECTRICAL DATA</b>	Volts-Cycles-Phase (1)	208/230-60-1					
	Total Amps	10.3	10.8	16.4	19.4	23.2	
	Delay Fuse Max. (2)	20	20	35	40	50	
	Min. Circuit Ampacity	12.7	13.3	20.1	23.9	28.7	
<b>CONDENSER DATA</b>	Coil	Area	10.0	10.0	13.3	15.3	15.3
		Rows-FPI	1-23	1-23	1-23	1-18	1-18
		Tube Dia	Micro-Channel				
	Fan Motor	Type	PSC				
		Amps	0.7	0.7	1.4	1.5	1.5
		HP	0.1	0.1	0.25	0.25	0.25
	Compressor Data	RLA	9.6	10.1	15.0	17.9	21.8
		LRA	60.5	60.0	88	112	117.0
<b>RECOMMENDED REFRIGERANT SUCTION LINE O.D.*</b>		0-24 ft.	3/4"	3/4"	3/4"	7/8"	
<b>NOTE:</b> Liquid line is 3/8" O.D. for entire length.		25-39 ft.	3/4"	3/4"	7/8" (3)	7/8"	
		40-75 ft.	3/4"	3/4"	7/8" (3)	7/8"	
<b>REFRIGERANT CHARGE:</b> R-410A in ounces for outdoor unit, indoor unit, & 15' Lineset		70	73	85	81	76	
<b>APPROXIMATE WEIGHT (LBS.)</b>	Net	113	116	135	179	179	
	Ship	118	121	140	187	187	

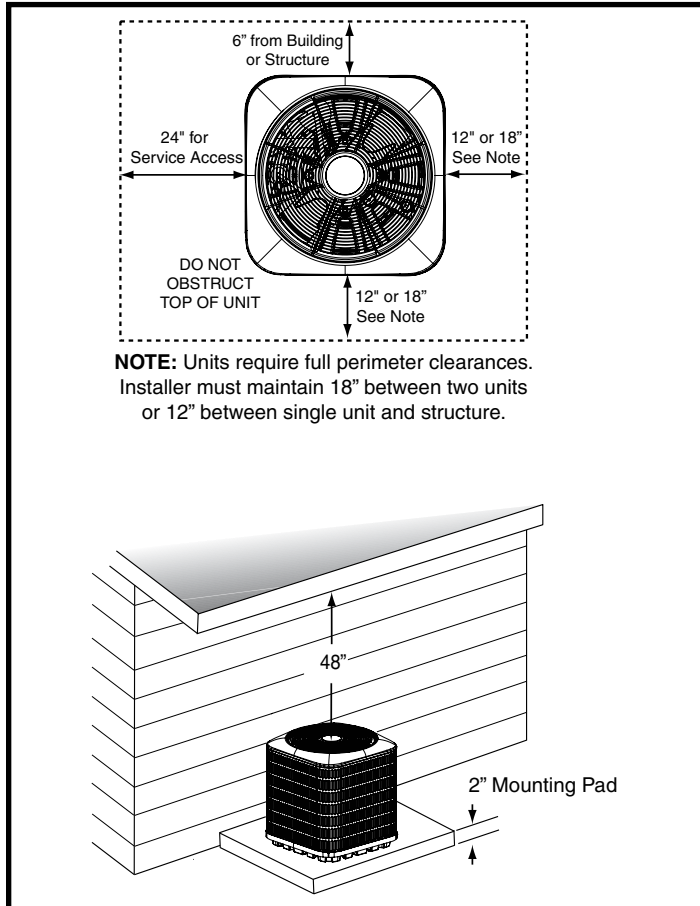
(1) Operating Voltage Range: 187v min. — 253v max.

(2) HACR Type Circuit Breakers may be used.

(3) Requires 7/8" to 1-1/8" adapter from unit to line.

\* For other line set dimensions, refer to the Application Guidelines for Refrigerant Lines Addendum.

**Table 1. Electrical Specifications & Physical Data**



**Figure 1. Clearance Requirements**

WIRE GAUGE	RECOMMENDED MAXIMUM WIRE LENGTH (FT) FROM UNIT TO THERMOSTAT
22	45
20	70
18	115
16	180

**Table 2. Control Wiring (24V)**

MODEL NUMBER	HEIGHT (H)	WIDTH (W)	DEPTH (D)
RS6QD-024KA	28"	22 3/4"	22 3/4"
RS6QD-030KA	28"	22 3/4"	22 3/4"
RS6QD-036KA	36"	22 3/4"	22 3/4"
RS4QD-042KD	28 3/4"	30 3/4"	30 3/4"
RS4QD-048KC	28 3/4"	30 3/4"	30 3/4"

**Table 3. Unit Dimensions**

**Instructions:**

1. Find the column for the model of outdoor unit that is being installed.
2. Find the row for the model of the indoor unit that is being installed.
3. Find the cell in the table in which this row and column meet. In this cell the appropriate orifice / TXV and charge addition for this match are listed. If the text in this cell is **BOLD**, then a change of orifice is necessary.
4. If a change in restrictor is necessary, then the appropriate restrictor will already be supplied with the outdoor unit.

**Examples:**

- For the RS6QD-024KA / 1836M4A match, the appropriate TXV is the factory installed TXV and no additional charge needs to be added (NO CHANGES NEEDED).
- For the RS4QD-042KD / 1854M4A match, the appropriate TXV is the factory installed TXV and no additional charge needs to be added (NO CHANGES NEEDED).

ID RESTRICTOR INSTALLED WITH ID UNIT	MODEL NUMBER:		RS6QD-024KA	RS6QD-030KA	RS6QD-036KA	RS4QD-042KD	RS4QD-048KC
	TOTAL SYSTEM CHARGE (OZ.)		70	73	85	91	85
	MODELS	SUPPLIED WITH ID	REQUIRED RESTRICTOR OR TXV (CHARGE ADDITION (OZ) / RATED AIRFLOW - SCFM)				
	MORTEX COIL						
1836M4A	TXV	TXV (0 / 810)	TXV (0 / 1035)	--	--	--	
1854M4A	TXV	--	--	TXV (0 / 1190)	TXV (0 / 1250)	--	
1856M4A	TXV	--	--	--	--	TXV (0 / 1450)	

**NOTES:**

- The charges listed are only valid for the standard 15' lineset.
- Numbers listed as 0.\*\*\* are restrictor diameters, while numbers listed as 669\*\*\* are TXV part numbers.

**Table 4. Restrictor or TXV / Charge Addition (Oz)**

