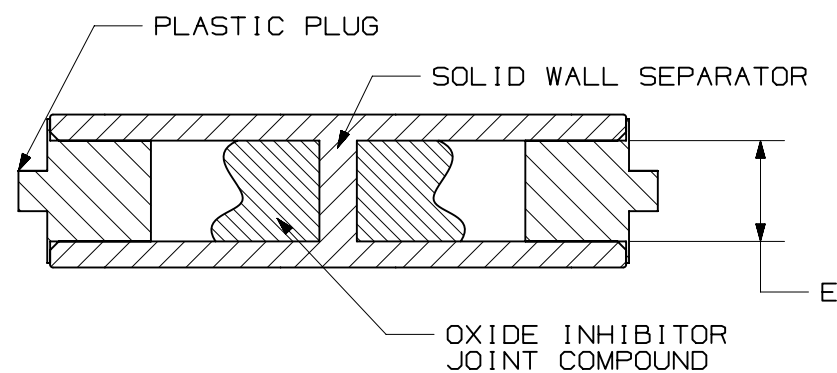
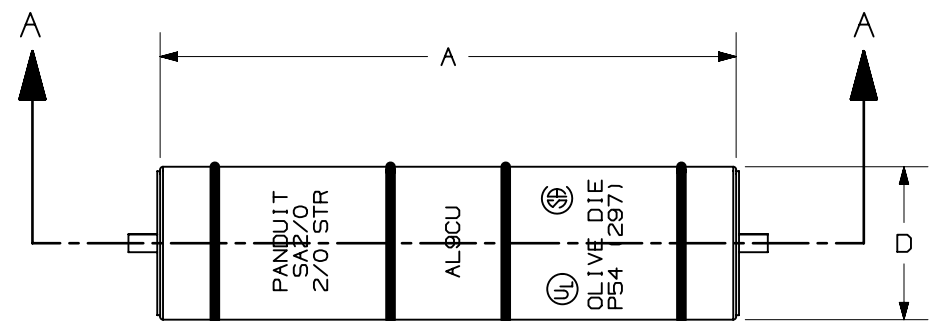


PANDUIT PART NUMBER	PACKAGE QUANTITY	CONDUCTOR SIZE	WIRE STRIP LENGTH	OVERALL LENGTH A" ±.12	I.D. ±.01	O.D. ±.01	PANDUIT DIE COLOR CODE PANDUIT DIE INDEX NUMBER (BURNDY DIE INDEX NUMBER)
SA6-T	200	#6 AWG	3/4"	1.62	.20	.34	GRAY DIE P29 (346)
SA4-CR	100	#4 AWG	7/8"	1.88	.27	.47	GREEN DIE P37 (375)
SA2-C	100	#2 AWG	7/16"	2.00	.31	.53	PINK DIE P42 (348)
SA1/0-L	50	1/0 AWG	1"	2.12	.39	.64	TAN DIE P50 (296)
SA2/0-L	50	2/0 AWG	1-1/8"	2.31	.44	.69	OLIVE DIE P54 (297)
SA3/0-E	20	3/0 AWG	1-1/4"	2.62	.48	.76	RUBY DIE P60 (467)
SA4/0-30	30	4/0 AWG	1-5/16"	2.72	.55	.88	WHITE DIE P66 (298)
SA250-E	20	250 kcmil	1-7/16"	2.94	.59	.91	RED DIE P71 (324)
SA300-E	20	300 kcmil	1-1/2"	3.12	.65	1.01	BLUE DIE P76 (470)
SA350-15	15	350 kcmil	1-5/8"	3.38	.72	1.11	BROWN DIE P87 (299)
SA400-X	10	400 kcmil	1-13/16"	3.75	.76	1.19	GREEN DIE P94 (472)
SA500-X	10	500 kcmil	1-7/8"	3.81	.84	1.32	PINK DIE P99 (300)
SA600-8	8	600 kcmil	2"	4.12	.92	1.44	BLACK DIE P106 (473)
SA750-6	6	750 kcmil	2-1/4"	4.62	1.03	1.59	RED DIE P125 (301)

NOTES:

- MATERIAL: SEAMLESS ALUMINUM TUBING, TIN PLATED
- BARREL COLOR CODED WITH DIE SET INDEX NUMBER
- WIRE TYPE:
COPPER CLASS B CONCENTRIC, COMPRESSED AND COMPACT STRANDED WIRE
COPPER CLASS C CONCENTRIC STRANDED WIRE
ALUMINUM CLASS B, CONCENTRIC, COMPRESSED, AND UNIDIRECTIONAL LAY COMPACT STRANDED WIRE
- UL LISTED & CSA CERTIFIED TEMPERATURE RATED 90° (AL9CU)
- UL LISTED & CSA CERTIFIED VOLTAGE RATING 35KV
- DIMENSIONS IN INCHES



SECTION A-A

REV	DATE	BY	CHK	APR	DESCRIPTION	ECN
01A	8-14-23	JHNU	JHNU	MRWA	B. REVISED PART NUMBER: SA750-6 WAS SA750-8 A. CONVERTED TO NX	133208

PART NUMBER		SEE TABLE	
TITLE		SA SERIES ALUMINUM SPLICES	
CUSTOMER DRAWING			
ITEM REVISION NAME	02903NBF/01	PANDUIT	
DATASET FILE NAME	02903NBF-DC/01A		
THIRD ANGLE PROJECTION		DRAWING NUMBER	
SEE NOTES		02903NBF - DC	
DRAWN BY	DATE	CHK	SCALE
JHNU	8-14-23	JHNU	NONE
SHEET 1 OF 1			SIZE
			B