

T6BQ Series

Split System 2-Stage Heat Pump
11.0 EER 12.7 IEER
Commercial System
7½ and 10 Ton Capacity

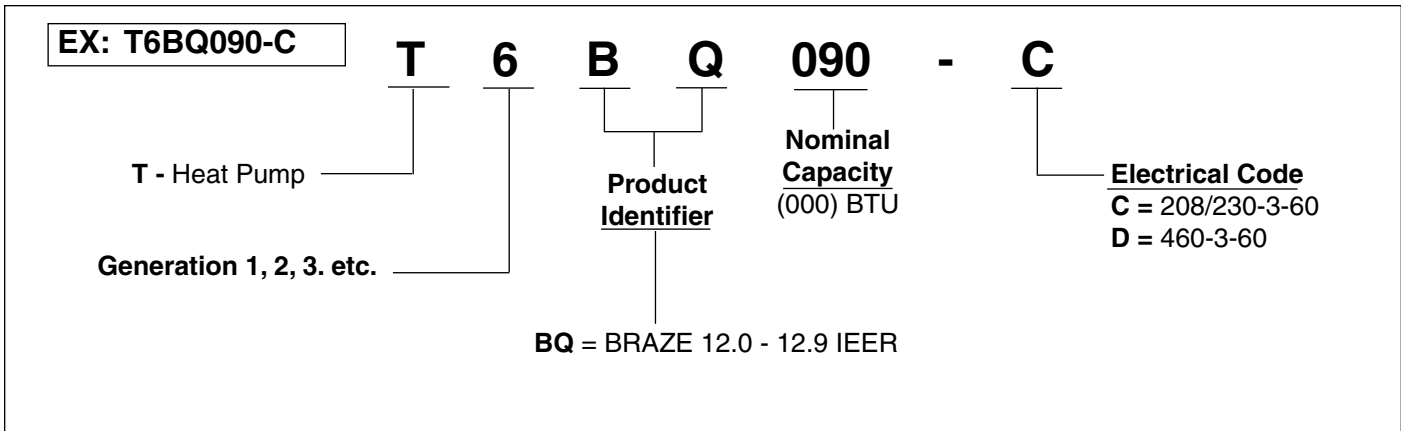
The T6BQ Series of 2-stage heat pumps offers exceptional performance. The unit, when combined with our air handlers, offers a line of quality, split system heat Pump equipment. The T6BQ is rated at 11.0 EER and 3.3 COP when matched with our air handler. Units are ideally sized for slab or rooftop mounting in light commercial applications.



FEATURES and BENEFITS

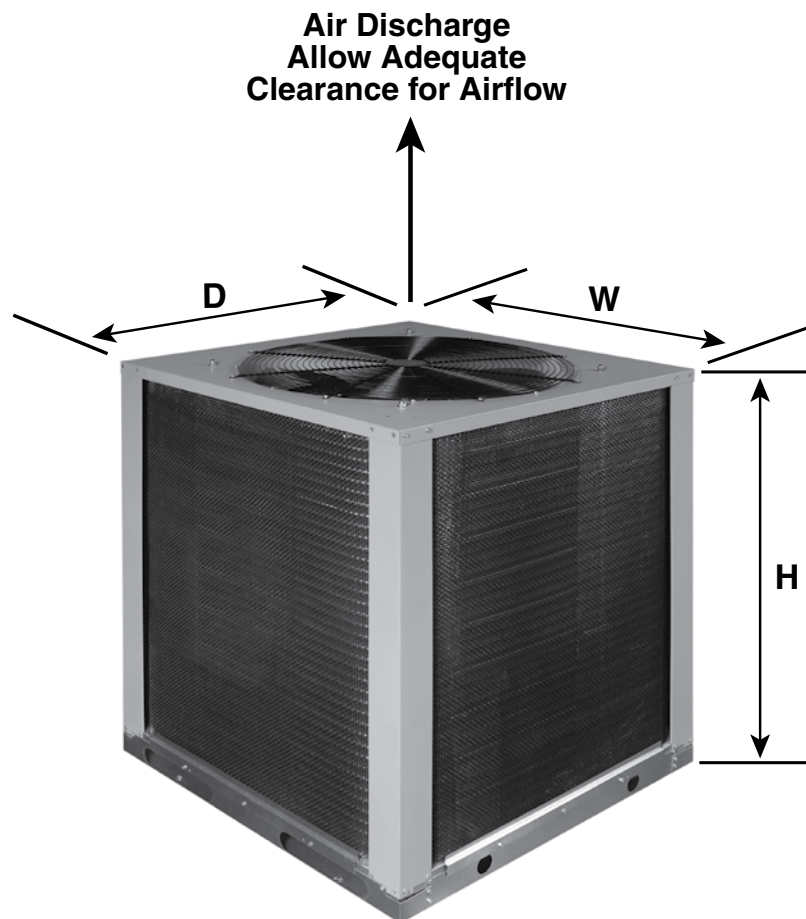
- **Quality Compressor:** State of the art scroll compressor is standard equipment providing Ultra Tech two stage operation.
- **Auto-Reset Hi/Low Pressure Switches:** Ensure long compressor life.
- **Durable, Attractive Cabinet:** Designed using galvanized steel with a polyester urethane finish. The 950 hour salt spray finish is 1.5 mil thick and resists corrosion 50% better than comparable units.
- **Copper Tube / Aluminum Fin Coils:** Outdoor coils are designed to optimize heat transfer, minimize size and cost, and increase durability and reliability.
- **Permanently Lubricated Motor:** A heavy duty PSC motor for long lasting reliability and quiet operation. Requires no maintenance and is completely protected from rain and snow.
- **Full Service Valves:** These brass valves are easily accessible and simplify servicing of the refrigeration system.
- **Plastic Mesh Hail Guard:** A guard that will never rust and protects the units coil from being damaged.
- **Removable Top Grille Assembly:** Allows ease of service to the fan motor.
- **Raised Base:** The sturdy base keeps the bottom of the coil out of harms way and allows water from rain or defrost to flow away from the unit.
- **Five Minute Restart Time Delay:** When the unit shuts down, a five minute delay keeps the unit from restarting, eliminating the highest cause for compressor failure.
- **Easy Compressor and Control Access:** Designed to make servicing easier for the contractor, access panels are provided to all controls and the compressor from the side of the unit.
- **Time/Temperature Defrost:** A reliable, industry standard control offers various time settings to meet any type climate.
- **Suction Accumulator:** Protection from liquid flood back and future compressor failures.
- **90 VA Transformer:** Includes 4 Amp circuit breaker to protect low voltage circuit.
- **Liquid Line Filter Drier:** Field installed for convenience.
- **Crankcase Heater:** Prevents damaging flooded starts and future compressor failures.

MODEL IDENTIFICATION CODES



DIMENSIONS (Inches) HEAT PUMP OUTDOOR SECTION

Model Number T6BQ	Unit Weights (Lbs.)		Height -H-	Width -W-	Depth -D-	Shipping Height
	Without Packaging	Shipping Weight				
090-C	374	384	44 1/4	37 1/2	37 1/2	50
090-D	374	384	44 1/4	37 1/2	37 1/2	50
120-C	390	410	52 1/4	37 1/2	37 1/2	58
120-D	390	410	52 1/4	37 1/2	37 1/2	58



PHYSICAL AND ELECTRICAL SPECIFICATIONS / OUTDOOR UNITS

High Efficiency — Three Phase

Model Number T6BQ	090-C	090-D	120-C	120-D
PERFORMANCE DATA				
Gross Cooling Capacity (95°F) Btuh	92,400	92,400	121,200	121,200
¹ Net Cooling Capacity - Btuh	90,000	90,000	116,500	116,500
¹ A.H.R.I. Rated Airflow - C.F.M.	3,000	3,000	4,000	4,000
² Cooling - Efficiency E.E.R. (Btu/Watt)	11.00	11.00	11.00	11.00
³ Cooling - Efficiency I.E.E.R.	12.70	12.70	12.70	12.70
Gross Heating Capacity (47°F) - Btuh	86,500	86,500	110,000	110,000
⁴ Heating - Efficiency - C.O.P.	3.30	3.30	3.30	3.30
Gross Heating Capacity (17°F) - Btuh	54,000	54,000	70,000	70,000
⁴ Heating - Efficiency - C.O.P.	2.40	2.40	2.40	2.40
ELECTRICAL RATINGS				
Volts / Phase / Hz.	208-230 / 3 / 60	460 / 3 / 60	208-230 / 3 / 60	460 / 3 / 60
Unit Rated Ampacity	30.2	13.7	35.9	16.5
Minimum Circuit Ampacity (MCA)	36.9	16.7	44.1	20.2
⁵ Max. Overcurrent Protection (MOP)	60	25	70	35
Compressor Data:	1 ea.	1 ea.	1 ea.	1 ea.
Stages - Percent	2-100 / 67	2-100 / 67	2-100 / 67	2-100 / 67
Outdoor Fan Assembly:	1 ea.	1 ea.	1 ea.	1 ea.
Volts / Phase / Hz.	208-230 / 1 / 60	460 / 1 / 60	208-230 / 1 / 60	460 / 1 / 60
Motor - HP	3/4	3/4	3/4	3/4
PHYSICAL DATA & REFRIGERANT SPECS				
Refrigerant Suction Line - Length / OD	0 - 75 Ft. / 1-1/8"	0 - 75 Ft. / 1-1/8"	0 - 100 Ft. / 1-3/8" ⁽⁷⁾	0 - 100 Ft. / 1-3/8" ⁽⁷⁾
	76 - 100 Ft. / 1-3/8" ⁽⁷⁾	76 - 100 Ft. / 1-3/8" ⁽⁷⁾		
Refrigerant Liquid Line - Length / OD	All Lengths - 5/8" OD	All Lengths - 5/8" OD	All Lengths - 5/8" OD	All Lengths - 5/8" OD
Refrigerant Charge	R410A	R410A	R410A	R410A
Holding Charge - (oz.)	90	90	90	90
⁶ Total System with 25' Line Set	464	464	512	512

NOTE: Net capacity includes indoor blower motor heat deduction. Gross capacity does not include indoor blower motor heat deduction.

¹ Certified in accordance w/ A.H.R.I. Standard 340/360 at 95° F Outdoor DB and 80° F db/67° F wb evaporator entering air at minimum external duct static pressures allowed by the standard.

² E.E.R. - Energy Efficiency Ratio. E.E.R. is determined @ 95°F Outdoor DB & 80°F DB / 67°F WB Air Indoor

³ I.E.E.R. - Integrated Energy Efficiency Ratio. Certified in accordance with A.H.R.I. Standard 340/360.

⁴ C.O.P. - Coefficient of Performance.

⁵ Delay Fuse or HACR Type Circuit Breakers can be used.

⁶ Add / Subtract 9.0 oz. of refrigerant per 5 Ft. change in length from original 25 Ft. lineset total system charge.

⁷ Requires a 1-3/8" to 1-1/8" reducer line to unit.

High Efficiency — Three Phase

Outdoor Unit Model Number	Indoor Unit Model Number	COOLING		HEATING		SCFM	AHRI Reference Number
		BTUH	IEER	BTUH	COP		
T6BQ090-C	B6TM090-C	90000	12.7	86,500	3.3	3000	
T6BQ090-D	B6TM090-D	90000	12.7	86,500	3.3	3000	
T6BQ120-C	B6TM120-C	116,500	12.7	110,000	3.3	4000	
T6BQ120-D	B6TM120-D	116,500	12.7	110,000	3.3	4000	

See current ARI Directory for certified combinations and ratings.

HEATING EXPANDED RATINGS WITH T6BQ (Continued)

T6BQ120-* High Speed

		OUTDOOR TEMPERATURE (Deg. F)																							
CFM	Indoor T. Deg.F	10			17			20			30			40			47			50			60		
		MBH	COP	kW	MBH	COP	kW	MBH	COP	kW	MBH	COP	kW	MBH	COP	kW	MBH	COP	kW	MBH	COP	kW	MBH	COP	kW
3800	60	62.3	2.61	7.01	71.5	2.87	7.31	75.5	2.98	7.44	88.6	3.30	7.87	101.8	3.60	8.30	111.0	3.79	8.60	115.0	3.86	8.73	128.1	4.10	9.16
	70	60.7	2.28	7.81	70.0	2.54	8.08	73.9	2.64	8.20	87.1	2.97	8.60	100.3	3.27	9.00	109.6	3.46	9.27	113.5	3.54	9.39	126.7	3.80	9.79
	80	60.5	2.05	8.63	69.6	2.29	8.91	73.5	2.39	9.03	86.4	2.69	9.43	99.4	2.97	9.83	108.5	3.15	10.11	112.4	3.22	10.23	125.4	3.46	10.63
4000	60	62.8	2.65	6.96	72.1	2.92	7.24	76.1	3.03	7.36	89.3	3.37	7.77	102.6	3.68	8.18	111.9	3.88	8.46	115.9	3.96	8.58	129.1	4.21	8.99
	70	61.3	2.33	7.72	70.6	2.59	7.98	74.6	2.70	8.09	87.8	3.04	8.47	101.0	3.35	8.84	110.3	3.55	9.10	114.3	3.64	9.21	127.5	3.90	9.59
	80	60.7	2.08	8.57	69.9	2.32	8.82	73.8	2.42	8.92	86.9	2.75	9.28	100.0	3.05	9.63	109.2	3.24	9.88	113.1	3.32	9.98	126.2	3.58	10.34
4200	60	62.4	2.65	6.92	71.9	2.93	7.20	76.0	3.04	7.32	89.5	3.40	7.72	103.1	3.72	8.13	112.6	3.93	8.41	116.7	4.01	8.53	130.2	4.28	8.93
	70	62.0	2.36	7.71	71.2	2.62	7.96	75.2	2.74	8.06	88.4	3.08	8.41	101.6	3.40	8.75	110.9	3.62	9.00	114.9	3.70	9.10	128.1	3.98	9.45
	80	61.1	2.10	8.53	70.3	2.35	8.76	74.3	2.46	8.85	87.4	2.80	9.17	100.6	3.11	9.49	109.8	3.32	9.71	113.8	3.40	9.81	127.0	3.68	10.13

T6BQ120-* Low Speed

		OUTDOOR TEMPERATURE (Deg. F)																							
CFM	Indoor T. Deg.F	10			17			20			30			40			47			50			60		
		MBH	COP	kW	MBH	COP	kW	MBH	COP	kW	MBH	COP	kW	MBH	COP	kW	MBH	COP	kW	MBH	COP	kW	MBH	COP	kW
2450	60	40.6	2.17	5.48	46.4	2.46	5.53	48.9	2.59	5.55	57.3	2.99	5.61	65.6	3.39	5.68	71.5	3.66	5.72	74.0	3.78	5.74	82.3	4.16	5.81
	70	39.4	1.92	6.04	45.2	2.19	6.05	47.7	2.31	6.06	56.0	2.70	6.09	64.2	3.08	6.11	70.0	3.35	6.13	72.5	3.46	6.14	80.8	3.84	6.16
	80	39.0	1.73	6.61	44.7	1.98	6.62	47.1	2.09	6.62	55.1	2.44	6.62	63.2	2.80	6.62	68.8	3.05	6.62	71.2	3.15	6.62	79.3	3.51	6.62
2650	60	40.9	2.19	5.47	46.8	2.49	5.51	49.4	2.62	5.52	57.8	3.04	5.58	66.3	3.45	5.63	72.2	3.74	5.67	74.8	3.86	5.68	83.2	4.25	5.74
	70	39.9	1.95	6.00	45.7	2.23	6.01	48.2	2.35	6.02	56.5	2.75	6.03	64.9	3.15	6.05	70.7	3.42	6.06	73.2	3.54	6.07	81.5	3.93	6.08
	80	39.2	1.74	6.59	45.0	2.00	6.58	47.4	2.11	6.57	55.6	2.49	6.56	63.7	2.86	6.54	69.5	3.12	6.52	71.9	3.24	6.52	80.1	3.61	6.50
2850	60	40.8	2.19	5.47	46.9	2.50	5.50	49.5	2.63	5.52	58.1	3.06	5.57	66.8	3.48	5.62	72.9	3.77	5.66	75.4	3.90	5.68	84.1	4.30	5.73
	70	40.3	1.97	6.01	46.2	2.25	6.02	48.7	2.37	6.02	57.1	2.78	6.02	65.4	3.19	6.02	71.3	3.47	6.03	73.8	3.59	6.03	82.2	4.00	6.03
	80	39.6	1.76	6.59	45.3	2.03	6.56	47.8	2.14	6.55	56.0	2.52	6.52	64.3	2.91	6.48	70.0	3.18	6.46	72.5	3.30	6.45	80.7	3.69	6.42



For complete catalog information including submittals, energy calculations, dimension drawings, and more go to www.ReznorHVAC.com or call 800-695-1901.

Note: In keeping with our policy of continuous product improvement, we reserve the right to alter, at any time, the design, construction, dimensions, weights, etc., of equipment information shown here.