



Product Brochure



Dawn

Hi-Wall Split Systems

Haier
Air Conditioning

Wi-Fi & Voice Control



Smart Speakers



Google Assistant

Google Assistant is a voice-operated service from Google. You can use it to control your Dawn Series air conditioner using spoken commands or questions.

Getting Started



To connect your room air conditioner you'll need the Haier Smart Air 2 app. The app will walk you through the connection process.

Requires Smart Air2 app on Android™ or iOS smartphones, Wi-Fi connection and Google account.

Google, Android, and Google Home Mini are trademarks of Google LLC

Intuitive, hands-free control

Here are some of the commands and questions you can use to control your air conditioner using Google Assistant.

- Turn on/off the air conditioner.
- Set the air conditioner to 20 degrees
- Set the air conditioner to heat/cool/smart mode
- Set the air conditioner to low/medium/high/auto speed
- Is the air conditioner on/off?
- What is the temperature set to on the air conditioner?
- What mode is the air conditioner set to?
- What is the air conditioner speed?

Customised operation

With Wi-Fi connectivity enabled, you can customise the way your air conditioner works using the Haier Smart Air app.

Su
Mo
Tu
We
Th
Fr
Sa



Weekly Timer

Sets temperature and fan speed for the week to come.



Sleep Curve

Pre-set 4 unique sleep curves for people of different ages.



Error Alarm

Receive notification in the app if the air conditioner malfunctions.



Group Control

Control multiple air conditioners from one phone.



Convenient Control

Control your air conditioner from anywhere, at anytime.



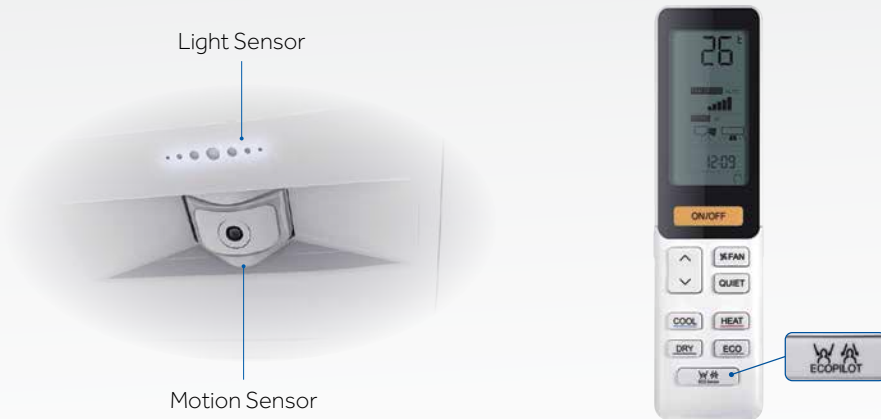
Smart Reminder

Receive a notification when it's time to clean the filter on your air conditioner.

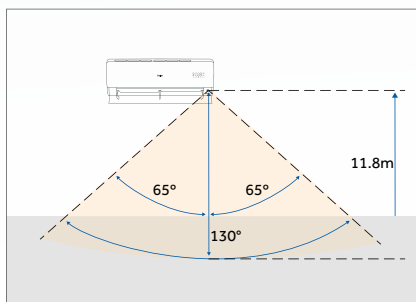
Smart Sensor

Eco-pilot Sensor

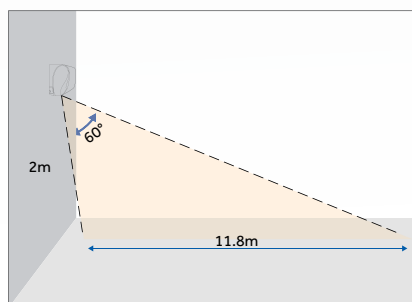
Dawn's Eco-pilot sensor uses light and motion sensors to enable your air conditioner to operate economically. By monitoring motion in the surrounding area, your Dawn will vary its airflow to create the ideal conditions.



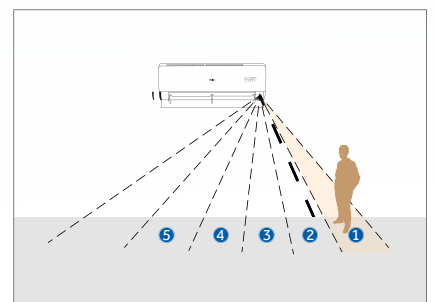
Dawn senses motion over a large area and precisely locates the humans in the room. Dawn also "knows" when night falls or if lights are turned off in the room, thanks to its light sensor. If there's nobody in the room, Dawn goes into sleep mode.



Horizontal Sensing Area



Vertical Sensing Area



Detection Area



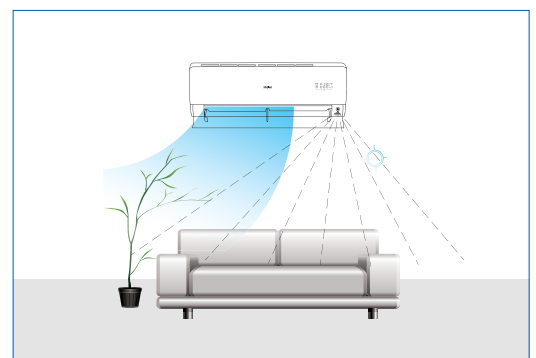
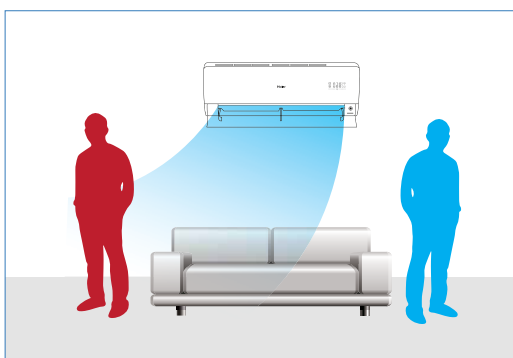
Your room adapts to you

The Eco-Pilot sensor enables your Dawn air conditioner to automatically adapt your environment to suit you. If you're identified as being hot, cool air follows you round the room. If you're identified as being cold, the airflow from your Dawn avoids direct contact with you.



Save energy

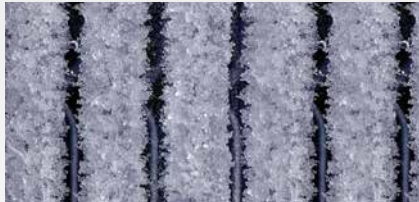
Your Dawn is intelligent enough to know whether there are people in the room or not. So it switches to energy saving mode in empty rooms.



Self-clean

Dawn's self-clean technology works by freezing moist air in the evaporator, trapping dirt. When the frost melts, it takes the dirt with it, leaving you to enjoy clean air.

Cold Expansion Technology



Frost traps dirt on the evaporator surfaces, cleaning them without scrubbing.

Faster cleaning



The evaporator's hydrophilic aluminium coating holds and drains water quickly and efficiently.

Anti-bacterial action



The hydrophilic coating also contains silver nanoparticles that kill bacteria and inhibit its growth with 99% efficiency.



Cleaner air

Innovative technology kills bacteria and keeps the evaporator clean.



Better energy efficiency

Cleaner air conditioners are more efficient.



Save on maintenance

With Dawn, you don't have to pay for expensive manual cleaning by a service technician.

TUV Certificate



Dawn series specifications



Outdoor

Remote

USB Wi-Fi

Model		Indoor	AS26DCBHRA	AS35DCBHRA	AS53DDBHRA
		Outdoor	1U26JABFRA	1U35JABFRA	1U53RAAFRA
Capacity	Cooling	(W)	2600 (900 - 3200)	3400 (900 - 4100)	5000 (1400 - 6000)
	Heating		2600 (900 - 3200)	3850 (900 - 5600)	5650 (1500 - 7500)
Power Input	Cooling	(W)	510 (280 - 1150)	700 (200 - 1200)	1150 (350 - 2100)
	Heating		670 (400 - 1700)	810 (300 - 1850)	1260 (400 - 2800)
EER		(W/W)	5.10	4.86	4.35
COP		(W/W)	4.78	4.75	4.48
Star Rating	Cooling		5.5	4.5	4.0
	Heating		5	5.0	4.5
Running Current	Cooling	(A)	2.3	3.2	5.2
	Heating	(A)	3.1	3.8	5.6
Max Running Current	Cooling	(A)	5.2	5.5	10.0
	Heating	(A)	7.4	8.3	13.0
Power cable connection			Outdoor	Outdoor	Outdoor
Power supply		(Ph/V/Hz)	1/230/50	1/230/50	1/230/50
Air Circulation		(l/s)	97 - 170	97 - 170	180 - 264
Moisture removal		l/h	1.3	1.6	2.0
Refrigerant Type			R32	R32	R32
Refrigerant Charge		(kg)	1.10	1.20	1.30
Connecting Refrigerant Pipe	Diameter Liquid/Gas	(mm)	6.35 / 9.53	6.35 / 9.53	6.35 / 12.7
	Length	(mm)	3,000 - 15,000	3,000 - 15,000	3,000 - 25,000
	Additional R32 after 10m	(kg)	0.020	0.020	0.020
Indoor Unit					
Net dimension	WxDxH	(mm)	980 x 212 x 318	980 x 212 x 318	1113 x 230 x 344
Package dimension	WxDxH	(mm)	1059 x 289 x 407	1059 x 289 x 407	1202 x 432 x 319
Net weight		(kg)	11.5	11.5	15.5
Gross weight		(kg)	14.6	14.6	18.0
Sound Pressure Level	Q/L/M/H	(dBA)	18/28/32/37	18/28/32/37	27/36/41/46
Outdoor Unit					
Net dimension	WxDxH	(mm)	820 x 338 x 614	820 x 338 x 614	890 x 353 x 697
Package dimension	WxDxH	(mm)	993 x 413 x 685	993 x 413 x 685	1076 x 460 x 780
Net weight		(kg)	38.2	39.4	49.0
Gross weight		(kg)	41.5	43.3	53.0
Sound Pressure Level	Cooling/Heating	(dBA)	52/53	51/53	52/54
Sound Power Level	Cooling/Heating	(dBA)	61/63	63/65	65/67

Key Features



Eco-pilot Sensors



Self-clean



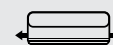
Wi-Fi Control



Whispering Air



3D Airflow



2-way Piping Design



Easy Installation

Rating Conditions: Cooling
Indoor 27°C DB / 19°C
WB. Cooling Outdoor 35°C
DB / 24°C WB. Heating
Indoor 20°C DB. Heating
Outdoor 7°C DB / 6°C
WB. (DB: Dry Bulb; WB:
Wet Bulb)

Haier Brand Story

World's largest home appliance manufacturer



For 10 years, Haier has been the number one brand of major appliances in the world in volume sales*



Founded in 1984, 2019 marked our 35th year



Over 80,000 employees across 30 countries

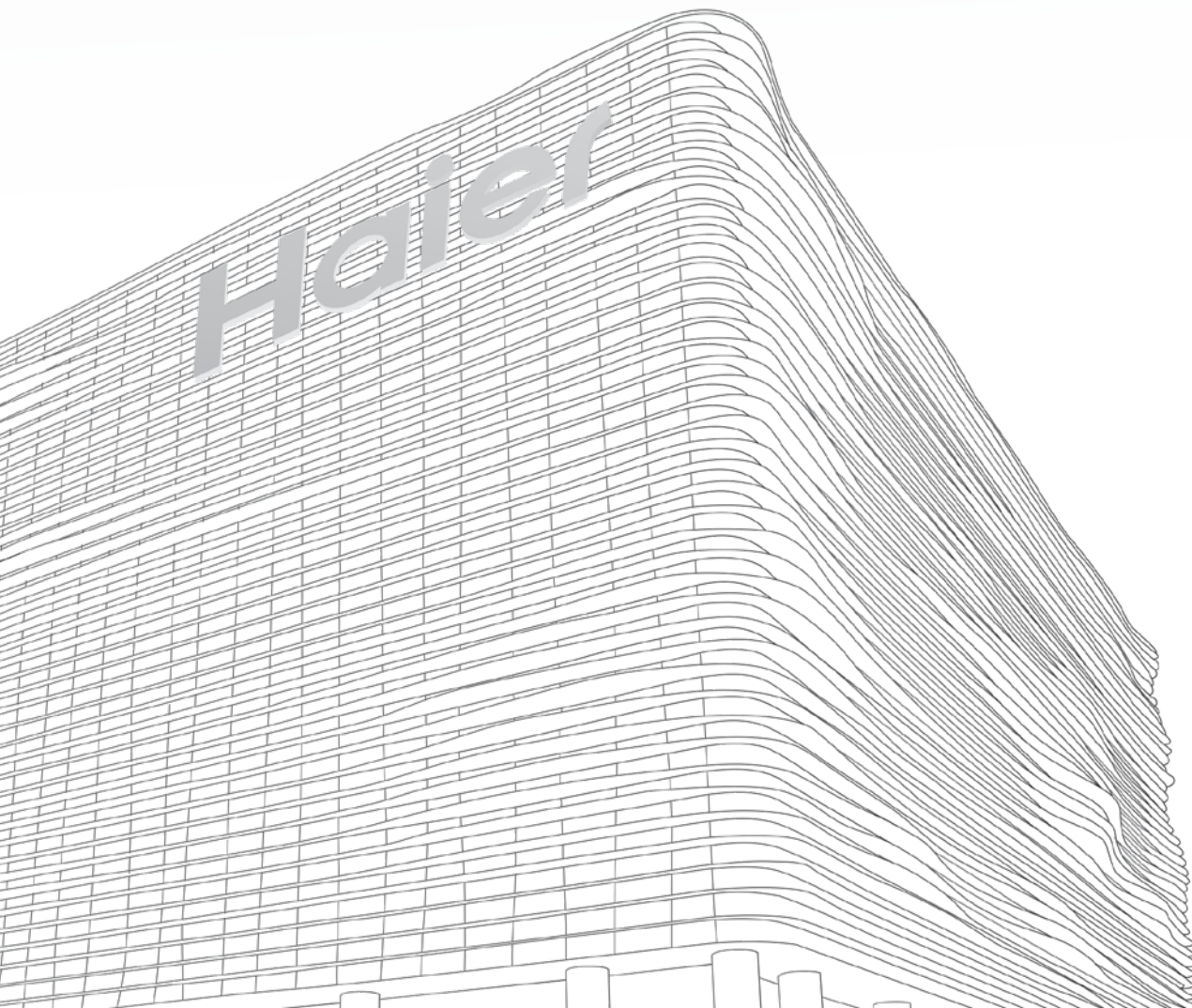


Recently Purchased GE Appliances



Distributed by Fisher & Paykel, a wholly owned Haier subsidiary

* Source Euromonitor International Limited; Consumer Appliance 2019ed, % unit share, 2009-2018 volume sales data. Major Appliances category is the sum of dishwashers, home laundry appliances, large cooking appliances, microwaves and refrigeration appliances.



The evolution of Haier Air Conditioning



1985

- Qingdao Qingkong Air Conditioner Factory formed
 - Introduced China's **1st Split System AC**

1993

- Qingdao Qingkong AC **merged** with Haier Group
 - Introduced China's **1st Inverter AC**

1994

- Haier gains **ISO9001 Certificate**
- Haier acquires 1st export business to Italy

1998

- Introduced China's **1st DC Inverter AC**

2000 - 2003

- Energy Star Certification from **EPA**
- Commenced exporting to **Japan**
- DC Inverter with R410A technology

2015-2016

- Built the world's most advanced intelligent factory
- Launched full range of evaporator self-cleaning air conditioners in the industry

2018-2019

- Launched Haier Voice Activated Air Conditioning - Dawn Series

2010

- Introduced **intelligent AC** with additional functions for security management and monitoring

2011 - 2012

- Improved air quality features including models with formaldehyde elimination and PM2.5 elimination

2013 - 2014

- Launched Wi-Fi AC in China, Italy & South Asia
- Maintaining 15% market share in America for WAC and top 5 ranking in Italy.

2015 - 2016

- Built the world's most advanced intelligent factory
- Launched full range of evaporator self-cleaning air conditioners in the industry

2013 - 2014

- Launched Wi-Fi AC in China, Italy & South Asia

2017-2018

- Launched easy installation products - Flexis Series



Customer Care | Haier Appliances

Australia: 1300 729 948 | haier.com.au

New Zealand: 0800 424 372 | haier.co.nz

Haier
Air Conditioning

Important notice of disclosure: Copyright © Fisher & Paykel Appliances Ltd 2020. All rights reserved. The product dimensions and specifications on this flyer apply to the specific products and models described at the date of issue. Under our policy of continuous product improvement, these dimensions and specifications may change at any time. You should therefore check with your dealer or Fisher & Paykel's Customer Care Centre to ensure this flyer correctly describes the products currently available.

Manufacturer's warranty information: You receive a 5 year Manufacturer's Warranty with all Haier High-Wall Split System. Fisher & Paykel Appliances Ltd will repair (or at its option replace) any part which is found to be defective within five years from date of purchase, without cost to you for either parts or labour. Retention of your original proof of purchase is recommended. To make a claim under any Manufacturer's Warranty, call Customer Care. Service under any Manufacturer's Warranty must be provided by an authorised Fisher & Paykel Appliances Service provider. Use other than in accordance with the product's user guide and other than for domestic use may invalidate any Manufacturer's Warranty. This Manufacturer's Warranty is an extra benefit and does not affect your legal rights. Our goods come with guarantees that cannot be excluded under the Australian Consumer Law. You are entitled to a replacement or refund for a major failure and for compensation for any other reasonably foreseeable loss or damage. You are also entitled to a replacement or replaced if the goods fail to be of acceptable quality and the failure does not amount to a major failure. To view full terms and conditions, visit www.haier.com.au/warranty or www.haier.co.nz/warranty.

The warrantor is:

Fisher & Paykel Australia Pty Ltd, Level 1, 1 Eden Park Drive, Macquarie Park, NSW 2113. Phone Customer Care: 1300 729 948 Email: customer.care@haier.com.au.

Fisher & Paykel Appliances Ltd, 78 Springs Road, East Tamaki, Auckland 2013. Phone Customer Care: 0800 424 372. Email: customer.care@haier.co.nz.