

Heat Recovery Ventilator VH30100

CLEAN COMFORT™
INDOOR AIR ESSENTIALS

Features

- Three operating modes (Intermittent, Continuous and High)
- 100% variable speed
- ISF™ (Insert, Slide and Fix) 5" (127 mm) oval collar system
- Advanced proportional supply fan shut-down defrost sequence
- Single-person mounting system via wall bracket
- Dual permanently lubricated PSC motors
- Integrated auxiliary furnace interlock relay
- Ventilator can be balanced by adjusting each motor independently; no balancing dampers required
- Connection terminals for optional wall controls
- Wall-mount bracket included
- Integrated balancing pressure taps
- Quiet operation

Heat Recovery Core

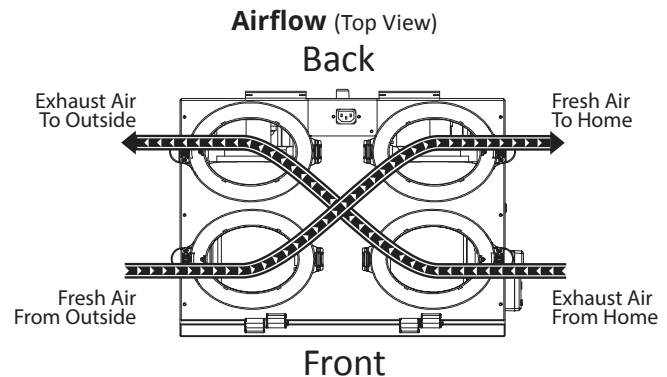
- Transfers sensible heat
- Effective in warm and cold climates
- Water washable

Optional Accessories

- Matrix 2-in-1 high-performance concentric ventilation hood

Certifications and Standards

- HVI Certified
- CSA C439 Standard (Packaged Heat/Energy Recovery Ventilators (HRV/ERV))
- CSA Standard CSA 22.2 NO.113-10 (Fans and ventilators)
- UL Standard 1812 2nd Ed. Ducted Heat/Energy Recovery Ventilators (HRV/ERV)



Proprietary Notice

This document and the information disclosed herein are proprietary data of Daikin North America LLC. Neither this document nor the information contained herein shall be reproduced, used, or disclosed to others without the written authorization of Daikin North America LLC except to the extent required for installation or maintenance of recipient's equipment.

Liability Notice

Daikin North America LLC does not accept any liability for installations of ventilation equipment installed by unqualified personnel or the use of parts/components/equipment that are not authorized or approved by Daikin.

Copyright Notice

Copyright 2015, Daikin North America LLC All rights reserved.

Specifications VH30100

Cabinet

Dimensions 22"x 19-13/16" x 14-19/32"
(558.8 mm x 502.9 mm x 370.8 mm)

Construction 20-gauge galvanized pre-painted steel corrosion-resistant liner: molded expanded Polystyrene (EPS) Rated UL94 HF-1

Duct Connections Four, 5" (127 mm) dia. ISF double collar system

Airflow Rates 30 CFM (14 L/s) to 100 CFM (47 L/s)

Motors Two PSC variable-speed backward curved
Maximum RPM 3135; 1/11 HP, class F, thermally protected

Voltage 120 VAC @ 60 Hz / 1 Phase

Amperage 0.85 A / 66 W

Electronic Components Circuit output voltage: 5VDC nominal compliant
RoHS compliant

Heat Exchanger Exchange surface Polypropylene HRV Core
63.5 ft² (5.9 m²)
Dimensions 10"L x 10"W x 9"D
(254 mm x 254 mm x 228.6 mm)
Construction Corrugated cross-flow polypropylene layers
Recognized UL94 HB and HF-1

Defrost type Evacuation; activated automatically at 23°F (-5°C)

Filters Two (2) Fiberbond washable 9" x 10" x 5/8"
(229mm x 254mm x 16 mm)

Drain Connection 1/2" (12.7 mm)

Actual Weight 33 1/2 lbs (15.2 Kg)

Shipping Weight 41 lbs (18.6 Kg)

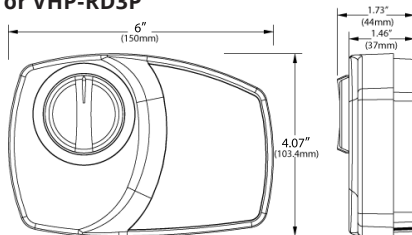
Optional Wall Controls

Mechanical VHP-RD1 or VHP-RD3P

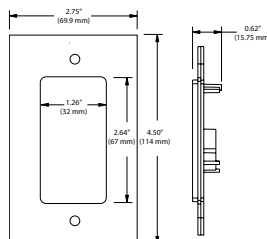
Timers VHP-T3 (20, 40, 60 minutes)

Wall Control Dimensions

VHP-RD1 or VHP-RD3P

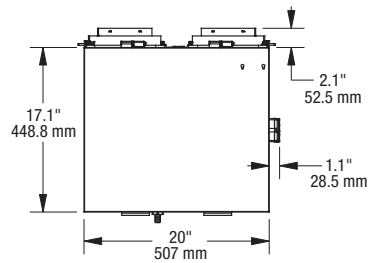


VHP-T3 Timer

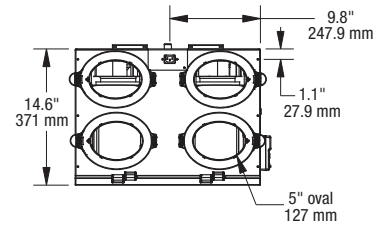


Dimensional Data

Front View

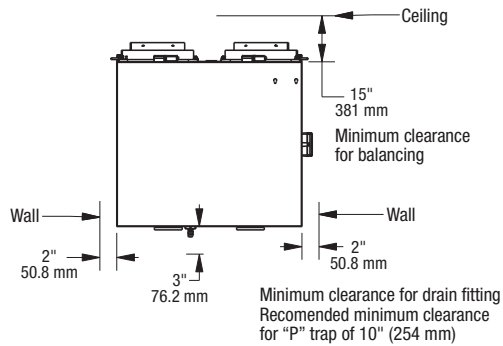


Top View

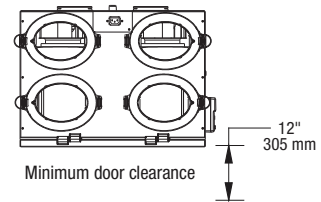


Minimum Clearance Data

Front View

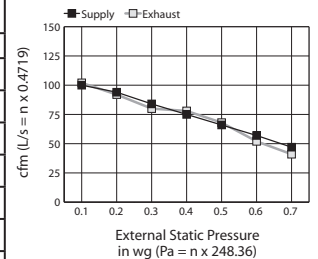


Top View



Ventilation Performance

External Static Pressure	Net Supply Airflow		Gross Airflow Supply		Gross Airflow Exhaust		
	Pa	in. wg	L/s	CFM	L/s	CFM	L/s
25	0.1	47	99	48	100	48	102
50	0.2	44	93	45	94	43	92
75	0.3	39	83	40	84	38	80
100	0.4	35	75	35	75	36	78
125	0.5	30	65	30	66	32	68
150	0.6	27	56	27	57	25	52
175	0.7	22	46	22	47	19	41



Energy Performance

	Supply Temperature		Net Airflow		Power Consumed (Watts)	Sensible Recovery Efficiency
	°C	°F	L/S	CFM		
Heating	0	32	19	40	28	64
	0	32	30	65	40	59
	-25	-13	18	37	30	55

Our continuing commitment to quality products may mean a change in specifications without notice.

© 2015 • DAIKIN NORTH AMERICA LLC • Houston, Texas • Printed in the USA.