



Air Conditioning & Heating

GPH16H

COOLING CAPACITY: 24,000 - 57,500 BTU/H

HEATING CAPACITY: 22,800 - 54,500 BTU/H

HIGH-EFFICIENCY PACKAGED HEAT PUMP 2 TO 5 TONS UP TO 16 SEER / 8.2 HSPF



Contents

Nomenclature.....	2
Product Specifications.....	3
Expanded Cooling Data	4
Expanded Heating Data.....	20
Airflow Data	23
Heat Kit Electrical Data.....	24
Dimensions	25
Wiring Diagrams	26
Accessories	28

Standard Features

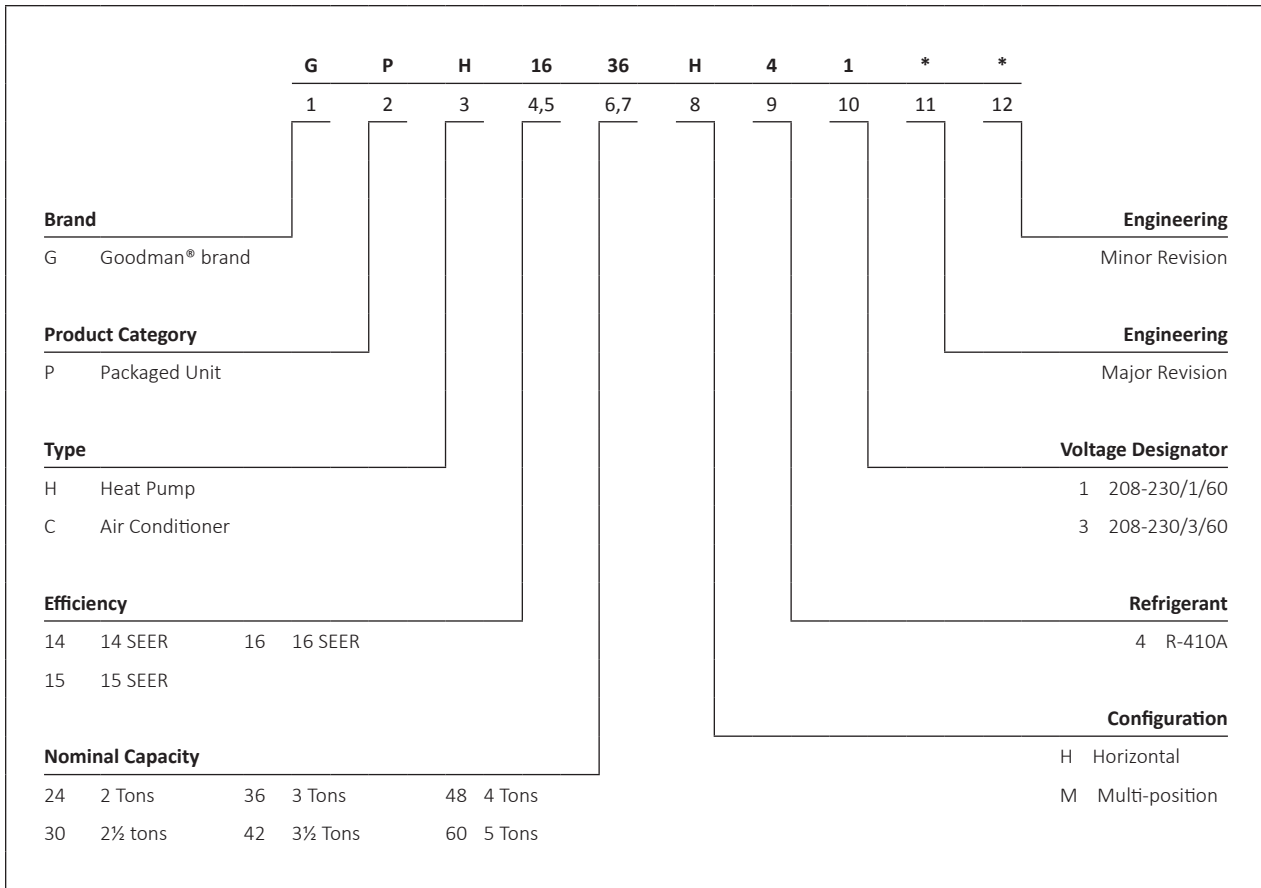
- High-efficiency scroll compressor
- Multi-speed ECM indoor blower motor
- Copper tube/aluminum fin condenser coil
- All-aluminum evaporator coil
- Totally enclosed, permanently lubricated condenser fan motor
- Fully charged system
- Quiet horizontal discharge
- Electric heat kit available as a field-installed option
- AHRI Certified; ETL Listed

Cabinet Features

- Heavy-gauge galvanized-steel cabinet with attractive Architectural Gray powder-paint finish
- Louvered condenser coil protection
- Aluminum foil-facing internal insulation reinforced with fiberglass scrim
- Fully insulated blower compartment with convenient access panels
- Meets cabinet air leakage requirements when tested in accordance with ASHRAE standard 193
- One footprint for all tonnages



* Complete warranty details available from your local dealer or at www.goodmanmfg.com. To receive the 2-Year Unit Replacement Limited Warranty and 10-Year Parts Limited Warranty, online registration must be completed within 60 days of installation. Online registration is not required in California or Quebec.



	GPH16 24H41A*	GPH16 30H41A*	GPH16 36H41A*	GPH16 36H41BA	GPH16 36H41BB	GPH16 42H41A*	GPH16 42H41B*	GPH16 48H41A*	GPH16 60H41A*
COOLING CAPACITY									
AHRI Cooling Capacity (BTU/h)	24,000	28,400	36,000	35,600	35,600	42,000	42,000	46,000	57,500
Sensible BTU/h	18,200	21,400	27,400	27,400	27,400	30,000	30,000	34,600	41,000
SEER / EER	16.0 / 13.0	16.0 / 12.5	16.0 / 13.0	16.0 / 13.0	16.0 / 13.0	16.0 / 12.0	16.0 / 12.0	16.0 / 12.0	15.5/12
Decibels	76	76	78	78	78	78	79	80	80
AHRI Numbers	7953308	7953310	7953311	202327492	202327492	7953312	10259473	7953729	9008583
HEATING CAPACITY									
BTU/h (47°F)	22,800	27,600	32,200	32,200	32,200	40,000	40,000	44,000	54,500
C.O.P. (47°F)	3.8	3.8	3.8	3.8	3.8	3.8	3.8	3.8	3.6
BTU/h (17°F)	13,000	15,400	20,400	19,700	19,700	21,600	21,600	26,000	33,800
C.O.P. (17°F)	2.4	2.5	2.4	2.4	2.4	2.4	2.4	2.4	2.4
HSPF	8.0	8.0	8.0	8.0	8.0	8.0	8.2	8.0	8.2
EVAPORATOR MOTOR									
Type	ECM	ECM	ECM	EEM	ECM	ECM	EEM	ECM	ECM
Wheel (D x W)	10 x 8	10 x 8	10 x 8	10 x 8	10 x 8	10 x 8	10 x 8	10 x 8	11X8
Cooling CFM	875	1,050	1,200	1,200	1,200	1,300	1,300	1,600	1,700
Fan-Only CFM	800	950	1,100	1,100	1,100	1,200	1,200	1,400	1,600
RLA	3.8	3.8	3.8	3.8	3.8	3.8	3.8	5.4	5.4
No. of Speeds	5	5	5	5	5	5	5	5	5
Horsepower- RPM	½- 1,050	½- 1,050	½- 1,050	½- 1,050	½- 1,050	½- 1,050	½- 1,050	¾- 1,050	¾- 1,050
EVAPORATOR COIL									
Face Area (ft²)	5.2	5.2	6.2	6.2	6.2	6.2	6.2	6.2	7
Rows Deep/ Fins per Inch	3/ 14	3/ 14	4/ 14	4/ 14	4/ 14	4/ 14	4/ 14	4/ 14	4/ 14
Indoor Metering Device Size	TXV	TXV	TXV	TXV	TXV	TXV	TXV	TXV	TXV
Filter Size (ft²)	20 x 20 x 1	20 x 25 x 1	25 x 25 x 1	25 x 25 x 1	25 x 25 x 1	(2) 20 x 20 x 1	(2) 20x20x1	(2) 20 x 20 x 1	(2) 20 x 25 x 1
Drain Size (NPT)	¾"	¾"	¾"	¾"	¾"	¾"	¾"	¾"	¾"
Refrigerant Charge (oz.)	116	116	170	170	170	170	170	170	175
CONDENSER FAN / COIL									
Horsepower- RPM	1/6- 815	1/6- 815	¼- 1075	¼- 1075	¼- 1075	¼- 1075	¼- 1075	¼- 1075	¼- 1075
RLA/LRA	1.1 / 1.7	1.1 / 1.7	1.5 /3.0	1.3 /3.0	1.6 / 3.5	1.4 / 2.9	1.4 / 2.9	1.4 / 2.9	1.4 / 2.9
Fan Diameter / # Fan Blades	22 / 3	22 / 3	22 / 4	22 / 4	22 / 4	22 / 4	22 / 4	22 / 4	22 / 4
Face Area (ft²)	14.3	14.3	17	17	17	17	17	17	19
Outdoor Metering Device Size	0.047	0.047	0.057	0.057	0.057	0.059	0.059	TXV	TXV
Rows Deep/ Fins per Inch	2 / 16	2 / 16	2 / 16	2 / 16	2 / 16	2 / 16	2 / 16	2 / 16	2 / 20
COMPRESSOR									
Quantity / Type	1 / Scroll	1 / Scroll	1 / Scroll	1 / Scroll	1 / Scroll	1 / Scroll	1 / Scroll	1 / Scroll	1 / Scroll
Stage	Single	Single	Single	Single	Single	Single	Two	Two	Two
Compressor RLA/LRA	12.8 / 58.3	14.1 / 73	16.7 / 79	15.7 / 72.2	15.7 / 72.2	17.9 / 112	17.9 / 96	21.2 / 104	26.4 / 134
ELECTRICAL DATA									
Voltage/ Phase (60 Hz)	208-230/ 1	208-230/ 1	208-230/ 1	208-230/ 1	208-230/ 1	208-230/ 1	208-230/ 1	208-230/ 1	208-230/ 1
Indoor Blower FLA	3.8	3.8	3.8	3.8	3.8	3.8	3.8	5.4	5.4
Outdoor Fan RLA	1.1	1.1	1.4	1.3	1.6	1.4	1.4	1.4	1.4
Total Unit Amps	17.7	19	21.9	20.8	21.1	23.1	23.1	28	33.2
Min. Circuit Ampacity ¹	21	23	27	24.7	25	28	28	35	40
Min. Overcurrent Protection ²	30 amps	35 amps	40 amps	40 amps	40 amps	45 amps	45 amps	50 amps	60 amps
OPERATING WEIGHTS (LBS)									
	315	315	375	375	375	375	375	400	405
SHIPPING WEIGHTS (LBS)									
	324	324	387	385	387	387	387	412	417

¹ Wire size should be determined in accordance with National Electrical Codes. Extensive wire runs will require larger wire sizes.

² Must use time-delay fuses or HACR-type circuit breakers of the same size as noted.

Always check the S&R plate for electrical data on the unit being installed.

IDB	AIRFLOW	OUTDOOR AMBIENT TEMPERATURE																							
		65				75				85				95				105				115			
		59	63	67	71	59	63	67	71	59	63	67	71	59	63	67	71	59	63	67	71	59	63	67	71
70	MBh	23.1	23.9	26.2	-	22.5	23.3	25.6	-	22.0	22.8	25.0	-	21.5	22.2	24.4	-	20.4	21.1	23.1	-	18.9	19.6	21.4	-
	S/T	0.74	0.62	0.43	-	0.76	0.64	0.44	-	0.78	0.66	0.45	-	0.81	0.68	0.47	-	0.84	0.70	0.49	-	0.85	0.71	0.49	-
	ΔT	16	14	11	-	17	14	11	-	17	14	11	-	17	15	11	-	17	14	11	-	15	13	10	-
	KW	1.42	1.45	1.50	-	1.54	1.57	1.62	-	1.64	1.67	1.73	-	1.72	1.76	1.82	-	1.80	1.84	1.90	-	1.86	1.91	1.97	-
	Amps	6.1	6.2	6.4	-	6.5	6.6	6.8	-	7.0	7.2	7.4	-	7.4	7.6	7.8	-	7.9	8.0	8.3	-	8.3	8.5	8.7	-
Hi PR	218	234	247	-	244	263	278	-	278	299	316	-	316	340	360	-	356	383	404	-	393	423	447	-	
Lo PR	110	117	127	-	116	123	135	-	120	128	140	-	127	135	147	-	133	141	154	-	137	146	159	-	
70	MBh	22.8	23.7	25.9	-	22.3	23.1	25.3	-	21.8	22.6	24.7	-	21.2	22.0	24.1	-	20.2	20.9	22.9	-	18.7	19.4	21.2	-
	S/T	0.72	0.60	0.42	-	0.75	0.63	0.43	-	0.77	0.64	0.45	-	0.79	0.66	0.46	-	0.82	0.69	0.48	-	0.83	0.69	0.48	-
	ΔT	17	15	11	-	18	15	12	-	18	15	12	-	18	15	12	-	17	15	11	-	16	14	11	-
	KW	1.42	1.45	1.50	-	1.53	1.57	1.62	-	1.63	1.67	1.72	-	1.72	1.76	1.82	-	1.79	1.83	1.90	-	1.86	1.90	1.97	-
	Amps	6.1	6.2	6.4	-	6.5	6.6	6.8	-	7.0	7.1	7.4	-	7.4	7.6	7.8	-	7.8	8.0	8.3	-	8.3	8.5	8.7	-
Hi PR	217	234	247	-	244	262	277	-	277	298	315	-	315	339	358	-	355	382	403	-	392	422	446	-	
Lo PR	109	116	127	-	116	123	134	-	120	128	139	-	126	134	147	-	132	141	154	-	137	145	159	-	
750	MBh	21.1	21.8	23.9	-	20.6	21.3	23.4	-	20.1	20.8	22.8	-	19.6	20.3	22.3	-	18.6	19.3	21.1	-	17.3	17.9	19.6	-
	S/T	0.70	0.58	0.40	-	0.72	0.60	0.42	-	0.74	0.62	0.43	-	0.77	0.64	0.44	-	0.79	0.66	0.46	-	0.80	0.67	0.46	-
	ΔT	18	16	12	-	18	16	12	-	18	16	12	-	18	16	12	-	18	16	12	-	17	15	11	-
	KW	1.38	1.41	1.46	-	1.49	1.53	1.58	-	1.59	1.63	1.68	-	1.67	1.71	1.77	-	1.75	1.79	1.85	-	1.81	1.85	1.91	-
	Amps	5.9	6.0	6.2	-	6.3	6.5	6.7	-	6.8	7.0	7.2	-	7.2	7.4	7.6	-	7.7	7.8	8.1	-	8.1	8.2	8.5	-
Hi PR	211	227	239	-	236	254	268	-	269	289	305	-	306	329	348	-	344	370	391	-	380	409	432	-	
Lo PR	106	113	123	-	112	119	130	-	116	124	135	-	122	130	142	-	128	136	149	-	133	141	154	-	

950	MBh	23.5	24.1	26.1	28.1	22.9	23.6	25.5	27.4	22.4	23.0	24.9	26.7	21.8	22.5	24.3	26.1	20.7	21.3	23.1	24.8	19.2	19.8	21.4	23.0
	S/T	0.84	0.75	0.57	0.37	0.87	0.78	0.59	0.38	0.89	0.80	0.60	0.39	0.92	0.82	0.62	0.40	0.96	0.85	0.65	0.42	0.96	0.86	0.65	0.42
	ΔT	19	18	14	10	19	18	15	10	19	18	15	10	19	18	15	10	19	18	14	10	18	16	14	9
	KW	1.43	1.47	1.51	1.56	1.55	1.58	1.64	1.69	1.65	1.69	1.74	1.80	1.74	1.78	1.84	1.90	1.81	1.86	1.92	1.98	1.88	1.92	1.99	2.06
	Amps	6.1	6.2	6.4	6.6	6.6	6.7	6.9	7.1	7.1	7.2	7.4	7.7	7.5	7.7	7.9	8.2	7.9	8.1	8.4	8.7	8.4	8.6	8.8	9.1
Hi PR	220	237	250	261	247	266	280	292	281	302	319	333	320	344	363	379	360	387	409	426	397	428	451	471	
Lo PR	111	118	129	137	117	125	136	145	122	129	141	151	128	136	148	158	134	143	156	166	139	147	161	171	
875	MBh	23.2	23.9	25.9	27.8	22.7	23.4	25.3	27.1	22.1	22.8	24.7	26.5	21.6	22.2	24.1	25.8	20.5	21.1	22.9	24.5	19.0	19.6	21.2	22.7
	S/T	0.82	0.74	0.56	0.36	0.85	0.76	0.58	0.37	0.87	0.78	0.59	0.38	0.90	0.81	0.61	0.39	0.94	0.84	0.63	0.41	0.94	0.84	0.64	0.41
	ΔT	20	18	15	10	20	19	15	11	20	19	15	11	20	19	15	11	20	19	15	11	19	17	14	10
	KW	1.43	1.46	1.51	1.56	1.54	1.58	1.63	1.69	1.65	1.68	1.74	1.80	1.73	1.77	1.83	1.90	1.81	1.85	1.91	1.98	1.87	1.92	1.98	2.05
	Amps	6.1	6.2	6.4	6.6	6.5	6.7	6.9	7.1	7.0	7.2	7.4	7.7	7.5	7.6	7.9	8.1	7.9	8.1	8.3	8.6	8.3	8.5	8.8	9.1
Hi PR	219	236	249	260	246	265	280	292	280	301	318	332	319	343	362	378	358	386	407	425	396	426	450	469	
Lo PR	110	118	128	137	117	124	136	144	121	129	141	150	127	136	148	158	134	142	155	165	138	147	160	171	
750	MBh	21.4	22.1	23.9	25.6	20.9	21.6	23.3	25.0	20.4	21.0	22.8	24.4	19.9	20.5	22.2	23.8	18.9	19.5	21.1	22.7	17.5	18.1	19.6	21.0
	S/T	0.79	0.71	0.54	0.35	0.82	0.74	0.56	0.36	0.84	0.75	0.57	0.37	0.87	0.78	0.59	0.38	0.90	0.81	0.61	0.39	0.91	0.81	0.62	0.40
	ΔT	21	19	16	11	21	19	16	11	21	19	16	11	21	20	16	11	21	19	16	11	20	18	15	10
	KW	1.40	1.43	1.47	1.52	1.51	1.54	1.59	1.64	1.60	1.64	1.69	1.75	1.69	1.73	1.79	1.85	1.76	1.80	1.86	1.93	1.83	1.87	1.93	2.00
	Amps	6.0	6.1	6.3	6.5	6.4	6.5	6.7	6.9	6.9	7.0	7.2	7.5	7.3	7.5	7.7	7.9	7.7	7.9	8.1	8.4	8.1	8.3	8.6	8.9
Hi PR	213	229	242	252	239	257	271	283	271	292	308	322	309	333	351	366	348	374	395	412	384	413	437	455	
Lo PR	107	114	124	133	113	120	132	140	118	125	137	146	124	132	144	153	130	138	150	160	134	143	156	166	

IDB = Entering Indoor Dry Bulb Temperature
 High and low pressures are measured at the liquid and suction access fittings.
 Design Subcooling, 5-7 °F @ the liquid access fitting connection AHR1 95 test conditions. Design Superheat 15-18°F @ the compressor suction access fitting connection.
 Shaded area reflects AHR1 (TV) conditions.
 kW = Total system power
 Amps: Unit amps (comp.+ evaporator + condenser fan motors)

IDB	AIRFLOW	OUTDOOR AMBIENT TEMPERATURE												ENTERING INDOOR WET BULB TEMPERATURE											
		65				75				85				95				105				115			
		59	63	67	71	59	63	67	71	59	63	67	71	59	63	67	71	59	63	67	71	59	63	67	71
80	MBh	23.9	24.4	26.1	27.9	23.3	23.8	25.5	27.2	22.8	23.3	24.8	26.6	22.2	22.7	24.2	25.9	21.1	21.6	23.0	24.6	19.5	20.0	21.3	22.8
	S/T	0.92	0.86	0.70	0.53	0.95	0.89	0.73	0.54	0.98	0.92	0.75	0.56	1.00	0.95	0.77	0.58	1.00	0.98	0.80	0.60	1.00	1.00	0.81	0.60
	ΔT	21	20	18	14	22	21	18	14	22	21	18	14	21	21	18	14	20	20	18	14	19	19	17	13
	kW	1.45	1.48	1.53	1.58	1.56	1.60	1.65	1.70	1.66	1.70	1.76	1.82	1.75	1.79	1.85	1.92	1.83	1.87	1.94	2.00	1.90	1.94	2.01	2.08
	Amps	6.2	6.3	6.5	6.7	6.6	6.8	7.0	7.2	7.1	7.3	7.5	7.8	7.6	7.7	8.0	8.2	8.0	8.2	8.4	8.7	8.4	8.6	8.9	9.2
	Hi PR	222	239	252	263	249	268	283	295	283	305	322	336	323	347	367	383	363	391	413	430	401	432	456	476
	Lo PR	112	119	130	138	118	126	137	146	123	131	143	152	129	137	150	160	135	144	157	167	140	149	163	173
	MBh	23.6	24.1	25.8	27.6	23.1	23.6	25.2	26.9	22.5	23.0	24.6	26.3	22.0	22.5	24.0	25.7	20.9	21.3	22.8	24.4	19.3	19.8	21.1	22.6
	S/T	0.90	0.85	0.69	0.51	0.94	0.88	0.71	0.53	0.96	0.90	0.73	0.55	0.99	0.93	0.76	0.56	1.00	0.96	0.78	0.59	1.00	0.97	0.79	0.59
	ΔT	22	21	19	15	23	22	19	15	23	22	19	15	23	22	19	15	22	22	19	15	20	20	18	14
kW	1.44	1.47	1.52	1.57	1.56	1.59	1.65	1.70	1.66	1.70	1.75	1.81	1.75	1.79	1.85	1.91	1.82	1.87	1.93	2.00	1.89	1.93	2.00	2.07	
Amps	6.2	6.3	6.5	6.7	6.6	6.7	6.9	7.2	7.1	7.3	7.5	7.7	7.5	7.7	7.9	8.2	8.0	8.2	8.4	8.7	8.4	8.6	8.9	9.2	
Hi PR	221	238	252	262	248	267	282	295	283	304	321	335	322	346	366	381	362	390	411	429	400	431	455	474	
Lo PR	112	119	130	138	118	125	137	146	123	130	142	152	129	137	150	159	135	144	157	167	140	148	162	173	
MBh	21.8	22.3	23.8	25.5	21.3	21.8	23.3	24.9	20.8	21.3	22.7	24.3	20.3	20.7	22.2	23.7	19.3	19.7	21.0	22.5	17.9	18.2	19.5	20.8	
S/T	0.87	0.82	0.66	0.50	0.90	0.85	0.69	0.51	0.92	0.87	0.71	0.53	0.95	0.90	0.73	0.54	0.99	0.93	0.76	0.57	1.00	0.94	0.76	0.57	
ΔT	23	22	19	15	24	23	20	16	24	23	20	16	24	23	20	16	23	22	20	16	22	21	18	15	
kW	1.41	1.44	1.48	1.53	1.52	1.55	1.60	1.66	1.62	1.65	1.71	1.77	1.70	1.74	1.80	1.86	1.78	1.82	1.88	1.94	1.84	1.88	1.95	2.02	
Amps	6.0	6.1	6.3	6.5	6.4	6.6	6.8	7.0	6.9	7.1	7.3	7.5	7.4	7.5	7.7	8.0	7.8	8.0	8.2	8.5	8.2	8.4	8.6	9.0	
Hi PR	215	231	244	255	241	259	274	286	274	295	311	325	312	336	355	370	351	378	399	416	388	418	441	460	
Lo PR	108	115	126	134	114	122	133	141	119	126	138	147	125	133	145	154	131	139	152	162	135	144	157	167	
MBh	24.3	24.8	25.9	27.7	23.7	24.2	25.3	27.0	23.2	23.6	24.7	26.4	22.6	23.0	24.1	25.7	21.5	21.9	22.9	24.4	19.9	20.3	21.2	22.6	
S/T	0.96	0.93	0.84	0.68	1.00	0.96	0.87	0.71	1.00	0.99	0.89	0.72	1.00	1.00	0.92	0.75	1.00	1.00	0.96	0.78	1.00	1.00	0.96	0.78	
ΔT	23	22	21	18	23	23	21	18	22	23	21	18	22	22	22	19	21	21	21	18	19	20	20	17	
kW	1.46	1.49	1.54	1.59	1.57	1.61	1.66	1.72	1.68	1.72	1.77	1.83	1.77	1.81	1.87	1.93	1.85	1.89	1.95	2.02	1.91	1.96	2.02	2.09	
Amps	6.2	6.3	6.5	6.7	6.7	6.8	7.0	7.2	7.2	7.3	7.6	7.8	7.6	7.8	8.0	8.3	8.1	8.3	8.5	8.8	8.5	8.7	9.0	9.3	
Hi PR	224	241	255	266	252	271	286	298	286	308	325	339	326	351	371	386	367	395	417	435	405	436	461	480	
Lo PR	113	120	131	140	119	127	139	148	124	132	144	154	130	139	151	161	137	145	159	169	141	150	164	175	
MBh	24.0	24.5	25.7	27.4	23.5	23.9	25.1	26.8	22.9	23.4	24.5	26.1	22.4	22.8	23.9	25.5	21.2	21.7	22.7	24.2	19.7	20.1	21.0	22.4	
S/T	0.95	0.91	0.82	0.67	0.98	0.95	0.85	0.69	1.00	0.97	0.88	0.71	1.00	1.00	0.90	0.73	1.00	1.00	0.94	0.76	1.00	1.00	0.95	0.77	
ΔT	24	24	22	19	24	24	22	19	24	24	23	19	24	24	23	20	22	23	22	19	21	21	21	18	
kW	1.45	1.49	1.54	1.59	1.57	1.61	1.66	1.72	1.67	1.71	1.77	1.83	1.76	1.80	1.86	1.93	1.84	1.88	1.95	2.01	1.91	1.95	2.02	2.09	
Amps	6.2	6.3	6.5	6.7	6.6	6.8	7.0	7.2	7.2	7.3	7.5	7.8	7.6	7.8	8.0	8.3	8.1	8.2	8.5	8.8	8.5	8.7	9.0	9.3	
Hi PR	224	241	254	265	251	270	285	297	285	307	324	338	325	350	369	385	366	394	416	433	404	435	459	479	
Lo PR	113	120	131	139	119	127	138	147	124	132	144	153	130	138	151	161	136	145	158	169	141	150	164	174	
MBh	22.2	22.6	23.7	25.3	21.7	22.1	23.1	24.7	21.2	21.6	22.6	24.1	20.6	21.0	22.0	23.5	19.6	20.0	20.9	22.3	18.2	18.5	19.4	20.7	
S/T	0.91	0.88	0.79	0.64	0.95	0.91	0.82	0.67	0.97	0.94	0.84	0.68	1.00	0.97	0.87	0.71	1.00	1.00	0.90	0.73	1.00	1.00	0.91	0.74	
ΔT	25	24	23	20	25	25	23	20	25	25	23	20	25	25	24	20	24	25	23	20	22	23	22	19	
kW	1.42	1.45	1.50	1.55	1.53	1.57	1.62	1.67	1.63	1.67	1.72	1.78	1.72	1.76	1.82	1.88	1.79	1.83	1.90	1.96	1.86	1.90	1.96	2.03	
Amps	6.1	6.2	6.4	6.6	6.5	6.6	6.8	7.0	7.0	7.1	7.3	7.6	7.4	7.6	7.8	8.1	7.8	8.0	8.3	8.6	8.3	8.5	8.7	9.0	
Hi PR	217	233	247	257	243	262	277	289	277	298	315	328	315	339	358	374	355	382	403	420	392	422	445	465	
Lo PR	109	116	127	135	116	123	134	143	120	128	139	148	126	134	146	156	132	141	153	163	137	145	159	169	

IDB = Entering Indoor Dry Bulb Temperature

High and low pressures are measured at the liquid and suction access fittings.

Design Subcooling, 5-7 °F @ the liquid access fitting connection AHR1 95 test conditions. Design Superheat 15-18°F @ the compressor suction access fitting connection.

Shaded area reflects AHR1 conditions.

Amps: Unit amps (comp.+ evaporator + condenser fan motors)

kW = Total system power

IDB	AIRFLOW	OUTDOOR AMBIENT TEMPERATURE																												
		65				75				85				95				105				115								
		59	63	67	71	59	63	67	71	59	63	67	71	59	63	67	71	59	63	67	71	59	63	67	71					
70	1180	MBh	27.8	28.8	31.6	-	27.2	28.2	30.9	-	26.5	27.5	30.1	-	25.9	26.8	29.4	-	24.6	25.5	27.9	-	24.6	25.5	27.9	-	22.8	23.6	25.9	-
		S/T	0.75	0.63	0.44	-	0.78	0.65	0.45	-	0.80	0.67	0.46	-	0.83	0.69	0.48	-	0.86	0.72	0.50	-	0.86	0.72	0.50	-	0.87	0.72	0.50	-
		ΔT	16	14	11	-	17	14	11	-	17	14	11	-	17	14	11	-	16	14	11	-	16	14	11	-	15	13	10	-
		KW	1.74	1.78	1.84	-	1.88	1.92	1.99	-	2.01	2.05	2.12	-	2.11	2.16	2.24	-	2.21	2.26	2.33	-	2.21	2.26	2.33	-	2.29	2.34	2.42	-
		Amps	7.3	7.5	7.7	-	7.9	8.0	8.3	-	8.5	8.7	8.9	-	9.0	9.2	9.5	-	9.5	9.8	10.1	-	9.5	9.8	10.1	-	10.1	10.3	10.6	-
	1050	Hi PR	228	246	260	-	256	276	291	-	292	314	331	-	332	357	377	-	374	402	425	-	374	402	425	-	413	444	469	-
		Lo PR	109	116	127	-	115	123	134	-	120	128	139	-	126	134	146	-	132	140	153	-	132	140	153	-	137	145	159	-
		MBh	27.0	28.0	30.7	-	26.4	27.4	30.0	-	25.8	26.7	29.3	-	25.1	26.1	28.5	-	23.9	24.7	27.1	-	23.9	24.7	27.1	-	22.1	22.9	25.1	-
		S/T	0.72	0.60	0.42	-	0.75	0.62	0.43	-	0.76	0.64	0.44	-	0.79	0.66	0.46	-	0.82	0.68	0.47	-	0.82	0.68	0.47	-	0.83	0.69	0.48	-
		ΔT	17	15	11	-	17	15	11	-	17	15	11	-	17	15	11	-	17	15	11	-	17	15	11	-	16	14	11	-
925	KW	1.73	1.77	1.82	-	1.87	1.91	1.97	-	1.99	2.03	2.10	-	2.10	2.14	2.22	-	2.19	2.24	2.31	-	2.19	2.24	2.31	-	2.27	2.32	2.40	-	
	Amps	7.3	7.4	7.6	-	7.8	8.0	8.2	-	8.4	8.6	8.8	-	8.9	9.1	9.4	-	9.5	9.7	10.0	-	9.5	9.7	10.0	-	10.0	10.2	10.5	-	
	Hi PR	226	243	257	-	254	273	288	-	289	311	328	-	329	354	374	-	370	398	420	-	370	398	420	-	409	440	464	-	
	Lo PR	108	115	126	-	114	122	133	-	119	126	138	-	125	133	145	-	131	139	152	-	131	139	152	-	135	144	157	-	
	MBh	25.7	26.6	29.1	-	25.1	26.0	28.5	-	24.5	25.4	27.8	-	23.9	24.7	27.1	-	22.7	23.5	25.8	-	22.7	23.5	25.8	-	21.0	21.8	23.9	-	

75	1180	MBh	28.3	29.1	31.5	33.9	27.6	28.5	30.8	33.1	27.0	27.8	30.1	32.3	26.3	27.1	29.3	31.5	25.0	25.8	27.9	29.9	23.2	23.9	25.8	27.7
		S/T	0.86	0.77	0.58	0.37	0.89	0.79	0.60	0.39	0.91	0.82	0.62	0.40	0.94	0.84	0.64	0.41	0.98	0.87	0.66	0.43	0.98	0.88	0.67	0.43
		ΔT	19	17	14	10	19	18	14	10	19	18	14	10	19	18	15	10	20	18	14	10	18	16	13	9
		KW	1.76	1.80	1.85	1.92	1.90	1.94	2.01	2.07	2.02	2.07	2.14	2.21	2.13	2.18	2.26	2.33	2.23	2.28	2.36	2.44	2.31	2.36	2.44	2.53
		Amps	7.4	7.5	7.8	8.0	7.9	8.1	8.3	8.6	8.5	8.7	9.0	9.3	9.1	9.3	9.6	9.9	9.6	9.8	10.1	10.5	10.1	10.4	10.7	11.1
	1050	Hi PR	231	248	262	274	259	279	294	307	295	317	335	349	336	361	381	398	377	406	429	447	417	449	474	494
		Lo PR	110	117	128	137	117	124	135	144	121	129	141	150	127	135	148	157	133	142	155	165	138	147	160	171
		MBh	27.5	28.3	30.6	32.9	26.8	27.6	29.9	32.1	26.2	27.0	29.2	31.3	25.6	26.3	28.5	30.6	24.3	25.0	27.1	29.0	22.5	23.2	25.1	26.9
		S/T	0.82	0.73	0.55	0.36	0.85	0.76	0.57	0.37	0.87	0.78	0.59	0.38	0.90	0.80	0.61	0.39	0.93	0.83	0.63	0.41	0.94	0.84	0.64	0.41
		ΔT	20	18	15	10	20	18	15	10	20	18	15	10	20	18	15	10	20	18	15	10	18	17	14	10
925	KW	1.74	1.78	1.84	1.90	1.88	1.92	1.99	2.06	2.01	2.05	2.12	2.19	2.11	2.16	2.24	2.31	2.21	2.26	2.34	2.42	2.29	2.34	2.42	2.51	
	Amps	7.3	7.5	7.7	8.0	7.9	8.0	8.3	8.5	8.5	8.7	8.9	9.2	9.0	9.2	9.5	9.8	9.5	9.8	10.1	10.4	10.1	10.3	10.6	11.0	
	Hi PR	229	246	260	271	256	276	291	304	292	314	331	346	332	357	377	394	374	402	425	443	413	444	469	489	
	Lo PR	109	116	127	135	115	123	134	143	120	128	139	148	126	134	146	156	132	141	153	163	137	145	159	169	
	MBh	26.1	26.9	29.1	31.2	25.5	26.3	28.4	30.5	24.9	25.6	27.7	29.8	24.3	25.0	27.1	29.0	23.1	23.8	25.7	27.6	21.4	22.0	23.8	25.6	

IDB = Entering Indoor Dry Bulb Temperature
 High and low pressures are measured at the liquid and suction access fittings.
 Design Subcooling, 5-7 °F @ the liquid access fitting connection AHR1 95 test conditions. Design Superheat 15-18°F @ the compressor suction access fitting connection.
 Shaded area reflects AHR1 (TV) conditions.
 kW = Total system power
 Amps: Unit amps (comp.+ evaporator + condenser fan motors)

IDB	Airflow	Outdoor Ambient Temperature																																			
		65°F						75°F						85°F						95°F						105°F						115°F					
		59	63	67	71	59	63	67	71	59	63	67	71	59	63	67	71	59	63	67	71	59	63	67	71	59	63	67	71								
1180	Mbh	28.8	29.4	31.4	33.6	28.1	28.7	30.7	32.8	27.5	28.1	30.0	32.1	26.8	27.4	29.3	31.3	25.5	26.0	27.8	29.7	23.6	24.1	25.7	27.5												
	S/T	0.94	0.88	0.72	0.54	1.00	0.91	0.74	0.56	1.00	0.94	0.76	0.57	1.00	0.97	0.79	0.59	1.00	1.00	0.82	0.61	1.00	1.00	0.82	0.62												
	ΔT	21	20	18	14	22	20	18	14	21	20	18	14	21	21	18	14	20	20	18	14	18	19	17	13												
	kW	1.77	1.81	1.87	1.93	1.91	1.96	2.02	2.09	2.04	2.09	2.16	2.23	2.15	2.20	2.28	2.35	2.25	2.30	2.38	2.46	2.33	2.38	2.46	2.55												
	Amps	7.4	7.6	7.8	8.1	8.0	8.2	8.4	8.7	8.6	8.8	9.1	9.4	9.2	9.4	9.7	10.0	9.7	9.9	10.2	10.6	10.2	10.5	10.8	11.2												
80	Hi PR	233	251	265	276	262	282	297	310	298	320	338	353	339	365	385	402	381	410	433	452	421	453	479	499												
	Lo PR	111	119	129	138	118	125	137	146	122	130	142	151	129	137	149	159	135	143	156	167	139	148	162	172												
	Mbh	28.0	28.6	30.5	32.6	27.3	27.9	29.8	31.9	26.7	27.2	29.1	31.1	26.0	26.6	28.4	30.4	24.7	25.3	27.0	28.8	22.9	23.4	25.0	26.7												
	S/T	0.90	0.84	0.68	0.51	0.93	0.87	0.71	0.53	0.95	0.89	0.73	0.54	0.98	0.92	0.75	0.56	1.00	0.96	0.78	0.58	1.00	0.97	0.79	0.59												
	ΔT	22	21	18	15	22	21	19	15	22	21	19	15	22	21	19	15	22	21	18	15	20	20	17	14												
925	kW	1.76	1.80	1.86	1.92	1.90	1.94	2.01	2.07	2.02	2.07	2.14	2.21	2.13	2.18	2.26	2.33	2.23	2.28	2.36	2.44	2.31	2.36	2.44	2.53												
	Amps	7.4	7.5	7.8	8.0	7.9	8.1	8.3	8.6	8.5	8.7	9.0	9.3	9.1	9.3	9.6	9.9	9.6	9.8	10.1	10.5	10.1	10.4	10.7	11.1												
	Hi PR	231	248	262	274	259	279	294	307	295	317	335	349	336	361	381	398	377	406	429	447	417	449	474	494												
	Lo PR	110	117	128	137	117	124	135	144	121	129	141	150	127	135	148	157	133	142	155	165	138	147	160	171												
	Mbh	26.6	27.1	29.0	31.0	25.9	26.5	28.3	30.3	25.3	25.9	27.7	29.6	24.7	25.3	27.0	28.8	23.5	24.0	25.6	27.4	21.7	22.2	23.7	25.4												
925	S/T	0.86	0.81	0.66	0.49	0.89	0.84	0.68	0.51	0.91	0.86	0.70	0.52	0.94	0.88	0.72	0.54	0.98	0.92	0.75	0.56	0.99	0.93	0.75	0.56												
	ΔT	23	22	19	15	23	22	19	15	23	22	19	15	23	22	19	15	23	22	19	15	21	20	18	14												
	kW	1.73	1.77	1.82	1.88	1.87	1.91	1.97	2.04	1.99	2.03	2.10	2.17	2.10	2.14	2.22	2.29	2.19	2.24	2.31	2.40	2.27	2.32	2.40	2.48												
	Amps	7.3	7.4	7.6	7.9	7.8	8.0	8.2	8.5	8.4	8.6	8.8	9.2	8.9	9.1	9.4	9.7	9.5	9.7	10.0	10.3	10.0	10.2	10.5	10.9												
	Hi PR	226	243	257	268	254	273	288	301	289	311	328	342	329	354	374	390	370	398	420	438	409	440	464	484												
Lo PR	108	115	126	134	114	122	133	141	119	126	138	147	125	133	145	154	131	139	152	162	135	144	157	167													

1180	Mbh	29.3	29.9	31.3	33.4	28.6	29.2	30.6	32.6	27.9	28.5	29.8	31.8	27.3	27.8	29.1	31.1	25.9	26.4	27.7	29.5	24.0	24.5	25.6	27.3
	S/T	0.99	0.95	0.86	0.70	1.00	0.99	0.89	0.72	1.00	1.00	0.91	0.74	1.00	1.00	0.94	0.76	1.00	1.00	0.98	0.79	1.00	1.00	0.99	0.80
	ΔT	23	22	21	18	22	22	21	18	22	22	21	18	21	22	21	18	20	21	21	18	19	19	20	17
	kW	1.79	1.83	1.89	1.95	1.93	1.97	2.04	2.11	2.06	2.10	2.18	2.25	2.17	2.22	2.30	2.38	2.26	2.32	2.40	2.48	2.35	2.40	2.48	2.57
	Amps	7.5	7.7	7.9	8.2	8.0	8.2	8.5	8.8	8.7	8.9	9.2	9.5	9.2	9.4	9.7	10.1	9.8	10.0	10.3	10.7	10.3	10.6	10.9	11.3
1050	Hi PR	235	253	268	279	264	284	300	313	301	323	342	356	342	368	389	406	385	414	438	456	425	458	483	504
	Lo PR	113	120	131	139	119	127	138	147	124	132	144	153	130	138	151	161	136	145	158	168	141	150	163	174
	Mbh	28.5	29.0	30.4	32.4	27.8	28.3	29.7	31.7	27.1	27.7	29.0	30.9	26.5	27.0	28.3	30.1	25.1	25.6	26.8	28.6	23.3	23.7	24.9	26.5
	S/T	0.94	0.91	0.82	0.66	0.97	0.94	0.85	0.69	1.00	0.96	0.87	0.71	1.00	1.00	0.90	0.73	1.00	1.00	0.93	0.76	1.00	1.00	0.94	0.76
	ΔT	23	23	22	19	24	23	22	19	24	23	22	19	23	24	23	20	22	22	22	19	20	21	20	18
925	kW	1.77	1.81	1.87	1.93	1.91	1.96	2.02	2.09	2.04	2.09	2.16	2.23	2.15	2.20	2.28	2.35	2.25	2.30	2.38	2.46	2.33	2.38	2.46	2.55
	Amps	7.4	7.6	7.8	8.1	8.0	8.2	8.4	8.7	8.6	8.8	9.1	9.4	9.2	9.4	9.7	10.0	9.7	9.9	10.2	10.6	10.2	10.5	10.8	11.2
	Hi PR	233	251	265	276	262	282	297	310	298	320	338	353	339	365	385	402	381	410	433	452	421	453	479	499
	Lo PR	111	119	129	138	118	125	137	146	122	130	142	151	129	137	149	159	135	143	156	167	139	148	162	172
	Mbh	27.0	27.6	28.9	30.8	26.4	26.9	28.2	30.1	25.8	26.3	27.5	29.4	25.1	25.6	26.8	28.6	23.9	24.4	25.5	27.2	22.1	22.6	23.6	25.2
925	S/T	0.90	0.87	0.78	0.64	0.93	0.90	0.81	0.66	0.96	0.92	0.83	0.68	0.99	0.95	0.86	0.70	1.00	0.99	0.89	0.72	1.00	1.00	0.90	0.73
	ΔT	24	24	22	19	24	24	23	20	25	24	23	20	25	24	23	20	22	24	23	20	22	22	21	18
	kW	1.74	1.78	1.84	1.90	1.88	1.92	1.99	2.06	2.01	2.05	2.12	2.19	2.11	2.16	2.24	2.31	2.21	2.26	2.33	2.42	2.29	2.34	2.42	2.50
	Amps	7.3	7.5	7.7	8.0	7.9	8.0	8.3	8.5	8.5	8.7	8.9	9.2	9.0	9.2	9.5	9.8	9.5	9.8	10.1	10.4	10.1	10.3	10.6	11.0
	Hi PR	228	246	260	271	256	276	291	304	292	314	331	346	332	357	377	394	374	402	425	443	413	444	469	489
Lo PR	109	116	127	135	115	123	134	143	120	128	139	148	126	134	146	156	132	140	153	163	137	145	159	169	

IDB = Entering Indoor Dry Bulb Temperature

High and low pressures are measured at the liquid and suction access fittings.

Design Subcooling, 5-7 °F @ the liquid access fitting connection AHR1 95 test conditions. Design Superheat 15-18°F @ the compressor suction access fitting connection.

Shaded area reflects AHR1 conditions.

Amps: Unit amps (comp.+ evaporator + condenser fan motors)

kW = Total system power

IDB	AIRFLOW	OUTDOOR AMBIENT TEMPERATURE																								
		65				75				85				95				105				115				
		59	63	67	71	59	63	67	71	59	63	67	71	59	63	67	71	59	63	67	71	59	63	67	71	
70	1350	MBh	35.3	36.6	40.1	-	34.5	35.7	39.1	-	33.6	34.9	38.2	-	32.8	34.0	37.3	-	31.2	32.3	35.4	-	28.9	29.9	32.8	-
		S/T	0.75	0.63	0.43	-	0.78	0.65	0.45	-	0.80	0.67	0.46	-	0.82	0.69	0.48	-	0.85	0.71	0.49	-	0.86	0.72	0.50	-
		ΔT	18	16	12	-	18	16	12	-	18	16	12	-	18	16	12	-	18	16	12	-	17	15	11	-
		KW	2.25	2.29	2.37	-	2.42	2.47	2.55	-	2.57	2.62	2.71	-	2.70	2.76	2.85	-	2.82	2.88	2.97	-	2.91	2.98	3.08	-
		Amps	9.4	9.6	9.8	-	10.0	10.2	10.5	-	10.8	11.0	11.3	-	11.4	11.7	12.0	-	12.1	12.4	12.7	-	12.7	13.0	13.4	-
	1200	Hi PR	230	247	261	-	258	277	293	-	293	315	333	-	334	359	379	-	375	404	427	-	415	446	471	-
		Lo PR	112	119	130	-	118	125	137	-	123	130	142	-	129	137	150	-	135	144	157	-	140	148	162	-
		MBh	34.2	35.5	38.9	-	33.5	34.7	38.0	-	32.7	33.8	37.1	-	31.9	33.0	36.2	-	30.3	31.4	34.4	-	28.0	29.1	31.8	-
		S/T	0.72	0.60	0.41	-	0.74	0.62	0.43	-	0.76	0.63	0.44	-	0.78	0.66	0.45	-	0.81	0.68	0.47	-	0.82	0.69	0.48	-
		ΔT	19	16	12	-	19	16	12	-	19	16	12	-	19	17	13	-	19	16	12	-	18	15	12	-
1060	KW	2.23	2.28	2.35	-	2.40	2.45	2.53	-	2.55	2.60	2.69	-	2.68	2.74	2.83	-	2.79	2.85	2.95	-	2.89	2.95	3.05	-	
	Amps	9.3	9.5	9.7	-	9.9	10.1	10.4	-	10.7	10.9	11.2	-	11.3	11.6	11.9	-	12.0	12.3	12.6	-	12.6	12.9	13.3	-	
	Hi PR	227	245	258	-	255	275	290	-	290	312	330	-	330	356	376	-	372	400	422	-	411	442	467	-	
	Lo PR	111	118	128	-	117	124	136	-	121	129	141	-	127	136	148	-	134	142	155	-	138	147	160	-	
	MBh	32.5	33.7	36.9	-	31.8	32.9	36.1	-	31.0	32.2	35.2	-	30.3	31.4	34.4	-	28.8	29.8	32.7	-	26.6	27.6	30.2	-	

IDB	AIRFLOW	OUTDOOR AMBIENT TEMPERATURE																								
		65				75				85				95				105				115				
		59	63	67	71	59	63	67	71	59	63	67	71	59	63	67	71	59	63	67	71	59	63	67	71	
75	1350	MBh	35.9	36.9	40.0	42.9	35.0	36.1	39.1	41.9	34.2	35.2	38.1	40.9	33.4	34.4	37.2	39.9	31.7	32.6	35.3	37.9	29.4	30.2	32.7	35.1
		S/T	0.85	0.76	0.58	0.37	0.88	0.79	0.60	0.38	0.91	0.81	0.61	0.39	0.94	0.84	0.63	0.41	0.97	0.87	0.66	0.42	0.98	0.88	0.66	0.43
		ΔT	21	19	16	11	21	19	16	11	21	19	16	11	21	20	16	11	21	19	16	11	20	18	15	10
		KW	2.26	2.31	2.38	2.46	2.44	2.49	2.57	2.65	2.59	2.65	2.73	2.82	2.72	2.78	2.88	2.97	2.84	2.90	3.00	3.10	2.94	3.00	3.10	3.21
		Amps	9.4	9.6	9.9	10.2	10.1	10.3	10.6	11.0	10.9	11.1	11.4	11.8	11.5	11.8	12.1	12.5	12.2	12.5	12.8	13.3	12.8	13.1	13.5	14.0
	1200	Hi PR	232	250	264	275	260	280	296	309	296	319	336	351	337	363	383	400	379	408	431	450	419	451	476	497
		Lo PR	113	120	131	139	119	127	138	147	124	132	144	153	130	138	151	161	136	145	158	169	141	150	164	174
		MBh	34.8	35.9	38.8	41.7	34.0	35.0	37.9	40.7	33.2	34.2	37.0	39.7	32.4	33.4	36.1	38.8	30.8	31.7	34.3	36.8	28.5	29.4	31.8	34.1
		S/T	0.81	0.73	0.55	0.35	0.84	0.75	0.57	0.37	0.86	0.77	0.58	0.38	0.89	0.80	0.60	0.39	0.93	0.83	0.63	0.40	0.93	0.83	0.63	0.41
		ΔT	22	20	16	11	22	20	17	11	22	20	17	11	22	20	17	11	22	20	16	11	20	19	15	11
1060	KW	2.25	2.29	2.37	2.44	2.42	2.47	2.55	2.63	2.57	2.62	2.71	2.80	2.70	2.76	2.85	2.95	2.82	2.88	2.97	3.07	2.91	2.98	3.08	3.18	
	Amps	9.4	9.6	9.8	10.1	10.0	10.2	10.5	10.9	10.8	11.0	11.3	11.7	11.4	11.7	12.0	12.4	12.1	12.4	12.7	13.2	12.7	13.0	13.4	13.9	
	Hi PR	230	247	261	272	258	277	293	305	293	315	333	347	334	359	379	396	376	404	427	445	415	447	472	492	
	Lo PR	112	119	130	138	118	125	137	146	123	130	142	152	129	137	150	159	135	144	157	167	140	148	162	173	
	MBh	33.1	34.1	36.9	39.6	32.3	33.3	36.0	38.7	31.5	32.5	35.2	37.7	30.8	31.7	34.3	36.8	29.2	30.1	32.6	35.0	27.1	27.9	30.2	32.4	

IDB = Entering Indoor Dry Bulb Temperature
 High and low pressures are measured at the liquid and suction access fittings.
 Design Subcooling, 9-12 °F @ the liquid access fitting connection AHR1 95 test conditions. Design Superheat 7-11 °F @ the compressor suction access fitting connection.
 Shaded area reflects AHR1 (TVA) conditions.
 Amps: Unit amps (comp.+ evaporator + condenser fan motors)
 kW = Total system power

IDB		OUTDOOR AMBIENT TEMPERATURE																							
		65				75				85				95				105				115			
		59	63	67	71	59	63	67	71	59	63	67	71	59	63	67	71	59	63	67	71	59	63	67	71
80	AIRFLOW	ENTERING INDOOR WET BULB TEMPERATURE																							
	Mb/h	36.5	37.3	39.9	42.6	35.7	36.4	38.9	41.6	34.8	35.6	38.0	40.6	34.0	34.7	37.1	39.6	32.3	33.0	35.2	37.7	29.9	30.5	32.6	34.9
	S/T	0.93	0.88	0.71	0.53	0.97	0.91	0.74	0.55	1.00	0.93	0.76	0.57	1.00	0.96	0.78	0.59	1.00	1.00	0.81	0.61	1.00	1.00	0.82	0.61
	ΔT	23	22	19	15	24	23	20	16	24	23	20	16	23	23	20	16	22	22	19	16	20	21	18	15
	kW	2.28	2.33	2.40	2.48	2.46	2.51	2.59	2.67	2.61	2.67	2.75	2.85	2.75	2.81	2.90	3.00	2.86	2.93	3.02	3.13	2.96	3.03	3.13	3.24
	Amps	9.5	9.7	10.0	10.3	10.2	10.4	10.7	11.1	11.0	11.2	11.5	11.9	11.6	11.9	12.2	12.7	12.3	12.6	13.0	13.4	13.0	13.2	13.7	14.1
	Hi PR	234	252	266	278	263	283	299	312	299	322	340	354	341	367	387	404	383	412	435	454	423	456	481	502
	Lo PR	114	121	132	141	120	128	140	149	125	133	145	155	131	140	153	162	138	146	160	170	142	151	165	176
	Mb/h	35.4	36.2	38.7	41.4	34.6	35.4	37.8	40.4	33.8	34.5	36.9	39.4	33.0	33.7	36.0	38.5	31.3	32.0	34.2	36.6	29.0	29.7	31.7	33.9
	S/T	0.89	0.84	0.68	0.51	0.92	0.87	0.71	0.53	0.95	0.89	0.72	0.54	0.98	0.92	0.75	0.56	1.00	0.95	0.77	0.58	1.00	0.96	0.78	0.58
	ΔT	24	23	20	16	25	23	20	16	25	24	20	16	25	24	21	16	24	23	20	16	22	22	19	15
	kW	2.26	2.31	2.38	2.46	2.44	2.49	2.57	2.65	2.59	2.65	2.73	2.82	2.73	2.78	2.88	2.97	2.84	2.90	3.00	3.10	2.94	3.00	3.10	3.21
	Amps	9.4	9.6	9.9	10.2	10.1	10.3	10.6	11.0	10.9	11.1	11.4	11.8	11.5	11.8	12.1	12.5	12.2	12.5	12.8	13.3	12.8	13.1	13.5	14.0
	Hi PR	232	250	264	275	260	280	296	309	296	319	336	351	337	363	383	400	379	408	431	450	419	451	476	497
	Lo PR	113	120	131	139	119	127	138	147	124	132	144	153	130	138	151	161	136	145	158	169	141	150	164	174
Mb/h	33.7	34.4	36.8	39.3	32.9	33.6	35.9	38.4	32.1	32.8	35.1	37.5	31.3	32.0	34.2	36.6	29.8	30.4	32.5	34.7	27.6	28.2	30.1	32.2	
S/T	0.85	0.80	0.65	0.49	0.89	0.83	0.68	0.51	0.91	0.85	0.69	0.52	0.94	0.88	0.72	0.53	0.97	0.91	0.74	0.55	0.98	0.92	0.75	0.56	
ΔT	25	24	21	17	25	24	21	17	25	24	21	17	25	24	21	17	25	24	21	17	23	22	20	16	
kW	2.23	2.28	2.35	2.42	2.40	2.45	2.53	2.61	2.55	2.60	2.69	2.78	2.68	2.74	2.83	2.92	2.79	2.85	2.95	3.05	2.89	2.95	3.05	3.15	
Amps	9.3	9.5	9.7	10.1	9.9	10.1	10.4	10.8	10.7	10.9	11.2	11.6	11.3	11.6	11.9	12.3	12.0	12.3	12.6	13.1	12.6	12.9	13.3	13.8	
Hi PR	227	245	258	269	255	275	290	302	290	312	330	344	330	356	376	392	372	400	422	441	411	442	467	487	
Lo PR	111	118	128	137	117	124	136	144	121	129	141	150	127	136	148	158	134	142	155	165	138	147	160	171	
85	Mb/h	37.2	37.9	39.7	42.3	36.3	37.0	38.7	41.3	35.4	36.1	37.8	40.3	34.6	35.2	36.9	39.4	32.8	33.5	35.0	37.4	30.4	31.0	32.5	34.6
	S/T	0.98	0.95	0.85	0.69	1.00	0.98	0.88	0.72	1.00	1.00	0.91	0.74	1.00	1.00	0.94	0.76	1.00	1.00	0.97	0.79	1.00	1.00	0.98	0.80
	ΔT	25	24	23	20	25	25	23	20	24	25	23	20	24	24	24	20	22	23	23	20	21	21	22	19
	kW	2.30	2.35	2.42	2.50	2.48	2.53	2.61	2.70	2.63	2.69	2.78	2.87	2.77	2.83	2.92	3.02	2.89	2.95	3.05	3.15	2.99	3.05	3.16	3.26
	Amps	9.6	9.8	10.1	10.4	10.3	10.5	10.8	11.1	11.0	11.3	11.6	12.0	11.7	12.0	12.3	12.8	12.4	12.7	13.1	13.5	13.1	13.4	13.8	14.3
	Hi PR	237	255	269	281	266	286	302	315	302	325	343	358	344	370	391	408	387	416	440	459	428	460	486	507
	Lo PR	115	122	134	142	122	129	141	150	126	134	147	156	133	141	154	164	139	148	161	172	144	153	167	178
	Mb/h	36.1	36.8	38.5	41.1	35.2	35.9	37.6	40.1	34.4	35.1	36.7	39.2	33.6	34.2	35.8	38.2	31.9	32.5	34.0	36.3	29.5	30.1	31.5	33.6
	S/T	0.93	0.90	0.81	0.66	0.97	0.93	0.84	0.68	0.99	0.96	0.87	0.70	1.00	0.99	0.89	0.72	1.00	1.00	0.93	0.75	1.00	1.00	0.93	0.76
	ΔT	26	25	24	21	26	26	24	21	26	26	24	21	26	26	25	21	24	25	24	21	23	23	23	20
	kW	2.28	2.33	2.40	2.48	2.46	2.51	2.59	2.67	2.61	2.67	2.75	2.85	2.75	2.81	2.90	3.00	2.86	2.93	3.02	3.13	2.96	3.03	3.13	3.24
	Amps	9.5	9.7	10.0	10.3	10.2	10.4	10.7	11.1	11.0	11.2	11.5	11.9	11.6	11.9	12.2	12.7	12.3	12.6	13.0	13.4	13.0	13.2	13.7	14.1
	Hi PR	234	252	266	278	263	283	299	312	299	322	340	354	341	367	387	404	383	412	435	454	423	456	481	502
	Lo PR	114	121	132	141	120	128	140	149	125	133	145	155	131	140	153	162	138	146	160	170	142	151	165	176
	Mb/h	34.3	34.9	36.6	39.0	33.5	34.1	35.7	38.1	32.7	33.3	34.9	37.2	31.9	32.5	34.0	36.3	30.3	30.9	32.3	34.5	28.0	28.6	29.9	31.9
S/T	0.90	0.86	0.78	0.63	0.93	0.90	0.81	0.66	0.95	0.92	0.83	0.67	0.98	0.95	0.86	0.69	1.00	0.98	0.89	0.72	1.00	0.99	0.90	0.73	
ΔT	27	26	25	21	27	26	25	22	27	27	25	22	27	27	25	22	26	26	25	22	24	25	23	20	
kW	2.25	2.29	2.37	2.44	2.42	2.47	2.55	2.63	2.57	2.62	2.71	2.80	2.70	2.76	2.85	2.95	2.82	2.88	2.97	3.07	2.91	2.98	3.08	3.18	
Amps	9.4	9.6	9.8	10.1	10.0	10.2	10.5	10.9	10.8	11.0	11.3	11.7	11.4	11.7	12.0	12.4	12.1	12.4	12.7	13.2	12.7	13.0	13.4	13.9	
Hi PR	230	247	261	272	258	277	293	305	293	315	333	347	334	359	379	396	375	404	427	445	415	446	471	492	
Lo PR	112	119	130	138	118	125	137	146	123	130	142	152	129	137	150	159	135	144	157	167	140	148	162	173	

IDB = Entering Indoor Dry Bulb Temperature
 High and low pressures are measured at the liquid and suction access fittings.
 Design Subcooling, 9-12 °F @ the liquid access fitting connection AHRJ 95 test conditions. Design Superheat 7-11°F @ the compressor suction access fitting connection.
 Shaded area reflects AHRJ conditions.
 Amps: Unit amps (comp.+ evaporator + condenser fan motors)
 kW = Total system power

IDB	AIRFLOW	OUTDOOR AMBIENT TEMPERATURE																								
		65				75				85				95				105				115				
		59	63	67	71	59	63	67	71	59	63	67	71	59	63	67	71	59	63	67	71	59	63	67	71	
70	1350	MBh	34.9	36.2	39.6	-	34.1	35.3	38.7	-	33.3	34.5	37.8	-	32.5	33.6	36.9	-	30.8	32.0	35.0	-	28.6	29.6	32.4	-
		S/T	0.77	0.65	0.45	-	0.80	0.67	0.46	-	0.82	0.69	0.48	-	0.85	0.71	0.49	-	0.88	0.74	0.51	-	0.89	0.74	0.51	-
		ΔT	18	16	12	-	19	16	12	-	19	16	12	-	19	16	12	-	18	16	12	-	17	15	11	-
		KW	2.07	2.12	2.18	-	2.23	2.28	2.35	-	2.37	2.42	2.50	-	2.49	2.55	2.63	-	2.60	2.65	2.74	-	2.69	2.75	2.84	-
		Amps	9.2	9.3	9.6	-	9.8	10.0	10.3	-	10.6	10.8	11.1	-	11.2	11.5	11.8	-	11.9	12.2	12.5	-	12.5	12.8	13.2	-
	1200	Hi PR	224	241	254	-	251	270	285	-	285	307	324	-	325	350	369	-	366	393	415	-	404	435	459	-
		Lo PR	114	121	132	-	120	128	140	-	125	133	145	-	131	140	152	-	138	146	160	-	142	151	165	-
		MBh	33.9	35.1	38.5	-	33.1	34.3	37.6	-	32.3	33.5	36.7	-	31.5	32.7	35.8	-	29.9	31.0	34.0	-	27.7	28.7	31.5	-
		S/T	0.74	0.62	0.43	-	0.76	0.64	0.44	-	0.78	0.65	0.45	-	0.81	0.68	0.47	-	0.84	0.70	0.49	-	0.85	0.71	0.49	-
		ΔT	19	17	13	-	19	17	13	-	19	17	13	-	20	17	13	-	19	17	13	-	18	16	12	-
1060	KW	2.06	2.10	2.16	-	2.21	2.26	2.33	-	2.35	2.40	2.48	-	2.47	2.53	2.61	-	2.57	2.63	2.72	-	2.66	2.72	2.81	-	
	Amps	9.1	9.3	9.5	-	9.7	9.9	10.2	-	10.5	10.7	11.0	-	11.1	11.4	11.7	-	11.8	12.1	12.4	-	12.4	12.7	13.1	-	
	Hi PR	221	238	251	-	248	267	282	-	282	304	321	-	322	346	366	-	362	389	411	-	400	430	454	-	
	Lo PR	113	120	131	-	119	127	138	-	124	132	144	-	130	138	151	-	136	145	158	-	141	150	164	-	
	MBh	32.2	33.3	36.5	-	31.4	32.6	35.7	-	30.7	31.8	34.8	-	29.9	31.0	34.0	-	28.4	29.5	32.3	-	26.3	27.3	29.9	-	

IDB	AIRFLOW	OUTDOOR AMBIENT TEMPERATURE																								
		65				75				85				95				105				115				
		59	63	67	71	59	63	67	71	59	63	67	71	59	63	67	71	59	63	67	71	59	63	67	71	
75	1350	MBh	35.5	36.5	39.5	42.4	34.7	35.7	38.6	41.4	33.8	34.8	37.7	40.5	33.0	34.0	36.8	39.5	31.4	32.3	34.9	37.5	29.0	29.9	32.4	34.7
		S/T	0.88	0.79	0.60	0.38	0.91	0.81	0.62	0.40	0.93	0.84	0.63	0.41	0.96	0.86	0.65	0.42	1.00	0.90	0.68	0.44	1.00	0.90	0.68	0.44
		ΔT	21	20	16	11	21	20	16	11	22	20	16	11	22	20	16	11	21	20	16	11	20	18	15	10
		KW	2.09	2.13	2.20	2.27	2.25	2.30	2.37	2.45	2.39	2.44	2.52	2.60	2.51	2.57	2.65	2.74	2.62	2.68	2.76	2.86	2.71	2.77	2.86	2.96
		Amps	9.2	9.4	9.7	10.0	9.9	10.1	10.4	10.8	10.7	10.9	11.2	11.6	11.3	11.6	11.9	12.3	12.0	12.3	12.6	13.1	12.6	12.9	13.3	13.8
	1200	Hi PR	226	243	257	268	253	273	288	300	288	310	327	342	328	353	373	389	369	397	420	438	408	439	464	484
		Lo PR	115	122	134	142	121	129	141	150	126	134	147	156	133	141	154	164	139	148	161	172	144	153	167	178
		MBh	34.4	35.5	38.4	41.2	33.6	34.6	37.5	40.2	32.8	33.8	36.6	39.3	32.0	33.0	35.7	38.3	30.4	31.3	33.9	36.4	28.2	29.0	31.4	33.7
		S/T	0.84	0.75	0.57	0.37	0.87	0.78	0.59	0.38	0.89	0.80	0.60	0.39	0.92	0.82	0.62	0.40	0.95	0.85	0.65	0.42	0.96	0.86	0.65	0.42
		ΔT	22	20	17	12	22	21	17	12	22	21	17	12	23	21	17	12	22	21	17	12	21	19	16	11
1060	KW	2.07	2.12	2.18	2.25	2.23	2.28	2.35	2.43	2.37	2.42	2.50	2.58	2.49	2.55	2.63	2.72	2.60	2.65	2.74	2.83	2.69	2.75	2.84	2.93	
	Amps	9.2	9.3	9.6	9.9	9.8	10.0	10.3	10.7	10.6	10.8	11.1	11.5	11.2	11.5	11.8	12.2	11.9	12.2	12.5	13.0	12.5	12.8	13.2	13.7	
	Hi PR	224	241	254	265	251	270	285	297	285	307	324	338	325	350	369	385	366	393	415	433	404	435	459	479	
	Lo PR	114	121	132	141	120	128	140	149	125	133	145	155	131	140	152	162	138	146	160	170	142	151	165	176	
	MBh	32.7	33.7	36.5	39.1	32.0	32.9	35.6	38.2	31.2	32.1	34.8	37.3	30.4	31.3	33.9	36.4	28.9	29.8	32.2	34.6	26.8	27.6	29.9	32.0	

IDB = Entering Indoor Dry Bulb Temperature
 High and low pressures are measured at the liquid and suction access fittings.
 Design Subcooling, 9-12 °F @ the liquid access fitting connection AHR1 95 test conditions. Design Superheat 7-11 °F @ the compressor suction access fitting connection.
 Shaded area reflects AHR1 (TVA) conditions.
 Amps: Unit amps (comp.+ evaporator + condenser fan motors)
 KW = Total system power

IDB		OUTDOOR AMBIENT TEMPERATURE																																
		65					75					85					95					105					115							
		59	63	67	71	75	59	63	67	71	75	59	63	67	71	75	59	63	67	71	75	59	63	67	71	75	59	63	67	71	75			
ENTERING INDOOR WET BULB TEMPERATURE																	ENTERING INDOOR WET BULB TEMPERATURE																	
80	AIRFLOW	MBh	36.1	36.9	39.4	42.1	35.3	36.0	38.5	41.2	34.4	35.2	37.6	40.2	33.6	34.3	36.7	39.2	31.9	32.6	34.8	37.2	31.9	32.6	34.8	37.2	29.6	30.2	32.3	34.5	29.6	30.2	32.3	34.5
		S/T	0.96	0.90	0.74	0.55	1.00	0.94	0.76	0.57	1.00	0.96	0.78	0.58	1.00	1.00	0.81	0.60	1.00	1.00	0.84	0.63	1.00	1.00	0.84	0.63	1.00	1.00	0.84	0.63	1.00	1.00	0.84	0.63
	ΔT	24	23	20	16	24	23	20	16	23	23	20	16	23	23	20	16	22	22	20	16	22	22	20	16	20	21	19	15	20	21	19	15	
	kW	2.10	2.15	2.22	2.29	2.27	2.31	2.39	2.47	2.41	2.46	2.54	2.62	2.53	2.59	2.67	2.76	2.64	2.70	2.79	2.88	2.64	2.70	2.79	2.88	2.73	2.79	2.89	2.98	2.73	2.79	2.89	2.98	
	Amps	9.3	9.5	9.8	10.1	10.0	10.2	10.5	10.8	10.7	11.0	11.3	11.7	11.4	11.7	12.0	12.4	12.1	12.4	12.7	13.2	12.1	12.4	12.7	13.2	12.8	13.0	13.4	13.9	12.8	13.0	13.4	13.9	
	Hi PR	228	245	259	270	256	275	291	303	291	313	331	345	332	357	377	393	373	401	424	442	373	401	424	442	412	443	468	488	412	443	468	488	
	Lo PR	116	124	135	144	123	131	142	152	127	136	148	158	134	142	156	166	140	149	163	174	140	149	163	174	145	154	169	180	145	154	169	180	
	MBh	35.1	35.8	38.3	40.9	34.2	35.0	37.4	40.0	33.4	34.2	36.5	39.0	32.6	33.3	35.6	38.1	31.0	31.7	33.8	36.2	31.0	31.7	33.8	36.2	28.7	29.3	31.3	33.5	28.7	29.3	31.3	33.5	
	S/T	0.92	0.86	0.70	0.52	0.95	0.89	0.73	0.54	0.98	0.92	0.75	0.56	1.00	0.95	0.77	0.58	1.00	0.98	0.80	0.60	1.00	0.98	0.80	0.60	1.00	0.99	0.81	0.60	1.00	0.99	0.81	0.60	
	ΔT	25	24	21	16	25	24	21	17	25	24	21	17	25	24	21	17	24	24	21	17	24	24	21	17	22	22	19	15	22	22	19	15	
kW	2.09	2.13	2.20	2.27	2.25	2.30	2.37	2.45	2.39	2.44	2.52	2.60	2.51	2.57	2.65	2.74	2.62	2.68	2.76	2.86	2.62	2.68	2.76	2.86	2.71	2.77	2.86	2.96	2.71	2.77	2.86	2.96		
Amps	9.2	9.4	9.7	10.0	9.9	10.1	10.4	10.8	10.7	10.9	11.2	11.6	11.3	11.6	11.9	12.3	12.0	12.3	12.6	13.1	12.0	12.3	12.6	13.1	12.6	12.9	13.3	13.8	12.6	12.9	13.3	13.8		
Hi PR	226	243	257	268	253	273	288	300	288	310	327	342	328	353	373	389	369	397	420	438	369	397	420	438	408	439	464	484	408	439	464	484		
Lo PR	115	122	134	142	121	129	141	150	126	134	147	156	133	141	154	164	139	148	161	172	139	148	161	172	144	153	167	178	144	153	167	178		
MBh	33.3	34.0	36.4	38.9	32.5	33.2	35.5	38.0	31.8	32.4	34.7	37.1	31.0	31.7	33.8	36.2	29.4	30.1	32.1	34.3	29.4	30.1	32.1	34.3	27.3	27.9	29.8	31.8	27.3	27.9	29.8	31.8		
S/T	0.88	0.83	0.67	0.50	0.91	0.86	0.70	0.52	0.94	0.88	0.71	0.53	0.97	0.91	0.74	0.55	1.00	0.94	0.77	0.57	1.00	0.94	0.77	0.57	1.01	0.95	0.77	0.58	1.01	0.95	0.77	0.58		
ΔT	25	24	21	17	26	25	21	17	26	25	21	17	26	25	22	17	26	25	21	17	26	25	21	17	24	23	20	16	24	23	20	16		
kW	2.06	2.10	2.16	2.23	2.21	2.26	2.33	2.41	2.35	2.40	2.48	2.56	2.47	2.53	2.61	2.69	2.57	2.63	2.72	2.81	2.57	2.63	2.72	2.81	2.66	2.72	2.81	2.91	2.66	2.72	2.81	2.91		
Amps	9.1	9.3	9.5	9.9	9.7	9.9	10.2	10.6	10.5	10.7	11.0	11.4	11.1	11.4	11.7	12.1	11.8	12.1	12.4	12.9	11.8	12.1	12.4	12.9	12.4	12.7	13.1	13.6	12.4	12.7	13.1	13.6		
Hi PR	221	238	251	262	248	267	282	294	282	304	321	335	322	346	366	381	362	389	411	429	362	389	411	429	400	430	454	474	400	430	454	474		
Lo PR	113	120	131	139	119	127	138	147	124	132	144	153	130	138	151	161	136	145	158	168	136	145	158	168	141	150	164	174	141	150	164	174		
85	AIRFLOW	MBh	36.7	37.4	39.2	41.8	35.9	36.6	38.3	40.9	35.0	35.7	37.4	39.9	34.2	34.8	36.5	38.9	32.5	33.1	34.7	37.0	32.5	33.1	34.7	37.0	30.1	30.7	32.1	34.3	30.1	30.7	32.1	34.3
		S/T	1.00	0.98	0.88	0.71	1.00	1.00	0.91	0.74	1.00	1.00	0.94	0.76	1.00	1.00	0.97	0.78	1.00	1.00	0.81	0.61	1.00	1.00	0.81	0.61	1.00	1.00	0.81	0.61	1.00	1.00	0.81	0.61
	ΔT	25	25	24	20	24	25	24	21	24	24	24	21	23	24	24	21	22	23	24	20	22	23	24	20	20	21	22	19	20	21	22	19	
	kW	2.12	2.17	2.23	2.31	2.28	2.33	2.41	2.49	2.43	2.48	2.56	2.65	2.55	2.61	2.70	2.79	2.66	2.72	2.81	2.91	2.66	2.72	2.81	2.91	2.76	2.82	2.91	3.01	2.76	2.82	2.91	3.01	
	Amps	9.4	9.6	9.9	10.2	10.1	10.3	10.6	10.9	10.8	11.1	11.4	11.8	11.5	11.8	12.1	12.6	12.2	12.5	12.9	13.3	12.2	12.5	12.9	13.3	12.9	13.2	13.6	14.0	12.9	13.2	13.6	14.0	
	Hi PR	230	248	262	273	258	278	294	306	294	316	334	348	335	360	380	397	377	405	428	446	377	405	428	446	416	448	473	493	416	448	473	493	
	Lo PR	117	125	136	145	124	132	144	153	129	137	150	159	135	144	157	167	142	151	165	175	142	151	165	175	147	156	170	181	147	156	170	181	
	MBh	35.7	36.4	38.1	40.6	34.8	35.5	37.2	39.7	34.0	34.7	36.3	38.7	33.2	33.8	35.4	37.8	31.5	32.1	33.7	35.9	31.5	32.1	33.7	35.9	29.2	29.8	31.2	33.3	29.2	29.8	31.2	33.3	
	S/T	0.96	0.93	0.84	0.68	1.00	0.96	0.87	0.71	1.00	0.99	0.89	0.72	1.00	1.00	0.92	0.75	1.00	1.00	0.96	0.78	1.00	1.00	0.96	0.78	1.00	1.00	0.96	0.78	1.00	1.00	0.96	0.78	
	ΔT	26	26	24	21	27	26	25	21	26	26	25	21	25	26	25	22	24	25	25	21	24	25	25	21	22	23	23	20	22	23	23	20	
kW	2.10	2.15	2.22	2.29	2.27	2.31	2.39	2.47	2.41	2.46	2.54	2.62	2.53	2.59	2.67	2.76	2.64	2.70	2.79	2.88	2.64	2.70	2.79	2.88	2.73	2.79	2.89	2.98	2.73	2.79	2.89	2.98		
Amps	9.3	9.5	9.8	10.1	10.0	10.2	10.5	10.8	10.7	11.0	11.3	11.7	11.4	11.7	12.0	12.4	12.1	12.4	12.7	13.2	12.1	12.4	12.7	13.2	12.8	13.0	13.4	13.9	12.8	13.0	13.4	13.9		
Hi PR	228	245	259	270	256	275	291	303	291	313	331	345	332	357	377	393	373	401	424	442	373	401	424	442	412	443	468	488	412	443	468	488		
Lo PR	116	124	135	144	123	131	142	152	127	136	148	158	134	142	156	166	140	149	163	174	140	149	163	174	145	154	169	180	145	154	169	180		
MBh	33.9	34.5	36.2	38.6	33.1	33.7	35.3	37.7	32.3	32.9	34.5	36.8	31.5	32.1	33.7	35.9	29.9	30.5	32.0	34.1	29.9	30.5	32.0	34.1	27.7	28.3	29.6	31.6	27.7	28.3	29.6	31.6		
S/T	0.92	0.89	0.80	0.65	0.96	0.92	0.83	0.68	0.98	0.95	0.85	0.69	1.00	0.98	0.88	0.72	1.00	1.00	0.92	0.74	1.00	1.00	0.92	0.74	1.00	1.00	0.92	0.75	1.00	1.00	0.92	0.75		
ΔT	27	27	25	22	27	27	26	22	27	27	26	22	27	27	26	22	26	26	26	22	26	26	26	22	24	25	24	21	24	25	24	21		
kW	2.07	2.12	2.18	2.25	2.23	2.28	2.35	2.43	2.37	2.42	2.50	2.58	2.49	2.55	2.63	2.72	2.60	2.65	2.74	2.83	2.60	2.65	2.74	2.83	2.69	2.75	2.84	2.93	2.69	2.75	2.84	2.93		
Amps	9.2	9.3	9.6	9.9	9.8	10.0	10.3	10.7	10.6	10.8	11.1	11.5	11.2	11.5	11.8	12.2	11.9	12.2	12.5	13.0	11.9	12.2	12.5	13.0	12.5	12.8	13.2	13.7	12.5	12.8	13.2	13.7		
Hi PR	224	241	254	265	251	270	285	297	285	307	324	338	325	350	369	385																		

IDB	AIRFLOW	OUTDOOR AMBIENT TEMPERATURE												ENTERING INDOOR WET BULB TEMPERATURE											
		65				75				85				95				105				115			
		59	63	67	71	59	63	67	71	59	63	67	71	59	63	67	71	59	63	67	71	59	63	67	71
80	MBh	41.1	42.0	44.8	47.9	40.1	41.0	43.8	46.8	39.2	40.0	42.8	45.7	38.2	39.0	41.7	44.6	36.3	37.1	39.6	42.4	33.6	34.4	36.7	39.2
	S/T	0.92	0.87	0.70	0.53	0.96	0.90	0.73	0.55	1.00	0.92	0.75	0.56	1.00	0.95	0.77	0.58	1.00	1.00	0.80	0.60	1.00	1.00	0.81	0.60
	ΔT	24	23	20	16	24	23	20	16	25	23	20	16	24	23	20	16	23	23	20	16	21	22	19	15
	KW	2.62	2.68	2.76	2.85	2.82	2.88	2.98	3.07	3.00	3.07	3.17	3.27	3.16	3.23	3.33	3.45	3.29	3.37	3.48	3.60	3.41	3.48	3.60	3.72
	Amps	11.2	11.4	11.8	12.2	12.0	12.3	12.6	13.0	12.9	13.2	13.6	14.1	13.7	14.0	14.5	15.0	14.5	14.9	15.3	15.9	15.3	15.7	16.2	16.7
	Hi PR	241	259	273	285	270	291	307	320	307	330	349	364	350	376	397	415	394	423	447	466	435	468	494	515
	Lo PR	114	121	132	140	120	128	139	148	125	133	145	154	131	139	152	162	137	146	159	170	142	151	165	176
	MBh	39.9	40.8	43.5	46.5	39.0	39.8	42.5	45.5	38.0	38.9	41.5	44.4	37.1	37.9	40.5	43.3	35.2	36.0	38.5	41.1	32.6	33.4	35.6	38.1
	S/T	0.88	0.83	0.67	0.50	0.91	0.86	0.70	0.52	0.94	0.88	0.71	0.53	0.97	0.91	0.74	0.55	1.00	0.94	0.77	0.57	1.00	0.95	0.77	0.58
	ΔT	25	24	21	17	25	24	21	17	25	24	21	17	25	24	21	17	25	24	21	17	23	22	19	16
KW	2.60	2.66	2.74	2.83	2.80	2.86	2.95	3.05	2.98	3.04	3.14	3.24	3.13	3.20	3.31	3.42	3.26	3.34	3.45	3.56	3.38	3.45	3.57	3.69	
Amps	11.1	11.3	11.7	12.1	11.9	12.2	12.5	12.9	12.8	13.1	13.5	14.0	13.6	13.9	14.3	14.8	14.4	14.7	15.2	15.7	15.2	15.5	16.0	16.6	
Hi PR	238	256	271	282	267	288	304	317	304	327	346	360	346	373	394	410	390	419	443	462	430	463	489	510	
Lo PR	112	120	131	139	119	126	138	147	123	131	143	153	130	138	151	160	136	145	158	168	141	149	163	174	
MBh	37.9	38.7	41.4	44.2	37.0	37.8	40.4	43.2	36.1	36.9	39.4	42.2	35.2	36.0	38.5	41.1	33.5	34.2	36.6	39.1	31.0	31.7	33.9	36.2	
S/T	0.84	0.79	0.64	0.48	0.87	0.82	0.67	0.50	0.90	0.84	0.68	0.51	0.93	0.87	0.71	0.53	0.96	0.90	0.73	0.55	0.97	0.91	0.74	0.55	
ΔT	26	24	21	17	26	25	22	17	26	25	22	17	26	25	22	17	26	25	21	17	24	23	20	16	
KW	2.56	2.61	2.69	2.78	2.75	2.81	2.90	3.00	2.93	2.99	3.09	3.19	3.08	3.15	3.25	3.36	3.21	3.28	3.39	3.50	3.32	3.40	3.51	3.63	
Amps	10.9	11.2	11.5	11.9	11.7	12.0	12.3	12.7	12.6	12.9	13.3	13.7	13.4	13.7	14.1	14.6	14.2	14.5	14.9	15.5	14.9	15.3	15.8	16.3	
Hi PR	234	251	265	277	262	282	298	311	298	321	339	353	339	365	386	402	382	411	434	453	422	454	479	500	
Lo PR	110	117	128	136	116	124	135	144	121	129	140	150	127	135	148	157	133	142	155	165	138	146	160	170	
85	MBh	41.8	42.6	44.6	47.6	40.8	41.6	43.6	46.5	39.9	40.6	42.5	45.4	38.9	39.6	41.5	44.3	36.9	37.6	39.4	42.1	34.2	34.9	36.5	39.0
	S/T	0.97	0.93	0.84	0.68	1.00	0.97	0.87	0.71	1.00	0.99	0.90	0.73	1.00	1.00	0.92	0.75	1.00	1.00	0.96	0.78	1.00	1.00	0.97	0.79
	ΔT	25	25	24	21	26	25	24	21	25	25	24	21	24	25	24	21	23	24	24	21	22	22	22	19
	KW	2.64	2.70	2.78	2.87	2.85	2.91	3.00	3.10	3.03	3.09	3.19	3.30	3.18	3.26	3.36	3.48	3.32	3.39	3.51	3.63	3.44	3.51	3.63	3.76
	Amps	11.3	11.5	11.9	12.3	12.1	12.4	12.7	13.2	13.0	13.3	13.7	14.2	13.8	14.2	14.6	15.1	14.7	15.0	15.5	16.0	15.5	15.8	16.3	16.9
	Hi PR	243	262	276	288	273	294	310	323	310	334	352	368	353	380	401	419	397	428	452	471	439	473	499	520
	Lo PR	115	122	133	142	121	129	141	150	126	134	146	156	132	141	154	164	139	147	161	171	143	152	166	177
	MBh	40.6	41.4	43.3	46.2	39.6	40.4	42.3	45.1	38.7	39.4	41.3	44.1	37.7	38.5	40.3	43.0	35.9	36.6	38.3	40.8	33.2	33.9	35.5	37.8
	S/T	0.92	0.89	0.80	0.65	0.96	0.92	0.83	0.68	0.98	0.95	0.85	0.69	1.00	0.98	0.88	0.72	1.00	1.00	0.92	0.74	1.00	1.00	0.92	0.75
	ΔT	26	26	25	21	27	26	25	22	27	26	25	22	27	27	25	22	25	26	25	21	23	24	23	20
KW	2.62	2.68	2.76	2.85	2.82	2.88	2.98	3.07	3.00	3.07	3.17	3.27	3.16	3.23	3.33	3.45	3.29	3.37	3.48	3.60	3.41	3.48	3.60	3.72	
Amps	11.2	11.4	11.8	12.2	12.0	12.3	12.6	13.0	12.9	13.2	13.6	14.1	13.7	14.0	14.5	15.0	14.5	14.9	15.3	15.9	15.3	15.7	16.2	16.7	
Hi PR	241	259	273	285	270	291	307	320	307	330	349	364	350	376	397	415	394	423	447	466	435	468	494	515	
Lo PR	114	121	132	140	120	128	139	148	125	133	145	154	131	139	152	162	137	146	159	170	142	151	165	176	
MBh	38.5	39.3	41.2	43.9	37.7	38.4	40.2	42.9	36.8	37.5	39.2	41.9	35.9	36.6	38.3	40.8	34.1	34.7	36.4	38.8	31.6	32.2	33.7	35.9	
S/T	0.88	0.85	0.77	0.62	0.92	0.88	0.80	0.65	0.94	0.91	0.82	0.66	0.97	0.94	0.84	0.69	1.00	0.97	0.88	0.71	1.00	0.98	0.88	0.72	
ΔT	27	27	25	22	28	27	26	22	28	27	26	22	28	27	26	22	27	27	25	22	25	25	24	21	
KW	2.58	2.63	2.72	2.80	2.78	2.84	2.93	3.02	2.95	3.02	3.11	3.22	3.11	3.17	3.28	3.39	3.24	3.31	3.42	3.53	3.35	3.43	3.54	3.66	
Amps	11.0	11.2	11.6	12.0	11.8	12.1	12.4	12.8	12.7	13.0	13.4	13.8	13.5	13.8	14.2	14.7	14.3	14.6	15.1	15.6	15.1	15.4	15.9	16.4	
Hi PR	236	254	268	280	265	285	301	314	301	324	342	357	343	369	390	406	386	415	438	457	426	459	484	505	
Lo PR	111	118	129	138	118	125	136	145	122	130	142	151	128	136	149	159	134	143	156	166	139	148	162	172	

IDB = Entering Indoor Dry Bulb Temperature
 High and low pressures are measured at the liquid and suction access fittings.
 Design Subcooling, 8-12 °F @ the liquid access fitting connection AHRI 95 test conditions. Design Superheat 8-12°F @ the compressor suction access fitting connection.

Shaded area reflects AHRI conditions.

Amps: Unit amps (comp.+ evaporator + condenser fan motors)
 KW = Total system power

IDB	AIRFLOW	OUTDOOR AMBIENT TEMPERATURE																								
		65				75				85				95				105				115				
		59	63	67	71	59	63	67	71	59	63	67	71	59	63	67	71	59	63	67	71	59	63	67	71	
70	MBh	41.6	43.1	47.3	-	40.7	42.1	46.2	-	39.7	41.1	45.1	-	38.7	40.1	44.0	-	36.8	38.1	41.8	-	34.1	35.3	38.7	-	
	S/T	0.74	0.62	0.43	-	0.77	0.64	0.45	-	0.79	0.66	0.46	-	0.82	0.68	0.47	-	0.85	0.71	0.49	-	0.85	0.71	0.49	-	
	Delta T	20	17	13	-	20	17	13	-	20	17	13	-	20	17	13	-	20	17	13	-	18	16	12	-	
	1448	KW	2.68	2.74	2.82	-	2.89	2.95	3.05	-	3.07	3.14	3.24	-	3.24	3.31	3.42	-	3.37	3.45	3.57	-	3.49	3.57	3.69	-
	AMPS	11.3	11.6	11.9	-	12.2	12.4	12.8	-	13.1	13.4	13.8	-	13.9	14.2	14.7	-	14.8	15.1	15.6	-	15.6	15.9	16.4	-	
	Hi PR	237	255	269	-	266	286	302	-	302	325	343	-	344	370	391	-	387	417	440	-	428	460	486	-	
	Lo PR	109	116	127	-	115	123	134	-	120	127	139	-	126	134	146	-	132	140	153	-	136	145	158	-	
	MBh	40.4	41.9	45.9	-	39.5	40.9	44.8	-	38.5	39.9	43.8	-	37.6	39.0	42.7	-	35.7	37.0	40.5	-	33.1	34.3	37.6	-	
	S/T	0.71	0.59	0.41	-	0.74	0.61	0.43	-	0.75	0.63	0.44	-	0.78	0.65	0.45	-	0.81	0.68	0.47	-	0.82	0.68	0.47	-	
	Delta T	20	18	13	-	21	18	14	-	21	18	14	-	21	18	14	-	21	18	14	-	19	17	13	-	
1290	KW	2.66	2.72	2.80	-	2.87	2.93	3.02	-	3.05	3.12	3.22	-	3.21	3.28	3.39	-	3.35	3.42	3.54	-	3.46	3.54	3.66	-	
AMPS	11.3	11.5	11.8	-	12.1	12.3	12.7	-	13.0	13.3	13.7	-	13.8	14.1	14.6	-	14.6	15.0	15.4	-	15.4	15.8	16.3	-		
Hi PR	234	252	266	-	263	283	299	-	299	322	340	-	341	367	387	-	383	413	436	-	424	456	481	-		
Lo PR	108	115	125	-	114	121	133	-	119	126	138	-	125	133	145	-	131	139	152	-	135	144	151	-		
MBh	38.4	39.8	43.6	-	37.5	38.9	42.6	-	36.6	37.9	41.6	-	35.7	37.0	40.5	-	33.9	35.2	38.5	-	31.4	32.6	35.7	-		
S/T	0.68	0.57	0.39	-	0.70	0.59	0.41	-	0.72	0.60	0.42	-	0.75	0.62	0.43	-	0.77	0.65	0.45	-	0.78	0.65	0.45	-		
Delta T	21	18	14	-	21	18	14	-	21	18	14	-	21	19	14	-	21	18	14	-	20	17	13	-		
1142	KW	2.62	2.67	2.76	-	2.82	2.88	2.97	-	3.00	3.06	3.16	-	3.16	3.23	3.33	-	3.29	3.36	3.48	-	3.41	3.48	3.60	-	
AMPS	11.1	11.3	11.6	-	11.9	12.1	12.5	-	12.8	13.1	13.5	-	13.6	13.9	14.3	-	14.4	14.7	15.2	-	15.2	15.5	16.0	-		
Hi PR	230	247	261	-	258	277	293	-	293	316	333	-	334	359	380	-	376	404	427	-	415	447	472	-		
Lo PR	106	113	123	-	112	119	130	-	116	124	135	-	122	130	142	-	128	136	149	-	132	141	154	-		

75	MBh	42.3	43.6	47.2	50.6	41.3	42.6	46.1	49.4	40.4	41.5	45.0	48.3	39.4	40.5	43.9	47.1	37.4	38.5	41.7	44.7	34.6	35.7	38.6	41.4	
	S/T	0.85	0.76	0.57	0.37	0.88	0.78	0.59	0.38	0.90	0.80	0.61	0.39	0.93	0.83	0.63	0.40	0.96	0.86	0.65	0.42	0.93	0.87	0.66	0.42	
	ΔT	23	21	17	12	23	21	17	12	23	21	17	12	23	21	18	12	23	21	17	12	21	20	16	11	
	1448	KW	2.70	2.76	2.85	2.94	2.91	2.98	3.07	3.18	3.10	3.17	3.27	3.38	3.26	3.34	3.45	3.56	3.40	3.48	3.60	3.72	3.52	3.60	3.73	3.85
	Amps	11.4	11.7	12.0	12.4	12.3	12.5	12.9	13.3	13.2	13.5	13.9	14.4	14.1	14.4	14.8	15.3	14.9	15.2	15.7	16.2	15.7	16.1	16.6	17.1	
	Hi PR	239	257	272	284	268	289	305	318	305	329	347	362	348	374	395	412	391	421	445	464	432	465	491	512	
	Lo PR	110	117	128	136	116	124	135	144	121	129	141	150	127	135	148	157	133	142	155	165	138	147	160	170	
	MBh	41.1	42.3	45.8	49.1	40.1	41.3	44.7	48.0	39.2	40.3	43.7	46.9	38.2	39.4	42.6	45.7	36.3	37.4	40.5	43.4	33.6	34.6	37.5	40.2	
	S/T	0.81	0.72	0.55	0.35	0.84	0.75	0.57	0.36	0.86	0.77	0.58	0.37	0.89	0.79	0.60	0.39	0.92	0.82	0.62	0.40	0.93	0.83	0.63	0.40	
	ΔT	24	22	18	12	24	22	18	12	24	22	18	12	24	22	18	13	24	22	18	12	22	20	17	12	
1290	KW	2.68	2.74	2.83	2.92	2.89	2.95	3.05	3.15	3.07	3.14	3.25	3.35	3.24	3.31	3.42	3.53	3.37	3.45	3.57	3.69	3.49	3.57	3.69	3.82	
Amps	11.3	11.6	11.9	12.3	12.2	12.4	12.8	13.2	13.1	13.4	13.8	14.3	13.9	14.2	14.7	15.2	14.8	15.1	15.6	16.1	15.6	15.9	16.4	17.0		
Hi PR	237	255	269	281	266	286	302	315	302	325	344	358	344	371	391	408	387	417	440	459	428	461	486	507		
Lo PR	109	116	127	135	115	123	134	143	120	128	139	148	126	134	146	156	132	140	153	163	136	145	159	169		
MBh	39.0	40.2	43.5	46.7	38.1	39.3	42.5	45.6	37.2	38.3	41.5	44.5	36.3	37.4	40.5	43.4	34.5	35.5	38.4	41.3	32.0	32.9	35.6	38.2		
S/T	0.77	0.69	0.52	0.34	0.80	0.72	0.54	0.35	0.82	0.73	0.56	0.36	0.85	0.76	0.57	0.37	0.88	0.79	0.60	0.38	0.89	0.79	0.60	0.39		
ΔT	24	22	18	13	25	23	19	13	25	23	19	13	25	23	19	13	24	23	18	13	23	21	17	12		
1142	KW	2.64	2.69	2.78	2.87	2.84	2.90	3.00	3.10	3.02	3.09	3.19	3.30	3.18	3.25	3.36	3.47	3.32	3.39	3.51	3.62	3.43	3.51	3.63	3.75	
Amps	11.2	11.4	11.7	12.1	12.0	12.2	12.6	13.0	12.9	13.2	13.6	14.0	13.7	14.0	14.4	14.9	14.5	14.8	15.3	15.8	15.3	15.6	16.1	16.7		
Hi PR	232	250	264	275	260	280	296	309	296	319	337	351	337	363	383	400	380	408	431	450	419	451	477	497		
Lo PR	107	114	124	132	113	120	131	140	117	125	136	145	123	131	143	153	129	138	150	160	134	142	155	165		

IDB = Entering Indoor Dry Bulb Temperature
 High and low pressures are measured at the liquid and suction access fittings.
 Design Subcooling: 8-12 °F @ the liquid access fitting connection AHRI 95 test conditions. Design Superheat 8-12°F @ the compressor suction access fitting connection.
 Shaded area reflects AHRI (TVA) conditions.
 Amps: Unit amps (comp.+ evaporator + condenser fan motors)
 KW = Total system power

IDB	AIRFLOW	OUTDOOR AMBIENT TEMPERATURE												105												115											
		65				75				85				95				105				115															
		59	63	67	71	59	63	67	71	59	63	67	71	59	63	67	71	59	63	67	71	59	63	67	71												
80	1448	MBh	43.1	44.0	47.0	50.3	42.1	43.0	45.9	49.1	41.1	42.0	44.8	47.9	40.1	40.9	43.7	46.8	38.1	38.9	41.6	44.4	35.3	36.0	38.5	41.2											
		S/T	0.93	0.87	0.71	0.53	0.96	0.90	0.73	0.55	1.00	0.92	0.75	0.56	1.00	0.95	0.78	0.58	1.00	1.00	0.81	0.60	1.00	1.00	0.81	0.61											
		ΔT	25	24	21	17	26	25	21	17	26	25	21	17	25	25	22	17	24	25	21	17	22	23	20	16											
		KW	2.72	2.78	2.87	2.97	2.94	3.00	3.10	3.20	3.13	3.19	3.30	3.41	3.29	3.36	3.48	3.60	3.43	3.51	3.63	3.75	3.55	3.63	3.76	3.89											
		Amps	11.5	11.8	12.1	12.5	12.4	12.6	13.0	13.5	13.3	13.6	14.0	14.5	14.2	14.5	14.9	15.5	15.0	15.3	15.8	16.4	15.8	16.2	16.7	17.3											
		Hi PR	242	260	275	286	271	292	308	321	308	332	350	366	351	378	399	416	395	425	449	468	437	470	496	517											
	Lo PR	111	118	129	138	118	125	137	146	122	130	142	151	128	137	149	159	135	143	156	166	139	148	162	172												
	MBh	41.8	42.7	45.7	48.8	40.8	41.7	44.6	47.7	39.9	40.7	43.5	46.5	38.9	39.8	42.5	45.4	37.0	37.8	40.3	43.1	34.2	35.0	37.4	40.0												
	S/T	0.89	0.83	0.68	0.50	0.92	0.86	0.70	0.52	0.94	0.88	0.72	0.54	0.97	0.91	0.74	0.55	1.00	0.95	0.77	0.57	1.00	0.95	0.78	0.58												
	ΔT	26	25	22	18	27	26	22	18	27	26	22	18	27	26	22	18	26	25	22	18	24	24	21	17												
	KW	2.70	2.76	2.85	2.94	2.91	2.98	3.07	3.18	3.10	3.17	3.27	3.38	3.26	3.34	3.45	3.57	3.40	3.48	3.60	3.72	3.52	3.60	3.73	3.85												
	Amps	11.4	11.7	12.0	12.4	12.3	12.5	12.9	13.3	13.2	13.5	13.9	14.4	14.1	14.4	14.8	15.3	14.9	15.2	15.7	16.2	15.7	16.1	16.6	17.1												
Hi PR	239	257	272	284	268	289	305	318	305	329	347	362	348	374	395	412	391	421	445	464	432	465	491	512													
Lo PR	110	117	128	136	116	124	135	144	121	129	141	150	127	135	148	157	133	142	155	165	138	147	160	171													
MBh	39.7	40.6	43.4	46.4	38.8	39.7	42.4	45.3	37.9	38.7	41.4	44.2	37.0	37.8	40.3	43.1	35.1	35.9	38.3	41.0	32.5	33.2	35.5	38.0													
S/T	0.85	0.80	0.65	0.48	0.88	0.82	0.67	0.50	0.90	0.85	0.69	0.51	0.93	0.87	0.71	0.53	0.97	0.91	0.74	0.55	0.97	0.91	0.74	0.56													
ΔT	27	26	23	18	27	26	23	18	27	26	23	18	28	27	23	18	27	26	23	18	25	24	21	17													
KW	2.66	2.72	2.80	2.89	2.87	2.93	3.02	3.12	3.05	3.12	3.22	3.33	3.21	3.28	3.39	3.50	3.35	3.42	3.54	3.66	3.46	3.54	3.66	3.79													
Amps	11.3	11.5	11.8	12.2	12.1	12.3	12.7	13.1	13.0	13.3	13.7	14.2	13.8	14.1	14.6	15.1	14.6	15.0	15.4	16.0	15.4	15.8	16.3	16.8													
Hi PR	234	252	266	278	263	283	299	312	299	322	340	355	341	367	387	404	383	413	436	454	424	456	481	502													
Lo PR	108	115	125	134	114	121	133	141	119	126	138	147	125	133	145	154	131	139	152	162	135	144	157	167													
85	1448	MBh	43.8	44.7	46.8	49.9	42.8	43.6	45.7	48.8	41.8	42.6	44.6	47.6	40.8	41.6	43.5	46.4	38.7	39.5	41.4	44.1	35.9	36.6	38.3	40.9											
		S/T	0.97	0.94	0.85	0.69	1.00	0.97	0.88	0.71	1.00	1.00	0.90	0.73	1.00	1.00	0.93	0.75	1.00	1.00	0.96	0.78	1.00	1.00	0.97	0.79											
		ΔT	27	27	25	22	27	27	25	22	27	27	26	22	26	26	26	22	25	25	25	22	23	23	24	20											
		KW	2.75	2.80	2.90	2.99	2.96	3.03	3.12	3.23	3.15	3.22	3.33	3.44	3.32	3.39	3.51	3.63	3.46	3.54	3.66	3.78	3.58	3.67	3.79	3.92											
		Amps	11.6	11.9	12.2	12.6	12.5	12.7	13.1	13.6	13.4	13.7	14.2	14.7	14.3	14.6	15.1	15.6	15.1	15.5	16.0	16.5	16.0	16.3	16.8	17.4											
		Hi PR	244	263	277	289	274	295	311	325	311	335	354	369	355	382	403	420	399	429	454	473	441	475	501	523											
	Lo PR	112	120	131	139	119	126	138	147	123	131	143	153	130	138	151	160	136	145	158	168	141	150	163	174												
	MBh	42.6	43.4	45.4	48.5	41.6	42.4	44.4	47.3	40.6	41.4	43.3	46.2	39.6	40.3	42.3	45.1	37.6	38.3	40.1	42.8	34.8	35.5	37.2	39.7												
	S/T	0.93	0.90	0.81	0.66	0.96	0.93	0.84	0.68	0.99	0.95	0.86	0.70	1.00	0.98	0.89	0.72	1.00	1.00	0.92	0.75	1.00	1.00	0.93	0.75												
	ΔT	28	28	26	23	28	28	26	23	29	29	28	27	28	28	27	23	28	28	27	23	25	25	25	21												
	KW	2.72	2.78	2.87	2.97	2.94	3.00	3.10	3.20	3.13	3.19	3.30	3.41	3.29	3.36	3.48	3.60	3.43	3.51	3.63	3.75	3.55	3.63	3.76	3.89												
	Amps	11.5	11.8	12.1	12.5	12.4	12.6	13.0	13.5	13.3	13.6	14.0	14.5	14.2	14.5	14.9	15.5	15.0	15.3	15.8	16.4	15.8	16.2	16.7	17.3												
Hi PR	242	260	275	286	271	292	308	321	308	332	350	366	351	378	399	416	395	425	449	468	437	470	496	517													
Lo PR	111	118	129	138	118	125	137	146	122	130	142	151	128	137	149	159	135	143	156	166	139	148	162	172													
MBh	40.4	41.2	43.2	46.0	39.5	40.2	42.2	45.0	38.5	39.3	41.1	43.9	37.6	38.3	40.1	42.8	35.7	36.4	38.1	40.7	33.1	33.7	35.3	37.7													
S/T	0.89	0.86	0.77	0.63	0.92	0.89	0.80	0.65	0.94	0.91	0.82	0.67	0.98	0.94	0.85	0.69	1.00	0.98	0.88	0.71	1.00	0.98	0.89	0.72													
ΔT	29	28	27	23	29	29	27	24	29	29	27	24	30	29	27	24	29	29	27	23	27	27	25	22													
KW	2.68	2.74	2.82	2.92	2.89	2.95	3.05	3.15	3.07	3.14	3.24	3.35	3.24	3.31	3.42	3.53	3.37	3.45	3.57	3.69	3.49	3.57	3.69	3.82													
Amps	11.3	11.6	11.9	12.3	12.2	12.4	12.8	13.2	13.1	13.4	13.8	14.3	13.9	14.2	14.7	15.2	14.8	15.1	15.6	16.1	15.6	15.9	16.4	17.0													
Hi PR	237	255	269	281	266	286	302	315	302	325	343	358	344	370	391	408	387	417	440	459	428	460	486	507													
Lo PR	109	116	127	135	115	123	134	143	120	127	139	148	126	134	146	156	132	140	153	163	136	145	158	169													

IDB = Entering Indoor Dry Bulb Temperature

High and low pressures are measured at the liquid and suction access fittings.

Design Subcooling, 8-12 °F @ the liquid access fitting connection AHRI 95 test conditions. Design Superheat 8-12°F @ the compressor suction access fitting connection.

Shaded area reflects AHRI conditions.

Amps: Unit amps (comp.+ evaporator + condenser fan motors)

KW = Total system power

IDB	AIRFLOW	OUTDOOR AMBIENT TEMPERATURE																								
		65				75				85				95				105				115				
		59	63	67	71	59	63	67	71	59	63	67	71	59	63	67	71	59	63	67	71	59	63	67	71	
70	1800	MBh	45.1	46.7	51.2	-	44.0	45.6	50.0	-	43.0	44.5	48.8	-	41.9	43.5	47.6	-	39.8	41.3	45.2	-	36.9	38.2	41.9	-
		S/T	0.75	0.63	0.43	-	0.78	0.65	0.45	-	0.80	0.66	0.46	-	0.82	0.69	0.48	-	0.85	0.71	0.49	-	0.86	0.72	0.50	-
		ΔT	17	15	11	-	17	15	11	-	17	15	11	-	18	15	12	-	17	15	11	-	16	14	11	-
		KW	3.03	3.09	3.19	-	3.27	3.34	3.45	-	3.48	3.56	3.67	-	3.66	3.75	3.87	-	3.82	3.91	4.04	-	3.96	4.05	4.19	-
		Amps	13.3	13.6	14.0	-	14.3	14.6	15.0	-	15.4	15.7	16.2	-	16.3	16.7	17.2	-	17.3	17.7	18.2	-	18.2	18.6	19.2	-
	1600	Hi PR	241	260	274	-	271	291	308	-	308	331	350	-	351	377	398	-	394	424	448	-	436	469	495	-
		Lo PR	109	116	127	-	116	123	134	-	120	128	140	-	126	134	147	-	132	141	154	-	137	146	159	-
		MBh	43.8	45.4	49.7	-	42.7	44.3	48.5	-	41.7	43.2	47.4	-	40.7	42.2	46.2	-	38.7	40.1	43.9	-	35.8	37.1	40.7	-
		S/T	0.71	0.60	0.41	-	0.74	0.62	0.43	-	0.76	0.63	0.44	-	0.78	0.65	0.45	-	0.81	0.68	0.47	-	0.82	0.69	0.47	-
		ΔT	18	16	12	-	18	16	12	-	18	16	12	-	18	16	12	-	18	16	12	-	17	15	11	-
1400	KW	3.00	3.07	3.17	-	3.24	3.31	3.42	-	3.45	3.53	3.64	-	3.63	3.72	3.84	-	3.79	3.88	4.01	-	3.93	4.02	4.15	-	
	Amps	13.2	13.5	13.9	-	14.2	14.5	14.9	-	15.2	15.6	16.0	-	16.2	16.6	17.1	-	17.1	17.5	18.1	-	18.1	18.5	19.0	-	
	Hi PR	239	257	271	-	268	288	305	-	305	328	346	-	347	374	394	-	391	420	444	-	431	464	490	-	
	Lo PR	108	115	126	-	114	122	133	-	119	127	138	-	125	133	145	-	131	139	152	-	135	144	157	-	
	MBh	40.4	41.9	45.9	-	39.5	40.9	44.8	-	38.5	39.9	43.7	-	37.6	38.9	42.7	-	35.7	37.0	40.5	-	33.1	34.3	37.5	-	

IDB	AIRFLOW	OUTDOOR AMBIENT TEMPERATURE																								
		65				75				85				95				105				115				
		59	63	67	71	59	63	67	71	59	63	67	71	59	63	67	71	59	63	67	71	59	63	67	71	
75	1800	MBh	45.8	47.2	51.1	54.8	44.8	46.1	49.9	53.6	43.7	45.0	48.7	52.3	42.6	43.9	47.5	51.0	40.5	41.7	45.1	48.5	37.5	38.6	41.8	44.9
		S/T	0.85	0.76	0.58	0.37	0.88	0.79	0.60	0.38	0.91	0.81	0.61	0.39	0.93	0.84	0.63	0.41	0.97	0.87	0.66	0.42	0.98	0.87	0.66	0.43
		ΔT	20	18	15	10	20	19	15	11	20	19	15	11	20	19	15	11	20	18	15	10	19	17	14	10
		KW	3.05	3.12	3.22	3.33	3.30	3.37	3.48	3.60	3.51	3.59	3.71	3.83	3.70	3.78	3.91	4.04	3.86	3.94	4.08	4.22	3.99	4.09	4.22	4.37
		Amps	13.4	13.7	14.1	14.6	14.4	14.7	15.1	15.6	15.5	15.8	16.3	16.9	16.5	16.8	17.3	17.9	17.4	17.8	18.4	19.0	18.4	18.8	19.4	20.1
	1600	Hi PR	244	262	277	289	273	294	311	324	311	335	353	369	354	381	402	420	398	429	453	472	440	474	500	522
		Lo PR	111	118	128	137	117	124	136	144	121	129	141	150	127	136	148	158	134	142	155	165	138	147	160	171
		MBh	44.5	45.8	49.6	53.2	43.5	44.8	48.4	52.0	42.4	43.7	47.3	50.8	41.4	42.6	46.1	49.5	39.3	40.5	43.8	47.0	36.4	37.5	40.6	43.6
		S/T	0.81	0.73	0.55	0.35	0.84	0.75	0.57	0.37	0.86	0.77	0.58	0.38	0.89	0.80	0.60	0.39	0.92	0.83	0.63	0.40	0.93	0.83	0.63	0.41
		ΔT	21	19	16	11	21	19	16	11	21	19	16	11	21	20	16	11	21	19	16	11	20	18	15	10
1400	KW	3.03	3.10	3.20	3.30	3.27	3.34	3.45	3.57	3.48	3.56	3.68	3.80	3.67	3.75	3.87	4.01	3.82	3.91	4.04	4.18	3.96	4.05	4.19	4.33	
	Amps	13.3	13.6	14.0	14.5	14.3	14.6	15.0	15.5	15.4	15.7	16.2	16.7	16.3	16.7	17.2	17.8	17.3	17.7	18.2	18.8	18.2	18.6	19.2	19.9	
	Hi PR	241	260	274	286	271	291	308	321	308	331	350	365	351	377	398	416	394	425	448	468	436	469	495	517	
	Lo PR	109	116	127	135	116	123	134	143	120	128	140	149	126	134	147	156	132	141	154	164	137	146	159	169	
	MBh	41.1	42.3	45.8	49.1	40.1	41.3	44.7	48.0	39.2	40.3	43.7	46.8	38.2	39.3	42.6	45.7	36.3	37.4	40.5	43.4	33.6	34.6	37.5	40.2	

IDB = Entering Indoor Dry Bulb Temperature
 High and low pressures are measured at the liquid and suction access fittings.
 Design Subcooling, 10-13 °F @ the liquid access fitting connection AHR1 95 test conditions. Design Superheat 10-14 °F @ the compressor suction access fitting connection.
 Shaded area reflects AHR1 (TVA) conditions.
 Amps: Unit amps (comp.+ evaporator + condenser fan motors)
 KW = Total system power

IDB	AIRFLOW	OUTDOOR AMBIENT TEMPERATURE												105												115																																																													
		65						75						85						95						105						115																																																							
		59	63	67	71	75	79	59	63	67	71	75	79	59	63	67	71	75	79	59	63	67	71	75	79	59	63	67	71	75	79	59	63	67	71	75	79																																																		
ENTERING INDOOR WET BULB TEMPERATURE																																																																																							
80	MBh	46.7	47.7	50.9	54.4	45.6	46.6	49.7	53.2	44.5	45.5	48.6	51.9	43.4	44.3	47.4	50.6	41.2	42.1	45.0	48.1	38.2	39.0	41.7	44.6	41.2	42.1	45.0	48.1	38.2	39.0	41.7	44.6	41.2	42.1	45.0	48.1	38.2	39.0	41.7	44.6	41.2	42.1	45.0	48.1	38.2	39.0	41.7	44.6																																						
	S/T	0.93	0.88	0.71	0.53	0.97	0.91	0.74	0.55	1.00	0.93	0.76	0.57	1.00	0.96	0.78	0.58	1.00	1.00	1.00	0.81	0.61	1.00	1.00	0.82	0.61	1.00	1.00	0.81	0.61	1.00	1.00	0.82	0.61	1.00	1.00	0.81	0.61	1.00	1.00	0.82	0.61	1.00	1.00	0.81	0.61	1.00	1.00	0.82	0.61																																					
	ΔT	22	21	19	15	23	22	19	15	15	23	22	19	15	22	22	19	15	21	22	22	19	20	20	20	17	14	21	22	19	15	21	22	19	15	20	20	20	19	15	14	14	14	14	21	22	19	15	21	22	19	15	20	20	20	17	14	14	14	14	14	14	14	21	22	19	15	21	22	19	15	20	20	20	17	14	14	14	14	14	14	14	14	14	14	14	14
	KW	3.08	3.15	3.25	3.36	3.32	3.40	3.51	3.63	3.54	3.62	3.74	3.86	3.73	3.81	3.94	4.08	3.89	3.98	4.11	4.25	4.03	4.12	4.26	4.41	3.89	3.98	4.11	4.25	4.03	4.12	4.26	4.41	3.89	3.98	4.11	4.25	4.03	4.12	4.26	4.41	3.89	3.98	4.11	4.25	4.03	4.12	4.26	4.41																																						
	Amps	13.5	13.8	14.2	14.7	14.5	14.8	15.3	15.8	15.6	16.0	16.5	17.0	16.6	17.0	17.5	18.1	17.6	18.0	18.5	19.2	18.5	19.0	19.5	20.2	17.6	18.0	18.5	19.2	18.5	19.0	19.5	20.2	17.6	18.0	18.5	19.2	18.5	19.0	19.5	20.2	17.6	18.0	18.5	19.2	18.5	19.0	19.5	20.2																																						
	Hi PR	246	265	280	292	276	297	314	327	314	338	357	372	358	385	407	424	402	433	457	477	445	479	505	527	402	433	457	477	445	479	505	527	402	433	457	477	445	479	505	527	402	433	457	477	445	479	505	527																																						
	Lo PR	112	119	130	138	118	125	137	146	123	130	142	152	129	137	150	159	135	144	157	167	140	148	162	173	135	144	157	167	140	148	162	173	135	144	157	167	140	148	162	173	135	144	157	167	140	148	162	173																																						
	MBh	45.3	46.3	49.5	52.9	44.2	45.2	48.3	51.6	43.2	44.1	47.2	50.4	42.1	43.1	46.0	49.2	40.0	40.9	43.7	46.7	37.1	37.9	40.5	43.3	40.0	40.9	43.7	46.7	37.1	37.9	40.5	43.3	40.0	40.9	43.7	46.7	37.1	37.9	40.5	43.3	40.0	40.9	43.7	46.7	37.1	37.9	40.5	43.3																																						
	S/T	0.89	0.84	0.68	0.51	0.92	0.87	0.70	0.53	0.95	0.89	0.72	0.54	0.98	0.92	0.75	0.56	1.00	0.95	0.77	0.58	1.00	0.96	0.78	0.58	1.00	0.95	0.77	0.58	1.00	0.96	0.78	0.58	1.00	0.95	0.77	0.58	1.00	0.96	0.78	0.58	1.00	0.95	0.77	0.58	1.00	0.96	0.78	0.58																																						
	ΔT	23	22	19	15	23	22	20	16	23	23	20	16	24	23	20	16	24	23	22	19	16	21	21	18	15	23	22	19	16	21	21	18	15	23	22	19	16	21	21	18	15	23	22	19	16	21	21	18	15																																					
	KW	3.05	3.12	3.22	3.33	3.30	3.37	3.48	3.60	3.51	3.59	3.71	3.83	3.70	3.78	3.91	4.04	3.86	3.94	4.08	4.22	3.99	4.09	4.22	4.37	3.86	3.94	4.08	4.22	3.99	4.09	4.22	4.37	3.86	3.94	4.08	4.22	3.99	4.09	4.22	4.37	3.86	3.94	4.08	4.22	3.99	4.09	4.22	4.37																																						
	Amps	13.4	13.7	14.1	14.6	14.4	14.7	15.1	15.6	15.5	15.8	16.3	16.9	16.5	16.8	17.3	17.9	17.4	17.8	18.4	19.0	18.4	18.8	19.4	20.1	17.4	17.8	18.4	19.0	18.4	18.8	19.4	20.1	17.4	17.8	18.4	19.0	18.4	18.8	19.4	20.1	17.4	17.8	18.4	19.0	18.4	18.8	19.4	20.1																																						
Hi PR	244	262	277	289	273	294	311	324	311	335	353	369	354	381	403	420	398	429	453	472	440	474	500	522	403	429	453	472	440	474	500	522	403	429	453	472	440	474	500	522	403	429	453	472	440	474	500	522																																							
Lo PR	111	118	128	137	117	124	136	144	121	129	141	150	127	136	148	158	134	142	155	165	138	147	160	171	134	142	155	165	138	147	160	171	134	142	155	165	138	147	160	171	134	142	155	165	138	147	160	171																																							
MBh	41.8	42.7	45.6	48.8	40.8	41.7	44.6	47.7	39.9	40.7	43.5	46.5	38.9	39.7	42.5	45.4	36.9	37.8	40.3	43.1	34.2	35.0	37.4	39.9	36.9	37.8	40.3	43.1	34.2	35.0	37.4	39.9	36.9	37.8	40.3	43.1	34.2	35.0	37.4	39.9	36.9	37.8	40.3	43.1	34.2	35.0	37.4	39.9																																							
S/T	0.86	0.81	0.66	0.49	0.89	0.83	0.68	0.51	0.91	0.86	0.70	0.52	0.94	0.88	0.72	0.54	0.98	0.92	0.75	0.56	0.99	0.92	0.75	0.56	0.98	0.92	0.75	0.56	0.99	0.92	0.75	0.56	0.98	0.92	0.75	0.56	0.99	0.92	0.75	0.56	0.98	0.92	0.75	0.56	0.99	0.92	0.75	0.56																																							
ΔT	24	23	20	16	24	23	20	16	24	23	20	16	24	23	20	16	24	23	20	16	22	21	18	15	24	23	20	16	22	21	18	15	24	23	20	16	22	21	18	15	24	23	20	16	22	21	18	15																																							
KW	2.98	3.04	3.14	3.25	3.21	3.28	3.39	3.50	3.42	3.50	3.61	3.73	3.60	3.68	3.81	3.94	3.76	3.84	3.97	4.11	3.89	3.98	4.11	4.26	3.76	3.84	3.97	4.11	3.89	3.98	4.11	4.26	3.76	3.84	3.97	4.11	3.89	3.98	4.11	4.26	3.76	3.84	3.97	4.11	3.89	3.98	4.11	4.26																																							
Amps	13.1	13.4	13.8	14.2	14.0	14.3	14.8	15.3	15.1	15.5	15.9	16.5	16.1	16.4	16.9	17.5	17.0	17.4	17.9	18.5	17.9	18.3	18.9	19.5	17.0	17.4	17.9	18.5	17.9	18.3	18.9	19.5	17.0	17.4	17.9	18.5	17.9	18.3	18.9	19.5	17.0	17.4	17.9	18.5	17.9	18.3	18.9	19.5																																							
Hi PR	236	254	269	282	265	285	301	314	302	325	343	358	344	370	390	407	387	416	439	458	427	460	485	506	407	439	458	472	440	474	500	522	407	439	458	472	440	474	500	522	407	439	458	472	440	474	500	522																																							
Lo PR	107	114	125	133	113	120	132	140	118	125	137	146	124	132	144	153	130	138	151	160	134	143	156	166	130	138	151	160	134	143	156	166	130	138	151	160	134	143	156	166	130	138	151	160	134	143	156	166																																							
85	MBh	47.5	48.4	50.7	54.1	46.4	47.3	49.5	52.8	45.3	46.1	48.3	51.6	44.2	45.0	47.1	50.3	42.0	42.8	44.8	47.8	38.9	39.6	41.5	44.3	42.0	42.8	44.8	47.8	38.9	39.6	41.5	44.3	42.0	42.8	44.8	47.8	38.9	39.6	41.5	44.3	42.0	42.8	44.8	47.8	38.9	39.6	41.5	44.3																																						
	S/T	0.98	0.94	0.85	0.69	1.00	0.98	0.88	0.72	1.00	1.00	0.91	0.74	1.00	1.00	0.94	0.76	1.00	1.00	0.97	0.79	1.00	1.00	0.98	0.79	1.00	1.00	0.97	0.79	1.00	1.00	0.98	0.79	1.00	1.00	0.97	0.79	1.00	1.00	0.98	0.79	1.00	1.00	0.97	0.79	1.00	1.00	0.98	0.79																																						
	ΔT	24	23	22	19	24	24	22	19	23	24	22	19	23	23	23	23	20	23	22	22	19	20	20	18	15	21	22	22	19	20	20	18	15	21	22	22	19	20	20	18	15	21	22	22	19	20	20	18	15																																					
	KW	3.10	3.17	3.28	3.38	3.35	3.42	3.54	3.66	3.57	3.65	3.77	3.90	3.76	3.84	3.97	4.11	3.92	4.01	4.15	4.29	4.06	4.16	4.30	4.45	3.92	4.01	4.15	4.29	4.06	4.16	4.30	4.45	3.92	4.01	4.15	4.29	4.06	4.16	4.30	4.45	3.92	4.01	4.15	4.29	4.06	4.16	4.30	4.45																																						
	Amps	13.6	13.9	14.3	14.8	14.6	14.9	15.4	15.9	15.8	16.1	16.6	17.2	16.7	17.1	17.6	18.3	17.7	18.1	18.7	19.3	18.7	19.1	19.7	20.4	18.1	18.7	19.3	19.9	18.7	19.1	19.7	20.4	18.1	18.7	19.3	19.9	18.7	19.1	19.7	20.4	18.1	18.7	19.3	19.9	18.7	19.1	19.7	20.4																																						
	Hi PR	249	268	282	295	279	300	317	331	317	341	360	376	361	389	411	428	406	437	462	482	449	483	510	532	428	462	482	506	449	483	510	532	428	462	482	506	449	483	510	532	428	462	482	506	449	483	510	532																																						
	Lo PR	113	120	131	139</																																																																																		

IDB	AIRFLOW	OUTDOOR AMBIENT TEMPERATURE												ENTERING INDOOR WET BULB TEMPERATURE												
		65				75				85				95				105				115				
		59	63	67	71	59	63	67	71	59	63	67	71	59	63	67	71	59	63	67	71	59	63	67	71	
70	1905	MBh	57.8	59.9	65.6	-	56.5	58.5	64.1	-	55.1	57.1	62.6	-	53.8	55.7	61.1	-	51.1	53.0	58.0	-	47.3	49.1	53.7	-
		S/T	0.71	0.59	0.41	-	0.74	0.62	0.43	-	0.76	0.63	0.44	-	0.78	0.65	0.45	-	0.81	0.68	0.47	-	0.82	0.68	0.47	-
	ΔT	20	17	13	-	20	17	13	-	20	17	13	-	20	18	13	-	20	17	13	-	19	16	12	-	
	kW	3.71	3.79	3.92	-	4.01	4.10	4.24	-	4.28	4.38	4.53	-	4.52	4.62	4.78	-	4.72	4.83	4.99	-	4.89	5.00	5.18	-	
	Amps	17.7	18.0	18.5	-	18.9	19.3	19.8	-	20.3	20.8	21.4	-	21.5	22.0	22.7	-	22.8	23.3	24.0	-	24.0	24.5	25.3	-	
	Hi PR	246	265	280	-	276	297	314	-	314	338	357	-	358	385	407	-	403	433	457	-	445	479	505	-	
	Lo PR	106	113	123	-	112	119	130	-	116	124	135	-	122	130	142	-	128	136	149	-	132	141	154	-	
	1698	MBh	56.1	58.2	63.7	-	54.8	56.8	62.3	-	53.5	55.5	60.8	-	52.2	54.1	59.3	-	49.6	51.4	56.3	-	45.9	47.6	52.2	-
		S/T	0.68	0.57	0.39	-	0.70	0.59	0.41	-	0.72	0.60	0.42	-	0.74	0.62	0.43	-	0.77	0.64	0.45	-	0.78	0.65	0.45	-
	ΔT	21	18	14	-	21	18	14	-	21	18	14	-	21	18	14	-	21	18	14	-	19	17	13	-	
kW	3.68	3.76	3.89	-	3.98	4.07	4.21	-	4.24	4.34	4.49	-	4.48	4.58	4.74	-	4.67	4.78	4.95	-	4.85	4.96	5.13	-		
Amps	17.5	17.9	18.4	-	18.7	19.1	19.7	-	20.2	20.6	21.2	-	21.4	21.8	22.5	-	22.6	23.1	23.8	-	23.8	24.3	25.1	-		
Hi PR	244	262	277	-	274	294	311	-	311	335	354	-	354	381	403	-	399	429	453	-	440	474	500	-		
Lo PR	105	111	122	-	111	118	129	-	115	122	134	-	121	129	140	-	127	135	147	-	131	139	152	-		
1502	MBh	53.3	55.3	60.6	-	52.1	54.0	59.1	-	50.8	52.7	57.7	-	49.6	51.4	56.3	-	47.1	48.8	53.5	-	43.6	45.2	49.6	-	
	S/T	0.65	0.54	0.38	-	0.67	0.56	0.39	-	0.69	0.58	0.40	-	0.71	0.59	0.41	-	0.74	0.62	0.43	-	0.75	0.62	0.43	-	
ΔT	21	18	14	-	21	19	14	-	21	19	14	-	22	19	14	-	21	18	14	-	20	17	13	-		
kW	3.62	3.70	3.82	-	3.91	4.00	4.13	-	4.17	4.27	4.41	-	4.40	4.50	4.65	-	4.59	4.70	4.86	-	4.76	4.87	5.04	-		
Amps	17.3	17.6	18.1	-	18.5	18.8	19.4	-	19.8	20.3	20.8	-	21.0	21.5	22.1	-	22.2	22.7	23.4	-	23.4	23.9	24.6	-		
Hi PR	239	257	271	-	268	288	305	-	305	328	346	-	347	374	395	-	391	420	444	-	432	464	490	-		
Lo PR	103	109	119	-	108	115	126	-	113	120	131	-	118	126	138	-	124	132	144	-	128	137	149	-		
75	1905	MBh	58.8	60.5	65.5	70.3	57.4	59.1	64.0	68.7	56.1	57.7	62.5	67.0	54.7	56.3	60.9	65.4	52.0	53.5	57.9	62.1	48.1	49.6	53.6	57.6
		S/T	0.81	0.72	0.55	0.35	0.84	0.75	0.57	0.36	0.86	0.77	0.58	0.37	0.89	0.79	0.60	0.39	0.92	0.82	0.62	0.40	0.93	0.83	0.63	0.40
	ΔT	23	21	17	12	23	21	18	12	23	21	18	12	23	22	18	12	24	22	18	12	22	20	16	11	
	kW	3.74	3.83	3.95	4.09	4.05	4.14	4.28	4.43	4.32	4.42	4.57	4.73	4.56	4.66	4.82	4.99	4.76	4.87	5.04	5.21	4.93	5.05	5.22	5.41	
	Amps	17.8	18.2	18.7	19.3	19.0	19.4	20.0	20.7	20.5	20.9	21.5	22.3	21.7	22.2	22.9	23.6	23.0	23.5	24.2	25.0	24.2	24.7	25.5	26.4	
	Hi PR	249	268	283	295	279	300	317	331	317	342	361	376	362	389	411	428	407	438	462	482	449	484	511	533	
	Lo PR	107	114	124	132	113	120	131	140	117	125	136	145	123	131	143	152	129	137	150	160	134	142	155	165	
	1698	MBh	57.1	58.8	63.6	68.3	55.8	57.4	62.1	66.7	54.4	56.0	60.7	65.1	53.1	54.7	59.2	63.5	50.4	51.9	56.2	60.3	46.7	48.1	52.1	55.9
		S/T	0.77	0.69	0.52	0.34	0.80	0.71	0.54	0.35	0.82	0.73	0.55	0.36	0.85	0.76	0.57	0.37	0.88	0.78	0.59	0.38	0.88	0.79	0.60	0.39
	ΔT	24	22	18	12	24	22	18	13	24	22	18	13	24	22	18	13	24	22	18	12	22	21	17	12	
kW	3.71	3.80	3.92	4.05	4.01	4.11	4.24	4.39	4.28	4.38	4.53	4.69	4.52	4.62	4.78	4.95	4.72	4.83	4.99	5.17	4.89	5.00	5.18	5.36		
Amps	17.7	18.0	18.5	19.1	18.9	19.3	19.9	20.5	20.3	20.8	21.4	22.1	21.6	22.0	22.7	23.4	22.8	23.3	24.0	24.8	24.0	24.5	25.3	26.2		
Hi PR	246	265	280	292	276	297	314	328	314	338	357	372	358	385	407	424	403	433	458	477	445	479	506	527		
Lo PR	106	113	123	131	112	119	130	138	116	124	135	144	122	130	142	151	128	136	149	158	132	141	154	164		
1502	MBh	54.2	55.8	60.4	64.9	53.0	54.5	59.0	63.3	51.7	53.2	57.6	61.8	50.4	51.9	56.2	60.3	47.9	49.3	53.4	57.3	44.4	45.7	49.5	53.1	
	S/T	0.74	0.66	0.50	0.32	0.76	0.68	0.52	0.33	0.78	0.70	0.53	0.34	0.81	0.72	0.55	0.35	0.84	0.75	0.57	0.37	0.85	0.76	0.57	0.37	
ΔT	24	23	18	13	25	23	19	13	25	23	19	13	25	23	19	13	25	23	19	13	23	21	17	12		
kW	3.65	3.73	3.86	3.99	3.95	4.04	4.17	4.31	4.21	4.30	4.45	4.60	4.44	4.54	4.70	4.86	4.63	4.74	4.91	5.08	4.80	4.92	5.09	5.27		
Amps	17.4	17.7	18.2	18.8	18.6	19.0	19.5	20.2	20.0	20.4	21.0	21.7	21.2	21.7	22.3	23.1	22.4	22.9	23.6	24.4	23.6	24.1	24.9	25.7		
Hi PR	241	260	274	286	271	291	308	321	308	331	350	365	351	377	399	416	395	425	448	468	436	469	495	517		
Lo PR	104	110	120	128	110	117	127	136	114	121	132	141	120	127	139	148	125	133	146	155	130	138	151	160		

IDB = Entering Indoor Dry Bulb Temperature
 High and low pressures are measured at the liquid and suction access fittings.
 Design Subcooling, 5-7 °F @ the liquid access fitting connection ARI 95 test conditions. Design Superheat 15-18°F @ the compressor suction access fitting connection.
 Shaded area reflects AHRF (TVA) conditions.
 Amps: Unit amps (comp.+ evaporator + condenser fan motors)
 kW = Total system power

IDB		OUTDOOR AMBIENT TEMPERATURE																																																																																																																																																																																
		65					75					85					95					105					115																																																																																																																																																							
		59	63	67	71	75	59	63	67	71	75	59	63	67	71	75	59	63	67	71	75	59	63	67	71	75	59	63	67	71	75																																																																																																																																																			
1905		MBh	59.8	61.1	65.3	69.8	58.4	59.7	63.8	68.2	57.1	58.3	62.3	66.6	55.7	56.9	60.8	65.0	52.9	54.0	57.7	61.7	49.0	50.1	53.5	57.2	S/T	0.89	0.83	0.68	0.51	0.92	0.86	0.70	0.52	0.94	0.88	0.72	0.54	1.00	0.91	0.74	0.55	1.00	0.95	0.77	0.58	1.00	0.95	0.78	0.58	ΔT	26	25	21	17	26	25	22	17	26	25	22	17	27	25	22	17	26	25	21	17	24	23	20	16	kW	3.77	3.86	3.99	4.12	4.08	4.18	4.32	4.47	4.36	4.46	4.61	4.77	4.60	4.70	4.86	5.04	4.80	4.80	4.91	5.08	5.26	4.98	5.09	5.27	5.46	Amps	17.9	18.3	18.8	19.4	19.2	19.6	20.2	20.8	20.7	21.1	21.7	22.4	21.9	22.4	23.1	23.8	23.2	23.2	23.7	24.4	25.2	24.4	24.9	25.7	26.6	Hi PR	25.1	27.0	28.5	29.8	28.2	30.3	32.0	33.4	32.1	34.5	36.4	38.0	36.5	39.3	41.5	43.3	41.1	44.2	46.7	48.7	45.4	48.8	51.6	53.8	Lo PR	10.8	11.5	12.5	13.4	11.4	12.1	13.2	14.1	11.9	12.6	13.8	14.7	12.5	13.2	14.5	15.4	13.1	13.9	15.2	16.1	13.5	14.4	15.7	16.7
80		MBh	58.1	59.4	63.4	67.8	56.7	58.0	61.9	66.2	55.4	56.6	60.5	64.6	54.0	55.2	59.0	63.1	51.3	52.5	56.0	59.9	47.6	48.6	51.9	55.5	S/T	0.84	0.79	0.65	0.48	0.88	0.82	0.67	0.50	0.90	0.84	0.69	0.51	0.93	0.87	0.71	0.53	0.96	0.90	0.73	0.55	0.97	0.91	0.74	0.55	ΔT	27	25	22	18	27	26	22	18	27	26	22	18	27	26	23	18	27	26	22	18	25	24	21	17	kW	3.74	3.83	3.96	4.09	4.05	4.14	4.28	4.43	4.32	4.42	4.57	4.73	4.56	4.66	4.82	4.99	4.76	4.87	5.04	5.22	4.93	5.05	5.22	5.41	Amps	17.8	18.2	18.7	19.3	19.0	19.4	20.0	20.7	20.5	20.9	21.5	22.3	21.7	22.2	22.9	23.6	23.0	23.0	23.5	24.2	25.0	24.2	24.7	25.5	26.4	Hi PR	24.9	26.8	28.3	29.5	27.9	30.0	31.7	33.1	31.7	34.2	36.1	37.6	36.2	38.9	41.1	42.9	40.7	43.8	46.2	48.2	44.9	48.4	51.1	53.3	Lo PR	10.7	11.4	12.4	13.2	11.3	12.0	13.1	14.0	11.7	12.5	13.6	14.5	12.3	13.1	14.3	15.3	12.9	13.7	15.0	16.0	13.4	14.2	15.5	16.5	
1502		MBh	55.2	56.4	60.2	64.4	53.9	55.1	58.8	62.9	52.6	53.8	57.4	61.4	51.3	52.5	56.0	59.9	48.8	49.8	53.2	56.9	45.2	46.2	49.3	52.7	S/T	0.81	0.76	0.62	0.46	0.84	0.79	0.64	0.48	0.86	0.81	0.66	0.49	0.89	0.83	0.68	0.51	0.92	0.86	0.70	0.53	0.93	0.87	0.71	0.53	ΔT	27	26	23	18	28	27	23	18	28	27	23	18	28	27	23	19	28	26	23	18	26	25	21	17	kW	3.68	3.76	3.89	4.02	3.98	4.07	4.21	4.35	4.24	4.34	4.49	4.64	4.48	4.58	4.74	4.90	4.67	4.78	4.95	5.12	4.85	4.96	5.13	5.31	Amps	17.5	17.9	18.4	19.0	18.7	19.1	19.7	20.3	20.2	20.6	21.2	21.9	21.4	21.8	22.5	23.2	22.6	23.1	23.8	24.6	23.8	24.3	25.1	25.9	Hi PR	24.4	26.2	27.7	28.9	27.4	29.4	31.1	32.4	31.1	33.5	35.4	36.9	35.4	38.1	40.3	42.0	39.9	42.9	45.3	47.2	44.0	47.4	50.0	52.2	Lo PR	10.5	11.1	12.2	13.0	11.1	11.8	12.9	13.7	11.5	12.2	13.4	14.2	12.1	12.9	14.0	14.9	12.7	13.5	14.7	15.7	13.1	13.9	15.2	16.2		

1905		MBh	60.9	62.1	65.0	69.3	59.5	60.6	63.5	67.7	58.0	59.2	62.0	66.1	56.6	57.7	60.5	64.5	53.8	54.8	57.4	61.3	49.8	50.8	53.2	56.8	S/T	0.93	0.90	0.81	0.66	0.96	0.93	0.84	0.68	0.99	0.95	0.86	0.70	1.00	0.98	0.89	0.72	1.00	0.92	0.75	0.58	1.00	1.00	0.93	0.75	ΔT	27	27	25	22	28	27	26	22	28	27	26	22	22	27	26	22	22	26	26	26	22	24	25	24	21	kW	3.81	3.89	4.02	4.16	4.12	4.21	4.35	4.51	4.39	4.49	4.65	4.81	4.64	4.74	4.91	5.08	4.84	4.95	5.13	5.31	5.02	5.14	5.32	5.51	Amps	18.1	18.5	19.0	19.6	19.4	19.8	20.3	21.0	20.8	21.3	21.9	22.6	22.1	22.6	23.2	24.0	23.4	23.9	24.6	25.4	24.6	25.2	25.9	26.8	Hi PR	25.4	27.3	28.8	30.1	28.5	30.6	32.4	33.7	32.4	34.8	36.8	38.4	36.9	39.7	41.9	43.7	41.5	44.7	47.1	49.2	45.8	49.3	52.1	54.3	Lo PR	10.9	11.6	12.7	13.5	11.5	12.3	13.4	14.3	12.0	12.7	13.9	14.8	12.6	13.4	14.6	15.6	13.2	14.0	15.3	16.3	13.6	14.5	15.8	16.9
85		MBh	59.1	60.3	63.1	67.3	57.7	58.9	61.6	65.8	56.4	57.4	60.2	64.2	55.0	56.0	58.7	62.6	52.2	53.2	55.8	59.5	48.4	49.3	51.7	55.1	S/T	0.89	0.85	0.77	0.63	0.92	0.89	0.80	0.65	0.94	0.91	0.82	0.67	0.97	0.94	0.85	0.69	1.00	0.97	0.88	0.71	1.00	0.98	0.89	0.72	ΔT	28	28	26	23	29	28	27	23	29	28	27	23	23	29	28	27	23	28	28	27	23	26	26	25	21	kW	3.77	3.86	3.99	4.12	4.08	4.18	4.32	4.47	4.36	4.46	4.61	4.77	4.60	4.70	4.86	5.04	4.80	4.91	5.08	5.26	4.98	5.09	5.27	5.46	Amps	17.9	18.3	18.8	19.4	19.2	19.6	20.2	20.8	20.7	21.1	21.7	22.4	21.9	22.4	23.1	23.8	23.2	23.7	24.4	25.2	24.4	24.9	25.7	26.6	Hi PR	25.1	27.0	28.5	29.8	28.2	30.3	32.0	33.4	32.1	34.5	36.4	38.0	36.5	39.3	41.5	43.3	41.1	44.2	46.7	48.7	45.4	48.8	51.6	53.8	Lo PR	10.8	11.5	12.5	13.4	11.4	12.1	13.2	14.1	11.9	12.6	13.8	14.7	12.5	13.2	14.5	15.4	13.1	13.9	15.2	16.1	13.5	14.4	15.7	16.7
1502		MBh	56.2	57.2	59.9	64.0	54.8	55.9	58.6	62.5	53.5	54.6	57.2	61.0	52.2	53.2	55.8	59.5	49.6	50.6	53.0	56.5	46.0	46.9	49.1	52.4	S/T	0.85	0.82	0.74	0.60	0.88	0.85	0.77	0.62	0.90	0.87	0.79	0.64	0.93	0.90	0.81	0.66	0.97	0.93	0.84	0.68	0.97	0.94	0.85	0.69	ΔT	29	29	27	23	30	29	27	24	30	29	27	24	24	30	29	28	24	29	29	27	24	27	27	25	22	kW	3.71	3.79	3.92	4.05	4.01	4.10	4.24	4.39	4.28	4.38	4.53	4.69	4.52	4.62	4.78	4.95	4.72	4.83	4.99	5.17	4.89	5.00	5.18	5.36	Amps	17.7	18.0	18.5	19.1	18.9	19.3	19.8	20.5	20.3	20.8	21.4	22.1	21.5	22.0	22.7	23.4	22.8	23.3	24.0	24.8	24.0	24.5	25.3	26.1	Hi PR	24.6	26.5	28.0	29.2	27.6	29.7	31.4	32.7	31.4	33.8	35.7	37.2	35.8	38.5	40.7	42.4	40.3	43.3	45.7	47.7	44.5	47.9	50.5	52.7	Lo PR	10.6	11.3	12.3	13.1	11.2	11.9	13.0	13.8	11.6	12.4	13.5	14.4	12.2	13.0	14.2	15.1	12.8	13.6	14.9	15.8	13.2	14.1	15.4	16.4

IDB = Entering Indoor Dry Bulb Temperature

High and low pressures are measured at the liquid and suction access fittings.

Design Subcooling, 5-7 °F @ the liquid access fitting connection ARI 95 test conditions. Design Superheat 15-18°F @ the compressor suction access fitting connection.

Shaded area reflects AHRF conditions.

Amps: Unit amps (comp.+ evaporator + condenser fan motors)

kW = Total system power

EXPANDED HEATING DATA

GPH1624H41**

	OUTDOOR AMBIENT TEMPERATURE																	
	65	60	55	50	47	45	40	35	30	25	20	17	15	10	5	0	-5	-10
MBh	28.7	27.1	25.5	23.9	22.8	22.1	20.5	18.9	16.2	15.0	13.8	13.0	12.5	11.2	10.0	8.7	7.4	6.1
T/R	30.3	28.7	27.0	25.3	24.1	23.4	21.7	20.0	17.1	15.8	14.6	13.8	13.2	11.9	10.5	9.2	7.8	6.4
kW	1.96	1.92	1.88	1.84	1.81	1.80	1.76	1.72	1.70	1.66	1.62	1.60	1.58	1.54	1.50	1.46	1.42	1.38
Amps	9.8	9.1	8.5	8.1	7.8	7.7	7.3	6.9	6.6	6.4	6.1	6.0	5.9	5.6	5.3	5.0	4.7	4.3
COP	4.28	4.14	3.98	3.80	3.68	3.60	3.42	3.23	2.78	2.63	2.48	2.38	2.32	2.13	1.94	1.74	1.53	1.29
HI PR	397	381	366	350	342	335	322	309	296	283	272	265	260	251	241	231	223	215
LO PR	140	129	121	111	105	101	93	83	75	67	59	55	53	44	38	32	28	22

GPH1630H41**

	OUTDOOR AMBIENT TEMPERATURE																	
	65	60	55	50	47	45	40	35	30	25	20	17	15	10	5	0	-5	-10
MBh	34.7	32.8	30.9	28.9	27.6	26.7	24.8	22.9	19.2	17.7	16.3	15.4	14.8	13.3	11.8	10.3	8.8	7.2
T/R	30.6	29.0	27.3	25.5	24.3	23.6	21.9	20.2	16.9	15.6	14.4	13.6	13.1	11.7	10.4	9.1	7.7	6.3
kW	2.37	2.32	2.27	2.22	2.19	2.17	2.13	2.08	2.03	1.98	1.94	1.91	1.89	1.84	1.79	1.74	1.69	1.64
Amps	11.7	10.9	10.2	9.7	9.3	9.2	8.7	8.3	7.9	7.6	7.3	7.1	7.0	6.7	6.3	6.0	5.6	5.1
COP	4.28	4.14	3.98	3.81	3.68	3.60	3.42	3.23	2.76	2.61	2.47	2.36	2.30	2.12	1.93	1.73	1.52	1.28
HI PR	408	391	376	359	351	344	331	318	304	291	279	272	268	257	247	237	229	221
LO PR	132	123	115	105	100	96	88	78	71	63	56	52	50	42	36	31	27	21

GPH1636H41**

	OUTDOOR AMBIENT TEMPERATURE																	
	65	60	55	50	47	45	40	35	30	25	20	17	15	10	5	0	-5	-10
MBh	40.5	38.3	36.1	33.7	32.2	31.2	29.0	26.7	25.4	23.5	21.6	20.4	19.6	17.6	15.6	13.6	11.6	9.5
T/R	31.2	29.6	27.8	26.0	24.8	24.1	22.4	20.6	19.6	18.1	16.7	15.7	15.2	13.6	12.1	10.5	9.0	7.4
kW	2.84	2.78	2.73	2.67	2.64	2.61	2.56	2.50	2.52	2.46	2.40	2.37	2.35	2.29	2.23	2.18	2.12	2.06
Amps	14.1	13.1	12.3	11.7	11.3	11.1	10.5	10.1	9.7	9.3	8.9	8.7	8.6	8.2	7.8	7.4	6.9	6.3
COP	4.17	4.03	3.87	3.69	3.57	3.49	3.31	3.12	2.95	2.79	2.63	2.52	2.45	2.25	2.05	1.83	1.61	1.35
HI PR	391	375	360	344	336	330	317	304	291	278	267	261	256	246	237	227	219	211
LO PR	133	123	115	106	100	96	88	79	71	63	56	52	50	42	36	31	27	21

GPH1636H41B*

	OUTDOOR AMBIENT TEMPERATURE																	
	65	60	55	50	47	45	40	35	30	25	20	17	15	10	5	0	-5	-10
MBh	40.5	38.3	36.1	33.7	32.2	31.2	29.0	26.7	24.5	22.7	20.9	19.7	19.0	17.0	15.1	13.2	11.2	9.2
T/R	31.2	29.6	27.8	26.0	24.8	24.1	22.4	20.6	18.9	17.5	16.1	15.2	14.6	13.1	11.6	10.2	8.7	7.1
kW	2.81	2.76	2.70	2.64	2.61	2.59	2.53	2.48	2.52	2.46	2.40	2.37	2.35	2.29	2.23	2.17	2.11	2.05
Amps	14.7	13.7	12.9	12.1	11.7	11.5	10.9	10.4	10.0	9.6	9.2	9.0	8.9	8.5	8.0	7.5	7.0	6.4
COP	4.21	4.07	3.91	3.73	3.61	3.53	3.35	3.16	2.85	2.69	2.54	2.43	2.37	2.18	1.98	1.77	1.56	1.31
EER	14.4	13.9	13.4	12.8	12.3	12.1	11.4	10.8	9.7	9.2	8.7	8.3	8.1	7.4	6.8	6.1	5.3	4.5
HI PR	385	369	355	339	331	325	312	300	287	274	263	257	252	243	233	224	216	208
LO PR	143	133	125	114	108	104	96	85	77	69	60	56	54	46	39	33	29	23

Above information is for nominal CFM and 70° indoor dry bulb. Instantaneous capacity listed.

AMPS: Unit amps (comp.+ evaporator motor + condenser fan motor)

High pressure is measured at the liquid line access fitting; low pressure is measured at the compressor suction access fitting.

kW = Total system power

GPH1642H41A*

	OUTDOOR AMBIENT TEMPERATURE																	
	65	60	55	50	47	45	40	35	30	25	20	17	15	10	5	0	-5	-10
MBh	47.3	44.7	42.1	39.4	37.6	36.4	33.8	31.2	26.9	24.8	22.9	21.6	20.8	18.7	16.5	14.4	12.3	10.1
T/R	33.7	31.9	30.0	28.0	26.8	26.0	24.1	22.2	19.2	17.7	16.3	15.4	14.8	13.3	11.8	10.3	8.8	7.2
kW	3.25	3.18	3.12	3.05	3.02	2.99	2.93	2.86	2.85	2.79	2.72	2.69	2.66	2.59	2.53	2.46	2.40	2.33
Amps	16.5	15.4	14.5	13.7	13.2	13.0	12.3	11.7	11.3	10.8	10.4	10.2	10.0	9.6	9.0	8.6	8.0	7.3
COP	4.26	4.11	3.95	3.77	3.65	3.57	3.38	3.19	2.76	2.61	2.46	2.35	2.29	2.11	1.92	1.71	1.50	1.27
HI PR	395	379	364	348	340	333	320	308	295	281	270	264	259	249	240	230	222	214
LO PR	131	122	114	105	99	95	88	78	70	63	55	51	49	42	36	30	27	21

GPH1642H41B*

	OUTDOOR AMBIENT TEMPERATURE																	
	65	60	55	50	47	45	40	35	30	25	20	17	15	10	5	0	-5	-10
MBh	51.7	48.9	46.0	43.0	41.1	39.8	37.0	34.1	30.7	28.4	26.1	24.7	23.8	21.3	18.9	16.5	14.1	11.5
T/R	37.1	35.1	33.0	30.9	29.5	28.6	26.6	24.5	22.1	20.4	18.7	17.7	17.0	15.3	13.6	11.8	10.1	8.3
kW	3.42	3.35	3.28	3.21	3.17	3.14	3.08	3.01	2.99	2.92	2.86	2.81	2.79	2.72	2.65	2.58	2.51	2.44
Amps	17.0	15.9	14.9	14.1	13.6	13.4	12.7	12.1	11.6	11.2	10.7	10.5	10.3	9.9	9.3	8.8	8.2	7.5
COP	4.42	4.27	4.11	3.92	3.79	3.71	3.52	3.32	3.00	2.84	2.68	2.57	2.49	2.30	2.09	1.87	1.64	1.38
EER	15.1	14.6	14.0	13.4	13.0	12.7	12.0	11.3	10.3	9.7	9.1	8.8	8.5	7.8	7.1	6.4	5.6	4.7
HI PR	403	386	371	355	347	340	327	314	301	287	276	269	264	254	244	234	226	218
LO PR	142	132	124	113	107	103	95	84	76	68	60	56	54	45	39	33	29	23

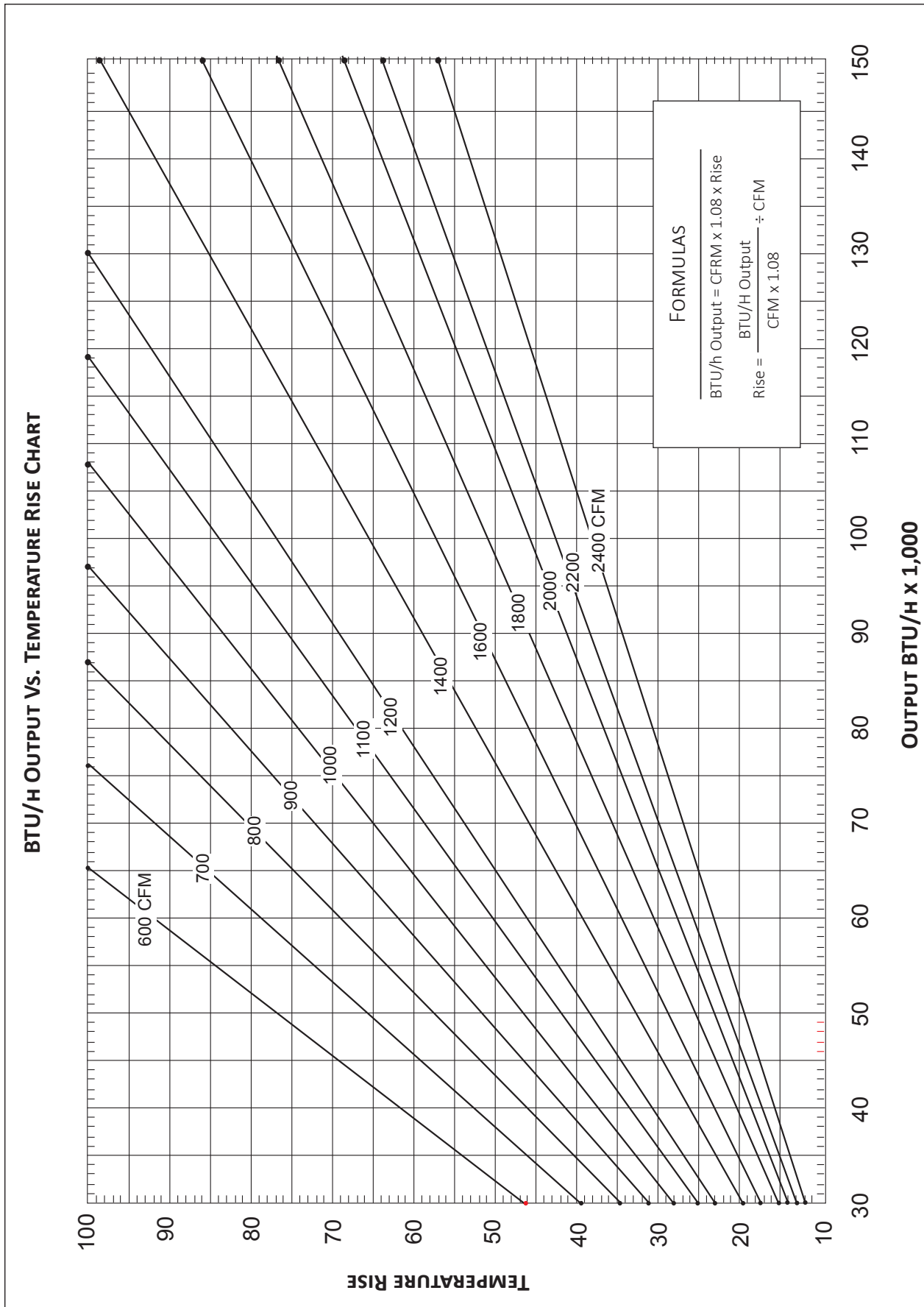
GPH1648H41**

	OUTDOOR AMBIENT TEMPERATURE																	
	65	60	55	50	47	45	40	35	30	25	20	17	15	10	5	0	-5	-10
MBh	55.3	52.4	49.3	46.1	44.0	42.6	39.6	36.5	32.4	29.9	27.5	26.0	25.0	22.5	19.9	17.4	14.8	12.1
T/R	32.0	30.3	28.5	26.7	25.5	24.7	22.9	21.1	18.7	17.3	15.9	15.0	14.5	13.0	11.5	10.1	8.6	7.0
kW	3.74	3.66	3.59	3.51	3.47	3.44	3.36	3.29	3.33	3.25	3.17	3.13	3.10	3.02	2.94	2.86	2.78	2.71
Amps	18.8	17.5	16.5	15.6	15.1	14.8	14.1	13.4	12.9	12.4	11.9	11.6	11.5	11.0	10.4	9.8	9.2	8.5
COP	4.33	4.18	4.02	3.84	3.71	3.63	3.45	3.25	2.85	2.69	2.54	2.43	2.37	2.18	1.98	1.77	1.56	1.31
HI PR	382	366	352	337	329	323	310	298	285	272	261	255	251	241	232	222	214	207
LO PR	132	122	114	105	99	95	88	78	70	63	55	51	50	42	36	31	27	21

GPH1660H41**

	OUTDOOR AMBIENT TEMPERATURE																	
	65	60	55	50	47	45	40	35	30	25	20	17	15	10	5	0	-5	-10
MBh	69.8	66.0	62.2	58.1	55.5	53.8	49.9	46.1	40.0	36.9	34.0	32.1	30.9	27.7	24.6	21.4	18.3	15.0
T/R	38.0	36.0	33.9	31.7	30.3	29.3	27.2	25.1	21.8	20.1	18.5	17.5	16.9	15.1	13.4	11.7	10.0	8.2
kW	4.76	4.66	4.56	4.47	4.41	4.37	4.27	4.17	4.15	4.05	3.95	3.89	3.85	3.75	3.65	3.55	3.45	3.35
Amps	25.7	24.0	22.6	21.4	20.7	20.3	19.3	18.5	17.8	17.1	16.4	16.0	15.9	15.2	14.3	13.6	12.8	11.7
COP	4.29	4.14	3.99	3.81	3.68	3.60	3.42	3.23	2.82	2.67	2.52	2.41	2.35	2.17	1.97	1.77	1.55	1.31
HI PR	404	388	373	356	348	341	328	315	302	288	277	270	265	255	245	235	227	219
LO PR	129	119	112	103	97	93	86	76	69	62	54	50	48	41	35	30	26	20

Above information is for nominal CFM and 70° indoor dry bulb. Instantaneous capacity listed. AMPS: Unit amps (comp.+ evaporator motor + condenser fan motor)
 High pressure is measured at the liquid line access fitting; low pressure is measured at the compressor suction access fitting. kW = Total system power



MODEL	SPEED*	VOLTS		E.S.P. (IN. OF H ₂ O)							
				0.10	0.20	0.30	0.40	0.50	0.60	0.70	0.80
GPH16 24H41**	T1	230	CFM Watts	914 69	866 80	818 91	770 102	722 114	674 125	626 136	578 147
	T2, T3	230	CFM Watts	914 69	866 80	818 91	770 102	722 114	674 125	626 136	578 147
	T4, T5	230	CFM Watts	1,231 168	1,179 180	1,127 193	1,074 205	1,022 218	969 230	917 243	865 255
GPH16 30H41**	T1	230	CFM Watts	1,005 91	961 102	918 114	874 125	831 137	787 149	744 160	700 172
	T2, T3	230	CFM Watts	1,110 120	1,067 132	1,023 144	980 155	936 167	893 178	849 190	806 202
	T4, T5	230	CFM Watts	1,462 241	1,409 253	1,357 266	1,305 278	1,252 291	1,200 303	1,147 315	1,095 328
GPH16 36H41**	T1	230	CFM Watts	1,151 132	1,097 144	1,042 156	988 169	933 181	879 194	824 206	770 219
	T2, T3	230	CFM Watts	1,261 131	1,215 144	1,169 157	1,123 169	1,076 182	1,030 194	984 207	937 220
	T4, T5	230	CFM Watts	1,577 277	1,525 290	1,472 302	1,420 314	1,367 327	1,315 339	1,263 352	1,210 364
GPH16 42H41A*	T1	230	CFM Watts	1,165 118	1,122 130	1,080 142	1,037 154	995 166	953 178	910 190	868 202
	T2, T3	230	CFM Watts	1,365 188	1,322 200	1,280 212	1,237 224	1,195 236	1,153 248	1,110 260	1,068 272
	T4, T5	230	CFM Watts	1,645 285	1,602 297	1,560 309	1,517 321	1,475 333	1,433 346	1,390 358	1,348 370
GPH16 42H41B*	T1	230	CFM Watts	1,057 128	939 134	839 148	745 162	657 168	570 180	497 192	-- --
	T2, T3	230	CFM Watts	1,365 188	1,322 200	1,280 212	1,237 224	1,195 236	1,153 248	1,110 260	1,068 272
	T4, T5	230	CFM Watts	1,645 285	1,602 297	1,560 309	1,517 321	1,475 333	1,433 346	1,390 358	1,348 370
GPH16 48H41**	T1	230	CFM Watts	1,130 125	1,080 139	1,020 150	968 161	993 175	887 186	826 190	762 207
	T2, T3	230	CFM Watts	1,712 337	1,655 348	1,587 358	1,541 375	1,486 385	1,444 405	1,393 414	1,340 416
	T4, T5	230	CFM Watts	2,002 498	1,935 521	1,885 516	1,827 534	1,767 385	1,732 567	1,669 571	1,618 574
GPH16 60H41**	T1	230	CFM Watts	1,451 216	1,375 224	1,321 230	1,286 240	1,233 248	1,191 262	1,108 266	1,083 288
	T2, T3	230	CFM Watts	1,913 408	1,834 418	1,762 432	1,698 438	1,670 446	1,619 454	1,567 456	1,531 476
	T4, T5	230	CFM Watts	2,049 506	1,948 522	1,914 528	1,851 548	1,811 544	1,770 548	1,738 556	1,685 568

* Speed set at T2 at factory.

HEAT KIT ELECTRICAL DATA (BLOWER ONLY, HEAT MODE)

MODEL AND HEAT KIT USAGE	CIRCUIT #1		CIRCUIT #2		SINGLE-POINT KIT		ACTUAL kW / BTU@ 240V
	MCA ¹	MOD ²	MCA ¹	MOD ²	MCA ¹	MOP ²	
GPH1624H41**	4.3	---	---	---	--	--	---
HKP-05C*	21 / 25	25 / 25	---	---	46	50	4.75 / 16,200
HKR-08C*	32 / 36	35 / 40	---	---	58	60	7 / 23,800
HKP-10C*	43 / 49	45 / 50	---	---	71	80	9.5 / 32,400
GPH1630H41**	4.3	---	---	---	--	--	---
HKP-05C*	21 / 25	25 / 25	---	---	48	50	4.75 / 16,200
HKR-08C*	32 / 36	35 / 40	---	---	60	60	7 / 23,800
HKP-10C*	43 / 49	45 / 50	---	---	73	80	9.5 / 32,400
HKP-15C*	43 / 49	45 / 50	21 / 25	25 / 25	97	100	14.25 / 48,600
GPH1636H41**	4.3	---	---	---	--	--	---
HKP-05C*	21 / 25	25 / 25	---	---	51	60	4.75 / 16,200
HKR-08C*	32 / 36	35 / 40	---	---	63	70	7 / 23,800
HKP-10C*	43 / 49	45 / 50	---	---	76	80	9.5 / 32,400
HKP-15C*	43 / 49	45 / 50	21 / 25	25 / 25	101	110	14.25 / 48,600
GPH1636H41BA	4.3	---	---	---	--	--	---
HKP-05C*	21 / 25	25 / 25	---	---	49.5	60	4.75 / 16,200
HKR-08C*	32 / 36	35 / 40	---	---	61.2	70	7 / 23,800
HKP-10C*	43 / 49	45 / 50	---	---	74.2	80	9.5 / 32,400
HKP-15C*	43 / 49	45 / 50	21 / 25	25 / 25	98.9	100	14.25 / 48,600
GPH1636H41BB	4.3	---	---	---	--	--	---
HKP-05C*	21 / 25	25 / 25	---	---	49.8	60	4.75 / 16,200
HKR-08C*	32 / 36	35 / 40	---	---	61.5	70	7 / 23,800
HKP-10C*	43 / 49	45 / 50	---	---	74.5	80	9.5 / 32,400
HKP-15C*	43 / 49	45 / 50	21 / 25	25 / 25	99.2	100	14.25 / 48,600
GPH1642H41**	6.8	---	---	---	--	--	---
HKP-05C*	21 / 25	25 / 25	---	---	53	60	4.75 / 16,200
HKR-08C*	32 / 36	35 / 40	---	---	65	70	7 / 23,800
HKP-10C*	43 / 49	45 / 50	---	---	78	80	9.5 / 32,400
HKP-15C*	43 / 49	45 / 50	21 / 25	25 / 25	102	110	14.25 / 48,600
HKP-20C	43 / 49	45 / 50	43 / 49	45 / 50	127	150	19.0 / 64,800
GPH1648H41**	6.8	---	---	---	--	--	---
HKP-05C*	21 / 25	25 / 25	---	---	59	70	4.75 / 16,200
HKR-08C*	32 / 36	35 / 40	---	---	71	80	7 / 23,800
HKP-10C*	43 / 49	45 / 50	---	---	84	90	9.5 / 32,400
HKP-15C*	43 / 49	45 / 50	21 / 25	25 / 25	109	110	14.25 / 48,600
HKP-20C	43 / 49	45 / 50	43 / 49	45 / 50	134	150	19.0 / 64,800
GPH1660H41**	6.8	---	---	---	--	--	---
HKP-05C*	21 / 25	25 / 25	---	---	59	70	4.75 / 16,200
HKR-08C*	32 / 36	35 / 40	---	---	71	80	7 / 23,800
HKP-10C*	43 / 49	45 / 50	---	---	84	90	9.5 / 32,400
HKP-15C*	43 / 49	45 / 50	21 / 25	25 / 25	109	110	14.25 / 48,600
HKP-20C	43 / 49	45 / 50	43 / 49	45 / 50	134	150	19.0 / 64,800

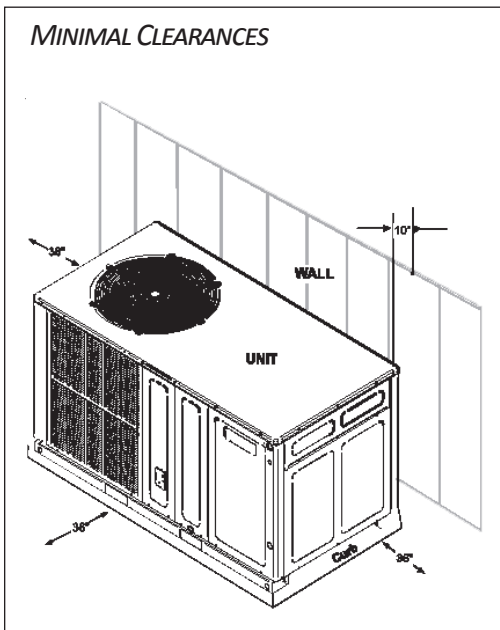
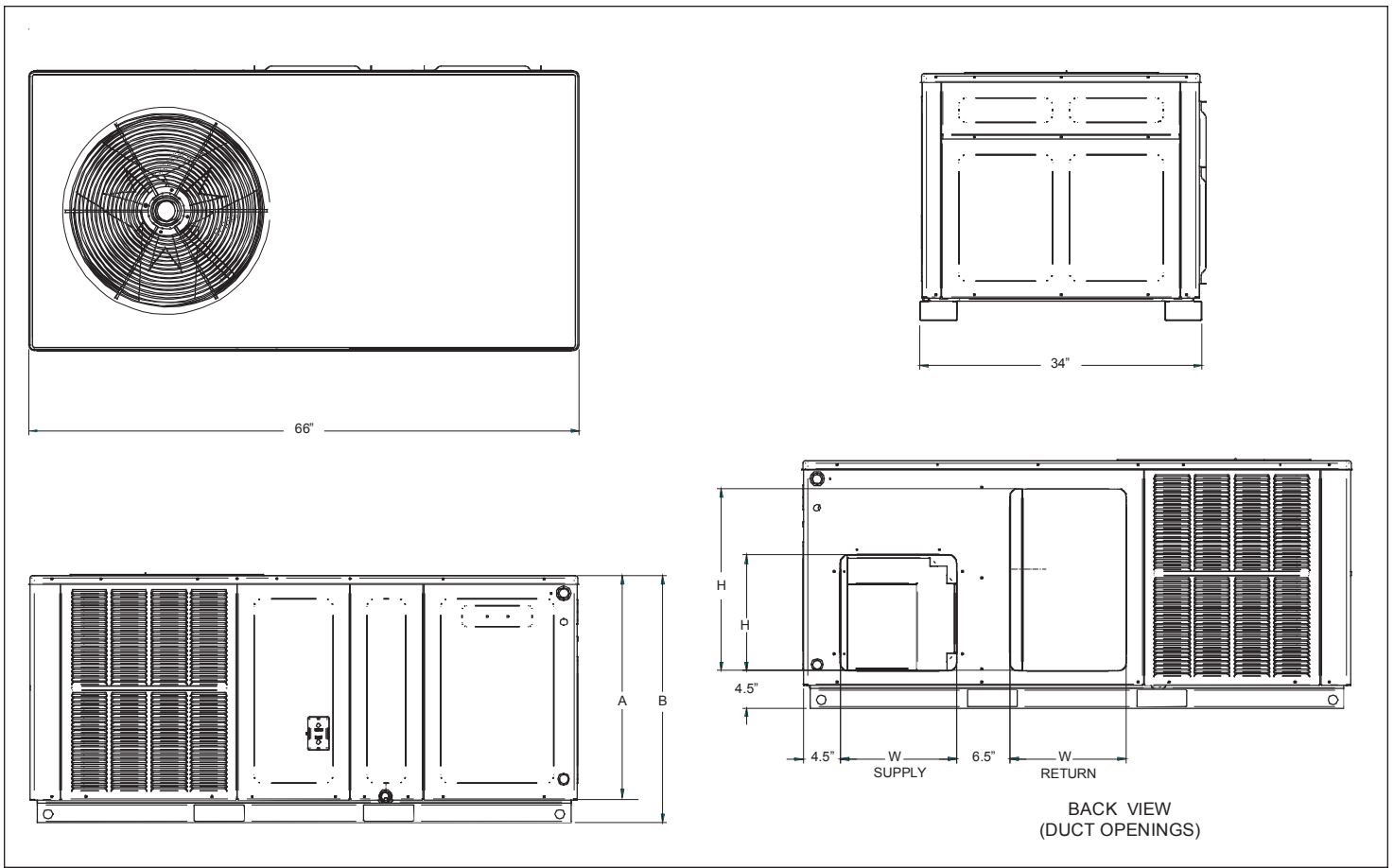
¹ Minimum Circuit Ampacity @ 208 / 240 V

² Maximum Overcurrent Protection Device @ 208 / 240 V

* Revision level that may or may not be designated

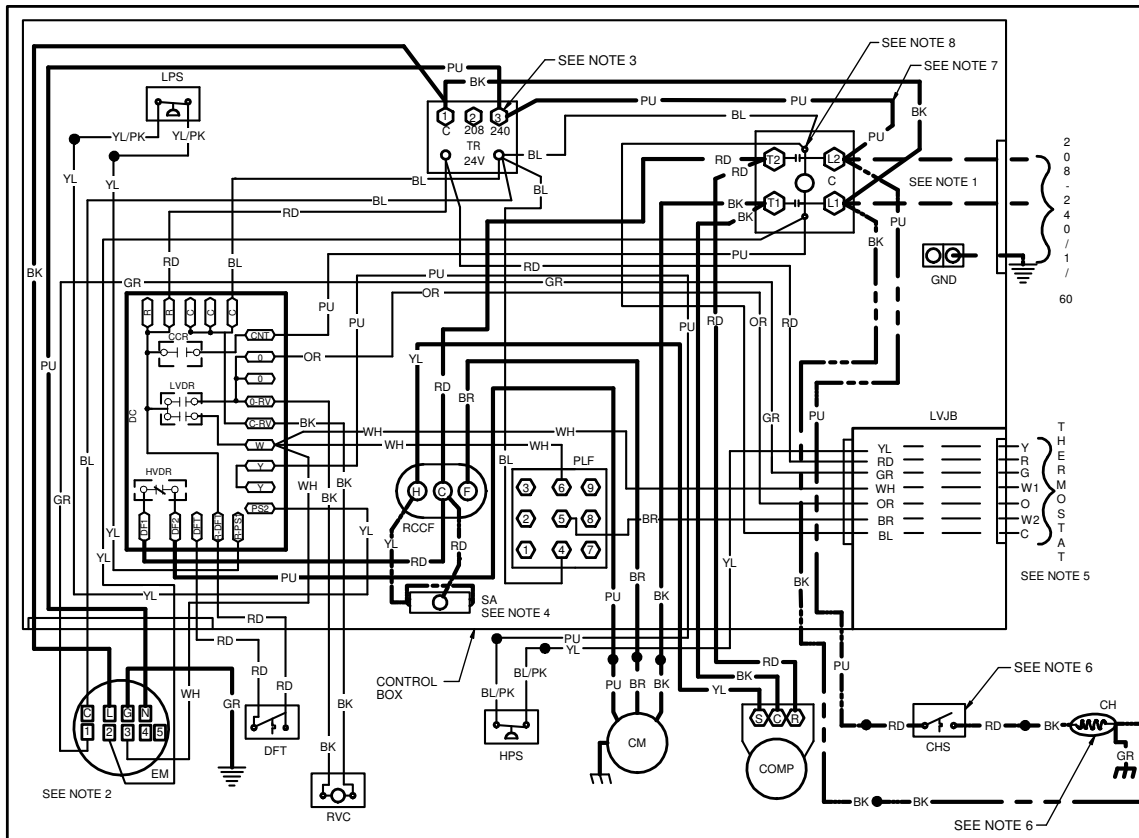
C Circuit breaker option

HKP-15C and HKP-20C replace HKR-15C and HKR-20C respectively to meet new UL1995 requirements.



MODEL	UNIT DIMENSIONS				CHASSIS SIZE
	W	D	HEIGHT		
			A	B	
GPH1624H41**	66	34	27½	30	Small
GPH1630H41**	66	34	27½	30	Small
GPH1636H41**	66	34	32½	35	Medium
GPH1642H41**	66	34	32½	35	Medium
GPH1648H41**	66	34	32½	35	Medium
GPH1660H41**	66	34	36	38½	Large

MODEL	DUCT OPENINGS			
	SUPPLY		RETURN	
	W	H	W	H
GPH1624H41**	14	14	14	22
GPH1630H41**	14	14	14	22
GPH1636H41**	14	14	14	24
GPH1642H41**	14	14	14	24
GPH1648H41**	14	14	14	24
GPH1660H41**	14	14	14	24



SEE NOTE 2

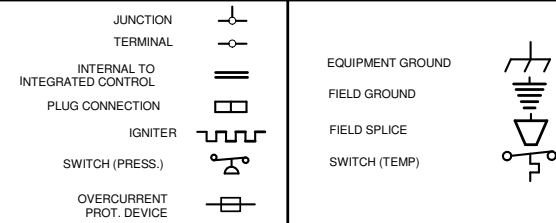
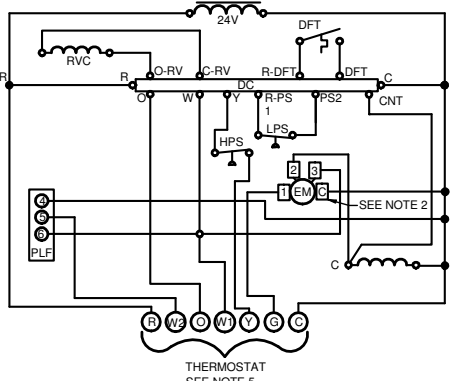
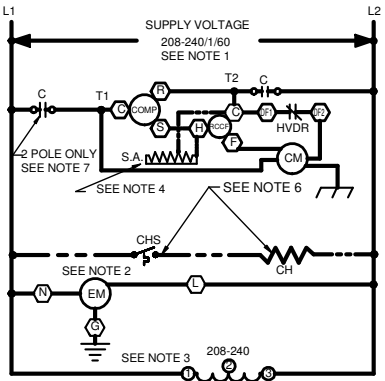
COMPONENT LEGEND

- C CONTACTOR
- CCR COMPRESSOR CONTACTOR RELAY
- CH CRACKCASE HEATER
- CHS CRACKCASE HEATER SWITCH
- CM CONDENSER MOTOR
- COMP COMPRESSOR
- DC DEFROST CONTROL
- DFT DEFROST THERMOSTAT
- EM EVAPORATOR MOTOR
- GND EQUIPMENT GROUND
- HVDR HIGH VOLTAGE DEFROST RELAY
- LPS LOW PRESSURE SWITCH
- LVDR LOW VOLTAGE DEFROST RELAY
- LVJB LOW VOLTAGE JUNCTION BOX
- PLF FEMALE PLUG / CONNECTOR
- RVC REVERSING VALVE COIL
- RCCF RUN CAPACITOR FOR COMPRESSOR AND FAN
- SA START ASSIST
- TR TRANSFORMER
- HPS HIGH PRESSURE SWITCH

- FACTORY WIRING**
- LINE VOLTAGE
 - LOW VOLTAGE
 - OPTIONAL HIGH VOLTAGE

- FIELD WIRING**
- - - HIGH VOLTAGE
 - - - LOW VOLTAGE

- WIRE CODE**
- BK BLACK
 - BL BLUE
 - BR BROWN
 - GR GREEN
 - OR ORANGE
 - PU PURPLE
 - RD RED
 - WH WHITE
 - YL YELLOW



NOTES:

1. REPLACEMENT WIRE MUST BE SAME SIZE AND TYPE INSULATION AS ORIGINAL (AT LEAST 105°C) USE COPPER CONDUCTOR ONLY.
2. TO CHANGE EVAPORATOR MOTOR SPEED MOVE WHITE AND YELLOW LEADS FROM EM 2" AND 3" TO 4" AND 5". IF BOTH LEADS ARE ENERGIZED, THE HIGHER SPEED SETTING IS USED.
3. FOR 208 VOLT TRANSFORMER OPERATION MOVE PURPLE WIRES FROM TERMINAL 3 TO TERMINAL 2 ON TRANSFORMER.
4. START ASSIST FACTORY EQUIPPED WHEN REQUIRED.
5. USE COPPER CONDUCTORS ONLY USE N.E.C. CLASS 2 WIRE
6. CRACKCASE HEATER AND CRACKCASE HEATER SWITCH FACTORY EQUIPPED WHEN REQUIRED.
7. DOUBLE POLE CONTACTOR SHOWN. SINGLE POLE CONTACTOR COULD BE FACTORY EQUIPPED AS AN ALTERNATE CONFIGURATION.
8. COMMON SIDE OF CONTACTOR CAN NOT BE GROUNDED OR CONNECTED TO ANY OTHER COMMON (24V).

SEE UNIT RATING PLATE FOR TYPE AND SIZE OF OVER CURRENT PROTECTION

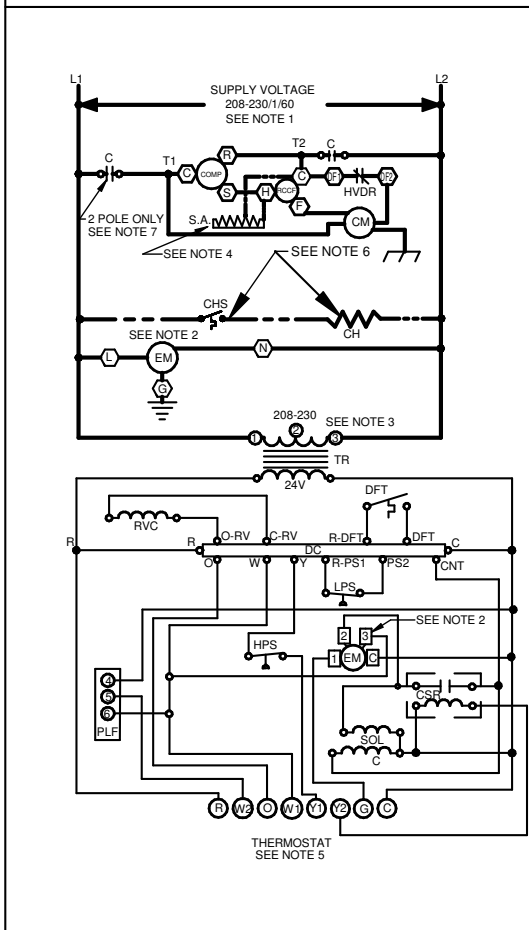
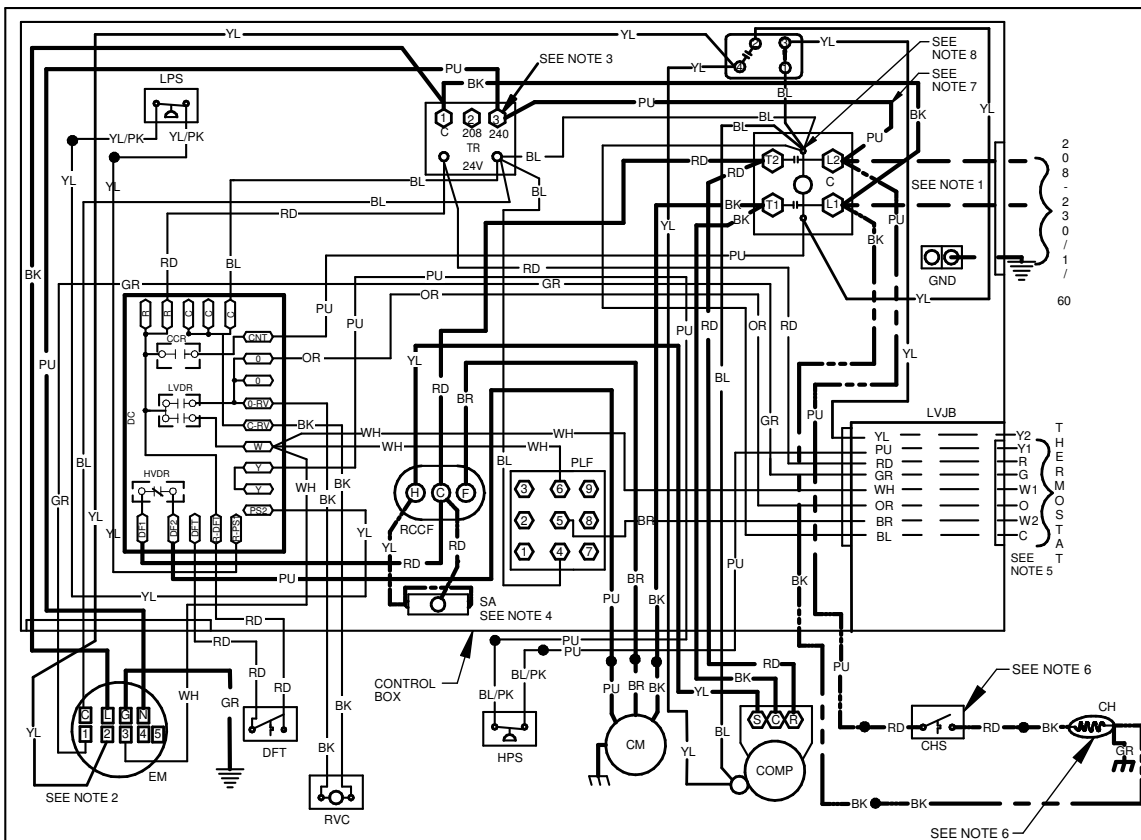


0140G01640-E

High Voltage: Disconnect all power before servicing or installing this unit. Multiple power sources may be present. Failure to do so may cause property damage, personal injury, or death.


WARNING

Wiring is subject to change. Always refer to the wiring diagram or the unit for the most up-to-date wiring.



COMPONENT LEGEND		FACTORY WIRING	
C	CONTACTOR	—	LINE VOLTAGE
CCR	COMPRESSOR CONTACTOR RELAY	—	LOW VOLTAGE
CH	CRACKCASE HEATER	—	OPTIONAL HIGH VOLTAGE
CHS	CRACKCASE HEATER SWITCH	—	FIELD WIRING
CM	CONDENSER MOTOR	—	HIGH VOLTAGE
COMP	COMPRESSOR	—	LOW VOLTAGE
DC	DEFROST CONTROL		
DFT	DEFROST THERMOSTAT		
EM	EVAPORATOR MOTOR		
EM	EQUIPMENT GROUND		
HVDR	HIGH VOLTAGE DEFROST RELAY		
LPS	LOW PRESSURE SWITCH		
LVDR	LOW VOLTAGE DEFROST RELAY		
LVJB	LOW VOLTAGE JUNCTION BOX		
PLF	FEMALE PLUG / CONNECTOR		
RVC	REVERSING VALVE COIL		
RCCF	RUN CAPACITOR FOR COMPRESSOR AND FAN		
SA	START ASSIST		
TR	TRANSFORMER		
HPS	HIGH PRESSURE SWITCH COMPRESSOR SOLENOID RELAY		
SOL	HI STAGE SOLENOID		

JUNCTION		EQUIPMENT GROUND	
TERMINAL		FIELD GROUND	
INTERNAL TO INTEGRATED CONTROL		FIELD SPLICE	
PLUG CONNECTION		SWITCH (TEMP)	
IGNITER			
SWITCH (PRESS.)			
OVERCURRENT PROT. DEVICE			

- NOTES:**
- REPLACEMENT WIRE MUST BE SAME SIZE AND TYPE INSULATION AS ORIGINAL (AT LEAST 105°C) USE COPPER CONDUCTOR ONLY.
 - TO CHANGE EVAPORATOR MOTOR SPEED MOVE YELLOW AND WHITE LEADS FROM EM"2" AND "3" TO "4" AND "5". IF BOTH LEADS ARE ENERGIZED, THE HIGHER SPEED SETTING IS USED.
 - FOR 208 VOLT TRANSFORMER OPERATION MOVE PURPLE WIRES FROM TERMINAL 3 TO TERMINAL 2 ON TRANSFORMER.
 - START ASSIST FACTORY EQUIPPED WHEN REQUIRED.
 - USE COPPER CONDUCTORS ONLY
USE N.E.C. CLASS 2 WIRE
 - CRACKCASE HEATER AND CRANKCASE HEATER SWITCH FACTORY EQUIPPED WHEN REQUIRED.
 - DOUBLE POLE CONTACTOR SHOWN. SINGLE POLE CONTACTOR COULD BE FACTORY EQUIPPED AS AN ALTERNATE CONFIGURATION.
 - COMMON SIDE OF CONTACTOR CAN NOT BE GROUNDED OR CONNECTED TO ANY OTHER COMMON (24V).
- SEE UNIT RATING PLATE FOR TYPE AND SIZE OF OVER CURRENT PROTECTION
- 
- 0140G03658-B

High Voltage: Disconnect all power before servicing or installing this unit. Multiple power sources may be present. Failure to do so may cause property damage, personal injury, or death.

WARNING

Wiring is subject to change. Always refer to the wiring diagram or the unit for the most up-to-date wiring.

ACCESSORY DESCRIPTION	ITEM NUMBER	
	SMALL CHASSIS	MEDIUM/LARGE CHASSIS
Downflow Economizer (use w/PCCP roof curb)	DDNECNJPCHHA	DDNECNJPCHHA
Downflow Plenum Kit (use w/PCCP roof curb)	PCP101-103	PCP101-103
Downflow Plenum Kit (R-8) (use w/PCCP roof curb)	PCP101-103 R8	PCP101-103 R8
Elbow Flashing w/R-8 Liner	PCEF101-103	PCEF101-103
Economizer Wiring Harness (2- 3.5 Ton)	O259G00215	O259G00215
Economizer Wiring Harness (4- 5 Ton)	N/A	O259L00411
External Horizontal Filter Rack	DPHFRA	DPHFRA
Horizontal Economizer	DHZECNJPGCHM	DHZECNJPGCHM
Inline Fuse Kit	INFKPKG01	INFKPKG01
Isolation Relay Kit (req'd with Economizer)	IRKT-01	IRKT-01
Manual Damper (use with PCP101-103)	PCMD101-103	PCMD101-103
Manual Damper- Horizontal	GPHMD101-103	GPHMD101-103
Motorized Damper (use with PCP101-103)	PCMDM101-103	PCMDM101-103
Outdoor Thermostat & Emergency Heat Relay Kit	OT/EHR18-60	OT/EHR18-60
Outdoor Thermostat Kit w/ Lockout Stat	OT18-60A	OT18-60A
Roof Curb	PCCP101-103	PCCP101-103
Square to Round Downflow (use w/PCCP roof curb)	SQRPC101	SQRPC102-103
Square to Round Horizontal	SQRPCH101	SQRPCH102-103

SINGLE-POINT KIT ACCESSORY KITS

Select the single-point kit accessory based on the unit model.

MODEL	SINGLE-POINT KIT
GPH1624H41**	SPK-30
GPH1630H41**	SPK-35
GPH1636H41**	SPK-40
GPH1642H41**	SPK-45
GPH1648H41**	SPK-50
GPH1660H41**	SPK-60