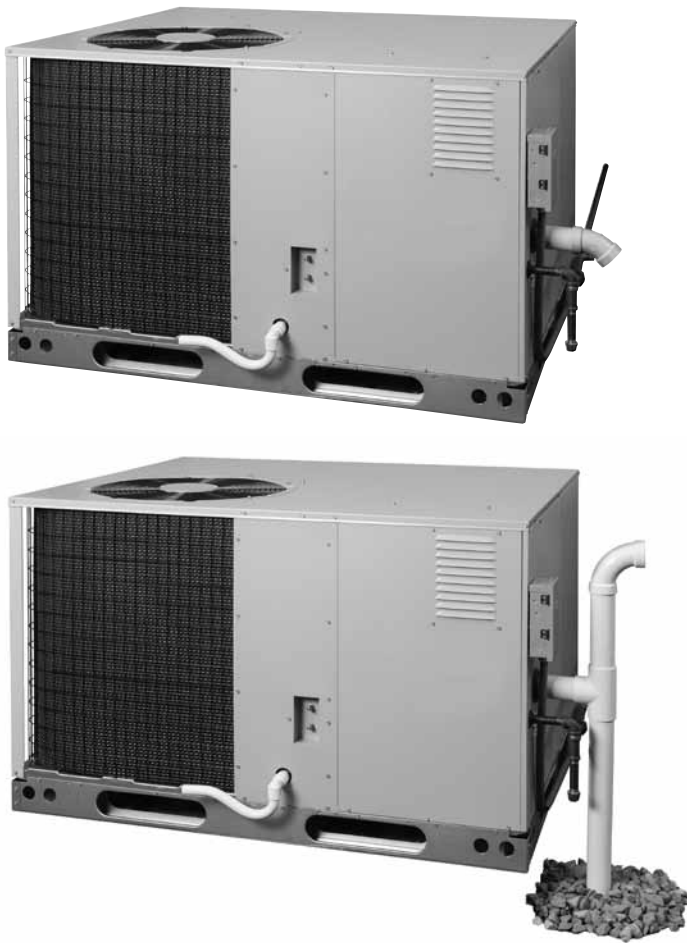


## R8HE Series Rev A

### Single-Phase

#### 95% AFUE Condensing Heat Exchanger offering Two-Stage Heating and 14 SEER Single-Stage Cooling with ECM Blower

These single packaged gas/electrics are high efficiency self-contained heating and cooling units that can be installed at ground level on a slab. The unit design makes installations simple in all applications. Units are ETL and ETLc listed.

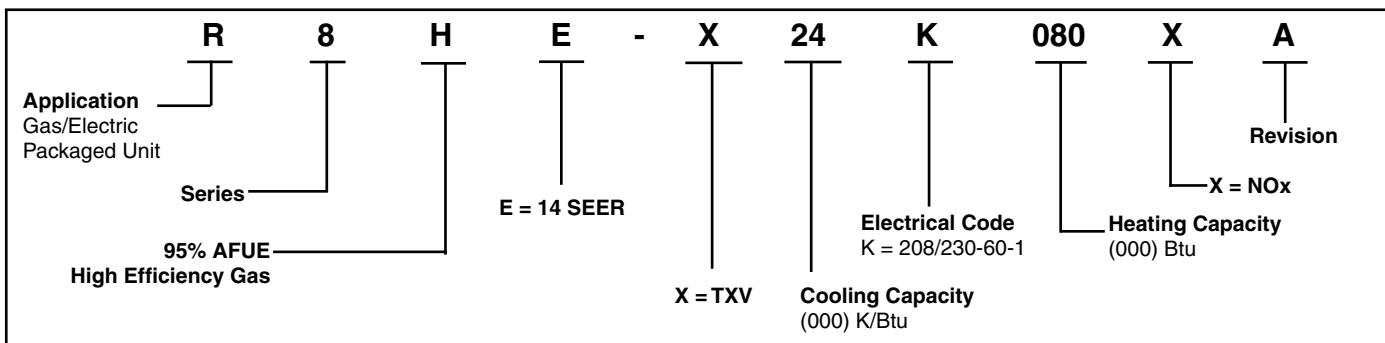


Click or scan with your smart phone to view a video with drain kit instructions for rooftop installations.

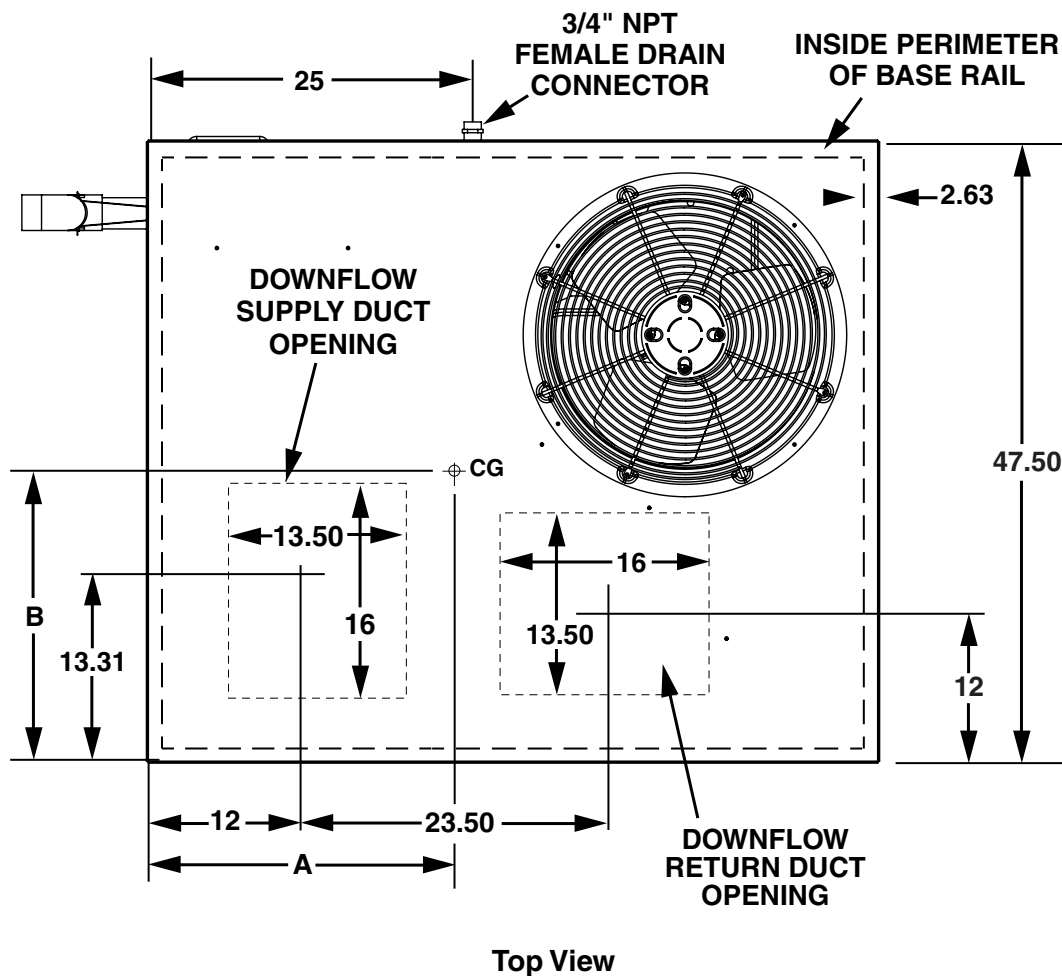
### FEATURES and BENEFITS

- **Copeland Scroll Compressor:** State of the art compressor is standard equipment.
- **Micro-Channel Coils:** Both indoor and outdoor all aluminum coils are designed to optimize heat transfer, minimize size and cost, and increase durability and reliability.
- **Wire guard coated with earth friendly epoxy and plastic mesh hail guard:** A guard that will never rust and protects the units coil from being damaged.
- **Easy Compressor and Control Access:** Designed to make servicing easier for the contractor, access panels are provided to all controls and the compressor from the side of the unit. Easy access to the evaporator coil for cleaning and general maintenance.
- **Permanently Lubricated Condenser Motor:** A heavy duty PSC motor for long lasting reliability and quiet operation. Requires no maintenance and is completely protected from rain and snow.
- **Thermostatic Expansion Valves:** Factory installed externally equalized thermostatic expansion valves provides precise refrigerant control under varying load conditions.
- **Hi/Low Pressure Switches:** Ensure long compressor life.
- **Externally Accessible, Service Ports:** Quick access to refrigeration system.
- **Liquid Line Filter Driers:** Factory installed at a convenient location for service.
- **Quiet Operation and Low Vibration:** Swept-wing fan blade combined with custom Venturi condenser fan.
- **Two-Stage Heat Operation:** Featuring a two stage gas valve, 2 speed inducer motor, and 2 speed blower control.
- **Choice of Heating Control:** Two stage thermostat or single stage heating thermostat with control board timing of a 10 minute delay for second stage of heat.
- **Tubular primary heat exchanger:** Heavy gauge aluminized steel heat exchanger.
- **Stainless Steel secondary heat exchanger:** Assures a long life.
- **100% fired and tested:** All units and each component are tested on the manufacturing line.
- **30 second blower delay:** At start-up assures a warm duct temperature at start-up. Adjustable blower off settings (60, 90, 120, and 180 seconds).
- **30 second post purge:** Increases life of heat exchanger.
- **Hot Surface igniter:** Innovative application of an appliance type igniter with a 20 year history of reliability.
- **SmartLite® Control Board:** Provides extended life to igniters using hot surface ignition technology. Programmed to learn the heat-up characteristics of the igniter, then adapt the ignition time to the characteristics of the furnace so the igniter is energized appropriately.
- **LP Convertible:** Simple burner orifice and regulator spring change for ease of convertibility.
- **Designed using Galvanized Steel:** With a polyester urethane coat finish. The 950 hour salt spray finish is 1.5 mil thick and resists corrosion 50% better than comparable units.
- **Corrosion-Resistant Drain Pan:** Quickly drains away evaporator condensate.
- **Embossed Bottom Pan:** Keeps blower component compartment dry.
- **Smaller Panels, Great Fit and Finish, Total Seal:** Well-designed, quality construction.
- **One Piece Top Pan:** With drip edge on top panels whisks away rainwater.
- **Low Voltage Transformer:** Includes 5 Amp fuse to protect low voltage circuit.
- **Energy Efficient Brushless DC Blower Motor:** ECM constant torque in all models.
- **Horizontal Air Delivery:** To accommodate ground mount horizontal applications.
- **Heavy-Gauge, Full Perimeter Base Rails:** Facilitates forklift handling and curb mounting.
- **Removable Top Grille Assembly:** Allows ease of service to the fan motor.
- **Duct Flanges:** Reduce installation costs.
- **Proven, Industry Standard Components:** Easier service and availability.

# MODEL IDENTIFICATION CODE

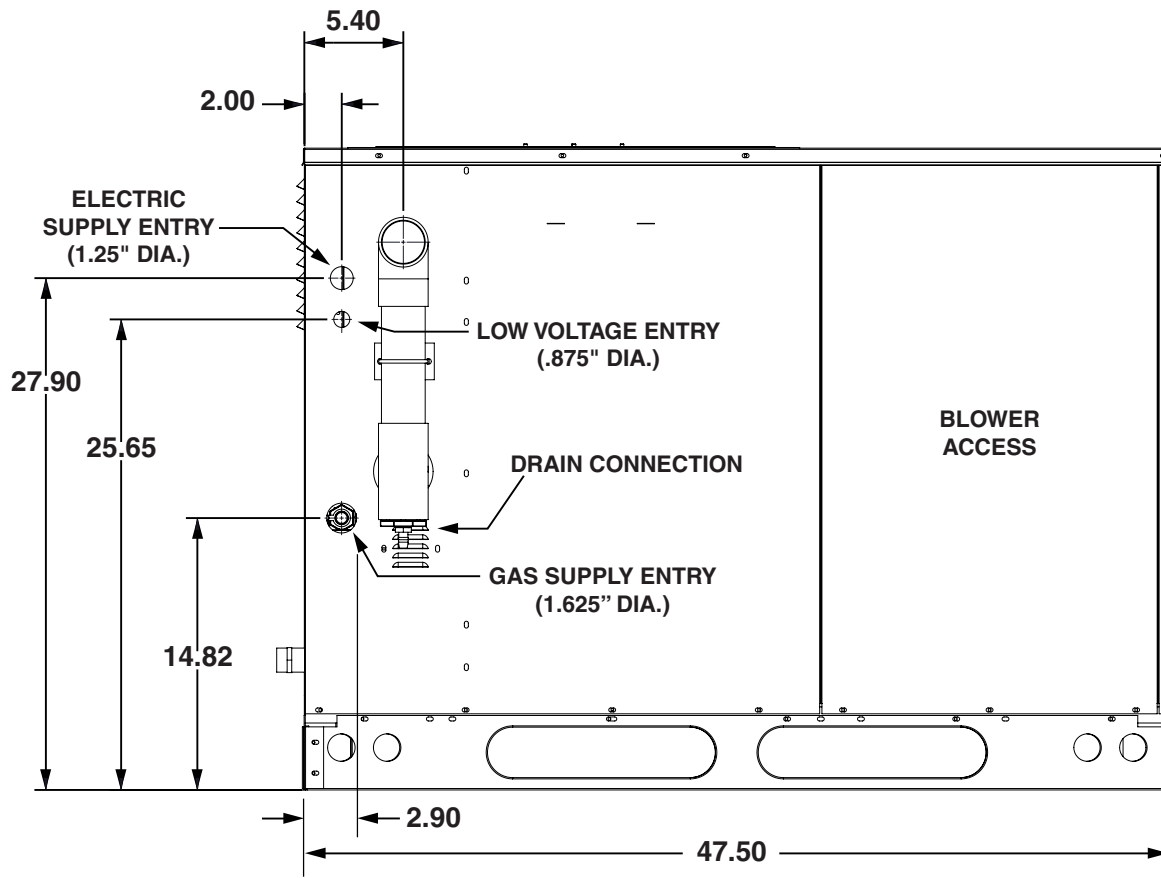


# DIMENSIONS

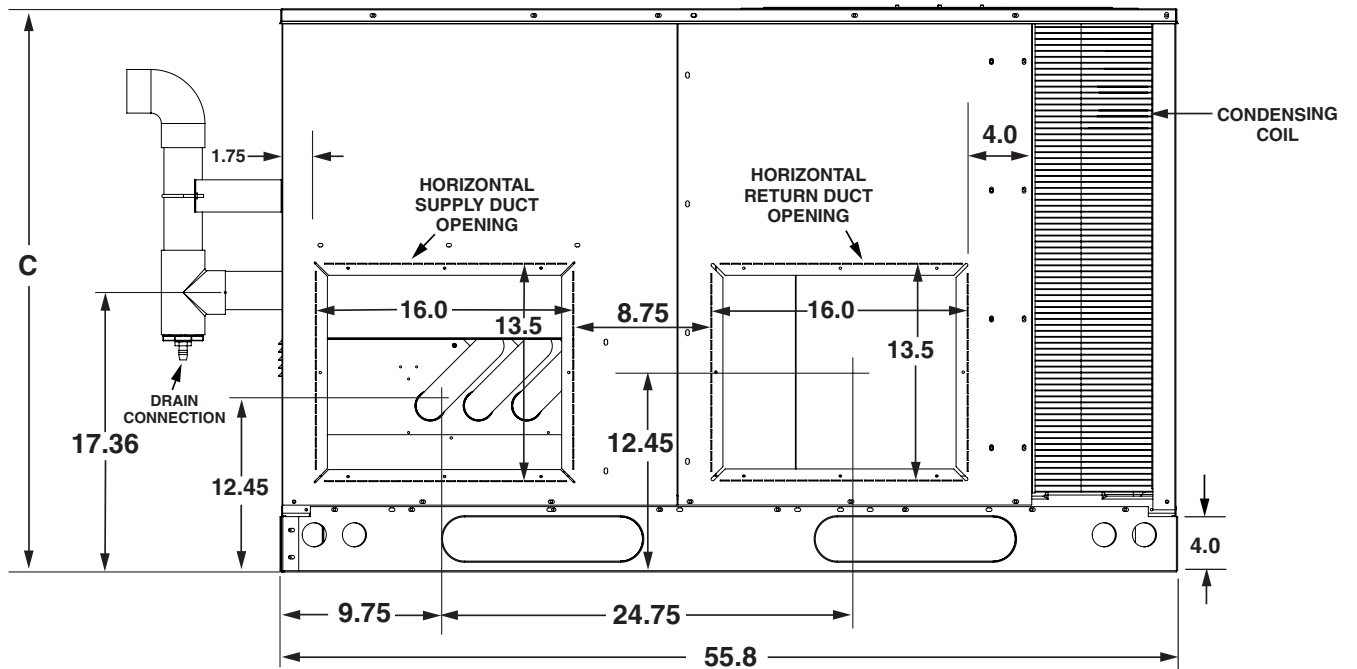


Model Number R8HE	Unit Weight	Shipping Weight	Center of Gravity		Unit Dimensions (inches)			
			A	B	Height with base rail	Height without base rail	Length	Width
R8HE-X24K060XA	380	410	26.5	26.5	35.0	31.3	55.8	47.5
R8HE-X30K060XA	384	414	26.5	26.5	35.0	31.3	55.8	47.5
R8HE-X36K080XA	391	417	26.5	26.5	35.0	31.3	55.8	47.5
R8HE-X42K080XA	407	438	27.0	26.5	39.0	35.3	55.8	47.5
R8HE-X48K100XA	455	482	27.5	26.5	43.0	39.3	55.8	47.5
R8HE-X60K100XA	485	510	28.0	26.5	47.0	43.3	55.8	47.5

# DIMENSIONS (Continued)



Side View



Back View

# SPECIFICATIONS AND ELECTRICAL DATA

## SINGLE PHASE

Model R8HE-	X24K060XA	X30K060XA	X36K080XA	X42K080XA	X48K096XA	X60K096XA
<b>Performance Data</b>						
Cooling Capacity (Net) - (Btuh)(1)	24,000	29,000	36,000	42,000	47,000	56,000
Efficiency - Cooling - S.E.E.R. (1)	14.00	14.00	14.00	14.00	14.00	14.00
Efficiency - Cooling - E.E.R.(2)	12.00	11.50	11.50	11.00	11.00	11.00
High Heating Input (Btuh)	60,000	60,000	80,000	80,000	96,000	96,000
High Heating Output (Btuh)	57,000	57,000	76,000	76,000	91,200	91,200
Low Heating Input (Btuh)	39,000	39,000	52,000	52,000	62,400	62,400
Low Heating Output (Btuh)	37,050	37,050	49,400	49,400	59,300	59,300
Heating - A.F.U.E	95.0%	95.0%	95.0%	95.0%	95.0%	95.0%
<b>Electrical Rating - 60 Hz.</b>						
Phase	1	1	1	1	1	1
Operating Voltage	187-253	187-253	187-253	187-253	187-253	187-253
Minimum Circuit Ampacity - (MCA)	22.4	26.5	31.8	36.1	38.8	45.2
Max. Overcurrent Protection - (MOP)	35	40	50	55	60	70
<b>Compressor Data</b>						
Compressor (Scroll)	ZP21K5E	ZP25K5E	ZP31K5E	ZP39K5E	ZP42K5E	ZP51K5E
Volts	208/230	208/230	208/230	208/230	208/230	208/230
Rated Load Amps	12.8	15.7	18.6	22.1	24.3	29.4
Lock Rotor Amps	58	73	79	109	117	134
<b>Indoor Blower Data</b>						
Wheel - Diameter x Width	11" x 8"	11" x 8"	11" x 8"	11" x 10"	11" x 10"	11" x 10"
Motor - HP / Type	3/4 - ECM	3/4 - ECM	1 - ECM	1 - ECM	1 - ECM	1 - ECM
Motor Control	Constant Torque					
Motor Amps @ 208V - 230 V	5.4 - 5.0	5.4 - 5.0	7.0 - 6.5	7.0 - 6.5	7.00 - 6.50	7.00 - 6.50
<b>Outdoor Fan</b>						
Motor - HP / Type	1/5 - PSC	1/4 - PSC	1/4 - PSC	1/4 - PSC	1/4 - PSC	1/4 - PSC
Motor - RPM	825	1,100	1,100	1,100	1,100	1,100
Motor Amps	1.0	1.5	1.5	1.5	1.5	1.5
Fan Diameter	20"	20"	20"	20"	24"	24"
<b>Refrigerant Charge (R410A) - oz.</b>	59	59	58	64	69	83
<b>High Pressure Switch (PSIG)</b>	Cut Out: 650 +/- 15 Cut In: 460 +/- 15					
<b>Loss of Charge Switch (PSIG)</b>	Cut Out: 5 +/- 5 Cut In: 20 +/- 5					
<b>Gas Supply Size</b>	1/2"					
<b>Sound Rating</b>	71	76	78	78	77	78

### Footnotes:

1. Certified in accordance with A.H.R.I. Standard 210/240 at 95°F Outdoor DB and 80°F DB / 67°F WB evaporator entering air at minimum external duct static pressures allowed by the standard
2. E.E.R. - Energy Efficiency Ratio (Btu/Watt). E.E.R. is determined @ 95°F Outdoor DB & 80°F DB / 67°F WB Air Indoor  
S.E.E.R. - Seasonal Energy Efficiency Rating.  
A.F.U.E. - Annual Fuel Utilization Efficiency.

## AIRFLOW DATA

### Nominal Airflow Rates and Temperature Rises

Model Number	Max. Gas Supply Press. (in.WC)	Min. Gas Supply Press. (in.WC)	Manifold Press. (in.WC)	High Input (Btu/Hr)	High Output (Btu/Hr)	Low Input (Btu/Hr)	Low Output (Btu/Hr)	Gas Orifice Size	Rise Range (oF)	Max. Outlet Air Temp.	Max. External Static Press. (in WC)	Cooling Output (BTUH)	Blower Size	Motor (HP)
R8HE-X24K060XA	10.0	4.5	3.5	60,000	57,000	39,000	37,050	45	30-60	160	0.80	24,000	11" x 8"	3/4
R8HE-X30K060XA	10.0	4.5	3.5	60,000	57,000	39,000	37,050	45	30-60	160	0.80	29,000	11" x 8"	3/4
R8HE-X36K080XA	10.0	4.5	3.5	80,000	76,000	52,000	49,400	45	35-65	165	0.80	36,000	11" x 8"	1
R8HE-X42K080XA	10.0	4.5	3.5	80,000	76,000	52,000	49,400	45	35-65	165	0.80	42,000	11" x 10"	3/4
R8HE-X48K096XA	10.0	4.5	3.5	96,000	91,200	62,400	59,300	45	40-70	170	0.80	47,000	11" x 10"	1
R8HE-X60K096XA	10.0	4.5	3.5	96,000	91,200	62,400	59,300	45	40-70	170	0.80	56,000	11" x 10"	1

# AIRFLOW DATA CONTINUED

SWITCH SETTING				RECOMMENDED AIRFLOW (CFM)		SWITCH SETTING				RECOMMENDED AIRFLOW (CFM)	
5	6	7	8			5	6	7	8		
0	0	0	0	2 T O N	800	0	0	0	0	2.5 T O N	800
1	0	0	0		875	1	0	0	0		875
<b>0</b>	<b>1</b>	<b>0</b>	<b>0</b>		<b>925</b>	0	1	0	0		925
1	1	0	0		1000	1	1	0	0		1000
0	0	1	0		1075	0	0	1	0		1075
1	0	1	0		1125	<b>1</b>	<b>0</b>	<b>1</b>	<b>0</b>		<b>1125</b>
0	1	1	0		1175	0	1	1	0		1175
1	1	1	0		1225	1	1	1	0		1225
0	0	0	1		1300	0	0	0	1		1300
1	0	0	1		1350	1	0	0	1		1350
0	1	0	1		1400	0	1	0	1		1400
1	1	0	1		1450	1	1	0	1		1450
0	0	1	1		1500	0	0	1	1		1500
1	0	1	1		1525	1	0	1	1		1525
0	1	1	1		1560	0	1	1	1		1560
1	1	1	1		1600	1	1	1	1		1600

SWITCH SETTING				RECOMMENDED AIRFLOW (CFM)		SWITCH SETTING				RECOMMENDED AIRFLOW (CFM)	
5	6	7	8			5	6	7	8		
0	0	0	0	3 T O N	1110	0	0	0	0	3.5 T O N	1180
1	0	0	0		1145	1	0	0	0		1250
0	1	0	0		1180	0	1	0	0		1320
<b>1</b>	<b>1</b>	<b>0</b>	<b>0</b>		<b>1215</b>	1	1	0	0		1380
0	0	1	0		1250	0	0	1	0		1440
1	0	1	0		1285	<b>1</b>	<b>0</b>	<b>1</b>	<b>0</b>		<b>1500</b>
0	1	1	0		1320	0	1	1	0		1560
1	1	1	0		1355	1	1	1	0		1610
0	0	0	1		1390	0	0	0	1		1660
1	0	0	1		1430	1	0	0	1		1710
0	1	0	1		1480	0	1	0	1		1740
1	1	0	1		1525	1	1	0	1		1770
0	0	1	1		1575	0	0	1	1		1800
1	0	1	1		1625	1	0	1	1		1830
0	1	1	1		1675	0	1	1	1		1860
1	1	1	1		1725	1	1	1	1		1895

SWITCH SETTING				RECOMMENDED AIRFLOW (CFM)		SWITCH SETTING				RECOMMENDED AIRFLOW (CFM)	
5	6	7	8			5	6	7	8		
0	0	0	0	4 T O N	1180	0	0	0	0	5 T O N	1180
1	0	0	0		1250	1	0	0	0		1250
0	1	0	0		1320	0	1	0	0		1320
1	1	0	0		1380	1	1	0	0		1380
0	0	1	0		1440	0	0	1	0		1440
1	0	1	0		1500	1	0	1	0		1500
0	1	1	0		1560	0	1	1	0		1560
<b>1</b>	<b>1</b>	<b>1</b>	<b>0</b>		<b>1610</b>	1	1	1	0		1610
0	0	0	1		1660	0	0	0	1		1660
1	0	0	1		1710	<b>1</b>	<b>0</b>	<b>0</b>	<b>1</b>		<b>1710</b>
0	1	0	1		1740	0	1	0	1		1740
1	1	0	1		1770	1	1	0	1		1770
0	0	1	1		1800	0	0	1	1		1800
1	0	1	1		1830	1	0	1	1		1830
0	1	1	1		1860	0	1	1	1		1860
1	1	1	1		1895	1	1	1	1		1895

NOTE: Factory settings & recommended operating range are highlighted in bold / italics.

Table 1. Cooling Airflow Settings

SWITCH SETTING				2 & 2.5 TON CFM				SWITCH SETTING				3.5 TON CFM			
				LOW HEAT		HIGH HEAT						LOW HEAT		HIGH HEAT	
				39,000		60,000						52,000		80,000	
1	2	3	4	CFM	RISE	CFM	RISE	1	2	3	4	CFM	RISE	CFM	RISE
0	0	0	0	600	57	800	66	0	0	0	0	885	55	1180	64
1	0	0	0	656	52	875	60	1	0	0	0	938	52	1250	61
0	1	0	0	694	49	925	57	0	1	0	0	990	49	1320	58
1	1	0	0	750	46	1000	53	1	1	0	0	1035	47	1380	55
0	0	1	0	806	43	1075	49	0	0	1	0	1080	45	1440	53
1	0	1	0	844	41	1125	47	1	0	1	0	1125	43	1500	51
0	1	1	0	881	39	1175	45	<b>0</b>	<b>1</b>	<b>1</b>	<b>0</b>	<b>1170</b>	<b>42</b>	<b>1560</b>	<b>49</b>
<b>1</b>	<b>1</b>	<b>1</b>	<b>0</b>	<b>919</b>	<b>37</b>	<b>1225</b>	<b>43</b>	1	1	1	0	1208	41	1610	47
0	0	0	1	975	35	1300	40	0	0	0	1	1245	40	1660	45
1	0	0	1	1013	34	1350	39	1	0	0	1	1283	39	1710	44
0	1	0	1	1050	33	1400	38	0	1	0	1	1305	38	1740	43
1	1	0	1	1088	32	1450	36	1	1	0	1	1328	37	1770	42
0	0	1	1	1125	30	1500	35	0	0	1	1	1350	36	1800	41
1	0	1	1	1144	30	1525	35	1	0	1	1	1373	35	1830	40
0	1	1	1	1170	29	1560	34	0	1	1	1	1395	34	1860	39
1	1	1	1	1200	29	1600	33	1	1	1	1	1421	34	1895	39

SWITCH SETTING				3 TON CFM				SWITCH SETTING				4 & 5 TON CFM			
				LOW HEAT		HIGH HEAT						LOW HEAT		HIGH HEAT	
				52,000		80,000						62,400		96,000	
1	2	3	4	CFM	RISE	CFM	RISE	1	2	3	4	CFM	RISE	CFM	RISE
0	0	0	0	833	55	1110	63	0	0	0	0	885	62	1180	73
1	0	0	0	859	53	1145	61	1	0	0	0	938	59	1250	70
0	1	0	0	885	52	1180	60	0	1	0	0	990	55	1320	67
1	1	0	0	911	50	1215	58	1	1	0	0	1035	53	1380	65
0	0	1	0	938	49	1250	56	0	0	1	0	1080	51	1440	63
1	0	1	0	964	47	1285	55	1	0	1	0	1125	49	1500	61
0	1	1	0	990	46	1320	53	0	1	1	0	1170	47	1560	59
1	1	1	0	1016	45	1355	52	1	1	1	0	1208	46	1610	57
<b>0</b>	<b>0</b>	<b>0</b>	<b>1</b>	<b>1043</b>	<b>44</b>	<b>1390</b>	<b>50</b>	0	0	0	1	1245	45	1660	55
1	0	0	1	1073	43	1430	49	1	0	0	1	1283	44	1710	54
0	1	0	1	1110	41	1480	48	<b>0</b>	<b>1</b>	<b>0</b>	<b>1</b>	<b>1305</b>	<b>43</b>	<b>1740</b>	<b>53</b>
1	1	0	1	1144	40	1525	46	1	1	0	1	1328	42	1770	52
0	0	1	1	1181	39	1575	45	0	0	1	1	1350	41	1800	51
1	0	1	1	1219	38	1625	43	1	0	1	1	1373	40	1830	50
0	1	1	1	1256	36	1675	42	0	1	1	1	1395	39	1860	49
1	1	1	1	1294	35	1725	41	1	1	1	1	1421	39	1895	48

**NOTES:**

1. Factory settings are bold / italicized. Use of any other switch setting may result in nuisance trips and should be verified for the application.
2. Temperature rises in tables are approximate. Actual temperature rises may vary.
3. Shaded areas are not approved for proper operation of equipment.

Table 2. Heating Airflow Settings

# EXPANDED RATINGS

## R8HE-X24KA

O.D.T			65°F			75°F			85°F			95°F			105°F			115°F		
CFM	E.D.B.	E.W.B.	T.C.	S.C.	K.W.	T.C.	S.C.	K.W.	T.C.	S.C.	K.W.	T.C.	S.C.	K.W.	T.C.	S.C.	K.W.	T.C.	S.C.	K.W.
700	80	62	30.6	18.9	1.31	29.0	18.3	1.45	27.3	17.6	1.62	25.5	16.8	1.83	23.6	15.8	2.07	21.6	14.8	2.33
	80	67	33.8	15.6	1.32	32.1	14.9	1.46	30.4	14.1	1.63	28.5	13.1	1.83	26.6	12.1	2.06	24.5	10.9	2.33
	80	72	36.0	12.0	1.33	34.4	11.2	1.46	32.6	10.2	1.63	30.6	9.2	1.83	28.6	8.0	2.06	26.5	6.7	2.32
	75	62	29.9	14.9	1.30	28.3	14.3	1.44	26.6	13.6	1.62	24.8	12.7	1.82	22.9	11.8	2.06	20.8	10.8	2.33
800	80	62	27.7	22.8	1.35	26.1	22.2	1.49	24.4	21.5	1.67	22.6	20.7	1.87	20.7	19.8	2.11	18.6	18.6	2.38
	80	67	30.8	19.5	1.36	29.2	18.8	1.50	27.5	18.0	1.67	<b>25.6</b>	<b>17.0</b>	<b>1.87</b>	23.6	16.0	2.11	21.6	14.8	2.37
	80	72	33.1	15.9	1.37	31.4	15.1	1.51	29.6	14.2	1.67	27.7	13.1	1.87	25.7	11.9	2.10	23.6	10.7	2.37
	75	62	27.0	18.8	1.35	25.4	18.2	1.49	23.7	17.5	1.66	21.9	16.7	1.87	20.0	15.7	2.10	17.9	14.7	2.37
900	80	62	27.4	24.7	1.38	25.8	24.1	1.52	24.1	23.4	1.70	22.3	22.3	1.90	20.4	20.4	2.14	18.4	18.4	2.41
	80	67	30.6	21.4	1.39	28.9	20.7	1.53	27.2	19.9	1.70	25.3	18.9	1.90	23.4	17.9	2.14	21.3	16.7	2.40
	80	72	32.8	17.8	1.40	31.2	17.0	1.54	29.4	16.1	1.70	27.5	15.0	1.90	25.4	13.8	2.13	23.3	12.6	2.40
	75	62	26.7	20.7	1.38	25.1	20.1	1.52	23.4	19.4	1.69	21.6	18.6	1.90	19.7	17.6	2.13	17.6	16.6	2.40

## R8HE-X30KA

O.D.T			65°F			75°F			85°F			95°F			105°F			115°F		
CFM	E.D.B.	E.W.B.	T.C.	S.C.	K.W.	T.C.	S.C.	K.W.	T.C.	S.C.	K.W.	T.C.	S.C.	K.W.	T.C.	S.C.	K.W.	T.C.	S.C.	K.W.
900	80	62	32.5	26.5	1.72	30.8	25.8	1.84	28.8	25.0	2.02	26.5	24.3	2.25	23.9	23.5	2.53	21.1	21.1	2.87
	80	67	32.1	24.2	1.46	30.7	23.4	1.55	28.9	22.5	1.70	26.8	21.6	1.90	24.5	20.6	2.15	21.8	19.6	2.45
	80	72	33.9	17.1	1.89	32.6	16.1	1.95	31.1	15.0	2.07	29.2	14.0	2.24	27.1	12.9	2.46	24.6	11.7	2.73
	75	62	37.1	20.7	2.35	34.3	20.1	2.36	31.2	19.5	2.42	27.8	18.8	2.53	24.1	18.1	2.70	20.1	17.4	2.92
1100	80	62	35.8	27.1	2.22	34.1	26.4	2.35	32.1	25.7	2.53	29.8	24.9	2.76	27.2	24.1	3.04	24.4	23.3	3.38
	80	67	35.4	24.9	1.96	34.0	24.0	2.06	32.2	23.1	2.20	<b>30.1</b>	<b>22.2</b>	<b>2.40</b>	27.8	21.3	2.66	25.1	20.3	2.96
	80	72	37.2	17.7	2.40	35.9	16.7	2.46	34.4	15.7	2.57	32.5	14.6	2.74	30.4	13.5	2.97	28.0	12.4	3.24
	75	62	40.5	21.3	2.86	37.6	20.7	2.87	34.5	20.1	2.93	31.1	19.4	3.04	27.4	18.7	3.21	23.5	18.0	3.43
1200	80	62	35.7	28.5	2.12	34.0	27.8	2.25	32.0	27.1	2.43	29.7	26.3	2.66	27.1	25.5	2.94	24.3	24.3	3.28
	80	67	35.3	26.2	1.86	33.9	25.4	1.96	32.1	24.5	2.10	30.0	23.6	2.30	27.7	22.6	2.56	25.0	21.7	2.86
	80	72	37.1	19.1	2.30	35.8	18.1	2.36	34.3	17.0	2.47	32.4	16.0	2.64	30.3	14.9	2.86	27.9	13.8	3.14
	75	62	40.4	22.7	2.76	37.6	22.1	2.77	34.4	21.5	2.83	31.0	20.8	2.94	27.3	20.1	3.11	23.4	19.4	3.33

## R8HE-X36KA

O.D.T			65°F			75°F			85°F			95°F			105°F			115°F		
CFM	E.D.B.	E.W.B.	T.C.	S.C.	K.W.	T.C.	S.C.	K.W.	T.C.	S.C.	K.W.	T.C.	S.C.	K.W.	T.C.	S.C.	K.W.	T.C.	S.C.	K.W.
1050	80	62	38.3	31.8	2.16	36.7	31.3	2.35	34.7	30.5	2.58	32.3	29.5	2.88	29.5	28.3	3.22	26.2	26.2	3.61
	80	67	38.7	23.6	2.18	37.2	22.9	2.36	35.3	22.0	2.60	32.9	20.9	2.90	30.2	19.6	3.24	27.0	18.1	3.63
	80	72	44.2	21.5	2.19	42.7	20.7	2.38	40.9	19.6	2.62	38.6	18.4	2.92	35.9	17.0	3.26	32.8	15.4	3.65
	75	62	37.1	28.3	2.12	35.9	27.5	2.32	34.3	26.5	2.56	32.2	25.4	2.87	29.8	24.0	3.22	26.9	22.5	3.62
1200	80	62	41.3	36.3	2.25	39.7	35.7	2.44	37.7	34.9	2.68	35.3	33.9	2.97	32.5	32.5	3.31	29.2	29.2	3.70
	80	67	41.7	28.0	2.27	40.2	27.3	2.46	38.3	26.4	2.70	<b>35.9</b>	<b>25.3</b>	<b>2.99</b>	33.2	24.0	3.33	30.0	22.5	3.72
	80	72	47.2	25.9	2.28	45.7	25.1	2.47	43.9	24.1	2.71	41.6	22.8	3.01	38.9	21.4	3.35	35.8	19.8	3.74
	75	62	40.1	32.7	2.21	38.9	31.9	2.41	37.3	31.0	2.66	35.2	29.8	2.96	32.8	28.5	3.31	29.9	26.9	3.71
1350	80	62	38.9	33.6	2.37	37.3	33.0	2.56	35.3	32.2	2.80	32.9	31.2	3.09	30.1	30.1	3.43	26.8	26.8	3.83
	80	67	39.4	25.3	2.39	37.8	24.6	2.58	35.9	23.7	2.82	33.6	22.6	3.11	30.8	21.3	3.45	27.6	19.8	3.85
	80	72	44.8	23.2	2.41	43.4	22.4	2.60	41.5	21.4	2.84	39.2	20.1	3.13	36.5	18.7	3.47	33.4	17.1	3.87
	75	62	37.7	30.0	2.33	36.5	29.2	2.53	34.9	28.3	2.78	32.9	27.1	3.08	30.4	25.8	3.43	27.6	24.2	3.84

# EXPANDED RATINGS Continued

## R8HE-X42KA

O.D.T			65°F			75°F			85°F			95°F			105°F			115°F		
CFM	E.D.B.	E.W.B.	T.C.	S.C.	K.W.	T.C.	S.C.	K.W.	T.C.	S.C.	K.W.	T.C.	S.C.	K.W.	T.C.	S.C.	K.W.	T.C.	S.C.	K.W.
1200	80	62	48.5	48.5	2.59	45.6	45.6	2.85	42.6	42.6	3.17	39.6	39.6	3.57	36.6	36.6	4.04	33.6	33.5	4.58
	80	67	51.2	51.2	2.67	48.1	48.1	2.92	44.9	44.9	3.24	41.7	41.7	3.64	38.4	38.4	4.10	35.2	35.2	4.64
	80	72	56.3	22.7	2.65	52.9	24.7	2.90	49.5	26.1	3.22	46.1	27.0	3.61	42.6	27.2	4.07	39.1	27.0	4.61
	75	62	47.1	37.1	2.60	44.2	35.2	2.85	41.2	32.8	3.18	38.2	29.8	3.57	35.2	26.2	4.04	32.2	22.1	4.58
1350	80	62	49.2	30.3	2.69	46.3	28.4	2.94	43.3	26.0	3.27	40.4	23.0	3.67	37.3	19.4	4.14	34.3	15.3	4.68
	80	67	52.0	33.2	2.77	48.8	33.2	3.02	45.6	32.7	3.34	42.4	31.6	3.74	39.2	30.0	4.20	35.9	27.8	4.74
	80	72	57.1	4.5	2.75	53.7	6.5	3.00	50.3	7.9	3.32	46.8	8.8	3.71	43.3	9.0	4.17	39.8	8.8	4.71
	75	62	47.8	18.9	2.69	44.9	17.0	2.95	41.9	14.6	3.28	38.9	11.6	3.67	35.9	8.0	4.14	32.9	3.8	4.68
1500	80	62	50.2	50.2	2.83	47.3	47.3	3.08	44.4	44.4	3.41	41.4	41.4	3.80	38.4	38.4	4.27	35.3	35.3	4.81
	80	67	53.0	53.0	2.90	49.8	49.8	3.15	46.6	46.6	3.48	43.4	43.4	3.87	40.2	40.2	4.34	36.9	36.9	4.87
	80	72	58.1	26.7	2.88	54.7	28.7	3.13	51.3	30.1	3.45	47.8	31.0	3.84	44.3	31.3	4.31	40.9	31.0	4.84
	75	62	48.8	41.1	2.83	45.9	39.2	3.08	42.9	36.8	3.41	40.0	33.8	3.81	36.9	30.2	4.28	33.9	26.1	4.82

## R8HE-X48KA

O.D.T			65°F			75°F			85°F			95°F			105°F			115°F		
CFM	E.D.B.	E.W.B.	T.C.	S.C.	K.W.	T.C.	S.C.	K.W.	T.C.	S.C.	K.W.	T.C.	S.C.	K.W.	T.C.	S.C.	K.W.	T.C.	S.C.	K.W.
1400	80	62	51.1	43.4	2.84	48.7	41.6	3.14	45.9	39.7	3.50	42.7	37.7	3.91	39.2	35.6	4.39	35.4	33.4	4.92
	80	67	57.4	37.5	2.92	54.7	35.7	3.22	51.6	33.9	3.58	48.2	32.0	4.00	44.4	29.9	4.47	40.3	27.7	5.01
	80	72	61.6	29.7	2.89	58.6	28.0	3.19	55.2	26.3	3.56	51.5	24.4	3.98	47.5	22.4	4.46	43.1	20.3	4.99
	75	62	50.0	36.8	2.80	47.5	35.0	3.10	44.7	33.2	3.46	41.6	31.2	3.88	38.1	29.0	4.35	34.3	26.8	4.89
1550	80	62	50.1	44.2	2.94	47.6	42.4	3.24	44.8	40.5	3.59	41.7	38.5	4.01	38.2	36.4	4.49	34.3	34.2	5.02
	80	67	56.3	38.3	3.01	53.6	36.6	3.32	50.5	34.7	3.68	47.1	32.8	4.10	43.4	30.7	4.57	39.3	28.6	5.11
	80	72	60.5	30.5	2.99	57.5	28.8	3.29	54.1	27.1	3.65	50.5	25.2	4.08	46.4	23.2	4.55	42.1	21.1	5.09
	75	62	48.9	37.6	2.90	46.5	35.8	3.20	43.7	34.0	3.56	40.5	32.0	3.98	37.0	29.8	4.45	33.2	27.6	4.98
1700	80	62	52.6	45.7	3.10	50.2	44.0	3.40	47.4	42.1	3.76	44.2	40.1	4.18	40.8	37.9	4.65	36.9	35.7	5.18
	80	67	58.9	39.8	3.18	56.2	38.1	3.48	53.1	36.3	3.84	49.7	34.3	4.26	46.0	32.3	4.74	41.9	30.1	5.27
	80	72	63.1	32.0	3.15	60.1	30.4	3.46	56.7	28.6	3.82	53.0	26.7	4.24	49.0	24.7	4.72	44.7	22.6	5.25
	75	62	51.5	39.2	3.07	49.0	37.4	3.37	46.2	35.5	3.72	43.1	33.5	4.14	39.6	31.4	4.62	35.8	29.2	5.15

## R8HE-X60KA

O.D.T			65°F			75°F			85°F			95°F			105°F			115°F		
CFM	E.D.B.	E.W.B.	T.C.	S.C.	K.W.	T.C.	S.C.	K.W.	T.C.	S.C.	K.W.	T.C.	S.C.	K.W.	T.C.	S.C.	K.W.	T.C.	S.C.	K.W.
1500	80	62	60.6	49.5	3.44	57.6	47.8	3.78	54.2	46.1	4.20	50.6	44.2	4.69	46.7	42.3	5.27	42.6	40.3	5.93
	80	67	67.5	42.2	3.52	64.0	40.3	3.85	60.2	38.4	4.26	56.2	36.3	4.75	51.9	34.2	5.32	47.3	32.0	5.97
	80	72	74.1	34.6	3.57	70.2	32.5	3.89	66.0	30.3	4.29	61.5	28.1	4.78	56.8	25.7	5.34	51.7	23.3	5.99
	75	62	65.9	47.1	3.07	61.6	44.4	3.48	57.0	41.6	3.98	52.2	38.7	4.55	47.0	35.8	5.21	41.6	32.8	5.95
1700	80	62	61.7	52.6	3.60	58.7	50.9	3.94	55.3	49.1	4.36	51.7	47.2	4.85	47.8	45.3	5.43	43.7	43.3	6.09
	80	67	68.6	45.3	3.68	65.1	43.4	4.01	61.3	41.4	4.42	57.3	39.3	4.91	53.0	37.2	5.48	48.4	35.0	6.13
	80	72	75.2	37.7	3.73	71.2	35.6	4.05	67.1	33.4	4.45	62.6	31.1	4.94	57.9	28.8	5.50	52.8	26.4	6.14
	75	62	67.0	50.2	3.23	62.7	47.4	3.64	58.1	44.6	4.14	53.3	41.8	4.71	48.1	38.8	5.37	42.7	35.8	6.11
1900	80	62	61.9	53.1	3.88	58.8	51.4	4.21	55.5	49.6	4.63	51.9	47.7	5.13	48.0	45.8	5.71	43.8	43.8	6.36
	80	67	68.7	45.8	3.95	65.2	43.9	4.28	61.5	41.9	4.69	57.4	39.8	5.18	53.1	37.7	5.75	48.5	35.5	6.40
	80	72	75.3	38.2	4.00	71.4	36.1	4.33	67.2	33.9	4.73	62.7	31.6	5.21	58.0	29.3	5.78	53.0	26.9	6.42
	75	62	67.1	50.7	3.50	62.8	48.0	3.92	58.3	45.2	4.41	53.4	42.3	4.99	48.3	39.3	5.65	42.9	36.3	6.38

# R8HE ACCESSORIES

Description	Part Number
Roof Curb (8")	547830A
Roof Curb (14")	547831A
Roof Curb (18")	547850A
Roof Curb (24")	547851A
Cap, Duct Adapter, 12" Round	913811A
Cap, Duct Adapter, 14" Round	913812A
Supply/return transition, 16"	547834
Supply/return transition, 18"	547835
Concentric diffuser, flush, 16"	547836
Concentric diffuser, flush, 18"	547837
Concentric diffuser, step down 16"	547838
Concentric diffuser, step down 18"	547839
Manual Fresh Air Damper	547832
Motorized Fresh Air Damper	547840
Economizer, Downflow, Modulating w/filter (does not require filter kit) CA, title 24, 2 - 3 Ton	562533
Economizer, Downflow, Modulating w/filter (does not require filter kit) CA, title 24, 3.5 - 5 Ton	563209
Economizer, Horizontal, Modulating, CA, title 24, 2 - 5 Ton	562534
Power Exhaust, Downflow (requires downflow economizer)	547842
Power Exhaust, Horizontal (requires horizontal economizer)	547843
Filter Rack Kit (not needed with downflow economizer) 2-3 Ton	10079911R
Filter Rack Kit (not needed with downflow economizer) 3.5 Ton	10079912R
Filter Rack Kit (not needed with downflow economizer) 4 Ton	10079913R
Filter Rack Kit (not needed with downflow economizer) 5 Ton	10079923R
Hood Type Hail Guard, Coil Dim. 30" X 76" 2, 2.5, 3 Ton	547845
Hood Type Hail Guard, Coil Dim. 34" X 76" 3.5 Ton	547846
Hood Type Hail Guard, Coil Dim. 38" X 76" 4, 5 Ton	547847
Duct Smoke Detector Photo Elec	558863
Multi Signal Control	547893
Sampling Tube DST3, 2-4ft	558864
Sampling Tube DST5, 4-8ft	558865
Low Ambient Kit	918837
U.S. - LP Gas/High Elevation Conversion Kit (0 - 10,000 ft. above sea level)	922311
Canada - LP Gas/High Elevation Conversion Kit (0 - 4,500 ft. above sea level)	922312
Universal Hard Start Kit	912933
Skirt Trim Kit	919729
Horizontal Condensate Drain/Vent Kit (Heat Exchanger)	922323
Downflow Condensate Drain/Vent Kit (Heat Exchanger)	922485
CO2 Sensor Kit, Wall Mount	920317
CO2 Sensor Kit, Duct Mount	920318
Differential Enthalpy Kit	922431



## GENERAL TERMS OF LIMITED WARRANTY

Nortek Global HVAC, LLC will furnish a replacement for any part of this product which fails in normal use and service within the terms and conditions of the warranty.

For complete details of the Limited Warranty, including applicable terms and conditions, see your local installer or contact the Nortek Global HVAC, LLC warranty department for a copy.

Before purchasing this appliance, read important energy cost and efficiency information available from your retailer. Specifications and illustrations subject to change without notice and without incurring obligations. Printed in U.S.A (08/2016)