

Q6SE Series

Single Packaged Heat Pump, Single Phase

Q6SE-14 SEER, 8.0 HSPF

2 - 5 Ton Units

Cooling: 23,000 to 58,000 Btuh

Heating: 22,800 to 59,000 Btuh

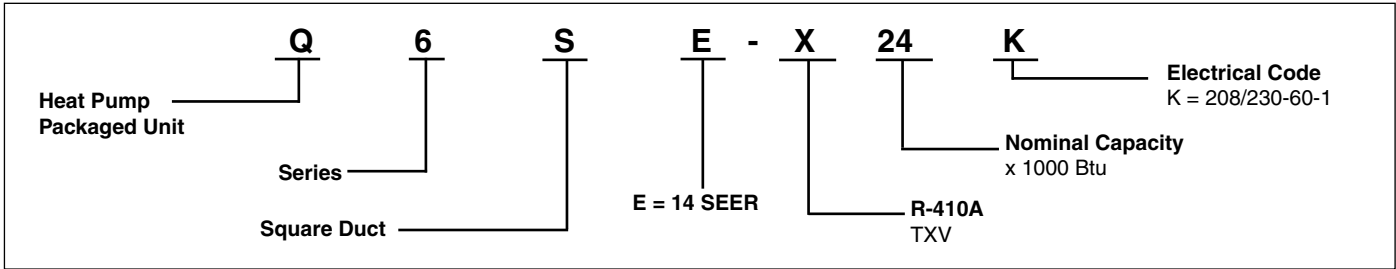
The Q6 Series single packaged heat pumps are high efficiency self contained cooling and heating units that can be installed on a roof or on a slab. The convertible unit design makes installations simple in all applications. Units are ETL and ETLc listed.



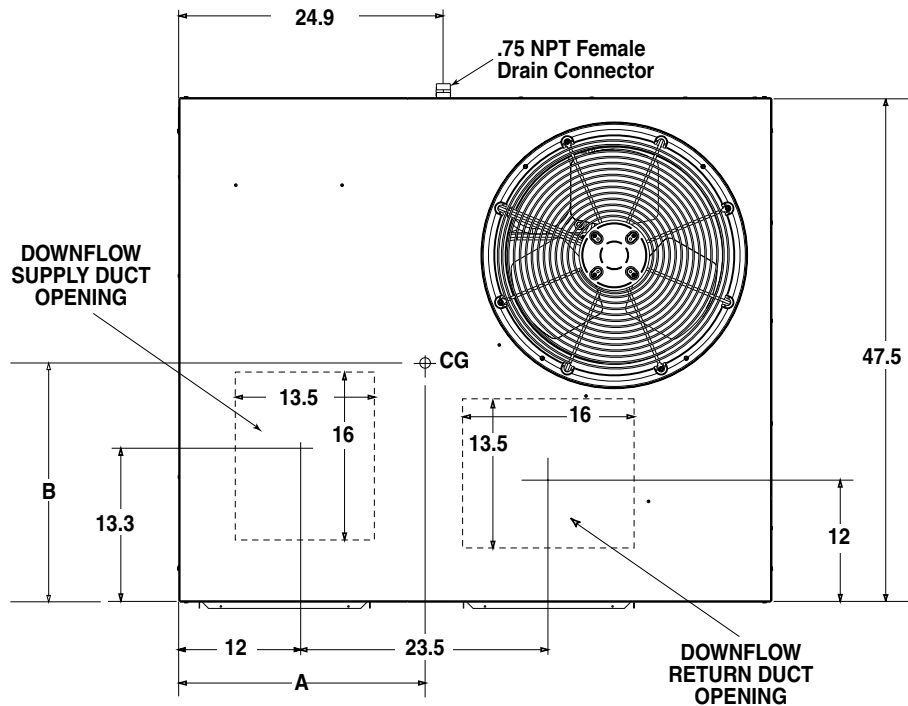
FEATURES and BENEFITS

- **Copeland Compressor:** State of the art scroll compressor is standard equipment.
- **Quiet Operation and Low Vibration:** Swept-wing fan blade, on select models, combined with custom Venturi condenser fan.
- **Wire guard coated with Earth Friendly Epoxy and plastic mesh hail guard:** A guard that will never rust and protects the units coil from being damaged.
- **Copper Tube / Aluminum Fin Coils:** Both indoor and outdoor coils are designed to optimize heat transfer, minimize size and cost, and increase durability and reliability.
- **Designed using Galvanized Steel:** with a polyester urethane coat finish. The 950 hour salt spray finish is 1.5 mil thick and resists corrosion 50% better than comparable units.
- **Permanently Lubricated Condenser Motor:** A heavy duty PSC motor for long lasting reliability and quiet operation. Requires no maintenance and is completely protected from rain and snow.
- **Thermostatic Expansion Valves:** Factory installed externally equalized thermostatic expansion valves provides precise refrigerant control under varying load conditions.
- **Hi and Low Pressure Switches:** Ensure long compressor life.
- **Externally Accessible Service Ports:** Quick access to refrigeration system.
- **Liquid Line Filter Drier:** Factory installed at a convenient location for service.
- **Suction Accumulator:** Protection from liquid flood back and future compressor failures.
- **Low voltage Transformer:** Includes 3 Amp fuse to protect low voltage circuit.
- **Corrosion-Resistant Drain Pan:** Quickly drains away evaporator condensate.
- **Energy Efficient:** Brushless DC (ECM) Blower Motor.
- **Demand Defrost Standard:** Provides additional energy savings in heating by defrosting only when necessary.
- **Five Minute Restart Time Delay:** When the unit shuts down, a 5 minute delay keeps the unit from restarting, eliminating the highest cause for compressor failure.
- **Heavy-Gauge, Full Perimeter Base Rails:** Facilitates forklift handling and curb mounting.
- **Convertible Air Delivery:** Horizontal or downflow to accommodate rooftop or horizontal applications.
- **Easy Compressor and Control Access:** Designed to make servicing easier for the contractor, access panels are provided to all controls and the compressor from the side of the unit.
- **Easy access:** to the evaporator coil for cleaning and general maintenance.
- **Removable Top Grille Assembly:** Allows ease of service to the fan motor.
- **Duct Flanges:** reduce installation costs.
- **Optional Electric Heat:** Field installed 5 – 20 KW.
- **Proven, Industry Standard Components:** Easier service and availability.

MODEL IDENTIFICATION CODE



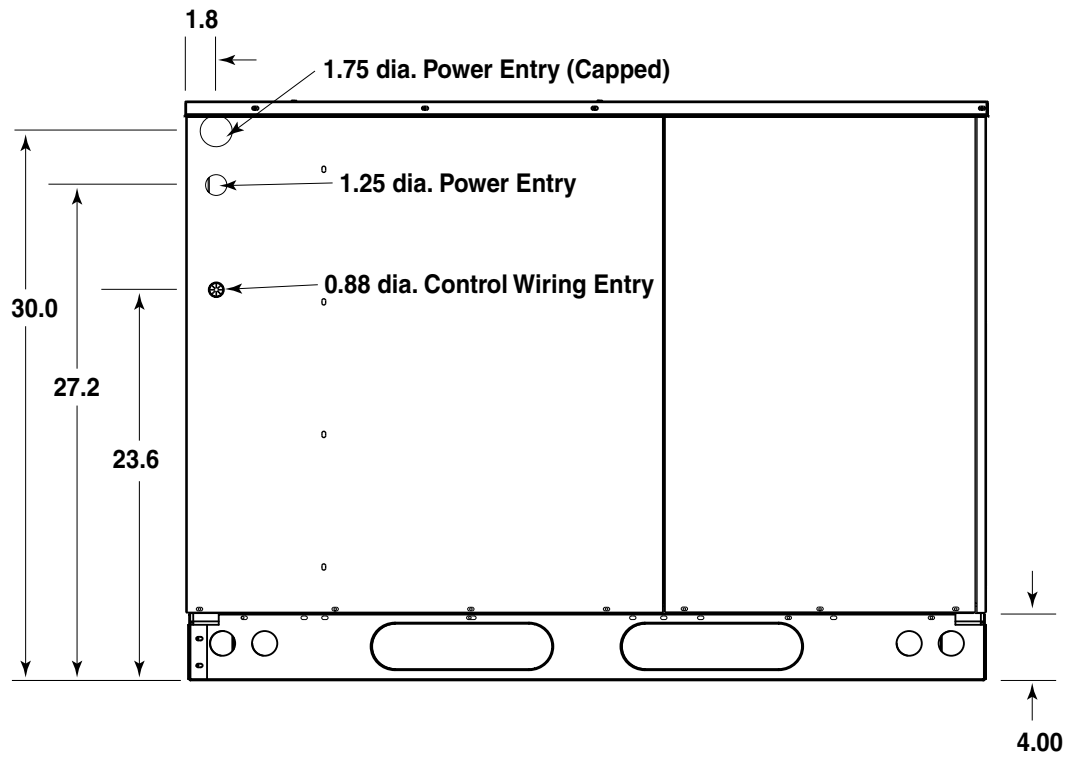
DIMENSIONS (in inches)



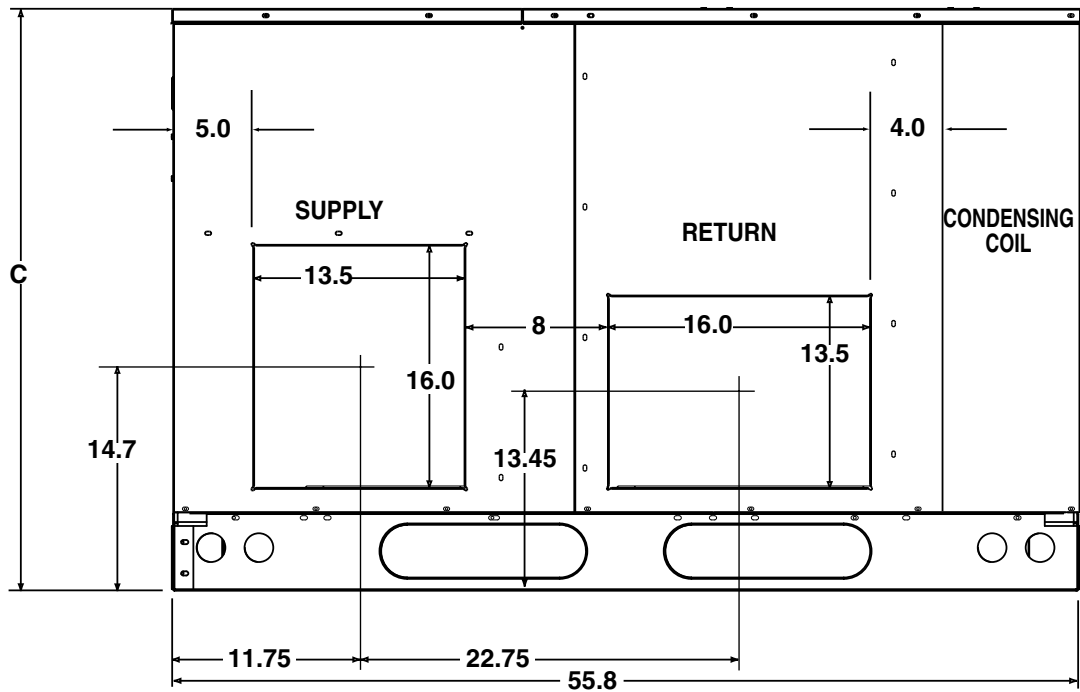
Top View

| Model Number Q6SE | Unit Weight (lbs) | Shipping Weight (lbs) | Center of Gravity | | Height (in inches) C | |
|----------------------|----------------------|--------------------------|-------------------|------|-------------------------|--------------------|
| | | | A | B | with base rails | without base rails |
| X24 | 400 | 413 | 28.0 | 25.5 | 39.0 | 35.3 |
| X30 | 400 | 413 | 28.0 | 26.0 | 39.0 | 35.3 |
| X36 | 400 | 413 | 28.0 | 25.5 | 39.0 | 35.3 |
| X42 | 507 | 520 | 29.5 | 26.0 | 43.0 | 39.3 |
| X48 | 507 | 520 | 29.5 | 26.0 | 43.0 | 39.3 |
| X60 | 508 | 521 | 29.5 | 26.0 | 43.0 | 39.3 |

DIMENSIONS (Continued)



Side View



Back (Duct) View

SPECIFICATIONS

| Model Number | Q6SE | | | | | |
|------------------------------|--------------|--------------|--------------|--------------|--------------|--------------|
| | X24 | X30 | X36 | X42 | X48 | X60 |
| Performance | | | | | | |
| Capacity-Heating BTUH | 22,000 | 26,800 | 33,200 | 42,000 | 45,500 | 59,000 |
| Efficiency-HSPF | 8.0 | 8.0 | 8.0 | 8.0 | 8.0 | 8.0 |
| Capacity-Cooling BTUH | 23,000 | 28,000 | 34,800 | 42,000 | 48,000 | 58,500 |
| Efficiency-Seer | 14.0 | 14.0 | 14.0 | 14.0 | 14.0 | 14.0 |
| EER (Btuh/watt) | 11.0 | 11.0 | 11.0 | 11.0 | 11.0 | 11.0 |
| Electric Rating-60 Hz | | | | | | |
| Phase | 1 | 1 | 1 | 1 | 1 | 1 |
| Operating Voltage Range | 187-253 | 187-253 | 187-253 | 187-253 | 187-253 | 187-253 |
| Min. Circuit Ampacity | 22.7 | 24.4 | 28.5 | 32.9 | 37.2 | 43.5 |
| Field Wire Size - AWG | 10 | 10 | 10 | 8 | 8 | 6 |
| Total Unit - Amps | 19.1 | 20.5 | 23.9 | 27.4 | 31.2 | 36.2 |
| Compressor Data | | | | | | |
| Volts | 208-230 | 208-230 | 208-230 | 208-230 | 208-230 | 208-230 |
| Rated Load Amps | 14.3 | 15.7 | 18.6 | 22.1 | 24.3 | 29.3 |
| Lock Rotor Amps | 58.3 | 73 | 79 | 109 | 117 | 134 |
| Indoor Blower | | | | | | |
| Type | Fixed Torque | Fixed Torque | Fixed Torque | Fixed Torque | Fixed Torque | Fixed Torque |
| Motor HP | 1/2 | 1/2 | 1/2 | 1/2 | 3/4 | 3/4 |
| Motor - Amps | 3.8 | 3.8 | 3.8 | 3.8 | 5.4 | 5.4 |
| Outdoor Fan | | | | | | |
| Motor - HP / RPM | 1/5 - 825 | 1/5 - 825 | 1/4 - 1100 | 1/4 - 1100 | 1/4 - 1100 | 1/4 - 1100 |
| Motor - Amps | 1.0 | 1.0 | 1.46 | 1.46 | 1.46 | 1.46 |
| Fan Diameter / CFM | 20 / 3600 | 20 / 3600 | 24 / 3800 | 20 / 3800 | 24 / 3800 | 24 / 4000 |
| R-410A Charge - Oz | 128 | 126.4 | 115 | 232 | 272 | 243 |
| Net Weight lbs. | 400 | 400 | 400 | 507 | 507 | 508 |
| Shipping Weight lbs. | 413 | 413 | 413 | 520 | 520 | 521 |
| Sound Rating | 73 | 73 | 78 | 78 | 78 | 78 |

ELECTRICAL DATA

| Model Number | Heater kw | Multiple Supply Circuit Option | | | | | | | | | | | | | | | | | | | | | | | |
|--------------|-----------|--------------------------------|----|----|--------------------------|------|------|--------------------------------------|----|--------------------------|-------|-----|----|-------------------------|--------------------------|------|-----|----|----|--------------------------|-----|---|--|--|--|
| | | Single Circuit | | | | | | Circuit A (Compressor, Blower & Fan) | | | | | | Circuit B (Heater Only) | | | | | | Circuit C (Heater Only) | | | | | |
| | | MCA | 60 | 75 | Rec, Wire Gage (90°C Cu) | MOP | MCA | 60 | 75 | Rec, Wire Gage (90°C Cu) | MOP | MCA | 60 | 75 | Rec, Wire Gage (90°C Cu) | MOP | MCA | 60 | 75 | Rec, Wire Gage (90°C Cu) | MOP | | | | |
| Q6SE-X24K | 0 | 22.7 | 10 | 10 | 8 | 35 | - | - | - | - | - | - | - | - | - | - | - | - | - | - | - | - | | | |
| | 5 | 47.7 | 6 | 8 | 8 | 50 | 22.7 | - | 10 | 35 | 25 | - | - | 10 | 30 | - | - | - | - | - | - | - | | | |
| | 8 | 62.3 | 4 | 6 | 6 | 70 | 22.7 | 10 | 10 | 35 | 39.6 | 6 | 8 | 8 | 40 | - | - | - | - | - | - | - | | | |
| | 10 | 72.7 | 3 | 4 | 6 | 80 | 22.7 | 10 | 10 | 35 | 50 | 6 | 6 | 8 | 60 | - | - | - | - | - | - | - | | | |
| | 15 | 97.7 | 1 | 3 | 3 | 100 | 22.7 | 10 | 10 | 35 | 75 | 6 | 6 | 6 | 80 | - | - | 10 | 10 | - | - | - | | | |
| Q6SE-X30K | 15(3cir) | 97.7 | 1 | 3 | 3 | 100 | 22.7 | 10 | 10 | 35 | 50 | 6 | 6 | 8 | 60 | 25.0 | 10 | 10 | 10 | 10 | 30 | - | | | |
| | 0 | 24.4 | 10 | 10 | 8 | 40 | - | - | - | - | - | - | - | - | - | - | - | - | - | - | - | - | | | |
| | 5 | 49.4 | 6 | 8 | 8 | 60 | 24.4 | - | 10 | 40 | 25 | - | - | 10 | 30 | - | - | - | - | - | - | - | | | |
| | 8 | 64 | 4 | 6 | 6 | 70 | 24.4 | 10 | 10 | 40 | 39.6 | 6 | 8 | 8 | 40 | - | - | - | - | - | - | - | | | |
| | 10 | 74.4 | 3 | 4 | 6 | 80 | 24.4 | 10 | 10 | 40 | 50 | 6 | 6 | 8 | 60 | - | - | - | - | - | - | - | | | |
| Q6SE-X36K | 15 | 99.4 | 1 | 3 | 3 | 100 | 24.4 | 10 | 10 | 40 | 74.4 | 6 | 6 | 6 | 80 | - | - | 10 | 10 | - | - | - | | | |
| | 15(3cir) | 99.4 | 1 | 3 | 3 | 100 | 24.4 | 10 | 10 | 40 | 50 | 6 | 6 | 8 | 60 | 25.0 | 10 | 10 | 10 | 10 | 30 | - | | | |
| | 0 | 28.5 | 10 | 10 | 8 | 45 | - | - | - | - | - | - | - | - | - | - | - | - | - | - | - | - | | | |
| | 5 | 53.5 | 6 | 6 | 6 | 60 | 28.5 | 10 | 10 | 45 | 25 | 10 | 10 | 10 | 30 | - | - | - | - | - | - | - | | | |
| | 8 | 68.1 | 4 | 4 | 6 | 70 | 28.5 | 10 | 10 | 45 | 39.6 | 6 | 8 | 8 | 40 | - | - | - | - | - | - | - | | | |
| Q6SE-X42K | 10 | 82.9 | 3 | 4 | 4 | 90 | 28.5 | 10 | 10 | 45 | 50 | 6 | 6 | 8 | 60 | - | - | - | - | - | - | - | | | |
| | 15 | 107.9 | 1 | 2 | 3 | 110 | 28.5 | 10 | 10 | 45 | 75 | 6 | 6 | 6 | 80 | - | - | 10 | 10 | - | - | - | | | |
| | 15(3cir) | 103.5 | 1 | 2 | 3 | 110 | 28.5 | 10 | 10 | 45 | 50 | 6 | 6 | 8 | 60 | 25.0 | 10 | 10 | 10 | 10 | 30 | - | | | |
| | 20 | 132.9 | 00 | 0 | 1 | 150 | 32.9 | 8 | 8 | 50 | 100 | 6 | 6 | 3 | 110 | - | - | 6 | 8 | - | - | - | | | |
| | 20(3cir) | 132.9 | 00 | 0 | 1 | 150 | 32.9 | 8 | 8 | 50 | 50 | 6 | 6 | 8 | 60 | 50.0 | 6 | 8 | 8 | 8 | 60 | - | | | |
| Q6SE-X48K | 0 | 37.2 | 8 | 8 | 8 | 60 | - | - | - | - | - | - | - | - | - | - | - | - | - | - | - | - | | | |
| | 5 | 62.2 | 4 | 6 | 6 | 80 | 37.2 | 8 | 8 | 60 | 25.0 | 10 | 10 | 10 | 30 | - | - | - | - | - | - | - | | | |
| | 8 | 76.8 | 3 | 4 | 4 | 90 | 37.2 | 8 | 8 | 60 | 39.6 | 6 | 8 | 8 | 40 | - | - | - | - | - | - | - | | | |
| | 10 | 87.2 | 2 | 3 | 4 | 100 | 37.2 | 8 | 8 | 60 | 50.0 | 6 | 6 | 8 | 60 | - | - | - | - | - | - | - | | | |
| | 15 | 112.2 | 0 | 2 | 2 | 125 | 37.2 | 8 | 8 | 60 | 75.0 | 6 | 6 | 6 | 80 | - | - | 10 | 10 | - | - | - | | | |
| Q6SE-X60K | 15(3cir) | 112.2 | 0 | 2 | 2 | 125 | 37.2 | 8 | 8 | 60 | 50.0 | 6 | 6 | 8 | 60 | 25.0 | 10 | 10 | 10 | 10 | 30 | - | | | |
| | 20 | 137.2 | 00 | 0 | 1 | 150 | 37.2 | 8 | 8 | 60 | 100.0 | 6 | 6 | 3 | 110 | - | - | 6 | 8 | - | - | - | | | |
| | 20(3cir) | 137.2 | 00 | 0 | 1 | 150 | 37.2 | 8 | 8 | 60 | 50.0 | 6 | 6 | 8 | 60 | 50.0 | 6 | 8 | 8 | 8 | 60 | - | | | |
| | 0 | 43.5 | 6 | 8 | 8 | 70 | - | - | - | - | - | - | - | - | - | - | - | - | - | - | - | - | | | |
| | 5 | 68.5 | 4 | 4 | 6 | 90 | 43.5 | 6 | 8 | 70 | 25.0 | 10 | 10 | 10 | 30 | - | - | - | - | - | - | - | | | |
| Q6SE-X60K | 8 | 83.1 | 3 | 4 | 4 | 100 | 43.5 | 6 | 8 | 70 | 39.6 | 6 | 8 | 8 | 40 | - | - | - | - | - | - | - | | | |
| | 10 | 93.5 | 2 | 3 | 4 | 110 | 43.5 | 6 | 8 | 70 | 50.0 | 6 | 6 | 8 | 60 | - | - | - | - | - | - | - | | | |
| | 15 | 118.5 | 0 | 1 | 2 | 125 | 43.5 | 6 | 8 | 70 | 75.0 | 6 | 6 | 6 | 80 | - | - | 10 | 10 | - | - | - | | | |
| | 15(3cir) | 118.5 | 0 | 1 | 2 | 125 | 43.5 | 6 | 8 | 70 | 50.0 | 6 | 6 | 8 | 60 | 25.0 | 10 | 10 | 10 | 10 | 30 | - | | | |
| | 20 | 143.5 | 00 | 0 | 1 | 150 | 43.5 | 6 | 8 | 70 | 100.0 | 6 | 6 | 3 | 110 | - | - | 6 | 8 | - | - | - | | | |
| 20(3cir) | 143.5 | 00 | 0 | 1 | 150 | 43.5 | 6 | 8 | 70 | 50.0 | 6 | 6 | 8 | 60 | 50.0 | 6 | 8 | 8 | 8 | 60 | - | | | | |

*If electric heat is installed, and the overcurrent rating exceeds 60A, internal circuit breakers must be installed in addition to branch circuit protection at the distribution panel.

BLOWER PERFORMANCE

| Model number | | External Static Pressure Drop - inches water column | | | | | | | | | | | | | | | |
|--------------|-----------|---|-------|------|-------|------|-------|------|-------|------|-------|------|-------|------|-------|------|-------|
| Q6SE | | 0.1 | | 0.2 | | 0.3 | | 0.4 | | 0.5 | | 0.6 | | 0.7 | | 0.8 | |
| X24 | * Tap T1 | 823 | 38.39 | 784 | 40.30 | 712 | 44.37 | 646 | 48.91 | 580 | 54.47 | 510 | 61.95 | 436 | 72.46 | - | - |
| | * Tap T2 | 969 | 32.60 | 924 | 34.19 | 866 | 36.48 | 800 | 39.49 | 717 | 44.06 | 652 | 48.46 | 591 | 53.46 | 522 | 60.52 |
| | ** Tap T3 | 1068 | 29.58 | 1010 | 31.28 | 947 | 33.36 | 906 | 34.87 | 814 | 38.81 | 743 | 42.52 | 674 | 46.88 | 617 | 51.21 |
| | ** Tap T4 | 1188 | 26.59 | 1142 | 27.67 | 1068 | 29.58 | 1022 | 30.91 | 954 | 33.12 | 861 | 36.69 | 803 | 39.34 | 763 | 41.41 |
| | ** Tap T5 | 1330 | 23.75 | 1274 | 24.80 | 1221 | 25.88 | 1164 | 27.14 | 1105 | 28.59 | 1044 | 30.26 | 957 | 33.01 | 881 | 35.86 |
| X30 | * Tap T1 | 890 | 35.50 | 832 | 37.97 | 766 | 41.25 | 687 | 45.99 | 624 | 50.63 | 576 | 54.85 | 502 | 62.94 | 419 | 75.40 |
| | * Tap T2 | 969 | 32.60 | 924 | 34.19 | 866 | 36.48 | 800 | 39.49 | 717 | 44.06 | 652 | 48.46 | 591 | 53.46 | 522 | 60.52 |
| | ** Tap T3 | 1188 | 26.59 | 1142 | 27.67 | 1068 | 29.58 | 1022 | 30.91 | 954 | 33.12 | 861 | 36.69 | 803 | 39.34 | 763 | 41.41 |
| | ** Tap T4 | 1382 | 22.86 | 1334 | 23.68 | 1273 | 24.82 | 1220 | 25.90 | 1164 | 27.14 | 1097 | 28.80 | 1020 | 30.97 | 947 | 33.36 |
| | ** Tap T5 | 1640 | 19.26 | 1604 | 19.70 | 1547 | 20.42 | 1490 | 21.20 | 1437 | 21.99 | 1381 | 22.88 | 1324 | 23.86 | 1249 | 25.30 |
| X36 | ** Tap T1 | 1137 | 27.79 | 1075 | 29.39 | 1012 | 31.22 | 950 | 33.26 | 863 | 36.61 | 770 | 41.03 | 694 | 45.52 | 619 | 51.04 |
| | ** Tap T2 | 1242 | 25.44 | 1187 | 26.62 | 1128 | 28.01 | 1057 | 29.89 | 993 | 31.82 | 921 | 34.30 | 827 | 38.20 | 754 | 41.90 |
| | * Tap T3 | 1418 | 22.28 | 1370 | 23.06 | 1308 | 24.15 | 1251 | 25.25 | 1204 | 26.24 | 1123 | 28.13 | 1064 | 29.69 | 974 | 32.44 |
| | * Tap T4 | 1567 | 20.16 | 1515 | 20.85 | 1459 | 21.65 | 1397 | 22.62 | 1338 | 23.61 | 1272 | 24.84 | 1184 | 26.68 | 1107 | 28.54 |
| | * Tap T5 | 1700 | 18.58 | 1658 | 19.06 | 1596 | 19.80 | 1534 | 20.60 | 1481 | 21.33 | 1421 | 22.23 | 1358 | 23.27 | 1279 | 24.70 |
| X42 | ** Tap T1 | 1257 | 25.13 | 1199 | 26.35 | 1133 | 27.89 | 1070 | 29.53 | 982 | 32.17 | 906 | 34.87 | 830 | 38.06 | 761 | 41.52 |
| | ** Tap T2 | 1374 | 22.99 | 1332 | 23.72 | 1270 | 24.88 | 1220 | 25.90 | 1153 | 27.40 | 1077 | 29.34 | 972 | 32.50 | 901 | 35.07 |
| | * Tap T3 | 1574 | 20.07 | 1520 | 20.79 | 1470 | 21.49 | 1418 | 22.28 | 1356 | 23.30 | 1295 | 24.40 | 1214 | 26.02 | 1095 | 28.85 |
| | * Tap T4 | 1733 | 18.23 | 1678 | 18.83 | 1637 | 19.30 | 1575 | 20.06 | 1528 | 20.68 | 1467 | 21.54 | 1408 | 22.44 | 1334 | 23.68 |
| | * Tap T5 | 1848 | 17.10 | 1795 | 17.60 | 1741 | 18.15 | 1708 | 18.50 | 1641 | 19.25 | 1593 | 19.83 | 1541 | 20.50 | 1477 | 21.39 |
| X48 | ** Tap T1 | 952 | 33.19 | 901 | 35.07 | 864 | 36.57 | 728 | 43.40 | 672 | 47.01 | 583 | 54.19 | 508 | 62.19 | - | - |
| | ** Tap T2 | 1646 | 19.19 | 1593 | 19.83 | 1520 | 20.79 | 1476 | 21.41 | 1417 | 22.30 | 1349 | 23.42 | 1265 | 24.98 | 1198 | 26.37 |
| | * Tap T3 | 1764 | 17.91 | 1705 | 18.53 | 1626 | 19.43 | 1570 | 20.12 | 1525 | 20.72 | 1451 | 21.77 | 1403 | 22.52 | 1304 | 24.23 |
| | * Tap T4 | 1962 | 16.10 | 1916 | 16.49 | 1838 | 17.19 | 1787 | 17.68 | 1720 | 18.37 | 1670 | 18.92 | 1595 | 19.81 | 1537 | 20.56 |
| | * Tap T5 | 2391 | 13.21 | 2334 | 13.54 | 2301 | 13.73 | 2242 | 14.09 | 2180 | 14.49 | 2132 | 14.82 | 2074 | 15.23 | 2017 | 15.66 |
| X60 | ** Tap T1 | 1088 | 29.04 | 1032 | 30.61 | 958 | 32.98 | 878 | 35.98 | 789 | 40.04 | 715 | 44.19 | 641 | 49.29 | 570 | 55.43 |
| | ** Tap T2 | 1764 | 17.91 | 1705 | 18.53 | 1626 | 19.43 | 1570 | 20.12 | 1525 | 20.72 | 1451 | 21.77 | 1403 | 22.52 | 1304 | 24.23 |
| | * Tap T3 | 1962 | 16.10 | 1916 | 16.49 | 1838 | 17.19 | 1787 | 17.68 | 1720 | 18.37 | 1670 | 18.92 | 1595 | 19.81 | 1537 | 20.56 |
| | * Tap T4 | 2106 | 15.00 | 2059 | 15.34 | 2000 | 15.80 | 1944 | 16.25 | 1878 | 16.82 | 1828 | 17.28 | 1751 | 18.04 | 1689 | 18.71 |
| | * Tap T5 | 2391 | 13.21 | 2334 | 13.54 | 2301 | 13.73 | 2242 | 14.09 | 2180 | 14.49 | 2132 | 14.82 | 2074 | 15.23 | 2017 | 15.66 |

* Denotes factory set cooling speed

** Denotes factory set electric heating speed

NOTE: Airflow performance is with a dry coil

HEATER APPLICATION MATRIX

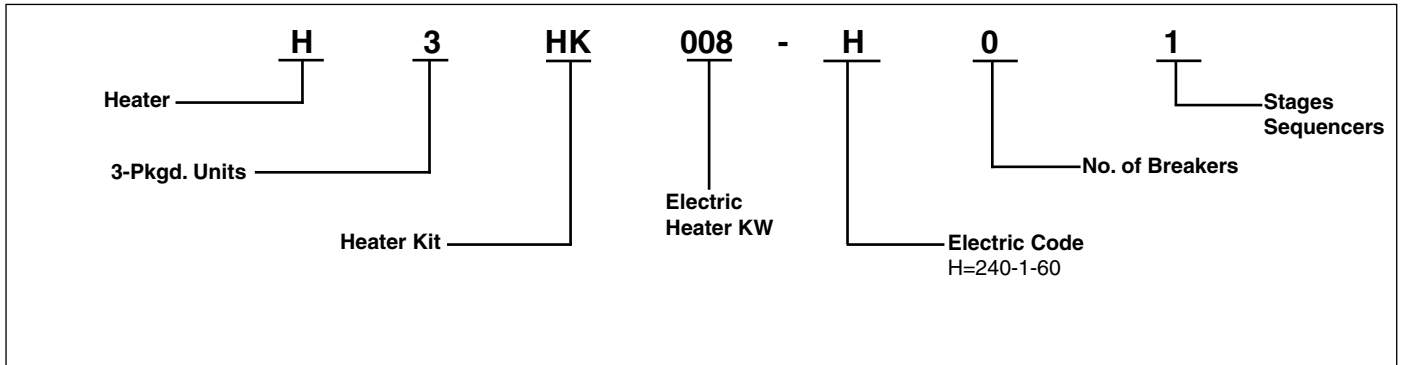
| Model Number | H3HK-005H-01C | H3HK-008H-01C | H3HK-010H-01C | H3HK-015H-01C | H3HK-020H-01C | H3HK-015H-21C | H3HK-020H-21C |
|--------------|---------------|---------------|---------------|---------------|---------------|---------------|---------------|
| | 917166C | 917167C | 917168C | 917169C | 917170C | 917172C | 917173C |
| Q6SE-X24 | X | X(2) | X(2) | X(2) | NA | X | NA |
| Q6SE-X30 | X | X(2) | X(2) | X(2) | NA | X | NA |
| Q6SE-X36 | X | X(2) | X(2) | X(2) | NA | X | NA |
| Q6SE-X42 | X | X(2) | X(2) | X(3) | X(3) | X(1) | X(1) |
| Q6SE-X48 | X(2) | X(2) | X(2) | X(3) | X(3) | X(1) | X(1) |
| Q6SE-X60 | X(2) | X(2) | X(2) | X(3) | X(3) | X(1) | X(1) |

NA = Not Applicable.

() = Number of internal circuit breaker kits required.

X = Branch circuit protection only

MODEL IDENTIFICATION CODE



Q6SE ACCESSORIES

| Description | Part Number |
|--|-------------|
| Roof Curb (8") | 547830 |
| Roof Curb (14") | 547831 |
| Roof Curb (18") | 547850 |
| Roof Curb (24") | 547851 |
| Supply/return transition, 16" | 547834 |
| Supply/return transition, 18" | 547835 |
| Concentric diffuser, flush, 16" | 547836 |
| Concentric diffuser, flush, 18" | 547837 |
| Concentric diffuser, step down 16" | 547838 |
| Concentric diffuser, step down 18" | 547839 |
| Manual Fresh Air Damper | 547832 |
| Motorized Fresh Air Damper | 547840 |
| Economizer, downflow, modulating w/filter (does not require filter kit), CA title 24 | 563209 |
| Economizer, horizontal, modulating, CA title 24 | 562534 |
| Power Exhaust for use with downflow economizer 208-230/1/60 | 547842 |
| Power Exhaust for use with horizontal economizer 208-230/1/60 | 547843 |
| Power Exhaust for use with downflow economizer (208/230 3 Phase) | 555578 |
| Power Exhaust, for use with horizontal economizer (208/230 3 Phase) | 555580 |
| Power Exhaust, for use with downflow economizer (460V 3 Phase) | 555579 |
| Power Exhaust, for use with horizontal economizer (460V 3 Phase) | 555581 |
| Hood Type Hail Guard 34" X 76" Q6SE-X24, Q6SE-X30, Q6SE-X36 | 547846 |
| Hood Type Hail Guard 38" X 76" Q6SE-X42, Q6SE-X48, Q6SE-X60 | 547847 |
| Duct Smoke Detector Photo Elec | 558863 |
| Multi Signal Control | 558866 |
| Sampling Tube 2 - 4 ft. | 558864 |
| Sampling Tube 4 - 8 ft. | 558865 |
| Filter Rack, All Downflow Applications (not required with downflow economizer) | 547885 |
| Filter Kit (not required with downflow economizer) Q6SE-X24, Q6SE-X30, Q6SE-X36 | 547888 |
| Filter Kit (not required with downflow economizer) Q6SE-X42, Q6SE-X48, Q6SE-X60 | 547889 |
| Universal Hard Start Kit | 912933 |
| Low Ambient Kit | 918837 |
| Outdoor Thermostat Kit | 913852 |
| Skirt Trim Kit | 919729 |
| Heater Kit - 4-Pole Single Circuit Adaptor | 913350 |
| Heater Kit - 6-Pole Single Circuit Adaptor | 913556 |
| Heater Kit - Circuit Breaker Single Phase (2-Pole) | 913554 |
| Freezestat Kit | 917108 |
| Duct Adapter 12" Round (2 each) | 913811A |
| Duct Adapter 14" Round (2 each) | 913812A |
| Control, CO2 Sensor, Wall Mount | 920317 |
| Control, CO2 Sensor, Duct Mount | 920318 |
| Differential Enthalpy Kit | 922431 |

EXPANDED RATINGS

COOLING

Q6SE-X24K

| O.D.T | | | 65°F | | | 75°F | | | 95°F | | | 105°F | | | 115°F | | |
|-------|--------|--------|------|------|------|------|------|------|------|------|------|-------|------|------|-------|-------|------|
| CFM | E.D.B. | E.W.B. | T.C. | S.C. | K.W. | T.C. | S.C. | K.W. | T.C. | S.C. | K.W. | T.C. | S.C. | K.W. | T.C. | S.C. | K.W. |
| 700 | 80 | 62 | 24.8 | 21.5 | 1.84 | 23.0 | 20.4 | 1.84 | 21.1 | 19.2 | 1.84 | 19.3 | 18.1 | 1.84 | 17.4 | 17.0 | 1.84 |
| | 80 | 67 | 27.4 | 19.1 | 1.84 | 25.5 | 18.0 | 1.84 | 23.7 | 16.9 | 1.84 | 21.8 | 15.8 | 1.84 | 19.9 | 14.6 | 1.84 |
| | 80 | 72 | 29.9 | 15.1 | 1.84 | 28.0 | 13.9 | 1.84 | 26.2 | 12.8 | 1.84 | 24.3 | 11.7 | 1.84 | 22.4 | 10.5 | 1.84 |
| | 75 | 63 | 25.5 | 18.3 | 1.84 | 23.6 | 17.2 | 1.84 | 21.8 | 16.1 | 1.84 | 19.9 | 14.9 | 1.84 | 18.0 | 13.8 | 1.84 |
| 850 | 80 | 62 | 25.9 | 23.6 | 1.88 | 24.1 | 22.5 | 1.88 | 22.2 | 21.4 | 1.88 | 20.4 | 20.2 | 1.88 | 18.5 | 18.5* | 1.88 |
| | 80 | 67 | 28.5 | 21.2 | 1.88 | 26.6 | 20.1 | 1.88 | 24.8 | 19.0 | 1.88 | 22.9 | 17.9 | 1.88 | 21.0 | 16.7 | 1.88 |
| | 80 | 72 | 31.0 | 17.2 | 1.88 | 29.1 | 16.1 | 1.88 | 27.3 | 14.9 | 1.88 | 25.4 | 13.8 | 1.88 | 23.5 | 12.7 | 1.88 |
| | 75 | 63 | 26.5 | 20.4 | 1.88 | 24.7 | 19.3 | 1.88 | 22.9 | 18.2 | 1.88 | 21.0 | 17.0 | 1.88 | 19.1 | 15.9 | 1.88 |
| 1000 | 80 | 62 | 28.2 | 25.5 | 1.93 | 26.4 | 24.4 | 1.93 | 24.5 | 23.3 | 1.93 | 22.6 | 22.1 | 1.93 | 20.7 | 20.7* | 1.93 |
| | 80 | 67 | 30.7 | 23.1 | 1.93 | 28.9 | 22.0 | 1.93 | 27.1 | 20.9 | 1.93 | 25.2 | 19.8 | 1.93 | 23.3 | 18.6 | 1.93 |
| | 80 | 72 | 33.2 | 19.1 | 1.93 | 31.4 | 18.0 | 1.93 | 29.6 | 16.8 | 1.93 | 27.7 | 15.7 | 1.93 | 25.8 | 14.6 | 1.93 |
| | 75 | 63 | 28.8 | 22.3 | 1.93 | 27.0 | 21.2 | 1.93 | 25.2 | 20.1 | 1.93 | 23.3 | 18.9 | 1.93 | 21.4 | 17.8 | 1.93 |

Q6SE-X30K

| O.D.T | | | 65°F | | | 75°F | | | 95°F | | | 105°F | | | 115°F | | |
|-------|--------|--------|------|------|------|------|------|------|------|-------|------|-------|------|------|-------|------|------|
| CFM | E.D.B. | E.W.B. | T.C. | S.C. | K.W. | T.C. | S.C. | K.W. | T.C. | S.C. | K.W. | T.C. | S.C. | K.W. | T.C. | S.C. | K.W. |
| 900 | 80 | 62 | 30.4 | 26.5 | 1.75 | 28.6 | 25.2 | 1.91 | 24.4 | 22.9 | 2.35 | 22.1 | 21.9 | 2.63 | 19.6 | 19.6 | 2.95 |
| | 80 | 67 | 34.3 | 23.7 | 1.75 | 32.5 | 22.4 | 1.92 | 28.4 | 20.1 | 2.36 | 26.0 | 19.1 | 2.64 | 23.5 | 18.1 | 2.95 |
| | 80 | 72 | 36.1 | 18.8 | 1.76 | 34.3 | 17.5 | 1.92 | 30.1 | 15.2 | 2.36 | 27.8 | 14.2 | 2.64 | 25.3 | 13.2 | 2.96 |
| | 75 | 63 | 30.6 | 22.3 | 1.73 | 28.8 | 21.1 | 1.90 | 24.7 | 18.8 | 2.34 | 22.4 | 17.7 | 2.61 | 19.9 | 16.8 | 2.93 |
| 1050 | 80 | 62 | 30.6 | 28.4 | 1.77 | 28.8 | 27.1 | 1.94 | 24.6 | 24.6* | 2.38 | 22.3 | 22.3 | 2.65 | 19.8 | 19.8 | 2.97 |
| | 80 | 67 | 34.5 | 25.6 | 1.78 | 32.7 | 24.3 | 1.94 | 28.6 | 22.0 | 2.38 | 26.2 | 21.0 | 2.66 | 23.7 | 20.0 | 2.98 |
| | 80 | 72 | 36.3 | 20.7 | 1.79 | 34.5 | 19.4 | 1.95 | 30.4 | 17.1 | 2.39 | 28.0 | 16.1 | 2.67 | 25.5 | 15.1 | 2.99 |
| | 75 | 63 | 30.8 | 24.2 | 1.76 | 29.0 | 23.0 | 1.92 | 24.9 | 20.7 | 2.36 | 22.6 | 19.6 | 2.64 | 20.1 | 18.7 | 2.96 |
| 1200 | 80 | 62 | 32.4 | 29.8 | 1.78 | 30.6 | 28.6 | 1.94 | 26.5 | 26.3 | 2.38 | 24.2 | 24.2 | 2.66 | 21.7 | 21.7 | 2.98 |
| | 80 | 67 | 36.4 | 27.0 | 1.78 | 34.6 | 25.8 | 1.95 | 30.4 | 23.5 | 2.39 | 28.1 | 22.4 | 2.66 | 25.6 | 21.5 | 2.98 |
| | 80 | 72 | 38.2 | 22.1 | 1.79 | 36.4 | 20.9 | 1.95 | 32.2 | 18.6 | 2.39 | 29.9 | 17.5 | 2.67 | 27.4 | 16.5 | 2.99 |
| | 75 | 63 | 32.7 | 25.7 | 1.76 | 30.9 | 24.4 | 1.92 | 26.8 | 22.1 | 2.37 | 24.4 | 21.1 | 2.64 | 21.9 | 20.1 | 2.96 |

Q6SE-X36K

| O.D.T | | | 65°F | | | 75°F | | | 95°F | | | 105°F | | | 115°F | | |
|-------|--------|--------|------|------|------|------|------|------|------|------|------|-------|------|------|-------|------|------|
| CFM | E.D.B. | E.W.B. | T.C. | S.C. | K.W. | T.C. | S.C. | K.W. | T.C. | S.C. | K.W. | T.C. | S.C. | K.W. | T.C. | S.C. | K.W. |
| 1100 | 80 | 62 | 36.4 | 31.8 | 2.09 | 35.5 | 31.1 | 2.29 | 31.5 | 28.8 | 2.85 | 28.6 | 27.4 | 3.20 | 25.0 | 25.0 | 3.60 |
| | 80 | 67 | 37.9 | 26.5 | 2.10 | 36.8 | 25.8 | 2.30 | 32.7 | 23.8 | 2.86 | 29.7 | 22.4 | 3.21 | 26.0 | 20.9 | 3.61 |
| | 80 | 72 | 41.2 | 21.0 | 2.11 | 40.0 | 20.4 | 2.32 | 35.6 | 18.5 | 2.87 | 32.4 | 17.2 | 3.22 | 28.6 | 15.8 | 3.62 |
| | 75 | 63 | 34.6 | 25.0 | 2.08 | 34.0 | 24.7 | 2.29 | 30.9 | 23.3 | 2.84 | 28.3 | 22.3 | 3.19 | 25.1 | 21.0 | 3.59 |
| 1250 | 80 | 62 | 38.0 | 34.8 | 2.12 | 37.0 | 34.0 | 2.33 | 33.1 | 31.7 | 2.88 | 30.2 | 30.2 | 3.23 | 26.6 | 26.6 | 3.63 |
| | 80 | 67 | 39.5 | 29.5 | 2.14 | 38.4 | 28.7 | 2.34 | 34.3 | 26.7 | 2.89 | 31.2 | 25.4 | 3.24 | 27.5 | 23.8 | 3.64 |
| | 80 | 72 | 42.8 | 23.9 | 2.15 | 41.6 | 23.3 | 2.35 | 37.2 | 21.4 | 2.90 | 34.0 | 20.2 | 3.25 | 30.2 | 18.7 | 3.65 |
| | 75 | 63 | 36.2 | 27.9 | 2.12 | 35.6 | 27.6 | 2.32 | 32.4 | 26.2 | 2.87 | 29.9 | 25.2 | 3.22 | 26.7 | 24.0 | 3.62 |
| 1400 | 80 | 62 | 38.1 | 34.6 | 2.17 | 37.1 | 33.8 | 2.37 | 33.2 | 31.5 | 2.92 | 30.3 | 30.1 | 3.28 | 26.7 | 26.7 | 3.68 |
| | 80 | 67 | 39.6 | 29.3 | 2.18 | 38.5 | 28.6 | 2.38 | 34.4 | 26.5 | 2.94 | 31.3 | 25.2 | 3.29 | 27.6 | 23.6 | 3.69 |
| | 80 | 72 | 42.8 | 23.7 | 2.19 | 41.6 | 23.1 | 2.39 | 37.3 | 21.2 | 2.95 | 34.1 | 20.0 | 3.30 | 30.3 | 18.5 | 3.70 |
| | 75 | 63 | 36.2 | 27.7 | 2.16 | 35.6 | 27.4 | 2.36 | 32.5 | 26.0 | 2.92 | 30.0 | 25.0 | 3.27 | 26.8 | 23.8 | 3.67 |

EXPANDED RATINGS Continued

COOLING

Q6SE-X42K

| O.D.T | | | 65°F | | | 75°F | | | 95°F | | | 105°F | | | 115°F | | |
|-------|--------|--------|------|------|------|------|------|------|------|------|------|-------|------|------|-------|------|------|
| CFM | E.D.B. | E.W.B. | T.C. | S.C. | K.W. | T.C. | S.C. | K.W. | T.C. | S.C. | K.W. | T.C. | S.C. | K.W. | T.C. | S.C. | K.W. |
| 1250 | 80 | 62 | 45.2 | 39.1 | 2.45 | 44.0 | 38.8 | 2.81 | 39.7 | 36.7 | 3.52 | 36.7 | 34.9 | 3.88 | 33.1 | 32.6 | 4.23 |
| | 80 | 67 | 47.7 | 32.2 | 2.42 | 45.8 | 31.8 | 2.78 | 40.2 | 29.7 | 3.49 | 36.5 | 27.9 | 3.85 | 32.2 | 25.6 | 4.20 |
| | 80 | 72 | 54.5 | 25.0 | 2.39 | 51.9 | 24.6 | 2.75 | 44.9 | 22.5 | 3.46 | 40.6 | 20.7 | 3.82 | 35.6 | 18.4 | 4.17 |
| | 75 | 63 | 44.2 | 32.0 | 2.42 | 42.8 | 31.6 | 2.77 | 38.2 | 29.5 | 3.49 | 35.1 | 27.7 | 3.84 | 31.3 | 25.4 | 4.20 |
| 1400 | 80 | 62 | 48.8 | 41.6 | 2.54 | 47.5 | 41.3 | 2.90 | 43.2 | 39.2 | 3.61 | 40.2 | 37.4 | 3.97 | 36.6 | 35.1 | 4.32 |
| | 80 | 67 | 51.3 | 34.7 | 2.51 | 49.3 | 34.3 | 2.87 | 43.7 | 32.2 | 3.58 | 40.0 | 30.4 | 3.94 | 35.8 | 28.1 | 4.29 |
| | 80 | 72 | 58.0 | 27.5 | 2.48 | 55.4 | 27.2 | 2.83 | 48.4 | 25.0 | 3.55 | 44.1 | 23.2 | 3.90 | 39.1 | 20.9 | 4.26 |
| | 75 | 63 | 47.7 | 34.5 | 2.51 | 46.3 | 34.2 | 2.86 | 41.7 | 32.0 | 3.58 | 38.6 | 30.2 | 3.93 | 34.9 | 27.9 | 4.29 |
| 1550 | 80 | 62 | 46.6 | 41.4 | 2.63 | 45.4 | 41.1 | 2.99 | 41.1 | 39.0 | 3.70 | 38.1 | 37.2 | 4.06 | 34.5 | 34.5 | 4.41 |
| | 80 | 67 | 49.2 | 34.5 | 2.60 | 47.2 | 34.1 | 2.95 | 41.6 | 32.0 | 3.67 | 37.9 | 30.2 | 4.02 | 33.6 | 27.9 | 4.38 |
| | 80 | 72 | 55.9 | 27.3 | 2.57 | 53.3 | 27.0 | 2.92 | 46.3 | 24.8 | 3.64 | 42.0 | 23.0 | 3.99 | 37.0 | 20.7 | 4.35 |
| | 75 | 63 | 45.6 | 34.3 | 2.60 | 44.2 | 34.0 | 2.95 | 39.6 | 31.8 | 3.67 | 36.5 | 30.0 | 4.02 | 32.8 | 27.7 | 4.38 |

Q6SE-X48K

| O.D.T | | | 65°F | | | 75°F | | | 95°F | | | 105°F | | | 115°F | | |
|-------|--------|--------|------|------|------|------|------|------|------|------|------|-------|------|------|-------|------|------|
| CFM | E.D.B. | E.W.B. | T.C. | S.C. | K.W. | T.C. | S.C. | K.W. | T.C. | S.C. | K.W. | T.C. | S.C. | K.W. | T.C. | S.C. | K.W. |
| 1350 | 80 | 62 | 53.8 | 46.1 | 2.75 | 50.0 | 44.1 | 3.21 | 42.5 | 40.3 | 4.12 | 38.7 | 38.4 | 4.57 | 35.0 | 35.0 | 5.03 |
| | 80 | 67 | 58.8 | 39.0 | 2.74 | 55.0 | 37.1 | 3.19 | 47.5 | 33.2 | 4.10 | 43.8 | 31.3 | 4.55 | 40.0 | 29.4 | 5.01 |
| | 80 | 72 | 63.8 | 31.9 | 2.72 | 60.1 | 30.0 | 3.17 | 52.6 | 26.1 | 4.08 | 48.8 | 24.2 | 4.53 | 45.1 | 22.3 | 4.99 |
| | 75 | 63 | 54.1 | 37.6 | 2.72 | 50.3 | 35.7 | 3.17 | 42.8 | 31.9 | 4.08 | 39.0 | 30.0 | 4.54 | 35.3 | 28.1 | 4.99 |
| 1500 | 80 | 62 | 54.7 | 47.9 | 2.81 | 51.0 | 46.0 | 3.27 | 43.5 | 42.2 | 4.18 | 39.7 | 39.7 | 4.63 | 36.0 | 36.0 | 5.08 |
| | 80 | 67 | 59.8 | 40.8 | 2.79 | 56.0 | 38.9 | 3.25 | 48.5 | 35.1 | 4.16 | 44.8 | 33.2 | 4.61 | 41.0 | 31.2 | 5.07 |
| | 80 | 72 | 64.8 | 33.7 | 2.77 | 61.1 | 31.8 | 3.23 | 53.6 | 28.0 | 4.14 | 49.8 | 26.1 | 4.59 | 46.0 | 24.2 | 5.05 |
| | 75 | 63 | 55.0 | 39.5 | 2.78 | 51.3 | 37.6 | 3.23 | 43.8 | 33.7 | 4.14 | 40.0 | 31.8 | 4.59 | 36.3 | 29.9 | 5.05 |
| 1650 | 80 | 62 | 55.7 | 49.7 | 2.87 | 52.0 | 47.8 | 3.32 | 44.4 | 44.0 | 4.23 | 40.7 | 40.7 | 4.69 | 36.9 | 36.9 | 5.14 |
| | 80 | 67 | 60.8 | 42.7 | 2.85 | 57.0 | 40.7 | 3.31 | 49.5 | 36.9 | 4.21 | 45.7 | 35.0 | 4.67 | 42.0 | 33.1 | 5.12 |
| | 80 | 72 | 65.8 | 35.6 | 2.83 | 62.1 | 33.7 | 3.29 | 54.5 | 29.8 | 4.20 | 50.8 | 27.9 | 4.65 | 47.0 | 26.0 | 5.10 |
| | 75 | 63 | 56.0 | 41.3 | 2.83 | 52.3 | 39.4 | 3.29 | 44.8 | 35.6 | 4.20 | 41.0 | 33.7 | 4.65 | 37.2 | 31.8 | 5.11 |

Q6SE-X60K

| O.D.T | | | 65°F | | | 75°F | | | 95°F | | | 105°F | | | 115°F | | |
|-------|--------|--------|------|------|------|------|------|------|------|------|------|-------|------|------|-------|------|------|
| CFM | E.D.B. | E.W.B. | T.C. | S.C. | K.W. | T.C. | S.C. | K.W. | T.C. | S.C. | K.W. | T.C. | S.C. | K.W. | T.C. | S.C. | K.W. |
| 1500 | 80 | 62 | 64.8 | 53.6 | 3.43 | 60.6 | 51.4 | 3.92 | 52.1 | 47.0 | 4.90 | 47.9 | 44.9 | 5.38 | 43.6 | 42.7 | 5.87 |
| | 80 | 67 | 71.2 | 45.4 | 3.44 | 67.0 | 43.3 | 3.93 | 58.5 | 38.9 | 4.91 | 54.3 | 36.7 | 5.40 | 50.0 | 34.5 | 5.89 |
| | 80 | 72 | 77.6 | 37.3 | 3.46 | 73.4 | 35.1 | 3.95 | 64.9 | 30.8 | 4.93 | 60.7 | 28.6 | 5.41 | 56.5 | 26.4 | 5.90 |
| | 75 | 63 | 65.7 | 43.8 | 3.41 | 61.5 | 41.7 | 3.90 | 53.0 | 37.3 | 4.88 | 48.8 | 35.1 | 5.37 | 44.6 | 32.9 | 5.86 |
| 1650 | 80 | 62 | 65.5 | 55.5 | 3.53 | 61.3 | 53.3 | 4.02 | 52.8 | 49.0 | 4.99 | 48.6 | 46.8 | 5.48 | 44.3 | 44.3 | 5.97 |
| | 80 | 67 | 71.9 | 47.4 | 3.54 | 67.7 | 45.2 | 4.03 | 59.2 | 40.8 | 5.01 | 55.0 | 38.7 | 5.50 | 50.7 | 36.5 | 5.99 |
| | 80 | 72 | 78.3 | 39.2 | 3.56 | 74.1 | 37.1 | 4.05 | 65.6 | 32.7 | 5.02 | 61.4 | 30.5 | 5.51 | 57.2 | 28.4 | 6.00 |
| | 75 | 63 | 66.4 | 45.8 | 3.51 | 62.2 | 43.6 | 4.00 | 53.7 | 39.2 | 4.98 | 49.5 | 37.1 | 5.47 | 45.3 | 34.9 | 5.96 |
| 1800 | 80 | 62 | 66.2 | 57.5 | 3.63 | 62.0 | 55.3 | 4.11 | 53.5 | 50.9 | 5.09 | 49.3 | 48.7 | 5.58 | 45.0 | 45.0 | 6.07 |
| | 80 | 67 | 72.6 | 49.3 | 3.64 | 68.4 | 47.1 | 4.13 | 59.9 | 42.8 | 5.11 | 55.7 | 40.6 | 5.60 | 51.4 | 38.4 | 6.09 |
| | 80 | 72 | 79.0 | 41.2 | 3.66 | 74.8 | 39.0 | 4.14 | 66.3 | 34.7 | 5.12 | 62.1 | 32.5 | 5.61 | 57.9 | 30.3 | 6.10 |
| | 75 | 63 | 67.1 | 47.7 | 3.61 | 62.9 | 45.5 | 4.10 | 54.4 | 41.2 | 5.08 | 50.2 | 39.0 | 5.57 | 46.0 | 36.8 | 6.06 |

EXPANDED RATINGS

HEATING

Q6SE-X24K

| | | OUTDOOR TEMPERATURE (Deg. F) | | | | | | | | | | | | | | | | | | | | |
|------|-----|------------------------------|-----|------|------|-----|------|------|-----|------|------|-----|------|------|-----|------|------|-----|------|------|-----|------|
| SCFM | IDT | 10 | | | 17 | | | 30 | | | 40 | | | 47 | | | 60 | | | 70 | | |
| | | MBH | COP | kW | MBH | COP | kW | MBH | COP | kW | MBH | COP | kW | MBH | COP | kW | MBH | COP | kW | MBH | COP | kW |
| 700 | 60 | 10.1 | 1.9 | 1.42 | 12.2 | 2.3 | 1.45 | 16.4 | 3.0 | 1.50 | 20.0 | 3.6 | 1.54 | 22.7 | 4.0 | 1.56 | 23.8 | 4.2 | 1.57 | 28.0 | 4.8 | 1.61 |
| | 70 | 9.1 | 1.6 | 1.66 | 11.2 | 1.9 | 1.69 | 15.4 | 2.6 | 1.74 | 19.0 | 3.1 | 1.78 | 21.7 | 3.5 | 1.81 | 22.9 | 3.7 | 1.82 | 27.0 | 4.2 | 1.86 |
| | 80 | 8.2 | 1.2 | 1.91 | 10.2 | 1.5 | 1.93 | 14.5 | 2.1 | 1.98 | 18.1 | 2.6 | 2.02 | 20.7 | 3.0 | 2.05 | 21.9 | 3.2 | 2.06 | 26.1 | 3.7 | 2.10 |
| 850 | 60 | 10.3 | 2.0 | 1.40 | 12.3 | 2.4 | 1.43 | 16.6 | 3.1 | 1.48 | 20.2 | 3.7 | 1.52 | 22.8 | 4.1 | 1.55 | 24.0 | 4.3 | 1.56 | 28.2 | 4.9 | 1.60 |
| | 70 | 9.3 | 1.7 | 1.65 | 11.4 | 2.0 | 1.67 | 15.6 | 2.7 | 1.72 | 19.2 | 3.2 | 1.76 | 21.9 | 3.6 | 1.79 | 23.1 | 3.8 | 1.80 | 27.2 | 4.3 | 1.84 |
| | 80 | 8.4 | 1.3 | 1.89 | 10.4 | 1.6 | 1.92 | 14.7 | 2.2 | 1.97 | 18.2 | 2.7 | 2.01 | 20.9 | 3.1 | 2.03 | 22.1 | 3.3 | 2.04 | 26.3 | 3.8 | 2.08 |
| 900 | 60 | 10.3 | 2.1 | 1.40 | 12.4 | 2.4 | 1.43 | 16.6 | 3.1 | 1.48 | 20.2 | 3.7 | 1.51 | 22.9 | 4.1 | 1.54 | 24.1 | 4.3 | 1.55 | 28.2 | 4.9 | 1.59 |
| | 70 | 9.4 | 1.7 | 1.64 | 11.4 | 2.0 | 1.67 | 15.7 | 2.7 | 1.72 | 19.3 | 3.2 | 1.76 | 21.9 | 3.6 | 1.78 | 23.1 | 3.8 | 1.80 | 27.3 | 4.4 | 1.83 |
| | 80 | 8.4 | 1.3 | 1.89 | 10.5 | 1.6 | 1.91 | 14.7 | 2.3 | 1.96 | 18.3 | 2.8 | 2.00 | 21.0 | 3.1 | 2.03 | 22.2 | 3.3 | 2.04 | 26.3 | 3.8 | 2.08 |

Q6SE-X30K

| | | OUTDOOR TEMPERATURE (Deg. F) | | | | | | | | | | | | | | | | | | | | |
|------|-----|------------------------------|-----|------|------|-----|------|------|-----|------|------|-----|------|------|-----|------|------|-----|------|------|-----|------|
| SCFM | IDT | 10 | | | 17 | | | 30 | | | 40 | | | 47 | | | 60 | | | 70 | | |
| | | MBH | COP | kW | MBH | COP | kW | MBH | COP | kW | MBH | COP | kW | MBH | COP | kW | MBH | COP | kW | MBH | COP | kW |
| 900 | 60 | 12.2 | 2.0 | 1.64 | 15.0 | 2.4 | 1.70 | 20.5 | 3.1 | 1.81 | 24.8 | 3.6 | 1.89 | 27.9 | 4.0 | 1.95 | 33.9 | 4.6 | 2.06 | 38.7 | 5.0 | 2.14 |
| | 70 | 10.5 | 1.6 | 1.92 | 13.3 | 2.0 | 1.98 | 18.8 | 2.6 | 2.09 | 23.1 | 3.1 | 2.17 | 26.2 | 3.5 | 2.23 | 32.2 | 4.0 | 2.34 | 37.0 | 4.4 | 2.42 |
| | 80 | 8.8 | 1.1 | 2.20 | 11.7 | 1.5 | 2.26 | 17.1 | 2.1 | 2.37 | 21.4 | 2.6 | 2.45 | 24.5 | 2.9 | 2.51 | 30.5 | 3.5 | 2.62 | 35.3 | 3.8 | 2.71 |
| 1050 | 60 | 12.7 | 2.2 | 1.62 | 15.6 | 2.6 | 1.68 | 21.0 | 3.3 | 1.79 | 25.3 | 3.8 | 1.87 | 28.5 | 4.1 | 1.93 | 34.4 | 4.7 | 2.04 | 39.2 | 5.1 | 2.12 |
| | 70 | 11.0 | 1.7 | 1.90 | 13.9 | 2.1 | 1.96 | 19.3 | 2.8 | 2.07 | 23.6 | 3.3 | 2.15 | 26.8 | 3.6 | 2.21 | 32.7 | 4.1 | 2.32 | 37.5 | 4.5 | 2.40 |
| | 80 | 9.3 | 1.2 | 2.18 | 12.2 | 1.6 | 2.24 | 17.6 | 2.3 | 2.35 | 21.9 | 2.7 | 2.43 | 25.1 | 3.0 | 2.49 | 31.0 | 3.6 | 2.60 | 35.8 | 4.0 | 2.68 |
| 1200 | 60 | 13.2 | 2.3 | 1.59 | 16.1 | 2.7 | 1.65 | 21.5 | 3.4 | 1.76 | 25.8 | 3.9 | 1.85 | 29.0 | 4.3 | 1.91 | 34.9 | 4.8 | 2.02 | 39.7 | 5.3 | 2.10 |
| | 70 | 11.5 | 1.9 | 1.88 | 14.4 | 2.2 | 1.93 | 19.8 | 2.9 | 2.04 | 24.1 | 3.4 | 2.13 | 27.3 | 3.7 | 2.19 | 33.2 | 4.3 | 2.30 | 38.0 | 4.7 | 2.38 |
| | 80 | 9.8 | 1.4 | 2.16 | 12.7 | 1.8 | 2.22 | 18.1 | 2.4 | 2.33 | 22.4 | 2.9 | 2.41 | 25.6 | 3.2 | 2.47 | 31.5 | 3.7 | 2.58 | 36.3 | 4.1 | 2.66 |

Q6SE-X36K

| | | OUTDOOR TEMPERATURE (Deg. F) | | | | | | | | | | | | | | | | | | | | |
|------|-----|------------------------------|-----|------|------|-----|------|------|-----|------|------|-----|------|------|-----|------|------|-----|------|------|-----|------|
| SCFM | IDT | 10 | | | 17 | | | 30 | | | 40 | | | 47 | | | 60 | | | 70 | | |
| | | MBH | COP | kW | MBH | COP | kW | MBH | COP | kW | MBH | COP | kW | MBH | COP | kW | MBH | COP | kW | MBH | COP | kW |
| 1100 | 60 | 15.1 | 2.1 | 1.97 | 18.8 | 2.5 | 2.04 | 25.5 | 3.3 | 2.17 | 30.5 | 3.8 | 2.27 | 34.0 | 4.1 | 2.35 | 40.5 | 4.6 | 2.48 | 45.4 | 5.0 | 2.58 |
| | 70 | 13.4 | 1.7 | 2.25 | 17.1 | 2.1 | 2.32 | 23.8 | 2.8 | 2.45 | 28.8 | 3.3 | 2.56 | 32.3 | 3.6 | 2.63 | 38.8 | 4.1 | 2.76 | 43.7 | 4.4 | 2.86 |
| | 80 | 11.7 | 1.3 | 2.53 | 15.4 | 1.7 | 2.60 | 22.1 | 2.3 | 2.74 | 27.1 | 2.8 | 2.84 | 30.6 | 3.1 | 2.91 | 37.1 | 3.5 | 3.04 | 42.0 | 3.8 | 3.14 |
| 1250 | 60 | 15.4 | 2.2 | 1.99 | 19.0 | 2.6 | 2.06 | 25.7 | 3.3 | 2.20 | 30.8 | 3.8 | 2.30 | 34.3 | 4.2 | 2.37 | 40.7 | 4.7 | 2.50 | 45.6 | 5.1 | 2.60 |
| | 70 | 13.7 | 1.8 | 2.27 | 17.3 | 2.2 | 2.35 | 24.0 | 2.9 | 2.48 | 29.1 | 3.3 | 2.58 | 32.6 | 3.6 | 2.65 | 39.0 | 4.1 | 2.78 | 43.9 | 4.4 | 2.89 |
| | 80 | 12.0 | 1.4 | 2.56 | 15.6 | 1.8 | 2.63 | 22.3 | 2.4 | 2.76 | 27.4 | 2.8 | 2.86 | 30.9 | 3.1 | 2.93 | 37.3 | 3.6 | 3.07 | 42.2 | 3.8 | 3.17 |
| 1400 | 60 | 15.6 | 2.2 | 2.02 | 19.3 | 2.7 | 2.09 | 26.0 | 3.4 | 2.22 | 31.0 | 3.9 | 2.32 | 34.5 | 4.2 | 2.39 | 41.0 | 4.8 | 2.52 | 45.9 | 5.1 | 2.63 |
| | 70 | 13.9 | 1.8 | 2.30 | 17.6 | 2.2 | 2.37 | 24.3 | 2.9 | 2.50 | 29.3 | 3.4 | 2.60 | 32.8 | 3.7 | 2.67 | 39.3 | 4.2 | 2.81 | 44.2 | 4.5 | 2.91 |
| | 80 | 12.2 | 1.4 | 2.58 | 15.9 | 1.8 | 2.65 | 22.6 | 2.5 | 2.78 | 27.6 | 2.9 | 2.89 | 31.1 | 3.2 | 2.96 | 37.6 | 3.6 | 3.09 | 42.5 | 3.9 | 3.19 |

EXPANDED RATINGS Continued

HEATING

Q6SE-X42K

| | | OUTDOOR TEMPERATURE (Deg. F) | | | | | | | | | | | | | | | | | | | | |
|------|-----|------------------------------|-----|------|------|-----|------|------|-----|------|------|-----|------|------|-----|------|------|-----|------|------|-----|------|
| SCFM | IDT | 10 | | | 17 | | | 30 | | | 40 | | | 47 | | | 60 | | | 70 | | |
| | | MBH | COP | kW | MBH | COP | kW | MBH | COP | kW | MBH | COP | kW | MBH | COP | kW | MBH | COP | kW | MBH | COP | kW |
| 1250 | 60 | 20.2 | 2.4 | 2.37 | 25.0 | 2.8 | 2.52 | 33.6 | 3.4 | 2.81 | 39.9 | 3.7 | 3.03 | 44.1 | 3.9 | 3.18 | 51.6 | 4.2 | 3.47 | 57.1 | 4.3 | 3.69 |
| | 70 | 17.7 | 1.9 | 2.69 | 22.6 | 2.3 | 2.84 | 31.1 | 2.9 | 3.13 | 37.4 | 3.3 | 3.35 | 41.6 | 3.5 | 3.50 | 49.1 | 3.8 | 3.79 | 54.6 | 3.9 | 4.01 |
| | 80 | 15.3 | 1.4 | 3.00 | 20.1 | 1.8 | 3.16 | 28.7 | 2.5 | 3.44 | 34.9 | 2.9 | 3.66 | 39.2 | 3.1 | 3.82 | 46.6 | 3.4 | 4.10 | 52.1 | 3.5 | 4.32 |
| 1400 | 60 | 20.4 | 2.4 | 2.40 | 25.2 | 2.8 | 2.55 | 33.8 | 3.4 | 2.84 | 40.1 | 3.8 | 3.06 | 44.3 | 4.0 | 3.21 | 51.8 | 4.2 | 3.50 | 57.2 | 4.3 | 3.72 |
| | 70 | 17.9 | 1.9 | 2.71 | 22.7 | 2.3 | 2.87 | 31.3 | 3.0 | 3.15 | 37.6 | 3.3 | 3.37 | 41.8 | 3.6 | 3.53 | 49.3 | 3.8 | 3.81 | 54.8 | 3.9 | 4.04 |
| | 80 | 15.4 | 1.4 | 3.03 | 20.3 | 1.9 | 3.19 | 28.8 | 2.5 | 3.47 | 35.1 | 2.9 | 3.69 | 39.3 | 3.1 | 3.85 | 46.8 | 3.4 | 4.13 | 52.3 | 3.5 | 4.35 |
| 1550 | 60 | 20.6 | 2.5 | 2.42 | 25.4 | 2.9 | 2.58 | 34.0 | 3.5 | 2.86 | 40.3 | 3.8 | 3.08 | 44.5 | 4.0 | 3.24 | 52.0 | 4.3 | 3.53 | 57.4 | 4.4 | 3.75 |
| | 70 | 18.1 | 2.0 | 2.74 | 22.9 | 2.4 | 2.90 | 31.5 | 3.0 | 3.18 | 37.8 | 3.4 | 3.40 | 42.0 | 3.6 | 3.56 | 49.5 | 3.9 | 3.84 | 54.9 | 4.0 | 4.06 |
| | 80 | 15.6 | 1.5 | 3.06 | 20.4 | 1.9 | 3.21 | 29.0 | 2.6 | 3.50 | 35.3 | 3.0 | 3.72 | 39.5 | 3.2 | 3.88 | 47.0 | 3.4 | 4.16 | 52.5 | 3.6 | 4.38 |

Q6SE-X48K

| | | OUTDOOR TEMPERATURE (Deg. F) | | | | | | | | | | | | | | | | | | | | |
|------|-----|------------------------------|-----|------|------|-----|------|------|-----|------|------|-----|------|------|-----|------|------|-----|------|------|-----|------|
| SCFM | IDT | 10 | | | 17 | | | 30 | | | 40 | | | 47 | | | 60 | | | 70 | | |
| | | MBH | COP | kW | MBH | COP | kW | MBH | COP | kW | MBH | COP | kW | MBH | COP | kW | MBH | COP | kW | MBH | COP | kW |
| 1350 | 60 | 22.2 | 2.3 | 2.65 | 26.5 | 2.6 | 2.82 | 35.3 | 3.3 | 3.13 | 42.7 | 3.7 | 3.37 | 48.1 | 4.0 | 3.54 | 59.0 | 4.5 | 3.86 | 67.9 | 4.9 | 4.10 |
| | 70 | 20.3 | 1.9 | 3.04 | 24.6 | 2.2 | 3.21 | 33.4 | 2.8 | 3.53 | 40.8 | 3.2 | 3.77 | 46.2 | 3.4 | 3.94 | 57.1 | 3.9 | 4.26 | 66.0 | 4.2 | 4.50 |
| | 80 | 18.4 | 1.5 | 3.44 | 22.7 | 1.8 | 3.61 | 31.5 | 2.3 | 3.93 | 38.9 | 2.7 | 4.17 | 44.3 | 2.9 | 4.34 | 55.2 | 3.3 | 4.66 | 64.1 | 3.5 | 4.90 |
| 1500 | 60 | 22.6 | 2.4 | 2.65 | 27.0 | 2.7 | 2.82 | 35.8 | 3.4 | 3.13 | 43.2 | 3.8 | 3.38 | 48.6 | 4.1 | 3.55 | 59.5 | 4.6 | 3.86 | 68.4 | 5.0 | 4.11 |
| | 70 | 20.7 | 2.0 | 3.05 | 25.1 | 2.3 | 3.22 | 33.9 | 2.9 | 3.53 | 41.3 | 3.3 | 3.77 | 46.7 | 3.5 | 3.94 | 57.5 | 4.0 | 4.26 | 66.5 | 4.3 | 4.50 |
| | 80 | 18.8 | 1.6 | 3.44 | 23.2 | 1.9 | 3.61 | 32.0 | 2.4 | 3.93 | 39.4 | 2.7 | 4.17 | 44.8 | 3.0 | 4.34 | 55.6 | 3.3 | 4.66 | 64.6 | 3.6 | 4.90 |
| 1650 | 60 | 23.1 | 2.5 | 2.65 | 27.5 | 2.8 | 2.82 | 36.3 | 3.4 | 3.14 | 43.6 | 3.9 | 3.38 | 49.1 | 4.2 | 3.55 | 59.9 | 4.7 | 3.86 | 68.9 | 5.0 | 4.11 |
| | 70 | 21.2 | 2.1 | 3.05 | 25.6 | 2.4 | 3.22 | 34.4 | 3.0 | 3.53 | 41.7 | 3.4 | 3.78 | 47.2 | 3.6 | 3.95 | 58.0 | 4.1 | 4.26 | 67.0 | 4.4 | 4.50 |
| | 80 | 19.3 | 1.7 | 3.44 | 23.7 | 2.0 | 3.61 | 32.5 | 2.5 | 3.93 | 39.8 | 2.8 | 4.17 | 45.3 | 3.1 | 4.34 | 56.1 | 3.4 | 4.66 | 65.0 | 3.7 | 4.90 |

Q6SE-X60K

| | | OUTDOOR TEMPERATURE (Deg. F) | | | | | | | | | | | | | | | | | | | | |
|------|-----|------------------------------|-----|------|------|-----|------|------|-----|------|------|-----|------|------|-----|------|------|-----|------|------|-----|------|
| SCFM | IDT | 10 | | | 17 | | | 30 | | | 40 | | | 47 | | | 60 | | | 70 | | |
| | | MBH | COP | kW | MBH | COP | kW | MBH | COP | kW | MBH | COP | kW | MBH | COP | kW | MBH | COP | kW | MBH | COP | kW |
| 1500 | 60 | 30.7 | 2.3 | 3.56 | 35.8 | 2.6 | 3.71 | 45.8 | 3.2 | 3.98 | 53.8 | 3.6 | 4.18 | 59.7 | 3.9 | 4.33 | 70.9 | 4.3 | 4.60 | 80.0 | 4.7 | 4.80 |
| | 70 | 28.8 | 2.0 | 4.07 | 33.9 | 2.3 | 4.21 | 43.9 | 2.8 | 4.48 | 51.9 | 3.2 | 4.69 | 57.8 | 3.4 | 4.83 | 69.0 | 3.9 | 5.10 | 78.1 | 4.2 | 5.31 |
| | 80 | 26.9 | 1.6 | 4.58 | 32.0 | 1.9 | 4.72 | 42.0 | 2.4 | 4.99 | 50.0 | 2.7 | 5.20 | 55.9 | 3.0 | 5.34 | 67.1 | 3.4 | 5.61 | 76.2 | 3.7 | 5.82 |
| 1650 | 60 | 31.0 | 2.4 | 3.59 | 36.1 | 2.7 | 3.73 | 46.1 | 3.2 | 4.00 | 54.1 | 3.6 | 4.20 | 60.0 | 3.9 | 4.35 | 71.2 | 4.4 | 4.62 | 80.3 | 4.7 | 4.82 |
| | 70 | 29.1 | 2.0 | 4.09 | 34.2 | 2.3 | 4.24 | 44.2 | 2.8 | 4.51 | 52.2 | 3.2 | 4.71 | 58.1 | 3.5 | 4.86 | 69.3 | 3.9 | 5.13 | 78.4 | 4.2 | 5.33 |
| | 80 | 27.2 | 1.7 | 4.60 | 32.3 | 1.9 | 4.74 | 42.3 | 2.4 | 5.01 | 50.3 | 2.8 | 5.22 | 56.2 | 3.0 | 5.36 | 67.4 | 3.4 | 5.63 | 76.5 | 3.7 | 5.84 |
| 1800 | 60 | 31.3 | 2.4 | 3.61 | 36.5 | 2.7 | 3.75 | 46.4 | 3.3 | 4.02 | 54.5 | 3.7 | 4.23 | 60.3 | 3.9 | 4.37 | 71.5 | 4.4 | 4.64 | 80.6 | 4.8 | 4.85 |
| | 70 | 29.4 | 2.1 | 4.11 | 34.5 | 2.4 | 4.26 | 44.5 | 2.9 | 4.53 | 52.5 | 3.3 | 4.73 | 58.4 | 3.5 | 4.88 | 69.6 | 3.9 | 5.15 | 78.7 | 4.3 | 5.35 |
| | 80 | 27.5 | 1.7 | 4.62 | 32.6 | 2.0 | 4.77 | 42.6 | 2.5 | 5.04 | 50.6 | 2.8 | 5.24 | 56.5 | 3.1 | 5.39 | 67.7 | 3.5 | 5.66 | 76.8 | 3.8 | 5.86 |



GENERAL TERMS OF LIMITED WARRANTY

Nortek Global HVAC, LLC will furnish a replacement for any part of this product which fails in normal use and service within the terms and conditions of the warranty.

For complete details of the Limited Warranty, including applicable terms and conditions, see your local installer or contact the Nortek Global HVAC, LLC warranty department for a copy.

Before purchasing this appliance, read important energy cost and efficiency information available from your retailer. Specifications and illustrations subject to change without notice and without incurring obligations. Printed in U.S.A (02/2016)