

P7RF Series

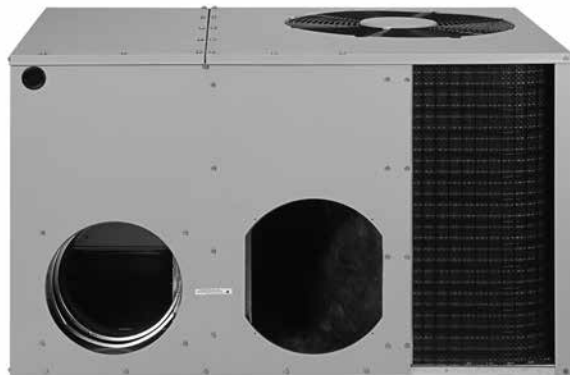
Two-Stage, Single Phase Packaged Air Conditioner

16 SEER, 12 EER

2 thru 5 Ton Units

Cooling: 24,000 to 57,500 Btuh

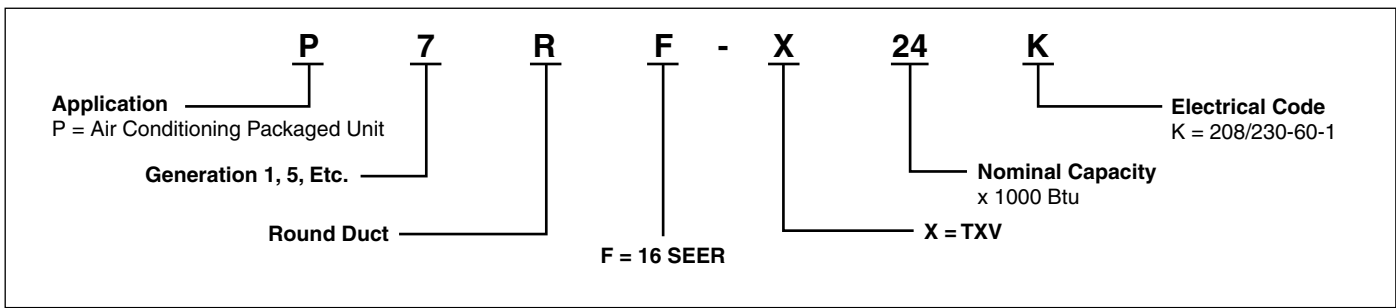
The P7 Series single packaged air conditioners are high efficiency self contained cooling and heating units that can be installed on a slab or on a roof. Units are ETL, ETLc, and ENERGY STAR listed.



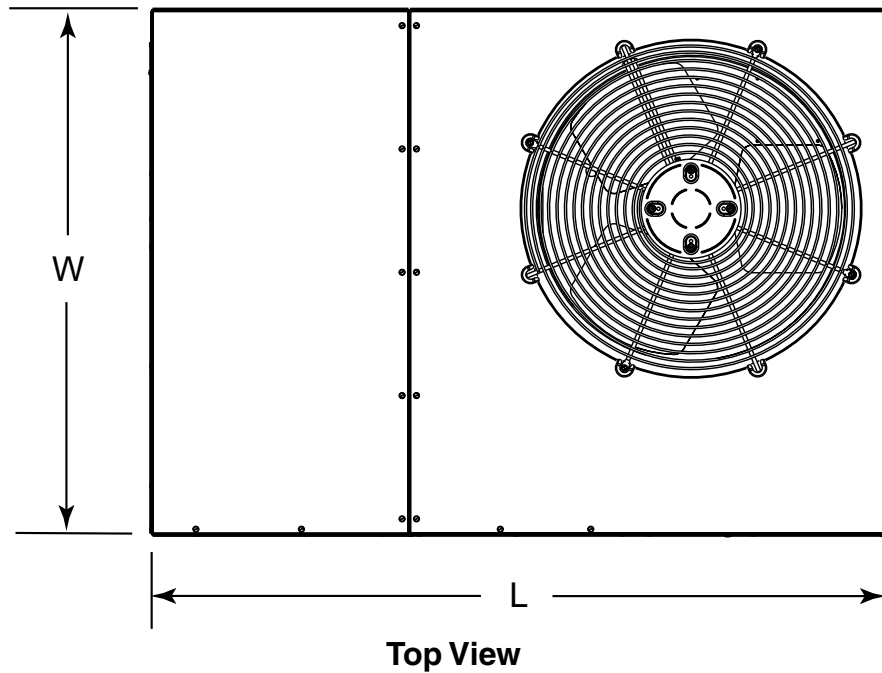
FEATURES and BENEFITS

- **State-of-the-Art Copeland Ultra-Tech II Scroll Compressor:** Provides two stage operation.
- **Factory-Installed Filter Drier:** Keeps the refrigerant clean and moisture free.
- **All-Aluminum Coils:** Both indoor and outdoor coils are designed to optimize heat transfer, minimize footprint and weight, and maximize durability and reliability.
- **5-Speed ECM Blower:** Delivers required air even in high static applications.
- **Designed Using Galvanized Steel:** With a polyester urethane coat finish that passes 950 hours of salt spray per ASTM Std. B1117.
- **Wire Guard Coated with Earth Friendly Epoxy and Mesh Hail Guard:** A guard that will never rust and protects the units coil from being damaged.
- **Designed to Make Servicing Easier:** For the contractor, access panels are provided to all major components.
- **0" Clearance:** To combustibles on duct side of the unit allows for installations in tight areas.
- **Easy Access:** To evaporator for cleaning and general maintenance.
- **Drain Trap:** Design optimizes drainage capabilities.
- **Compact Footprint and Profile:** Make the P7 Series easy to store, transport, and install.
- **High and Low Pressure Switches:** Added compressor protection.
- **Quiet Operation and Low Vibration:** Swept-wing fan blade combined with custom Venturi condenser fan.
- **Compressor Sound Blanket:** Standard feature to reduce noise.
- **Notched Base Rail Supports:** Allow units to be set on roof curbs or metal stands.
- **Many Accessories Available:**
 - **Heater Kits:** If heat is needed, up to 20kw is available.
 - **Extreme High Wind Kits:** Mandatory in some applications.
 - **Single Circuit Adapter:** For large, single high-voltage feeder wires.
 - **Duct Work Start Collars**

MODEL IDENTIFICATION CODE



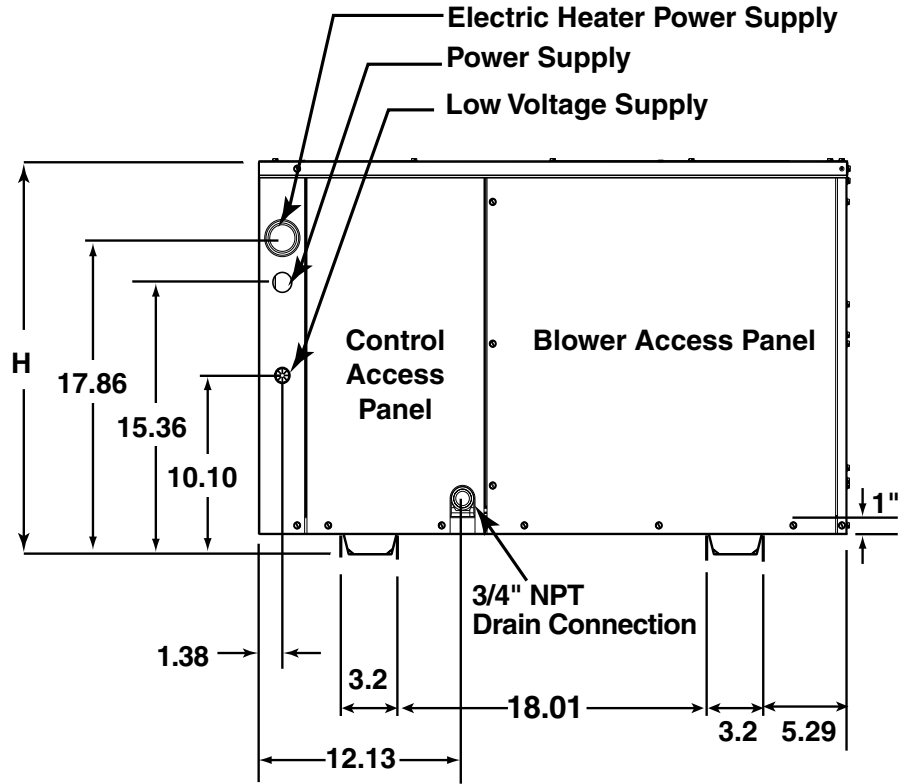
DIMENSIONS



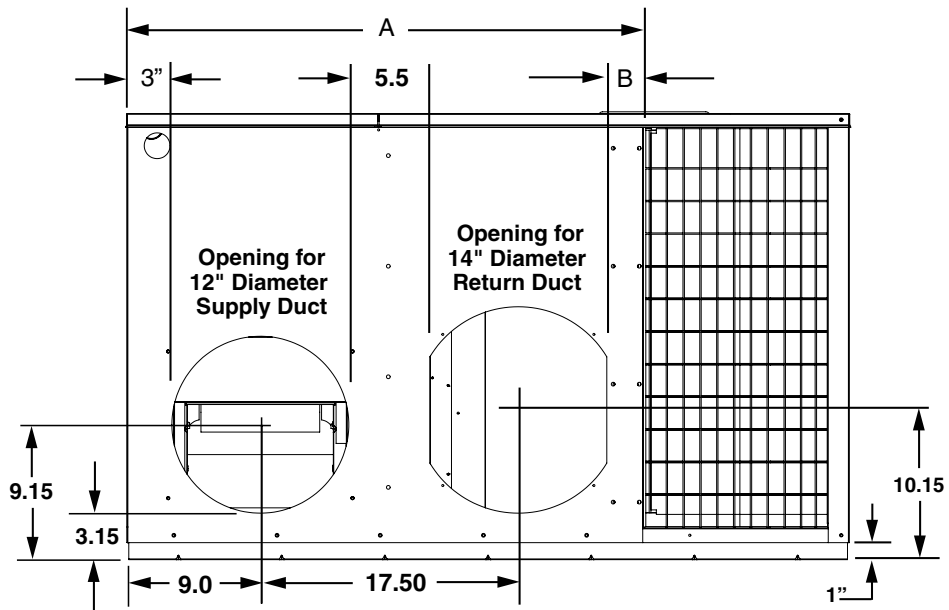
Model No. P7RF-	(L) Length	(W) Width	(H) Height	A	B	Weight (lbs)	
						Net	Shipping
X24K	49	35	30.2	35.02	2.48	243	264
X36K	49	35	30.2	35.02	2.48	255	276
X48K	49	35	38.2	35.02	2.48	315	338
X60K	63	35	38.2	35.02	2.48	355	415

Model No. P7RF-	Return Diameter (in)	Supply Diameter (in)
X24K	14	12
X36K	14	12
X48K	14	12
X60K	14	12

DIMENSIONS Continued



Side View



Back (Duct) View

PHYSICAL SPECIFICATIONS

Model No. P7RF		024K	036K	048K	X60KA
Performance Data	Cooling Btu/h	24,000	36,000	48,000	57,000
	SEER	16	16	16	16
	EER	12	12	12	12
	Sound Ratings	73	75	75	77
Electrical Data	Volts-Cycles-Phase (1)	208/230-60-1			
	Operating Voltage Range	187 - 253	187 - 253	187 - 253	187 - 253
	Total Amps	16.5	20.6	30.4	38
	Delay Fuse - Max. (2)	30	35	50	70
	Min. Circuit Ampacity	19.4	24.4	35.7	45.2
Compressor Data	RLA	11.7	15.3	21.2	28.8
	LRA	58.3	83	104	152.9
Fan Motor	Amps	1	1.5	3.8	3.8
Blower Motor	Amps	3.8	3.8	5.4	5.4
R410A Refrigerant Charge	Oz.	52.8	60.8	80	86.4
Approximate Weight (lbs.)	Shipping	264	276	338	415
	Net Weight (lbs.)	243	255	315	355

(1) Operating Voltage Range: 187v min. - 253v max. Amperage and wire size based on refrigeration system only. See electrical data tables for supplemental electric heaters.

(2) HACR Type Circuit Breakers may be used.

ELECTRICAL DATA

P7RF SERIES							
MODEL	HEATER KW	SINGLE CIRCUIT		MULTIPLE SUPPLY CIRCUIT OPTION			
		MCA	MOP	CIRCUIT A (COMPRESSOR, BLOWER, & FAN)		CIRCUIT B (HEATER)	
				MCA	MOP	MCA	MOP
X24K	0	19.4	30	-	-	-	-
	5	29.8	30	-	-	-	-
	8	43.3	45	-	-	-	-
	10	54.8	60	-	-	-	-
	15	79.8	80	54.8	60	25	30
X36K	0	24.4	35	-	-	-	-
	5	29.8	35	-	-	-	-
	8	44.3	45	-	-	-	-
	10	54.8	60	-	-	-	-
	15	79.8	80	54.8	60	25	30
X48K	0	35.7	50	-	-	-	-
	5	35.7	50	-	-	-	-
	8	46.3	50	-	-	-	-
	10	56.8	60	-	-	-	-
	15	81.8	90	56.8	60	25	30
	20	106.8	110	56.8	60	50	60
X60K	0	45.2	70	-	-	-	-
	5	45.2	70	-	-	-	-
	8	46.3	70	-	-	-	-
	10	56.8	70	-	-	-	-
	15	81.8	90	56.8	70	25	30
	20	106.8	110	56.8	70	50	60

ACCESSORIES

Heater Application Matrix

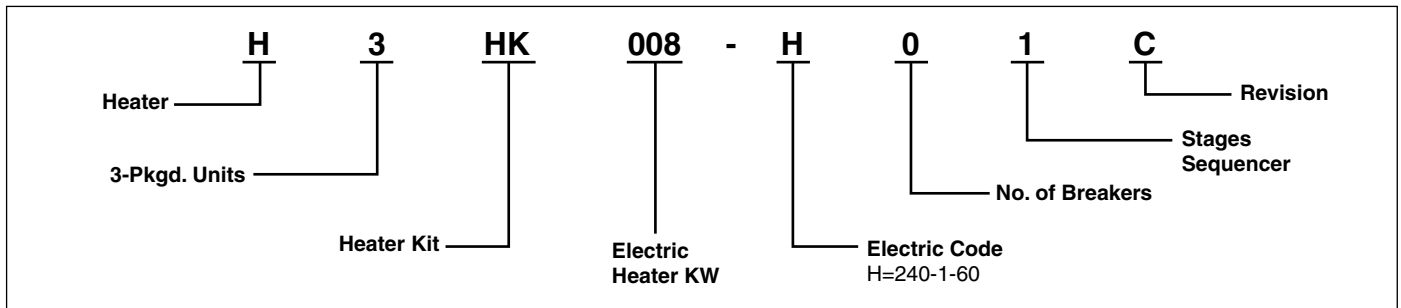
Model Number P7RF-	H3HK-005H-01C 917166C	H3HK-008H-01C 917167C	H3HK-010H-01C 917168C	H3HK-015H-01C 917169C	H3HK-020H-01C 917170C	H3HK-015H-21C 917172C	H3HK-020H-21C 917173C
X24K	X	X	X	NA	NA	NA	NA
X36K	X	X	X	X(2)	NA	X	NA
X48K	X	X	X	X(2)	X(2)	X	X
X60K	X	X	X	X(2)	X(2)	X	X

NA = Not Approved.

() = Number of internal circuit breaker kits required.

X = Branch circuit protection only.

Heater Kit Model Identification Code



Accessories

Description	Part Number
4-Pole single circuit adaptor	913350
6-Pole single circuit adaptor	913556
Circuit Breaker Single Phase (2-pole)	913554
Extreme High Wind Kit - Ground Mount	1013934
12" Duct Collar	250101R
14" Duct Collar	250102R

BLOWER PERFORMANCE

Model Number P7RF-		External Static Pressure Drop - inches water column															
		0.1		0.2		0.3		0.4		0.5		0.6		0.7		0.8	
		CFM	Heat Rise	CFM	Heat Rise	CFM	Heat Rise	CFM	Heat Rise	CFM	Heat Rise	CFM	Heat Rise	CFM	Heat Rise	CFM	Heat Rise
X24K	Tap T1*	467	68	443	71	417	76	343	92	272	116	-	-	-	-	-	-
	Tap T2**	872	36	828	38	795	40	740	43	689	46	628	50	580	54	534	59
	Tap T3***	1115	28	1079	29	1043	30	1006	31	964	33	916	34	866	36	819	39
	Tap T4	1244	25	1207	26	1173	27	1136	28	1102	29	1064	30	1011	31	965	33
	Tap T5	1496	21	1465	22	1437	22	1407	22	1370	23	1331	24	1295	24	1257	25
X36K	Tap T1*	900	35	865	37	818	39	767	41	696	45	646	49	592	53	547	58
	Tap T2***	1131	28	1096	29	1058	30	1021	31	968	33	916	34	858	37	792	40
	Tap T3**	1344	24	1313	24	1270	25	1231	26	1197	26	1156	27	1106	29	1046	30
	Tap T4	1507	21	1475	21	1441	22	1401	23	1362	23	1326	24	1281	25	1230	26
	Tap T5	1602	20	1570	20	1533	21	1501	21	1463	22	1418	22	1383	23	1336	24
X48K	Tap T1*	1062	30	1023	31	985	32	956	33	921	34	860	37	813	39	766	41
	Tap T2***	1079	29	1039	30	1006	31	969	33	927	34	870	36	842	38	777	41
	Tap T3	1398	23	1356	23	1317	24	1277	25	1238	26	1200	26	1160	27	1115	28
	Tap T4**	1654	19	1623	19	1572	20	1542	20	1509	21	1468	22	1428	22	1394	23
	Tap T5	1982	16	1955	16	1921	16	1881	17	1851	17	1812	17	1782	18	1741	18
X60K	Tap T1**	1079	29	1039	30	1006	31	969	33	927	34	870	36	842	38	777	41
	Tap T2*	1238	26	1216	26	1181	27	1135	28	1099	29	1057	30	1023	31	964	33
	Tap T3	1610	20	1582	20	1551	20	1514	21	1475	21	1449	22	1412	22	1372	23
	Tap T4**	1827	17	1794	18	1773	18	1741	18	1694	19	1657	19	1624	19	1583	20
	Tap T5	2059	15	2026	16	1998	16	1960	16	1933	16	1901	17	1856	17	1827	17

* Denotes Factory Set Low Cooling Speed

** Denotes Factory Set High Cooling Speed

*** Denotes Factory Set Electric Heating Speed

COOLING EXPANDED RATINGS

P7RF-X24K High Speed

O.D.T			65 °F			75 °F			85 °F			95 °F			105 °F			115 °F		
CFM	E.D.B.	E.W.B.	T.C.	S.C.	K.W.	T.C.	S.C.	K.W.	T.C.	S.C.	K.W.	T.C.	S.C.	K.W.	T.C.	S.C.	K.W.	T.C.	S.C.	K.W.
750	80	62	26.1	21.6	1.27	24.2	20.9	1.49	23.1	20.3	1.63	21.3	19.5	1.87	19.5	18.4	2.14	17.5	17.3	2.45
	80	67	29.3	18.4	1.35	26.8	17.6	1.50	25.3	17.1	1.60	23.1	16.2	1.78	20.8	15.2	2.00	18.4	14.1	2.25
	80	72	32.3	15.0	1.47	29.1	14.2	1.55	27.3	13.7	1.61	24.6	12.8	1.74	21.9	11.8	1.90	19.0	10.6	2.10
	75	63	27.2	17.9	1.94	25.6	17.1	1.81	24.7	16.6	1.76	23.2	15.7	1.72	21.6	14.7	1.72	19.9	13.5	1.76
850	80	62	26.5	22.8	1.36	24.7	22.0	1.58	23.7	21.5	1.72	22.1	20.6	1.96	20.4	19.5	2.23	18.5	18.3	2.54
	80	67	30.4	19.6	1.48	28.0	18.8	1.62	26.6	18.2	1.73	24.6	17.3	1.91	22.4	16.3	2.13	20.1	15.1	2.38
	80	72	34.1	16.1	1.64	31.1	15.3	1.71	29.4	14.8	1.78	26.8	13.9	1.90	24.2	12.9	2.07	21.4	11.7	2.26
	75	63	27.7	19.1	2.04	26.3	18.3	1.90	25.4	17.7	1.85	24.1	16.8	1.82	22.6	15.8	1.82	21.0	14.6	1.85
950	80	62	25.7	23.3	1.30	24.1	22.4	1.52	23.1	21.9	1.67	21.7	21.0	1.90	20.1	19.9	2.17	18.4	18.4	2.48
	80	67	30.3	20.1	1.46	28.1	19.2	1.61	26.8	18.7	1.71	24.9	17.8	1.89	22.8	16.7	2.11	20.7	15.5	2.37
	80	72	34.7	16.6	1.66	31.9	15.8	1.74	30.3	15.2	1.80	27.9	14.3	1.93	25.3	13.2	2.09	22.7	12.0	2.29
	75	63	27.1	19.6	1.99	25.8	18.7	1.86	25.0	18.2	1.81	23.8	17.2	1.77	22.5	16.2	1.77	21.0	15.0	1.81

P7RF-X24K Low Speed

O.D.T			65 °F			75 °F			85 °F			95 °F			105 °F			115 °F		
CFM	E.D.B.	E.W.B.	T.C.	S.C.	K.W.	T.C.	S.C.	K.W.	T.C.	S.C.	K.W.	T.C.	S.C.	K.W.	T.C.	S.C.	K.W.	T.C.	S.C.	K.W.
450	80	62	26.8	18.0	1.25	25.4	18.0	1.35	23.8	17.9	1.42	22.9	17.8	1.58	22.0	17.6	1.70	21.0	17.5	2.00
	80	67	28.2	16.2	1.18	26.5	15.6	1.18	25.3	15.1	1.26	24.5	14.7	1.43	24.1	14.6	1.67	24.2	14.6	1.98
	80	72	28.8	12.9	1.42	26.6	12.1	1.43	24.8	11.5	1.51	23.4	11.0	1.67	22.4	10.7	1.91	21.9	10.6	2.23
	75	63	26.9	16.0	1.25	25.8	16.4	1.35	23.6	15.8	1.42	22.6	15.6	1.58	21.6	15.2	1.70	20.5	15.0	1.99
550	80	62	19.1	16.2	1.14	18.0	16.2	1.20	17.5	16.0	1.26	16.4	15.8	1.43	16.0	15.7	1.66	15.0	14.8	1.99
	80	67	20.7	13.7	1.13	19.1	13.0	1.14	18.0	12.5	1.22	17.3	12.2	1.38	17.0	12.0	1.62	17.1	11.9	1.94
	80	72	21.4	10.4	1.26	19.2	9.6	1.27	17.4	8.9	1.35	16.1	8.4	1.52	15.2	8.1	1.76	14.8	8.0	2.07
	75	63	19.2	12.2	1.14	18.3	12.2	1.20	17.4	12.0	1.26	16.0	11.6	1.43	15.8	11.0	1.66	14.8	11.8	1.99
650	80	62	21.2	16.4	1.10	20.6	16.9	1.10	19.8	16.3	1.21	18.9	15.7	1.35	17.5	15.2	1.55	16.4	15.0	1.92
	80	67	23.9	15.5	1.09	22.4	14.8	1.09	21.3	14.3	1.18	20.7	13.9	1.34	20.5	13.7	1.58	20.7	13.6	1.90
	80	72	24.6	12.2	1.11	22.5	11.4	1.11	20.8	10.7	1.19	19.6	10.2	1.36	18.7	9.8	1.60	18.4	9.6	1.92
	75	63	21.3	14.4	1.10	20.6	14.7	1.10	19.6	13.9	1.21	18.6	12.7	1.35	17.2	12.5	1.55	15.9	12.4	1.92

P7RF-X36K High Speed

O.D.T			65 °F			75 °F			85 °F			95 °F			105 °F			115 °F		
CFM	E.D.B.	E.W.B.	T.C.	S.C.	K.W.	T.C.	S.C.	K.W.	T.C.	S.C.	K.W.	T.C.	S.C.	K.W.	T.C.	S.C.	K.W.	T.C.	S.C.	K.W.
1100	80	62	41.0	34.3	2.09	38.2	32.8	2.26	35.4	31.3	2.49	32.5	29.8	2.79	29.7	28.3	3.14	26.9	26.7	3.55
	80	67	45.5	29.3	2.14	42.6	27.8	2.31	39.8	26.3	2.54	37.0	24.8	2.83	34.1	23.3	3.18	31.3	21.7	3.60
	80	72	48.8	23.2	2.19	46.0	21.7	2.36	43.1	20.2	2.59	40.3	18.7	2.88	37.5	17.2	3.23	34.7	15.7	3.64
	75	63	41.0	28.9	2.10	38.0	27.3	2.27	34.9	25.8	2.51	31.8	24.3	2.80	28.7	22.8	3.15	25.7	21.3	3.56
1250	80	62	41.0	35.9	2.15	38.2	34.4	2.32	35.4	32.8	2.55	32.5	31.3	2.84	29.7	29.7	3.20	26.9	26.9	3.61
	80	67	45.5	30.9	2.20	42.6	29.4	2.37	39.8	27.9	2.60	37.0	26.3	2.89	34.1	24.8	3.24	31.3	23.3	3.66
	80	72	48.8	24.8	2.25	46.0	23.3	2.42	43.1	21.8	2.65	40.3	20.3	2.94	37.5	18.7	3.29	34.7	17.2	3.70
	75	63	41.0	30.4	2.16	38.0	28.9	2.33	34.9	27.4	2.56	31.8	25.9	2.86	28.7	24.4	3.21	25.7	22.8	3.62
1400	80	62	42.0	36.9	2.21	39.2	35.4	2.38	36.4	33.9	2.61	33.6	32.4	2.90	30.7	30.7	3.26	27.9	27.9	3.67
	80	67	46.5	31.9	2.26	43.6	30.4	2.43	40.8	28.9	2.66	38.0	27.4	2.95	35.1	25.8	3.30	32.3	24.3	3.72
	80	72	49.8	25.8	2.31	47.0	24.3	2.48	44.2	22.8	2.71	41.3	21.3	3.00	38.5	19.8	3.35	35.7	18.2	3.76
	75	63	42.1	31.4	2.22	39.0	29.9	2.39	35.9	28.4	2.62	32.8	26.9	2.92	29.8	25.4	3.27	26.7	23.9	3.68

P7RF-X36K Low Speed

O.D.T			65 °F			75 °F			85 °F			95 °F			105 °F			115 °F		
CFM	E.D.B.	E.W.B.	T.C.	S.C.	K.W.	T.C.	S.C.	K.W.	T.C.	S.C.	K.W.	T.C.	S.C.	K.W.	T.C.	S.C.	K.W.	T.C.	S.C.	K.W.
750	80	62	27.6	22.8	1.38	25.8	21.7	1.55	23.8	20.5	1.75	21.6	19.1	1.98	19.1	17.6	2.26	16.5	15.9	2.57
	80	67	30.8	19.7	1.37	29.0	18.6	1.53	26.9	17.4	1.73	24.7	16.0	1.97	22.3	14.4	2.24	19.7	12.8	2.56
	80	72	32.3	14.8	1.35	30.5	13.8	1.51	28.4	12.6	1.71	26.2	11.2	1.95	23.8	9.6	2.23	21.2	8.0	2.54
	75	63	40.8	33.7	1.38	38.1	31.4	1.54	35.2	29.0	1.74	32.1	26.5	1.98	28.8	23.8	2.26	25.3	21.0	2.57
850	80	62	27.8	23.9	1.37	26.2	23.3	1.53	24.4	22.5	1.73	22.5	21.6	1.97	20.3	20.3	2.24	18.0	18.0	2.56
	80	67	30.9	20.8	1.35	29.4	20.1	1.51	27.6	19.4	1.71	25.7	18.5	1.95	23.5	17.4	2.23	21.2	16.2	2.54
	80	72	32.4	15.9	1.34	30.9	15.3	1.50	29.1	14.6	1.70	27.2	13.7	1.94	25.0	12.6	2.21	22.6	11.3	2.53
	75	63	41.0	34.8	1.36	38.5	33.0	1.53	35.9	31.1	1.73	33.0	29.0	1.97	30.0	26.7	2.24	26.8	24.4	2.56
950	80	62	27.6	23.2	1.39	26.3	23.0	1.55	24.8	22.7	1.75	23.0	22.3	1.99	21.1	21.1	2.27	19.0	19.0	2.58
	80	67	30.7	20.1	1.37	29.4	19.9	1.54	27.9	19.6	1.74	26.2	19.1	1.97	24.3	18.5	2.25	22.2	17.8	2.56
	80	72	32.2	15.3	1.36	30.9	15.1	1.52	29.4	14.8	1.72	27.7	14.3	1.96	25.8	13.7	2.23	23.7	12.9	2.55
	75	63	40.8	34.1	1.38	38.6	32.8	1.55	36.2	31.3	1.75	33.6	29.7	1.99	30.8	27.9	2.26	27.8	26.0	2.58

P7RF-X48K High Speed

O.D.T			65 °F			75 °F			85 °F			95 °F			105 °F			115 °F		
CFM	E.D.B.	E.W.B.	T.C.	S.C.	K.W.	T.C.	S.C.	K.W.	T.C.	S.C.	K.W.	T.C.	S.C.	K.W.	T.C.	S.C.	K.W.	T.C.	S.C.	K.W.
1350	80	62	52.9	42.4	2.71	49.3	40.8	2.98	45.7	39.1	3.32	41.9	37.3	3.72	38.1	35.5	4.18	34.2	33.5	4.71
	80	67	57.7	36.1	2.75	54.1	34.5	3.02	50.5	32.8	3.35	46.8	31.0	3.75	43.0	29.1	4.22	39.1	27.2	4.75
	80	72	62.5	29.8	2.78	59.0	28.1	3.05	55.3	26.4	3.39	51.6	24.6	3.79	47.8	22.8	4.25	43.9	20.9	4.78
	75	63	51.5	35.8	2.72	47.9														

COOLING EXPANDED RATINGS (CONTINUED)

P7RF-X48K Low Speed

O.D.T			65°F			75°F			85°F			95°F			105°F			115°F		
CFM	E.D.B.	E.W.B.	T.C.	S.C.	K.W.	T.C.	S.C.	K.W.	T.C.	S.C.	K.W.	T.C.	S.C.	K.W.	T.C.	S.C.	K.W.	T.C.	S.C.	K.W.
925	80	62	37.1	30.6	1.68	34.4	29.2	1.94	31.7	27.8	2.25	29.0	26.4	2.60	26.3	25.0	3.00	23.6	23.6	3.45
	80	67	41.8	27.2	1.65	39.1	25.8	1.91	36.4	24.4	2.22	33.7	23.0	2.57	31.0	21.6	2.97	28.3	20.2	3.42
	80	72	43.7	21.0	1.62	41.0	19.6	1.88	38.3	18.2	2.19	35.6	16.7	2.55	32.9	15.3	2.95	30.2	13.9	3.39
	75	63	37.9	25.4	1.67	35.2	24.0	1.93	32.5	22.6	2.24	29.8	21.2	2.59	27.1	19.7	2.99	24.4	18.3	3.44
1025	80	62	38.2	31.8	1.70	35.5	30.4	1.96	32.8	29.0	2.27	30.1	27.6	2.62	27.4	26.2	3.02	24.7	24.7	3.47
	80	67	42.9	28.4	1.67	40.2	27.0	1.93	37.5	25.6	2.24	34.8	24.2	2.59	32.1	22.8	2.99	29.4	21.3	3.44
	80	72	44.8	22.2	1.64	42.1	20.8	1.90	39.4	19.3	2.21	36.7	17.9	2.56	34.0	16.5	2.96	31.3	15.1	3.41
	75	63	39.0	26.6	1.69	36.3	25.2	1.95	33.6	23.8	2.26	30.9	22.4	2.61	28.2	20.9	3.01	25.5	19.5	3.45
1125	80	62	38.0	31.7	1.72	35.3	30.3	1.98	32.6	28.8	2.28	29.9	27.4	2.64	27.2	26.0	3.04	24.5	24.5	3.48
	80	67	42.7	28.3	1.69	40.0	26.8	1.95	37.3	25.4	2.26	34.6	24.0	2.61	31.9	22.6	3.01	29.2	21.2	3.46
	80	72	44.6	22.0	1.66	41.9	20.6	1.92	39.2	19.2	2.23	36.5	17.8	2.58	33.8	16.4	2.98	31.1	15.0	3.43
	75	63	38.8	26.4	1.71	36.1	25.0	1.97	33.4	23.6	2.27	30.7	22.2	2.63	28.0	20.8	3.03	25.3	19.4	3.47

P7RF-X60K High Speed

O.D.T			65°F			75°F			85°F			95°F			105°F			115°F		
CFM	E.D.B.	E.W.B.	T.C.	S.C.	K.W.	T.C.	S.C.	K.W.	T.C.	S.C.	K.W.	T.C.	S.C.	K.W.	T.C.	S.C.	K.W.	T.C.	S.C.	K.W.
1550	80	62	62.9	48.5	3.27	59.1	46.7	3.57	55.4	44.8	3.92	51.6	43.0	4.33	47.8	41.1	4.79	44.1	39.3	5.32
	80	67	69.9	42.7	3.31	66.1	40.8	3.60	62.4	39.0	3.95	58.6	37.1	4.36	54.8	35.3	4.83	51.1	33.4	5.35
	80	72	74.2	34.1	3.34	70.4	32.2	3.64	66.7	30.4	3.99	62.9	28.5	4.40	59.1	26.7	4.87	55.3	24.8	5.39
	75	63	62.3	39.1	3.27	58.6	37.2	3.56	54.8	35.4	3.91	51.0	33.5	4.32	47.3	31.7	4.79	43.5	29.8	5.31
1750	80	62	62.7	49.5	3.37	59.0	47.7	3.66	55.2	45.8	4.02	51.4	44.0	4.42	47.6	42.1	4.89	43.9	40.3	5.41
	80	67	69.7	43.7	3.41	66.0	41.8	3.70	62.2	40.0	4.05	58.4	38.1	4.46	54.6	36.3	4.93	50.9	34.4	5.45
	80	72	74.0	35.1	3.44	70.2	33.3	3.74	66.5	31.4	4.09	62.7	29.6	4.50	58.9	27.7	4.96	55.2	25.9	5.49
	75	63	62.1	40.1	3.37	58.4	38.3	3.66	54.6	36.4	4.01	50.8	34.6	4.42	47.1	32.7	4.89	43.3	30.9	5.41
1950	80	62	62.5	50.6	3.67	58.8	48.7	3.96	55.0	46.9	4.32	51.2	45.0	4.72	47.5	43.2	5.19	43.7	41.3	5.71
	80	67	69.5	44.7	3.71	65.8	42.9	4.00	62.0	41.0	4.35	58.2	39.2	4.76	54.5	37.3	5.23	50.7	35.5	5.75
	80	72	73.8	36.1	3.74	70.1	34.3	4.04	66.3	32.4	4.39	62.5	30.6	4.80	58.7	28.7	5.26	55.0	26.9	5.79
	75	63	62.0	41.1	3.67	58.2	39.3	3.96	54.4	37.4	4.31	50.7	35.6	4.72	46.9	33.7	5.19	43.1	31.9	5.71

P7RF-X60K Low Speed

O.D.T			65°F			75°F			85°F			95°F			105°F			115°F		
CFM	E.D.B.	E.W.B.	T.C.	S.C.	K.W.	T.C.	S.C.	K.W.	T.C.	S.C.	K.W.	T.C.	S.C.	K.W.	T.C.	S.C.	K.W.	T.C.	S.C.	K.W.
1050	80	62	43.7	35.0	2.02	40.8	33.6	2.29	38.0	32.3	2.61	35.2	30.9	2.98	32.3	29.6	3.40	29.5	28.3	3.87
	80	67	48.6	30.1	1.98	45.5	28.5	2.25	42.5	26.9	2.57	39.4	25.4	2.94	36.3	23.8	3.37	33.2	22.2	3.84
	80	72	53.6	25.2	1.95	50.3	23.4	2.22	47.0	21.6	2.54	43.6	19.8	2.91	40.3	18.0	3.33	37.0	16.2	3.80
	75	63	43.7	28.3	2.00	40.8	26.9	2.27	38.0	25.5	2.59	35.1	24.1	2.96	32.2	22.7	3.38	29.3	21.3	3.86
1200	80	62	45.5	37.5	2.06	42.6	36.1	2.33	39.8	34.8	2.65	36.9	33.4	3.02	34.1	32.1	3.44	31.3	30.8	3.91
	80	67	50.4	32.6	2.02	47.3	31.0	2.29	44.2	29.4	2.61	41.2	27.9	2.98	38.1	26.3	3.41	35.0	24.7	3.88
	80	72	55.3	27.7	1.99	52.0	25.9	2.26	48.7	24.1	2.58	45.4	22.3	2.95	42.1	20.5	3.37	38.8	18.7	3.85
	75	63	45.5	30.8	2.04	42.6	29.4	2.31	39.7	28.0	2.63	36.9	26.6	3.00	34.0	25.2	3.43	31.1	23.8	3.90
1350	80	62	45.3	37.9	2.10	42.4	36.6	2.37	39.6	35.3	2.69	36.7	33.9	3.06	33.9	32.6	3.48	31.0	31.0	3.96
	80	67	50.2	33.1	2.06	47.1	31.5	2.33	44.0	29.9	2.65	40.9	28.4	3.02	37.9	26.8	3.45	34.8	25.2	3.92
	80	72	55.1	28.2	2.03	51.8	26.4	2.30	48.5	24.6	2.62	45.2	22.8	2.99	41.9	21.0	3.41	38.6	19.2	3.89
	75	63	45.3	31.3	2.08	42.4	29.9	2.35	39.5	28.5	2.67	36.6	27.1	3.04	33.8	25.7	3.47	30.9	24.3	3.94



GENERAL TERMS OF LIMITED WARRANTY

Nortek Global HVAC, LLC will furnish a replacement for any part of this product which fails in normal use and service within the terms and conditions of the warranty.

For complete details of the Limited Warranty, including applicable terms and conditions, see your local installer or contact the Nortek Global HVAC, LLC warranty department for a copy.

Before purchasing this appliance, read important energy cost and efficiency information available from your retailer. Specifications and illustrations subject to change without notice and without incurring obligations. Printed in U.S.A (08/2018)