

FSA1BD Series

High Efficiency Air Conditioner 13 SEER Residential System 1-1/2 – 5 Ton Capacity

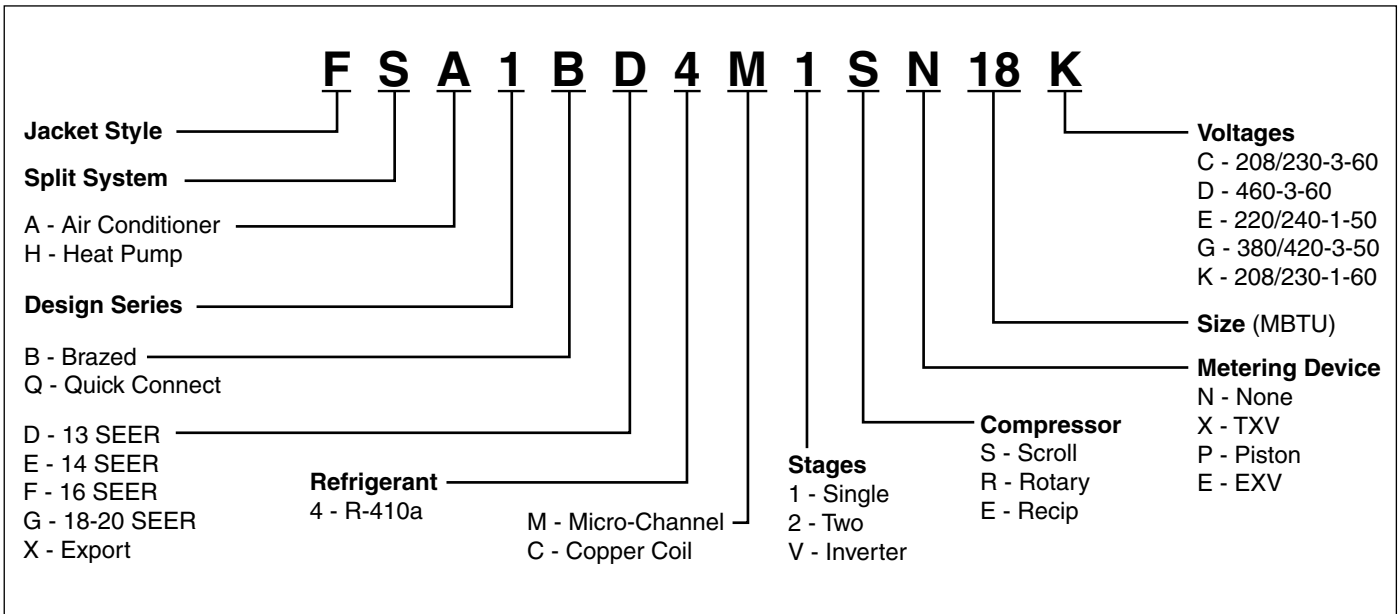
The FSA1BD Series of air conditioners offers exceptional performance. The unit, when combined with our engineered coils or air handlers, offers a full line of quality, split system cooling equipment.



FEATURES and BENEFITS

- **Designed Using Galvanized Steel:** With a polyester urethane coat finish, it passes 950 hours of salt spray per ASTM Std. B117.
- **Permanently Lubricated Motor:** A heavy duty PSC motor for long lasting reliability and quiet operation. Requires no maintenance and is completely protected from rain and snow.
- **Removable Top Grille Assembly:** Allows ease of service from the top without disconnecting fan motor leads.
- **High Pressure Switch:** Protects against abnormally high system pressures. Auto-reset feature prevents nuisance service visits.
- **Liquid Line Filter Drier:** Included with unit, field installed.
- **One Piece Top/Orifice:** Designed for maximum airflow and quiet operation.
- **Easy Compressor and Control Access:** Designed to make servicing easier for the contractor, access panels are provided to all controls and the compressor from the side of the unit.
- **Composite Base Pan:** Absorbs sound and is corrosion resistant. Composite is also stronger and lighter than steel.
- **Swept Wing Fan Blade:** Designed to significantly reduce unwanted noise.
- **Micro-Channel Coils:** All aluminum coils in all models which provides high corrosion resistance.
- **Service-Friendly Jacket:** Side panels can be easily removed and replaced without removing the top grill.

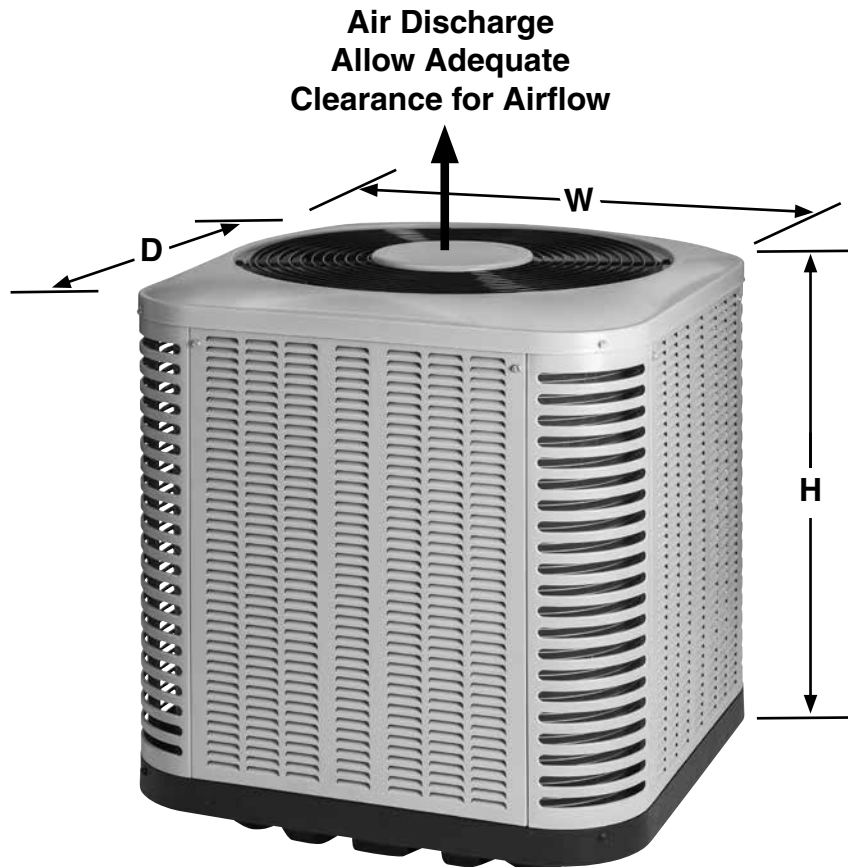
MODEL IDENTIFICATION CODES



DIMENSIONS

AIR CONDITIONER OUTDOOR SECTION

FSA1BD	18K	24K	30K	36K	42K	48K	60K
H	24.5	24.5	28.5	28.5	29.25	29.25	33.25
W	23.75	23.75	23.75	23.75	31.75	31.75	31.75
D	23.75	23.75	23.75	23.75	31.75	31.75	31.75



PHYSICAL AND ELECTRICAL SPECIFICATIONS / OUTDOOR UNITS

13 SEER — High Efficiency — Single Phase

Model Number FSA1BD		18K	24K	30K	36K	42K	48K	60K	
Electrical Data	Volts-Cycles-Phase (1)	208/230-60-1	208/230-60-1	208/230-60-1	208/230-60-1	208/230-60-1	208/230-60-1	208/230-60-1	
	Total Amps	9.3	13.5	14.8	18.0	19.4	23.2	27.8	
	Delay Fuse Max. (2)	20	25	30	35	40	50	60	
	Min. Circuit Ampacity	11.6	16.7	18.3	22.2	23.9	28.7	34.4	
Component Data	Fan Motor	Type	PSC	PSC	PSC	PSC	PSC	PSC	
		Amps	0.35	0.7	0.7	1.4	1.5	1.5	1.5
		HP	0.05	0.1	0.1	0.25	0.25	0.25	0.25
	Compressor Data	RLA	9.0	12.8	14.1	16.6	17.9	21.8	26.4
		LRA	48.0	58.3	73.0	79.0	112.0	117.0	134.0
Refrigerant suction line O.D. NOTE: Liquid line is 3/8" O.D. for entire length.		0-24 ft.	3/4"	3/4"	3/4"	3/4"	7/8"	7/8"	
		25-39 ft.	3/4"	3/4"	3/4"	7/8" (3)	7/8"	1-1/8" (4)	
		40-75 ft.	3/4"	3/4"	3/4"	7/8" (3)	7/8"	1-1/8" (4)	
Approximate Weight (lbs.)		Net	138	126	133	141	207	217	
		Ship	147	135	142	150	217	228	
Sound Rating db			74	74	74	76	79	79	

(1) Operating Voltage Range: 187v min. — 253v max.

(2) HACR Type Circuit Breakers may be used.

(3) Requires 7/8" to 3/4" reducer from line to unit.

(4) Requires 7/8" to 1-1/8" reducer from line to unit.

(5) Additional charge for line sets above 15 feet.

Values based on suction line as follows with 3/8" liquid line.

a) 3/4" = 0.6 oz. per additional foot.

b) 7/8" = 0.7 oz. per additional foot.

c) 1-1/8" = 0.8 oz per additional foot.

(6) For additional charging instructions please refer to the QRD.

ACCESSORIES - Condensing Unit

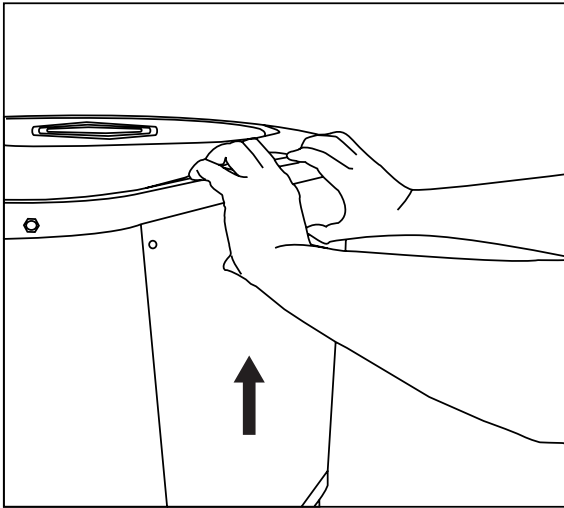
Start Assist Kit - 912933

Provides additional starting torque for the compressor motor when operating with low line voltage or high operating temperatures.

Extreme Wind Condition Mounting Kit - 1017210

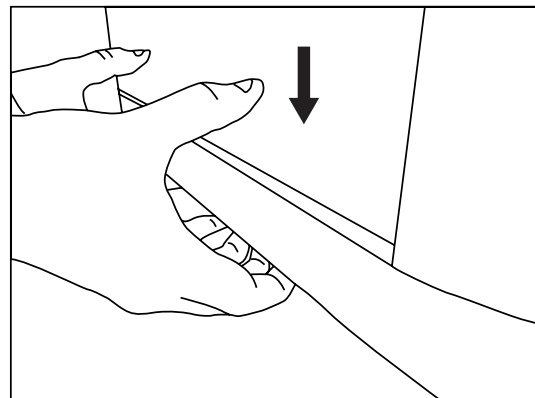
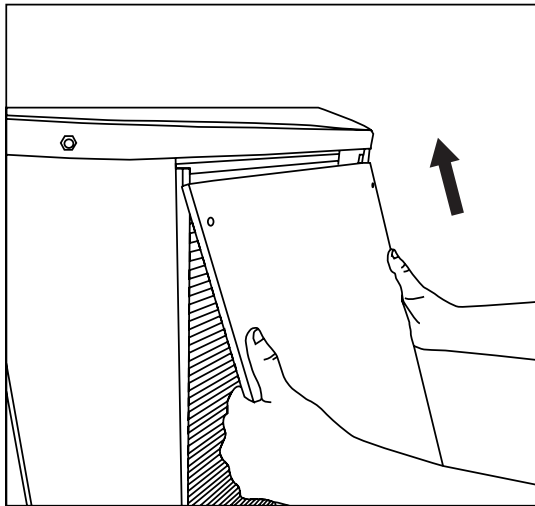
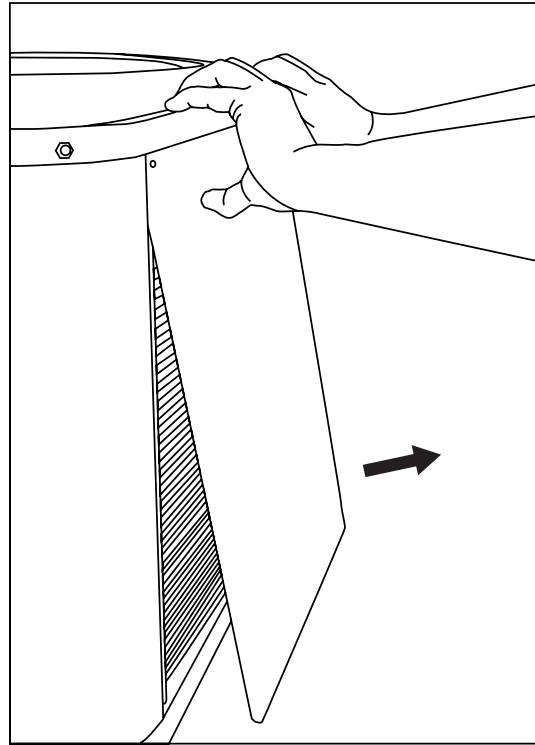
Low Ambient Kit - 918837

PANEL REMOVAL AND REPLACEMENT INSTRUCTIONS



Removing Panels:

1. Remove screws.
2. Pull up on panel.
3. Rotate bottom of panel out.
4. Pull panel off.



Reinstalling Panels:

1. Place panel back in towards top of unit.
2. Rotate bottom of panel inwards.
3. Push panel down until it fills gap at bottom of unit.
4. Replace screws.

SYSTEM COOLING CAPACITIES

13 SEER — High Efficiency — Single Phase

Outdoor Unit	Indoor Unit	A Cap	SEER	EER	CFM
FSA1BD4M1SN18K	C7B(A,H)M01824(C,U)-A + TDR	17,600	13.00	10.50	605
FSA1BD4M1SN18K	C7B(A,H)M01824(C,U)-B + TDR	17,600	13.00	10.50	535
FSA1BD4M1SN24K	C7B(A,H)M01824(C,U)-A + TDR	23,400	13.00	10.50	700
FSA1BD4M1SN24K	C7B(A,H)M01824(C,U)-B + TDR	23,400	13.00	10.50	700
FSA1BD4M1SN30K	C7B(A,H)M03036(C,U)-A + TDR	28,600	13.00	10.50	960
FSA1BD4M1SN30K	C7B(A,H)M03036(C,U)-B + TDR	28,600	13.00	10.50	960
FSA1BD4M1SN30K	C7B(A,H)M030(C,U)-C + TDR	28,600	13.00	10.50	960
FSA1BD4M1SN36K	C7B(A,H)M03036(C,U)-A + TDR	35,000	13.00	10.50	1055
FSA1BD4M1SN36K	C7B(A,H)M03036(C,U)-B + TDR	35,000	13.00	10.50	1055
FSA1BD4M1SN36K	C7B(A,H)M03642(C,U)-B + TDR	35,000	13.00	10.50	1055
FSA1BD4M1SN36K	C7B(A,H)M03648(C,U)-C + TDR	35,000	13.00	10.50	1055
FSA1BD4M1SN42K	C7B(A,H)M03642(C,U)-B + TDR	40,000	13.00	10.50	1290
FSA1BD4M1SN42K	C7B(A,H)M03648(C,U)-C + TDR	40,000	13.00	10.50	1290
FSA1BD4M1SN42K	C7B(A,H)M042(C,U)-D + TDR	40,000	13.00	10.50	1290
FSA1BD4M1SN48K	C7B(A,H)M03648(C,U)-C + TDR	46,000	13.00	10.50	1415
FSA1BD4M1SN48K	C7B(A,H)M048(C,U)-C + TDR	45,500	13.00	10.50	1305
FSA1BD4M1SN48K	C7B(A,H)M048(C,U)-D + TDR	45,500	13.00	10.50	1305
FSA1BD4M1SN60K	C7B(A,H)M060(C,U)-C + TDR	55,000	13.00	10.50	1445
FSA1BD4M1SN60K	C7B(A,H)M060(C,U)-D + TDR	55,000	13.00	10.50	1445

See current AHRI Directory for certified combinations and ratings. All ratings are with time delay relay.

www.ahridirectory.org

Outdoor Unit	Indoor Unit	A Cap	SEER	EER	CFM
FSA1BD4M1SN18K	B6BMM024K-A	17,400	13.00	10.50	555
FSA1BD4M1SN18K	B6BMM024K-B	17,500	13.00	10.50	550
FSA1BD4M1SN24K	B6BMM024K-A	23,000	13.00	10.50	700
FSA1BD4M1SN24K	B6BMM024K-B	23,000	13.00	10.50	720
FSA1BD4M1SN30K	B6BMM030K-A	28,400	13.00	10.50	920
FSA1BD4M1SN30K	B6BMM030K-B	28,400	13.00	10.50	890
FSA1BD4M1SN36K	B6BMM036K-B	35,000	13.00	10.50	1160
FSA1BD4M1SN42K	B6BMM042K-B	40,000	13.00	10.50	1370
FSA1BD4M1SN48K	B6BMM048K-B	46,500	13.00	10.50	1355
FSA1BD4M1SN48K	B6BMM048K-C	47,500	13.00	10.50	1630
FSA1BD4M1SN60K	B6BMM060K-C	57,500	13.00	10.50	1950

See current AHRI Directory for certified combinations and ratings. All ratings are with time delay relay.

www.ahridirectory.org

COOLING EXPANDED RATINGS WITH COIL

FSA1BD4M1SN18K with C7B(A,H)M01824(C,U)-A + TDR

CFM	O.D.T		65°F			75°F			85°F			95°F			105°F			115°F		
	E.D.B.	E.W.B.	T.C.	S.C.	K.W.	T.C.	S.C.	K.W.	T.C.	S.C.	K.W.	T.C.	S.C.	K.W.	T.C.	S.C.	K.W.	T.C.	S.C.	K.W.
525	80	62	18.4	14.6	1.10	17.6	14.4	1.23	16.8	14.5	1.37	15.9	14.2	1.52	14.92	14.67	1.69	14.03	13.79	1.88
	80	67	20.3	11.8	1.12	19.4	11.7	1.26	18.5	11.8	1.39	17.5	11.5	1.55	16.40	11.27	1.72	15.24	10.44	1.91
	80	72	22.5	9.2	1.16	21.6	9.1	1.29	20.5	9.3	1.44	19.5	9.1	1.59	18.30	8.90	1.76	17.05	9.08	1.96
	75	63	18.6	11.4	1.10	17.8	11.3	1.23	17.0	11.3	1.37	16.0	11.0	1.52	14.97	9.93	1.69	13.84	10.74	1.88
600	80	62	19.0	15.7	1.14	18.2	16.0	1.27	17.3	15.6	1.40	16.4	15.4	1.56	15.59	15.06	1.73	14.65	14.52	1.92
	80	67	20.7	12.6	1.16	19.8	12.9	1.29	18.9	12.5	1.43	17.8	12.4	1.58	16.73	12.30	1.76	15.55	12.22	1.95
	80	72	23.0	9.7	1.20	22.0	10.1	1.33	21.0	9.8	1.48	19.8	9.7	1.63	18.62	9.71	1.80	17.26	9.72	1.99
	75	63	19.1	12.1	1.14	18.3	12.4	1.27	17.4	12.0	1.41	16.4	11.8	1.56	15.31	11.71	1.73	14.15	11.57	1.91
675	80	62	19.4	17.0	1.17	18.6	17.1	1.30	17.9	16.6	1.44	17.1	16.2	1.60	16.14	15.60	1.77	15.15	15.09	1.97
	80	67	21.2	13.5	1.20	20.2	13.6	1.33	19.2	13.3	1.47	18.2	13.2	1.62	17.01	13.02	1.79	15.83	13.33	1.98
	80	72	23.4	10.4	1.24	22.4	10.6	1.37	21.3	10.3	1.51	20.1	10.3	1.67	18.77	10.19	1.84	17.41	10.25	2.03
	75	63	19.5	13.0	1.17	18.6	13.1	1.30	17.7	12.7	1.44	16.7	12.6	1.59	15.56	12.38	1.76	14.42	12.61	1.95

FSA1BD4M1SN24K with C7B(A,H)M01824(C,U)-B + TDR

CFM	O.D.T		65°F			75°F			85°F			95°F			105°F			115°F		
	E.D.B.	E.W.B.	T.C.	S.C.	K.W.	T.C.	S.C.	K.W.	T.C.	S.C.	K.W.	T.C.	S.C.	K.W.	T.C.	S.C.	K.W.	T.C.	S.C.	K.W.
700	80	62	24.4	19.0	1.48	23.5	18.9	1.64	22.5	19.0	1.82	21.5	18.7	2.02	20.26	19.69	2.25	18.94	18.41	2.50
	80	67	26.7	15.4	1.53	25.7	15.3	1.69	24.7	15.5	1.87	23.5	15.2	2.07	22.25	14.89	2.30	20.78	13.68	2.55
	80	72	29.6	12.0	1.61	28.6	12.0	1.77	27.4	12.3	1.95	26.2	12.0	2.16	24.75	11.83	2.39	23.06	12.07	2.66
	75	63	24.7	14.9	1.48	23.8	14.8	1.64	22.8	14.9	1.82	21.6	14.5	2.02	20.37	13.27	2.25	18.99	14.29	2.50
800	80	62	25.1	20.5	1.53	24.2	20.9	1.69	23.2	20.5	1.87	22.1	20.3	2.07	20.94	20.12	2.30	19.86	19.69	2.56
	80	67	27.4	16.3	1.59	26.4	16.8	1.75	25.3	16.4	1.93	24.1	16.2	2.12	22.74	16.22	2.35	21.19	16.13	2.61
	80	72	30.3	12.6	1.67	29.2	13.3	1.84	28.0	12.9	2.02	26.7	12.8	2.22	25.15	12.89	2.45	23.31	12.91	2.72
	75	63	25.3	15.8	1.53	24.3	16.2	1.70	23.3	15.8	1.87	22.1	15.6	2.07	20.86	15.47	2.30	19.39	15.32	2.55
900	80	62	25.7	22.2	1.58	24.8	22.3	1.74	23.8	21.9	1.92	22.8	21.6	2.13	21.78	21.05	2.36	20.53	20.45	2.62
	80	67	27.9	17.5	1.64	26.9	17.7	1.80	25.7	17.3	1.98	24.5	17.3	2.18	23.10	17.11	2.41	21.47	17.09	2.67
	80	72	30.8	13.5	1.73	29.7	13.9	1.89	28.4	13.5	2.07	27.0	13.6	2.27	25.30	13.48	2.50	23.54	13.55	2.78
	75	63	25.8	16.9	1.59	24.8	17.1	1.75	23.7	16.6	1.92	22.5	16.5	2.12	21.21	16.31	2.35	19.72	16.24	2.60

FSA1BD4M1SN30K with C7B(A,H)M03036(C,U)-A + TDR

CFM	O.D.T		65°F			75°F			85°F			95°F			105°F			115°F		
	E.D.B.	E.W.B.	T.C.	S.C.	K.W.	T.C.	S.C.	K.W.	T.C.	S.C.	K.W.	T.C.	S.C.	K.W.	T.C.	S.C.	K.W.	T.C.	S.C.	K.W.
875	80	62	29.6	22.4	1.78	28.5	22.9	1.97	27.3	23.0	2.17	25.9	22.6	2.40	24.44	23.82	2.66	22.82	22.23	2.96
	80	67	32.5	18.7	1.83	31.3	18.5	2.01	29.9	18.7	2.21	28.5	18.3	2.44	26.84	17.97	2.71	25.04	16.48	3.01
	80	72	36.3	14.7	1.89	34.9	14.6	2.08	33.4	15.0	2.28	31.7	14.6	2.51	29.92	14.40	2.78	27.67	14.66	3.11
	75	63	30.0	18.1	1.79	28.8	17.9	1.97	27.5	18.0	2.18	26.1	17.6	2.40	24.53	15.96	2.67	22.83	17.18	2.96
1000	80	62	30.5	24.9	1.85	29.3	25.4	2.03	28.0	24.8	2.23	26.7	24.5	2.46	25.29	24.29	2.73	23.96	23.76	3.03
	80	67	33.4	19.8	1.89	32.0	20.4	2.07	30.7	19.8	2.28	29.1	19.6	2.51	27.46	19.54	2.77	25.57	19.40	3.07
	80	72	37.1	15.5	1.96	35.6	16.2	2.14	34.0	15.7	2.35	32.2	15.6	2.58	30.05	15.65	2.84	27.90	15.56	3.17
	75	63	30.8	19.1	1.85	29.5	19.6	2.03	28.2	19.0	2.23	26.7	18.7	2.46	25.10	18.61	2.72	23.31	18.40	3.02
1125	80	62	31.3	26.9	1.90	30.0	27.1	2.09	28.7	26.5	2.29	27.6	26.1	2.53	26.32	25.43	2.80	24.77	24.66	3.10
	80	67	34.1	21.2	1.95	32.7	21.5	2.13	31.2	20.9	2.34	29.7	20.8	2.57	27.93	20.60	2.83	25.90	20.52	3.14
	80	72	37.6	16.6	2.01	35.9	17.0	2.20	34.2	16.5	2.40	32.4	16.4	2.63	30.52	16.26	2.91	28.33	16.29	3.25
	75	63	31.4	20.5	1.91	30.1	20.6	2.09	28.7	20.0	2.29	27.2	19.9	2.52	25.55	19.59	2.78	23.69	19.47	3.08

FSA1BD4M1SN36K with C7B(A,H)M03036(C,U)-B + TDR

CFM	O.D.T		65°F			75°F			85°F			95°F			105°F			115°F		
	E.D.B.	E.W.B.	T.C.	S.C.	K.W.	T.C.	S.C.	K.W.	T.C.	S.C.	K.W.	T.C.	S.C.	K.W.	T.C.	S.C.	K.W.	T.C.	S.C.	K.W.
1050	80	62	36.7	27.9	2.26	35.4	28.4	2.49	33.7	28.5	2.75	31.9	28.0	3.03	29.73	29.16	3.39	27.72	27.20	3.80
	80	67	40.5	23.1	2.33	38.8	23.0	2.56	37.0	23.2	2.82	34.9	22.6	3.13	32.61	22.07	3.49	30.37	20.29	3.86
	80	72	44.7	18.1	2.43	42.9	18.0	2.66	40.9	18.3	2.95	38.7	17.8	3.25	36.53	17.54	3.58	34.14	17.93	3.95
	75	63	37.3	22.4	2.27	35.8	22.2	2.50	34.1	22.3	2.75	32.2	21.7	3.04	29.85	19.41	3.41	27.47	21.02	3.79
1250	80	62	38.2	31.7	2.37	36.7	32.2	2.60	35.0	31.5	2.85	33.1	31.1	3.14	31.26	30.20	3.54	29.43	29.18	3.91
	80	67	41.5	24.6	2.41	39.7	25.3	2.64	37.8	24.6	2.90	35.6	24.2	3.22	33.37	24.09	3.56	31.04	23.94	3.93
	80	72	45.8	19.0	2.51	43.8	19.9	2.76	41.7	19.2	3.04	39.5	19.0	3.33	37.22	19.13	3.66	34.70	19.19	4.03
	75	63	38.3	23.8	2.35	36.7	24.4	2.58	34.9	23.7	2.83	32.9	23.3	3.12	30.50	22.93	3.49	28.11	22.62	3.86
1450	80	62	39.4	34.9	2.47	37.8	35.1	2.70	36.5	34.0	2.96	34.6	32.9	3.29	32.70	31.59	3.65	30.74	30.61	4.02
	80	67	42.3	26.4	2.49	40.5	26.7	2.72	38.4	26.0	2.99	36.2	25.7	3.30	33.94	25.47	3.64	31.56	25.46	4.00
	80	72	46.6	20.4	2.59	44.5	20.8	2.84	42.3	20.1	3.11	40.1	20.2	3.40	37.63	20.06	3.73	35.01	20.24	4.10
	75	63	39.0	25.5	2.42	37.4	25.7	2.65	35.5	25.0	2.90	33.4	24.7	3.20	30.94	24.17	3.57	28.61	24.03	3.94

COOLING EXPANDED RATINGS WITH COIL (CONTINUED)

FSA1BD4M1SN42K with C7B(A,H)M03642(C,U)-B + TDR

O.D.T			65°F			75°F			85°F			95°F			105°F			115°F		
CFM	E.D.B.	E.W.B.	T.C.	S.C.	K.W.	T.C.	S.C.	K.W.	T.C.	S.C.	K.W.	T.C.	S.C.	K.W.	T.C.	S.C.	K.W.	T.C.	S.C.	K.W.
1150	80	62	41.5	31.9	2.54	39.8	31.6	2.76	38.0	31.7	3.01	35.9	31.0	3.32	33.53	32.32	3.68	31.21	30.07	4.05
	80	67	45.6	26.6	2.60	43.8	26.4	2.82	41.8	26.6	3.09	39.6	26.0	3.40	37.23	25.46	3.74	34.73	23.06	4.12
	80	72	50.5	20.7	2.69	48.5	20.6	2.92	46.3	21.0	3.20	43.9	20.5	3.49	41.43	20.20	3.83	38.72	20.66	4.21
	75	63	42.1	25.7	2.55	40.5	25.5	2.76	38.6	25.6	3.02	36.4	24.9	3.33	33.98	22.57	3.69	31.58	24.33	4.06
1300	80	62	42.5	34.0	2.61	40.8	34.6	2.83	38.9	33.7	3.08	36.7	33.1	3.40	34.39	32.65	3.75	32.16	31.88	4.13
	80	67	46.6	28.1	2.67	44.8	28.9	2.90	42.6	28.1	3.17	40.4	27.7	3.48	37.94	27.63	3.81	35.37	27.50	4.19
	80	72	51.5	21.7	2.77	49.3	22.7	3.00	47.1	22.0	3.27	44.6	21.8	3.57	41.87	21.91	3.90	39.12	21.96	4.28
	75	63	43.0	27.1	2.62	41.3	27.8	2.83	39.4	27.0	3.09	37.1	26.5	3.41	34.66	26.30	3.76	32.20	26.03	4.13
1450	80	62	43.3	36.4	2.68	41.6	36.5	2.90	39.6	35.6	3.15	37.4	35.0	3.48	35.23	34.04	3.82	33.20	33.06	4.20
	80	67	47.4	30.0	2.75	45.5	30.4	2.97	43.3	29.6	3.24	41.0	29.4	3.55	38.50	29.10	3.88	35.88	29.11	4.26
	80	72	52.2	23.2	2.84	49.9	23.7	3.08	47.5	23.0	3.33	45.0	23.0	3.64	42.30	22.79	3.97	39.57	22.99	4.35
	75	63	43.8	29.0	2.69	42.1	29.2	2.90	40.0	28.4	3.16	37.7	28.1	3.48	35.19	27.66	3.82	32.62	27.39	4.19

FSA1BD4M1SN48K with C7B(A,H)M03648(C,U)-C + TDR

O.D.T			65°F			75°F			85°F			95°F			105°F			115°F		
CFM	E.D.B.	E.W.B.	T.C.	S.C.	K.W.	T.C.	S.C.	K.W.	T.C.	S.C.	K.W.	T.C.	S.C.	K.W.	T.C.	S.C.	K.W.	T.C.	S.C.	K.W.
1400	80	62	48.9	37.3	3.13	46.7	36.9	3.45	44.4	36.9	3.78	42.0	36.1	4.16	39.31	37.74	4.58	36.53	35.07	5.05
	80	67	53.7	31.1	3.22	51.5	30.8	3.53	49.1	31.0	3.86	46.4	30.3	4.24	43.62	29.73	4.67	40.70	26.91	5.14
	80	72	59.2	24.2	3.33	56.7	24.1	3.63	54.2	24.5	3.98	51.4	23.9	4.36	48.38	23.51	4.79	45.11	24.01	5.26
	75	63	49.7	30.1	3.14	47.5	29.7	3.46	45.1	29.8	3.80	42.6	29.1	4.17	39.93	26.33	4.59	37.00	28.44	5.06
1600	80	62	50.1	39.9	3.22	47.8	40.5	3.54	45.5	39.4	3.88	43.0	38.7	4.25	40.34	38.20	4.68	37.62	37.30	5.15
	80	67	54.9	33.0	3.32	52.6	33.9	3.63	50.1	32.9	3.96	47.4	32.5	4.34	44.47	32.39	4.77	41.40	32.23	5.24
	80	72	60.4	25.4	3.43	57.9	26.6	3.74	55.1	25.7	4.09	52.2	25.5	4.46	48.95	25.56	4.88	45.75	25.62	5.37
	75	63	50.8	31.9	3.24	48.6	32.6	3.55	46.1	31.6	3.89	43.5	31.1	4.26	40.79	30.88	4.69	37.79	30.56	5.16
1800	80	62	51.0	42.7	3.32	48.7	42.8	3.64	46.4	41.6	3.97	43.9	41.0	4.34	41.29	39.89	4.77	38.85	38.69	5.26
	80	67	55.9	35.3	3.42	53.5	35.7	3.72	50.9	34.7	4.06	48.1	34.5	4.43	45.11	34.19	4.86	42.02	34.22	5.34
	80	72	61.3	27.2	3.53	58.5	27.8	3.83	55.7	26.9	4.18	52.7	26.9	4.55	49.62	26.67	4.98	46.33	26.91	5.47
	75	63	51.7	34.1	3.34	49.4	34.3	3.65	46.9	33.3	3.98	44.2	33.0	4.35	41.39	32.55	4.78	38.33	32.18	5.25

FSA1BD4M1SN60K with C7B(A,H)M060(C,U)-C + TDR

O.D.T			65°F			75°F			85°F			95°F			105°F			115°F		
CFM	E.D.B.	E.W.B.	T.C.	S.C.	K.W.	T.C.	S.C.	K.W.	T.C.	S.C.	K.W.	T.C.	S.C.	K.W.	T.C.	S.C.	K.W.	T.C.	S.C.	K.W.
1300	80	62	55.8	39.0	3.54	53.5	38.6	3.91	51.0	38.6	4.30	48.3	37.7	4.75	45.23	39.46	5.26	41.87	36.53	5.83
	80	67	61.9	33.0	3.64	59.4	32.7	4.00	56.7	32.9	4.41	53.8	32.2	4.87	50.74	31.49	5.39	47.49	28.03	5.97
	80	72	68.5	26.6	3.79	65.8	26.4	4.15	63.0	26.9	4.58	60.0	26.2	5.03	56.77	25.69	5.56	53.30	26.29	6.15
	75	62	55.7	33.3	3.54	53.4	32.8	3.90	50.9	32.9	4.30	48.2	32.0	4.75	45.10	28.87	5.25	41.76	31.13	5.83
1450	80	62	57.4	41.2	3.62	55.0	42.0	3.98	52.4	40.8	4.38	49.5	40.2	4.83	46.48	39.87	5.35	43.04	39.04	5.92
	80	67	63.4	34.6	3.73	60.8	35.6	4.09	58.1	34.6	4.50	55.2	34.1	4.96	51.99	33.98	5.48	48.54	33.80	6.06
	80	72	70.2	27.6	3.89	67.5	28.9	4.25	64.5	27.9	4.68	61.4	27.6	5.13	58.02	27.71	5.66	54.43	27.82	6.25
	75	62	57.2	34.9	3.62	54.8	35.7	3.98	52.2	34.6	4.38	49.4	33.9	4.83	46.33	33.62	5.35	42.91	33.18	5.91
1600	80	62	58.7	43.9	3.70	56.2	44.1	4.07	53.5	42.9	4.46	50.6	42.2	4.91	47.42	41.55	5.43	43.98	41.19	6.00
	80	67	64.8	36.8	3.82	62.2	37.2	4.18	59.3	36.1	4.58	56.3	35.9	5.05	52.99	35.51	5.57	49.49	35.56	6.15
	80	72	71.7	29.3	3.98	68.8	29.9	4.34	65.8	28.9	4.76	62.5	28.9	5.23	59.04	28.71	5.76	55.24	29.05	6.34
	75	62	58.6	37.0	3.70	56.1	37.3	4.06	53.3	36.1	4.46	50.4	35.7	4.91	47.36	35.20	5.43	43.80	34.93	5.99

COOLING EXPANDED RATINGS WITH AIR HANDLER

FSA1BD4M1SN18K with B6BMM024K-(A,B)

O.D.T			65°F			75°F			85°F			95°F			105°F			115°F		
CFM	E.D.B.	E.W.B.	T.C.	S.C.	K.W.	T.C.	S.C.	K.W.	T.C.	S.C.	K.W.	T.C.	S.C.	K.W.	T.C.	S.C.	K.W.	T.C.	S.C.	K.W.
400	80	62	17.3	12.5	1.08	16.6	12.5	1.20	15.9	12.6	1.32	15.1	12.3	1.46	14.16	12.96	1.62	13.16	12.05	1.79
	80	67	19.2	10.5	1.10	18.4	10.4	1.22	17.6	10.5	1.35	16.7	10.2	1.49	15.70	10.04	1.64	14.61	9.13	1.81
	80	72	21.3	8.4	1.13	20.5	8.3	1.25	19.6	8.5	1.38	18.6	8.3	1.52	17.57	8.10	1.68	16.44	8.27	1.86
	75	63	17.6	10.2	1.09	16.9	10.0	1.20	16.1	10.1	1.33	15.3	9.8	1.46	14.33	8.93	1.62	13.30	9.65	1.79
550	80	62	18.7	15.2	1.15	17.9	15.4	1.27	17.1	15.1	1.39	16.2	14.9	1.53	15.31	14.74	1.69	14.44	14.32	1.86
	80	67	20.5	12.2	1.17	19.6	12.6	1.29	18.7	12.2	1.42	17.7	12.1	1.56	16.63	12.03	1.71	15.49	11.95	1.89
	80	72	22.7	9.5	1.21	21.8	9.9	1.33	20.8	9.6	1.46	19.7	9.5	1.60	18.51	9.52	1.76	17.25	9.54	1.94
	75	63	18.8	11.8	1.15	18.0	12.1	1.27	17.2	11.7	1.39	16.2	11.5	1.53	15.22	11.46	1.69	14.18	11.54	1.86
700	80	62	19.7	17.7	1.22	19.0	17.6	1.34	18.2	17.0	1.47	17.4	16.5	1.61	16.49	15.93	1.76	15.49	15.43	1.94
	80	67	21.3	14.0	1.24	20.4	14.1	1.36	19.4	13.8	1.49	18.4	14.0	1.63	17.23	13.84	1.78	16.04	13.84	1.96
	80	72	23.5	10.7	1.28	22.5	10.9	1.40	21.4	10.6	1.53	20.1	10.6	1.67	18.88	10.50	1.83	17.58	10.55	2.00
	75	63	19.6	13.4	1.21	18.8	13.6	1.34	17.9	13.5	1.46	16.9	13.3	1.60	15.82	13.16	1.75	14.66	13.09	1.92

FSA1BD4M1SN24K with B6BMM024K-(A,B)

O.D.T			65°F			75°F			85°F			95°F			105°F			115°F		
CFM	E.D.B.	E.W.B.	T.C.	S.C.	K.W.	T.C.	S.C.	K.W.	T.C.	S.C.	K.W.	T.C.	S.C.	K.W.	T.C.	S.C.	K.W.	T.C.	S.C.	K.W.
550	80	62	22.6	16.1	1.37	21.8	16.0	1.53	21.0	16.1	1.70	20.1	16.2	1.91	19.05	17.15	2.13	17.84	16.07	2.38
	80	67	24.9	13.5	1.42	24.1	13.4	1.58	23.2	13.6	1.76	22.2	13.4	1.95	21.05	13.15	2.18	19.77	12.03	2.43
	80	72	27.5	10.8	1.49	26.6	10.7	1.66	25.6	11.0	1.83	24.6	10.8	2.04	23.36	10.63	2.27	21.94	10.88	2.54
	75	63	23.0	13.1	1.38	22.2	13.0	1.54	21.4	13.2	1.71	20.4	12.9	1.91	19.33	11.83	2.14	18.07	12.74	2.39
700	80	62	24.0	18.8	1.44	23.1	19.3	1.60	22.2	18.9	1.78	21.2	18.7	1.97	20.13	18.69	2.20	18.90	18.60	2.45
	80	67	26.3	15.1	1.50	25.4	15.6	1.66	24.4	15.2	1.84	23.3	15.1	2.04	22.06	15.11	2.26	20.64	15.07	2.51
	80	72	28.9	11.7	1.58	28.0	12.4	1.75	26.9	12.0	1.93	25.7	11.9	2.13	24.40	12.04	2.36	22.84	12.08	2.63
	75	63	24.3	14.6	1.45	23.4	15.1	1.61	22.5	14.7	1.78	21.4	14.5	1.98	20.24	14.47	2.20	18.95	14.40	2.45
850	80	62	24.9	21.3	1.51	24.1	21.5	1.67	23.2	21.1	1.85	22.2	20.9	2.05	21.36	20.63	2.28	20.21	20.12	2.54
	80	67	27.2	16.8	1.57	26.2	17.0	1.74	25.2	16.7	1.91	24.0	16.6	2.11	22.73	16.55	2.33	21.24	16.61	2.59
	80	72	30.0	12.9	1.66	28.9	13.3	1.83	27.7	12.9	2.01	26.5	13.0	2.21	25.04	12.95	2.45	23.39	13.10	2.72
	75	63	25.1	16.2	1.51	24.2	16.4	1.67	23.2	16.0	1.85	22.1	16.0	2.04	20.88	15.81	2.27	19.53	15.83	2.52

FSA1BD4M1SN30K with B6BMM030K-(A,B)

O.D.T			65°F			75°F			85°F			95°F			105°F			115°F		
CFM	E.D.B.	E.W.B.	T.C.	S.C.	K.W.	T.C.	S.C.	K.W.	T.C.	S.C.	K.W.	T.C.	S.C.	K.W.	T.C.	S.C.	K.W.	T.C.	S.C.	K.W.
750	80	62	28.4	20.8	1.79	27.4	20.6	1.97	26.3	20.8	2.17	25.2	21.0	2.41	23.85	22.25	2.68	22.38	20.87	2.99
	80	67	31.3	17.3	1.86	30.2	17.2	2.05	29.0	17.4	2.25	27.7	17.1	2.49	26.24	16.83	2.76	24.60	15.51	3.08
	80	72	34.5	13.7	1.95	33.3	13.6	2.14	32.0	13.9	2.35	30.6	13.6	2.59	28.99	13.43	2.88	27.16	13.74	3.22
	75	63	29.0	16.8	1.80	27.9	16.7	1.98	26.8	16.9	2.19	25.5	16.5	2.42	24.15	15.18	2.69	22.62	16.33	3.00
900	80	62	29.7	23.7	1.87	28.6	24.2	2.05	27.4	23.7	2.26	26.2	23.5	2.49	24.79	23.46	2.76	23.51	23.24	3.08
	80	67	32.5	18.8	1.94	31.3	19.4	2.13	30.0	18.9	2.33	28.6	18.8	2.57	27.05	18.79	2.85	25.28	18.74	3.17
	80	72	35.8	14.6	2.03	34.5	15.3	2.22	33.1	14.9	2.44	31.6	14.8	2.69	29.81	14.87	2.98	27.90	14.93	3.31
	75	63	30.0	18.2	1.88	28.9	18.8	2.06	27.7	18.3	2.26	26.4	18.1	2.50	24.93	18.02	2.77	23.30	17.93	3.07
1050	80	62	30.6	26.2	1.94	29.5	26.4	2.13	28.3	25.9	2.33	27.2	25.7	2.58	26.05	25.17	2.86	24.62	24.51	3.19
	80	67	33.4	20.6	2.02	32.1	20.8	2.20	30.7	20.4	2.41	29.3	20.3	2.65	27.65	20.20	2.92	25.78	20.25	3.25
	80	72	36.8	15.9	2.11	35.4	16.3	2.30	33.9	15.8	2.52	32.3	15.8	2.77	30.41	15.76	3.06	28.47	15.97	3.39
	75	63	30.9	19.9	1.95	29.7	20.1	2.13	28.4	19.6	2.34	27.0	19.5	2.57	25.50	19.33	2.84	23.79	19.33	3.15

FSA1BD4M1SN36K with B6BMM036K-B

O.D.T			65°F			75°F			85°F			95°F			105°F			115°F		
CFM	E.D.B.	E.W.B.	T.C.	S.C.	K.W.	T.C.	S.C.	K.W.	T.C.	S.C.	K.W.	T.C.	S.C.	K.W.	T.C.	S.C.	K.W.	T.C.	S.C.	K.W.
1000	80	62	35.4	26.9	2.25	34.2	26.7	2.47	32.7	26.8	2.72	31.1	26.3	3.01	29.31	27.64	3.35	27.16	25.61	3.78
	80	67	39.0	22.4	2.33	37.5	22.3	2.55	36.0	22.5	2.81	34.3	22.1	3.11	32.18	21.67	3.48	30.17	19.73	3.86
	80	72	43.0	17.5	2.43	41.5	17.5	2.67	39.8	17.9	2.94	37.8	17.5	3.25	35.83	17.22	3.59	33.63	17.65	3.97
	75	63	36.0	21.7	2.26	34.6	21.6	2.48	33.2	21.7	2.73	31.5	21.3	3.02	29.62	19.28	3.37	27.46	20.82	3.79
1150	80	62	36.4	28.8	2.32	35.0	29.4	2.55	33.5	28.7	2.80	31.9	28.3	3.09	30.02	27.97	3.45	28.00	27.42	3.86
	80	67	39.9	23.9	2.41	38.5	24.6	2.63	36.8	24.0	2.89	34.9	23.7	3.19	32.94	23.69	3.55	30.80	23.63	3.93
	80	72	44.0	18.5	2.51	42.4	19.4	2.75	40.5	18.8	3.02	38.6	18.6	3.32	36.43	18.77	3.67	34.16	18.88	4.06
	75	63	36.9	23.1	2.33	35.5	23.7	2.56	33.9	23.1	2.81	32.3	22.8	3.10	30.27	22.64	3.45	28.05	22.42	3.86
1300	80	62	37.1	30.9	2.39	35.8	31.1	2.62	34.3	30.4	2.87	32.6	30.0	3.16	30.72	29.32	3.53	28.80	28.68	3.93
	80	67	40.6	25.6	2.48	39.1	26.0	2.71	37.4	25.4	2.96	35.5	25.3	3.27	33.46	25.07	3.62	31.29	25.14	4.00
	80	72	44.7	19.8	2.59	43.0	20.3	2.82	41.0	19.7	3.10	39.1	19.7	3.40	36.93	19.63	3.74	34.66	19.88	4.14
	75	63	37.5	24.7	2.40	36.1	25.0	2.63	34.5	24.4	2.88	32.8	24.2	3.17	30.67	23.88	3.53	28.52	23.66	3.92

COOLING EXPANDED RATINGS WITH AIR HANDLER (CONTINUED)

FSA1BD4M1SN42K with B6BMM042K-B

O.D.T		65°F			75°F			85°F			95°F			105°F			115°F			
CFM	E.D.B.	E.W.B.	T.C.	S.C.	K.W.	T.C.	S.C.	K.W.	T.C.	S.C.	K.W.	T.C.	S.C.	K.W.	T.C.	S.C.	K.W.	T.C.	S.C.	K.W.
1200	80	62	40.5	31.7	2.61	39.1	31.5	2.82	37.6	31.7	3.06	35.8	31.1	3.33	33.79	32.47	3.67	31.65	30.42	4.05
	80	67	44.5	26.3	2.69	42.9	26.2	2.91	41.1	26.5	3.16	39.2	26.0	3.44	37.17	25.58	3.77	34.92	23.46	4.13
	80	72	49.2	20.4	2.79	47.3	20.4	3.02	45.4	20.8	3.28	43.3	20.4	3.57	40.95	20.17	3.90	38.44	20.69	4.27
	75	63	41.1	25.4	2.63	39.6	25.3	2.83	38.0	25.5	3.07	36.2	25.0	3.34	34.19	22.87	3.68	31.92	24.64	4.05
1350	80	62	41.4	33.6	2.69	39.9	34.3	2.89	38.3	33.5	3.14	36.5	33.1	3.41	34.50	32.71	3.75	32.44	32.17	4.13
	80	67	45.3	27.7	2.77	43.6	28.6	2.99	41.8	27.9	3.24	39.8	27.6	3.52	37.72	27.64	3.84	35.45	27.61	4.21
	80	72	50.0	21.4	2.87	48.0	22.4	3.10	46.0	21.8	3.36	43.7	21.6	3.65	41.34	21.77	3.98	38.89	21.89	4.35
	75	63	41.9	26.8	2.70	40.3	27.5	2.91	38.7	26.8	3.15	36.8	26.5	3.42	34.72	26.39	3.76	32.45	26.24	4.13
1500	80	62	42.2	35.8	2.76	40.6	36.0	2.98	38.9	35.1	3.22	37.2	34.7	3.50	35.18	33.99	3.83	33.33	33.19	4.21
	80	67	46.0	29.6	2.84	44.3	30.0	3.06	42.4	29.3	3.32	40.4	29.2	3.60	38.21	29.00	3.92	35.86	29.12	4.29
	80	72	50.5	22.8	2.94	48.5	23.3	3.17	46.4	22.6	3.44	44.2	22.7	3.73	41.80	22.59	4.06	39.23	22.86	4.43
	75	63	42.5	28.5	2.77	40.9	28.8	2.99	39.2	28.1	3.22	37.3	28.0	3.50	35.15	27.66	3.83	32.85	27.49	4.20

FSA1BD4M1SN48K with B6BMM048K-(B,C)

O.D.T		65°F			75°F			85°F			95°F			105°F			115°F			
CFM	E.D.B.	E.W.B.	T.C.	S.C.	K.W.	T.C.	S.C.	K.W.	T.C.	S.C.	K.W.	T.C.	S.C.	K.W.	T.C.	S.C.	K.W.	T.C.	S.C.	K.W.
1200	80	62	47.9	35.0	2.99	45.8	34.6	3.31	43.3	34.4	3.65	40.8	33.6	4.02	37.96	34.66	4.43	36.36	33.20	4.66
	80	67	52.9	29.2	3.07	50.6	28.9	3.39	48.2	29.1	3.72	45.7	28.4	4.09	42.78	27.79	4.52	39.79	25.59	4.98
	80	72	58.4	23.2	3.16	56.1	23.0	3.47	53.5	23.4	3.81	50.7	22.8	4.19	47.77	22.29	4.61	44.56	22.74	5.08
	75	63	48.8	28.4	3.00	46.6	28.0	3.32	44.2	28.0	3.67	41.7	27.3	4.03	38.86	24.30	4.45	35.62	26.38	4.91
1350	80	62	49.1	37.0	3.06	46.9	37.6	3.38	44.4	36.5	3.73	41.8	35.9	4.09	39.01	35.44	4.51	37.45	35.61	4.74
	80	67	54.2	30.8	3.15	51.8	31.7	3.46	49.4	30.7	3.80	46.7	30.3	4.17	43.74	30.13	4.59	40.61	29.94	5.06
	80	72	59.8	24.1	3.24	57.3	25.3	3.55	54.6	24.4	3.89	51.8	24.1	4.27	48.71	24.12	4.69	45.46	24.15	5.17
	75	63	50.0	29.9	3.08	47.7	30.5	3.40	45.3	29.6	3.74	42.7	29.0	4.11	39.85	28.71	4.53	36.52	28.24	4.98
1500	80	62	50.1	39.5	3.14	47.8	39.6	3.46	45.3	38.5	3.80	42.7	38.0	4.16	39.88	37.30	4.58	38.40	37.59	4.81
	80	67	55.3	32.9	3.22	52.9	33.2	3.53	50.3	32.3	3.87	47.5	32.0	4.24	44.44	31.65	4.67	41.21	31.62	5.13
	80	72	60.9	25.7	3.32	58.4	26.2	3.63	55.6	25.3	3.97	52.6	25.3	4.35	49.46	25.08	4.77	46.09	25.32	5.25
	75	63	51.0	31.8	3.16	48.6	32.0	3.48	46.2	31.0	3.81	43.5	30.6	4.18	40.53	30.13	4.60	37.24	29.85	5.06

FSA1BD4M1SN60K with B6BMM060K-C

O.D.T		65°F			75°F			85°F			95°F			105°F			115°F			
CFM	E.D.B.	E.W.B.	T.C.	S.C.	K.W.	T.C.	S.C.	K.W.	T.C.	S.C.	K.W.	T.C.	S.C.	K.W.	T.C.	S.C.	K.W.	T.C.	S.C.	K.W.
1800	80	62	60.2	45.0	3.78	57.6	44.4	4.15	54.8	44.4	4.56	51.9	43.3	5.02	48.66	44.96	5.53	45.11	41.68	6.11
	80	67	65.5	37.5	3.89	62.7	37.0	4.25	59.9	37.2	4.66	56.8	36.3	5.12	53.54	35.45	5.64	50.03	32.06	6.22
	80	72	71.5	30.0	4.02	67.8	29.7	4.36	64.6	30.1	4.77	61.4	29.3	5.23	57.92	28.59	5.75	54.16	28.97	6.33
	75	63	60.5	36.3	3.78	57.8	35.7	4.17	55.1	35.8	4.57	52.1	34.7	5.02	48.80	31.18	5.54	45.15	33.49	6.11
1950	80	62	61.1	46.7	3.85	58.4	47.4	4.23	55.7	45.8	4.64	52.7	45.0	5.09	49.37	44.36	5.61	45.85	43.57	6.18
	80	67	66.4	38.6	3.96	63.6	39.6	4.33	60.7	38.4	4.74	57.6	37.7	5.20	54.22	37.47	5.71	50.60	37.08	6.29
	80	72	71.7	30.7	4.08	68.7	31.9	4.44	65.6	30.8	4.85	62.2	30.3	5.31	58.62	30.21	5.83	54.80	30.06	6.41
	75	63	61.4	37.4	3.86	58.7	38.1	4.24	55.9	36.8	4.64	52.8	36.1	5.09	49.47	35.58	5.61	45.82	34.96	6.18
2100	80	62	61.9	49.0	3.92	59.1	48.6	4.30	56.3	47.3	4.70	53.3	46.7	5.16	50.00	45.80	5.68	46.51	45.12	6.25
	80	67	67.2	40.4	4.04	64.4	40.7	4.40	61.4	39.5	4.81	58.2	39.1	5.27	54.82	38.54	5.79	51.15	38.36	6.36
	80	72	72.5	32.0	4.15	69.5	32.6	4.52	66.3	31.4	4.93	62.9	31.2	5.39	59.21	30.81	5.90	55.32	30.87	6.48
	75	63	62.2	39.0	3.93	59.4	39.2	4.30	56.5	37.9	4.71	53.4	37.3	5.16	50.05	36.60	5.68	46.36	36.12	6.25

COOLING EXPANDED RATINGS WITH AIR HANDLER (CONTINUED)

FSA1BD4M1SN42K with B6EMMX42K-B

O.D.T			65°F			75°F			85°F			95°F			105°F			115°F		
CFM	E.D.B.	E.W.B.	T.C.	S.C.	K.W.	T.C.	S.C.	K.W.	T.C.	S.C.	K.W.	T.C.	S.C.	K.W.	T.C.	S.C.	K.W.	T.C.	S.C.	K.W.
1225	80	62	42.4	32.4	2.33	40.9	32.1	2.56	39.2	32.3	2.83	37.2	31.6	3.16	35.26	33.20	3.53	33.24	31.30	3.92
	80	67	46.4	26.7	2.34	44.7	26.6	2.58	42.7	26.8	2.88	40.6	26.3	3.20	38.44	25.93	3.56	36.19	24.17	3.95
	80	72	50.8	20.7	2.37	48.7	20.6	2.63	46.6	21.0	2.92	44.4	20.6	3.23	42.02	20.30	3.59	39.54	20.85	3.98
	75	62	42.3	27.1	2.33	40.8	26.9	2.56	39.1	27.2	2.83	37.1	26.6	3.16	35.09	24.59	3.53	33.03	26.38	3.92
1400	80	62	43.5	34.5	2.36	41.9	35.2	2.60	40.1	34.4	2.87	38.0	33.9	3.21	35.99	33.71	3.57	33.97	33.33	3.97
	80	67	47.5	28.4	2.38	45.6	29.2	2.63	43.5	28.5	2.93	41.4	28.2	3.24	39.17	28.24	3.60	36.80	28.27	3.99
	80	72	51.8	21.7	2.41	49.6	22.7	2.67	47.5	22.1	2.95	45.1	21.9	3.27	42.67	22.08	3.63	40.08	22.25	4.02
	75	62	43.3	28.8	2.36	41.7	29.6	2.60	39.9	28.8	2.87	37.9	28.4	3.21	35.75	28.37	3.57	33.62	28.31	3.96
1575	80	62	44.3	37.0	2.40	42.7	37.2	2.64	40.7	36.3	2.92	38.8	35.9	3.26	36.62	35.32	3.62	34.80	34.65	4.01
	80	67	48.3	30.4	2.42	46.3	30.8	2.67	44.2	30.0	2.97	42.0	30.0	3.28	39.70	29.79	3.64	37.31	29.99	4.03
	80	72	52.6	23.2	2.45	50.4	23.8	2.71	48.1	23.1	2.99	45.7	23.1	3.31	43.19	23.06	3.67	40.57	23.38	4.06
	75	62	44.1	30.8	2.40	42.4	31.1	2.64	40.5	30.4	2.92	38.4	30.2	3.26	36.28	29.94	3.61	34.08	29.80	4.00

FSA1BD4M1SN48K with B6EMMX48K-C

O.D.T			65°F			75°F			85°F			95°F			105°F			115°F		
CFM	E.D.B.	E.W.B.	T.C.	S.C.	K.W.	T.C.	S.C.	K.W.	T.C.	S.C.	K.W.	T.C.	S.C.	K.W.	T.C.	S.C.	K.W.	T.C.	S.C.	K.W.
1400	80	62	49.5	37.8	2.87	47.6	37.4	3.21	45.4	37.4	3.57	43.2	36.7	3.96	40.93	38.49	4.41	38.51	36.22	4.90
	80	67	53.8	31.1	2.91	51.5	30.8	3.25	49.3	31.1	3.60	46.9	30.5	4.00	44.44	30.04	4.45	41.80	28.03	4.94
	80	72	58.9	24.2	2.93	56.5	24.1	3.28	53.9	24.5	3.64	51.2	24.0	4.04	48.37	23.69	4.48	45.22	24.29	4.98
	75	62	49.3	31.6	2.87	47.3	31.3	3.21	45.2	31.5	3.57	43.0	30.8	3.96	40.72	28.44	4.40	38.27	30.50	4.90
1600	80	62	50.6	40.1	2.93	48.6	40.9	3.26	46.4	39.9	3.62	44.2	39.4	4.01	41.78	39.08	4.46	39.36	38.62	4.95
	80	67	55.0	33.0	2.96	52.7	33.9	3.30	50.3	33.0	3.65	47.9	32.6	4.05	45.25	32.64	4.50	42.52	32.62	4.99
	80	72	59.9	25.4	2.99	57.4	26.6	3.33	54.6	25.8	3.69	51.8	25.5	4.09	48.96	25.67	4.53	46.01	25.79	5.03
	75	62	50.4	33.5	2.93	48.4	34.3	3.26	46.1	33.4	3.62	43.9	32.9	4.01	41.49	32.82	4.46	38.95	32.68	4.95
1800	80	62	51.6	43.0	2.98	49.5	43.2	3.32	47.2	42.1	3.67	44.9	41.7	4.06	42.63	40.85	4.51	40.30	40.13	5.01
	80	67	55.9	35.3	3.01	53.6	35.7	3.35	51.1	34.8	3.70	48.6	34.7	4.10	45.89	34.41	4.55	43.14	34.58	5.05
	80	72	60.5	27.2	3.03	58.0	27.7	3.37	55.3	26.9	3.75	52.5	26.9	4.14	49.60	26.72	4.58	46.58	27.03	5.08
	75	62	51.4	35.8	2.98	49.1	36.1	3.32	46.9	35.2	3.67	44.6	34.9	4.06	42.07	34.60	4.51	39.45	34.40	5.00

FSA1BD4M1SN60K with B6EMMX60K-C

O.D.T			65°F			75°F			85°F			95°F			105°F			115°F		
CFM	E.D.B.	E.W.B.	T.C.	S.C.	K.W.	T.C.	S.C.	K.W.	T.C.	S.C.	K.W.	T.C.	S.C.	K.W.	T.C.	S.C.	K.W.	T.C.	S.C.	K.W.
1600	80	62	60.0	44.8	3.55	57.6	44.4	3.97	55.3	44.7	4.42	52.8	43.7	4.92	50.17	45.92	5.49	47.40	43.39	6.15
	80	67	65.1	37.1	3.64	62.5	36.8	4.03	60.0	37.2	4.48	57.3	36.5	4.99	54.43	35.97	5.57	51.42	33.66	6.21
	80	72	71.4	28.9	3.71	68.7	28.8	4.12	65.8	29.4	4.57	62.7	28.9	5.07	59.51	28.48	5.65	56.09	29.30	6.29
	75	62	59.7	37.7	3.55	57.3	37.3	3.97	55.0	37.6	4.41	52.5	36.8	4.92	49.91	34.20	5.49	47.11	36.60	6.14
1750	80	62	61.0	46.8	3.60	58.6	47.8	4.02	56.1	46.4	4.46	53.6	45.9	4.97	50.89	45.83	5.54	48.05	45.63	6.19
	80	67	66.1	38.5	3.68	63.5	39.7	4.08	60.9	38.7	4.53	58.1	38.3	5.03	55.18	38.35	5.61	52.08	38.40	6.26
	80	72	72.4	29.9	3.75	69.6	31.3	4.17	66.5	30.4	4.62	63.3	30.2	5.12	59.97	30.46	5.69	56.33	30.75	6.33
	75	62	60.7	39.2	3.60	58.3	40.1	4.01	55.9	39.1	4.46	53.3	38.6	4.97	50.60	38.54	5.54	47.71	38.46	6.19
1900	80	62	61.8	49.1	3.65	59.4	49.4	4.06	56.9	48.3	4.51	54.3	48.1	5.02	51.54	47.61	5.59	48.68	47.50	6.24
	80	67	67.0	40.6	3.72	64.4	41.1	4.13	61.7	40.1	4.58	58.8	40.0	5.08	55.80	39.75	5.66	52.62	40.02	6.30
	80	72	73.2	31.5	3.80	70.2	32.3	4.21	67.1	31.3	4.66	63.7	31.5	5.16	60.26	31.37	5.73	56.81	31.82	6.37
	75	62	61.5	41.2	3.64	59.1	41.5	4.06	56.6	40.5	4.50	54.0	40.3	5.01	51.17	39.96	5.58	48.19	40.06	6.23



GENERAL TERMS OF LIMITED WARRANTY

Nortek Global HVAC, LLC will furnish a replacement for any part of this product which fails in normal use and service within the terms and conditions of the warranty.

For complete details of the Limited Warranty, including applicable terms and conditions, see your local installer or contact the Nortek Global HVAC, LLC warranty department for a copy.

Before purchasing this appliance, read important energy cost and efficiency information available from your retailer. Specifications and illustrations subject to change without notice and without incurring obligations. Printed in U.S.A (04/2017)