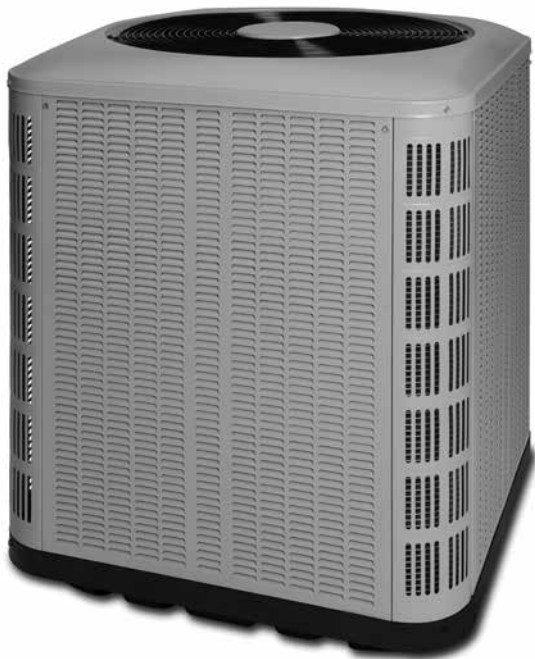


## ESH1BE Series

### High Efficiency Heat Pump 14 SEER Residential System 1 1/2 – 5 Ton Capacity

The ESH1BE Series of heat pumps offers exceptional performance. The unit, when combined with our engineered coils or air handlers, offers a full line of quality, split system cooling equipment.

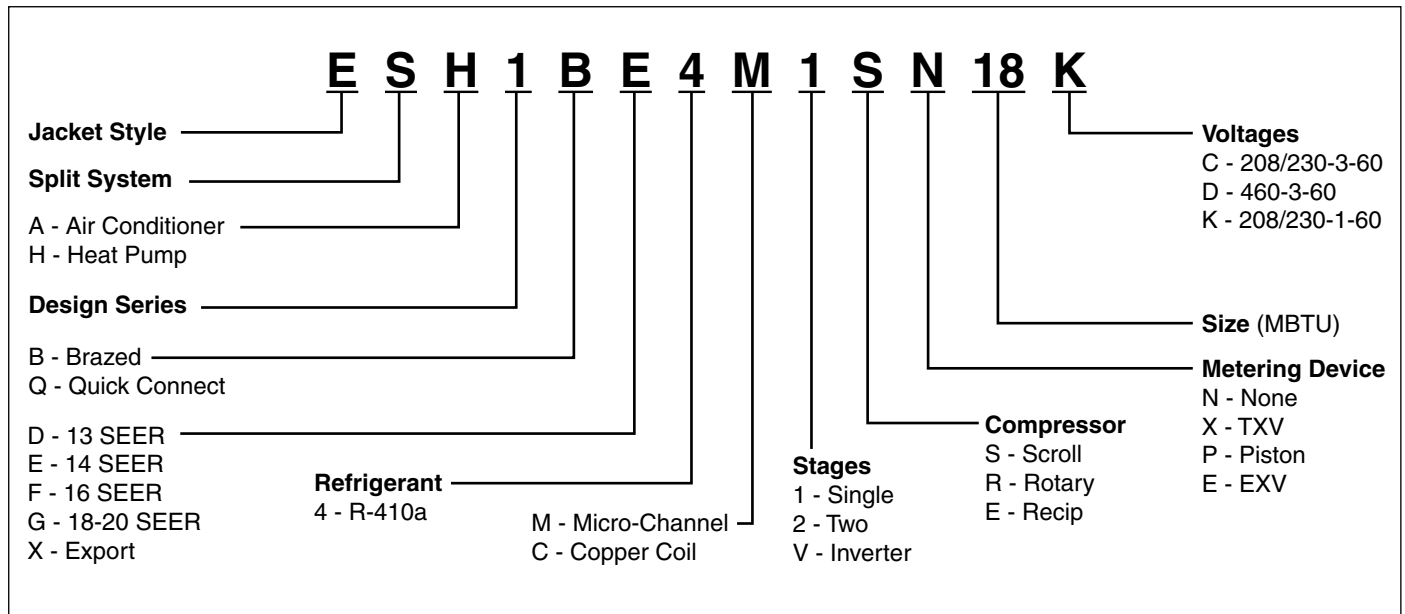


### FEATURES and BENEFITS

- **Designed Using Galvanized Steel:** With a polyester urethane coat finish, it passes 950 hours of salt spray per ASTM Std. B117.
- **Permanently Lubricated Motor** – A heavy duty PSC motor for long lasting reliability and quiet operation. Requires no maintenance and is completely protected from rain and snow.
- **Composite Base Pan** – Absorbs sound and is corrosion resistant. Composite is also stronger and lighter than steel.
- **Louvered Condenser Guard** – Durable metal guard protects the coil from yard hazards and extreme weather.
- **Removable Top Grille Assembly** – Allows ease of service from the top without disconnecting fan motor leads.
- **High Pressure Switch** – Protects against abnormally high system pressures. Auto-reset feature prevents nuisance service visits.
- **Liquid Line Filter Drier** – Included with unit, field installed.
- **One Piece Top/Orifice** – Designed for maximum airflow and quiet operation.
- **Five Minute Restart Time Delay** – When the unit shuts down, a five minute delay keeps the unit from restarting, eliminating the highest cause for compressor failure.
- **Easy Compressor and Control Access** – Designed to make servicing easier for the contractor, access panels are provided to all controls and the compressor from the side of the unit.
- **Fixed Orifice** – Integrated in liquid line service valve for easy change-out.
- **Micro-Channel Coils** – All aluminum coils in all models which provides high corrosion resistance.
- **Service-Friendly Jacket:** Side panels can be easily removed and replaced without removing the top grill.



# MODEL IDENTIFICATION CODES

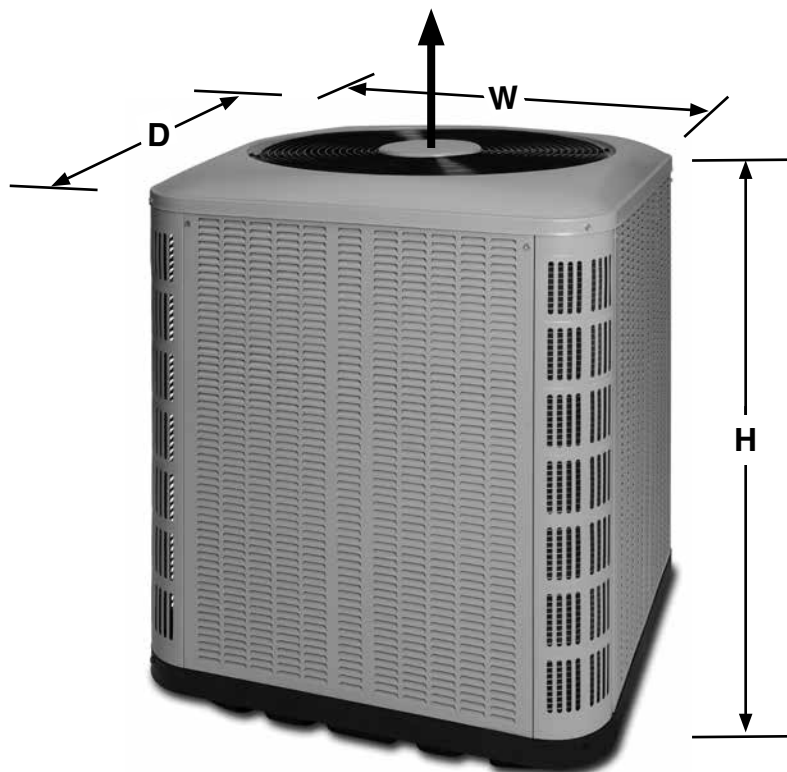


## DIMENSIONS

### AIR CONDITIONER OUTDOOR SECTION

ESH1BE	018K	024K	030K	036K	042K	048K	060KA
H	33.25	33.25	41.25	45.25	45.25	45.25	45.25
W	31.75	31.75	31.75	31.75	31.75	31.75	31.75
D	31.75	31.75	31.75	31.75	31.75	31.75	31.75

**Air Discharge**  
**Allow Adequate Clearance for Airflow**



# PHYSICAL AND ELECTRICAL SPECIFICATIONS / OUTDOOR UNITS

## 14 SEER — High Efficiency — Single Phase

Model Number ESH1BE			18K	24K	30K	36K	42K	48K	60KA	
<b>Electrical Data</b>	Volts-Cycles-Phase (1)		208/230-60-1							
	Total Amps		9.9	14.4	13.7	15.1	19.4	21.3	26.9	
	Delay Fuse Max. (2)		20	30	25	30	40	45	50	
	Min. Circuit Ampacity		12.1	17.7	16.9	18.6	23.9	26.3	33.0	
	Fan Motor	HP	0.13	0.13	0.13	0.20	0.25	0.25	0.33	
<b>Refrigerant suction line O.D.</b> NOTE: Liquid line is 3/8" O.D. for entire length."			0-24 ft.	3/4"	3/4"	3/4"	7/8"	7/8"	7/8"	7/8"
			25-39 ft.	3/4"	3/4"	3/4"	7/8"	7/8"	7/8"	1-1/8" (3)
			40-75 ft.	3/4"	3/4"	3/4"	7/8"	7/8"	7/8"	1-1/8" (3)
<b>Approximate Weight (lbs.)</b>			Net	185	192	208	212	232	234	236
			Ship	196	203	220	225	245	247	249
<b>Sound Rating db</b>			75	75	75	76	79	79	79	

- (1) Operating Voltage Range: 187v min. - 253v max.  
 (2) HACR Type Circuit Breakers may be used.  
 (3) Requires 7/8" to 1-1/8" reducer from line to unit.

**Notes:**

- Additional charge for line sets above 15 feet.  
 Values based on suction line as follows with 3/8" liquid line.  
 a) 3/4" = 0.6 oz. per additional foot.  
 b) 7/8" = 0.7 oz. per additional foot.  
 c) 1 1/8" = 0.8 oz. per additional foot.

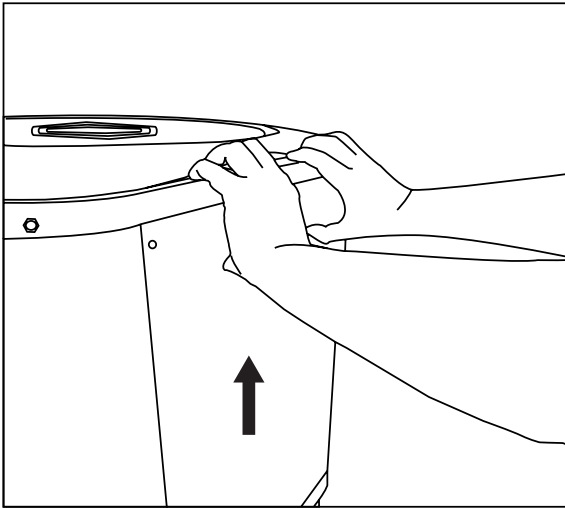
## ACCESSORIES - Condensing Unit

### Start Assist Kit - 912933

Provides additional starting torque for the compressor motor when operating with low line voltage or high operating temperatures.

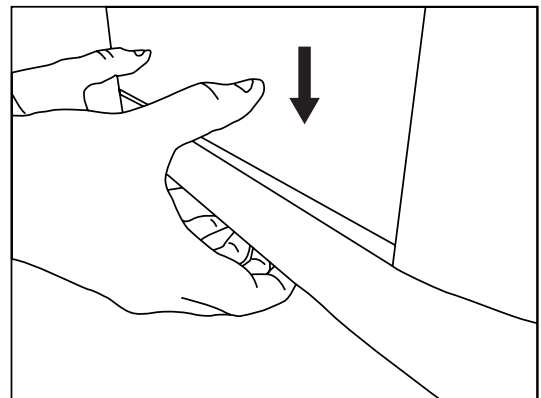
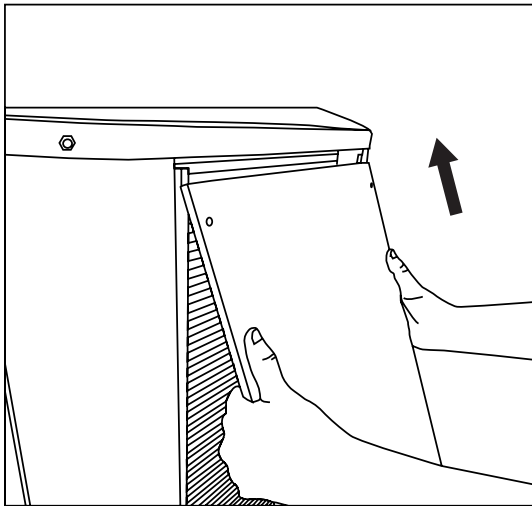
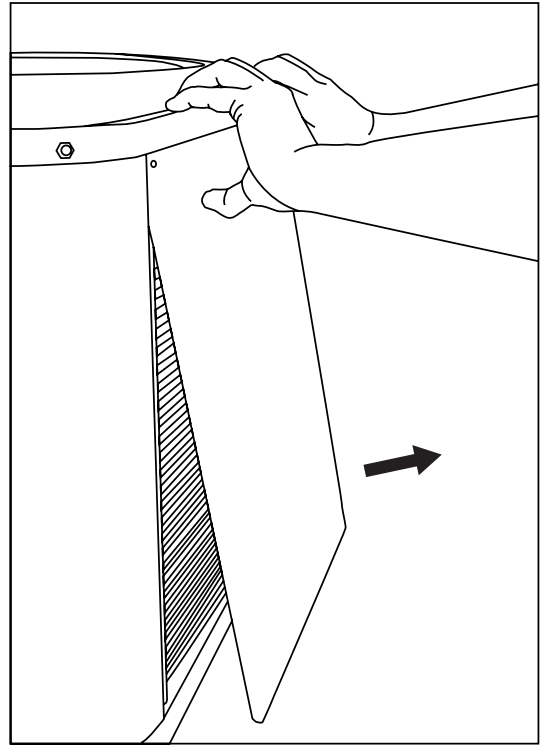
### Cantilever Kit - 1018671

## PANEL REMOVAL AND REPLACEMENT INSTRUCTIONS



### Removing Panels:

1. Remove screws.
2. Pull up on panel.
3. Rotate bottom of panel out.
4. Pull panel off.



### Reinstalling Panels:

1. Place panel back in towards top of unit.
2. Rotate bottom of panel inwards.
3. Push panel down until it fills gap at bottom of unit.
4. Replace screws.

# SYSTEM HEATING AND COOLING CAPACITIES

## 14+ SEER — High Efficiency — Single Phase

Outdoor Unit	Indoor Unit	BTUH	SEER	EER	Heating Capacity BTUH @ 47° F	HSPF	CFM
ESH1BE4M1SP18K	C7B(A,H)M01824(C,U)-A	17,900	14.0	11.5	17,000	7.7	660
ESH1BE4M1SP18K	C7B(A,H)M01824(C,U)-B	17,900	14.0	11.5	17,000	7.7	660
ESH1BE4M1SP24K	C7B(A,H)M01824(C,U)-A	23,600	14.0	12.2	22,600	8.2	810
ESH1BE4M1SP24K	C7B(A,H)M01824(C,U)-B	23,600	14.0	12.2	22,600	8.2	810
ESH1BE4M1SP24K	C7B(A,H)M030(C,U)-C	23,600	14.0	12.2	22,600	8.2	810
ESH1BE4M1SP30K	C7B(A,H)M03036(C,U)-A	28,000	14.0	12.2	28,000	8.2	980
ESH1BE4M1SP30K	C7B(A,H)M03036(C,U)-B	28,000	14.0	12.2	28,000	8.2	980
ESH1BE4M1SP30K	C7B(A,H)M030(C,U)-C	28,000	14.0	12.2	28,000	8.2	980
ESH1BE4M1SP36K	C7B(A,H)M03642(C,U)-B	34,600	14.0	12.2	33,000	8.2	1140
ESH1BE4M1SP36K	C7B(A,H)M03648(C,U)-C	34,600	14.0	12.2	33,000	8.2	1140
ESH1BE4M1SP42K	C7B(A,H)M03642(C,U)-B	40,500	14.0	12.2	41,000	8.2	1275
ESH1BE4M1SP42K	C7B(A,H)M03648(C,U)-C	40,500	14.0	12.2	41,000	8.2	1275
ESH1BE4M1SP42K	C7B(A,H)M042(C,U)-D	40,500	14.0	12.2	41,000	8.2	1275

Outdoor Unit	Indoor Unit	BTUH	SEER	EER	Heating Capacity BTUH @ 47° F	HSPF	CFM
ESH1BE4M1SP18K	B6BMM024K-A	17,500	14.0	11.5	16,700	8.2	650
ESH1BE4M1SP24K	B6BMM024K-A	23,600	14.0	11.5	23,600	8.2	825
ESH1BE4M1SP30K	B6BMM030K-A	28,600	14.0	11.5	29,200	8.2	1040
ESH1BE4M1SP36K	B6BMM042K-B	34,400	14.0	11.5	34,000	8.2	1195
ESH1BE4M1SP42K	B6BMM042K-B	39,500	14.0	11.5	40,500	8.2	1275
ESH1BE4M1SP48K	B6BMM060K-C	45,500	14.0	11.5	46,000	8.2	1555

Outdoor Unit	Indoor Unit	BTUH	SEER	EER	Heating Capacity BTUH @ 47° F	HSPF	CFM
ESH1BE4M1SP18K	B6EMMX24K-A	18,000	14.5	12.0	16,400	8.2	650
ESH1BE4M1SP24K	B6EMMX24K-A	23,800	15.0	12.5	22,000	8.5	815
ESH1BE4M1SP30K	B6EMMX30K-A	28,000	15.0	12.5	26,200	8.5	980
ESH1BE4M1SP36K	B6EMMX36K-B	34,200	15.0	12.5	32,600	8.5	1145
ESH1BE4M1SP42K	B6EMMX42K-B	40,000	15.0	12.5	40,000	8.5	1265
ESH1BE4M1SP48K	B6EMMX48K-C	46,000	15.0	12.5	45,000	8.5	1510
ESH1BE4M1SP60KA	B6EMMX60K-C	54,500	14.0	11.5	56,500	8.2	1645

All ratings are with time delay relay.

See current AHRI Directory for certified combinations and ratings.

[www.ahridirectory.org](http://www.ahridirectory.org)



# 14 SEER COOLING EXPANDED RATINGS - LOOSE COIL (CONTINUED)

ESH1BE4M1SP42K with C7B(A,H)M03642(C,U)-B+TXV

O.D.T			65°F			75°F			85°F			95°F			105°F			115°F		
CFM	E.D.B.	E.W.B.	T.C.	S.C.	K.W.	T.C.	S.C.	K.W.	T.C.	S.C.	K.W.	T.C.	S.C.	K.W.	T.C.	S.C.	K.W.	T.C.	S.C.	K.W.
1400	80	62	43.7	35.8	2.57	42.1	35.6	2.80	40.3	35.6	3.07	38.4	34.9	3.38	36.4	35.8	3.73	34.3	33.8	4.12
	80	67	47.4	29.5	2.58	45.5	29.3	2.82	43.5	29.5	3.09	41.4	28.9	3.41	39.1	28.4	3.76	36.7	26.7	4.15
	80	72	51.2	22.8	2.60	49.2	22.6	2.84	47.0	22.9	3.12	44.6	22.4	3.43	42.1	21.9	3.79	39.5	22.3	4.18
1600	75	62	43.2	29.8	2.56	41.6	29.4	2.80	39.7	29.6	3.07	37.8	28.9	3.37	35.7	26.6	3.73	33.5	28.5	4.11
	80	62	44.7	38.3	2.64	43.0	38.9	2.88	41.2	37.8	3.15	39.2	37.0	3.46	37.3	36.1	3.81	35.4	35.1	4.21
	80	67	48.3	31.4	2.66	46.3	32.2	2.90	44.3	31.4	3.17	42.0	30.8	3.49	39.6	30.7	3.84	37.2	30.6	4.23
	80	72	52.1	23.8	2.68	50.0	24.8	2.92	47.7	24.0	3.20	45.2	23.7	3.52	42.7	23.7	3.87	40.0	23.6	4.26
1800	75	62	44.0	31.6	2.64	42.3	32.2	2.87	40.4	31.4	3.15	38.4	30.9	3.45	36.2	30.7	3.81	34.0	30.4	4.19
	80	62	45.6	40.8	2.72	43.9	40.6	2.96	42.0	39.2	3.23	40.2	38.2	3.55	38.3	37.0	3.90	36.2	36.0	4.29
	80	67	48.8	33.7	2.73	46.9	33.8	2.98	44.7	32.9	3.25	42.4	32.7	3.57	40.0	32.4	3.92	37.5	32.3	4.31
	80	72	52.8	25.4	2.75	50.5	25.8	2.99	48.2	25.0	3.28	45.7	24.8	3.60	43.0	24.6	3.95	40.2	24.7	4.34
	75	62	44.6	33.8	2.72	42.8	34.0	2.95	40.9	33.1	3.22	38.8	32.8	3.53	36.6	32.3	3.88	34.3	32.1	4.27





# 14 SEER HEATING EXPANDED RATINGS - LOOSE COIL (CONTINUED)

ESH1BE4M1SP42K with C7B(A,H)M03642(C,U)-B+TXV

		OUTDOOR TEMPERATURE (Deg. F)																							
CFM	Indoor T. Deg.F	10			17			20			30			40			47			50			60		
		MBH	COP	kW	MBH	COP	kW	MBH	COP	kW	MBH	COP	kW	MBH	COP	kW	MBH	COP	kW	MBH	COP	kW	MBH	COP	kW
1125	60	21.9	2.48	2.59	25.7	2.81	2.69	27.4	2.94	2.73	32.8	3.36	2.87	38.3	3.74	3.01	42.2	3.98	3.11	43.8	4.08	3.15	49.3	4.40	3.29
	70	21.1	2.29	2.71	24.8	2.59	2.81	26.4	2.71	2.86	31.7	3.09	3.01	37.0	3.43	3.17	40.7	3.65	3.27	42.3	3.74	3.32	47.6	4.02	3.47
	80	20.6	2.12	2.84	24.1	2.39	2.96	25.7	2.50	3.01	30.7	2.84	3.17	35.8	3.14	3.34	39.3	3.34	3.45	40.9	3.42	3.50	45.9	3.67	3.67
1275	60	22.0	2.45	2.64	25.9	2.79	2.73	27.6	2.92	2.77	33.2	3.35	2.90	38.8	3.75	3.03	42.7	4.00	3.13	44.3	4.11	3.17	49.9	4.44	3.30
	70	21.3	2.27	2.75	25.1	2.58	2.85	26.7	2.70	2.90	32.1	3.09	3.04	37.4	3.44	3.19	41.2	3.67	3.29	42.8	3.76	3.34	48.2	4.06	3.48
	80	20.7	2.11	2.89	24.3	2.38	3.00	25.9	2.49	3.05	31.1	2.84	3.20	36.2	3.16	3.36	39.8	3.37	3.47	41.4	3.45	3.52	46.5	3.71	3.67
1425	60	22.1	2.42	2.68	26.1	2.76	2.77	27.8	2.90	2.81	33.4	3.34	2.94	39.1	3.74	3.06	43.1	4.01	3.15	44.8	4.11	3.19	50.5	4.45	3.32
	70	21.6	2.26	2.80	25.4	2.57	2.89	27.0	2.70	2.94	32.4	3.09	3.08	37.8	3.45	3.22	41.6	3.68	3.31	43.3	3.78	3.36	48.7	4.08	3.50
	80	20.9	2.09	2.93	24.6	2.37	3.04	26.1	2.49	3.08	31.4	2.84	3.23	36.6	3.17	3.38	40.2	3.38	3.49	41.8	3.47	3.53	47.0	3.74	3.69



# 14 SEER COOLING EXPANDED RATINGS - STANDARD AH (CONTINUED)

ESH1BE4M1SP42K with B6BMM042K-B

O.D.T			65°F			75°F			85°F			95°F			105°F			115°F		
CFM	E.D.B.	E.W.B.	T.C.	S.C.	K.W.	T.C.	S.C.	K.W.	T.C.	S.C.	K.W.	T.C.	S.C.	K.W.	T.C.	S.C.	K.W.	T.C.	S.C.	K.W.
1225	80	62	41.7	33.3	2.44	40.2	33.1	2.67	38.4	33.2	2.94	36.6	32.5	3.25	34.61	33.78	3.60	32.55	31.78	3.99
	80	67	45.6	27.5	2.46	43.8	27.3	2.69	41.9	27.6	2.97	39.8	27.1	3.27	37.56	26.63	3.62	35.21	24.90	4.02
	80	72	50.2	21.1	2.48	48.1	21.0	2.72	46.0	21.4	2.99	43.6	21.0	3.31	41.15	20.64	3.66	38.52	21.12	4.05
	75	62	41.5	27.8	2.44	39.9	27.6	2.67	38.2	27.8	2.94	36.2	27.1	3.25	34.23	24.98	3.60	32.11	26.80	3.99
1400	80	62	42.7	35.7	2.51	41.1	36.3	2.74	39.3	35.4	3.01	37.4	34.8	3.32	35.41	34.21	3.67	33.54	33.26	4.06
	80	67	46.6	29.4	2.52	44.7	30.2	2.76	42.7	29.4	3.03	40.4	29.1	3.34	38.17	28.95	3.69	35.71	28.89	4.09
	80	72	51.1	22.3	2.54	49.0	23.3	2.78	46.7	22.6	3.06	44.2	22.4	3.38	41.62	22.53	3.73	38.90	22.61	4.12
	75	62	42.4	29.7	2.51	40.7	30.2	2.74	38.8	29.5	3.01	36.9	29.1	3.32	34.76	28.96	3.67	32.58	28.80	4.05
1575	80	62	43.6	38.3	2.57	41.9	38.3	2.81	40.2	37.1	3.08	38.3	36.3	3.39	36.42	35.19	3.74	34.43	34.29	4.14
	80	67	47.2	31.6	2.59	45.3	32.0	2.83	43.2	31.2	3.10	40.9	30.9	3.41	38.55	30.64	3.76	36.04	30.70	4.15
	80	72	51.7	23.9	2.61	49.5	24.4	2.85	47.1	23.7	3.13	44.6	23.7	3.44	42.01	23.60	3.80	39.25	23.82	4.19
	75	62	43.1	31.7	2.57	41.3	32.0	2.81	39.4	31.2	3.07	37.4	31.0	3.38	35.19	30.60	3.73	32.94	30.52	4.12

ESH1BE4M1SP48K with B6BMM060K-C

O.D.T			65°F			75°F			85°F			95°F			105°F			115°F		
CFM	E.D.B.	E.W.B.	T.C.	S.C.	K.W.	T.C.	S.C.	K.W.	T.C.	S.C.	K.W.	T.C.	S.C.	K.W.	T.C.	S.C.	K.W.	T.C.	S.C.	K.W.
1400	80	62	47.1	36.1	2.64	45.3	35.9	2.92	43.2	35.7	3.23	41.0	35.0	3.59	38.65	36.75	3.99	36.19	34.41	4.44
	80	67	51.7	29.7	2.67	49.5	29.5	2.95	47.3	29.8	3.26	44.9	29.2	3.62	42.30	28.72	4.02	39.65	26.54	4.47
	80	72	56.7	23.1	2.70	54.4	22.9	2.98	51.9	23.4	3.29	49.2	22.8	3.65	46.39	22.45	4.05	43.45	22.98	4.50
	75	62	47.1	30.2	2.64	45.2	29.9	2.92	43.1	30.1	3.23	40.9	29.4	3.59	38.53	27.04	3.99	36.06	29.10	4.44
1600	80	62	48.3	38.3	2.70	46.3	39.1	2.97	44.2	38.1	3.29	41.9	37.6	3.64	39.45	37.18	4.05	36.93	36.62	4.49
	80	67	52.9	31.6	2.72	50.7	32.5	3.00	48.3	31.7	3.32	45.8	31.3	3.67	43.08	31.29	4.07	40.29	31.26	4.52
	80	72	58.0	24.3	2.75	55.5	25.4	3.03	52.9	24.6	3.35	50.1	24.3	3.71	47.16	24.42	4.11	44.09	24.55	4.55
	75	62	48.1	32.1	2.70	46.2	32.8	2.97	44.0	32.0	3.28	41.7	31.5	3.64	39.24	31.41	4.05	36.68	31.26	4.49
1800	80	62	49.2	41.1	2.75	47.2	41.3	3.02	45.0	40.3	3.34	42.6	39.7	3.70	40.19	38.83	4.10	38.03	37.86	4.55
	80	67	53.8	33.9	2.77	51.5	34.3	3.05	49.1	33.5	3.37	46.4	33.3	3.73	43.68	33.07	4.13	40.82	33.20	4.57
	80	72	59.0	26.0	2.81	56.4	26.5	3.08	53.6	25.7	3.40	50.8	25.7	3.76	47.75	25.54	4.16	44.61	25.83	4.60
	75	62	49.0	34.4	2.75	47.0	34.6	3.02	44.7	33.8	3.34	42.3	33.5	3.69	39.80	33.18	4.10	37.15	32.84	4.54



# 14 SEER HEATING EXPANDED RATINGS - STANDARD AH (CONTINUED)

ESH1BE4M1SP42K with B6BMM042K-B

		OUTDOOR TEMPERATURE (Deg. F)																							
CFM	Indoor T. Deg.F	10			17			20			30			40			47			50			60		
		MBH	COP	kW	MBH	COP	kW	MBH	COP	kW	MBH	COP	kW	MBH	COP	kW	MBH	COP	kW	MBH	COP	kW	MBH	COP	kW
1125	60	21.0	2.39	2.58	24.9	2.75	2.65	26.6	2.90	2.69	32.1	3.38	2.79	37.7	3.81	2.90	41.6	4.10	2.97	43.3	4.22	3.01	48.8	4.60	3.11
	70	20.3	2.21	2.69	24.1	2.54	2.77	25.7	2.68	2.81	31.0	3.11	2.93	36.4	3.50	3.05	40.1	3.76	3.13	41.7	3.87	3.17	47.1	4.20	3.29
	80	19.8	2.05	2.82	23.4	2.35	2.91	24.9	2.47	2.95	30.0	2.86	3.08	35.2	3.22	3.20	38.8	3.45	3.29	40.3	3.55	3.33	45.4	3.85	3.46
1275	60	21.2	2.37	2.62	25.1	2.74	2.70	26.8	2.89	2.73	32.5	3.37	2.83	38.1	3.82	2.93	42.1	4.12	3.00	43.8	4.24	3.03	49.4	4.63	3.13
	70	20.5	2.20	2.74	24.3	2.53	2.82	25.9	2.67	2.85	31.4	3.11	2.96	36.8	3.51	3.07	40.6	3.78	3.15	42.2	3.89	3.19	47.7	4.24	3.30
	80	19.9	2.03	2.87	23.6	2.34	2.95	25.1	2.46	2.99	30.4	2.86	3.11	35.6	3.23	3.23	39.2	3.47	3.32	40.8	3.57	3.35	46.0	3.89	3.47
1425	60	21.3	2.34	2.67	25.3	2.71	2.73	27.0	2.86	2.76	32.7	3.36	2.86	38.5	3.81	2.96	42.5	4.12	3.03	44.2	4.24	3.06	50.0	4.65	3.15
	70	20.7	2.19	2.78	24.6	2.52	2.86	26.2	2.66	2.89	31.7	3.11	3.00	37.2	3.52	3.10	41.1	3.79	3.18	42.7	3.90	3.21	48.2	4.26	3.32
	80	20.1	2.02	2.91	23.8	2.33	2.99	25.4	2.46	3.03	30.7	2.86	3.14	35.9	3.23	3.26	39.6	3.48	3.34	41.2	3.58	3.37	46.5	3.91	3.49

ESH1BE4M1SP48K with B6BMM060K-C

		OUTDOOR TEMPERATURE (Deg. F)																							
CFM	Indoor T. Deg.F	10			17			20			30			40			47			50			60		
		MBH	COP	kW	MBH	COP	kW	MBH	COP	kW	MBH	COP	kW	MBH	COP	kW	MBH	COP	kW	MBH	COP	kW	MBH	COP	kW
1355	60	22.8	2.50	2.67	27.4	2.89	2.78	29.3	3.04	2.83	35.9	3.53	2.98	42.4	3.96	3.14	47.0	4.24	3.25	48.9	4.36	3.29	55.5	4.72	3.45
	70	22.0	2.30	2.80	26.5	2.66	2.92	28.4	2.80	2.97	34.7	3.24	3.14	41.1	3.64	3.31	45.5	3.90	3.43	47.4	4.00	3.48	53.8	4.33	3.65
	80	21.5	2.14	2.95	25.8	2.46	3.08	27.6	2.59	3.13	33.7	2.99	3.31	39.9	3.35	3.49	44.2	3.58	3.62	46.0	3.67	3.68	52.1	3.96	3.86
1555	60	23.0	2.48	2.73	27.7	2.87	2.83	29.7	3.03	2.87	36.3	3.53	3.02	43.0	3.98	3.16	47.6	4.28	3.27	49.6	4.40	3.31	56.3	4.78	3.46
	70	22.3	2.29	2.86	26.8	2.65	2.97	28.8	2.80	3.02	35.2	3.25	3.18	41.6	3.66	3.33	46.2	3.93	3.45	48.1	4.04	3.49	54.5	4.38	3.65
	80	21.7	2.11	3.01	26.1	2.44	3.13	27.9	2.58	3.18	34.2	2.99	3.35	40.4	3.37	3.52	44.8	3.61	3.64	46.7	3.71	3.69	52.9	4.02	3.86
1755	60	23.1	2.44	2.78	27.9	2.84	2.88	29.9	3.00	2.92	36.7	3.52	3.06	43.5	3.98	3.20	48.2	4.29	3.30	50.3	4.41	3.34	57.0	4.80	3.48
	70	22.6	2.28	2.92	27.2	2.64	3.02	29.1	2.79	3.07	35.7	3.25	3.22	42.2	3.68	3.37	46.8	3.95	3.47	48.7	4.06	3.52	55.2	4.42	3.67
	80	22.0	2.10	3.07	26.4	2.43	3.18	28.3	2.57	3.23	34.6	3.00	3.39	40.9	3.38	3.55	45.4	3.63	3.66	47.2	3.74	3.71	53.6	4.06	3.87



# 14 SEER COOLING EXPANDED RATINGS - ECM AH (CONTINUED)

ESH1BE4M1SP42K with B6EMMX42K-B

CFM	O.D.T		65°F			75°F			85°F			95°F			105°F			115°F		
	EDB	EWB	T.C.	S.C.	K.W.	T.C.	S.C.	K.W.	T.C.	S.C.	K.W.	T.C.	S.C.	K.W.	T.C.	S.C.	K.W.	T.C.	S.C.	K.W.
1225	80	62	41.9	33.4	2.41	40.5	33.2	2.62	38.8	33.3	2.87	37.0	32.7	3.17	35.1	34.1	3.51	33.2	32.2	3.90
	80	67	45.9	27.6	2.43	44.1	27.5	2.64	42.2	27.7	2.89	40.2	27.2	3.19	38.1	26.9	3.53	35.9	25.1	3.92
	80	72	50.6	21.3	2.45	48.6	21.2	2.66	46.4	21.7	2.93	44.1	21.3	3.22	41.7	21.0	3.56	39.1	21.5	3.94
	75	62	41.7	28.0	2.41	40.2	27.7	2.62	38.5	27.9	2.87	36.7	27.4	3.17	34.8	25.3	3.51	32.7	27.1	3.89
1400	80	62	43.1	35.9	2.45	41.5	36.5	2.67	39.7	35.6	2.91	37.9	35.1	3.21	36.1	34.6	3.55	34.2	33.9	3.94
	80	67	46.9	29.5	2.47	45.1	30.3	2.68	43.1	29.6	2.93	41.0	29.3	3.23	38.8	29.3	3.57	36.5	29.2	3.96
	80	72	51.5	22.5	2.48	49.4	23.6	2.71	47.0	22.9	2.96	44.6	22.7	3.26	42.2	22.8	3.60	39.7	22.9	3.98
	75	62	42.6	29.8	2.45	41.0	30.4	2.66	39.3	29.7	2.91	37.4	29.3	3.21	35.4	29.2	3.55	33.3	29.1	3.93
1575	80	62	44.1	38.5	2.49	42.4	38.6	2.70	40.7	37.5	2.96	38.8	36.9	3.25	37.1	35.8	3.59	35.2	35.1	3.98
	80	67	47.7	31.8	2.51	45.8	32.2	2.72	43.8	31.4	2.97	41.6	31.1	3.27	39.4	30.9	3.61	37.0	31.1	4.00
	80	72	52.0	24.2	2.53	49.9	24.7	2.74	47.7	24.0	3.00	45.3	24.0	3.30	42.8	23.9	3.64	40.2	24.2	4.02
	75	62	43.5	31.9	2.49	41.8	32.2	2.70	40.0	31.4	2.95	38.0	31.2	3.25	36.0	30.9	3.59	33.8	30.9	3.97

ESH1BE4M1SP48K with B6EMMX48K-C

CFM	O.D.T		65°F			75°F			85°F			95°F			105°F			115°F		
	EDB	EWB	T.C.	S.C.	K.W.	T.C.	S.C.	K.W.	T.C.	S.C.	K.W.	T.C.	S.C.	K.W.	T.C.	S.C.	K.W.	T.C.	S.C.	K.W.
1400	80	62	47.9	37.9	2.67	45.8	37.4	2.95	43.7	37.5	3.22	41.5	36.7	3.55	39.3	38.2	3.92	37.0	36.0	4.33
	80	67	52.4	31.3	2.70	49.8	30.9	2.98	47.6	31.2	3.25	45.2	30.5	3.57	42.7	30.0	3.94	40.0	28.0	4.36
	80	72	57.8	24.3	2.74	54.9	24.1	3.01	52.2	24.5	3.28	49.3	24.0	3.60	46.3	23.5	3.97	43.5	24.0	4.38
	75	62	47.7	31.7	2.67	45.5	31.3	2.95	43.4	31.4	3.22	41.2	30.7	3.55	38.9	28.3	3.92	36.4	30.2	4.33
1600	80	62	49.2	40.6	2.72	46.8	41.1	3.00	44.7	40.1	3.28	42.5	39.4	3.60	40.2	38.8	3.97	38.1	37.8	4.38
	80	67	53.6	33.4	2.75	50.9	34.1	3.04	48.5	33.2	3.30	46.0	32.8	3.62	43.5	32.8	3.99	40.7	32.7	4.41
	80	72	58.7	25.7	2.78	55.4	26.6	3.06	52.8	25.8	3.33	50.0	25.4	3.65	47.2	25.5	4.02	44.2	25.5	4.43
	75	62	48.8	33.8	2.73	46.4	34.4	3.00	44.3	33.5	3.27	42.0	32.8	3.60	39.6	32.6	3.97	37.1	32.4	4.38
1800	80	62	50.2	43.6	2.78	47.9	43.5	3.05	45.7	42.2	3.33	43.5	41.3	3.65	41.4	40.0	4.02	39.2	39.1	4.44
	80	67	54.6	35.9	2.80	51.8	36.1	3.08	49.3	35.2	3.35	46.8	35.0	3.67	44.0	34.7	4.04	41.3	34.6	4.46
	80	72	59.4	27.5	2.83	56.3	27.8	3.11	53.6	26.9	3.38	50.7	26.8	3.70	47.8	26.6	4.06	44.8	26.8	4.47
	75	62	49.7	36.3	2.77	47.3	36.2	3.05	45.0	35.2	3.32	42.6	34.9	3.65	40.1	34.5	4.02	37.6	34.4	4.43

ESH1BE4M1SP60KA with B6EMMX60K-C

CFM	O.D.T		65°F			75°F			85°F			95°F			105°F			115°F		
	EDB	EWB	T.C.	S.C.	K.W.	T.C.	S.C.	K.W.	T.C.	S.C.	K.W.	T.C.	S.C.	K.W.	T.C.	S.C.	K.W.	T.C.	S.C.	K.W.
1495	80	62	56.1	45.2	3.33	54.2	44.3	3.69	52.1	43.2	4.09	50.0	42.0	4.56	47.6	40.9	5.12	45.0	39.7	5.79
	80	67	60.8	38.6	3.40	58.5	37.5	3.76	56.1	36.4	4.16	53.8	35.3	4.62	51.4	34.3	5.16	48.8	33.1	5.78
	80	72	65.6	31.5	3.48	62.7	30.2	3.84	59.8	29.2	4.23	57.1	28.1	4.69	54.4	27.0	5.21	51.6	25.9	5.81
	75	62	54.7	38.3	3.31	54.0	37.8	3.68	52.0	36.9	4.09	49.9	35.8	4.55	47.5	34.6	5.12	44.8	33.3	5.78
	75	67	60.7	32.1	3.40	58.3	31.0	3.76	56.0	29.9	4.16	53.6	28.9	4.62	51.2	27.8	5.15	48.6	26.8	5.78
1645	80	62	57.2	47.1	3.36	55.1	46.0	3.72	53.1	44.9	4.12	50.9	43.9	4.59	48.4	42.8	5.15	45.7	41.5	5.81
	80	67	62.0	40.0	3.43	59.5	38.9	3.79	57.1	37.8	4.19	54.7	36.7	4.65	52.2	35.6	5.19	49.5	34.4	5.81
	80	72	66.9	32.5	3.50	63.7	31.3	3.87	60.8	30.0	4.27	58.0	28.9	4.72	55.1	27.8	5.25	52.3	26.7	5.84
	75	62	55.8	39.7	3.34	55.0	39.3	3.71	52.9	38.3	4.11	50.7	37.1	4.58	48.3	36.0	5.14	45.5	34.7	5.81
	75	67	61.8	33.0	3.43	59.3	31.9	3.79	56.9	30.8	4.19	54.5	29.9	4.65	52.0	28.8	5.18	49.4	27.6	5.81
1795	80	62	58.1	48.9	3.39	56.0	47.8	3.74	53.8	46.7	4.15	51.6	45.6	4.62	49.1	44.6	5.17	46.3	43.3	5.83
	80	67	62.9	41.3	3.46	60.4	40.2	3.82	57.9	39.1	4.22	55.4	38.0	4.69	52.9	36.9	5.22	50.1	35.6	5.84
	80	72	68.0	33.4	3.52	64.8	32.1	3.88	61.6	30.8	4.30	58.7	29.7	4.76	55.8	28.6	5.28	52.9	27.5	5.88
	75	62	56.7	41.1	3.37	55.8	40.6	3.74	53.7	39.6	4.14	51.5	38.5	4.61	49.0	37.3	5.17	46.1	35.9	5.83
	75	67	62.8	33.9	3.46	60.2	32.8	3.82	57.7	31.7	4.22	55.3	30.7	4.68	52.7	29.5	5.22	50.0	28.3	5.84





# 14 SEER HEATING EXPANDED RATINGS - ECM AH (CONTINUED)

ESH1BE4M1SP42K with B6EMMX42K-B

		OUTDOOR TEMPERATURE (Deg. F)																							
CFM	Indoor T. Deg. F	10			17			20			30			40			47			50			60		
		MBH	COP	KW	MBH	COP	KW	MBH	COP	KW	MBH	COP	KW	MBH	COP	KW	MBH	COP	KW	MBH	COP	KW	MBH	COP	KW
1055	60	20.3	2.62	2.23	23.5	2.86	2.34	24.9	2.96	2.39	29.8	3.28	2.55	34.8	3.56	2.71	38.5	3.75	2.83	40.1	3.83	2.88	45.6	4.07	3.04
	70	20.0	2.23	2.56	23.2	2.51	2.67	24.6	2.62	2.72	29.5	2.99	2.88	34.5	3.33	3.05	38.2	3.56	3.16	39.8	3.65	3.21	45.3	3.95	3.37
	80	19.7	1.83	2.89	22.9	2.15	3.00	24.3	2.28	3.05	29.2	2.70	3.21	34.2	3.10	3.38	37.9	3.36	3.49	39.5	3.47	3.54	45.0	3.82	3.70
1205	60	20.3	2.68	2.24	23.6	2.92	2.35	25.0	3.02	2.40	29.9	3.33	2.56	34.9	3.62	2.73	38.6	3.81	2.84	40.2	3.89	2.89	45.7	4.13	3.05
	70	20.0	2.29	2.57	23.3	2.56	2.69	24.7	2.68	2.73	29.5	3.05	2.90	34.6	3.39	3.06	38.3	3.62	3.17	39.9	3.71	3.22	45.3	4.00	3.38
	80	19.7	1.89	2.90	23.0	2.21	3.02	24.4	2.34	3.07	29.2	2.76	3.23	34.3	3.16	3.39	38.0	3.42	3.50	39.6	3.53	3.55	45.0	3.88	3.71
1355	60	20.4	2.75	2.25	23.7	2.99	2.37	25.1	3.08	2.42	29.9	3.40	2.58	35.0	3.69	2.74	38.7	3.88	2.85	40.3	3.95	2.90	45.7	4.19	3.06
	70	20.1	2.35	2.58	23.4	2.63	2.70	24.8	2.74	2.75	29.6	3.11	2.91	34.7	3.45	3.07	38.3	3.68	3.18	39.9	3.77	3.23	45.4	4.07	3.39
	80	19.8	1.96	2.92	23.0	2.27	3.03	24.5	2.40	3.08	29.3	2.82	3.24	34.4	3.22	3.40	38.0	3.49	3.51	39.6	3.59	3.56	45.1	3.94	3.72

ESH1BE4M1SP48K with B6EMMX48K-C

		OUTDOOR TEMPERATURE (Deg. F)																							
CFM	Indoor T. Deg. F	10			17			20			30			40			47			50			60		
		MBH	COP	KW	MBH	COP	KW	MBH	COP	KW	MBH	COP	KW	MBH	COP	KW	MBH	COP	KW	MBH	COP	KW	MBH	COP	KW
1310	60	23.6	2.67	2.41	27.4	2.97	2.56	29.0	3.08	2.62	34.5	3.42	2.84	40.1	3.67	3.05	44.0	3.80	3.20	45.7	3.84	3.27	51.4	3.93	3.48
	70	23.0	2.33	2.62	26.8	2.65	2.77	28.4	2.78	2.83	33.9	3.14	3.05	39.4	3.42	3.26	43.4	3.57	3.41	45.1	3.62	3.48	50.8	3.74	3.69
	80	22.4	1.99	2.82	26.1	2.33	2.98	27.8	2.47	3.04	33.3	2.86	3.26	38.8	3.17	3.47	42.7	3.34	3.62	44.4	3.40	3.69	50.1	3.55	3.90
1510	60	24.7	2.82	2.55	28.5	3.13	2.70	30.1	3.24	2.76	35.6	3.58	2.98	41.1	3.83	3.20	45.1	3.96	3.35	46.8	4.00	3.41	52.5	4.09	3.63
	70	24.1	2.49	2.76	27.8	2.81	2.91	29.5	2.93	2.97	35.0	3.30	3.19	40.5	3.58	3.40	44.4	3.73	3.56	46.1	3.78	3.62	51.8	3.90	3.84
	80	23.4	2.15	2.97	27.2	2.49	3.12	28.8	2.62	3.18	34.3	3.02	3.40	39.9	3.33	3.61	43.8	3.50	3.76	45.5	3.56	3.83	51.2	3.70	4.05
1710	60	25.8	3.00	2.69	29.5	3.31	2.84	31.2	3.42	2.91	36.6	3.76	3.12	42.2	4.01	3.34	46.1	4.14	3.49	47.8	4.18	3.55	53.5	4.27	3.77
	70	25.1	2.67	2.90	28.9	2.99	3.05	30.5	3.11	3.12	36.0	3.48	3.33	41.6	3.76	3.55	45.5	3.91	3.70	47.2	3.96	3.76	52.9	4.08	3.98
	80	24.5	2.33	3.11	28.3	2.67	3.26	29.9	2.81	3.33	35.4	3.20	3.54	40.9	3.51	3.76	44.9	3.68	3.91	46.6	3.74	3.97	52.3	3.88	4.19

ESH1BE4M1SP60KA with B6EMMX60K-C

		OUTDOOR TEMPERATURE (Deg. F)																							
CFM	Indoor T. Deg. F	10			17			20			30			40			47			50			60		
		MBH	COP	KW	MBH	COP	KW	MBH	COP	KW	MBH	COP	KW	MBH	COP	KW	MBH	COP	KW	MBH	COP	KW	MBH	COP	KW
1445	60	30.0	2.68	3.29	35.3	3.01	3.44	37.5	3.15	3.50	45.1	3.56	3.71	52.6	3.94	3.92	57.9	4.18	4.07	60.1	4.27	4.13	67.7	4.57	4.34
	70	29.1	2.43	3.51	34.3	2.74	3.67	36.5	2.87	3.73	43.9	3.26	3.95	51.3	3.61	4.17	56.4	3.83	4.32	58.7	3.92	4.39	66.0	4.20	4.61
	80	28.6	2.23	3.76	33.6	2.52	3.92	35.8	2.63	3.99	42.9	2.98	4.22	50.1	3.30	4.45	55.1	3.50	4.62	57.3	3.59	4.68	64.5	3.84	4.92
1645	60	30.3	2.67	3.33	35.7	3.02	3.47	37.9	3.16	3.53	45.6	3.59	3.72	53.2	3.98	3.92	58.6	4.23	4.06	60.9	4.33	4.12	68.5	4.65	4.32
	70	29.4	2.43	3.55	34.7	2.75	3.69	36.9	2.88	3.75	44.4	3.29	3.96	51.9	3.65	4.17	57.1	3.88	4.31	59.3	3.98	4.37	66.8	4.28	4.58
	80	28.8	2.22	3.80	33.9	2.52	3.95	36.1	2.64	4.01	43.4	3.01	4.23	50.7	3.35	4.44	55.8	3.56	4.59	58.0	3.65	4.66	65.3	3.93	4.87
1845	60	30.3	2.64	3.37	35.8	3.00	3.50	38.1	3.14	3.56	45.9	3.59	3.75	53.7	3.99	3.95	59.2	4.25	4.08	61.5	4.36	4.14	69.3	4.69	4.33
	70	29.8	2.43	3.60	35.1	2.76	3.73	37.3	2.89	3.79	44.9	3.30	3.99	52.4	3.68	4.18	57.7	3.92	4.32	59.9	4.02	4.38	67.5	4.33	4.57
	80	29.1	2.22	3.84	34.3	2.52	3.99	36.5	2.64	4.05	43.8	3.03	4.25	51.2	3.38	4.45	56.3	3.60	4.59	58.5	3.69	4.65	65.9	3.99	4.85





We Encourage Professionalism  
Through Technician Certification by NATE



### GENERAL TERMS OF LIMITED WARRANTY

Nortek Global HVAC, LLC will furnish a replacement for any part of this product which fails in normal use and service within the terms and conditions of the warranty.

For complete details of the Limited Warranty, including applicable terms and conditions, see your local installer or contact the Nortek Global HVAC, LLC warranty department for a copy.

Before purchasing this appliance, read important energy cost and efficiency information available from your retailer. Specifications and illustrations subject to change without notice and without incurring obligations. Printed in U.S.A (08/2019)