

Technical Guide: ZQ, ZX, ZY, and ZL SERIES 3 to 12.5 Ton, 60 Hertz



York International Corporation, 5005
York Drive, Norman, OK 73069

1068153-BTG-EE-0521

Revision: EE-0521

2021-05-04



Contents

Product highlights.....	7
Patents.....	7
Options and accessories.....	8
Component location.....	9
Features and benefits.....	11
Factory installed options.....	17
Field installed accessories.....	21
Nomenclature.....	23
Accessories.....	24
AHRI cooling rating table.....	29
AHRI 270 outdoor sound power levels.....	31
Physical data.....	32
ZQ04 to ZQ06 physical data.....	32
ZXA7, ZX08 to ZX14 physical data.....	38
ZY04 to ZY12 physical data.....	48
ZL04 to ZL06 physical data.....	63
ZL08 to ZL14 physical data.....	69
ZQ/ZX/ZY/ZL 04 to 14, A7 unit limitations.....	77
Capacity performance.....	78
ZQ04 to 06 cooling capacities.....	78
ZXA7, 08 to 14 cooling capacities.....	84
ZY04 to 12 cooling capacities.....	94
ZL04 to 06 cooling capacities.....	110
ZL08 to 14 cooling capacities.....	116
Drive selection.....	123
Airflow performance.....	125
Altitude and temperature correction for cfm, static pressure, and power.....	125
Altitude/temperature correction factors.....	126
Indoor blower specifications.....	127
RPM selection.....	128
Additional static resistance.....	130
Airflow performance.....	133
ZQ04 to 06 side duct application (belt drive).....	133
ZQ04 to 06 bottom duct application (belt drive).....	135
ZXA7, 08 to 14 side duct application (belt drive).....	137
ZXA7, 08 to 14 bottom duct application (belt drive).....	139
ZY04 to 12 side duct application (belt drive).....	143
ZY04 to 12 bottom duct application (belt drive).....	147
ZL04 to ZL06 side duct application (belt drive).....	151
ZL04 to ZL06 bottom duct application (belt drive).....	153

ZL08 to 14 side duct application (belt drive).....	155
ZL08 to 14 bottom duct application (belt drive).....	157
ZQ04 to 06 side duct application (direct drive).....	159
ZQ04 to 06 bottom duct application (direct drive).....	160
ZY04 to 06 side duct application (direct drive).....	161
ZY04 to 06 bottom duct application (direct drive).....	162
ZL04 to ZL06 side duct application (direct drive).....	163
ZL04 to ZL06 bottom duct application (direct drive).....	164
Power exhaust blower curves.....	165
Electrical data.....	167
ZQ04 to 06 standard static indoor blower - without powered convenience outlet.....	167
ZQ04 to 06 standard static indoor blower - with powered convenience outlet.....	169
ZQ04 to 06 medium static indoor blower - without powered convenience outlet.....	171
ZQ04 to 06 medium static indoor blower - with powered convenience outlet.....	173
ZQ04 to 06 high static indoor blower - without powered convenience outlet.....	175
ZQ04 to 06 high static indoor blower - with powered convenience outlet.....	177
ZXA7, 08 to 14 standard static indoor blower - without powered convenience outlet.....	178
ZXA7, 08 to 14 standard static indoor blower - with powered convenience outlet.....	181
ZXA7, ZX08 to 14 medium static indoor blower - without powered convenience outlet.....	184
ZXA7, ZX08 to 14 medium static indoor blower - with powered convenience outlet.....	187
ZXA7, 08 to 14 high static indoor blower - without powered convenience outlet.....	190
ZXA7, 08 to 14 high static indoor blower - with powered convenience outlet.....	193
ZY04 to 12 standard static indoor blower - without powered convenience outlet.....	196
ZY04 to 12 standard static indoor blower - with powered convenience outlet.....	202
ZY04 to 12 medium static indoor blower - without powered convenience outlet.....	208
ZY04 to 12 medium static indoor blower - with powered convenience outlet.....	214
ZY04 to 12 high static indoor blower - without powered convenience outlet.....	220
ZY04 to 12 high static indoor blower - with powered convenience outlet.....	225
ZL04 to 06 standard indoor blowers - without powered convenience outlet.....	230
ZL04 to 06 standard indoor blower - with powered convenience outlet.....	232
ZL04 to 06 medium indoor blower - without powered convenience outlet.....	234
ZL04 to 06 medium indoor blower - with powered convenience outlet.....	236
ZL04 to 06 high indoor blower - without powered convenience outlet.....	238
ZL04 to 06 high indoor blower - with powered convenience outlet.....	240
ZL08 to 14 static indoor blowers - without powered convenience outlet.....	242
ZL08 to 14 standard indoor blower - with powered convenience outlet.....	244
ZL08 to 14 medium indoor blower - without powered convenience outlet.....	246
ZL08 to 14 medium indoor blower - with powered convenience outlet.....	248
ZL08 to 14 high indoor blower - without powered convenience outlet.....	250
ZL08 to 14 high indoor blower - with powered convenience outlet.....	252

Weights and dimensions.....	254
ZQ04-06, ZXA7-14, ZY04-12, ZL04-06 and ZL08-14 unit weights.....	254
ZQ04-06, ZXA7, 08-14, ZY04-12, ZL04-06 and ZL08-14 unit dimensions.....	257
ZQ04-06, ZXA7-14, ZY04-12, ZL04-06 and ZL08-14 unit roof curb dimensions.....	263
Economizer options.....	265
Guide specifications.....	268

Product highlights

- Assembled in Norman, OK
 - ASHRAE 90.1 Compliant
 - R-410A Refrigerant
 - Cooling only and gas/electric configurations available
 - Scroll compressors
 - Up to 17.2 SEER on 3-5 ton ZL level
 - Up to 16.3 IEER and 12.2 EER on the 3 stage cooling advanced building code compliant level.
 - Up to 15.4 SEER and 12.2 EER on the Energy Star Compliant Energy Level
 - Up to 14.0 SEER and 11.2 EER on the ASHRAE 90.1 Compliant Standard Efficiency Level
 - Department of Energy (DOE) compliant - All models meet minimum DOE efficiencies for cooling and fan efficiencies. Single-phase gas heating products are fan energy rated (FER) to meet DOE requirements.
 - State-of-the-art microprocessor controls with specific programming for product applications
 - MicroChannel condenser coils
 - Evaporator coils use copper tube/aluminum fin design for proven reliability and performance.
 - Thermostatic Expansion Valve (TXV) Standard on: ASHRAE 90.1 Compliant Standard Efficiency Level 5 ton to 12.5 ton models, Energy Star Compliant Efficiency Level 3 ton to 10 ton models and advanced building code compliant efficiency level 7.5 ton to 12.5 ton models.
 - Single-stage cooling (3 ton to 6 ton models)
 - Two-stage cooling (3 ton to 5 ton ZL models and 6 ton to 12.5 ton models)
 - Three-stage cooling available (7.5 ton to 12.5 ton models)
 - Alternate motor and drives
- ① **Note:** All single-phase 3 ton to 5 ton gas heating units are equipped with an ECM motor on direct drive units.

Patents

Patents: <https://jciapat.com>

Options and accessories

- Economizers with barometric relief
- Louvered hail guards
- Non-fused disconnect (verify on the unit nameplate that the disconnect is properly sized for the application. Units with field installed electric heat may exceed the factory installed disconnect amperage rating.)
- Power exhaust
- Propane conversion kits
- High altitude heating conversion kits
- Flue exhaust extension kit
- Flue heat shield
- Smoke detectors
- Manual and motorized dampers
- Hinged cabinet doors
- Low ambient head pressure control kit
- Optional stainless steel heat exchanger (standard on 3 ton to 5 ton Low-NOx Models)
- Thru-the-base connections for power, gas and control wiring.
- IntelliSpeed™ with premium efficiency indoor motors to meet ASHRAE 90.1 requirements (3 ton to 5 ton ZL belt drive models and 6 ton to 12.5 ton models)
- *Field Installed Electric Heat Kit - Installation Instructions* for the Electric Heat Kits may be found in the Electric Heat Kits
- Factory Standard with the Smart Equipment™ Board with the option to downgrade to the Everyday Thermostat Control (ETC) board on ZQ/ZX/ZY models.

Component location

Figure 1: Cooling with gas heat (3 ton through 5 ton) front

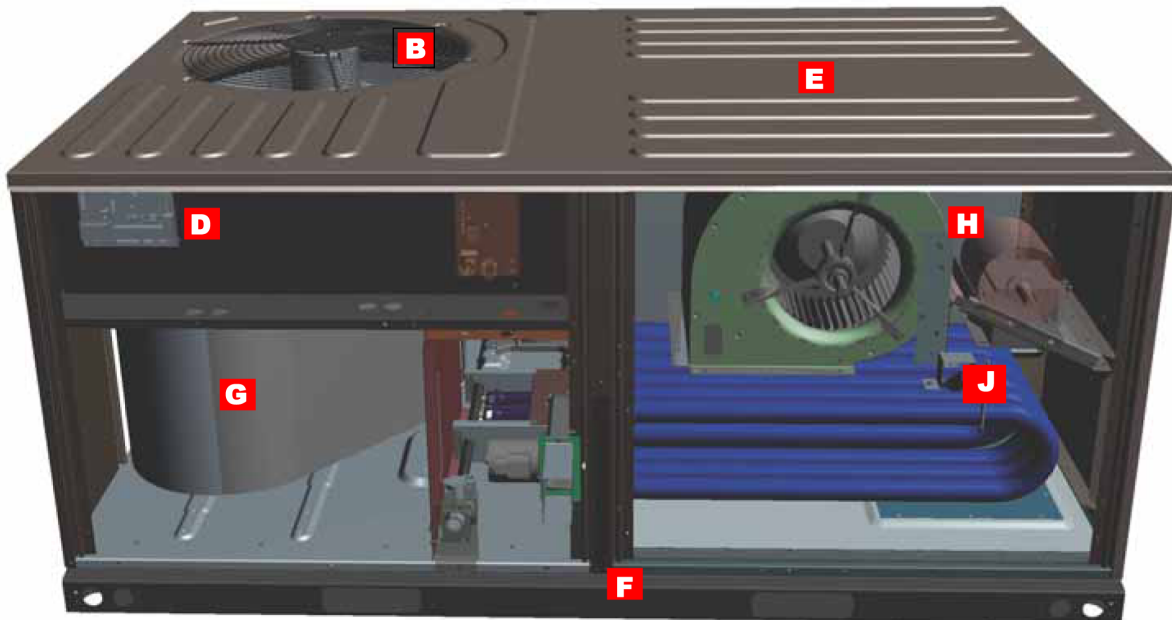
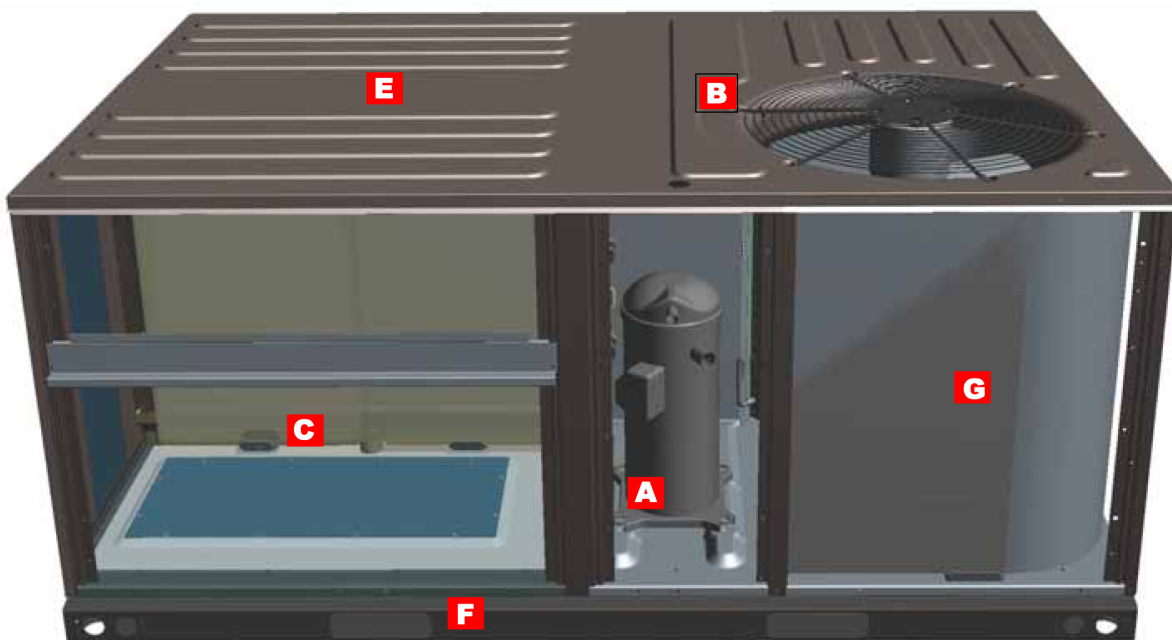


Figure 2: Cooling with gas heat (3 ton through 5 ton) back



Letter	Features
A	Scroll compressor
B	Outdoor fan
C	Convertible filter rack

Letter	Features
D	Everyday Thermostat Control (ETC) board
E	Embossed top
F	Perimeter base rail
G	Coils
H	Indoor fans
J	Two-stage gas heating

See letters in for further description of the features.

Features and benefits

The letters in brackets in the text correspond to the letters in Figure 1 and Figure 2.

Three tiers of efficiency

14 SEER standard efficiency provides a cost effective 14 SEER/11.0 EER product that meets ASHRAE 90.1 requirements. The high-efficiency meets the requirements for Energy Star that exceeds 15 SEER and 12 EER. The 17 SEER ZL units contain two stage compressors and multi-stage blower control to achieve advanced rebate codes. The high efficiency 3-stage cooling units are available from 7.5 tons to 12.5 tons to meet advanced building code requirements. Gas/electric units have electronic spark ignition and power vented combustion steady state efficiencies of 80%. These efficiencies meet or exceed all legislated minimum levels providing lower operating costs.

(A) All models utilize scroll compressors

that are environmentally friendly by utilizing R-410A refrigerant. Use of the scroll compressor technology means a simple internal design, fewer moving parts, equating to a quiet, reliable, easy to service and efficient system. Internal compressor protection is standard and compressors include protection to prevent liquid damage.



Total system design

A TXV is used for precise metering on the 6 ton to 12.5 ton and high SEER 3 ton to 5 ton products and a fixed orifice is used to keep the cost of the product down on the 3 ton to 5 ton product. Two independent refrigerant circuits and compressors are used on the 7.5 ton to 12.5 ton units for economical and precise control. A single circuit, single compressor design is used on the 3 ton to 6 ton units for cost effectiveness and reliability without compromising quality.

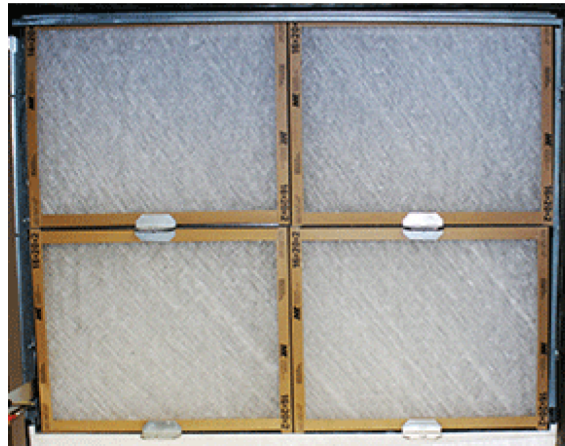
System protection

Liquid line filter-driers, high and low pressure safeties are standard on each independent refrigerant circuit. Suction line sensors monitor temperature to prevent possible liquid flood back to the compressors and also protect against loss of charge and coil frosting.

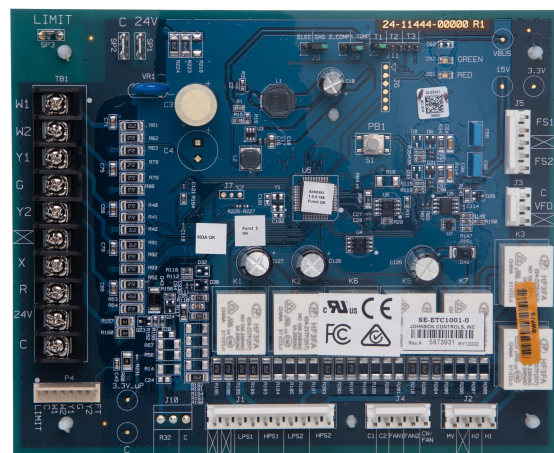
(B) Balanced outdoor fan design makes for a quieter unit - The outdoor condenser fans are dynamically balanced for better performance and reliability. The direct drive fan design mounted to the fan grill allows for quick and easy service. Where other's components might fail at extreme temperatures Our units are tested and rated up to 125°F ambient cooling operation.



(C) Convertible filter rack - No tools required for easy field conversion of the filter rack to accommodate either 2 in. or 4 in. filters. Units will ship with MERV 4 throwaway filters standard; however MERV 8 and MERV 13 filters can be easily added through the tool-free filter access panel to meet LEED requirements. Refer to physical data tables for filter size details.



(D) ZQ, ZX, and ZY units optionally come with the Everyday Thermostat Control (ETC) board. The ETC comes in the same footprint as the Smart Equipment™ Control board and utilizes the same cutting edge technology. The ETC board focuses on providing the quickest field install, start-up, and service possible. All units are Factory run tested.



Intuitive – The ETC board can only be commanded by a traditional Thermostat, utilizing common screw terminal blocks for connection, thus minimizing complexity or the need for advanced service training.

Simple diagnostics - The ETC board has two simple colored LEDs and these LEDs will display flash codes for fault condition states. A table of these flash codes will be mounted on each Unit to aid in trouble shooting and diagnostics in the field.

Equipment protection - The ETC board, similar to Smart Equipment™, monitors high and low pressure switch status on the independent refrigerant circuits, as well as freeze stat status. On units with heating, the gas valve and high temperature limit switches are monitored on gas and electric heating units. The control also monitors the voltage supplied to the unit and will protect the unit if low voltage occurs due to a brown out, or other electrical issue.

Anti-short cycle protection - An anti-short cycle delay is incorporated into the standard control to aid compressor life. Compressor reliability is further ensured by programmable minimum run times. For testing, the anti-short cycle delay can be temporarily overridden with the push of a button.

Fan delay versatility - The ETC board offers three field selectable heating fan delay options based off simple jumper positions, allowing quick adjustment in the field.

All units will come factory standard with the state-of-the-art Smart Equipment™ control system. The unit control incorporates the best of the already proven Smart Equipment™ controls and creates a more robust, intelligent control. The goal of this control is to utilize cutting edge technology making the equipment easier to install, operate, and service. All units are Factory run tested.



Versatile

The Smart Equipment™ control can be configured to use with a standard thermostat (easy to connect screw terminals), a zone sensor, or can be setup to communicate with multiple BAS communication protocols to integrate with building automation systems.

Reduce field installed complexity

Each unit will come equipped with factory installed supply air, return air, and outdoor air temperature sensors providing key temperature readings thus reduce field installed complexity.

On-board USB port

The control comes with a long list of features including data logging, current and previous system faults and software update capabilities using the on board USB port and common flash drive. Energy use monitoring capabilities allow custom tailoring to allow a system to work more efficiently at all times and occupancy levels. Self test and start-up reports also available from the board VIA the USB port.

Embedded LCD display

The board has a easy to read, builtin LCD display and easy to use navigation joystick and buttons allowing the user to quickly navigate the menus displaying unit status, options, current function, supply, return and outdoor temperatures, fault codes and other information.

Safety monitoring

The control monitors the outdoor, supply, and return air temperatures and the high and low pressure switch status on the independent refrigerant circuits. On units with heating the gas valve and high temperature limit switches are monitored on gas and electric heating units. The control also monitors the voltage supplied to the unit and will protect the unit if low voltage due to a brown out, or other electrical issue occurs.

Low ambient

An integrated low-ambient control allows units to operate in the cooling mode down to 0°F outdoor ambient without additional components or intervention. Optionally, the control board can be programmed to lockout the compressors when the outdoor air temperature is low or when free cooling is available.

Anti-short cycle protection

To aid compressor life, an antishort cycle delay is incorporated into the standard control. Compressor reliability is further ensured by programmable minimum run times. For testing, the anti-short cycle delay can be temporarily overridden with the push of a button.

Fan delays

Fan on and fan off delays are fully programmable. Furthermore, the heating and cooling fan delay times are independent of one another. All units are programmed with default values based upon their configuration of cooling and/or heating capacity.

Nuisance trip protection and three strikes

To prevent nuisance calls, the control board uses a three times, you're out philosophy. The high, low-pressure switch, anti-freeze protection, low voltage or heating high limit must trip three times within two hours before the unit control board will lock out the associated compressor. The same safety must trip three times before a hard lockout will occur.

(E) Robust design - Each unit is designed with an embossed top to increase structural support and ensure rigidity. The unit has a powder paint exterior finish including a industry leading 750 hour salt spray rating. All units are painted with a long lasting, powder paint that stands up over the life of the unit.



(F) Full perimeter base rail that fits on many existing curbs -This product was designed with the replacement market in mind which is why it will fit on many existing curbs in the field but it also takes into account the new construction market by being versatile and sturdy. This unit is equipped with heavier gauge and innovatively designed base rails to prevent damage from transporting and rigging.



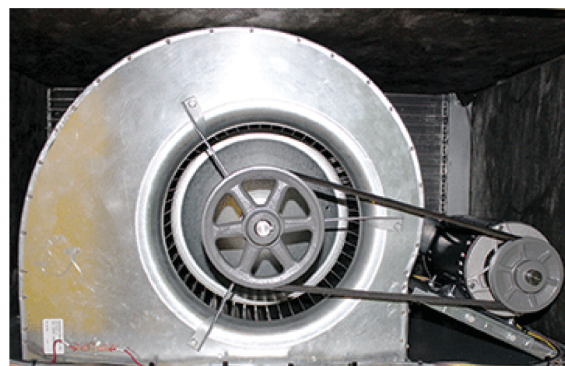
(G) Coils -All units utilize Microchannel "all-aluminum" condenser coils that provides improved heat transfer capabilities and reduced refrigerant charge volumes. This equates to all units meeting LEED EA Credit 4 Requirements for Enhanced Refrigerant Management. Microchannel coils are also much easier to clean than your typical fin/tube designs.



All evaporator coils utilize copper tube with aluminum fin design for proven reliability and performance.

(H) Rigid mounted blower assembly -

Dynamically balanced indoor fans ensure better performance and reliability. Large access panels for easier access, service, and maintenance. X13 Direct drive (Standard Static Option) and belt drive (Medium Static and High Static Options) options available on 3 ton to 5 ton products. The belt drive option is standard on 6 ton to 12.5 ton products. Low, Medium, and High Static drive options for airflow versatility up to 2 in. ESP with no field installed drive packages necessary. The X13 motor technology offers several benefits w/ respect to efficiency, operation, comfort, and cost when compared to other motors. Premium efficiency indoor motors are standard on ZY06 and ZX14. The IntelliSpeed™ option is available on 6 ton to 12.5 ton products and standard on the belt drive 17 SEER units and the 3 stage cooling models to meet ASHRAE 90.1 and Title 24 Requirements. The blower section includes a dual density insulation for indoor air quality.



(J) Balanced heating - The two stage gas heating offers ultimate heating comfort with a balance between 1st and 2nd stage gas heating. The first stage of a two stage gas heat option provides approximately 70% of the heating capacity in all 3 tons to 12.5 tons two stage gas heat models. Balanced heating allows the unit to better maintain desired temperatures and helps save energy. Low-NOx comes standard with a stainless steel heat exchanger to meet California environmental requirements. The heat exchanger section includes foil faced insulation that is not only environmentally friendly but meets all NFPA codes.



Warranty

All models include a 1-year limited warranty on the complete unit. Compressors carry a 5-year warranty. Aluminized steel heat exchangers carry a 10-year warranty and stainless steel heat exchangers carry a 15-year warranty.

Factory installed options

(Nomenclature digit position)

Airflow options (8)

Alternate indoor blower motor - For applications with high static restrictions, units are offered with optional indoor motors providing higher external static capability and/or higher airflow, depending upon the installer's needs.

- A=Standard static (direct drive for 3 ton to 5 ton; Belt Drive for 6 ton to 12.5 ton)
- B=Medium static (belt drive for 3 ton to 12.5 ton)
- C=High static (belt drive for 3 ton to 12.5 ton; 3 Phase Models Only)

VFD/VAV options (9)

IntelliSpeed™ supply fan control option (ASHRAE 90.1 compliant) - Units configured with the IntelliSpeed™ supply fan option will contain a VFD for variable volume supply fan operation. This option allows the supply fan RPM to vary based on the number of compressors or heating stages energized. The economizer's minimum position is also configurable.

- 1=None (Comes with standard constant volume controls)
- 2=VFD/VAV (ZL 3-Stage only)
- 3=VFD IntelliSpeed™ (17 SEER belt drive models and standard on ZL High Efficiency 3-stage cooling models)

Coil options (10)

E-coat coils - Coils are coated with an epoxy polymer coating to protect against corrosion. A 3-year warranty is added when this option is selected.

- A=Standard indoor & outdoor coils (fin/tube design on indoor coil and MicroChannel design used on outdoor coil with no E-Coat coating added).
- B=Standard indoor coil & E-coat coil outdoor coil (fin/ tube design on indoor coil and MicroChannel design used on outdoor coil. E-Coat coating added to outdoor coil)
- C= E-coat indoor coil & standard outdoor coil (fin/tube design on indoor coil and MicroChannel design used on outdoor coil. E-Coat coating added to indoor coil)
- D= E-coat indoor coil & outdoor coil (fin/tube design on indoor coil and MicroChannel design used on outdoor coil. E-Coat coating added to indoor and outdoor coil)

Controls (11)

Everyday Thermostat Control (ETC) - ZQ, ZX and ZY units optionally may come with the Everyday Thermostat Control (ETC) board. The ETC comes in the same footprint as the Smart Equipment™ Control board and utilizes the same cutting edge technology. The ETC board focuses on providing the quickest field install, start-up, and service possible.

Smart Equipment™ - This is the Standard microprocessor control for all units, with capabilities to work with a sensor or thermostat only. Smart Equipment™ with BAS includes communication board with BACnet open-protocol system.

Verasys - Verasys provides a simple user experience with configurable self-recognizing controllers without the need for any additional tools. Verasys creates enhanced integration of HVACR equipment, zoning, and controls. Contractors are able to offer a complete bundled solution of equipment and controls to serve the light commercial market.

- A=Smart Equipment™
- B=Smart Equipment™ + BACnet MSTP, Mdb, N2 COM Card
- E=Everyday Thermostat Control (ETC)
- J=Verasys single zone
- K=Verasys change over bypass

Sensor options (12)

- 1=None (Units come standard with factory installed supply air, return air, and outdoor air temperature sensors)
- 2=RA¹ smoke detector
- 3=SA smoke detector
- 4=RA¹ & SA Smoke Detector

¹ Return air smoke detector sensor must be relocated in the field. (See Unit Installation manual.)

Economizer/Damper (13) (Smart Equipment™ models only)

Down flow economizers (with barometric relief) - All units offer a variety of optional factory installed economizers that are shipped, installed and wired with AMCA 511 Licensed Class 1A low leak dampers designed to exceed ASHRAE 90.1 and the International Energy Conservation Code (IECC) certification requirements by achieving leakage rates of 3 cfm/ sq. ft. at 1 in. of static pressure. Each economizer goes through a rigorous 60,000 cycle test. Dry bulb, single enthalpy, and dual enthalpy (with field installed kit) can be selected. All economizer options are fully integrated into the Smart Equipment™ controls. The economizer has spring return, fully modulating damper actuators and is capable of introducing up to 100% outdoor air. As the outdoor air intake dampers open, the return air dampers close. The changeover from mechanical refrigeration to economizer operation is regulated by the outdoor air dry bulb temperature or the outdoor air enthalpy input. The dual enthalpy kit provides a second input used to monitor the return air (field installed). The installer needs only to assemble the outdoor air hood, attach the enthalpy control the hood and mount the hood to the unit (Hood and control are provided).

Dry bulb economizer - Economizer operation is enabled by the outdoor air temperature being less than the setpoint of the economizer module.

Enthalpy economizer - The added outdoor air enthalpy sensor enables economizer operation if the outdoor enthalpy is less than the setpoint of the economizer logic module.

- A=None
- B=Dry bulb economizer
- C=Enthalpy economizer

Convenience outlet (14)

Convenience outlet - (Powered and non-powered) - This option locates a 120 V single-phase GFCI outlet with cover, on the corner of the unit housing adjacent to the compressors. The non-powered option requires the installer to provide the 120 V single-phase power source and wiring. Factory installed option only.

- 1=None
- 2=Non-powered convenience outlet
- 3=Powered convenience outlet

Electrical options (15)

Disconnect switch - For units with field installed electric heat kits, two factory installed disconnect sizes are available (60 A or 100 A non-fused disconnect). Depending on the field installed heater kit selected, the factory installed disconnect may not be sufficient. Always refer to the unit nameplate or unit electrical data for the proper disconnect size. If the heater application requires a disconnect above 100 A, the factory installed disconnect should be removed and an appropriately sized external disconnect should be installed.

- 1=None
- 2=Non-fused Disconnect¹

¹ Verify on the unit nameplate that the disconnect is properly sized for the application. Units with field installed electric heat may exceed the factory installed disconnect amperage rating.

Cabinet options (16)

Louvered hail guard - This kit includes a decorative louvered panel which installs over the outside condenser coil and prevents damage to the coil fins from hail strikes.

Hinged cabinet doors - The factory installed hinged panel option will save time, money and labor while allowing easy servicing of blower components, filters and controls. With this option there is no longer a need to remove panels to access these critical sections and running the risk of losing panels or roof damage from loose panels and materials. Extra care was taken to design a durable hinged panel with leak tight seal.

- 1=None
- 2=Louvered panels
- 3=Hinged cabinet doors
- 4=Hinged cabinet doors and louvered panels

FDD (Fault Detection and Diagnostics), refrigerant side - A modification shop offering for an additional installed control system for commercial equipment that constantly monitors refrigerant circuit pressures, refrigerant circuit temperatures, as well as the environmental temperatures and humidity via multiple sensor inputs.

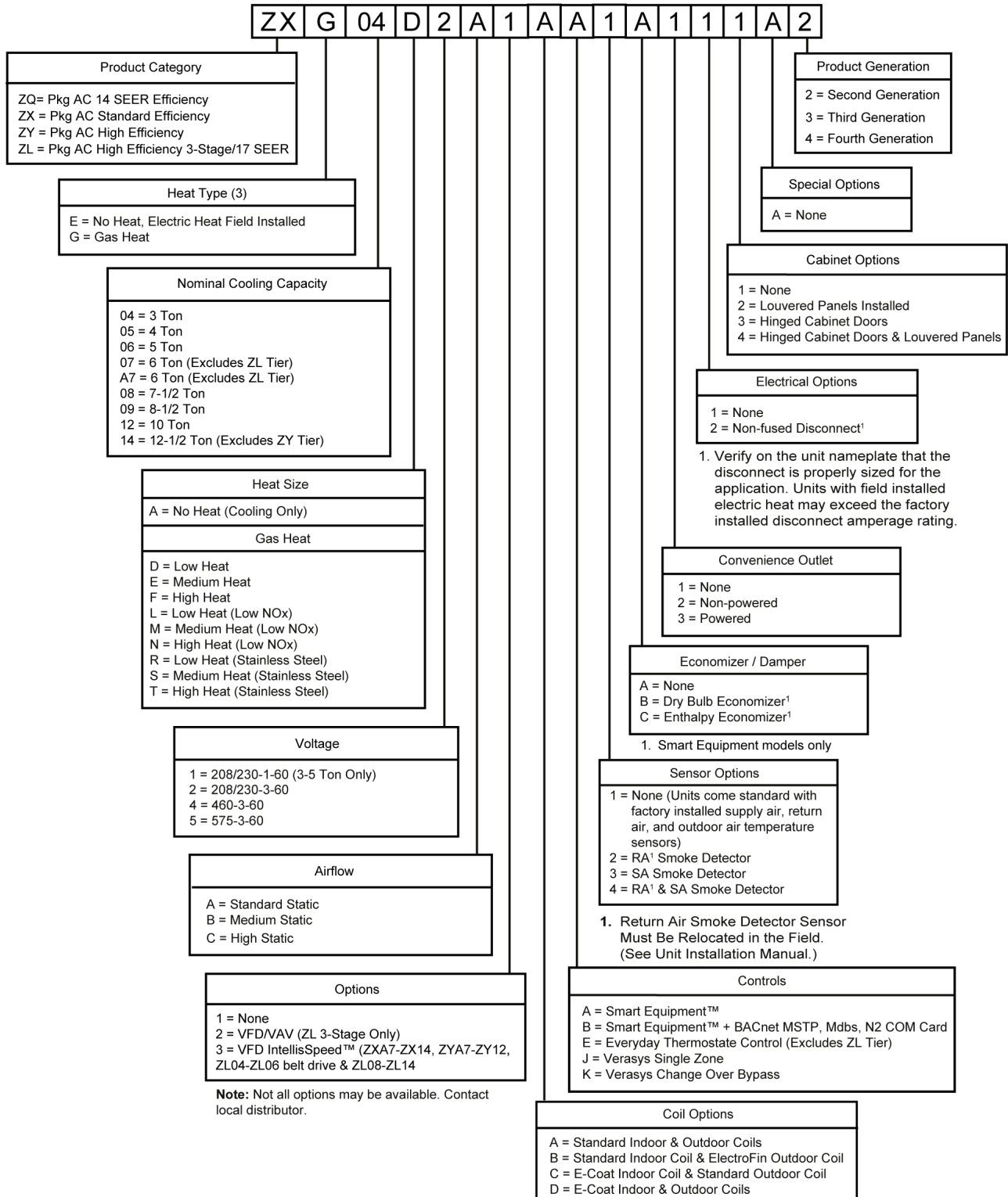
Field installed accessories

- **Down flow economizers/horizontal economizers (with barometric relief)** - All units offer a variety of field installed economizers that are installed and wired with AMCA 511 Licensed Class 1A low leak dampers designed to exceed ASHRAE 90.1 and the International Energy Conservation Code (IECC) certification requirements by achieving leakage rates of 3 cfm/sq. ft. at 1 in. of static pressure. Each economizer goes through a rigorous 60,000 cycle test. Dry bulb, single enthalpy, and dual enthalpy (with field installed kit) can be selected. All economizer options are fully integrated into the Smart Equipment™ controls or the Everyday Thermostat Control board. The economizer has spring return, fully modulating damper actuators and is capable of introducing up to 100% outdoor air. As the outdoor air intake dampers open, the return air dampers close. The changeover from mechanical refrigeration to economizer operation is regulated by the outdoor air dry bulb temperature or the outdoor air enthalpy input. The dual enthalpy kit provides a second input used to monitor the return air (field installed). The installer needs only to assemble the outdoor air hood, attach the enthalpy control the hood and mount the hood to the unit (Hood and control are provided).
- **Dry bulb economizer** - Economizer operation is enabled by the outdoor air temperature being less than the setpoint of the economizer module.
- **Single enthalpy control, accessory for economizer** - All field installed economizers will come standard as a dry bulb economizer. This kit adds an outdoor air enthalpy sensor which enables economizer operation if the outdoor enthalpy is less than the setpoint of the economizer logic module.
- **Dual enthalpy control, accessory for economizer** - All field installed economizers will come standard as a dry bulb economizer. This kit adds an outdoor air enthalpy sensor and return air enthalpy sensor which enables economizer operation if the outdoor enthalpy is less than the setpoint of the economizer logic module.
- **Power exhaust** - This accessory installs in the unit with a down flow economizer or in the ductwork for a horizontal application.
- **Louvered hail guard** - This kit includes a decorative louvered panel which installs over the outside condenser coil and prevents damage to the coil fins from hail strikes.
- **Flue exhaust extension kit** - In locations where wind or weather conditions may interfere with proper exhausting of furnace combustion products, this kit can be installed to prevent the flue exhaust from entering nearby fresh air intakes.
- **Propane conversion kit** - This kit converts a gas heat unit to operate with propane gas at altitudes up to 2,000 feet.
- **Gas heat high altitude kit** - This kit converts a gas heat unit to operate at high altitudes, 2,000 ft to 10,000 ft. Conversion kits are available for natural gas and propane.
- **Roof curbs** - The roof curbs have insulated decks and are shipped disassembled. The roof curbs are available in 14 and 24 heights.
- **Thermostat** - The units are designed to operate with 24-V electronic and electro-mechanical thermostats. All 7.5 ton through 12.5 ton units operate with two-stage heat/ two-stage cool or two-stage cooling only thermostats and two-stage heat / three-stage cool on ZL tier products, depending upon unit configuration.
- **Smoke detectors** - The smoke detectors stop operation of the unit by interrupting power and providing a fault message to the control board if smoke is detected within the air compartment. Smoke detectors are available for both the supply and/or return air configurations.

- **Hinged filter access panel for use with horizontal flow economizer** - Allows hinged access to the filter section when used with a horizontal economizer.
- **Low ambient head pressure control kit** - The Electronic Low Ambient Controller is designed to regulate condenser head pressure at low ambient temperatures by varying the amount of airflow through the condenser.
- **Manual outdoor air damper** - Like the motorized outdoor air damper, each manual outdoor air damper includes a slide-in damper assembly with an outdoor air hood and filters. Customers have a choice of dampers with ranges of 0% to 100% or 0% to 35% outdoor air entry.
- **Thru the base connection** - Kits are available to provide a way to route wiring to the unit through the base of the unit and gas supplied to the unit through the base or through the curb. These kits provide a seal tight way to bring power and gas to the unit without additional roof penetrations.
- **Electric heat (field installed option only)** - Select heater sizes for 3 ton to 12.5 ton units available. Necessary hardware and connectors are included with the heaters.

Nomenclature

3-12.5 Ton Model Number Nomenclature



Accessories

Table 1: Accessories

Accessory kit number	Description	Where used	Voltage
2EE04706725	Econ, DB, vertical flow, small footprint with barometric relief with ETC	ZY04, ZY05, ZY06, ZQ04, ZQ5, ZQ06, ZXA7	All
2EE04706825	Econ, DB, vertical flow, large footprint with barometric relief with ETC	ZX08, ZX09, ZX12, ZX14, ZY07, ZYA7, ZY08, ZY09, ZY12	All
2EE04707025	Econ, DB, horizontal flow, small footprint, short cabinet with barometric relief with ETC	ZY04, ZQ04, ZQ05	All
2EE04707125	Econ, DB, horizontal flow, small footprint, tall cabinet with barometric relief with ETC	ZX07, ZXA7, ZY05, ZY06, ZQ06	All
2EE04707225	Econ, DB, horizontal flow, large footprint, short cabinet with barometric relief with ETC	ZX08, ZY07, ZYA7	All
2EE04707325	Econ, DB, horizontal flow, large footprint, tall cabinet with barometric relief with ETC	ZX09, ZX12, ZX14, ZY08, ZY09, ZY12	All
2EE04706724	Econ, DB, vertical flow, small footprint with SE	ZL04, ZL05, ZL06, ZY04, ZY05, ZY06, ZQ04, ZQ5, ZQ06, ZXA7	All
2EE04706824	Econ, DB, vertical flow, large footprint with SE	ZX08, ZX09, ZX12, ZX14, ZY07, ZYA7, ZY08, ZY09, ZY12, ZL08, ZL09, ZL12, ZL14	All
2EE04707024	Econ, DB, horizontal flow, small footprint, short cabinet with sE	ZL04, ZY04, ZQ04, ZQ05	All
2EE04707124	Econ, DB, horizontal flow, small footprint, tall cabinet with SE	ZL05, ZL06, ZX07, ZXA7, ZY05, ZY06, ZQ06	All
2EE04707224	Econ, DB, horizontal flow, large footprint, short cabinet with SE	ZX08, ZY07, ZYA7	All
2EE04707324	Econ, DB, horizontal flow, large footprint, tall cabinet with SE	ZX09, ZX12, ZX14, ZY08, ZY09, ZY12, ZL08, ZL09, ZL12, ZL14	All
1FA0415	Manual outside air damper 0-35%	ZL04, ZL05, ZL06, ZY04, ZY05, ZY06, ZQ04, ZQ05, ZQ06, ZXA7	All
1FA0416	Manual outside air damper 0-35%	ZX08, ZX09, ZX12, ZX14, ZY07, ZYA7, ZY08, ZY09, ZY12, ZL08, ZL09, ZL12, ZL14	All
1FA0417	Manual outside air damper 0-100%	ZL04, ZL05, ZL06, ZY04, ZY05, ZY06, ZQ04, ZQ05, ZQ06, ZXA7	All
1FA0418	Manual outside air damper 0-100%	ZX08, ZX09, ZX12, ZX14, ZY07, ZYA7, ZY08, ZY09, ZY12, ZL08, ZL09, ZL12, ZL14	All
2MD04704424	0-35% motorized outside air damper	ZX04-07, ZQ04-06, ZY04-06, ZL04-06,	All
2MD04704524	0-35% motorized outside air damper	ZX08-14, ZY07-12	All
2MD04704224	Motorized outside air damper 0-100%	ZL04, ZL05, ZL06, ZY04, ZY05, ZY06, ZXA7	All
2MD04704324	Motorized outside air damper 0-100%	ZX08, ZX09, ZX12, ZX14, ZY07, ZYA7, ZY08, ZY09, ZY12, ZL08, ZL09, ZL12, ZL14	All
2EC0401	Kit, single enthalpy field installed	All	All
2EC0402	Kit, dual enthalpy field installed	All	All
1HD0401	Hinged filter access panel for units with a horizontal economizer	ZQ04, ZQ05, ZY04, ZL04	All
1HD0402	Hinged filter access panel for units with a horizontal economizer	ZQ06, ZL05, ZL06, ZY05, ZY06, ZXA7	All
1HD0403	Hinged filter access panel for units with a horizontal economizer	ZX08, ZY07, ZYA7	All
1HD0404	Hinged filter access panel for units with a horizontal economizer	ZX09, ZX12, ZX14, ZY08, ZY09, ZY12, ZL08, ZL09, ZL12, ZL14	All

Table 1: Accessories

Accessory kit number	Description	Where used	Voltage
1HG0419	Hail guard kit small footprint, short cabinet	ZY04, ZL04, ZQ04, ZQ05	All
1HG0420	Hail guard kit small footprint, tall cabinet	ZL05, ZL06, ZY05, ZY06, ZQ06, ZXA7	All
1HG0423	Hail guard kit large footprint, short cabinet	ZX08, ZY07, ZYA7	All
1HG0424	Hail guard kit large footprint, tall cabinet	ZX09, ZX12, ZX14, ZY08, ZY09, ZY12, ZL08, ZL09, ZL12, ZL14	All
1RC0456	Curb rigid 14 in. small footprint	ZL04, ZL05, ZL06, ZY04, ZY05, ZY06, ZQ04, ZQ05, ZQ06, ZXA7	All
1RC0457	Curb rigid 14 in. large footprint	ZX08, ZX09, ZX12, ZX14, ZY07, ZYA7, ZY08, ZY09, ZY12, ZL08, ZL09, ZL12, ZL14	All
1RC0458	Curb rigid 24 in. small footprint	ZL04, ZL05, ZL06, ZY04, ZY05, ZY06, ZQ04, ZQ05, ZQ06, ZXA7	All
1RC0459	Curb rigid 24 in. large footprint	ZX08, ZX09, ZX12, ZX14, ZY07, ZYA7, ZY08, ZY09, ZY12, ZL08, ZL09, ZL12, ZL14	All
2PE04704206	Power exhaust vertical flow small footprint 208 V to 230 V 1-ph	ZL04, ZL05, ZL06, ZY04, ZY05, ZY06, ZQ04, ZQ05, ZQ06, ZXA7	208/230-1-60
2PE04704225	Power exhaust vertical flow small footprint 208 V to 230 V 3-ph	ZL04, ZL05, ZL06, ZY04, ZY05, ZY06, ZQ04, ZQ05, ZQ06, ZXA7	208/230-3-60
2PE04704246	Power exhaust vertical flow small footprint 460 V 3-ph	ZL04, ZL05, ZL06, ZY04, ZY05, ZY06, ZQ04, ZQ05, ZQ06, ZXA7	460-3-60
2PE04704258	Power exhaust vertical flow small footprint 575 V 3-ph	ZL04, ZL05, ZL06, ZY04, ZY05, ZY06, ZQ04, ZQ05, ZQ06, ZXA7	575-3-60
2PE04704306	Power exhaust vertical flow large footprint 208 V to 230 V 1-ph	ZX08, ZX09, ZX12, ZX14, ZY07, ZYA7, ZY08, ZY09, ZY12, ZL08, ZL09, ZL12, ZL14	208/230-1-60
2PE04704325	Power exhaust vertical flow large footprint 208 V to 230 V 3-ph	ZX08, ZX09, ZX12, ZX14, ZY07, ZYA7, ZY08, ZY09, ZY12, ZL08, ZL09, ZL12, ZL14	208/230-3-60
2PE04704346	Power exhaust vertical flow large footprint 460 V 3-ph	ZX08, ZX09, ZX12, ZX14, ZY07, ZYA7, ZY08, ZY09, ZY12, ZL08, ZL09, ZL12, ZL14	460-3-60
2PE04704358	Power exhaust vertical flow large footprint 575 V 3-ph	ZX08, ZX09, ZX12, ZX14, ZY07, ZYA7, ZY08, ZY09, ZY12, ZL08, ZL09, ZL12, ZL14	575-3-60
2PE04704406	Power exhaust horizontal flow small footprint 208 V to 230 V 1-ph	ZL04, ZL05, ZL06, ZY04, ZY05, ZY06, ZQ04, ZQ05, ZQ06, ZXA7	208/230-1-60
2PE04704425	Power exhaust horizontal flow small footprint 208 V to 230 V 3-ph	ZL04, ZL05, ZL06, ZY04, ZY05, ZY06, ZQ04, ZQ05, ZQ06, ZXA7	208/230-3-60
2PE04704446	Power exhaust horizontal flow small footprint 460 V 3-ph	ZL04, ZL05, ZL06, ZY04, ZY05, ZY06, ZQ04, ZQ05, ZQ06, ZXA7	460-3-60
2PE04704458	Power exhaust horizontal flow small footprint 575 V 3-ph	ZL04, ZL05, ZL06, ZY04, ZY05, ZY06, ZQ04, ZQ05, ZQ06, ZXA7	575-3-60
2PE04704506	Power exhaust horizontal flow large footprint 208 V to 230 V 1-ph	ZX08, ZX09, ZX12, ZX14, ZY07, ZYA7, ZY08, ZY09, ZY12, ZL08, ZL09, ZL12, ZL14	208/230-1-60
2PE04704525	Power exhaust horizontal flow large footprint 208 V to 230 V 3-ph	ZX08, ZX09, ZX12, ZX14, ZY07, ZYA7, ZY08, ZY09, ZY12, ZL08, ZL09, ZL12, ZL14	208/230-3-60
2PE04704546	Power exhaust horizontal flow large footprint 460 V 3-ph	ZX08, ZX09, ZX12, ZX14, ZY07, ZYA7, ZY08, ZY09, ZY12, ZL08, ZL09, ZL12, ZL14	460-3-60

Table 1: Accessories

Accessory kit number	Description	Where used	Voltage
2PE04704558	Power exhaust horizontal flow large footprint 575 V 3-ph	ZX08, ZX09, ZX12, ZX14, ZY07, ZYA7, ZY08, ZY09, ZY12, ZL08, ZL09, ZL12, ZL14	575-3-60
1HA0454	High altitude kit for natural gas (2,000-10,000 ft)	ZL04, ZL05, ZL06, ZY04, ZY05, ZY06, ZQ04, ZQ05, ZQ06, ZXA7 - Low, Med, High Heat ZY07, ZYA7 - Low Heat	All
1HA0455	High altitude kit for natural gas (2,000-10,000 ft)	ZX08, ZX09, ZX12, ZX14, ZY08, ZY09, ZY12, ZL08, ZL09, ZL12, ZL14 - Low, Med, High Heat ZY07, ZYA7 - Med, High Heat	All
1NP0456	Propane conversion kit. Note: not for use with low NOx	ZL04, ZL05, ZL06, ZY04, ZY05, ZY06, ZQ04, ZQ05, ZQ06, ZXA7 - Low, Med, High Heat ZY07, ZYA7 - Low Heat	All
1NP0457	Propane conversion kit	ZX08, ZX09, ZX12, ZX14, ZY08, ZY09, ZY12, ZL08, ZL09, ZL12, ZL14 - Low, Med, High Heat ZY07, ZYA7 - Med, High Heat	All
1HA0458	High altitude kit for propane (2,000-10,000 ft) Note: Not for use with low NOx	ZL04, ZL05, ZL06, ZY04, ZY05, ZY06, ZQ04, ZQ05, ZQ06, ZXA7 - Low, Med, High Heat ZY07, ZYA7 - Low Heat	All
1HA0459	High altitude kit for propane (2,000-10,000 ft)	ZX08, ZX09, ZX12, ZX14, ZY08, ZY09, ZY12, ZL08, ZL09, ZL12, ZL14 - Low, Med, High Heat ZY07, ZYA7 - Med, High Heat	All
1FE0414	Flue exhaust kit	ZLG04, ZYG04, ZQG04, ZQG05	All
1FE0415	Flue exhaust kit	ZXGA7, ZXG08, ZLG05, ZLG06, ZYG05, ZYG06, ZYG07, ZYGA7, ZQG06	All
1FE0416	Flue exhaust kit	ZXG09, ZXG12, ZXG14, ZYG08, ZYG09, ZYG12, ZL08, ZL09, ZL12, ZL14	All
1HS0401	Flue heat shield accessory	ZQ04, ZQ05, ZQ06, ZXA7, ZX08, ZX09, ZX12, ZX14, ZL04, ZL05, ZL06, ZY04, ZY05, ZY06, ZY07, ZYA7, ZY08, ZY09, ZY12, ZL08, ZL09, ZL12, ZL14	All
2EK04510625	6.5 KW electric heat	ZL04, ZL05, ZL06, ZY04, ZY05, ZY06, ZQ04, ZQ05, ZQ06, ZXA7	208/230-(1 or 3)-60
2EK04510646	6.0 KW electric heat	ZL04, ZL05, ZL06, ZY04, ZY05, ZY06, ZQ04, ZQ05, ZQ06, ZXA7	460-3-60
2EK04510725	6.5 KW electric heat	ZY07, ZYA7	208/230-3-60
2EK04510746	6.0 KW electric heat	ZY07, ZYA7	460-3-60
2EK04511058	9.2 KW electric heat	ZL04, ZL05, ZY04, ZY05, ZQ04, ZQ05	575-3-60
2EK04511125	10.5 KW electric heat	ZL04, ZL05, ZL06, ZY04, ZY05, ZY06, ZQ04, ZQ05, ZQ06, ZXA7	208/230-(1 or 3)-60
2EK04511146	11.5 KW electric heat	ZL04, ZL05, ZL06, ZY04, ZY05, ZY06, ZQ04, ZQ05, ZQ06, ZXA7	460-3-60
2EK04511458	13.8 KW electric heat	ZL04, ZL05, ZL06, ZY04, ZY05, ZY06, ZQ04, ZQ05, ZQ06	575-3-60
2EK04511446	14 KW electric heat	ZL04, ZL05, ZL06, ZY04, ZY05, ZY06, ZQ04, ZQ05, ZQ06, ZXA7	460-3-60
2EK04511625	16 KW electric heat	ZL04, ZL05, ZL06, ZY04, ZY05, ZY06, ZQ04, ZQ05, ZQ06, ZXA7	208/230-3-60
2EK04511725	16 KW electric heat	ZX08, ZX09, ZX12, ZX14, ZY07, ZYA7, ZY08, ZY09, ZY12, ZL08, ZL09, ZL12, ZL14	208/230-3-60

Table 1: Accessories

Accessory kit number	Description	Where used	Voltage
2EK04511746	16.5 KW electric heat	ZX08, ZX09, ZX12, ZX14, ZY07, ZYA7, ZY08, ZY09, ZY12, ZL08, ZL09, ZL12, ZL14	460-3-60
2EK04511758	17 KW electric heat	ZX08, ZX09, ZX12, ZX14, ZY07, ZYA7, ZY08, ZY09, ZL08, ZL09, ZL14	575-3-60
2EK04512358	23 KW electric heat	ZL06, ZX06, ZY06, ZQ06	575-3-60
2EK04510625	6.5 KW electric heat	ZL04, ZL05, ZL06, ZY04, ZY05, ZY06, ZQ04, ZQ05, ZQ06, ZXA7	208/230-(1 or 3)-60
2EK04512525	24.8 KW electric heat	ZX08, ZX09, ZX12, ZX14, ZY07, ZYA7, ZY08, ZY09, ZY12, ZL08, ZL09, ZL12, ZL14	208/230-3-60
2EK04512646	25.5KW electric heat	ZY07, ZYA7	460-3-60
2EK04512658	25.7KW electric heat	ZY07, ZYA7	575-3-60
2EK04512846	27.8 KW electric heat	ZX08, ZX09, ZX12, ZX14, ZY08, ZY09, ZY12, ZL08, ZL09, ZL12, ZL14	460-3-60
2EK04513225	32 KW electric heat	ZX08, ZX09, ZX12, ZX14, ZY08, ZY09, ZY12, ZL08, ZL09, ZL12, ZL14	208/230-3-60
2EK04513346	33 KW electric heat	ZX08, ZX09, ZX12, ZX14, ZY08, ZY09, ZY12, ZL08, ZL09, ZL12, ZL14	460-3-60
2EK04513458	34 KW electric heat	ZX08, ZX09, ZX12, ZX14, ZY08, ZY09, ZL08, ZL09, ZL14	575-3-60
2EK04514225	42.4 KW electric heat	ZX08, ZX09, ZX12, ZX14, ZY08, ZY09, ZY12, ZL08, ZL09, ZL12, ZL14	208/230-3-60
2EK04514246	41.7 KW electric heat	ZX08, ZX09, ZX12, ZX14, ZY08, ZY09, ZY12, ZL08, ZL09, ZL12, ZL14	460-3-60
2LA04704725	Low ambient accessory kit	ZY04, ZY05, ZY06, ZQ04, ZQ05, ZQ06	208 V/230 V-1-60 or 208 V/230 V-3-60
2LA04704746	Low ambient accessory kit	ZY04, ZY05, ZY07, ZYA7, ZQ04, ZQ05, ZQ06	460 V-3-60
2LA04704758	Low ambient accessory kit	ZY04, ZY05, ZY08, ZQ04, ZQ05, ZQ06	575 V-3-60
2LA04704825	Low ambient accessory kit	ZX08, ZX09, ZX12, ZY07, ZYA7, ZY08, ZY09, ZL08, ZL09	208 V/230 V-1-60 or 208 V/230 V-3-60
2LA04704846	Low ambient accessory kit	ZX08, ZX09, ZX12, ZY07, ZYA7, ZY08, ZY09, ZL08, ZL09	460 V-3-60
2LA04704858	Low ambient accessory kit	ZX08, ZX09, ZX12, ZY07, ZYA7, ZY08, ZY09, ZL08, ZL09	575 V-3-60
2LA04704925	Low ambient accessory kit	ZX14, ZY12, ZL12, ZL14	208 V/230 V-3-60
2LA04704946	Low ambient accessory kit	ZX14, ZY12, ZL12, ZL14	460 V-3-60
2LA04704958	Low ambient accessory kit	ZX14, ZY12, ZL12, ZL14	575 V-3-60
2SD04701224	Supply air stream smoke detector	ZXA7, ZX08, ZX09, ZX12, ZX14, ZL04, ZL05, ZL06, ZY04, ZY05, ZY06, ZY07, ZYA7, ZY08, ZY09, ZY12, ZQ04, ZQ05, ZQ06, ZL08, ZL09, ZL12, ZL14	All
2SD04701124	Return air stream smoke detector	ZL04, ZL05, ZL06, ZY04, ZY05, ZY06, ZQ04, ZQ05, ZQ06, ZXA7	All
2SD04701424	Return air stream smoke detector	ZX08, ZX09, ZX12, ZX14, ZY07, ZYA7, ZY08, ZY09, ZY12, ZL08, ZL09, ZL12, ZL14	All
2SD04701324	Combination supply & return air stream smoke detector	ZY04, ZY05, ZY06, ZL04, ZL05, ZL06, ZQ04, ZQ05, ZQ06, ZXA7	All

Table 1: Accessories

Accessory kit number	Description	Where used	Voltage
2SD04701624	Combination supply & return air stream smoke detector	ZX08, ZX09, ZX12, ZX14, ZY07, ZYA7, ZY08, ZY09, ZY12, ZL08, ZL09, ZL12, ZL14	All
1TB0401	Small footprint thru the base electrical & thru the curb gas	ZL04, ZL05, ZL06, ZY04, ZY05, ZY06, ZQ04, ZQ05, ZQ06, ZXA7	All
1TB0402	Large footprint thru the base electrical & thru the curb gas	ZX08, ZX09, ZX12, ZX14, ZY07, ZYA7, ZY08, ZY09, ZY12, ZL08, ZL09, ZL12, ZL14	All
1TB0403	Small footprint thru the base electrical & gas	ZL04, ZL05, ZL06, ZY04, ZY05, ZY06, ZQ04, ZQ05, ZQ06, ZXA7	All
1TB0404	Large footprint thru the base electrical & gas	ZX08, ZY07, ZYA7, ZX09, ZX12, ZX14, ZY08, ZY09, ZY12, ZL08, ZL09, ZL12, ZL14	All
1LD0420	High speed drive kit	ZQ05	3-phase only

AHRI cooling rating table

Table 2: AHRI cooling rating table

Unit	Cooling stages	Nom. cooling capacity (tons)	Net cooling capacity (MBH)	Total power (kW)	SEER	EER (cooling only)	EER (A/C with gas heat)	IEER (cooling only)	IEER (A/C with gas heat)	IEER with Intelli Speed (cooling only)	IEER with Intelli Speed (gas heat)
ZQ04	1	3	35.0	2.8	14.0	12.2	12.2	---	---	---	---
ZQ05	1	4	48.0	4.0	14.0	12.0	12.0	---	---	---	---
ZQ06	1	5	58.5	4.8	14.1	12.1	12.1	---	---	---	---
ZXA7	2	6	67.0	6.0	---	11.2	11.0	12.9	12.9	14.8	14.8
ZX08	2	7.5	85.0	6.6	---	11.2	11.0	N/A	N/A	13.5	13.4
ZX09	2	8.5	99.0	7.7	---	11.2	11.0	N/A	N/A	13.3	13.0
ZX12	2	10.0	116.0	10.3	---	11.2	11.0	N/A	N/A	14.2	14.0
ZX14	2	12.5	135.0	12.4	---	11.0	10.8	N/A	N/A	12.7	12.5
ZY04	1	3	36.0	2.6	15.0	12.0	12.0	---	---	---	---
ZY05	1	4	49.0	3.5	15.4	12.0	12.0	---	---	---	---
ZY06	1	5	58.0	4.4	15.2	12.0	12.0	---	---	---	---
ZY07	1	6	72.0	5.0	---	12.2	12.0	12.9	12.7	---	---
ZYA7	2	6	71.0	5.89	---	12.0	12.0	14.6	14.6	16.0	16.0
ZY08	2	7.5	89.0	7.4	---	12.2	12.0	12.9	12.7	14.1	14.0
ZY09	2	8.5	98.0	7.3	---	12.2	12.0	12.9	12.7	14.8	14.6
ZY12	2	10.0	116.0	8.9	---	11.7	11.5	12.9	12.7	14.0	14.0
ZL04 ¹	2	3	36.0	2.7	17.2	13.2	13.2	---	---	---	---
ZL05 ¹	2	4	47.5	3.7	17.1	12.7	12.7	---	---	---	---
ZL06 ¹	2	5	59.0	4.6	17.0	12.8	12.8	---	---	---	---
ZL08	3	7.5	89.0	7.4	---	12.2	12.0	N/A	N/A	15.8	15.6
ZL09	3	8.5	98.0	8.0	---	12.2	12.0	N/A	N/A	16.3	16.1
ZL12	3	10.0	116.0	9.6	---	12.2	12.0	N/A	N/A	15.6	15.4
ZL14	3	12.5	135.0	11.9	---	11.2	11.0	N/A	N/A	14.9	14.7

¹ 208/230V & 460V direct drive units

Table 3: AHRI cooling ratings for two-stage cooling with multistage direct blower

Voltage	Model	Tonnage	Cooling stage	KW	SEER	EER	AHRI capacity	Blowertype
230 V/460 V	ZL04	3	2	2.7	17.2	13.2	36,000	Multistage direct
	ZL05	4	2	3.7	17.1	12.7	47,500	Multistage direct
	ZL06	5	2	4.6	17.0	12.8	59,000	Multistage direct
575 V	ZL04	3	2	2.8	16.5	12.8	36,000	Multistage direct
	ZL05	4	2	3.8	16	12.5	47,000	Multistage direct
	ZL06	5	2	4.8	15.6	12.2	58,500	Multistage direct

Table 4: AHRI cooling ratings: Two-stage cooling with belt drive and VFD blower

Voltage	Model	Tonnage	Cooling stage	KW	SEER	EER	AHRI capacity	Blower type
230V/460V	ZL04	3	2	2.9	16.0	12.5	36,000	Belt drive +VFD
	ZL05	4	2	3.9	15.6	12.0	47,000	Belt drive +VFD
	ZL06	5	2	4.7	15.8	12.4	58,500	Belt drive +VFD
575V	ZL04	3	2	3.0	15.1	12.2	36,000	Belt drive +VFD
	ZL05	4	2	4.2	14.4	11.2	47,000	Belt drive +VFD
	ZL06	5	2	4.9	14.9	11.9	58,000	Belt drive +VFD

AHRI 270 outdoor sound power levels

Table 5: Outdoor sound power levels

Size (ton)	Sound rating ¹ dB(A)	Octave bands (Hz)							
		63	125	250	500	1000	2000	4000	8000
ZQ04 (3)	81	79.0	83.0	77.5	76.0	76.0	76.0	71.0	66.5
ZQ05 (4)	79	81.5	84.0	78.0	75.0	74.0	69.5	66.0	61.5
ZQ06 (5)	80	85.0	83.0	77.0	76.0	76.5	72.0	67.5	65.5
ZXA7 (6)	79	84.0	82.0	77.0	75.0	74.5	71.0	66.5	63.0
ZX08 (7.5)	84	87.0	86.0	82.0	80.5	79.5	75.0	70.5	66.5
ZX09 (8.5)	83	91.0	86.0	79.0	79.5	78.0	74.0	70.5	69.0
ZX12 (10)	84	87.5	85.0	81.0	80.0	80.0	74.5	70.0	66.5
ZX14 (12.5)	90	87.5	88.5	85.0	86.0	85.0	81.0	78.5	73.0
ZY04 (3)	79	81.0	86.5	77.0	76.0	75.0	70.5	66.5	63.5
ZY05 (4)	79	84.0	83.0	76.0	75.0	74.0	70.0	66.0	63.5
ZY06 (5)	79	83.0	83.0	76.0	75.0	75.0	69.5	66.0	63.0
ZY07 (6)	84	90.0	87.0	81.5	81.0	79.0	74.5	71.0	69.5
ZY08 (7.5)	83	91.5	84.5	79.5	79.5	78.5	74.0	68.5	66.0
ZY09 (8.5)	83	92.0	87.0	81.0	80.5	79.0	74.0	69.0	66.0
ZY12 (10)	87	88.0	88.5	84.5	84.0	82.5	78.5	76.0	73.0
ZL04 (3)	75.0	76.5	80.0	74.5	71.0	71.0	65.0	63.5	63.0
ZL05 (4)	76.0	83.0	79.0	74.5	72.0	73.0	66.5	62.0	59.5
ZL06 (5)	78.0	84.0	84.5	76.5	75.5	73.5	68.5	65.0	60.5
ZL08 (7.5)	82	85.0	85.5	79.5	78.5	77.5	72.5	68.0	64.0
ZL09 (8.5)	82	88.5	83.0	81.0	79.0	78.0	73.5	69.0	65.5
ZL12 (10)	86	82.0	88.5	85.0	82.5	80.5	76.0	73.5	69.5
ZL14 (12.5)	86	84.0	88.5	84.5	83.5	81.0	76.5	73.5	69.5

¹ Rated in accordance with AHRI 270-2015.

Physical data

ZQ04 to ZQ06 physical data

Table 6: ZQ04 physical data

Component		Models				Models
		ZQG04				ZQE04
Nominal tonnage		3				3
AHRI cooling performance	Gross capacity @ AHRI A point (Btu)	38,100				38,100
	AHRI net capacity (Btu)	35,000				35,000
	EER	12.2				12.2
	SEER	14				14
	IEER	-				-
	Nominal CFM	1,200				1,200
	System power (KW)	2.8				2.8
	Refrigerant type	R-410A				R-410A
	Refrigerant charge (lb-oz)					
	System 1	3-6				3-6
System 2	-				-	
AHRI heating performance single-phase	Heating option	L	D	M	E	-
	Heating model	Low (Low-NOx)	Low	Med (Low-NOx)	Med	-
	First stage heat input (K Btu)	-	-	-	-	-
	Second stage heat input (K Btu)	56	70	90	112	-
	First stage heat output (K Btu)	-	-	-	-	-
	Second stage heat output (K Btu)	45	56	72	90	-
	AFUE %	-	-	-	81	-
	FER compliant	-	-	-	Yes	-
	Number of burners	2	2	3	3	-
	Number of stages	1	1	1	1	-
	Temperature rise range (°F)	10-40	20-50	35-65	50-80	-
	Gas limit setting (°F)	150	150	140	140	-
	Gas piping connection (in.)	1/2	1/2	1/2	1/2	-
AHRI heating performance three-phase	Heating option	L	D	M	E	-
	Heating model	Low (Low-NOx)	Low	Med (Low-NOx)	Med	-
	First stage heat input (K Btu)	-	-	-	82	-
	Second stage heat input (K Btu)	56	70	90	112	-
	First stage heat output (K Btu)	-	-	-	66	-
	Second stage heat output (K Btu)	45	56	72	90	-
	Steady state efficiency (%)	80	80	80	80	-
	Number of burners	2	2	3	3	-
	Number of stages	1	1	1	2	-
	Temperature rise range (°F)	28-46	35-58	44-74	55-78	-
	Gas limit setting (°F)	150	150	140	140	-
	Gas piping connection (in.)	1/2	1/2	1/2	1/2	-
	Dimensions (in.)	Length	74.1			
Width		48.9				48.9
Height		32.5				32.5
Operating weight (lb)		498				450
Compressors	Type	Scroll				Scroll
	Quantity	1				1
	Unit capacity steps (%)	100				100
Condenser coil data	Face area (sq. ft)	16.3				16.3
	Rows	1				1
	Fins per in.	23				23
	Tube diameter (in./mm)	0.63/16				0.63/16
	Circuitry type	2-pass Microchannel				2-pass Microchannel
Evaporator coil data	Face area (sq. ft)	5.5				5.5
	Rows	2				2
	Fins per in.	15				15
	Tube diameter	0.375				0.375
	Circuitry type	Intertwined				Intertwined
	Refrigerant control	Orifice				Orifice

Table 6: ZQ04 physical data

Component		Models		Models	
		ZQG04		ZQE04	
Nominal tonnage		3		3	
Condenser fan data	Quantity of fans	1		1	
	Fan diameter (in.)	22		22	
	Type	Prop		Prop	
	Drive type	Direct		Direct	
	Quantity of motors	1		1	
	Motor HP each	1/4		1/4	
	Number of speeds	1		1	
	RPM	1,100		1,100	
Evaporator fan data - Direct drive	Nominal total CFM	3,800		3,800	
	Airflow option	A		A	
	Quantity	1		1	
	Fan size (in.)	10 x 10		10 x 10	
	Type	Centrifugal		Centrifugal	
	Motor HP	3/4		3/4	
Evaporator fan data - Belt drive	Motor RPM	1,050		1,050	
	Airflow option	B	C	B	C
	Quantity	1	1	1	1
	Fan Size (in.)	10 x 10	10 x 10	10 x 10	10 x 10
	Type	Centrifugal	Centrifugal	Centrifugal	Centrifugal
	Motor sheave	1VL34	1VL44	1VL34	1VL44
	Blower sheave	AK46	AK46	AK46	AK46
	Belt	A39	A40	A39	A40
	Motor HP, 1-phase	1.5	--	1.5	--
	Frame size, 1-phase	56 Hz	--	56 Hz	--
	Motor HP, 3-phase	2.4	2.4	2.4	2.4
	Frame size, 3-phase	56Y	56Y	56Y	56Y
Motor RPM	1,725	1,725	1,725	1,725	
Filters	Quantity - size	2 - (16 x 25 x 2) ¹		2 - (16 x 25 x 2) ¹	

¹ 2 in. throwaway, standard, MERV 4 (Minimum Efficiency Reporting Value)

Table 7: ZQ05 physical data

Component		Models						Models
		ZQG05						ZQE05
Nominal tonnage		4						4
AHRI cooling performance	Gross capacity @ AHRI A point (Btu)	51,300						51,300
	AHRI net capacity (Btu)	48,000						48,000
	EER	12						12
	SEER	14						14
	IEER	-						-
	Nominal CFM	1,575						1,575
	System power (KW)	4						4
	Refrigerant type	R-410A						R-410A
	Refrigerant charge (lb-oz)							
	System 1	4-6						4-6
System 2	-						-	
AHRI heating performance single-phase	Heating option	L	D	M	E	N	F	
	Heating model	Low (Low-NOx)	Low	Med (Low-NOx)	Med	High, (Low-NOx)	High	
	First stage heat input (K Btu)	-	-	-	-	-	-	
	Second stage heat input (K Btu)	56	70	90	112	116	142	
	First stage heat output (K Btu)	-	-	-	-	-	-	
	Second stage heat output (K Btu)	45	56	72	90	93	114	
	AFUE %	-	-	-	81	-	-	
	FER compliant	-	-	-	Yes	-	-	
	Number of burners	2	2	3	3	3	3	
	Number of stages	1	1	1	1	1	1	
	Temperature rise range (°F)	05-35	15-45	25-55	40-70	35-65	45-75	
	Gas limit setting (°F)	150	150	140	140	150	145	
Gas piping connection (in.)	1/2	1/2	1/2	1/2	1/2	1/2		
AHRI heating performance three-phase	Heating option	L	D	M	E	N	F	
	Heating model	Low (Low-NOx)	Low	Med (Low-NOx)	Med	High, (Low-NOx)	High	
	First stage heat input (K Btu)	-	-	-	-	-	100	
	Second stage heat input (K Btu)	56	70	90	112	118	145	
	First stage heat output (K Btu)	-	-	-	-	-	80	
	Second stage heat output (K Btu)	45	56	72	90	94	116	
	Steady state efficiency (%)	80	80	80	80	80	80	
	Number of burners	2	2	3	3	3	3	
	Number of stages	1	1	1	1	1	2	
	Temperature rise range (°F)	21-35	26-43	33-56	41-69	44-73	49-77	
Gas limit setting (°F)	150	150	140	140	150	145		
Gas piping connection (in.)	1/2	1/2	1/2	1/2	1/2	1/2		
Dimensions (in.)	Length	74.1						74.1
	Width	48.9						48.9
	Height	32.5						32.5
Operating weight (lb)		538						487
Compressors	Type	Scroll						Scroll
	Quantity	1						1
	Unit capacity steps (%)	100						100
Condenser coil data	Face area (sq. ft)	16.3						16.3
	Rows	1						1
	Fins per in.	23						23
	Tube diameter (in./mm)	.63/16						.63/16
	Circuitry type	2-pass Microchannel						2-pass Microchannel

Table 7: ZQ05 physical data

Component		Models		Models	
		ZQG05		ZQE05	
Nominal tonnage		4		4	
Evaporator coil data	Face area (sq. ft)	5.5		5.5	
	Rows	3		3	
	Fins per in.	15		15	
	Tube diameter	0.375		0.375	
	Circuitry type	Intertwined		Intertwined	
	Refrigerant control	Orifice		Orifice	
Condenser fan data	Quantity of fans	1		1	
	Fan diameter (in.)	22		22	
	Type	Prop		Prop	
	Drive type	Direct		Direct	
	Quantity of motors	1		1	
	Motor HP each	1/4		1/4	
	Number of speeds	1		1	
	RPM	1,100		1,100	
	Nominal total CFM	3,800		3,800	
	Airflow option	A		A	
Evaporatorfan data - Direct drive	Quantity	1		1	
	Fan Size (in.)	10 x 10		10 x 10	
	Type	Centrifugal		Centrifugal	
	Motor HP	1		1	
	Motor RPM	1,050		1,050	
	Airflow option	B	C	B	C
Evaporatorfan data - Belt drive	Quantity	1	1	1	1
	Fan Size (in.)	10 x 10	10 x 10	10 x 10	10 x 10
	Type	Centrifugal	Centrifugal	Centrifugal	Centrifugal
	Motor sheave	1VL34	1VL44	1VL34	1VL44
	Blower sheave	AK46	AK46	AK46	AK46
	Belt	A39	A40	A39	A40
	Motor HP, 1-phase	1.5	--	1.5	--
	Frame size, 1-phase	56 Hz	--	56 Hz	--
	Motor HP, 3-phase	2.4	2.4	2.4	2.4
	Frame size, 3-phase	56Y	56Y	56Y	56Y
	Motor RPM	1,725	1,725	1,725	1,725
Filters	Quantity - size	2 - (16 x 25 x 2) ¹		2 - (16 x 25 x 2) ¹	

¹ 2 in. throwaway, standard, MERV 4 (Minimum Efficiency Reporting Value)

Table 8: ZQ06 physical data

Component		Models						Models
		ZQG06						ZQE06
Nominal tonnage		5						5
AHRI cooling performance	Gross capacity @ AHRI A point (Btu)	60,500						60,500
	AHRI net capacity (Btu)	58,500single phase						58,500
	EER	12.1						12.1
	SEER	14.1						14.1
	IEER	-						-
	Nominal CFM	1,800						1,800
	System power (KW)	4.8						4.8
	Refrigerant type	R-410A						R-410A
	Refrigerant charge (lb-oz)							
System 1	5-10						5-10	
System 2	-						-	
AHRI heating performance single-phase	Heating option	L	D	M	E	N	F	
	Heating model	Low (Low-NOx)	Low	Med (Low-NOx)	Med	High (Low-NOx)	High	
	First stage heat input (K Btu)	-	-	-	-	-	-	
	Second stage heat input (K Btu)	56	70	90	112	116	142	
	First stage heat output (K Btu)	-	-	-	-	-	-	
	Second stage heat output (K Btu)	45	56	72	90	93	114	
	AFUE %	-	-	-	81	-	-	
	FER compliant	-	-	-	Yes	-	-	
	Number of burners	2	2	3	3	3	3	
	Number of stages	1	1	1	1	1	1	
	Temperature rise range (°F)	05-35	10-40	15-45	30-60	30-60	40-70	
	Gas limit setting (°F)	150	150	140	140	145	140	
Gas piping connection (in.)	1/2	1/2	1/2	1/2	1/2	1/2		
AHRI heating performance three-phase	Heating option	L	D	M	E	N	F	
	Heating model	Low (Low-NOx)	Low	Med (Low-NOx)	Med	High (Low-NOx)	High	
	First stage heat input (K Btu)	-	-	-	-	-	100	
	Second stage heat input (K Btu)	56	70	90	112	118	145	
	First stage heat output (K Btu)	-	-	-	-	-	80	
	Second stage heat output (K Btu)	45	56	72	90	94	116	
	Steady state efficiency (%)	80	80	80	80	80	80	
	Number of burners	2	2	3	3	3	3	
	Number of stages	1	1	1	1	1	2	
	Temperature rise range (°F)	17-28	21-35	27-44	33-55	35-58	43-72	
	Gas limit setting (°F)	150	150	140	140	145	140	
	Gas piping connection (in.)	1/2	1/2	1/2	1/2	1/2	1/2	
Dimensions (in.)	Length	74.1						74.1
	Width	48.9						48.9
	Height	40.6						40.6
Operating weight (lb)		610						561
Compressors	Type	Scroll						Scroll
	Quantity	1						1
	Unit capacity steps (%)	100						100
Condenser coil data	Face area (sq. ft)	21.1						21.1
	Rows	1						1
	Fins per in.	23						23
	Tube diameter (in./mm)	.71/18						.71/18
	Circuitry type	2-pass Microchannel						2-pass Microchannel

Table 8: ZQ06 physical data

Component		Models		Models	
		ZQG06		ZQE06	
Nominal tonnage		5		5	
Evaporator coil data	Face area (sq. ft)	7.3		7.3	
	Rows	3		3	
	Fins per in.	15		15	
	Tube diameter	0.375		0.375	
	Circuitry type	Intertwined		Intertwined	
	Refrigerant control	Orifice		Orifice	
Condenser fan data	Quantity of fans	1		1	
	Fan diameter (in.)	22		22	
	Type	Prop		Prop	
	Drive type	Direct		Direct	
	Quantity of motors	1		1	
	Motor HP each	1/2		1/2	
	Number of speeds	1		1	
	RPM	1,085		1,085	
	Nominal total CFM	4,500		4,500	
Evaporator fan data - Direct drive	Airflow option	A		A	
	Quantity	1		1	
	Fan size (in.)	11 x 10		11 x 10	
	Type	Centrifugal		Centrifugal	
	Motor HP	1		1	
	Motor RPM	1,050		1,050	
Evaporator fan data - Belt drive	Airflow option	B	C	B	C
	Quantity	1	1	1	1
	Fan size (in.)	11 x 10	11 x 10	11 x 10	11 x 10
	Type	Centrifugal	Centrifugal	Centrifugal	Centrifugal
	Motor sheave	1VL34	1VL44	1VL34	1VL44
	Blower sheave	AK46	AK46	AK46	AK46
	Belt	A37	A39	A37	A39
	Motor HP, 1-phase	1.5	--	1.5	--
	Frame size, 1-phase	56 Hz	--	56 Hz	--
	Motor HP, 3-phase	2.4	2.9	2.4	2.9
Frame size, 3-phase	56Y	56 Hz	56Y	56 Hz	
Motor RPM	1,725	1,725	1,725	1,725	
Filters	Quantity - size	4 - (16 x 16 x 2) ¹		4 - (16 x 16 x 2) ¹	

¹ 2 in. throwaway, standard, MERV 4 (Minimum Efficiency Reporting Value)

ZXA7, ZX08 to ZX14 physical data

Table 9: ZXA7 physical data

Component		Models			
		ZXGA7		ZXEA7	
Nominal tonnage		6		6	
AHRI cooling performance	Gross capacity @ AHRI A point (Btu)	70,000		70,000	
	AHRI net capacity (Btu)	67,000		67,000	
	EER	11.0		11.2	
	SEER	-		-	
	IEER	12.9		12.9	
	IEER IntelliSpeed	14.8		14.8	
	Nominal CFM	2,200		2,200	
	System power (KW)	6.0		6.0	
	Refrigerant type	R-410A		R-410A	
	Refrigerant charge (lb-oz)				
	System 1	7-4		7-4	
System 2					
AHRI heating performance	Heating option	D	E	F	-
	Heating model	Low	Med	High	-
	First stage heat input (K Btu)	-	-	100	-
	Second stage heat input (K Btu)	70	114	145	-
	First stage heat output (K Btu)	-	-	80	-
	Second stage heat output (K Btu)	56	91	116	-
	AFUE %	-	-	-	-
	Steady state efficiency (%)	80	80	80	-
	Number of burners	2	3	3	-
	Number of stages	1	1	2	-
	Temperature rise range (°F)	17-29	28-47	36-60	-
	Gas limit setting (°F)	150	140	140	-
	Gas piping connection (in.)	1/2	1/2	1/2	-
Dimensions (in.)	Length	74.1		74.1	
	Width	48.9		48.9	
	Height	40.6		40.6	
Operating weight (lb)		668		614	
Compressors	Type	Scroll		Scroll	
	Quantity	1		1	
	Unit capacity steps (%)	67/100		67/100	
Condenser coil data	Face area (sq. ft)	21.1		21.1	
	Rows	1		1	
	Fins per in.	23		23	
	Tube diameter (in./mm)	.79/20		.79/20	
Circuitry type		2-pass Microchannel		2-pass Microchannel	
Evaporator coil data	Face area (sq. ft)	7.3		7.3	
	Rows	4		4	
	Fins per in.	15		15	
	Tube diameter	0.375		0.375	
	Circuitry type	Intertwined		Intertwined	
Refrigerant control		TXV		TXV	
Condenser fan data	Quantity of fans	1		1	
	Fan diameter (in.)	22		22	
	Type	Prop		Prop	
	Drive type	Direct		Direct	
	Quantity of motors	1		1	
	Motor HP each	1/2		1/2	
	Number of speeds	2		2	
	RPM	900 / 1,150		900 / 1,150	
	Nominal total CFM	3,600 / 4,600		3,600 / 4,600	

Table 9: ZXA7 physical data

Component		Models					
		ZXGA7			ZXEA7		
Nominal tonnage		6			6		
		A	B	C	A	B	C
Evaporator fan data belt drive	Airflow option	A	B	C	A	B	C
	Quantity	1	1	1	1	1	1
	Fan size (in.)	11 x 10	11 x 10	11 x 10	11 x 10	11 x 10	11 x 10
	Type	Centrifugal			Centrifugal		
	Motor sheave	1VL34	1VL44	1VP50	1VL34	1VL44	1VP50
	Blower sheave	AK51	AK51	AK51	AK51	AK51	AK51
	Belt	A39	A40	A41	A39	A40	A41
	Motor max Bhp, 3 phase	2.4	2.9	3.7	2.4	2.9	3.7
	RPM	1,725	1,725	1,725	1,725	1,725	1,725
Frame size	56Y	56Y	56HZ	56Y	56Y	56HZ	
Filters	Quantity - size	4 - (16 x 16 x 2) ¹			4 - (16 x 16 x 2) ¹		

¹ 2 in. throwaway, standard, MERV 4 (Minimum Efficiency Reporting Value).

Table 10: ZX08 physical data

Component	Models				
	ZXG08			ZXE08	
Nominal tonnage		7.5			7.5
AHRI cooling performance	Gross capacity @ AHRI A point (Btu)	86,000			86,000
	AHRI net capacity (Btu)	83,000			83,000
	EER	11			11.2
	SEER	-			-
	IEER IntelliSpeed	12.8			13.0
	Nominal CFM	2,900			2,900
	System power (KW)	7.5			7.5
	Refrigerant type	R-410A			R-410A
	Refrigerant charge (lb-oz)				
	System 1	3-14			3-14
System 2	3-14			3-14	
AHRI heating performance	Heating option	D	E	F	-
	Heating model	Low	Med	High	-
	First stage heat input (K Btu)	90	125	176	-
	Second stage heat input (K Btu)	125	180	220	-
	First stage heat output (K Btu)	72	100	141	-
	Second stage heat output (K Btu)	100	144	176	-
	AFUE %	-	-	-	-
	Steady state efficiency (%)	80	80	80	-
	Number of burners	3	4	5	-
	Number of stages	2	2	2	-
	Temperature rise range (°F)	25-41	36-59	43-72	-
	Gas limit setting (°F)	140	150	140	-
	Gas piping connection (in.)	3/4	3/4	3/4	-
Dimensions (in.)	Length	87.1			87.1
	Width	61.7			61.7
	Height	40.6			40.6
Operating weight (lb)		884			782
Compressors	Type	Scroll			Scroll
	Quantity	2			2
	Unit capacity steps (%)	50/100			50/100
Condenser coil data	Face area (sq. ft)	21.1			21.1
	Rows	1			1
	Fins per in.	23			23
	Tube diameter (in./mm)	1/25			1/25
	Circuitry type	2-pass Microchannel			2-pass Microchannel
Evaporator coil data	Face area (sq. ft)	8.9			8.9
	Rows	3			3
	Fins per in.	15			15
	Tube diameter	0.375			0.375
	Circuitry type	Intertwined			Intertwined
Refrigerant control	Orifice			Orifice	
Condenser fan data	Quantity of fans	2			2
	Fan diameter (in.)	22			22
	Type	Prop			Prop
	Drive type	Direct			Direct
	Quantity of motors	2			2
	Motor HP each	1/2			1/2
	Number of speeds	1			1
	RPM	1,085			1,085
	Nominal total CFM	7,600			7,600

Table 10: ZX08 physical data

Component		Models					
		ZXG08			ZXE08		
Nominal tonnage		7.5			7.5		
		A	B	C	A	B	C
Evaporator fan data belt drive	Airflow option	A	B	C	A	B	C
	Quantity	1	1	1	1	1	1
	Fan Size (in.)	15 X 15	15 X 15	15 X 15	15 X 15	15 X 15	15 X 15
	Type	Centrifugal			Centrifugal		
	Motor sheave	1VL34	1VL44	1VP50	1VL34	1VL44	1VP50
	Blower sheave	AK74	AK74	AK74	AK74	AK74	AK74
	Belt	A47	A48	A48	A47	A48	A48
	Motor max Bhp, 3 phase	2.4	2.9	3.7	2.4	2.9	3.7
	RPM	1,725	1,725	1,725	1,725	1,725	1,725
Frame size	56Y	56Y	56HZ	56Y	56Y	56HZ	
Filters	Quantity - size	4 - (16 x 20 x 2) ¹			4 - (16 x 20 x 2) ¹		

¹ 2 in. throwaway, standard, MERV 4 (Minimum Efficiency Reporting Value).

Table 11: ZX09 physical data

Component		Models			
		ZXG09			ZXE09
Nominal tonnage		8.5			8.5
AHRI cooling performance	Gross capacity @ AHRI A point (Btu)	100,500			100,500
	AHRI net capacity (Btu)	97,500			97,500
	EER	11			11.2
	SEER	-			-
	IEER IntelliSpeed	12.7			12.9
	Nominal CFM	2,900			2,900
	System power (KW)	8.7			8.7
	Refrigerant type	R-410A			R-410A
	Refrigerant charge (lb-oz)				
	System 1	4.5			4.5
System 2	4.5			4.5	
AHRI heating performance	Heating option	D	E	F	-
	Heating model	Low	Med	High	-
	First stage heat input (K Btu)	90	125	176	-
	Second stage heat input (K Btu)	125	180	220	-
	First stage heat output (K Btu)	72	100	141	-
	Second stage heat output (K Btu)	100	144	176	-
	AFUE %	-	-	-	-
	Steady state efficiency (%)	80	80	80	-
	Number of burners	3	4	5	-
	Number of stages	2	2	2	-
	Temperature rise range (°F)	22-36	31-52	38-64	-
	Gas limit setting (°F)	140	150	140	-
	Gas piping connection (in.)	3/4	3/4	3/4	-
Dimensions (in.)	Length	87.2			87.2
	Width	61.7			61.7
	Height	48.6			48.6
Operating weight (lb)		944			842
Compressors	Type	Scroll			Scroll
	Quantity	2			2
	Unit capacity steps (%)	50/100			50/100
Condenser coil data	Face area (sq. ft)	25.5			25.5
	Rows	1			1
	Fins per in.	23			23
	Tube diameter (in./mm)	1/25			1/25
	Circuitry type	2-pass Microchannel			2-pass Microchannel
Evaporator coil data	Face area (sq. ft)	11.1			11.1
	Rows	3			3
	Fins per in.	15			15
	Tube diameter	0.375			0.375
	Circuitry type	Intertwined			Intertwined
Refrigerant control	Orifice			Orifice	
Condenser fan data	Quantity of fans	2			2
	Fan diameter (in.)	22			22
	Type	Prop			Prop
	Drive type	Direct			Direct
	Quantity of motors	2			2
	Motor HP each	1/2			1/2
	Number of speeds	1			1
	RPM	1,085			1,085
	Nominal total CFM	8,600			8,600

Table 11: ZX09 physical data

Component		Models					
		ZXG09			ZXE09		
Nominal tonnage		8.5			8.5		
		A	B	C	A	B	C
Evaporator fan data belt drive	Airflow option	A	B	C	A	B	C
	Quantity	1	1	1	1	1	1
	Fan size (in.)	15 x 15	15 x 15	15 x 15	15 x 15	15 x 15	15 x 15
	Type	Centrifugal			Centrifugal		
	Motor sheave	1VL34	1VL44	1VP50	1VL34	1VL44	1VP50
	Blower sheave	AK74	AK74	AK74	AK74	AK74	AK74
	Belt	A47	A48	A50	A47	A48	A50
	Motor max Bhp, 3 phase	2.4	2.4	3.7	2.4	2.4	3.7
	RPM	1,725	1,725	1,725	1,725	1,725	1,725
Frame size	56Y	56Y	56HZ	56Y	56Y	56HZ	
Filters	Quantity - size	4 - (20 x 20 x 2) ¹			4 - (20 x 20 x 2) ¹		

¹ 2 in. throwaway, standard, MERV 4 (minimum efficiency reporting value).

Table 12: ZX12 physical data

Component	Models				
	ZXG12			ZXE12	
Nominal tonnage		10			10
AHRI cooling performance	Gross capacity @ AHRI A point (Btu)	121,000			121,000
	AHRI net capacity (Btu)	116,000			116,000
	EER	11			11.2
	SEER	-			-
	IEER IntelliSpeed	14			14.2
	Nominal CFM	3,400			3,400
	System power (KW)	10.3			10.3
	Refrigerant type	R-410A			R-410A
	Refrigerant charge (lb-oz)				
	System 1	5-4			5-4
System 2	5-4			5-4	
AHRI heating performance	Heating option	D	E	F	-
	Heating model	Low	Med	High	-
	First stage heat input (K Btu)	125	176	200	-
	Second stage heat input (K Btu)	180	220	250	-
	First stage heat output (K Btu)	100	141	160	-
	Second stage heat output (K Btu)	144	176	200	-
	Steady state efficiency (%)	80	80	80	-
	Number of burners	4	5	5	-
	Number of stages	2	2	2	-
	Temperature rise range (°F)	27-44	33-54	37-62	-
Gas limit setting (°F)	150	140	160	-	
Gas piping connection (in.)	3/4	3/4	3/4	-	
Dimensions (in.)	Length	87.2			87.2
	Width	61.7			61.7
	Height	55.3			55.3
Operating weight (lb)		975			869
Compressors	Type	Scroll			Scroll
	Quantity	2			2
	Unit capacity steps (%)	50/100			50/100
Condenser coil data	Face area (sq. ft)	25.5			25.5
	Rows	1			1
	Fins per in.	23			23
	Tube diameter (in./mm)	0.79/20			0.79/20
Circuitry type		2-pass Microchannel			2-pass Microchannel
Evaporator coil data	Face area (sq. ft)	11.1			11.1
	Rows	4			4
	Fins per in.	15			15
	Tube diameter	0.375			0.375
	Circuitry type	Intertwined			Intertwined
Refrigerant control		Orifice			Orifice
Condenser fan data	Quantity of fans	2			2
	Fan diameter (in.)	22			22
	Type	Prop			Prop
	Drive type	Direct			Direct
	Quantity of motors	1			21
	Motor HP each	1/2			1/2
	Number of speeds	1			1
	RPM	1,140			1,140
	Nominal total CFM	8,200			8,200

Table 12: ZX12 physical data

Component		Models					
		ZXG12			ZXE12		
Nominal tonnage		10			10		
		A	B	C	A	B	C
Evaporator fan data belt drive	Airflow option	A	B	C	A	B	C
	Quantity	1	1	1	1	1	1
	Fan size (in.)	15 x 15	15 x 15	15 x 15	15 x 15	15 x 15	15 x 15
	Type	Centrifugal			Centrifugal		
	Motor sheave	1VL44	1VP50	1VP56	1VL44	1VP50	1VP56
	Blower sheave	AK79	AK79	BK85	AK79	AK79	BK85
	Belt	A50	A50	BX52	A50	A50	BX52
	Motor max Bhp, 3 phase	2.4	3.7	5.25	2.4	3.7	5.25
	RPM	1,725	1,725	1,725	1,725	1,725	1,725
Frame size	56Y	56HZ	145TY	56Y	56HZ	145TY	
Filters	Quantity - size	4 - (20 x 20 x 2) ¹			4 - (20 x 20 x 2) ¹		

¹ 2 in. throwaway, standard, MERV 4 (Minimum Efficiency Reporting Value).

Table 13: ZX14 physical data

Component		Models			
		ZXG14		ZXE14	
Nominal tonnage		12.5		12.5	
AHRI cooling performance	Gross capacity @ AHRI A point (Btu)	140,000		140,000	
	AHRI net capacity (Btu)	135,000		135,000	
	EER	10.8		11.0	
	SEER	-		-	
	IEER IntelliSpeed	12.5		12.7	
	Nominal CFM	3,900		3,900	
	System power (KW)	12.40		12.40	
	Refrigerant type	R-410A		R-410A	
	Refrigerant charge (lb-oz)				
	System 1	6-0		6-0	
System 2	6-0		6-0		
AHRI heating performance three phase	Heating option	D	E	F	-
	Heating model	Low	Med	High	-
	First stage heat input (K Btu)	125	176	200	-
	Second stage heat input (K Btu)	180	220	250	-
	First stage heat output (K Btu)	100	141	160	-
	Second stage heat output (K Btu)	144	176	200	-
	Steady state efficiency (%)	80	80	80	-
	Number of burners	4	5	5	-
	Number of stages	2	2	2	-
	Temperature rise range (°F)	21-36	26-43	30-49	-
	Gas limit setting (°F)	150	140	160	-
	Gas piping connection (in.)	3/4	3/4	3/4	-
Dimensions (in.)	Length	87.2		87.2	
	Width	61.7		61.7	
	Height	55.3		55.3	
Operating weight (lb)		1,037		931	
Compressors	Type	Scroll		Scroll	
	Quantity	2		2	
	Unit capacity steps (%)	50/100		50/100	
Condenser coil data	Face area (sq. ft)	25.5		25.5	
	Rows	1		1	
	Fins per in.	23		23	
	Tube diameter (in./mm)	1/25		1/25	
	Circuitry type	2-pass Microchannel		2-pass Microchannel	
Evaporator coil data	Face area (sq. ft)	11.1		11.1	
	Rows	4		4	
	Fins per in.	15		15	
	Tube diameter	0.375		0.375	
	Circuitry type	Intertwined		Intertwined	
	Refrigerant control	TXV		TXV	

Table 13: ZX14 physical data

Component	Models						
	ZXG14			ZXE14			
Nominal tonnage		12.5			12.5		
Condenser fan data	Quantity of fans	1			1		
	Fan diameter (in.)	30			30		
	Type	Prop			Prop		
	Drive type	Direct			Direct		
	Quantity of motors	1			1		
	Motor HP each	1 1/2			1 1/2		
	Number of speeds	1			1		
	RPM	1,140			1,140		
Nominal total CFM	10,800			10,800			
Evaporator fan data belt drive	Airflow option	A	B	C	A	B	C
	Quantity	1	1	1	1	1	1
	Fan Size (in.)	15 x 15	15 x 15	15 x 15	15 x 15	15 x 15	15 x 15
	Type	Centrifugal			Centrifugal		
	Motor sheave	1VL44	1VP50	1VP56	1VL44	1VP50	1VP56
	Blower sheave	AK79	AK79	BK85	AK79	AK79	BK85
	Belt	A50	A50	BX54	A50	A50	BX54
	Motor max Bhp, 3 phase	2.9	3.7	5.25	2.9	3.7	5.25
	RPM	1,750	1,750	1,750	1,750	1,750	1,750
Frame size	56Y	182TZ	184TZ	56Y	182TZ	184TZ	
Filters	Quantity - size	4 - (20 x 20 x 2) ¹			4 - (20 x 20 x 2) ¹		

¹ 2 in. throwaway, standard, MERV 4 (Minimum Efficiency Reporting Value).

ZY04 to ZY12 physical data

Table 14: ZY04 physical data

Component		Models				
		ZYG04			ZYE04	
Nominal Tonnage		3			3	
AHRI cooling performance	Gross capacity @ AHRI A point (Btu)	40,700			40,700	
	AHRI net capacity (Btu)	36,000			36,000	
	EER	12			12	
	SEER	15			15	
	IEER	-			-	
	IEER IntelliSpeed	-			-	
	Nominal CFM	1,200			1,200	
	System power (KW)	2.60			2.60	
	Refrigerant type	R-410A			R-410A	
	Refrigerant charge (lb-oz)					
	System 1	4-10			4-10	
System 2	-			-		
AHRI heating performance single phase	Heating option	L	D	M	E	-
	Heating model	Low (Low-NOx)	Low	Med (Low-NOx)	Med	-
	1st stage heat input (K Btu)	-	-	-	-	-
	2nd stage heat input (K Btu)	56	70	90	112	-
	1st stage heat output (K Btu)	-	-	-	-	-
	2nd stage heat output (K Btu)	45	56	72	90	-
	AFUE %	-	-	-	81	-
	FER compliant	-	-	-	Yes	-
	No. burners	2	2	3	3	-
	No. stages	1	1	1	1	-
	Temperature rise range (°F)	10-40	20-50	35-65	50-80	-
	Gas limit setting (°F)	150	150	140	140	-
	Gas piping connection (in.)	1/2	1/2	1/2	1/2	-
	Heating option	L	D	M	E	-
AHRI heating performance three phase	Heating model	Low (Low-NOx)	Low	Med (Low-NOx)	Med	-
	1st stage heat input (K Btu)	-	49	-	82	-
	2nd stage heat input (K Btu)	56	70	90	112	-
	1st stage heat output (K Btu)	-	39	-	66	-
	2nd stage heat output (K Btu)	45	56	72	90	-
	Steady state efficiency (%)	80	80	80	80	-
	No. burners	2	2	3	3	-
	No. stages	1	2	1	2	-
	Temperature rise range (°F)	28-46	35-58	44-74	55-78	-
	Gas limit setting (°F)	150	150	140	140	-
	Gas piping connection (in.)	1/2	1/2	1/2	1/2	-
	Dimensions (in.)	Length	74.1			74.1
		Width	48.9			48.9
		Height	32.5			32.5
Operating weight (lb)	527			481		
Compressors	Type	Scroll			Scroll	
	Quantity	1			1	
	Unit capacity steps (%)	100			100	
Condenser coil data	Face area (sq. ft.)	16.3			16.3	
	Rows	1			1	
	Fins per in.	23			23	
	Tube diameter (in./mm)	.63/16			.63/16	
	Circuitry type	2-pass Microchannel			2-pass Microchannel	
Evaporator coil data	Face area (sq. ft.)	5.5			5.5	
	Rows	3			3	
	Fins per in.	15			15	
	Tube diameter	0.375			0.375	
	Circuitry type	Intertwined			Intertwined	
Refrigerant control	TXV			TXV		

Table 14: ZY04 physical data

Component		Models			
		ZYG04		ZYE04	
Nominal Tonnage		3		3	
Condenser fan data	Quantity of fans	1		1	
	Fan diameter (in.)	22		22	
	Type	Prop		Prop	
	Drive type	Direct		Direct	
	Quantity of motors	1		1	
	Motor HP each	1/4		1/4	
	No. speeds	1		1	
	RPM	1,100		1,100	
Nominal total CFM		3,800		3,800	
Evaporator fan data direct drive	Airflow option	A		A	
	Quantity	1		1	
	Fan Size (in.)	10 x 10		10 x 10	
	Type	Centrifugal		Centrifugal	
	Motor HP	3/4		3/4	
	RPM	1,050		1,050	
Evaporator fan data belt drive	Airflow option	B	C	B	C
	Quantity	1	1	1	1
	Fan size (in.)	10 x 10	10 x 10	10 x 10	10 x 10
	Type	Centrifugal		Centrifugal	
	Motor sheave	1VL34	1VL44	1VL34	1VL44
	Blower sheave	AK46	AK46	AK46	AK46
	Belt	A39	A40	A39	A40
	Motor Hp, 1 phase	1.5	-	1.5	-
	Motor max Bhp, 3 phase	2.4	2.4	2.4	2.4
	RPM	1,725	1,725	1,725	1,725
Frame size	56Y	56Y	56Y	56Y	
FILTERS	Quantity - size	2 - (16 x 25 x 2) ¹		2 - (16 x 25 x 2) ¹	

¹ 2 in. throwaway, standard, MERV 4 (Minimum Efficiency Reporting Value).

Table 15: ZY05 physical data

Component	Models							
	ZYG05				ZYE05			
Nominal tonnage		4				4		
AHRI cooling performance	Gross capacity @ AHRI A point (Btu)	54,800				54,800		
	AHRI net capacity (Btu)	49,000				49,000		
	EER	12				12		
	SEER	15.4				15.4		
	IEER	-				-		
	IEER IntelliSpeed	-				-		
	Nominal CFM	1,600				1,600		
	System power (KW)	3.50				3.50		
	Refrigerant type	R-410A				R-410A		
	Refrigerant charge (lb-oz)							
System 1	6-8				6-8			
System 2	-				-			
AHRI heating performance single phase	Heating options	L	D	M	E	N	F	-
	Heating model	Low (Low-NOx)	Low	Med (Low-NOx)	Med	High, (Low-NOx)	High	-
	1st stage heat input (K Btu)	-	-	-	-	-	-	-
	2nd stage heat input (K Btu)	56	70	90	112	116	142	-
	1st stage heat output (K Btu)	-	-	-	-	-	-	-
	2nd stage heat output (K Btu)	45	56	72	90	93	114	-
	AFUE %	-	-	-	81	-	-	-
	FER compliant	-	-	-	Yes	-	-	-
	No. burners	2	2	3	3	3	3	-
	No. stages	1	1	1	1	1	1	-
AHRI heating performance three phase	Heating options	L	D	M	E	N	F	-
	Heating model	Low (Low-NOx)	Low	Med (Low-NOx)	Med	High, (Low-NOx)	High	-
	1st stage heat input (K Btu)	-	49	-	82	-	100	-
	2nd stage heat input (K Btu)	56	70	90	112	118	145	-
	1st stage heat output (K Btu)	-	39	-	66	-	80	-
	2nd stage heat output (K Btu)	45	56	72	90	94	116	-
	Steady state efficiency (%)	80	80	80	80	80	80	-
	No. burners	2	2	3	3	3	3	-
	No. stages	1	2	1	2	1	2	-
	Temperature rise range (°F)	21-35	26-43	33-56	41-69	44-73	49-77	-
Gas limit setting (°F)	150	150	140	140	150	145	-	
Gas piping connection (in.)	1/2	1/2	1/2	1/2	1/2	1/2	-	
Dimensions (in.)	Length	74.1				74.1		
	Width	48.9				48.9		
	Height	40.6				40.6		
Operating weight (lb)	618				564			
Compressors	Type	Scroll				Scroll		
	Quantity	1				1		
	Unit capacity steps (%)	100				100		
Condenser coil data	Face area (sq. ft.)	21.1				21.1		
	Rows	1				1		
	Fins per in.	23				23		
	Tube diameter (in./mm)	.79/20				.79/20		
Circuitry type	2-pass Microchannel				2-pass Microchannel			
Evaporator coil data	Face area (sq. ft.)	7.3				7.3		
	Rows	3				3		
	Fins per in.	15				15		
	Tube diameter	0.375				0.375		
	Circuitry type	Intertwined				Intertwined		
Refrigerant control	TXV				TXV			

Table 15: ZY05 physical data

Component		Models			
		ZYG05		ZYE05	
Nominal tonnage		4		4	
Condenser fan data	Quantity of fans	1		1	
	Fan diameter (in.)	22		22	
	Type	Prop		Prop	
	Drive type	Direct		Direct	
	Quantity of motors	1		1	
	Motor HP each	1/4		1/4	
	No. speeds	1		1	
	RPM	1,100		1,100	
Nominal total CFM		4,000		4,000	
Evap fan data direct drive	Airflow option	A		A	
	Quantity	1		1	
	Fan Size (in.)	10 x 10		10 x10	
	Type	Centrifugal		Centrifugal	
	Motor HP	1		1	
	RPM	1,050		1,050	
Evaporator fan data belt drive	Airflow option	B	C	B	C
	Quantity	1	1	1	1
	Fan size (in.)	10 x 10	10 x 10	10 x 10	10 x 10
	Type	Centrifugal		Centrifugal	
	Motor sheave	1VL34	1VL44	1VL44	1VL44
	Blower sheave	AK46	AK46	AK46	AK46
	Belt	A39	A40	A39	A40
	Motor Hp, 1 phase	1.5	-	1.5	-
	Motor Max Bhp, 3 phase	2.4	2.9	2.4	2.9
	RPM	1,725	1,725	1,725	1,725
Frame size	56Y	56Y	56Y	56Y	
Filters	Quantity - size	4 - (16 x 16 x 2) ¹		4 - (16 x 16 x 2) ¹	

¹ 2 in. throwaway, standard, MERV 4 (Minimum Efficiency Reporting Value).

Table 16: ZY06 physical data

Component	Models							
	ZYG06						ZYE06	
Nominal Tonnage		5						5
AHRI cooling performance	Gross capacity @ AHRI A point (Btu)	60,000						60,000
	AHRI net capacity (Btu)	58,000						58,000
	EER	12						12
	SEER	15.2						15.2
	IEER	-						-
	IEER IntelliSpeed	-						-
	Nominal CFM	1,600						1,600
	System power (KW)	4.40						4.40
	Refrigerant type	R-410A						R-410A
	Refrigerant charge (lb-oz)							
System 1	7-10						7-10	
System 2	-						-	
AHRI heating performance single phase	Heating options	L	D	M	E	N	F	-
	Heating model	Low (Low-NOx)	Low	Med (Low-NOx)	Med	High, (Low-NOx)	High	-
	1st stage heat input (K Btu)	-	-	-	-	-	-	-
	2nd stage heat input (K Btu)	56	70	90	112	116	142	-
	1st stage heat output (K Btu)	-	-	-	-	-	-	-
	2nd stage heat output (K Btu)	45	56	72	90	93	114	-
	AFUE %				81			-
	FER compliant				Yes			-
	No. burners	2	2	3	3	3	3	-
	No. stages	1	1	1	1	1	1	-
	Temperature rise range (°F)	05-35	10-40	15-45	30-60	30-60	40-70	-
	Gas limit setting (°F)	150	150	140	140	145	140	-
Gas piping connection (in.)	1/2	1/2	1/2	1/2	1/2	1/2	-	
AHRI heating performance three phase	Heating options	L	D	M	E	N	F	-
	Heating model	Low (Low-NOx)	Low	Med (Low-NOx)	Med	High, (Low-NOx)	High	-
	1st stage heat input (K Btu)	-	49	-	82	-	100	-
	2nd stage heat input (K Btu)	56	70	90	112	118	145	-
	1st stage heat output (K Btu)	-	39	-	66	-	80	-
	2nd stage heat output (K Btu)	45	56	72	90	94	116	-
	Steady state efficiency (%)	80	80	80	80	80	80	-
	No. burners	2	2	3	3	3	3	-
	No. stages	1	2	1	2	1	2	-
	Temperature rise range (°F)	17-28	21-35	27-44	33-55	35-58	43-72	-
	Gas limit setting (°F)	150	150	140	140	145	140	-
	Gas piping connection (in.)	1/2	1/2	1/2	1/2	1/2	1/2	-
Dimensions (in.)	Length	74.1						74.1
	Width	48.9						48.9
	Height	40.6						40.6
Operating weight (lb)	636						582	
Compressors	Type	Scroll						Scroll
	Quantity	1						1
	Unit capacity steps (%)	100						100
Condenser coil data	Face area (sq. ft.)	21.1						21.1
	Rows	1						1
	Fins per in.	23						23
	Tube diameter (in./mm)	.79/20						.79/20
	Circuitry type	2-pass Microchannel						2-pass Microchannel
Evaporator coil data	Face area (sq. ft.)	7.3						7.3
	Rows	4						4
	Fins per in.	15						15
	Tube diameter	0.375						0.375
	Circuitry type	Intertwined						Intertwined
Refrigerant control	TXV						TXV	

Table 16: ZY06 physical data

Component	Models				
	ZYG06		ZYE06		
Nominal Tonnage		5		5	
Condenser fan data	Quantity of fans	1		1	
	Fan diameter (in.)	22		22	
	Type	Prop		Prop	
	Drive type	Direct		Direct	
	Quantity of motors	1		1	
	Motor HP each	1/2		1/2	
	No. speeds	1		1	
	RPM	1,085		1,085	
Nominal total CFM		4,600		4,600	
Evaporator fan data direct drive	Airflow option	A		A	
	Quantity	1		1	
	Fan size (in.)	11 x 10		11 x 10	
	Type	Centrifugal		Centrifugal	
	Motor HP	1		1	
	RPM	1,050		1,050	
Evaporator fan data belt drive	Airflow option	B	C	B	C
	Quantity	1	1	1	1
	Fan size (in.)	11 x 10	11 x 10	11 x 10	11 x 10
	Type	Centrifugal		Centrifugal	
	Motor sheave	1VL34	1VL44	1VL34	1VL44
	Blower sheave	AK46	AK46	AK46	AK46
	Belt	A37	A39	A37	A39
	Motor Hp, 1 phase	1.5	-	1.5	-
	Motor max Bhp, 3 phase	2.4	2.9	2.4	2.9
	RPM	1,750	1,750	1,750	1,750
Frame size	56HZ	56Z	56HZ	56Z	
Filters	Quantity - size	4 - (16 x 16 x 2) ¹		4 - (16 x 16 x 2) ¹	

¹ 2 in. throwaway, standard, MERV 4 (Minimum Efficiency Reporting Value).

Table 17: ZY07 physical data

Component	Models				
	ZYG07		ZYE07		
Nominal Tonnage		6		6	
AHRI cooling performance	Gross capacity @ AHRI A point (Btu)	73,500		73,500	
	AHRI net capacity (Btu)	72,000		72,000	
	EER	12		12.2	
	SEER	-		-	
	IEER	12.7		12.9	
	IEER IntelliSpeed	-		-	
	Nominal CFM	2,200		2,200	
	System power (KW)	6.1		6.1	
	Refrigerant type	R-410A		R-410A	
	Refrigerant charge (lb-oz)				
	System 1	7-12		7-12	
System 2	-		-		
AHRI heating performance	Heating option	D	E	F	-
	Heating model	Low	Med	High	-
	1st stage heat input (K Btu)	57	90	110	-
	2nd stage heat input (K Btu)	72	125	150	-
	1st stage heat output (K Btu)	46	72	88	-
	2nd stage heat output (K Btu)	58	100	120	-
	AFUE %				-
	Steady state efficiency (%)	80	80	80	-
	No. burners	2	3	3	-
	No. stages	2	2	2	-
	Temperature rise range (°F)	18-30	31-51	37-62	-
	Gas limit setting (°F)	140	140	160	-
	Gas piping connection (in.)	1/2	3/4	3/4	-
Dimensions (in.)	Length	87.2		87.2	
	Width	61.7		61.7	
	Height	40.6		40.6	
Operating weight (lb)	795		725		
Compressors	Type	Scroll		Scroll	
	Quantity	1		1	
	Unit capacity steps (%)	100		100	
Condenser coil data	Face area (sq. ft.)	21.1		21.1	
	Rows	1		1	
	Fins per in.	23		23	
	Tube diameter (in./mm)	1/20		1/20	
	Circuitry type	2-pass Microchannel		2-pass Microchannel	
Evaporator coil data	Face area (sq. ft.)	8.9		8.9	
	Rows	3		3	
	Fins per in.	15		15	
	Tube diameter	0.375		0.375	
	Circuitry type	Intertwined		Intertwined	
	Refrigerant control	TXV		TXV	
Condenser fan data	Quantity of fans	2		2	
	Fan diameter (in.)	22		22	
	Type	Prop		Prop	
	Drive type	Direct		Direct	
	Quantity of motors	2		2	
	Motor HP each	1/2		1/2	
	No. speeds	1		1	
	RPM	1,085		1,085	
	Nominal total CFM	7,600		7,600	

Table 17: ZY07 physical data

Component		Models					
		ZYG07			ZYE07		
Nominal Tonnage		6			6		
		A	B	C	A	B	C
Evaporator fan data belt drive	Airflow option	A	B	C	A	B	C
	Quantity	1	1	1	1	1	1
	Fan size (in.)	15 x 15	15 x 15	15 x 15	15 x 15	15 x 15	15 x 15
	Type	Centrifugal			Centrifugal		
	Motor sheave	1VL34	1VL44	1VP50	1VL34	1VL44	1VP50
	Blower sheave	AK74	AK74	AK74	AK74	AK74	AK74
	Belt	A47	A48	A48	A47	A48	A48
	Motor max Bhp, 3 phase	2.4	2.9	3.7	2.4	2.9	3.7
	RPM	1,725	1,725	1,725	1,725	1,725	1,725
	Frame size	56Y	56Y	56HZ	56Y	56Y	56HZ
Filters	Quantity - size	4 - (16 x 20 x 2) ¹			4 - (16 x 20 x 2) ¹		

¹ 2 in. throwaway, standard, MERV 4 (Minimum Efficiency Reporting Value).

Table 18: ZYA7 physical data

Component	Models				
	ZYGA7			ZYEA7	
Nominal tonnage		6			6
AHRI cooling performance	Gross Capacity @ AHRI A point (Btu)	73,000			73,000
	AHRI net capacity (Btu)	71,000			71,000
	EER	12			12
	SEER	-			-
	CV IEER	14.6			14.6
	IEER IntelliSpeed	16			16
	Nominal CFM	2,350			2,350
	System power (KW)	5.87			5.89
	Refrigerant type	R-410A			R-410A
	Refrigerant charge (lb-oz)				
	System 1	7-11			7-11
System 2	-			-	
¹ AHRI heating performance	Heating Option	D	E	F	-
	Heating model	Low	Med	High	-
	1st stage heat input (K Btu)	57	90	110	-
	2nd stage heat input (K Btu)	72	125	150	-
	1st stage heat output (K Btu)	46	72	88	-
	2nd stage heat output (K Btu)	58	100	120	-
	AFUE %				-
	Steady state efficiency (%)	80	80	80	-
	No. burners	2	3	3	-
	No. stages	2	2	2	-
	Temperature rise range (°F)	18-30	31-51	37-62	-
	Gas limit setting (°F)	140	140	160	-
	Gas piping connection (in.)	1/2	3/4	3/4	-
Dimensions (in.)	Length	87.2			87.2
	Width	61.7			61.7
	Height	40.6			40.6
Operating weight (lb)	899			829	
Compressors	Type	Scroll			Scroll
	Quantity	1			1
	Unit capacity steps (%)	67/100			67/100
Condenser coil data	Face area (sq. ft.)	21.1			21.1
	Rows	1			1
	Fins per in.	23			23
	Tube diameter (in./mm)	1/25			1/25
	Circuitry type	2-pass Microchannel			2-pass Microchannel
Evaporator coil data	Face area (sq. ft.)	8.9			8.9
	Rows	3			3
	Fins per in.	15			15
	Tube diameter	0.375			0.375
	Circuitry type	Intertwined			Intertwined
	Refrigerant control	TXV			TXV
Condenser fan data	Quantity of fans	2			2
	Fan diameter (in.)	22			22
	Type	Prop			Prop
	Drive type	Direct			Direct
	Quantity of motors	2			2
	Motor HP each	1/2			1/2
	No. speeds	1			1
	RPM	1,085			1,085
	Nominal total CFM	7,600			7,600

Table 18: ZYA7 physical data

Component		Models					
		ZYGA7			ZYEA7		
Nominal tonnage		6			6		
Evaporator fan data belt drive	Airflow option	A	B	C	A	B	C
	Quantity	1	1	1	1	1	1
	Fan size (in.)	15 x 15	15 x 15	15 x 15	15 x 15	15 x 15	15 x 15
	Type	Centrifugal			Centrifugal		
	Motor sheave	1VL34	1VL44	1VP50	1VL34	1VL44	1VP50
	Blower sheave	AK74	AK74	AK74	AK74	AK74	AK74
	Belt	A47	A48	A48	A47	A48	A48
	Motor Max Bhp, 3 phase	2.4	2.9	3.7	2.4	2.9	3.7
	RPM	1,725	1,725	1,725	1,725	1,725	1,725
	Frame size	56Y	56Y	56HZ	56Y	56Y	56HZ
Filters	Quantity - size	4 - (16 x 20 x 2) ²			4 - (16 x 20 x 2) ¹		

1 1st Stage 60% of 2nd Stage.

2 2 in. throwaway, standard, MERV 4 (Minimum Efficiency Reporting Value).

Table 19: ZY08 physical data

Component		Models			
		ZYG08			ZYE08
Nominal tonnage		7.5			7.5
AHRI cooling performance	Gross capacity @ AHRI A point (Btu)	93,000			93,000
	AHRI net capacity (Btu)	89,000			89,000
	EER	12			12.2
	SEER	-			-
	IEER	12.7			12.9
	IEER IntelliSpeed	14.0			14.1
	Nominal CFM	2,900			2,900
	System power (KW)	7.40			7.40
	Refrigerant type	R-410A			R-410A
	Refrigerant charge (lb-oz)				
System 1	5-12			5-12	
System 2	5-14			5-14	
AHRI heating performance three phase	Heating Option	D	E	F	-
	Heating model	Low	Med	High	-
	1st stage heat input (K Btu)	90	125	176	-
	2nd stage heat input (K Btu)	125	180	220	-
	1st stage heat output (K Btu)	72	100	141	-
	2nd stage heat output (K Btu)	100	144	176	-
	Steady state efficiency (%)	80	80	80	-
	No. burners	3	4	5	-
	No. stages	2	2	2	-
	Temperature rise range (°F)	25-41	36-59	43-72	-
	Gas limit setting (°F)	140	150	140	-
Gas piping connection (in.)	3/4	3/4	3/4	-	
Dimensions (in.)	Length	87.2			87.2
	Width	61.7			61.7
	Height	48.6			48.6
Operating weight (lb)	970			868	
Compressors	Type	Scroll			Scroll
	Quantity	2			2
	Unit Capacity Steps (%)	50/100			50/100
Condenser coil data	Face area (sq. ft.)	25.5			25.5
	Rows	1			1
	Fins per in.	23			23
	Tube diameter (in./mm)	.79/20			.79/20
	Circuitry type	2-pass Microchannel			2-pass Microchannel
Evaporator coil data	Face area (sq. ft.)	11.1			11.1
	Rows	4			4
	Fins per in.	15			15
	Tube diameter	0.375			0.375
	Circuitry type	Intertwined			Intertwined
	Refrigerant control	TXV			TXV

Table 19: ZY08 physical data

Component	Models						
	ZYG08			ZYE08			
Nominal tonnage		7.5			7.5		
Condenser fan data	Quantity of fans	2			2		
	Fan diameter (in.)	22			22		
	Type	Prop			Prop		
	Drive type	Direct			Direct		
	Quantity of motors	2			2		
	Motor HP each	1/2			1/2		
	No. speeds	1			1		
	RPM	1,085			1,085		
Nominal total CFM	8,200			8,200			
Evap fan data belt drive	Airflow option	A	B	C	A	B	C
	Quantity	1	1	1	1	1	1
	Fan size (in.)	15 x 15	15 x 15	15 x 15	15 x 15	15 x 15	15 x 15
	Type	Centrifugal			Centrifugal		
	Motor sheave	1VL34	1VL44	1VP50	1VL34	1VL44	1VP50
	Blower sheave	AK74	AK74	AK74	AK74	AK74	AK74
	Belt	A47	A48	A50	A47	A48	A50
	Motor max Bhp, 3 phase	2.4	2.4	3.7	2.4	2.4	3.7
	RPM	1,725	1,725	1,725	1,725	1,725	1,725
Frame size	56Y	56Y	56HZ	56Y	56Y	56HZ	
Filters	Quantity - size	4 - (20 x 20 x 2) ¹			4 - (20 x 20 x 2) ¹		

¹ 2 in. Throwaway, Standard, MERV 4 (Minimum Efficiency Reporting Value).

Table 20: ZY09 physical data

Component	Model				
	ZYG09			ZYE09	
Nominal tonnage		8.5			8.5
AHRI cooling performance	Gross capacity @ AHRI A point (Btu)	109,500			109,500
	AHRI net capacity (Btu)	98,000			98,000
	EER	12			12.2
	SEER	-			-
	IEER	12.7			12.9
	IEER IntelliSpeed	14.6			14.8
	Nominal CFM	3,300			3,300
	System power (KW)	7.30			7.30
	Refrigerant type	R-410A			R-410A
	Refrigerant charge (lb-oz)				
	System 1	6-8			6-8
System 2	6-0			6-0	
AHRI heating performance	Heating options	D	E	F	-
	Heating model	Low	Med	High	-
	1st stage heat input (K Btu)	90	125	176	-
	2nd stage heat input (K Btu)	125	180	220	-
	1st stage heat output (K Btu)	72	100	141	-
	2nd stage heat output (K Btu)	100	144	176	-
	AFUE %	-	-	-	-
	Steady state efficiency (%)	80	80	80	-
	No. burners	3	4	5	-
	No. stages	2	2	2	-
	Temperature rise range (°F)	22-36	31-52	38-64	-
	Gas limit setting (°F)	140	150	140	-
	Gas piping connection (in.)	3/4	3/4	3/4	-
Dimensions (in.)	Length	87.2			87.2
	Width	61.7			61.7
	Height	48.6			48.6
Operating weight (lb)	980			878	
Compressors	Type	Scroll			Scroll
	Quantity	2			2
	Unit capacity steps (%)	50/100			50/100
Condenser coil data	Face area (sq. ft.)	25.5			25.5
	Rows	1			1
	Fins per in.	23			23
	Tube diameter (in./mm)	1/25			1/25
	Circuitry type	2-pass Microchannel			2-pass Microchannel
Evaporator coil data	Face area (sq. ft.)	11.1			11.1
	Rows	4			4
	Fins per in.	15			15
	Tube diameter	0.375			0.375
	Circuitry type	Intertwined			Intertwined
	Refrigerant control	TXV			TXV
Condenser fan data	Quantity of fans	2			2
	Fan diameter (in.)	22			22
	Type	Prop			Prop
	Drive type	Direct			Direct
	Quantity of motors	2			2
	Motor HP each	1/2			1/2
	No. speeds	1			1
	RPM	1,085			1,085
	Nominal total CFM	8,600			8,600

Table 20: ZY09 physical data

Component		Model					
		ZYG09			ZYE09		
Nominal tonnage		8.5			8.5		
		A	B	C	A	B	C
Evaporator fan data belt drive	Airflow option	A	B	C	A	B	C
	Quantity	1	1	1	1	1	1
	Fan Size (in.)	15 x 15	15 x 15	15 x 15	15 x 15	15 x 15	15 x 15
	Type	Centrifugal			Centrifugal		
	Motor sheave	1VL34	1VL44	1VP50	1VL34	1VL44	1VP50
	Blower sheave	AK74	AK74	AK74	AK74	AK74	AK74
	Belt	A47	A48	A50	A47	A48	A50
	Motor Max Bhp, 3 phase	2.4	2.4	3.7	2.4	2.4	3.7
	RPM	1,725	1,725	1,725	1,725	1,725	1,725
Frame size	56Y	56Y	56HZ	56Y	56Y	56HZ	
Filters	Quantity - size	4 - (20 x 20 x 2) ¹			4 - (20 x 20 x 2) ¹		

¹ 2 in. throwaway, standard, MERV 4 (Minimum Efficiency Reporting Value).

Table 21: ZY12 physical data

Component	Model				
	ZYG12		ZYE12		
Nominal tonnage		10		10	
AHRI cooling performance	Gross capacity @ AHRI A point (Btu)	123,700		123,700	
	AHRI net capacity (Btu)	116,000		116,000	
	EER	11.5		11.7	
	SEER	-		-	
	IEER	12.7		12.9	
	IEER IntelliSpeed	14.0		14.0	
	Nominal CFM	3,200		3,200	
	System power (KW)	8.90		8.90	
	Refrigerant type	R-410A		R-410A	
	Refrigerant charge (lb-oz)				
	System 1	6-8		6-8	
System 2	7-0		7-0		
AHRI heating performance	Heating options	D	E	F	-
	Heating model	Low	Med	High	-
	1st stage heat input (K Btu)	125	176	200	-
	2nd stage heat input (K Btu)	180	220	250	-
	1st stage heat output (K Btu)	100	141	160	-
	2nd stage heat output (K Btu)	144	176	200	-
	AFUE %	-	-	-	-
	Steady state efficiency (%)	80	80	80	-
	No. burners	4	5	5	-
	No. stages	2	2	2	-
	Temperature rise range (°F)	27-44	33-54	37-62	-
	Gas limit setting (°F)	150	140	160	-
	Gas piping connection (in.)	3/4	3/4	3/4	-
Dimensions (in.)	Length	87.2		87.2	
	Width	61.7		61.7	
	Height	55.3		55.3	
Operating weight (lb)	1,008		902		
Compressors	Type	Scroll		Scroll	
	Quantity	2		2	
	Unit capacity steps (%)	50/100		50/100	
Condenser coil data	Face area (Sq. Ft.)	24.9		24.9	
	Rows	1		1	
	Fins per in.	21		21	
	Tube diameter (in./MM)	1.26/32		1.26/32	
Circuitry type	2-pass Microchannel		2-pass Microchannel		
Evaporator coil data	Face area (Sq. Ft.)	11.1		11.1	
	Rows	4		4	
	Fins per in.	15		15	
	Tube diameter	0.375		0.375	
	Circuitry type	Intertwined		Intertwined	
Refrigerant control	TXV		TXV		
Condenser fan data	Quantity of fans	1		1	
	Fan diameter (in.)	30		30	
	Type	Prop		Prop	
	Drive type	Direct		Direct	
	Quantity of motors	1		1	
	Motor HP each	1 1/2		1 1/2	
	No. speeds	1		1	
	RPM	1,140		1,140	
	Nominal total CFM	9,700		9,700	

Table 21: ZY12 physical data

Component		Model					
		ZYG12			ZYE12		
Nominal tonnage		10			10		
Evaporator fan data belt drive	Airflow option	A	B	C	A	B	C
	Quantity	1	1	1	1	1	1
	Fan size (in.)	15 x 15	15 x 15	15 x 15	15 x 15	15 x 15	15 x 15
	Type	Centrifugal			Centrifugal		
	Motor sheave	1VL44	1VP50	1VP56	1VL44	1VP50	1VP56
	Blower sheave	AK79	AK79	BK85	AK79	AK79	BK85
	Belt	A50	A50	BX52	A50	A50	BX52
	Motor Max Bhp, 3 phase	2.4	3.7	5.25	2.4	3.7	5.25
	RPM	1,725	1,725	1,725	1,725	1,725	1,725
Filters	Quantity - Size	4 - (20 x 20 x 2) ¹			4 - (20 x 20 x 2) ¹		

¹ 2 in. throwaway, standard, MERV 4 (Minimum Efficiency Reporting Value).

ZL04 to ZL06 physical data

Table 22: ZL04 physical data

Component		Models				
		ZLG04		ZLE04		
Nominal tonnage		3		3		
AHRI cooling performance direct drive	Gross capacity at AHRI A point (Btu)	36,850		36,850		
	AHRI net capacity (Btu)	36,000		36,000		
	EER 230 V/460 V	13.2		13.2		
	SEER 230 V/460 V	17.2		17.2		
	EER 575 V	12.8		12.8		
	SEER 575 V	16.5		16.5		
	Nominal CFM	1,300		1,300		
	System power 230 V/460 V (kW)	2.7		2.7		
	System power 575 V (kW)	2.8		2.8		
	Refrigerant type	R-410A		R-410A		
	Refrigerant charge (lb-oz)					
	System 1	4-3		4-3		
System 2	-		-			
AHRI cooling performance belt drive	Gross capacity at AHRI A point (Btu)	37,200		37,200		
	AHRI net capacity (Btu)	36,000		36,000		
	EER 230 V/460 V	12.5		12.5		
	SEER 230 V/460 V	16.0		16.0		
	EER 575 V	12.2		12.2		
	SEER 575 V	15.1		15.1		
	Nominal CFM	1,300		1,300		
	System power 230 V/460 V (kW)	2.9		2.9		
	System power 575 V (kW)	3.0		3.0		
	Refrigerant type	R-410A		R-410A		
	Refrigerant charge (lb-oz)					
	System 1	4-3		4-3		
System 2	-		-			
AHRI heating performance single phase	Heating option	L	D	M	E	-
	Heating model	Low (Low-NOx)	Low	Med (Low-NOx)	Med	-
	First stage heat input (K Btu)	-	-	-	-	-
	Second stage heat input (K Btu)	56	70	90	112	-
	First stage heat output (K Btu)	-	-	-	-	-
	Second stage heat output (K Btu)	45	56	72	90	-
	AFUE %	-	-	-	81	-
	FER compliant	-	-	-	Yes	-
	Number of burners	2	2	3	3	-
	Number of stages	1	1	1	1	-
	Temperature rise range (°F)	10-40	20-50	35-65	50-80	-
	Gas limit setting (°F)	150	150	140	140	-
Gas piping connection (in.)	1/2	1/2	1/2	1/2	-	

Table 22: ZL04 physical data

Component	Models					
	ZLG04				ZLE04	
Nominal tonnage		3				3
AHRI heating performance three phase	Heating option	L	D	M	E	-
	Heating model	Low (Low-NOx)	Low	Med (Low-NOx)	Med	-
	First stage heat input (K Btu)	-	49	-	82	-
	Second stage heat input (K Btu)	56	70	90	112	-
	First stage heat output (K Btu)	-	39	-	66	-
	Second stage heat output (K Btu)	45	56	72	90	-
	Steady state efficiency (%)	80	80	80	80	-
	Number of burners	2	2	3	3	-
	Number of stages	1	2	1	2	-
	Temperature rise range (°F)	28-46	35-58	44-74	55-78	-
Gas limit setting (°F)	150	150	140	140	-	
Gas piping connection (in.)	1/2	1/2	1/2	1/2	-	
Dimensions (in.)	Length	74.1				74.1
	Width	48.9				48.9
	Height	32.5				32.5
Operating weight (lb)	555				481	
Compressors	Type	Scroll				Scroll
	Quantity	1				1
	Unit capacity steps (%)	67/100				67/100
Condenser coil data	Face area (sq. ft)	16.3				16.3
	Rows	1				1
	Fins per in.	23				23
	Tube diameter (in./mm)	0.63/16				0.63/16
	Circuitry type	2-pass Microchannel				2-pass Microchannel
Evaporator coil data	Face area (sq. ft)	5.5				5.5
	Rows	3				3
	Fins per in.	15				15
	Tube diameter	0.375				0.375
	Circuitry type	Intertwined				Intertwined
	Refrigerant control	TXV				TXV
Condenser fan data	Quantity of fans	1				1
	Fan diameter (in.)	22				22
	Type	Prop				Prop
	Drive type	Direct				Direct
	Quantity of motors	1				1
	Motor HP each	1/3				1/3
	Number of speeds	1				1
	RPM	800/1,000				800/1,000
	Nominal total CFM	3,800				3,800
Evaporator fan data direct drive	Airflow option	A				A
	Quantity	1				1
	Fan size (in.)	10 x 10				10 x 10
	Type	Centrifugal				1,100 Centrifugal
	Motor HP	3/4				3/4
	RPM	1,050				1,050
Evaporator fan data belt drive	Airflow option	B	C		B	C
	Quantity	1	1		1	1
	Fan size (in.)	10 x 10	10 x 10		10 x 10	10 x 10
	Type	Centrifugal				Centrifugal
	Motor sheave	1VL34	1VL44		1VL34	1VL44
	Blower sheave	AK46	AK46		AK46	AK46
	Belt	A39	A40		A39	A40
	Motor Hp, 1 phase	1.5	-		1.5	-
	Motor max Bhp, 3 phase	2.4	2.4		2.4	2.4
	RPM	1,750	1,750		1,750	1,750
Frame size	56Y	56Y		56Y	56Y	
Filters	Quantity - size	2 - (16 x 25 x 2) ¹				2 - (16 x 25 x 2) ¹

¹ 2 in. throwaway, standard, MERV 4 (Minimum Efficiency Reporting Value).

Table 23: ZL05 physical data

Component	Models							
	ZLG05				ZLE05			
Nominal tonnage		4				4		
AHRI cooling performance direct drive	Gross capacity at AHRI A point (Btu)	49,000				49,000		
	AHRI net capacity (Btu)	47,500				47,500		
	EER 230 V/460 V	12.7				12.7		
	SEER 230 V/460 V	17.1				17.1		
	EER 575 V	12.5				12.5		
	SEER 575 V	16.0				16.0		
	Nominal CFM	1,600				1,600		
	System power 230 V/460 V (kW)	3.7				3.7		
	System power 575 V (kW)	3.8				3.8		
	Refrigerant type	R-410A				R-410A		
	Refrigerant charge (lb-oz)	-				-		
	System 1	6-4				6-4		
System 2	-				-			
AHRI cooling performance belt drive	Gross capacity at AHRI A point (Btu)	49,000				49,000		
	AHRI net capacity (Btu)	47,000				47,000		
	EER 230 V/460 V	12.0				12.0		
	SEER 230 V/460 V	15.6				15.6		
	EER 575 V	11.2				11.2		
	SEER 575 V	14.4				14.4		
	Nominal CFM	1,600				1,600		
	System power 230V/460V (kW)	3.7				3.7		
	System power 575 V (kW)	4.2				4.2		
	Refrigerant type	R-410A				R-410A		
	Refrigerant charge (lb-oz)	-				-		
	System 1	6-4				6-4		
	System 2	-				-		
	Nominal CFM	1,600				1,600		
AHRI heating performance three phase	Heating options	L	D	M	E	N	F	-
	Heating model	Low (Low-NOx)	Low	Med (Low-NOx)	Med	High, (Low-NOx)	High	-
	First stage heat input (K Btu)	-	49	-	82	-	100	-
	Second stage heat input (K Btu)	56	70	90	112	118	145	-
	First stage heat output (K Btu)	-	39	-	66	-	80	-
	Second stage heat output (K Btu)	45	56	72	90	94	116	-
	Steady state efficiency (%)	80	80	80	80	80	80	-
	Number of burners	2	2	3	3	3	3	-
	Number of stages	1	2	1	2	1	2	-
	Temperature rise range (°F)	21-35	26-43	33-56	41-69	44-73	49-77	-
	Gas limit setting (°F)	150	150	140	140	150	145	-
	Gas piping connection (in.)	1/2	1/2	1/2	1/2	1/2	1/2	-
Dimensions (in.)	Length	74.1				74.1		
	Width	48.9				48.9		
	Height	40.6				40.6		
Operating weight (lb)	602				564			
Compressors	Type	Scroll				Scroll		
	Quantity	1				1		
	Unit capacity steps (%)	67/100				67/100		
Condenser coil data	Face area (sq. ft)	21.1				21.1		
	Rows	1				1		
	Fins per in.	23				23		
	Tube diameter (in./mm)	0.79/20				0.79/20		
Evaporator coil data	Circuitry Type	2-pass Microchannel				2-pass Microchannel		
	Face area (sq. ft)	7.3				7.3		
	Rows	3				3		
	Fins per in.	15				15		
	Tube diameter	0.375				0.375		
	Circuitry type	Intertwined				Intertwined		
Refrigerant control	TXV				TXV			

Table 23: ZL05 physical data

Component	Models				
	ZLG05		ZLE05		
Nominal tonnage		4		4	
Condenser fan data	Quantity of fans	1		1	
	Fan diameter (in.)	22		22	
	Type	Prop		Prop	
	Drive type	Direct		Direct	
	Quantity of motors	1		1	
	Motor HP each	1/3		1/3	
	Number of speeds	1		1	
	RPM	1,100		1,100	
Nominal total CFM		4,000		4,000	
Evaporator fan data direct drive	Airflow option	A		A	
	Quantity	1		1	
	Fan size (in.)	10 x 10		10 x 10	
	Type	Centrifugal		Centrifugal	
	Motor HP	1		1	
	RPM	1,050		1,050	
Evaporator fan data belt drive	Airflow option	B	C	B	C
	Quantity	1	1	1	1
	Fan size (in.)	10 x 10	10 x 10	10 x 10	10 x 10
	Type	Centrifugal		Centrifugal	
	Motor sheave	1VL34	1VL44	1VL44	1VL44
	Blower sheave	AK46	AK46	AK46	AK46
	Belt	A39	A40	A39	A40
	Motor Hp, 1 phase	1.5	-	1.5	-
	Motor max Bhp, 3 phase	2.4	2.9	2.4	2.9
	RPM	1,725	1,725	1,725	1,725
Frame size	56Y	56Y	56Y	56Y	
Filters	Quantity - size	4 - (16 x 16 x 2) ¹		4 - (16 x 16 x 2) ¹	

¹ 2 in. throwaway, standard, MERV 4 (Minimum Efficiency Reporting Value).

Table 24: ZL06 physical data

Component	Models							
	ZLG06				ZLE06			
Nominal tonnage		5				5		
AHRI cooling performance direct drive	Gross capacity at AHRI A point (Btu)	60,700				60,700		
	AHRI net capacity (Btu)	59,000				59,000		
	EER 230 V/460 V	12.8				12.8		
	SEER 230 V/460 V	17.0				17.0		
	EER 575 V	12.2				12.2		
	SEER 575 V	15.6				15.6		
	Nominal CFM	1,825				1,825		
	System power 230 V/460 V (kW)	4.6				4.6		
	System power 575 V (kW)	4.8				4.8		
	Refrigerant type	R-410A				R-410A		
	Refrigerant charge (lb-oz)							
System 1	8-8				8-8			
System 2	-				-			
AHRI cooling performance belt drive	Gross capacity at AHRI A point (Btu)	60,100				60,100		
	AHRI net capacity (Btu)	58,500				58,500		
	EER 230 V/460 V	12.4				12.4		
	SEER 230 V/460 V	15.8				15.8		
	EER 575 V	11.9				11.9		
	SEER 575 V	14.9				14.9		
	Nominal CFM	1,825				1,825		
	System power 230 V/460 V (kW)	4.7				4.7		
	System power 575 V (kW)	4.9				4.9		
	Refrigerant type	R-410A				R-410A		
	Refrigerant charge (lb-oz)							
System 1	8-8				8-8			
System 2	-				-			
AHRI heating performance three phase	Heating options	L	D	M	E	N	F	-
	Heating model	Low (Low-NOx)	Low	Med (Low-NOx)	Med	High, (Low-NOx)	High	-
	First stage heat input (K Btu)	-	49	-	82	-	100	-
	Second stage heat input (K Btu)	56	70	90	112	118	145	-
	First stage heat output (K Btu)	-	39	-	66	-	80	-
	Second stage heat output (K Btu)	45	56	72	90	94	116	-
	Steady state efficiency (%)	80	80	80	80	80	80	-
	Number of burners	2	2	3	3	3	3	-
	Number of stages	1	2	1	2	1	2	-
	Temperature rise range (°F)	17-28	21-35	27-44	33-55	35-58	43-72	-
	Gas limit setting (°F)	150	150	140	140	145	140	-
Gas piping connection (in.)	1/2	1/2	1/2	1/2	1/2	1/2	-	
Dimensions (in.)	Length	74.1				74.1		
	Width	48.9				48.9		
	Height	40.6				40.6		
Operating weight (lb)	631				582			
Compressors	Type	Scroll				Scroll		
	Quantity	1				1		
	Unit capacity steps (%)	67/100				67/100		
Condenser coil data	Face area (sq. ft)	21.1				21.1		
	Rows	2				2		
	Fins per in	23				23		
	Tube diameter (in./mm)	0.79/20				0.79/20		
	Circuitry type	3-pass Microchannel				3-pass Microchannel		
Evaporator coil data	Face area (sq. ft)	7.3				7.3		
	Rows	4				4		
	Fins per in.	15				15		
	Tube diameter	0.375				0.375		
	Circuitry type	Intertwined				Intertwined		
	Refrigerant control	TXV				TXV		

Table 24: ZL06 physical data

Component	Models				
	ZLG06		ZLE06		
Nominal tonnage		5		5	
Condenser fan data	Quantity of fans	1		1	
	Fan diameter (in.)	22		22	
	Type	Prop		Prop	
	Drive type	Direct		Direct	
	Quantity of motors	1		1	
	Motor HP each	1/3		1/3	
	Number of speeds	1		1	
	RPM	1,000/1,100		1,000/1,100	
Nominal total CFM		4,600		4,600	
Evaporator fan data direct drive	Airflow option	A		A	
	Quantity	1		1	
	Fan size (in.)	11 x 10		11 x 10	
	Type	Centrifugal		Centrifugal	
	Motor HP	1		1	
	RPM	1,050		1,050	
Evaporator fan data belt drive	Airflow option	B	C	B	C
	quantity	1	1	1	1
	Fan size (in.)	11 x 10	11 x 10	11 x 10	11 x 10
	Type	Centrifugal		Centrifugal	
	Motor sheave	1VL34	1VL44	1VL34	1VL44
	Blower sheave	AK46	AK46	AK46	AK46
	Belt	A37	A39	A37	A39
	Motor Hp, 1 phase	1.5	-	1.5	-
	Motor Max Bhp, 3 Phase	2.4	2.9	2.4	2.9
	RPM	1,750	1,750	1,750	1,750
Frame size	56HZ	56Z	56HZ	56Z	
Filters	Quantity - size	4 - (16 x 16 x 2) ¹		4 - (16 x 16 x 2) ¹	

¹ 2 in. throwaway, standard, MERV 4 (Minimum Efficiency Reporting Value).

ZL08 to ZL14 physical data

Table 25: ZL08 physical data

Component		Models		
		ZLG08		ZLE08
Nominal tonnage		7.5		7.5
AHRI cooling performance	Gross capacity at AHRI A point (Btu)	93,000		93,000
	AHRI net capacity (Btu)	89,000		89,000
	EER	12		12.2
	SEER	-		-
	IEER IntelliSpeed	15.6		15.8
	VAV IEER	15.2		15.4
	Nominal CFM	2,900		2,900
	System power (KW)	7.40		7.40
	Refrigerant type	R-410A		R-410A
	Refrigerant charge (lb-oz)			
System 1	6-0		6-0	
System 2	6-6		6-6	
AHRI heating performance three phase	Heating option	D	E	F
	Heating model	Low	Med	High
	First stage heat input (K Btu)	90	125	176
	Second stage heat input (K Btu)	125	180	220
	First stage heat output (K Btu)	72	100	141
	Second stage heat output (K Btu)	100	144	176
	Steady state efficiency (%)	80	80	80
	Number of burners	3	4	5
	Number of stages	2	2	2
	Temperature rise range (°F)	25-41	36-59	43-72
Gas limit setting (°F)	140	150	140	
Gas piping connection (in.)	3/4	3/4	3/4	
Dimensions (in.)	Length	87.2		87.2
	Width	61.7		61.7
	Height	48.6		48.6
Operating weight (lb)		1,040		920
Compressors	Type	Scroll		Scroll
	Quantity	2		2
	Unit capacity steps (%)	34 / 67 / 100		34 / 67 / 100
Condenser coil data	Face area (sq. ft)	25.5		25.5
	Rows	1		1
	Fins per in.	23		23
	Tube diameter (in./mm)	1/25		1/25
	Circuitry Type	2-pass Microchannel		2-pass Microchannel
Evaporator coil data	Face area (sq. ft)	11.1		11.1
	Rows	4		4
	Fins per in.	15		15
	Tube diameter	0.375		0.375
	Circuitry type	Intertwined		Intertwined
	Refrigerant control	TXV		TXV

Table 25: ZL08 physical data

Component	Models						
	ZLG08			ZLE08			
Nominal tonnage		7.5			7.5		
Condenser fan data	Quantity of fans	2			2		
	Fan diameter (in.)	22			22		
	Type	Prop			Prop		
	Drive type	Direct			Direct		
	Quantity of motors	2			2		
	Motor HP each	1/2			1/2		
	Number of speeds	1			1		
	RPM	1,085			1,085		
Nominal total CFM	8,600			8,600			
Evaporator fan data belt drive	Airflow option	A	B	C	A	B	C
	Quantity	1	1	1	1	1	1
	Fan Size (in.)	15 x 15	15 x 15	15 x 15	15 x 15	15 x 15	15 x 15
	Type	Centrifugal			Centrifugal		
	Motor sheave	1VL34	1VL44	1VP50	1VL34	1VL44	1VP50
	Blower sheave	AK74	AK74	AK74	AK74	AK74	AK74
	Belt	A47	A48	A50	A47	A48	A50
	Motor max Bhp, 3 phase	2.4	2.4	3.7	2.4	2.4	3.7
	RPM	1,725	1,725	1,725	1,725	1,725	1,725
Frame size	56Y	56Y	56HZ	56Y	56Y	56HZ	
Filters	Quantity - size	4 - (20 x 20 x 2) ¹			4 - (20 x 20 x 2) ¹		

¹ 2 in. throwaway, standard, MERV 4 (Minimum Efficiency Reporting Value)

Table 26: ZL09 physical data

Component		Models			
		ZLG09		ZLE09	
Nominal tonnage		8.5		8.5	
AHRI cooling performance	Gross capacity at AHRI A point (Btu)	101,000		101,000	
	AHRI net capacity (Btu)	98,000		98,000	
	EER	12		12.2	
	SEER	-		-	
	IEER IntelliSpeed	16.1		16.3	
	VAV IEER	15.7		15.9	
	Nominal CFM	3,000		3,000	
	System power (KW)	8.00		8.00	
	Refrigerant type	R-410A		R-410A	
	Refrigerant charge (lb-oz)				
	System 1	6-4		6-4	
System 2	6-4		6-4		
AHRI heating performance three phase	Heating option	D	E	F	-
	Heating model	Low	Med	High	-
	First stage heat input (K Btu)	90	125	176	-
	Second stage heat input (K Btu)	125	180	220	-
	First stage heat output (K Btu)	72	100	141	-
	Second stage heat output (K Btu)	100	144	176	-
	Steady state efficiency (%)	80	80	80	-
	Number of burners	3	4	5	-
	Number of stages	2	2	2	-
	Temperature rise range (°F)	22-36	31-52	38-64	-
	Gas limit setting (°F)	140	150	140	-
Gas piping connection (in.)	3/4	3/4	3/4	-	
Dimensions (in.)	Length	87.2		87.2	
	Width	61.7		61.7	
	Height	48.6		48.6	
Operating weight (lb)		1,030		925	
Compressors	Type	Scroll		Scroll	
	Quantity	2		2	
	Unit capacity steps (%)	34 / 67 /100		34 / 67 /100	
Condenser coil data	Face area (sq. ft)	25.5		25.5	
	Rows	1		1	
	Fins per inch	23		23	
	Tube diameter (in./mm)	1/25		1/25	
	Circuitry type	2-pass Microchannel		2-pass Microchannel	
Evaporator coil data	Face area (sq. ft)	11.1		11.1	
	Rows	4		4	
	Fins per in.	15		15	
	Tube diameter	0.375		0.375	
	Circuitry type	Intertwined		Intertwined	
	Refrigerant control	TXV		TXV	

Table 26: ZL09 physical data

Component	Models						
	ZLG09			ZLE09			
Nominal tonnage		8.5			8.5		
Condenser fan data	Quantity of fans	2			2		
	Fan diameter (in.)	22			22		
	Type	Prop			Prop		
	Drive type	Direct			Direct		
	Quantity of motors	2			2		
	Motor HP each	1/2			1/2		
	Number of speeds	1			1		
	RPM	1,085			1,085		
Nominal total CFM	8,600			8,600			
Evaporator fan data belt drive	Airflow option	A	B	C	A	B	C
	Quantity	1	1	1	1	1	1
	Fan size (in.)	15 x 15	15 x 15	15 x 15	15 x 15	15 x 15	15 x 15
	Type	Centrifugal			Centrifugal		
	Motor sheave	1VL34	1VL44	1VP50	1VL34	1VL44	1VP50
	Blower sheave	AK74	AK74	AK74	AK74	AK74	AK74
	Belt	A47	A48	A50	A47	A48	A50
	Motor max Bhp, 3 phase	2.4	2.4	3.7	2.4	2.4	3.7
	RPM	1,725	1,725	1,725	1,725	1,725	1,725
Frame size	56Y	56Y	56HZ	56Y	56Y	56HZ	
Filters	Quantity - size	4 - (20 x 20 x 2) ¹			4 - (20 x 20 x 2) ¹		

¹ 2 in. throwaway, standard, MERV 4 (Minimum Efficiency Reporting Value)

Table 27: ZL12 physical data

Component		Models			
		ZLG12		ZLE12	
Nominal tonnage		10		10	
AHRI cooling performance	Gross capacity at AHRI A point (Btu)	120,200		120,200	
	AHRI net capacity (Btu)	116,000		116,000	
	EER	12		12.2	
	SEER	-		-	
	IEER IntelliSpeed	15.4		15.6	
	VAV IEER	15.2		15.4	
	Nominal CFM	3,100		3,100	
	System power (KW)	9.60		9.60	
	Refrigerant type	R-410A		R-410A	
	Refrigerant charge (lb-oz)				
	System 1	6-0		6-0	
System 2	6-10		6-10		
AHRI heating performance three phase	Heating Option	D	E	F	-
	Heating model	Low	Med	High	-
	First stage heat input (K Btu)	125	176	200	-
	Second stage heat input (K Btu)	180	220	250	-
	First stage heat output (K Btu)	100	141	160	-
	Second stage heat output (K Btu)	144	176	200	-
	Steady state efficiency (%)	80	80	80	-
	Number of burners	4	5	5	-
	Number of stages	2	2	2	-
	Temperature rise range (°F)	27-44	33-54	37-62	-
	Gas limit setting (°F)	150	140	160	-
Gas piping connection (in.)	3/4	3/4	3/4	-	
Dimensions (in.)	Length	87.2		87.2	
	Width	61.7		61.7	
	Height	55.3		55.3	
Operating weight (lb)		1,050		955	
Compressors	Type	Scroll		Scroll	
	Quantity	2		2	
	Unit Capacity Steps (%)	34 / 67 /100		34 / 67 /100	
Condenser coil data	Face area (sq. ft)	24.9		24.9	
	Rows	1		1	
	Fins per in.	21		21	
	Tube diameter (in./mm)	1.26/32		1.26/32	
	Circuitry type	2-pass Microchannel		2-pass Microchannel	
Evaporator coil data	Face area (sq. ft)	11.1		11.1	
	Rows	4		4	
	Fins per in.	15		15	
	Tube diameter	0.375		0.375	
	Circuitry type	Intertwined		Intertwined	
	Refrigerant control	TXV		TXV	

Table 27: ZL12 physical data

Component	Models							
	ZLG12			ZLE12				
Nominal tonnage		10			10			
Condenser fan data	Quantity of fans	1			1			
	Fan diameter (i)	30			30			
	Type	Prop			Prop			
	Drive type	Direct			Direct			
	Quantity of motors	1			1			
	Motor HP each	1 1/2			1 1/2			
	Number of speeds	1			1			
	RPM	1,140			1,140			
Nominal total CFM	9,700			9,700				
Evaporator fan data belt drive	Airflow Option	A	B	C	A	B	C	
	Quantity	1	1	1	1	1	1	
	Fan Size (in.)	15 x 15	15 x 15	15 x 15	15 x 15	15 x 15	15 x 15	
	Type	Centrifugal						
	Motor sheave	1VL44	1VP50	1VP56	1VL44	1VP50	1VP56	
	Blower sheave	AK79	AK79	BK85	AK79	AK79	BK85	
	Belt	A50	A50	BX52	A50	A50	BX52	
	Motor max Bhp, 3 phase	2.4	3.7	5.25	2.4	3.7	5.25	
	RPM	1,725	1,725	1,725	1,725	1,725	1,725	
Frame size	56Y	56HZ	145TY	56Y	56HZ	145TY		
Filters	Quantity - size	4 - (20 x 20 x 2) ¹			4 - (20 x 20 x 2) ¹			

¹ 2 in. throwaway, standard, MERV 4 (Minimum Efficiency Reporting Value)

Table 28: ZL14 physical data

Component		Models			
		ZLG14		ZLE14	
Nominal tonnage		12.5		12.5	
AHRI cooling performance	Gross capacity at AHRI A point (Btu)	139,500		139,500	
	AHRI net capacity (Btu)	135,000		135,000	
	EER	11.0		11.2	
	SEER	-		-	
	IEER IntelliSpeed	14.7		14.9	
	VAV IEER	14.5		14.7	
	Nominal CFM	3,900		3,900	
	System power (KW)	11.90		11.90	
	Refrigerant type	R-410A		R-410A	
	Refrigerant charge (lb-oz)				
	System 1	6-2		6-2	
	System 2	6-8		6-8	
AHRI heating performance three phase	Heating option	D	E	F	-
	Heating model	Low	Med	High	-
	First stage heat input (K Btu)	125	176	200	-
	Second stage heat input (K Btu)	180	220	250	-
	First stage heat output (K Btu)	100	141	160	-
	Second stage heat output (K Btu)	144	176	200	-
	Steady state efficiency (%)	80	80	80	-
	Number of burners	4	5	5	-
	Number of stages	2	2	2	-
	Temperature rise range (°F)	21-36	26-43	30-49	-
	Gas limit setting (°F)	150	140	160	-
Gas piping connection (in.)	3/4	3/4	3/4	-	
Dimensions (in.)	Length	87.2		87.2	
	Width	61.7		61.7	
	Height	55.3		55.3	
Operating weight (lb)		1,070		980	
Compressors	Type	Scroll		Scroll	
	Quantity	2		2	
	Unit capacity steps (%)	34 / 67 /100		34 / 67 /100	
Condenser coil data	Face area (sq. ft)	24.9		24.9	
	Rows	1		1	
	Fins per in.	21		21	
	Tube diameter (in./mm)	1.26/32		1.26/32	
	Circuitry Type	2-pass Microchannel		2-pass Microchannel	
Evaporator coil data	Face area (sq. ft)	11.1		11.1	
	Rows	4		4	
	Fins per inch	15		15	
	Tube diameter	0.375		0.375	
	Circuitry Type	Intertwined		Intertwined	
	Refrigerant control	TXV		TXV	

Table 28: ZL14 physical data

Component	Models						
	ZLG14			ZLE14			
Nominal tonnage		12.5			12.5		
Condenser fan data	Quantity of fans	1			1		
	Fan diameter (in.)	30			30		
	Type	Prop			Prop		
	Drive type	Direct			Direct		
	Quantity of motors	1			1		
	Motor HP each	1 1/2			1 1/2		
	Number of speeds	1			1		
	RPM	1,140			1,140		
Nominal total CFM	9,700			9,700			
Evaporator fan data belt drive	Airflow option	A	B	C	A	B	C
	Quantity	1	1	1	1	1	1
	Fan size (in.)	15 x 15	15 x 15	15 x 15	15 x 15	15 x 15	15 x 15
	Type	Centrifugal			Centrifugal		
	Motor sheave	1VL44	1VP50	1VP56	1VL44	1VP50	1VP56
	Blower sheave	AK79	AK79	BK85	AK79	AK79	BK85
	Belt	A50	A50	BX54	A50	A50	BX54
	Motor max Bhp, 3 phase	2.9	3.7	5.25	2.9	3.7	5.25
	RPM	1,750	1,750	1,750	1,750	1,750	1,750
Frame size	56Y	182TZ	184TZ	56Y	182TZ	184TZ	
Filters	Quantity - size	4 - (20 x 20 x 2) ¹			4 - (20 x 20 x 2) ¹		

¹ 2 in. throwaway, standard, MERV 4 (Minimum Efficiency Reporting Value)

ZQ/ZX/ZY/ZL 04 to 14, A7 unit limitations

Table 29: ZQ/ZX/ZY/ZL 04 to 14, A7 unit limitations

Model	Size (ton)	Unit voltage	SCCR (kVA)	Unit limitations		
				Applied voltage		Outdoor DB temp
				Min	Max	Max (°F)
ZQ/ZY/ZL	04 (3)	208/230-1-60	5	187	252	125
		208/230-3-60	5	187	252	125
		460-3-60	5	432	504	125
		575-3-60	5	540	630	125
ZQ/ZY	05 (4)	208/230-1-60	5	187	252	125
		208/230-3-60	5	187	252	125
		460-3-60	5	432	504	125
		575-3-60	5	540	630	125
ZQ/ZY	06 (5)	208/230-1-60	5	187	252	125
		208/230-3-60	5	187	252	125
		460-3-60	5	432	504	125
		575-3-60	5	540	630	125
ZL	05 (4)	208/230-3-60	5	187	252	125
		460-3-60	5	432	504	125
		575-3-60	5	540	630	125
ZL	06 (5)	208/230-3-60	5	187	252	125
		460-3-60	5	432	504	125
		575-3-60	5	540	630	125
ZY	07 (6)	208/230-3-60	5	187	252	125
		460-3-60	5	432	504	125
		575-3-60	5	540	630	125
ZX/ZY	A7 (6)	208/230-3-60	5	187	252	125
		460-3-60	5	432	504	125
		575-3-60	5	540	630	125
ZX/ZY/ZL	08 (7.5)	208/230-3-60	5	187	252	125
		460-3-60	5	432	504	125
		575-3-60	5	540	630	125
ZX/ZY//ZL	09 (8.5)	208/230-3-60	5	187	252	125
		460-3-60	5	432	504	125
		575-3-60	5	540	630	125
ZX/ZY//ZL	12 (10)	208/230-3-60	5	187	252	125
		460-3-60	5	432	504	125
		575-3-60	5	540	630	125
ZX/ZL	14 (12.5)	208/230-3-60	5	187	252	125
		460-3-60	5	432	504	125
		575-3-60	5	540	630	125

Capacity performance

ZQ04 to 06 cooling capacities

Table 30: ZQ04 (3.0 ton, 75°F to 85°F)

Air on evaporator coil		Temperature of air on condenser coil															
CFM	WB (°F)	Total capacity ¹ (MBh)	Total Input (kW) ²	Sensible capacity (MBh)						Total capacity ¹ (MBh)	Total input (kW) ²	Sensible capacity (MBh)					
				Return dry bulb (°F)								Return dry bulb (°F)					
				90	85	80	75	70	65			90	85	80	75	70	65
				75°F						85°F							
750	77	42.7	2.1	22.8	19.1	15.4	-	-	-	41.4	2.4	22.1	18.3	14.6	-	-	-
	72	39.9	2.1	27.3	23.3	19.3	15.4	-	-	38.3	2.4	26.5	22.5	18.4	14.4	-	-
	67	37.1	2.1	31.5	27.6	23.3	19.2	15.4	-	35.2	2.3	30.8	26.6	22.3	18.2	14.3	-
	62	34.3	2.1	31.5	29.4	27.3	23.4	19.5	15.5	33.1	2.3	31.9	29.0	26.2	22.3	18.3	14.4
900	77	42.7	2.1	24.0	19.5	14.9	-	-	-	41.4	2.4	23.7	19.0	14.2	-	-	-
	72	40.3	2.1	28.7	24.3	19.9	15.4	-	-	38.7	2.4	28.1	23.6	19.1	14.5	-	-
	67	37.9	2.1	33.3	29.1	24.8	20.2	15.8	-	36.1	2.3	32.5	28.2	23.9	19.3	14.7	-
	62	35.7	2.1	33.3	31.5	29.8	25.2	20.6	16.0	34.5	2.3	33.4	31.1	28.7	24.1	19.5	14.9
	57	33.5	2.0	33.3	33.3	33.3	30.0	25.3	20.7	33.4	2.3	33.4	33.4	33.4	28.9	24.2	19.6
1050	77	42.6	2.1	25.3	19.9	14.5	-	-	-	41.3	2.4	25.3	19.6	13.9	-	-	-
	72	40.6	2.1	30.1	25.2	20.4	15.5	-	-	39.2	2.4	29.7	24.7	19.7	14.7	-	-
	67	38.7	2.1	34.8	30.6	26.3	21.1	16.2	-	37.0	2.3	34.1	29.8	25.5	20.3	15.2	-
	62	37.1	2.1	35.2	33.7	32.2	27.0	21.7	16.4	35.9	2.3	34.9	33.1	31.3	26.0	20.7	15.4
	57	35.5	2.1	35.5	35.5	35.5	32.7	27.2	21.8	35.2	2.3	35.2	35.2	35.2	31.6	26.2	20.7
1200	77	42.5	2.1	26.5	20.3	14.0	-	-	-	41.3	2.4	26.9	20.2	13.5	-	-	-
	72	41.0	2.1	31.5	26.2	20.9	15.6	-	-	39.6	2.4	31.3	25.8	20.3	14.8	-	-
	67	39.4	2.1	36.4	32.1	27.8	22.1	16.6	-	38.0	2.3	35.7	31.4	27.1	21.3	15.6	-
	62	38.5	2.1	37.0	35.8	34.6	28.7	22.8	16.9	37.3	2.3	36.5	35.2	33.8	27.9	21.8	15.8
	57	37.6	2.1	37.6	37.6	37.6	35.3	29.1	22.9	36.9	2.3	36.9	36.9	36.9	34.4	28.1	21.9
1350	72	41.3	2.1	32.8	27.1	21.4	15.7	-	-	40.1	2.4	32.9	26.9	20.9	14.9	-	-
	67	40.2	2.1	37.9	33.6	29.2	23.0	16.9	-	38.9	2.3	37.3	33.0	28.7	22.3	16.0	-
	62	39.9	2.1	38.8	37.9	37.1	30.5	23.9	17.4	38.8	2.3	38.0	37.2	36.4	29.7	23.0	16.3
	57	39.7	2.1	39.7	39.7	39.7	37.9	30.9	24.0	38.7	2.3	38.7	38.7	38.7	37.1	30.1	23.0
1500	72	41.7	2.1	34.2	28.1	21.9	15.7	-	-	40.5	2.3	34.5	28.0	21.5	15.1	-	-
	67	41.0	2.1	39.4	35.1	30.7	24.0	17.3	-	39.8	2.3	38.8	34.5	30.2	23.3	16.4	-
	62	41.4	2.1	40.7	40.1	39.5	32.3	25.1	17.8	40.2	2.3	39.5	39.2	39.0	31.6	24.2	16.8
	57	41.7	2.1	41.7	41.7	41.7	40.5	32.8	25.1	40.5	2.4	40.2	40.2	40.2	39.8	32.0	24.2

1 These capacities are gross ratings. For net capacity, deduct the supply air blower motor heat (MBh = 3.415 x kW). Refer to the appropriate blower performance table for the kW of the supply air blower motor.

2 These ratings include the condenser fan motors (total 1 kW) and the compressor motors but not the supply air blower motor.

Table 31: ZQ04 (3.0 ton, 95°F to 125°F)

Air on evaporator coil		Temperature of air on condenser coil															
CFM	WB (°F)	Total capacity ¹ (MBh)	Total input (kW) ²	Sensible capacity (MBh)						Total capacity ¹ (MBh)	Total input (kW) ²	Sensible capacity (MBh)					
				Return dry bulb (°F)								Return dry bulb (°F)					
				90	85	80	75	70	65			90	85	80	75	70	65
		95°F									105°F						
750	77	40.2	2.7	21.4	17.6	13.8	-	-	-	37.0	3.1	20.2	16.4	12.6	-	-	-
	72	36.7	2.6	25.8	21.7	17.5	13.4	-	-	33.8	3.0	24.5	20.4	16.4	12.3	-	-
	67	33.2	2.6	30.2	25.7	21.3	17.3	13.2	-	30.7	3.0	28.7	24.4	20.1	16.1	12.1	-
	62	31.9	2.6	31.9	28.7	25.0	21.1	17.2	13.3	30.0	2.9	30.0	27.0	23.9	19.9	15.9	11.9
900	77	40.1	2.7	23.4	18.5	13.6	-	-	-	37.1	3.0	22.4	17.4	12.4	-	-	-
	72	37.2	2.6	27.6	22.9	18.3	13.6	-	-	34.5	3.0	26.3	21.7	17.1	12.5	-	-
	67	34.3	2.6	31.8	27.4	23.0	18.3	13.7	-	31.9	3.0	30.2	26.0	21.8	17.2	12.5	-
	62	33.3	2.6	33.3	30.6	27.7	23.0	18.4	13.8	31.3	2.9	31.3	28.9	26.5	21.8	17.1	12.4
1050	77	40.1	2.7	25.3	19.3	13.3	-	-	-	37.2	3.0	24.6	18.4	12.2	-	-	-
	72	37.7	2.6	29.4	24.2	19.0	13.8	-	-	35.1	3.0	28.1	23.0	17.8	12.7	-	-
	67	35.4	2.6	33.4	29.0	24.7	19.4	14.1	-	33.0	3.0	31.6	27.6	23.5	18.2	12.9	-
	62	34.7	2.6	34.7	32.6	30.4	25.0	19.6	14.3	32.6	2.9	32.5	30.9	29.2	23.7	18.3	12.8
1200	77	40.1	2.6	27.3	20.1	13.0	-	-	-	37.4	3.0	26.7	19.3	11.9	-	-	-
	72	38.3	2.6	31.1	25.4	19.7	14.0	-	-	35.8	3.0	29.9	24.2	18.5	12.9	-	-
	67	36.5	2.6	35.0	30.7	26.4	20.5	14.6	-	34.2	3.0	33.1	29.1	25.2	19.2	13.3	-
	62	36.1	2.6	35.9	34.5	33.1	27.0	20.9	14.8	33.9	3.0	33.7	32.8	31.8	25.6	19.5	13.3
1350	77	40.1	2.6	36.3	36.3	36.3	33.5	27.2	20.9	34.0	3.0	34.0	34.0	34.0	31.1	25.6	20.1
	72	38.8	2.6	32.9	26.7	20.4	14.2	-	-	36.5	3.0	31.7	25.5	19.3	13.0	-	-
	67	37.6	2.6	36.6	32.4	28.1	21.6	15.0	-	35.4	3.0	34.6	30.7	26.9	20.3	13.7	-
	62	37.6	2.6	37.1	36.5	35.8	28.9	22.1	15.3	35.2	3.0	34.9	34.7	34.4	27.5	20.7	13.8
1500	77	39.3	2.6	34.7	27.9	21.2	14.4	-	-	37.1	3.0	33.6	26.8	20.0	13.2	-	-
	72	38.7	2.6	38.3	34.0	29.8	22.6	15.5	-	36.6	3.0	36.0	32.3	28.5	21.3	14.1	-
	67	39.0	2.6	38.4	38.4	38.4	30.9	23.3	15.8	36.5	3.0	36.1	36.1	36.1	29.5	21.9	14.2
	62	39.3	2.6	38.4	38.4	38.4	38.4	31.2	23.3	36.7	3.0	36.2	36.2	36.2	35.7	29.6	23.4
		115°F									125°F						
750	77	33.9	3.4	19.0	15.2	11.4	-	-	-	30.7	3.8	17.8	14.0	10.2	-	-	-
	72	31.0	3.4	23.1	19.2	15.2	11.2	-	-	28.2	3.7	21.8	17.9	14.0	10.1	-	-
	67	28.1	3.3	27.3	23.1	19.0	15.0	10.9	-	25.6	3.7	25.6	21.8	17.8	13.8	9.8	-
	62	28.0	3.3	28.0	25.4	22.8	18.7	14.6	10.5	26.1	3.7	25.9	23.8	21.7	17.5	13.3	9.1
900	77	34.1	3.4	21.4	16.3	11.2	-	-	-	31.1	3.7	20.4	15.2	10.0	-	-	-
	72	31.8	3.4	25.0	20.5	15.9	11.4	-	-	29.1	3.7	23.7	19.2	14.8	10.3	-	-
	67	29.4	3.3	28.6	24.6	20.6	16.0	11.3	-	27.0	3.7	27.0	23.2	19.5	14.8	10.1	-
	62	29.2	3.3	29.2	27.3	25.4	20.6	15.8	11.0	27.2	3.7	27.0	25.6	24.2	19.3	14.4	9.5
1050	77	34.4	3.4	23.8	17.4	11.0	-	-	-	31.5	3.7	23.1	16.5	9.9	-	-	-
	72	32.5	3.3	26.9	21.8	16.7	11.5	-	-	30.0	3.7	25.6	20.5	15.5	10.4	-	-
	67	30.7	3.3	29.9	26.1	22.3	17.0	11.7	-	28.4	3.7	28.1	24.6	21.1	15.8	10.4	-
	62	30.5	3.3	30.3	29.1	27.9	22.4	16.9	11.4	28.3	3.7	28.1	27.4	26.7	21.1	15.5	9.9
1200	77	34.7	3.4	26.2	18.5	10.8	-	-	-	31.9	3.7	25.7	17.7	9.7	-	-	-
	72	33.3	3.3	28.7	23.0	17.4	11.7	-	-	30.8	3.7	27.5	21.9	16.2	10.6	-	-
	67	32.0	3.3	31.2	27.6	24.0	18.0	12.1	-	29.7	3.7	29.3	26.0	22.7	16.8	10.8	-
	62	31.7	3.3	31.5	31.0	30.5	24.3	18.1	11.8	29.4	3.7	29.3	29.3	29.3	23.0	16.6	10.3
1350	77	34.1	3.3	31.8	31.8	31.8	28.7	24.1	19.4	29.5	3.7	29.4	29.4	29.4	26.4	22.5	18.6
	72	34.1	3.3	30.6	24.3	18.1	11.9	-	-	31.7	3.7	29.4	23.2	16.9	10.7	-	-
	67	33.3	3.3	32.5	29.1	25.6	19.0	12.4	-	31.1	3.7	30.4	27.4	24.4	17.7	11.1	-
	62	32.9	3.3	32.7	32.7	32.7	26.2	19.2	12.3	30.5	3.7	30.4	30.4	30.4	24.8	17.8	10.7
1500	77	34.9	3.3	32.9	32.9	32.9	30.5	26.0	21.4	30.6	3.7	30.5	30.5	30.5	27.7	24.4	21.1
	72	34.9	3.3	32.4	25.6	18.8	12.0	-	-	32.6	3.7	31.3	24.5	17.7	10.9	-	-
	67	34.6	3.3	33.8	30.5	27.3	20.0	12.8	-	32.5	3.7	31.6	28.8	26.0	18.7	11.5	-
	62	34.1	3.3	33.8	33.8	33.8	28.0	20.4	12.7	31.6	3.7	31.6	31.6	31.6	26.6	18.9	11.1
57	34.2	3.4	33.9	33.9	33.9	32.3	27.9	23.5	31.6	3.8	31.6	31.6	31.6	28.9	26.3	23.6	

- 1 These capacities are gross ratings. For net capacity, deduct the supply air blower motor heat (MBh = 3.415 x kW). Refer to the appropriate blower performance table for the kW of the supply air blower motor.
- 2 These ratings include the condenser fan motors (total 1 kW) and the compressor motors but not the supply air blower motor.

Table 32: ZQ05 (4.0 ton, 75°F to 105°F)

Air on evaporator coil		Temperature of air on condenser coil																
		Total capacity ¹ (MBh)	Total input (kW) ²	Sensible capacity (MBh)					Total capacity ¹ (MBh)	Total input (kW) ²	Sensible capacity (MBh)							
				Return dry bulb (°F)							Return dry bulb (°F)							
CFM	WB (°F)			90	85	80	75	70	65			90	85	80	75	70	65	
		75°F								85°F								
1000	77	61.7	2.8	31.1	23.1	15.0	-	-	-	59.0	3.2	29.6	21.7	13.7	-	-	-	
	72	56.3	2.8	37.3	30.4	23.5	16.6	-	-	53.4	3.1	35.9	29.0	22.1	15.2	-	-	
	67	50.9	2.7	43.4	37.7	32.0	26.6	21.4	-	47.9	3.1	42.2	36.3	30.5	25.2	20.1	-	
	62	47.7	2.7	43.4	41.9	40.5	37.2	33.1	29.5	45.8	3.0	43.4	41.1	38.8	35.6	32.0	28.6	
1200	77	62.7	2.8	34.0	25.1	16.2	-	-	-	59.9	3.2	33.0	23.9	14.9	-	-	-	
	72	57.7	2.8	40.1	32.6	25.2	17.7	-	-	54.8	3.1	38.9	31.3	23.8	16.3	-	-	
	67	52.6	2.7	46.2	40.2	34.2	27.9	21.7	-	49.8	3.1	44.8	38.8	32.8	26.6	20.4	-	
	62	49.8	2.7	46.2	44.7	43.2	38.5	33.3	28.3	47.9	3.1	45.7	43.7	41.7	37.0	32.0	27.2	
1400	57	47.0	2.7	46.2	46.2	46.2	46.2	44.8	41.1	46.1	3.0	46.1	46.1	46.1	46.1	43.7	40.2	
	77	63.7	2.8	36.8	27.1	17.3	-	-	-	60.7	3.2	36.3	26.1	16.0	-	-	-	
	72	59.0	2.8	42.9	34.8	26.8	18.8	-	-	56.2	3.1	41.8	33.7	25.5	17.4	-	-	
	67	54.3	2.7	48.9	42.6	36.3	29.1	22.1	-	51.7	3.1	47.3	41.2	35.1	27.9	20.7	-	
1600	62	52.0	2.7	48.9	47.4	45.9	39.8	33.4	27.1	49.9	3.1	48.1	46.4	44.6	38.5	32.1	25.8	
	57	49.6	2.7	48.9	48.9	48.9	48.9	44.6	39.3	48.4	3.1	48.4	48.4	48.4	48.4	43.5	38.2	
	77	64.7	2.9	39.6	29.0	18.5	-	-	-	61.5	3.2	39.6	28.4	17.1	-	-	-	
	72	60.4	2.8	45.7	37.1	28.5	19.9	-	-	57.6	3.2	44.8	36.0	27.3	18.5	-	-	
1800	67	56.0	2.7	51.7	45.1	38.5	30.4	22.4	-	53.6	3.1	49.9	43.7	37.4	29.2	21.0	-	
	62	54.1	2.7	51.7	50.1	48.6	41.2	33.5	25.9	52.0	3.1	50.4	49.0	47.6	39.9	32.2	24.5	
	57	52.2	2.7	51.7	51.7	51.7	51.6	44.5	37.5	50.7	3.1	50.7	50.7	50.7	50.5	43.4	36.2	
	72	61.8	2.8	48.5	39.3	30.2	21.0	-	-	59.0	3.2	47.7	38.4	29.0	19.6	-	-	
2000	67	57.8	2.8	54.5	47.6	40.7	31.7	22.7	-	55.5	3.1	52.5	46.1	39.7	30.5	21.2	-	
	62	56.3	2.8	54.5	52.9	51.3	42.5	33.6	24.7	54.1	3.1	52.8	51.6	50.5	41.4	32.2	23.1	
	57	54.8	2.8	54.5	54.5	54.5	53.1	44.4	35.7	52.9	3.1	52.9	52.9	52.9	52.2	43.2	34.3	
	72	63.1	2.8	51.3	41.5	31.8	22.1	-	-	60.3	3.2	50.7	40.7	30.7	20.7	-	-	
95°F	1000	67	59.5	2.8	57.2	50.1	42.9	33.0	23.0	-	57.4	3.1	55.1	48.6	42.0	31.8	21.5	-
		62	58.4	2.8	57.2	55.6	54.0	43.8	33.7	23.5	56.1	3.1	55.1	54.2	53.4	42.8	32.3	21.8
		57	57.4	2.8	57.2	57.2	57.2	54.7	44.3	33.9	55.2	3.2	55.1	55.1	55.1	53.9	43.1	32.3
		77	64.7	2.9	39.6	29.0	18.5	-	-	-	61.5	3.2	39.6	28.4	17.1	-	-	-
105°F	1000	72	56.3	3.5	28.1	20.3	12.5	-	-	-	51.7	4.1	28.9	21.2	13.5	-	-	-
		72	50.6	3.5	34.5	27.6	20.7	13.8	-	-	47.7	4.0	34.0	27.4	20.8	14.2	-	-
		67	44.8	3.4	40.9	34.9	29.0	23.9	18.9	-	43.7	3.9	39.1	33.6	28.1	23.3	18.5	-
		62	43.9	3.4	43.3	40.2	37.2	34.0	30.8	27.6	42.9	3.9	41.5	38.4	35.4	32.4	29.5	26.5
1200	77	57.0	3.5	31.9	22.8	13.6	-	-	-	52.3	4.1	32.2	23.3	14.3	-	-	-	
	72	52.0	3.5	37.6	30.1	22.5	14.9	-	-	48.8	4.0	36.8	29.5	22.1	14.8	-	-	
	67	46.9	3.4	43.3	37.4	31.4	25.3	19.1	-	45.3	3.9	41.3	35.6	30.0	24.2	18.4	-	
	62	45.9	3.4	45.2	42.8	40.3	35.6	30.8	26.1	44.4	4.0	43.2	40.5	37.8	33.6	29.3	25.1	
1400	57	45.2	3.4	45.2	45.2	45.2	42.6	39.3	33.3	43.8	4.0	43.8	43.8	43.8	42.9	40.2	37.5	
	77	57.7	3.6	35.8	25.2	14.7	-	-	-	53.0	4.1	35.6	25.4	15.1	-	-	-	
	72	53.4	3.5	40.8	32.5	24.3	16.0	-	-	49.9	4.0	39.5	31.5	23.5	15.5	-	-	
	67	49.1	3.4	45.7	39.8	33.8	26.6	19.3	-	46.9	3.9	43.4	37.6	31.8	25.1	18.3	-	
1600	62	47.9	3.4	47.2	45.3	43.4	37.1	30.9	24.6	45.9	4.0	44.8	42.5	40.2	34.7	29.2	23.7	
	57	47.2	3.4	47.2	47.2	47.2	42.4	37.1	31.1	45.3	4.0	45.3	45.3	45.3	44.3	40.0	35.8	
	77	58.4	3.6	39.6	27.7	15.8	-	-	-	53.6	4.1	39.0	27.5	15.9	-	-	-	
	72	54.8	3.5	43.9	35.0	26.0	17.1	-	-	51.1	4.0	42.3	33.5	24.8	16.1	-	-	
1800	67	51.2	3.5	48.2	42.2	36.3	27.9	19.5	-	48.5	4.0	45.6	39.6	33.7	26.0	18.2	-	
	62	49.9	3.5	49.1	47.8	46.5	38.7	30.9	23.1	47.4	4.0	46.5	44.6	42.6	35.8	29.0	22.2	
	57	49.1	3.5	49.1	49.1	49.1	49.1	42.2	35.0	46.7	4.0	46.7	46.7	46.7	45.7	39.8	34.0	
	72	56.2	3.5	47.0	37.4	27.8	18.2	-	-	52.2	4.0	45.0	35.6	26.2	16.8	-	-	
2000	67	53.3	3.5	50.6	44.7	38.7	29.3	19.8	-	50.1	4.0	47.7	41.6	35.6	26.8	18.1	-	
	62	51.8	3.5	51.1	50.4	49.6	40.3	30.9	21.6	48.9	4.0	48.2	46.6	45.0	36.9	28.9	20.8	
	57	51.1	3.5	51.1	51.1	51.1	51.1	42.1	32.8	48.2	4.0	48.2	48.2	48.2	47.0	39.6	32.3	
	72	57.6	3.5	50.1	39.9	29.6	19.3	-	-	53.3	4.0	47.8	37.6	27.5	17.4	-	-	
75°F	1000	67	55.4	3.5	53.0	47.1	41.2	30.6	20.0	-	51.7	4.0	49.8	43.6	37.4	27.7	18.0	-
		62	53.8	3.5	53.0	52.9	52.8	41.9	30.9	20.0	50.4	4.0	49.9	48.6	47.4	38.1	28.7	19.4
		57	53.0	3.5	53.0	53.0	53.0	53.0	41.9	30.7	49.9	4.0	49.9	49.9	49.9	48.4	39.5	30.5

1 These capacities are gross ratings. For net capacity, deduct the supply air blower motor heat (MBh = 3.415 x kW). Refer to the appropriate blower performance table for the kW of the supply air blower motor.

2 These ratings include the condenser fan motors (total 1 kW) and the compressor motors but not the supply air blower motor.

Table 33: ZQ05 (4.0 ton, 115°F to 125°F)

Air on evaporator coil		Temperature of air on condenser coil															
		Total capacity ¹ (MBh)	Total input (kW) ²	Sensible capacity (MBh)							Total capacity ¹ (MBh)	Total input (kW) ²	Sensible capacity (MBh)				
				Return dry bulb (°F)									Return dry bulb (°F)				
CFM	WB (°F)			90	85	80	75	70	65			90	85	80	75	70	65
		115°F									125°F						
1000	77	47.1	4.6	29.7	22.1	14.5	-	-	-	42.4	5.1	30.4	23.0	15.5	-	-	-
	72	44.8	4.5	33.5	27.2	20.9	14.6	-	-	41.9	5.0	33.0	27.0	20.9	14.9	-	-
	67	42.6	4.4	37.3	32.3	27.2	22.7	18.2	-	41.4	4.9	35.6	31.0	26.4	22.1	17.8	-
	62	42.0	4.5	39.7	36.6	33.6	30.8	28.1	25.3	41.0	5.0	37.9	34.8	31.8	29.3	26.7	24.2
1200	77	47.7	4.6	32.6	23.8	15.0	-	-	-	43.0	5.1	32.9	24.3	15.8	-	-	-
	72	45.7	4.5	35.9	28.8	21.8	14.7	-	-	42.5	5.0	35.0	28.2	21.4	14.6	-	-
	67	43.6	4.4	39.2	33.9	28.5	23.1	17.7	-	42.0	5.0	37.1	32.1	27.1	22.1	17.1	-
	62	43.0	4.5	41.1	38.2	35.3	31.5	27.8	24.0	41.5	5.0	39.0	35.9	32.8	29.5	26.3	23.0
1400	57	42.4	4.5	42.4	42.4	42.0	39.9	37.8	35.7	41.0	5.1	40.9	39.6	38.4	36.9	35.5	34.0
	77	48.3	4.6	35.4	25.5	15.6	-	-	-	43.6	5.1	35.3	25.6	16.0	-	-	-
	72	46.5	4.5	38.3	30.5	22.7	14.9	-	-	43.1	5.0	37.0	29.5	21.9	14.4	-	-
	67	44.7	4.5	41.1	35.5	29.8	23.6	17.3	-	42.6	5.0	38.7	33.3	27.8	22.1	16.3	-
	62	44.0	4.5	42.5	39.7	37.0	32.2	27.5	22.7	42.0	5.0	40.2	36.9	33.7	29.8	25.8	21.8
1600	57	43.4	4.5	43.4	43.4	43.4	40.9	37.6	34.4	41.5	5.1	41.5	40.6	39.6	37.4	35.2	33.0
	77	48.9	4.6	38.3	27.2	16.1	-	-	-	44.2	5.1	37.7	27.0	16.3	-	-	-
	72	47.4	4.5	40.6	32.1	23.6	15.1	-	-	43.7	5.0	39.0	30.7	22.4	14.1	-	-
	67	45.8	4.5	42.9	37.0	31.1	24.0	16.9	-	43.2	5.0	40.3	34.4	28.6	22.0	15.5	-
	62	45.0	4.5	43.9	41.3	38.6	32.9	27.2	21.4	42.5	5.0	41.3	38.0	34.7	30.0	25.3	20.6
1800	57	44.3	4.5	44.3	44.3	44.3	41.8	37.4	33.1	41.9	5.0	41.9	41.6	40.8	37.9	35.0	32.1
	72	48.2	4.5	43.0	33.8	24.5	15.3	-	-	44.2	5.0	41.0	31.9	22.9	13.8	-	-
	67	46.9	4.5	44.8	38.6	32.4	24.4	16.4	-	43.7	5.0	41.9	35.6	29.3	22.0	14.8	-
	62	46.0	4.5	45.3	42.8	40.3	33.6	26.8	20.1	43.1	5.0	42.5	39.1	35.7	30.2	24.8	19.4
2000	57	45.3	4.5	45.3	45.3	45.3	42.7	37.2	31.7	42.5	5.0	42.5	42.5	42.0	38.4	34.8	31.2
	72	49.1	4.5	45.4	35.4	25.4	15.5	-	-	44.8	5.0	43.0	33.2	23.4	13.6	-	-
	67	48.0	4.5	46.7	40.2	33.7	24.9	16.0	-	44.3	5.0	43.5	36.7	30.0	22.0	14.0	-
	62	47.0	4.5	46.7	44.4	42.0	34.3	26.5	18.8	43.6	5.0	43.6	40.1	36.6	30.5	24.3	18.2
57	46.7	4.5	46.7	46.7	46.7	43.7	37.0	30.4	43.6	5.0	43.6	43.5	43.3	38.9	34.6	30.3	

- 1 These capacities are gross ratings. For net capacity, deduct the supply air blower motor heat (MBh = 3.415 x kW). Refer to the appropriate blower performance table for the kW of the supply air blower motor.
- 2 These ratings include the condenser fan motors (total 1 kW) and the compressor motors but not the supply air blower motor.

Table 34: ZQ06 (5.0 ton, 75°F to 105°F)

Air on evaporator coil		Temperature of air on condenser coil															
		Total capacity ¹ (MBh)	Total input (kW) ²	Sensible capacity (MBh)					Total capacity ¹ (MBh)	Total input (kW) ²	Sensible capacity (MBh)						
				Return dry bulb (°F)							Return dry bulb (°F)						
CFM	WB (°F)			90	85	80	75	70	65			90	85	80	75	70	65
75°F										85°F							
1250	77	75.2	3.6	38.2	32.6	26.9	-	-	-	72.1	4.0	36.7	31.2	25.7	-	-	-
	72	69.4	3.5	46.6	40.0	33.5	26.9	-	-	66.0	4.0	45.2	38.6	32.1	25.6	-	-
	67	63.6	3.4	55.0	47.5	40.0	33.4	26.9	-	59.9	3.9	53.6	46.0	38.5	31.9	25.3	-
	62	60.2	3.4	60.2	53.6	46.6	38.7	33.4	26.9	57.1	3.8	57.1	51.3	44.8	37.6	31.6	24.9
1500	77	76.2	3.6	42.0	34.3	26.7	-	-	-	72.8	4.1	41.0	33.2	25.5	-	-	-
	72	70.9	3.5	50.3	42.6	34.9	27.1	-	-	67.5	4.0	49.1	41.3	33.5	25.7	-	-
	67	65.7	3.5	58.7	50.9	43.1	35.2	27.4	-	62.1	3.9	57.2	49.4	41.6	33.6	25.7	-
	62	63.0	3.4	60.0	57.3	51.3	42.3	35.4	27.4	59.9	3.9	57.5	55.0	49.6	41.1	33.6	25.5
1750	77	77.1	3.6	45.8	36.1	26.4	-	-	-	73.5	4.1	45.4	35.3	25.2	-	-	-
	72	72.4	3.6	54.1	45.2	36.3	27.4	-	-	68.9	4.0	53.1	44.0	34.9	25.9	-	-
	67	67.8	3.5	62.4	54.3	46.2	37.0	27.9	-	64.3	3.9	60.7	52.7	44.7	35.4	26.2	-
	62	65.7	3.5	63.5	61.0	56.1	45.9	37.3	28.0	62.7	3.9	60.8	58.7	54.4	44.6	35.6	26.1
2000	77	78.0	3.7	49.5	37.8	26.1	-	-	-	74.2	4.1	49.7	37.3	24.9	-	-	-
	72	73.9	3.6	57.9	47.8	37.7	27.6	-	-	70.4	4.0	57.0	46.7	36.4	26.1	-	-
	67	69.9	3.5	66.2	57.7	49.2	38.8	28.4	-	66.6	4.0	64.0	56.1	47.8	37.2	26.7	-
	62	68.4	3.5	66.5	64.6	60.8	49.6	39.3	28.5	65.5	3.9	64.3	62.5	59.2	48.2	37.6	26.7
2250	77	75.5	3.6	61.6	50.3	39.1	27.8	-	-	71.8	4.0	60.9	49.4	37.8	26.2	-	-
	72	72.0	3.6	69.9	61.1	52.3	40.6	28.9	-	68.8	4.0	67.8	59.4	50.9	39.0	27.1	-
	67	71.1	3.6	70.0	68.3	65.6	53.2	41.3	29.1	68.3	4.0	67.8	66.2	64.1	51.7	39.6	27.4
	62	70.3	3.5	70.3	70.3	70.3	66.2	53.6	41.0	67.9	4.0	67.9	67.9	67.9	64.6	52.0	39.5
2500	77	77.0	3.6	65.4	52.9	40.5	28.0	-	-	73.2	4.1	64.9	52.0	39.2	26.4	-	-
	72	74.1	3.6	73.6	64.5	55.4	42.4	29.4	-	71.0	4.0	70.8	62.7	54.0	40.8	27.6	-
	67	73.9	3.6	73.6	72.0	70.3	56.8	43.2	29.7	71.1	4.0	70.9	69.9	68.9	55.2	41.6	28.0
	62	73.6	3.6	73.6	73.6	73.6	71.1	57.0	42.9	71.3	4.0	71.3	71.3	71.3	69.6	55.6	41.6
95°F										105°F							
1250	77	69.0	4.5	35.2	29.9	24.5	-	-	-	64.1	5.1	33.4	28.1	22.8	-	-	-
	72	62.6	4.4	43.8	37.2	30.7	24.2	-	-	57.9	5.0	42.0	35.3	28.5	21.8	-	-
	67	56.3	4.3	52.3	44.6	36.9	30.3	23.7	-	51.7	4.9	50.6	42.4	34.3	27.8	21.2	-
	62	54.0	4.3	54.0	49.0	43.1	36.4	29.7	23.0	50.8	4.9	50.8	45.9	40.1	33.7	27.4	21.0
1500	77	69.4	4.5	40.1	32.2	24.3	-	-	-	64.5	5.1	38.4	30.3	22.3	-	-	-
	72	64.0	4.4	47.9	40.0	32.2	24.3	-	-	59.3	5.0	45.9	37.9	29.9	21.9	-	-
	67	58.6	4.3	54.9	47.9	40.1	32.1	24.1	-	54.2	4.9	52.0	45.5	37.6	29.6	21.7	-
	62	56.9	4.3	55.0	52.8	48.0	39.9	31.8	23.7	53.5	4.9	52.5	49.7	45.3	37.3	29.4	21.4
1750	77	69.8	4.5	45.0	34.5	24.0	-	-	-	64.9	5.1	43.3	32.5	21.7	-	-	-
	72	65.4	4.4	52.0	42.8	33.6	24.4	-	-	60.7	5.0	49.8	40.5	31.3	22.1	-	-
	67	60.9	4.3	58.3	51.1	43.2	33.9	24.5	-	56.6	5.0	54.9	48.5	40.9	31.5	22.1	-
	62	59.8	4.3	58.5	56.5	52.8	43.3	33.8	24.3	56.1	5.0	55.5	53.5	50.4	40.9	31.4	21.8
2000	77	70.3	4.5	49.8	36.8	23.8	-	-	-	65.2	5.1	48.3	34.8	21.2	-	-	-
	72	66.8	4.4	56.1	45.6	35.1	24.5	-	-	62.1	5.1	53.6	43.2	32.7	22.2	-	-
	67	63.2	4.4	61.8	54.4	46.4	35.7	24.9	-	59.0	5.0	58.5	51.6	44.1	33.3	22.5	-
	62	62.6	4.4	61.9	60.3	57.7	46.8	35.9	25.0	58.8	5.0	58.6	57.3	55.6	44.5	33.4	22.3
2250	77	68.1	4.5	60.2	48.4	36.5	24.7	-	-	63.5	5.1	57.5	45.8	34.1	22.3	-	-
	72	65.6	4.4	65.2	57.7	49.5	37.5	25.4	-	61.7	5.1	61.2	54.6	47.4	35.2	23.0	-
	67	65.5	4.4	65.5	64.0	62.5	50.2	37.9	25.6	61.6	5.1	61.4	61.1	60.7	48.0	35.4	22.7
	62	65.5	4.4	65.5	65.5	65.5	63.0	50.5	38.0	61.5	5.1	61.5	61.5	61.5	60.9	47.7	34.6
2500	77	69.5	4.5	64.4	51.2	38.0	24.8	-	-	64.9	5.1	61.4	48.4	35.5	22.5	-	-
	72	69.2	4.4	68.0	60.9	52.7	39.2	25.8	-	64.4	5.1	63.7	57.7	50.7	37.1	23.4	-
	67	69.0	4.4	68.2	67.8	67.4	53.7	40.0	26.3	64.1	5.1	63.9	63.9	63.9	51.6	37.4	23.1
	62	68.9	4.5	68.8	68.8	68.8	68.1	54.2	40.2	64.0	5.1	63.9	63.9	63.9	63.9	51.3	36.3

- 1 These capacities are gross ratings. For net capacity, deduct the supply air blower motor heat (MBh = 3.415 x kW). Refer to the appropriate blower performance table for the kW of the supply air blower motor.
- 2 These ratings include the condenser fan motors (total 1 kW) and the compressor motors but not the supply air blower motor.

Table 35: ZQ06 (5.0 ton, 115°F to 125°F)

Air on evaporator coil		Temperature of air on condenser coil															
CFM	WB (°F)	Total capacity ¹ (MBh)	Total input (kW) ²	Sensible capacity (MBh)							Total capacity ¹ (MBh)	Total input (kW) ²	Sensible capacity (MBh)				
				Return dry bulb (°F)									Return dry bulb (°F)				
				90	85	80	75	70	65	90			85	80	75	70	65
		115°F							125°F								
1250	77	59.3	5.7	31.6	26.3	21.0	-	-	-	54.5	6.4	29.9	24.6	19.2	-	-	-
	72	53.3	5.6	40.2	33.3	26.4	19.4	-	-	48.6	6.2	38.5	31.3	24.2	17.1	-	-
	67	48.2	5.5	47.5	40.3	31.7	25.3	18.8	-	45.0	6.1	44.2	38.1	29.2	22.7	16.3	-
	62	47.7	5.5	47.7	42.8	37.1	31.1	25.1	19.0	44.5	6.2	44.5	39.7	34.1	28.4	22.8	17.1
1500	77	59.6	5.7	36.7	28.5	20.2	-	-	-	54.7	6.4	35.0	26.6	18.2	-	-	-
	72	54.6	5.7	43.9	35.8	27.7	19.6	-	-	50.0	6.3	41.9	33.7	25.4	17.2	-	-
	67	51.2	5.6	50.0	43.1	35.1	27.2	19.2	-	48.2	6.2	45.4	40.7	32.7	24.7	16.8	-
	62	50.8	5.6	50.1	46.6	42.6	34.8	27.0	19.2	46.7	6.2	46.0	43.6	39.9	32.2	24.6	17.0
1750	77	59.9	5.8	41.7	30.6	19.5	-	-	-	54.9	6.4	40.1	28.6	17.2	-	-	-
	72	56.0	5.7	47.5	38.3	29.0	19.7	-	-	51.4	6.3	45.3	36.0	26.7	17.4	-	-
	67	52.9	5.6	51.9	45.9	38.5	29.1	19.7	-	50.7	6.2	49.0	43.3	36.2	26.7	17.3	-
	62	52.5	5.6	52.0	50.5	48.0	38.5	28.9	19.4	50.2	6.3	49.3	47.5	45.6	36.1	26.5	16.9
2000	77	60.1	5.8	46.7	32.7	18.7	-	-	-	55.1	6.4	45.2	30.7	16.2	-	-	-
	72	57.4	5.7	51.2	40.7	30.3	19.9	-	-	52.8	6.3	48.7	38.3	27.9	17.5	-	-
	67	54.7	5.7	54.7	48.7	41.9	31.0	20.1	-	51.8	6.3	50.2	45.9	39.7	28.7	17.7	-
	62	55.2	5.7	54.8	54.3	53.5	42.2	30.9	19.5	51.1	6.3	50.3	50.3	50.3	39.9	28.4	16.8
2250	77	59.7	5.8	46.7	32.7	18.7	-	-	-	55.1	6.4	45.2	30.7	16.2	-	-	-
	72	57.4	5.7	51.2	40.7	30.3	19.9	-	-	52.8	6.3	48.7	38.3	27.9	17.5	-	-
	67	54.7	5.7	54.7	48.7	41.9	31.0	20.1	-	51.8	6.3	50.2	45.9	39.7	28.7	17.7	-
	62	55.2	5.7	54.8	54.3	53.5	42.2	30.9	19.5	51.1	6.3	50.3	50.3	50.3	39.9	28.4	16.8
2500	77	60.1	5.8	46.7	32.7	18.7	-	-	-	55.1	6.4	45.2	30.7	16.2	-	-	-
	72	57.4	5.7	51.2	40.7	30.3	19.9	-	-	52.8	6.3	48.7	38.3	27.9	17.5	-	-
	67	54.7	5.7	54.7	48.7	41.9	31.0	20.1	-	51.8	6.3	50.2	45.9	39.7	28.7	17.7	-
	62	55.2	5.7	54.8	54.3	53.5	42.2	30.9	19.5	51.1	6.3	50.3	50.3	50.3	39.9	28.4	16.8
2500	77	60.2	5.8	58.4	45.7	32.9	20.2	-	-	55.7	6.4	55.2	42.9	30.4	17.8	-	-
	72	58.4	5.7	57.0	51.6	45.3	32.9	20.6	-	53.6	6.3	52.4	48.5	43.2	30.7	18.2	-
	67	57.4	5.7	57.2	57.2	57.2	45.9	32.8	19.7	53.3	6.4	52.6	52.6	52.6	43.7	30.2	16.8
	62	57.2	5.7	57.2	57.2	57.2	45.0	31.2	19.9	53.0	6.4	52.9	52.9	52.9	52.9	42.2	27.8
2500	72	60.2	5.8	58.4	45.7	32.9	20.2	-	-	55.7	6.4	55.2	42.9	30.4	17.8	-	-
	67	59.9	5.7	59.0	54.4	48.7	34.9	21.1	-	55.6	6.4	55.3	51.1	46.7	32.7	18.7	-
	62	59.8	5.8	59.4	59.4	59.4	49.6	34.7	19.9	55.5	6.4	55.4	55.4	55.4	47.5	32.1	16.7
	57	59.7	5.8	59.6	59.6	59.6	48.4	32.5	19.9	55.4	6.4	55.4	55.4	55.4	45.5	28.6	-

- 1 These capacities are gross ratings. For net capacity, deduct the supply air blower motor heat (MBh = 3.415 x kW). Refer to the appropriate blower performance table for the kW of the supply air blower motor.
- 2 These ratings include the condenser fan motors (total 1 kW) and the compressor motors but not the supply air blower motor.

ZXA7, 08 to 14 cooling capacities

Table 36: ZXA7 (6 ton, 75°F to 85°F)

Air on evaporator coil		Temperature of air on condenser coil															
		Total capacity ¹ (MBh)	Total input (kW) ²	Sensible capacity (MBh)					Total capacity (MBh) ¹	Total input (kW) ²	Sensible capacity (MBh)						
				Return dry bulb (°F)							Return dry bulb (°F)						
CFM	WB (°F)			90	85	80	75	70	65			90	85	80	75	70	65
		75°F								85°F							
1500	77	89.8	4.1	45.1	37.4	29.8	-	-	-	84.7	4.6	41.2	34.3	27.5	-	-	-
	72	82.1	4.0	55.6	47.1	38.5	30.0	-	-	76.7	4.5	52.7	44.4	36.1	27.9	-	-
	67	74.3	3.9	66.1	56.7	47.3	38.1	30.4	-	68.8	4.4	64.2	54.5	44.8	36.2	28.4	-
	62	74.4	3.9	72.9	63.5	56.0	45.6	39.4	31.1	70.8	4.4	68.1	60.3	53.5	44.3	37.2	29.0
1800	77	91.0	4.1	51.6	40.8	29.9	-	-	-	85.5	4.6	48.6	38.0	27.4	-	-	-
	72	84.1	4.0	59.7	50.0	40.3	30.5	-	-	78.8	4.5	57.1	47.5	37.8	28.2	-	-
	67	77.2	4.0	67.8	59.2	50.6	40.3	31.1	-	72.1	4.5	65.5	56.9	48.3	38.3	28.9	-
	62	74.7	4.0	73.8	67.4	60.9	49.4	41.3	31.5	71.2	4.5	69.9	64.3	58.7	48.0	39.1	29.3
2100	57	60.7	3.9	60.7	60.7	60.7	60.7	51.6	41.7	59.4	4.5	59.4	59.4	59.4	59.2	49.3	39.5
	77	92.2	4.1	58.1	44.1	30.1	-	-	-	86.4	4.6	56.0	41.7	27.4	-	-	-
	72	86.2	4.1	63.9	52.9	42.0	31.1	-	-	80.9	4.6	61.5	50.5	39.5	28.6	-	-
	67	80.1	4.0	69.6	61.8	54.0	42.4	31.7	-	75.4	4.5	66.9	59.3	51.7	40.3	29.3	-
2400	62	75.1	4.0	74.6	71.2	65.9	53.3	43.2	31.9	71.6	4.5	71.6	68.3	63.8	51.8	41.1	29.7
	57	61.4	4.0	61.4	61.4	61.4	61.4	54.7	43.2	59.6	4.5	59.6	59.6	59.6	59.6	52.8	41.2
	77	93.4	4.1	64.7	47.5	30.3	-	-	-	87.2	4.6	63.5	45.4	27.4	-	-	-
	72	88.2	4.1	68.0	55.9	43.8	31.7	-	-	83.0	4.6	65.9	53.5	41.2	28.9	-	-
2700	67	83.0	4.0	71.3	64.3	57.3	44.5	32.3	-	78.7	4.5	68.2	61.7	55.1	42.3	29.8	-
	62	75.4	4.0	75.4	75.1	70.8	57.1	45.1	32.3	72.0	4.5	72.0	72.0	69.0	55.6	43.0	30.0
	57	62.1	4.0	62.1	62.1	62.1	62.1	57.9	44.7	59.7	4.5	59.7	59.7	59.7	59.7	56.2	42.8
	72	90.2	4.1	72.1	58.8	45.5	32.3	-	-	85.1	4.6	70.3	56.6	42.9	29.3	-	-
3000	67	85.9	4.0	73.1	66.8	60.6	46.7	33.0	-	82.1	4.6	69.6	64.1	58.6	44.4	30.3	-
	62	75.8	4.0	75.8	75.8	75.7	61.0	47.0	32.7	72.3	4.6	72.3	72.3	72.3	59.4	45.0	30.4
	57	62.8	4.1	62.8	62.8	62.8	62.8	61.0	46.1	59.9	4.6	59.9	59.9	59.9	59.9	59.6	44.5
	72	92.3	4.1	76.2	61.8	47.3	32.8	-	-	87.2	4.6	74.7	59.6	44.6	29.6	-	-
3000	67	88.8	4.1	74.8	69.4	64.0	48.8	33.6	-	85.4	4.6	71.0	66.5	62.0	46.4	30.8	-
	62	76.2	4.1	76.2	76.2	76.2	64.8	48.9	33.0	72.7	4.6	72.7	72.7	72.7	63.1	46.9	30.7
	57	63.5	4.1	63.5	63.5	63.5	63.5	63.5	47.6	60.0	4.6	60.0	60.0	60.0	60.0	60.0	46.2

- 1 These capacities are gross ratings. For net capacity, deduct the supply air blower motor heat (MBh = 3.415 x kW). Refer to the appropriate blower performance table for the kW of the supply air blower motor.
- 2 These ratings include the condenser fan motors (total 1 kW) and the compressor motors but not the supply air blower motor.

Table 37: ZXA7 (6 ton, 95°F to 125°F)

Air on evaporator coil		Temperature of air on condenser coil																	
CFM	WB (°F)	Total capacity ¹ (MBh)	Total input (kW) ²	Sensible capacity (MBh)					Total capacity (MBh) ¹	Total input (kW) ²	Sensible capacity (MBh)								
				Return dry bulb (°F)							Return dry bulb (°F)								
				90	85	80	75	70	65					90	85	80	75	70	65
95°F										105°F									
1500	77	79.5	5.1	37.2	31.2	25.1	-	-	-	76.5	5.8	35.3	29.1	23.0	-	-	-		
	72	71.4	5.0	49.7	41.7	33.8	25.8	-	-	67.1	5.7	47.4	39.5	31.6	23.6	-	-		
	67	63.2	4.9	62.2	52.3	42.4	34.4	26.4	-	57.7	5.7	57.7	49.9	40.2	32.1	24.1	-		
	62	67.3	4.9	63.3	57.2	51.0	43.0	34.9	26.8	63.8	5.7	59.9	54.3	48.7	40.6	32.4	24.3		
1800	77	80.0	5.1	45.6	35.2	24.9	-	-	-	75.3	5.8	43.6	33.2	22.7	-	-	-		
	72	73.5	5.0	54.4	44.9	35.4	25.9	-	-	68.5	5.8	52.0	42.5	33.1	23.7	-	-		
	67	67.0	5.0	63.2	54.6	45.9	36.3	26.7	-	61.6	5.7	60.3	51.9	43.5	33.9	24.4	-		
	62	67.7	5.0	66.1	61.3	56.4	46.7	36.9	27.1	64.0	5.7	62.4	58.2	53.9	44.2	34.5	24.7		
2100	77	80.5	5.1	53.9	39.3	24.7	-	-	-	74.2	5.8	52.0	37.2	22.5	-	-	-		
	72	75.6	5.1	59.1	48.1	37.1	26.1	-	-	69.8	5.8	56.5	45.6	34.7	23.8	-	-		
	67	70.7	5.0	64.2	56.8	49.4	38.2	27.0	-	65.4	5.7	61.0	54.0	46.9	35.8	24.7	-		
	62	68.1	5.0	68.1	65.4	61.8	50.4	38.9	27.4	64.3	5.7	64.3	62.0	59.1	47.8	36.5	25.1		
2400	77	81.1	5.1	62.3	43.4	24.4	-	-	-	73.0	5.8	60.3	41.3	22.2	-	-	-		
	72	77.8	5.1	63.7	51.2	38.7	26.2	-	-	71.2	5.8	61.0	48.6	36.2	23.9	-	-		
	67	74.5	5.0	65.2	59.1	53.0	40.1	27.3	-	69.3	5.8	61.7	56.0	50.3	37.6	25.0	-		
	62	68.5	5.0	68.5	68.5	67.2	54.1	40.9	27.7	64.5	5.7	64.5	64.5	64.3	51.4	38.5	25.6		
2700	72	79.9	5.1	68.4	54.4	40.3	26.3	-	-	72.5	5.8	65.5	51.7	37.8	23.9	-	-		
	67	78.2	5.1	66.1	61.3	56.5	42.0	27.6	-	73.2	5.8	62.4	58.0	53.6	39.5	25.3	-		
	62	68.9	5.1	68.9	68.9	68.9	57.8	42.9	28.0	64.8	5.8	64.8	64.8	64.8	55.0	40.5	26.0		
	57	57.0	5.1	57.0	57.0	57.0	57.0	57.0	42.9	54.7	5.8	54.7	54.7	54.7	54.7	53.6	37.8		
3000	72	82.0	5.1	73.1	57.5	42.0	26.4	-	-	73.8	5.8	70.1	54.7	39.4	24.0	-	-		
	67	81.9	5.1	67.1	63.5	60.0	43.9	27.9	-	77.0	5.8	63.1	60.1	57.0	41.3	25.6	-		
	62	69.3	5.1	69.3	69.3	69.3	61.5	44.9	28.4	65.0	5.8	65.0	65.0	65.0	58.6	42.5	26.5		
	57	56.6	5.1	56.6	56.6	56.6	56.6	56.6	44.9	53.1	5.8	53.1	53.1	53.1	53.1	53.1	38.8		
115°F										125°F									
1500	77	73.4	6.5	33.3	27.1	20.8	-	-	-	70.4	7.2	31.4	25.0	18.6	-	-	-		
	72	62.9	6.5	45.2	37.3	29.4	21.5	-	-	58.6	7.2	42.9	35.0	27.2	19.3	-	-		
	67	52.3	6.4	52.3	47.4	37.9	29.8	21.8	-	46.8	7.2	46.8	45.0	35.7	27.6	19.5	-		
	62	60.3	6.4	56.4	51.5	46.5	38.2	30.0	21.7	56.8	7.1	53.0	48.6	44.2	35.9	27.5	19.2		
1800	77	70.6	6.5	41.7	31.1	20.6	-	-	-	65.9	7.2	39.7	29.0	18.4	-	-	-		
	72	63.4	6.5	49.5	40.2	30.8	21.5	-	-	58.4	7.2	47.1	37.8	28.6	19.3	-	-		
	67	56.2	6.5	56.2	49.3	41.1	31.6	22.1	-	50.9	7.2	50.9	46.6	38.7	29.3	19.8	-		
	62	60.4	6.4	58.7	55.0	51.4	41.7	32.0	22.3	56.7	7.1	54.9	51.9	48.9	39.2	29.6	19.9		
2100	77	67.8	6.5	50.0	35.1	20.3	-	-	-	61.4	7.2	48.0	33.0	18.1	-	-	-		
	72	64.0	6.5	53.9	43.1	32.3	21.5	-	-	58.2	7.2	51.3	40.6	30.0	19.3	-	-		
	67	60.2	6.5	57.9	51.1	44.3	33.4	22.4	-	54.9	7.2	54.7	48.2	41.8	30.9	20.1	-		
	62	60.5	6.4	60.5	58.6	56.4	45.2	34.0	22.9	56.7	7.2	56.7	55.2	53.6	42.6	31.6	20.6		
2400	77	64.9	6.5	58.3	39.2	20.0	-	-	-	56.9	7.2	56.3	37.0	17.8	-	-	-		
	72	64.5	6.5	58.3	46.0	33.8	21.6	-	-	57.9	7.2	55.6	43.5	31.4	19.2	-	-		
	67	64.1	6.5	58.3	52.9	47.6	35.1	22.7	-	59.0	7.2	54.9	49.9	44.9	32.6	20.4	-		
	62	60.6	6.5	60.6	60.6	60.6	48.7	36.1	23.4	56.7	7.2	56.7	56.7	56.7	46.0	33.6	21.3		
2700	77	65.1	6.5	62.7	49.0	35.3	21.6	-	-	57.7	7.2	57.7	46.3	32.8	19.2	-	-		
	72	68.1	6.5	58.7	54.8	50.8	36.9	23.0	-	63.1	7.2	55.1	51.5	47.9	34.3	20.7	-		
	67	60.7	6.5	60.7	60.7	60.7	52.2	38.1	24.0	56.6	7.2	56.6	56.6	56.6	49.4	35.7	22.0		
	62	52.5	6.5	52.5	52.5	52.5	52.5	49.0	32.6	50.2	7.2	50.2	50.2	50.2	50.2	44.4	27.4		
3000	72	65.7	6.5	65.7	51.9	36.8	21.6	-	-	57.5	7.2	57.5	49.1	34.1	19.2	-	-		
	67	72.1	6.5	59.2	56.6	54.0	38.6	23.3	-	67.1	7.2	55.2	53.1	51.0	36.0	21.0	-		
	62	60.8	6.5	60.8	60.8	60.8	55.7	40.1	24.6	56.6	7.2	56.6	56.6	56.6	52.8	37.7	22.7		
	57	49.6	6.5	49.6	49.6	49.6	49.6	49.6	32.8	46.1	7.2	46.1	46.1	46.1	46.1	46.1	26.8		

1 These capacities are gross ratings. For net capacity, deduct the supply air blower motor heat (MBh = 3.415 x kW). Refer to the appropriate Blower performance table for the kW of the supply air blower motor.

2 These ratings include the condenser fan motors (total 1 kW) and the compressor motors but not the supply air blower motor.

Table 38: ZX08 (7.5 ton, 75°F to 105°F)

Air on Evaporator Coil		Temperature of Air on Condenser Coil															
		CFM	WB (°F)	Total capacity ¹ (MBh)	Total input (kW) ²	Sensible capacity (MBh)					Total capacity ¹ (MBh)	Total input (kW) ²	Sensible capacity (MBh)				
						Return dry bulb (°F)							Return dry bulb (°F)				
						90	85	80	75	70			65	90	85	80	75
75°F										85°F							
1875	77	104.9	5.3	56.2	45.5	34.8	-	-	-	102.8	5.6	54.2	44.6	35.0	-	-	-
	72	99.3	5.2	68.2	57.7	47.2	36.7	-	-	95.9	5.6	66.7	56.4	46.2	35.9	-	-
	67	93.7	5.2	80.3	70.0	59.6	47.7	37.8	-	89.0	5.5	79.2	68.3	57.3	46.3	36.2	-
	62	89.5	5.1	89.5	80.9	72.0	57.4	49.4	38.2	85.5	5.5	85.5	77.3	68.5	56.0	46.8	35.9
2250	77	105.7	5.3	60.4	47.4	34.5	-	-	-	103.0	5.7	58.9	46.5	34.1	-	-	-
	72	100.3	5.3	72.2	60.5	48.7	37.0	-	-	96.9	5.6	70.9	59.2	47.6	35.9	-	-
	67	94.9	5.2	84.1	73.5	63.0	49.9	38.5	-	90.7	5.5	82.9	71.9	61.0	48.5	36.8	-
	62	91.5	5.2	91.5	84.6	77.2	61.8	51.8	39.0	87.8	5.5	87.8	81.5	74.4	60.6	49.4	36.9
2625	77	106.5	5.3	64.6	49.3	34.1	-	-	-	103.3	5.7	63.6	48.5	33.3	-	-	-
	72	101.3	5.3	76.2	63.2	50.2	37.2	-	-	97.8	5.6	75.2	62.1	49.0	35.9	-	-
	67	96.1	5.2	87.9	77.1	66.3	52.1	39.2	-	92.4	5.5	86.7	75.6	64.6	50.7	37.4	-
	62	93.6	5.2	93.6	88.4	82.4	66.3	54.1	39.9	90.1	5.5	90.1	85.8	80.3	65.1	52.0	37.8
3000	77	107.3	5.3	68.8	51.3	33.8	-	-	-	103.6	5.7	68.4	50.4	32.4	-	-	-
	72	102.3	5.3	80.2	66.0	51.7	37.5	-	-	98.8	5.6	79.4	64.9	50.4	35.8	-	-
	67	97.2	5.2	91.7	80.7	69.6	54.3	39.8	-	94.1	5.6	90.4	79.3	68.3	52.9	37.9	-
	62	95.6	5.2	95.6	92.2	87.6	70.7	56.4	40.8	92.4	5.6	92.4	90.0	86.2	69.7	54.6	38.8
3375	77	103.3	5.3	84.2	68.7	53.2	37.7	-	-	99.8	5.6	83.6	67.7	51.8	35.8	-	-
	72	98.4	5.2	95.5	84.2	73.0	56.5	40.5	-	95.8	5.6	94.2	83.0	71.9	55.1	38.5	-
	67	97.7	5.2	97.7	95.9	92.8	75.1	58.7	41.7	94.7	5.6	94.7	94.2	92.1	74.3	57.2	39.7
	62	97.0	5.3	97.0	97.0	94.8	77.0	59.3	-	93.6	5.6	93.6	93.6	93.6	93.6	75.8	57.6
3750	77	104.3	5.3	88.2	71.4	54.7	37.9	-	-	100.8	5.7	87.9	70.5	53.2	35.8	-	-
	72	99.5	5.3	99.2	87.8	76.3	58.7	41.1	-	97.4	5.6	97.4	86.7	75.6	57.3	39.1	-
	67	99.7	5.3	99.7	99.7	98.0	79.5	61.1	42.6	97.0	5.6	97.0	97.0	97.0	78.9	59.8	40.7
	62	99.9	5.3	99.9	99.9	99.9	99.9	81.0	61.7	96.5	5.6	96.5	96.5	96.5	96.5	80.5	60.5
95°F										105°F							
1875	77	100.6	6.0	52.2	43.7	35.1	-	-	-	93.5	6.5	51.0	41.9	32.9	-	-	-
	72	92.5	5.9	65.1	55.1	45.1	35.1	-	-	86.0	6.4	62.7	52.6	42.4	32.3	-	-
	67	84.3	5.8	78.1	66.6	55.0	44.8	34.6	-	78.5	6.3	74.4	63.2	52.0	41.8	31.6	-
	62	81.6	5.8	81.6	73.7	65.0	54.6	44.2	33.7	76.2	6.3	76.2	69.3	61.6	51.3	41.0	30.8
2250	77	100.4	6.0	57.5	45.6	33.8	-	-	-	93.5	6.5	56.7	44.1	31.6	-	-	-
	72	93.4	5.9	69.6	58.0	46.4	34.8	-	-	87.2	6.4	67.3	55.6	43.8	32.1	-	-
	67	86.5	5.9	81.8	70.4	59.0	47.0	35.1	-	80.8	6.3	77.8	67.0	56.1	44.1	32.2	-
	62	84.1	5.8	84.1	78.4	71.6	59.3	47.0	34.7	78.8	6.3	78.8	74.2	68.4	56.1	43.9	31.7
2625	77	100.1	6.0	62.7	47.6	32.5	-	-	-	93.5	6.5	62.3	46.3	30.3	-	-	-
	72	94.4	5.9	74.1	60.9	47.7	34.5	-	-	88.3	6.4	71.8	58.5	45.2	32.0	-	-
	67	88.7	5.9	85.5	74.2	62.9	49.3	35.6	-	83.1	6.4	81.3	70.7	60.2	46.5	32.8	-
	62	86.6	5.9	86.6	83.1	78.2	64.0	49.9	35.7	81.3	6.4	81.3	79.0	75.1	61.0	46.8	32.7
3000	77	99.8	6.0	68.0	49.6	31.1	-	-	-	93.5	6.5	68.0	48.5	29.1	-	-	-
	72	95.4	6.0	78.6	63.8	49.0	34.2	-	-	89.5	6.4	76.3	61.5	46.6	31.8	-	-
	67	90.9	5.9	89.2	78.0	66.9	51.5	36.1	-	85.4	6.4	84.7	74.5	64.2	48.8	33.3	-
	62	89.2	5.9	89.2	87.8	84.8	68.8	52.7	36.7	83.9	6.4	83.9	83.8	81.8	65.8	49.7	33.6
3375	77	87.4	5.9	87.4	87.4	87.4	86.0	69.4	52.8	82.3	6.4	82.3	82.3	82.3	82.3	66.1	49.4
	72	96.3	6.0	83.1	66.7	50.3	33.9	-	-	90.7	6.4	80.9	64.5	48.0	31.6	-	-
	67	93.1	5.9	92.9	81.8	70.8	53.7	36.6	-	87.8	6.4	87.8	78.2	68.3	51.1	33.9	-
	62	91.7	5.9	91.7	91.7	91.4	73.5	55.6	37.7	86.4	6.4	86.4	86.4	86.4	70.6	52.6	34.6
3750	77	90.3	5.9	90.3	90.3	90.3	90.3	74.6	56.0	85.1	6.4	85.1	85.1	85.1	85.1	71.3	52.5
	72	97.3	6.0	87.6	69.6	51.6	33.6	-	-	91.8	6.4	85.4	67.4	49.4	31.5	-	-
	67	95.3	6.0	95.3	85.7	74.8	55.9	37.1	-	90.1	6.4	90.1	81.9	72.4	53.4	34.5	-
	62	94.2	5.9	94.2	94.2	94.2	78.2	58.5	38.7	89.0	6.4	89.0	89.0	89.0	75.4	55.5	35.6
57	93.2	5.9	93.2	93.2	93.2	79.9	59.3	38.7	87.9	6.4	87.9	87.9	87.9	87.9	76.5	55.6	

- These capacities are gross ratings. For net capacity, deduct the supply air blower motor heat (MBh = 3.415 x kW). Refer to the appropriate Blower performance table for the kW of the supply air blower motor.
- These ratings include the condenser fan motors (total 1 kW) and the compressor motors but not the supply air blower motor.

Table 39: ZX08 (7.5 ton, 115°F to 125°F)

Air on Evaporator Coil		Temperature of Air on Condenser Coil															
		Total capacity ¹ (MBh)	Total input (kW) ²	Sensible capacity (MBh)					Total capacity ¹ (MBh)	Total input (kW) ²	Sensible capacity (MBh)						
				Return dry bulb (°F)							Return dry bulb (°F)						
CFM	WB (°F)			90	85	80	75	70	65			90	85	80	75	70	65
		115°F									125°F						
1875	77	86.4	6.9	49.9	40.2	30.6	-	-	-	79.3	7.4	48.7	38.5	28.3	-	-	-
	72	79.5	6.9	60.3	50.1	39.8	29.5	-	-	73.0	7.3	57.9	47.5	37.2	26.8	-	-
	67	72.6	6.8	70.8	59.9	49.0	38.8	28.6	-	66.7	7.3	66.7	56.6	46.0	35.8	25.6	-
	62	70.9	6.8	70.9	65.0	58.3	48.1	37.9	27.8	65.5	7.3	65.5	60.7	54.9	44.9	34.8	24.8
2250	77	86.7	6.9	55.9	42.6	29.4	-	-	-	79.8	7.4	55.1	41.1	27.2	-	-	-
	72	80.9	6.9	64.9	53.1	41.3	29.5	-	-	74.6	7.4	62.6	50.7	38.8	26.8	-	-
	67	75.0	6.8	73.9	63.6	53.2	41.2	29.3	-	69.3	7.3	69.3	60.2	50.3	38.3	26.3	-
	62	73.5	6.8	73.5	69.9	65.1	53.0	40.8	28.7	68.1	7.3	68.1	65.7	61.9	49.8	37.8	25.7
2625	77	87.0	6.9	62.0	45.1	28.2	-	-	-	80.4	7.4	61.6	43.8	26.0	-	-	-
	72	82.2	6.9	69.5	56.1	42.8	29.4	-	-	76.1	7.4	67.2	53.8	40.3	26.9	-	-
	67	77.5	6.8	77.1	67.2	57.4	43.7	29.9	-	71.9	7.3	71.9	63.7	54.6	40.9	27.1	-
	62	76.0	6.8	76.0	74.8	72.0	57.9	43.8	29.6	70.7	7.3	70.7	70.7	68.9	54.8	40.7	26.6
3000	77	87.2	6.9	68.0	47.5	27.0	-	-	-	81.0	7.4	68.0	46.4	24.9	-	-	-
	72	83.6	6.9	74.1	59.2	44.3	29.4	-	-	77.7	7.4	71.8	56.9	41.9	27.0	-	-
	67	80.0	6.9	80.0	70.9	61.6	46.1	30.6	-	74.5	7.3	74.5	67.3	58.9	43.4	27.8	-
	62	78.6	6.9	78.6	78.6	78.6	62.8	46.7	30.6	73.3	7.4	73.3	73.3	73.3	59.8	43.6	27.5
3375	77	87.2	6.9	77.2	77.2	77.2	77.2	62.8	46.0	72.1	7.4	72.1	72.1	72.1	72.1	59.4	42.7
	72	85.0	6.9	78.7	62.2	45.8	29.3	-	-	79.3	7.4	76.5	60.0	43.5	27.0	-	-
	67	82.4	6.9	82.4	74.5	65.8	48.5	31.2	-	77.1	7.4	77.1	70.9	63.2	45.9	28.5	-
	62	81.2	6.9	81.2	81.2	81.2	67.7	49.6	31.5	75.9	7.4	75.9	75.9	75.9	64.8	46.6	28.4
3750	77	86.3	6.9	83.3	65.3	47.3	29.3	-	-	80.9	7.4	80.9	63.1	45.1	27.1	-	-
	72	84.9	6.9	84.9	78.2	69.9	50.9	31.9	-	79.7	7.4	79.7	74.5	67.5	48.4	29.3	-
	67	83.7	6.9	83.7	83.7	83.7	72.6	52.5	32.4	78.5	7.4	78.5	78.5	78.5	69.7	49.5	29.2
	62	82.6	6.9	82.6	82.6	82.6	82.6	73.1	52.0	77.3	7.4	77.3	77.3	77.3	77.3	69.7	48.3

- 1 These capacities are gross ratings. For net capacity, deduct the supply air blower motor heat (MBh = 3.415 x kW). Refer to the appropriate Blower performance table for the kW of the supply air blower motor.
- 2 These ratings include the condenser fan motors (total 1 kW) and the compressor motors but not the supply air blower motor.

Table 40: ZX09 (8.5 ton, 75°F to 105°F)

Air on evaporator coil		Temperature of air on condenser coil																	
		Total capacity ¹ (MBh)	Total input (kW) ²	Sensible capacity (MBh)						Total capacity ¹ (MBh)	Total input (kW) ²	Sensible capacity (MBh)							
				Return dry bulb (°F)								Return dry bulb (°F)							
CFM	WB (°F)			90	85	80	75	70	65			90	85	80	75	70	65		
		75°F									85°F								
2125	77	117.2	6.2	62.3	51.0	39.8	-	-	-	114.4	6.7	61.4	50.1	38.8	-	-	-		
	72	109.9	6.2	75.1	64.1	53.1	42.1	-	-	106.6	6.6	73.7	62.6	51.5	40.3	-	-		
	67	102.7	6.1	87.9	77.1	66.4	53.6	43.2	-	98.8	6.5	86.0	75.1	64.1	51.9	40.8	-		
	62	102.4	6.0	102.4	92.8	79.6	65.5	55.2	43.0	98.4	6.4	98.4	88.0	76.8	63.7	52.5	40.3		
2550	77	119.3	6.2	66.5	52.8	39.2	-	-	-	115.7	6.6	65.6	51.8	38.0	-	-	-		
	72	113.1	6.2	79.5	67.0	54.6	42.1	-	-	109.0	6.6	78.1	65.5	53.0	40.5	-	-		
	67	106.8	6.1	92.4	81.2	70.0	56.1	44.0	-	102.3	6.5	90.6	79.3	68.0	54.4	41.7	-		
	62	106.4	6.0	105.4	96.0	85.5	70.3	58.2	44.6	101.8	6.4	100.9	92.0	83.1	68.6	55.6	41.8		
2975	77	121.3	6.2	70.8	54.6	38.5	-	-	-	116.9	6.6	69.9	53.5	37.2	-	-	-		
	72	116.2	6.2	83.9	70.0	56.1	42.2	-	-	111.4	6.6	82.5	68.5	54.6	40.6	-	-		
	67	111.0	6.1	96.9	85.3	73.7	58.5	44.8	-	105.8	6.5	95.2	83.5	71.9	56.9	42.6	-		
	62	110.4	6.1	107.2	99.2	91.3	75.1	61.2	46.2	105.2	6.5	102.7	96.0	89.3	73.4	58.7	43.4		
3400	77	123.4	6.2	75.1	56.4	37.8	-	-	-	118.1	6.6	74.1	55.3	36.4	-	-	-		
	72	119.3	6.1	88.3	72.9	57.6	42.2	-	-	113.7	6.6	86.9	71.5	56.1	40.7	-	-		
	67	115.2	6.1	101.4	89.4	77.4	61.0	45.6	-	109.3	6.5	99.8	87.8	75.8	59.5	43.5	-		
	62	114.3	6.1	107.7	102.4	97.1	79.9	64.2	47.8	108.7	6.5	104.6	100.1	95.6	78.3	61.8	44.9		
3825	77	122.4	6.1	92.6	75.9	59.1	42.3	-	-	116.1	6.5	91.4	74.5	57.7	40.8	-	-		
	72	119.4	6.1	106.0	93.5	81.0	63.5	46.4	-	112.8	6.5	104.4	92.0	79.7	62.0	44.4	-		
	67	118.3	6.1	108.3	105.6	103.0	84.7	67.2	49.4	112.1	6.5	106.4	104.1	101.8	83.2	64.9	46.5		
	62	117.2	6.1	110.3	110.3	110.3	106.5	88.1	69.7	111.3	6.5	108.3	108.3	104.6	85.4	66.1	-		
4250	77	125.5	6.1	97.0	78.8	60.6	42.3	-	-	118.4	6.5	95.8	77.5	59.2	40.9	-	-		
	72	123.6	6.1	110.5	97.6	84.7	65.9	47.2	-	116.3	6.5	108.9	96.3	83.6	64.5	45.3	-		
	67	122.3	6.1	108.8	108.8	108.8	89.5	70.2	51.0	115.5	6.5	108.2	108.1	108.0	88.0	68.0	48.0		
	62	121.0	6.2	107.2	107.2	107.2	107.2	93.3	73.5	114.7	6.6	107.4	107.4	107.4	107.4	90.7	69.8		
		95°F									105°F								
2125	77	111.7	7.1	60.5	49.1	37.7	-	-	-	103.6	7.7	56.5	45.9	35.4	-	-	-		
	72	103.3	7.0	72.3	61.0	49.8	38.6	-	-	96.3	7.6	69.0	58.0	46.9	35.8	-	-		
	67	95.0	6.9	84.0	73.0	61.9	50.2	38.5	-	89.0	7.5	81.6	70.0	58.4	46.9	35.5	-		
	62	94.3	6.8	92.2	83.1	74.1	61.9	49.7	37.5	88.5	7.4	86.9	78.4	69.8	58.1	46.3	34.6		
2550	77	112.1	7.1	64.7	50.7	36.8	-	-	-	104.2	7.7	61.8	48.1	34.5	-	-	-		
	72	104.9	7.0	76.7	64.1	51.4	38.8	-	-	98.0	7.6	73.6	61.1	48.5	35.9	-	-		
	67	97.8	6.9	88.7	77.4	66.1	52.8	39.5	-	91.8	7.5	85.5	74.0	62.4	49.4	36.4	-		
	62	97.2	6.9	95.3	88.0	80.7	66.8	52.9	39.0	91.3	7.4	89.8	83.1	76.4	62.9	49.5	36.0		
2975	77	112.5	7.0	69.0	52.4	35.9	-	-	-	104.8	7.6	67.1	50.3	33.6	-	-	-		
	72	106.5	7.0	81.2	67.1	53.0	39.0	-	-	99.7	7.6	78.3	64.2	50.1	36.0	-	-		
	67	100.6	6.9	93.4	81.8	70.2	55.3	40.5	-	94.6	7.5	89.4	78.0	66.5	51.9	37.2	-		
	62	100.1	6.9	98.3	92.8	87.3	71.7	56.1	40.5	94.1	7.5	92.6	87.8	83.0	67.8	52.6	37.4		
3400	77	112.9	7.0	73.2	54.1	35.0	-	-	-	105.4	7.6	72.4	52.5	32.7	-	-	-		
	72	108.1	7.0	85.6	70.1	54.6	39.1	-	-	101.4	7.5	82.9	67.3	51.7	36.1	-	-		
	67	103.4	6.9	98.1	86.2	74.3	57.9	41.5	-	97.4	7.5	93.4	82.0	70.6	54.4	38.1	-		
	62	103.0	6.9	101.4	97.7	94.0	76.7	59.3	42.0	96.9	7.5	95.5	92.6	89.6	72.6	55.7	38.7		
3825	77	109.8	7.0	90.1	73.2	56.2	39.3	-	-	103.1	7.5	87.5	70.4	53.3	36.2	-	-		
	72	106.2	6.9	102.7	90.6	78.4	60.5	42.5	-	100.2	7.5	97.3	86.0	74.7	56.8	38.9	-		
	67	105.8	6.9	104.5	102.6	100.6	81.6	62.6	43.5	99.8	7.5	98.4	97.3	96.2	77.5	58.8	40.1		
	62	105.4	7.0	105.4	105.4	105.4	102.7	82.7	62.6	99.3	7.5	99.3	99.3	99.3	98.2	78.7	59.2		
4250	77	111.4	6.9	94.5	76.2	57.9	39.5	-	-	104.8	7.5	92.1	73.5	54.9	36.2	-	-		
	72	109.1	6.9	107.4	95.0	82.6	63.0	43.5	-	103.0	7.5	101.2	90.0	78.8	59.3	39.8	-		
	67	108.7	7.0	107.5	107.4	107.3	86.5	65.8	45.1	102.6	7.5	101.3	101.3	101.3	82.3	61.9	41.5		
	62	108.4	7.0	107.6	107.6	107.6	107.6	88.1	66.2	102.1	7.6	101.3	101.3	101.3	84.1	62.7	-		

1 These capacities are gross ratings. For net capacity, deduct the supply air blower motor heat (MBh = 3.415 x kW). Refer to the appropriate Blower performance table for the kW of the supply air blower motor.

2 These ratings include the condenser fan motors (total 1 kW) and the compressor motors but not the supply air blower motor.

Table 41: ZX09 (8.5 ton, 115°F to 125°F)

Air on evaporator coil		Temperature of air on condenser coil															
CFM	WB (°F)	Total capacity ¹ (MBh)	Total input (kW) ²	Sensible capacity (MBh)						Total capacity ¹ (MBh)	Total input (kW) ²	Sensible capacity (MBh)					
				Return dry bulb (°F)								Return dry bulb (°F)					
				90	85	80	75	70	65								
				115°F						125°F							
2125	77	95.5	8.3	52.5	42.8	33.1	-	-	-	87.4	8.9	48.5	39.6	30.7	-	-	-
	72	89.2	8.2	65.8	54.9	43.9	33.0	-	-	82.2	8.8	62.6	51.8	41.0	30.2	-	-
	67	83.0	8.0	79.2	67.0	54.8	43.7	32.5	-	77.0	8.6	76.7	64.0	51.2	40.4	29.5	-
	62	82.6	8.0	81.6	73.6	65.6	54.3	43.0	31.7	76.7	8.6	76.3	68.9	61.4	50.6	39.7	28.8
2550	77	96.3	8.3	58.8	45.5	32.2	-	-	-	88.4	8.9	55.9	42.9	29.9	-	-	-
	72	91.0	8.2	70.6	58.0	45.5	33.0	-	-	84.1	8.8	67.5	55.0	42.6	30.1	-	-
	67	85.8	8.1	82.3	70.6	58.8	46.0	33.2	-	79.8	8.6	79.1	67.2	55.2	42.7	30.1	-
	62	85.3	8.0	84.3	78.2	72.2	59.1	46.0	33.0	79.4	8.6	78.8	73.3	67.9	55.2	42.6	29.9
2975	57	84.9	8.0	84.9	84.9	84.9	72.2	58.8	45.5	79.0	8.6	78.4	78.4	78.4	67.8	55.1	42.4
	77	97.1	8.2	65.2	48.3	31.3	-	-	-	89.4	8.8	63.3	46.2	29.0	-	-	-
	72	92.8	8.1	75.3	61.2	47.1	33.0	-	-	86.0	8.7	72.4	58.3	44.1	30.0	-	-
	67	88.6	8.1	85.5	74.2	62.9	48.4	33.9	-	82.6	8.7	81.5	70.4	59.2	45.0	30.7	-
	62	88.1	8.1	86.9	82.8	78.7	63.9	49.0	34.2	82.1	8.6	81.2	77.8	74.4	59.9	45.5	31.0
3400	57	87.6	8.0	87.6	87.6	87.6	79.3	64.1	48.9	81.7	8.6	81.0	81.0	81.0	74.9	60.3	45.7
	77	97.9	8.2	71.6	51.0	30.4	-	-	-	90.4	8.8	70.7	49.4	28.2	-	-	-
	72	94.7	8.1	80.1	64.4	48.7	33.0	-	-	87.9	8.7	77.3	61.5	45.7	29.9	-	-
	67	91.4	8.1	88.6	77.8	66.9	50.8	34.7	-	85.4	8.7	83.9	73.6	63.3	47.2	31.2	-
	62	90.9	8.1	89.6	87.4	85.2	68.6	52.0	35.4	84.9	8.7	83.7	82.3	80.8	64.6	48.4	32.1
3825	57	90.4	8.1	90.4	90.4	90.4	86.4	69.4	52.4	84.3	8.7	83.5	83.5	83.5	82.0	65.5	49.1
	72	96.5	8.1	84.9	67.6	50.3	33.0	-	-	89.8	8.7	82.2	64.8	47.3	29.8	-	-
	67	94.2	8.1	91.8	81.4	71.0	53.2	35.4	-	88.2	8.7	86.3	76.8	67.3	49.5	31.8	-
	62	93.7	8.1	92.3	92.0	91.7	73.4	55.0	36.7	87.6	8.7	86.2	86.2	86.2	69.3	51.3	33.2
4250	57	93.1	8.1	92.8	92.8	92.8	74.7	55.8	-	87.0	8.7	86.1	86.1	86.1	86.1	70.7	52.4
	72	98.3	8.1	89.6	70.7	51.9	33.0	-	-	91.7	8.7	87.2	68.0	48.9	29.7	-	-
	67	97.0	8.1	95.0	85.0	75.1	55.6	36.1	-	91.0	8.7	88.7	80.0	71.3	51.8	32.4	-
	62	96.5	8.1	95.0	95.0	95.0	78.1	58.0	37.9	90.3	8.7	88.7	88.7	88.7	73.9	54.1	34.3
57	95.9	8.1	95.0	95.0	95.0	80.0	59.3	-	89.6	8.7	88.7	88.7	88.7	88.7	75.9	55.8	

- 1 These capacities are gross ratings. For net capacity, deduct the supply air blower motor heat (MBh = 3.415 x kW). Refer to the appropriate Blower performance table for the kW of the supply air blower motor.
- 2 These ratings include the condenser fan motors (total 1 kW) and the compressor motors but not the supply air blower motor.

Table 42: ZX12 (10 ton, 75°F to 105°F)

Air on evaporator coil		Temperature of air on condenser coil																			
		Total capacity ¹ (MBh)	Total input (kW) ²	Sensible capacity (MBh)					Total capacity ¹ (MBh)	Total input (kW) ²	Sensible capacity (MBh)										
				Return dry bulb (°F)							Return dry bulb (°F)										
CFM	WB (°F)	75°F										85°F									
		90	85	80	75	70	65			90	85	80	75	70	65						
2500	77	157.9	7.4	79.5	66.4	53.4	-	-	-	150.5	8.3	76.6	63.8	51.0	-	-	-				
	72	143.4	7.2	94.4	80.9	67.3	53.8	-	-	136.1	8.1	91.6	77.8	64.0	50.2	-	-				
	67	128.9	7.0	109.3	95.3	81.3	66.2	53.5	-	121.7	7.9	106.5	91.8	77.0	62.8	49.9	-				
	62	121.9	6.9	120.8	108.0	95.2	76.9	66.8	52.5	116.9	7.9	115.3	102.6	90.0	74.6	63.3	50.0				
3000	77	159.6	7.4	88.3	70.7	53.2	-	-	-	151.7	8.4	85.6	68.1	50.6	-	-	-				
	72	147.0	7.3	102.6	86.5	70.5	54.4	-	-	139.3	8.2	99.6	83.4	67.1	50.8	-	-				
	67	134.4	7.1	117.0	102.4	87.8	70.3	54.7	-	126.9	8.0	113.7	98.7	83.6	66.8	51.0	-				
	62	129.0	7.0	123.1	115.6	105.1	84.8	71.1	54.1	123.3	8.0	119.3	110.3	100.2	82.2	67.4	51.0				
3500	77	161.3	7.5	97.1	75.0	53.0	-	-	-	152.8	8.4	94.6	72.4	50.1	-	-	-				
	72	150.6	7.3	110.9	92.2	73.6	55.0	-	-	142.4	8.3	107.7	89.0	70.2	51.5	-	-				
	67	139.9	7.2	124.6	109.5	94.3	74.4	55.9	-	132.0	8.1	120.9	105.6	90.3	70.8	52.1	-				
	62	136.2	7.1	131.4	123.2	115.0	92.7	75.4	55.6	129.7	8.1	125.7	118.0	110.4	89.7	71.5	52.1				
4000	77	163.0	7.5	105.9	79.4	52.8	-	-	-	154.0	8.4	103.6	76.7	49.7	-	-	-				
	72	154.2	7.4	119.1	97.9	76.8	55.6	-	-	145.6	8.3	115.8	94.6	73.3	52.1	-	-				
	67	145.5	7.2	132.3	116.5	100.8	78.5	57.1	-	137.2	8.2	128.0	112.5	97.0	74.9	53.2	-				
	62	143.4	7.2	136.7	130.8	124.8	100.6	79.7	57.2	136.1	8.2	130.8	125.7	120.6	97.3	75.6	53.1				
4500	77	163.0	7.5	105.9	79.4	52.8	-	-	-	154.0	8.4	103.6	76.7	49.7	-	-	-				
	72	154.2	7.4	119.1	97.9	76.8	55.6	-	-	145.6	8.3	115.8	94.6	73.3	52.1	-	-				
	67	145.5	7.2	132.3	116.5	100.8	78.5	57.1	-	137.2	8.2	128.0	112.5	97.0	74.9	53.2	-				
	62	143.4	7.2	136.7	130.8	124.8	100.6	79.7	57.2	136.1	8.2	130.8	125.7	120.6	97.3	75.6	53.1				
5000	77	163.0	7.5	105.9	79.4	52.8	-	-	-	154.0	8.4	103.6	76.7	49.7	-	-	-				
	72	154.2	7.4	119.1	97.9	76.8	55.6	-	-	145.6	8.3	115.8	94.6	73.3	52.1	-	-				
	67	145.5	7.2	132.3	116.5	100.8	78.5	57.1	-	137.2	8.2	128.0	112.5	97.0	74.9	53.2	-				
	62	143.4	7.2	136.7	130.8	124.8	100.6	79.7	57.2	136.1	8.2	130.8	125.7	120.6	97.3	75.6	53.1				
2500	77	143.1	9.3	73.7	61.1	48.6	-	-	-	130.6	10.7	70.3	57.7	45.2	-	-	-				
	72	128.8	9.1	88.7	74.7	60.6	46.6	-	-	118.4	10.5	85.2	71.2	57.1	43.1	-	-				
	67	114.5	8.9	103.8	88.2	72.7	59.4	46.2	-	107.5	10.2	100.1	84.6	69.0	55.7	42.3	-				
	62	112.0	8.8	109.8	97.3	84.8	72.3	59.8	47.4	106.4	10.2	102.8	91.9	81.0	68.3	55.6	43.0				
3000	77	143.8	9.3	82.9	65.4	47.9	-	-	-	131.6	10.7	79.7	61.9	44.1	-	-	-				
	72	131.5	9.1	96.7	80.2	63.7	47.2	-	-	121.3	10.5	92.7	76.3	59.9	43.5	-	-				
	67	119.3	9.0	110.4	95.0	79.5	63.4	47.3	-	112.0	10.3	105.8	90.7	75.7	59.5	43.3	-				
	62	117.6	8.9	114.9	105.1	95.3	79.5	63.7	48.0	111.3	10.3	107.6	99.5	91.5	75.5	59.5	43.5				
3500	77	144.4	9.4	92.1	69.7	47.3	-	-	-	132.7	10.7	89.0	66.1	43.1	-	-	-				
	72	134.2	9.2	104.6	85.7	66.8	47.9	-	-	124.2	10.5	100.2	81.5	62.7	44.0	-	-				
	67	124.1	9.1	117.1	101.7	86.3	67.3	48.3	-	116.5	10.4	111.4	96.9	82.3	63.3	44.3	-				
	62	123.1	9.0	119.9	112.9	105.8	86.7	67.6	48.5	116.1	10.4	112.5	107.2	102.0	82.6	63.3	44.0				
4000	77	145.0	9.4	101.3	74.0	46.6	-	-	-	133.7	10.7	98.4	70.2	42.1	-	-	-				
	72	136.9	9.3	112.5	91.2	69.9	48.6	-	-	127.1	10.6	107.7	86.6	65.5	44.4	-	-				
	67	128.9	9.1	123.8	108.4	93.1	71.2	49.4	-	122.2	10.5	117.1	103.0	89.0	67.1	45.2	-				
	62	128.7	9.1	125.0	120.7	116.4	93.9	71.5	49.1	121.4	10.5	117.3	114.9	112.4	89.8	67.2	44.5				
4500	77	139.6	9.3	120.5	96.7	73.0	49.2	-	-	130.0	10.6	115.2	91.8	68.3	44.9	-	-				
	72	135.2	9.2	130.4	115.2	99.9	75.2	50.4	-	127.2	10.6	122.2	109.2	95.6	70.9	46.2	-				
	67	134.9	9.2	130.8	128.5	126.9	101.1	75.4	49.7	126.5	10.6	122.7	122.5	122.7	97.0	71.0	45.1				
	62	134.3	9.2	131.1	131.1	131.1	127.1	100.4	73.6	126.3	10.6	123.1	123.1	123.1	123.0	95.8	68.6				
5000	77	142.3	9.4	128.4	102.2	76.0	49.9	-	-	133.0	10.7	122.7	96.9	71.1	45.3	-	-				
	72	141.5	9.3	137.1	121.9	106.7	79.1	51.5	-	132.2	10.6	125.9	115.3	102.3	74.7	47.2	-				
	67	140.9	9.3	138.2	136.2	137.4	108.4	79.3	50.2	131.5	10.7	126.7	126.7	126.7	104.1	74.9	45.6				
	62	140.6	9.3	139.2	139.2	139.2	137.6	107.1	76.6	131.2	10.7	128.2	128.2	128.2	128.2	102.6	71.5				

- 1 These capacities are gross ratings. For net capacity, deduct the supply air blower motor heat (MBh = 3.415 x kW). Refer to the appropriate Blower performance table for the kW of the supply air blower motor.
- 2 These ratings include the condenser fan motors (total 1 kW) and the compressor motors but not the supply air blower motor.

Table 43: ZX12 (10 ton, 75°F to 105°F)

Air on evaporator coil		Temperature of air on condenser coil															
		Total capacity ¹ (MBh)	Total input (kW) ²	Sensible capacity (MBh)						Total capacity ¹ (MBh)	Total input (kW) ²	Sensible capacity (MBh)					
				Return dry bulb (°F)								Return dry bulb (°F)					
CFM	WB (°F)			90	85	80	75	70	65			90	85	80	75	70	65
		115°F									125°F						
2500	77	118.1	12.1	66.9	54.3	41.8	-	-	-	105.5	13.5	63.5	50.9	38.3	-	-	-
	72	107.9	11.8	81.7	67.6	53.6	39.5	-	-	97.5	13.2	78.2	64.1	50.0	36.0	-	-
	67	101.8	11.6	96.5	80.9	65.4	51.9	38.4	-	96.6	12.9	92.8	77.3	61.7	48.2	34.6	-
	62	100.8	11.6	97.5	86.4	77.2	64.3	51.4	38.6	95.1	13.0	93.1	81.0	73.4	60.3	47.2	34.1
3000	77	119.5	12.1	76.4	58.4	40.3	-	-	-	107.4	13.4	73.2	54.9	36.5	-	-	-
	72	111.1	11.9	88.8	72.4	56.1	39.8	-	-	102.8	13.2	84.8	68.6	52.3	36.0	-	-
	67	107.2	11.7	99.8	86.5	71.9	55.6	39.3	-	98.6	13.0	92.4	82.2	68.1	51.7	35.4	-
	62	104.9	11.7	100.3	94.0	87.6	71.4	55.2	39.0	97.8	13.0	93.1	88.4	83.8	67.4	51.0	34.6
3500	57	102.9	11.7	101.1	101.1	101.1	87.3	71.1	55.0	96.9	13.0	96.4	94.7	96.4	83.1	66.6	50.1
	77	120.9	12.0	86.0	62.4	38.9	-	-	-	109.2	13.4	82.9	58.8	34.7	-	-	-
	72	114.2	11.9	95.9	77.2	58.6	40.0	-	-	104.9	13.2	91.5	73.0	54.5	36.1	-	-
	67	110.7	11.7	104.6	92.1	78.4	59.3	40.2	-	104.2	13.1	95.0	87.2	74.4	55.3	36.2	-
	62	109.1	11.7	105.0	101.5	98.1	78.6	59.0	39.5	103.5	13.1	97.5	95.9	94.2	74.5	54.8	35.0
4000	57	107.9	11.7	105.7	105.7	105.7	97.8	77.9	57.9	101.5	13.1	100.1	100.1	100.1	93.7	73.3	53.0
	77	122.4	12.0	95.5	66.5	37.5	-	-	-	111.1	13.3	92.6	62.7	32.9	-	-	-
	72	117.3	11.9	102.9	82.1	61.2	40.3	-	-	107.5	13.3	98.2	77.5	56.8	36.1	-	-
	67	114.2	11.8	108.5	97.6	84.8	63.0	41.1	-	107.0	13.2	100.2	92.2	80.7	58.8	37.0	-
	62	113.2	11.8	109.6	109.1	108.5	85.7	62.8	40.0	105.5	13.2	102.0	102.0	102.0	81.6	58.5	35.5
4500	57	112.6	11.8	110.4	110.4	110.4	108.4	84.6	60.8	104.5	13.2	103.7	103.7	103.7	103.7	80.1	55.8
	72	120.5	12.0	110.0	86.9	63.7	40.5	-	-	110.9	13.3	104.8	81.9	59.1	36.2	-	-
	67	117.7	11.9	113.8	103.2	91.3	66.7	42.0	-	109.5	13.2	105.5	97.2	87.0	62.4	37.8	-
	62	117.4	11.9	114.3	114.3	114.3	92.8	66.7	40.5	109.0	13.2	106.4	106.4	106.4	88.6	62.3	35.9
5000	57	117.1	11.9	115.0	115.0	115.0	115.0	91.3	63.6	108.9	13.3	107.3	107.3	107.3	107.3	86.8	58.7
	72	123.6	12.0	117.1	91.7	66.2	40.8	-	-	114.2	13.3	110.5	86.4	61.3	36.2	-	-
	67	122.0	12.0	118.2	108.7	97.8	70.4	42.9	-	113.7	13.3	110.9	102.2	93.4	66.0	38.6	-
	62	121.6	12.0	118.9	118.9	118.9	99.9	70.5	41.0	112.4	13.3	111.0	111.0	111.0	95.7	66.0	36.3
57	121.2	12.0	119.7	119.7	119.7	119.7	98.0	66.5	111.2	13.3	111.5	111.5	111.5	111.5	93.5	61.5	

- 1 These capacities are gross ratings. For net capacity, deduct the supply air blower motor heat (MBh = 3.415 x kW). Refer to the appropriate Blower performance table for the kW of the supply air blower motor.
- 2 These ratings include the condenser fan motors (total 1 kW) and the compressor motors but not the supply air blower motor.

Table 44: ZX14 (12.5 ton, 75°F to 105°F)

Air on evaporator coil		Temperature of air on condenser coil																	
		CFM	WB (°F)	Total capacity ¹ (MBh)	Total input (kW) ²	Sensible capacity (MBh)						Total capacity ¹ (MBh)	Total input (kW) ²	Sensible capacity (MBh)					
						Return dry bulb (°F)								Return dry bulb (°F)					
						90	85	80	75	70	65			90	85	80	75	70	65
75°F										85°F									
3200	77	182.4	8.9	97.1	79.7	62.4	-	-	-	174.0	10.0	93.8	76.9	59.9	-	-	-		
	72	167.2	8.8	116.3	98.6	80.9	63.1	-	-	158.8	9.8	113.0	95.2	77.4	59.5	-	-		
	67	152.0	8.6	135.4	117.4	99.3	80.3	63.7	-	143.6	9.7	132.2	113.5	94.8	76.6	59.7	-		
	62	145.1	8.5	145.1	132.2	117.8	94.4	82.0	64.2	139.3	9.6	139.3	125.9	112.2	92.2	77.6	60.4		
3750	77	184.8	9.0	105.3	83.7	62.0	-	-	-	175.5	10.0	102.7	80.9	59.1	-	-	-		
	72	170.7	8.8	124.2	104.1	83.9	63.7	-	-	162.0	9.9	121.0	100.6	80.2	59.9	-	-		
	67	156.5	8.7	143.2	124.5	105.8	84.2	64.6	-	148.4	9.7	139.3	120.4	101.4	80.5	60.5	-		
	62	150.8	8.6	144.9	139.9	127.7	102.2	85.6	64.6	144.9	9.7	140.8	133.9	122.5	99.8	81.5	61.0		
4300	57	145.1	8.6	145.1	145.1	145.1	128.1	106.6	85.2	141.5	9.7	141.5	141.5	141.5	123.1	102.5	81.9		
	77	187.3	9.1	113.5	87.6	61.6	-	-	-	177.1	10.1	111.5	84.9	58.3	-	-	-		
	72	174.1	8.9	132.2	109.6	86.9	64.3	-	-	165.2	9.9	129.0	106.0	83.1	60.2	-	-		
	67	161.0	8.8	150.9	131.6	112.2	88.1	65.4	-	153.2	9.8	146.4	127.2	108.0	84.3	61.3	-		
	62	156.5	8.7	151.4	147.6	137.5	110.1	89.2	65.0	150.6	9.8	147.5	141.8	132.8	107.4	85.3	61.6		
4775	57	152.0	8.7	152.0	152.0	152.0	137.9	112.9	88.0	148.0	9.8	148.0	148.0	148.0	133.5	109.4	85.2		
	77	189.7	9.1	121.7	91.5	61.3	-	-	-	178.7	10.1	120.3	88.9	57.4	-	-	-		
	72	177.6	9.0	140.2	115.1	90.0	64.9	-	-	168.4	10.0	136.9	111.5	86.0	60.5	-	-		
	67	165.5	8.8	158.6	138.7	118.7	92.0	66.3	-	158.0	9.9	153.5	134.0	114.6	88.1	62.1	-		
	62	162.2	8.8	158.7	155.3	147.4	117.9	92.7	65.4	156.3	9.9	154.0	149.8	143.1	115.1	89.2	62.2		
5300	57	158.9	8.8	158.9	158.9	158.9	147.7	119.2	90.8	154.6	9.8	154.6	154.6	154.6	144.0	116.3	88.6		
	72	181.1	9.1	148.1	120.6	93.0	65.5	-	-	171.5	10.1	144.9	116.9	88.9	60.9	-	-		
	67	170.0	8.9	165.5	145.8	125.2	95.9	67.1	-	162.8	10.0	160.6	140.9	121.1	91.9	63.0	-		
	62	167.9	8.9	165.7	163.0	157.3	125.7	96.3	65.8	162.0	9.9	161.0	157.8	153.4	122.7	93.1	62.9		
5800	57	165.8	8.9	165.8	165.8	165.8	157.5	125.5	93.6	161.2	9.9	161.2	161.2	161.2	154.4	123.1	91.9		
	72	184.5	9.1	156.1	126.1	96.1	66.1	-	-	174.7	10.1	152.9	122.3	91.8	61.2	-	-		
	67	174.4	9.0	171.0	152.9	131.6	99.8	68.0	-	168.0	10.0	165.8	147.7	127.7	95.8	63.8	-		
	62	173.6	9.0	171.9	170.7	167.2	133.5	99.9	66.2	167.9	10.0	167.2	165.7	163.7	130.3	96.9	63.5		
57	172.7	9.0	172.7	172.7	172.7	167.2	131.8	96.4	167.7	10.0	167.3	167.3	167.3	164.9	130.0	95.2			
95°F										105°F									
3200	77	165.5	11.0	90.5	74.0	57.5	-	-	-	152.2	12.5	88.9	71.5	54.1	-	-	-		
	72	150.4	10.9	109.8	91.8	73.9	55.9	-	-	139.8	12.3	106.0	88.0	70.0	52.0	-	-		
	67	135.3	10.7	129.1	109.7	90.2	72.9	55.6	-	127.5	12.2	123.0	104.5	86.0	68.5	51.1	-		
	62	133.5	10.7	132.8	119.7	106.6	89.9	73.2	56.6	125.8	12.2	125.4	113.7	101.9	85.1	68.2	51.4		
3750	77	166.2	11.0	100.0	78.1	56.2	-	-	-	153.0	12.5	98.3	75.4	52.4	-	-	-		
	72	153.3	10.9	117.7	97.2	76.6	56.0	-	-	142.7	12.4	113.5	93.1	72.6	52.1	-	-		
	67	140.4	10.8	135.5	116.2	97.0	76.7	56.4	-	132.3	12.3	128.8	110.7	92.7	72.4	52.1	-		
	62	139.1	10.8	138.5	127.9	117.4	97.4	77.4	57.4	131.2	12.3	129.5	121.8	112.9	92.7	72.5	52.3		
4300	57	137.8	10.8	141.5	139.6	137.7	118.0	98.4	78.7	130.0	12.3	130.0	130.0	130.0	113.0	93.0	72.9		
	77	167.0	11.1	109.5	82.2	54.9	-	-	-	153.9	12.5	107.7	79.3	50.8	-	-	-		
	72	156.2	11.0	125.7	102.5	79.3	56.1	-	-	145.5	12.4	121.1	98.1	75.1	52.2	-	-		
	67	145.5	10.9	143.8	122.8	103.7	80.4	57.2	-	137.2	12.3	134.5	117.0	99.5	76.2	53.0	-		
	62	144.8	10.8	144.0	136.1	128.1	104.8	81.5	58.2	136.5	12.3	135.9	129.9	123.9	100.3	76.8	53.3		
4775	57	144.1	10.8	144.1	144.1	144.1	129.2	105.8	82.5	135.9	12.3	135.9	135.9	135.9	124.4	100.6	76.8		
	77	167.7	11.1	119.0	86.3	53.6	-	-	-	154.7	12.6	117.2	83.1	49.1	-	-	-		
	72	159.1	11.0	133.7	107.8	82.0	56.2	-	-	148.4	12.5	128.7	103.2	77.7	52.2	-	-		
	67	150.6	10.9	148.4	129.4	110.4	84.2	58.0	-	142.0	12.4	140.2	123.2	106.3	80.1	53.9	-		
	62	150.4	10.9	149.8	144.3	138.8	112.2	85.7	59.1	141.9	12.4	141.2	138.0	134.9	108.0	81.1	54.2		
5300	57	150.3	10.9	150.3	150.3	150.3	140.3	113.3	86.4	141.7	12.3	141.7	141.7	141.7	135.9	108.3	80.7		
	72	162.0	11.0	141.6	113.2	84.7	56.3	-	-	151.2	12.5	136.3	108.3	80.3	52.3	-	-		
	67	156.3	11.0	154.8	136.0	117.1	88.0	58.8	-	147.8	12.5	145.9	129.5	113.1	84.0	54.8	-		
	62	156.1	11.0	155.4	152.5	149.5	119.7	89.8	59.9	147.7	12.4	146.4	146.1	145.9	115.6	85.4	55.1		
5800	57	156.0	10.9	156.0	156.0	156.0	151.4	120.8	90.2	147.6	12.4	146.9	146.9	146.9	146.9	115.9	84.6		
	72	164.9	11.1	149.6	118.5	87.4	56.3	-	-	154.0	12.6	143.8	113.3	82.8	52.3	-	-		
	67	162.7	11.1	157.9	142.5	123.8	91.7	59.6	-	153.5	12.5	148.5	135.8	119.9	87.8	55.8	-		
	62	161.8	11.0	160.5	160.5	160.3	127.1	93.9	60.8	152.6	12.5	151.0	151.0	151.0	123.3	89.7	56.1		
57	160.8	11.0	160.8	160.8	160.8	160.8	128.3	94.1	151.6	12.4	151.2	151.2	151.2	151.2	123.6	88.4			

1 These capacities are gross ratings. For net capacity, deduct the supply air blower motor heat (MBh = 3.415 x kW). Refer to the appropriate Blower performance table for the kW of the supply air blower motor.

2 These ratings include the condenser fan motors (total 1 kW) and the compressor motors but not the supply air blower motor.

Table 45: ZX14 (12.5 ton, 115°F to 125°F)

Air on evaporator coil		Temperature of air on condenser coil																	
CFM	WB (°F)	Total capacity ¹ (MBh)	Total input (kW) ²	Sensible capacity (MBh)						Total capacity ¹ (MBh)	Total input (kW) ²	Sensible capacity (MBh)							
				Return dry bulb (°F)								Return dry bulb (°F)							
				90	85	80	75	70	65					90	85	80	75	70	65
				115°F										125°F					
3200	77	138.8	13.9	87.3	69.0	50.7	-	-	-	125.4	15.4	85.7	66.5	47.3	-	-	-		
	72	129.3	13.8	102.2	84.2	66.2	48.2	-	-	118.7	15.3	98.4	80.3	62.3	44.3	-	-		
	67	119.7	13.7	117.0	99.3	81.7	64.2	46.7	-	118.4	15.2	111.9	94.2	77.4	59.8	42.2	-		
	62	118.2	13.8	118.1	107.6	97.1	80.2	63.2	46.2	117.6	15.3	112.4	101.6	92.4	75.3	58.2	41.0		
3750	77	139.8	14.0	96.6	72.7	48.7	-	-	-	126.6	15.5	95.0	69.9	44.9	-	-	-		
	72	132.0	13.9	109.3	89.0	68.6	48.2	-	-	121.4	15.4	105.1	84.9	64.6	44.3	-	-		
	67	124.3	13.8	121.8	105.3	88.5	68.1	47.7	-	117.5	15.3	113.8	99.8	84.3	63.8	43.4	-		
	62	123.2	13.8	122.0	115.7	108.4	88.0	67.6	47.2	115.3	15.3	114.0	109.5	103.9	83.4	62.8	42.2		
4300	77	140.8	14.0	106.0	76.3	46.6	-	-	-	127.7	15.5	104.2	73.4	42.5	-	-	-		
	72	134.8	13.9	116.5	93.8	71.0	48.2	-	-	124.1	15.4	111.9	89.4	66.8	44.3	-	-		
	67	128.8	13.8	127.0	111.2	95.3	72.1	48.8	-	121.4	15.3	116.8	105.4	91.2	67.9	44.6	-		
	62	128.3	13.8	127.7	123.7	119.7	95.9	72.1	48.3	120.0	15.3	118.0	117.5	115.5	91.4	67.4	43.3		
4775	77	141.8	14.1	115.3	80.0	44.6	-	-	-	128.8	15.5	113.5	76.8	40.1	-	-	-		
	72	137.6	14.0	123.7	98.5	73.4	48.3	-	-	126.8	15.4	118.7	93.9	69.1	44.3	-	-		
	67	133.4	13.9	132.0	117.1	102.2	76.0	49.8	-	124.8	15.4	123.9	111.0	98.1	71.9	45.7	-		
	62	133.3	13.8	132.5	131.7	130.9	103.7	76.5	49.3	124.7	15.3	123.9	123.9	123.9	99.5	72.0	44.4		
5300	77	140.4	14.0	130.9	103.3	75.8	48.3	-	-	130.1	15.5	125.5	98.4	71.4	44.3	-	-		
	72	138.7	13.9	137.1	123.0	109.0	79.9	50.9	-	129.8	15.4	128.2	116.6	105.0	75.9	46.9	-		
	67	138.3	13.9	137.4	137.4	137.4	111.6	81.0	50.4	129.4	15.3	128.3	128.3	128.3	107.6	76.6	45.6		
	62	138.0	13.8	137.7	137.7	137.7	111.1	78.9	48.9	129.1	15.2	128.4	128.4	128.4	106.2	73.3	-		
5800	77	144.2	14.1	138.0	108.1	78.2	48.3	-	-	134.9	15.5	128.7	102.9	73.6	44.3	-	-		
	72	143.4	14.0	139.1	129.0	115.9	83.9	51.9	-	134.2	15.5	131.8	122.2	111.9	80.0	48.1	-		
	67	142.7	13.9	140.2	140.2	140.2	119.5	85.4	51.4	133.5	15.3	132.0	132.0	132.0	115.6	81.2	46.7		
	62	140.8	13.8	140.5	140.5	140.5	118.9	82.8	48.8	132.4	15.2	132.4	132.4	132.4	114.3	77.2	-		

- 1 These capacities are gross ratings. For net capacity, deduct the supply air blower motor heat (MBh = 3.415 x kW). Refer to the appropriate Blower performance table for the kW of the supply air blower motor.
- 2 These ratings include the condenser fan motors (total 1 kW) and the compressor motors but not the supply air blower motor.

ZY04 to 12 cooling capacities

Table 46: ZY04 (3.0 ton, 75°F to 85°F)

Air on evaporator coil		Temperature of air on condenser coil																	
		Total capacity ¹ (MBh)	Total input (kW) ²	Sensible capacity (MBh)						Total capacity ¹ (MBh)	Total input (kW) ²	Sensible capacity (MBh)							
				Return dry bulb (°F)								Return dry bulb (°F)							
CFM	WB (°F)			90	85	80	75	70	65			90	85	80	75	70	65		
		75°F									85°F								
750	77	47.1	2.1	23.2	19.7	16.3	-	-	-	45.3	2.4	22.2	18.7	15.1	-	-	-		
	72	43.9	2.1	28.3	24.1	19.9	15.8	-	-	41.7	2.4	27.4	23.1	18.9	14.7	-	-		
	67	40.8	2.1	33.3	28.5	23.6	19.9	15.7	-	38.1	2.4	32.5	27.6	22.7	18.8	14.6	-		
	62	36.2	2.1	34.8	31.0	27.2	22.8	19.8	16.2	35.0	2.4	33.6	30.1	26.6	22.3	18.7	14.8		
900	77	47.9	2.1	26.0	21.3	16.7	-	-	-	46.0	2.4	25.2	20.5	15.7	-	-	-		
	72	45.1	2.1	31.0	26.1	21.2	16.4	-	-	42.8	2.4	30.0	25.1	20.3	15.4	-	-		
	67	42.2	2.1	35.9	30.8	25.8	21.2	16.4	-	39.7	2.4	34.8	29.8	24.8	20.1	15.3	-		
	62	38.3	2.1	37.1	33.7	30.4	25.2	21.2	16.6	37.0	2.4	35.8	32.6	29.4	24.4	20.0	15.3		
1050	57	38.3	2.1	38.3	36.6	34.9	30.5	26.0	21.5	36.6	2.4	36.6	35.4	34.0	29.4	24.8	20.2		
	77	48.7	2.1	28.9	23.0	17.0	-	-	-	46.6	2.4	28.2	22.3	16.3	-	-	-		
	72	46.2	2.1	33.7	28.1	22.5	17.0	-	-	44.0	2.4	32.7	27.1	21.6	16.1	-	-		
	67	43.6	2.1	38.4	33.2	28.0	22.6	17.0	-	41.3	2.4	37.1	32.0	26.9	21.5	15.9	-		
	62	40.4	2.1	39.4	36.5	33.5	27.6	22.5	17.0	39.0	2.4	37.9	35.1	32.2	26.5	21.3	15.9		
1200	57	40.1	2.1	40.1	39.3	38.5	33.5	28.1	22.6	38.6	2.4	38.6	37.9	37.2	32.1	26.7	21.3		
	77	49.6	2.1	31.7	24.6	17.4	-	-	-	47.3	2.4	31.2	24.1	16.9	-	-	-		
	72	47.3	2.1	36.4	30.1	23.8	17.6	-	-	45.1	2.4	35.3	29.1	23.0	16.8	-	-		
	67	45.0	2.1	41.0	35.6	30.2	24.0	17.6	-	42.8	2.4	39.4	34.2	29.0	22.8	16.6	-		
	62	42.5	2.1	41.7	39.2	36.7	30.0	23.9	17.5	41.0	2.3	40.1	37.5	35.0	28.7	22.6	16.5		
1350	57	42.0	2.1	42.0	42.0	42.0	36.6	30.1	23.7	40.5	2.3	40.5	40.5	40.5	34.9	28.7	22.5		
	72	48.4	2.1	39.1	32.1	25.1	18.2	-	-	46.2	2.4	38.0	31.1	24.3	17.5	-	-		
	67	46.4	2.1	43.5	38.0	32.5	25.4	18.2	-	44.4	2.3	41.7	36.4	31.1	24.2	17.3	-		
	62	44.6	2.1	44.0	41.9	39.8	32.3	25.2	17.9	43.0	2.3	42.2	40.0	37.8	30.8	24.0	17.0		
1500	57	43.8	2.1	43.8	43.8	43.8	39.7	32.2	24.7	42.4	2.3	42.4	42.4	42.4	37.6	30.6	23.6		
	72	49.5	2.1	41.8	34.1	26.4	18.7	-	-	47.4	2.4	40.6	33.1	25.7	18.2	-	-		
	67	47.8	2.1	46.1	40.4	34.7	26.7	18.8	-	46.0	2.3	44.0	38.6	33.1	25.6	18.0	-		
	62	46.7	2.1	46.3	44.6	43.0	34.7	26.5	18.3	45.0	2.3	44.4	42.5	40.6	33.0	25.3	17.6		
57	45.7	2.1	45.7	45.7	45.7	42.7	34.3	25.8	44.3	2.3	44.3	44.3	44.3	40.3	32.6	24.8			

- 1 These capacities are gross ratings. For net capacity, deduct the supply air blower motor heat (MBh = 3.415 x kW). Refer to the appropriate blower performance table for the kW of the supply air blower motor.
- 2 These ratings include the condenser fan motors (total 1 kW) and the compressor motors but not the supply air blower motor.

Table 47: ZY04 (3.0 ton, 95°F to 125°F)

Air on evaporator coil		Temperature of air on condenser coil																	
CFM	WB (°F)	Total capacity ¹ (MBh)	Total input (kW) ²	Sensible capacity (MBh)						Total capacity ¹ (MBh)	Total input (kW) ²	Sensible capacity (MBh)							
				Return dry bulb (°F)								Return dry bulb (°F)							
				90	85	80	75	70	65					90	85	80	75	70	65
				95°F						105°F									
750	77	43.5	2.6	21.3	17.6	13.8	-	-	-	39.8	3.1	20.9	16.8	12.8	-	-	-		
	72	39.4	2.6	26.5	22.2	17.9	13.6	-	-	36.7	3.1	25.1	20.9	16.7	12.5	-	-		
	67	35.4	2.6	31.7	26.8	21.9	17.7	13.4	-	33.6	3.1	29.4	25.0	20.7	16.5	12.3	-		
	62	33.8	2.6	32.4	29.2	25.9	21.8	17.6	13.4	32.1	3.0	30.7	27.7	24.6	20.5	16.3	12.2		
900	77	44.0	2.6	24.5	19.6	14.7	-	-	-	40.2	3.1	23.9	18.6	13.3	-	-	-		
	72	40.6	2.6	29.1	24.2	19.3	14.4	-	-	37.6	3.1	27.6	22.8	17.9	13.1	-	-		
	67	37.1	2.6	33.7	28.8	23.9	19.0	14.2	-	35.0	3.0	31.3	26.9	22.5	17.7	12.9	-		
	62	35.7	2.6	34.5	31.4	28.4	23.6	18.9	14.1	33.6	3.0	32.5	29.8	27.2	22.3	17.5	12.7		
1050	77	44.6	2.6	27.6	21.6	15.6	-	-	-	40.7	3.1	26.9	20.3	13.8	-	-	-		
	72	41.7	2.6	31.7	26.2	20.7	15.2	-	-	38.5	3.1	30.1	24.6	19.1	13.6	-	-		
	67	38.9	2.6	35.8	30.8	25.8	20.3	14.9	-	36.4	3.0	33.3	28.9	24.4	18.9	13.4	-		
	62	37.5	2.6	36.5	33.7	30.9	25.5	20.2	14.8	35.2	3.0	34.2	32.0	29.7	24.2	18.8	13.3		
1200	77	45.1	2.6	30.8	23.6	16.4	-	-	-	41.1	3.1	29.9	22.1	14.3	-	-	-		
	72	42.9	2.6	34.3	28.2	22.1	16.0	-	-	39.4	3.1	32.6	26.4	20.3	14.2	-	-		
	67	40.7	2.6	37.8	32.8	27.7	21.7	15.7	-	37.8	3.0	35.3	30.8	26.3	20.1	14.0	-		
	62	39.4	2.6	38.5	35.9	33.4	27.4	21.4	15.5	36.8	3.0	36.0	34.1	32.2	26.1	20.0	13.8		
1350	77	44.0	2.6	36.9	30.2	23.5	16.8	-	-	40.4	3.1	35.0	28.3	21.5	14.7	-	-		
	72	42.4	2.6	39.9	34.8	29.7	23.0	16.4	-	39.2	3.0	37.2	32.7	28.1	21.3	14.6	-		
	67	41.3	2.6	40.5	38.2	35.8	29.3	22.7	16.2	38.4	3.0	37.7	36.3	34.8	28.0	21.2	14.4		
	62	41.0	2.6	41.0	41.0	35.5	29.0	22.6	16.1	38.1	3.0	38.1	38.1	38.1	34.6	27.8	21.0		
1500	77	45.2	2.6	39.5	32.2	24.9	17.6	-	-	41.3	3.1	37.5	30.1	22.7	15.3	-	-		
	72	44.2	2.6	42.0	36.8	31.6	24.4	17.1	-	40.6	3.0	39.2	34.6	30.0	22.6	15.1	-		
	67	43.2	2.6	42.5	40.4	38.3	31.2	24.0	16.8	40.0	3.0	39.5	38.4	37.3	29.9	22.4	15.0		
	62	43.0	2.6	43.0	43.0	43.0	37.9	30.9	23.8	39.8	3.0	39.8	39.8	39.8	37.2	29.7	22.2		
				115°F						125°F									
750	77	36.2	3.6	20.4	16.1	11.7	-	-	-	32.5	4.2	20.0	15.3	10.7	-	-	-		
	72	34.0	3.5	23.8	19.7	15.6	11.5	-	-	31.2	4.0	22.4	18.4	14.4	10.4	-	-		
	67	31.7	3.5	27.1	23.3	19.4	15.3	11.2	-	29.9	3.9	24.9	21.5	18.2	14.2	10.1	-		
	62	30.3	3.5	29.0	26.2	23.3	19.2	15.1	10.9	28.6	3.9	27.3	24.6	22.0	17.9	13.8	9.7		
900	77	36.5	3.6	23.3	17.6	11.9	-	-	-	32.7	4.1	22.7	16.6	10.5	-	-	-		
	72	34.6	3.5	26.1	21.3	16.6	11.8	-	-	31.7	4.0	24.6	19.9	15.2	10.5	-	-		
	67	32.8	3.5	29.0	25.1	21.2	16.4	11.6	-	30.7	3.9	26.6	23.3	19.9	15.1	10.3	-		
	62	31.6	3.5	30.5	28.2	25.9	21.1	16.2	11.4	29.6	3.9	28.5	26.6	24.6	19.8	14.9	10.0		
1050	77	36.8	3.5	26.1	19.1	12.0	-	-	-	32.9	4.0	25.4	17.8	10.3	-	-	-		
	72	35.3	3.5	28.5	23.0	17.5	12.1	-	-	32.1	4.0	26.8	21.4	16.0	10.5	-	-		
	67	33.9	3.5	30.8	26.9	23.0	17.5	12.0	-	31.4	3.9	28.3	25.0	21.6	16.1	10.5	-		
	62	32.9	3.4	32.0	30.2	28.5	22.9	17.4	11.8	30.6	3.9	29.8	28.5	27.3	21.6	16.0	10.3		
1200	77	37.1	3.5	29.0	20.6	12.2	-	-	-	33.0	3.9	28.0	19.1	10.1	-	-	-		
	72	36.0	3.5	30.8	24.7	18.5	12.4	-	-	32.6	4.0	29.1	22.9	16.7	10.5	-	-		
	67	35.0	3.4	32.7	28.7	24.8	18.6	12.4	-	32.1	3.8	30.1	26.7	23.3	17.0	10.7	-		
	62	34.2	3.4	33.5	32.3	31.1	24.8	18.5	12.2	31.5	3.8	31.0	30.5	29.9	23.5	17.1	10.6		
1350	77	36.7	3.5	33.2	26.3	19.5	12.6	-	-	33.0	4.0	31.3	24.4	17.5	10.6	-	-		
	72	36.0	3.4	34.5	30.5	26.6	19.7	12.7	-	32.8	3.8	31.8	28.4	25.0	18.0	10.9	-		
	67	35.5	3.4	35.0	34.3	33.7	26.7	19.7	12.7	32.5	3.8	32.3	32.3	32.3	25.4	18.1	10.9		
	62	35.1	3.4	35.1	35.1	35.1	33.7	26.6	19.5	32.2	3.8	32.2	32.2	32.2	32.2	25.4	18.0		
1500	77	37.4	3.5	35.5	28.0	20.5	12.9	-	-	33.5	3.9	33.5	25.9	18.2	10.6	-	-		
	72	37.1	3.4	36.4	32.4	28.4	20.7	13.1	-	33.5	3.8	33.5	30.1	26.7	18.9	11.1	-		
	67	36.7	3.4	36.5	36.4	36.3	28.6	20.8	13.1	33.5	3.8	33.5	33.5	33.5	27.2	19.2	11.2		
	62	36.6	3.4	36.6	36.6	36.6	36.4	28.5	20.7	33.5	3.8	33.5	33.5	33.5	33.5	27.4	19.1		

- 1 These capacities are gross ratings. For net capacity, deduct the supply air blower motor heat (MBh = 3.415 x kW). Refer to the appropriate blower performance table for the kW of the supply air blower motor.
- 2 These ratings include the condenser fan motors (total 1 kW) and the compressor motors but not the supply air blower motor.

Table 48: ZY05 (4.0 ton, 75°F to 105°F)

Air on Evaporator Coil		Temperature of air on condenser coil																	
		Total capacity ¹ (MBh)	Total input (kW) ²	Sensible capacity (MBh)						Total capacity ¹ (MBh)	Total input (kW) ²	Sensible capacity (MBh)							
				Return dry bulb (°F)								Return dry bulb (°F)							
CFM	WB (°F)																		
		75°F									85°F								
		90	85	80	75	70	65	90	85	80	75	70	65	90	85	80	75	70	65
1000	77	64.9	2.8	32.3	27.2	22.1	-	-	-	59.9	3.1	30.9	26.2	21.5	-	-	-		
	72	58.5	2.8	38.1	32.7	27.3	21.9	-	-	55.5	3.1	36.9	31.7	26.5	21.2	-	-		
	67	52.1	2.8	44.0	38.3	32.6	26.9	21.8	-	51.2	3.1	43.0	37.2	31.5	26.0	20.8	-		
	62	49.9	2.7	49.3	43.6	37.9	31.5	27.1	21.7	48.9	3.1	47.3	41.9	36.5	30.6	25.7	20.3		
1200	77	65.4	2.8	35.9	29.1	22.4	-	-	-	60.6	3.1	34.8	28.2	21.5	-	-	-		
	72	59.9	2.8	41.6	35.3	28.9	22.5	-	-	56.8	3.1	40.4	34.1	27.8	21.6	-	-		
	67	54.4	2.8	47.4	41.4	35.4	28.7	22.5	-	53.1	3.1	45.9	40.1	34.2	27.7	21.4	-		
	62	52.5	2.7	51.8	46.9	42.0	34.6	28.9	22.3	51.1	3.1	49.7	45.1	40.6	33.6	27.5	20.9		
1400	57	51.8	2.7	51.8	51.8	48.5	41.9	35.2	28.6	49.7	3.1	49.7	49.7	47.0	40.3	33.5	26.8		
	77	66.0	2.8	39.5	31.1	22.7	-	-	-	61.3	3.2	38.8	30.1	21.5	-	-	-		
	72	61.3	2.8	45.1	37.8	30.5	23.1	-	-	58.1	3.2	43.8	36.5	29.2	21.9	-	-		
	67	56.7	2.8	50.8	44.5	38.3	30.6	23.2	-	55.0	3.1	48.9	42.9	37.0	29.4	21.9	-		
1600	62	55.1	2.8	54.4	50.2	46.1	37.8	30.7	22.9	53.3	3.1	52.0	48.4	44.7	36.7	29.3	21.5		
	57	54.4	2.7	54.4	54.4	52.8	46.0	38.1	30.2	52.1	3.1	52.1	52.1	51.9	44.5	36.6	28.6		
	77	66.6	2.8	43.1	33.0	22.9	-	-	-	62.0	3.2	42.7	32.1	21.4	-	-	-		
	72	62.8	2.8	48.6	40.3	32.0	23.7	-	-	59.4	3.2	47.3	38.9	30.6	22.2	-	-		
1800	67	58.9	2.8	54.2	47.6	41.1	32.4	23.9	-	56.9	3.2	51.8	45.8	39.7	31.0	22.5	-		
	62	57.7	2.8	56.9	53.5	50.2	40.9	32.4	23.6	55.6	3.2	54.4	51.6	48.9	39.8	31.0	22.1		
	57	57.0	2.8	57.0	57.0	57.0	50.1	40.9	31.8	54.6	3.1	54.6	54.6	54.6	48.8	39.6	30.4		
	72	64.2	2.8	52.1	42.9	33.6	24.3	-	-	60.7	3.2	50.7	41.3	32.0	22.6	-	-		
2000	67	61.2	2.8	57.6	50.7	43.9	34.2	24.6	-	58.8	3.2	54.8	48.6	42.5	32.7	23.0	-		
	62	60.3	2.8	59.4	56.9	54.3	44.0	34.2	24.2	57.8	3.2	56.8	54.9	53.0	42.8	32.8	22.8		
	57	59.6	2.8	59.6	59.6	59.6	54.2	43.8	33.4	57.0	3.2	57.0	57.0	57.0	53.1	42.7	32.2		
	72	65.6	2.8	55.7	45.4	35.1	24.9	-	-	62.0	3.2	54.2	43.8	33.3	22.9	-	-		
95°F	67	63.5	2.8	61.0	53.9	46.8	36.0	25.3	-	60.7	3.2	57.7	51.5	45.3	34.4	23.6	-		
	62	62.9	2.8	62.0	60.2	58.4	47.2	36.0	24.8	60.0	3.2	59.2	58.2	57.2	45.9	34.6	23.4		
	57	62.2	2.8	62.2	62.2	62.2	58.3	46.6	35.0	59.4	3.2	59.4	59.4	59.4	57.4	45.7	34.0		
			95°F									105°F							
1000	77	55.0	3.5	29.5	25.2	20.9	-	-	-	51.7	4.1	28.6	24.4	20.3	-	-	-		
	72	52.6	3.5	35.8	30.7	25.6	20.5	-	-	48.7	4.1	34.4	29.4	24.5	19.6	-	-		
	67	50.2	3.5	42.0	36.2	30.3	25.1	19.8	-	46.1	4.1	40.2	34.5	28.8	23.7	18.7	-		
	62	47.8	3.5	45.3	40.2	35.0	29.6	24.2	18.8	44.5	4.1	42.8	37.9	33.0	27.9	22.7	17.6		
1200	77	55.8	3.5	33.8	27.2	20.6	-	-	-	52.2	4.1	32.7	26.2	19.7	-	-	-		
	72	53.8	3.5	39.1	33.0	26.8	20.6	-	-	50.0	4.1	37.6	31.6	25.6	19.5	-	-		
	67	51.8	3.5	44.5	38.8	33.0	26.6	20.2	-	47.7	4.1	42.5	36.9	31.4	25.2	19.0	-		
	62	49.7	3.5	47.5	43.4	39.2	32.6	26.0	19.4	46.3	4.1	44.8	41.0	37.2	30.8	24.5	18.1		
1400	57	47.6	3.6	47.6	47.6	45.4	38.6	31.8	25.0	44.9	4.1	44.9	44.9	43.0	36.5	29.9	23.4		
	77	56.6	3.5	38.1	29.2	20.3	-	-	-	52.7	4.1	36.9	28.0	19.2	-	-	-		
	72	54.9	3.5	42.5	35.3	28.0	20.7	-	-	51.2	4.1	40.8	33.7	26.6	19.5	-	-		
	67	53.3	3.5	47.0	41.3	35.7	28.2	20.6	-	49.3	4.1	44.8	39.4	34.0	26.6	19.3	-		
1600	62	51.6	3.5	49.7	46.6	43.4	35.6	27.9	20.1	48.1	4.1	46.9	44.1	41.3	33.8	26.2	18.6		
	57	49.9	3.5	49.9	49.9	49.9	43.1	35.1	27.1	47.0	4.1	47.0	47.0	47.0	40.9	33.1	25.3		
	77	57.4	3.5	42.3	31.1	19.9	-	-	-	53.3	4.1	41.0	29.9	18.7	-	-	-		
	72	56.1	3.5	45.9	37.5	29.2	20.8	-	-	52.4	4.1	44.1	35.8	27.6	19.4	-	-		
1800	67	54.8	3.5	49.5	43.9	38.4	29.7	21.0	-	50.9	4.1	47.1	41.8	36.6	28.1	19.5	-		
	62	53.4	3.5	51.9	49.8	47.6	38.6	29.7	20.7	50.0	4.1	48.9	47.2	45.5	36.7	27.9	19.1		
	57	52.1	3.5	52.1	52.1	52.1	47.6	38.3	29.1	49.1	4.1	49.1	49.1	49.1	45.4	36.3	27.2		
	72	57.3	3.5	49.3	39.8	30.3	20.9	-	-	53.6	4.1	47.3	38.0	28.7	19.3	-	-		
2000	67	56.3	3.5	52.0	46.5	41.1	31.2	21.4	-	52.5	4.1	49.5	44.3	39.2	29.5	19.8	-		
	62	55.3	3.5	54.1	53.0	51.8	41.6	31.5	21.3	51.8	4.1	51.0	50.3	49.7	39.6	29.6	19.6		
	57	54.3	3.5	54.3	54.3	54.3	52.0	41.5	31.1	51.2	4.1	51.2	51.2	51.2	49.8	39.5	29.1		
	72	58.4	3.5	52.7	42.1	31.5	20.9	-	-	54.8	4.1	50.5	40.1	29.7	19.3	-	-		
2000	67	57.8	3.5	54.5	49.1	43.8	32.8	21.8	-	54.1	4.2	51.8	46.8	41.8	30.9	20.1	-		
	62	57.2	3.5	56.3	56.2	56.0	44.6	33.3	22.0	53.7	4.1	53.1	53.1	53.1	42.6	31.4	20.2		
57	56.6	3.5	56.6	56.6	56.6	56.5	44.8	33.1	53.2	4.1	53.2	53.2	53.2	53.2	42.6	31.0			

1 These capacities are gross ratings. For net capacity, deduct the supply air blower motor heat (MBh = 3.415 x kW). Refer to the appropriate blower performance table for the kW of the supply air blower motor.
 2 These ratings include the condenser fan motors (total 1 kW) and the compressor motors but not the supply air blower motor.

Table 49: ZY05 (4.0 ton, 115°F to 125°F)

Air on Evaporator Coil		Temperature of air on condenser coil																	
CFM	WB (°F)	Total capacity ¹ (MBh)	Total input (kW) ²	Sensible capacity (MBh)						Total capacity ¹ (MBh)	Total input (kW) ²	Sensible capacity (MBh)							
				Return dry bulb (°F)								Return dry bulb (°F)							
				90	85	80	75	70	65					90	85	80	75	70	65
				115°F						125°F									
1000	77	48.4	4.8	27.7	23.6	19.6	-	-	-	45.1	5.4	26.7	22.9	19.0	-	-	-		
	72	44.9	4.7	33.0	28.2	23.4	18.7	-	-	41.0	5.3	31.6	27.0	22.4	17.7	-	-		
	67	41.9	4.7	38.3	32.8	27.2	22.4	17.6	-	37.8	5.2	36.5	31.1	25.7	21.1	16.4	-		
	62	41.1	4.6	40.3	35.6	31.0	26.1	21.2	16.3	37.8	5.2	37.8	33.4	29.0	24.4	19.7	15.1		
1200	77	48.6	4.8	31.7	25.3	18.9	-	-	-	45.1	5.4	30.6	24.3	18.1	-	-	-		
	72	46.1	4.7	36.1	30.2	24.3	18.4	-	-	42.3	5.3	34.5	28.8	23.1	17.4	-	-		
	67	43.6	4.7	40.5	35.1	29.7	23.7	17.7	-	39.5	5.3	38.4	33.3	28.1	22.3	16.5	-		
	62	42.9	4.7	42.2	38.7	35.1	29.0	22.9	16.7	39.5	5.2	39.5	36.3	33.1	27.2	21.3	15.4		
1400	77	48.9	4.7	35.7	26.9	18.2	-	-	-	45.0	5.3	34.5	25.8	17.1	-	-	-		
	72	47.4	4.7	39.1	32.2	25.2	18.2	-	-	43.6	5.3	37.5	30.6	23.8	17.0	-	-		
	67	45.3	4.7	42.6	37.4	32.2	25.1	17.9	-	41.3	5.3	40.4	35.5	30.5	23.5	16.5	-		
	62	44.7	4.7	44.1	41.7	39.3	31.9	24.5	17.1	41.3	5.2	41.2	39.2	37.2	30.0	22.8	15.7		
1600	77	49.1	4.7	39.7	28.6	17.4	-	-	-	44.9	5.3	38.4	27.3	16.2	-	-	-		
	72	48.7	4.7	42.2	34.2	26.1	18.0	-	-	44.9	5.3	40.4	32.5	24.6	16.6	-	-		
	67	47.0	4.7	44.8	39.8	34.7	26.4	18.1	-	43.1	5.3	42.4	37.7	32.9	24.7	16.6	-		
	62	46.5	4.7	46.0	44.7	43.4	34.8	26.2	17.5	43.1	5.2	43.0	42.1	41.3	32.9	24.4	16.0		
1800	77	49.9	4.7	45.3	36.1	27.0	17.8	-	-	46.3	5.3	43.3	34.3	25.3	16.3	-	-		
	72	48.7	4.7	46.9	42.1	37.2	27.7	18.2	-	44.9	5.3	44.4	39.9	35.3	26.0	16.6	-		
	67	48.3	4.7	47.9	47.7	47.5	37.7	27.8	17.9	44.8	5.3	44.7	44.7	44.7	35.7	26.0	16.2		
	62	48.0	4.6	48.0	48.0	48.0	47.6	37.4	27.2	44.8	5.2	44.8	44.8	44.8	44.8	35.3	25.2		
2000	72	51.2	4.7	48.4	38.1	27.9	17.6	-	-	47.6	5.3	46.2	36.1	26.0	15.9	-	-		
	67	50.4	4.8	49.1	44.4	39.8	29.1	18.4	-	46.7	5.4	46.4	42.1	37.8	27.2	16.7	-		
	62	50.1	4.7	49.8	49.8	49.8	40.5	29.4	18.3	46.6	5.3	46.5	46.5	46.5	38.5	27.5	16.5		
	57	49.9	4.6	49.9	49.9	49.9	40.5	29.0	-	46.5	5.2	46.5	46.5	46.5	46.5	38.4	26.9		

- 1 These capacities are gross ratings. For net capacity, deduct the supply air blower motor heat (MBh = 3.415 x kW). Refer to the appropriate blower performance table for the kW of the supply air blower motor.
- 2 These ratings include the condenser fan motors (total 1 kW) and the compressor motors but not the supply air blower motor.

Table 51: ZY06 (5.0 ton, 115°F to 125°F)

Air on evaporator coil		Temperature of air on condenser coil															
CFM	WB (°F)	Total capacity ¹ (MBh)	Total input (kW) ²	Sensible capacity (MBh)						Total capacity ¹ (MBh)	Total input (kW) ²	Sensible capacity (MBh)					
				Return dry bulb (°F)								Return dry bulb (°F)					
				90	85	80	75	70	65								
				115°F						125°F							
1250	77	57.8	5.9	35.8	28.2	20.6	-	-	-	50.6	6.4	33.0	25.7	18.5	-	-	-
	72	54.1	5.7	41.2	33.9	26.7	19.5	-	-	48.9	6.4	38.4	31.5	24.6	17.8	-	-
	67	50.8	5.4	46.5	39.7	32.8	25.9	18.9	-	47.6	6.3	43.9	37.3	30.8	23.9	17.1	-
	62	49.1	5.5	46.9	42.9	38.9	32.3	25.6	19.0	46.0	6.2	44.1	40.5	36.9	30.1	23.3	16.5
1500	77	58.5	5.7	39.2	29.2	19.2	-	-	-	52.1	6.4	37.2	27.5	17.9	-	-	-
	72	55.6	5.6	43.8	35.7	27.6	19.6	-	-	50.7	6.3	41.8	33.9	25.9	18.0	-	-
	67	52.6	5.6	48.4	42.2	36.1	27.8	19.5	-	49.4	6.2	46.4	40.2	34.0	25.8	17.6	-
	62	51.3	5.5	49.5	47.0	44.5	36.0	27.5	19.0	48.0	6.2	46.5	44.3	42.0	33.6	25.2	16.8
1750	77	59.3	5.5	42.6	30.2	17.8	-	-	-	53.6	6.3	41.5	29.4	17.2	-	-	-
	72	57.1	5.6	46.4	37.5	28.6	19.7	-	-	52.5	6.2	45.2	36.2	27.2	18.2	-	-
	67	54.5	5.7	50.2	44.8	39.3	29.7	20.0	-	51.1	6.2	48.8	43.0	37.1	27.6	18.1	-
	62	53.5	5.5	52.1	51.1	50.1	39.7	29.3	19.0	50.1	6.1	48.9	48.0	47.1	37.1	27.0	17.0
2000	77	60.1	5.3	46.0	31.2	16.4	-	-	-	55.0	6.2	45.8	31.2	16.6	-	-	-
	72	58.5	5.5	49.0	39.3	29.5	19.8	-	-	54.4	6.2	48.5	38.5	28.4	18.4	-	-
	67	56.4	5.8	52.0	47.3	42.6	31.6	20.6	-	52.8	6.2	51.3	45.8	40.3	29.5	18.6	-
	62	55.6	5.5	54.7	54.7	54.7	43.4	31.2	18.9	52.1	6.1	51.4	51.4	51.4	40.6	28.9	17.2
2250	77	60.0	5.5	51.6	41.0	30.5	19.9	-	-	56.2	6.1	51.9	40.8	29.7	18.6	-	-
	72	58.3	6.0	53.9	49.9	45.9	33.5	21.2	-	54.5	6.1	53.7	48.6	43.5	31.3	19.2	-
	67	57.8	5.5	57.3	57.3	57.3	47.1	33.0	18.9	54.2	6.1	53.8	53.8	53.8	44.0	30.8	17.5
	62	57.4	5.0	57.4	57.4	57.4	44.9	29.0	-	53.8	6.1	53.8	53.8	53.8	53.8	42.4	28.0
2500	72	61.4	5.5	54.2	42.8	31.4	20.0	-	-	58.0	6.0	55.3	43.1	31.0	18.8	-	-
	67	60.1	6.1	55.7	52.4	49.1	35.4	21.7	-	56.2	6.1	56.2	51.4	46.7	33.2	19.7	-
	62	60.0	5.5	59.9	59.9	59.9	50.9	34.9	18.9	56.2	6.1	56.2	56.2	56.2	47.5	32.6	17.7
	57	59.9	4.8	59.9	59.9	59.9	59.9	48.0	29.7	56.2	6.1	56.2	56.2	56.2	56.2	45.6	29.3

- 1 These capacities are gross ratings. For net capacity, deduct the supply air blower motor heat (MBh = 3.415 x kW). Refer to the appropriate blower performance table for the kW of the supply air blower motor.
- 2 These ratings include the condenser fan motors (total 1 kW) and the compressor motors but not the supply air blower motor.

Table 52: ZY07 (6.0 ton, 75°F to 105°F)

Air on evaporator coil		Temperature of air on condenser coil																
		Total capacity ¹ (MBh)	Total input (kW) ²	Sensible capacity (MBh)						Total capacity ¹ (MBh)	Total input (kW) ²	Sensible capacity (MBh)						
				Return dry bulb (°F)								Return dry bulb (°F)						
CFM	WB (°F)			90	85	80	75	70	65			90	85	80	75	70	65	
		75°F									85°F							
1500	77	94.4	4.6	47.9	40.7	33.4	-	-	-	89.8	5.0	40.1	35.9	31.7	-	-	-	
	72	86.8	4.5	57.2	49.3	41.5	33.6	-	-	82.6	5.0	55.0	47.1	39.3	31.4	-	-	
	67	79.1	4.4	66.6	58.0	49.5	41.0	33.2	-	75.4	4.9	69.8	58.3	46.8	38.8	31.1	-	
	62	72.8	4.4	72.8	65.7	57.5	47.0	40.7	32.3	71.6	4.9	70.5	61.5	54.4	45.5	38.6	30.7	
1800	77	95.6	4.6	52.2	42.7	33.2	-	-	-	90.7	5.1	46.3	38.9	31.5	-	-	-	
	72	88.7	4.5	62.2	52.8	43.4	34.0	-	-	84.4	5.0	60.0	50.6	41.1	31.6	-	-	
	67	81.7	4.5	70.5	62.9	53.5	43.5	33.9	-	78.0	4.9	70.0	62.2	50.7	41.1	31.6	-	
	62	76.6	4.4	71.2	70.6	63.7	51.8	43.3	33.1	74.9	4.9	70.4	66.4	60.4	49.9	41.0	31.4	
2100	77	96.9	4.6	56.4	44.7	33.0	-	-	-	91.7	5.1	52.5	41.9	31.2	-	-	-	
	72	90.6	4.6	67.1	56.2	45.3	34.3	-	-	86.1	5.0	65.1	54.0	42.9	31.9	-	-	
	67	84.4	4.5	75.5	67.7	57.6	45.9	34.6	-	80.5	4.9	74.1	66.1	54.6	43.3	32.2	-	
	62	80.4	4.5	76.1	75.4	69.9	56.6	45.9	33.8	78.2	4.9	74.6	71.3	66.3	54.3	43.5	32.0	
2400	77	98.1	4.7	60.7	46.7	32.7	-	-	-	92.7	5.1	58.6	44.8	31.0	-	-	-	
	72	92.6	4.6	72.1	59.6	47.2	34.7	-	-	87.9	5.0	70.1	57.4	44.8	32.1	-	-	
	67	87.0	4.5	80.4	72.5	61.6	48.4	35.4	-	83.1	5.0	77.8	70.1	58.6	45.6	32.7	-	
	62	84.2	4.5	81.1	80.3	76.1	61.4	48.4	34.6	81.4	5.0	78.4	76.2	72.3	58.7	45.9	32.7	
2700	77	94.5	4.6	77.0	63.0	49.1	35.1	-	-	89.7	5.1	75.1	60.9	46.6	32.4	-	-	
	72	89.6	4.5	84.9	77.4	65.7	50.8	36.1	-	85.7	5.0	82.7	74.0	62.5	47.8	33.3	-	
	67	88.1	4.5	85.2	85.1	82.3	66.3	51.0	35.4	84.7	5.0	83.0	81.1	78.3	63.1	48.4	33.4	
	62	86.5	4.5	85.9	85.9	85.9	82.4	65.9	49.4	83.8	5.0	83.5	83.5	83.5	78.8	63.5	48.2	
3000	77	96.4	4.6	82.0	66.5	51.0	35.5	-	-	91.4	5.1	80.2	64.3	48.5	32.6	-	-	
	72	92.2	4.6	91.0	82.2	69.8	53.3	36.8	-	88.2	5.0	87.0	77.9	66.4	50.1	33.8	-	
	67	91.9	4.6	91.3	89.9	88.6	71.1	53.6	36.1	88.0	5.0	87.2	86.1	84.3	67.5	50.8	34.1	
	62	91.6	4.6	91.5	91.5	91.5	88.8	70.4	51.9	87.8	5.0	87.4	87.4	87.4	85.0	67.8	50.7	
		95°F									105°F							
1500	77	85.1	5.5	32.4	31.2	29.9	-	-	-	79.1	6.3	33.5	30.5	27.4	-	-	-	
	72	78.4	5.4	52.7	44.9	37.1	29.2	-	-	72.6	6.2	50.4	42.6	34.7	26.8	-	-	
	67	71.7	5.4	64.9	58.6	44.2	36.6	28.9	-	66.0	6.2	61.0	54.7	42.0	34.2	26.4	-	
	62	70.4	5.4	65.5	57.2	51.3	43.9	36.5	29.0	65.5	6.2	63.5	55.1	49.3	41.5	33.8	26.1	
1800	77	85.8	5.5	40.4	35.1	29.7	-	-	-	79.8	6.3	41.3	34.2	27.2	-	-	-	
	72	80.0	5.4	57.9	48.3	38.8	29.3	-	-	74.2	6.2	55.5	46.0	36.5	27.0	-	-	
	67	74.2	5.4	66.8	61.6	47.9	38.6	29.3	-	68.6	6.2	62.1	57.7	45.8	36.3	26.8	-	
	62	73.1	5.4	67.4	62.2	57.0	47.9	38.8	29.7	68.2	6.2	64.5	59.8	55.0	45.5	36.1	26.6	
2100	77	86.5	5.5	48.5	39.0	29.5	-	-	-	80.6	6.3	49.0	38.0	27.0	-	-	-	
	72	81.6	5.5	63.0	51.8	40.6	29.4	-	-	75.9	6.2	60.5	49.4	38.3	27.1	-	-	
	67	76.7	5.4	71.0	64.6	51.7	40.7	29.7	-	71.2	6.2	67.4	60.8	49.5	38.3	27.2	-	
	62	75.9	5.4	71.6	67.2	62.8	51.9	41.1	30.3	70.8	6.2	68.1	64.5	60.8	49.6	38.3	27.1	
2400	77	87.2	5.5	56.5	42.9	29.3	-	-	-	81.3	6.3	56.8	41.8	26.8	-	-	-	
	72	83.2	5.5	68.1	55.3	42.4	29.5	-	-	77.5	6.2	65.6	52.8	40.0	27.3	-	-	
	67	79.3	5.4	75.1	67.6	55.5	42.8	30.0	-	73.7	6.2	71.3	63.9	53.3	40.4	27.5	-	
	62	78.6	5.5	75.9	72.2	68.5	56.0	43.4	30.9	73.5	6.2	71.7	69.1	66.5	53.6	40.6	27.6	
2700	77	84.8	5.5	73.3	58.7	44.2	29.6	-	-	79.2	6.2	70.6	56.2	41.8	27.4	-	-	
	72	81.8	5.5	79.4	70.6	59.2	44.8	30.4	-	76.3	6.2	74.9	66.9	57.1	42.5	27.9	-	
	67	81.4	5.5	80.1	77.2	74.3	60.0	45.7	31.5	76.2	6.2	75.4	73.8	72.3	57.6	42.9	28.2	
	62	81.0	5.5	80.9	80.9	80.9	75.2	61.0	46.9	76.0	6.2	75.8	75.8	75.8	72.7	57.8	42.9	
3000	77	86.5	5.5	78.4	62.2	46.0	29.7	-	-	80.8	6.3	75.7	59.6	43.6	27.5	-	-	
	72	84.3	5.5	83.9	73.6	63.0	46.9	30.8	-	78.9	6.2	78.1	70.0	60.8	44.6	28.3	-	
	67	84.2	5.5	84.0	82.2	80.0	64.0	48.0	32.1	78.8	6.2	78.4	78.4	78.1	61.6	45.1	28.7	
	62	84.1	5.5	84.1	84.1	84.1	81.2	65.3	49.5	78.6	6.2	78.6	78.6	78.6	78.6	62.0	45.3	

- 1 These capacities are gross ratings. For net capacity, deduct the supply air blower motor heat (MBh = 3.415 x kW). Refer to the appropriate blower performance table for the kW of the supply air blower motor.
- 2 These ratings include the condenser fan motors (total 1 kW) and the compressor motors but not the supply air blower motor.

Table 53: ZY07 (6.0 ton, 115°F to 125°F)

Air on evaporator coil		Temperature of air on condenser coil																	
CFM	WB (°F)	Total capacity ¹ (MBh)	Total input (kW) ²	Sensible capacity (MBh)						Total capacity ¹ (MBh)	Total input (kW) ²	Sensible capacity (MBh)							
				Return dry bulb (°F)								Return dry bulb (°F)							
				90	85	80	75	70	65					90	85	80	75	70	65
				115°F										125°F					
1500	77	73.1	7.1	34.6	29.8	24.9	-	-	-	67.1	7.8	35.8	29.1	22.4	-	-	-		
	72	66.7	7.0	48.2	40.3	32.4	24.5	-	-	60.9	7.8	45.9	38.0	30.0	22.1	-	-		
	67	61.2	7.0	58.6	50.7	39.8	31.8	23.9	-	56.0	7.8	55.4	46.8	37.6	29.5	21.3	-		
	62	60.6	6.9	60.0	52.9	47.2	39.2	31.2	23.1	55.7	7.7	55.7	50.7	45.2	36.8	28.5	20.2		
1800	77	73.9	7.1	42.1	33.4	24.7	-	-	-	67.9	7.8	42.9	32.6	22.2	-	-	-		
	72	68.4	7.0	53.1	43.6	34.1	24.6	-	-	62.6	7.8	50.8	41.3	31.8	22.3	-	-		
	67	63.4	7.0	61.2	53.9	43.6	33.9	24.2	-	59.3	7.7	57.2	50.0	41.4	31.5	21.7	-		
	62	63.2	6.9	61.6	57.3	53.0	43.2	33.4	23.6	58.2	7.6	57.8	54.8	51.0	40.8	30.7	20.5		
2100	77	74.6	7.1	49.6	37.0	24.5	-	-	-	68.6	7.8	50.1	36.0	21.9	-	-	-		
	72	70.1	7.0	58.1	47.0	35.9	24.8	-	-	64.3	7.8	55.6	44.6	33.5	22.5	-	-		
	67	66.4	6.9	64.0	57.0	47.3	36.0	24.6	-	62.4	7.7	60.2	53.2	45.2	33.6	22.1	-		
	62	65.8	6.9	64.6	61.7	58.8	47.2	35.6	24.0	61.4	7.6	60.5	58.9	56.8	44.8	32.8	20.8		
2400	77	75.4	7.1	57.0	40.6	24.2	-	-	-	69.4	7.8	57.3	39.5	21.7	-	-	-		
	72	71.8	7.0	63.1	50.4	37.7	25.0	-	-	66.1	7.7	60.5	47.9	35.3	22.7	-	-		
	67	68.9	6.9	67.5	60.1	51.1	38.1	25.0	-	63.9	7.7	62.6	56.3	48.9	35.7	22.5	-		
	62	68.5	6.9	67.6	66.1	64.6	51.2	37.8	24.4	63.7	7.6	63.0	63.0	62.6	48.8	35.0	21.2		
2700	77	73.5	7.0	68.0	53.7	39.4	25.2	-	-	67.8	7.7	65.0	51.2	37.1	22.9	-	-		
	72	71.5	6.9	70.2	63.2	54.9	40.2	25.4	-	67.6	7.6	65.3	59.5	52.7	37.8	22.9	-		
	67	71.0	6.9	70.5	70.5	70.3	55.2	40.0	24.8	66.0	7.6	65.4	65.4	65.4	52.8	37.1	21.5		
	62	70.9	6.9	70.6	70.6	70.6	54.6	39.0	24.8	65.9	7.6	65.5	65.5	65.5	51.3	35.0	-		
3000	77	75.2	7.0	73.0	57.1	41.2	25.3	-	-	70.2	7.7	67.0	54.5	38.8	23.1	-	-		
	72	74.1	6.9	72.9	66.3	58.7	42.2	25.8	-	69.1	7.6	67.1	62.7	56.5	39.9	23.4	-		
	67	73.8	6.9	73.0	73.0	73.0	59.2	42.2	25.3	68.5	7.6	67.6	67.6	67.6	56.7	39.3	21.9		
	62	73.6	6.9	73.3	73.3	73.3	58.6	41.1	25.3	68.3	7.6	67.8	67.8	67.8	55.3	37.0	-		

- 1 These capacities are gross ratings. For net capacity, deduct the supply air blower motor heat (MBh = 3.415 x kW). Refer to the appropriate blower performance table for the kW of the supply air blower motor.
- 2 These ratings include the condenser fan motors (total 1 kW) and the compressor motors but not the supply air blower motor.

Table 54: ZYA7 (6.0 ton, 75°F to 105°F)

Air on evaporator coil		Temperature of air on condenser coil															
		Total capacity ¹ (MBh)	Total input (kW) ²	Sensible capacity (MBh)						Total capacity ¹ (MBh)	Total input (kW) ²	Sensible capacity (MBh)					
				Return dry bulb (°F)								Return dry bulb (°F)					
				90	85	80	75	70	65			90	85	80	75	70	65
75°F								85°F									
1500	77	91.7	4.2	43.9	38.2	32.4	-	-	-	88.0	4.7	40.2	34.9	29.5	-	-	-
	72	83.7	4.1	56.4	48.2	40.0	31.8	-	-	79.7	4.6	53.8	45.6	37.5	29.4	-	-
	67	75.6	4.1	68.9	58.2	47.6	39.7	31.9	-	71.4	4.6	67.3	56.4	45.5	37.4	29.4	-
	62	73.2	4.1	73.2	64.2	55.2	46.2	40.2	32.7	70.8	4.5	70.3	61.5	53.5	44.8	37.7	29.8
1800	77	93.1	4.2	52.0	42.2	32.4	-	-	-	88.4	4.7	50.1	40.2	30.3	-	-	-
	72	85.7	4.2	61.0	51.5	41.914	32.4	-	-	81.4	4.6	59.1	49.4	39.8	30.2	-	-
	67	78.4	4.1	70.1	60.7	51.4	42.0	32.7	-	74.3	4.6	68.0	58.7	49.4	39.8	30.3	-
	62	73.8	4.1	73.8	67.8	60.9	50.5	42.5	33.3	71.2	4.6	71.2	65.4	58.9	48.9	40.0	30.6
2100	77	94.5	4.2	60.1	46.3	32.4	-	-	-	88.9	4.7	59.9	45.5	31.0	-	-	-
	72	87.8	4.2	65.7	54.8	43.8	32.9	-	-	83.1	4.6	64.3	53.2	42.1	31.0	-	-
	67	81.1	4.1	71.2	63.2	55.2	44.3	33.4	-	77.2	4.6	68.8	61.0	53.2	42.2	31.2	-
	62	74.4	4.1	74.4	71.4	66.6	54.9	44.8	34.0	71.6	4.6	71.6	69.2	64.3	52.9	42.4	31.4
2400	77	95.9	4.3	68.2	50.3	32.5	-	-	-	89.4	4.7	69.7	50.8	31.8	-	-	-
	72	89.9	4.2	70.3	58.0	45.7	33.5	-	-	84.8	4.7	69.6	57.0	44.5	31.9	-	-
	67	83.8	4.2	72.4	65.7	59.0	46.6	34.2	-	80.2	4.6	69.5	63.3	57.1	44.6	32.0	-
	62	75.0	4.2	75.0	75.0	72.3	59.2	47.2	34.6	71.9	4.6	71.9	71.9	69.8	57.0	44.8	32.3
2700	77	91.9	4.2	75.0	61.3	47.7	34.0	-	-	86.5	4.7	74.9	60.8	46.8	32.7	-	-
	72	86.5	4.2	73.6	68.2	62.8	48.9	34.9	-	83.1	4.6	70.2	65.6	61.0	46.9	32.9	-
	67	81.1	4.1	71.2	63.2	55.2	44.3	33.4	-	77.2	4.6	68.8	61.0	53.2	42.2	31.2	-
	62	74.4	4.1	74.4	71.4	66.6	54.9	44.8	34.0	71.6	4.6	71.6	69.2	64.3	52.9	42.4	31.4
3000	77	94.5	4.2	60.1	46.3	32.4	-	-	-	88.9	4.7	59.9	45.5	31.0	-	-	-
	72	87.8	4.2	65.7	54.8	43.8	32.9	-	-	83.1	4.6	64.3	53.2	42.1	31.0	-	-
	67	81.1	4.1	71.2	63.2	55.2	44.3	33.4	-	77.2	4.6	68.8	61.0	53.2	42.2	31.2	-
	62	74.4	4.1	74.4	71.4	66.6	54.9	44.8	34.0	71.6	4.6	71.6	69.2	64.3	52.9	42.4	31.4
1500	77	84.3	5.1	36.5	31.6	26.7	-	-	-	82.7	5.8	36.9	31.0	25.2	-	-	-
	72	75.7	5.1	51.2	43.1	35.0	26.9	-	-	71.6	5.8	49.9	41.6	33.4	25.1	-	-
	67	67.1	5.0	65.8	54.6	43.4	35.2	27.0	-	60.5	5.7	60.5	52.3	41.5	33.1	24.7	-
	62	68.3	5.0	66.1	58.9	51.7	43.4	35.2	26.9	64.6	5.7	62.5	56.1	49.7	41.1	32.6	24.0
1800	77	83.8	5.1	48.1	38.1	28.2	-	-	-	80.4	5.8	47.1	36.5	26.0	-	-	-
	72	77.0	5.1	57.1	47.4	37.728	28.1	-	-	72.1	5.8	55.1	45.3	35.6	25.9	-	-
	67	70.3	5.0	66.0	56.7	47.3	37.6	28.0	-	63.8	5.7	63.0	54.1	45.2	35.4	25.5	-
	62	68.5	5.0	68.5	62.9	56.9	47.2	37.5	27.9	64.7	5.7	64.7	60.0	54.9	44.9	35.0	25.0
2100	77	83.3	5.1	59.7	44.7	29.6	-	-	-	78.1	5.8	57.3	42.0	26.7	-	-	-
	72	78.3	5.1	63.0	51.7	40.4	29.2	-	-	72.6	5.8	60.2	49.0	37.8	26.6	-	-
	67	73.4	5.1	66.3	58.8	51.2	40.1	28.9	-	67.1	5.8	63.0	56.0	48.9	37.6	26.4	-
	62	68.7	5.1	68.7	67.0	62.0	51.0	39.9	28.9	64.8	5.8	64.8	63.9	60.0	48.7	37.4	26.0
2400	77	82.8	5.1	71.2	51.2	31.1	-	-	-	75.8	5.8	67.5	47.5	27.4	-	-	-
	72	79.7	5.1	68.9	56.0	43.2	30.3	-	-	73.1	5.8	65.3	52.7	40.0	27.4	-	-
	67	76.5	5.1	66.6	60.9	55.2	42.5	29.9	-	70.3	5.8	63.1	57.8	52.6	39.9	27.2	-
	62	68.9	5.1	68.9	68.9	67.2	54.8	42.3	29.9	64.9	5.8	64.9	64.9	64.9	52.5	39.8	27.0
2700	77	81.0	5.1	74.8	60.3	45.9	31.4	-	-	73.5	5.8	70.4	56.3	42.2	28.1	-	-
	72	79.6	5.1	66.8	63.0	59.1	45.0	30.8	-	73.6	5.8	63.1	59.7	56.3	42.2	28.1	-
	67	69.1	5.1	69.1	69.1	69.1	58.6	44.7	30.9	64.9	5.8	64.9	64.9	64.9	56.3	42.2	28.1
	62	69.3	5.1	69.3	69.3	69.3	62.3	47.1	32.0	65.0	5.8	65.0	65.0	65.0	60.1	44.6	29.1
3000	77	82.3	5.1	80.7	64.7	48.591	32.5	-	-	74.0	5.8	74.0	60.0	44.4	28.9	-	-
	72	82.8	5.1	67.1	65.1	63.1	47.4	31.8	-	76.9	5.8	63.1	61.6	60.0	44.5	28.9	-
	67	69.3	5.1	69.3	69.3	69.3	62.3	47.1	32.0	65.0	5.8	65.0	65.0	65.0	60.1	44.6	29.1
	62	69.3	5.1	69.3	69.3	69.3	62.3	47.1	32.0	65.0	5.8	65.0	65.0	65.0	60.1	44.6	29.1

1 These capacities are gross ratings. For net capacity, deduct the supply air blower motor heat (MBh = 3.415 x kW). Refer to the appropriate blower performance table for the kW of the supply air blower motor.

2 These ratings include the condenser fan motors (total 1 kW) and the compressor motors but not the supply air blower motor.

Table 55: ZYA7 (6.0 ton, 115°F to 125°F)

Air on evaporator coil		Temperature of air on condenser coil																	
CFM	WB (°F)	Total capacity ¹ (MBh)	Total input (kW) ²	Sensible capacity (MBh)						Total capacity ¹ (MBh)	Total input (kW) ²	Sensible capacity (MBh)							
				Return dry bulb (°F)								Return dry bulb (°F)							
				90	85	80	75	70	65					90	85	80	75	70	65
				115°F										125°F					
1500	77	81.1	6.4	37.2	30.5	23.8	-	-	-	79.5	7.1	37.5	29.9	22.3	-	-	-		
	72	67.5	6.4	48.7	40.2	31.7	23.3	-	-	63.4	7.1	47.4	38.8	30.1	21.4	-	-		
	67	53.9	6.4	53.9	49.9	39.7	31.0	22.4	-	47.3	7.1	47.3	47.3	37.9	29.0	20.0	-		
	62	60.8	6.4	58.9	53.3	47.7	38.8	30.0	21.1	57.1	7.2	55.3	50.5	45.6	36.5	27.4	18.2		
1800	77	77.0	6.4	46.1	34.9	23.7	-	-	-	73.5	7.1	45.1	33.3	21.5	-	-	-		
	72	67.1	6.4	53.0	43.2	33.4	23.7	-	-	62.2	7.1	51.0	41.2	31.3	21.4	-	-		
	67	57.3	6.4	57.3	51.6	43.1	33.1	23.1	-	50.9	7.1	50.9	49.0	41.1	30.9	20.7	-		
	62	60.8	6.5	60.8	57.0	52.8	42.6	32.4	22.1	57.0	7.2	57.0	54.1	50.8	40.3	29.8	19.3		
2100	57	61.5	6.5	61.5	61.5	61.5	52.1	41.6	31.2	63.1	7.2	57.7	57.7	57.7	49.7	38.9	28.0		
	77	72.8	6.4	55.0	39.3	23.7	-	-	-	67.6	7.1	52.6	36.7	20.8	-	-	-		
	72	66.8	6.4	57.4	46.3	35.2	24.0	-	-	61.0	7.1	54.6	43.5	32.5	21.5	-	-		
	67	60.8	6.4	59.8	53.2	46.6	35.2	23.9	-	54.4	7.1	54.4	50.4	44.2	32.8	21.3	-		
	62	60.8	6.5	60.8	60.8	58.0	46.4	34.8	23.1	56.9	7.2	56.9	56.9	56.0	44.1	32.2	20.3		
2400	57	58.7	6.5	58.7	58.7	58.7	56.9	44.4	31.9	59.3	7.2	59.3	59.3	59.3	54.4	41.1	27.8		
	77	68.7	6.5	63.8	43.8	23.7	-	-	-	61.7	7.1	60.1	40.1	20.0	-	-	-		
	72	66.5	6.5	61.7	49.3	36.9	24.4	-	-	59.8	7.1	58.1	45.9	33.7	21.5	-	-		
	67	64.2	6.5	59.6	54.8	50.0	37.3	24.6	-	58.0	7.1	56.1	51.8	47.4	34.7	22.0	-		
	62	60.8	6.5	60.8	60.8	60.8	50.2	37.2	24.2	56.8	7.2	56.8	56.8	56.8	47.9	34.6	21.3		
2700	57	56.0	6.5	56.0	56.0	56.0	56.0	47.2	32.7	55.6	7.2	55.6	55.6	55.6	43.4	27.7	-		
	72	66.1	6.5	66.1	52.3	38.6	24.8	-	-	58.7	7.1	58.7	48.3	34.9	21.6	-	-		
	67	67.6	6.5	59.4	56.4	53.5	39.4	25.3	-	61.6	7.1	55.7	53.2	50.6	36.6	22.6	-		
	62	60.8	6.5	60.8	60.8	60.8	54.0	39.6	25.2	56.7	7.2	56.7	56.7	56.7	51.7	37.0	22.3		
3000	57	53.3	6.5	53.3	53.3	53.3	50.0	33.4	-	51.8	7.2	51.8	51.8	51.8	51.8	45.7	27.5		
	72	65.8	6.5	65.8	55.3	40.3	25.2	-	-	57.5	7.1	57.5	50.7	36.1	21.6	-	-		
	67	71.0	6.5	59.2	58.0	56.9	41.5	26.1	-	65.2	7.2	55.2	54.5	53.8	38.5	23.2	-		
	62	60.8	6.5	60.8	60.8	60.8	57.8	42.0	26.2	56.6	7.2	56.6	56.6	56.6	55.5	39.4	23.3		
57	50.6	6.5	50.6	50.6	50.6	50.6	50.6	34.2	48.0	7.2	48.0	48.0	48.0	48.0	48.0	27.4			

- 1 These capacities are gross ratings. For net capacity, deduct the supply air blower motor heat (MBh = 3.415 x kW). Refer to the appropriate blower performance table for the kW of the supply air blower motor.
- 2 These ratings include the condenser fan motors (total 1 kW) and the compressor motors but not the supply air blower motor.

Table 56: ZY08 (7.5 ton, 75°F to 105°F)

Air on evaporator coil		Temperature of air on condenser coil																	
		Total capacity ¹ (MBh)	Total input (kW) ²	Sensible capacity (MBh)					Total capacity ¹ (MBh)	Total input (kW) ²	Sensible capacity (MBh)								
				Return dry bulb (°F)							Return dry bulb (°F)								
CFM	WB (°F)			90	85	80	75	70	65			90	85	80	75	70	65		
		75°F									85°F								
1875	77	110.1	5.0	54.4	45.7	37.0	-	-	-	104.3	5.7	50.7	42.7	34.8	-	-	-		
	72	103.8	5.0	68.9	58.4	47.9	37.4	-	-	97.8	5.7	66.6	56.1	45.6	35.1	-	-		
	67	97.5	5.1	83.4	71.1	58.9	48.8	38.5	-	91.3	5.7	82.4	69.4	56.4	46.3	36.1	-		
	62	95.1	5.1	95.1	84.5	69.8	59.6	50.0	40.1	89.2	5.7	89.2	79.5	67.2	57.2	47.5	37.6		
2250	77	113.0	5.0	62.1	49.9	37.8	-	-	-	106.4	5.7	59.4	47.3	35.3	-	-	-		
	72	106.7	5.0	75.9	63.5	51.1	38.7	-	-	100.5	5.7	73.4	61.0	48.6	36.2	-	-		
	67	100.4	5.1	89.7	77.1	64.5	52.3	39.8	-	94.5	5.7	87.4	74.6	61.9	49.6	37.2	-		
	62	98.4	5.1	94.8	89.6	77.8	65.3	53.3	41.0	92.8	5.7	90.5	84.8	75.2	62.8	50.7	38.4		
2625	77	116.0	5.0	69.8	54.2	38.5	-	-	-	108.6	5.7	68.1	51.9	35.8	-	-	-		
	72	109.7	5.1	82.9	68.6	54.3	40.0	-	-	103.1	5.7	80.3	65.9	51.6	37.2	-	-		
	67	103.4	5.1	95.9	83.0	70.1	55.7	41.2	-	97.7	5.7	92.4	79.9	67.4	52.9	38.4	-		
	62	101.8	5.1	99.8	94.6	85.9	71.0	56.6	41.9	96.4	5.7	94.8	90.1	83.2	68.4	53.9	39.2		
3000	77	119.0	5.0	77.5	58.4	39.3	-	-	-	110.7	5.7	76.9	56.5	36.2	-	-	-		
	72	112.7	5.1	89.9	73.7	57.5	41.3	-	-	105.8	5.7	87.1	70.8	54.5	38.2	-	-		
	67	106.3	5.1	102.2	89.0	75.7	59.2	42.5	-	100.9	5.7	97.3	85.1	72.8	56.2	39.5	-		
	62	105.1	5.1	103.6	99.6	93.9	76.7	59.8	42.8	99.9	5.7	98.8	95.4	91.1	74.0	57.1	40.0		
3375	77	124.0	5.1	104.0	104.0	104.0	94.6	77.2	59.7	99.0	5.8	99.0	99.0	99.0	92.0	74.6	57.2		
	72	115.6	5.1	96.9	78.8	60.7	42.6	-	-	108.5	5.7	94.0	75.7	57.5	39.3	-	-		
	67	109.2	5.1	105.5	94.9	81.3	62.6	43.8	-	104.1	5.7	102.1	90.3	78.3	59.5	40.7	-		
	62	108.5	5.1	106.7	104.6	101.9	82.4	63.1	43.7	103.5	5.7	102.2	100.7	99.1	79.6	60.2	40.8		
3750	77	127.0	5.1	107.0	107.0	107.0	102.5	82.4	62.3	102.9	5.7	102.8	102.8	102.8	99.9	79.8	59.8		
	72	118.6	5.1	103.9	83.9	63.9	44.0	-	-	111.2	5.7	100.8	80.6	60.5	40.3	-	-		
	67	112.2	5.1	108.9	100.8	86.9	66.1	45.2	-	107.3	5.7	104.8	95.5	83.8	62.8	41.8	-		
	62	111.8	5.1	109.4	109.4	109.4	88.2	66.4	44.6	107.1	5.7	104.9	104.9	104.9	85.3	63.4	41.6		
57	111.5	5.1	111.3	111.3	111.3	110.3	87.6	64.9	106.9	5.7	106.8	106.8	106.8	106.8	85.1	62.4			
		95°F									105°F								
1875	77	98.5	6.4	47.0	39.8	32.6	-	-	-	91.5	7.4	45.3	38.5	31.8	-	-	-		
	72	91.8	6.4	64.2	53.8	43.3	32.8	-	-	85.3	7.4	62.3	52.0	41.6	31.2	-	-		
	67	85.1	6.4	81.5	67.7	53.9	43.8	33.6	-	79.2	7.4	77.2	65.4	51.4	41.4	31.3	-		
	62	83.4	6.4	83.4	74.5	64.6	54.8	45.0	35.2	77.7	7.4	77.7	69.8	61.2	51.5	41.8	32.1		
2250	77	99.8	6.4	56.7	44.8	32.8	-	-	-	92.9	7.4	54.4	42.8	31.1	-	-	-		
	72	94.2	6.4	70.9	58.5	46.0	33.6	-	-	87.8	7.4	68.3	56.1	43.9	31.7	-	-		
	67	88.6	6.4	85.1	72.2	59.3	46.9	34.6	-	82.7	7.4	79.8	69.4	56.6	44.4	32.2	-		
	62	87.2	6.4	85.4	80.1	72.5	60.3	48.1	35.9	81.5	7.4	80.0	75.4	69.4	57.2	44.9	32.7		
2625	77	101.1	6.4	66.5	49.7	33.0	-	-	-	94.3	7.4	63.6	47.0	30.5	-	-	-		
	72	96.6	6.4	77.6	63.2	48.8	34.4	-	-	90.2	7.4	74.3	60.3	46.2	32.1	-	-		
	67	92.1	6.4	88.8	76.7	64.6	50.1	35.6	-	86.2	7.4	83.9	73.5	61.9	47.5	33.1	-		
	62	91.0	6.4	89.7	85.7	80.4	65.8	51.2	36.5	85.3	7.4	84.0	81.1	77.6	62.8	48.0	33.3		
3000	77	102.4	6.4	76.2	54.7	33.1	-	-	-	95.7	7.4	72.7	51.3	29.9	-	-	-		
	72	99.0	6.4	84.3	67.9	51.5	35.1	-	-	92.7	7.4	80.3	64.4	48.5	32.6	-	-		
	67	95.5	6.4	92.5	81.2	70.0	53.2	36.5	-	89.7	7.4	86.9	77.5	67.1	50.5	33.9	-		
	62	94.8	6.4	94.0	91.2	88.4	71.3	54.3	37.2	89.0	7.4	87.7	86.7	85.7	68.5	51.2	33.9		
3375	77	104.0	6.4	94.0	94.0	94.0	89.4	72.0	54.7	88.4	7.4	88.4	88.4	88.4	86.4	68.4	50.4		
	72	101.4	6.4	91.0	72.7	54.3	35.9	-	-	95.2	7.4	86.3	68.6	50.8	33.1	-	-		
	67	99.0	6.4	96.2	85.7	75.3	56.4	37.5	-	93.2	7.4	90.8	81.6	72.4	53.6	34.8	-		
	62	98.6	6.4	97.2	96.8	96.3	76.8	57.4	37.9	92.8	7.4	90.9	90.9	90.9	74.1	54.3	34.5		
3750	77	104.0	6.4	98.1	98.1	98.1	97.3	77.3	57.3	92.4	7.4	92.4	92.4	92.4	92.4	73.8	52.9		
	72	103.8	6.4	97.7	77.4	57.1	36.7	-	-	97.6	7.4	92.3	72.7	53.1	33.5	-	-		
	67	102.5	6.4	99.8	90.2	80.6	59.5	38.4	-	96.7	7.4	93.6	85.6	77.6	56.6	35.7	-		
	62	102.4	6.4	100.4	100.4	100.4	82.4	60.5	38.6	96.6	7.4	94.0	94.0	94.0	79.7	57.4	35.1		
57	102.2	6.4	102.1	102.1	102.1	102.1	82.5	59.9	96.5	7.4	94.3	94.3	94.3	94.3	79.2	55.5			

- 1 These capacities are gross ratings. For net capacity, deduct the supply air blower motor heat (MBh = 3.415 x kW). Refer to the appropriate blower performance table for the kW of the supply air blower motor.
- 2 These ratings include the condenser fan motors (total 1 kW) and the compressor motors but not the supply air blower motor.

Table 57: ZY08 (7.5 ton, 115°F to 125°F)

Air on evaporator coil		Temperature of air on condenser coil															
		Total capacity ¹ (MBh)	Total input (kW) ²	Sensible capacity (MBh)						Total capacity ¹ (MBh)	Total input (kW) ²	Sensible capacity (MBh)					
				Return dry bulb (°F)								Return dry bulb (°F)					
CFM	WB (°F)			90	85	80	75	70	65			90	85	80	75	70	65
		115°F									125°F						
1875	77	84.4	8.5	43.5	37.2	30.9	-	-	-	77.4	9.6	41.7	35.9	30.0	-	-	-
	72	78.8	8.5	60.4	50.1	39.9	29.6	-	-	72.3	9.5	58.5	48.3	38.2	28.0	-	-
	67	73.2	8.5	71.8	63.1	48.9	38.9	29.0	-	67.3	9.5	66.0	60.8	46.3	36.5	26.6	-
	62	72.0	8.5	72.0	65.1	57.9	48.2	38.6	29.0	66.4	9.5	66.4	60.3	54.5	44.9	35.4	25.9
2250	77	85.9	8.5	52.1	40.8	29.5	-	-	-	79.0	9.5	49.7	38.8	27.8	-	-	-
	72	81.4	8.5	65.7	53.7	41.7	29.8	-	-	74.9	9.5	63.1	51.3	39.6	27.9	-	-
	67	76.8	8.4	74.3	66.7	54.0	41.9	29.8	-	70.9	9.5	69.0	63.9	51.4	39.4	27.3	-
	62	75.8	8.4	74.7	70.8	66.3	54.0	41.7	29.5	70.1	9.4	69.1	66.1	63.2	50.9	38.6	26.3
2625	57	74.8	8.4	74.8	74.8	74.8	66.1	53.7	41.3	69.4	9.4	69.4	69.4	69.4	62.4	49.8	37.2
	77	87.5	8.4	60.6	44.3	28.1	-	-	-	80.6	9.5	57.7	41.7	25.6	-	-	-
	72	83.9	8.4	71.0	57.3	43.6	29.9	-	-	77.5	9.5	67.7	54.3	41.0	27.7	-	-
	67	80.3	8.4	78.0	70.3	59.2	44.8	30.5	-	74.4	9.4	72.0	67.0	56.4	42.2	28.0	-
	62	79.5	8.4	78.4	76.5	74.7	59.8	44.9	30.0	73.8	9.4	72.1	72.0	71.8	56.8	41.7	26.7
3000	57	78.8	8.4	78.8	78.8	78.8	74.7	59.2	43.7	73.2	9.4	73.2	73.2	73.2	71.3	55.5	39.6
	77	89.0	8.4	69.2	47.9	26.6	-	-	-	82.2	9.4	65.7	44.6	23.4	-	-	-
	72	86.4	8.4	76.3	60.9	45.5	30.0	-	-	80.1	9.4	72.3	57.4	42.4	27.5	-	-
	67	83.9	8.4	81.8	73.8	64.3	47.8	31.3	-	78.0	9.4	76.6	70.2	61.5	45.1	28.7	-
	62	83.3	8.4	82.0	82.0	82.0	65.6	48.0	30.5	77.6	9.4	76.9	76.9	76.9	62.7	44.9	27.1
3375	57	82.7	8.4	82.7	82.7	82.7	64.8	46.2	77.1	9.3	77.1	77.1	77.1	77.1	77.1	61.1	41.9
	72	88.9	8.4	81.6	64.5	47.3	30.2	-	-	82.7	9.4	76.9	60.4	43.8	27.3	-	-
	67	87.4	8.4	85.4	77.4	69.4	50.8	32.1	-	81.6	9.4	80.0	73.3	66.5	48.0	29.4	-
	62	87.1	8.4	85.9	85.9	85.9	71.4	51.2	31.0	81.3	9.3	80.5	80.5	80.5	68.6	48.1	27.6
3750	57	86.7	8.3	86.7	86.7	86.7	70.3	48.6	81.0	9.3	81.0	81.0	81.0	81.0	81.0	66.8	44.2
	72	91.5	8.4	86.9	68.0	49.2	30.3	-	-	85.3	9.3	81.5	63.4	45.2	27.1	-	-
	67	90.9	8.4	89.9	81.0	74.6	53.7	32.9	-	85.2	9.3	84.4	76.4	71.5	50.8	30.1	-
	62	90.8	8.3	90.5	90.5	90.5	77.1	54.3	31.5	85.0	9.3	84.8	84.8	84.8	74.5	51.3	28.0
57	90.7	8.3	90.7	90.7	90.7	75.8	51.0	84.9	9.3	84.9	84.9	84.9	84.9	72.4	46.6	-	

- 1 These capacities are gross ratings. For net capacity, deduct the supply air blower motor heat (MBh = 3.415 x kW). Refer to the appropriate blower performance table for the kW of the supply air blower motor.
- 2 These ratings include the condenser fan motors (total 1 kW) and the compressor motors but not the supply air blower motor.

Table 58: ZY09 (8.5 ton, 75°F to 105°F)

Air on evaporator coil		Temperature of air on condenser coil																	
		Total capacity ¹ (MBh)	Total input (kW) ²	Sensible capacity (MBh)						Total capacity ¹ (MBh)	Total input (kW) ²	Sensible capacity (MBh)							
				Return dry bulb (°F)								Return dry bulb (°F)							
CFM	WB (°F)			90	85	80	75	70	65			90	85	80	75	70	65		
		75°F									85°F								
2125	77	129.6	5.9	67.0	57.1	47.1	-	-	-	123.8	6.5	64.6	54.4	44.2	-	-	-		
	72	121.7	5.8	83.1	71.2	59.2	47.2	-	-	116.0	6.5	80.7	68.5	56.3	44.1	-	-		
	67	113.7	5.8	99.3	85.3	71.2	58.7	46.8	-	108.2	6.5	96.7	82.6	68.4	56.0	43.9	-		
	62	112.3	5.7	107.4	95.3	83.3	67.6	58.5	46.0	106.3	6.5	102.3	91.4	80.6	66.6	55.9	43.6		
2550	77	132.2	5.9	75.2	60.8	46.4	-	-	-	125.7	6.6	73.3	58.6	43.9	-	-	-		
	72	124.6	5.9	90.1	75.9	61.6	47.3	-	-	118.6	6.5	87.7	73.3	58.9	44.6	-	-		
	67	117.1	5.8	105.1	90.9	76.8	61.9	47.6	-	111.5	6.5	102.0	88.0	74.0	59.3	44.8	-		
	62	115.5	5.8	111.5	101.8	92.1	74.4	62.1	47.1	109.8	6.5	106.5	97.8	89.1	72.9	59.4	44.5		
2975	77	134.7	6.0	83.4	64.5	45.6	-	-	-	127.6	6.6	82.0	62.8	43.6	-	-	-		
	72	127.6	5.9	97.1	80.6	64.0	47.5	-	-	121.3	6.6	94.6	78.1	61.6	45.1	-	-		
	67	120.5	5.8	110.8	96.6	82.4	65.2	48.3	-	114.9	6.5	107.2	93.4	79.6	62.5	45.7	-		
	62	118.7	5.8	115.7	108.3	100.8	81.3	65.7	48.1	113.2	6.5	110.6	104.1	97.6	79.2	62.8	45.3		
3400	77	137.3	6.0	91.5	68.2	44.8	-	-	-	129.5	6.6	90.7	67.0	43.3	-	-	-		
	72	130.6	5.9	104.1	85.2	66.4	47.6	-	-	123.9	6.6	101.6	82.9	64.2	45.6	-	-		
	67	123.9	5.8	116.6	102.3	88.0	68.4	49.0	-	118.3	6.6	112.4	98.8	85.2	65.8	46.5	-		
	62	121.9	5.8	119.9	114.7	109.6	88.1	69.3	49.1	116.7	6.5	114.8	110.4	106.1	85.5	66.2	46.2		
3825	77	141.1	6.1	100.1	77.1	57.1	-	-	-	135.5	6.7	97.7	74.7	50.7	-	-	-		
	72	133.6	6.0	111.0	89.9	68.8	47.7	-	-	126.5	6.6	108.5	87.7	66.9	46.1	-	-		
	67	127.3	5.9	122.4	108.0	93.6	71.6	49.7	-	121.6	6.6	117.6	104.2	90.7	69.0	47.4	-		
	62	125.1	5.9	124.1	121.2	118.3	94.9	72.8	50.1	120.1	6.6	118.9	116.8	114.6	91.7	69.6	47.1		
4250	77	146.1	6.2	107.1	84.1	61.1	-	-	-	140.5	6.8	104.7	81.7	57.7	-	-	-		
	72	136.6	6.0	118.0	94.6	71.2	47.8	-	-	129.2	6.6	115.5	92.5	69.5	46.5	-	-		
	67	130.7	5.9	128.2	113.6	99.1	74.8	50.4	-	125.0	6.6	122.8	109.6	96.3	72.3	48.3	-		
	62	128.2	5.9	128.2	127.6	127.0	101.7	76.4	51.1	123.5	6.6	123.1	123.1	123.1	98.0	73.0	47.9		
57	128.2	5.9	128.2	128.2	128.2	128.2	102.4	76.2	123.3	6.6	123.3	123.3	123.3	123.3	97.7	71.6			
		95°F									105°F								
2125	77	118.0	7.2	62.3	51.7	41.2	-	-	-	110.3	8.4	62.5	50.8	39.2	-	-	-		
	72	110.3	7.2	78.2	65.8	53.4	41.0	-	-	103.8	8.4	76.1	63.6	51.0	38.4	-	-		
	67	102.6	7.3	94.2	79.9	65.6	53.3	41.0	-	97.2	8.4	89.8	76.3	62.8	50.4	38.0	-		
	62	100.4	7.2	97.3	87.6	77.9	65.7	53.4	41.2	94.8	8.3	91.9	83.2	74.6	62.4	50.3	38.1		
2550	77	119.2	7.2	71.5	56.4	41.4	-	-	-	111.4	8.4	70.7	54.7	38.6	-	-	-		
	72	112.6	7.2	85.2	70.7	56.3	41.8	-	-	105.7	8.4	82.3	67.8	53.4	38.9	-	-		
	67	106.0	7.3	98.9	85.0	71.2	56.6	42.0	-	100.1	8.4	93.9	81.0	68.1	53.5	38.9	-		
	62	104.1	7.2	101.4	93.8	86.1	71.4	56.7	41.9	98.1	8.3	95.7	89.3	82.9	68.1	53.4	38.6		
2975	77	120.5	7.2	80.7	61.1	41.6	-	-	-	112.5	8.4	78.9	58.5	38.1	-	-	-		
	72	114.9	7.3	92.1	75.6	59.2	42.7	-	-	107.7	8.4	88.5	72.1	55.8	39.5	-	-		
	67	109.3	7.3	103.5	90.2	76.8	59.9	43.0	-	102.9	8.4	98.0	85.7	73.5	56.7	39.8	-		
	62	107.8	7.2	105.5	99.9	94.4	77.1	59.9	42.6	101.4	8.3	99.4	95.3	91.2	73.8	56.5	39.2		
3400	77	121.8	7.3	89.9	65.8	41.8	-	-	-	113.6	8.4	87.2	62.4	37.6	-	-	-		
	72	117.2	7.3	99.1	80.6	62.1	43.5	-	-	109.7	8.4	94.6	76.4	58.2	40.0	-	-		
	67	112.6	7.3	108.2	95.3	82.3	63.2	44.1	-	105.8	8.4	102.1	90.5	78.8	59.8	40.7	-		
	62	111.4	7.2	109.7	106.1	102.6	82.8	63.1	43.3	104.6	8.4	103.1	101.3	99.5	79.6	59.7	39.7		
3825	77	123.1	7.3	97.1	73.1	51.1	-	-	-	115.9	8.4	84.1	64.1	41.1	-	-	-		
	72	119.5	7.3	106.0	85.5	64.9	44.4	-	-	111.6	8.4	100.8	80.7	60.6	40.6	-	-		
	67	116.0	7.3	112.9	100.4	87.9	66.5	45.1	-	108.6	8.4	106.2	95.2	84.2	62.9	41.6	-		
	62	115.1	7.3	113.8	112.3	110.8	88.6	66.3	44.0	107.9	8.4	106.8	106.8	106.8	85.3	62.8	40.3		
4250	77	125.1	7.3	103.1	79.1	59.1	-	-	-	117.9	8.4	89.1	69.1	46.1	-	-	-		
	72	121.8	7.3	112.9	90.4	67.8	45.3	-	-	113.6	8.4	107.0	85.0	63.1	41.1	-	-		
	67	119.3	7.3	117.5	105.5	93.5	69.8	46.1	-	111.5	8.4	110.3	99.9	89.6	66.1	42.6	-		
	62	118.8	7.3	117.9	117.9	117.9	94.3	69.5	44.7	111.2	8.4	110.6	110.6	110.6	91.0	65.9	40.8		
57	118.4	7.2	118.4	118.4	118.4	118.4	92.9	67.0	110.8	8.3	110.8	110.8	110.8	89.3	62.6				

- 1 These capacities are gross ratings. For net capacity, deduct the supply air blower motor heat (MBh = 3.415 x kW). Refer to the appropriate blower performance table for the kW of the supply air blower motor.
- 2 These ratings include the condenser fan motors (total 1 kW) and the compressor motors but not the supply air blower motor.

Table 59: ZY09 (8.5 ton, 115°F to 125°F)

Air on evaporator coil		Temperature of air on condenser coil																			
CFM	WB (°F)	Total capacity ¹ (MBh)	Total input (kW) ²	Sensible capacity (MBh)						Total capacity ¹ (MBh)	Total input (kW) ²	Sensible capacity (MBh)									
				Return dry bulb (°F)								Return dry bulb (°F)									
		115°F										125°F									
		90	85	80	75	70	65	90	85	80	75	70	65								
2125	77	102.7	9.5	62.7	49.9	37.1	-	-	-	95.1	10.7	62.9	49.0	35.1	-	-	-				
	72	97.3	9.5	74.1	61.3	48.5	35.7	-	-	90.7	10.6	72.0	59.0	46.1	33.1	-	-				
	67	91.8	9.5	85.4	72.7	59.9	47.5	35.0	-	86.4	10.6	81.0	69.0	57.0	44.5	32.0	-				
	62	89.3	9.4	86.6	78.9	71.3	59.2	47.1	35.0	83.7	10.6	81.3	74.6	67.9	55.9	43.9	31.9				
2550	77	103.6	9.5	69.9	52.9	35.9	-	-	-	95.8	10.7	69.1	51.2	33.2	-	-	-				
	72	98.9	9.5	79.4	65.0	50.5	36.0	-	-	92.0	10.6	76.6	62.1	47.6	33.1	-	-				
	67	94.1	9.5	89.0	77.0	65.0	50.4	35.8	-	88.2	10.6	84.0	73.0	62.0	47.3	32.7	-				
	62	92.1	9.4	89.9	84.8	79.6	64.9	50.1	35.4	86.2	10.6	84.2	80.3	76.4	61.6	46.9	32.1				
2975	77	104.5	9.5	77.2	55.9	34.7	-	-	-	96.5	10.6	75.4	53.3	31.2	-	-	-				
	72	100.5	9.5	84.8	68.6	52.4	36.2	-	-	93.3	10.6	81.2	65.1	49.1	33.0	-	-				
	67	96.5	9.5	92.5	81.3	70.2	53.4	36.6	-	90.1	10.6	87.0	76.9	66.9	50.2	33.4	-				
	62	95.0	9.5	93.2	90.6	88.0	70.6	53.2	35.8	88.6	10.6	87.1	85.9	84.8	67.3	49.8	32.3				
3400	77	105.4	9.5	84.4	58.9	33.4	-	-	-	97.1	10.6	81.7	55.5	29.3	-	-	-				
	72	102.1	9.5	90.2	72.3	54.4	36.5	-	-	94.6	10.6	85.8	68.2	50.6	33.0	-	-				
	67	98.9	9.5	96.0	85.7	75.4	56.4	37.4	-	92.0	10.6	89.9	80.9	71.9	53.0	34.1	-				
	62	97.8	9.5	96.5	96.4	96.3	76.3	56.2	36.2	91.0	10.6	90.0	90.0	90.0	73.0	52.8	32.6				
3825	77	103.8	9.5	95.6	76.0	56.4	36.8	-	-	95.9	10.6	90.4	71.2	52.1	32.9	-	-				
	72	101.3	9.5	99.5	90.0	80.5	59.4	38.2	-	93.9	10.6	92.9	84.8	76.8	55.8	34.8	-				
	67	100.6	9.5	99.9	99.9	99.9	82.0	59.3	36.6	93.4	10.6	92.9	92.9	92.9	78.7	55.7	32.8				
	62	100.0	9.4	100.0	100.0	100.0	80.3	56.1	36.9	92.9	10.5	92.9	92.9	92.9	76.7	51.9	-				
4250	77	105.4	9.5	101.0	79.7	58.3	37.0	-	-	97.2	10.6	95.0	74.3	53.6	32.9	-	-				
	72	103.6	9.5	103.0	94.4	85.7	62.3	39.0	-	95.8	10.6	95.8	88.8	81.8	58.6	35.4	-				
	67	103.5	9.5	103.2	103.2	103.2	87.7	62.3	36.9	95.8	10.6	95.8	95.8	95.8	84.4	58.7	33.0				
	62	103.3	9.4	103.3	103.3	103.3	85.6	58.2	36.9	95.8	10.5	95.8	95.8	95.8	95.8	82.0	53.8				

- 1 These capacities are gross ratings. For net capacity, deduct the supply air blower motor heat (MBh = 3.415 x kW). Refer to the appropriate blower performance table for the kW of the supply air blower motor.
- 2 These ratings include the condenser fan motors (total 1 kW) and the compressor motors but not the supply air blower motor.

Table 60: ZY12 (10 ton, 75°F to 105°F)

Air on evaporator coil		Temperature of air on condenser coil															
CFM	WB (°F)	Total capacity ¹ (MBh)	Total input (kW) ²	Sensible capacity (MBh)						Total capacity ¹ (MBh)	Total input (kW) ²	Sensible capacity (MBh)					
				Return dry bulb (°F)								Return dry bulb (°F)					
				90	85	80	75	70	65			90	85	80	75	70	65
		75°F								85°F							
2500	77	157.6	7.2	79.1	66.6	54.2	-	-	-	150.9	8.0	75.7	63.7	51.8	-	-	-
	72	143.9	7.1	94.6	81.1	67.6	54.1	-	-	137.3	8.0	91.8	78.3	64.8	51.4	-	-
	67	130.2	7.0	110.1	95.6	81.0	66.8	53.8	-	123.7	7.9	107.8	92.9	77.9	64.1	51.0	-
	62	123.5	7.0	120.7	107.6	94.4	77.4	67.0	53.4	119.2	7.9	116.4	103.7	91.0	75.9	64.1	50.6
3000	77	159.0	7.2	88.0	71.1	54.1	-	-	-	151.5	8.0	85.2	68.3	51.4	-	-	-
	72	146.8	7.1	103.1	86.9	70.8	54.7	-	-	139.9	8.0	100.1	84.0	67.9	51.8	-	-
	67	134.7	7.0	118.1	102.8	87.5	70.7	54.9	-	128.3	7.9	114.9	99.6	84.4	67.9	52.0	-
	62	129.2	7.0	126.6	115.4	104.1	85.0	71.2	54.7	124.4	7.9	121.8	111.3	100.8	83.2	68.2	51.8
3500	77	160.3	7.2	96.9	75.5	54.1	-	-	-	152.2	8.0	94.8	72.9	51.1	-	-	-
	72	149.7	7.1	111.5	92.8	74.0	55.3	-	-	142.5	8.0	108.4	89.7	71.0	52.3	-	-
	67	139.1	7.1	126.1	110.0	94.0	74.6	55.9	-	132.9	8.0	122.0	106.4	90.8	71.7	52.9	-
	62	134.9	7.0	132.4	123.2	113.9	92.6	75.3	56.0	129.7	7.9	127.3	119.0	110.7	90.5	72.3	53.1
4000	77	161.6	7.2	105.9	80.0	54.1	-	-	-	152.9	8.1	104.3	77.6	50.8	-	-	-
	72	152.6	7.2	120.0	98.6	77.3	55.9	-	-	145.2	8.0	116.7	95.4	74.0	52.7	-	-
	67	143.6	7.1	134.1	117.2	100.4	78.5	57.0	-	137.5	8.0	129.1	113.2	97.3	75.5	53.9	-
	62	140.6	7.1	138.3	130.9	123.6	100.2	79.4	57.3	135.0	7.9	132.7	126.6	120.5	97.8	76.4	54.3
4500	77	155.5	7.2	128.4	104.4	80.5	56.5	-	-	147.8	8.0	125.0	101.1	77.1	53.2	-	-
	72	148.0	7.1	142.0	124.5	106.9	82.4	58.1	-	142.0	8.0	136.2	120.0	103.7	79.2	54.9	-
	67	146.2	7.1	144.1	138.7	133.3	107.8	83.5	58.6	140.3	8.0	138.2	134.3	130.4	105.1	80.5	55.6
	62	145.2	7.1	144.2	144.2	144.2	134.4	109.0	83.7	138.9	7.9	138.6	138.6	138.6	131.6	106.1	80.7
5000	77	158.4	7.2	136.8	110.3	83.7	57.2	-	-	150.4	8.0	133.3	106.8	80.2	53.6	-	-
	72	152.4	7.1	150.0	131.7	113.4	86.3	59.1	-	146.6	8.0	143.2	126.7	110.2	83.0	55.8	-
	67	151.9	7.1	150.0	146.5	143.0	115.4	87.7	60.0	145.6	8.0	143.6	141.9	140.2	112.4	84.6	56.8
	62	151.4	7.1	150.0	150.0	150.0	144.4	116.2	87.9	144.5	8.0	144.0	144.0	144.0	141.8	113.4	85.0
		95°F								105°F							
2500	77	144.1	8.8	72.2	60.8	49.4	-	-	-	134.0	10.1	69.8	57.7	45.6	-	-	-
	72	130.6	8.8	88.9	75.5	62.1	48.7	-	-	121.8	10.1	85.6	72.0	58.3	44.6	-	-
	67	117.1	8.8	105.5	90.2	74.8	61.5	48.2	-	110.0	10.1	101.5	86.2	70.9	57.7	44.5	-
	62	114.8	8.8	112.0	99.8	87.5	74.3	61.1	47.8	108.5	10.1	105.9	94.8	83.6	70.8	58.0	45.3
3000	77	144.1	8.9	82.4	65.6	48.8	-	-	-	133.8	10.1	79.8	62.3	44.8	-	-	-
	72	133.0	8.9	97.1	81.0	65.0	49.0	-	-	124.2	10.1	93.4	77.2	61.0	44.9	-	-
	67	121.8	8.8	111.7	96.5	81.3	65.2	49.1	-	114.5	10.1	107.0	92.1	77.3	61.3	45.3	-
	62	119.7	8.8	117.1	107.3	97.5	81.3	65.2	49.0	113.1	10.1	110.6	102.1	93.5	77.7	61.8	46.0
3500	77	144.1	8.9	92.6	70.4	48.1	-	-	-	133.7	10.1	89.9	67.0	44.1	-	-	-
	72	135.3	8.9	105.2	86.6	67.9	49.3	-	-	126.5	10.1	101.2	82.5	63.8	45.2	-	-
	67	126.6	8.8	117.9	102.8	87.7	68.8	49.9	-	119.0	10.1	112.5	98.0	83.6	64.8	46.1	-
	62	124.6	8.8	122.1	114.8	107.5	88.4	69.3	50.2	117.7	10.1	115.4	109.3	103.3	84.5	65.7	46.8
4000	77	144.1	8.9	102.7	75.1	47.5	-	-	-	133.5	10.1	99.9	71.6	43.3	-	-	-
	72	137.7	8.9	113.4	92.1	70.8	49.5	-	-	128.9	10.1	109.0	87.8	66.6	45.4	-	-
	67	131.3	8.8	124.1	109.1	94.1	72.5	50.8	-	123.5	10.1	118.0	104.0	89.9	68.4	46.9	-
	62	129.5	8.8	127.2	122.3	117.4	95.4	73.4	51.3	122.2	10.1	120.1	116.6	113.2	91.3	69.5	47.6
4500	77	140.1	8.9	121.6	97.7	73.7	49.8	-	-	131.3	10.1	116.7	93.1	69.4	45.7	-	-
	72	136.1	8.9	130.3	115.4	100.6	76.1	51.7	-	128.0	10.1	123.5	109.9	96.2	71.9	47.7	-
	67	134.4	8.8	132.2	129.8	127.4	102.4	77.5	52.5	126.8	10.0	124.9	123.9	123.0	98.1	73.3	48.4
	62	132.6	8.8	132.6	132.6	132.6	128.7	103.2	77.8	125.6	10.0	125.4	125.4	125.4	124.3	98.9	73.4
5000	77	142.5	8.9	129.8	103.2	76.7	50.1	-	-	133.7	10.1	124.5	98.4	72.2	46.0	-	-
	72	140.9	8.9	136.5	121.8	107.0	79.8	52.6	-	132.5	10.1	129.0	115.8	102.5	75.5	48.5	-
	67	139.2	8.8	137.3	137.3	137.3	109.5	81.6	53.7	131.4	10.0	129.6	129.6	129.6	105.0	77.1	49.2
	62	137.6	8.8	137.6	137.6	137.6	137.6	110.6	82.0	130.3	10.0	130.1	130.1	130.1	130.1	105.7	76.9

1 These capacities are gross ratings. For net capacity, deduct the supply air blower motor heat (MBh = 3.415 x kW). Refer to the appropriate blower performance table for the kW of the supply air blower motor.

2 These ratings include the condenser fan motors (total 1 kW) and the compressor motors but not the supply air blower motor.

Table 61: ZY12 (10 ton, 115°F to 125°F)

Air on evaporator coil		Temperature of air on condenser coil															
		Total capacity ¹ (MBh)	Total input (kW) ²	Sensible capacity (MBh)					Total capacity ¹ (MBh)	Total input (kW) ²	Sensible capacity (MBh)						
				Return dry bulb (°F)							Return dry bulb (°F)						
CFM	WB (°F)			90	85	80	75	70	65			90	85	80	75	70	65
		115°F									125°F						
2500	77	123.9	11.4	67.3	54.6	41.8	-	-	-	113.8	12.7	64.8	51.4	38.0	-	-	-
	72	113.0	11.4	82.4	68.4	54.4	40.5	-	-	104.2	12.6	79.2	64.9	50.6	36.3	-	-
	67	102.9	11.3	97.5	82.3	67.1	53.9	40.7	-	95.8	12.6	93.5	78.3	63.2	50.1	37.0	-
	62	102.2	11.4	99.8	89.7	79.7	67.3	55.0	42.7	95.8	12.7	93.7	84.7	75.7	63.9	52.0	40.1
3000	77	123.6	11.4	77.2	59.1	40.9	-	-	-	113.3	12.7	74.6	55.8	37.0	-	-	-
	72	115.4	11.4	89.8	73.4	57.1	40.8	-	-	106.6	12.6	86.1	69.6	53.1	36.6	-	-
	67	107.2	11.3	102.3	87.8	73.3	57.4	41.5	-	99.9	12.6	97.6	83.4	69.3	53.5	37.7	-
	62	106.4	11.3	104.2	96.8	89.4	74.0	58.5	43.1	99.8	12.6	97.8	91.6	85.4	70.3	55.2	40.1
3500	57	105.7	11.4	104.5	104.5	104.5	90.6	75.6	60.6	99.8	12.7	98.0	98.0	98.0	87.1	72.7	58.3
	77	123.3	11.4	87.2	63.6	40.0	-	-	-	112.9	12.6	84.4	60.2	36.0	-	-	-
	72	117.8	11.3	97.1	78.4	59.7	41.1	-	-	109.0	12.6	93.1	74.4	55.7	37.0	-	-
	67	111.4	11.3	107.1	93.3	79.5	60.8	42.2	-	103.9	12.5	101.7	88.5	75.3	56.8	38.3	-
	62	110.7	11.3	108.6	103.9	99.2	80.6	62.0	43.5	103.8	12.6	101.9	98.5	95.0	76.7	58.4	40.1
4000	57	110.0	11.3	108.9	108.9	108.9	100.4	81.9	63.4	103.7	12.6	102.1	102.1	102.1	96.6	78.5	60.5
	77	123.0	11.4	97.1	68.1	39.2	-	-	-	112.5	12.6	94.3	64.6	35.0	-	-	-
	72	120.1	11.3	104.5	83.5	62.4	41.4	-	-	111.3	12.6	100.1	79.1	58.2	37.3	-	-
	67	115.7	11.3	111.9	98.8	85.7	64.3	42.9	-	107.9	12.5	105.9	93.6	81.4	60.2	39.0	-
	62	115.0	11.3	113.1	111.0	108.9	87.2	65.6	43.9	107.8	12.5	106.0	105.3	104.6	83.1	61.7	40.2
4500	57	114.3	11.3	113.4	113.4	113.4	110.2	88.2	66.2	107.7	12.5	106.1	106.1	106.1	106.1	84.3	62.6
	72	122.5	11.3	111.9	88.5	65.1	41.6	-	-	113.7	12.5	107.0	83.9	60.7	37.6	-	-
	67	119.9	11.3	116.8	104.3	91.9	67.8	43.7	-	111.9	12.5	110.0	98.7	87.5	63.6	39.6	-
	62	119.3	11.3	117.5	117.5	117.5	93.9	69.1	44.3	111.7	12.5	110.1	110.1	110.1	89.6	64.9	40.2
5000	57	118.6	11.3	117.8	117.8	117.8	117.8	94.5	69.0	111.6	12.5	110.2	110.2	110.2	110.2	90.1	64.7
	72	124.9	11.3	119.3	93.5	67.7	41.9	-	-	116.1	12.5	114.0	88.6	63.2	37.9	-	-
	67	124.2	11.2	121.6	109.8	98.1	71.2	44.4	-	115.9	12.4	114.1	103.8	93.6	66.9	40.3	-
	62	123.6	11.2	121.9	121.9	121.9	100.5	72.6	44.7	115.7	12.4	114.2	114.2	114.2	96.0	68.1	40.2
57	122.9	11.2	122.2	122.2	122.2	122.2	100.8	71.9	115.6	12.4	114.3	114.3	114.3	114.3	95.9	66.8	

- 1 These capacities are gross ratings. For net capacity, deduct the supply air blower motor heat (MBh = 3.415 x kW). Refer to the appropriate blower performance table for the kW of the supply air blower motor.
- 2 These ratings include the condenser fan motors (total 1 kW) and the compressor motors but not the supply air blower motor.

ZL04 to 06 cooling capacities

Table 62: ZL04 (3.0 ton, 75°F to 85°F)

Air on evaporator coil		Temperature of air on condenser coil															
		Total capacity ¹ (MBh)	Total input ² (kW)	Sensible capacity (MBh)						Total capacity ¹ (MBh)	Total input ² (kW)	Sensible capacity (MBh)					
				Return dry bulb (°F)								Return dry bulb (°F)					
CFM	WB (°F)			90	85	80	75	70	65			90	85	80	75	70	65
		75°F									85°F						
750	77	47.2	2	20.4	17.2	13.9	-	-	-	44.6	2.3	19.4	16.1	12.9	-	-	-
	72	42.9	1.9	25.3	22	18.7	15.5	-	-	40.6	2.2	24.2	20.9	17.7	14.5	-	-
	67	38.5	1.9	30.1	26.8	23.6	20.3	17.1	-	36.5	2.2	29	25.7	22.5	19.3	16	-
	62	35	1.9	35	32.7	28	24.8	21.5	18.3	33.3	2.2	33.3	32.1	27.2	23.9	20.7	17.5
900	77	48.9	2	22.9	19.1	15.3	-	-	-	46	2.3	21.7	17.9	14.1	-	-	-
	72	44.4	1.9	28.2	24.4	20.6	16.7	-	-	41.8	2.2	27	23.2	19.4	15.6	-	-
	67	39.9	1.9	33.5	29.7	25.8	22	18.2	-	37.7	2.2	32.2	28.4	24.6	20.8	17.1	-
	62	36.3	1.9	36.3	34.7	30.8	26.9	23.1	19.3	34.3	2.2	34.3	33.5	29.7	26	22.2	18.4
	57	33.1	1.9	33.1	33.1	30.1	26.3	22.5	18.7	32.7	2.2	32.7	32.7	29.5	25.8	22	18.2
1050	77	50.6	2	25.4	21	16.6	-	-	-	47.4	2.3	24	19.7	15.4	-	-	-
	72	45.9	2	31.2	26.8	22.4	18	-	-	43.1	2.2	29.7	25.4	21.1	16.7	-	-
	67	41.3	1.9	36.9	32.5	28.1	23.7	19.3	-	38.8	2.2	35.4	31.1	26.8	22.4	18.1	-
	62	37.5	1.9	37.5	36.8	33.5	29.1	24.7	20.3	35.3	2.2	35.3	34.9	32.3	28	23.6	19.3
	57	34.3	1.9	34.3	34.3	32.8	28.4	24	19.6	33.7	2.2	33.7	33.7	32.1	27.8	23.4	19.1
1200	77	52.3	2	27.9	23	18	-	-	-	48.8	2.3	26.4	21.5	16.6	-	-	-
	72	47.5	2	34.1	29.2	24.2	19.2	-	-	44.3	2.2	32.5	27.6	22.7	17.9	-	-
	67	42.7	1.9	40.4	35.4	30.4	25.4	20.5	-	39.9	2.2	38.7	33.8	28.9	24	19.1	-
	62	38.8	1.9	38.8	38.8	36.2	31.2	26.3	21.3	36.4	2.2	36.4	36.4	34.9	30	25.1	20.2
	57	35.5	1.9	35.5	35.5	35.5	30.5	25.5	20.6	34.7	2.2	34.7	34.7	34.7	29.8	24.9	20
1350	72	48.4	2	36.5	31.1	25.7	20.3	-	-	45.1	2.3	35	29.6	24.3	18.9	-	-
	67	43.5	1.9	42.3	37.7	32.3	26.8	21.4	-	40.6	2.2	40	36.2	30.8	25.5	20.1	-
	62	39.6	1.9	39.6	39.6	38.3	32.8	27.4	22	37	2.2	37	37	36.3	30.9	25.6	20.2
	57	36.2	1.9	36.2	36.2	36.2	30.8	25.3	19.9	35.3	2.2	35.3	35.3	35.3	29.9	24.6	19.2
1500	72	49.3	2	38.8	33	27.1	21.3	-	-	45.9	2.3	37.4	31.6	25.8	20	-	-
	67	44.3	2	44.3	39.9	34.1	28.3	22.4	-	41.4	2.2	41.4	38.6	32.8	26.9	21.1	-
	62	40.3	1.9	40.3	40.3	40.3	34.5	28.6	22.8	37.7	2.2	37.7	37.7	37.7	31.9	26	20.2
	57	36.8	1.9	36.8	36.8	36.8	31	25.2	19.3	35.9	2.2	35.9	35.9	35.9	30.1	24.3	18.5

- 1 These capacities are gross ratings. For net capacity, deduct the supply air blower motor heat (MBh = 3.415 x kW). Refer to the appropriate blower performance table for the kW of the supply air blower motor.
- 2 These ratings include the condenser fan motors (total 1 kW) and the compressor motors but not the supply air blower motor.

Table 63: ZL04 (3.0 ton, 95°F to 125°F)

Air on evaporator coil		Temperature of air on condenser coil															
CFM	WB (°F)	Total capacity ¹ (MBh)	Total input ² (kW)	Sensible capacity (MBh)						Total capacity ¹ (MBh)	Total input ² (kW)	Sensible capacity (MBh)					
				Return dry bulb (°F)								Return dry bulb (°F)					
				90	85	80	75	70	65			90	85	80	75	70	65
		95°F									105°F						
750	77	42	2.5	18.3	15.1	11.9	-	-	-	39	2.9	16.4	13.9	10.7	-	-	-
	72	38.3	2.5	23.1	19.9	16.7	13.4	-	-	35.5	2.9	21.8	18.6	15.5	12.3	-	-
	67	34.6	2.5	27.9	24.6	21.4	18.2	15	-	32.1	2.8	27.1	23.4	20.2	17	13.9	-
	62	31.5	2.5	31.5	31.5	26.3	23.1	19.9	16.6	29.3	2.8	29.3	29.3	24.2	21	17.9	14.7
900	77	43.1	2.5	20.5	16.7	13	-	-	-	39.9	2.9	19.2	15.5	11.8	-	-	-
	72	39.3	2.5	25.7	21.9	18.2	14.5	-	-	36.4	2.9	24.4	20.7	17	13.3	-	-
	67	35.4	2.5	30.9	27.2	23.4	19.7	15.9	-	32.9	2.9	29.6	25.9	22.2	18.5	14.8	-
	62	32.3	2.5	32.3	32.3	28.7	25	21.2	17.5	30	2.8	30	30	26.5	22.8	19.2	15.5
1050	77	44.1	2.6	22.6	18.4	14.1	-	-	-	40.9	2.9	21.9	17.1	12.8	-	-	-
	72	40.2	2.5	28.3	24	19.7	15.5	-	-	37.3	2.9	26.9	22.7	18.5	14.3	-	-
	67	36.3	2.5	34	29.7	25.4	21.1	16.8	-	33.7	2.9	32	28.4	24.1	19.9	15.7	-
	62	33.1	2.5	33.1	33.1	31.2	26.9	22.6	18.3	30.7	2.9	30.7	30.7	28.9	24.7	20.4	16.2
1200	77	45.2	2.6	24.8	20	15.2	-	-	-	41.8	2.9	24.7	18.6	13.9	-	-	-
	72	41.2	2.5	30.9	26.1	21.3	16.5	-	-	38.1	2.9	29.5	24.8	20	15.2	-	-
	67	37.2	2.5	37	32.2	27.4	22.6	17.8	-	34.4	2.9	34.4	30.9	26.1	21.3	16.6	-
	62	33.9	2.5	33.9	33.9	33.6	28.8	24	19.2	31.4	2.9	31.4	31.4	31.2	26.5	21.7	16.9
1350	77	41.9	2.5	33.5	28.2	22.9	17.5	-	-	38.6	2.9	32	26.7	21.5	16.2	-	-
	72	37.8	2.5	37.7	34.7	29.4	24.1	18.8	-	34.9	2.9	34.9	32.8	28.1	22.8	17.5	-
	67	34.5	2.5	34.5	34.5	34.3	29	23.7	18.4	31.8	2.9	31.8	31.8	31.7	26.5	21.2	16
	62	34.4	2.5	34.4	34.4	34.4	29.1	23.8	18.5	32.2	2.9	32.2	32.2	32.2	27	21.7	16.4
1500	72	42.6	2.5	36	30.2	24.4	18.6	-	-	39.2	2.9	34.5	28.7	23	17.2	-	-
	67	38.4	2.5	38.4	37.2	31.4	25.6	19.8	-	35.4	2.9	35.4	34.8	30	24.3	18.5	-
	62	35	2.5	35	35	35	29.2	23.4	17.7	32.2	2.9	32.2	32.2	32.2	26.5	20.7	15
	57	35	2.5	35	35	35	29.2	23.4	17.6	32.6	2.9	32.6	32.6	32.6	26.9	21.1	15.4
		115°F									125°F						
750	77	35.9	3.3	14.5	12.7	9.6	-	-	-	32.9	3.6	12.6	11.5	8.5	-	-	-
	72	32.8	3.2	20.5	17.4	14.3	11.2	-	-	30	3.6	19.2	16.1	13.1	10.1	-	-
	67	29.6	3.2	26.4	22.1	19	15.9	12.8	-	27.2	3.6	25.7	20.8	17.7	14.7	11.7	-
	62	27	3.2	27	27	22.1	19	15.9	12.8	24.7	3.6	24.7	24.7	20	16.9	13.9	10.9
900	77	36.8	3.3	17.9	14.2	10.6	-	-	-	33.6	3.6	16.6	13	9.4	-	-	-
	72	33.5	3.2	23	19.4	15.8	12.1	-	-	30.7	3.6	21.7	18.1	14.5	11	-	-
	67	30.3	3.2	28.2	24.6	20.9	17.3	13.6	-	27.8	3.6	26.8	23.2	19.7	16.1	12.5	-
	62	27.6	3.2	27.6	27.6	24.4	20.7	17.1	13.4	25.3	3.6	25.3	25.3	22.2	18.6	15	11.4
1050	77	37.6	3.3	21.2	15.8	11.6	-	-	-	34.3	3.6	20.5	14.5	10.3	-	-	-
	72	34.3	3.3	25.6	21.4	17.2	13	-	-	31.4	3.6	24.2	20.1	16	11.8	-	-
	67	31	3.2	29.9	27	22.9	18.7	14.5	-	28.4	3.6	27.9	25.7	21.6	17.5	13.4	-
	62	28.3	3.2	28.3	28.3	26.6	22.4	18.3	14.1	25.8	3.6	25.8	25.8	24.3	20.2	16.1	12
1200	77	38.4	3.3	24.6	17.3	12.6	-	-	-	35.1	3.6	24.5	15.9	11.3	-	-	-
	72	35.1	3.3	28.1	23.4	18.7	14	-	-	32	3.6	26.7	22.1	17.4	12.7	-	-
	67	31.7	3.2	31.7	29.5	24.8	20.1	15.4	-	29	3.6	29	28.2	23.5	18.9	14.2	-
	62	28.9	3.2	28.9	28.9	28.9	24.2	19.5	14.7	26.4	3.6	26.4	26.4	26.4	21.9	17.2	12.5
1350	77	35.4	3.3	30.5	25.3	20.1	14.9	-	-	32.2	3.6	29.1	23.9	18.8	13.6	-	-
	72	32	3.2	32	30.9	26.7	21.5	16.3	-	29.1	3.6	29.1	29	25.4	20.2	15.1	-
	67	29.2	3.2	29.2	29.2	24	18.8	13.5	-	26.5	3.6	26.5	26.5	26.5	21.4	16.3	11.1
	62	30	3.2	30	30	30	24.8	19.6	14.4	27.8	3.6	27.8	27.8	27.8	22.6	17.5	12.3
1500	72	35.7	3.3	33	27.3	21.6	15.9	-	-	32.3	3.6	31.4	25.8	20.1	14.5	-	-
	67	32.3	3.3	32.3	32.3	28.6	22.9	17.2	-	29.3	3.6	29.3	29.3	27.2	21.6	15.9	-
	62	29.5	3.2	29.5	29.5	29.5	23.8	18.1	12.4	26.7	3.6	26.7	26.7	26.7	21	15.4	9.7
	57	30.3	3.2	30.3	30.3	30.3	24.6	18.9	13.2	27.9	3.6	27.9	27.9	27.9	22.3	16.6	11

- 1 These capacities are gross ratings. For net capacity, deduct the supply air blower motor heat (MBh = 3.415 x kW). Refer to the appropriate blower performance table for the kW of the supply air blower motor.
- 2 These ratings include the condenser fan motors (total 1 kW) and the compressor motors but not the supply air blower motor.

Table 64: ZL05 (4.0 ton, 75°F to 85°F)

Air on evaporator coil		Temperature of air on condenser coil																	
		Total capacity ¹ (MBh)	Total input ² (kW)	Sensible capacity (MBh)						Total capacity ¹ (MBh)	Total input ² (kW)	Sensible capacity (MBh)							
				Return dry bulb (°F)								Return dry bulb (°F)							
CFM	WB (°F)			90	85	80	75	70	65			90	85	80	75	70	65		
		75°F									85°F								
1000	77	59.6	2.9	27.1	21.8	17.1	-	-	-	57.1	3.2	25.5	20.8	16.1	-	-	-		
	72	56.0	2.8	34.4	29.7	25.0	20.3	-	-	53.2	3.1	33.0	28.3	23.7	19.0	-	-		
	67	52.5	2.6	41.8	37.7	33.0	28.3	23.6	-	49.2	3.0	40.5	35.9	31.2	26.5	21.9	-		
	62	48.2	2.6	48.2	48.2	40.6	35.9	31.2	26.5	44.8	2.9	44.8	44.8	37.8	33.1	28.5	23.8		
1200	77	60.8	2.9	28.7	23.5	18.3	-	-	-	58.4	3.2	27.9	22.7	17.4	-	-	-		
	72	57.2	2.8	37.2	32.0	26.8	21.6	-	-	54.4	3.1	36.0	30.8	25.5	20.3	-	-		
	67	53.6	2.6	45.7	40.5	35.3	30.1	24.9	-	50.3	3.0	44.1	38.9	33.6	28.4	23.1	-		
	62	49.3	2.5	49.3	49.3	43.4	38.2	33.0	27.8	45.8	2.9	45.8	45.8	40.8	35.5	30.2	25.0		
1400	57	48.9	2.5	48.9	48.9	45.0	39.8	34.6	29.4	45.5	2.9	45.5	45.5	41.5	36.2	31.0	25.7		
	77	62.1	2.9	30.3	25.2	19.4	-	-	-	59.7	3.2	30.4	24.5	18.7	-	-	-		
	72	58.4	2.8	39.9	34.2	28.5	22.8	-	-	55.6	3.1	39.1	33.2	27.4	21.5	-	-		
	67	54.7	2.6	49.6	43.3	37.6	31.9	26.2	-	51.4	3.0	47.8	41.9	36.1	30.2	24.4	-		
1600	62	50.3	2.5	50.3	50.3	46.3	40.6	34.9	29.1	46.8	2.9	46.8	46.8	43.7	37.9	32.0	26.2		
	57	49.9	2.5	49.9	49.9	48.0	42.3	36.6	30.9	46.5	2.9	46.5	46.5	44.5	38.6	32.8	26.9		
	77	63.4	2.9	31.9	26.9	20.6	-	-	-	61.0	3.2	32.8	26.4	19.9	-	-	-		
	72	59.6	2.8	42.7	36.5	30.3	24.0	-	-	56.8	3.1	42.1	35.7	29.2	22.8	-	-		
1800	67	55.8	2.6	53.5	46.1	39.9	33.7	27.4	-	52.5	3.0	51.4	45.0	38.5	32.1	25.6	-		
	62	51.3	2.5	51.3	51.3	49.1	42.9	36.7	30.5	47.8	2.9	47.8	47.8	46.7	40.2	33.8	27.4		
	57	51.0	2.5	51.0	51.0	51.0	44.8	38.5	32.3	47.5	2.9	47.5	47.5	47.5	41.1	34.6	28.2		
	72	61.5	2.8	46.3	39.4	32.5	25.7	-	-	58.2	3.1	45.6	38.5	31.4	24.2	-	-		
2000	67	57.6	2.6	56.4	49.8	42.9	36.0	29.1	-	53.9	3.0	53.3	48.4	41.3	34.2	27.1	-		
	62	52.9	2.6	52.9	52.9	51.8	44.9	38.1	31.2	49.0	2.9	49.0	49.0	48.5	41.3	34.2	27.1		
	57	52.6	2.5	52.6	52.6	52.6	45.7	38.8	31.9	48.7	2.9	48.7	48.7	48.7	41.6	34.5	27.4		
	72	63.3	2.8	49.9	42.4	34.8	27.3	-	-	59.7	3.1	49.1	41.3	33.5	25.7	-	-		
2000	67	59.3	2.7	59.3	53.4	45.9	38.4	30.8	-	55.3	3.0	55.3	51.9	44.1	36.4	28.6	-		
	62	54.5	2.6	54.5	54.5	54.5	47.0	39.4	31.9	50.2	3.0	50.2	50.2	50.2	42.4	34.7	26.9		
	57	54.1	2.6	54.1	54.1	54.1	46.6	39.0	31.5	49.9	2.9	49.9	49.9	49.9	42.2	34.4	26.6		

- 1 These capacities are gross ratings. For net capacity, deduct the supply air blower motor heat (MBh = 3.415 x kW). Refer to the appropriate blower performance table for the kW of the supply air blower motor.
- 2 These ratings include the condenser fan motors (total 1 kW) and the compressor motors but not the supply air blower motor.

Table 65: ZL05 (4.0 ton, 95°F to 125°F)

Air on evaporator coil		Temperature of air on condenser coil																	
CFM	WB (°F)	¹ Total capacity ¹ (MBh)	² Total input ² (kW)	Sensible capacity (MBh)						Total capacity (MBh)	Total input (kW)	Sensible capacity (MBh)							
				Return dry bulb (°F)								Return dry bulb (°F)							
				90	85	80	75	70	65					90	85	80	75	70	65
				95°F						105°F									
1000	77	54.7	3.4	23.9	19.9	15.2	-	-	-	50.0	3.8	21.4	18.3	13.6	-	-	-		
	72	50.4	3.4	31.6	26.9	22.3	17.7	-	-	45.7	3.8	29.7	25.0	20.4	15.7	-	-		
	67	46.0	3.3	39.2	34.0	29.4	24.8	20.2	-	41.4	3.7	38.0	31.8	27.2	22.5	17.9	-		
	62	41.3	3.2	41.3	41.3	35.0	30.4	25.8	21.1	37.5	3.6	37.5	37.5	31.2	26.6	21.9	17.3		
1200	77	56.0	3.5	27.2	21.9	16.6	-	-	-	51.4	3.9	25.8	20.3	15.0	-	-	-		
	72	51.5	3.4	34.9	29.6	24.3	19.0	-	-	47.0	3.8	33.1	27.8	22.4	17.1	-	-		
	67	47.1	3.3	42.6	37.3	32.0	26.7	21.4	-	42.5	3.7	40.3	35.2	29.9	24.6	19.3	-		
	62	42.3	3.3	42.3	42.3	38.1	32.8	27.5	22.2	38.5	3.7	38.5	38.5	34.3	29.0	23.7	18.4		
1400	77	57.3	3.5	30.5	23.9	17.9	-	-	-	52.8	3.9	30.3	22.3	16.3	-	-	-		
	72	52.7	3.4	38.2	32.2	26.2	20.3	-	-	48.2	3.8	36.4	30.5	24.5	18.5	-	-		
	67	48.2	3.3	45.9	40.5	34.6	28.6	22.6	-	43.7	3.8	42.5	38.6	32.7	26.7	20.7	-		
	62	43.3	3.3	43.3	43.3	41.2	35.2	29.2	23.2	39.6	3.7	39.6	39.6	37.5	31.5	25.5	19.6		
1600	77	58.5	3.5	33.7	25.9	19.2	-	-	-	54.1	3.9	34.8	24.3	17.7	-	-	-		
	72	53.9	3.4	41.5	34.8	28.2	21.5	-	-	49.5	3.9	39.8	33.2	26.5	19.9	-	-		
	67	49.3	3.3	49.3	43.8	37.1	30.5	23.8	-	44.8	3.8	44.8	42.0	35.4	28.8	22.2	-		
	62	44.2	3.3	44.2	44.2	44.2	37.6	30.9	24.3	40.6	3.7	40.6	40.6	34.0	27.3	20.7	-		
1800	77	55.0	3.4	44.9	37.5	30.2	22.8	-	-	50.5	3.9	43.2	35.9	28.5	21.2	-	-		
	72	50.2	3.4	50.2	47.1	39.8	32.4	25.1	-	45.7	3.8	45.7	44.2	38.0	30.7	23.3	-		
	67	45.1	3.3	45.1	45.1	45.1	37.8	30.4	23.1	41.5	3.8	41.5	41.5	34.1	26.8	19.4	-		
	62	44.9	3.3	44.9	44.9	44.9	37.5	30.2	22.8	42.0	3.8	42.0	42.0	34.6	27.3	19.9	-		
2000	77	56.0	3.4	48.3	40.2	32.2	24.1	-	-	51.6	3.9	46.6	38.5	30.5	22.4	-	-		
	72	51.2	3.4	51.2	50.4	42.4	34.4	26.3	-	46.7	3.8	46.7	46.3	40.6	32.6	24.5	-		
	67	46.0	3.3	46.0	46.0	46.0	37.9	29.9	21.9	42.3	3.8	42.3	42.3	34.2	26.2	18.1	-		
	62	45.8	3.3	45.8	45.8	45.8	37.7	29.7	21.6	42.9	3.8	42.9	42.9	34.8	26.7	18.6	-		
				115°F						125°F									
1000	77	45.4	4.2	18.9	16.7	12.0	-	-	-	40.8	4.6	19.7	13.7	10.3	-	-	-		
	72	41.1	4.1	27.8	23.2	18.5	13.8	-	-	36.5	4.5	26.0	21.3	16.6	11.9	-	-		
	67	36.8	4.1	36.8	29.7	25.0	20.3	15.6	-	32.2	4.5	32.2	27.6	22.8	18.1	13.4	-		
	62	33.7	4.0	33.7	33.7	27.4	22.7	18.1	13.4	29.9	4.4	29.9	29.9	23.6	18.9	14.2	9.5		
1200	77	46.9	4.3	24.5	18.7	13.4	-	-	-	42.3	4.7	25.4	17.1	11.8	-	-	-		
	72	42.4	4.2	31.2	25.9	20.6	15.3	-	-	37.9	4.6	29.4	24.1	18.8	13.5	-	-		
	67	38.0	4.1	38.0	33.2	27.9	22.6	17.2	-	33.4	4.6	33.4	31.1	25.8	20.5	15.2	-		
	62	34.8	4.1	34.8	34.8	30.6	25.3	20.0	14.7	31.1	4.5	31.1	31.1	26.9	21.5	16.2	10.9		
1400	77	48.3	4.3	30.2	20.7	14.8	-	-	-	43.8	4.7	31.2	20.4	13.2	-	-	-		
	72	43.7	4.3	34.7	28.7	22.8	16.8	-	-	39.2	4.7	32.9	27.0	21.0	15.1	-	-		
	67	39.1	4.2	39.1	36.7	30.8	24.8	18.9	-	34.6	4.6	34.6	34.6	28.9	22.9	17.0	-		
	62	35.9	4.1	35.9	35.9	33.8	27.8	21.9	15.9	32.2	4.6	32.2	32.2	30.1	24.2	18.2	12.3		
1600	77	49.7	4.4	35.8	22.7	16.1	-	-	-	45.3	4.8	36.9	23.8	14.6	-	-	-		
	72	45.0	4.3	38.1	31.5	24.9	18.3	-	-	40.6	4.8	36.4	29.8	23.3	16.7	-	-		
	67	40.3	4.3	40.3	40.2	33.7	27.1	20.5	-	35.8	4.7	35.8	35.8	31.9	25.4	18.8	-		
	62	37.0	4.2	37.0	37.0	37.0	30.4	23.8	17.2	33.3	4.6	33.3	33.3	33.3	26.8	20.2	13.7		
1800	77	46.1	4.3	41.5	34.2	26.8	19.5	-	-	41.6	4.8	39.8	32.5	25.1	17.8	-	-		
	72	41.3	4.3	41.3	41.2	36.3	28.9	21.6	-	36.8	4.7	36.8	36.8	34.5	27.2	19.8	-		
	67	37.8	4.2	37.8	37.8	37.8	30.5	23.1	15.8	34.2	4.6	34.2	34.2	34.2	26.8	19.5	12.1		
	62	39.1	4.2	39.1	39.1	39.1	31.7	24.4	17.0	36.2	4.6	36.2	36.2	36.1	28.8	21.4	14.1		
2000	77	47.1	4.3	45.0	36.9	28.7	20.6	-	-	42.7	4.8	42.7	35.2	27.0	18.9	-	-		
	72	42.2	4.3	42.2	42.2	38.9	30.7	22.6	-	37.7	4.7	37.7	37.7	37.1	28.9	20.8	-		
	67	38.7	4.2	38.7	38.7	38.7	30.6	22.4	14.3	35.0	4.6	35.0	35.0	35.0	26.9	18.7	10.6		
	62	40.0	4.2	40.0	40.0	40.0	31.8	23.7	15.6	37.1	4.7	37.1	37.1	37.1	28.9	20.8	12.6		

1 These capacities are gross ratings. For net capacity, deduct the supply air blower motor heat (MBh = 3.415 x kW). Refer to the appropriate blower performance table for the kW of the supply air blower motor.

2 These ratings include the condenser fan motors (total 1 kW) and the compressor motors but not the supply air blower motor.

Table 66: ZL06 (5.0 ton, 75°F to 105°F)

Air on evaporator coil		Temperature of air on condenser coil																	
		Total capacity (MBh)	Total input ² (kW)	Sensible capacity (MBh)					Total capacity ¹ (MBh)	Total input ² (kW)	Sensible capacity (MBh)								
				Return dry bulb (°F)							Return dry bulb (°F)								
CFM	WB (°F)			90	85	80	75	70	65			90	85	80	75	70	65		
		75°F									85°F								
1250	77	79.5	3.6	36.1	29.8	23.9	-	-	-	75.8	3.9	33.5	27.7	21.9	-	-	-		
	72	72.1	3.4	44.5	38.6	32.7	26.7	-	-	69.0	3.8	42.3	36.4	30.6	24.8	-	-		
	67	64.8	3.3	53.0	47.4	41.5	35.5	29.6	-	62.2	3.7	51.0	45.2	39.3	33.5	27.7	-		
	62	58.8	3.2	58.8	58.8	49.8	43.9	38.0	32.0	56.5	3.7	56.5	56.5	47.6	41.8	35.9	30.1		
1500	77	82.5	3.6	39.5	32.7	25.8	-	-	-	78.1	3.9	37.2	30.5	23.7	-	-	-		
	72	74.9	3.4	49.0	42.1	35.3	28.4	-	-	71.1	3.8	46.7	40.0	33.2	26.5	-	-		
	67	67.3	3.3	58.5	51.6	44.7	37.9	31.0	-	64.1	3.7	56.2	49.4	42.7	35.9	29.2	-		
	62	61.1	3.2	61.1	61.1	53.8	46.9	40.1	33.2	58.3	3.7	58.3	58.3	51.6	44.9	38.1	31.4		
1750	77	85.6	3.6	42.9	35.5	27.7	-	-	-	80.4	4.0	40.9	33.3	25.6	-	-	-		
	72	77.7	3.5	53.4	45.7	37.9	30.1	-	-	73.2	3.9	51.1	43.5	35.8	28.2	-	-		
	67	69.8	3.3	63.9	55.8	48.0	40.2	32.5	-	66.0	3.8	61.4	53.7	46.0	38.4	30.7	-		
	62	63.4	3.3	63.4	63.4	57.7	49.9	42.2	34.4	60.0	3.7	60.0	60.0	55.7	48.0	40.4	32.7		
2000	77	88.6	3.6	46.3	38.3	29.6	-	-	-	82.8	4.0	44.6	36.1	27.5	-	-	-		
	72	80.4	3.5	57.9	49.2	40.5	31.8	-	-	75.4	3.9	55.6	47.0	38.4	29.9	-	-		
	67	72.2	3.3	69.4	60.0	51.3	42.6	33.9	-	67.9	3.8	66.5	58.0	49.4	40.8	32.2	-		
	62	65.6	3.3	65.6	65.6	61.7	53.0	44.3	35.6	61.8	3.7	61.8	61.8	59.7	51.2	42.6	34.0		
2250	77	82.0	3.5	61.9	52.4	42.9	33.3	-	-	76.6	3.9	59.7	50.3	40.9	31.5	-	-		
	72	73.6	3.3	72.2	63.9	54.3	44.8	35.3	-	69.0	3.8	68.3	62.0	52.6	43.2	33.8	-		
	67	66.9	3.3	66.9	66.9	64.9	55.4	45.9	36.3	62.8	3.7	62.8	62.8	61.8	52.4	43.0	33.6		
	62	65.8	3.3	65.8	65.8	65.8	56.3	46.8	37.2	62.5	3.7	62.5	62.5	62.5	53.1	43.8	34.4		
2500	77	83.5	3.5	65.9	55.6	45.2	34.9	-	-	77.8	3.9	63.7	53.6	43.4	33.2	-	-		
	72	75.0	3.3	75.0	67.7	57.4	47.0	36.7	-	70.1	3.8	70.1	65.9	55.8	45.6	35.4	-		
	67	68.2	3.3	68.2	68.2	68.2	57.8	47.5	37.1	63.8	3.7	63.8	63.8	63.8	53.6	43.4	33.2		
	62	67.1	3.3	67.1	67.1	67.1	56.7	46.4	36.0	63.5	3.7	63.5	63.5	63.5	53.3	43.2	33.0		
		95°F									105°F								
1250	77	72.0	4.3	31.0	25.6	19.9	-	-	-	66.8	4.8	28.5	24.3	18.6	-	-	-		
	72	65.8	4.2	40.0	34.3	28.6	22.8	-	-	61.0	4.8	38.6	32.8	27.1	21.4	-	-		
	67	59.6	4.2	49.0	43.0	37.2	31.5	25.8	-	55.3	4.7	48.6	41.4	35.7	30.0	24.3	-		
	62	54.2	4.1	54.2	54.2	45.3	39.6	33.9	28.2	51.1	4.7	51.1	51.1	42.9	37.1	31.4	25.7		
1500	77	73.7	4.3	35.0	28.3	21.7	-	-	-	68.4	4.9	33.4	26.8	20.3	-	-	-		
	72	67.3	4.3	44.4	37.8	31.2	24.5	-	-	62.5	4.8	42.8	36.2	29.6	23.0	-	-		
	67	60.9	4.2	53.9	47.3	40.7	34.0	27.4	-	56.6	4.7	52.1	45.5	38.9	32.4	25.8	-		
	62	55.5	4.2	55.5	55.5	49.5	42.9	36.2	29.6	52.3	4.7	52.3	52.3	46.8	40.2	33.6	27.0		
1750	77	75.3	4.3	38.9	31.1	23.5	-	-	-	70.0	4.9	38.3	29.4	21.9	-	-	-		
	72	68.8	4.3	48.9	41.3	33.8	26.3	-	-	63.9	4.8	47.0	39.5	32.1	24.6	-	-		
	67	62.3	4.2	58.8	51.6	44.1	36.5	29.0	-	57.9	4.8	55.7	49.7	42.2	34.7	27.2	-		
	62	56.7	4.2	56.7	56.7	53.6	46.1	38.6	31.0	53.5	4.7	53.5	53.5	50.6	43.2	35.7	28.2		
2000	77	76.9	4.3	42.9	33.8	25.3	-	-	-	71.6	4.9	43.2	32.0	23.6	-	-	-		
	72	70.3	4.3	53.3	44.9	36.4	28.0	-	-	65.4	4.8	51.2	42.9	34.5	26.2	-	-		
	67	63.6	4.3	63.6	55.9	47.5	39.0	30.6	-	59.2	4.8	59.2	53.8	45.4	37.1	28.7	-		
	62	57.9	4.2	57.9	57.9	57.8	49.4	40.9	32.5	54.7	4.7	54.7	54.7	54.5	46.2	37.8	29.5		
2250	77	71.2	4.3	57.4	48.2	39.0	29.7	-	-	66.0	4.8	55.2	46.1	36.9	27.8	-	-		
	72	64.5	4.2	64.5	60.0	50.8	41.6	32.4	-	59.8	4.8	59.8	56.8	48.6	39.5	30.4	-		
	67	58.7	4.2	58.7	58.7	58.6	49.4	40.1	30.9	55.3	4.7	55.3	55.3	55.2	46.0	36.9	27.8		
	62	59.2	4.2	59.2	59.2	59.2	50.0	40.8	31.5	55.6	4.7	55.6	55.6	55.5	46.4	37.2	28.1		
2500	77	72.1	4.3	61.6	51.6	41.5	31.5	-	-	66.6	4.8	59.2	49.3	39.4	29.5	-	-		
	72	65.3	4.2	65.3	64.2	54.2	44.2	34.1	-	60.4	4.8	60.4	59.8	51.8	41.9	32.0	-		
	67	59.4	4.2	59.4	59.4	59.4	49.4	39.4	29.3	55.8	4.7	55.8	55.8	55.8	45.9	36.0	26.1		
	62	60.0	4.2	60.0	60.0	60.0	49.9	39.9	29.9	56.1	4.7	56.1	56.1	56.1	46.2	36.3	26.4		

- 1 These capacities are gross ratings. For net capacity, deduct the supply air blower motor heat (MBh = 3.415 x kW). Refer to the appropriate blower performance table for the kW of the supply air blower motor.
- 2 These ratings include the condenser fan motors (total 1 kW) and the compressor motors but not the supply air blower motor.

Table 67: ZL06 (5.0 ton, 115°F to 125°F)

Air on evaporator coil		Temperature of air on condenser coil															
CFM	WB (°F)	Total capacity ¹ (MBh)	Total input ² (kW)	Sensible capacity (MBh)						Total capacity ¹ (MBh)	Total input ² (kW)	Sensible capacity (MBh)					
				Return dry bulb (°F)								Return dry bulb (°F)					
				90	85	80	75	70	65								
				115°F						125°F							
1250	77	61.6	5.4	26.1	23.0	17.3	-	-	-	56.3	5.9	24.7	21.7	16.0	-	-	-
	72	56.3	5.3	37.1	31.4	25.7	20.0	-	-	51.5	5.8	35.7	30.0	24.3	18.6	-	-
	67	50.9	5.2	48.1	39.9	34.2	28.5	22.8	-	46.6	5.8	46.6	38.3	32.6	26.9	21.3	-
	62	47.9	5.2	47.9	47.9	40.4	34.7	29.0	23.3	44.8	5.7	44.8	44.8	37.9	32.2	26.5	20.9
1500	77	63.1	5.4	31.9	25.4	18.8	-	-	-	57.8	6.0	31.1	23.9	17.4	-	-	-
	72	57.7	5.3	41.1	34.6	28.0	21.5	-	-	52.8	5.9	39.5	33.0	26.5	19.9	-	-
	67	52.2	5.3	50.3	43.8	37.2	30.7	24.1	-	47.9	5.8	47.9	42.0	35.5	29.0	22.5	-
	62	49.1	5.2	49.1	49.1	44.0	37.5	30.9	24.4	46.0	5.8	46.0	46.0	41.3	34.8	28.3	21.7
1750	77	64.6	5.4	37.7	27.8	20.4	-	-	-	59.3	6.0	37.5	26.1	18.8	-	-	-
	72	59.1	5.4	45.1	37.7	30.3	22.9	-	-	54.2	5.9	43.3	36.0	28.6	21.3	-	-
	67	53.5	5.3	52.6	47.7	40.3	32.9	25.5	-	49.1	5.8	49.1	45.8	38.4	31.1	23.8	-
	62	50.3	5.3	50.3	50.3	47.6	40.2	32.8	25.4	47.2	5.8	47.2	47.2	44.6	37.3	30.0	22.6
2000	77	66.2	5.4	43.6	30.2	21.9	-	-	-	60.8	6.0	43.9	28.4	20.2	-	-	-
	72	60.5	5.4	49.2	40.9	32.7	24.4	-	-	55.6	5.9	47.1	38.9	30.8	22.6	-	-
	67	54.8	5.3	54.8	51.6	43.4	35.1	26.9	-	50.3	5.8	50.3	49.5	41.3	33.2	25.0	-
	62	51.5	5.3	51.5	51.5	51.3	43.0	34.8	26.5	48.3	5.8	48.3	48.3	48.0	39.9	31.7	23.5
2250	77	60.8	5.4	53.0	43.9	34.9	25.9	-	-	55.7	5.9	50.7	41.8	32.9	24.0	-	-
	72	55.1	5.3	55.1	53.5	46.4	37.4	28.3	-	50.4	5.9	50.4	50.3	44.2	35.3	26.3	-
	67	51.9	5.3	51.9	51.9	51.7	42.7	33.7	24.7	48.4	5.8	48.4	48.4	48.3	39.4	30.4	21.5
	62	51.9	5.3	51.9	51.9	51.7	42.7	33.7	24.7	48.2	5.9	48.2	48.2	48.0	39.1	30.2	21.2
2500	77	61.2	5.4	56.8	47.0	37.2	27.4	-	-	55.8	6.0	54.4	44.7	35.0	25.3	-	-
	72	55.4	5.3	55.4	55.4	49.4	39.6	29.8	-	50.5	5.9	50.5	50.5	47.0	37.3	27.7	-
	67	52.2	5.3	52.2	52.2	52.2	42.4	32.6	22.8	48.5	5.9	48.5	48.5	48.5	38.9	29.2	19.5
	62	52.2	5.3	52.2	52.2	52.2	42.4	32.6	22.8	48.3	5.9	48.3	48.3	48.3	38.7	29.0	19.3

- 1 These capacities are gross ratings. For net capacity, deduct the supply air blower motor heat (MBh = 3.415 x kW). Refer to the appropriate blower performance table for the kW of the supply air blower motor.
- 2 These ratings include the condenser fan motors (total 1 kW) and the compressor motors but not the supply air blower motor.

ZL08 to 14 cooling capacities

Table 68: ZL08 (7.5 ton, 75°F to 85°F)

Air on evaporator coil		Temperature of air on condenser coil															
		Total capacity ¹ (MBh)	Total input (kW) ²	Sensible capacity (MBh)						Total capacity ¹ (MBh)	Total input (kW) ²	Sensible capacity (MBh)					
				Return dry bulb (°F)								Return dry bulb (°F)					
CFM	WB (°F)			90	85	80	75	70	65			90	85	80	75	70	65
		75°F									85°F						
1875	77	120.1	5.3	61.8	51.4	41.1	-	-	-	114.6	5.6	59.1	49.2	39.3	-	-	-
	72	108.3	5.3	71.0	61.1	51.3	41.4	-	-	104.2	5.6	69.9	59.6	49.2	38.9	-	-
	67	96.5	5.3	80.3	70.9	61.4	50.1	41.0	-	93.8	5.6	80.7	69.9	59.2	48.2	38.3	-
	62	88.7	5.2	88.7	80.6	71.6	58.1	50.6	40.1	84.9	5.6	84.9	77.9	69.1	57.1	48.0	37.5
2250	77	121.3	5.3	67.9	54.5	41.1	-	-	-	115.6	5.6	65.1	52.1	39.2	-	-	-
	72	111.0	5.3	77.5	65.6	53.6	41.8	-	-	106.4	5.6	75.8	63.7	51.6	39.4	-	-
	67	100.7	5.3	87.0	76.6	66.3	53.2	41.9	-	97.1	5.6	85.2	75.2	63.9	51.1	39.3	-
	62	94.4	5.2	92.9	86.6	78.8	64.0	53.9	41.4	90.5	5.6	85.9	83.8	76.3	62.6	51.2	38.6
2625	57	88.2	5.2	93.4	93.4	91.4	78.6	65.8	53.1	86.1	5.6	86.1	86.1	86.1	75.9	63.1	50.3
	77	122.4	5.3	74.1	57.6	41.1	-	-	-	116.5	5.6	71.1	55.1	39.0	-	-	-
	72	113.7	5.3	83.9	70.0	56.1	42.2	-	-	108.5	5.6	81.6	67.7	53.9	40.0	-	-
	67	105.0	5.3	93.7	82.4	71.1	56.2	42.7	-	100.5	5.6	92.1	80.4	68.7	54.1	40.2	-
3000	62	100.2	5.3	95.5	92.7	86.1	69.9	57.2	42.7	96.1	5.6	93.1	89.6	83.6	68.1	54.3	39.7
	57	97.8	5.2	97.8	97.8	97.1	86.4	71.6	56.8	94.5	5.6	94.5	94.5	94.5	83.4	68.5	53.5
	77	123.6	5.3	80.2	60.6	41.1	-	-	-	117.5	5.6	77.2	58.0	38.8	-	-	-
	72	116.4	5.3	90.3	74.4	58.5	42.6	-	-	110.7	5.6	87.5	71.8	56.2	40.5	-	-
3375	67	109.2	5.3	100.4	88.2	75.9	59.3	43.6	-	103.9	5.6	97.8	85.6	73.5	57.1	41.2	-
	62	106.0	5.3	102.4	98.7	93.4	75.7	60.5	44.0	101.6	5.6	99.1	95.5	90.8	73.6	57.5	40.8
	57	102.8	5.3	102.8	102.8	102.8	94.1	77.3	60.6	99.4	5.6	99.4	99.4	99.4	91.0	73.8	56.6
	72	119.1	5.3	96.7	78.8	60.9	43.0	-	-	112.8	5.6	93.3	75.9	58.5	41.0	-	-
3750	67	113.5	5.3	107.1	94.0	80.8	62.4	44.4	-	107.2	5.6	103.4	90.9	78.3	60.1	42.1	-
	62	111.8	5.3	108.2	104.8	100.7	81.6	63.8	45.3	107.2	5.6	104.7	101.4	98.1	79.1	60.6	41.9
	57	110.1	5.3	108.9	108.9	108.9	101.8	83.1	64.4	107.2	5.6	104.7	104.7	104.7	98.5	79.2	59.8
	72	121.8	5.3	103.2	83.3	63.332	43.4	-	-	115.0	5.6	99.2	80.0	60.8	41.6	-	-
3750	67	117.7	5.3	113.5	99.7	85.6	65.4	45.3	-	113.9	5.6	109.1	96.1	83.0	63.1	43.1	-
	62	117.6	5.3	113.7	110.8	107.9	87.5	67.1	46.6	112.8	5.6	109.2	107.2	105.3	84.5	63.8	43.0
	57	117.4	5.3	113.7	113.7	113.7	109.5	88.8	68.1	112.7	5.6	109.2	109.2	109.2	106.0	84.5	63.0

- 1 These capacities are gross ratings. For net capacity, deduct the supply air blower motor heat (MBh = 3.415 x kW). Refer to the appropriate blower performance table for the kW of the supply air blower motor.
- 2 These ratings include the condenser fan motors (total 1 kW) and the compressor motors but not the supply air blower motor.

Table 69: ZL08 (7.5 ton, 95°F to 125°F)

Air on evaporator coil		Temperature of air on condenser coil															
CFM	WB (°F)	Total capacity ¹ (MBh)	Total input (kW) ²	Sensible capacity (MBh)						Total capacity ¹ (MBh)	Total input (kW) ²	Sensible capacity (MBh)					
				Return dry bulb (°F)								Return dry bulb (°F)					
				90	85	80	75	70	65			90	85	80	75	70	65
		95°F									105°F						
1875	77	109.2	5.9	56.4	47.0	37.6	-	-	-	100.5	6.4	54.3	44.6	34.9	-	-	-
	72	100.1	5.9	68.8	58.0	47.2	36.5	-	-	92.6	6.4	66.0	55.2	44.4	33.6	-	-
	67	91.1	5.9	81.1	69.0	56.9	46.3	35.6	-	84.7	6.4	77.7	65.8	54.0	43.4	32.8	-
	62	82.2	5.9	82.2	75.2	66.6	56.0	45.5	35.0	80.1	6.4	79.8	71.6	63.5	53.2	42.8	32.5
2250	77	109.9	5.9	62.3	49.8	37.2	-	-	-	101.4	6.4	60.8	47.6	34.4	-	-	-
	72	101.7	5.9	74.1	61.7	49.431	37.1	-	-	94.4	6.4	71.3	58.9	46.6	34.2	-	-
	67	93.6	5.9	84.9	73.7	61.6	49.1	36.7	-	87.5	6.4	79.7	70.2	58.7	46.2	33.8	-
	62	86.5	5.9	85.1	80.9	73.8	61.2	48.5	35.9	82.1	6.4	80.0	77.1	70.8	58.3	45.8	33.3
2625	77	110.6	5.9	68.2	52.6	36.9	-	-	-	102.2	6.4	67.3	50.6	34.0	-	-	-
	72	103.3	5.9	79.3	65.5	51.6	37.8	-	-	96.3	6.4	76.6	62.6	48.7	34.7	-	-
	67	96.0	5.9	88.0	78.4	66.3	52.0	37.7	-	90.3	6.4	85.0	74.7	63.4	49.1	34.8	-
	62	91.9	5.9	88.5	86.6	81.0	66.3	51.5	36.8	87.0	6.4	85.9	82.7	78.1	63.4	48.7	34.1
3000	77	111.4	5.9	74.1	55.4	36.6	-	-	-	103.0	6.4	73.8	53.6	33.5	-	-	-
	72	104.9	5.9	84.6	69.2	53.8	38.4	-	-	98.1	6.4	81.9	66.4	50.8	35.3	-	-
	67	98.5	5.9	95.1	83.1	71.0	54.9	38.8	-	93.1	6.4	90.0	79.1	68.1	51.9	35.7	-
	62	97.3	5.9	96.3	92.3	88.3	71.4	54.5	37.6	92.0	6.4	90.6	88.2	85.4	68.6	51.7	34.8
3375	77	106.6	5.9	89.9	73.0	56.0	39.1	-	-	99.9	6.4	87.2	70.1	52.9	35.8	-	-
	72	104.3	5.9	99.8	87.8	75.7	57.8	39.8	-	97.8	6.4	94.1	83.5	72.8	54.8	36.7	-
	67	102.7	5.9	100.5	98.0	95.5	76.5	57.5	38.5	96.9	6.4	94.7	93.7	92.7	73.7	54.6	35.6
	62	101.9	5.9	101.3	101.3	101.3	95.2	75.2	55.2	96.5	6.4	95.2	95.2	95.2	92.6	72.6	52.6
3750	77	112.6	5.9	95.2	76.7	58.208	39.7	-	-	104.8	6.4	92.5	73.8	55.1	36.4	-	-
	72	108.2	5.9	104.4	92.4	80.5	60.7	40.9	-	101.8	6.4	98.2	87.9	77.5	57.6	37.6	-
	67	108.0	5.9	104.7	103.7	102.7	81.6	60.5	39.4	101.0	6.4	98.4	98.4	98.4	78.8	57.6	36.4
	62	106.0	5.9	105.0	105.0	105.0	102.6	80.2	57.8	98.8	6.4	98.6	98.6	98.6	98.6	77.6	55.1
		115°F									125°F						
1875	77	91.9	6.8	52.2	42.2	32.2	-	-	-	83.3	7.3	50.1	39.8	29.5	-	-	-
	72	85.1	6.8	63.2	52.4	41.6	30.8	-	-	77.6	7.3	60.5	49.6	38.8	27.9	-	-
	67	78.2	6.8	74.3	62.6	51.0	40.5	30.1	-	71.8	7.3	68.8	59.5	48.1	37.7	27.3	-
	62	74.5	6.8	74.5	68.1	60.4	50.3	40.1	30.0	69.3	7.3	69.3	64.5	57.4	47.4	37.5	27.5
2250	77	92.8	6.8	59.3	45.4	31.6	-	-	-	84.3	7.3	57.7	43.2	28.8	-	-	-
	72	87.1	6.8	68.5	56.1	43.7	31.2	-	-	79.8	7.3	65.8	53.3	40.8	28.3	-	-
	67	81.4	6.8	75.6	66.8	55.7	43.3	30.9	-	75.3	7.3	72.5	63.3	52.8	40.4	28.1	-
	62	77.7	6.8	76.0	73.4	67.8	55.4	43.1	30.7	73.3	7.3	72.7	69.7	64.8	52.6	40.3	28.1
2625	77	93.8	6.8	66.3	48.7	31.0	-	-	-	85.3	7.3	65.4	46.7	28.1	-	-	-
	72	89.2	6.8	73.8	59.8	45.7	31.7	-	-	82.1	7.3	71.1	57.0	42.8	28.6	-	-
	67	84.6	6.8	81.4	70.9	60.5	46.1	31.8	-	78.9	7.3	76.2	67.2	57.5	43.2	28.8	-
	62	82.2	6.8	81.6	78.7	75.2	60.6	46.0	31.3	77.3	7.3	76.4	74.8	72.3	57.7	43.2	28.6
3000	77	94.7	6.8	73.4	51.9	30.4	-	-	-	86.4	7.3	73.0	50.2	27.3	-	-	-
	72	91.2	6.8	79.2	63.5	47.8	32.1	-	-	84.4	7.3	76.4	60.6	44.8	29.0	-	-
	67	87.8	6.8	84.9	75.1	65.2	48.9	32.7	-	82.4	7.3	79.8	71.1	62.3	45.9	29.6	-
	62	86.7	6.8	85.5	84.1	82.6	65.7	48.9	32.0	81.3	7.3	80.1	79.9	79.7	62.9	46.0	29.2
3375	77	95.5	6.8	85.5	85.5	85.5	82.5	65.1	47.6	80.3	7.3	80.3	80.3	80.3	79.8	62.5	45.1
	72	93.3	6.8	84.5	67.2	49.9	32.6	-	-	86.7	7.3	81.7	64.3	46.8	29.4	-	-
	67	91.3	6.8	88.5	79.2	69.9	51.7	33.5	-	85.9	7.3	82.9	74.9	67.0	48.7	30.4	-
	62	91.1	6.8	88.8	88.8	88.8	70.9	51.8	32.7	85.4	7.3	83.0	83.0	83.0	68.0	48.9	29.8
3750	77	90.9	6.8	89.1	89.1	89.1	89.1	70.0	50.0	84.8	7.3	83.1	83.1	83.1	83.1	67.4	47.4
	72	97.1	6.9	89.8	70.9	52.0	33.0	-	-	90.3	7.3	85.5	67.9	48.8	29.7	-	-
	67	95.6	6.8	92.0	83.3	74.6	54.5	34.4	-	89.4	7.3	85.7	78.8	71.7	51.5	31.2	-
	62	95.3	6.8	92.1	92.1	92.1	76.0	54.7	33.4	89.4	7.3	85.8	85.8	85.8	73.2	51.8	30.3
62	95.0	6.8	92.2	92.2	92.2	92.2	75.0	52.4	89.3	7.3	85.9	85.9	85.9	85.9	72.4	49.8	

- 1 These capacities are gross ratings. For net capacity, deduct the supply air blower motor heat (MBh = 3.415 x kW). Refer to the appropriate blower performance table for the kW of the supply air blower motor.
- 2 These ratings include the condenser fan motors (total 1 kW) and the compressor motors but not the supply air blower motor.

Table 70: ZL09 (8.5 ton, 75°F to 105°F)

Air on evaporator coil		Temperature of air on condenser coil																	
		Total capacity ¹ (MBh)	Total input (kW) ²	Sensible capacity (MBh)						Total capacity ¹ (MBh)	Total input (kW) ²	Sensible capacity (MBh)							
				Return dry bulb (°F)								Return dry bulb (°F)							
CFM	WB (°F)																		
		75°F								85°F									
		90	85	80	75	70	65	90	85	80	75	70	65	90	85	80	75	70	65
2125	77	123.4	5.7	61.3	53.9	46.6	-	-	-	118.9	6.1	58.2	50.7	43.3	-	-	-		
	72	117.7	5.6	79.3	68.0	56.7	45.5	-	-	112.1	6.0	76.9	65.5	54.0	42.6	-	-		
	67	112.0	5.6	97.3	82.1	66.9	57.7	45.1	-	105.3	6.0	95.6	80.2	64.8	54.4	42.3	-		
	62	108.6	5.6	102.9	89.7	77.1	65.0	56.1	45.6	99.2	6.0	98.3	86.8	75.6	63.7	53.5	42.4		
2550	77	124.9	5.7	66.8	56.1	45.4	-	-	-	120.0	6.1	65.0	53.8	42.6	-	-	-		
	72	119.9	5.7	85.4	72.1	58.8	45.6	-	-	114.3	6.0	83.2	69.8	56.4	43.0	-	-		
	67	114.9	5.6	102.8	88.1	72.3	60.5	46.0	-	108.6	6.0	97.8	85.8	70.2	57.4	43.2	-		
	62	107.6	5.6	103.2	96.2	85.7	71.4	59.7	46.7	102.1	6.0	98.0	93.2	84.0	69.8	56.9	43.3		
2975	77	126.4	5.7	72.3	58.3	44.3	-	-	-	121.2	6.1	71.9	56.9	41.9	-	-	-		
	72	122.1	5.7	91.4	76.2	60.9	45.7	-	-	116.6	6.1	89.5	74.1	58.7	43.3	-	-		
	67	117.8	5.6	110.6	94.1	77.6	63.2	46.8	-	111.9	6.0	100.8	91.3	75.5	60.3	44.1	-		
	62	109.6	5.6	109.6	102.6	94.2	77.8	63.3	47.8	106.6	6.0	101.1	99.5	92.3	75.9	60.3	44.3		
3400	77	127.9	5.8	77.7	60.4	43.1	-	-	-	122.4	6.1	78.7	59.9	41.2	-	-	-		
	72	124.3	5.7	97.5	80.3	63.0	45.8	-	-	118.8	6.1	95.8	78.4	61.1	43.7	-	-		
	67	120.7	5.7	117.3	100.1	82.9	66.0	47.7	-	115.1	6.0	106.0	96.9	80.9	63.3	45.0	-		
	62	114.3	5.7	114.3	109.0	102.8	84.2	66.8	48.8	111.1	6.0	106.8	105.8	100.7	81.9	63.7	45.2		
3825	77	129.9	5.8	82.3	63.1	45.1	-	-	-	124.4	6.1	83.7	64.9	45.2	-	-	-		
	72	126.5	5.7	103.6	84.3	65.1	45.9	-	-	121.0	6.1	102.1	82.7	63.4	44.1	-	-		
	67	123.6	5.7	114.1	106.1	88.3	68.7	48.5	-	118.4	6.1	112.4	102.5	86.3	66.3	45.9	-		
	62	119.0	5.7	115.5	115.5	111.4	90.6	70.4	49.9	115.6	6.1	113.2	112.2	109.1	88.0	67.1	46.2		
4250	77	132.4	5.9	87.3	66.1	46.1	-	-	-	127.4	6.1	89.7	70.9	51.2	-	-	-		
	72	128.7	5.8	109.6	88.4	67.2	46.0	-	-	123.3	6.1	108.4	87.1	65.7	44.4	-	-		
	67	126.5	5.7	121.0	112.1	93.6	71.5	49.4	-	121.7	6.1	119.0	108.0	91.6	69.2	46.8	-		
	62	123.7	5.7	122.5	121.9	120.0	97.0	74.0	51.0	120.1	6.1	119.4	118.5	117.5	94.0	70.6	47.1		
57	122.8	5.7	122.8	122.8	122.8	122.5	98.6	74.7	119.5	6.1	119.5	119.5	119.5	118.8	94.3	69.8			
		95°F								105°F									
2125	77	114.3	6.5	55.2	47.6	40.0	-	-	-	105.1	7.1	54.3	45.4	36.6	-	-	-		
	72	106.5	6.4	74.5	62.9	51.3	39.7	-	-	98.6	7.1	71.9	60.1	48.4	36.6	-	-		
	67	98.7	6.4	93.9	78.3	62.7	51.1	39.5	-	92.2	7.0	89.5	74.9	60.2	48.4	36.5	-		
	62	95.1	6.4	94.5	83.9	74.1	62.4	50.8	39.2	90.4	7.0	89.6	80.3	72.0	60.1	48.2	36.3		
2550	77	115.2	6.5	63.3	51.5	39.7	-	-	-	106.5	7.1	63.0	49.7	36.4	-	-	-		
	72	108.8	6.4	81.0	67.5	53.91	40.4	-	-	101.1	7.1	78.4	64.6	50.9	37.1	-	-		
	67	102.3	6.4	95.5	83.4	68.1	54.3	40.4	-	95.8	7.1	91.4	79.5	65.3	51.3	37.3	-		
	62	99.3	6.4	96.0	90.1	82.2	68.2	54.1	40.0	93.4	7.0	92.2	86.1	79.8	65.6	51.3	37.0		
2975	77	116.1	6.5	71.5	55.5	39.5	-	-	-	107.9	7.1	71.8	54.0	36.2	-	-	-		
	72	111.0	6.4	87.5	72.0	56.5	41.0	-	-	103.7	7.1	84.8	69.1	53.4	37.6	-	-		
	67	106.0	6.4	102.0	88.5	73.5	57.4	41.4	-	99.4	7.1	95.8	84.2	70.5	54.3	38.1	-		
	62	103.6	6.4	102.3	96.4	90.4	73.9	57.3	40.8	97.5	7.0	96.2	91.9	87.6	71.0	54.4	37.7		
3400	77	120.8	6.4	102.8	102.8	102.8	90.3	73.3	56.2	96.5	7.0	96.5	96.5	96.5	87.7	70.6	53.5		
	72	117.0	6.5	79.6	59.5	39.3	-	-	-	109.4	7.1	80.5	58.3	36.0	-	-	-		
	67	113.3	6.4	94.1	76.6	59.1	41.6	-	-	106.2	7.1	91.3	73.6	55.8	38.1	-	-		
	62	109.6	6.4	105.6	93.7	78.9	60.6	42.4	-	103.0	7.1	99.9	88.9	75.7	57.3	38.9	-		
3825	77	127.9	6.5	82.3	63.1	45.1	-	-	-	124.4	6.1	83.7	64.9	45.2	-	-	-		
	72	124.3	6.4	103.6	84.3	65.1	45.9	-	-	121.0	6.1	102.1	82.7	63.4	44.1	-	-		
	67	120.7	6.4	117.3	100.1	82.9	66.0	47.7	-	115.1	6.0	106.0	96.9	80.9	63.3	45.0	-		
	62	114.3	6.4	114.3	109.0	102.8	84.2	66.8	48.8	111.1	6.0	106.8	105.8	100.7	81.9	63.7	45.2		
4250	77	132.4	6.5	87.3	66.1	46.1	-	-	-	127.4	6.1	89.7	70.9	51.2	-	-	-		
	72	128.7	6.5	109.6	88.4	67.2	46.0	-	-	123.3	6.1	108.4	87.1	65.7	44.4	-	-		
	67	126.5	6.5	121.0	112.1	93.6	71.5	49.4	-	121.7	6.1	119.0	108.0	91.6	69.2	46.8	-		
	62	123.7	6.5	122.5	121.9	120.0	97.0	74.0	51.0	120.1	6.1	119.4	118.5	117.5	94.0	70.6	47.1		
57	115.9	6.5	115.7	115.7	115.7	115.2	90.0	64.8	109.2	7.1	109.2	109.2	109.2	109.2	86.7	61.9			

- 1 These capacities are gross ratings. For net capacity, deduct the supply air blower motor heat (MBh = 3.415 x kW). Refer to the appropriate blower performance table for the kW of the supply air blower motor.
- 2 These ratings include the condenser fan motors (total 1 kW) and the compressor motors but not the supply air blower motor.

Table 71: ZL09 (8.5 ton, 115°F to 125°F)

Air on evaporator coil		Temperature of air on condenser coil																	
CFM	WB (°F)	Total capacity ¹ (MBh)	Total input (kW) ²	Sensible capacity (MBh)						Total capacity ¹ (MBh)	Total input (kW) ²	Sensible capacity (MBh)							
				Return dry bulb (°F)								Return dry bulb (°F)							
				90	85	80	75	70	65					90	85	80	75	70	65
				115°F										125°F					
2125	77	95.8	7.7	53.4	43.3	33.2	-	-	-	86.6	8.3	52.5	41.2	29.8	-	-	-		
	72	90.7	7.7	69.3	57.4	45.4	33.5	-	-	82.9	8.3	66.7	54.6	42.5	30.4	-	-		
	67	86.3	7.7	83.5	71.4	57.7	45.6	33.6	-	79.1	8.3	77.5	68.0	55.2	42.9	30.7	-		
	62	84.1	7.7	84.1	76.6	70.0	57.8	45.6	33.5	77.9	8.3	77.9	73.0	67.9	55.5	43.0	30.6		
2550	77	97.8	7.7	62.7	47.9	33.0	-	-	-	89.1	8.3	62.4	46.1	29.7	-	-	-		
	72	93.5	7.7	75.7	61.8	47.8	33.9	-	-	85.9	8.3	73.0	58.9	44.8	30.6	-	-		
	67	89.2	7.7	85.0	75.6	62.6	48.4	34.2	-	82.7	8.3	79.8	71.7	59.9	45.5	31.1	-		
	62	87.5	7.7	85.4	82.1	77.4	63.0	48.5	34.1	81.6	8.3	80.1	78.0	75.0	60.3	45.7	31.1		
2975	77	99.8	7.7	72.1	52.5	32.9	-	-	-	91.6	8.3	72.4	51.0	29.6	-	-	-		
	72	96.3	7.7	82.1	66.1	50.2	34.3	-	-	89.0	8.3	79.4	63.2	47.1	30.9	-	-		
	67	92.8	7.7	89.0	79.8	67.5	51.2	34.9	-	86.3	8.3	83.6	75.5	64.5	48.1	31.6	-		
	62	91.4	7.7	89.4	87.5	84.8	68.1	51.4	34.7	85.3	8.3	84.1	83.0	82.0	65.2	48.4	31.6		
3400	77	101.8	7.7	81.4	57.1	32.7	-	-	-	94.1	8.3	82.3	55.9	29.5	-	-	-		
	72	99.1	7.7	88.5	70.5	52.6	34.6	-	-	92.0	8.3	85.7	67.5	49.3	31.2	-	-		
	67	96.4	7.7	93.3	84.0	72.4	54.0	35.5	-	89.9	8.3	87.6	79.2	69.2	50.6	32.0	-		
	62	95.3	7.7	93.6	92.9	92.3	73.3	54.3	35.3	89.0	8.3	87.8	87.8	87.8	70.1	51.1	32.1		
3825	77	104.7	7.7	101.3	79.3	57.4	35.4	-	-	98.1	8.3	94.1	76.2	53.9	31.7	-	-		
	72	102.4	7.7	94.9	74.9	55.0	35.0	-	-	95.1	8.3	91.0	71.8	51.6	31.4	-	-		
	67	100.1	7.7	96.7	88.2	77.4	56.7	36.1	-	93.5	8.3	91.4	82.9	73.9	53.2	32.5	-		
	62	99.2	7.7	97.0	97.0	97.0	78.4	57.2	35.9	92.7	8.3	91.7	91.7	91.7	75.0	53.8	32.6		
4250	77	103.7	7.7	102.0	92.4	82.3	59.5	36.7	-	97.1	8.3	94.7	86.7	78.6	55.8	33.0	-		
	72	103.1	7.7	102.1	102.1	102.1	83.6	60.0	36.5	96.4	8.3	95.4	95.4	95.4	79.9	56.5	33.1		
	67	102.5	7.7	102.5	102.5	102.5	83.3	59.0	36.5	95.8	8.3	95.8	95.8	95.8	95.8	80.0	56.1		
	62	102.5	7.7	102.5	102.5	102.5	83.3	59.0	36.5	95.8	8.3	95.8	95.8	95.8	95.8	80.0	56.1		

- 1 These capacities are gross ratings. For net capacity, deduct the supply air blower motor heat (MBh = 3.415 x kW). Refer to the appropriate blower performance table for the kW of the supply air blower motor.
- 2 These ratings include the condenser fan motors (total 1 kW) and the compressor motors but not the supply air blower motor.

Table 72: ZL12 (10 ton, 75°F to 105°F)

Air on evaporator coil		Temperature of air on condenser coil																	
		Total capacity ¹ (MBh)	Total input (kW) ²	Sensible capacity (MBh)						Total capacity ¹ (MBh)	Total input (kW) ²	Sensible capacity (MBh)							
				Return dry bulb (°F)								Return dry bulb (°F)							
CFM	WB (°F)			90	85	80	75	70	65			90	85	80	75	70	65		
		75°F									85°F								
2500	77	153.2	7.2	76.1	64.3	52.4	-	-	-	145.4	7.6	74.7	62.6	50.5	-	-	-		
	72	139.3	7.1	93.0	79.6	66.1	52.7	-	-	133.8	7.5	92.5	78.4	64.3	50.2	-	-		
	67	125.4	7.0	109.8	94.8	79.9	65.4	52.2	-	122.2	7.4	110.2	94.1	78.0	63.5	49.5	-		
	62	117.3	7.0	117.3	105.8	93.6	75.2	65.2	51.0	117.7	7.4	116.9	104.3	91.7	75.3	63.0	48.6		
3000	77	155.1	7.2	85.6	68.9	52.2	-	-	-	146.7	7.6	84.1	67.0	50.0	-	-	-		
	72	143.1	7.1	101.6	85.5	69.3	53.2	-	-	136.8	7.5	100.4	83.8	67.2	50.6	-	-		
	67	131.1	7.0	117.6	102.0	86.5	69.5	53.4	-	126.9	7.4	116.7	100.6	84.4	67.3	50.7	-		
	62	124.4	7.0	119.1	113.8	103.6	83.3	69.8	52.9	123.2	7.4	119.2	111.8	101.6	82.8	67.4	50.2		
3500	57	119.6	7.0	119.6	119.6	119.6	103.5	86.1	68.8	119.4	7.4	119.4	119.4	118.8	101.4	84.0	66.6		
	77	157.0	7.2	95.1	73.5	52.0	-	-	-	148.0	7.7	93.4	71.4	49.5	-	-	-		
	72	146.9	7.1	110.2	91.4	72.5	53.7	-	-	139.8	7.6	108.3	89.2	70.2	51.1	-	-		
	67	136.7	7.0	125.3	109.2	93.1	73.5	54.6	-	131.7	7.5	123.3	107.1	90.9	71.2	51.9	-		
4000	62	131.4	7.0	126.0	121.9	113.6	91.5	74.4	54.8	128.7	7.5	125.2	119.3	111.5	90.4	71.7	51.8		
	57	126.2	7.0	126.2	126.2	126.2	114.2	94.2	74.2	125.7	7.5	125.7	125.7	125.7	111.9	91.6	71.3		
	77	158.9	7.2	104.6	78.2	51.8	-	-	-	149.3	7.7	102.7	75.8	48.9	-	-	-		
	72	150.6	7.1	118.8	97.3	75.7	54.2	-	-	142.9	7.6	116.3	94.7	73.1	51.5	-	-		
4500	67	142.3	7.0	133.0	116.4	99.7	77.5	55.8	-	136.4	7.5	129.8	113.6	97.3	75.0	53.0	-		
	62	138.5	7.0	134.2	129.9	123.6	99.6	79.0	56.7	134.1	7.5	131.8	126.7	121.5	97.9	76.1	53.4		
	57	134.7	7.0	134.7	134.7	134.7	124.9	102.2	79.5	131.9	7.5	131.9	131.9	131.9	122.4	99.1	75.9		
	72	154.4	7.1	127.4	103.2	78.9	54.7	-	-	145.9	7.6	124.2	100.1	76.1	52.0	-	-		
5000	67	148.0	7.1	140.8	123.5	106.3	81.5	57.0	-	141.1	7.5	136.4	120.0	103.7	78.9	54.2	-		
	62	145.6	7.1	142.3	138.0	133.6	107.8	83.6	58.6	139.6	7.5	137.1	134.2	131.4	105.5	80.4	55.0		
	57	143.2	7.1	143.2	143.2	143.2	135.6	110.2	84.8	138.1	7.5	138.0	138.0	138.0	132.9	106.7	80.5		
	72	158.2	7.2	136.0	109.1	82.1	55.2	-	-	148.9	7.6	132.1	105.6	79.0	52.5	-	-		
95°F	2500	67	153.6	7.1	148.5	130.7	112.9	85.5	58.2	-	145.8	7.5	142.9	126.5	110.1	82.7	55.4	-	
		62	152.6	7.1	149.6	146.0	143.6	115.9	88.2	60.5	145.1	7.5	143.0	141.7	141.3	113.0	84.8	56.6	
		57	151.6	7.1	150.2	150.2	150.2	146.3	118.2	90.1	144.3	7.5	143.2	143.2	143.2	143.2	114.2	85.2	
		77	137.5	8.1	73.3	61.0	48.7	-	-	-	128.1	8.7	71.4	58.4	45.5	-	-	-	
95°F	3000	72	128.3	8.0	92.0	77.2	62.4	47.6	-	-	119.3	8.6	87.8	73.2	58.6	44.1	-	-	
		67	119.0	7.9	110.6	93.4	76.1	61.5	46.8	-	110.5	8.5	104.2	88.0	71.8	57.5	43.2	-	
		62	118.1	7.9	115.9	102.9	89.8	75.3	60.8	46.3	110.2	8.5	107.4	96.2	85.0	71.0	56.9	42.9	
		77	138.3	8.1	82.5	65.2	47.8	-	-	-	128.9	8.7	80.4	62.2	44.1	-	-	-	
95°F	3500	72	130.5	8.0	99.2	82.2	65.1	48.0	-	-	121.7	8.6	94.7	77.9	61.1	44.2	-	-	
		67	122.8	7.9	115.9	99.2	82.4	65.2	48.0	-	114.4	8.5	109.0	93.5	78.0	61.1	44.2	-	
		62	122.0	7.9	119.9	109.8	99.7	82.3	64.9	47.6	114.1	8.5	111.4	103.2	95.0	78.0	61.0	44.0	
		57	121.1	7.9	121.1	120.4	116.9	99.4	81.9	64.4	113.9	8.5	113.8	112.9	111.9	94.9	77.8	60.7	
95°F	4000	77	139.0	8.1	91.6	69.3	47.0	-	-	-	129.7	8.7	89.3	66.1	42.8	-	-	-	
		72	132.8	8.0	106.5	87.1	67.8	48.5	-	-	124.0	8.6	101.6	82.5	63.5	44.4	-	-	
		67	126.6	7.9	121.3	105.0	88.6	68.9	49.1	-	118.3	8.5	113.9	99.0	84.2	64.7	45.2	-	
		62	125.9	7.9	123.9	116.7	109.5	89.3	69.0	48.8	118.1	8.5	115.4	110.2	104.9	85.0	65.1	45.2	
95°F	4500	57	125.1	7.9	125.1	125.1	125.1	109.7	89.0	68.4	117.8	8.5	117.0	117.0	117.0	105.3	85.0	64.6	
		77	139.7	8.1	100.8	73.5	46.1	-	-	-	130.5	8.7	98.3	69.9	41.4	-	-	-	
		72	135.1	8.0	113.7	92.1	70.5	48.9	-	-	126.4	8.6	108.5	87.2	65.9	44.6	-	-	
		67	130.5	7.9	126.6	110.8	94.9	72.6	50.2	-	122.2	8.6	118.7	104.6	90.4	68.3	46.2	-	
95°F	5000	62	129.8	7.9	127.9	123.6	119.3	96.2	73.2	50.1	122.0	8.6	119.4	117.2	114.9	92.0	69.2	46.3	
		57	129.1	7.9	129.1	129.1	129.1	119.9	96.1	72.3	121.8	8.5	120.2	120.2	120.2	115.8	92.1	68.4	
		72	137.4	8.0	121.0	97.1	73.2	49.3	-	-	128.7	8.6	115.4	91.9	68.3	44.8	-	-	
		67	134.3	7.9	131.9	116.5	101.2	76.3	51.4	-	126.1	8.6	123.5	110.1	96.6	71.9	47.2	-	
95°F	5000	62	133.7	7.9	131.9	130.5	129.1	103.2	77.3	51.4	125.9	8.6	124.7	124.2	124.7	99.1	73.2	47.4	
		57	133.0	7.9	131.9	131.9	131.9	130.1	103.2	76.2	125.7	8.6	125.3	125.3	125.3	125.3	99.2	72.3	
		72	139.6	8.0	128.2	102.1	75.9	49.8	-	-	131.1	8.6	122.3	96.5	70.8	45.0	-	-	
		67	138.1	8.0	136.0	122.3	107.4	80.0	52.5	-	130.0	8.6	127.6	115.6	102.8	75.5	48.2	-	
95°F	5000	62	137.6	8.0	136.4	136.4	136.4	110.1	81.4	52.6	129.8	8.6	128.4	128.4	128.4	106.1	77.3	48.6	
		57	137.0	8.0	136.9	136.9	136.9	136.9	110.3	80.2	129.7	8.6	129.5	129.5	129.5	106.4	76.1		

- 1 These capacities are gross ratings. For net capacity, deduct the supply air blower motor heat (MBh = 3.415 x kW). Refer to the appropriate blower performance table for the kW of the supply air blower motor.
- 2 These ratings include the condenser fan motors (total 1 kW) and the compressor motors but not the supply air blower motor.

Table 73: ZL12 (10 ton, 115°F to 125°F)

Air on evaporator coil		Temperature of air on condenser coil																	
CFM	WB (°F)	Total capacity ¹ (MBh)	Total input (kW) ²	Sensible capacity (MBh)						Total capacity ¹ (MBh)	Total input (kW) ²	Sensible capacity (MBh)							
				Return dry bulb (°F)								Return dry bulb (°F)							
		115°F									125°F								
		90	85	80	75	70	65	90	85	80	75	70	65						
2500	77	118.7	9.3	69.5	55.8	42.2	-	-	-	109.2	9.8	67.5	53.3	39.0	-	-	-		
	72	110.3	9.2	83.6	69.3	54.9	40.5	-	-	101.4	9.8	79.5	65.3	51.1	37.0	-	-		
	67	102.6	9.1	97.8	82.7	67.6	53.6	39.6	-	94.5	9.7	91.4	77.3	63.3	49.6	36.0	-		
	62	102.3	9.1	99.0	89.6	80.2	66.6	53.1	39.5	93.5	9.7	91.9	83.0	75.4	62.3	49.2	36.1		
3000	77	119.5	9.3	78.3	59.3	40.4	-	-	-	110.2	9.8	76.1	56.4	36.7	-	-	-		
	72	112.8	9.2	90.2	73.6	57.0	40.5	-	-	103.9	9.8	85.7	69.3	53.0	36.7	-	-		
	67	107.2	9.1	102.1	87.9	73.7	57.1	40.5	-	99.3	9.8	95.2	82.3	69.3	53.0	36.7	-		
	62	106.8	9.1	103.0	96.6	90.3	73.7	57.1	40.5	99.0	9.8	95.6	90.1	85.6	69.4	53.2	36.9		
3500	57	106.6	9.1	103.8	103.8	103.8	90.3	73.7	57.1	98.8	9.8	95.9	95.9	95.9	85.8	69.6	53.4		
	77	120.4	9.3	87.1	62.8	38.5	-	-	-	111.1	9.9	84.8	59.5	34.3	-	-	-		
	72	115.2	9.2	96.8	78.0	59.2	40.4	-	-	106.4	9.8	91.9	73.4	54.9	36.3	-	-		
	67	110.5	9.2	106.5	93.1	79.8	60.6	41.4	-	103.9	9.8	99.9	87.2	75.4	56.4	37.5	-		
4000	62	110.3	9.2	107.0	103.7	100.4	80.8	61.1	41.5	103.5	9.8	100.5	97.2	95.9	76.5	57.2	37.8		
	57	110.0	9.1	107.5	107.5	107.5	101.0	80.9	60.8	103.3	9.8	101.2	101.2	101.2	96.6	76.9	57.1		
	77	121.3	9.3	95.8	66.3	36.7	-	-	-	112.0	9.9	93.4	62.7	32.0	-	-	-		
	72	117.6	9.2	103.3	82.3	61.3	40.3	-	-	108.9	9.9	98.1	77.4	56.7	36.0	-	-		
4500	67	115.0	9.2	110.8	98.4	85.9	64.1	42.2	-	108.2	9.8	102.9	92.2	81.4	59.8	38.3	-		
	62	114.7	9.2	111.0	110.8	110.5	87.9	65.2	42.5	107.6	9.8	103.3	103.3	103.3	83.7	61.2	38.7		
	57	114.5	9.2	111.2	111.2	111.2	111.2	88.1	64.6	107.2	9.8	104.2	104.2	104.2	104.2	84.1	60.7		
	72	120.0	9.3	109.9	86.7	63.5	40.2	-	-	113.4	9.9	104.3	81.5	58.6	35.7	-	-		
5000	67	118.6	9.2	115.1	103.6	92.0	67.6	43.1	-	111.7	9.9	106.7	97.1	87.5	63.3	39.0	-		
	62	118.5	9.2	115.5	115.5	115.5	94.9	69.2	43.5	111.4	9.9	107.5	107.5	107.5	90.8	65.2	39.6		
	57	118.2	9.2	116.2	116.2	116.2	116.2	95.3	68.3	111.1	9.8	108.2	108.2	108.2	108.2	91.4	64.4		
	72	123.1	9.3	116.4	91.0	65.6	40.2	-	-	115.9	9.9	110.6	85.5	60.4	35.4	-	-		
5000	67	122.3	9.3	118.5	108.8	98.2	71.1	44.0	-	115.6	9.9	112.7	102.0	93.6	66.7	39.8	-		
	62	122.1	9.3	119.0	119.0	119.0	102.0	73.3	44.5	115.4	9.9	113.1	113.1	113.1	97.9	69.2	40.5		
	57	121.9	9.2	119.5	119.5	119.5	119.5	102.5	72.1	115.0	9.9	113.1	113.1	113.1	113.1	98.6	68.0		

- 1 These capacities are gross ratings. For net capacity, deduct the supply air blower motor heat (MBh = 3.415 x kW). Refer to the appropriate blower performance table for the kW of the supply air blower motor.
- 2 These ratings include the condenser fan motors (total 1 kW) and the compressor motors but not the supply air blower motor.

Table 74: ZL14 (12.5 ton, 75°F to 105°F)

Air on evaporator coil		Temperature of air on condenser coil																	
		Total capacity ¹ (MBh)	Total input (kW) ²	Sensible capacity (MBh)						Total capacity ¹ (MBh)	Total input (kW) ²	Sensible capacity (MBh)							
				Return dry bulb (°F)								Return dry bulb (°F)							
CFM	WB (°F)			90	85	80	75	70	65			90	85	80	75	70	65		
		75°F									85°F								
3200	77	182.4	8.3	93.6	76.6	59.5	-	-	-	170.5	8.8	88.2	73.1	58.1	-	-	-		
	72	166.6	8.2	113.7	96.1	78.4	60.8	-	-	158.2	8.7	111.0	93.4	75.8	58.3	-	-		
	67	150.8	8.1	133.8	115.6	97.3	78.2	61.7	-	146.0	8.7	133.7	113.7	93.6	75.5	58.7	-		
	62	147.2	8.1	142.3	129.3	116.2	92.1	80.2	62.2	142.1	8.6	137.0	124.2	111.4	91.0	76.7	59.3		
3750	77	182.9	8.4	104.3	82.5	60.7	-	-	-	171.2	8.8	99.3	78.5	57.8	-	-	-		
	72	169.8	8.2	122.6	102.5	82.4	62.3	-	-	161.1	8.8	119.3	99.2	79.1	59.0	-	-		
	67	156.7	8.1	140.9	122.5	104.1	82.7	63.3	-	151.1	8.7	139.4	119.9	100.3	79.6	59.8	-		
	62	153.8	8.1	147.7	136.7	125.8	100.2	84.4	63.7	148.3	8.7	141.9	131.7	121.6	98.7	80.7	60.3		
4300	57	150.9	8.1	150.9	150.9	147.5	126.5	105.5	84.5	145.5	8.7	144.4	143.6	142.8	122.2	101.7	81.1		
	77	183.4	8.4	115.0	88.5	61.9	-	-	-	171.9	8.8	110.3	84.0	57.6	-	-	-		
	72	173.0	8.3	131.5	108.9	86.4	63.9	-	-	164.1	8.8	127.7	105.0	82.3	59.7	-	-		
	67	162.6	8.2	147.9	129.4	110.9	87.2	65.0	-	156.2	8.7	145.1	126.1	107.1	83.6	60.9	-		
4900	62	160.4	8.1	153.0	144.2	135.4	108.3	88.6	65.2	154.5	8.7	146.7	139.3	131.8	106.4	84.8	61.3		
	57	158.3	8.1	158.1	158.1	156.6	136.1	112.3	88.5	152.9	8.7	148.4	148.4	148.4	132.6	108.7	84.8		
	77	183.9	8.4	125.7	94.4	63.1	-	-	-	172.7	8.9	121.3	89.4	57.4	-	-	-		
	72	176.2	8.3	140.3	115.4	90.4	65.4	-	-	167.0	8.8	136.0	110.8	85.6	60.4	-	-		
5400	67	168.4	8.2	154.9	136.3	117.7	91.6	66.6	-	161.3	8.8	150.7	132.3	113.8	87.6	62.0	-		
	62	167.1	8.2	158.4	151.7	144.9	116.4	92.8	66.7	160.7	8.7	151.6	146.8	142.0	114.2	88.8	62.3		
	57	165.7	8.2	161.8	161.8	161.8	145.6	119.0	92.4	160.2	8.7	152.5	152.5	152.5	142.9	115.7	88.4		
	72	179.3	8.3	149.2	121.8	94.4	66.9	-	-	169.9	8.8	144.4	116.6	88.8	61.1	-	-		
6000	67	174.3	8.2	162.0	143.2	124.4	96.1	68.3	-	167.7	8.8	156.4	138.5	120.5	91.7	63.1	-		
	62	173.7	8.2	163.8	159.1	154.5	124.5	97.0	68.3	167.0	8.8	156.5	154.3	152.2	121.9	92.9	63.2		
	57	173.1	8.2	165.5	165.5	165.5	155.2	125.7	96.3	166.8	8.8	156.6	156.6	156.6	153.3	122.7	92.1		
	72	182.5	8.3	158.1	128.2	98.4	68.5	-	-	172.8	8.9	152.8	122.4	92.1	61.7	-	-		
95°F	67	180.4	8.3	169.0	150.1	131.2	100.6	69.9	-	172.1	8.8	162.1	144.7	127.2	95.7	64.2	-		
	62	180.3	8.3	169.1	166.6	164.1	132.6	101.2	69.8	171.9	8.8	162.3	162.3	162.3	129.7	96.9	64.2		
	57	180.1	8.3	169.3	169.3	169.3	164.7	132.5	100.3	171.7	8.8	162.4	162.4	162.4	129.7	95.8	-		
	72	181.1	8.3	169.3	169.3	169.3	164.7	132.5	100.3	171.7	8.8	162.4	162.4	162.4	129.7	95.8	-		
		95°F									105°F								
3200	77	158.5	9.3	82.8	69.7	56.6	-	-	-	146.5	9.9	83.7	68.1	52.6	-	-	-		
	72	149.8	9.2	108.2	90.7	73.3	55.8	-	-	139.4	9.9	104.5	87.1	69.6	52.1	-	-		
	67	141.1	9.2	133.6	111.7	89.9	72.8	55.7	-	132.4	9.9	125.4	106.0	86.6	69.2	51.8	-		
	62	137.0	9.2	134.4	119.1	106.5	89.8	73.1	56.4	129.7	9.9	126.5	113.9	103.7	83.3	69.0	51.6		
3750	77	159.5	9.3	94.2	74.6	55.0	-	-	-	147.8	10.0	93.9	72.2	50.6	-	-	-		
	72	152.5	9.3	116.0	95.9	75.769	55.6	-	-	142.1	10.0	111.6	91.6	71.6	51.5	-	-		
	67	145.4	9.3	137.2	117.2	96.6	76.4	56.3	-	136.4	9.9	129.3	110.9	92.6	72.3	52.1	-		
	62	142.8	9.2	137.8	126.7	117.3	97.2	77.0	56.9	134.7	9.9	129.5	120.8	113.6	93.1	72.7	52.3		
4300	57	140.1	9.2	138.6	136.2	138.1	118.0	97.8	77.6	133.0	9.9	129.6	129.6	129.6	114.0	93.4	72.8		
	77	160.5	9.3	105.6	79.5	53.3	-	-	-	149.1	10.0	104.2	76.4	48.6	-	-	-		
	72	155.1	9.3	123.9	101.1	78.3	55.5	-	-	144.8	10.0	118.7	96.1	73.5	50.9	-	-		
	67	149.8	9.3	140.1	122.7	103.2	80.0	56.8	-	140.5	10.0	133.3	115.9	98.5	75.4	52.4	-		
4900	62	148.6	9.3	143.2	134.3	128.2	104.6	80.9	57.3	139.8	10.0	133.4	127.7	123.4	99.9	76.5	53.0		
	57	147.4	9.2	145.6	145.6	145.6	129.1	105.1	81.1	139.1	9.9	133.6	133.6	133.6	124.5	100.6	76.7		
	77	161.4	9.4	117.0	84.3	51.7	-	-	-	150.4	10.0	114.4	80.5	46.6	-	-	-		
	72	157.8	9.3	131.7	106.3	80.8	55.3	-	-	147.5	10.0	125.8	100.6	75.5	50.3	-	-		
5400	67	154.5	9.3	145.1	128.2	109.9	83.6	57.4	-	144.8	10.0	136.0	120.8	104.4	78.5	52.7	-		
	62	154.4	9.3	147.6	141.9	139.0	111.9	84.9	57.8	144.6	10.0	137.0	134.7	133.3	106.8	80.2	53.7		
	57	154.3	9.3	150.5	150.5	150.5	140.2	112.4	84.5	144.5	10.0	137.3	137.3	137.3	135.0	107.8	80.6		
	72	161.1	9.4	139.6	111.4	83.3	55.2	-	-	150.2	10.0	132.9	105.2	77.4	49.7	-	-		
6000	67	160.5	9.4	150.2	133.7	116.6	87.2	57.9	-	149.8	10.0	140.0	125.7	110.3	81.6	53.0	-		
	62	160.2	9.3	150.6	149.5	149.8	119.3	88.8	58.2	149.7	10.0	141.1	141.1	141.1	113.6	84.0	54.4		
	57	160.1	9.3	150.9	150.9	150.9	150.9	119.6	87.9	149.3	10.0	141.2	141.2	141.2	141.2	115.0	84.5		
	72	168.2	9.4	147.4	116.6	85.8	55.0	-	-	154.8	10.0	140.0	109.7	79.4	49.1	-	-		
6000	67	166.5	9.4	153.4	139.2	123.2	90.8	58.4	-	153.8	10.0	142.3	130.6	116.2	84.7	53.2	-		
	62	166.0	9.4	155.2	155.2	155.2	126.7	92.7	58.7	153.5	10.0	144.0	144.0	144.0	120.4	87.7	55.1		
	57	165.5	9.3	156.5	156.5	156.5	156.5	126.9	91.3	153.3	10.0	144.2	144.2	144.2	144.2	122.2	88.4		

1 These capacities are gross ratings. For net capacity, deduct the supply air blower motor heat (MBh = 3.415 x kW). Refer to the appropriate blower performance table for the kW of the supply air blower motor.
 2 These ratings include the condenser fan motors (total 1 kW) and the compressor motors but not the supply air blower motor.

Table 75: ZL14 (12.5 ton, 115°F to 125°F)

Air on evaporator coil		Temperature of air on condenser coil																	
CFM	WB (°F)	Total capacity ¹ (MBh)	Total input (kW) ²	Sensible capacity (MBh)					Total capacity ¹ (MBh)	Total input (kW) ²	Sensible capacity (MBh)								
				Return dry bulb (°F)							Return dry bulb (°F)								
				90	85	80	75	70	65					90	85	80	75	70	65
				115°F					125°F										
3200	77	134.4	10.6	84.5	66.5	48.5	-	-	-	122.4	11.3	85.4	64.9	44.4	-	-	-		
	72	129.0	10.6	100.9	83.4	65.9	48.5	-	-	118.7	11.3	97.3	79.8	62.3	44.8	-	-		
	67	123.6	10.6	117.3	100.3	83.4	65.7	47.9	-	115.3	11.3	109.1	94.6	80.2	62.1	44.0	-	-	
	62	122.4	10.6	117.4	108.6	100.9	82.9	64.8	46.8	115.1	11.3	109.2	103.4	98.1	79.4	60.7	42.0		
3750	77	136.1	10.7	93.7	69.9	46.1	-	-	-	124.4	11.3	93.4	67.5	41.7	-	-	-		
	72	131.8	10.6	107.2	87.3	67.3	47.4	-	-	121.4	11.3	102.8	83.0	63.1	43.3	-	-		
	67	127.4	10.6	119.8	104.7	88.6	68.3	47.9	-	118.4	11.3	112.3	98.4	84.6	64.2	43.8	-	-	
	62	126.7	10.6	120.0	114.9	109.8	89.1	68.4	47.8	118.2	11.3	112.5	109.0	106.0	85.1	64.1	43.2		
4300	57	125.9	10.6	120.9	120.9	120.9	110.0	88.9	67.9	118.1	11.3	112.6	112.6	112.6	105.9	84.5	63.0		
	77	137.7	10.7	102.8	73.3	43.8	-	-	-	126.4	11.3	101.4	70.2	39.0	-	-	-		
	72	134.5	10.6	113.6	91.2	68.8	46.3	-	-	124.2	11.3	108.4	86.2	64.0	41.8	-	-		
	67	131.2	10.6	123.6	109.0	93.7	70.8	48.0	-	122.4	11.3	115.4	102.2	89.0	66.3	43.6	-	-	
4900	62	131.0	10.6	124.4	121.2	118.7	95.3	72.0	48.7	122.2	11.3	115.6	114.6	113.9	90.7	67.5	44.3		
	57	130.7	10.6	124.6	124.6	124.6	119.8	96.0	72.2	121.9	11.3	115.9	115.9	115.9	115.2	91.5	67.8		
	77	139.4	10.7	111.9	76.7	41.4	-	-	-	128.3	11.3	109.3	72.8	36.3	-	-	-		
	72	137.2	10.7	119.9	95.0	70.2	45.3	-	-	126.9	11.3	114.0	89.4	64.8	40.3	-	-		
5400	67	135.4	10.6	127.2	113.4	98.9	73.4	48.0	-	125.9	11.3	118.3	106.0	93.4	68.3	43.3	-	-	
	62	135.3	10.6	127.4	127.4	127.4	101.6	75.6	49.6	125.7	11.3	118.4	118.4	118.4	96.4	71.0	45.5		
	57	135.1	10.6	127.5	127.5	127.5	103.2	76.6	-	125.5	11.3	118.6	118.6	118.6	98.6	72.7			
	72	139.9	10.7	126.2	98.9	71.6	44.2	-	-	129.6	11.3	119.5	92.6	65.7	38.8	-	-		
6000	67	138.8	10.7	130.8	117.7	104.0	76.0	48.0	-	129.4	11.3	121.7	109.8	97.7	70.4	43.1	-	-	
	62	138.5	10.7	131.1	131.1	131.1	107.8	79.2	50.5	129.2	11.3	121.9	121.9	121.9	102.1	74.4	46.7		
	57	138.4	10.7	131.3	131.3	131.3	110.3	81.0	-	129.1	11.3	122.0	122.0	122.0	105.6	77.5			
	72	145.1	10.7	132.6	102.8	73.0	43.2	-	-	132.9	11.3	125.1	95.8	66.5	37.3	-	-		
6000	67	144.2	10.7	135.0	122.1	109.2	78.6	48.1	-	132.7	11.3	125.3	113.6	102.1	72.5	42.9	-	-	
	62	143.8	10.7	135.8	135.8	135.8	114.1	82.8	51.4	132.5	11.3	125.4	125.4	125.4	107.8	77.8	47.8		
	57	143.5	10.7	136.0	136.0	136.0	117.4	85.4	-	132.2	11.3	125.5	125.5	125.5	112.7	82.4			

- 1 These capacities are gross ratings. For net capacity, deduct the supply air blower motor heat (MBh = 3.415 x kW). Refer to the appropriate blower performance table for the kW of the supply air blower motor.
- 2 These ratings include the condenser fan motors (total 1 kW) and the compressor motors but not the supply air blower motor.

Drive selection

1. Determine the side or bottom supply duct application.
2. Determine the required airflow.
3. Calculate or measure the amount of external static pressure.
 - Add or deduct any additional static resistance from [Additional static resistance](#).
4. Using the operating point determined from Steps 1, 2, and 3, locate this point on the appropriate supply air blower performance table. (Linear interpolation may be necessary.)
5. Noting the RPM and BHP from Step 4, locate the appropriate motor and, or drive on the RPM selection table.
6. Review the BHP compared to the motor options available. Select the appropriate motor and, or drive.
7. Review the RPM range for the motor options available. Select the appropriate drive if multiple drives are available for the chosen motor.
8. Determine the number of turns required open to obtain the required operation point.

Example

1. 3200 SCFM, bottom supply duct application
2. 1.8 IWG
3. Using the airflow performance table below, the following data point was located: 1071 RPM and 2.52 BHP.
4. Using the RPM selection table below, model ZY and size 08 (7.5 tons) is found.
5. 2.52 BHP exceeds the maximum continuous BHP rating of the 2.4 HP motor. The 3.7 HP motor is required.
6. 1071 RPM is within the range of the 3.7 HP motor.
7. Using the 3.7-HP motor and high-static drive, 0.5 turns open achieves the required 1071 RPM.

Airflow performance

Example supply air blower performance

Table 76: ZY08 (7.5 ton) bottom duct

CFM	Available external static, IWG																			
	0.2		0.4		0.6		0.8		1.0		1.2		1.4		1.6		1.8		2.0	
	RPM	BHP	RPM	BHP	RPM	BHP	RPM	BHP	RPM	BHP	RPM	BHP	RPM	BHP	RPM	BHP	RPM	BHP	RPM	BHP
2250	556	0.45	621	0.65	683	0.83	742	1.00	798	1.18	852	1.34	904	1.51	954	1.69	1003	1.87	1050	2.06
2400	567	0.53	632	0.73	694	0.91	753	1.09	809	1.26	863	1.43	914	1.60	964	1.77	1013	1.95	1060	2.14
2600	580	0.65	646	0.85	707	1.03	766	1.21	823	1.38	876	1.55	928	1.72	978	1.89	1027	2.07	1074	2.27
2800	595	0.79	660	0.99	722	1.17	780	1.35	837	1.52	890	1.69	942	1.86	992	2.03	1041	2.21	1088	2.40
3000	609	0.94	674	1.14	736	1.32	795	1.50	851	1.67	905	1.83	957	2.00	1007	2.18	1056	2.36	1100	2.55
3200	625	1.10	690	1.30	752	1.48	810	1.66	867	1.83	921	2.00	972	2.17	1022	2.34	1071	2.52	--	--
3400	641	1.28	706	1.47	768	1.66	827	1.83	883	2.00	937	2.17	989	2.34	1039	2.52	1087	2.70	--	--
	Standard static option with motor rated at 2.4-hp																			
	Medium static option with motor rated at 2.4-hp																			
	High static option with motor rated at 3.7-hp																			
--	Exceeds recommended blower speed																			

Table 77: Example RPM Selection

Model	Size (ton)	Airflow Option	Phase	Max BHP	Blower Sheave	Motor Sheave	6 Turns open	5 Turns open	4 Turns open	3 Turns open	2 Turns open	1 Turns open	Fully closed
ZY	08 (7.5)	Std.	3	2.4	AK74	1VL34	N/A	475	525	575	625	675	725
		Med.	3	2.4	AK74	1VL44	N/A	700	750	800	850	900	950
		H. Static	3	3.7	AK74	1VP50	N/A	850	900	950	1000	1050	1100

Table 78: Example additional static resistance

Model	Size (ton)	CFM	Cooling only ¹	Economizer ^{2,3}	4 in. filters ²	Electric heat kW ²								
						6/6.5	9.2/10.5/11	13.8/14/16	16/16.5/17	23	24.8/25.5/27.8	32/33/34	41.7/42.4	
ZY	08 (7.5), 09 (8.5), 12 (10.0)	2200	0.04	0.11	---	---	---	---	0.07	---	0.09	0.10	0.12	
		2600	0.06	0.13	---	---	---	---	0.09	---	0.11	0.12	0.15	
		3000	0.10	0.17	---	---	---	---	---	0.12	---	0.14	0.15	0.19
		3400	0.13	0.20	---	---	---	---	---	0.15	---	0.18	0.19	0.23
		3800	0.16	0.25	---	---	---	---	---	0.19	---	0.22	0.23	0.27
		4000	0.17	0.28	---	---	---	---	---	0.21	---	0.24	0.25	0.30
		4400	0.20	0.33	---	---	---	---	---	0.25	---	0.29	0.30	0.35
		4800	0.22	0.38	---	---	---	---	---	0.30	---	0.34	0.35	0.41
		5200	0.24	0.43	---	---	---	---	---	0.35	---	0.39	0.41	0.47
		5600	0.26	0.46	---	---	---	---	---	0.41	---	0.45	0.47	0.54
6000	0.28	0.50	---	---	---	---	---	0.48	---	0.52	0.54	0.60		

Altitude and temperature correction for cfm, static pressure, and power

Use the following information to assist in application of product when being applied at altitudes at or exceeding 1000 ft above sea level.

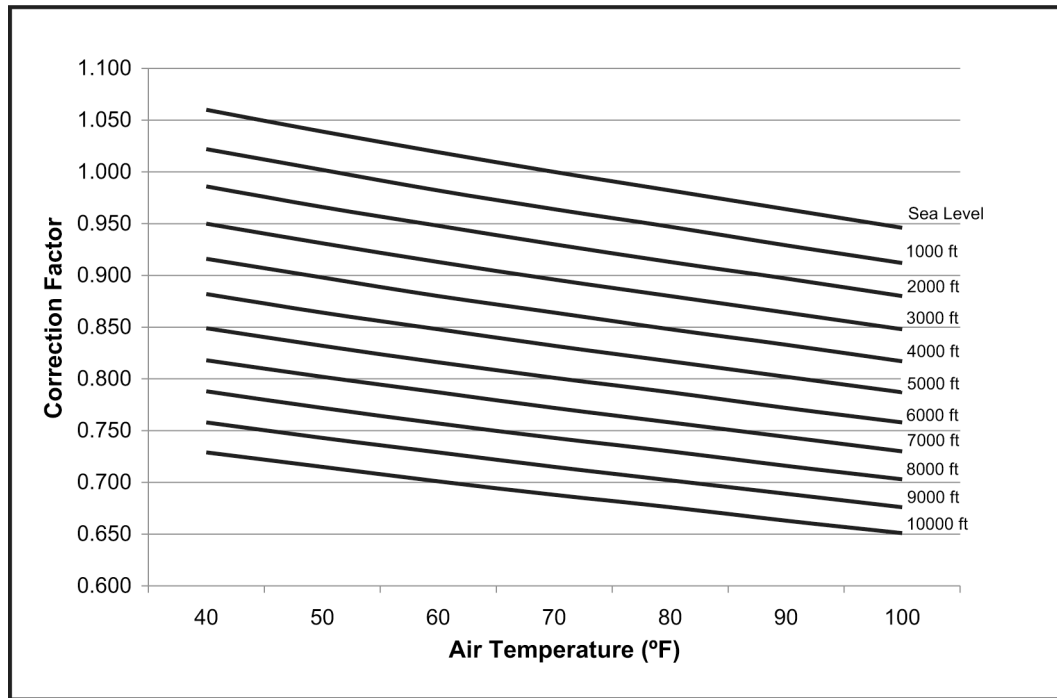
The air flow rates listed in the standard blower performance tables are based on standard air at sea level. As the altitude or temperature increases, the density of air decreases. In order to use the indoor blower tables for high altitude applications, certain corrections are necessary.

A centrifugal fan is a "constant volume" device. This means that, if the RPM remains constant, the CFM delivered is the same regardless of the density of the air. However, because the air at high altitude is less dense, less static pressure is generated and less power is required than a similar application at sea level. See [Altitude/temperature correction factors](#) for air density correction factors.

Altitude/temperature correction factors

Table 79: Altitude/temperature correction factors

Air temp.	Altitude (ft)										
	0	1000	2000	3000	4000	5000	6000	7000	8000	9000	10000
40	1.060	1.022	0.986	0.950	0.916	0.882	0.849	0.818	0.788	0.758	0.729
50	1.039	1.002	0.966	0.931	0.898	0.864	0.832	0.802	0.772	0.743	0.715
60	1.019	0.982	0.948	0.913	0.880	0.848	0.816	0.787	0.757	0.729	0.701
70	1.000	0.964	0.930	0.896	0.864	0.832	0.801	0.772	0.743	0.715	0.688
80	0.982	0.947	0.913	0.880	0.848	0.817	0.787	0.758	0.730	0.702	0.676
90	0.964	0.929	0.897	0.864	0.833	0.802	0.772	0.744	0.716	0.689	0.663
100	0.946	0.912	0.880	0.848	0.817	0.787	0.758	0.730	0.703	0.676	0.651



Use the following examples to determine the airflow performance of the product at altitude.

Example 1: What are the corrected CFM, static pressure, and BHP at an elevation of 5,000 ft if the airflow performance data is 3,000 CFM, 1.4 IWC, and 2.0 BHP?

Solution: At an elevation of 5,000 ft, the indoor blower still delivers 3,000 CFM if the rpm is unchanged. However, the Altitude correction must be used to determine the static pressure and BHP. Because no temperature data is given, we assume an air temperature of 70°F. The altitude/temperature factors show the correction factor to be 0.832.

Corrected static pressure = $1.4 \times 0.832 = 1.16$ IWC

Corrected BHP = $2.0 \times 0.832 = 1.66$

Example 2: A system, located at 5,000 feet of elevation, is to deliver 3,000 CFM at a static pressure of 1.4 in. Use the unit blower tables to select the blower speed and the BHP requirement.

Solution: As in the example above, no temperature information is given so 70°F is assumed.

The 1.4 in. static pressure given is at an elevation of 5,000 ft. The first step is to convert this static pressure to equivalent sea level conditions.

Sea level static pressure = $1.4 \text{ in.} / 0.832 = 1.68 \text{ in.}$

Enter the supply air blower performance table at 3,000 CFM and static pressure of 1.68 in. The RPM listed is the same RPM needed at 5,000 ft.

If the corresponding BHP listed in the table is 2.0. Correct this value for elevation.

BHP at 5,000 ft. = 2.0 x 0.832 = 1.66

Indoor blower specifications

Table 80: Indoor blower specifications

Model	Size (ton)	Airflow option	Motor					Motor sheave			Blower sheave			Belt	
			Phase	HP	RPM	Eff.	SF	Frame	Datum dia. (in.)	Bore (in.)	Model	Datum Dia. (in.)	Bore (in.)		Model
ZQ	04 (3)	Std.	Direct Drive												
		Med.	1	1.5	1725	0.79	1.15	56HZ	1.9 - 2.9	5/8	1VL34	4.2	3/4	AK46	A39
		Med.	3	2.4	1725	0.80	1.15	56Y	1.9 - 2.9	5/8	1VL34	4.2	3/4	AK46	A39
		H. static	3	2.4	1725	0.80	1.15	56Y	2.8 - 3.8	5/8	1VL44	4.2	3/4	AK46	A40
ZQ	05 (4)	Std.	Direct Drive												
		Med.	1	1.5	1725	0.79	1.15	56HZ	1.9 - 2.9	5/8	1VL34	4.2	3/4	AK46	A39
		Med.	3	2.4	1725	0.80	1.15	56Y	1.9 - 2.9	5/8	1VL34	4.2	3/4	AK46	A39
		H. static	3	2.4	1725	0.80	1.15	56Y	2.8 - 3.8	5/8	1VL44	4.2	3/4	AK46	A40
ZQ	06 (5)	Std.	Direct Drive												
		Med.	1	1.5	1725	0.79	1.15	56HZ	1.9 - 2.9	5/8	1VL34	4.2	3/4	AK46	A37
		Med.	3	2.4	1725	0.80	1.15	56Y	1.9 - 2.9	5/8	1VL34	4.2	3/4	AK46	A37
		H. static	3	2.9	1725	0.81	1.15	56Y	2.8 - 3.8	7/8	1VL44	4.2	3/4	AK46	A39
ZX	A7 (6)	Std.	3	2.4	1725	0.80	1.15	56Y	1.9 - 2.9	5/8	1VL34	4.7	3/4	AK51	A39
		Med.	3	2.9	1725	0.81	1.15	56Y	2.8 - 3.8	7/8	1VL44	4.7	3/4	AK51	A40
		H. static	3	3.7	1725	0.84	1.15	56HZ	3.4 - 4.4	7/8	1VP50	4.7	3/4	AK51	A41
ZX	08 (7.5)	Std.	3	2.4	1725	0.80	1.15	56Y	1.9 - 2.9	5/8	1VL34	7.0	1	AK74	A47
		Med.	3	2.9	1725	0.81	1.15	56Y	2.8 - 3.8	7/8	1VL44	7.0	1	AK74	A48
		H. static	3	3.7	1725	0.84	1.15	56HZ	3.4 - 4.4	7/8	1VP50	7.0	1	AK74	A50
ZX	09 (8.5)	Std.	3	2.4	1725	0.80	1.15	56Y	1.9 - 2.9	5/8	1VL34	7.0	1	AK74	A47
		Med.	3	2.4	1725	0.80	1.15	56Y	2.8 - 3.8	5/8	1VL44	7.0	1	AK74	A48
		H. static	3	3.7	1725	0.84	1.15	56HZ	3.4 - 4.4	7/8	1VP50	7.0	1	AK74	A50
ZX	12 (10)	Std.	3	2.4	1725	0.80	1.15	56Y	2.8 - 3.8	5/8	1VL44	7.5	1	AK79	A50
		Med.	3	3.7	1725	0.84	1.15	56HZ	3.4 - 4.4	7/8	1VP50	7.5	1	AK79	A50
		H. static	3	5.25	1725	0.84	1.15	145TY	4.3 - 5.3	7/8	1VP56	7.9	1	BK85	BX52
ZX	14 (12.5)	Std.	3	2.9	1750	0.87	1.15	56Z	2.8 - 3.8	7/8	1VL44	7.5	1	AK79	A50
		Med.	3	3.7	1750	0.90	1.15	184TZ	3.4 - 4.4	7/8	1VP50	7.5	1	AK79	A52
		H. static	3	5.25	1750	0.90	1.15	184TZ	4.3 - 5.3	7/8	1VP56	7.9	1	BK85	BX54
ZY	04 (3)	Std.	Direct Drive												
		Med.	1	1.5	1725	0.79	1.15	56HZ	1.9 - 2.9	5/8	1VL34	4.2	3/4	AK46	A39
		Med.	3	2.4	1725	0.80	1.15	56Y	1.9 - 2.9	5/8	1VL34	4.2	3/4	AK46	A39
		H. static	3	2.4	1725	0.80	1.15	56Y	2.8 - 3.8	5/8	1VL44	4.2	3/4	AK46	A40
ZY	05 (4)	Std.	Direct Drive												
		Med.	1	1.5	1725	0.79	1.15	56HZ	1.9 - 2.9	5/8	1VL34	4.2	3/4	AK46	A39
		Med.	3	2.4	1725	0.80	1.15	56Y	1.9 - 2.9	5/8	1VL34	4.2	3/4	AK46	A39
		H. static	3	2.9	1725	0.81	1.15	56Y	2.8 - 3.8	7/8	1VL44	4.2	3/4	AK46	A40
ZY	06 (5)	Std.	Direct Drive												
		Med.	1	1.5	1750	0.83	1.15	56H	1.9 - 2.9	5/8	1VL34	4.2	3/4	AK46	A37
		Med.	3	2.4	1750	0.87	1.15	56HZ	1.9 - 2.9	5/8	1VL34	4.2	3/4	AK46	A37
		H. static	3	2.9	1750	0.87	1.15	56Z	2.8 - 3.8	7/8	1VL44	4.2	3/4	AK46	A39
ZY	07 (6)	Std.	3	2.4	1725	0.80	1.15	56Y	1.9 - 2.9	5/8	1VL34	7.0	1	AK74	A47
		Med.	3	2.9	1725	0.81	1.15	56Y	2.8 - 3.8	7/8	1VL44	7.0	1	AK74	A48
		H. static	3	3.7	1725	0.84	1.15	56HZ	3.4 - 4.4	7/8	1VP50	7.0	1	AK74	A48
ZY	A7 (6)	Std.	3	2.4	1725	0.80	1.15	56Y	1.9 - 2.9	5/8	1VL34	7.0	1	AK74	A47
		Med.	3	2.9	1725	0.81	1.15	56Y	2.8 - 3.8	7/8	1VL44	7.0	1	AK74	A48
		H. static	3	3.7	1725	0.84	1.15	56HZ	3.4 - 4.4	7/8	1VP50	7.0	1	AK74	A48
ZY	08 (7.5)	Std.	3	2.4	1725	0.80	1.15	56Y	1.9 - 2.9	5/8	1VL34	7.0	1	AK74	A47
		Med.	3	2.4	1725	0.80	1.15	56Y	2.8 - 3.8	5/8	1VL44	7.0	1	AK74	A48
		H. static	3	3.7	1725	0.84	1.15	56HZ	3.4 - 4.4	7/8	1VP50	7.0	1	AK74	A50
ZY	09 (8.5)	Std.	3	2.4	1725	0.80	1.15	56Y	1.9 - 2.9	5/8	1VL34	7.0	1	AK74	A47
		Med.	3	2.4	1725	0.80	1.15	56Y	2.8 - 3.8	5/8	1VL44	7.0	1	AK74	A48
		H. static	3	3.7	1725	0.84	1.15	56HZ	3.4 - 4.4	7/8	1VP50	7.0	1	AK74	A50
ZY	12 (10)	Std.	3	2.4	1725	0.80	1.15	56Y	2.8 - 3.8	5/8	1VL44	7.5	1	AK79	A50
		Med.	3	3.7	1725	0.84	1.15	56HZ	3.4 - 4.4	7/8	1VP50	7.5	1	AK79	A50
		H. static	3	5.25	1725	0.84	1.15	145TY	4.3 - 5.3	7/8	1VP56	7.9	1	BK85	BX52

Table 80: Indoor blower specifications

Model	Size (ton)	Airflow option	Motor					Motor sheave			Blower sheave			Belt	
			Phase	HP	RPM	Eff.	SF	Frame	Datum dia. (in.)	Bore (in.)	Model	Datum Dia. (in.)	Bore (in.)		Model
ZL	04 (3)	Std.	Direct Drive												
		Med.	3	2.4	1750	0.87	1.15	56Y	1.9 - 2.9	5/8	1VL34	4.2	3/4	AK46	A39
		H. static	3	2.4	1750	0.87	1.15	56Y	2.8 - 3.8	5/8	1VL44	4.2	3/4	AK46	A40
ZL	05 (4)	Std.	Direct Drive												
		Med.	3	2.4	1750	0.87	1.15	56Y	1.9 - 2.9	5/8	1VL34	4.2	3/4	AK46	A39
		H. static	3	2.9	1750	0.81	1.15	56Y	2.8 - 3.8	7/8	1VL44	4.2	3/4	AK46	A40
ZL	06 (5)	Std.	Direct Drive												
		Med.	3	2.4	1750	0.87	1.15	56HZ	1.9 - 2.9	5/8	1VL34	4.2	3/4	AK46	A37
		H. static	3	2.9	1750	0.87	1.15	56Z	2.8 - 3.8	7/8	1VL44	4.2	3/4	AK46	A39
ZL	08 (7.5)	Std.	3	2.4	1725	0.80	1.15	56Y	1.9 - 2.9	5/8	1VL34	7.0	1	AK74	A47
		Med.	3	2.4	1725	0.80	1.15	56Y	2.8 - 3.8	5/8	1VL44	7.0	1	AK74	A48
		H. static	3	3.7	1725	0.84	1.15	56HZ	3.4 - 4.4	7/8	1VP50	7.0	1	AK74	A50
ZL	09 (8.5)	Std.	3	2.4	1725	0.80	1.15	56Y	1.9 - 2.9	5/8	1VL34	7.0	1	AK74	A47
		Med.	3	2.4	1725	0.80	1.15	56Y	2.8 - 3.8	5/8	1VL44	7.0	1	AK74	A48
		H. static	3	3.7	1725	0.84	1.15	56HZ	3.4 - 4.4	7/8	1VP50	7.0	1	AK74	A50
ZL	12 (10)	Std.	3	2.4	1725	0.80	1.15	56Y	2.8 - 3.8	5/8	1VL44	7.5	1	AK79	A50
		Med.	3	3.7	1725	0.84	1.15	56HZ	3.4 - 4.4	7/8	1VP50	7.5	1	AK79	A50
		H. static	3	5.25	1725	0.84	1.15	145TY	4.3 - 5.3	7/8	1VP56	7.9	1	BK85	BX52
ZL	14 (12.5)	Std.	3	2.9	1750	0.87	1.15	56Y	2.8 - 3.8	5/8	1VL44	7.5	1	AK79	A50
		Med.	3	3.7	1750	0.90	1.15	184TZ	3.4 - 4.4	7/8	1VP50	7.5	1	AK79	A52
		H. static	3	5.25	1750	0.90	1.15	184TZ	4.3 - 5.3	7/8	1VP56	7.9	1	BK85	BX54

RPM selection

Table 81: RPM selection

Model	Size (Tons)	Airflow Option	Phase	MAX BHP	Blower Sheave	Motor Sheave	6 Turns Open	5 Turns Open	4 Turns Open	3 Turns Open	2 Turns Open	1 Turns Open	Fully Closed
ZQ	04 (3)	Std.	Direct Drive										
		Med.	1	1.5	AK46	1VL34	N/A	792	875	958	1042	1125	1208
		Med.	3	2.4	AK46	1VL34	N/A	792	875	958	1042	1125	1208
		H. Static	3	2.4	AK46	1VL44	N/A	1167	1250	1333	1417	1500	1593
ZQ	05 (4)	Std.	Direct Drive										
		Med.	1	1.5	AK46	1VL34	N/A	792	875	958	1042	1125	1208
		Med.	3	2.4	AK46	1VL34	N/A	792	875	958	1042	1125	1208
		H. Static	3	2.4	AK46	1VL44	N/A	1167	1250	1333	1417	1500	1593
ZQ	06 (5)	Std.	Direct Drive										
		Med.	1	1.5	AK46	1VL34	N/A	792	875	958	1042	1125	1208
		Med.	3	2.4	AK46	1VL34	N/A	792	875	958	1042	1125	1208
		H. Static	3	2.9	AK46	1VL44	N/A	1167	1250	1333	1417	1500	1593
ZX	A7 (6)	Std.	3	2.4	AK51	1VL34	N/A	707	782	856	931	1005	1080
		Med.	3	2.9	AK51	1VL44	N/A	1043	1117	1191	1266	1340	1415
		H. Static	3	3.7	AK51	1VP50	N/A	1266	1340	1415	1489	1564	1638
ZX	08 (7.5)	Std.	3	2.4	AK74	1VL34	N/A	475	525	575	625	675	725
		Med.	3	2.9	AK74	1VL44	N/A	700	750	800	850	900	950
		H. Static	3	3.7	AK74	1VP50	N/A	850	900	950	1000	1050	1100
ZX	09 (8.5)	Std.	3	2.4	AK74	1VL34	N/A	475	525	575	625	675	725
		Med.	3	2.4	AK74	1VL44	N/A	700	750	800	850	900	950
		H. Static	3	3.7	AK74	1VP50	N/A	850	900	950	1000	1050	1100
ZX	12 (10)	Std.	3	2.4	AK79	1VL44	N/A	653	700	747	793	840	887
		Med.	3	3.7	AK79	1VP50	N/A	793	840	887	933	980	1027
		H. Static	3	5.25	BK85	1VP56	953	997	1041	1085	1130	1174	N/A
ZX	14 (12.5)	Std.	3	2.9	AK79	1VL44	N/A	653	700	747	793	840	887
		Med.	3	3.7	AK79	1VP50	N/A	793	840	887	933	980	1027
		H. Static	3	5.25	BK85	1VP56	953	997	1041	1085	1130	1174	N/A
ZY	04 (3)	Std.	Direct Drive										
		Med.	1	1.5	AK46	1VL34	N/A	792	875	958	1042	1125	1208
		Med.	3	2.4	AK46	1VL34	N/A	792	875	958	1042	1125	1208
		H. Static	3	2.4	AK46	1VL44	N/A	1167	1250	1333	1417	1500	1593
ZY	05 (4)	Std.	Direct Drive										
		Med.	1	1.5	AK46	1VL34	N/A	792	875	958	1042	1125	1208
		Med.	3	2.4	AK46	1VL34	N/A	792	875	958	1042	1125	1208
		H. Static	3	2.9	AK46	1VL44	N/A	1167	1250	1333	1417	1500	1593

Table 81: RPM selection

Model	Size (Tons)	Airflow Option	Phase	MAX BHP	Blower Sheave	Motor Sheave	6 Turns Open	5 Turns Open	4 Turns Open	3 Turns Open	2 Turns Open	1 Turns Open	Fully Closed
ZY	06 (5)	Std.					Direct Drive						
		Med.	1	1.5	AK46	1VL34	N/A	792	875	958	1042	1125	1208
		Med.	3	2.4	AK46	1VL34	N/A	792	875	958	1042	1125	1208
		H. Static	3	2.9	AK46	1VL44	N/A	1167	1250	1333	1417	1500	1593
ZY	07 (6)	Std.	3	2.4	AK74	1VL34	N/A	475	525	575	625	675	725
		Med.	3	2.9	AK74	1VL44	N/A	700	750	800	850	900	950
		H. Static	3	3.7	AK74	1VP50	N/A	850	900	950	1000	1050	1100
ZY	A7 (6)	Std.	3	2.4	AK74	1VL34	N/A	475	525	575	625	675	725
		Med.	3	2.9	AK74	1VL44	N/A	700	750	800	850	900	950
		H. Static	3	3.7	AK74	1VP50	N/A	850	900	950	1000	1050	1100
ZY	08 (7.5)	Std.	3	2.4	AK74	1VL34	N/A	475	525	575	625	675	725
		Med.	3	2.4	AK74	1VL44	N/A	700	750	800	850	900	950
		H. Static	3	3.7	AK74	1VP50	N/A	850	900	950	1000	1050	1100
ZY	09 (8.5)	Std.	3	2.4	AK74	1VL34	N/A	475	525	575	625	675	725
		Med.	3	2.4	AK74	1VL44	N/A	700	750	800	850	900	950
		H. Static	3	3.7	AK74	1VP50	N/A	850	900	950	1000	1050	1100
ZY	12 (10)	Std.	3	2.4	AK79	1VL44	N/A	653	700	747	793	840	887
		Med.	3	3.7	AK79	1VP50	N/A	793	840	887	933	980	1027
		H. Static	3	5.25	BK85	1VP56	953	997	1041	1085	1130	1174	N/A
ZL	04 (3)	Std.					Direct Drive						
		Med.	3	2.4	AK46	1VL34	N/A	792	875	958	1042	1125	1208
		H. Static	3	2.4	AK46	1VL44	N/A	1167	1250	1333	1417	1500	1593
ZL	05 (4)	Std.					Direct Drive						
		Med.	3	2.4	AK46	1VL34	N/A	792	875	958	1042	1125	1208
		H. Static	3	2.9	AK46	1VL44	N/A	1167	1250	1333	1417	1500	1593
ZL	06 (5)	Std.					Direct Drive						
		Med.	3	2.4	AK46	1VL34	N/A	792	875	958	1042	1125	1208
		H. Static	3	2.9	AK46	1VL44	N/A	1167	1250	1333	1417	1500	1593
ZL	08 (7.5)	Std.	3	2.4	AK74	1VL34	N/A	475	525	575	625	675	725
		Med.	3	2.4	AK74	1VL44	N/A	700	750	800	850	900	950
		H. Static	3	3.7	AK74	1VP50	N/A	850	900	950	1000	1050	1100
ZL	09 (8.5)	Std.	3	2.4	AK74	1VL34	N/A	475	525	575	625	675	725
		Med.	3	2.4	AK74	1VL44	N/A	700	750	800	850	900	950
		H. Static	3	3.7	AK74	1VP50	N/A	850	900	950	1000	1050	1100
ZL	12 (10)	Std.	3	2.4	AK79	1VL44	N/A	653	700	747	793	840	887
		Med.	3	3.7	AK79	1VP50	N/A	793	840	887	933	980	1027
		H. Static	3	5.25	BK85	1VP56	953	997	1041	1085	1130	1174	N/A
ZL	14 (12.5)	Std.	3	2.9	AK79	1VL44	N/A	653	700	747	793	840	887
		Med.	3	3.7	AK79	1VP50	N/A	793	840	887	933	980	1027
		H. Static	3	5.25	BK85	1VP56	953	997	1041	1085	1130	1174	N/A

Additional static resistance

Table 82: Additional static resistance - ZQ04-06

Model	Size (ton)	CFM	Cooling only ¹	Economizer ^{2,3}	4 in. filter ²	Electric heat kW ²			
						6/6.5	9.2/10.5/11	13.8/14/16	23
ZQ	04 (3.0), 05 (4.0)	900	0.04	0.15	---	0.00	0.00	0.01	0.01
		1000	0.05	0.18	---	0.00	0.00	0.02	0.02
		1100	0.06	0.21	---	0.01	0.01	0.02	0.03
		1200	0.07	0.24	---	0.01	0.01	0.02	0.03
		1300	0.10	0.28	---	0.01	0.01	0.03	0.03
		1400	0.12	0.33	---	0.02	0.02	0.03	0.04
		1500	0.14	0.44	---	0.02	0.02	0.04	0.04
		1600	0.16	0.52	---	0.02	0.02	0.04	0.05
		1700	0.18	0.59	---	0.03	0.03	0.05	0.05
		1800	0.22	0.66	---	0.03	0.03	0.05	0.06
		1900	0.25	0.74	---	0.04	0.04	0.06	0.07
		2000	0.28	0.81	---	0.04	0.04	0.07	0.08
		2100	0.33	0.88	---	0.05	0.05	0.07	0.08
		2200	0.36	0.95	---	0.06	0.06	0.08	0.09
		2300	0.41	1.03	---	0.06	0.06	0.09	0.10
	2400	0.45	1.10	---	0.07	0.07	0.10	0.11	
	2500	0.50	1.17	---	0.08	0.08	0.11	0.12	
	06 (5.0)	1800	0.23	0.66	---	0.03	0.03	0.05	0.06
		2000	0.28	0.81	---	0.04	0.04	0.07	0.08
		2200	0.32	0.95	---	0.06	0.06	0.08	0.09
		2400	0.37	1.10	---	0.07	0.07	0.10	0.11

- 1 Add these values to the available static resistance in the respective blower performance tables.
- 2 Deduct these values from the available external static pressure shown in the respective blower performance tables.
- 3 The pressure drop through the economizer is greater for 100% outdoor air than for 100% return air. If the resistance of the return air duct is less than 0.25 IWG, the unit will deliver less CFM during full economizer operation.

Table 83: Additional static resistance - ZXA7, 08-14

Model	Size (ton)	CFM	Cooling only ¹	Economizer ^{2,3}	4 in. filter ²	Electric heat kW ²							
						6/6.5	9.2/10.5/11	13.8/14/16	16/16.5/17	23	24.8/25.5/27.8	32/33/34	41.7/42.4
ZX	A7 (6)	1800	0.23	0.66	---	0.03	0.03	0.05	---	---	---	---	---
		2000	0.28	0.81	---	0.04	0.04	0.06	---	---	---	---	---
		2200	0.32	0.95	---	0.06	0.06	0.07	---	---	---	---	---
		2400	0.37	1.10	---	0.07	0.07	0.08	---	---	---	---	---
		2600	0.38	1.25	---	0.08	0.08	0.09	---	---	---	---	---
		2800	0.41	1.39	---	0.09	0.09	0.10	---	---	---	---	---
		3000	0.45	1.54	---	0.11	0.11	0.12	---	---	---	---	---
ZX	08 (7.5), 09 (8.5), 12 (10.0), 14 (12.5)	2200	0.04	0.18	---	---	---	---	0.07	---	0.09	0.10	0.12
		2600	0.06	0.24	---	---	---	---	0.09	---	0.11	0.12	0.15
		3000	0.10	0.35	---	---	---	---	0.12	---	0.14	0.15	0.19
		3400	0.13	0.47	---	---	---	---	0.15	---	0.18	0.19	0.23
		4800	0.22	0.91	---	---	---	---	0.30	---	0.34	0.35	0.41
		5200	0.24	1.04	---	---	---	---	0.35	---	0.39	0.41	0.47
		5600	0.26	1.17	---	---	---	---	0.41	---	0.45	0.47	0.54
6000	0.28	1.30	---	---	---	---	0.48	---	0.52	0.54	0.60		

- 1 Add these values to the available static resistance in the respective blower performance tables.
- 2 Deduct these values from the available external static pressure shown in the respective blower performance tables.
- 3 The pressure drop through the economizer is greater for 100% outdoor air than for 100% return air. If the resistance of the return air duct is less than 0.25 IWG, the unit will deliver less CFM during full economizer operation.

Table 84: Additional static resistance - ZY04-12

Model	Size (ton)	CFM	Cooling only ¹	Economizer ^{2,3}	4 in. filters ²	Electric heat kW ²							
						6/6.5	9.2/10.5/11	13.8/14/16	16/16.5/17	23	24.8/25.5/27.8	32/33/34	41.7/42.4
ZY	04 (3.0)	900	0.04	0.15	---	0.00	0.00	0.01	---	0.01	---	---	---
		1000	0.05	0.18	---	0.00	0.00	0.02	---	0.02	---	---	---
		1100	0.06	0.21	---	0.01	0.01	0.02	---	0.03	---	---	---
		1200	0.07	0.24	---	0.01	0.01	0.02	---	0.03	---	---	---
		1300	0.10	0.28	---	0.01	0.01	0.03	---	0.03	---	---	---
		1400	0.12	0.33	---	0.02	0.02	0.03	---	0.04	---	---	---
	05 (4.0)	1500	0.14	0.44	---	0.02	0.02	0.04	---	0.04	---	---	---
		1200	0.06	0.24	---	0.01	0.01	0.02	---	0.03	---	---	---
		1300	0.06	0.28	---	0.01	0.01	0.03	---	0.03	---	---	---
		1400	0.06	0.33	---	0.02	0.02	0.03	---	0.04	---	---	---
		1500	0.07	0.44	---	0.02	0.02	0.04	---	0.04	---	---	---
		1600	0.08	0.52	---	0.02	0.02	0.04	---	0.05	---	---	---
		1700	0.11	0.59	---	0.03	0.03	0.05	---	0.05	---	---	---
		1800	0.13	0.66	---	0.03	0.03	0.05	---	0.06	---	---	---
	06 (5.0)	1900	0.16	0.74	---	0.04	0.04	0.06	---	0.07	---	---	---
		2000	0.20	0.81	---	0.04	0.04	0.07	---	0.08	---	---	---
		1800	0.23	0.66	---	0.03	0.03	0.05	---	0.06	---	---	---
		2000	0.28	0.81	---	0.04	0.04	0.07	---	0.08	---	---	---
		2200	0.32	0.95	---	0.06	0.06	0.08	---	0.09	---	---	---
	07 (6.0)	2400	0.37	1.10	---	0.07	0.07	0.10	---	0.11	---	---	---
		2500	0.50	1.17	---	0.08	0.08	0.11	---	0.12	---	---	---
		1800	0.23	0.13	---	0.03	---	---	0.05	---	0.06	---	---
		2000	0.28	0.15	---	0.04	---	---	0.06	---	0.07	---	---
		2200	0.32	0.18	---	0.06	---	---	0.07	---	0.09	---	---
		2400	0.37	0.21	---	0.07	---	---	0.08	---	0.1	---	---
		2600	0.38	0.24	---	0.08	---	---	0.09	---	0.11	---	---
		2800	0.41	0.29	---	0.09	---	---	0.10	---	0.12	---	---
	A7 (6.0)	3000	0.45	0.35	---	0.11	---	---	0.12	---	0.14	---	---
		1800	0.23	0.13	---	0.03	---	---	0.05	---	0.06	---	---
		2000	0.28	0.15	---	0.04	---	---	0.06	---	0.07	---	---
		2200	0.32	0.18	---	0.06	---	---	0.07	---	0.09	---	---
		2400	0.37	0.21	---	0.07	---	---	0.08	---	0.1	---	---
		2600	0.38	0.24	---	0.08	---	---	0.09	---	0.11	---	---
	08 (7.5), 09 (8.5), 12 (10.0)	2800	0.41	0.29	---	0.09	---	---	0.10	---	0.12	---	---
		3000	0.45	0.35	---	0.11	---	---	0.12	---	0.14	---	---
		2200	0.04	0.18	---	---	---	---	0.07	---	0.09	0.10	0.12
2600		0.06	0.24	---	---	---	---	0.09	---	0.11	0.12	0.15	
3000		0.10	0.35	---	---	---	---	0.12	---	0.14	0.15	0.19	
3400		0.13	0.47	---	---	---	---	0.15	---	0.18	0.19	0.23	
3800		0.16	0.59	---	---	---	---	0.19	---	0.22	0.23	0.27	
4000		0.17	0.66	---	---	---	---	0.21	---	0.24	0.25	0.30	
4400		0.20	0.79	---	---	---	---	0.25	---	0.29	0.30	0.35	
4800		0.22	0.91	---	---	---	---	0.30	---	0.34	0.35	0.41	
5200		0.24	1.04	---	---	---	---	0.35	---	0.39	0.41	0.47	
5600		0.26	1.17	---	---	---	---	0.41	---	0.45	0.47	0.54	
6000	0.28	1.30	---	---	---	---	0.48	---	0.52	0.54	0.60		

- 1 Add these values to the available static resistance in the respective blower performance tables.
- 2 Deduct these values from the available external static pressure shown in the respective blower performance tables.
- 3 The pressure drop through the economizer is greater for 100% outdoor air than for 100% return air. If the resistance of the return air duct is less than 0.25 IWG, the unit will deliver less CFM during full economizer operation.

Table 85: Additional static resistance - ZL04-14

Model	Size (ton)	CFM	Cooling only ¹	Economizer ^{2,3}	4 in. filters ²	Electric heat kW ²							
						6/6.5	9.2/10.5/11	13.8/14/16	16/16.5/17	23	24.8/25.5/27.8	32/33/34	41.7/42.4
ZL	04 (3.0)	900	0.04	0.15	---	0.00	0.00	0.01	---	0.01	---	---	---
		1000	0.05	0.18	---	0.00	0.00	0.02	---	0.02	---	---	---
		1100	0.06	0.21	---	0.01	0.01	0.02	---	0.03	---	---	---
		1200	0.07	0.24	---	0.01	0.01	0.02	---	0.03	---	---	---
		1300	0.10	0.28	---	0.01	0.01	0.03	---	0.03	---	---	---
		1400	0.12	0.33	---	0.02	0.02	0.03	---	0.04	---	---	---
	05 (4.0)	1500	0.14	0.44	---	0.02	0.02	0.04	---	0.04	---	---	---
		1200	0.06	0.24	---	0.01	0.01	0.02	---	0.03	---	---	---
		1300	0.06	0.28	---	0.01	0.01	0.03	---	0.03	---	---	---
		1400	0.06	0.33	---	0.02	0.02	0.03	---	0.04	---	---	---
		1500	0.07	0.44	---	0.02	0.02	0.04	---	0.04	---	---	---
		1600	0.08	0.52	---	0.02	0.02	0.04	---	0.05	---	---	---
		1700	0.11	0.59	---	0.03	0.03	0.05	---	0.05	---	---	---
		1800	0.13	0.66	---	0.03	0.03	0.05	---	0.06	---	---	---
	06 (5.0)	1900	0.16	0.74	---	0.04	0.04	0.06	---	0.07	---	---	---
		2000	0.20	0.81	---	0.04	0.04	0.07	---	0.08	---	---	---
		1800	0.23	0.66	---	0.03	0.03	0.05	---	0.06	---	---	---
		2000	0.28	0.81	---	0.04	0.04	0.07	---	0.08	---	---	---
		2200	0.32	0.95	---	0.06	0.06	0.08	---	0.09	---	---	---
	08 (7.5), 09 (8.5), 12 (10.0), 14 (12.5)	2400	0.37	1.10	---	0.07	0.07	0.10	---	0.11	---	---	---
		2500	0.50	1.17	---	0.08	0.08	0.11	---	0.12	---	---	---
		2200	0.04	0.18	---	---	---	---	0.07	---	0.09	0.10	0.12
		2600	0.06	0.24	---	---	---	---	0.09	---	0.11	0.12	0.15
		3000	0.10	0.35	---	---	---	---	0.12	---	0.14	0.15	0.19
		3400	0.13	0.47	---	---	---	---	0.15	---	0.18	0.19	0.23
		3800	0.16	0.59	---	---	---	---	0.19	---	0.22	0.23	0.27
		4000	0.17	0.66	---	---	---	---	0.21	---	0.24	0.25	0.30
		4400	0.20	0.79	---	---	---	---	0.25	---	0.29	0.30	0.35
		4800	0.22	0.91	---	---	---	---	0.30	---	0.34	0.35	0.41
		5200	0.24	1.04	---	---	---	---	0.35	---	0.39	0.41	0.47
5600		0.26	1.17	---	---	---	---	0.41	---	0.45	0.47	0.54	
6000	0.28	1.30	---	---	---	---	0.48	---	0.52	0.54	0.60		

- 1 Add these values to the available static resistance in the respective blower performance tables.
- 2 Deduct these values from the available external static pressure shown in the respective blower performance tables.
- 3 The pressure drop through the economizer is greater for 100% outdoor air than for 100% return air. If the resistance of the return air duct is less than 0.25 IWG, the unit will deliver less CFM during full economizer operation.

Airflow performance

ZQ04 to 06 side duct application (belt drive)

Table 86: ZQ04 (3.0 ton) side duct

CFM	Available external static pressure - IWG ¹																			
	0.2		0.4		0.6		0.8		1.0		1.2		1.4		1.6		1.8		2.0	
	RPM	BHP	RPM	BHP	RPM	BHP	RPM	BHP	RPM	BHP	RPM	BHP	RPM	BHP	RPM	BHP	RPM	BHP	RPM	BHP
900	n/a	n/a	877	0.25	965	0.34	1050	0.44	1133	0.54	1213	0.64	1292	0.74	1371	0.83	1450	0.92	1531	1.01
1000	795	0.21	887	0.29	976	0.38	1061	0.48	1143	0.58	1224	0.68	1303	0.78	1382	0.87	1461	0.96	1541	1.05
1100	806	0.25	899	0.34	988	0.43	1073	0.53	1155	0.63	1236	0.73	1315	0.83	1394	0.92	1473	1.01	1553	1.09
1200	820	0.31	913	0.39	1002	0.48	1087	0.58	1169	0.68	1249	0.78	1329	0.88	1407	0.97	1487	1.06	1567	1.15
1300	836	0.37	929	0.45	1018	0.54	1103	0.64	1185	0.74	1265	0.84	1345	0.94	1423	1.03	1503	1.12	1583	1.21
1400	855	0.43	948	0.52	1036	0.61	1121	0.70	1204	0.80	1284	0.90	1363	1.00	1442	1.10	1521	1.19	--	--
1500	876	0.50	969	0.58	1058	0.68	1143	0.77	1225	0.87	1305	0.97	1385	1.07	1464	1.17	1543	1.26	--	--
	Medium static option with motor rated at 2.4-hp																			
	High static option with motor rated at 2.4-hp																			
--	Exceeds recommended blower speed																			

1 Blower performance includes gas heat exchangers and 2 in. filters. See static resistance table for additional applications. **Note:** See RPM selection table to determine required motor sheave setting and to determine the maximum continuous BHP. kW = 0.929 x BHP

Table 87: ZQ05 (4.0 ton) side duct

CFM	Available external static pressure - IWG ¹																			
	0.2		0.4		0.6		0.8		1.0		1.2		1.4		1.6		1.8		2.0	
	RPM	BHP	RPM	BHP	RPM	BHP	RPM	BHP	RPM	BHP	RPM	BHP	RPM	BHP	RPM	BHP	RPM	BHP	RPM	BHP
1200	893	0.37	976	0.46	1054	0.56	1128	0.66	1199	0.75	1268	0.85	1336	0.94	1404	1.03	1474	1.12	1545	1.20
1300	910	0.43	993	0.52	1071	0.62	1144	0.72	1216	0.81	1285	0.91	1353	1.00	1421	1.09	1491	1.18	1562	1.26
1400	931	0.49	1014	0.59	1092	0.69	1166	0.78	1237	0.88	1306	0.97	1374	1.06	1442	1.15	1512	1.24	1583	1.33
1500	956	0.56	1039	0.66	1117	0.76	1191	0.85	1262	0.95	1331	1.04	1399	1.14	1467	1.23	1537	1.31	1608	1.40
1600	985	0.64	1067	0.74	1145	0.83	1219	0.93	1290	1.03	1359	1.12	1428	1.21	1496	1.30	1565	1.39	1637	1.47
1700	1016	0.73	1099	0.82	1177	0.92	1251	1.02	1322	1.11	1391	1.21	1459	1.30	1528	1.39	1597	1.48	--	--
1800	1051	0.82	1134	0.92	1212	1.02	1286	1.11	1357	1.21	1426	1.30	1494	1.40	1562	1.49	1632	1.57	--	--
1900	1088	0.93	1171	1.02	1249	1.12	1323	1.22	1394	1.31	1463	1.41	1532	1.50	1600	1.59	--	--	--	--
2000	1128	1.04	1211	1.14	1289	1.23	1363	1.33	1434	1.43	1503	1.52	1571	1.61	1640	1.70	--	--	--	--
	Medium static option with motor rated at 2.4-hp																			
	High static option with motor rated at 2.4-hp																			
	Field supplied AK41 x ¾ in. fixed blower pulley with motor rated at 2.4-hp																			
--	Exceeds recommended blower speed																			

1 Blower performance includes gas heat exchangers and 2 in. filters. See static resistance table for additional applications. **Note:** See RPM selection table to determine required motor sheave setting and to determine the maximum continuous BHP. kW = 0.929 x BHP

Table 88: ZQ06 (5.0 ton) side duct

CFM	Available external static pressure - IWG ¹																			
	0.2		0.4		0.6		0.8		1.0		1.2		1.4		1.6		1.8		2.0	
	RPM	BHP	RPM	BHP	RPM	BHP	RPM	BHP	RPM	BHP	RPM	BHP	RPM	BHP	RPM	BHP	RPM	BHP	RPM	BHP
1500	806	0.35	885	0.47	961	0.60	1034	0.73	1104	0.86	1170	1.00	1233	1.13	1292	1.26	1346	1.39	1396	1.52
1600	825	0.44	904	0.56	980	0.68	1053	0.81	1123	0.95	1189	1.08	1252	1.22	1311	1.35	1365	1.48	1415	1.61
1700	846	0.52	925	0.64	1001	0.76	1074	0.89	1144	1.03	1210	1.16	1273	1.30	1332	1.43	1386	1.56	1436	1.69
1800	869	0.60	947	0.72	1023	0.84	1096	0.97	1166	1.11	1233	1.24	1295	1.38	1354	1.51	1409	1.64	1459	1.77
1900	892	0.68	971	0.80	1047	0.93	1120	1.06	1190	1.19	1256	1.32	1319	1.46	1378	1.59	1432	1.72	1482	1.85
2000	916	0.77	995	0.89	1071	1.01	1144	1.14	1214	1.28	1280	1.41	1343	1.55	1402	1.68	1456	1.81	1506	1.94
2100	941	0.86	1019	0.98	1095	1.11	1168	1.24	1238	1.37	1305	1.50	1367	1.64	1426	1.77	1481	1.90	1531	2.03
2200	966	0.96	1044	1.08	1120	1.21	1193	1.34	1263	1.47	1329	1.61	1392	1.74	1451	1.87	1505	2.01	1555	2.13
2300	990	1.07	1069	1.19	1145	1.32	1218	1.45	1287	1.58	1354	1.72	1417	1.85	1476	1.98	1530	2.11	1580	2.24
2400	1015	1.19	1093	1.31	1169	1.44	1242	1.57	1312	1.70	1379	1.83	1441	1.97	1500	2.10	1555	2.23	--	--
2500	1039	1.32	1118	1.44	1193	1.56	1266	1.69	1336	1.83	1403	1.96	1466	2.10	1524	2.23	1579	2.36	--	--
	Medium static option with motor rated at 2.4-hp																			
	High static option with motor rated at 2.9-hp																			
--	Exceeds recommended blower speed																			

¹ Blower performance includes gas heat exchangers and 2 in. filters. See static resistance table for additional applications. **Note:** See RPM selection table to determine required motor sheave setting and to determine the maximum continuous BHP. kW = 0.929 x BHP

ZQ04 to 06 bottom duct application (belt drive)

Table 89: ZQ04 (3.0 ton) bottom duct

CFM	Available external static pressure - IWG ¹																			
	0.2		0.4		0.6		0.8		1.0		1.2		1.4		1.6		1.8		2.0	
	RPM	BHP	RPM	BHP	RPM	BHP	RPM	BHP	RPM	BHP	RPM	BHP	RPM	BHP	RPM	BHP	RPM	BHP	RPM	BHP
900	792	0.14	879	0.25	968	0.37	1055	0.49	1141	0.61	1226	0.73	1308	0.84	1388	0.93	1466	1.01	1541	1.06
1000	804	0.18	893	0.29	981	0.41	1069	0.53	1155	0.66	1239	0.77	1322	0.88	1402	0.98	1480	1.05	1554	1.10
1100	819	0.23	909	0.34	997	0.46	1084	0.58	1171	0.71	1255	0.82	1337	0.93	1418	1.03	1495	1.10	1570	1.15
1200	837	0.29	926	0.40	1015	0.52	1102	0.64	1188	0.76	1273	0.88	1355	0.99	1435	1.08	1513	1.16	1588	1.21
1300	857	0.36	946	0.46	1035	0.58	1122	0.70	1208	0.83	1293	0.94	1375	1.05	1455	1.15	1533	1.22	--	--
1400	880	0.43	969	0.53	1058	0.65	1145	0.77	1231	0.90	1315	1.02	1398	1.12	1478	1.22	1556	1.29	--	--
1500	905	0.50	994	0.61	1082	0.73	1170	0.85	1256	0.97	1340	1.09	1423	1.20	1503	1.30	1581	1.37	--	--
	Medium static option with motor rated at 2.4-hp																			
	High static option with motor rated at 2.4-hp																			
--	Exceeds recommended blower speed																			

1 Blower performance includes gas heat exchangers and 2 in. filters. See static resistance table for additional applications. **Note:** See RPM selection table to determine required motor sheave setting and to determine the maximum continuous BHP. kW = 0.929 x BHP

Table 90: ZQ05 (4.0 ton) bottom duct

CFM	Available external static pressure - IWG ¹																			
	0.2		0.4		0.6		0.8		1.0		1.2		1.4		1.6		1.8		2.0	
	RPM	BHP	RPM	BHP	RPM	BHP	RPM	BHP	RPM	BHP	RPM	BHP	RPM	BHP	RPM	BHP	RPM	BHP	RPM	BHP
1200	908	0.34	994	0.45	1072	0.55	1145	0.64	1214	0.74	1283	0.83	1352	0.92	1424	1.01	1502	1.11	1586	1.20
1300	921	0.40	1007	0.51	1085	0.61	1158	0.70	1227	0.80	1296	0.89	1365	0.98	1437	1.07	1514	1.17	1599	1.26
1400	938	0.47	1023	0.58	1101	0.68	1174	0.77	1244	0.86	1312	0.96	1382	1.05	1454	1.14	1531	1.23	1616	1.33
1500	959	0.55	1044	0.65	1122	0.75	1195	0.85	1265	0.94	1333	1.03	1403	1.12	1475	1.21	1552	1.31	1637	1.41
1600	985	0.63	1070	0.73	1148	0.83	1221	0.93	1290	1.02	1359	1.11	1428	1.20	1500	1.29	1578	1.39	--	--
1700	1015	0.71	1100	0.82	1179	0.92	1251	1.01	1321	1.11	1389	1.20	1459	1.29	1531	1.38	1608	1.48	--	--
1800	1050	0.81	1136	0.91	1214	1.01	1287	1.11	1356	1.20	1425	1.29	1494	1.39	1566	1.48	1644	1.57	--	--
1900	1091	0.91	1176	1.02	1254	1.12	1327	1.21	1397	1.31	1465	1.40	1534	1.49	1607	1.58	--	--	--	--
2000	1136	1.02	1222	1.13	1300	1.23	1372	1.32	1442	1.42	1510	1.51	1580	1.60	--	--	--	--	--	--
	Medium static option with motor rated at 2.4-hp																			
	High static option with motor rated at 2.4-hp																			
	Field supplied AK41 x ¾ in. fixed blower pulley with motor rated at 2.4-hp																			
--	Exceeds recommended blower speed																			

1 Blower performance includes gas heat exchangers and 2 in. filters. See static resistance table for additional applications. **Note:** See RPM selection table to determine required motor sheave setting and to determine the maximum continuous BHP. kW = 0.929 x BHP

Table 91: ZQ06 (5.0 ton) bottom duct

CFM	Available external static pressure - IWG ¹																			
	0.2		0.4		0.6		0.8		1.0		1.2		1.4		1.6		1.8		2.0	
	RPM	BHP	RPM	BHP	RPM	BHP	RPM	BHP	RPM	BHP	RPM	BHP	RPM	BHP	RPM	BHP	RPM	BHP	RPM	BHP
1500	846	0.34	914	0.48	983	0.62	1052	0.75	1120	0.89	1188	1.02	1254	1.16	1318	1.29	1378	1.43	1435	1.56
1600	868	0.41	936	0.55	1004	0.68	1073	0.82	1142	0.95	1210	1.09	1276	1.23	1339	1.36	1400	1.50	1457	1.63
1700	889	0.49	957	0.62	1026	0.76	1095	0.90	1164	1.03	1231	1.17	1297	1.30	1361	1.44	1422	1.57	1479	1.71
1800	911	0.57	979	0.71	1048	0.85	1117	0.98	1186	1.12	1253	1.25	1319	1.39	1383	1.53	1443	1.66	1501	1.79
1900	934	0.67	1002	0.81	1071	0.94	1140	1.08	1208	1.21	1276	1.35	1342	1.48	1405	1.62	1466	1.75	1523	1.89
2000	958	0.77	1026	0.91	1094	1.04	1164	1.18	1232	1.32	1300	1.45	1366	1.59	1429	1.72	1490	1.86	1547	1.99
2100	983	0.88	1051	1.02	1120	1.15	1189	1.29	1258	1.42	1325	1.56	1391	1.69	1455	1.83	1516	1.96	1573	2.10
2200	1010	0.99	1078	1.13	1147	1.26	1216	1.40	1285	1.54	1352	1.67	1418	1.81	1482	1.94	1543	2.08	--	--
2300	1039	1.11	1107	1.25	1176	1.38	1245	1.52	1314	1.65	1381	1.79	1447	1.93	1511	2.06	1572	2.20	--	--
2400	1070	1.23	1138	1.37	1207	1.50	1276	1.64	1345	1.78	1412	1.91	1478	2.05	1542	2.18	--	--	--	--
2500	1103	1.36	1171	1.49	1240	1.63	1309	1.77	1378	1.90	1445	2.04	1511	2.17	1575	2.31	--	--	--	--
	Medium static option with motor rated at 2.4-hp																			
	High static option with motor rated at 2.9-hp																			
--	Exceeds recommended blower speed																			

¹ Blower performance includes gas heat exchangers and 2 in. filters. See static resistance table for additional applications. **Note:** See RPM selection table to determine required motor sheave setting and to determine the maximum continuous BHP. kW = 0.929 x BHP

ZXA7, 08 to 14 side duct application (belt drive)

Table 92: ZXA7 (6.0 ton) side duct

CFM	Available external static																			
	0.2		0.4		0.6		0.8		1.0		1.2		1.4		1.6		1.8		2.0	
	RPM	BHP	RPM	BHP	RPM	BHP	RPM	BHP	RPM	BHP	RPM	BHP	RPM	BHP	RPM	BHP	RPM	BHP	RPM	BHP
1800	915	0.67	979	0.77	1041	0.89	1102	1.02	1162	1.16	1221	1.31	1278	1.45	1334	1.59	1389	1.72	1442	1.82
1900	939	0.78	1003	0.87	1065	0.99	1126	1.12	1186	1.27	1244	1.41	1302	1.56	1358	1.69	1412	1.82	1466	1.93
2000	964	0.89	1028	0.99	1090	1.11	1151	1.24	1211	1.38	1269	1.52	1327	1.67	1383	1.81	1437	1.93	1491	2.04
2100	990	1.01	1054	1.11	1116	1.23	1177	1.36	1237	1.50	1296	1.65	1353	1.79	1409	1.93	1464	2.05	1517	2.16
2200	1018	1.14	1081	1.24	1143	1.36	1204	1.49	1264	1.63	1323	1.78	1380	1.92	1436	2.06	1491	2.18	1544	2.29
2300	1046	1.28	1110	1.37	1172	1.49	1233	1.62	1293	1.77	1351	1.91	1409	2.05	1465	2.19	1519	2.32	1573	2.43
2400	1076	1.42	1139	1.52	1201	1.63	1262	1.76	1322	1.91	1381	2.05	1438	2.20	1494	2.33	1549	2.46	1602	2.57
2500	1106	1.56	1170	1.66	1232	1.78	1293	1.91	1353	2.05	1411	2.20	1469	2.34	1525	2.48	1579	2.60	1633	2.71
2600	1138	1.71	1201	1.81	1263	1.93	1324	2.06	1384	2.20	1443	2.35	1500	2.49	1556	2.63	1611	2.75	--	--
2700	1170	1.87	1234	1.96	1296	2.08	1357	2.21	1417	2.35	1475	2.50	1533	2.64	1589	2.78	1638	2.91	--	--
2800	1203	2.02	1267	2.12	1329	2.24	1390	2.37	1450	2.51	1509	2.66	1566	2.80	1622	2.94	--	--	--	--
2900	1238	2.18	1301	2.28	1364	2.40	1425	2.53	1484	2.67	1543	2.81	1600	2.96	--	--	--	--	--	--
3000	1273	2.34	1337	2.44	1399	2.56	1460	2.69	1520	2.83	1578	2.97	1635	3.12	--	--	--	--	--	--
	Standard static option with motor rated at 2.4-hp																			
	Static option with motor rated at 2.9-hp																			
	Static option with motor rated at 3.7-hp																			
--	Exceeds recommended blower speed																			

Table 93: ZX08 (7.5 ton) side duct

CFM	Available external static pressure - IWG ¹																			
	0.2		0.4		0.6		0.8		1.0		1.2		1.4		1.6		1.8		2.0	
	RPM	BHP	RPM	BHP	RPM	BHP	RPM	BHP	RPM	BHP	RPM	BHP	RPM	BHP	RPM	BHP	RPM	BHP	RPM	BHP
2250	557	0.48	623	0.67	685	0.85	742	1.04	796	1.23	848	1.41	898	1.59	947	1.77	997	1.94	1049	2.11
2400	569	0.56	636	0.75	698	0.94	755	1.13	809	1.32	860	1.50	910	1.68	960	1.86	1010	2.03	1062	2.20
2600	588	0.69	655	0.88	716	1.07	773	1.26	827	1.44	879	1.63	929	1.81	978	1.98	1029	2.16	1080	2.32
2800	607	0.83	674	1.02	736	1.21	793	1.40	847	1.58	898	1.77	948	1.95	998	2.13	1048	2.30	1100	2.47
3000	628	0.99	695	1.18	757	1.37	814	1.56	868	1.74	919	1.92	969	2.11	1019	2.28	1069	2.45	--	--
3200	650	1.16	717	1.35	779	1.54	836	1.73	890	1.91	941	2.10	991	2.28	1041	2.45	1091	2.63	--	--
3400	673	1.35	740	1.54	802	1.73	859	1.91	913	2.10	964	2.28	1014	2.46	1064	2.64	--	--	--	--
3600	697	1.55	764	1.74	826	1.93	883	2.11	937	2.30	988	2.48	1038	2.67	1088	2.84	--	--	--	--
3750	716	1.71	783	1.90	844	2.09	901	2.28	955	2.46	1007	2.65	1057	2.83	1100	3.00	--	--	--	--
	Standard static option with motor rated at 2.4-hp																			
	Medium static option with motor rated at 2.9-hp																			
	High static option with motor rated at 3.7-hp																			
--	Exceeds recommended blower speed																			

1 Blower performance includes gas heat exchangers and 2 in. filters. See static resistance table for additional applications. **Note:** See RPM selection table to determine required motor sheave setting and to determine the maximum continuous BHP. kW = 0.929 x BHP

Table 94: ZX09 (8.5 ton) side duct

CFM	Available external static pressure - IWG ¹																			
	0.2		0.4		0.6		0.8		1.0		1.2		1.4		1.6		1.8		2.0	
	RPM	BHP	RPM	BHP	RPM	BHP	RPM	BHP	RPM	BHP	RPM	BHP	RPM	BHP	RPM	BHP	RPM	BHP	RPM	BHP
2550	549	0.45	609	0.69	668	0.91	727	1.11	784	1.31	840	1.49	893	1.68	944	1.87	991	2.06	1035	2.25
2600	552	0.48	611	0.72	671	0.94	729	1.14	787	1.34	842	1.53	896	1.71	946	1.90	994	2.09	1038	2.29
2800	562	0.62	621	0.86	681	1.07	739	1.28	796	1.47	852	1.66	905	1.85	956	2.03	1004	2.22	1048	2.42
3000	573	0.77	632	1.00	692	1.22	750	1.43	807	1.62	863	1.81	917	2.00	967	2.18	1015	2.37	1059	2.57
3200	585	0.93	644	1.16	704	1.38	762	1.59	820	1.78	875	1.97	929	2.16	979	2.34	1027	2.53	1071	2.73
3400	598	1.10	658	1.34	717	1.55	776	1.76	833	1.95	889	2.14	942	2.33	993	2.51	1040	2.70	1084	2.90
3600	613	1.28	672	1.52	732	1.74	790	1.94	848	2.14	903	2.32	957	2.51	1008	2.70	1055	2.89	1099	3.08
3800	629	1.47	688	1.71	748	1.93	806	2.13	864	2.33	919	2.52	973	2.70	1024	2.89	1071	3.08	--	--
4000	646	1.68	706	1.91	765	2.13	824	2.34	881	2.53	937	2.72	990	2.90	1041	3.09	1088	3.28	--	--
4200	665	1.89	724	2.12	784	2.34	842	2.55	900	2.74	955	2.93	1009	3.11	1059	3.30	--	--	--	--
4250	670	1.94	729	2.18	789	2.40	847	2.60	904	2.80	960	2.98	1014	3.17	1064	3.35	--	--	--	--
Standard static option with motor rated at 2.4-hp																				
Medium static option with motor rated at 2.4-hp																				
High static option with motor rated at 3.7-hp																				
-- Exceeds recommended blower speed																				

1 Blower performance includes gas heat exchangers and 2 in. filters. See static resistance table for additional applications. **Note:** See RPM selection table to determine required motor sheave setting and to determine the maximum continuous BHP. kW = 0.929 x BHP

Table 95: ZX12 (10 ton) side duct

CFM	Available external static pressure - IWG ¹																			
	0.2		0.4		0.6		0.8		1.0		1.2		1.4		1.6		1.8		2.0	
	RPM	BHP	RPM	BHP	RPM	BHP	RPM	BHP	RPM	BHP	RPM	BHP	RPM	BHP	RPM	BHP	RPM	BHP	RPM	BHP
3000	n/a	n/a	689	0.94	740	1.19	790	1.44	841	1.70	891	1.94	941	2.19	990	2.43	1038	2.66	1085	2.89
3200	654	0.84	702	1.09	752	1.35	803	1.60	854	1.85	904	2.10	954	2.34	1003	2.58	1051	2.82	1098	3.04
3400	665	1.00	715	1.26	766	1.51	816	1.77	867	2.02	917	2.27	967	2.51	1016	2.75	1064	2.99	1111	3.21
3600	680	1.19	730	1.44	780	1.70	831	1.95	881	2.20	932	2.45	982	2.70	1031	2.94	1079	3.17	1125	3.40
3800	695	1.39	745	1.64	796	1.90	846	2.15	897	2.40	947	2.65	997	2.90	1046	3.14	1094	3.37	1141	3.60
4000	712	1.61	762	1.86	812	2.12	863	2.37	914	2.62	964	2.87	1014	3.12	1063	3.36	1111	3.59	1158	3.82
4200	729	1.85	779	2.10	830	2.36	881	2.61	931	2.86	982	3.11	1032	3.35	1081	3.59	1129	3.83	1174	4.06
4400	748	2.10	798	2.36	849	2.61	899	2.87	950	3.12	1000	3.37	1050	3.61	1099	3.85	1147	4.09	--	--
4600	768	2.38	818	2.64	869	2.89	919	3.15	970	3.40	1020	3.65	1070	3.89	1119	4.13	1167	4.36	--	--
4800	794	2.68	839	2.93	889	3.19	940	3.44	991	3.69	1041	3.94	1091	4.19	1140	4.43	--	--	--	--
5000	811	3.00	861	3.25	912	3.51	962	3.70	1013	4.01	1063	4.26	1113	4.50	1162	4.74	--	--	--	--
Standard Static Option with Motor rated at 2.4-hp																				
Medium Static Option with Motor rated at 3.7-hp																				
High Static Option with Motor rated at 5.25-hp																				
-- Exceeds recommended Blower speed																				

1 Blower performance includes gas heat exchangers and 2 in. filters. See static resistance table for additional applications. **Note:** See RPM selection table to determine required motor sheave setting and to determine the maximum continuous BHP. kW = 0.929 x BHP

Table 96: ZX14 (12.5 ton) side duct

CFM	Available external static pressure - IWG ¹																			
	0.2		0.4		0.6		0.8		1.0		1.2		1.4		1.6		1.8		2.0	
	RPM	BHP	RPM	BHP	RPM	BHP	RPM	BHP	RPM	BHP	RPM	BHP	RPM	BHP	RPM	BHP	RPM	BHP	RPM	BHP
3750	684	1.33	741	1.56	792	1.81	840	2.07	884	2.33	927	2.60	971	2.85	1017	3.09	1066	3.30	1121	3.49
3800	688	1.38	745	1.61	797	1.85	844	2.12	888	2.38	932	2.65	976	2.90	1021	3.14	1071	3.35	1125	3.54
4000	706	1.58	763	1.81	814	2.06	861	2.32	906	2.59	949	2.85	993	3.11	1039	3.35	1088	3.56	1142	3.74
4200	724	1.81	781	2.04	832	2.29	879	2.55	924	2.82	967	3.08	1011	3.34	1057	3.57	1106	3.79	1160	3.97
4400	742	2.06	799	2.29	850	2.54	897	2.80	942	3.06	985	3.33	1029	3.58	1075	3.82	1124	4.03	1178	4.22
4600	760	2.32	817	2.55	869	2.80	916	3.06	960	3.33	1004	3.59	1048	3.85	1093	4.08	1143	4.30	--	--
4800	779	2.60	836	2.83	888	3.08	935	3.34	979	3.61	1023	3.88	1067	4.13	1112	4.37	1162	4.58	--	--
5000	799	2.91	856	3.14	907	3.39	954	3.65	999	3.91	1042	4.18	1086	4.43	1132	4.67	--	--	--	--
5200	819	3.23	876	3.46	927	3.71	974	3.97	1019	4.23	1062	4.50	1106	4.75	1152	4.99	--	--	--	--
5400	839	3.57	896	3.80	953	4.04	995	4.31	1039	4.57	1083	4.84	1127	5.09	--	--	--	--	--	--
5600	860	3.92	917	4.15	969	4.40	1016	4.66	1060	4.93	1104	5.19	--	--	--	--	--	--	--	--
5800	882	4.30	939	4.53	990	4.77	1037	5.04	--	--	--	--	--	--	--	--	--	--	--	--
6000	904	4.69	961	4.92	1012	5.17	--	--	--	--	--	--	--	--	--	--	--	--	--	--
	Standard static option with motor rated at 2.9-hp																			
	Medium static option with motor rated at 3.7-hp																			
	High static option with motor rated at 5.25-hp																			
Bold	Field-supplied BK95 x 1 fixed pulley (p/n 1074787) with motor rated at 5.25-hp																			
--	Exceeds recommended blower speed																			

1 Blower performance includes gas heat exchangers and 2 in. filters. See static resistance table for additional applications. **Note:** See RPM selection table to determine required motor sheave setting and to determine the maximum continuous BHP. kW = 0.857 x BHP for standard static option, kW = 0.829 x BHP for medium and high static options

ZXA7, 08 to 14 bottom duct application (belt drive)

Table 97: ZXA7 (6.0 ton) bottom duct

CFM	Available external static pressure - IWG ¹																			
	0.2		0.4		0.6		0.8		1.0		1.2		1.4		1.6		1.8		2.0	
	RPM	BHP	RPM	BHP	RPM	BHP	RPM	BHP	RPM	BHP	RPM	BHP	RPM	BHP	RPM	BHP	RPM	BHP	RPM	BHP
1800	933	0.64	1000	0.79	1064	0.94	1126	1.09	1185	1.24	1243	1.38	1300	1.52	1356	1.64	1411	1.76	1466	1.86
1900	961	0.74	1028	0.89	1092	1.04	1153	1.19	1213	1.34	1271	1.49	1328	1.62	1384	1.75	1439	1.86	1494	1.97
2000	989	0.85	1055	1.00	1119	1.15	1181	1.31	1241	1.45	1299	1.60	1356	1.73	1411	1.86	1467	1.98	1521	2.08
2100	1017	0.97	1083	1.12	1147	1.27	1209	1.42	1269	1.57	1327	1.72	1384	1.85	1439	1.98	1495	2.09	1549	2.20
2200	1045	1.10	1112	1.25	1176	1.40	1238	1.55	1297	1.70	1355	1.84	1412	1.98	1468	2.10	1523	2.22	1578	2.32
2300	1075	1.23	1141	1.38	1205	1.53	1267	1.68	1327	1.83	1385	1.97	1441	2.11	1497	2.24	1552	2.35	1607	2.45
2400	1105	1.37	1171	1.52	1235	1.67	1297	1.82	1357	1.97	1415	2.11	1472	2.25	1527	2.38	1583	2.49	1637	2.59
2500	1136	1.52	1202	1.67	1266	1.82	1328	1.97	1388	2.12	1446	2.26	1503	2.40	1559	2.53	1614	2.64	--	--
2600	1168	1.67	1234	1.82	1298	1.97	1360	2.13	1420	2.27	1478	2.42	1535	2.55	1591	2.68	1638	2.80	--	--
2700	1201	1.84	1268	1.99	1332	2.14	1393	2.29	1453	2.44	1511	2.58	1568	2.72	1624	2.84	--	--	--	--
2800	1235	2.01	1302	2.16	1366	2.31	1428	2.46	1488	2.61	1546	2.75	1602	2.89	--	--	--	--	--	--
2900	1271	2.18	1338	2.33	1402	2.49	1463	2.64	1523	2.79	1581	2.93	1638	3.07	--	--	--	--	--	--
3000	1308	2.37	1374	2.52	1438	2.67	1500	2.82	1560	2.97	1618	3.12	--	--	--	--	--	--	--	--
	Standard static option with motor rated at 2.4-hp																			
	Static option with motor rated at 2.9-hp																			
	Static option with motor rated at 3.7-hp																			
--	Exceeds recommended blower speed																			

1 Blower performance includes gas heat exchangers and 2 in. filters. See static resistance table for additional applications. **Note:** See RPM selection table to determine required motor sheave setting and to determine the maximum continuous BHP. kW = 0.929 x BHP

Table 98: ZX08 (7.5 ton) bottom duct

CFM	Available external static pressure - IWG ¹																			
	0.2		0.4		0.6		0.8		1.0		1.2		1.4		1.6		1.8		2.0	
	RPM	BHP	RPM	BHP	RPM	BHP	RPM	BHP	RPM	BHP	RPM	BHP	RPM	BHP	RPM	BHP	RPM	BHP	RPM	BHP
2250	577	0.50	636	0.68	693	0.86	749	1.03	803	1.21	856	1.39	908	1.57	959	1.74	1009	1.91	1059	2.07
2400	591	0.59	650	0.77	707	0.95	763	1.13	817	1.31	870	1.48	922	1.66	973	1.83	1023	2.00	1073	2.17
2600	611	0.73	670	0.91	727	1.09	782	1.27	836	1.44	889	1.62	941	1.80	992	1.97	1043	2.14	1092	2.31
2800	631	0.88	690	1.06	747	1.24	803	1.42	857	1.60	910	1.77	962	1.95	1013	2.12	1063	2.29	--	--
3000	653	1.05	711	1.23	768	1.41	824	1.59	878	1.76	931	1.94	983	2.12	1034	2.29	1084	2.46	--	--
3200	675	1.23	733	1.41	790	1.59	846	1.77	900	1.94	953	2.12	1005	2.30	1056	2.47	1100	2.64	--	--
3400	697	1.42	755	1.60	813	1.78	868	1.96	922	2.14	975	2.31	1027	2.49	1078	2.66	--	--	--	--
3600	719	1.63	778	1.80	835	1.98	891	2.16	945	2.34	998	2.52	1050	2.69	1100	2.87	--	--	--	--
3750	736	1.78	795	1.96	852	2.14	908	2.32	962	2.50	1015	2.68	1067	2.85	--	--	--	--	--	--
	Standard static option with motor rated at 2.4-hp																			
	Static option with motor rated at 2.9-hp																			
	Static option with motor rated at 3.7-hp																			
--	Exceeds recommended blower speed																			

¹ Blower performance includes gas heat exchangers and 2 in. filters. See static resistance table for additional applications. **Note:** See RPM selection table to determine required motor sheave setting and to determine the maximum continuous BHP. kW = 0.929 x BHP

Table 99: ZX09 (8.5 ton) bottom duct

CFM	Available external static pressure - IWG ¹																			
	0.2		0.4		0.6		0.8		1.0		1.2		1.4		1.6		1.8		2.0	
	RPM	BHP	RPM	BHP	RPM	BHP	RPM	BHP	RPM	BHP	RPM	BHP	RPM	BHP	RPM	BHP	RPM	BHP	RPM	BHP
2550	570	0.59	630	0.77	687	0.94	744	1.13	799	1.31	852	1.49	903	1.67	953	1.85	1002	2.01	1049	2.16
2600	573	0.63	632	0.80	690	0.98	747	1.16	801	1.34	855	1.53	906	1.71	956	1.88	1005	2.04	1052	2.19
2800	585	0.77	645	0.94	703	1.12	759	1.30	814	1.49	867	1.67	918	1.85	968	2.02	1017	2.18	1064	2.33
3000	599	0.92	658	1.10	716	1.27	773	1.46	827	1.64	880	1.82	932	2.00	982	2.18	1030	2.34	1077	2.49
3200	614	1.09	673	1.27	731	1.44	787	1.63	842	1.81	895	1.99	947	2.17	997	2.35	1045	2.51	1092	2.66
3400	630	1.28	690	1.45	747	1.62	804	1.81	859	1.99	912	2.18	963	2.35	1013	2.53	1062	2.69	--	--
3600	648	1.47	708	1.64	765	1.82	822	2.00	877	2.19	930	2.37	981	2.55	1031	2.72	1080	2.88	--	--
3800	668	1.67	727	1.84	785	2.02	841	2.20	896	2.39	949	2.57	1001	2.75	1051	2.92	1099	3.09	--	--
4000	689	1.89	748	2.06	806	2.23	863	2.42	917	2.60	971	2.79	1022	2.96	1072	3.14	--	--	--	--
4200	712	2.11	771	2.28	829	2.46	886	2.64	940	2.83	994	3.01	1045	3.19	1095	3.36	--	--	--	--
4250	718	2.17	777	2.34	842	2.52	892	2.70	946	2.88	1000	3.07	1051	3.24	1100	3.42	--	--	--	--
Standard Static Option with Motor rated at 2.4-hp																				
Static Option with Motor rated at 2.4-hp																				
Static Option with Motor rated at 3.7-hp																				
-- Exceeds recommended blower speed																				

1 Blower performance includes gas heat exchangers and 2 in. filters. See static resistance table for additional applications. **Note:** See RPM selection table to determine required motor sheave setting and to determine the maximum continuous BHP. kW = 0.929 x BHP

Table 100: ZX12 (10 ton) bottom duct

CFM	Available external static pressure - IWG ¹																			
	0.2		0.4		0.6		0.8		1.0		1.2		1.4		1.6		1.8		2.0	
	RPM	BHP	RPM	BHP	RPM	BHP	RPM	BHP	RPM	BHP	RPM	BHP	RPM	BHP	RPM	BHP	RPM	BHP	RPM	BHP
3000	653	0.79	706	1.02	758	1.25	808	1.49	858	1.72	907	1.95	955	2.18	1003	2.40	1049	2.62	1095	2.82
3200	667	0.94	720	1.17	771	1.40	822	1.64	872	1.88	921	2.11	969	2.34	1016	2.56	1063	2.77	1109	2.97
3400	682	1.11	734	1.34	786	1.57	837	1.81	887	2.04	936	2.28	984	2.50	1031	2.73	1078	2.94	1124	3.14
3600	697	1.29	750	1.52	802	1.76	853	1.99	903	2.23	952	2.46	1000	2.69	1047	2.91	1094	3.12	1140	3.32
3800	714	1.50	767	1.73	819	1.96	870	2.20	920	2.43	969	2.67	1017	2.90	1064	3.12	1111	3.33	1157	3.53
4000	733	1.73	786	1.96	837	2.19	888	2.43	938	2.66	987	2.90	1035	3.12	1083	3.34	1129	3.56	1174	3.76
4200	753	1.98	806	2.21	857	2.44	908	2.68	958	2.91	1007	3.15	1055	3.37	1102	3.60	1149	3.81	--	--
4400	774	2.25	827	2.48	879	2.72	930	2.95	979	3.19	1028	3.42	1076	3.65	1124	3.87	1170	4.08	--	--
4600	797	2.55	850	2.78	902	3.02	952	3.25	1002	3.49	1051	3.72	1099	3.95	1147	4.17	--	--	--	--
4800	822	2.88	874	3.11	926	3.34	977	3.58	1027	3.81	1076	4.05	1124	4.27	1171	4.50	--	--	--	--
5000	848	3.23	901	3.46	952	3.69	1003	3.93	1053	4.16	1102	4.40	1150	4.62	--	--	--	--	--	--
Standard static option with motor rated at 2.4-hp																				
Static option with motor rated at 3.7-hp																				
Static option with motor rated at 5.25-hp																				
-- Exceeds recommended blower speed																				

1 Blower performance includes gas heat exchangers and 2 in. filters. See static resistance table for additional applications. **Note:** See RPM selection table to determine required motor sheave setting and to determine the maximum continuous BHP. kW = 0.929 x BHP

Table 101: ZX14 (12.5 ton) bottom duct

CFM	Available external static pressure - IWG ¹																			
	0.2		0.4		0.6		0.8		1.0		1.2		1.4		1.6		1.8		2.0	
	RPM	BHP	RPM	BHP	RPM	BHP	RPM	BHP	RPM	BHP	RPM	BHP	RPM	BHP	RPM	BHP	RPM	BHP	RPM	BHP
3750	715	1.46	762	1.68	810	1.91	858	2.13	907	2.36	957	2.58	1008	2.80	1060	3.02	1113	3.24	1167	3.46
3800	720	1.51	766	1.73	814	1.96	862	2.18	911	2.41	961	2.63	1012	2.85	1064	3.07	1117	3.29	1171	3.51
4000	737	1.72	784	1.94	832	2.17	880	2.39	929	2.62	979	2.84	1030	3.07	1082	3.29	1135	3.51	--	--
4200	756	1.95	803	2.17	851	2.40	899	2.63	948	2.85	998	3.07	1049	3.30	1101	3.52	1154	3.74	--	--
4400	777	2.20	824	2.42	871	2.65	920	2.87	969	3.10	1019	3.32	1069	3.55	1121	3.77	1174	3.98	--	--
4600	799	2.47	846	2.69	893	2.92	941	3.14	990	3.37	1040	3.59	1091	3.81	1143	4.04	--	--	--	--
4800	822	2.75	869	2.98	916	3.20	965	3.43	1014	3.65	1064	3.88	1114	4.10	1166	4.32	--	--	--	--
5000	846	3.06	893	3.28	941	3.51	989	3.73	1038	3.96	1088	4.18	1139	4.41	--	--	--	--	--	--
5200	872	3.39	919	3.61	966	3.83	1015	4.06	1064	4.28	1114	4.51	1164	4.73	--	--	--	--	--	--
5400	899	3.73	946	3.95	993	4.18	1042	4.40	1091	4.63	1141	4.85	--	--	--	--	--	--	--	--
5600	927	4.09	974	4.32	1021	4.54	1070	4.77	1119	4.99	1169	5.22	--	--	--	--	--	--	--	--
5800	956	4.47	1003	4.70	1051	4.92	1099	5.15	--	--	--	--	--	--	--	--	--	--	--	--
6000	987	4.87	1034	5.10	--	--	--	--	--	--	--	--	--	--	--	--	--	--	--	--
	Standard static option with motor rated at 2.4-hp																			
	Medium static option with motor rated at 3.7-hp																			
	High static option with motor rated at 5.25-hp																			
--	Exceeds recommended blower speed																			

1 Blower performance includes gas heat exchangers and 2 in. filters. See static resistance table for additional applications. **Note:** See RPM selection table to determine required motor sheave setting and to determine the maximum continuous BHP. kW = 0.857 x BHP for standard static option, kW = 0.829 x BHP for medium and high static options

ZY04 to 12 side duct application (belt drive)

Table 102: ZY04 (3.0 ton) side duct

CFM	Available external static pressure - IWG ¹																			
	0.2		0.4		0.6		0.8		1.0		1.2		1.4		1.6		1.8		2.0	
	RPM	BHP	RPM	BHP	RPM	BHP	RPM	BHP	RPM	BHP	RPM	BHP	RPM	BHP	RPM	BHP	RPM	BHP	RPM	BHP
900	n/a	n/a	874	0.31	972	0.40	1065	0.50	1153	0.60	1236	0.70	1315	0.80	1390	0.89	1460	0.97	1526	1.05
1000	n/a	n/a	887	0.36	985	0.45	1078	0.55	1165	0.65	1249	0.75	1328	0.85	1402	0.94	1472	1.03	1539	1.10
1100	797	0.33	900	0.42	998	0.51	1091	0.61	1179	0.71	1263	0.81	1341	0.91	1416	1.00	1486	1.08	1553	1.16
1200	813	0.40	916	0.48	1014	0.57	1107	0.67	1195	0.77	1279	0.87	1357	0.97	1432	1.06	1502	1.15	1569	1.22
1300	831	0.46	935	0.55	1033	0.64	1126	0.74	1214	0.84	1297	0.94	1376	1.03	1450	1.13	1520	1.21	1583	1.28
1400	852	0.53	956	0.61	1054	0.71	1146	0.80	1234	0.90	1318	1.00	1396	1.10	1471	1.19	1541	1.28	--	--
1500	876	0.59	979	0.68	1077	0.77	1170	0.87	1258	0.97	1341	1.07	1420	1.17	1494	1.26	1565	1.34	--	--
	Medium static option with motor rated at 2.4-hp																			
	High static option with motor rated at 2.9-hp																			
--	Exceeds recommended blower speed																			

1 Blower performance includes gas heat exchangers and 2 in. filters. See static resistance table for additional applications. **Note:** See RPM selection table to determine required motor sheave setting and to determine the maximum continuous BHP. kW = 0.929 x BHP

Table 103: ZY05 (4.0 ton) side duct

CFM	Available external static pressure - IWG ¹																			
	0.2		0.4		0.6		0.8		1.0		1.2		1.4		1.6		1.8		2.0	
	RPM	BHP	RPM	BHP	RPM	BHP	RPM	BHP	RPM	BHP	RPM	BHP	RPM	BHP	RPM	BHP	RPM	BHP	RPM	BHP
1200	840	0.30	927	0.41	1012	0.53	1096	0.65	1177	0.77	1257	0.89	1334	1.01	1411	1.12	1485	1.22	1558	1.31
1300	857	0.35	944	0.47	1029	0.59	1112	0.71	1194	0.83	1273	0.95	1351	1.07	1427	1.18	1502	1.28	1574	1.37
1400	875	0.42	962	0.53	1048	0.65	1131	0.77	1212	0.89	1292	1.01	1370	1.13	1446	1.24	1520	1.34	1593	1.43
1500	897	0.49	984	0.60	1069	0.72	1152	0.84	1233	0.96	1313	1.08	1391	1.20	1467	1.31	1542	1.41	--	--
1600	921	0.56	1008	0.67	1093	0.79	1176	0.91	1258	1.04	1337	1.16	1415	1.27	1491	1.38	1566	1.49	--	--
1700	948	0.64	1035	0.76	1120	0.87	1204	1.00	1285	1.12	1365	1.24	1442	1.36	1518	1.47	1593	1.57	--	--
1800	979	0.73	1066	0.85	1151	0.96	1234	1.08	1315	1.21	1395	1.33	1473	1.44	1549	1.56	--	--	--	--
1900	1012	0.83	1099	0.94	1185	1.06	1268	1.18	1349	1.30	1429	1.42	1507	1.54	1583	1.65	--	--	--	--
2000	1049	0.93	1136	1.04	1222	1.16	1305	1.28	1386	1.40	1466	1.52	1544	1.64	--	--	--	--	--	--
	Medium static option with motor rated at 2.4-hp																			
	High static option with motor rated at 2.9-hp																			
--	Exceeds recommended blower speed																			

1 Blower performance includes gas heat exchangers and 2 in. filters. See static resistance table for additional applications. **Note:** See RPM selection table to determine required motor sheave setting and to determine the maximum continuous BHP. kW = 0.929 x BHP

Table 104: ZY06 (5.0 ton) side duct

CFM	Available external static pressure - IWG ¹																			
	0.2		0.4		0.6		0.8		1.0		1.2		1.4		1.6		1.8		2.0	
	RPM	BHP	RPM	BHP	RPM	BHP	RPM	BHP	RPM	BHP	RPM	BHP	RPM	BHP	RPM	BHP	RPM	BHP	RPM	BHP
1500	810	0.49	883	0.60	954	0.70	1023	0.80	1089	0.91	1152	1.02	1213	1.14	1269	1.26	1323	1.40	1373	1.55
1600	831	0.58	904	0.68	975	0.79	1044	0.89	1110	1.00	1173	1.11	1233	1.22	1290	1.35	1344	1.49	1394	1.64
1700	854	0.66	927	0.77	998	0.87	1067	0.98	1133	1.08	1196	1.19	1256	1.31	1313	1.44	1367	1.57	1417	1.72
1800	878	0.75	952	0.86	1023	0.96	1091	1.07	1157	1.17	1221	1.28	1281	1.40	1338	1.52	1391	1.66	1441	1.81
1900	904	0.84	977	0.95	1048	1.05	1117	1.16	1183	1.26	1246	1.37	1306	1.49	1363	1.61	1417	1.75	1467	1.90
2000	931	0.93	1004	1.04	1075	1.15	1144	1.25	1210	1.36	1273	1.47	1333	1.58	1390	1.71	1444	1.84	1494	1.99
2100	959	1.03	1032	1.14	1103	1.24	1172	1.35	1238	1.45	1301	1.56	1361	1.68	1418	1.81	1472	1.94	1522	2.09
2200	988	1.13	1061	1.24	1132	1.35	1201	1.45	1267	1.56	1330	1.67	1390	1.78	1447	1.91	1501	2.04	1550	2.19
2300	1017	1.24	1091	1.35	1162	1.45	1230	1.56	1296	1.66	1359	1.77	1420	1.89	1477	2.02	1530	2.15	1580	2.30
2400	1047	1.36	1121	1.46	1192	1.57	1260	1.67	1326	1.78	1390	1.89	1450	2.01	1507	2.13	1560	2.27	--	--
2500	1078	1.48	1151	1.58	1222	1.69	1291	1.79	1357	1.90	1420	2.01	1480	2.13	1537	2.25	1591	2.39	--	--
Medium static option with motor rated at 2.4-hp																				
High static option with motor rated at 2.9-hp																				
-- Exceeds recommended blower speed																				

1 Blower performance includes gas heat exchangers and 2 in. filters. See static resistance table for additional applications. **Note:** See RPM selection table to determine required motor sheave setting and to determine the maximum continuous BHP. kW = 0.857 x BHP

Table 105: ZY07 (6.0 ton) side duct

CFM	Available external static pressure - IWG ¹																			
	0.2		0.4		0.6		0.8		1.0		1.2		1.4		1.6		1.8		2.0	
	RPM	BHP	RPM	BHP	RPM	BHP	RPM	BHP	RPM	BHP	RPM	BHP	RPM	BHP	RPM	BHP	RPM	BHP	RPM	BHP
1800	521	0.27	583	0.44	644	0.63	703	0.81	759	0.99	814	1.17	866	1.34	916	1.51	964	1.67	1010	1.83
1900	529	0.31	591	0.49	651	0.67	710	0.85	767	1.03	821	1.21	874	1.39	924	1.56	972	1.72	1017	1.87
2000	536	0.36	598	0.54	659	0.72	718	0.90	774	1.08	829	1.26	881	1.44	931	1.61	979	1.77	1025	1.92
2100	544	0.42	606	0.59	667	0.77	725	0.95	782	1.14	836	1.32	889	1.49	939	1.66	987	1.82	1032	1.97
2200	551	0.47	614	0.65	674	0.83	733	1.01	789	1.19	844	1.37	896	1.55	947	1.72	994	1.88	1040	2.03
2300	559	0.53	622	0.71	682	0.89	741	1.07	797	1.25	852	1.43	904	1.61	954	1.77	1002	1.94	1048	2.09
2400	567	0.59	630	0.77	690	0.95	749	1.13	805	1.31	860	1.49	912	1.67	962	1.84	1010	2.00	1056	2.15
2500	575	0.66	638	0.83	698	1.01	757	1.20	813	1.38	868	1.56	920	1.73	970	1.90	1018	2.06	1064	2.22
2600	584	0.73	646	0.90	707	1.08	765	1.26	822	1.45	876	1.63	929	1.80	979	1.97	1027	2.13	1072	2.28
2700	592	0.80	655	0.97	715	1.15	774	1.34	830	1.52	885	1.70	937	1.87	987	2.04	1035	2.20	1081	2.36
2800	601	0.87	664	1.05	724	1.23	783	1.41	839	1.59	894	1.77	946	1.95	996	2.12	1044	2.28	1090	2.43
2900	610	0.95	673	1.13	733	1.31	792	1.49	848	1.67	903	1.85	955	2.03	1005	2.20	1053	2.36	1099	2.51
3000	619	1.03	682	1.21	742	1.39	801	1.57	858	1.75	912	1.93	964	2.11	1015	2.28	1063	2.44	--	--
Standard static option with motor rated at 2.4-hp																				
Medium static option with motor rated at 2.9-hp																				
High static option with motor rated at 3.7-hp																				
-- Exceeds recommended blower speed																				

1 Blower performance includes gas heat exchangers and 2 in. filters. See static resistance table for additional applications. **Note:** See RPM selection table to determine required motor sheave setting and to determine the maximum continuous BHP. kW = 0.929 x BHP

Table 106: ZYA7 (6.0 ton) side duct

CFM	Available external static pressure - IWG ¹																			
	0.2		0.4		0.6		0.8		1.0		1.2		1.4		1.6		1.8		2.0	
	RPM	BHP	RPM	BHP	RPM	BHP	RPM	BHP	RPM	BHP	RPM	BHP	RPM	BHP	RPM	BHP	RPM	BHP	RPM	BHP
1800	521	0.27	583	0.44	644	0.63	703	0.81	759	0.99	814	1.17	866	1.34	916	1.51	964	1.67	1010	1.83
1900	529	0.31	591	0.49	651	0.67	710	0.85	767	1.03	821	1.21	874	1.39	924	1.56	972	1.72	1017	1.87
2000	536	0.36	598	0.54	659	0.72	718	0.90	774	1.08	829	1.26	881	1.44	931	1.61	979	1.77	1025	1.92
2100	544	0.42	606	0.59	667	0.77	725	0.95	782	1.14	836	1.32	889	1.49	939	1.66	987	1.82	1032	1.97
2200	551	0.47	614	0.65	674	0.83	733	1.01	789	1.19	844	1.37	896	1.55	947	1.72	994	1.88	1040	2.03
2300	559	0.53	622	0.71	682	0.89	741	1.07	797	1.25	852	1.43	904	1.61	954	1.77	1002	1.94	1048	2.09
2400	567	0.59	630	0.77	690	0.95	749	1.13	805	1.31	860	1.49	912	1.67	962	1.84	1010	2.00	1056	2.15
2500	575	0.66	638	0.83	698	1.01	757	1.20	813	1.38	868	1.56	920	1.73	970	1.90	1018	2.06	1064	2.22
2600	584	0.73	646	0.90	707	1.08	765	1.26	822	1.45	876	1.63	929	1.80	979	1.97	1027	2.13	1072	2.28
2700	592	0.80	655	0.97	715	1.15	774	1.34	830	1.52	885	1.70	937	1.87	987	2.04	1035	2.20	1081	2.36
2800	601	0.87	664	1.05	724	1.23	783	1.41	839	1.59	894	1.77	946	1.95	996	2.12	1044	2.28	1090	2.43
2900	610	0.95	673	1.13	733	1.31	792	1.49	848	1.67	903	1.85	955	2.03	1005	2.20	1053	2.36	1099	2.51
3000	619	1.03	682	1.21	742	1.39	801	1.57	858	1.75	912	1.93	964	2.11	1015	2.28	1063	2.44	--	--
Standard static option with motor rated at 2.4-hp>																				
Medium static option with motor rated at 2.9-hp																				
High static option with motor rated at 3.7-hp																				
-- Exceeds recommended blower speed																				

1 Blower performance includes gas heat exchangers and 2 in. filters. See static resistance table for additional applications. **Note:** See RPM selection table to determine required motor sheave setting and to determine the maximum continuous BHP. kW = 0.929 x BHP

Table 107: ZY08 (7.5 ton) side duct

CFM	Available external static pressure - IWG ¹																			
	0.2		0.4		0.6		0.8		1.0		1.2		1.4		1.6		1.8		2.0	
	RPM	BHP	RPM	BHP	RPM	BHP	RPM	BHP	RPM	BHP	RPM	BHP	RPM	BHP	RPM	BHP	RPM	BHP	RPM	BHP
2250	547	0.39	610	0.60	670	0.81	727	1.01	783	1.21	836	1.41	888	1.59	939	1.78	989	1.96	1038	2.13
2400	556	0.47	619	0.69	679	0.90	736	1.10	792	1.30	845	1.49	897	1.68	948	1.86	998	2.04	1047	2.22
2600	568	0.60	631	0.81	691	1.02	749	1.22	804	1.42	857	1.61	909	1.80	960	1.99	1010	2.17	1059	2.34
2800	581	0.73	644	0.95	704	1.16	762	1.36	817	1.56	871	1.75	923	1.94	973	2.13	1023	2.31	1073	2.48
3000	595	0.89	658	1.10	718	1.31	776	1.51	831	1.71	885	1.91	937	2.09	988	2.28	1038	2.46	1087	2.63
3200	610	1.05	673	1.27	733	1.48	791	1.68	846	1.88	900	2.07	952	2.26	1003	2.44	1053	2.62	--	--
3400	627	1.23	689	1.45	750	1.66	807	1.86	863	2.06	916	2.25	968	2.44	1019	2.62	1069	2.80	--	--
3600	644	1.42	707	1.64	767	1.85	824	2.05	880	2.25	933	2.44	985	2.63	1036	2.82	1086	3.00	--	--
3750	657	1.58	720	1.79	780	2.00	838	2.20	893	2.40	947	2.60	999	2.78	1049	2.97	1099	3.15	--	--
Standard static option with motor rated at 2.4-hp>																				
Medium static option with motor rated at 2.4-hp																				
High static option with motor rated at 3.7-hp																				
-- Exceeds recommended blower speed																				

1 Blower performance includes gas heat exchangers and 2 in. filters. See static resistance table for additional applications. **Note:** See RPM selection table to determine required motor sheave setting and to determine the maximum continuous BHP. kW = 0.929 x BHP

Table 108: ZY09 (8.5 ton) side duct

CFM	Available external static pressure - IWG ¹																			
	0.2		0.4		0.6		0.8		1.0		1.2		1.4		1.6		1.8		2.0	
	RPM	BHP	RPM	BHP	RPM	BHP	RPM	BHP	RPM	BHP	RPM	BHP	RPM	BHP	RPM	BHP	RPM	BHP	RPM	BHP
2550	565	0.56	628	0.78	688	0.99	745	1.19	801	1.39	854	1.58	906	1.77	957	1.95	1007	2.13	1056	2.31
2600	568	0.60	631	0.81	691	1.02	749	1.22	804	1.42	857	1.61	909	1.80	960	1.99	1010	2.17	1059	2.34
2800	581	0.73	644	0.95	704	1.16	762	1.36	817	1.56	871	1.75	923	1.94	973	2.13	1023	2.31	1073	2.48
3000	595	0.89	658	1.10	718	1.31	776	1.51	831	1.71	885	1.91	937	2.09	988	2.28	1038	2.46	1087	2.63
3200	610	1.05	673	1.27	733	1.48	791	1.68	846	1.88	900	2.07	952	2.26	1003	2.44	1053	2.62	1100	2.80
3400	627	1.23	689	1.45	750	1.66	807	1.86	863	2.06	916	2.25	968	2.44	1019	2.62	1069	2.80	--	--
3600	644	1.42	707	1.64	767	1.85	824	2.05	880	2.25	933	2.44	985	2.63	1036	2.82	1086	3.00	--	--
3800	662	1.63	725	1.84	785	2.05	842	2.26	898	2.46	951	2.65	1003	2.84	1054	3.02	1100	3.20	--	--
4000	681	1.85	744	2.06	804	2.27	861	2.47	917	2.67	970	2.87	1022	3.05	1073	3.24	--	--	--	--
4200	701	2.08	764	2.29	824	2.50	881	2.70	937	2.90	990	3.09	1042	3.28	1093	3.47	--	--	--	--
4250	706	2.14	769	2.35	829	2.56	887	2.76	942	2.96	996	3.15	1048	3.34	1098	3.53	--	--	--	--
	Standard static option with motor rated at 2.4-hp>																			
	Medium static option with motor rated at 2.4-hp																			
	High static option with motor rated at 3.7-hp																			
Bold	Field-supplied AK79 x 1 fixed pulley (p/n 9381) with motor rated at 3.7-hp																			
--	Exceeds recommended blower speed																			

1 Blower performance includes gas heat exchangers and 2 in. filters. See static resistance table for additional applications. **Note:** See RPM selection table to determine required motor sheave setting and to determine the maximum continuous BHP. $kW = 0.929 \times BHP$

Table 109: ZY12 (10 ton) side duct

CFM	Available external static pressure - IWG ¹																			
	0.2		0.4		0.6		0.8		1.0		1.2		1.4		1.6		1.8		2.0	
	RPM	BHP	RPM	BHP	RPM	BHP	RPM	BHP	RPM	BHP	RPM	BHP	RPM	BHP	RPM	BHP	RPM	BHP	RPM	BHP
3000	653	0.79	706	1.02	758	1.25	808	1.49	858	1.72	907	1.95	955	2.18	1003	2.40	1049	2.62	1095	2.82
3200	667	0.94	720	1.17	771	1.40	822	1.64	872	1.88	921	2.11	969	2.34	1016	2.56	1063	2.77	1109	2.97
3400	682	1.11	734	1.34	786	1.57	837	1.81	887	2.04	936	2.28	984	2.50	1031	2.73	1078	2.94	1124	3.14
3600	697	1.29	750	1.52	802	1.76	853	1.99	903	2.23	952	2.46	1000	2.69	1047	2.91	1094	3.12	1140	3.32
3800	714	1.50	767	1.73	819	1.96	870	2.20	920	2.43	969	2.67	1017	2.90	1064	3.12	1111	3.33	1157	3.53
4000	733	1.73	786	1.96	837	2.19	888	2.43	938	2.66	987	2.90	1035	3.12	1083	3.34	1129	3.56	1174	3.76
4200	753	1.98	806	2.21	857	2.44	908	2.68	958	2.91	1007	3.15	1055	3.37	1102	3.60	1149	3.81	--	--
4400	774	2.25	827	2.48	879	2.72	930	2.95	979	3.19	1028	3.42	1076	3.65	1124	3.87	1170	4.08	--	--
4600	797	2.55	850	2.78	902	3.02	952	3.25	1002	3.49	1051	3.72	1099	3.95	1147	4.17	--	--	--	--
4800	822	2.88	874	3.11	926	3.34	977	3.58	1027	3.81	1076	4.05	1124	4.27	1171	4.50	--	--	--	--
5000	848	3.23	901	3.46	952	3.69	1003	3.93	1053	4.16	1102	4.40	1150	4.62	--	--	--	--	--	--
	Standard static option with motor rated at 2.4-hp>																			
	Medium static option with motor rated at 3.7-hp																			
	High static option with motor rated at 5.25-hp																			
--	Exceeds recommended blower speed																			

1 Blower performance includes gas heat exchangers and 2 in. filters. See static resistance table for additional applications. **Note:** See RPM selection table to determine required motor sheave setting and to determine the maximum continuous BHP. $kW = 0.929 \times BHP$

ZY04 to 12 bottom duct application (belt drive)

Table 110: ZY04 (3.0 ton) bottom duct

CFM	Available external static pressure - IWG ¹																			
	0.2		0.4		0.6		0.8		1.0		1.2		1.4		1.6		1.8		2.0	
	RPM	BHP	RPM	BHP	RPM	BHP	RPM	BHP	RPM	BHP	RPM	BHP	RPM	BHP	RPM	BHP	RPM	BHP	RPM	BHP
900	n/a	n/a	878	0.26	976	0.37	1070	0.47	1161	0.58	1247	0.67	1329	0.76	1405	0.85	1477	0.93	1543	1.00
1000	792	0.20	894	0.31	992	0.42	1087	0.52	1177	0.62	1263	0.72	1345	0.81	1422	0.90	1493	0.98	1560	1.05
1100	810	0.26	912	0.37	1010	0.47	1104	0.58	1195	0.68	1281	0.77	1363	0.87	1439	0.95	1511	1.03	1577	1.11
1200	829	0.32	931	0.43	1029	0.54	1124	0.64	1214	0.74	1300	0.84	1382	0.93	1459	1.02	1530	1.10	1593	1.17
1300	850	0.39	952	0.50	1050	0.61	1145	0.71	1235	0.81	1321	0.91	1403	1.00	1480	1.09	1552	1.17	--	--
1400	874	0.47	975	0.58	1073	0.69	1168	0.79	1258	0.89	1344	0.99	1426	1.08	1503	1.17	1575	1.25	--	--
1500	899	0.56	1000	0.67	1098	0.77	1193	0.88	1283	0.98	1370	1.07	1451	1.17	1528	1.25	1600	1.33	--	--
	Medium static option with motor rated at 2.4-hp																			
	High static option with motor rated at 2.9-hp																			
--	Exceeds recommended blower speed																			

1 Blower performance includes gas heat exchangers and 2 in. filters. See static resistance table for additional applications. **Note:** See RPM selection table to determine required motor sheave setting and to determine the maximum continuous BHP. kW = 0.929 x BHP

Table 111: ZY05 (4.0 ton) bottom duct

CFM	Available external static pressure - IWG ¹																			
	0.2		0.4		0.6		0.8		1.0		1.2		1.4		1.6		1.8		2.0	
	RPM	BHP	RPM	BHP	RPM	BHP	RPM	BHP	RPM	BHP	RPM	BHP	RPM	BHP	RPM	BHP	RPM	BHP	RPM	BHP
1200	840	0.37	929	0.46	1016	0.56	1101	0.68	1184	0.80	1265	0.93	1345	1.04	1423	1.14	1500	1.22	1576	1.28
1300	858	0.43	947	0.52	1035	0.62	1120	0.74	1203	0.86	1284	0.99	1364	1.10	1442	1.20	1519	1.28	1593	1.34
1400	879	0.49	968	0.58	1055	0.69	1140	0.81	1224	0.93	1305	1.05	1385	1.17	1463	1.27	1540	1.35	--	--
1500	903	0.56	992	0.65	1079	0.76	1164	0.88	1247	1.00	1328	1.12	1408	1.24	1486	1.34	1563	1.42	--	--
1600	929	0.64	1018	0.73	1105	0.83	1190	0.95	1273	1.07	1354	1.20	1434	1.31	1512	1.41	1589	1.49	--	--
1700	957	0.72	1047	0.81	1134	0.91	1219	1.03	1302	1.15	1383	1.28	1463	1.39	1541	1.49	--	--	--	--
1800	989	0.80	1078	0.89	1165	1.00	1250	1.12	1333	1.24	1415	1.36	1494	1.47	1572	1.58	--	--	--	--
1900	1023	0.89	1112	0.98	1199	1.08	1284	1.20	1367	1.33	1449	1.45	1528	1.56	--	--	--	--	--	--
2000	1059	0.98	1149	1.07	1236	1.18	1321	1.29	1404	1.42	1485	1.54	1565	1.65	--	--	--	--	--	--
	Medium static option with motor rated at 2.4-hp																			
	High static option with motor rated at 2.9-hp																			
--	Exceeds recommended blower speed																			

1 Blower performance includes gas heat exchangers and 2 in. filters. See static resistance table for additional applications. **Note:** See RPM selection table to determine required motor sheave setting and to determine the maximum continuous BHP. kW = 0.929 x BHP

Table 112: ZY06 (5.0 ton) bottom duct

CFM	Available external static pressure - IWG ¹																			
	0.2		0.4		0.6		0.8		1.0		1.2		1.4		1.6		1.8		2.0	
	RPM	BHP	RPM	BHP	RPM	BHP	RPM	BHP	RPM	BHP	RPM	BHP	RPM	BHP	RPM	BHP	RPM	BHP	RPM	BHP
1500	840	0.48	910	0.58	977	0.67	1042	0.77	1106	0.87	1166	0.98	1225	1.08	1280	1.19	1334	1.30	1384	1.41
1600	866	0.55	935	0.65	1003	0.74	1068	0.84	1131	0.94	1192	1.04	1250	1.15	1306	1.26	1359	1.37	1410	1.48
1700	892	0.63	961	0.72	1029	0.82	1094	0.92	1157	1.02	1218	1.12	1276	1.23	1332	1.33	1385	1.44	1436	1.56
1800	918	0.71	987	0.81	1055	0.90	1120	1.00	1183	1.10	1244	1.21	1302	1.31	1358	1.42	1411	1.53	1462	1.64
1900	944	0.80	1014	0.90	1081	1.00	1146	1.09	1209	1.19	1270	1.30	1329	1.40	1384	1.51	1438	1.62	1488	1.73
2000	971	0.90	1041	1.00	1108	1.09	1174	1.19	1237	1.29	1297	1.39	1356	1.50	1412	1.61	1465	1.72	1516	1.83
2100	999	1.01	1069	1.10	1136	1.20	1202	1.30	1265	1.40	1326	1.50	1384	1.60	1440	1.71	1493	1.82	1544	1.93
2200	1028	1.12	1098	1.21	1165	1.31	1231	1.41	1294	1.51	1355	1.61	1413	1.72	1469	1.82	1522	1.93	1573	2.05
2300	1058	1.24	1128	1.33	1195	1.43	1261	1.53	1324	1.63	1385	1.73	1443	1.83	1499	1.94	1552	2.05	--	--
2400	1090	1.36	1159	1.46	1227	1.55	1292	1.65	1355	1.75	1416	1.85	1474	1.96	1530	2.07	1583	2.18	--	--
2500	1122	1.49	1191	1.59	1259	1.68	1324	1.78	1387	1.88	1448	1.98	1506	2.09	1562	2.20	1615	2.31	--	--
Medium static option with motor rated at 2.4-hp																				
High static option with motor rated at 2.9-hp																				
-- Exceeds recommended blower speed																				

1 Blower performance includes gas heat exchangers and 2 in. filters. See static resistance table for additional applications. **Note:** See RPM selection table to determine required motor sheave setting and to determine the maximum continuous BHP. kW = 0.857 x BHP

Table 113: ZY07 (6.0 ton) bottom duct

CFM	Available external static pressure - IWG ¹																			
	0.2		0.4		0.6		0.8		1.0		1.2		1.4		1.6		1.8		2.0	
	RPM	BHP	RPM	BHP	RPM	BHP	RPM	BHP	RPM	BHP	RPM	BHP	RPM	BHP	RPM	BHP	RPM	BHP	RPM	BHP
1800	525	0.31	590	0.48	653	0.65	713	0.82	770	0.98	825	1.15	878	1.31	928	1.48	976	1.65	1022	1.83
1900	534	0.36	599	0.53	661	0.71	721	0.87	779	1.03	834	1.20	886	1.36	936	1.53	984	1.70	1030	1.88
2000	542	0.41	607	0.59	670	0.76	730	0.93	787	1.09	842	1.25	895	1.42	945	1.58	993	1.75	1039	1.93
2100	551	0.47	616	0.65	678	0.82	738	0.99	796	1.15	850	1.31	903	1.47	953	1.64	1001	1.81	1047	1.99
2200	559	0.53	624	0.71	687	0.88	747	1.05	804	1.21	859	1.37	912	1.54	962	1.70	1010	1.88	1056	2.05
2300	568	0.60	634	0.78	696	0.95	756	1.11	813	1.28	868	1.44	921	1.60	971	1.77	1019	1.94	1065	2.12
2400	578	0.66	643	0.84	705	1.01	765	1.18	823	1.34	878	1.51	930	1.67	981	1.84	1029	2.01	1074	2.19
2500	588	0.74	653	0.91	715	1.08	775	1.25	833	1.41	888	1.58	940	1.74	991	1.91	1039	2.08	1084	2.26
2600	598	0.81	663	0.99	725	1.16	785	1.32	843	1.49	898	1.65	950	1.81	1001	1.98	1049	2.15	1094	2.33
2700	609	0.88	674	1.06	736	1.23	796	1.40	853	1.56	908	1.72	961	1.89	1011	2.05	1059	2.23	--	--
2800	620	0.96	685	1.14	747	1.31	807	1.47	864	1.64	919	1.80	972	1.96	1022	2.13	1070	2.30	--	--
2900	631	1.04	696	1.22	759	1.39	819	1.55	876	1.72	931	1.88	984	2.04	1034	2.21	1082	2.38	--	--
3000	643	1.12	708	1.30	771	1.47	830	1.64	888	1.80	943	1.96	996	2.12	1046	2.29	1094	2.46	--	--
Standard static option with motor rated at 2.4-hp																				
Medium static option with motor rated at 2.9-hp																				
High static option with motor rated at 3.7-hp																				
-- Exceeds recommended blower speed																				

1 Blower performance includes gas heat exchangers and 2 in. filters. See static resistance table for additional applications. **Note:** See RPM selection table to determine required motor sheave setting and to determine the maximum continuous BHP. kW = 0.929 x BHP

Table 114: ZYA7 (6.0 ton) bottom duct

CFM	Available external static pressure - IWG ¹																			
	0.2		0.4		0.6		0.8		1.0		1.2		1.4		1.6		1.8		2.0	
	RPM	BHP	RPM	BHP	RPM	BHP	RPM	BHP	RPM	BHP	RPM	BHP	RPM	BHP	RPM	BHP	RPM	BHP	RPM	BHP
1800	525	0.31	590	0.48	653	0.65	713	0.82	770	0.98	825	1.15	878	1.31	928	1.48	976	1.65	1022	1.83
1900	534	0.36	599	0.53	661	0.71	721	0.87	779	1.03	834	1.20	886	1.36	936	1.53	984	1.70	1030	1.88
2000	542	0.41	607	0.59	670	0.76	730	0.93	787	1.09	842	1.25	895	1.42	945	1.58	993	1.75	1039	1.93
2100	551	0.47	616	0.65	678	0.82	738	0.99	796	1.15	850	1.31	903	1.47	953	1.64	1001	1.81	1047	1.99
2200	559	0.53	624	0.71	687	0.88	747	1.05	804	1.21	859	1.37	912	1.54	962	1.70	1010	1.88	1056	2.05
2300	568	0.60	634	0.78	696	0.95	756	1.11	813	1.28	868	1.44	921	1.60	971	1.77	1019	1.94	1065	2.12
2400	578	0.66	643	0.84	705	1.01	765	1.18	823	1.34	878	1.51	930	1.67	981	1.84	1029	2.01	1074	2.19
2500	588	0.74	653	0.91	715	1.08	775	1.25	833	1.41	888	1.58	940	1.74	991	1.91	1039	2.08	1084	2.26
2600	598	0.81	663	0.99	725	1.16	785	1.32	843	1.49	898	1.65	950	1.81	1001	1.98	1049	2.15	1094	2.33
2700	609	0.88	674	1.06	736	1.23	796	1.40	853	1.56	908	1.72	961	1.89	1011	2.05	1059	2.23	--	--
2800	620	0.96	685	1.14	747	1.31	807	1.47	864	1.64	919	1.80	972	1.96	1022	2.13	1070	2.30	--	--
2900	631	1.04	696	1.22	759	1.39	819	1.55	876	1.72	931	1.88	984	2.04	1034	2.21	1082	2.38	--	--
3000	643	1.12	708	1.30	771	1.47	830	1.64	888	1.80	943	1.96	996	2.12	1046	2.29	1094	2.46	--	--
	Standard static option with motor rated at 2.4-hp																			
	Medium static option with motor rated at 2.9-hp																			
	High static option with motor rated at 3.7-hp																			
--	Exceeds recommended blower speed																			

1 Blower performance includes gas heat exchangers and 2 in. filters. See static resistance table for additional applications. **Note:** See RPM selection table to determine required motor sheave setting and to determine the maximum continuous BHP. kW = 0.929 x BHP

Table 115: ZY08 (7.5 ton) bottom duct

CFM	Available external static pressure - IWG ¹																			
	0.2		0.4		0.6		0.8		1.0		1.2		1.4		1.6		1.8		2.0	
	RPM	BHP	RPM	BHP	RPM	BHP	RPM	BHP	RPM	BHP	RPM	BHP	RPM	BHP	RPM	BHP	RPM	BHP	RPM	BHP
2250	556	0.45	621	0.65	683	0.83	742	1.00	798	1.18	852	1.34	904	1.51	954	1.69	1003	1.87	1050	2.06
2400	567	0.53	632	0.73	694	0.91	753	1.09	809	1.26	863	1.43	914	1.60	964	1.77	1013	1.95	1060	2.14
2600	580	0.65	646	0.85	707	1.03	766	1.21	823	1.38	876	1.55	928	1.72	978	1.89	1027	2.07	1074	2.27
2800	595	0.79	660	0.99	722	1.17	780	1.35	837	1.52	890	1.69	942	1.86	992	2.03	1041	2.21	1088	2.40
3000	609	0.94	674	1.14	736	1.32	795	1.50	851	1.67	905	1.83	957	2.00	1007	2.18	1056	2.36	1100	2.55
3200	625	1.10	690	1.30	752	1.48	810	1.66	867	1.83	921	2.00	972	2.17	1022	2.34	1071	2.52	--	--
3400	641	1.28	706	1.47	768	1.66	827	1.83	883	2.00	937	2.17	989	2.34	1039	2.52	1087	2.70	--	--
3600	658	1.47	723	1.66	785	1.85	844	2.02	900	2.19	954	2.36	1006	2.53	1056	2.70	1100	2.89	--	--
3750	672	1.61	737	1.81	799	1.99	858	2.17	914	2.34	968	2.51	1019	2.68	1069	2.85	--	--	--	--
	Standard static option with motor rated at 2.4-hp																			
	Medium static option with motor rated at 2.4-hp																			
	High static option with motor rated at 3.7-hp																			
--	Exceeds recommended blower speed																			

1 Blower performance includes gas heat exchangers and 2 in. filters. See static resistance table for additional applications. **Note:** See RPM selection table to determine required motor sheave setting and to determine the maximum continuous BHP. kW = 0.929 x BHP

Table 116: ZY09 (8.5 ton) bottom duct

CFM	Available external static pressure - IWG ¹																			
	0.2		0.4		0.6		0.8		1.0		1.2		1.4		1.6		1.8		2.0	
	RPM	BHP	RPM	BHP	RPM	BHP	RPM	BHP	RPM	BHP	RPM	BHP	RPM	BHP	RPM	BHP	RPM	BHP	RPM	BHP
2550	577	0.62	642	0.82	704	1.00	763	1.18	819	1.35	873	1.52	925	1.69	975	1.86	1023	2.04	1071	2.23
2600	580	0.65	646	0.85	707	1.03	766	1.21	823	1.38	876	1.55	928	1.72	978	1.89	1027	2.07	1074	2.27
2800	595	0.79	660	0.99	722	1.17	780	1.35	837	1.52	890	1.69	942	1.86	992	2.03	1041	2.21	1088	2.40
3000	609	0.94	674	1.14	736	1.32	795	1.50	851	1.67	905	1.83	957	2.00	1007	2.18	1056	2.36	1103	2.55
3200	625	1.10	690	1.30	752	1.48	810	1.66	867	1.83	921	2.00	972	2.17	1022	2.34	1071	2.52	--	--
3400	641	1.28	706	1.47	768	1.66	827	1.83	883	2.00	937	2.17	989	2.34	1039	2.52	1087	2.70	--	--
3600	658	1.47	723	1.66	785	1.85	844	2.02	900	2.19	954	2.36	1006	2.53	1056	2.70	1104	2.89	--	--
3800	676	1.67	742	1.86	803	2.04	862	2.22	918	2.39	972	2.56	1024	2.73	1074	2.90	--	--	--	--
4000	696	1.88	761	2.07	823	2.26	882	2.43	938	2.60	992	2.77	1043	2.94	1093	3.12	--	--	--	--
4200	716	2.10	781	2.29	843	2.48	902	2.65	958	2.82	1012	2.99	1064	3.16	1114	3.34	--	--	--	--
4250	721	2.16	786	2.35	848	2.53	907	2.71	963	2.88	1017	3.05	1069	3.22	1119	3.39	--	--	--	--
	Standard static option with motor rated at 2.4-hp																			
	Medium static option with motor rated at 2.4-hp																			
	High static option with motor rated at 3.7-hp																			
Bold	Field-supplied AK79 x 1 fixed pulley (p/n 9381) with motor rated at 3.7-hp																			
--	Exceeds recommended blower speed																			

1 Blower performance includes gas heat exchangers and 2 in. filters. See static resistance table for additional applications. **Note:** See RPM selection table to determine required motor sheave setting and to determine the maximum continuous BHP. $kW = 0.929 \times BHP$

Table 117: ZY12 (10 ton) bottom duct

CFM	Available external static pressure - IWG ¹																			
	0.2		0.4		0.6		0.8		1.0		1.2		1.4		1.6		1.8		2.0	
	RPM	BHP	RPM	BHP	RPM	BHP	RPM	BHP	RPM	BHP	RPM	BHP	RPM	BHP	RPM	BHP	RPM	BHP	RPM	BHP
2600	626	0.50	679	0.73	731	0.97	782	1.20	831	1.44	880	1.67	928	1.90	976	2.12	1022	2.33	1068	2.53
2800	639	0.64	692	0.87	744	1.11	795	1.34	845	1.58	894	1.81	942	2.04	989	2.26	1036	2.47	1082	2.67
3000	653	0.79	706	1.02	758	1.25	808	1.49	858	1.72	907	1.95	955	2.18	1003	2.40	1049	2.62	1095	2.82
3200	667	0.94	720	1.17	771	1.40	822	1.64	872	1.88	921	2.11	969	2.34	1016	2.56	1063	2.77	1109	2.97
3400	682	1.11	734	1.34	786	1.57	837	1.81	887	2.04	936	2.28	984	2.50	1031	2.73	1078	2.94	1124	3.14
3600	697	1.29	750	1.52	802	1.76	853	1.99	903	2.23	952	2.46	1000	2.69	1047	2.91	1094	3.12	1140	3.32
3800	714	1.50	767	1.73	819	1.96	870	2.20	920	2.43	969	2.67	1017	2.90	1064	3.12	1111	3.33	1157	3.53
4000	733	1.73	786	1.96	837	2.19	888	2.43	938	2.66	987	2.90	1035	3.12	1083	3.34	1129	3.56	1175	3.76
4200	753	1.98	806	2.21	857	2.44	908	2.68	958	2.91	1007	3.15	1055	3.37	1102	3.60	1149	3.81	1195	4.01
4400	774	2.25	827	2.48	879	2.72	930	2.95	979	3.19	1028	3.42	1076	3.65	1124	3.87	1170	4.08	1216	4.28
4600	797	2.55	850	2.78	902	3.02	952	3.25	1002	3.49	1051	3.72	1099	3.95	1147	4.17	1193	4.38	1239	4.58
4800	822	2.88	874	3.11	926	3.34	977	3.58	1027	3.81	1076	4.05	1124	4.27	1171	4.50	1218	4.71	--	--
5000	848	3.23	901	3.46	952	3.69	1003	3.93	1053	4.16	1102	4.40	1150	4.62	1197	4.84	1242	5.06	--	--
	Standard static option with motor rated at 2.4-hp																			
	Medium static option with motor rated at 3.7-hp																			
	High static option with motor rated at 5.25-hp																			
--	Exceeds recommended blower speed																			

1 Blower performance includes gas heat exchangers and 2 in. filters. See static resistance table for additional applications. **Note:** See RPM selection table to determine required motor sheave setting and to determine the maximum continuous BHP. $kW = 0.929 \times BHP$

ZL04 to ZL06 side duct application (belt drive)

Table 118: ZL04 (3.0 ton) side duct

CFM	Available external static pressure - IWG ¹																			
	0.2		0.4		0.6		0.8		1.0		1.2		1.4		1.6		1.8		2.0	
	RPM	BHP	RPM	BHP	RPM	BHP	RPM	BHP	RPM	BHP	RPM	BHP	RPM	BHP	RPM	BHP	RPM	BHP	RPM	BHP
900	n/a	n/a	874	0.31	972	0.40	1065	0.50	1153	0.60	1236	0.70	1315	0.80	1390	0.89	1460	0.97	1526	1.05
1000	n/a	n/a	887	0.36	985	0.45	1078	0.55	1165	0.65	1249	0.75	1328	0.85	1402	0.94	1472	1.03	1539	1.10
1100	797	0.33	900	0.42	998	0.51	1091	0.61	1179	0.71	1263	0.81	1341	0.91	1416	1.00	1486	1.08	1553	1.16
1200	813	0.40	916	0.48	1014	0.57	1107	0.67	1195	0.77	1279	0.87	1357	0.97	1432	1.06	1502	1.15	1569	1.22
1300	831	0.46	935	0.55	1033	0.64	1126	0.74	1214	0.84	1297	0.94	1376	1.03	1450	1.13	1520	1.21	1583	1.28
1400	852	0.53	956	0.61	1054	0.71	1146	0.80	1234	0.90	1318	1.00	1396	1.10	1471	1.19	1541	1.28	--	--
1500	876	0.59	979	0.68	1077	0.77	1170	0.87	1258	0.97	1341	1.07	1420	1.17	1494	1.26	1565	1.34	--	--
	Medium static option with motor rated at 2.4-hp																			
	High static option with motor rated at 2.9-hp																			
--	Exceeds recommended blower speed																			

1 Blower performance includes gas heat exchangers and 2 in. filters. See static resistance table for additional applications. **Note:** See RPM selection table to determine required motor sheave setting and to determine the maximum continuous BHP. kW = 0.929 x BHP

Table 119: ZL05 (4.0 ton) side duct

CFM	Available external static pressure - IWG ¹																			
	0.2		0.4		0.6		0.8		1.0		1.2		1.4		1.6		1.8		2.0	
	RPM	BHP	RPM	BHP	RPM	BHP	RPM	BHP	RPM	BHP	RPM	BHP	RPM	BHP	RPM	BHP	RPM	BHP	RPM	BHP
1200	840	0.30	927	0.41	1012	0.53	1096	0.65	1177	0.77	1257	0.89	1334	1.01	1411	1.12	1485	1.22	1558	1.31
1300	857	0.35	944	0.47	1029	0.59	1112	0.71	1194	0.83	1273	0.95	1351	1.07	1427	1.18	1502	1.28	1574	1.37
1400	875	0.42	962	0.53	1048	0.65	1131	0.77	1212	0.89	1292	1.01	1370	1.13	1446	1.24	1520	1.34	1593	1.43
1500	897	0.49	984	0.60	1069	0.72	1152	0.84	1233	0.96	1313	1.08	1391	1.20	1467	1.31	1542	1.41	--	--
1600	921	0.56	1008	0.67	1093	0.79	1176	0.91	1258	1.04	1337	1.16	1415	1.27	1491	1.38	1566	1.49	--	--
1700	948	0.64	1035	0.76	1120	0.87	1204	1.00	1285	1.12	1365	1.24	1442	1.36	1518	1.47	1593	1.57	--	--
1800	979	0.73	1066	0.85	1151	0.96	1234	1.08	1315	1.21	1395	1.33	1473	1.44	1549	1.56	--	--	--	--
1900	1012	0.83	1099	0.94	1185	1.06	1268	1.18	1349	1.30	1429	1.42	1507	1.54	1583	1.65	--	--	--	--
2000	1049	0.93	1136	1.04	1222	1.16	1305	1.28	1386	1.40	1466	1.52	1544	1.64	--	--	--	--	--	--
	Medium static option with motor rated at 2.4-hp																			
	High static option with motor rated at 2.9-hp																			
--	Exceeds recommended blower speed																			

1 Blower performance includes gas heat exchangers and 2 in. filters. See static resistance table for additional applications. **Note:** See rpm selection table to determine required motor sheave setting and to determine the maximum continuous BHP. kW = 0.929 x BHP

Table 120: ZL06 (5.0 ton) side duct

CFM	Available external static pressure - IWG ¹																			
	0.2		0.4		0.6		0.8		1.0		1.2		1.4		1.6		1.8		2.0	
	RPM	BHP	RPM	BHP	RPM	BHP	RPM	BHP	RPM	BHP	RPM	BHP	RPM	BHP	RPM	BHP	RPM	BHP	RPM	BHP
1500	810	0.49	883	0.60	954	0.70	1023	0.80	1089	0.91	1152	1.02	1213	1.14	1269	1.26	1323	1.40	1373	1.55
1600	831	0.58	904	0.68	975	0.79	1044	0.89	1110	1.00	1173	1.11	1233	1.22	1290	1.35	1344	1.49	1394	1.64
1700	854	0.66	927	0.77	998	0.87	1067	0.98	1133	1.08	1196	1.19	1256	1.31	1313	1.44	1367	1.57	1417	1.72
1800	878	0.75	952	0.86	1023	0.96	1091	1.07	1157	1.17	1221	1.28	1281	1.40	1338	1.52	1391	1.66	1441	1.81
1900	904	0.84	977	0.95	1048	1.05	1117	1.16	1183	1.26	1246	1.37	1306	1.49	1363	1.61	1417	1.75	1467	1.90
2000	931	0.93	1004	1.04	1075	1.15	1144	1.25	1210	1.36	1273	1.47	1333	1.58	1390	1.71	1444	1.84	1494	1.99
2100	959	1.03	1032	1.14	1103	1.24	1172	1.35	1238	1.45	1301	1.56	1361	1.68	1418	1.81	1472	1.94	1522	2.09
2200	988	1.13	1061	1.24	1132	1.35	1201	1.45	1267	1.56	1330	1.67	1390	1.78	1447	1.91	1501	2.04	1550	2.19
2300	1017	1.24	1091	1.35	1162	1.45	1230	1.56	1296	1.66	1359	1.77	1420	1.89	1477	2.02	1530	2.15	1580	2.30
2400	1047	1.36	1121	1.46	1192	1.57	1260	1.67	1326	1.78	1390	1.89	1450	2.01	1507	2.13	1560	2.27	--	--
2500	1078	1.48	1151	1.58	1222	1.69	1291	1.79	1357	1.90	1420	2.01	1480	2.13	1537	2.25	1591	2.39	--	--
	Medium static option with motor rated at 2.4-hp																			
	High static option with motor rated at 2.9-hp																			
--	Exceeds recommended blower speed																			

¹ Blower performance includes gas heat exchangers and 2 in. filters. See static resistance table for additional applications. **Note:** See RPM selection table to determine required motor sheave setting and to determine the maximum continuous BHP. kW = 0.857 x BHP

ZL04 to ZL06 bottom duct application (belt drive)

Table 121: ZL04 (3.0 ton) bottom duct

CFM	Available external static pressure - IWG ¹																			
	0.2		0.4		0.6		0.8		1.0		1.2		1.4		1.6		1.8		2.0	
	RPM	BHP	RPM	BHP	RPM	BHP	RPM	BHP	RPM	BHP	RPM	BHP	RPM	BHP	RPM	BHP	RPM	BHP	RPM	BHP
900	n/a	n/a	878	0.26	976	0.37	1070	0.47	1161	0.58	1247	0.67	1329	0.76	1405	0.85	1477	0.93	1543	1.00
1000	792	0.20	894	0.31	992	0.42	1087	0.52	1177	0.62	1263	0.72	1345	0.81	1422	0.90	1493	0.98	1560	1.05
1100	810	0.26	912	0.37	1010	0.47	1104	0.58	1195	0.68	1281	0.77	1363	0.87	1439	0.95	1511	1.03	1577	1.11
1200	829	0.32	931	0.43	1029	0.54	1124	0.64	1214	0.74	1300	0.84	1382	0.93	1459	1.02	1530	1.10	1593	1.17
1300	850	0.39	952	0.50	1050	0.61	1145	0.71	1235	0.81	1321	0.91	1403	1.00	1480	1.09	1552	1.17	--	--
1400	874	0.47	975	0.58	1073	0.69	1168	0.79	1258	0.89	1344	0.99	1426	1.08	1503	1.17	1575	1.25	--	--
1500	899	0.56	1000	0.67	1098	0.77	1193	0.88	1283	0.98	1370	1.07	1451	1.17	1528	1.25	1600	1.33	--	--
	Medium static option with motor rated at 2.4-hp																			
	High static option with motor rated at 2.9-hp																			
--	Exceeds recommended blower speed																			

1 Blower performance includes gas heat exchangers and 2 in. filters. See static resistance table for additional applications. **Note:** See RPM selection table to determine required motor sheave setting and to determine the maximum continuous BHP. kW = 0.929 x BHP

Table 122: ZL05 (4.0 ton) bottom duct

CFM	Available external static pressure - IWG ¹																			
	0.2		0.4		0.6		0.8		1.0		1.2		1.4		1.6		1.8		2.0	
	RPM	BHP	RPM	BHP	RPM	BHP	RPM	BHP	RPM	BHP	RPM	BHP	RPM	BHP	RPM	BHP	RPM	BHP	RPM	BHP
1200	840	0.37	929	0.46	1016	0.56	1101	0.68	1184	0.80	1265	0.93	1345	1.04	1423	1.14	1500	1.22	1576	1.28
1300	858	0.43	947	0.52	1035	0.62	1120	0.74	1203	0.86	1284	0.99	1364	1.10	1442	1.20	1519	1.28	1593	1.34
1400	879	0.49	968	0.58	1055	0.69	1140	0.81	1224	0.93	1305	1.05	1385	1.17	1463	1.27	1540	1.35	--	--
1500	903	0.56	992	0.65	1079	0.76	1164	0.88	1247	1.00	1328	1.12	1408	1.24	1486	1.34	1563	1.42	--	--
1600	929	0.64	1018	0.73	1105	0.83	1190	0.95	1273	1.07	1354	1.20	1434	1.31	1512	1.41	1589	1.49	--	--
1700	957	0.72	1047	0.81	1134	0.91	1219	1.03	1302	1.15	1383	1.28	1463	1.39	1541	1.49	--	--	--	--
1800	989	0.80	1078	0.89	1165	1.00	1250	1.12	1333	1.24	1415	1.36	1494	1.47	1572	1.58	--	--	--	--
1900	1023	0.89	1112	0.98	1199	1.08	1284	1.20	1367	1.33	1449	1.45	1528	1.56	--	--	--	--	--	--
2000	1059	0.98	1149	1.07	1236	1.18	1321	1.29	1404	1.42	1485	1.54	1565	1.65	--	--	--	--	--	--
	Medium static option with motor rated at 2.4-hp																			
	High static option with motor rated at 2.9-hp																			
--	Exceeds recommended blower speed																			

1 Blower performance includes gas heat exchangers and 2 in. filters. See static resistance table for additional applications. **Note:** See RPM selection table to determine required motor sheave setting and to determine the maximum continuous BHP. kW = 0.929 x BHP

Table 123: ZL06 (5.0 ton) bottom duct

CFM	Available external static pressure - IWG ¹																			
	0.2		0.4		0.6		0.8		1.0		1.2		1.4		1.6		1.8		2.0	
	RPM	BHP	RPM	BHP	RPM	BHP	RPM	BHP	RPM	BHP	RPM	BHP	RPM	BHP	RPM	BHP	RPM	BHP	RPM	BHP
1500	840	0.48	910	0.58	977	0.67	1042	0.77	1106	0.87	1166	0.98	1225	1.08	1280	1.19	1334	1.30	1384	1.41
1600	866	0.55	935	0.65	1003	0.74	1068	0.84	1131	0.94	1192	1.04	1250	1.15	1306	1.26	1359	1.37	1410	1.48
1700	892	0.63	961	0.72	1029	0.82	1094	0.92	1157	1.02	1218	1.12	1276	1.23	1332	1.33	1385	1.44	1436	1.56
1800	918	0.71	987	0.81	1055	0.90	1120	1.00	1183	1.10	1244	1.21	1302	1.31	1358	1.42	1411	1.53	1462	1.64
1900	944	0.80	1014	0.90	1081	1.00	1146	1.09	1209	1.19	1270	1.30	1329	1.40	1384	1.51	1438	1.62	1488	1.73
2000	971	0.90	1041	1.00	1108	1.09	1174	1.19	1237	1.29	1297	1.39	1356	1.50	1412	1.61	1465	1.72	1516	1.83
2100	999	1.01	1069	1.10	1136	1.20	1202	1.30	1265	1.40	1326	1.50	1384	1.60	1440	1.71	1493	1.82	1544	1.93
2200	1028	1.12	1098	1.21	1165	1.31	1231	1.41	1294	1.51	1355	1.61	1413	1.72	1469	1.82	1522	1.93	1573	2.05
2300	1058	1.24	1128	1.33	1195	1.43	1261	1.53	1324	1.63	1385	1.73	1443	1.83	1499	1.94	1552	2.05	--	--
2400	1090	1.36	1159	1.46	1227	1.55	1292	1.65	1355	1.75	1416	1.85	1474	1.96	1530	2.07	1583	2.18	--	--
2500	1122	1.49	1191	1.59	1259	1.68	1324	1.78	1387	1.88	1448	1.98	1506	2.09	1562	2.20	1615	2.31	--	--
	Medium static option with motor rated at 2.4-hp																			
	High static option with motor rated at 2.9-hp																			
--	Exceeds recommended blower speed																			

1 Blower performance includes gas heat exchangers and 2 in. filters. See static resistance table for additional applications. **Note:** See RPM selection table to determine required motor sheave setting and to determine the maximum continuous BHP. kW = 0.857 x BHP

ZL08 to 14 side duct application (belt drive)

Table 124: ZL 08 (7.5 ton) side duct

CFM	1Available external static pressure - IWG1																			
	0.2		0.4		0.6		0.8		1.0		1.2		1.4		1.6		1.8		2.0	
	RPM	BHP	RPM	BHP	RPM	BHP	RPM	BHP	RPM	BHP	RPM	BHP	RPM	BHP	RPM	BHP	RPM	BHP	RPM	BHP
2250	547	0.39	610	0.60	670	0.81	727	1.01	783	1.21	836	1.41	888	1.59	939	1.78	989	1.96	1038	2.13
2400	556	0.47	619	0.69	679	0.90	736	1.10	792	1.30	845	1.49	897	1.68	948	1.86	998	2.04	1047	2.22
2600	568	0.60	631	0.81	691	1.02	749	1.22	804	1.42	857	1.61	909	1.80	960	1.99	1010	2.17	1059	2.34
2800	581	0.73	644	0.95	704	1.16	762	1.36	817	1.56	871	1.75	923	1.94	973	2.13	1023	2.31	1073	2.48
3000	595	0.89	658	1.10	718	1.31	776	1.51	831	1.71	885	1.91	937	2.09	988	2.28	1038	2.46	1087	2.63
3200	610	1.05	673	1.27	733	1.48	791	1.68	846	1.88	900	2.07	952	2.26	1003	2.44	1053	2.62	--	--
3400	627	1.23	689	1.45	750	1.66	807	1.86	863	2.06	916	2.25	968	2.44	1019	2.62	1069	2.80	--	--
3600	644	1.42	707	1.64	767	1.85	824	2.05	880	2.25	933	2.44	985	2.63	1036	2.82	1086	3.00	--	--
3750	657	1.58	720	1.79	780	2.00	838	2.20	893	2.40	947	2.60	999	2.78	1049	2.97	1099	3.15	--	--
	Standard static option with motor rated at 2.4-hp																			
	Medium static option with motor rated at 2.4-hp																			
	High static option with motor rated at 3.7-hp																			
--	Exceeds recommended blower speed																			

1 Blower performance includes gas heat exchangers and 2 in. filters. See static resistance table for additional applications. **Note:** See RPM selection table to determine required motor sheave setting and to determine the maximum continuous BHP. kW = 0.929 x BHP

Table 125: ZL 09 (8.5 ton) side duct

CFM	1Available external static pressure - IWG1																			
	0.2		0.4		0.6		0.8		1.0		1.2		1.4		1.6		1.8		2.0	
	RPM	BHP	RPM	BHP	RPM	BHP	RPM	BHP	RPM	BHP	RPM	BHP	RPM	BHP	RPM	BHP	RPM	BHP	RPM	BHP
2550	565	0.56	628	0.78	688	0.99	745	1.19	801	1.39	854	1.58	906	1.77	957	1.95	1007	2.13	1056	2.31
2600	568	0.60	631	0.81	691	1.02	749	1.22	804	1.42	857	1.61	909	1.80	960	1.99	1010	2.17	1059	2.34
2800	581	0.73	644	0.95	704	1.16	762	1.36	817	1.56	871	1.75	923	1.94	973	2.13	1023	2.31	1073	2.48
3000	595	0.89	658	1.10	718	1.31	776	1.51	831	1.71	885	1.91	937	2.09	988	2.28	1038	2.46	1087	2.63
3200	610	1.05	673	1.27	733	1.48	791	1.68	846	1.88	900	2.07	952	2.26	1003	2.44	1053	2.62	1100	2.80
3400	627	1.23	689	1.45	750	1.66	807	1.86	863	2.06	916	2.25	968	2.44	1019	2.62	1069	2.80	--	--
3600	644	1.42	707	1.64	767	1.85	824	2.05	880	2.25	933	2.44	985	2.63	1036	2.82	1086	3.00	--	--
3800	662	1.63	725	1.84	785	2.05	842	2.26	898	2.46	951	2.65	1003	2.84	1054	3.02	1100	3.20	--	--
4000	681	1.85	744	2.06	804	2.27	861	2.47	917	2.67	970	2.87	1022	3.05	1073	3.24	--	--	--	--
4200	701	2.08	764	2.29	824	2.50	881	2.70	937	2.90	990	3.09	1042	3.28	1093	3.47	--	--	--	--
4250	706	2.14	769	2.35	829	2.56	887	2.76	942	2.96	996	3.15	1048	3.34	1098	3.53	--	--	--	--
	Standard static option with motor rated at 2.4-hp																			
	Medium static option with motor rated at 2.4-hp																			
	High static option with motor rated at 3.7-hp																			
Bold	Field-supplied BK95 x 1 fixed pulley (p/n 9381) with motor rated at 3.7-hp																			
--	Exceeds recommended blower speed																			

1 Blower performance includes gas heat exchangers and 2 in. filters. See static resistance table for additional applications. **Note:** See RPM selection table to determine required motor sheave setting and to determine the maximum continuous BHP. kW = 0.929 x BHP

Table 126: ZL 12 (10 ton) side duct

CFM	¹ Available external static pressure - IWG ¹																			
	0.2		0.4		0.6		0.8		1.0		1.2		1.4		1.6		1.8		2.0	
	RPM	BHP	RPM	BHP	RPM	BHP	RPM	BHP	RPM	BHP	RPM	BHP	RPM	BHP	RPM	BHP	RPM	BHP	RPM	BHP
3000	653	0.79	706	1.02	758	1.25	808	1.49	858	1.72	907	1.95	955	2.18	1003	2.4	1049	2.62	1095	2.82
3200	667	0.94	720	1.17	771	1.40	822	1.64	872	1.88	921	2.11	969	2.34	1016	2.56	1063	2.77	1109	2.97
3400	682	1.11	734	1.34	786	1.57	837	1.81	887	2.04	936	2.28	984	2.5	1031	2.73	1078	2.94	1124	3.14
3600	697	1.29	750	1.52	802	1.76	853	1.99	903	2.23	952	2.46	1000	2.69	1047	2.91	1094	3.12	1140	3.32
3800	714	1.50	767	1.73	819	1.96	870	2.20	920	2.43	969	2.67	1017	2.90	1064	3.12	1111	3.33	1157	3.53
4000	733	1.73	786	1.96	837	2.19	888	2.43	938	2.66	987	2.90	1035	3.12	1083	3.34	1129	3.56	1174	3.76
4200	753	1.98	806	2.21	857	2.44	908	2.68	958	2.91	1007	3.15	1055	3.37	1102	3.6	1149	3.81	--	--
4400	774	2.25	827	2.48	879	2.72	930	2.95	979	3.19	1028	3.42	1076	3.65	1124	3.87	1170	4.08	--	--
4600	797	2.55	850	2.78	902	3.02	952	3.25	1002	3.49	1051	3.72	1099	3.95	1147	4.17	--	--	--	--
4800	822	2.88	874	3.11	926	3.34	977	3.58	1027	3.81	1076	4.05	1124	4.27	1171	4.50	--	--	--	--
5000	848	3.23	901	3.46	952	3.69	1003	3.93	1053	4.16	1102	4.4	1150	4.62	--	--	--	--	--	--
Standard static option with motor rated at 2.4-hp																				
Medium static option with motor rated at 2.9-hp																				
High static option with motor rated at 3.7-hp																				
-- Exceeds recommended blower speed																				

¹ Blower performance includes gas heat exchangers and 2 in. filters. See static resistance table for additional applications. **Note:** See RPM selection table to determine required motor sheave setting and to determine the maximum continuous BHP. kW = 0.929 x BHP

Table 127: ZL14 (12.5 ton) side duct

CFM	¹ Available external static pressure - IWG ¹																			
	0.2		0.4		0.6		0.8		1.0		1.2		1.4		1.6		1.8		2.0	
	RPM	BHP	RPM	BHP	RPM	BHP	RPM	BHP	RPM	BHP	RPM	BHP	RPM	BHP	RPM	BHP	RPM	BHP	RPM	BHP
3750	684	1.33	741	1.56	792	1.81	840	2.07	884	2.33	927	2.60	971	2.85	1017	3.09	1066	3.30	1121	3.49
3800	688	1.38	745	1.61	797	1.85	844	2.12	888	2.38	932	2.65	976	2.90	1021	3.14	1071	3.35	1125	3.54
4000	706	1.58	763	1.81	814	2.06	861	2.32	906	2.59	949	2.85	993	3.11	1039	3.35	1088	3.56	1142	3.74
4200	724	1.81	781	2.04	832	2.29	879	2.55	924	2.82	967	3.08	1011	3.34	1057	3.57	1106	3.79	1160	3.97
4400	742	2.06	799	2.29	850	2.54	897	2.80	942	3.06	985	3.33	1029	3.58	1075	3.82	1124	4.03	1178	4.22
4600	760	2.32	817	2.55	869	2.80	916	3.06	960	3.33	1004	3.59	1048	3.85	1093	4.08	1143	4.30	--	--
4800	779	2.60	836	2.83	888	3.08	935	3.34	979	3.61	1023	3.88	1067	4.13	1112	4.37	1162	4.58	--	--
5000	799	2.91	856	3.14	907	3.39	954	3.65	999	3.91	1042	4.18	1086	4.43	1132	4.67	--	--	--	--
5200	819	3.23	876	3.46	927	3.71	974	3.97	1019	4.23	1062	4.50	1106	4.75	1152	4.99	--	--	--	--
5400	839	3.57	896	3.80	953	4.04	995	4.31	1039	4.57	1083	4.84	1127	5.09	--	--	--	--	--	--
5600	860	3.92	917	4.15	969	4.40	1016	4.66	1060	4.93	1104	5.19	--	--	--	--	--	--	--	--
5800	882	4.30	939	4.53	990	4.77	1037	5.04	--	--	--	--	--	--	--	--	--	--	--	--
6000	904	4.69	961	4.92	1012	5.17	--	--	--	--	--	--	--	--	--	--	--	--	--	--
Standard static option with motor rated at 2.9-hp																				
Medium static option with motor rated at 3.7-hp																				
High static option with motor rated at 5.25-hp																				
-- Exceeds recommended blower speed																				

¹ Blower performance includes gas heat exchangers and 2 in. filters. See static resistance table for additional applications. **Note:** See RPM selection table to determine required motor sheave setting and to determine the maximum continuous BHP. kW = 0.929 x BHP

ZL08 to 14 bottom duct application (belt drive)

Table 128: ZL08 (7.5 ton) bottom duct

CFM	Available external static pressure - IWG ¹																			
	0.2		0.4		0.6		0.8		1.0		1.2		1.4		1.6		1.8		2.0	
	RPM	BHP	RPM	BHP	RPM	BHP	RPM	BHP	RPM	BHP	RPM	BHP	RPM	BHP	RPM	BHP	RPM	BHP	RPM	BHP
2250	556	0.45	621	0.65	683	0.83	742	1.00	798	1.18	852	1.34	904	1.51	954	1.69	1003	1.87	1050	2.06
2400	567	0.53	632	0.73	694	0.91	753	1.09	809	1.26	863	1.43	914	1.60	964	1.77	1013	1.95	1060	2.14
2600	580	0.65	646	0.85	707	1.03	766	1.21	823	1.38	876	1.55	928	1.72	978	1.89	1027	2.07	1074	2.27
2800	595	0.79	660	0.99	722	1.17	780	1.35	837	1.52	890	1.69	942	1.86	992	2.03	1041	2.21	1088	2.40
3000	609	0.94	674	1.14	736	1.32	795	1.50	851	1.67	905	1.83	957	2.00	1007	2.18	1056	2.36	1100	2.55
3200	625	1.10	690	1.30	752	1.48	810	1.66	867	1.83	921	2.00	972	2.17	1022	2.34	1071	2.52	--	--
3400	641	1.28	706	1.47	768	1.66	827	1.83	883	2.00	937	2.17	989	2.34	1039	2.52	1087	2.70	--	--
3600	658	1.47	723	1.66	785	1.85	844	2.02	900	2.19	954	2.36	1006	2.53	1056	2.70	1100	2.89	--	--
3750	672	1.61	737	1.81	799	1.99	858	2.17	914	2.34	968	2.51	1019	2.68	1069	2.85	--	--	--	--
	Standard static option with motor rated at 2.4-hp																			
	Medium static option with motor rated at 2.9-hp																			
	High static option with motor rated at 3.7-hp																			
--	Exceeds recommended blower speed																			

¹ Blower performance includes gas heat exchangers and 2 in. filters. See static resistance table for additional applications. **Note:** See RPM selection table to determine required motor sheave setting and to determine the maximum continuous BHP. kW = 0.929 x BHP

Table 129: ZL09 (8.5 ton) bottom duct

CFM	Available external static pressure - IWG ¹																			
	0.2		0.4		0.6		0.8		1.0		1.2		1.4		1.6		1.8		2.0	
	RPM	BHP	RPM	BHP	RPM	BHP	RPM	BHP	RPM	BHP	RPM	BHP	RPM	BHP	RPM	BHP	RPM	BHP	RPM	BHP
2550	577	0.62	642	0.82	704	1.00	763	1.18	819	1.35	873	1.52	925	1.69	975	1.86	1023	2.04	1071	2.23
2600	580	0.65	646	0.85	707	1.03	766	1.21	823	1.38	876	1.55	928	1.72	978	1.89	1027	2.07	1074	2.27
2800	595	0.79	660	0.99	722	1.17	780	1.35	837	1.52	890	1.69	942	1.86	992	2.03	1041	2.21	1088	2.40
3000	609	0.94	674	1.14	736	1.32	795	1.50	851	1.67	905	1.83	957	2.00	1007	2.18	1056	2.36	1103	2.55
3200	625	1.10	690	1.30	752	1.48	810	1.66	867	1.83	921	2.00	972	2.17	1022	2.34	1071	2.52	--	--
3400	641	1.28	706	1.47	768	1.66	827	1.83	883	2.00	937	2.17	989	2.34	1039	2.52	1087	2.70	--	--
3600	658	1.47	723	1.66	785	1.85	844	2.02	900	2.19	954	2.36	1006	2.53	1056	2.7	1104	2.89	--	--
3800	676	1.67	742	1.86	803	2.04	862	2.22	918	2.39	972	2.56	1024	2.73	1074	2.90	--	--	--	--
4000	696	1.88	761	2.07	823	2.26	882	2.43	938	2.6	992	2.77	1043	2.94	1093	3.12	--	--	--	--
4200	716	2.1	781	2.29	843	2.48	902	2.65	958	2.82	1012	2.99	1064	3.16	1114	3.34	--	--	--	--
4250	721	2.16	786	2.35	848	2.53	907	2.71	963	2.88	1017	3.05	1069	3.22	1119	3.39	--	--	--	--
	Standard static option with motor rated at 2.4-hp																			
	Medium static option with motor rated at 2.9-hp																			
	High static option with motor rated at 3.7-hp																			
Bold	Field-supplied BK95 x 1 fixed pulley (p/n 9381) with motor rated at 3.7-hp																			
--	Exceeds recommended blower speed																			

¹ Blower performance includes gas heat exchangers and 2 in. filters. See static resistance table for additional applications. **Note:** See RPM selection table to determine required motor sheave setting and to determine the maximum continuous BHP. kW = 0.929 x BHP

Table 130: ZL12 (10 ton) bottom duct

CFM	Available external static pressure - IWG ¹																			
	0.2		0.4		0.6		0.8		1.0		1.2		1.4		1.6		1.8		2.0	
	RPM	BHP	RPM	BHP	RPM	BHP	RPM	BHP	RPM	BHP	RPM	BHP	RPM	BHP	RPM	BHP	RPM	BHP	RPM	BHP
2600	626	0.5	679	0.73	731	0.97	782	1.20	831	1.44	880	1.67	928	1.9	976	2.12	1022	2.33	1068	2.53
2800	639	0.64	692	0.87	744	1.11	795	1.34	845	1.58	894	1.81	942	2.04	989	2.26	1036	2.47	1082	2.67
3000	653	0.79	706	1.02	758	1.25	808	1.49	858	1.72	907	1.95	955	2.18	1003	2.40	1049	2.62	1095	2.82
3200	667	0.94	720	1.17	771	1.40	822	1.64	872	1.88	921	2.11	969	2.34	1016	2.56	1063	2.77	1109	2.97
3400	682	1.11	734	1.34	786	1.57	837	1.81	887	2.04	936	2.28	984	2.50	1031	2.73	1078	2.94	1124	3.14
3600	697	1.29	750	1.52	802	1.76	853	1.99	903	2.23	952	2.46	1000	2.69	1047	2.91	1094	3.12	1140	3.32
3800	714	1.5	767	1.73	819	1.96	870	2.20	920	2.43	969	2.67	1017	2.90	1064	3.12	1111	3.33	1157	3.53
4000	733	1.73	786	1.96	837	2.19	888	2.43	938	2.66	987	2.90	1035	3.12	1083	3.34	1129	3.56	1175	3.76
4200	753	1.98	806	2.21	857	2.44	908	2.68	958	2.91	1007	3.15	1055	3.37	1102	3.6	1149	3.81	1195	4.01
4400	774	2.25	827	2.48	879	2.72	930	2.95	979	3.19	1028	3.42	1076	3.65	1124	3.87	1170	4.08	1216	4.28
4600	797	2.55	850	2.78	902	3.02	952	3.25	1002	3.49	1051	3.72	1099	3.95	1147	4.17	1193	4.38	1239	4.58
4800	822	2.88	874	3.11	926	3.34	977	3.58	1027	3.81	1076	4.05	1124	4.27	1171	4.5	1218	4.71	--	--
5000	848	3.23	901	3.46	952	3.69	1003	3.93	1053	4.16	1102	4.40	1150	4.62	1197	4.84	1242	5.06	--	--
Standard static option with motor rated at 2.4-hp																				
Medium static option with motor rated at 3.7-hp																				
High static option with motor rated at 5.25-hp																				
-- Exceeds recommended blower speed																				

1 Blower performance includes gas heat exchangers and 2 in. filters. See static resistance table for additional applications. **Note:** See RPM selection table to determine required motor sheave setting and to determine the maximum continuous BHP. kW = 0.929 x BHP

Table 131: ZL14 (12.5 ton) bottom duct

CFM	Available external static pressure - IWG ¹																			
	0.2		0.4		0.6		0.8		1.0		1.2		1.4		1.6		1.8		2.0	
	RPM	BHP	RPM	BHP	RPM	BHP	RPM	BHP	RPM	BHP	RPM	BHP	RPM	BHP	RPM	BHP	RPM	BHP	RPM	BHP
3750	715	1.46	762	1.68	810	1.91	858	2.13	907	2.36	957	2.58	1008	2.80	1060	3.02	1113	3.24	1167	3.46
3800	720	1.51	766	1.73	814	1.96	862	2.18	911	2.41	961	2.63	1012	2.85	1064	3.07	1117	3.29	1171	3.51
4000	737	1.72	784	1.94	832	2.17	880	2.39	929	2.62	979	2.84	1030	3.07	1082	3.29	1135	3.51	--	--
4200	756	1.95	803	2.17	851	2.40	899	2.63	948	2.85	998	3.07	1049	3.30	1101	3.52	1154	3.74	--	--
4400	777	2.20	824	2.42	871	2.65	920	2.87	969	3.10	1019	3.32	1069	3.55	1121	3.77	1174	3.98	--	--
4600	799	2.47	846	2.69	893	2.92	941	3.14	990	3.37	1040	3.59	1091	3.81	1143	4.04	--	--	--	--
4800	822	2.75	869	2.98	916	3.20	965	3.43	1014	3.65	1064	3.88	1114	4.10	1166	4.32	--	--	--	--
5000	846	3.06	893	3.28	941	3.51	989	3.73	1038	3.96	1088	4.18	1139	4.41	--	--	--	--	--	--
5200	872	3.39	919	3.61	966	3.83	1015	4.06	1064	4.28	1114	4.51	1164	4.73	--	--	--	--	--	--
5400	899	3.73	946	3.95	993	4.18	1042	4.40	1091	4.63	1141	4.85	--	--	--	--	--	--	--	--
5600	927	4.09	974	4.32	1021	4.54	1070	4.77	1119	4.99	1169	5.22	--	--	--	--	--	--	--	--
5800	956	4.47	1003	4.70	1051	4.92	1099	5.15	--	--	--	--	--	--	--	--	--	--	--	--
6000	987	4.87	1034	5.10	--	--	--	--	--	--	--	--	--	--	--	--	--	--	--	--
Standard static option with motor rated at 2.4-hp																				
Medium static option with motor rated at 3.7-hp																				
High static option with motor rated at 5.25-hp																				
-- Exceeds recommended blower speed																				

1 Blower performance includes gas heat exchangers and 2 in. filters. See static resistance table for additional applications. **Note:** See RPM selection table to determine required motor sheave setting and to determine the maximum continuous BHP. kW = 0.929 x BHP

ZQ04 to 06 side duct application (direct drive)

Table 132: ZQ04 to 06 side duct (cooling)

Unit (ton)	Motor speed	Available external static														
		0.2			0.4			0.6			0.8			1.0		
		CFM	WATTS	RPM	CFM	WATTS	RPM	CFM	WATTS	RPM	CFM	WATTS	RPM	CFM	WATTS	RPM
ZQ04 (3)	1 (Low)	1147	152	659	988	181	787	901	203	891	800	226	987	682	247	1071
	2 (Med/Low)	1214	175	683	1094	206	810	965	232	896	898	258	1003	794	276	1084
	3 (Med)	1402	234	735	1324	264	835	1161	302	947	1074	329	1034	986	351	1114
	4 (Med/Hi)	1570	310	791	1512	348	884	1429	381	977	1253	420	1079	1130	423	1148
	5 (Hi)	1825	448	866	1769	487	946	1705	521	1023	1610	559	1107	1229	472	1159
ZQ05 (4)	1 (Low)	1412	261	793	1322	290	884	1244	321	966	1109	347	1059	1035	369	1131
	2 (Med/Low)	1521	313	831	1461	349	920	1382	374	989	1283	400	1072	1166	426	1150
	3 (Med)	1636	376	874	1574	413	959	1487	441	1034	1413	465	1099	1184	446	1164
	4 (Med/Hi)	1813	484	937	1747	522	1013	1668	552	1088	1581	565	1141	1212	458	1170
	5 (Hi)	2351	920	1111	2129	819	1138	1912	718	1153	1678	622	1164	1378	513	1176
ZQ06 (5)	1 (Low)	1692	345	727	1583	374	797	1482	403	866	1380	437	939	1262	462	1000
	2 (Med/Low)	1849	438	779	1755	468	843	1667	495	902	1552	530	971	1439	558	1033
	3 (Med)	1989	532	818	1904	564	877	1828	598	935	1738	628	994	1633	664	1058
	4 (Med/Hi)	2159	673	876	2087	713	931	2010	729	985	1933	778	1035	1859	812	1091
	5 (Hi)	2349	852	928	2270	887	978	2195	922	1028	2118	947	1075	1973	914	1109

Table 133: ZQ04 to 06 side duct (gas heat)

Unit (ton)	Motor speed	Available external static														
		0.2			0.4			0.6			0.8			1.0		
		CFM	WATTS	RPM	CFM	WATTS	RPM	CFM	WATTS	RPM	CFM	WATTS	RPM	CFM	WATTS	RPM
ZQ04 (3)	1 (Low)	1094	165	715	956	187	828	851	213	932	752	237	1026	638	253	1100
	2 (Med/Low)	1180	189	735	1064	216	842	940	242	945	849	263	1029	748	286	1116
	3 (Med)	1353	251	790	1271	280	883	1138	310	979	1036	338	1068	958	362	1144
	4 (Med/Hi)	1517	340	863	1450	374	940	1364	398	1021	1232	434	1114	1022	393	1163
	5 (Hi)	1763	490	953	1690	520	1020	1619	549	1086	1442	525	1140	1070	413	1168
ZQ05 (4)	1 (Low)	1356	285	870	1280	308	939	1185	332	1019	1074	364	1113	850	343	1179
	2 (Med/Low)	1459	349	920	1390	371	985	1306	393	1050	1195	421	1133	862	350	1182
	3 (Med)	1553	412	973	1475	442	1039	1415	462	1092	1289	469	1155	880	357	1182
	4 (Med/Hi)	1718	530	1040	1645	562	1102	1534	555	1147	1377	510	1165	961	390	1183
	5 (Hi)	1955	737	1146	1780	665	1156	1587	599	1168	1407	529	1175	902	366	1186
ZQ06 (5)	1 (Low)	1570	372	791	1463	399	855	1358	425	918	1260	456	983	1161	481	1044
	2 (Med/Low)	1740	468	845	1638	496	903	1543	529	965	1454	553	1015	1360	578	1070
	3 (Med)	1882	569	889	1786	601	947	1687	629	1002	1587	660	1053	1487	680	1105
	4 (Med/Hi)	2052	732	955	1967	749	999	1883	778	1049	1788	808	1099	1621	778	1130
	5 (Hi)	2227	905	1004	2138	937	1051	2038	947	1091	1869	887	1118	1662	811	1137

ZQ04 to 06 bottom duct application (direct drive)

Table 134: ZQ04 to 06 bottom duct (cooling)

Unit (ton)	Motor speed	Available external static														
		0.2			0.4			0.6			0.8			1.0		
		CFM	WATTS	RPM	CFM	WATTS	RPM	CFM	WATTS	RPM	CFM	WATTS	RPM	CFM	WATTS	RPM
ZQ04 (3)	1 (Low)	1086	165	721	929	192	837	861	211	927	769	235	1023	636	253	1108
	2 (Med/Low)	1171	192	745	1035	221	856	946	241	944	868	267	1037	771	290	1119
	3 (Med)	1328	257	806	1255	280	890	1106	316	993	1038	336	1068	944	354	1148
	4 (Med/Hi)	1509	340	867	1449	376	953	1309	407	1046	1210	436	1121	1002	387	1162
	5 (Hi)	1740	490	959	1683	522	1033	1618	555	1101	1315	500	1149	1037	404	1168
ZQ05 (4)	1 (Low)	1330	284	863	1261	302	929	1172	329	1006	1053	353	1088	970	376	1162
	2 (Med/Low)	1458	349	917	1385	372	981	1307	395	1047	1174	421	1129	1023	398	1170
	3 (Med)	1553	414	965	1477	440	1033	1427	461	1086	1334	480	1148	1017	400	1175
	4 (Med/Hi)	1714	532	1041	1638	563	1107	1555	563	1143	1374	503	1161	1033	406	1176
	5 (Hi)	1935	740	1150	1768	667	1160	1610	610	1167	1421	536	1175	1061	421	1183
ZQ06 (5)	1 (Low)	1600	355	759	1518	390	831	1437	418	897	1324	445	961	1224	469	1020
	2 (Med/Low)	1760	449	811	1676	486	879	1587	514	938	1497	547	999	1414	574	1057
	3 (Med)	1898	554	859	1809	587	921	1735	619	977	1641	647	1035	1549	675	1088
	4 (Med/Hi)	2072	708	923	1991	741	977	1917	775	1029	1836	802	1079	1702	794	1122
	5 (Hi)	2228	884	980	2151	919	1031	2072	944	1077	1945	914	1109	1731	822	1131

Table 135: ZQ04 to 06 bottom duct (gas heat)

Unit (ton)	Motor speed	Available external static														
		0.2			0.4			0.6			0.8			1.0		
		CFM	WATTS	RPM	CFM	WATTS	RPM	CFM	WATTS	RPM	CFM	WATTS	RPM	CFM	WATTS	RPM
ZQ04 (3)	1 (Low)	1047	167	733	903	195	854	808	220	956	693	238	1042	567	254	1115
	2 (Med/Low)	1122	197	769	995	225	876	899	252	979	804	276	1065	682	294	1143
	3 (Med)	1275	262	829	1197	291	916	1058	324	1025	963	350	1108	792	334	1165
	4 (Med/Hi)	1461	353	895	1391	381	972	1279	415	1064	1123	432	1146	854	355	1169
	5 (Hi)	1674	506	993	1620	538	1061	1533	555	1123	1179	463	1161	885	369	1176
ZQ05 (4)	1 (Low)	1301	300	911	1211	324	986	1112	349	1062	1007	371	1144	738	318	1184
	2 (Med/Low)	1408	366	970	1331	390	1041	1232	416	1117	1061	401	1169	693	306	1184
	3 (Med)	1496	436	1019	1425	459	1079	1331	482	1146	1083	415	1171	717	316	1184
	4 (Med/Hi)	1641	553	1091	1566	566	1138	1392	520	1160	1104	429	1176	738	321	1185
	5 (Hi)	1779	680	1160	1630	621	1167	1428	547	1174	1144	447	1184	761	332	1191
ZQ06 (5)	1 (Low)	1572	373	802	1466	402	868	1378	434	935	1264	461	999	1183	484	1055
	2 (Med/Low)	1718	475	859	1632	508	920	1531	535	980	1438	562	1036	1344	592	1094
	3 (Med)	1868	578	908	1777	606	961	1687	639	1019	1591	666	1074	1474	678	1122
	4 (Med/Hi)	2019	740	976	1944	770	1023	1859	797	1070	1743	796	1114	1528	728	1139
	5 (Hi)	2182	927	1035	2089	949	1080	1961	918	1109	1808	854	1128	1552	737	1144

ZY04 to 06 side duct application (direct drive)

Table 136: ZY04 to 06 side duct (cooling)

Unit (ton)	Motor speed	Available external static														
		0.2			0.4			0.6			0.8			1.0		
		CFM	WATTS	RPM	CFM	WATTS	RPM	CFM	WATTS	RPM	CFM	WATTS	RPM	CFM	WATTS	RPM
ZY04 (3)	1 (Low)	987	120	651	813	145	774	698	162	864	541	180	959	383	201	1047
	2 (Med/Low)	1079	144	677	936	171	795	793	190	886	692	214	975	521	232	1063
	3 (Med)	1153	166	701	1037	195	812	875	221	913	786	239	986	654	263	1076
	4 (Med/Hi)	1191	178	712	1086	206	815	927	233	916	837	257	998	711	278	1083
	5 (Hi)	1728	484	959	1649	515	1027	1579	544	1089	1425	524	1138	1001	405	1168
ZY05 (4)	1 (Low)	1302	207	727	1188	240	841	1037	266	933	941	296	1022	882	318	1098
	2 (Med/Low)	1421	247	757	1323	282	861	1209	315	958	1064	346	1043	993	368	1116
	3 (Med)	1538	297	795	1453	332	888	1343	367	982	1216	396	1058	1093	427	1146
	4 (Med/Hi)	1571	315	809	1496	352	898	1385	389	996	1288	420	1072	1135	444	1147
	5 (Hi)	1779	432	878	1707	470	960	1615	511	1042	1516	544	1123	1165	468	1160
ZY06 (5)	1 (Low)	1588	298	695	1517	330	761	1409	358	835	1273	393	913	1167	418	973
	2 (Med/Low)	1624	321	713	1557	352	777	1464	383	845	1315	418	924	1224	446	983
	3 (Med)	1942	504	792	1881	536	852	1800	565	908	1714	605	969	1611	644	1038
	4 (Med/Hi)	2146	631	840	2064	692	908	2001	713	954	1932	757	1007	1843	794	1065
	5 (Hi)	2316	812	892	2240	861	954	2181	894	1000	2113	938	1045	2003	946	1093

Table 137: ZY04 to 06 side duct (gas heat)

Unit (ton)	Motor speed	Available external static														
		0.2			0.4			0.6			0.8			1.0		
		CFM	WATTS	RPM	CFM	WATTS	RPM	CFM	WATTS	RPM	CFM	WATTS	RPM	CFM	WATTS	RPM
ZY04 (3)	1 (Low)	978	125	684	853	149	797	734	172	906	596	190	998	445	203	1068
	2 (Med/Low)	1078	153	721	962	175	817	846	200	922	726	226	1026	599	241	1098
	3 (Med)	1153	178	748	1045	199	837	934	226	937	831	251	1031	709	272	1114
	4 (Med/Hi)	1315	248	819	1239	272	895	1138	300	980	1037	323	1062	922	343	1144
	5 (Hi)	1728	484	959	1649	515	1027	1579	544	1089	1425	524	1138	1001	405	1168
ZY05 (4)	1 (Low)	1299	223	786	1226	249	871	1137	273	956	1031	303	1051	923	329	1143
	2 (Med/Low)	1413	272	832	1349	299	906	1266	325	982	1160	352	1070	1042	370	1155
	3 (Med)	1514	327	878	1456	353	942	1389	381	1014	1298	408	1089	1133	405	1165
	4 (Med/Hi)	1751	472	972	1698	502	1033	1639	534	1088	1543	536	1142	1156	420	1172
	5 (Hi)	2093	768	1116	1944	717	1137	1764	651	1152	1506	552	1163	1146	441	1177
ZY06 (5)	1 (Low)	1528	328	781	1427	356	850	1346	386	912	1256	410	969	1181	434	1022
	2 (Med/Low)	1575	362	803	1488	391	871	1401	419	929	1319	445	985	1247	469	1037
	3 (Med)	1867	572	902	1795	601	963	1709	628	1015	1633	652	1061	1544	671	1110
	4 (Med/Hi)	2049	718	968	1969	768	1026	1902	788	1070	1808	802	1110	1637	744	1132
	5 (Hi)	2218	899	1021	2138	928	1074	2007	907	1105	1846	842	1123	1671	767	1139

ZY04 to 06 bottom duct application (direct drive)

Table 138: ZY04 to 06 bottom duct (cooling)

Unit (ton)	Motor speed	Available external static														
		0.2			0.4			0.6			0.8			1.0		
		CFM	WATTS	RPM	CFM	WATTS	RPM	CFM	WATTS	RPM	CFM	WATTS	RPM	CFM	WATTS	RPM
ZY04 (3)	1 (Low)	929	128	699	782	148	794	663	164	880	514	187	976	377	202	1053
	2 (Med/Low)	1036	157	732	870	177	827	803	198	905	649	217	996	508	236	1074
	3 (Med)	1106	181	760	956	204	849	878	225	928	755	245	1010	616	266	1092
	4 (Med/Hi)	1147	197	776	1042	218	860	916	243	944	820	262	1017	671	286	1103
	5 (Hi)	1680	501	997	1622	526	1056	1538	546	1119	1296	485	1153	939	374	1176
ZY05 (4)	1 (Low)	1256	220	776	1170	242	851	1077	266	931	988	298	1025	872	321	1113
	2 (Med/Low)	1350	272	828	1279	292	893	1196	320	966	1105	347	1048	1003	372	1131
	3 (Med)	1449	323	866	1380	350	937	1303	370	996	1223	402	1071	1133	428	1149
	4 (Med/Hi)	1488	345	882	1418	374	954	1357	394	1006	1264	424	1083	1160	442	1155
	5 (Hi)	1677	471	966	1602	507	1034	1543	525	1083	1475	545	1131	1209	465	1162
ZY06 (5)	1 (Low)	1548	310	720	1441	336	792	1337	370	864	1213	397	928	1097	421	988
	2 (Med/Low)	1593	337	738	1488	363	805	1381	394	875	1271	425	937	1150	451	997
	3 (Med)	1880	532	827	1792	563	890	1719	588	944	1632	629	1006	1527	652	1061
	4 (Med/Hi)	2066	689	895	1999	712	942	1907	761	999	1830	773	1048	1734	809	1100
	5 (Hi)	2237	862	949	2163	882	996	2097	929	1036	1998	946	1085	1815	883	1115

Table 139: ZY04 to 06 bottom duct (gas heat)

Unit (ton)	Motor speed	Available external static														
		0.2			0.4			0.6			0.8			1.0		
		CFM	WATTS	RPM	CFM	WATTS	RPM	CFM	WATTS	RPM	CFM	WATTS	RPM	CFM	WATTS	RPM
ZY04 (3)	1 (Low)	969	130	703	839	151	810	717	174	916	569	191	1006	444	204	1069
	2 (Med/Low)	1063	158	741	955	180	834	828	204	938	709	227	1030	583	242	1100
	3 (Med)	1135	182	769	1041	208	858	919	229	952	805	254	1045	681	275	1127
	4 (Med/Hi)	1310	256	842	1225	279	917	1123	307	1001	1029	334	1083	863	335	1155
	5 (Hi)	1680	501	997	1622	526	1056	1538	546	1119	1296	485	1153	939	374	1176
ZY05 (4)	1 (Low)	1277	228	801	1196	251	878	1096	278	967	983	305	1062	873	329	1156
	2 (Med/Low)	1382	278	847	1307	302	916	1217	327	994	1108	355	1083	949	359	1164
	3 (Med)	1486	331	888	1417	359	957	1331	385	1028	1237	410	1103	1023	385	1169
	4 (Med/Hi)	1717	473	991	1653	509	1052	1586	538	1107	1443	521	1150	1052	394	1175
	5 (Hi)	2006	738	1132	1854	682	1147	1704	621	1154	1504	552	1168	1073	418	1177
ZY06 (5)	1 (Low)	1488	335	787	1400	363	851	1320	389	910	1242	416	969	1160	440	1027
	2 (Med/Low)	1536	364	803	1453	392	864	1363	419	924	1293	447	981	1212	471	1037
	3 (Med)	1822	586	914	1752	602	966	1666	632	1017	1586	656	1066	1503	676	1113
	4 (Med/Hi)	1999	726	982	1932	761	1030	1860	809	1076	1753	799	1114	1598	749	1134
	5 (Hi)	2170	932	1040	2091	930	1084	1965	910	1109	1798	843	1127	1618	763	1139

ZL04 to ZL06 side duct application (direct drive)

Table 140: ZL04 to ZL06 side duct (cooling)

Unit (ton)	Motor speed	Available external static														
		0.2			0.4			0.6			0.8			1.0		
		CFM	WATTS	RPM	CFM	WATTS	RPM	CFM	WATTS	RPM	CFM	WATTS	RPM	CFM	WATTS	RPM
ZL04 (3)	1 (Low)	894	104	646	707	127	777	578	137	855	-	-	-	-	-	-
	2 (Med/Low)	1079	144	677	936	171	795	793	190	886	692	214	975	521	232	1063
	3 (Med)	1153	166	701	1037	195	812	875	221	913	786	239	986	654	263	1076
	4 (Med/Hi)	1303	224	769	1211	258	876	1097	286	972	924	313	1059	839	326	1117
	5 (Hi)	1728	484	959	1649	515	1027	1579	544	1089	1425	524	1138	1001	405	1168
ZL05 (4)	1 (Low)	1063	130	651	900	158	783	698	183	900	-	-	-	-	-	-
	2 (Med/Low)	1421	247	757	1323	282	861	1209	315	958	1064	346	1043	993	368	1116
	3 (Med)	1571	315	809	1496	352	898	1385	389	996	1288	420	1072	1135	444	1147
	4 (Med/Hi)	1669	376	869	1552	416	974	1438	446	1055	1358	472	1113	1045	432	1160
	5 (Hi)	1779	432	878	1707	470	960	1615	511	1042	1516	544	1123	1165	468	1160
ZL06 (5)	1 (Low)	1220	120	544	1117	150	634	974	172	728	-	-	-	-	-	-
	2 (Med/Low)	1624	321	713	1557	352	777	1464	383	845	1315	418	924	1224	446	983
	3 (Med)	1875	404	729	1800	443	792	1709	476	863	1608	525	941	1500	572	1017
	4 (Med/Hi)	2146	631	840	2064	692	908	2001	713	954	1932	757	1007	1843	794	1065
	5 (Hi)	2316	812	892	2240	861	954	2181	894	1000	2113	938	1045	2003	946	1093

Table 141: ZL04 to ZL06 side duct (gas heat)

Unit (ton)	Motor speed	Available external static														
		0.2			0.4			0.6			0.8			1.0		
		CFM	WATTS	RPM	CFM	WATTS	RPM	CFM	WATTS	RPM	CFM	WATTS	RPM	CFM	WATTS	RPM
ZL04 (3)	1 (Low)	885	109	679	747	131	800	614	147	897	-	-	-	-	-	-
	2 (Med/Low)	1078	153	721	962	175	817	846	200	922	726	226	1026	599	241	1098
	3 (Med)	1153	178	748	1045	199	837	934	226	937	831	251	1031	709	272	1114
	4 (Med/Hi)	1292	243	831	1215	269	915	1111	295	1001	988	317	1086	865	333	1162
	5 (Hi)	1728	484	959	1649	515	1027	1579	544	1089	1425	524	1138	1001	405	1168
ZL05 (4)	1 (Low)	1060	146	710	938	167	813	798	190	923	-	-	-	-	-	-
	2 (Med/Low)	1413	272	832	1349	299	906	1266	325	982	1160	352	1070	1042	370	1155
	3 (Med)	1612	388	938	1512	417	1018	1442	438	1073	1368	460	1130	1043	393	1178
	4 (Med/Hi)	1751	472	972	1698	502	1033	1639	534	1088	1543	536	1142	1156	420	1172
	5 (Hi)	2093	768	1116	1944	717	1137	1764	651	1152	1506	552	1163	1146	441	1177
ZL06 (5)	1 (Low)	1207	184	652	1088	211	744	966	233	822	847	254	891	722	271	948
	2 (Med/Low)	1575	362	803	1488	391	871	1401	419	929	1319	445	985	1247	469	1037
	3 (Med)	1800	472	839	1714	508	903	1618	539	970	1527	572	1033	1433	599	1089
	4 (Med/Hi)	2049	718	968	1969	768	1026	1902	788	1070	1808	802	1110	1637	744	1132
	5 (Hi)	2218	899	1021	2138	928	1074	2007	907	1105	1846	842	1123	1671	767	1139

① **Note:** 24 V wires 261/orange, 267/red, 238/white can be moved up to different taps depending on the airflow and static requirements of the application. See the relevant unit's wiring diagram.

ZL04 to ZL06 bottom duct application (direct drive)

Table 142: ZL04 to ZL06 bottom duct (cooling)

Unit (ton)	Motor speed	Available external static														
		0.2			0.4			0.6			0.8			1.0		
		CFM	WATTS	RPM	CFM	WATTS	RPM	CFM	WATTS	RPM	CFM	WATTS	RPM	CFM	WATTS	RPM
ZL04 (3)	1 (Low)	836	112	694	676	130	797	543	139	871	-	-	-	-	-	-
	2 (Med/Low)	1036	157	732	870	177	827	803	198	905	649	217	996	508	236	1074
	3 (Med)	1106	181	760	956	204	849	878	225	928	755	245	1010	616	266	1092
	4 (Med/Hi)	1249	247	842	1153	274	929	1010	299	1007	926	317	1077	815	337	1143
	5 (Hi)	1680	501	997	1622	526	1056	1538	546	1119	1296	485	1153	939	374	1176
ZL05 (4)	1 (Low)	1017	143	700	882	160	793	738	183	898	-	-	-	-	-	-
	2 (Med/Low)	1350	272	828	1279	292	893	1196	320	966	1105	347	1048	1003	372	1131
	3 (Med)	1586	406	942	1474	438	1030	1410	451	1065	1334	476	1124	1070	430	1168
	4 (Med/Hi)	1488	345	882	1418	374	954	1357	394	1006	1264	424	1083	1160	442	1155
	5 (Hi)	1677	471	966	1602	507	1034	1543	525	1083	1475	545	1131	1209	465	1162
ZL06 (5)	1 (Low)	1180	132	569	1041	156	665	902	184	757	-	-	-	-	-	-
	2 (Med/Low)	1593	337	738	1488	363	805	1381	394	875	1271	425	937	1150	451	997
	3 (Med)	1813	432	764	1711	470	830	1628	499	899	1526	549	978	1416	580	1040
	4 (Med/Hi)	2066	689	895	1999	712	942	1907	761	999	1830	773	1048	1734	809	1100
	5 (Hi)	2237	862	949	2163	882	996	2097	929	1036	1998	946	1085	1815	883	1115

Table 143: ZL04 to ZL06 bottom duct (gas heat)

Unit (ton)	Motor speed	Available external static														
		0.2			0.4			0.6			0.8			1.0		
		CFM	WATTS	RPM	CFM	WATTS	RPM	CFM	WATTS	RPM	CFM	WATTS	RPM	CFM	WATTS	RPM
ZL04 (3)	1 (Low)	876	114	698	733	133	813	597	149	907	-	-	-	-	-	-
	2 (Med/Low)	1063	158	741	955	180	834	828	204	938	709	227	1030	583	242	1100
	3 (Med)	1135	182	769	1041	208	858	919	229	952	805	254	1045	681	275	1127
	4 (Med/Hi)	1287	251	854	1201	276	937	1096	302	1022	980	328	1107	806	325	1173
	5 (Hi)	1680	501	997	1622	526	1056	1538	546	1119	1296	485	1153	939	374	1176
ZL05 (4)	1 (Low)	1038	151	725	908	169	820	757	195	934	-	-	-	-	-	-
	2 (Med/Low)	1382	278	847	1307	302	916	1217	327	994	1108	355	1083	949	359	1164
	3 (Med)	1584	392	948	1473	423	1033	1384	442	1087	1307	462	1144	933	373	1182
	4 (Med/Hi)	1717	473	991	1653	509	1052	1586	538	1107	1443	521	1150	1052	394	1175
	5 (Hi)	2006	738	1132	1854	682	1147	1704	621	1154	1504	552	1168	1073	418	1177
ZL06 (5)	1 (Low)	1167	191	658	1061	218	745	940	236	820	833	260	891	701	277	953
	2 (Med/Low)	1536	364	803	1453	392	864	1363	419	924	1293	447	981	1212	471	1037
	3 (Med)	1755	486	851	1671	509	906	1575	543	972	1480	576	1038	1392	604	1092
	4 (Med/Hi)	1999	726	982	1932	761	1030	1860	809	1076	1753	799	1114	1598	749	1134
	5 (Hi)	2170	932	1040	2091	930	1084	1965	910	1109	1798	843	1127	1618	763	1139

- ① **Note:** 24 V wires 261/orange, 267/red, 238/white can be moved up to different taps depending on the airflow and static requirements of the application. See the relevant unit's wiring diagram.

Power exhaust blower curves

Figure 3: 208/280-1-60 power exhaust fan curve

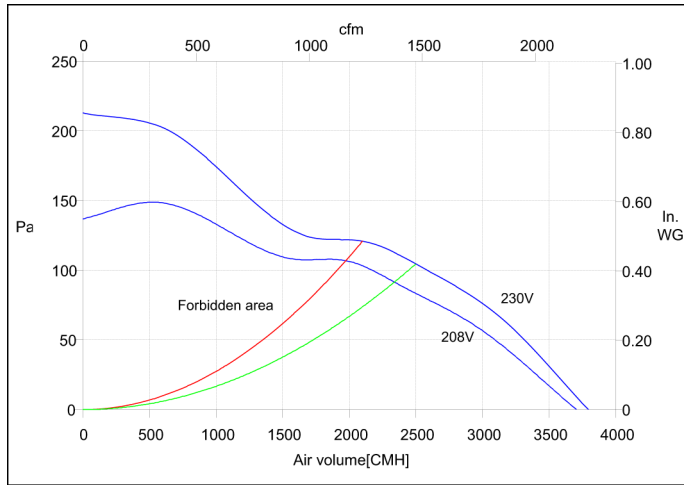


Figure 4: 460-3-60 power exhaust fan curve

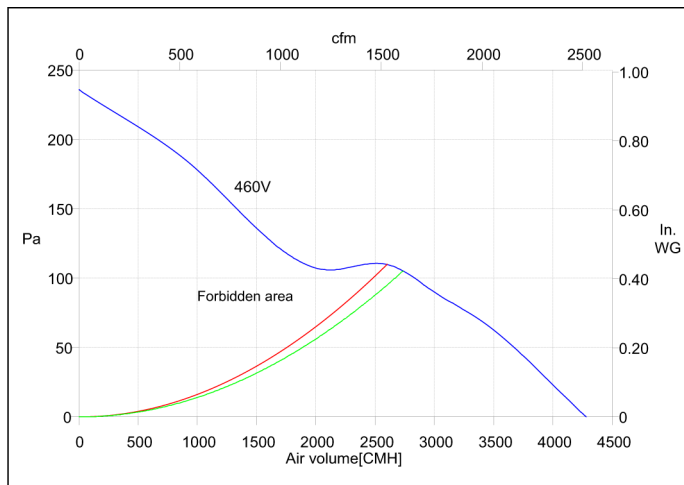


Figure 5: 208/280-3-60 power exhaust fan curve

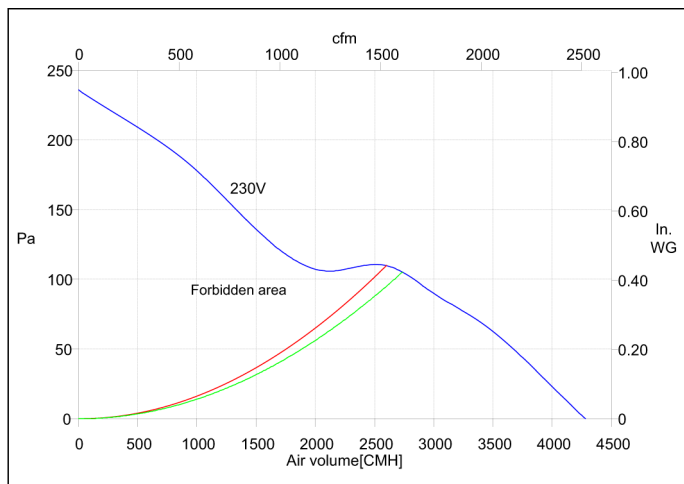
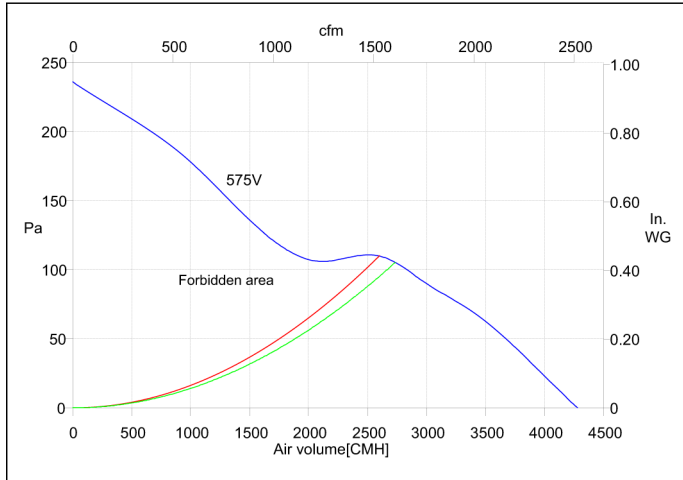


Figure 6: 575-3-50 power exhaust fan curve



Electrical data

ZQ04 to 06 standard static indoor blower - without powered convenience outlet

Table 144: ZQ04 to 06 standard static indoor blower - without powered convenience outlet

Size (ton)	Nominal unit voltage	Compressor 1			Compressor 2			OD fan motors (each)	Supply blower motor	Pwr exh motor	Pwr conv outlet	Electric heat field installed kit 2EK045*				MCA ¹ (amps)	Min fuse ² / breaker ³ size (amps)	Max fuse ² / breaker ³ size (amps)	Min disconnect ⁴ rating		MCA ¹ w/pwr exh (amps)	Min fuse ² / breaker ³ size w/ pwr exh (amps)	Max fuse ² / breaker ³ size w/ pwr exh (amps)	Min disconnect ⁴ rating/ pwr exh	
		RLA	LRA	MCC	RLA	LRA	MCC					Model	kW	Stages	Amps				FLA	LRA				FLA	LRA
04 (3)	208-1-60	15.4	83.9	24	-	-	-	1.4	6.6	1.5	-	None	-	-	-	27.3	30	40	27	89	28.8	30	40	29	93
												10625	4.9	1	23.6	37.8	40	40	35	89	39.6	40	40	36	93
												11125	7.9	1	38	55.8	60	60	51	89	57.6	60	60	53	93
	230-1-60	15.4	83.9	24	-	-	-	1.4	6	1.3	-	None	-	-	-	26.7	30	40	26	89	28	30	40	28	92
												10625	6.5	1	27.1	41.4	45	45	38	89	43	45	45	40	92
												11125	10.5	1	43.8	62.3	70	70	57	89	63.9	70	70	59	92
	208-3-60	10.4	73	16	-	-	-	1.4	6.6	1.1	-	None	-	-	-	21	25	30	21	78	22.1	25	30	22	81
												10625	4.9	1	13.6	25.3	30	30	23	78	26.6	30	30	24	81
												11125	7.9	1	21.9	35.6	40	40	33	78	37	40	40	34	81
	230-3-60	10.4	73	16	-	-	-	1.4	6	1	-	None	-	-	-	20.4	25	30	20	78	21.4	25	30	22	81
												10625	6.5	1	15.6	27	30	30	25	78	28.3	30	30	26	81
												11125	10.5	1	25.3	39.1	40	40	36	78	40.4	45	45	37	81
	460-3-60	5.8	38	9	-	-	-	0.8	3.2	0.5	-	None	-	-	-	11.3	15	15	11	42	11.8	15	15	12	43
												10646	6	1	7.2	13	15	15	12	42	13.6	15	15	13	43
												11146	11.5	1	13.8	21.3	25	25	20	42	21.9	25	25	20	43
	575-3-60	3.8	36.5	6	-	-	-	0.6	6	0.4	-	None	-	-	-	7.8	15	15	8	39	8.2	15	15	8	40
												11058	9.2	1	8.9	14.1	15	15	13	39	14.6	15	15	13	40
												11458	13.8	1	13.3	19.6	20	20	18	39	20.1	25	25	19	40
05 (4)	208-1-60	19.6	130	31	-	-	-	1.4	8.4	1.5	-	None	-	-	-	34.3	35	50	34	135	35.8	40	50	36	139
												10625	4.9	1	23.6	40	40	50	37	135	41.9	45	50	39	139
												11125	7.9	1	38	58	60	60	53	135	59.9	60	60	55	139
	230-1-60	19.6	130	31	-	-	-	1.4	7.6	1.3	-	None	-	-	-	33.5	35	50	33	135	34.8	35	50	34	138
												10625	6.5	1	27.1	43.4	45	50	40	135	45	45	50	41	138
												11125	10.5	1	43.8	64.3	70	70	59	135	65.9	70	70	61	138
	208-3-60	13.7	83.1	21	-	-	-	1.4	8.4	1.1	-	None	-	-	-	26.9	30	40	27	88	28	30	40	28	91
												10625	4.9	1	13.6	27.5	30	40	27	88	28.9	30	40	28	91
												11125	7.9	1	21.9	37.9	40	40	35	88	39.3	40	40	36	91
	230-3-60	13.7	83.1	21	-	-	-	1.4	7.6	1	-	None	-	-	-	26.1	30	35	26	88	27.1	30	40	27	91
												10625	6.5	1	15.6	29	30	35	27	88	30.3	35	40	28	91
												11125	10.5	1	25.3	41.1	45	45	38	88	42.4	45	45	39	91
	460-3-60	6.2	41	10	-	-	-	0.8	4	0.5	-	None	-	-	-	12.6	15	15	13	45	13.1	15	15	13	46
												10646	6	1	7.2	14	15	15	13	45	14.6	15	15	13	46
												11146	11.5	1	13.8	22.3	25	25	20	45	22.9	25	25	21	46
	575-3-60	4.8	33	8	-	-	-	0.6	7.6	0.4	-	None	-	-	-	9.6	15	15	10	35	10	15	15	10	36
												11058	9.2	1	8.9	14.9	15	15	14	35	15.4	20	20	14	36
												11458	13.8	1	13.3	20.4	25	25	19	35	20.9	25	25	19	36

Table 144: ZQ04 to 06 standard static indoor blower - without powered convenience outlet

Size (ton)	Nominal unit voltage	Compressor 1			Compressor 2			OD fan motors (each)	Supply blower motor	Pwr exh motor	Pwr conv outlet	Electric heat field installed kit 2EK045*				MCA ¹ (amps)	Min fuse ² / breaker ³ size (amps)	Max fuse ² / breaker ³ size (amps)	Min disconnect ⁴ rating		MCA ¹ w/pwr exh (amps)	Min fuse ² / breaker ³ size w/ pwr exh (amps)	Max fuse ² / breaker ³ size w/ pwr exh (amps)	Min disconnect ⁴ rating/ pwr exh	
		RLA	LRA	MCC	RLA	LRA	MCC					Model	kW	Stages	Amps				FLA	LRA				FLA	LRA
06 (5)	208-1-60	24.4	144.2	38	-	-	-	2.3	8.4	1.5	-	None	-	-	-	41.2	45	60	40	151	42.7	45	60	42	154
												10625	4.9	1	23.6	41.2	45	60	40	151	42.7	45	60	42	154
												11125	7.9	1	38	58	60	60	53	151	59.9	60	60	55	154
	230-1-60	24.4	144.2	38	-	-	-	2.3	7.6	1.3	-	None	-	-	-	40.4	45	60	39	151	41.7	45	60	41	154
												10625	6.5	1	27.1	43.4	45	60	40	151	45	45	60	41	154
												11125	10.5	1	43.8	64.3	70	70	59	151	65.9	70	70	61	154
	208-3-60	16	110	25	-	-	-	2.3	8.4	1.1	-	None	-	-	-	30.7	35	45	31	117	31.8	35	45	32	119
												10625	4.9	1	13.6	30.7	35	45	31	117	31.8	35	45	32	119
												11125	7.9	1	21.9	37.9	40	45	35	117	39.3	40	45	36	119
	230-3-60	16	110	25	-	-	-	2.3	7.6	1	-	11625	12	1	33.3	52.1	60	60	48	117	53.5	60	60	49	119
												None	-	-	-	29.9	30	45	30	117	30.9	35	45	31	119
												10625	6.5	1	15.6	29.9	30	45	30	117	30.9	35	45	31	119
	460-3-60	7.8	52	12	-	-	-	1.3	4	0.5	-	11125	10.5	1	25.3	41.1	45	45	38	117	42.4	45	45	39	119
												11625	16	1	38.5	57.6	60	60	53	117	58.9	60	60	54	119
												None	-	-	-	15.1	20	20	15	57	15.6	20	20	16	58
	575-3-60	5.7	38.9	9	-	-	-	1.1	7.6	0.4	-	10646	6	1	7.2	15.1	20	20	13	57	15.6	20	20	13	58
												11146	11.5	1	13.8	22.3	25	25	20	57	22.9	25	25	21	58
												11446	14	1	16.8	26	30	30	24	57	26.6	30	30	24	58
	11458	13.8	1	13.3	20.4	25	25	19	42	20.9	25	19	42	20.9	25	19	43								
																		12358	23	1	22.1	31.4	35	35	29

- 1 Minimum Circuit Ampacity.
- 2 Dual element, time delay type.
- 3 HACR type per NEC.
- 4 Non-fused disconnect. Verify on the unit nameplate that the disconnect is properly sized for the application. Units with field-installed electric heat kits may exceed the factory- installed disconnect amperage rating.

ZQ04 to 06 standard static indoor blower - with powered convenience outlet

Table 145: ZQ04 to 06 standard static indoor blower - with powered convenience outlet

Size (ton)	Nominal unit voltage	Compressor 1			Compressor 2			OD fan motors (each)	Supply blower motor	Pwr exh motor	Pwr conv outlet	Electric heat field installed kit 2EK045*				MCA ¹ (amps)	Min fuse ² / breaker ³ size (amps)	Max fuse/ breaker size (amps)	Min disconnect ⁴ rating		MCA ¹ w/pwr exh (amps)	Min fuse ² / breaker ³ size w/ pwr exh (amps)		Max fuse ² / breaker ³ size w/ pwr exh (amps)		Min disconnect ⁴ rating/ pwr exh	
		RLA	LRA	MCC	RLA	LRA	MCC					Model	kW	Stages	Amps				FLA	LRA		FLA	LRA				
		04 (3)	208-1-60	15.4	83.9	24	-					-	-	1.4	6.6				1.5	8.6		None	-	-	-	31.6	35
10625	4.9							1	23.6	43.1	45					45	40	94			45	45	45	41	97		
11125	7.9							1	38	61.1	70					70	56	94			63	70	70	58	97		
230-1-60	15.4		83.9	24	-	-	-	1.4	6	1.3	8.6	None	-	-	-	31	35	45	31	94	32.3	35	45	33	96		
												10625	6.5	1	27.1	46.8	50	50	43	94	48.4	50	50	45	96		
												11125	10.5	1	43.8	67.6	70	70	62	94	69.3	70	70	64	96		
208-3-60	10.4		73	16	-	-	-	1.4	6.6	1.1	8.6	None	-	-	-	25.3	30	35	26	83	26.4	30	35	27	85		
												10625	4.9	1	13.6	30.6	35	35	28	83	32	35	35	29	85		
												11125	7.9	1	21.9	41	45	45	38	83	42.4	45	45	39	85		
230-3-60	10.4		73	16	-	-	-	1.4	6	1	8.6	None	-	-	-	24.7	25	35	25	83	25.7	30	35	27	85		
												10625	6.5	1	15.6	32.4	35	35	30	83	33.6	35	35	31	85		
												11125	10.5	1	25.3	44.5	45	45	41	83	45.8	50	50	42	85		
460-3-60	5.8		38	9	-	-	-	0.8	3.2	0.5	8.6	None	-	-	-	13.5	15	15	14	44	14	15	15	14	45		
												10646	6	1	7.2	15.7	20	20	14	44	16.3	20	20	15	45		
												11146	11.5	1	13.8	23.9	25	25	22	44	24.6	25	25	23	45		
575-3-60	3.8		36.5	6	-	-	-	0.6	6	0.4	8.6	None	-	-	-	9.5	15	15	10	41	9.9	15	15	10	41		
												11058	9.2	1	8.9	16.3	20	20	15	41	16.8	20	20	15	41		
												11458	13.8	1	13.3	21.8	25	25	20	41	22.3	25	25	20	41		
05 (4)	208-1-60		19.6	130	31	-	-	-	1.4	8.4	1.5	8.6	None	-	-	-	38.6	40	50	39	140	40.1	45	50	40	143	
													10625	4.9	1	23.6	45.4	50	50	42	140	47.3	50	50	43	143	
													11125	7.9	1	38	63.4	70	70	58	140	65.3	70	70	60	143	
	230-1-60		19.6	130	31	-	-	-	1.4	7.6	1.3	8.6	None	-	-	-	37.8	40	50	38	140	39.1	40	50	39	143	
													10625	6.5	1	27.1	48.8	50	50	45	140	50.4	60	60	46	143	
													11125	10.5	1	43.8	69.6	70	70	64	140	71.3	80	80	66	143	
	208-3-60	13.7	83.1	21	-	-	-	1.4	8.4	1.1	8.6	None	-	-	-	31.2	35	40	32	93	32.3	35	45	33	95		
												10625	4.9	1	13.6	32.9	35	40	32	93	34.3	35	45	33	95		
												11125	7.9	1	21.9	43.3	45	45	40	93	44.6	45	45	41	95		
	230-3-60	13.7	83.1	21	-	-	-	1.4	7.6	1	8.6	None	-	-	-	30.4	35	40	31	93	31.4	35	45	32	95		
												10625	6.5	1	15.6	34.4	35	40	32	93	35.6	40	45	33	95		
												11125	10.5	1	25.3	46.5	50	50	43	93	47.8	50	50	44	95		
	460-3-60	6.2	41	10	-	-	-	0.8	4	0.5	8.6	None	-	-	-	14.8	15	20	15	47	15.3	20	20	16	48		
												10646	6	1	7.2	16.7	20	20	15	47	17.3	20	20	16	48		
												11146	11.5	1	13.8	24.9	25	25	23	47	25.6	30	30	24	48		
	575-3-60	4.8	33	8	-	-	-	0.6	7.6	0.4	8.6	None	-	-	-	11.4	15	15	12	37	11.8	15	15	12	38		
												11058	9.2	1	8.9	17.1	20	20	16	37	17.6	20	20	16	38		
												11458	13.8	1	13.3	22.6	25	25	21	37	23.1	25	25	21	38		

Table 145: ZQ04 to 06 standard static indoor blower - with powered convenience outlet

Size (ton)	Nominal unit voltage	Compressor 1			Compressor 2			OD fan motors (each)	Supply blower motor	Pwr exh motor	Pwr conv outlet	Electric heat field installed kit 2EK045*				MCA ¹ (amps)	Min fuse ² / breaker ³ size (amps)	Max fuse ² / breaker ³ size (amps)	Min disconnect ⁴ rating		MCA ¹ w/pwr exh (amps)	Min fuse ² / breaker ³ size w/ pwr exh (amps)	Max fuse ² / breaker ³ size w/ pwr exh (amps)	Min disconnect ⁴ rating/ pwr exh	
		RLA	LRA	MCC	RLA	LRA	MCC					Model	kW	Stages	Amps				FLA	LRA				FLA	LRA
		06 (5)	208-1-60	24.4	144.2	38	-					-	-	2.3	8.4				1.5	8.6				None	-
10625	4.9							1	23.6	45.5	50					60	45	155			47.3	50	70	47	159
11125	7.9							1	38	63.4	70					70	58	155			65.3	70	70	60	159
230-1-60	24.4		144.2	38	-	-	-	2.3	7.6	1.3	8.6	None	-	-	-	44.7	45	60	44	156	46	50	70	46	158
												10625	6.5	1	27.1	48.8	50	60	45	156	50.4	60	70	46	158
												11125	10.5	1	43.8	69.6	70	70	64	156	71.3	80	80	66	158
208-3-60	16		110	25	-	-	-	2.3	8.4	1.1	8.6	None	-	-	-	35	35	50	36	121	36.1	40	50	37	124
												10625	4.9	1	13.6	35	35	50	36	121	36.1	40	50	37	124
												11125	7.9	1	21.9	43.3	45	50	40	121	44.6	45	50	41	124
												11625	12	1	33.3	57.5	60	60	53	121	58.9	60	60	54	124
230-3-60	16		110	25	-	-	-	2.3	7.6	1	8.6	None	-	-	-	34.2	35	50	35	121	35.2	40	50	36	124
												10625	6.5	1	15.6	34.4	35	50	35	121	35.6	40	50	36	124
												11125	10.5	1	25.3	46.5	50	50	43	121	47.8	50	50	44	124
												11625	16	1	38.5	63	70	70	58	121	64.3	70	70	59	124
460-3-60	7.8		52	12	-	-	-	1.3	4	0.5	8.6	None	-	-	-	17.3	20	25	18	59	17.8	20	25	18	60
												10646	6	1	7.2	17.3	20	25	15	59	17.8	20	25	16	60
												11146	11.5	1	13.8	24.9	25	25	23	59	25.6	30	30	24	60
												11446	14	1	16.8	28.7	30	30	26	59	29.3	30	30	27	60
575-3-60	5.7		38.9	9	-	-	-	1.1	7.6	0.4	8.6	None	-	-	-	13	15	15	13	44	13.4	15	15	14	45
												11458	13.8	1	13.3	22.6	25	25	21	44	23.1	25	25	21	45
												12358	23	1	22.1	33.6	35	35	31	44	34.1	35	35	31	45

- 1 Minimum Circuit Ampacity.
- 2 Dual element, time delay type.
- 3 HACR type per NEC.
- 4 Non-fused disconnect. Verify on the unit nameplate that the disconnect is properly sized for the application. Units with field-installed electric heat kits may exceed the factory- installed disconnect amperage rating.

ZQ04 to 06 medium static indoor blower - without powered convenience outlet

Table 146: ZQ04 to 06 medium static indoor blower - without powered convenience outlet

Size (ton)	Nominal unit voltage	Compressor 1			Compressor 2			OD fan motors (each)	Supply blower motor	Pwr exh motor	Pwr conv outlet	Electric heat field installed kit 2EK045*				MCA (amps)	Min fuse ² / breaker ³ size (amps)	Max fuse ² / breaker ³ size (amps)	Min disconnect ⁴ rating		MCA ¹ w/pwr exh (amps)	Min fuse ² / breaker ³ size w/ pwr exh (amps)		Max fuse ² / breaker ³ size w/ pwr exh (amps)		Min disconnect ⁴ rating/ pwr exh	
		RLA	LRA	MCC	RLA	LRA	MCC					FLA	LRA	FLA	LRA				FLA	LRA							
		Model	kW	Stages	Amps	FLA	LRA					FLA	LRA														
04 (3)	208-1-60	15.4	83.9	24	-	-	-	1.4	7.6	1.5	-	None	-	-	-	28.3	30	40	28	120	29.8	30	45	30	124		
												10625	4.9	1	23.6	39	40	40	36	120	40.9	45	45	38	124		
												11125	7.9	1	38	57	60	60	52	120	58.9	60	60	54	124		
	230-1-60	15.4	83.9	24	-	-	-	1.4	7	1.3	-	-	None	-	-	-	27.7	30	40	27	123	29	30	40	29	126	
													10625	6.5	1	27.1	42.6	45	45	39	123	44.3	45	45	41	126	
													11125	10.5	1	43.8	63.5	70	70	58	123	65.1	70	70	60	126	
	208-3-60	10.4	73	16	-	-	-	1.4	5.2	1.1	-	-	None	-	-	-	19.6	20	30	20	99	20.7	25	30	21	101	
													10625	4.9	1	13.6	23.5	25	30	22	99	24.9	25	30	23	101	
													11125	7.9	1	21.9	33.9	35	35	31	99	35.3	40	40	32	101	
	230-3-60	10.4	73	16	-	-	-	1.4	5.2	1	-	-	None	-	-	-	19.6	20	30	20	101	20.6	25	30	21	104	
													10625	6.5	1	15.6	26	30	30	24	101	27.3	30	30	25	104	
													11125	10.5	1	25.3	38.1	40	40	35	101	39.4	40	40	36	104	
	460-3-60	5.8	38	9	-	-	-	0.8	2.6	0.5	-	-	None	-	-	-	10.7	15	15	11	52	11.2	15	15	11	54	
													10646	6	1	7.2	12.3	15	15	11	52	12.9	15	15	12	54	
													11146	11.5	1	13.8	20.5	25	25	19	52	21.1	25	25	19	54	
	575-3-60	3.8	36.5	6	-	-	-	0.6	2	0.4	-	-	None	-	-	-	7.4	15	15	7	48	7.8	15	15	8	49	
													11058	9.2	1	8.9	13.6	15	15	13	48	14.1	15	15	13	49	
													11458	13.8	1	13.3	19.1	20	20	18	48	19.6	20	20	18	49	
05 (4)	208-1-60	19.6	130	31	-	-	-	1.4	7.6	1.5	-	None	-	-	-	33.5	35	50	33	166	35	35	50	35	170		
												10625	4.9	1	23.6	39	40	50	36	166	40.9	45	50	38	170		
												11125	7.9	1	38	57	60	60	52	166	58.9	60	60	54	170		
	230-1-60	19.6	130	31	-	-	-	1.4	7	1.3	-	-	None	-	-	-	32.9	35	50	32	169	34.2	35	50	34	172	
													10625	6.5	1	27.1	42.6	45	50	39	169	44.3	45	50	41	172	
													11125	10.5	1	43.8	63.5	70	70	58	169	65.1	70	70	60	172	
	208-3-60	13.7	83.1	21	-	-	-	1.4	5.2	1.1	-	-	None	-	-	-	23.7	25	35	23	109	24.8	25	35	25	111	
													10625	4.9	1	13.6	23.7	25	35	23	109	24.9	25	35	25	111	
													11125	7.9	1	21.9	33.9	35	35	31	109	35.3	40	40	32	111	
	230-3-60	13.7	83.1	21	-	-	-	1.4	5.2	1	-	-	None	-	-	-	23.7	25	35	23	111	24.7	25	35	24	114	
													10625	6.5	1	15.6	26	30	35	24	111	27.3	30	35	25	114	
													11125	10.5	1	25.3	38.1	40	40	35	111	39.4	40	40	36	114	
	460-3-60	6.2	41	10	-	-	-	0.8	2.6	0.5	-	-	None	-	-	-	11.2	15	15	11	55	11.7	15	15	12	57	
													10646	6	1	7.2	12.3	15	15	11	55	12.9	15	15	12	57	
													11146	11.5	1	13.8	20.5	25	25	19	55	21.1	25	25	19	57	
	575-3-60	4.8	33	8	-	-	-	0.6	2	0.4	-	-	None	-	-	-	8.6	15	15	9	45	9	15	15	9	45	
													11058	9.2	1	8.9	13.6	15	15	13	45	14.1	15	15	13	45	
													11458	13.8	1	13.3	19.1	20	20	18	45	19.6	20	20	18	45	

Table 146: ZQ04 to 06 medium static indoor blower - without powered convenience outlet

Size (ton)	Nominal unit voltage	Compressor 1			Compressor 2			OD fan motors (each)	Supply blower motor	Pwr exh motor	Pwr conv outlet	Electric heat field installed kit 2EK045*				MCA ¹ (amps)	Min fuse ² / breaker ³ size (amps)	Max fuse ² / breaker ³ size (amps)	Min disconnect ⁴ rating		MCA ¹ w/pwr exh (amps)	Min fuse ² / breaker ³ size w/ pwr exh (amps)	Max fuse ² / breaker ³ size w/ pwr exh (amps)	Min disconnect ⁴ rating/ pwr exh	
		RLA	LRA	MCC	RLA	LRA	MCC					Model	kW	Stages	Amps				FLA	LRA				FLA	LRA
06 (5)	208-1-60	24.4	144.2	38	-	-	-	2.3	7.6	1.5	-	None	-	-	-	40.4	45	60	39	182	41.9	45	60	41	185
												10625	4.9	1	23.6	40.4	45	60	39	182	41.9	45	60	41	185
												11125	7.9	1	38	57	60	60	52	182	58.9	60	60	54	185
	230-1-60	24.4	144.2	38	-	-	-	2.3	7	1.3	-	None	-	-	-	39.8	40	60	39	185	41.1	45	60	40	188
												10625	6.5	1	27.1	42.6	45	60	39	185	44.3	45	60	41	188
												11125	10.5	1	43.8	63.5	70	70	58	185	65.1	70	70	60	188
	208-3-60	16	110	25	-	-	-	2.3	5.2	1.1	-	None	-	-	-	27.5	30	40	27	137	28.6	30	40	28	140
												10625	4.9	1	13.6	27.5	30	40	27	137	28.6	30	40	28	140
												11125	7.9	1	21.9	33.9	35	40	31	137	35.3	40	40	32	140
												11625	12	1	33.3	48.1	50	50	44	137	49.5	50	50	46	140
	230-3-60	16	110	25	-	-	-	2.3	5.2	1	-	None	-	-	-	27.5	30	40	27	140	28.5	30	40	28	142
												10625	6.5	1	15.6	27.5	30	40	27	140	28.5	30	40	28	142
												11125	10.5	1	25.3	38.1	40	40	35	140	39.4	40	40	36	142
												11625	16	1	38.5	54.6	60	60	50	140	55.9	60	60	51	142
	460-3-60	7.8	52	12	-	-	-	1.3	2.6	0.5	-	None	-	-	-	13.7	15	20	13	67	14.2	15	20	14	69
												10646	6	1	7.2	13.7	15	20	11	67	14.2	15	20	12	69
												11146	11.5	1	13.8	20.5	25	25	19	67	21.1	25	25	19	69
												11446	14	1	16.8	24.3	25	25	22	67	24.9	25	25	23	69
	575-3-60	5.7	38.9	9	-	-	-	1.1	2	0.4	-	None	-	-	-	10.2	15	15	10	51	10.6	15	15	11	52
												11458	13.8	1	13.3	19.1	20	20	18	51	19.6	20	20	18	52
												12358	23	1	22.1	30.1	35	35	28	51	30.6	35	35	28	52

- 1 Minimum Circuit Ampacity.
- 2 Dual element, time delay type.
- 3 HACR type per NEC.
- 4 Non-fused disconnect. Verify on the unit nameplate that the disconnect is properly sized for the application. Units with field-installed electric heat kits may exceed the factory- installed disconnect amperage rating.

ZQ04 to 06 medium static indoor blower - with powered convenience outlet

Table 147: ZQ04 to 06 medium static indoor blower - with powered convenience outlet

Size (ton)	Nominal unit voltage	Compressor 1			Compressor 2			OD fan motors (each)	Supply blower motor	Pwr exh motor	Pwr conv outlet	Electric heat field installed kit 2EK045*				1MCA ¹ (amps)	2-3 Min fuse ² / breaker ³ size (amps)	Max fuse ² / breaker ³ size (amps)	4Min disconnect ⁴ rating		MCA ¹ w/pwr exh (amps)	Min fuse ² / breaker ³ size w/ pwr exh (amps)		Max fuse ² / breaker ³ size w/ pwr exh (amps)		Min disconnect ⁴ rating/ pwr exh	
		RLA	LRA	MCC	RLA	LRA	MCC					Model	kW	Stages	Amps				FLA	LRA		FLA	LRA	FLA	LRA		
04 (3)	208-1-60	15.4	83.9	24	-	-	-	1.4	7.6	1.5	8.6	None	-	-	-	32.6	35	45	33	125	34.1	35	45	35	128		
												10625	4.9	1	23.6	44.4	45	45	41	125	46.3	50	50	43	128		
												11125	7.9	1	38	62.4	70	70	57	125	64.3	70	70	59	128		
	230-1-60	15.4	83.9	24	-	-	-	1.4	7	1.3	8.6	None	-	-	-	32	35	45	32	127	33.3	35	45	34	130		
												10625	6.5	1	27.1	48	50	50	44	127	49.6	50	50	46	130		
												11125	10.5	1	43.8	68.9	70	70	63	127	70.5	80	80	65	130		
	208-3-60	10.4	73	16	-	-	-	1.4	5.2	1.1	8.6	None	-	-	-	23.9	25	30	24	103	25	25	35	26	106		
												10625	4.9	1	13.6	28.9	30	30	27	103	30.3	35	35	28	106		
												11125	7.9	1	21.9	39.3	40	40	36	103	40.6	45	45	37	106		
	230-3-60	10.4	73	16	-	-	-	1.4	5.2	1	8.6	None	-	-	-	23.9	25	30	24	106	24.9	25	35	26	108		
												10625	6.5	1	15.6	31.4	35	35	29	106	32.6	35	35	30	108		
												11125	10.5	1	25.3	43.5	45	45	40	106	44.8	45	45	41	108		
	460-3-60	5.8	38	9	-	-	-	0.8	2.6	0.5	8.6	None	-	-	-	12.9	15	15	13	55	13.4	15	15	14	56		
												10646	6	1	7.2	14.9	15	15	14	55	15.6	20	20	14	56		
												11146	11.5	1	13.8	23.2	25	25	21	55	23.8	25	25	22	56		
	575-3-60	3.8	36.5	6	-	-	-	0.6	2	0.4	8.6	None	-	-	-	9.1	15	15	9	50	9.5	15	15	10	51		
												11058	9.2	1	8.9	15.8	20	20	15	50	16.3	20	20	15	51		
												11458	13.8	1	13.3	21.3	25	25	20	50	21.8	25	25	20	51		
05 (4)	208-1-60	19.6	130	31	-	-	-	1.4	7.6	1.5	8.6	None	-	-	-	37.8	40	50	38	171	39.3	40	50	40	174		
												10625	4.9	1	23.6	44.4	45	50	41	171	46.3	50	50	43	174		
												11125	7.9	1	38	62.4	70	70	57	171	64.3	70	70	59	174		
	230-1-60	19.6	130	31	-	-	-	1.4	7	1.3	8.6	None	-	-	-	37.2	40	50	37	173	38.5	40	50	39	176		
												10625	6.5	1	27.1	48	50	50	44	173	49.6	50	50	46	176		
												11125	10.5	1	43.8	68.9	70	70	63	173	70.5	80	80	65	176		
	208-3-60	13.7	83.1	21	-	-	-	1.4	5.2	1.1	8.6	None	-	-	-	28	30	40	28	113	29.1	30	40	30	116		
												10625	4.9	1	13.6	28.9	30	40	28	113	30.3	35	40	30	116		
												11125	7.9	1	21.9	39.3	40	40	36	113	40.6	45	45	37	116		
	230-3-60	13.7	83.1	21	-	-	-	1.4	5.2	1	8.6	None	-	-	-	28	30	40	28	116	29	30	40	29	118		
												10625	6.5	1	15.6	31.4	35	40	29	116	32.6	35	40	30	118		
												11125	10.5	1	25.3	43.5	45	45	40	116	44.8	45	45	41	118		
	460-3-60	6.2	41	10	-	-	-	0.8	2.6	0.5	8.6	None	-	-	-	13.4	15	15	14	58	13.9	15	15	14	59		
												10646	6	1	7.2	14.9	15	15	14	58	15.6	20	20	14	59		
												11146	11.5	1	13.8	23.2	25	25	21	58	23.8	25	25	22	59		
	575-3-60	4.8	33	8	-	-	-	0.6	2	0.4	8.6	None	-	-	-	10.3	15	15	10	46	10.7	15	15	11	47		
												11058	9.2	1	8.9	15.8	20	20	15	46	16.3	20	20	15	47		
												11458	13.8	1	13.3	21.3	25	25	20	46	21.8	25	25	20	47		

Table 147: ZQ04 to 06 medium static indoor blower - with powered convenience outlet

Size (ton)	Nominal unit voltage	Compressor 1			Compressor 2			OD fan motors (each)	Supply blower motor	Pwr exh motor	Pwr conv outlet	Electric heat field installed kit 2EK045*				1 MCA ¹ (amps)	2. 3 Min fuse ² /breaker ³ size (amps)	Max fuse ² /breaker ³ size (amps)	4 Min disconnect ⁴ rating		MCA ¹ w/pwr exh (amps)	Min fuse ² /breaker ³ size w/ pwr exh (amps)	Max fuse ² /breaker ³ size w/ pwr exh (amps)	Min disconnect ⁴ rating/ pwr exh		
		RLA	LRA	MCC	RLA	LRA	MCC					Model	kW	Stages	Amps				FLA	LRA				FLA	LRA	
		06 (5)	208-1-60	24.4	144.2	38	-					-	-	2.3	7.6				1.5	8.6				None	-	-
10625	4.9							1	23.6	44.7	45					60	44	186			46.3	50	70	46	190	
11125	7.9							1	38	62.4	70					70	57	186			64.3	70	70	59	190	
230-1-60	24.4		144.2	38	-	-	-	2.3	7	1.3	8.6	None	-	-	-	44.1	45	60	44	189	45.4	50	60	45	192	
												10625	6.5	1	27.1	48	50	60	44	189	49.6	50	60	46	192	
												11125	10.5	1	43.8	68.9	70	70	63	189	70.5	80	80	65	192	
208-3-60	16		110	25	-	-	-	2.3	5.2	1.1	8.6	None	-	-	-	31.8	35	45	32	142	32.9	35	45	33	144	
												10625	4.9	1	13.6	31.8	35	45	32	142	32.9	35	45	33	144	
												11125	7.9	1	21.9	39.3	40	45	36	142	40.6	45	45	37	144	
												11625	12	1	33.3	53.5	60	60	49	142	54.9	60	60	50	144	
230-3-60	16		110	25	-	-	-	2.3	5.2	1	8.6	None	-	-	-	31.8	35	45	32	144	32.8	35	45	33	147	
												10625	6.5	1	15.6	31.8	35	45	32	144	32.8	35	45	33	147	
												11125	10.5	1	25.3	43.5	45	45	40	144	44.8	45	45	41	147	
												11625	16	1	38.5	60	60	60	55	144	61.3	70	70	56	147	
460-3-60	7.8		52	12	-	-	-	1.3	2.6	0.5	8.6	None	-	-	-	15.9	20	20	16	70	16.4	20	20	17	71	
												10646	6	1	7.2	15.9	20	20	14	70	16.4	20	20	14	71	
												11146	11.5	1	13.8	23.2	25	25	21	70	23.8	25	25	22	71	
												11446	14	1	16.8	26.9	30	30	25	70	27.6	30	30	25	71	
575-3-60	5.7		38.9	9	-	-	-	1.1	2	0.4	8.6	None	-	-	-	11.9	15	15	12	53	12.3	15	15	13	54	
												11458	13.8	1	13.3	21.3	25	25	20	53	21.8	25	25	20	54	
													12358	23	1	22.1	32.3	35	35	30	53	32.8	35	35	30	54

- 1 Minimum Circuit Ampacity.
- 2 Dual element, time delay type.
- 3 HACR type per NEC.
- 4 Non-fused disconnect. Verify on the unit nameplate that the disconnect is properly sized for the application. Units with field-installed electric heat kits may exceed the factory- installed disconnect amperage rating.

ZQ04 to 06 high static indoor blower - without powered convenience outlet

Table 148: ZQ04 to 06 high static indoor blower - without powered convenience outlet

Size (ton)	Nominal unit voltage	Compressor 1			Compressor 2			OD fan motors (each)	Supply blower motor	Pwr exh motor	Pwr conv outlet	Electric heat field installed kit 2EK045*				MCA ¹ (amps)	Min fuse ² / breaker ³ size (amps)	Max fuse ² / breaker ³ size (amps)	Min disconnect ⁴ rating		MCA ¹ w/pwr exh (amps)	Min fuse ² / breaker ³ size w/ pwr exh (amps)		Max fuse ² / breaker ³ size w/ pwr exh (amps)		Min disconnect ⁴ rating/ pwr exh	
		RLA	LRA	MCC	RLA	LRA	MCC					Model	kW	Stages	Amps				FLA	LRA		FLA	LRA	FLA	LRA		
		04 (3)	208-3-60	10.4	73	16	-					-	-	1.4	5.2				1.1	-		None	-	-	-	19.6	20
10625	4.9							1	13.6	23.5	25					30	22	99			24.9	25	30	23	101		
11125	7.9							1	21.9	33.9	35					35	31	99			35.3	40	40	32	101		
11625	12							1	33.3	48.1	50					50	44	99			49.5	50	50	46	101		
230-3-60	10.4		73	16	-	-	-	1.4	5.2	1	-	-	None	-	-	-	19.6	20	30	20	101	20.6	25	30	21	104	
													10625	6.5	1	15.6	26	30	30	24	101	27.3	30	30	25	104	
													11125	10.5	1	25.3	38.1	40	40	35	101	39.4	40	40	36	104	
													11625	16	1	38.5	54.6	60	60	50	101	55.9	60	60	51	104	
460-3-60	5.8		38	9	-	-	-	0.8	2.6	0.5	-	-	None	-	-	-	10.7	15	15	11	52	11.2	15	15	11	54	
													10646	6	1	7.2	12.3	15	15	11	52	12.9	15	15	12	54	
													11146	11.5	1	13.8	20.5	25	25	19	52	21.1	25	25	19	54	
													11446	14	1	16.8	24.3	25	25	22	52	24.9	25	25	23	54	
575-3-60	3.8	36.5	6	-	-	-	0.6	2	0.4	-	-	None	-	-	-	7.4	15	15	7	48	7.8	15	15	8	49		
												11058	9.2	1	8.9	13.6	15	15	13	48	14.1	15	15	13	49		
												11458	13.8	1	13.3	19.1	20	20	18	48	19.6	20	20	18	49		
												None	-	-	-	23.7	25	35	23	109	24.8	25	35	25	111		
05 (4)	208-3-60	13.7	83.1	21	-	-	-	1.4	5.2	1.1	-	None	-	-	-	23.7	25	35	23	109	24.8	25	35	25	111		
												10625	4.9	1	13.6	23.7	25	35	23	109	24.9	25	35	25	111		
												11125	7.9	1	21.9	33.9	35	35	31	109	35.3	40	40	32	111		
												11625	12	1	33.3	48.1	50	50	44	109	49.5	50	50	46	111		
	230-3-60	13.7	83.1	21	-	-	-	1.4	5.2	1	-	-	None	-	-	-	23.7	25	35	23	111	24.7	25	35	24	114	
													10625	6.5	1	15.6	26	30	35	24	111	27.3	30	35	25	114	
													11125	10.5	1	25.3	38.1	40	40	35	111	39.4	40	40	36	114	
													11625	16	1	38.5	54.6	60	60	50	111	55.9	60	60	51	114	
	460-3-60	6.2	41	10	-	-	-	0.8	2.6	0.5	-	-	None	-	-	-	11.2	15	15	11	55	11.7	15	15	12	57	
													10646	6	1	7.2	12.3	15	15	11	55	12.9	15	15	12	57	
													11146	11.5	1	13.8	20.5	25	25	19	55	21.1	25	25	19	57	
													11446	14	1	16.8	24.3	25	25	22	55	24.9	25	25	23	57	
575-3-60	4.8	33	8	-	-	-	0.6	2	0.4	-	-	None	-	-	-	8.6	15	15	9	45	9	15	15	9	45		
												11058	9.2	1	8.9	13.6	15	15	13	45	14.1	15	15	13	45		
												11458	13.8	1	13.3	19.1	20	20	18	45	19.6	20	20	18	45		
												None	-	-	-	29.8	30	45	30	163	30.9	35	45	31	166		
06 (5)	208-3-60	16	110	25	-	-	-	2.3	7.5	1.1	-	None	-	-	-	29.8	30	45	30	163	30.9	35	45	31	166		
												10625	4.9	1	13.6	29.8	30	45	30	163	30.9	35	45	31	166		
												11125	7.9	1	21.9	36.8	40	45	34	163	38.1	40	45	35	166		
												11625	12	1	33.3	51	60	60	47	163	52.4	60	60	48	166		
	230-3-60	16	110	25	-	-	-	2.3	7.5	1	-	-	None	-	-	-	29.8	30	45	30	170	30.8	35	45	31	172	
													10625	6.5	1	15.6	29.8	30	45	30	170	30.8	35	45	31	172	
													11125	10.5	1	25.3	41	45	45	38	170	42.3	45	45	39	172	
													11625	16	1	38.5	57.5	60	60	53	170	58.8	60	60	54	172	
	460-3-60	7.8	52	12	-	-	-	1.3	3.4	0.5	-	-	None	-	-	-	14.5	15	20	14	82	15	15	20	15	84	
													10646	6	1	7.2	14.5	15	20	12	82	15	15	20	13	84	
													11146	11.5	1	13.8	21.5	25	25	20	82	22.1	25	25	20	84	
													11446	14	1	16.8	25.3	30	30	23	82	25.9	30	30	24	84	
575-3-60	5.7	38.9	9	-	-	-	1.1	2.8	0.4	-	-	None	-	-	-	11	15	15	11	63	11.4	15	15	12	64		
												11458	13.8	1	13.3	20.1	25	25	19	63	20.6	25	25	19	64		
												12358	23	1	22.1	31.1	35	35	29	63	31.6	35	35	29	64		
												None	-	-	-	11	15	15	11	63	11.4	15	15	12	64		

1 Minimum Circuit Ampacity.

- 2 Dual element, time delay type.
- 3 HACR type per NEC.
- 4 Non-fused disconnect. Verify on the unit nameplate that the disconnect is properly sized for the application. Units with field-installed electric heat kits may exceed the factory- installed disconnect amperage rating.

ZQ04 to 06 high static indoor blower - with powered convenience outlet

Table 149: ZQ04 to 06 high static indoor blower - with powered convenience outlet

Size (ton)	Nominal unit voltage	Compressor 1			Compressor 2			OD fan motors (each)	Supply blower motor	Pwr exh motor	Pwr conv outlet	Electric heat field installed kit 2EK045*				MCA ¹ (amps)	Min fuse ² / breaker ³ size (amps)	Max fuse ² / breaker ³ size (amps)	Min disconnect rating ⁴	MCA ¹ w/pwr exh (amps)	Min fuse ² / breaker ³ size w/ pwr exh (amps)		Max fuse ² / breaker ³ size w/ pwr exh (amps)		Min disconnect rating ⁴ / pwr exh	
		RLA	LRA	MCC	RLA	LRA	MCC					Model	kW	Stages	Amps						FLA	LRA	FLA	LRA	FLA	LRA
		04 (3)	208-3-60	10.4	73	16	-					-	-	1.4	5.2						1.1	8.6	None	-	-	-
10625	4.9							1	13.6	28.9	30					30	27	103	30.3	35			35	28	106	
11125	7.9							1	21.9	39.3	40					40	36	103	40.6	45			45	37	106	
11625	12							1	33.3	53.5	60					60	49	103	54.9	60			60	50	106	
230-3-60	10.4		73	16	-	-	-	1.4	5.2	1	8.6	None	-	-	-	23.9	25	30	24	106	24.9	25	35	26	108	
												10625	6.5	1	15.6	31.4	35	35	29	106	32.6	35	35	30	108	
												11125	10.5	1	25.3	43.5	45	45	40	106	44.8	45	45	41	108	
												11625	16	1	38.5	60	60	60	55	106	61.3	70	70	56	108	
460-3-60	5.8		38	9	-	-	-	0.8	2.6	0.5	8.6	None	-	-	-	12.9	15	15	13	55	13.4	15	15	14	56	
												10646	6	1	7.2	14.9	15	15	14	55	15.6	20	20	14	56	
												11146	11.5	1	13.8	23.2	25	25	21	55	23.8	25	25	22	56	
												11446	14	1	16.8	26.9	30	30	25	55	27.6	30	30	25	56	
575-3-60	3.8	36.5	6	-	-	-	0.6	2	0.4	8.6	None	-	-	-	9.1	15	15	9	50	9.5	15	15	10	51		
											11058	9.2	1	8.9	15.8	20	20	15	50	16.3	20	20	15	51		
											11458	13.8	1	13.3	21.3	25	25	20	50	21.8	25	25	20	51		
											None	-	-	-	28	30	40	28	113	29.1	30	40	30	116		
05 (4)	208-3-60	13.7	83.1	21	-	-	-	1.4	5.2	1.1	8.6	None	-	-	-	28	30	40	28	113	29.1	30	40	30	116	
												10625	4.9	1	13.6	28.9	30	40	28	113	30.3	35	40	30	116	
												11125	7.9	1	21.9	39.3	40	40	36	113	40.6	45	45	37	116	
												11625	12	1	33.3	53.5	60	60	49	113	54.9	60	60	50	116	
	230-3-60	13.7	83.1	21	-	-	-	1.4	5.2	1	8.6	None	-	-	-	28	30	40	28	116	29	30	40	29	118	
												10625	6.5	1	15.6	31.4	35	40	29	116	32.6	35	40	30	118	
												11125	10.5	1	25.3	43.5	45	45	40	116	44.8	45	45	41	118	
												11625	16	1	38.5	60	60	60	55	116	61.3	70	70	56	118	
	460-3-60	6.2	41	10	-	-	-	0.8	2.6	0.5	8.6	None	-	-	-	13.4	15	15	14	58	13.9	15	15	14	59	
												10646	6	1	7.2	14.9	15	15	14	58	15.6	20	20	14	59	
												11146	11.5	1	13.8	23.2	25	25	21	58	23.8	25	25	22	59	
												11446	14	1	16.8	26.9	30	30	25	58	27.6	30	30	25	59	
575-3-60	4.8	33	8	-	-	-	0.6	2	0.4	8.6	None	-	-	-	10.3	15	15	10	46	10.7	15	15	11	47		
											11058	9.2	1	8.9	15.8	20	20	15	46	16.3	20	20	15	47		
											11458	13.8	1	13.3	21.3	25	25	20	46	21.8	25	25	20	47		
											None	-	-	-	34.1	35	50	35	168	35.2	40	50	36	170		
06 (5)	208-3-60	16	110	25	-	-	-	2.3	7.5	1.1	8.6	None	-	-	-	34.1	35	50	35	168	35.2	40	50	36	170	
												10625	4.9	1	13.6	34.1	35	50	35	168	35.2	40	50	36	170	
												11125	7.9	1	21.9	42.1	45	50	39	168	43.5	45	50	40	170	
												11625	12	1	33.3	56.4	60	60	52	168	57.8	60	60	53	170	
	230-3-60	16	110	25	-	-	-	2.3	7.5	1	8.6	None	-	-	-	34.1	35	50	35	174	35.1	40	50	36	177	
												10625	6.5	1	15.6	34.3	35	50	35	174	35.5	40	50	36	177	
												11125	10.5	1	25.3	46.4	50	50	43	174	47.6	50	50	44	177	
												11625	16	1	38.5	62.9	70	70	58	174	64.1	70	70	59	177	
	460-3-60	7.8	52	12	-	-	-	1.3	3.4	0.5	8.6	None	-	-	-	16.7	20	20	17	85	17.2	20	20	17	86	
												10646	6	1	7.2	16.7	20	20	15	85	17.2	20	20	15	86	
												11146	11.5	1	13.8	24.2	25	25	22	85	24.8	25	25	23	86	
												11446	14	1	16.8	27.9	30	30	26	85	28.6	30	30	26	86	
575-3-60	5.7	38.9	9	-	-	-	1.1	2.8	0.4	8.6	None	-	-	-	12.7	15	15	13	65	13.1	15	15	13	66		
											11458	13.8	1	13.3	22.3	25	25	20	65	22.8	25	25	21	66		
											12358	23	1	22.1	33.3	35	35	31	65	33.8	35	35	31	66		
											None	-	-	-	34.1	35	50	35	168	35.2	40	50	36	170		

1 Minimum Circuit Ampacity.

- 2 Dual element, time delay type.
- 3 HACR type per NEC.
- 4 Non-fused disconnect. Verify on the unit nameplate that the disconnect is properly sized for the application. Units with field-installed electric heat kits may exceed the factory- installed disconnect amperage rating.

ZXA7, 08 to 14 standard static indoor blower - without powered convenience outlet

Table 150: ZXA7, 08 to 14 standard static indoor blower - without powered convenience outlet

Size (ton)	Nominal unit voltage	Compressor 1			Compressor 2			OD fan motors (each)	Supply blower motor	Pwr exh motor	Pwr conv outlet	Electric heat field installed kit 2ek045*				MCA ¹ (amps)	Min fuse ² / breaker ³ size (amps)	Max fuse ² / breaker ³ size (amps)	Min disconnect ⁴ rating		MCA ¹ w/pwr exh (amps)	Min fuse ² / breaker ³ size w/ pwr exh (amps)		Max fuse ² / breaker ³ size w/ pwr exh (amps)		Min disconnect ⁴ rating/ pwr exh	
		RLA	LRA	MCC	RLA	LRA	MCC					Model	kW	Stages	Amps				FLA	LRA		FLA	LRA	FLA	LRA		
Without VFD																											
A7 (6)	208-3-60	17.6	136	27				4.4	5.2	1.1		None	-	-	-	31.6	35	45	31	158	32.7	35	50	33	161		
												10625	4.9	1	13.6	31.6	35	45	31	158	32.7	35	50	33	161		
												11125	7.9	1	21.9	33.9	35	45	31	158	35.3	40	50	33	161		
												11625	12	1	33.3	48.1	50	50	44	158	49.5	50	50	46	161		
	230-3-60	17.6	136	27				4.4	5.2	1		None	-	-	-	31.6	35	45	31	161	32.6	35	50	32	163		
												10625	6.5	1	15.6	31.6	35	45	31	161	32.6	35	50	32	163		
												11125	10.5	1	25.3	38.1	40	45	35	161	39.4	40	50	36	163		
												11625	16	1	38.5	54.6	60	60	50	161	55.9	60	60	51	163		
	460-3-60	8.5	66.1	13				2.5	2.6	0.5		None	-	-	-	15.7	20	20	16	79	16.2	20	20	16	80		
												10646	6	1	7.2	15.7	20	20	11	79	16.2	20	20	12	80		
												11146	11.5	1	13.8	20.5	25	25	19	79	21.1	25	25	19	80		
												11446	14	1	16.8	24.3	25	25	22	79	24.9	25	25	23	80		
575-3-60	6.3	55.3	10				4.4	2	0.4		None	-	-	-	14.3	15	20	15	65	14.7	15	20	15	66			
With VFD																											
A7 (6)	208-3-60	17.6	136	27				4.4	7	1.1		None	-	-	-	33.4	35	50	33	196	34.5	35	50	35	199		
												10625	4.9	1	13.6	33.4	35	50	33	196	34.5	35	50	35	199		
												11125	7.9	1	21.9	36.1	40	50	33	196	37.5	40	50	35	199		
												11625	12	1	33.3	50.4	60	60	46	196	51.8	60	60	48	199		
	230-3-60	17.6	136	27				4.4	7.2	1		None	-	-	-	33.6	35	50	34	198	34.6	35	50	35	200		
												10625	6.5	1	15.6	33.6	35	50	34	198	34.6	35	50	35	200		
												11125	10.5	1	25.3	40.6	45	50	37	198	41.9	45	50	39	200		
												11625	16	1	38.5	57.1	60	60	53	198	58.4	60	60	54	200		
	460-3-60	8.5	66.1	13				2.5	3.6	0.5		None	-	-	-	16.7	20	25	17	97	17.2	20	25	17	98		
												10646	6	1	7.2	16.7	20	25	12	97	17.2	20	25	13	98		
												11146	11.5	1	13.8	21.8	25	25	20	97	22.4	25	25	21	98		
												11446	14	1	16.8	25.5	30	30	23	97	26.1	30	30	24	98		
575-3-60	6.3	55.3	10				4.4	2.5	0.4		None	-	-	-	14.8	15	20	15	73	15.2	20	20	16	74			

Table 150: ZXA7, 08 to 14 standard static indoor blower - without powered convenience outlet

Size (ton)	Nominal unit voltage	Compressor 1			Compressor 2			OD fan motors (each)	Supply blower motor	Pwr exh motor	Pwr conv outlet	Electric heat field installed kit 2ek045*				MCA ¹ (amps)	Min fuse ² / breaker ³ size (amps)	Max fuse ² / breaker ³ size (amps)	Min disconnect ⁴ rating		MCA ¹ w/pwr exh (amps)	Min fuse ² / breaker ³ size w/ pwr exh (amps)		Max fuse ² / breaker ³ size w/ pwr exh (amps)		Min disconnect ⁴ rating/ pwr exh	
		RLA	LRA	MCC	RLA	LRA	MCC					Model	kW	Stages	Amps				FLA	LRA		FLA	LRA	FLA	LRA		
08 (7.5)	208-3-60	13.6	83.1	21	13.6	83.1	21	2.3	7	1.1		None	-	-	-	42.2	45	50	45	246	44.4	45	50	47	256		
												11725	12	1	33.3	50.4	60	60	46	246	53.1	60	60	49	256		
												12525	18.6	1	51.6	73.3	80	80	67	246	76	80	80	70	256		
												13225	24	1	66.6	92	100	100	85	246	94.8	100	100	87	256		
												14225	31.8	2	88.3	119.1	125	125	110	246	121.9	125	125	112	256		
	230-3-60	13.6	83.1	21	13.6	83.1	21	2.3	7.2	1		None	-	-	-	42.4	45	50	45	248	44.4	45	50	47	243		
												11725	16	1	38.5	57.1	60	60	53	248	59.6	60	60	55	243		
												12525	24.8	1	59.7	83.6	90	90	77	248	86.1	90	90	79	243		
												13225	32	1	77	105.3	110	110	97	248	107.8	110	110	99	243		
												14225	42.4	2	102	136.5	150	150	126	248	139	150	150	128	243		
	460-3-60	6.1	41	10	6.1	41	10	1.3	3.6	0.5		None	-	-	-	19.9	20	25	21	125	20.9	25	25	22	121		
												11746	16.5	1	19.8	29.3	30	30	27	125	30.5	35	35	28	121		
												12846	27.8	1	33.4	46.3	50	50	43	125	47.5	50	50	44	121		
												13346	33	1	39.7	54.1	60	60	50	125	55.4	60	60	51	121		
												14246	41.7	2	50.2	67.3	70	70	62	125	68.5	70	70	63	121		
	575-3-60	4.2	33	7	4.2	33	7	1.1	2.5	0.4		None	-	-	-	14.2	15	15	15	93	15	15	15	16	90		
11758												17	1	16.4	23.6	25	25	22	93	24.6	25	25	23	90			
13458												34	1	32.7	44	45	45	40	93	45	45	45	41	90			
09 (8.5)	208-3-60	14.5	98	23	14.5	98	23	2.3	7	1.1		None	-	-	-	44.2	45	50	47	275	46.4	50	50	49	285		
												11725	12	1	33.3	50.4	60	60	47	275	53.1	60	60	49	285		
												12525	18.6	1	51.6	73.3	80	80	67	275	76	80	80	70	285		
												13225	24	1	66.6	92	100	100	85	275	94.8	100	100	87	285		
												14225	31.8	2	88.3	119.1	125	125	110	275	121.9	125	125	112	285		
	230-3-60	14.5	98	23	14.5	98	23	2.3	7.2	1		None	-	-	-	44.4	45	50	47	278	46.4	50	60	49	272		
												11725	16	1	38.5	57.1	60	60	53	278	59.6	60	60	55	272		
												12525	24.8	1	59.7	83.6	90	90	77	278	86.1	90	90	79	272		
												13225	32	1	77	105.3	110	110	97	278	107.8	110	110	99	272		
												14225	42.4	2	102	136.5	150	150	126	278	139	150	150	128	272		
	460-3-60	6.3	55	10	6.3	55	10	1.3	3.6	0.5		None	-	-	-	20.4	25	25	22	153	21.4	25	25	23	149		
												11746	16.5	1	19.8	29.3	30	30	27	153	30.5	35	35	28	149		
												12846	27.8	1	33.4	46.3	50	50	43	153	47.5	50	50	44	149		
												13346	33	1	39.7	54.1	60	60	50	153	55.4	60	60	51	149		
												14246	41.7	2	50.2	67.3	70	70	62	153	68.5	70	70	63	149		
	575-3-60	6	41	9	6	41	9	1.1	2.5	0.4		None	-	-	-	18.2	20	20	19	109	19	20	20	20	106		
11758												17	1	16.4	23.6	25	25	22	109	24.6	25	25	23	106			
13458												34	1	32.7	44	45	45	40	109	45	45	45	41	106			

Table 150: ZXA7, 08 to 14 standard static indoor blower - without powered convenience outlet

Size (ton)	Nominal unit voltage	Compressor 1			Compressor 2			OD fan motors (each)	Supply blower motor	Pwr exh motor	Pwr conv outlet	Electric heat field installed kit 2ek045*				MCA ¹ (amps)	Min fuse ² / breaker ³ size (amps)	Max fuse ² / breaker ³ size (amps)	Min disconnect ⁴ rating		MCA ¹ w/pwr exh (amps)	Min fuse ² / breaker ³ size w/ pwr exh (amps)	Max fuse ² / breaker ³ size w/ pwr exh (amps)	Min disconnect ⁴ rating/ pwr exh	
		RLA	LRA	MCC	RLA	LRA	MCC					Model	kW	Stages	Amps				FLA	LRA				FLA	LRA
12 (10)	208-3-60	16	110	25	15.6	110	24	2.3	7	1.1		None	-	-	-	47.2	50	60	50	299	49.4	50	60	52	309
												11725	12	1	33.3	50.4	60	60	50	299	53.1	60	60	52	309
												12525	18.6	1	51.6	73.3	80	80	67	299	76	80	80	70	309
												13225	24	1	66.6	92	100	100	85	299	94.8	100	100	87	309
												14225	31.8	2	88.3	119.1	125	125	110	299	121.9	125	125	112	309
	230-3-60	16	110	25	15.6	110	24	2.3	7.2	1		None	-	-	-	47.4	50	60	50	302	49.4	50	60	52	296
												11725	16	1	38.5	57.1	60	60	53	302	59.6	60	60	55	296
												12525	24.8	1	59.7	83.6	90	90	77	302	86.1	90	90	79	296
												13225	32	1	77	105.3	110	110	97	302	107.8	110	110	99	296
												14225	42.4	2	102	136.5	150	150	126	302	139	150	150	128	296
	460-3-60	7.8	52	12	7.8	52	12	1.3	3.6	0.5		None	-	-	-	23.8	25	30	25	147	24.8	25	30	26	143
												11746	16.5	1	19.8	29.3	30	30	27	147	30.5	35	35	28	143
												12846	27.8	1	33.4	46.3	50	50	43	147	47.5	50	50	44	143
												13346	33	1	39.7	54.1	60	60	50	147	55.4	60	60	51	143
												14246	41.7	2	50.2	67.3	70	70	62	147	68.5	70	70	63	143
	575-3-60	5.7	38.9	9	5.8	38.9	9	1.1	2.5	0.4		None	-	-	-	17.7	20	20	19	105	18.5	20	20	20	102
11758												17	1	16.4	23.6	25	25	22	105	24.6	25	25	23	102	
13458												34	1	32.7	44	45	45	40	105	45	45	45	41	102	
14 (12.5)	208-3-60	19.6	136	31	19.6	136	31	5.8	8.9	1.1		None	-	-	-	58.8	60	70	62	371	61	70	70	65	381
												11725	12	1	33.3	58.8	60	70	62	371	61	70	70	65	381
												12525	18.6	1	51.6	75.6	80	80	70	371	78.4	80	80	72	381
												13225	24	1	66.6	94.4	100	100	87	371	97.1	100	100	89	381
												14225	31.8	2	88.3	121.5	125	125	112	371	124.3	125	125	114	381
	230-3-60	19.6	136	31	19.6	136	31	5.2	8.2	1		None	-	-	-	57.5	60	70	60	370	59.5	60	70	63	375
												11725	16	1	38.5	58.4	60	70	60	370	60.9	70	70	63	375
												12525	24.8	1	59.7	84.9	90	90	78	370	87.4	90	90	80	375
												13225	32	1	77	106.5	110	110	98	370	109	110	110	100	375
												14225	42.4	2	102	137.8	150	150	127	370	140.3	150	150	129	375
	460-3-60	8.2	66.1	13	8.2	66.1	13	2.9	4.1	0.5		None	-	-	-	25.5	30	30	27	178	26.5	30	30	28	180
												11746	16.5	1	19.8	29.9	30	30	27	178	31.1	35	35	29	180
												12846	27.8	1	33.4	46.9	50	50	43	178	48.1	50	50	44	180
												13346	33	1	39.7	54.8	60	60	50	178	56	60	60	52	180
												14246	41.7	2	50.2	67.9	70	70	62	178	69.1	70	70	64	180
	575-3-60	6.6	55.3	10	6.6	55.3	10	2.2	3.2	0.4		None	-	-	-	20.3	25	25	21	148	21.1	25	25	22	150
												11758	17	1	16.4	24.5	25	25	23	148	25.5	30	30	23	150
												13458	34	1	32.7	44.9	45	45	41	148	45.9	50	50	42	150

- 1 Minimum Circuit Ampacity.
- 2 Dual element, time delay type.
- 3 HACR type per NEC.
- 4 Non-fused disconnect. Verify on the unit nameplate that the disconnect is properly sized for the application. Units with field installed electric heat kits may exceed the factory installed disconnect amperage rating.

ZXA7, 08 to 14 standard static indoor blower - with powered convenience outlet

Table 151: ZXA7, 08 to 14 standard static indoor blower - with powered convenience outlet

Size (ton)	Nominal unit voltage	Compressor 1			Compressor 2			OD fan motors (each)	Supply blower motor	Pwr exh motor	Pwr conv outlet	Electric heat field installed kit 2EK045*				MCA (amps)	Min fuse ² / breaker ³ size (amps)	Max fuse ² / breaker ³ size (amps)	Min disconnect ⁴ rating		MCA ¹ w/pwr exh (amps)	Min fuse ² / breaker ³ size w/ pwr exh (amps)		Max fuse ² / breaker ³ size w/ pwr exh (amps)		Min disconnect ⁴ rating / pwr exh	
		RLA	LRA	MCC	RLA	LRA	MCC					Model	kW	Stages	Amps				FLA	LRA		FLA	LRA	FLA	LRA		
		Without VFD																									
A7 (6)	208-3-60	17.6	136	27				4.4	5.2	1.1	8.6	None	-	-	-	35.9	40	50	36	163	37	40	50	37	165		
												10625	4.9	1	13.6	35.9	40	50	36	163	37	40	50	37	165		
												11125	7.9	1	21.9	39.3	40	50	36	163	40.6	45	50	37	165		
												11625	12	1	33.3	53.5	60	60	49	163	54.9	60	60	50	165		
	230-3-60	17.6	136	27				4.4	5.2	1	8.6	None	-	-	-	35.9	40	50	36	165	36.9	40	50	37	168		
												10625	6.5	1	15.6	35.9	40	50	36	165	36.9	40	50	37	168		
												11125	10.5	1	25.3	43.5	45	50	40	165	44.8	45	50	41	168		
												11625	16	1	38.5	60	60	60	55	165	61.3	70	70	56	168		
	460-3-60	8.5	66.1	13				2.5	2.6	0.5	8.6	None	-	-	-	17.9	20	25	18	81	18.4	20	25	19	82		
												10646	6	1	7.2	17.9	20	25	14	81	18.4	20	25	14	82		
												11146	11.5	1	13.8	23.2	25	25	21	81	23.8	25	25	22	82		
												11446	14	1	16.8	26.9	30	30	25	81	27.6	30	30	25	82		
575-3-60	6.3	55.3	10				4.4	2	0.4	8.6	None	-	-	-	16	20	20	17	67	16.4	20	20	17	68			
With VFD																											
A7 (6)	208-3-60	17.6	136	27			4.4	7	1.1	8.6	None	-	-	-	37.7	40	50	38	200	38.8	40	50	40	203			
											10625	4.9	1	13.6	37.7	40	50	38	200	38.8	40	50	40	203			
											11125	7.9	1	21.9	41.5	45	50	38	200	42.9	45	50	40	203			
											11625	12	1	33.3	55.8	60	60	51	200	57.1	60	60	53	203			
	230-3-60	17.6	136	27			4.4	7.2	1	8.6	None	-	-	-	37.9	40	50	39	202	38.9	40	50	40	204			
											10625	6.5	1	15.6	37.9	40	50	39	202	38.9	40	50	40	204			
											11125	10.5	1	25.3	46	50	50	42	202	47.3	50	50	43	204			
											11625	16	1	38.5	62.5	70	70	58	202	63.8	70	70	59	204			
	460-3-60	8.5	66.1	13			2.5	3.6	0.5	8.6	None	-	-	-	18.9	20	25	19	99	19.4	20	25	20	100			
											10646	6	1	7.2	18.9	20	25	15	99	19.4	20	25	15	100			
											11146	11.5	1	13.8	24.4	25	25	22	99	25.1	30	30	23	100			
											11446	14	1	16.8	28.2	30	30	26	99	28.8	30	30	27	100			
575-3-60	6.3	55.3	10				4.4	2.5	0.4	8.6	None	-	-	-	16.5	20	20	17	75	16.9	20	20	18	76			
08 (7.5)	208-3-60	13.6	83.1	21	13.6	83.1	21	2.3	7	1.1	8.6	None	-	-	-	46.5	50	60	50	250	48.7	50	60	52	260		
												11725	12	1	33.3	55.8	60	60	51	250	58.5	60	60	54	260		
												12525	18.6	1	51.6	78.6	80	80	72	250	81.4	90	90	75	260		
												13225	24	1	66.6	97.4	100	100	90	250	100.1	110	110	92	260		
												14225	31.8	2	88.3	124.5	125	125	115	250	127.3	150	150	117	260		
												None	-	-	-	46.7	50	60	50	252	48.7	50	60	52	247		
	230-3-60	13.6	83.1	21	13.6	83.1	21	2.3	7.2	1	8.6	11725	16	1	38.5	62.5	70	70	58	252	65	70	70	60	247		
												12525	24.8	1	59.7	89	90	90	82	252	91.5	100	100	84	247		
												13225	32	1	77	110.6	125	125	102	252	113.1	125	125	104	247		
												14225	42.4	2	102	141.9	150	150	131	252	144.4	150	150	133	247		
												None	-	-	-	22.1	25	25	24	127	23.1	25	25	25	123		
												11746	16.5	1	19.8	31.9	35	35	29	127	33.2	35	35	31	123		
460-3-60	6.1	41	10	6.1	41	10	1.3	3.6	0.5	8.6	12846	27.8	1	33.4	48.9	50	50	45	127	50.2	60	60	46	123			
											13346	33	1	39.7	56.8	60	60	52	127	58.1	60	60	53	123			
											14246	41.7	2	50.2	69.9	70	70	64	127	71.2	80	80	65	123			
											None	-	-	-	15.9	20	20	17	95	16.7	20	20	18	92			
575-3-60	4.2	33	7	4.2	33	7	1.1	2.5	0.4	8.6	11758	17	1	16.4	25.8	30	30	24	95	26.8	30	30	25	92			
											13458	34	1	32.7	46.2	50	50	42	95	47.2	50	50	43	92			

Table 151: ZXA7, 08 to 14 standard static indoor blower - with powered convenience outlet

Size (ton)	Nominal unit voltage	Compressor 1			Compressor 2			OD fan motors (each)	Supply blower motor	Pwr exh motor	Pwr conv outlet	Electric heat field installed kit 2EK045*				MCA ¹ (amps)	Min fuse ² / breaker ³ size (amps)	Max fuse ² / breaker ³ size (amps)	Min disconnect ⁴ rating		MCA ¹ w/pwr exh (amps)	Min fuse ² / breaker ³ size w/ pwr exh (amps)	Max fuse ² / breaker ³ size w/ pwr exh (amps)		Min disconnect ⁴ rating/ pwr exh	
		RLA	LRA	MCC	RLA	LRA	MCC					Model	kW	Stages	Amps				FLA	LRA			FLA	LRA		
09 (8.5)	208-3-60	14.5	98	23	14.5	98	23	2.3	7	1.1	8.6	None	-	-	-	48.5	50	60	52	280	50.7	60	60	54	290	
												11725	12	1	33.3	55.8	60	60	52	280	58.5	60	60	54	290	
												12525	18.6	1	51.6	78.6	80	80	72	280	81.4	90	90	75	290	
												13225	24	1	66.6	97.4	100	100	90	280	100.1	110	110	92	290	
												14225	31.8	2	88.3	124.5	125	125	115	280	127.3	150	150	117	290	
	230-3-60	14.5	98	23	14.5	98	23	2.3	7.2	1	8.6	None	-	-	-	48.7	50	60	52	282	50.7	60	60	54	277	
												11725	16	1	38.5	62.5	70	70	58	282	65	70	70	60	277	
												12525	24.8	1	59.7	89	90	90	82	282	91.5	100	100	84	277	
												13225	32	1	77	110.6	125	125	102	282	113.1	125	125	104	277	
												14225	42.4	2	102	141.9	150	150	131	282	144.4	150	150	133	277	
	460-3-60	6.3	55	10	6.3	55	10	1.3	3.6	0.5	8.6	None	-	-	-	22.6	25	25	24	155	23.6	25	25	25	151	
												11746	16.5	1	19.8	31.9	35	35	29	155	33.2	35	35	31	151	
												12846	27.8	1	33.4	48.9	50	50	45	155	50.2	60	60	46	151	
												13346	33	1	39.7	56.8	60	60	52	155	58.1	60	60	53	151	
												14246	41.7	2	50.2	69.9	70	70	64	155	71.2	80	80	65	151	
	575-3-60	6	41	9	6	41	9	1.1	2.5	0.4	8.6	None	-	-	-	19.9	20	25	21	111	20.7	25	25	22	108	
11758												17	1	16.4	25.8	30	30	24	111	26.8	30	30	25	108		
13458												34	1	32.7	46.2	50	50	42	111	47.2	50	50	43	108		
12 (10)	208-3-60	16	110	25	15.6	110	24	2.3	7	1.1	8.6	None	-	-	-	51.5	60	60	55	304	53.7	60	60	57	314	
												11725	12	1	33.3	55.8	60	60	55	304	58.5	60	60	57	314	
												12525	18.6	1	51.6	78.6	80	80	72	304	81.4	90	90	75	314	
												13225	24	1	66.6	97.4	100	100	90	304	100.1	110	110	92	314	
												14225	31.8	2	88.3	124.5	125	125	115	304	127.3	150	150	117	314	
	230-3-60	16	110	25	15.6	110	24	2.3	7.2	1	8.6	None	-	-	-	51.7	60	60	55	306	53.7	60	60	57	301	
												11725	16	1	38.5	62.5	70	70	58	306	65	70	70	60	301	
												12525	24.8	1	59.7	89	90	90	82	306	91.5	100	100	84	301	
												13225	32	1	77	110.6	125	125	102	306	113.1	125	125	104	301	
												14225	42.4	2	102	141.9	150	150	131	306	144.4	150	150	133	301	
	460-3-60	7.8	52	12	7.8	52	12	1.3	3.6	0.5	8.6	None	-	-	-	26	30	30	28	149	27	30	30	29	145	
												11746	16.5	1	19.8	31.9	35	35	29	149	33.2	35	35	31	145	
												12846	27.8	1	33.4	48.9	50	50	45	149	50.2	60	60	46	145	
												13346	33	1	39.7	56.8	60	60	52	149	58.1	60	60	53	145	
												14246	41.7	2	50.2	69.9	70	70	64	149	71.2	80	80	65	145	
	575-3-60	5.7	38.9	9	5.8	38.9	9	1.1	2.5	0.4	8.6	None	-	-	-	19.4	20	25	21	107	20.2	25	25	22	104	
11758												17	1	16.4	25.8	30	30	24	107	26.8	30	30	25	104		
13458												34	1	32.7	46.2	50	50	42	107	47.2	50	50	43	104		

Table 151: ZXA7, 08 to 14 standard static indoor blower - with powered convenience outlet

Size (ton)	Nominal unit voltage	Compressor 1			Compressor 2			OD fan motors (each)	Supply blower motor	Pwr exh motor	Pwr conv outlet	Electric heat field installed kit 2EK045*				MCA ¹ (amps)	Min fuse ² / breaker ³ size (amps)	Max fuse ² / breaker ³ size (amps)	Min disconnect ⁴ rating		MCA ¹ w/pwr exh (amps)	Min fuse ² / breaker ³ size w/ pwr exh (amps)	Max fuse ² / breaker ³ size w/ pwr exh (amps)	Min disconnect ⁴ rating/ pwr exh	
		RLA	LRA	MCC	RLA	LRA	MCC					Model	kW	Stages	Amps				FLA	LRA				FLA	LRA
		14 (12.5)	208-3-60	19.6	136	31	19.6					136	31	5.8	8.9				1.1	8.6				None	-
11725	12							1	33.3	63.1	70					80	67	375			65.3	70	80	69	385
12525	18.6							1	51.6	81	90					90	75	375			83.8	90	90	77	385
13225	24							1	66.6	99.8	100					100	92	375			102.5	110	110	94	385
14225	31.8							2	88.3	126.9	150					150	117	375			129.6	150	150	119	385
230-3-60	19.6		136	31	19.6	136	31	5.2	8.2	1	8.6	None	-	-	-	61.8	70	80	65	374	63.8	70	80	68	379
												11725	16	1	38.5	63.8	70	80	65	374	66.3	70	80	68	379
												12525	24.8	1	59.7	90.3	100	100	83	374	92.8	100	100	85	379
												13225	32	1	77	111.9	125	125	103	374	114.4	125	125	105	379
												14225	42.4	2	102	143.1	150	150	132	374	145.6	150	150	134	379
460-3-60	8.2		66.1	13	8.2	66.1	13	2.9	4.1	0.5	8.6	None	-	-	-	27.7	30	35	29	180	28.7	30	35	31	182
												11746	16.5	1	19.8	32.6	35	35	30	180	33.8	35	35	31	182
												12846	27.8	1	33.4	49.6	50	50	46	180	50.8	60	60	47	182
												13346	33	1	39.7	57.4	60	60	53	180	58.7	60	60	54	182
												14246	41.7	2	50.2	70.6	80	80	65	180	71.8	80	80	66	182
575-3-60	6.6		55.3	10	6.6	55.3	10	2.2	3.2	0.4	8.6	None	-	-	-	22	25	25	23	150	22.8	25	25	24	152
												11758	17	1	16.4	26.7	30	30	25	150	27.7	30	30	25	152
												13458	34	1	32.7	47	50	50	43	150	48	50	50	44	152

- 1 Minimum Circuit Ampacity.
- 2 Dual Element, Time Delay Type.
- 3 HACR type per NEC.
- 4 Non-fused disconnect. Verify on the unit nameplate that the disconnect is properly sized for the application. Units with field installed electric heat kits may exceed the factory installed disconnect amperage rating.

ZXA7, ZX08 to 14 medium static indoor blower - without powered convenience outlet

Table 152: ZXA7, ZX08 to 14 medium static indoor blower - without powered convenience outlet

Size (ton)	Nominal unit voltage			Compressor 1			Compressor 2			OD fan motors (each)	Supply blower motor	Pwr exh motor	Pwr conv outlet	Electric heat field installed kit 2EK045*				MCA ¹ (amps)	Min fuse ² /breaker ³ size (amps)	Max fuse ² /breaker ³ size (amps)	Min disconnect ⁴ rating		MCA ¹ w/pwr exh (amps)	Min fuse ² /breaker ³ size w/ pwr exh (amps)	Max fuse ² /breaker ³ size w/ pwr exh (amps)	Min disconnect ⁴ rating/ pwr exh	
	RLA	LRA	MCC	RLA	LRA	MCC																					
Without VFD																											
A7 (6)	208-3-60	17.6	136	27					4.4	7.5	1.1		None	-	-	-	33.9	35	50	34	185	35	35	50	35	187	187
													10625	4.9	1	13.6	33.9	35	50	34	185	35	35	50	35	187	187
													11125	7.9	1	21.9	36.8	40	50	34	185	38.1	40	50	35	187	187
													11625	12	1	33.3	51	60	60	47	185	52.4	60	60	48	187	187
	230-3-60	17.6	136	27					4.4	7.5	1		None	-	-	-	33.9	35	50	34	191	34.9	35	50	35	193	193
													10625	6.5	1	15.6	33.9	35	50	34	191	34.9	35	50	35	193	193
													11125	10.5	1	25.3	41	45	50	38	191	42.3	45	50	39	193	193
													11625	16	1	38.5	57.5	60	60	53	191	58.8	60	60	54	193	193
	460-3-60	8.5	66.1	13					2.5	3.4	0.5		None	-	-	-	16.5	20	25	17	94	17	20	25	17	95	95
													10646	6	1	7.2	16.5	20	25	12	94	17	20	25	13	95	95
													11146	11.5	1	13.8	21.5	25	25	20	94	22.1	25	25	20	95	95
													11446	14	1	16.8	25.3	30	30	23	94	25.9	30	30	24	95	95
575-3-60	6.3	55.3	10				4.4	2.8	0.4		None	-	-	-	15.1	20	20	16	77	15.5	20	20	16	78	78		
With VFD																											
A7 (6)	208-3-60	17.6	136	27					4.4	8.9	1.1		None	-	-	-	35.3	40	50	36	198	36.4	40	50	37	200	200
													10625	4.9	1	13.6	35.3	40	50	36	198	36.4	40	50	37	200	200
													11125	7.9	1	21.9	38.5	40	50	36	198	39.9	40	50	37	200	200
													11625	12	1	33.3	52.8	60	60	49	198	54.1	60	60	50	200	200
	230-3-60	17.6	136	27					4.4	8.2	1		None	-	-	-	34.6	35	50	35	205	35.6	40	50	36	207	207
													10625	6.5	1	15.6	34.6	35	50	35	205	35.6	40	50	36	207	207
													11125	10.5	1	25.3	41.9	45	50	39	205	43.1	45	50	40	207	207
													11625	16	1	38.5	58.4	60	60	54	205	59.6	60	60	55	207	207
	460-3-60	8.5	66.1	13					2.5	4.1	0.5		None	-	-	-	17.2	20	25	17	101	17.7	20	25	18	102	102
													10646	6	1	7.2	17.2	20	25	13	101	17.7	20	25	14	102	102
													11146	11.5	1	13.8	22.4	25	25	21	101	23	25	25	21	102	102
													11446	14	1	16.8	26.1	30	30	24	101	26.8	30	30	25	102	102
	575-3-60	6.3	55.3	10				4.4	3.2	0.4		None	-	-	-	15.5	20	20	16	81	15.9	20	20	16	82	82	

Table 152: ZXA7, ZX08 to 14 medium static indoor blower - without powered convenience outlet

Size (ton)	Nominal unit voltage	Compressor 1			Compressor 2			OD fan motors (each)	Supply blower motor	Pwr exh motor	Pwr conv outlet	Electric heat field installed kit 2EK045*				MCA ¹ (amps)	Min fuse ² / breaker ³ size (amps)	Max fuse ² / breaker ³ size (amps)	Min disconnect ⁴ rating		MCA ¹ w/pwr exh (amps)	Min fuse ² / breaker ³ size w/ pwr exh (amps)	Max fuse ² / breaker ³ size w/ pwr exh (amps)	Min disconnect ⁴ rating/ pwr exh		
		RLA	LRA	MCC	RLA	LRA	MCC					Model	kW	Stages	Amps				FLA	LRA				FLA	LRA	
08 (7.5)	208-3-60	13.6	83.1	21	13.6	83.1	21	2.3	8.9	1.1		None	-	-	-	44.1	45	50	47	262	46.3	50	50	49	272	
												11725	12	1	33.3	52.8	60	60	49	262	55.5	60	60	51	272	
												12525	18.6	1	51.6	75.6	80	80	70	262	78.4	80	80	72	272	
												13225	24	1	66.6	94.4	100	100	87	262	97.1	100	100	89	272	
	230-3-60	13.6	83.1	21	13.6	83.1	21	2.3	8.2	1			None	-	-	-	43.4	45	50	46	265	45.4	50	50	48	260
													11725	16	1	38.5	58.4	60	60	54	265	60.9	70	70	56	260
													12525	24.8	1	59.7	84.9	90	90	78	265	87.4	90	90	80	260
													13225	32	1	77	106.5	110	110	98	265	109	110	110	100	260
	460-3-60	6.1	41	10	6.1	41	10	1.3	4.1	0.5			None	-	-	-	20.4	25	25	22	128	21.4	25	25	23	125
													11746	16.5	1	19.8	29.9	30	30	27	128	31.1	35	35	29	125
													12846	27.8	1	33.4	46.9	50	50	43	128	48.1	50	50	44	125
													13346	33	1	39.7	54.8	60	60	50	128	56	60	60	52	125
	575-3-60	4.2	33	7	4.2	33	7	1.1	3.2	0.4			None	-	-	-	14.9	15	15	16	102	15.7	20	20	17	99
													11758	17	1	16.4	24.5	25	25	23	102	25.5	30	30	23	99
													13458	34	1	32.7	44.9	45	45	41	102	45.9	50	50	42	99
09 (8.5)	208-3-60	14.5	98	23	14.5	98	23	2.3	7	1.1		None	-	-	-	44.2	45	50	47	275	46.4	50	50	49	285	
												11725	12	1	33.3	50.4	60	60	47	275	53.1	60	60	49	285	
												12525	18.6	1	51.6	73.3	80	80	67	275	76	80	80	70	285	
												13225	24	1	66.6	92	100	100	85	275	94.8	100	100	87	285	
	230-3-60	14.5	98	23	14.5	98	23	2.3	7.2	1			None	-	-	-	44.4	45	50	47	278	46.4	50	60	49	272
													11725	16	1	38.5	57.1	60	60	53	278	59.6	60	60	55	272
													12525	24.8	1	59.7	83.6	90	90	77	278	86.1	90	90	79	272
													13225	32	1	77	105.3	110	110	97	278	107.8	110	110	99	272
	460-3-60	6.3	55	10	6.3	55	10	1.3	3.6	0.5			None	-	-	-	20.4	25	25	22	153	21.4	25	25	23	149
													11746	16.5	1	19.8	29.3	30	30	27	153	30.5	35	35	28	149
													12846	27.8	1	33.4	46.3	50	50	43	153	47.5	50	50	44	149
													13346	33	1	39.7	54.1	60	60	50	153	55.4	60	60	51	149
	575-3-60	6	41	9	6	41	9	1.1	2.5	0.4			None	-	-	-	18.2	20	20	19	109	19	20	20	20	106
													11758	17	1	16.4	23.6	25	25	22	109	24.6	25	25	23	106
													13458	34	1	32.7	44	45	45	40	109	45	45	45	41	106

Table 152: ZXA7, ZX08 to 14 medium static indoor blower - without powered convenience outlet

Size (ton)	Nominal unit voltage	Compressor 1			Compressor 2			OD fan motors (each)	Supply blower motor	Pwr exh motor	Pwr conv outlet	Electric heat field installed kit 2EK045*				MCA ¹ (amps)	Min fuse ² / breaker ³ size (amps)	Max fuse ² / breaker ³ size (amps)	Min disconnect ⁴ rating		MCA ¹ w/pwr exh (amps)	Min fuse ² / breaker ³ size w/ pwr exh (amps)	Max fuse ² / breaker ³ size w/ pwr exh (amps)	Min disconnect ⁴ rating/ pwr exh		
		RLA	LRA	MCC	RLA	LRA	MCC					FLA	LRA	FLA	LRA											
		Model	kW	Stages	Amps																					
12 (10)	208-3-60	16	110	25	15.6	110	24	2.3	9.9	1.1		None	-	-	-	50.1	60	60	53	312	52.3	60	60	56	322	
												11725	12	1	33.3	54	60	60	53	312	56.8	60	60	56	322	
												12525	18.6	1	51.6	76.9	80	80	71	312	79.6	80	80	73	322	
												13225	24	1	66.6	95.6	100	100	88	312	98.4	100	100	91	322	
	230-3-60	16	110	25	15.6	110	24	2.3	9.4	1			None	-	-	-	49.6	50	60	52	321	51.6	60	60	55	315
													11725	16	1	38.5	59.9	60	60	55	321	62.4	70	70	57	315
													12525	24.8	1	59.7	86.4	90	90	79	321	88.9	90	90	82	315
													13225	32	1	77	108	110	110	99	321	110.5	125	125	102	315
	460-3-60	7.8	52	12	7.8	52	12	1.3	4.7	0.5			None	-	-	-	24.9	25	30	26	156	25.9	30	30	27	152
													11746	16.5	1	19.8	30.6	35	35	28	156	31.9	35	35	29	152
													12846	27.8	1	33.4	47.6	50	50	44	156	48.9	50	50	45	152
													13346	33	1	39.7	55.5	60	60	51	156	56.8	60	60	52	152
	575-3-60	5.7	38.9	9	5.8	38.9	9	1.1	4.3	0.4			None	-	-	-	19.5	20	25	21	127	20.3	25	25	22	124
													11758	17	1	16.4	25.9	30	30	24	127	26.9	30	30	25	124
													13458	34	1	32.7	46.3	50	50	43	127	47.3	50	50	43	124
													None	-	-	-	59.8	60	70	63	367	62	70	80	66	377
14 (12.5)	208-3-60	19.6	136	31	19.6	136	31	5.8	9.9	1.1		None	-	-	-	59.8	60	70	63	367	62	70	80	66	377	
												11725	12	1	33.3	59.8	60	70	63	367	62	70	80	66	377	
												12525	18.6	1	51.6	76.9	80	80	71	367	79.6	80	80	73	377	
												13225	24	1	66.6	95.6	100	100	88	367	98.4	100	100	91	377	
	230-3-60	19.6	136	31	19.6	136	31	5.2	9.4	1			None	-	-	-	58.7	60	70	62	372	60.7	70	80	64	376
													11725	16	1	38.5	59.9	60	70	62	372	62.4	70	80	64	376
													12525	24.8	1	59.7	86.4	90	90	79	372	88.9	90	90	82	376
													13225	32	1	77	108	110	110	99	372	110.5	125	125	102	376
	460-3-60	8.2	66.1	13	8.2	66.1	13	2.9	4.7	0.5			None	-	-	-	26.1	30	30	28	184	27.1	30	30	29	186
													11746	16.5	1	19.8	30.6	35	35	28	184	31.9	35	35	29	186
													12846	27.8	1	33.4	47.6	50	50	44	184	48.9	50	50	45	186
													13346	33	1	39.7	55.5	60	60	51	184	56.8	60	60	52	186
	575-3-60	6.6	55.3	10	6.6	55.3	10	2.2	4.3	0.4			None	-	-	-	21.4	25	25	23	162	22.2	25	25	24	164
													11758	17	1	16.4	25.9	30	30	24	162	26.9	30	30	25	164
													13458	34	1	32.7	46.3	50	50	43	162	47.3	50	50	43	164
													None	-	-	-	59.8	60	70	63	367	62	70	80	66	377

- 1 Minimum Circuit Ampacity.
- 2 Dual element, time delay type.
- 3 HACR type per NEC.
- 4 Non-fused Disconnect. Verify on the unit nameplate that the disconnect is properly sized for the application. Units with field installed electric heat kits may exceed the factory installed disconnect amperage rating.

ZXA7, ZX08 to 14 medium static indoor blower - with powered convenience outlet

Table 153: ZXA7, ZX08 to 14 medium static indoor blower - with powered convenience outlet

Size (ton)	Nominal unit voltage	Compressor 1			Compressor 2			OD fan motors (each)	Supply blower motor	Pwr exh motor	Pwr conv outlet	Electric heat field installed kit 2EK045*				MCA ¹ (Amps)	Min fuse ² / breaker ³ size (amps)	Max fuse ² / breaker ³ size (amps)	Min disconnect ⁴ rating		MCA ¹ w/pwr exh (amps)	Min fuse ² / breaker ³ size w/ pwr exh (amps)	Max fuse ² / breaker ³ size w/ pwr exh (amps)	Min disconnect ⁴ rating/ pwr exh	
		RLA	LRA	MCC	RLA	LRA	MCC					Model	kW	Stages	Amps				FLA	LRA				FLA	LRA
Without VFD																									
A7 (6)	208-3-60	17.6	136	27				4.4	7.5	1.1	8.6	None	-	-	-	38.2	40	50	39	189	39.3	40	50	40	191
												10625	4.9	1	13.6	38.2	40	50	39	189	39.3	40	50	40	191
												11125	7.9	1	21.9	42.1	45	50	39	189	43.5	45	50	40	191
												11625	12	1	33.3	56.4	60	60	52	189	57.8	60	60	53	191
	230-3-60	17.6	136	27				4.4	7.5	1	8.6	None	-	-	-	38.2	40	50	39	195	39.2	40	50	40	198
												10625	6.5	1	15.6	38.2	40	50	39	195	39.2	40	50	40	198
												11125	10.5	1	25.3	46.4	50	50	43	195	47.6	50	50	44	198
												11625	16	1	38.5	62.9	70	70	58	195	64.1	70	70	59	198
	460-3-60	8.5	66.1	13				2.5	3.4	0.5	8.6	None	-	-	-	18.7	20	25	19	96	19.2	20	25	20	97
												10646	6	1	7.2	18.7	20	25	15	96	19.2	20	25	15	97
												11146	11.5	1	13.8	24.2	25	25	22	96	24.8	25	25	23	97
												11446	14	1	16.8	27.9	30	30	26	96	28.6	30	30	26	97
575-3-60	6.3	55.3	10				4.4	2.8	0.4	8.6	None	-	-	-	16.8	20	20	17	79	17.2	20	20	18	80	
With VFD																									
A7 (6)	208-3-60	17.6	136	27				4.4	8.9	1.1	8.6	None	-	-	-	39.6	40	50	40	202	40.7	45	50	42	205
												10625	4.9	1	13.6	39.6	40	50	40	202	40.7	45	50	42	205
												11125	7.9	1	21.9	43.9	45	50	40	202	45.3	50	50	42	205
												11625	12	1	33.3	58.1	60	60	53	202	59.5	60	60	55	205
	230-3-60	17.6	136	27				4.4	8.2	1	8.6	None	-	-	-	38.9	40	50	40	209	39.9	40	50	41	212
												10625	6.5	1	15.6	38.9	40	50	40	209	39.9	40	50	41	212
												11125	10.5	1	25.3	47.3	50	50	43	209	48.5	50	50	45	212
												11625	16	1	38.5	63.8	70	70	59	209	65	70	70	60	212
	460-3-60	8.5	66.1	13				2.5	4.1	0.5	8.6	None	-	-	-	19.4	20	25	20	103	19.9	20	25	20	104
												10646	6	1	7.2	19.4	20	25	15	103	19.9	20	25	16	104
												11146	11.5	1	13.8	25.1	30	30	23	103	25.7	30	30	24	104
												11446	14	1	16.8	28.8	30	30	27	103	29.4	30	30	27	104
575-3-60	6.3	55.3	10				4.4	3.2	0.4	8.6	None	-	-	-	17.2	20	20	18	83	17.6	20	20	18	84	
08 (7.5)	208-3-60	13.6	83.1	21	13.6	83.1	21	2.3	8.9	1.1	8.6	None	-	-	-	48.4	50	60	52	267	50.6	60	60	54	277
												11725	12	1	33.3	58.1	60	60	53	267	60.9	70	70	56	277
												12525	18.6	1	51.6	81	90	90	75	267	83.8	90	90	77	277
												13225	24	1	66.6	99.8	100	100	92	267	102.5	110	110	94	277
	230-3-60	13.6	83.1	21	13.6	83.1	21	2.3	8.2	1	8.6	14225	31.8	2	88.3	126.9	150	150	117	267	129.6	150	150	119	277
												None	-	-	-	47.7	50	60	51	270	49.7	50	60	53	264
												11725	16	1	38.5	63.8	70	70	59	270	66.3	70	70	61	264
												12525	24.8	1	59.7	90.3	100	100	83	270	92.8	100	100	85	264
	460-3-60	6.1	41	10	6.1	41	10	1.3	4.1	0.5	8.6	13225	32	1	77	111.9	125	125	103	270	114.4	125	125	105	264
												14225	42.4	2	102	143.1	150	150	132	270	145.6	150	150	134	264
												None	-	-	-	22.6	25	25	24	130	23.6	25	25	25	127
												11746	16.5	1	19.8	32.6	35	35	30	130	33.8	35	35	31	127
575-3-60	4.2	33	7	4.2	33	7	1.1	3.2	0.4	8.6	12846	27.8	1	33.4	49.6	50	50	46	130	50.8	60	60	47	127	
											13346	33	1	39.7	57.4	60	60	53	130	58.7	60	60	54	127	
											14246	41.7	2	50.2	70.6	80	80	65	130	71.8	80	80	66	127	
											None	-	-	-	16.6	20	20	18	103	17.4	20	20	19	100	
11758	17	1	16.4	26.7	30	30	25	103	27.7	30	30	25	100												
13458	34	1	32.7	47	50	50	43	103	48	50	50	44	100												

Table 153: ZXA7, ZX08 to 14 medium static indoor blower - with powered convenience outlet

Size (ton)	Nominal unit voltage	Compressor 1			Compressor 2			OD fan motors (each)	Supply blower motor	Pwr exh motor	Pwr conv outlet	Electric heat field installed kit 2EK045*				MCA ¹ (Amps)	Min fuse ² / breaker ³ size (amps)	Max fuse ² / breaker ³ size (amps)	Min disconnect ⁴ rating		MCA ¹ w/pwr exh (amps)	Min fuse ² / breaker ³ size w/ pwr exh (amps)	Max fuse ² / breaker ³ size w/ pwr exh (amps)		Min disconnect ⁴ rating/ pwr exh	
		RLA	LRA	MCC	RLA	LRA	MCC					Model	kW	Stages	Amps				FLA	LRA			FLA	LRA		
09 (8.5)	208-3-60	14.5	98	23	14.5	98	23	2.3	7	1.1	8.6	None	-	-	-	48.5	50	60	52	280	50.7	60	60	54	290	
												11725	12	1	33.3	55.8	60	60	52	280	58.5	60	60	54	290	
												12525	18.6	1	51.6	78.6	80	80	72	280	81.4	90	90	75	290	
												13225	24	1	66.6	97.4	100	100	90	280	100.1	110	110	92	290	
												14225	31.8	2	88.3	124.5	125	125	115	280	127.3	150	150	117	290	
	230-3-60	14.5	98	23	14.5	98	23	2.3	7.2	1	8.6	None	-	-	-	48.7	50	60	52	282	50.7	60	60	54	277	
												11725	16	1	38.5	62.5	70	70	58	282	65	70	70	60	277	
												12525	24.8	1	59.7	89	90	90	82	282	91.5	100	100	84	277	
												13225	32	1	77	110.6	125	125	102	282	113.1	125	125	104	277	
												14225	42.4	2	102	141.9	150	150	131	282	144.4	150	150	133	277	
	460-3-60	6.3	55	10	6.3	55	10	1.3	3.6	0.5	8.6	None	-	-	-	22.6	25	25	24	155	23.6	25	25	25	151	
												11746	16.5	1	19.8	31.9	35	35	29	155	33.2	35	35	31	151	
												12846	27.8	1	33.4	48.9	50	50	45	155	50.2	60	60	46	151	
												13346	33	1	39.7	56.8	60	60	52	155	58.1	60	60	53	151	
												14246	41.7	2	50.2	69.9	70	70	64	155	71.2	80	80	65	151	
	575-3-60	6	41	9	6	41	9	1.1	2.5	0.4	8.6	None	-	-	-	19.9	20	25	21	111	20.7	25	25	22	108	
11758												17	1	16.4	25.8	30	30	24	111	26.8	30	30	25	108		
13458												34	1	32.7	46.2	50	50	42	111	47.2	50	50	43	108		
14246												41.7	2	50.2	69.9	70	70	64	155	71.2	80	80	65	151		
12 (10)	208-3-60	16	110	25	15.6	110	24	2.3	9.9	1.1	8.6	None	-	-	-	54.4	60	70	58	316	56.6	60	70	60	326	
												11725	12	1	33.3	59.4	60	70	58	316	62.1	70	70	60	326	
												12525	18.6	1	51.6	82.3	90	90	76	316	85	90	90	78	326	
												13225	24	1	66.6	101	110	110	93	316	103.8	110	110	95	326	
												14225	31.8	2	88.3	128.1	150	150	118	316	130.9	150	150	120	326	
	230-3-60	16	110	25	15.6	110	24	2.3	9.4	1	8.6	None	-	-	-	53.9	60	60	57	325	55.9	60	70	60	320	
												11725	16	1	38.5	65.3	70	70	60	325	67.8	70	70	62	320	
												12525	24.8	1	59.7	91.8	100	100	84	325	94.3	100	100	87	320	
												13225	32	1	77	113.4	125	125	104	325	115.9	125	125	107	320	
												14225	42.4	2	102	144.6	150	150	133	325	147.1	150	150	135	320	
	460-3-60	7.8	52	12	7.8	52	12	1.3	4.7	0.5	8.6	None	-	-	-	27.1	30	30	29	158	28.1	30	30	30	154	
												11746	16.5	1	19.8	33.3	35	35	31	158	34.6	35	35	32	154	
												12846	27.8	1	33.4	50.3	60	60	46	158	51.6	60	60	47	154	
												13346	33	1	39.7	58.2	60	60	54	158	59.4	60	60	55	154	
												14246	41.7	2	50.2	71.3	80	80	66	158	72.6	80	80	67	154	
	575-3-60	5.7	38.9	9	5.8	38.9	9	1.1	4.3	0.4	8.6	None	-	-	-	21.2	25	25	23	129	22	25	25	24	126	
11758												17	1	16.4	28	30	30	26	129	29	30	30	27	126		
13458												34	1	32.7	48.4	50	50	45	129	49.4	50	50	45	126		
14246												41.7	2	50.2	71.3	80	80	66	158	72.6	80	80	67	154		

Table 153: ZXA7, ZX08 to 14 medium static indoor blower - with powered convenience outlet

Size (ton)	Nominal unit voltage	Compressor 1			Compressor 2			OD fan motors (each)	Supply blower motor	Pwr exh motor	Pwr conv outlet	Electric heat field installed kit 2EK045*				MCA ¹ (Amps)	Min fuse ² / breaker ³ size (amps)	Max fuse ² / breaker ³ size (amps)	Min disconnect ⁴ rating		MCA ¹ w/pwr exh (amps)	Min fuse ² / breaker ³ size w/ pwr exh (amps)	Max fuse ² / breaker ³ size w/ pwr exh (amps)	Min disconnect ⁴ rating/ pwr exh	
		RLA	LRA	MCC	RLA	LRA	MCC					Model	kW	Stages	Amps				FLA	LRA				FLA	LRA
		14 (12.5)	208-3-60	19.6	136	31	19.6					136	31	5.8	9.9				1.1	8.6				None	-
11725	12							1	33.3	64.1	70					80	68	371			66.3	70	80	71	381
12525	18.6							1	51.6	82.3	90					90	76	371			85	90	90	78	381
13225	24							1	66.6	101	110					110	93	371			103.8	110	110	95	381
14225	31.8							2	88.3	128.1	150					150	118	371			130.9	150	150	120	381
230-3-60	19.6		136	31	19.6	136	31	5.2	9.4	1	8.6	None	-	-	-	63	70	80	67	376	65	70	80	69	381
												11725	16	1	38.5	65.3	70	80	67	376	67.8	70	80	69	381
												12525	24.8	1	59.7	91.8	100	100	84	376	94.3	100	100	87	381
												13225	32	1	77	113.4	125	125	104	376	115.9	125	125	107	381
												14225	42.4	2	102	144.6	150	150	133	376	147.1	150	150	135	381
460-3-60	8.2		66.1	13	8.2	66.1	13	2.9	4.7	0.5	8.6	None	-	-	-	28.3	30	35	30	186	29.3	30	35	31	188
												11746	16.5	1	19.8	33.3	35	35	31	186	34.6	35	35	32	188
												12846	27.8	1	33.4	50.3	60	60	46	186	51.6	60	60	47	188
												13346	33	1	39.7	58.2	60	60	54	186	59.4	60	60	55	188
												14246	41.7	2	50.2	71.3	80	80	66	186	72.6	80	80	67	188
575-3-60	6.6		55.3	10	6.6	55.3	10	2.2	4.3	0.4	8.6	None	-	-	-	23.1	25	25	25	164	23.9	25	25	26	165
												11758	17	1	16.4	28	30	30	26	164	29	30	30	27	165
												13458	34	1	32.7	48.4	50	50	45	164	49.4	50	50	45	165

- 1 Minimum Circuit Ampacity.
- 2 Dual element, time delay type.
- 3 HACR type per NEC.
- 4 Non-fused disconnect. Verify on the unit nameplate that the disconnect is properly sized for the application. Units with field installed electric heat kits may exceed the factory installed disconnect amperage rating.

ZXA7, 08 to 14 high static indoor blower - without powered convenience outlet

Table 154: ZXA7, 08 to 14 high static indoor blower - without powered convenience outlet

Size (ton)	Nominal unit voltage	Compressor 1			Compressor 2			OD fan motors (each)	Supply blower motor	Pwr exh motor	Pwr conv outlet	Electric heat field installed kit 2EK045*				MCA ¹ (amps)	Min fuse ² / breaker ³ size (amps)	Max fuse ² / breaker ³ size (amps)	Min disconnect ⁴ rating		MCA ¹ w/pwr exh (amps)	Min fuse ² / breaker ³ size w/ pwr exh (amps)	Max fuse ² / breaker ³ size w/ pwr exh (amps)	Min disconnect ⁴ rating/ pwr exh		
		RLA	LRA	MCC	RLA	LRA	MCC					Model	kW	Stages	Amps				FLA	LRA				FLA	LRA	
Without VFD																										
A7 (6)	208-3-60	17.6	136	27				4.4	10.2	1.1		None	-	-	-	36.6	40	50	37	199	37.7	40	50	38	202	
												10625	4.9	1	13.6	36.6	40	50	37	199	37.7	40	50	38	202	
												11125	7.9	1	21.9	40.1	45	50	37	199	41.5	45	50	38	202	
												11625	12	1	33.3	54.4	60	60	50	199	55.8	60	60	51	202	
	230-3-60	17.6	136	27				4.4	10.2	1			None	-	-	-	36.6	40	50	37	205	37.6	40	50	38	207
													10625	6.5	1	15.6	36.6	40	50	37	205	37.6	40	50	38	207
													11125	10.5	1	25.3	44.4	45	50	41	205	45.6	50	50	42	207
													11625	16	1	38.5	60.9	70	70	56	205	62.1	70	70	57	207
	460-3-60	8.5	66.1	13				2.5	4.8	0.5			None	-	-	-	17.9	20	25	18	101	18.4	20	25	19	102
													10646	6	1	7.2	17.9	20	25	14	101	18.4	20	25	14	102
													11146	11.5	1	13.8	23.3	25	25	21	101	23.9	25	25	22	102
													11446	14	1	16.8	27	30	30	25	101	27.6	30	30	25	102
575-3-60	6.3	55.3	10				4.4	3.4	0.4			None	-	-	-	15.7	20	20	16	83	16.1	20	20	17	84	
With VFD																										
A7 (6)	208-3-60	17.6	136	27				4.4	9.9	1.1		None	-	-	-	36.3	40	50	37	209	37.4	40	50	38	211	
												10625	4.9	1	13.6	36.3	40	50	37	209	37.4	40	50	38	211	
												11125	7.9	1	21.9	39.8	40	50	37	209	41.1	45	50	38	211	
												11625	12	1	33.3	54	60	60	50	209	55.4	60	60	51	211	
	230-3-60	17.6	136	27				4.4	9.4	1			None	-	-	-	35.8	40	50	36	217	36.8	40	50	37	219
													10625	6.5	1	15.6	35.8	40	50	36	217	36.8	40	50	37	219
													11125	10.5	1	25.3	43.4	45	50	40	217	44.6	45	50	41	219
													11625	16	1	38.5	59.9	60	60	55	217	61.1	70	70	56	219
	460-3-60	8.5	66.1	13				2.5	4.7	0.5			None	-	-	-	17.8	20	25	18	106	18.3	20	25	19	108
													10646	6	1	7.2	17.8	20	25	14	106	18.3	20	25	14	108
													11146	11.5	1	13.8	23.1	25	25	21	106	23.8	25	25	22	108
													11446	14	1	16.8	26.9	30	30	25	106	27.5	30	30	25	108
575-3-60	6.3	55.3	10				4.4	4.3	0.4			None	-	-	-	16.6	20	20	17	95	17	20	20	18	96	
08 (7.5)	208-3-60	13.6	83.1	21	13.6	83.1	21	2.3	9.9	1.1		None	-	-	-	45.1	50	50	48	258	47.3	50	50	50	268	
												11725	12	1	33.3	54	60	60	50	258	56.8	60	60	52	268	
												12525	18.6	1	51.6	76.9	80	80	71	258	79.6	80	80	73	268	
												13225	24	1	66.6	95.6	100	100	88	258	98.4	100	100	91	268	
												14225	31.8	2	88.3	122.8	125	125	113	258	125.5	150	150	115	268	
												None	-	-	-	44.6	45	50	47	267	46.6	50	60	50	261	
	230-3-60	13.6	83.1	21	13.6	83.1	21	2.3	9.4	1			11725	16	1	38.5	59.9	60	60	55	267	62.4	70	70	57	261
													12525	24.8	1	59.7	86.4	90	90	79	267	88.9	90	90	82	261
													13225	32	1	77	108	110	110	99	267	110.5	125	125	102	261
													14225	42.4	2	102	139.3	150	150	128	267	141.8	150	150	130	261
													None	-	-	-	21	25	25	22	134	22	25	25	24	130
													11746	16.5	1	19.8	30.6	35	35	28	134	31.9	35	35	29	130
460-3-60	6.1	41	10	6.1	41	10	1.3	4.7	0.5			12846	27.8	1	33.4	47.6	50	50	44	134	48.9	50	50	45	130	
												13346	33	1	39.7	55.5	60	60	51	134	56.8	60	60	52	130	
												14246	41.7	2	50.2	68.6	70	70	63	134	69.9	70	70	64	130	
												None	-	-	-	16	20	20	17	115	16.8	20	20	18	113	
575-3-60	4.2	33	7	4.2	33	7	1.1	4.3	0.4			11758	17	1	16.4	25.9	30	30	24	115	26.9	30	30	25	113	
												13458	34	1	32.7	46.3	50	50	43	115	47.3	50	50	43	113	

Table 154: ZXA7, 08 to 14 high static indoor blower - without powered convenience outlet

Size (ton)	Nominal unit voltage	Compressor 1			Compressor 2			OD fan motors (each)	Supply blower motor	Pwr exh motor	Pwr conv outlet	Electric heat field installed kit 2EK045*				MCA ¹ (amps)	Min fuse ² / breaker ³ size (amps)	Max fuse ² / breaker ³ size (amps)	Min disconnect ⁴ rating		MCA ¹ w/pwr exh (amps)	Min fuse ² / breaker ³ size w/ pwr exh (amps)	Max fuse ² / breaker ³ size w/ pwr exh (amps)	Min disconnect ⁴ rating/ pwr exh	
		RLA	LRA	MCC	RLA	LRA	MCC					Model	kW	Stages	Amps				FLA	LRA				FLA	LRA
09 (8.5)	208-3-60	14.5	98	23	14.5	98	23	2.3	9.9	1.1		None	-	-	-	47.1	50	60	50	288	49.3	50	60	53	298
												11725	12	1	33.3	54	60	60	50	288	56.8	60	60	53	298
												12525	18.6	1	51.6	76.9	80	80	71	288	79.6	80	80	73	298
												13225	24	1	66.6	95.6	100	100	88	288	98.4	100	100	91	298
												14225	31.8	2	88.3	122.8	125	125	113	288	125.5	150	150	115	298
	230-3-60	14.5	98	23	14.5	98	23	2.3	9.4	1		None	-	-	-	46.6	50	60	49	297	48.6	50	60	52	291
												11725	16	1	38.5	59.9	60	60	55	297	62.4	70	70	57	291
												12525	24.8	1	59.7	86.4	90	90	79	297	88.9	90	90	82	291
												13225	32	1	77	108	110	110	99	297	110.5	125	125	102	291
												14225	42.4	2	102	139.3	150	150	128	297	141.8	150	150	130	291
	460-3-60	6.3	55	10	6.3	55	10	1.3	4.7	0.5		None	-	-	-	21.5	25	25	23	162	22.5	25	25	24	158
												11746	16.5	1	19.8	30.6	35	35	28	162	31.9	35	35	29	158
												12846	27.8	1	33.4	47.6	50	50	44	162	48.9	50	50	45	158
												13346	33	1	39.7	55.5	60	60	51	162	56.8	60	60	52	158
												14246	41.7	2	50.2	68.6	70	70	63	162	69.9	70	70	64	158
	575-3-60	6	41	9	6	41	9	1.1	4.3	0.4		None	-	-	-	20	25	25	21	131	20.8	25	25	22	129
11758												17	1	16.4	25.9	30	30	24	131	26.9	30	30	25	129	
13458												34	1	32.7	46.3	50	50	43	131	47.3	50	50	43	129	
12 (10)	208-3-60	16	110	25	15.6	110	24	2.3	13.5	1.1		None	-	-	-	53.7	60	60	57	342	55.9	60	70	60	352
												11725	12	1	33.3	58.5	60	60	57	342	61.3	70	70	60	352
												12525	18.6	1	51.6	81.4	90	90	75	342	84.1	90	90	77	352
												13225	24	1	66.6	100.1	110	110	92	342	102.9	110	110	95	352
												14225	31.8	2	88.3	127.3	150	150	117	342	130	150	150	120	352
	230-3-60	16	110	25	15.6	110	24	2.3	13.4	1		None	-	-	-	53.6	60	60	57	342	55.6	60	70	59	337
												11725	16	1	38.5	64.9	70	70	60	342	67.4	70	70	62	337
												12525	24.8	1	59.7	91.4	100	100	84	342	93.9	100	100	86	337
												13225	32	1	77	113	125	125	104	342	115.5	125	125	106	337
												14225	42.4	2	102	144.3	150	150	133	342	146.8	150	150	135	337
	460-3-60	7.8	52	12	7.8	52	12	1.3	6.7	0.5		None	-	-	-	26.9	30	30	29	167	27.9	30	30	30	163
												11746	16.5	1	19.8	33.1	35	35	30	167	34.4	35	35	32	163
												12846	27.8	1	33.4	50.1	60	60	46	167	51.4	60	60	47	163
												13346	33	1	39.7	58	60	60	53	167	59.3	60	60	55	163
												14246	41.7	2	50.2	71.1	80	80	65	167	72.4	80	80	67	163
	575-3-60	5.7	38.9	9	5.8	38.9	9	1.1	5.4	0.4		None	-	-	-	20.6	25	25	22	127	21.4	25	25	23	124
												11758	17	1	16.4	27.3	30	30	25	127	28.3	30	30	26	124
												13458	34	1	32.7	47.6	50	50	44	127	48.6	50	50	45	124

Table 154: ZXA7, 08 to 14 high static indoor blower - without powered convenience outlet

Size (ton)	Nominal unit voltage	Compressor 1			Compressor 2			OD fan motors (each)	Supply blower motor	Pwr exh motor	Pwr conv outlet	Electric heat field installed kit 2EK045*				MCA ¹ (amps)	Min fuse ² / breaker ³ size (amps)	Max fuse ² / breaker ³ size (amps)	Min disconnect ⁴ rating		MCA ¹ w/pwr exh (amps)	Min fuse ² / breaker ³ size w/ pwr exh (amps)	Max fuse ² / breaker ³ size w/ pwr exh (amps)		Min disconnect ⁴ rating/ pwr exh	
		RLA	LRA	MCC	RLA	LRA	MCC					Model	kW	Stages	Amps				FLA	LRA			FLA	LRA		
14 (12.5)	208-3-60	19.6	136	31	19.6	136	31	5.8	13.5	1.1		None	-	-	-	63.4	70	80	67	397	65.6	70	80	70	407	
												11725	12	1	33.3	63.4	70	80	67	397	65.6	70	80	70	407	
												12525	18.6	1	51.6	81.4	90	90	75	397	84.1	90	90	77	407	
												13225	24	1	66.6	100.1	110	110	92	397	102.9	110	110	95	407	
												14225	31.8	2	88.3	127.3	150	150	117	397	130	150	150	120	407	
	230-3-60	19.6	136	31	19.6	136	31	5.2	13.4	1			None	-	-	-	62.7	70	80	66	393	64.7	70	80	69	398
													11725	16	1	38.5	64.9	70	80	66	393	67.4	70	80	69	398
													12525	24.8	1	59.7	91.4	100	100	84	393	93.9	100	100	86	398
													13225	32	1	77	113	125	125	104	393	115.5	125	125	106	398
													14225	42.4	2	102	144.3	150	150	133	393	146.8	150	150	135	398
	460-3-60	8.2	66.1	13	8.2	66.1	13	2.9	6.7	0.5			None	-	-	-	28.1	30	35	30	194	29.1	30	35	31	196
													11746	16.5	1	19.8	33.1	35	35	30	194	34.4	35	35	32	196
													12846	27.8	1	33.4	50.1	60	60	46	194	51.4	60	60	47	196
													13346	33	1	39.7	58	60	60	53	194	59.3	60	60	55	196
													14246	41.7	2	50.2	71.1	80	80	65	194	72.4	80	80	67	196
	575-3-60	6.6	55.3	10	6.6	55.3	10	2.2	5.4	0.4			None	-	-	-	22.5	25	25	24	162	23.3	25	25	25	164
													11758	17	1	16.4	27.3	30	30	25	162	28.3	30	30	26	164
													13458	34	1	32.7	47.6	50	50	44	162	48.6	50	50	45	164

- 1 Minimum Circuit Ampacity.
- 2 Dual element, time delay type.
- 3 HACR type per NEC.
- 4 Non-fused disconnect. Verify on the unit nameplate that the disconnect is properly sized for the application. Units with field installed electric heat kits may exceed the factory installed disconnect amperage rating.

ZXA7, 08 to 14 high static indoor blower - with powered convenience outlet

Table 155: ZXA7, 08 to 14 high static indoor blower - with powered convenience outlet

Size (tons)	Nominal unit voltage	Compressor 1			Compressor 2			OD fan motors (each)	Supply blower motor	Pwr exh motor	Pwr conv outlet	Electric heat field installed kit 2EK045*				MCA (amps)	Min fuse ² / breaker ³ size (amps)	Max fuse ² / breaker ³ size (amps)	Min disconnect ⁴ rating		MCA w/pwr exh (amps)	Min fuse ² / breaker ³ size w/ pwr exh (amps)	Max fuse ² / breaker ³ size w/ pwr exh (amps)	Min disconnect ⁴ rating/ pwr exh		
		RLA	LRA	MCC	RLA	LRA	MCC					Model	kW	Stages	Amps				FLA	LRA				FLA	LRA	
Without VFD																										
A7 (6)	208-3-60	17.6	136	27				4.4	10.2	1.1	8.6	None	-	-	-	40.9	45	50	42	204	42	45	50	43	206	
												10625	4.9	1	13.6	40.9	45	50	42	204	42	45	50	43	206	
												11125	7.9	1	21.9	45.5	50	50	42	204	46.9	50	50	43	206	
												11625	12	1	33.3	59.8	60	60	55	204	61.1	70	70	56	206	
	230-3-60	17.6	136	27				4.4	10.2	1	8.6	None	-	-	-	40.9	45	50	42	209	41.9	45	50	43	212	
												10625	6.5	1	15.6	40.9	45	50	42	209	41.9	45	50	43	212	
												11125	10.5	1	25.3	49.8	50	50	46	209	51	60	60	47	212	
												11625	16	1	38.5	66.3	70	70	61	209	67.5	70	70	62	212	
	460-3-60	8.5	66.1	13				2.5	4.8	0.5	8.6	None	-	-	-	20.1	25	25	21	103	20.6	25	25	21	104	
												10646	6	1	7.2	20.1	25	25	16	103	20.6	25	25	17	104	
												11146	11.5	1	13.8	25.9	30	30	24	103	26.6	30	30	24	104	
												11446	14	1	16.8	29.7	30	30	27	103	30.3	35	35	28	104	
575-3-60	6.3	55.3	10				4.4	3.4	0.4	8.6	None	-	-	-	17.4	20	20	18	85	17.8	20	20	19	86		
With VFD																										
A7 (6)	208-3-60	17.6	136	27				4.4	9.9	1.1	8.6	None	-	-	-	40.6	45	50	42	213	41.7	45	50	43	215	
												10625	4.9	1	13.6	40.6	45	50	42	213	41.7	45	50	43	215	
												11125	7.9	1	21.9	45.1	50	50	42	213	46.5	50	50	43	215	
												11625	12	1	33.3	59.4	60	60	55	213	60.8	70	70	56	215	
	230-3-60	17.6	136	27				4.4	9.4	1	8.6	None	-	-	-	40.1	45	50	41	221	41.1	45	50	42	223	
												10625	6.5	1	15.6	40.1	45	50	41	221	41.1	45	50	42	223	
												11125	10.5	1	25.3	48.8	50	50	45	221	50	50	50	46	223	
												11625	16	1	38.5	65.3	70	70	60	221	66.5	70	70	61	223	
	460-3-60	8.5	66.1	13				2.5	4.7	0.5	8.6	None	-	-	-	20	25	25	21	109	20.5	25	25	21	110	
												10646	6	1	7.2	20	20	20	25	16	109	20.5	25	25	17	110
												11146	11.5	1	13.8	25.8	30	30	24	109	26.4	30	30	24	110	
												11446	14	1	16.8	29.6	30	30	27	109	30.2	35	35	28	110	
575-3-60	6.3	55.3	10				4.4	4.3	0.4	8.6	None	-	-	-	18.3	20	20	19	97	18.7	20	20	20	98		
08 (7.5)	208-3-60	13.6	83.1	21	13.6	83.1	21	2.3	9.9	1.1	8.6	None	-	-	-	49.4	50	60	53	262	51.6	60	60	55	272	
												11725	12	1	33.3	59.4	60	60	55	262	62.1	70	70	57	272	
												12525	18.6	1	51.6	82.3	90	90	76	262	85	90	90	78	272	
												13225	24	1	66.6	101	110	110	93	262	103.8	110	110	95	272	
	230-3-60	13.6	83.1	21	13.6	83.1	21	2.3	9.4	1	8.6	14225	31.8	2	88.3	128.1	150	150	118	262	130.9	150	150	120	272	
												None	-	-	-	48.9	50	60	52	271	50.9	60	60	55	266	
												11725	16	1	38.5	65.3	70	70	60	271	67.8	70	70	62	266	
												12525	24.8	1	59.7	91.8	100	100	84	271	94.3	100	100	87	266	
	460-3-60	6.1	41	10	6.1	41	10	1.3	4.7	0.5	8.6	13225	32	1	77	113.4	125	125	104	271	115.9	125	125	107	266	
												14225	42.4	2	102	144.6	150	150	133	271	147.1	150	150	135	266	
												None	-	-	-	23.2	25	25	25	136	24.2	25	25	26	132	
												11746	16.5	1	19.8	33.3	35	35	31	136	34.6	35	35	32	132	
575-3-60	4.2	33	7	4.2	33	7	1.1	4.3	0.4	8.6	12846	27.8	1	33.4	50.3	60	60	46	136	51.6	60	60	47	132		
											13346	33	1	39.7	58.2	60	60	54	136	59.4	60	60	55	132		
											14246	41.7	2	50.2	71.3	80	80	66	136	72.6	80	80	67	132		
											None	-	-	-	17.7	20	20	19	117	18.5	20	20	20	114		
11758	17	1	16.4	28	30	30	26	117	29	30	30	27	114													
13458	34	1	32.7	48.4	50	50	45	117	49.4	50	50	45	114													

Table 155: ZXA7, 08 to 14 high static indoor blower - with powered convenience outlet

Size (tons)	Nominal unit voltage	Compressor 1			Compressor 2			OD fan motors (each)	Supply blower motor	Pwr exh motor	Pwr conv outlet	Electric heat field installed kit 2EK045*				MCA ¹ (amps)	Min fuse ² / breaker ³ size (amps)	Max fuse ² / breaker ³ size (amps)	Min disconnect ⁴ rating		MCA w/pwr exh (amps)	Min fuse ² / breaker ³ size w/ pwr exh (amps)	Max fuse ² / breaker ³ size w/ pwr exh (amps)		Min disconnect ⁴ rating/ pwr exh	
		RLA	LRA	MCC	RLA	LRA	MCC					Model	kW	Stages	Amps				FLA	LRA			FLA	LRA		
09 (8.5)	208-3-60	14.5	98	23	14.5	98	23	2.3	9.9	1.1	8.6	None	-	-	-	51.4	60	60	55	292	53.6	60	60	58	302	
												11725	12	1	33.3	59.4	60	60	55	292	62.1	70	70	58	302	
												12525	18.6	1	51.6	82.3	90	90	76	292	85	90	90	78	302	
												13225	24	1	66.6	101	110	110	93	292	103.8	110	110	95	302	
												14225	31.8	2	88.3	128.1	150	150	118	292	130.9	150	150	120	302	
	230-3-60	14.5	98	23	14.5	98	23	2.3	9.4	1	8.6	None	-	-	-	50.9	60	60	54	301	52.9	60	60	57	296	
												11725	16	1	38.5	65.3	70	70	60	301	67.8	70	70	62	296	
												12525	24.8	1	59.7	91.8	100	100	84	301	94.3	100	100	87	296	
												13225	32	1	77	113.4	125	125	104	301	115.9	125	125	107	296	
												14225	42.4	2	102	144.6	150	150	133	301	147.1	150	150	135	296	
	460-3-60	6.3	55	10	6.3	55	10	1.3	4.7	0.5	8.6	None	-	-	-	23.7	25	25	25	164	24.7	25	25	27	160	
												11746	16.5	1	19.8	33.3	35	35	31	164	34.6	35	35	32	160	
												12846	27.8	1	33.4	50.3	60	60	46	164	51.6	60	60	47	160	
												13346	33	1	39.7	58.2	60	60	54	164	59.4	60	60	55	160	
												14246	41.7	2	50.2	71.3	80	80	66	164	72.6	80	80	67	160	
	575-3-60	6	41	9	6	41	9	1.1	4.3	0.4	8.6	None	-	-	-	21.7	25	25	23	133	22.5	25	25	24	130	
11758												17	1	16.4	28	30	30	26	133	29	30	30	27	130		
13458												34	1	32.7	48.4	50	50	45	133	49.4	50	50	45	130		
12 (10)	208-3-60	16	110	25	15.6	110	24	2.3	13.5	1.1	8.6	None	-	-	-	58	60	70	62	346	60.2	70	70	65	356	
												11725	12	1	33.3	63.9	70	70	62	346	66.6	70	70	65	356	
												12525	18.6	1	51.6	86.8	90	90	80	346	89.5	90	90	82	356	
												13225	24	1	66.6	105.5	110	110	97	346	108.3	110	110	100	356	
												14225	31.8	2	88.3	132.6	150	150	122	346	135.4	150	150	125	356	
	230-3-60	16	110	25	15.6	110	24	2.3	13.4	1	8.6	None	-	-	-	57.9	60	70	62	346	59.9	60	70	64	341	
												11725	16	1	38.5	70.3	80	80	65	346	72.8	80	80	67	341	
												12525	24.8	1	59.7	96.8	100	100	89	346	99.3	100	100	91	341	
												13225	32	1	77	118.4	125	125	109	346	120.9	125	125	111	341	
												14225	42.4	2	102	149.6	150	150	138	346	152.1	175	175	140	341	
	460-3-60	7.8	52	12	7.8	52	12	1.3	6.7	0.5	8.6	None	-	-	-	29.1	30	35	31	169	30.1	35	35	32	165	
												11746	16.5	1	19.8	35.8	40	40	33	169	37.1	40	40	34	165	
												12846	27.8	1	33.4	52.8	60	60	49	169	54.1	60	60	50	165	
												13346	33	1	39.7	60.7	70	70	56	169	61.9	70	70	57	165	
												14246	41.7	2	50.2	73.8	80	80	68	169	75.1	80	80	69	165	
	575-3-60	5.7	38.9	9	5.8	38.9	9	1.1	5.4	0.4	8.6	None	-	-	-	22.3	25	25	24	129	23.1	25	25	25	126	
11758												17	1	16.4	29.4	30	30	27	129	30.4	35	35	28	126		
13458												34	1	32.7	49.8	50	50	46	129	50.8	60	60	47	126		

Table 155: ZXA7, 08 to 14 high static indoor blower - with powered convenience outlet

Size (tons)	Nominal unit voltage	Compressor 1			Compressor 2			OD fan motors (each)	Supply blower motor	Pwr exh motor	Pwr conv outlet	Electric heat field installed kit 2EK045*				MCA ¹ (amps)	Min fuse ² / breaker ³ size (amps)	Max fuse ² / breaker ³ size (amps)	Min disconnect ⁴ rating		MCA w/pwr exh (amps)	Min fuse ² / breaker ³ size w/ pwr exh (amps)	Max fuse ² / breaker ³ size w/ pwr exh (amps)	Min disconnect ⁴ rating/ pwr exh	
		RLA	LRA	MCC	RLA	LRA	MCC					Model	kW	Stages	Amps				FLA	LRA				FLA	LRA
		14 (12.5)	208-3-60	19.6	136	31	19.6					136	31	5.8	13.5				1.1	8.6				None	-
11725	12							1	33.3	67.7	70					80	72	401			69.9	70	80	75	411
12525	18.6							1	51.6	86.8	90					90	80	401			89.5	90	90	82	411
13225	24							1	66.6	105.5	110					110	97	401			108.3	110	110	100	411
14225	31.8							2	88.3	132.6	150					150	122	401			135.4	150	150	125	411
230-3-60	19.6		136	31	19.6	136	31	5.2	13.4	1	8.6	None	-	-	-	67	70	80	71	397	69	70	80	74	402
												11725	16	1	38.5	70.3	80	80	71	397	72.8	80	80	74	402
												12525	24.8	1	59.7	96.8	100	100	89	397	99.3	100	100	91	402
												13225	32	1	77	118.4	125	125	109	397	120.9	125	125	111	402
												14225	42.4	2	102	149.6	150	150	138	397	152.1	175	175	140	402
460-3-60	8.2		66.1	13	8.2	66.1	13	2.9	6.7	0.5	8.6	None	-	-	-	30.3	35	35	32	196	31.3	35	35	34	199
												11746	16.5	1	19.8	35.8	40	40	33	196	37.1	40	40	34	199
												12846	27.8	1	33.4	52.8	60	60	49	196	54.1	60	60	50	199
												13346	33	1	39.7	60.7	70	70	56	196	61.9	70	70	57	199
												14246	41.7	2	50.2	73.8	80	80	68	196	75.1	80	80	69	199
575-3-60	6.6		55.3	10	6.6	55.3	10	2.2	5.4	0.4	8.6	None	-	-	-	24.2	25	30	26	164	25	25	30	27	165
												11758	17	1	16.4	29.4	30	30	27	164	30.4	35	35	28	165
												13458	34	1	32.7	49.8	50	50	46	164	50.8	60	60	47	165

- 1 Minimum Circuit Ampacity.
- 2 Dual element, time delay type.
- 3 HACR type per NEC.
- 4 Non-fused disconnect. Verify on the unit nameplate that the disconnect is properly sized for the application. Units with field installed electric heat kits may exceed the factory installed disconnect amperage rating.

ZY04 to 12 standard static indoor blower - without powered convenience outlet

Table 156: ZY04 to 12 standard static indoor blower - without powered convenience outlet

Size (ton)	Nominal unit voltage	Compressor 1			Compressor 2			OD fan motors (each)	Supply blower motor	Pwr exh motor	Pwr conv outlet	Electric heat field installed Kit 2EK045*				MCA ¹ (amps)	Min fuse ² / breaker ³ size (amps)	Max fuse ² / breaker ³ size (amps)	Min disconnect rating ⁴		MCA ¹ w/pwr exh (amps)	Min fuse ² / breaker ³ size w/ pwr exh (amps)	Max fuse ² / breaker ³ size w/ pwr exh (amps)	Min disconnect rating ⁴ / pwr exh			
		RLA	LRA	MCC	RLA	LRA	MCC					FLA	LRA	FLA	LRA												
		Model	kW	Stages	Amps	FLA	LRA					FLA	LRA														
04 (3)	208-1-60	16.7	79	26				1.4	6.6	1.5		None	-	-	-	28.9	30	45	28	84	30.4	35	45	30	88		
												10625	4.9	1	23.6	37.8	40	45	35	84	39.6	40	45	36	88		
												11125	7.9	1	38	55.8	60	60	51	84	57.6	60	60	53	88		
	230-1-60	16.7	79	26				1.4	6	1.3			None	-	-	-	28.3	30	40	28	84	29.6	30	45	29	87	
													10625	6.5	1	27.1	41.4	45	45	38	84	43	45	45	40	87	
													11125	10.5	1	43.8	62.3	70	70	57	84	63.9	70	70	59	87	
	208-3-60	10.4	73	16				1.4	6.6	1.1			None	-	-	-	21	25	30	21	78	22.1	25	30	22	81	
													10625	4.9	1	13.6	25.3	30	30	23	78	26.6	30	30	24	81	
													11125	7.9	1	21.9	35.6	40	40	33	78	37	40	40	34	81	
	230-3-60	10.4	73	16				1.4	6	1			None	-	-	-	20.4	25	30	20	78	21.4	25	30	22	81	
													10625	6.5	1	15.6	27	30	30	25	78	28.3	30	30	26	81	
													11125	10.5	1	25.3	39.1	40	40	36	78	40.4	45	45	37	81	
	460-3-60	5.8	38	9				0.8	3.2	0.5			None	-	-	-	11.3	15	15	11	42	11.8	15	15	12	43	
													10646	6	1	7.2	13	15	15	12	42	13.6	15	15	13	43	
													11146	11.5	1	13.8	21.3	25	25	20	42	21.9	25	25	20	43	
	575-3-60	3.8	36.5	6				0.6	6	0.4			None	-	-	-	7.8	15	15	8	39	8.2	15	15	8	40	
													11058	9.2	1	8.9	14.1	15	15	13	39	14.6	15	15	13	40	
													11458	13.8	1	13.3	19.6	20	20	18	39	20.1	25	25	19	40	
	05 (4)	208-1-60	21.8	117	34				1.4	8.4	1.5		None	-	-	-	37.1	40	50	36	122	38.6	40	60	38	126	
													10625	4.9	1	23.6	40	40	50	37	122	41.9	45	60	39	126	
													11125	7.9	1	38	58	60	60	53	122	59.9	60	60	55	126	
		230-1-60	21.8	117	34				1.4	7.6	1.3			None	-	-	-	36.3	40	50	35	122	37.6	40	50	37	125
														10625	6.5	1	27.1	43.4	45	50	40	122	45	45	50	41	125
														11125	10.5	1	43.8	64.3	70	70	59	122	65.9	70	70	61	125
208-3-60		13.7	83.1	21				1.4	8.4	1.1			None	-	-	-	26.9	30	40	27	88	28	30	40	28	91	
													10625	4.9	1	13.6	27.5	30	40	27	88	28.9	30	40	28	91	
													11125	7.9	1	21.9	37.9	40	40	35	88	39.3	40	40	36	91	
230-3-60		13.7	83.1	21				1.4	7.6	1			None	-	-	-	26.1	30	35	26	88	27.1	30	40	27	91	
													10625	6.5	1	15.6	29	30	35	27	88	30.3	35	40	28	91	
													11125	10.5	1	25.3	41.1	45	45	38	88	42.4	45	45	39	91	
460-3-60		6.2	41	10				0.8	4	0.5			None	-	-	-	12.6	15	15	13	45	13.1	15	15	13	46	
													10646	6	1	7.2	14	15	15	13	45	14.6	15	15	13	46	
													11146	11.5	1	13.8	22.3	25	25	20	45	22.9	25	25	21	46	
575-3-60		4.8	33	8				0.6	7.6	0.4			None	-	-	-	9.6	15	15	10	35	10	15	15	10	36	
													11058	9.2	1	8.9	14.9	15	15	14	35	15.4	20	20	14	36	
													11458	13.8	1	13.3	20.4	25	25	19	35	20.9	25	25	19	36	

Table 156: ZY04 to 12 standard static indoor blower - without powered convenience outlet

Size (ton)	Nominal unit voltage	Compressor 1			Compressor 2			OD fan motors (each)	Supply blower motor	Pwr exh motor	Pwr conv outlet	Electric heat field installed Kit 2EK045*				MCA ¹ (amps)	Min fuse ² / breaker ³ size (amps)	Max fuse ² / breaker ³ size (amps)	Min disconnect rating ⁴		MCA ¹ w/pwr exh (amps)	Min fuse ² / breaker ³ size w/ pwr exh (amps)	Max fuse ² / breaker ³ size w/ pwr exh (amps)	Min disconnect rating ⁴ / pwr exh	
		RLA	LRA	MCC	RLA	LRA	MCC					Model	kW	Stages	Amps				FLA	LRA				FLA	LRA
06 (5)	208-1-60	25	134	39				2.3	8.4	1.5		None	-	-	-	42	45	60	41	141	43.5	45	60	43	144
												10625	4.9	1	23.6	42	45	60	41	141	43.5	45	60	43	144
												11125	7.9	1	38	58	60	60	53	141	59.9	60	60	55	144
	230-1-60	25	134	39				2.3	7.6	1.3		None	-	-	-	41.2	45	60	40	141	42.5	45	60	42	144
												10625	6.5	1	27.1	43.4	45	60	40	141	45	45	60	42	144
												11125	10.5	1	43.8	64.3	70	70	59	141	65.9	70	70	61	144
	208-3-60	15.9	110	25				2.3	8.4	1.1		None	-	-	-	30.6	35	45	31	117	31.7	35	45	32	119
												10625	4.9	1	13.6	30.6	35	45	31	117	31.7	35	45	32	119
												11125	7.9	1	21.9	37.9	40	45	35	117	39.3	40	45	36	119
												11625	12	1	33.3	52.1	60	60	48	117	53.5	60	60	49	119
	230-3-60	15.9	110	25				2.3	7.6	1		None	-	-	-	29.8	30	45	30	117	30.8	35	45	31	119
												10625	6.5	1	15.6	29.8	30	45	30	117	30.8	35	45	31	119
												11125	10.5	1	25.3	41.1	45	45	38	117	42.4	45	45	39	119
												11625	16	1	38.5	57.6	60	60	53	117	58.9	60	60	54	119
	460-3-60	7.1	52	11				1.3	4	0.5		None	-	-	-	14.2	15	20	14	57	14.7	15	20	15	58
												11146	6	1	7.2	14.2	15	20	13	57	14.7	15	20	13	58
												11146	11.5	1	13.8	22.3	25	25	20	57	22.9	25	25	21	58
												11446	14	1	16.8	26	30	30	24	57	26.6	30	30	24	58
	575-3-60	5.1	39.5	8				1.1	7.6	0.4		None	-	-	-	10.5	15	15	11	43	10.9	15	15	11	44
												11458	13.8	1	13.3	20.4	25	25	19	43	20.9	25	25	19	44
												12358	23	1	22.1	31.4	35	35	29	43	31.9	35	35	29	44
	07 (6)	208-3-60	19	123	30			2.3	5.2	1.1		None	-	-	-	33.6	35	50	33	165	35.8	40	50	36	175
												10725	4.9	1	13.6	33.6	35	50	33	165	35.8	40	50	36	175
												11725	12	1	33.3	48.1	50	50	44	165	50.9	60	60	47	175
12525												18.6	1	51.6	71	80	80	65	165	73.8	80	80	68	175	
230-3-60		19	123	30			2.3	5.2	1		None	-	-	-	33.6	35	50	33	168	35.6	40	50	35	163	
											10725	6.5	1	15.6	33.6	35	50	33	168	35.6	40	50	35	163	
											11725	16	1	38.5	54.6	60	60	50	168	57.1	60	60	53	163	
											12525	24.8	1	59.7	81.1	90	90	75	168	83.6	90	90	77	163	
460-3-60		9.7	62	15			1.3	2.6	0.5		None	-	-	-	17.3	20	25	17	86	18.3	20	25	18	83	
											10746	6	1	7.2	17.3	20	25	11	86	18.3	20	25	12	83	
											11746	16.5	1	19.8	28	30	30	26	86	29.3	30	30	27	83	
											12646	25.5	1	30.7	41.6	45	45	38	86	42.9	45	45	39	83	
575-3-60	7.4	50	12			1.1	2	0.4		None	-	-	-	13.5	15	20	13	69	14.3	15	20	14	67		
										11758	17	1	16.4	23	25	25	21	69	24	25	25	22	67		
										12658	25.7	1	24.7	33.4	35	35	31	69	34.4	35	35	32	67		
A7 (6)	208-3-60	17.6	136	27			2.3	5.2	1.1		None	-	-	-	31.8	35	45	32	168	34	35	50	34	173	
											10725	4.9	1	13.6	31.8	35	45	32	168	34	35	50	34	173	
											11725	12	1	33.3	48.1	50	50	44	168	50.9	60	60	47	173	
											12525	18.6	1	51.6	71	80	80	65	168	73.8	80	80	68	173	
	230-3-60	17.6	136	27			2.3	5.2	1		None	-	-	-	31.8	35	45	32	171	33.8	35	50	34	176	
											10725	6.5	1	15.6	31.8	35	45	32	171	33.8	35	50	34	176	
											11725	16	1	38.5	54.6	60	60	50	171	57.1	60	60	53	176	
											12525	24.8	1	59.7	81.1	90	90	75	171	83.6	90	90	77	176	
	460-3-60	8.5	66.1	13			1.3	2.6	0.5		None	-	-	-	15.8	20	20	16	84	16.8	20	20	17	87	
											10746	6	1	7.2	15.8	20	20	11	84	16.8	20	20	12	87	
											11746	16.5	1	19.8	28	30	30	26	84	29.3	30	30	27	87	
											12646	25.5	1	30.7	41.6	45	45	38	84	42.9	45	45	39	87	
	575-3-60	6.3	55.3	10			1.1	2	0.4		None	-	-	-	12.1	15	15	12	70	12.9	15	15	13	72	
											11758	17	1	16.4	23	25	25	21	70	24	25	25	22	72	
											12658	25.7	1	24.7	33.4	35	35	31	70	34.4	35	35	32	72	

Table 156: ZY04 to 12 standard static indoor blower - without powered convenience outlet

Size (ton)	Nominal unit voltage	Compressor 1			Compressor 2			OD fan motors (each)	Supply blower motor	Pwr exh motor	Pwr conv outlet	Electric heat field installed Kit 2EK045*				MCA ¹ (amps)	Min fuse ² / breaker ³ size (amps)	Max fuse ² / breaker ³ size (amps)	Min disconnect rating ⁴		MCA ¹ w/pwr exh (amps)	Min fuse ² / breaker ³ size w/ pwr exh (amps)	Max fuse ² / breaker ³ size w/ pwr exh (amps)		Min disconnect rating ⁴ w/ pwr exh	
		RLA	LRA	MCC	RLA	LRA	MCC					Model	kW	Stages	Amps				FLA	LRA			FLA	LRA		
		08 (7.5)	208-3-60	13.6	83.1	21	13.6					83.1	21	2.3	5.2				1.1				None	-	-	-
11725	12							1	33.3	48.1	50					44	208	50.9			60	60	47	218		
12525	18.6							1	51.6	71	80					80	65	208			73.8	80	80	68	218	
13225	24							1	66.6	89.8	90					90	83	208			92.5	100	100	85	218	
14225	31.8							2	88.3	116.9	125					125	108	208			119.6	125	125	110	218	
230-3-60	13.6		83.1	21	13.6	83.1	21	2.3	5.2	1			None	-	-	-	40.4	45	50	43	211	42.4	45	50	45	206
													11725	16	1	38.5	54.6	60	60	50	211	57.1	60	60	53	206
													12525	24.8	1	59.7	81.1	90	90	75	211	83.6	90	90	77	206
													13225	32	1	77	102.8	110	110	95	211	105.3	110	110	97	206
													14225	42.4	2	102	134	150	150	123	211	136.5	150	150	126	206
460-3-60	6.1		41	10	6.1	41	10	1.3	2.6	0.5			None	-	-	-	18.9	20	25	20	106	19.9	20	25	21	103
													11746	16.5	1	19.8	28	30	30	26	106	29.3	30	30	27	103
													12846	27.8	1	33.4	45	45	45	41	106	46.3	50	50	43	103
													13346	33	1	39.7	52.9	60	60	49	106	54.1	60	60	50	103
													14246	41.7	2	50.2	66	70	70	61	106	67.3	70	70	62	103
575-3-60	4.2		33	7	4.2	33	7	1.1	2	0.4			None	-	-	-	13.7	15	15	14	85	14.5	15	15	15	83
													11758	17	1	16.4	23	25	25	21	85	24	25	25	22	83
													13458	34	1	32.7	43.4	45	45	40	85	44.4	45	45	41	83
													None	-	-	-	40.6	45	50	43	208	42.8	45	50	45	218
													11725	12	1	33.3	48.1	50	50	44	208	50.9	60	60	47	218
09 (8.5)	208-3-60	13.7	83.1	21	13.7	83.1	21	2.3	5.2	1.1		None	-	-	-	40.6	45	50	43	208	42.8	45	50	45	218	
												11725	12	1	33.3	48.1	50	50	44	208	50.9	60	60	47	218	
												12525	18.6	1	51.6	71	80	80	65	208	73.8	80	80	68	218	
												13225	24	1	66.6	89.8	90	90	83	208	92.5	100	100	85	218	
												14225	31.8	2	88.3	116.9	125	125	108	208	119.6	125	125	110	218	
	230-3-60	13.7	83.1	21	13.7	83.1	21	2.3	5.2	1			None	-	-	-	40.6	45	50	43	211	42.6	45	50	45	206
													11725	16	1	38.5	54.6	60	60	50	211	57.1	60	60	53	206
													12525	24.8	1	59.7	81.1	90	90	75	211	83.6	90	90	77	206
													13225	32	1	77	102.8	110	110	95	211	105.3	110	110	97	206
													14225	42.4	2	102	134	150	150	123	211	136.5	150	150	126	206
	460-3-60	6.2	41	10	6.2	41	10	1.3	2.6	0.5			None	-	-	-	19.2	20	25	20	106	20.2	25	25	21	103
													11746	16.5	1	19.8	28	30	30	26	106	29.3	30	30	27	103
													12846	27.8	1	33.4	45	45	45	41	106	46.3	50	50	43	103
													13346	33	1	39.7	52.9	60	60	49	106	54.1	60	60	50	103
													14246	41.7	2	50.2	66	70	70	61	106	67.3	70	70	62	103
	575-3-60	4.8	33	8	4.8	33	8	1.1	2	0.4			None	-	-	-	15	20	20	16	85	15.8	20	20	17	83
													11758	17	1	16.4	23	25	25	21	85	24	25	25	22	83
													13458	34	1	32.7	43.4	45	45	40	85	44.4	45	45	41	83
													None	-	-	-	15	20	20	16	85	15.8	20	20	17	83

Table 156: ZY04 to 12 standard static indoor blower - without powered convenience outlet

Size (ton)	Nominal unit voltage	Compressor 1			Compressor 2			OD fan motors (each)	Supply blower motor	Pwr exh motor	Pwr conv outlet	Electric heat field installed Kit 2EK045*				MCA ¹ (amps)	Min fuse ² / breaker ³ size (amps)	Max fuse ² / breaker ³ size (amps)	Min disconnect rating ⁴		MCA ¹ w/pwr exh (amps)	Min fuse ² / breaker ³ size w/ pwr exh (amps)	Max fuse ² / breaker ³ size w/ pwr exh (amps)	Min disconnect rating ⁴ / pwr exh		
		RLA	LRA	MCC	RLA	LRA	MCC					Model	kW	Stages	Amps				FLA	LRA				FLA	LRA	
		12 (10)	208-3-60	16	110	25	16					110	25	5.8	5.2				1.1					None	-	-
11725	12							1	33.3	48.1	50					60	49	264			50.9	60	60	52	274	
12525	18.6							1	51.6	71	80					80	65	264			73.8	80	80	68	274	
13225	24							1	66.6	89.8	90					90	83	264			92.5	100	100	85	274	
14225	31.8							2	88.3	116.9	125					125	108	264			119.6	125	125	110	274	
230-3-60	16		110	25	16	110	25	5.2	5.2	1			None	-	-	-	46.4	50	60	49	264	48.4	50	60	51	269
													11725	16	1	38.5	54.6	60	60	50	264	57.1	60	60	53	269
													12525	24.8	1	59.7	81.1	90	90	75	264	83.6	90	90	77	269
													13225	32	1	77	102.8	110	110	95	264	105.3	110	110	97	269
													14225	42.4	2	102	134	150	150	123	264	136.5	150	150	126	269
460-3-60	7.8		52	12	7.8	52	12	2.9	2.6	0.5			None	-	-	-	23.1	25	30	24	128	24.1	25	30	25	130
													11746	16.5	1	19.8	28	30	30	26	128	29.3	30	30	27	130
													12846	27.8	1	33.4	45	45	45	41	128	46.3	50	50	43	130
													13346	33	1	39.7	52.9	60	60	49	128	54.1	60	60	50	130
													14246	41.7	2	50.2	66	70	70	61	128	67.3	70	70	62	130
575-3-60	5.7		38.9	9	5.7	38.9	9	2.2	2	0.4			None	-	-	-	17	20	20	18	99	17.8	20	20	19	101
													11758	17	1	16.4	23	25	25	21	99	24	25	25	22	101
													13458	34	1	32.7	43.4	45	45	40	99	44.4	45	45	41	101
													With VFD													
A7 (6)	208-3-60		17.6	136	27				2.3	7	1.1		None	-	-	-	33.6	35	50	34	206	35.8	40	50	36	211
		10725											4.9	1	13.6	33.6	35	50	34	206	35.8	40	50	36	211	
		11725											12	1	33.3	50.4	60	60	46	206	53.1	60	60	49	211	
		12525											18.6	1	51.6	73.3	80	80	67	206	76	80	80	70	211	
		14225											24.8	1	66.6	89.8	90	90	83	206	92.5	100	100	85	211	
	230-3-60	17.6	136	27				2.3	7.2	1			None	-	-	-	33.8	35	50	34	208	35.8	40	50	36	212
													10725	6.5	1	15.6	33.8	35	50	34	208	35.8	40	50	36	212
													11725	16	1	38.5	57.1	60	60	53	208	59.6	60	60	55	212
													12525	24.8	1	59.7	83.6	90	90	77	208	86.1	90	90	79	212
													14225	31.8	2	88.3	116.9	125	125	108	208	119.6	125	125	110	212
	460-3-60	8.5	66.1	13				1.3	3.6	0.5			None	-	-	-	16.8	20	25	17	103	17.8	20	25	18	105
													10746	6	1	7.2	16.8	20	25	12	103	17.8	20	25	14	105
													11746	16.5	1	19.8	29.3	30	30	27	103	30.5	35	35	28	105
													12646	25.5	1	30.7	42.9	45	45	39	103	44.1	45	45	41	105
													14246	41.7	2	50.2	66	70	70	61	103	67.3	70	70	62	105
	575-3-60	6.3	55.3	10				1.1	2.5	0.4			None	-	-	-	12.6	15	15	13	78	13.4	15	15	14	80
													11758	17	1	16.4	23.6	25	25	22	78	24.6	25	25	23	80
													12658	25.7	1	24.7	34	35	35	31	78	35	35	35	32	80
													With VFD													

Table 156: ZY04 to 12 standard static indoor blower - without powered convenience outlet

Size (ton)	Nominal unit voltage	Compressor 1			Compressor 2			OD fan motors (each)	Supply blower motor	Pwr exh motor	Pwr conv outlet	Electric heat field installed Kit 2EK045*				MCA ¹ (amps)	Min fuse ² / breaker ³ size (amps)	Max fuse ² / breaker ³ size (amps)	Min disconnect rating ⁴		MCA ¹ w/pwr exh (amps)	Min fuse ² / breaker ³ size w/ pwr exh (amps)	Max fuse ² / breaker ³ size w/ pwr exh (amps)	Min disconnect rating ⁴ w/pwr exh		
		RLA	LRA	MCC	RLA	LRA	MCC					Model	kW	Stages	Amps				FLA	LRA				FLA	LRA	
		08 (7.5)	208-3-60	13.6	83.1	21	13.6					83.1	21	2.3	7				1.1					None	-	-
11725	12							1	33.3	50.4	60					60	46	246			53.1	60	60	49	256	
12525	18.6							1	51.6	73.3	80					80	67	246			76	80	80	70	256	
13225	24							1	66.6	92	100					100	85	246			94.8	100	100	87	256	
14225	31.8							2	88.3	119.1	125					125	110	246			121.9	125	125	112	256	
230-3-60	13.6		83.1	21	13.6	83.1	21	2.3	7.2	1			None	-	-	-	42.4	45	50	45	248	44.4	45	50	47	243
													11725	16	1	38.5	57.1	60	60	53	248	59.6	60	60	55	243
													12525	24.8	1	59.7	83.6	90	90	77	248	86.1	90	90	79	243
													13225	32	1	77	105.3	110	110	97	248	107.8	110	110	99	243
													14225	42.4	2	102	136.5	150	150	126	248	139	150	150	128	243
460-3-60	6.1		41	10	6.1	41	10	1.3	3.6	0.5			None	-	-	-	19.9	20	25	21	125	20.9	25	25	22	121
													11746	16.5	1	19.8	29.3	30	30	27	125	30.5	35	35	28	121
													12846	27.8	1	33.4	46.3	50	50	43	125	47.5	50	50	44	121
													13346	33	1	39.7	54.1	60	60	50	125	55.4	60	60	51	121
													14246	41.7	2	50.2	67.3	70	70	62	125	68.5	70	70	63	121
575-3-60	4.2		33	7	4.2	33	7	1.1	2.5	0.4			None	-	-	-	14.2	15	15	15	93	15	15	15	16	90
													11758	17	1	16.4	23.6	25	25	22	93	24.6	25	25	23	90
													13458	34	1	32.7	44	45	45	40	93	45	45	45	41	90
													None	-	-	-	42.4	45	50	45	246	44.6	45	50	47	256
													11725	12	1	33.3	50.4	60	60	46	246	53.1	60	60	49	256
09 (8.5)	208-3-60	13.7	83.1	21	13.7	83.1	21	2.3	7	1.1		None	-	-	-	42.4	45	50	45	246	44.6	45	50	47	256	
												11725	12	1	33.3	50.4	60	60	46	246	53.1	60	60	49	256	
												12525	18.6	1	51.6	73.3	80	80	67	246	76	80	80	70	256	
												13225	24	1	66.6	92	100	100	85	246	94.8	100	100	87	256	
												14225	31.8	2	88.3	119.1	125	125	110	246	121.9	125	125	112	256	
	230-3-60	13.7	83.1	21	13.7	83.1	21	2.3	7.2	1			None	-	-	-	42.6	45	50	45	248	44.6	45	50	47	243
													11725	16	1	38.5	57.1	60	60	53	248	59.6	60	60	55	243
													12525	24.8	1	59.7	83.6	90	90	77	248	86.1	90	90	79	243
													13225	32	1	77	105.3	110	110	97	248	107.8	110	110	99	243
													14225	42.4	2	102	136.5	150	150	126	248	139	150	150	128	243
	460-3-60	6.2	41	10	6.2	41	10	1.3	3.6	0.5			None	-	-	-	20.2	25	25	21	125	21.2	25	25	23	121
													11746	16.5	1	19.8	29.3	30	30	27	125	30.5	35	35	28	121
													12846	27.8	1	33.4	46.3	50	50	43	125	47.5	50	50	44	121
													13346	33	1	39.7	54.1	60	60	50	125	55.4	60	60	51	121
													14246	41.7	2	50.2	67.3	70	70	62	125	68.5	70	70	63	121
	575-3-60	4.8	33	8	4.8	33	8	1.1	2.5	0.4			None	-	-	-	15.5	20	20	16	93	16.3	20	20	17	90
													11758	17	1	16.4	23.6	25	25	22	93	24.6	25	25	23	90
													13458	34	1	32.7	44	45	45	40	93	45	45	45	41	90
													None	-	-	-	42.4	45	50	45	246	44.6	45	50	47	256
													11725	12	1	33.3	50.4	60	60	46	246	53.1	60	60	49	256

Table 156: ZY04 to 12 standard static indoor blower - without powered convenience outlet

Size (ton)	Nominal unit voltage	Compressor 1			Compressor 2			OD fan motors (each)	Supply blower motor	Pwr exh motor	Pwr conv outlet	Electric heat field installed Kit 2EK045*				MCA ¹ (amps)	Min fuse ² / breaker ³ size (amps)	Max fuse ² / breaker ³ size (amps)	Min disconnect rating ⁴		MCA ¹ w/pwr exh (amps)	Min fuse ² / breaker ³ size w/ pwr exh (amps)	Max fuse ² / breaker ³ size w/ pwr exh (amps)	Min disconnect rating ⁴ / pwr exh		
		RLA	LRA	MCC	RLA	LRA	MCC					Model	kW	Stages	Amps				FLA	LRA				FLA	LRA	
		12 (10)	208-3-60	16	110	25	16					110	25	5.8	7				1.1					None	-	-
11725	12							1	33.3	50.4	60					60	52	302			53.1	60	60	54	312	
12525	18.6							1	51.6	73.3	80					80	67	302			76	80	80	70	312	
13225	24							1	66.6	92	100					100	85	302			94.8	100	100	87	312	
14225	31.8							2	88.3	119.1	125					125	110	302			121.9	125	125	112	312	
230-3-60	16		110	25	16	110	25	5.2	7.2	1			None	-	-	-	48.4	50	60	51	301	50.4	60	60	53	305
													11725	16	1	38.5	57.1	60	60	53	301	59.6	60	60	55	305
													12525	24.8	1	59.7	83.6	90	90	77	301	86.1	90	90	79	305
													13225	32	1	77	105.3	110	110	97	301	107.8	110	110	99	305
													14225	42.4	2	102	136.5	150	150	126	301	139	150	150	128	305
460-3-60	7.8		52	12	7.8	52	12	2.9	3.6	0.5			None	-	-	-	24.1	25	30	25	146	25.1	30	30	27	148
													11746	16.5	1	19.8	29.3	30	30	27	146	30.5	35	35	28	148
													12846	27.8	1	33.4	46.3	50	50	43	146	47.5	50	50	44	148
													13346	33	1	39.7	54.1	60	60	50	146	55.4	60	60	51	148
													14246	41.7	2	50.2	67.3	70	70	62	146	68.5	70	70	63	148
575-3-60	5.7		38.9	9	5.7	38.9	9	2.2	2.5	0.4			None	-	-	-	17.5	20	20	19	107	18.3	20	20	19	109
													11758	17	1	16.4	23.6	25	25	22	107	24.6	25	25	23	109
													13458	34	1	32.7	44	45	45	40	107	45	45	45	41	109

- 1 Minimum circuit ampacity.
- 2 Dual element, time delay type.
- 3 HACR type per NEC.
- 4 Non-fused disconnect. Verify on the unit nameplate that the disconnect is properly sized for the application. Units with field installed electric heat kits may exceed the factory installed disconnect amperage rating.

ZY04 to 12 standard static indoor blower - with powered convenience outlet

Table 157: ZY04 to 12 standard static indoor blower - with powered convenience outlet

Size (ton)	Nominal unit voltage	Compressor 1			Compressor 2			OD fan motors (each)	Supply blower motor	Pwr exh motor	Pwr conv outlet	Electric heat field installed kit 2EK045*				MCA ¹ (amps)	Min fuse ² / breaker ³ size (amps)	Max fuse ² / breaker ³ size (amps)	Min disconnect rating ⁴		MCAw/pwr exh (amps)	Min fuse ² / breaker ³ size w/ pwr exh (amps)	Max fuse ² / breaker ³ size w/ pwr exh (amps)	Min disconnect rating ⁴ / pwr exh		
		RLA	LRA	MCC	RLA	LRA	MCC					FLA	LRA	FLA	LRA											
		Model	kW	Stages	Amps	FLA	LRA					FLA	LRA													
04 (3)	208-1-60	16.7	79	26				1.4	6.6	1.5	8.6	None	-	-	-	33.2	35	45	33	89	34.7	35	50	35	92	
												10625	4.9	1	23.6	43.1	45	45	40	89	45	45	50	41	92	
												11125	7.9	1	38	61.1	70	70	56	89	63	70	70	58	92	
	230-1-60	16.7	79	26				1.4	6	1.3	8.6	None	-	-	-	32.6	35	45	33	89	33.9	35	50	34	92	
												10625	6.5	1	27.1	46.8	50	50	43	89	48.4	50	50	45	92	
												11125	10.5	1	43.8	67.6	70	70	62	89	69.3	70	70	64	92	
	208-3-60	10.4	73	16				1.4	6.6	1.1	8.6	None	-	-	-	25.3	30	35	26	83	26.4	30	35	27	85	
												10625	4.9	1	13.6	30.6	35	35	28	83	32	35	35	29	85	
												11125	7.9	1	21.9	41	45	45	38	83	42.4	45	45	39	85	
	230-3-60	10.4	73	16				1.4	6	1	8.6	None	-	-	-	24.7	25	35	25	83	25.7	30	35	27	85	
												10625	6.5	1	15.6	32.4	35	35	30	83	33.6	35	35	31	85	
												11125	10.5	1	25.3	44.5	45	45	41	83	45.8	50	50	42	85	
	460-3-60	5.8	38	9				0.8	3.2	0.5	8.6	11625	16	1	38.5	61	70	70	56	83	62.3	70	70	57	85	
												None	-	-	-	13.5	15	15	14	44	14	15	15	14	45	
												10646	6	1	7.2	15.7	20	20	14	44	16.3	20	20	15	45	
	575-3-60	3.8	36.5	6				0.6	6	0.4	8.6	11146	11.5	1	13.8	23.9	25	25	22	44	24.6	25	25	23	45	
												11446	14	1	16.8	27.7	30	30	25	44	28.3	30	30	26	45	
												None	-	-	-	9.5	15	15	10	41	9.9	15	15	10	41	
	05 (4)	208-1-60	21.8	117	34				1.4	8.4	1.5	8.6	11058	9.2	1	8.9	16.3	20	20	15	41	16.8	20	20	15	41
													None	-	-	-	41.4	45	60	41	127	42.9	45	60	43	130
													10625	4.9	1	23.6	45.4	50	60	42	127	47.3	50	60	43	130
		230-1-60	21.8	117	34				1.4	7.6	1.3	8.6	11125	7.9	1	38	63.4	70	70	58	127	65.3	70	70	60	130
													None	-	-	-	40.6	45	60	40	127	41.9	45	60	42	130
													10625	6.5	1	27.1	48.8	50	60	45	127	50.4	60	60	46	130
208-3-60		13.7	83.1	21				1.4	8.4	1.1	8.6	11125	10.5	1	43.8	69.6	70	70	64	127	71.3	80	80	66	130	
												None	-	-	-	31.2	35	40	32	93	32.3	35	45	33	95	
												10625	4.9	1	13.6	32.9	35	40	32	93	34.3	35	45	33	95	
230-3-60		13.7	83.1	21				1.4	7.6	1	8.6	11125	7.9	1	21.9	43.3	45	45	40	93	44.6	45	45	41	95	
												11625	12	1	33.3	57.5	60	60	53	93	58.9	60	60	54	95	
												None	-	-	-	30.4	35	40	31	93	31.4	35	45	32	95	
460-3-60		6.2	41	10				0.8	4	0.5	8.6	10625	6.5	1	15.6	34.4	35	40	32	93	35.6	40	45	33	95	
												11125	10.5	1	25.3	46.5	50	50	43	93	47.8	50	50	44	95	
												11625	16	1	38.5	63	70	70	58	93	64.3	70	70	59	95	
575-3-60		4.8	33	8				0.6	7.6	0.4	8.6	None	-	-	-	14.8	15	20	15	47	15.3	20	20	16	48	
												10646	6	1	7.2	16.7	20	20	15	47	17.3	20	20	16	48	
												11146	11.5	1	13.8	24.9	25	25	23	47	25.6	30	30	24	48	
208-1-60		21.8	117	34				1.4	8.4	1.5	8.6	11446	14	1	16.8	28.7	30	30	26	47	29.3	30	30	27	48	
												None	-	-	-	11.4	15	15	12	37	11.8	15	15	12	38	
												11058	9.2	1	8.9	17.1	20	20	16	37	17.6	20	20	16	38	
230-1-60		21.8	117	34				1.4	7.6	1.3	8.6	11458	13.8	1	13.3	22.6	25	25	21	37	23.1	25	25	21	38	

Table 157: ZY04 to 12 standard static indoor blower - with powered convenience outlet

Size (ton)	Nominal unit voltage	Compressor 1			Compressor 2			OD fan motors (each)	Supply blower motor	Pwr exh motor	Pwr conv outlet	Electric heat field installed kit 2EK045*				MCA ¹ (amps)	Min fuse ² / breaker ³ size (amps)	Max fuse ² / breaker ³ size (amps)	Min disconnect rating ⁴		MCAw/pwr exh (amps)	Min fuse ² / breaker ³ size w/ pwr exh (amps)	Max fuse ² / breaker ³ size w/ pwr exh (amps)	Min disconnect rating ⁴ / pwr exh		
		RLA	LRA	MCC	RLA	LRA	MCC					Model	kW	Stages	Amps				FLA	LRA				FLA	LRA	
		06 (5)	208-1-60	25	134	39								2.3	8.4				1.5	8.6				None	-	-
10625	4.9							1	23.6	46.3	50					70	46	145			47.8	50	70	48	149	
11125	7.9							1	38	63.4	70					70	58	145			65.3	70	70	60	149	
230-1-60	25		134	39				2.3	7.6	1.3	8.6	None	-	-	-	45.5	50	70	45	145	46.8	50	70	47	148	
												10625	6.5	1	27.1	48.8	50	70	45	145	50.4	60	70	47	148	
												11125	10.5	1	43.8	69.6	70	70	64	145	71.3	80	80	66	148	
208-3-60	15.9		110	25				2.3	8.4	1.1	8.6	None	-	-	-	34.9	35	50	36	121	36	40	50	37	124	
												10625	4.9	1	13.6	34.9	35	50	36	121	36	40	50	37	124	
												11125	7.9	1	21.9	43.3	45	50	40	121	44.6	45	50	41	124	
230-3-60	15.9		110	25				2.3	7.6	1	8.6	11625	12	1	33.3	57.5	60	60	53	121	58.9	60	60	54	124	
												None	-	-	-	34.1	35	45	35	121	35.1	40	50	36	124	
												10625	6.5	1	15.6	34.4	35	45	35	121	35.6	40	50	36	124	
460-3-60	7.1		52	11				1.3	4	0.5	8.6	11125	10.5	1	25.3	46.5	50	50	43	121	47.8	50	50	44	124	
												11625	16	1	38.5	63	70	70	58	121	64.3	70	70	59	124	
												None	-	-	-	16.4	20	20	17	59	16.9	20	20	17	60	
575-3-60	5.1		39.5	8				1.1	7.6	0.4	8.6	11146	11.5	1	13.8	24.9	25	25	23	59	25.6	30	30	24	60	
												11446	14	1	16.8	28.7	30	30	26	59	29.3	30	30	27	60	
												None	-	-	-	12.3	15	15	13	44	12.7	15	15	13	45	
07 (6)	208-3-60		19	123	30			2.3	5.2	1.1	8.6	11458	13.8	1	13.3	22.6	25	25	21	44	23.1	25	25	21	45	
												12358	23	1	22.1	33.6	35	35	31	44	34.1	35	35	31	45	
												None	-	-	-	37.9	40	50	38	169	40.1	45	50	41	179	
	230-3-60		19	123	30				2.3	5.2	1	8.6	10725	4.9	1	13.6	37.9	40	50	38	169	40.1	45	50	41	179
													11725	12	1	33.3	53.5	60	60	49	169	56.3	60	60	52	179
													12525	18.6	1	51.6	76.4	80	80	70	169	79.1	80	80	73	179
	460-3-60	9.7	62	15				1.3	2.6	0.5	8.6	None	-	-	-	37.9	40	50	38	172	39.9	40	50	40	167	
												10725	6.5	1	15.6	37.9	40	50	38	172	39.9	40	50	40	167	
												11725	16	1	38.5	60	60	60	55	172	62.5	70	70	58	167	
	575-3-60	7.4	50	12				1.1	2	0.4	8.6	12525	24.8	1	59.7	86.5	90	90	80	172	89	90	90	82	167	
												None	-	-	-	19.5	20	25	20	88	20.5	25	25	21	85	
												10746	6	1	7.2	19.5	20	25	14	88	20.5	25	25	15	85	
	A7 (6)	208-3-60	17.6	136	27			2.3	5.2	1.1	8.6	11746	16.5	1	19.8	30.7	35	35	28	88	31.9	35	35	29	85	
												12646	25.5	1	30.7	44.3	45	45	41	88	45.6	50	50	42	85	
												None	-	-	-	15.2	20	20	15	71	16	20	20	16	68	
		230-3-60	17.6	136	27				2.3	5.2	1	8.6	11758	17	1	16.4	25.2	30	30	23	71	26.2	30	30	24	68
													12658	25.7	1	24.7	35.5	40	40	33	71	36.5	40	40	34	68
													None	-	-	-	36.1	40	50	36	172	38.3	40	50	39	177
		460-3-60	8.5	66.1	13				1.3	2.6	0.5	8.6	10725	4.9	1	13.6	36.1	40	50	36	172	38.3	40	50	39	177
													11725	12	1	33.3	53.5	60	60	49	172	56.3	60	60	52	177
													12525	18.6	1	51.6	76.4	80	80	70	172	79.1	80	80	73	177
		575-3-60	6.3	55.3	10				1.1	2	0.4	8.6	None	-	-	-	36.1	40	50	36	175	38.1	40	50	39	180
													10725	6.5	1	15.6	36.1	40	50	36	175	38.1	40	50	39	180
													11725	16	1	38.5	60	60	60	55	175	62.5	70	70	58	180
								1.3	2.6	0.5	8.6	12525	24.8	1	59.7	86.5	90	90	80	175	89	90	90	82	180	
												None	-	-	-	18	20	25	18	87	19	20	25	19	89	
												10746	6	1	7.2	18	20	25	14	87	19	20	25	15	89	
								1.1	2	0.4	8.6	11746	16.5	1	19.8	30.7	35	35	28	87	31.9	35	35	29	89	
												12646	25.5	1	30.7	44.3	45	45	41	87	45.6	50	50	42	89	
												None	-	-	-	13.8	15	20	14	72	14.6	15	20	15	74	
								1.1	2	0.4	8.6	11758	17	1	16.4	25.2	30	30	23	72	26.2	30	30	24	74	
												12658	25.7	1	24.7	35.5	40	40	33	72	36.5	40	40	34	74	
												None	-	-	-	18	20	25	18	87	19	20	25	19	89	

Table 157: ZY04 to 12 standard static indoor blower - with powered convenience outlet

Size (ton)	Nominal unit voltage	Compressor 1			Compressor 2			OD fan motors (each)	Supply blower motor	Pwr exh motor	Pwr conv outlet	Electric heat field installed kit 2EK045*				MCA ¹ (amps)	Min fuse ² / breaker ³ size (amps)	Max fuse ² / breaker ³ size (amps)	Min disconnect rating ⁴		MCAw/pwr exh (amps)	Min fuse ² / breaker ³ size w/ pwr exh (amps)	Max fuse ² / breaker ³ size w/ pwr exh (amps)		Min disconnect rating ⁴ / pwr exh	
		RLA	LRA	MCC	RLA	LRA	MCC					Model	kW	Stages	Amps				FLA	LRA			FLA	LRA		
		08 (7.5)	208-3-60	13.6	83.1	21	13.6					83.1	21	2.3	5.2				1.1	8.6			None	-	-	-
11725	12							1	33.3	53.5	60					60	49	212			56.3	60	60	52	222	
12525	18.6							1	51.6	76.4	80					80	70	212			79.1	80	80	73	222	
13225	24							1	66.6	95.1	100					100	88	212			97.9	100	100	90	222	
14225	31.8							2	88.3	122.3	125					125	112	212			125	150	150	115	222	
230-3-60	13.6		83.1	21	13.6	83.1	21	2.3	5.2	1	8.6	None	-	-	-	44.7	45	50	47	216	46.7	50	60	50	210	
												11725	16	1	38.5	60	60	60	55	216	62.5	70	70	58	210	
												12525	24.8	1	59.7	86.5	90	90	80	216	89	90	90	82	210	
												13225	32	1	77	108.1	110	110	99	216	110.6	125	125	102	210	
												14225	42.4	2	102	139.4	150	150	128	216	141.9	150	150	131	210	
460-3-60	6.1		41	10	6.1	41	10	1.3	2.6	0.5	8.6	None	-	-	-	21.1	25	25	23	108	22.1	25	25	24	105	
												11746	16.5	1	19.8	30.7	35	35	28	108	31.9	35	35	29	105	
												12846	27.8	1	33.4	47.7	50	50	44	108	48.9	50	50	45	105	
												13346	33	1	39.7	55.6	60	60	51	108	56.8	60	60	52	105	
												14246	41.7	2	50.2	68.7	70	70	63	108	69.9	70	70	64	105	
575-3-60	4.2		33	7	4.2	33	7	1.1	2	0.4	8.6	None	-	-	-	15.4	20	20	16	87	16.2	20	20	17	84	
												11758	17	1	16.4	25.2	30	30	23	87	26.2	30	30	24	84	
												13458	34	1	32.7	45.5	50	50	42	87	46.5	50	50	43	84	
												13458	34	1	32.7	45.5	50	50	42	87	46.5	50	50	43	84	
09 (8.5)	208-3-60		13.7	83.1	21	13.7	83.1	21	2.3	5.2	1.1	8.6	None	-	-	-	44.9	45	50	48	212	47.1	50	50	50	222
		11725											12	1	33.3	53.5	60	60	49	212	56.3	60	60	52	222	
		12525											18.6	1	51.6	76.4	80	80	70	212	79.1	80	80	73	222	
		13225											24	1	66.6	95.1	100	100	88	212	97.9	100	100	90	222	
		14225											31.8	2	88.3	122.3	125	125	112	212	125	150	150	115	222	
	230-3-60	13.7	83.1	21	13.7	83.1	21	2.3	5.2	1	8.6	None	-	-	-	44.9	45	50	48	216	46.9	50	60	50	210	
												11725	16	1	38.5	60	60	60	55	216	62.5	70	70	58	210	
												12525	24.8	1	59.7	86.5	90	90	80	216	89	90	90	82	210	
												13225	32	1	77	108.1	110	110	99	216	110.6	125	125	102	210	
												14225	42.4	2	102	139.4	150	150	128	216	141.9	150	150	131	210	
	460-3-60	6.2	41	10	6.2	41	10	1.3	2.6	0.5	8.6	None	-	-	-	21.4	25	25	23	108	22.4	25	25	24	105	
												11746	16.5	1	19.8	30.7	35	35	28	108	31.9	35	35	29	105	
												12846	27.8	1	33.4	47.7	50	50	44	108	48.9	50	50	45	105	
												13346	33	1	39.7	55.6	60	60	51	108	56.8	60	60	52	105	
												14246	41.7	2	50.2	68.7	70	70	63	108	69.9	70	70	64	105	
	575-3-60	4.8	33	8	4.8	33	8	1.1	2	0.4	8.6	None	-	-	-	16.7	20	20	18	87	17.5	20	20	19	84	
												11758	17	1	16.4	25.2	30	30	23	87	26.2	30	30	24	84	
												13458	34	1	32.7	45.5	50	50	42	87	46.5	50	50	43	84	
												13458	34	1	32.7	45.5	50	50	42	87	46.5	50	50	43	84	

Table 157: ZY04 to 12 standard static indoor blower - with powered convenience outlet

Size (ton)	Nominal unit voltage	Compressor 1			Compressor 2			OD fan motors (each)	Supply blower motor	Pwr exh motor	Pwr conv outlet	Electric heat field installed kit 2EK045*				MCA (amps)	Min fuse ² / breaker ³ size (amps)	Max fuse ² / breaker ³ size (amps)	Min disconnect rating ⁴		MCAw/pwr exh (amps)	Min fuse ² / breaker ³ size w/ pwr exh (amps)	Max fuse ² / breaker ³ size w/ pwr exh (amps)	Min disconnect rating ⁴ / pwr exh			
		RLA	LRA	MCC	RLA	LRA	MCC					Model	kW	Stages	Amps				FLA	LRA				FLA	LRA	FLA	LRA
12 (10)	208-3-60	16	110	25	16	110	25	5.8	5.2	1.1	8.6	None	-	-	-	51.3	60	60	54	269	53.5	60	60	57	279		
												11725	12	1	33.3	53.5	60	60	54	269	56.3	60	60	57	279		
												12525	18.6	1	51.6	76.4	80	80	70	269	79.1	80	80	73	279		
												13225	24	1	66.6	95.1	100	100	88	269	97.9	100	100	90	279		
												14225	31.8	2	88.3	122.3	125	125	112	269	125	150	150	115	279		
	230-3-60	16	110	25	16	110	25	5.2	5.2	1	8.6	None	-	-	-	50.7	60	60	54	268	52.7	60	60	56	273		
												11725	16	1	38.5	60	60	60	55	268	62.5	70	70	58	273		
												12525	24.8	1	59.7	86.5	90	90	80	268	89	90	90	82	273		
												13225	32	1	77	108.1	110	110	99	268	110.6	125	125	102	273		
												14225	42.4	2	102	139.4	150	150	128	268	141.9	150	150	131	273		
	460-3-60	7.8	52	12	7.8	52	12	2.9	2.6	0.5	8.6	None	-	-	-	25.3	30	30	27	130	26.3	30	30	28	132		
												11746	16.5	1	19.8	30.7	35	35	28	130	31.9	35	35	29	132		
												12846	27.8	1	33.4	47.7	50	50	44	130	48.9	50	50	45	132		
												13346	33	1	39.7	55.6	60	60	51	130	56.8	60	60	52	132		
												14246	41.7	2	50.2	68.7	70	70	63	130	69.9	70	70	64	132		
	575-3-60	5.7	38.9	9	5.7	38.9	9	2.2	2	0.4	8.6	None	-	-	-	18.7	20	20	20	101	19.5	20	20	21	103		
11758												17	1	16.4	25.2	30	30	23	101	26.2	30	30	24	103			
13458												34	1	32.7	45.5	50	50	42	101	46.5	50	50	43	103			
With VFD																											
A7 (6)	208-3-60	17.6	136	27				2.3	7	1.1	8.6	None	-	-	-	37.9	40	50	39	210	40.1	45	50	41	215		
												10725	4.9	1	13.6	37.9	40	50	39	210	40.1	45	50	41	215		
												11725	12	1	33.3	55.8	60	60	51	210	58.5	60	60	54	215		
												12525	18.6	1	51.6	78.6	80	80	72	210	81.4	90	90	75	215		
												None	-	-	-	38.1	40	50	39	212	40.1	45	50	41	217		
	230-3-60	17.6	136	27				2.3	7.2	1	8.6	10725	6.5	1	15.6	38.1	40	50	39	212	40.1	45	50	41	217		
												11725	16	1	38.5	62.5	70	70	58	212	65	70	70	60	217		
												12525	24.8	1	59.7	89	90	90	82	212	91.5	100	100	84	217		
												None	-	-	-	19	20	25	19	105	20	20	25	21	107		
												10746	6	1	7.2	19	20	25	15	105	20	20	25	16	107		
	460-3-60	8.5	66.1	13				1.3	3.6	0.5	8.6	11746	16.5	1	19.8	31.9	35	35	29	105	33.2	35	35	31	107		
												12646	25.5	1	30.7	45.6	50	50	42	105	46.8	50	50	43	107		
												None	-	-	-	14.3	15	20	15	79	15.1	20	20	16	81		
	575-3-60	6.3	55.3	10				1.1	2.5	0.4	8.6	None	-	-	-	14.3	15	20	15	79	15.1	20	20	16	81		
												11758	17	1	16.4	25.8	30	30	24	79	26.8	30	30	25	81		
												12658	25.7	1	24.7	36.2	40	40	33	79	37.2	40	40	34	81		

Table 157: ZY04 to 12 standard static indoor blower - with powered convenience outlet

Size (ton)	Nominal unit voltage	Compressor 1			Compressor 2			OD fan motors (each)	Supply blower motor	Pwr exh motor	Pwr conv outlet	Electric heat field installed kit 2EK045*				MCA ¹ (amps)	Min fuse ² / breaker ³ size (amps)	Max fuse ² / breaker ³ size (amps)	Min disconnect rating ⁴		MCAw/pwr exh (amps)	Min fuse ² / breaker ³ size w/ pwr exh (amps)	Max fuse ² / breaker ³ size w/ pwr exh (amps)	Min disconnect rating ⁴ / pwr exh	
		RLA	LRA	MCC	RLA	LRA	MCC					Model	kW	Stages	Amps				FLA	LRA				FLA	LRA
		08 (7.5)	208-3-60	13.6	83.1	21	13.6					83.1	21	2.3	7				1.1	8.6				None	-
11725	12							1	33.3	55.8	60					60	51	250			58.5	60	60	54	260
12525	18.6							1	51.6	78.6	80					80	72	250			81.4	90	90	75	260
13225	24							1	66.6	97.4	100					100	90	250			100.1	110	110	92	260
14225	31.8							2	88.3	124.5	125					125	115	250			127.3	150	150	117	260
230-3-60	13.6		83.1	21	13.6	83.1	21	2.3	7.2	1	8.6	None	-	-	-	46.7	50	60	50	252	48.7	50	60	52	247
												11725	16	1	38.5	62.5	70	70	58	252	65	70	70	60	247
												12525	24.8	1	59.7	89	90	90	82	252	91.5	100	100	84	247
												13225	32	1	77	110.6	125	125	102	252	113.1	125	125	104	247
												14225	42.4	2	102	141.9	150	150	131	252	144.4	150	150	133	247
460-3-60	6.1		41	10	6.1	41	10	1.3	3.6	0.5	8.6	None	-	-	-	22.1	25	25	24	127	23.1	25	25	25	123
												11746	16.5	1	19.8	31.9	35	35	29	127	33.2	35	35	31	123
		12846										27.8	1	33.4	48.9	50	50	45	127	50.2	60	60	46	123	
		13346										33	1	39.7	56.8	60	60	52	127	58.1	60	60	53	123	
		14246										41.7	2	50.2	69.9	70	70	64	127	71.2	80	80	65	123	
575-3-60	4.2	33	7	4.2	33	7	1.1	2.5	0.4	8.6	None	-	-	-	15.9	20	20	17	95	16.7	20	20	18	92	
											11758	17	1	16.4	25.8	30	30	24	95	26.8	30	30	25	92	
											13458	34	1	32.7	46.2	50	50	42	95	47.2	50	50	43	92	
09 (8.5)	208-3-60	13.7	83.1	21	13.7	83.1	21	2.3	7	1.1	8.6	None	-	-	-	46.7	50	60	50	250	48.9	50	60	52	260
												11725	12	1	33.3	55.8	60	60	51	250	58.5	60	60	54	260
												12525	18.6	1	51.6	78.6	80	80	72	250	81.4	90	90	75	260
												13225	24	1	66.6	97.4	100	100	90	250	100.1	110	110	92	260
												14225	31.8	2	88.3	124.5	125	125	115	250	127.3	150	150	117	260
	230-3-60	13.7	83.1	21	13.7	83.1	21	2.3	7.2	1	8.6	None	-	-	-	46.9	50	60	50	252	48.9	50	60	52	247
												11725	16	1	38.5	62.5	70	70	58	252	65	70	70	60	247
												12525	24.8	1	59.7	89	90	90	82	252	91.5	100	100	84	247
												13225	32	1	77	110.6	125	125	102	252	113.1	125	125	104	247
												14225	42.4	2	102	141.9	150	150	131	252	144.4	150	150	133	247
	460-3-60	6.2	41	10	6.2	41	10	1.3	3.6	0.5	8.6	None	-	-	-	22.4	25	25	24	127	23.4	25	25	25	123
												11746	16.5	1	19.8	31.9	35	35	29	127	33.2	35	35	31	123
12846												27.8	1	33.4	48.9	50	50	45	127	50.2	60	60	46	123	
13346												33	1	39.7	56.8	60	60	52	127	58.1	60	60	53	123	
14246												41.7	2	50.2	69.9	70	70	64	127	71.2	80	80	65	123	
575-3-60	4.8	33	8	4.8	33	8	1.1	2.5	0.4	8.6	None	-	-	-	17.2	20	20	18	95	18	20	20	19	92	
											11758	17	1	16.4	25.8	30	30	24	95	26.8	30	30	25	92	
											13458	34	1	32.7	46.2	50	50	42	95	47.2	50	50	43	92	

Table 157: ZY04 to 12 standard static indoor blower - with powered convenience outlet

Size (ton)	Nominal unit voltage	Compressor 1			Compressor 2			OD fan motors (each)	Supply blower motor	Pwr exh motor	Pwr conv outlet	Electric heat field installed kit 2EK045*				MCA ¹ (amps)	Min fuse ² / breaker ³ size (amps)	Max fuse ² / breaker ³ size (amps)	Min disconnect rating ⁴		MCAw/pwr exh (amps)	Min fuse ² / breaker ³ size w/ pwr exh (amps)		Max fuse ² / breaker ³ size w/ pwr exh (amps)		Min disconnect rating ⁴ / pwr exh	
		RLA	LRA	MCC	RLA	LRA	MCC					Model	kW	Stages	Amps				FLA	LRA		FLA	LRA	FLA	LRA		
		12 (10)	208-3-60	16	110	25	16					110	25	5.8	7				1.1	8.6		None	-	-	-	53.1	60
11725	12							1	33.3	55.8	60					60	56	306			58.5	60	70	59	316		
12525	18.6							1	51.6	78.6	80					80	72	306			81.4	90	90	75	316		
13225	24							1	66.6	97.4	100					100	90	306			100.1	110	110	92	316		
14225	31.8							2	88.3	124.5	125					125	115	306			127.3	150	150	117	316		
230-3-60	16		110	25	16	110	25	5.2	7.2	1	8.6	None	-	-	-	52.7	60	60	56	305	54.7	60	70	58	310		
												11725	16	1	38.5	62.5	70	70	58	305	65	70	70	60	310		
												12525	24.8	1	59.7	89	90	90	82	305	91.5	100	100	84	310		
												13225	32	1	77	110.6	125	125	102	305	113.1	125	125	104	310		
460-3-60	7.8		52	12	7.8	52	12	2.9	3.6	0.5	8.6	None	-	-	-	26.3	30	30	28	148	27.3	30	30	29	150		
												11746	16.5	1	19.8	31.9	35	35	29	148	33.2	35	35	31	150		
												12846	27.8	1	33.4	48.9	50	50	45	148	50.2	60	60	46	150		
												13346	33	1	39.7	56.8	60	60	52	148	58.1	60	60	53	150		
												14246	41.7	2	50.2	69.9	70	70	64	148	71.2	80	80	65	150		
575-3-60	5.7		38.9	9	5.7	38.9	9	2.2	2.5	0.4	8.6	None	-	-	-	19.2	20	20	20	109	20	20	20	21	110		
												11758	17	1	16.4	25.8	30	30	24	109	26.8	30	30	25	110		
												13458	34	1	32.7	46.2	50	50	42	109	47.2	50	50	43	110		

- 1 Minimum circuit ampacity.
- 2 Dual element, time delay type.
- 3 HACR type per NEC.
- 4 Non-fused disconnect. Verify on the unit nameplate that the disconnect is properly sized for the application. Units with field installed electric heat kits may exceed the factory installed disconnect amperage rating.

ZY04 to 12 medium static indoor blower - without powered convenience outlet

Table 158: ZY04 to 12 medium static indoor blower - without powered convenience outlet

Size (ton)	Nominal unit voltage	Compressor 1			Compressor 2			OD fan motors (each)	Supply blower motor	Pwr exh motor	Pwr conv outlet	Electric heat field installed kit 2EK045*				MCA ¹ (amps)	Min fuse ² / breaker ³ size (amps)	Max fuse ² / breaker ³ size (amps)	Min disconnect rating ⁴		MCA w/pwr exh (amps)	Min fuse ² / breaker ³ size w/ pwr exh (amps)		Max fuse ² / breaker ³ size w/ pwr exh (amps)		Min disconnect rating ⁴ / pwr exh	
		RLA	LRA	MCC	RLA	LRA	MCC					Model	kW	Stages	Amps				FLA	LRA		MCA w/pwr exh (amps)	Min fuse ² / breaker ³ size w/ pwr exh (amps)	Max fuse ² / breaker ³ size w/ pwr exh (amps)	FLA	LRA	
04 (3)	208-1-60	16.7	79	26				1.4	7.6	1.5		None	-	-	-	29.9	30	45	30	115	31.4	35	45	31	119		
												10625	4.9	1	23.6	39	40	45	36	115	40.9	45	45	38	119		
												11125	7.9	1	38	57	60	60	52	115	58.9	60	60	54	119		
	230-1-60	16.7	79	26				1.4	7	1.3		None	-	-	-	29.3	30	45	29	118	30.6	35	45	30	121		
												10625	6.5	1	27.1	42.6	45	45	39	118	44.3	45	45	41	121		
												11125	10.5	1	43.8	63.5	70	70	58	118	65.1	70	70	60	121		
	208-3-60	10.4	73	16				1.4	5.2	1.1		None	-	-	-	19.6	20	30	20	99	20.7	25	30	21	101		
												10625	4.9	1	13.6	23.5	25	30	22	99	24.9	25	30	23	101		
												11125	7.9	1	21.9	33.9	35	35	31	99	35.3	40	40	32	101		
	230-3-60	10.4	73	16				1.4	5.2	1		None	-	-	-	19.6	20	30	20	101	20.6	25	30	21	104		
												10625	6.5	1	15.6	26	30	30	24	101	27.3	30	30	25	104		
												11125	10.5	1	25.3	38.1	40	40	35	101	39.4	40	40	36	104		
	460-3-60	5.8	38	9				0.8	2.6	0.5		None	-	-	-	10.7	15	15	11	52	11.2	15	15	11	54		
												10646	6	1	7.2	12.3	15	15	11	52	12.9	15	15	12	54		
												11146	11.5	1	13.8	20.5	25	25	19	52	21.1	25	25	19	54		
	575-3-60	3.8	36.5	6				0.6	2	0.4		None	-	-	-	7.4	15	15	7	48	7.8	15	15	8	49		
												11058	9.2	1	8.9	13.6	15	15	13	48	14.1	15	15	13	49		
												11458	13.8	1	13.3	19.1	20	20	18	48	19.6	20	20	18	49		
	05 (4)	208-1-60	21.8	117	34				1.4	7.6	1.5		None	-	-	-	36.3	40	50	35	153	37.8	40	50	37	157	
													10625	4.9	1	23.6	39	40	50	36	153	40.9	45	50	38	157	
													11125	7.9	1	38	57	60	60	52	153	58.9	60	60	54	157	
		230-1-60	21.8	117	34				1.4	7	1.3		None	-	-	-	35.7	40	50	35	156	37	40	50	36	159	
													10625	6.5	1	27.1	42.6	45	50	39	156	44.3	45	50	41	159	
													11125	10.5	1	43.8	63.5	70	70	58	156	65.1	70	70	60	159	
208-3-60		13.7	83.1	21				1.4	5.2	1.1		None	-	-	-	23.7	25	35	23	109	24.8	25	35	25	111		
												10625	4.9	1	13.6	23.7	25	35	23	109	24.9	25	35	25	111		
												11125	7.9	1	21.9	33.9	35	35	31	109	35.3	40	40	32	111		
230-3-60		13.7	83.1	21				1.4	5.2	1		None	-	-	-	23.7	25	35	23	111	24.7	25	35	24	114		
												10625	6.5	1	15.6	26	30	35	24	111	27.3	30	35	25	114		
												11125	10.5	1	25.3	38.1	40	40	35	111	39.4	40	40	36	114		
460-3-60		6.2	41	10				0.8	2.6	0.5		None	-	-	-	11.2	15	15	11	55	11.7	15	15	12	57		
												10646	6	1	7.2	12.3	15	15	11	55	12.9	15	15	12	57		
												11146	11.5	1	13.8	20.5	25	25	19	55	21.1	25	25	19	57		
575-3-60		4.8	33	8				0.6	2	0.4		None	-	-	-	8.6	15	15	9	45	9	15	15	9	45		
												11058	9.2	1	8.9	13.6	15	15	13	45	14.1	15	15	13	45		
												11458	13.8	1	13.3	19.1	20	20	18	45	19.6	20	20	18	45		

Table 158: ZY04 to 12 medium static indoor blower - without powered convenience outlet

Size (ton)	Nominal unit voltage	Compressor 1			Compressor 2			OD fan motors (each)	Supply blower motor	Pwr exh motor	Pwr conv outlet	Electric heat field installed kit 2EK045*				MCA ¹ (amps)	Min fuse ² / breaker ³ size (amps)	Max fuse ² / breaker ³ size (amps)	Min disconnect rating ⁴		MCA w/pwr exh (amps)	Min fuse ² / breaker ³ size w/ pwr exh (amps)	Max fuse ² / breaker ³ size w/ pwr exh (amps)	Min disconnect rating ⁴ / pwr exh	
		RLA	LRA	MCC	RLA	LRA	MCC					Model	kW	Stages	Amps				FLA	LRA				FLA	LRA
06 (5)	208-1-60	25	134	39				2.3	6.8	1.5		None	-	-	-	40.4	45	60	39	171	41.9	45	60	41	175
												10625	4.9	1	23.6	40.4	45	60	39	171	41.9	45	60	41	175
												11125	7.9	1	38	56	60	60	52	171	57.9	60	60	53	175
	230-1-60	25	134	39				2.3	6.2	1.3		None	-	-	-	39.8	40	60	39	172	41.1	45	60	40	175
												10625	6.5	1	27.1	41.6	45	60	39	172	43.3	45	60	40	175
												11125	10.5	1	43.8	62.5	70	70	58	172	64.1	70	70	59	175
	208-3-60	15.9	110	25				2.3	7	1.1		None	-	-	-	29.2	30	45	29	175	30.3	35	45	30	177
												10625	4.9	1	13.6	29.2	30	45	29	175	30.3	35	45	30	177
												11125	7.9	1	21.9	36.1	40	45	33	175	37.5	40	45	35	177
	230-3-60	15.9	110	25				2.3	7.2	1		11625	12	1	33.3	50.4	60	60	46	175	51.8	60	60	48	177
												None	-	-	-	29.4	30	45	29	177	30.4	35	45	30	179
												10625	6.5	1	15.6	29.4	30	45	29	177	30.4	35	45	30	179
	460-3-60	7.1	52	11				1.3	3.6	0.5		11125	10.5	1	25.3	40.6	45	45	37	177	41.9	45	45	39	179
												11625	16	1	38.5	57.1	60	60	53	177	58.4	60	60	54	179
												None	-	-	-	13.8	15	20	14	86	14.3	15	20	14	87
575-3-60	5.1	39.5	8				1.1	2.5	0.4		11146	6	1	7.2	13.8	15	20	12	86	14.3	15	20	13	87	
											11458	13.8	1	13.3	19.8	20	20	18	60	20.3	25	25	19	60	
											11446	14	1	16.8	25.5	30	30	23	86	26.1	30	30	24	87	
07 (6)	208-3-60	19	123	30				2.3	7.5	1.1		None	-	-	-	35.9	40	50	36	191	38.1	40	50	38	201
												10725	4.9	1	13.6	35.9	40	50	36	191	38.1	40	50	38	201
												11725	12	1	33.3	51	60	60	47	191	53.8	60	60	49	201
	230-3-60	19	123	30				2.3	7.5	1		12525	18.6	1	51.6	73.9	80	80	68	191	76.6	80	80	70	201
												None	-	-	-	35.9	40	50	36	198	37.9	40	50	38	193
												10725	6.5	1	15.6	35.9	40	50	36	198	37.9	40	50	38	193
	460-3-60	9.7	62	15				1.3	3.4	0.5		11725	16	1	38.5	57.5	60	60	53	198	60	60	60	55	193
												12525	24.8	1	59.7	84	90	90	77	198	86.5	90	90	80	193
												None	-	-	-	18.1	20	25	18	101	19.1	20	25	19	98
	575-3-60	7.4	50	12				1.1	2.8	0.4		10746	6	1	7.2	18.1	20	25	12	101	19.1	20	25	13	98
												11746	16.5	1	19.8	29	30	30	27	101	30.3	35	35	28	98
												12646	25.5	1	30.7	42.6	45	45	39	101	43.9	45	45	40	98
	208-3-60	17.6	136	27				2.3	7.5	1.1		None	-	-	-	14.3	15	20	14	81	15.1	20	20	15	79
												11758	17	1	16.4	24	25	25	22	81	25	25	25	23	79
												12658	25.7	1	24.7	34.4	35	35	32	81	35.4	40	40	33	79
A7 (6)	208-3-60	17.6	136	27				2.3	7.5	1.1		None	-	-	-	34.1	35	50	34	194	36.3	40	50	37	199
												10725	4.9	1	13.6	34.1	35	50	34	194	36.3	40	50	37	199
												11725	12	1	33.3	51	60	60	47	194	53.8	60	60	49	199
	230-3-60	17.6	136	27				2.3	7.5	1		12525	18.6	1	51.6	73.9	80	80	68	194	76.6	80	80	70	199
												None	-	-	-	34.1	35	50	34	201	36.1	40	50	36	206
												10725	6.5	1	15.6	34.1	35	50	34	201	36.1	40	50	36	206
	460-3-60	8.5	66.1	13				1.3	3.4	0.5		11725	16	1	38.5	57.5	60	60	53	201	60	60	60	55	206
												12525	24.8	1	59.7	84	90	90	77	201	86.5	90	90	80	206
												None	-	-	-	16.6	20	25	17	99	17.6	20	25	18	102
	575-3-60	6.3	55.3	10				1.1	2.8	0.4		10746	6	1	7.2	16.6	20	25	12	99	17.6	20	25	13	102
												11746	16.5	1	19.8	29	30	30	27	99	30.3	35	35	28	102
												12646	25.5	1	30.7	42.6	45	45	39	99	43.9	45	45	40	102
												None	-	-	-	12.9	15	15	13	82	13.7	15	15	14	84
												11758	17	1	16.4	24	25	25	22	82	25	25	25	23	84
												12658	25.7	1	24.7	34.4	35	35	32	82	35.4	40	40	33	84

Table 158: ZY04 to 12 medium static indoor blower - without powered convenience outlet

Size (ton)	Nominal unit voltage	Compressor 1			Compressor 2			OD fan motors (each)	Supply blower motor	Pwr exh motor	Pwr conv outlet	Electric heat field installed kit 2EK045*				MCA ¹ (amps)	Min fuse ² / breaker ³ size (amps)	Max fuse ² / breaker ³ size (amps)	Min disconnect rating ⁴		MCA w/pwr exh (amps)	Min fuse ² / breaker ³ size w/ pwr exh (amps)	Max fuse ² / breaker ³ size w/ pwr exh (amps)	Min disconnect rating ⁴ / pwr exh		
		RLA	LRA	MCC	RLA	LRA	MCC					Model	kW	Stages	Amps				FLA	LRA				FLA	LRA	
		08 (7.5)	208-3-60	13.6	83.1	21	13.6					83.1	21	2.3	5.2				1.1					None	-	-
11725	12							1	33.3	48.1	50					44	208	50.9			60	60	47	218		
12525	18.6							1	51.6	71	80					80	65	208			73.8	80	80	68	218	
13225	24							1	66.6	89.8	90					90	83	208			92.5	100	100	85	218	
14225	31.8							2	88.3	116.9	125					125	108	208			119.6	125	125	110	218	
230-3-60	13.6		83.1	21	13.6	83.1	21	2.3	5.2	1			None	-	-	-	40.4	45	50	43	211	42.4	45	50	45	206
													11725	16	1	38.5	54.6	60	60	50	211	57.1	60	60	53	206
													12525	24.8	1	59.7	81.1	90	90	75	211	83.6	90	90	77	206
													13225	32	1	77	102.8	110	110	95	211	105.3	110	110	97	206
													14225	42.4	2	102	134	150	150	123	211	136.5	150	150	126	206
460-3-60	6.1		41	10	6.1	41	10	1.3	2.6	0.5			None	-	-	-	18.9	20	25	20	106	19.9	20	25	21	103
													11746	16.5	1	19.8	28	30	30	26	106	29.3	30	30	27	103
													12846	27.8	1	33.4	45	45	45	41	106	46.3	50	50	43	103
													13346	33	1	39.7	52.9	60	60	49	106	54.1	60	60	50	103
													14246	41.7	2	50.2	66	70	70	61	106	67.3	70	70	62	103
575-3-60	4.2		33	7	4.2	33	7	1.1	2	0.4			None	-	-	-	13.7	15	15	14	85	14.5	15	15	15	83
													11758	17	1	16.4	23	25	25	21	85	24	25	25	22	83
													13458	34	1	32.7	43.4	45	45	40	85	44.4	45	45	41	83
													None	-	-	-	40.6	45	50	43	208	42.8	45	50	45	218
													11725	12	1	33.3	48.1	50	50	44	208	50.9	60	60	47	218
09 (8.5)	208-3-60	13.7	83.1	21	13.7	83.1	21	2.3	5.2	1.1		None	-	-	-	40.6	45	50	43	208	42.8	45	50	45	218	
												11725	12	1	33.3	48.1	50	50	44	208	50.9	60	60	47	218	
												12525	18.6	1	51.6	71	80	80	65	208	73.8	80	80	68	218	
												13225	24	1	66.6	89.8	90	90	83	208	92.5	100	100	85	218	
												14225	31.8	2	88.3	116.9	125	125	108	208	119.6	125	125	110	218	
	230-3-60	13.7	83.1	21	13.7	83.1	21	2.3	5.2	1			None	-	-	-	40.6	45	50	43	211	42.6	45	50	45	206
													11725	16	1	38.5	54.6	60	60	50	211	57.1	60	60	53	206
													12525	24.8	1	59.7	81.1	90	90	75	211	83.6	90	90	77	206
													13225	32	1	77	102.8	110	110	95	211	105.3	110	110	97	206
													14225	42.4	2	102	134	150	150	123	211	136.5	150	150	126	206
	460-3-60	6.2	41	10	6.2	41	10	1.3	2.6	0.5			None	-	-	-	19.2	20	25	20	106	20.2	25	25	21	103
													11746	16.5	1	19.8	28	30	30	26	106	29.3	30	30	27	103
													12846	27.8	1	33.4	45	45	45	41	106	46.3	50	50	43	103
													13346	33	1	39.7	52.9	60	60	49	106	54.1	60	60	50	103
													14246	41.7	2	50.2	66	70	70	61	106	67.3	70	70	62	103
	575-3-60	4.8	33	8	4.8	33	8	1.1	2	0.4			None	-	-	-	15	20	20	16	85	15.8	20	20	17	83
													11758	17	1	16.4	23	25	25	21	85	24	25	25	22	83
													13458	34	1	32.7	43.4	45	45	40	85	44.4	45	45	41	83
													None	-	-	-	40.6	45	50	43	208	42.8	45	50	45	218

Table 158: ZY04 to 12 medium static indoor blower - without powered convenience outlet

Size (ton)	Nominal unit voltage	Compressor 1			Compressor 2			OD fan motors (each)	Supply blower motor	Pwr exh motor	Pwr conv outlet	Electric heat field installed kit 2EK045*				MCA (amps)	Min fuse ² / breaker ³ size (amps)	Max fuse ² / breaker ³ size (amps)	Min disconnect rating ⁴		MCA w/pwr exh (amps)	Min fuse ² / breaker ³ size w/ pwr exh (amps)	Max fuse ² / breaker ³ size w/ pwr exh (amps)	Min disconnect rating ⁴ / pwr exh		
		RLA	LRA	MCC	RLA	LRA	MCC					Model	kW	Stages	Amps				FLA	LRA				FLA	LRA	
12 (10)	208-3-60	16	110	25	16	110	25	5.8	10.2	1.1		None	-	-	-	52	60	60	55	305	54.2	60	60	58	315	
												11725	12	1	33.3	54.4	60	60	55	305	57.1	60	60	58	315	
												12525	18.6	1	51.6	77.3	80	80	71	305	80	90	90	74	315	
												13225	24	1	66.6	96	100	100	88	305	98.8	100	100	91	315	
												14225	31.8	2	88.3	123.1	125	125	113	305	125.9	150	150	116	315	
	230-3-60	16	110	25	16	110	25	5.2	10.2	1			None	-	-	-	51.4	60	60	55	308	53.4	60	60	57	313
													11725	16	1	38.5	60.9	70	70	56	308	63.4	70	70	58	313
													12525	24.8	1	59.7	87.4	90	90	80	308	89.9	90	90	83	313
													13225	32	1	77	109	110	110	100	308	111.5	125	125	103	313
													14225	42.4	2	102	140.3	150	150	129	308	142.8	150	150	131	313
	460-3-60	7.8	52	12	7.8	52	12	2.9	4.8	0.5			None	-	-	-	25.3	30	30	27	150	26.3	30	30	28	152
													11746	16.5	1	19.8	30.8	35	35	28	150	32	35	35	29	152
													12846	27.8	1	33.4	47.8	50	50	44	150	49	50	50	45	152
													13346	33	1	39.7	55.6	60	60	51	150	56.9	60	60	52	152
													14246	41.7	2	50.2	68.8	70	70	63	150	70	70	70	64	152
	575-3-60	5.7	38.9	9	5.7	38.9	9	2.2	3.4	0.4			None	-	-	-	18.4	20	20	20	117	19.2	20	20	20	119
11758													17	1	16.4	24.8	25	25	23	117	25.8	30	30	24	119	
13458													34	1	32.7	45.1	50	50	42	117	46.1	50	50	42	119	
With VFD																										
A7 (6)	208-3-60	17.6	136	27				2.3	8.9	1.1		None	-	-	-	35.5	40	50	36	207	37.7	40	50	38	212	
												10725	4.9	1	13.6	35.5	40	50	36	207	37.7	40	50	38	212	
												11725	12	1	33.3	52.8	60	60	49	207	55.5	60	60	51	212	
												12525	18.6	1	51.6	75.6	80	80	70	207	78.4	80	80	72	212	
												None	-	-	-	34.8	35	50	35	215	36.8	40	50	37	220	
	230-3-60	17.6	136	27				2.3	8.2	1			10725	6.5	1	15.6	34.8	35	50	35	215	36.8	40	50	37	220
													11725	16	1	38.5	58.4	60	60	54	215	60.9	70	70	56	220
													12525	24.8	1	59.7	84.9	90	90	78	215	87.4	90	90	80	220
													None	-	-	-	17.3	20	25	17	106	18.3	20	25	19	109
													10746	6	1	7.2	17.3	20	25	13	106	18.3	20	25	14	109
	460-3-60	8.5	66.1	13				1.3	4.1	0.5			11746	16.5	1	19.8	29.9	30	30	27	106	31.1	35	35	29	109
													12646	25.5	1	30.7	43.5	45	45	40	106	44.8	45	45	41	109
													None	-	-	-	13.3	15	15	13	86	14.1	15	15	14	88
	575-3-60	6.3	55.3	10				1.1	3.2	0.4			11758	17	1	16.4	24.5	25	25	23	86	25.5	30	30	23	88
													12658	25.7	1	24.7	34.9	35	35	32	86	35.9	40	40	33	88

Table 158: ZY04 to 12 medium static indoor blower - without powered convenience outlet

Size (ton)	Nominal unit voltage	Compressor 1			Compressor 2			OD fan motors (each)	Supply blower motor	Pwr exh motor	Pwr conv outlet	Electric heat field installed kit 2EK045*				MCA ¹ (amps)	Min fuse ² / breaker ³ size (amps)	Max fuse ² / breaker ³ size (amps)	Min disconnect rating ⁴		MCA w/pwr exh (amps)	Min fuse ² / breaker ³ size w/ pwr exh (amps)	Max fuse ² / breaker ³ size w/ pwr exh (amps)	Min disconnect rating ⁴ / pwr exh	
		RLA	LRA	MCC	RLA	LRA	MCC					Model	kW	Stages	Amps				FLA	LRA				FLA	LRA
08 (7.5)	208-3-60	13.6	83.1	21	13.6	83.1	21	2.3	7	1.1		None	-	-	-	42.2	45	50	45	246	44.4	45	50	47	256
												11725	12	1	33.3	50.4	60	60	46	246	53.1	60	60	49	256
												12525	18.6	1	51.6	73.3	80	80	67	246	76	80	80	70	256
												13225	24	1	66.6	92	100	100	85	246	94.8	100	100	87	256
												14225	31.8	2	88.3	119.1	125	125	110	246	121.9	125	125	112	256
	230-3-60	13.6	83.1	21	13.6	83.1	21	2.3	7.2	1		None	-	-	-	42.4	45	50	45	248	44.4	45	50	47	243
												11725	16	1	38.5	57.1	60	60	53	248	59.6	60	60	55	243
												12525	24.8	1	59.7	83.6	90	90	77	248	86.1	90	90	79	243
												13225	32	1	77	105.3	110	110	97	248	107.8	110	110	99	243
												14225	42.4	2	102	136.5	150	150	126	248	139	150	150	128	243
	460-3-60	6.1	41	10	6.1	41	10	1.3	3.6	0.5		None	-	-	-	19.9	20	25	21	125	20.9	25	25	22	121
												11746	16.5	1	19.8	29.3	30	30	27	125	30.5	35	35	28	121
												12846	27.8	1	33.4	46.3	50	50	43	125	47.5	50	50	44	121
												13346	33	1	39.7	54.1	60	60	50	125	55.4	60	60	51	121
												14246	41.7	2	50.2	67.3	70	70	62	125	68.5	70	70	63	121
	575-3-60	4.2	33	7	4.2	33	7	1.1	2.5	0.4		None	-	-	-	14.2	15	15	15	93	15	15	15	16	90
												11758	17	1	16.4	23.6	25	25	22	93	24.6	25	25	23	90
												13458	34	1	32.7	44	45	45	40	93	45	45	45	41	90
												None	-	-	-	42.4	45	50	45	246	44.6	45	50	47	256
												11725	12	1	33.3	50.4	60	60	46	246	53.1	60	60	49	256
09 (8.5)	208-3-60	13.7	83.1	21	13.7	83.1	21	2.3	7	1.1		None	-	-	-	42.4	45	50	45	246	44.6	45	50	47	256
												11725	12	1	33.3	50.4	60	60	46	246	53.1	60	60	49	256
												12525	18.6	1	51.6	73.3	80	80	67	246	76	80	80	70	256
												13225	24	1	66.6	92	100	100	85	246	94.8	100	100	87	256
												14225	31.8	2	88.3	119.1	125	125	110	246	121.9	125	125	112	256
	230-3-60	13.7	83.1	21	13.7	83.1	21	2.3	7.2	1		None	-	-	-	42.6	45	50	45	248	44.6	45	50	47	243
												11725	16	1	38.5	57.1	60	60	53	248	59.6	60	60	55	243
												12525	24.8	1	59.7	83.6	90	90	77	248	86.1	90	90	79	243
												13225	32	1	77	105.3	110	110	97	248	107.8	110	110	99	243
												14225	42.4	2	102	136.5	150	150	126	248	139	150	150	128	243
	460-3-60	6.2	41	10	6.2	41	10	1.3	3.6	0.5		None	-	-	-	20.2	25	25	21	125	21.2	25	25	23	121
												11746	16.5	1	19.8	29.3	30	30	27	125	30.5	35	35	28	121
												12846	27.8	1	33.4	46.3	50	50	43	125	47.5	50	50	44	121
												13346	33	1	39.7	54.1	60	60	50	125	55.4	60	60	51	121
												14246	41.7	2	50.2	67.3	70	70	62	125	68.5	70	70	63	121
	575-3-60	4.8	33	8	4.8	33	8	1.1	2.5	0.4		None	-	-	-	15.5	20	20	16	93	16.3	20	20	17	90
												11758	17	1	16.4	23.6	25	25	22	93	24.6	25	25	23	90
												13458	34	1	32.7	44	45	45	40	93	45	45	45	41	90
												None	-	-	-	42.6	45	50	45	246	44.6	45	50	47	256
												11725	12	1	33.3	50.4	60	60	46	246	53.1	60	60	49	256

Table 158: ZY04 to 12 medium static indoor blower - without powered convenience outlet

Size (ton)	Nominal unit voltage	Compressor 1			Compressor 2			OD fan motors (each)	Supply blower motor	Pwr exh motor	Pwr conv outlet	Electric heat field installed kit 2EK045*				MCA ¹ (amps)	Min fuse ² / breaker ³ size (amps)	Max fuse ² / breaker ³ size (amps)	Min disconnect rating ⁴		MCA w/pwr exh (amps)	Min fuse ² / breaker ³ size w/ pwr exh (amps)	Max fuse ² / breaker ³ size w/ pwr exh (amps)	Min disconnect rating ⁴ / pwr exh		
		RLA	LRA	MCC	RLA	LRA	MCC					Model	kW	Stages	Amps				FLA	LRA				FLA	LRA	
		12 (10)	208-3-60	16	110	25	16					110	25	5.8	9.9				1.1					None	-	-
11725	12							1	33.3	54	60					60	55	315			56.8	60	60	57	325	
12525	18.6							1	51.6	76.9	80					80	71	315			79.6	80	80	73	325	
13225	24							1	66.6	95.6	100					100	88	315			98.4	100	100	91	325	
14225	31.8							2	88.3	122.8	125					125	113	315			125.5	150	150	115	325	
230-3-60	16		110	25	16	110	25	5.2	9.4	1			None	-	-	-	50.6	60	60	54	320	52.6	60	60	56	324
													11725	16	1	38.5	59.9	60	60	55	320	62.4	70	70	57	324
													12525	24.8	1	59.7	86.4	90	90	79	320	88.9	90	90	82	324
													13225	32	1	77	108	110	110	99	320	110.5	125	125	102	324
													14225	42.4	2	102	139.3	150	150	128	320	141.8	150	150	130	324
460-3-60	7.8		52	12	7.8	52	12	2.9	4.7	0.5			None	-	-	-	25.2	30	30	27	155	26.2	30	30	28	158
													11746	16.5	1	19.8	30.6	35	35	28	155	31.9	35	35	29	158
													12846	27.8	1	33.4	47.6	50	50	44	155	48.9	50	50	45	158
													13346	33	1	39.7	55.5	60	60	51	155	56.8	60	60	52	158
													14246	41.7	2	50.2	68.6	70	70	63	155	69.9	70	70	64	158
575-3-60	5.7		38.9	9	5.7	38.9	9	2.2	4.3	0.4			None	-	-	-	19.3	20	25	21	129	20.1	25	25	22	131
													11758	17	1	16.4	25.9	30	30	24	129	26.9	30	30	25	131
													13458	34	1	32.7	46.3	50	50	43	129	47.3	50	50	43	131

- 1 Minimum Circuit Ampacity.
- 2 Dual element, time delay type.
- 3 HACR type per NEC.
- 4 Non-fused disconnect. Verify on the unit nameplate that the disconnect is properly sized for the application. Units with field installed electric heat kits may exceed the factory installed disconnect amperage rating.

ZY04 to 12 medium static indoor blower - with powered convenience outlet

Table 159: ZY04 to 12 medium static indoor blower - with powered convenience outlet

Size (ton)	Nominal unit voltage	Compressor 1			Compressor 2			OD fan motors (each)	Supply blower motor	Pwr exh motor	Pwr conv outlet	Electric heat field installed kit 2EK045*				MCA ¹ (amps)	Min fuse ² / breaker ³ size (amps)	Max fuse ² / breaker ³ size (amps)	Min disconnect rating ⁴		MCA ¹ w/pwr exh (amps)	Min fuse ² / breaker ³ size w/ pwr exh (amps)	Max fuse ² / breaker ³ size w/ pwr exh (amps)		Min disconnect rating ⁴ / pwr exh	
		RLA	LRA	MCC	RLA	LRA	MCC					Model	kW	Stages	Amps				FLA	LRA			FLA	LRA		
04 (3)	208-1-60	16.7	79	26				1.4	7.6	1.5	8.6	None	-	-	-	34.2	35	50	35	120	35.7	40	50	36	123	
												10625	4.9	1	23.6	44.4	45	50	41	120	46.3	50	50	43	123	
												11125	7.9	1	38	62.4	70	70	57	120	64.3	70	70	59	123	
	230-1-60	16.7	79	26				1.4	7	1.3	8.6	None	-	-	-	33.6	35	50	34	122	34.9	35	50	35	125	
												10625	6.5	1	27.1	48	50	44	122	49.6	50	50	46	125		
												11125	10.5	1	43.8	68.9	70	70	63	122	70.5	80	80	65	125	
	208-3-60	10.4	73	16				1.4	5.2	1.1	8.6	None	-	-	-	23.9	25	30	24	103	25	25	35	26	105	
												10625	4.9	1	13.6	28.9	30	30	27	103	30.3	35	35	28	105	
												11125	7.9	1	21.9	39.3	40	40	36	103	40.6	45	45	37	105	
	230-3-60	10.4	73	16				1.4	5.2	1	8.6	None	-	-	-	23.9	25	30	24	106	24.9	25	35	26	108	
												10625	6.5	1	15.6	31.4	35	35	29	106	32.6	35	35	30	108	
												11125	10.5	1	25.3	43.5	45	45	40	106	44.8	45	45	41	108	
	460-3-60	5.8	38	9				0.8	2.6	0.5	8.6	None	-	-	-	12.9	15	15	13	55	13.4	15	15	14	56	
												10646	6	1	7.2	14.9	15	15	14	55	15.6	20	20	14	56	
												11146	11.5	1	13.8	23.2	25	25	21	55	23.8	25	25	22	56	
	575-3-60	3.8	36.5	6				0.6	2	0.4	8.6	None	-	-	-	9.1	15	15	9	50	9.5	15	15	10	51	
												11058	9.2	1	8.9	15.8	20	20	15	50	16.3	20	20	15	51	
												11458	13.8	1	13.3	21.3	25	25	20	50	21.8	25	25	20	51	
05 (4)	208-1-60	21.8	117	34				1.4	7.6	1.5	8.6	None	-	-	-	40.6	45	60	40	158	42.1	45	60	42	161	
												10625	4.9	1	23.6	44.4	45	60	41	158	46.3	50	60	43	161	
												11125	7.9	1	38	62.4	70	70	57	158	64.3	70	70	59	161	
	230-1-60	21.8	117	34				1.4	7	1.3	8.6	None	-	-	-	40	40	60	40	160	41.3	45	60	41	163	
												10625	6.5	1	27.1	48	50	60	44	160	49.6	50	60	46	163	
												11125	10.5	1	43.8	68.9	70	70	63	160	70.5	80	80	65	163	
	208-3-60	13.7	83.1	21				1.4	5.2	1.1	8.6	None	-	-	-	28	30	40	28	113	29.1	30	40	30	116	
												10625	4.9	1	13.6	28.9	30	40	28	113	30.3	35	40	30	116	
												11125	7.9	1	21.9	39.3	40	40	36	113	40.6	45	45	37	116	
	230-3-60	13.7	83.1	21				1.4	5.2	1	8.6	None	-	-	-	28	30	40	28	116	29	30	40	29	118	
												10625	6.5	1	15.6	31.4	35	40	29	116	32.6	35	40	30	118	
												11125	10.5	1	25.3	43.5	45	45	40	116	44.8	45	45	41	118	
	460-3-60	6.2	41	10				0.8	2.6	0.5	8.6	None	-	-	-	13.4	15	15	14	58	13.9	15	15	14	59	
												10646	6	1	7.2	14.9	15	15	14	58	15.6	20	20	14	59	
												11146	11.5	1	13.8	23.2	25	25	21	58	23.8	25	25	22	59	
	575-3-60	4.8	33	8				0.6	2	0.4	8.6	None	-	-	-	10.3	15	15	10	46	10.7	15	15	11	47	
												11058	9.2	1	8.9	15.8	20	20	15	46	16.3	20	20	15	47	
												11458	13.8	1	13.3	21.3	25	25	20	46	21.8	25	25	20	47	

Table 159: ZY04 to 12 medium static indoor blower - with powered convenience outlet

Size (ton)	Nominal unit voltage	Compressor 1			Compressor 2			OD fan motors (each)	Supply blower motor	Pwr exh motor	Pwr conv outlet	Electric heat field installed kit 2EK045*				MCA ¹ (amps)	Min fuse ² / breaker ³ size (amps)	Max fuse ² / breaker ³ size (amps)	Min disconnect rating ⁴		MCA ¹ w/pwr exh (amps)	Min fuse ² / breaker ³ size w/ pwr exh (amps)	Max fuse ² / breaker ³ size w/ pwr exh (amps)	Min disconnect rating ⁴ / pwr exh	
		RLA	LRA	MCC	RLA	LRA	MCC					Model	kW	Stages	Amps				FLA	LRA				FLA	LRA
06 (5)	208-1-60	25	134	39				2.3	6.8	1.5	8.6	None	-	-	-	44.7	45	60	44	176	46.2	50	70	46	179
												10625	4.9	1	23.6	44.7	45	60	44	176	46.2	50	70	46	179
												11125	7.9	1	38	61.4	70	70	56	176	63.3	70	70	58	179
	230-1-60	25	134	39				2.3	6.2	1.3	8.6	None	-	-	-	44.1	45	60	43	176	45.4	50	70	45	179
												10625	6.5	1	27.1	47	50	60	43	176	48.6	50	70	45	179
												11125	10.5	1	43.8	67.9	70	70	62	176	69.5	70	70	64	179
	208-3-60	15.9	110	25				2.3	7	1.1	8.6	None	-	-	-	33.5	35	45	34	179	34.6	35	50	35	182
												10625	4.9	1	13.6	33.5	35	45	34	179	34.6	35	50	35	182
												11125	7.9	1	21.9	41.5	45	45	38	179	42.9	45	50	39	182
	230-3-60	15.9	110	25				2.3	7.2	1	8.6	11625	12	1	33.3	55.8	60	60	51	179	57.1	60	60	53	182
												None	-	-	-	33.7	35	45	34	181	34.7	35	50	35	183
												10625	6.5	1	15.6	33.9	35	45	34	181	35.1	40	50	35	183
	460-3-60	7.1	52	11				1.3	3.6	0.5	8.6	11125	10.5	1	25.3	46	50	50	42	181	47.3	50	50	43	183
												11625	16	1	38.5	62.5	70	70	58	181	63.8	70	70	59	183
												None	-	-	-	16	20	20	16	88	16.5	20	20	17	89
	575-3-60	5.1	39.5	8				1.1	2.5	0.4	8.6	11146	6	1	7.2	16.2	20	20	15	88	16.8	20	20	15	89
												11458	13.8	1	13.3	21.9	25	25	20	61	12.1	15	15	12	62
												12358	23	1	22.1	32.9	35	35	30	61	33.4	35	35	31	62
07 (6)	208-3-60	19	123	30			2.3	7.5	1.1	8.6	None	-	-	-	40.2	45	50	41	195	42.4	45	60	43	205	
											10725	4.9	1	13.6	40.2	45	50	41	195	42.4	45	60	43	205	
											11725	12	1	33.3	56.4	60	60	52	195	59.1	60	60	54	205	
	230-3-60	19	123	30			2.3	7.5	1	8.6	12525	18.6	1	51.6	79.3	80	80	73	195	82	90	90	75	205	
											None	-	-	-	40.2	45	50	41	202	42.2	45	60	43	197	
											10725	6.5	1	15.6	40.2	45	50	41	202	42.2	45	60	43	197	
	460-3-60	9.7	62	15			1.3	3.4	0.5	8.6	11725	16	1	38.5	62.9	70	70	58	202	65.4	70	70	60	197	
											12525	24.8	1	59.7	89.4	90	90	82	202	91.9	100	100	85	197	
											None	-	-	-	20.3	25	30	21	103	21.3	25	30	22	100	
	575-3-60	7.4	50	12			1.1	2.8	0.4	8.6	10746	6	1	7.2	20.3	25	30	15	103	21.3	25	30	16	100	
											11746	16.5	1	19.8	31.7	35	35	29	103	32.9	35	35	30	100	
											12646	25.5	1	30.7	45.3	50	50	42	103	46.6	50	50	43	100	
	208-3-60	17.6	136	27			2.3	7.5	1.1	8.6	None	-	-	-	16	20	20	16	83	16.8	20	20	17	80	
											11758	17	1	16.4	26.2	30	30	24	83	27.2	30	30	25	80	
											12658	25.7	1	24.7	36.5	40	40	34	83	37.5	40	40	35	80	
	A7 (6)	208-3-60	17.6	136	27			2.3	7.5	1.1	8.6	None	-	-	-	38.4	40	50	39	199	40.6	45	50	42	204
												10725	4.9	1	13.6	38.4	40	50	39	199	40.6	45	50	42	204
												11725	12	1	33.3	56.4	60	60	52	199	59.1	60	60	54	204
230-3-60		17.6	136	27			2.3	7.5	1	8.6	12525	18.6	1	51.6	79.3	80	80	73	199	82	90	90	75	204	
											None	-	-	-	38.4	40	50	39	205	40.4	45	50	41	210	
											10725	6.5	1	15.6	38.4	40	50	39	205	40.4	45	50	41	210	
460-3-60		8.5	66.1	13			1.3	3.4	0.5	8.6	11725	16	1	38.5	62.9	70	70	58	205	65.4	70	70	60	210	
											12525	24.8	1	59.7	89.4	90	90	82	205	91.9	100	100	85	210	
											None	-	-	-	18.8	20	25	19	102	19.8	20	25	20	104	
575-3-60		6.3	55.3	10			1.1	2.8	0.4	8.6	10746	6	1	7.2	18.8	20	25	15	102	19.8	20	25	16	104	
											11746	16.5	1	19.8	31.7	35	35	29	102	32.9	35	35	30	104	
											12646	25.5	1	30.7	45.3	50	50	42	102	46.6	50	50	43	104	
575-3-60		6.3	55.3	10			1.1	2.8	0.4	8.6	None	-	-	-	14.6	15	20	15	84	15.4	20	20	16	86	
											11758	17	1	16.4	26.2	30	30	24	84	27.2	30	30	25	86	
											12658	25.7	1	24.7	36.5	40	40	34	84	37.5	40	40	35	86	

Table 159: ZY04 to 12 medium static indoor blower - with powered convenience outlet

Size (ton)	Nominal unit voltage	Compressor 1			Compressor 2			OD fan motors (each)	Supply blower motor	Pwr exh motor	Pwr conv outlet	Electric heat field installed kit 2EK045*				MCA ¹ (amps)	Min fuse ² / breaker ³ size (amps)	Max fuse ² / breaker ³ size (amps)	Min disconnect rating ⁴		MCA ¹ w/pwr exh (amps)	Min fuse ² / breaker ³ size w/ pwr exh (amps)	Max fuse ² / breaker ³ size w/ pwr exh (amps)		Min disconnect rating ⁴ w/ pwr exh	
		RLA	LRA	MCC	RLA	LRA	MCC					Model	kW	Stages	Amps				FLA	LRA			FLA	LRA		
		08 (7.5)	208-3-60	13.6	83.1	21	13.6					83.1	21	2.3	5.2				1.1	8.6			None	-	-	-
11725	12							1	33.3	53.5	60					60	49	212			56.3	60	60	52	222	
12525	18.6							1	51.6	76.4	80					80	70	212			79.1	80	80	73	222	
13225	24							1	66.6	95.1	100					100	88	212			97.9	100	100	90	222	
14225	31.8							2	88.3	122.3	125					125	112	212			125	150	150	115	222	
230-3-60	13.6		83.1	21	13.6	83.1	21	2.3	5.2	1	8.6	None	-	-	-	44.7	45	50	47	216	46.7	50	60	50	210	
												11725	16	1	38.5	60	60	60	55	216	62.5	70	70	58	210	
												12525	24.8	1	59.7	86.5	90	90	80	216	89	90	90	82	210	
												13225	32	1	77	108.1	110	110	99	216	110.6	125	125	102	210	
												14225	42.4	2	102	139.4	150	150	128	216	141.9	150	150	131	210	
460-3-60	6.1		41	10	6.1	41	10	1.3	2.6	0.5	8.6	None	-	-	-	21.1	25	25	23	108	22.1	25	25	24	105	
												11746	16.5	1	19.8	30.7	35	35	28	108	31.9	35	35	29	105	
												12846	27.8	1	33.4	47.7	50	50	44	108	48.9	50	50	45	105	
												13346	33	1	39.7	55.6	60	60	51	108	56.8	60	60	52	105	
												14246	41.7	2	50.2	68.7	70	70	63	108	69.9	70	70	64	105	
575-3-60	4.2		33	7	4.2	33	7	1.1	2	0.4	8.6	None	-	-	-	15.4	20	20	16	87	16.2	20	20	17	84	
												11758	17	1	16.4	25.2	30	30	23	87	26.2	30	30	24	84	
												13458	34	1	32.7	45.5	50	50	42	87	46.5	50	50	43	84	
09 (8.5)	208-3-60		13.7	83.1	21	13.7	83.1	21	2.3	5.2	1.1	8.6	None	-	-	-	44.9	45	50	48	212	47.1	50	50	50	222
													11725	12	1	33.3	53.5	60	60	49	212	56.3	60	60	52	222
		12525											18.6	1	51.6	76.4	80	80	70	212	79.1	80	80	73	222	
		13225											24	1	66.6	95.1	100	100	88	212	97.9	100	100	90	222	
		14225											31.8	2	88.3	122.3	125	125	112	212	125	150	150	115	222	
	230-3-60	13.7	83.1	21	13.7	83.1	21	2.3	5.2	1	8.6	None	-	-	-	44.9	45	50	48	216	46.9	50	60	50	210	
												11725	16	1	38.5	60	60	60	55	216	62.5	70	70	58	210	
												12525	24.8	1	59.7	86.5	90	90	80	216	89	90	90	82	210	
												13225	32	1	77	108.1	110	110	99	216	110.6	125	125	102	210	
												14225	42.4	2	102	139.4	150	150	128	216	141.9	150	150	131	210	
	460-3-60	6.2	41	10	6.2	41	10	1.3	2.6	0.5	8.6	None	-	-	-	21.4	25	25	23	108	22.4	25	25	24	105	
												11746	16.5	1	19.8	30.7	35	35	28	108	31.9	35	35	29	105	
												12846	27.8	1	33.4	47.7	50	50	44	108	48.9	50	50	45	105	
												13346	33	1	39.7	55.6	60	60	51	108	56.8	60	60	52	105	
												14246	41.7	2	50.2	68.7	70	70	63	108	69.9	70	70	64	105	
	575-3-60	4.8	33	8	4.8	33	8	1.1	2	0.4	8.6	None	-	-	-	16.7	20	20	18	87	17.5	20	20	19	84	
												11758	17	1	16.4	25.2	30	30	23	87	26.2	30	30	24	84	
												13458	34	1	32.7	45.5	50	50	42	87	46.5	50	50	43	84	

Table 159: ZY04 to 12 medium static indoor blower - with powered convenience outlet

Size (ton)	Nominal unit voltage	Compressor 1			Compressor 2			OD fan motors (each)	Supply blower motor	Pwr exh motor	Pwr conv outlet	Electric heat field installed kit 2EK045*				MCA ¹ (amps)	Min fuse ² / breaker ³ size (amps)	Max fuse ² / breaker ³ size (amps)	Min disconnect rating ⁴		MCA ¹ w/pwr exh (amps)	Min fuse ² / breaker ³ size w/ pwr exh (amps)	Max fuse ² / breaker ³ size w/ pwr exh (amps)	Min disconnect rating ⁴ / pwr exh	
		RLA	LRA	MCC	RLA	LRA	MCC					Model	kW	Stages	Amps				FLA	LRA				FLA	LRA
		12 (10)	208-3-60	16	110	25	16					110	25	5.8	10.2				1.1	8.6				None	-
11725	12							1	33.3	59.8	60					70	60	310			62.5	70	70	63	320
12525	18.6							1	51.6	82.6	90					90	76	310			85.4	90	90	79	320
13225	24							1	66.6	101.4	110					110	93	310			104.1	110	110	96	320
14225	31.8							2	88.3	128.5	150					150	118	310			131.3	150	150	121	320
230-3-60	16		110	25	16	110	25	5.2	10.2	1	8.6	None	-	-	-	55.7	60	70	59	312	57.7	60	70	62	317
												11725	16	1	38.5	66.3	70	70	61	312	68.8	70	70	63	317
												12525	24.8	1	59.7	92.8	100	100	85	312	95.3	100	100	88	317
												13225	32	1	77	114.4	125	125	105	312	116.9	125	125	108	317
												14225	42.4	2	102	145.6	150	150	134	312	148.1	150	150	136	317
460-3-60	7.8		52	12	7.8	52	12	2.9	4.8	0.5	8.6	None	-	-	-	27.5	30	35	29	152	28.5	30	35	30	154
												11746	16.5	1	19.8	33.4	35	35	31	152	34.7	35	35	32	154
												12846	27.8	1	33.4	50.4	60	60	46	152	51.7	60	60	48	154
												13346	33	1	39.7	58.3	60	60	54	152	59.6	60	60	55	154
												14246	41.7	2	50.2	71.4	80	80	66	152	72.7	80	80	67	154
575-3-60	5.7		38.9	9	5.7	38.9	9	2.2	3.4	0.4	8.6	None	-	-	-	20.1	25	25	22	118	20.9	25	25	22	120
												11758	17	1	16.4	26.9	30	30	25	118	27.9	30	30	26	120
												13458	34	1	32.7	47.3	50	50	43	118	48.3	50	50	44	120
With VFD																									
A7 (6)	208-3-60		17.6	136	27				2.3	8.9	1.1	8.6	None	-	-	-	39.8	40	50	41	212	42	45	50	43
		10725											4.9	1	13.6	39.8	40	50	41	212	42	45	50	43	217
		11725											12	1	33.3	58.1	60	60	53	212	60.9	70	70	56	217
		12525											18.6	1	51.6	81	90	90	75	212	83.8	90	90	77	217
		None											-	-	-	39.1	40	50	40	219	41.1	45	50	42	224
	230-3-60	17.6	136	27				2.3	8.2	1	8.6	10725	6.5	1	15.6	39.1	40	50	40	219	41.1	45	50	42	224
												11725	16	1	38.5	63.8	70	70	59	219	66.3	70	70	61	224
												12525	24.8	1	59.7	90.3	100	100	83	219	92.8	100	100	85	224
												None	-	-	-	19.5	20	25	20	109	20.5	25	25	21	111
												10746	6	1	7.2	19.5	20	25	15	109	20.5	25	25	17	111
	460-3-60	8.5	66.1	13				1.3	4.1	0.5	8.6	11746	16.5	1	19.8	32.6	35	35	30	109	33.8	35	35	31	111
												12646	25.5	1	30.7	46.2	50	50	42	109	47.4	50	50	44	111
												None	-	-	-	15	20	20	15	88	15.8	20	20	16	90
	575-3-60	6.3	55.3	10				1.1	3.2	0.4	8.6	11758	17	1	16.4	26.7	30	30	25	88	27.7	30	30	25	90
												12658	25.7	1	24.7	37	40	40	34	88	38	40	40	35	90

Table 159: ZY04 to 12 medium static indoor blower - with powered convenience outlet

Size (ton)	Nominal unit voltage	Compressor 1			Compressor 2			OD fan motors (each)	Supply blower motor	Pwr exh motor	Pwr conv outlet	Electric heat field installed kit 2EK045*				MCA ¹ (amps)	Min fuse ² / breaker ³ size (amps)	Max fuse ² / breaker ³ size (amps)	Min disconnect rating ⁴		MCA ¹ w/pwr exh (amps)	Min fuse ² / breaker ³ size w/ pwr exh (amps)	Max fuse ² / breaker ³ size w/ pwr exh (amps)	Min disconnect rating ⁴ / pwr exh	
		RLA	LRA	MCC	RLA	LRA	MCC					Model	kW	Stages	Amps				FLA	LRA				FLA	LRA
08 (7.5)	208-3-60	13.6	83.1	21	13.6	83.1	21	2.3	7	1.1	8.6	None	-	-	-	46.5	50	60	50	250	48.7	50	60	52	260
												11725	12	1	33.3	55.8	60	60	51	250	58.5	60	60	54	260
												12525	18.6	1	51.6	78.6	80	80	72	250	81.4	90	90	75	260
												13225	24	1	66.6	97.4	100	100	90	250	100.1	110	110	92	260
												14225	31.8	2	88.3	124.5	125	125	115	250	127.3	150	150	117	260
	230-3-60	13.6	83.1	21	13.6	83.1	21	2.3	7.2	1	8.6	None	-	-	-	46.7	50	60	50	252	48.7	50	60	52	247
												11725	16	1	38.5	62.5	70	70	58	252	65	70	70	60	247
												12525	24.8	1	59.7	89	90	90	82	252	91.5	100	100	84	247
												13225	32	1	77	110.6	125	125	102	252	113.1	125	125	104	247
												14225	42.4	2	102	141.9	150	150	131	252	144.4	150	150	133	247
	460-3-60	6.1	41	10	6.1	41	10	1.3	3.6	0.5	8.6	None	-	-	-	22.1	25	25	24	127	23.1	25	25	25	123
												11746	16.5	1	19.8	31.9	35	35	29	127	33.2	35	35	31	123
												12846	27.8	1	33.4	48.9	50	50	45	127	50.2	60	60	46	123
												13346	33	1	39.7	56.8	60	60	52	127	58.1	60	60	53	123
												14246	41.7	2	50.2	69.9	70	70	64	127	71.2	80	80	65	123
	575-3-60	4.2	33	7	4.2	33	7	1.1	2.5	0.4	8.6	None	-	-	-	15.9	20	20	17	95	16.7	20	20	18	92
11758												17	1	16.4	25.8	30	30	24	95	26.8	30	30	25	92	
13458												34	1	32.7	46.2	50	50	42	95	47.2	50	50	43	92	
13458												34	1	32.7	46.2	50	50	42	95	47.2	50	50	43	92	
09 (8.5)	208-3-60	13.7	83.1	21	13.7	83.1	21	2.3	7	1.1	8.6	None	-	-	-	46.7	50	60	50	250	48.9	50	60	52	260
												11725	12	1	33.3	55.8	60	60	51	250	58.5	60	60	54	260
												12525	18.6	1	51.6	78.6	80	80	72	250	81.4	90	90	75	260
												13225	24	1	66.6	97.4	100	100	90	250	100.1	110	110	92	260
												14225	31.8	2	88.3	124.5	125	125	115	250	127.3	150	150	117	260
	230-3-60	13.7	83.1	21	13.7	83.1	21	2.3	7.2	1	8.6	None	-	-	-	46.9	50	60	50	252	48.9	50	60	52	247
												11725	16	1	38.5	62.5	70	70	58	252	65	70	70	60	247
												12525	24.8	1	59.7	89	90	90	82	252	91.5	100	100	84	247
												13225	32	1	77	110.6	125	125	102	252	113.1	125	125	104	247
												14225	42.4	2	102	141.9	150	150	131	252	144.4	150	150	133	247
	460-3-60	6.2	41	10	6.2	41	10	1.3	3.6	0.5	8.6	None	-	-	-	22.4	25	25	24	127	23.4	25	25	25	123
												11746	16.5	1	19.8	31.9	35	35	29	127	33.2	35	35	31	123
												12846	27.8	1	33.4	48.9	50	50	45	127	50.2	60	60	46	123
												13346	33	1	39.7	56.8	60	60	52	127	58.1	60	60	53	123
												14246	41.7	2	50.2	69.9	70	70	64	127	71.2	80	80	65	123
	575-3-60	4.8	33	8	4.8	33	8	1.1	2.5	0.4	8.6	None	-	-	-	17.2	20	20	18	95	18	20	20	19	92
11758												17	1	16.4	25.8	30	30	24	95	26.8	30	30	25	92	
13458												34	1	32.7	46.2	50	50	42	95	47.2	50	50	43	92	
13458												34	1	32.7	46.2	50	50	42	95	47.2	50	50	43	92	

Table 159: ZY04 to 12 medium static indoor blower - with powered convenience outlet

Size (ton)	Nominal unit voltage	Compressor 1			Compressor 2			OD fan motors (each)	Supply blower motor	Pwr exh motor	Pwr conv outlet	Electric heat field installed kit 2EK045*				MCA ¹ (amps)	Min fuse ² / breaker ³ size (amps)	Max fuse ² / breaker ³ size (amps)	Min disconnect rating ⁴		MCA ¹ w/pwr exh (amps)	Min fuse ² / breaker ³ size w/ pwr exh (amps)	Max fuse ² / breaker ³ size w/ pwr exh (amps)	Min disconnect rating ⁴ / pwr exh	
		RLA	LRA	MCC	RLA	LRA	MCC					Model	kW	Stages	Amps				FLA	LRA				FLA	LRA
		12 (10)	208-3-60	16	110	25	16					110	25	5.8	9.9				1.1	8.6				None	-
11725	12							1	33.3	59.4	60					70	60	319			62.1	70	70	62	329
12525	18.6							1	51.6	82.3	90					90	76	319			85	90	90	78	329
13225	24							1	66.6	101	110					110	93	319			103.8	110	110	95	329
14225	31.8							2	88.3	128.1	150					150	118	319			130.9	150	150	120	329
230-3-60	16		110	25	16	110	25	5.2	9.4	1	8.6	None	-	-	-	54.9	60	70	59	324	56.9	60	70	61	329
												11725	16	1	38.5	65.3	70	70	60	324	67.8	70	70	62	329
												12525	24.8	1	59.7	91.8	100	100	84	324	94.3	100	100	87	329
												13225	32	1	77	113.4	125	125	104	324	115.9	125	125	107	329
												14225	42.4	2	102	144.6	150	150	133	324	147.1	150	150	135	329
460-3-60	7.8		52	12	7.8	52	12	2.9	4.7	0.5	8.6	None	-	-	-	27.4	30	35	29	157	28.4	30	35	30	160
												11746	16.5	1	19.8	33.3	35	35	31	157	34.6	35	35	32	160
												12846	27.8	1	33.4	50.3	60	60	46	157	51.6	60	60	47	160
												13346	33	1	39.7	58.2	60	60	54	157	59.4	60	60	55	160
												14246	41.7	2	50.2	71.3	80	80	66	157	72.6	80	80	67	160
575-3-60	5.7		38.9	9	5.7	38.9	9	2.2	4.3	0.4	8.6	None	-	-	-	21	25	25	23	131	21.8	25	25	23	133
												11758	17	1	16.4	28	30	30	26	131	29	30	30	27	133
												13458	34	1	32.7	48.4	50	50	45	131	49.4	50	50	45	133

- 1 Minimum Circuit Ampacity.
- 2 Dual element, time delay type.
- 3 HACR type per NEC.
- 4 Non-fused Disconnect. Verify on the unit nameplate that the disconnect is properly sized for the application. Units with field installed electric heat kits may exceed the factory installed disconnect amperage rating.

ZY04 to 12 high static indoor blower - without powered convenience outlet

Table 160: ZY04 to 12 high static indoor blower - without powered convenience outlet

Size (ton)	Nominal unit voltage	Compressor 1			Compressor 2			OD fan motors (each)	Supply blower motor	Pwr exh motor	Pwr conv outlet	Electric heat field installed kit 2EK045*				MCA ¹ (amps)	Min fuse ² / breaker ³ size (amps)	Max fuse ² / breaker ³ size (amps)	Min disconnect rating ⁴		MCA ¹ w/pwr exh (amps)	Min fuse ² / breaker ³ size w/ pwr exh (amps)		Max fuse ² / breaker ³ size w/ pwr exh (amps)		Min disconnect rating ⁴ / pwr exh	
		RLA	LRA	MCC	RLA	LRA	MCC					Model	kW	Stages	Amps				FLA	LRA		Min fuse ² / breaker ³ size w/ pwr exh (amps)	Max fuse ² / breaker ³ size w/ pwr exh (amps)	FLA	LRA		
04 (3)	208-3-60	10.4	73	16				1.4	5.2	1.1		None	-	-	-	19.6	20	30	20	99	20.7	25	30	21	101		
												10625	4.9	1	13.6	23.5	25	30	22	99	24.9	25	30	23	101		
												11125	7.9	1	21.9	33.9	35	35	31	99	35.3	40	40	32	101		
												11625	12	1	33.3	48.1	50	50	44	99	49.5	50	50	46	101		
	230-3-60	10.4	73	16				1.4	5.2	1			None	-	-	-	19.6	20	30	20	101	20.6	25	30	21	104	
													10625	6.5	1	15.6	26	30	30	24	101	27.3	30	30	25	104	
													11125	10.5	1	25.3	38.1	40	40	35	101	39.4	40	40	36	104	
													11625	16	1	38.5	54.6	60	60	50	101	55.9	60	60	51	104	
	460-3-60	5.8	38	9				0.8	2.6	0.5			None	-	-	-	10.7	15	15	11	52	11.2	15	15	11	54	
													10646	6	1	7.2	12.3	15	15	11	52	12.9	15	15	12	54	
													11146	11.5	1	13.8	20.5	25	25	19	52	21.1	25	25	19	54	
													11446	14	1	16.8	24.3	25	25	22	52	24.9	25	25	23	54	
575-3-60	3.8	36.5	6				0.6	2	0.4			None	-	-	-	7.4	15	15	7	48	7.8	15	15	8	49		
												11058	9.2	1	8.9	13.6	15	15	13	48	14.1	15	15	13	49		
												11458	13.8	1	13.3	19.1	20	20	18	48	19.6	20	20	18	49		
05 (4)	208-3-60	13.7	83.1	21			1.4	7.5	1.1			None	-	-	-	26	30	35	26	135	27.1	30	40	27	137		
												10625	4.9	1	13.6	26.4	30	35	26	135	27.8	30	40	27	137		
												11125	7.9	1	21.9	36.8	40	40	34	135	38.1	40	40	35	137		
												11625	12	1	33.3	51	60	60	47	135	52.4	60	60	48	137		
	230-3-60	13.7	83.1	21				1.4	7.5	1			None	-	-	-	26	30	35	26	141	27	30	40	27	144	
													10625	6.5	1	15.6	28.9	30	35	27	141	30.1	35	40	28	144	
													11125	10.5	1	25.3	41	45	45	38	141	42.3	45	45	39	144	
													11625	16	1	38.5	57.5	60	60	53	141	58.8	60	60	54	144	
	460-3-60	6.2	41	10				0.8	3.4	0.5			None	-	-	-	12	15	15	12	70	12.5	15	15	13	72	
													10646	6	1	7.2	13.3	15	15	12	70	13.9	15	15	13	72	
													11146	11.5	1	13.8	21.5	25	25	20	70	22.1	25	25	20	72	
													11446	14	1	16.8	25.3	30	30	23	70	25.9	30	30	24	72	
575-3-60	4.8	33	8				0.6	2.8	0.4			None	-	-	-	9.4	15	15	9	57	9.8	15	15	10	57		
												11058	9.2	1	8.9	14.6	15	15	13	57	15.1	20	20	14	57		
												11458	13.8	1	13.3	20.1	25	25	19	57	20.6	25	25	19	57		
06 (5)	208-3-60	15.9	110	25			2.3	8.9	1.1			None	-	-	-	31.1	35	45	31	192	32.2	35	45	32	194		
												10625	4.9	1	13.6	31.1	35	45	31	192	32.2	35	45	32	194		
												11125	7.9	1	21.9	38.5	40	45	35	192	39.9	40	45	37	194		
												11625	12	1	33.3	52.8	60	60	49	192	54.1	60	60	50	194		
	230-3-60	15.9	110	25				2.3	8.2	1			None	-	-	-	30.4	35	45	30	194	31.4	35	45	32	196	
													10625	6.5	1	15.6	30.4	35	45	30	194	31.4	35	45	32	196	
													11125	10.5	1	25.3	41.9	45	45	39	194	43.1	45	45	40	196	
													11625	16	1	38.5	58.4	60	60	54	194	59.6	60	60	55	196	
	460-3-60	7.1	52	11				1.3	4.1	0.5			None	-	-	-	14.3	15	20	14	89	14.8	15	20	15	91	
													11146	6	1	7.2	14.3	15	20	13	89	14.8	15	20	14	91	
													11146	11.5	1	13.8	22.4	25	25	21	89	23	25	25	21	91	
													11446	14	1	16.8	26.1	30	30	24	89	26.8	30	30	25	91	
575-3-60	5.1	39.5	8				1.1	3.2	0.4			None	-	-	-	10.7	15	15	11	68	11.1	15	15	11	69		
												11458	13.8	1	13.3	20.6	25	25	19	68	21.1	25	25	19	69		
												12358	23	1	22.1	31.6	35	35	29	68	32.1	35	35	30	69		

Table 160: ZY04 to 12 high static indoor blower - without powered convenience outlet

Size (ton)	Nominal unit voltage	Compressor 1			Compressor 2			OD fan motors (each)	Supply blower motor	Pwr exh motor	Pwr conv outlet	Electric heat field installed kit 2EK045*				MCA ¹ (amps)	Min fuse ² / breaker ³ size (amps)	Max fuse ² / breaker ³ size (amps)	Min disconnect rating ⁴		MCA ¹ w/pwr exh (amps)	Min fuse ² / breaker ³ size w/ pwr exh (amps)	Max fuse ² / breaker ³ size w/ pwr exh (amps)	Min disconnect rating ⁴ / pwr exh		
		RLA	LRA	MCC	RLA	LRA	MCC					Model	kW	Stages	Amps				FLA	LRA				FLA	LRA	
07 (6)	208-3-60	19	123	30				2.3	10.2	1.1		None	-	-	-	38.6	40	50	39	206	40.8	45	50	41	216	
												10725	4.9	1	13.6	38.6	40	50	39	206	40.8	45	50	41	216	
												11725	12	1	33.3	54.4	60	60	50	206	57.1	60	60	53	216	
												12525	18.6	1	51.6	77.3	80	80	71	206	80	90	90	74	216	
	230-3-60	19	123	30				2.3	10.2	1			None	-	-	-	38.6	40	50	39	212	40.6	45	50	41	207
													10725	6.5	1	15.6	38.6	40	50	39	212	40.6	45	50	41	207
													11725	16	1	38.5	60.9	70	70	56	212	63.4	70	70	58	207
													12525	24.8	1	59.7	87.4	90	90	80	212	89.9	90	90	83	207
	460-3-60	9.7	62	15				1.3	4.8	0.5			None	-	-	-	19.5	20	25	20	108	20.5	25	25	21	105
													10746	6	1	7.2	19.5	20	25	14	108	20.5	25	25	15	105
													11746	16.5	1	19.8	30.8	35	35	28	108	32	35	35	29	105
													12646	25.5	1	30.7	44.4	45	45	41	108	45.6	50	50	42	105
575-3-60	7.4	50	12				1.1	3.4	0.4			None	-	-	-	14.9	15	20	15	87	15.7	20	20	16	84	
												11758	17	1	16.4	24.8	25	25	23	87	25.8	30	30	24	84	
												12658	25.7	1	24.7	35.1	40	40	32	87	36.1	40	40	33	84	
												None	-	-	-	36.8	40	50	37	209	39	40	50	40	214	
A7 (6)	208-3-60	17.6	136	27				2.3	10.2	1.1		None	-	-	-	36.8	40	50	37	209	39	40	50	40	214	
												10725	4.9	1	13.6	36.8	40	50	37	209	39	40	50	40	214	
												11725	12	1	33.3	54.4	60	60	50	209	57.1	60	60	53	214	
												12525	18.6	1	51.6	77.3	80	80	71	209	80	90	90	74	214	
	230-3-60	17.6	136	27				2.3	10.2	1			None	-	-	-	36.8	40	50	37	215	38.8	40	50	40	220
													10725	6.5	1	15.6	36.8	40	50	37	215	38.8	40	50	40	220
													11725	16	1	38.5	60.9	70	70	56	215	63.4	70	70	58	220
													12525	24.8	1	59.7	87.4	90	90	80	215	89.9	90	90	83	220
	460-3-60	8.5	66.1	13				1.3	4.8	0.5			None	-	-	-	18	20	25	18	106	19	20	25	19	109
													10746	6	1	7.2	18	20	25	14	106	19	20	25	15	109
													11746	16.5	1	19.8	30.8	35	35	28	106	32	35	35	29	109
													12646	25.5	1	30.7	44.4	45	45	41	106	45.6	50	50	42	109
575-3-60	6.3	55.3	10				1.1	3.4	0.4			None	-	-	-	13.5	15	15	14	88	14.3	15	15	15	89	
												11758	17	1	16.4	24.8	25	25	23	88	25.8	30	30	24	89	
												12658	25.7	1	24.7	35.1	40	40	32	88	36.1	40	40	33	89	
												None	-	-	-	45.4	50	50	48	249	47.6	50	60	51	259	
08 (7.5)	208-3-60	13.6	83.1	21	13.6	83.1	21	2.3	10.2	1.1		None	-	-	-	45.4	50	50	48	249	47.6	50	60	51	259	
												11725	12	1	33.3	54.4	60	60	50	249	57.1	60	60	53	259	
												12525	18.6	1	51.6	77.3	80	80	71	249	80	90	90	74	259	
												13225	24	1	66.6	96	100	100	88	249	98.8	100	100	91	259	
	230-3-60	13.6	83.1	21	13.6	83.1	21	2.3	10.2	1			None	-	-	-	45.4	50	50	48	255	47.4	50	60	51	250
													11725	16	1	38.5	60.9	70	70	56	255	63.4	70	70	58	250
													12525	24.8	1	59.7	87.4	90	90	80	255	89.9	90	90	83	250
													13225	32	1	77	109	110	110	100	255	111.5	125	125	103	250
	460-3-60	6.1	41	10	6.1	41	10	1.3	4.8	0.5			None	-	-	-	21.1	25	25	23	128	22.1	25	25	24	125
													11746	16.5	1	19.8	30.8	35	35	28	128	32	35	35	29	125
													12846	27.8	1	33.4	47.8	50	50	44	128	49	50	50	45	125
													13346	33	1	39.7	55.6	60	60	51	128	56.9	60	60	52	125
575-3-60	4.2	33	7	4.2	33	7	1.1	3.4	0.4			None	-	-	-	15.1	20	20	16	103	15.9	20	20	17	100	
												11758	17	1	16.4	24.8	25	25	23	103	25.8	30	30	24	100	
												13458	34	1	32.7	45.1	50	50	42	103	46.1	50	50	42	100	
												None	-	-	-	45.4	50	50	48	249	47.6	50	60	51	259	

Table 160: ZY04 to 12 high static indoor blower - without powered convenience outlet

Size (ton)	Nominal unit voltage	Compressor 1			Compressor 2			OD fan motors (each)	Supply blower motor	Pwr exh motor	Pwr conv outlet	Electric heat field installed kit 2EK045*				MCA ¹ (amps)	Min fuse ² / breaker ³ size (amps)	Max fuse ² / breaker ³ size (amps)	Min disconnect rating ⁴		MCA ¹ w/pwr exh (amps)	Min fuse ² / breaker ³ size w/ pwr exh (amps)	Max fuse ² / breaker ³ size w/ pwr exh (amps)	Min disconnect rating ⁴ / pwr exh		
		RLA	LRA	MCC	RLA	LRA	MCC					Model	kW	Stages	Amps				FLA	LRA				FLA	LRA	
09 (8.5)	208-3-60	13.7	83.1	21	13.7	83.1	21	2.3	10.2	1.1		None	-	-	-	45.6	50	50	49	249	47.8	50	60	51	259	
												11725	12	1	33.3	54.4	60	60	50	249	57.1	60	60	53	259	
												12525	18.6	1	51.6	77.3	80	80	71	249	80	90	90	74	259	
												13225	24	1	66.6	96	100	100	88	249	98.8	100	100	91	259	
												14225	31.8	2	88.3	123.1	125	125	113	249	125.9	150	150	116	259	
	230-3-60	13.7	83.1	21	13.7	83.1	21	2.3	10.2	1			None	-	-	-	45.6	50	50	49	255	47.6	50	60	51	250
													11725	16	1	38.5	60.9	70	70	56	255	63.4	70	70	58	250
													12525	24.8	1	59.7	87.4	90	90	80	255	89.9	90	90	83	250
													13225	32	1	77	109	110	110	100	255	111.5	125	125	103	250
													14225	42.4	2	102	140.3	150	150	129	255	142.8	150	150	131	250
	460-3-60	6.2	41	10	6.2	41	10	1.3	4.8	0.5			None	-	-	-	21.4	25	25	23	128	22.4	25	25	24	125
													11746	16.5	1	19.8	30.8	35	35	28	128	32	35	35	29	125
													12846	27.8	1	33.4	47.8	50	50	44	128	49	50	50	45	125
													13346	33	1	39.7	55.6	60	60	51	128	56.9	60	60	52	125
													14246	41.7	2	50.2	68.8	70	70	63	128	70	70	70	64	125
	575-3-60	4.8	33	8	4.8	33	8	1.1	3.4	0.4			None	-	-	-	16.4	20	20	17	103	17.2	20	20	18	100
11758													17	1	16.4	24.8	25	25	23	103	25.8	30	30	24	100	
13458													34	1	32.7	45.1	50	50	42	103	46.1	50	50	42	100	
12 (10)	208-3-60	16	110	25	16	110	25	5.8	14.9	1.1		None	-	-	-	56.7	60	70	61	323	58.9	60	70	63	333	
												11725	12	1	33.3	60.3	70	70	61	323	63	70	70	63	333	
												12525	18.6	1	51.6	83.1	90	90	76	323	85.9	90	90	79	333	
												13225	24	1	66.6	101.9	110	110	94	323	104.6	110	110	96	333	
												14225	31.8	2	88.3	129	150	150	119	323	131.8	150	150	121	333	
	230-3-60	16	110	25	16	110	25	5.2	15	1			None	-	-	-	56.2	60	70	60	322	58.2	60	70	62	327
													11725	16	1	38.5	66.9	70	70	62	322	69.4	70	70	64	327
													12525	24.8	1	59.7	93.4	100	100	86	322	95.9	100	100	88	327
													13225	32	1	77	115	125	125	106	322	117.5	125	125	108	327
													14225	42.4	2	102	146.3	150	150	135	322	148.8	150	150	137	327
	460-3-60	7.8	52	12	7.8	52	12	2.9	7.5	0.5			None	-	-	-	28	30	35	30	159	29	30	35	31	161
													11746	16.5	1	19.8	34.1	35	35	31	159	35.4	40	40	33	161
													12846	27.8	1	33.4	51.1	60	60	47	159	52.4	60	60	48	161
													13346	33	1	39.7	59	60	60	54	159	60.3	70	70	55	161
													14246	41.7	2	50.2	72.1	80	80	66	159	73.4	80	80	68	161
	575-3-60	5.7	38.9	9	5.7	38.9	9	2.2	5.6	0.4			None	-	-	-	20.6	25	25	22	124	21.4	25	25	23	126
11758													17	1	16.4	27.5	30	30	25	124	28.5	30	30	26	126	
13458													34	1	32.7	47.9	50	50	44	124	48.9	50	50	45	126	

- 1 Minimum Circuit Ampacity.
- 2 Dual element, time delay type.
- 3 HACR type per NEC.
- 4 Non-fused Disconnect. Verify on the unit nameplate that the disconnect is properly sized for the application. Units with field installed electric heat kits may exceed the factory installed disconnect amperage rating.

Table 161: ZY04 to 12 High Static Indoor Blower - Without Powered Convenience Outlet (with VFD)

Size (ton)	Nominal unit voltage	Compressor 1			Compressor 2			OD fan motors (each)	Supply blower motor	Pwr exh motor	Pwr conv outlet	Electric heat field installed kit 2EK045*				¹ MCA ¹ (amps)	^{2,3} Min fuse ² / breaker ³ size (amps)	Max fuse ² / breaker ³ size (amps)	⁴ Min disconnect rating ⁴		MCA ¹ w/pwr exh (amps)	Min fuse ² / breaker ³ size w/ pwr exh (amps)		Max fuse ² / breaker ³ size w/ pwr exh (amps)		Min disconnect rating ⁴ / pwr exh	
		RLA	LRA	MCC	RLA	LRA	MCC					Model	kW	Stages	Amps				FLA	LRA		FLA	LRA	FLA	LRA		
		With VFD																									
A7 (6)	208-3-60	17.6	136	27				2.3	9.9	1.1		None	-	-	-	36.5	40	50	37	218	38.7	40	50	39	223		
												10725	4.9	1	13.6	36.5	40	50	37	218	38.7	40	50	39	223		
												11725	12	1	33.3	54	60	60	50	218	56.8	60	60	52	223		
												12525	18.6	1	51.6	76.9	80	80	71	218	79.6	80	80	73	223		
	230-3-60	17.6	136	27				2.3	9.4	1			None	-	-	-	36	40	50	36	227	38	40	50	39	231	
													10725	6.5	1	15.6	36	40	50	36	227	38	40	50	39	231	
													11725	16	1	38.5	59.9	60	60	55	227	62.4	70	70	57	231	
													12525	24.8	1	59.7	86.4	90	90	79	227	88.9	90	90	82	231	
	460-3-60	8.5	66.1	13				1.3	4.7	0.5			None	-	-	-	17.9	20	25	18	112	18.9	20	25	19	114	
													10746	6	1	7.2	17.9	20	25	14	112	18.9	20	25	15	114	
													11746	16.5	1	19.8	30.6	35	35	28	112	31.9	35	35	29	114	
													12646	25.5	1	30.7	44.3	45	45	41	112	45.5	50	50	42	114	
575-3-60	6.3	55.3	10				1.1	4.3	0.4			None	-	-	-	14.4	15	20	15	100	15.2	20	20	16	102		
												11758	17	1	16.4	25.9	30	30	24	100	26.9	30	30	25	102		
												12658	25.7	1	24.7	36.3	40	40	33	100	37.3	40	40	34	102		
												None	-	-	-	45.1	50	50	48	258	47.3	50	50	50	268		
08 (7.5)	208-3-60	13.6	83.1	21	13.6	83.1	21	2.3	9.9	1.1		11725	12	1	33.3	54	60	60	50	258	56.8	60	60	52	268		
												12525	18.6	1	51.6	76.9	80	80	71	258	79.6	80	80	73	268		
												13225	24	1	66.6	95.6	100	100	88	258	98.4	100	100	91	268		
												14225	31.8	2	88.3	122.8	125	125	113	258	125.5	150	150	115	268		
	230-3-60	13.6	83.1	21	13.6	83.1	21	2.3	9.4	1			None	-	-	-	44.6	45	50	47	267	46.6	50	60	50	261	
													11725	16	1	38.5	59.9	60	60	55	267	62.4	70	70	57	261	
													12525	24.8	1	59.7	86.4	90	90	79	267	88.9	90	90	82	261	
													13225	32	1	77	108	110	110	99	267	110.5	125	125	102	261	
	460-3-60	6.1	41	10	6.1	41	10	1.3	4.7	0.5			14225	42.4	2	102	139.3	150	150	128	267	141.8	150	150	130	261	
													None	-	-	-	21	25	25	22	134	22	25	25	24	130	
													11746	16.5	1	19.8	30.6	35	35	28	134	31.9	35	35	29	130	
													12846	27.8	1	33.4	47.6	50	50	44	134	48.9	50	50	45	130	
575-3-60	4.2	33	7	4.2	33	7	1.1	4.3	0.4			13346	33	1	39.7	55.5	60	60	51	134	56.8	60	60	52	130		
												14246	41.7	2	50.2	68.6	70	70	63	134	69.9	70	70	64	130		
												None	-	-	-	16	20	20	17	115	16.8	20	20	18	113		
												11758	17	1	16.4	25.9	30	30	24	115	26.9	30	30	25	113		
												13458	34	1	32.7	46.3	50	50	43	115	47.3	50	50	43	113		

Table 161: ZY04 to 12 High Static Indoor Blower - Without Powered Convenience Outlet (with VFD)

Size (ton)	Nominal unit voltage	Compressor 1			Compressor 2			OD fan motors (each)	Supply blower motor	Pwr exh motor	Pwr conv outlet	Electric heat field installed kit 2EK045*				MCA ¹ (amps)	2,3 Min fuse ² / breaker ³ size (amps)	Max fuse ² / breaker ³ size (amps)	4 Min disconnect rating ⁴		MCA ¹ w/pwr exh (amps)	Min fuse ² / breaker ³ size w/ pwr exh (amps)	Max fuse ² / breaker ³ size w/ pwr exh (amps)	Min disconnect rating ⁴ / pwr exh	
		RLA	LRA	MCC	RLA	LRA	MCC					Model	kW	Stages	Amps				FLA	LRA				FLA	LRA
09 (8.5)	208-3-60	13.7	83.1	21	13.7	83.1	21	2.3	9.9	1.1		None	-	-	-	45.3	50	50	48	258	47.5	50	60	51	268
												11725	12	1	33.3	54	60	60	50	258	56.8	60	60	52	268
												12525	18.6	1	51.6	76.9	80	80	71	258	79.6	80	80	73	268
												13225	24	1	66.6	95.6	100	100	88	258	98.4	100	100	91	268
	230-3-60	13.7	83.1	21	13.7	83.1	21	2.3	9.4	1		None	-	-	-	44.8	45	50	48	267	46.8	50	60	50	261
												11725	16	1	38.5	59.9	60	60	55	267	62.4	70	70	57	261
												12525	24.8	1	59.7	86.4	90	90	79	267	88.9	90	90	82	261
												13225	32	1	77	108	110	110	99	267	110.5	125	125	102	261
	460-3-60	6.2	41	10	6.2	41	10	1.3	4.7	0.5		None	-	-	-	21.3	25	25	23	134	22.3	25	25	24	130
												11746	16.5	1	19.8	30.6	35	35	28	134	31.9	35	35	29	130
												12846	27.8	1	33.4	47.6	50	50	44	134	48.9	50	50	45	130
												13346	33	1	39.7	55.5	60	60	51	134	56.8	60	60	52	130
	575-3-60	4.8	33	8	4.8	33	8	1.1	4.3	0.4		None	-	-	-	17.3	20	20	19	115	18.1	20	20	19	113
												11758	17	1	16.4	25.9	30	30	24	115	26.9	30	30	25	113
												13458	34	1	32.7	46.3	50	50	43	115	47.3	50	50	43	113
												None	-	-	-	55.3	60	70	59	345	57.5	60	70	62	355
12 (10)	208-3-60	16	110	25	16	110	25	5.8	13.5	1.1		None	-	-	-	55.3	60	70	59	345	57.5	60	70	62	355
												11725	12	1	33.3	58.5	60	70	59	345	61.3	70	70	62	355
												12525	18.6	1	51.6	81.4	90	90	75	345	84.1	90	90	77	355
												13225	24	1	66.6	100.1	110	110	92	345	102.9	110	110	95	355
	230-3-60	16	110	25	16	110	25	5.2	13.4	1		None	-	-	-	54.6	60	70	58	341	56.6	60	70	60	346
												11725	16	1	38.5	64.9	70	70	60	341	67.4	70	70	62	346
												12525	24.8	1	59.7	91.4	100	100	84	341	93.9	100	100	86	346
												13225	32	1	77	113	125	125	104	341	115.5	125	125	106	346
	460-3-60	7.8	52	12	7.8	52	12	2.9	6.7	0.5		None	-	-	-	27.2	30	30	29	166	28.2	30	30	30	168
												11746	16.5	1	19.8	33.1	35	35	30	166	34.4	35	35	32	168
												12846	27.8	1	33.4	50.1	60	60	46	166	51.4	60	60	47	168
												13346	33	1	39.7	58	60	60	53	166	59.3	60	60	55	168
	575-3-60	5.7	38.9	9	5.7	38.9	9	2.2	5.4	0.4		None	-	-	-	20.4	25	25	22	129	21.2	25	25	23	131
												11758	17	1	16.4	27.3	30	30	25	129	28.3	30	30	26	131
												13458	34	1	32.7	47.6	50	50	44	129	48.6	50	50	45	131
												None	-	-	-	20.4	25	25	22	129	21.2	25	25	23	131

- 1 Minimum Circuit Ampacity.
- 2 Dual element, time delay type.
- 3 HACR type per NEC.
- 4 Non-fused disconnect. Verify on the unit nameplate that the disconnect is properly sized for the application. Units with field installed electric heat kits may exceed the factory installed disconnect amperage rating.

ZY04 to 12 high static indoor blower - with powered convenience outlet

Table 162: ZY04 to 12 high static indoor blower - with powered convenience outlet

Size (ton)	Nominal unit voltage	Compressor 1			Compressor 2			OD fan motors (each)	Supply blower motor	Pwr exh motor	Pwr conv outlet	Electric heat field installed kit 2EK045*				MCA w/ pwr exh (amps)	Min fuse ² / breaker ³ size w/ pwr exh (amps)	Max fuse ² / breaker ³ size w/ pwr exh (amps)	Min disconnect rating ⁴						
		RLA	LRA	MCC	RLA	LRA	MCC					Model	kW	Stages	Amps					¹ MCA ¹ (amps)	^{2,3} Min fuse ² / breaker ³ size (amps)	Max fuse ² / breaker ³ size (amps)	⁴ min disconnect rating ⁴		
		FLA	LRA	FLA	LRA																				
04 (3)	208-3-60	10.4	73	16				1.4	5.2	1.1	8.6	None	-	-	-	23.9	25	30	24	103	25	25	35	26	105
												10625	4.9	1	13.6	28.9	30	30	27	103	30.3	35	35	28	105
												11125	7.9	1	21.9	39.3	40	40	36	103	40.6	45	45	37	105
												11625	12	1	33.3	53.5	60	60	49	103	54.9	60	60	50	105
	230-3-60	10.4	73	16				1.4	5.2	1	8.6	None	-	-	-	23.9	25	30	24	106	24.9	25	35	26	108
												10625	6.5	1	15.6	31.4	35	35	29	106	32.6	35	35	30	108
												11125	10.5	1	25.3	43.5	45	45	40	106	44.8	45	45	41	108
												11625	16	1	38.5	60	60	60	55	106	61.3	70	70	56	108
	460-3-60	5.8	38	9				0.8	2.6	0.5	8.6	None	-	-	-	12.9	15	15	13	55	13.4	15	15	14	56
												10646	6	1	7.2	14.9	15	15	14	55	15.6	20	20	14	56
												11146	11.5	1	13.8	23.2	25	25	21	55	23.8	25	25	22	56
												11446	14	1	16.8	26.9	30	30	25	55	27.6	30	30	25	56
575-3-60	3.8	36.5	6				0.6	2	0.4	8.6	None	-	-	-	9.1	15	15	9	50	9.5	15	15	10	51	
											11058	9.2	1	8.9	15.8	20	20	15	50	16.3	20	20	15	51	
											11458	13.8	1	13.3	21.3	25	25	20	50	21.8	25	25	20	51	
											None	-	-	-	30.3	35	40	31	139	31.4	35	45	32	142	
05 (4)	208-3-60	13.7	83.1	21				1.4	7.5	1.1	8.6	None	-	-	-	30.3	35	40	31	139	31.4	35	45	32	142
												10625	4.9	1	13.6	31.8	35	40	31	139	33.1	35	45	32	142
												11125	7.9	1	21.9	42.1	45	45	39	139	43.5	45	45	40	142
												11625	12	1	33.3	56.4	60	60	52	139	57.8	60	60	53	142
	230-3-60	13.7	83.1	21				1.4	7.5	1	8.6	None	-	-	-	30.3	35	40	31	146	31.3	35	45	32	148
												10625	6.5	1	15.6	34.3	35	40	32	146	35.5	40	45	33	148
												11125	10.5	1	25.3	46.4	50	50	43	146	47.6	50	50	44	148
												11625	16	1	38.5	62.9	70	70	58	146	64.1	70	70	59	148
	460-3-60	6.2	41	10				0.8	3.4	0.5	8.6	None	-	-	-	14.2	15	20	14	73	14.7	15	20	15	74
												10646	6	1	7.2	15.9	20	20	15	73	16.6	20	20	15	74
												11146	11.5	1	13.8	24.2	25	25	22	73	24.8	25	25	23	74
												11446	14	1	16.8	27.9	30	30	26	73	28.6	30	30	26	74
575-3-60	4.8	33	8				0.6	2.8	0.4	8.6	None	-	-	-	11.1	15	15	11	58	11.5	15	15	12	59	
											11058	9.2	1	8.9	16.8	20	20	15	58	17.3	20	20	16	59	
											11458	13.8	1	13.3	22.3	25	25	20	58	22.8	25	25	21	59	
											None	-	-	-	35.4	40	50	36	196	36.5	40	50	37	198	
06 (5)	208-3-60	15.9	110	25				2.3	8.9	1.1	8.6	None	-	-	-	35.4	40	50	36	196	36.5	40	50	37	198
												10625	4.9	1	13.6	35.4	40	50	36	196	36.5	40	50	37	198
												11125	7.9	1	21.9	43.9	45	50	40	196	45.3	50	50	42	198
												11625	12	1	33.3	58.1	60	60	53	196	59.5	60	60	55	198
	230-3-60	15.9	110	25				2.3	8.2	1	8.6	None	-	-	-	34.7	35	50	35	198	35.7	40	50	36	201
												10625	6.5	1	15.6	35.1	40	50	35	198	36.4	40	50	36	201
												11125	10.5	1	25.3	47.3	50	50	43	198	48.5	50	50	45	201
												11625	16	1	38.5	63.8	70	70	59	198	65	70	70	60	201
	460-3-60	7.1	52	11				1.3	4.1	0.5	8.6	None	-	-	-	16.5	20	20	17	92	17	20	20	17	93
												11146	6	1	7.2	16.8	20	20	15	92	17.4	20	20	16	93
												11146	11.5	1	13.8	25.1	30	30	23	92	25.7	30	30	24	93
												11446	14	1	16.8	28.8	30	30	27	92	29.4	30	30	27	93
575-3-60	5.1	39.5	8				1.1	3.2	0.4	8.6	None	-	-	-	12.4	15	15	13	70	12.8	15	15	13	71	
											11458	13.8	1	13.3	22.8	25	25	21	70	23.3	25	25	21	71	
											12358	23	1	22.1	33.8	35	35	31	70	34.3	35	35	32	71	
											None	-	-	-	35.4	40	50	36	196	36.5	40	50	37	198	

Table 162: ZY04 to 12 high static indoor blower - with powered convenience outlet

Size (ton)	Nominal unit voltage	Compressor 1			Compressor 2			OD fan motors (each)	Supply blower motor	Pwr exh motor	Pwr conv outlet	Electric heat field installed kit 2EK045*				MCA ¹ (amps)	2- ³ Min fuse ⁷ / breaker ⁸ size (amps)	Max fuse ⁷ / breaker ⁸ size (amps)	4 min disconnect rating ⁴		MCA w/pwr exh (amps)	Min fuse ⁷ / breaker ⁸ size w/ pwr exh (amps)		Max fuse ⁷ / breaker ⁸ size w/ pwr exh (amps)		Min disconnect rating ⁴ / pwr exh	
		RLA	LRA	MCC	RLA	LRA	MCC					Model	kW	Stages	Amps				FLA	LRA		Min fuse ⁷ / breaker ⁸ size w/ pwr exh (amps)	Max fuse ⁷ / breaker ⁸ size w/ pwr exh (amps)	FLA	LRA		
07 (6)	208-3-60	19	123	30				2.3	10.2	1.1	8.6	None	-	-	-	42.9	45	60	44	210	45.1	50	60	46	220		
												10725	4.9	1	13.6	42.9	45	60	44	210	45.1	50	60	46	220		
												11725	12	1	33.3	59.8	60	60	55	210	62.5	70	70	58	220		
												12525	18.6	1	51.6	82.6	90	90	76	210	85.4	90	90	79	220		
												None	-	-	-	42.9	45	60	44	216	44.9	45	60	46	211		
												10725	6.5	1	15.6	42.9	45	60	44	216	44.9	45	60	46	211		
	230-3-60	19	123	30				2.3	10.2	1	8.6	None	-	-	-	42.9	45	60	44	216	44.9	45	60	46	211		
												10725	6.5	1	15.6	42.9	45	60	44	216	44.9	45	60	46	211		
												11725	16	1	38.5	66.3	70	70	61	216	68.8	70	70	63	211		
												12525	24.8	1	59.7	92.8	100	100	85	216	95.3	100	100	88	211		
												None	-	-	-	21.7	25	30	22	110	22.7	25	30	23	107		
												10746	6	1	7.2	21.7	25	30	16	110	22.7	25	30	17	107		
460-3-60	9.7	62	15				1.3	4.8	0.5	8.6	11746	16.5	1	19.8	33.4	35	35	31	110	34.7	35	35	32	107			
											12646	25.5	1	30.7	47.1	50	50	43	110	48.3	50	50	44	107			
											None	-	-	-	16.6	20	20	17	89	17.4	20	20	18	86			
											11758	17	1	16.4	26.9	30	30	25	89	27.9	30	30	26	86			
											12658	25.7	1	24.7	37.3	40	40	34	89	38.3	40	40	35	86			
											10746	6	1	7.2	20.2	25	25	16	109	21.2	25	25	17	111			
575-3-60	7.4	50	12				1.1	3.4	0.4	8.6	None	-	-	-	16.6	20	20	17	89	17.4	20	20	18	86			
											11758	17	1	16.4	26.9	30	30	25	89	27.9	30	30	26	86			
											12658	25.7	1	24.7	37.3	40	40	34	89	38.3	40	40	35	86			
											None	-	-	-	15.2	20	20	16	89	16	20	20	17	91			
											11758	17	1	16.4	26.9	30	30	25	89	27.9	30	30	26	91			
											12658	25.7	1	24.7	37.3	40	40	34	89	38.3	40	40	35	91			
A7 (6)	208-3-60	17.6	136	27				2.3	10.2	1.1	8.6	None	-	-	-	41.1	45	50	42	213	43.3	45	50	45	218		
												10725	4.9	1	13.6	41.1	45	50	42	213	43.3	45	50	45	218		
												11725	12	1	33.3	59.8	60	60	55	213	62.5	70	70	58	218		
												12525	18.6	1	51.6	82.6	90	90	76	213	85.4	90	90	79	218		
												None	-	-	-	41.1	45	50	42	219	43.1	45	60	45	224		
												10725	6.5	1	15.6	41.1	45	50	42	219	43.1	45	60	45	224		
	230-3-60	17.6	136	27				2.3	10.2	1	8.6	11725	16	1	38.5	66.3	70	70	61	219	68.8	70	70	63	224		
												12525	24.8	1	59.7	92.8	100	100	85	219	95.3	100	100	88	224		
												None	-	-	-	20.2	25	25	21	109	21.2	25	25	22	111		
												10746	6	1	7.2	20.2	25	25	16	109	21.2	25	25	17	111		
												11746	16.5	1	19.8	33.4	35	35	31	109	34.7	35	35	32	111		
												12646	25.5	1	30.7	47.1	50	50	43	109	48.3	50	50	44	111		
460-3-60	8.5	66.1	13				1.3	4.8	0.5	8.6	None	-	-	-	15.2	20	20	16	89	16	20	20	17	91			
											11758	17	1	16.4	26.9	30	30	25	89	27.9	30	30	26	91			
											12658	25.7	1	24.7	37.3	40	40	34	89	38.3	40	40	35	91			
											None	-	-	-	23.3	25	25	25	130	24.3	25	25	26	127			
											11746	16.5	1	19.8	33.4	35	35	31	130	34.7	35	35	32	127			
											12846	27.8	1	33.4	50.4	60	60	46	130	51.7	60	60	48	127			
575-3-60	4.2	33	7	4.2	33	7	1.1	3.4	0.4	8.6	13346	33	1	39.7	58.3	60	60	54	130	59.6	60	60	55	127			
											14246	41.7	2	50.2	71.4	80	80	66	130	72.7	80	80	67	127			
											None	-	-	-	16.8	20	20	18	105	17.6	20	20	19	102			
											11758	17	1	16.4	26.9	30	30	25	105	27.9	30	30	26	102			
											13458	34	1	32.7	47.3	50	50	43	105	48.3	50	50	44	102			
											13458	34	1	32.7	47.3	50	50	43	105	48.3	50	50	44	102			

Table 162: ZY04 to 12 high static indoor blower - with powered convenience outlet

Size (ton)	Nominal unit voltage	Compressor 1			Compressor 2			OD fan motors (each)	Supply blower motor	Pwr exh motor	Pwr conv outlet	Electric heat field installed kit 2EK045*				1 MCA ¹ (amps)	2,3 Min fuse ² / breaker ³ size (amps)	Max fuse ² / breaker ³ size (amps)	4 min disconnect rating ⁴		MCA w/pwr exh (amps)	Min fuse ² / breaker ³ size w/ pwr exh (amps)	Max fuse ² / breaker ³ size w/ pwr exh (amps)		Min disconnect rating ⁴ / pwr exh
		RLA	LRA	MCC	RLA	LRA	MCC					Model	kW	Stages	Amps				FLA	LRA			FLA	LRA	
09 (8.5)	208-3-60	13.7	83.1	21	13.7	83.1	21	2.3	10.2	1.1	8.6	None	-	-	-	49.9	50	60	53	253	52.1	60	60	56	263
												11725	12	1	33.3	59.8	60	60	55	253	62.5	70	70	58	263
												12525	18.6	1	51.6	82.6	90	90	76	253	85.4	90	90	79	263
												13225	24	1	66.6	101.4	110	110	93	253	104.1	110	110	96	263
												14225	31.8	2	88.3	128.5	150	150	118	253	131.3	150	150	121	263
	230-3-60	13.7	83.1	21	13.7	83.1	21	2.3	10.2	1	8.6	None	-	-	-	49.9	50	60	53	260	51.9	60	60	56	254
												11725	16	1	38.5	66.3	70	70	61	260	68.8	70	70	63	254
												12525	24.8	1	59.7	92.8	100	100	85	260	95.3	100	100	88	254
												13225	32	1	77	114.4	125	125	105	260	116.9	125	125	108	254
												14225	42.4	2	102	145.6	150	150	134	260	148.1	150	150	136	254
	460-3-60	6.2	41	10	6.2	41	10	1.3	4.8	0.5	8.6	None	-	-	-	23.6	25	25	25	130	24.6	25	25	26	127
												11746	16.5	1	19.8	33.4	35	35	31	130	34.7	35	35	32	127
												12846	27.8	1	33.4	50.4	60	60	46	130	51.7	60	60	48	127
												13346	33	1	39.7	58.3	60	60	54	130	59.6	60	60	55	127
												14246	41.7	2	50.2	71.4	80	80	66	130	72.7	80	80	67	127
	575-3-60	4.8	33	8	4.8	33	8	1.1	3.4	0.4	8.6	None	-	-	-	18.1	20	20	19	105	18.9	20	20	20	102
11758												17	1	16.4	26.9	30	30	25	105	27.9	30	30	26	102	
13458												34	1	32.7	47.3	50	50	43	105	48.3	50	50	44	102	
12 (10)	208-3-60	16	110	25	16	110	25	5.8	14.9	1.1	8.6	None	-	-	-	61	70	70	66	328	63.2	70	70	68	338
												11725	12	1	33.3	65.6	70	70	66	328	68.4	70	70	68	338
												12525	18.6	1	51.6	88.5	90	90	81	328	91.3	100	100	84	338
												13225	24	1	66.6	107.3	110	110	99	328	110	125	125	101	338
												14225	31.8	2	88.3	134.4	150	150	124	328	137.1	150	150	126	338
	230-3-60	16	110	25	16	110	25	5.2	15	1	8.6	None	-	-	-	60.5	70	70	65	326	62.5	70	70	67	331
												11725	16	1	38.5	72.3	80	80	66	326	74.8	80	80	69	331
												12525	24.8	1	59.7	98.8	100	100	91	326	101.3	110	110	93	331
												13225	32	1	77	120.4	125	125	111	326	122.9	125	125	113	331
												14225	42.4	2	102	151.6	175	175	139	326	154.1	175	175	142	331
	460-3-60	7.8	52	12	7.8	52	12	2.9	7.5	0.5	8.6	None	-	-	-	30.2	35	35	32	161	31.2	35	35	34	163
												11746	16.5	1	19.8	36.8	40	40	34	161	38.1	40	40	35	163
												12846	27.8	1	33.4	53.8	60	60	50	161	55.1	60	60	51	163
												13346	33	1	39.7	61.7	70	70	57	161	62.9	70	70	58	163
												14246	41.7	2	50.2	74.8	80	80	69	161	76.1	80	80	70	163
	575-3-60	5.7	38.9	9	5.7	38.9	9	2.2	5.6	0.4	8.6	None	-	-	-	22.3	25	25	24	126	23.1	25	25	25	128
												11758	17	1	16.4	29.7	30	30	27	126	30.7	35	35	28	128
												13458	34	1	32.7	50	50	50	46	126	51	60	60	47	128

- 1 Minimum Circuit Ampacity.
- 2 Dual Element, Time Delay Type.
- 3 HACR type per NEC.
- 4 Non-fused disconnect. Verify on the unit nameplate that the disconnect is properly sized for the application. Units with field installed electric heat kits may exceed the factory installed disconnect amperage rating.

Table 163: ZY04 to 12 High Static Indoor Blower - With Powered Convenience Outlet (with VFD)

Size (ton)	Nominal unit voltage	Compressor 1			Compressor 2			OD fan motors (each)	Supply blower motor	Pwr exh motor	Pwr conv outlet	Electric heat field installed kit 2EK045*			MCA ¹ (amps)	Min fuse ² / breaker ³ size (amps)	Max fuse ² / breaker ³ size (amps)	Min disconnect rating ⁴		MCA ¹ w/pwr exh (amps)	Min fuse ² / breaker ³ size w/ pwr exh (amps)	Max fuse ² / breaker ³ size w/ pwr exh (amps)	Min disconnect rating ⁴ / pwr exh		
		RLA	LRA	MCC	RLA	LRA	MCC					Model	kW	Stages				Amps	FLA				LRA	FLA	LRA
		With VFD																							
A7 (6)	208-3-60	17.6	136	27				2.3	9.9	1.1	8.6	None	-	-	-	40.8	45	50	42	222	43	45	50	44	227
												10725	4.9	1	13.6	40.8	45	50	42	222	43	45	50	44	227
												11725	12	1	33.3	59.4	60	60	55	222	62.1	70	70	57	227
												12525	18.6	1	51.6	82.3	90	90	76	222	85	90	90	78	227
	230-3-60	17.6	136	27				2.3	9.4	1	8.6	None	-	-	-	40.3	45	50	41	231	42.3	45	50	44	236
												10725	6.5	1	15.6	40.3	45	50	41	231	42.3	45	50	44	236
												11725	16	1	38.5	65.3	70	70	60	231	67.8	70	70	62	236
												12525	24.8	1	59.7	91.8	100	100	84	231	94.3	100	100	87	236
	460-3-60	8.5	66.1	13				1.3	4.7	0.5	8.6	None	-	-	-	20.1	25	25	21	114	21.1	25	25	22	117
												10746	6	1	7.2	20.1	25	25	16	114	21.1	25	25	17	117
												11746	16.5	1	19.8	33.3	35	35	31	114	34.6	35	35	32	117
												12646	25.5	1	30.7	46.9	50	50	43	114	48.2	50	50	44	117
575-3-60	6.3	55.3	10				1.1	4.3	0.4	8.6	None	-	-	-	16.1	20	20	17	102	16.9	20	20	18	104	
											11758	17	1	16.4	28	30	30	26	102	29	30	30	27	104	
											12658	25.7	1	24.7	38.4	40	40	35	102	39.4	40	40	36	104	
											None	-	-	-	49.4	50	60	53	262	51.6	60	60	55	272	
08 (7.5)	208-3-60	13.6	83.1	21	13.6	83.1	21	2.3	9.9	1.1	8.6	None	-	-	-	49.4	50	60	53	262	51.6	60	60	55	272
												11725	12	1	33.3	59.4	60	60	55	262	62.1	70	70	57	272
												12525	18.6	1	51.6	82.3	90	90	76	262	85	90	90	78	272
												13225	24	1	66.6	101	110	110	93	262	103.8	110	110	95	272
	230-3-60	13.6	83.1	21	13.6	83.1	21	2.3	9.4	1	8.6	14225	31.8	2	88.3	128.1	150	150	118	262	130.9	150	150	120	272
												None	-	-	-	48.9	50	60	52	271	50.9	60	60	55	266
												11725	16	1	38.5	65.3	70	70	60	271	67.8	70	70	62	266
												12525	24.8	1	59.7	91.8	100	100	84	271	94.3	100	100	87	266
	460-3-60	6.1	41	10	6.1	41	10	1.3	4.7	0.5	8.6	13225	32	1	77	113.4	125	125	104	271	115.9	125	125	107	266
												14225	42.4	2	102	144.6	150	150	133	271	147.1	150	150	135	266
												None	-	-	-	23.2	25	25	25	136	24.2	25	25	26	132
												11746	16.5	1	19.8	33.3	35	35	31	136	34.6	35	35	32	132
575-3-60	4.2	33	7	4.2	33	7	1.1	4.3	0.4	8.6	12846	27.8	1	33.4	50.3	60	60	46	136	51.6	60	60	47	132	
											13346	33	1	39.7	58.2	60	60	54	136	59.4	60	60	55	132	
											14246	41.7	2	50.2	71.3	80	80	66	136	72.6	80	80	67	132	
											None	-	-	-	17.7	20	20	19	117	18.5	20	20	20	114	
											11758	17	1	16.4	28	30	30	26	117	29	30	30	27	114	
											13458	34	1	32.7	48.4	50	50	45	117	49.4	50	50	45	114	

Table 163: ZY04 to 12 High Static Indoor Blower - With Powered Convenience Outlet (with VFD)

Size (ton)	Nominal unit voltage	Compressor 1			Compressor 2			OD fan motors (each)	Supply blower motor	Pwr exh motor	Pwr conv outlet	Electric heat field installed kit 2EK045*				MCA ¹ (amps)	Min fuse ² / breaker ³ size (amps)	Max fuse ² / breaker ³ size (amps)	Min disconnect rating ⁴		MCA ¹ w/pwr exh (amps)	Min fuse ² / breaker ³ size w/ pwr exh (amps)	Max fuse ² / breaker ³ size w/ pwr exh (amps)	Min disconnect rating ⁴ / pwr exh	
		RLA	LRA	MCC	RLA	LRA	MCC					Model	kW	Stages	Amps				FLA	LRA				FLA	LRA
		09 (8.5)	208-3-60	13.7	83.1	21	13.7					83.1	21	2.3	9.9				1.1	8.6				None	-
11725	12							1	33.3	59.4	60					60	55	262			62.1	70	70	57	272
12525	18.6							1	51.6	82.3	90					90	76	262			85	90	90	78	272
13225	24							1	66.6	101	110					110	93	262			103.8	110	110	95	272
230-3-60	13.7		83.1	21	13.7	83.1	21	2.3	9.4	1	8.6	None	-	-	-	49.1	50	60	53	271	51.1	60	60	55	266
												11725	16	1	38.5	65.3	70	70	60	271	67.8	70	70	62	266
												12525	24.8	1	59.7	91.8	100	100	84	271	94.3	100	100	87	266
												13225	32	1	77	113.4	125	125	104	271	115.9	125	125	107	266
460-3-60	6.2		41	10	6.2	41	10	1.3	4.7	0.5	8.6	None	-	-	-	23.5	25	25	25	136	24.5	25	25	26	132
												11746	16.5	1	19.8	33.3	35	35	31	136	34.6	35	35	32	132
												12846	27.8	1	33.4	50.3	60	60	46	136	51.6	60	60	47	132
												13346	33	1	39.7	58.2	60	60	54	136	59.4	60	60	55	132
575-3-60	4.8	33	8	4.8	33	8	1.1	4.3	0.4	8.6	None	-	-	-	19	20	20	20	117	19.8	20	20	21	114	
											11758	17	1	16.4	28	30	30	26	117	29	30	30	27	114	
											13458	34	1	32.7	48.4	50	50	45	117	49.4	50	50	45	114	
											None	-	-	-	59.6	60	70	64	349	61.8	70	70	66	359	
12 (10)	208-3-60	16	110	25	16	110	25	5.8	13.5	1.1	8.6	None	-	-	-	59.6	60	70	64	349	61.8	70	70	66	359
												11725	12	1	33.3	63.9	70	70	64	349	66.6	70	70	66	359
												12525	18.6	1	51.6	86.8	90	90	80	349	89.5	90	90	82	359
												13225	24	1	66.6	105.5	110	110	97	349	108.3	110	110	100	359
	230-3-60	16	110	25	16	110	25	5.2	13.4	1	8.6	None	-	-	-	58.9	60	70	63	345	60.9	70	70	65	350
												11725	16	1	38.5	70.3	80	80	65	345	72.8	80	80	67	350
												12525	24.8	1	59.7	96.8	100	100	89	345	99.3	100	100	91	350
												13225	32	1	77	118.4	125	125	109	345	120.9	125	125	111	350
	460-3-60	7.8	52	12	7.8	52	12	2.9	6.7	0.5	8.6	None	-	-	-	29.4	30	35	32	168	30.4	35	35	33	170
												11746	16.5	1	19.8	35.8	40	40	33	168	37.1	40	40	34	170
												12846	27.8	1	33.4	52.8	60	60	49	168	54.1	60	60	50	170
												13346	33	1	39.7	60.7	70	70	56	168	61.9	70	70	57	170
575-3-60	5.7	38.9	9	5.7	38.9	9	2.2	5.4	0.4	8.6	None	-	-	-	22.1	25	25	24	131	22.9	25	25	25	133	
											11758	17	1	16.4	29.4	30	30	27	131	30.4	35	35	28	133	
											13458	34	1	32.7	49.8	50	50	46	131	50.8	60	60	47	133	

- 1 Minimum Circuit Ampacity.
- 2 Dual Element, Time Delay Type.
- 3 HACR type per NEC.
- 4 Non-fused Disconnect. Verify on the unit nameplate that the disconnect is properly sized for the application. Units with field installed electric heat kits may exceed the factory installed disconnect amperage rating.

ZL04 to 06 standard indoor blowers - without powered convenience outlet

Table 164: ZL04 to 06 standard static indoor blower - without powered convenience outlet

Size (ton)	Nominal unit voltage	Compressor 1			Compressor 2			OD fan motors (each)	Supply blower motor	Power exh motor	Power conv outlet	Electric heat field installed kit 2EK045*				MCA ¹ (amps)	min fuse ² / breaker ³ size (amps)	Max fuse ² / breaker ³ size (amps)	Min disconnect rating ⁴		MCA ¹ w/power exh (amps)	Min fuse ² / breaker ³ size w/ power exh (amps)		Max fuse ² / breaker ³ size w/ power exh (amps)		Min disconnect rating ⁴ , power exh	
		RLA	LRA	MCC	RLA	LRA	MCC					Model	kW	Stages	Amps				FLA	LRA		FLA	LRA				
04 (3)	208-1-60	14.1	84.2	22				2.8	6.6	1.5		None	-	-	-	27	30	40	27	86	28.5	30	40	29	90		
												10625	4.9	1	23.6	37.8	40	40	35	86	39.6	40	40	36	90		
												11125	7.9	1	38	55.8	60	60	51	86	57.6	60	60	53	90		
	230-1-60	14.1	84.2	22				2.8	6	1.3		None	-	-	-	26.4	30	40	26	86	27.7	30	40	28	89		
												10625	6.5	1	27.1	41.4	45	45	38	86	43	45	45	40	89		
												11125	10.5	1	43.8	62.3	70	70	57	86	63.9	70	70	59	89		
	208-3-60	9.6	73.8	15				2.8	6.6	1.1		None	-	-	-	21.4	25	30	22	76	22.5	25	30	23	78		
												10625	4.9	1	13.6	25.3	30	30	23	76	26.6	30	30	24	78		
												11125	7.9	1	21.9	35.6	40	40	33	76	37	40	40	34	78		
												11625	12	1	33.3	49.9	50	50	46	76	51.3	60	60	47	78		
	230-3-60	9.6	73.8	15				2.8	6	1		None	-	-	-	20.8	25	30	21	76	21.8	25	30	22	78		
												10625	6.5	1	15.6	27	30	30	25	76	28.3	30	30	26	78		
												11125	10.5	1	25.3	39.1	40	40	36	76	40.4	45	45	37	78		
												11625	16	1	38.5	55.6	60	60	51	76	56.9	60	60	52	78		
	460-3-60	5.1	37	8				1.6	3.2	0.5		None	-	-	-	11.2	15	15	11	39	11.7	15	15	12	40		
												10646	6	1	7.2	13	15	15	12	39	13.6	15	15	13	40		
												11146	11.5	1	13.8	21.3	25	25	20	39	21.9	25	25	20	40		
												11446	14	1	16.8	25	25	25	23	39	25.6	30	30	24	40		
	575-3-60	3.2	26	5				2.8	6	0.4		None	-	-	-	9.2	15	15	10	27	9.6	15	15	10	28		
												11058	9.2	1	8.9	14.1	15	15	13	27	14.6	15	15	13	28		
												11458	13.8	1	13.3	19.6	20	20	18	27	20.1	25	25	19	28		
	05 (4)	208-3-60	14	83.1	22			2.8	8.4	1.1		None	-	-	-	28.7	30	40	29	85	29.8	30	40	30	88		
												10625	4.9	1	13.6	28.7	30	40	29	85	29.8	30	40	30	88		
												11125	7.9	1	21.9	37.9	40	40	35	85	39.3	40	40	36	88		
11625												12	1	33.3	52.1	60	60	48	85	53.5	60	60	49	88			
230-3-60		14	83.1	22				2.8	7.6	1		None	-	-	-	27.9	30	40	28	85	28.9	30	40	29	87		
												10625	6.5	1	15.6	29	30	40	28	85	30.3	35	40	29	87		
												11125	10.5	1	25.3	41.1	45	45	38	85	42.4	45	45	39	87		
												11625	16	1	38.5	57.6	60	60	53	85	58.9	60	60	54	87		
460-3-60		6.4	41	10				1.6	4	0.5		None	-	-	-	13.6	15	20	14	43	14.1	15	20	14	44		
												10646	6	1	7.2	14	15	20	13	43	14.6	15	20	13	44		
												11146	11.5	1	13.8	22.3	25	25	20	43	22.9	25	25	21	44		
												11446	14	1	16.8	26	30	30	24	43	26.6	30	30	24	44		
575-3-60		4.6	33	7				2.8	7.6	0.4		None	-	-	-	11.6	15	15	12	34	12	15	15	12	35		
												11058	9.2	1	8.9	14.9	15	15	14	34	15.4	20	20	14	35		
												11458	13.8	1	13.3	20.4	25	25	19	34	20.9	25	25	19	35		

Table 164: ZL04 to 06 standard static indoor blower - without powered convenience outlet

Size (ton)	Nominal unit voltage	Compressor 1			Compressor 2			OD fan motors (each)	Supply blower motor	Power exh motor	Power conv outlet	Electric heat field installed kit 2EK045*				MCA ¹ (amps)	min fuse ² / breaker ³ size (amps)	Max fuse ² / breaker ³ size (amps)	Min disconnect rating ⁴		MCA ¹ w/power exh (amps)	Min fuse ² / breaker ³ size w/ power exh (amps)	Max fuse ² / breaker ³ size w/ power exh (amps)	Min disconnect rating ⁴ / power exh		
		RLA	LRA	MCC	RLA	LRA	MCC					Model	kW	Stages	Amps				FLA	LRA				FLA	LRA	
		06 (5)	208-3-60	16.2	110	25								2.8	8.4				1.1					None	-	-
10625	4.9							1	13.6	31.5	35					45	32	112			32.6	35	45	33	115	
11125	7.9							1	21.9	37.9	40					45	35	112			39.3	40	45	36	115	
11625	12							1	33.3	52.1	60					60	48	112			53.5	60	60	49	115	
230-3-60	16.2		110	25				2.8	7.6	1			None	-	-	-	30.7	35	45	31	112	31.7	35	45	32	114
													10625	6.5	1	15.6	30.7	35	45	31	112	31.7	35	45	32	114
													11125	10.5	1	25.3	41.1	45	45	38	112	42.4	45	45	39	114
													11625	16	1	38.5	57.6	60	60	53	112	58.9	60	60	54	114
460-3-60	7.6		52	12				1.6	4	0.5			None	-	-	-	15.1	20	20	15	54	15.6	20	20	16	55
													10646	6	1	7.2	15.1	20	20	13	54	15.6	20	20	13	55
													11146	11.5	1	13.8	22.3	25	25	20	54	22.9	25	25	21	55
													11446	14	1	16.8	26	30	30	24	54	26.6	30	30	24	55
575-3-60	5.1		43.8	8				2.8	7.6	0.4			None	-	-	-	12.2	15	15	13	45	12.6	15	15	13	46
													11458	13.8	1	13.3	20.4	25	25	19	45	20.9	25	25	19	46
													12358	23	1	22.1	31.4	35	35	29	45	31.9	35	35	29	46

- 1 Minimum Circuit Ampacity.
- 2 Dual element, time delay type.
- 3 HACR type per NEC.
- 4 Non-fused disconnect, verify on the unit nameplate that the disconnect is properly sized for the application. Units with field installed electric heat kits may exceed the factory installed disconnect amperage rating.

ZL04 to 06 standard indoor blower - with powered convenience outlet

Table 165: ZL04 to 06 standard indoor blower - with powered convenience outlet

Size (ton)	Nominal unit voltage	Compressor 1			Compressor 2			OD fan motors (each)	Supply blower motor	Power exh motor	Power conv outlet	Electric heat field installed kit 2EK045*				1 MCA ¹ (amps)	Min fuse ² /breaker ³ size (amps)	Max fuse ² / breaker ³ size (amps)	Min disconnect rating ⁴		MCA ¹ w/pwr exh (amps)	Min fuse ² / breaker ³ size w/ pwr exh (amps)		Max fuse ² / breaker ³ size w/ power exh (amps)		Min disconnect rating ⁴ / power exh	
		RLA	LRA	MCC	RLA	LRA	MCC					Model	kW	Stages	Amps				FLA	LRA		Min fuse ² / breaker ³ size w/ pwr exh (amps)	Max fuse ² / breaker ³ size w/ power exh (amps)	FLA	LRA		
04 (3)	208-1-60	14.1	84.2	22				2.8	6.6	1.5	8.6	None	-	-	-	31.3	35	45	32	91	32.8	35	45	34	94		
												10625	4.9	1	23.6	43.1	45	45	40	91	45	45	45	41	94		
												11125	7.9	1	38	61.1	70	70	56	91	63	70	58	94			
	230-1-60	14.1	84.2	22				2.8	6	1.3	8.6	None	-	-	-	30.7	35	40	31	91	32	75	45	33	93		
												10625	6.5	1	27.1	46.8	50	50	43	91	48.4	50	50	45	93		
												11125	10.5	1	43.8	67.6	70	70	62	91	69.3	70	70	64	93		
	208-3-60	9.6	73.8	15				2.8	6.6	1.1	8.6	None	-	-	-	25.7	30	35	27	80	26.8	30	35	28	83		
												10625	4.9	1	13.6	30.6	35	35	28	80	32	35	35	29	83		
												11125	7.9	1	21.9	41	45	45	38	80	42.4	45	45	39	83		
	230-3-60	9.6	73.8	15				2.8	6	1	8.6	None	-	-	-	25.1	30	30	26	80	26.1	30	35	27	82		
												10625	6.5	1	15.6	32.4	35	35	30	80	33.6	35	35	31	82		
												11125	10.5	1	25.3	44.5	45	45	41	80	45.8	50	50	42	82		
	460-3-60	5.1	37	8				1.6	3.2	0.5	8.6	None	-	-	-	13.4	15	15	14	41	13.9	15	15	14	42		
												10646	6	1	7.2	15.7	20	20	14	41	16.3	20	20	15	42		
												11146	11.5	1	13.8	23.9	25	25	22	41	24.6	25	25	23	42		
	575-3-60	3.2	26	5				2.8	6	0.4	8.6	None	-	-	-	10.9	15	15	12	29	11.3	15	15	12	29		
												11058	9.2	1	8.9	16.3	20	20	15	29	16.8	20	20	15	29		
												11458	13.8	1	13.3	21.8	25	25	20	29	22.3	25	25	20	29		
	05 (4)	208-3-60	14	83.1	22			2.8	8.4	1.1	8.6	None	-	-	-	33	35	45	34	89	34.1	35	45	35	92		
												10625	4.9	1	13.6	33	35	45	34	89	34.3	35	45	35	92		
												11125	7.9	1	21.9	43.3	45	45	40	89	44.6	45	45	41	92		
		230-3-60	14	83.1	22				2.8	7.6	1	8.6	None	-	-	-	32.2	35	45	33	89	33.2	35	45	34	92	
													10625	6.5	1	15.6	34.4	35	45	33	89	35.6	40	45	34	92	
													11125	10.5	1	25.3	46.5	50	50	43	89	47.8	50	50	44	92	
460-3-60		6.4	41	10				1.6	4	0.5	8.6	None	-	-	-	15.8	20	20	16	45	16.3	20	20	17	46		
												10646	6	1	7.2	16.7	20	20	15	45	17.3	20	20	16	46		
												11146	11.5	1	13.8	24.9	25	25	23	45	25.6	30	30	24	46		
575-3-60		4.6	33	7				2.8	7.6	0.4	8.6	None	-	-	-	13.4	15	15	14	36	13.8	15	15	14	36		
												11058	9.2	1	8.9	17.1	20	20	16	36	17.6	20	20	16	36		
												11458	13.8	1	13.3	22.6	25	25	21	36	23.1	25	25	21	36		

Table 165: ZL04 to 06 standard indoor blower - with powered convenience outlet

Size (ton)	Nominal unit voltage	Compressor 1			Compressor 2			OD fan motors (each)	Supply blower motor	Power exh motor	Power conv outlet	Electric heat field installed kit 2EK045*				¹ MCA ¹ (amps)	Min fuse ² /breaker ³ size (amps)	Max fuse ² / breaker ³ size (amps)	Min disconnect rating ⁴		MCA ¹ w/pwr exh (amps)	Min fuse ² / breaker ³ size w/ pwr exh (amps)	Max fuse ² / breaker ³ size w/ power exh (amps) ²		Min disconnect rating ⁴ / power exh	
		RLA	LRA	MCC	RLA	LRA	MCC					Model	kW	Stages	Amps				FLA	LRA			FLA	LRA		
06 (5)	208-3-60	16.2	110	25				2.8	8.4	1.1	8.6	None	-	-	-	35.8	40	50	36	116	36.9	40	50	38	119	
												10625	4.9	1	13.6	35.8	40	50	36	116	36.9	40	50	38	119	
												11125	7.9	1	21.9	43.3	45	50	40	116	44.6	45	50	41	119	
												11625	12	1	33.3	57.5	60	60	53	116	58.9	60	60	54	119	
	230-3-60	16.2	110	25				2.8	7.6	1	8.6	None	-	-	-	35	35	50	36	116	36	40	50	37	119	
												10625	6.5	1	15.6	35	35	50	36	116	36	40	50	37	119	
												11125	10.5	1	25.3	46.5	50	50	43	116	47.8	50	50	44	119	
												11625	16	1	38.5	63	70	70	58	116	64.3	70	70	59	119	
	460-3-60	7.6	52	12				1.6	4	0.5	8.6	None	-	-	-	17.3	20	20	18	56	17.8	20	20	18	57	
												10646	6	1	7.2	17.3	20	20	15	56	17.8	20	20	16	57	
												11146	11.5	1	13.8	24.9	25	25	23	56	25.6	30	30	24	57	
												11446	14	1	16.8	28.7	30	30	26	56	29.3	30	30	27	57	
575-3-60	5.1	43.8	8				2.8	7.6	0.4	8.6	None	-	-	-	14	15	15	15	46	14.4	15	15	15	47		
											11458	13.8	1	13.3	22.6	25	25	21	46	23.1	25	25	21	47		
											12358	23	1	22.1	33.6	35	35	31	46	34.1	35	35	31	47		

- 1 Minimum Circuit Ampacity.
- 2 Dual element, time delay type.
- 3 HACR type per NEC.
- 4 Non-fused disconnect, verify on the unit nameplate that the disconnect is properly sized for the application. Units with field installed electric heat kits may exceed the factory installed disconnect amperage rating.

ZL04 to 06 medium indoor blower - without powered convenience outlet

Table 166: ZL04 to 06 medium indoor blower - without powered convenience outlet

Size (ton)	Nominal unit voltage	Compressor 1			Compressor 2			OD fan motors (each)	Supply blower motor	Power exh motor	Power conv outlet	Electric heat field installed kit 2EK045*				MCA ¹ (amps)	Min fuse ² /breaker ³ size (amps)	Max fuse ² /breaker ³ size (amps)	Min disconnect rating ⁴		MCA ¹ w/power Exh (Amps)	Min fuse ² /breaker ³ size w/ power exh (amps)		Max fuse ² /breaker ³ size w/ power exh (amps)		
		RLA	LRA	MCC	RLA	LRA	MCC					FLA	LRA	FLA	LRA											
		Model	kW	Stages	Amps	FLA	LRA					FLA	LRA													
04 (3)	208-1-60	14.1	84.2	22				2.8	7	1.5		None	-	-	-	27.4	30	40	27	144	28.9	30	40	29	148	
												10625	4.9	1	23.6	38.3	40	40	35	144	40.1	45	45	37	148	
												11125	7.9	1	38	56.3	60	60	52	144	58.1	60	60	53	148	
	230-1-60	14.1	84.2	22				2.8	7.2	1.3			None	-	-	-	27.6	30	40	28	146	28.9	30	40	29	149
													10625	6.5	1	27.1	42.9	45	45	39	146	44.5	45	45	41	149
													11125	10.5	1	43.8	63.8	70	70	59	146	65.4	70	70	60	149
	208-3-60	9.6	73.8	15				2.8	7	1.1			None	-	-	-	21.8	25	30	22	134	22.9	25	30	24	136
													10625	4.9	1	13.6	25.8	30	30	24	134	27.1	30	30	25	136
													11125	7.9	1	21.9	36.1	40	40	33	134	37.5	40	40	35	136
	230-3-60	9.6	73.8	15				2.8	7.2	1			None	-	-	-	22	25	30	23	136	23	25	30	24	138
													10625	6.5	1	15.6	28.5	30	30	26	136	29.8	30	30	27	138
													11125	10.5	1	25.3	40.6	45	45	37	136	41.9	45	45	39	138
460-3-60	5.1	37	8				1.6	3.6	0.5			None	-	-	-	11.6	15	15	12	68	12.1	15	15	12	69	
												10646	6	1	7.2	13.5	15	15	12	68	14.1	15	15	13	69	
												11146	11.5	1	13.8	21.8	25	25	20	68	22.4	25	25	21	69	
575-3-60	3.2	26	5				2.8	2.5	0.4			None	-	-	-	9.3	15	15	10	44	9.7	15	15	10	45	
												11058	9.2	1	8.9	14.3	15	15	13	44	14.8	15	15	14	45	
												11458	13.8	1	13.3	19.8	20	20	18	44	20.3	25	25	19	45	
05 (4)	208-3-60	14	83.1	22			2.8	7	1.1			None	-	-	-	27.3	30	40	27	143	28.4	30	40	29	146	
												10625	4.9	1	13.6	27.3	30	40	27	143	28.4	30	40	29	146	
												11125	7.9	1	21.9	36.1	40	40	33	143	37.5	40	40	35	146	
	230-3-60	14	83.1	22				2.8	7.2	1			None	-	-	-	27.5	30	40	28	145	28.5	30	40	29	147
													10625	6.5	1	15.6	28.5	30	40	28	145	29.8	30	40	29	147
													11125	10.5	1	25.3	40.6	45	45	37	145	41.9	45	45	39	147
	460-3-60	6.4	41	10				1.6	3.6	0.5			None	-	-	-	13.2	15	15	13	72	13.7	15	15	14	73
													10646	6	1	7.2	13.5	15	15	12	72	14.1	15	15	13	73
													11146	11.5	1	13.8	21.8	25	25	20	72	22.4	25	25	21	73
	575-3-60	4.6	33	7				2.8	2.5	0.4			None	-	-	-	11.1	15	15	11	51	11.5	15	15	12	52
													11058	9.2	1	8.9	14.3	15	15	13	51	14.8	15	15	14	52
													11458	13.8	1	13.3	19.8	20	20	18	51	20.3	25	25	19	52

Table 166: ZL04 to 06 medium indoor blower - without powered convenience outlet

Size (ton)	Nominal unit voltage	Compressor 1			Compressor 2			OD fan motors (each)	Supply blower motor	Power exh motor	Power conv outlet	Electric heat field installed kit 2EK045*				MCA ¹ (amps)	Min fuse ² /breaker ³ size (amps)	Max fuse ² /breaker ³ size (amps)	Min disconnect rating ⁴		MCA ¹ w/power Exh (Amps)	Min fuse ² /breaker ³ size w/ power exh (amps)	Max fuse ² /breaker ³ size w/ power exh (amps)		Min disconnect rating ⁴ / power exh	
		RLA	LRA	MCC	RLA	LRA	MCC					Model	kW	Stages	Amps				FLA	LRA			FLA	LRA		
06 (5)	208-3-60	16.2	110	25				2.8	7	1.1		None	-	-	-	30.1	35	45	30	170	31.2	35	45	31	173	
												10625	4.9	1	13.6	30.1	35	45	30	170	31.2	35	45	31	173	
												11125	7.9	1	21.9	36.1	40	45	33	170	37.5	40	45	35	173	
												11625	12	1	33.3	50.4	60	60	46	170	51.8	60	60	48	173	
	230-3-60	16.2	110	25				2.8	7.2	1		None	-	-	-	30.3	35	45	30	172	31.3	35	45	31	174	
												10625	6.5	1	15.6	30.3	35	45	30	172	31.3	35	45	31	174	
												11125	10.5	1	25.3	40.6	45	45	37	172	41.9	45	45	39	174	
												11625	16	1	38.5	57.1	60	60	53	172	58.4	60	60	54	174	
	460-3-60	7.6	52	12				1.6	3.6	0.5		None	-	-	-	14.7	15	20	15	83	15.2	20	20	15	84	
												10646	6	1	7.2	14.7	15	20	12	83	15.2	20	20	13	84	
												11146	11.5	1	13.8	21.8	25	25	20	83	22.4	25	25	21	84	
												11446	14	1	16.8	25.5	30	30	23	83	26.1	30	30	24	84	
575-3-60	5.1	43.8	8				2.8	2.5	0.4		None	-	-	-	11.7	15	15	12	62	12.1	15	15	12	62		
											11458	13.8	1	13.3	19.8	20	20	18	62	20.3	25	25	19	62		
											12358	23	1	22.1	30.8	35	35	28	62	31.3	35	35	29	62		

- 1 Minimum Circuit Ampacity.
- 2 Dual element, time delay type.
- 3 HACR type per NEC.
- 4 Non-fused disconnect, verify on the unit nameplate that the disconnect is properly sized for the application. Units with field installed electric heat kits may exceed the factory installed disconnect amperage rating.

ZL04 to 06 medium indoor blower - with powered convenience outlet

Table 167: ZL04 to 06 medium indoor blower - with powered convenience outlet

Size (ton)	Nominal unit voltage	Compressor 1			Compressor 2			OD fan motors (each)	Supply blower motor	Power exh motor	Power conv outlet	Electric heat field installed kit 2EK045*				MCA ¹ (amps)	Min fuse ² /breaker ³ size (amps)	Max fuse ² /breaker ³ size (amps)	Min disconnect rating ⁴		MCA ¹ w/power exh (amps)	Min fuse ² /breaker ³ size w/ power exh (amps)		Max fuse ² /breaker ³ size w/ power exh (amps)		Min disconnect rating ⁴ / power exh ⁴	
		RLA	LRA	MCC	RLA	LRA	MCC					Model	kW	Stages	Amps				FLA	LRA		FLA	LRA	FLA	LRA		
04 (3)	208-1-60	14.1	84.2	22				2.8	7	1.5	8.6	None	-	-	-	31.7	35	45	32	149	33.2	35	45	34	152		
												10625	4.9	1	23.6	43.6	45	45	40	149	45.5	50	50	42	152		
												11125	7.9	1	38	61.6	70	70	57	149	63.5	70	70	58	152		
	230-1-60	14.1	84.2	22				2.8	7.2	1.3	8.6	None	-	-	-	31.9	35	45	33	150	33.2	35	45	34	153		
												10625	6.5	1	27.1	48.3	50	50	44	150	49.9	50	50	46	153		
												11125	10.5	1	43.8	69.1	70	70	64	150	70.8	80	80	65	153		
	208-3-60	9.6	73.8	15				2.8	7	1.1	8.6	None	-	-	-	26.1	30	35	27	138	27.2	30	35	29	141		
												10625	4.9	1	13.6	31.1	35	35	29	138	32.5	35	35	30	141		
												11125	7.9	1	21.9	41.5	45	45	38	138	42.9	45	45	39	141		
	230-3-60	9.6	73.8	15				2.8	7.2	1	8.6	11625	12	1	33.3	55.8	60	60	51	138	57.1	60	60	53	141		
												None	-	-	-	26.3	30	35	27	140	27.3	30	35	29	142		
												10625	6.5	1	15.6	33.9	35	35	31	140	35.1	40	40	32	142		
	460-3-60	5.1	37	8				1.6	3.6	0.5	8.6	11125	10.5	1	25.3	46	50	50	42	140	47.3	50	50	43	142		
												11625	16	1	38.5	62.5	70	70	58	140	63.8	70	70	59	142		
												None	-	-	-	13.8	15	15	14	70	14.3	15	15	15	71		
	575-3-60	3.2	26	5				2.8	2.5	0.4	8.6	10646	6	1	7.2	16.2	20	20	15	70	16.8	20	20	15	71		
												11146	11.5	1	13.8	24.4	25	25	22	70	25.1	30	30	23	71		
												11446	14	1	16.8	28.2	30	30	26	70	28.8	30	30	27	71		
05 (4)	208-3-60	14	83.1	22			2.8	7	1.1	8.6	None	-	-	-	11	15	15	12	45	11.4	15	15	12	46			
											11058	9.2	1	8.9	16.4	20	20	15	45	16.9	20	20	16	46			
											11458	13.8	1	13.3	21.9	25	25	20	45	22.4	25	25	21	46			
230-3-60	14	83.1	22				2.8	7.2	1	8.6	None	-	-	-	31.6	35	45	32	148	32.7	35	45	34	150			
											10625	4.9	1	13.6	31.6	35	45	32	148	32.7	35	45	34	150			
											11125	7.9	1	21.9	41.5	45	45	38	148	42.9	45	45	39	150			
460-3-60	6.4	41	10				1.6	3.6	0.5	8.6	11625	12	1	33.3	55.8	60	60	51	148	57.1	60	60	53	150			
											None	-	-	-	31.8	35	45	33	149	32.8	35	45	34	152			
											10625	6.5	1	15.6	33.9	35	45	33	149	35.1	40	45	34	152			
575-3-60	4.6	33	7				2.8	2.5	0.4	8.6	11125	10.5	1	25.3	46	50	50	42	149	47.3	50	50	43	152			
											11625	16	1	38.5	62.5	70	70	58	149	63.8	70	70	59	152			
											None	-	-	-	15.4	20	20	16	74	15.9	20	20	16	75			
06 (5)	208-3-60	14	83.1	22			2.8	7	1.1	8.6	10646	6	1	7.2	16.2	20	20	15	74	16.8	20	20	15	75			
											11146	11.5	1	13.8	24.4	25	25	22	74	25.1	30	30	23	75			
											11446	14	1	16.8	28.2	30	30	26	74	28.8	30	30	27	75			
230-3-60	14	83.1	22				2.8	7.2	1	8.6	None	-	-	-	12.8	15	15	13	52	13.2	15	15	14	53			
											11058	9.2	1	8.9	16.4	20	20	15	52	16.9	20	20	16	53			
											11458	13.8	1	13.3	21.9	25	25	20	52	22.4	25	25	21	53			

Table 167: ZL04 to 06 medium indoor blower - with powered convenience outlet

Size (ton)	Nominal unit voltage	Compressor 1			Compressor 2			OD fan motors (each)	Supply blower motor	Power exh motor	Power conv outlet	Electric heat field installed kit 2EK045*				MCA ¹ (amps)	Min fuse ² /breaker ³ size (amps)	Max fuse ² /breaker ³ size (amps)	Min disconnect rating ⁴		MCA ¹ w/power exh (amps)	Min fuse ² /breaker ³ size w/ power exh (amps)	Max fuse ² /breaker ³ size w/ power exh (amps)		Min disconnect rating/ power exh ⁴
		RLA	LRA	MCC	RLA	LRA	MCC					Model	kW	Stages	Amps				FLA	LRA			FLA	LRA	
06 (5)	208-3-60	16.2	110	25				2.8	7	1.1	8.6	None	-	-	-	34.4	35	50	35	174	35.5	40	50	36	177
												10625	4.9	1	13.6	34.4	35	50	35	174	35.5	40	50	36	177
												11125	7.9	1	21.9	41.5	45	50	38	174	42.9	45	50	39	177
												11625	12	1	33.3	55.8	60	60	51	174	57.1	60	60	53	177
	230-3-60	16.2	110	25				2.8	7.2	1	8.6	None	-	-	-	34.6	35	50	35	176	35.6	40	50	36	178
												10625	6.5	1	15.6	34.6	35	50	35	176	35.6	40	50	36	178
												11125	10.5	1	25.3	46	50	50	42	176	47.3	50	50	43	178
												11625	16	1	38.5	62.5	70	70	58	176	63.8	70	70	59	178
	460-3-60	7.6	52	12				1.6	3.6	0.5	8.6	None	-	-	-	16.9	20	20	17	85	17.4	20	20	18	86
												10646	6	1	7.2	16.9	20	20	15	85	17.4	20	20	15	86
												11146	11.5	1	13.8	24.4	25	25	22	85	25.1	30	30	23	86
												11446	14	1	16.8	28.2	30	30	26	85	28.8	30	30	27	86
	575-3-60	5.1	43.8	8				2.8	2.5	0.4	8.6	None	-	-	-	13.4	15	15	14	63	13.8	15	15	14	64
												11458	13.8	1	13.3	21.9	25	25	20	63	22.4	25	25	21	64
												12358	23	1	22.1	32.9	35	35	30	63	33.4	35	35	31	64

1 Minimum Circuit Ampacity.

2 Dual element, time delay type.

3 HACR type per NEC.

4 Non-fused disconnect, verify on the unit nameplate that the disconnect is properly sized for the application. Units with field installed electric heat kits may exceed the factory installed disconnect amperage rating.

ZL04 to 06 high indoor blower - without powered convenience outlet

Table 168: ZL04 to 06 high indoor blower - without powered convenience outlet

Size (tons)	Nominal unit voltage	Compressor 1			Compressor 2			OD fan motors (each)	Supply blower motor	Power exh motor	Power conv outlet	Electric heat field installed kit 2EK045*				MCA ¹ (amps)	Min fuse ² /breaker ³ size (amps)	Max fuse ² /breaker ³ size (amps)	Min disconnect rating ⁴		MCA ¹ w/pwr exh (amps)	Min fuse ² /breaker ³ size w/ pwr exh (amps)	Max fuse ² /breaker ³ size w/ pwr exh (amps)	Min disconnect rating ⁴ / power exh		
		RLA	LRA	MCC	RLA	LRA	MCC					Model	kW	Stages	Amps				FLA	LRA						
04 (3)	208-3-60	9.6	73.8	15				2.8	7	1.1		None	-	-	-	21.8	25	30	22	134	22.9	25	30	24	136	
												10625	4.9	1	13.6	25.8	30	30	24	134	27.1	30	30	25	136	
												11125	7.9	1	21.9	36.1	40	40	33	134	37.5	40	40	35	136	
												11625	12	1	33.3	50.4	60	60	46	134	51.8	60	60	48	136	
	230-3-60	9.6	73.8	15				2.8	7.2	1			None	-	-	-	22	25	30	23	136	23	25	30	24	138
													10625	6.5	1	15.6	28.5	30	30	26	136	29.8	30	30	27	138
													11125	10.5	1	25.3	40.6	45	45	37	136	41.9	45	45	39	138
													11625	16	1	38.5	57.1	60	60	53	136	58.4	60	60	54	138
	460-3-60	5.1	37	8				1.6	3.6	0.5			None	-	-	-	11.6	15	15	12	68	12.1	15	15	12	69
													10646	6	1	7.2	13.5	15	15	12	68	14.1	15	15	13	69
													11146	11.5	1	13.8	21.8	25	25	20	68	22.4	25	25	21	69
													11446	14	1	16.8	25.5	30	30	23	68	26.1	30	30	24	69
575-3-60	3.2	26	5				2.8	2.5	0.4			None	-	-	-	9.3	15	15	10	44	9.7	15	15	10	45	
												11058	9.2	1	8.9	14.3	15	15	13	44	14.8	15	15	14	45	
												11458	13.8	1	13.3	19.8	20	20	18	44	20.3	25	25	19	45	
												None	-	-	-	29.2	30	40	30	145	30.3	35	40	31	147	
05 (4)	208-3-60	14	83.1	22			2.8	8.9	1.1			None	-	-	-	29.2	30	40	30	145	30.3	35	40	31	147	
												10625	4.9	1	13.6	29.2	30	40	30	145	30.3	35	40	31	147	
												11125	7.9	1	21.9	38.5	40	40	35	145	39.9	40	40	37	147	
												11625	12	1	33.3	52.8	60	60	49	145	54.1	60	60	50	147	
	230-3-60	14	83.1	22				2.8	8.2	1			None	-	-	-	28.5	30	40	29	152	29.5	30	40	30	154
													10625	6.5	1	15.6	29.8	30	40	29	152	31	35	40	30	154
													11125	10.5	1	25.3	41.9	45	45	39	152	43.1	45	45	40	154
													11625	16	1	38.5	58.4	60	60	54	152	59.6	60	60	55	154
	460-3-60	6.4	41	10				1.6	4.1	0.5			None	-	-	-	13.7	15	20	14	76	14.2	15	20	14	77
													10646	6	1	7.2	14.1	15	20	13	76	14.8	15	20	14	77
													11146	11.5	1	13.8	22.4	25	25	21	76	23	25	25	21	77
													11446	14	1	16.8	26.1	30	30	24	76	26.8	30	30	25	77
575-3-60	4.6	33	7				2.8	3.2	0.4			None	-	-	-	11.8	15	15	12	59	12.2	15	15	13	60	
												11058	9.2	1	8.9	15.1	20	20	14	59	15.6	20	20	14	60	
												11458	13.8	1	13.3	20.6	25	25	19	59	21.1	25	25	19	60	
												None	-	-	-	32	35	45	32	172	33.1	35	45	33	174	
06 (5)	208-3-60	16.2	110	25			2.8	8.9	1.1			None	-	-	-	32	35	45	32	172	33.1	35	45	33	174	
												10625	4.9	1	13.6	32	35	45	32	172	33.1	35	45	33	174	
												11125	7.9	1	21.9	38.5	40	45	35	172	39.9	40	45	37	174	
												11625	12	1	33.3	52.8	60	60	49	172	54.1	60	60	50	174	
	230-3-60	16.2	110	25				2.8	8.2	1			None	-	-	-	31.3	35	45	31	179	32.3	35	45	32	181
													10625	6.5	1	15.6	31.3	35	45	31	179	32.3	35	45	32	181
													11125	10.5	1	25.3	41.9	45	45	39	179	43.1	45	45	40	181
													11625	16	1	38.5	58.4	60	60	54	179	59.6	60	60	55	181
	460-3-60	7.6	52	12				1.6	4.1	0.5			None	-	-	-	15.2	20	20	15	87	15.7	20	20	16	88
													10646	6	1	7.2	15.2	20	20	13	87	15.7	20	20	14	88
													11146	11.5	1	13.8	22.4	25	25	21	87	23	25	25	21	88
													11446	14	1	16.8	26.1	30	30	24	87	26.8	30	30	25	88
575-3-60	5.1	43.8	8				2.8	3.2	0.4			None	-	-	-	12.4	15	15	13	70	12.8	15	15	13	71	
												11458	13.8	1	13.3	20.6	25	25	19	70	21.1	25	25	19	71	
												12358	23	1	22.1	31.6	35	35	29	70	32.1	35	35	30	71	
												None	-	-	-	32	35	45	32	172	33.1	35	45	33	174	

1 Minimum Circuit Ampacity.

- 2 Dual element, time delay type.
- 3 HACR type per NEC.
- 4 Non-fused disconnect, verify on the unit nameplate that the disconnect is properly sized for the application. Units with field installed electric heat kits may exceed the factory installed disconnect amperage rating.

ZL04 to 06 high indoor blower - with powered convenience outlet

Table 169: ZL 04 to 06 high indoor blower - with powered convenience outlet

Size (ton)	Nominal unit voltage	Compressor 1			Compressor 2			OD fan motors (each)	Supply blower motor	Power exh motor	Power conv outlet	Electric heat field installed kit 2EK045*				MCA ¹ (amps)	Min fuse ² /breaker ³ size (amps)	Max fuse ² /breaker ³ size (amps)	Min disconnect rating ⁴		MCA ¹ w/power exh (amps)	Min fuse ² /breaker ³ size w/ power exh (amps)		Max fuse ² /breaker ³ size w/ power exh (amps)		Min disconnect rating ⁴ / power exh	
		RLA	LRA	MCC	RLA	LRA	MCC					Model	kW	Stages	Amps				FLA	LRA		FLA	LRA	FLA	LRA		
04 (3)	208-3-60	9.6	73.8	15				2.8	7	1.1	8.6	None	-	-	-	26.1	30	35	27	138	27.2	30	35	29	141		
												10625	4.9	1	13.6	31.1	35	35	29	138	32.5	35	35	30	141		
												11125	7.9	1	21.9	41.5	45	45	38	138	42.9	45	45	39	141		
												11625	12	1	33.3	55.8	60	60	51	138	57.1	60	60	53	141		
	230-3-60	9.6	73.8	15				2.8	7.2	1	8.6	None	-	-	-	26.3	30	35	27	140	27.3	30	35	29	142		
												10625	6.5	1	15.6	33.9	35	35	31	140	35.1	40	40	32	142		
												11125	10.5	1	25.3	46	50	50	42	140	47.3	50	50	43	142		
												11625	16	1	38.5	62.5	70	70	58	140	63.8	70	70	59	142		
	460-3-60	5.1	37	8				1.6	3.6	0.5	8.6	None	-	-	-	13.8	15	15	14	70	14.3	15	15	15	71		
												10646	6	1	7.2	16.2	20	20	15	70	16.8	20	20	15	71		
												11146	11.5	1	13.8	24.4	25	25	22	70	25.1	30	30	23	71		
												11446	14	1	16.8	28.2	30	30	26	70	28.8	30	30	27	71		
575-3-60	3.2	26	5				2.8	2.5	0.4	8.6	None	-	-	-	11	15	15	12	45	11.4	15	15	12	46			
											11058	9.2	1	8.9	16.4	20	20	15	45	16.9	20	20	16	46			
											11458	13.8	1	13.3	21.9	25	25	20	45	22.4	25	25	21	46			
											11625	-	-	-	33.5	35	45	35	149	34.6	35	45	36	152			
05 (4)	208-3-60	14	83.1	22			2.8	8.9	1.1	8.6	None	-	-	-	33.5	35	45	35	149	34.6	35	45	36	152			
											10625	4.9	1	13.6	33.5	35	45	35	149	34.9	35	45	36	152			
											11125	7.9	1	21.9	43.9	45	45	40	149	45.3	50	50	42	152			
											11625	12	1	33.3	58.1	60	60	53	149	59.5	60	60	55	152			
	230-3-60	14	83.1	22				2.8	8.2	1	8.6	None	-	-	-	32.8	35	45	34	156	33.8	35	45	35	159		
												10625	6.5	1	15.6	35.1	40	45	34	156	36.4	40	45	35	159		
												11125	10.5	1	25.3	47.3	50	50	43	156	48.5	50	50	45	159		
												11625	16	1	38.5	63.8	70	70	59	156	65	70	70	60	159		
	460-3-60	6.4	41	10				1.6	4.1	0.5	8.6	None	-	-	-	15.9	20	20	16	78	16.4	20	20	17	79		
												10646	6	1	7.2	16.8	20	20	15	78	17.4	20	20	16	79		
												11146	11.5	1	13.8	25.1	30	30	23	78	25.7	30	30	24	79		
												11446	14	1	16.8	28.8	30	30	27	78	29.4	30	30	27	79		
575-3-60	4.6	33	7				2.8	3.2	0.4	8.6	None	-	-	-	13.5	15	15	14	61	13.9	15	15	15	62			
											11058	9.2	1	8.9	17.3	20	20	16	61	17.8	20	20	16	62			
											11458	13.8	1	13.3	22.8	25	25	21	61	23.3	25	25	21	62			
											11625	-	-	-	33.5	35	45	35	149	34.6	35	45	36	152			

Table 169: ZL 04 to 06 high indoor blower - with powered convenience outlet

Size (ton)	Nominal unit voltage	Compressor 1			Compressor 2			OD fan motors (each)	Supply blower motor	Power exh motor	Power conv outlet	Electric heat field installed kit 2EK045*				MCA ¹ (amps)	Min fuse ² /breaker ³ size (amps)	Max fuse ² /breaker ³ size (amps)	Min disconnect rating ⁴		MCA ¹ w/power exh (amps)	Min fuse ² /breaker ³ size w/ power exh (amps)	Max fuse ² /breaker ³ size w/ power exh (amps) ²		Min disconnect rating ⁴ / power exh	
		RLA	LRA	MCC	RLA	LRA	MCC					Model	kW	Stages	Amps				FLA	LRA			FLA	LRA		
		06 (5)	208-3-60	16.2	110	25								2.8	8.9				1.1	8.6			None	-	-	-
10625	4.9							1	13.6	36.3	40					50	37	176			37.4	40	50	38	179	
11125	7.9							1	21.9	43.9	45					50	40	176			45.3	50	50	42	179	
11625	12							1	33.3	58.1	60					60	53	176			59.5	60	60	55	179	
230-3-60	16.2		110	25				2.8	8.2	1	8.6	None	-	-	-	35.6	40	50	36	183	36.6	40	50	37	186	
												10625	6.5	1	15.6	35.6	40	50	36	183	36.6	40	50	37	186	
												11125	10.5	1	25.3	47.3	50	50	43	183	48.5	50	50	45	186	
												11625	16	1	38.5	63.8	70	70	59	183	65	70	70	60	186	
460-3-60	7.6		52	12				1.6	4.1	0.5	8.6	None	-	-	-	17.4	20	25	18	89	17.9	20	25	18	90	
												10646	6	1	7.2	17.4	20	25	15	89	17.9	20	25	16	90	
												11146	11.5	1	13.8	25.1	30	30	23	89	25.7	30	30	24	90	
												11446	14	1	16.8	28.8	30	30	27	89	29.4	30	30	27	90	
575-3-60	5.1		43.8	8				2.8	3.2	0.4	8.6	None	-	-	-	14.1	15	15	15	72	14.5	15	15	15	73	
												11458	13.8	1	13.3	22.8	25	25	21	72	23.3	25	25	21	73	
												12358	23	1	22.1	33.8	35	35	31	72	34.3	35	35	32	73	

- 1 Minimum Circuit Ampacity.
- 2 Dual element, time delay type.
- 3 HACR type per NEC.
- 4 Non-fused disconnect, verify on the unit nameplate that the disconnect is properly sized for the application. Units with field installed electric heat kits may exceed the factory installed disconnect amperage rating.

ZL08 to 14 static indoor blowers - without powered convenience outlet

Table 170: ZL08 to 14 standard static indoor blower - without powered convenience outlet

Size (ton)	Nominal unit voltage	Compressor 1			Compressor 2			OD fan motors (each)	Supply blower motor	Pwr exh motor	Pwr conv outlet	Electric heat field installed kit 2EK045*				MCA ¹ (amps)	Min fuse ² /breaker ³ size (amps)	Max fuse ² /breaker ³ size (amps)	Min disconnect rating ⁴		MCA ¹ w/pwr exh (amps)	Min fuse ² /breaker ³ size w/ pwr exh (amps)	Max fuse ² /breaker ³ size w/ pwr exh (amps)		Min disconnect rating ⁴ / pwr exh	
		RLA	LRA	MCC	RLA	LRA	MCC					Model	kW	Stages	Amps				FLA	LRA			FLA	LRA		
		08 (7.5)	208-3-60	14	83.1	22	13.5					88	21	2.3	7				1.1				None	-	-	-
11725	12							1	33.3	50.4	60					60	46	241			53.1	60	60	49	246	
12525	18.6							1	51.6	73.3	80					80	67	241			76	80	80	70	246	
13225	24							1	66.6	92	100					100	85	241			94.8	100	100	87	246	
230-3-60	14		83.1	22	13.5	88	21	2.3	7.2	1			None	-	-	-	42.8	45	50	45	243	44.8	45	50	47	248
													11725	16	1	38.5	57.1	60	60	53	243	59.6	60	60	55	248
													12525	24.8	1	59.7	83.6	90	90	77	243	86.1	90	90	79	248
													13225	32	1	77	105.3	110	110	97	243	107.8	110	110	99	248
460-3-60	6.4		41	10	6	44	9	1.3	3.6	0.5			None	-	-	-	20.2	25	25	21	122	21.2	25	25	23	124
													11746	16.5	1	19.8	29.3	30	30	27	122	30.5	35	35	28	124
													12846	27.8	1	33.4	46.3	50	50	43	122	47.5	50	50	44	124
													13346	33	1	39.7	54.1	60	60	50	122	55.4	60	60	51	124
575-3-60	4.6	33	7	4.9	34	8	1.1	2.5	0.4			None	-	-	-	15.4	20	20	16	89	16.2	20	20	17	91	
												11758	17	1	16.4	23.6	25	25	22	89	24.6	25	25	23	91	
												13458	34	1	32.7	44	45	45	40	89	45	45	45	41	91	
												None	-	-	-	15.4	20	20	16	89	16.2	20	20	17	91	
09 (8.5)	208-3-60	14	83.1	22	13.7	83.1	21	2.3	7	1.1		None	-	-	-	42.8	45	50	45	236	45	45	50	48	241	
												11725	12	1	33.3	50.4	60	60	46	236	53.1	60	60	49	241	
												12525	18.6	1	51.6	73.3	80	80	67	236	76	80	80	70	241	
												13225	24	1	66.6	92	100	100	85	236	94.8	100	100	87	241	
	230-3-60	14	83.1	22	13.7	83.1	21	2.3	7.2	1			None	-	-	-	43	45	50	45	238	45	45	50	48	243
													11725	16	1	38.5	57.1	60	60	53	238	59.6	60	60	55	243
													12525	24.8	1	59.7	83.6	90	90	77	238	86.1	90	90	79	243
													13225	32	1	77	105.3	110	110	97	238	107.8	110	110	99	243
	460-3-60	6.4	41	10	6.2	41	10	1.3	3.6	0.5			None	-	-	-	20.4	25	25	22	119	21.4	25	25	23	121
													11746	16.5	1	19.8	29.3	30	30	27	119	30.5	35	35	28	121
													12846	27.8	1	33.4	46.3	50	50	43	119	47.5	50	50	44	121
													13346	33	1	39.7	54.1	60	60	50	119	55.4	60	60	51	121
575-3-60	4.6	33	7	4.8	33	8	1.1	2.5	0.4			None	-	-	-	15.3	20	20	16	88	16.1	20	20	17	90	
												11758	17	1	16.4	23.6	25	25	22	88	24.6	25	25	23	90	
												13458	34	1	32.7	44	45	45	40	88	45	45	45	41	90	
												None	-	-	-	15.3	20	20	16	88	16.1	20	20	17	90	

Table 170: ZL08 to 14 standard static indoor blower - without powered convenience outlet

Size (ton)	Nominal unit voltage	Compressor 1			Compressor 2			OD fan motors (each)	Supply blower motor	Pwr exh motor	Pwr conv outlet	Electric heat field installed kit 2EK045*				MCA ¹ (amps)	Min fuse ² / breaker ³ size (amps)	Max fuse ² / breaker ³ size (amps)	Min disconnect rating ⁴		MCA ¹ w/pwr exh (amps)	Min fuse ² / breaker ³ size w/ pwr exh (amps)	Max fuse ² / breaker ³ size w/ pwr exh (amps)	Min disconnect rating ⁴ / pwr exh	
		RLA	LRA	MCC	RLA	LRA	MCC					Model	kW	Stages	Amps				FLA	LRA				FLA	LRA
12 (10)	208-3-60	16.5	110	26	16	110	25	5.8	7	1.1		None	-	-	-	49.4	50	60	52	302	51.6	60	60	55	307
												11725	12	1	33.3	50.4	60	60	52	302	53.1	60	60	55	307
												12525	18.6	1	51.6	73.3	80	80	67	302	76	80	80	70	307
												13225	24	1	66.6	92	100	100	85	302	94.8	100	100	87	307
	230-3-60	16.5	110	26	16	110	25	5.2	7.2	1		None	-	-	-	49	50	60	52	301	51	60	60	54	305
												11725	16	1	38.5	57.1	60	60	53	301	59.6	60	60	55	305
												12525	24.8	1	59.7	83.6	90	90	77	301	86.1	90	90	79	305
												13225	32	1	77	105.3	110	110	97	301	107.8	110	110	99	305
	460-3-60	7.2	52	11	7.8	52	12	2.9	3.6	0.5		None	-	-	-	23.5	25	30	25	146	24.5	25	30	26	148
												11746	16.5	1	19.8	29.3	30	30	27	146	30.5	35	35	28	148
												12846	27.8	1	33.4	46.3	50	50	43	146	47.5	50	50	44	148
												13346	33	1	39.7	54.1	60	60	50	146	55.4	60	60	51	148
	575-3-60	5.7	43.8	9	5.7	38.9	9	2.2	2.5	0.4		None	-	-	-	17.5	20	20	19	112	18.3	20	20	19	114
												11758	17	1	16.4	23.6	25	25	22	112	24.6	25	25	23	114
												13458	34	1	32.7	44	45	45	40	112	45	45	45	41	114
												None	-	-	-	57.8	60	70	61	384	57.8	60	70	61	384
14 (12.5)	208-3-60	18.6	149	29	19.6	136	31	5.8	8.9	0		None	-	-	-	57.8	60	70	61	384	57.8	60	70	61	384
												11725	12	1	33.3	57.8	60	70	61	384	57.8	60	70	61	384
												12525	18.6	1	51.6	75.6	80	80	70	384	75.6	80	80	70	384
												13225	24	1	66.6	94.4	100	100	87	384	94.4	100	100	87	384
	230-3-60	18.6	149	29	19.6	136	31	5.2	8.2	0		None	-	-	-	56.5	60	70	59	383	56.5	60	70	59	383
												11725	16	1	38.5	58.4	60	70	59	383	58.4	60	70	59	383
												12525	24.8	1	59.7	84.9	90	90	78	383	84.9	90	90	78	383
												13225	32	1	77	106.5	110	110	98	383	106.5	110	110	98	383
	460-3-60	9	60.9	14	8.2	66.1	13	2.9	4.1	0		None	-	-	-	26.5	30	35	28	173	26.5	30	35	28	173
												11746	16.5	1	19.8	29.9	30	35	27	173	29.9	30	35	27	173
												12846	27.8	1	33.4	46.9	50	50	43	173	46.9	50	50	43	173
												13346	33	1	39.7	54.8	60	60	50	173	54.8	60	60	50	173
	575-3-60	7.1	56	11	6.6	55.3	10	2.2	3.2	0		None	-	-	-	20.9	25	25	22	149	20.9	25	25	22	149
												11758	17	1	16.4	24.5	25	25	23	149	24.5	25	25	23	149
												13458	34	1	32.7	44.9	45	45	41	149	44.9	45	45	41	149
												None	-	-	-	20.9	25	25	22	149	20.9	25	25	22	149

- 1 Minimum Circuit Ampacity.
- 2 Dual element, time delay type.
- 3 HACR type per NEC.
- 4 Non-fused disconnect. Verify on the unit nameplate that the disconnect is properly sized for the application. Units with field installed electric heat kits may exceed the factory installed disconnect amperage rating.

ZL08 to 14 standard indoor blower - with powered convenience outlet

Table 171: ZL08 to 14 standard indoor blower - with powered convenience outlet

Size (ton)	Nominal unit voltage	Compressor 1			Compressor 2			OD fan motors (each)	Supply blower motor	Pwr exh motor	Pwr conv outlet	Electric heat field installed kit 2EK045*				MCA ¹ (amps)	Min fuse ² /breaker ³ size (amps)	Max fuse ² / breaker ³ size (amps)	Min disconnect rating ⁴		MCA ¹ w/pwr exh (amps)	Min fuse ² / breaker ³ size w/ pwr exh (amps)	Max fuse ² / breaker ³ size w/ pwr exh (amps)	Min disconnect rating ⁴ / pwr exh	
		RLA	LRA	MCC	RLA	LRA	MCC					Model	kW	Stages	Amps				FLA	LRA				FLA	LRA
08 (7.5)	208-3-60	14	83.1	22	13.5	88	21	2.3	7	1.1	8.6	None	-	-	-	46.9	50	60	50	245	49.1	50	60	52	250
												11725	12	1	33.3	55.8	60	60	51	245	58.5	60	60	54	250
												12525	18.6	1	51.6	78.6	80	80	72	245	81.4	90	90	75	250
												13225	24	1	66.6	97.4	100	100	90	245	100.1	110	110	92	250
	230-3-60	14	83.1	22	13.5	88	21	2.3	7.2	1	8.6	None	-	-	-	47.1	50	60	50	247	49.1	50	60	52	252
												11725	16	1	38.5	62.5	70	70	58	247	65	70	70	60	252
												12525	24.8	1	59.7	89	90	90	82	247	91.5	100	100	84	252
												13225	32	1	77	110.6	125	125	102	247	113.1	125	125	104	252
	460-3-60	6.4	41	10	6	44	9	1.3	3.6	0.5	8.6	None	-	-	-	22.4	25	25	24	124	23.4	25	25	25	126
												11746	16.5	1	19.8	31.9	35	35	29	124	33.2	35	35	31	126
												12846	27.8	1	33.4	48.9	50	50	45	124	50.2	60	60	46	126
												13346	33	1	39.7	56.8	60	60	52	124	58.1	60	60	53	126
	575-3-60	4.6	33	7	4.9	34	8	1.1	2.5	0.4	8.6	None	-	-	-	17.1	20	20	18	91	17.9	20	20	19	93
												13458	34	1	32.7	46.2	50	50	42	91	47.2	50	50	43	93
												11758	17	1	16.4	25.8	30	30	24	91	26.8	30	30	25	93
09 (8.5)	208-3-60	14	83.1	22	13.7	83.1	21	2.3	7	1.1	8.6	None	-	-	-	47.1	50	60	50	240	49.3	50	60	53	245
												11725	12	1	33.3	55.8	60	60	51	240	58.5	60	60	54	245
												12525	18.6	1	51.6	78.6	80	80	72	240	81.4	90	90	75	245
												13225	24	1	66.6	97.4	100	100	90	240	100.1	110	110	92	245
	230-3-60	14	83.1	22	13.7	83.1	21	2.3	7.2	1	8.6	None	-	-	-	47.3	50	60	50	242	49.3	50	60	53	247
												11725	16	1	38.5	62.5	70	70	58	242	65	70	70	60	247
												12525	24.8	1	59.7	89	90	90	82	242	91.5	100	100	84	247
												13225	32	1	77	110.6	125	125	102	242	113.1	125	125	104	247
	460-3-60	6.4	41	10	6.2	41	10	1.3	3.6	0.5	8.6	None	-	-	-	22.6	25	25	24	121	23.6	25	25	25	123
												11746	16.5	1	19.8	31.9	35	35	29	121	33.2	35	35	31	123
												12846	27.8	1	33.4	48.9	50	50	45	121	50.2	60	60	46	123
												13346	33	1	39.7	56.8	60	60	52	121	58.1	60	60	53	123
	575-3-60	4.6	33	7	4.8	33	8	1.1	2.5	0.4	8.6	None	-	-	-	17	20	20	18	90	17.8	20	20	19	92
												11758	17	1	16.4	25.8	30	30	24	90	26.8	30	30	25	92
												13458	34	1	32.7	46.2	50	50	42	90	47.2	50	50	43	92

Table 171: ZL08 to 14 standard indoor blower - with powered convenience outlet

Size (ton)	Nominal unit voltage	Compressor 1			Compressor 2			OD fan motors (each)	Supply blower motor	Pwr exh motor	Pwr conv outlet	Electric heat field installed kit 2EK045*				MCA ¹ (amps)	Min fuse ² /breaker ³ size (amps)	Max fuse ² / breaker ³ size (amps)	Min disconnect rating ⁴		MCA ¹ w/pwr exh (amps)	Min fuse ² / breaker ³ size w/ pwr exh (amps)	Max fuse ² / breaker ³ size w/ pwr exh (amps)	Min disconnect rating ⁴ / pwr exh	
		RLA	LRA	MCC	RLA	LRA	MCC					Model	kW	Stages	Amps				FLA	LRA				FLA	LRA
		12 (10)	208-3-60	16.5	110	26	16					110	25	5.8	7				1.1	8.6				None	-
11725	12							1	33.3	55.8	60					70	57	306			58.5	60	70	60	311
12525	18.6							1	51.6	78.6	80					80	72	306			81.4	90	90	75	311
13225	24							1	66.6	97.4	100					100	90	306			100.1	110	110	92	311
14225	31.8							2	88.3	124.5	125					125	115	306			127.3	150	150	117	311
230-3-60	16.5		110	26	16	110	25	5.2	7.2	1	8.6	None	-	-	-	53.3	60	60	57	305	55.3	60	70	59	310
												11725	16	1	38.5	62.5	70	70	58	305	65	70	70	60	310
												12525	24.8	1	59.7	89	90	90	82	305	91.5	100	100	84	310
												13225	32	1	77	110.6	125	125	102	305	113.1	125	125	104	310
												14225	42.4	2	102	141.9	150	150	131	305	144.4	150	150	133	310
460-3-60	7.2		52	11	7.8	52	12	2.9	3.6	0.5	8.6	None	-	-	-	25.7	30	30	27	148	26.7	30	30	28	150
												11746	16.5	1	19.8	31.9	35	35	29	148	33.2	35	35	31	150
												12846	27.8	1	33.4	48.9	50	50	45	148	50.2	60	60	46	150
												13346	33	1	39.7	56.8	60	60	52	148	58.1	60	60	53	150
												14246	41.7	2	50.2	69.9	70	70	64	148	71.2	80	80	65	150
575-3-60	5.7		43.8	9	5.7	38.9	9	2.2	2.5	0.4	8.6	None	-	-	-	19.2	20	20	20	113	20	20	20	21	115
		11758										17	1	16.4	25.8	30	30	24	113	26.8	30	30	25	115	
		13458										34	1	32.7	46.2	50	50	42	113	47.2	50	50	43	115	
		14246										41.7	2	50.2	69.9	70	70	64	148	71.2	80	80	65	150	
14 (12.5)	208-3-60	18.6	149	29	19.6	136	31	5.8	8.9	0	8.6	None	-	-	-	62.1	70	80	66	388	62.1	70	80	66	388
												11725	12	1	33.3	62.1	70	80	66	388	62.1	70	80	66	388
												12525	18.6	1	51.6	81	90	90	75	388	81	90	90	75	388
												13225	24	1	66.6	99.8	100	100	92	388	99.8	100	100	92	388
												14225	31.8	2	88.3	126.9	150	150	117	388	126.9	150	150	117	388
	230-3-60	18.6	149	29	19.6	136	31	5.2	8.2	0	8.6	None	-	-	-	60.8	70	80	64	387	60.8	70	80	64	387
												11725	16	1	38.5	63.8	70	80	64	387	63.8	70	80	64	387
												12525	24.8	1	59.7	90.3	100	100	83	387	90.3	100	100	83	387
												13225	32	1	77	111.9	125	125	103	387	111.9	125	125	103	387
												14225	42.4	2	102	143.1	150	150	132	387	143.1	150	150	132	387
	460-3-60	9	60.9	14	8.2	66.1	13	2.9	4.1	0	8.6	None	-	-	-	28.7	30	35	30	175	28.7	30	35	30	175
												11746	16.5	1	19.8	32.6	35	35	30	175	32.6	35	35	30	175
												12846	27.8	1	33.4	49.6	50	50	46	175	49.6	50	50	46	175
												13346	33	1	39.7	57.4	60	60	53	175	57.4	60	60	53	175
												14246	41.7	2	50.2	70.6	80	80	65	175	70.6	80	80	65	175
	575-3-60	7.1	56	11	6.6	55.3	10	2.2	3.2	0	8.6	None	-	-	-	22.6	25	25	24	150	22.6	25	25	24	150
11758												17	1	16.4	26.7	30	30	25	150	26.7	30	30	25	150	
13458												34	1	32.7	47	50	50	43	150	47	50	50	43	150	
14246												41.7	2	50.2	70.6	80	80	65	175	70.6	80	80	65	175	

- 1 Minimum Circuit Ampacity.
- 2 Dual element, time delay type.
- 3 HACR type per NEC.
- 4 Non-fused disconnect. Verify on the unit nameplate that the disconnect is properly sized for the application. Units with field installed electric heat kits may exceed the factory installed disconnect amperage rating.

ZL08 to 14 medium indoor blower - without powered convenience outlet

Table 172: ZL08 to 14 medium indoor blower - without powered convenience outlet

Size (ton)	Nominal unit voltage	Compressor 1			Compressor 2			OD fan motors (each)	Supply blower motor	Pwr exh motor	Pwr conv outlet	Electric heat field installed kit 2EK045*				MCA ¹ (amps)	Min fuse ² /breaker ³ size (amps)	Max Fuse ² / Breaker ³ Size (Amps)	Min disconnect rating ⁴		MCA ¹ w/pwr exh (amps)	Min fuse ² / breaker ³ size w/ pwr exh (amps)		Max fuse ² / breaker ³ size w/ pwr exh (amps)		Min disconnect rating ⁴ / pwr exh	
		RLA	LRA	MCC	RLA	LRA	MCC					Model	kW	Stages	Amps				FLA	LRA		Min fuse ² / breaker ³ size w/ pwr exh (amps)	Max fuse ² / breaker ³ size w/ pwr exh (amps)	FLA	LRA		
08 (7.5)	208-3-60	14	83.1	22	13.5	88	21	2.3	7	1.1		None	-	-	-	42.6	45	50	45	241	44.8	45	50	47	246		
												11725	12	1	33.3	50.4	60	60	46	241	53.1	60	60	49	246		
												12525	18.6	1	51.6	73.3	80	80	67	241	76	80	80	70	246		
												13225	24	1	66.6	92	100	100	85	241	94.8	100	100	87	246		
												14225	31.8	2	88.3	119.1	125	125	110	241	121.9	125	125	112	246		
	230-3-60	14	83.1	22	13.5	88	21	2.3	7.2	1			None	-	-	-	42.8	45	50	45	243	44.8	45	50	47	248	
													11725	16	1	38.5	57.1	60	60	53	243	59.6	60	60	55	248	
													12525	24.8	1	59.7	83.6	90	90	77	243	86.1	90	90	79	248	
													13225	32	1	77	105.3	110	110	97	243	107.8	110	110	99	248	
													14225	42.4	2	102	136.5	150	150	126	243	139	150	150	128	248	
	460-3-60	6.4	41	10	6	44	9	1.3	3.6	0.5			None	-	-	-	20.2	25	25	21	122	21.2	25	25	23	124	
													11746	16.5	1	19.8	29.3	30	30	27	122	30.5	35	35	28	124	
													12846	27.8	1	33.4	46.3	50	50	43	122	47.5	50	50	44	124	
													13346	33	1	39.7	54.1	60	60	50	122	55.4	60	60	51	124	
													14246	41.7	2	50.2	67.3	70	70	62	122	68.5	70	70	63	124	
	575-3-60	4.6	33	7	4.9	34	8	1.1	2.5	0.4			None	-	-	-	15.4	20	20	16	89	16.2	20	20	17	91	
11758													17	1	16.4	23.6	25	25	22	89	24.6	25	25	23	91		
13458													34	1	32.7	44	45	45	40	89	45	45	45	41	91		
09 (8.5)	208-3-60	14	83.1	22	13.7	83.1	21	2.3	7	1.1		None	-	-	-	42.8	45	50	45	236	45	45	50	48	241		
												11725	12	1	33.3	50.4	60	60	46	236	53.1	60	60	49	241		
												12525	18.6	1	51.6	73.3	80	80	67	236	76	80	80	70	241		
												13225	24	1	66.6	92	100	100	85	236	94.8	100	100	87	241		
												14225	31.8	2	88.3	119.1	125	125	110	236	121.9	125	125	112	241		
	230-3-60	14	83.1	22	13.7	83.1	21	2.3	7.2	1			None	-	-	-	43	45	50	45	238	45	45	50	48	243	
													11725	16	1	38.5	57.1	60	60	53	238	59.6	60	60	55	243	
													12525	24.8	1	59.7	83.6	90	90	77	238	86.1	90	90	79	243	
													13225	32	1	77	105.3	110	110	97	238	107.8	110	110	99	243	
													14225	42.4	2	102	136.5	150	150	126	238	139	150	150	128	243	
	460-3-60	6.4	41	10	6.2	41	10	1.3	3.6	0.5			None	-	-	-	20.4	25	25	22	119	21.4	25	25	23	121	
													11746	16.5	1	19.8	29.3	30	30	27	119	30.5	35	35	28	121	
													12846	27.8	1	33.4	46.3	50	50	43	119	47.5	50	50	44	121	
													13346	33	1	39.7	54.1	60	60	50	119	55.4	60	60	51	121	
													14246	41.7	2	50.2	67.3	70	70	62	119	68.5	70	70	63	121	
	575-3-60	4.6	33	7	4.8	33	8	1.1	2.5	0.4			None	-	-	-	15.3	20	20	16	88	16.1	20	20	17	90	
11758													17	1	16.4	23.6	25	25	22	88	24.6	25	25	23	90		
13458													34	1	32.7	44	45	45	40	88	45	45	45	41	90		

Table 172: ZL08 to 14 medium indoor blower - without powered convenience outlet

Size (ton)	Nominal unit voltage	Compressor 1			Compressor 2			OD fan motors (each)	Supply blower motor	Pwr exh motor	Pwr conv outlet	Electric heat field installed kit 2EK045*				MCA ¹ (amps)	Min fuse ² /breaker ³ size (amps)	Max Fuse ² / Breaker ³ Size (Amps)	Min disconnect rating ⁴		MCA ¹ w/pwr exh (amps)	Min fuse ² / breaker ³ size w/ pwr exh (amps)	Max fuse ² / breaker ³ size w/ pwr exh (amps)	Min disconnect rating ⁴ / pwr exh		
		RLA	LRA	MCC	RLA	LRA	MCC					Model	kW	Stages	Amps				FLA	LRA				FLA	LRA	
		12 (10)	208-3-60	16.5	110	26	16					110	25	5.8	9.9				1.1					None	-	-
11725	12							1	33.3	54	60					60	55	315			56.8	60	60	58	320	
12525	18.6							1	51.6	76.9	80					80	71	315			79.6	80	80	73	320	
13225	24							1	66.6	95.6	100					100	88	315			98.4	100	100	91	320	
230-3-60	16.5		110	26	16	110	25	5.2	9.4	1			None	-	-	-	51.2	60	60	54	320	53.2	60	60	56	324
													11725	16	1	38.5	59.9	60	60	55	320	62.4	70	70	57	324
													12525	24.8	1	59.7	86.4	90	90	79	320	88.9	90	90	82	324
													13225	32	1	77	108	110	110	99	320	110.5	125	125	102	324
460-3-60	7.2		52	11	7.8	52	12	2.9	4.7	0.5			None	-	-	-	24.6	25	30	26	155	25.6	30	30	27	158
													11746	16.5	1	19.8	30.6	35	35	28	155	31.9	35	35	29	158
													12846	27.8	1	33.4	47.6	50	50	44	155	48.9	50	50	45	158
													13346	33	1	39.7	55.5	60	60	51	155	56.8	60	60	52	158
575-3-60	5.7		43.8	9	5.7	38.9	9	2.2	4.3	0.4			None	-	-	-	19.3	20	25	21	134	20.1	25	25	22	136
													11758	17	1	16.4	25.9	30	30	24	134	26.9	30	30	25	136
													13458	34	1	32.7	46.3	50	50	43	134	47.3	50	50	43	136
													None	-	-	-	58.8	60	70	62	380	58.8	60	70	62	380
14 (12.5)	208-3-60	18.6	149	29	19.6	136	31	5.8	9.9	0		None	-	-	-	58.8	60	70	62	380	58.8	60	70	62	380	
												11725	12	1	33.3	58.8	60	70	62	380	58.8	60	70	62	380	
												12525	18.6	1	51.6	76.9	80	80	71	380	76.9	80	80	71	380	
												13225	24	1	66.6	95.6	100	100	88	380	95.6	100	100	88	380	
	230-3-60	18.6	149	29	19.6	136	31	5.2	9.4	0			None	-	-	-	57.7	60	70	61	385	57.7	60	70	61	385
													11725	16	1	38.5	59.9	60	70	61	385	59.9	60	70	61	385
													12525	24.8	1	59.7	86.4	90	90	79	385	86.4	90	90	79	385
													13225	32	1	77	108	110	110	99	385	108	110	110	99	385
	460-3-60	9	60.9	14	8.2	66.1	13	2.9	4.7	0			None	-	-	-	27.1	30	35	29	178	27.1	30	35	29	178
													11746	16.5	1	19.8	30.6	35	35	28	178	30.6	35	35	28	178
													12846	27.8	1	33.4	47.6	50	50	44	178	47.6	50	50	44	178
													13346	33	1	39.7	55.5	60	60	51	178	55.5	60	60	51	178
	575-3-60	7.1	56	11	6.6	55.3	10	2.2	4.3	0			None	-	-	-	22	25	25	23	163	22	25	25	23	163
													11758	17	1	16.4	25.9	30	30	24	163	25.9	30	30	24	163
													13458	34	1	32.7	46.3	50	50	43	163	46.3	50	50	43	163
													None	-	-	-	58.8	60	70	62	380	58.8	60	70	62	380

- 1 Minimum Circuit Ampacity.
- 2 Dual element, time delay type.
- 3 HACR type per NEC.
- 4 Non-fused disconnect. Verify on the unit nameplate that the disconnect is properly sized for the application. Units with field installed electric heat kits may exceed the factory installed disconnect amperage rating.

ZL08 to 14 medium indoor blower - with powered convenience outlet

Table 173: ZL08 to 14 medium indoor blower - with powered convenience outlet

Size (ton)	Nominal unit voltage	Compressor 1			Compressor 2			OD fan motors (each)	Supply blower motor	Pwr exh motor	Pwr conv outlet	Electric heat field installed kit 2EK045*				MCA ¹ (amps)	Min Fuse ² / breaker ³ size (amps)	Max fuse ² / breaker ³ size (amps)	Min disconnect rating ⁴		MCA ¹ w/pwr exh (amps)	Min fuse ² / breaker ³ size w/ pwr exh (amps)	Max fuse ² / breaker ³ size w/ pwr exh (amps)	Min Disconnect rating ⁴ / pwr exh	
		RLA	LRA	MCC	RLA	LRA	MCC					Model	kW	Stages	Amps				FLA	LRA				FLA	LRA
		08 (7.5)	208-3-60	14	83.1	22	13.5					88	21	2.3	7				1.1	8.6				None	-
11725	12							1	33.3	55.8	60					60	51	245			58.5	60	60	54	250
12525	18.6							1	51.6	78.6	80					80	72	245			81.4	90	90	75	250
13225	24							1	66.6	97.4	100					100	90	245			100.1	110	110	92	250
14225	31.8							2	88.3	124.5	125					125	115	245			127.3	150	150	117	250
230-3-60	14		83.1	22	13.5	88	21	2.3	7.2	1	8.6	None	-	-	-	47.1	50	60	50	247	49.1	50	60	52	252
												11725	16	1	38.5	62.5	70	70	58	247	65	70	70	60	252
												12525	24.8	1	59.7	89	90	90	82	247	91.5	100	100	84	252
												13225	32	1	77	110.6	125	125	102	247	113.1	125	125	104	252
												14225	42.4	2	102	141.9	150	150	131	247	144.4	150	150	133	252
460-3-60	6.4		41	10	6	44	9	1.3	3.6	0.5	8.6	None	-	-	-	22.4	25	25	24	124	23.4	25	25	25	126
												11746	16.5	1	19.8	31.9	35	35	29	124	33.2	35	35	31	126
		12846										27.8	1	33.4	48.9	50	50	45	124	50.2	60	60	46	126	
		13346										33	1	39.7	56.8	60	60	52	124	58.1	60	60	53	126	
		14246										41.7	2	50.2	69.9	70	70	64	124	71.2	80	80	65	126	
575-3-60	4.6	33	7	4.9	34	8	1.1	2.5	0.4	8.6	None	-	-	-	17.1	20	20	18	91	17.9	20	20	19	93	
											11758	17	1	16.4	25.8	30	30	24	91	26.8	30	30	25	93	
											13458	34	1	32.7	46.2	50	50	42	91	47.2	50	50	43	93	
											None	-	-	-	17.1	20	20	18	91	17.9	20	20	19	93	
09 (8.5)	208-3-60	14	83.1	22	13.7	83.1	21	2.3	7	1.1	8.6	None	-	-	-	47.1	50	60	50	240	49.3	50	60	53	245
												11725	12	1	33.3	55.8	60	60	51	240	58.5	60	60	54	245
												12525	18.6	1	51.6	78.6	80	80	72	240	81.4	90	90	75	245
												13225	24	1	66.6	97.4	100	100	90	240	100.1	110	110	92	245
												14225	31.8	2	88.3	124.5	125	125	115	240	127.3	150	150	117	245
	230-3-60	14	83.1	22	13.7	83.1	21	2.3	7.2	1	8.6	None	-	-	-	47.3	50	60	50	242	49.3	50	60	53	247
												11725	16	1	38.5	62.5	70	70	58	242	65	70	70	60	247
												12525	24.8	1	59.7	89	90	90	82	242	91.5	100	100	84	247
												13225	32	1	77	110.6	125	125	102	242	113.1	125	125	104	247
												14225	42.4	2	102	141.9	150	150	131	242	144.4	150	150	133	247
	460-3-60	6.4	41	10	6.2	41	10	1.3	3.6	0.5	8.6	None	-	-	-	22.6	25	25	24	121	23.6	25	25	25	123
												11746	16.5	1	19.8	31.9	35	35	29	121	33.2	35	35	31	123
12846												27.8	1	33.4	48.9	50	50	45	121	50.2	60	60	46	123	
13346												33	1	39.7	56.8	60	60	52	121	58.1	60	60	53	123	
14246												41.7	2	50.2	69.9	70	70	64	121	71.2	80	80	65	123	
575-3-60	4.6	33	7	4.8	33	8	1.1	2.5	0.4	8.6	None	-	-	-	17	20	20	18	90	17.8	20	20	19	92	
											11758	17	1	16.4	25.8	30	30	24	90	26.8	30	30	25	92	
											13458	34	1	32.7	46.2	50	50	42	90	47.2	50	50	43	92	

Table 173: ZL08 to 14 medium indoor blower - with powered convenience outlet

Size (ton)	Nominal unit voltage	Compressor 1			Compressor 2			OD fan motors (each)	Supply blower motor	Pwr exh motor	Pwr conv outlet	Electric heat field installed kit 2EK045*				MCA ¹ (amps)	Min Fuse ² /breaker ³ size (amps)	Max fuse ² /breaker ³ size (amps)	Min disconnect rating ⁴		MCA ¹ w/pwr exh (amps)	Min fuse ² /breaker ³ size w/ pwr exh (amps)	Max fuse ² /breaker ³ size w/ pwr exh (amps)	Min Disconnect rating ⁴ / pwr exh	
		RLA	LRA	MCC	RLA	LRA	MCC					Model	kW	Stages	Amps				FLA	LRA				FLA	LRA
		12 (10)	208-3-60	16.5	110	26	16					110	25	5.8	9.9				1.1	8.6				None	-
11725	12							1	33.3	59.4	60					70	60	319			62.1	70	70	63	324
12525	18.6							1	51.6	82.3	90					90	76	319			85	90	90	78	324
13225	24							1	66.6	101	110					110	93	319			103.8	110	110	95	324
230-3-60	16.5		110	26	16	110	25	5.2	9.4	1	8.6	None	-	-	-	55.5	60	70	59	324	57.5	60	70	61	329
												11725	16	1	38.5	65.3	70	70	60	324	67.8	70	70	62	329
												12525	24.8	1	59.7	91.8	100	100	84	324	94.3	100	100	87	329
												13225	32	1	77	113.4	125	125	104	324	115.9	125	125	107	329
460-3-60	7.2		52	11	7.8	52	12	2.9	4.7	0.5	8.6	None	-	-	-	26.8	30	30	29	157	27.8	30	30	30	160
												11746	16.5	1	19.8	33.3	35	35	31	157	34.6	35	35	32	160
												12846	27.8	1	33.4	50.3	60	60	46	157	51.6	60	60	47	160
												13346	33	1	39.7	58.2	60	60	54	157	59.4	60	60	55	160
575-3-60	5.7	43.8	9	5.7	38.9	9	2.2	4.3	0.4	8.6	None	-	-	-	21	25	25	23	136	21.8	25	25	23	138	
											11758	17	1	16.4	28	30	30	26	136	29	30	30	27	138	
											13458	34	1	32.7	48.4	50	50	45	136	49.4	50	50	45	138	
											None	-	-	-	63.1	70	80	67	384	63.1	70	80	67	384	
14 (12.5)	208-3-60	18.6	149	29	19.6	136	31	5.8	9.9	0	8.6	None	-	-	-	63.1	70	80	67	384	63.1	70	80	67	384
												11725	12	1	33.3	63.1	70	80	67	384	63.1	70	80	67	384
												12525	18.6	1	51.6	82.3	90	90	76	384	82.3	90	90	76	384
												13225	24	1	66.6	101	110	110	93	384	101	110	110	93	384
	230-3-60	18.6	149	29	19.6	136	31	5.2	9.4	0	8.6	None	-	-	-	62	70	80	66	389	62	70	80	66	389
												11725	16	1	38.5	65.3	70	80	66	389	65.3	70	80	66	389
												12525	24.8	1	59.7	91.8	100	100	84	389	91.8	100	100	84	389
												13225	32	1	77	113.4	125	125	104	389	113.4	125	125	104	389
	460-3-60	9	60.9	14	8.2	66.1	13	2.9	4.7	0	8.6	None	-	-	-	29.3	30	35	31	180	29.3	30	35	31	180
												11746	16.5	1	19.8	33.3	35	35	31	180	33.3	35	35	31	180
												12846	27.8	1	33.4	50.3	60	60	46	180	50.3	60	60	46	180
												13346	33	1	39.7	58.2	60	60	54	180	58.2	60	60	54	180
575-3-60	7.1	56	11	6.6	55.3	10	2.2	4.3	0	8.6	None	-	-	-	23.7	25	30	25	164	23.7	25	30	25	164	
											11758	17	1	16.4	28	30	30	26	164	28	30	30	26	164	
											13458	34	1	32.7	48.4	50	50	45	164	48.4	50	50	45	164	
											None	-	-	-	29.3	30	35	31	180	29.3	30	35	31	180	

- 1 Minimum Circuit Ampacity.
- 2 Dual element, time delay type.
- 3 HACR type per NEC.
- 4 Non-fused disconnect. Verify on the unit nameplate that the disconnect is properly sized for the application. Units with field installed electric heat kits may exceed the factory installed disconnect amperage rating.

ZL08 to 14 high indoor blower - without powered convenience outlet

Table 174: ZL08 to 14 high indoor blower - without powered convenience outlet

Size (ton)	Nominal unit voltage	Compressor 1			Compressor 2			OD fan motors (each)	Supply blower motor	Pwr exh motor	Pwr conv outlet	Electric heat field installed kit 2EK045*				MCA ¹ (amps)	Min fuse ² /breaker ³ size (amps)	Max fuse ² / breaker ³ size (amps)	Min disconnect rating ⁴		MCA ¹ w/pwr exh (amps)	Min fuse ² / breaker ³ size w/ pwr exh (amps)	Max fuse ² / Breaker ³ size w/ pwr exh (amps)		Min disconnect rating ⁴ , pwr exh	
		RLA	LRA	MCC	RLA	LRA	MCC					Model	kW	Stages	Amps				FLA	LRA			FLA	LRA		
		08 (7.5)	208-3-60	14	83.1	22	13.5					88	21	2.3	9.9				1.1				None	-	-	-
11725	12							1	33.3	54	60					60	50	253			56.8	60	60	52	258	
12525	18.6							1	51.6	76.9	80					80	71	253			79.6	80	80	73	258	
13225	24							1	66.6	95.6	100					100	88	253			98.4	100	100	91	258	
14225	31.8							2	88.3	122.8	125					125	113	253			125.5	150	150	115	258	
230-3-60	14		83.1	22	13.5	88	21	2.3	9.4	1			None	-	-	-	45	45	50	48	262	47	50	60	50	266
													11725	16	1	38.5	59.9	60	60	55	262	62.4	70	70	57	266
													12525	24.8	1	59.7	86.4	90	90	79	262	88.9	90	90	82	266
													13225	32	1	77	108	110	110	99	262	110.5	125	125	102	266
													14225	42.4	2	102	139.3	150	150	128	262	141.8	150	150	130	266
460-3-60	6.4		41	10	6	44	9	1.3	4.7	0.5			None	-	-	-	21.3	25	25	23	131	22.3	25	25	24	133
													11746	16.5	1	19.8	30.6	35	35	28	131	31.9	35	35	29	133
		12846											27.8	1	33.4	47.6	50	50	44	131	48.9	50	50	45	133	
		13346											33	1	39.7	55.5	60	60	51	131	56.8	60	60	52	133	
		14246											41.7	2	50.2	68.6	70	70	63	131	69.9	70	70	64	133	
575-3-60	4.6	33	7	4.9	34	8	1.1	4.3	0.4			None	-	-	-	17.2	20	20	18	112	18	20	20	19	114	
												11758	17	1	16.4	25.9	30	30	24	112	26.9	30	30	25	114	
												13458	34	1	32.7	46.3	50	50	43	112	47.3	50	50	43	114	
												None	-	-	-	17.2	20	20	18	112	18	20	20	19	114	
09 (8.5)	208-3-60	14	83.1	22	13.7	83.1	21	2.3	9.9	1.1		None	-	-	-	45.7	50	50	49	248	47.9	50	60	51	253	
												11725	12	1	33.3	54	60	60	50	248	56.8	60	60	52	253	
												12525	18.6	1	51.6	76.9	80	80	71	248	79.6	80	80	73	253	
												13225	24	1	66.6	95.6	100	100	88	248	98.4	100	100	91	253	
												14225	31.8	2	88.3	122.8	125	125	113	248	125.5	150	150	115	253	
	230-3-60	14	83.1	22	13.7	83.1	21	2.3	9.4	1			None	-	-	-	45.2	50	50	48	257	47.2	50	60	50	261
													11725	16	1	38.5	59.9	60	60	55	257	62.4	70	70	57	261
													12525	24.8	1	59.7	86.4	90	90	79	257	88.9	90	90	82	261
													13225	32	1	77	108	110	110	99	257	110.5	125	125	102	261
													14225	42.4	2	102	139.3	150	150	128	257	141.8	150	150	130	261
	460-3-60	6.4	41	10	6.2	41	10	1.3	4.7	0.5			None	-	-	-	21.5	25	25	23	128	22.5	25	25	24	130
													11746	16.5	1	19.8	30.6	35	35	28	128	31.9	35	35	29	130
12846													27.8	1	33.4	47.6	50	50	44	128	48.9	50	50	45	130	
13346													33	1	39.7	55.5	60	60	51	128	56.8	60	60	52	130	
14246													41.7	2	50.2	68.6	70	70	63	128	69.9	70	70	64	130	
575-3-60	4.6	33	7	4.8	33	8	1.1	4.3	0.4			None	-	-	-	17.1	20	20	18	111	17.9	20	20	19	113	
												11758	17	1	16.4	25.9	30	30	24	111	26.9	30	30	25	113	
												13458	34	1	32.7	46.3	50	50	43	111	47.3	50	50	43	113	
												None	-	-	-	17.1	20	20	18	111	17.9	20	20	19	113	

Table 174: ZL08 to 14 high indoor blower - without powered convenience outlet

Size (ton)	Nominal unit voltage	Compressor 1			Compressor 2			OD fan motors (each)	Supply blower motor	Pwr exh motor	Pwr conv outlet	Electric heat field installed kit 2EK045*				MCA ¹ (amps)	Min fuse ² /breaker ³ size (amps)	Max fuse ² / breaker ³ size (amps)	Min disconnect rating ⁴		MCA ¹ w/pwr exh (amps)	Min fuse ² / breaker ³ size w/ pwr exh (amps)	Max fuse ² / Breaker ³ size w/ pwr exh (amps)	Min disconnect rating ⁴ / pwr exh		
		RLA	LRA	MCC	RLA	LRA	MCC					Model	kW	Stages	Amps				FLA	LRA				FLA	LRA	
		12 (10)	208-3-60	16.5	110	26	16					110	25	5.8	13.5				1.1					None	-	-
11725	12							1	33.3	58.5	60					70	60	345			61.3	70	70	62	350	
12525	18.6							1	51.6	81.4	90					90	75	345			84.1	90	90	77	350	
13225	24							1	66.6	100.1	110					110	92	345			102.9	110	110	95	350	
230-3-60	16.5		110	26	16	110	25	5.2	13.4	1			None	-	-	-	55.2	60	70	59	341	57.2	60	70	61	346
													11725	16	1	38.5	64.9	70	70	60	341	67.4	70	70	62	346
													12525	24.8	1	59.7	91.4	100	100	84	341	93.9	100	100	86	346
													13225	32	1	77	113	125	125	104	341	115.5	125	125	106	346
460-3-60	7.2		52	11	7.8	52	12	2.9	6.7	0.5			None	-	-	-	26.6	30	30	28	166	27.6	30	30	29	168
													11746	16.5	1	19.8	33.1	35	35	30	166	34.4	35	35	32	168
													12846	27.8	1	33.4	50.1	60	60	46	166	51.4	60	60	47	168
													13346	33	1	39.7	58	60	60	53	166	59.3	60	60	55	168
575-3-60	5.7		43.8	9	5.7	38.9	9	2.2	5.4	0.4			None	-	-	-	20.4	25	25	22	134	21.2	25	25	23	136
													11758	17	1	16.4	27.3	30	30	25	134	28.3	30	30	26	136
													13458	34	1	32.7	47.6	50	50	44	134	48.6	50	50	45	136
													None	-	-	-	20.4	25	25	22	134	21.2	25	25	23	136
14 (12.5)	208-3-60	18.6	149	29	19.6	136	31	5.8	13.5	0		None	-	-	-	62.4	70	80	66	410	62.4	70	80	66	410	
												11725	12	1	33.3	62.4	70	80	66	410	62.4	70	80	66	410	
												12525	18.6	1	51.6	81.4	90	90	75	410	81.4	90	90	75	410	
												13225	24	1	66.6	100.1	110	110	92	410	100.1	110	110	92	410	
	230-3-60	18.6	149	29	19.6	136	31	5.2	13.4	0			None	-	-	-	61.7	70	80	65	406	61.7	70	80	65	406
													11725	16	1	38.5	64.9	70	80	65	406	64.9	70	80	65	406
													12525	24.8	1	59.7	91.4	100	100	84	406	91.4	100	100	84	406
													13225	32	1	77	113	125	125	104	406	113	125	125	104	406
	460-3-60	9	60.9	14	8.2	66.1	13	2.9	6.7	0			None	-	-	-	29.1	30	35	31	189	29.1	30	35	31	189
													11746	16.5	1	19.8	33.1	35	35	30	189	33.1	35	35	30	189
													12846	27.8	1	33.4	50.1	60	60	46	189	50.1	60	60	46	189
													13346	33	1	39.7	58	60	60	53	189	58	60	60	53	189
	575-3-60	7.1	56	11	6.6	55.3	10	2.2	5.4	0			None	-	-	-	23.1	25	30	24	163	23.1	25	30	24	163
													11758	17	1	16.4	27.3	30	30	25	163	27.3	30	30	25	163
													13458	34	1	32.7	47.6	50	50	44	163	47.6	50	50	44	163
													None	-	-	-	23.1	25	30	24	163	23.1	25	30	24	163

- 1 Minimum Circuit Ampacity.
- 2 Dual element, time delay type.
- 3 HACR type per NEC.
- 4 Non-fused disconnect. Verify on the unit nameplate that the disconnect is properly sized for the application. Units with field installed electric heat kits may exceed the factory installed disconnect amperage rating.

ZL08 to 14 high indoor blower - with powered convenience outlet

Table 175: ZL08 to 14 high indoor blower - with powered convenience outlet

Size (ton)	Nominal unit voltage	Compressor 1			Compressor 2			OD fan motors (each)	Supply blower motor	Pwr exh motor	Pwr conv outlet	Electric heat field installed kit 2EK045*				MCA ¹ (amps)	Min fuse ² / breaker ³ size (amps)	Max fuse ² / breaker ³ size (amps)	Min disconnect rating ⁴		MCA ¹ w/pwr exh (amps)	Min fuse ² / breaker ³ size w/ pwr exh (amps)		Max Fuse ² / Breaker ³ size w/ pwr exh (amps)		Min disconnect rating ⁴ / pwr exh	
		RLA	LRA	MCC	RLA	LRA	MCC					Model	kW	Stages	Amps				FLA	LRA		Min fuse ² / breaker ³ size w/ pwr exh (amps)	Max Fuse ² / Breaker ³ size w/ pwr exh (amps)	FLA	LRA		
08 (7.5)	208-3-60	14	83.1	22	13.5	88	21	2.3	9.9	1.1	8.6	None	-	-	-	49.8	50	60	53	258	52	60	60	56	263		
												11725	12	1	33.3	59.4	60	60	55	258	62.1	70	70	57	263		
												12525	18.6	1	51.6	82.3	90	90	76	258	85	90	90	78	263		
												13225	24	1	66.6	101	110	110	93	258	103.8	110	110	95	263		
												14225	31.8	2	88.3	128.1	150	150	118	258	130.9	150	150	120	263		
	230-3-60	14	83.1	22	13.5	88	21	2.3	9.4	1	8.6	None	-	-	-	49.3	50	60	53	266	51.3	60	60	55	271		
												11725	16	1	38.5	65.3	70	70	60	266	67.8	70	70	62	271		
												12525	24.8	1	59.7	91.8	100	100	84	266	94.3	100	100	87	271		
												13225	32	1	77	113.4	125	125	104	266	115.9	125	125	107	271		
												14225	42.4	2	102	144.6	150	150	133	266	147.1	150	150	135	271		
	460-3-60	6.4	41	10	6	44	9	1.3	4.7	0.5	8.6	None	-	-	-	23.5	25	25	25	133	24.5	25	25	26	135		
												11746	16.5	1	19.8	33.3	35	35	31	133	34.6	35	35	32	135		
												12846	27.8	1	33.4	50.3	60	60	46	133	51.6	60	60	47	135		
												13346	33	1	39.7	58.2	60	60	54	133	59.4	60	60	55	135		
												14246	41.7	2	50.2	71.3	80	80	66	133	72.6	80	80	67	135		
	575-3-60	4.6	33	7	4.9	34	8	1.1	4.3	0.4	8.6	None	-	-	-	18.9	20	20	20	113	19.7	20	20	21	115		
11758												17	1	16.4	28	30	30	26	113	29	30	30	27	115			
13458												34	1	32.7	48.4	50	50	45	113	49.4	50	50	45	115			
None												-	-	-	50	50	60	53	253	52.2	60	60	56	258			
11725												12	1	33.3	59.4	60	60	55	253	62.1	70	70	57	258			
09 (8.5)	208-3-60	14	83.1	22	13.7	83.1	21	2.3	9.9	1.1	8.6	None	-	-	-	50	50	60	53	253	52.2	60	60	56	258		
												11725	12	1	33.3	59.4	60	60	55	253	62.1	70	70	57	258		
												12525	18.6	1	51.6	82.3	90	90	76	253	85	90	90	78	258		
												13225	24	1	66.6	101	110	110	93	253	103.8	110	110	95	258		
												14225	31.8	2	88.3	128.1	150	150	118	253	130.9	150	150	120	258		
	230-3-60	14	83.1	22	13.7	83.1	21	2.3	9.4	1	8.6	None	-	-	-	49.5	50	60	53	261	51.5	60	60	55	266		
												11725	16	1	38.5	65.3	70	70	60	261	67.8	70	70	62	266		
												12525	24.8	1	59.7	91.8	100	100	84	261	94.3	100	100	87	266		
												13225	32	1	77	113.4	125	125	104	261	115.9	125	125	107	266		
												14225	42.4	2	102	144.6	150	150	133	261	147.1	150	150	135	266		
	460-3-60	6.4	41	10	6.2	41	10	1.3	4.7	0.5	8.6	None	-	-	-	23.7	25	30	25	130	24.7	25	30	27	132		
												11746	16.5	1	19.8	33.3	35	35	31	130	34.6	35	35	32	132		
												12846	27.8	1	33.4	50.3	60	60	46	130	51.6	60	60	47	132		
												13346	33	1	39.7	58.2	60	60	54	130	59.4	60	60	55	132		
												14246	41.7	2	50.2	71.3	80	80	66	130	72.6	80	80	67	132		
	575-3-60	4.6	33	7	4.8	33	8	1.1	4.3	0.4	8.6	None	-	-	-	18.8	20	20	20	112	19.6	20	20	21	114		
11758												17	1	16.4	28	30	30	26	112	29	30	30	27	114			
13458												34	1	32.7	48.4	50	50	45	112	49.4	50	50	45	114			
None												-	-	-	50	50	60	53	253	52.2	60	60	56	258			
11725												12	1	33.3	59.4	60	60	55	253	62.1	70	70	57	258			

Table 175: ZL08 to 14 high indoor blower - with powered convenience outlet

Size (ton)	Nominal unit voltage	Compressor 1			Compressor 2			OD fan motors (each)	Supply blower motor	Pwr exh motor	Pwr conv outlet	Electric heat field installed kit 2EK045*				MCA (amps)	Min fuse ² / breaker ³ size (amps)	Max fuse ² / breaker ³ size (amps)	Min disconnect rating ⁴		MCA ¹ w/pwr exh (amps)	Min fuse ² / breaker ³ size w/ pwr exh (amps)	Max Fuse ² / Breaker ³ size w/ pwr exh (amps)	Min disconnect rating ⁴ / pwr exh	
		RLA	LRA	MCC	RLA	LRA	MCC					Model	kW	Stages	Amps				FLA	LRA				FLA	LRA
12 (10)	208-3-60	16.5	110	26	16	110	25	5.8	13.5	1.1	8.6	None	-	-	-	60.2	70	70	65	349	62.4	70	70	67	354
												11725	12	1	33.3	63.9	70	70	65	349	66.6	70	70	67	354
												12525	18.6	1	51.6	86.8	90	90	80	349	89.5	90	90	82	354
												13225	24	1	66.6	105.5	110	110	97	349	108.3	110	110	100	354
												14225	31.8	2	88.3	132.6	150	150	122	349	135.4	150	150	125	354
	230-3-60	16.5	110	26	16	110	25	5.2	13.4	1	8.6	None	-	-	-	59.5	60	70	64	345	61.5	70	70	66	350
												11725	16	1	38.5	70.3	80	80	65	345	72.8	80	80	67	350
												12525	24.8	1	59.7	96.8	100	100	89	345	99.3	100	100	91	350
												13225	32	1	77	118.4	125	125	109	345	120.9	125	125	111	350
												14225	42.4	2	102	149.6	150	150	138	345	152.1	175	175	140	350
	460-3-60	7.2	52	11	7.8	52	12	2.9	6.7	0.5	8.6	None	-	-	-	28.8	30	35	31	168	29.8	30	35	32	170
												11746	16.5	1	19.8	35.8	40	40	33	168	37.1	40	40	34	170
												12846	27.8	1	33.4	52.8	60	60	49	168	54.1	60	60	50	170
												13346	33	1	39.7	60.7	70	70	56	168	61.9	70	70	57	170
												14246	41.7	2	50.2	73.8	80	80	68	168	75.1	80	80	69	170
	575-3-60	5.7	43.8	9	5.7	38.9	9	2.2	5.4	0.4	8.6	None	-	-	-	22.1	25	25	24	136	22.9	25	25	25	138
11758												17	1	16.4	29.4	30	30	27	136	30.4	35	35	28	138	
13458												34	1	32.7	49.8	50	50	46	136	50.8	60	60	47	138	
14 (12.5)	208-3-60	18.6	149	29	19.6	136	31	5.8	13.5	0	8.6	None	-	-	-	66.7	70	80	71	414	66.7	70	80	71	414
												11725	12	1	33.3	66.7	70	80	71	414	66.7	70	80	71	414
												12525	18.6	1	51.6	86.8	90	90	80	414	86.8	90	90	80	414
												13225	24	1	66.6	105.5	110	110	97	414	105.5	110	110	97	414
												14225	31.8	2	88.3	132.6	150	150	122	414	132.6	150	150	122	414
	230-3-60	18.6	149	29	19.6	136	31	5.2	13.4	0	8.6	None	-	-	-	66	70	80	70	410	66	70	80	70	410
												11725	16	1	38.5	70.3	80	80	70	410	70.3	80	80	70	410
												12525	24.8	1	59.7	96.8	100	100	89	410	96.8	100	100	89	410
												13225	32	1	77	118.4	125	125	109	410	118.4	125	125	109	410
												14225	42.4	2	102	149.6	150	150	138	410	149.6	150	150	138	410
	460-3-60	9	60.9	14	8.2	66.1	13	2.9	6.7	0	8.6	None	-	-	-	31.3	35	40	33	191	31.3	35	40	33	191
												11746	16.5	1	19.8	35.8	40	40	33	191	35.8	40	40	33	191
												12846	27.8	1	33.4	52.8	60	60	49	191	52.8	60	60	49	191
												13346	33	1	39.7	60.7	70	70	56	191	60.7	70	70	56	191
												14246	41.7	2	50.2	73.8	80	80	68	191	73.8	80	80	68	191
	575-3-60	7.1	56	11	6.6	55.3	10	2.2	5.4	0	8.6	None	-	-	-	24.8	25	30	26	164	24.8	25	30	26	164
11758												17	1	16.4	29.4	30	30	27	164	29.4	30	30	27	164	
13458												34	1	32.7	49.8	50	50	46	164	49.8	50	50	46	164	

- 1 Minimum Circuit Ampacity.
- 2 Dual element, time delay type.
- 3 HACR type per NEC.
- 4 Non-fused disconnect. Verify on the unit nameplate that the disconnect is properly sized for the application. Units with field installed electric heat kits may exceed the factory installed disconnect amperage rating.

Weights and dimensions

ZQ04-06, ZXA7-14, ZY04-12, ZL04-06 and ZL08-14 unit weights

Figure 7: Unit 4 point load weight

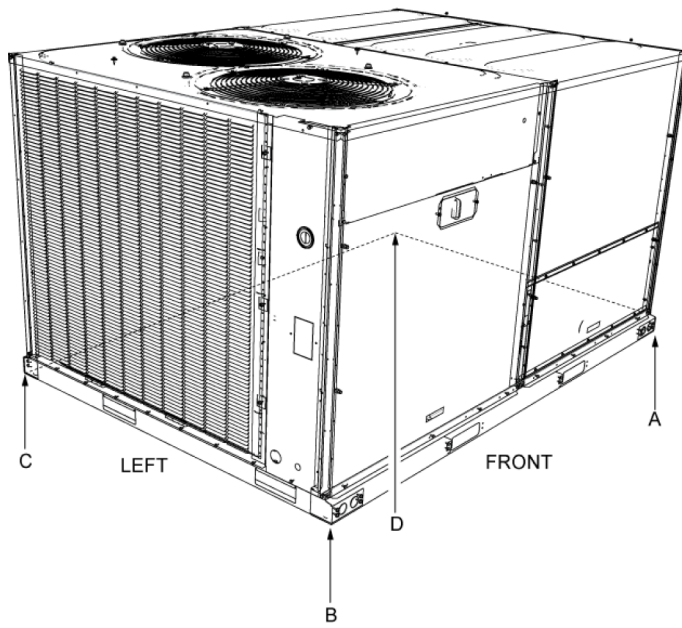


Figure 8: Unit 6 point load weight

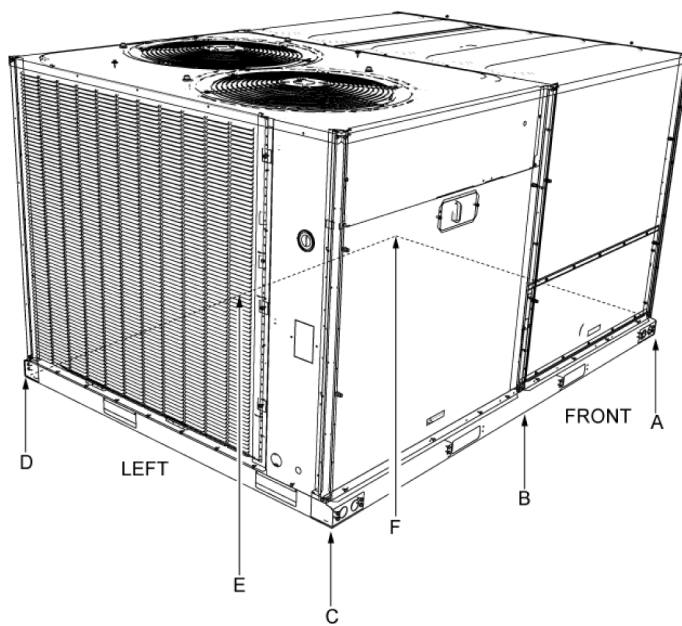


Figure 9: Unit center of gravity

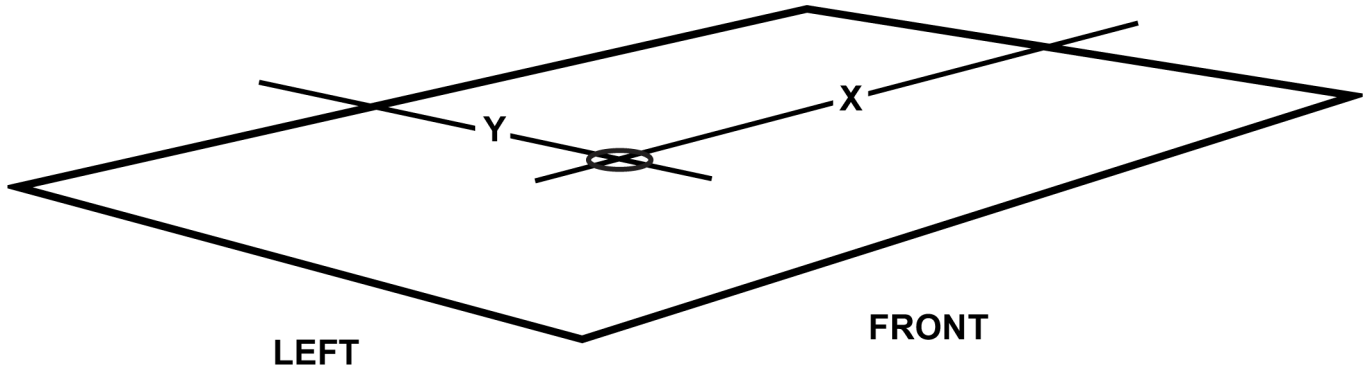


Table 176: ZQ04-06, ZXA7-14, ZY04-12, ZL04-06 and ZL08-14 corner weights

Model	Size (ton)	Weight (lb)		Center of gravity		4 point load location (lb)				6 point load location (lb)					
		Shipping	Operating	X	Y	A	B	C	D	A	B	C	D	E	F
ZQE	04 (3)	479	450	36	26	121	117	104	108	81	79	78	69	71	72
ZQE	05 (4)	516	487	36	26	131	124	113	119	88	85	82	75	77	80
ZQE	06 (5)	590	561	36	24	140	134	140	147	94	91	89	93	96	99
ZXE	A7 (6)	634	614	34	25	168	146	139	160	115	104	95	91	99	109
ZXE	08 (7.5)	787	782	47	36	211	245	175	151	138	151	167	119	108	98
ZXE	09 (8.5)	847	842	46	36	227	259	189	166	148	161	176	129	118	109
ZXE	12 (10)	874	869	46	36	239	268	191	170	156	169	182	130	120	111
ZXE	14 (12.5)	936	931	45	36	262	281	200	187	173	181	190	135	129	123
ZYE	04 (3)	486	481	36	25	127	118	113	122	86	82	78	75	78	82
ZYE	05 (4)	569	564	36	25	145	140	137	142	97	95	93	91	93	95
ZYE	06 (5)	587	582	36	25	151	145	140	146	101	99	96	93	95	98
ZYE	07 (6)	730	725	44	36	206	211	156	153	137	139	141	104	103	101
ZYE	A7 (6)	849	829	45	35	229	244	183	172	151	158	165	124	118	113
ZYE	08 (7.5)	873	868	46	36	236	268	193	171	154	167	182	132	121	111
ZYE	09 (8.5)	878	878	46	36	241	265	195	177	158	168	180	132	124	116
ZYE	12 (10)	907	902	47	36	239	278	207	178	155	171	190	142	128	116
ZLE	04 (3)	486	481	42	27	112	147	126	96	71	85	103	88	73	61
ZLE	05 (4)	569	564	36	26	153	145	130	137	103	99	96	86	89	92
ZLE	06 (5)	587	582	37	24	141	142	150	149	94	94	95	100	100	99
ZLE	08 (7.5)	925	920	45	37	262	282	195	181	173	181	191	131	125	119
ZLE	09 (8.5)	930	925	46	36	258	284	201	182	169	180	192	136	128	120
ZLE	12 (10)	960	955	46	35	258	287	216	194	169	181	195	146	136	127
ZLE	14 (12.5)	985	980	44	35	277	283	213	208	184	186	189	142	140	138

Table 177: ZQ04-06, ZXA7-14, ZY04-12, ZL04-06 and ZL08-14 corner weights

Model	Size (ton)	Weight (lb)		Center of gravity		4 point load location (lb)				6 point load location (lb)					
		Shipping	Operating	X	Y	A	B	C	D	A	B	C	D	E	F
ZQG	04 (3)	530	515	35	27	145	132	113	125	98	92	87	74	79	84
ZQG	05 (4)	557	552	36	27	154	144	123	131	104	99	95	81	85	89
ZQG	06 (5)	639	610	36	26	165	157	141	147	111	107	104	93	96	99
ZXG	A7 (6)	688	668	34	25	183	159	152	174	125	114	104	99	108	119
ZXG	07 (6)	651	646	34	26	183	155	141	167	125	112	101	92	102	114
ZXG	08 (7.5)	889	884	46	37	249	282	188	166	162	176	192	128	117	108
ZXG	09 (8.5)	949	944	45	36	266	288	203	187	175	184	194	137	130	123
ZXG	12 (10)	980	975	45	37	281	298	204	192	185	193	201	137	132	127
ZXG	14 (12.5)	1042	1037	44	37	301	309	216	210	200	203	207	145	142	140
ZYG	04 (3)	532	527	36	27	147	136	117	126	99	94	90	77	81	85
ZYG	05 (4)	623	618	36	26	167	156	142	152	113	108	103	94	98	103
ZYG	06 (5)	641	636	35	26	174	159	144	159	118	111	104	95	101	108
ZYG	07 (6)	800	795	43	37	237	233	161	164	159	157	155	107	108	109
ZYG	A7 (6)	919	899	45.0	35	249	265	199	187	164	171	179	134	128	123
ZYG	08 (7.5)	975	970	44	37	287	294	197	193	191	193	196	132	130	128
ZYG	09 (8.5)	980	970	45	36	276	289	207	198	183	188	194	139	135	131
ZYG	12 (10)	1013	1008	45	36	285	300	217	206	189	195	202	146	141	136

Table 177: ZQ04-06, ZXA7-14, ZY04-12, ZL04-06 and ZL08-14 corner weights

Model	Size (ton)	Weight (lb)		Center of gravity		4 point load location (lb)				6 point load location (lb)					
		Shipping	Operating	X	Y	A	B	C	D	A	B	C	D	E	F
ZLG	04 (3)	560	555	42	27	129	170	146	111	82	98	118	102	84	71
ZLG	05 (4)	607	602	36	26	163	155	139	146	109	106	102	92	95	98
ZLG	06 (5)	636	631	37	25	160	160	156	155	106	107	107	104	104	103
ZLG	08 (7.5)	1045	1040	44	37	304	312	215	210	202	205	209	144	141	139
ZLG	09 (8.5)	1035	1030	45	36	294	309	219	208	194	201	208	147	142	138
ZLG	12 (10)	1055	1050	45	36	299	313	224	214	198	204	210	151	146	142
ZLG	14 (12.5)	1075	1070	44	36	309	316	225	220	205	208	211	151	148	146

Table 178: ZQ, ZX, ZY and ZL04-14 unit accessory weights

Unit accessory	Weights (lb)
Powered convenience outlet factory installed	35
Non-powered convenience outlet factory installed	10
Vertical flow dry bulb economizer small footprint	63
Vertical flow dry bulb economizer large footprint	96
Horizontal flow dry bulb economizer small footprint short	75
Horizontal flow dry bulb economizer small footprint tall	81
Horizontal flow dry bulb economizer large footprint short	105
Horizontal flow dry bulb economizer large footprint tall	102
Power exhaust vertical flow small footprint	39
Power exhaust vertical flow large footprint	39
Power exhaust horizontal flow small footprint	39
Power exhaust horizontal flow large footprint	39
Hail guard kit small short factory installed	19
Hail guard kit small tall factory installed	24
Hail guard kit large short factory installed	50
Hail guard kit large tall factory installed	50
Flue extension kit (1FE0414)	15
Flue extension kit (1FE0415)	17
Flue extension kit (1FE0416)	19
Curb rigid 14 in. small footprint	145
Curb rigid 14 in. large footprint	135
Curb rigid 24 in. small footprint	135
Curb rigid 24 in. large footprint	135

ZQ04-06, ZXA7, 08-14, ZY04-12, ZL04-06 and ZL08-14 unit dimensions

Figure 10: ZQ04-05, ZL04 and ZY04

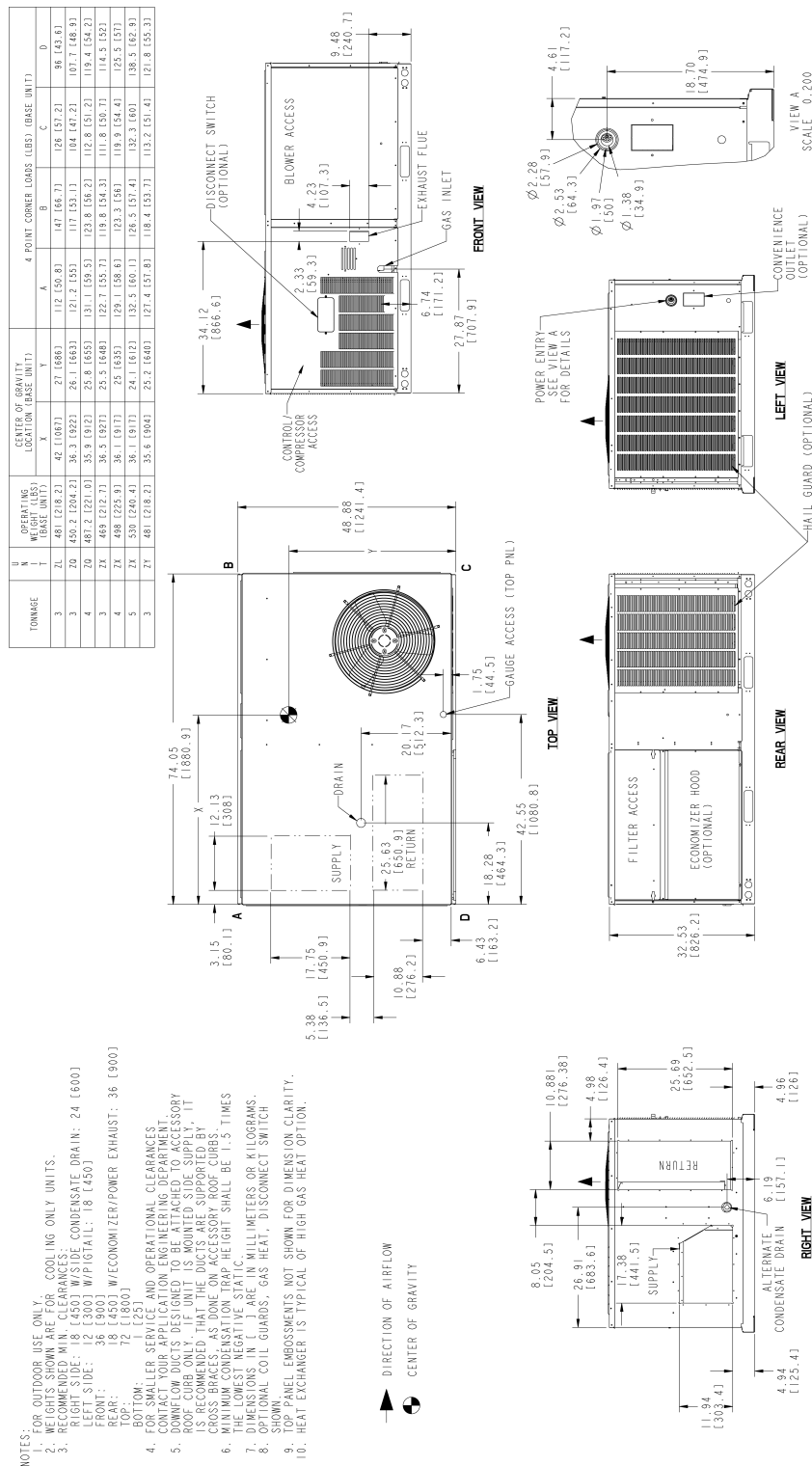


Figure 11: ZQ06, ZXA7, ZL05-06 and ZY05-06

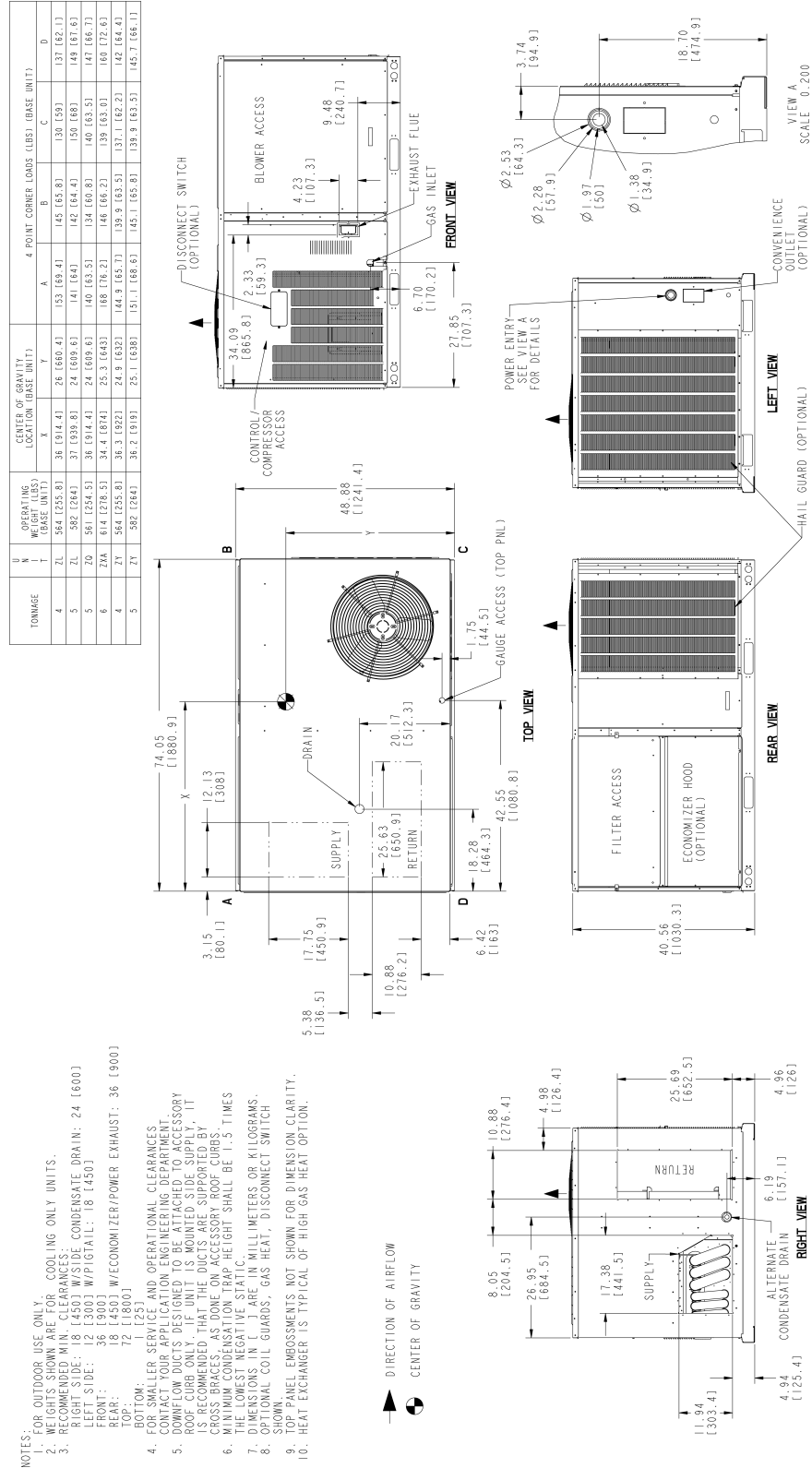


Figure 12: ZX08, ZY07, and ZYA7

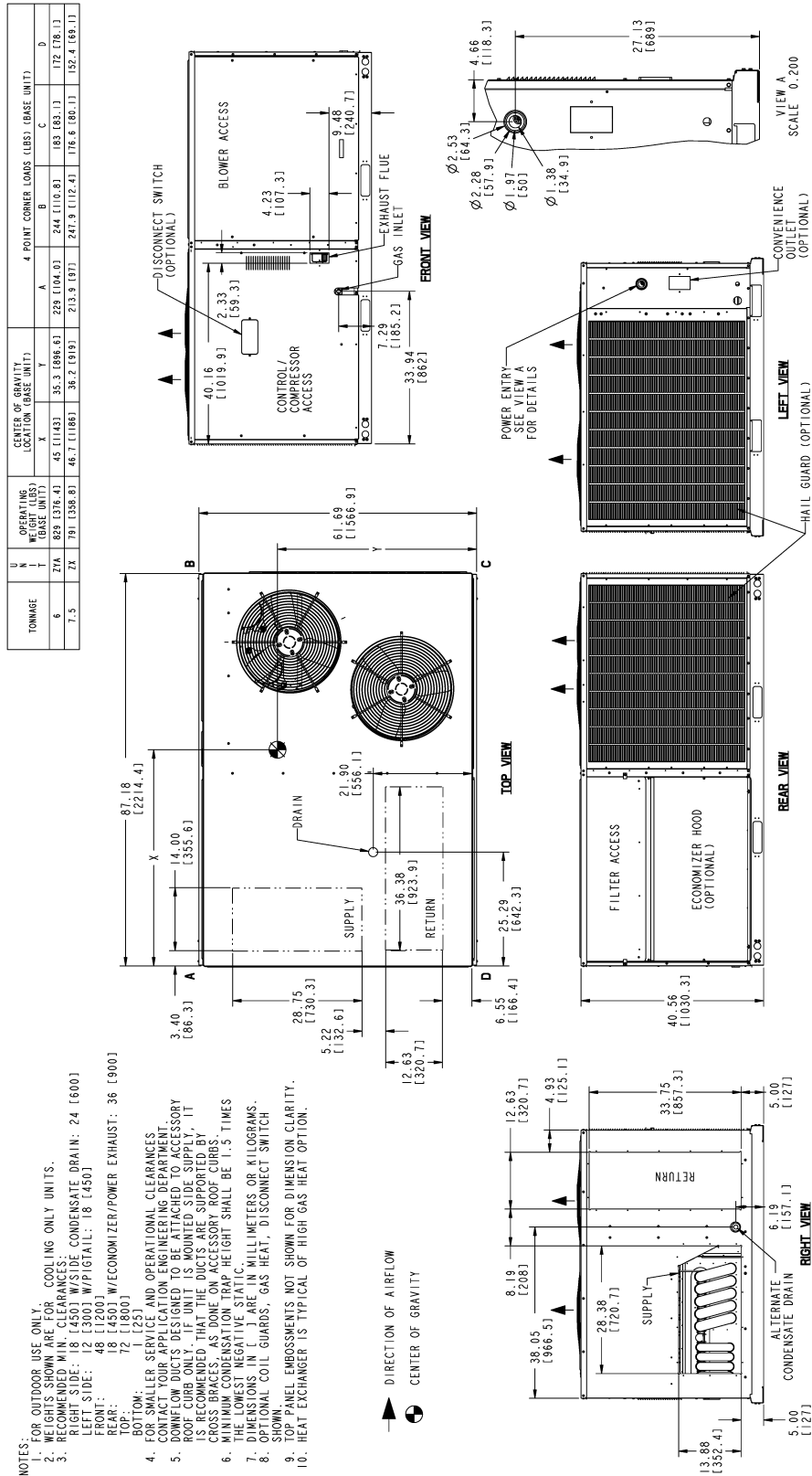


Figure 13: ZX09-12, ZY08-09 and ZL08-09

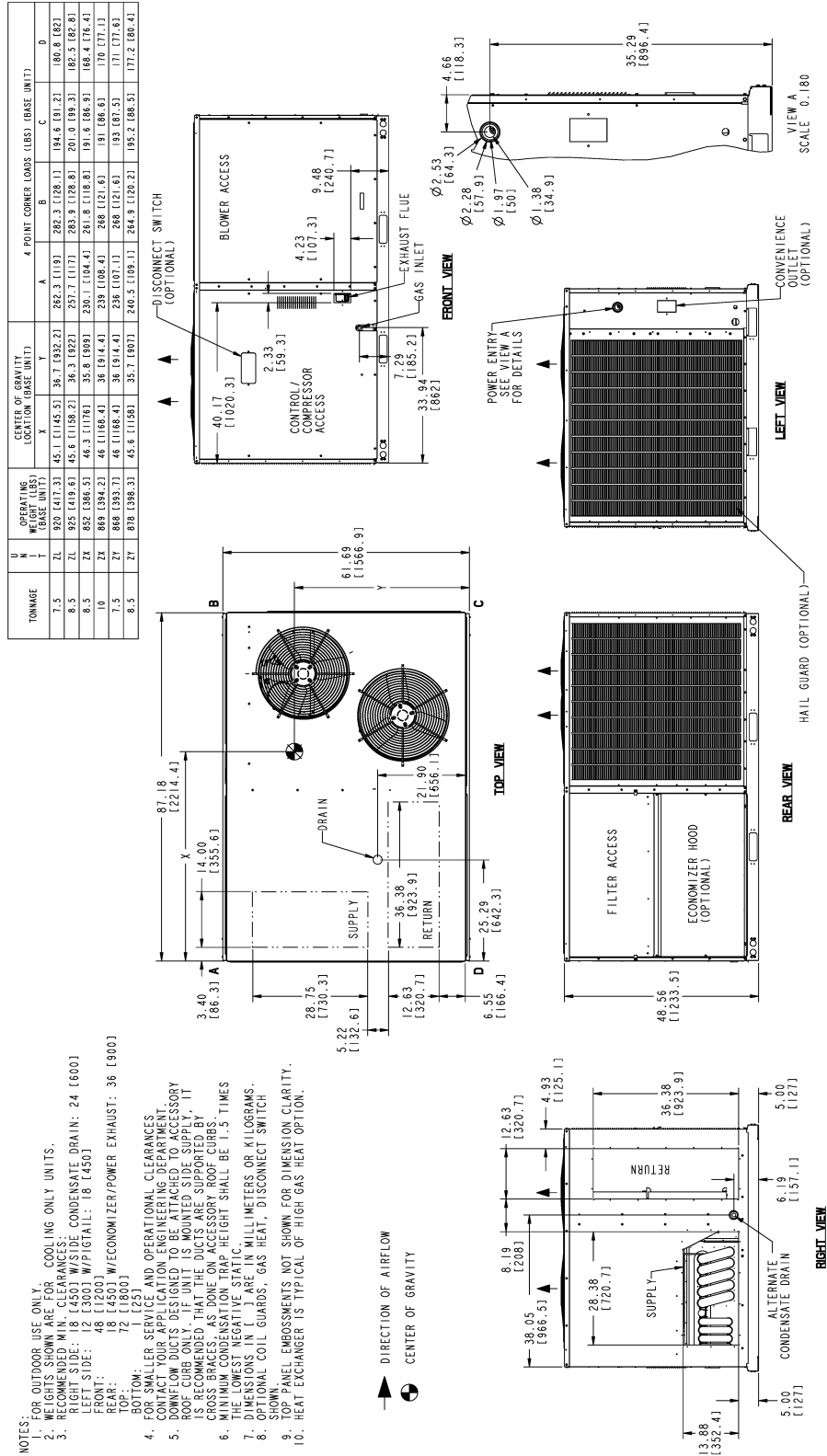


Figure 14: ZX14, ZY12 and ZL 12-14

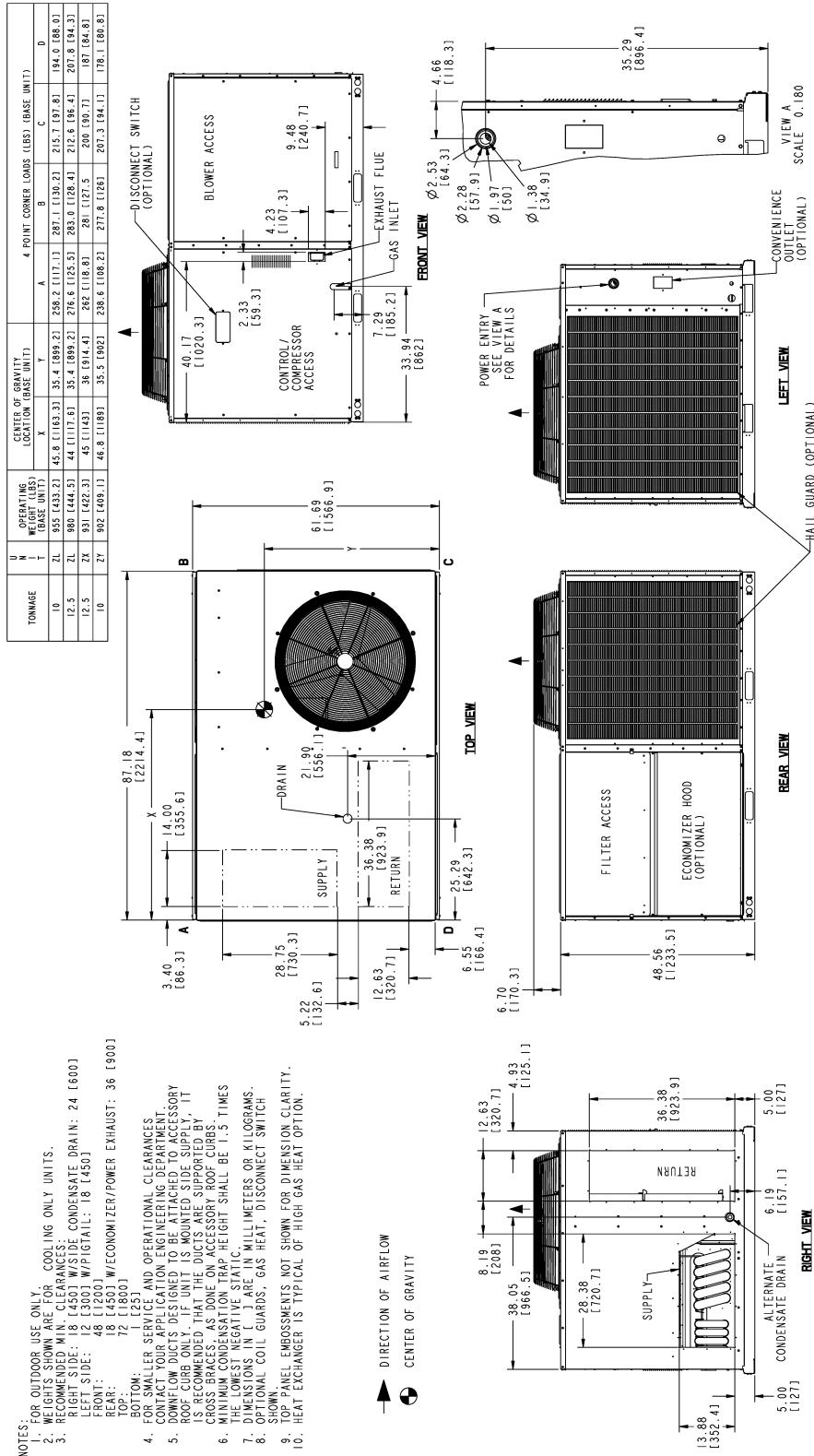


Table 179: ZQ04-06, ZXA7, ZL04-06 and ZY04-06 unit clearances

Direction	Distance (in.)	Direction	Distance (in.)
Top ¹	72	Right	18
Front	36	Left	12
Rear	18 ² /36 ³	Bottom ⁴	1

- 1 Units must be installed outdoors. Over hanging structure or shrubs should not obscure condenser air discharge outlet.
- 2 Units without economizer or power exhaust.
- 3 Units equipped with an economizer or power exhaust. Flue products must not be discharged within 10 ft of the rear of the unit.
- 4 Units may be installed on combustible floors made from wood or class A, B or C roof covering materials.

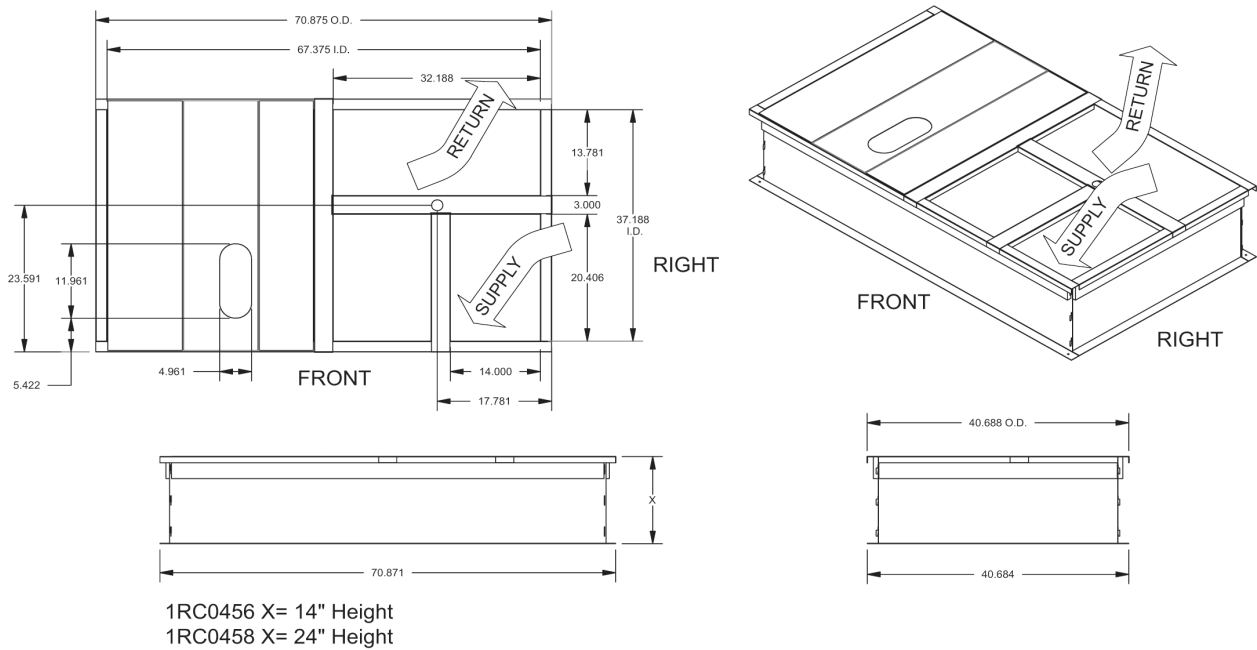
Table 180: ZX08-14, ZY07-12 and ZL08-14 unit clearances

Direction	Distance (in.)	Direction	Distance (in.)
Top ¹	72	Right	18
Front	48	Left	12
Rear	18 ² /36 ³	Bottom ⁴	1

- 1 Units must be installed outdoors. Over hanging structure or shrubs should not obscure condenser air discharge outlet.
- 2 Units without economizer or power exhaust.
- 3 Units equipped with an economizer or power exhaust. Flue products must not be discharged within 10 ft of the rear of the unit.
- 4 Units may be installed on combustible floors made from wood or class A, B or C roof covering materials.

ZQ04-06, ZXA7-14, ZY04-12, ZL04-06 and ZL08-14 unit roof curb dimensions

Figure 15: 1RC0456, 1RC0458 roof curb dimensions



Notes:

1. Sides, ends and cross support are 18-G90. Deck pans, R/A & S/A supports are 20-G90.
2. Full perimeter wood nailer.
3. Insulated deck pans.

Table 181: Unit models used with 1RC0456, 1RC0458 roof curb

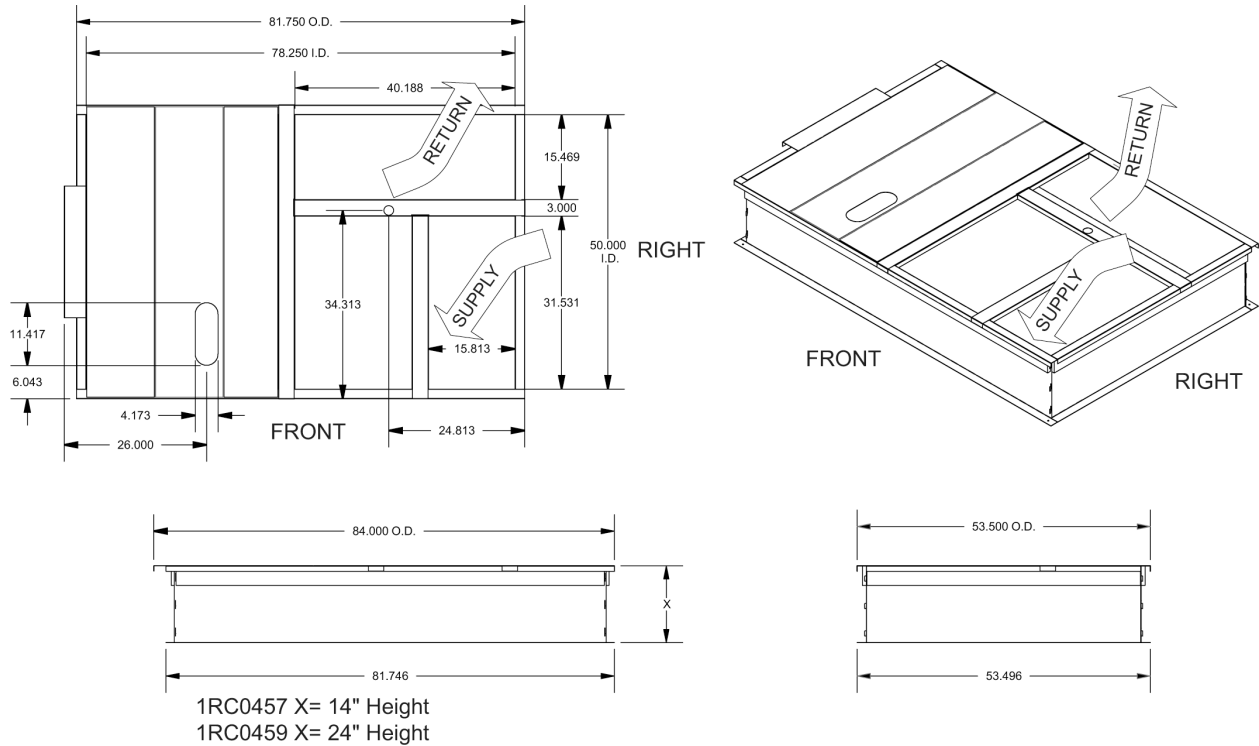
• ZQ04	• ZXA7	• ZY04	• ZL04
• ZQ05		• ZY05	• ZL05
• ZQ06		• ZY06	• ZL06

ⓘ **Note:** If utilities are required through the base of the unit or through the roof curb the following field installed accessories can be purchased through your dealer or contractor.

ⓘ **Note:** 1TB0401 - Thru the base electrical and through the curb gas

1TB0403 - Thru the base electrical and gas

Figure 16: 1RC0457, 1RC0459 roof curb dimensions



Notes:

1. Sides, ends, unit locator and cross support are 18-G90. Deck pans, R/A & S/A supports are 20-G90.
2. Full perimeter wood nailer.
3. Insulated deck pans.

Table 182: Unit models used with 1RC0457, 1RC0459 roof curb

- | | | |
|--------|--------|--------|
| • ZX08 | • ZYA7 | • ZL08 |
| • ZX09 | • ZY07 | • ZL09 |
| • ZX12 | • ZY08 | • ZL12 |
| • ZX14 | • ZY09 | • ZL14 |
| | • ZY12 | |

① **Note:** If utilities are required through the base of the unit or through the roof curb the following field installed accessories can be purchased through your dealer or contractor:

① **Note:** 1TB0402 - Through the base electrical and through the curb gas,
1TB0404 - Through the base electrical and gas

Economizer options

Table 183: Economizer usage

Application	Description	Accessory kit number
Economizer vertical flow Everyday Thermostat Control	Econ, DB, vertical flow, small footprint w/barometric relief	2EE04706725
	Econ, DB, vertical flow, large footprint w/barometric relief	2EE04706825
Economizer vertical flow Smart Equipment Control	Econ, DB, vertical flow, small footprint	2EE04706724
	Econ, DB, vertical flow, large footprint	2EE04706824
Economizer horizontal flow Everyday Thermostat Control	Econ, DB, horizontal flow, small footprint, short cabinet w/barometric relief	2EE04707025
	Econ, DB, horizontal flow, small footprint, Tall cabinet w/barometric relief	2EE04707125
	Econ, DB, horizontal flow, large footprint, short cabinet w/barometric relief	2EE04707225
Economizer horizontal flow Smart Equipment Control	Econ, DB, horizontal flow, large footprint, tall cabinet w/barometric relief	2EE04707325
	Econ, DB, horizontal flow, small footprint, short cabinet	2EE04707024
	Econ, DB, horizontal flow, small footprint, tall cabinet	2EE04707124
Power exhaust vertical flow	Econ, DB, horizontal flow, large footprint, short cabinet	2EE04707224
	Econ, DB, horizontal flow, large footprint, tall cabinet	2EE04707324
	Power exhaust vert flow small footprint 208 V-230 V 1-ph	2PE04704206
	Power exhaust vert flow small footprint 208 V-230 V 3-ph	2PE04704225
	Power exhaust vert flow small footprint 460 V 3-ph	2PE04704246
	Power exhaust vert flow small footprint 575 V 3-ph	2PE04704258
	Power exhaust vert flow large footprint 208 V-230 V 1-ph	2PE04704306
Power Exhaust Horizontal Flow	Power exhaust vert flow large footprint 208 V-230 V 3-ph	2PE04704325
	Power exhaust vert flow large footprint 460 V 3-ph	2PE04704346
	Power exhaust vert flow large footprint 575 V 3-ph	2PE04704358
	Power exhaust horiz flow small footprint 208 V-230 V 1-ph	2PE04704406
Power Exhaust Horizontal Flow	Power exhaust horiz flow small footprint 208 V-230 V 3-ph	2PE04704425
	Power exhaust horiz flow small footprint 460 V 3-ph	2PE04704446
	Power exhaust horiz flow small footprint 575 V 3-ph	2PE04704458
	Power exhaust horiz flow large footprint 208 V-230 V 1-ph	2PE04704506
	Power exhaust horiz flow large footprint 208 V-230 V 3-ph	2PE04704525
	Power exhaust horiz flow large footprint 460 V 3-ph	2PE04704546
	Power exhaust horiz flow large footprint 575 V 3-ph	2PE04704558

Figure 17: Field Installed vertical flow economizer

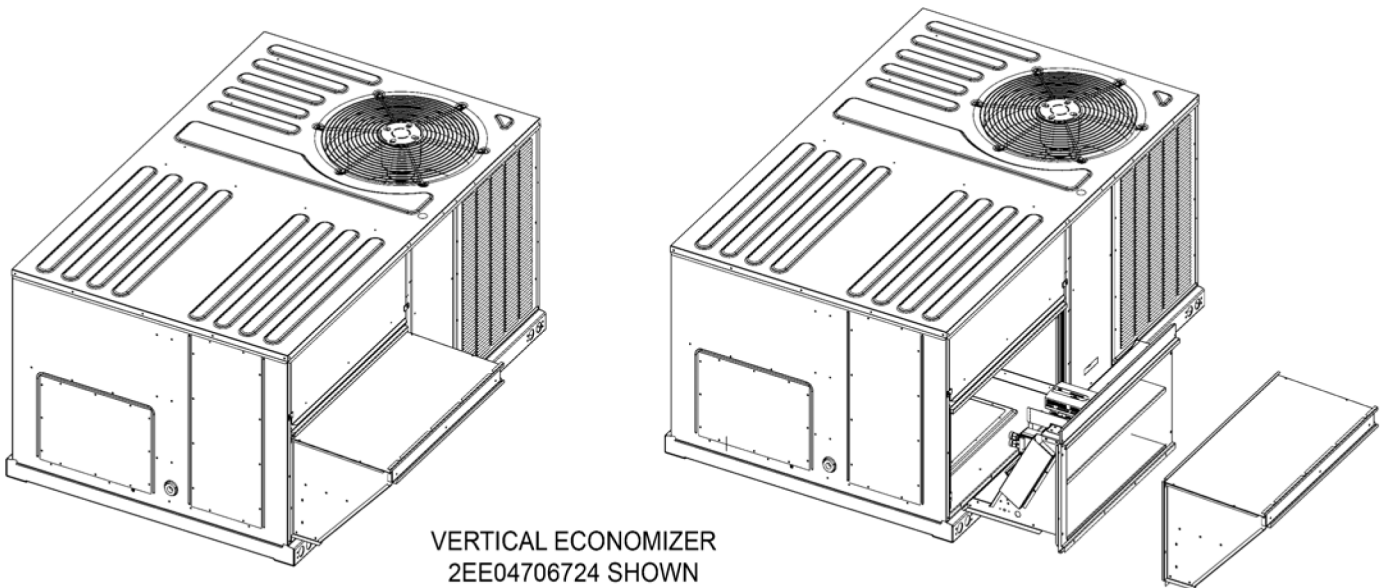


Figure 18: Field installed vertical flow economizer w/power exhaust

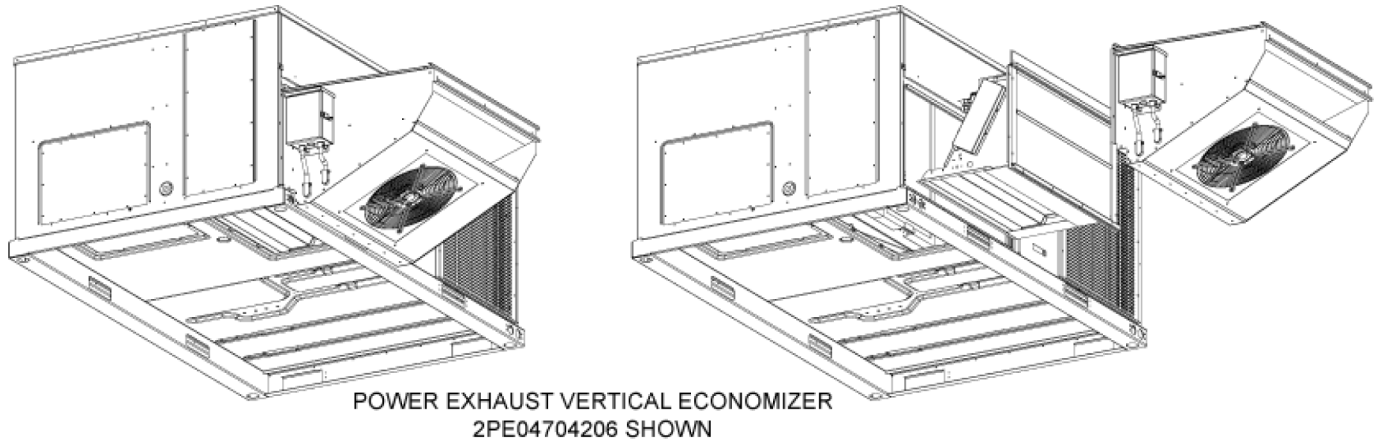


Figure 19: Field installed horizontal flow economizer

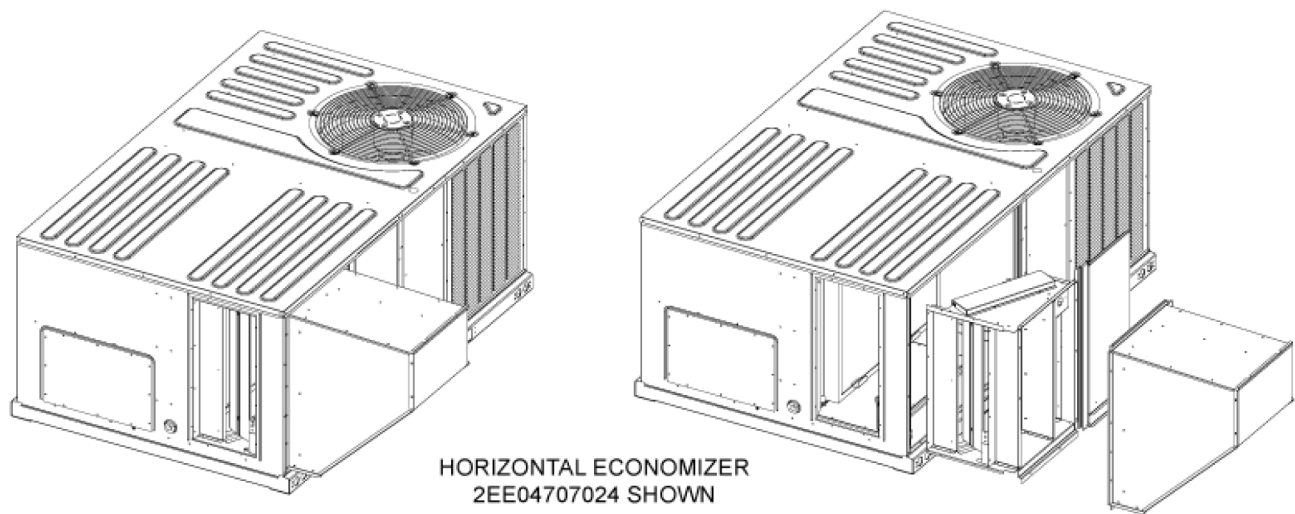
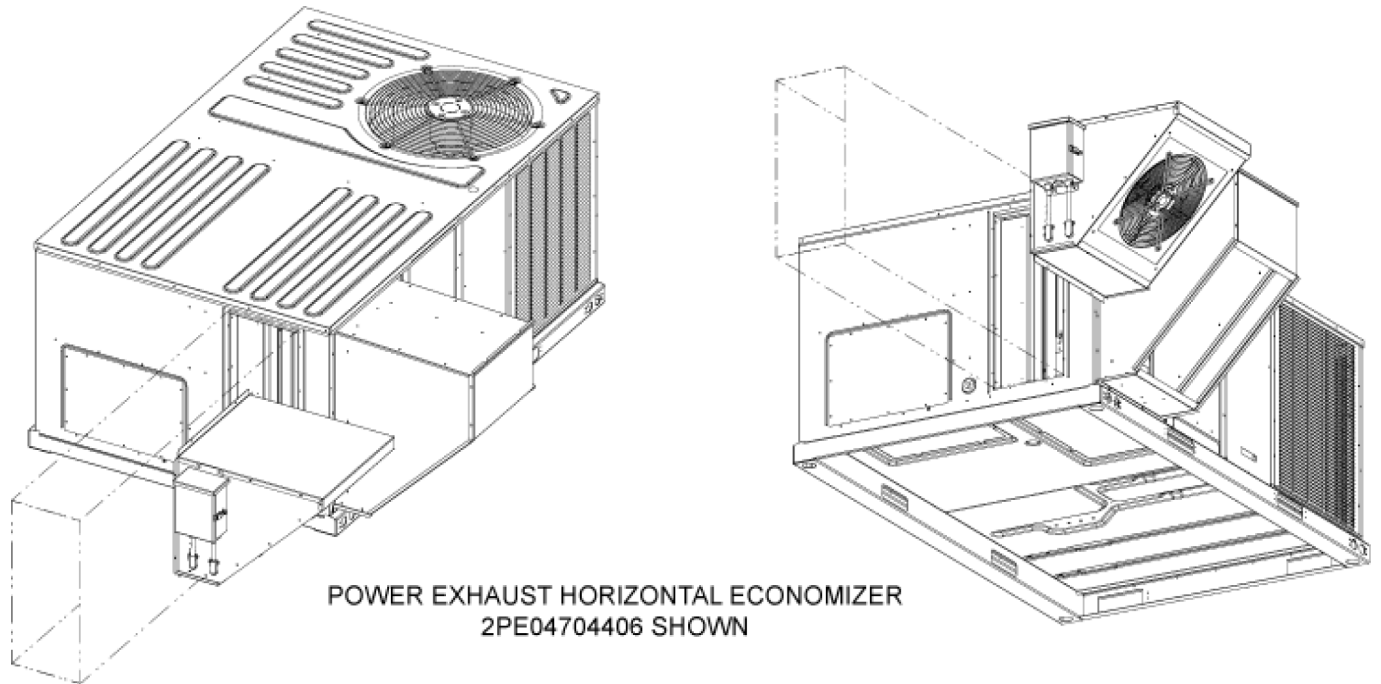


Figure 20: Field installed horizontal flow economizer w/power exhaust



Guide specifications

YORK® GUIDE MECHANICAL SPECIFICATIONS SINGLE PACKAGE AIR CONDITIONERS

3 THRU 12-1/2 NOMINAL TONS

York® Sun™ Core SERIES

Size Range: 3 to 12-1/2 Tons Nominal Cooling

45,000 to 200,000 BTUH Nominal Gas Heating Output

Model Series: ZQ, ZX, ZY & ZL

DIVISION 23 – HEATING, VENTILATING, AND AIR-CONDITIONING (HVAC)

Number Title

23 00 00 HEATING, VENTILATING, AND AIR-CONDITIONING (HVAC)

23 06 80 Schedules for Decentralized HVAC Equipment

23 06 80.13 Decentralized Unitary HVAC Equipment Schedule

23 06 80.13.A. Rooftop unit schedule

1. Schedule is per the project specification requirements.

23 07 16 HVAC Equipment Insulation

23 07 16.13.C. Economizer and Control compartment:

1. Interior cabinet surfaces shall be insulated with a minimum 1/2 in. thick, foil faced fiber glass insulation with thermal conductivity of 0.24 or better, adhered with acrylate polymer based adhesive
2. Insulation and adhesive shall meet NFPA 90A requirements for flame spread and smoke generation.

23 09 13 Instrumentation and Control Devices for HVAC

23 09 13.23 Sensors and Transmitters

23 09 13.23.A. Thermostats

1. Thermostat must
 - a. Energize “Y” when calling for cooling and “W” when calling for heating
 - b. Shall have capability to energize 2 stages of cooling and 2 stages of heating.

23 09 23 Direct-digital Control system for HVAC

23 09 23.13 Decentralized, Rooftop Units:

23 09 23.13.B. ETC Control)

1. Unit shall be complete with self-contained low-voltage control circuit protected by a resettable circuit breaker on the 24-volt transformer side.
2. Unit shall incorporate a lockout circuit which provides reset capability at the space thermostat or base unit, should any of the following standard safety devices trip and shut off compressor.
3. Loss-of-charge/Low-pressure switch.
4. High-pressure switch.
5. Freeze-protection thermostat, evaporator coil.
6. Unit shall incorporate “AUTORESET” compressor over temperature, over current protection.

7. Unit shall operate with conventional thermostat designs and have a low voltage terminal strip for easy hook-up.
8. Unit control board shall have on-board diagnostics and fault code display.
9. Standard controls shall include anti-short cycle and low voltage protection, and permit cooling operation down to 0°F.
10. Control board shall monitor each refrigerant safety switch independently.
11. Control board shall retain last 5 fault codes in nonvolatile memory which will not be lost in the event of a power loss.

23 09 33 Electric and Electronic Control System for HVAC

23 09 33.13 Decentralized, Rooftop Units: 23 09 33.13.A. General:

1. Shall be complete with self contained low voltage control circuit protected by a resettable circuit breaker on the 24 v transformer side. Transformer shall have 75VA capability.
2. Shall utilize color coded wiring.
3. Shall include a central control terminal board to conveniently and safely provide connection points for vital control functions such as: smoke detectors, economizer, thermostat, and low and high pressure switches.
4. The heat exchanger shall be controlled by an integrated gas controller (IGC) microprocessor. See heat exchanger section of this specification.

23 09 33.23.B. Safeties:

1. Compressor over temperature, over current. High internal pressure differential.
2. Low pressure switch and high pressure switch
 - a. Low pressure switch shall use different color wire than the high pressure switch. The purpose is to assist the installer and service technician to correctly wire and or troubleshoot the rooftop unit.
3. Automatic reset, motor thermal overload protector.
4. Heating section shall be provided with the following minimum protections:
 - a. High temperature limit switches.
 - b. Induced draft pressure sensor.
 - c. Flame rollout switch.
 - d. Flame proving controls.

23 40 13 Panel Air Filters

23 40 13.13 Decentralized, Rooftop Units:

23 40 13.13.A. Standard filter section

1. Shall consist of factory installed, low velocity, disposable 1 in. thick fiberglass filters of commercially available sizes.
2. Units can accept 1" or 2" filters and have a field convertible tool less transition.
3. Filters shall be accessible through an access panel; hinged panel with "no tool" removal option is available as described in the unit cabinet section of this specification (23 81 19.13.H).

238119 Self Contained Air Conditioners

23 81 19.13 Small Capacity Self Contained Air Conditioners

23 81 19.13.A. General

1. Outdoor, rooftop mounted, electrically controlled, heating and cooling unit utilizing a fully hermetic, suction gas cooled, direct drive compressor(s) for cooling duty and gas combustion or nickel chromium elements for heating duty.
2. Factory assembled, single piece heating and cooling rooftop unit. Contained within the unit enclosure shall be all factory wiring, piping, controls, and special features required prior to field start up.
3. Unit shall use environmentally sound, R-410A refrigerant.
4. Unit shall be installed in accordance with the manufacturer's instructions.
5. Unit must be selected and installed in compliance with local, state, and federal codes.

23 81 19.13.B. Quality Assurance

1. Unit meets ASHRAE 90.1 minimum efficiency requirements.
2. Unit shall be rated in accordance with AHRI Standards 210/240 or 340/360.
3. Unit shall be designed to conform to ASHRAE 15, 2001.
4. Unit shall be UL tested and certified in accordance with ANSI Z21.47 -2012/CSA 2.3-2012, CSA C22.2 No. 236-11 (UL 1995) 4th edition and CSA C22.2 No. 3 - M 1988.
5. Insulation and adhesive shall meet NFPA 90A requirements for flame spread and smoke generation.
6. Unit casing shall be capable of withstanding 1000 hour salt spray exposure per ASTM B117 (scribed specimen).
7. Unit shall be designed in accordance with ISO 9001, and shall be manufactured in a facility registered by ISO 9001.
8. Roof curb shall be designed to conform to NRCA Standards.
9. Unit shall be subjected to a completely automated run test on the assembly line. The data for each unit will be stored at the factory, and must be available upon request.
10. Unit shall be designed in accordance with UL Standard 1995, including tested to withstand rain.
11. Unit shall be constructed to prevent intrusion of snow and tested to prevent snow intrusion into the control box
12. Unit shake tested to assurance Truck 2, ASTM D4169 to ensure shipping reliability.

23 81 19.13.C. Delivery, Storage, and Handling

1. Unit shall be stored and handled per manufacturer's recommendations.
2. Overhead crane can be used to place the units on a roof using rigging holes built into the unit base rails without any additions to the unit.
3. Unit shall only be stored or positioned in the upright position.

23 81 19.13.E. Project Conditions

1. As specified in the contract.

23 81 19.13.F. Operating Characteristics

1. Unit shall be capable of starting and running at 125°F (52°C) ambient outdoor temperature, meeting maximum load criteria of AHRI Standard 210/240 or 340/360 at ± 10% voltage.
2. Compressor with standard controls shall be capable of operation down to 30°F (-1°C), ambient outdoor temperatures.
3. Unit shall discharge supply air vertically or horizontally as shown on contract drawings.
4. Unit shall be factory configured for vertical supply & return configurations.
5. Unit shall be field convertible from vertical to horizontal airflow on all models.
6. Unit shall be capable of mixed operation: vertical supply with horizontal return or horizontal supply with vertical return.

23 81 19.13.I. Gas Heat

1. General
 - a. Heat exchanger shall be an induced draft design. Positive pressure heat exchanger designs shall not be allowed.
 - b. Shall incorporate a direct spark ignition system and redundant main gas valve.
 - c. Gas supply pressure at the inlet to the rooftop unit gas valve must match that required by the manufacturer.
 - d. All units shall have 2 stages of gas heating available where 1st stage is 60% of total capacity.
2. The heat exchanger shall be controlled by an integrated gas controller (IGC) microprocessor.
 - a. IGC board shall notify users of fault using an LED (light emitting diode).
 - b. The LED shall be visible without removing the control box access panel.
 - c. IGC board shall contain algorithms that modify evaporator fan operation to prevent future cycling on high temperature limit switch.
 - d. Unit shall be equipped with anti cycle protection with one short cycle on unit flame rollout switch

or 4 continuous short cycles on the high temperature limit switch. Fault indication shall be made using an LED.

3. Standard Heat Exchanger construction

- a. Heat exchanger shall be of the tubular section type constructed of a minimum of 20 gauge steel coated with a nominal 1.2mil aluminum silicone alloy for corrosion resistance.
- b. Burners shall be of the in shot type constructed of aluminum coated steel.
- c. Burners shall incorporate orifices for rated heat output up to 2000 ft. (610m) elevation. Additional accessory kits may be required for applications above 2000 ft. (610m) elevation, depending on local gas supply conditions.
- d. Each heat exchanger tube shall contain multiple dimples for increased heating effectiveness.

4. Optional Stainless Steel Heat Exchanger construction

- a. Use energy saving, direct spark ignition system.
- b. Use a redundant main gas valve.
- c. Burners shall be of the in shot type constructed of aluminum coated steel.
- d. All gas piping shall enter the unit cabinet at a single location on side of unit (horizontal plane).
- e. The optional stainless steel heat exchanger shall be of the tubular section type, constructed of a minimum of 20 gauge type 409 stainless steel.
- f. Type 409 stainless steel shall be used in heat exchanger tubes and vestibule plate.

5. Optional Low NOx Heat Exchanger construction

- a. Low NOx reduction shall be provided to reduce nitrous oxide emissions to meet California's Air Quality Management District (SCAQMD) low NOx emissions requirement of 40 nanograms per joule or less.

6. Induced draft combustion motor and blower

- a. Shall be a direct drive, single inlet, forward curved centrifugal type.
- b. Shall be made from steel with a corrosion resistant finish.
- c. Shall have permanently lubricated sealed bearings.
- d. Shall have inherent thermal overload protection.
- e. Shall have an automatic reset feature.

23 81 19.13.L. Refrigerant Circuits

1. All units shall have one or two refrigerant circuits.
2. Refrigerant circuit shall include the following control, safety, and maintenance features:
 1. Refrigerant filter drier Solid core design.
 2. Service gauge connections on suction and discharge lines.
3. Compressors
 1. Unit shall use fully hermetic, scroll compressors for each independent refrigeration circuit.
 2. Compressor motors shall be cooled by refrigerant gas passing through motor windings.
 3. Compressors shall be internally protected from high discharge temperature conditions.
 4. Compressors shall be protected from an over temperature and over amperage conditions by an internal, motor overload device.
 5. Compressor shall be factory mounted on rubber grommets.
 6. Compressor motors shall have internal line break thermal, current overload and high pressure differential protection.
 7. All non-Scroll compressors include Crankcase heaters.

23 81 19.13.M.Filter Section

1. Filters access is specified in the unit cabinet section of this specification.

23 81 19.13.N. Evaporator Fan and Motor

1. Evaporator fan motor:

- a. Shall have permanently lubricated ball-bearings.
 - b. Shall have inherent automatic reset thermal overload protection.
 - c. The job site selected brake horsepower shall be required to not exceed the motor's nameplate horsepower rating plus the service factor.
2. Evaporator Fan:
- a. Fan shall be a factory installed direct-drive (optional) or standard belt drive assembly with an adjustable pitch motor pulley.
 - b. Shall use sealed, permanently lubricated ball
 - c. Blower fan shall be double inlet type with forward curved blades.
 - d. Shall be constructed from steel with a corrosion resistant finish and dynamically balanced.

23 81 19.13.O. Multi-speed Fan Control

1. IntelliSpeed staged air volume system:
 - a. Fan speed shall be matched with staging of compressor operation.
2. Variable Frequency Drive (VFD):
 - a. Shall contain a variable frequency drive tied to the evaporator fan motor.
 - b. Shall be installed inside the unit cabinet, mounted, wired and tested.
 - c. Shall contain Electromagnetic Interference (EMI) frequency protection.
 - d. Insulated Gate Bi Polar Transistors (IGBT) used to produce the output pulse width modulated (PWM) waveform.
 - e. Built in LED display and controls. Does not require additional kit or options.
 - f. RS485 capability standard.
 - g. Electronic thermal overload protection.
 - h. 5% swinging chokes for harmonic reduction and improved power factor.
 - i. All printed circuit boards shall be conformal coated.

23 81 19.13.P. Condenser Fans and Motors

1. Condenser fan motors:
 - a. Shall be a totally enclosed motor.
 - b. Shall use permanently lubricated ball-bearings.
 - c. Shall have inherent thermal overload protection with an automatic reset feature.
 - d. Shall use a shaft down design.
2. Condenser Fans:
 - a. Shall be a direct driven propeller type fan.
 - b. Shall have aluminum blades riveted to corrosion resistant steel spider brackets and be dynamically balanced.

23 81 19.13.Q. Special Features Options and Accessories

1. Standard Integrated Economizer:
 - a. Integrated, gear driven opposing modulating blade design type capable of simultaneous economizer and compressor operation.
 - b. Independent modules for vertical or horizontal return configuration shall be available. Vertical return modules shall be available as a factory installed option.
 - c. Damper blades shall be galvanized steel with metal gears. Plastic or composite blades on intake or return shall not be acceptable.
 - d. Damper blades shall be class 1A dampers.
 - e. Shall include all hardware and controls to provide free cooling with outdoor air when temperature and/or humidity are below set points.
 - f. Shall be equipped with gear driven dampers for both the outdoor ventilation air and the return air for positive air stream control.
 - g. Economizer shall comply with, and be certified to, the AMCA 511 standard.

- h. Standard leak rate shall be equipped with dampers not to exceed 3 cfm/ft² leakage at 1 in. wg pressure differential.
 - i. Johnson Controls RRS Economizer shall be the field installed option for units equipped with the ETC controller
 - 1. On board Fault Detection and Diagnostics (FDD) that senses and alerts when the economizer is not operating properly, meets the requirements for California Title 24, IECC 2015, and ASHRAE 90.1
 - 2. Display alarms if the following occur
 - i. Economizer is economizing when conditions do not support
 - ii. Economizer is not economizing when conditions do support
 - iii. Damper Stuck
 - iv. Excess Outdoor Air
 - v. Failed Sensor
 - 3. Automatic sensor detection
 - 4. Capabilities for use with multiple speed indoor fan systems
 - 5. Utilize digital sensors: Dry bulb and Enthalpy
 - 6. UL, CSA, and ICES-003 recognized and FCC compliant to CFR47
 - j. Shall be capable of introducing up to 100% outdoor air.
 - k. Shall be equipped with a barometric relief damper capable of relieving up to 100% return air and contain seals that meet ASHRAE 90.1 requirements. Barometric relief can be replaced by optional power exhaust.
 - l. Shall be designed to close damper(s) during loss of power situations with spring return built into motor.
 - m. Dry bulb outdoor air temperature sensor shall be provided as standard. Enthalpy sensor is also available on factory installed only. Outdoor air sensor set point shall be adjustable and shall range from 40° to 80°F / 4° to 27°C. Additional sensor options shall be available as accessories.
 - n. The economizer controller shall also provide control of an accessory power exhaust unit function. Factory set at 100%, with a range of 0% to 100%.
 - o. The economizer shall maintain minimum airflow into the building during occupied period and provide design ventilation rate for full occupancy.
 - p. Dampers shall be completely closed when the unit is in the unoccupied mode.
 - q. Economizer controller shall accept a 2 10 Vdc CO₂ sensor input for IAQ/DCV control. In this mode, dampers shall modulate the outdoor air damper to provide ventilation based on the sensor input.
 - r. Actuator shall be direct coupled to economizer gear. No linkage arms or control rods shall be acceptable.
 - s. Economizer controller shall provide indications when in free cooling mode, in the DCV mode, or the exhaust fan contact is closed.
2. BarometricReliefKit
 - a. Shall contain all materials necessary to field install a barometric relief damper capable of relieving up to 100% return air and contain seals that meet ASHRAE 90.1 requirements.
 3. Manual Fresh Air Damper
 - a. Shall contain all materials necessary to field install a manual fresh air damper.
 - b. Shall include a slide-in damper assembly with an outdoor hood and filters.
 - c. Shall be available with either a range of 0%-100% outdoor air entry or 0%-35% outdoor air entry.
 4. Motorized Damper
 - a. Damper shall be a Two Position Damper. Damper travel shall be from the full closed position to the field adjustable % open setpoint.
 - b. Damper shall include adjustable damper travel from 0% to 100% (full open).
 - c. Damper shall include single or dual blade, gear driven dampers and actuator motor.

- d. Actuator shall be direct coupled to damper gear. No linkage arms or control rods shall be acceptable.
 - e. Damper will admit up to 100% outdoor air for applicable rooftop units.
 - f. Damper shall close upon indoor (evaporator) fan shutoff and/or loss of power.
 - g. The damper actuator shall plug into the rooftop unit's wiring harness plug. No hard wiring shall be required.
 - h. Outside air hood shall include aluminum water entrainment filter.
5. Manual damper
- a. Manual damper package shall consist of damper, air inlet screen, and rain hood which can be preset to admit up to 25 or 50% outdoor air for year round ventilation.
6. Propeller Power Exhaust:
- a. Power exhaust shall be used in conjunction with an integrated economizer.
 - b. Horizontal power exhaust shall be mounted in return ductwork.
 - c. Power exhaust shall be controlled by economizer controller operation. Exhaust fans shall be energized when dampers open past the 0 100% adjustable set point on the economizer control.
7. Single Enthalpy Sensor Kit
- a. The single enthalpy sensor kit shall provide a relative humidity sensor to be mounted in the outdoor air stream to provide single enthalpy economizer control
 - b. The sensor allows the unit to determine if outside air is suitable for free cooling.
8. Dual Enthalpy Sensor Kit:
- a. The dual enthalpy sensor kit shall provide 2 relative humidity sensors to be mounted in the return and outdoor air streams to provide dual enthalpy economizer control.
 - b. This kit contains all components required for dual enthalpy control and does not need to be used in conjunction with the Single Enthalpy Sensor Kit.
9. CO2 Sensor:
- a. Shall be able to provide demand ventilation control for indoor air quality (IAQ) or outdoor air quality (OAQ).
 - b. The CO2 sensor shall be available in duct mount or wall mount with LED display.
 - c. The set-points for IAQ and OAQ shall have adjustment capability between 0 and 5000 ppm in the RRS Economizer controls.
10. Smoke detectors:
- a. Shall be a Four Wire Controller and Detector.
 - b. Shall be environmental compensated with differential sensing for reliable, stable, and drift free sensitivity.
 - c. Shall use magnet activated test/reset sensor switches.
 - d. Shall have a recessed momentary switch for testing and resetting the detector.
 - e. Controller shall include:
 - 1. One set of normally open alarm initiation contacts for connection to an initiating device circuit on a fire alarm control panel.
 - 2. Two Form C auxiliary alarm relays for interface with rooftop unit or other equipment.
 - 3. One Form C supervision (trouble) relay to control the operation of the Trouble LED on a remote test/reset station.
 - 4. Capable of direct connection to two individual detector modules.
 - 5. Can be wired to up to 49 other duct smoke detectors for multiple fan shutdown applications