

# 4DHP2 MULTI-ZONE PRODUCT SPECIFICATIONS

UP TO 24.1 SEER  
UP TO 5 ZONES DUCTLESS HEAT PUMP SYSTEMS

FORM NO. 4DHP2MULTI-100 (04/2022)



Wireless  
Remote Controller  
(furnished with  
Wall-Mount and  
Cassette Models)



D22C1/D33C2 Cassette  
Non-Ducted Indoor Unit



DWM2 Wall-Mounted  
Non-Ducted Indoor Unit



DMD2 Medium Static Ducted Indoor Unit  
with Wired Remote Controller (furnished)



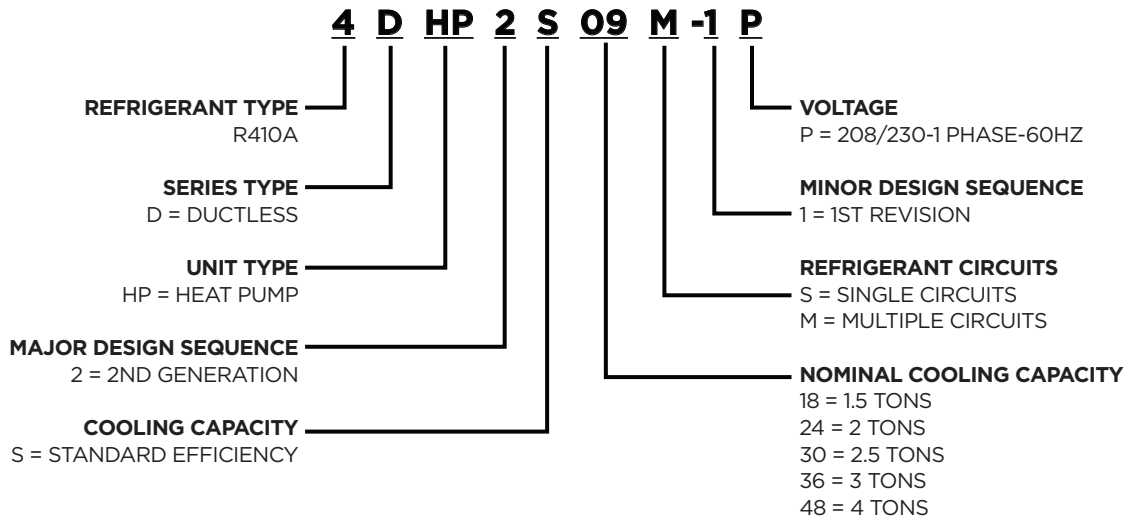
4DHP2S09 thru 36 Heat Pump Outdoor Units



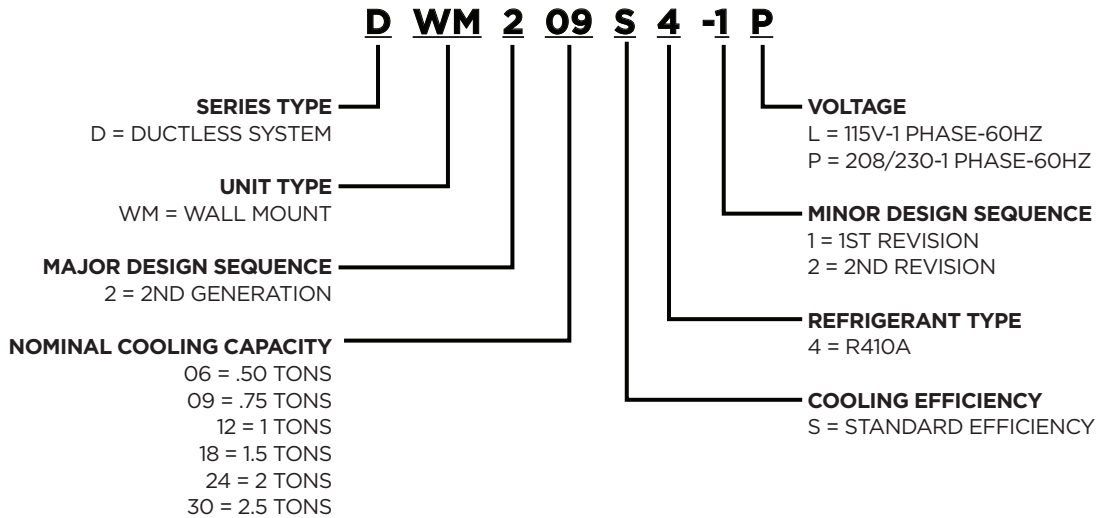
4DHP2S48 Heat Pump Outdoor Unit

**MODEL NUMBER GUIDE**

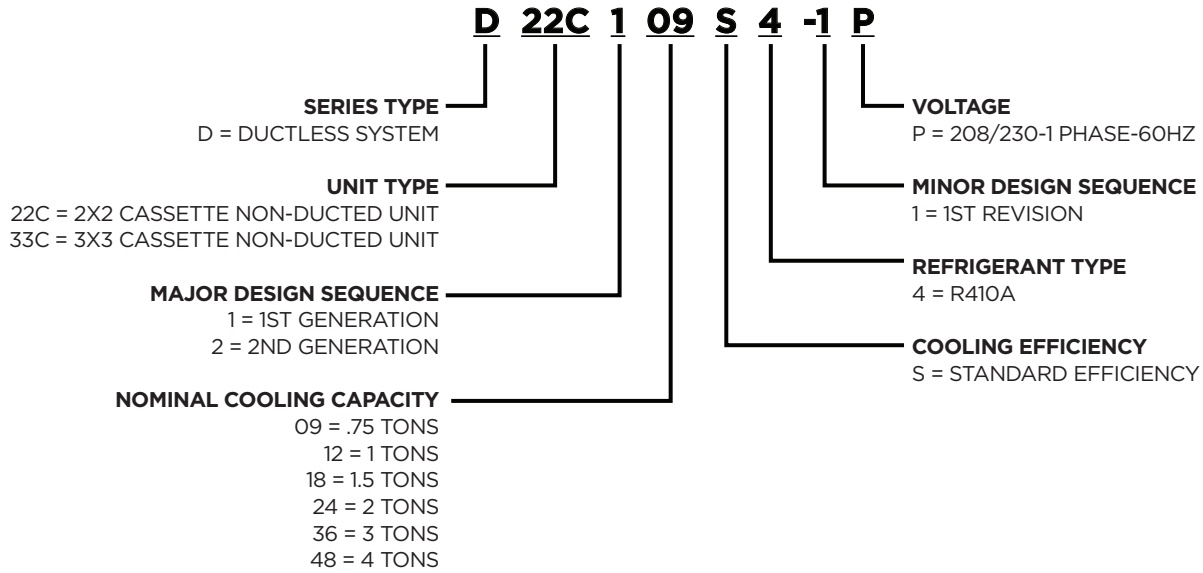
**OUTDOOR MULTI-ZONE HEAT PUMP UNITS**



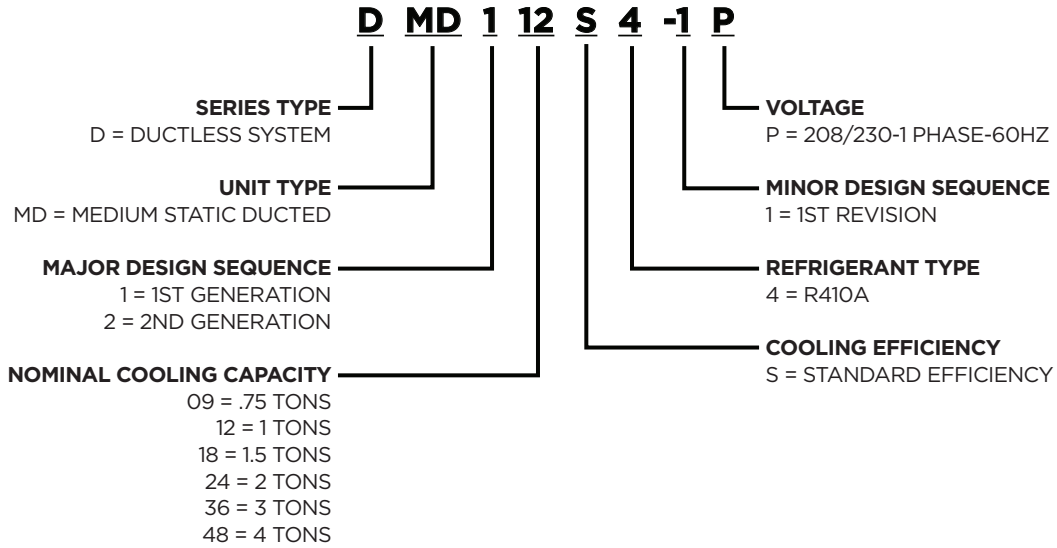
**WALL-MOUNTED INDOOR UNITS**



**CASSETTE INDOOR UNITS**



**DUCTED INDOOR UNITS**



## CONTENTS

AHRI RATINGS . . . . .	27
AIR THROW DATA . . . . .	50
- CASSETTE INDOOR UNITS . . . . .	52
- WALL-MOUNTED INDOOR UNITS . . . . .	50
APPROVALS AND WARRANTY . . . . .	5
BLOWER DATA . . . . .	53
- MEDIUM STATIC DUCTED INDOOR UNITS . . . . .	53
DIMENSIONS . . . . .	58
- CASSETTE INDOOR UNITS . . . . .	63
- MEDIUM STATIC DUCTED INDOOR UNITS . . . . .	65
- OUTDOOR UNITS . . . . .	58
- WALL-MOUNTED INDOOR UNITS . . . . .	61
- WALL-MOUNTED INDOOR UNITS - WALL PLATES . . . . .	62
FEATURES . . . . .	5
- INDOOR UNITS . . . . .	7
- OUTDOOR UNITS . . . . .	5
INSTALLATION CLEARANCES . . . . .	66
- CASSETTE INDOOR UNITS . . . . .	67
- MEDIUM STATIC DUCTED INDOOR UNITS . . . . .	68
- OUTDOOR UNITS . . . . .	66
- WALL-MOUNTED INDOOR UNITS . . . . .	67
LINE SET AND ELEVATION GUIDELINES . . . . .	69
MULTI-ZONE SYSTEM COMBINATIONS . . . . .	30
OPTIONAL ACCESSORIES - ORDER SEPARATELY . . . . .	28
OUTDOOR TO INDOOR UNIT LINE CONNECTIONS - TWO ZONES . . . . .	36
REMOTE CONTROLLERS - FURNISHED . . . . .	9
SOUND LEVELS - TEST CONDITIONS . . . . .	29
SPECIFICATIONS . . . . .	22
- CASSETTE INDOOR UNITS . . . . .	25
- MEDIUM STATIC DUCTED INDOOR UNITS . . . . .	26
- OUTDOOR UNITS - 1.5 TON   2 TON   2.5 TON . . . . .	22
- OUTDOOR UNITS - 3 TON   4 TON . . . . .	23
- WALL-MOUNTED INDOOR UNITS . . . . .	24



## APPROVALS AND WARRANTY

### APPROVALS

- AHRI Standard 210/240 certified with Addenda 1 and 2
- ENERGY STAR® certified
- Rated According to U.S. Department of Energy (DOE) test procedures
- Indoor and outdoor units and components UL and CEC bonded for grounding to meet safety standards for servicing
- ETL certified for the U.S. and Canada
- Meets 2014 Florida Building Code Wind Design Criteria
  - Ultimate Wind Speed – 186 miles per hour
  - Risk Categories – III and IV
  - Wind Exposures – C and D
  - Mean Roof Heights – Up to 60 feet above ground

### WARRANTY

- Compressor - Limited seven years
- All other covered components - Limited five years

**NOTE** - Refer to Equipment Limited Warranty certificate included with unit for specific details.

## FEATURES

### APPLICATIONS

- 1.5 through 4 ton
- Single phase power supply (208/230V)
- Outdoor unit sound levels as low as 58.5 dBA
- Indoor unit sound levels as low as 22.5 dBA
- Ductless mini-split systems provide a wide range of capacities and applications and provide an alternative when a ducted system is impractical or cost prohibitive
- Depending on capacity, multi-zone heat pumps allow up to five indoor units (5 zones) to be connected to one outdoor unit
- Units shipped completely factory assembled, internally piped, and wired

**NOTE** - Outdoor unit is designed for outdoor location only.

**NOTE** - it is recommended that Medium Static Ducted Indoor Units not be installed in unconditioned spaces with temperatures above 100°F.

### REFRIGERATION SYSTEM

#### R-410A Refrigerant

- Non-chlorine, ozone friendly
- Unit is factory pre-charged

#### Outdoor Coil

- Aluminum fins fitted to copper tubes
- Wire grille guard provided

#### Outdoor Fan

- Direct drive fan moves large air volumes uniformly through entire outdoor coil for high refrigeration capacity
- Fan guard provided

## OUTDOOR UNITS

### Refrigerant Line Connections, Service Valve

- Flare connection lines are located on side of unit cabinet
- Fully serviceable brass service valve prevents corrosion and provides access to refrigerant system

### COMPRESSOR

#### Variable Frequency Rotary Compressor

- Compressor features high efficiency operation
- Balanced for reduced vibration and quiet operation
- Brushless DC motor uses powerful Neodymium magnets, which are approximately 15-20 times stronger than ferrite magnets used in conventional AC compressors

#### Compressor Crankcase Heater

- Protects against liquid refrigerant migration that can occur during low ambient operation

### CONTROLS

#### DC Inverter Control

- Provides continuous operation, while adjusting capacity according to room temperature
- The accurate sensing of cooling loads prevents frequent changes in capacity and ensures efficient, economical operation

#### Inverter Module Protection

- Protects against differences in current, voltage and temperature
- Displays code on the indoor unit indicating a need for servicing

**FEATURES****OUTDOOR UNITS****CONTROLS (continued)****Outdoor Unit Microprocessor**

- Electronic expansion valve control
- Automatic compressor timed-off protection (3 minutes)
- Temperature sensor
- LEDs on control display error codes and assist in troubleshooting
- 4-Way reversing valve control

**Electronic Expansion Valve**

- Furnished on all models

**Compressor Overcurrent Protection**

- Overcurrent protection can result due to any of the following:
  - Ambient temperature is too high
  - Locked rotor on the compressor
  - Outdoor air is blocked or restricted

**Condenser High Temperature Protection**

- Condenser high temperature can occur due to any of the following conditions:
  - High outdoor ambient
  - Outdoor fan blocked
  - Outdoor coil blocked
- The outdoor coil thermistor continuously monitors the temperature and communicates with the microprocessor
- Depending on the temperature measured, the compressor will be allowed to increase the frequency if needed to meet the load or is forced to run at the current or reduced frequency
- If the temperature becomes excessively high the compressor will be de-energized

**Compressor Discharge Temperature Protection**

- The compressor discharge line thermistor continuously monitors the temperature and communicates with the microprocessor
- Depending on the temperature measured, the compressor will be allowed to increase the frequency to meet the load or is forced to run at the current or reduced frequency
- If the temperature becomes excessively high, the compressor will be de-energized

**Voltage Protection**

- Protects unit from low or high voltage fluctuations

**Terminal Strip**

- Furnished for easy wiring connections

**Automatic Piping/Wiring Correction**

- Automatically checks piping/wiring connections
- A "Check Switch" on outdoor unit control reviews zone wiring and piping connections and displays "CE" if all connections are correct
- If a unit(s) is not connected to the correct zone the control will automatically remap the wiring to the correct zone based on indoor unit size

**Defrost Control**

- Defrost cycle is automatically enabled if there is a build-up of frost on the outdoor coil
- Outdoor fan operation is terminated during the defrost cycle
- Indoor fan changes to ultra low speed during the defrost cycle to help bring warm refrigerant back to the outdoor coil to assist during defrost operation
- Defrost LED is lit on the indoor unit panel on the front cover during a defrost cycle

**Reversing Valve**

- 4-way interchange reversing valve effects a rapid change in direction of refrigerant flow resulting in quick changeover from cooling to heating and vice versa
- Valve operates on pressure differential between outdoor unit and indoor unit of the system

**CABINET**

- Constructed of heavy gauge steel
- Tabs on unit base allow secure mounting to slab
- Condensate drain outlets furnished on unit base

**NOTE** - Drain must be field furnished.

- Pan heater prevents ice build-up in the bottom of the unit during heating operation
- Access cover for power and control wiring connections
- Access cover for service valves

## FEATURES

## INDOOR UNITS

WALL-MOUNTED INDOOR UNITS

- Low-sound, three-speed Wall Mount with LED display offers three access points for refrigerant outlet pipes: left, right or rear
- The front panel can be raised for accessible wiring and maintenance
- Swing louver angles to 90°
- Unit installs horizontally on a vertical wall
- **Pre-Heat Function** - Delays the operation of the fan until the indoor coil has reached a pre-determined temperature which prevents the discharge of cold air while the system is operating in the "heating" mode
- **LED Readout** - Mounted on unit. LED displays unit operation status, and codes for maintenance and servicing
- **Auto Restart** - Automatically restores the previous function setting if power is interrupted
- **Cooling Override** - Button on the indoor unit allows a temporary 30 minute override of the system for forced "AUTO" or "COOLING" operation
- **Flare Connections** - Equipped with liquid and gas flare fittings for quick and secure piping
- **Multi-Refrigerant Outlet** - Allows left, right, or rear access for refrigeration line connection
- **Three Speed Fan** - Fan functions at three speeds: low, medium and high
- **Air Filter** - Cleanable air filter is furnished as standard
- **Wireless Remote Controller** - Furnished as standard, see page 9

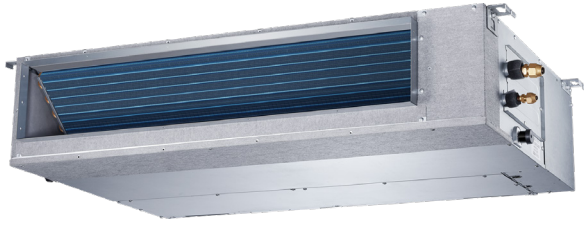
CASSETTE INDOOR UNITS

- Low-sound and encased in galvanized steel, the Cassette unit with LED display offers 360° airflow for immediate, equal distribution of wide-range cooling and heating
- 360° Airflow Panel - Allows for even, wide-range cooling and heating
- **Pre-Heat Function** - Delays the operation of the fan until the indoor coil has reached a pre-determined temperature which prevents the discharge of cold air while the system is operating in the "heating" mode
- **LED Readout/Infrared Receiver Panel** - Mounted on unit. LEDs display unit operation status, and codes for maintenance and servicing
- Infrared receiver for use with wireless remote controller (furnished)
- **Auto Restart** - Automatically restores the previous function setting if power is interrupted
- **Cooling Override** - Button on the indoor unit allows a temporary 30 minute override of the system for forced "AUTO" or "COOLING" operation
- **Built-In Condensate Pump** - 27-1/2 in. maximum lift
- **Compact Design** - Allows accessible wiring and space-saving installation with reduced width and depth
- **Flare Connections** - Equipped with liquid and gas flare fittings for quick and secure piping
- **Three Speed Fan** - Fan functions at three speeds: low, medium and high
- **Turbo Fan With Backward Curved Blades** - Reduces sound levels and air resistance
- **Air Filter** - Cleanable air filter is furnished as standard
- **Wireless Remote Controller** - Furnished as standard, see page 15 for D22C1 and page 12 for D33C2

**NOTE** - The cassette panel must be ordered separately. See Specifications table for ordering information.

## FEATURES

## INDOOR UNITS

**MEDIUM STATIC DUCTED INDOOR UNITS**

- Mode conflict will auto-reset once all units return to the same operating mode

- Slim, compact design for limited space requirements. Installs out of sight between the drop ceiling and ceiling slab with ducted distribution to the indoor space
- **Pre-Heat Function** - Delays the operation of the fan until the indoor coil has reached a pre-determined temperature which prevents the discharge of cold air while the system is operating in the "heating" mode
- **LED Readout Panel** - Mounted in the unit control box unit. LEDs display unit operation status, and codes for maintenance and servicing
- **Auto Restart** - Automatically restores the previous function setting if power is interrupted
- **Cooling Override** - Button on the indoor unit allows a temporary 30 minute override of the system for forced "AUTO" or "COOLING" operation
- **Built-In Condensate Pump** - 27-1/2 inch lift
- **Duct Connections** - Return air connections can be made horizontally or from the bottom of the unit with interchangeable panel
- **Flare Connections** - Equipped with liquid and gas flare fittings for quick and secure piping
- **Three Speed Fan** - Fan functions at three speeds: low, medium and high
- **Air Filter** - Cleanable air filter is furnished as standard
- **Wired Remote Controller** - Furnished as standard, see page 18

**AUTO CHANGEOVER OPERATION**

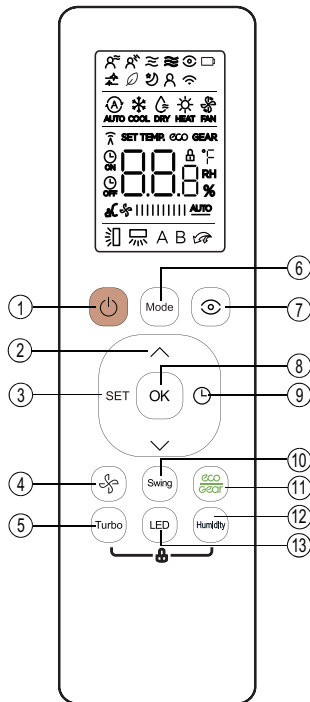
- If an indoor unit in the system is set to "AUTO" mode the unit will operate in cooling, heating or fan mode based on temperature setting
- Fan runs in auto mode
- Each indoor unit has a "mode conflict priority" setting set by a DIP switch or from the remote controller (default setting is heating mode)
- The system "mode conflict priority" is set by the indoor unit connected through the "A" terminal strip
- If the "A" terminal strip is not used, the unit at the "B" terminal strip and any subsequent terminal strips is utilized (depending on number of zones/indoor units)
- When a mode conflict happens (all units are not set to the same mode), the indoor units with the mode equal to the system "mode conflict priority" will continue to operate
- The indoor unit with the different mode will be turned off and the display will show "--" indicating a mode conflict for that particular indoor unit

## REMOTE CONTROLLERS - FURNISHED

### WIRELESS REMOTE CONTROLLER (RG10L-WMWH)

#### (FURNISHED WITH WALL-MOUNT INDOOR UNITS)

- Complete remote control of system
- Maximum operating range is 25 ft.
- Operates on two AAA 1.5V batteries (furnished)
- Wireless remote controller holder furnished
- Holder can be mounted on a wall for easy access
- Mounting screws furnished



#### 1 ON/OFF Button

- Turns system on and off

#### 2 UP/DOWN Buttons ^ v

- Increase or decrease the indoor temperature in one degree increments (maximum 86°F, minimum 60°F)

**NOTE** - Temperature cannot be adjusted in FAN mode.

**NOTE** - Press and hold and buttons together for 3 seconds to alternate the temperature display between the °C and °F scale.

#### 3 SET Button

- Scrolls through unit operations in this order:

1. Breeze Away
2. Active Clean
3. Sleep
4. Follow Me

**NOTE** - The selected symbol will flash on the display area. Press the OK button to confirm.

#### 4 FAN Button

- Cycles fan speeds in the following order:
  - AUTO → 20% → 40% → 60% → 80% → 100%

#### 5 TURBO Button

- Enables the unit to reach the preset temperature during cooling or heating operation in the shortest time

#### 6 MODE Button

- Select system operation modes
- Press button to cycle through each setting:
  - AUTO → COOL → DRY → HEAT → FAN

#### 7 ECO INTELLIGENT EYE Button

- Detects motion in the room to reduce cooling mode when no activity is detected for 30 minutes

#### 8 OK Button

- Confirms selected function

#### 9 TIMER Button

- Initiates an auto-on or auto-off time sequence
- Press TIMER button to initiate the ON time sequence
- Press Temp. up or down button for multiple times to set the desired time to turn on the unit
- Press TIMER button to initiate the OFF time sequence.

**NOTE** - Each press of the button increases or decreases the time (depending on function) in 30 minute increments up to 10 hours.

Above 10 hours each press of the button will increase or decrease the auto-timed setting by 60 minutes up to 24 hours.

To cancel, set timer to 0.0 or turn remote off and on.

#### 10 SWING Button

- Used to stop or start louver auto swing feature

#### 11 ECO/GEAR Button

- Controls temperature/energy efficiency of the unit

**NOTE** - Only available in cooling mode.

##### ECO Operation

- Sets unit to 75°F unit operation if setpoint is lower
- Sets fan to Auto operation if setpoint is over 75°F

**NOTE** - If setpoint is manually changed to less than 75°F, ECO operation is canceled.

##### GEAR Operation

- Reduces electrical consumption to 75% or 50%

#### 12 HUMIDITY Button

- Adjusts the room humidity during DRY mode from 35% to 85%
- Each press of the button increases the humidity in 5% increments

#### 13 LED Button

- Turns the LCD display backlight on the indoor unit on or off

**NOTE** - Press and hold the button for 5 seconds to display the actual room temperature. Press more than 5 seconds to revert back to display set temperature.

**REMOTE CONTROLLERS - FURNISHED**

**WIRELESS REMOTE CONTROLLER INDICATORS (RG10L-WMWH)**

Information is displayed when the Wireless Remote Controller is powered on.

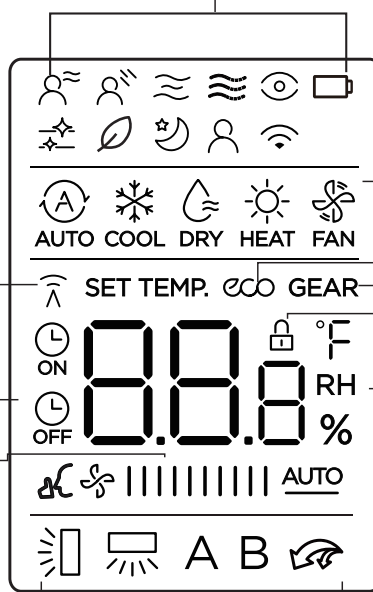
- |  |   |  |                                     |
|--|---|--|-------------------------------------|
|  | Not applicable for this unit                          |  | <b>Active Clean</b> feature display |
|  | <b>Breeze Away</b> feature display                    |  | Not applicable for this unit        |
|  | Not applicable for this unit                          |  | <b>Sleep</b> feature display        |
|  | Not applicable for this unit                          |  | <b>Follow Me</b> feature display    |
|  | <b>ECO Intelligent Eye</b> display<br>(certain units) |  | Not applicable for this unit        |
|  |   |  | Low battery detection (flashing)    |

**Transmission Indicator**  
Lights up when remote sends signal to indoor unit

- TIMER ON** display
- TIMER OFF** display
- Silence feature** display

- FAN SPEED** display  
Displays selected fan speed:
- |         |  |             |
|---------|--|-------------|
| Silence |  | 1%          |
|         |  | 2%-20%      |
| LOW     |  | 21%-40%     |
| MED     |  | 41%-60%     |
| HIGH    |  | 61%-80%     |
|         |  | 81%-100%    |
| AUTO    |  | <u>AUTO</u> |

NOTE - Fan speed cannot be adjusted in AUTO or DRY mode.



**MODE** display  
Displays the current mode, including:  
   
AUTO COOL DRY HEAT FAN

**ECO** display  
Displays when ECO feature is activated

**GEAR** display  
Displays when GEAR feature is activated

**LOCK** display  
Displays when LOCK feature is activated.

**Temperature/Timer/Fan speed/Relative Humidity** display  
Displays the set temperature by default, or fan speed or timer setting when using TIMER ON/OFF functions.

- Temperature range: 60-86°F / 16-30°C
  - Timer setting range: 0-24 hours
  - Fan speed setting range: AU -100%
  - Humidity setting range: 35% - 85%
- This display is blank when operating in FAN mode.

Up/Down louver swing display

Left/Right louver auto swing display

TURBO mode display

A Not applicable for this unit  
B Not applicable for this unit

Note:  
All icons are shown for display purposes only.  
During actual unit operation, only active icons are displayed.



## REMOTE CONTROLLERS - FURNISHED

### WIRELESS REMOTE CONTROLLER OPERATION (RG10L-WMWH)

#### Auto Operation

1. Press the **MODE** button to select Auto.
2. Press the **UP/DOWN** button to set the desired temperature.
3. Press the **ON/OFF** button to start the system.

#### Cooling /Heating/Fan Operation

1. Press the **MODE** button to select **COOL, HEAT or FAN** mode.
2. Press the **UP/DOWN** buttons to set the desired temperature.
3. Press the **FAN** button to select the fan speed.
4. Press the **ON/OFF** button to start the system.

#### Dehumidifying (DRY) Operation

1. Press the **MODE** button to select **DRY** mode.
2. Press the **UP/DOWN** buttons to set the desired temperature.
3. Press the **ON/OFF** button to start the system.

**NOTE** - Fan speed selection is disabled.

#### Timer ON/OFF Operation

1. Press the **TIMER** button. The remote controller shows **TIMER ON** or **TIMER OFF** icon
2. Press the **TIMER** button again to set desired time. Each time the button is pressed the time increases by 30 minutes between 0 and 10 hours and then by 60 minutes between 10 and 24 hours.
3. After setting the **TIMER ON** or **TIMER OFF** there will be a one second delay before the remote controller transmits the signal to the unit. After approximately 2 seconds the set temperature will re-appear on the LCD display window.

#### Silence Operation

1. Press the **FAN** button for more than 2 seconds to activate or disable the Silence function

#### Lock Function

1. Press the **TURBO** and **HUMIDITY** buttons together two times in less than one second to lock the Controller to prevent tampering
2. Press the **TURBO** and **HUMIDITY** together buttons again for two seconds to unlock the Controller

#### Swing Function

1. Press the Swing button to activate up/down louver operation. Louvers oscillate up and down automatically. Press and hold the Swing button again to disable.

**NOTE** - Pressing the Swing button multiple times will set the louvers at five different fixed airflow angles.

2. Press and hold Swing button for 2 seconds to activate left/right louver operation. Louvers swing left and right automatically.

### SET BUTTON FUNCTIONS

#### Breeze Away

- Prevents unit from blowing air directly on a person

**NOTE** - Only available in COOL, FAN or DRY modes.

#### Active Clean

- Washes away dust, mold, and grease that may cause odors when it adheres to the indoor coil by automatically freezing and then rapidly thawing the coil
- Indoor unit displays "CL"

- After 20 to 45 minutes the unit will automatically turn cancel the operation

**NOTE** - Only available in COOL or DRY modes.

#### Sleep

- Enables the system to automatically increase cooling or decrease heating (in 2°F increments) per hour for the first 2 hours, then maintain a steady temperature for 5 hours
- System keeps the final operation mode after 8 total hours of operation

**NOTE** - To cancel, push the "MODE", "FAN SPEED" or "ON/OFF" buttons.

SLEEP mode is only available when the unit is in COOL, HEAT or AUTO mode

#### Follow Me

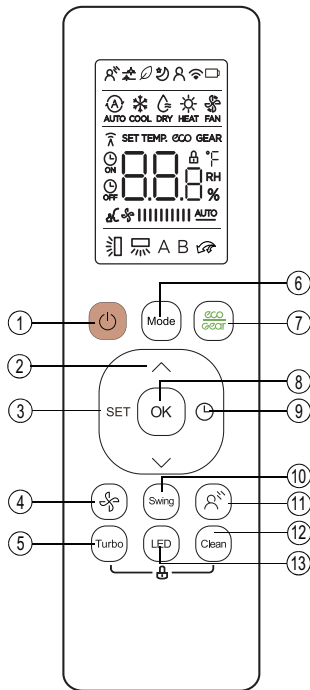
- Allows remote temperature sensing of the room at the remote controller location

## REMOTE CONTROLLERS - FURNISHED

### WIRELESS REMOTE CONTROLLER (RG10A-ACSWH)

#### (FURNISHED WITH D33C2 CASSETTE INDOOR UNITS)

- Complete remote control of system
- Maximum operating range is 25 ft.
- Operates on two AAA 1.5V batteries (furnished)
- Wireless remote controller holder furnished
- Holder can be mounted on a wall for easy access
- Mounting screws furnished



#### 1 ON/OFF Button

- Turns system on and off

#### 2 UP/DOWN Buttons ^ v

- Increase or decrease the indoor temperature in one degree increments (maximum 86°F, minimum 60°F)

**NOTE** - Temperature cannot be adjusted in FAN mode.

**NOTE** - Press and hold and buttons together for 3 seconds to alternate the temperature display between the °C and °F scale.

#### 3 SET Button

- Scrolls through unit operations in this order:
  3. Sleep ☽
  4. Follow Me 👤

**NOTE** - The selected symbol will flash on the display area. Press the OK button to confirm.

#### 4 FAN Button

- Cycles fan speeds in the following order:
  - AUTO → 20% → 40% → 60% → 80% → 100%

**NOTE** - Holding Fan button down for 2 seconds will activate **Silence** feature.

#### 5 TURBO Button

- Enables the unit to reach the preset temperature during cooling or heating operation in the shortest time

#### 6 MODE Button

- Select system operation modes
- Press button to cycle through each setting:
  - AUTO → COOL → DRY → HEAT → FAN

#### 7 ECO/GEAR Button

- Controls temperature/energy efficiency of the unit

**NOTE** - Only available in cooling mode.

##### ECO Operation

- Sets unit to 75°F unit operation if setpoint is lower
- Sets fan to Auto operation if setpoint is over 75°F

**NOTE** - If setpoint is manually changed to less than 75°F, ECO operation is canceled.

##### GEAR Operation

- Reduces electrical consumption to 75% or 50%

#### 8 OK Button

- Confirms selected function

#### 9 TIMER Button

- Initiates an auto-on or auto-off time sequence
- Press TIMER button to initiate the ON time sequence
- Press Temp. up or down button for multiple times to set the desired time to turn on the unit
- Press TIMER button to initiate the OFF time sequence.

**NOTE** - Each press of the button increases or decreases the time (depending on function) in 30 minute increments up to 10 hours.

Above 10 hours each press of the button will increase or decrease the auto-timed setting by 60 minutes up to 24 hours.

To cancel, set timer to 0.0 or turn remote off and on.

#### 10 SWING Button

- Used to stop or start louver auto swing feature

#### 11 BREEZE AWAY Button

- Prevents unit from blowing air directly on a person

**NOTE** - Only available in COOL, FAN or DRY modes.

#### 12 CLEAN Button

- Start/stop the Active Clean function (see description on page 14)

#### 13 LED Button

- Turns the LCD display backlight on the indoor unit on or off

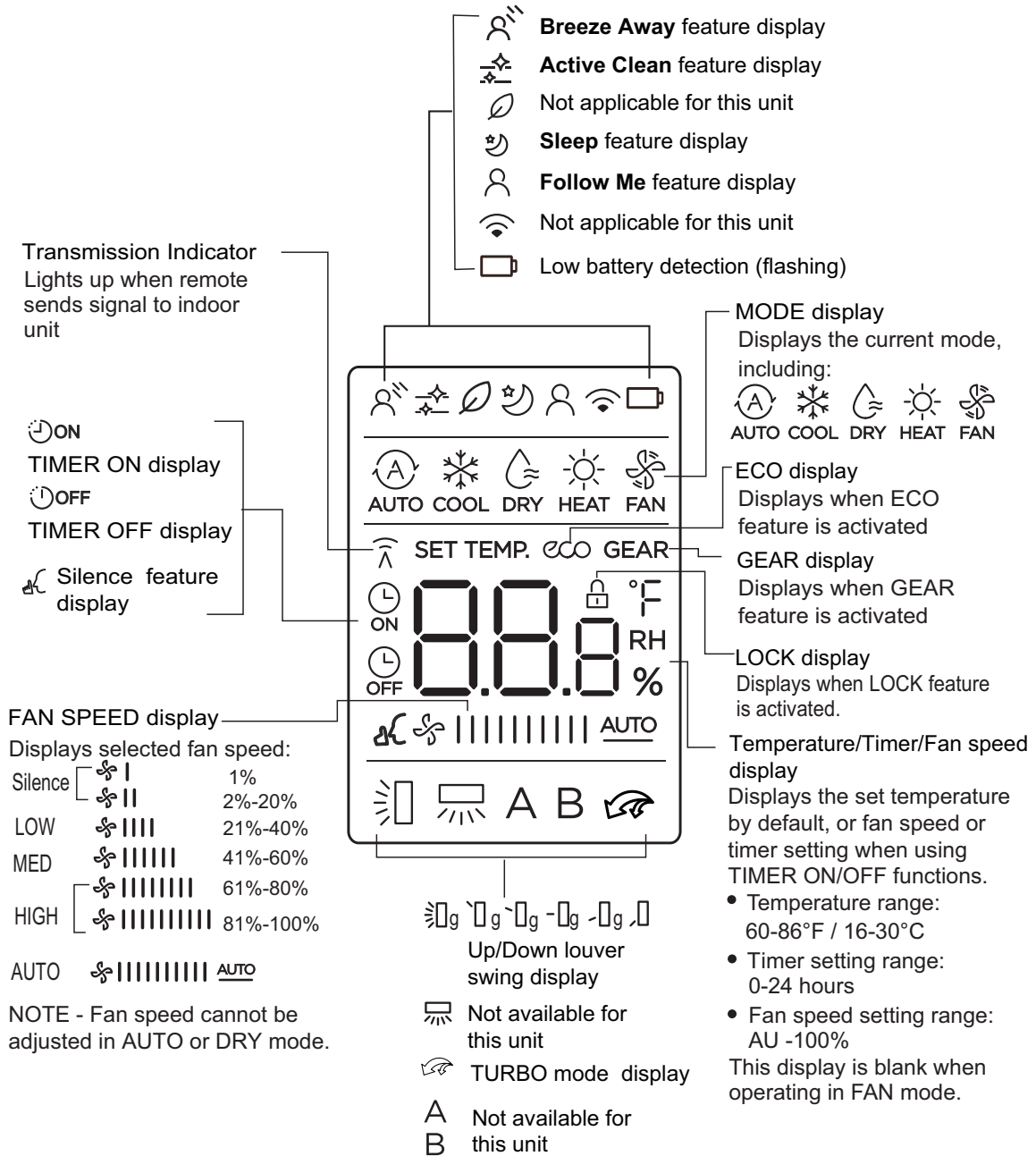
**NOTE** - Press and hold the button for 5 seconds to display the actual room temperature. Press more than 5 seconds to revert back to display set temperature.



**REMOTE CONTROLLERS - FURNISHED**

**WIRELESS REMOTE CONTROLLER INDICATORS (RG10A-ACSWH)**

Information is displayed when the Wireless Remote Controller is powered on.



**Note:**  
All icons are shown for display purposes only.  
During actual unit operation, only active icons are displayed.

## REMOTE CONTROLLERS - FURNISHED

### WIRELESS REMOTE CONTROLLER OPERATION (RG10A-ACSWH)

#### Auto Operation

1. Press the **MODE** button to select Auto.
2. Press the **UP/DOWN** button to set the desired temperature.
3. Press the **ON/OFF** button to start the system.

#### Cooling /Heating/Fan Operation

1. Press the **MODE** button to select **COOL, HEAT or FAN** mode.
2. Press the **UP/DOWN** buttons to set the desired temperature.
3. Press the **FAN** button to select the fan speed in four steps- Auto, Low, Med or High.
4. Press the **ON/OFF** button to start the system.

#### Dehumidifying (DRY) Operation

1. Press the **MODE** button to select **DRY** mode.
2. Press the **UP/DOWN** buttons to set the desired temperature.
3. Press the **ON/OFF** button to start the system.

**NOTE** - Fan speed selection is disabled.

#### Timer ON/OFF Operation

1. Press the **TIMER** button. The remote controller shows **TIMER ON** or **TIMER OFF** icon
2. Press the **TIMER** button again to set desired time. Each time the button is pressed the time increases by 30 minutes between 0 and 10 hours and then by 60 minutes between 10 and 24 hours.
3. After setting the **TIMER ON** or **TIMER OFF** there will be a one second delay before the remote controller transmits the signal to the unit. After approximately 2 seconds the set temperature will re-appear on the LCD display window.

#### Silence Operation

1. Press the **FAN** button for more than 2 seconds to activate or disable the Silence function

#### Lock Function

1. Press the **TURBO** and **CLEAN** buttons together two times in less than one second to lock the Controller to prevent tampering
2. Press the **TURBO** and **CLEAN** together buttons again for two seconds to unlock the Controller

#### Swing Function

1. Press the **Swing** button to activate up/down louver operation. Louvers oscillate up and down automatically. Press and hold the Swing button again to disable.

**NOTE** - Pressing the Swing button multiple times will set the louvers at five different fixed airflow angles.

### SET BUTTON FUNCTIONS

#### Sleep

- Enables the system to automatically increase cooling or decrease heating (in 2°F increments) per hour for the first 2 hours, then maintain a steady temperature for 5 hours
- System keeps the final operation mode after 8 total hours of operation

**NOTE** - To cancel, push the "MODE", "FAN SPEED" or "ON/OFF" buttons.

SLEEP mode is only available when the unit is in COOL, HEAT or AUTO mode

#### Follow Me

- Allows remote temperature sensing of the room at the remote controller location

### CLEAN FUNCTION

#### Active Clean

- Washes away dust, mold, and grease that may cause odors when it adheres to the indoor coil by automatically freezing and then rapidly thawing the coil
- Indoor unit displays "CL"
- After 20 to 45 minutes the unit will automatically turn cancel the operation

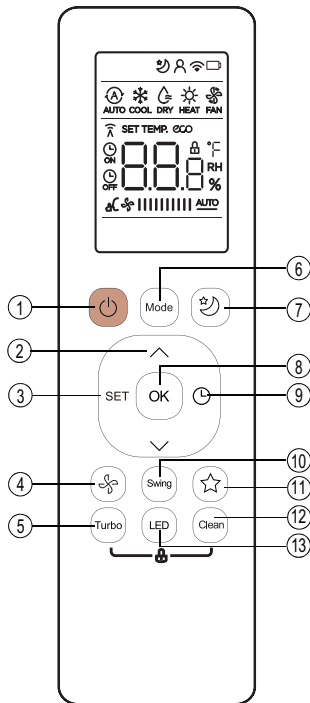
**NOTE** - Only available in COOL or DRY modes.

## REMOTE CONTROLLERS - FURNISHED

### WIRELESS REMOTE CONTROLLER (RG10B-ADC)

#### (FURNISHED WITH D22C1 CASSETTE UNITS. OPTIONAL FOR DUCTED INDOOR UNITS)

- Complete remote control of system
- Maximum operating range is 25 ft.
- Operates on two AAA 1.5V batteries (furnished)
- Wireless remote controller holder furnished
- Holder can be mounted on a wall for easy access
- Mounting screws furnished



#### 1 ON/OFF Button

- Turns system on and off

#### 2 UP/DOWN Buttons ^ v

- Increase or decrease the indoor temperature in one degree increments (maximum 86°F, minimum 62°F)

**NOTE** - Temperature cannot be adjusted in FAN mode.

**NOTE** - Press and hold and buttons together for 3 seconds to alternate the temperature display between the °C and °F scale.

#### 3 SET Button

- Scrolls through unit operations in this order:

1. Follow Me

**NOTE** - The selected symbol will flash on the display area. Press the OK button to confirm.

#### 4 FAN Button

- Cycles fan speeds in the following order:

- AUTO → LOW → MED → HIGH

**NOTE** - Holding Fan button down for 2 seconds will activate **Silence** feature.

#### 5 TURBO Button

- Enables the unit to reach the preset temperature during cooling or heating operation in the shortest time

#### 6 MODE Button

- Select system operation modes
- Press button to cycle through each setting:
  - AUTO → COOL → DRY → HEAT → FAN

#### 7 SLEEP Button

##### Sleep

- Enables the system to automatically increase cooling or decrease heating (in 2°F increments) per hour for the first 2 hours, then maintain a steady temperature for 5 hours
- System keeps the final operation mode after 8 total hours of operation

#### 8 OK Button

- Confirms selected function

#### 9 TIMER Button

- Initiates an auto-on or auto-off time sequence
- Press TIMER button to initiate the ON time sequence
- Press Temp. up or down button for multiple times to set the desired time to turn on the unit
- Press TIMER button to initiate the OFF time sequence.

**NOTE** - Each press of the button increases or decreases the time (depending on function) in 30 minute increments up to 10 hours.

Above 10 hours each press of the button will increase or decrease the auto-timed setting by 60 minutes up to 24 hours.

To cancel, set timer to 0.0 or turn remote off and on.

#### 10 SWING Button

- Used to stop or start louver auto swing feature

#### 11 SHORTCUT Button

- Restore the current settings or resume the previous settings

#### 12 CLEAN Button

- Start/stop the Self-Clean function
- Unit cleans itself automatically

**NOTE** - Only available in COOL or DRY modes.

**NOTE** - Not for DMD236-48 models.

#### 13 LED Button

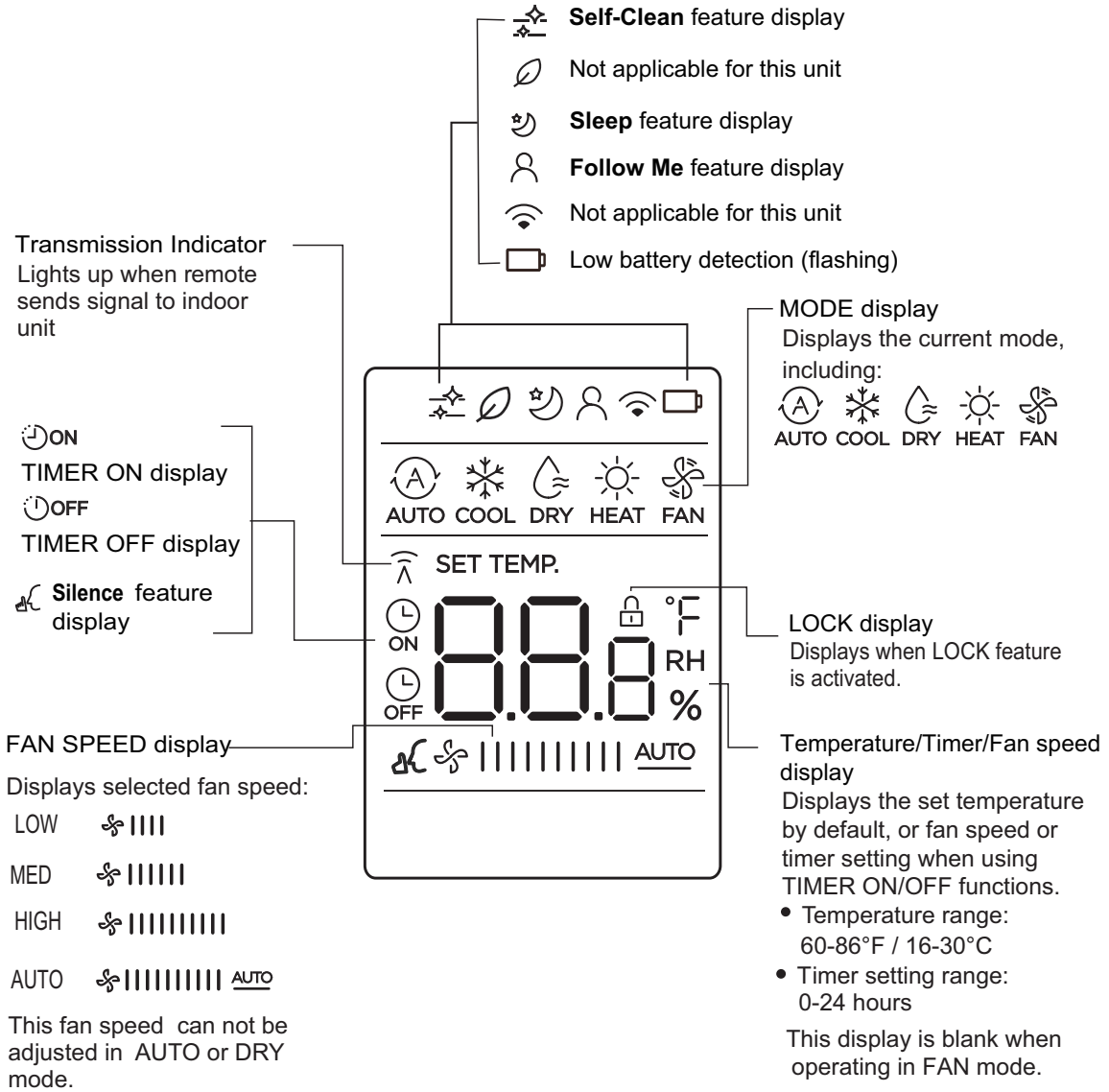
- Turns the LCD display backlight on the indoor unit on or off

**NOTE** - Press and hold the button for 5 seconds to display the actual room temperature. Press more than 5 seconds to revert back to display set temperature.

**REMOTE CONTROLLERS - FURNISHED**

**WIRELESS REMOTE CONTROLLER INDICATORS (RG10B-ADC)**

Information is displayed when the Wireless Remote Controller is powered on.



**Note:**  
 All icons are shown for display purposes only.  
 During actual unit operation, only active icons are displayed.

## REMOTE CONTROLLERS - FURNISHED

### WIRELESS REMOTE CONTROLLER OPERATION (RG10B-ADC)

#### Auto Operation

1. Press the **MODE** button to select Auto.
2. Press the **UP/DOWN** button to set the desired temperature.
3. Press the **ON/OFF** button to start the system.

#### Cooling /Heating/Fan Operation

1. Press the **MODE** button to select **COOL, HEAT** or **FAN** mode.
2. Press the **UP/DOWN** buttons to set the desired temperature.
3. Press the **FAN** button to select the fan speed in four steps- Auto, Low, Med or High.
4. Press the **ON/OFF** button to start the system.

#### Dehumidifying (DRY) Operation

1. Press the **MODE** button to select **DRY** mode.
2. Press the **UP/DOWN** buttons to set the desired temperature.
3. Press the **ON/OFF** button to start the system.

**NOTE** - Fan speed selection is disabled.

#### Timer ON/OFF Operation

1. Press the **TIMER** button. The remote controller shows **TIMER ON** or **TIMER OFF** icon
2. Press the **TIMER** button again to set desired time. Each time the button is pressed the time increases by 30 minutes between 0 and 10 hours and then by 60 minutes between 10 and 24 hours.
3. After setting the **TIMER ON** or **TIMER OFF** there will be a one second delay before the remote controller transmits the signal to the unit. After approximately 2 seconds the set temperature will re-appear on the LCD display window.

#### Silence Operation

1. Press the **FAN** button for more than 2 seconds to activate or disable the Silence function

#### Lock Function

1. Press the **TURBO** and **HUMIDITY** buttons together two times in less than one second to lock the Controller to prevent tampering
2. Press the **TURBO** and **HUMIDITY** together buttons again for two seconds to unlock the Controller

#### Swing Function

1. Press the **Swing** button to activate parallel louver operation. Louvers oscillate up and down automatically. Press and hold the Swing button again to disable.

**NOTE** - Pressing the Swing button multiple times will set the louvers at five different fixed airflow angles.

2. Press **Swing** button for 2 seconds to activate upright louver operation. Louvers swing left and right automatically.

### SET BUTTON FUNCTIONS

#### Follow Me

- Allows remote temperature sensing of the room at the remote controller location

**REMOTE CONTROLLERS - FURNISHED**

**WIRED REMOTE CONTROLLER**

**(FURNISHED WITH DUCTED INDOOR UNITS)**

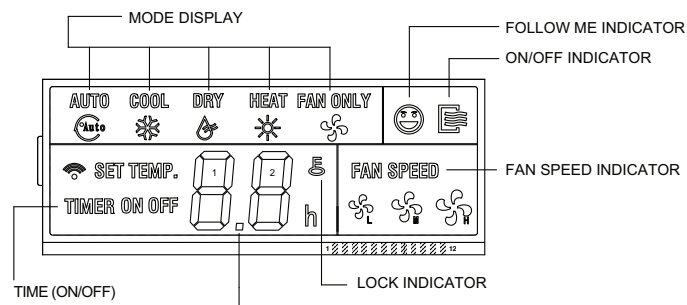
**NOTE** - Can be ordered separately for non-ducted indoor units.

**FEATURES**

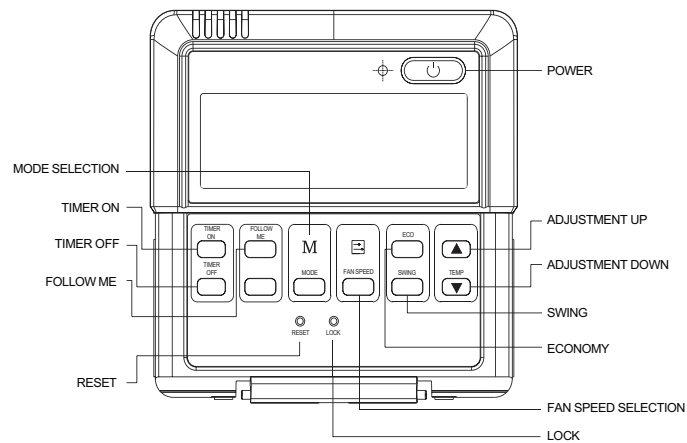
- Permanent Memory - Maintains clock, fan speed and mode of operation settings following power outages
- Dimensions (H x W x D) - 4-3/4 x 4-3/4 x 7/8 in.
- Additional hardware is furnished for installation
- Wiring - Controller uses 5-wire shielded 20 ft. (6 m) cable (furnished) for easy low voltage connection to the indoor unit
- Maximum cable length is 40 ft. (12 m)



**DISPLAY**

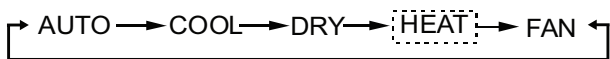


**BUTTONS AND FUNCTIONS**



**MODE Button**

- Select system operation modes. Push button to cycle through each setting

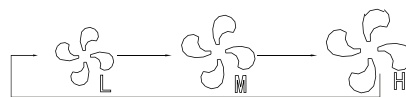


**POWER Button**

- Turns system on and off

**FAN SPEED Button**

- Selects fan speed. Each button press cycles through the following settings on display



**NOTE** - Not available in AUTO mode.

**TIMER ON / TIMER OFF Buttons**

- TIMER ON (initiates an auto-on time sequence)
- TIMER OFF (initiates an auto-off time sequence) can be used separately or together
- Each press of the button increases the time in 30 minute increments up to 10 hours
- Above 10 hours each press of the button will increase the auto-timed setting by 60 minutes up to 24 hours

**NOTE** - To cancel, set timer to 0.0.

**UP/DOWN Buttons**

- Increase or decrease the indoor temperature in two degree increments (maximum 88°F, minimum 62°F).

**NOTE** - Temperature cannot be adjusted in FAN mode.

**NOTE** - Press and hold and buttons together for 3 seconds to alternate the temperature display between the °C and °F scale.

**SWING Button**

- Used to stop or start horizontal louver auto swing feature

**ECONOMY Button**

- Maintains the most comfortable temperature and saves energy

**RESET Button (Recessed)**

- Resets Controller to factory settings. Recessed to prevent tampering

**LOCK Button (Recessed)**

- Locks Controller buttons to prevent tampering with settings

**OPTIONAL ACCESSORIES**

**Extension Cable for Wired Remote Controller**

- 20 ft. cable for easy low voltage connection to the indoor unit
- Extends cable to maximum 40 ft. length

## OPTIONAL ACCESSORIES - ORDER SEPARATELY

### WIRED PROGRAMMABLE CONTROLLER



- Wired programmable local controller for mini-split indoor units with convenient timed schedules for daily operation
- Up to 8 events per day
- Schedule start time, mode, setpoint, and fan speed
- Compatible with all indoor units
- Copy/paste function for easy duplication of events to other days
- Built-in system diagnostics
- Large, back-lit, easy-to-read LCD screen with digital display

### BUTTONS AND FUNCTIONS

#### POWER Button

- Turn system on and off

#### FAN SPEED Button

- Scroll through fan speeds (Auto - Low - Med - High)

#### MODE Button

- Use + and – buttons to scroll through available operation modes (Auto / Cool / Dry / Fan / Heat)

#### PLUS (+) and MINUS (–) Buttons

- Setpoint adjustment (62-86°F)
- Select days of the week when setting a schedule
- Select mode of operation

#### SWING Button

- Stop or start horizontal (up/down) louver auto swing
- Controls swing oscillation and louver angle in 6° increments

#### TIMER Button

- Sets current time of day (24 hour clock)
- Setup weekly schedules or to setup timed operation for the indoor unit
- Stop/Stop timed operation

#### DAY OFF / DEL Button

- Disable specific days/schedules of the week
- Delete a specific event

#### CONFIRM Button

- Confirms each step when managing schedules

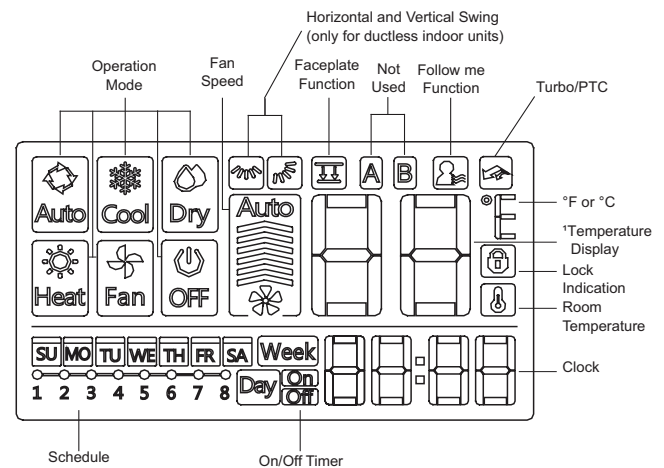
#### BACK/TURBO Button

- Turbo sets indoor unit fan speed to high for a factory-set time period

#### COPY/FOLLOW ME Button

- Toggles between room temperature sensing from the indoor unit or the controller

### DISPLAY



- Audible tone when a button is pressed (can be disabled)
- Lock function disables buttons to prevent tampering
- Controller uses 4-wire shielded 20 ft. (6 m) cable (furnished) for easy low voltage connection to the indoor unit
- Adaptor cables are furnished for various indoor unit connections

**NOTE** - Cable for longer lengths must be ordered separately.

**NOTE** - Maximum cable length is 164 ft. (50 m).

- Hardware for mounting furnished
- Mounts to standard electrical junction box (not furnished)
- Lithium battery furnished
- Power Supply: 5 VDC
- Dimensions (H x W x D): 4-7/8 x 4-3/4 x 3/4 in. (124 x 121 x 19 mm)

### OPTIONAL ACCESSORIES

#### Extension Cable for Wired Programmable Controller

- 20 ft. cable for easy low voltage connection to the indoor unit
- Extends cable to 40 ft. (12 m) length



**OPTIONAL ACCESSORIES - ORDER SEPARATELY****OUTDOOR UNITS****Condenser Pad**

- Provides permanent foundation for outdoor units
- One-piece lightweight structural foam and molded from high-density polyethylene (HDPE)
- Lightweight, easy to carry and install
- Textured finish provides a non-skid surface so outdoor unit sits securely in one place
- UV stable

**Disconnects**

- Positive unit disconnect
- Single door enclosure
- Fused and non-fused models available

**Fuses**

- 30 and 60 amp fuses available

**Indoor/Outdoor Wiring Cable**

- 14-gauge, 4-conductor wire
- THHN (Thermoplastic High Heat-resistant Nylon-coated) wire
- Suitable for wet or dry locations
- Rated up to 600V

**Refrigerant Line Sets**

- Refrigerant lines are shipped refrigeration clean
- Lines are cleaned, dried, pressurized and sealed at factory

**Wall Brackets**

- Heavy duty 1/8 in. thick steel brackets for supporting outdoor units
- Mount at any height to allow for easy maintenance under units
- Pre-punched holes for easy installation
- Powder coated gray finish
- Load rating 600 lbs. per pair

**Whips**

- Heavy duty electrical whips are available in 8 and 10 gauge sizes
- 6 ft. lengths
- Weatherproof metal conduit

**INDOOR UNITS****Condensate Pumps**

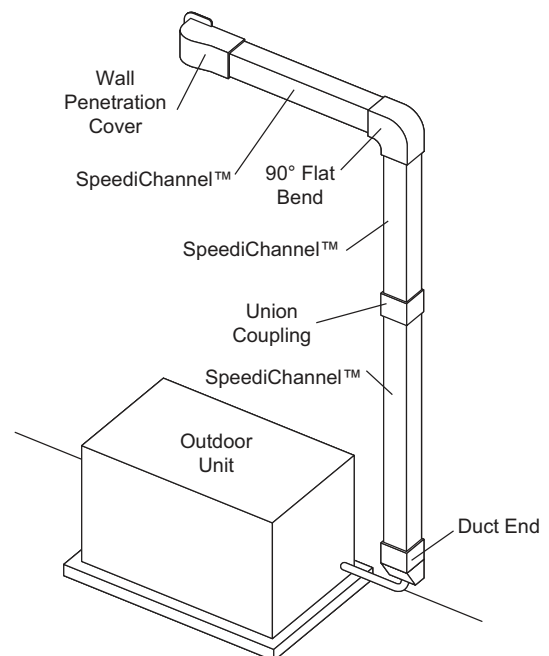
- Quietly and efficiently removes condensate
- See Optional Accessories Table for available pumps

**A/C Easy Tee® Condensate Cleanout**

- Condensate drain service port
- Flexible and easy to use with nitrogen, water or shop vac
- Screw cap on top allows easy access to condensate drain line

**SPEEDICHANNEL™ SYSTEM**

- SpeediChannel™ is a channel system covers system line sets
- Two-part system has a base and a cover
- Base is fastened to a wall or ceiling with plastic clips (SpeediClip™) that snap into a channel already molded into the base
- Cover fits on top of the base
- Manufactured from rigid PVC, which is UL rated and resistant to UV light
- System is a natural color that closely matches typical mini-split outdoor units
- Can be painted as desired to match any wall color

**Typical Application**



**OPTIONAL ACCESSORIES - ORDER SEPARATELY**

**SPEEDICHANNEL™ SYSTEM (continued)**

**SpeediChannel™ Starter Kit**

- The starter kit includes (1) Coupling, (1) Wall Penetration, (1) Inside Elbow, (1) Long Radius Flat Bend, (10) Speediclips™, (10) 11 in. Cable Ties, and (1) SpeediChannel Instruction Booklet

**Duct End**

- Duct Ends are used to terminate a run of SpeediChannel™ to a small opening just large enough for the line set and condensate drain line to pass through



**Flat Wall Escutcheon**

- Flat Wall Escutcheons are used to cover a rough opening in a soffit, wall, ceiling penetration



- One side of the escutcheon is flat to allow for a SpeediChannel™ to run along a wall and to penetrate through an adjacent wall or ceiling
- This is the most common type of wall penetration
- Furnished in two parts, the escutcheon easily snaps onto the SpeediChannel™

**Flex Joint**

- A Flex Joint is an accordion-style piece of SpeediChannel™
- The flex joint can be extremely flexible when routing a SpeediChannel™ system around an obstacle
- Each joint is 20 in. long and can be combined together for longer flex runs
- The flex joint does not require the use of a union coupling
- The flex joint slides tightly inside the SpeediChannel™ system

**T-Joint**

- T-Joints are used for creating a tee connection between three pieces of SpeediChannel™
- Each tee is individually packed and furnished with stainless steel screws



**Union Coupling**

- Union Couplings are used for joining two pieces of SpeediChannel™
- Each coupling is individually packed and furnished with stainless steel screws



**Wall Penetration Cover**

- Wall penetration covers are used to transition from the SpeediChannel™ system to a through wall penetration
- Wall covers are designed to allow for easy installation, even after the line set has been installed
- A hooking and fastening arrangement allows for quick installation
- Each wall cover is individually packed, and furnished with stainless steel screws attach the wall cover to the base
- Three screws are necessary to fasten the wall cover to the wall construction, regardless of the type of installed system



**45° and 90° Flat Bend Elbows**

- 45° Flat Bends are used to route the SpeediChannel™ around obstacles
- Each bend is individually packed and furnished with stainless steel screws



45°



90°

**90° Inside Elbow**

- 90° Inside Elbows are used to route the SpeediChannel™ around an inside corner
- Each elbow is individually packed and furnished with stainless steel screws



**Mount Block White Qty. (2) 14 in. and (2) 36 in.**

- Mount Blocks are used as mounting bases when outdoor units must be bolted down
- End caps (for aesthetics) come furnished with mounting bolts
- Maximum load capacity is 900 pounds per mounting block
- Installation temperatures range from -4°F to 140°F
- Mount blocks fit all mini-split outdoor units with a sliding rail feature



<b>SPECIFICATIONS</b>		<b>OUTDOOR UNITS - 1.5 TON   2 TON   2.5 TON</b>		
<b>Nominal Size - Tons</b>		<b>1.5</b>	<b>2</b>	<b>2.5</b>
<b>Outdoor Unit Model No.</b>		<b>4DHP2S18M</b>	<b>4DHP2S24M</b>	<b>4DHP2S30M</b>
<b>Number of Zones</b>		<b>2</b>	<b>Up to 3</b>	<b>Up to 3</b>
<b>Ambient Temperature Range - °F</b>	Cooling	-13 - 122	-13 - 122	-13 - 122
	Heating	-13 - 86	-13 - 86	-13 - 86
<b>Sound Data (dBA)</b>	Cooling	58.5	61	61
	Heating	58.5	61	61
<b>Refrigerant</b>	Charge furnished (R-410A)	4 lbs. 1 oz.	5 lbs. 11 oz.	5 lbs. 11 oz.
	Maximum line length with furnished charge (per zone) - ft.	25	25	25
	Additional charge required per ft. - oz.	0.16	0.16	0.16
<b>Compressor</b>	No. and Type	(1) Rotary	(1) Rotary	(1) Rotary
	Refrigerant oil type	VG74	VG74	VG74
	Refrigerant oil charge - oz.	15.20	21.00	21.00
<b>Connections</b>	Liquid+Gas pipe (in.) flare	(2) 1/4 + (2) 3/8	(3) 1/4 + (3) 3/8	(3) 1/4 + (3) 3/8
	Max pipe. length for all rooms - ft.	131	197	197
	Max. pipe length for one indoor unit - ft.	82	98	98
	Max. height difference between indoor and outdoor units - ft.	49	49	49
	Max. height difference between indoor units - ft.	33	33	33
<b>Outdoor Fan</b>	(No.) Diameter - in.	(1) 21	(1) 22	(1) 22
	Total air volume - cfm	1765	2130	2130
	Motor rpm	750/500	1050/900/850	1050/900/850
<b>Outdoor Coil</b>	Number of rows	2	2	2
	Fins per inch	18	18	18
	Fin type	Hydrophilic Aluminum		
	Tube outside diameter - in.	3/8	3/8	3/8
	Tube type	Rifled Copper Tubing		
	Net face area - ft. <sup>2</sup>	5.90	8.18	8.18
<b>Design Pressure</b>	PSIG	540 / 340	540 / 340	540 / 340
<b>Shipping Data</b>	Net/Shipping weight (lbs.)	100 / 109	140 / 151	140 / 151
<b>ELECTRICAL DATA</b>				
<b>Electrical Characteristics - 60 Hz - 1 Phase</b>		208/230V	208/230V	208/230V
<sup>1</sup> Maximum Overcurrent Protection (MOCP) amps		25	30	30
<sup>2</sup> Minimum circuit ampacity (MCA)		18	24.5	24.5
<b>Outdoor Fan Motor</b>	Output - W	80	120	120

NOTE - Extremes of operating range are plus and minus 10% of line voltage.

<sup>1</sup> HACR type circuit breaker or fuse.

<sup>2</sup> Refer to National or Canadian Electrical Code manual to determine wire, fuse and disconnect size requirements.

NOTE - Adaptors are furnished for the gas pipe connections:

018 - (2) 3/8 x 1/2 in.

030 - (3) 3/8 x 1/2 in.

<b>SPECIFICATIONS</b>		<b>OUTDOOR UNITS - 3 TON   4 TON</b>	
<b>Nominal Size - Tons</b>		<b>3</b>	<b>4</b>
<b>Outdoor Unit Model No.</b>		<b>4DHP2S36M</b>	<b>4DHP2S48M</b>
<b>Number of Zones</b>		<b>Up to 4</b>	<b>Up to 5</b>
<b>Ambient Temperature Range - °F</b>	Cooling	-13 - 122	-13 - 122
	Heating	-13 - 86	-13 - 86
<b>Sound Data (dBA)</b>	Cooling	63	64
	Heating	63	64
<b>Refrigerant</b>	Charge furnished (R-410A)	8 lbs. 6 oz.	10 lbs. 2 oz.
	Maximum line length with furnished charge (per zone) - ft.	25	25
	Additional charge required per ft. - oz.	0.16	0.16
<b>Compressor</b>	No. and Type	(1) Rotary	(1) Rotary
	Refrigerant oil type	VG74	VG74
	Refrigerant oil charge - oz.	33.80	47.30
<b>Connections</b>	Liquid+Gas+Gas pipe (in.) flare	(4) 1/4 + (3) 3/8 / (1) 1/2"	(5) 1/4 + (3) 3/8 / (2) 1/2"
	Max pipe. length for all rooms - ft.	262	262
	Max. pipe length for one indoor unit - ft.	115	115
	Max. height difference between indoor and outdoor units - ft.	49	49
	Max. height difference between indoor units - ft.	33	33
<b>Outdoor Fan(s)</b>	(No.) Diameter - in.	(1) 22	(2) 22
	Total air volume - cfm	2150	4500
	Motor rpm	1000/900/750	800/700/600
<b>Outdoor Coil</b>	Number of rows	2.6	2
	Fins per inch	16	18
	Fin type	Hydrophilic Aluminum	
	Tube outside diameter - in.	3/8	3/8
	Tube type	Rifled Copper Tubing	
	Net face area - ft. <sup>2</sup>	8.16	6.66+6.66
<b>Design Pressure</b>	PSIG	540 / 340	540 / 340
<b>Shipping Data</b>	Net/Shipping weight (lbs.)	169 / 181	224 / 255
<b>ELECTRICAL DATA</b>			
<b>Electrical Characteristics - 60 Hz - 1 Phase</b>		208/230V	208/230V
	<sup>1</sup> Maximum Overcurrent Protection (MOCP) amps	40	50
	<sup>2</sup> Minimum circuit ampacity (MCA)	25	35
<b>Outdoor Fan Motor</b>	Output - W	120	(2) 85

NOTE - Extremes of operating range are plus and minus 10% of line voltage.


<sup>1</sup> HACR type circuit breaker or fuse.

<sup>2</sup> Refer to National or Canadian Electrical Code manual to determine wire, fuse and disconnect size requirements.

NOTE - Adaptors are furnished for the gas pipe connections:

036 - (3) 3/8 x 1/2 in. and (1) 1/2 x 3/8 in.

048 - (3) 3/8 x 1/2 in., (2) 1/2 x 3/8 in., (2) 1/4 x 3/8 in. and (2) 1/2 x 5/8 in.

<b>SPECIFICATIONS</b>		<b>WALL-MOUNTED INDOOR UNITS</b>		
	<b>Model No.</b>	<b>DWM206S4</b>	<b>DWM209S4</b>	<b>DWM212S4</b>
		Nominal Tons	0.50	0.75
Power Supply - 60 hz - 1 phase		208/230V	208/230V	208/230V
Rated load amps		0.25	0.25	0.25
Output (W)		20	20	20
Room Temperature Range (°F)	Cooling	60 - 90	60 - 90	60 - 90
	Heating	32 - 86	32 - 86	32 - 86
Air Volume - cfm (High/Medium/Low)		318/218/168	335/230/176	335/230/176
Sound Data (dBA) - Low/Medium/High		23/32/36	23/34/38	22.5/33.5/36
Piping Connections - Liquid/Gas - o.d. - flare - in.		1/4 / 3/8	1/4 / 3/8	1/4 / 1/2
Drain connection o.d. - in.		1	1	1
Net/Shipping weights - lbs.		23 / 29	23 / 29	23 / 29
<b>SPECIFICATIONS</b>				
	<b>Model No.</b>	<b>DWM218S4</b>	<b>DWM224S4</b>	<b>DWM230S4</b>
	Nominal Tons	1.5	2	2.5
Power Supply - 60 hz - 1 phase		208/230V	208/230V	208/230V
Rated load amps		0.13	0.5	0.5
Output (W)		30	58	58
Room Temperature Range (°F)	Cooling	60 - 90	60 - 90	60 - 90
	Heating	32 - 86	32 - 86	32 - 86
Air Volume - cfm (High/Medium/Low)		524/76/306	611/414/319	646/505/382
Sound Data (dBA) - Low/Medium/High		32.5/43/46.5	34/39.5/44	33/40.5/46
Piping Connections - Liquid/Gas - o.d. - flare - in.		1/4 / 1/2	3/8 / 5/8	3/8 / 5/8
Drain connection o.d. - in.		1	1	1
Net/Shipping weights - lbs.		27 / 36	44 / 55	44 / 55

## SPECIFICATIONS

## CASSETTE INDOOR UNITS



Model No.		D22C109S4	D22C112S4	D22C118S4
Nominal Tons		0.75	1	1.5
Power Supply - 60 hz - 1 phase		208/230V	208/230V	208/230V
Rated load amps		0.9	1.0	1.5
Output (W)		46	46	46
Room Temperature Range (°F)	Cooling	62 - 90	62 - 90	62 - 90
	Heating	32 - 86	32 - 86	32 - 86
Air Volume - cfm (High/Medium/Low)		375/300/255	380/310/260	560/485/415
Sound Data (dBA) - Low/Medium/High		33/37/41	36/39/43	36/39/44
Piping Connections - Liquid/Gas - o.d. - flare - in.		1/4 / 3/8	1/4 / 1/2	1/4 / 1/2
Drain connection o.d. - in.		1	1	1
Net/Shipping weights - lbs.	Body	32 / 38	36 / 41	36 / 42

## REQUIRED COMPONENTS - ORDERED SEPARATELY

Cassette Panel		<b>13X04</b>	<b>13X04</b>	<b>13X04</b>
	Net/Shipping weights - lbs.	6 / 10	6 / 10	6 / 10

## SPECIFICATIONS

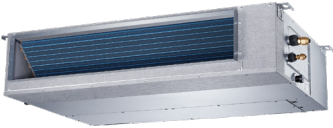
Model No.		D33C224S4	D33C236S4
Nominal Tons		2	3
Power Supply - 60 hz - 1 phase		208/230V	208/230V
Rated load amps		1.0	1.0
Output (W)		45	125
Room Temperature Range (°F)	Cooling	60 - 90	60 - 90
	Heating	32 - 86	32 - 86
Air Volume - cfm (High/Medium/Low)		706 / 635 / 547	947 / 853 / 753
Sound Data (dBA) - Low/Medium/High		43 / 46 / 49	52.5 / 50 / 46.5
Piping Connections - Liquid/Gas - o.d. - flare - in.		3/8 / 5/8	3/8 / 5/8
Drain connection o.d. - in.		1	1
Net/Shipping weights - lbs.	Body	48 / 56	60 / 69

## REQUIRED COMPONENTS - ORDERED SEPARATELY

Cassette Panel		<b>22V17</b>	<b>22V17</b>
	Net/Shipping weights - lbs.	14 / 20	14 / 20

## SPECIFICATIONS

## MEDIUM STATIC DUCTED INDOOR UNITS



Model No.		DMD209S4	DMD212S4	DMD218S4
Nominal Tons		0.75	1	1.5
Power Supply - 60 hz - 1 phase		208/230V	208/230V	208/230V
Rated load amps		1.27	1.37	1.3
Output (W)		55	55	160
Room Temperature Range (°F)	Cooling	60 - 90	60 - 90	60 - 90
	Heating	32 - 86	32 - 86	32 - 86
Air Volume - cfm (High/Medium/Low)		353 / 282 / 176	353 / 282 / 176	529 / 450 / 371
External Static Pressure (in. w.g)		0 - 0.16	0 - 0.16	0 - 0.40
Sound Data (dBA) - Low/Medium/High		27 / 28.5 / 33.5	31 / 34.5 / 38	35 / 37.5 / 40
Piping Connections - Liquid/Gas - o.d. - flare - in.		1/4 / 3/8	1/4 / 1/2	1/4 / 1/2
Drain connection o.d. - in.		1	1	1
Net/Shipping weights - lbs.		38 / 49	38 / 49	54 / 66

## SPECIFICATIONS

Model No.		DMD224S4	DMD236S4
Nominal Tons		2	3
Power Supply - 60 hz - 1 phase		208/230V	208/230V
Rated load amps		1.7	2.45
Output (W)		160	300
Room Temperature Range (°F)	Cooling	60 - 90	60 - 90
	Heating	32 - 86	32 - 86
Air Volume - cfm (High/Medium/Low)		775 / 693 / 435	1082 / 912 / 703
External Static Pressure (in. w.g)		0 - 0.64	0 - 0.64
Sound Data (dBA) - Low/Medium/High		37 / 41 / 44	40.5 / 43.5 / 48
Piping Connections - Liquid/Gas - o.d. - flare - in.		3/8 / 5/8	3/8 / 5/8
Drain connection o.d. - in.		1	1
Net/Shipping weights - lbs.		87 / 103	106 / 122

**AHRI RATINGS**

Outdoor Unit Model No.	Number of Zones	System Type	Cooling Btuh	High Temperature Heating Btuh	Low Temperature Heating Btuh	SEER	EER	HSPF (Region IV)	AHRI Reference Number	Energy Star?
4DHP2S18M-1P	2	Ducted	18,000	19,000	11,800	19.0	12.0	10.8	207768722	Yes
		Non-Ducted	18,000	19,000	11,000	22.5	13.3	10.6	207768721	Yes
		Mixed Ducted and Non-Ducted	18,000	19,000	11,400	20.8	12.7	10.7	207768723	Yes
4DHP2S24M-1P	Up to 3	Ducted	24,000	24,000	16,000	15.5	11.0	9.0	207699117	Yes
		Non-Ducted	24,000	25,000	15,000	24.1	13.0	11.0	207699116	Yes
		Mixed Ducted and Non-Ducted	24,000	24,400	15,500	19.8	12.0	10.0	207699118	Yes
4DHP2S30M-1P	Up to 4	Ducted	28,000	28,000	16,000	19.5	11.2	10.2	207699111	Yes
		Non-Ducted	28,000	28,000	16,000	23.8	12.5	10.5	207699110	Yes
		Mixed Ducted and Non-Ducted	28,000	28,000	16,000	21.7	11.9	10.4	207699112	Yes
4DHP2S36M-1P	Up to 4	Ducted	36,000	37,000	23,000	19.5	11.0	10.7	207768725	Yes
		Non-Ducted	36,000	37,000	23,400	23.0	11.5	11.3	207768724	Yes
		Mixed Ducted and Non-Ducted	36,000	37,000	23,200	21.3	11.3	11.0	207768726	Yes
4DHP2S48M-2P	Up to 5	Ducted	49,000	50,000	30,400	20.5	10.1	11.5	207699102	Yes
		Non-Ducted	48,000	48,000	29,600	22.4	12.5	11.0	207699101	Yes
		Mixed Ducted and Non-Ducted	48,500	49,000	30,000	21.5	11.3	11.3	207699103	Yes

NOTE - Per AHRI, the certified ratings for systems are valid for all combinations of indoor units with the specific outdoor units listed above and in the AHRI Directory of Certified Equipment. Please visit <http://www.ahridirectory.org> for further details and latest updates.

<sup>1</sup> Ratings are AHRI certified to AHRI Standard 210/240;

- Cooling Ratings - 95°F wet bulb/75°F dry bulb outdoor air temperature and 80°F dry bulb/67°F wet bulb entering indoor coil air.
- High Temperature Heating Ratings - 47°F dry bulb/43°F wet bulb outdoor air temperature and 70°F dry bulb/60°F wet bulb entering indoor coil air.
- Low Temperature Heating Ratings - 17°F dry bulb/15°F wet bulb outdoor air temperature and 70°F dry bulb/60°F wet bulb entering indoor coil air.

To convert HSPF from Region IV to Region V - Divide by 1.15.

**OPTIONAL ACCESSORIES - ORDER SEPARATELY**

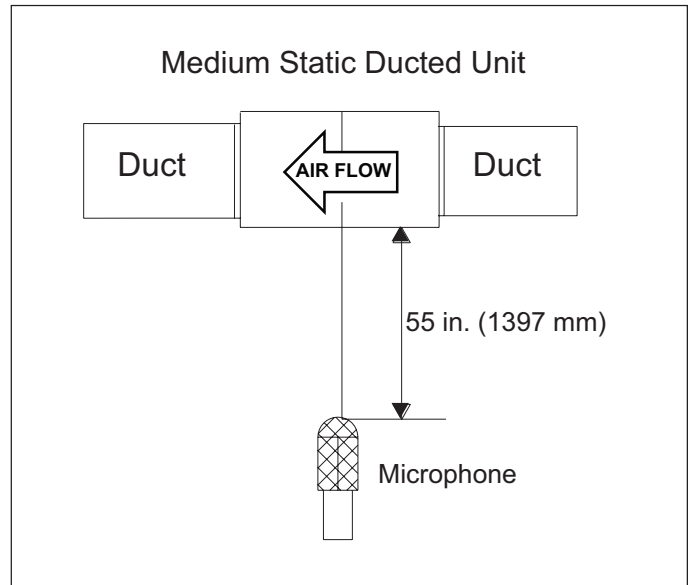
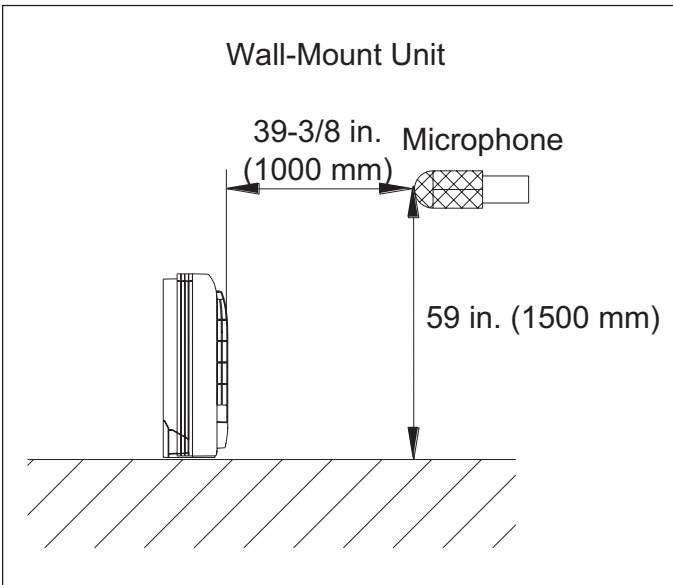
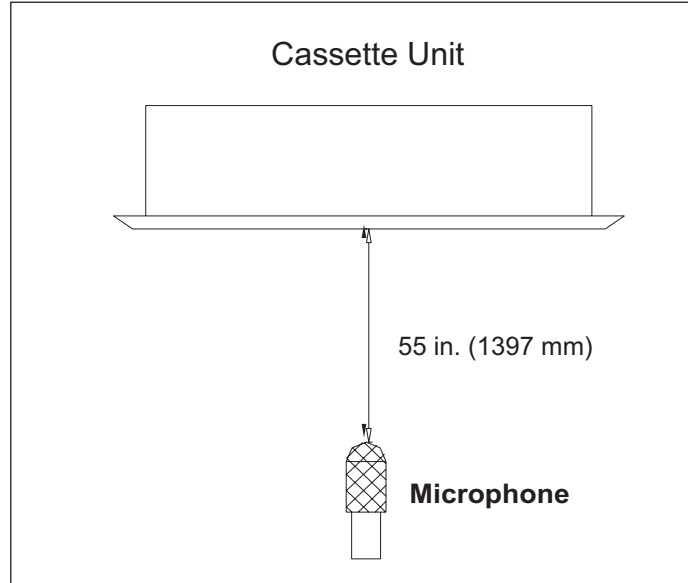
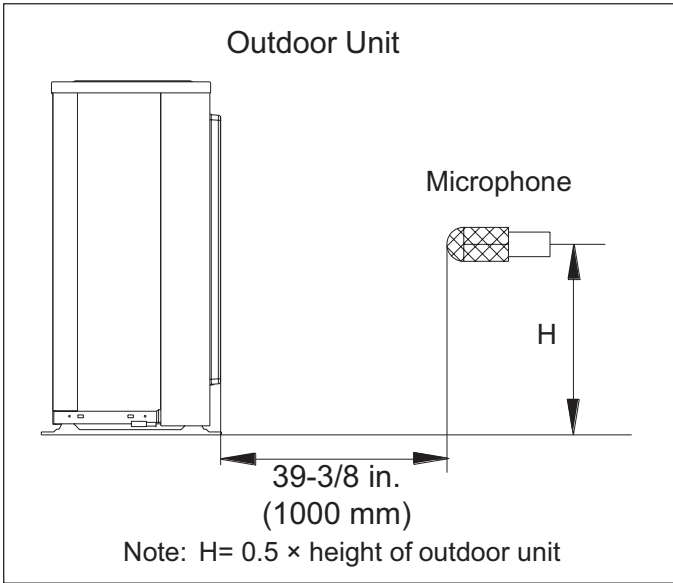
Description	Catalog No.	Size							
		06	09	12	18	24	30	36	48
<b>OUTDOOR UNIT</b>									
Condenser Pad (18 x 38 x 3)	Y5014				•	•	•	•	•
Disconnects	30 amp, fused, 1 ph	27P37				•	•	•	•
	60 amp, non-fused, 1 ph	27P39				•	•	•	•
Fuses	30A	83P75				•	•	•	•
	60A	83P77				•	•	•	•
<sup>1</sup> Line Sets	1/4 in. x 3/8 in. x 25 ft.	90X53				•	•	•	•
	1/4 in. x 3/8 in. x 50 ft.	X0258				•	•	•	•
	1/4 in. x 1/2 in. x 25 ft.	90X52				•	•	•	•
	1/4 in. x 1/2 in. x 50 ft.	X0259				•	•	•	•
	3/8 in. x 5/8 in. x 25 ft.	X8406				N/A			•
	3/8 in. x 5/8 in. x 50 ft.	X8407				N/A			•
	Wall Brackets	30 inch	X1727				•	N/A	
36 inch		X1728				N/A	•	•	•
Whips	10 Gauge - 1/2 in. x 6 ft.	29P54				•	•	•	•
	8 Gauge - 3/4 in. x 6 ft.	27P44				•	•	•	•
<b>INDOOR UNIT</b>									
<sup>2</sup> Diversitech Condensate Pumps with Reservoir	ClearVue Mini™ - 7.9 US gallons per hour, 35 ft. lift - 120-240V	Y5170	•	•	•	•	•	N/A	
	Mini-Split Pump - 4 US gallons per hour, 20 ft. lift - 115V	Y7946	•	•	•	N/A			
	Mini-Split Pump - 4 US gallons per hour, 20 ft. lift - 230V	Y7949	•	•	•	•	•	N/A	
<sup>2</sup> Blue Diamond® Condensate Pumps with Reservoir	MicroBlue® - 1.3 US gallons per hour, 6 ft. lift - 110-230V	14T74	•	•	•	•	N/A		
	MaxiBlue® - 3.7 US gallons per hour, 16.5 ft. lift - 208/230V	14T69	N/A			•	•	•	N/A
	MegaBlue® - 13.2 US gallons per hour, 23 ft. lift - 208/230V	14T71	N/A			•			
	MultiTank Kit	14T75	N/A			•	•	•	•
	Sensor Cable Extension - 16 ft.	14T76	•	•	•	•	•	•	•
A/C Easy Tee® Condensate Cleanout	Y7947	•	•	•	•	•	•	•	
<b>CONTROLS</b>									
Wired Remote Controller (Furnished With All Ducted Models)	M0STAT61Q-1	1.861057	•	•	•	•	•	•	•
Extension Cable for Wired Remote Controller - 20 ft.	Y8008		•	•	•	•	•	•	•
NOTE - The Wired Remote Controller above is furnished as standard with the indoor ducted models. As an option, the Wired Remote Controller can be ordered for a wall-mount or cassette unit if desired.									
Wired Programmable Controller	WSTATCBLD-A2	1.861123	•	•	•	•	•	•	•
Extension Cable for Wired Programmable Controller - 20 ft.	M0CTRL64Q-1	Y8738	•	•	•	•	•	•	•
Indoor/Outdoor Wiring Cable - 14 Gauge, 4 conductor wire, THHN, 250 ft.	Y2067		•	•	•	•	•	•	•
<b>SPEEDICHANNEL™ SYSTEM</b>									
SpeediChannel™ Starter Kit - 4 in.	Y3387		•	•	•	•	•	•	•
SpeediChannel - 4 in. x 6-1/2 ft. (qty. 6)	Y3388		•	•	•	•	•	•	•
Union Coupling - 4 in.	Y3389		•	•	•	•	•	•	•
90° Flat Bend Elbow - 4 in.	Y3390		•	•	•	•	•	•	•
90° Inside Elbow - 4 in.	Y3391		•	•	•	•	•	•	•
45° Flat Bend Elbow - 4 in.	Y3392		•	•	•	•	•	•	•
Flex Joint - 4 in.	Y3393		•	•	•	•	•	•	•
T-Joint - 4 in.	Y3394		•	•	•	•	•	•	•
Duct End - 4 in.	Y3395		•	•	•	•	•	•	•
Flat Wall Escutcheon - 4 in.	Y3396		•	•	•	•	•	•	•
Wall Penetration Cover - 4 in.	Y3399		•	•	•	•	•	•	•
Mount Block (White) Qty, 2 - 14 in.	Y3397		•	•	•	•	•	•	•
Mount Block (White) Qty, 2 - 36 in.	Y3398		•	•	•	•	•	•	•

<sup>1</sup> See "Outdoor To Indoor Unit Line Connections" tables starting on page 40 for correct refrigerant line adaptors furnished with outdoor units.

<sup>2</sup> Y7946, Y7949 and 14T74 condensate pumps can be installed inside the indoor units. All other pumps must be installed external to the indoor unit.



**SOUND LEVELS - TEST CONDITIONS**



**MULTI-ZONE SYSTEM COMBINATIONS**

**NOTE - For multi-zone systems, the total capacity of all indoor units must be 66% to 133% of the outdoor unit capacity.**

Outdoor Unit Model No.	Number of Zones	Indoor Unit Capacity					Nominal Cooling Capacity at Rated System Capacity (Btuh)					Nominal Heating Capacity at Rated System Capacity (Btuh)				
		#1	#2	#3	#4	#5	#1	#2	#3	#4	#5	#1	#2	#3	#4	#5
4DHP2S18M	2	6K	6K	---	---	---	6,000	6,000	---	---	---	6,700	6,700	---	---	---
		6K	9K	---	---	---	6,000	9,000	---	---	---	6,600	9,900	---	---	---
		6K	12K	---	---	---	6,000	12,000	---	---	---	6,300	12,500	---	---	---
		9K	9K	---	---	---	9,000	9,000	---	---	---	9,500	9,500	---	---	---
		9K	12K	---	---	---	8,000	11,000	---	---	---	8,600	11,500	---	---	---
		12K	12K	---	---	---	10,000	10,000	---	---	---	10,100	10,100	---	---	---
4DHP2S24M	2	6K	12K	---	---	---	6,000	12,000	---	---	---	6,500	12,900	---	---	---
		6K	18K	---	---	---	5,000	17,000	---	---	---	6,300	18,900	---	---	---
		9K	9K	---	---	---	9,000	9,000	---	---	---	9,700	9,700	---	---	---
		9K	12K	---	---	---	8,000	11,000	---	---	---	9,700	12,900	---	---	---
		9K	18K	---	---	---	8,000	16,000	---	---	---	9,200	18,300	---	---	---
		12K	12K	---	---	---	11,000	11,000	---	---	---	12,600	12,600	---	---	---
		12K	18K	---	---	---	10,000	15,000	---	---	---	11,600	17,400	---	---	---
		18K	18K	---	---	---	14,000	14,000	---	---	---	14,800	14,800	---	---	---
	3	6K	6K	6K	---	---	7,000	7,000	7,000	---	---	8,500	8,500	8,500	---	---
		6K	6K	9K	---	---	7,000	7,000	10,000	---	---	7,700	7,700	11,500	---	---
		6K	6K	12K	---	---	6,000	6,000	13,000	---	---	7,000	7,000	13,900	---	---
		6K	6K	18K	---	---	6,000	6,000	17,000	---	---	5,900	5,900	17,500	---	---
		6K	9K	9K	---	---	6,000	9,000	9,000	---	---	6,000	9,500	9,500	---	---
		6K	9K	12K	---	---	6,000	9,000	12,000	---	---	6,400	9,500	12,700	---	---
		6K	9K	18K	---	---	5,000	8,000	16,000	---	---	5,400	8,100	16,100	---	---
		6K	12K	12K	---	---	6,000	11,000	11,000	---	---	5,900	11,700	11,700	---	---
		6K	12K	18K	---	---	5,000	10,000	15,000	---	---	5,000	10,000	15,000	---	---
		9K	9K	9K	---	---	9,000	9,000	9,000	---	---	9,500	9,500	9,500	---	---
9K	9K	12K	---	---	9,000	9,000	11,000	---	---	8,800	8,800	11,700	---	---		
9K	9K	18K	---	---	7,000	7,000	15,000	---	---	7,500	7,500	15,000	---	---		
9K	12K	12K	---	---	8,000	11,000	11,000	---	---	8,100	10,800	10,800	---	---		
12K	12K	12K	---	---	10,000	10,000	10,000	---	---	10,000	10,000	10,000	---	---		
4DHP2S30M	2	6K	12K	---	---	---	6,000	12,000	---	---	---	6,500	12,900	---	---	---
		6K	18K	---	---	---	5,000	17,000	---	---	---	6,300	18,900	---	---	---
		9K	9K	---	---	---	9,000	9,000	---	---	---	9,700	9,700	---	---	---
		9K	12K	---	---	---	8,000	11,000	---	---	---	9,700	12,900	---	---	---
		9K	18K	---	---	---	8,000	16,000	---	---	---	9,200	18,300	---	---	---
		12K	12K	---	---	---	11,000	11,000	---	---	---	12,600	12,600	---	---	---
		12K	18K	---	---	---	10,000	15,000	---	---	---	11,600	17,400	---	---	---
		18K	18K	---	---	---	14,000	14,000	---	---	---	14,800	14,800	---	---	---
	3	6K	6K	6K	---	---	7,000	7,000	7,000	---	---	8,500	8,500	8,500	---	---
		6K	6K	9K	---	---	7,000	7,000	10,000	---	---	7,700	7,700	11,500	---	---
		6K	6K	12K	---	---	6,000	6,000	13,000	---	---	7,000	7,000	13,900	---	---
		6K	6K	18K	---	---	6,000	6,000	17,000	---	---	5,900	5,900	17,500	---	---
		6K	9K	9K	---	---	6,000	10,000	10,000	---	---	7,000	10,500	10,500	---	---
		6K	9K	12K	---	---	6,000	9,000	12,000	---	---	6,400	9,500	12,700	---	---
		6K	9K	18K	---	---	5,000	8,000	16,000	---	---	5,400	8,100	16,100	---	---
		6K	12K	12K	---	---	6,000	11,000	11,000	---	---	5,900	11,700	11,700	---	---
		6K	12K	18K	---	---	5,000	10,000	15,000	---	---	5,000	10,000	15,000	---	---
		9K	9K	9K	---	---	9,000	9,000	9,000	---	---	9,500	9,500	9,500	---	---
9K	9K	12K	---	---	9,000	9,000	11,000	---	---	8,800	8,800	11,700	---	---		
9K	9K	18K	---	---	7,000	7,000	15,000	---	---	7,500	7,500	15,000	---	---		
9K	12K	12K	---	---	8,000	11,000	11,000	---	---	8,100	10,800	10,800	---	---		
12K	12K	12K	---	---	10,000	10,000	10,000	---	---	10,000	10,000	10,000	---	---		

**MULTI-ZONE SYSTEM COMBINATIONS**

**NOTE - For multi-zone systems, the total capacity of all indoor units must be 66% to 133% of the outdoor unit capacity.**

Outdoor Unit Model No.	Number of Zones	Indoor Unit Capacity					Nominal Cooling Capacity at Rated System Capacity (Btuh)					Nominal Heating Capacity at Rated System Capacity (Btuh)				
		#1	#2	#3	#4	#5	#1	#2	#3	#4	#5	#1	#2	#3	#4	#5
4DHP2S36M	2	6K	18K	---	---	---	6,000	18,000	---	---	---	6,400	19,100	---	---	---
		6K	24K	---	---	---	6,000	22,000	---	---	---	6,100	24,200	---	---	---
		9K	18K	---	---	---	9,000	17,000	---	---	---	9,400	18,700	---	---	---
		9K	24K	---	---	---	8,000	21,000	---	---	---	8,800	23,300	---	---	---
		12K	12K	---	---	---	12,000	12,000	---	---	---	12,800	12,800	---	---	---
		12K	18K	---	---	---	11,000	17,000	---	---	---	12,100	18,200	---	---	---
		12K	24K	---	---	---	10,000	20,000	---	---	---	11,100	22,200	---	---	---
		18K	18K	---	---	---	15,000	15,000	---	---	---	16,600	16,600	---	---	---
		18K	24K	---	---	---	13,000	18,000	---	---	---	14,500	19,300	---	---	---
		24K	24K	---	---	---	15,000	15,000	---	---	---	15,700	15,700	---	---	---
	3	6K	6K	12K	---	---	6,500	6,500	12,900	---	---	6,800	6,800	13,600	---	---
		6K	6K	18K	---	---	6,000	6,000	18,000	---	---	6,300	6,300	18,900	---	---
		6K	6K	24K	---	---	5,500	5,500	22,000	---	---	5,800	5,800	23,200	---	---
		6K	9K	12K	---	---	6,200	9,300	12,500	---	---	6,600	9,800	13,100	---	---
		6K	9K	18K	---	---	5,700	8,600	17,200	---	---	6,100	9,100	18,100	---	---
		6K	9K	24K	---	---	5,300	7,900	21,100	---	---	5,600	8,400	22,200	---	---
		6K	12K	12K	---	---	6,000	12,000	12,000	---	---	6,300	12,600	12,600	---	---
		6K	12K	18K	---	---	5,500	11,000	16,500	---	---	5,800	11,600	17,400	---	---
		6K	12K	24K	---	---	5,000	10,000	20,100	---	---	5,300	10,600	21,200	---	---
		6K	18K	18K	---	---	5,000	15,100	15,100	---	---	5,300	15,900	15,900	---	---
		6K	18K	24K	---	---	4,500	13,600	18,100	---	---	4,800	14,400	19,200	---	---
		9K	9K	9K	---	---	9,300	9,300	9,300	---	---	9,800	9,800	9,800	---	---
		9K	9K	12K	---	---	9,000	9,000	12,000	---	---	9,500	9,500	12,600	---	---
		9K	9K	18K	---	---	8,300	8,300	16,500	---	---	8,700	8,700	17,400	---	---
		9K	9K	24K	---	---	7,500	7,500	20,100	---	---	8,000	8,000	21,200	---	---
		9K	12K	12K	---	---	8,600	11,500	11,500	---	---	9,100	12,100	12,100	---	---
		9K	12K	18K	---	---	7,900	10,500	15,800	---	---	8,400	11,100	16,700	---	---
		9K	12K	24K	---	---	7,200	9,600	19,100	---	---	7,600	10,100	20,200	---	---
		9K	18K	18K	---	---	7,200	14,300	14,300	---	---	7,600	15,200	15,200	---	---
		12K	12K	12K	---	---	11,000	11,000	11,000	---	---	11,600	11,600	11,600	---	---
	12K	12K	18K	---	---	10,000	10,000	15,100	---	---	10,600	10,600	15,900	---	---	
	12K	12K	24K	---	---	9,100	9,100	18,100	---	---	9,600	9,600	19,200	---	---	
	12K	18K	18K	---	---	9,100	13,600	13,600	---	---	9,600	14,400	14,400	---	---	
	4	6K	6K	6K	6K	---	7,200	7,200	7,200	7,200	---	7,700	7,700	7,700	7,700	---
		6K	6K	6K	9K	---	6,900	6,900	6,900	10,400	---	7,400	7,400	7,400	11,000	---
		6K	6K	6K	12K	---	6,600	6,600	6,600	13,200	---	7,000	7,000	7,000	14,000	---
		6K	6K	6K	18K	---	6,000	6,000	6,000	17,900	---	6,400	6,400	6,400	19,000	---
		6K	6K	6K	24K	---	5,300	5,300	5,300	21,400	---	5,700	5,700	5,700	22,600	---
		6K	6K	9K	9K	---	6,600	6,600	9,900	9,900	---	7,000	7,000	10,500	10,500	---
		6K	6K	9K	12K	---	6,300	6,300	9,400	12,600	---	6,700	6,700	10,000	13,300	---
		6K	6K	9K	18K	---	5,700	5,700	8,500	17,000	---	6,000	6,000	9,000	18,000	---
		6K	6K	9K	24K	---	5,000	5,000	7,500	20,100	---	5,300	5,300	8,000	21,200	---
		6K	6K	12K	12K	---	6,000	6,000	12,000	12,000	---	6,400	6,400	12,700	12,700	---
		6K	6K	12K	18K	---	5,300	5,300	10,700	16,000	---	5,700	5,700	11,300	17,000	---
		6K	6K	12K	24K	---	4,700	4,700	9,400	18,900	---	5,000	5,000	10,000	19,900	---
		6K	9K	9K	9K	---	6,300	9,400	9,400	9,400	---	6,700	10,000	10,000	10,000	---
		6K	9K	9K	12K	---	6,000	9,000	9,000	12,000	---	6,400	9,500	9,500	12,700	---
		6K	9K	9K	18K	---	5,300	8,000	8,000	16,000	---	5,700	8,500	8,500	17,000	---
6K		9K	9K	24K	---	4,700	7,100	7,100	18,900	---	5,000	7,500	7,500	19,900	---	
6K		9K	12K	12K	---	5,700	8,500	11,300	11,300	---	6,000	9,000	12,000	12,000	---	
6K		9K	12K	18K	---	5,000	7,500	10,100	15,100	---	5,300	8,000	10,600	15,900	---	
6K		12K	12K	12K	---	5,300	10,700	10,700	10,700	---	5,700	11,300	11,300	11,300	---	
6K		12K	12K	18K	---	4,700	9,400	9,400	14,100	---	5,000	10,000	10,000	14,900	---	
9K		9K	9K	9K	---	9,000	9,000	9,000	9,000	---	9,500	9,500	9,500	9,500	---	
9K		9K	9K	12K	---	8,500	8,500	8,500	11,300	---	9,000	9,000	9,000	12,000	---	
9K		9K	9K	18K	---	7,500	7,500	7,500	15,100	---	8,000	8,000	8,000	15,900	---	
9K		9K	12K	12K	---	8,000	8,000	10,700	10,700	---	8,500	8,500	11,300	11,300	---	
9K		9K	12K	18K	---	7,100	7,100	9,400	14,100	---	7,500	7,500	10,000	14,900	---	
9K		12K	12K	12K	---	7,500	10,100	10,100	10,100	---	8,000	10,600	10,600	10,600	---	
12K		12K	12K	12K	---	9,400	9,400	9,400	9,400	---	10,000	10,000	10,000	10,000	---	

**MULTI-ZONE SYSTEM COMBINATIONS**

**NOTE - For multi-zone systems, the total capacity of all indoor units must be 66% to 133% of the outdoor unit capacity.**

Outdoor Unit Model No.	Number of Zones	Indoor Unit Capacity					Nominal Cooling Capacity at Rated System Capacity (Btuh)					Nominal Heating Capacity at Rated System Capacity (Btuh)				
		#1	#2	#3	#4	#5	#1	#2	#3	#4	#5	#1	#2	#3	#4	#5
4DHP2S48M	2	9K	24K	---	---	---	9,000	24,000	---	---	---	9,400	25,100	---	---	---
		9K	30K	---	---	---	8,000	29,000	---	---	---	9,100	30,400	---	---	---
		9K	36K	---	---	---	8,000	33,000	---	---	---	8,600	34,500	---	---	---
		12K	24K	---	---	---	11,000	23,000	---	---	---	12,400	24,800	---	---	---
		12K	30K	---	---	---	11,000	28,000	---	---	---	11,900	29,600	---	---	---
		12K	36K	---	---	---	10,000	31,000	---	---	---	11,100	33,200	---	---	---
		18K	18K	---	---	---	17,000	17,000	---	---	---	18,600	18,600	---	---	---
		18K	24K	---	---	---	17,000	22,000	---	---	---	17,800	23,700	---	---	---
		18K	30K	---	---	---	15,000	26,000	---	---	---	16,600	27,600	---	---	---
		18K	36K	---	---	---	14,000	28,000	---	---	---	15,000	30,000	---	---	---
		24K	30K	---	---	---	18,000	23,000	---	---	---	20,000	25,000	---	---	---
		24K	36K	---	---	---	15,000	23,000	---	---	---	17,300	26,000	---	---	---
		30K	30K	---	---	---	19,000	19,000	---	---	---	21,700	21,700	---	---	---
	3	6K	6K	24K	---	---	6,000	6,000	24,000	---	---	6,400	6,400	25,500	---	---
		6K	6K	30K	---	---	6,000	6,000	29,000	---	---	6,100	6,100	30,100	---	---
		6K	6K	36K	---	---	5,000	5,000	33,000	---	---	5,800	5,800	34,300	---	---
		6K	9K	24K	---	---	6,000	9,000	23,000	---	---	6,200	9,300	24,800	---	---
		6K	9K	30K	---	---	6,000	8,000	28,000	---	---	5,900	8,800	29,300	---	---
		6K	9K	36K	---	---	5,000	8,000	32,000	---	---	5,600	8,400	33,500	---	---
		6K	12K	18K	---	---	6,000	12,000	18,000	---	---	6,400	12,800	19,100	---	---
		6K	12K	24K	---	---	6,000	11,000	23,000	---	---	6,100	12,100	24,100	---	---
		6K	12K	30K	---	---	5,000	11,000	27,000	---	---	5,800	11,500	28,600	---	---
		6K	12K	36K	---	---	5,000	10,000	31,000	---	---	5,500	10,900	32,700	---	---
		6K	18K	18K	---	---	6,000	17,000	17,000	---	---	6,100	18,100	18,100	---	---
		6K	18K	24K	---	---	5,000	16,000	22,000	---	---	5,800	17,200	22,900	---	---
		6K	18K	30K	---	---	5,000	15,000	26,000	---	---	5,500	16,400	27,300	---	---
		6K	18K	36K	---	---	5,000	14,000	29,000	---	---	5,300	15,700	31,400	---	---
		6K	24K	24K	---	---	5,000	20,000	20,000	---	---	5,500	21,800	21,800	---	---
		6K	24K	30K	---	---	5,000	19,000	24,000	---	---	5,300	21,000	26,200	---	---
		9K	9K	18K	---	---	9,000	9,000	18,000	---	---	9,600	9,600	19,100	---	---
		9K	9K	24K	---	---	9,000	9,000	23,000	---	---	9,100	9,100	24,100	---	---
		9K	9K	30K	---	---	8,000	8,000	27,000	---	---	8,600	8,600	28,600	---	---
		9K	9K	36K	---	---	8,000	8,000	31,000	---	---	8,200	8,200	32,700	---	---
		9K	12K	12K	---	---	9,000	12,000	12,000	---	---	9,900	13,200	13,200	---	---
		9K	12K	18K	---	---	9,000	12,000	18,000	---	---	9,300	12,400	18,600	---	---
9K		12K	24K	---	---	8,000	11,000	22,000	---	---	8,800	11,800	23,500	---	---	
9K		12K	30K	---	---	8,000	11,000	26,000	---	---	8,400	11,200	27,900	---	---	
9K		12K	36K	---	---	7,000	10,000	30,000	---	---	8,100	10,700	32,100	---	---	
9K		18K	18K	---	---	8,000	17,000	17,000	---	---	8,800	17,600	17,600	---	---	
9K		18K	24K	---	---	8,000	16,000	21,000	---	---	8,400	16,800	22,300	---	---	
9K		18K	30K	---	---	7,000	15,000	25,000	---	---	8,100	16,100	26,700	---	---	
9K		18K	36K	---	---	7,000	14,000	28,000	---	---	7,800	15,500	30,900	---	---	
9K		24K	24K	---	---	7,000	20,000	20,000	---	---	8,100	21,400	21,400	---	---	
9K		24K	30K	---	---	7,000	19,000	23,000	---	---	7,800	20,600	25,700	---	---	
12K		12K	12K	---	---	12,000	12,000	12,000	---	---	12,800	12,800	12,800	---	---	
12K	12K	18K	---	---	11,000	11,000	17,000	---	---	12,100	12,100	18,100	---	---		
12K	12K	24K	---	---	11,000	11,000	22,000	---	---	11,500	11,500	22,900	---	---		
12K	12K	30K	---	---	10,000	10,000	26,000	---	---	10,900	10,900	27,300	---	---		
12K	12K	36K	---	---	10,000	10,000	29,000	---	---	10,500	10,500	31,400	---	---		
12K	18K	18K	---	---	11,000	16,000	16,000	---	---	11,500	17,200	17,200	---	---		
12K	18K	24K	---	---	10,000	15,000	20,000	---	---	10,900	16,400	21,800	---	---		
12K	18K	30K	---	---	10,000	14,000	24,000	---	---	10,500	15,700	26,200	---	---		
12K	24K	24K	---	---	10,000	19,000	19,000	---	---	10,500	21,000	21,000	---	---		

**MULTI-ZONE SYSTEM COMBINATIONS**

**NOTE - For multi-zone systems, the total capacity of all indoor units must be 66% to 133% of the outdoor unit capacity.**

Outdoor Unit Model No.	Number of Zones	Indoor Unit Capacity					Nominal Cooling Capacity at Rated System Capacity (Btuh)					Nominal Heating Capacity at Rated System Capacity (Btuh)				
		#1	#2	#3	#4	#5	#1	#2	#3	#4	#5	#1	#2	#3	#4	#5
4DHP2S48M	3	18K	18K	18K	---	---	15,000	15,000	15,000	---	---	16,400	16,400	16,400	---	---
		18K	18K	24K	---	---	14,000	14,000	19,000	---	---	15,700	15,700	21,000	---	---
	4	6K	6K	6K	18K	---	6,000	6,000	6,000	18,000	---	6,500	6,500	6,500	19,400	---
		6K	6K	6K	24K	---	6,000	6,000	6,000	24,000	---	6,300	6,300	6,300	25,100	---
		6K	6K	6K	30K	---	6,000	6,000	6,000	29,000	---	6,100	6,100	6,100	30,100	---
		6K	6K	6K	36K	---	5,000	5,000	5,000	32,000	---	5,700	5,700	5,700	33,800	---
		6K	6K	9K	18K	---	6,000	6,000	9,000	18,000	---	6,400	6,400	9,600	19,100	---
		6K	6K	9K	24K	---	6,000	6,000	9,000	24,000	---	6,200	6,200	9,300	24,600	---
		6K	6K	9K	30K	---	6,000	6,000	8,000	28,000	---	5,900	5,900	8,800	29,200	---
		6K	6K	9K	36K	---	5,000	5,000	8,000	31,000	---	5,500	5,500	8,200	32,500	---
		6K	6K	12K	12K	---	6,000	6,000	12,000	12,000	---	6,500	6,500	12,900	12,900	---
		6K	6K	12K	18K	---	6,000	6,000	12,000	18,000	---	6,300	6,300	12,600	18,900	---
		6K	6K	12K	24K	---	6,000	6,000	11,000	23,000	---	6,100	6,100	12,100	24,100	---
		6K	6K	12K	30K	---	5,000	5,000	11,000	27,000	---	5,700	5,700	11,300	28,200	---
		6K	6K	12K	36K	---	5,000	5,000	10,000	30,000	---	5,200	5,200	10,400	31,000	---
		6K	6K	18K	18K	---	6,000	6,000	17,000	17,000	---	6,100	6,100	18,100	18,100	---
		6K	6K	18K	24K	---	5,000	5,000	16,000	22,000	---	5,700	5,700	16,900	22,600	---
		6K	6K	18K	30K	---	5,000	5,000	15,000	25,000	---	5,200	5,200	15,500	25,800	---
		6K	6K	24K	24K	---	5,000	5,000	20,000	20,000	---	5,200	5,200	20,700	20,700	---
		6K	9K	9K	12K	---	6,000	9,000	9,000	12,000	---	6,500	9,700	9,700	12,900	---
		6K	9K	9K	18K	---	6,000	9,000	9,000	18,000	---	6,300	9,500	9,500	18,900	---
		6K	9K	9K	24K	---	6,000	9,000	9,000	23,000	---	6,100	9,100	9,100	24,100	---
		6K	9K	9K	30K	---	5,000	8,000	8,000	27,000	---	5,700	8,500	8,500	28,200	---
		6K	9K	9K	36K	---	5,000	7,000	7,000	30,000	---	5,200	7,800	7,800	31,000	---
		6K	9K	12K	12K	---	6,000	9,000	12,000	12,000	---	6,400	9,600	12,800	12,800	---
		6K	9K	12K	18K	---	6,000	9,000	12,000	18,000	---	6,200	9,300	12,300	18,500	---
		6K	9K	12K	24K	---	6,000	8,000	11,000	22,000	---	5,900	8,800	11,700	23,400	---
		6K	9K	12K	30K	---	5,000	8,000	10,000	26,000	---	5,500	8,200	10,900	27,100	---
		6K	9K	12K	36K	---	5,000	7,000	9,000	28,000	---	4,900	7,400	9,800	29,300	---
		6K	9K	18K	18K	---	6,000	8,000	17,000	17,000	---	5,900	8,800	17,500	17,500	---
		6K	9K	18K	24K	---	5,000	8,000	16,000	21,000	---	5,500	8,200	16,300	21,700	---
		6K	9K	18K	30K	---	5,000	7,000	14,000	24,000	---	4,900	7,400	14,700	24,500	---
		6K	12K	12K	12K	---	6,000	12,000	12,000	12,000	---	6,300	12,600	12,600	12,600	---
		6K	12K	12K	18K	---	6,000	11,000	11,000	17,000	---	6,100	12,100	12,100	18,100	---
		6K	12K	12K	24K	---	5,000	11,000	11,000	22,000	---	5,700	11,300	11,300	22,600	---
		6K	12K	12K	30K	---	5,000	10,000	10,000	25,000	---	5,200	10,400	10,400	25,800	---
		6K	12K	18K	18K	---	5,000	11,000	16,000	16,000	---	5,700	11,300	16,900	16,900	---
		6K	12K	18K	24K	---	5,000	10,000	15,000	20,000	---	5,200	10,400	15,500	20,700	---
		9K	9K	9K	9K	---	9,000	9,000	9,000	9,000	---	9,700	9,700	9,700	9,700	---
		9K	9K	9K	12K	---	9,000	9,000	9,000	12,000	---	9,600	9,600	9,600	12,800	---
	9K	9K	9K	18K	---	9,000	9,000	9,000	18,000	---	9,300	9,300	9,300	18,500	---	
	9K	9K	9K	24K	---	8,000	8,000	8,000	22,000	---	8,800	8,800	8,800	23,400	---	
9K	9K	9K	30K	---	8,000	8,000	8,000	26,000	---	8,200	8,200	8,200	27,100	---		
9K	9K	9K	36K	---	7,000	7,000	7,000	28,000	---	7,400	7,400	7,400	29,300	---		

**MULTI-ZONE SYSTEM COMBINATIONS**

**NOTE - For multi-zone systems, the total capacity of all indoor units must be 66% to 133% of the outdoor unit capacity.**

Outdoor Unit Model No.	Number of Zones	Indoor Unit Capacity					Nominal Cooling Capacity at Rated System Capacity (Btuh)					Nominal Heating Capacity at Rated System Capacity (Btuh)				
		#1	#2	#3	#4	#5	#1	#2	#3	#4	#5	#1	#2	#3	#4	#5
4DHP2S48M	4	9K	9K	12K	12K	---	9,000	9,000	12,000	12,000	---	9,500	9,500	12,600	12,600	---
		9K	9K	12K	18K	---	9,000	9,000	11,000	17,000	---	9,100	9,100	12,100	18,100	---
		9K	9K	12K	24K	---	8,000	8,000	11,000	22,000	---	8,500	8,500	11,300	22,600	---
		9K	9K	12K	30K	---	7,000	7,000	10,000	25,000	---	7,800	7,800	10,400	25,800	---
		9K	9K	18K	18K	---	8,000	8,000	16,000	16,000	---	8,500	8,500	16,900	16,900	---
		9K	9K	18K	24K	---	7,000	7,000	15,000	20,000	---	7,800	7,800	15,500	20,700	---
		9K	12K	12K	12K	---	9,000	12,000	12,000	12,000	---	9,300	12,300	12,300	12,300	---
		9K	12K	12K	18K	---	8,000	11,000	11,000	17,000	---	8,800	11,700	11,700	17,500	---
		9K	12K	12K	24K	---	8,000	10,000	10,000	21,000	---	8,200	10,900	10,900	21,700	---
		9K	12K	12K	30K	---	7,000	9,000	9,000	24,000	---	7,400	9,800	9,800	24,500	---
		9K	12K	18K	18K	---	8,000	10,000	16,000	16,000	---	8,200	10,900	16,300	16,300	---
		9K	12K	18K	24K	---	7,000	9,000	14,000	19,000	---	7,400	9,800	14,700	19,600	---
		12K	12K	12K	12K	---	11,000	11,000	11,000	11,000	---	12,100	12,100	12,100	12,100	---
		12K	12K	12K	18K	---	11,000	11,000	11,000	16,000	---	11,300	11,300	11,300	16,900	---
		12K	12K	12K	24K	---	10,000	10,000	10,000	20,000	---	10,400	10,400	10,400	20,700	---
		12K	12K	18K	18K	---	10,000	10,000	15,000	15,000	---	10,400	10,400	15,500	15,500	---
	6K	6K	6K	6K	9K	6,000	6,000	6,000	6,000	9,000	7,000	7,000	7,000	7,000	10,000	
	6K	6K	6K	6K	12K	6,000	6,000	6,000	6,000	12,000	6,000	6,000	6,000	6,000	13,000	
	6K	6K	6K	6K	18K	6,000	6,000	6,000	6,000	18,000	6,000	6,000	6,000	6,000	19,000	
	6K	6K	6K	6K	24K	6,000	6,000	6,000	6,000	24,000	6,000	6,000	6,000	6,000	25,000	
	6K	6K	6K	6K	30K	6,000	6,000	6,000	6,000	28,000	5,000	5,000	5,000	5,000	29,000	
	6K	6K	6K	6K	36K	5,000	5,000	5,000	5,000	31,000	5,000	5,000	5,000	5,000	32,000	
	6K	6K	6K	9K	9K	6,000	6,000	6,000	9,000	9,000	6,000	6,000	6,000	10,000	10,000	
	6K	6K	6K	9K	12K	6,000	6,000	6,000	9,000	12,000	6,000	6,000	6,000	10,000	13,000	
	6K	6K	6K	9K	18K	6,000	6,000	6,000	9,000	18,000	6,000	6,000	6,000	9,000	19,000	
	6K	6K	6K	9K	24K	6,000	6,000	6,000	9,000	23,000	6,000	6,000	6,000	9,000	24,000	
	6K	6K	6K	9K	30K	5,000	5,000	5,000	8,000	27,000	5,000	5,000	5,000	8,000	28,000	
	6K	6K	6K	9K	36K	5,000	5,000	5,000	7,000	29,000	5,000	5,000	5,000	7,000	31,000	
	6K	6K	6K	12K	12K	6,000	6,000	6,000	12,000	12,000	6,000	6,000	6,000	13,000	13,000	
	6K	6K	6K	12K	18K	6,000	6,000	6,000	12,000	18,000	6,000	6,000	6,000	12,000	18,000	
	6K	6K	6K	12K	24K	6,000	6,000	6,000	11,000	22,000	5,000	5,000	5,000	11,000	23,000	
	6K	6K	6K	12K	30K	5,000	5,000	5,000	10,000	26,000	5,000	5,000	5,000	10,000	27,000	
6K	6K	6K	18K	18K	6,000	6,000	6,000	17,000	17,000	5,000	5,000	5,000	17,000	17,000		
6K	6K	6K	18K	24K	5,000	5,000	5,000	16,000	21,000	5,000	5,000	5,000	16,000	21,000		
6K	6K	9K	9K	9K	6,000	6,000	9,000	9,000	9,000	6,000	6,000	10,000	10,000	10,000		
6K	6K	9K	9K	12K	6,000	6,000	9,000	9,000	12,000	6,000	6,000	9,000	9,000	13,000		
6K	6K	9K	9K	18K	6,000	6,000	9,000	9,000	18,000	6,000	6,000	9,000	9,000	18,000		
6K	6K	9K	9K	24K	6,000	6,000	8,000	8,000	22,000	5,000	5,000	8,000	8,000	23,000		
6K	6K	9K	9K	30K	5,000	5,000	8,000	8,000	26,000	5,000	5,000	8,000	8,000	27,000		
6K	6K	9K	12K	12K	6,000	6,000	9,000	12,000	12,000	6,000	6,000	9,000	12,000	12,000		
6K	6K	9K	12K	18K	6,000	6,000	9,000	12,000	17,000	6,000	6,000	9,000	12,000	18,000		
6K	6K	9K	12K	24K	5,000	5,000	8,000	11,000	22,000	5,000	5,000	8,000	11,000	22,000		
6K	6K	9K	12K	30K	5,000	5,000	7,000	10,000	24,000	5,000	5,000	7,000	10,000	26,000		
6K	6K	9K	18K	18K	5,000	5,000	8,000	16,000	16,000	5,000	5,000	8,000	17,000	17,000		

**MULTI-ZONE SYSTEM COMBINATIONS**

**NOTE - For multi-zone systems, the total capacity of all indoor units must be 66% to 133% of the outdoor unit capacity.**

Outdoor Unit Model No.	Number of Zones	Indoor Unit Capacity					Nominal Cooling Capacity at Rated System Capacity (Btuh)					Nominal Heating Capacity at Rated System Capacity (Btuh)					
		#1	#2	#3	#4	#5	#1	#2	#3	#4	#5	#1	#2	#3	#4	#5	
<b>4DHP2S48M</b>	5	6K	6K	9K	18K	24K	5,000	5,000	7,000	15,000	20,000	5,000	5,000	7,000	15,000	21,000	
		6K	6K	12K	12K	12K	6,000	6,000	12,000	12,000	12,000	6,000	6,000	12,000	12,000	12,000	
		6K	6K	12K	12K	18K	6,000	6,000	11,000	11,000	17,000	5,000	5,000	11,000	11,000	17,000	
		6K	6K	12K	12K	24K	5,000	5,000	10,000	10,000	21,000	5,000	5,000	10,000	10,000	21,000	
		6K	6K	12K	18K	18K	5,000	5,000	10,000	16,000	16,000	5,000	5,000	10,000	16,000	16,000	
		6K	9K	9K	9K	9K	6,000	9,000	9,000	9,000	9,000	9,000	6,000	9,000	9,000	9,000	9,000
		6K	9K	9K	9K	12K	6,000	9,000	9,000	9,000	12,000	6,000	9,000	9,000	9,000	12,000	
		6K	9K	9K	9K	18K	6,000	9,000	9,000	9,000	17,000	6,000	9,000	9,000	9,000	18,000	
		6K	9K	9K	9K	24K	5,000	8,000	8,000	8,000	22,000	5,000	8,000	8,000	8,000	22,000	
		6K	9K	9K	9K	30K	5,000	7,000	7,000	7,000	24,000	5,000	7,000	7,000	7,000	26,000	
		6K	9K	9K	12K	12K	6,000	9,000	9,000	12,000	12,000	6,000	9,000	9,000	12,000	12,000	
		6K	9K	9K	12K	18K	6,000	8,000	8,000	11,000	17,000	5,000	8,000	8,000	11,000	17,000	
		6K	9K	9K	12K	24K	5,000	8,000	8,000	10,000	21,000	5,000	8,000	8,000	10,000	21,000	
		6K	9K	9K	18K	18K	5,000	8,000	8,000	16,000	16,000	5,000	8,000	8,000	16,000	16,000	
		6K	9K	12K	12K	12K	6,000	9,000	12,000	12,000	12,000	6,000	9,000	12,000	12,000	12,000	
		6K	9K	12K	12K	18K	5,000	8,000	11,000	11,000	16,000	5,000	8,000	11,000	11,000	17,000	
		6K	9K	12K	12K	24K	5,000	7,000	10,000	10,000	20,000	5,000	7,000	10,000	10,000	21,000	
		6K	12K	12K	12K	12K	6,000	11,000	11,000	11,000	11,000	5,000	11,000	11,000	11,000	11,000	
		6K	12K	12K	12K	18K	5,000	10,000	10,000	10,000	16,000	5,000	10,000	10,000	10,000	16,000	
		9K	9K	9K	9K	9K	9,000	9,000	9,000	9,000	9,000	9,000	9,500	9,500	9,500	9,500	
		9K	9K	9K	9K	12K	9,000	9,000	9,000	9,000	12,000	9,000	9,000	9,000	9,000	12,000	
		9K	9K	9K	9K	18K	8,000	8,000	8,000	8,000	17,000	8,000	8,000	8,000	8,000	17,000	
		9K	9K	9K	9K	24K	8,000	8,000	8,000	8,000	21,000	8,000	8,000	8,000	8,000	21,000	
		9K	9K	9K	12K	12K	9,000	9,000	9,000	12,000	12,000	9,000	9,000	9,000	12,000	12,000	
		9K	9K	9K	12K	18K	8,000	8,000	8,000	11,000	16,000	8,000	8,000	8,000	11,000	17,000	
		9K	9K	9K	12K	24K	7,000	7,000	7,000	10,000	20,000	7,000	7,000	7,000	10,000	21,000	
		9K	9K	12K	12K	12K	8,000	8,000	11,000	11,000	11,000	8,000	8,000	11,000	11,000	11,000	
		9K	9K	12K	12K	18K	8,000	8,000	10,000	10,000	16,000	8,000	8,000	10,000	10,000	16,000	
		9K	12K	12K	12K	12K	8,000	11,000	11,000	11,000	11,000	8,000	11,000	11,000	11,000	11,000	
		12K	12K	12K	12K	12K	10,000	10,000	10,000	10,000	10,000	10,000	10,000	10,000	10,000	10,000	

**OUTDOOR TO INDOOR UNIT LINE CONNECTIONS - TWO ZONES****4DHP2S18M****Number of Zones and Outdoor Unit Connection Sizes****NOTE - Letter = Indoor Unit Zone Connection on Outdoor Unit**

<b>Zone 1 (A)</b>	<b>Zone 2 (B)</b>
<b>1/4 in. liq + 3/8 in. gas</b>	<b>1/4 in. liq + 3/8 in. gas</b>
06	06
06	09
06	12
09	09
09	12
12	12

## LEGEND:

CLEAR = No adaptors required.

GRAY = 3/8 x 1/2 in. gas pipe adaptor is required for line set connection to outdoor unit (furnished with outdoor unit).

**OUTDOOR TO INDOOR UNIT LINE CONNECTIONS - UP TO THREE ZONES****4DHP2S24M****Number of Zones and Outdoor Unit Connection Sizes****NOTE - Letter = Indoor Unit Zone Connection on Outdoor Unit**

<b>Zone 1 (A)</b>	<b>Zone 2 (B)</b>	<b>Zone 3 (C)</b>
<b>1/4 in. liq + 3/8 in. gas</b>	<b>1/4 in. liq + 3/8 in. gas</b>	<b>1/4 in. liq + 3/8 in. gas</b>
06	12	---
06	18	---
09	09	---
09	12	---
09	18	---
12	12	---
12	18	---
18	18	---
06	06	06
06	06	09
06	06	12
06	06	18
06	09	09
06	09	12
06	09	18
06	12	12
06	12	18
09	09	09
09	09	12
09	09	18
09	12	12
12	12	12

## LEGEND:

CLEAR = No adaptors required.

GRAY = 3/8 x 1/2 in. gas pipe adaptor is required for line set connection to outdoor unit (furnished with outdoor unit).



**OUTDOOR TO INDOOR UNIT LINE CONNECTIONS - UP TO THREE ZONES****4DHP2S30M****Number of Zones and Outdoor Unit Connection Sizes****NOTE - Letter = Indoor Unit Zone Connection on Outdoor Unit**

<b>Zone 1 (A)</b>	<b>Zone 2 (B)</b>	<b>Zone 3 (C)</b>
<b>1/4 in. liq + 3/8 in. gas</b>	<b>1/4 in. liq + 3/8 in. gas</b>	<b>1/4 in. liq + 3/8 in. gas</b>
006	012	---
006	018	---
009	009	---
009	012	---
009	018	---
012	012	---
012	018	---
018	018	---
006	006	006
006	006	009
006	006	012
006	006	018
006	009	009
006	009	012
006	009	018
006	012	012
006	012	018
009	009	009
009	009	012
009	009	018
009	012	012
012	012	012

**LEGEND:**

CLEAR = No adaptors required.

GRAY = 3/8 x 1/2 in. gas pipe adaptor is required for line set connection to outdoor unit (furnished with outdoor unit).

**OUTDOOR TO INDOOR UNIT LINE CONNECTIONS - UP TO FOUR ZONES****4DHP2S36M****Number of Zones and Outdoor Unit Connection Sizes****NOTE - Letter = Indoor Unit Zone Connection on Outdoor Unit**

Zone 1 (A)	Zone 2 (B)	Zone 3 (C)	Zone 4 (D)
1/4 in. liq + 1/2 in. gas	1/4 in. liq + 3/8 in. gas	1/4 in. liq + 3/8 in. gas	1/4 in. liq + 3/8 in. gas
06	18	---	---
06	24	---	---
09	18	---	---
09	24	---	---
12	12	---	---
12	18	---	---
12	24	---	---
18	18	---	---
18	24	---	---
24	24	---	---
06	06	12	---
06	06	18	---
06	06	24	---
06	09	12	---
06	09	18	---
06	09	24	---
06	12	12	---
06	12	18	---
06	12	24	---
06	18	18	---
06	18	24	---
09	09	09	---
09	09	12	---
09	09	18	---
09	09	24	---
09	12	12	---
09	12	18	---
09	12	24	---
09	18	18	---
12	12	12	---
12	12	18	---
12	12	24	---
12	18	18	---
06	06	06	06
06	06	06	09
06	06	06	12
06	06	06	18
06	06	06	24
06	06	09	09

**LEGEND:**

CLEAR = No adaptors required.

GRAY = 3/8 x 1/2 in. gas pipe adaptor is required for line set connection to outdoor unit (furnished with outdoor unit).

BLACK = 1/4 x 3/8 in. liquid pipe adaptor is required for line set connection to the 036 outdoor unit (furnished with outdoor unit).

1/2 x 5/8 in. gas pipe adaptor is required for line set connection to the 036 outdoor unit (furnished with outdoor unit).

**OUTDOOR TO INDOOR UNIT LINE CONNECTIONS - UP TO FOUR ZONES****4DHP2S36M****Number of Zones and Outdoor Unit Connection Sizes****NOTE - Letter = Indoor Unit Zone Connection on Outdoor Unit**

<b>Zone 1 (A)</b>	<b>Zone 2 (B)</b>	<b>Zone 3 (C)</b>	<b>Zone 4 (D)</b>
<b>1/4 in. liq + 1/2 in. gas</b>	<b>1/4 in. liq + 3/8 in. gas</b>	<b>1/4 in. liq + 3/8 in. gas</b>	<b>1/4 in. liq + 3/8 in. gas</b>
06	06	09	12
06	06	09	18
06	06	09	24
06	06	12	12
06	06	12	18
06	06	12	24
06	09	09	09
06	09	09	12
06	09	09	18
06	09	09	24
06	09	12	12
06	09	12	18
06	12	12	12
06	12	12	18
09	09	09	09
09	09	09	12
09	09	09	18
09	09	12	12
09	09	12	18
09	12	12	12
12	12	12	12

**LEGEND:**

CLEAR = No adaptors required.

GRAY = 3/8 x 1/2 in. gas pipe adaptor is required for line set connection to outdoor unit (furnished with outdoor unit).

BLACK = 1/4 x 3/8 in. liquid pipe adaptor is required for line set connection to the 036 outdoor unit (furnished with outdoor unit).  
1/2 x 5/8 in. gas pipe adaptor is required for line set connection to the 036 outdoor unit (furnished with outdoor unit).

**OUTDOOR TO INDOOR UNIT LINE CONNECTIONS - UP TO FIVE ZONES**

4DHP2S48M

Number of Zones and Outdoor Unit Connection Sizes

NOTE - Letter = Indoor Unit Zone Connection on Outdoor Unit

Zone 1 (A)	Zone 2 (B)	Zone 3 (C)	Zone 4 (D)	Zone 5 (E)
1/4 in. liq + 1/2 in. gas	1/4 in. liq + 1/2 in. gas	1/4 in. liq + 3/8 in. gas	1/4 in. liq + 3/8 in. gas	1/4 in. liq + 3/8 in. gas
09	24	---	---	---
09	30	---	---	---
09	36	---	---	---
12	24	---	---	---
12	30	---	---	---
12	36	---	---	---
18	18	---	---	---
18	24	---	---	---
18	30	---	---	---
18	36	---	---	---
24	30	---	---	---
24	36	---	---	---
30	30	---	---	---
06	06	24	---	---
06	06	30	---	---
06	06	36	---	---
06	09	24	---	---
06	09	30	---	---
06	09	36	---	---
06	12	18	---	---
06	12	24	---	---
06	12	30	---	---
06	12	36	---	---
06	18	18	---	---
06	18	24	---	---
06	18	30	---	---
06	18	36	---	---
06	24	24	---	---
06	24	30	---	---
09	09	18	---	---
09	09	24	---	---
09	09	30	---	---
09	09	36	---	---
09	12	12	---	---
09	12	18	---	---
09	12	24	---	---
09	12	30	---	---
09	12	36	---	---
09	18	18	---	---

LEGEND:

CLEAR = No adaptors required.

GRAY = 3/8 x 1/2 in. gas pipe adaptor is required for line set connection to outdoor unit (furnished with outdoor unit).

BLACK = 1/4 x 3/8 in. liquid pipe adaptor is required for line set connection to the 048 outdoor unit (furnished with outdoor unit).

1/2 x 5/8 in. gas pipe adaptor is required for line set connection to the 048 outdoor unit (furnished with outdoor unit).

**OUTDOOR TO INDOOR UNIT LINE CONNECTIONS - UP TO FIVE ZONES**

4DHP2S48M

Number of Zones and Outdoor Unit Connection Sizes

NOTE - Letter = Indoor Unit Zone Connection on Outdoor Unit

Zone 1 (A)	Zone 2 (B)	Zone 3 (C)	Zone 4 (D)	Zone 5 (E)
1/4 in. liq + 1/2 in. gas	1/4 in. liq + 1/2 in. gas	1/4 in. liq + 3/8 in. gas	1/4 in. liq + 3/8 in. gas	1/4 in. liq + 3/8 in. gas
09	18	24	---	---
09	18	30	---	---
09	18	36	---	---
09	24	24	---	---
09	24	30	---	---
12	12	12	---	---
12	12	18	---	---
12	12	24	---	---
12	12	30	---	---
12	12	36	---	---
12	18	18	---	---
12	18	24	---	---
12	18	30	---	---
12	24	24	---	---
18	18	18	---	---
18	18	24	---	---
06	06	06	18	---
06	06	06	24	---
06	06	06	30	---
06	06	06	36	---
06	06	09	18	---
06	06	09	24	---
06	06	09	30	---
06	06	09	36	---
06	06	12	12	---
06	06	12	18	---
06	06	12	24	---
06	06	12	30	---
06	06	12	36	---
06	06	18	18	---
06	06	18	24	---
06	06	18	30	---
06	06	24	24	---
06	09	09	12	---
06	09	09	18	---
06	09	09	24	---
06	09	09	30	---
06	09	09	36	---
06	09	12	12	---

LEGEND:

CLEAR = No adaptors required.

GRAY = 3/8 x 1/2 in. gas pipe adaptor is required for line set connection to outdoor unit (furnished with outdoor unit).

BLACK = 1/4 x 3/8 in. liquid pipe adaptor is required for line set connection to the 048 outdoor unit (furnished with outdoor unit).

1/2 x 5/8 in. gas pipe adaptor is required for line set connection to the 048 outdoor unit (furnished with outdoor unit).

**OUTDOOR TO INDOOR UNIT LINE CONNECTIONS - UP TO FIVE ZONES**

4DHP2S48M

Number of Zones and Outdoor Unit Connection Sizes

NOTE - Letter = Indoor Unit Zone Connection on Outdoor Unit

Zone 1 (A)	Zone 2 (B)	Zone 3 (C)	Zone 4 (D)	Zone 5 (E)
1/4 in. liq + 1/2 in. gas	1/4 in. liq + 1/2 in. gas	1/4 in. liq + 3/8 in. gas	1/4 in. liq + 3/8 in. gas	1/4 in. liq + 3/8 in. gas
06	09	12	18	---
06	09	12	24	---
06	09	12	30	---
06	09	12	36	---
06	09	18	18	---
06	09	18	24	---
06	09	18	30	---
06	12	12	12	---
06	12	12	18	---
06	12	12	24	---
06	12	12	30	---
06	12	18	18	---
06	12	18	24	---
09	09	09	09	---
09	09	09	12	---
09	09	09	18	---
09	09	09	24	---
09	09	09	30	---
09	09	09	36	---
09	09	12	12	---
09	09	12	18	---
09	09	12	24	---
09	09	12	30	---
09	09	18	18	---
09	09	18	24	---
09	12	12	12	---
09	12	12	18	---
09	12	12	24	---
09	12	12	30	---
09	12	18	18	---
09	12	18	24	---
12	12	12	12	---
12	12	12	18	---
12	12	12	24	---
12	12	18	18	---
06	06	06	06	09
06	06	06	06	12
06	06	06	06	18
06	06	06	06	24

LEGEND:

CLEAR = No adaptors required.

GRAY = 3/8 x 1/2 in. gas pipe adaptor is required for line set connection to outdoor unit (furnished with outdoor unit).

BLACK = 1/4 x 3/8 in. liquid pipe adaptor is required for line set connection to the 048 outdoor unit (furnished with outdoor unit).

1/2 x 5/8 in. gas pipe adaptor is required for line set connection to the 048 outdoor unit (furnished with outdoor unit).

**OUTDOOR TO INDOOR UNIT LINE CONNECTIONS - UP TO FIVE ZONES**

4DHP2S48M

Number of Zones and Outdoor Unit Connection Sizes

NOTE - Letter = Indoor Unit Zone Connection on Outdoor Unit

Zone 1 (A)	Zone 2 (B)	Zone 3 (C)	Zone 4 (D)	Zone 5 (E)
1/4 in. liq + 1/2 in. gas	1/4 in. liq + 1/2 in. gas	1/4 in. liq + 3/8 in. gas	1/4 in. liq + 3/8 in. gas	1/4 in. liq + 3/8 in. gas
06	06	06	06	30
06	06	06	06	24
06	06	06	09	09
06	06	06	09	12
06	06	06	09	18
06	06	06	09	24
06	06	06	09	30
06	06	06	09	36
06	06	06	12	12
06	06	06	12	18
06	06	06	12	24
06	06	06	12	30
06	06	06	18	18
06	06	06	18	24
06	06	09	09	09
06	06	09	09	12
06	06	09	09	18
06	06	09	09	24
06	06	09	09	30
06	06	09	12	12
06	06	09	12	18
06	06	09	12	24
06	06	09	12	30
06	06	09	18	18
06	06	09	18	24
06	06	12	12	12
06	06	12	12	18
06	06	12	12	24
06	06	12	18	18
06	09	09	09	09
06	09	09	09	12
06	09	09	09	18
06	09	09	09	24
06	09	09	09	30
06	09	09	12	12
06	09	09	12	18
06	09	09	12	24
06	09	09	18	18
06	09	12	12	12

LEGEND:

CLEAR = No adaptors required.

GRAY = 3/8 x 1/2 in. gas pipe adaptor is required for line set connection to outdoor unit (furnished with outdoor unit).

BLACK = 1/4 x 3/8 in. liquid pipe adaptor is required for line set connection to the 048 outdoor unit (furnished with outdoor unit).

1/2 x 5/8 in. gas pipe adaptor is required for line set connection to the 048 outdoor unit (furnished with outdoor unit).



**OUTDOOR TO INDOOR UNIT LINE CONNECTIONS - UP TO FIVE ZONES****4DHP2S48M****Number of Zones and Outdoor Unit Connection Sizes****NOTE - Letter = Indoor Unit Zone Connection on Outdoor Unit**

<b>Zone 1 (A)</b>	<b>Zone 2 (B)</b>	<b>Zone 3 (C)</b>	<b>Zone 4 (D)</b>	<b>Zone 5 (E)</b>
<b>1/4 in. liq + 1/2 in. gas</b>	<b>1/4 in. liq + 1/2 in. gas</b>	<b>1/4 in. liq + 3/8 in. gas</b>	<b>1/4 in. liq + 3/8 in. gas</b>	<b>1/4 in. liq + 3/8 in. gas</b>
06	09	12	12	18
06	09	12	12	24
06	12	12	12	12
06	12	12	12	18
09	09	09	09	09
09	09	09	09	12
09	09	09	09	18
09	09	09	09	24
09	09	09	12	12
09	09	09	12	18
09	09	09	12	24
09	09	12	12	12
09	09	12	12	18
09	12	12	12	12
12	12	12	12	12

**LEGEND:**

CLEAR = No adaptors required.

GRAY = 3/8 x 1/2 in. gas pipe adaptor is required for line set connection to outdoor unit (furnished with outdoor unit).

BLACK = 1/4 x 3/8 in. liquid pipe adaptor is required for line set connection to the 048 outdoor unit (furnished with outdoor unit).  
1/2 x 5/8 in. gas pipe adaptor is required for line set connection to the 048 outdoor unit (furnished with outdoor unit).

**COOLING CAPACITY****4DHP2S18M**

Outdoor Temperature - °F (Dry Bulb)	Indoor Temperature - °F (Dry Bulb / Wet Bulb)							
	65°F / 54°F		70°F / 59°F		75°F / 63°F		80°F / 67°F	
	Total mBtuh	Sensible mBtuh	Total mBtuh	Sensible mBtuh	Total mBtuh	Sensible mBtuh	Total mBtuh	Sensible mBtuh
-13	20.93	13.77	22.17	14.50	23.36	15.20	24.80	16.04
-4	22.29	15.09	23.51	15.84	24.72	16.56	25.83	17.20
0	22.55	15.35	23.68	16.03	25.17	16.93	26.22	17.54
5	22.90	15.43	24.08	16.14	25.38	16.91	26.63	17.66
17	22.81	16.07	23.76	16.64	24.93	17.37	26.41	18.30
25	22.83	16.77	23.93	17.48	25.19	18.29	26.35	19.03
35	22.61	16.23	23.70	16.92	24.79	17.58	26.29	18.56
47	22.61	16.36	24.06	17.31	25.51	18.25	26.57	18.92
55	22.07	16.95	23.20	17.71	24.63	18.68	25.66	19.37
65	21.08	16.00	22.12	16.71	23.21	17.45	24.70	18.47
75	20.23	15.79	21.23	16.47	22.56	17.42	23.82	18.32
85	19.33	15.56	20.33	16.26	21.29	16.92	22.45	17.76
95	18.77	15.03	19.68	15.68	20.93	16.59	22.08	17.42
105	18.01	15.56	18.88	16.22	19.85	16.97	20.88	17.74
110	16.84	14.87	17.86	15.69	18.94	16.56	19.87	17.29
115	16.25	14.87	17.01	15.50	17.72	16.07	18.52	16.70
122	14.33	14.24	15.23	15.07	16.03	15.81	16.70	16.40

**HEATING CAPACITY****4DHP2S18M**

Outdoor Temperature - °F (Dry Bulb)	Indoor Temperature - °F (Dry Bulb)			
	60°F	65°F	70°F	75°F
	Total mBtuh	Total mBtuh	Total mBtuh	Total mBtuh
-13	10.12	9.84	9.53	9.17
-4	11.15	10.87	10.59	10.15
0	11.76	11.39	11.06	10.56
5	12.18	11.86	11.51	11.02
17	15.79	15.39	14.98	14.35
20	16.27	15.83	15.39	14.80
25	16.65	16.23	15.77	15.08
32	17.02	16.60	16.13	15.41
35	17.56	17.06	16.52	15.91
40	21.86	21.16	20.54	19.72
47	25.87	25.02	24.41	23.46
50	26.41	25.77	24.99	23.99
57	27.09	26.35	25.63	24.48

**COOLING CAPACITY****4DHP2S24M**

Outdoor Temperature - °F (Dry Bulb)	Indoor Temperature - °F (Dry Bulb / Wet Bulb)							
	65°F / 54°F		70°F / 59°F		75°F / 63°F		80°F / 67°F	
	Total mBtuh	Sensible mBtuh	Total mBtuh	Sensible mBtuh	Total mBtuh	Sensible mBtuh	Total mBtuh	Sensible mBtuh
-13	24.22	15.54	25.69	16.39	26.76	16.97	27.87	17.59
-4	25.74	16.54	26.87	17.15	28.11	17.84	29.65	18.71
0	26.25	18.05	27.49	18.81	28.78	19.59	30.36	20.56
5	26.82	18.89	28.02	19.63	29.81	20.76	31.21	21.60
17	28.08	19.56	29.46	20.43	30.95	21.32	32.61	22.34
25	28.24	20.49	29.48	21.27	30.93	22.19	32.87	23.47
35	28.85	20.78	30.12	21.58	31.50	22.44	33.16	23.48
47	30.83	22.41	32.15	23.22	33.63	24.14	35.73	25.51
55	30.65	23.36	32.19	24.39	33.78	25.47	35.82	26.87
65	30.69	23.50	32.65	24.89	34.33	26.05	35.91	27.11
75	30.59	23.83	32.55	25.23	33.97	26.16	35.99	27.57
85	29.36	22.77	30.84	23.80	32.53	24.94	33.96	25.88
95	27.22	22.00	28.92	23.26	30.35	24.29	32.12	25.57
105	24.18	20.32	25.66	21.44	27.04	22.46	28.26	23.34
110	20.35	18.01	21.46	18.89	22.38	19.59	23.63	20.59
115	18.87	17.97	19.92	18.89	20.93	19.74	21.98	19.14
122	17.23	17.16	18.02	17.88	18.81	18.59	19.78	18.82

**HEATING CAPACITY****4DHP2S24M**

Outdoor Temperature - °F (Dry Bulb)	Indoor Temperature - °F (Dry Bulb)			
	60°F	65°F	70°F	75°F
	Total mBtuh	Total mBtuh	Total mBtuh	Total mBtuh
-13	12.94	12.58	12.26	11.72
-4	14.54	14.10	13.62	13.08
0	15.03	14.66	14.22	13.61
5	15.92	15.38	14.86	14.27
17	17.65	17.06	16.49	15.92
20	18.88	18.42	17.89	17.12
25	20.51	20.01	19.36	18.52
32	21.95	21.42	20.87	19.93
35	23.71	23.13	22.48	21.47
40	25.50	24.71	24.01	23.08
47	30.74	29.73	28.72	27.49
50	36.07	35.05	33.93	32.51
57	36.39	35.40	34.20	32.94
	36.68	35.54	34.44	33.03

**COOLING CAPACITY****4DHP2S30M**

Outdoor Temperature - °F (Dry Bulb)	Indoor Temperature - °F (Dry Bulb / Wet Bulb)							
	65°F / 54°F		70°F / 59°F		75°F / 63°F		80°F / 67°F	
	Total mBtuh	Sensible mBtuh	Total mBtuh	Sensible mBtuh	Total mBtuh	Sensible mBtuh	Total mBtuh	Sensible mBtuh
-13	28.28	18.04	29.99	19.03	31.41	19.81	32.85	20.60
-4	29.52	19.95	30.75	20.64	32.24	21.54	34.22	22.72
0	29.96	19.63	31.47	20.50	33.34	21.60	34.80	22.44
5	29.90	21.13	31.37	22.04	33.34	23.28	35.28	24.48
17	31.09	21.79	32.97	22.99	34.45	23.91	36.19	25.00
25	31.78	22.52	33.56	23.65	35.03	24.56	36.76	25.62
35	32.05	23.43	33.85	24.61	35.67	25.80	37.42	26.91
47	31.93	23.61	33.65	24.75	35.42	25.92	37.05	26.97
55	31.60	24.25	33.12	25.29	35.24	26.77	36.86	27.86
65	31.34	24.10	33.27	25.45	34.80	26.46	36.67	27.72
75	30.92	24.81	32.68	26.07	34.30	27.19	36.48	28.79
85	27.83	21.86	29.48	23.02	31.26	24.28	33.26	25.68
95	26.76	22.22	27.88	23.04	29.07	23.91	30.44	24.90
105	25.44	21.26	26.75	22.22	27.89	23.03	29.05	23.88
110	23.64	21.00	24.93	22.02	26.16	22.99	27.39	23.94
115	22.21	20.44	23.14	21.20	24.28	22.11	25.56	23.15
122	20.19	20.20	21.06	20.98	22.26	22.10	23.33	23.05

**HEATING CAPACITY****4DHP2S30M**

Outdoor Temperature - °F (Dry Bulb)	Indoor Temperature - °F (Dry Bulb)			
	60°F	65°F	70°F	75°F
	Total mBtuh	Total mBtuh	Total mBtuh	Total mBtuh
-13	13.17	12.76	12.45	11.97
-4	14.71	14.25	13.83	13.28
0	15.35	14.87	14.50	13.89
5	16.02	15.56	15.04	14.50
17	19.34	18.80	18.23	17.47
20	21.01	20.32	19.79	18.98
25	22.70	21.98	21.30	20.51
32	24.28	23.55	22.77	21.98
35	25.78	25.03	24.21	23.31
40	31.63	30.83	29.90	28.85
47	36.77	35.73	34.56	33.07
50	37.50	36.27	35.39	33.79
57	38.38	37.41	36.28	34.72

**COOLING CAPACITY****4DHP2S36M**

Outdoor Temperature - °F (Dry Bulb)	Indoor Temperature - °F (Dry Bulb / Wet Bulb)							
	65°F / 54°F		70°F / 59°F		75°F / 63°F		80°F / 67°F	
	Total mBtuh	Sensible mBtuh	Total mBtuh	Sensible mBtuh	Total mBtuh	Sensible mBtuh	Total mBtuh	Sensible mBtuh
-13	33.65	22.23	35.72	23.46	37.49	24.48	39.42	25.62
-4	35.02	22.55	37.09	23.77	38.80	24.71	41.06	25.99
0	36.12	23.94	37.78	24.92	39.90	26.19	41.73	27.25
5	36.44	25.34	38.36	26.51	39.96	27.47	42.33	28.95
17	38.32	27.39	40.63	28.90	42.59	30.14	44.55	31.37
25	39.65	29.35	42.00	30.91	44.49	32.58	46.79	34.06
35	42.03	30.62	44.57	32.30	46.77	33.71	48.77	34.96
47	41.87	30.24	44.08	31.69	46.20	33.01	48.63	34.53
55	41.94	32.71	44.15	34.22	46.52	35.87	48.71	37.31
65	41.35	32.21	43.30	33.51	46.01	35.41	48.80	37.38
75	41.59	32.56	43.78	34.11	46.23	35.80	48.87	37.63
85	38.94	30.76	40.65	31.97	42.56	33.31	45.09	35.08
95	35.10	29.10	36.79	30.33	38.32	31.39	40.56	33.05
105	32.82	28.27	34.91	29.89	36.41	31.00	38.69	32.77
110	31.16	28.49	32.87	29.89	34.64	31.33	36.50	32.81
115	29.51	27.29	30.83	28.35	32.36	29.59	33.70	30.67
122	25.82	25.68	27.15	26.90	28.55	28.18	29.77	29.27

**HEATING CAPACITY****4DHP2S36M**

Outdoor Temperature - °F (Dry Bulb)	Indoor Temperature - °F (Dry Bulb)			
	60°F	65°F	70°F	75°F
	Total mBtuh	Total mBtuh	Total mBtuh	Total mBtuh
-13	20.48	19.86	19.36	18.61
-4	22.78	22.20	21.51	20.69
0	23.94	23.15	22.46	21.58
5	24.83	24.11	23.38	22.54
17	30.28	29.37	28.51	27.23
20	31.28	30.52	29.57	28.36
25	32.30	31.36	30.60	29.52
32	33.64	32.50	31.59	30.32
35	34.59	33.55	32.64	31.46
40	40.83	39.52	38.34	36.73
47	47.21	46.06	44.63	42.98
50	48.24	47.06	45.83	43.81
57	49.48	48.08	46.86	45.08

**COOLING CAPACITY****4DHP2S48M**

Outdoor Temperature - °F (Dry Bulb)	Indoor Temperature - °F (Dry Bulb / Wet Bulb)							
	65°F / 54°F		70°F / 59°F		75°F / 63°F		80°F / 67°F	
	Total mBtuh	Sensible mBtuh	Total mBtuh	Sensible mBtuh	Total mBtuh	Sensible mBtuh	Total mBtuh	Sensible mBtuh
-13	44.92	28.68	47.04	29.89	49.77	31.48	52.89	33.27
-4	46.94	30.47	49.83	32.14	52.45	33.64	55.10	35.15
0	49.02	33.50	51.11	34.74	53.24	35.97	55.93	37.58
5	48.34	32.54	50.51	33.84	53.68	35.76	56.80	37.66
17	49.46	34.57	52.45	36.49	54.98	38.01	57.27	39.34
25	50.18	36.71	52.54	38.23	54.84	39.68	57.19	41.18
35	48.00	35.91	51.01	37.98	54.04	40.04	57.12	42.10
47	50.75	37.34	53.82	39.37	56.24	40.93	59.14	42.82
55	49.84	37.37	52.80	39.35	55.58	41.21	58.26	42.94
65	49.33	38.18	51.76	39.87	55.00	42.17	57.30	43.72
75	48.35	38.18	51.21	40.24	53.46	41.74	56.33	43.77
85	45.50	36.97	47.40	38.33	50.05	40.27	52.97	42.37
95	44.48	35.59	46.62	37.07	48.66	38.48	50.90	40.01
105	40.96	35.00	43.39	36.91	45.29	38.28	48.13	40.43
110	39.11	35.15	41.21	36.83	43.71	38.86	45.81	40.50
115	36.59	34.03	38.11	35.27	39.87	36.70	42.23	38.64
122	32.29	32.09	34.32	33.99	36.12	35.62	37.67	36.99

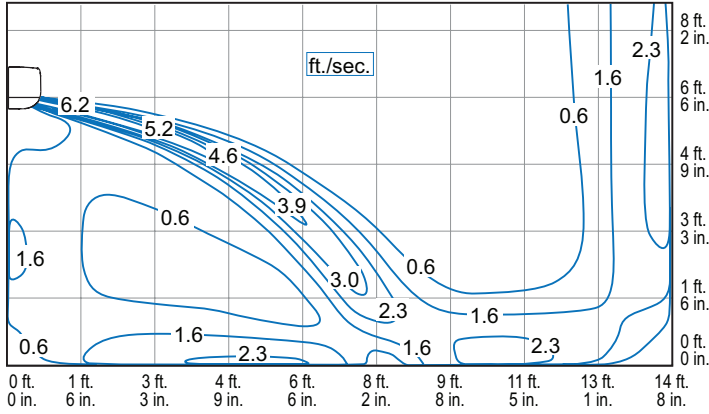
**HEATING CAPACITY****4DHP2S48M**

Outdoor Temperature - °F (Dry Bulb)	Indoor Temperature - °F (Dry Bulb)			
	60°F	65°F	70°F	75°F
	Total mBtuh	Total mBtuh	Total mBtuh	Total mBtuh
-13	24.10	23.28	22.67	21.81
-4	26.70	25.87	25.19	24.15
0	28.06	27.11	26.29	25.32
5	28.99	28.20	27.38	26.26
17	35.95	34.83	33.88	32.43
20	36.70	35.77	34.86	33.57
25	37.78	36.68	35.78	34.39
32	38.99	37.78	36.68	35.03
35	39.62	38.58	37.60	36.14
40	48.29	47.11	45.60	43.83
47	56.10	54.52	53.14	50.75
50	58.23	56.37	54.47	52.02
57	59.13	57.69	55.80	53.51

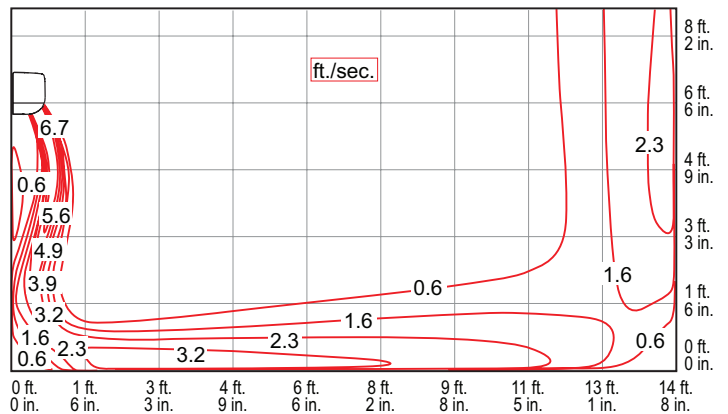
AIR THROW DATA

WALL-MOUNTED INDOOR UNITS

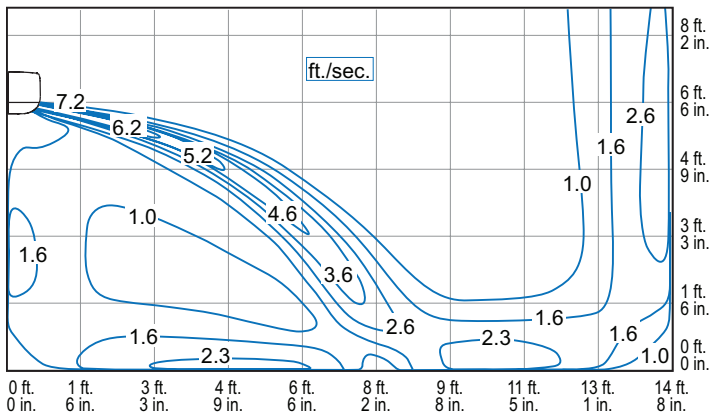
DWM206S4-\*P - COOLING



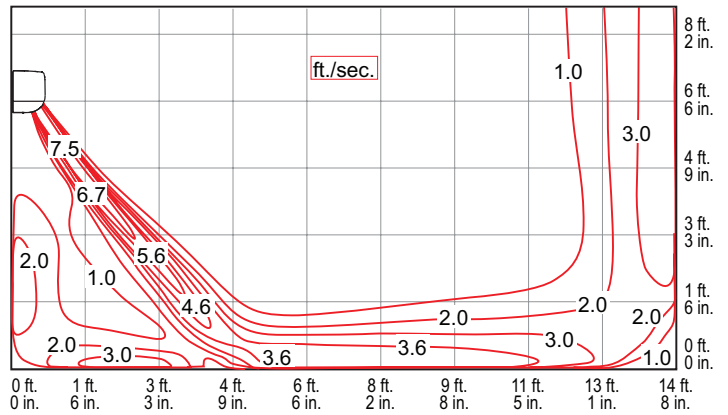
DWM206S4-1P - HEATING



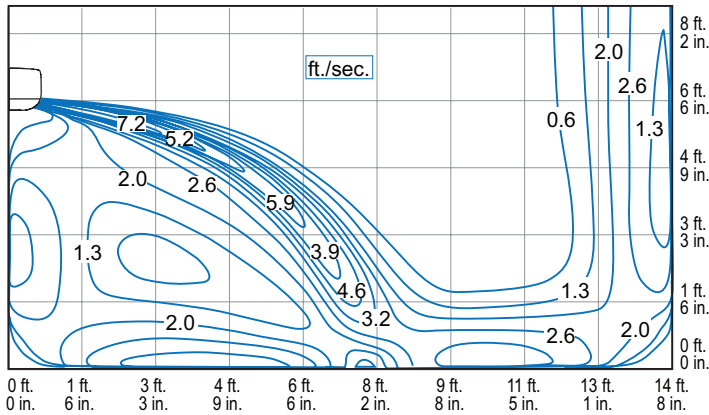
DWM209S4-1P - COOLING



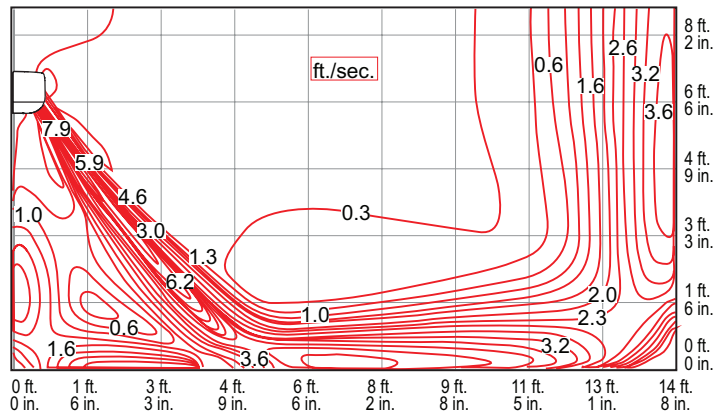
DWM209S4-1P - HEATING



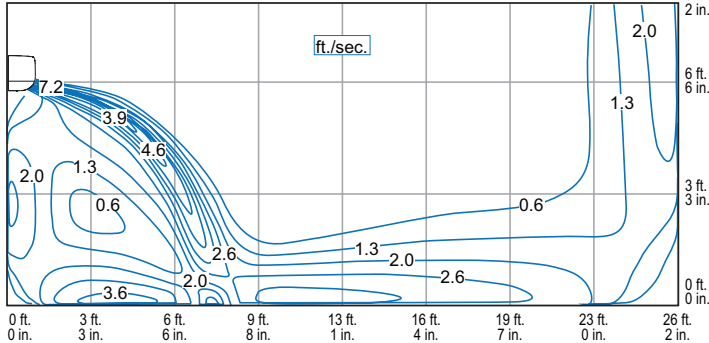
DWM212S4-1P - COOLING



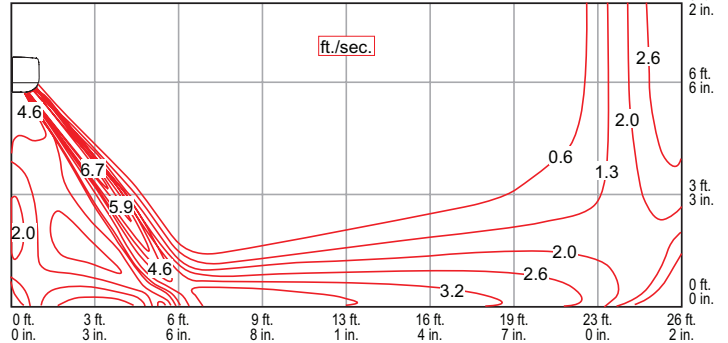
DWM212S4-1P - HEATING



DWM218S4-1P - COOLING



DWM218S4-1P - HEATING

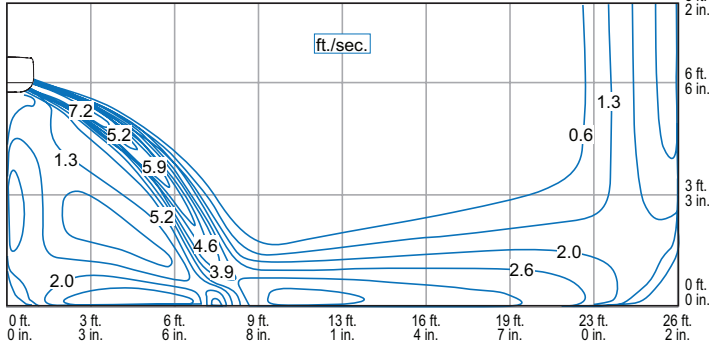




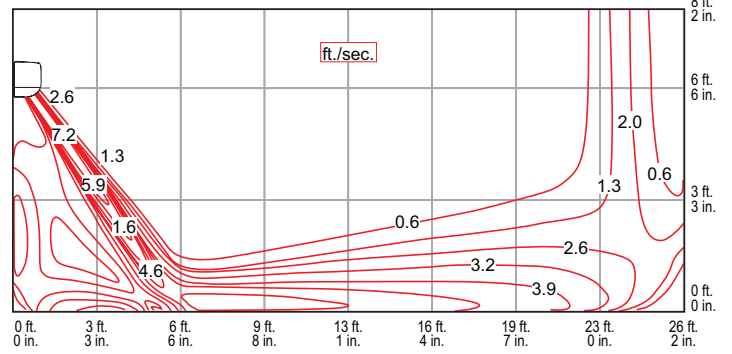
AIR THROW DATA

WALL-MOUNTED INDOOR UNITS

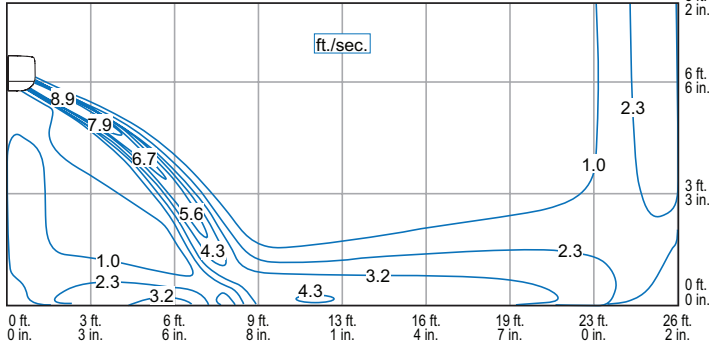
DWM224S4-1P - COOLING



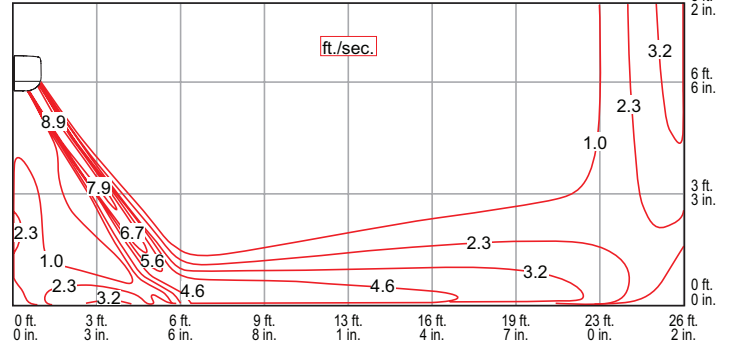
DWM224S4-1P - HEATING



DWM230S4-1P - COOLING



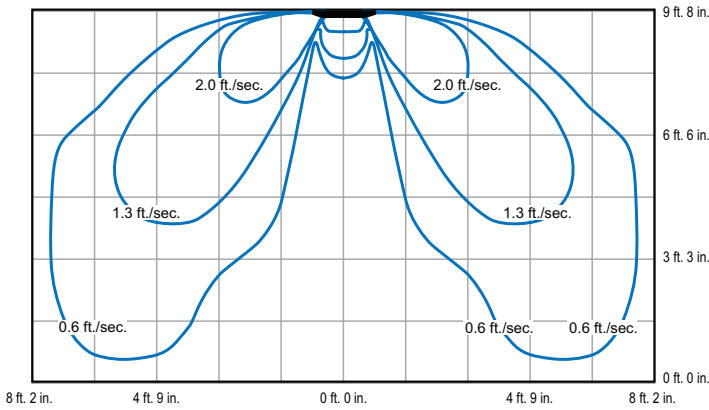
DWM230S4-1P - HEATING



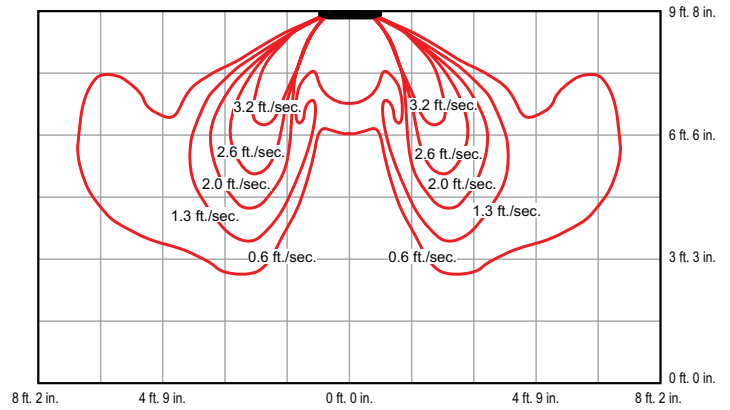
AIR THROW DATA

CASSETTE INDOOR UNITS

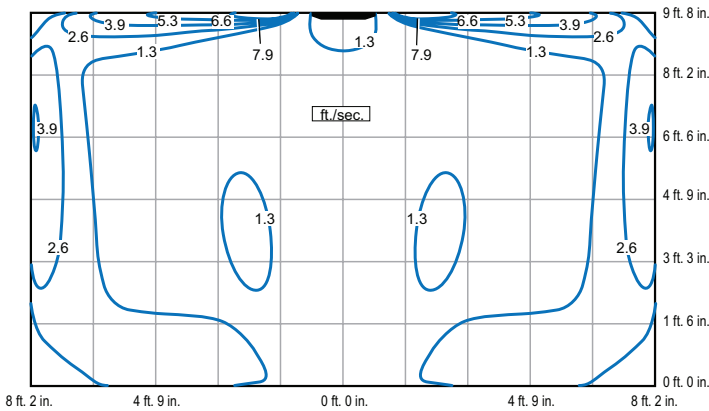
D22C109S4 AND D22C112S4 - COOLING



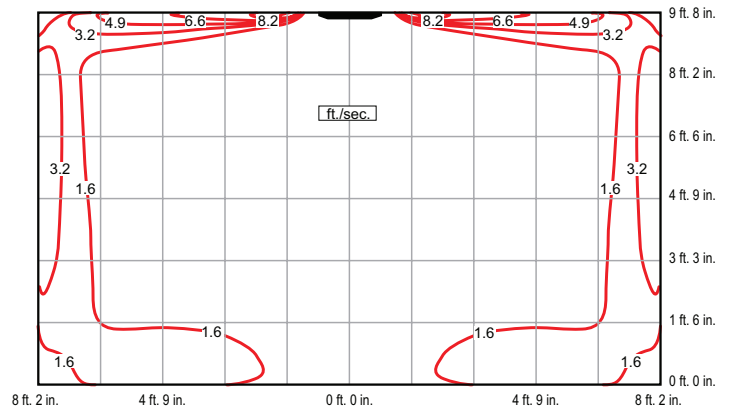
D22C109S4 AND D22C112S4 - HEATING



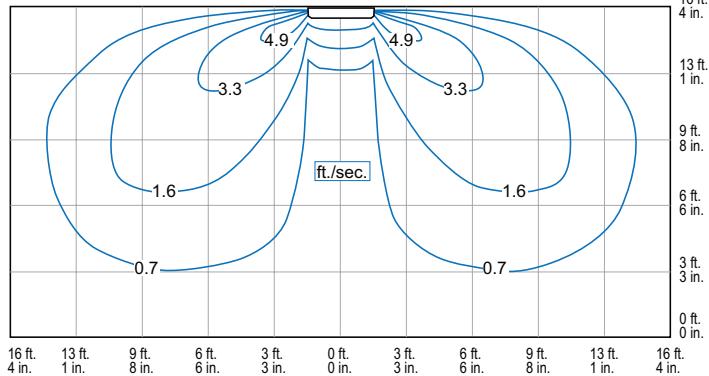
D22C118S4 - COOLING



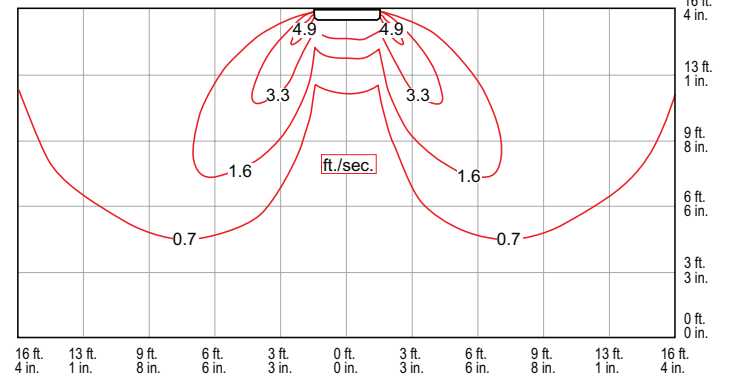
D22C118S4 - HEATING



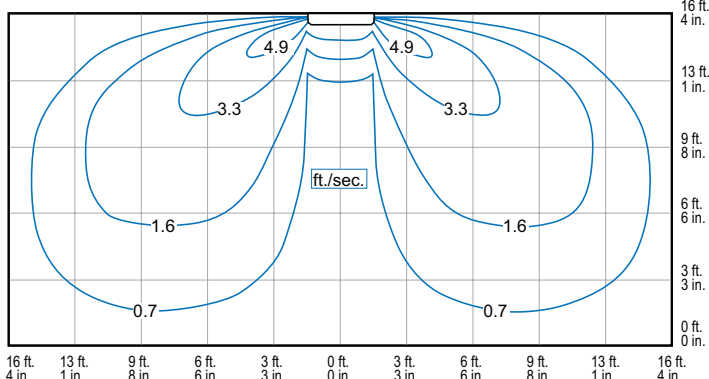
D33C224S4 - COOLING



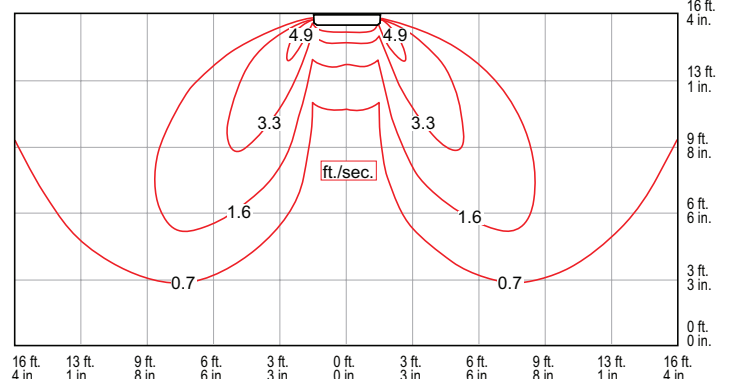
D33C224S4 - HEATING



D33C236S4 - COOLING



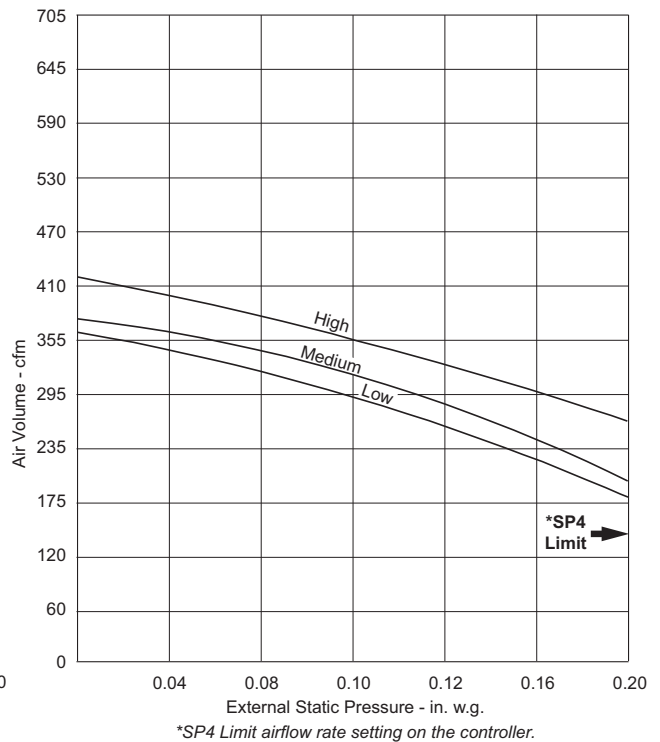
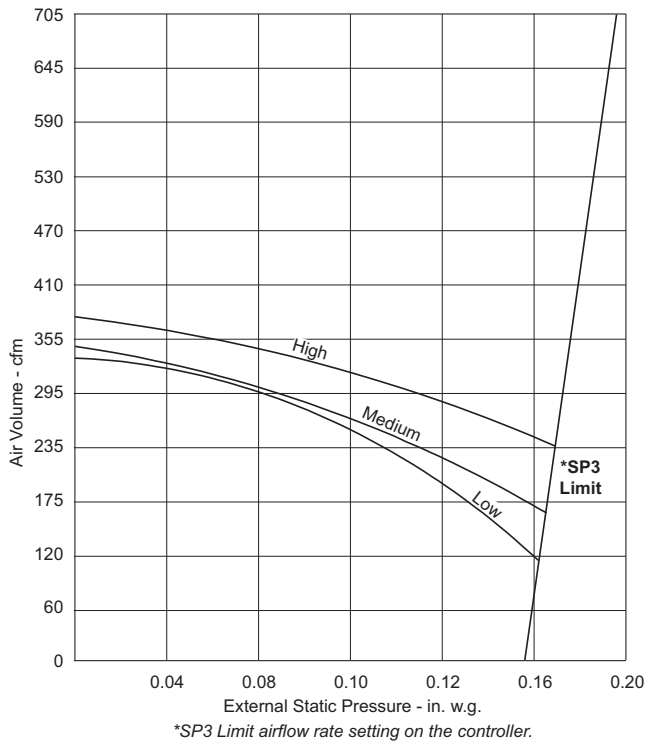
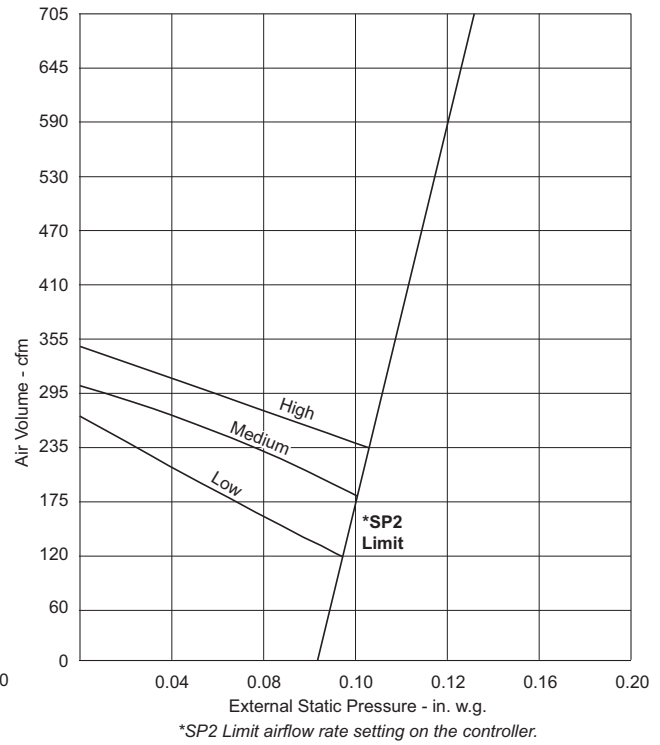
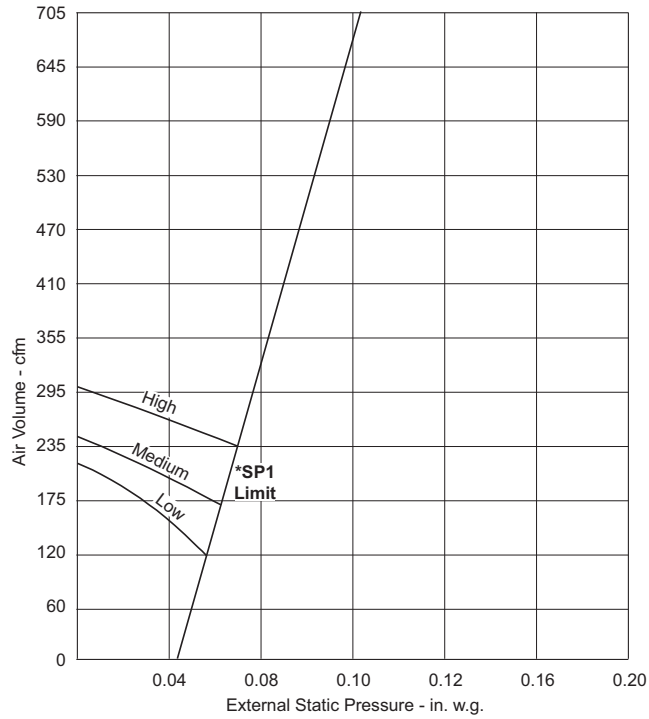
D33C236S4 - HEATING



**BLOWER DATA**

**MEDIUM STATIC DUCTED INDOOR UNITS**

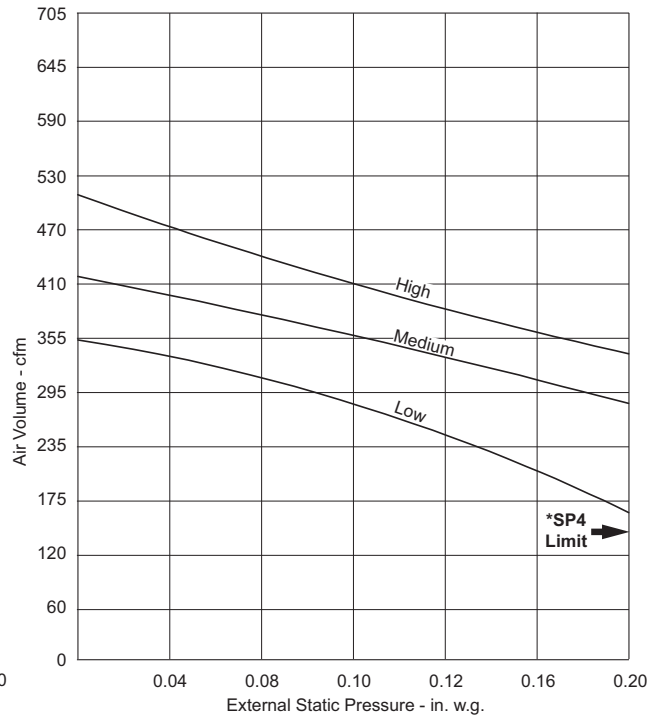
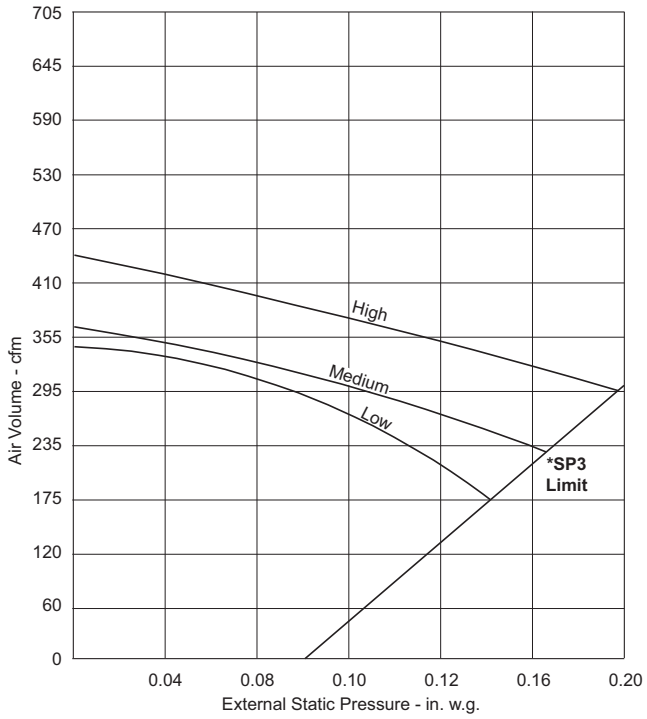
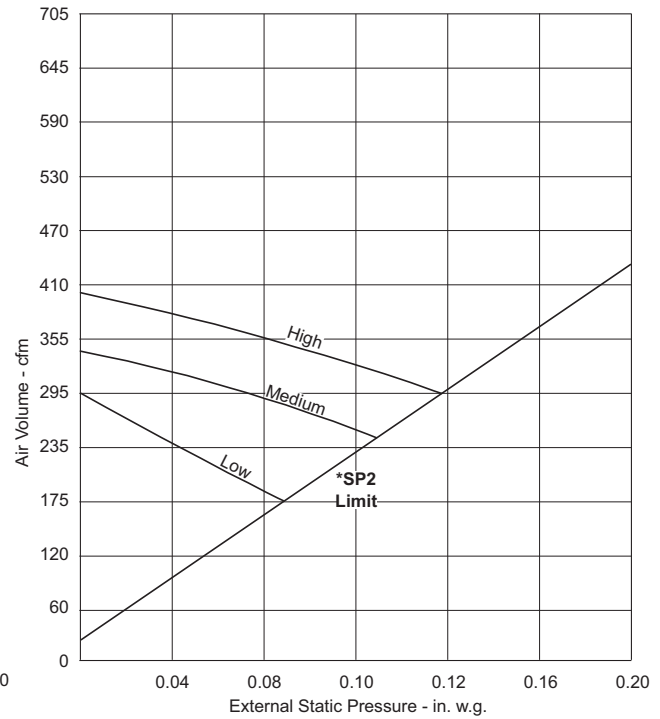
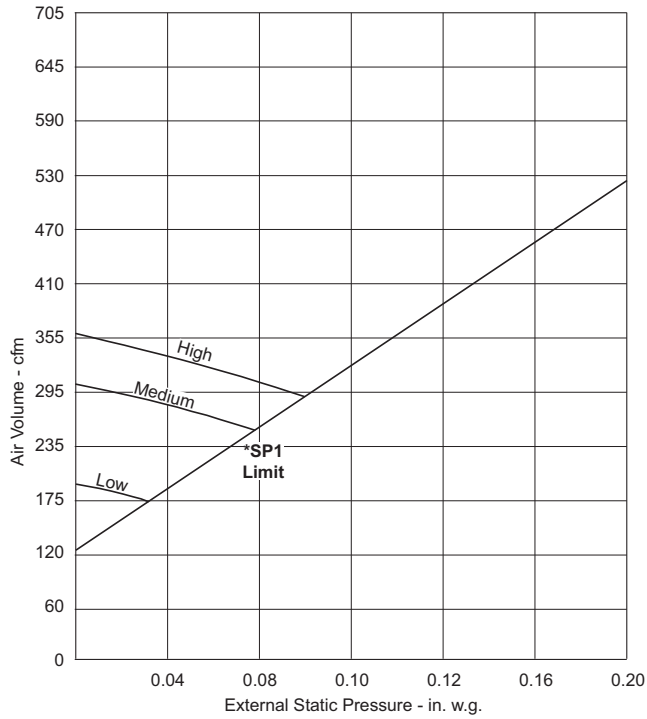
**DMD209S4**



**BLOWER DATA**

**MEDIUM STATIC DUCTED INDOOR UNITS**

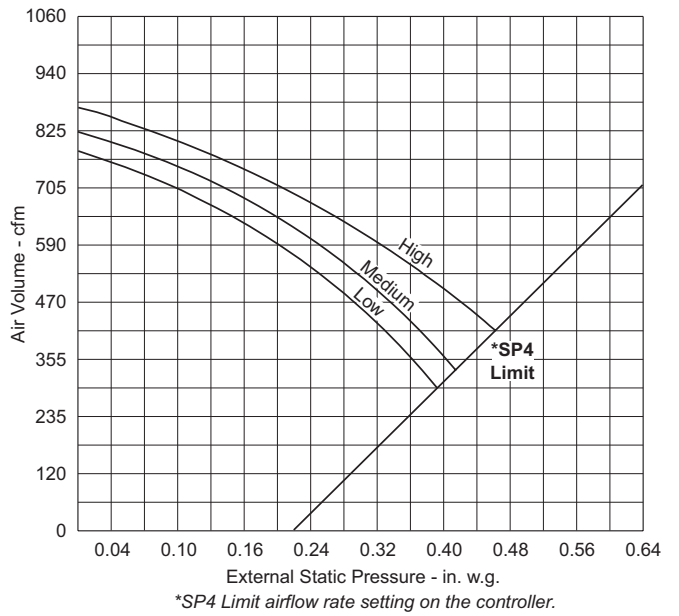
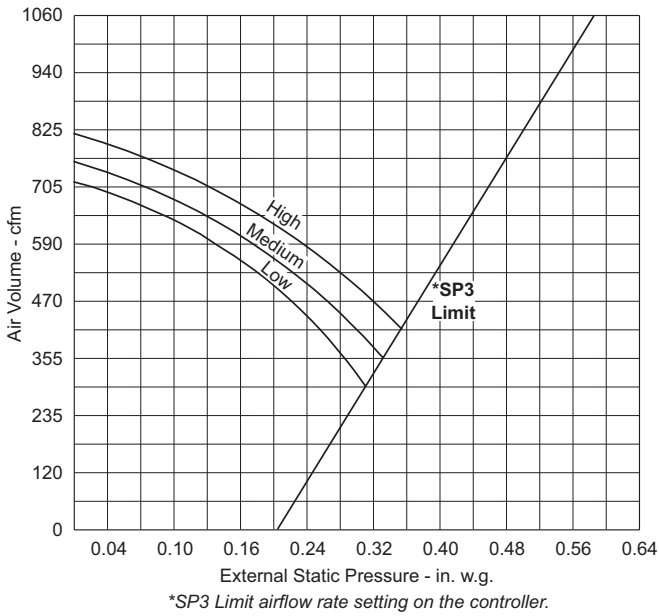
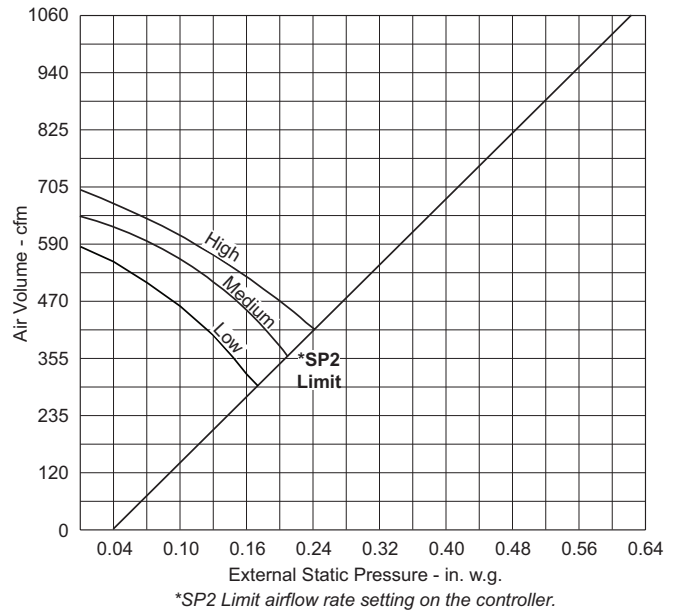
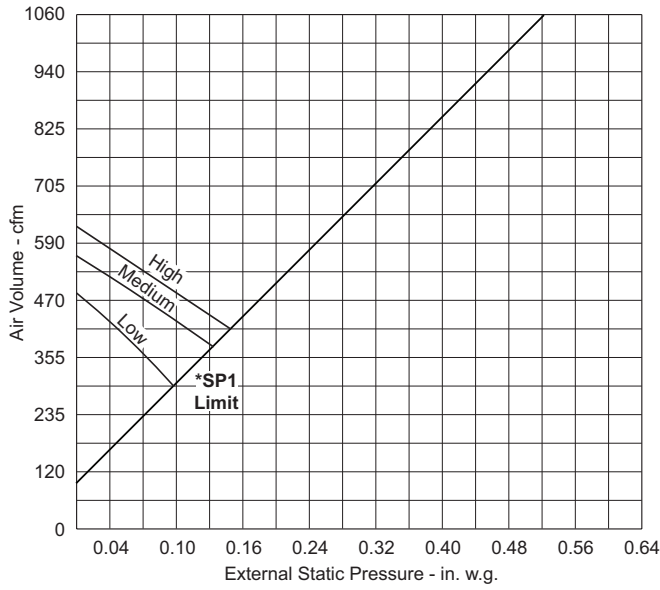
**DMD212S4**



**BLOWER DATA**

**MEDIUM STATIC DUCTED INDOOR UNITS**

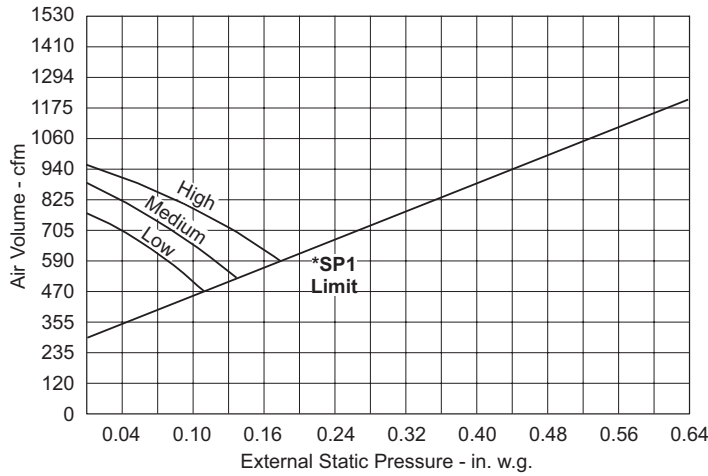
**DMD218S4**



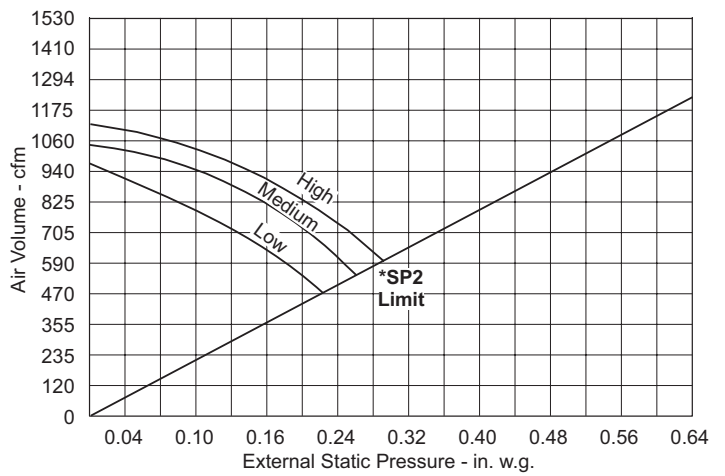
**BLOWER DATA**

**MEDIUM STATIC DUCTED INDOOR UNITS**

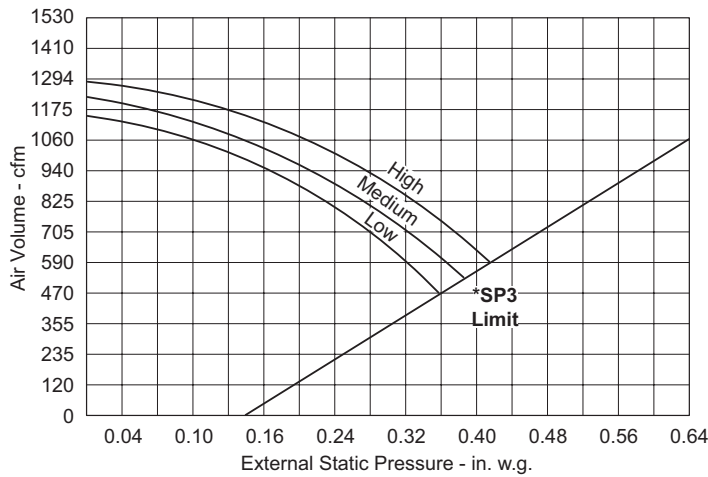
**DMD224S4**



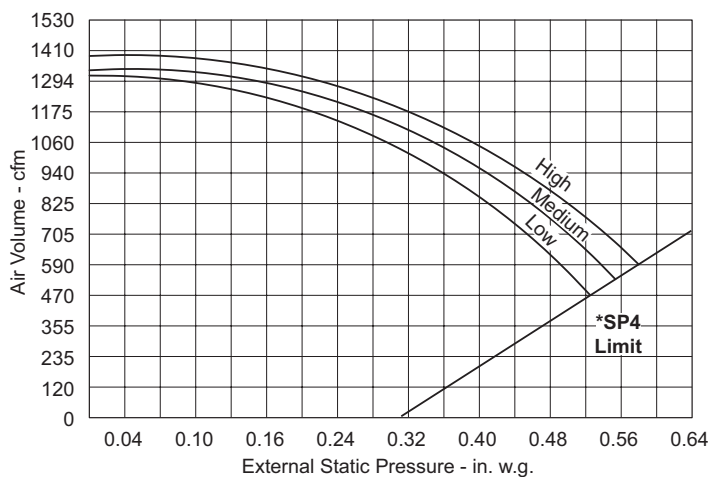
\*SP1 Limit airflow rate setting on the controller.



\*SP2 Limit airflow rate setting on the controller.



\*SP3 Limit airflow rate setting on the controller.

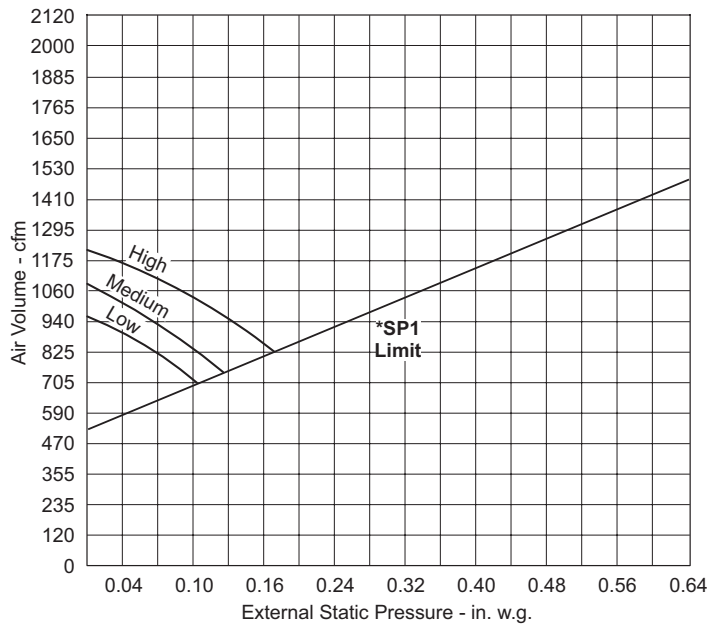


\*SP4 Limit airflow rate setting on the controller.

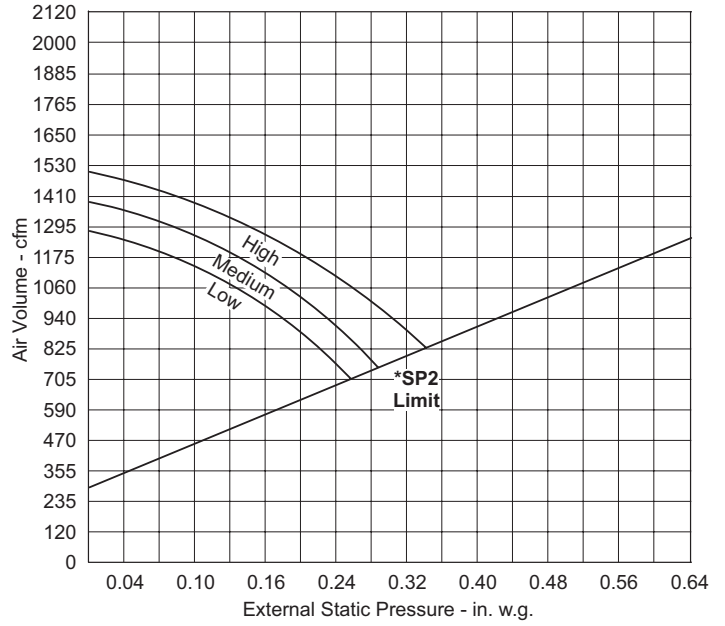
**BLOWER DATA**

**MEDIUM STATIC DUCTED INDOOR UNITS**

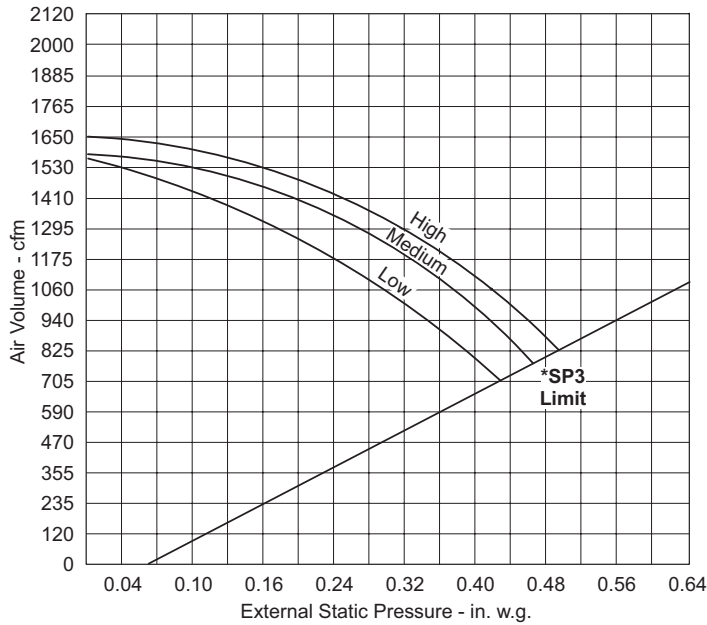
**DMD236S4**



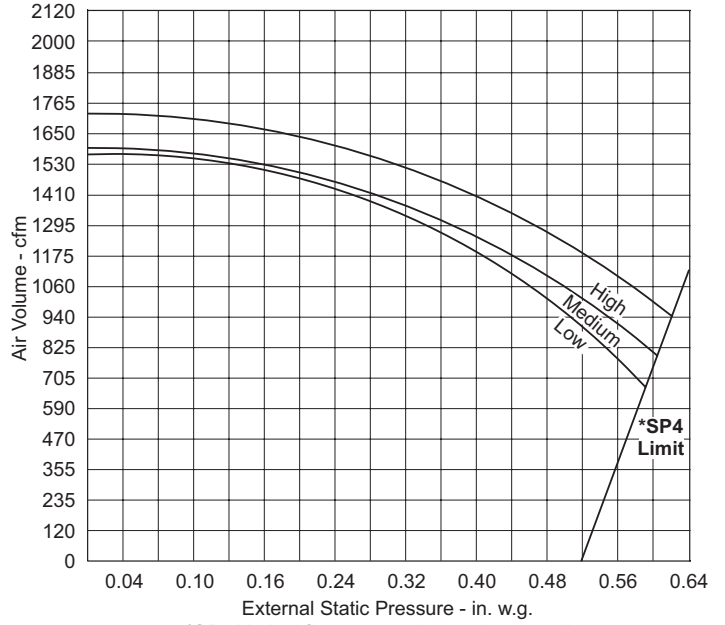
*\*SP1 Limit airflow rate setting on the controller.*



*\*SP2 Limit airflow rate setting on the controller.*



*\*SP3 Limit airflow rate setting on the controller.*



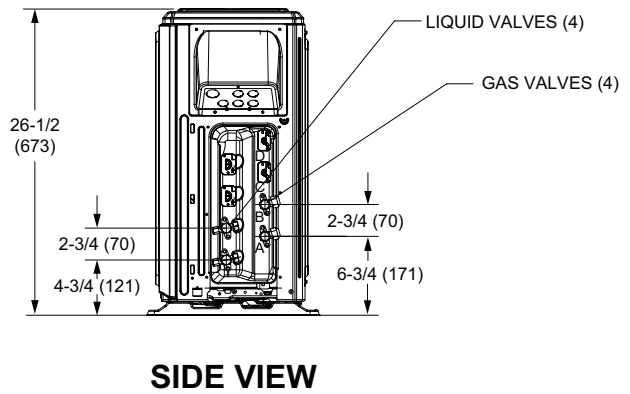
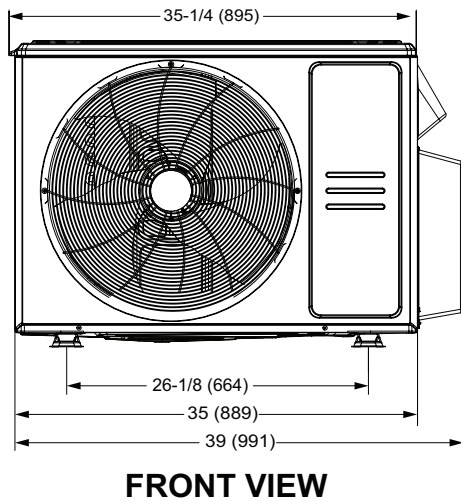
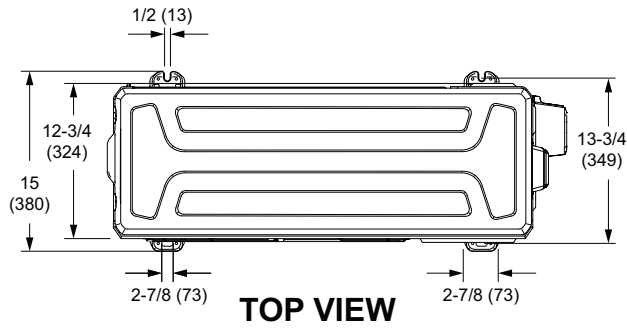
*\*SP4 Limit airflow rate setting on the controller.*



**DIMENSIONS**

**OUTDOOR UNITS**

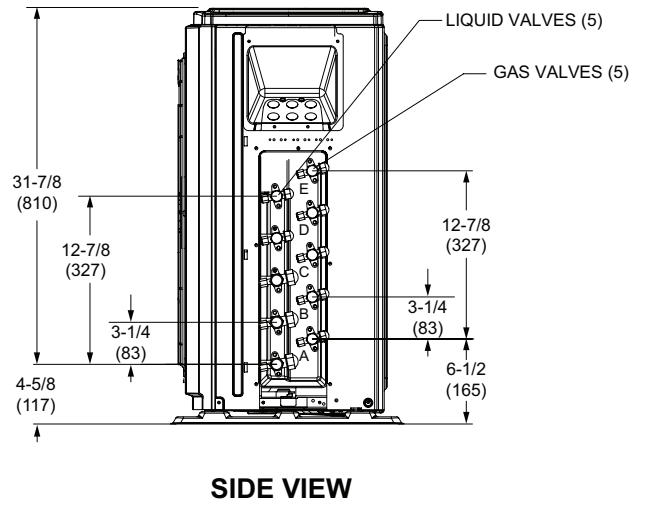
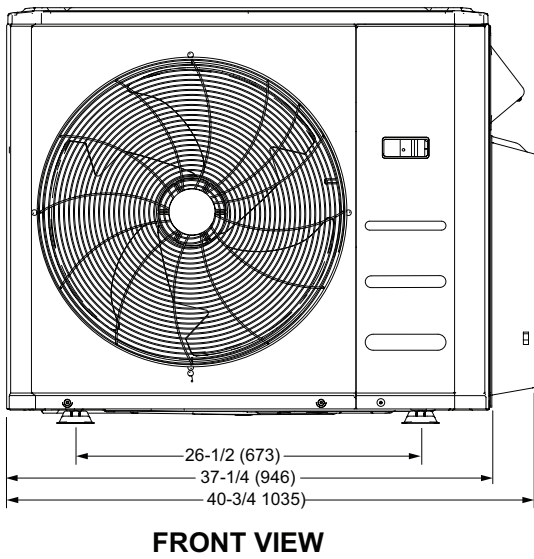
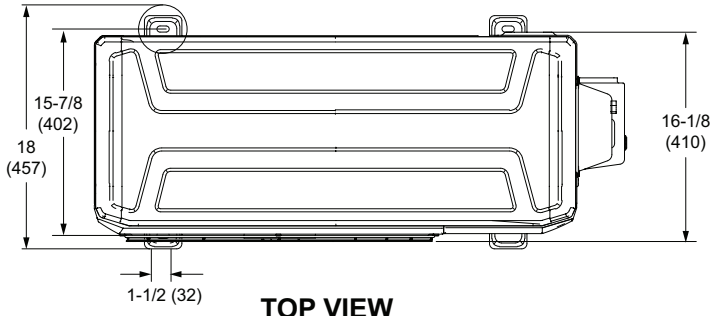
**4DHP2S18M | 4DHP2S24M | 4DHP2S30M**



**DIMENSIONS**

**OUTDOOR UNITS**

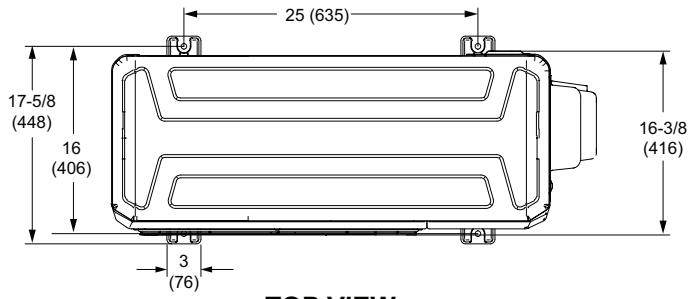
**4DHP2S36M**



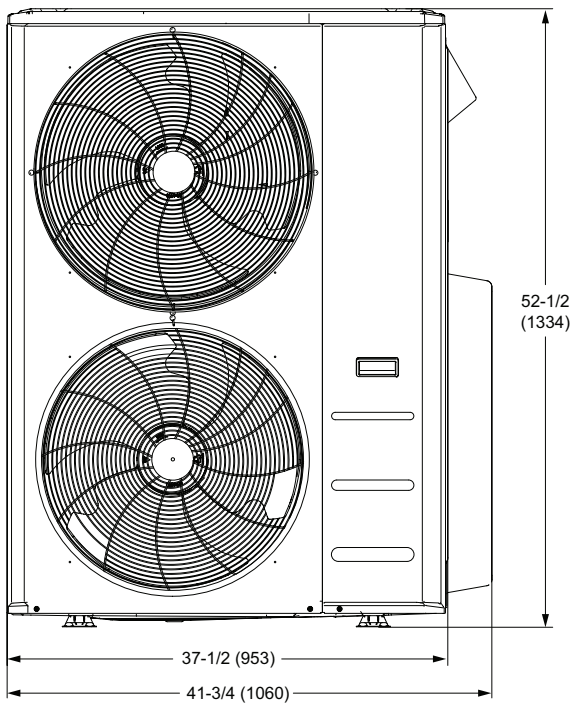
**DIMENSIONS**

**OUTDOOR UNITS**

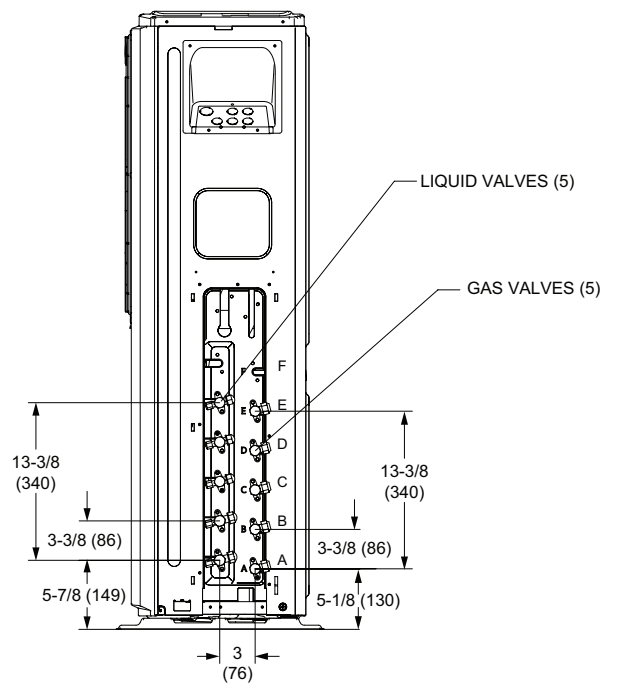
**4DHP2S48M**



**TOP VIEW**



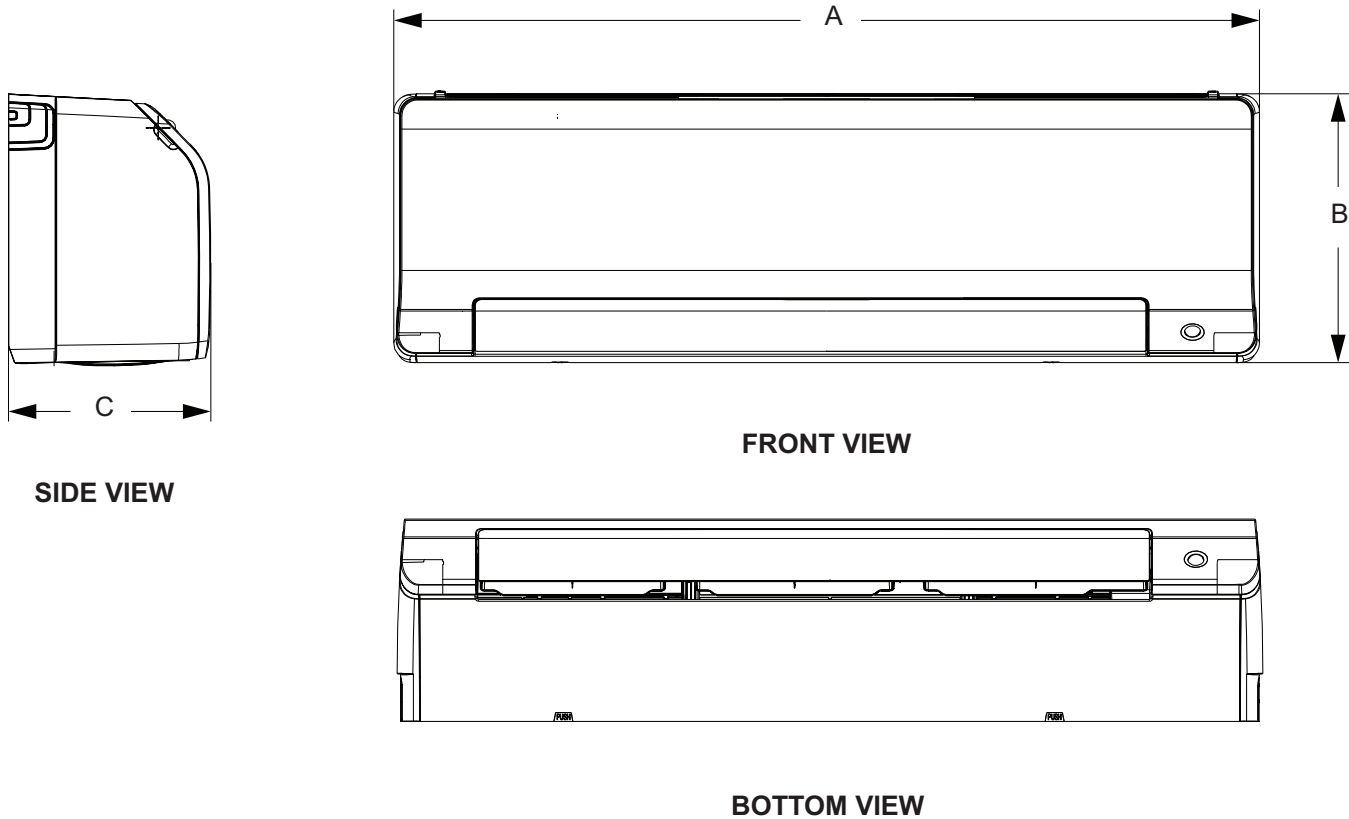
**FRONT VIEW**



**SIDE VIEW**

**DIMENSIONS** **WALL-MOUNTED INDOOR UNITS**

DWM206S4 | DWM209S4 | DWM212S4 | DWM218S4 | DWM224S4 | DWM230S4

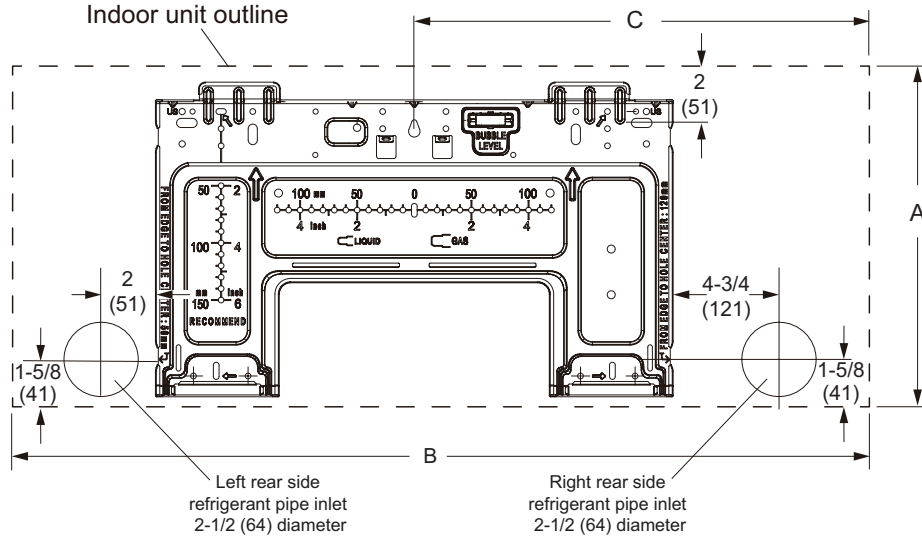


Size	A		B		C	
	in.	mm	in.	mm	in.	mm
DWM206, 09, 12	33-3/8	848	11-3/4	298	9	229
DWM218	40	1016	12-1/2	318	9-1/2	241
DWM224, 030	46-7/8	1191	14-5/8	371	11	279

**DIMENSIONS**

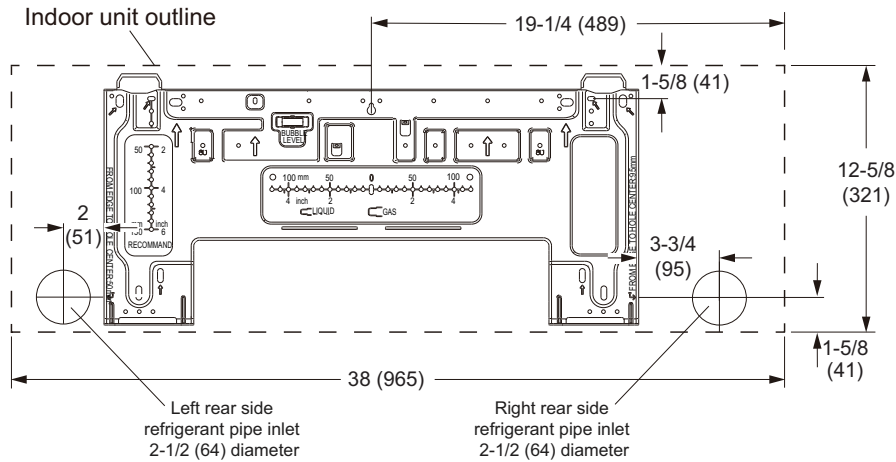
**WALL-MOUNTED INDOOR UNITS - WALL PLATES**

**DWM206S4 | DWM209S4 | DWM212S4**

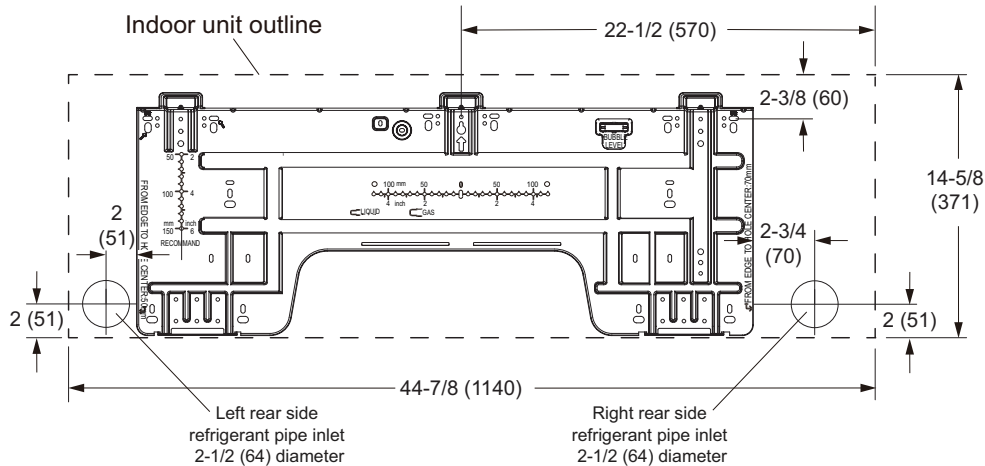


Size	A		B		C	
	in.	mm	in.	mm	in.	mm
DWM206, 09	11-1/2	290	28-1/2	724	13-3/4	349
DWM212	11-3/4	297	31-3/4	806	15-7/8	403

**DWM218S4**



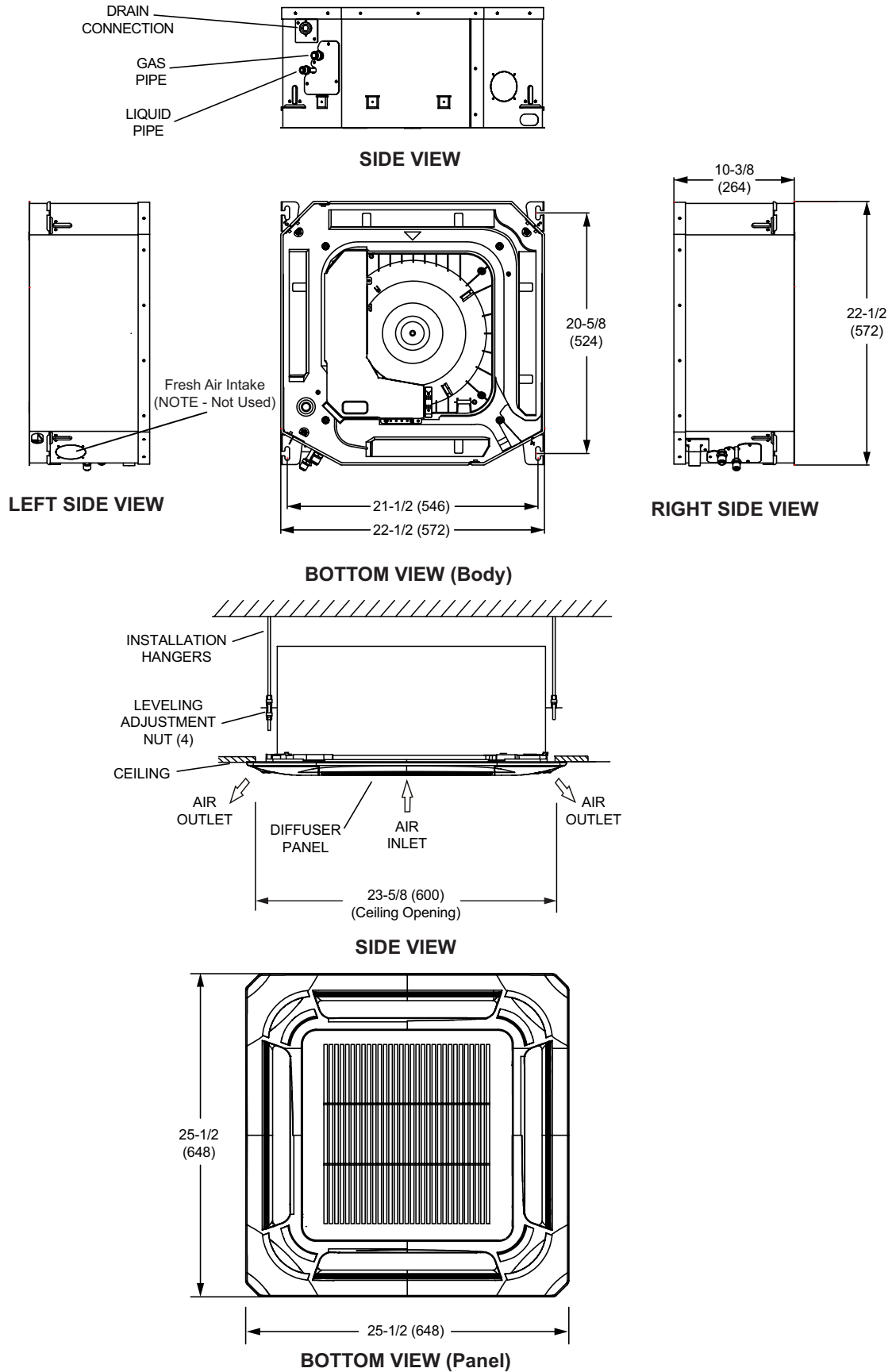
**DWM224S4 | DWM230S4**



**DIMENSIONS**

**CASSETTE INDOOR UNITS**

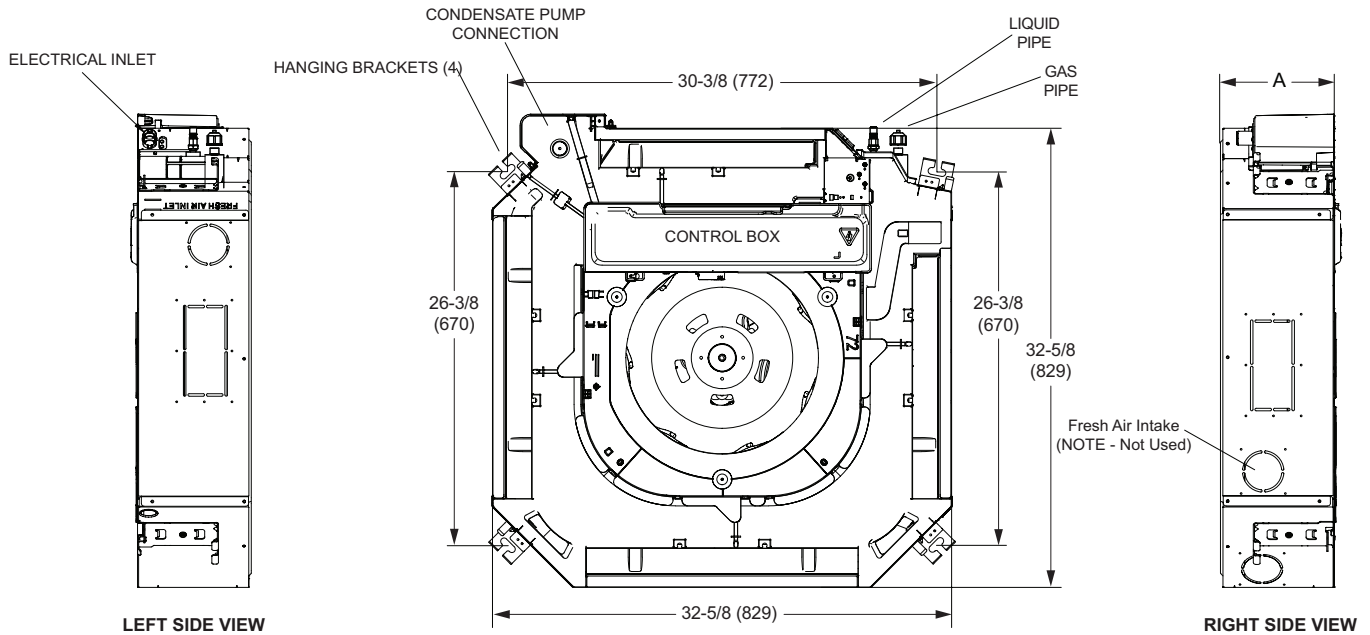
**D22C109S4 | D22C112S4 | D22C118S4**



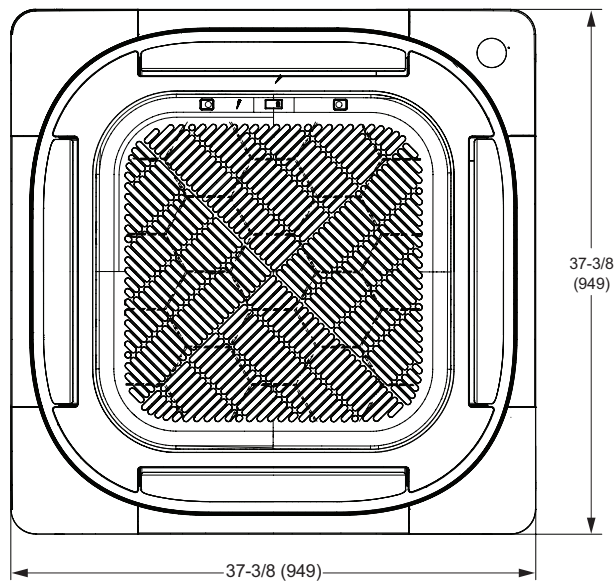
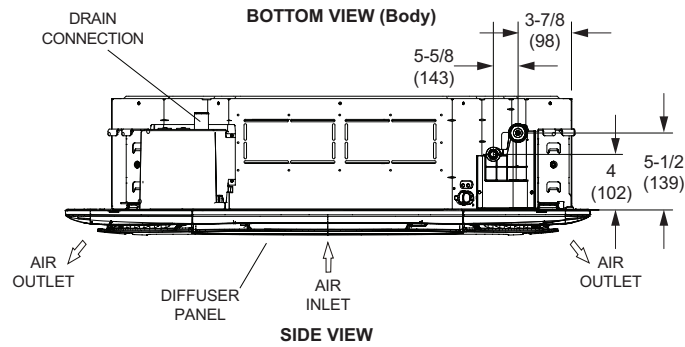
**DIMENSIONS**

**CASSETTE INDOOR UNITS**

**D33C224S4 | D33C236S4**



Size	A	
	in.	mm
24	8-1/8	206
36	9-5/8	244



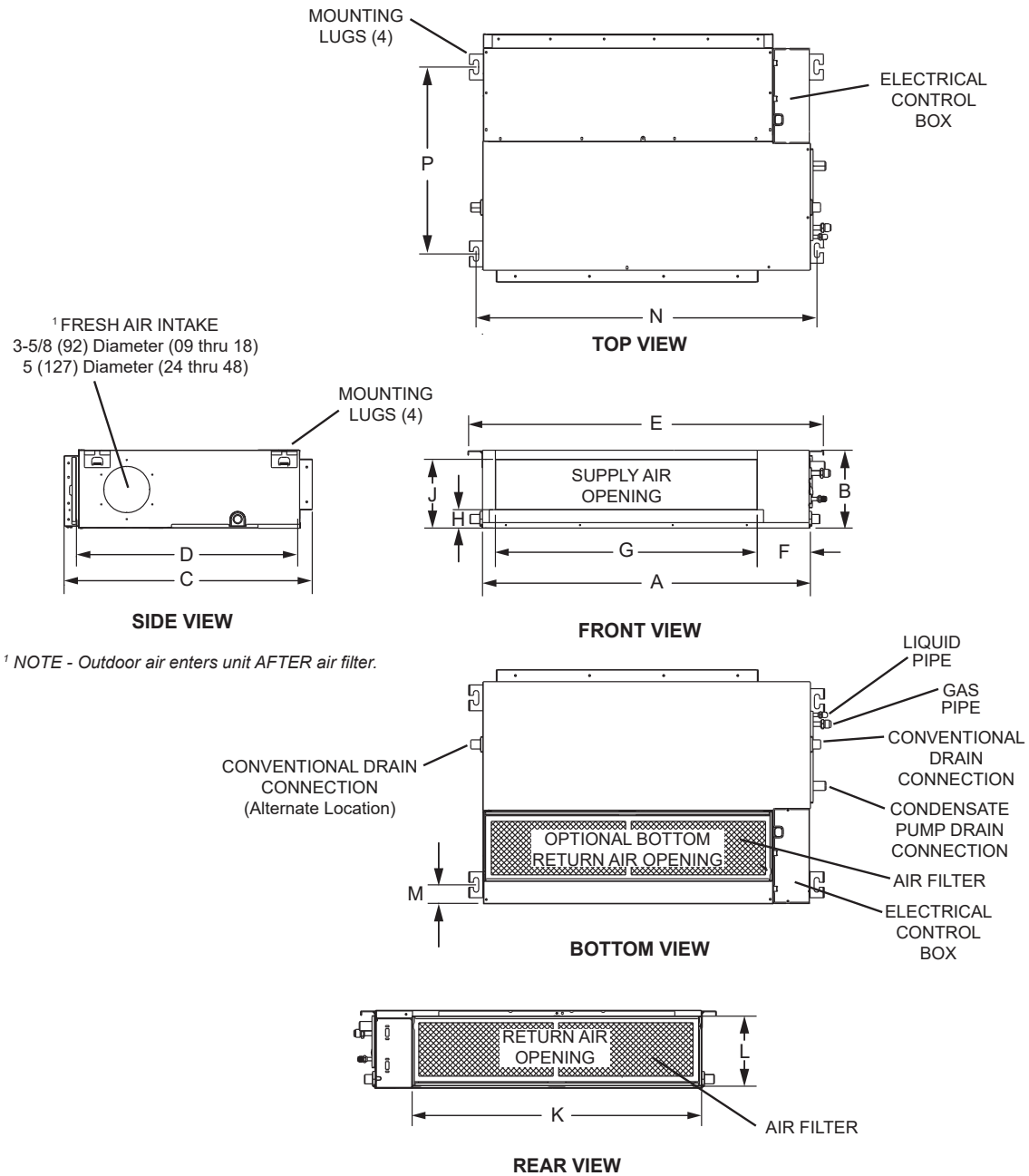
**BOTTOM VIEW (Panel)**



**DIMENSIONS**

**MEDIUM STATIC DUCTED INDOOR UNITS**

**DMD209S4 | DMD212S4 | DMD218S4 | DMD224S4 | DMD236S4**

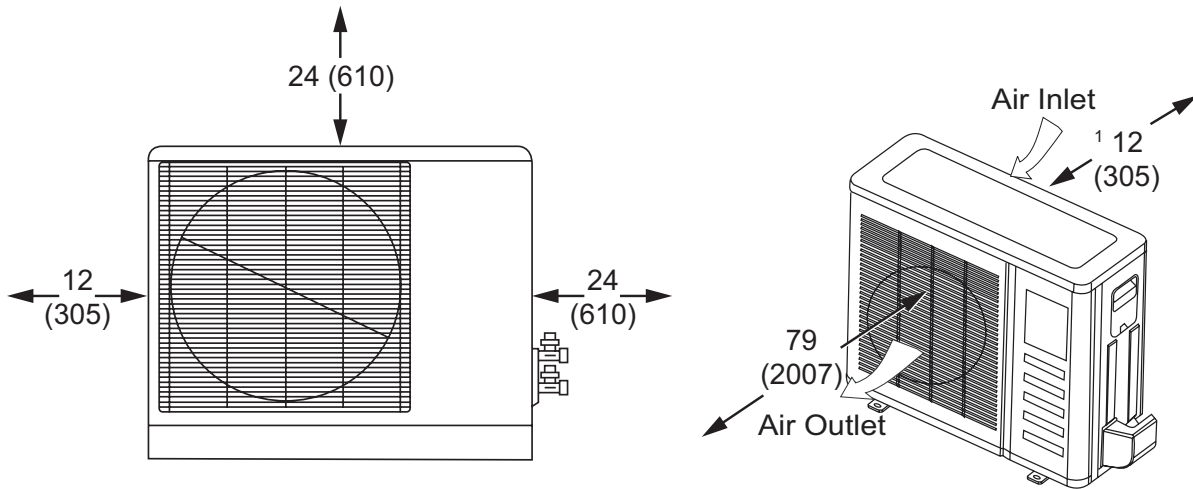


Size	A		B		C		D		E		F		G		H	
	in.	mm	in.	mm	in.	mm	in.	mm	in.	mm	in.	mm	in.	mm	in.	mm
09 thru 12	27-5/8	702	7-7/8	200	19-7/8	505	17-3/4	451	30-3/4	781	5-3/8	137	21-1/8	537	1-1/8	29
18	34-5/8	879	8-1/4	210	26-1/2	673	23-5/8	600	37-7/8	962	5-1/2	140	27-3/4	705	2	51
24	43-1/4	1099	9-3/4	248	30-1/2	775	27-1/2	699	46-1/2	1181	5-1/2	140	36-1/2	927	2	51
36	53-1/2	1359	9-3/4	249	30-1/2	775	27-1/2	699	56-3/4	1441	5-1/2	140	46-3/4	1187	2	51

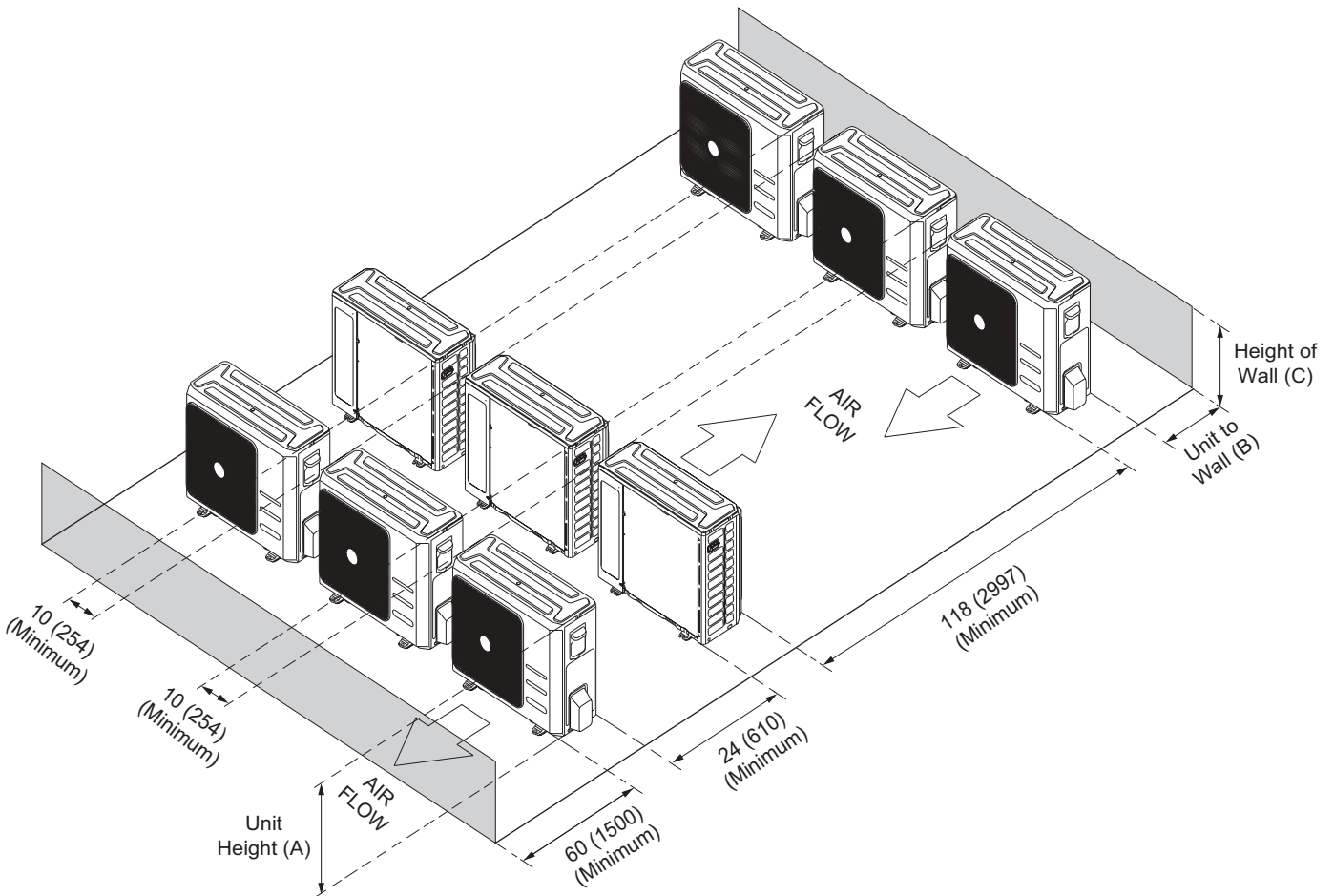
Size	J		K		L		M		N		P	
	in.	mm	in.	mm	in.	mm	in.	mm	in.	mm	in.	mm
09 thru 12	6	152	23-5/8	600	7-3/8	187	2	51	29-1/8	740	14-1/8	359
18	5-3/8	137	30-3/4	781	7-1/2	191	1-5/8	41	36-1/4	921	20	508
24	6-7/8	175	39-3/8	1000	9	229	1/4	6	44-7/8	1140	23-1/2	597
36	6-7/8	175	49-5/8	1260	9	229	1/4	6	55-1/8	1400	23-1/2	597

**INSTALLATION CLEARANCES**

**OUTDOOR UNITS**



<sup>1</sup> Minimum rear clearance can be 6 inches (152 mm) when mounted on brackets and with no obstructions on the other three sides.



**CLEARANCE NOTES FOR MULTIPLE UNITS:**

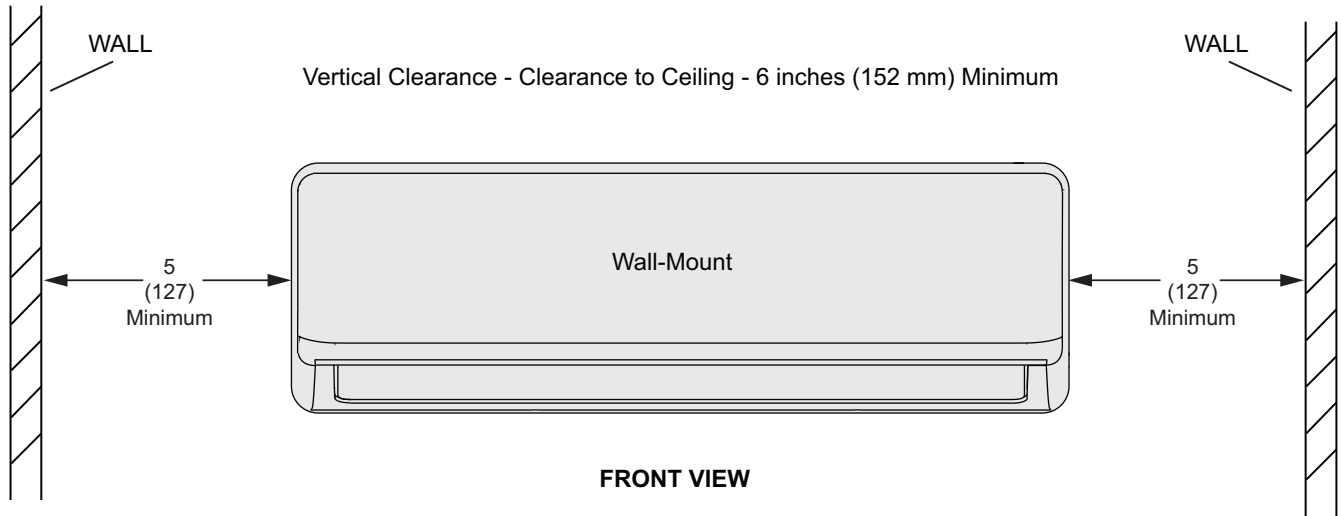
If the height of the wall (C) is less than or equal to the height of the smallest unit (A), the distance from the unit to the wall (B) must be a minimum of 10 inches (254 mm).

If 1/2 the height of the unit (A) is less than the height of the wall (C), the distance from the unit to the wall (B) must be a minimum of 12 inches (305 mm).

If the height of the wall (C) is greater than the height of the unit (A), the distance from the unit to the wall (B) must be a minimum of 20 inches (508 mm).

**INSTALLATION CLEARANCES**

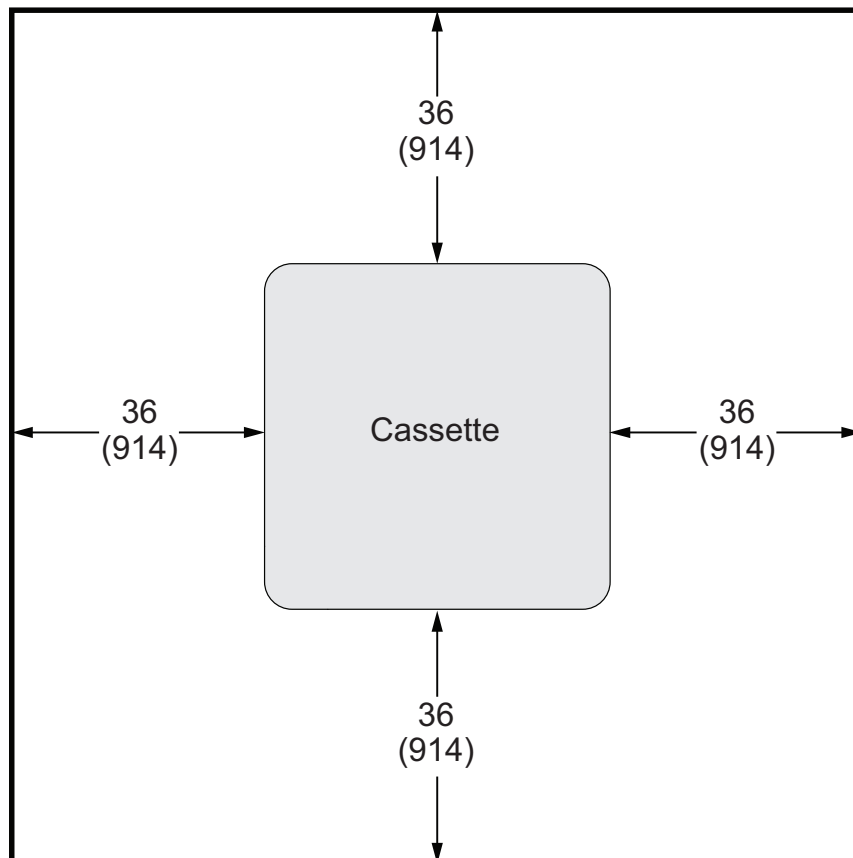
**WALL-MOUNTED INDOOR UNITS**



Vertical Clearance - Clearance to Floor - 72 inches (1829 mm) Minimum  
 NOTE - Provide 96 inches (2438) clearance to floor for best performance

**INSTALLATION CLEARANCES**

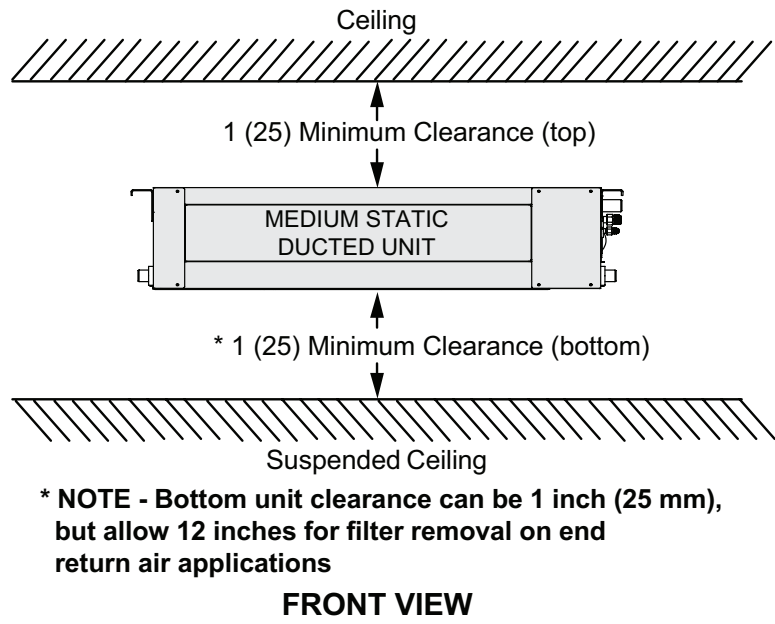
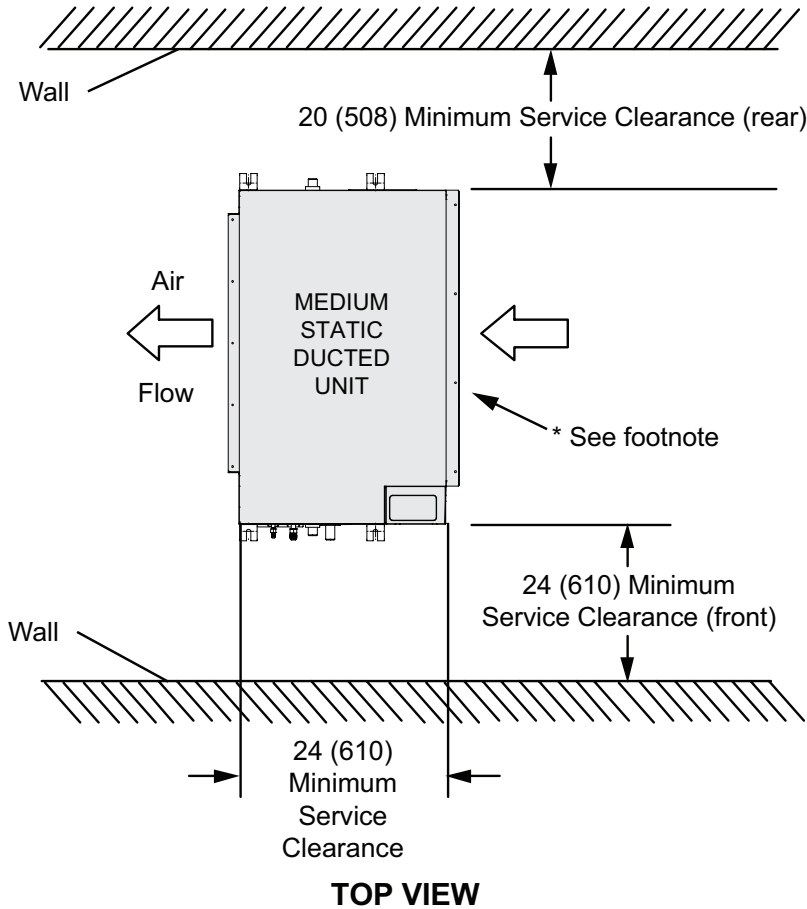
**CASSETTE INDOOR UNITS**



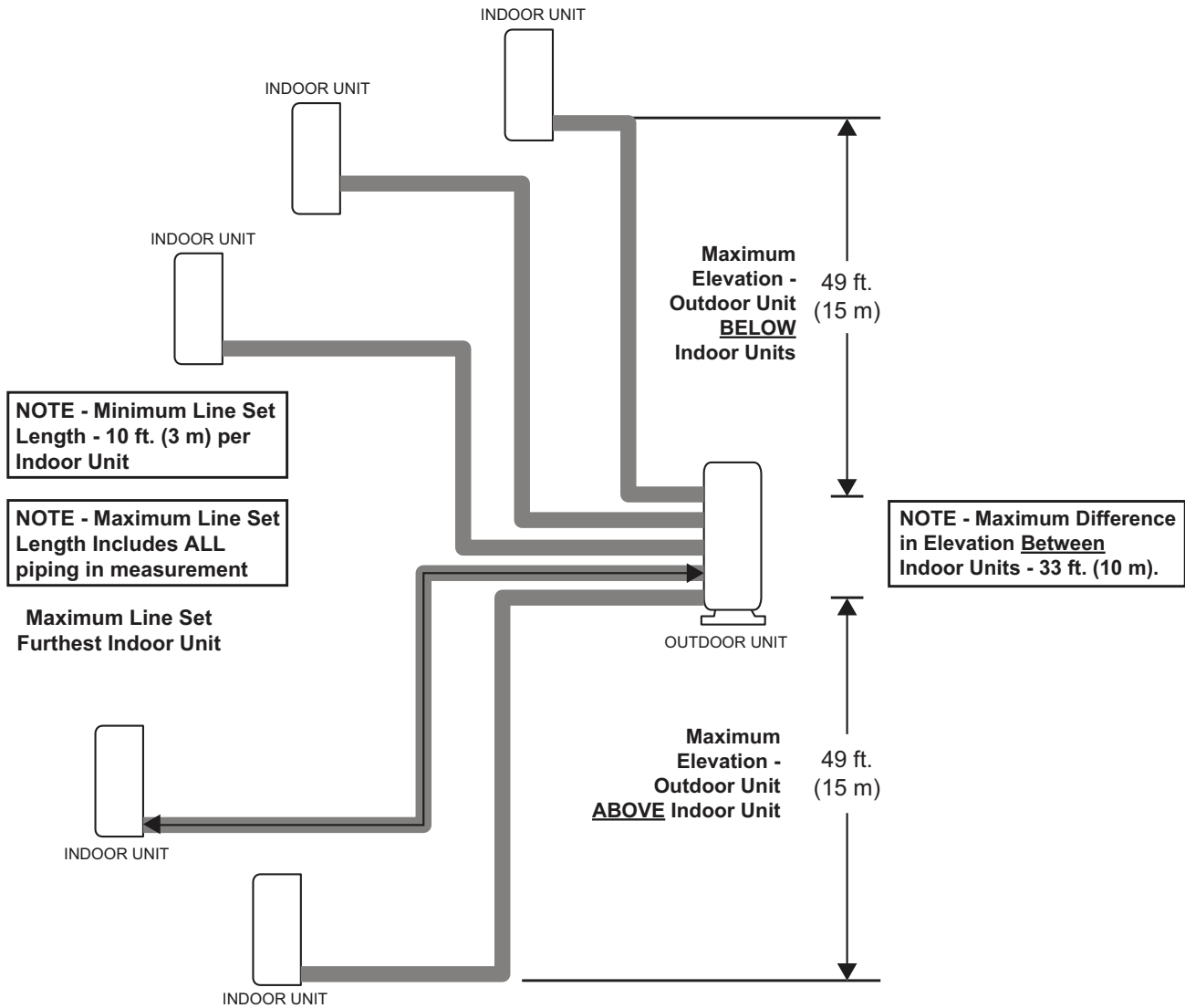
Minimum Vertical Clearances:  
 Minimum Clearance from Structural Ceiling to Drop Ceiling - 10-1/4 inches (260 mm)  
 Minimum Clearance to Floor - 98-1/2 inches (2500 mm)

INSTALLATION CLEARANCES

MEDIUM STATIC DUCTED INDOOR UNITS



**LINE SET AND ELEVATION GUIDELINES**



Outdoor Unit Model No.	4DHP2S18M	4DHP2S24M	4DHP2S30M	4DHP2S36M	4DHP2S48M
Maximum Number of Indoor Units/Zones	Two	Three	Three	Four	Five
Indoor Unit Connections	(2) 1/4 liq. (2) 3/8 gas	(3) 1/4 liq. (3) 3/8 gas	(3) 1/4 liq. (3) 3/8 gas	(4) 1/4 liq. (3) 3/8 gas (1) 1/2 gas	(5) 1/4 liq. (3) 3/8 gas (2) 1/2 gas
Maximum Pipe Length for all Rooms	131 ft. (40 m)	197 ft. (60 m)	197 ft. (60 m)	262 ft. (80 m)	262 ft. (80 m)
Maximum Line Set Length - Furthest Indoor Unit	82 ft. (25 m)	98 ft. (30 m)	98 ft. (30 m)	115 ft. (35 m)	115 ft. (35 m)

NOTE - Refer to "Outdoor To Indoor Unit Line Connections" tables starting on page 40 for correct refrigerant line adaptors furnished with outdoor units.



1-800-448-5872

All specifications and illustrations subject to change without notice and without incurring obligations.