

# 92G1E

## PRODUCT SPECIFICATIONS

## SINGLE STAGE HIGH EFFICIENCY CONSTANT TORQUE GAS FURNACE

FORM NO. 92G1E-100 (04/2022)



### CONFIGURATIONS

- Upflow/Horizontal
- Downflow

### HEAT EXCHANGER DESIGN

- Aluminized steel design primary heat exchanger with crimped no weld clamshell design
- AL 29-4C Stainless steel secondary heat exchanger

### BURNER

- 11k BTUH burners and sealed burner box provide soft ignition and quiet operation

### CABINET DESIGN

- Compact 33" height
- Standardized widths for easy coil fit

### AIR DELIVERY SYSTEM

- Multi-speed high efficiency (constant torque) blower motor
- Easily removable slide-out blower design

### CONTROLS

- Single Stage Gas Valve
- Self diagnostics save last 10 fault codes regardless of power interruption
- Durable silicon nitride igniter
- Electronic air cleaner and humidifier terminals

### VENTING

- Certified for direct vent and indirect vent (1 and 2 pipe applications)

### INSTALLATION FEATURES

- Left or right utility connection
- Removable floor base (upflow / horizontal units) for bottom return air
- Zero step horizontal conversion

### WARRANTY

10 year limited parts warranty / lifetime heat exchanger warranty available. See limited warranty document for details.

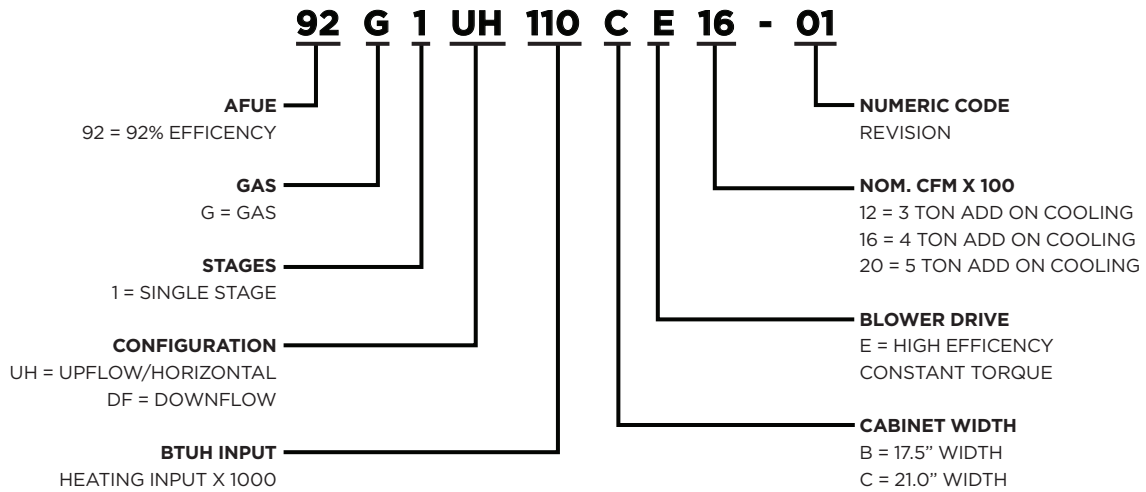
#### *California Only*

*This product is not certified to be sold or installed in the South Coast Air Quality Management District (SCAQMD). It does not meet the SCAQMD Rule 1111 NOx emission limit of 14 Ng/J.*

*This product is not certified to be sold or installed in the San Joaquin Valley Air Pollution Control District (SJVAPCD). It does not meet the SJVAPCD Rule 4905 NOx emission limit of 14 Ng/J.*



**MODEL NUMBER GUIDE**



**PHYSICAL AND ELECTRICAL DATA**

|                            | Model         | Input (Btuh) | Output (Btuh) | AFUE (ICS) | Nom. Cooling Capacity | Gas Inlet (in.) | Volts/ Hz/ Phase | Max. Time Delay Breaker or Fuse | Nominal F.L.A. | Trans. (V.A.) | Approx. Shipping Weight (lbs.) |
|----------------------------|---------------|--------------|---------------|------------|-----------------------|-----------------|------------------|---------------------------------|----------------|---------------|--------------------------------|
| <b>UPFLOW / HORIZONTAL</b> | 92G1UH030BE12 | 30,000       | 29,000        | 92.1%      | 1.5 - 3               | 1/2             | 120 - 60 - 1     | 15                              | 6.8            | 40            | 121.5                          |
|                            | 92G1UH045BE12 | 44,000       | 42,000        | 92.1%      | 1.5 - 3               | 1/2             | 120 - 60 - 1     | 15                              | 6.8            | 40            | 121.5                          |
|                            | 92G1UH070BE12 | 66,000       | 63,000        | 92.1%      | 1.5 - 3               | 1/2             | 120 - 60 - 1     | 15                              | 6.8            | 40            | 128.5                          |
|                            | 92G1UH090CE12 | 88,000       | 84,000        | 92.1%      | 1.5 - 3               | 1/2             | 120 - 60 - 1     | 15                              | 6.8            | 40            | 145.0                          |
|                            | 92G1UH090CE16 | 88,000       | 84,000        | 92.1%      | 2.5 - 4               | 1/2             | 120 - 60 - 1     | 15                              | 8.4            | 40            | 145.0                          |
|                            | 92G1UH110CE16 | 110,000      | 104,000       | 92.1%      | 2.5 - 4               | 1/2             | 120 - 60 - 1     | 15                              | 8.4            | 40            | 157.0                          |
|                            | 92G1UH110CE20 | 110,000      | 105,000       | 92.1%      | 3 - 5                 | 1/2             | 120 - 60 - 1     | 15                              | 10.9           | 40            | 159.0                          |
| <b>DOWNFLOW</b>            | 92G1DF045BE12 | 44,000       | 43,000        | 92.1%      | 1.5 - 3               | 1/2             | 120 - 60 - 1     | 15                              | 6.8            | 40            | 123.5                          |
|                            | 92G1DF070BE12 | 66,000       | 63,000        | 92.1%      | 1.5 - 3               | 1/2             | 120 - 60 - 1     | 15                              | 6.8            | 40            | 129.5                          |
|                            | 92G1DF090CE16 | 88,000       | 84,000        | 92.1%      | 2.5 - 4               | 1/2             | 120 - 60 - 1     | 15                              | 8.4            | 40            | 152.0                          |

Note: For vent length and clearances to combustibles, please reference installation instructions.

**BLOWER PERFORMANCE DATA**

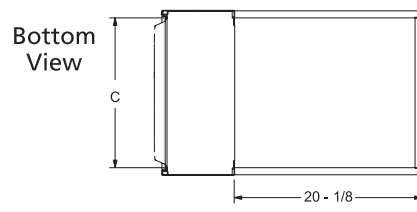
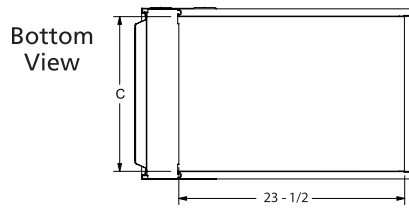
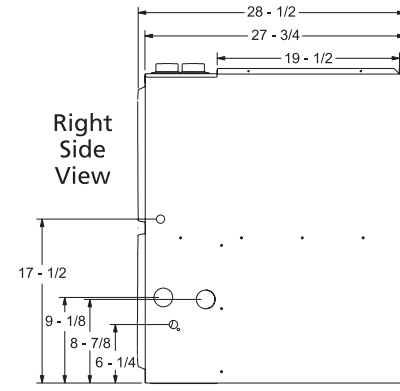
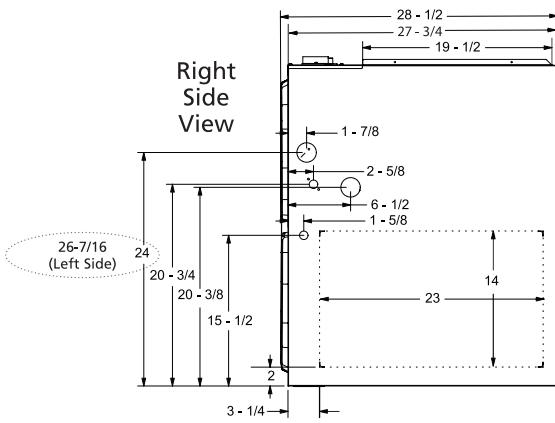
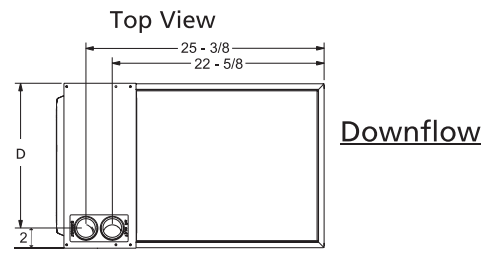
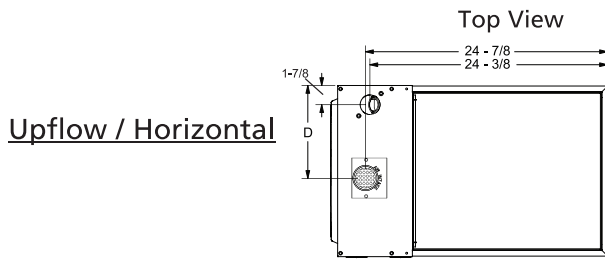
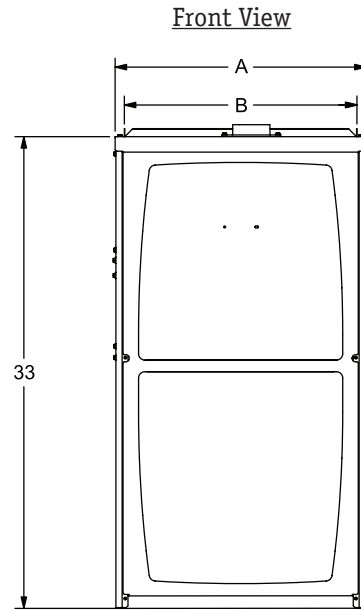
|                     | Model         | Motor Size (hp) | Blower Size | Temp Rise (°F) | Blower Speed | Heating cfm @ .10" - .80" w.c. |      |      |      |      |      |      |      |
|---------------------|---------------|-----------------|-------------|----------------|--------------|--------------------------------|------|------|------|------|------|------|------|
|                     |               |                 |             |                |              | 0.10                           | 0.20 | 0.30 | 0.40 | 0.50 | 0.60 | 0.70 | 0.80 |
| UPFLOW / HORIZONTAL | 92G1UH030BE12 | 1/2             | 10 x 8      | 25 - 55        | High         | 1400                           | 1360 | 1325 | 1300 | 1265 | 1235 | 1200 | 1160 |
|                     |               |                 |             |                | Med/High     | 1130                           | 1085 | 1055 | 1020 | 990  | 945  | 910  | 885  |
|                     |               |                 |             |                | Med          | 955                            | 905  | 865  | 815  | 785  | 735  | 710  | 660  |
|                     |               |                 |             |                | Med/Low      | 735                            | 680  | 625  | 570  | 515  | 475  | 425  | 355  |
|                     |               |                 |             |                | Low          | 635                            | 515  | 445  | 380  | 310  | 265  | 215  | 175  |
|                     | 92G1UH045BE12 | 1/2             | 10 x 8      | 25 - 55        | High         | 1390                           | 1355 | 1330 | 1295 | 1265 | 1240 | 1210 | 1160 |
|                     |               |                 |             |                | Med/High     | 1270                           | 1230 | 1205 | 1180 | 1140 | 1100 | 1065 | 1030 |
|                     |               |                 |             |                | Med          | 1135                           | 1100 | 1060 | 1025 | 995  | 955  | 920  | 880  |
|                     |               |                 |             |                | Med/Low      | 885                            | 850  | 795  | 755  | 720  | 670  | 615  | 580  |
|                     |               |                 |             |                | Low          | 735                            | 680  | 625  | 570  | 515  | 475  | 425  | 355  |
|                     | 92G1UH070BE12 | 1/2             | 10 x 8      | 40 - 70        | High         | 1395                           | 1365 | 1340 | 1305 | 1270 | 1250 | 1210 | 1185 |
|                     |               |                 |             |                | Med/High     | 1270                           | 1245 | 1215 | 1180 | 1145 | 1110 | 1080 | 1045 |
|                     |               |                 |             |                | Med          | 1145                           | 1100 | 1080 | 1040 | 1005 | 970  | 930  | 885  |
|                     |               |                 |             |                | Med/Low      | 910                            | 865  | 815  | 760  | 720  | 685  | 635  | 600  |
|                     |               |                 |             |                | Low          | 705                            | 655  | 600  | 550  | 505  | 455  | 405  | 355  |
|                     | 92G1UH090CE12 | 1/2             | 10 x 8      | 50 - 80        | High         | 1375                           | 1340 | 1310 | 1275 | 1240 | 1210 | 1170 | 1135 |
|                     |               |                 |             |                | Med/High     | 1315                           | 1285 | 1260 | 1225 | 1190 | 1160 | 1130 | 1105 |
|                     |               |                 |             |                | Med          | 1125                           | 1090 | 1055 | 1015 | 965  | 920  | 885  | 855  |
|                     |               |                 |             |                | Med/Low      | 885                            | 840  | 780  | 730  | 675  | 620  | 580  | 535  |
|                     |               |                 |             |                | Low          | 730                            | 685  | 645  | 590  | 535  | 495  | 455  | 405  |
|                     | 92G1UH090CE16 | 3/4             | 10 x 10     | 45 - 75        | High         | 1675                           | 1655 | 1615 | 1595 | 1560 | 1525 | 1490 | 1445 |
|                     |               |                 |             |                | Med/High     | 1475                           | 1460 | 1410 | 1365 | 1335 | 1295 | 1260 | 1230 |
|                     |               |                 |             |                | Med          | 1365                           | 1315 | 1290 | 1245 | 1200 | 1160 | 1105 | 1085 |
|                     |               |                 |             |                | Med/Low      | 1275                           | 1230 | 1195 | 1155 | 1105 | 1060 | 1015 | 980  |
|                     |               |                 |             |                | Low          | 1160                           | 1110 | 1065 | 1010 | 965  | 915  | 875  | 830  |
|                     | 92G1UH110CE16 | 3/4             | 10 x 10     | 50 - 80        | High         | 1715                           | 1680 | 1640 | 1615 | 1580 | 1540 | 1515 | 1470 |
|                     |               |                 |             |                | Med/High     | 1495                           | 1470 | 1425 | 1395 | 1345 | 1315 | 1285 | 1230 |
|                     |               |                 |             |                | Med          | 1380                           | 1355 | 1300 | 1260 | 1225 | 1180 | 1135 | 1095 |
| Med/Low             |               |                 |             |                | 1295         | 1255                           | 1220 | 1170 | 1130 | 1080 | 1035 | 995  |      |
| Low                 |               |                 |             |                | 1175         | 1135                           | 1085 | 1025 | 975  | 935  | 895  | 850  |      |
| 92G1UH110CE20       | 1             | 11-1/2 X 10     | 45 - 75     | High           | 2120         | 2085                           | 2040 | 2005 | 1965 | 1935 | 1885 | 1855 |      |
|                     |               |                 |             | Med/High       | 1880         | 1830                           | 1795 | 1760 | 1710 | 1680 | 1635 | 1600 |      |
|                     |               |                 |             | Med            | 1715         | 1665                           | 1630 | 1585 | 1540 | 1510 | 1485 | 1440 |      |
|                     |               |                 |             | Med/Low        | 1605         | 1560                           | 1515 | 1470 | 1425 | 1390 | 1345 | 1305 |      |
|                     |               |                 |             | Low            | 1435         | 1360                           | 1325 | 1270 | 1230 | 1180 | 1140 | 1085 |      |

**BLOWER PERFORMANCE DATA**

|                 | Model         | Motor Size (hp) | Blower Size | Temp Rise (°F) | Blower Speed | Heating cfm @ .10" - .80" w.c. |      |      |      |      |      |      |      |     |
|-----------------|---------------|-----------------|-------------|----------------|--------------|--------------------------------|------|------|------|------|------|------|------|-----|
|                 |               |                 |             |                |              | 0.10                           | 0.20 | 0.30 | 0.40 | 0.50 | 0.60 | 0.70 | 0.80 |     |
| <b>DOWNFLOW</b> | 92G1DF045BE12 | 1/2             | 10 x 8      | 25 - 55        | High         | 1395                           | 1365 | 1330 | 1305 | 1275 | 1245 | N/A  | N/A  |     |
|                 |               |                 |             |                | Med/High     | 1270                           | 1245 | 1215 | 1180 | 1140 | 1110 | 1080 | 1030 |     |
|                 |               |                 |             |                | Med          | 1145                           | 1105 | 1070 | 1025 | 980  | 950  | 910  | 870  |     |
|                 |               |                 |             |                | Med/Low      | 845                            | 795  | 740  | 700  | 660  | 615  | 585  | 545  |     |
|                 |               |                 |             |                | Low          | 695                            | 640  | 575  | 530  | 485  | 445  | 390  | 335  |     |
|                 | 92G1DF070BE12 | 1/2             | 10 x 8      | 40 - 70        | High         | 1380                           | 1345 | 1325 | 1295 | 1260 | 1235 | 1185 | N/A  |     |
|                 |               |                 |             |                | Med/High     | 1265                           | 1240 | 1215 | 1175 | 1135 | 1105 | 1080 | 1040 |     |
|                 |               |                 |             |                | Med          | 1140                           | 1140 | 1090 | 1060 | 1025 | 985  | 955  | 910  | 865 |
|                 |               |                 |             |                | Med/Low      | 860                            | 810  | 770  | 710  | 670  | 620  | 585  | 540  |     |
|                 |               |                 |             |                | Low          | 700                            | 645  | 590  | 530  | 490  | 440  | 395  | 340  |     |
|                 | 92G1DF090CE16 | 3/4             | 10 x 10     | 45 - 75        | High         | 1695                           | 1680 | 1640 | 1605 | 1575 | 1550 | 1490 | N/A  |     |
|                 |               |                 |             |                | Med/High     | 1495                           | 1445 | 1410 | 1385 | 1355 | 1310 | 1265 | 1240 |     |
| Med             |               |                 |             |                | 1365         | 1315                           | 1285 | 1245 | 1215 | 1165 | 1125 | 1075 |      |     |
| Med/Low         |               |                 |             |                | 1265         | 1240                           | 1200 | 1160 | 1115 | 1085 | 1030 | 995  |      |     |
| Low             |               |                 |             |                | 1160         | 1110                           | 1070 | 1020 | 975  | 925  | 885  | 825  |      |     |

**DIMENSIONS (IN.)**

|                            | Model          | A      | B      | C      | D       |
|----------------------------|----------------|--------|--------|--------|---------|
| <b>UPFLOW / HORIZONTAL</b> | 92G1UH030BE12  | 17-1/2 | 16-3/8 | 16     | 9-5/16  |
|                            | 92G1UH045BE12  | 17-1/2 | 16-3/8 | 16     | 9-5/16  |
|                            | 92G1UH070BE12  | 17-1/2 | 16-3/8 | 16     | 9-5/16  |
|                            | 92G1UH090CE12  | 21     | 19-7/8 | 19-1/2 | 11-5/16 |
|                            | 92G1UH090CE16  | 21     | 19-7/8 | 19-1/2 | 11-5/16 |
|                            | 92G1UH0110CE16 | 21     | 19-7/8 | 19-1/2 | 11-5/16 |
|                            | 92G1UH0110CE20 | 21     | 19-7/8 | 19-1/2 | 11-5/16 |
| <b>DOWNFLOW</b>            | 92G1DF045BE12  | 17-1/2 | 16-3/8 | 16     | 15-1/2  |
|                            | 92G1DF070BE12  | 17-1/2 | 16-3/8 | 16     | 15-1/2  |
|                            | 92G1DF090CE16  | 21     | 19-7/8 | 19-1/2 | 19      |



**ACCESSORY LIST**

| CATALOG NUMBER                                      | DESCRIPTION                                     |
|---|---|
| External Filter Rack kits                           |   |
| 1.841018  | 1 pack (16 x 25)                                |
| 1.841039  | 10 pack (16 x 25)                               |
| Natural to LP kits                                  |   |
| 11K50   | 1-Stage - 90                                    |
| 11K45   | High Altitude > 7500 ft                         |
| 17H62   | 1-Stage - 90% - For 030 Capacity Only           |
| 17H90   | High Altitude > 7500 ft - For 030 Capacity Only |
| Return Air Base                                     |   |
| 68W62   | 17.5" B Width                                   |
| 68W63   | 21.0" C Width                                   |
| Downflow Combustible Flooring Base                  |   |
| 11M60   | 17.5" B Width                                   |
| 11M61   | 21.0" C Width                                   |
| Night Service Kits                                  |   |
| 18F15   | Single Stage                                    |
| Horizontal Suspension Kit                           |   |
| 51W10   | 80% & 90% Kit                                   |
| Flush Mount Termination (90% Furnaces only) US Only |   |
| 51W11   | 2" & 3" Vent Version                            |
| Concentric Vent Kit (90% Furnaces only) US Only     |   |
| 71M80   | 1-1/2" Vent Version                             |
| 69M29   | 2" Vent Version                                 |
| 60L46   | 3" Vent Version                                 |
| 2-Stage Compressor Kit                              |   |
| 85W66   | Blower Relay Kit                                |
| Twinning Kit  |   |
| 16W72   | Constant Torque Gas Furnace Twinning Kit        |

*For vent length and clearances to combustibles, please reference installation instructions.*



1-800-448-5872

All specifications and illustrations subject to change without notice and without incurring obligations.