

80G1E(L)

PRODUCT SPECIFICATIONS

GAS FURNACE SINGLE STAGE CONSTANT TORQUE

FORM NO. 80G1E-100 (11/2022)



INSTALLATION FEATURES

- Left or right utility connections
- Removable floor base (upflow / horizontal units) for bottom return air
- Zero step horizontal conversion

CONFIGURATIONS

- Upflow / Horizontal
- Downflow

HEAT EXCHANGER DESIGN

- Aluminized steel tapered crimped non-welded clam shell heat exchanger design

BURNERS

- Aluminized steel inshot burners for smooth ignition

CABINET DESIGN

- Compact 33" height
- Standardized widths for easy coil fit

AIR DELIVERY SYSTEM

- Multi-speed high efficiency (constant torque) blower motor
- Easily removable slide out blower design
- Enhanced cooling SEER ratings when applied with properly matched cooling equipment

CONTROLS

- Single stage gas valve
- Durable silicon nitride ignitor
- Self diagnostics saving last 10 fault codes regardless of power interruption
- Control features electronic air cleaner and humidifier terminals

VENTING

- Rotatable draft inducer for venting flexibility

WARRANTY

10 year limited parts warranty / lifetime heat exchanger warranty available. See limited warranty document for details.

Note: Not for sale in Canada

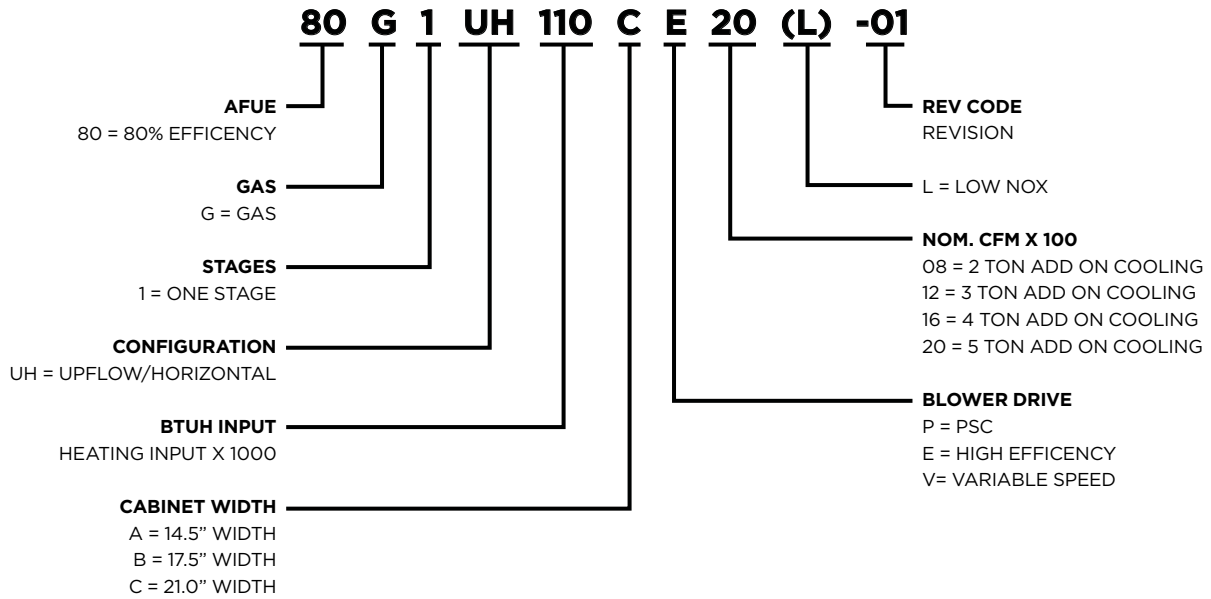
California Only

If installed in South Coast Air Quality Management District (SCAQMD) only: This furnace does not meet the SCAQMD Rule 1111 NOx emission limit (14 ng/L), and thus is subject to a mitigation fee of up to \$450. This furnace is not eligible for the Clean Air Furnace Rebate Program: www.CleanAirFurnaceRebate.com.

If installed in San Joaquin Valley Air Pollution Control District (SJVAPCD) only: This furnace does not meet the SJVAPCD Rule 4905 NOx emission limit (14 ng/L), and thus is subject to a mitigation fee of up to \$450.



MODEL NUMBER GUIDE



PHYSICAL AND ELECTRICAL DATA

	Model	Input (Btuh)	Output (Btuh)	AFUE (ICS)	Nom. Cooling Capacity	Gas Inlet (in.)	Volts/Hz/Phase	Max. Time Delay Breaker or Fuse	Nominal F.L.A.	Trans. (V.A.)	Approx. Shipping Weight (lbs.)
UPFLOW / HORIZONTAL	80G1UH045AE12(L)	44,000	36,000	80.00%	1-1/2 – 3	1/2	120-60-1	15	6.8	40	111
	80G1UH070AE12(L)	66,000	53,000	80.00%	1-1/2 – 3	1/2	120-60-1	15	6.8	40	111
	80G1UH070BE12(L)	66,000	53,000	80.00%	1-1/2 – 3	1/2	120-60-1	15	6.8	40	127
	80G1UH090BE16(L)	88,000	72,000	80.00%	2-1/2 – 4	1/2	120-60-1	15	8.4	40	142
	80G1UH090CE20	88,000	72,000	80.00%	3 – 5	1/2	120-60-1	15	10.9	40	152
	80G1UH110CE20(L)	110,000	90,000	80.00%	4 – 5	1/2	120-60-1	15	10.9	40	160
	80G1UH135DE20	132,000	107,000	80.00%	4 – 5	1/2	120-60-1	15	10.9	40	178
DOWNFLOW	80G1DF045AE12	44,000	36,000	80.00%	2 – 3	1/2	120-60-1	15	6.8	40	113
	80G1DF070AE12	66,000	54,000	80.00%	2 – 3	1/2	120-60-1	15	6.8	40	119
	80G1DF070BE12	66,000	54,000	80.00%	2 – 3	1/2	120-60-1	15	6.8	40	128
	80G1DF090BE16	88,000	72,000	80.00%	3 – 4	1/2	120-60-1	15	8.4	40	140
	80G1DF110CE20	110,000	90,000	80.00%	4 – 5	1/2	120-60-1	15	10.9	40	160

Note: For vent sizing and clearances to combustibles, please reference installation instructions.

BLOWER PERFORMANCE DATA - UPFLOW / HORIZONTAL

	Model	Motor Size (hp)	Blower Size	Temp Rise (°F)	Blower Speed	CFM @ External Static Pressure - " w.c.						
						0.20	0.30	0.40	0.50	0.60	0.70	0.80
UPFLOW / HORIZONTAL	80G1UH045AE12(L)	1/2	10 x 8	15 - 45	High	1320	1290	1265	1230	1190	1165	1130
					Med/High	1080	1055	1010	990	945	915	880
					Med	900	875	825	790	750	705	670
					Med/Low	805	750	710	660	630	570	535
					Low	700	640	595	535	500	435	380
	80G1UH070AE12(L)	1/2	10 x 10	40 - 70	High	1400	1365	1335	1310	1285	1250	1220
					Med/High	1170	1145	1105	1075	1040	1010	975
					Med	1090	1055	1015	980	950	905	860
					Med/Low	1050	1025	985	945	905	870	830
					Low	880	845	795	760	705	665	625
	80G1UH070BE12(L)	1/2	10 x 10	40 - 70	High	1355	1330	1290	1245	1225	1190	1160
					Med/High	1225	1190	1155	1115	1045	1000	925
					Med	1110	1060	1015	980	920	855	790
					Med/Low	1080	1035	970	930	865	790	735
					Low	885	825	770	695	625	540	445
	80G1UH090BE16(L)	3/4	10 x 10	35 - 65	High	1730	1690	1645	1615	1590	1545	N/A
					Med/High	1505	1460	1435	1395	1350	1300	1270
					Med	1380	1345	1310	1265	1210	1175	1140
					Med/Low	1310	1275	1240	1180	1150	1095	1040
					Low	1110	1065	1010	955	915	860	820
	80G1UH090CE20	1	11-1/2 x 10	30 - 60	High	2150	2125	2090	2060	2020	1980	1935
					Med/High	1865	1835	1800	1760	1725	1680	1635
					Med	1655	1635	1585	1545	1515	1465	1420
					Med/Low	1490	1450	1405	1370	1320	1265	1225
					Low	1340	1285	1235	1200	1145	1105	1055
	80G1UH110CE20(L)	1	11-1/2 x 10	35 - 65	High	2135	2090	2050	2025	2010	1965	1905
					Med/High	1865	1830	1785	1740	1710	1670	1635
					Med	1630	1595	1550	1500	1470	1420	1380
Med/Low					1470	1440	1385	1340	1305	1255	1215	
Low					1280	1235	1175	1130	1080	1015	975	
80G1UH135DE20	1	11 x 11	30 - 60	High	2390	2360	2285	2240	2225	2160	2105	
				Med/High	2175	2140	2125	2060	2015	1955	1925	
				Med	1935	1895	1850	1815	1785	1755	1715	
				Med/Low	1735	1720	1660	1610	1535	1500	1435	
				Low	1550	1485	1455	1415	1330	1265	1215	

BLOWER PERFORMANCE DATA - DOWNFLOW

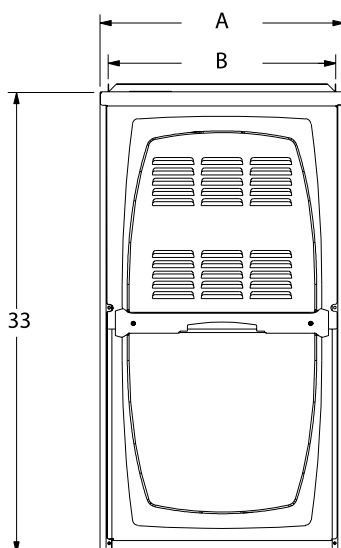
	Model	Motor Size (hp)	Blower Size	Temp Rise (°F)	Blower Speed	CFM @ External Static Pressure - " w.c.						
						0.20	0.30	0.40	0.50	0.60	0.70	0.80
DOWNFLOW	80G10DF045AE12	1/2	10 x 8	15 - 45	High	1375	1335	1320	1275	1245	1215	1175
					Med/High	1145	1120	1075	1045	1000	970	925
					Med	950	915	870	835	785	745	695
					Med/Low	840	790	745	715	655	605	555
					Low	725	665	625	565	520	455	400
	80G1DF070AE12	1/2	10 x 10	30 - 60	High	1420	1400	1375	1340	1285	1210	1140
					Med/High	1195	1180	1150	1120	1075	1065	1020
					Med	1115	1070	1045	1010	985	955	920
					Med/Low	1090	1055	1025	990	955	915	890
					Low	920	900	845	820	770	730	675
	80G1DF070BE12	1/2	10 x 10	30 - 60	High	1400	1360	1310	1280	1250	1220	1165
					Med/High	1230	1205	1155	1110	1060	1000	935
					Med	1125	1085	1050	985	935	865	795
					Med/Low	1110	1055	1000	950	865	815	750
					Low	900	845	790	705	645	590	480
	80G1DF090BE16	3/4	10 x 10	30 - 60	High	1695	1660	1615	1570	1545	N/A	N/A
					Med/High	1470	1425	1395	1360	1295	1265	1215
					Med	1340	1290	1250	1210	1165	1120	1080
					Med/Low	1280	1225	1185	1145	1085	1040	1000
					Low	1105	1040	1005	945	865	810	755
80G1DF110CE20	1	11-1/2 x 10	30 - 60	High	2325	2280	2235	2165	2125	2090	2035	
				Med/High	2010	1940	1895	1845	1800	1755	1700	
				Med	1760	1705	1635	1595	1545	1510	1460	
				Med/Low	1570	1500	1440	1380	1320	1285	1255	
				Low	1375	1320	1265	1200	1170	1100	1030	

DIMENSIONS (IN.)

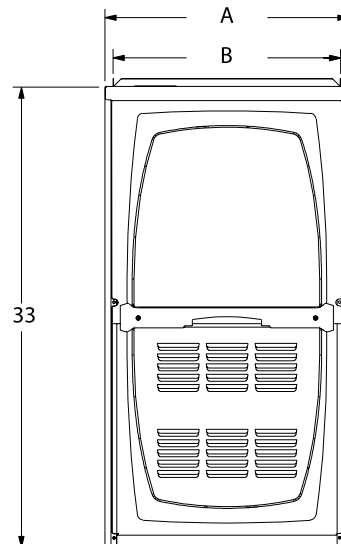
	Model	A	B	C	D
UPFLOW / HORIZONTAL	80G1UH045AE12(L)	14-1/2	13-3/8	13	4-3/4
	80G1UH070AE12(L)	14-1/2	13-3/8	13	4-3/4
	80G1UH070BE12(L)	17-1/2	16-3/8	16	6-1/4
	80G1UH090BE16(L)	17-1/2	16-3/8	16	6-1/4
	80G1UH090CE20	21	19-3/8	19-1/2	8
	80G1UH110CE20(L)	21	19-3/8	19-1/2	8
	80G1UH135DE20	24-1/2	23-3/8	23	9-3/4
DOWNFLOW	80G1DF045AE12	14-1/2	13-3/8	13	4-3/4
	80G1DF070AE12	14-1/2	13-3/8	13	4-3/4
	80G1DF070BE12	17-1/2	16-3/8	16	6-1/4
	80G1DF090BE16	17-1/2	16-3/8	16	6-1/4
	80G1DF110CE20	21	19-7/8	19-1/2	8

Front View

Upflow / Horizontal

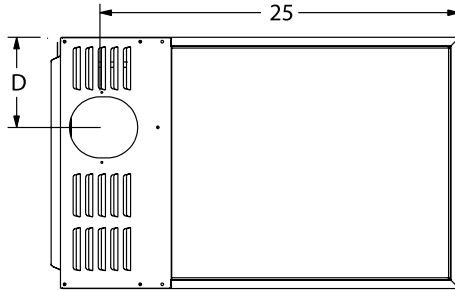


Downflow

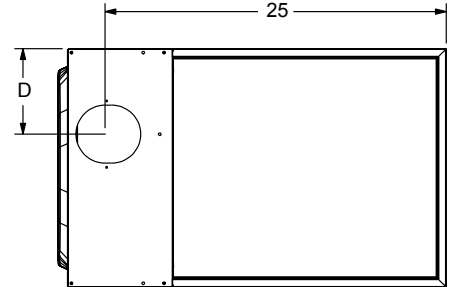


Top View

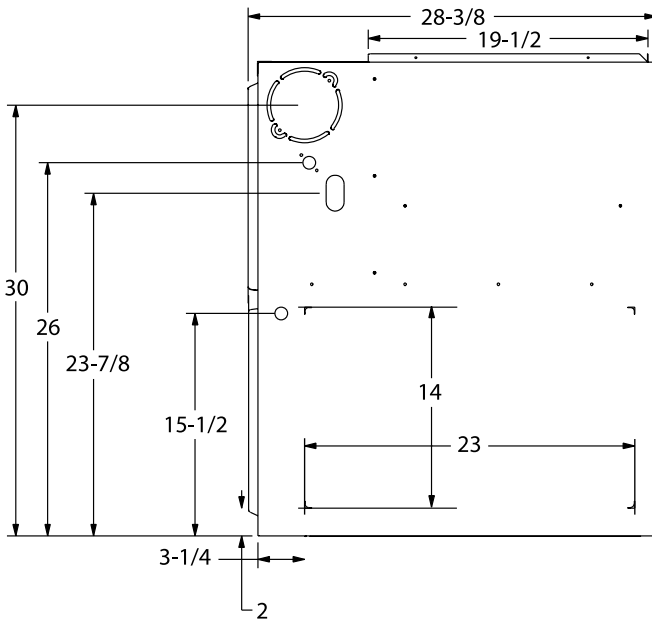
Upflow / Horizontal



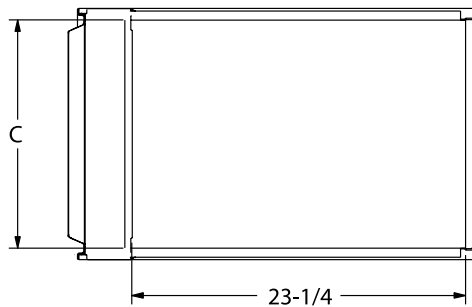
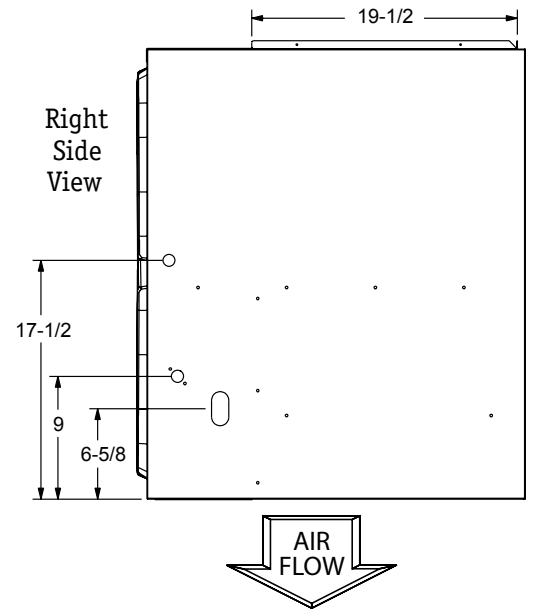
Downflow



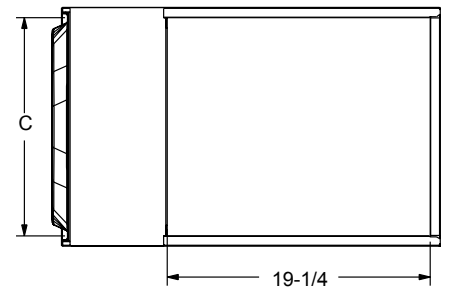
Right Side View



Right Side View



Bottom View



Bottom View

ACCESSORY LIST

CATALOG NUMBER	DESCRIPTION
External Filter Rack kits	
1.841018	1 Pack (16x25)
1.841039	10 Pack (16x25)
Natural to LP Kits	
11K50	1-Stage - 80
11K45	High Altitude 1-Stage (<4500ft.)
Return Air Base	
68W61	14.5", A Width
68W62	17.5", B Width
68W63	21.0", C Width
68W64	24.5", D Width
Downflow Combustible Flooring Base	
11M59	14.5", A Width
11M60	17.5", B Width
11M61	21.0", C Width
Night Service Kits	
86W57	Single Stage
Horizontal Suspension Kits	
51W10	80 & 90% Kit
2-Stage Compressor Relay Kit	
85W66	Blower Relay Kit
Twinning kit	
16W72	Constant Torque Gas Furnace Twinning Kit

*Note: For vent sizing and clearances to combustibles, please reference installation instructions.
2-Stage Compressor Relay Kit*



1-800-448-5872

All specifications and illustrations subject to change without notice and without incurring obligations.