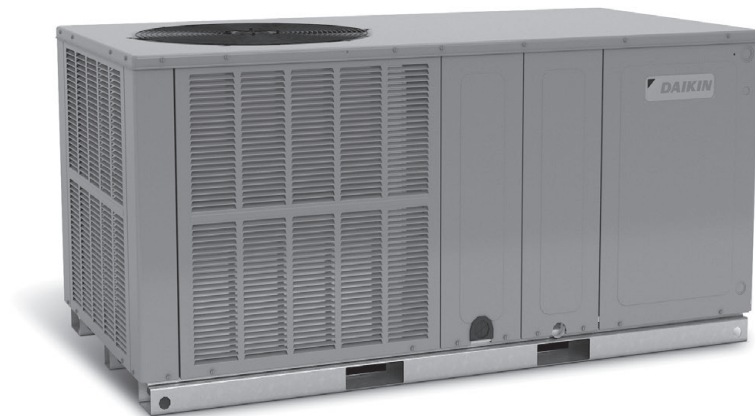


PACKAGED HEAT PUMPS UP TO 15.2 SEER / 2 TO 5 TONS



■ Contents

| | |
|--------------------------------|----|
| Nomenclature | 2 |
| Product Specifications..... | 3 |
| Expanded Cooling Data..... | 5 |
| Expanded Heating Data | 22 |
| Airflow Data | 26 |
| Heat Kit Electrical Data | 27 |
| Dimensions..... | 28 |
| Wiring Diagrams | 29 |
| Accessories..... | 31 |

■ Standard Features

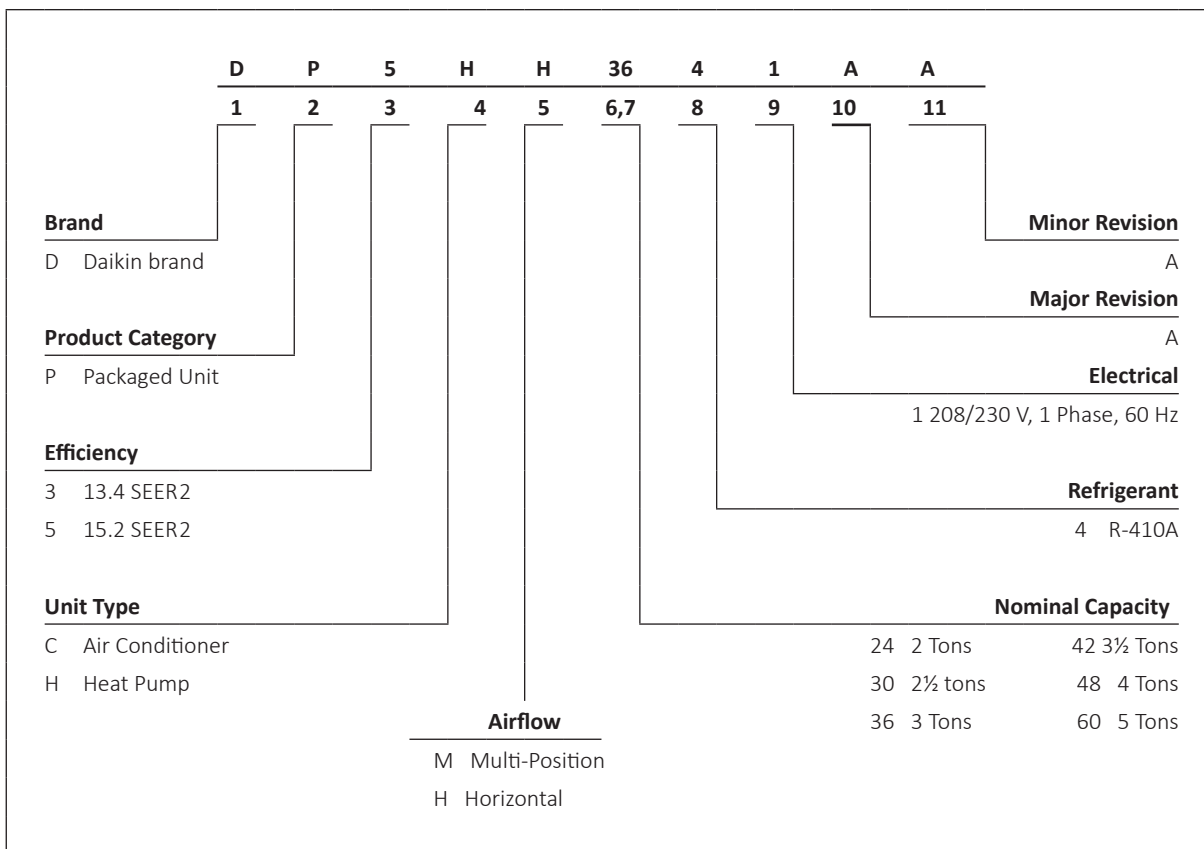
- High-efficiency scroll compressor
- Variable-speed ECM blower motor
- Quiet horizontal discharge
- All-aluminum evaporator coil
- Copper tube/aluminum fin coil
- Totally enclosed, permanently lubricated condenser fan motor
- Fully charged system
- Electric heat kit available as a field-installed option
- AHRI Certified; ETL Listed

■ Cabinet Features

- Heavy-gauge galvanized-steel cabinet
- UV-resistant grey powder-paint finish
- Compressor sound blanket
- Aluminum foil-facing internal insulation reinforced with fiberglass scrim
- Meets cabinet air leakage requirements when tested in accordance with ASHRAE standard 193
- Attractive Nickel Gray powder-paint finish
- Fully insulated blower compartment has convenient access panels
- Louvered condenser coil protection
- One footprint; three heights
- When properly anchored, meets the 2020 Florida Building Code unit integrity requirements for hurricane-type winds (Anchor bracket kits available.)



* Complete warranty details available from your local dealer or at www.daikincomfort.com. To receive 6-Year Unit Replacement Limited Warranty and 12-Year Parts Limited Warranty, online registration must be completed within 60 days of installation. Additional requirements for annual maintenance are required for the Unit Replacement Limited Warranty. Online registration and some of the additional requirements are not required in California or Quebec. The duration of warranty coverages in Texas differs in some cases.



| | DP5HH 2441** | DP5HH 3041** | DP5HH 3641** | DP5HH 4241** | DP5HH 4841** | DP5HH 6041** |
|--------------------------------|---------------------|---------------------|---------------------|------------------|------------------|------------------|
| COOLING CAPACITY | | | | | | |
| Total BTU/h | 24,000 | 27,600 | 34,800 | 42,000 | 46,000 | 57,250 |
| Sensible BTU/h | 18,288 | 22,411 | 27,179 | 31,458 | 35,788 | 41,564 |
| SEER2 / EER2 | 15.0 / 11.4 | 15.2 / 11.4 | 15.2 / 11.4 | 15.2 / 11.4 | 15.2 / 11.2 | 15.2 / 11.4 |
| AHRI Numbers | 208842416 | 208842417 | 208842418 | 208842419 | 208842420 | 208842421 |
| HEATING CAPACITY | | | | | | |
| BTU/h (47°F) | 22,800 | 27,600 | 32,200 | 40,000 | 44,000 | 54,500 |
| C.O.P. (47°F) | 3.73 | 3.26 | 3.74 | 3.54 | 3.55 | 3.60 |
| BTU/h (17°F) | 13,000 | 14,800 | 18,300 | 21,600 | 26,000 | 33,200 |
| C.O.P. (17°F) | 2.48 | 2.32 | 2.34 | 2.29 | 2.30 | 2.40 |
| HSPF2 | 6.70 | 6.70 | 6.70 | 6.70 | 6.70 | 7.00 |
| EVAPORATOR MOTOR | | | | | | |
| Type | ECM | ECM | ECM | ECM | ECM | ECM |
| Wheel (D x W) | 10" x 8" | 10" x 8" | 10" x 8" | 10" x 8" | 10" x 8" | 11" x 8" |
| Cooling CFM ³ | 875 | 1,050 | 1,200 | 1,300 | 1,600 | 1,700 |
| Fan-Only CFM | 800 | 950 | 1,100 | 1,200 | 1,400 | 1,600 |
| No. of Speeds | 5 | 5 | 5 | 5 | 5 | Variable |
| Horsepower- RPM | ½- 1,050 | ½- 1,050 | ½- 1,050 | ¾- 1,050 | ¾- 1,050 | ¾- 1,050 |
| EVAPORATOR COIL | | | | | | |
| Face Area (ft ²) | 5.26 | 5.26 | 6.23 | 6.23 | 6.23 | 7.01 |
| Rows Deep | 4 | 4 | 4 | 4 | 4 | 4 |
| Fins per Inch | 14 | 14 | 14 | 14 | 14 | 14 |
| Metering Device Type | TXV | TXV | TXV | TXV | TXV | TXV |
| Drain Size (NPT) | ¾"- 14 NPT | ¾"- 14 NPT | ¾"- 14 NPT | ¾"- 14 NPT | ¾"- 14 NPT | ¾"- 14 NPT |
| Refrigerant Charge (oz.) | 116 | 116 | 170 | 170 | 170 | 175 |
| CONDENSER FAN | | | | | | |
| Horsepower- RPM | 1/6- 810 | 1/6- 810 | 1/6- 810 | 1/4- 1075 | 1/4- 1075 | 1/4- 1075 |
| Fan Diameter | 22 | 22 | 22 | 22 | 22 | 22 |
| # of Fan Blades | 3 | 3 | 4 | 4 | 4 | 4 |
| CONDENSER FAN COIL | | | | | | |
| Face Area (ft ²) | 14.4 | 13.92 | 13.92 | 16.5 | 16.5 | 18.85 |
| Rows Deep | 2 | 2 | 2 | 2 | 2 | 2 |
| Fins per Inch | 16 | 16 | 16 | 16 | 16 | 20 |
| Metering Device Type | Piston | Piston | Piston | TXV | TXV | TXV |
| COMPRESSOR | | | | | | |
| Quantity / Type / Stage | 1 / Scroll / Single | 1 / Scroll / Single | 1 / Scroll / Single | 1 / Scroll / Two | 1 / Scroll / Two | 1 / Scroll / Two |
| ELECTRICAL DATA | | | | | | |
| Compressor RLA/LRA | 12.8 / 58.3 | 14.1 / 67.9 | 15.7 / 72.2 | 19.9/150.7 | 21.2 / 104.0 | 25.6 / 151.0 |
| Voltage/Phase (60 Hz) | 208-230 / 1 | 208-230 / 1 | 208-230 / 1 | 208-230 / 1 | 208-230 / 1 | 208-230 / 1 |
| Indoor Blower FLA | 4.3 | 4.3 | 4.3 | 4.3 | 5.4 | 6.8 |
| Outdoor Fan RLA/LRA | 0.95 | 0.95 | 1.3 | 1.4 | 1.4 | 1.4 |
| M.C.A. ¹ | 21.3 | 22.9 | 23.2 | 30.6 | 34.7 | 40.2 |
| M.O.P. ² | 30 | 35 | 35 | 50 | 50 | 60 |
| OPERATING WEIGHTS (LBS) | | | | | | |
| | 315 | 315 | 375 | 375 | 405 | 405 |
| SHIPPING WEIGHTS (LBS) | | | | | | |
| | 324 | 324 | 385 | 385 | 415 | 415 |

¹ Wire size should be determined in accordance with National Electrical Codes. Extensive wire runs will require larger wire sizes.

² Must use time-delay fuses or HACR-type circuit breakers of the same size as noted.

³ Factory

Note: Always check the S&R plate for electrical data on the unit being installed.

| IDB | AIRFLOW | OUTDOOR AMBIENT TEMPERATURE | | | | | | | | | | | | ENTERING INDOOR WET BULB TEMPERATURE | | | | | | | | | | | |
|-------|---------|-----------------------------|-------|-------|-------|-------|-------|-------|-------|-------|-------|-------|-------|--------------------------------------|-------|-------|-------|-------|-------|-------|-------|-------|-------|-------|-------|
| | | 65 | | | | 75 | | | | 85 | | | | 95 | | | | 105 | | | | 115 | | | |
| | | 59 | 63 | 67 | 71 | 59 | 63 | 67 | 71 | 59 | 63 | 67 | 71 | 59 | 63 | 67 | 71 | 59 | 63 | 67 | 71 | 59 | 63 | 67 | 71 |
| 70 | MBh | 24.2 | 24.6 | 25.3 | - | 24.0 | 24.4 | 25.1 | - | 23.4 | 23.7 | 24.5 | - | 22.3 | 22.6 | 23.4 | - | 21.0 | 21.3 | 22.0 | - | 19.7 | 20.1 | 20.8 | - |
| | S/T | 0.56 | 0.48 | 0.34 | - | 0.56 | 0.49 | 0.35 | - | 0.59 | 0.51 | 0.38 | - | 0.61 | 0.53 | 0.40 | - | 1.00 | 0.55 | 0.42 | - | 1.00 | 0.61 | 0.47 | - |
| | ΔT | 17.69 | 16.12 | 13.18 | - | 17.65 | 16.07 | 13.14 | - | 17.87 | 16.30 | 13.36 | - | 17.63 | 16.06 | 13.12 | - | 17.42 | 15.85 | 12.91 | - | 18.41 | 16.83 | 13.90 | - |
| | kW | 1.51 | 1.51 | 1.50 | - | 1.70 | 1.70 | 1.70 | - | 1.92 | 1.91 | 1.91 | - | 2.15 | 2.15 | 2.14 | - | 2.41 | 2.41 | 2.40 | - | 2.71 | 2.71 | 2.71 | - |
| | Amps | 6.01 | 6.00 | 5.99 | - | 6.89 | 6.89 | 6.87 | - | 7.88 | 7.87 | 7.86 | - | 8.94 | 8.94 | 8.92 | - | 10.13 | 10.13 | 10.11 | - | 11.53 | 11.52 | 11.51 | - |
| | Hi-PR | 242 | 243 | 245 | - | 281 | 282 | 283 | - | 321 | 322 | 324 | - | 364 | 365 | 367 | - | 411 | 412 | 414 | - | 461 | 462 | 464 | - |
| | Lo-PR | 121 | 123 | 126 | - | 129 | 130 | 133 | - | 135 | 137 | 140 | - | 141 | 142 | 145 | - | 146 | 148 | 151 | - | 153 | 154 | 158 | - |
| | MBh | 24.5 | 24.9 | 25.6 | - | 24.3 | 24.6 | 25.4 | - | 23.7 | 24.0 | 24.7 | - | 22.6 | 22.9 | 23.6 | - | 21.2 | 21.6 | 22.3 | - | 20.0 | 20.3 | 21.1 | - |
| | S/T | 0.63 | 0.55 | 0.42 | - | 0.64 | 0.56 | 0.42 | - | 0.66 | 0.59 | 0.45 | - | 0.68 | 0.60 | 0.47 | - | 1.00 | 0.63 | 0.49 | - | 1.00 | 0.68 | 0.54 | - |
| | ΔT | 16.69 | 15.12 | 12.18 | - | 16.65 | 15.08 | 12.14 | - | 16.87 | 15.30 | 12.36 | - | 16.63 | 15.06 | 12.12 | - | 16.42 | 14.85 | 11.91 | - | 17.41 | 15.83 | 12.90 | - |
| | kW | 1.52 | 1.52 | 1.51 | - | 1.71 | 1.71 | 1.71 | - | 1.93 | 1.92 | 1.92 | - | 2.16 | 2.16 | 2.15 | - | 2.42 | 2.42 | 2.41 | - | 2.72 | 2.72 | 2.72 | - |
| | Amps | 6.06 | 6.05 | 6.04 | - | 6.94 | 6.93 | 6.92 | - | 7.93 | 7.92 | 7.90 | - | 8.99 | 8.98 | 8.97 | - | 10.18 | 10.18 | 10.16 | - | 11.58 | 11.57 | 11.56 | - |
| Hi-PR | 244 | 245 | 247 | - | 283 | 284 | 285 | - | 323 | 324 | 326 | - | 366 | 367 | 369 | - | 413 | 414 | 416 | - | 463 | 464 | 466 | - | |
| Lo-PR | 123 | 124 | 128 | - | 130 | 132 | 135 | - | 137 | 138 | 141 | - | 142 | 144 | 147 | - | 148 | 149 | 152 | - | 155 | 156 | 159 | - | |
| MBh | 24.7 | 25.1 | 25.8 | - | 24.5 | 24.9 | 25.6 | - | 23.9 | 24.2 | 25.0 | - | 22.8 | 23.1 | 23.9 | - | 21.4 | 21.8 | 22.5 | - | 20.2 | 20.6 | 21.3 | - | |
| S/T | 0.67 | 0.59 | 0.46 | - | 0.67 | 0.60 | 0.46 | - | 0.70 | 0.62 | 0.49 | - | 1.00 | 0.64 | 0.51 | - | 1.00 | 0.67 | 0.53 | - | 1.00 | 0.72 | 0.58 | - | |
| ΔT | 16.06 | 14.49 | 11.55 | - | 16.02 | 14.44 | 11.51 | - | 16.24 | 14.67 | 11.73 | - | 16.00 | 14.43 | 11.49 | - | 15.79 | 14.22 | 11.28 | - | 16.78 | 15.20 | 12.27 | - | |
| kW | 1.52 | 1.52 | 1.52 | - | 1.72 | 1.72 | 1.71 | - | 1.93 | 1.93 | 1.93 | - | 2.17 | 2.16 | 2.16 | - | 2.43 | 2.42 | 2.42 | - | 2.73 | 2.73 | 2.73 | - | |
| Amps | 6.09 | 6.08 | 6.07 | - | 6.97 | 6.96 | 6.95 | - | 7.96 | 7.95 | 7.93 | - | 9.02 | 9.02 | 9.00 | - | 10.21 | 10.21 | 10.19 | - | 11.61 | 11.60 | 11.59 | - | |
| Hi-PR | 246 | 247 | 248 | - | 284 | 285 | 287 | - | 324 | 325 | 327 | - | 368 | 369 | 370 | - | 414 | 415 | 417 | - | 464 | 465 | 467 | - | |
| Lo-PR | 124 | 126 | 129 | - | 132 | 133 | 136 | - | 138 | 140 | 143 | - | 144 | 145 | 148 | - | 149 | 151 | 154 | - | 156 | 157 | 160 | - | |
| 75 | MBh | 24.3 | 24.6 | 25.3 | 26.5 | 24.0 | 24.4 | 25.1 | 26.2 | 23.4 | 23.8 | 24.5 | 25.6 | 22.3 | 22.7 | 23.4 | 24.5 | 21.0 | 21.3 | 22.0 | 23.2 | 19.7 | 20.1 | 20.8 | 21.9 |
| | S/T | 0.69 | 0.61 | 0.47 | 0.3 | 0.69 | 0.62 | 0.48 | 0.3 | 1.00 | 0.64 | 0.51 | 0.4 | 1.00 | 0.66 | 0.52 | 0.4 | 1.00 | 0.68 | 0.55 | 0.4 | 1.00 | 0.73 | 0.60 | 0.5 |
| | ΔT | 21.15 | 19.58 | 16.64 | 13.6 | 21.11 | 19.53 | 16.60 | 13.6 | 20.33 | 18.76 | 15.82 | 12.8 | 20.09 | 18.52 | 15.58 | 12.5 | 20.88 | 19.31 | 16.37 | 13.3 | 21.87 | 20.29 | 17.36 | 14.3 |
| | kW | 1.51 | 1.50 | 1.50 | 1.5 | 1.70 | 1.70 | 1.69 | 1.7 | 1.91 | 1.91 | 1.91 | 1.9 | 2.15 | 2.15 | 2.14 | 2.2 | 2.41 | 2.41 | 2.40 | 2.4 | 2.71 | 2.71 | 2.71 | 2.7 |
| | Amps | 6.00 | 6.00 | 5.98 | 6.0 | 6.89 | 6.88 | 6.86 | 6.9 | 7.87 | 7.86 | 7.85 | 7.9 | 8.94 | 8.93 | 8.92 | 9.0 | 10.13 | 10.12 | 10.11 | 10.2 | 11.53 | 11.52 | 11.50 | 11.6 |
| | Hi-PR | 242 | 243 | 245 | 249.4 | 281 | 282 | 284 | 287.8 | 321 | 322 | 324 | 328.1 | 364 | 365 | 367 | 371.4 | 411 | 412 | 414 | 418.1 | 461 | 462 | 464 | 468.0 |
| | Lo-PR | 121 | 123 | 126 | 131.2 | 129 | 130 | 133 | 138.6 | 135 | 137 | 140 | 145.1 | 141 | 142 | 145 | 150.6 | 146 | 148 | 151 | 156.1 | 153 | 155 | 158 | 162.8 |
| | MBh | 24.5 | 24.9 | 25.6 | 26.7 | 24.3 | 24.7 | 25.4 | 26.5 | 23.7 | 24.0 | 24.7 | 25.9 | 22.6 | 22.9 | 23.6 | 24.8 | 21.2 | 21.6 | 22.3 | 23.4 | 20.0 | 20.4 | 21.1 | 22.2 |
| | S/T | 0.76 | 0.68 | 0.55 | 0.4 | 0.77 | 0.69 | 0.55 | 0.4 | 1.00 | 0.71 | 0.58 | 0.4 | 1.00 | 0.73 | 0.60 | 0.5 | 1.00 | 0.76 | 0.62 | 0.5 | 1.00 | 1.00 | 0.67 | 0.5 |
| | ΔT | 20.15 | 18.58 | 15.64 | 12.6 | 20.11 | 18.53 | 15.60 | 12.6 | 20.33 | 18.76 | 15.82 | 12.8 | 20.09 | 18.52 | 15.58 | 12.5 | 19.88 | 18.31 | 15.37 | 12.3 | 20.87 | 19.29 | 16.36 | 13.3 |
| | kW | 1.52 | 1.52 | 1.51 | 1.5 | 1.71 | 1.71 | 1.70 | 1.7 | 1.92 | 1.92 | 1.92 | 1.9 | 2.16 | 2.16 | 2.15 | 2.2 | 2.42 | 2.42 | 2.41 | 2.4 | 2.72 | 2.72 | 2.72 | 2.7 |
| | Amps | 6.05 | 6.05 | 6.03 | 6.1 | 6.94 | 6.93 | 6.91 | 7.0 | 7.92 | 7.91 | 7.90 | 8.0 | 8.99 | 8.98 | 8.96 | 9.0 | 10.18 | 10.17 | 10.15 | 10.2 | 11.57 | 11.57 | 11.55 | 11.6 |
| Hi-PR | 244 | 245 | 247 | 251.4 | 283 | 284 | 286 | 289.8 | 323 | 324 | 326 | 330.1 | 366 | 367 | 369 | 373.4 | 413 | 414 | 416 | 420.1 | 463 | 464 | 466 | 470.0 | |
| Lo-PR | 123 | 124 | 128 | 132.8 | 130 | 132 | 135 | 140.2 | 137 | 138 | 142 | 146.7 | 142 | 144 | 147 | 152.2 | 148 | 149 | 152 | 157.6 | 155 | 156 | 159 | 164.4 | |
| MBh | 24.8 | 25.1 | 25.8 | 26.9 | 24.5 | 24.9 | 25.6 | 26.7 | 23.9 | 24.2 | 25.0 | 26.1 | 22.8 | 23.1 | 23.9 | 25.0 | 21.5 | 21.8 | 22.5 | 23.6 | 20.2 | 20.6 | 21.3 | 22.4 | |
| S/T | 0.80 | 0.72 | 0.59 | 0.4 | 0.80 | 0.73 | 0.59 | 0.4 | 1.00 | 0.75 | 0.62 | 0.5 | 1.00 | 0.77 | 0.64 | 0.5 | 1.00 | 0.79 | 0.66 | 0.5 | 1.00 | 1.00 | 0.71 | 0.6 | |
| ΔT | 19.52 | 17.95 | 15.01 | 12.0 | 19.48 | 17.90 | 14.97 | 11.9 | 19.70 | 18.12 | 15.19 | 12.1 | 19.46 | 17.89 | 14.95 | 11.9 | 19.25 | 17.68 | 14.74 | 11.7 | 20.24 | 18.66 | 15.72 | 12.7 | |
| kW | 1.52 | 1.52 | 1.52 | 1.5 | 1.72 | 1.71 | 1.71 | 1.7 | 1.93 | 1.93 | 1.93 | 1.9 | 2.16 | 2.16 | 2.16 | 2.2 | 2.42 | 2.42 | 2.42 | 2.4 | 2.73 | 2.73 | 2.72 | 2.7 | |
| Amps | 6.08 | 6.08 | 6.06 | 6.1 | 6.97 | 6.96 | 6.94 | 7.0 | 7.95 | 7.94 | 7.93 | 8.0 | 9.02 | 9.01 | 8.99 | 9.1 | 10.21 | 10.20 | 10.19 | 10.3 | 11.60 | 11.60 | 11.58 | 11.6 | |
| Hi-PR | 246 | 247 | 249 | 252.8 | 284 | 285 | 287 | 291.2 | 324 | 326 | 327 | 331.5 | 368 | 369 | 371 | 374.8 | 415 | 416 | 417 | 421.5 | 464 | 465 | 467 | 471.4 | |
| Lo-PR | 124 | 126 | 129 | 134.0 | 132 | 133 | 136 | 141.4 | 138 | 140 | 143 | 148.0 | 144 | 145 | 148 | 153.5 | 149 | 151 | 154 | 158.9 | 156 | 157 | 160 | 165.7 | |

IDB = Entering Indoor Dry Bulb Temperature
 High and low pressures are measured at the liquid and suction access fittings.
 Design Subcooling, 5-7°F @ the liquid access fitting connection AHRI 95 test conditions. Design Superheat 15-18°F @ the compressor suction access fitting connection.
 Shaded area reflects AHRI (TVA) conditions.
 kW = Total system power
 Amps: Unit amps (comp.+ evaporator + condenser fan motors)

| | | OUTDOOR AMBIENT TEMPERATURE | | | | | | | | | | | | | | | | | | | | | | | |
|------------|-------|--------------------------------------|-------|-------|-------|-------|-------|-------|-------|-------|-------|-------|-------|-------|-------|-------|-------|-------|-------|-------|-------|-------|-------|-------|-------|
| | | 65 | | | | 75 | | | | 85 | | | | 95 | | | | 105 | | | | 115 | | | |
| | | ENTERING INDOOR WET BULB TEMPERATURE | | | | | | | | | | | | | | | | | | | | | | | |
| 700 | MBh | 24.4 | 24.7 | 25.5 | 26.6 | 24.2 | 24.5 | 25.2 | 26.4 | 23.5 | 23.9 | 24.6 | 25.7 | 22.4 | 22.8 | 23.5 | 24.6 | 21.1 | 21.4 | 22.2 | 23.3 | 19.9 | 20.2 | 20.9 | 22.1 |
| | S/T | 0.81 | 0.74 | 0.60 | 0.5 | 1.00 | 0.74 | 0.61 | 0.5 | 1.00 | 0.77 | 0.63 | 0.5 | 1.00 | 0.79 | 0.65 | 0.5 | 1.00 | 1.00 | 0.67 | 0.5 | 1.00 | 1.00 | 1.00 | 0.72 |
| | ΔT | 24.63 | 23.06 | 20.12 | 17.1 | 24.59 | 23.02 | 20.08 | 17.0 | 24.81 | 23.24 | 20.30 | 17.3 | 24.57 | 23.00 | 20.06 | 17.0 | 24.36 | 22.79 | 19.85 | 16.8 | 25.35 | 23.78 | 20.84 | 17.8 |
| | kW | 1.51 | 1.51 | 1.50 | 1.5 | 1.70 | 1.70 | 1.69 | 1.7 | 1.92 | 1.91 | 1.91 | 1.9 | 2.15 | 2.15 | 2.14 | 2.2 | 2.41 | 2.41 | 2.40 | 2.4 | 2.71 | 2.71 | 2.71 | 2.7 |
| | Amps | 6.01 | 6.00 | 5.99 | 6.1 | 6.89 | 6.88 | 6.87 | 6.9 | 7.88 | 7.87 | 7.85 | 7.9 | 8.94 | 8.94 | 8.92 | 9.0 | 10.13 | 10.13 | 10.11 | 10.2 | 11.53 | 11.52 | 11.51 | 11.6 |
| | Hi-PR | 243 | 244 | 246 | 249.8 | 281 | 282 | 284 | 288.3 | 321 | 323 | 324 | 328.5 | 365 | 366 | 368 | 371.8 | 412 | 413 | 414 | 418.6 | 461 | 462 | 464 | 468.5 |
| | Lo-PR | 122 | 123 | 127 | 131.7 | 129 | 131 | 134 | 139.2 | 136 | 137 | 140 | 145.7 | 141 | 143 | 146 | 151.2 | 147 | 148 | 151 | 156.6 | 154 | 155 | 158 | 163.4 |
| | MBh | 24.7 | 25.0 | 25.7 | 26.8 | 24.4 | 24.8 | 25.5 | 26.6 | 23.8 | 24.1 | 24.9 | 26.0 | 22.7 | 23.0 | 23.8 | 24.9 | 21.4 | 21.7 | 22.4 | 23.5 | 20.1 | 20.5 | 21.2 | 22.3 |
| | S/T | 1.00 | 0.81 | 0.67 | 0.5 | 1.00 | 0.82 | 0.68 | 0.5 | 1.00 | 0.84 | 0.70 | 0.6 | 1.00 | 0.86 | 0.72 | 0.6 | 1.00 | 1.00 | 0.75 | 0.6 | 1.00 | 1.00 | 1.00 | 0.80 |
| | ΔT | 23.63 | 22.06 | 19.12 | 16.1 | 23.59 | 22.02 | 19.08 | 16.0 | 23.81 | 22.24 | 19.30 | 16.3 | 23.57 | 22.00 | 19.06 | 16.0 | 23.36 | 21.79 | 18.85 | 15.8 | 24.35 | 22.78 | 19.84 | 16.8 |
| kW | 1.52 | 1.52 | 1.51 | 1.5 | 1.71 | 1.71 | 1.71 | 1.7 | 1.93 | 1.92 | 1.92 | 1.9 | 2.16 | 2.16 | 2.15 | 2.2 | 2.42 | 2.42 | 2.41 | 2.4 | 2.72 | 2.72 | 2.72 | 2.7 | |
| Amps | 6.06 | 6.05 | 6.04 | 6.1 | 6.94 | 6.93 | 6.92 | 7.0 | 7.92 | 7.92 | 7.90 | 8.0 | 8.99 | 8.98 | 8.97 | 9.0 | 10.18 | 10.17 | 10.16 | 10.2 | 11.58 | 11.57 | 11.56 | 11.6 | |
| Hi-PR | 245 | 246 | 248 | 251.8 | 283 | 284 | 286 | 290.3 | 323 | 325 | 326 | 330.5 | 367 | 368 | 370 | 373.9 | 414 | 415 | 416 | 420.6 | 463 | 464 | 466 | 470.5 | |
| Lo-PR | 123 | 125 | 128 | 133.3 | 131 | 132 | 136 | 140.7 | 137 | 139 | 142 | 147.3 | 143 | 144 | 148 | 152.8 | 148 | 150 | 153 | 158.2 | 155 | 157 | 160 | 165.0 | |
| MBh | 24.9 | 25.2 | 26.0 | 27.1 | 24.7 | 25.0 | 25.7 | 26.8 | 24.0 | 24.4 | 25.1 | 26.2 | 22.9 | 23.3 | 24.0 | 25.1 | 21.6 | 21.9 | 22.7 | 23.8 | 20.4 | 20.7 | 21.4 | 22.5 | |
| S/T | 1.00 | 0.85 | 0.71 | 0.6 | 1.00 | 0.85 | 0.72 | 0.6 | 1.00 | 0.88 | 0.74 | 0.6 | 1.00 | 1.00 | 0.76 | 0.6 | 1.00 | 1.00 | 0.78 | 0.6 | 1.00 | 1.00 | 1.00 | 0.84 | |
| ΔT | 23.00 | 21.43 | 18.49 | 15.4 | 22.96 | 21.39 | 18.45 | 15.4 | 23.18 | 21.61 | 18.67 | 15.6 | 22.94 | 21.37 | 18.43 | 15.4 | 22.73 | 21.16 | 18.22 | 15.2 | 23.72 | 22.14 | 19.21 | 16.2 | |
| kW | 1.52 | 1.52 | 1.52 | 1.5 | 1.72 | 1.72 | 1.71 | 1.7 | 1.93 | 1.93 | 1.93 | 1.9 | 2.17 | 2.16 | 2.16 | 2.2 | 2.43 | 2.42 | 2.42 | 2.4 | 2.73 | 2.73 | 2.73 | 2.7 | |
| Amps | 6.09 | 6.08 | 6.07 | 6.1 | 6.97 | 6.96 | 6.95 | 7.0 | 7.96 | 7.95 | 7.93 | 8.0 | 9.02 | 9.01 | 9.00 | 9.1 | 10.21 | 10.20 | 10.19 | 10.3 | 11.61 | 11.60 | 11.59 | 11.7 | |
| Hi-PR | 246 | 247 | 249 | 253.2 | 285 | 286 | 287 | 291.7 | 325 | 326 | 328 | 331.9 | 368 | 369 | 371 | 375.3 | 415 | 416 | 418 | 422.0 | 465 | 466 | 468 | 471.9 | |
| Lo-PR | 125 | 126 | 129 | 134.5 | 132 | 134 | 137 | 142.0 | 139 | 140 | 143 | 148.5 | 144 | 146 | 149 | 154.0 | 150 | 151 | 154 | 159.4 | 156 | 158 | 161 | 166.2 | |
| MBh | 24.8 | 25.1 | 25.9 | 27.0 | 24.6 | 24.9 | 25.7 | 26.8 | 23.9 | 24.3 | 25.0 | 26.1 | 22.8 | 23.2 | 23.9 | 25.0 | 21.5 | 21.9 | 22.6 | 23.7 | 20.3 | 20.6 | 21.4 | 22.5 | |
| S/T | 1.00 | 0.84 | 0.70 | 0.6 | 1.00 | 0.84 | 0.71 | 0.6 | 1.00 | 1.00 | 0.73 | 0.6 | 1.00 | 1.00 | 0.75 | 0.6 | 1.00 | 1.00 | 0.77 | 0.6 | 1.00 | 1.00 | 1.00 | 0.7 | |
| ΔT | 27.72 | 26.15 | 23.21 | 20.2 | 27.68 | 26.11 | 23.17 | 20.1 | 27.90 | 26.33 | 23.39 | 20.3 | 27.66 | 26.09 | 23.15 | 20.1 | 27.45 | 25.88 | 22.94 | 19.9 | 28.44 | 26.86 | 23.93 | 20.9 | |
| kW | 1.51 | 1.51 | 1.51 | 1.5 | 1.70 | 1.70 | 1.70 | 1.7 | 1.92 | 1.92 | 1.91 | 1.9 | 2.15 | 2.15 | 2.15 | 2.2 | 2.41 | 2.41 | 2.41 | 2.4 | 2.72 | 2.72 | 2.71 | 2.7 | |
| Amps | 6.03 | 6.02 | 6.00 | 6.1 | 6.91 | 6.90 | 6.89 | 7.0 | 7.89 | 7.89 | 7.87 | 7.9 | 8.96 | 8.95 | 8.94 | 9.0 | 10.15 | 10.14 | 10.13 | 10.2 | 11.55 | 11.54 | 11.53 | 11.6 | |
| Hi-PR | 244 | 245 | 247 | 251.0 | 282 | 283 | 285 | 289.4 | 323 | 324 | 325 | 329.6 | 366 | 367 | 369 | 373.0 | 413 | 414 | 415 | 419.7 | 463 | 464 | 465 | 469.6 | |
| Lo-PR | 124 | 125 | 128 | 133.5 | 131 | 133 | 136 | 141.0 | 138 | 139 | 142 | 147.5 | 143 | 145 | 148 | 153.0 | 149 | 150 | 153 | 158.4 | 155 | 157 | 160 | 165.2 | |
| MBh | 25.1 | 25.4 | 26.1 | 27.3 | 24.8 | 25.2 | 25.9 | 27.0 | 24.2 | 24.6 | 25.3 | 26.4 | 23.1 | 23.5 | 24.2 | 25.3 | 21.8 | 22.1 | 22.8 | 24.0 | 20.5 | 20.9 | 21.6 | 22.7 | |
| S/T | 1.00 | 0.91 | 0.77 | 0.6 | 1.00 | 0.92 | 0.78 | 0.6 | 1.00 | 1.00 | 0.81 | 0.7 | 1.00 | 1.00 | 0.83 | 0.7 | 1.00 | 1.00 | 0.85 | 0.7 | 1.00 | 1.00 | 1.00 | 0.8 | |
| ΔT | 26.72 | 25.15 | 22.21 | 19.2 | 26.68 | 25.11 | 22.17 | 19.1 | 26.90 | 25.33 | 22.39 | 19.3 | 26.66 | 25.09 | 22.15 | 19.1 | 26.45 | 24.88 | 21.94 | 18.9 | 27.44 | 25.86 | 22.93 | 19.9 | |
| kW | 1.52 | 1.52 | 1.52 | 1.5 | 1.71 | 1.71 | 1.71 | 1.7 | 1.93 | 1.93 | 1.92 | 1.9 | 2.16 | 2.16 | 2.16 | 2.2 | 2.42 | 2.42 | 2.42 | 2.4 | 2.73 | 2.73 | 2.72 | 2.7 | |
| Amps | 6.07 | 6.07 | 6.05 | 6.1 | 6.96 | 6.95 | 6.93 | 7.0 | 7.94 | 7.93 | 7.92 | 8.0 | 9.01 | 9.00 | 8.99 | 9.1 | 10.20 | 10.19 | 10.18 | 10.2 | 11.60 | 11.59 | 11.57 | 11.6 | |
| Hi-PR | 246 | 247 | 249 | 253.0 | 284 | 285 | 287 | 291.4 | 325 | 326 | 327 | 331.7 | 368 | 369 | 371 | 375.0 | 415 | 416 | 417 | 421.7 | 465 | 466 | 467 | 471.6 | |
| Lo-PR | 125 | 127 | 130 | 135.1 | 133 | 134 | 137 | 142.6 | 139 | 141 | 144 | 149.1 | 145 | 146 | 149 | 154.6 | 150 | 152 | 155 | 160.0 | 157 | 158 | 162 | 166.8 | |
| MBh | 25.3 | 25.6 | 26.4 | 27.5 | 25.1 | 25.4 | 26.1 | 27.3 | 24.4 | 24.8 | 25.5 | 26.6 | 23.3 | 23.7 | 24.4 | 25.5 | 22.0 | 22.3 | 23.1 | 24.2 | 20.8 | 21.1 | 21.8 | 23.0 | |
| S/T | 1.00 | 0.95 | 0.81 | 0.7 | 1.00 | 1.00 | 0.82 | 0.7 | 1.00 | 1.00 | 0.84 | 0.7 | 1.00 | 1.00 | 0.86 | 0.7 | 1.00 | 1.00 | 0.89 | 0.7 | 1.00 | 1.00 | 1.00 | 0.8 | |
| ΔT | 26.09 | 24.52 | 21.58 | 18.5 | 26.05 | 24.47 | 21.54 | 18.5 | 26.27 | 24.70 | 21.76 | 18.7 | 26.03 | 24.46 | 21.52 | 18.5 | 25.82 | 24.25 | 21.31 | 18.3 | 26.81 | 25.23 | 22.30 | 19.3 | |
| kW | 1.53 | 1.53 | 1.52 | 1.5 | 1.72 | 1.72 | 1.72 | 1.7 | 1.94 | 1.93 | 1.93 | 1.9 | 2.17 | 2.17 | 2.16 | 2.2 | 2.43 | 2.43 | 2.42 | 2.4 | 2.73 | 2.73 | 2.73 | 2.7 | |
| Amps | 6.10 | 6.10 | 6.08 | 6.2 | 6.99 | 6.98 | 6.96 | 7.0 | 7.97 | 7.96 | 7.95 | 8.0 | 9.04 | 9.03 | 9.02 | 9.1 | 10.23 | 10.22 | 10.21 | 10.3 | 11.63 | 11.62 | 11.60 | 11.7 | |
| Hi-PR | 247 | 248 | 250 | 254.4 | 286 | 287 | 289 | 292.8 | 326 | 327 | 329 | 333.1 | 369 | 370 | 372 | 376.4 | 416 | 417 | 419 | 423.1 | 466 | 467 | 469 | 473.0 | |
| Lo-PR | 127 | 128 | 131 | 136.4 | 134 | 135 | 139 | 143.8 | 141 | 142 | 145 | 150.3 | 146 | 148 | 151 | 155.9 | 151 | 153 | 156 | 161.3 | 158 | 160 | 163 | 168.0 | |

IDB = Entering Indoor Dry Bulb Temperature
 High and low pressures are measured at the liquid and suction access fittings.
 Design Subcooling, 5-7 °F @ the liquid access fitting connection AHR1 95 test conditions. Design Superheat 15-18°F @ the compressor suction access fitting connection.
 Shaded area reflects AHR1 conditions.
 kW = Total system power
 Amps: Unit amps (comp.+ evaporator + condenser fan motors)

| | | OUTDOOR AMBIENT TEMPERATURE | | | | | | | | | | | | 105 | | | | | | | | | | | | 115 | | | | | | | | | | | |
|-----------|------------|--------------------------------------|-------|-------|-------|-------|-------|-------|-------|-------|-------|-------|-------|--------------|--------------|-------|-------|-------|-------|-------|-------|-------|-------|-------|-------|------|----|----|----|--|--|--|--|--|--|--|--|
| | | 75 | | | | | | 85 | | | | | | 95 | | | | | | 105 | | | | | | 115 | | | | | | | | | | | |
| | | ENTERING INDOOR WET BULB TEMPERATURE | | | | | | | | | | | | 105 | | | | | | | | | | | | 115 | | | | | | | | | | | |
| AIRFLOW | | 59 | 63 | 67 | 71 | 59 | 63 | 67 | 71 | 59 | 63 | 67 | 71 | 59 | 63 | 67 | 71 | 59 | 63 | 67 | 71 | 59 | 63 | 67 | 71 | 59 | 63 | 67 | 71 | | | | | | | | |
| 70 | 875 | MBh | 0.0 | 28.4 | 29.2 | - | 27.7 | 28.1 | 29.0 | - | 27.0 | 27.4 | 28.2 | - | 25.7 | 26.1 | 27.0 | - | 24.2 | 24.6 | 25.4 | - | 22.8 | 23.2 | 24.0 | - | | | | | | | | | | | |
| | | S/T | 0.62 | 0.54 | 0.39 | - | 0.63 | 0.54 | 0.40 | - | 0.65 | 0.57 | 0.43 | - | 1.00 | 0.59 | 0.45 | - | 1.00 | 0.62 | 0.47 | - | 1.00 | 0.67 | 0.53 | - | | | | | | | | | | | |
| | | ΔT | 18.23 | 16.58 | 13.50 | - | 18.19 | 16.54 | 13.46 | - | 18.42 | 16.77 | 13.69 | - | 18.17 | 16.52 | 13.44 | - | 17.95 | 16.30 | 13.22 | - | 18.98 | 17.33 | 14.25 | - | | | | | | | | | | | |
| | | kW | 1.74 | 1.73 | 1.73 | - | 1.96 | 1.96 | 1.95 | - | 2.21 | 2.20 | 2.20 | - | 2.47 | 2.47 | 2.47 | - | 2.77 | 2.77 | 2.77 | - | 3.13 | 3.12 | 3.12 | - | | | | | | | | | | | |
| | | Amps | 6.84 | 6.83 | 6.81 | - | 7.86 | 7.85 | 7.83 | - | 8.99 | 8.98 | 8.97 | - | 10.22 | 10.21 | 10.20 | - | 11.59 | 11.59 | 11.57 | - | 13.21 | 13.20 | 13.18 | - | | | | | | | | | | | |
| | Hi PR | 249 | 251 | 252 | - | 289 | 290 | 292 | - | 330 | 331 | 333 | - | 375 | 376 | 378 | - | 423 | 424 | 426 | - | 474 | 475 | 477 | - | | | | | | | | | | | | |
| | Lo PR | 124 | 126 | 129 | - | 132 | 134 | 137 | - | 139 | 140 | 143 | - | 144 | 146 | 149 | - | 150 | 151 | 155 | - | 157 | 158 | 161 | - | | | | | | | | | | | | |
| | MBh | 28.4 | 28.8 | 29.7 | - | 28.2 | 28.6 | 29.4 | - | 27.5 | 27.9 | 28.7 | - | 26.2 | 26.6 | 27.4 | - | 24.7 | 25.1 | 25.9 | - | 23.3 | 23.6 | 24.5 | - | | | | | | | | | | | | |
| | S/T | 0.71 | 0.63 | 0.49 | - | 0.72 | 0.64 | 0.49 | - | 0.75 | 0.66 | 0.52 | - | 1.00 | 0.69 | 0.54 | - | 1.00 | 0.71 | 0.56 | - | 1.00 | 0.76 | 0.62 | - | | | | | | | | | | | | |
| | ΔT | 16.85 | 15.20 | 12.12 | - | 16.81 | 15.16 | 12.07 | - | 17.04 | 15.39 | 12.31 | - | 16.79 | 15.14 | 12.06 | - | 16.57 | 14.92 | 11.84 | - | 17.60 | 15.95 | 12.87 | - | | | | | | | | | | | | |
| kW | 1.75 | 1.75 | 1.75 | - | 1.97 | 1.97 | 1.97 | - | 2.22 | 2.22 | 2.22 | - | 2.49 | 2.49 | 2.48 | - | 2.79 | 2.79 | 2.78 | - | 3.14 | 3.14 | 3.14 | - | | | | | | | | | | | | | |
| Amps | 6.91 | 6.90 | 6.89 | - | 7.93 | 7.92 | 7.90 | - | 9.06 | 9.06 | 9.04 | - | 10.29 | 10.29 | 10.27 | - | 11.67 | 11.66 | 11.64 | - | 13.28 | 13.27 | 13.25 | - | | | | | | | | | | | | | |
| Hi PR | 252 | 253 | 255 | - | 292 | 293 | 295 | - | 333 | 334 | 336 | - | 378 | 379 | 381 | - | 426 | 427 | 429 | - | 477 | 478 | 480 | - | | | | | | | | | | | | | |
| Lo PR | 127 | 128 | 132 | - | 134 | 136 | 139 | - | 141 | 143 | 146 | - | 147 | 148 | 151 | - | 152 | 154 | 157 | - | 159 | 161 | 164 | - | | | | | | | | | | | | | |
| MBh | 28.7 | 29.1 | 29.9 | - | 28.4 | 28.8 | 29.7 | - | 27.7 | 28.1 | 28.9 | - | 26.4 | 26.8 | 27.7 | - | 24.9 | 25.3 | 26.1 | - | 23.5 | 23.9 | 24.7 | - | | | | | | | | | | | | | |
| S/T | 0.74 | 0.65 | 0.51 | - | 0.74 | 0.66 | 0.52 | - | 0.77 | 0.69 | 0.54 | - | 1.00 | 0.71 | 0.56 | - | 1.00 | 0.73 | 0.59 | - | 1.00 | 0.79 | 0.64 | - | | | | | | | | | | | | | |
| ΔT | 16.36 | 14.71 | 11.63 | - | 16.31 | 14.66 | 11.58 | - | 16.55 | 14.89 | 11.81 | - | 16.30 | 14.65 | 11.56 | - | 16.08 | 14.42 | 11.34 | - | 17.11 | 15.46 | 12.38 | - | | | | | | | | | | | | | |
| kW | 1.76 | 1.76 | 1.75 | - | 1.98 | 1.98 | 1.97 | - | 2.23 | 2.23 | 2.22 | - | 2.50 | 2.49 | 2.49 | - | 2.80 | 2.79 | 2.79 | - | 3.15 | 3.15 | 3.14 | - | | | | | | | | | | | | | |
| Amps | 6.94 | 6.93 | 6.91 | - | 7.95 | 7.94 | 7.93 | - | 9.09 | 9.08 | 9.07 | - | 10.32 | 10.31 | 10.29 | - | 11.69 | 11.69 | 11.67 | - | 13.30 | 13.30 | 13.28 | - | | | | | | | | | | | | | |
| Hi PR | 254 | 255 | 256 | - | 293 | 294 | 296 | - | 334 | 335 | 337 | - | 379 | 380 | 382 | - | 427 | 428 | 430 | - | 478 | 479 | 481 | - | | | | | | | | | | | | | |
| Lo PR | 128 | 130 | 133 | - | 136 | 137 | 140 | - | 142 | 144 | 147 | - | 148 | 149 | 153 | - | 153 | 155 | 158 | - | 160 | 162 | 165 | - | | | | | | | | | | | | | |
| 75 | 875 | MBh | 28.0 | 28.4 | 29.2 | 30.5 | 27.7 | 28.1 | 29.0 | 30.3 | 27.0 | 27.4 | 28.2 | 29.5 | 25.7 | 26.1 | 27.0 | 28.3 | 24.2 | 24.6 | 25.4 | 26.7 | 22.8 | 23.2 | 24.0 | 25.3 | | | | | | | | | | | |
| | | S/T | 0.76 | 0.68 | 0.53 | 0.4 | 0.76 | 0.68 | 0.54 | 0.4 | 1.00 | 0.71 | 0.56 | 0.4 | 1.00 | 0.73 | 0.59 | 0.4 | 1.00 | 0.75 | 0.61 | 0.5 | 1.00 | 1.00 | 0.66 | 0.5 | | | | | | | | | | | |
| | | ΔT | 21.86 | 20.21 | 17.13 | 13.9 | 21.82 | 20.17 | 17.08 | 13.9 | 22.05 | 20.40 | 17.32 | 14.1 | 21.80 | 20.15 | 17.07 | 13.9 | 21.58 | 19.93 | 16.85 | 13.7 | 22.61 | 20.96 | 17.88 | 14.7 | | | | | | | | | | | |
| | | kW | 1.73 | 1.73 | 1.73 | 1.7 | 1.96 | 1.95 | 1.95 | 2.0 | 2.20 | 2.20 | 2.20 | 2.2 | 2.47 | 2.47 | 2.47 | 2.8 | 2.77 | 2.77 | 2.77 | 2.8 | 3.12 | 3.12 | 3.12 | 3.1 | | | | | | | | | | | |
| | | Amps | 6.83 | 6.82 | 6.81 | 6.9 | 7.85 | 7.84 | 7.82 | 7.9 | 8.98 | 8.98 | 8.96 | 9.0 | 10.21 | 10.21 | 10.19 | 10.3 | 11.59 | 11.58 | 11.56 | 11.6 | 13.20 | 13.19 | 13.17 | 13.3 | | | | | | | | | | | |
| | Hi PR | 250 | 251 | 253 | 256.9 | 289 | 290 | 292 | 296.4 | 331 | 332 | 333 | 337.8 | 375 | 376 | 378 | 382.3 | 423 | 424 | 426 | 430.3 | 474 | 475 | 477 | 481.6 | | | | | | | | | | | | |
| | Lo PR | 124 | 126 | 129 | 134.5 | 132 | 134 | 137 | 142.1 | 139 | 140 | 143 | 148.8 | 144 | 146 | 149 | 154.4 | 150 | 151 | 155 | 159.9 | 157 | 158 | 162 | 166.9 | | | | | | | | | | | | |
| | MBh | 28.5 | 28.9 | 29.7 | 31.0 | 28.2 | 28.6 | 29.4 | 30.7 | 27.5 | 27.9 | 28.7 | 30.0 | 26.2 | 26.6 | 27.5 | 28.7 | 26.5 | 24.7 | 25.1 | 25.9 | 27.2 | 23.3 | 23.7 | 24.5 | 25.8 | | | | | | | | | | | |
| | S/T | 0.85 | 0.77 | 0.62 | 0.5 | 1.00 | 0.78 | 0.63 | 0.5 | 1.00 | 0.80 | 0.66 | 0.5 | 1.00 | 0.82 | 0.68 | 0.5 | 1.00 | 0.85 | 0.70 | 0.5 | 1.00 | 1.00 | 0.76 | 0.6 | | | | | | | | | | | | |
| | ΔT | 20.48 | 18.83 | 15.75 | 12.6 | 20.44 | 18.79 | 15.70 | 12.5 | 20.67 | 19.02 | 15.94 | 12.7 | 20.42 | 18.77 | 15.69 | 12.5 | 20.20 | 18.55 | 15.47 | 12.3 | 21.23 | 19.58 | 16.50 | 13.3 | | | | | | | | | | | | |
| kW | 1.75 | 1.75 | 1.74 | 1.8 | 1.97 | 1.97 | 1.97 | 2.0 | 2.22 | 2.22 | 2.21 | 2.2 | 2.49 | 2.49 | 2.48 | 2.5 | 2.79 | 2.79 | 2.78 | 2.8 | 3.14 | 3.14 | 3.14 | 3.2 | | | | | | | | | | | | | |
| Amps | 6.90 | 6.90 | 6.88 | 7.0 | 7.92 | 7.91 | 7.90 | 8.0 | 9.06 | 9.05 | 9.03 | 9.1 | 10.29 | 10.28 | 10.26 | 10.3 | 11.66 | 11.65 | 11.64 | 11.7 | 13.27 | 13.26 | 13.25 | 13.3 | | | | | | | | | | | | | |
| Hi PR | 253 | 254 | 255 | 259.8 | 292 | 293 | 295 | 299.3 | 333 | 335 | 336 | 340.6 | 378 | 379 | 381 | 385.2 | 426 | 427 | 429 | 433.2 | 477 | 478 | 480 | 484.5 | | | | | | | | | | | | | |
| Lo PR | 127 | 128 | 132 | 136.9 | 134 | 136 | 139 | 144.5 | 141 | 143 | 146 | 151.2 | 147 | 148 | 152 | 156.8 | 152 | 154 | 157 | 162.4 | 159 | 161 | 164 | 169.3 | | | | | | | | | | | | | |
| MBh | 28.7 | 29.1 | 29.9 | 31.2 | 28.5 | 28.9 | 29.7 | 31.0 | 27.7 | 28.1 | 29.0 | 30.2 | 26.5 | 26.9 | 27.7 | 29.0 | 24.9 | 25.3 | 26.2 | 27.4 | 23.5 | 23.9 | 24.7 | 26.0 | | | | | | | | | | | | | |
| S/T | 0.87 | 0.79 | 0.65 | 0.5 | 1.00 | 0.80 | 0.65 | 0.5 | 1.00 | 0.83 | 0.68 | 0.5 | 1.00 | 0.85 | 0.70 | 0.5 | 1.00 | 1.00 | 0.73 | 0.6 | 1.00 | 1.00 | 0.78 | 0.6 | | | | | | | | | | | | | |
| ΔT | 19.99 | 18.34 | 15.25 | 12.1 | 19.94 | 18.29 | 15.21 | 12.0 | 20.17 | 18.52 | 15.44 | 12.2 | 19.93 | 18.27 | 15.19 | 12.0 | 19.71 | 18.05 | 14.97 | 11.8 | 20.74 | 19.09 | 16.01 | 12.8 | | | | | | | | | | | | | |
| kW | 1.76 | 1.75 | 1.75 | 1.8 | 1.98 | 1.98 | 1.97 | 2.0 | 2.23 | 2.22 | 2.22 | 2.2 | 2.49 | 2.49 | 2.49 | 2.5 | 2.79 | 2.79 | 2.79 | 2.8 | 3.15 | 3.14 | 3.14 | 3.2 | | | | | | | | | | | | | |
| Amps | 6.93 | 6.92 | 6.91 | 7.0 | 7.95 | 7.94 | 7.92 | 8.0 | 9.08 | 9.08 | 9.06 | 9.1 | 10.31 | 10.31 | 10.29 | 10.4 | 11.69 | 11.68 | 11.66 | 11.7 | 13.30 | 13.29 | 13.27 | 13.4 | | | | | | | | | | | | | |
| Hi PR | 254 | 255 | 257 | 261.0 | 293 | 294 | 296 | 300.4 | 335 | 336 | 337 | 341.8 | 379 | 380 | 382 | 386.4 | 427 | 428 | 430 | 434.4 | 478 | 480 | 481 | 485.6 | | | | | | | | | | | | | |
| Lo PR | 128 | 130 | 133 | 138.1 | 136 | 137 | 140 | 145.7 | 142 | 144 | 147 | 152.3 | 148 | 149 | 153 | 158.0 | 153 | 155 | 158 | 163.5 | 160 | 162 | 165 | 170.4 | | | | | | | | | | | | | |

IDB = Entering Indoor Dry Bulb Temperature
 High and low pressures are measured at the liquid and suction access fittings.
 Design Subcooling, 5-7°F @ the liquid access fitting connection AHR1 95 test conditions. Design Superheat 15-18°F @ the compressor suction access fitting connection.
 Shaded area reflects AHR1 (TVA) conditions.
 Amperage: Unit amps (comp.+ evaporator + condenser fan motors)
 kW = Total system power

| IDB | | OUTDOOR AMBIENT TEMPERATURE | | | | | | | | | | | | | | | | | | | | | | | | | | | | | | | | | | | | | | | | | | | | | | | |
|--------------------------------------|-------|-----------------------------|-------|---------|-------|-------|-------|-------|-------|-------|-------|-------|-------|-------|-------|-------|-------|-------|-------|-------|-------|-------|-------|-------|-------|-------|-------|-------|-------|-------|-------|-------|-------|------|--|--|--|--|--|--|--|-----|--|--|--|--|--|--|--|
| | | 65 | | | | | | | | 75 | | | | | | | | 85 | | | | | | | | 95 | | | | | | | | 105 | | | | | | | | 115 | | | | | | | |
| | | 59 | 63 | 67 | 71 | 59 | 63 | 67 | 71 | 59 | 63 | 67 | 71 | 59 | 63 | 67 | 71 | 59 | 63 | 67 | 71 | 59 | 63 | 67 | 71 | 59 | 63 | 67 | 71 | 59 | 63 | 67 | 71 | | | | | | | | | | | | | | | | |
| ENTERING INDOOR WET BULB TEMPERATURE | | | | | | | | | | | | | | | | | | | | | | | | | | | | | | | | | | | | | | | | | | | | | | | | | |
| AIRFLOW | | 59 | 63 | 67 | 71 | 59 | 63 | 67 | 71 | 59 | 63 | 67 | 71 | 59 | 63 | 67 | 71 | 59 | 63 | 67 | 71 | 59 | 63 | 67 | 71 | 59 | 63 | 67 | 71 | 59 | 63 | 67 | 71 | | | | | | | | | | | | | | | | |
| 70 | 1050 | MBh | 35.4 | 35.9 | 37.0 | - | 35.1 | 35.6 | 36.6 | - | 34.2 | 34.7 | 35.7 | - | 32.6 | 33.1 | 34.1 | - | 30.6 | 31.1 | 32.2 | - | 28.9 | 29.4 | 30.4 | - | 30.6 | 31.1 | 32.2 | - | 28.9 | 29.4 | 30.4 | - | | | | | | | | | | | | | | | |
| | | S/T | 0.62 | 0.55 | 0.41 | - | 0.63 | 0.55 | 0.41 | - | 0.66 | 0.58 | 0.44 | - | 1.00 | 0.60 | 0.46 | - | 1.00 | 0.62 | 0.48 | - | 1.00 | 0.67 | 0.53 | - | 1.00 | 0.62 | 0.48 | - | 1.00 | 0.67 | 0.53 | - | | | | | | | | | | | | | | | |
| | | ΔT | 19.20 | 17.43 | 14.11 | - | 19.15 | 17.38 | 14.06 | - | 19.40 | 17.63 | 14.31 | - | 19.14 | 17.36 | 14.04 | - | 18.90 | 17.12 | 13.81 | - | 20.01 | 18.24 | 14.92 | - | 18.90 | 17.12 | 13.81 | - | 20.01 | 18.24 | 14.92 | - | | | | | | | | | | | | | | | |
| | | kW | 2.21 | 2.20 | 2.20 | - | 2.48 | 2.48 | 2.48 | - | 2.79 | 2.79 | 2.78 | - | 3.12 | 3.12 | 3.12 | - | 3.50 | 3.50 | 3.49 | - | 3.94 | 3.93 | 3.93 | - | 3.50 | 3.50 | 3.49 | - | 3.94 | 3.93 | 3.93 | - | | | | | | | | | | | | | | | |
| | | Amps | 8.85 | 8.84 | 8.82 | - | 10.12 | 10.11 | 10.08 | - | 11.53 | 11.52 | 11.50 | - | 13.06 | 13.05 | 13.03 | - | 14.77 | 14.76 | 14.73 | - | 16.77 | 16.76 | 16.74 | - | 14.77 | 14.76 | 14.73 | - | 16.77 | 16.76 | 16.74 | - | | | | | | | | | | | | | | | |
| | Hi PR | 250 | 251 | 253 | - | 289 | 290 | 292 | - | 331 | 332 | 334 | - | 375 | 376 | 378 | - | 423 | 424 | 426 | - | 474 | 475 | 477 | - | 423 | 424 | 426 | - | 474 | 475 | 477 | - | | | | | | | | | | | | | | | | |
| | Lo PR | 126 | 127 | 130 | - | 133 | 135 | 138 | - | 140 | 141 | 145 | - | 146 | 147 | 150 | - | 151 | 153 | 156 | - | 158 | 160 | 163 | - | 151 | 153 | 156 | - | 158 | 160 | 163 | - | | | | | | | | | | | | | | | | |
| | 1200 | MBh | 35.9 | 36.4 | 37.4 | - | 35.6 | 36.1 | 37.1 | - | 34.6 | 35.1 | 36.2 | - | 33.0 | 33.5 | 34.6 | - | 31.1 | 31.6 | 32.7 | - | 29.3 | 29.8 | 30.9 | - | 31.1 | 31.6 | 32.7 | - | 29.3 | 29.8 | 30.9 | - | | | | | | | | | | | | | | | |
| | | S/T | 0.69 | 0.61 | 0.47 | - | 0.69 | 0.61 | 0.47 | - | 0.72 | 0.64 | 0.50 | - | 1.00 | 0.66 | 0.52 | - | 1.00 | 0.68 | 0.54 | - | 1.00 | 0.73 | 0.60 | - | 1.00 | 0.68 | 0.54 | - | 1.00 | 0.73 | 0.60 | - | | | | | | | | | | | | | | | |
| | | ΔT | 18.13 | 16.35 | 13.04 | - | 18.08 | 16.31 | 12.99 | - | 18.33 | 16.56 | 13.24 | - | 18.06 | 16.29 | 12.97 | - | 17.83 | 16.05 | 12.73 | - | 18.94 | 17.16 | 13.85 | - | 17.83 | 16.05 | 12.73 | - | 18.94 | 17.16 | 13.85 | - | | | | | | | | | | | | | | | |
| kW | | 2.22 | 2.22 | 2.21 | - | 2.50 | 2.49 | 2.49 | - | 2.81 | 2.80 | 2.80 | - | 3.14 | 3.14 | 3.13 | - | 3.51 | 3.51 | 3.51 | - | 3.95 | 3.95 | 3.94 | - | 3.51 | 3.51 | 3.51 | - | 3.95 | 3.95 | 3.94 | - | | | | | | | | | | | | | | | | |
| Amps | | 8.92 | 8.91 | 8.88 | - | 10.18 | 10.17 | 10.15 | - | 11.59 | 11.58 | 11.56 | - | 13.12 | 13.11 | 13.09 | - | 14.83 | 14.82 | 14.80 | - | 16.83 | 16.82 | 16.80 | - | 14.83 | 14.82 | 14.80 | - | 16.83 | 16.82 | 16.80 | - | | | | | | | | | | | | | | | | |
| Hi PR | 252 | 253 | 255 | - | 292 | 293 | 294 | - | 333 | 334 | 336 | - | 377 | 378 | 380 | - | 425 | 426 | 428 | - | 477 | 478 | 479 | - | 425 | 426 | 428 | - | 477 | 478 | 479 | - | | | | | | | | | | | | | | | | | |
| Lo PR | 127 | 129 | 132 | - | 135 | 137 | 140 | - | 142 | 143 | 147 | - | 147 | 149 | 152 | - | 153 | 155 | 158 | - | 160 | 161 | 165 | - | 153 | 155 | 158 | - | 160 | 161 | 165 | - | | | | | | | | | | | | | | | | | |
| 1350 | MBh | 36.4 | 36.9 | 38.0 | - | 36.1 | 36.6 | 37.7 | - | 35.2 | 35.7 | 36.7 | - | 33.6 | 34.1 | 35.2 | - | 31.7 | 32.2 | 33.2 | - | 29.9 | 30.4 | 31.4 | - | 31.7 | 32.2 | 33.2 | - | 29.9 | 30.4 | 31.4 | - | | | | | | | | | | | | | | | | |
| | S/T | 0.72 | 0.64 | 0.50 | - | 0.73 | 0.65 | 0.51 | - | 1.00 | 0.67 | 0.53 | - | 1.00 | 0.69 | 0.55 | - | 1.00 | 0.72 | 0.58 | - | 1.00 | 1.00 | 0.63 | - | 1.00 | 0.72 | 0.58 | - | 1.00 | 1.00 | 0.63 | - | | | | | | | | | | | | | | | | |
| | ΔT | 17.23 | 15.45 | 12.14 | - | 17.18 | 15.40 | 12.09 | - | 17.43 | 15.65 | 12.34 | - | 17.16 | 15.38 | 12.07 | - | 16.92 | 15.15 | 11.83 | - | 18.04 | 16.26 | 12.94 | - | 16.92 | 15.15 | 11.83 | - | 18.04 | 16.26 | 12.94 | - | | | | | | | | | | | | | | | | |
| | kW | 2.23 | 2.23 | 2.23 | - | 2.51 | 2.51 | 2.50 | - | 2.82 | 2.82 | 2.81 | - | 3.15 | 3.15 | 3.14 | - | 3.52 | 3.52 | 3.52 | - | 3.96 | 3.96 | 3.96 | - | 3.52 | 3.52 | 3.52 | - | 3.96 | 3.96 | 3.96 | - | | | | | | | | | | | | | | | | |
| | Amps | 8.97 | 8.96 | 8.94 | - | 10.24 | 10.23 | 10.20 | - | 11.65 | 11.64 | 11.62 | - | 13.18 | 13.17 | 13.15 | - | 14.89 | 14.88 | 14.85 | - | 16.89 | 16.88 | 16.86 | - | 14.89 | 14.88 | 14.85 | - | 16.89 | 16.88 | 16.86 | - | | | | | | | | | | | | | | | | |
| Hi PR | 254 | 255 | 257 | - | 294 | 295 | 296 | - | 335 | 336 | 338 | - | 379 | 380 | 382 | - | 427 | 428 | 430 | - | 479 | 480 | 481 | - | 427 | 428 | 430 | - | 479 | 480 | 481 | - | | | | | | | | | | | | | | | | | |
| Lo PR | 129 | 131 | 134 | - | 137 | 139 | 142 | - | 144 | 145 | 149 | - | 149 | 151 | 154 | - | 155 | 157 | 160 | - | 162 | 164 | 167 | - | 155 | 157 | 160 | - | 162 | 164 | 167 | - | | | | | | | | | | | | | | | | | |
| 75 | 1050 | MBh | 35.4 | 35.9 | 37.0 | 38.6 | 35.1 | 35.6 | 36.7 | 38.3 | 34.2 | 34.7 | 35.7 | 37.4 | 32.6 | 33.1 | 34.2 | 35.8 | 30.6 | 31.1 | 32.2 | 33.8 | 28.9 | 29.4 | 30.4 | 32.0 | 30.6 | 31.1 | 32.2 | 33.8 | 28.9 | 29.4 | 30.4 | 32.0 | | | | | | | | | | | | | | | |
| | | S/T | 0.76 | 0.68 | 0.54 | 0.4 | 1.00 | 0.68 | 0.54 | 0.4 | 1.00 | 0.71 | 0.57 | 0.4 | 1.00 | 0.73 | 0.59 | 0.4 | 1.00 | 0.75 | 0.61 | 0.5 | 1.00 | 1.00 | 0.67 | 0.5 | 1.00 | 0.75 | 0.61 | 0.5 | 1.00 | 1.00 | 0.67 | 0.5 | | | | | | | | | | | | | | | |
| | | ΔT | 23.11 | 21.33 | 18.02 | 14.6 | 23.06 | 21.28 | 17.97 | 14.5 | 23.31 | 21.53 | 18.22 | 14.8 | 23.04 | 21.27 | 17.95 | 14.5 | 22.80 | 21.03 | 17.71 | 14.3 | 23.92 | 22.14 | 18.82 | 15.4 | 22.80 | 21.03 | 17.71 | 14.3 | 23.92 | 22.14 | 18.82 | 15.4 | | | | | | | | | | | | | | | |
| | | kW | 2.20 | 2.20 | 2.20 | 2.2 | 2.48 | 2.48 | 2.47 | 2.5 | 2.79 | 2.79 | 2.78 | 2.8 | 3.12 | 3.12 | 3.12 | 3.1 | 3.50 | 3.49 | 3.49 | 3.5 | 3.93 | 3.93 | 3.93 | 3.9 | 3.50 | 3.49 | 3.49 | 3.5 | 3.93 | 3.93 | 3.93 | 3.9 | | | | | | | | | | | | | | | |
| | | Amps | 8.84 | 8.83 | 8.81 | 8.9 | 10.11 | 10.10 | 10.08 | 10.2 | 11.52 | 11.51 | 11.49 | 11.6 | 13.05 | 13.04 | 13.02 | 13.1 | 14.76 | 14.75 | 14.73 | 14.8 | 16.76 | 16.75 | 16.73 | 16.8 | 14.76 | 14.75 | 14.73 | 14.8 | 16.76 | 16.75 | 16.73 | 16.8 | | | | | | | | | | | | | | | |
| | Hi PR | 250 | 251 | 253 | 257.4 | 290 | 291 | 292 | 296.8 | 331 | 332 | 334 | 338.2 | 375 | 377 | 378 | 382.6 | 423 | 425 | 426 | 430.6 | 475 | 476 | 477 | 481.8 | 423 | 425 | 426 | 430.6 | 475 | 476 | 477 | 481.8 | | | | | | | | | | | | | | | | |
| | Lo PR | 126 | 127 | 130 | 135.7 | 133 | 135 | 138 | 143.4 | 140 | 142 | 145 | 150.1 | 146 | 147 | 150 | 155.7 | 151 | 153 | 156 | 161.3 | 158 | 160 | 163 | 168.2 | 151 | 153 | 156 | 161.3 | 158 | 160 | 163 | 168.2 | | | | | | | | | | | | | | | | |
| | 1200 | MBh | 35.9 | 36.4 | 37.4 | 39.1 | 35.6 | 36.1 | 37.1 | 38.7 | 34.6 | 35.1 | 36.2 | 37.8 | 33.1 | 33.6 | 34.6 | 36.2 | 31.1 | 31.6 | 32.7 | 34.3 | 29.3 | 29.8 | 30.9 | 32.5 | 31.1 | 31.6 | 32.7 | 34.3 | 29.3 | 29.8 | 30.9 | 32.5 | | | | | | | | | | | | | | | |
| | | S/T | 0.82 | 0.74 | 0.60 | 0.5 | 1.00 | 0.75 | 0.61 | 0.5 | 1.00 | 0.77 | 0.63 | 0.5 | 1.00 | 0.79 | 0.65 | 0.5 | 1.00 | 0.81 | 0.68 | 0.5 | 1.00 | 1.00 | 0.73 | 0.6 | 1.00 | 0.81 | 0.68 | 0.5 | 1.00 | 1.00 | 0.73 | 0.6 | | | | | | | | | | | | | | | |
| | | ΔT | 22.04 | 20.26 | 16.94 | 13.5 | 21.99 | 20.21 | 16.89 | 13.5 | 22.24 | 20.46 | 17.14 | 13.7 | 21.97 | 20.19 | 16.88 | 13.4 | 21.73 | 19.96 | 16.64 | 13.2 | 22.84 | 21.07 | 17.75 | 14.3 | 21.73 | 19.96 | 16.64 | 13.2 | 22.84 | 21.07 | 17.75 | 14.3 | | | | | | | | | | | | | | | |
| kW | | 2.22 | 2.22 | 2.21 | 2.2 | 2.49 | 2.49 | 2.49 | 2.5 | 2.80 | 2.80 | 2.80 | 2.8 | 3.14 | 3.14 | 3.13 | 3.2 | 3.51 | 3.51 | 3.50 | 3.5 | 3.95 | 3.95 | 3.94 | 4.0 | 3.51 | 3.51 | 3.50 | 3.5 | 3.95 | 3.95 | 3.94 | 4.0 | | | | | | | | | | | | | | | | |
| Amps | | 8.91 | 8.90 | 8.88 | 9.0 | 10.17 | 10.16 | 10.14 | 10.2 | 11.59 | 11.58 | 11.55 | 11.7 | 13.11 | 13.10 | 13.08 | 13.2 | 14.82 | 14.81 | 14.79 | 14.9 | 16.83 | 16.82 | 16.79 | 16.9 | 14.82 | 14.81 | 14.79 | 14.9 | 16.83 | 16.82 | 16.79 | 16.9 | | | | | | | | | | | | | | | | |
| Hi PR | 252 | 253 | 255 | 259.5 | 292 | 293 | 295 | 299.0 | 333 | 334 | 336 | 340.3 | 378 | 379 | 380 | 384.8 | 426 | 427 | 428 | 432.7 | 477 | 478 | 480 | 483.9 | 426 | 427 | 428 | 432.7 | 477 | 478 | 480 | 483.9 | | | | | | | | | | | | | | | | | |
| Lo PR | 127 | 129 | 132 | 137.6 | 135 | 137 | 140 | 145.2 | 142 | 143 | 147 | 151.9 | 147 | 149 | 152 | 157.6 | 153 | 155 | 158 | 163.1 | 160 | 162 | 165 | 170.1 | 153 | 155 | 158 | 163.1 | 160 | 162 | 165 | 170.1 | | | | | | | | | | | | | | | | | |
| 1350 | MBh | 36.4 | 36.9 | 38.0 | 39.6 | 36.1 | 36.6 | 37.7 | 39.3 | 35.2 | 35.7 | 36.8 | 38.4 | 33.6 | 34.1 | 35.2 | 36.8 | 31.7 | 32.2 | 33.2 | 34.8 | 29.9 | 30.4 | 31.5 | 33.1 | 31.7 | 32.2 | 33.2 | 34.8 | 29.9 | 30.4 | 31.5 | 33.1 | | | | | | | | | | | | | | | | |
| | S/T | 0.85 | 0.77 | 0.63 | 0.5 | 1.00 | 0.78 | 0.64 | 0.5 | 1.00 | 0.81 | 0.67 | 0.5 | 1.00 | 0.83 | 0.69 | 0.5 | 1.00 | 1.00 | 0.71 | 0.6 | 1.00 | 1.00 | 0.76 | 0.6 | 1.00 | 1.00 | 0.71 | 0.6 | 1.00 | 1.00 | 0.76 | 0.6 | | | | | | | | | | | | | | | | |
| | ΔT | 21.13 | 19.36 | 16.04 | 12.6 | 21.08 | 19.31 | 15.99 | 12.6 | 21.33 | 19.56 | 16.24 | 12.8 | 21.07 | 19.29 | 15.97 | 12.5 | 20.83 | 19.05 | 15.74 | 12.3 | 21.94 | 20.16 | 16.85 | 13.4 | 20.83 | 19.05 | 15.74 | 12.3 | 21.94 | 20.16 | 16.85 | 13.4 | | | | | | | | | | | | | | | | |
| | kW | 2.23 | 2.23 | 2.22 | 2.2 | 2.51 | 2.50 | 2.50 | 2.5 | 2.82 | 2.81 | 2.81 | 2.8 | 3.15 | 3.15 | 3.14 | 3.2 | 3.52 | 3.52 | 3.52 | 3.5 | 3.96 | 3.96 | 3.95 | 4.0 | 3.52 | 3.52 | 3.52 | 3.5 | 3.96 | 3.96 | 3.95 | 4.0 | | | | | | | | | | | | | | | | |
| | Amps | 8.96 | 8.95 | 8.93 | 9.0 | 10.23 | 10.22 | 10.20 | 10.3 | 11.64 | 11.63 | 11.61 | 11.7 | 13.17 | 13.16 | 13.14 | 13.2 | 14.88 | 14.87 | 14.85 | 14.9 | 16.88 | 16.87 | 16.85 | 16.9 | 14.88 | 14.87 | 14.85 | 14.9 | 16.88 | 16.87 | 16.85 | 16.9 | | | | | | | | | | | | | | | | |
| Hi PR | 254 | 255 | 257 | 261.6</ | | | | | | | | | | | | | | | | | | | | | | | | | | | | | | | | | | | | | | | | | | | | | |

| IDB | | OUTDOOR AMBIENT TEMPERATURE | | | | | | | | | | | | | | | | | | 105 | | | | | | | | | | | | | | | | | | 115 | | | | | | | | | | | | | | | | | |
|-------|-------|-----------------------------|-------|-------|-------|-------|-------|-------|-------|-------|-------|-------|-------|-------|-------|-------|-------|-------|-------|-------|-------|-------|--|----|----|-----|----|--|--|----|----|-----|--|--|--|--|--|-----|--|--|--|--|--|--|--|--|--|--|--|--|--|--|--|--|--|
| | | 65 | | | | | | 75 | | | | | | 85 | | | | | | 95 | | | | | | 105 | | | | | | 115 | | | | | | | | | | | | | | | | | | | | | | | |
| | | AIRFLOW | | | 59 | 63 | 67 | 71 | 59 | | | 63 | 67 | 71 | 59 | | | 63 | 67 | 71 | 59 | | | 63 | 67 | 71 | 59 | | | 63 | 67 | 71 | | | | | | | | | | | | | | | | | | | | | | | |
| 70 | 1100 | MBh | 42.6 | 43.2 | 44.5 | 44.1 | 42.2 | 42.8 | 44.1 | 41.1 | 41.7 | 43.0 | 39.2 | 39.8 | 41.1 | 36.8 | 37.5 | 38.7 | 34.7 | 35.3 | 36.6 | - | | | | | | | | | | | | | | | | | | | | | | | | | | | | | | | | | |
| | | S/T | 0.58 | 0.50 | 0.37 | 0.38 | 0.59 | 0.51 | 0.38 | 0.61 | 0.54 | 0.40 | 0.63 | 0.55 | 0.42 | 1.00 | 0.58 | 0.44 | 1.00 | 0.63 | 0.49 | - | | | | | | | | | | | | | | | | | | | | | | | | | | | | | | | | | |
| | | ΔT | 20.76 | 18.87 | 15.34 | 15.28 | 20.71 | 18.82 | 15.28 | 20.98 | 19.08 | 15.55 | 20.69 | 18.80 | 15.27 | 20.44 | 18.55 | 15.01 | 21.62 | 19.73 | 16.20 | - | | | | | | | | | | | | | | | | | | | | | | | | | | | | | | | | | |
| | | kW | 2.66 | 2.66 | 2.65 | 2.99 | 2.99 | 2.99 | 2.99 | 3.37 | 3.36 | 3.36 | 3.77 | 3.76 | 3.76 | 4.22 | 4.21 | 4.21 | 4.74 | 4.74 | 4.73 | - | | | | | | | | | | | | | | | | | | | | | | | | | | | | | | | | | |
| | | Amps | 10.12 | 10.11 | 10.09 | 11.57 | 11.56 | 11.53 | 13.18 | 13.17 | 13.15 | 14.93 | 14.91 | 14.89 | 16.87 | 16.86 | 16.84 | 19.16 | 19.15 | 19.13 | - | | | | | | | | | | | | | | | | | | | | | | | | | | | | | | | | | | |
| | Hi PR | 259 | 260 | 262 | 300 | 301 | 303 | 343 | 344 | 346 | 389 | 390 | 392 | 439 | 440 | 442 | 492 | 493 | 495 | - | | | | | | | | | | | | | | | | | | | | | | | | | | | | | | | | | | | |
| | Lo PR | 123 | 124 | 127 | 130 | 132 | 135 | 137 | 138 | 141 | 142 | 144 | 147 | 148 | 149 | 152 | 154 | 156 | 159 | - | | | | | | | | | | | | | | | | | | | | | | | | | | | | | | | | | | | |
| | 1300 | MBh | 43.3 | 43.9 | 45.2 | 44.8 | 42.9 | 43.5 | 44.8 | 41.8 | 42.4 | 43.7 | 39.9 | 40.5 | 41.8 | 37.5 | 38.1 | 39.4 | 35.4 | 36.0 | 37.3 | - | | | | | | | | | | | | | | | | | | | | | | | | | | | | | | | | | |
| | | S/T | 0.66 | 0.58 | 0.45 | 0.45 | 0.66 | 0.59 | 0.45 | 0.69 | 0.61 | 0.48 | 1.00 | 0.63 | 0.50 | 1.00 | 0.65 | 0.52 | 1.00 | 0.70 | 0.57 | - | | | | | | | | | | | | | | | | | | | | | | | | | | | | | | | | | |
| | | ΔT | 19.32 | 17.43 | 13.89 | 13.84 | 19.27 | 17.37 | 13.84 | 19.53 | 17.64 | 14.11 | 19.25 | 17.35 | 13.82 | 18.99 | 17.10 | 13.57 | 20.18 | 18.29 | 14.75 | - | | | | | | | | | | | | | | | | | | | | | | | | | | | | | | | | | |
| kW | | 2.68 | 2.68 | 2.68 | 3.02 | 3.02 | 3.01 | 3.39 | 3.38 | 3.38 | 3.79 | 3.79 | 3.78 | 4.24 | 4.23 | 4.23 | 4.76 | 4.76 | 4.75 | - | | | | | | | | | | | | | | | | | | | | | | | | | | | | | | | | | | | |
| Amps | | 10.22 | 10.21 | 10.18 | 11.66 | 11.65 | 11.63 | 13.28 | 13.26 | 13.24 | 15.02 | 15.01 | 14.98 | 16.97 | 16.96 | 16.93 | 19.26 | 19.25 | 19.22 | - | | | | | | | | | | | | | | | | | | | | | | | | | | | | | | | | | | | |
| Hi PR | 262 | 263 | 265 | 303 | 304 | 306 | 346 | 347 | 348 | 392 | 393 | 395 | 442 | 443 | 444 | 495 | 496 | 498 | - | | | | | | | | | | | | | | | | | | | | | | | | | | | | | | | | | | | | |
| Lo PR | 125 | 126 | 129 | 132 | 134 | 137 | 139 | 140 | 143 | 144 | 146 | 149 | 150 | 151 | 154 | 157 | 158 | 161 | - | | | | | | | | | | | | | | | | | | | | | | | | | | | | | | | | | | | | |
| 1500 | MBh | 44.1 | 44.7 | 46.0 | 45.6 | 43.8 | 44.4 | 45.6 | 42.6 | 43.2 | 44.5 | 40.7 | 41.3 | 42.6 | 38.4 | 39.0 | 40.3 | 36.2 | 36.8 | 38.1 | - | | | | | | | | | | | | | | | | | | | | | | | | | | | | | | | | | | |
| | S/T | 0.69 | 0.62 | 0.49 | 0.49 | 0.70 | 0.63 | 0.49 | 0.73 | 0.65 | 0.52 | 1.00 | 0.67 | 0.54 | 1.00 | 0.69 | 0.56 | 1.00 | 0.74 | 0.61 | - | | | | | | | | | | | | | | | | | | | | | | | | | | | | | | | | | | |
| | ΔT | 18.15 | 16.26 | 12.73 | 12.67 | 18.10 | 16.21 | 12.67 | 18.37 | 16.47 | 12.94 | 18.08 | 16.19 | 12.65 | 17.83 | 15.93 | 12.40 | 19.01 | 17.12 | 13.59 | - | | | | | | | | | | | | | | | | | | | | | | | | | | | | | | | | | | |
| | kW | 2.70 | 2.70 | 2.69 | 3.03 | 3.03 | 3.03 | 3.40 | 3.40 | 3.40 | 3.81 | 3.80 | 3.80 | 4.25 | 4.25 | 4.25 | 4.78 | 4.78 | 4.77 | - | | | | | | | | | | | | | | | | | | | | | | | | | | | | | | | | | | | |
| | Amps | 10.30 | 10.28 | 10.26 | 11.74 | 11.73 | 11.70 | 13.35 | 13.34 | 13.32 | 15.10 | 15.09 | 15.06 | 17.05 | 17.03 | 17.01 | 19.33 | 19.32 | 19.30 | - | | | | | | | | | | | | | | | | | | | | | | | | | | | | | | | | | | | |
| Hi PR | 264 | 265 | 267 | 305 | 306 | 308 | 348 | 349 | 351 | 394 | 395 | 397 | 444 | 445 | 447 | 497 | 498 | 500 | - | | | | | | | | | | | | | | | | | | | | | | | | | | | | | | | | | | | | |
| Lo PR | 127 | 129 | 132 | 135 | 136 | 139 | 141 | 143 | 146 | 147 | 148 | 151 | 152 | 154 | 157 | 159 | 161 | 164 | - | | | | | | | | | | | | | | | | | | | | | | | | | | | | | | | | | | | | |
| 75 | 1100 | MBh | 42.6 | 43.2 | 44.5 | 44.1 | 42.3 | 42.9 | 44.1 | 41.1 | 41.7 | 43.0 | 39.2 | 39.8 | 41.1 | 36.9 | 37.5 | 38.8 | 34.7 | 35.3 | 36.6 | 38.6 | | | | | | | | | | | | | | | | | | | | | | | | | | | | | | | | | |
| | | S/T | 0.71 | 0.63 | 0.50 | 0.36 | 0.71 | 0.64 | 0.58 | 1.00 | 0.66 | 0.53 | 0.39 | 1.00 | 0.68 | 0.55 | 0.41 | 1.00 | 0.70 | 0.57 | 0.43 | | | | | | | | | | | | | | | | | | | | | | | | | | | | | | | | | | |
| | | ΔT | 24.92 | 23.03 | 19.50 | 15.84 | 24.87 | 22.98 | 19.45 | 25.14 | 23.24 | 19.71 | 24.85 | 22.96 | 19.43 | 24.60 | 22.71 | 19.17 | 25.78 | 23.89 | 20.36 | 16.70 | | | | | | | | | | | | | | | | | | | | | | | | | | | | | | | | | |
| | | kW | 2.66 | 2.66 | 2.65 | 2.98 | 2.99 | 2.99 | 3.36 | 3.36 | 3.36 | 3.79 | 3.79 | 3.78 | 4.21 | 4.21 | 4.21 | 4.74 | 4.74 | 4.73 | 4.76 | | | | | | | | | | | | | | | | | | | | | | | | | | | | | | | | | | |
| | | Amps | 10.12 | 10.10 | 10.08 | 11.56 | 11.55 | 11.52 | 13.17 | 13.16 | 13.14 | 13.25 | 14.92 | 14.90 | 14.88 | 16.87 | 16.85 | 16.83 | 19.15 | 19.14 | 19.12 | 19.23 | | | | | | | | | | | | | | | | | | | | | | | | | | | | | | | | | |
| | Hi PR | 259 | 260 | 262 | 300 | 301 | 303 | 343 | 344 | 346 | 350 | 389 | 390 | 392 | 439 | 440 | 442 | 492 | 493 | 495 | 500 | | | | | | | | | | | | | | | | | | | | | | | | | | | | | | | | | | |
| | Lo PR | 123 | 124 | 127 | 130 | 132 | 135 | 137 | 138 | 141 | 146 | 142 | 144 | 147 | 148 | 149 | 152 | 154 | 156 | 159 | 164 | | | | | | | | | | | | | | | | | | | | | | | | | | | | | | | | | | |
| | 1300 | MBh | 43.3 | 43.9 | 45.2 | 47.1 | 42.9 | 43.5 | 44.8 | 41.8 | 42.4 | 43.7 | 39.9 | 40.5 | 41.8 | 37.6 | 38.2 | 39.4 | 35.4 | 36.0 | 37.3 | 39.2 | | | | | | | | | | | | | | | | | | | | | | | | | | | | | | | | | |
| | | S/T | 0.78 | 0.71 | 0.58 | 0.43 | 0.79 | 0.72 | 0.58 | 1.00 | 0.74 | 0.61 | 0.47 | 1.00 | 0.76 | 0.63 | 0.48 | 1.00 | 0.78 | 0.65 | 0.51 | | | | | | | | | | | | | | | | | | | | | | | | | | | | | | | | | | |
| | | ΔT | 23.48 | 21.59 | 18.05 | 14.39 | 23.43 | 21.53 | 18.00 | 23.69 | 21.80 | 18.27 | 23.41 | 21.98 | 14.32 | 23.15 | 21.26 | 17.73 | 24.34 | 22.45 | 18.91 | 15.25 | | | | | | | | | | | | | | | | | | | | | | | | | | | | | | | | | |
| kW | | 2.68 | 2.68 | 2.67 | 2.70 | 3.01 | 3.01 | 3.01 | 3.39 | 3.38 | 3.38 | 3.79 | 3.78 | 3.80 | 4.23 | 4.23 | 4.23 | 4.76 | 4.76 | 4.75 | 4.78 | | | | | | | | | | | | | | | | | | | | | | | | | | | | | | | | | | |
| Amps | | 10.21 | 10.20 | 10.17 | 10.28 | 11.65 | 11.64 | 11.62 | 13.27 | 13.25 | 13.23 | 15.01 | 15.00 | 14.97 | 16.96 | 16.95 | 16.92 | 19.25 | 19.24 | 19.21 | 19.32 | | | | | | | | | | | | | | | | | | | | | | | | | | | | | | | | | | |
| Hi PR | 262 | 263 | 265 | 269 | 303 | 304 | 306 | 346 | 347 | 349 | 353 | 392 | 393 | 395 | 399 | 442 | 443 | 445 | 449 | 495 | | | | | | | | | | | | | | | | | | | | | | | | | | | | | | | | | | | |
| Lo PR | 125 | 126 | 129 | 135 | 132 | 134 | 137 | 139 | 140 | 143 | 149 | 144 | 146 | 150 | 151 | 154 | 157 | 158 | 161 | 166 | | | | | | | | | | | | | | | | | | | | | | | | | | | | | | | | | | | |
| 1500 | MBh | 44.2 | 44.8 | 46.0 | 48.0 | 43.8 | 44.4 | 45.7 | 42.7 | 43.3 | 44.5 | 40.7 | 41.4 | 42.6 | 38.4 | 39.0 | 40.3 | 36.3 | 36.9 | 38.1 | 40.1 | | | | | | | | | | | | | | | | | | | | | | | | | | | | | | | | | | |
| | S/T | 0.82 | 0.75 | 0.61 | 0.47 | 1.00 | 0.75 | 0.62 | 1.00 | 0.78 | 0.64 | 0.50 | 1.00 | 0.80 | 0.66 | 0.52 | 1.00 | 0.82 | 0.69 | 0.54 | | | | | | | | | | | | | | | | | | | | | | | | | | | | | | | | | | | |
| | ΔT | 22.31 | 20.42 | 16.89 | 13.23 | 22.26 | 20.37 | 16.83 | 22.53 | 20.63 | 17.10 | 22.24 | 20.35 | 16.82 | 21.99 | 20.10 | 16.56 | 23.17 | 21.28 | 17.75 | 14.09 | | | | | | | | | | | | | | | | | | | | | | | | | | | | | | | | | | |
| | kW | 2.70 | 2.70 | 2.69 | 2.72 | 3.03 | 3.03 | 3.02 | 3.40 | 3.40 | 3.39 | 3.80 | 3.80 | 3.82 | 4.25 | 4.25 | 4.24 | 4.78 | 4.78 | 4.77 | 4.80 | | | | | | | | | | | | | | | | | | | | | | | | | | | | | | | | | | |
| | Amps | 10.29 | 10.27 | 10.25 | 10.36 | 11.73 | 11.72 | 11.69 | 13.34 | 13.33 | 13.31 | 15.09 | 15.08 | 15.05 | 17.04 | 17.02 | 17.00 | 19.32 | 19.31 | 19.29 | 19.40 | | | | | | | | | | | | | | | | | | | | | | | | | | | | | | | | | | |
| Hi PR | 265 | 266 | 268 | 272 | 305 | 307 | 308 | 348 | 350 | 351 | 395 | 396 | 398 | 444 | 446 | 447 | 495 | 498 | 500 | 505 | | | | | | | | | | | | | | | | | | | | | | | | | | | | | | | | | | | |
| Lo PR | 127 | 129 | 132 | 137 | 135 | 136 | 139 | 141 | 143 | 146 | 151 | 147 | 148 | 151 | 152 | 154 | 157 | 159 | 161 | 164 | | | | | | | | | | | | | | | | | | | | | | | | | | | | | | | | | | | |

Shaded area reflects AHRI (TVA) conditions.

IDB = Entering Indoor Dry Bulb Temperature

High and low pressures are measured at the liquid and suction access fittings.

Design Subcooling, 8-12 °F @ the liquid access fitting connection AHRI 95 test conditions. Design Superheat 8-12 °F @ the compressor suction access fitting connection.

KW = Total system power

Amps: Unit amps (comp.+ evaporator + condenser fan motors)

| IDB | | OUTDOOR AMBIENT TEMPERATURE | | | | | | | | | | | | | | | | | | | | | | | | | | | | | |
|-------------|------------|-----------------------------|-------|-------|-------|-------|-------|-------|-------|-------|-------|-------|-------|-------|-------------|-------|--------------|-------|-------|-------|-------|-------|-------|-------|-------|-------|-----|----|----|----|----|
| | | 65 | | | | | | 75 | | | | | | 85 | | | | | | 105 | | | | | | 115 | | | | | |
| | | 59 | 63 | 67 | 71 | 75 | 79 | 59 | 63 | 67 | 71 | 75 | 79 | 59 | 63 | 67 | 71 | 75 | 79 | 59 | 63 | 67 | 71 | 75 | 79 | 59 | 63 | 67 | 71 | 75 | 79 |
| 80 | 770 | MBh | 30.8 | 31.3 | 32.2 | 33.6 | 30.5 | 31.0 | 31.9 | 33.3 | 29.7 | 30.2 | 31.1 | 32.5 | 28.4 | 28.8 | 29.7 | 31.1 | 26.7 | 27.1 | 28.0 | 29.4 | 25.1 | 25.6 | 26.5 | 27.9 | | | | | |
| | | S/T | 1.00 | 0.78 | 0.64 | 0.49 | 1.00 | 0.78 | 0.65 | 0.50 | 1.00 | 0.81 | 0.67 | 0.53 | 1.00 | 1.00 | 0.69 | 0.55 | 1.00 | 1.00 | 0.71 | 0.57 | 1.00 | 1.00 | 0.76 | 0.62 | | | | | |
| | | ΔT | 28.09 | 26.27 | 22.86 | 19.32 | 28.04 | 26.22 | 22.81 | 19.27 | 28.30 | 26.47 | 23.06 | 19.53 | 28.02 | 26.20 | 22.79 | 19.26 | 27.78 | 25.95 | 22.54 | 19.01 | 28.92 | 27.10 | 23.69 | 20.16 | | | | | |
| | | kW | 1.67 | 1.67 | 1.67 | 1.69 | 1.88 | 1.88 | 1.88 | 1.89 | 2.12 | 2.12 | 2.11 | 2.13 | 2.37 | 2.37 | 2.36 | 2.38 | 2.65 | 2.65 | 2.65 | 2.66 | 2.98 | 2.98 | 2.98 | 2.99 | | | | | |
| | | Amps | 6.37 | 6.36 | 6.34 | 6.41 | 7.28 | 7.27 | 7.25 | 7.32 | 8.29 | 8.28 | 8.27 | 8.34 | 9.39 | 9.38 | 9.36 | 9.43 | 10.61 | 10.61 | 10.59 | 10.66 | 12.05 | 12.04 | 12.03 | 12.10 | | | | | |
| | | Hi PR | 248 | 249 | 251 | 255 | 287 | 288 | 290 | 295 | 328 | 329 | 331 | 336 | 373 | 374 | 375 | 380 | 420 | 421 | 423 | 427 | 471 | 472 | 474 | 478 | | | | | |
| | | Lo PR | 127 | 128 | 131 | 137 | 134 | 136 | 139 | 144 | 141 | 143 | 143 | 146 | 151 | 147 | 148 | 151 | 157 | 152 | 154 | 157 | 159 | 161 | 164 | 169 | | | | | |
| | | MBh | 31.3 | 31.7 | 32.7 | 34.1 | 31.0 | 31.5 | 32.4 | 33.8 | 30.2 | 30.7 | 31.6 | 33.0 | 28.8 | 29.3 | 30.2 | 31.6 | 27.2 | 27.6 | 28.5 | 29.9 | 25.6 | 26.1 | 27.0 | 28.4 | | | | | |
| | | S/T | 1.00 | 0.86 | 0.72 | 0.57 | 1.00 | 0.86 | 0.72 | 0.58 | 1.00 | 0.89 | 0.75 | 0.60 | 1.00 | 1.00 | 0.77 | 0.62 | 1.00 | 1.00 | 0.79 | 0.65 | 1.00 | 1.00 | 0.84 | 0.70 | | | | | |
| | | ΔT | 26.70 | 24.87 | 21.46 | 17.93 | 26.65 | 24.82 | 21.41 | 17.88 | 26.91 | 25.08 | 21.67 | 18.14 | 26.63 | 24.80 | 21.40 | 17.86 | 26.39 | 24.56 | 21.15 | 17.62 | 27.53 | 25.70 | 22.29 | 18.76 | | | | | |
| kW | 1.69 | 1.69 | 1.68 | 1.70 | 1.90 | 1.90 | 1.89 | 1.91 | 2.13 | 2.13 | 2.13 | 2.14 | 2.38 | 2.38 | 2.38 | 2.39 | 2.66 | 2.66 | 2.66 | 2.68 | 3.00 | 2.99 | 2.99 | 3.01 | | | | | | | |
| Amps | 6.43 | 6.42 | 6.40 | 6.47 | 7.34 | 7.33 | 7.31 | 7.38 | 8.35 | 8.34 | 8.33 | 8.40 | 9.45 | 9.44 | 9.42 | 9.49 | 10.67 | 10.67 | 10.65 | 10.72 | 12.11 | 12.10 | 12.09 | 12.16 | | | | | | | |
| Hi PR | 251 | 252 | 254 | 258 | 290 | 291 | 293 | 297 | 331 | 332 | 334 | 338 | 375 | 376 | 378 | 382 | 423 | 424 | 426 | 430 | 474 | 475 | 476 | 481 | | | | | | | |
| Lo PR | 129 | 130 | 134 | 139 | 137 | 138 | 141 | 147 | 143 | 145 | 148 | 153 | 149 | 150 | 154 | 159 | 155 | 156 | 159 | 165 | 162 | 163 | 166 | 172 | | | | | | | |
| 1050 | 770 | MBh | 31.9 | 32.3 | 33.3 | 34.7 | 31.6 | 32.1 | 33.0 | 34.4 | 30.8 | 31.3 | 32.2 | 33.6 | 29.5 | 29.9 | 30.8 | 32.2 | 27.8 | 28.2 | 29.1 | 30.5 | 26.2 | 26.7 | 27.6 | 29.0 | | | | | |
| | | S/T | 1.00 | 0.89 | 0.76 | 0.61 | 1.00 | 0.90 | 0.76 | 0.62 | 1.00 | 1.00 | 0.79 | 0.64 | 1.00 | 1.00 | 0.81 | 0.66 | 1.00 | 1.00 | 0.83 | 0.69 | 1.00 | 1.00 | 0.84 | 0.74 | | | | | |
| | | ΔT | 25.57 | 23.75 | 20.34 | 16.81 | 25.52 | 23.70 | 20.29 | 16.76 | 25.78 | 23.95 | 20.54 | 17.01 | 25.50 | 23.68 | 20.27 | 16.74 | 25.26 | 23.43 | 20.03 | 16.49 | 26.40 | 24.58 | 21.17 | 17.64 | | | | | |
| | | kW | 1.70 | 1.70 | 1.69 | 1.71 | 1.91 | 1.91 | 1.90 | 1.92 | 2.14 | 2.14 | 2.14 | 2.15 | 2.39 | 2.39 | 2.39 | 2.40 | 2.68 | 2.67 | 2.67 | 2.69 | 3.01 | 3.01 | 3.00 | 3.02 | | | | | |
| | | Amps | 6.47 | 6.47 | 6.45 | 6.52 | 7.38 | 7.38 | 7.36 | 7.43 | 8.40 | 8.39 | 8.37 | 8.44 | 9.49 | 9.49 | 9.47 | 9.54 | 10.72 | 10.71 | 10.70 | 10.77 | 12.16 | 12.15 | 12.14 | 12.21 | | | | | |
| | | Hi PR | 253 | 254 | 256 | 261 | 293 | 294 | 295 | 300 | 334 | 335 | 336 | 341 | 378 | 379 | 380 | 385 | 425 | 426 | 428 | 432 | 476 | 477 | 479 | 483 | | | | | |
| | | Lo PR | 131 | 133 | 136 | 142 | 139 | 141 | 144 | 149 | 146 | 147 | 151 | 156 | 151 | 151 | 153 | 156 | 162 | 157 | 159 | 162 | 167 | 164 | 166 | 174 | | | | | |
| | | MBh | 31.3 | 31.8 | 32.7 | 34.1 | 31.1 | 31.5 | 32.4 | 33.8 | 30.3 | 30.7 | 31.6 | 33.0 | 28.9 | 29.3 | 30.2 | 31.6 | 27.2 | 27.6 | 28.5 | 29.9 | 25.6 | 26.1 | 27.0 | 28.4 | | | | | |
| | | S/T | 1.00 | 0.88 | 0.74 | 0.60 | 1.00 | 1.00 | 0.75 | 0.60 | 1.00 | 1.00 | 0.77 | 0.63 | 1.00 | 1.00 | 0.79 | 0.65 | 1.00 | 1.00 | 0.83 | 0.69 | 1.00 | 1.00 | 0.84 | 0.72 | | | | | |
| | | ΔT | 31.68 | 29.85 | 26.44 | 22.91 | 31.63 | 29.80 | 26.39 | 22.86 | 31.88 | 30.06 | 26.65 | 23.12 | 31.61 | 29.78 | 26.37 | 22.84 | 31.37 | 29.54 | 26.13 | 22.60 | 32.51 | 30.68 | 27.27 | 23.74 | | | | | |
| kW | 1.68 | 1.68 | 1.67 | 1.69 | 1.89 | 1.89 | 1.88 | 1.90 | 2.12 | 2.12 | 2.12 | 2.13 | 2.37 | 2.37 | 2.37 | 2.38 | 2.66 | 2.65 | 2.65 | 2.67 | 2.99 | 2.98 | 2.98 | 3.00 | | | | | | | |
| Amps | 6.38 | 6.38 | 6.36 | 6.43 | 7.29 | 7.29 | 7.27 | 7.34 | 8.31 | 8.30 | 8.28 | 8.35 | 9.40 | 9.40 | 9.38 | 9.45 | 10.63 | 10.62 | 10.61 | 10.68 | 12.07 | 12.06 | 12.05 | 12.12 | | | | | | | |
| Hi PR | 249 | 250 | 252 | 257 | 289 | 290 | 291 | 296 | 330 | 331 | 332 | 337 | 374 | 375 | 377 | 381 | 421 | 422 | 424 | 428 | 472 | 473 | 475 | 479 | | | | | | | |
| Lo PR | 128 | 130 | 133 | 139 | 136 | 138 | 141 | 146 | 143 | 144 | 148 | 153 | 149 | 150 | 153 | 159 | 154 | 156 | 159 | 164 | 161 | 163 | 166 | 171 | | | | | | | |
| 85 | 910 | MBh | 31.8 | 32.3 | 33.2 | 34.6 | 31.5 | 32.0 | 32.9 | 34.3 | 30.7 | 31.2 | 32.1 | 33.5 | 29.4 | 29.8 | 30.7 | 32.1 | 27.7 | 28.1 | 29.0 | 30.4 | 26.1 | 26.6 | 27.5 | 28.9 | | | | | |
| | | S/T | 1.00 | 0.96 | 0.82 | 0.68 | 1.00 | 1.00 | 0.83 | 0.68 | 1.00 | 1.00 | 0.85 | 0.71 | 1.00 | 1.00 | 0.87 | 0.73 | 1.00 | 1.00 | 0.83 | 0.75 | 1.00 | 1.00 | 0.80 | 0.80 | | | | | |
| | | ΔT | 30.28 | 28.46 | 25.05 | 21.52 | 30.23 | 28.41 | 25.00 | 21.47 | 30.49 | 28.67 | 25.26 | 21.72 | 30.22 | 28.39 | 24.98 | 21.45 | 29.97 | 28.15 | 24.74 | 21.20 | 31.12 | 29.29 | 25.88 | 22.35 | | | | | |
| | | kW | 1.69 | 1.69 | 1.69 | 1.70 | 1.90 | 1.90 | 1.90 | 1.91 | 2.13 | 2.13 | 2.13 | 2.15 | 2.39 | 2.39 | 2.38 | 2.40 | 2.67 | 2.67 | 2.66 | 2.68 | 3.00 | 3.00 | 3.00 | 3.01 | | | | | |
| | | Amps | 6.44 | 6.44 | 6.42 | 6.49 | 7.35 | 7.35 | 7.33 | 7.40 | 8.37 | 8.36 | 8.34 | 8.41 | 9.46 | 9.46 | 9.44 | 9.51 | 10.69 | 10.68 | 10.67 | 10.74 | 12.13 | 12.12 | 12.11 | 12.18 | | | | | |
| | | Hi PR | 252 | 253 | 255 | 259 | 291 | 292 | 294 | 298 | 332 | 333 | 335 | 339 | 376 | 377 | 379 | 383 | 424 | 425 | 427 | 431 | 475 | 476 | 478 | 482 | | | | | |
| | | Lo PR | 131 | 132 | 135 | 141 | 138 | 140 | 143 | 149 | 145 | 147 | 150 | 155 | 151 | 151 | 152 | 156 | 161 | 156 | 158 | 161 | 167 | 163 | 165 | 168 | 174 | | | | |
| | | MBh | 32.4 | 32.9 | 33.8 | 35.2 | 32.2 | 32.6 | 33.5 | 34.9 | 31.4 | 31.8 | 32.7 | 34.1 | 30.0 | 30.4 | 31.3 | 32.7 | 28.3 | 28.7 | 29.6 | 31.0 | 26.7 | 27.2 | 28.1 | 29.5 | | | | | |
| | | S/T | 1.00 | 1.00 | 0.86 | 0.71 | 1.00 | 1.00 | 0.87 | 0.72 | 1.00 | 1.00 | 0.89 | 0.75 | 1.00 | 1.00 | 0.91 | 0.77 | 1.00 | 1.00 | 0.83 | 0.75 | 1.00 | 1.00 | 0.84 | 0.84 | | | | | |
| | | ΔT | 29.16 | 27.33 | 23.92 | 20.39 | 29.11 | 27.28 | 23.87 | 20.34 | 29.37 | 27.54 | 24.13 | 20.60 | 29.09 | 27.26 | 23.85 | 20.32 | 28.85 | 27.02 | 23.61 | 20.08 | 29.99 | 28.16 | 24.75 | 21.22 | | | | | |
| kW | 1.70 | 1.70 | 1.70 | 1.71 | 1.91 | 1.91 | 1.91 | 1.92 | 2.15 | 2.14 | 2.14 | 2.16 | 2.40 | 2.40 | 2.39 | 2.41 | 2.68 | 2.68 | 2.67 | 2.69 | 3.01 | 3.01 | 3.01 | 3.02 | | | | | | | |
| Amps | 6.49 | 6.48 | 6.47 | 6.54 | 7.40 | 7.39 | 7.38 | 7.45 | 8.41 | 8.41 | 8.39 | 8.46 | 9.51 | 9.50 | 9.49 | 9.56 | 10.74 | 10.73 | 10.72 | 10.78 | 12.18 | 12.17 | 12.15 | 12.22 | | | | | | | |
| Hi PR | 255 | 256 | 257 | 262 | 294 | 295 | 296 | 301 | 335 | 336 | 338 | 342 | 379 | 380 | 382 | 386 | 426 | 426 | 428 | 429 | 477 | 478 | 480 | 484 | | | | | | | |
| Lo PR | 133 | 135 | 138 | 143 | 141 | 143 | 146 | 151 | 148 | 149 | 152 | 158 | 153 | 153 | 155 | 158 | 164 | 159 | 161 | 164 | 169 | 166 | 168 | 171 | 176 | | | | | | |

IDB = Entering Indoor Dry Bulb Temperature
 High and low pressures are measured at the liquid and suction access fittings.
 Design Subcooling, 8-12 °F @ the liquid access fitting connection AHRI 95 test conditions. Design Superheat 8-12°F @ the compressor suction access fitting connection.
 Shaded area reflects AHRI conditions.
 Amps: Unit amps (comp.+ evaporator + condenser fan motors)
 KW = Total system power

EXPANDED COOLING DATA — DP5HH4841 (100%)

| IDB | AIRFLOW | OUTDOOR AMBIENT TEMPERATURE | | | | | | | | | | | | 105 | | | | | | | | | | | | 115 | | | | | | | | | | | |
|-------|---------|-----------------------------|--------|--------|--------|--------|--------|--------|--------|--------|--------|--------|--------|--------|--------|--------|--------|--------|--------|--------|--------|--------|--------|--------|--------|-------|-------|----|----|--|--|-----|--|--|--|--|--|
| | | 65 | | | | | | 75 | | | | | | 85 | | | | | | 95 | | | | | | 105 | | | | | | 115 | | | | | |
| | | 59 | 63 | 67 | 71 | 59 | 63 | 67 | 71 | 59 | 63 | 67 | 71 | 59 | 63 | 67 | 71 | 59 | 63 | 67 | 71 | 59 | 63 | 67 | 71 | 59 | 63 | 67 | 71 | | | | | | | | |
| 70 | 1400 | MBh | 46.80 | 47.46 | 48.86 | - | 46.38 | 47.04 | 48.44 | - | 45.16 | 45.82 | 47.22 | - | 43.06 | 43.72 | 45.12 | - | 40.49 | 41.15 | 42.55 | - | 38.14 | 38.80 | 40.20 | - | | | | | | | | | | | |
| | | S/T | 0.62 | 0.54 | 0.40 | - | 0.63 | 0.55 | 0.41 | - | 0.65 | 0.57 | 0.44 | - | 0.67 | 0.59 | 0.46 | - | 1.00 | 0.62 | 0.48 | - | 1.00 | 0.67 | 0.53 | - | | | | | | | | | | | |
| | | ΔT | 19.52 | 17.71 | 14.34 | - | 19.47 | 17.66 | 14.29 | - | 19.72 | 17.92 | 14.55 | - | 19.45 | 17.64 | 14.27 | - | 19.21 | 17.40 | 14.03 | - | 20.34 | 18.53 | 15.16 | - | | | | | | | | | | | |
| | | kW | 2.95 | 2.95 | 2.94 | - | 3.31 | 3.30 | 3.30 | - | 3.70 | 3.70 | 3.69 | - | 4.13 | 4.13 | 4.12 | - | 4.61 | 4.61 | 4.60 | - | 5.17 | 5.17 | 5.16 | - | | | | | | | | | | | |
| | | Amps | 10.75 | 10.74 | 10.71 | - | 12.29 | 12.28 | 12.25 | - | 14.01 | 14.00 | 13.98 | - | 15.88 | 15.87 | 15.84 | - | 17.96 | 17.95 | 17.92 | - | 20.41 | 20.39 | 20.37 | - | | | | | | | | | | | |
| | Hi PR | 271.97 | 273.15 | 275.06 | - | 314.89 | 316.07 | 317.98 | - | 359.85 | 361.03 | 362.94 | - | 408.26 | 409.44 | 411.35 | - | 460.46 | 461.64 | 463.55 | - | 516.16 | 517.34 | 519.25 | - | | | | | | | | | | | | |
| | Lo PR | 122.51 | 124.02 | 127.14 | - | 129.96 | 131.47 | 134.59 | - | 136.49 | 138.00 | 141.12 | - | 142.01 | 143.52 | 146.64 | - | 147.42 | 148.94 | 152.06 | - | 154.21 | 155.72 | 158.84 | - | | | | | | | | | | | | |
| | 1600 | MBh | 47.41 | 48.81 | 49.47 | - | 47.00 | 47.66 | 49.05 | - | 45.77 | 46.43 | 47.83 | - | 43.67 | 44.33 | 45.73 | - | 41.10 | 41.76 | 43.16 | - | 38.76 | 39.42 | 40.81 | - | | | | | | | | | | | |
| | | S/T | 0.68 | 0.60 | 0.47 | - | 0.69 | 0.61 | 0.47 | - | 0.71 | 0.64 | 0.50 | - | 1.00 | 0.66 | 0.52 | - | 1.00 | 0.68 | 0.54 | - | 1.00 | 0.77 | 0.63 | - | | | | | | | | | | | |
| | | ΔT | 18.43 | 16.62 | 13.25 | - | 18.38 | 16.57 | 13.20 | - | 18.63 | 16.83 | 13.46 | - | 18.36 | 16.55 | 13.18 | - | 18.12 | 16.31 | 12.94 | - | 19.25 | 17.44 | 14.07 | - | | | | | | | | | | | |
| kW | | 2.97 | 2.97 | 2.96 | - | 3.32 | 3.32 | 3.31 | - | 3.72 | 3.72 | 3.71 | - | 4.15 | 4.15 | 4.14 | - | 4.63 | 4.62 | 4.62 | - | 5.19 | 5.19 | 5.18 | - | | | | | | | | | | | | |
| Amps | | 10.83 | 10.82 | 10.79 | - | 12.37 | 12.36 | 12.33 | - | 14.09 | 14.08 | 14.06 | - | 15.96 | 15.95 | 15.92 | - | 18.04 | 18.03 | 18.00 | - | 20.49 | 20.47 | 20.45 | - | | | | | | | | | | | | |
| Hi PR | 274.28 | 275.46 | 277.37 | - | 317.20 | 318.38 | 320.29 | - | 362.16 | 363.34 | 365.25 | - | 410.57 | 411.75 | 413.66 | - | 462.77 | 463.95 | 465.86 | - | 518.47 | 519.65 | 521.56 | - | | | | | | | | | | | | | |
| Lo PR | 124.31 | 125.82 | 128.94 | - | 131.76 | 133.28 | 136.39 | - | 138.29 | 139.80 | 142.92 | - | 143.81 | 145.32 | 148.44 | - | 149.23 | 150.74 | 153.86 | - | 156.01 | 157.52 | 160.64 | - | | | | | | | | | | | | | |
| 1800 | MBh | 48.15 | 48.81 | 50.21 | - | 47.73 | 48.39 | 49.79 | - | 46.51 | 47.17 | 48.57 | - | 44.41 | 45.07 | 46.47 | - | 41.84 | 42.50 | 43.90 | - | 39.49 | 40.15 | 41.55 | - | | | | | | | | | | | | |
| | S/T | 0.72 | 0.64 | 0.50 | - | 0.72 | 0.65 | 0.51 | - | 0.75 | 0.67 | 0.53 | - | 1.00 | 0.69 | 0.55 | - | 1.00 | 0.71 | 0.57 | - | 1.00 | 0.77 | 0.63 | - | | | | | | | | | | | | |
| | ΔT | 17.51 | 15.70 | 12.33 | - | 17.46 | 15.65 | 12.28 | - | 17.71 | 15.91 | 12.54 | - | 17.44 | 15.64 | 12.27 | - | 17.20 | 15.40 | 12.03 | - | 18.33 | 16.53 | 13.16 | - | | | | | | | | | | | | |
| | kW | 2.98 | 2.98 | 2.98 | - | 3.34 | 3.34 | 3.33 | - | 3.74 | 3.73 | 3.73 | - | 4.16 | 4.16 | 4.16 | - | 4.64 | 4.64 | 4.63 | - | 5.21 | 5.20 | 5.20 | - | | | | | | | | | | | | |
| | Amps | 10.90 | 10.88 | 10.86 | - | 12.44 | 12.43 | 12.40 | - | 14.16 | 14.15 | 14.12 | - | 16.03 | 16.01 | 15.99 | - | 18.11 | 18.10 | 18.07 | - | 20.55 | 20.54 | 20.51 | - | | | | | | | | | | | | |
| Hi PR | 276.52 | 277.70 | 279.61 | - | 319.44 | 320.62 | 322.53 | - | 364.40 | 365.58 | 367.49 | - | 412.81 | 413.99 | 415.90 | - | 465.01 | 466.19 | 468.10 | - | 520.71 | 521.89 | 523.81 | - | | | | | | | | | | | | | |
| Lo PR | 126.30 | 127.82 | 130.94 | - | 133.76 | 135.27 | 138.39 | - | 140.28 | 141.80 | 144.92 | - | 145.80 | 147.32 | 150.44 | - | 151.22 | 152.73 | 155.85 | - | 158.00 | 159.52 | 162.64 | - | | | | | | | | | | | | | |
| 75 | 1400 | MBh | 46.83 | 47.49 | 48.89 | 51.02 | 46.41 | 47.07 | 48.47 | 50.60 | 45.19 | 45.85 | 47.25 | 49.38 | 43.08 | 43.74 | 45.14 | 47.28 | 40.51 | 41.17 | 42.57 | 44.71 | 38.17 | 38.83 | 40.23 | 42.36 | | | | | | | | | | | |
| | | S/T | 0.75 | 0.68 | 0.54 | 0.39 | 0.76 | 0.68 | 0.54 | 0.40 | 1.00 | 0.71 | 0.57 | 0.42 | 1.00 | 0.73 | 0.59 | 0.44 | 1.00 | 0.75 | 0.61 | 0.46 | 1.00 | 1.00 | 0.66 | 0.52 | | | | | | | | | | | |
| | | ΔT | 23.49 | 21.68 | 18.31 | 14.82 | 23.44 | 21.63 | 18.26 | 14.77 | 23.69 | 21.89 | 18.52 | 15.02 | 23.42 | 21.61 | 18.24 | 14.75 | 23.18 | 21.37 | 18.00 | 14.51 | 24.31 | 22.50 | 19.13 | 15.64 | | | | | | | | | | | |
| | | kW | 2.95 | 2.94 | 2.94 | 2.97 | 3.30 | 3.30 | 3.29 | 3.32 | 3.70 | 3.70 | 3.69 | 3.72 | 4.13 | 4.12 | 4.12 | 4.15 | 4.61 | 4.61 | 4.60 | 4.60 | 5.17 | 5.17 | 5.16 | 5.19 | | | | | | | | | | | |
| | | Amps | 10.74 | 10.73 | 10.70 | 10.82 | 12.28 | 12.27 | 12.24 | 12.36 | 14.00 | 13.99 | 13.97 | 14.08 | 15.87 | 15.86 | 15.83 | 15.95 | 17.95 | 17.95 | 17.94 | 17.91 | 18.03 | 20.40 | 20.38 | 20.36 | 20.47 | | | | | | | | | | |
| | Hi PR | 272.21 | 273.39 | 275.30 | 280.04 | 315.13 | 316.31 | 318.22 | 322.96 | 360.09 | 361.27 | 363.18 | 367.92 | 408.50 | 409.68 | 411.59 | 416.33 | 460.70 | 461.88 | 463.79 | 468.53 | 516.40 | 517.58 | 519.49 | 524.23 | | | | | | | | | | | | |
| | Lo PR | 122.54 | 124.05 | 127.17 | 132.39 | 129.99 | 131.50 | 134.62 | 139.84 | 136.52 | 138.03 | 141.15 | 146.37 | 142.04 | 143.55 | 146.67 | 151.89 | 147.45 | 148.97 | 152.09 | 157.30 | 154.24 | 155.75 | 158.87 | 164.09 | | | | | | | | | | | | |
| | 1600 | MBh | 47.44 | 48.10 | 49.50 | 51.64 | 47.02 | 47.68 | 49.08 | 51.22 | 45.80 | 46.46 | 47.86 | 50.00 | 43.70 | 44.36 | 45.76 | 47.89 | 41.13 | 41.79 | 43.19 | 45.32 | 38.78 | 39.44 | 40.84 | 42.98 | | | | | | | | | | | |
| | | S/T | 0.81 | 0.74 | 0.60 | 0.45 | 0.82 | 0.74 | 0.60 | 0.46 | 1.00 | 0.77 | 0.63 | 0.48 | 1.00 | 0.79 | 0.65 | 0.50 | 1.00 | 0.81 | 0.67 | 0.53 | 1.00 | 1.00 | 0.73 | 0.58 | | | | | | | | | | | |
| | | ΔT | 22.40 | 20.59 | 17.22 | 13.73 | 22.35 | 20.54 | 17.17 | 13.68 | 22.60 | 20.80 | 17.43 | 13.93 | 22.33 | 20.52 | 17.15 | 13.66 | 22.09 | 20.28 | 16.91 | 13.42 | 23.22 | 21.41 | 18.04 | 14.55 | | | | | | | | | | | |
| kW | | 2.97 | 2.96 | 2.96 | 2.98 | 3.32 | 3.32 | 3.31 | 3.34 | 3.72 | 3.71 | 3.71 | 3.74 | 4.15 | 4.14 | 4.14 | 4.16 | 4.63 | 4.62 | 4.62 | 4.62 | 5.19 | 5.18 | 5.18 | 5.21 | | | | | | | | | | | | |
| Amps | | 10.82 | 10.81 | 10.78 | 10.90 | 12.36 | 12.35 | 12.32 | 12.44 | 14.08 | 14.07 | 14.05 | 14.16 | 15.95 | 15.94 | 15.91 | 16.03 | 18.03 | 18.02 | 17.99 | 18.11 | 20.48 | 20.46 | 20.44 | 20.55 | | | | | | | | | | | | |
| Hi PR | 274.52 | 275.70 | 277.61 | 282.35 | 317.44 | 318.62 | 320.53 | 325.27 | 362.40 | 363.58 | 365.49 | 370.23 | 410.81 | 411.99 | 413.90 | 418.64 | 463.01 | 464.19 | 466.10 | 470.84 | 518.71 | 519.89 | 521.80 | 526.54 | | | | | | | | | | | | | |
| Lo PR | 124.34 | 125.85 | 128.97 | 134.19 | 131.79 | 133.30 | 136.42 | 141.64 | 138.32 | 139.83 | 142.95 | 148.17 | 143.84 | 145.35 | 148.47 | 153.69 | 149.25 | 150.77 | 153.89 | 159.11 | 156.04 | 157.55 | 160.67 | 165.89 | | | | | | | | | | | | | |
| 1800 | MBh | 48.18 | 48.84 | 50.24 | 52.37 | 47.76 | 48.42 | 49.82 | 51.96 | 46.54 | 47.20 | 48.60 | 50.73 | 44.44 | 45.10 | 46.50 | 48.63 | 41.87 | 42.53 | 43.93 | 46.06 | 39.52 | 40.18 | 41.58 | 43.72 | | | | | | | | | | | | |
| | S/T | 0.85 | 0.77 | 0.63 | 0.49 | 1.00 | 0.78 | 0.64 | 0.49 | 1.00 | 0.80 | 0.66 | 0.52 | 1.00 | 0.82 | 0.68 | 0.54 | 1.00 | 0.85 | 0.71 | 0.56 | 1.00 | 1.00 | 0.76 | 0.61 | | | | | | | | | | | | |
| | ΔT | 21.48 | 19.67 | 16.30 | 12.81 | 21.43 | 19.62 | 16.25 | 12.76 | 21.68 | 19.88 | 16.51 | 13.02 | 21.41 | 19.61 | 16.23 | 12.74 | 21.17 | 19.36 | 15.99 | 12.50 | 22.30 | 20.49 | 17.12 | 13.63 | | | | | | | | | | | | |
| | kW | 2.98 | 2.98 | 2.97 | 3.00 | 3.34 | 3.33 | 3.33 | 3.35 | 3.73 | 3.73 | 3.72 | 3.75 | 4.16 | 4.16 | 4.15 | 4.18 | 4.64 | 4.64 | 4.63 | 4.66 | 5.20 | 5.20 | 5.19 | 5.22 | | | | | | | | | | | | |
| | Amps | 10.89 | 10.87 | 10.85 | 10.96 | 12.43 | 12.42 | 12.39 | 12.51 | 14.15 | 14.14 | 14.11 | 14.23 | 16.02 | 16.00 | 15.98 | 16.10 | 18.10 | 18.09 | 18.06 | 18.18 | 20.54 | 20.53 | 20.50 | 20.62 | | | | | | | | | | | | |
| Hi PR | 276.76 | 277.94 | 279.85 | 284.59 | 319.68 | 320.86 | 322.77 | 327.51 | 364.64 | 365.82 | 367.73 | 372.47 | 413.05 | 414.23 | 416.14 | 420.89 | 465.25 | 466.43 | 468.34 | 473.08 | 520.95 | 522.13 | 524.05 | 528.79 | | | | | | | | | | | | | |
| Lo PR | 126.33 | 127.85 | 130.97 | 136.18 | 133.79 | 135.30 | 138.42 | 143.64 | 140.31 | 141.83 | 144.95 | 150.16 | 145.83 | 147.35 | 150.47 | 155.68 | 151.25 | 152.76 | 155.88 | 161.10 | 158.03 | 159.55 | 162.67 | 167.88 | | | | | | | | | | | | | |

IDB = Entering Indoor Dry Bulb Temperature
 High and low pressures are measured at the liquid and suction access fittings.
 Design Subcooling, 10-13 °F @ the liquid access fitting connection AHRI 95 test conditions. Design Superheat 10-14 °F @ the compressor suction access fitting connection.
 Shaded area reflects AHRI (TVA) conditions.
 kW = Total system power
 Amps: Unit amps (comp.+ evaporator + condenser fan motors)

| IDB | AIRFLOW | OUTDOOR AMBIENT TEMPERATURE | | | | | | | | | | | | 115 | | | | | | | | | | | |
|-----|---------|--------------------------------------|-------|-------|-------|-------|-------|-------|-------|-------|-------|-------|-------|-------|-------|-------|-------|-------|-------|-------|-------|-------|-------|-------|-------|
| | | 65 | | | | 75 | | | | 85 | | | | | 105 | | | | | | | | | | |
| | | 59 | 63 | 67 | 71 | 59 | 63 | 67 | 71 | 59 | 63 | 67 | 71 | | 59 | 63 | 67 | 71 | | | | | | | |
| | | ENTERING INDOOR WET BULB TEMPERATURE | | | | | | | | | | | | | | | | | | | | | | | |
| | 1400 | 47.1 | 47.7 | 49.1 | 51.3 | 46.7 | 47.3 | 48.7 | 50.8 | 45.4 | 46.1 | 47.5 | 49.6 | 43.3 | 44.0 | 45.4 | 47.5 | 40.8 | 41.4 | 42.8 | 45.0 | 38.4 | 39.1 | 40.5 | 42.6 |
| | | 1.00 | 0.80 | 0.66 | 0.52 | 1.00 | 0.81 | 0.67 | 0.52 | 1.00 | 0.84 | 0.70 | 0.55 | 1.00 | 0.86 | 0.72 | 0.57 | 1.00 | 1.00 | 0.74 | 0.59 | 1.00 | 1.00 | 0.79 | 0.65 |
| | | 27.48 | 25.68 | 22.31 | 18.82 | 27.43 | 25.63 | 22.26 | 18.77 | 27.69 | 25.88 | 22.51 | 19.02 | 27.41 | 25.61 | 22.24 | 18.75 | 27.17 | 25.37 | 22.00 | 18.51 | 28.30 | 26.50 | 23.13 | 19.64 |
| | | 2.95 | 2.95 | 2.94 | 2.97 | 3.30 | 3.30 | 3.30 | 3.32 | 3.70 | 3.70 | 3.69 | 3.72 | 4.13 | 4.13 | 4.12 | 4.15 | 4.61 | 4.61 | 4.60 | 4.63 | 5.17 | 5.17 | 5.16 | 5.19 |
| | | 10.75 | 10.73 | 10.71 | 10.83 | 12.29 | 12.28 | 12.25 | 12.37 | 14.01 | 14.00 | 13.97 | 14.09 | 15.88 | 15.86 | 15.84 | 15.96 | 17.96 | 17.95 | 17.92 | 18.04 | 20.40 | 20.39 | 20.36 | 20.48 |
| | | 27.3 | 27.4 | 27.6 | 28.1 | 31.6 | 31.7 | 31.9 | 32.3 | 36.1 | 36.2 | 36.4 | 36.8 | 40.9 | 41.0 | 41.2 | 41.7 | 46.1 | 46.2 | 46.4 | 46.9 | 51.7 | 51.8 | 52.0 | 52.5 |
| | | 12.3 | 12.5 | 12.8 | 13.3 | 13.1 | 13.2 | 13.5 | 14.0 | 13.7 | 13.9 | 14.2 | 14.7 | 14.3 | 14.4 | 14.7 | 15.2 | 14.8 | 15.0 | 15.3 | 15.8 | 15.5 | 15.6 | 15.9 | 16.5 |
| | | 47.7 | 48.3 | 49.7 | 51.9 | 47.3 | 47.9 | 49.3 | 51.5 | 46.0 | 46.7 | 48.1 | 50.2 | 43.9 | 44.6 | 46.0 | 48.1 | 41.4 | 42.0 | 43.4 | 45.6 | 39.0 | 39.7 | 41.1 | 43.2 |
| | | 1.00 | 0.87 | 0.73 | 0.58 | 1.00 | 0.87 | 0.73 | 0.59 | 1.00 | 0.90 | 0.76 | 0.61 | 1.00 | 1.00 | 0.78 | 0.63 | 1.00 | 1.00 | 0.80 | 0.65 | 1.00 | 1.00 | 0.85 | 0.71 |
| | | 26.39 | 24.59 | 21.22 | 17.72 | 26.34 | 24.54 | 21.17 | 17.68 | 26.60 | 24.79 | 21.42 | 17.93 | 26.32 | 24.52 | 21.15 | 17.66 | 26.08 | 24.28 | 20.91 | 17.42 | 27.21 | 25.41 | 22.04 | 18.55 |
| | | 2.97 | 2.97 | 2.96 | 2.99 | 3.32 | 3.32 | 3.31 | 3.34 | 3.72 | 3.72 | 3.71 | 3.74 | 4.15 | 4.15 | 4.14 | 4.17 | 4.63 | 4.62 | 4.62 | 4.65 | 5.19 | 5.19 | 5.18 | 5.21 |
| | | 10.83 | 10.81 | 10.79 | 10.91 | 12.37 | 12.36 | 12.33 | 12.45 | 14.09 | 14.08 | 14.05 | 14.17 | 15.96 | 15.94 | 15.92 | 16.04 | 18.04 | 18.03 | 18.00 | 18.12 | 20.48 | 20.47 | 20.44 | 20.56 |
| | | 27.5 | 27.6 | 27.8 | 28.3 | 31.8 | 31.9 | 32.1 | 32.6 | 36.3 | 36.4 | 36.6 | 37.1 | 41.1 | 41.2 | 41.4 | 41.9 | 46.4 | 46.5 | 46.7 | 47.1 | 51.9 | 52.0 | 52.2 | 52.7 |
| | | 12.7 | 12.8 | 13.2 | 13.7 | 13.4 | 13.6 | 13.9 | 14.4 | 14.1 | 14.2 | 14.5 | 15.1 | 14.4 | 14.6 | 14.9 | 15.4 | 15.2 | 15.3 | 15.6 | 16.0 | 15.7 | 15.8 | 16.1 | 16.6 |
| | | 48.4 | 49.1 | 50.5 | 52.6 | 48.0 | 48.7 | 50.1 | 52.2 | 46.8 | 47.4 | 48.8 | 51.0 | 44.7 | 45.3 | 46.7 | 48.9 | 42.1 | 42.8 | 44.2 | 46.3 | 39.8 | 40.4 | 41.8 | 44.0 |
| | | 1.00 | 0.90 | 0.76 | 0.61 | 1.00 | 0.91 | 0.77 | 0.62 | 1.00 | 0.93 | 0.79 | 0.65 | 1.00 | 1.00 | 0.81 | 0.67 | 1.00 | 1.00 | 0.84 | 0.69 | 1.00 | 1.00 | 0.89 | 0.74 |
| | | 25.47 | 23.67 | 20.30 | 16.81 | 25.42 | 23.62 | 20.25 | 16.76 | 25.68 | 23.87 | 20.50 | 17.01 | 25.41 | 23.60 | 20.23 | 16.74 | 25.16 | 23.36 | 19.99 | 16.50 | 26.29 | 24.49 | 21.12 | 17.63 |
| | | 2.98 | 2.98 | 2.97 | 3.00 | 3.34 | 3.34 | 3.33 | 3.36 | 3.73 | 3.73 | 3.73 | 3.75 | 4.16 | 4.16 | 4.15 | 4.18 | 4.64 | 4.64 | 4.63 | 4.66 | 5.20 | 5.20 | 5.20 | 5.22 |
| | | 10.89 | 10.88 | 10.85 | 10.97 | 12.44 | 12.42 | 12.40 | 12.52 | 14.16 | 14.15 | 14.12 | 14.24 | 16.02 | 16.01 | 15.99 | 16.10 | 18.11 | 18.09 | 18.07 | 18.19 | 20.55 | 20.54 | 20.51 | 20.63 |
| | | 27.7 | 27.8 | 28.0 | 28.5 | 32.0 | 32.1 | 32.3 | 32.8 | 36.5 | 36.6 | 36.8 | 37.3 | 41.4 | 41.5 | 41.7 | 42.1 | 46.6 | 46.7 | 46.9 | 47.4 | 52.1 | 52.3 | 52.5 | 52.9 |
| | | 12.7 | 12.8 | 13.2 | 13.7 | 13.4 | 13.6 | 13.9 | 14.4 | 14.1 | 14.2 | 14.5 | 15.1 | 14.6 | 14.8 | 15.1 | 15.6 | 15.2 | 15.3 | 15.6 | 16.2 | 15.9 | 16.0 | 16.3 | 16.8 |
| | | 47.9 | 48.5 | 49.9 | 52.1 | 47.4 | 48.1 | 49.5 | 51.6 | 46.2 | 46.9 | 48.3 | 50.4 | 44.1 | 44.8 | 46.2 | 48.3 | 41.5 | 42.2 | 43.6 | 45.7 | 39.2 | 39.9 | 41.3 | 43.4 |
| | | 1.00 | 0.91 | 0.77 | 0.62 | 1.00 | 0.91 | 0.77 | 0.63 | 1.00 | 1.00 | 0.80 | 0.65 | 1.00 | 1.00 | 0.82 | 0.67 | 1.00 | 1.00 | 0.84 | 0.70 | 1.00 | 1.00 | 0.75 | 0.75 |
| | | 31.03 | 29.22 | 25.85 | 22.36 | 30.98 | 29.17 | 25.80 | 22.31 | 31.23 | 29.43 | 26.06 | 22.56 | 30.96 | 29.15 | 25.78 | 22.29 | 30.72 | 28.91 | 25.54 | 22.05 | 31.85 | 30.04 | 26.67 | 23.18 |
| | | 2.96 | 2.95 | 2.95 | 2.97 | 3.31 | 3.31 | 3.30 | 3.33 | 3.71 | 3.70 | 3.70 | 3.73 | 4.14 | 4.13 | 4.13 | 4.15 | 4.62 | 4.61 | 4.61 | 4.63 | 5.18 | 5.17 | 5.17 | 5.20 |
| | | 10.78 | 10.76 | 10.74 | 10.86 | 12.32 | 12.31 | 12.28 | 12.40 | 14.04 | 14.03 | 14.00 | 14.12 | 15.91 | 15.89 | 15.87 | 15.99 | 17.99 | 17.98 | 17.95 | 18.07 | 20.43 | 20.42 | 20.39 | 20.51 |
| | | 27.4 | 27.5 | 27.7 | 28.2 | 31.7 | 31.8 | 32.0 | 32.5 | 36.2 | 36.3 | 36.5 | 37.0 | 41.0 | 41.1 | 41.3 | 41.8 | 46.2 | 46.4 | 46.6 | 47.0 | 51.8 | 51.9 | 52.1 | 52.6 |
| | | 12.5 | 12.6 | 13.0 | 13.5 | 13.2 | 13.4 | 13.7 | 14.2 | 13.9 | 14.0 | 14.4 | 14.9 | 14.4 | 14.6 | 14.9 | 15.4 | 15.0 | 15.1 | 15.4 | 16.0 | 15.7 | 15.8 | 16.1 | 16.6 |
| | | 48.5 | 49.1 | 50.5 | 52.7 | 48.1 | 48.7 | 50.1 | 52.2 | 46.8 | 47.5 | 48.9 | 51.0 | 44.7 | 45.4 | 46.8 | 48.9 | 42.2 | 42.8 | 44.2 | 46.4 | 39.8 | 40.5 | 41.9 | 44.0 |
| | | 1.00 | 0.97 | 0.83 | 0.68 | 1.00 | 1.00 | 0.84 | 0.69 | 1.00 | 1.00 | 0.86 | 0.72 | 1.00 | 1.00 | 0.88 | 0.74 | 1.00 | 1.00 | 0.90 | 0.76 | 1.00 | 1.00 | 0.81 | 0.81 |
| | | 29.94 | 28.13 | 24.76 | 21.27 | 29.89 | 28.08 | 24.71 | 21.22 | 30.14 | 28.33 | 24.96 | 21.47 | 29.87 | 28.06 | 24.69 | 21.20 | 29.63 | 27.82 | 24.45 | 20.96 | 30.76 | 28.95 | 25.58 | 22.09 |
| | | 2.97 | 2.97 | 2.97 | 2.99 | 3.33 | 3.33 | 3.32 | 3.35 | 3.73 | 3.72 | 3.72 | 3.74 | 4.15 | 4.15 | 4.15 | 4.17 | 4.63 | 4.63 | 4.63 | 4.65 | 5.20 | 5.19 | 5.19 | 5.21 |
| | | 10.86 | 10.84 | 10.82 | 10.94 | 12.40 | 12.39 | 12.36 | 12.48 | 14.12 | 14.11 | 14.08 | 14.20 | 15.99 | 15.97 | 15.95 | 16.07 | 18.07 | 18.06 | 18.03 | 18.15 | 20.51 | 20.50 | 20.47 | 20.59 |
| | | 27.6 | 27.7 | 27.9 | 28.4 | 31.9 | 32.0 | 32.2 | 32.7 | 36.4 | 36.5 | 36.7 | 37.2 | 41.3 | 41.4 | 41.6 | 42.0 | 46.5 | 46.6 | 46.8 | 47.3 | 52.0 | 52.2 | 52.4 | 52.8 |
| | | 12.7 | 12.8 | 13.1 | 13.7 | 13.4 | 13.6 | 13.9 | 14.4 | 14.1 | 14.2 | 14.5 | 15.1 | 14.6 | 14.8 | 15.1 | 15.6 | 15.2 | 15.3 | 15.6 | 16.1 | 15.8 | 16.0 | 16.3 | 16.8 |
| | | 49.2 | 49.9 | 51.3 | 53.4 | 48.8 | 49.5 | 50.9 | 53.0 | 47.6 | 48.2 | 49.6 | 51.8 | 45.5 | 46.1 | 47.5 | 49.7 | 42.9 | 43.6 | 45.0 | 47.1 | 40.6 | 41.2 | 42.6 | 44.7 |
| | | 1.00 | 1.00 | 0.86 | 0.72 | 1.00 | 1.00 | 0.87 | 0.72 | 1.00 | 1.00 | 0.90 | 0.75 | 1.00 | 1.00 | 0.92 | 0.77 | 1.00 | 1.00 | 0.94 | 0.79 | 1.00 | 1.00 | 0.85 | 0.85 |
| | | 29.02 | 27.21 | 23.84 | 20.35 | 28.97 | 27.16 | 23.79 | 20.30 | 29.22 | 27.42 | 24.05 | 20.55 | 28.95 | 27.14 | 23.77 | 20.28 | 28.71 | 26.90 | 23.53 | 20.04 | 29.84 | 28.03 | 24.66 | 21.17 |
| | | 2.99 | 2.99 | 2.98 | 3.01 | 3.35 | 3.34 | 3.34 | 3.36 | 3.74 | 3.74 | 3.73 | 3.76 | 4.17 | 4.17 | 4.16 | 4.19 | 4.65 | 4.65 | 4.64 | 4.67 | 5.21 | 5.21 | 5.20 | 5.23 |
| | | 10.92 | 10.91 | 10.88 | 11.00 | 12.47 | 12.45 | 12.43 | 12.55 | 14.19 | 14.18 | 14.15 | 14.27 | 16.05 | 16.04 | 16.01 | 16.13 | 18.14 | 18.12 | 18.10 | 18.22 | 20.58 | 20.57 | 20.54 | 20.66 |
| | | 27.9 | 28.0 | 28.2 | 28.6 | 32.1 | 32.3 | 32.5 | 32.9 | 36.6 | 36.8 | 37.0 | 37.4 | 41.5 | 41.6 | 41.8 | 42.3 | 46.7 | 46.8 | 47.0 | 47.5 | 52.3 | 52.4 | 52.6 | 53.1 |
| | | 12.9 | 13.0 | 13.3 | 13.9 | 13.6 | 13.8 | 14.1 | 14.6 | 14.3 | 14.4 | 14.7 | 15.3 | 14.8 | 15.0 | 15.3 | 15.8 | 15.4 | 15.5 | 15.8 | 16.3 | 16.0 | 16.2 | 16.5 | 17.0 |

IDB = Entering Indoor Dry Bulb Temperature
 High and low pressures are measured at the liquid and suction access fittings.
 Design Subcooling, 10-13 °F @ the liquid access fitting connection AHRI 95 test conditions. Design Superheat 10-14 °F @ the compressor suction access fitting connection.
 Amps: Unit amps (comp.+ evaporator + condenser fan motors)
 KW = Total system power
 Shaded area reflects AHRI conditions.

| IDB | | OUTDOOR AMBIENT TEMPERATURE | | | | | | | | | | | | ENTERING INDOOR WET BULB TEMPERATURE | | | | | | | | | | | | |
|-------|-------|-----------------------------|-------|-------|-------|-------|-------|-------|-------|-------|-------|-------|-------|--------------------------------------|-------|-------|-------|-------|-------|-------|-------|-------|-------|-------|-------|-------|
| | | 65 | | | | 75 | | | | 85 | | | | 95 | | | | 105 | | | | 115 | | | | |
| | | 59 | 63 | 67 | 71 | 59 | 63 | 67 | 71 | 59 | 63 | 67 | 71 | 59 | 63 | 67 | 71 | 59 | 63 | 67 | 71 | 59 | 63 | 67 | 71 | |
| 70 | 980 | MBh | 33.6 | 34.1 | 35.1 | - | 33.3 | 33.8 | 34.8 | - | 32.5 | 32.9 | 33.9 | - | 31.0 | 31.4 | 32.4 | - | 29.1 | 29.6 | 30.6 | - | 27.4 | 27.9 | 28.9 | - |
| | | S/T | 0.64 | 0.56 | 0.41 | - | 0.64 | 0.56 | 0.42 | - | 0.67 | 0.59 | 0.45 | - | 1.00 | 0.61 | 0.47 | - | 1.00 | 0.63 | 0.49 | - | 1.00 | 0.69 | 0.55 | - |
| | | ΔT | 18.83 | 17.09 | 13.84 | - | 18.79 | 17.05 | 13.79 | - | 19.03 | 17.29 | 14.04 | - | 18.77 | 17.03 | 13.78 | - | 18.54 | 16.79 | 13.54 | - | 19.63 | 17.89 | 14.63 | - |
| | | kW | 1.86 | 1.85 | 1.85 | - | 2.08 | 2.08 | 2.07 | - | 2.33 | 2.33 | 2.32 | - | 2.60 | 2.60 | 2.59 | - | 2.90 | 2.90 | 2.89 | - | 3.25 | 3.25 | 3.25 | - |
| | | Amps | 6.76 | 6.75 | 6.74 | - | 7.73 | 7.72 | 7.71 | - | 8.81 | 8.81 | 8.79 | - | 9.99 | 9.98 | 9.96 | - | 11.30 | 11.29 | 11.27 | - | 12.83 | 12.83 | 12.81 | - |
| | | Hi PR | 260 | 261 | 263 | - | 301 | 302 | 304 | - | 344 | 345 | 347 | - | 390 | 391 | 393 | - | 440 | 441 | 443 | - | 493 | 495 | 496 | - |
| | Lo PR | 126 | 127 | 131 | - | 134 | 135 | 138 | - | 140 | 142 | 145 | - | 146 | 148 | 151 | - | 152 | 153 | 156 | - | 159 | 160 | 163 | - | |
| | 1120 | MBh | 34.1 | 34.6 | 35.6 | - | 33.8 | 34.3 | 35.3 | - | 32.9 | 33.4 | 34.4 | - | 31.4 | 31.9 | 32.9 | - | 29.6 | 30.0 | 31.0 | - | 27.9 | 28.3 | 29.3 | - |
| | | S/T | 0.70 | 0.62 | 0.48 | - | 0.71 | 0.63 | 0.48 | - | 0.73 | 0.65 | 0.51 | - | 1.00 | 0.67 | 0.53 | - | 1.00 | 0.70 | 0.55 | - | 1.00 | 0.75 | 0.61 | - |
| | | ΔT | 17.78 | 16.04 | 12.79 | - | 17.73 | 15.99 | 12.74 | - | 17.98 | 16.24 | 12.99 | - | 17.72 | 15.97 | 12.72 | - | 17.48 | 15.74 | 12.49 | - | 18.57 | 16.83 | 13.58 | - |
| | | kW | 1.87 | 1.87 | 1.86 | - | 2.09 | 2.09 | 2.08 | - | 2.34 | 2.34 | 2.33 | - | 2.61 | 2.61 | 2.60 | - | 2.91 | 2.91 | 2.91 | - | 3.26 | 3.26 | 3.26 | - |
| | | Amps | 6.81 | 6.80 | 6.79 | - | 7.78 | 7.77 | 7.76 | - | 8.87 | 8.86 | 8.84 | - | 10.04 | 10.03 | 10.01 | - | 11.35 | 11.34 | 11.32 | - | 12.89 | 12.88 | 12.86 | - |
| Hi PR | | 262 | 263 | 265 | - | 303 | 304 | 306 | - | 346 | 347 | 349 | - | 393 | 394 | 395 | - | 442 | 444 | 445 | - | 496 | 497 | 499 | - | |
| Lo PR | 128 | 129 | 133 | - | 135 | 137 | 140 | - | 142 | 144 | 147 | - | 148 | 149 | 153 | - | 153 | 155 | 158 | - | 160 | 162 | 165 | - | | |
| 1260 | MBh | 34.6 | 35.1 | 36.1 | - | 34.3 | 34.8 | 35.8 | - | 33.4 | 33.9 | 34.9 | - | 31.9 | 32.4 | 33.4 | - | 30.1 | 30.6 | 31.6 | - | 28.4 | 28.9 | 29.9 | - | |
| | S/T | 0.74 | 0.66 | 0.51 | - | 0.74 | 0.66 | 0.52 | - | 1.00 | 0.69 | 0.55 | - | 1.00 | 0.71 | 0.57 | - | 1.00 | 0.73 | 0.59 | - | 1.00 | 1.00 | 0.64 | - | |
| | ΔT | 16.90 | 15.15 | 11.90 | - | 16.85 | 15.11 | 11.85 | - | 17.09 | 15.35 | 12.10 | - | 16.83 | 15.09 | 11.84 | - | 16.60 | 14.86 | 11.60 | - | 17.69 | 15.95 | 12.69 | - | |
| | kW | 1.88 | 1.88 | 1.87 | - | 2.10 | 2.10 | 2.09 | - | 2.35 | 2.35 | 2.34 | - | 2.62 | 2.62 | 2.61 | - | 2.92 | 2.92 | 2.91 | - | 3.27 | 3.27 | 3.27 | - | |
| | Amps | 6.85 | 6.85 | 6.83 | - | 7.82 | 7.82 | 7.80 | - | 8.91 | 8.90 | 8.88 | - | 10.08 | 10.07 | 10.06 | - | 11.39 | 11.38 | 11.37 | - | 12.93 | 12.92 | 12.90 | - | |
| | Hi PR | 264 | 265 | 267 | - | 305 | 307 | 308 | - | 348 | 349 | 351 | - | 395 | 396 | 398 | - | 445 | 446 | 448 | - | 498 | 499 | 501 | - | |
| Lo PR | 130 | 131 | 135 | - | 138 | 139 | 142 | - | 144 | 146 | 149 | - | 150 | 151 | 155 | - | 155 | 157 | 160 | - | 162 | 164 | 167 | - | | |
| 75 | 980 | MBh | 33.7 | 34.1 | 35.1 | 36.7 | 33.4 | 33.8 | 34.8 | 36.4 | 32.5 | 33.0 | 34.0 | 35.5 | 31.0 | 31.5 | 32.5 | 34.0 | 29.1 | 29.6 | 30.6 | 32.1 | 27.4 | 27.9 | 28.9 | 30.5 |
| | | S/T | 0.77 | 0.69 | 0.55 | 0.40 | 1.00 | 0.70 | 0.56 | 0.41 | 1.00 | 0.79 | 0.65 | 0.50 | 1.00 | 0.75 | 0.60 | 0.45 | 1.00 | 0.77 | 0.63 | 0.48 | 1.00 | 1.00 | 0.68 | 0.53 |
| | | ΔT | 22.66 | 20.92 | 17.67 | 14.30 | 22.62 | 20.87 | 17.62 | 14.25 | 22.86 | 21.12 | 17.87 | 14.50 | 22.60 | 20.86 | 17.60 | 14.24 | 22.37 | 20.62 | 17.37 | 14.00 | 23.46 | 21.71 | 18.46 | 15.09 |
| | | kW | 1.85 | 1.85 | 1.85 | 1.87 | 2.08 | 2.08 | 2.07 | 2.09 | 2.33 | 2.32 | 2.32 | 2.34 | 2.60 | 2.59 | 2.59 | 2.61 | 2.90 | 2.90 | 2.90 | 2.89 | 3.25 | 3.25 | 3.25 | 3.26 |
| | | Amps | 6.75 | 6.75 | 6.73 | 6.80 | 7.73 | 7.72 | 7.70 | 7.78 | 8.81 | 8.80 | 8.78 | 8.86 | 9.98 | 9.97 | 9.96 | 10.03 | 11.29 | 11.29 | 11.28 | 11.27 | 12.83 | 12.82 | 12.80 | 12.88 |
| | | Hi PR | 260 | 261 | 263 | 268 | 301 | 302 | 304 | 309 | 344 | 345 | 347 | 352 | 391 | 392 | 393 | 398 | 440 | 440 | 442 | 443 | 448 | 494 | 495 | 497 |
| | Lo PR | 126 | 128 | 131 | 136 | 134 | 135 | 138 | 144 | 140 | 142 | 145 | 150 | 146 | 148 | 151 | 156 | 152 | 152 | 153 | 156 | 162 | 159 | 160 | 163 | 169 |
| | 1120 | MBh | 34.11 | 34.6 | 35.6 | 37.1 | 33.8 | 34.3 | 35.3 | 36.8 | 32.9 | 33.4 | 34.4 | 35.9 | 31.4 | 31.9 | 32.9 | 34.4 | 29.6 | 30.0 | 31.1 | 32.6 | 27.9 | 28.4 | 29.4 | 30.9 |
| | | S/T | 0.84 | 0.76 | 0.61 | 0.46 | 1.00 | 0.76 | 0.62 | 0.47 | 1.00 | 0.79 | 0.65 | 0.50 | 1.00 | 0.81 | 0.67 | 0.52 | 1.00 | 0.77 | 0.63 | 0.48 | 1.00 | 1.00 | 0.74 | 0.59 |
| | | ΔT | 21.61 | 19.87 | 16.62 | 13.25 | 21.56 | 19.82 | 16.57 | 13.20 | 21.81 | 20.07 | 16.82 | 13.45 | 21.55 | 19.80 | 16.55 | 13.18 | 21.31 | 19.57 | 16.32 | 12.95 | 22.40 | 20.66 | 17.41 | 14.04 |
| | | kW | 1.87 | 1.86 | 1.86 | 1.88 | 2.09 | 2.09 | 2.08 | 2.10 | 2.34 | 2.34 | 2.33 | 2.35 | 2.61 | 2.61 | 2.60 | 2.62 | 2.91 | 2.91 | 2.90 | 2.92 | 3.26 | 3.26 | 3.26 | 3.27 |
| | | Amps | 6.80 | 6.80 | 6.78 | 6.85 | 7.78 | 7.77 | 7.75 | 7.83 | 8.86 | 8.85 | 8.83 | 8.91 | 10.03 | 10.03 | 10.01 | 10.08 | 11.34 | 11.34 | 11.33 | 11.32 | 12.88 | 12.87 | 12.85 | 12.93 |
| Hi PR | | 262 | 264 | 265 | 270 | 303 | 305 | 306 | 311 | 346 | 348 | 349 | 354 | 393 | 394 | 396 | 400 | 443 | 443 | 444 | 446 | 450 | 496 | 497 | 499 | 503 |
| Lo PR | 128 | 129 | 133 | 138 | 135 | 137 | 140 | 146 | 142 | 144 | 147 | 152 | 148 | 149 | 153 | 158 | 152 | 153 | 155 | 158 | 164 | 160 | 162 | 165 | 171 | |
| 1260 | MBh | 34.6 | 35.1 | 36.1 | 37.7 | 34.3 | 34.8 | 35.8 | 37.4 | 33.5 | 33.9 | 34.9 | 36.5 | 31.9 | 32.4 | 33.4 | 35.0 | 30.1 | 30.6 | 31.6 | 33.1 | 28.4 | 28.9 | 29.9 | 31.4 | |
| | S/T | 0.87 | 0.79 | 0.65 | 0.50 | 1.00 | 0.80 | 0.66 | 0.51 | 1.00 | 0.83 | 0.68 | 0.53 | 1.00 | 0.85 | 0.70 | 0.55 | 1.00 | 0.77 | 0.63 | 0.48 | 1.00 | 1.00 | 0.78 | 0.63 | |
| | ΔT | 20.73 | 18.98 | 15.73 | 12.36 | 20.68 | 18.94 | 15.68 | 12.32 | 20.92 | 19.18 | 15.93 | 12.56 | 20.66 | 18.92 | 15.67 | 12.30 | 20.43 | 18.69 | 15.43 | 12.06 | 21.52 | 19.78 | 16.52 | 13.15 | |
| | kW | 1.88 | 1.87 | 1.87 | 1.89 | 2.10 | 2.10 | 2.09 | 2.11 | 2.35 | 2.35 | 2.34 | 2.36 | 2.62 | 2.62 | 2.61 | 2.63 | 2.92 | 2.92 | 2.92 | 2.91 | 3.27 | 3.27 | 3.27 | 3.28 | |
| | Amps | 6.85 | 6.84 | 6.82 | 6.90 | 7.82 | 7.81 | 7.79 | 7.87 | 8.90 | 8.89 | 8.88 | 8.95 | 10.07 | 10.07 | 10.05 | 10.12 | 11.38 | 11.38 | 11.36 | 11.43 | 12.92 | 12.91 | 12.90 | 12.97 | |
| | Hi PR | 265 | 266 | 268 | 272 | 306 | 307 | 309 | 313 | 349 | 350 | 352 | 356 | 395 | 396 | 398 | 402 | 445 | 445 | 446 | 448 | 452 | 498 | 499 | 501 | 506 |
| Lo PR | 130 | 131 | 135 | 140 | 138 | 139 | 142 | 148 | 144 | 146 | 149 | 154 | 150 | 151 | 155 | 155 | 160 | 155 | 157 | 160 | 166 | 162 | 164 | 167 | 173 | |

IDB = Entering Indoor Dry Bulb Temperature
 High and low pressures are measured at the liquid and suction access fittings.
 Design Subcooling, 5-7°F @ the liquid access fitting connection ARI 95 test conditions. Design Superheat 15-18°F @ the compressor suction access fitting connection.
 Shaded area reflects AHR1 (TVA) conditions.
 Amps: Unit amps (comp.+ evaporator + condenser fan motors)
 kW = Total system power

| IDB | AIRFLOW | OUTDOOR AMBIENT TEMPERATURE | | | | | | | | | | | | ENTERING INDOOR WET BULB TEMPERATURE | | | | | | | | | | | |
|-------|---------|-----------------------------|-------|-------|------|-------|-------|-------|------|-------|-------|-------|------|--------------------------------------|-------|-------|-------|-------|-------|-------|-------|-------|-------|-------|-------|
| | | 65 | | | | 75 | | | | 85 | | | | 95 | | | | 105 | | | | 115 | | | |
| | | 59 | 63 | 67 | 71 | 59 | 63 | 67 | 71 | 59 | 63 | 67 | 71 | 59 | 63 | 67 | 71 | 59 | 63 | 67 | 71 | 59 | 63 | 67 | 71 |
| 80 | MBh | 33.8 | 34.3 | 35.3 | 36.9 | 33.5 | 34.0 | 35.0 | 36.6 | 32.7 | 33.1 | 34.1 | 35.7 | 31.2 | 31.6 | 32.6 | 34.2 | 29.3 | 29.8 | 30.8 | 32.3 | 27.6 | 28.1 | 29.1 | 30.6 |
| | S/T | 1.00 | 0.83 | 0.68 | 0.5 | 1.00 | 0.83 | 0.69 | 0.5 | 1.00 | 0.86 | 0.72 | 0.6 | 1.00 | 1.00 | 0.74 | 0.6 | 1.00 | 1.00 | 0.76 | 0.6 | 1.00 | 1.00 | 0.81 | 0.7 |
| | ΔT | 26.52 | 24.78 | 21.53 | 18.2 | 26.47 | 24.73 | 21.48 | 18.1 | 26.72 | 24.98 | 21.72 | 18.4 | 26.45 | 24.71 | 21.46 | 18.1 | 26.22 | 24.48 | 21.23 | 17.9 | 27.31 | 25.57 | 22.32 | 18.9 |
| | kW | 1.86 | 1.85 | 1.85 | 1.87 | 2.08 | 2.08 | 2.07 | 2.09 | 2.33 | 2.33 | 2.32 | 2.34 | 2.60 | 2.60 | 2.59 | 2.61 | 2.90 | 2.90 | 2.89 | 2.91 | 3.25 | 3.25 | 3.25 | 3.26 |
| | Amps | 6.76 | 6.75 | 6.74 | 6.81 | 7.73 | 7.72 | 7.71 | 7.78 | 8.81 | 8.81 | 8.79 | 8.86 | 9.99 | 9.98 | 9.96 | 10.04 | 11.30 | 11.29 | 11.27 | 11.35 | 12.83 | 12.83 | 12.81 | 12.88 |
| | Hi PR | 261 | 262 | 264 | 268 | 302 | 303 | 305 | 309 | 345 | 346 | 348 | 352 | 391 | 392 | 394 | 398 | 441 | 442 | 444 | 448 | 494 | 495 | 497 | 502 |
| Lo PR | 127 | 128 | 131 | 137 | 134 | 136 | 139 | 144 | 141 | 142 | 146 | 151 | 147 | 148 | 151 | 157 | 152 | 154 | 157 | 162 | 159 | 161 | 164 | 169 | |
| 1120 | MBh | 34.3 | 34.8 | 35.8 | 37.3 | 34.0 | 34.5 | 35.5 | 37.0 | 33.1 | 33.6 | 34.6 | 36.1 | 31.6 | 32.1 | 33.1 | 34.6 | 29.7 | 30.2 | 31.2 | 32.8 | 28.1 | 28.5 | 29.5 | 31.1 |
| | S/T | 1.00 | 0.89 | 0.75 | 0.6 | 1.00 | 0.90 | 0.75 | 0.6 | 1.00 | 0.92 | 0.78 | 0.6 | 1.00 | 1.00 | 0.80 | 0.7 | 1.00 | 1.00 | 0.82 | 0.7 | 1.00 | 1.00 | 0.88 | 0.7 |
| | ΔT | 25.47 | 23.73 | 20.47 | 17.1 | 25.42 | 23.68 | 20.43 | 17.1 | 25.67 | 23.92 | 20.67 | 17.3 | 25.40 | 23.66 | 20.41 | 17.0 | 25.17 | 23.43 | 20.18 | 16.8 | 26.26 | 24.52 | 21.27 | 17.9 |
| | kW | 1.87 | 1.87 | 1.86 | 1.88 | 2.09 | 2.09 | 2.08 | 2.10 | 2.34 | 2.34 | 2.33 | 2.35 | 2.61 | 2.61 | 2.60 | 2.62 | 2.91 | 2.91 | 2.90 | 2.92 | 3.26 | 3.26 | 3.26 | 3.28 |
| | Amps | 6.81 | 6.80 | 6.79 | 6.86 | 7.78 | 7.77 | 7.76 | 7.83 | 8.86 | 8.86 | 8.84 | 8.91 | 10.04 | 10.03 | 10.01 | 10.09 | 11.35 | 11.34 | 11.32 | 11.40 | 12.88 | 12.88 | 12.86 | 12.93 |
| | Hi PR | 263 | 264 | 266 | 270 | 304 | 305 | 307 | 311 | 347 | 348 | 350 | 354 | 393 | 394 | 396 | 401 | 443 | 444 | 446 | 451 | 496 | 497 | 499 | 504 |
| Lo PR | 128 | 130 | 133 | 139 | 136 | 138 | 141 | 146 | 143 | 144 | 148 | 153 | 148 | 150 | 153 | 159 | 154 | 156 | 159 | 164 | 161 | 163 | 166 | 171 | |
| 1260 | MBh | 34.8 | 35.3 | 36.3 | 37.8 | 34.5 | 35.0 | 36.0 | 37.5 | 33.6 | 34.1 | 35.1 | 36.7 | 32.1 | 32.6 | 33.6 | 35.1 | 30.3 | 30.8 | 31.8 | 33.3 | 28.6 | 29.1 | 30.1 | 31.6 |
| | S/T | 1.00 | 0.92 | 0.78 | 0.6 | 1.00 | 0.93 | 0.79 | 0.6 | 1.00 | 1.00 | 0.81 | 0.7 | 1.00 | 1.00 | 0.83 | 0.7 | 1.00 | 1.00 | 0.86 | 0.7 | 1.00 | 1.00 | 1.00 | 0.8 |
| | ΔT | 24.58 | 22.84 | 19.59 | 16.2 | 24.53 | 22.79 | 19.54 | 16.2 | 24.78 | 23.04 | 19.79 | 16.4 | 24.52 | 22.77 | 19.52 | 16.2 | 24.28 | 22.54 | 19.29 | 15.9 | 25.37 | 23.63 | 20.38 | 17.0 |
| | kW | 1.88 | 1.87 | 1.87 | 1.89 | 2.10 | 2.10 | 2.09 | 2.11 | 2.35 | 2.35 | 2.34 | 2.36 | 2.62 | 2.62 | 2.61 | 2.63 | 2.92 | 2.92 | 2.91 | 2.93 | 3.27 | 3.27 | 3.27 | 3.29 |
| | Amps | 6.85 | 6.84 | 6.83 | 6.90 | 7.82 | 7.82 | 7.80 | 7.87 | 8.91 | 8.90 | 8.88 | 8.96 | 10.08 | 10.07 | 10.05 | 10.13 | 11.39 | 11.38 | 11.36 | 11.44 | 12.93 | 12.92 | 12.90 | 12.98 |
| | Hi PR | 265 | 266 | 268 | 273 | 306 | 307 | 309 | 314 | 349 | 350 | 352 | 357 | 395 | 396 | 398 | 403 | 445 | 446 | 448 | 453 | 499 | 500 | 501 | 506 |
| Lo PR | 130 | 132 | 135 | 141 | 138 | 140 | 143 | 148 | 145 | 146 | 150 | 155 | 150 | 152 | 155 | 161 | 156 | 158 | 161 | 166 | 163 | 165 | 168 | 173 | |
| 85 | MBh | 34.4 | 34.9 | 35.9 | 37.4 | 34.1 | 34.6 | 35.6 | 37.1 | 33.2 | 33.7 | 34.7 | 36.2 | 31.7 | 32.2 | 33.2 | 34.7 | 29.9 | 30.3 | 31.4 | 32.9 | 28.2 | 28.7 | 29.7 | 31.2 |
| | S/T | 1.00 | 0.93 | 0.79 | 0.6 | 1.00 | 1.00 | 0.80 | 0.6 | 1.00 | 1.00 | 0.82 | 0.7 | 1.00 | 1.00 | 0.84 | 0.7 | 1.00 | 1.00 | 0.86 | 0.7 | 1.00 | 1.00 | 1.00 | 0.8 |
| | ΔT | 29.94 | 28.20 | 24.95 | 21.6 | 29.89 | 28.15 | 24.90 | 21.5 | 30.14 | 28.40 | 25.14 | 21.8 | 29.87 | 28.13 | 24.88 | 21.5 | 29.64 | 27.90 | 24.65 | 21.3 | 30.73 | 28.99 | 25.74 | 22.4 |
| | kW | 1.86 | 1.86 | 1.85 | 1.87 | 2.08 | 2.08 | 2.08 | 2.09 | 2.33 | 2.33 | 2.33 | 2.34 | 2.60 | 2.60 | 2.60 | 2.61 | 2.90 | 2.90 | 2.90 | 2.91 | 3.26 | 3.25 | 3.25 | 3.27 |
| | Amps | 6.78 | 6.77 | 6.75 | 6.83 | 7.75 | 7.74 | 7.72 | 7.80 | 8.83 | 8.82 | 8.81 | 8.88 | 10.00 | 10.00 | 9.98 | 10.05 | 11.32 | 11.31 | 11.29 | 11.37 | 12.85 | 12.84 | 12.83 | 12.90 |
| | Hi PR | 262 | 263 | 265 | 269 | 303 | 304 | 306 | 310 | 346 | 347 | 349 | 353 | 392 | 393 | 395 | 400 | 442 | 443 | 445 | 450 | 495 | 497 | 498 | 503 |
| Lo PR | 128 | 130 | 133 | 139 | 136 | 138 | 141 | 146 | 143 | 144 | 148 | 153 | 148 | 150 | 153 | 159 | 154 | 156 | 159 | 164 | 161 | 163 | 166 | 171 | |
| 1120 | MBh | 34.9 | 35.3 | 36.3 | 37.9 | 34.6 | 35.0 | 36.0 | 37.6 | 33.7 | 34.1 | 35.2 | 36.7 | 32.2 | 32.6 | 33.6 | 35.2 | 30.3 | 30.8 | 31.8 | 33.3 | 28.6 | 29.1 | 30.1 | 31.6 |
| | S/T | 1.00 | 1.00 | 0.85 | 0.7 | 1.00 | 1.00 | 0.86 | 0.7 | 1.00 | 1.00 | 0.89 | 0.7 | 1.00 | 1.00 | 0.91 | 0.8 | 1.00 | 1.00 | 0.93 | 0.8 | 1.00 | 1.00 | 1.00 | 0.8 |
| | ΔT | 28.89 | 27.15 | 23.89 | 20.5 | 28.84 | 27.10 | 23.85 | 20.5 | 29.08 | 27.34 | 24.09 | 20.7 | 28.82 | 27.08 | 23.83 | 20.5 | 28.59 | 26.85 | 23.60 | 20.2 | 29.68 | 27.94 | 24.69 | 21.3 |
| | kW | 1.87 | 1.87 | 1.87 | 1.88 | 2.09 | 2.09 | 2.09 | 2.11 | 2.34 | 2.34 | 2.34 | 2.36 | 2.61 | 2.61 | 2.61 | 2.62 | 2.91 | 2.91 | 2.91 | 2.93 | 3.27 | 3.27 | 3.26 | 3.28 |
| | Amps | 6.83 | 6.82 | 6.80 | 6.88 | 7.80 | 7.79 | 7.77 | 7.85 | 8.88 | 8.88 | 8.86 | 8.93 | 10.06 | 10.05 | 10.03 | 10.11 | 11.37 | 11.36 | 11.34 | 11.42 | 12.90 | 12.89 | 12.88 | 12.95 |
| | Hi PR | 264 | 265 | 267 | 272 | 305 | 306 | 308 | 313 | 348 | 349 | 351 | 356 | 394 | 396 | 397 | 402 | 444 | 445 | 447 | 452 | 498 | 499 | 501 | 505 |
| Lo PR | 130 | 132 | 135 | 140 | 138 | 139 | 143 | 148 | 145 | 146 | 149 | 155 | 150 | 152 | 155 | 160 | 156 | 157 | 161 | 166 | 163 | 164 | 168 | 173 | |
| 1260 | MBh | 35.4 | 35.9 | 36.9 | 38.4 | 35.1 | 35.6 | 36.6 | 38.1 | 34.2 | 34.7 | 35.7 | 37.2 | 32.7 | 33.2 | 34.2 | 35.7 | 30.8 | 31.3 | 32.3 | 33.9 | 29.2 | 29.6 | 30.6 | 32.2 |
| | S/T | 1.00 | 1.00 | 0.89 | 0.7 | 1.00 | 1.00 | 0.89 | 0.7 | 1.00 | 1.00 | 0.92 | 0.8 | 1.00 | 1.00 | 0.94 | 0.8 | 1.00 | 1.00 | 0.97 | 0.8 | 1.00 | 1.00 | 1.00 | 0.9 |
| | ΔT | 28.00 | 26.26 | 23.01 | 19.6 | 27.95 | 26.21 | 22.96 | 19.6 | 28.20 | 26.46 | 23.20 | 19.8 | 27.94 | 26.19 | 22.94 | 19.6 | 27.70 | 25.96 | 22.71 | 19.3 | 28.79 | 27.05 | 23.80 | 20.4 |
| | kW | 1.88 | 1.88 | 1.88 | 1.89 | 2.10 | 2.10 | 2.10 | 2.12 | 2.35 | 2.35 | 2.35 | 2.36 | 2.62 | 2.62 | 2.62 | 2.63 | 2.92 | 2.92 | 2.92 | 2.94 | 3.28 | 3.28 | 3.27 | 3.29 |
| | Amps | 6.87 | 6.86 | 6.85 | 6.92 | 7.84 | 7.83 | 7.82 | 7.89 | 8.92 | 8.92 | 8.90 | 8.97 | 10.10 | 10.09 | 10.07 | 10.15 | 11.41 | 11.40 | 11.38 | 11.46 | 12.94 | 12.94 | 12.92 | 12.99 |
| | Hi PR | 266 | 267 | 269 | 274 | 307 | 308 | 310 | 315 | 350 | 351 | 353 | 358 | 397 | 398 | 400 | 404 | 446 | 448 | 449 | 454 | 500 | 501 | 503 | 507 |
| Lo PR | 132 | 134 | 137 | 142 | 140 | 142 | 145 | 150 | 147 | 148 | 151 | 157 | 152 | 154 | 157 | 162 | 158 | 159 | 163 | 168 | 165 | 166 | 170 | 175 | |

IDB = Entering Indoor Dry Bulb Temperature
 High and low pressures are measured at the liquid and suction access fittings.
 Design Subcooling, 10-13 °F @ the liquid access fitting connection AHRI 95 test conditions. Design Superheat 10-14°F @ the compressor suction access fitting connection.

Shaded area reflects AHRI conditions.
 Amps: Unit amps (comp.+ evaporator + condenser fan motors)
 KW = Total system power

| IDB | | OUTDOOR AMBIENT TEMPERATURE | | | | | | | | | | | | ENTERING INDOOR WET BULB TEMPERATURE | | | | | | | | | | | |
|-------------|-------|-----------------------------|--------|--------|--------|--------|--------|--------|--------|--------|--------|--------|--------|--------------------------------------|--------|--------|--------|--------|--------|--------|--------|--------|--------|--------|--------|
| | | 65 | | | | 75 | | | | 85 | | | | 95 | | | | 105 | | | | 115 | | | |
| | | 59 | 63 | 67 | 71 | 59 | 63 | 67 | 71 | 59 | 63 | 67 | 71 | 59 | 63 | 67 | 71 | 59 | 63 | 67 | 71 | 59 | 63 | 67 | 71 |
| 70 | MBh | 58.29 | 59.11 | 60.85 | - | 57.77 | 58.59 | 60.33 | - | 56.24 | 57.07 | 58.81 | - | 53.63 | 54.45 | 56.19 | - | 50.43 | 51.25 | 52.99 | - | 47.51 | 48.33 | 50.07 | - |
| | S/T | 0.58 | 0.51 | 0.38 | - | 0.59 | 0.52 | 0.39 | - | 0.61 | 0.54 | 0.41 | - | 0.63 | 0.56 | 0.43 | - | 0.65 | 0.58 | 0.45 | - | 1.00 | 0.63 | 0.50 | - |
| | ΔT | 20.69 | 18.77 | 15.19 | - | 20.64 | 18.72 | 15.13 | - | 20.91 | 18.99 | 15.40 | - | 20.62 | 18.70 | 15.11 | - | 20.36 | 18.44 | 14.86 | - | 21.57 | 19.65 | 16.06 | - |
| | kW | 3.62 | 3.62 | 3.61 | - | 4.08 | 4.07 | 4.07 | - | 4.59 | 4.59 | 4.58 | - | 5.14 | 5.14 | 5.13 | - | 5.76 | 5.76 | 5.75 | - | 6.49 | 6.48 | 6.47 | - |
| | Amps | 13.48 | 13.47 | 13.43 | - | 15.48 | 15.46 | 15.43 | - | 17.70 | 17.68 | 17.65 | - | 20.10 | 20.09 | 20.05 | - | 22.79 | 22.77 | 22.74 | - | 25.94 | 25.93 | 25.89 | - |
| | Hi PR | 280.70 | 281.92 | 283.89 | - | 324.98 | 326.19 | 328.17 | - | 371.36 | 372.57 | 374.55 | - | 421.30 | 422.52 | 424.49 | - | 475.15 | 476.36 | 478.34 | - | 532.61 | 533.83 | 535.80 | - |
| | Lo PR | 117.85 | 119.30 | 122.30 | - | 125.01 | 126.47 | 129.47 | - | 131.29 | 132.74 | 135.74 | - | 136.59 | 138.05 | 141.04 | - | 141.80 | 143.25 | 146.25 | - | 148.32 | 149.77 | 152.77 | - |
| 1700 | MBh | 59.01 | 59.83 | 61.57 | - | 58.49 | 59.31 | 61.05 | - | 56.97 | 57.79 | 59.53 | - | 54.35 | 55.17 | 56.91 | - | 51.15 | 51.98 | 53.72 | - | 48.23 | 49.06 | 50.80 | - |
| | S/T | 0.64 | 0.56 | 0.43 | - | 0.64 | 0.57 | 0.44 | - | 0.67 | 0.59 | 0.46 | - | 0.69 | 0.61 | 0.48 | - | 1.00 | 0.63 | 0.50 | - | 1.00 | 0.68 | 0.55 | - |
| | ΔT | 19.61 | 17.69 | 14.10 | - | 19.55 | 17.63 | 14.05 | - | 19.82 | 17.90 | 14.32 | - | 19.53 | 17.61 | 14.03 | - | 19.28 | 17.36 | 13.77 | - | 20.48 | 18.56 | 14.97 | - |
| | kW | 3.64 | 3.64 | 3.63 | - | 4.10 | 4.10 | 4.09 | - | 4.61 | 4.61 | 4.60 | - | 5.16 | 5.16 | 5.15 | - | 5.78 | 5.78 | 5.77 | - | 6.51 | 6.50 | 6.50 | - |
| | Amps | 13.58 | 13.57 | 13.53 | - | 15.57 | 15.56 | 15.52 | - | 17.79 | 17.78 | 17.74 | - | 20.20 | 20.18 | 20.15 | - | 22.89 | 22.87 | 22.84 | - | 26.04 | 26.02 | 25.99 | - |
| | Hi PR | 282.94 | 284.16 | 286.13 | - | 327.21 | 328.43 | 330.40 | - | 373.60 | 374.81 | 376.79 | - | 423.54 | 424.75 | 426.73 | - | 477.38 | 478.60 | 480.57 | - | 534.85 | 536.06 | 538.04 | - |
| | Lo PR | 119.48 | 120.94 | 123.93 | - | 126.65 | 128.10 | 131.10 | - | 132.92 | 134.38 | 137.37 | - | 138.22 | 139.68 | 142.68 | - | 143.43 | 144.89 | 147.88 | - | 149.95 | 151.41 | 154.40 | - |
| 1900 | MBh | 59.87 | 60.69 | 62.43 | - | 59.35 | 60.17 | 61.91 | - | 57.83 | 58.65 | 60.39 | - | 55.21 | 56.03 | 57.77 | - | 52.01 | 52.84 | 54.58 | - | 49.09 | 49.92 | 51.66 | - |
| | S/T | 0.67 | 0.60 | 0.47 | - | 0.67 | 0.60 | 0.47 | - | 0.70 | 0.63 | 0.50 | - | 0.72 | 0.64 | 0.51 | - | 1.00 | 0.66 | 0.54 | - | 1.00 | 0.71 | 0.58 | - |
| | ΔT | 18.68 | 16.76 | 13.18 | - | 18.63 | 16.71 | 13.13 | - | 18.90 | 16.98 | 13.39 | - | 18.61 | 16.69 | 13.11 | - | 18.36 | 16.43 | 12.85 | - | 19.56 | 17.64 | 14.05 | - |
| | kW | 3.66 | 3.66 | 3.65 | - | 4.12 | 4.12 | 4.11 | - | 4.63 | 4.63 | 4.62 | - | 5.18 | 5.18 | 5.17 | - | 5.80 | 5.80 | 5.79 | - | 6.53 | 6.52 | 6.52 | - |
| | Amps | 13.66 | 13.65 | 13.61 | - | 15.65 | 15.64 | 15.60 | - | 17.88 | 17.86 | 17.83 | - | 20.28 | 20.27 | 20.23 | - | 22.97 | 22.95 | 22.92 | - | 26.12 | 26.11 | 26.07 | - |
| | Hi PR | 285.12 | 286.34 | 288.31 | - | 329.39 | 330.61 | 332.58 | - | 375.77 | 376.99 | 378.96 | - | 425.71 | 426.93 | 428.90 | - | 479.56 | 480.78 | 482.75 | - | 537.02 | 538.24 | 540.21 | - |
| | Lo PR | 121.28 | 122.73 | 125.73 | - | 128.44 | 129.90 | 132.90 | - | 134.72 | 136.17 | 139.17 | - | 140.02 | 141.48 | 144.48 | - | 145.23 | 146.68 | 149.68 | - | 151.75 | 153.20 | 156.20 | - |
| 75 | MBh | 58.32 | 59.14 | 60.88 | 63.54 | 57.80 | 58.62 | 60.36 | 63.02 | 56.28 | 57.10 | 58.84 | 61.50 | 53.66 | 54.48 | 56.22 | 58.88 | 50.46 | 51.29 | 53.03 | 55.68 | 47.54 | 48.37 | 50.11 | 52.76 |
| | S/T | 0.71 | 0.63 | 0.50 | 0.37 | 0.71 | 0.64 | 0.51 | 0.37 | 0.74 | 0.66 | 0.53 | 0.40 | 1.00 | 0.68 | 0.55 | 0.42 | 1.00 | 0.70 | 0.57 | 0.44 | 1.00 | 0.81 | 0.68 | 0.54 |
| | ΔT | 24.92 | 22.99 | 19.41 | 15.69 | 24.86 | 22.94 | 19.36 | 15.64 | 25.13 | 23.21 | 19.63 | 15.91 | 24.84 | 22.92 | 19.34 | 15.62 | 24.59 | 22.67 | 19.08 | 15.36 | 25.79 | 23.87 | 20.28 | 16.57 |
| | kW | 3.62 | 3.61 | 3.61 | 3.64 | 4.08 | 4.07 | 4.06 | 4.10 | 4.59 | 4.58 | 4.58 | 4.61 | 5.14 | 5.14 | 5.13 | 5.16 | 5.76 | 5.75 | 5.75 | 5.78 | 6.48 | 6.48 | 6.47 | 6.51 |
| | Amps | 13.47 | 13.46 | 13.42 | 13.57 | 15.46 | 15.45 | 15.41 | 15.57 | 17.69 | 17.67 | 17.64 | 17.79 | 20.09 | 20.07 | 20.04 | 20.19 | 22.78 | 22.76 | 22.73 | 22.88 | 25.93 | 25.91 | 25.88 | 26.03 |
| | Hi PR | 280.95 | 282.17 | 284.14 | 289.03 | 325.22 | 326.44 | 328.41 | 333.30 | 371.60 | 372.82 | 374.79 | 379.69 | 421.55 | 422.76 | 424.74 | 429.63 | 475.39 | 476.61 | 478.58 | 483.47 | 532.86 | 534.07 | 536.05 | 540.94 |
| | Lo PR | 117.88 | 119.33 | 122.33 | 127.34 | 125.04 | 126.50 | 129.49 | 134.51 | 131.31 | 132.77 | 135.77 | 140.78 | 136.62 | 138.07 | 141.07 | 146.09 | 141.83 | 143.28 | 146.28 | 151.29 | 148.35 | 149.80 | 152.80 | 157.81 |
| 1700 | MBh | 59.04 | 59.87 | 61.61 | 64.26 | 58.52 | 59.35 | 61.09 | 63.74 | 57.00 | 57.82 | 59.56 | 62.22 | 54.39 | 55.21 | 56.95 | 59.61 | 51.19 | 52.01 | 53.75 | 56.41 | 48.27 | 49.09 | 50.83 | 53.49 |
| | S/T | 0.76 | 0.69 | 0.56 | 0.42 | 0.77 | 0.69 | 0.56 | 0.43 | 0.79 | 0.72 | 0.59 | 0.45 | 1.00 | 0.74 | 0.61 | 0.47 | 1.00 | 0.76 | 0.63 | 0.49 | 1.00 | 0.81 | 0.68 | 0.54 |
| | ΔT | 23.83 | 21.91 | 18.32 | 14.61 | 23.78 | 21.86 | 18.27 | 14.56 | 24.05 | 22.13 | 18.54 | 14.83 | 23.76 | 21.84 | 18.25 | 14.54 | 23.50 | 21.58 | 17.99 | 14.28 | 24.70 | 22.78 | 19.20 | 15.48 |
| | kW | 3.64 | 3.64 | 3.63 | 3.66 | 4.10 | 4.09 | 4.09 | 4.12 | 4.61 | 4.61 | 4.60 | 4.63 | 5.16 | 5.16 | 5.15 | 5.19 | 5.78 | 5.78 | 5.77 | 5.80 | 6.51 | 6.50 | 6.49 | 6.53 |
| | Amps | 13.57 | 13.55 | 13.52 | 13.67 | 15.56 | 15.54 | 15.51 | 15.66 | 17.78 | 17.77 | 17.73 | 17.88 | 20.19 | 20.17 | 20.14 | 20.29 | 22.87 | 22.86 | 22.82 | 22.98 | 26.03 | 26.01 | 25.98 | 26.13 |
| | Hi PR | 283.19 | 284.41 | 286.38 | 291.27 | 327.46 | 328.68 | 330.65 | 335.54 | 373.84 | 375.06 | 377.03 | 381.92 | 423.79 | 425.00 | 426.98 | 431.87 | 477.63 | 478.85 | 480.82 | 485.71 | 535.10 | 536.31 | 538.28 | 543.18 |
| | Lo PR | 119.51 | 120.96 | 123.96 | 128.98 | 126.67 | 128.13 | 131.13 | 136.14 | 132.95 | 134.40 | 137.40 | 142.42 | 138.25 | 139.71 | 142.71 | 147.72 | 143.46 | 144.91 | 147.91 | 152.93 | 149.98 | 151.43 | 154.43 | 159.45 |
| 1900 | MBh | 59.90 | 60.73 | 62.47 | 65.12 | 59.38 | 60.21 | 61.95 | 64.60 | 57.86 | 58.68 | 60.42 | 63.08 | 55.25 | 56.07 | 57.81 | 60.47 | 52.05 | 52.87 | 54.61 | 57.27 | 49.13 | 49.95 | 51.69 | 54.35 |
| | S/T | 0.79 | 0.72 | 0.59 | 0.45 | 0.80 | 0.72 | 0.59 | 0.46 | 1.00 | 0.75 | 0.62 | 0.48 | 1.00 | 0.77 | 0.64 | 0.50 | 1.00 | 0.79 | 0.66 | 0.52 | 1.00 | 0.84 | 0.71 | 0.57 |
| | ΔT | 22.91 | 20.99 | 17.40 | 13.69 | 22.85 | 20.93 | 17.35 | 13.63 | 23.12 | 21.20 | 17.62 | 13.90 | 22.83 | 20.91 | 17.33 | 13.61 | 22.58 | 20.66 | 17.07 | 13.36 | 23.78 | 21.86 | 18.27 | 14.56 |
| | kW | 3.66 | 3.65 | 3.65 | 3.68 | 4.12 | 4.11 | 4.10 | 4.14 | 4.63 | 4.62 | 4.62 | 4.65 | 5.18 | 5.18 | 5.17 | 5.20 | 5.80 | 5.80 | 5.79 | 5.82 | 6.52 | 6.52 | 6.51 | 6.55 |
| | Amps | 13.65 | 13.63 | 13.60 | 13.75 | 15.64 | 15.63 | 15.59 | 15.74 | 17.86 | 17.85 | 17.81 | 17.97 | 20.27 | 20.25 | 20.22 | 20.37 | 22.96 | 22.94 | 22.91 | 23.06 | 26.11 | 26.09 | 26.06 | 26.21 |
| | Hi PR | 285.37 | 286.58 | 288.56 | 293.45 | 329.64 | 330.86 | 332.83 | 337.72 | 376.02 | 377.24 | 379.21 | 384.10 | 425.96 | 427.18 | 429.15 | 434.04 | 479.81 | 481.02 | 483.00 | 487.89 | 537.27 | 538.48 | 540.46 | 545.35 |
| | Lo PR | 121.31 | 122.76 | 125.76 | 130.78 | 128.47 | 129.93 | 132.92 | 137.94 | 134.75 | 136.20 | 139.20 | 144.21 | 140.05 | 141.51 | 144.50 | 149.52 | 145.26 | 146.71 | 149.71 | 154.73 | 151.78 | 153.23 | 156.23 | 161.24 |

IDB = Entering Indoor Dry Bulb Temperature
 High and low pressures are measured at the liquid and suction access fittings.
 Design Subcooling, 5-7°F @ the liquid access fitting connection ARI 95 test conditions. Design Superheat 15-18°F @ the compressor suction access fitting connection.
 Shaded area reflects AHRI (TVA) conditions.
 Amps: Unit amps (comp.+ evaporator + condenser fan motors)
 kW = Total system power

EXPANDED COOLING DATA — DP5HH6041 (70%)

| IDB | AIRFLOW | OUTDOOR AMBIENT TEMPERATURE | | | | | | | | | | | | ENTERING INDOOR WET BULB TEMPERATURE | | | | | | | | | | | | | | | | | | | | | | | |
|-------|---------|-----------------------------|--------|--------|--------|--------|--------|--------|--------|--------|--------|--------|--------|--------------------------------------|--------|--------|--------|--------|--------|--------|--------|--------|--------|--------|--------|-------|----|----|----|----|----|-----|----|--|--|--|--|
| | | 65 | | | | | | 75 | | | | | | 85 | | | | | | 95 | | | | | | 105 | | | | | | 115 | | | | | |
| | | 59 | 63 | 67 | 71 | 59 | 63 | 67 | 71 | 59 | 63 | 67 | 71 | 59 | 63 | 67 | 71 | 59 | 63 | 67 | 71 | 59 | 63 | 67 | 71 | 59 | 63 | 67 | 71 | 59 | 63 | 67 | 71 | | | | |
| 70 | 1050 | MBh | 41.91 | 42.50 | 43.75 | - | 41.53 | 42.12 | 43.38 | - | 40.44 | 41.03 | 42.28 | - | 38.56 | 39.15 | 40.40 | - | 36.26 | 36.85 | 38.10 | - | 34.16 | 34.75 | 36.00 | - | | | | | | | | | | | |
| | | S/T | 0.60 | 0.52 | 0.39 | - | 0.61 | 0.53 | 0.40 | - | 0.63 | 0.56 | 0.42 | - | 0.65 | 0.57 | 0.44 | - | 1.00 | 0.60 | 0.46 | - | 1.00 | 0.65 | 0.51 | - | | | | | | | | | | | |
| | | ΔT | 19.97 | 18.11 | 14.65 | - | 19.92 | 18.06 | 14.60 | - | 20.18 | 18.32 | 14.86 | - | 19.90 | 18.04 | 14.58 | - | 19.65 | 17.80 | 14.34 | - | 20.81 | 18.96 | 15.50 | - | | | | | | | | | | | |
| | | kW | 2.28 | 2.27 | 2.27 | - | 2.57 | 2.56 | 2.56 | - | 2.89 | 2.88 | 2.88 | - | 3.23 | 3.23 | 3.23 | - | 3.62 | 3.62 | 3.62 | - | 4.08 | 4.08 | 4.07 | - | | | | | | | | | | | |
| | | Amps | 8.48 | 8.47 | 8.45 | - | 9.73 | 9.72 | 9.70 | - | 11.13 | 11.12 | 11.10 | - | 12.64 | 12.64 | 12.61 | - | 14.34 | 14.33 | 14.30 | - | 16.32 | 16.31 | 16.29 | - | | | | | | | | | | | |
| | Hi PR | 268.35 | 269.52 | 271.40 | - | 310.68 | 311.84 | 313.73 | - | 355.02 | 356.18 | 358.07 | - | 402.76 | 403.93 | 405.81 | - | 454.24 | 455.40 | 457.29 | - | 509.17 | 510.34 | 512.22 | - | | | | | | | | | | | | |
| | Lo PR | 121.15 | 122.64 | 125.73 | - | 128.51 | 130.01 | 133.09 | - | 134.96 | 136.46 | 139.54 | - | 140.42 | 141.91 | 144.99 | - | 145.77 | 147.26 | 150.35 | - | 152.47 | 153.97 | 157.05 | - | | | | | | | | | | | | |
| | 1190 | MBh | 42.43 | 43.02 | 44.27 | - | 42.05 | 42.65 | 43.90 | - | 40.96 | 41.55 | 42.80 | - | 39.08 | 39.67 | 40.92 | - | 36.78 | 37.37 | 38.62 | - | 34.68 | 35.27 | 36.52 | - | | | | | | | | | | | |
| | | S/T | 0.65 | 0.58 | 0.45 | - | 0.66 | 0.59 | 0.45 | - | 0.68 | 0.61 | 0.48 | - | 0.70 | 0.63 | 0.50 | - | 1.00 | 0.65 | 0.52 | - | 1.00 | 0.70 | 0.57 | - | | | | | | | | | | | |
| | | ΔT | 18.92 | 17.07 | 13.61 | - | 18.87 | 17.02 | 13.56 | - | 19.13 | 17.28 | 13.82 | - | 18.85 | 17.00 | 13.54 | - | 18.60 | 16.75 | 13.29 | - | 19.76 | 17.91 | 14.45 | - | | | | | | | | | | | |
| kW | | 2.29 | 2.29 | 2.28 | - | 2.58 | 2.58 | 2.57 | - | 2.90 | 2.90 | 2.89 | - | 3.25 | 3.25 | 3.24 | - | 3.64 | 3.64 | 3.63 | - | 4.09 | 4.09 | 4.09 | - | | | | | | | | | | | | |
| Amps | | 8.54 | 8.53 | 8.51 | - | 9.79 | 9.78 | 9.76 | - | 11.19 | 11.18 | 11.16 | - | 12.71 | 12.70 | 12.67 | - | 14.40 | 14.39 | 14.36 | - | 16.38 | 16.37 | 16.35 | - | | | | | | | | | | | | |
| Hi PR | 270.49 | 271.66 | 273.54 | - | 312.82 | 313.98 | 315.87 | - | 357.16 | 358.32 | 360.21 | - | 404.90 | 406.07 | 407.95 | - | 456.38 | 457.54 | 459.43 | - | 511.31 | 512.48 | 514.36 | - | | | | | | | | | | | | | |
| Lo PR | 122.83 | 124.32 | 127.40 | - | 130.19 | 131.69 | 134.77 | - | 136.64 | 138.14 | 141.22 | - | 142.10 | 143.59 | 146.67 | - | 147.45 | 148.94 | 152.03 | - | 154.15 | 155.64 | 158.73 | - | | | | | | | | | | | | | |
| 1330 | MBh | 43.05 | 43.64 | 44.89 | - | 42.67 | 43.26 | 44.51 | - | 41.58 | 42.17 | 43.42 | - | 39.70 | 40.29 | 41.54 | - | 37.40 | 37.99 | 39.24 | - | 35.30 | 35.89 | 37.14 | - | | | | | | | | | | | | |
| | S/T | 0.69 | 0.61 | 0.48 | - | 0.69 | 0.62 | 0.48 | - | 0.72 | 0.64 | 0.51 | - | 1.00 | 0.66 | 0.53 | - | 1.00 | 0.68 | 0.55 | - | 1.00 | 0.73 | 0.60 | - | | | | | | | | | | | | |
| | ΔT | 18.03 | 16.18 | 12.72 | - | 17.98 | 16.13 | 12.67 | - | 18.24 | 16.39 | 12.93 | - | 17.96 | 16.11 | 12.65 | - | 17.71 | 15.86 | 12.40 | - | 18.87 | 17.02 | 13.56 | - | | | | | | | | | | | | |
| | kW | 2.30 | 2.30 | 2.30 | - | 2.59 | 2.59 | 2.58 | - | 2.91 | 2.91 | 2.91 | - | 3.26 | 3.26 | 3.25 | - | 3.65 | 3.65 | 3.64 | - | 4.11 | 4.10 | 4.10 | - | | | | | | | | | | | | |
| | Amps | 8.59 | 8.58 | 8.56 | - | 9.85 | 9.84 | 9.82 | - | 11.24 | 11.23 | 11.21 | - | 12.76 | 12.75 | 12.73 | - | 14.45 | 14.44 | 14.42 | - | 16.43 | 16.42 | 16.40 | - | | | | | | | | | | | | |
| Hi PR | 272.57 | 273.74 | 275.62 | - | 314.90 | 316.06 | 317.95 | - | 359.24 | 360.40 | 362.29 | - | 406.98 | 408.15 | 410.03 | - | 458.46 | 459.62 | 461.51 | - | 513.39 | 514.56 | 516.44 | - | | | | | | | | | | | | | |
| Lo PR | 124.68 | 126.17 | 129.25 | - | 132.04 | 133.54 | 136.62 | - | 138.49 | 139.99 | 143.07 | - | 143.94 | 145.44 | 148.52 | - | 149.30 | 150.79 | 153.87 | - | 156.00 | 157.49 | 160.58 | - | | | | | | | | | | | | | |
| 75 | 1050 | MBh | 41.93 | 42.52 | 43.78 | 45.69 | 41.56 | 42.15 | 43.40 | 45.31 | 40.46 | 41.06 | 42.31 | 44.22 | 38.58 | 39.17 | 40.43 | 42.34 | 36.28 | 36.87 | 38.13 | 40.04 | 34.18 | 34.78 | 36.03 | 37.94 | | | | | | | | | | | |
| | | S/T | 0.73 | 0.65 | 0.52 | 0.38 | 0.73 | 0.66 | 0.52 | 0.38 | 1.00 | 0.68 | 0.55 | 0.41 | 1.00 | 0.70 | 0.57 | 0.43 | 1.00 | 0.72 | 0.59 | 0.45 | 1.00 | 0.77 | 0.64 | 0.50 | | | | | | | | | | | |
| | | ΔT | 24.04 | 22.19 | 18.73 | 15.14 | 23.99 | 22.14 | 18.68 | 15.09 | 24.25 | 22.40 | 18.94 | 15.35 | 23.97 | 22.12 | 18.66 | 15.07 | 23.73 | 21.87 | 18.41 | 14.83 | 24.89 | 23.03 | 19.57 | 15.99 | | | | | | | | | | | |
| | | kW | 2.28 | 2.27 | 2.27 | 2.29 | 2.56 | 2.56 | 2.56 | 2.58 | 2.88 | 2.88 | 2.88 | 2.90 | 3.23 | 3.23 | 3.23 | 3.25 | 3.62 | 3.62 | 3.62 | 3.64 | 4.08 | 4.08 | 4.07 | 4.09 | | | | | | | | | | | |
| | | Amps | 8.47 | 8.46 | 8.44 | 8.54 | 9.73 | 9.72 | 9.69 | 9.79 | 11.12 | 11.11 | 11.09 | 11.19 | 12.64 | 12.63 | 12.61 | 12.70 | 14.33 | 14.32 | 14.30 | 14.39 | 16.31 | 16.30 | 16.28 | 16.37 | | | | | | | | | | | |
| | Hi PR | 268.59 | 269.75 | 271.64 | 276.31 | 310.91 | 312.08 | 313.96 | 318.64 | 355.25 | 356.42 | 358.30 | 362.98 | 403.00 | 404.16 | 406.05 | 410.72 | 454.48 | 455.64 | 457.53 | 462.20 | 509.41 | 510.57 | 512.46 | 517.14 | | | | | | | | | | | | |
| | Lo PR | 121.18 | 122.67 | 125.75 | 130.91 | 128.54 | 130.04 | 133.12 | 138.27 | 134.99 | 136.49 | 139.57 | 144.72 | 140.44 | 141.94 | 145.02 | 150.18 | 145.80 | 147.29 | 150.37 | 155.53 | 152.50 | 153.99 | 157.08 | 162.23 | | | | | | | | | | | | |
| | 1190 | MBh | 42.45 | 43.04 | 44.30 | 46.21 | 42.08 | 42.67 | 43.92 | 45.83 | 40.98 | 41.58 | 42.83 | 44.74 | 39.10 | 39.69 | 40.95 | 42.86 | 36.80 | 37.40 | 38.65 | 40.56 | 34.70 | 35.30 | 36.55 | 38.46 | | | | | | | | | | | |
| | | S/T | 0.78 | 0.71 | 0.57 | 0.43 | 0.79 | 0.71 | 0.58 | 0.44 | 1.00 | 0.74 | 0.60 | 0.46 | 1.00 | 0.76 | 0.62 | 0.48 | 1.00 | 0.78 | 0.64 | 0.50 | 1.00 | 1.00 | 0.69 | 0.55 | | | | | | | | | | | |
| | | ΔT | 23.00 | 21.14 | 17.68 | 14.10 | 22.95 | 21.09 | 17.63 | 14.05 | 23.21 | 21.35 | 17.89 | 14.31 | 22.93 | 21.07 | 17.61 | 14.03 | 22.68 | 20.83 | 17.36 | 13.78 | 23.84 | 21.99 | 18.53 | 14.94 | | | | | | | | | | | |
| kW | | 2.29 | 2.29 | 2.28 | 2.30 | 2.58 | 2.58 | 2.57 | 2.59 | 2.90 | 2.90 | 2.89 | 2.91 | 3.25 | 3.24 | 3.24 | 3.26 | 3.64 | 3.64 | 3.63 | 3.65 | 4.09 | 4.09 | 4.08 | 4.11 | | | | | | | | | | | | |
| Amps | | 8.53 | 8.52 | 8.50 | 8.60 | 9.79 | 9.78 | 9.76 | 9.85 | 11.18 | 11.17 | 11.15 | 11.25 | 12.70 | 12.69 | 12.67 | 12.76 | 14.39 | 14.38 | 14.36 | 14.45 | 16.37 | 16.36 | 16.34 | 16.44 | | | | | | | | | | | | |
| Hi PR | 270.73 | 271.89 | 273.78 | 278.45 | 313.05 | 314.22 | 316.10 | 320.78 | 357.39 | 358.56 | 360.44 | 365.12 | 405.14 | 406.30 | 408.19 | 412.86 | 456.62 | 457.78 | 459.67 | 464.34 | 511.55 | 512.71 | 514.60 | 519.28 | | | | | | | | | | | | | |
| Lo PR | 122.86 | 124.35 | 127.43 | 132.59 | 130.22 | 131.72 | 134.80 | 139.95 | 136.67 | 138.17 | 141.25 | 146.40 | 142.12 | 143.62 | 146.70 | 151.86 | 147.48 | 148.97 | 152.05 | 157.21 | 154.18 | 155.67 | 158.76 | 163.91 | | | | | | | | | | | | | |
| 1330 | MBh | 43.07 | 43.66 | 44.91 | 46.82 | 42.70 | 43.29 | 44.54 | 46.45 | 41.60 | 42.19 | 43.45 | 45.36 | 39.72 | 40.31 | 41.56 | 43.47 | 37.42 | 38.01 | 39.26 | 41.18 | 35.32 | 35.91 | 37.17 | 39.08 | | | | | | | | | | | | |
| | S/T | 0.81 | 0.74 | 0.60 | 0.46 | 0.82 | 0.74 | 0.61 | 0.47 | 1.00 | 0.77 | 0.64 | 0.50 | 1.00 | 0.79 | 0.65 | 0.51 | 1.00 | 0.81 | 0.68 | 0.54 | 1.00 | 1.00 | 0.73 | 0.59 | | | | | | | | | | | | |
| | ΔT | 22.11 | 20.25 | 16.79 | 13.21 | 22.05 | 20.20 | 16.74 | 13.16 | 22.31 | 20.46 | 17.00 | 13.42 | 22.04 | 20.18 | 16.72 | 13.14 | 21.79 | 19.93 | 16.47 | 12.89 | 22.95 | 21.09 | 17.63 | 14.05 | | | | | | | | | | | | |
| | kW | 2.30 | 2.30 | 2.29 | 2.32 | 2.59 | 2.59 | 2.58 | 2.60 | 2.91 | 2.91 | 2.90 | 2.93 | 3.26 | 3.26 | 3.25 | 3.27 | 3.65 | 3.65 | 3.64 | 3.66 | 4.10 | 4.10 | 4.10 | 4.12 | | | | | | | | | | | | |
| | Amps | 8.59 | 8.58 | 8.55 | 8.65 | 9.84 | 9.83 | 9.81 | 9.90 | 11.24 | 11.23 | 11.20 | 11.30 | 12.75 | 12.74 | 12.72 | 12.81 | 14.44 | 14.43 | 14.41 | 14.50 | 16.42 | 16.41 | 16.39 | 16.49 | | | | | | | | | | | | |
| Hi PR | 272.81 | 273.97 | 275.86 | 280.54 | 315.13 | 316.30 | 318.18 | 322.86 | 359.47 | 360.64 | 362.52 | 367.20 | 407.22 | 408.38 | 410.27 | 414.94 | 458.70 | 459.86 | 461.75 | 466.42 | 513.63 | 514.79 | 516.68 | 521.36 | | | | | | | | | | | | | |
| Lo PR | 124.70 | 126.20 | 129.28 | 134.44 | 132.07 | 133.56 | 136.65 | 141.80 | 138.52 | 140.01 | 143.10 | 148.25 | 143.97 | 145.47 | 148.55 | 153.71 | 149.32 | 150.82 | 153.90 | 159.06 | 156.03 | 157.52 | 160.60 | 165.76 | | | | | | | | | | | | | |

IDB = Entering Indoor Dry Bulb Temperature
 High and low pressures are measured at the liquid and suction access fittings.
 Design Subcooling, 5-7°F @ the liquid access fitting connection ARI 95 test conditions. Design Superheat 15-18°F @ the compressor suction access fitting connection.
 Shaded area reflects AHRI (TVA) conditions.
 Amps: Unit amps (comp. + evaporator + condenser fan motors)
 kW = Total system power

| IDB | AIRFLOW | OUTDOOR AMBIENT TEMPERATURE | | | | | | | | | | | | 105 | | | | | | | | | | | | 115 | | | | | | | | | | | |
|-------|---------|-----------------------------|--------|--------|--------|--------|--------|--------|--------|--------|--------|--------|--------|--------|--------|--------|--------|--------|--------|--------|--------|--------|--------|--------|--------|--------|------|----|----|----|----|-----|----|----|----|----|----|
| | | 65 | | | | | | 75 | | | | | | 85 | | | | | | 95 | | | | | | 105 | | | | | | 115 | | | | | |
| | | 59 | 63 | 67 | 71 | 75 | 79 | 59 | 63 | 67 | 71 | 75 | 79 | 59 | 63 | 67 | 71 | 75 | 79 | 59 | 63 | 67 | 71 | 75 | 79 | 59 | 63 | 67 | 71 | 75 | 79 | 59 | 63 | 67 | 71 | 75 | 79 |
| 80 | 1050 | MBh | 42.15 | 42.74 | 43.99 | 45.90 | 41.77 | 42.37 | 43.62 | 45.53 | 40.68 | 41.27 | 42.52 | 44.43 | 38.80 | 39.39 | 40.64 | 42.55 | 36.50 | 37.09 | 38.34 | 40.25 | 34.40 | 34.99 | 36.24 | 38.15 | | | | | | | | | | | |
| | | S/T | 0.85 | 0.77 | 0.64 | 0.50 | 1.00 | 0.81 | 0.67 | 0.53 | 1.00 | 0.82 | 0.69 | 0.55 | 1.00 | 0.82 | 0.69 | 0.55 | 1.00 | 1.00 | 1.00 | 0.71 | 0.57 | 1.00 | 1.00 | 0.76 | 0.62 | | | | | | | | | | |
| | | ΔT | 28.15 | 26.29 | 22.83 | 19.25 | 28.10 | 26.24 | 22.78 | 19.20 | 28.36 | 26.50 | 23.04 | 19.46 | 28.08 | 26.22 | 22.76 | 19.18 | 27.83 | 25.98 | 22.51 | 18.93 | 28.99 | 27.14 | 23.67 | 20.09 | | | | | | | | | | | |
| | | kW | 2.28 | 2.27 | 2.27 | 2.29 | 2.56 | 2.56 | 2.56 | 2.58 | 2.89 | 2.88 | 2.88 | 2.90 | 3.23 | 3.23 | 3.23 | 3.25 | 3.62 | 3.62 | 3.62 | 3.64 | 4.08 | 4.08 | 4.07 | 4.09 | | | | | | | | | | | |
| | | Amps | 8.48 | 8.47 | 8.45 | 8.54 | 9.73 | 9.72 | 9.70 | 9.86 | 11.13 | 11.12 | 11.10 | 11.20 | 12.64 | 12.63 | 12.61 | 12.71 | 14.33 | 14.32 | 14.30 | 14.40 | 16.32 | 16.31 | 16.29 | 16.38 | | | | | | | | | | | |
| | | Hi PR | 269.08 | 270.25 | 272.13 | 276.81 | 311.41 | 312.57 | 314.46 | 319.13 | 355.75 | 356.91 | 358.80 | 363.47 | 403.49 | 404.66 | 406.54 | 411.22 | 454.97 | 456.13 | 458.02 | 462.69 | 509.90 | 511.07 | 512.95 | 517.63 | | | | | | | | | | | |
| | Lo PR | 121.71 | 123.21 | 126.29 | 131.44 | 129.08 | 130.57 | 133.65 | 138.81 | 135.53 | 137.02 | 140.10 | 145.26 | 140.98 | 142.48 | 145.56 | 150.71 | 146.33 | 147.83 | 150.91 | 156.06 | 153.03 | 154.53 | 157.61 | 162.77 | | | | | | | | | | | | |
| | 1190 | MBh | 42.67 | 43.26 | 44.51 | 46.42 | 42.29 | 42.89 | 44.14 | 46.05 | 41.20 | 41.79 | 43.04 | 44.95 | 39.32 | 39.91 | 41.16 | 43.07 | 37.02 | 37.61 | 38.86 | 40.77 | 34.92 | 35.51 | 36.76 | 38.67 | | | | | | | | | | | |
| | | S/T | 1.00 | 0.83 | 0.70 | 0.56 | 1.00 | 0.84 | 0.70 | 0.56 | 1.00 | 0.86 | 0.73 | 0.59 | 1.00 | 0.88 | 0.75 | 0.61 | 1.00 | 1.00 | 0.77 | 0.63 | 1.00 | 1.00 | 0.82 | 0.68 | | | | | | | | | | | |
| | | ΔT | 27.10 | 25.25 | 21.78 | 18.20 | 27.05 | 25.19 | 21.73 | 18.15 | 27.31 | 25.46 | 21.99 | 18.41 | 27.03 | 25.18 | 21.72 | 18.13 | 26.78 | 24.93 | 21.47 | 17.88 | 27.94 | 26.09 | 22.63 | 19.04 | | | | | | | | | | | |
| | | kW | 2.29 | 2.29 | 2.28 | 2.31 | 2.58 | 2.58 | 2.57 | 2.59 | 2.90 | 2.90 | 2.89 | 2.92 | 3.25 | 3.25 | 3.24 | 3.26 | 3.64 | 3.63 | 3.63 | 3.65 | 4.09 | 4.09 | 4.09 | 4.11 | | | | | | | | | | | |
| | | Amps | 8.54 | 8.53 | 8.51 | 8.61 | 9.79 | 9.78 | 9.76 | 9.86 | 11.19 | 11.18 | 11.16 | 11.26 | 12.70 | 12.69 | 12.67 | 12.77 | 14.39 | 14.38 | 14.36 | 14.46 | 16.38 | 16.37 | 16.35 | 16.44 | | | | | | | | | | | |
| Hi PR | | 271.22 | 272.39 | 274.27 | 278.95 | 313.55 | 314.71 | 316.60 | 321.27 | 357.89 | 359.05 | 360.94 | 365.61 | 405.63 | 406.80 | 408.68 | 413.36 | 457.11 | 458.27 | 460.16 | 464.83 | 512.04 | 513.21 | 515.09 | 519.77 | | | | | | | | | | | | |
| Lo PR | 123.39 | 124.89 | 127.97 | 133.12 | 130.76 | 132.25 | 135.33 | 140.49 | 137.21 | 138.70 | 141.78 | 146.94 | 142.66 | 144.15 | 147.24 | 152.39 | 148.01 | 149.51 | 152.59 | 157.74 | 154.71 | 156.21 | 159.29 | 164.45 | | | | | | | | | | | | | |
| 1330 | MBh | 43.29 | 43.88 | 45.13 | 47.04 | 42.91 | 43.50 | 44.76 | 46.67 | 41.82 | 42.41 | 43.66 | 45.57 | 39.94 | 40.53 | 41.78 | 43.69 | 37.64 | 38.23 | 39.48 | 41.39 | 35.54 | 36.13 | 37.38 | 39.29 | | | | | | | | | | | | |
| | S/T | 1.00 | 0.86 | 0.73 | 0.59 | 1.00 | 0.87 | 0.73 | 0.59 | 1.00 | 0.89 | 0.76 | 0.62 | 1.00 | 1.00 | 0.78 | 0.64 | 1.00 | 1.00 | 0.80 | 0.66 | 1.00 | 1.00 | 0.85 | 0.71 | | | | | | | | | | | | |
| | ΔT | 26.21 | 24.35 | 20.89 | 17.31 | 26.16 | 24.30 | 20.84 | 17.26 | 26.42 | 24.56 | 21.10 | 17.52 | 26.14 | 24.28 | 20.82 | 17.24 | 25.89 | 24.04 | 20.58 | 16.99 | 27.05 | 25.20 | 21.74 | 18.15 | | | | | | | | | | | | |
| | kW | 2.30 | 2.30 | 2.30 | 2.32 | 2.59 | 2.59 | 2.58 | 2.61 | 2.91 | 2.91 | 2.91 | 2.93 | 3.26 | 3.26 | 3.25 | 3.28 | 3.65 | 3.65 | 3.64 | 3.66 | 4.11 | 4.10 | 4.10 | 4.12 | | | | | | | | | | | | |
| | Amps | 8.59 | 8.58 | 8.56 | 8.66 | 9.84 | 9.83 | 9.81 | 9.91 | 11.24 | 11.23 | 11.21 | 11.31 | 12.76 | 12.75 | 12.72 | 12.82 | 14.45 | 14.44 | 14.41 | 14.51 | 16.43 | 16.42 | 16.40 | 16.49 | | | | | | | | | | | | |
| | Hi PR | 273.30 | 274.47 | 276.35 | 281.03 | 315.63 | 316.79 | 318.68 | 323.35 | 359.97 | 361.13 | 363.02 | 367.69 | 407.71 | 408.88 | 410.76 | 415.44 | 459.19 | 460.35 | 462.24 | 466.91 | 514.13 | 515.29 | 517.17 | 521.85 | | | | | | | | | | | | |
| Lo PR | 125.24 | 126.73 | 129.82 | 134.97 | 132.60 | 134.10 | 137.18 | 142.34 | 139.05 | 140.55 | 143.63 | 148.79 | 144.51 | 146.00 | 149.09 | 154.24 | 149.86 | 151.36 | 154.44 | 159.59 | 156.56 | 158.06 | 161.14 | 166.29 | | | | | | | | | | | | | |
| 85 | 1050 | MBh | 42.86 | 43.45 | 44.70 | 46.61 | 42.48 | 43.07 | 44.32 | 46.23 | 41.39 | 41.98 | 43.23 | 45.14 | 39.51 | 40.10 | 41.35 | 43.26 | 37.21 | 37.80 | 39.05 | 40.96 | 35.11 | 35.70 | 36.95 | 38.86 | | | | | | | | | | | |
| | | S/T | 1.00 | 0.87 | 0.74 | 0.60 | 1.00 | 0.88 | 0.75 | 0.61 | 1.00 | 1.00 | 0.77 | 0.63 | 1.00 | 1.00 | 0.79 | 0.65 | 1.00 | 1.00 | 0.81 | 0.67 | 1.00 | 1.00 | 0.72 | | | | | | | | | | | | |
| | | ΔT | 31.78 | 29.93 | 26.47 | 22.89 | 31.73 | 29.88 | 26.42 | 22.83 | 31.99 | 30.14 | 26.68 | 23.10 | 31.71 | 29.86 | 26.40 | 22.82 | 31.47 | 29.61 | 26.15 | 22.57 | 32.63 | 30.77 | 27.31 | 23.73 | | | | | | | | | | | |
| | | kW | 2.28 | 2.28 | 2.28 | 2.30 | 2.57 | 2.57 | 2.56 | 2.59 | 2.89 | 2.89 | 2.88 | 2.91 | 3.24 | 3.24 | 3.23 | 3.25 | 3.63 | 3.63 | 3.62 | 3.64 | 4.08 | 4.08 | 4.08 | 4.10 | | | | | | | | | | | |
| | | Amps | 8.50 | 8.49 | 8.47 | 8.57 | 9.76 | 9.75 | 9.73 | 9.82 | 11.15 | 11.14 | 11.12 | 11.22 | 12.67 | 12.66 | 12.64 | 12.73 | 14.36 | 14.35 | 14.33 | 14.42 | 16.34 | 16.33 | 16.31 | 16.41 | | | | | | | | | | | |
| | | Hi PR | 270.35 | 271.51 | 273.40 | 278.07 | 312.67 | 313.83 | 315.72 | 320.39 | 357.01 | 358.17 | 360.06 | 364.73 | 404.75 | 405.92 | 407.80 | 412.48 | 456.23 | 457.39 | 459.28 | 463.96 | 511.17 | 512.33 | 514.22 | 518.89 | | | | | | | | | | | |
| | Lo PR | 123.53 | 125.02 | 128.10 | 133.26 | 130.89 | 132.39 | 135.47 | 140.62 | 137.34 | 138.84 | 141.92 | 147.07 | 142.79 | 144.29 | 147.37 | 152.53 | 148.15 | 149.64 | 152.72 | 157.88 | 154.85 | 156.34 | 159.43 | 164.58 | | | | | | | | | | | | |
| | 1190 | MBh | 43.38 | 43.97 | 45.22 | 47.13 | 43.00 | 43.59 | 44.84 | 46.75 | 41.91 | 42.50 | 43.75 | 45.66 | 40.03 | 40.62 | 41.87 | 43.78 | 37.73 | 38.32 | 39.57 | 41.48 | 35.63 | 36.22 | 37.47 | 39.38 | | | | | | | | | | | |
| | | S/T | 1.00 | 0.93 | 0.80 | 0.66 | 1.00 | 0.93 | 0.80 | 0.66 | 1.00 | 1.00 | 0.83 | 0.69 | 1.00 | 1.00 | 0.85 | 0.70 | 1.00 | 1.00 | 0.87 | 0.73 | 1.00 | 1.00 | 0.78 | | | | | | | | | | | | |
| | | ΔT | 30.74 | 28.88 | 25.42 | 21.84 | 30.69 | 28.83 | 25.37 | 21.79 | 30.95 | 29.09 | 25.63 | 22.05 | 30.67 | 28.81 | 25.35 | 21.77 | 30.42 | 28.57 | 25.11 | 21.52 | 31.58 | 29.73 | 26.27 | 22.68 | | | | | | | | | | | |
| | | kW | 2.30 | 2.29 | 2.29 | 2.31 | 2.58 | 2.58 | 2.58 | 2.60 | 2.91 | 2.90 | 2.90 | 2.92 | 3.25 | 3.25 | 3.25 | 3.27 | 3.64 | 3.64 | 3.64 | 3.66 | 4.10 | 4.10 | 4.09 | 4.11 | | | | | | | | | | | |
| | | Amps | 8.56 | 8.56 | 8.53 | 8.63 | 9.82 | 9.81 | 9.79 | 9.88 | 11.22 | 11.21 | 11.18 | 11.28 | 12.73 | 12.72 | 12.70 | 12.79 | 14.42 | 14.41 | 14.39 | 14.48 | 16.40 | 16.39 | 16.37 | 16.47 | | | | | | | | | | | |
| Hi PR | | 272.49 | 273.65 | 275.54 | 280.21 | 314.81 | 315.97 | 317.86 | 322.53 | 359.15 | 360.31 | 362.20 | 366.87 | 406.89 | 408.06 | 409.94 | 414.62 | 458.37 | 459.53 | 461.42 | 466.10 | 513.31 | 514.47 | 516.36 | 521.03 | | | | | | | | | | | | |
| Lo PR | 125.21 | 126.70 | 129.78 | 134.94 | 132.57 | 134.07 | 137.15 | 142.30 | 139.02 | 140.52 | 143.60 | 148.75 | 144.47 | 145.97 | 149.05 | 154.21 | 149.83 | 151.32 | 154.40 | 159.56 | 156.53 | 158.02 | 161.11 | 166.26 | | | | | | | | | | | | | |
| 1330 | MBh | 43.99 | 44.59 | 45.84 | 47.75 | 43.62 | 44.21 | 45.46 | 47.37 | 42.53 | 43.12 | 44.37 | 46.28 | 40.64 | 41.24 | 42.49 | 44.40 | 38.34 | 38.94 | 40.19 | 42.10 | 36.25 | 36.84 | 38.09 | 40.00 | | | | | | | | | | | | |
| | S/T | 1.00 | 0.96 | 0.83 | 0.69 | 1.00 | 1.00 | 0.83 | 0.69 | 1.00 | 1.00 | 0.86 | 0.72 | 1.00 | 1.00 | 0.88 | 0.74 | 1.00 | 1.00 | 0.90 | 0.76 | 1.00 | 1.00 | 0.81 | | | | | | | | | | | | | |
| | ΔT | 29.85 | 27.99 | 24.53 | 20.95 | 29.80 | 27.94 | 24.48 | 20.90 | 30.06 | 28.20 | 24.74 | 21.16 | 29.78 | 27.92 | 24.46 | 20.88 | 29.53 | 27.68 | 24.22 | 20.63 | 30.69 | 28.84 | 25.38 | 21.79 | | | | | | | | | | | | |
| | kW | 2.31 | 2.31 | 2.30 | 2.32 | 2.60 | 2.59 | 2.59 | 2.61 | 2.92 | 2.92 | 2.91 | 2.93 | 3.27 | 3.26 | 3.26 | 3.28 | 3.65 | 3.65 | 3.65 | 3.67 | 4.11 | 4.11 | 4.10 | 4.13 | | | | | | | | | | | | |
| | Amps | 8.62 | 8.61 | 8.59 | 8.68 | 9.87 | 9.86 | 9.84 | 9.93 | 11.27 | 11.26 | 11.24 | 11.33 | 12.78 | 12.77 | 12.75 | 12.84 | 14.47 | 14.46 | 14.44 | 14.53 | 16.45 | 16.44 | 16.42 | 16.52 | | | | | | | | | | | | |
| | Hi PR | 274.57 | 275.73 | 277.62 | 282.29 | 316.89 | 318.05 | 319.94 | 324.61 | 361.23 | 362.39 | 364.28 | 368.95 | 408.97 | 410.14 | 412.02 | 416.70 | 460.45 | 461.62 | 463.50 | 468.18 | 515.39 | 516.55 | 518.44 | 523.11 | | | | | | | | | | | | |
| Lo PR | 127.05 | 128.55 | 131.63 | 136.79 | 134.42 | 135.91 | 139.00 | 144.15 | 140.87 | 142.36 | 145.45 | 150.60 | 146.32 | 147.82 | 150.90 | 156.05 | 151.67 | 153.17 | 156.25 | 161.41 | 158.38 | 159.87 | 162.95 | 168.11 | | | | | | | | | | | | | |

IDB = Entering Indoor Dry Bulb Temperature
 High and low pressures are measured at the liquid and suction access fittings.
 Design Subcooling, 10-13 °F @ the liquid access fitting connection AHR1 95 test conditions. Design Superheat 10-14 °F @ the compressor suction access fitting connection.
 Amps: Unit amps (comp.+ evaporator + condenser fan motors)
 KW = Total system power
 Shaded area reflects AHR1 conditions.

DP5HH2441

100 % CAPACITY

| | OUTDOOR AMBIENT TEMPERATURE | | | | | | | | | | | | | | | | |
|-------|-----------------------------|--------|--------|--------|--------|--------|--------|--------|--------|--------|--------|--------|--------|--------|--------|--------|--------|
| | 65 | 60 | 55 | 50 | 47 | 45 | 40 | 35 | 30 | 25 | 20 | 17 | 15 | 10 | 5 | 0 | -5 |
| MBh | 29.83 | 27.86 | 25.92 | 24.02 | 22.80 | 21.89 | 19.59 | 17.47 | 15.75 | 14.47 | 13.51 | 13.00 | 12.35 | 10.71 | 9.08 | 7.45 | 5.81 |
| T/R | 30.35 | 28.62 | 26.89 | 25.17 | 24.13 | 23.16 | 20.73 | 18.49 | 16.67 | 15.31 | 14.30 | 13.76 | 13.07 | 11.34 | 9.61 | 7.88 | 6.15 |
| KW | 1.97 | 1.92 | 1.88 | 1.83 | 1.81 | 1.79 | 1.74 | 1.70 | 1.65 | 1.61 | 1.56 | 1.54 | 1.52 | 1.47 | 1.43 | 1.38 | 1.34 |
| AMPS | 7.17 | 6.97 | 6.78 | 6.58 | 6.46 | 6.39 | 6.19 | 5.99 | 5.80 | 5.60 | 5.41 | 5.29 | 5.21 | 5.02 | 4.82 | 4.63 | 4.43 |
| COP | 4.44 | 4.25 | 4.05 | 3.84 | 3.70 | 3.59 | 3.29 | 3.02 | 2.79 | 2.64 | 2.53 | 2.48 | 2.38 | 2.13 | 1.86 | 1.58 | 1.27 |
| Hi PR | 393.02 | 380.24 | 367.45 | 354.67 | 347.00 | 341.89 | 329.10 | 316.32 | 303.54 | 290.75 | 277.97 | 270.30 | 265.19 | 252.40 | 239.62 | 226.84 | 214.05 |
| LO PR | 140.46 | 131.72 | 122.98 | 114.24 | 109.00 | 105.50 | 96.77 | 88.03 | 79.29 | 70.55 | 61.81 | 56.57 | 53.07 | 44.33 | 35.59 | 26.86 | 18.12 |

DP5HH3041

100 % CAPACITY

| | OUTDOOR AMBIENT TEMPERATURE | | | | | | | | | | | | | | | | |
|-------|-----------------------------|--------|--------|--------|--------|--------|--------|--------|--------|--------|--------|--------|--------|--------|--------|--------|--------|
| | 65 | 60 | 55 | 50 | 47 | 45 | 40 | 35 | 30 | 25 | 20 | 17 | 15 | 10 | 5 | 0 | -5 |
| MBh | 36.66 | 34.14 | 31.63 | 29.17 | 27.60 | 26.39 | 23.37 | 20.64 | 18.41 | 16.74 | 15.48 | 14.80 | 13.95 | 11.81 | 9.68 | 7.55 | 5.41 |
| T/R | 31.11 | 29.23 | 27.35 | 25.47 | 24.34 | 23.27 | 20.61 | 18.20 | 16.24 | 14.76 | 13.65 | 13.05 | 12.30 | 10.42 | 8.54 | 6.65 | 4.77 |
| KW | 2.85 | 2.75 | 2.64 | 2.54 | 2.48 | 2.44 | 2.34 | 2.24 | 2.13 | 2.03 | 1.93 | 1.87 | 1.83 | 1.73 | 1.63 | 1.52 | 1.42 |
| AMPS | 10.72 | 10.27 | 9.83 | 9.39 | 9.12 | 8.94 | 8.50 | 8.06 | 7.62 | 7.17 | 6.73 | 6.46 | 6.29 | 5.84 | 5.40 | 4.96 | 4.51 |
| COP | 3.77 | 3.64 | 3.51 | 3.36 | 3.26 | 3.17 | 2.93 | 2.70 | 2.53 | 2.41 | 2.35 | 2.32 | 2.23 | 2.00 | 1.75 | 1.45 | 1.12 |
| Hi PR | 406.61 | 393.39 | 380.16 | 366.94 | 359.00 | 353.71 | 340.48 | 327.26 | 314.03 | 300.81 | 287.58 | 279.65 | 274.36 | 261.13 | 247.91 | 234.68 | 221.45 |
| LO PR | 132.73 | 124.47 | 116.21 | 107.95 | 103.00 | 99.70 | 91.44 | 83.18 | 74.92 | 66.67 | 58.41 | 53.45 | 50.15 | 41.89 | 33.63 | 25.38 | 17.12 |

DP5HH3641

100 % CAPACITY

| | OUTDOOR AMBIENT TEMPERATURE | | | | | | | | | | | | | | | | |
|-------|-----------------------------|--------|--------|--------|--------|--------|--------|--------|--------|--------|--------|--------|--------|--------|--------|--------|--------|
| | 65 | 60 | 55 | 50 | 47 | 45 | 40 | 35 | 30 | 25 | 20 | 17 | 15 | 10 | 5 | 0 | -5 |
| MBh | 42.16 | 39.37 | 36.62 | 33.93 | 32.20 | 30.91 | 27.64 | 24.64 | 22.20 | 20.38 | 19.03 | 18.30 | 17.37 | 15.06 | 12.74 | 10.42 | 8.11 |
| T/R | 31.28 | 29.50 | 27.71 | 25.92 | 24.85 | 23.85 | 21.33 | 19.02 | 17.13 | 15.73 | 14.68 | 14.12 | 13.41 | 11.62 | 9.83 | 8.04 | 6.25 |
| KW | 2.66 | 2.62 | 2.59 | 2.55 | 2.52 | 2.51 | 2.47 | 2.43 | 2.39 | 2.35 | 2.32 | 2.29 | 2.28 | 2.24 | 2.20 | 2.16 | 2.12 |
| AMPS | 9.67 | 9.50 | 9.33 | 9.17 | 9.07 | 9.00 | 8.83 | 8.66 | 8.50 | 8.33 | 8.16 | 8.06 | 7.99 | 7.83 | 7.66 | 7.49 | 7.32 |
| COP | 4.64 | 4.40 | 4.15 | 3.90 | 3.74 | 3.61 | 3.28 | 2.97 | 2.72 | 2.54 | 2.41 | 2.34 | 2.24 | 1.97 | 1.70 | 1.41 | 1.12 |
| Hi PR | 371.50 | 359.42 | 347.33 | 335.25 | 328.00 | 323.17 | 311.08 | 299.00 | 286.92 | 274.83 | 262.75 | 255.50 | 250.67 | 238.58 | 226.50 | 214.41 | 202.33 |
| LO PR | 139.17 | 130.51 | 121.85 | 113.20 | 108.00 | 104.54 | 95.88 | 87.22 | 78.56 | 69.90 | 61.24 | 56.05 | 52.58 | 43.93 | 35.27 | 26.61 | 17.95 |

DP5HH4241

100 % CAPACITY

| | OUTDOOR AMBIENT TEMPERATURE | | | | | | | | | | | | | | | | |
|-------|-----------------------------|--------|--------|--------|--------|--------|--------|--------|--------|--------|--------|--------|--------|--------|--------|--------|--------|
| | 65 | 60 | 55 | 50 | 47 | 45 | 40 | 35 | 30 | 25 | 20 | 17 | 15 | 10 | 5 | 0 | -5 |
| MBh | 48.42 | 45.28 | 42.19 | 39.15 | 37.20 | 35.76 | 32.10 | 28.72 | 25.97 | 23.93 | 22.41 | 21.60 | 20.56 | 17.96 | 15.36 | 12.76 | 10.16 |
| T/R | 33.16 | 31.31 | 29.46 | 27.61 | 26.50 | 25.47 | 22.86 | 20.46 | 18.50 | 17.04 | 15.96 | 15.38 | 14.64 | 12.79 | 10.94 | 9.09 | 7.24 |
| KW | 3.25 | 3.21 | 3.16 | 3.12 | 3.09 | 3.07 | 3.02 | 2.98 | 2.93 | 2.89 | 2.84 | 2.81 | 2.80 | 2.75 | 2.70 | 2.66 | 2.61 |
| AMPS | 12.08 | 11.88 | 11.68 | 11.49 | 11.37 | 11.29 | 11.09 | 10.89 | 10.69 | 10.49 | 10.29 | 10.17 | 10.09 | 9.89 | 9.69 | 9.49 | 9.29 |
| COP | 4.36 | 4.14 | 3.91 | 3.68 | 3.53 | 3.41 | 3.11 | 2.83 | 2.60 | 2.43 | 2.31 | 2.25 | 2.16 | 1.91 | 1.67 | 1.41 | 1.14 |
| Hi PR | 399.82 | 386.81 | 373.81 | 360.80 | 353.00 | 347.80 | 334.79 | 321.79 | 308.78 | 295.78 | 282.78 | 274.97 | 269.77 | 256.77 | 243.76 | 230.76 | 217.75 |
| LO PR | 134.02 | 125.68 | 117.34 | 109.00 | 104.00 | 100.66 | 92.33 | 83.99 | 75.65 | 67.31 | 58.98 | 53.97 | 50.64 | 42.30 | 33.96 | 25.62 | 17.29 |

Calculations are based on nominal CFM and 70 °F indoor dry bulb.

Amps = Outdoor unit amps (comp.+fan)

Note: Shaded area is AHRI Rating Conditions at 47°F outdoor ambient temperature

kW = Total system power

DP5HH4241

70 % CAPACITY

| | OUTDOOR AMBIENT TEMPERATURE | | | | | | | | | | | | | | | | |
|-------|-----------------------------|--------|--------|--------|--------|--------|--------|--------|--------|--------|--------|--------|--------|--------|--------|--------|--------|
| | 65 | 60 | 55 | 50 | 47 | 45 | 40 | 35 | 30 | 25 | 20 | 17 | 15 | 10 | 5 | 0 | -5 |
| MBh | 35.64 | 33.21 | 30.92 | 28.42 | 26.84 | 25.59 | 22.50 | 19.73 | 17.48 | 15.78 | 14.49 | 13.79 | 12.92 | 10.75 | 8.57 | 6.40 | 4.22 |
| T/R | 30.54 | 28.63 | 26.71 | 24.79 | 23.64 | 22.54 | 19.83 | 17.38 | 15.40 | 13.90 | 12.76 | 12.15 | 11.38 | 9.47 | 7.55 | 5.64 | 3.72 |
| KW | 1.99 | 1.93 | 1.88 | 1.82 | 1.78 | 1.76 | 1.70 | 1.65 | 1.59 | 1.53 | 1.47 | 1.44 | 1.41 | 1.36 | 1.30 | 1.24 | 1.18 |
| AMPS | 7.00 | 6.74 | 6.49 | 6.24 | 6.09 | 5.99 | 5.74 | 5.49 | 5.23 | 4.98 | 4.73 | 4.58 | 4.48 | 4.23 | 3.98 | 3.72 | 3.47 |
| COP | 5.24 | 5.03 | 4.83 | 4.58 | 4.41 | 4.26 | 3.87 | 3.51 | 3.23 | 3.02 | 2.88 | 2.81 | 2.68 | 2.32 | 1.94 | 1.51 | 1.05 |
| Hi PR | 387.48 | 374.87 | 362.27 | 349.67 | 342.10 | 337.06 | 324.46 | 311.86 | 299.25 | 286.65 | 274.05 | 266.49 | 261.44 | 248.84 | 236.24 | 223.63 | 211.03 |
| LO PR | 131.66 | 123.47 | 115.28 | 107.09 | 102.17 | 98.90 | 90.70 | 82.51 | 74.32 | 66.13 | 57.94 | 53.02 | 49.75 | 41.56 | 33.36 | 25.17 | 16.98 |

DP5HH4841

100 % CAPACITY

| | OUTDOOR AMBIENT TEMPERATURE | | | | | | | | | | | | | | | | |
|-------|-----------------------------|--------|--------|--------|--------|--------|--------|--------|--------|--------|--------|--------|--------|--------|--------|--------|--------|
| | 65 | 60 | 55 | 50 | 47 | 45 | 40 | 35 | 30 | 25 | 20 | 17 | 15 | 10 | 5 | 0 | -5 |
| MBh | 56.16 | 52.62 | 49.13 | 45.70 | 43.50 | 41.90 | 37.80 | 34.00 | 30.89 | 28.59 | 26.91 | 26.00 | 24.83 | 21.92 | 19.00 | 16.08 | 13.17 |
| T/R | 31.25 | 29.56 | 27.88 | 26.19 | 25.18 | 24.25 | 21.88 | 19.68 | 17.88 | 16.55 | 15.57 | 15.05 | 14.37 | 12.68 | 10.99 | 9.31 | 7.62 |
| KW | 3.76 | 3.71 | 3.67 | 3.62 | 3.59 | 3.57 | 3.53 | 3.48 | 3.43 | 3.39 | 3.34 | 3.31 | 3.29 | 3.25 | 3.20 | 3.16 | 3.11 |
| AMPS | 13.80 | 13.60 | 13.40 | 13.20 | 13.08 | 12.99 | 12.79 | 12.59 | 12.39 | 12.19 | 11.99 | 11.87 | 11.79 | 11.58 | 11.38 | 11.18 | 10.98 |
| COP | 4.38 | 4.15 | 3.93 | 3.70 | 3.55 | 3.44 | 3.14 | 2.86 | 2.64 | 2.47 | 2.36 | 2.30 | 2.21 | 1.98 | 1.74 | 1.49 | 1.24 |
| Hi PR | 391.89 | 379.14 | 366.39 | 353.65 | 346.00 | 340.90 | 328.15 | 315.41 | 302.66 | 289.91 | 277.17 | 269.52 | 264.42 | 251.67 | 238.93 | 226.18 | 213.43 |
| LO PR | 131.44 | 123.26 | 115.08 | 106.91 | 102.00 | 98.73 | 90.55 | 82.37 | 74.20 | 66.02 | 57.84 | 52.93 | 49.66 | 41.49 | 33.31 | 25.13 | 16.95 |

DP5HH4841

70 % CAPACITY

| | OUTDOOR AMBIENT TEMPERATURE | | | | | | | | | | | | | | | | |
|-------|-----------------------------|--------|--------|--------|--------|--------|--------|--------|--------|--------|--------|--------|--------|--------|--------|--------|--------|
| | 65 | 60 | 55 | 50 | 47 | 45 | 40 | 35 | 30 | 25 | 20 | 17 | 15 | 10 | 5 | 0 | -5 |
| MBh | 41.68 | 38.83 | 36.03 | 33.19 | 31.38 | 29.97 | 26.49 | 23.34 | 20.77 | 18.85 | 17.38 | 16.60 | 15.61 | 13.15 | 10.69 | 8.22 | 5.76 |
| T/R | 33.01 | 30.99 | 28.97 | 26.95 | 25.74 | 24.58 | 21.72 | 19.14 | 17.04 | 15.46 | 14.26 | 13.61 | 12.81 | 10.78 | 8.76 | 6.74 | 4.72 |
| KW | 2.30 | 2.24 | 2.18 | 2.11 | 2.07 | 2.05 | 1.99 | 1.92 | 1.86 | 1.79 | 1.73 | 1.69 | 1.67 | 1.60 | 1.54 | 1.48 | 1.41 |
| AMPS | 8.23 | 7.95 | 7.67 | 7.40 | 7.23 | 7.12 | 6.84 | 6.56 | 6.29 | 6.01 | 5.73 | 5.57 | 5.45 | 5.18 | 4.90 | 4.62 | 4.35 |
| COP | 5.30 | 5.08 | 4.85 | 4.60 | 4.43 | 4.29 | 3.91 | 3.56 | 3.28 | 3.08 | 2.94 | 2.88 | 2.75 | 2.40 | 2.03 | 1.63 | 1.20 |
| Hi PR | 379.79 | 367.44 | 355.09 | 342.73 | 335.32 | 330.38 | 318.03 | 305.67 | 293.32 | 280.97 | 268.61 | 261.20 | 256.26 | 243.91 | 231.55 | 219.20 | 206.85 |
| LO PR | 129.13 | 121.10 | 113.06 | 105.03 | 100.21 | 96.99 | 88.96 | 80.93 | 72.89 | 64.86 | 56.82 | 52.00 | 48.79 | 40.76 | 32.72 | 24.69 | 16.66 |

Calculations are based on nominal CFM and 70 °F indoor dry bulb.

Amps = Outdoor unit amps (comp.+fan)

Note: Shaded area is AHRI Rating Conditions at 47°F outdoor ambient temperature

kW = Total system power

DP5HH6041

100 % CAPACITY

| | OUTDOOR AMBIENT TEMPERATURE | | | | | | | | | | | | | | | | |
|-------|-----------------------------|--------|--------|--------|--------|--------|--------|--------|--------|--------|--------|--------|--------|--------|--------|--------|--------|
| | 65 | 60 | 55 | 50 | 47 | 45 | 40 | 35 | 30 | 25 | 20 | 17 | 15 | 10 | 5 | 0 | -5 |
| MBh | 69.97 | 65.64 | 61.38 | 57.20 | 54.50 | 52.55 | 47.59 | 42.94 | 39.14 | 36.34 | 34.30 | 33.20 | 31.78 | 28.23 | 24.68 | 21.13 | 17.58 |
| T/R | 36.65 | 34.71 | 32.78 | 30.85 | 29.69 | 28.63 | 25.92 | 23.39 | 21.32 | 19.79 | 18.68 | 18.08 | 17.31 | 15.38 | 13.44 | 11.51 | 9.57 |
| KW | 4.61 | 4.55 | 4.49 | 4.43 | 4.40 | 4.38 | 4.32 | 4.26 | 4.20 | 4.15 | 4.09 | 4.05 | 4.03 | 3.97 | 3.92 | 3.86 | 3.80 |
| AMPS | 17.34 | 17.09 | 16.83 | 16.58 | 16.43 | 16.33 | 16.08 | 15.83 | 15.58 | 15.33 | 15.08 | 14.93 | 14.83 | 14.58 | 14.33 | 14.08 | 13.83 |
| COP | 4.45 | 4.23 | 4.00 | 3.78 | 3.63 | 3.52 | 3.23 | 2.95 | 2.73 | 2.57 | 2.46 | 2.40 | 2.31 | 2.08 | 1.85 | 1.61 | 1.36 |
| Hi PR | 397.55 | 384.62 | 371.69 | 358.76 | 351.00 | 345.83 | 332.90 | 319.97 | 307.04 | 294.10 | 281.17 | 273.41 | 268.24 | 255.31 | 242.38 | 229.45 | 216.52 |
| LO PR | 122.42 | 114.80 | 107.19 | 99.57 | 95.00 | 91.95 | 84.34 | 76.72 | 69.10 | 61.49 | 53.87 | 49.30 | 46.26 | 38.64 | 31.02 | 23.41 | 15.79 |

DP5HH6041

70 % CAPACITY

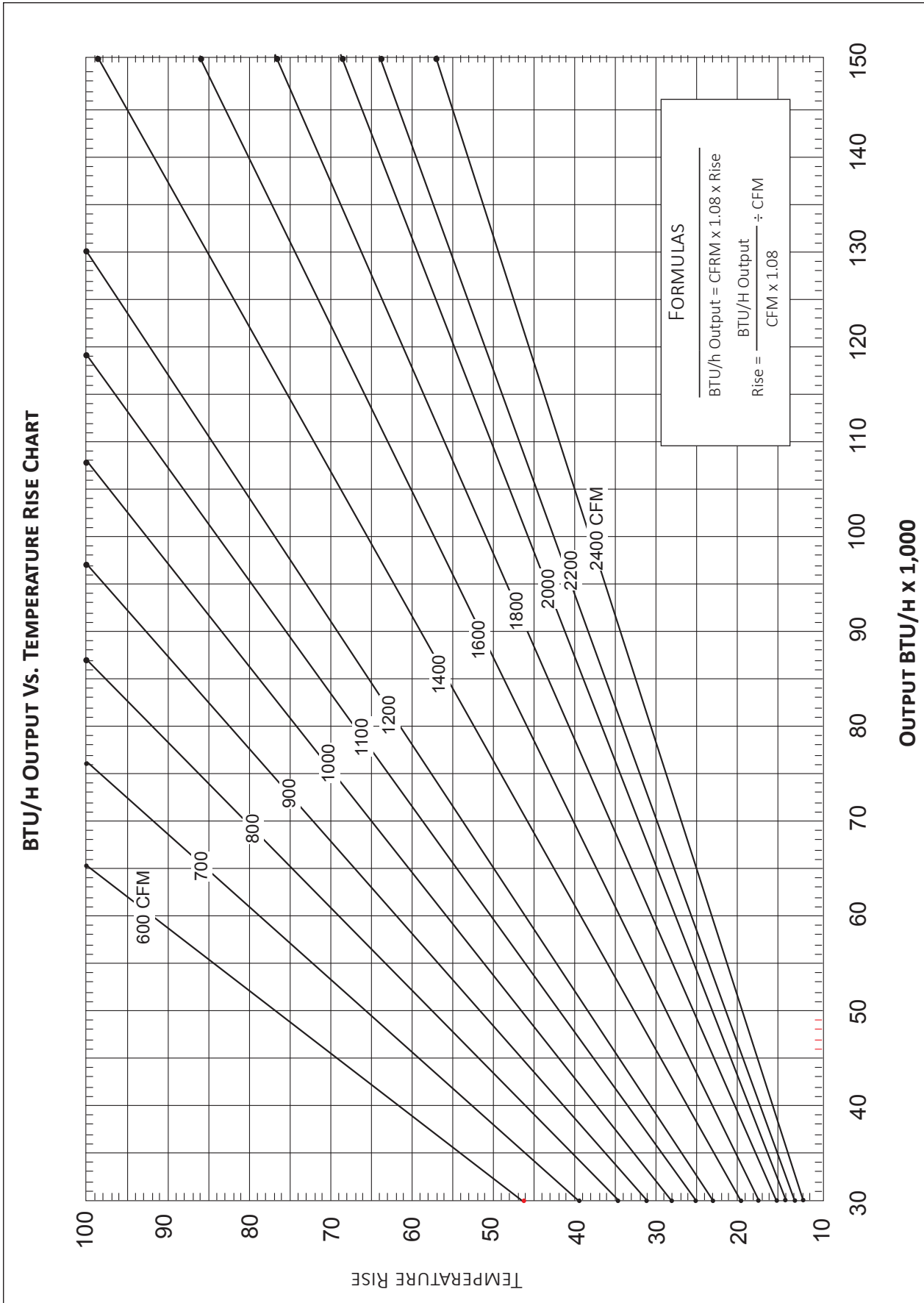
| | OUTDOOR AMBIENT TEMPERATURE | | | | | | | | | | | | | | | | |
|-------|-----------------------------|--------|--------|--------|--------|--------|--------|--------|--------|--------|--------|--------|--------|--------|--------|--------|--------|
| | 65 | 60 | 55 | 50 | 47 | 45 | 40 | 35 | 30 | 25 | 20 | 17 | 15 | 10 | 5 | 0 | -5 |
| MBh | 52.20 | 48.58 | 45.03 | 41.54 | 39.32 | 37.60 | 33.33 | 29.46 | 26.31 | 23.94 | 22.15 | 21.20 | 19.99 | 16.97 | 13.95 | 10.93 | 7.91 |
| T/R | 34.25 | 32.19 | 30.13 | 28.07 | 26.83 | 25.66 | 22.74 | 20.10 | 17.95 | 16.34 | 15.12 | 14.46 | 13.64 | 11.58 | 9.52 | 7.46 | 5.39 |
| KW | 2.82 | 2.75 | 2.67 | 2.59 | 2.54 | 2.51 | 2.43 | 2.35 | 2.28 | 2.20 | 2.12 | 2.07 | 2.04 | 1.96 | 1.88 | 1.80 | 1.73 |
| AMPS | 10.13 | 9.79 | 9.45 | 9.10 | 8.90 | 8.76 | 8.42 | 8.08 | 7.74 | 7.40 | 7.05 | 6.85 | 6.71 | 6.37 | 6.03 | 5.69 | 5.35 |
| COP | 5.42 | 5.18 | 4.95 | 4.70 | 4.53 | 4.39 | 4.02 | 3.67 | 3.39 | 3.19 | 3.07 | 3.00 | 2.87 | 2.54 | 2.17 | 1.78 | 1.34 |
| Hi PR | 385.28 | 372.75 | 360.22 | 347.69 | 340.17 | 335.15 | 322.62 | 310.09 | 297.56 | 285.03 | 272.49 | 264.98 | 259.96 | 247.43 | 234.90 | 222.37 | 209.84 |
| LO PR | 120.27 | 112.78 | 105.30 | 97.82 | 93.33 | 90.34 | 82.85 | 75.37 | 67.89 | 60.41 | 52.92 | 48.44 | 45.44 | 37.96 | 30.48 | 22.99 | 15.51 |

Calculations are based on nominal CFM and 70 °F indoor dry bulb.

Amps = Outdoor unit amps (comp.+fan)

Note: Shaded area is AHRI Rating Conditions at 47°F outdoor ambient temperature

kW = Total system power



| DP5HH2441 | | | | | |
|-------------------------|---------------|-------|------------------|---------------|-------|
| COOLING/ HP SPEED | ADJUST TAP | CFM* | ELECTRIC HEAT | ADJUST TAP | CFM* |
| D | Minus | 858 | D | Minus | 858 |
| | Normal | 953 | | Normal | 953 |
| | Plus | 1,048 | | Plus | 1,048 |
| C | Minus | 800 | C | Minus | 800 |
| | Normal | 905 | | Normal | 905 |
| | Plus | 986 | | Plus | 986 |
| B | Minus | 743 | B | Minus | 743 |
| | Normal | 847 | | Normal | 847 |
| | Plus | 939 | | Plus | 939 |
| A | Minus | 714 | A | Minus | 714 |
| | Normal | 815 | | Normal | 815 |
| | Plus** | 903 | | Plus** | 903 |

* - @ 0.1- 0.8 ESP ** - Factory Default

| DP5HH3041 | | | | | |
|-------------------------|---------------|-------|------------------|---------------|-------|
| COOLING/ HP SPEED | ADJUST TAP | CFM* | ELECTRIC HEAT | ADJUST TAP | CFM* |
| D | Minus | 969 | D | Minus | 969 |
| | Normal** | 1,073 | | Normal** | 1,073 |
| | Plus | 1,180 | | Plus | 1,180 |
| C | Minus | 930 | C | Minus | 930 |
| | Normal | 1,032 | | Normal | 1,032 |
| | Plus | 1,135 | | Plus | 1,135 |
| B | Minus | 834 | B | Minus | 834 |
| | Normal | 984 | | Normal | 984 |
| | Plus | 1,101 | | Plus | 1,101 |
| A | Minus | 833 | A | Minus | 833 |
| | Normal | 937 | | Normal | 937 |
| | Plus | 1,036 | | Plus | 1,036 |

* - @ 0.1- 0.8 ESP ** - Factory Default

| DP5HH3641 | | | | | |
|-------------------------|---------------|-------|------------------|---------------|-------|
| COOLING/ HP SPEED | ADJUST TAP | CFM* | ELECTRIC HEAT | ADJUST TAP | CFM* |
| D | Minus | 1,135 | D | Minus | 1,135 |
| | Normal** | 1,270 | | Normal** | 1,270 |
| | Plus | 1,371 | | Plus | 1,371 |
| C | Minus | 1,042 | C | Minus | 1,042 |
| | Normal | 1,178 | | Normal | 1,178 |
| | Plus | 1,307 | | Plus | 1,307 |
| B | Minus | 932 | B | Minus | 932 |
| | Normal | 1,065 | | Normal | 1,065 |
| | Plus | 1,181 | | Plus | 1,181 |
| A | Minus | 823 | A | Minus | 823 |
| | Normal | 952 | | Normal | 952 |
| | Plus | 1,080 | | Plus | 1,080 |

* - @ 0.1- 0.8 ESP ** - Factory Default

| DP5HH4241 | | | | | |
|-------------------------|---------------|-------|------------------|---------------|-------|
| COOLING/ HP SPEED | ADJUST TAP | CFM* | ELECTRIC HEAT | ADJUST TAP | CFM* |
| D | Minus | 1,289 | D | Minus | 1,289 |
| | Normal | 1,392 | | Normal | 1,392 |
| | Plus | 1,440 | | Plus | 1,440 |
| C | Minus | 1,219 | C | Minus | 1,219 |
| | Normal | 1,323 | | Normal | 1,323 |
| | Plus | 1,419 | | Plus | 1,419 |
| B | Minus | 1,182 | B | Minus | 1,182 |
| | Normal | 1,294 | | Normal | 1,294 |
| | Plus | 1,384 | | Plus | 1,384 |
| A | Minus | 1,105 | A | Minus | 1,105 |
| | Normal | 1,219 | | Normal | 1,219 |
| | Plus** | 1,304 | | Plus** | 1,304 |

* - @ 0.1- 0.8 ESP ** - Factory Default

| DP5HH4841 | | | | | |
|-------------------------|---------------|-------|------------------|---------------|-------|
| COOLING/ HP SPEED | ADJUST TAP | CFM* | ELECTRIC HEAT | ADJUST TAP | CFM* |
| D | Minus | 1,506 | D | Minus | 1,506 |
| | Normal | 1,699 | | Normal | 1,699 |
| | Plus | 1,872 | | Plus | 1,872 |
| C | Minus | 1,420 | C | Minus | 1,420 |
| | Normal | 1,596 | | Normal | 1,596 |
| | Plus | 1,764 | | Plus | 1,764 |
| B | Minus | 1,323 | B | Minus | 1,323 |
| | Normal | 1,491 | | Normal | 1,491 |
| | Plus** | 1,642 | | Plus** | 1,642 |
| A | Minus | 1,217 | A | Minus | 1,217 |
| | Normal | 1,385 | | Normal | 1,385 |
| | Plus | 1,537 | | Plus | 1,537 |

* - @ 0.1- 0.8 ESP ** - Factory Default

| DP5HH6041 | | | | | |
|-------------------------|---------------|-------|------------------|---------------|-------|
| COOLING/ HP SPEED | ADJUST TAP | CFM* | ELECTRIC HEAT | ADJUST TAP | CFM* |
| D | Minus | 1,506 | D | Minus | 1,506 |
| | Normal | 1,699 | | Normal | 1,699 |
| | Plus | 1,872 | | Plus | 1,872 |
| C | Minus | 1,420 | C | Minus | 1,420 |
| | Normal | 1,596 | | Normal | 1,596 |
| | Plus** | 1,764 | | Plus** | 1,764 |
| B | Minus | 1,323 | B | Minus | 1,323 |
| | Normal | 1,491 | | Normal | 1,491 |
| | Plus | 1,642 | | Plus | 1,642 |
| A | Minus | 1,217 | A | Minus | 1,217 |
| | Normal | 1,385 | | Normal | 1,385 |
| | Plus | 1,537 | | Plus | 1,537 |

* - @ 0.1- 0.8 ESP ** - Factory Default

HEAT KIT ELECTRICAL DATA (BLOWER ONLY, HEAT MODE)

| MODEL AND HEAT KIT USAGE | CIRCUIT #1 | | CIRCUIT #2 | | SINGLE-POINT KIT | | ACTUAL KW / BTU@ 240V |
|-----------------------------|------------------|------------------|------------------|------------------|------------------|------------------|--------------------------|
| | MCA ¹ | MOP ² | MCA ¹ | MOP ² | MCA ¹ | MOP ² | |
| DP5HH2441** | 4.3 | --- | --- | --- | -- | -- | --- |
| HKP-05C* | 21 / 25 | 25 / 25 | --- | --- | 46 | 50 | 4.75 / 16,200 |
| HKR-08C* | 32 / 36 | 35 / 40 | --- | --- | 58 | 60 | 7 / 23,800 |
| HKP-10C* | 43 / 49 | 45 / 50 | --- | --- | 71 | 80 | 9.5 / 32,400 |
| DP5HH3041** | 4.3 | --- | --- | --- | -- | -- | --- |
| HKP-05C* | 21 / 25 | 25 / 25 | --- | --- | 48 | 50 | 4.75 / 16,200 |
| HKR-08C* | 32 / 36 | 35 / 40 | --- | --- | 60 | 60 | 7 / 23,800 |
| HKP-10C* | 43 / 49 | 45 / 50 | --- | --- | 73 | 80 | 9.5 / 32,400 |
| HKP-15C* | 43 / 49 | 45 / 50 | 21 / 25 | 25 / 25 | 97 | 100 | 14.25 / 48,600 |
| DP5HH3641** | 4.3 | --- | --- | --- | -- | -- | --- |
| HKP-05C* | 21 / 25 | 25 / 25 | --- | --- | 51 | 60 | 4.75 / 16,200 |
| HKR-08C* | 32 / 36 | 35 / 40 | --- | --- | 63 | 70 | 7 / 23,800 |
| HKP-10C* | 43 / 49 | 45 / 50 | --- | --- | 76 | 80 | 9.5 / 32,400 |
| HKP-15C* | 43 / 49 | 45 / 50 | 21 / 25 | 25 / 25 | 101 | 110 | 14.25 / 48,600 |
| DP5HH4241** | 4.3 | --- | --- | --- | -- | -- | --- |
| HKP-05C* | 21 / 25 | 25 / 25 | --- | --- | 53 | 60 | 4.75 / 16,200 |
| HKR-08C* | 32 / 36 | 35 / 40 | --- | --- | 65 | 70 | 7 / 23,800 |
| HKP-10C* | 43 / 49 | 45 / 50 | --- | --- | 78 | 80 | 9.5 / 32,400 |
| HKP-15C* | 43 / 49 | 45 / 50 | 21 / 25 | 25 / 25 | 102 | 110 | 14.25 / 48,600 |
| HKP-20C | 43 / 49 | 45 / 50 | 43 / 49 | 45 / 50 | 127 | 150 | 19.0 / 64,800 |
| DP5HH4841** | 5.4 | --- | --- | --- | -- | -- | --- |
| HKP-05C* | 21 / 25 | 25 / 25 | --- | --- | 59 | 70 | 4.75 / 16,200 |
| HKR-08C* | 32 / 36 | 35 / 40 | --- | --- | 71 | 80 | 7 / 23,800 |
| HKP-10C* | 43 / 49 | 45 / 50 | --- | --- | 84 | 90 | 9.5 / 32,400 |
| HKP-15C* | 43 / 49 | 45 / 50 | 21 / 25 | 25 / 25 | 109 | 110 | 14.25 / 48,600 |
| HKP-20C | 43 / 49 | 45 / 50 | 43 / 49 | 45 / 50 | 134 | 150 | 19.0 / 64,800 |
| DP5HH6041** | 6.8 | --- | --- | --- | -- | -- | --- |
| HKP-05C* | 21 / 25 | 25 / 25 | --- | --- | 59 | 70 | 4.75 / 16,200 |
| HKR-08C* | 32 / 36 | 35 / 40 | --- | --- | 71 | 80 | 7 / 23,800 |
| HKP-10C* | 43 / 49 | 45 / 50 | --- | --- | 84 | 90 | 9.5 / 32,400 |
| HKP-15C* | 43 / 49 | 45 / 50 | 21 / 25 | 25 / 25 | 109 | 110 | 14.25 / 48,600 |
| HKP-20C | 43 / 49 | 45 / 50 | 43 / 49 | 45 / 50 | 134 | 150 | 19.0 / 64,800 |

¹ Minimum Circuit Ampacity @ 208 / 240 V

² Maximum Overcurrent Protection Device @ 208 / 240 V

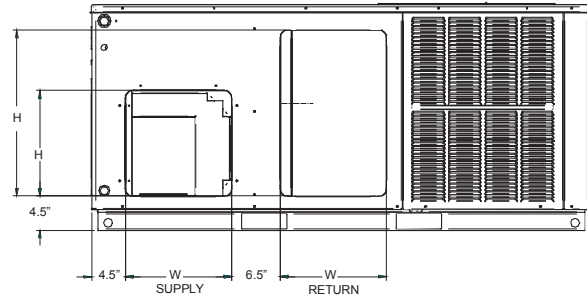
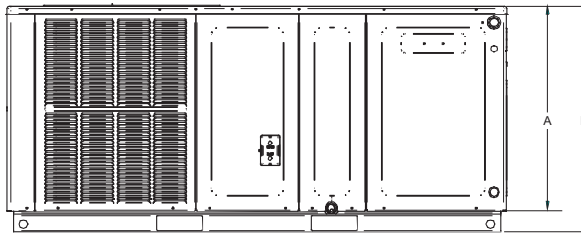
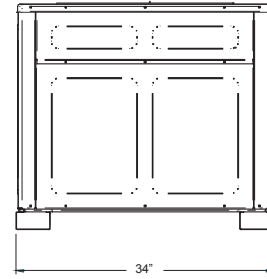
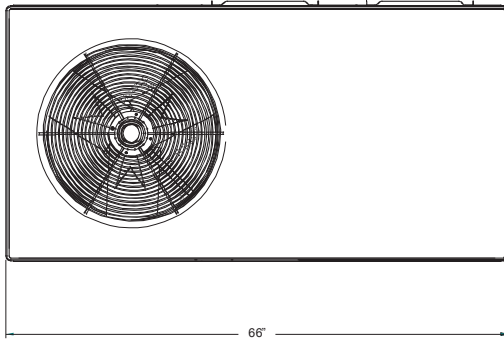
* Revision level that may or may not be designated

C Circuit breaker option

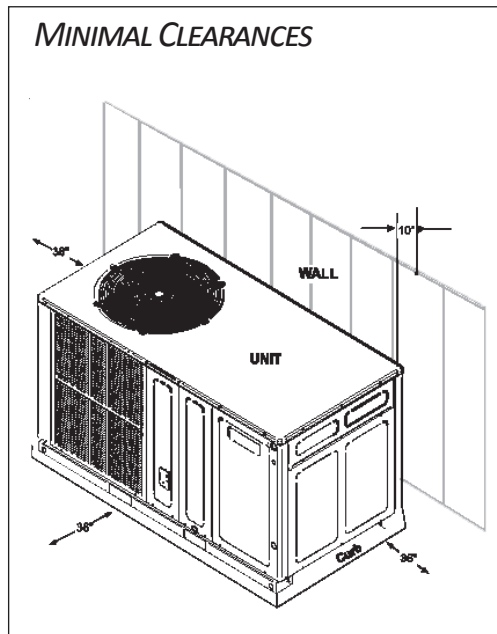
^ Heat Kit requires three-phase power supply

HKP-15C and HKP-20C replace HKR-15C and HKR-20C respectively to meet new UL1995 requirements.

DIMENSIONS

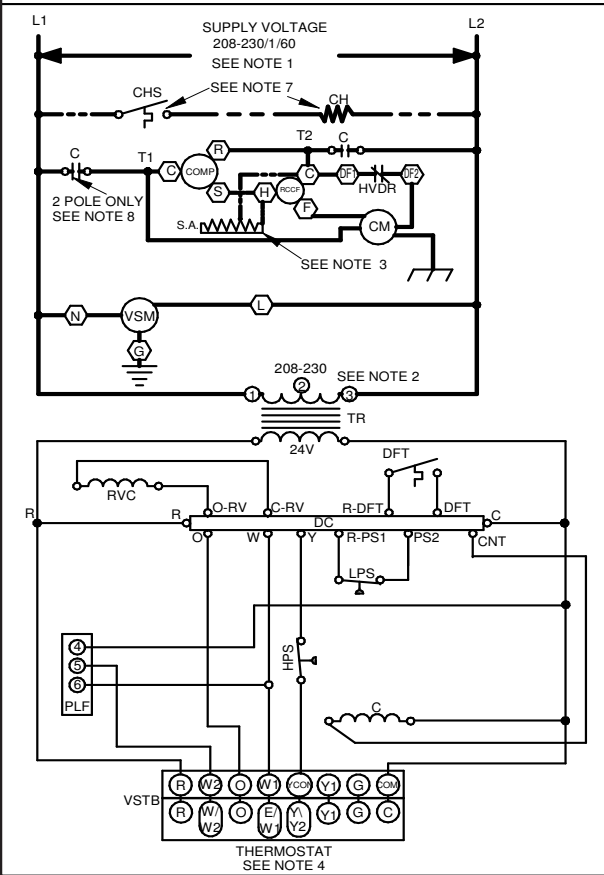
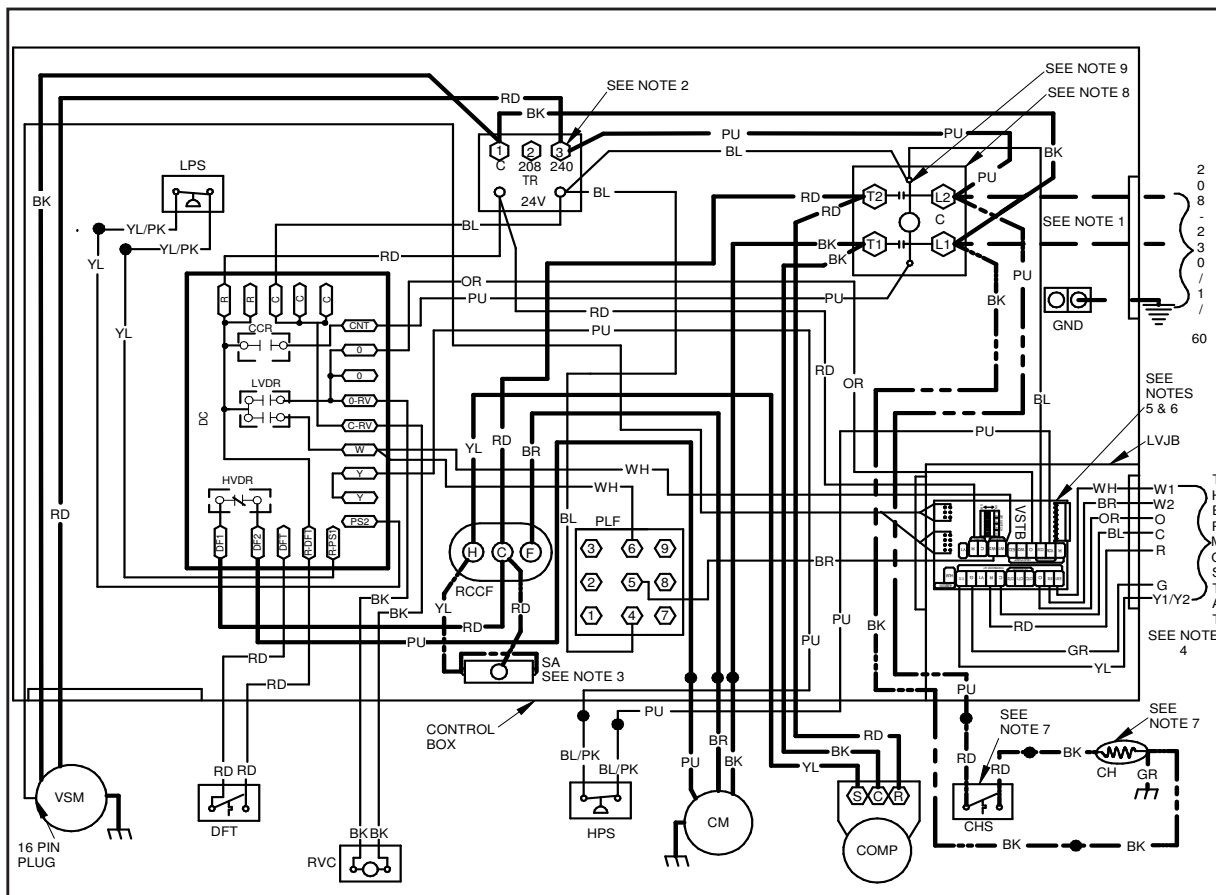


BACK VIEW
(DUCT OPENINGS)



| MODEL | UNIT DIMENSIONS (INCHES) | | | | CHASSIS SIZE |
|-------------|--------------------------|----|--------|-----|--------------|
| | W | D | HEIGHT | | |
| | | | A | B | |
| DP5HH2441** | 66 | 34 | 27½ | 30 | Small |
| DP5HH3041** | 66 | 34 | 27½ | 30 | Small |
| DP5HH3641** | 66 | 34 | 32½ | 35 | Medium |
| DP5HH4241** | 66 | 34 | 32½ | 35 | Medium |
| DP5HH4841** | 66 | 34 | 32½ | 35 | Medium |
| DP5HH6041** | 66 | 34 | 36 | 38½ | Large |

| MODEL | DUCT OPENINGS | | | |
|-------------|---------------|----|--------|----|
| | SUPPLY | | RETURN | |
| | W | H | W | H |
| DP5HH2441** | 14 | 14 | 14 | 22 |
| DP5HH3041** | 14 | 14 | 14 | 22 |
| DP5HH3641** | 14 | 14 | 14 | 24 |
| DP5HH4241** | 14 | 14 | 14 | 24 |
| DP5HH4841** | 14 | 14 | 14 | 24 |
| DP5HH6041** | 14 | 14 | 14 | 24 |



| COMPONENT LEGEND | | FACTORY WIRING | |
|------------------|--------------------------------------|----------------|-----------------------|
| C | CONTACTOR | — | LINE VOLTAGE |
| CCR | COMPRESSOR CONTACTOR RELAY | — | LOW VOLTAGE |
| CH | CRANKCASE HEATER | --- | OPTIONAL HIGH VOLTAGE |
| CHS | CRANKCASE HEATER SWITCH | | |
| CM | CONDENSER MOTOR | | |
| COMP | COMPRESSOR | | |
| CSR | COMPRESSOR SOLENOID RELAY | | |
| DC | DEFROST CONTROL | | |
| DFT | DEFROST THERMOSTAT | | |
| GND | EQUIPMENT GROUND | | |
| HPS | HIGH PRESSURE SWITCH | | |
| HVDR | HIGH VOLTAGE DEFROST RELAY | | |
| LPS | LOW PRESSURE SWITCH | | |
| LVDR | LOW VOLTAGE DEFROST RELAY | | |
| LVJB | LOW VOLTAGE JUNCTION BOX | | |
| PLF | FEMALE PLUG / CONNECTOR | | |
| RVC | REVERSING VALVE COIL | | |
| RCCF | RUN CAPACITOR FOR COMPRESSOR AND FAN | | |
| SA | START ASSIST | | |
| SOL | HI STAGE SOLENOID | | |
| TR | TRANSFORMER | | |
| VSM | VARIABLE SPEED MOTOR | | |
| VSTB | VARIABLE SPEED TERM BLOCK | | |

| FIELD WIRING | | WIRE CODE | |
|--------------|--------------|-----------|--------|
| --- | HIGH VOLTAGE | BK | BLACK |
| --- | LOW VOLTAGE | BL | BLUE |
| | | BR | BROWN |
| | | GR | GREEN |
| | | OR | ORANGE |
| | | PU | PURPLE |
| | | RD | RED |
| | | WH | WHITE |
| | | YL | YELLOW |

| | | | |
|--------------------------------|--|--------------------------|--|
| EQUIPMENT GROUND | | FIELD GROUND | |
| JUNCTION | | FIELD SPLICE | |
| TERMINAL | | SWITCH (TEMP) | |
| INTERNAL TO INTEGRATED CONTROL | | IGNITER | |
| PLUG CONNECTION | | SWITCH (PRESS.) | |
| | | OVERCURRENT PROT. DEVICE | |

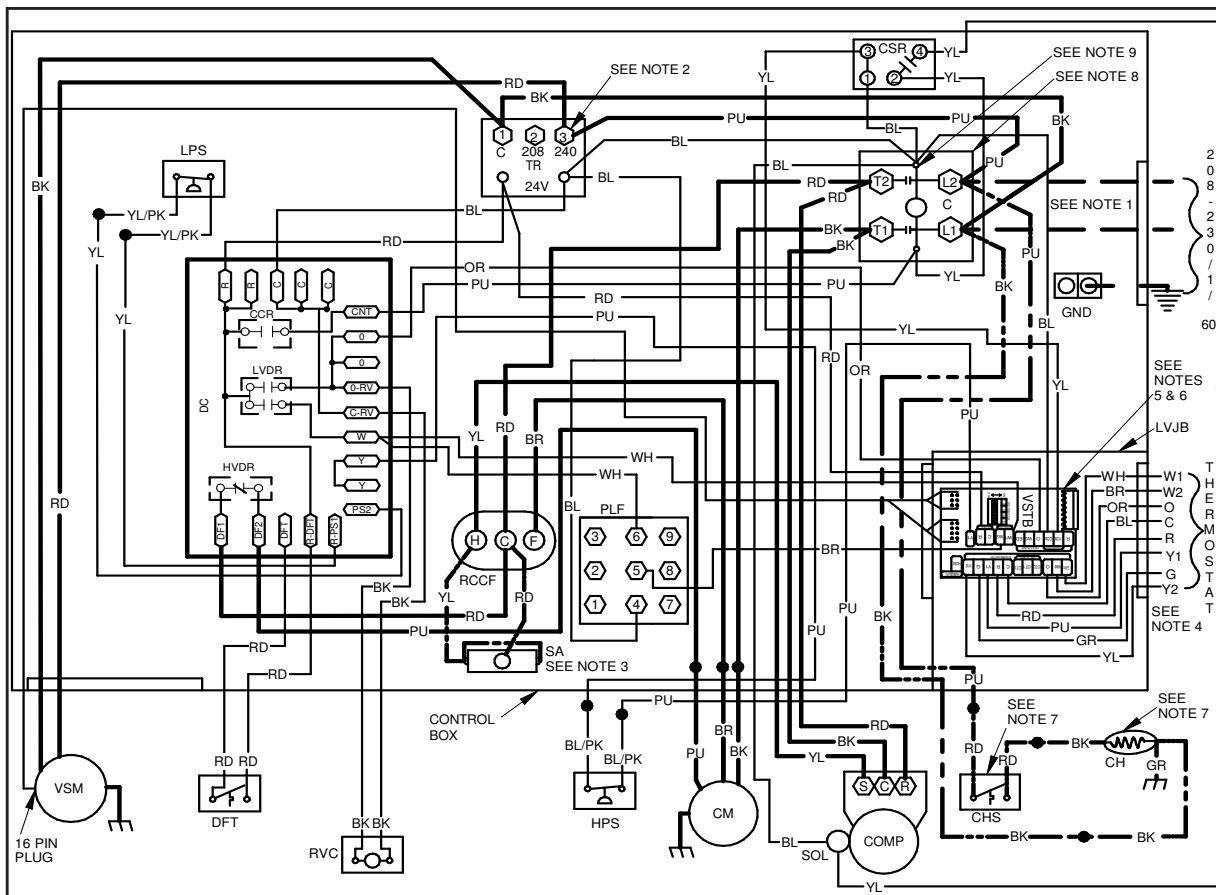
- NOTES:**
- REPLACEMENT WIRE MUST BE SAME SIZE AND TYPE INSULATION AS ORIGINAL (AT LEAST 105°C) USE COPPER CONDUCTOR ONLY.
 - FOR 208 VOLT TRANSFORMER OPERATION MOVE PURPLE AND RED WIRES FROM TERMINAL 3 TO TERMINAL 2 ON TRANSFORMER.
 - START ASSIST FACTOR EQUIPPED WHEN REQUIRED
 - USE COPPER CONDUCTORS ONLY
 - USE N.E.C. CLASS 2 WIRE
 - SET DIP SWITCH 4 ON VSTB TO OFF POSITION
 - REFER TO IO FOR FAN SPEED SETTINGS
 - CRANKCASE HEATER AND CRANKCASE HEATER SWITCH FACTORY EQUIPPED WHEN REQUIRED.
 - DOUBLE POLE CONTACTOR SHOWN. SINGLE POLE CONTACTOR COULD BE FACTORY EQUIPPED AS AN ALTERNATE CONFIGURATION.
 - COMMON SIDE OF CONTACTOR CAN NOT BE GROUNDED OR CONNECTED TO ANY OTHER COMMON (24V).
- SEE UNIT RATING PLATE FOR TYPE AND SIZE OF OVER CURRENT PROTECTION

WARNING

High Voltage: Disconnect all power before servicing or installing this unit. Multiple power sources may be present. Failure to do so may cause property damage, personal injury, or death.

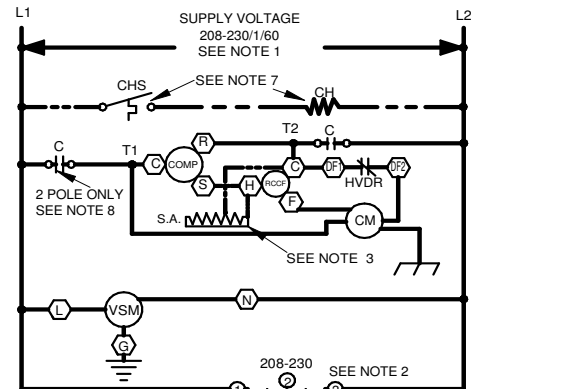
Wiring is subject to change. Always refer to the wiring diagram on the unit for the most up-to-date wiring.



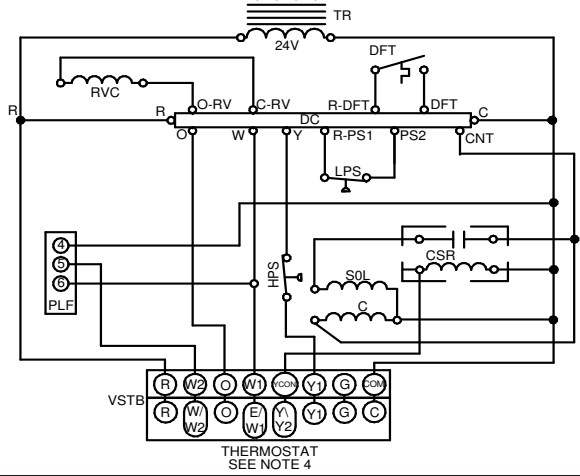


High Voltage: Disconnect all power before servicing or installing this unit. Multiple power sources may be present. Failure to do so may cause property damage, personal injury, or death.

WARNING



| COMPONENT LEGEND | | FACTORY WIRING |
|------------------|--------------------------------------|-----------------------------|
| C | CONTACTOR | — LINE VOLTAGE |
| CCR | COMPRESSOR CONTACTOR RELAY | — LOW VOLTAGE |
| CH | CRANKCASE HEATER | - - - OPTIONAL HIGH VOLTAGE |
| CHS | CRANKCASE HEATER SWITCH | |
| CM | CONDENSER MOTOR | |
| COMP | COMPRESSOR | |
| CSR | COMPRESSOR SOLENOID RELAY | |
| DC | DEFROST CONTROL | |
| DFT | DEFROST THERMOSTAT | |
| GND | EQUIPMENT GROUND | — HIGH VOLTAGE |
| HPS | HIGH PRESSURE SWITCH | — LOW VOLTAGE |
| HVDR | HIGH VOLTAGE DEFROST RELAY | |
| LPS | LOW PRESSURE SWITCH | |
| LVDR | LOW VOLTAGE DEFROST RELAY | |
| LVJB | LOW VOLTAGE JUNCTION BOX | |
| PLF | FEMALE PLUG / CONNECTOR | |
| RVC | REVERSING VALVE COIL | |
| RCCF | RUN CAPACITOR FOR COMPRESSOR AND FAN | |
| SA | START ASSIST | |
| SOL | HI STAGE SOLENOID | |
| TR | TRANSFORMER | |
| VSM | VARIABLE SPEED MOTOR | |
| VSTB | VARIABLE SPEED TERM BLOCK | |



| FIELD WIRING | | WIRE CODE | |
|--------------|--------------|-----------|--------|
| — | HIGH VOLTAGE | BK | BLACK |
| - - - | LOW VOLTAGE | BL | BLUE |
| | | BR | BROWN |
| | | GR | GREEN |
| | | OR | ORANGE |
| | | PU | PURPLE |
| | | RD | RED |
| | | WH | WHITE |
| | | YL | YELLOW |

| EQUIPMENT GROUND | | FIELD GROUND | |
|------------------|--------------------------------|--------------|--------------------------|
| — | JUNCTION | — | FIELD GROUND |
| — | TERMINAL | — | FIELD SPICE |
| — | INTERNAL TO INTEGRATED CONTROL | — | SWITCH (TEMP) |
| — | PLUG CONNECTION | — | SWITCH (PRESS.) |
| | | — | IGNITER |
| | | — | OVERCURRENT PROT. DEVICE |

NOTES:

- REPLACEMENT WIRE MUST BE SAME SIZE AND TYPE INSULATION AS ORIGINAL (AT LEAST 105°C) USE COPPER CONDUCTOR ONLY.
- FOR 208 VOLT TRANSFORMER OPERATION MOVE PURPLE AND RED WIRES FROM TERMINAL 3 TO TERMINAL 2 ON TRANSFORMER.
- START ASSIST FACTOR EQUIPPED WHEN REQUIRED
- USE COPPER CONDUCTORS ONLY
- USE N.E.C. CLASS 2 WIRE
- SET DIP SWITCH 4 ON VSTB TO OFF POSITION
- REFER TO IO FOR FAN SPEED SETTINGS
- CRANKCASE HEATER AND CRANKCASE HEATER SWITCH FACTORY EQUIPPED WHEN REQUIRED.
- DOUBLE POLE CONTACTOR SHOWN. SINGLE POLE CONTACTOR COULD BE FACTORY EQUIPPED AS AN ALTERNATE CONFIGURATION.
- COMMON SIDE OF CONTACTOR CAN NOT BE GROUNDED OR CONNECTED TO ANY OTHER COMMON (24V).

SEE UNIT RATING PLATE FOR TYPE AND SIZE OF OVER CURRENT PROTECTION

Wiring is subject to change. Always refer to the wiring diagram on the unit for the most up-to-date wiring.

| ACCESSORY DESCRIPTION | ITEM NUMBER | |
|--|---------------|----------------------|
| | SMALL CHASSIS | MEDIUM/LARGE CHASSIS |
| Downflow Economizer (use w/PCCP roof curb) | DDNECNJPCHHA | DDNECNJPCHHA |
| Downflow Plenum Kit (use w/PCCP roof curb) | PCP101-103 | PCP101-103 |
| Downflow Plenum Kit (R-8) (use w/PCCP roof curb) | PCP101-103 R8 | PCP101-103 R8 |
| Elbow Flashing w/R-8 Liner | PCEF101-103 | PCEF101-103 |
| Economizer Wiring Harness | 0259G00215 | 0259G00215 |
| External Horizontal Filter Rack | DPHFRA | DPHFRA |
| Horizontal Economizer | DHZECNJPCHM | DHZECNJPCHM |
| Inline Fuse Kit | INFKPKG01 | INFKPKG01 |
| Manual Damper | PCMD101-103 | PCMD101-103 |
| Manual Damper- Horizontal | GPHMD101-103 | GPHMD101-103 |
| Motorized Damper | PCMDM101-103 | PCMDM101-103 |
| Outdoor Thermostat & Emergency Heat Relay Kit | OT/EHR18-60 | OT/EHR18-60 |
| Outdoor Thermostat Kit w/ Lockout Stat | OT18-60A | OT18-60A |
| Roof Curb | PCCP101-103 | PCCP101-103 |
| Square to Round Downflow (use w/PCCP roof curb) | SQRPC101 | SQRPC102-103 |
| Square to Round Horizontal | SQRPCH101 | SQRPCH102-103 |
| Square to Round Horizontal | SQRPCH101 | SQRPCH102-103 |

SINGLE-POINT KIT ACCESSORY KITS

Select the single-point kit accessory based on the unit model.

| MODEL | SINGLE-POINT KIT |
|-------------|------------------|
| DP5HH2441** | SPK-30 |
| DP5HH3041** | SPK-30 |
| DP5HH3641** | SPK-40 |
| DP5HH4241** | SPK-40 |
| DP5HH4841** | SPK-45 |
| DP5HH6041** | SPK-60 |

