

PACKAGED GAS / ELECTRIC
13.4 SEER2 / 81% AFUE
2 TO 5 TONS



■ Contents

Nomenclature.....	2
Accessories	2
Product Specifications.....	3
Expanded Cooling Data	8
Airflow Data	20
Dimensions	25
Wiring Diagrams	26

■ Standard Features

- Heavy-duty stainless-steel heat exchanger
- Energy-efficient compressor
- All-aluminum evaporator coil
- Flowrater expansion device on 2- to 4-ton units
TXV expansion device on 5-ton units
- Multi-speed ECM blower motor
- Redundant gas valve with easy conversion to propane
- Power-assisted combustion
- Direct spark ignition system includes a microprocessor-based control for the entire ignition sequence, all blower operation, and all safety circuits complete with self-diagnostics
- This furnace does not comply with the SCAQMD Rule 1111 nor the SJVAPCD Rule 4905 14 ng/J NO_x emission limit and therefore is not eligible for installation in California's South Coast Air Quality Management District (SCAQMD) nor the San Joaquin Valley Air Pollution Control District (SJVAPCD).
- All models comply with California Low NO_x standards.
- AHRI Certified; ETL Listed

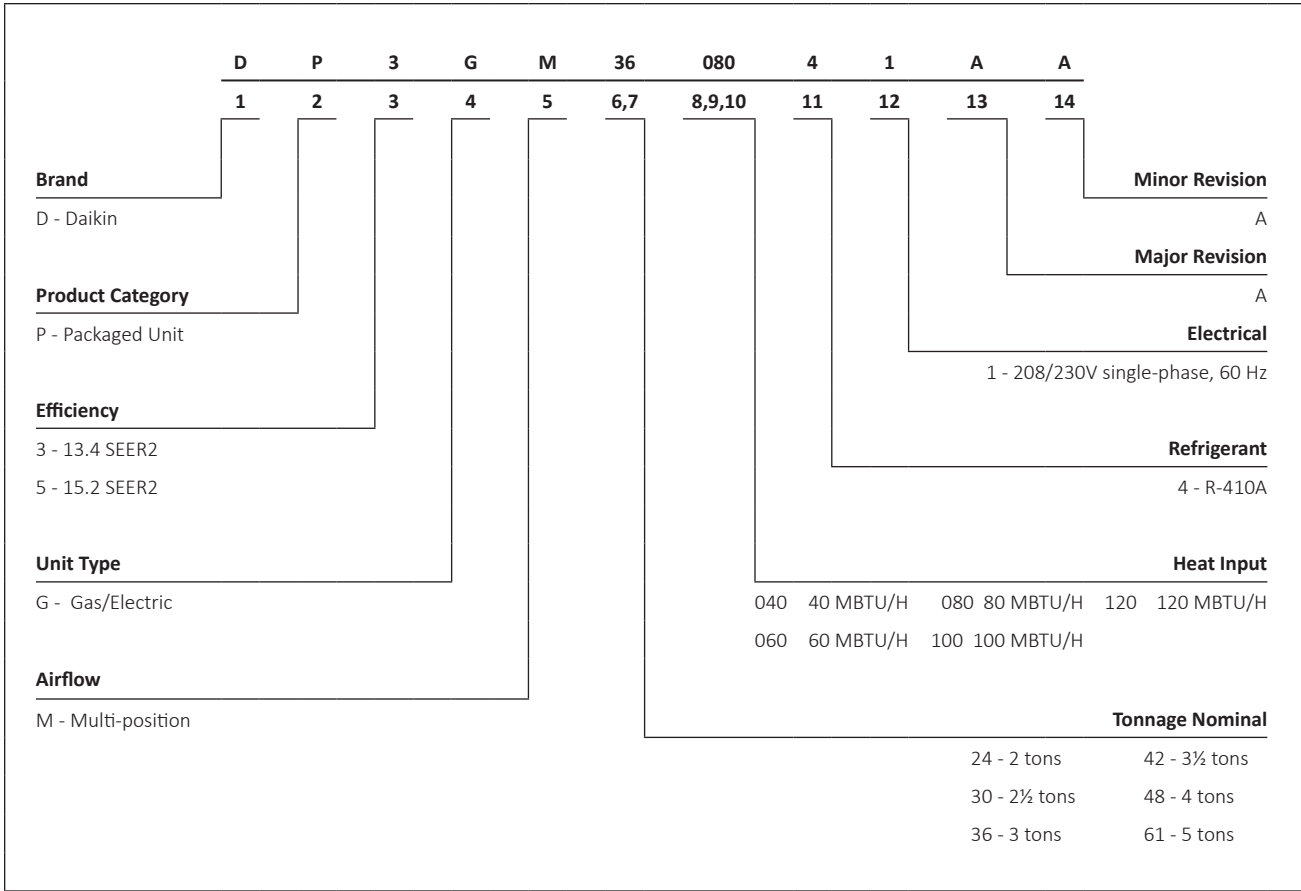
■ Cabinet Features

- Fully insulated heavy-gauge, zinc-coated steel cabinet with UV-resistant powder-paint finish
- Horizontal or downflow application
- Aluminum foil-facing internal insulation reinforced with fiberglass scrim
- Compressor sound blanket
- Convenient access panels
- One roof curb fits all units
- One foot print: two heights
- Bottom, 2" high base rails for easier handling
- One footprint; two heights
- When properly anchored, meets the 2020 Florida Building Code unit integrity requirements for hurricane-type winds (Anchor bracket kits available.)



* Complete Warranty details available from your local dealer or at www.daikincomfort.com. To receive the Lifetime Heat Exchanger Warranty (good for as long as you own your home), and 12-year Parts Limited Warranty, online registration must be completed within 60 days of installation. Additional requirements for annual maintenance are required for the Unit Replacement Limited Warranty. Online registration and some of the additional requirements are not required in California or Québec. The duration of warranty coverages in Texas differs in some cases.

NOMENCLATURE



ACCESSORIES

ACCESSORY DESCRIPTION	ITEM NUMBER	
	MEDIUM CHASSIS	LARGE CHASSIS
Concentric Kit	CDK36	CDK4872
Downflow Economizer	PGEDJ101/102	PGEDJ103
Downflow Internal Filter Rack (with economizer)	DDNIFRPGMM	N/A (built into economizer)
Downflow Internal Filter Rack (no economizer)	DDNIFRPGA	DDNIFRPGA
Downflow Manual Damper	PGMDD101/102	PGMDD103
Downflow Motorized Damper	PGMDMD101/102	PGMDMD103
Downflow Square to Round	SQRPG101/102	SQRPG103
Economizer Wiring Harness (2-4 Tons)	0259G00214	0259G00214
Economizer Wiring Harness (5 Tons)	N/A	0259L00412
External Horizontal Filter Rack	DPHFRA	DPHFRA
High-Altitude Kit	HA-03	HA-03
Horizontal Duct Cover	20464501PDGK	20464502PDGK
Horizontal Economizer	DHZECNJP GCHM	DHZECNJP GCHL
Horizontal Manual Damper	PGMDH102	PGMDH103
Horizontal Motorized Damper	PGMDMH102	PGMDMH103
Horizontal Square to Round	SQRPGH101/102	SQRPGH103
Internal Horizontal Filter Rack	DHZIFRPGCHA	DHZIFRPGCHA
LP Conversion Kit (Single-Stage Models)	LPM-07	LPM-07
LP Conversion Kit (Two-Stage Models)	N/A	LPM-08
Outdoor Thermostat with Housing	OTDFPKG-01	OTDFPKG-01
Roof Curb	D14CRBPGCHMA	D14CRBPGCHMA

	DP3GM 2404041	DP3GM 2406041	DP3GM 3004041	DP3GM 3006041	DP3GM 3604041	DP3GM 3606041
COOLING CAPACITY						
Total BTU/h	23,000	23,000	28,600	28,600	34,200	34,200
Sensible BTU/h	18,800	18,800	23,080	23,080	28,160	28,160
SEER2 / EER2	13.4 / 10.6	13.4 / 10.6	13.4 / 10.6	13.4 / 10.6	13.4 / 10.6	13.4 / 10.6
Decibels	78	78	78	78	78	78
AHRI Reference #s	209319519	209319519	209319525	209319525	209319531	209319531
HEATING CAPACITY						
Input BTU/h	40,000	60,000	40,000	60,000	40,000	60,000
Output BTU/h	32,400	48,600	32,400	48,600	32,400	48,600
AFUE	81	81	81	81	81	81
Temperature Rise Range	25 - 55	30 - 60	25 - 55	30 - 60	25 - 55	30 - 60
No. of Burners	2	3	2	3	2	3
EVAPORATOR MOTOR						
Type	ECM	ECM	ECM	ECM	ECM	ECM
Wheel (D x W)	10" x 8"	10" x 8"	10" x 8"	10" x 8"	10" x 9"	10" x 9"
Indoor Nominal CFM	800	800	1,000	1,000	1,200	1,200
No. of Speeds	5	5	5	5	5	5
Horsepower	1/2	1/2	1/2	1/2	1/2	1/2
EVAPORATOR COIL						
Face Area (ft ²)	4.35	4.35	4.35	4.35	4.35	4.35
Rows Deep/Fins per Inch	3/14	3/14	3/14	3/14	4/14	4/14
Piston Size (Cooling)	0.057	0.057	0.062	0.062	0.068	0.068
Drain Size (NPT)	¾"	¾"	¾"	¾"	¾"	¾"
Refrigerant Charge (oz.)	75	75	78	78	92	92
CONDENSER FAN / COIL						
Horsepower - RPM	1/6 - 815	1/6 - 815	1/4 - 1,075	1/4 - 1,075	1/4 - 1,075	1/4 - 1,075
Diameter / # of Blades	22" / 3	22" / 3	22" / 3	22" / 3	22" / 3	22" / 3
Outdoor Nominal CFM	2,150	2,150	3,050	3,050	2,250	2,250
Face Area (ft ²)	12.3	12.3	12.3	12.3	11.13	11.13
Rows Deep/Fins per Inch	1/24	1/24	1/24	1/24	2/27	2/27
COMPRESSOR						
Quantity / Type	1 / Scroll	1 / Scroll	1 / Scroll	1 / Scroll	1 / Scroll	1 / Scroll
Stage	Single	Single	Single	Single	Single	Single
Compressor RLA/LRA	13.5 / 38.0	13.5 / 38.0	14.1 / 73.0	14.1 / 73.0	14.1 / 77.0	14.1 / 77.0
ELECTRICAL DATA						
Voltage-Phase (Frequency 60Hz)	208/230-1	208/230-1	208/230-1	208/230-1	208/230-1	208/230-1
Indoor Blower FLA	3.8	3.8	3.8	3.8	3.8	3.8
Outdoor Fan FLA/LRA	0.95/2.0	0.95/2.0	1.4 / 3.2	1.4 / 3.2	1.4 / 3.2	1.4 / 3.2
Min. Circuit Ampacity	21.6	21.6	22.8	22.8	22.8	22.8
Max. Overcurrent Protection	35 amps	35 amps	35 amps	35 amps	35 amps	35 amps
Entrance Size Power Supply	1½"	1½"	1½"	1½"	1½"	1½"
Entrance Size Control Voltage	⅞"	⅞"	⅞"	⅞"	⅞"	⅞"
OPERATING / SHIP WEIGHTS (LBS)						
	412 / 435	417 / 439	415 / 438	420 / 442	449 / 470	453 / 475

¹ Wire size should be determined in accordance with National Electrical Codes. Extensive wire runs will require larger wire sizes.

² Must use time-delay fuses or HACR-type circuit breakers of the same size as noted.

NOTES

- Always check the S&R plate for electrical data on the unit being installed.
- Test data was used to calculate the MOP and MCA.

PRODUCT SPECIFICATIONS

	DP3GM 3608041	DP3GM 4206041	DP3GM 4208041	DP3GM 4806041	DP3GM 4808041	DP3GM 4810041
COOLING CAPACITY						
Total BTU/h	34,200	40,000	40,000	46,250	46,250	46,250
Sensible BTU/h	28,160	30,980	30,980	36,190	36,190	36,190
SEER2 / EER2	13.4 / 10.6	13.4 / 10.6	13.4 / 10.6	13.4 / 10.6	13.4 / 10.6	13.4 / 10.6
Decibels	78	78	78	79	79	79
AHRI Reference #s	209319531	209319537	209319537	209319543	209319543	209319543
HEATING CAPACITY						
Input BTU/h	80,000	60,000	80,000	60,000	80,000	100,000
Output BTU/h	64,800	48,600	64,800	48,600	64,800	81,000
AFUE	81	81	81	81	81	81
Temperature Rise Range	30 - 60	30 - 60	30 - 60	30 - 60	30 - 60	35 - 65
No. of Burners	4	3	4	3	4	5
EVAPORATOR MOTOR						
Type	ECM	ECM	ECM	ECM	ECM	ECM
Wheel (D x W)	10" x 9"	11" x 10"	11" x 10"	11" x 10"	11" x 10"	11" x 10"
Indoor Nominal CFM	1,200	1,300	1,300	1,525	1,525	1,525
No. of Speeds	5	5	5	5	5	5
Horsepower	1/2	3/4	3/4	3/4	3/4	3/4
EVAPORATOR COIL						
Face Area (ft ²)	4.35	5.68	5.68	5.68	5.68	5.68
Rows Deep/Fins per Inch	4/14	4/14	4/14	4/14	4/14	4/14
Piston Size (Cooling)	0.068	0.072	0.072	0.076	0.076	0.076
Drain Size (NPT)	¾"	¾"	¾"	¾"	¾"	¾"
Refrigerant Charge (oz.)	92	103	103	107	107	107
CONDENSER FAN / COIL						
Horsepower - RPM	1/4 - 1,075	1/4 - 1,075	1/4 - 1,075	1/3 - 1,120	1/3 - 1,120	1/3 - 1,120
Diameter / # of Blades	22" / 3	22" / 3	22" / 3	22" / 3	22" / 3	22" / 3
Outdoor Nominal CFM	2,250	2,850	2,850	3,300	3,300	3,300
Face Area (ft ²)	11.13	15.36	15.36	8.81	8.81	8.81
Rows Deep/Fins per Inch	2/27	1/24	1/24	2/27	2/27	2/27
COMPRESSOR						
Quantity / Type	1 / Scroll	1 / Scroll	1 / Scroll	1 / Scroll	1 / Scroll	1 / Scroll
Stage	Single	Single	Single	Single	Single	Single
Compressor RLA/LRA	14.1 / 77.0	17.9 / 112.0	17.9 / 112.0	19.9 / 109.0	19.9 / 109.0	19.9 / 109.0
ELECTRICAL DATA						
Voltage-Phase (Frequency 60Hz)	208/230-1	208/230-1	208/230-1	208/230-1	208/230-1	208/230-1
Indoor Blower FLA	3.8	5.4	5.4	5.4	5.4	5.4
Outdoor Fan FLA/LRA	1.4 / 3.2	1.4 / 3.2	1.4 / 3.2	1.4 / 3.2	1.4 / 3.2	1.4 / 3.2
Min. Circuit Ampacity	22.8	29.2	29.2	32.3	32.3	32.3
Max. Overcurrent Protection	35 amps	45 amps	45 amps	50 amps	50 amps	50 amps
Entrance Size Power Supply	1½"	1½"	1½"	1½"	1½"	1½"
Entrance Size Control Voltage	⅞"	⅞"	⅞"	⅞"	⅞"	⅞"
OPERATING / SHIP WEIGHTS (LBS)						
	458 / 480	493 / 515	496 / 520	518 / 540	523 / 545	528 / 550

¹ Wire size should be determined in accordance with National Electrical Codes. Extensive wire runs will require larger wire sizes.

² Must use time-delay fuses or HACR-type circuit breakers of the same size as noted.

NOTES

- Always check the S&R plate for electrical data on the unit being installed.
- Test data was used to calculate the MOP and MCA.

	DP3GM 6108041	DP3GM 6110041	DP3GM 6112041
COOLING CAPACITY			
Total BTU/h	56,000	56,000	56,000
Sensible BTU/h	43,175	43,175	43,175
SEER2 / EER2	13.4 / 10.6	13.4 / 10.6	13.4 / 10.6
Decibels	78	78	78
AHRI Reference #s	209319543	209319549	209319549
HEATING CAPACITY			
High-Fire Input / Output	80,000 / 64,800	100,000 / 81,000	120,000 / 97,200
Low-Fire Input / Output	60,000 / 48,600	75,000 / 60,750	90,000 / 72,900
AFUE	81	81	81
Temperature Rise Range	30 - 60	35 - 65	35 - 65
No. of Burners	4	5	6
EVAPORATOR MOTOR			
Type	ECM	ECM	ECM
Wheel (D x W)	11" x 10"	11" x 10"	11" x 10"
Indoor Nominal CFM	1300 L/1750 H	1300 L/1750 H	1300 L/1750 H
No. of Speeds	5	5	5
Horsepower	1	1	1
EVAPORATOR COIL			
Face Area (ft ²)	5.68	5.68	5.68
Rows Deep/Fins per Inch	4/14	4/14	4/14
Piston Size (Cooling)	TXV	TXV	TXV
Drain Size (NPT)	¾"	¾"	¾"
Refrigerant Charge (oz.)	100	100	100
CONDENSER FAN / COIL			
Horsepower - RPM	1/3 - 1,120	1/3 - 1,120	1/3 - 1,120
Diameter / # of Blades	22" / 3	22" / 3	22" / 3
Outdoor Nominal CFM	3,000	3,000	3,000
Face Area (ft ²)	8.81	8.81	8.81
Rows Deep/Fins per Inch	2/27	2/27	2/27
COMPRESSOR			
Quantity / Type	1 / Scroll	1 / Scroll	1 / Scroll
Stage	Two	Two	Two
Compressor RLA/LRA	25.6 / 158.0	25.6 / 158.0	25.6 / 158.0
ELECTRICAL DATA			
Voltage-Phase (Frequency 60Hz)	208/230-1	208/230-1	208/230-1
Indoor Blower FLA	7.0	7.0	7.0
Outdoor Fan FLA/LRA	2.0 / 4.40	2.0 / 4.40	2.0 / 4.40
Min. Circuit Ampacity	41.0	41.0	41.0
Max. Overcurrent Protection	60 amps	60 amps	60 amps
Entrance Size Power Supply	1½"	1½"	1½"
Entrance Size Control Voltage	¾"	¾"	¾"
OPERATING / SHIP WEIGHTS (LBS)	533 / 555	538 / 560	543 / 565

¹ Wire size should be determined in accordance with National Electrical Codes. Extensive wire runs will require larger wire sizes.

² Must use time-delay fuses or HACR-type circuit breakers of the same size as noted.

NOTES

- Always check the S&R plate for electrical data on the unit being installed.
- Test data was used to calculate the MOP and MCA.

IDB	AIRFLOW	OUTDOOR AMBIENT TEMPERATURE																							
		65				75				85				95				105				115			
		59	63	67	71	59	63	67	71	59	63	67	71	59	63	67	71	59	63	67	71	59	63	67	71
70	MBh	23.4	23.7	24.4	-	23.2	23.5	24.2	-	22.6	22.9	23.6	-	21.5	21.9	22.6	-	20.2	20.6	21.3	-	19.1	19.4	20.1	-
	S/T	0.65	0.57	0.42	-	0.66	0.58	0.43	-	0.69	0.60	0.46	-	1.00	0.63	0.48	-	1.00	0.65	0.50	-	1.00	0.70	0.56	-
	ΔT	20.09	18.23	14.76	-	20.04	18.18	14.71	-	20.30	18.44	14.97	-	20.02	18.16	14.69	-	19.77	17.91	14.44	-	20.93	19.08	15.61	-
	kW	1.53	1.53	1.53	-	1.73	1.73	1.72	-	1.95	1.94	1.94	-	2.18	2.18	2.18	-	2.45	2.44	2.44	-	2.76	2.75	2.75	-
	Amps	6.15	6.14	6.12	-	7.04	7.03	7.02	-	8.04	8.03	8.02	-	9.12	9.11	9.10	-	10.33	10.32	10.30	-	11.74	11.73	11.72	-
	Hi PR	263	264	266	-	305	306	307	-	348	349	351	-	395	396	398	-	445	446	448	-	499	500	502	-
Lo PR	126	128	131	-	134	135	138	-	140	142	145	-	146	148	151	-	152	153	156	-	159	160	163	-	
800	MBh	23.7	24.0	24.7	-	23.5	23.8	24.5	-	22.9	23.2	23.9	-	21.8	22.2	22.9	-	20.6	20.9	21.6	-	19.4	19.7	20.4	-
	S/T	0.72	0.64	0.49	-	0.72	0.64	0.50	-	0.75	0.67	0.52	-	1.00	0.69	0.54	-	1.00	0.71	0.57	-	1.00	0.77	0.62	-
	ΔT	18.97	17.11	13.64	-	18.92	17.06	13.59	-	19.18	17.32	13.85	-	18.90	17.04	13.57	-	18.65	16.79	13.32	-	19.81	17.95	14.49	-
	kW	1.54	1.54	1.54	-	1.74	1.74	1.73	-	1.96	1.96	1.95	-	2.19	2.19	2.19	-	2.46	2.45	2.45	-	2.77	2.76	2.76	-
	Amps	6.19	6.19	6.17	-	7.09	7.08	7.06	-	8.08	8.08	8.06	-	9.17	9.16	9.14	-	10.37	10.36	10.35	-	11.79	11.78	11.77	-
	Hi PR	265	266	268	-	307	308	310	-	350	351	353	-	397	398	400	-	448	449	451	-	501	503	504	-
Lo PR	128	129	133	-	136	137	140	-	142	144	147	-	148	149	153	-	153	155	158	-	160	162	165	-	
900	MBh	24.1	24.4	25.1	-	23.9	24.2	24.9	-	23.3	23.6	24.3	-	22.2	22.5	23.2	-	20.9	21.3	21.9	-	19.7	20.1	20.8	-
	S/T	0.75	0.67	0.53	-	0.76	0.68	0.53	-	1.00	0.71	0.56	-	1.00	0.73	0.58	-	1.00	0.75	0.60	-	1.00	1.00	0.66	-
	ΔT	18.02	16.16	12.70	-	17.97	16.11	12.64	-	18.23	16.37	12.91	-	17.95	16.09	12.63	-	17.70	15.85	12.38	-	18.87	17.01	13.54	-
	kW	1.55	1.55	1.55	-	1.75	1.75	1.74	-	1.97	1.96	1.96	-	2.20	2.20	2.20	-	2.46	2.46	2.46	-	2.77	2.77	2.77	-
	Amps	6.23	6.22	6.21	-	7.13	7.12	7.10	-	8.12	8.12	8.10	-	9.20	9.20	9.18	-	10.41	10.40	10.39	-	11.83	11.82	11.80	-
	Hi PR	267	269	270	-	309	310	312	-	352	354	355	-	399	400	402	-	450	451	453	-	504	505	507	-
Lo PR	130	131	135	-	138	139	142	-	144	146	149	-	150	152	155	-	156	157	160	-	162	164	167	-	

70	MBh	23.4	23.7	24.4	25.5	23.2	23.5	24.2	25.3	22.6	22.9	23.6	24.7	21.5	21.9	22.6	23.6	20.3	20.6	21.3	22.4	19.1	19.4	20.1	21.2
	S/T	0.79	0.71	0.56	0.4	1.00	0.72	0.57	0.4	1.00	0.74	0.60	0.4	1.00	0.76	0.62	0.5	1.00	0.79	0.64	0.5	1.00	1.00	0.70	0.5
	ΔT	24.17	22.32	18.85	15.3	24.12	22.27	18.80	15.2	24.38	22.53	19.06	15.5	24.10	22.25	18.78	15.2	23.86	22.00	18.53	14.9	25.02	23.16	19.69	16.1
	kW	1.53	1.53	1.53	1.5	1.73	1.73	1.72	1.7	1.95	1.94	1.94	2.0	2.18	2.18	2.18	2.2	2.44	2.44	2.44	2.5	2.75	2.75	2.75	2.8
	Amps	6.14	6.13	6.12	6.2	7.03	7.03	7.01	7.1	8.03	8.03	8.01	8.1	9.11	9.11	9.09	9.2	10.32	10.31	10.30	10.4	11.74	11.73	11.71	11.8
	Hi PR	263	264	266	270.8	305	306	308	312.3	348	349	351	355.8	395	396	398	402.6	446	447	448	453.1	499	501	502	507.0
Lo PR	126	128	131	136.1	134	135	138	143.8	140	142	145	150.5	146	148	151	156.2	152	153	156	161.8	159	160	163	168.7	
800	MBh	23.7	24.1	24.8	25.8	23.5	23.8	24.5	25.6	22.9	23.2	23.9	25.0	21.8	22.2	22.9	23.9	20.6	20.9	21.6	22.7	19.4	19.7	20.4	21.5
	S/T	0.86	0.77	0.63	0.5	1.00	0.78	0.63	0.5	1.00	0.81	0.66	0.5	1.00	0.83	0.68	0.5	1.00	1.00	0.71	0.6	1.00	1.00	0.76	0.6
	ΔT	23.05	21.19	17.72	14.1	23.00	21.14	17.67	14.1	23.26	21.40	17.94	14.3	22.98	21.12	17.66	14.1	22.73	20.88	17.41	13.8	23.90	22.04	18.57	15.0
	kW	1.54	1.54	1.54	1.6	1.74	1.74	1.73	1.7	1.96	1.95	1.95	2.0	2.19	2.19	2.19	2.2	2.45	2.45	2.45	2.5	2.76	2.76	2.76	2.8
	Amps	6.19	6.18	6.16	6.2	7.08	7.07	7.06	7.1	8.08	8.07	8.06	8.1	9.16	9.15	9.14	9.2	10.37	10.36	10.34	10.4	11.78	11.77	11.76	11.8
	Hi PR	265	267	268	273.0	307	308	310	314.5	350	352	353	358.0	397	398	400	404.8	448	449	451	455.3	502	503	505	509.2
Lo PR	128	129	133	138.0	136	137	140	145.7	142	144	147	152.4	148	149	153	158.1	153	155	158	163.6	160	162	165	170.6	
900	MBh	24.1	24.4	25.1	26.2	23.9	24.2	24.9	26.0	23.3	23.6	24.3	25.4	22.2	22.5	23.2	24.3	20.9	21.3	22.0	23.0	19.8	20.1	20.8	21.9
	S/T	0.89	0.81	0.66	0.5	1.00	0.82	0.67	0.5	1.00	0.84	0.70	0.5	1.00	0.87	0.72	0.6	1.00	1.00	0.74	0.6	1.00	1.00	0.80	0.6
	ΔT	22.11	20.25	16.78	13.2	22.06	20.20	16.73	13.1	22.32	20.46	16.99	13.4	22.04	20.18	16.71	13.1	21.79	19.93	16.46	12.9	22.95	21.09	17.63	14.0
	kW	1.55	1.55	1.55	1.6	1.75	1.74	1.74	1.8	1.96	1.96	1.96	2.0	2.20	2.20	2.19	2.2	2.46	2.46	2.46	2.5	2.77	2.77	2.77	2.8
	Amps	6.23	6.22	6.20	6.3	7.12	7.11	7.10	7.2	8.12	8.11	8.10	8.2	9.20	9.19	9.18	9.2	10.40	10.40	10.38	10.5	11.82	11.81	11.80	11.9
	Hi PR	268	269	271	275.2	309	310	312	316.7	353	354	356	360.2	399	401	402	407.0	450	451	453	457.5	504	505	507	511.4
Lo PR	130	131	135	140.1	138	139	142	147.7	144	146	149	154.4	150	152	155	160.1	156	157	160	165.7	163	164	167	172.7	

IDB: Entering Indoor Dry Bulb Temperature
 High and low pressures are measured at the liquid and suction access fittings.
 Shaded area reflects ACCA (TVA) conditions.
 Amps: Unit amps (comp. + evaporator + condenser fan motors)
 kW = Total system power

IDB	Airflow	Outdoor Ambient Temperature																							
		65				75				85				95				105				115			
		59	63	67	71	59	63	67	71	59	63	67	71	59	63	67	71	59	63	67	71	59	63	67	71
80	MBh	29.1	29.5	30.4	-	28.8	29.2	30.1	-	28.1	28.5	29.4	-	26.8	27.2	28.0	-	25.2	25.6	26.5	-	23.7	24.1	25.0	-
	S/T	0.64	0.56	0.42	-	0.65	0.57	0.43	-	0.68	0.60	0.45	-	1.00	0.62	0.47	-	1.00	0.64	0.50	-	1.00	0.70	0.55	-
	ΔT	19.98	18.13	14.68	-	19.93	18.08	14.63	-	20.18	18.34	14.89	-	19.91	18.06	14.61	-	19.66	17.81	14.36	-	20.82	18.97	15.52	-
	kW	1.95	1.95	1.95	-	2.18	2.18	2.18	-	2.44	2.44	2.43	-	2.71	2.71	2.71	-	3.02	3.02	3.02	-	3.38	3.38	3.38	-
	Amps	7.65	7.64	7.63	-	8.70	8.69	8.67	-	9.87	9.86	9.84	-	11.13	11.12	11.10	-	12.54	12.53	12.52	-	14.20	14.19	14.17	-
	Hi PR	260	261	263	-	301	302	304	-	344	345	347	-	390	391	393	-	440	441	443	-	493	494	496	-
Lo PR	125	127	130	-	133	134	137	-	139	141	144	-	145	146	150	-	150	152	155	-	157	159	162	-	
1000	MBh	29.5	29.9	30.8	-	29.2	29.6	30.5	-	28.5	28.9	29.7	-	27.2	27.6	28.4	-	25.6	26.0	26.8	-	24.1	24.5	25.4	-
	S/T	0.71	0.63	0.48	-	0.71	0.63	0.49	-	0.74	0.66	0.52	-	1.00	0.68	0.54	-	1.00	0.70	0.56	-	1.00	0.76	0.61	-
	ΔT	18.86	17.01	13.56	-	18.81	16.96	13.51	-	19.07	17.22	13.77	-	18.79	16.94	13.49	-	18.54	16.70	13.25	-	19.70	17.85	14.40	-
	kW	1.97	1.96	1.96	-	2.19	2.19	2.19	-	2.45	2.45	2.44	-	2.72	2.72	2.72	-	3.03	3.03	3.03	-	3.39	3.39	3.39	-
	Amps	7.71	7.70	7.68	-	8.75	8.75	8.73	-	9.92	9.91	9.89	-	11.18	11.18	11.16	-	12.60	12.59	12.57	-	14.25	14.24	14.23	-
	Hi PR	262	263	265	-	303	304	306	-	346	347	349	-	392	393	395	-	442	443	445	-	495	496	498	-
Lo PR	127	128	132	-	134	136	139	-	141	143	146	-	147	148	151	-	152	154	157	-	159	161	164	-	
1125	MBh	29.9	30.3	31.2	-	29.7	30.1	31.0	-	28.9	29.3	30.2	-	27.6	28.0	28.9	-	26.0	26.4	27.3	-	24.6	25.0	25.8	-
	S/T	0.74	0.66	0.52	-	0.75	0.67	0.53	-	0.78	0.70	0.55	-	1.00	0.72	0.57	-	1.00	0.74	0.60	-	1.00	0.80	0.65	-
	ΔT	17.92	16.07	12.62	-	17.87	16.02	12.57	-	18.13	16.28	12.83	-	17.85	16.00	12.55	-	17.60	15.76	12.31	-	18.76	16.91	13.46	-
	kW	1.98	1.97	1.97	-	2.20	2.20	2.20	-	2.46	2.46	2.45	-	2.73	2.73	2.73	-	3.04	3.04	3.04	-	3.40	3.40	3.40	-
	Amps	7.75	7.74	7.73	-	8.80	8.79	8.77	-	9.97	9.96	9.94	-	11.23	11.22	11.20	-	12.64	12.63	12.62	-	14.30	14.29	14.27	-
	Hi PR	264	265	267	-	305	306	308	-	348	349	351	-	394	395	397	-	444	445	447	-	497	499	500	-
Lo PR	129	130	134	-	136	138	141	-	143	145	148	-	149	150	153	-	154	156	159	-	161	163	166	-	

85	MBh	29.1	29.5	30.4	31.7	28.9	29.3	30.1	31.5	28.1	28.5	29.4	30.7	26.8	27.2	28.1	29.4	25.2	25.6	26.5	27.8	23.7	24.1	25.0	26.3
	S/T	0.78	0.70	0.56	0.4	0.79	0.71	0.56	0.4	1.00	0.73	0.59	0.4	1.00	0.75	0.61	0.5	1.00	0.78	0.63	0.5	1.00	1.00	0.69	0.5
	ΔT	24.04	22.19	18.74	15.2	23.99	22.14	18.69	15.1	24.25	22.40	18.95	15.4	23.97	22.12	18.67	15.1	23.72	21.87	18.42	14.9	24.88	23.03	19.58	16.0
	kW	1.95	1.95	1.95	2.0	2.18	2.18	2.17	2.2	2.44	2.43	2.43	2.4	2.71	2.71	2.71	2.7	3.02	3.02	3.01	3.0	3.38	3.38	3.38	3.4
	Amps	7.65	7.64	7.62	7.7	8.69	8.68	8.67	8.7	9.86	9.85	9.83	9.9	11.12	11.11	11.10	11.2	12.53	12.53	12.51	12.6	14.19	14.18	14.16	14.2
	Hi PR	260	261	263	267.5	301	302	304	308.5	344	345	347	351.5	390	391	393	397.7	440	441	443	447.6	493	494	496	500.8
Lo PR	125	127	130	135.0	133	134	137	142.6	139	141	144	149.3	145	146	150	154.9	150	152	155	160.5	157	159	162	167.4	
1000	MBh	29.5	29.9	30.8	32.1	29.2	29.6	30.5	31.8	28.5	28.9	29.8	31.1	27.2	27.6	28.4	29.8	25.6	26.0	26.9	28.2	24.1	24.5	25.4	26.7
	S/T	0.85	0.76	0.62	0.5	1.00	0.77	0.63	0.5	1.00	0.80	0.65	0.5	1.00	0.82	0.67	0.5	1.00	0.84	0.70	0.5	1.00	1.00	0.75	0.6
	ΔT	22.92	21.07	17.62	14.1	22.87	21.02	17.57	14.0	23.13	21.28	17.83	14.3	22.85	21.00	17.56	14.0	22.61	20.76	17.31	13.7	23.76	21.91	18.47	14.9
	kW	1.96	1.96	1.96	2.0	2.19	2.19	2.19	2.2	2.45	2.45	2.44	2.5	2.72	2.72	2.72	2.7	3.03	3.03	3.03	3.0	3.39	3.39	3.39	3.4
	Amps	7.70	7.69	7.67	7.8	8.75	8.74	8.72	8.8	9.91	9.91	9.89	10.0	11.18	11.17	11.15	11.2	12.59	12.58	12.56	12.6	14.24	14.24	14.22	14.3
	Hi PR	262	263	265	269.7	303	304	306	310.7	346	347	349	353.7	392	394	395	399.9	442	443	445	449.8	496	497	498	503.0
Lo PR	127	128	132	136.9	134	136	139	144.5	141	143	146	151.1	147	148	151	156.8	152	154	157	162.3	159	161	164	169.2	
1125	MBh	30.0	30.4	31.2	32.6	29.7	30.1	31.0	32.3	28.9	29.3	30.2	31.5	27.6	28.0	28.9	30.2	26.0	26.4	27.3	28.6	24.6	25.0	25.9	27.2
	S/T	0.88	0.80	0.66	0.5	1.00	0.81	0.66	0.5	1.00	0.83	0.69	0.5	1.00	0.85	0.71	0.6	1.00	1.00	0.73	0.6	1.00	1.00	0.79	0.6
	ΔT	21.98	20.13	16.69	13.1	21.93	20.08	16.63	13.1	22.19	20.34	16.89	13.3	21.91	20.07	16.62	13.0	21.67	19.82	16.37	12.8	22.82	20.97	17.53	14.0
	kW	1.97	1.97	1.97	2.0	2.20	2.20	2.20	2.2	2.46	2.46	2.45	2.5	2.73	2.73	2.73	2.7	3.04	3.04	3.04	3.1	3.40	3.40	3.40	3.4
	Amps	7.75	7.74	7.72	7.8	8.79	8.78	8.77	8.8	9.96	9.95	9.93	10.0	11.22	11.21	11.20	11.3	12.63	12.63	12.61	12.7	14.29	14.28	14.26	14.3
	Hi PR	264	266	267	271.9	305	307	308	312.9	348	349	351	355.8	395	396	398	402.1	444	446	447	451.9	498	499	501	505.1
Lo PR	129	130	134	138.9	136	138	141	146.5	143	145	148	153.2	149	150	153	158.8	154	156	159	164.3	161	163	166	171.2	

IDB: Entering Indoor Dry Bulb Temperature
 High and low pressures are measured at the liquid and suction access fittings.
 Shaded area reflects ACCA (TVA) conditions.
 Amps: Unit amps (comp. + evaporator + condenser fan motors)
 kW = Total system power

IDB	Airflow	Outdoor Ambient Temperature																							
		65				75				85				95				105				115			
		59	63	67	71	59	63	67	71	59	63	67	71	59	63	67	71	59	63	67	71	59	63	67	71
80	MBh	29.3	29.7	30.5	31.9	29.0	29.4	30.3	31.6	28.2	28.7	29.5	30.9	26.9	27.3	28.2	29.5	25.3	25.8	26.6	27.9	23.9	24.3	25.2	26.5
	S/T	1.00	0.83	0.69	0.5	1.00	0.84	0.70	0.5	1.00	0.87	0.72	0.6	1.00	1.00	0.74	0.6	1.00	1.00	0.77	0.6	1.00	1.00	0.82	0.7
	ΔT	28.13	26.28	22.83	19.3	28.08	26.23	22.78	19.2	28.34	26.49	23.04	19.5	28.06	26.21	22.76	19.2	27.81	25.96	22.51	18.9	28.97	27.12	23.67	20.1
	kW	1.95	1.95	1.95	2.0	2.18	2.18	2.18	2.2	2.44	2.43	2.43	2.4	2.71	2.71	2.71	2.7	3.02	3.02	3.02	3.0	3.38	3.38	3.38	3.4
	Amps	7.65	7.64	7.63	7.7	8.70	8.69	8.67	8.8	9.87	9.86	9.84	9.9	11.13	11.12	11.10	11.2	12.54	12.53	12.51	12.6	14.20	14.19	14.17	14.3
	Hi PR	261	262	263	268.0	302	303	304	309.0	344	346	347	351.9	391	392	394	398.2	441	442	444	448.1	494	495	497	501.3
Lo PR	126	127	130	135.6	133	135	138	143.2	140	141	145	149.9	145	147	150	155.5	151	153	156	161.0	158	159	163	167.9	
80	MBh	29.6	30.1	30.9	32.3	29.4	29.8	30.7	32.0	28.6	29.0	29.9	31.2	27.3	27.7	28.6	29.9	25.7	26.1	27.0	28.3	24.3	24.7	25.5	26.9
	S/T	1.00	0.90	0.75	0.6	1.00	0.90	0.76	0.6	1.00	0.93	0.79	0.6	1.00	1.00	0.81	0.7	1.00	1.00	0.83	0.7	1.00	1.00	0.89	0.7
	ΔT	27.01	25.16	21.71	18.1	26.96	25.11	21.66	18.1	27.22	25.37	21.92	18.3	26.94	25.09	21.64	18.1	26.69	24.85	21.40	17.8	27.85	26.00	22.55	19.0
	kW	1.96	1.96	1.96	2.0	2.19	2.19	2.19	2.2	2.45	2.45	2.44	2.5	2.72	2.72	2.72	2.7	3.03	3.03	3.03	3.0	3.39	3.39	3.39	3.4
	Amps	7.71	7.70	7.68	7.8	8.75	8.74	8.73	8.8	9.92	9.91	9.89	10.0	11.18	11.17	11.16	11.2	12.59	12.59	12.57	12.6	14.25	14.24	14.22	14.3
	Hi PR	263	264	266	270.2	304	305	307	311.2	347	348	350	354.1	393	394	396	400.4	443	444	446	450.3	496	497	499	503.5
Lo PR	127	129	132	137.4	135	137	140	145.0	142	143	146	151.7	147	149	152	157.3	153	154	158	162.8	160	161	164	169.8	
1125	MBh	30.1	30.5	31.4	32.7	29.8	30.3	31.1	32.5	29.1	29.5	30.4	31.7	27.8	28.2	29.1	30.4	26.2	26.6	27.5	28.8	24.7	25.1	26.0	27.3
	S/T	1.00	0.93	0.79	0.6	1.00	0.94	0.80	0.6	1.00	0.97	0.82	0.7	1.00	1.00	0.84	0.7	1.00	1.00	0.87	0.7	1.00	1.00	0.92	0.8
	ΔT	26.07	24.22	20.77	17.2	26.02	24.17	20.72	17.2	26.28	24.43	20.98	17.4	26.00	24.15	20.71	17.1	25.76	23.91	20.46	16.9	26.91	25.06	21.62	18.0
	kW	1.97	1.97	1.97	2.0	2.20	2.20	2.20	2.2	2.46	2.46	2.45	2.5	2.73	2.73	2.73	2.7	3.04	3.04	3.04	3.1	3.40	3.40	3.40	3.4
	Amps	7.75	7.74	7.73	7.8	8.80	8.79	8.77	8.9	9.96	9.96	9.94	10.0	11.23	11.22	11.20	11.3	12.64	12.63	12.61	12.7	14.30	14.29	14.27	14.3
	Hi PR	265	266	268	272.3	306	307	309	313.3	349	350	352	356.3	395	396	398	402.5	445	446	448	452.4	498	499	501	505.6
Lo PR	129	131	134	139.5	137	139	142	147.1	144	145	148	153.7	149	151	154	159.4	155	156	160	164.9	162	163	166	171.8	

875	MBh	29.8	30.2	31.0	32.4	29.5	29.9	30.8	32.1	28.7	29.1	30.0	31.3	27.4	27.8	28.7	30.0	25.8	26.2	27.1	28.4	24.4	24.8	25.7	27.0
	S/T	1.00	0.94	0.80	0.6	1.00	1.00	0.80	0.7	1.00	1.00	0.83	0.7	1.00	1.00	0.85	0.7	1.00	1.00	0.87	0.7	1.00	1.00	1.00	0.8
	ΔT	31.75	29.91	26.46	22.9	31.70	29.86	26.41	22.8	31.96	30.12	26.67	23.1	31.68	29.84	26.39	22.8	31.44	29.59	26.14	22.6	32.59	30.75	27.30	23.7
	kW	1.96	1.96	1.95	2.0	2.19	2.18	2.18	2.2	2.44	2.44	2.44	2.5	2.72	2.72	2.71	2.7	3.03	3.02	3.02	3.0	3.39	3.39	3.38	3.4
	Amps	7.67	7.66	7.65	7.7	8.72	8.71	8.69	8.8	9.89	9.88	9.86	9.9	11.15	11.14	11.12	11.2	12.56	12.55	12.53	12.6	14.22	14.21	14.19	14.3
	Hi PR	262	263	265	269.2	303	304	306	310.2	346	347	349	353.2	392	393	395	399.4	442	443	445	449.3	495	496	498	502.5
Lo PR	127	129	132	137.5	135	137	140	145.1	142	143	146	151.7	147	149	152	157.4	153	154	158	162.9	160	161	164	169.8	
1000	MBh	30.1	30.5	31.4	32.7	29.9	30.3	31.2	32.5	29.1	29.5	30.4	31.7	27.8	28.2	29.1	30.4	26.2	26.6	27.5	28.8	24.8	25.2	26.0	27.4
	S/T	1.00	1.00	0.86	0.7	1.00	1.00	0.87	0.7	1.00	1.00	0.89	0.7	1.00	1.00	0.91	0.8	1.00	1.00	1.00	0.8	1.00	1.00	1.00	0.8
	ΔT	30.64	28.79	25.34	21.8	30.59	28.74	25.29	21.7	30.85	29.00	25.55	22.0	30.57	28.72	25.27	21.7	30.32	28.47	25.02	21.5	31.48	29.63	26.18	22.6
	kW	1.97	1.97	1.96	2.0	2.20	2.20	2.19	2.2	2.45	2.45	2.45	2.5	2.73	2.73	2.72	2.7	3.04	3.04	3.04	3.0	3.40	3.40	3.39	3.4
	Amps	7.73	7.72	7.70	7.8	8.77	8.76	8.75	8.8	9.94	9.93	9.91	10.0	11.20	11.19	11.18	11.3	12.61	12.61	12.59	12.7	14.27	14.26	14.24	14.3
	Hi PR	264	265	267	271.4	305	306	308	312.4	348	349	351	355.4	394	395	397	401.6	444	445	447	451.5	497	498	500	504.7
Lo PR	129	131	134	139.3	137	138	142	146.9	144	145	148	153.6	149	151	154	159.2	155	156	159	164.7	162	163	166	171.6	
1125	MBh	30.6	31.0	31.9	33.2	30.3	30.7	31.6	32.9	29.6	30.0	30.9	32.2	28.3	28.7	29.5	30.9	26.7	27.1	28.0	29.3	25.2	25.6	26.5	27.8
	S/T	1.00	1.00	0.90	0.7	1.00	1.00	0.90	0.8	1.00	1.00	0.93	0.8	1.00	1.00	0.95	0.8	1.00	1.00	1.00	0.8	1.00	1.00	1.00	0.9
	ΔT	29.70	27.85	24.40	20.8	29.65	27.80	24.35	20.8	29.91	28.06	24.61	21.0	29.63	27.78	24.33	20.8	29.38	27.53	24.09	20.5	30.54	28.69	25.24	21.7
	kW	1.98	1.98	1.97	2.0	2.21	2.21	2.20	2.2	2.46	2.46	2.46	2.5	2.74	2.74	2.73	2.8	3.05	3.05	3.04	3.1	3.41	3.41	3.40	3.4
	Amps	7.77	7.76	7.75	7.8	8.82	8.81	8.79	8.9	9.98	9.98	9.96	10.0	11.25	11.24	11.22	11.3	12.66	12.65	12.63	12.7	14.32	14.31	14.29	14.4
	Hi PR	266	267	269	273.6	307	308	310	314.6	350	351	353	357.5	396	397	399	403.8	446	447	449	453.6	499	500	502	506.8
Lo PR	131	133	136	141.3	139	140	144	148.9	146	147	150	155.6	151	153	156	161.2	157	158	161	166.8	164	165	168	173.7	

IDB: Entering Indoor Dry Bulb Temperature
 High and low pressures are measured at the liquid and suction access fittings.
 Shaded area reflects AHRI (TVA) conditions.
 Amps: Unit amps (comp.+ evaporator + condenser fan motors)
 kW = Total system power

IDB	Airflow	Outdoor Ambient Temperature																								
		65				75				85				95				105				115				
		59	63	67	71	59	63	67	71	59	63	67	71	59	63	67	71	59	63	67	71	59	63	67	71	
70	1050	MBh	34.9	35.4	36.5	-	34.6	35.1	36.1	-	33.7	34.2	35.2	-	32.1	32.6	33.7	-	30.2	30.7	31.8	-	28.5	29.0	30.0	-
		S/T	0.68	0.60	0.45	-	0.69	0.60	0.46	-	0.71	0.63	0.48	-	1.00	0.65	0.51	-	1.00	0.68	0.53	-	1.00	0.73	0.59	-
		ΔT	19.90	18.03	14.53	-	19.85	17.97	14.47	-	20.11	18.24	14.74	-	19.83	17.96	14.46	-	19.58	17.71	14.21	-	20.75	18.88	15.38	-
		kW	2.35	2.35	2.34	-	2.62	2.62	2.61	-	2.92	2.92	2.91	-	3.25	3.25	3.24	-	3.61	3.61	3.61	-	4.04	4.04	4.04	-
		Amps	8.96	8.95	8.93	-	10.20	10.19	10.17	-	11.58	11.57	11.55	-	13.08	13.07	13.05	-	14.75	14.74	14.72	-	16.71	16.70	16.68	-
		Hi PR	262	264	265	-	304	305	307	-	347	348	350	-	394	395	397	-	444	445	447	-	497	499	500	-
Lo PR	126	128	131	-	134	136	139	-	141	142	145	-	146	148	151	-	152	153	157	-	159	160	164	-		
70	1150	MBh	35.3	35.7	36.8	-	34.9	35.4	36.5	-	34.0	34.5	35.6	-	32.5	33.0	34.0	-	30.6	31.0	32.1	-	28.8	29.3	30.3	-
		S/T	0.72	0.64	0.49	-	0.73	0.65	0.50	-	0.76	0.67	0.53	-	1.00	0.69	0.55	-	1.00	0.72	0.57	-	1.00	0.77	0.63	-
		ΔT	19.14	17.26	13.76	-	19.09	17.21	13.71	-	19.35	17.48	13.98	-	19.07	17.19	13.69	-	18.82	16.94	13.44	-	19.99	18.12	14.62	-
		kW	2.36	2.36	2.35	-	2.63	2.63	2.62	-	2.93	2.93	2.92	-	3.26	3.26	3.25	-	3.62	3.62	3.62	-	4.05	4.05	4.05	-
		Amps	9.00	8.99	8.97	-	10.24	10.23	10.21	-	11.62	11.61	11.59	-	13.12	13.11	13.09	-	14.79	14.78	14.76	-	16.76	16.75	16.73	-
		Hi PR	264	265	267	-	305	306	308	-	349	350	351	-	395	396	398	-	445	446	448	-	499	500	502	-
Lo PR	128	129	132	-	135	137	140	-	142	144	147	-	148	149	152	-	153	155	158	-	160	162	165	-		
70	1350	MBh	36.0	36.5	37.6	-	35.7	36.2	37.3	-	34.8	35.3	36.4	-	33.3	33.8	34.8	-	31.4	31.8	32.9	-	29.6	30.1	31.1	-
		S/T	0.77	0.68	0.54	-	0.77	0.69	0.54	-	1.00	0.72	0.57	-	1.00	0.74	0.59	-	1.00	0.76	0.62	-	1.00	1.00	0.67	-
		ΔT	17.84	15.97	12.47	-	17.79	15.92	12.42	-	18.06	16.18	12.68	-	17.77	15.90	12.40	-	17.52	15.65	12.15	-	18.70	16.82	13.32	-
		kW	2.37	2.37	2.37	-	2.64	2.64	2.64	-	2.95	2.94	2.94	-	3.27	3.27	3.27	-	3.64	3.64	3.63	-	4.07	4.07	4.06	-
		Amps	9.07	9.06	9.04	-	10.31	10.30	10.28	-	11.70	11.69	11.67	-	13.19	13.18	13.16	-	14.87	14.86	14.84	-	16.83	16.82	16.80	-
		Hi PR	267	268	270	-	308	309	311	-	352	353	354	-	398	399	401	-	448	449	451	-	502	503	505	-
Lo PR	131	132	135	-	138	140	143	-	145	146	150	-	151	152	155	-	156	158	161	-	163	165	168	-		

75	1050	MBh	34.9	35.4	36.5	38.1	34.6	35.1	36.2	37.8	33.7	34.2	35.3	36.8	32.2	32.7	33.7	35.3	30.3	30.7	31.8	33.4	28.5	29.0	30.0	31.6
		S/T	0.82	0.74	0.59	0.4	1.00	0.74	0.60	0.4	1.00	0.77	0.62	0.5	1.00	0.79	0.65	0.5	1.00	0.82	0.67	0.5	1.00	1.00	0.73	0.6
		ΔT	24.02	22.15	18.65	15.0	23.97	22.10	18.60	15.0	24.23	22.36	18.86	15.2	23.95	22.08	18.58	15.0	23.70	21.83	18.33	14.7	24.88	23.00	19.50	15.9
		kW	2.35	2.34	2.34	2.4	2.62	2.62	2.61	2.6	2.92	2.92	2.91	2.9	3.25	3.24	3.24	3.3	3.61	3.61	3.61	3.6	4.04	4.04	4.03	4.1
		Amps	8.95	8.94	8.92	9.0	10.19	10.18	10.16	10.3	11.57	11.56	11.54	11.6	13.07	13.06	13.04	13.1	14.74	14.73	14.71	14.8	16.71	16.70	16.67	16.8
		Hi PR	263	264	266	270.2	304	305	307	311.5	347	348	350	354.7	394	395	397	401.3	444	445	447	451.6	498	499	501	505.2
Lo PR	126	128	131	136.4	134	136	139	144.1	141	142	145	150.8	146	148	151	156.5	152	153	157	162.0	159	160	164	169.0		
75	1150	MBh	35.3	35.8	36.8	38.4	35.0	35.5	36.5	38.1	34.1	34.5	35.6	37.2	32.5	33.0	34.0	35.6	30.6	31.1	32.1	33.7	28.8	29.3	30.4	32.0
		S/T	0.86	0.78	0.63	0.5	1.00	0.79	0.64	0.5	1.00	0.81	0.67	0.5	1.00	0.83	0.69	0.5	1.00	1.00	0.71	0.6	1.00	1.00	0.77	0.6
		ΔT	23.26	21.38	17.88	14.3	23.21	21.33	17.83	14.2	23.47	21.60	18.10	14.5	23.19	21.31	17.81	14.2	22.94	21.06	17.56	13.9	24.11	22.24	18.74	15.1
		kW	2.36	2.35	2.35	2.4	2.63	2.62	2.62	2.6	2.93	2.93	2.92	2.9	3.26	3.25	3.25	3.3	3.62	3.62	3.62	3.6	4.05	4.05	4.04	4.1
		Amps	8.99	8.98	8.96	9.1	10.23	10.22	10.20	10.3	11.62	11.61	11.58	11.7	13.11	13.10	13.08	13.2	14.79	14.78	14.76	14.9	16.75	16.74	16.72	16.8
		Hi PR	264	265	267	271.7	305	307	308	313.0	349	350	352	356.3	395	396	398	402.9	446	447	449	453.1	499	500	502	506.7
Lo PR	128	129	132	137.7	135	137	140	145.4	142	144	147	152.1	148	149	152	157.8	153	155	158	163.3	160	162	165	170.3		
75	1350	MBh	36.1	36.6	37.6	39.2	35.8	36.2	37.3	38.9	34.8	35.3	36.4	38.0	33.3	33.8	34.8	36.4	31.4	31.9	32.9	34.5	29.6	30.1	31.2	32.7
		S/T	0.91	0.82	0.68	0.5	1.00	0.83	0.68	0.5	1.00	0.86	0.71	0.6	1.00	0.88	0.73	0.6	1.00	1.00	0.76	0.6	1.00	1.00	0.81	0.7
		ΔT	21.97	20.09	16.59	13.0	21.91	20.04	16.54	12.9	22.18	20.30	16.80	13.2	21.89	20.02	16.52	12.9	21.64	19.77	16.27	12.6	22.82	20.94	17.44	13.8
		kW	2.37	2.37	2.36	2.4	2.64	2.64	2.64	2.7	2.94	2.94	2.94	3.0	3.27	3.27	3.27	3.3	3.64	3.64	3.63	3.7	4.07	4.06	4.06	4.1
		Amps	9.07	9.06	9.03	9.1	10.30	10.30	10.27	10.4	11.69	11.68	11.66	11.8	13.19	13.18	13.16	13.3	14.86	14.85	14.83	14.9	16.82	16.81	16.79	16.9
		Hi PR	267	268	270	274.7	308	310	311	316.0	352	353	355	359.3	398	399	401	405.9	449	450	452	456.1	502	503	505	509.7
Lo PR	131	132	135	140.7	138	140	143	148.3	145	146	150	155.0	151	152	155	160.7	156	158	161	166.2	163	165	168	173.2		

IDB: Entering Indoor Dry Bulb Temperature
 High and low pressures are measured at the liquid and suction access fittings.
 Shaded area reflects ACCA (TVA) conditions.
 Amps: Unit amps (comp.+ evaporator + condenser fan motors)
 kW = Total system power

IDB	Airflow	Outdoor Ambient Temperature												105												115											
		65						75						85						95						105						115					
		59	63	67	71	75	79	59	63	67	71	75	79	59	63	67	71	75	79	59	63	67	71	75	79	59	63	67	71	75	79	59	63	67	71	75	79
80	MBh	35.1	35.6	36.7	38.2	34.8	35.3	36.3	37.9	33.9	34.4	35.4	37.0	32.3	32.8	33.9	35.5	30.4	30.9	32.0	33.6	28.7	29.2	30.2	31.8												
	S/T	1.00	0.87	0.73	0.6	1.00	0.88	0.73	0.6	1.00	0.91	0.76	0.6	1.00	1.00	0.78	0.6	1.00	1.00	0.81	0.7	1.00	1.00	0.86	0.7												
	ΔT	28.17	26.30	22.80	19.2	28.12	26.25	22.75	19.1	28.38	26.51	23.01	19.4	28.10	26.23	22.73	19.1	27.85	25.98	22.48	18.9	29.02	27.15	23.65	20.0												
	kW	2.35	2.35	2.35	2.4	2.62	2.62	2.61	2.6	2.92	2.92	2.91	2.9	3.25	3.25	3.24	3.3	3.61	3.61	3.61	3.6	4.04	4.04	4.04	4.1												
	Amps	8.96	8.95	8.92	9.0	10.19	10.19	10.16	10.3	11.58	11.57	11.55	11.7	13.08	13.07	13.05	13.1	14.75	14.74	14.72	14.8	16.71	16.70	16.68	16.8												
	Hi PR	263	264	266	270.7	304	306	307	312.0	348	349	351	355.2	394	395	397	401.8	445	446	447	452.0	498	499	501	505.7												
Lo PR	127	128	132	137.0	135	136	139	144.6	141	143	146	151.3	147	148	152	157.0	152	154	157	162.6	159	161	164	169.5													
1150	MBh	35.5	35.9	37.0	38.6	35.1	35.6	36.7	38.3	34.2	34.7	35.8	37.4	32.7	33.2	34.2	35.8	30.8	31.2	32.3	33.9	29.0	29.5	30.5	32.1												
	S/T	1.00	0.92	0.77	0.6	1.00	0.92	0.78	0.6	1.00	0.95	0.80	0.6	1.00	1.00	0.82	0.7	1.00	1.00	0.85	0.7	1.00	1.00	0.90	0.7												
	ΔT	27.41	25.53	22.03	18.4	27.36	25.48	21.98	18.4	27.62	25.75	22.25	18.6	27.34	25.46	21.96	18.3	27.09	25.21	21.71	18.1	28.26	26.39	22.89	19.3												
	kW	2.36	2.36	2.35	2.4	2.63	2.63	2.62	2.6	2.93	2.93	2.92	2.9	3.26	3.26	3.25	3.3	3.62	3.62	3.62	3.6	4.05	4.05	4.05	4.1												
	Amps	9.00	8.99	8.97	9.1	10.24	10.23	10.21	10.3	11.62	11.61	11.59	11.7	13.12	13.11	13.09	13.2	14.79	14.78	14.76	14.9	16.76	16.75	16.72	16.8												
	Hi PR	265	266	268	272.2	306	307	309	313.5	349	350	352	356.8	396	397	399	403.3	446	447	449	453.6	500	501	503	507.2												
Lo PR	128	130	133	138.3	136	137	141	146.0	143	144	147	152.7	148	150	153	158.3	154	155	159	163.9	161	162	165	170.8													
1350	MBh	36.2	36.7	37.8	39.4	35.9	36.4	37.5	39.1	35.0	35.5	36.6	38.1	33.5	34.0	35.0	36.6	31.6	32.0	33.1	34.7	29.8	30.3	31.3	32.9												
	S/T	1.00	0.96	0.81	0.7	1.00	0.97	0.82	0.7	1.00	1.00	0.85	0.7	1.00	1.00	0.87	0.7	1.00	1.00	0.89	0.7	1.00	1.00	0.8	0.8												
	ΔT	26.11	24.24	20.74	17.1	26.06	24.19	20.69	17.1	26.33	24.45	20.95	17.3	26.04	24.17	20.67	17.0	25.79	23.92	20.42	16.8	26.97	25.09	21.59	18.0												
	kW	2.37	2.37	2.37	2.4	2.64	2.64	2.64	2.7	2.95	2.94	2.94	3.0	3.27	3.27	3.27	3.3	3.64	3.64	3.63	3.7	4.07	4.07	4.06	4.1												
	Amps	9.07	9.06	9.04	9.1	10.31	10.30	10.28	10.4	11.70	11.69	11.66	11.8	13.19	13.18	13.16	13.3	14.87	14.86	14.83	14.9	16.83	16.82	16.80	16.9												
	Hi PR	268	269	271	275.2	309	310	312	316.5	352	353	355	359.8	399	400	402	406.4	449	450	452	456.6	503	504	506	510.2												
Lo PR	131	133	136	141.2	139	140	144	148.9	145	147	150	155.6	151	153	156	161.2	157	158	161	166.8	164	165	168	173.8													

85	MBh	35.7	36.2	37.2	38.8	35.4	35.9	36.9	38.5	34.5	35.0	36.0	37.6	32.9	33.4	34.5	36.0	31.0	31.5	32.5	34.1	29.3	29.8	30.8	32.4
	S/T	1.00	0.98	0.84	0.7	1.00	1.00	0.84	0.7	1.00	1.00	0.87	0.7	1.00	1.00	0.89	0.7	1.00	1.00	0.90	0.8	1.00	1.00	0.9	0.8
	ΔT	31.85	29.98	26.48	22.9	31.80	29.93	26.43	22.8	32.06	30.19	26.69	23.1	31.78	29.91	26.41	22.8	31.53	29.66	26.16	22.5	32.71	30.83	27.33	23.7
	kW	2.35	2.35	2.35	2.4	2.62	2.62	2.62	2.6	2.93	2.92	2.92	2.9	3.25	3.25	3.25	3.3	3.62	3.62	3.61	3.6	4.05	4.05	4.04	4.1
	Amps	8.98	8.97	8.95	9.0	10.22	10.21	10.19	10.3	11.60	11.59	11.57	11.7	13.10	13.09	13.07	13.2	14.77	14.76	14.74	14.8	16.74	16.73	16.71	16.8
	Hi PR	264	265	267	271.9	306	307	309	313.2	349	350	352	356.5	396	397	398	403.1	446	447	449	453.3	499	500	502	506.9
Lo PR	129	130	134	138.9	136	138	141	146.5	143	145	148	153.2	149	150	154	158.9	154	156	159	164.5	161	163	166	171.4	
1150	MBh	36.0	36.5	37.6	39.2	35.7	36.2	37.3	38.8	34.8	35.3	36.3	37.9	33.3	33.7	34.8	36.4	31.3	31.8	32.9	34.5	29.6	30.1	31.1	32.7
	S/T	1.00	1.00	0.88	0.7	1.00	1.00	0.89	0.7	1.00	1.00	0.91	0.8	1.00	1.00	0.93	0.8	1.00	1.00	0.90	0.8	1.00	1.00	0.9	0.9
	ΔT	31.09	29.21	25.71	22.1	31.04	29.16	25.66	22.0	31.30	29.43	25.93	22.3	31.02	29.14	25.64	22.0	30.77	28.89	25.39	21.8	31.94	30.07	26.57	22.9
	kW	2.36	2.36	2.36	2.4	2.63	2.63	2.63	2.6	2.94	2.93	2.93	2.9	3.26	3.26	3.26	3.3	3.63	3.63	3.62	3.6	4.06	4.06	4.05	4.1
	Amps	9.02	9.01	8.99	9.1	10.26	10.25	10.23	10.3	11.65	11.64	11.61	11.7	13.14	13.13	13.11	13.2	14.82	14.81	14.79	14.9	16.78	16.77	16.75	16.8
	Hi PR	266	267	269	273.4	307	308	310	314.7	350	352	353	358.0	397	398	400	404.6	447	448	450	454.8	501	502	504	508.4
Lo PR	130	132	135	140.2	138	139	142	147.8	144	146	149	154.5	150	152	155	160.2	156	157	160	165.8	163	164	167	172.7	
1350	MBh	36.8	37.3	38.4	39.9	36.5	37.0	38.1	39.6	35.6	36.1	37.1	38.7	34.0	34.5	35.6	37.2	32.1	32.6	33.7	35.3	30.4	30.9	31.9	33.5
	S/T	1.00	1.00	0.92	0.8	1.00	1.00	0.93	0.8	1.00	1.00	0.96	0.8	1.00	1.00	0.98	0.8	1.00	1.00	0.90	0.8	1.00	1.00	0.9	0.9
	ΔT	29.80	27.92	24.42	20.8	29.74	27.87	24.37	20.7	30.01	28.13	24.63	21.0	29.72	27.85	24.35	20.7	29.47	27.60	24.10	20.5	30.65	28.77	25.27	21.6
	kW	2.38	2.38	2.37	2.4	2.65	2.65	2.64	2.7	2.95	2.95	2.94	3.0	3.28	3.28	3.27	3.3	3.64	3.64	3.64	3.6	4.07	4.07	4.07	4.1
	Amps	9.10	9.09	9.06	9.2	10.34	10.33	10.30	10.4	11.72	11.71	11.69	11.8	13.22	13.21	13.19	13.3	14.89	14.88	14.86	15.0	16.85	16.84	16.82	16.9
	Hi PR	269	270	272	276.4	310	311	313	317.7	353	355	356	361.0	400	401	403	407.6	450	451	453	457.8	504	505	507	511.4
Lo PR	133	135	138	143.1	141	142	145	150.8	147	149	152	157.5	153	155	158	163.1	159	160	163	168.7	166	167	170	175.6	

IDB: Entering Indoor Dry Bulb Temperature
 High and low pressures are measured at the liquid and suction access fittings.
 Shaded area reflects AHRI (TVA) conditions.
 Amps: Unit amps (comp.+ evaporator + condenser fan motors)
 kW = Total system power

IDB	Airflow	Outdoor Ambient Temperature																								
		65				75				85				95				105				115				
		59	63	67	71	59	63	67	71	59	63	67	71	59	63	67	71	59	63	67	71	59	63	67	71	
70	1300	MBh	41.2	41.8	43.0	-	40.9	41.4	42.7	-	39.8	40.4	41.6	-	38.0	38.5	39.8	-	35.7	36.3	37.5	-	33.7	34.3	35.5	-
		S/T	0.68	0.60	0.46	-	0.69	0.61	0.47	-	0.71	0.63	0.50	-	1.00	0.65	0.52	-	1.00	0.68	0.54	-	1.00	0.73	0.59	-
		ΔT	20.00	18.04	14.38	-	19.94	17.99	14.33	-	20.22	18.26	14.60	-	19.92	17.96	14.31	-	19.66	17.70	14.05	-	20.89	18.93	15.27	-
		kW	2.73	2.72	2.72	-	3.05	3.05	3.04	-	3.42	3.41	3.41	-	3.81	3.81	3.80	-	4.25	4.25	4.24	-	4.77	4.77	4.76	-
		Amps	10.44	10.43	10.41	-	11.94	11.93	11.90	-	13.61	13.59	13.57	-	15.41	15.40	15.37	-	17.43	17.42	17.39	-	19.79	19.78	19.76	-
	1400	Hi PR	274	275	277	-	317	318	320	-	362	363	365	-	411	412	414	-	463	464	466	-	518	520	522	-
		Lo PR	127	128	132	-	134	136	139	-	141	143	146	-	147	148	151	-	152	154	157	-	159	161	164	-
		MBh	41.6	42.2	43.4	-	41.2	41.8	43.0	-	40.2	40.8	42.0	-	38.4	38.9	40.1	-	36.1	36.7	37.9	-	34.1	34.7	35.9	-
		S/T	0.70	0.63	0.49	-	0.71	0.63	0.49	-	0.74	0.66	0.52	-	1.00	0.68	0.54	-	1.00	0.70	0.56	-	1.00	0.75	0.61	-
		ΔT	19.37	17.41	13.75	-	19.31	17.36	13.70	-	19.59	17.63	13.97	-	19.29	17.34	13.68	-	19.03	17.07	13.42	-	20.26	18.30	14.64	-
1575	kW	2.74	2.73	2.73	-	3.06	3.06	3.05	-	3.43	3.42	3.42	-	3.82	3.82	3.81	-	4.26	4.26	4.25	-	4.78	4.78	4.77	-	
	Amps	10.48	10.47	10.45	-	11.98	11.97	11.94	-	13.65	13.63	13.61	-	15.45	15.44	15.41	-	17.47	17.46	17.43	-	19.83	19.82	19.80	-	
	Hi PR	276	277	279	-	319	320	322	-	364	365	367	-	412	413	415	-	464	465	467	-	520	521	523	-	
	Lo PR	128	130	133	-	136	137	140	-	142	144	147	-	148	150	153	-	154	155	158	-	160	162	165	-	
	MBh	42.4	43.0	44.2	-	42.0	42.6	43.8	-	41.0	41.5	42.8	-	39.1	39.7	40.9	-	36.9	37.5	38.7	-	34.9	35.4	36.7	-	
75	1300	S/T	0.72	0.65	0.51	-	0.73	0.65	0.51	-	1.00	0.68	0.54	-	1.00	0.70	0.56	-	1.00	0.72	0.58	-	1.00	1.00	0.64	-
		ΔT	18.38	16.42	12.76	-	18.33	16.37	12.71	-	18.60	16.64	12.99	-	18.31	16.35	12.69	-	18.05	16.09	12.43	-	19.27	17.31	13.66	-
		kW	2.75	2.75	2.74	-	3.08	3.07	3.07	-	3.44	3.44	3.43	-	3.83	3.83	3.83	-	4.28	4.27	4.27	-	4.79	4.79	4.78	-
		Amps	10.55	10.54	10.51	-	12.04	12.03	12.00	-	13.71	13.70	13.67	-	15.52	15.50	15.48	-	17.53	17.52	17.50	-	19.90	19.89	19.86	-
		Hi PR	278	279	281	-	321	322	324	-	366	367	369	-	414	416	417	-	467	468	470	-	522	523	525	-
Lo PR	130	132	135	-	138	140	143	-	145	146	149	-	150	152	155	-	156	157	161	-	163	164	168	-		

75	1300	MBh	41.3	41.8	43.0	44.9	40.9	41.5	42.7	44.5	39.8	40.4	41.6	43.5	38.0	38.6	39.8	41.6	35.8	36.3	37.6	39.4	33.7	34.3	35.5	37.4
		S/T	0.81	0.73	0.60	0.4	1.00	0.74	0.60	0.5	1.00	0.77	0.63	0.5	1.00	0.79	0.65	0.5	1.00	0.81	0.67	0.5	1.00	1.00	0.72	0.6
		ΔT	24.30	22.35	18.69	14.9	24.25	22.29	18.63	14.8	24.53	22.57	18.91	15.1	24.23	22.27	18.61	14.8	23.97	22.01	18.35	14.6	25.20	23.24	19.58	15.8
		kW	2.72	2.72	2.72	2.7	3.05	3.05	3.04	3.1	3.42	3.41	3.41	3.4	3.81	3.81	3.80	3.8	4.25	4.25	4.24	4.3	4.77	4.76	4.76	4.8
		Amps	10.43	10.42	10.40	10.5	11.93	11.92	11.89	12.0	13.60	13.58	13.56	13.7	15.40	15.39	15.36	15.5	17.42	17.41	17.38	17.5	19.78	19.77	19.75	19.9
	1400	Hi PR	275	276	278	282.3	317	319	321	325.3	362	364	365	370.2	411	412	414	418.6	463	464	466	470.8	519	520	522	526.5
		Lo PR	127	128	132	136.9	134	136	139	144.5	141	143	146	151.2	147	148	152	156.8	152	154	157	162.4	159	161	164	169.3
		MBh	41.6	42.2	43.4	45.3	41.3	41.8	43.1	44.9	40.2	40.8	42.0	43.9	38.4	39.0	40.2	42.0	36.1	36.7	37.9	39.8	34.1	34.7	35.9	37.8
		S/T	0.84	0.76	0.62	0.5	1.00	0.76	0.63	0.5	1.00	0.79	0.65	0.5	1.00	0.81	0.67	0.5	1.00	1.00	0.69	0.5	1.00	1.00	0.75	0.6
		ΔT	23.67	21.72	18.06	14.3	23.62	21.66	18.00	14.2	23.90	21.94	18.28	14.5	23.60	21.64	17.98	14.2	23.34	21.38	17.72	13.9	24.57	22.61	18.95	15.2
1575	kW	2.73	2.73	2.72	2.7	3.06	3.06	3.05	3.1	3.42	3.42	3.42	3.4	3.82	3.82	3.81	3.8	4.26	4.26	4.25	4.3	4.78	4.77	4.77	4.8	
	Amps	10.47	10.46	10.44	10.6	11.97	11.96	11.93	12.0	13.64	13.62	13.60	13.7	15.44	15.43	15.40	15.5	17.46	17.45	17.42	17.5	19.82	19.81	19.79	19.9	
	Hi PR	276	277	279	283.7	319	320	322	326.6	364	365	367	371.6	412	413	415	420.0	464	466	467	472.2	520	521	523	527.9	
	Lo PR	128	130	133	138.2	136	137	140	145.8	142	144	147	152.4	148	150	153	158.1	154	155	158	163.6	160	162	165	170.5	
	MBh	42.4	43.0	44.2	46.1	42.1	42.6	43.8	45.7	41.0	41.6	42.8	44.6	39.2	39.7	40.9	42.8	36.9	37.5	38.7	40.6	34.9	35.5	36.7	38.5	
75	1300	S/T	0.86	0.78	0.64	0.5	1.00	0.78	0.65	0.5	1.00	0.81	0.67	0.5	1.00	0.83	0.69	0.5	1.00	1.00	0.71	0.6	1.00	1.00	0.77	0.6
		ΔT	22.69	20.73	17.07	13.3	22.63	20.68	17.02	13.2	22.91	20.95	17.29	13.5	22.61	20.66	17.00	13.2	22.35	20.39	16.74	12.9	23.58	21.62	17.96	14.2
		kW	2.75	2.74	2.74	2.8	3.07	3.07	3.07	3.1	3.44	3.44	3.43	3.5	3.83	3.83	3.82	3.8	4.27	4.27	4.27	4.3	4.79	4.79	4.78	4.8
		Amps	10.54	10.53	10.50	10.6	12.03	12.02	12.00	12.1	13.70	13.69	13.66	13.8	15.51	15.49	15.47	15.6	17.52	17.51	17.49	17.6	19.89	19.88	19.85	20.0
		Hi PR	278	280	281	286.2	321	322	324	329.1	366	367	369	374.0	415	416	418	422.4	467	468	470	474.6	523	524	526	530.3
Lo PR	130	132	135	140.5	138	140	143	148.2	145	146	149	154.8	150	152	155	160.4	156	157	161	166.0	163	164	168	172.9		

IDB: Entering Indoor Dry Bulb Temperature
 High and low pressures are measured at the liquid and suction access fittings.
 Shaded area reflects ACCA (TVA) conditions.
 Amps: Unit amps (comp.+ evaporator + condenser fan motors)
 kW = Total system power

IDB	Airflow	Outdoor Ambient Temperature												105												115											
		65				75				85				95				105				115															
		59	63	67	71	59	63	67	71	59	63	67	71	59	63	67	71	59	63	67	71	59	63	67	71												
80	1300	MBh	41.5	42.0	43.3	45.1	41.1	41.7	42.9	44.7	40.0	40.6	41.8	43.7	38.2	38.8	40.0	41.9	36.0	36.5	37.8	39.6	33.9	34.5	35.7	37.6											
		S/T	1.00	0.86	0.72	0.6	1.00	0.87	0.73	0.6	1.00	0.89	0.75	0.6	1.00	1.00	0.77	0.6	1.00	1.00	0.80	0.7	1.00	1.00	0.85	0.7											
		ΔT	28.64	26.68	23.02	19.2	28.59	26.63	22.97	19.2	28.86	26.90	23.25	19.5	28.57	26.61	22.95	19.2	28.31	26.35	22.69	18.9	29.53	27.57	23.92	20.1											
		kW	2.73	2.72	2.72	2.7	3.05	3.05	3.04	3.1	3.42	3.41	3.41	3.4	3.81	3.81	3.80	3.8	4.25	4.25	4.25	4.24	4.3	4.77	4.77	4.76	4.8										
		Amps	10.44	10.43	10.40	10.5	11.94	11.92	11.90	12.0	13.60	13.59	13.57	13.7	15.41	15.40	15.37	15.5	17.43	17.41	17.39	17.5	19.79	19.78	19.75	19.9											
		Hi PR	275	276	278	282.8	318	319	321	325.8	363	364	366	370.7	411	412	414	419.1	463	465	467	471.3	519	520	522	527.0											
	Lo PR	127	129	132	137.5	135	137	140	145.1	142	143	146	151.8	147	149	152	157.4	153	154	158	162.9	160	161	165	169.8												
	1400	MBh	41.8	42.4	43.6	45.5	41.5	42.1	43.3	45.1	40.4	41.0	42.2	44.1	38.6	39.2	40.4	42.2	36.4	36.9	38.1	40.0	34.3	34.9	36.1	38.0											
		S/T	1.00	0.89	0.75	0.6	1.00	0.89	0.75	0.6	1.00	0.92	0.78	0.6	1.00	1.00	0.80	0.7	1.00	1.00	0.82	0.7	1.00	1.00	0.87	0.7											
		ΔT	28.01	26.05	22.39	18.6	27.96	26.00	22.34	18.6	28.23	26.27	22.62	18.8	27.94	25.98	22.32	18.5	27.68	25.72	22.06	18.3	28.90	26.94	23.29	19.5											
		kW	2.73	2.73	2.73	2.8	3.06	3.06	3.05	3.1	3.43	3.42	3.42	3.4	3.82	3.82	3.81	3.8	4.26	4.26	4.26	4.25	4.3	4.78	4.78	4.77	4.8										
		Amps	10.48	10.47	10.44	10.6	11.98	11.96	11.94	12.1	13.64	13.63	13.61	13.7	15.45	15.44	15.41	15.5	17.47	17.45	17.43	17.5	19.83	19.82	19.80	19.9											
Hi PR		276	278	279	284.2	319	320	322	327.1	364	365	367	372.1	413	414	416	420.5	465	466	468	472.7	521	522	524	528.4												
Lo PR	129	130	133	138.7	136	138	141	146.3	143	144	148	153.0	149	150	153	158.6	154	156	159	164.1	161	163	166	171.1													
1575	MBh	42.6	43.2	44.4	46.3	42.3	42.8	44.1	45.9	41.2	41.8	43.0	44.8	39.4	39.9	41.2	43.0	37.1	37.7	38.9	40.8	35.1	35.7	36.9	38.7												
	S/T	1.00	0.91	0.77	0.6	1.00	0.91	0.77	0.6	1.00	1.00	0.80	0.7	1.00	1.00	0.82	0.7	1.00	1.00	0.84	0.7	1.00	1.00	0.87	0.7												
	ΔT	27.02	25.07	21.41	17.6	26.97	25.01	21.35	17.6	27.25	25.29	21.63	17.8	26.95	24.99	21.33	17.5	26.69	24.73	21.07	17.3	27.92	25.96	22.30	18.5												
	kW	2.75	2.75	2.74	2.8	3.08	3.07	3.07	3.1	3.44	3.44	3.43	3.5	3.83	3.83	3.83	3.8	4.27	4.27	4.27	4.27	4.3	4.79	4.79	4.78	4.8											
	Amps	10.55	10.53	10.51	10.6	12.04	12.03	12.00	12.1	13.71	13.70	13.67	13.8	15.51	15.50	15.48	15.6	17.53	17.52	17.49	17.6	19.90	19.89	19.86	20.0												
	Hi PR	279	280	282	286.7	322	323	325	329.6	367	368	370	374.5	415	416	418	423.0	467	468	470	475.1	523	524	526	530.8												
Lo PR	131	133	136	141.1	139	140	143	148.7	145	147	150	155.4	151	152	156	161.0	156	158	161	166.5	163	165	168	173.5													

85	1300	MBh	42.2	42.7	43.9	45.8	41.8	42.4	43.6	45.4	40.7	41.3	42.5	44.4	38.9	39.5	40.7	42.5	36.7	37.2	38.5	40.3	34.6	35.2	36.4	38.3	
		S/T	1.00	0.96	0.83	0.7	1.00	1.00	0.83	0.7	1.00	1.00	0.86	0.7	1.00	1.00	0.88	0.7	1.00	1.00	0.80	0.8	1.00	1.00	0.85	0.8	
		ΔT	32.49	30.53	26.87	23.1	32.43	30.47	26.82	23.0	32.71	30.75	27.09	23.3	32.41	30.45	26.80	23.0	32.15	30.19	26.53	22.7	33.38	31.42	27.76	24.0	
		kW	2.73	2.73	2.72	2.7	3.06	3.06	3.05	3.1	3.42	3.42	3.41	3.4	3.82	3.81	3.81	3.8	4.26	4.26	4.26	4.25	4.3	4.78	4.77	4.77	4.8
		Amps	10.47	10.46	10.43	10.5	11.96	11.95	11.93	12.0	13.63	13.62	13.59	13.7	15.44	15.43	15.40	15.5	17.45	17.44	17.42	17.5	19.82	19.81	19.78	19.9	
		Hi PR	276	277	279	284.1	319	320	322	327.0	364	365	367	372.0	413	414	416	420.4	465	466	468	472.6	520	522	524	528.3	
	Lo PR	129	131	134	139.4	137	138	142	147.0	144	145	148	153.6	149	151	154	159.3	155	156	159	164.8	162	163	166	171.7		
	1400	MBh	42.5	43.1	44.3	46.2	42.2	42.7	44.0	45.8	41.1	41.7	42.9	44.8	39.3	39.9	41.1	42.9	37.0	37.6	38.8	40.7	35.0	35.6	36.8	38.6	
		S/T	1.00	0.99	0.85	0.7	1.00	1.00	0.86	0.7	1.00	1.00	0.88	0.7	1.00	1.00	0.90	0.8	1.00	1.00	0.80	0.8	1.00	1.00	0.85	0.8	
		ΔT	31.86	29.90	26.24	22.5	31.80	29.84	26.19	22.4	32.08	30.12	26.46	22.7	31.78	29.82	26.17	22.4	31.52	29.56	25.90	22.1	32.75	30.79	27.13	23.3	
		kW	2.74	2.74	2.73	2.8	3.07	3.06	3.06	3.1	3.43	3.43	3.42	3.4	3.83	3.82	3.82	3.8	4.27	4.26	4.26	4.26	4.3	4.78	4.78	4.78	4.8
		Amps	10.51	10.50	10.47	10.6	12.00	11.99	11.97	12.1	13.67	13.66	13.64	13.7	15.48	15.47	15.44	15.6	17.49	17.48	17.46	17.6	19.86	19.85	19.82	19.9	
Hi PR		278	279	281	285.5	321	322	324	328.4	366	367	369	373.4	414	415	417	421.8	466	467	469	474.0	522	523	525	529.7		
Lo PR	131	132	135	140.6	138	140	143	148.2	145	146	150	154.9	150	152	155	160.5	156	158	161	166.0	163	164	168	172.9			
1575	MBh	43.3	43.9	45.1	47.0	42.9	43.5	44.7	46.6	41.9	42.5	43.7	45.5	40.1	40.6	41.8	43.7	37.8	38.4	39.6	41.5	35.8	36.4	37.6	39.4		
	S/T	1.00	1.00	0.87	0.7	1.00	1.00	0.88	0.7	1.00	1.00	0.90	0.8	1.00	1.00	0.92	0.8	1.00	1.00	0.80	0.8	1.00	1.00	0.85	0.9		
	ΔT	30.87	28.91	25.25	21.5	30.82	28.86	25.20	21.4	31.09	29.13	25.48	21.7	30.80	28.84	25.18	21.4	30.53	28.58	24.92	21.1	31.76	29.80	26.14	22.4		
	kW	2.76	2.75	2.75	2.8	3.08	3.08	3.07	3.1	3.45	3.44	3.44	3.5	3.84	3.84	3.83	3.9	4.28	4.28	4.27	4.27	4.3	4.80	4.80	4.79	4.8	
	Amps	10.57	10.56	10.54	10.7	12.07	12.06	12.03	12.1	13.74	13.73	13.70	13.8	15.54	15.53	15.50	15.6	17.56	17.55	17.52	17.6	19.93	19.91	19.89	20.0		
	Hi PR	280	281	283	287.9	323	324	326	330.9	368	369	371	375.8	416	418	419	424.2	469	470	472	476.4	524	525	527	532.1		
Lo PR	133	134	138	143.0	141	142	145	150.6	147	149	152	157.2	153	154	158	162.9	158	160	163	168.4	165	167	170	175.3			

IDB: Entering Indoor Dry Bulb Temperature
 High and low pressures are measured at the liquid and suction access fittings.
 Shaded area reflects AHRI (TVA) conditions.
 Amps: Unit amps (comp.+ evaporator + condenser fan motors)
 kW = Total system power

IDB	Airflow	Outdoor Ambient Temperature																								
		65				75				85				95				105				115				
		59	63	67	71	59	63	67	71	59	63	67	71	59	63	67	71	59	63	67	71	59	63	67	71	
70	1400	MBh	47.3	47.9	49.3	-	46.8	47.5	48.9	-	45.6	46.3	47.7	-	43.5	44.2	45.6	-	40.9	41.6	43.0	-	38.5	39.2	40.6	-
		S/T	0.65	0.57	0.43	-	0.66	0.58	0.44	-	0.68	0.60	0.46	-	1.00	0.62	0.48	-	1.00	0.65	0.51	-	1.00	0.70	0.56	-
		ΔT	19.64	17.79	14.33	-	19.59	17.74	14.28	-	19.85	18.00	14.54	-	19.57	17.72	14.26	-	19.33	17.47	14.01	-	20.49	18.63	15.17	-
		kW	3.21	3.21	3.20	-	3.57	3.56	3.56	-	3.96	3.96	3.95	-	4.39	4.39	4.38	-	4.87	4.87	4.86	-	5.44	5.43	5.43	-
		Amps	11.41	11.40	11.37	-	13.04	13.03	13.00	-	14.85	14.84	14.81	-	16.82	16.81	16.78	-	19.02	19.00	18.97	-	21.59	21.58	21.55	-
	1525	Hi PR	265	266	268	-	307	308	310	-	351	352	354	-	398	399	401	-	449	450	452	-	503	504	506	-
		Lo PR	126	128	131	-	134	136	139	-	141	142	146	-	146	148	151	-	152	154	157	-	159	161	164	-
		MBh	47.7	48.3	49.7	-	47.3	47.9	49.3	-	46.0	46.7	48.1	-	43.9	44.6	46.0	-	41.3	42.0	43.4	-	39.0	39.6	41.0	-
		S/T	0.69	0.61	0.47	-	0.69	0.61	0.47	-	0.72	0.64	0.50	-	1.00	0.66	0.52	-	1.00	0.68	0.54	-	1.00	0.74	0.60	-
		ΔT	18.93	17.08	13.62	-	18.88	17.03	13.57	-	19.14	17.29	13.83	-	18.87	17.01	13.55	-	18.62	16.76	13.30	-	19.78	17.92	14.46	-
1800	kW	3.22	3.22	3.21	-	3.58	3.58	3.57	-	3.98	3.97	3.97	-	4.40	4.40	4.40	-	4.88	4.88	4.88	-	5.45	5.44	5.44	-	
	Amps	11.46	11.45	11.42	-	13.09	13.08	13.05	-	14.91	14.90	14.87	-	16.87	16.86	16.83	-	19.07	19.06	19.03	-	21.64	21.63	21.60	-	
	Hi PR	267	268	270	-	309	310	312	-	352	353	355	-	399	401	402	-	450	451	453	-	504	505	507	-	
	Lo PR	128	129	132	-	135	137	140	-	142	144	147	-	148	149	152	-	153	155	158	-	160	162	165	-	
	MBh	48.8	49.5	50.9	-	48.4	49.0	50.4	-	47.1	47.8	49.2	-	45.0	45.7	47.1	-	42.4	43.1	44.5	-	40.1	40.7	42.2	-	
75	1400	S/T	0.73	0.65	0.51	-	0.74	0.66	0.52	-	1.00	0.68	0.54	-	1.00	0.70	0.56	-	1.00	0.73	0.59	-	1.00	1.00	0.64	-
		ΔT	17.61	15.76	12.29	-	17.56	15.71	12.24	-	17.82	15.97	12.50	-	17.54	15.69	12.22	-	17.29	15.44	11.98	-	18.46	16.60	13.14	-
		kW	3.24	3.24	3.24	-	3.60	3.60	3.59	-	4.00	3.99	3.99	-	4.43	4.42	4.42	-	4.91	4.90	4.90	-	5.47	5.47	5.46	-
		Amps	11.56	11.55	11.52	-	13.19	13.18	13.15	-	15.01	14.99	14.97	-	16.97	16.96	16.93	-	19.17	19.16	19.13	-	21.74	21.73	21.70	-
		Hi PR	270	271	273	-	312	313	315	-	355	357	358	-	403	404	406	-	453	454	456	-	507	509	510	-
	1525	Lo PR	131	132	135	-	138	140	143	-	145	147	150	-	151	152	155	-	156	158	161	-	163	165	168	-
		MBh	47.3	47.9	49.4	51.5	46.9	47.5	48.9	51.1	45.6	46.3	47.7	49.8	43.5	44.2	45.6	47.7	40.9	41.6	43.0	45.2	38.6	39.2	40.6	42.8
		S/T	0.78	0.70	0.56	0.4	1.00	0.71	0.57	0.4	1.00	0.74	0.60	0.4	1.00	0.76	0.62	0.5	1.00	0.78	0.64	0.5	1.00	1.00	0.69	0.5
		ΔT	23.72	21.87	18.40	14.8	23.67	21.82	18.35	14.8	23.93	22.08	18.61	15.0	23.65	21.80	18.33	14.7	23.40	21.55	18.09	14.5	24.57	22.71	19.25	15.7
		kW	3.21	3.21	3.20	3.2	3.56	3.56	3.56	3.6	3.96	3.96	3.95	4.0	4.39	4.39	4.38	4.4	4.87	4.87	4.86	4.9	5.43	5.43	5.42	5.5
1800	Amps	11.40	11.39	11.36	11.5	13.03	13.02	12.99	13.1	14.84	14.83	14.80	14.9	16.81	16.80	16.77	16.9	19.00	18.99	18.96	19.1	21.58	21.57	21.54	21.7	
	Hi PR	266	267	269	273.2	307	308	310	314.9	351	352	354	358.7	398	399	401	405.8	449	450	452	456.5	503	504	506	510.7	
	Lo PR	126	128	131	136.5	134	136	139	144.2	141	142	146	150.9	146	148	151	156.6	152	154	157	162.1	159	161	164	169.1	
	MBh	47.7	48.4	49.8	51.9	47.3	47.9	49.3	51.5	46.0	46.7	48.1	50.3	43.9	44.6	46.0	48.2	41.4	42.0	43.4	45.6	39.0	39.7	41.1	43.2	
	S/T	0.82	0.74	0.60	0.5	1.00	0.75	0.61	0.5	1.00	0.77	0.63	0.5	1.00	0.79	0.65	0.5	1.00	0.80	0.68	0.5	1.00	1.00	0.73	0.6	
75	1400	ΔT	23.01	21.16	17.70	14.1	22.96	21.11	17.64	14.1	23.22	21.37	17.91	14.3	22.94	21.09	17.63	14.0	22.70	20.84	17.38	13.8	23.86	22.00	18.54	15.0
		kW	3.22	3.22	3.21	3.2	3.58	3.57	3.57	3.6	3.97	3.97	3.96	4.0	4.40	4.40	4.39	4.4	4.88	4.88	4.87	4.9	5.44	5.44	5.44	5.5
		Amps	11.45	11.44	11.41	11.5	13.08	13.07	13.04	13.2	14.90	14.88	14.86	15.0	16.86	16.85	16.82	16.9	19.06	19.05	19.02	19.1	21.63	21.62	21.59	21.7
		Hi PR	267	268	270	274.6	309	310	312	316.4	353	354	356	360.1	400	401	403	407.2	450	452	453	458.0	505	506	508	512.2
		Lo PR	128	129	132	137.8	135	137	140	145.4	142	144	147	152.1	148	149	152	157.8	153	155	158	163.4	160	162	165	170.3
	1525	MBh	48.8	49.5	50.9	53.0	48.4	49.1	50.5	52.6	47.2	47.8	49.2	51.4	45.1	45.7	47.1	49.3	42.5	43.1	44.5	46.7	40.1	40.8	42.2	44.3
		S/T	0.86	0.78	0.64	0.5	1.00	0.79	0.65	0.5	1.00	0.82	0.68	0.5	1.00	0.84	0.70	0.5	1.00	1.00	0.72	0.6	1.00	1.00	0.77	0.6
		ΔT	21.69	19.83	16.37	12.8	21.64	19.78	16.32	12.7	21.90	20.04	16.58	13.0	21.62	19.76	16.30	12.7	21.37	19.52	16.05	12.5	22.53	20.68	17.22	13.6
		kW	3.24	3.24	3.23	3.3	3.60	3.59	3.59	3.6	3.99	3.99	3.99	4.0	4.42	4.42	4.42	4.4	4.90	4.90	4.89	4.9	5.47	5.46	5.46	5.5
		Amps	11.55	11.54	11.51	11.6	13.18	13.17	13.14	13.3	15.00	14.98	14.96	15.1	16.96	16.95	16.92	17.0	19.16	19.14	19.12	19.2	21.73	21.72	21.69	21.8
1800	Hi PR	270	271	273	277.8	312	313	315	319.5	356	357	359	363.3	403	404	406	410.4	454	455	457	461.1	508	509	511	515.3	
	Lo PR	131	132	135	140.8	138	140	143	148.5	145	147	150	155.2	151	152	155	160.8	156	158	161	166.4	163	165	168	173.4	

IDB	Airflow	Outdoor Ambient Temperature																								
		65				75				85				95				105				115				
		59	63	67	71	59	63	67	71	59	63	67	71	59	63	67	71	59	63	67	71	59	63	67	71	
70	1400	MBh	47.3	47.9	49.3	-	46.8	47.5	48.9	-	45.6	46.3	47.7	-	43.5	44.2	45.6	-	40.9	41.6	43.0	-	38.5	39.2	40.6	-
		S/T	0.65	0.57	0.43	-	0.66	0.58	0.44	-	0.68	0.60	0.46	-	1.00	0.62	0.48	-	1.00	0.65	0.51	-	1.00	0.70	0.56	-
		ΔT	19.64	17.79	14.33	-	19.59	17.74	14.28	-	19.85	18.00	14.54	-	19.57	17.72	14.26	-	19.33	17.47	14.01	-	20.49	18.63	15.17	-
		kW	3.21	3.21	3.20	-	3.57	3.56	3.56	-	3.96	3.96	3.95	-	4.39	4.39	4.38	-	4.87	4.87	4.86	-	5.44	5.43	5.43	-
		Amps	11.41	11.40	11.37	-	13.04	13.03	13.00	-	14.85	14.84	14.81	-	16.82	16.81	16.78	-	19.02	19.00	18.97	-	21.59	21.58	21.55	-
	1525	Hi PR	265	266	268	-	307	308	310	-	351	352	354	-	398	399	401	-	449	450	452	-	503	504	506	-
		Lo PR	126	128	131	-	134	136	139	-	141	142	146	-	146	148	151	-	152	154	157	-	159	161	164	-
		MBh	47.7	48.3	49.7	-	47.3	47.9	49.3	-	46.0	46.7	48.1	-	43.9	44.6	46.0	-	41.3	42.0	43.4	-	39.0	39.6	41.0	-
		S/T	0.69	0.61	0.47	-	0.69	0.61	0.47	-	0.72	0.64	0.50	-	1.00	0.66	0.52	-	1.00	0.68	0.54	-	1.00	0.74	0.60	-
		ΔT	18.93	17.08	13.62	-	18.88	17.03	13.57	-	19.14	17.29	13.83	-	18.87	17.01	13.55	-	18.62	16.76	13.30	-	19.78	17.92	14.46	-
1800	kW	3.22	3.22	3.21	-	3.58	3.58	3.57	-	3.98	3.97	3.97	-	4.40	4.40	4.40	-	4.88	4.88	4.88	-					

IDB	Airflow	Outdoor Ambient Temperature												105												115											
		65				75				85				95				105				115															
		59	63	67	71	59	63	67	71	59	63	67	71	59	63	67	71	59	63	67	71	59	63	67	71												
80	1400	MBh	47.5	48.2	49.6	51.7	47.1	47.8	49.2	51.3	45.9	46.5	47.9	50.1	43.8	44.4	45.8	48.0	41.2	41.8	43.2	45.4	38.8	39.5	40.9	43.0											
		S/T	1.00	0.83	0.69	0.5	1.00	0.84	0.70	0.6	1.00	0.87	0.73	0.6	1.00	1.00	0.75	0.6	1.00	1.00	0.77	0.6	1.00	1.00	0.82	0.7											
		ΔT	27.83	25.97	22.51	18.9	27.78	25.92	22.46	18.9	28.04	26.18	22.72	19.1	27.76	25.90	22.44	18.9	27.51	25.66	22.19	18.6	28.67	26.82	23.35	19.8											
		kW	3.21	3.21	3.20	3.2	3.57	3.56	3.56	3.6	3.96	3.96	3.95	4.0	4.39	4.39	4.38	4.4	4.87	4.87	4.86	4.9	5.44	5.43	5.43	5.5											
		Amps	11.41	11.40	11.37	11.5	13.04	13.02	13.00	13.1	14.85	14.84	14.81	14.9	16.82	16.80	16.78	16.9	19.07	19.05	18.97	19.1	21.59	21.58	21.55	21.7											
	Hi PR	266	267	269	273.7	308	309	311	315.4	352	353	355	359.2	399	400	402	406.2	449	451	452	457.0	504	505	507	511.2												
	Lo PR	127	129	132	137.1	135	136	139	144.8	141	143	146	151.5	147	149	152	157.1	153	154	157	162.7	160	161	164	169.6												
	1525	MBh	47.9	48.6	50.0	52.2	47.5	48.2	49.6	51.7	46.3	47.0	48.4	50.5	44.2	44.8	46.2	48.4	41.6	42.3	43.7	45.8	39.2	39.9	41.3	43.5											
		S/T	1.00	0.87	0.73	0.6	1.00	0.88	0.74	0.6	1.00	0.90	0.76	0.6	1.00	1.00	0.78	0.6	1.00	1.00	0.81	0.7	1.00	1.00	0.86	0.7											
		ΔT	27.12	25.26	21.80	18.2	27.07	25.21	21.75	18.2	27.33	25.47	22.01	18.4	27.05	25.19	21.73	18.1	26.80	24.95	21.48	17.9	27.96	26.11	22.64	19.1											
kW		3.22	3.22	3.21	3.2	3.58	3.58	3.57	3.6	3.97	3.97	3.97	4.0	4.40	4.40	4.40	4.4	4.88	4.88	4.88	4.9	5.45	5.44	5.44	5.5												
Amps		11.46	11.45	11.42	11.5	13.09	13.08	13.05	13.2	14.91	14.89	14.87	15.0	16.87	16.86	16.83	17.0	19.07	19.05	18.93	19.2	21.64	21.63	21.60	21.7												
Hi PR	268	269	271	275.1	309	310	312	316.9	353	354	356	360.6	400	401	403	407.7	451	452	454	458.5	505	506	508	512.7													
Lo PR	128	130	133	138.3	136	137	141	146.0	143	144	147	152.7	148	150	153	158.4	154	155	159	163.9	161	162	166	170.9													
1800	MBh	49.1	49.7	51.1	53.3	48.6	49.3	50.7	52.9	47.4	48.1	49.5	51.6	45.3	46.0	47.4	49.5	42.7	43.4	44.8	46.9	40.4	41.0	42.4	44.6												
	S/T	1.00	0.91	0.77	0.6	1.00	0.92	0.78	0.6	1.00	1.00	0.81	0.7	1.00	1.00	0.83	0.7	1.00	1.00	0.85	0.7	1.00	1.00	1.00	0.8												
	ΔT	25.80	23.94	20.48	16.9	25.74	23.89	20.43	16.8	26.01	24.15	20.69	17.1	25.73	23.87	20.41	16.8	25.48	23.62	20.16	16.6	26.64	24.78	21.32	17.7												
	kW	3.24	3.24	3.24	3.3	3.60	3.60	3.59	3.6	4.00	3.99	3.99	4.0	4.43	4.42	4.42	4.4	4.91	4.90	4.90	4.9	5.47	5.47	5.46	5.5												
	Amps	11.56	11.55	11.52	11.6	13.19	13.18	13.15	13.3	15.00	14.99	14.96	15.1	16.97	16.96	16.93	17.1	19.17	19.15	19.13	19.2	21.74	21.73	21.70	21.8												
Hi PR	271	272	274	278.3	312	314	315	320.0	356	357	359	363.8	403	404	406	410.9	454	455	457	461.6	508	509	511	515.8													
Lo PR	131	133	136	141.4	139	140	144	149.0	146	147	150	155.7	151	153	156	161.4	157	158	162	167.0	164	165	169	173.9													

85	1400	MBh	48.3	49.0	50.4	52.5	47.9	48.6	50.0	52.1	46.7	47.3	48.7	50.9	44.6	45.2	46.6	48.8	42.0	42.6	44.0	46.2	39.6	40.3	41.7	43.8
		S/T	1.00	0.94	0.80	0.7	1.00	1.00	0.80	0.7	1.00	1.00	0.83	0.7	1.00	1.00	0.85	0.7	1.00	1.00	1.00	0.7	1.00	1.00	1.00	0.8
		ΔT	31.47	29.61	26.15	22.6	31.42	29.56	26.10	22.5	31.68	29.82	26.36	22.8	31.40	29.54	26.08	22.5	31.15	29.30	25.83	22.2	32.31	30.46	26.99	23.4
		kW	3.22	3.21	3.21	3.2	3.57	3.57	3.56	3.6	3.97	3.97	3.96	4.0	4.40	4.40	4.39	4.4	4.88	4.88	4.87	4.9	5.44	5.44	5.43	5.5
		Amps	11.44	11.43	11.40	11.5	13.07	13.05	13.03	13.2	14.88	14.87	14.84	15.0	16.85	16.84	16.81	16.9	19.04	19.03	19.00	19.1	21.62	21.61	21.58	21.7
	Hi PR	267	268	270	274.9	309	310	312	316.7	353	354	356	360.4	400	401	403	407.5	451	452	454	458.3	505	506	508	512.4	
	Lo PR	129	130	134	139.0	137	138	141	146.6	143	145	148	153.3	149	150	154	159.0	154	156	159	164.6	161	163	166	171.5	
	1525	MBh	48.7	49.4	50.8	53.0	48.3	49.0	50.4	52.5	47.1	47.8	49.2	51.3	45.0	45.6	47.0	49.2	42.4	43.1	44.5	46.6	40.0	40.7	42.1	44.2
		S/T	1.00	0.97	0.83	0.7	1.00	1.00	0.84	0.7	1.00	1.00	0.87	0.7	1.00	1.00	0.89	0.7	1.00	1.00	1.00	0.8	1.00	1.00	1.00	0.8
		ΔT	30.76	28.91	25.44	21.9	30.71	28.85	25.39	21.8	30.97	29.12	25.65	22.1	30.69	28.84	25.37	21.8	30.44	28.59	25.12	21.5	31.60	29.75	26.29	22.7
kW		3.23	3.23	3.22	3.2	3.58	3.58	3.58	3.6	3.98	3.98	3.97	4.0	4.41	4.41	4.40	4.4	4.89	4.89	4.88	4.9	5.45	5.45	5.44	5.5	
Amps		11.49	11.48	11.45	11.6	13.12	13.11	13.08	13.2	14.94	14.92	14.90	15.0	16.90	16.89	16.86	17.0	19.10	19.09	19.06	19.2	21.67	21.66	21.63	21.8	
Hi PR	269	270	272	276.4	311	312	314	318.1	354	355	357	361.9	401	402	404	408.9	452	453	455	459.7	506	507	509	513.9		
Lo PR	130	132	135	140.2	138	139	143	147.9	144	146	149	154.6	150	152	155	160.2	156	157	160	165.8	163	164	167	172.8		
1800	MBh	49.9	50.5	51.9	54.1	49.4	50.1	51.5	53.6	48.2	48.9	50.3	52.4	46.1	46.8	48.2	50.3	43.5	44.2	45.6	47.7	41.1	41.8	43.2	45.4	
	S/T	1.00	1.00	0.88	0.7	1.00	1.00	0.88	0.7	1.00	1.00	0.91	0.8	1.00	1.00	0.93	0.8	1.00	1.00	1.00	0.8	1.00	1.00	1.00	0.9	
	ΔT	29.44	27.58	24.12	20.5	29.39	27.53	24.07	20.5	29.65	27.79	24.33	20.7	29.37	27.51	24.05	20.5	29.12	27.26	23.80	20.2	30.28	28.43	24.96	21.4	
	kW	3.25	3.25	3.24	3.3	3.61	3.60	3.60	3.6	4.00	4.00	3.99	4.0	4.43	4.43	4.42	4.5	4.91	4.91	4.90	4.9	5.48	5.47	5.47	5.5	
	Amps	11.59	11.58	11.55	11.7	13.22	13.21	13.18	13.3	15.04	15.02	15.00	15.1	17.00	16.99	16.96	17.1	19.20	19.18	19.16	19.3	21.77	21.76	21.73	21.9	
Hi PR	272	273	275	279.5	314	315	317	321.3	357	359	360	365.0	404	406	407	412.1	455	456	458	462.9	509	511	512	517.1		
Lo PR	133	135	138	143.3	141	142	146	150.9	147	149	152	157.6	153	155	158	163.3	159	160	163	168.8	166	167	170	175.8		

IDB: Entering Indoor Dry Bulb Temperature
 High and low pressures are measured at the liquid and suction access fittings.
 Shaded area reflects AHRI (TVA) conditions.
 Amps: Unit: amps (comp.+ evaporator + condenser fan motors)
 kW = Total system power

IDB	Airflow	Outdoor Ambient Temperature																							
		65				75				85				95				105				115			
		59	63	67	71	59	63	67	71	59	63	67	71	59	63	67	71	59	63	67	71	59	63	67	71
70	MBh	41.1	41.7	42.9	-	40.7	41.3	42.5	-	39.6	40.2	41.4	-	37.8	38.4	39.6	-	35.5	36.1	37.3	-	33.5	34.0	35.3	-
	S/T	0.62	0.54	0.40	-	0.63	0.55	0.41	-	0.65	0.57	0.43	-	1.00	0.59	0.45	-	1.00	0.62	0.48	-	1.00	0.67	0.53	-
	ΔT	20.34	18.47	14.99	-	20.29	18.42	14.94	-	20.55	18.68	15.20	-	20.27	18.40	14.92	-	20.02	18.15	14.67	-	21.18	19.32	15.84	-
	KW	2.31	2.31	2.31	-	2.57	2.57	2.57	-	2.86	2.86	2.85	-	3.17	3.17	3.17	-	3.52	3.52	3.52	-	3.93	3.93	3.93	-
	Amps	7.74	7.73	7.71	-	8.87	8.86	8.84	-	10.12	10.12	10.10	-	11.48	11.48	11.46	-	13.00	13.00	12.98	-	14.79	14.78	14.76	-
	Hi-PR	264	265	267	-	306	307	309	-	349	351	352	-	397	398	400	-	447	448	450	-	501	503	504	-
	Lo-PR	125	126	129	-	132	134	137	-	139	140	144	-	145	146	149	-	150	152	155	-	157	158	162	-
	MBh	41.7	42.3	43.5	-	41.3	41.9	43.1	-	40.2	40.8	42.1	-	38.4	39.0	40.2	-	36.1	36.7	37.9	-	34.1	34.7	35.9	-
	S/T	0.69	0.61	0.47	-	0.70	0.62	0.48	-	0.73	0.65	0.51	-	1.00	0.67	0.53	-	1.00	0.69	0.55	-	1.00	0.74	0.60	-
	ΔT	19.03	17.16	13.68	-	18.98	17.11	13.63	-	19.24	17.38	13.90	-	18.96	17.09	13.61	-	18.71	16.85	13.37	-	19.88	18.01	14.53	-
KW	2.33	2.33	2.32	-	2.59	2.59	2.58	-	2.88	2.87	2.87	-	3.19	3.19	3.18	-	3.54	3.54	3.53	-	3.95	3.95	3.94	-	
Amps	7.81	7.80	7.78	-	8.93	8.93	8.91	-	10.19	10.18	10.16	-	11.55	11.54	11.52	-	13.07	13.06	13.04	-	14.86	14.85	14.83	-	
Hi-PR	267	268	270	-	308	310	311	-	352	353	355	-	399	400	402	-	450	451	453	-	504	505	507	-	
Lo-PR	127	128	131	-	134	136	139	-	141	143	146	-	147	148	151	-	152	154	157	-	159	161	164	-	
MBh	42.3	42.9	44.1	-	41.9	42.5	43.7	-	40.8	41.4	42.6	-	39.0	39.6	40.8	-	36.7	37.3	38.5	-	34.7	35.2	36.5	-	
S/T	0.73	0.65	0.51	-	0.73	0.65	0.51	-	0.76	0.68	0.54	-	1.00	0.70	0.56	-	1.00	0.72	0.58	-	1.00	0.78	0.64	-	
ΔT	18.16	16.29	12.81	-	18.11	16.24	12.76	-	18.37	16.50	13.02	-	18.09	16.22	12.74	-	17.84	15.97	12.49	-	19.01	17.14	13.66	-	
KW	2.84	2.84	2.83	-	2.60	2.60	2.59	-	2.89	2.88	2.88	-	3.20	3.20	3.19	-	3.55	3.55	3.54	-	3.96	3.96	3.95	-	
Amps	7.85	7.84	7.83	-	8.98	8.97	8.95	-	10.24	10.23	10.21	-	11.60	11.59	11.57	-	13.12	13.11	13.09	-	14.90	14.89	14.87	-	
Hi-PR	269	270	272	-	310	311	313	-	354	355	357	-	401	402	404	-	452	453	455	-	506	507	509	-	
Lo-PR	129	130	133	-	136	138	141	-	143	144	148	-	148	150	153	-	154	156	159	-	161	162	166	-	

75	MBh	41.1	41.7	42.9	44.8	40.7	41.3	42.5	44.4	39.7	40.2	41.5	43.3	37.8	38.4	39.6	41.5	35.6	36.1	37.4	39.2	33.5	34.1	35.3	37.2
	S/T	0.75	0.67	0.53	0.38	0.76	0.68	0.54	0.39	1.00	0.71	0.57	0.42	1.00	0.73	0.59	0.44	1.00	0.75	0.61	0.46	1.00	1.00	0.66	0.51
	ΔT	24.43	22.57	19.09	15.48	24.38	22.52	19.04	15.43	24.65	22.78	19.30	15.70	24.36	22.50	19.02	15.41	24.12	22.25	18.77	15.17	25.28	23.42	19.94	16.33
	KW	2.31	2.31	2.30	2.32	2.57	2.57	2.56	2.58	2.86	2.86	2.85	2.87	3.17	3.17	3.17	3.19	3.52	3.52	3.52	3.53	3.93	3.93	3.93	3.95
	Amps	7.73	7.72	7.71	7.79	8.86	8.85	8.83	8.92	10.12	10.11	10.09	10.17	11.48	11.47	11.45	11.54	13.00	12.99	12.97	13.06	14.78	14.77	14.75	14.84
	Hi-PR	264	265	267	272	306	307	309	314	350	351	353	357	397	398	400	404	448	449	451	455	502	503	505	509
	Lo-PR	125	126	129	135	132	134	137	142	139	140	144	149	145	146	149	155	150	152	155	160	157	159	162	167
	MBh	41.7	42.3	43.5	45.4	41.3	41.9	43.2	45.0	40.3	40.8	42.1	44.0	38.4	39.0	40.2	42.1	36.2	36.7	38.0	39.8	34.1	34.7	35.9	37.8
	S/T	0.83	0.75	0.61	0.46	1.00	0.76	0.61	0.47	1.00	0.78	0.64	0.49	1.00	0.80	0.66	0.51	1.00	0.82	0.68	0.53	1.00	1.00	0.74	0.59
	ΔT	23.13	21.26	17.78	14.18	23.08	21.21	17.73	14.13	23.34	21.47	17.99	14.39	23.06	21.19	17.71	14.11	22.81	20.94	17.46	13.86	23.98	22.11	18.63	15.03
KW	2.33	2.32	2.32	2.34	2.59	2.58	2.58	2.60	2.87	2.87	2.87	2.89	3.19	3.19	3.18	3.20	3.54	3.54	3.53	3.55	3.95	3.95	3.94	3.96	
Amps	7.80	7.79	7.77	7.86	8.93	8.92	8.90	8.99	10.18	10.18	10.16	10.24	11.55	11.54	11.52	11.60	13.07	13.06	13.04	13.12	14.85	14.84	14.82	14.91	
Hi-PR	267	268	270	274	309	310	312	316	352	353	355	360	399	401	402	407	450	451	453	458	504	505	507	512	
Lo-PR	127	128	131	137	134	136	139	144	141	143	146	151	147	148	151	157	152	154	157	162	159	161	164	169	
MBh	42.3	42.9	44.1	46.0	41.9	42.5	43.7	45.6	40.9	41.4	42.7	44.5	39.0	39.6	40.8	42.7	36.7	37.3	38.6	40.4	34.7	35.3	36.5	38.4	
S/T	0.86	0.78	0.64	0.49	1.00	0.79	0.65	0.50	1.00	0.81	0.67	0.52	1.00	0.83	0.69	0.54	1.00	1.00	0.72	0.57	1.00	1.00	0.77	0.62	
ΔT	22.26	20.39	16.91	13.31	22.20	20.34	16.86	13.25	22.47	20.60	17.12	13.52	22.19	20.32	16.84	13.24	21.94	20.07	16.59	12.99	23.10	21.24	17.76	14.15	
KW	2.34	2.33	2.33	2.35	2.60	2.59	2.59	2.61	2.88	2.88	2.88	2.90	3.20	3.20	3.19	3.21	3.55	3.55	3.54	3.56	3.96	3.96	3.95	3.97	
Amps	7.85	7.84	7.82	7.90	8.97	8.96	8.94	9.03	10.23	10.22	10.20	10.29	11.59	11.58	11.56	11.65	13.11	13.10	13.08	13.17	14.89	14.88	14.87	14.95	
Hi-PR	269	270	272	276	311	312	314	318	354	355	357	362	401	403	404	409	452	453	455	460	506	507	509	514	
Lo-PR	129	130	133	139	136	138	141	146	143	144	148	153	148	150	153	159	154	156	159	164	161	162	166	171	

IDB: Entering Indoor Dry Bulb Temperature
 High and low pressures are measured at the liquid and suction access fittings.
 Shaded area reflects ACCA (TVA) conditions.
 Amps: Unit amps (comp. + evaporator + condenser fan motors)
 kW = Total system power

EXPANDED COOLING DATA — DP3GM61***41 STAGE 1 (CONT.)

IDB	Airflow	Outdoor Ambient Temperature												115											
		65				75				85					105										
		59	63	67	71	59	63	67	71	59	63	67	71		59	63	67	71							
		Entering Indoor Wet Bulb Temperature																							
		41.3	41.9	43.1	45.0	40.9	41.5	42.8	44.6	39.9	40.5	41.7	43.6	38.0	38.6	39.8	41.7	35.8	36.3	37.6	39.5	33.7	34.3	35.5	37.4
	MBh	1.00	0.81	0.66	0.52	1.00	0.81	0.67	0.52	1.00	0.84	0.70	0.55	1.00	1.00	0.72	0.57	1.00	1.00	0.74	0.59	1.00	1.00	0.79	0.64
	S/T	28.56	26.70	23.22	19.61	28.51	26.65	23.17	19.56	28.77	26.91	23.43	19.82	28.49	26.63	23.15	19.54	28.24	26.38	22.90	19.29	29.41	27.54	24.06	20.46
	ΔT	2.31	2.31	2.31	2.33	2.57	2.57	2.56	2.58	2.86	2.86	2.85	2.87	3.17	3.17	3.17	3.19	3.52	3.52	3.52	3.54	3.93	3.93	3.93	3.95
	KW	7.74	7.73	7.71	7.80	8.87	8.86	8.84	8.92	10.12	10.11	10.09	10.18	11.48	11.47	11.46	11.54	13.00	12.99	12.98	13.06	14.79	14.78	14.76	14.84
	Amps	265	266	268	272	306	308	310	314	350	351	353	358	397	398	400	405	448	449	451	456	502	503	505	510
	Hi PR	125	127	130	135	133	134	138	143	139	141	144	150	145	147	150	155	151	152	155	161	158	159	162	168
	Lo PR	41.9	42.5	43.7	45.6	41.6	42.1	43.4	45.2	40.5	41.1	42.3	44.2	38.6	39.2	40.4	42.3	36.4	37.0	38.2	40.1	34.3	34.9	36.1	38.0
	MBh	1.00	0.88	0.74	0.59	1.00	0.89	0.74	0.60	1.00	0.91	0.77	0.62	1.00	1.00	0.79	0.64	1.00	1.00	0.81	0.67	1.00	1.00	0.87	0.72
	S/T	27.25	25.39	21.91	18.30	27.20	25.34	21.86	18.25	27.46	25.60	22.12	18.51	27.18	25.32	21.84	18.23	26.93	25.07	21.59	17.98	28.10	26.24	22.76	19.15
	ΔT	2.33	2.33	2.32	2.34	2.59	2.58	2.58	2.60	2.88	2.87	2.87	2.89	3.19	3.19	3.18	3.20	3.54	3.54	3.53	3.55	3.95	3.95	3.94	3.96
	KW	7.81	7.80	7.78	7.87	8.93	8.92	8.91	8.99	10.19	10.18	10.16	10.25	11.55	11.54	11.52	11.61	13.07	13.06	13.04	13.13	14.85	14.85	14.83	14.91
	Amps	267	269	270	275	309	310	312	317	353	354	356	360	400	401	403	407	451	452	454	458	505	506	508	512
	Hi PR	127	129	132	137	135	136	140	145	142	143	146	152	147	149	152	157	153	154	157	163	160	161	164	170
	Lo PR	42.5	43.1	44.3	46.2	42.1	42.7	44.0	45.8	41.1	41.7	42.9	44.8	39.2	39.8	41.0	42.9	37.0	37.5	38.8	40.7	34.9	35.5	36.7	38.6
	MBh	1.00	0.91	0.77	0.62	1.00	0.92	0.78	0.63	1.00	0.95	0.80	0.66	1.00	1.00	0.82	0.68	1.00	1.00	0.85	0.70	1.00	1.00	0.90	0.75
	S/T	26.38	24.52	21.04	17.43	26.33	24.47	20.99	17.38	26.59	24.73	21.25	17.64	26.31	24.45	20.97	17.36	26.06	24.20	20.72	17.11	27.23	25.37	21.89	18.28
	ΔT	2.34	2.34	2.33	2.35	2.60	2.60	2.59	2.61	2.89	2.88	2.88	2.90	3.20	3.20	3.19	3.21	3.55	3.55	3.54	3.56	3.96	3.96	3.95	3.97
	KW	7.85	7.84	7.82	7.91	8.98	8.97	8.95	9.04	10.24	10.23	10.21	10.29	11.60	11.59	11.57	11.65	13.12	13.11	13.09	13.17	14.90	14.89	14.87	14.96
	Amps	269	270	272	277	311	312	314	319	355	356	358	362	402	403	405	409	453	454	456	460	507	508	510	514
	Hi PR	129	131	134	139	137	138	141	147	143	145	148	153	149	151	154	159	155	156	159	165	161	163	166	172
	Lo PR	42.0	42.6	43.8	45.7	41.6	42.2	43.4	45.3	40.6	41.1	42.4	44.3	38.7	39.3	40.5	42.4	36.5	37.0	38.3	40.1	34.4	35.0	36.2	38.1
	MBh	1.00	0.91	0.77	0.62	1.00	1.00	0.78	0.63	1.00	1.00	0.80	0.65	1.00	1.00	0.82	0.67	1.00	1.00	0.85	0.70	1.00	1.00	1.00	0.75
	S/T	32.22	30.36	26.88	23.27	32.17	30.31	26.83	23.22	32.43	30.57	27.09	23.48	32.15	30.29	26.81	23.20	31.90	30.04	26.56	22.95	33.07	31.20	27.72	24.12
	ΔT	2.32	2.32	2.31	2.33	2.58	2.57	2.57	2.59	2.87	2.86	2.86	2.88	3.18	3.18	3.17	3.19	3.53	3.53	3.52	3.54	3.94	3.94	3.93	3.95
	KW	7.76	7.75	7.73	7.82	8.89	8.88	8.86	8.95	10.14	10.14	10.12	10.20	11.50	11.50	11.48	11.56	13.02	13.02	13.00	13.08	14.81	14.80	14.78	14.87
	Amps	266	267	269	274	308	309	311	315	351	353	354	359	399	400	402	406	449	450	452	457	503	505	506	511
	Hi PR	127	129	132	137	135	136	139	145	141	143	146	151	147	149	152	157	152	154	157	163	159	161	164	169
	Lo PR	42.6	43.2	44.4	46.3	42.2	42.8	44.1	45.9	41.2	41.8	43.0	44.9	39.3	39.9	41.1	43.0	37.1	37.6	38.9	40.8	35.0	35.6	36.8	38.7
	MBh	1.00	0.98	0.84	0.69	1.00	1.00	0.85	0.70	1.00	1.00	0.88	0.73	1.00	1.00	0.90	0.75	1.00	1.00	1.00	0.77	1.00	1.00	1.00	0.82
	S/T	30.91	29.05	25.57	21.96	30.86	29.00	25.52	21.91	31.12	29.26	25.78	22.17	30.84	28.98	25.50	21.89	30.59	28.73	25.25	21.64	31.76	29.90	26.42	22.81
	ΔT	2.33	2.33	2.33	2.35	2.59	2.59	2.59	2.61	2.88	2.88	2.87	2.89	3.19	3.19	3.19	3.21	3.54	3.54	3.54	3.56	3.95	3.95	3.95	3.97
	KW	7.83	7.82	7.80	7.89	8.95	8.95	8.93	9.01	10.21	10.20	10.18	10.27	11.57	11.56	11.54	11.63	13.09	13.08	13.06	13.15	14.88	14.87	14.85	14.93
	Amps	269	270	272	276	310	311	313	318	354	355	357	362	401	402	404	409	452	453	455	459	506	507	509	514
	Hi PR	129	131	134	139	137	138	142	147	143	145	148	153	149	151	154	159	155	156	159	165	161	163	166	172
	Lo PR	43.2	43.8	45.0	46.9	42.8	43.4	44.6	46.5	41.8	42.3	43.6	45.5	39.9	40.5	41.7	43.6	37.7	38.2	39.5	41.3	35.6	36.2	37.4	39.3
	MBh	1.00	1.00	0.88	0.73	1.00	1.00	0.88	0.73	1.00	1.00	0.91	0.76	1.00	1.00	0.93	0.78	1.00	1.00	1.00	0.80	1.00	1.00	1.00	0.86
	S/T	30.04	28.18	24.70	21.09	29.99	28.13	24.65	21.04	30.25	28.39	24.91	21.30	29.97	28.11	24.63	21.02	29.72	27.86	24.38	20.77	30.89	29.03	25.54	21.94
	ΔT	2.34	2.34	2.34	2.36	2.60	2.60	2.60	2.62	2.89	2.89	2.88	2.90	3.20	3.20	3.20	3.22	3.55	3.55	3.55	3.57	3.96	3.96	3.96	3.98
	KW	7.87	7.86	7.85	7.93	9.00	8.99	8.97	9.06	10.26	10.25	10.23	10.32	11.62	11.61	11.59	11.68	13.14	13.13	13.11	13.20	14.92	14.91	14.89	14.98
	Amps	271	272	274	278	312	313	315	320	356	357	359	364	403	404	406	411	454	455	457	461	508	509	511	516
	Hi PR	131	133	136	141	139	140	143	149	145	147	150	155	151	152	156	161	156	158	161	166	163	165	168	173
	Lo PR	43.2	43.8	45.0	46.9	42.8	43.4	44.6	46.5	41.8	42.3	43.6	45.5	39.9	40.5	41.7	43.6	37.7	38.2	39.5	41.3	35.6	36.2	37.4	39.3

IDB: Entering Indoor Dry Bulb Temperature
 High and low pressures are measured at the liquid and suction access fittings.
 Shaded area reflects AHRI (TVA) conditions.
 Amps: Unit amps (comp.+ evaporator + condenser fan motors)
 kW = Total system power

IDB	Airflow	Outdoor Ambient Temperature																							
		65				75				85				95				105				115			
		59	63	67	71	59	63	67	71	59	63	67	71	59	63	67	71	59	63	67	71	59	63	67	71
70	MBh	57.1	57.9	59.6	-	56.6	57.4	59.1	-	55.1	55.9	57.6	-	52.6	53.4	55.1	-	49.4	50.2	51.9	-	46.5	47.4	49.1	-
	S/T	0.60	0.53	0.39	-	0.61	0.53	0.39	-	0.64	0.56	0.42	-	0.65	0.58	0.44	-	1.00	0.60	0.46	-	1.00	0.65	0.51	-
	ΔT	21.07	19.14	15.54	-	21.02	19.09	15.48	-	21.29	19.36	15.75	-	21.00	19.07	15.46	-	20.74	18.81	15.21	-	21.95	20.02	16.41	-
	KW	3.68	3.67	3.67	-	4.09	4.09	4.08	-	4.55	4.54	4.54	-	5.05	5.04	5.04	-	5.60	5.60	5.59	-	6.25	6.25	6.24	-
	Amps	12.31	12.29	12.26	-	14.10	14.08	14.05	-	16.10	16.08	16.05	-	18.26	18.24	18.21	-	20.68	20.66	20.63	-	23.51	23.50	23.47	-
	Hi/PR	276	277	279	-	320	321	323	-	366	367	369	-	415	416	418	-	468	469	471	-	525	526	528	-
Lo/PR	121	123	126	-	129	130	133	-	135	137	140	-	141	142	145	-	146	147	151	-	153	154	157	-	
70	MBh	58.0	58.8	60.5	-	57.5	58.3	60.0	-	56.0	56.8	58.5	-	53.4	54.2	55.9	-	50.3	51.1	52.8	-	47.4	48.2	49.9	-
	S/T	0.68	0.60	0.46	-	0.68	0.60	0.47	-	0.71	0.63	0.49	-	0.73	0.65	0.51	-	1.00	0.67	0.53	-	1.00	0.72	0.59	-
	ΔT	19.72	17.79	14.18	-	19.67	17.73	14.13	-	19.94	18.01	14.40	-	19.65	17.71	14.11	-	19.39	17.46	13.85	-	20.60	18.67	15.06	-
	KW	3.70	3.70	3.69	-	4.11	4.11	4.10	-	4.57	4.57	4.56	-	5.07	5.07	5.06	-	5.63	5.62	5.62	-	6.28	6.28	6.27	-
	Amps	12.41	12.40	12.37	-	14.20	14.19	14.16	-	16.20	16.19	16.16	-	18.37	18.35	18.32	-	20.78	20.77	20.74	-	23.62	23.60	23.57	-
	Hi/PR	279	280	282	-	323	324	326	-	368	369	371	-	418	419	421	-	471	472	474	-	527	528	530	-
Lo/PR	123	125	128	-	131	132	135	-	137	139	142	-	143	144	147	-	148	149	153	-	155	156	159	-	
1950	MBh	58.8	59.6	61.3	-	58.3	59.1	60.8	-	56.8	57.6	59.3	-	54.2	55.0	56.7	-	51.1	51.9	53.6	-	48.2	49.0	50.7	-
	S/T	0.71	0.63	0.49	-	0.71	0.64	0.50	-	0.74	0.66	0.52	-	1.00	0.68	0.54	-	1.00	0.70	0.57	-	1.00	0.76	0.62	-
	ΔT	18.82	16.88	13.28	-	18.76	16.83	13.22	-	19.03	17.10	13.50	-	18.74	16.81	13.21	-	18.49	16.55	12.95	-	19.69	17.76	14.16	-
	KW	3.72	3.71	3.71	-	4.13	4.13	4.12	-	4.59	4.59	4.58	-	5.09	5.08	5.08	-	5.64	5.64	5.63	-	6.29	6.29	6.28	-
	Amps	12.49	12.47	12.44	-	14.28	14.26	14.23	-	16.28	16.26	16.23	-	18.44	18.42	18.39	-	20.85	20.84	20.81	-	23.69	23.68	23.65	-
	Hi/PR	281	282	284	-	325	326	328	-	370	372	373	-	420	421	423	-	473	474	476	-	529	531	532	-
Lo/PR	125	127	130	-	132	134	137	-	139	140	144	-	144	146	149	-	150	151	154	-	157	158	161	-	

1500	MBh	57.2	58.0	59.7	62.3	56.7	57.5	59.2	61.8	55.2	56.0	57.7	60.3	52.6	53.4	55.1	57.7	49.4	50.3	52.0	54.6	46.6	47.4	49.1	51.7
	S/T	0.73	0.66	0.52	0.37	0.74	0.66	0.53	0.38	1.00	0.69	0.55	0.41	1.00	0.71	0.57	0.43	1.00	0.73	0.59	0.45	1.00	0.78	0.65	0.50
	ΔT	25.32	23.39	19.78	16.05	25.27	23.34	19.73	15.99	25.54	23.61	20.00	16.26	25.25	23.32	19.71	15.97	24.99	23.06	19.45	15.72	26.20	24.27	20.66	16.92
	KW	3.67	3.67	3.66	3.69	4.09	4.08	4.08	4.11	4.55	4.54	4.54	4.57	5.04	5.04	5.03	5.06	5.60	5.60	5.59	5.62	6.25	6.25	6.24	6.27
	Amps	12.29	12.28	12.25	12.39	14.09	14.07	14.04	14.18	16.08	16.07	16.04	16.18	18.25	18.23	18.20	18.34	20.66	20.65	20.62	20.76	23.50	23.48	23.45	23.59
	Hi/PR	276	278	280	284	320	321	323	328	366	367	369	374	415	416	418	423	468	469	471	476	525	526	528	533
Lo/PR	121	123	126	131	129	130	133	138	135	137	140	145	141	142	145	150	146	147	151	156	153	154	157	162	
1750	MBh	58.0	58.8	60.5	63.1	57.5	58.3	60.0	62.6	56.0	56.8	58.5	61.1	53.4	54.2	56.0	58.6	50.3	51.1	52.8	55.4	47.4	48.2	49.9	52.6
	S/T	0.81	0.73	0.59	0.45	0.81	0.74	0.60	0.45	1.00	0.76	0.62	0.48	1.00	0.78	0.64	0.50	1.00	0.80	0.67	0.52	1.00	1.00	0.72	0.57
	ΔT	23.97	22.03	18.43	14.69	23.91	21.98	18.38	14.64	24.18	22.25	18.65	14.91	23.89	21.96	18.36	14.62	23.64	21.70	18.10	14.36	24.84	22.91	19.31	15.57
	KW	3.70	3.70	3.69	3.72	4.11	4.11	4.10	4.13	4.57	4.57	4.56	4.59	5.07	5.06	5.06	5.09	5.62	5.62	5.61	5.64	6.28	6.27	6.27	6.30
	Amps	12.40	12.39	12.36	12.49	14.19	14.18	14.15	14.29	16.19	16.18	16.15	16.28	18.35	18.34	18.31	18.45	20.77	20.76	20.73	20.86	23.61	23.59	23.56	23.70
	Hi/PR	279	280	282	287	323	324	326	331	369	370	372	376	418	419	421	426	471	472	474	479	527	529	531	535
Lo/PR	123	125	128	133	131	132	135	140	137	139	142	147	143	144	147	152	148	150	153	158	155	156	159	165	
1950	MBh	58.8	59.6	61.3	64.0	58.3	59.1	60.8	63.4	56.8	57.6	59.3	62.0	54.3	55.1	56.8	59.4	51.1	51.9	53.6	56.2	48.2	49.1	50.8	53.4
	S/T	0.84	0.76	0.62	0.48	0.84	0.77	0.63	0.49	1.00	0.79	0.66	0.51	1.00	0.81	0.68	0.53	1.00	0.84	0.70	0.55	1.00	1.00	0.75	0.61
	ΔT	23.06	21.13	17.52	13.79	23.01	21.08	17.47	13.74	23.28	21.35	17.74	14.01	22.99	21.06	17.45	13.72	22.73	20.80	17.19	13.46	23.94	22.01	18.40	14.67
	KW	3.72	3.71	3.70	3.74	4.13	4.12	4.12	4.15	4.59	4.58	4.58	4.61	5.08	5.08	5.07	5.11	5.64	5.64	5.63	5.66	6.29	6.29	6.28	6.31
	Amps	12.47	12.46	12.43	12.57	14.26	14.25	14.22	14.36	16.26	16.25	16.22	16.36	18.43	18.41	18.38	18.52	20.84	20.83	20.80	20.94	23.68	23.66	23.63	23.77
	Hi/PR	281	282	284	289	325	326	328	333	371	372	374	379	420	421	423	428	473	474	476	481	530	531	533	538
Lo/PR	125	127	130	135	132	134	137	142	139	140	144	149	144	146	149	154	150	151	154	160	157	158	161	166	

IDB: Entering Indoor Dry Bulb Temperature
 High and low pressures are measured at the liquid and suction access fittings.
 Shaded area reflects ACCA (TVA) conditions.
 Amps: Unit amps (comp. + evaporator + condenser fan motors)
 kW = Total system power

IDB	Airflow	Outdoor Ambient Temperature												115											
		65				75				85					105										
		59	63	67	71	59	63	67	71	59	63	67	71		59	63	67	71							
		Entering Indoor Wet Bulb Temperature																							
		57.5	58.3	60.0	62.6	56.9	57.8	59.5	62.1	55.5	56.3	58.0	60.6	52.9	53.7	55.4	58.0	49.7	50.5	52.3	54.9	46.9	47.7	49.4	52.0
		0.86	0.78	0.65	0.50	1.00	0.79	0.65	0.51	1.00	0.82	0.68	0.53	1.00	0.84	0.70	0.55	1.00	1.00	0.72	0.58	1.00	1.00	0.77	0.63
		29.60	27.67	24.06	20.32	29.54	27.61	24.01	20.27	29.82	27.88	24.28	20.54	29.52	27.59	23.99	20.25	29.27	27.33	23.73	19.99	30.48	28.54	24.94	21.20
	1500	3.68	3.67	3.67	3.70	4.09	4.08	4.08	4.11	4.55	4.54	4.54	4.57	5.04	5.04	5.03	5.07	5.60	5.60	5.59	5.62	6.25	6.25	6.24	6.27
		12.30	12.29	12.26	12.40	14.09	14.08	14.05	14.19	16.09	16.08	16.05	16.19	18.26	18.24	18.21	18.35	20.67	20.66	20.63	20.77	23.51	23.49	23.46	23.60
		277	278	280	285	321	322	324	329	366	368	369	374	416	417	419	424	469	470	472	477	525	526	528	533
		122	123	126	132	129	131	134	139	136	137	140	145	141	143	146	151	147	148	151	156	153	155	158	163
		58.3	59.1	60.8	63.4	57.8	58.6	60.3	62.9	56.3	57.1	58.8	61.4	53.7	54.5	56.2	58.9	50.6	51.4	53.1	55.7	47.7	48.5	50.2	52.9
		1.00	0.86	0.72	0.57	1.00	0.86	0.73	0.58	1.00	0.89	0.75	0.61	1.00	0.91	0.77	0.63	1.00	1.00	0.79	0.65	1.00	1.00	0.84	0.70
		28.24	26.31	22.70	18.97	28.19	26.26	22.65	18.91	28.46	26.53	22.92	19.19	28.17	26.24	22.63	18.89	27.91	25.98	22.37	18.64	29.12	27.19	23.58	19.85
	80	3.70	3.70	3.69	3.72	4.11	4.11	4.10	4.13	4.57	4.57	4.56	4.59	5.07	5.07	5.06	5.09	5.63	5.62	5.62	5.65	6.28	6.27	6.27	6.30
		12.41	12.40	12.37	12.50	14.20	14.19	14.16	14.29	16.20	16.19	16.16	16.29	18.36	18.35	18.32	18.46	20.78	20.77	20.74	20.87	23.62	23.60	23.57	23.71
		280	281	283	288	323	325	326	331	369	370	372	377	418	419	421	426	471	473	474	479	528	529	531	536
		124	125	128	134	131	133	136	141	138	139	142	147	143	145	148	153	149	150	153	158	155	157	160	165
		59.1	59.9	61.6	64.3	58.6	59.4	61.1	63.7	57.1	57.9	59.6	62.3	54.6	55.4	57.1	59.7	51.4	52.2	53.9	56.5	48.5	49.3	51.1	53.7
		1.00	0.89	0.75	0.61	1.00	0.89	0.76	0.61	1.00	0.92	0.78	0.64	1.00	1.00	0.80	0.66	1.00	1.00	0.83	0.68	1.00	1.00	0.88	0.73
		27.34	25.41	21.80	18.06	27.29	25.35	21.75	18.01	27.56	25.63	22.02	18.28	27.27	25.33	21.73	17.99	27.01	25.08	21.47	17.73	28.22	26.29	22.68	18.94
		3.72	3.71	3.71	3.74	4.13	4.13	4.12	4.15	4.59	4.59	4.58	4.61	5.09	5.08	5.08	5.11	5.64	5.64	5.63	5.66	6.29	6.29	6.28	6.32
	1950	12.48	12.47	12.44	12.58	14.27	14.26	14.23	14.37	16.27	16.26	16.23	16.37	18.44	18.42	18.39	18.53	20.85	20.84	20.81	20.94	23.69	23.67	23.64	23.78
		282	283	285	290	325	327	329	333	371	372	374	379	420	422	423	428	473	475	477	481	530	531	533	538
		126	127	130	135	133	135	138	143	140	141	144	149	145	146	150	155	150	152	155	160	157	159	162	167
		58.4	59.2	60.9	63.6	57.9	58.7	60.4	63.0	56.4	57.2	58.9	61.5	53.8	54.7	56.4	59.0	50.7	51.5	53.2	55.8	47.8	48.6	50.4	53.0
		1.00	0.89	0.75	0.60	1.00	0.89	0.76	0.61	1.00	1.00	0.78	0.64	1.00	1.00	0.80	0.66	1.00	1.00	0.82	0.68	1.00	1.00	1.00	0.73
		33.39	31.46	27.85	24.11	33.34	31.40	27.80	24.06	33.61	31.68	28.07	24.33	33.32	31.38	27.78	24.04	33.06	31.13	27.52	23.78	34.27	32.34	28.73	24.99
		3.68	3.68	3.67	3.71	4.10	4.09	4.09	4.12	4.56	4.55	4.55	4.58	5.05	5.05	5.04	5.07	5.61	5.61	5.60	5.63	6.26	6.26	6.25	6.28
	1500	12.34	12.32	12.29	12.43	14.13	14.11	14.08	14.22	16.13	16.11	16.08	16.22	18.29	18.28	18.25	18.38	20.71	20.69	20.66	20.80	23.54	23.53	23.50	23.63
		278	279	281	286	322	323	325	330	368	369	371	376	417	418	420	425	470	471	473	478	527	528	530	535
		124	125	128	133	131	133	136	141	137	139	142	147	143	144	148	153	148	150	153	158	155	157	160	165
		59.3	60.1	61.8	64.4	58.8	59.6	61.3	63.9	57.3	58.1	59.8	62.4	54.7	55.5	57.2	59.8	51.6	52.4	54.1	56.7	48.7	49.5	51.2	53.8
		1.00	0.96	0.82	0.68	1.00	0.97	0.83	0.68	1.00	1.00	0.85	0.71	1.00	1.00	0.87	0.73	1.00	1.00	0.90	0.75	1.00	1.00	1.00	0.80
		32.03	30.10	26.50	22.76	31.98	30.05	26.44	22.71	32.25	30.32	26.71	22.98	31.96	30.03	26.42	22.69	31.70	29.77	26.17	22.43	32.91	30.98	27.37	23.64
	1750	3.71	3.71	3.70	3.73	4.12	4.12	4.11	4.14	4.58	4.58	4.57	4.60	5.08	5.07	5.07	5.10	5.63	5.63	5.62	5.65	6.29	6.28	6.28	6.31
		12.45	12.43	12.40	12.54	14.24	14.22	14.19	14.33	16.24	16.22	16.19	16.33	18.40	18.38	18.35	18.49	20.82	20.80	20.77	20.91	23.65	23.64	23.61	23.74
		281	282	284	289	325	326	328	333	370	372	373	378	420	421	423	428	473	474	476	481	529	530	532	537
		126	127	130	135	133	135	138	143	140	141	144	149	145	147	150	155	150	152	155	160	157	159	162	167
		60.1	60.9	62.6	65.2	59.6	60.4	62.1	64.7	58.1	58.9	60.6	63.2	55.5	56.3	58.0	60.6	52.4	53.2	54.9	57.5	49.5	50.3	52.0	54.6
		1.00	0.99	0.85	0.71	1.00	1.00	0.86	0.72	1.00	1.00	0.89	0.74	1.00	1.00	0.91	0.76	1.00	1.00	0.93	0.78	1.00	1.00	1.00	0.83
		31.13	29.20	25.59	21.86	31.08	29.15	25.54	21.80	31.35	29.42	25.81	22.07	31.06	29.13	25.52	21.78	30.80	28.87	25.26	21.53	32.01	30.08	26.47	22.73
	1950	3.73	3.72	3.71	3.75	4.14	4.13	4.13	4.16	4.60	4.59	4.59	4.62	5.09	5.09	5.08	5.12	5.65	5.65	5.64	5.67	6.30	6.30	6.29	6.32
		12.52	12.50	12.47	12.61	14.31	14.29	14.26	14.40	16.31	16.29	16.26	16.40	18.47	18.46	18.43	18.56	20.89	20.87	20.84	20.98	23.72	23.71	23.68	23.81
		283	284	286	291	327	328	330	335	372	374	376	380	422	423	425	430	475	476	478	483	531	533	535	539
		127	129	132	137	135	136	139	145	141	143	146	151	147	148	151	157	152	154	157	162	159	160	163	169

IDB: Entering Indoor Dry Bulb Temperature
 High and low pressures are measured at the liquid and suction access fittings.
 Shaded area reflects AHRI (TVA) conditions.
 Amps: Unit amps (comp.+ evaporator + condenser fan motors)
 kW = Total system power

DP3GM2404041 - RISE RANGE: 25° - 55°

ESP	T1 HEATING SPEED			T2 HEATING SPEED			T3 HEATING SPEED			T4 COOLING SPEED		T5 COOLING SPEED	
	CFM	WATTS	RISE	CFM	WATTS	RISE	CFM	WATTS	RISE	CFM	WATTS	CFM	WATTS
0.1	695	62	44	820	93	37	1,050	167	29	1,020	153	1,119	208
0.2	650	71	47	785	100	39	1,010	180	30	985	160	1,110	216
0.3	605	77	51	745	108	41	970	186	32	946	168	1,083	222
0.4	565	89	54	700	117	44	935	192	33	905	175	1,052	229
0.5	480	99	X	665	127	46	890	203	35	863	186	1,017	237
0.6	415	106	X	575	138	53	850	208	36	813	190	979	243
0.7	365	110	X	510	146	X	815	216	38	759	199	934	250
0.8	320	119	X	455	155	X	755	222	41	701	206	879	259

DP3GM2406041 - RISE RANGE: 30° - 60°

ESP	T1 HEATING SPEED			T2 HEATING SPEED			T3 HEATING SPEED			T4 COOLING SPEED		T5 COOLING SPEED	
	CFM	WATTS	RISE	CFM	WATTS	RISE	CFM	WATTS	RISE	CFM	WATTS	CFM	WATTS
0.1	695	62	X	820	93	56	1,050	167	44	1,020	153	1,119	208
0.2	650	71	X	785	100	59	1,010	180	46	985	160	1,110	216
0.3	605	77	X	745	108	X	970	186	48	946	168	1,083	222
0.4	565	89	X	700	117	X	935	192	49	905	175	1,052	229
0.5	480	99	X	665	127	X	890	203	52	863	186	1,017	237
0.6	415	106	X	575	138	X	850	208	54	813	190	979	243
0.7	365	110	X	510	146	X	815	216	57	759	199	934	250
0.8	320	119	X	455	155	X	755	222	X	701	206	879	259

DP3GM3004041 - RISE RANGE: 25° - 55°

ESP	T1 HEATING SPEED			T2 HEATING SPEED			T3 HEATING SPEED			T4 COOLING SPEED		T5 COOLING SPEED	
	CFM	WATTS	RISE	CFM	WATTS	RISE	CFM	WATTS	RISE	CFM	WATTS	CFM	WATTS
0.1	680	61	45	840	103	37	1,035	174	30	1,202	246	1,225	276
0.2	640	72	48	795	109	39	995	184	31	1,173	251	1,185	275
0.3	605	80	51	750	117	41	960	192	32	1,143	258	1,150	289
0.4	555	89	X	710	126	43	925	205	33	1,110	265	1,115	296
0.5	490	93	X	660	132	47	875	200	35	1,073	272	1,085	303
0.6	455	107	X	615	138	50	840	217	37	1,035	278	1,045	312
0.7	395	109	X	570	150	54	795	222	39	994	285	1,000	315
0.8	350	119	X	515	157	X	755	226	41	947	293	960	320

DP3GM3006041 - RISE RANGE: 30° - 60°

ESP	T1 HEATING SPEED			T2 HEATING SPEED			T3 HEATING SPEED			T4 COOLING SPEED		T5 COOLING SPEED	
	CFM	WATTS	RISE	CFM	WATTS	RISE	CFM	WATTS	RISE	CFM	WATTS	CFM	WATTS
0.1	680	61	X	840	103	55	1,035	174	45	1,202	246	1,225	276
0.2	640	72	X	795	109	58	995	184	46	1,173	251	1,185	275
0.3	605	80	X	750	117	X	960	192	48	1,143	258	1,150	289
0.4	555	89	X	710	126	X	925	205	50	1,110	265	1,115	296
0.5	490	93	X	660	132	X	875	200	53	1,073	272	1,085	303
0.6	455	107	X	615	138	X	840	217	55	1,035	278	1,045	312
0.7	395	109	X	570	150	X	795	222	58	994	285	1,000	315
0.8	350	119	X	515	157	X	755	226	X	947	293	960	320

DP3GM3604041 - RISE RANGE: 25° - 55°

ESP	T1 HEATING SPEED			T2 HEATING SPEED			T3 HEATING SPEED			T4 COOLING SPEED		T5 COOLING SPEED	
	CFM	WATTS	RISE	CFM	WATTS	RISE	CFM	WATTS	RISE	CFM	WATTS	CFM	WATTS
0.1	745	76	41	1,115	206	28	1,265	285	X	1,448	342	1,440	426
0.2	690	84	45	1,075	215	29	1,230	290	X	1,403	343	1,390	428
0.3	635	91	48	1,030	221	30	1,175	300	26	1,358	354	1,365	440
0.4	570	98	54	985	233	31	1,140	303	27	1,319	361	1,335	440
0.5	505	107	X	940	234	33	1,100	311	28	1,277	366	1,295	456
0.6	450	115	X	895	242	34	1,055	319	29	1,232	376	1,255	456
0.7	395	118	X	845	248	36	1,010	326	30	1,176	386	1,220	465
0.8	345	126	X	785	252	39	960	335	32	1,120	395	1,180	468

DP3GM3606041 - RISE RANGE: 30° - 60°

ESP	T1 HEATING SPEED			T2 HEATING SPEED			T3 HEATING SPEED			T4 COOLING SPEED		T5 COOLING SPEED	
	CFM	WATTS	RISE	CFM	WATTS	RISE	CFM	WATTS	RISE	CFM	WATTS	CFM	WATTS
0.1	745	76	X	1,115	206	41	1,265	285	36	1,448	342	1,440	426
0.2	690	84	X	1,075	215	43	1,230	290	37	1,403	343	1,390	428
0.3	635	91	X	1,030	221	45	1,175	300	39	1,358	354	1,365	440
0.4	570	98	X	985	233	47	1,140	303	40	1,319	361	1,335	440
0.5	505	107	X	940	234	49	1,100	311	42	1,277	366	1,295	456
0.6	450	115	X	895	242	52	1,055	319	44	1,232	376	1,255	456
0.7	395	118	X	845	248	55	1,010	326	46	1,176	386	1,220	465
0.8	345	126	X	785	252	59	960	335	48	1,120	395	1,180	468

DP3GM3608041 - RISE RANGE: 30° - 60°

ESP	T1 HEATING SPEED			T2 HEATING SPEED			T3 HEATING SPEED			T4 COOLING SPEED		T5 COOLING SPEED	
	CFM	WATTS	RISE	CFM	WATTS	RISE	CFM	WATTS	RISE	CFM	WATTS	CFM	WATTS
0.1	745	76	X	1,115	206	55	1,265	285	49	1,448	342	1,440	426
0.2	690	84	X	1,075	215	57	1,230	290	50	1,403	343	1,390	428
0.3	635	91	X	1,030	221	60	1,175	300	52	1,358	354	1,365	440
0.4	570	98	X	985	233	X	1,140	303	54	1,319	361	1,335	440
0.5	505	107	X	940	234	X	1,100	311	56	1,277	366	1,295	456
0.6	450	115	X	895	242	X	1,055	319	58	1,232	376	1,255	456
0.7	395	118	X	845	248	X	1,010	326	X	1,176	386	1,220	465
0.8	345	126	X	785	252	X	960	335	X	1,120	395	1,180	468

DP3GM4206041 - RISE RANGE: 30° - 60°

ESP	T1 HEATING SPEED			T2 HEATING SPEED			T3 HEATING SPEED			T4 COOLING SPEED		T5 COOLING SPEED	
	CFM	WATTS	RISE	CFM	WATTS	RISE	CFM	WATTS	RISE	CFM	WATTS	CFM	WATTS
0.1	1,055	156	44	1,380	298	33	1,415	327	33	1,542	392	1,637	444
0.2	1,000	166	46	1,320	312	35	1,360	335	34	1,494	403	1,593	454
0.3	940	173	49	1,270	318	36	1,305	343	35	1,437	409	1,541	459
0.4	880	181	52	1,220	327	38	1,260	353	37	1,392	419	1,497	473
0.5	825	189	56	1,160	336	40	1,200	359	38	1,342	430	1,450	478
0.6	760	204	X	1,115	342	41	1,150	371	40	1,295	440	1,407	485
0.7	705	207	X	1,060	347	44	1,110	375	42	1,238	447	1,357	493
0.8	625	210	X	1,000	361	46	1,060	381	44	1,183	454	1,304	502

AIRFLOW DATA (CONT.)

DP3GM4208041 - RISE RANGE: 30° - 60°

ESP	T1 HEATING SPEED			T2 HEATING SPEED			T3 HEATING SPEED			T4 COOLING SPEED		T5 COOLING SPEED	
	CFM	WATTS	RISE	CFM	WATTS	RISE	CFM	WATTS	RISE	CFM	WATTS	CFM	WATTS
0.1	1,055	156	58	1,380	298	45	1,415	327	43	1,542	392	1,637	444
0.2	1,000	166	X	1,320	312	47	1,360	335	45	1,494	403	1,593	454
0.3	940	173	X	1,270	318	48	1,305	343	47	1,437	409	1,541	459
0.4	880	181	X	1,220	327	50	1,260	353	49	1,392	419	1,497	473
0.5	825	189	X	1,160	336	53	1,200	359	51	1,342	430	1,450	478
0.6	760	204	X	1,115	342	55	1,150	371	53	1,295	440	1,407	485
0.7	705	207	X	1,060	347	58	1,110	375	55	1,238	447	1,357	493
0.8	625	210	X	1,000	361	X	1,060	381	58	1,183	454	1,304	502

DP3GM4806041 - RISE RANGE: 30° - 60°

ESP	T1 HEATING SPEED			T2 HEATING SPEED			T3 HEATING SPEED			T4 COOLING SPEED		T5 COOLING SPEED	
	CFM	WATTS	RISE	CFM	WATTS	RISE	CFM	WATTS	RISE	CFM	WATTS	CFM	WATTS
0.1	1,055	156	44	1,380	298	33	1,415	327	33	1,851	679	1,780	647
0.2	1,000	166	46	1,320	312	35	1,360	335	34	1,803	688	1,740	658
0.3	940	173	49	1,270	318	36	1,305	343	35	1,754	696	1,695	661
0.4	880	181	52	1,220	327	38	1,260	353	37	1,706	702	1,640	679
0.5	825	189	56	1,160	336	40	1,200	359	38	1,665	710	1,595	675
0.6	760	204	X	1,115	342	41	1,150	371	40	1,619	719	1,550	693
0.7	705	207	X	1,060	347	44	1,110	375	42	1,573	727	1,505	690
0.8	625	210	X	1,000	361	46	1,060	381	44	1,528	739	1,465	696

DP3GM4808041 - RISE RANGE: 30° - 60°

ESP	T1 HEATING SPEED			T2 HEATING SPEED			T3 HEATING SPEED			T4 COOLING SPEED		T5 COOLING SPEED	
	CFM	WATTS	RISE	CFM	WATTS	RISE	CFM	WATTS	RISE	CFM	WATTS	CFM	WATTS
0.1	1,055	156	58	1,380	298	45	1,415	327	43	1,851	679	1,780	647
0.2	1,000	166	X	1,320	312	47	1,360	335	45	1,803	688	1,740	658
0.3	940	173	X	1,270	318	48	1,305	343	47	1,754	696	1,695	661
0.4	880	181	X	1,220	327	50	1,260	353	49	1,706	702	1,640	679
0.5	825	189	X	1,160	336	53	1,200	359	51	1,665	710	1,595	675
0.6	760	204	X	1,115	342	55	1,150	371	53	1,619	719	1,550	693
0.7	705	207	X	1,060	347	58	1,110	375	55	1,573	727	1,505	690
0.8	625	210	X	1,000	361	X	1,060	381	58	1,528	739	1,465	696

DP3GM4810041 - RISE RANGE: 35° - 65°

ESP	T1 HEATING SPEED			T2 HEATING SPEED			T3 HEATING SPEED			T4 COOLING SPEED		T5 COOLING SPEED	
	CFM	WATTS	RISE	CFM	WATTS	RISE	CFM	WATTS	RISE	CFM	WATTS	CFM	WATTS
0.1	1,055	156	X	1,380	298	56	1,570	327	49	1,851	679	1,780	647
0.2	1,000	166	X	1,320	312	58	1,520	335	51	1,803	688	1,740	658
0.3	940	173	X	1,270	318	61	1,480	343	52	1,754	696	1,695	661
0.4	880	181	X	1,220	327	63	1,425	353	54	1,706	702	1,640	679
0.5	825	189	X	1,160	336	X	1,380	359	56	1,665	710	1,595	675
0.6	760	204	X	1,115	342	X	1,335	371	58	1,619	719	1,550	693
0.7	705	207	X	1,060	347	X	1,285	375	60	1,573	727	1,505	690
0.8	625	210	X	1,000	361	X	1,235	381	62	1,528	739	1,465	696

DP3GM6108041 - RISE RANGE: 30° - 60°

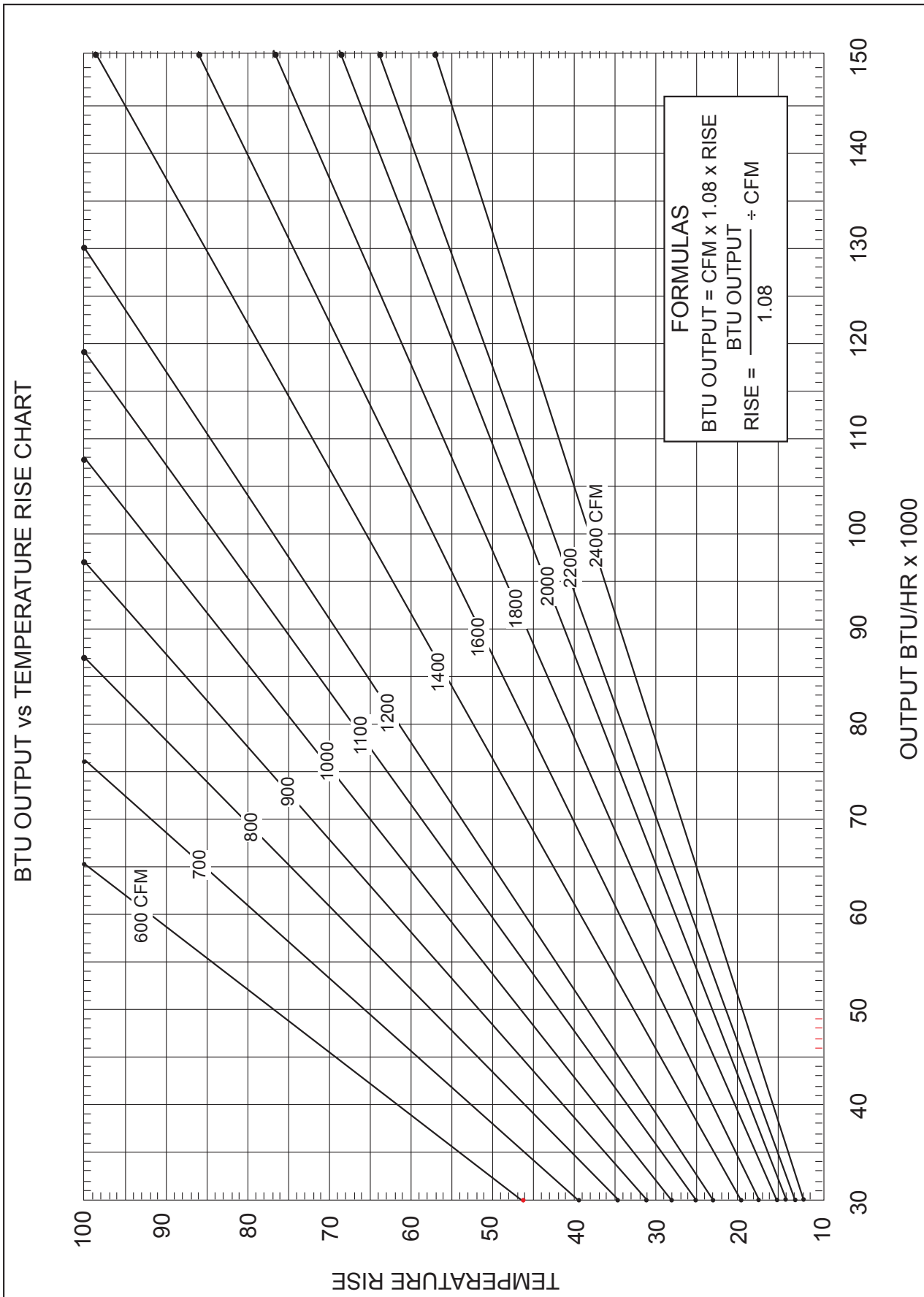
ESP	T1 LOW-STAGE HEATING SPEED			T2 HIGH-STAGE HEATING SPEED			T3 LOW-STAGE COOLING SPEED		T4 HIGH-STAGE COOLING SPEED		T5 HIGH STATIC COOLING SPEED	
	CFM	WATTS	RISE	CFM	WATTS	RISE	CFM	WATTS	CFM	WATTS	CFM	WATTS
0.1	1,285	252	36	1,370	297	45	1,420	284	2,044	757	2,107	831
0.2	1,235	259	37	1,330	304	46	1,371	294	1,996	770	2,060	837
0.3	1,180	272	39	1,280	314	48	1,318	302	1,955	779	2,015	850
0.4	1,130	272	41	1,220	321	50	1,268	313	1,913	785	1,972	858
0.5	1,085	280	42	1,180	341	52	1,217	326	1,871	796	1,930	864
0.6	1,035	294	45	1,135	339	54	1,163	341	1,828	803	1,888	875
0.7	975	297	47	1,085	347	57	1,101	347	1,788	809	1,850	885
0.8	910	319	51	1,035	359	59	1,041	358	1,742	822	1,805	889

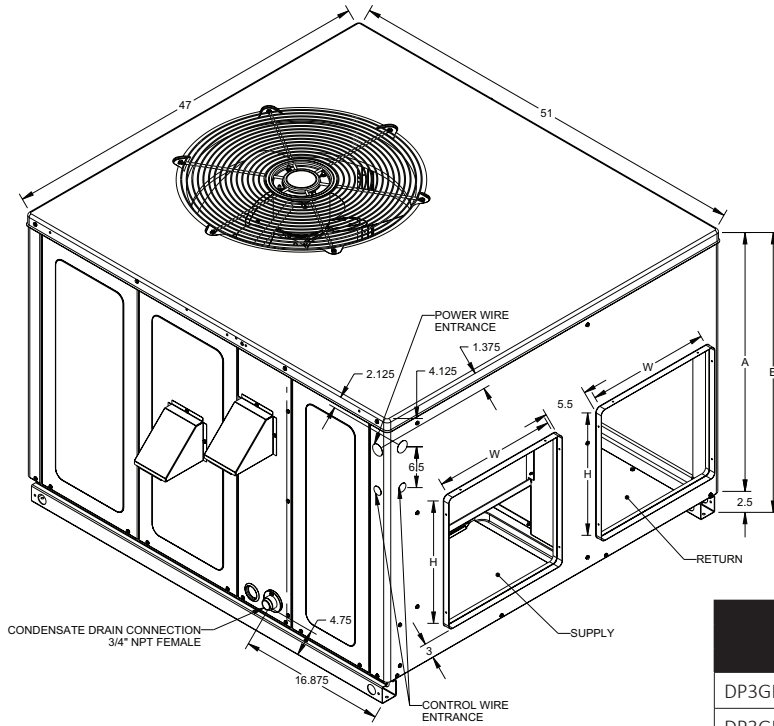
DP3GM6110041 - RISE RANGE: 35° - 65°

ESP	T1 LOW-STAGE HEATING SPEED			T2 HIGH-STAGE HEATING SPEED			T3 LOW-STAGE COOLING SPEED		T4 HIGH-STAGE COOLING SPEED		T5 HIGH STATIC COOLING SPEED	
	CFM	WATTS	RISE	CFM	WATTS	RISE	CFM	WATTS	CFM	WATTS	CFM	WATTS
0.1	1,175	169	49	1,659	513	45	1,420	284	2,044	757	2,107	831
0.2	1,115	178	52	1,610	518	47	1,371	294	1,996	770	2,060	837
0.3	1,045	183	55	1,580	535	47	1,318	302	1,955	779	2,015	850
0.4	985	194	59	1,543	543	49	1,268	313	1,913	785	1,972	858
0.5	905	199	64	1,503	554	50	1,217	326	1,871	796	1,930	864
0.6	840	215	X	1,456	556	52	1,163	341	1,828	803	1,888	875
0.7	770	218	X	1,418	566	53	1,101	347	1,788	809	1,850	885
0.8	700	229	X	1,374	570	55	1,041	358	1,742	822	1,805	889

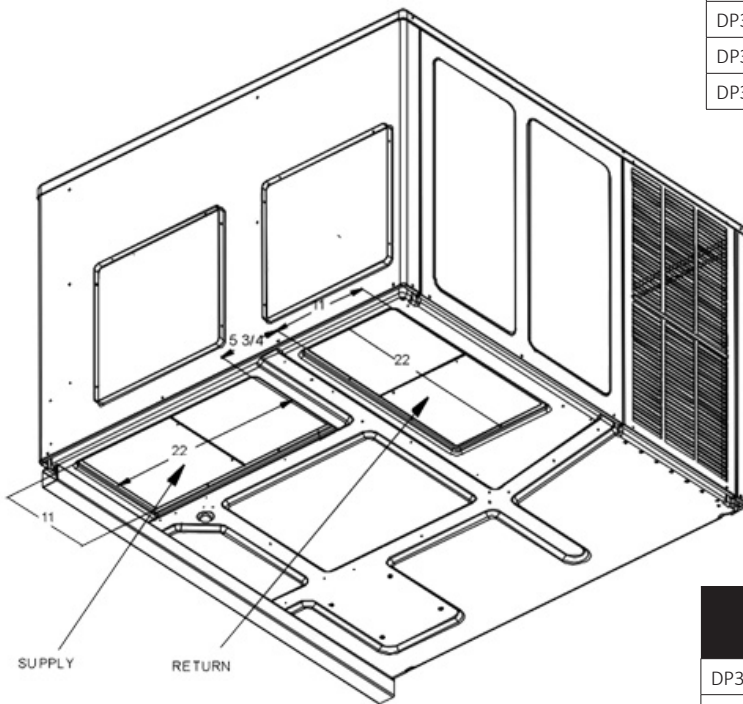
DP3GM6112041 - RISE RANGE: 35° - 65°

ESP	T1 LOW-STAGE HEATING SPEED			T2 HIGH-STAGE HEATING SPEED			T3 LOW-STAGE COOLING SPEED		T4 HIGH-STAGE COOLING SPEED		T5 HIGH STATIC COOLING SPEED	
	CFM	WATTS	RISE	CFM	WATTS	RISE	CFM	WATTS	CFM	WATTS	CFM	WATTS
0.1	1,260	252	54	1,928	774	47	1,420	284	2,044	757	2,107	831
0.2	1,206	261	56	1,881	782	48	1,371	294	1,996	770	2,060	837
0.3	1,154	266	58	1,833	788	49	1,318	302	1,955	779	2,015	850
0.4	1,108	277	61	1,791	797	50	1,268	313	1,913	785	1,972	858
0.5	1,057	286	64	1,745	802	52	1,217	326	1,871	796	1,930	864
0.6	1,006	294	X	1,706	810	53	1,163	341	1,828	803	1,888	875
0.7	960	303	X	1,665	816	54	1,101	347	1,788	809	1,850	885
0.8	917	313	X	1,627	823	55	1,041	358	1,742	822	1,805	889

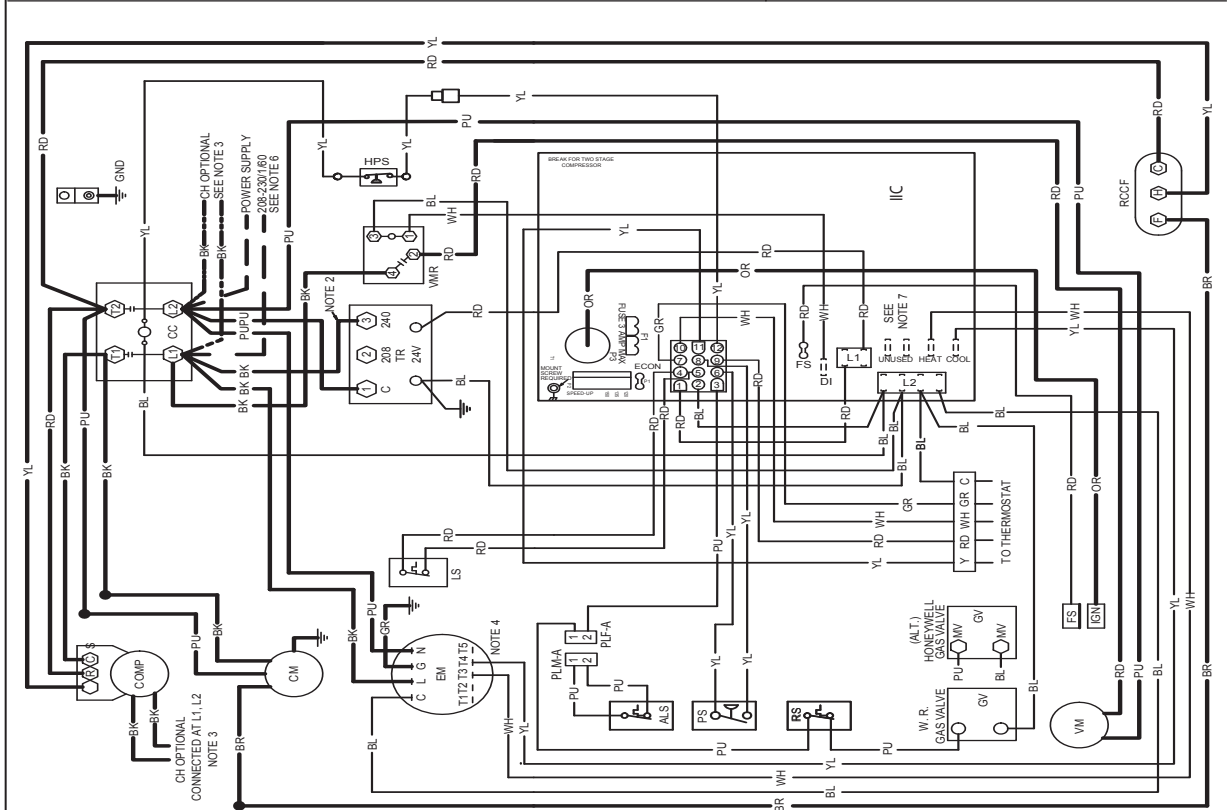
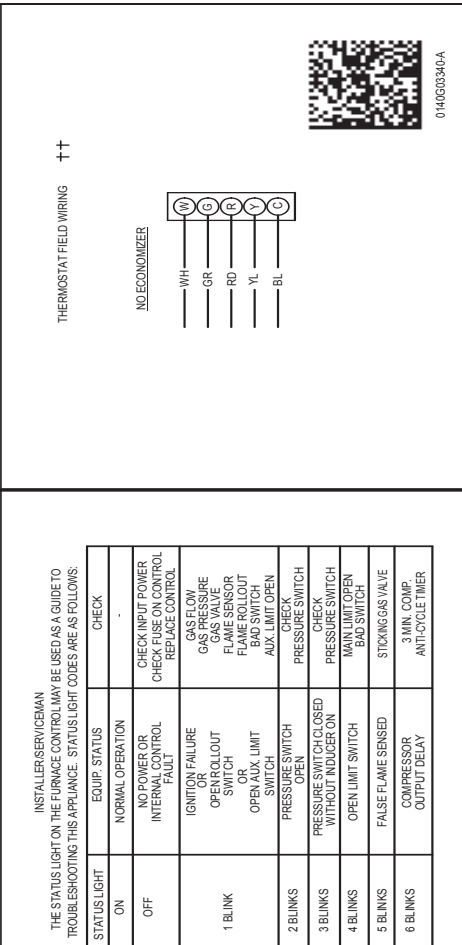
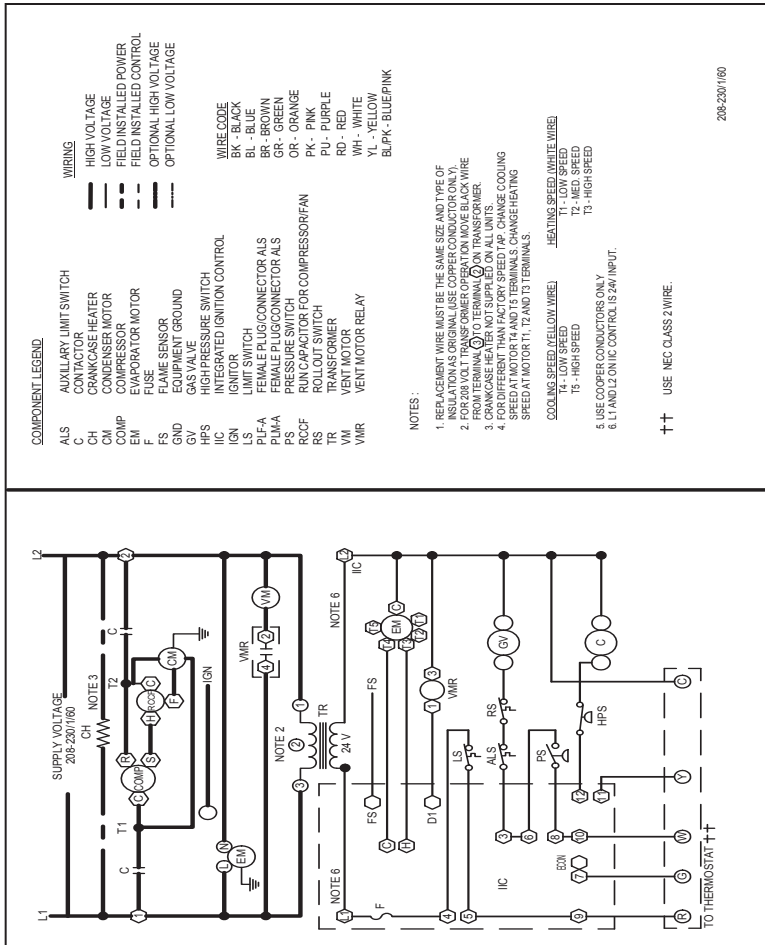




MODEL	UNIT DIMENSIONS (INCHES)				CHASSIS SIZE
	W	D	HEIGHT		
DP3GM24***41	47	51	32	34½	Medium
DP3GM30***41	47	51	32	34½	Medium
DP3GM36***41	47	51	32	34½	Medium
DP3GM42***41	47	51	40	42½	Large
DP3GM48***41	47	51	40	42½	Large
DP3GM61***41	47	51	40	42½	Large



MODEL	DUCT OPENINGS			
	SUPPLY		RETURN	
	W	H	W	H
DP3GM24***41	16	16	16	16
DP3GM30***41	16	16	16	16
DP3GM36***41	16	16	16	16
DP3GM42***41	16	18	16	18
DP3GM48***41	16	18	16	18
DP3GM61***41	16	18	16	18



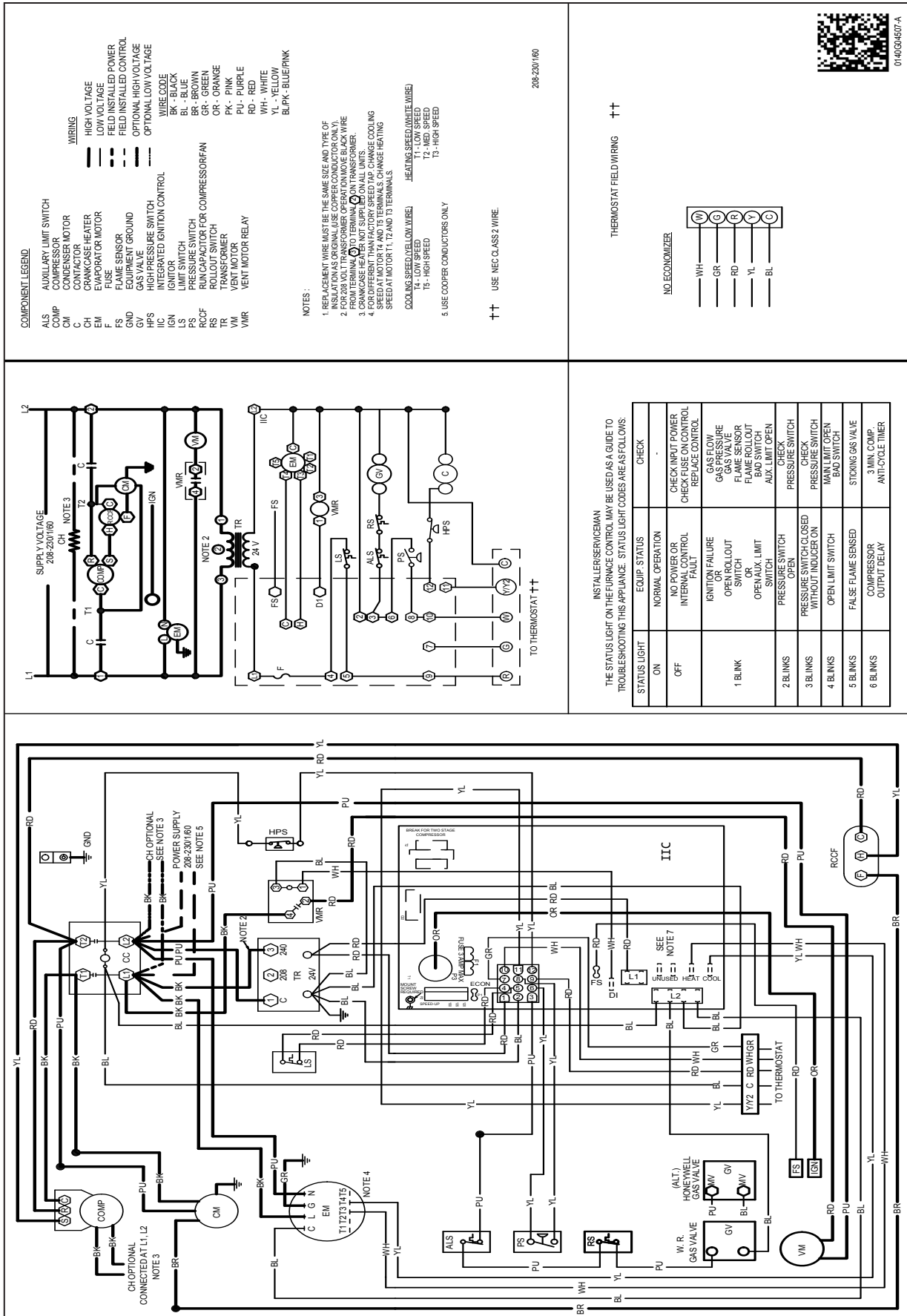
WARNING

Wiring is subject to change. Always refer to the wiring diagram on the unit for the most up-to-date wiring.

High Voltage: Disconnect all power before servicing or installing this unit. Multiple power sources may be present. Failure to do so may cause property damage, personal injury, or death.



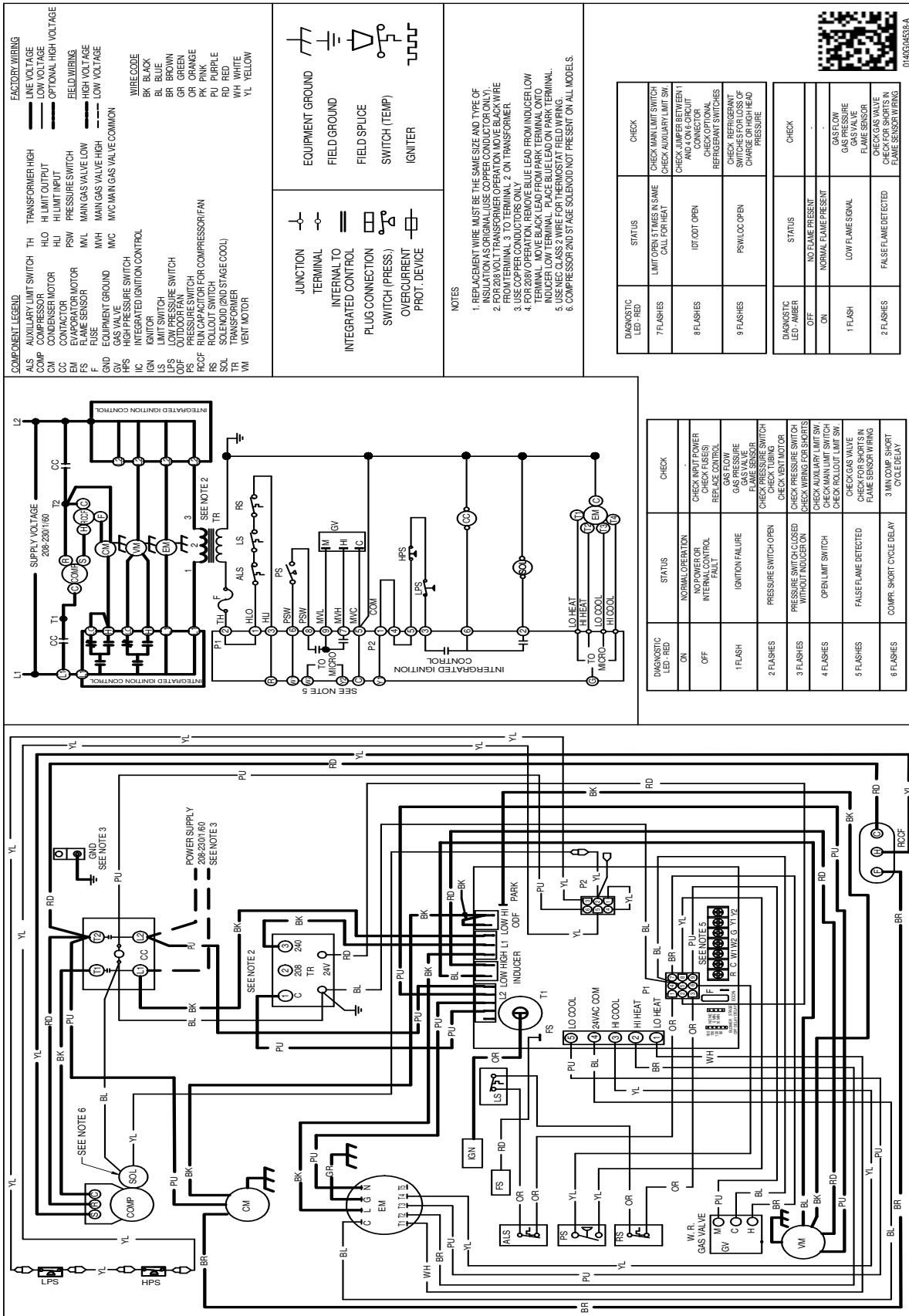
0146GB300A



WARNING

High Voltage: Disconnect all power before servicing or installing this unit. Multiple power sources may be present. Failure to do so may cause property damage, personal injury, or death.

Wiring is subject to change. Always refer to the wiring diagram on the unit for the most up-to-date wiring.



WARNING

High Voltage: Disconnect all power before servicing or installing this unit. Multiple power sources may be present. Failure to do so may cause property damage, personal injury, or death.

Wiring is subject to change. Always refer to the wiring diagram on the unit for the most up-to-date wiring.