

PACKAGED DUAL-FUEL UNITS UP TO 13.4 SEER2 81% AFUE



■ Contents

Nomenclature.....	2
Product Specifications.....	3
Expanded Cooling Data	4
Expanded Heating Data	14
Airflow Data	15
Dimensions	17
Wiring Diagrams	18
Accessories	20

■ Standard Features

- Combines cooling with heat pump and gas heating for optimal year-long performance
- High-efficiency scroll compressor
- Heavy-duty stainless-steel tubular heat exchanger
- Multi-Speed ECM indoor blower motor
- All-aluminum evaporator coil
- Copper tube / aluminum fin coil
- Two-stage gas valve; natural gas with easy conversion to propane with accessory kit
- Power-assisted combustion
- Loss-of-charge protection
- Direct spark ignition system with a microprocessor-based control for the entire ignition sequence
- All blower operation and all safety circuits complete with self-diagnostics
- This furnace does not comply with the SCAQMD Rule 1111 nor the SJVAPCD Rule 4905 14 ng/J NOx emission limit and therefore is not eligible for installation in California's South Coast Air Quality Management District (SCAQMD) nor the San Joaquin Valley Air Pollution Control District (SJVAPCD).
- All models comply with California Low NOx standards.
- AHRI Certified; ETL Listed

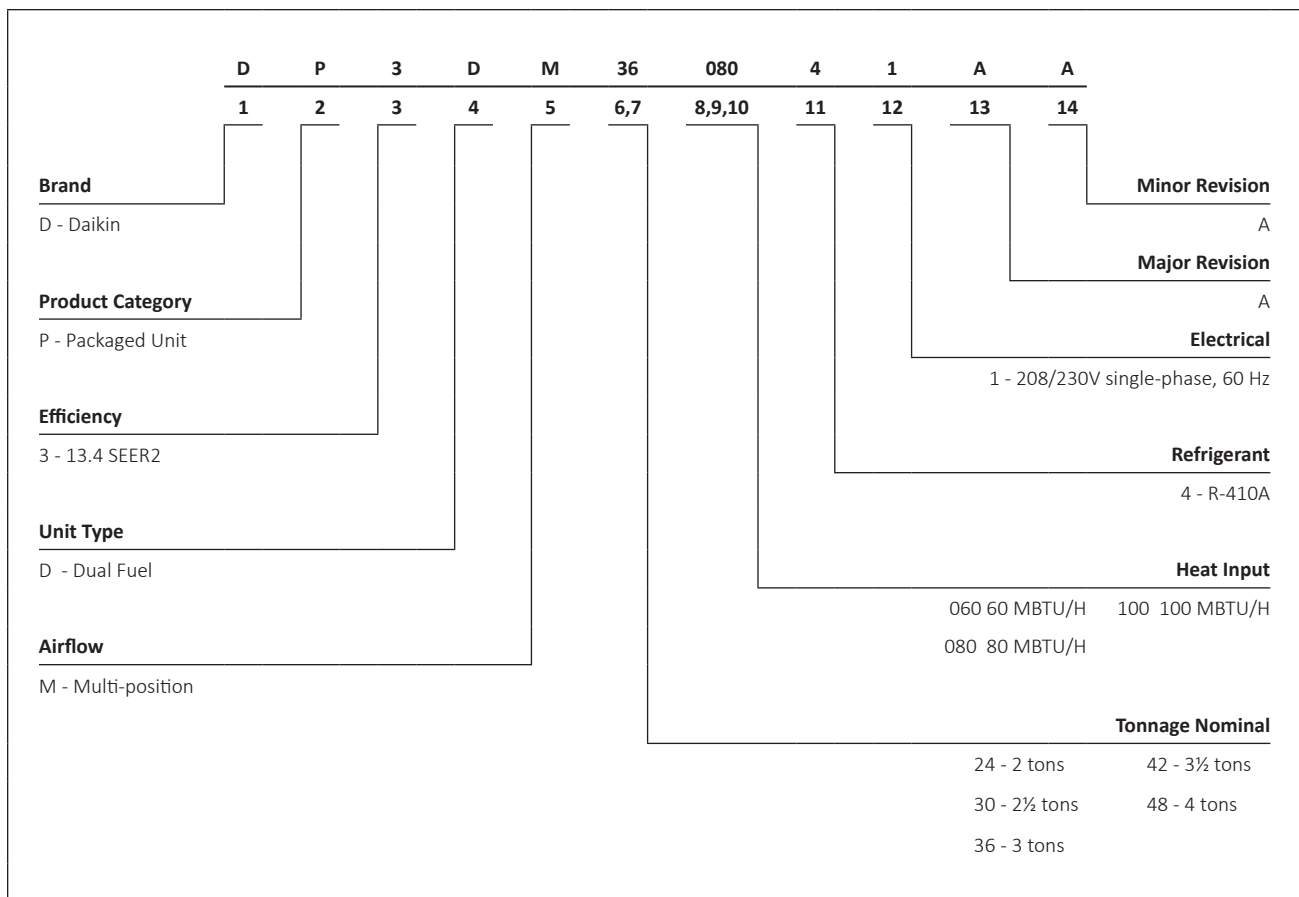
■ Cabinet Features

- Fully insulated heavy-gauge, zinc-coated steel cabinet with UV-resistant powder-paint finish
- Compressor sound blanket
- Louvered metal panel condenser coil protection
- Aluminum foil-facing internal insulation reinforced with fiberglass scrim
- Horizontal or downflow application
- Convenient access panels
- One roof curb fits all units
- Bottom, 2" high base rails for easy handling
- All models fit a standard-size pick-up truck
- When properly anchored, meets the 2020 Florida Building Code unit integrity requirements for hurricane-type winds (Anchor bracket kits available.)



* Complete warranty details available from your local dealer or at www.daikincomfort.com. To receive the Lifetime Heat Exchanger Limited Warranty (good for as long as you own your home), the 6-Year Unit Replacement Limited Warranty and 12-Year Parts Limited Warranty, online registration must be completed within 60 days of installation. Additional requirements for annual maintenance are required for the Unit Replacement Limited Warranty. Online registration and some of the additional requirements are not required in California or Québec. The duration of warranty coverages in Texas differs in some cases.

NOMENCLATURE



	DP3DM 2406041	DP3DM 3008041	DP3DM 3608041	DP3DM 4210041	DP3DM 4810041
COOLING					
Cooling Capacity, BTU/hr	23,800	28,500	34,200	40,500	44,500
Sensible Capacity, BTU/hr	19,275	24,195	27,240	32,250	34,000
SEER2 / EER2	13.4 / 10.6	13.4 / 10.6	13.4 / 10.6	13.4 / 10.6	13.4 / 10.6
Decibels	76	76	76	76	76
AHRI #S	209319575	209319578	209319581	209319587	209319584
HEATING					
Heating Capacity, BTU/hr (47°F / 17°F)	23,500 / 13,900	28,500 / 16,600	34,400 / 21,300	39,600 / 22,985	43,285 / 25,425
C.O.P. (47°F / 17°F)	3.30 / 2.30	3.32 / 2.28	3.16 / 2.33	3.31 / 2.28	3.50 / 2.40
HSPF2	6.7	6.7	6.7	6.7	6.7
GAS HEATING					
High-Fire Input/Output (BTU/hr)	60,000 / 48,600	80,000 / 64,800	80,000 / 64,800	100,000 / 81,000	100,000 / 81,000
Low-Fire Input/Output (BTU/hr)	45,000 / 36,450	60,000 / 48,600	60,000 / 48,600	75,000 / 60,750	75,000 / 60,750
AFUE (%)	81	81	81	81	81
Temperature Rise Range (°F)	25 - 55/25-55	35 - 65/35 - 65	35 - 65/25 - 55	35 - 65/35 - 65	35 - 65/35 - 65
# of Burners	3	4	4	5	5
Primary/Auxiliary Limit Setting (°F)	150/150	150/150	150/150	170/150	170/150
Roll-out Limit Setting (°F)	300	350	350	350	350
EVAPORATOR COIL					
Face Area (ft ²)	4.35	4.35	4.3	5.7	5.7
# Rows / Fins per Inch	3 / 14	3 / 14	3 / 14	4 / 14	4 / 14
Expansion Device (Orifice Diameter in.)	0.059	0.065	0.068	0.072	0.076
Refrigerant Charge - R-410A (oz)	108	114	110	164	148
EVAPORATOR MOTOR					
Wheel (D x W)	10" x 8"	10" x 9"	10" x 9"	11" x 10"	11" x 10"
Type / # of Speeds	ECM / 5	ECM / 5	ECM / 5	ECM / 5	ECM / 5
Motor Horsepower / FLA	½ / 3.8	½ / 3.8	½ / 3.8	¾ / 5.4	¾ / 5.4
Motor Speed Tap (Cooling and Heat Pump)	T4	T4	T4	T4	T4
Nominal CFM (Cooling and Heat Pump)	850	1,030	1,050	1,370	1,300
CONDENSER COIL					
Face Area (ft ²)	12.2	12.2	12.2	15.3	15.3
# Rows / Fins per Inch	2 / 16	2 / 16	2 / 16	2 / 16	2 / 16
Expansion Device (Orifice Diameter in.)	0.045	0.047	0.047	0.055	0.060
CONDENSER MOTOR / FAN					
Fan Diameter / # of Blades	21.86" / 3	22.00" / 3	22.00" / 3	22.00" / 3	22.00" / 3
Outdoor Nominal CFM	2,200	2,500	2,500	3,150	3,200
Motor Horsepower - RPM	1/6 - 810	1/4 - 837	1/4 - 837	1/4 - 1075	1/4 - 1075
Motor FLA	0.95	1.3	1.3	1.4	1.4
COMPRESSOR					
Type / Stage	Scroll / Single	Scroll / Single	Scroll / Single	Scroll / Single	Scroll / Single
Run Load Amps / Locked Rotor Amps	12.8 / 58.3	14.1 / 73.0	16.0 / 91.9	17.9 / 112.0	19.9 / 109.0
ELECTRICAL SPECIFICATIONS					
Voltage / Phase (60 Hz)	208-230/1	208-230/1	208-230/1	208-230/1	208-230/1
Minimum Circuit Ampacity	20.8	22.7	25.1	29.2	31.7
Maximum Overcurrent Protection	30	35	40	45	50
Entrance Size Power Supply	1 1/8	1 1/8	1 1/8	1 1/8	1 1/8
Entrance Size Control Voltage	7/8	7/8	7/8	7/8	7/8
OPERATING / SHIPPING WEIGHT (LBS)	420 / 440	420 / 440	440 / 460	525 / 545	525 / 545

¹ Wire size should be determined in accordance with National Electrical Codes. Extensive wire runs will require larger wire sizes.

² May use fuses or HACR-type circuit breakers of the same size as noted.

Note: Always check the S&R plate for electrical data on the unit being installed.

EXPANDED COOLING DATA — DP3DM3008041

IDB	AIRFLOW	OUTDOOR AMBIENT TEMPERATURE												ENTERING INDOOR WET BULB TEMPERATURE											
		65°F				75°F				85°F				95°F				105°F				115°F			
		59	63	67	71	59	63	67	71	59	63	67	71	59	63	67	71	59	63	67	71	59	63	67	71
70	MIBh	28.9	29.3	30.2	-	28.6	29.0	29.9	-	27.9	28.3	29.1	-	26.6	27.0	27.8	-	25.0	25.4	26.2	-	23.5	23.9	24.8	-
	S/T	0.65	0.56	0.41	-	0.65	0.57	0.42	-	0.68	0.60	0.45	-	1.00	0.62	0.47	-	1.00	0.64	0.49	-	1.00	0.70	0.55	-
	ΔT	19.62	17.85	14.53	-	19.58	17.80	14.48	-	19.83	18.05	14.73	-	19.56	17.78	14.46	-	19.32	17.54	14.23	-	20.43	18.66	15.34	-
	kW	1.92	1.92	1.91	-	2.15	2.15	2.15	-	2.42	2.41	2.41	-	2.70	2.70	2.69	-	3.02	3.01	3.01	-	3.39	3.38	3.38	-
	Amps	7.47	7.46	7.45	-	8.54	8.54	8.52	-	9.74	9.73	9.71	-	11.03	11.03	11.01	-	12.48	12.47	12.45	-	14.18	14.17	14.15	-
	Hi PR	254	255	257	-	295	296	297	-	337	338	340	-	382	383	385	-	431	432	434	-	483	484	486	-
	Lo PR	124	126	129	-	132	133	137	-	139	140	143	-	144	146	149	-	150	151	154	-	157	158	161	-
	MIBh	29.4	29.8	30.7	-	29.1	29.5	30.4	-	28.4	28.8	29.6	-	27.1	27.5	28.3	-	25.5	25.9	26.7	-	24.0	24.4	25.3	-
	S/T	0.74	0.66	0.51	-	0.75	0.67	0.51	-	0.78	0.69	0.54	-	1.00	0.72	0.56	-	1.00	0.74	0.59	-	1.00	0.80	0.65	-
	ΔT	18.14	16.36	13.04	-	18.09	16.31	13.00	-	18.34	16.56	13.25	-	18.07	16.29	12.98	-	17.83	16.06	12.74	-	18.95	17.17	13.85	-
kW	1.94	1.94	1.93	-	2.17	2.17	2.17	-	2.43	2.43	2.43	-	2.72	2.71	2.71	-	3.03	3.03	3.03	-	3.40	3.40	3.40	-	
Amps	7.55	7.54	7.52	-	8.62	8.61	8.59	-	9.82	9.81	9.79	-	11.11	11.10	11.09	-	12.56	12.55	12.53	-	14.25	14.25	14.23	-	
Hi PR	257	258	260	-	297	299	300	-	340	341	343	-	385	386	388	-	434	435	437	-	486	487	489	-	
Lo PR	127	128	131	-	134	136	139	-	141	143	146	-	147	148	151	-	152	154	157	-	159	161	164	-	
MIBh	29.6	30.0	30.9	-	29.4	29.8	30.6	-	28.6	29.0	29.9	-	27.3	27.7	28.6	-	25.7	26.1	27.0	-	24.3	24.7	25.5	-	
S/T	0.77	0.68	0.53	-	0.78	0.69	0.54	-	0.80	0.72	0.57	-	1.00	0.74	0.59	-	1.00	0.77	0.61	-	1.00	0.82	0.67	-	
ΔT	17.61	15.83	12.51	-	17.56	15.78	12.46	-	17.81	16.03	12.71	-	17.54	15.76	12.45	-	17.30	15.53	12.21	-	18.41	16.64	13.32	-	
kW	1.94	1.94	1.94	-	2.18	2.18	2.17	-	2.44	2.44	2.43	-	2.72	2.72	2.72	-	3.04	3.04	3.03	-	3.41	3.41	3.40	-	
Amps	7.58	7.57	7.55	-	8.65	8.64	8.62	-	9.84	9.84	9.82	-	11.14	11.13	11.11	-	12.59	12.58	12.56	-	14.28	14.27	14.26	-	
Hi PR	258	260	261	-	299	300	302	-	341	342	344	-	386	387	389	-	435	436	438	-	487	489	490	-	
Lo PR	128	129	133	-	135	137	140	-	142	144	147	-	148	149	152	-	153	155	158	-	160	162	165	-	

75	MIBh	28.9	29.3	30.2	31.5	28.6	29.0	29.9	31.2	27.9	28.3	29.2	30.5	26.6	27.0	27.9	29.2	25.0	25.4	26.3	27.6	23.5	23.9	24.8	26.1
	S/T	0.79	0.71	0.56	0.4	0.80	0.71	0.56	0.4	1.00	0.74	0.59	0.4	1.00	0.76	0.61	0.5	1.00	0.79	0.64	0.5	1.00	1.00	0.69	0.5
	ΔT	23.53	21.75	18.44	15.0	23.48	21.71	18.39	15.0	23.73	21.96	18.64	15.2	23.46	21.69	18.37	14.9	23.23	21.45	18.13	14.7	24.34	22.56	19.24	15.8
	kW	1.92	1.92	1.91	1.9	2.15	2.15	2.15	2.2	2.41	2.41	2.41	2.4	2.70	2.70	2.69	2.7	3.01	3.01	3.01	3.0	3.38	3.38	3.38	3.4
	Amps	7.47	7.46	7.44	7.5	8.54	8.53	8.51	8.6	9.73	9.73	9.71	9.8	11.03	11.02	11.00	11.1	12.47	12.47	12.45	12.5	14.17	14.16	14.14	14.2
	Hi PR	255	256	257	261.9	295	296	298	302.1	337	338	340	344.3	382	383	385	389.7	431	432	434	438.6	484	485	486	490.9
	Lo PR	124	126	129	134.4	132	133	137	142.0	139	140	143	148.6	144	146	149	154.2	150	151	154	159.8	157	158	161	166.7
	MIBh	29.4	29.8	30.7	32.0	29.1	29.5	30.4	31.7	28.4	28.8	29.7	31.0	27.1	27.5	28.3	29.7	25.5	25.9	26.8	28.1	24.0	24.4	25.3	26.6
	S/T	0.89	0.80	0.65	0.5	1.00	0.81	0.66	0.5	1.00	0.84	0.69	0.5	1.00	0.86	0.71	0.5	1.00	0.89	0.73	0.6	1.00	1.00	0.79	0.6
	ΔT	22.04	20.27	16.95	13.5	22.00	20.22	16.90	13.5	22.25	20.47	17.15	13.7	21.98	20.20	16.88	13.4	21.74	19.96	16.65	13.2	22.85	21.08	17.76	14.3
kW	1.94	1.93	1.93	1.9	2.17	2.17	2.16	2.2	2.43	2.43	2.43	2.4	2.71	2.71	2.71	2.7	3.03	3.03	3.02	3.0	3.40	3.40	3.40	3.4	
Amps	7.54	7.53	7.52	7.6	8.61	8.61	8.59	8.7	9.81	9.80	9.78	9.9	11.10	11.10	11.08	11.2	12.55	12.54	12.52	12.6	14.25	14.24	14.22	14.3	
Hi PR	257	259	260	264.8	298	299	301	305.0	340	341	343	347.2	385	388	388	392.6	434	435	437	441.6	486	488	489	493.8	
Lo PR	127	128	131	136.8	134	136	139	144.4	141	143	146	151.0	147	151	151	156.7	152	154	157	162.2	159	161	164	169.1	
MIBh	29.6	30.1	30.9	32.2	29.4	29.8	30.7	32.0	28.6	29.0	29.9	31.2	27.3	27.7	28.6	29.9	25.7	26.1	27.0	28.3	24.3	24.7	25.6	26.9	
S/T	0.91	0.83	0.68	0.5	1.00	0.84	0.68	0.5	1.00	0.86	0.71	0.6	1.00	0.89	0.73	0.6	1.00	1.00	0.76	0.6	1.00	1.00	0.82	0.7	
ΔT	21.51	19.74	16.42	13.0	21.46	19.69	16.37	12.9	21.71	19.94	16.62	13.2	21.45	19.67	16.35	12.9	21.21	19.43	16.11	12.7	22.32	20.54	17.23	13.8	
kW	1.94	1.94	1.94	2.0	2.18	2.17	2.17	2.2	2.44	2.44	2.43	2.4	2.72	2.72	2.71	2.7	3.04	3.03	3.03	3.0	3.41	3.41	3.40	3.4	
Amps	7.57	7.56	7.54	7.6	8.64	8.63	8.62	8.7	9.84	9.83	9.81	9.9	11.13	11.12	11.11	11.2	12.58	12.57	12.55	12.6	14.28	14.27	14.25	14.3	
Hi PR	259	260	262	266.0	299	300	302	306.2	341	342	344	348.4	386	388	389	393.8	435	437	438	442.8	488	489	491	495.0	
Lo PR	128	129	133	137.9	135	137	140	145.5	142	144	147	152.2	148	149	152	157.8	153	155	158	163.3	160	162	165	170.2	

IDB: Entering Indoor Dry Bulb Temperature
 High and low pressures are measured at the liquid and suction access fittings.
 Shaded area reflects ACCA (TVA) conditions
 kW = Total system power
 Amps = outdoor unit amps (comp.+fan)

		OUTDOOR AMBIENT TEMPERATURE																							
		65°F				75°F				85°F				95°F				105°F				115°F			
IDB	AIRFLOW	59	63	67	71	59	63	67	71	59	63	67	71	59	63	67	71	59	63	67	71	59	63	67	71
70	MbH	41.7	42.3	43.6	-	41.4	42.0	43.2	-	40.3	40.9	42.1	-	38.4	39.0	40.3	-	36.2	36.8	38.0	-	34.1	34.7	35.9	-
	S/T	0.70	0.62	0.48	-	1.00	0.63	0.48	-	1.00	0.65	0.51	-	1.00	0.67	0.53	-	1.00	1.00	0.55	-	1.00	1.00	0.61	-
	ΔT	19.64	17.72	14.13	-	19.59	17.67	14.07	-	19.86	17.94	14.34	-	19.57	17.65	14.05	-	19.31	17.39	13.80	-	20.52	18.59	15.00	-
	kW	2.76	2.76	2.75	-	3.09	3.09	3.08	-	3.46	3.46	3.45	-	3.86	3.86	3.85	-	4.31	4.30	4.30	-	4.83	4.83	4.82	-
	Amps	11.42	11.41	11.38	-	12.93	12.92	12.89	-	14.62	14.61	14.58	-	16.44	16.43	16.41	-	18.49	18.47	18.45	-	20.88	20.87	20.84	-
	Hi PR	254	255	257	-	294	295	297	-	335	336	338	-	380	381	383	-	428	430	431	-	480	481	483	-
	Lo PR	138	140	143	-	146	148	151	-	153	155	159	-	159	161	165	-	165	167	171	-	173	175	178	-
	MbH	42.1	42.7	43.9	-	41.8	42.3	43.6	-	40.7	41.3	42.5	-	38.8	39.4	40.6	-	36.6	37.2	38.4	-	34.5	35.1	36.3	-
S/T	0.72	0.64	0.50	-	1.00	0.65	0.51	-	1.00	0.68	0.53	-	1.00	0.70	0.55	-	1.00	1.00	0.58	-	1.00	1.00	0.63	-	
ΔT	19.02	17.10	13.51	-	18.97	17.05	13.45	-	19.24	17.32	13.72	-	18.95	17.03	13.43	-	18.69	16.77	13.18	-	19.90	17.97	14.38	-	
kW	2.77	2.77	2.76	-	3.10	3.10	3.09	-	3.47	3.47	3.46	-	3.87	3.87	3.86	-	4.31	4.31	4.31	-	4.84	4.83	4.83	-	
Amps	11.46	11.45	11.42	-	12.97	12.96	12.93	-	14.66	14.65	14.62	-	16.49	16.47	16.45	-	18.53	18.52	18.49	-	20.92	20.91	20.88	-	
Hi PR	255	256	258	-	295	296	298	-	337	338	339	-	381	383	384	-	430	431	433	-	481	482	484	-	
Lo PR	139	141	144	-	147	149	153	-	155	156	160	-	161	162	166	-	167	168	172	-	174	176	179	-	
MbH	42.9	43.5	44.7	-	42.6	43.1	44.4	-	41.5	42.1	43.3	-	39.6	40.2	41.4	-	37.4	37.9	39.2	-	35.3	35.9	37.1	-	
S/T	0.74	0.66	0.52	-	1.00	0.67	0.53	-	1.00	0.70	0.56	-	1.00	1.00	0.58	-	1.00	1.00	0.60	-	1.00	1.00	0.65	-	
ΔT	18.05	16.13	12.54	-	18.00	16.08	12.48	-	18.27	16.35	12.76	-	17.98	16.06	12.47	-	17.72	15.80	12.21	-	18.93	17.01	13.41	-	
kW	2.78	2.78	2.78	-	3.11	3.11	3.11	-	3.48	3.48	3.48	-	3.88	3.88	3.87	-	4.33	4.33	4.32	-	4.85	4.85	4.84	-	
Amps	11.53	11.51	11.49	-	13.04	13.03	13.00	-	14.73	14.71	14.69	-	16.55	16.54	16.51	-	18.59	18.58	18.55	-	20.99	20.97	20.95	-	
Hi PR	257	259	260	-	297	298	300	-	339	340	342	-	384	385	387	-	432	433	435	-	484	485	486	-	
Lo PR	142	143	147	-	150	152	155	-	157	159	162	-	163	165	169	-	169	171	175	-	177	179	182	-	
75	MbH	41.8	42.4	43.6	45.1	41.4	42.0	43.2	45.1	40.3	40.9	42.1	44.0	38.5	39.1	40.3	42.2	36.2	36.8	38.0	39.9	34.1	34.7	36.0	37.8
	S/T	1.00	0.75	0.61	0.5	1.00	0.76	0.62	0.5	1.00	1.00	0.64	0.5	1.00	1.00	0.67	0.5	1.00	1.00	0.69	0.5	1.00	1.00	1.00	0.6
	ΔT	23.87	21.95	18.36	14.6	23.82	21.90	18.30	14.6	24.09	22.17	18.57	14.9	23.80	21.88	18.28	14.6	23.54	21.62	18.03	14.3	24.75	22.82	19.23	15.5
	kW	2.76	2.76	2.75	2.8	3.09	3.09	3.08	3.1	3.46	3.46	3.45	3.5	3.86	3.85	3.85	3.9	4.30	4.30	4.29	4.3	4.83	4.82	4.82	4.8
	Amps	11.41	11.40	11.37	11.5	12.92	12.91	12.88	13.0	14.61	14.60	14.57	14.7	16.44	16.42	16.40	16.5	18.48	18.46	18.44	18.6	20.87	20.86	20.83	20.9
	Hi PR	254	255	257	261.4	294	295	297	301.2	336	337	338	342.8	380	381	383	387.6	429	430	432	436.0	480	481	483	487.5
	Lo PR	138	140	143	148.8	146	148	151	157.1	153	155	159	164.3	160	161	165	170.4	166	167	171	176.4	173	175	178	184.0
	MbH	42.2	42.7	44.0	45.8	41.8	42.4	43.6	45.5	40.7	41.3	42.5	44.4	38.9	39.4	40.7	42.6	36.6	37.2	38.4	40.3	34.5	35.1	36.3	38.2
S/T	1.00	0.78	0.64	0.5	1.00	0.79	0.64	0.5	1.00	1.00	0.67	0.5	1.00	1.00	0.69	0.5	1.00	1.00	0.71	0.6	1.00	1.00	1.00	0.6	
ΔT	23.25	21.33	17.74	14.0	23.20	21.28	17.68	14.0	23.47	21.55	17.95	14.2	23.18	21.26	17.66	13.9	22.92	21.00	17.41	13.7	24.13	22.20	18.61	14.9	
kW	2.77	2.77	2.76	2.8	3.10	3.10	3.09	3.1	3.47	3.46	3.46	3.5	3.87	3.86	3.86	3.9	4.31	4.31	4.30	4.3	4.84	4.83	4.83	4.9	
Amps	11.45	11.44	11.41	11.5	12.96	12.95	12.93	13.0	14.65	14.64	14.61	14.7	16.48	16.46	16.44	16.6	18.52	18.51	18.48	18.6	20.91	20.90	20.87	21.0	
Hi PR	255	257	258	262.7	295	296	298	302.4	337	338	340	344.1	382	383	385	388.9	430	431	433	437.2	482	483	484	488.8	
Lo PR	139	141	144	150.1	147	149	153	158.4	155	156	160	165.6	161	163	166	171.8	167	169	172	177.8	174	176	180	185.3	
MbH	42.9	43.5	44.8	46.6	42.6	43.2	44.4	46.3	41.5	42.1	43.3	45.2	39.6	40.2	41.5	43.3	37.4	38.0	39.2	41.1	35.3	35.9	37.1	39.0	
S/T	1.00	0.80	0.66	0.5	1.00	0.81	0.66	0.5	1.00	1.00	0.69	0.5	1.00	1.00	0.71	0.6	1.00	1.00	0.73	0.6	1.00	1.00	1.00	0.6	
ΔT	22.28	20.36	16.77	13.0	22.23	20.31	16.72	13.0	22.50	20.58	16.99	13.3	22.21	20.29	16.70	13.0	21.95	20.03	16.44	12.7	23.16	21.24	17.64	13.9	
kW	2.78	2.78	2.77	2.8	3.11	3.11	3.10	3.1	3.48	3.48	3.47	3.5	3.88	3.88	3.87	3.9	4.33	4.32	4.32	4.3	4.85	4.85	4.84	4.9	
Amps	11.52	11.50	11.48	11.6	13.03	13.02	12.99	13.1	14.72	14.70	14.68	14.8	16.54	16.53	16.50	16.6	18.58	18.57	18.54	18.7	20.98	20.96	20.94	21.1	
Hi PR	258	259	261	265.0	297	299	300	304.7	339	340	342	346.3	384	385	387	391.2	432	433	435	439.5	484	485	487	491.1	
Lo PR	142	143	147	152.7	150	152	155	161.0	157	159	162	168.2	163	165	169	174.4	169	171	175	180.4	177	179	182	187.9	

IDB: Entering Indoor Dry Bulb Temperature
 High and low pressures are measured at the liquid and suction access fittings.

Shaded area reflects ACCA (TVA) conditions

kW = Total system power
 Amps = outdoor unit amps (comp.+fan)

EXPANDED HEATING DATA

DP3DM2406041

100 % CAPACITY

	OUTDOOR AMBIENT TEMPERATURE																
	65	60	55	50	47	45	40	35	30	25	20	17	15	10	5	0	-5
MBh	30.81	28.85	26.91	25.01	23.79	22.89	20.61	18.50	16.78	15.50	14.56	14.05	13.41	11.78	10.16	8.54	6.92
T/R	32.28	30.51	28.74	26.97	25.91	24.94	22.45	20.15	18.28	16.89	15.86	15.31	14.60	12.83	11.07	9.30	7.53
KW	2.32	2.26	2.20	2.15	2.11	2.09	2.03	1.97	1.92	1.86	1.80	1.77	1.74	1.69	1.63	1.57	1.51
AMPS	8.7	8.5	8.2	8.0	7.8	7.7	7.5	7.2	7.0	6.7	6.5	6.3	6.2	6.0	5.7	5.5	5.2
COP	3.89	3.74	3.58	3.41	3.30	3.21	2.97	2.75	2.56	2.44	2.37	2.33	2.25	2.05	1.83	1.59	1.34
Hi PR	420	407	393	379	371	366	352	338	325	311	297	289	284	270	256	243	229
LO PR	138	129	121	112	107	104	95	87	78	69	61	56	52	44	35	26	18
LO PR	141	130	122	112	106	102	94	83	75	67	59	55	53	45	39	33	28

DP3DM3008041

100 % CAPACITY

	OUTDOOR AMBIENT TEMPERATURE																
	65	60	55	50	47	45	40	35	30	25	20	17	15	10	5	0	-5
MBh	37.14	34.74	32.38	30.06	28.58	27.48	24.69	22.12	20.02	18.46	17.31	16.69	15.89	13.91	11.93	9.95	7.97
T/R	31.49	29.75	28.00	26.25	25.20	24.23	21.77	19.51	17.65	16.28	15.26	14.72	14.02	12.27	10.52	8.77	7.02
KW	2.73	2.66	2.60	2.54	2.51	2.48	2.42	2.36	2.30	2.24	2.18	2.15	2.12	2.06	2.00	1.94	1.88
AMPS	10.2	9.9	9.7	9.4	9.2	9.1	8.9	8.6	8.3	8.1	7.8	7.7	7.6	7.3	7.0	6.8	6.5
COP	3.99	3.82	3.64	3.46	3.34	3.24	2.99	2.74	2.55	2.41	2.33	2.28	2.20	1.98	1.75	1.50	1.24
Hi PR	425	411	398	384	376	370	356	342	328	315	301	292	287	273	259	245	232
LO PR	137	128	120	111	106	103	94	86	77	69	60	55	52	43	35	26	18
LO PR	142	132	124	113	107	103	95	84	76	68	60	56	54	45	39	33	29

DP3DM3608041

100 % CAPACITY

	OUTDOOR AMBIENT TEMPERATURE																
	65	60	55	50	47	45	40	35	30	25	20	17	15	10	5	0	-5
MBh	45.67	42.81	40.00	37.23	35.46	34.17	30.87	27.81	25.30	23.45	22.09	21.36	20.42	18.07	15.72	13.38	11.03
T/R	33.89	32.07	30.26	28.45	27.36	26.37	23.82	21.46	19.52	18.09	17.04	16.48	15.76	13.95	12.13	10.32	8.51
KW	3.63	3.53	3.43	3.33	3.27	3.23	3.13	3.03	2.93	2.83	2.72	2.66	2.62	2.52	2.42	2.32	2.22
AMPS	13.9	13.4	13.0	12.6	12.3	12.1	11.7	11.3	10.8	10.4	9.9	9.7	9.5	9.1	8.6	8.2	7.8
COP	3.69	3.56	3.42	3.28	3.18	3.10	2.89	2.69	2.53	2.43	2.38	2.35	2.28	2.10	1.90	1.69	1.45
Hi PR	476	461	445	430	420	414	399	383	368	352	337	327	321	306	290	275	259
LO PR	130	122	114	106	101	98	89	81	73	65	57	52	49	41	33	25	17
LO PR	139	129	121	111	105	101	92	82	74	66	58	54	52	44	38	32	28

DP3DM4210041

100 % CAPACITY

	OUTDOOR AMBIENT TEMPERATURE																
	65	60	55	50	47	45	40	35	30	25	20	17	15	10	5	0	-5
MBh	51.74	48.40	45.12	41.90	39.83	38.31	34.43	30.85	27.93	25.77	24.16	23.30	22.20	19.45	16.69	13.94	11.18
T/R	35.44	33.47	31.51	29.55	28.37	27.28	24.52	21.98	19.89	18.35	17.21	16.60	15.81	13.85	11.89	9.93	7.96
KW	3.82	3.73	3.65	3.56	3.51	3.47	3.38	3.30	3.21	3.12	3.03	2.98	2.95	2.86	2.77	2.69	2.60
AMPS	14.5	14.2	13.8	13.4	13.2	13.0	12.6	12.3	11.9	11.5	11.1	10.9	10.8	10.4	10.0	9.6	9.2
COP	3.97	3.80	3.63	3.45	3.33	3.23	2.98	2.74	2.55	2.42	2.33	2.29	2.21	1.99	1.76	1.52	1.26
Hi PR	417	403	390	376	368	362	349	335	322	308	295	287	281	268	254	240	227
LO PR	134	125	117	109	104	101	92	84	76	67	59	54	51	42	34	26	17
LO PR	142	132	123	113	107	103	95	84	76	68	60	55	53	45	39	33	29

DP3DM4810041

100 % CAPACITY

	OUTDOOR AMBIENT TEMPERATURE																
	65	60	55	50	47	45	40	35	30	25	20	17	15	10	5	0	-5
MBh	58.35	54.36	50.42	46.45	43.93	41.97	37.10	32.70	29.13	26.44	24.40	23.30	21.93	18.49	15.05	11.62	8.18
T/R	40.11	37.66	35.21	32.76	31.29	29.89	26.43	23.29	20.75	18.83	17.38	16.60	15.62	13.17	10.72	8.27	5.82
KW	4.14	4.01	3.87	3.74	3.66	3.60	3.47	3.33	3.20	3.06	2.93	2.85	2.79	2.66	2.52	2.39	2.25
AMPS	16.0	15.4	14.8	14.2	13.8	13.6	13.0	12.4	11.8	11.3	10.7	10.3	10.1	9.5	8.9	8.3	7.7
COP	4.13	3.97	3.81	3.64	3.52	3.41	3.14	2.88	2.67	2.53	2.44	2.40	2.30	2.04	1.75	1.43	1.07
Hi PR	318	307	297	287	281	276	266	256	245	235	225	219	214	204	194	183	173
LO PR	76	71	67	62	59	57	52	48	43	38	33	31	29	24	19	15	10
LO PR	132	122	115	105	99	96	88	78	71	63	55	52	50	42	36	31	27

Calculations are based on nominal CFM and 70 °F indoor dry bulb.

Amps = Outdoor unit amps (comp.+fan)

Note: Shaded area is AHRI Rating Conditions at 47°F outdoor ambient temperature

kW = Total system power

DP3DM2406041 - RISE RANGE: 25° - 55°

UNIT STATIC	T1 - 1ST STAGE HEATING SPEED			T2 - 2ND STAGE HEATING SPEED			T3 - COOLING SPEED		T4 - COOLING SPEED		T5 - COOLING SPEED	
	CFM	WATTS	RISE	CFM	WATTS	RISE	CFM	WATTS	CFM	WATTS	CFM	WATTS
0.1	671	66	50	1069	192	42	859	94	1054	164	1174	220
0.2	614	72	55	1020	200	44	810	102	1007	172	1134	227
0.3	563	79	X	976	206	46	761	109	966	179	1093	233
0.4	499	86	X	936	215	48	713	117	926	186	1050	240
0.5	436	94	X	887	219	51	664	125	884	194	1007	249
0.6	362	99	X	841	226	53	615	133	837	201	963	256
0.7	313	105	X	793	232	X	---	---	788	208	919	262
0.8	251	110	X	745	239	X	---	---	737	216	867	270

DP3DM3008041 - RISE RANGE: 35° - 65°

UNIT STATIC	T1 - 1ST STAGE HEATING SPEED			T2 - 2ND STAGE HEATING SPEED			T3 - COOLING SPEED		T4 - COOLING SPEED		T5 - COOLING SPEED	
	CFM	WATTS	RISE	CFM	WATTS	RISE	CFM	WATTS	CFM	WATTS	CFM	WATTS
0.1	997	147	45	1276	284	47	1059	137	1253	238	1359	317
0.2	965	155	47	1238	284	48	1008	144	1207	245	1326	319
0.3	922	165	49	1206	289	50	956	151	1163	253	1285	331
0.4	886	173	51	1164	302	52	908	158	1118	260	1249	333
0.5	835	182	54	1131	314	53	857	166	1071	268	1211	345
0.6	781	188	58	1086	319	55	784	175	1023	275	1168	348
0.7	731	200	62	1038	319	58	732	180	973	283	1126	360
0.8	677	202	X	984	322	61	673	188	923	290	1082	362

DP3DM3608041 - RISE RANGE: HIGH FIRE 35° - 65° LOW FIRE 25° - 55°

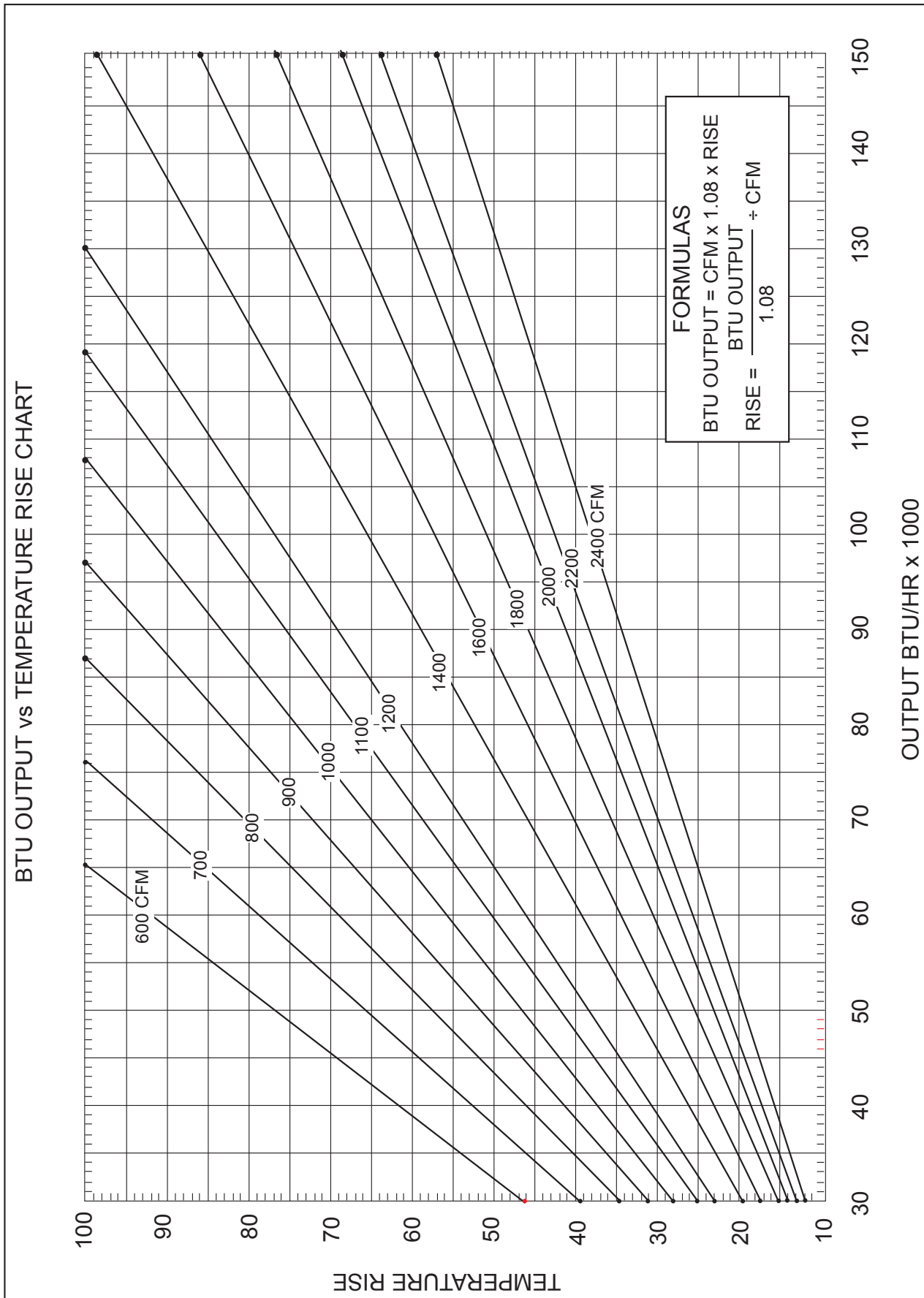
UNIT STATIC	T1 - 1ST STAGE HEATING SPEED			T2 - 2ND STAGE HEATING SPEED			T3 - COOLING SPEED		T4 - COOLING SPEED		T5 - COOLING SPEED	
	CFM	WATTS	RISE	CFM	WATTS	RISE	CFM	WATTS	CFM	WATTS	CFM	WATTS
0.1	997	147	45	1276	284	47	1317	230	1390	325	1481	404
0.2	965	155	47	1238	284	48	1269	237	1347	330	1447	410
0.3	922	165	49	1206	289	50	1221	245	1305	339	1410	419
0.4	886	173	51	1164	302	52	1174	253	1263	344	1378	428
0.5	835	182	54	1131	314	53	1126	260	1223	354	1340	439
0.6	781	188	58	1086	319	55	1078	268	1182	358	1304	443
0.7	731	200	62	1038	319	58	1030	276	1138	368	1272	448
0.8	677	202	X	984	322	61	982	283	1091	372	1229	454

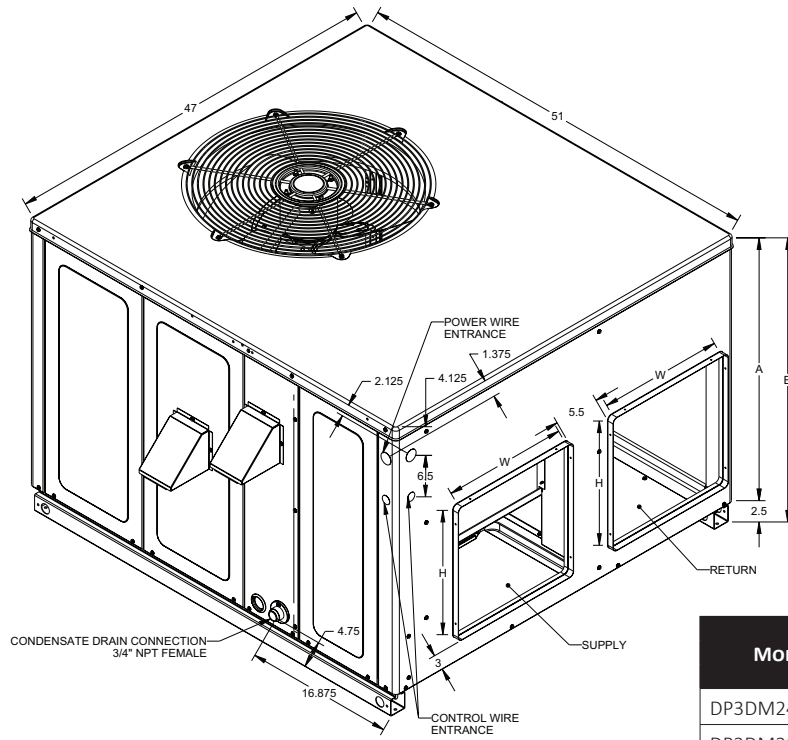
DP3DM4210041 - RISE RANGE: 35° - 65°

UNIT STATIC	T1 - 1ST STAGE HEATING SPEED			T2 - 2ND STAGE HEATING SPEED			T3 - COOLING SPEED		T4 - COOLING SPEED		T5 - COOLING SPEED	
	CFM	WATTS	RISE	CFM	WATTS	RISE	CFM	WATTS	CFM	WATTS	CFM	WATTS
0.1	1098	167	51	1423	324	53	1354	260	1520	423	1648	509
0.2	1038	178	54	1375	335	55	1296	267	1475	432	1599	518
0.3	991	184	57	1322	347	57	1237	275	1430	439	1549	529
0.4	932	192	60	1275	347	59	1178	283	1381	445	1502	534
0.5	871	204	65	1224	357	61	1120	291	1331	452	1459	538
0.6	811	213	X	1172	364	64	1061	299	1285	456	1414	547
0.7	753	210	X	1130	379	X	1002	306	1236	467	1360	552
0.8	704	221	X	1075	384	X	944	314	1185	472	1313	557

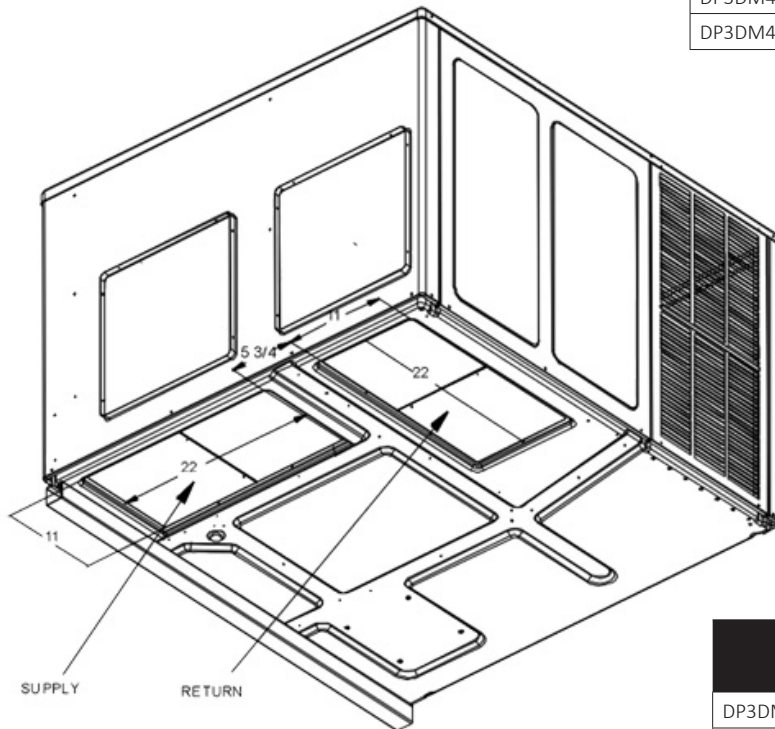
DP3DM4810041 - RISE RANGE: 35° - 65°

UNIT STATIC	T1 - 1ST STAGE HEATING SPEED			T2 - 2ND STAGE HEATING SPEED			T3 - COOLING SPEED		T4 - COOLING SPEED		T5 - COOLING SPEED	
	CFM	WATTS	RISE	CFM	WATTS	RISE	CFM	WATTS	CFM	WATTS	CFM	WATTS
0.1	1098	167	51	1423	324	53	1164	180	1520	423	1628	493
0.2	1038	178	54	1375	335	55	1100	188	1475	432	1581	501
0.3	991	184	57	1322	347	57	1037	196	1430	439	1534	508
0.4	932	192	60	1275	347	59	974	204	1381	445	1486	515
0.5	871	204	65	1224	357	61	910	212	1331	452	1439	524
0.6	811	213	X	1172	364	64	847	220	1285	456	1392	527
0.7	753	210	X	1130	379	X	784	227	1236	467	1340	532
0.8	704	221	X	1075	384	X	720	235	1185	472	1290	537



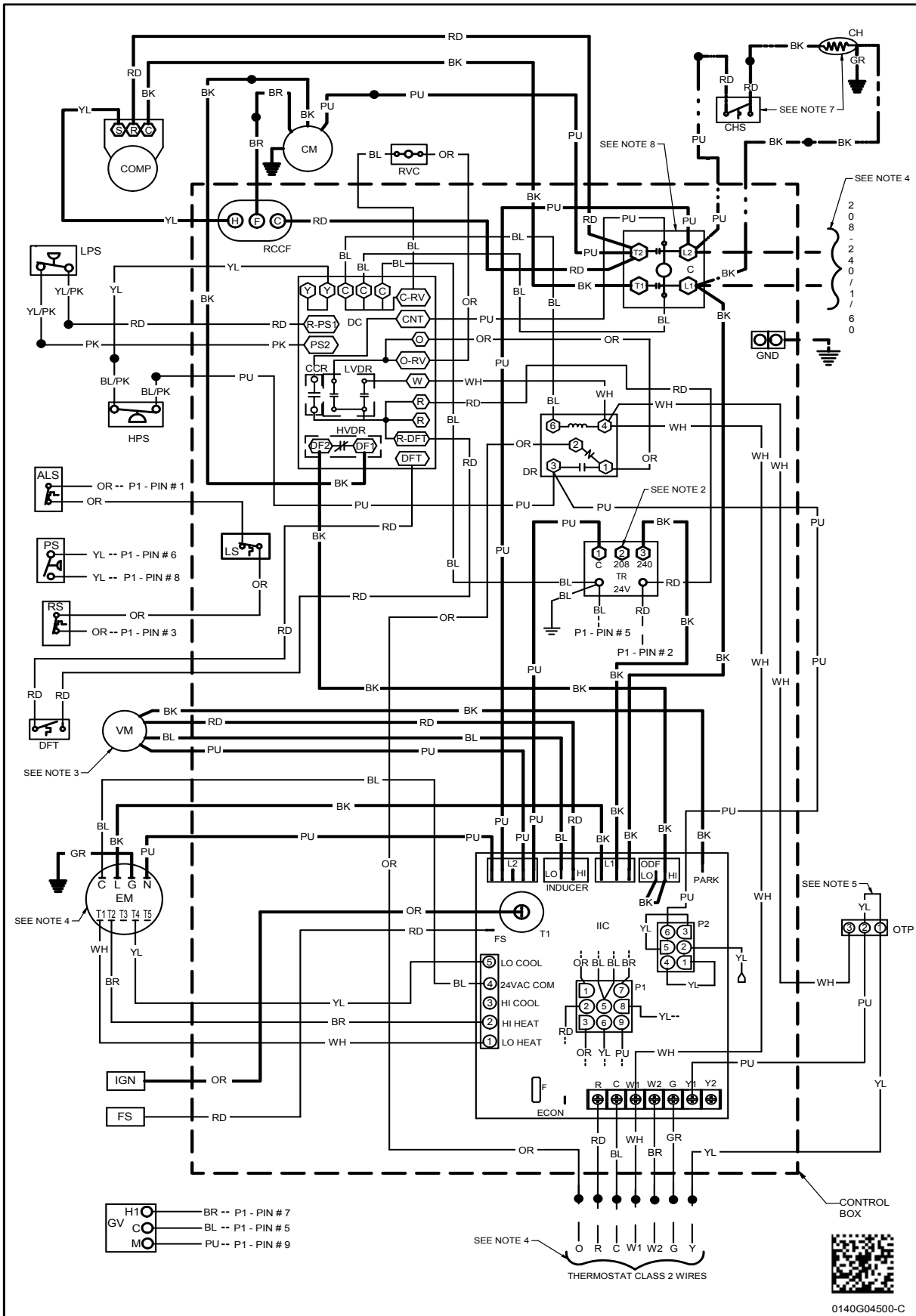


MODEL	UNIT DIMENSIONS (INCHES)				CHASSIS SIZE
	W	D	HEIGHT		
DP3DM2406041	47	51	32	34½	Medium
DP3DM3008041	47	51	32	34½	Medium
DP3DM3608041	47	51	32	34½	Medium
DP3DM4210041	47	51	40	42½	Large
DP3DM4810041	47	51	40	42½	Large



MODEL	DUCT OPENINGS			
	SUPPLY		RETURN	
	W	H	W	H
DP3DM2406041	16	16	16	16
DP3DM3008041	16	16	16	16
DP3DM3608041	16	16	16	16
DP3DM4210041	16	18	16	18
DP3DM4810041	16	18	16	18

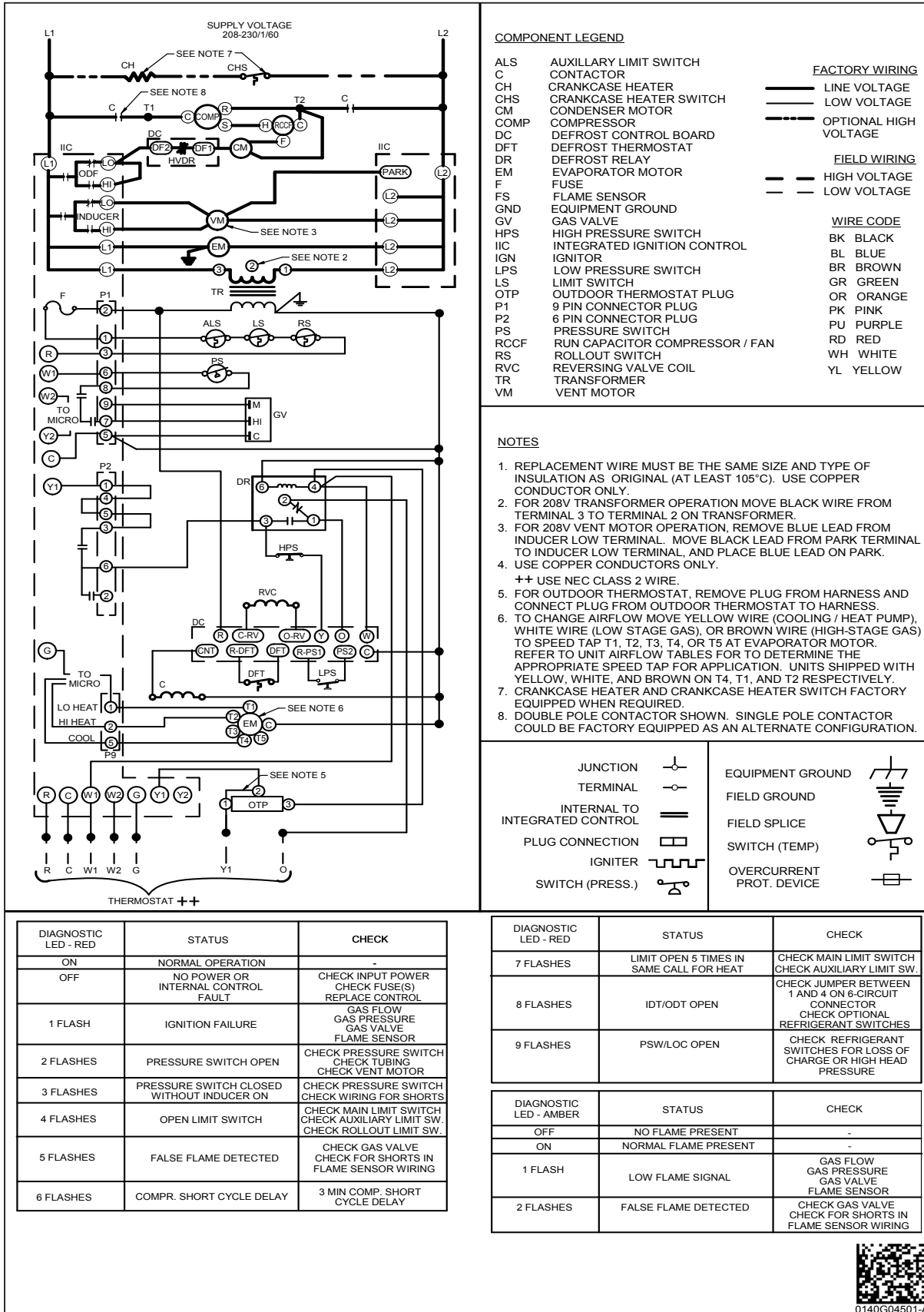
WIRING DIAGRAM – DP3DM24,30,36,42,48



High Voltage: Disconnect all power before servicing or installing this unit. Multiple power sources may be present. Failure to do so may cause property damage, personal injury, or death.

WARNING

Wiring is subject to change. Always refer to the wiring diagram on the unit for the most up-to-date wiring.



ACCESSORIES

ACCESSORY DESCRIPTION	ITEM NUMBER	
	MEDIUM CHASSIS	LARGE CHASSIS
Concentric Kit	CDK36	CDK4872
Downflow Economizer	PGEDJ101/102	PGEDJ103
Downflow Internal Filter Rack (with economizer)	DDNIFRPGMM	N/A (built into economizer)
Downflow Internal Filter Rack (no economizer)	DDNIFRPGA	DDNIFRPGA
Downflow Manual Damper	PGMDD101/102	PGMDD103
Downflow Motorized Damper	PGMDMD101/102	PGMDMD103
Downflow Square to Round	SQRPG101/102	SQRPG103
Economizer Wiring Harness	0259G00215	0259G00215
External Horizontal Filter Rack	DPHFRA	DPHFRA
Flue Extension Kit	FLHDKT-1	FLHDKT-1
High-Altitude Kit	HA-03	HA-03
Horizontal Duct Cover	20464501PDGK	20464502PDGK
Horizontal Economizer	DHZECNJPCHM	DHZECNJPCHL
Horizontal Manual Damper	PGMDH102	PGMDH103
Horizontal Motorized Damper	PGMDMH102	PGMDMH103
Horizontal Square to Round	SQRPGH101/102	SQRPGH103
Internal Horizontal Filter Rack	DHZIFRPGCHA	DHZIFRPGCHA
LP Conversion Kit	LPM-08	LPM-08
Outdoor Thermostat with Housing	OTDFPKG-01	OTDFPKG-01
Roof Curb	D14CRBPGCHMA	D14CRBPGCHMA