



*MULTI-POSITION, VARIABLE-SPEED,
ECM-BASED AIR HANDLER
WITH INTERNAL EEV
COMMUNICATING
2 TO 5 TONS*

■ **Contents**

Nomenclature 2
 Product Specifications 3
 Dimensions 4
 Airflow Data 5
 Heat Kit Data 6
 Wiring Diagram 8
 Accessories 9

■ **Product Features**

- Electronic Expansion Valve (EEV) for cooling and heat pump applications.
- Variable-speed ECM blower motor
- Compatible with Daikin *One+* smart thermostat and other Daikin communicating equipment
- Provides constant CFM over a wide range of static pressure conditions independent of duct system
- CFM indicator
- Thermostat provides adjustable low CFM for efficient fan-only operation
- All-aluminum evaporator coil
- Fault recall of six most recent faults
- Improved humidity and comfort control
- AHRI certified; ETL listed
- Coil mounting track for quick repositioning
- Rigid SmartFrame™ cabine
- Coil mounting track for quick repositioning
- Rigid SmartFrame™ cabinet t

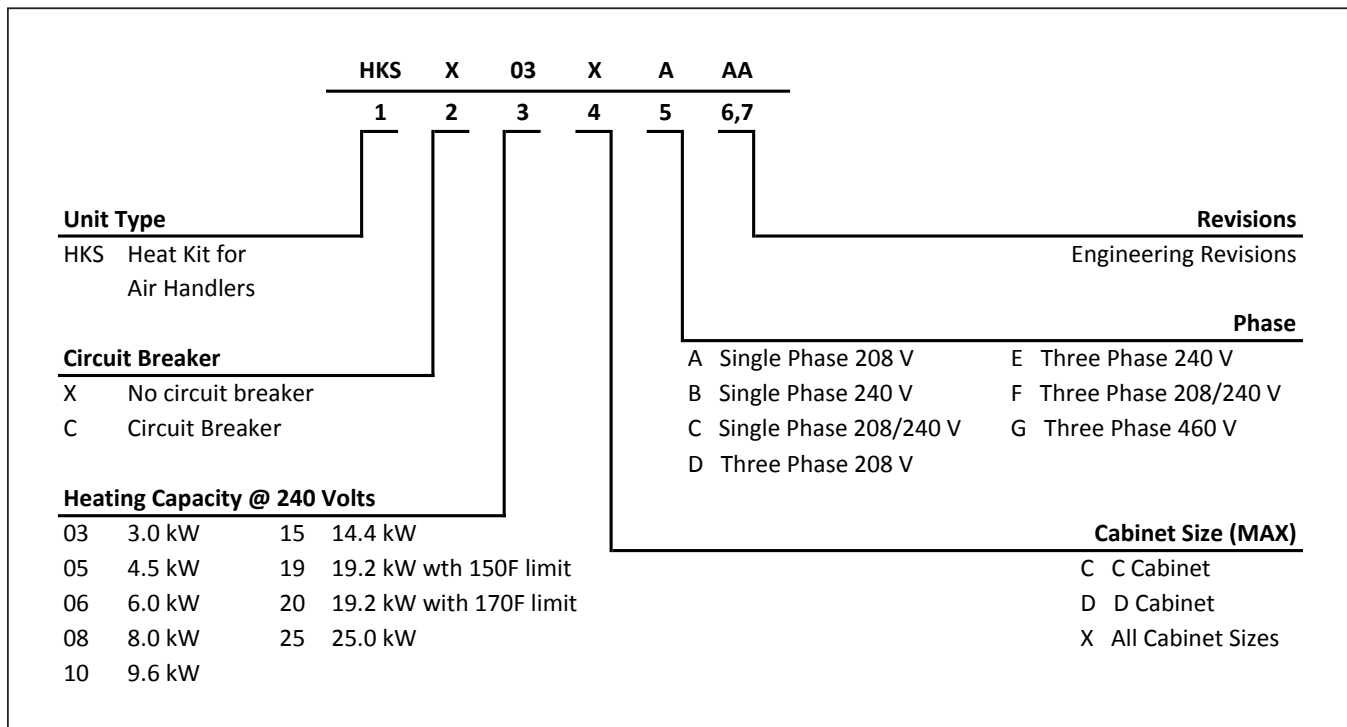
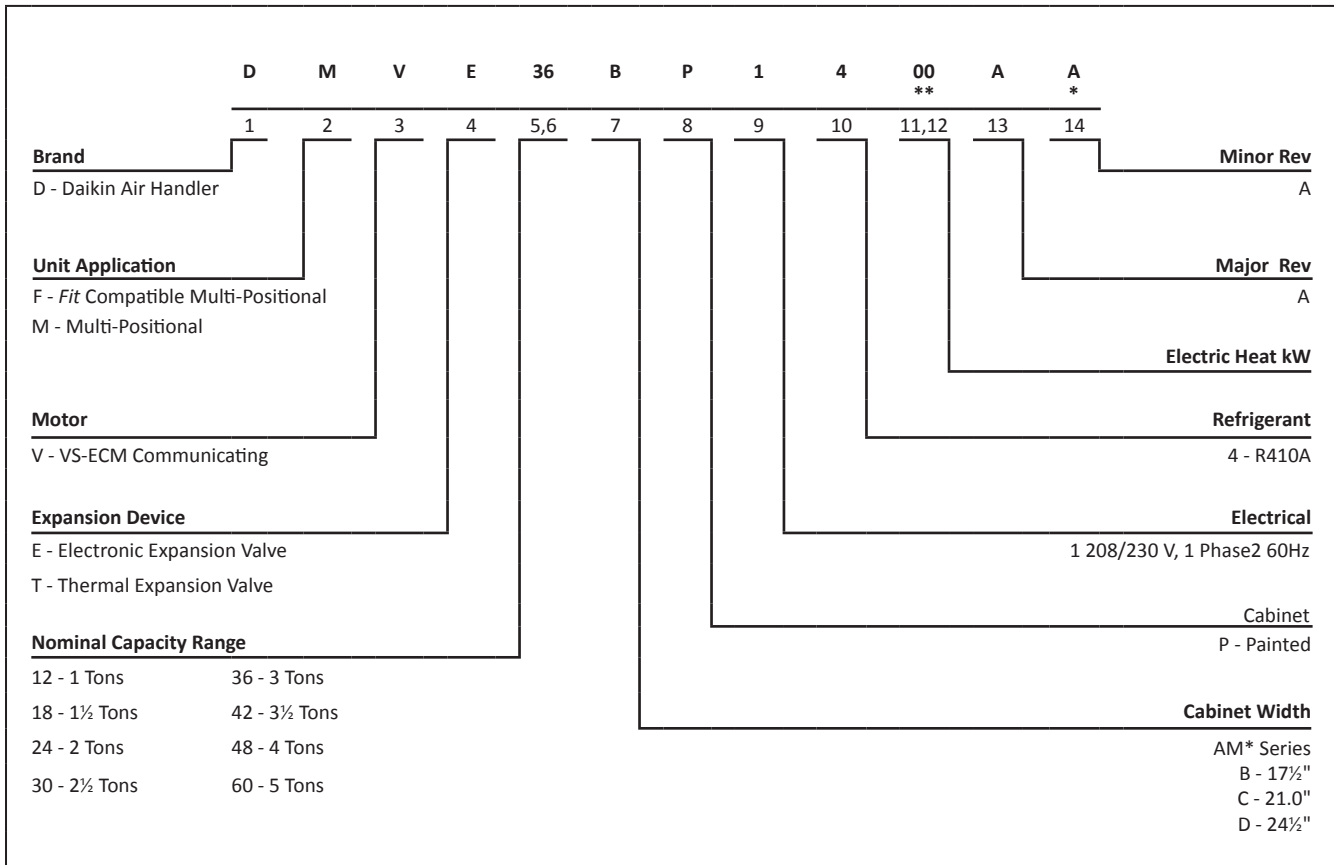
■ **Cabinet Features**

- Cabinet air leakage less than 2.0% at 1.0 inch H₂O when tested in accordance with ASHRAE standard 193
- Cabinet air leakage less than 1.4% at 0.5 inch H₂O when tested in accordance with ASHRAE standard 193
- 3 kW – 25 kW electric heater kits
- Horizontal or vertical configuration capabilities
- 21" depth for easier attic access
- DecaBDE-free thermoplastic drain pan with secondary drain connections
- Screw-less sides and back helps to reduce condensation when installed in humid locations
- Foil-faced insulation covers the internal casing to reduce cabinet condensation
- Galvanized, leather grain-embossed finish
- Glue-less cabinet insulation retention
- Tool-less filter access



* Complete warranty details available from your local dealer or at www.daikincomfort.com. To receive the 12-Year Parts Limited Warranty, online registration must be completed within 60 days of installation. Additional requirements for annual maintenance are required for the Unit Replacement Limited Warranty. Online registration and some of the additional requirements are not required in California or Quebec.

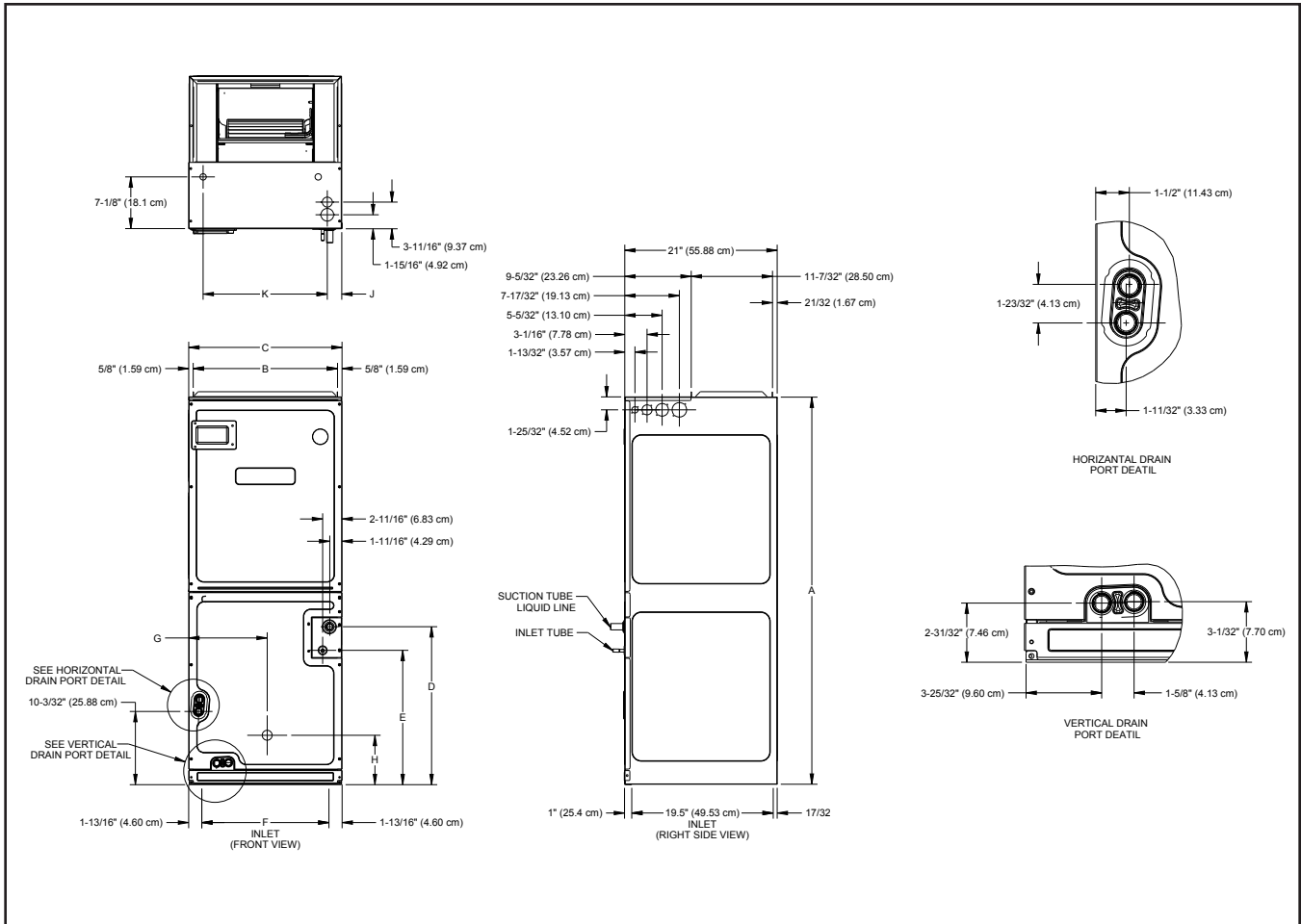
NOMENCLATURE



	DMVE24 BP1400	DMVE36 CP1400	DMVE48 DP1400	DMVE60 DP1400
NOMINAL RATINGS				
Cooling (BTU/h)	24,000	36,000	48,000	60,000
BLOWER				
Diameter	10 $\frac{5}{8}$ "	10 $\frac{5}{8}$ "	11 $\frac{5}{8}$ "	11 $\frac{5}{8}$ "
Width	6"	10 $\frac{5}{8}$ "	10 $\frac{5}{8}$ "	10 $\frac{5}{8}$ "
COIL CONNECTIONS				
Liquid	$\frac{3}{8}$ "	$\frac{3}{8}$ "	$\frac{3}{8}$ "	$\frac{3}{8}$ "
Suction	$\frac{3}{4}$ "	$\frac{7}{8}$ "	$\frac{7}{8}$ "	$\frac{7}{8}$ "
Coil Drain Connection (FPT)	$\frac{3}{4}$ "	$\frac{3}{4}$ "	$\frac{3}{4}$ "	$\frac{3}{4}$ "
ELECTRICAL DATA				
Voltage	208/240	208/240	208/240	208/240
Electric Heat Capacity (kW)	3, 5, 6, 8, 10	5, 6, 8, 10, 15, 19	5, 6, 8, 10, 15, 20	5, 6, 8, 10, 15, 20, 25
Min Circuit Ampacity	4.9/4.9	6.5/6.5	8.6/8.6	8.6/8.6
Max. Overcurrent Device (Amps)	15/15	15/15	15/15	15/15
Minimum VAC	197	197	197	197
Maximum VAC	253	253	253	253
BLOWER MOTOR				
Full Load Amps (FLA)	3.9	5.2	6.9	6.9
Horsepower (HP)	$\frac{1}{2}$	$\frac{3}{4}$	1	1
SHIP WEIGHT (LBS.)	115	140	150	167

NOTE: Minimum Circuit Ampacity (MCA) and Maximum Overcurrent Protection (MOP) for blower without supplemental heat installed. Refer to unit nameplate and/or Heat Kit Data for specification with approved accessory heaters installed.

DIMENSIONS



MODEL	A	B	C	D	E	F	G	H
DMVE24BP1400	53 ⁷ / ₁₆	16 ³ / ₈	17 ¹ / ₂	20	21 ¹ / ₂	14 ⁵ / ₈	9 ⁵ / ₈	7 ⁵ / ₈
DMVE36CP1400	53 ⁷ / ₁₆	19 ⁵ / ₈	21	21 ¹³ / ₁₆	18 ⁵ / ₈	17 ¹¹ / ₁₆	10 ¹³ / ₁₆	6 ¹³ / ₁₆
DMVE48DP1400	53 ⁷ / ₁₆	23 ⁵ / ₁₆	24 ¹ / ₂	21 ¹ / ₂	18 ⁵ / ₁₆	21 ³ / ₁₆	12 ⁵ / ₈	6 ⁵ / ₈
DMVE60DP1400	58	23 ⁵ / ₁₆	24 ¹ / ₂	26 ⁵ / ₈	22 ⁵ / ₈	21 ³ / ₁₆	12 ⁵ / ₁₆	25 ¹ / ₈

MODEL	STAGE	RATED AIRFLOW CFM								
		0.1	0.2	0.3	0.4	0.5	0.6	0.7	0.8	0.9
DMVE24BP1400	High	700	690	690	685	680	670	665	660	655
	Low	520	505	495	490	470	455	445	435	425
DMVE36CP1400	High	1190	1170	1165	1160	1145	1130	1120	1105	1100
	Low	820	810	795	785	765	740	730	720	710
DMVE48DP1400	High	1445	1440	1430	1415	1405	1390	1380	1375	1370
	Low	880	875	870	870	860	845	840	835	830
DMVE60DP1400	High	1645	1640	1640	1635	1630	1625	1620	1620	1615
	Low	1080	1075	1070	1070	1060	1055	1050	1050	1045

Note: During cooling operation outdoor will determine the indoor airflow

MODEL	MAXIMUM AIR FLOW CFM								
	0.1	0.2	0.3	0.4	0.5	0.6	0.7	0.8	0.9
DMVE24BP1400	770	760	760	755	750	735	730	725	720
DMVE24BP1400	1310	1285	1280	1275	1260	1245	1230	1215	1210
DMVE48DP1400	1590	1585	1575	1560	1545	1530	1520	1515	1505
DMVE60DP1400	1810	1805	1805	1800	1790	1785	1780	1780	1775

*The chart is for information only. For satisfactory operation, external static pressure must not exceed 0.5 wc.

*Unit may provide different SCFM during electrical heater operation. See IO manual for the airflow rate.

HEAT KIT DATA

MODELS		CIRCUIT 1			CIRCUIT 2			SINGLE-POINT KIT	
		AMPS	MCA ¹	MOP ²	AMPS	MCA ¹	MOP ²	MCA ¹	MOP ²
DMVE24BP1400		0.0/0.0	4.9/4.9	15/15	---	---	---	---	---
HKSX03XC - 208 V	No Breaker	10.8	18	20	---	---	---	---	---
HKSX05XC - 208 V		17.3	27	30	---	---	---	---	---
HKSX06XC - 208 V		21.7	32	35	---	---	---	---	---
HKSX08XC - 208 V		28.9	41	45	---	---	---	---	---
HKSX10XC - 208 V		34.7	48	50	---	---	---	---	---
HKSC05XC - 208 V	Breaker	17.3	27	30	---	---	---	---	---
HKSC08XC - 208 V		28.9	41	45	---	---	---	---	---
HKSC10XC - 208 V		34.7	48	50	---	---	---	---	---
HKSX03XC - 240 V	No Breaker	12.5	21	25	---	---	---	---	---
HKSX05XC - 240 V		20	30	30	---	---	---	---	---
HKSX06XC - 240 V		25	36	40	---	---	---	---	---
HKSX08XC - 240 V		33.3	47	50	---	---	---	---	---
HKSX10XC - 240 V		40	55	60	---	---	---	---	---
HKSC05XC - 240 V	Breaker	20	30	30	---	---	---	---	---
HKSC08XC - 240 V		33.3	47	50	---	---	---	---	---
HKSC10XC - 240 V		40	55	60	---	---	---	---	---
DMVE36CP1400		0.0/0.0	6.5/6.5	15/15	---	---	---	---	---
HKSX05XC - 208 V		17.3	28	30	---	---	---	---	---
HKSX06XC - 208 V		21.7	34	35	---	---	---	---	---
HKSX08XC - 208 V		28.9	43	45	---	---	---	---	---
HKSX10XC - 208 V		34.7	50	50	---	---	---	---	---
HKSC05XC - 208 V		Breaker	17.3	28	30	---	---	---	---
HKSC08XC - 208 V	28.9		43	45	---	---	---	---	---
HKSC10XC - 208 V	34.7		50	50	---	---	---	---	---
HKSC15XA - 208 V	34.7		49.8	50	17.3	21.7	25	71.5	80
HKSC19CA - 208 V	34.7		49.8	50	34.7	43.3	45	93.2	100
HKSC15XF - 208 V ^		0.0	6.5	15	30	38	40	---	---
HKSX05XC - 240 V		20	32	35	---	---	---	---	---
HKSX06XC - 240 V		25	38	40	---	---	---	---	---
HKSX08XC - 240 V		33.3	48	50	---	---	---	---	---
HKSX10XC - 240 V		40	57	60	---	---	---	---	---
HKSC05XC - 240 V		Breaker	20	32	35	---	---	---	---
HKSC08XC - 240 V	33.3		48	50	---	---	---	---	---
HKSC10XC - 240 V	40		57	60	---	---	---	---	---
HKSC15XB - 240 V	40		56.5	60	20	25	25	81.5	90
HKSC19CB - 240 V	40		56.5	60	40	50	50	107	110
HKSC15XF - 240 V ^		0.0	6.5	15	34.6	43	45	---	---
DMVE48DP1400		0.0/0.0	8.6/8.6	15/15	---	---	---	---	---
HKSX05XC - 208 V		17.3	30.3	35	---	---	---	---	---
HKSX06XC - 208 V		21.7	36	40	---	---	---	---	---
HKSX08XC - 208 V		28.9	45	45	---	---	---	---	---
HKSX10XC - 208 V		34.7	52	60	---	---	---	---	---
HKSC05XC - 208 V		Breaker	17.3	30.3	35	---	---	---	---
HKSC08XC - 208 V	28.9		45	45	---	---	---	---	---
HKSC10XC - 208 V	34.7		52	60	---	---	---	---	---
HKSC15XB3 - 208 V	34.7		52	60	17.3	21.7	25	73.6	80
HKSC20DH - 208 V	34.7		52	60	34.7	43.3	45	95.3	100
HKSC15XF - 208 V ^		0.0	8.6	15	30	38	40	---	---

MODELS		CIRCUIT 1			CIRCUIT 2			SINGLE-POINT KIT	
		AMPS	MCA ¹	MOP ²	AMPS	MCA ¹	MOP ²	MCA ¹	MOP ²
HKSX05XC - 240 V		20	34	35	---	---	---	---	---
HKSX06XC - 240 V		25	40	40	---	---	---	---	---
HKSX08XC - 240 V		33.3	50.3	60	---	---	---	---	---
HKSX10XC - 240 V		40	59	60	---	---	---	---	---
HKSC05XC - 240 V	Breaker	20	34	35	---	---	---	---	---
HKSC08XC - 240 V		33.3	50.3	60	---	---	---	---	---
HKSC10XC - 240 V		40	59	60	---	---	---	---	---
HKSC15XB - 240 V		40	58.6	60	20	25	25	83.6	90
HKSC20DB - 240 V		40	58.6	60	40	50	50	109	110
HKSC15XF - 240 V ^		0.0	8.6	15	34.6	43	45	---	---
DMVE60DP1400		0.0/0.0	8.6/8.6	15/15	---	---	---	---	---
HKSX05XC - 208 V		17.3	30.3	35	---	---	---	---	---
HKSX06XC - 208 V		21.7	36	40	---	---	---	---	---
HKSX08XC - 208 V		28.9	45	45	---	---	---	---	---
HKSX10XC - 208 V		34.7	52	60	---	---	---	---	---
HKSC05XC - 208 V	Breaker	17.3	30.3	35	---	---	---	---	---
HKSC08XC - 208 V		28.9	45	45	---	---	---	---	---
HKSC10XC - 208 V		34.7	52	60	---	---	---	---	---
HKSC15XB3 - 208 V		34.7	52	60	17.3	21.7	25	73.6	80
HKSC20DH - 208 V		34.7	52	60	34.7	43.3	45	95.3	100
HKSC25DA - 208 V		52	73.6	80	35	43.3	45	117	125
HKSC15XF - 208 V ^		0.0	8.6	15	30	38	40	---	---
HKSC20XF - 208 V ^		0.0	8.6	15	38	47	50	---	---
HKSX05XC - 240 V		20	34	35	---	---	---	---	---
HKSX06XC - 240 V		25	40	40	---	---	---	---	---
HKSX08XC - 240 V		33.3	50.3	60	---	---	---	---	---
HKSX10XC - 240 V		40	59	60	---	---	---	---	---
HKSC05XC - 240 V		20	34	35	---	---	---	---	---
HKSC08XC - 240 V		33.3	50.3	60	---	---	---	---	---
HKSC10XC - 240 V		40	59	60	---	---	---	---	---
HKSC15XB - 240 V	Breaker	40	58.6	60	20	25	25	83.6	90
HKSC20DB - 240 V		40	58.6	60	40	50	50	109	110
HKSC25DB - 240 V		60	83.6	90	40	50	50	134	150
HKSC15XF - 240 V ^		0.0	8.6	15	34.6	43	45	---	---
HKSC20XF - 240 V ^		0.0	8.6	15	43.3	54	60	---	---

¹ Minimum Circuit Ampacity (Heater Amps + Motor Amps) X 1.25

--- indicates Not Required

² Maximum Overcurrent Protection = 2.25 X Motor Amps + Heater Amps

³ Notation is correct as XB because technically the 240V heater kit application can be used here without any issues.

^ Three-phase Heater Kits (Circuit 1: Single-phase for Air Handlers Circuit 2: Three-phase for Heater Kits)

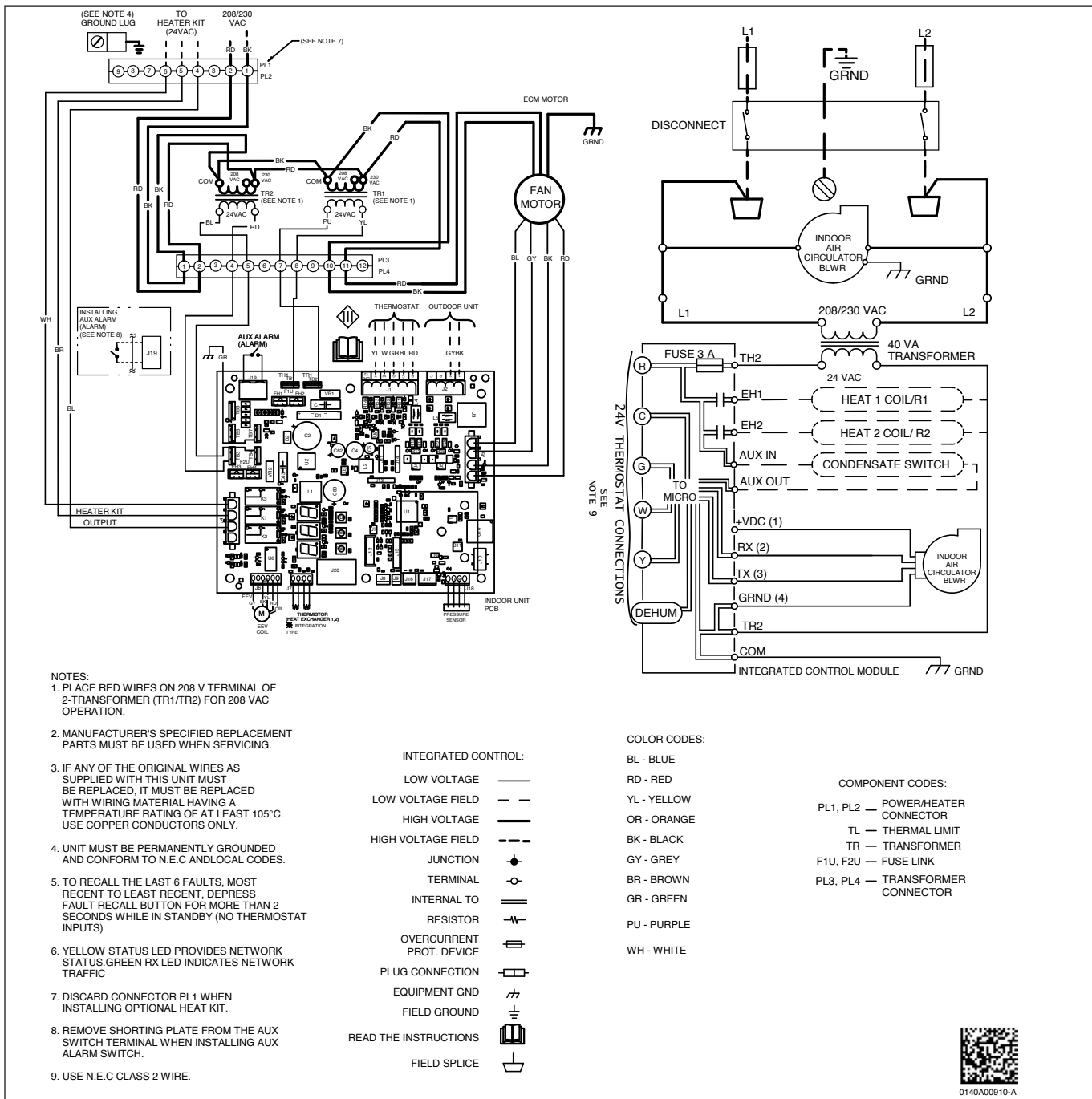
Note: The 208 or 240 in the heat kit part number field is for clarification of the nominal voltage for this model.

HEATING KW CORRECTION FACTOR

SUPPLY VOLTAGE	240	230	220	210	208
CORRECTION FACTOR	1.00	0.92	0.84	0.77	0.75

Multiply the 240-volt heating capacity by correction factors.

WIRING DIAGRAM



Wiring is subject to change. Always refer to the wiring diagram on the unit for the most up-to-date wiring.

	WARNING	High Voltage: Disconnect all power before servicing or installing this unit. Multiple power sources may be present. Failure to do so may cause property damage, personal injury, or death.	
--	----------------	---	--

DOWNFLOW KITS

DFK-B	DFK-C	DFK-D
DMVE24BP1400	DMVE36CP1400	DMVE48DP1400
		DMVE60DP1400

DRAIN PORT PLUG

Kit Number	Description	Application
DPK1	Side Drain Port Plug	All Models

CONDENSATE MANAGEMENT KITS*

CMK0008	CMK0009	CMK0010	CMK0011
DMVE24BP1400	DMVE36CP1400	DMVE48DP1400	DMVE60DP1400

*For Horizontal application only.

MERV 15 AIR CLEANERS

CHASSIS	DAIKIN PREMIUM AIR CLEANER	FILTER SIZE	REPLACEMENT FILTER PART #
B	DV15-2117-AB	21"x17"	0160M00013
C	DV15-2121-AC	21"x21"	0160M00014
D	DV15-2124-AD	21"x24"	0160M00015

PERMANENT 1" FILTERS

CHASSIS	PART#	SIZE
B	ALFH16201E	16.0" x 20.0"
C	ALFH1912201E	19.5" x 20.0"
D	ALFH20231E	23.0" x 20.0"

SINGLE POINT KIT **

MODEL	HKR-15C	HKR-20C	HKR-21C
SPW-01			

** Must be installed along with any of the above compatible heat kits. This kit will fit any DMVE air handler as long as a compatible heat kit is installed in the unit.

15" SINGLE LAMP UV COIL PURIFIER

MODEL	LAMP	POWER MOD	REM CORD
UC18S15-24	UCP-16013	UCP-16015	UCP-16016
UC18S15-24B	UCP-16012	UCP-16014	UCP-16016

