

*SINGLE-STAGE, MULTI-SPEED
ECM GAS FURNACE
UP TO 92% AFUE
HEATING INPUT: 40,000–120,000 BTU/H*



■ **Contents**

Nomenclature.....	2
Product Specifications.....	3
Dimensions.....	4
Airflow Specifications.....	5
Wiring Diagram.....	9
Accessories.....	10

■ **Standard Features**

- Heavy-duty stainless-steel tubular heat exchanger
- Stainless-steel secondary heat exchanger
- Single-stage gas valve
- Durable Silicon Nitride igniter
- Multi-speed ECM blower motor
- Quiet single-speed induced draft blower
- Self-diagnostic control board
- Can no longer be installed in California's South Coast Air Quality Management District (SCAQMD) on or after October 1, 2019
- AHRI Certified; ETL Listed

■ **Cabinet Features**

- Designed for multi-position installation:
DM92SE: Upflow, horizontal left or right
- Certified for direct vent (2-pipe) or non-direct vent (1-pipe)
- Easy-to-install top venting with optional side venting
- Convenient left or right connection for gas and electrical service
- Cabinet air leakage ($Q_{Leak} \leq 2\%$)
- Heavy-gauge steel cabinet with durable finish
- Foil-faced insulated heat exchanger cabinet
- Airtight solid bottom or side return with easy-cut tabs for effortless removal in bottom air-inlet applications



* Complete warranty details available from your local dealer or at www.daikincomfort.com. To receive the Lifetime Heat Exchanger Limited Warranty (good for as long as you own your home), the 6-Year Unit Replacement Limited Warranty and the 12-Year Parts Limited Warranty, online registration must be completed within 60 days of installation. Additional requirements for annual maintenance are required for the Unit Replacement Limited Warranty. Online registration and some of the additional requirements are not required in California or Quebec.

	DM92SE 0403AN	DM92SE 0603BN	DM92SE 0803BN	DM92SE 0804CN	DM92SE 0805CN	DM92SE 1004CN	DM92SE 1005CN	DM92SE 1205DN
HEATING DATA								
High Fire Input ¹	40,000	60,000	80,000	80,000	80,000	100,000	100,000	120,000
High Fire Output ¹	36,800	55,200	73,600	73,600	73,600	92,000	92,000	110,400
AFUE ²	92	92	92	92	92	92	92	92
Temperature Rise Range (°F)	30-60	35-65	35-65	35-65	25-55	35-65	35-65	35-65
Vent Diameter ³	2" - 3"	2" - 3"	2" - 3"	2" - 3"	2" - 3"	2" - 3"	2" - 3"	3"
NO. OF BURNERS	2	3	4	4	4	5	5	6
CIRCULATOR BLOWER								
Available AC @ 0.5" ESP	1.5 - 3	1.5 - 3	1.5 - 3	3 - 5	3 - 5	3 - 5	3 - 5	3 - 5
Size (D x W)	10" x 8"	10" x 8"	10" x 8"	10" x 10"	11" x 10"	10" x 10"	11" x 10"	11" x 11"
Horsepower @ 1075 RPM	½	½	½	¾	1	¾	1	1
No. of Speeds	5	5	5	5	5	5	5	5
ELECTRICAL DATA								
Min. Circuit Ampacity ⁴	10.3	10.3	10.3	14.1	16.93	14.1	16.93	16.93
Max. Overcurrent Device (amps) ⁵	15	15	15	15	20	15	20	20
SHIPPING WEIGHT (LBS)	111	114	117	139	141	141	142	154

¹ Natural Gas BTU/h; for altitudes 0-4500' above sea level, reduce input rating by 4% for each 1000' above 4500' altitude.

² DOE AFUE based upon Isolated Combustion System (ICS)

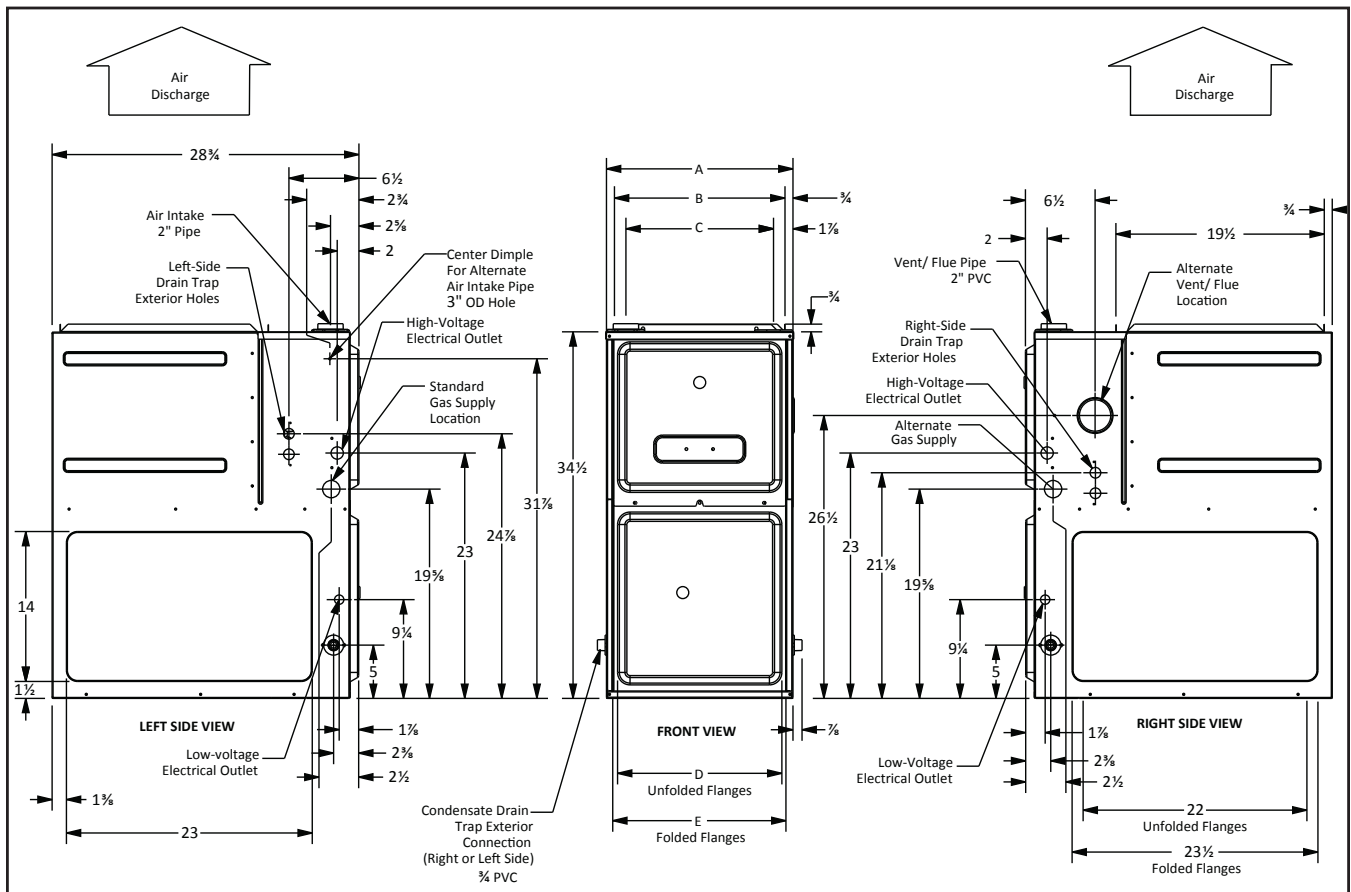
³ Vent and combustion air diameters may vary depending upon vent length. Refer to the latest editions of the National Fuel Gas Code NFPA 54/ANSI Z223.1 (in the USA) and the Canada National Standard of Canada, CAN/CSA B149.1 and CAN/CSA B142.2 (in Canada).

⁴ Minimum Circuit Ampacity = (1.25 x Circulator Blower Amps) + ID Blower amps. Wire size should be determined in accordance with National Electrical Codes. Extensive wire runs will require larger wire sizes.

⁵ Maximum Overcurrent Protection Device refers to maximum recommended fuse or circuit breaker size. May use fuses or HACR-type circuit breakers of the same size as noted.

NOTES

- All furnaces are manufactured for use on 115 VAC, 60 Hz, single-phase electrical supply.
- Gas Service Connection ½" FPT
- Important: Size fuses and wires properly and make electrical connections in accordance with the National Electrical Code and/or all existing local codes.



MODEL	Air Discharge			Air Return	
	A	B	C	D	E
DM92SE0403AN	14"	12 1/2"	10 1/2"	8 5/8"	10 5/8"
DM92SE0603BN	17 1/2"	16"	13 3/8"	12 1/8"	13 3/8"
DM92SE0803BN	17 1/2"	16"	13 3/8"	12 1/8"	13 3/8"
DM92SE0804CN	21"	19 1/2"	17 3/8"	16"	17 1/2"
DM92SE0805CN	21"	19 1/2"	17 3/8"	16"	17 1/2"
DM92SE1004CN	21"	19 1/2"	17 3/8"	16"	17 1/2"
DM92SE1005CN	21"	19 1/2"	17 3/8"	16"	17 1/2"
DM92SE1205DN	24 1/2"	23"	20 3/8"	19 3/8"	20 3/8"

MINIMUM CLEARANCES TO COMBUSTIBLE MATERIALS

POSITION	SIDES	REAR	FRONT	BOTTOM	FLUE	TOP
Upflow	0"	0"	3"	C	0"	1"
Horizontal	6"	0"	3"	C	0"	6"

C = If placed on combustible floor, the floor MUST be wood ONLY.

CFM & TEMPERATURE RISE VS. EXTERNAL STATIC PRESSURE

MODEL	DIP SWITCHES S2-1, S2-2	EXTERNAL STATIC PRESSURE, (INCHES WATER COLUMN)												
		0.1		0.2		0.3		0.4		0.5		0.6	0.7	0.8
		CFM	RISE	CFM	RISE	CFM	RISE	CFM	RISE	CFM	RISE	CFM	CFM	CFM
DM92SE 0403AN	OFF OFF	628	54	582	59	530	N/A	478	N/A	428	N/A	370	319	282
	ON OFF*	806	42	762	45	719	47	676	50	633	54	594	551	506
	ON ON**	927	37	883	39	844	40	808	42	793	43	756	719	680
	OFF ON**	1111	31	1071	32	1033	33	1002	34	971	35	936	905	871
DM92SE 0603BN	OFF OFF	725	N/A	662	N/A	599	N/A	519	N/A	479	N/A	418	348	285
	ON OFF*	1068	48	1018	50	971	53	926	55	880	58	834	789	767
	ON ON	940	54	891	57	836	61	787	65	762	N/A	714	666	619
	OFF ON**	1139	N/A	1089	N/A	1040	N/A	998	N/A	958	N/A	911	870	829
DM92SE 0803BN	OFF OFF	737	92	669	102	609	112	550	124	490	139	425	361	303
	ON OFF*	1223	56	1171	58	1125	61	1081	63	1036	66	987	945	905
	ON ON	983	69	922	74	870	78	818	83	793	86	747	696	645
	OFF ON	1160	59	1112	61	1066	64	1020	67	977	70	933	889	849
DM92SE 0804CN	OFF OFF	795	N/A	721	N/A	646	N/A	580	N/A	507	N/A	399	326	275
	ON OFF*	1417	48	1378	49	1324	51	1284	53	1238	55	1191	1146	1092
	ON ON**	1587	N/A	1541	N/A	1496	N/A	1450	N/A	1411	N/A	1383	1339	1298
	OFF ON**	1794	N/A	1733	N/A	1694	N/A	1661	N/A	1623	N/A	1591	1544	1508
DM92SE 0805CN	OFF OFF	761	N/A	685	N/A	608	N/A	540	N/A	471	N/A	369	302	262
	ON OFF*	1439	47	1395	49	1364	50	1316	52	1270	54	1227	1181	1135
	ON ON**	1596	N/A	1552	N/A	1508	N/A	1467	N/A	1425	N/A	1405	1354	1314
	OFF ON**	1800	N/A	1757	N/A	1716	N/A	1680	N/A	1644	N/A	1605	1570	1528
DM92SE 1004CN	OFF OFF	814	N/A	741	N/A	661	N/A	592	N/A	523	N/A	451	377	306
	ON OFF*	1596	53	1539	55	1485	57	1443	59	1401	61	1372	1325	1280
	ON ON	1434	59	1369	62	1317	65	1273	N/A	1228	N/A	1178	1129	1081
	OFF ON**	1796	N/A	1744	N/A	1691	N/A	1648	N/A	1606	N/A	1568	1533	1493
DM92SE 1005CN	OFF OFF	804	N/A	750	N/A	671	N/A	598	N/A	539	N/A	471	390	322
	ON OFF*	1624	52	1560	55	1508	56	1465	58	1422	60	1389	1338	1295
	ON ON	1440	59	1390	61	1335	64	1288	N/A	1236	N/A	1186	1137	1090
	OFF ON**	1812	N/A	1755	N/A	1708	N/A	1662	N/A	1623	N/A	1585	1548	1507
DM92SE 1205DN	OFF OFF	1250	N/A	1003	N/A	868	N/A	788	N/A	669	N/A	572	488	406
	ON OFF*	2110	48	2058	50	2008	51	1957	52	1906	54	1852	1800	1750
	ON ON	1536	N/A	1462	N/A	1408	N/A	1335	N/A	1258	N/A	1185	1109	1026
	OFF ON	1884	54	1821	56	1757	58	1698	60	1628	63	1550	1492	1422

¹ at 0.5" ESP

NOTES

- CFM in chart is without filter(s). Filters do not ship with this furnace, but must be provided by the installer. If the furnace requires two return filters, this chart assumes both filters are installed.
- All furnaces ship as high-speed cooling and medium-speed heating. Installer must adjust blower cooling & heating speed as needed.
- For most jobs, about 400 CFM per ton when cooling is desirable.
- INSTALLATION IS TO BE ADJUSTED TO OBTAIN TEMPERATURE RISE WITHIN THE RANGE SPECIFIED ON THE RATING PLATE.
- This chart is for information only. For satisfactory operation, external static pressure should not exceed value shown on the rating plate. The shaded area indicates ranges in excess of maximum static pressure allowed when heating.
- The above chart is for U.S. furnaces installed at 0-2000 feet. At higher altitudes, a properly derated unit will have approximately the same temperature rise at a particular CFM, while ESP at the CFM will be lower.

MINIMUM FILTER SIZES

	DM92SE 0403BN	DM92SE 0603BN	DM92SE 0803BN	DM92SE 0804CN	DM92SE 0805CN	DM92SE 1004CN	DM92SE 1005CN	DM92SE 1205DN
Filter Size (in ²) (Qty)	(1) 16 x 25 (side or bottom)				(1) 20 x 25 (bottom) or (2) 16 x 25 (side)	(1) 16 x 25 (side or bottom)	(1) 20 x 25 (bottom) or (2) 16 x 25 (side)	

Note: Other size filters of equal or greater dimensions may be used. Filters may also be centrally located.

CIRCULATION AIRFLOW DATA

MODEL	DIP SWITCHES S2-3, S2-4	EXTERNAL STATIC PRESSURE, (INCHES WATER COLUMN)									
		0.1	0.2	0.3	0.4	0.5	0.6	0.7	0.8	0.9	1
		CFM	CFM	CFM	CFM	CFM	CFM	CFM	CFM	CFM	CFM
DM92SE 0403AN	OFF OFF	628	582	530	478	428	370	319	282	239	201
	ON OFF*	806	762	719	676	633	594	551	506	463	418
	ON ON**	1111	1071	1033	1002	971	936	905	871	839	807
	OFF ON**	1359	1322	1290	1258	1229	1203	1176	1148	1122	1095
DM92SE 0603BN	OFF OFF	725	662	599	519	479	418	348	285	239	207
	ON OFF*	1068	1018	971	926	880	834	789	767	725	679
	ON ON	1139	1089	1040	998	958	911	870	829	806	771
	OFF ON**	1378	1337	1301	1264	1223	1188	1150	1113	1073	971
DM92SE 0803BN	OFF OFF	737	669	609	550	490	425	361	303	251	208
	ON OFF*	1223	1171	1125	1081	1036	987	945	905	859	838
	ON ON	1160	1112	1066	1020	977	933	889	849	824	780
	OFF ON	1431	1394	1358	1322	1281	1241	1204	1163	1131	1098
DM92SE 0804CN	OFF OFF	795	721	646	580	507	399	326	275	235	207
	ON OFF*	1417	1378	1324	1284	1238	1191	1146	1092	1055	1010
	ON ON**	1794	1733	1694	1661	1623	1591	1544	1508	1469	1426
	OFF ON**	1819	1771	1727	1689	1653	1615	1574	1538	1497	1465
DM92SE 0805CN	OFF OFF	761	685	608	540	471	369	302	262	224	187
	ON OFF*	1439	1395	1364	1316	1270	1227	1181	1135	1093	1051
	ON ON**	1800	1757	1716	1680	1644	1605	1570	1528	1488	1450
	OFF ON**	2186	2148	2113	2082	2016	2005	1981	1952	1936	1903
DM92SE 1004CN	OFF OFF	814	741	661	592	523	451	377	306	272	215
	ON OFF*	1596	1539	1485	1443	1401	1372	1325	1280	1241	1192
	ON ON	1796	1744	1691	1648	1606	1568	1533	1493	1445	1409
	OFF ON**	1833	1772	1724	1677	1636	1601	1563	1521	1484	1441
DM92SE 1005CN	OFF OFF	804	750	671	598	539	471	390	322	276	221
	ON OFF*	1624	1560	1508	1465	1422	1389	1338	1295	1253	1211
	ON ON	1812	1755	1708	1662	1623	1585	1548	1507	1466	1425
	OFF ON**	2223	2176	2127	2084	2046	2014	1993	1977	1948	1913
DM92SE 1205DN	OFF OFF	1250	1003	868	788	669	572	488	406	330	236
	ON OFF*	2110	2058	2008	1957	1906	1852	1800	1750	1697	1646
	ON ON	1884	1821	1757	1698	1628	1550	1492	1422	1375	1305
	OFF ON	2233	2177	2129	2085	2036	1981	1928	1881	1833	1783

¹ at 0.5" ESP

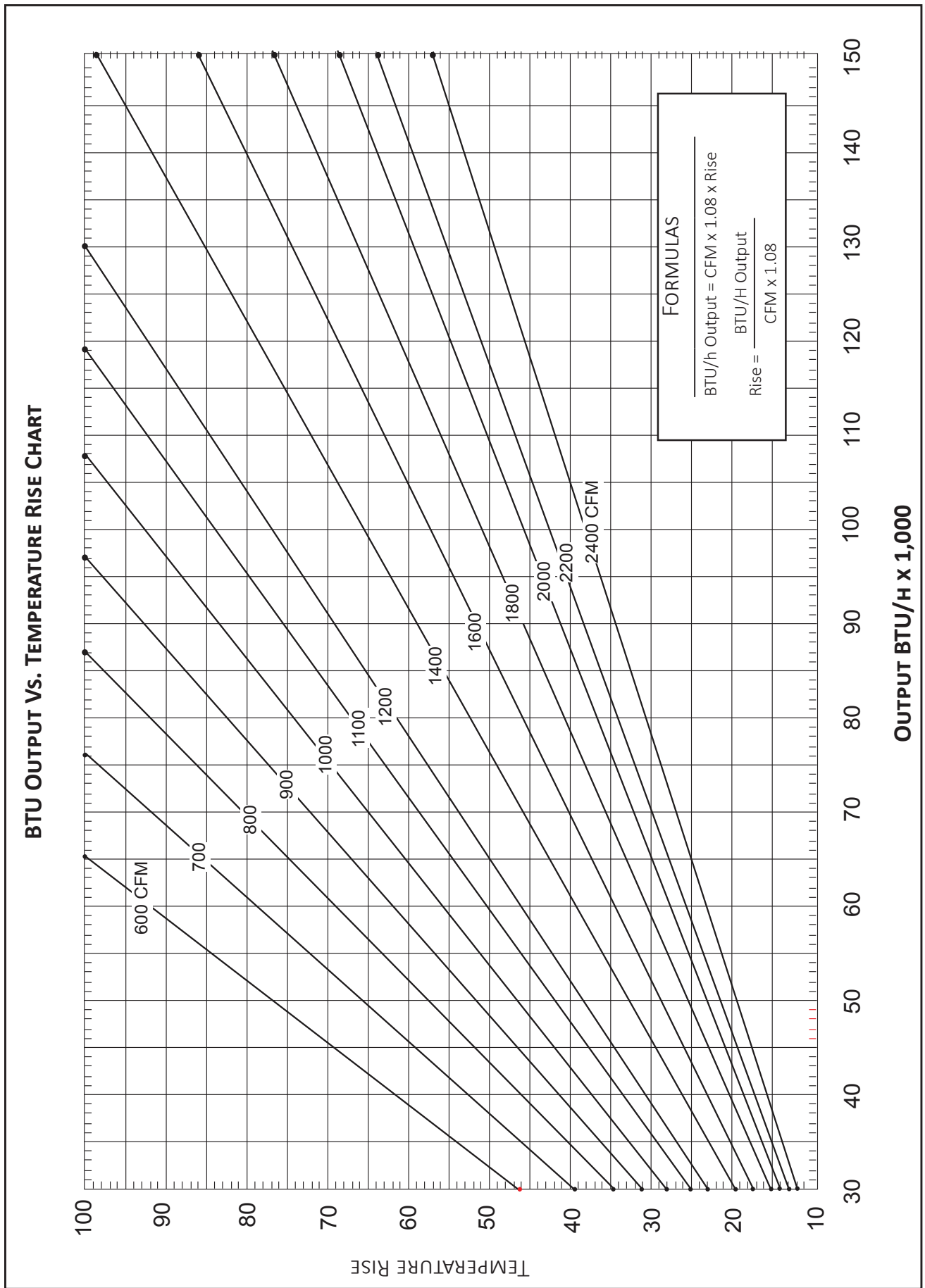
NOTES

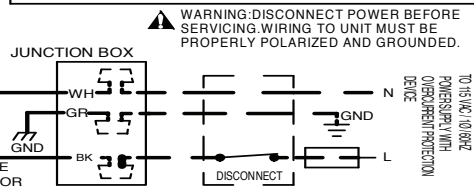
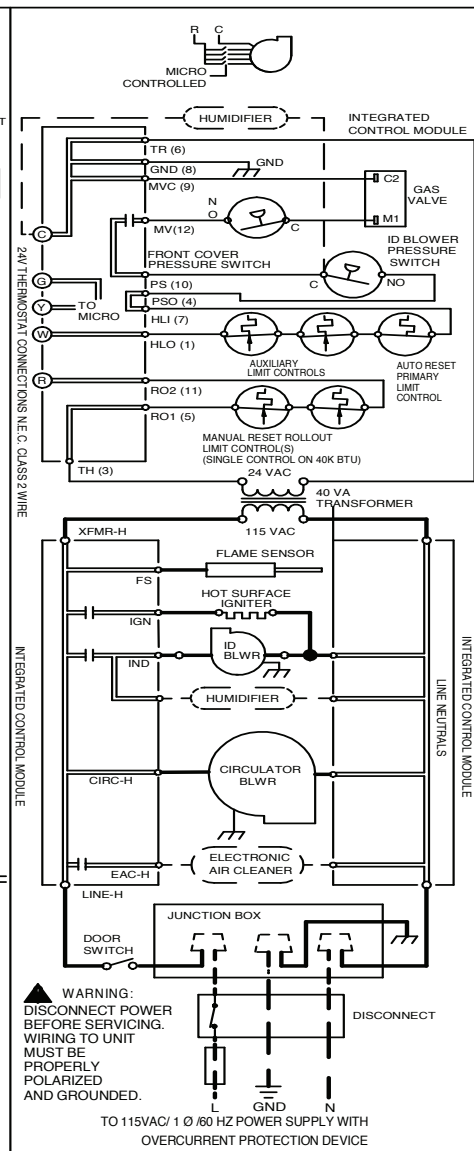
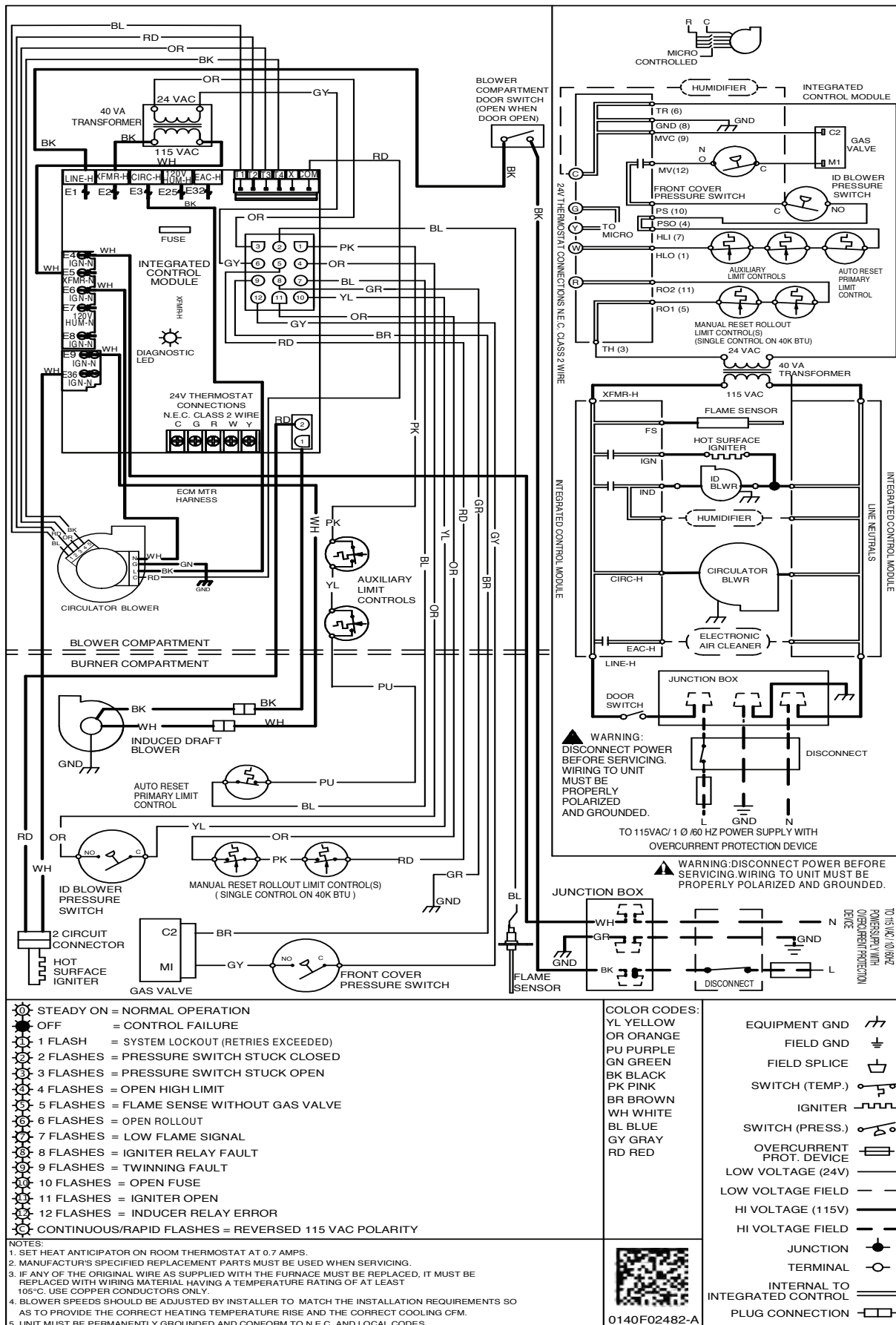
- CFM in chart is without filter(s). Filters do not ship with this furnace, but must be provided by the installer. If the furnace requires two return filters, this chart assumes both filters are installed.
- All furnaces ship as high-speed cooling and medium-speed heating. Installer must adjust blower cooling & heating speed as needed.
- For most jobs, about 400 CFM per ton when cooling is desirable.
- INSTALLATION IS TO BE ADJUSTED TO OBTAIN TEMPERATURE RISE WITHIN THE RANGE SPECIFIED ON THE RATING PLATE.
- This chart is for information only. For satisfactory operation, external static pressure should not exceed value shown on the rating plate. The shaded area indicates ranges in excess of maximum static pressure allowed when heating.
- The above chart is for U.S. furnaces installed at 0-2000 feet. At higher altitudes, a properly derated unit will have approximately the same temperature rise at a particular CFM, while ESP at the CFM will be lower.

COOLING AIRFLOW DATA

MODEL	DIP SWITCHES S1-1, S1-2, S1-3	EXTERNAL STATIC PRESSURE, (INCHES WATER COLUMN)									
		0.1	0.2	0.3	0.4	0.5	0.6	0.7	0.8	0.9	1
		CFM	CFM	CFM	CFM	CFM	CFM	CFM	CFM	CFM	CFM
DM92SE 0403AN	OFF OFF OFF	628	582	530	478	428	370	319	282	239	201
	OFF ON ON	628	582	530	478	428	370	319	282	239	201
	ON OFF ON	628	582	530	478	428	370	319	282	239	201
	ON ON ON	628	582	530	478	428	370	319	282	239	201
	ON OFF OFF	806	762	719	676	633	594	551	506	463	418
	ON ON OFF	927	883	844	808	793	756	719	680	646	605
	OFF ON OFF	1111	1071	1033	1002	971	936	905	871	839	807
	OFF OFF ON*	1359	1322	1290	1258	1229	1203	1176	1148	1122	1095
DM92SE 0603BN	OFF OFF OFF	725	662	599	519	479	418	348	285	239	207
	OFF ON ON	725	662	599	519	479	418	348	285	239	207
	ON OFF ON	725	662	599	519	479	418	348	285	239	207
	ON ON ON	725	662	599	519	479	418	348	285	239	207
	ON OFF OFF	1068	1018	971	926	880	834	789	767	725	679
	ON ON OFF	940	891	836	787	762	714	666	619	570	520
	OFF ON OFF	1139	1089	1040	998	958	911	870	829	806	771
	OFF OFF ON*	1378	1337	1301	1264	1223	1188	1150	1113	1073	971
DM92SE 0803BN	OFF OFF OFF	737	669	609	550	490	425	361	303	251	208
	OFF ON ON	737	669	609	550	490	425	361	303	251	208
	ON OFF ON	737	669	609	550	490	425	361	303	251	208
	ON ON ON	737	669	609	550	490	425	361	303	251	208
	ON OFF OFF	1223	1171	1125	1081	1036	987	945	905	859	838
	ON ON OFF	983	922	870	818	793	747	696	645	598	546
	OFF ON OFF	1160	1112	1066	1020	977	933	889	849	824	780
	OFF OFF ON*	1431	1394	1358	1322	1281	1241	1204	1163	1131	1098
DM92SE 0804CN	OFF OFF OFF	795	721	646	580	507	399	326	275	235	207
	OFF ON ON	795	721	646	580	507	399	326	275	235	207
	ON OFF ON	795	721	646	580	507	399	326	275	235	207
	ON ON ON	795	721	646	580	507	399	326	275	235	207
	ON OFF OFF	1417	1378	1324	1284	1238	1191	1146	1092	1055	1010
	ON ON OFF	1587	1541	1496	1450	1411	1383	1339	1298	1261	1215
	OFF ON OFF	1794	1733	1694	1661	1623	1591	1544	1508	1469	1426
	OFF OFF ON*	1819	1771	1727	1689	1653	1615	1574	1538	1497	1465
DM92SE 0805CN	OFF OFF OFF	761	685	608	540	471	369	302	262	224	187
	OFF ON ON	761	685	608	540	471	369	302	262	224	187
	ON OFF ON	761	685	608	540	471	369	302	262	224	187
	ON ON ON	761	685	608	540	471	369	302	262	224	187
	ON OFF OFF	1439	1395	1364	1316	1270	1227	1181	1135	1093	1051
	ON ON OFF	1596	1552	1508	1467	1425	1405	1354	1314	1272	1237
	OFF ON OFF	1800	1757	1716	1680	1644	1605	1570	1528	1488	1450
	OFF OFF ON*	2186	2148	2113	2082	2016	2005	1981	1952	1936	1903
DM92SE 1004CN	OFF OFF OFF	814	741	661	592	523	451	377	306	272	215
	OFF ON ON	814	741	661	592	523	451	377	306	272	215
	ON OFF ON	814	741	661	592	523	451	377	306	272	215
	ON ON ON	814	741	661	592	523	451	377	306	272	215
	ON OFF OFF	1596	1539	1485	1443	1401	1372	1325	1280	1241	1192
	ON ON OFF	1434	1369	1317	1273	1228	1178	1129	1081	1030	983
	OFF ON OFF	1796	1744	1691	1648	1606	1568	1533	1493	1445	1409
	OFF OFF ON*	1833	1772	1724	1677	1636	1601	1563	1521	1484	1441
DM92SE 1005CN	OFF OFF OFF	804	750	671	598	539	471	390	322	276	221
	OFF ON ON	804	750	671	598	539	471	390	322	276	221
	ON OFF ON	804	750	671	598	539	471	390	322	276	221
	ON ON ON	804	750	671	598	539	471	390	322	276	221
	ON OFF OFF	1624	1560	1508	1465	1422	1389	1338	1295	1253	1211
	ON ON OFF	1440	1390	1335	1288	1236	1186	1137	1090	1042	999
	OFF ON OFF	1812	1755	1708	1662	1623	1585	1548	1507	1466	1425
	OFF OFF ON*	2223	2176	2127	2084	2046	2014	1993	1977	1948	1913
DM92SE 1205DN	OFF OFF OFF	1250	1003	868	788	669	572	488	406	330	236
	OFF ON ON	1250	1003	868	788	669	572	488	406	330	236
	ON OFF ON	1250	1003	868	788	669	572	488	406	330	236
	ON ON ON	1250	1003	868	788	669	572	488	406	330	236
	ON OFF OFF	2110	2058	2008	1957	1906	1852	1800	1750	1697	1646
	ON ON OFF	1536	1462	1408	1335	1258	1185	1109	1026	941	853
	OFF ON OFF	1884	1821	1757	1698	1628	1550	1492	1422	1375	1305
	OFF OFF ON*	2233	2177	2129	2085	2036	1981	1928	1881	1833	1783

See notes page 6





- ⊗ STEADY ON = NORMAL OPERATION
- ⊗ OFF = CONTROL FAILURE
- 1 FLASH = SYSTEM LOCKOUT (RETRIES EXCEEDED)
- 2 FLASHES = PRESSURE SWITCH STUCK CLOSED
- 3 FLASHES = PRESSURE SWITCH STUCK OPEN
- 4 FLASHES = OPEN HIGH LIMIT
- 5 FLASHES = FLAME SENSE WITHOUT GAS VALVE
- 6 FLASHES = OPEN ROLLOUT
- 7 FLASHES = LOW FLAME SIGNAL
- 8 FLASHES = IGNITER RELAY FAULT
- 9 FLASHES = TWINNING FAULT
- 10 FLASHES = OPEN FUSE
- 11 FLASHES = IGNITER OPEN
- 12 FLASHES = INDUCER RELAY ERROR
- ⊗ CONTINUOUS/RAPID FLASHES = REVERSED 115 VAC POLARITY

NOTES:
 1. SET HEAT ANTICIPATOR ON ROOM THERMOSTAT AT 0.7 AMPS.
 2. MANUFACTURER'S SPECIFIED REPLACEMENT PARTS MUST BE USED WHEN SERVICING.
 3. IF ANY OF THE ORIGINAL WIRE AS SUPPLIED WITH THE FURNACE MUST BE REPLACED, IT MUST BE REPLACED WITH WIRING MATERIAL HAVING A TEMPERATURE RATING OF AT LEAST 105°C. USE COPPER CONDUCTORS ONLY.
 4. BLOWER SPEEDS SHOULD BE ADJUSTED BY INSTALLER TO MATCH THE INSTALLATION REQUIREMENTS SO AS TO PROVIDE THE CORRECT HEATING TEMPERATURE RISE AND THE CORRECT COOLING CFM.
 5. UNIT MUST BE PERMANENTLY GROUNDING AND CONFORM TO N.E.C. AND LOCAL CODES.

- COLOR CODES:
 YL YELLOW
 OR ORANGE
 PU PURPLE
 GN GREEN
 BK BLACK
 PK PINK
 BR BROWN
 WH WHITE
 BL BLUE
 GY GRAY
 RD RED

- EQUIPMENT GND
- FIELD GND
- FIELD SPLICE
- SWITCH (TEMP.)
- IGNITER
- SWITCH (PRESS.)
- OVERCURRENT PROT. DEVICE
- LOW VOLTAGE (24V)
- LOW VOLTAGE FIELD
- HI VOLTAGE (115V)
- HI VOLTAGE FIELD
- JUNCTION
- TERMINAL
- INTERNAL TO INTEGRATED CONTROL
- PLUG CONNECTION



High Voltage: Disconnect all power before servicing or installing this unit. Multiple power sources may be present. Failure to do so may cause property damage, personal injury, or death.
WARNING

Wiring is subject to change. Always refer to the wiring diagram on the unit for the most up-to-date wiring.

MODEL	DESCRIPTION	DM92SE 0403BN	DM92SE 0603BN	DM92SE 0803BN	DM92SE 0804CN	DM92SE 0805CN	DM92SE 1004CN	DM92SE 1005CN	DM92SE 1205DN
CVENT-2	Concentric Vent Kit (2")	√	√	√	√	√	√	√	---
CVENT-3	Concentric Vent Kit (3")	√	√	√	√	√	√	√	√
CFSB17	Downflow Sub-Base 17.5"	---	---	---	---	---	---	---	---
CFSB21	Downflow Sub-Base 21"	---	---	---	---	---	---	---	---
CFSB24	Downflow Sub-Base 24"	---	---	---	---	---	---	---	---
RF000142	Drain Kit -Horizontal Left Vertical Flue	√	√	√	√	√	√	√	√
EFRO2	External Filter Rack with 16"x25" Permanent Filter	√	√	√	√	---	√	---	---
0170K00000S	Flush Mount Vent Kit - 3" or 2"	√	√	√	√	√	√	√	√
0170K00001S	Flush Mount Vent Kit - 2"	√	√	√	√	√	√	√	---
AFE18-60A	Fossil Fuel (Dual Fuel) Kit	√	√	√	√	√	√	√	√
HASFK	High-Altitude Natural Gas Kit	HASFK-4	HASFK-4	HASFK-4	HASFK-4	HASFK-4	HASFK-4	HASFK-4	HASFK-4
HASFK	High-Altitude LP Gas Kit	HASFK-4	HASFK-4	HASFK-5	HASFK-4	HASFK-4	HASFK-4	HASFK-5	HASFK-4
LPLP03	Low LP Gas Pressure Switch	√	√	√	√	√	√	√	√
LPM-07	LP Conversion Kits	√	√	√	√	√	√	√	√
TK-400	Twinning Kit	√	√	√	√	√	√	√	√

NOTES

- √ Indicates available for this model
- ¹ Indicates 7,001' to 9,000' altitude
- ² Indicates 9,001' to 11,000' altitude
- ³ Indicates 7,001' to 11,000' altitude
- All installations above 7,000' require a pressure switch change.
- For installation in Canada, gas furnaces are certified only to 4,500'.

