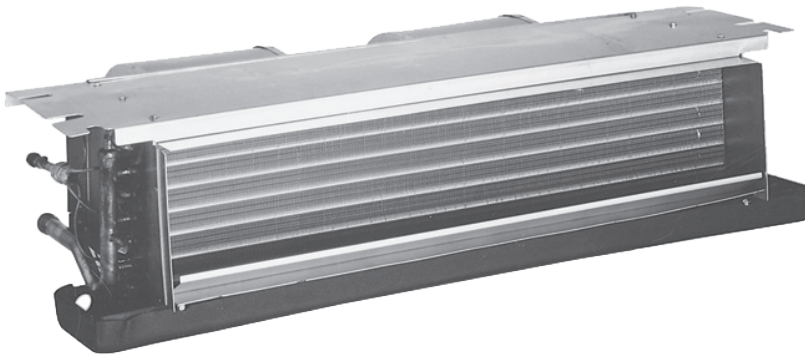


CEILING-MOUNTED AIR HANDLERS 1½ TO 2½ TONS



■ Contents

Nomenclature	2
Product Specifications	3
Dimensions	4
Airflow Data	5
Heat Kit Data.....	5
Wiring Diagram	6
Accessories	7

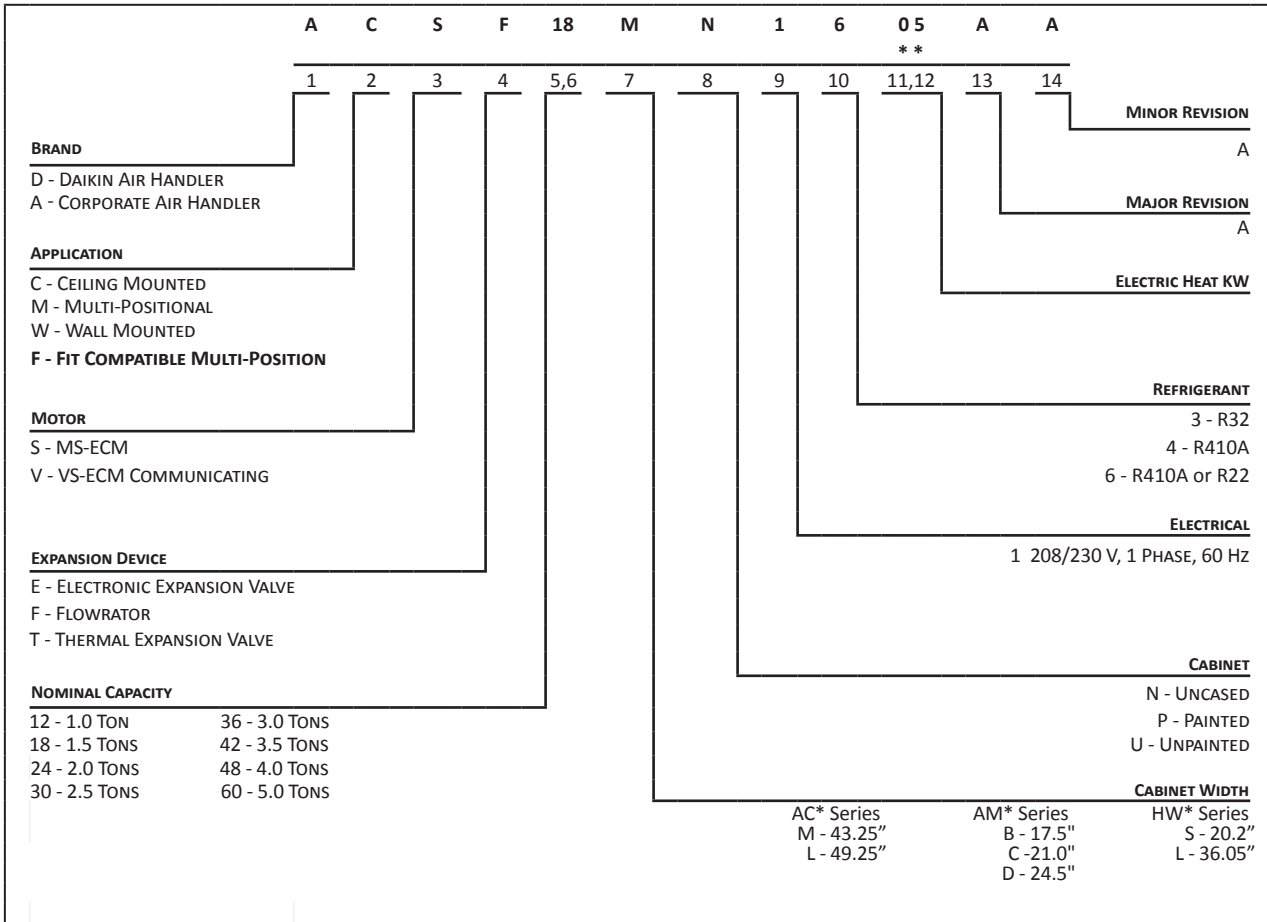
■ Product Features

- All-Aluminum tube/aluminum fin coil
- Direct-drive, resilient-mount, multi-speed motor
- Sequence-controlled and rust-resistant nickel chromium heating elements of 5, 6, 8 and 10 kW
- High-efficiency evaporator coil
- Quiet operation
- AHRI Certified; ETL Listed
- Primary/secondary drain connection in a high-temperature plastic drain pan
- Suitable for free-return installation (non-ducted return air)
- Galvanized-steel construction
- Factory-installed pull-type disconnect
- Easy service access



* Complete warranty details available from your local dealer or at www.daikincomfort.com. To receive the 12-Year Parts Limited Warranty, online registration must be completed within 60 days of installation. Online registration is not required in California or Québec. The duration of warranty coverage in Texas and Florida differs in some cases.

NOMENCLATURE

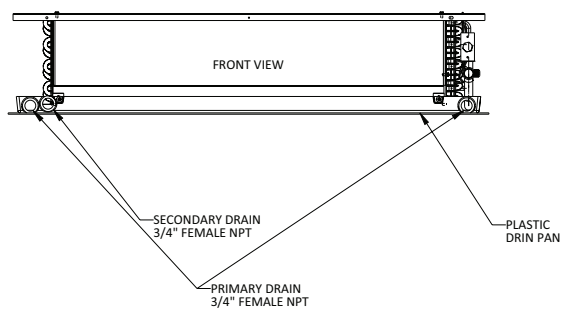
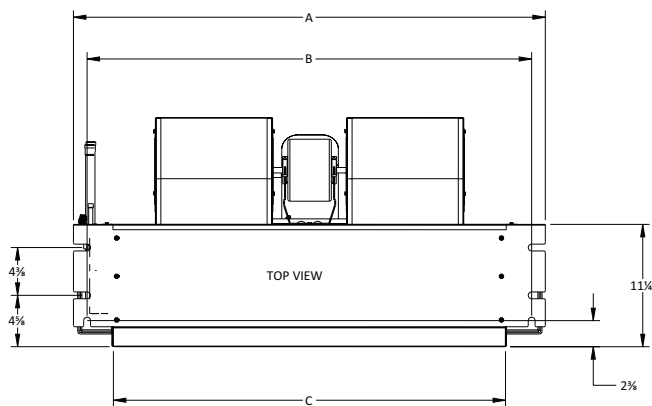
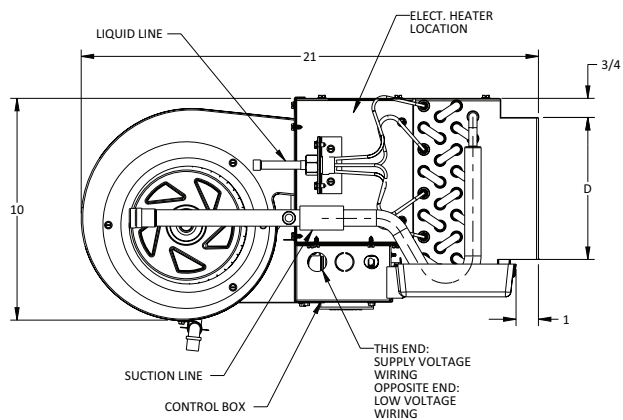


	ACSF18MN1 605AA	ACSF18MN1 608AA	ACSF24LN1 605AA	ACSF24LN1 606AA	ACSF24LN1 608AA	ACSF24LN1 610AA	ACSF30LN1 605AA	ACSF30LN1 606AA	ACSF30LN1 608AA	ACSF30LN1 610AA
NOMINAL RATINGS										
Cooling (BTU/h)	18,000	18,000	24,000	24,000	24,000	24,000	30,000	30,000	30,000	30,000
BLOWER										
Diameter	6.3	6.3	6.7	6.7	6.7	6.7	6.7	6.7	6.7	6.7
Width	8.06	8.06	8.06	8.06	8.06	8.06	8.06	8.06	8.06	8.06
Coil Drain Connect FPT	¾"	¾"	¾"	¾"	¾"	¾"	¾"	¾"	¾"	¾"
BLOWER MOTOR										
FLA	2	2	2	2	2	2	2	2	2	2
HP	1/4	1/4	1/4	1/4	1/4	1/4	1/4	1/4	1/4	1/4
REFRIGERANT LINE CONNECTION SIZE										
Liquid	¾"	¾"	¾"	¾"	¾"	¾"	¾"	¾"	¾"	¾"
Suction	¾"	¾"	¾"	¾"	¾"	¾"	¾"	¾"	¾"	¾"
ELECTRICAL DATA										
Voltage	208/230	208/230	208/230	208/230	208/230	208/230	208/230	208/230	208/230	208/230
Min Circuit Ampacity @ 230V	28.5	44	28.5	34	44	54.6	28.5	34	44	54.6
Min Circuit Ampacity @ 208V	25	38.6	25	29.6	38.6	48.0	25	29.6	38.6	48
Max. Overcurrent Device @ 230V	30	45	30	35	45	60	30	35	45	60
Max. Overcurrent Device @ 208V	30	40	30	30	40	50	30	30	40	50
Minimum Voltage VAC	197	197	197	197	197	197	197	197	197	197
Maximum Voltage VAC	253	253	253	253	253	253	253	253	253	253
ELECTRIC HEAT										
kW @ 230 Volts	5.0	8.0	5.0	6.0	8.0	10.0	5.0	6.0	8.0	10.0
BTU/h @ 230 Volts	15600.0	25000.0	15600.0	18800.0	25000.0	31300.0	15600.0	18800.0	25000.0	31300.0
SHIP WEIGHT (LBS)	69	69	79	79	79	79	79	79	79	79

NOTES

- For the rated performance a Thermal Expansion Valve (TXV) is required.
- When the room thermostat calls for second stage heat, the first stage (heat pump) operation must be locked out. When matching the "AC" unit with a heat pump, order "HEAT PUMP SHUT OFF KIT HPSK-01."

DIMENSIONS



	ACSF18	ACSF24	ACSF30
A	43 3/4"	49 3/4"	49 3/4"
B	40 3/4"	46 3/4"	46 3/4"
C	36"	42"	42"
D	6 1/2"	6 1/2"	6 1/2"

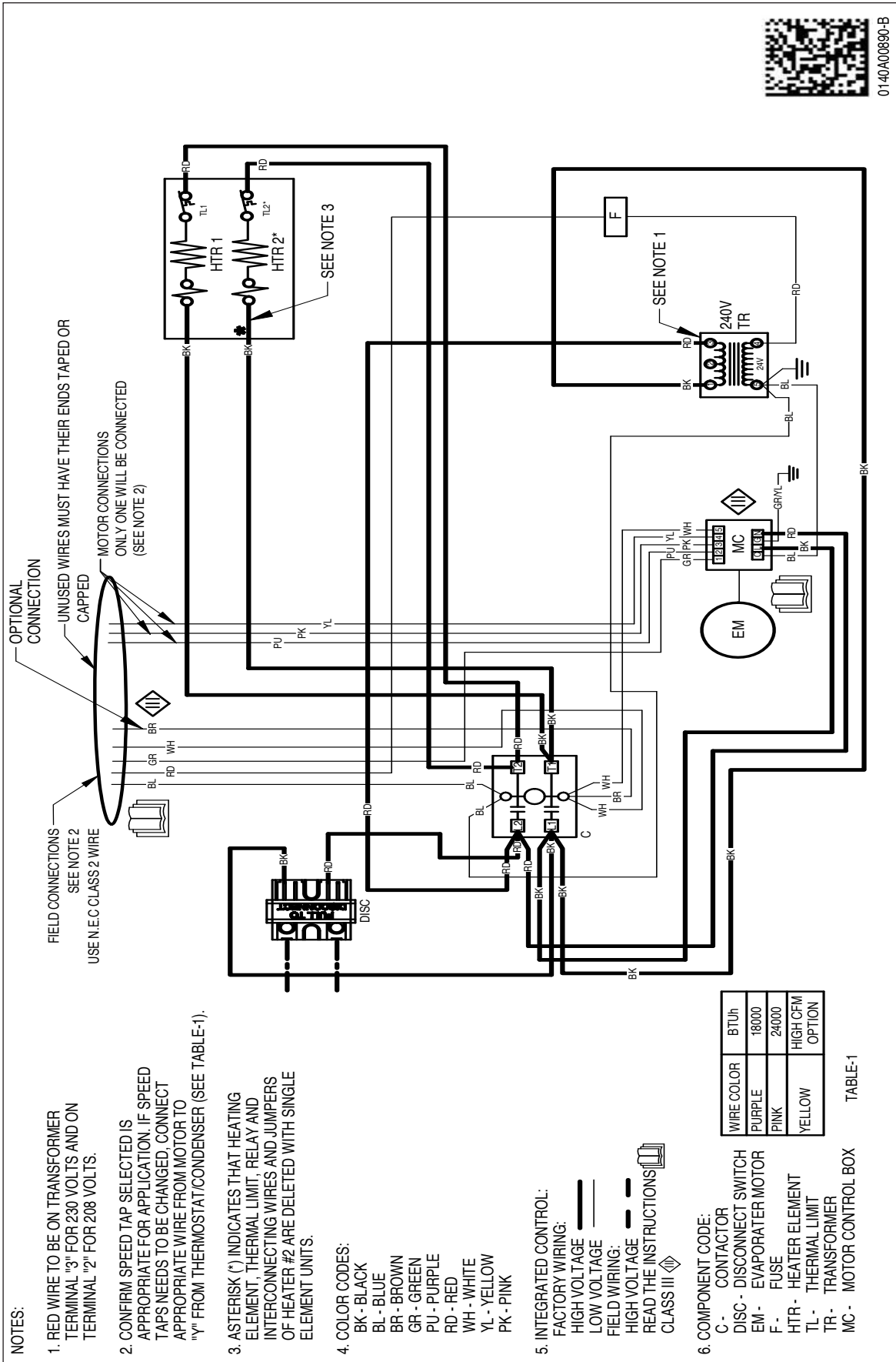
MODEL	MOTOR SPEED	AIRFLOW RATE DELIVERED AGAINST EXTERNAL STATIC PRESSURE, (CFM)				
		0.1"	0.2"	0.3"	0.4"	0.5"
ACSF18MN16**AA	T1	698	645	577	535	473
	T2	698	645	577	535	473
	T3	710	677	625	577	535
	T4	842	805	746	693	628
	T5	842	805	746	693	628
ACSF24LN16**AA ACSF30LN16**AA	T1	781	732	668	613	538
	T2	781	732	668	613	538
	T3	856	804	755	698	644
	T4	927	877	833	788	728
	T5	927	877	833	788	728

Note: Airflow data indicated is at 230 V with no filter in place.

HEATING CAPACITY/kW CORRECTION FACTOR

SUPPLY VOLTAGE	240	230	220	210	208
CORRECTION FACTOR	1.08	1.00	0.92	0.84	0.82

(Multiply the 230-volt capacity by factors)



NOTES:

1. RED WIRE TO BE ON TRANSFORMER TERMINAL "3" FOR 230 VOLTS AND ON TERMINAL "2" FOR 208 VOLTS.
2. CONFIRM SPEED TAP SELECTED IS APPROPRIATE FOR APPLICATION. IF SPEED TAPS NEEDS TO BE CHANGED, CONNECT APPROPRIATE WIRE FROM MOTOR TO "M" FROM THERMOSTAT/CONDENSER (SEE TABLE-1).
3. ASTERISK (*) INDICATES THAT HEATING ELEMENT, THERMAL LIMIT, RELAY AND INTERCONNECTING WIRES AND JUMPERS OF HEATER #2 ARE DELETED WITH SINGLE ELEMENT UNITS.
4. COLOR CODES:
BK - BLACK
BL - BLUE
BR - BROWN
GR - GREEN
PU - PURPLE
RD - RED
WH - WHITE
YL - YELLOW
PK - PINK
5. INTEGRATED CONTROL:
FACTORY WIRING:
HIGH VOLTAGE
LOW VOLTAGE
FIELD WIRING:
HIGH VOLTAGE
LOW VOLTAGE
READ THE INSTRUCTIONS CLASS III

6. COMPONENT CODE:

WIRE COLOR	BTUh
PURPLE	18000
PINK	24000
YELLOW	HIGH CFM OPTION

TABLE-1

Wiring is subject to change. Always refer to the wiring diagram on the unit for the most up-to-date wiring.

WARNING

High Voltage: Disconnect all power before servicing or installing this unit. Multiple power sources may be present. Failure to do so may cause property damage, personal injury, or death.

MODEL	DESCRIPTION
HPSK-01	Heat Pump Shut-off Relay Kit
LOUVERED CEILING ACCESS PANELS	
CAP-2/ 2L	ACSF18
CAP-3/ 3L	ACSF24/30

