

# PRPAC14

## PRODUCT SPECIFICATIONS

## 14 SEER ELECTRIC/ELECTRIC PACKAGED UNIT

FORM NO. PRPAC14-100 (08/2022)

### REFRIGERANT SYSTEM

- Environmentally friendly R410A refrigerant
- Copper tubing with enhanced fin coils
- Internal service gauge ports
- Sleeved distributor tubes
- Antimicrobial insulated drain pan
- High and Low Threaded pressure switches for system protection

### CABINET CONSTRUCTION

- Heavy-gauge galvanized steel base rails with rigging holes
- Rounded corners for safety and an attractive, clean appearance
- One piece base design for strength and stability
- Condensate and coil runoff drains to the perimeter of the unit
- Horizontal and downflow duct openings are flanged to minimize water entry
- Low profile, with compact footprint
- Insulation to minimize heat loss plus reduce sound
- Textured pre-painted steel cabinet finish
- Superior service access to components
- Louvered coil guard protection
- One piece “no leak” top design

### BLOWER

- Insulated compartment to reduce sound
- Efficient constant torque motor for wide airflow range
- Slide out blower housing for easy service

### INSTALLATION

- Horizontal or down discharge capable
- Horizontal and downflow duct covers provided with unit for installation flexibility
- Drain pan float switch monitors condensate level in drain pan and shuts down unit if drain becomes clogged
- Utility connections on “right side”
- Kits enable bottom gas and power entry through base pan
- Seismic Certification (with Seismic Strapping Kit applied): Latest Edition of International Building Code, California Building Code, and ASCE 7-16

### ACCESSORIES

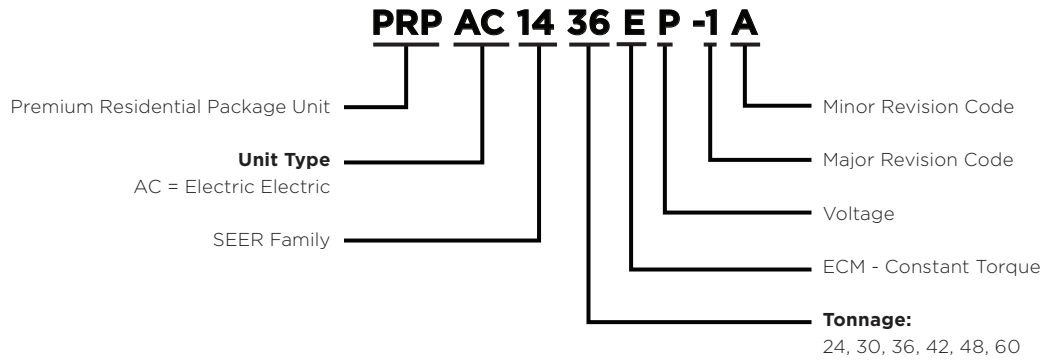
- Clip roof curbs and adjustable pitch roof curbs available
- Internal filter kits
- Electric strip heat with optional single point power entry (side entry only)
- Duct adapters
- Closure kit for base rail openings



### WARRANTY

10 year limited parts and compressor warranty. See limited warranty document for details.

## MODEL NUMBER GUIDE



## ELECTRICAL AND PHYSICAL DATA

Model	Voltage	Phase	Hz	Min Volts @ 60 hz	MCA	Max Fuse/HACR Breaker	Compressor		Condenser Motor		Blower Motor		Refrig. Charge (oz.)	Weight (lbs.)
							RLA	LRA	RLA	HP	RLA	HP		
PRPAC1424	208-230	1	60	197	14.4	20	8.6	43.5	1.0	1/6	2.8	1/3	72	367
PRPAC1430					18.2	25	10.6	47.0			4.1	1/2	80	379
PRPAC1436					22.7	35	15.7	72.2			4.1	1/2	87	387
PRPAC1442					27.5	40	15.9	112.3	1.7	1/4	6.0	3/4	108	460
PRPAC1448					28.7	45	16.9	94.0			6.0	3/4	115	461
PRPAC1460					35.8	50	22.2	127.9			6.3	1.0	139	503

## PERFORMANCE

Model	Cooling					Sound dBA
	Rated AHRI Capacity Btuh	SEER	EER	Rated Sensible Capacity Btuh	CFM	
PRPAC1424	22,600	14.0	11.0	17,400	800	77
PRPAC1430	28,400			21,900	1000	79
PRPAC1436	34,000			26,100	1200	78
PRPAC1442	40,000			30,800	1400	
PRPAC1448	45,500			35,000	1600	77
PRPAC1460	57,000			41,600	1800	78

\*Certified in accordance with Unitary Air Conditioner Certification Program, which is based on AHRI Standard 210/240

**BLOWER PERFORMANCE**

Model	Blower Tap	CFM @ ext. Static Pressure in in. wc without filter, dry coil									
		0.1	0.2	0.3	0.4	0.5	0.6	0.7	0.8	0.9	1.0
PRPAC1424	TAP 1	610	560	525	485	430	0	0	0	0	0
	TAP 2	820	795	760	720	690	650	615	575	540	470
	TAP 3	950	920	880	850	820	800	760	720	680	625
PRPAC1430	TAP 1	850	820	780	745	710	680	630	590	550	515
	TAP 2	1040	1000	970	935	900	875	845	815	770	735
	TAP 3	1175	1145	1115	1080	1050	1015	990	945	900	860
PRPAC1436	TAP 1	850	800	750	700	645	600	550	480	435	0
	TAP 2	1245	1210	1175	1140	1100	1065	1025	975	920	845
	TAP 3	1400	1370	1335	1300	1265	1220	1180	1150	1060	875
PRPAC1442	TAP 1	800	720	640	550	475	390	310	0	0	0
	TAP 2	1470	1410	1360	1300	1260	1210	1155	1095	1000	940
	TAP 3	1700	1650	1610	1575	1540	1480	1430	1390	1340	1210
PRPAC1448	TAP 1	1145	1075	1000	930	850	790	740	670	570	490
	TAP 2	1675	1630	1600	1540	1490	1440	1390	1300	1230	1125
	TAP 3	1800	1770	1715	1690	1640	1610	1565	1500	1460	1380
PRPAC1460	TAP 1	1045	970	895	820	745	665	580	480	N/A	N/A
	TAP 2	1855	1810	1770	1725	1680	1630	1595	1550	N/A	N/A
	TAP 3	1940	1900	1855	1810	1765	1725	1680	1640	1600	1565

**COOLING PERFORMANCE - EXTENDED RATINGS**

Outdoor Model	Indoor Temp DB/ WB °F	Outdoor Temperature - DB °F														
		65°			82° / 67°			95° / 75°			105° / 85°			115° / 95°		
		Btuh	S/T	kW	Btuh	S/T	kW	Btuh	S/T	kW	Btuh	S/T	kW	Btuh	S/T	kW
PRPAC1424	85 / 72	30,600	0.65	1.33	27,700	0.68	1.65	24,700	0.70	1.88	23,100	0.72	2.06	22,500	0.75	2.26
	80 / 67	27,900	0.71	1.35	25,500	0.74	1.65	22,600	0.77	1.88	21,200	0.79	2.06	20,700	0.82	2.25
	75 / 63	26,000	0.74	1.36	23,800	0.77	1.65	21,000	0.79	1.87	20,700	0.82	2.05	19,300	0.84	2.23
	75 / 57	23,800	1.00	1.39	22,100	1.00	1.64	20,700	1.00	1.87	19,600	1.00	2.04	18,500	1.00	2.22
PRPAC1430	85 / 72	38,200	0.68	1.83	34,700	0.71	2.16	32,000	0.74	2.42	30,500	0.74	2.60	29,000	0.78	2.86
	80 / 67	35,200	0.75	1.76	32,300	0.78	2.11	28,400	0.75	2.34	28,100	0.84	2.57	25,100	0.80	2.74
	75 / 63	33,000	0.77	1.71	30,400	0.80	2.06	27,700	0.80	2.31	25,900	0.82	2.51	24,100	0.84	2.72
	75 / 57	29,900	1.00	1.66	28,300	1.00	2.01	26,600	1.00	2.29	25,200	1.00	2.49	23,700	1.00	2.70
PRPAC1436	85 / 72	45,800	0.68	2.09	41,700	0.72	2.49	37,600	0.73	2.82	35,400	0.74	3.10	32,400	0.75	3.39
	80 / 67	40,800	0.75	2.10	38,500	0.75	2.51	34,400	0.79	2.81	33,200	0.84	3.09	30,500	0.85	3.38
	75 / 63	38,100	0.76	2.11	36,000	0.77	2.51	32,300	0.81	2.80	30,500	0.84	3.08	28,400	0.87	3.37
	75 / 57	35,200	1.00	2.14	33,600	1.00	2.50	30,700	1.00	2.80	29,200	1.00	3.07	27,400	1.00	3.36
PRPAC1442	85 / 72	54,500	0.67	2.51	48,900	0.71	2.90	45,700	0.73	3.28	44,200	0.74	3.64	42,800	0.75	4.08
	80 / 67	50,100	0.74	2.52	45,100	0.78	2.91	40,000	0.77	3.28	38,400	0.79	3.64	35,700	0.80	4.05
	75 / 63	46,800	0.76	2.52	42,700	0.80	2.91	38,800	0.81	3.29	36,300	0.82	3.65	33,500	0.83	4.06
	75 / 57	42,500	1.00	2.53	39,700	1.00	2.93	37,100	1.00	3.30	35,100	1.00	3.66	33,100	1.00	4.07
PRPAC1448	85 / 72	59,400	0.69	2.78	53,900	0.72	3.29	49,700	0.72	3.60	47,100	0.75	4.09	43,600	0.75	4.48
	80 / 67	54,600	0.75	2.80	49,900	0.77	3.30	46,000	0.80	3.71	42,900	0.80	4.07	40,000	0.81	4.47
	75 / 63	50,700	0.76	2.82	46,700	0.79	3.30	43,300	0.82	3.70	40,400	0.82	4.06	38,100	0.86	4.47
	75 / 57	47,200	1.00	2.83	43,800	1.00	3.29	41,000	1.00	3.70	39,000	1.00	4.06	36,900	1.00	4.47
PRPAC1460	85 / 72	70,300	0.63	3.50	66,100	0.64	4.19	62,800	0.65	4.72	59,200	0.70	5.27	55,500	0.76	5.82
	80 / 67	65,700	0.69	3.47	61,000	0.71	4.08	57,400	0.73	4.69	54,300	0.78	5.24	51,200	0.83	5.78
	75 / 63	61,400	0.72	3.45	56,300	0.74	4.12	52,300	0.76	4.63	50,200	0.80	5.19	48,000	0.85	5.75
	75 / 57	54,500	1.00	3.42	50,100	1.00	4.09	50,100	1.00	4.09	46,700	1.00	5.17	45,900	1.00	5.73

**ACCESSORY AIR RESISTANCE DATA - in. w.g.**

Air Volume cfm	Rectangular to Round Duct Adaptor Kits					
	Downflow		Horizontal			
	14 in. Diameter		14 in. Diameter		16 in. Diameter	18 in. Diameter
	24, 30, 36	42, 48, 60	24, 30, 36	42, 48, 60	42, 48, 60	42, 48, 60
500	0.03	---	0.04	---	---	---
600	0.05	---	0.07	---	---	---
700	0.08	0.13	0.08	0.13	---	---
800	0.10	0.17	0.12	0.16	---	---
900	0.12	0.21	0.15	0.21	---	---
1000	0.17	0.24	0.19	0.25	0.11	0.03
1100	0.18	0.30	0.23	0.30	0.11	0.03
1200	0.20	0.36	0.29	0.37	0.13	0.03
1300	0.26	0.43	0.31	0.43	0.17	0.03
1400	0.31	0.50	0.39	0.51	0.20	0.03
1500	---	0.57	---	0.57	0.21	0.05
1600	---	0.63	---	0.65	0.26	0.05
1700	---	0.71	---	0.72	0.30	0.06
1800	---	0.80	---	0.81	0.30	0.06
1900	---	0.91	---	0.90	0.40	0.06
2000	---	0.99	---	1.01	0.41	0.06

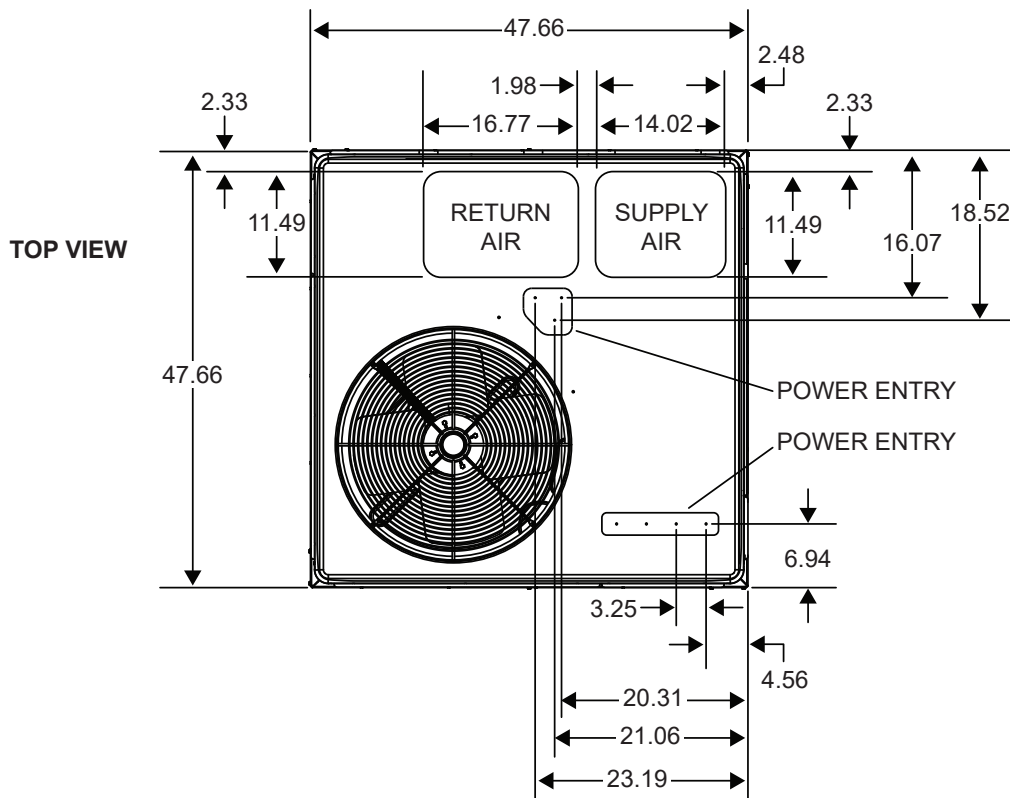
**HEAT STRIP ELECTRICAL**

Model	Heater	Unit Supply Voltage Single Phase	Input kW 240V	Circuit 1 240V		Circuit 2 240V		Single Circuit 240V	
				Ampacity	Breaker	Ampacity	Breaker	Ampacity	Breaker
PRPAC1424EP	5kW	240	5	29.5	30	-	-	29.5	30
		208	3.8	26.1	30	-	-	26.1	30
	7.5kW	240	7.5	42.6	45	-	-	42.6	45
		208	5.6	37.4	40	-	-	37.4	40
	10kW	240	10	55.6	60	-	-	55.6	60
		208	7.5	48.6	50	-	-	48.6	50
	15kW	240	15	-	-	-	-	-	-
		208	11.3	-	-	-	-	-	-
20kW	240	20	-	-	-	-	-	-	
	208	15	-	-	-	-	-	-	
PRPAC1430EP	5kW	240	5	31.2	35	-	-	31.2	35
		208	3.8	27.7	30	-	-	27.7	30
	7.5kW	240	7.5	44.2	45	-	-	44.2	45
		208	5.6	39.0	40	-	-	39.0	40
	10kW	240	10	57.2	60	-	-	57.2	60
		208	7.5	50.3	60	-	-	50.3	60
	15kW	240	15	57.2	60	26.0	30	83.3	90
		208	11.3	50.3	60	22.6	25	72.8	80
20kW	240	20	-	-	-	-	-	-	
	208	15	-	-	-	-	-	-	
PRPAC1436EP	5kW	240	5	31.2	35	-	-	31.2	35
		208	3.8	27.7	30	-	-	27.7	35
	7.5kW	240	7.5	44.2	45	-	-	44.2	45
		208	5.6	39.0	40	-	-	39.0	40
	10kW	240	10	57.2	60	-	-	57.2	60
		208	7.5	50.3	60	-	-	50.3	60
	15kW	240	15	57.2	60	26.0	30	83.3	90
		208	11.3	50.3	60	22.6	25	72.8	80
20kW	240	20	-	-	-	-	-	-	
	208	15	-	-	-	-	-	-	
PRPAC1442EP	5kW	240	5	33.5	35	-	-	33.5	40
		208	3.8	30.1	35	-	-	30.1	40
	7.5kW	240	7.5	46.6	50	-	-	46.6	50
		208	5.6	41.4	45	-	-	41.4	45
	10kW	240	10	59.6	60			59.6	60
		208	7.5	52.6	60			52.6	60
	15kW	240	15	59.6	60	26.0	30	85.6	90
		208	11.3	52.6	60	22.6	25	75.2	80
20kW	240	20	59.6	60	52.1	60	111.7	125	
	208	15	52.6	60	45.1	50	97.8	100	

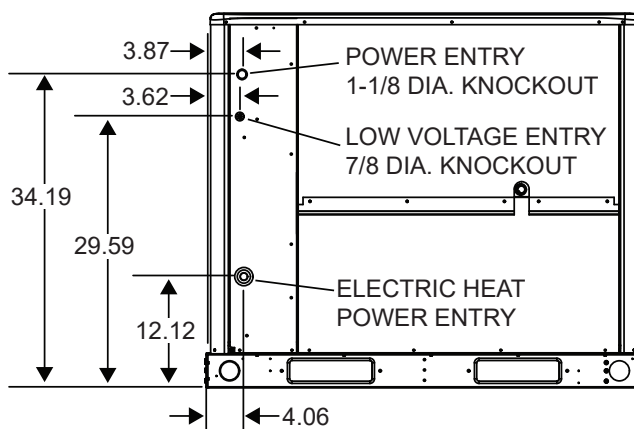
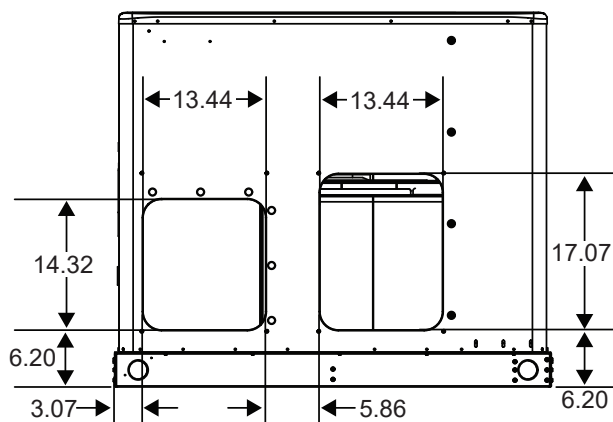
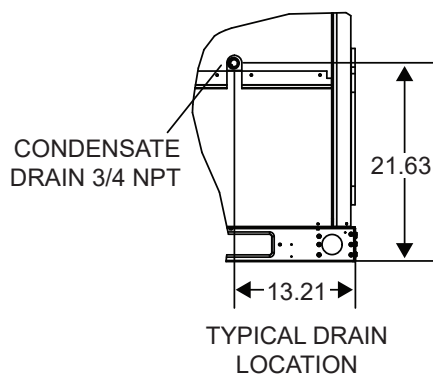
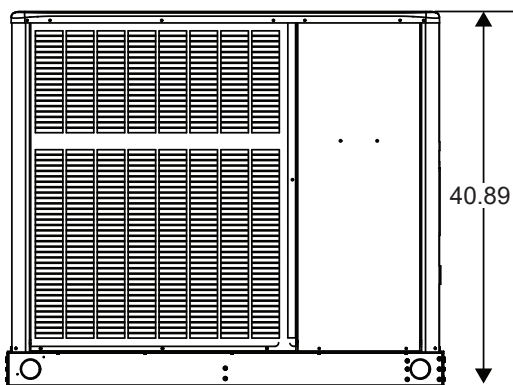
**HEAT STRIP ELECTRICAL**

Model	Heater	Unit Supply Voltage Single Phase	Input kW 240V	Circuit 1 240V		Circuit 2 240V		Single Circuit 240V	
				Ampacity	Breaker	Ampacity	Breaker	Ampacity	Breaker
PRPAC1448EP	5kW	240	5	33.5	35			33.5	45
		208	3.8	30.1	35			30.1	45
	7.5kW	240	7.5	46.6	50			46.6	50
		208	5.6	41.4	45			41.4	45
	10kW	240	10	59.6	60			59.6	60
		208	7.5	52.6	60			52.6	60
	15kW	240	15	59.6	60	26	30	85.6	90
		208	11.3	52.6	60	22.6	25	75.2	80
20kW	240	20	59.6	60	52.1	60	111.7	125	
	208	15	52.6	60	45.1	50	97.8	100	
PRPAC1460EP	5kW	240	5	35.5	40	-	-	38.9	60
		208	3.8	32.1	35	-	-	38.9	60
	7.5kW	240	7.5	48.6	50	-	-	48.6	60
		208	5.6	43.4	45	-	-	43.4	60
	10kW	240	10	61.6	70	-	-	61.6	70
		208	7.5	54.6	60	-	-	54.6	60
	15kW	240	15	61.6	70	26	30	87.6	90
		208	11.3	54.6	60	22.6	25	77.2	80
20kW	240	20	61.6	70	52.1	60	113.7	125	
	208	15	54.6	60	45.1	50	99.8	100	

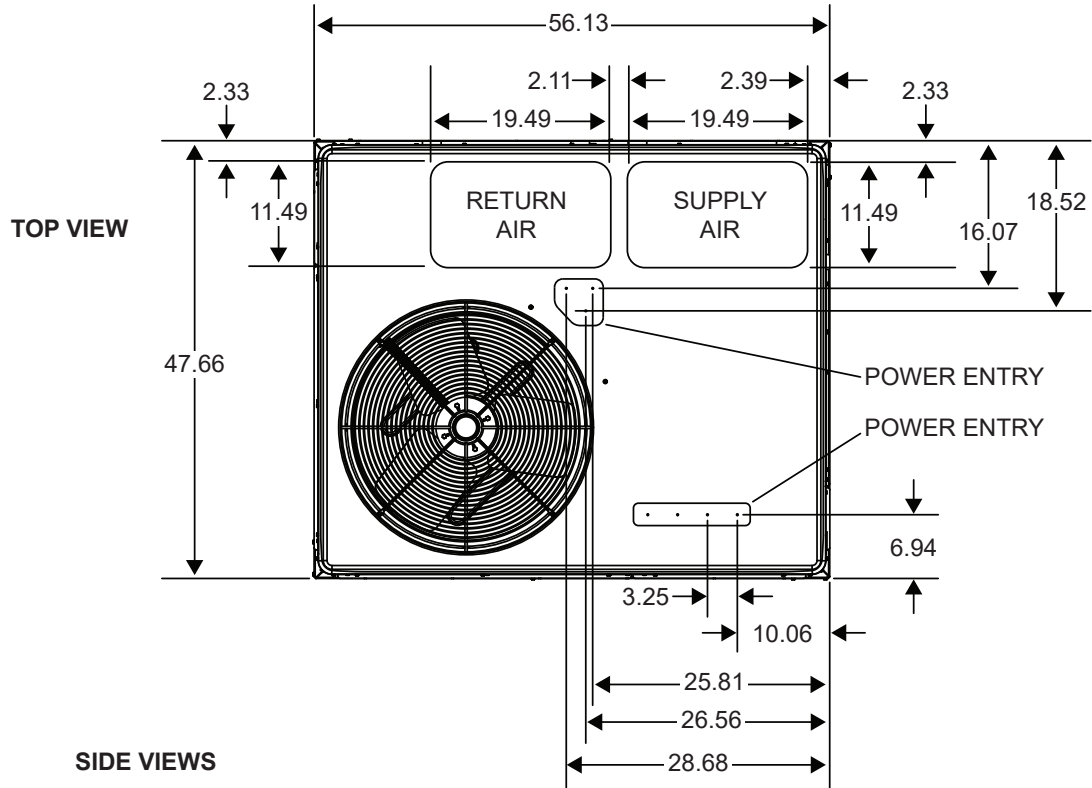
**DIMENSIONS (IN.) - SMALL BASE**



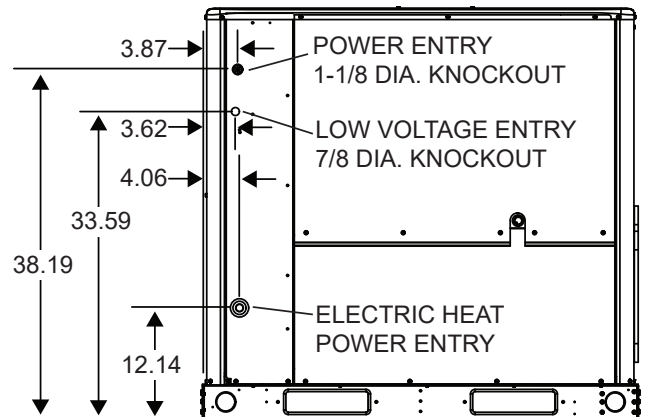
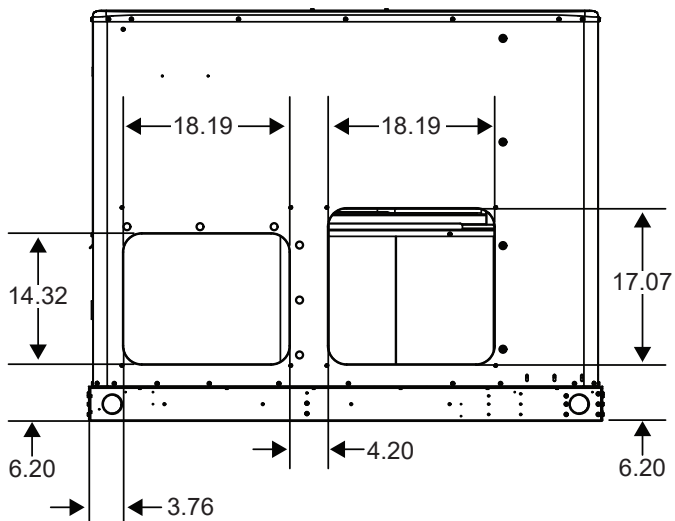
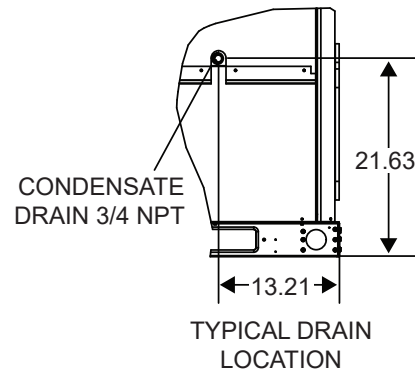
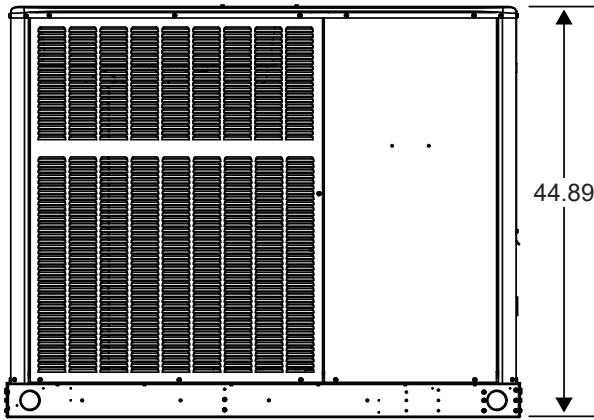
**SIDE VIEWS**



**DIMENSIONS (IN.) - LARGE BASE**

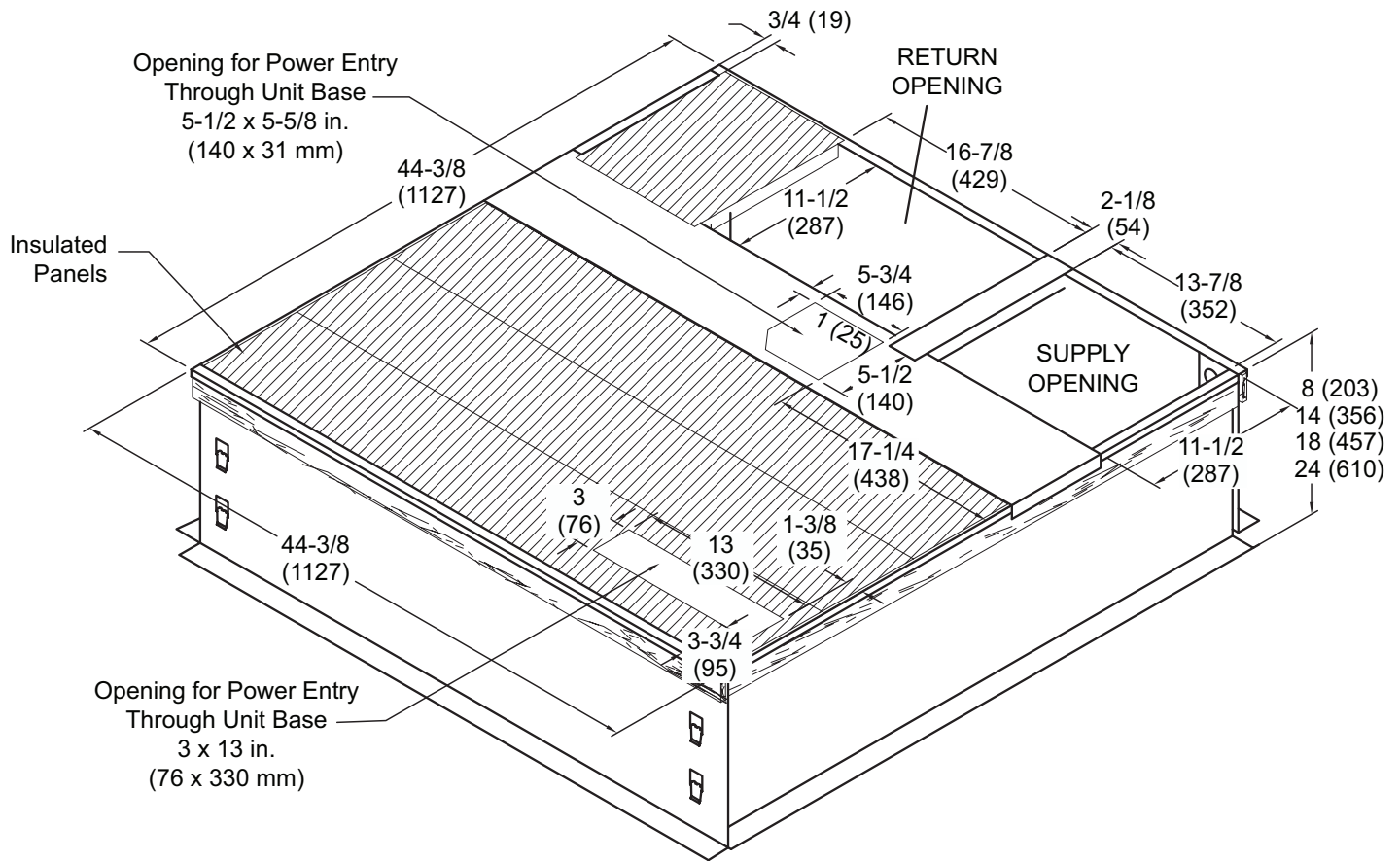


**SIDE VIEWS**





## ROOF CURB DIMENSIONS - SMALL BASE

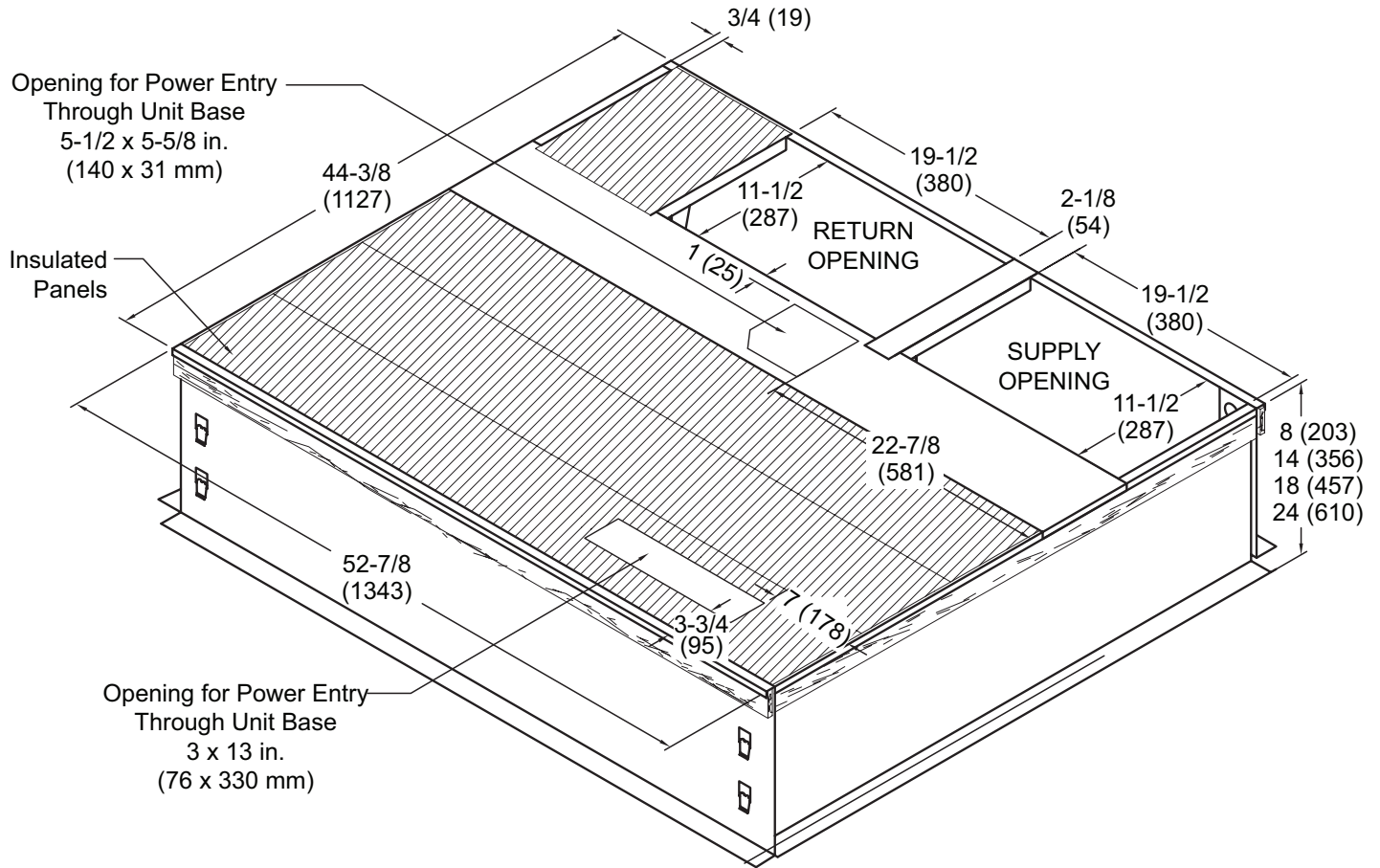


NOTE - Roof deck may be omitted within confines of curb.

NOTE - All Curbs::

- IBC 2018 compliant
- CBC 2019 compliant
- Seismic rating - SDS 2.0g, z/h=1, Ip=1.5
- Wind rating - 240 mph (Lateral), 214 mph (Uplift)
- Maximum load rating - 800 lbs.
- Tool-less filter access panels NOT for seismic-rated applications

## ROOF CURB DIMENSIONS - LARGE BASE

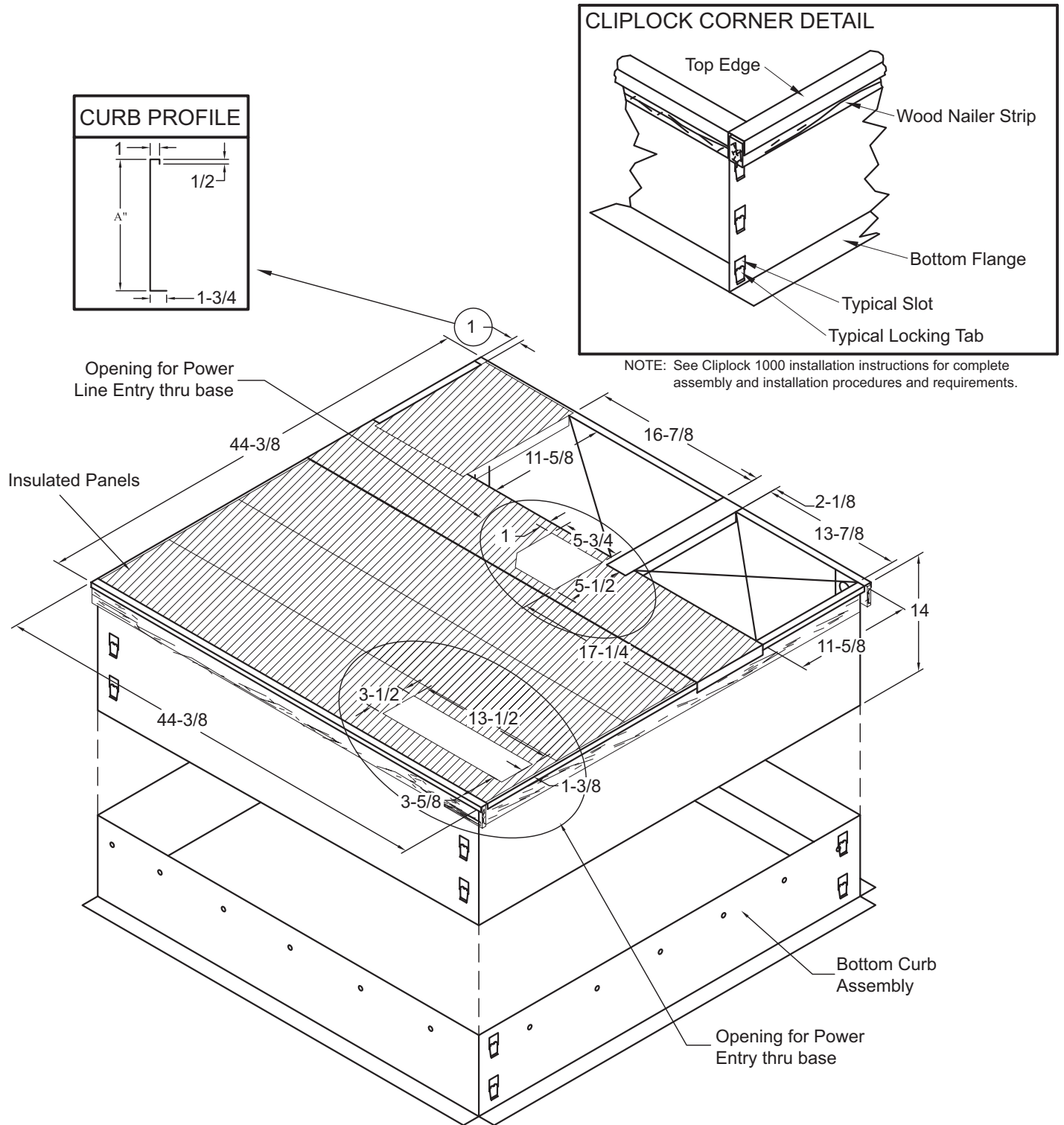


NOTE - Roof deck may be omitted within confines of curb.

NOTE - All Curbs::

- IBC 2018 compliant
- CBC 2019 compliant
- Seismic rating - SDS 2.0g, z/h=1, Ip=1.5
- Wind rating - 240 mph (Lateral), 214 mph (Uplift)
- Maximum load rating - 800 lbs.
- Tool-less filter access panels NOT for seismic-rated applications

**ADJUSTABLE CURB (KNOCK-DOWN STYLE) DIMENSIONS - SMALL BASE**

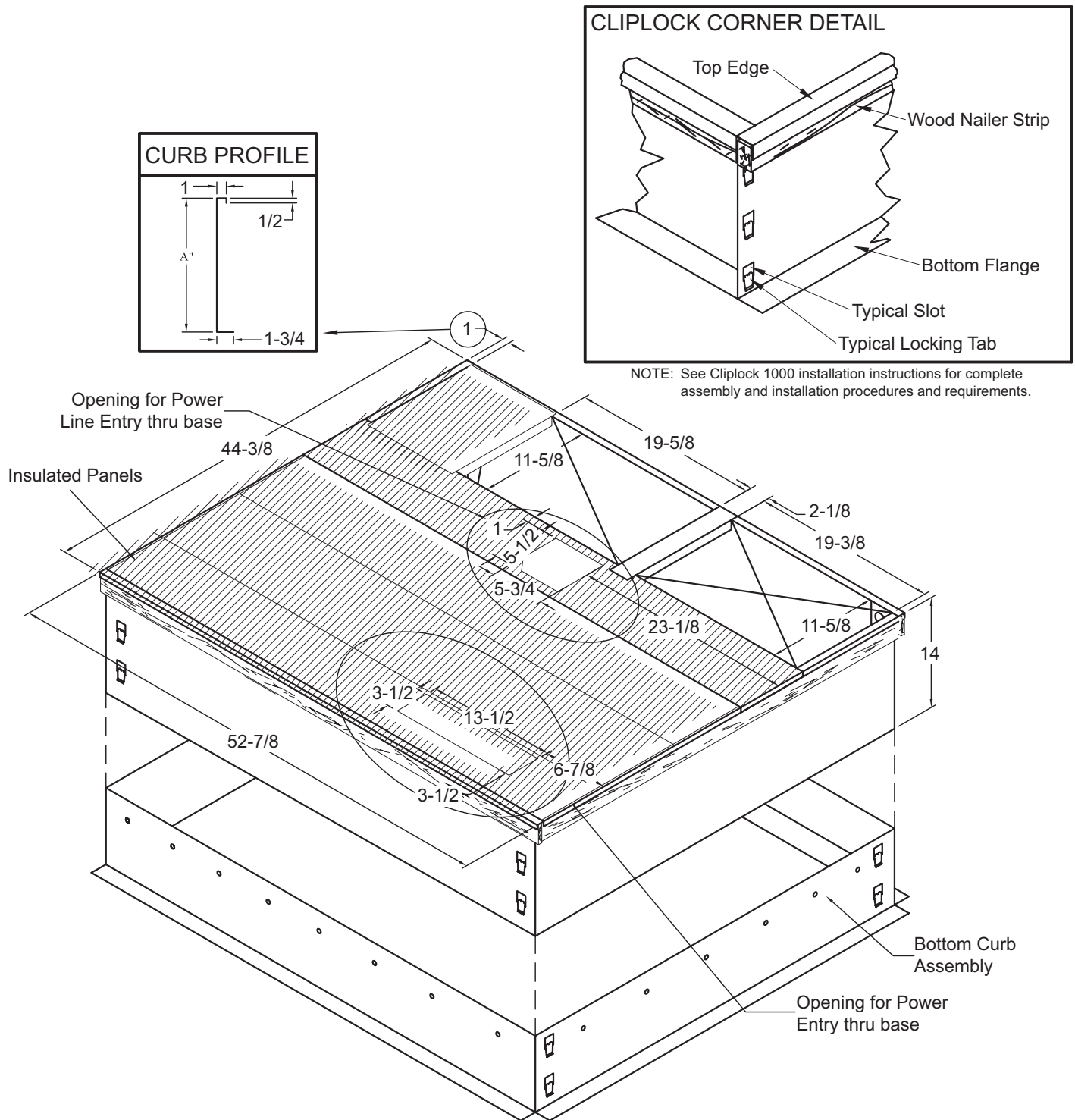


NOTE - Roof deck may be omitted within confines of curb.

NOTE - All Curbs::

- IBC 2018 compliant
- CBC 2019 compliant
- Seismic rating - SDS 2.0g, z/h=1, I<sub>p</sub>=1.5
- Wind rating - 240 mph (Lateral), 214 mph (Uplift)
- Maximum load rating - 800 lbs.
- Tool-less filter access panels NOT for seismic-rated applications

## ADJUSTABLE CURB (KNOCK-DOWN STYLE) DIMENSIONS - LARGE BASE

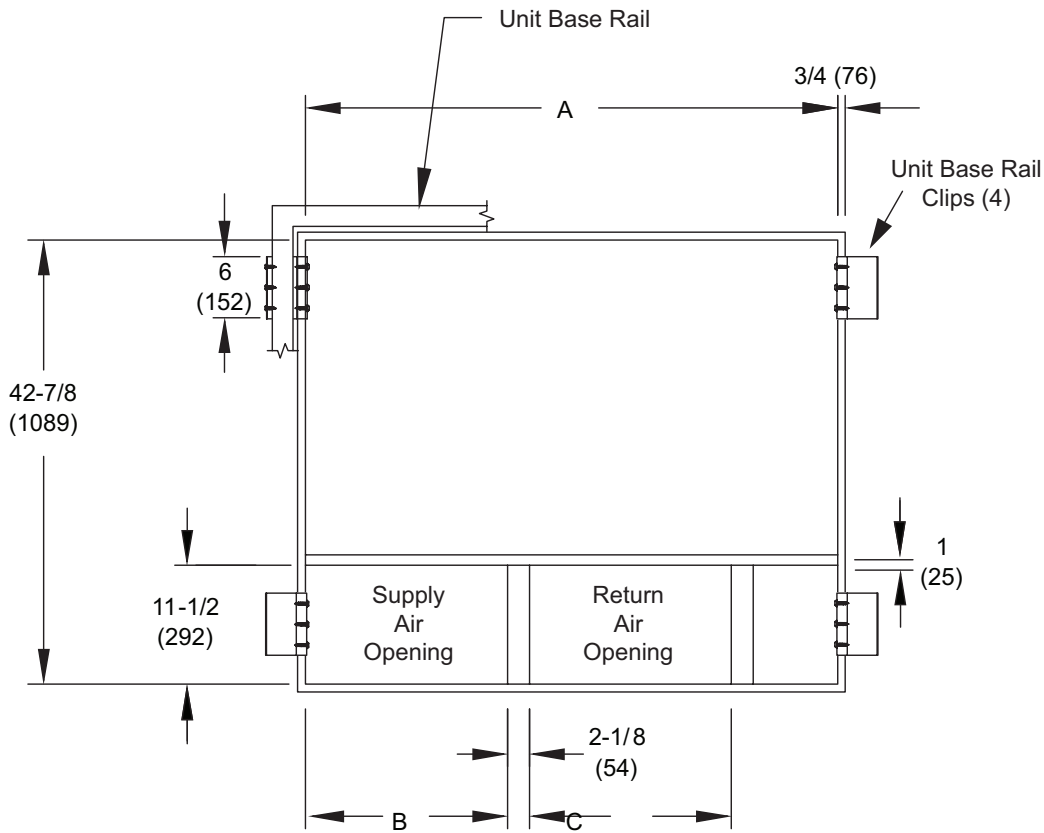
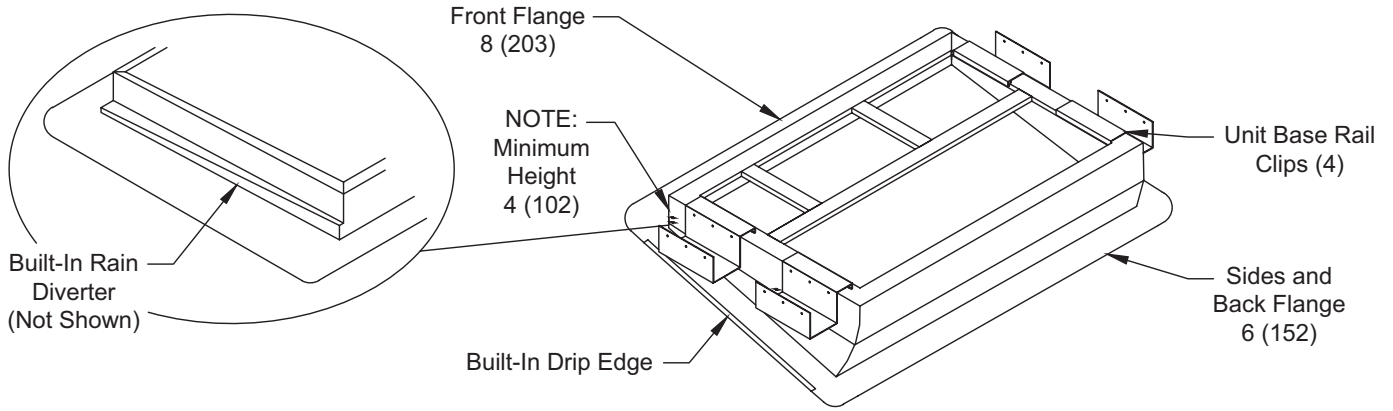


NOTE - Roof deck may be omitted within confines of curb.

NOTE - All Curbs::

- IBC 2018 compliant
- CBC 2019 compliant
- Seismic rating - SDS 2.0g, z/h=1, I<sub>p</sub>=1.5
- Wind rating - 240 mph (Lateral), 214 mph (Uplift)
- Maximum load rating - 800 lbs.
- Tool-less filter access panels NOT for seismic-rated applications

**ADJUSTABLE CURB (WELDED STYLE) DIMENSIONS**



Usage	A		B		C	
	in.	mm	in.	mm	in.	mm
24,30,36	42-7/8	1089	13-7/8	352	16-7/8	429
42,48,60	51-3/8	1305	19-1/2	495	19-1/2	495

**ACCESSORIES**

Description		Where Used	Kit Number
Compressor Crankcase Heater		36, 42, 48, 60	11X27
Compressor Hard Start Kit		24, 30, 36	10J42
		42, 48, 60	88M91
Compressor Timed-Off Control		All	47J28
Low Ambient Kit		All	21D20
Electric Heater 5kW - PHK05BP		All	10W47
Electric Heater 7.5kW - PHK07BP		All	10W48
Electric Heater 10kW - PHK10BP		All	10W49
Electric Heater 15kW - PHK15BP		36, 42, 48, 60	10W50
Electric Heater 20kW - PHK20BP		42, 48, 60	10W51
Internal Filter Rack Kit		24, 30, 36	11U73
		42, 48, 60	11U74
8" Height Full Perimeter Curb		24, 30, 36	21J13
		42, 48, 60	21J17
14" Height Full Perimeter Curb		24, 30, 36	21J14
		42, 48, 60	21J19
18" Height Full Perimeter Curb		24, 30, 36	21J15
		42, 48, 60	21J20
24" Height Full Perimeter Curb		24, 30, 36	21J16
		42, 48, 60	21J25
Adjustable Pitch Roof Curb (Knock-Down Style)		24, 30, 36	21J26
		42, 48, 60	21U04
Adjustable Pitch Roof Curb (Welded Style)		24, 30, 36	22V54
		42, 48, 60	22V55
Strapping Kit - Hurricane		Slab	21J74
		Rail	22G53
Strapping Kit - Seismic		All	21J75
Duct Adapter Kit - Horizontal	14 in. dia.	24, 30, 36	21J92
	14 in. dia.	42, 48, 60	21D24
	16 in. dia.	42, 48, 60	22U78
	18 in. dia.	42, 48, 60	22U79
Duct Adapter Kit - Downflow	14 in. dia.	24, 30, 36	20X82
	14 in. dia.	42, 48, 60	21D26
Bottom Power Entry Kit		All	21J78
Base Rail Openings - Closure Kit		All	21J84
Single Point Power - 5kW ASPWR813-1		All	13W88
Single Point Power - 7.5 kW ASPWR814-1		All	13W89
Single Point Power - 10kW ASPWR815-1		All	13W90
Single Point Power - 15-20kW ASPWR816-1		36, 42, 48, 60	13W91



1-800-448-5872

All specifications and illustrations subject to change without notice and without incurring obligations.