

# TECHNICAL GUIDE

ZX/ZY/ZQ/ZL SERIES  
3 - 12.5 TON  
60 HERTZ



## Table of Contents

|                                     |     |
|-------------------------------------|-----|
| Table of Contents                   | 2   |
| Component Location                  | 3   |
| Factory Installed Options           | 7   |
| Field Installed Accessories         | 8   |
| Nomenclature                        | 10  |
| AHRI Cooling Rating Table           | 14  |
| AHRI 270 Outdoor Sound Power Levels | 15  |
| Physical Data                       | 16  |
| Capacity Performance                | 57  |
| Airflow Performance                 | 106 |
| Power Exhaust Blower Curves         | 130 |
| Electrical Data                     | 131 |
| Typical Wiring Diagrams             | 193 |
| Weights and Dimensions              | 235 |
| Economizer Options                  | 245 |
| Guide Specifications                | 248 |

## Product Highlights

- Assembled in Norman, OK
- ASHRAE 90.1 Compliant
- R-410A Refrigerant
- Cooling Only and Gas/Electric configurations available
- Scroll Compressors
- Up to 16.3 IEER and 12.2 EER on the 3 stage cooling advanced building code compliant level.
- Up to 15.4 SEER and 12.2 EER on the Energy Star Compliant Energy Level
- Up to 14.0 SEER and 11.2 EER on the ASHRAE 90.1 Compliant Standard Efficiency Level
- DOE (Department of Energy) Complaint - All models meet minimum DOE efficiencies for cooling and fan efficiencies. Single phase gas heating products are fan energy rated (FER) to meet DOE requirements.
- State of the art Microprocessor Controls with specific programming for product applications
- MicroChannel Condenser Coils
- Evaporator coils utilize copper tube/aluminum fin design for proven reliability and performance.
- TXV (Thermostatic Expansion Valve) Standard on: ASHRAE 90.1 Compliant Standard Efficiency Level 5 - 12.5 ton models, Energy Star Compliant Efficiency Level 3 - 10 ton models and advanced building code compliant efficiency level 7.5-12.5 ton models.
- Single-stage Cooling (3 -6 ton models)
- Two-stage Cooling (6 - 12.5 ton models)
- Three-stage Cooling available (7.5-12.5 ton models)
- Alternate Motor and Drives

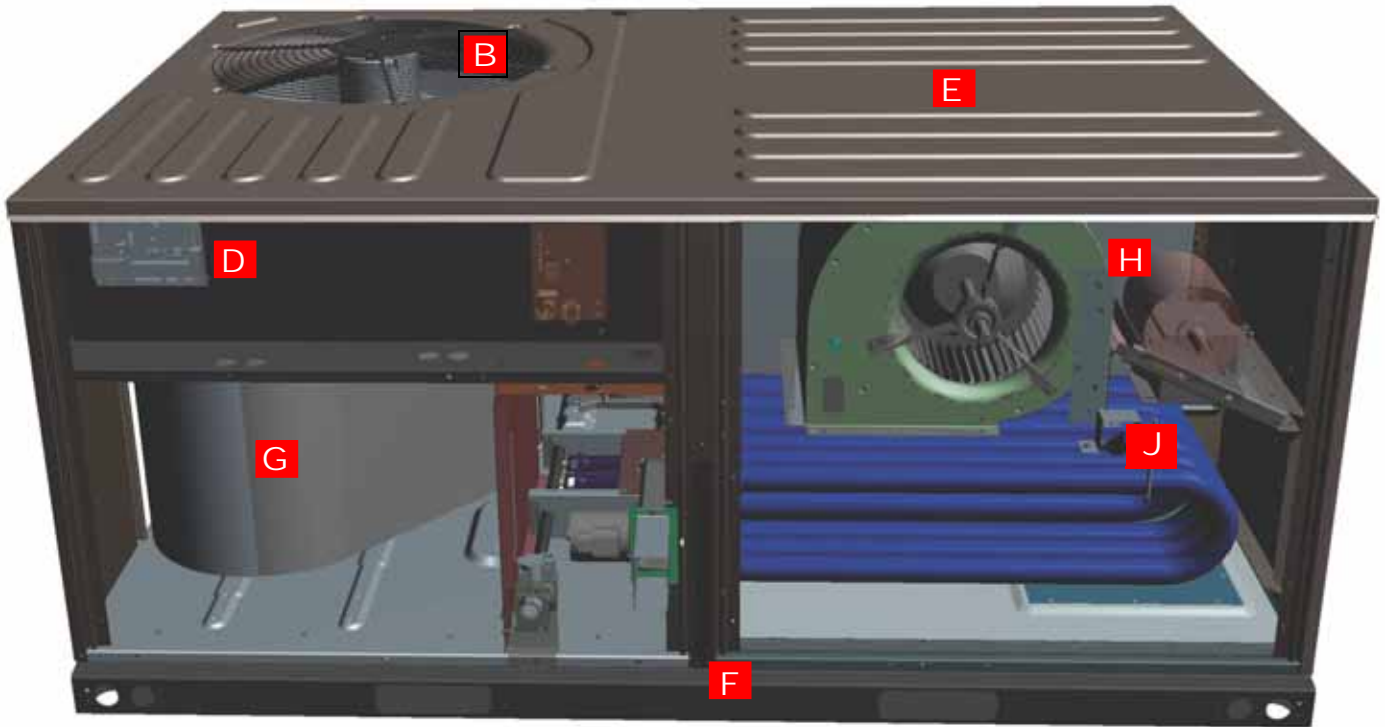
**NOTE:** All single phase 3-5 ton gas heating units are equipped with an ECM motor on direct drive units.

## Options and Accessories

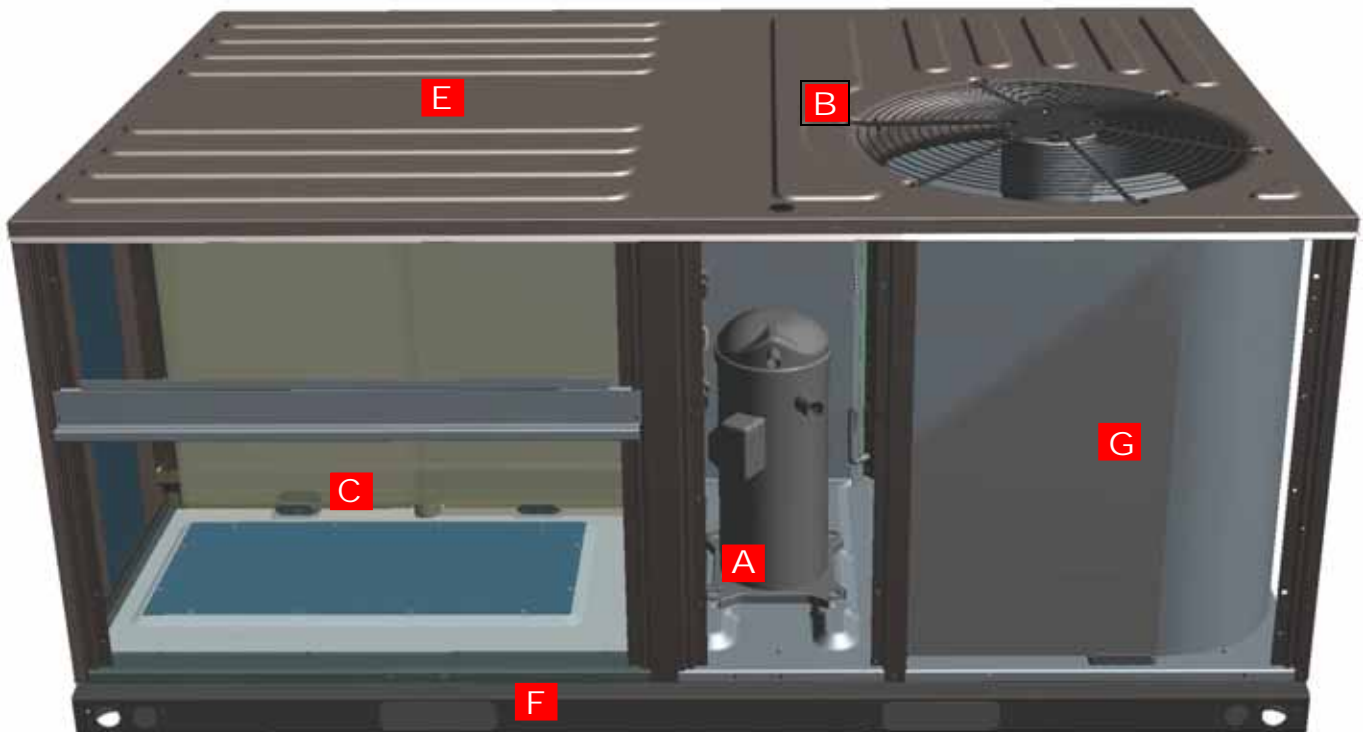
- Economizers with Barometric Relief
- Louvered Hail Guards
- Non-fused Disconnect (Verify on the unit nameplate that the disconnect is properly sized for the application. Units with field installed electric heat may exceed the factory installed disconnect amperage rating.)
- Power Exhaust
- Propane Conversion Kits
- High Altitude Heating Conversion Kits
- Flue Exhaust Extension Kit
- Flue Heat Shield
- Smoke Detectors
- Manual and Motorized Dampers
- Hinged Cabinet Doors
- Low Ambient Head Pressure Control Kit.
- Optional Stainless Steel Heat Exchanger (Standard on 3-5 Ton Low-NOx Models)
- Thru-The-Base Connections for power, gas and control wiring.
- IntelliSpeed™ with Premium Efficiency indoor motors to meet ASHRAE 90.1 requirements (6-12.5 ton models)
- Field Installed Electric Heat Kit, Installation Instructions for the Electric Heat Kits may be found in the Electric Heat Kits.

## Component Location

### Cooling With Gas Heat (3 Through 5 Ton)



Click on the letters to see a description of the features.



## Features and Benefits

**Two Tiers of Efficiency** - 14 SEER standard efficiency provides a cost effective 14 SEER/11.0 EER product that meets ASHRAE 90.1 requirements. The High-efficiency meets the requirements for Energy Star that exceeds 15 SEER and 12 EER. The high efficiency 3-stage cooling units are available from 7.5 to 12.5 tons to meet advanced building code requirements. Gas/electric units have electronic spark ignition and power vented combustion steady state efficiencies of 80%. These efficiencies meet or exceed all legislated minimum levels providing lower operating costs.



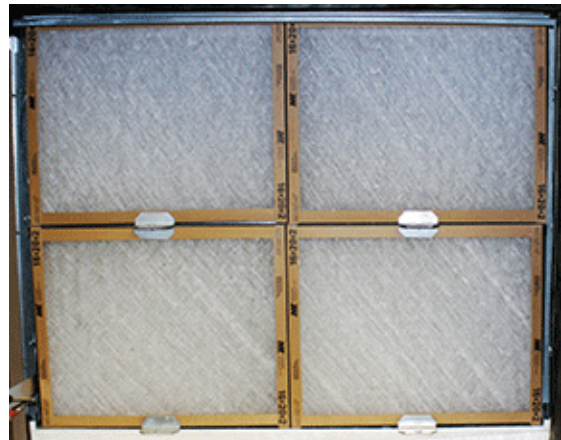
**A All models utilize scroll compressors** that are environmentally friendly by utilizing R-410A refrigerant. Use of the scroll compressor technology means a simple internal design, fewer moving parts, equating to a quiet, reliable, easy to service and efficient system. Internal compressor protection is standard and compressors include protection to prevent liquid damage.

**Total system design** - A TXV is used for precise metering on the 6-12.5 Ton products and a fixed orifice is used to keep the cost of the product down on the 3-5 ton product. Two independent refrigerant circuits and compressors are used on the 7.5- 12.5 ton units for economical and precise control. A single circuit, single compressor design is used on the 3-6 ton units for cost effectiveness and reliability without compromising quality.

**System Protection** - Liquid line filter-driers, high and low pressure safeties are standard on each independent refrigerant circuit. Suction line sensors monitor temperature to prevent possible liquid flood back to the compressors and also protect against loss of charge and coil frosting.



**B Balanced outdoor fan design makes for a quieter unit** - The outdoor condenser fans are dynamically balanced for better performance and reliability. The direct drive fan design mounted to the fan grill allows for quick and easy service. Where other's components might fail at extreme temperatures Our units are tested and rated up to 125°F ambient cooling operation.



**C Convertible Filter Rack** - No tools required for easy field conversion of the filter rack to accommodate either 2" or 4" filters. Units will ship with MERV 4 throwaway filters standard; however MERV 8 and MERV 13 filters can be easily added through the tool-free filter access panel to meet LEED requirements. Refer to physical data tables for filter size details.



**D** Units will come with the state of the art **Smart Equipment™ control system**. The unit control incorporates the best of the already proven Smart Equipment™ controls and creates a more robust, intelligent control. The goal of this control is to utilize cutting edge technology making the equipment easier to install, operate, and service. All units are Factory commissioned, configured, and run tested.

**Versatile** - The Smart Equipment™ control can be configured to use with a standard thermostat (easy to connect screw terminals), a zone sensor, or can be setup to communicate with multiple BAS communication protocols to integrate with building automation systems.

**Reduce field installed complexity** - Each unit will come equipped with factory installed supply air, return air, and outdoor air temperature sensors providing key temperature readings thus reduce field installed complexity.

**On-board USB Port** - The control comes with a long list of features including data logging, current and previous system faults and software update capabilities using the on board USB port and common flash drive. Energy use monitoring capabilities allow custom tailoring to allow a system to work more efficiently at all times and occupancy levels. Self test and start-up reports also available from the board VIA the USB port.

**Embedded LCD Display** - The board has a easy to read, built-in LCD display and easy to use navigation joystick and buttons allowing the user to quickly navigate the menus displaying unit status, options, current function, supply, return and outdoor temperatures, fault codes and other information.

**Safety Monitoring** - The control monitors the outdoor, supply, and return air temperatures and the high and low pressure switch status on the independent refrigerant circuits. On units with heating the gas valve and high temperature limit switches

are monitored on gas and electric heating units. The control also monitors the voltage supplied to the unit and will protect the unit if low voltage due to a brown out, or other electrical issue occurs.

**Low Ambient** - An integrated low-ambient control allows units to operate in the cooling mode down to 0°F outdoor ambient without additional components or intervention. Optionally, the control board can be programmed to lockout the compressors when the outdoor air temperature is low or when free cooling is available.

**Anti-Short Cycle Protection** - To aid compressor life, an anti-short cycle delay is incorporated into the standard control. Compressor reliability is further ensured by programmable minimum run times. For testing, the anti-short cycle delay can be temporarily overridden with the push of a button.

**Fan Delays** - Fan on and fan off delays are fully programmable. Furthermore, the heating and cooling fan delay times are independent of one another. All units are programmed with default values based upon their configuration of cooling and/or heating capacity.

**Nuisance Trip Protection and Three Strikes** - To prevent nuisance calls, the control board uses a three times, you're out philosophy. The high, low-pressure switch, anti-freeze protection, low voltage or heating high limit must trip three times within two hours before the unit control board will lock out the associated compressor. The same safety must trip three times before a hard lockout will occur.



**E Robust design** - Each unit is designed with an embossed top to increase structural support and ensure rigidity. The unit has a powder paint exterior finish including a industry leading 750-hour salt spray rating. All units are painted with a long lasting, powder paint that stands up over the life of the unit.

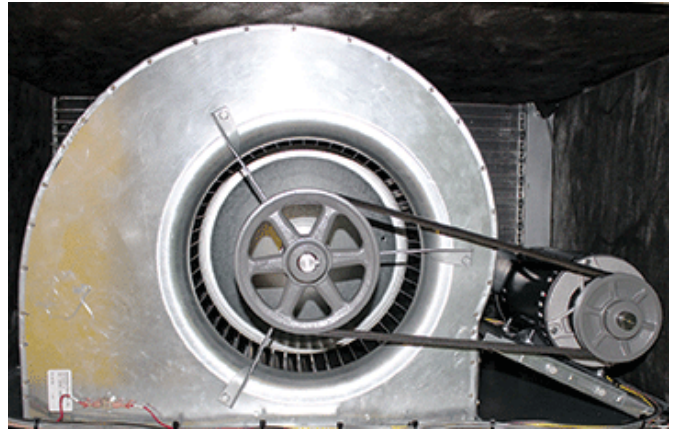


**F Full Perimeter base rail that fits on many existing curbs -** This product was designed with the replacement market in mind which is why it will fit on many existing curbs in the field but it also takes into account the new construction market by being versatile and sturdy. This unit is equipped with heavier gauge and innovatively designed base rails to prevent damage from transporting and rigging.



**G Coils -** All units utilize Micro-Channel "all-aluminum" condenser coils that provides improved heat transfer capabilities and reduced refrigerant charge volumes. This equates to all units meeting LEED EA Credit 4 Requirements for Enhanced Refrigerant Management. MicroChannel coils are also much easier to clean than your typical fin/tube designs.

All evaporator coils utilize copper tube with aluminum fin design for proven reliability and performance.



**H Rigid Mounted Blower Assembly -** Dynamically balanced indoor fans ensure better performance and reliability. Large access panels for easier access, service, and maintenance. X13 Direct drive (Standard Static Option) and belt drive (Medium Static and High Static Options) options available on 3-5 ton products. The belt drive option is standard on 6-12.5 ton products. Low, Medium, and High Static drive options for airflow versatility up to 2" ESP with no field installed drive packages necessary. The X13 motor technology offers several benefits w/ respect to efficiency, operation, comfort, and cost when compared to other motors. Premium efficiency indoor motors are standard on ZY06 and ZX14. The IntelliSpeed™ option is available on 6-12.5 ton products and standard on the 3 stage cooling models to meet ASHRAE 90.1 and Title 24 Requirements. The blower section includes a dual density insulation for indoor air quality.



**J Balanced Heating -** The two stage gas heating offers ultimate heating comfort with a balance between 1st and 2nd stage gas heating. The first stage of a two stage gas heat option provides approximately 70% of the heating capacity in all 3-12.5 tons two stage gas heat models. Balanced heating allows the unit to better maintain desired temperatures and helps saves energy. Low-NOx comes standard with a stainless steel heat exchanger to meet California environmental requirements. The heat exchanger section includes foil faced insulation that is not only environmentally friendly but meets all NFPA codes.

**Warranty** - All models include a 1-year limited warranty on the complete unit. Compressors carry a 5-year warranty. Aluminized steel heat exchangers carry a 10-year warranty and stainless steel heat exchangers carry a 15-year warranty.

## Factory Installed Options

### (Nomenclature Digit Position)

#### Airflow Options (8)

**Alternate Indoor Blower Motor** - For applications with high static restrictions, units are offered with optional indoor motors providing higher external static capability and/or higher airflow, depending upon the installer's needs.

- A=Standard Static (Direct Drive for 3-5 ton; Belt Drive for 6-12.5 Ton)
- B=Medium Static (Belt Drive for 3-12.5 Ton)
- C=High Static (Belt Drive for 3-12.5 Ton; 3 Phase Models Only)

#### VFD/VAV Options (9)

**IntelliSpeed™ Supply Fan Control Option (ASHRAE 90.1 compliant)** - Units configured with the IntelliSpeed™ Supply Fan Option will contain a VFD for variable volume supply fan operation. This option allows the supply fan RPM to vary based on the number of compressors or heating stages energized. The economizer's minimum position is also configurable.

- 1=None (Comes with standard constant volume controls)
- 2=VFD/VAV (ZL 3-Stage only)
- 3=VFD IntelliSpeed™ (standard on ZL High Efficiency 3-stage cooling models)

#### Coil Options (10)

**E-Coat Coils** – Coils are coated with an epoxy polymer coating to protect against corrosion. A 3-year warranty is added when this option is selected.

- A=Standard Indoor & Outdoor Coils (fin/tube design on indoor coil and MicroChannel design used on outdoor coil with no E-Coat coating added).
- B=Standard Indoor Coil & E-Coat Coil Outdoor Coil (fin/tube design on indoor coil and MicroChannel design used on outdoor coil. E-Coat coating added to outdoor coil)
- C= E-Coat Indoor Coil & Standard Outdoor Coil (fin/tube design on indoor coil and MicroChannel design used on outdoor coil. E-Coat coating added to indoor coil)
- D= E-Coat Indoor Coil & Outdoor Coil (fin/tube design on indoor coil and MicroChannel design used on outdoor coil. E-Coat coating added to indoor and outdoor coil)

#### Controls (11)

**Smart Equipment™** - This is the Standard microprocessor control with capabilities to work with a sensor or thermostat only. Smart Equipment™ with BAS includes communication board with BACnet open-protocol system.

**Verasys** - Verasys provides a simple user experience with configurable self-recognizing controllers without the need for any additional tools. Verasys creates enhanced integration of HVACR equipment, zoning, and controls. Contractors are able to offer a complete bundled solution of equipment and controls to serve the light commercial market.

- A=Smart Equipment™
- B=Smart Equipment™ + BACnet MSTP, Mdb, N2 COM Card
- J=Verasys Single Zone
- K=Verasys Change Over Bypass

#### Sensor Options (12)

- 1=None (Units come standard with factory installed supply air, return air, and outdoor air temperature sensors)
- 2=RA<sup>1</sup> Smoke Detector
- 3=SA Smoke Detector
- 4=RA<sup>1</sup> & SA Smoke Detector

1. Return Air Smoke Detector Sensor Must Be Relocated in the Field. (See Unit Installation Manual.)

**Economizer/Damper (13)**

**Down flow Economizers (with barometric relief)** - All units offer a variety of optional factory installed economizers that are shipped, installed and wired with AMCA 511 Licensed Class 1A low leak dampers designed to exceed ASHRAE 90.1 and the International Energy Conservation Code (IECC) certification requirements by achieving leakage rates of 3 cfm/sq. ft. at 1" of static pressure. Each economizer goes through a rigorous 60,000 cycle test. Dry bulb, single enthalpy, and dual enthalpy (with field installed kit) can be selected. All economizer options are fully integrated into the Smart Equipment™ controls. The economizer has spring return, fully modulating damper actuators and is capable of introducing up to 100% outdoor air. As the outdoor air intake dampers open, the return air dampers close. The changeover from mechanical refrigeration to economizer operation is regulated by the outdoor air dry bulb temperature or the outdoor air enthalpy input. The dual enthalpy kit provides a second input used to monitor the return air (field installed). The installer needs only to assemble the outdoor air hood, attach the enthalpy control the hood and mount the hood to the unit (Hood and control are provided).

**Dry Bulb Economizer** - Economizer operation is enabled by the outdoor air temperature being less than the setpoint of the economizer module.

**Enthalpy Economizer** - The added outdoor air enthalpy sensor enables economizer operation if the outdoor enthalpy is less than the setpoint of the economizer logic module.

- A=None
- B=Dry Bulb Economizer
- C=Enthalpy Economizer

**Convenience Outlet (14)**

**Convenience Outlet - (Powered and Non-Powered)** - This option locates a 120V single-phase GFCI outlet with cover, on the corner of the unit housing adjacent to the compressors. The Non-powered option requires the installer to provide the 120V single-phase power source and wiring. Factory installed option only.

- 1=None
- 2=Non-powered Convenience Outlet
- 3=Powered Convenience Outlet

**Electrical Options (15)**

**Disconnect Switch** - For units with field installed electric heat kits, two factory installed disconnect sizes are available (60A or 100A non-fused disconnect). Depending on the field installed heater kit selected, the factory installed disconnect may not be sufficient. Always refer to the unit nameplate or unit electrical data for the proper disconnect size. If the heater application requires a disconnect above 100 Amps, the factory installed disconnect should be removed and an appropriately sized external disconnect should be installed.

- 1=None
- 2=Non-fused Disconnect<sup>1</sup>

1. Verify on the unit nameplate that the disconnect is properly sized for the application. Units with field installed electric heat may exceed the factory installed disconnect amperage rating.

**Cabinet Options (16)**

**Louvered Hail Guard** - This kit includes a decorative louvered panel which installs over the outside condenser coil and prevents damage to the coil fins from hail strikes.

**Hinged Cabinet Doors** - The factory installed hinged panel option will save time, money and labor while allowing easy servicing of blower components, filters and controls. With this option there is no longer a need to remove panels to access these critical sections and running the risk of losing panels or roof damage from loose panels and materials. Extra care was taken to design a durable hinged panel with leak tight seal.

- 1=None
- 2=Louvered Panels
- 3=Hinged Cabinet Doors
- 4=Hinged Cabinet Doors And Louvered Panels

**FDD (Fault Detection and Diagnostics) - Refrigerant side A** Modification Shop offering for an additional installed control system for commercial equipment that constantly monitors refrigerant circuit pressures, refrigerant circuit temperatures, as well as the environmental temperatures and humidity via multiple sensor inputs.

**Field Installed Accessories**

- **Down flow Economizers/Horizontal Economizers (with barometric relief)** - All units offer a variety of field installed economizers that are installed and wired with AMCA 511 Licensed Class 1A low leak dampers designed to exceed ASHRAE 90.1 and the International Energy Conservation Code (IECC) certification requirements by achieving leakage rates of 3 cfm/sq. ft. at 1" of static pressure. Each economizer goes through a rigorous 60,000 cycle test. Dry bulb, single enthalpy, and dual enthalpy (with field installed kit) can be selected. All economizer options are fully integrated into the Smart Equipment™ controls. The economizer has spring return, fully modulating damper actuators and is capable of introducing up to 100% outdoor air. As the outdoor air intake dampers open, the return air dampers close. The



changeover from mechanical refrigeration to economizer operation is regulated by the outdoor air dry bulb temperature or the outdoor air enthalpy input. The dual enthalpy kit provides a second input used to monitor the return air (field installed). The installer needs only to assemble the outdoor air hood, attach the enthalpy control the hood and mount the hood to the unit (Hood and control are provided).

- **Dry Bulb Economizer** - Economizer operation is enabled by the outdoor air temperature being less than the setpoint of the economizer module.
- **Single Enthalpy Control, Accessory for Economizer** - All field installed economizers will come standard as a dry bulb economizer. This kit adds an outdoor air enthalpy sensor which enables economizer operation if the outdoor enthalpy is less than the setpoint of the economizer logic module.
- **Dual Enthalpy Control, Accessory for Economizer** - All field installed economizers will come standard as a dry bulb economizer. This kit adds an outdoor air enthalpy sensor and return air enthalpy sensor which enables economizer operation if the outdoor enthalpy is less than the setpoint of the economizer logic module.
- **Power Exhaust** - This accessory installs in the unit with a down flow economizer or in the ductwork for a horizontal application.
- **Louvered Hail Guard** - This kit includes a decorative louvered panel which installs over the outside condenser coil and prevents damage to the coil fins from hail strikes.
- **Flue Exhaust Extension Kit** - In locations where wind or weather conditions may interfere with proper exhausting of furnace combustion products, this kit can be installed to prevent the flue exhaust from entering nearby fresh air intakes.
- **Propane Conversion Kit** - This kit converts a gas heat unit to operate with propane gas at altitudes up to 2,000 feet.
- **Gas Heat High Altitude Kit** - This kit converts a gas heat unit to operate at high altitudes, 2,000 to 10,000 feet. Conversion kits are available for natural gas and propane.
- **Roof Curbs** - The roof curbs have insulated decks and are shipped disassembled. The roof curbs are available in 14 and 24 heights.
- **Thermostat** - The units are designed to operate with 24-volt electronic and electro-mechanical thermostats. All 7.5 thru 12.5 ton units operate with two-stage heat/two-stage cool or two-stage cooling only thermostats and 2 stage heat / 3 stage cool on ZL tier products depending upon unit configuration.
- **Smoke detectors** - The smoke detectors stop operation of the unit by interrupting power and providing a fault message to the control board if smoke is detected within the air compartment. Smoke detectors are available for both the supply and/or return air configurations.
- **Hinged Filter Access Panel For Use With Horizontal Flow Economizer** - Allows hinged access to the filter section when used with a horizontal economizer.
- **Low Ambient Head Pressure Control Kit** - The Electronic Low Ambient Controller is designed to regulate condenser head pressure at low ambient temperatures by varying the amount of airflow through the condenser.
- **Manual Outdoor Air Damper** - Like the motorized outdoor air damper, each manual outdoor air damper includes a slide-in damper assembly with an outdoor air hood and filters. Customers have a choice of dampers with ranges of 0% to 100% or 0% to 35% outdoor air entry.
- **Thru The Base Connection** - Kits are available to provide a way to route wiring to the unit through the base of the unit and gas supplied to the unit through the base or through the curb. These kits provide a seal tight way to bring power and gas to the unit without additional roof penetrations.
- **Electric Heat (Field installed option Only)** - Select heater sizes for 3-12.5 ton units available. Necessary hardware and connectors are included with the heaters.

**Nomenclature**

**3-12.5 Ton Model Number Nomenclature**

ZX G 04 D 2 A 1 A A 1 A 1 1 1 A 2

**Product Category**  
 ZQ= Pkg AC 14 SEER Efficiency  
 ZX = Pkg AC Standard Efficiency  
 ZY = Pkg AC High Efficiency  
 ZL = Pkg AC High Efficiency 3-Stage

**Heat Type (3)**  
 E = No Heat, Electric Heat Field Installed  
 G = Gas Heat

**Nominal Cooling Capacity**  
 04 = 3 Ton  
 05 = 4 Ton  
 06 = 5 Ton  
 07 = 6 Ton (Excludes ZL Tier)  
 A7 = 6 Ton (Excludes ZL Tier)  
 08 = 7-1/2 Ton  
 09 = 8-1/2 Ton  
 12 = 10 Ton  
 14 = 12-1/2 Ton (Excludes ZY Tier)

**Heat Size**  
 A = No Heat (Cooling Only)

**Gas Heat**  
 D = Low Heat  
 E = Medium Heat  
 F = High Heat  
 L = Low Heat (Low NOx)  
 M = Medium Heat (Low NOx)  
 N = High Heat (Low NOx)  
 R = Low Heat (Stainless Steel)  
 S = Medium Heat (Stainless Steel)  
 T = High Heat (Stainless Steel)

**Voltage**  
 1 = 208/230-1-60 (3-5 Ton Only)  
 2 = 208/230-3-60  
 4 = 460-3-60  
 5 = 575-3-60

**Airflow**  
 A = Standard Static  
 B = Medium Static  
 C = High Static

**Options**  
 1 = None  
 2 = VFD/VAV (ZL 3-Stage Only)  
 3 = VFD IntelliSpeed™ (ZXA7-ZX14, ZYA7-ZY12 & ZL08-14)

**Note:** Not all options may be available. Contact local distributor.

**Product Generation**  
 2 = Second Generation  
 3 = Third Generation

**Special Options**  
 A = None

**Cabinet Options**  
 1 = None  
 2 = Louvered Panels Installed  
 3 = Hinged Cabinet Doors  
 4 = Hinged Cabinet Doors & Louvered Panels

**Electrical Options**  
 1 = None  
 2 = Non-fused Disconnect<sup>1</sup>

<sup>1</sup>. Verify on the unit nameplate that the disconnect is properly sized for the application. Units with field installed electric heat may exceed the factory installed disconnect amperage rating.

**Convenience Outlet**  
 1 = None  
 2 = Non-powered  
 3 = Powered

**Economizer / Damper**  
 A = None  
 B = Dry Bulb Economizer  
 C = Enthalpy Economizer

**Sensor Options**  
 1 = None (Units come standard with factory installed supply air, return air, and outdoor air temperature sensors)  
 2 = RA<sup>1</sup> Smoke Detector  
 3 = SA Smoke Detector  
 4 = RA<sup>1</sup> & SA Smoke Detector

<sup>1</sup>. Return Air Smoke Detector Sensor Must Be Relocated in the Field. (See Unit Installation Manual.)

**Controls**  
 A = Smart Equipment™  
 B = Smart Equipment™ + BACnet MSTP, Mdb, N2 COM Card  
 J = Verasys Single Zone  
 K = Verasys Change Over Bypass

**Coil Options**  
 A = Standard Indoor & Outdoor Coils  
 B = Standard Indoor Coil & ElectroFin Outdoor Coil  
 C = E-Coat Indoor Coil & Standard Outdoor Coil  
 D = E-Coat Indoor & Outdoor Coils

## Accessories

| Accessory Kit Number | Description   | Where Used   | Voltage      |
|----------------------|---|--|--------------|
| 2EE04706724          | Econ, DB, Vertical Flow, Small Footprint                          | ZY04, ZY05, ZY06, ZQ04, ZQ5, ZQ06, ZXA7                                      | All          |
| 2EE04706824          | Econ, DB, Vertical Flow, Large Footprint                          | ZX08, ZX09, ZX12, ZX14, ZY07, ZYA7, ZY08, ZY09, ZY12, ZL08, ZL09, ZL12, ZL14 | All          |
| 2EE04707024          | Econ, DB, Horizontal Flow, Small Footprint, Short Cabinet         | ZY04, ZQ04, ZQ05   | All          |
| 2EE04707124          | Econ, DB, Horizontal Flow, Small Footprint, Tall Cabinet          | ZX07, ZXA7, ZY05, ZY06, ZQ06   | All          |
| 2EE04707224          | Econ, DB, Horizontal Flow, Large Footprint, Short Cabinet         | ZX08, ZY07, ZYA7   | All          |
| 2EE04707324          | Econ, DB, Horizontal Flow, Large Footprint, Tall Cabinet          | ZX09, ZX12, ZX14, ZY08, ZY09, ZY12, ZL08, ZL09, ZL12, ZL14                   | All          |
| 1FA0415              | Manual Outside Air Damper 0-35%                                   | ZY04, ZY05, ZY06, ZQ04, ZQ05, ZQ06, ZXA7                                     | All          |
| 1FA0416              | Manual Outside Air Damper 0-35%                                   | ZX08, ZX09, ZX12, ZX14, ZY07, ZYA7, ZY08, ZY09, ZY12, ZL08, ZL09, ZL12, ZL14 | All          |
| 1FA0417              | Manual Outside Air Damper 0-100%                                  | ZY04, ZY05, ZY06, ZQ04, ZQ05, ZQ06, ZXA7                                     | All          |
| 1FA0418              | Manual Outside Air Damper 0-100%                                  | ZX08, ZX09, ZX12, ZX14, ZY07, ZYA7, ZY08, ZY09, ZY12, ZL08, ZL09, ZL12, ZL14 | All          |
| 2MD04704224          | Motorized Outside Air Damper 0-100%                               | ZY04, ZY05, ZY06, ZXA7   | All          |
| 2MD04704324          | Motorized Outside Air Damper 0-100%                               | ZX08, ZX09, ZX12, ZX14, ZY07, ZYA7, ZY08, ZY09, ZY12, ZL08, ZL09, ZL12, ZL14 | All          |
| 2EC0401              | Kit, Single Enthalpy Field Installed                              | All  | All          |
| 2EC0402              | Kit, Dual Enthalpy Field Installed                                | All  | All          |
| 1HD0401              | Hinged Filter Access Panel For Units With A Horizontal Economizer | ZQ04, ZQ05, ZY04   | All          |
| 1HD0402              | Hinged Filter Access Panel For Units With A Horizontal Economizer | ZQ06, ZY05, ZY06, ZXA7   | All          |
| 1HD0403              | Hinged Filter Access Panel For Units With A Horizontal Economizer | ZX08, ZY07, ZYA7   | All          |
| 1HD0404              | Hinged Filter Access Panel For Units With A Horizontal Economizer | ZX09, ZX12, ZX14, ZY08, ZY09, ZY12, ZL08, ZL09, ZL12, ZL14                   | All          |
| 1HG0419              | Hail Guard Kit Small Footprint, Short Cabinet                     | ZY04, ZQ04, ZQ05   | All          |
| 1HG0420              | Hail Guard Kit Small Footprint, Tall Cabinet                      | ZY05, ZY06, ZQ06, ZXA7   | All          |
| 1HG0423              | Hail Guard Kit Large Footprint, Short Cabinet                     | ZX08, ZY07, ZYA7   | All          |
| 1HG0424              | Hail Guard Kit Large Footprint, Tall Cabinet                      | ZX09, ZX12, ZX14, ZY08, ZY09, ZY12, ZL08, ZL09, ZL12, ZL14                   | All          |
| 1RC0456              | Curb Rigid 14" Small Footprint                                    | ZY04, ZY05, ZY06, ZQ04, ZQ05, ZQ06, ZXA7                                     | All          |
| 1RC0457              | Curb Rigid 14" Large Footprint                                    | ZX08, ZX09, ZX12, ZX14, ZY07, ZYA7, ZY08, ZY09, ZY12, ZL08, ZL09, ZL12, ZL14 | All          |
| 1RC0458              | Curb Rigid 24" Small Footprint                                    | ZY04, ZY05, ZY06, ZQ04, ZQ05, ZQ06, ZXA7                                     | All          |
| 1RC0459              | Curb Rigid 24" Large Footprint                                    | ZX08, ZX09, ZX12, ZX14, ZY07, ZYA7, ZY08, ZY09, ZY12, ZL08, ZL09, ZL12, ZL14 | All          |
| 2PE04704206          | Power Exhaust Vert Flow Small Footprint 208V-230V 1-ph            | ZY04, ZY05, ZY06, ZQ04, ZQ05, ZQ06, ZXA7                                     | 208/230-1-60 |
| 2PE04704225          | Power Exhaust Vert Flow Small Footprint 208V-230V 3-ph            | ZY04, ZY05, ZY06, ZQ04, ZQ05, ZQ06, ZXA7                                     | 208/230-3-60 |
| 2PE04704246          | Power Exhaust Vert Flow Small Footprint 460V 3-ph                 | ZY04, ZY05, ZY06, ZQ04, ZQ05, ZQ06, ZXA7                                     | 460-3-60     |
| 2PE04704258          | Power Exhaust Vert Flow Small Footprint 575V 3-ph                 | ZY04, ZY05, ZY06, ZQ04, ZQ05, ZQ06, ZXA7                                     | 575-3-60     |
| 2PE04704306          | Power Exhaust Vert Flow Large Footprint 208V-230V 1-ph            | ZX08, ZX09, ZX12, ZX14, ZY07, ZYA7, ZY08, ZY09, ZY12, ZL08, ZL09, ZL12, ZL14 | 208/230-1-60 |
| 2PE04704325          | Power Exhaust Vert Flow Large Footprint 208V-230V 3-ph            | ZX08, ZX09, ZX12, ZX14, ZY07, ZYA7, ZY08, ZY09, ZY12, ZL08, ZL09, ZL12, ZL14 | 208/230-3-60 |
| 2PE04704346          | Power Exhaust Vert Flow Large Footprint 460V 3-ph                 | ZX08, ZX09, ZX12, ZX14, ZY07, ZYA7, ZY08, ZY09, ZY12, ZL08, ZL09, ZL12, ZL14 | 460-3-60     |

**Accessories (Continued)**

| Accessory Kit Number | Description  | Where Used   | Voltage             |
|----------------------|--|--|---------------------|
| 2PE04704358          | Power Exhaust Vert Flow Large Footprint 575V 3-ph                              | ZX08, ZX09, ZX12, ZX14, ZY07, ZYA7, ZY08, ZY09, ZY12, ZL08, ZL09, ZL12, ZL14   | 575-3-60            |
| 2PE04704406          | Power Exhaust Horiz Flow Small Footprint 208V-230V 1-ph                        | ZY04, ZY05, ZY06, ZQ04, ZQ05, ZQ06, ZXA7   | 208/230-1-60        |
| 2PE04704425          | Power Exhaust Horiz Flow Small Footprint 208V-230V 3-ph                        | ZY04, ZY05, ZY06, ZQ04, ZQ05, ZQ06, ZXA7   | 208/230-3-60        |
| 2PE04704446          | Power Exhaust Horiz Flow Small Footprint 460V 3-ph                             | ZY04, ZY05, ZY06, ZQ04, ZQ05, ZQ06, ZXA7   | 460-3-60            |
| 2PE04704458          | Power Exhaust Horiz Flow Small Footprint 575V 3-ph                             | ZY04, ZY05, ZY06, ZQ04, ZQ05, ZQ06, ZXA7   | 575-3-60            |
| 2PE04704506          | Power Exhaust Horiz Flow Large Footprint 208V-230V 1-ph                        | ZX08, ZX09, ZX12, ZX14, ZY07, ZYA7, ZY08, ZY09, ZY12, ZL08, ZL09, ZL12, ZL14   | 208/230-1-60        |
| 2PE04704525          | Power Exhaust Horiz Flow Large Footprint 208V-230V 3-ph                        | ZX08, ZX09, ZX12, ZX14, ZY07, ZYA7, ZY08, ZY09, ZY12, ZL08, ZL09, ZL12, ZL14   | 208/230-3-60        |
| 2PE04704546          | Power Exhaust Horiz Flow Large Footprint 460V 3-ph                             | ZX08, ZX09, ZX12, ZX14, ZY07, ZYA7, ZY08, ZY09, ZY12, ZL08, ZL09, ZL12, ZL14   | 460-3-60            |
| 2PE04704558          | Power Exhaust Horiz Flow Large Footprint 575V 3-ph                             | ZX08, ZX09, ZX12, ZX14, ZY07, ZYA7, ZY08, ZY09, ZY12, ZL08, ZL09, ZL12, ZL14   | 575-3-60            |
| 1HA0454              | High Altitude Kit for Natural Gas (2,000-10,000 ft)                            | ZY04, ZY05, ZY06, ZQ04, ZQ05, ZQ06, ZXA7 - Low, Med, High Heat<br>ZY07, ZYA7 - Low Heat                                | All                 |
| 1HA0455              | High Altitude Kit for Natural Gas (2,000-10,000 ft)                            | ZX08, ZX09, ZX12, ZX14, ZY08, ZY09, ZY12, ZL08, ZL09, ZL12, ZL14 - Low, Med, High Heat<br>ZY07, ZYA7 - Med, High Heat  | All                 |
| 1NP0456              | Propane Conversion Kit Note: Not for use with Low NOx                          | ZY04, ZY05, ZY06, ZQ04, ZQ05, ZQ06, ZXA7 - Low, Med, High Heat<br>ZY07, ZYA7 - Low Heat                                | All                 |
| 1NP0457              | Propane Conversion Kit   | ZX08, ZX09, ZX12, ZX14, ZY08, ZY09, ZY12, ZL08, ZL09, ZL12, ZL14 - Low, Med, High Heat<br>ZY07, ZYA7 - Med, High Heat  | All                 |
| 1HA0458              | High Altitude Kit for Propane (2,000-10,000 ft) Note: Not for use with Low NOx | ZY04, ZY05, ZY06, ZQ04, ZQ05, ZQ06, ZXA7 - Low, Med, High Heat<br>ZY07, ZYA7 - Low Heat                                | All                 |
| 1HA0459              | High Altitude Kit for Propane (2,000-10,000 ft)                                | ZX08, ZX09, ZX12, ZX14, ZY08, ZY09, ZY12, ZL08, ZL09, ZL12, ZL14 - Low, Med, High Heat<br>ZY07, ZYA7 - Med, High Heat  | All                 |
| 1FE0414              | Flue Exhaust Kit   | ZYG04, ZQG04, ZQG05  | All                 |
| 1FE0415              | Flue Exhaust Kit   | ZXGA7, ZXG08, ZYG05, ZYG06, ZYG07, ZYGA7, ZQG06  | All                 |
| 1FE0416              | Flue Exhaust Kit   | ZXG09, ZXG12, ZXG14, ZYG08, ZYG09, ZYG12, ZL08, ZL09, ZL12, ZL14   | All                 |
| 1HS0401              | Flue Heat Shield Accessory   | ZQ04, ZQ05, ZQ06, ZXA7, ZX08, ZX09, ZX12, ZX14, ZY04, ZY05, ZY06, ZY07, ZYA7, ZY08, ZY09, ZY12, ZL08, ZL09, ZL12, ZL14 | All                 |
| 2EK04510625          | 6.5 KW Electric Heat   | ZY04, ZY05, ZY06, ZQ04, ZQ05, ZQ06, ZXA7   | 208/230-(1 or 3)-60 |
| 2EK04510646          | 6.0 KW Electric Heat   | ZY04, ZY05, ZY06, ZQ04, ZQ05, ZQ06, ZXA7   | 460-3-60            |
| 2EK04510725          | 6.5 KW Electric Heat   | ZY07, ZYA7   | 208/230-3-60        |
| 2EK04510746          | 6.0 KW Electric Heat   | ZY07, ZYA7   | 460-3-60            |
| 2EK04511058          | 9.2 KW Electric Heat   | ZY04, ZY05, ZQ04, ZQ05   | 575-3-60            |
| 2EK04511125          | 10.5 KW Electric Heat  | ZY04, ZY05, ZY06, ZQ04, ZQ05, ZQ06, ZXA7   | 208/230-(1 or 3)-60 |
| 2EK04511146          | 11.5 KW Electric Heat  | ZY04, ZY05, ZY06, ZQ04, ZQ05, ZQ06, ZXA7   | 460-3-60            |

**Accessories (Continued)**

| Accessory Kit Number | Description  | Where Used   | Voltage                          |
|----------------------|--|--|----------------------------------|
| 2EK04511458          | 13.8 KW Electric Heat  | ZY04, ZY05, ZY06, ZQ04, ZQ05, ZQ06   | 575-3-60                         |
| 2EK04511446          | 14 KW Electric Heat  | ZY04, ZY05, ZY06, ZQ04, ZQ05, ZQ06, ZXA7   | 460-3-60                         |
| 2EK04511625          | 16 KW Electric Heat  | ZY04, ZY05, ZY06, ZQ04, ZQ05, ZQ06, ZXA7   | 208/230-3-60                     |
| 2EK04511725          | 16 KW Electric Heat  | ZX08, ZX09, ZX12, ZX14, ZY07, ZYA7, ZY08, ZY09, ZY12, ZL08, ZL09, ZL12, ZL14   | 208/230-3-60                     |
| 2EK04511746          | 16.5 KW Electric Heat  | ZX08, ZX09, ZX12, ZX14, ZY07, ZYA7, ZY08, ZY09, ZY12, ZL08, ZL09, ZL12, ZL14   | 460-3-60                         |
| 2EK04511758          | 17 KW Electric Heat  | ZX08, ZX09, ZX12, ZX14, ZY07, ZYA7, ZY08, ZY09, ZL08, ZL09, ZL14   | 575-3-60                         |
| 2EK04512358          | 23 KW Electric Heat  | ZX06, ZY06, ZQ06   | 575-3-60                         |
| 2EK04510625          | 6.5 KW Electric Heat   | ZY04, ZY05, ZY06, ZQ04, ZQ05, ZQ06, ZXA7   | 208/230-(1 or 3)-60              |
| 2EK04512525          | 24.8 KW Electric Heat  | ZX08, ZX09, ZX12, ZX14, ZY07, ZYA7, ZY08, ZY09, ZY12, ZL08, ZL09, ZL12, ZL14   | 208/230-3-60                     |
| 2EK04512646          | 25.5KW Electric Heat   | ZY07, ZYA7   | 460-3-60                         |
| 2EK04512658          | 25.7KW Electric Heat   | ZY07, ZYA7   | 575-3-60                         |
| 2EK04512846          | 27.8 KW Electric Heat  | ZX08, ZX09, ZX12, ZX14, ZY08, ZY09, ZY12, ZL08, ZL09, ZL12, ZL14   | 460-3-60                         |
| 2EK04513225          | 32 KW Electric Heat  | ZX08, ZX09, ZX12, ZX14, ZY08, ZY09, ZY12, ZL08, ZL09, ZL12, ZL14   | 208/230-3-60                     |
| 2EK04513346          | 33 KW Electric Heat  | ZX08, ZX09, ZX12, ZX14, ZY08, ZY09, ZY12, ZL08, ZL09, ZL12, ZL14   | 460-3-60                         |
| 2EK04513458          | 34 KW Electric Heat  | ZX08, ZX09, ZX12, ZX14, ZY08, ZY09, ZL08, ZL09, ZL14   | 575-3-60                         |
| 2EK04514225          | 42.4 KW Electric Heat  | ZX08, ZX09, ZX12, ZX14, ZY08, ZY09, ZY12, ZL08, ZL09, ZL12, ZL14   | 208/230-3-60                     |
| 2EK04514246          | 41.7 KW Electric Heat  | ZX08, ZX09, ZX12, ZX14, ZY08, ZY09, ZY12, ZL08, ZL09, ZL12, ZL14   | 460-3-60                         |
| 2LA04704725          | Low Ambient Accessory Kit                                    | ZY04, ZY05, ZY06, ZQ04, ZQ05, ZQ06, ZXA7   | 208V/230V-1-60 or 208V/230V-3-60 |
| 2LA04704746          | Low Ambient Accessory Kit                                    | ZY04, ZY05, ZY07, ZYA7, ZQ04, ZQ05, ZQ06, ZXA7   | 460V-3-60                        |
| 2LA04704758          | Low Ambient Accessory Kit                                    | ZY04, ZY05, ZY08, ZQ04, ZQ05, ZQ06, ZXA7   | 575V-3-60                        |
| 2LA04704825          | Low Ambient Accessory Kit                                    | ZX08, ZX09, ZX12, ZY07, ZYA7, ZY08, ZY09, ZL08, ZL09   | 208V/230V-1-60 or 208V/230V-3-60 |
| 2LA04704846          | Low Ambient Accessory Kit                                    | ZX08, ZX09, ZX12, ZY07, ZYA7, ZY08, ZY09, ZL08, ZL09   | 460V-3-60                        |
| 2LA04704858          | Low Ambient Accessory Kit                                    | ZX08, ZX09, ZX12, ZY07, ZYA7, ZY08, ZY09, ZL08, ZL09   | 575V-3-60                        |
| 2LA04704925          | Low Ambient Accessory Kit                                    | ZX14, ZY12, ZL12, ZL14   | 208V/230V-3-60                   |
| 2LA04704946          | Low Ambient Accessory Kit                                    | ZX14, ZY12, ZL12, ZL14   | 460V-3-60                        |
| 2LA04704958          | Low Ambient Accessory Kit                                    | ZX14, ZY12, ZL12, ZL14   | 575V-3-60                        |
| 2SD04701224          | Supply Air Stream Smoke Detector                             | ZXA7, ZX08, ZX09, ZX12, ZX14, ZY04, ZY05, ZY06, ZY07, ZYA7, ZY08, ZY09, ZY12, ZQ04, ZQ05, ZQ06, ZL08, ZL09, ZL12, ZL14 | All                              |
| 2SD04701124          | Return Air Stream Smoke Detector                             | ZY04, ZY05, ZY06, ZQ04, ZQ05, ZQ06, ZXA7   | All                              |
| 2SD04701424          | Return Air Stream Smoke Detector                             | ZX08, ZX09, ZX12, ZX14, ZY07, ZYA7, ZY08, ZY09, ZY12, ZL08, ZL09, ZL12, ZL14   | All                              |
| 2SD04701324          | Combination Supply & Return Air Stream Smoke Detector        | ZY04, ZY05, ZY06, ZQ04, ZQ05, ZQ06, ZXA7   | All                              |
| 2SD04701624          | Combination Supply & Return Air Stream Smoke Detector        | ZX08, ZX09, ZX12, ZX14, ZY07, ZYA7, ZY08, ZY09, ZY12, ZL08, ZL09, ZL12, ZL14   | All                              |
| 1TB0401              | Small Footprint Thru The Base Electrical & Thru The Curb Gas | ZY04, ZY05, ZY06, ZQ04, ZQ05, ZQ06, ZXA7   | All                              |

**Accessories (Continued)**

| Accessory Kit Number | Description  | Where Used   | Voltage      |
|----------------------|--|--|--------------|
| 1TB0402              | Large Footprint Thru The Base Electrical & Thru The Curb Gas | ZX08, ZX09, ZX12, ZX14, ZY07, ZYA7, ZY08, ZY09, ZY12, ZL08, ZL09, ZL12, ZL14 | All          |
| 1TB0403              | Small Footprint Thru The Base Electrical & Gas               | ZY04, ZY05, ZY06, ZQ04, ZQ05, ZQ06, ZXA7                                     | All          |
| 1TB0404              | Large Footprint Thru The Base Electrical & Gas               | ZX08, ZY07, ZYA7, ZX09, ZX12, ZX14, ZY08, ZY09, ZY12, ZL08, ZL09, ZL12, ZL14 | All          |
| 1LD0420              | High Speed Drive Kit   | ZQ05   | 3-phase only |

**AHRI Cooling Rating Table**

| UNIT | COOLING STAGES | NOM. COOLING CAPACITY (TONS) | NET COOLING CAPACITY (MBH) | TOTAL POWER (KW) | SEER | EER (COOLING ONLY) | EER (A/C WITH GAS HEAT) | IEER (COOLING ONLY) | IEER (A/C WITH GAS HEAT) | IEER WITH IntelliSpeed (COOLING ONLY) | IEER WITH IntelliSpeed (GAS HEAT) |
|------|----------------|------------------------------|----------------------------|------------------|------|--------------------|-------------------------|---------------------|--------------------------|---------------------------------------|-----------------------------------|
| ZXA7 | 2              | 6                            | 67.0                       | 6.0              | ---  | 11.2               | 11.0                    | 12.9                | 12.9                     | 14.8                                  | 14.8                              |
| ZX08 | 2              | 7.5                          | 85.0                       | 6.6              | ---  | 11.2               | 11.0                    | N/A                 | N/A                      | 13.5                                  | 13.4                              |
| ZX09 | 2              | 8.5                          | 99.0                       | 7.7              | ---  | 11.2               | 11.0                    | N/A                 | N/A                      | 13.3                                  | 13.0                              |
| ZX12 | 2              | 10.0                         | 116.0                      | 9.2              | ---  | 11.2               | 11.0                    | N/A                 | N/A                      | 14.6                                  | 14.4                              |
| ZX14 | 2              | 12.5                         | 135.0                      | 10.8             | ---  | 11.0               | 11.0                    | N/A                 | N/A                      | 12.7                                  | 12.5                              |
| ZY04 | 1              | 3                            | 36.0                       | 2.6              | 15.0 | 12.0               | 12.0                    | ---                 | ---                      | ---                                   | ---                               |
| ZY05 | 1              | 4                            | 49.0                       | 3.5              | 15.4 | 12.0               | 12.0                    | ---                 | ---                      | ---                                   | ---                               |
| ZY06 | 1              | 5                            | 58.0                       | 4.4              | 15.2 | 12.0               | 12.0                    | ---                 | ---                      | ---                                   | ---                               |
| ZY07 | 1              | 6                            | 72.0                       | 5.0              | ---  | 12.2               | 12.0                    | 12.9                | 12.7                     | ---                                   | ---                               |
| ZYA7 | 2              | 6                            | 71.0                       | 5.89             | ---  | 12.0               | 12.0                    | 14.6                | 14.6                     | 16.0                                  | 16.0                              |
| ZY08 | 2              | 7.5                          | 89.0                       | 6.6              | ---  | 12.2               | 12.0                    | 12.9                | 12.7                     | 14.1                                  | 14.0                              |
| ZY09 | 2              | 8.5                          | 98.0                       | 7.3              | ---  | 12.2               | 12.0                    | 12.9                | 12.7                     | 14.8                                  | 14.6                              |
| ZY12 | 2              | 10.0                         | 116.0                      | 8.9              | ---  | 11.7               | 11.5                    | 12.9                | 12.7                     | 14.0                                  | 14.0                              |
| ZQ04 | 1              | 3                            | 35.0                       | 2.8              | 14.0 | 12.2               | 12.2                    | ---                 | ---                      | ---                                   | ---                               |
| ZQ05 | 1              | 4                            | 48.0                       | 4.0              | 14.0 | 12.0               | 12.0                    | ---                 | ---                      | ---                                   | ---                               |
| ZQ06 | 1              | 5                            | 58.5                       | 4.8              | 14.1 | 12.1               | 12.1                    | ---                 | ---                      | ---                                   | ---                               |
| ZL08 | 3              | 7.5                          | 89.0                       | 7.4              | ---  | 12.2               | 12.0                    | N/A                 | N/A                      | 15.8                                  | 15.6                              |
| ZL09 | 3              | 8.5                          | 98.0                       | 8.0              | ---  | 12.2               | 12.0                    | N/A                 | N/A                      | 16.3                                  | 16.1                              |
| ZL12 | 3              | 10.0                         | 116.0                      | 9.6              | ---  | 12.2               | 12.0                    | N/A                 | N/A                      | 15.6                                  | 15.4                              |
| ZL14 | 3              | 12.5                         | 135.0                      | 11.9             | ---  | 11.2               | 11.0                    | N/A                 | N/A                      | 14.9                                  | 14.7                              |

## AHRI 270 Outdoor Sound Power Levels

| Unit (Tons) | Sound Rating <sup>1</sup><br>(dB-A) | Octave Bands (Hz) |      |      |      |      |      |      |      |
|-------------|-------------------------------------|-------------------|------|------|------|------|------|------|------|
|             |                                     | 63                | 125  | 250  | 500  | 1000 | 2000 | 4000 | 8000 |
| ZXA7 (6)    | 79                                  | 85.0              | 85.0 | 77.0 | 75.0 | 74.0 | 70.0 | 66.0 | 62.0 |
| ZX08 (7.5)  | 84                                  | 87.0              | 86.0 | 82.0 | 80.5 | 79.5 | 75.0 | 70.5 | 66.5 |
| ZX09 (8.5)  | 83                                  | 91.0              | 86.0 | 79.0 | 79.5 | 78.0 | 74.0 | 70.5 | 69.0 |
| ZX12 (10)   | 84                                  | 87.5              | 85.0 | 81.0 | 80.0 | 80.0 | 74.5 | 70.0 | 66.5 |
| ZX14 (12.5) | 90                                  | 87.5              | 88.5 | 85.0 | 86.0 | 85.0 | 81.0 | 78.5 | 73.0 |
| ZY04 (3)    | 79                                  | 81.0              | 86.5 | 77.0 | 76.0 | 75.0 | 70.5 | 66.5 | 63.5 |
| ZY05 (4)    | 79                                  | 84.0              | 83.0 | 76.0 | 75.0 | 74.0 | 70.0 | 66.0 | 63.5 |
| ZY06 (5)    | 79                                  | 83.0              | 83.0 | 76.0 | 75.0 | 75.0 | 69.5 | 66.0 | 63.0 |
| ZY07 (6)    | 84                                  | 90.0              | 87.0 | 81.5 | 81.0 | 79.0 | 74.5 | 71.0 | 69.5 |
| ZYA7 (6)    | 83                                  | 85.0              | 86.0 | 81.0 | 80.0 | 78.0 | 73.0 | 70.0 | 65.0 |
| ZY08 (7.5)  | 83                                  | 91.5              | 84.5 | 79.5 | 79.5 | 78.5 | 74.0 | 68.5 | 66.0 |
| ZY09 (8.5)  | 83                                  | 92.0              | 87.0 | 81.0 | 80.5 | 79.0 | 74.0 | 69.0 | 66.0 |
| ZY12 (10)   | 87                                  | 88.0              | 88.5 | 84.5 | 84.0 | 82.5 | 78.5 | 76.0 | 73.0 |
| ZQ04 (3)    | 79                                  | 81.5              | 84.5 | 76.5 | 75.0 | 74.0 | 69.5 | 65.5 | 61.0 |
| ZQ05 (4)    | 79                                  | 82.0              | 85.0 | 77.5 | 75.5 | 74.0 | 70.0 | 66.5 | 62.0 |
| ZQ06 (5)    | 79                                  | 83.0              | 83.0 | 76.0 | 75.0 | 75.0 | 69.5 | 66.0 | 63.0 |
| ZL08 (7.5)  | 82                                  | 85.0              | 86.0 | 80.0 | 79.0 | 78.0 | 73.0 | 68.0 | 64.0 |
| ZL09 (8.5)  | 82                                  | 88.5              | 83.0 | 81.0 | 79.0 | 78.0 | 73.5 | 69.0 | 65.5 |
| ZL12 (10)   | 86                                  | 82.0              | 88.5 | 85.0 | 82.5 | 80.5 | 76.0 | 73.5 | 69.5 |
| ZL14 (12.5) | 86                                  | 84.0              | 88.5 | 84.5 | 83.5 | 81.0 | 76.5 | 73.5 | 69.5 |

1. Rated in accordance with AHRI 270 standard.

## Physical Data

### ZXA7 Physical Data

| Component                |                                     | Models              |       |                     |   |
|--------------------------|-------------------------------------|---------------------|-------|---------------------|---|
|                          |                                     | ZXGA7               |       | ZXEA7               |   |
| Nominal Tonnage          |                                     | 6                   |       | 6                   |   |
| AHRI COOLING PERFORMANCE | Gross Capacity @ AHRI A point (Btu) | 70000               |       | 70000               |   |
|                          | AHRI net capacity (Btu)             | 67000               |       | 67000               |   |
|                          | EER                                 | 11.0                |       | 11.2                |   |
|                          | SEER                                | -                   |       | -                   |   |
|                          | IEER                                | 12.9                |       | 12.9                |   |
|                          | IEER IntelliSpeed                   | 14.8                |       | 14.8                |   |
|                          | Nominal CFM                         | 2200                |       | 2200                |   |
|                          | System power (KW)                   | 6.0                 |       | 6.0                 |   |
|                          | Refrigerant type                    | R-410A              |       | R-410A              |   |
|                          | Refrigerant charge (lb-oz)          |                     |       |                     |   |
|                          | System 1                            | 7-4                 |       | 7-4                 |   |
| System 2                 |                                     |                     |       |                     |   |
| AHRI HEATING PERFORMANCE | Heating Option                      | D                   | E     | F                   | - |
|                          | Heating model                       | Low                 | Med   | High                | - |
|                          | 1st. Stage Heat input (K Btu)       | -                   | -     | 100                 | - |
|                          | 2nd. Stage Heat input (K Btu)       | 70                  | 114   | 145                 | - |
|                          | 1st. Stage Heat output (K Btu)      | -                   | -     | 80                  | - |
|                          | 2nd. Stage Heat output (K Btu)      | 56                  | 91    | 116                 | - |
|                          | AFUE %                              |                     |       |                     | - |
|                          | Steady state efficiency (%)         | 80                  | 80    | 80                  | - |
|                          | No. burners                         | 2                   | 3     | 3                   | - |
|                          | No. stages                          | 1                   | 1     | 2                   | - |
|                          | Temperature Rise Range (°F)         | 17-29               | 28-47 | 36-60               | - |
|                          | Gas Limit Setting (°F)              | 150                 | 140   | 140                 | - |
|                          | Gas piping connection (in.)         | 1/2                 | 1/2   | 1/2                 | - |
| DIMENSIONS (inches)      | Length                              | 74.1                |       | 74.1                |   |
|                          | Width                               | 48.9                |       | 48.9                |   |
|                          | Height                              | 40.6                |       | 40.6                |   |
| OPERATING WT. (lbs.)     | 668                                 |                     | 614   |                     |   |
| COMPRESSORS              | Type                                | 2-Stage Scroll      |       | 2-Stage Scroll      |   |
|                          | Quantity                            | 1                   |       | 1                   |   |
|                          | Unit Capacity Steps (%)             | 67/100              |       | 67/100              |   |
| CONDENSER COIL DATA      | Face area (Sq. Ft.)                 | 21.1                |       | 21.1                |   |
|                          | Rows                                | 1                   |       | 1                   |   |
|                          | Fins per inch                       | 23                  |       | 23                  |   |
|                          | Tube diameter (in./MM)              | .79/20              |       | .79/20              |   |
|                          | Circuitry Type                      | 2-pass Microchannel |       | 2-pass Microchannel |   |
| EVAPORATOR COIL DATA     | Face area (Sq. Ft.)                 | 7.3                 |       | 7.3                 |   |
|                          | Rows                                | 4                   |       | 4                   |   |
|                          | Fins per inch                       | 15                  |       | 15                  |   |
|                          | Tube diameter                       | 0.375               |       | 0.375               |   |
|                          | Circuitry Type                      | Intertwined         |       | Intertwined         |   |
|                          | Refrigerant control                 | TXV                 |       | TXV                 |   |



**ZXA7 Physical Data (Continued)**

| Component                       | Models                 |                                |         |             |                                |         |         |
|---------------------------------|------------------------|--------------------------------|---------|-------------|--------------------------------|---------|---------|
|                                 | ZXGA7                  |                                |         | ZXE7        |                                |         |         |
| Nominal Tonnage                 | 6                      |                                |         | 6           |                                |         |         |
| <b>CONDENSER FAN DATA</b>       | Quantity of fans       | 1                              |         |             | 1                              |         |         |
|                                 | Fan diameter (Inch)    | 22                             |         |             | 22                             |         |         |
|                                 | Type                   | Prop                           |         |             | Prop                           |         |         |
|                                 | Drive type             | Direct                         |         |             | Direct                         |         |         |
|                                 | Quantity of motors     | 1                              |         |             | 1                              |         |         |
|                                 | Motor HP each          | 1/2                            |         |             | 1/2                            |         |         |
|                                 | No. speeds             | 2                              |         |             | 2                              |         |         |
|                                 | RPM                    | 900 / 1150                     |         |             | 900 / 1150                     |         |         |
| Nominal total CFM               | 3600 / 4600            |                                |         | 3600 / 4600 |                                |         |         |
| <b>EVAP FAN DATA BELT DRIVE</b> | Airflow Option         | A                              | B       | C           | A                              | B       | C       |
|                                 | Quantity               | 1                              | 1       | 1           | 1                              | 1       | 1       |
|                                 | Fan Size (Inch)        | 11 x 10                        | 11 x 10 | 11 x 10     | 11 x 10                        | 11 x 10 | 11 x 10 |
|                                 | Type                   | Centrifugal                    |         |             | Centrifugal                    |         |         |
|                                 | Motor Sheave           | 1VL34                          | 1VL44   | 1VP50       | 1VL34                          | 1VL44   | 1VP50   |
|                                 | Blower Sheave          | AK51                           | AK51    | AK51        | AK51                           | AK51    | AK51    |
|                                 | Belt                   | A39                            | A40     | A41         | A39                            | A40     | A41     |
|                                 | Motor Max Bhp, 3 Phase | 2.4                            | 2.9     | 3.7         | 2.4                            | 2.9     | 3.7     |
|                                 | RPM                    | 1725                           | 1725    | 1725        | 1725                           | 1725    | 1725    |
|                                 | Frame size             | 56Y                            | 56Y     | 56HZ        | 56Y                            | 56Y     | 56HZ    |
| <b>FILTERS</b>                  | Quantity - Size        | 4 - (16 x 16 x 2) <sup>1</sup> |         |             | 4 - (16 x 16 x 2) <sup>1</sup> |         |         |

1. 2 in. Throwaway, Standard, MERV 4 (Minimum Efficiency Reporting Value).

**ZX08 Physical Data**

| Component                       |                                     | Models              |       |                     |   |
|---------------------------------|-------------------------------------|---------------------|-------|---------------------|---|
|                                 |                                     | ZXG08               |       | ZXE08               |   |
| Nominal Tonnage                 |                                     | 7.5                 |       | 7.5                 |   |
| <b>AHRI COOLING PERFORMANCE</b> | Gross Capacity @ AHRI A point (Btu) | 94000               |       | 94000               |   |
|                                 | AHRI net capacity (Btu)             | 85000               |       | 85000               |   |
|                                 | EER                                 | 11                  |       | 11.2                |   |
|                                 | SEER                                | -                   |       | -                   |   |
|                                 | IEER IntelliSpeed                   | 13.4                |       | 13.5                |   |
|                                 | Nominal CFM                         | 2900                |       | 2900                |   |
|                                 | System power (KW)                   | 6.6                 |       | 6.6                 |   |
|                                 | Refrigerant type                    | R-410A              |       | R-410A              |   |
|                                 | Refrigerant charge (lb-oz)          |                     |       |                     |   |
|                                 | System 1                            | 4-8                 |       | 4-8                 |   |
| System 2                        | 4-12                                |                     | 4-12  |                     |   |
| <b>AHRI HEATING PERFORMANCE</b> | Heating Option                      | D                   | E     | F                   | - |
|                                 | Heating model                       | Low                 | Med   | High                | - |
|                                 | 1st. Stage Heat input (K Btu)       | 90                  | 125   | 176                 | - |
|                                 | 2nd. Stage Heat input (K Btu)       | 125                 | 180   | 220                 | - |
|                                 | 1st. Stage Heat output (K Btu)      | 72                  | 100   | 141                 | - |
|                                 | 2nd. Stage Heat output (K Btu)      | 100                 | 144   | 176                 | - |
|                                 | AFUE %                              |                     |       |                     | - |
|                                 | Steady state efficiency (%)         | 80                  | 80    | 80                  | - |
|                                 | No. burners                         | 3                   | 4     | 5                   | - |
|                                 | No. stages                          | 2                   | 2     | 2                   | - |
|                                 | Temperature Rise Range (°F)         | 25-41               | 36-59 | 43-72               | - |
|                                 | Gas Limit Setting (°F)              | 140                 | 150   | 140                 | - |
|                                 | Gas piping connection (in.)         | 3/4                 | 3/4   | 3/4                 | - |
| <b>DIMENSIONS (inches)</b>      | Length                              | 87.1                |       | 87.1                |   |
|                                 | Width                               | 61.7                |       | 61.7                |   |
|                                 | Height                              | 40.6                |       | 40.6                |   |
| <b>OPERATING WT. (lbs.)</b>     | 893                                 |                     | 791   |                     |   |
| <b>COMPRESSORS</b>              | Type                                | Scroll              |       | Scroll              |   |
|                                 | Quantity                            | 2                   |       | 2                   |   |
|                                 | Unit Capacity Steps (%)             | 50/100              |       | 50/100              |   |
| <b>CONDENSER COIL DATA</b>      | Face area (Sq. Ft.)                 | 21.1                |       | 21.1                |   |
|                                 | Rows                                | 1                   |       | 1                   |   |
|                                 | Fins per inch                       | 23                  |       | 23                  |   |
|                                 | Tube diameter (in./MM)              | 1/25                |       | 1/25                |   |
|                                 | Circuitry Type                      | 2-pass Microchannel |       | 2-pass Microchannel |   |
| <b>EVAPORATOR COIL DATA</b>     | Face area (Sq. Ft.)                 | 8.9                 |       | 8.9                 |   |
|                                 | Rows                                | 3                   |       | 3                   |   |
|                                 | Fins per inch                       | 15                  |       | 15                  |   |
|                                 | Tube diameter                       | 0.375               |       | 0.375               |   |
|                                 | Circuitry Type                      | Intertwined         |       | Intertwined         |   |
|                                 | Refrigerant control                 | Orifice             |       | Orifice             |   |

**ZX08 Physical Data (Continued)**

| Component                       | Models                 |                                |         |         |                                |         |         |
|---------------------------------|------------------------|--------------------------------|---------|---------|--------------------------------|---------|---------|
|                                 | ZXG08                  |                                |         | ZXE08   |                                |         |         |
| Nominal Tonnage                 | 7.5                    |                                |         | 7.5     |                                |         |         |
| <b>CONDENSER FAN DATA</b>       | Quantity of fans       | 2                              |         |         | 2                              |         |         |
|                                 | Fan diameter (Inch)    | 22                             |         |         | 22                             |         |         |
|                                 | Type                   | Prop                           |         |         | Prop                           |         |         |
|                                 | Drive type             | Direct                         |         |         | Direct                         |         |         |
|                                 | Quantity of motors     | 2                              |         |         | 2                              |         |         |
|                                 | Motor HP each          | 1/2                            |         |         | 1/2                            |         |         |
|                                 | No. speeds             | 1                              |         |         | 1                              |         |         |
|                                 | RPM                    | 1085                           |         |         | 1085                           |         |         |
| Nominal total CFM               | 7600                   |                                |         | 7600    |                                |         |         |
| <b>EVAP FAN DATA BELT DRIVE</b> | Airflow Option         | A                              | B       | C       | A                              | B       | C       |
|                                 | Quantity               | 1                              | 1       | 1       | 1                              | 1       | 1       |
|                                 | Fan Size (Inch)        | 15 X 15                        | 15 X 15 | 15 X 15 | 15 X 15                        | 15 X 15 | 15 X 15 |
|                                 | Type                   | Centrifugal                    |         |         | Centrifugal                    |         |         |
|                                 | Motor Sheave           | 1VL34                          | 1VL44   | 1VP50   | 1VL34                          | 1VL44   | 1VP50   |
|                                 | Blower Sheave          | AK74                           | AK74    | AK74    | AK74                           | AK74    | AK74    |
|                                 | Belt                   | A47                            | A48     | A48     | A47                            | A48     | A48     |
|                                 | Motor Max Bhp, 3 Phase | 2.4                            | 2.9     | 3.7     | 2.4                            | 2.9     | 3.7     |
|                                 | RPM                    | 1725                           | 1725    | 1725    | 1725                           | 1725    | 1725    |
|                                 | Frame size             | 56Y                            | 56Y     | 56HZ    | 56Y                            | 56Y     | 56HZ    |
| <b>FILTERS</b>                  | Quantity - Size        | 4 - (16 x 20 x 2) <sup>1</sup> |         |         | 4 - (16 x 20 x 2) <sup>1</sup> |         |         |

1. 2 in. Throwaway, Standard, MERV 4 (Minimum Efficiency Reporting Value).

**ZX09 Physical Data**

| Component                       | Models                              |                     |       |                     |   |
|---------------------------------|-------------------------------------|---------------------|-------|---------------------|---|
|                                 | ZXG09                               |                     | ZXE09 |                     |   |
| Nominal Tonnage                 | 8.5                                 |                     | 8.5   |                     |   |
| <b>AHRI COOLING PERFORMANCE</b> | Gross Capacity @ AHRI A point (Btu) | 105600              |       | 105600              |   |
|                                 | AHRI net capacity (Btu)             | 99000               |       | 99000               |   |
|                                 | EER                                 | 11                  |       | 11.2                |   |
|                                 | SEER                                | -                   |       | -                   |   |
|                                 | IEER IntelliSpeed                   | 13.0                |       | 13.3                |   |
|                                 | Nominal CFM                         | 3300                |       | 3300                |   |
|                                 | System power (KW)                   | 7.70                |       | 7.70                |   |
|                                 | Refrigerant type                    | R-410A              |       | R-410A              |   |
|                                 | Refrigerant charge (lb-oz)          |                     |       |                     |   |
|                                 | System 1                            | 5-4                 |       | 5-4                 |   |
| System 2                        | 5-4                                 |                     | 5-4   |                     |   |
| <b>AHRI HEATING PERFORMANCE</b> | Heating Option                      | D                   | E     | F                   | - |
|                                 | Heating model                       | Low                 | Med   | High                | - |
|                                 | 1st. Stage Heat input (K Btu)       | 90                  | 125   | 176                 | - |
|                                 | 2nd. Stage Heat input (K Btu)       | 125                 | 180   | 220                 | - |
|                                 | 1st. Stage Heat output (K Btu)      | 72                  | 100   | 141                 | - |
|                                 | 2nd. Stage Heat output (K Btu)      | 100                 | 144   | 176                 | - |
|                                 | AFUE %                              |                     |       |                     | - |
|                                 | Steady state efficiency (%)         | 80                  | 80    | 80                  | - |
|                                 | No. burners                         | 3                   | 4     | 5                   | - |
|                                 | No. stages                          | 2                   | 2     | 2                   | - |
|                                 | Temperature Rise Range (°F)         | 22-36               | 31-52 | 38-64               | - |
|                                 | Gas Limit Setting (°F)              | 140                 | 150   | 140                 | - |
| Gas piping connection (in.)     | 3/4                                 | 3/4                 | 3/4   | -                   |   |
| <b>DIMENSIONS (inches)</b>      | Length                              | 87.2                |       | 87.2                |   |
|                                 | Width                               | 61.7                |       | 61.7                |   |
|                                 | Height                              | 48.6                |       | 48.6                |   |
| <b>OPERATING WT. (lbs.)</b>     | 954                                 |                     | 852   |                     |   |
| <b>COMPRESSORS</b>              | Type                                | Scroll              |       | Scroll              |   |
|                                 | Quantity                            | 2                   |       | 2                   |   |
|                                 | Unit Capacity Steps (%)             | 50/100              |       | 50/100              |   |
| <b>CONDENSER COIL DATA</b>      | Face area (Sq. Ft.)                 | 25.5                |       | 25.5                |   |
|                                 | Rows                                | 1                   |       | 1                   |   |
|                                 | Fins per inch                       | 23                  |       | 23                  |   |
|                                 | Tube diameter (in./MM)              | 1/25                |       | 1/25                |   |
|                                 | Circuitry Type                      | 2-pass Microchannel |       | 2-pass Microchannel |   |
| <b>EVAPORATOR COIL DATA</b>     | Face area (Sq. Ft.)                 | 11.1                |       | 11.1                |   |
|                                 | Rows                                | 3                   |       | 3                   |   |
|                                 | Fins per inch                       | 15                  |       | 15                  |   |
|                                 | Tube diameter                       | 0.375               |       | 0.375               |   |
|                                 | Circuitry Type                      | Intertwined         |       | Intertwined         |   |
|                                 | Refrigerant control                 | Orifice             |       | Orifice             |   |

**ZX09 Physical Data (Continued)**

| Component                       | Models                 |                                |         |         |                                |         |         |
|---------------------------------|------------------------|--------------------------------|---------|---------|--------------------------------|---------|---------|
|                                 | ZXG09                  |                                |         | ZXE09   |                                |         |         |
| <b>Nominal Tonnage</b>          | 8.5                    |                                |         | 8.5     |                                |         |         |
| <b>CONDENSER FAN DATA</b>       | Quantity of fans       | 2                              |         |         | 2                              |         |         |
|                                 | Fan diameter (Inch)    | 22                             |         |         | 22                             |         |         |
|                                 | Type                   | Prop                           |         |         | Prop                           |         |         |
|                                 | Drive type             | Direct                         |         |         | Direct                         |         |         |
|                                 | Quantity of motors     | 2                              |         |         | 2                              |         |         |
|                                 | Motor HP each          | 1/2                            |         |         | 1/2                            |         |         |
|                                 | No. speeds             | 1                              |         |         | 1                              |         |         |
|                                 | RPM                    | 1085                           |         |         | 1085                           |         |         |
| Nominal total CFM               | 8600                   |                                |         | 8600    |                                |         |         |
| <b>EVAP FAN DATA BELT DRIVE</b> | Airflow Option         | A                              | B       | C       | A                              | B       | C       |
|                                 | Quantity               | 1                              | 1       | 1       | 1                              | 1       | 1       |
|                                 | Fan Size (Inch)        | 15 x 15                        | 15 x 15 | 15 x 15 | 15 x 15                        | 15 x 15 | 15 x 15 |
|                                 | Type                   | Centrifugal                    |         |         | Centrifugal                    |         |         |
|                                 | Motor Sheave           | 1VL34                          | 1VL44   | 1VP50   | 1VL34                          | 1VL44   | 1VP50   |
|                                 | Blower Sheave          | AK74                           | AK74    | AK74    | AK74                           | AK74    | AK74    |
|                                 | Belt                   | A47                            | A48     | A50     | A47                            | A48     | A50     |
|                                 | Motor Max Bhp, 3 Phase | 2.4                            | 2.4     | 3.7     | 2.4                            | 2.4     | 3.7     |
|                                 | RPM                    | 1725                           | 1725    | 1725    | 1725                           | 1725    | 1725    |
|                                 | Frame size             | 56Y                            | 56Y     | 56HZ    | 56Y                            | 56Y     | 56HZ    |
| <b>FILTERS</b>                  | Quantity - Size        | 4 - (20 x 20 x 2) <sup>1</sup> |         |         | 4 - (20 x 20 x 2) <sup>1</sup> |         |         |

1. 2 in. Throwaway, Standard, MERV 4 (Minimum Efficiency Reporting Value).

**ZX12 Physical Data**

| Component                       | Models                              |                     |       |                     |   |
|---------------------------------|-------------------------------------|---------------------|-------|---------------------|---|
|                                 | ZXG12                               |                     | ZXE12 |                     |   |
| Nominal Tonnage                 | 10                                  |                     | 10    |                     |   |
| <b>AHRI COOLING PERFORMANCE</b> | Gross Capacity @ AHRI A point (Btu) | 125600              |       | 125600              |   |
|                                 | AHRI net capacity (Btu)             | 116000              |       | 116000              |   |
|                                 | EER                                 | 11                  |       | 11.2                |   |
|                                 | SEER                                | -                   |       | -                   |   |
|                                 | IEER IntelliSpeed                   | 14.4                |       | 14.6                |   |
|                                 | Nominal CFM                         | 3400                |       | 3400                |   |
|                                 | System power (KW)                   | 9.2                 |       | 9.2                 |   |
|                                 | Refrigerant type                    | R-410A              |       | R-410A              |   |
|                                 | Refrigerant charge (lb-oz)          |                     |       |                     |   |
|                                 | System 1                            | 5-12                |       | 5-12                |   |
| System 2                        | 5-12                                |                     | 5-12  |                     |   |
| <b>AHRI HEATING PERFORMANCE</b> | Heating Option                      | D                   | E     | F                   | - |
|                                 | Heating model                       | Low                 | Med   | High                | - |
|                                 | 1st. Stage Heat input (K Btu)       | 125                 | 176   | 200                 | - |
|                                 | 2nd. Stage Heat input (K Btu)       | 180                 | 220   | 250                 | - |
|                                 | 1st. Stage Heat output (K Btu)      | 100                 | 141   | 160                 | - |
|                                 | 2nd. Stage Heat output (K Btu)      | 144                 | 176   | 200                 | - |
|                                 | AFUE %                              |                     |       |                     | - |
|                                 | Steady state efficiency (%)         | 80                  | 80    | 80                  | - |
|                                 | No. burners                         | 4                   | 5     | 5                   | - |
|                                 | No. stages                          | 2                   | 2     | 2                   | - |
|                                 | Temperature Rise Range (°F)         | 27-44               | 33-54 | 37-62               | - |
|                                 | Gas Limit Setting (°F)              | 150                 | 140   | 160                 | - |
| Gas piping connection (in.)     | 3/4                                 | 3/4                 | 3/4   | -                   |   |
| <b>DIMENSIONS (inches)</b>      | Length                              | 87.2                |       | 87.2                |   |
|                                 | Width                               | 61.7                |       | 61.7                |   |
|                                 | Height                              | 48.6                |       | 48.6                |   |
| <b>OPERATING WT. (lbs.)</b>     | 985                                 |                     | 879   |                     |   |
| <b>COMPRESSORS</b>              | Type                                | Scroll              |       | Scroll              |   |
|                                 | Quantity                            | 2                   |       | 2                   |   |
|                                 | Unit Capacity Steps (%)             | 50/100              |       | 50/100              |   |
| <b>CONDENSER COIL DATA</b>      | Face area (Sq. Ft.)                 | 25.5                |       | 25.5                |   |
|                                 | Rows                                | 1                   |       | 1                   |   |
|                                 | Fins per inch                       | 23                  |       | 23                  |   |
|                                 | Tube diameter (in./MM)              | 1/25                |       | 1/25                |   |
|                                 | Circuitry Type                      | 2-pass Microchannel |       | 2-pass Microchannel |   |
| <b>EVAPORATOR COIL DATA</b>     | Face area (Sq. Ft.)                 | 11.1                |       | 11.1                |   |
|                                 | Rows                                | 4                   |       | 4                   |   |
|                                 | Fins per inch                       | 15                  |       | 15                  |   |
|                                 | Tube diameter                       | 0.375               |       | 0.375               |   |
|                                 | Circuitry Type                      | Intertwined         |       | Intertwined         |   |
|                                 | Refrigerant control                 | Orifice             |       | Orifice             |   |

**ZX12 Physical Data (Continued)**

| Component                       | Models                 |                                |         |           |                                |         |         |
|---------------------------------|------------------------|--------------------------------|---------|-----------|--------------------------------|---------|---------|
|                                 | ZXG12                  |                                |         | ZXE12     |                                |         |         |
| <b>Nominal Tonnage</b>          | <b>10</b>              |                                |         | <b>10</b> |                                |         |         |
| <b>CONDENSER FAN DATA</b>       | Quantity of fans       | 2                              |         |           | 2                              |         |         |
|                                 | Fan diameter (Inch)    | 22                             |         |           | 22                             |         |         |
|                                 | Type                   | Prop                           |         |           | Prop                           |         |         |
|                                 | Drive type             | Direct                         |         |           | Direct                         |         |         |
|                                 | Quantity of motors     | 2                              |         |           | 2                              |         |         |
|                                 | Motor HP each          | 1/2                            |         |           | 1/2                            |         |         |
|                                 | No. speeds             | 1                              |         |           | 1                              |         |         |
|                                 | RPM                    | 1085                           |         |           | 1085                           |         |         |
| Nominal total CFM               | 8600                   |                                |         | 8600      |                                |         |         |
| <b>EVAP FAN DATA BELT DRIVE</b> | Airflow Option         | A                              | B       | C         | A                              | B       | C       |
|                                 | Quantity               | 1                              | 1       | 1         | 1                              | 1       | 1       |
|                                 | Fan Size (Inch)        | 15 x 15                        | 15 x 15 | 15 x 15   | 15 x 15                        | 15 x 15 | 15 x 15 |
|                                 | Type                   | Centrifugal                    |         |           | Centrifugal                    |         |         |
|                                 | Motor Sheave           | 1VL44                          | 1VP50   | 1VP56     | 1VL44                          | 1VP50   | 1VP56   |
|                                 | Blower Sheave          | AK79                           | AK79    | BK85      | AK79                           | AK79    | BK85    |
|                                 | Belt                   | A50                            | A50     | BX52      | A50                            | A50     | BX52    |
|                                 | Motor Max Bhp, 3 Phase | 2.4                            | 3.7     | 5.25      | 2.4                            | 3.7     | 5.25    |
|                                 | RPM                    | 1725                           | 1725    | 1725      | 1725                           | 1725    | 1725    |
|                                 | Frame size             | 56Y                            | 56HZ    | 145TY     | 56Y                            | 56HZ    | 145TY   |
| <b>FILTERS</b>                  | Quantity - Size        | 4 - (20 x 20 x 2) <sup>1</sup> |         |           | 4 - (20 x 20 x 2) <sup>1</sup> |         |         |

1. 2 in. Throwaway, Standard, MERV 4 (Minimum Efficiency Reporting Value).

**ZX14 Physical Data**

| Component                       | Models                              |                     |       |                     |   |
|---------------------------------|-------------------------------------|---------------------|-------|---------------------|---|
|                                 | ZXG14                               | ZXE14               |       | ZXE14               |   |
| <b>Nominal Tonnage</b>          | <b>12.5</b>                         |                     |       | <b>12.5</b>         |   |
| <b>AHRI COOLING PERFORMANCE</b> | Gross Capacity @ AHRI A point (Btu) | 145000              |       | 145000              |   |
|                                 | AHRI net capacity (Btu)             | 135000              |       | 135000              |   |
|                                 | EER                                 | 11.0                |       | 11.0                |   |
|                                 | SEER                                | -                   |       | -                   |   |
|                                 | IEER IntelliSpeed                   | 12.5                |       | 12.7                |   |
|                                 | Nominal CFM                         | 4000                |       | 4000                |   |
|                                 | System power (KW)                   | 10.8                |       | 10.8                |   |
|                                 | Refrigerant type                    | R-410A              |       | R-410A              |   |
|                                 | Refrigerant charge (lb-oz)          |                     |       |                     |   |
|                                 | System 1                            | 6-8                 |       | 6-8                 |   |
| System 2                        | 6-12                                |                     | 6-12  |                     |   |
| <b>AHRI HEATING PERFORMANCE</b> | Heating Option                      | D                   | E     | F                   | - |
|                                 | Heating model                       | Low                 | Med   | High                | - |
|                                 | 1st. Stage Heat input (K Btu)       | 125                 | 176   | 200                 | - |
|                                 | 2nd. Stage Heat input (K Btu)       | 180                 | 220   | 250                 | - |
|                                 | 1st. Stage Heat output (K Btu)      | 100                 | 141   | 160                 | - |
|                                 | 2nd. Stage Heat output (K Btu)      | 144                 | 176   | 200                 | - |
|                                 | AFUE %                              |                     |       |                     | - |
|                                 | Steady state efficiency (%)         | 80                  | 80    | 80                  | - |
|                                 | No. burners                         | 4                   | 5     | 5                   | - |
|                                 | No. stages                          | 2                   | 2     | 2                   | - |
|                                 | Temperature Rise Range (°F)         | 21-36               | 26-43 | 30-49               | - |
|                                 | Gas Limit Setting (°F)              | 150                 | 140   | 160                 | - |
| Gas piping connection (in.)     | 3/4                                 | 3/4                 | 3/4   | -                   |   |
| <b>DIMENSIONS (inches)</b>      | Length                              | 87.2                |       | 87.2                |   |
|                                 | Width                               | 61.7                |       | 61.7                |   |
|                                 | Height                              | 55.26               |       | 55.26               |   |
| <b>OPERATING WT. (lbs.)</b>     |                                     | 1047                |       | 941                 |   |
| <b>COMPRESSORS</b>              | Type                                | Scroll              |       | Scroll              |   |
|                                 | Quantity                            | 2                   |       | 2                   |   |
|                                 | Unit Capacity Heat Steps (%)        | 50/100              |       | 50/100              |   |
| <b>CONDENSER COIL DATA</b>      | Face area (Sq. Ft.)                 | 24.9                |       | 24.9                |   |
|                                 | Rows                                | 1                   |       | 1                   |   |
|                                 | Fins per inch                       | 21                  |       | 21                  |   |
|                                 | Tube diameter (in./MM)              | 1.26/32             |       | 1.26/32             |   |
|                                 | Circuitry Type                      | 2-pass Microchannel |       | 2-pass Microchannel |   |
| <b>EVAPORATOR COIL DATA</b>     | Face area (Sq. Ft.)                 | 11.1                |       | 11.1                |   |
|                                 | Rows                                | 4                   |       | 4                   |   |
|                                 | Fins per inch                       | 15                  |       | 15                  |   |
|                                 | Tube diameter                       | 0.375               |       | 0.375               |   |
|                                 | Circuitry Type                      | Intertwined         |       | Intertwined         |   |
|                                 | Refrigerant control                 | TXV                 |       | TXV                 |   |



**ZX14 Physical Data (Continued)**

| Component                           | Models                 |                                |         |         |                                |         |         |
|-------------------------------------|------------------------|--------------------------------|---------|---------|--------------------------------|---------|---------|
|                                     | ZXG14                  |                                |         | ZXE14   |                                |         |         |
| Nominal Tonnage                     | 12.5                   |                                |         | 12.5    |                                |         |         |
| <b>CONDENSER<br/>FAN DATA</b>       | Quantity of fans       | 1                              |         |         | 1                              |         |         |
|                                     | Fan diameter (Inch)    | 30                             |         |         | 30                             |         |         |
|                                     | Type                   | Prop                           |         |         | Prop                           |         |         |
|                                     | Drive type             | Direct                         |         |         | Direct                         |         |         |
|                                     | Quantity of motors     | 1                              |         |         | 1                              |         |         |
|                                     | Motor HP each          | 1 1/2                          |         |         | 1 1/2                          |         |         |
|                                     | No. speeds             | 1                              |         |         | 1                              |         |         |
|                                     | RPM                    | 1140                           |         |         | 1140                           |         |         |
| Nominal total CFM                   | 10600                  |                                |         | 10600   |                                |         |         |
| <b>EVAP FAN DATA<br/>BELT DRIVE</b> | Airflow Option         | A                              | B       | C       | A                              | B       | C       |
|                                     | Quantity               | 1                              | 1       | 1       | 1                              | 1       | 1       |
|                                     | Fan Size (Inch)        | 15 x 15                        | 15 x 15 | 15 x 15 | 15 x 15                        | 15 x 15 | 15 x 15 |
|                                     | Type                   | Centrifugal                    |         |         | Centrifugal                    |         |         |
|                                     | Motor Sheave           | 1VL44                          | 1VP50   | 1VP56   | 1VL44                          | 1VP50   | 1VP56   |
|                                     | Blower Sheave          | AK79                           | AK79    | BK85    | AK79                           | AK79    | BK85    |
|                                     | Belt                   | A50                            | A52     | BX54    | A50                            | A52     | BX54    |
|                                     | Motor Max Bhp, 3 Phase | 2.9                            | 3.7     | 5.25    | 2.9                            | 3.7     | 5.25    |
|                                     | RPM                    | 1750                           | 1750    | 1750    | 1750                           | 1750    | 1750    |
|                                     | Frame size             | 56Z                            | 184TZ   | 184TZ   | 56Z                            | 184TZ   | 184TZ   |
| <b>FILTERS</b>                      | Quantity - Size        | 4 - (20 x 20 x 2) <sup>1</sup> |         |         | 4 - (20 x 20 x 2) <sup>1</sup> |         |         |

1. 2 in. Throwaway, Standard, MERV 4 (Minimum Efficiency Reporting Value).

## ZY04 Physical Data

| Component                             |                                     | Models        |       |               |        |      |
|---------------------------------------|-------------------------------------|---------------|-------|---------------|--------|------|
|                                       |                                     | ZYG04         |       | ZYE04         |        |      |
| Nominal Tonnage                       |                                     | 3             |       | 3             |        |      |
| AHRI COOLING PERFORMANCE              | Gross Capacity @ AHRI A point (Btu) | 40700         |       |               | 40700  |      |
|                                       | AHRI net capacity (Btu)             | 36000         |       |               | 36000  |      |
|                                       | EER                                 | 12            |       |               | 12     |      |
|                                       | SEER                                | 15            |       |               | 15     |      |
|                                       | IEER                                | -             |       |               | -      |      |
|                                       | IEER IntelliSpeed                   | -             |       |               | -      |      |
|                                       | Nominal CFM                         | 1200          |       |               | 1200   |      |
|                                       | System power (KW)                   | 2.60          |       |               | 2.60   |      |
|                                       | Refrigerant type                    | R-410A        |       |               | R-410A |      |
|                                       | Refrigerant charge (lb-oz)          |               |       |               |        |      |
|                                       | System 1                            | 4-10          |       |               | 4-10   |      |
| System 2                              | -                                   |               |       | -             |        |      |
| AHRI HEATING PERFORMANCE SINGLE PHASE | Heating Option                      | L             | D     | M             | E      | -    |
|                                       | Heating model                       | Low (Low-NOx) | Low   | Med (Low-NOx) | Med    | -    |
|                                       | 1st. Stage Heat input (K Btu)       | -             | -     | -             | -      | -    |
|                                       | 2nd. Stage Heat input (K Btu)       | 56            | 70    | 90            | 112    | -    |
|                                       | 1st. Stage Heat output (K Btu)      | -             | -     | -             | -      | -    |
|                                       | 2nd. Stage Heat output (K Btu)      | 45            | 56    | 72            | 90     | -    |
|                                       | AFUE %                              | -             | -     | -             | 81     | -    |
|                                       | FER Compliant                       | -             | -     | -             | Yes    | -    |
|                                       | No. burners                         | 2             | 2     | 3             | 3      | -    |
|                                       | No. stages                          | 1             | 1     | 1             | 1      | -    |
|                                       | Temperature Rise Range (°F)         | 10-40         | 20-50 | 35-65         | 50-80  | -    |
|                                       | Gas Limit Setting (°F)              | 150           | 150   | 140           | 140    | -    |
|                                       | Gas piping connection (in.)         | 1/2           | 1/2   | 1/2           | 1/2    | -    |
| AHRI HEATING PERFORMANCE THREE PHASE  | Heating Option                      | L             | D     | M             | E      | -    |
|                                       | Heating model                       | Low (Low-NOx) | Low   | Med (Low-NOx) | Med    | -    |
|                                       | 1st. Stage Heat input (K Btu)       | -             | 49    | -             | 82     | -    |
|                                       | 2nd. Stage Heat input (K Btu)       | 56            | 70    | 90            | 112    | -    |
|                                       | 1st. Stage Heat output (K Btu)      | -             | 39    | -             | 66     | -    |
|                                       | 2nd. Stage Heat output (K Btu)      | 45            | 56    | 72            | 90     | -    |
|                                       | Steady state efficiency (%)         | 80            | 80    | 80            | 80     | -    |
|                                       | No. burners                         | 2             | 2     | 3             | 3      | -    |
|                                       | No. stages                          | 1             | 2     | 1             | 2      | -    |
|                                       | Temperature Rise Range (°F)         | 28-46         | 35-58 | 44-74         | 55-78  | -    |
|                                       | Gas Limit Setting (°F)              | 150           | 150   | 140           | 140    | -    |
|                                       | Gas piping connection (in.)         | 1/2           | 1/2   | 1/2           | 1/2    | -    |
|                                       | DIMENSIONS (inches)                 | Length        | 74.1  |               |        | 74.1 |
| Width                                 |                                     | 48.9          |       |               | 48.9   |      |
| Height                                |                                     | 32.5          |       |               | 32.5   |      |
| OPERATING WT. (lbs.)                  | 527                                 |               |       | 481           |        |      |
| COMPRESSORS                           | Type                                | Scroll        |       |               | Scroll |      |
|                                       | Quantity                            | 1             |       |               | 1      |      |
|                                       | Unit Capacity Steps (%)             | 100           |       |               | 100    |      |

## ZY04 Physical Data (Continued)

| Component                     | Models                 |                                |         |                                |         |
|-------------------------------|------------------------|--------------------------------|---------|--------------------------------|---------|
|                               | ZYG04                  |                                | ZYE04   |                                |         |
| Nominal Tonnage               | 3                      |                                | 3       |                                |         |
| CONDENSER<br>COIL DATA        | Face area (Sq. Ft.)    | 16.3                           |         | 16.3                           |         |
|                               | Rows                   | 1                              |         | 1                              |         |
|                               | Fins per inch          | 23                             |         | 23                             |         |
|                               | Tube diameter (in./MM) | .63/16                         |         | .63/16                         |         |
|                               | Circuitry Type         | 2-pass Microchannel            |         | 2-pass Microchannel            |         |
| EVAPORATOR<br>COIL DATA       | Face area (Sq. Ft.)    | 5.5                            |         | 5.5                            |         |
|                               | Rows                   | 3                              |         | 3                              |         |
|                               | Fins per inch          | 15                             |         | 15                             |         |
|                               | Tube diameter          | 0.375                          |         | 0.375                          |         |
|                               | Circuitry Type         | Intertwined                    |         | Intertwined                    |         |
|                               | Refrigerant control    | TXV                            |         | TXV                            |         |
| CONDENSER<br>FAN DATA         | Quantity of fans       | 1                              |         | 1                              |         |
|                               | Fan diameter (Inch)    | 22                             |         | 22                             |         |
|                               | Type                   | Prop                           |         | Prop                           |         |
|                               | Drive type             | Direct                         |         | Direct                         |         |
|                               | Quantity of motors     | 1                              |         | 1                              |         |
|                               | Motor HP each          | 1/4                            |         | 1/4                            |         |
|                               | No. speeds             | 1                              |         | 1                              |         |
|                               | RPM                    | 1100                           |         | 1100                           |         |
|                               | Nominal total CFM      | 3800                           |         | 3800                           |         |
| EVAP FAN DATA<br>DIRECT DRIVE | Airflow Option         | A                              |         | A                              |         |
|                               | Quantity               | 1                              |         | 1                              |         |
|                               | Fan Size (Inch)        | 10 x 10                        |         | 10 x 10                        |         |
|                               | Type                   | Centrifugal                    |         | Centrifugal                    |         |
|                               | Motor HP               | 3/4                            |         | 3/4                            |         |
|                               | RPM                    | 1050                           |         | 1050                           |         |
| EVAP FAN DATA<br>BELT DRIVE   | Airflow Option         | B                              | C       | B                              | C       |
|                               | Quantity               | 1                              | 1       | 1                              | 1       |
|                               | Fan Size (Inch)        | 10 x 10                        | 10 x 10 | 10 x 10                        | 10 x 10 |
|                               | Type                   | Centrifugal                    |         | Centrifugal                    |         |
|                               | Motor Sheave           | 1VL34                          | 1VL44   | 1VL34                          | 1VL44   |
|                               | Blower Sheave          | AK46                           | AK46    | AK46                           | AK46    |
|                               | Belt                   | A39                            | A40     | A39                            | A40     |
|                               | Motor Hp, 1 Phase      | 1.5                            | -       | 1.5                            | -       |
|                               | Motor Max Bhp, 3 Phase | 2.4                            | 2.4     | 2.4                            | 2.4     |
|                               | RPM                    | 1725                           | 1725    | 1725                           | 1725    |
|                               | Frame size             | 56Y                            | 56Y     | 56Y                            | 56Y     |
| FILTERS                       | Quantity - Size        | 2 - (16 x 25 x 2) <sup>1</sup> |         | 2 - (16 x 25 x 2) <sup>1</sup> |         |

1. 2 in. Throwaway, Standard, MERV 4 (Minimum Efficiency Reporting Value).

**ZY05 Physical Data**

| Component                                    | Models                              |               |       |               |       |                 |       |   |
|--|-------------------------------------|---------------|-------|---------------|-------|-----------------|-------|---|
|  | ZYG05                               |               |       |               | ZYE05 |                 |       |   |
| Nominal Tonnage                              | 4                                   |               |       |               | 4     |                 |       |   |
| <b>AHRI COOLING PERFORMANCE</b>              | Gross Capacity @ AHRI A point (Btu) | 54800         |       |               |       | 54800           |       |   |
|  | AHRI net capacity (Btu)             | 49000         |       |               |       | 49000           |       |   |
|  | EER                                 | 12            |       |               |       | 12              |       |   |
|  | SEER                                | 15.4          |       |               |       | 15.4            |       |   |
|  | IEER                                | -             |       |               |       | -               |       |   |
|  | IEER IntelliSpeed                   | -             |       |               |       | -               |       |   |
|  | Nominal CFM                         | 1600          |       |               |       | 1600            |       |   |
|  | System power (KW)                   | 3.50          |       |               |       | 3.50            |       |   |
|  | Refrigerant type                    | R-410A        |       |               |       | R-410A          |       |   |
|  | Refrigerant charge (lb-oz)          |               |       |               |       |                 |       |   |
|  | System 1                            | 6-8           |       |               |       | 6-8             |       |   |
|  | System 2                            | -             |       |               |       | -               |       |   |
| <b>AHRI HEATING PERFORMANCE SINGLE PHASE</b> | Heating Options                     | L             | D     | M             | E     | N               | F     | - |
|  | Heating model                       | Low (Low-NOx) | Low   | Med (Low-NOx) | Med   | High, (Low-NOx) | High  | - |
|  | 1st. Stage Heat input (K Btu)       | -             | -     | -             | -     | -               | -     | - |
|  | 2nd. Stage Heat input (K Btu)       | 56            | 70    | 90            | 112   | 116             | 142   | - |
|  | 1st. Stage Heat output (K Btu)      | -             | -     | -             | -     | -               | -     | - |
|  | 2nd. Stage Heat output (K Btu)      | 45            | 56    | 72            | 90    | 93              | 114   | - |
|  | AFUE %                              | -             | -     | -             | 81    | -               | -     | - |
|  | FER Compliant                       | -             | -     | -             | Yes   | -               | -     | - |
|  | No. burners                         | 2             | 2     | 3             | 3     | 3               | 3     | - |
|  | No. stages                          | 1             | 1     | 1             | 1     | 1               | 1     | - |
|  | Temperature Rise Range (°F)         | 05-35         | 15-45 | 25-55         | 40-70 | 35-65           | 45-75 | - |
|  | Gas Limit Setting (°F)              | 150           | 150   | 140           | 140   | 150             | 145   | - |
|  | Gas piping connection (in.)         | 1/2           | 1/2   | 1/2           | 1/2   | 1/2             | 1/2   | - |
| <b>AHRI HEATING PERFORMANCE THREE PHASE</b>  | Heating Options                     | L             | D     | M             | E     | N               | F     | - |
|  | Heating model                       | Low (Low-NOx) | Low   | Med (Low-NOx) | Med   | High, (Low-NOx) | High  | - |
|  | 1st. Stage Heat input (K Btu)       | -             | 49    | -             | 82    | -               | 100   | - |
|  | 2nd. Stage Heat input (K Btu)       | 56            | 70    | 90            | 112   | 118             | 145   | - |
|  | 1st. Stage Heat output (K Btu)      | -             | 39    | -             | 66    | -               | 80    | - |
|  | 2nd. Stage Heat output (K Btu)      | 45            | 56    | 72            | 90    | 94              | 116   | - |
|  | Steady state efficiency (%)         | 80            | 80    | 80            | 80    | 80              | 80    | - |
|  | No. burners                         | 2             | 2     | 3             | 3     | 3               | 3     | - |
|  | No. stages                          | 1             | 2     | 1             | 2     | 1               | 2     | - |
|  | Temperature Rise Range (°F)         | 21-35         | 26-43 | 33-56         | 41-69 | 44-73           | 49-77 | - |
|  | Gas Limit Setting (°F)              | 150           | 150   | 140           | 140   | 150             | 145   | - |
|  | Gas piping connection (in.)         | 1/2           | 1/2   | 1/2           | 1/2   | 1/2             | 1/2   | - |
|  | <b>DIMENSIONS (inches)</b>          | Length        | 74.1  |               |       |                 | 74.1  |   |
| Width  |                                     | 48.9          |       |               |       | 48.9            |       |   |
| Height                                       |                                     | 40.6          |       |               |       | 40.6            |       |   |
| <b>OPERATING WT. (lbs.)</b>                  | 618                                 |               |       |               | 564   |                 |       |   |
| <b>COMPRESSORS</b>                           | Type                                | Scroll        |       |               |       | Scroll          |       |   |
|  | Quantity                            | 1             |       |               |       | 1               |       |   |
|  | Unit Capacity Steps (%)             | 100           |       |               |       | 100             |       |   |

**ZY05 Physical Data (Continued)**

| Component                         | Models                 |                                |         |                                |         |
|-----------------------------------|------------------------|--------------------------------|---------|--------------------------------|---------|
|                                   | ZYG05                  |                                | ZYE05   |                                |         |
| Nominal Tonnage                   | 4                      |                                | 4       |                                |         |
| <b>CONDENSER COIL DATA</b>        | Face area (Sq. Ft.)    | 21.1                           |         | 21.1                           |         |
|                                   | Rows                   | 1                              |         | 1                              |         |
|                                   | Fins per inch          | 23                             |         | 23                             |         |
|                                   | Tube diameter (in./MM) | .79/20                         |         | .79/20                         |         |
|                                   | Circuitry Type         | 2-pass Microchannel            |         | 2-pass Microchannel            |         |
| <b>EVAPORATOR COIL DATA</b>       | Face area (Sq. Ft.)    | 7.3                            |         | 7.3                            |         |
|                                   | Rows                   | 3                              |         | 3                              |         |
|                                   | Fins per inch          | 15                             |         | 15                             |         |
|                                   | Tube diameter          | 0.375                          |         | 0.375                          |         |
|                                   | Circuitry Type         | Intertwined                    |         | Intertwined                    |         |
|                                   | Refrigerant control    | TXV                            |         | TXV                            |         |
| <b>CONDENSER FAN DATA</b>         | Quantity of fans       | 1                              |         | 1                              |         |
|                                   | Fan diameter (Inch)    | 22                             |         | 22                             |         |
|                                   | Type                   | Prop                           |         | Prop                           |         |
|                                   | Drive type             | Direct                         |         | Direct                         |         |
|                                   | Quantity of motors     | 1                              |         | 1                              |         |
|                                   | Motor HP each          | 1/4                            |         | 1/4                            |         |
|                                   | No. speeds             | 1                              |         | 1                              |         |
|                                   | RPM                    | 1100                           |         | 1100                           |         |
|                                   | Nominal total CFM      | 4000                           |         | 4000                           |         |
| <b>EVAP FAN DATA DIRECT DRIVE</b> | Airflow Option         | A                              |         | A                              |         |
|                                   | Quantity               | 1                              |         | 1                              |         |
|                                   | Fan Size (Inch)        | 10 x 10                        |         | 10 x 10                        |         |
|                                   | Type                   | Centrifugal                    |         | Centrifugal                    |         |
|                                   | Motor HP               | 1                              |         | 1                              |         |
|                                   | RPM                    | 1050                           |         | 1050                           |         |
| <b>EVAP FAN DATA BELT DRIVE</b>   | Airflow Option         | B                              | C       | B                              | C       |
|                                   | Quantity               | 1                              | 1       | 1                              | 1       |
|                                   | Fan Size (Inch)        | 10 x 10                        | 10 x 10 | 10 x 10                        | 10 x 10 |
|                                   | Type                   | Centrifugal                    |         | Centrifugal                    |         |
|                                   | Motor Sheave           | 1VL34                          | 1VL44   | 1VL44                          | 1VL44   |
|                                   | Blower Sheave          | AK46                           | AK46    | AK46                           | AK46    |
|                                   | Belt                   | A39                            | A40     | A39                            | A40     |
|                                   | Motor Hp, 1 Phase      | 1.5                            | -       | 1.5                            | -       |
|                                   | Motor Max Bhp, 3 Phase | 2.4                            | 2.9     | 2.4                            | 2.9     |
|                                   | RPM                    | 1725                           | 1725    | 1725                           | 1725    |
|                                   | Frame size             | 56Y                            | 56Y     | 56Y                            | 56Y     |
| <b>FILTERS</b>                    | Quantity - Size        | 4 - (16 x 16 x 2) <sup>1</sup> |         | 4 - (16 x 16 x 2) <sup>1</sup> |         |

1. 2 in. Throwaway, Standard, MERV 4 (Minimum Efficiency Reporting Value).

**ZY06 Physical Data**

| Component                                    |                                     | Models              |       |               |       |                     |       |   |
|--|-------------------------------------|---------------------|-------|---------------|-------|---------------------|-------|---|
|  |                                     | ZYG06               |       |               |       | ZYE06               |       |   |
| Nominal Tonnage                              |                                     | 5                   |       |               |       | 5                   |       |   |
| <b>AHRI COOLING PERFORMANCE</b>              | Gross Capacity @ AHRI A point (Btu) | 60000               |       |               |       | 60000               |       |   |
|  | AHRI net capacity (Btu)             | 58000               |       |               |       | 58000               |       |   |
|  | EER                                 | 12                  |       |               |       | 12                  |       |   |
|  | SEER                                | 15.2                |       |               |       | 15.2                |       |   |
|  | IEER                                | -                   |       |               |       | -                   |       |   |
|  | IEER IntelliSpeed                   | -                   |       |               |       | -                   |       |   |
|  | Nominal CFM                         | 1600                |       |               |       | 1600                |       |   |
|  | System power (KW)                   | 4.40                |       |               |       | 4.40                |       |   |
|  | Refrigerant type                    | R-410A              |       |               |       | R-410A              |       |   |
|  | Refrigerant charge (lb-oz)          |                     |       |               |       |                     |       |   |
|  | System 1                            | 7-10                |       |               |       | 7-10                |       |   |
| System 2                                     | -                                   |                     |       |               | -     |                     |       |   |
| <b>AHRI HEATING PERFORMANCE SINGLE PHASE</b> | Heating Options                     | L                   | D     | M             | E     | N                   | F     | - |
|  | Heating model                       | Low (Low-NOx)       | Low   | Med (Low-NOx) | Med   | High, (Low-NOx)     | High  | - |
|  | 1st. Stage Heat input (K Btu)       | -                   | -     | -             | -     | -                   | -     | - |
|  | 2nd. Stage Heat input (K Btu)       | 56                  | 70    | 90            | 112   | 116                 | 142   | - |
|  | 1st. Stage Heat output (K Btu)      | -                   | -     | -             | -     | -                   | -     | - |
|  | 2nd. Stage Heat output (K Btu)      | 45                  | 56    | 72            | 90    | 93                  | 114   | - |
|  | AFUE %                              |                     |       |               | 81    |                     |       | - |
|  | FER Compliant                       |                     |       |               | Yes   |                     |       | - |
|  | No. burners                         | 2                   | 2     | 3             | 3     | 3                   | 3     | - |
|  | No. stages                          | 1                   | 1     | 1             | 1     | 1                   | 1     | - |
|  | Temperature Rise Range (°F)         | 05-35               | 10-40 | 15-45         | 30-60 | 30-60               | 40-70 | - |
|  | Gas Limit Setting (°F)              | 150                 | 150   | 140           | 140   | 145                 | 140   | - |
|  | Gas piping connection (in.)         | 1/2                 | 1/2   | 1/2           | 1/2   | 1/2                 | 1/2   | - |
| <b>AHRI HEATING PERFORMANCE THREE PHASE</b>  | Heating Options                     | L                   | D     | M             | E     | N                   | F     | - |
|  | Heating model                       | Low (Low-NOx)       | Low   | Med (Low-NOx) | Med   | High, (Low-NOx)     | High  | - |
|  | 1st. Stage Heat input (K Btu)       | -                   | 49    | -             | 82    | -                   | 100   | - |
|  | 2nd. Stage Heat input (K Btu)       | 56                  | 70    | 90            | 112   | 118                 | 145   | - |
|  | 1st. Stage Heat output (K Btu)      | -                   | 39    | -             | 66    | -                   | 80    | - |
|  | 2nd. Stage Heat output (K Btu)      | 45                  | 56    | 72            | 90    | 94                  | 116   | - |
|  | Steady state efficiency (%)         | 80                  | 80    | 80            | 80    | 80                  | 80    | - |
|  | No. burners                         | 2                   | 2     | 3             | 3     | 3                   | 3     | - |
|  | No. stages                          | 1                   | 2     | 1             | 2     | 1                   | 2     | - |
|  | Temperature Rise Range (°F)         | 17-28               | 21-35 | 27-44         | 33-55 | 35-58               | 43-72 | - |
|  | Gas Limit Setting (°F)              | 150                 | 150   | 140           | 140   | 145                 | 140   | - |
|  | Gas piping connection (in.)         | 1/2                 | 1/2   | 1/2           | 1/2   | 1/2                 | 1/2   | - |
|  | <b>DIMENSIONS (inches)</b>          | Length              | 74.1  |               |       |                     | 74.1  |   |
| Width  |                                     | 48.9                |       |               |       | 48.9                |       |   |
| Height                                       |                                     | 40.6                |       |               |       | 40.6                |       |   |
| <b>OPERATING WT. (lbs.)</b>                  | 636                                 |                     |       |               | 582   |                     |       |   |
| <b>COMPRESSORS</b>                           | Type                                | Scroll              |       |               |       | Scroll              |       |   |
|  | Quantity                            | 1                   |       |               |       | 1                   |       |   |
|  | Unit Capacity Steps (%)             | 100                 |       |               |       | 100                 |       |   |
| <b>CONDENSER COIL DATA</b>                   | Face area (Sq. Ft.)                 | 21.1                |       |               |       | 21.1                |       |   |
|  | Rows                                | 1                   |       |               |       | 1                   |       |   |
|  | Fins per inch                       | 23                  |       |               |       | 23                  |       |   |
|  | Tube diameter (in./MM)              | .79/20              |       |               |       | .79/20              |       |   |
|  | Circuitry Type                      | 2-pass Microchannel |       |               |       | 2-pass Microchannel |       |   |

## ZY06 Physical Data (Continued)

| Component                     | Models                 |                                |         |                                |         |         |
|-------------------------------|------------------------|--------------------------------|---------|--------------------------------|---------|---------|
|                               | ZYG06                  |                                | ZYE06   |                                |         |         |
| Nominal Tonnage               | 5                      |                                | 5       |                                |         |         |
| EVAPORATOR<br>COIL DATA       | Face area (Sq. Ft.)    | 7.3                            |         | 7.3                            |         |         |
|                               | Rows                   | 4                              |         | 4                              |         |         |
|                               | Fins per inch          | 15                             |         | 15                             |         |         |
|                               | Tube diameter          | 0.375                          |         | 0.375                          |         |         |
|                               | Circuitry Type         | Intertwined                    |         | Intertwined                    |         |         |
|                               | Refrigerant control    | TXV                            |         | TXV                            |         |         |
| CONDENSER<br>FAN DATA         | Quantity of fans       | 1                              |         | 1                              |         |         |
|                               | Fan diameter (Inch)    | 22                             |         | 22                             |         |         |
|                               | Type                   | Prop                           |         | Prop                           |         |         |
|                               | Drive type             | Direct                         |         | Direct                         |         |         |
|                               | Quantity of motors     | 1                              |         | 1                              |         |         |
|                               | Motor HP each          | 1/2                            |         | 1/2                            |         |         |
|                               | No. speeds             | 1                              |         | 1                              |         |         |
|                               | RPM                    | 1085                           |         | 1085                           |         |         |
| Nominal total CFM             | 4600                   |                                | 4600    |                                |         |         |
| EVAP FAN DATA<br>DIRECT DRIVE | Airflow Option         | A                              |         | A                              |         |         |
|                               | Quantity               | 1                              |         | 1                              |         |         |
|                               | Fan Size (Inch)        | 11 x 10                        |         | 11 x 10                        |         |         |
|                               | Type                   | Centrifugal                    |         | Centrifugal                    |         |         |
|                               | Motor HP               | 1                              |         | 1                              |         |         |
|                               | RPM                    | 1050                           |         | 1050                           |         |         |
| EVAP FAN DATA BELT<br>DRIVE   | Airflow Option         | B                              | C       |                                | B       | C       |
|                               | Quantity               | 1                              | 1       |                                | 1       | 1       |
|                               | Fan Size (Inch)        | 11 x 10                        | 11 x 10 |                                | 11 x 10 | 11 x 10 |
|                               | Type                   | Centrifugal                    |         | Centrifugal                    |         |         |
|                               | Motor Sheave           | 1VL34                          | 1VL44   |                                | 1VL34   | 1VL44   |
|                               | Blower Sheave          | AK46                           | AK46    |                                | AK46    | AK46    |
|                               | Belt                   | A37                            | A39     |                                | A37     | A39     |
|                               | Motor Hp, 1 Phase      | 1.5                            | -       |                                | 1.5     | -       |
|                               | Motor Max Bhp, 3 Phase | 2.4                            | 2.9     |                                | 2.4     | 2.9     |
|                               | RPM                    | 1750                           | 1750    |                                | 1750    | 1750    |
| Frame size                    | 56HZ                   | 56Z                            |         | 56HZ                           | 56Z     |         |
| <b>FILTERS</b>                | Quantity - Size        | 4 - (16 x 16 x 2) <sup>1</sup> |         | 4 - (16 x 16 x 2) <sup>1</sup> |         |         |

1. 2 in. Throwaway, Standard, MERV 4 (Minimum Efficiency Reporting Value).

**ZY07 Physical Data**

| Component                       | Models                              |                     |       |                     |   |
|---------------------------------|-------------------------------------|---------------------|-------|---------------------|---|
|                                 | ZYG07                               | ZYE07               |       |                     |   |
| Nominal Tonnage                 | 6                                   |                     | 6     |                     |   |
| <b>AHRI COOLING PERFORMANCE</b> | Gross Capacity @ AHRI A point (Btu) | 81200               |       | 81200               |   |
|                                 | AHRI net capacity (Btu)             | 72000               |       | 72000               |   |
|                                 | EER                                 | 12                  |       | 12.2                |   |
|                                 | SEER                                | -                   |       | -                   |   |
|                                 | IEER                                | 12.7                |       | 12.9                |   |
|                                 | IEER IntelliSpeed                   | -                   |       | -                   |   |
|                                 | Nominal CFM                         | 2400                |       | 2400                |   |
|                                 | System power (KW)                   | 5                   |       | 5                   |   |
|                                 | Refrigerant type                    | R-410A              |       | R-410A              |   |
|                                 | Refrigerant charge (lb-oz)          |                     |       |                     |   |
|                                 | System 1                            | 8-8                 |       | 8-8                 |   |
| System 2                        | -                                   |                     | -     |                     |   |
| <b>AHRI HEATING PERFORMANCE</b> | Heating Option                      | D                   | E     | F                   | - |
|                                 | Heating model                       | Low                 | Med   | High                | - |
|                                 | 1st. Stage Heat input (K Btu)       | 57                  | 90    | 110                 | - |
|                                 | 2nd. Stage Heat input (K Btu)       | 72                  | 125   | 150                 | - |
|                                 | 1st. Stage Heat output (K Btu)      | 46                  | 72    | 88                  | - |
|                                 | 2nd. Stage Heat output (K Btu)      | 58                  | 100   | 120                 | - |
|                                 | AFUE %                              |                     |       |                     | - |
|                                 | Steady state efficiency (%)         | 80                  | 80    | 80                  | - |
|                                 | No. burners                         | 2                   | 3     | 3                   | - |
|                                 | No. stages                          | 2                   | 2     | 2                   | - |
|                                 | Temperature Rise Range (°F)         | 18-30               | 31-51 | 37-62               | - |
|                                 | Gas Limit Setting (°F)              | 140                 | 140   | 160                 | - |
| Gas piping connection (in.)     | 1/2                                 | 3/4                 | 3/4   | -                   |   |
| <b>DIMENSIONS (inches)</b>      | Length                              | 87.2                |       | 87.2                |   |
|                                 | Width                               | 61.7                |       | 61.7                |   |
|                                 | Height                              | 40.6                |       | 40.6                |   |
| <b>OPERATING WT. (lbs.)</b>     |                                     |                     | 734   |                     |   |
| <b>COMPRESSORS</b>              | Type                                | Scroll              |       | Scroll              |   |
|                                 | Quantity                            | 1                   |       | 1                   |   |
|                                 | Unit Capacity Steps (%)             | 100                 |       | 100                 |   |
| <b>CONDENSER COIL DATA</b>      | Face area (Sq. Ft.)                 | 21.1                |       | 21.1                |   |
|                                 | Rows                                | 1                   |       | 1                   |   |
|                                 | Fins per inch                       | 23                  |       | 23                  |   |
|                                 | Tube diameter (in./MM)              | 1/25                |       | 1/25                |   |
|                                 | Circuitry Type                      | 2-pass Microchannel |       | 2-pass Microchannel |   |
| <b>EVAPORATOR COIL DATA</b>     | Face area (Sq. Ft.)                 | 8.9                 |       | 8.9                 |   |
|                                 | Rows                                | 3                   |       | 3                   |   |
|                                 | Fins per inch                       | 15                  |       | 15                  |   |
|                                 | Tube diameter                       | 0.375               |       | 0.375               |   |
|                                 | Circuitry Type                      | Intertwined         |       | Intertwined         |   |
|                                 | Refrigerant control                 | TXV                 |       | TXV                 |   |
| <b>CONDENSER FAN DATA</b>       | Quantity of fans                    | 2                   |       | 2                   |   |
|                                 | Fan diameter (Inch)                 | 22                  |       | 22                  |   |
|                                 | Type                                | Prop                |       | Prop                |   |
|                                 | Drive type                          | Direct              |       | Direct              |   |
|                                 | Quantity of motors                  | 2                   |       | 2                   |   |
|                                 | Motor HP each                       | 1/2                 |       | 1/2                 |   |
|                                 | No. speeds                          | 1                   |       | 1                   |   |
|                                 | RPM                                 | 1085                |       | 1085                |   |
| Nominal total CFM               | 7600                                |                     | 7600  |                     |   |



**ZY07 Physical Data (Continued)**

| Component                           | Models          |         |                                |             |                                |         |
|-------------------------------------|-----------------|---------|--------------------------------|-------------|--------------------------------|---------|
|                                     | ZYG07           |         |                                | ZYE07       |                                |         |
| Nominal Tonnage                     | 6               |         |                                | 6           |                                |         |
| <b>EVAP FAN DATA<br/>BELT DRIVE</b> |                 |         |                                |             |                                |         |
| Airflow Option                      | A               | B       | C                              | A           | B                              | C       |
| Quantity                            | 1               | 1       | 1                              | 1           | 1                              | 1       |
| Fan Size (Inch)                     | 15 x 15         | 15 x 15 | 15 x 15                        | 15 x 15     | 15 x 15                        | 15 x 15 |
| Type                                | Centrifugal     |         |                                | Centrifugal |                                |         |
| Motor Sheave                        | 1VL34           | 1VL44   | 1VP50                          | 1VL34       | 1VL44                          | 1VP50   |
| Blower Sheave                       | AK74            | AK74    | AK74                           | AK74        | AK74                           | AK74    |
| Belt                                | A47             | A48     | A48                            | A47         | A48                            | A48     |
| Motor Max Bhp, 3 Phase              | 2.4             | 2.9     | 3.7                            | 2.4         | 2.9                            | 3.7     |
| RPM                                 | 1725            | 1725    | 1725                           | 1725        | 1725                           | 1725    |
| Frame size                          | 56Y             | 56Y     | 56HZ                           | 56Y         | 56Y                            | 56HZ    |
| <b>FILTERS</b>                      | Quantity - Size |         | 4 - (16 x 20 x 2) <sup>1</sup> |             | 4 - (16 x 20 x 2) <sup>1</sup> |         |

1. 2 in. Throwaway, Standard, MERV 4 (Minimum Efficiency Reporting Value).

**ZYA7 Physical Data**

| Component                                   | Models                              |                     |       |                     |   |
|---|-------------------------------------|---------------------|-------|---------------------|---|
|   | ZYGA7                               |                     | ZYEAT |                     |   |
| Nominal Tonnage                             | 6                                   |                     | 6     |                     |   |
| <b>AHRI COOLING PERFORMANCE</b>             | Gross Capacity @ AHRI A point (Btu) | 73000               |       | 73000               |   |
|   | AHRI net capacity (Btu)             | 71000               |       | 71000               |   |
|   | EER                                 | 12                  |       | 12                  |   |
|   | SEER                                | -                   |       | -                   |   |
|   | CV IEER                             | 14.6                |       | 14.6                |   |
|   | IEER IntelliSpeed                   | 16                  |       | 16                  |   |
|   | Nominal CFM                         | 2350                |       | 2350                |   |
|   | System power (KW)                   | 5.87                |       | 5.89                |   |
|   | Refrigerant type                    | R-410A              |       | R-410A              |   |
|   | Refrigerant charge (lb-oz)          |                     |       |                     |   |
|   | System 1                            | 7-11                |       | 7-11                |   |
| System 2                                    | -                                   |                     | -     |                     |   |
| <b>AHRI HEATING PERFORMANCE<sup>1</sup></b> | Heating Option                      | D                   | E     | F                   | - |
|   | Heating model                       | Low                 | Med   | High                | - |
|   | 1st. Stage Heat input (K Btu)       | 57                  | 90    | 110                 | - |
|   | 2nd. Stage Heat input (K Btu)       | 72                  | 125   | 150                 | - |
|   | 1st. Stage Heat output (K Btu)      | 46                  | 72    | 88                  | - |
|   | 2nd. Stage Heat output (K Btu)      | 58                  | 100   | 120                 | - |
|   | AFUE %                              |                     |       |                     | - |
|   | Steady state efficiency (%)         | 80                  | 80    | 80                  | - |
|   | No. burners                         | 2                   | 3     | 3                   | - |
|   | No. stages                          | 2                   | 2     | 2                   | - |
|   | Temperature Rise Range (°F)         | 18-30               | 31-51 | 37-62               | - |
|   | Gas Limit Setting (°F)              | 140                 | 140   | 160                 | - |
| Gas piping connection (in.)                 | 1/2                                 | 3/4                 | 3/4   | -                   |   |
| <b>DIMENSIONS (inches)</b>                  | Length                              | 87.2                |       | 87.2                |   |
|   | Width                               | 61.7                |       | 61.7                |   |
|   | Height                              | 40.6                |       | 40.6                |   |
| <b>OPERATING WT. (lbs.)</b>                 | 899                                 |                     | 829   |                     |   |
| <b>COMPRESSORS</b>                          | Type                                | 2-Stage Scroll      |       | 2-Stage Scroll      |   |
|   | Quantity                            | 1                   |       | 1                   |   |
|   | Unit Capacity Steps (%)             | 67/100              |       | 67/100              |   |
| <b>CONDENSER COIL DATA</b>                  | Face area (Sq. Ft.)                 | 21.1                |       | 21.1                |   |
|   | Rows                                | 1                   |       | 1                   |   |
|   | Fins per inch                       | 23                  |       | 23                  |   |
|   | Tube diameter (in./MM)              | 1/25                |       | 1/25                |   |
|   | Circuitry Type                      | 2-pass Microchannel |       | 2-pass Microchannel |   |
| <b>EVAPORATOR COIL DATA</b>                 | Face area (Sq. Ft.)                 | 8.9                 |       | 8.9                 |   |
|   | Rows                                | 3                   |       | 3                   |   |
|   | Fins per inch                       | 15                  |       | 15                  |   |
|   | Tube diameter                       | 0.375               |       | 0.375               |   |
|   | Circuitry Type                      | Intertwined         |       | Intertwined         |   |
|   | Refrigerant control                 | TXV                 |       | TXV                 |   |
| <b>CONDENSER FAN DATA</b>                   | Quantity of fans                    | 2                   |       | 2                   |   |
|   | Fan diameter (Inch)                 | 22                  |       | 22                  |   |
|   | Type                                | Prop                |       | Prop                |   |
|   | Drive type                          | Direct              |       | Direct              |   |
|   | Quantity of motors                  | 2                   |       | 2                   |   |
|   | Motor HP each                       | 1/2                 |       | 1/2                 |   |
|   | No. speeds                          | 1                   |       | 1                   |   |
|   | RPM                                 | 1085                |       | 1085                |   |
| Nominal total CFM                           | 7600                                |                     | 7600  |                     |   |

**ZYA7 Physical Data (Continued)**

| Component                           | Models                 |                                |         |         |                                |         |         |
|-------------------------------------|------------------------|--------------------------------|---------|---------|--------------------------------|---------|---------|
|                                     | ZYGA7                  |                                |         | ZYEA7   |                                |         |         |
| Nominal Tonnage                     | 6                      |                                |         | 6       |                                |         |         |
| <b>EVAP FAN DATA<br/>BELT DRIVE</b> | Airflow Option         | A                              | B       | C       | A                              | B       | C       |
|                                     | Quantity               | 1                              | 1       | 1       | 1                              | 1       | 1       |
|                                     | Fan Size (Inch)        | 15 x 15                        | 15 x 15 | 15 x 15 | 15 x 15                        | 15 x 15 | 15 x 15 |
|                                     | Type                   | Centrifugal                    |         |         | Centrifugal                    |         |         |
|                                     | Motor Sheave           | 1VL34                          | 1VL44   | 1VP50   | 1VL34                          | 1VL44   | 1VP50   |
|                                     | Blower Sheave          | AK74                           | AK74    | AK74    | AK74                           | AK74    | AK74    |
|                                     | Belt                   | A47                            | A48     | A48     | A47                            | A48     | A48     |
|                                     | Motor Max Bhp, 3 Phase | 2.4                            | 2.9     | 3.7     | 2.4                            | 2.9     | 3.7     |
|                                     | RPM                    | 1725                           | 1725    | 1725    | 1725                           | 1725    | 1725    |
|                                     | Frame size             | 56Y                            | 56Y     | 56HZ    | 56Y                            | 56Y     | 56HZ    |
| <b>FILTERS</b>                      | Quantity - Size        | 4 - (16 x 20 x 2) <sup>2</sup> |         |         | 4 - (16 x 20 x 2) <sup>1</sup> |         |         |

1. 1st Stage 60% of 2nd Stage.
2. 2 in. Throwaway, Standard, MERV 4 (Minimum Efficiency Reporting Value).

## ZY08 Physical Data

| Component                       | Model                               |                     |       |                     |   |
|---------------------------------|-------------------------------------|---------------------|-------|---------------------|---|
|                                 | ZYG08                               |                     | ZYE08 |                     |   |
| Nominal Tonnage                 | 7.5                                 |                     | 7.5   |                     |   |
| <b>AHRI COOLING PERFORMANCE</b> | Gross Capacity @ AHRI A point (Btu) | 97300               |       | 97300               |   |
|                                 | AHRI net capacity (Btu)             | 89000               |       | 89000               |   |
|                                 | EER                                 | 12                  |       | 12.2                |   |
|                                 | SEER                                | -                   |       | -                   |   |
|                                 | IEER                                | 12.7                |       | 12.9                |   |
|                                 | IEER IntelliSpeed                   | 14.0                |       | 14.1                |   |
|                                 | Nominal CFM                         | 2900                |       | 2900                |   |
|                                 | System power (KW)                   | 6.6                 |       | 6.6                 |   |
|                                 | Refrigerant type                    | R-410A              |       | R-410A              |   |
|                                 | Refrigerant charge (lb-oz)          |                     |       |                     |   |
|                                 | System 1                            | 6-0                 |       | 6-0                 |   |
| System 2                        | 6-2                                 |                     | 6-2   |                     |   |
| <b>AHRI HEATING PERFORMANCE</b> | Heating Options                     | D                   | E     | F                   | - |
|                                 | Heating model                       | Low                 | Med   | High                | - |
|                                 | 1st. Stage Heat input (K Btu)       | 90                  | 125   | 176                 | - |
|                                 | 2nd. Stage Heat input (K Btu)       | 125                 | 180   | 220                 | - |
|                                 | 1st. Stage Heat output (K Btu)      | 72                  | 100   | 141                 | - |
|                                 | 2nd. Stage Heat output (K Btu)      | 100                 | 144   | 176                 | - |
|                                 | AFUE %                              |                     |       |                     | - |
|                                 | Steady state efficiency (%)         | 80                  | 80    | 80                  | - |
|                                 | No. burners                         | 3                   | 4     | 5                   | - |
|                                 | No. stages                          | 2                   | 2     | 2                   | - |
|                                 | Temperature Rise Range (°F)         | 25-41               | 36-59 | 43-72               | - |
|                                 | Gas Limit Setting (°F)              | 140                 | 150   | 140                 | - |
| Gas piping connection (in.)     | 3/4                                 | 3/4                 | 3/4   | -                   |   |
| <b>DIMENSIONS (inches)</b>      | Length                              | 87.2                |       | 87.2                |   |
|                                 | Width                               | 61.7                |       | 61.7                |   |
|                                 | Height                              | 48.6                |       | 48.6                |   |
| <b>OPERATING WT. (lbs.)</b>     | 980                                 |                     | 878   |                     |   |
| <b>COMPRESSORS</b>              | Type                                | Scroll              |       | Scroll              |   |
|                                 | Quantity                            | 2                   |       | 2                   |   |
|                                 | Unit Capacity Steps (%)             | 50/100              |       | 50/100              |   |
| <b>CONDENSER COIL DATA</b>      | Face area (Sq. Ft.)                 | 25.5                |       | 25.5                |   |
|                                 | Rows                                | 1                   |       | 1                   |   |
|                                 | Fins per inch                       | 23                  |       | 23                  |   |
|                                 | Tube diameter (in./MM)              | 1/25                |       | 1/25                |   |
|                                 | Circuitry Type                      | 2-pass Microchannel |       | 2-pass Microchannel |   |
| <b>EVAPORATOR COIL DATA</b>     | Face area (Sq. Ft.)                 | 11.1                |       | 11.1                |   |
|                                 | Rows                                | 4                   |       | 4                   |   |
|                                 | Fins per inch                       | 15                  |       | 15                  |   |
|                                 | Tube diameter                       | 0.375               |       | 0.375               |   |
|                                 | Circuitry Type                      | Intertwined         |       | Intertwined         |   |
|                                 | Refrigerant control                 | TXV                 |       | TXV                 |   |

## ZY08 Physical Data (Continued)

| Component                       | Model                  |                                |         |            |                                |         |         |
|---------------------------------|------------------------|--------------------------------|---------|------------|--------------------------------|---------|---------|
|                                 | ZYG08                  |                                |         | ZYE08      |                                |         |         |
| <b>Nominal Tonnage</b>          | <b>7.5</b>             |                                |         | <b>7.5</b> |                                |         |         |
| <b>CONDENSER FAN DATA</b>       | Quantity of fans       | 2                              |         |            | 2                              |         |         |
|                                 | Fan diameter (Inch)    | 22                             |         |            | 22                             |         |         |
|                                 | Type                   | Prop                           |         |            | Prop                           |         |         |
|                                 | Drive type             | Direct                         |         |            | Direct                         |         |         |
|                                 | Quantity of motors     | 2                              |         |            | 2                              |         |         |
|                                 | Motor HP each          | 1/2                            |         |            | 1/2                            |         |         |
|                                 | No. speeds             | 1                              |         |            | 1                              |         |         |
|                                 | RPM                    | 1085                           |         |            | 1085                           |         |         |
| Nominal total CFM               | 8600                   |                                |         | 8600       |                                |         |         |
| <b>EVAP FAN DATA BELT DRIVE</b> | Airflow Option         | A                              | B       | C          | A                              | B       | C       |
|                                 | Quantity               | 1                              | 1       | 1          | 1                              | 1       | 1       |
|                                 | Fan Size (Inch)        | 15 x 15                        | 15 x 15 | 15 x 15    | 15 x 15                        | 15 x 15 | 15 x 15 |
|                                 | Type                   | Centrifugal                    |         |            | Centrifugal                    |         |         |
|                                 | Motor Sheave           | 1VL34                          | 1VL44   | 1VP50      | 1VL34                          | 1VL44   | 1VP50   |
|                                 | Blower Sheave          | AK74                           | AK74    | AK74       | AK74                           | AK74    | AK74    |
|                                 | Belt                   | A47                            | A48     | A50        | A47                            | A48     | A50     |
|                                 | Motor Max Bhp, 3 Phase | 2.4                            | 2.4     | 3.7        | 2.4                            | 2.4     | 3.7     |
|                                 | RPM                    | 1725                           | 1725    | 1725       | 1725                           | 1725    | 1725    |
|                                 | Frame size             | 56Y                            | 56Y     | 56HZ       | 56Y                            | 56Y     | 56HZ    |
| <b>FILTERS</b>                  | Quantity - Size        | 4 - (20 x 20 x 2) <sup>1</sup> |         |            | 4 - (20 x 20 x 2) <sup>1</sup> |         |         |

1. 2 in. Throwaway, Standard, MERV 4 (Minimum Efficiency Reporting Value).

**ZY09 Physical Data**

| Component                       |                                     | Model               |                     |        |   |
|---------------------------------|-------------------------------------|---------------------|---------------------|--------|---|
|                                 |                                     | ZYG09               | ZYE09               |        |   |
| Nominal Tonnage                 |                                     | 8.5                 | 8.5                 |        |   |
| <b>AHRI COOLING PERFORMANCE</b> | Gross Capacity @ AHRI A point (Btu) | 109500              | 109500              |        |   |
|                                 | AHRI net capacity (Btu)             | 98000               | 98000               |        |   |
|                                 | EER                                 | 12                  | 12.2                |        |   |
|                                 | SEER                                | -                   | -                   |        |   |
|                                 | IEER                                | 12.7                | 12.9                |        |   |
|                                 | IEER IntelliSpeed                   | 14.6                | 14.8                |        |   |
|                                 | Nominal CFM                         | 3300                | 3300                |        |   |
|                                 | System power (KW)                   | 7.30                | 7.30                |        |   |
|                                 | Refrigerant type                    | R-410A              | R-410A              |        |   |
|                                 | Refrigerant charge (lb-oz)          |                     |                     |        |   |
|                                 | System 1                            | 6-8                 | 6-8                 |        |   |
|                                 | System 2                            | 6-0                 | 6-0                 |        |   |
| <b>AHRI HEATING PERFORMANCE</b> | Heating Options                     | D                   | E                   | F      | - |
|                                 | Heating model                       | Low                 | Med                 | High   | - |
|                                 | 1st. Stage Heat input (K Btu)       | 90                  | 125                 | 176    | - |
|                                 | 2nd. Stage Heat input (K Btu)       | 125                 | 180                 | 220    | - |
|                                 | 1st. Stage Heat output (K Btu)      | 72                  | 100                 | 141    | - |
|                                 | 2nd. Stage Heat output (K Btu)      | 100                 | 144                 | 176    | - |
|                                 | AFUE %                              |                     |                     |        | - |
|                                 | Steady state efficiency (%)         | 80                  | 80                  | 80     | - |
|                                 | No. burners                         | 3                   | 4                   | 5      | - |
|                                 | No. stages                          | 2                   | 2                   | 2      | - |
|                                 | Temperature Rise Range (°F)         | 22-36               | 31-52               | 38-64  | - |
|                                 | Gas Limit Setting (°F)              | 140                 | 150                 | 140    | - |
|                                 | Gas piping connection (in.)         | 3/4                 | 3/4                 | 3/4    | - |
| <b>DIMENSIONS (inches)</b>      | Length                              | 87.2                |                     | 87.2   |   |
|                                 | Width                               | 61.7                |                     | 61.7   |   |
|                                 | Height                              | 48.6                |                     | 48.6   |   |
| <b>OPERATING WT. (lbs.)</b>     |                                     | 980                 | 878                 |        |   |
| <b>COMPRESSORS</b>              | Type                                | Scroll              |                     | Scroll |   |
|                                 | Quantity                            | 2                   |                     | 2      |   |
|                                 | Unit Capacity Steps (%)             | 50/100              |                     | 50/100 |   |
| <b>CONDENSER COIL DATA</b>      | Face area (Sq. Ft.)                 | 25.5                |                     | 25.5   |   |
|                                 | Rows                                | 1                   |                     | 1      |   |
|                                 | Fins per inch                       | 23                  |                     | 23     |   |
|                                 | Tube diameter (in./MM)              | 1/25                |                     | 1/25   |   |
|                                 | Circuitry Type                      | 2-pass Microchannel | 2-pass Microchannel |        |   |
| <b>EVAPORATOR COIL DATA</b>     | Face area (Sq. Ft.)                 | 11.1                |                     | 11.1   |   |
|                                 | Rows                                | 4                   |                     | 4      |   |
|                                 | Fins per inch                       | 15                  |                     | 15     |   |
|                                 | Tube diameter                       | 0.375               |                     | 0.375  |   |
|                                 | Circuitry Type                      | Intertwined         | Intertwined         |        |   |
|                                 | Refrigerant control                 | TXV                 | TXV                 |        |   |

**ZY09 Physical Data (Continued)**

| Component                       | Model                  |                                |         |         |                                |         |         |
|---------------------------------|------------------------|--------------------------------|---------|---------|--------------------------------|---------|---------|
|                                 | ZYG09                  |                                |         | ZYE09   |                                |         |         |
| <b>Nominal Tonnage</b>          | 8.5                    |                                |         | 8.5     |                                |         |         |
| <b>CONDENSER FAN DATA</b>       | Quantity of fans       | 2                              |         |         | 2                              |         |         |
|                                 | Fan diameter (Inch)    | 22                             |         |         | 22                             |         |         |
|                                 | Type                   | Prop                           |         |         | Prop                           |         |         |
|                                 | Drive type             | Direct                         |         |         | Direct                         |         |         |
|                                 | Quantity of motors     | 2                              |         |         | 2                              |         |         |
|                                 | Motor HP each          | 1/2                            |         |         | 1/2                            |         |         |
|                                 | No. speeds             | 1                              |         |         | 1                              |         |         |
|                                 | RPM                    | 1085                           |         |         | 1085                           |         |         |
| Nominal total CFM               | 8600                   |                                |         | 8600    |                                |         |         |
| <b>EVAP FAN DATA BELT DRIVE</b> | Airflow Option         | A                              | B       | C       | A                              | B       | C       |
|                                 | Quantity               | 1                              | 1       | 1       | 1                              | 1       | 1       |
|                                 | Fan Size (Inch)        | 15 x 15                        | 15 x 15 | 15 x 15 | 15 x 15                        | 15 x 15 | 15 x 15 |
|                                 | Type                   | Centrifugal                    |         |         | Centrifugal                    |         |         |
|                                 | Motor Sheave           | 1VL34                          | 1VL44   | 1VP50   | 1VL34                          | 1VL44   | 1VP50   |
|                                 | Blower Sheave          | AK74                           | AK74    | AK74    | AK74                           | AK74    | AK74    |
|                                 | Belt                   | A47                            | A48     | A50     | A47                            | A48     | A50     |
|                                 | Motor Max Bhp, 3 Phase | 2.4                            | 2.4     | 3.7     | 2.4                            | 2.4     | 3.7     |
|                                 | RPM                    | 1725                           | 1725    | 1725    | 1725                           | 1725    | 1725    |
|                                 | Frame size             | 56Y                            | 56Y     | 56HZ    | 56Y                            | 56Y     | 56HZ    |
| <b>FILTERS</b>                  | Quantity - Size        | 4 - (20 x 20 x 2) <sup>1</sup> |         |         | 4 - (20 x 20 x 2) <sup>1</sup> |         |         |

1. 2 in. Throwaway, Standard, MERV 4 (Minimum Efficiency Reporting Value).

## ZY12 Physical Data

| Component                |                                     | Model               |        |                     |   |
|--------------------------|-------------------------------------|---------------------|--------|---------------------|---|
|                          |                                     | ZYG12               | ZYE12  |                     |   |
| Nominal Tonnage          |                                     | 10                  | 10     |                     |   |
| AHRI COOLING PERFORMANCE | Gross Capacity @ AHRI A point (Btu) | 123700              | 123700 |                     |   |
|                          | AHRI net capacity (Btu)             | 116000              | 116000 |                     |   |
|                          | EER                                 | 11.5                | 11.7   |                     |   |
|                          | SEER                                | -                   | -      |                     |   |
|                          | IEER                                | 12.7                | 12.9   |                     |   |
|                          | IEER IntelliSpeed                   | 14.0                | 14.0   |                     |   |
|                          | Nominal CFM                         | 3200                | 3200   |                     |   |
|                          | System power (KW)                   | 8.90                | 8.90   |                     |   |
|                          | Refrigerant type                    | R-410A              | R-410A |                     |   |
|                          | Refrigerant charge (lb-oz)          |                     |        |                     |   |
|                          | System 1                            | 6-8                 | 6-8    |                     |   |
| System 2                 | 7-0                                 | 7-0                 |        |                     |   |
| AHRI HEATING PERFORMANCE | Heating Options                     | D                   | E      | F                   | - |
|                          | Heating model                       | Low                 | Med    | High                | - |
|                          | 1st. Stage Heat input (K Btu)       | 125                 | 176    | 200                 | - |
|                          | 2nd. Stage Heat input (K Btu)       | 180                 | 220    | 250                 | - |
|                          | 1st. Stage Heat output (K Btu)      | 100                 | 141    | 160                 | - |
|                          | 2nd. Stage Heat output (K Btu)      | 144                 | 176    | 200                 | - |
|                          | AFUE %                              |                     |        |                     | - |
|                          | Steady state efficiency (%)         | 80                  | 80     | 80                  | - |
|                          | No. burners                         | 4                   | 5      | 5                   | - |
|                          | No. stages                          | 2                   | 2      | 2                   | - |
|                          | Temperature Rise Range (°F)         | 27-44               | 33-54  | 37-62               | - |
|                          | Gas Limit Setting (°F)              | 150                 | 140    | 160                 | - |
|                          | Gas piping connection (in.)         | 3/4                 | 3/4    | 3/4                 | - |
| DIMENSIONS (inches)      | Length                              | 87.2                |        | 87.2                |   |
|                          | Width                               | 61.7                |        | 61.7                |   |
|                          | Height                              | 55.3                |        | 55.3                |   |
| OPERATING WT. (lbs.)     | 1008                                |                     | 902    |                     |   |
| COMPRESSORS              | Type                                | Scroll              |        | Scroll              |   |
|                          | Quantity                            | 2                   |        | 2                   |   |
|                          | Unit Capacity Steps (%)             | 50/100              |        | 50/100              |   |
| CONDENSER COIL DATA      | Face area (Sq. Ft.)                 | 24.9                |        | 24.9                |   |
|                          | Rows                                | 1                   |        | 1                   |   |
|                          | Fins per inch                       | 21                  |        | 21                  |   |
|                          | Tube diameter (in./MM)              | 1.26/32             |        | 1.26/32             |   |
|                          | Circuitry Type                      | 2-pass Microchannel |        | 2-pass Microchannel |   |
| EVAPORATOR COIL DATA     | Face area (Sq. Ft.)                 | 11.1                |        | 11.1                |   |
|                          | Rows                                | 4                   |        | 4                   |   |
|                          | Fins per inch                       | 15                  |        | 15                  |   |
|                          | Tube diameter                       | 0.375               |        | 0.375               |   |
|                          | Circuitry Type                      | Intertwined         |        | Intertwined         |   |
|                          | Refrigerant control                 | TXV                 |        | TXV                 |   |



## ZY12 Physical Data (Continued)

| Component                       |                 | Model                          |             |         |                                |             |         |         |
|---------------------------------|-----------------|--------------------------------|-------------|---------|--------------------------------|-------------|---------|---------|
|                                 |                 | ZYG12                          |             |         | ZYE12                          |             |         |         |
| <b>Nominal Tonnage</b>          |                 | <b>10</b>                      |             |         | <b>10</b>                      |             |         |         |
| <b>CONDENSER FAN DATA</b>       |                 | Quantity of fans               | 1           |         |                                | 1           |         |         |
|                                 |                 | Fan diameter (Inch)            | 30          |         |                                | 30          |         |         |
|                                 |                 | Type                           | Prop        |         |                                | Prop        |         |         |
|                                 |                 | Drive type                     | Direct      |         |                                | Direct      |         |         |
|                                 |                 | Quantity of motors             | 1           |         |                                | 1           |         |         |
|                                 |                 | Motor HP each                  | 1 1/2       |         |                                | 1 1/2       |         |         |
|                                 |                 | No. speeds                     | 1           |         |                                | 1           |         |         |
|                                 |                 | RPM                            | 1140        |         |                                | 1140        |         |         |
|                                 |                 | Nominal total CFM              | 9700        |         |                                | 9700        |         |         |
| <b>EVAP FAN DATA BELT DRIVE</b> |                 | Airflow Option                 | A           | B       | C                              | A           | B       | C       |
|                                 |                 | Quantity                       | 1           | 1       | 1                              | 1           | 1       | 1       |
|                                 |                 | Fan Size (Inch)                | 15 x 15     | 15 x 15 | 15 x 15                        | 15 x 15     | 15 x 15 | 15 x 15 |
|                                 |                 | Type                           | Centrifugal |         |                                | Centrifugal |         |         |
|                                 |                 | Motor Sheave                   | 1VL44       | 1VP50   | 1VP56                          | 1VL44       | 1VP50   | 1VP56   |
|                                 |                 | Blower Sheave                  | AK79        | AK79    | BK85                           | AK79        | AK79    | BK85    |
|                                 |                 | Belt                           | A50         | A50     | BX52                           | A50         | A50     | BX52    |
|                                 |                 | Motor Max Bhp, 3 Phase         | 2.4         | 3.7     | 5.25                           | 2.4         | 3.7     | 5.25    |
|                                 |                 | RPM                            | 1725        | 1725    | 1725                           | 1725        | 1725    | 1725    |
|                                 |                 | Frame size                     | 56Y         | 56HZ    | 145TY                          | 56Y         | 56HZ    | 145TY   |
| <b>FILTERS</b>                  | Quantity - Size | 4 - (20 x 20 x 2) <sup>1</sup> |             |         | 4 - (20 x 20 x 2) <sup>1</sup> |             |         |         |

1. 2 in. Throwaway, Standard, MERV 4 (Minimum Efficiency Reporting Value).

## ZQ04 Physical Data

| Component                                    | Models                              |               |       |               |       |
|--|-------------------------------------|---------------|-------|---------------|-------|
|  | ZQG04                               |               | ZQE04 |               |       |
| Nominal Tonnage                              | 3                                   |               | 3     |               |       |
| <b>AHRI COOLING PERFORMANCE</b>              | Gross Capacity @ AHRI A point (Btu) | 38,100        |       | 38,100        |       |
|  | AHRI net capacity (Btu)             | 35,000        |       | 35,000        |       |
|  | EER                                 | 12.2          |       | 12.2          |       |
|  | SEER                                | 14            |       | 14            |       |
|  | IEER                                | -             |       | -             |       |
|  | Nominal CFM                         | 1200          |       | 1200          |       |
|  | System power (KW)                   | 2.8           |       | 2.8           |       |
|  | Refrigerant type                    | R-410A        |       | R-410A        |       |
|  | Refrigerant charge (lb-oz)          |               |       |               |       |
|  | System 1                            | 3-6           |       | 3-6           |       |
| System 2                                     | -                                   |               | -     |               |       |
| <b>AHRI HEATING PERFORMANCE SINGLE PHASE</b> | Heating Option                      | L             | D     | M             | E     |
|  | Heating Model                       | Low (Low-NOx) | Low   | Med (Low-NOx) | Med   |
|  | 1st. Stage Heat input (K Btu)       | -             | -     | -             | -     |
|  | 2nd. Stage Heat input (K Btu)       | 56            | 70    | 90            | 112   |
|  | 1st. Stage Heat output (K Btu)      | -             | -     | -             | -     |
|  | 2nd. Stage Heat output (K Btu)      | 45            | 56    | 72            | 90    |
|  | AFUE %                              | -             | -     | -             | 81    |
|  | FER Compliant                       | -             | -     | -             | Yes   |
|  | No. burners                         | 2             | 2     | 3             | 3     |
|  | No. stages                          | 1             | 1     | 1             | 1     |
|  | Temperature Rise Range (°F)         | 10-40         | 20-50 | 35-65         | 50-80 |
|  | Gas Limit Setting (°F)              | 150           | 150   | 140           | 140   |
|  | Gas piping connection (in.)         | 1/2           | 1/2   | 1/2           | 1/2   |
| <b>AHRI HEATING PERFORMANCE THREE PHASE</b>  | Heating Option                      | L             | D     | M             | E     |
|  | Heating Model                       | Low (Low-NOx) | Low   | Med (Low-NOx) | Med   |
|  | 1st. Stage Heat input (K Btu)       | -             | -     | -             | 82    |
|  | 2nd. Stage Heat input (K Btu)       | 56            | 70    | 90            | 112   |
|  | 1st. Stage Heat output (K Btu)      | -             | -     | -             | 66    |
|  | 2nd. Stage Heat output (K Btu)      | 45            | 56    | 72            | 90    |
|  | Steady state efficiency (%)         | 80            | 80    | 80            | 80    |
|  | No. burners                         | 2             | 2     | 3             | 3     |
|  | No. stages                          | 1             | 1     | 1             | 2     |
|  | Temperature Rise Range (°F)         | 28-46         | 35-58 | 44-74         | 55-78 |
|  | Gas Limit Setting (°F)              | 150           | 150   | 140           | 140   |
|  | Gas piping connection (in.)         | 1/2           | 1/2   | 1/2           | 1/2   |
|  | <b>DIMENSIONS (inches)</b>          | Length        | 74.1  |               | 74.1  |
| Width  |                                     | 48.9          |       | 48.9          |       |
| Height                                       |                                     | 32.5          |       | 32.5          |       |
| <b>OPERATING WT. (lbs.)</b>                  | 498                                 |               | 450   |               |       |
| <b>COMPRESSORS</b>                           | Type                                | Scroll        |       | Scroll        |       |
|  | Quantity                            | 1             |       | 1             |       |
|  | Unit Capacity Steps (%)             | 100           |       | 100           |       |

## ZQ04 Physical Data

| Component                    |                        | Models              |                                | Models              |                                |
|------------------------------|------------------------|---------------------|--------------------------------|---------------------|--------------------------------|
|                              |                        | ZQG04               |                                | ZQE04               |                                |
| Nominal Tonnage              |                        | 3                   |                                | 3                   |                                |
| CONDENSER COIL DATA          | Face area (Sq. Ft.)    | 16.3                |                                | 16.3                |                                |
|                              | Rows                   | 1                   |                                | 1                   |                                |
|                              | Fins per inch          | 23                  |                                | 23                  |                                |
|                              | Tube diameter (in./MM) | .63/16              |                                | .63/16              |                                |
|                              | Circuitry Type         | 2-pass Microchannel |                                | 2-pass Microchannel |                                |
| EVAPORATOR COIL DATA         | Face area (Sq. Ft.)    | 5.5                 |                                | 5.5                 |                                |
|                              | Rows                   | 2                   |                                | 2                   |                                |
|                              | Fins per inch          | 15                  |                                | 15                  |                                |
|                              | Tube diameter          | 0.375               |                                | 0.375               |                                |
|                              | Circuitry Type         | Intertwined         |                                | Intertwined         |                                |
|                              | Refrigerant control    | Orifice             |                                | Orifice             |                                |
| CONDENSER FAN DATA           | Quantity of fans       | 1                   |                                | 1                   |                                |
|                              | Fan diameter (Inch)    | 22                  |                                | 22                  |                                |
|                              | Type                   | Prop                |                                | Prop                |                                |
|                              | Drive type             | Direct              |                                | Direct              |                                |
|                              | Quantity of motors     | 1                   |                                | 1                   |                                |
|                              | Motor HP each          | 1/4                 |                                | 1/4                 |                                |
|                              | No. speeds             | 1                   |                                | 1                   |                                |
|                              | RPM                    | 1100                |                                | 1100                |                                |
|                              | Nominal total CFM      | 3800                |                                | 3800                |                                |
| EVAP FAN DATA - DIRECT DRIVE | Airflow Option         | A                   |                                | A                   |                                |
|                              | Quantity               | 1                   |                                | 1                   |                                |
|                              | Fan Size (Inch)        | 10 x 10             |                                | 10 x 10             |                                |
|                              | Type                   | Centrifugal         |                                | Centrifugal         |                                |
|                              | Motor HP               | 3/4                 |                                | 3/4                 |                                |
|                              | Motor RPM              | 1050                |                                | 1050                |                                |
| EVAP FAN DATA - BELT DRIVE   | Airflow Option         | B                   | C                              | B                   | C                              |
|                              | Quantity               | 1                   | 1                              | 1                   | 1                              |
|                              | Fan Size (Inch)        | 10 x 10             | 10 x 10                        | 10 x 10             | 10 x 10                        |
|                              | Type                   | Centrifugal         | Centrifugal                    | Centrifugal         | Centrifugal                    |
|                              | Motor Sheave           | 1VL34               | 1VL44                          | 1VL34               | 1VL44                          |
|                              | Blower Sheave          | AK46                | AK46                           | AK46                | AK46                           |
|                              | Belt                   | A39                 | A40                            | A39                 | A40                            |
|                              | Motor HP, 1-phase      | 1.5                 | --                             | 1.5                 | --                             |
|                              | Frame size, 1-phase    | 56HZ                | --                             | 56HZ                | --                             |
|                              | Motor HP, 3-phase      | 2.4                 | 2.4                            | 2.4                 | 2.4                            |
|                              | Frame size, 3-phase    | 56Y                 | 56Y                            | 56Y                 | 56Y                            |
|                              | Motor RPM              | 1725                | 1725                           | 1725                | 1725                           |
|                              | FILTERS                | Quantity - Size     | 2 - (16 x 25 x 2) <sup>1</sup> |                     | 2 - (16 x 25 x 2) <sup>1</sup> |

1. 2 In. Throwaway, Standard, MERV 4 (Minimum Efficiency Reporting Value)

**ZQ05 Physical Data**

| Component                                    | Models                              |               |       |               |       |                 |       | Models |        |
|--|-------------------------------------|---------------|-------|---------------|-------|-----------------|-------|--------|--------|
|  | ZQG05                               |               |       |               |       |                 |       | ZQE05  |        |
| Nominal Tonnage                              | 4                                   |               |       |               |       |                 |       | 4      |        |
| <b>AHRI COOLING PERFORMANCE</b>              | Gross Capacity @ AHRI A point (Btu) | 51,300        |       |               |       |                 |       |        | 51,300 |
|  | AHRI net capacity (Btu)             | 48,000        |       |               |       |                 |       |        | 48,000 |
|  | EER                                 | 12            |       |               |       |                 |       |        | 12     |
|  | SEER                                | 14            |       |               |       |                 |       |        | 14     |
|  | IEER                                | -             |       |               |       |                 |       |        | -      |
|  | Nominal CFM                         | 1575          |       |               |       |                 |       |        | 1575   |
|  | System power (KW)                   | 4             |       |               |       |                 |       |        | 4      |
|  | Refrigerant type                    | R-410A        |       |               |       |                 |       |        | R-410A |
|  | Refrigerant charge (lb-oz)          |               |       |               |       |                 |       |        |        |
|  | System 1                            | 4-6           |       |               |       |                 |       |        | 4-6    |
|  | System 2                            | -             |       |               |       |                 |       |        | -      |
| <b>AHRI HEATING PERFORMANCE SINGLE PHASE</b> | Heating Option                      | L             | D     | M             | E     | N               | F     |        |        |
|  | Heating Model                       | Low (Low-NOx) | Low   | Med (Low-NOx) | Med   | High, (Low-NOx) | High  |        |        |
|  | 1st. Stage Heat input (K Btu)       | -             | -     | -             | -     | -               | -     |        |        |
|  | 2nd. Stage Heat input (K Btu)       | 56            | 70    | 90            | 112   | 116             | 142   |        |        |
|  | 1st. Stage Heat output (K Btu)      | -             | -     | -             | -     | -               | -     |        |        |
|  | 2nd. Stage Heat output (K Btu)      | 45            | 56    | 72            | 90    | 93              | 114   |        |        |
|  | AFUE %                              | -             | -     | -             | 81    | -               | -     |        |        |
|  | FER Compliant                       | -             | -     | -             | Yes   | -               | -     |        |        |
|  | No. burners                         | 2             | 2     | 3             | 3     | 3               | 3     |        |        |
|  | No. stages                          | 1             | 1     | 1             | 1     | 1               | 1     |        |        |
|  | Temperature Rise Range (°F)         | 05-35         | 15-45 | 25-55         | 40-70 | 35-65           | 45-75 |        |        |
|  | Gas Limit Setting (°F)              | 150           | 150   | 140           | 140   | 150             | 145   |        |        |
|  | Gas piping connection (in.)         | 1/2           | 1/2   | 1/2           | 1/2   | 1/2             | 1/2   |        |        |
| <b>AHRI HEATING PERFORMANCE THREE PHASE</b>  | Heating Option                      | L             | D     | M             | E     | N               | F     |        |        |
|  | Heating Model                       | Low (Low-NOx) | Low   | Med (Low-NOx) | Med   | High, (Low-NOx) | High  |        |        |
|  | 1st. Stage Heat input (K Btu)       | -             | -     | -             | -     | -               | 100   |        |        |
|  | 2nd. Stage Heat input (K Btu)       | 56            | 70    | 90            | 112   | 118             | 145   |        |        |
|  | 1st. Stage Heat output (K Btu)      | -             | -     | -             | -     | -               | 80    |        |        |
|  | 2nd. Stage Heat output (K Btu)      | 45            | 56    | 72            | 90    | 94              | 116   |        |        |
|  | Steady state efficiency (%)         | 80            | 80    | 80            | 80    | 80              | 80    |        |        |
|  | No. burners                         | 2             | 2     | 3             | 3     | 3               | 3     |        |        |
|  | No. stages                          | 1             | 1     | 1             | 1     | 1               | 2     |        |        |
|  | Temperature Rise Range (°F)         | 21-35         | 26-43 | 33-56         | 41-69 | 44-73           | 49-77 |        |        |
|  | Gas Limit Setting (°F)              | 150           | 150   | 140           | 140   | 150             | 145   |        |        |
|  | Gas piping connection (in.)         | 1/2           | 1/2   | 1/2           | 1/2   | 1/2             | 1/2   |        |        |
|  | <b>DIMENSIONS (inches)</b>          | Length        | 74.1  |               |       |                 |       |        |        |
| Width  |                                     | 48.9          |       |               |       |                 |       |        | 48.9   |
| Height                                       |                                     | 32.5          |       |               |       |                 |       |        | 32.5   |
| <b>OPERATING WT. (lbs.)</b>                  | 538                                 |               |       |               |       |                 |       | 487    |        |
| <b>COMPRESSORS</b>                           | Type                                | Scroll        |       |               |       |                 |       |        | Scroll |
|  | Quantity                            | 1             |       |               |       |                 |       |        | 1      |
|  | Unit Capacity Steps (%)             | 100           |       |               |       |                 |       |        | 100    |

## ZQ05 Physical Data

| Component                    | Models                 |                     | Models                         |                     |                                |
|------------------------------|------------------------|---------------------|--------------------------------|---------------------|--------------------------------|
|                              | ZQG05                  |                     | ZQE05                          |                     |                                |
| Nominal Tonnage              | 4                      |                     | 4                              |                     |                                |
| CONDENSER COIL DATA          | Face area (Sq. Ft.)    | 16.3                |                                | 16.3                |                                |
|                              | Rows                   | 1                   |                                | 1                   |                                |
|                              | Fins per inch          | 23                  |                                | 23                  |                                |
|                              | Tube diameter (in./MM) | .63/16              |                                | .63/16              |                                |
|                              | Circuitry Type         | 2-pass Microchannel |                                | 2-pass Microchannel |                                |
| EVAPORATOR COIL DATA         | Face area (Sq. Ft.)    | 5.5                 |                                | 5.5                 |                                |
|                              | Rows                   | 3                   |                                | 3                   |                                |
|                              | Fins per inch          | 15                  |                                | 15                  |                                |
|                              | Tube diameter          | 0.375               |                                | 0.375               |                                |
|                              | Circuitry Type         | Intertwined         |                                | Intertwined         |                                |
|                              | Refrigerant control    | Orifice             |                                | Orifice             |                                |
| CONDENSER FAN DATA           | Quantity of fans       | 1                   |                                | 1                   |                                |
|                              | Fan diameter (Inch)    | 22                  |                                | 22                  |                                |
|                              | Type                   | Prop                |                                | Prop                |                                |
|                              | Drive type             | Direct              |                                | Direct              |                                |
|                              | Quantity of motors     | 1                   |                                | 1                   |                                |
|                              | Motor HP each          | 1/4                 |                                | 1/4                 |                                |
|                              | No. speeds             | 1                   |                                | 1                   |                                |
|                              | RPM                    | 1100                |                                | 1100                |                                |
|                              | Nominal total CFM      | 3800                |                                | 3800                |                                |
| EVAP FAN DATA - DIRECT DRIVE | Airflow Option         | A                   |                                | A                   |                                |
|                              | Quantity               | 1                   |                                | 1                   |                                |
|                              | Fan Size (Inch)        | 10 x 10             |                                | 10 x 10             |                                |
|                              | Type                   | Centrifugal         |                                | Centrifugal         |                                |
|                              | Motor HP               | 1                   |                                | 1                   |                                |
|                              | Motor RPM              | 1050                |                                | 1050                |                                |
| EVAP FAN DATA - BELT DRIVE   | Airflow Option         | B                   | C                              | B                   | C                              |
|                              | Quantity               | 1                   | 1                              | 1                   | 1                              |
|                              | Fan Size (Inch)        | 10 x 10             | 10 x 10                        | 10 x 10             | 10 x 10                        |
|                              | Type                   | Centrifugal         | Centrifugal                    | Centrifugal         | Centrifugal                    |
|                              | Motor Sheave           | 1VL34               | 1VL44                          | 1VL34               | 1VL44                          |
|                              | Blower Sheave          | AK46                | AK46                           | AK46                | AK46                           |
|                              | Belt                   | A39                 | A40                            | A39                 | A40                            |
|                              | Motor HP, 1-phase      | 1.5                 | --                             | 1.5                 | --                             |
|                              | Frame size, 1-phase    | 56HZ                | --                             | 56HZ                | --                             |
|                              | Motor HP, 3-phase      | 2.4                 | 2.4                            | 2.4                 | 2.4                            |
|                              | Frame size, 3-phase    | 56Y                 | 56Y                            | 56Y                 | 56Y                            |
|                              | Motor RPM              | 1725                | 1725                           | 1725                | 1725                           |
|                              | FILTERS                | Quantity - Size     | 2 - (16 x 25 x 2) <sup>1</sup> |                     | 2 - (16 x 25 x 2) <sup>1</sup> |

1. 2 In. Throwaway, Standard, MERV 4 (Minimum Efficiency Reporting Value)

**ZQ06 Physical Data**

| Component                                    |                                     | Models        |       |               |       |                 |       | Models |
|--|-------------------------------------|---------------|-------|---------------|-------|-----------------|-------|--------|
|  |                                     | ZQG06         |       |               |       |                 |       | ZQE06  |
| Nominal Tonnage                              |                                     | 5             |       |               |       |                 |       | 5      |
| <b>AHRI COOLING PERFORMANCE</b>              | Gross Capacity @ AHRI A point (Btu) | 64,200        |       |               |       |                 |       | 64,200 |
|  | AHRI net capacity (Btu)             | 58,500        |       |               |       |                 |       | 58,500 |
|  | EER                                 | 12.1          |       |               |       |                 |       | 12.1   |
|  | SEER                                | 14.1          |       |               |       |                 |       | 14.1   |
|  | IEER                                | -             |       |               |       |                 |       | -      |
|  | Nominal CFM                         | 1950          |       |               |       |                 |       | 1950   |
|  | System power (KW)                   | 4.8           |       |               |       |                 |       | 4.8    |
|  | Refrigerant type                    | R-410A        |       |               |       |                 |       | R-410A |
|  | Refrigerant charge (lb-oz)          |               |       |               |       |                 |       |        |
|  | System 1                            | 5-14          |       |               |       |                 |       | 5-14   |
|  | System 2                            | -             |       |               |       |                 |       | -      |
| <b>AHRI HEATING PERFORMANCE SINGLE PHASE</b> | Heating Option                      | L             | D     | M             | E     | N               | F     |        |
|  | Heating Model                       | Low (Low-NOx) | Low   | Med (Low-NOx) | Med   | High, (Low-NOx) | High  |        |
|  | 1st. Stage Heat input (K Btu)       | -             | -     | -             | -     | -               | -     |        |
|  | 2nd. Stage Heat input (K Btu)       | 56            | 70    | 90            | 112   | 116             | 142   |        |
|  | 1st. Stage Heat output (K Btu)      | -             | -     | -             | -     | -               | -     |        |
|  | 2nd. Stage Heat output (K Btu)      | 45            | 56    | 72            | 90    | 93              | 114   |        |
|  | AFUE %                              | -             | -     | -             | 81    | -               | -     |        |
|  | FER Compliant                       | -             | -     | -             | Yes   | -               | -     |        |
|  | No. burners                         | 2             | 2     | 3             | 3     | 3               | 3     |        |
|  | No. stages                          | 1             | 1     | 1             | 1     | 1               | 1     |        |
|  | Temperature Rise Range (°F)         | 05-35         | 10-40 | 15-45         | 30-60 | 30-60           | 40-70 |        |
|  | Gas Limit Setting (°F)              | 150           | 150   | 140           | 140   | 145             | 140   |        |
|  | Gas piping connection (in.)         | 1/2           | 1/2   | 1/2           | 1/2   | 1/2             | 1/2   |        |
| <b>AHRI HEATING PERFORMANCE THREE PHASE</b>  | Heating Option                      | L             | D     | M             | E     | N               | F     |        |
|  | Heating Model                       | Low (Low-NOx) | Low   | Med (Low-NOx) | Med   | High, (Low-NOx) | High  |        |
|  | 1st. Stage Heat input (K Btu)       | -             | -     | -             | -     | -               | 100   |        |
|  | 2nd. Stage Heat input (K Btu)       | 56            | 70    | 90            | 112   | 118             | 145   |        |
|  | 1st. Stage Heat output (K Btu)      | -             | -     | -             | -     | -               | 80    |        |
|  | 2nd. Stage Heat output (K Btu)      | 45            | 56    | 72            | 90    | 94              | 116   |        |
|  | Steady state efficiency (%)         | 80            | 80    | 80            | 80    | 80              | 80    |        |
|  | No. burners                         | 2             | 2     | 3             | 3     | 3               | 3     |        |
|  | No. stages                          | 1             | 1     | 1             | 1     | 1               | 2     |        |
|  | Temperature Rise Range (°F)         | 17-28         | 21-35 | 27-44         | 33-55 | 35-58           | 43-72 |        |
|  | Gas Limit Setting (°F)              | 150           | 150   | 140           | 140   | 145             | 140   |        |
|  | Gas piping connection (in.)         | 1/2           | 1/2   | 1/2           | 1/2   | 1/2             | 1/2   |        |
|  | <b>DIMENSIONS (inches)</b>          | Length        | 74.1  |               |       |                 |       |        |
| Width  |                                     | 48.9          |       |               |       |                 |       | 48.9   |
| Height                                       |                                     | 40.6          |       |               |       |                 |       | 40.6   |
| <b>OPERATING WT. (lbs.)</b>                  | 615                                 |               |       |               |       |                 | 566   |        |
| <b>COMPRESSORS</b>                           | Type                                | Scroll        |       |               |       |                 |       | Scroll |
|  | Quantity                            | 1             |       |               |       |                 |       | 1      |
|  | Unit Capacity Steps (%)             | 100           |       |               |       |                 |       | 100    |

## ZQ06 Physical Data

| Component                    | Models                 |                                |                     |                                |             |
|------------------------------|------------------------|--------------------------------|---------------------|--------------------------------|-------------|
|                              | ZQG06                  | ZQE06                          |                     |                                |             |
| Nominal Tonnage              | 5                      | 5                              |                     |                                |             |
| CONDENSER COIL DATA          | Face area (Sq. Ft.)    | 21.1                           | 21.1                |                                |             |
|                              | Rows                   | 1                              | 1                   |                                |             |
|                              | Fins per inch          | 23                             | 23                  |                                |             |
|                              | Tube diameter (in./MM) | .79/20                         | .79/20              |                                |             |
|                              | Circuitry Type         | 2-pass Microchannel            | 2-pass Microchannel |                                |             |
| EVAPORATOR COIL DATA         | Face area (Sq. Ft.)    | 7.3                            | 7.3                 |                                |             |
|                              | Rows                   | 3                              | 3                   |                                |             |
|                              | Fins per inch          | 15                             | 15                  |                                |             |
|                              | Tube diameter          | 0.375                          | 0.375               |                                |             |
|                              | Circuitry Type         | Intertwined                    | Intertwined         |                                |             |
|                              | Refrigerant control    | Orifice                        | Orifice             |                                |             |
| CONDENSER FAN DATA           | Quantity of fans       | 1                              | 1                   |                                |             |
|                              | Fan diameter (Inch)    | 22                             | 22                  |                                |             |
|                              | Type                   | Prop                           | Prop                |                                |             |
|                              | Drive type             | Direct                         | Direct              |                                |             |
|                              | Quantity of motors     | 1                              | 1                   |                                |             |
|                              | Motor HP each          | 1/2                            | 1/2                 |                                |             |
|                              | No. speeds             | 1                              | 1                   |                                |             |
|                              | RPM                    | 1085                           | 1085                |                                |             |
| Nominal total CFM            | 4600                   | 4600                           |                     |                                |             |
| EVAP FAN DATA - DIRECT DRIVE | Airflow Option         | A                              | A                   |                                |             |
|                              | Quantity               | 1                              | 1                   |                                |             |
|                              | Fan Size (Inch)        | 11 x 10                        | 11 x 10             |                                |             |
|                              | Type                   | Centrifugal                    | Centrifugal         |                                |             |
|                              | Motor HP               | 1                              | 1                   |                                |             |
|                              | Motor RPM              | 1050                           | 1050                |                                |             |
| EVAP FAN DATA - BELT DRIVE   | Airflow Option         | B                              | C                   | B                              | C           |
|                              | Quantity               | 1                              | 1                   | 1                              | 1           |
|                              | Fan Size (Inch)        | 11 x 10                        | 11 x 10             | 11 x 10                        | 11 x 10     |
|                              | Type                   | Centrifugal                    | Centrifugal         | Centrifugal                    | Centrifugal |
|                              | Motor Sheave           | 1VL34                          | 1VL44               | 1VL34                          | 1VL44       |
|                              | Blower Sheave          | AK46                           | AK46                | AK46                           | AK46        |
|                              | Belt                   | A37                            | A39                 | A37                            | A39         |
|                              | Motor HP, 1-phase      | 1.5                            | --                  | 1.5                            | --          |
|                              | Frame size, 1-phase    | 56HZ                           | --                  | 56HZ                           | --          |
|                              | Motor HP, 3-phase      | 2.4                            | 2.9                 | 2.4                            | 2.9         |
|                              | Frame size, 3-phase    | 56Y                            | 56HZ                | 56Y                            | 56HZ        |
|                              | Motor RPM              | 1725                           | 1725                | 1725                           | 1725        |
| FILTERS                      | Quantity - Size        | 4 - (16 x 16 x 2) <sup>1</sup> |                     | 4 - (16 x 16 x 2) <sup>1</sup> |             |

1. 2 In. Throwaway, Standard, MERV 4 (Minimum Efficiency Reporting Value)

## ZL08 Physical Data

| Component                            |                                     | Models                |       |       |                       |
|--------------------------------------|-------------------------------------|-----------------------|-------|-------|-----------------------|
|                                      |                                     | ZLG08                 |       |       | ZLE08                 |
| Nominal Tonnage                      |                                     | 7.5                   |       |       | 7.5                   |
| AHRI COOLING PERFORMANCE             | Gross Capacity @ AHRI A point (Btu) | 93000                 |       |       | 93000                 |
|                                      | AHRI net capacity (Btu)             | 89000                 |       |       | 89000                 |
|                                      | EER                                 | 12                    |       |       | 12.2                  |
|                                      | SEER                                | -                     |       |       | -                     |
|                                      | IEER IntelliSpeed                   | 15.6                  |       |       | 15.8                  |
|                                      | VAV IEER                            | 15.2                  |       |       | 15.4                  |
|                                      | Nominal CFM                         | 2900                  |       |       | 2900                  |
|                                      | System power (KW)                   | 7.40                  |       |       | 7.40                  |
|                                      | Refrigerant type                    | R-410A                |       |       | R-410A                |
|                                      | Refrigerant charge (lb-oz)          |                       |       |       |                       |
|                                      | System 1                            | 6-0                   |       |       | 6-0                   |
| System 2                             | 6-6                                 |                       |       | 6-6   |                       |
| AHRI HEATING PERFORMANCE THREE PHASE | Heating Option                      | D                     | E     | F     | -                     |
|                                      | Heating Model                       | Low                   | Med   | High  | -                     |
|                                      | 1st. Stage Heat input (K Btu)       | 90                    | 125   | 176   | -                     |
|                                      | 2nd. Stage Heat input (K Btu)       | 125                   | 180   | 220   | -                     |
|                                      | 1st. Stage Heat output (K Btu)      | 72                    | 100   | 141   | -                     |
|                                      | 2nd. Stage Heat output (K Btu)      | 100                   | 144   | 176   | -                     |
|                                      | Steady state efficiency (%)         | 80                    | 80    | 80    | -                     |
|                                      | No. burners                         | 3                     | 4     | 5     | -                     |
|                                      | No. stages                          | 2                     | 2     | 2     | -                     |
|                                      | Temperature Rise Range (°F)         | 25-41                 | 36-59 | 43-72 | -                     |
|                                      | Gas Limit Setting (°F)              | 140                   | 150   | 140   | -                     |
| Gas piping connection (in.)          | 3/4                                 | 3/4                   | 3/4   | -     |                       |
| DIMENSIONS (inches)                  | Length                              | 87.2                  |       |       | 87.2                  |
|                                      | Width                               | 61.7                  |       |       | 61.7                  |
|                                      | Height                              | 48.6                  |       |       | 48.6                  |
| OPERATING WT. (lbs.)                 | 1040                                |                       |       | 920   |                       |
| COMPRESSORS                          | Type                                | 2-Stage Scroll/Scroll |       |       | 2-Stage Scroll/Scroll |
|                                      | Quantity                            | 2                     |       |       | 2                     |
|                                      | Unit Capacity Steps (%)             | 34 / 67 / 1 00        |       |       | 34 / 67 / 1 00        |
| CONDENSER COIL DATA                  | Face area (Sq. Ft.)                 | 25.5                  |       |       | 25.5                  |
|                                      | Rows                                | 1                     |       |       | 1                     |
|                                      | Fins per inch                       | 23                    |       |       | 23                    |
|                                      | Tube diameter (in./MM)              | 1/25                  |       |       | 1/25                  |
|                                      | Circuitry Type                      | 2-pass Microchannel   |       |       | 2-pass Microchannel   |
| EVAPORATOR COIL DATA                 | Face area (Sq. Ft.)                 | 11.1                  |       |       | 11.1                  |
|                                      | Rows                                | 4                     |       |       | 4                     |
|                                      | Fins per inch                       | 15                    |       |       | 15                    |
|                                      | Tube diameter                       | 0.375                 |       |       | 0.375                 |
|                                      | Circuitry Type                      | Intertwined           |       |       | Intertwined           |
|                                      | Refrigerant control                 | TXV                   |       |       | TXV                   |
| CONDENSER FAN DATA                   | Quantity of fans                    | 2                     |       |       | 2                     |
|                                      | Fan diameter (Inch)                 | 22                    |       |       | 22                    |
|                                      | Type                                | Prop                  |       |       | Prop                  |
|                                      | Drive type                          | Direct                |       |       | Direct                |
|                                      | Quantity of motors                  | 2                     |       |       | 2                     |
|                                      | Motor HP each                       | 1/2                   |       |       | 1/2                   |
|                                      | No. speeds                          | 1                     |       |       | 1                     |
|                                      | RPM                                 | 1085                  |       |       | 1085                  |
| Nominal total CFM                    | 8600                                |                       |       | 8600  |                       |



## ZL08 Physical Data

| Component                  |                        | Models                         |         |         |                                |         |         |
|----------------------------|------------------------|--------------------------------|---------|---------|--------------------------------|---------|---------|
|                            |                        | ZLG08                          |         |         | ZLE08                          |         |         |
| Nominal Tonnage            |                        | 7.5                            |         |         | 7.5                            |         |         |
| EVAP FAN DATA - BELT DRIVE | Airflow Option         | A                              | B       | C       | A                              | B       | C       |
|                            | Quantity               | 1                              | 1       | 1       | 1                              | 1       | 1       |
|                            | Fan Size (Inch)        | 15 x 15                        | 15 x 15 | 15 x 15 | 15 x 15                        | 15 x 15 | 15 x 15 |
|                            | Type                   | Centrifugal                    |         |         | Centrifugal                    |         |         |
|                            | Motor Sheave           | 1VL34                          | 1VL44   | 1VP50   | 1VL34                          | 1VL44   | 1VP50   |
|                            | Blower Sheave          | AK74                           | AK74    | AK74    | AK74                           | AK74    | AK74    |
|                            | Belt                   | A47                            | A48     | A50     | A47                            | A48     | A50     |
|                            | Motor Max Bhp, 3 Phase | 2.4                            | 2.4     | 3.7     | 2.4                            | 2.4     | 3.7     |
|                            | RPM                    | 1725                           | 1725    | 1725    | 1725                           | 1725    | 1725    |
|                            | Frame size             | 56Y                            | 56Y     | 56HZ    | 56Y                            | 56Y     | 56HZ    |
| <b>FILTERS</b>             | Quantity - Size        | 4 - (20 x 20 x 2) <sup>1</sup> |         |         | 4 - (20 x 20 x 2) <sup>1</sup> |         |         |

1. 2 In. Throwaway, Standard, MERV 4 (Minimum Efficiency Reporting Value)

## ZL09 Physical Data

| Component                            |                                     | Models                |       |                       |   |
|--------------------------------------|-------------------------------------|-----------------------|-------|-----------------------|---|
|                                      |                                     | ZLG09                 |       | ZLE09                 |   |
| Nominal Tonnage                      |                                     | 8.5                   |       | 8.5                   |   |
| AHRI COOLING PERFORMANCE             | Gross Capacity @ AHRI A point (Btu) | 101000                |       | 101000                |   |
|                                      | AHRI net capacity (Btu)             | 98000                 |       | 98000                 |   |
|                                      | EER                                 | 12                    |       | 12.2                  |   |
|                                      | SEER                                | -                     |       | -                     |   |
|                                      | IEER IntelliSpeed                   | 16.1                  |       | 16.3                  |   |
|                                      | VAV IEER                            | 15.7                  |       | 15.9                  |   |
|                                      | Nominal CFM                         | 3000                  |       | 3000                  |   |
|                                      | System power (KW)                   | 8.00                  |       | 8.00                  |   |
|                                      | Refrigerant type                    | R-410A                |       | R-410A                |   |
|                                      | Refrigerant charge (lb-oz)          |                       |       |                       |   |
|                                      | System 1                            | 6-4                   |       | 6-4                   |   |
| System 2                             | 6-4                                 |                       | 6-4   |                       |   |
| AHRI HEATING PERFORMANCE THREE PHASE | Heating Option                      | D                     | E     | F                     | - |
|                                      | Heating Model                       | Low                   | Med   | High                  | - |
|                                      | 1st. Stage Heat input (K Btu)       | 90                    | 125   | 176                   | - |
|                                      | 2nd. Stage Heat input (K Btu)       | 125                   | 180   | 220                   | - |
|                                      | 1st. Stage Heat output (K Btu)      | 72                    | 100   | 141                   | - |
|                                      | 2nd. Stage Heat output (K Btu)      | 100                   | 144   | 176                   | - |
|                                      | Steady state efficiency (%)         | 80                    | 80    | 80                    | - |
|                                      | No. burners                         | 3                     | 4     | 5                     | - |
|                                      | No. stages                          | 2                     | 2     | 2                     | - |
|                                      | Temperature Rise Range (°F)         | 22-36                 | 31-52 | 38-64                 | - |
|                                      | Gas Limit Setting (°F)              | 140                   | 150   | 140                   | - |
| Gas piping connection (in.)          | 3/4                                 | 3/4                   | 3/4   | -                     |   |
| DIMENSIONS (inches)                  | Length                              | 87.2                  |       | 87.2                  |   |
|                                      | Width                               | 61.7                  |       | 61.7                  |   |
|                                      | Height                              | 48.6                  |       | 48.6                  |   |
| OPERATING WT. (lbs.)                 | 1030                                |                       | 925   |                       |   |
| COMPRESSORS                          | Type                                | 2-Stage Scroll/Scroll |       | 2-Stage Scroll/Scroll |   |
|                                      | Quantity                            | 2                     |       | 2                     |   |
|                                      | Unit Capacity Steps (%)             | 34 / 67 / 1 00        |       | 34 / 67 / 1 00        |   |
| CONDENSER COIL DATA                  | Face area (Sq. Ft.)                 | 25.5                  |       | 25.5                  |   |
|                                      | Rows                                | 1                     |       | 1                     |   |
|                                      | Fins per inch                       | 23                    |       | 23                    |   |
|                                      | Tube diameter (in./MM)              | 1/25                  |       | 1/25                  |   |
|                                      | Circuitry Type                      | 2-pass Microchannel   |       | 2-pass Microchannel   |   |
| EVAPORATOR COIL DATA                 | Face area (Sq. Ft.)                 | 11.1                  |       | 11.1                  |   |
|                                      | Rows                                | 4                     |       | 4                     |   |
|                                      | Fins per inch                       | 15                    |       | 15                    |   |
|                                      | Tube diameter                       | 0.375                 |       | 0.375                 |   |
|                                      | Circuitry Type                      | Intertwined           |       | Intertwined           |   |
|                                      | Refrigerant control                 | TXV                   |       | TXV                   |   |
| CONDENSER FAN DATA                   | Quantity of fans                    | 2                     |       | 2                     |   |
|                                      | Fan diameter (Inch)                 | 22                    |       | 22                    |   |
|                                      | Type                                | Prop                  |       | Prop                  |   |
|                                      | Drive type                          | Direct                |       | Direct                |   |
|                                      | Quantity of motors                  | 2                     |       | 2                     |   |
|                                      | Motor HP each                       | 1/2                   |       | 1/2                   |   |
|                                      | No. speeds                          | 1                     |       | 1                     |   |
|                                      | RPM                                 | 1085                  |       | 1085                  |   |
| Nominal total CFM                    | 8600                                |                       | 8600  |                       |   |

**ZL09 Physical Data**

| Component                         |                        | Models                         |         |         |                                |         |         |
|-----------------------------------|------------------------|--------------------------------|---------|---------|--------------------------------|---------|---------|
|                                   |                        | ZLG09                          |         |         | ZLE09                          |         |         |
| Nominal Tonnage                   |                        | 8.5                            |         |         | 8.5                            |         |         |
| <b>EVAP FAN DATA - BELT DRIVE</b> | Airflow Option         | A                              | B       | C       | A                              | B       | C       |
|                                   | Quantity               | 1                              | 1       | 1       | 1                              | 1       | 1       |
|                                   | Fan Size (Inch)        | 15 x 15                        | 15 x 15 | 15 x 15 | 15 x 15                        | 15 x 15 | 15 x 15 |
|                                   | Type                   | Centrifugal                    |         |         | Centrifugal                    |         |         |
|                                   | Motor Sheave           | 1VL34                          | 1VL44   | 1VP50   | 1VL34                          | 1VL44   | 1VP50   |
|                                   | Blower Sheave          | AK74                           | AK74    | AK74    | AK74                           | AK74    | AK74    |
|                                   | Belt                   | A47                            | A48     | A50     | A47                            | A48     | A50     |
|                                   | Motor Max Bhp, 3 Phase | 2.4                            | 2.4     | 3.7     | 2.4                            | 2.4     | 3.7     |
|                                   | RPM                    | 1725                           | 1725    | 1725    | 1725                           | 1725    | 1725    |
|                                   | Frame size             | 56Y                            | 56Y     | 56HZ    | 56Y                            | 56Y     | 56HZ    |
| <b>FILTERS</b>                    | Quantity - Size        | 4 - (20 x 20 x 2) <sup>1</sup> |         |         | 4 - (20 x 20 x 2) <sup>1</sup> |         |         |

1. 2 In. Throwaway, Standard, MERV 4 (Minimum Efficiency Reporting Value)

**ZL12 Physical Data**

| Component                                   |                                     | Models                |       |        |                       |
|---|-------------------------------------|-----------------------|-------|--------|-----------------------|
|   |                                     | ZLG12                 |       | ZLE12  |                       |
| Nominal Tonnage                             |                                     | 10                    |       | 10     |                       |
| <b>AHRI COOLING PERFORMANCE</b>             | Gross Capacity @ AHRI A point (Btu) | 120200                |       | 120200 |                       |
|   | AHRI net capacity (Btu)             | 116000                |       | 116000 |                       |
|   | EER                                 | 12                    |       | 12.2   |                       |
|   | SEER                                | -                     |       | -      |                       |
|   | IEER IntelliSpeed                   | 15.4                  |       | 15.6   |                       |
|   | VAV IEER                            | 15.2                  |       | 15.4   |                       |
|   | Nominal CFM                         | 3100                  |       | 3100   |                       |
|   | System power (KW)                   | 9.60                  |       | 9.60   |                       |
|   | Refrigerant type                    | R-410A                |       | R-410A |                       |
|   | Refrigerant charge (lb-oz)          |                       |       |        |                       |
|   | System 1                            | 6-0                   |       | 6-0    |                       |
| System 2                                    | 6-10                                |                       | 6-10  |        |                       |
| <b>AHRI HEATING PERFORMANCE THREE PHASE</b> | Heating Option                      | D                     | E     | F      | -                     |
|   | Heating Model                       | Low                   | Med   | High   | -                     |
|   | 1st. Stage Heat input (K Btu)       | 125                   | 176   | 200    | -                     |
|   | 2nd. Stage Heat input (K Btu)       | 180                   | 220   | 250    | -                     |
|   | 1st. Stage Heat output (K Btu)      | 100                   | 141   | 160    | -                     |
|   | 2nd. Stage Heat output (K Btu)      | 144                   | 176   | 200    | -                     |
|   | Steady state efficiency (%)         | 80                    | 80    | 80     | -                     |
|   | No. burners                         | 4                     | 5     | 5      | -                     |
|   | No. stages                          | 2                     | 2     | 2      | -                     |
|   | Temperature Rise Range (°F)         | 27-44                 | 33-54 | 37-62  | -                     |
|   | Gas Limit Setting (°F)              | 150                   | 140   | 160    | -                     |
| Gas piping connection (in.)                 | 3/4                                 | 3/4                   | 3/4   | -      |                       |
| <b>DIMENSIONS (inches)</b>                  | Length                              | 87.2                  |       |        | 87.2                  |
|   | Width                               | 61.7                  |       |        | 61.7                  |
|   | Height                              | 55.3                  |       |        | 55.3                  |
| <b>OPERATING WT. (lbs.)</b>                 | 1050                                |                       |       | 955    |                       |
| <b>COMPRESSORS</b>                          | Type                                | 2-Stage Scroll/Scroll |       |        | 2-Stage Scroll/Scroll |
|   | Quantity                            | 2                     |       |        | 2                     |
|   | Unit Capacity Steps (%)             | 34 / 67 / 1 00        |       |        | 34 / 67 / 1 00        |
| <b>CONDENSER COIL DATA</b>                  | Face area (Sq. Ft.)                 | 24.9                  |       |        | 24.9                  |
|   | Rows                                | 1                     |       |        | 1                     |
|   | Fins per inch                       | 21                    |       |        | 21                    |
|   | Tube diameter (in./MM)              | 1.26/32               |       |        | 1.26/32               |
|   | Circuitry Type                      | 2-pass Microchannel   |       |        | 2-pass Microchannel   |
| <b>EVAPORATOR COIL DATA</b>                 | Face area (Sq. Ft.)                 | 11.1                  |       |        | 11.1                  |
|   | Rows                                | 4                     |       |        | 4                     |
|   | Fins per inch                       | 15                    |       |        | 15                    |
|   | Tube diameter                       | 0.375                 |       |        | 0.375                 |
|   | Circuitry Type                      | Intertwined           |       |        | Intertwined           |
|   | Refrigerant control                 | TXV                   |       |        | TXV                   |
| <b>CONDENSER FAN DATA</b>                   | Quantity of fans                    | 1                     |       |        | 1                     |
|   | Fan diameter (Inch)                 | 30                    |       |        | 30                    |
|   | Type                                | Prop                  |       |        | Prop                  |
|   | Drive type                          | Direct                |       |        | Direct                |
|   | Quantity of motors                  | 1                     |       |        | 1                     |
|   | Motor HP each                       | 1 1/2                 |       |        | 1 1/2                 |
|   | No. speeds                          | 1                     |       |        | 1                     |
|   | RPM                                 | 1140                  |       |        | 1140                  |
| Nominal total CFM                           | 9700                                |                       |       | 9700   |                       |

## ZL12 Physical Data

| Component                  |                        | Models                         |         |         |                                |         |         |
|----------------------------|------------------------|--------------------------------|---------|---------|--------------------------------|---------|---------|
|                            |                        | ZLG12                          |         |         | ZLE12                          |         |         |
| Nominal Tonnage            |                        | 10                             |         |         | 10                             |         |         |
|                            |                        | A                              | B       | C       | A                              | B       | C       |
| EVAP FAN DATA - BELT DRIVE | Airflow Option         | A                              | B       | C       | A                              | B       | C       |
|                            | Quantity               | 1                              | 1       | 1       | 1                              | 1       | 1       |
|                            | Fan Size (Inch)        | 15 x 15                        | 15 x 15 | 15 x 15 | 15 x 15                        | 15 x 15 | 15 x 15 |
|                            | Type                   | Centrifugal                    |         |         | Centrifugal                    |         |         |
|                            | Motor Sheave           | 1VL44                          | 1VP50   | 1VP56   | 1VL44                          | 1VP50   | 1VP56   |
|                            | Blower Sheave          | AK79                           | AK79    | BK85    | AK79                           | AK79    | BK85    |
|                            | Belt                   | A50                            | A50     | BX52    | A50                            | A50     | BX52    |
|                            | Motor Max Bhp, 3 Phase | 2.4                            | 3.7     | 5.25    | 2.4                            | 3.7     | 5.25    |
|                            | RPM                    | 1725                           | 1725    | 1725    | 1725                           | 1725    | 1725    |
|                            | Frame size             | 56Y                            | 56HZ    | 145TY   | 56Y                            | 56HZ    | 145TY   |
| <b>FILTERS</b>             | Quantity - Size        | 4 - (20 x 20 x 2) <sup>1</sup> |         |         | 4 - (20 x 20 x 2) <sup>1</sup> |         |         |

1. 2 In. Throwaway, Standard, MERV 4 (Minimum Efficiency Reporting Value)

## ZL14 Physical Data

| Component                            |                                     | Models                |       |                       |   |
|--------------------------------------|-------------------------------------|-----------------------|-------|-----------------------|---|
|                                      |                                     | ZLG14                 |       | ZLE14                 |   |
| Nominal Tonnage                      |                                     | 12.5                  |       | 12.5                  |   |
| AHRI COOLING PERFORMANCE             | Gross Capacity @ AHRI A point (Btu) | 139500                |       | 139500                |   |
|                                      | AHRI net capacity (Btu)             | 135000                |       | 135000                |   |
|                                      | EER                                 | 11.0                  |       | 11.2                  |   |
|                                      | SEER                                | -                     |       | -                     |   |
|                                      | IEER IntelliSpeed                   | 14.7                  |       | 14.9                  |   |
|                                      | VAV IEER                            | 14.5                  |       | 14.7                  |   |
|                                      | Nominal CFM                         | 3900                  |       | 3900                  |   |
|                                      | System power (KW)                   | 11.90                 |       | 11.90                 |   |
|                                      | Refrigerant type                    | R-410A                |       | R-410A                |   |
|                                      | Refrigerant charge (lb-oz)          |                       |       |                       |   |
|                                      | System 1                            | 6-2                   |       | 6-2                   |   |
| System 2                             | 6-8                                 |                       | 6-8   |                       |   |
| AHRI HEATING PERFORMANCE THREE PHASE | Heating Option                      | D                     | E     | F                     | - |
|                                      | Heating Model                       | Low                   | Med   | High                  | - |
|                                      | 1st. Stage Heat input (K Btu)       | 125                   | 176   | 200                   | - |
|                                      | 2nd. Stage Heat input (K Btu)       | 180                   | 220   | 250                   | - |
|                                      | 1st. Stage Heat output (K Btu)      | 100                   | 141   | 160                   | - |
|                                      | 2nd. Stage Heat output (K Btu)      | 144                   | 176   | 200                   | - |
|                                      | Steady state efficiency (%)         | 80                    | 80    | 80                    | - |
|                                      | No. burners                         | 4                     | 5     | 5                     | - |
|                                      | No. stages                          | 2                     | 2     | 2                     | - |
|                                      | Temperature Rise Range (°F)         | 21-36                 | 26-43 | 30-49                 | - |
|                                      | Gas Limit Setting (°F)              | 150                   | 140   | 160                   | - |
| Gas piping connection (in.)          | 3/4                                 | 3/4                   | 3/4   | -                     |   |
| DIMENSIONS (inches)                  | Length                              | 87.2                  |       | 87.2                  |   |
|                                      | Width                               | 61.7                  |       | 61.7                  |   |
|                                      | Height                              | 55.3                  |       | 55.3                  |   |
| OPERATING WT. (lbs.)                 | 1070                                |                       | 980   |                       |   |
| COMPRESSORS                          | Type                                | 2-Stage Scroll/Scroll |       | 2-Stage Scroll/Scroll |   |
|                                      | Quantity                            | 2                     |       | 2                     |   |
|                                      | Unit Capacity Steps (%)             | 34 / 67 / 1 00        |       | 34 / 67 / 1 00        |   |
| CONDENSER COIL DATA                  | Face area (Sq. Ft.)                 | 24.9                  |       | 24.9                  |   |
|                                      | Rows                                | 1                     |       | 1                     |   |
|                                      | Fins per inch                       | 21                    |       | 21                    |   |
|                                      | Tube diameter (in./MM)              | 1.26/32               |       | 1.26/32               |   |
|                                      | Circuitry Type                      | 2-pass Microchannel   |       | 2-pass Microchannel   |   |
| EVAPORATOR COIL DATA                 | Face area (Sq. Ft.)                 | 11.1                  |       | 11.1                  |   |
|                                      | Rows                                | 4                     |       | 4                     |   |
|                                      | Fins per inch                       | 15                    |       | 15                    |   |
|                                      | Tube diameter                       | 0.375                 |       | 0.375                 |   |
|                                      | Circuitry Type                      | Intertwined           |       | Intertwined           |   |
| Refrigerant control                  | TXV                                 |                       | TXV   |                       |   |
| CONDENSER FAN DATA                   | Quantity of fans                    | 1                     |       | 1                     |   |
|                                      | Fan diameter (Inch)                 | 30                    |       | 30                    |   |
|                                      | Type                                | Prop                  |       | Prop                  |   |
|                                      | Drive type                          | Direct                |       | Direct                |   |
|                                      | Quantity of motors                  | 1                     |       | 1                     |   |
|                                      | Motor HP each                       | 1 1/2                 |       | 1 1/2                 |   |
|                                      | No. speeds                          | 1                     |       | 1                     |   |
|                                      | RPM                                 | 1140                  |       | 1140                  |   |
| Nominal total CFM                    | 9700                                |                       | 9700  |                       |   |

**ZL14 Physical Data**

| Component                         |                        | Models                         |         |         |                                |         |         |
|-----------------------------------|------------------------|--------------------------------|---------|---------|--------------------------------|---------|---------|
|                                   |                        | ZLG14                          |         |         | ZLE14                          |         |         |
| Nominal Tonnage                   |                        | 12.5                           |         |         | 12.5                           |         |         |
| <b>EVAP FAN DATA - BELT DRIVE</b> | Airflow Option         | A                              | B       | C       | A                              | B       | C       |
|                                   | Quantity               | 1                              | 1       | 1       | 1                              | 1       | 1       |
|                                   | Fan Size (Inch)        | 15 x 15                        | 15 x 15 | 15 x 15 | 15 x 15                        | 15 x 15 | 15 x 15 |
|                                   | Type                   | Centrifugal                    |         |         | Centrifugal                    |         |         |
|                                   | Motor Sheave           | 1VL44                          | 1VP50   | 1VP56   | 1VL44                          | 1VP50   | 1VP56   |
|                                   | Blower Sheave          | AK79                           | AK79    | BK85    | AK79                           | AK79    | BK85    |
|                                   | Belt                   | A50                            | A50     | BX54    | A50                            | A50     | BX54    |
|                                   | Motor Max Bhp, 3 Phase | 2.9                            | 3.7     | 5.25    | 2.9                            | 3.7     | 5.25    |
|                                   | RPM                    | 1750                           | 1750    | 1750    | 1750                           | 1750    | 1750    |
|                                   | Frame size             | 56Y                            | 182TZ   | 184TZ   | 56Y                            | 182TZ   | 184TZ   |
| <b>FILTERS</b>                    | Quantity - Size        | 4 - (20 x 20 x 2) <sup>1</sup> |         |         | 4 - (20 x 20 x 2) <sup>1</sup> |         |         |

1. 2 In. Throwaway, Standard, MERV 4 (Minimum Efficiency Reporting Value)

**ZX/ZQ/ZQ/ZL 04-14, A7 Unit Limitations**

| Model    | Size (Tons) | Unit Voltage | SCCR (kVA) | Unit Limitations |     |                 |
|----------|-------------|--------------|------------|------------------|-----|-----------------|
|          |             |              |            | Applied Voltage  |     | Outdoor DB Temp |
|          |             |              |            | Min              | Max | Max (°F)        |
| ZY/ZQ    | 04 (3)      | 208/230-1-60 | 5          | 187              | 252 | 125             |
|          |             | 208/230-3-60 | 5          | 187              | 252 | 125             |
|          |             | 460-3-60     | 5          | 432              | 504 | 125             |
|          |             | 575-3-60     | 5          | 540              | 630 | 125             |
| ZY/ZQ    | 05 (4)      | 208/230-1-60 | 5          | 187              | 252 | 125             |
|          |             | 208/230-3-60 | 5          | 187              | 252 | 125             |
|          |             | 460-3-60     | 5          | 432              | 504 | 125             |
|          |             | 575-3-60     | 5          | 540              | 630 | 125             |
| ZY/ZQ    | 06 (5)      | 208/230-1-60 | 5          | 187              | 252 | 125             |
|          |             | 208/230-3-60 | 5          | 187              | 252 | 125             |
|          |             | 460-3-60     | 5          | 432              | 504 | 125             |
|          |             | 575-3-60     | 5          | 540              | 630 | 125             |
| ZY       | 07 (6)      | 208/230-3-60 | 5          | 187              | 252 | 125             |
|          |             | 460-3-60     | 5          | 432              | 504 | 125             |
|          |             | 575-3-60     | 5          | 540              | 630 | 125             |
| ZX/ZY    | A7 (6)      | 208/230-3-60 | 5          | 187              | 252 | 125             |
|          |             | 460-3-60     | 5          | 432              | 504 | 125             |
|          |             | 575-3-60     | 5          | 540              | 630 | 125             |
| ZX/ZY/ZL | 08 (7.5)    | 208/230-3-60 | 5          | 187              | 252 | 125             |
|          |             | 460-3-60     | 5          | 432              | 504 | 125             |
|          |             | 575-3-60     | 5          | 540              | 630 | 125             |
| ZX/ZY/ZL | 09 (8.5)    | 208/230-3-60 | 5          | 187              | 252 | 125             |
|          |             | 460-3-60     | 5          | 432              | 504 | 125             |
|          |             | 575-3-60     | 5          | 540              | 630 | 125             |
| ZX/ZY/ZL | 12 (10)     | 208/230-3-60 | 5          | 187              | 252 | 125             |
|          |             | 460-3-60     | 5          | 432              | 504 | 125             |
|          |             | 575-3-60     | 5          | 540              | 630 | 125             |
| ZX/ZL    | 14 (12.5)   | 208/230-3-60 | 5          | 187              | 252 | 125             |
|          |             | 460-3-60     | 5          | 432              | 504 | 125             |
|          |             | 575-3-60     | 5          | 540              | 630 | 125             |



# Capacity Performance

## ZXA7, 08-14 Cooling Capacities

### ZXA7 (6 Ton)

| Air on Evaporator Coil |         | Temperature of Air on Condenser Coil |                               |                         |      |      |      |      |      |                                   |                               |                         |      |      |      |      |      |
|------------------------|---------|--------------------------------------|-------------------------------|-------------------------|------|------|------|------|------|-----------------------------------|-------------------------------|-------------------------|------|------|------|------|------|
| CFM                    | WB (°F) | Total Capacity <sup>1</sup> (MBh)    | Total Input (kW) <sup>2</sup> | Sensible Capacity (MBh) |      |      |      |      |      | Total Capacity <sup>1</sup> (MBh) | Total Input (kW) <sup>2</sup> | Sensible Capacity (MBh) |      |      |      |      |      |
|                        |         |                                      |                               | Return Dry Bulb (°F)    |      |      |      |      |      |                                   |                               | Return Dry Bulb (°F)    |      |      |      |      |      |
|                        |         |                                      |                               | 90                      | 85   | 80   | 75   | 70   | 65   |                                   |                               | 90                      | 85   | 80   | 75   | 70   | 65   |
|                        |         |                                      |                               | 75°F                    |      |      |      |      |      | 85°F                              |                               |                         |      |      |      |      |      |
| 1500                   | 77      | 89.8                                 | 4.1                           | 45.1                    | 37.4 | 29.8 | -    | -    | -    | 84.7                              | 4.6                           | 41.2                    | 34.3 | 27.5 | -    | -    | -    |
|                        | 72      | 82.1                                 | 4.0                           | 55.6                    | 47.1 | 38.5 | 30.0 | -    | -    | 76.7                              | 4.5                           | 52.7                    | 44.4 | 36.1 | 27.9 | -    | -    |
|                        | 67      | 74.3                                 | 3.9                           | 66.1                    | 56.7 | 47.3 | 38.1 | 30.4 | -    | 68.8                              | 4.4                           | 64.2                    | 54.5 | 44.8 | 36.2 | 28.4 | -    |
|                        | 62      | 74.4                                 | 3.9                           | 72.9                    | 63.5 | 56.0 | 45.6 | 39.4 | 31.1 | 70.8                              | 4.4                           | 68.1                    | 60.3 | 53.5 | 44.3 | 37.2 | 29.0 |
| 1800                   | 77      | 91.0                                 | 4.1                           | 51.6                    | 40.8 | 29.9 | -    | -    | -    | 85.5                              | 4.6                           | 48.6                    | 38.0 | 27.4 | -    | -    | -    |
|                        | 72      | 84.1                                 | 4.0                           | 59.7                    | 50.0 | 40.3 | 30.5 | -    | -    | 78.8                              | 4.5                           | 57.1                    | 47.5 | 37.8 | 28.2 | -    | -    |
|                        | 67      | 77.2                                 | 4.0                           | 67.8                    | 59.2 | 50.6 | 40.3 | 31.1 | -    | 72.1                              | 4.5                           | 65.5                    | 56.9 | 48.3 | 38.3 | 28.9 | -    |
|                        | 62      | 74.7                                 | 4.0                           | 73.8                    | 67.4 | 60.9 | 49.4 | 41.3 | 31.5 | 71.2                              | 4.5                           | 69.9                    | 64.3 | 58.7 | 48.0 | 39.1 | 29.3 |
|                        | 57      | 60.7                                 | 3.9                           | 60.7                    | 60.7 | 60.7 | 60.7 | 51.6 | 41.7 | 59.4                              | 4.5                           | 59.4                    | 59.4 | 59.4 | 59.2 | 49.3 | 39.5 |
| 2100                   | 77      | 92.2                                 | 4.1                           | 58.1                    | 44.1 | 30.1 | -    | -    | -    | 86.4                              | 4.6                           | 56.0                    | 41.7 | 27.4 | -    | -    | -    |
|                        | 72      | 86.2                                 | 4.1                           | 63.9                    | 52.9 | 42.0 | 31.1 | -    | -    | 80.9                              | 4.6                           | 61.5                    | 50.5 | 39.5 | 28.6 | -    | -    |
|                        | 67      | 80.1                                 | 4.0                           | 69.6                    | 61.8 | 54.0 | 42.4 | 31.7 | -    | 75.4                              | 4.5                           | 66.9                    | 59.3 | 51.7 | 40.3 | 29.3 | -    |
|                        | 62      | 75.1                                 | 4.0                           | 74.6                    | 71.2 | 65.9 | 53.3 | 43.2 | 31.9 | 71.6                              | 4.5                           | 71.6                    | 68.3 | 63.8 | 51.8 | 41.1 | 29.7 |
|                        | 57      | 61.4                                 | 4.0                           | 61.4                    | 61.4 | 61.4 | 61.4 | 54.7 | 43.2 | 59.6                              | 4.5                           | 59.6                    | 59.6 | 59.6 | 59.6 | 52.8 | 41.2 |
| 2400                   | 77      | 93.4                                 | 4.1                           | 64.7                    | 47.5 | 30.3 | -    | -    | -    | 87.2                              | 4.6                           | 63.5                    | 45.4 | 27.4 | -    | -    | -    |
|                        | 72      | 88.2                                 | 4.1                           | 68.0                    | 55.9 | 43.8 | 31.7 | -    | -    | 83.0                              | 4.6                           | 65.9                    | 53.5 | 41.2 | 28.9 | -    | -    |
|                        | 67      | 83.0                                 | 4.0                           | 71.3                    | 64.3 | 57.3 | 44.5 | 32.3 | -    | 78.7                              | 4.5                           | 68.2                    | 61.7 | 55.1 | 42.3 | 29.8 | -    |
|                        | 62      | 75.4                                 | 4.0                           | 75.4                    | 75.1 | 70.8 | 57.1 | 45.1 | 32.3 | 72.0                              | 4.5                           | 72.0                    | 72.0 | 69.0 | 55.6 | 43.0 | 30.0 |
|                        | 57      | 62.1                                 | 4.0                           | 62.1                    | 62.1 | 62.1 | 62.1 | 57.9 | 44.7 | 59.7                              | 4.5                           | 59.7                    | 59.7 | 59.7 | 59.7 | 56.2 | 42.8 |
| 2700                   | 72      | 90.2                                 | 4.1                           | 72.1                    | 58.8 | 45.5 | 32.3 | -    | -    | 85.1                              | 4.6                           | 70.3                    | 56.6 | 42.9 | 29.3 | -    | -    |
|                        | 67      | 85.9                                 | 4.0                           | 73.1                    | 66.8 | 60.6 | 46.7 | 33.0 | -    | 82.1                              | 4.6                           | 69.6                    | 64.1 | 58.6 | 44.4 | 30.3 | -    |
|                        | 62      | 75.8                                 | 4.0                           | 75.8                    | 75.8 | 75.7 | 61.0 | 47.0 | 32.7 | 72.3                              | 4.6                           | 72.3                    | 72.3 | 72.3 | 59.4 | 45.0 | 30.4 |
|                        | 57      | 62.8                                 | 4.1                           | 62.8                    | 62.8 | 62.8 | 62.8 | 61.0 | 46.1 | 59.9                              | 4.6                           | 59.9                    | 59.9 | 59.9 | 59.9 | 59.6 | 44.5 |
| 3000                   | 72      | 92.3                                 | 4.1                           | 76.2                    | 61.8 | 47.3 | 32.8 | -    | -    | 87.2                              | 4.6                           | 74.7                    | 59.6 | 44.6 | 29.6 | -    | -    |
|                        | 67      | 88.8                                 | 4.1                           | 74.8                    | 69.4 | 64.0 | 48.8 | 33.6 | -    | 85.4                              | 4.6                           | 71.0                    | 66.5 | 62.0 | 46.4 | 30.8 | -    |
|                        | 62      | 76.2                                 | 4.1                           | 76.2                    | 76.2 | 76.2 | 64.8 | 48.9 | 33.0 | 72.7                              | 4.6                           | 72.7                    | 72.7 | 72.7 | 63.1 | 46.9 | 30.7 |
|                        | 57      | 63.5                                 | 4.1                           | 63.5                    | 63.5 | 63.5 | 63.5 | 63.5 | 47.6 | 60.0                              | 4.6                           | 60.0                    | 60.0 | 60.0 | 60.0 | 60.0 | 46.2 |
|                        |         |                                      |                               | 95°F                    |      |      |      |      |      | 105°F                             |                               |                         |      |      |      |      |      |
| 1500                   | 77      | 79.5                                 | 5.1                           | 37.2                    | 31.2 | 25.1 | -    | -    | -    | 76.5                              | 5.8                           | 35.3                    | 29.1 | 23.0 | -    | -    | -    |
|                        | 72      | 71.4                                 | 5.0                           | 49.7                    | 41.7 | 33.8 | 25.8 | -    | -    | 67.1                              | 5.7                           | 47.4                    | 39.5 | 31.6 | 23.6 | -    | -    |
|                        | 67      | 63.2                                 | 4.9                           | 62.2                    | 52.3 | 42.4 | 34.4 | 26.4 | -    | 57.7                              | 5.7                           | 57.7                    | 49.9 | 40.2 | 32.1 | 24.1 | -    |
|                        | 62      | 67.3                                 | 4.9                           | 63.3                    | 57.2 | 51.0 | 43.0 | 34.9 | 26.8 | 63.8                              | 5.7                           | 59.9                    | 54.3 | 48.7 | 40.6 | 32.4 | 24.3 |
| 1800                   | 77      | 80.0                                 | 5.1                           | 45.6                    | 35.2 | 24.9 | -    | -    | -    | 75.3                              | 5.8                           | 43.6                    | 33.2 | 22.7 | -    | -    | -    |
|                        | 72      | 73.5                                 | 5.0                           | 54.4                    | 44.9 | 35.4 | 25.9 | -    | -    | 68.5                              | 5.8                           | 52.0                    | 42.5 | 33.1 | 23.7 | -    | -    |
|                        | 67      | 67.0                                 | 5.0                           | 63.2                    | 54.6 | 45.9 | 36.3 | 26.7 | -    | 61.6                              | 5.7                           | 60.3                    | 51.9 | 43.5 | 33.9 | 24.4 | -    |
|                        | 62      | 67.7                                 | 5.0                           | 66.1                    | 61.3 | 56.4 | 46.7 | 36.9 | 27.1 | 64.0                              | 5.7                           | 62.4                    | 58.2 | 53.9 | 44.2 | 34.5 | 24.7 |
|                        | 57      | 58.2                                 | 5.0                           | 58.2                    | 58.2 | 58.2 | 57.0 | 47.1 | 37.2 | 59.6                              | 5.7                           | 59.6                    | 59.6 | 59.6 | 54.4 | 44.5 | 34.6 |
| 2100                   | 77      | 80.5                                 | 5.1                           | 53.9                    | 39.3 | 24.7 | -    | -    | -    | 74.2                              | 5.8                           | 52.0                    | 37.2 | 22.5 | -    | -    | -    |
|                        | 72      | 75.6                                 | 5.1                           | 59.1                    | 48.1 | 37.1 | 26.1 | -    | -    | 69.8                              | 5.8                           | 56.5                    | 45.6 | 34.7 | 23.8 | -    | -    |
|                        | 67      | 70.7                                 | 5.0                           | 64.2                    | 56.8 | 49.4 | 38.2 | 27.0 | -    | 65.4                              | 5.7                           | 61.0                    | 54.0 | 46.9 | 35.8 | 24.7 | -    |
|                        | 62      | 68.1                                 | 5.0                           | 68.1                    | 65.4 | 61.8 | 50.4 | 38.9 | 27.4 | 64.3                              | 5.7                           | 64.3                    | 62.0 | 59.1 | 47.8 | 36.5 | 25.1 |
|                        | 57      | 57.8                                 | 5.0                           | 57.8                    | 57.8 | 57.8 | 57.8 | 50.8 | 39.1 | 58.0                              | 5.7                           | 58.0                    | 58.0 | 58.0 | 58.0 | 47.6 | 35.7 |
| 2400                   | 77      | 81.1                                 | 5.1                           | 62.3                    | 43.4 | 24.4 | -    | -    | -    | 73.0                              | 5.8                           | 60.3                    | 41.3 | 22.2 | -    | -    | -    |
|                        | 72      | 77.8                                 | 5.1                           | 63.7                    | 51.2 | 38.7 | 26.2 | -    | -    | 71.2                              | 5.8                           | 61.0                    | 48.6 | 36.2 | 23.9 | -    | -    |
|                        | 67      | 74.5                                 | 5.0                           | 65.2                    | 59.1 | 53.0 | 40.1 | 27.3 | -    | 69.3                              | 5.8                           | 61.7                    | 56.0 | 50.3 | 37.6 | 25.0 | -    |
|                        | 62      | 68.5                                 | 5.0                           | 68.5                    | 68.5 | 67.2 | 54.1 | 40.9 | 27.7 | 64.5                              | 5.7                           | 64.5                    | 64.5 | 64.3 | 51.4 | 38.5 | 25.6 |
|                        | 57      | 57.4                                 | 5.0                           | 57.4                    | 57.4 | 57.4 | 57.4 | 54.5 | 41.0 | 56.4                              | 5.7                           | 56.4                    | 56.4 | 56.4 | 56.4 | 50.6 | 36.7 |
| 2700                   | 72      | 79.9                                 | 5.1                           | 68.4                    | 54.4 | 40.3 | 26.3 | -    | -    | 72.5                              | 5.8                           | 65.5                    | 51.7 | 37.8 | 23.9 | -    | -    |
|                        | 67      | 78.2                                 | 5.1                           | 66.1                    | 61.3 | 56.5 | 42.0 | 27.6 | -    | 73.2                              | 5.8                           | 62.4                    | 58.0 | 53.6 | 39.5 | 25.3 | -    |
|                        | 62      | 68.9                                 | 5.1                           | 68.9                    | 68.9 | 68.9 | 57.8 | 42.9 | 28.0 | 64.8                              | 5.8                           | 64.8                    | 64.8 | 64.8 | 55.0 | 40.5 | 26.0 |
|                        | 57      | 57.0                                 | 5.1                           | 57.0                    | 57.0 | 57.0 | 57.0 | 57.0 | 42.9 | 54.7                              | 5.8                           | 54.7                    | 54.7 | 54.7 | 54.7 | 53.6 | 37.8 |
| 3000                   | 72      | 82.0                                 | 5.1                           | 73.1                    | 57.5 | 42.0 | 26.4 | -    | -    | 73.8                              | 5.8                           | 70.1                    | 54.7 | 39.4 | 24.0 | -    | -    |
|                        | 67      | 81.9                                 | 5.1                           | 67.1                    | 63.5 | 60.0 | 43.9 | 27.9 | -    | 77.0                              | 5.8                           | 63.1                    | 60.1 | 57.0 | 41.3 | 25.6 | -    |
|                        | 62      | 69.3                                 | 5.1                           | 69.3                    | 69.3 | 69.3 | 61.5 | 44.9 | 28.4 | 65.0                              | 5.8                           | 65.0                    | 65.0 | 65.0 | 58.6 | 42.5 | 26.5 |
|                        | 57      | 56.6                                 | 5.1                           | 56.6                    | 56.6 | 56.6 | 56.6 | 56.6 | 44.9 | 53.1                              | 5.8                           | 53.1                    | 53.1 | 53.1 | 53.1 | 53.1 | 38.8 |

**ZXA7 (6 Ton) (Continued)**

| Air on Evaporator Coil |         | Temperature of Air on Condenser Coil |                               |                         |      |      |      |      |      |                                   |                               |                         |      |      |      |      |      |  |  |
|------------------------|---------|--------------------------------------|-------------------------------|-------------------------|------|------|------|------|------|-----------------------------------|-------------------------------|-------------------------|------|------|------|------|------|--|--|
|                        |         | Total Capacity <sup>1</sup> (MBh)    | Total Input (kW) <sup>2</sup> | Sensible Capacity (MBh) |      |      |      |      |      | Total Capacity <sup>1</sup> (MBh) | Total Input (kW) <sup>2</sup> | Sensible Capacity (MBh) |      |      |      |      |      |  |  |
|                        |         |                                      |                               | Return Dry Bulb (°F)    |      |      |      |      |      |                                   |                               | Return Dry Bulb (°F)    |      |      |      |      |      |  |  |
| CFM                    | WB (°F) |                                      |                               | 90                      | 85   | 80   | 75   | 70   | 65   |                                   |                               | 90                      | 85   | 80   | 75   | 70   | 65   |  |  |
|                        |         | 115°F                                |                               |                         |      |      |      |      |      |                                   | 125°F                         |                         |      |      |      |      |      |  |  |
| 1500                   | 77      | 73.4                                 | 6.5                           | 33.3                    | 27.1 | 20.8 | -    | -    | -    | 70.4                              | 7.2                           | 31.4                    | 25.0 | 18.6 | -    | -    | -    |  |  |
|                        | 72      | 62.9                                 | 6.5                           | 45.2                    | 37.3 | 29.4 | 21.5 | -    | -    | 58.6                              | 7.2                           | 42.9                    | 35.0 | 27.2 | 19.3 | -    | -    |  |  |
|                        | 67      | 52.3                                 | 6.4                           | 52.3                    | 47.4 | 37.9 | 29.8 | 21.8 | -    | 46.8                              | 7.2                           | 46.8                    | 45.0 | 35.7 | 27.6 | 19.5 | -    |  |  |
|                        | 62      | 60.3                                 | 6.4                           | 56.4                    | 51.5 | 46.5 | 38.2 | 30.0 | 21.7 | 56.8                              | 7.1                           | 53.0                    | 48.6 | 44.2 | 35.9 | 27.5 | 19.2 |  |  |
| 1800                   | 77      | 70.6                                 | 6.5                           | 41.7                    | 31.1 | 20.6 | -    | -    | -    | 65.9                              | 7.2                           | 39.7                    | 29.0 | 18.4 | -    | -    | -    |  |  |
|                        | 72      | 63.4                                 | 6.5                           | 49.5                    | 40.2 | 30.8 | 21.5 | -    | -    | 58.4                              | 7.2                           | 47.1                    | 37.8 | 28.6 | 19.3 | -    | -    |  |  |
|                        | 67      | 56.2                                 | 6.5                           | 56.2                    | 49.3 | 41.1 | 31.6 | 22.1 | -    | 50.9                              | 7.2                           | 50.9                    | 46.6 | 38.7 | 29.3 | 19.8 | -    |  |  |
|                        | 62      | 60.4                                 | 6.4                           | 58.7                    | 55.0 | 51.4 | 41.7 | 32.0 | 22.3 | 56.7                              | 7.1                           | 54.9                    | 51.9 | 48.9 | 39.2 | 29.6 | 19.9 |  |  |
|                        | 57      | 61.1                                 | 6.4                           | 59.9                    | 59.9 | 59.9 | 51.8 | 41.9 | 32.0 | 62.6                              | 7.1                           | 55.3                    | 55.3 | 55.3 | 49.2 | 39.3 | 29.5 |  |  |
| 2100                   | 77      | 67.8                                 | 6.5                           | 50.0                    | 35.1 | 20.3 | -    | -    | -    | 61.4                              | 7.2                           | 48.0                    | 33.0 | 18.1 | -    | -    | -    |  |  |
|                        | 72      | 64.0                                 | 6.5                           | 53.9                    | 43.1 | 32.3 | 21.5 | -    | -    | 58.2                              | 7.2                           | 51.3                    | 40.6 | 30.0 | 19.3 | -    | -    |  |  |
|                        | 67      | 60.2                                 | 6.5                           | 57.9                    | 51.1 | 44.3 | 33.4 | 22.4 | -    | 54.9                              | 7.2                           | 54.7                    | 48.2 | 41.8 | 30.9 | 20.1 | -    |  |  |
|                        | 62      | 60.5                                 | 6.4                           | 60.5                    | 58.6 | 56.4 | 45.2 | 34.0 | 22.9 | 56.7                              | 7.2                           | 56.7                    | 55.2 | 53.6 | 42.6 | 31.6 | 20.6 |  |  |
|                        | 57      | 58.2                                 | 6.4                           | 58.2                    | 58.2 | 58.2 | 56.3 | 44.3 | 32.2 | 58.5                              | 7.1                           | 58.5                    | 58.5 | 58.5 | 53.3 | 41.0 | 28.8 |  |  |
| 2400                   | 77      | 64.9                                 | 6.5                           | 58.3                    | 39.2 | 20.0 | -    | -    | -    | 56.9                              | 7.2                           | 56.3                    | 37.0 | 17.8 | -    | -    | -    |  |  |
|                        | 72      | 64.5                                 | 6.5                           | 58.3                    | 46.0 | 33.8 | 21.6 | -    | -    | 57.9                              | 7.2                           | 55.6                    | 43.5 | 31.4 | 19.2 | -    | -    |  |  |
|                        | 67      | 64.1                                 | 6.5                           | 58.3                    | 52.9 | 47.6 | 35.1 | 22.7 | -    | 59.0                              | 7.2                           | 54.9                    | 49.9 | 44.9 | 32.6 | 20.4 | -    |  |  |
|                        | 62      | 60.6                                 | 6.5                           | 60.6                    | 60.6 | 60.6 | 48.7 | 36.1 | 23.4 | 56.7                              | 7.2                           | 56.7                    | 56.7 | 56.7 | 46.0 | 33.6 | 21.3 |  |  |
|                        | 57      | 55.3                                 | 6.4                           | 55.3                    | 55.3 | 55.3 | 55.3 | 46.6 | 32.4 | 54.3                              | 7.1                           | 54.3                    | 54.3 | 54.3 | 54.3 | 42.7 | 28.1 |  |  |
| 2700                   | 72      | 65.1                                 | 6.5                           | 62.7                    | 49.0 | 35.3 | 21.6 | -    | -    | 57.7                              | 7.2                           | 57.7                    | 46.3 | 32.8 | 19.2 | -    | -    |  |  |
|                        | 67      | 68.1                                 | 6.5                           | 58.7                    | 54.8 | 50.8 | 36.9 | 23.0 | -    | 63.1                              | 7.2                           | 55.1                    | 51.5 | 47.9 | 34.3 | 20.7 | -    |  |  |
|                        | 62      | 60.7                                 | 6.5                           | 60.7                    | 60.7 | 60.7 | 52.2 | 38.1 | 24.0 | 56.6                              | 7.2                           | 56.6                    | 56.6 | 56.6 | 49.4 | 35.7 | 22.0 |  |  |
|                        | 57      | 52.5                                 | 6.5                           | 52.5                    | 52.5 | 52.5 | 52.5 | 49.0 | 32.6 | 50.2                              | 7.2                           | 50.2                    | 50.2 | 50.2 | 50.2 | 44.4 | 27.4 |  |  |
| 3000                   | 72      | 65.7                                 | 6.5                           | 65.7                    | 51.9 | 36.8 | 21.6 | -    | -    | 57.5                              | 7.2                           | 57.5                    | 49.1 | 34.1 | 19.2 | -    | -    |  |  |
|                        | 67      | 72.1                                 | 6.5                           | 59.2                    | 56.6 | 54.0 | 38.6 | 23.3 | -    | 67.1                              | 7.2                           | 55.2                    | 53.1 | 51.0 | 36.0 | 21.0 | -    |  |  |
|                        | 62      | 60.8                                 | 6.5                           | 60.8                    | 60.8 | 60.8 | 55.7 | 40.1 | 24.6 | 56.6                              | 7.2                           | 56.6                    | 56.6 | 56.6 | 52.8 | 37.7 | 22.7 |  |  |
|                        | 57      | 49.6                                 | 6.5                           | 49.6                    | 49.6 | 49.6 | 49.6 | 49.6 | 32.8 | 46.1                              | 7.2                           | 46.1                    | 46.1 | 46.1 | 46.1 | 46.1 | 26.8 |  |  |

1. These capacities are gross ratings. For net capacity, deduct the supply air blower motor heat (MBh = 3.415 x kW). Refer to the appropriate Blower Performance Table for the kW of the supply air blower motor.
2. These ratings include the condenser fan motors (total 1 kW) and the compressor motors but not the supply air blower motor.

ZX08 (7.5 Ton)

| Air on Evaporator Coil |         | Temperature of Air on Condenser Coil |                               |                         |       |       |       |      |      |                                   |                               |                         |       |       |      |      |      |
|------------------------|---------|--------------------------------------|-------------------------------|-------------------------|-------|-------|-------|------|------|-----------------------------------|-------------------------------|-------------------------|-------|-------|------|------|------|
| CFM                    | WB (°F) | Total Capacity <sup>1</sup> (MBh)    | Total Input (kW) <sup>2</sup> | Sensible Capacity (MBh) |       |       |       |      |      | Total Capacity <sup>1</sup> (MBh) | Total Input (kW) <sup>2</sup> | Sensible Capacity (MBh) |       |       |      |      |      |
|                        |         |                                      |                               | Return Dry Bulb (°F)    |       |       |       |      |      |                                   |                               | Return Dry Bulb (°F)    |       |       |      |      |      |
|                        |         |                                      |                               | 90                      | 85    | 80    | 75    | 70   | 65   |                                   |                               | 90                      | 85    | 80    | 75   | 70   | 65   |
|                        |         |                                      |                               | 75°F                    |       |       |       |      |      | 85°F                              |                               |                         |       |       |      |      |      |
| 1875                   | 77      | 105.6                                | 5.4                           | 55.0                    | 45.4  | 35.9  | -     | -    | -    | 100.3                             | 6.1                           | 53.6                    | 44.2  | 34.8  | -    | -    | -    |
|                        | 72      | 100.2                                | 5.3                           | 67.3                    | 57.4  | 47.5  | 37.6  | -    | -    | 97.4                              | 6.0                           | 66.0                    | 55.9  | 45.8  | 35.7 | -    | -    |
|                        | 67      | 94.9                                 | 5.2                           | 79.7                    | 69.4  | 59.1  | 48.1  | 38.4 | -    | 89.8                              | 5.8                           | 78.3                    | 67.5  | 56.7  | 46.1 | 36.1 | -    |
|                        | 62      | 91.4                                 | 5.2                           | 88.9                    | 79.7  | 70.6  | 57.0  | 49.1 | 38.4 | 87.6                              | 5.8                           | 84.9                    | 76.3  | 67.7  | 55.7 | 46.6 | 36.0 |
| 2250                   | 77      | 107.2                                | 5.4                           | 59.7                    | 47.7  | 35.7  | -     | -    | -    | 105.8                             | 6.1                           | 59.2                    | 47.0  | 34.9  | -    | -    | -    |
|                        | 72      | 102.3                                | 5.3                           | 72.2                    | 60.8  | 49.3  | 37.9  | -    | -    | 99.3                              | 6.0                           | 71.1                    | 59.5  | 47.9  | 36.3 | -    | -    |
|                        | 67      | 97.4                                 | 5.2                           | 84.8                    | 73.9  | 62.9  | 50.6  | 39.2 | -    | 92.8                              | 5.9                           | 82.9                    | 71.9  | 60.8  | 48.7 | 37.0 | -    |
|                        | 62      | 94.5                                 | 5.2                           | 92.1                    | 84.3  | 76.5  | 62.0  | 51.9 | 39.6 | 90.8                              | 5.9                           | 88.3                    | 81.1  | 73.8  | 60.5 | 49.4 | 37.1 |
| 2625                   | 77      | 108.9                                | 5.5                           | 64.5                    | 50.0  | 35.5  | -     | -    | -    | 106.7                             | 6.1                           | 64.8                    | 49.9  | 35.0  | -    | -    | -    |
|                        | 72      | 104.4                                | 5.4                           | 77.2                    | 64.2  | 51.2  | 38.2  | -    | -    | 101.2                             | 6.0                           | 76.2                    | 63.1  | 50.0  | 36.9 | -    | -    |
|                        | 67      | 100.0                                | 5.3                           | 89.8                    | 78.3  | 66.8  | 53.0  | 40.0 | -    | 95.8                              | 5.9                           | 87.6                    | 76.3  | 64.9  | 51.3 | 38.0 | -    |
|                        | 62      | 97.6                                 | 5.3                           | 95.3                    | 88.9  | 82.4  | 66.9  | 54.7 | 40.9 | 94.0                              | 5.9                           | 91.7                    | 85.8  | 79.9  | 65.2 | 52.2 | 38.3 |
| 3000                   | 77      | 110.5                                | 5.5                           | 69.3                    | 52.3  | 35.4  | -     | -    | -    | 107.6                             | 6.2                           | 70.3                    | 52.7  | 35.1  | -    | -    | -    |
|                        | 72      | 106.5                                | 5.4                           | 82.1                    | 67.5  | 53.0  | 38.5  | -    | -    | 103.1                             | 6.1                           | 81.3                    | 66.7  | 52.1  | 37.5 | -    | -    |
|                        | 67      | 102.5                                | 5.3                           | 94.9                    | 82.8  | 70.7  | 55.5  | 40.7 | -    | 98.7                              | 6.0                           | 92.2                    | 80.6  | 69.0  | 53.9 | 38.9 | -    |
|                        | 62      | 100.7                                | 5.3                           | 98.6                    | 93.5  | 88.3  | 71.8  | 57.5 | 42.1 | 97.3                              | 6.0                           | 95.1                    | 90.5  | 86.0  | 69.9 | 55.0 | 39.4 |
| 3375                   | 77      | 108.6                                | 5.5                           | 87.0                    | 70.9  | 54.9  | 38.8  | -    | -    | 105.1                             | 6.1                           | 86.4                    | 70.3  | 54.2  | 38.1 | -    | -    |
|                        | 72      | 105.1                                | 5.3                           | 99.9                    | 87.2  | 74.6  | 57.9  | 41.5 | -    | 101.7                             | 6.0                           | 96.8                    | 85.0  | 73.1  | 56.4 | 39.9 | -    |
|                        | 67      | 103.8                                | 5.4                           | 101.8                   | 98.0  | 94.2  | 76.7  | 60.3 | 43.4 | 100.5                             | 6.1                           | 98.4                    | 95.3  | 92.1  | 74.7 | 57.8 | 40.6 |
|                        | 62      | 102.7                                | 5.4                           | 102.2                   | 102.2 | 102.2 | 96.5  | 79.1 | 61.7 | 99.4                              | 6.1                           | 99.3                    | 99.3  | 99.3  | 93.4 | 75.7 | 57.9 |
| 3750                   | 77      | 110.7                                | 5.5                           | 91.9                    | 74.3  | 56.7  | 39.1  | -    | -    | 107.0                             | 6.1                           | 91.4                    | 73.9  | 56.3  | 38.7 | -    | -    |
|                        | 72      | 107.7                                | 5.4                           | 105.0                   | 91.7  | 78.4  | 60.4  | 42.3 | -    | 104.7                             | 6.1                           | 101.4                   | 89.3  | 77.3  | 59.0 | 40.8 | -    |
|                        | 67      | 106.9                                | 5.5                           | 105.1                   | 102.6 | 100.1 | 81.6  | 63.1 | 44.6 | 103.7                             | 6.1                           | 101.8                   | 100.0 | 98.2  | 79.4 | 60.6 | 41.7 |
|                        | 62      | 106.1                                | 5.5                           | 105.2                   | 105.2 | 105.2 | 102.9 | 83.9 | 65.0 | 102.8                             | 6.2                           | 102.2                   | 102.2 | 102.2 | 99.8 | 80.3 | 60.9 |
|                        |         |                                      |                               | 95°F                    |       |       |       |      |      | 105°F                             |                               |                         |       |       |      |      |      |
| 1875                   | 77      | 95.0                                 | 6.8                           | 52.3                    | 43.0  | 33.7  | -     | -    | -    | 90.0                              | 7.6                           | 50.8                    | 41.2  | 31.6  | -    | -    | -    |
|                        | 72      | 94.5                                 | 6.6                           | 64.6                    | 54.3  | 44.0  | 33.8  | -    | -    | 87.7                              | 7.5                           | 62.0                    | 51.8  | 41.5  | 31.2 | -    | -    |
|                        | 67      | 84.8                                 | 6.5                           | 76.9                    | 65.7  | 54.4  | 44.1  | 33.7 | -    | 79.2                              | 7.4                           | 73.3                    | 62.3  | 51.4  | 41.1 | 30.8 | -    |
|                        | 62      | 83.8                                 | 6.5                           | 81.0                    | 72.9  | 64.8  | 54.4  | 44.0 | 33.6 | 78.4                              | 7.4                           | 76.1                    | 68.7  | 61.2  | 51.0 | 40.7 | 30.5 |
| 2250                   | 77      | 104.3                                | 6.8                           | 58.6                    | 46.3  | 34.1  | -     | -    | -    | 96.5                              | 7.6                           | 57.2                    | 44.4  | 31.7  | -    | -    | -    |
|                        | 72      | 96.2                                 | 6.7                           | 69.9                    | 58.1  | 46.4  | 34.7  | -    | -    | 89.5                              | 7.5                           | 67.1                    | 55.4  | 43.6  | 31.9 | -    | -    |
|                        | 67      | 88.2                                 | 6.5                           | 81.1                    | 69.9  | 58.7  | 46.8  | 34.9 | -    | 82.4                              | 7.4                           | 77.1                    | 66.4  | 55.6  | 43.7 | 31.8 | -    |
|                        | 62      | 87.1                                 | 6.5                           | 84.5                    | 77.8  | 71.1  | 58.9  | 46.8 | 34.7 | 81.6                              | 7.5                           | 79.5                    | 73.6  | 67.6  | 55.6 | 43.5 | 31.4 |
| 2625                   | 77      | 104.5                                | 6.8                           | 65.0                    | 49.7  | 34.4  | -     | -    | -    | 96.9                              | 7.7                           | 63.6                    | 47.6  | 31.7  | -    | -    | -    |
|                        | 72      | 98.0                                 | 6.7                           | 75.2                    | 62.0  | 48.8  | 35.5  | -    | -    | 91.3                              | 7.6                           | 72.2                    | 59.0  | 45.8  | 32.6 | -    | -    |
|                        | 67      | 91.5                                 | 6.6                           | 85.3                    | 74.2  | 63.1  | 49.5  | 36.0 | -    | 85.7                              | 7.5                           | 80.9                    | 70.4  | 59.9  | 46.3 | 32.8 | -    |
|                        | 62      | 90.5                                 | 6.6                           | 88.0                    | 82.7  | 77.4  | 63.5  | 49.6 | 35.7 | 84.8                              | 7.5                           | 82.9                    | 78.4  | 74.0  | 60.1 | 46.2 | 32.4 |
| 3000                   | 77      | 104.6                                | 6.8                           | 71.4                    | 53.1  | 34.8  | -     | -    | -    | 97.3                              | 7.7                           | 70.0                    | 50.9  | 31.8  | -    | -    | -    |
|                        | 72      | 99.8                                 | 6.7                           | 80.4                    | 65.8  | 51.1  | 36.4  | -    | -    | 93.1                              | 7.6                           | 77.4                    | 62.7  | 48.0  | 33.3 | -    | -    |
|                        | 67      | 94.9                                 | 6.6                           | 89.5                    | 78.5  | 67.4  | 52.2  | 37.1 | -    | 89.0                              | 7.5                           | 84.8                    | 74.5  | 64.2  | 49.0 | 33.8 | -    |
|                        | 62      | 93.8                                 | 6.7                           | 91.5                    | 87.6  | 83.7  | 68.1  | 52.4 | 36.7 | 88.0                              | 7.6                           | 86.3                    | 83.3  | 80.4  | 64.7 | 49.0 | 33.3 |
| 3375                   | 77      | 101.5                                | 6.8                           | 85.7                    | 69.6  | 53.5  | 37.3  | -    | -    | 95.0                              | 7.7                           | 82.5                    | 66.3  | 50.1  | 34.0 | -    | -    |
|                        | 72      | 98.3                                 | 6.7                           | 93.7                    | 82.7  | 71.7  | 55.0  | 38.2 | -    | 92.3                              | 7.6                           | 88.6                    | 78.5  | 68.4  | 51.6 | 34.8 | -    |
|                        | 67      | 97.2                                 | 6.7                           | 95.0                    | 92.5  | 90.0  | 72.6  | 55.2 | 37.8 | 91.2                              | 7.6                           | 89.7                    | 88.2  | 86.7  | 69.2 | 51.8 | 34.3 |
|                        | 62      | 96.1                                 | 6.7                           | 96.1                    | 96.1  | 90.3  | 72.2  | 54.2 | -    | 90.5                              | 7.7                           | 90.5                    | 90.5  | 90.5  | 86.9 | 68.7 | 50.6 |
| 3750                   | 77      | 103.3                                | 6.8                           | 91.0                    | 73.4  | 55.8  | 38.2  | -    | -    | 96.8                              | 7.7                           | 87.6                    | 69.9  | 52.3  | 34.7 | -    | -    |
|                        | 72      | 101.7                                | 6.7                           | 97.9                    | 87.0  | 76.1  | 57.7  | 39.3 | -    | 95.6                              | 7.7                           | 92.4                    | 82.6  | 72.7  | 54.2 | 35.8 | -    |
|                        | 67      | 100.6                                | 6.8                           | 98.5                    | 97.4  | 96.3  | 77.2  | 58.0 | 38.8 | 94.5                              | 7.7                           | 93.1                    | 93.1  | 93.1  | 73.8 | 54.5 | 35.2 |
|                        | 62      | 99.4                                 | 6.8                           | 99.2                    | 99.2  | 99.2  | 96.7  | 76.7 | 56.8 | 93.7                              | 7.7                           | 93.7                    | 93.7  | 93.7  | 93.4 | 73.3 | 53.1 |

**ZX08 (7.5 Ton) (Continued)**

| Air on Evaporator Coil |         | Temperature of Air on Condenser Coil |                               |                         |      |      |      |      |      |                                   |                               |                         |      |      |      |      |      |
|------------------------|---------|--------------------------------------|-------------------------------|-------------------------|------|------|------|------|------|-----------------------------------|-------------------------------|-------------------------|------|------|------|------|------|
| CFM                    | WB (°F) | Total Capacity <sup>1</sup> (MBh)    | Total Input (kW) <sup>2</sup> | Sensible Capacity (MBh) |      |      |      |      |      | Total Capacity <sup>1</sup> (MBh) | Total Input (kW) <sup>2</sup> | Sensible Capacity (MBh) |      |      |      |      |      |
|                        |         |                                      |                               | Return Dry Bulb (°F)    |      |      |      |      |      |                                   |                               | Return Dry Bulb (°F)    |      |      |      |      |      |
|                        |         |                                      |                               | 90                      | 85   | 80   | 75   | 70   | 65   |                                   |                               | 90                      | 85   | 80   | 75   | 70   | 65   |
|                        |         |                                      |                               | 115°F                   |      |      |      |      |      | 125°F                             |                               |                         |      |      |      |      |      |
| 1875                   | 77      | 85.1                                 | 8.5                           | 49.4                    | 39.4 | 29.5 | -    | -    | -    | 80.1                              | 9.4                           | 47.9                    | 37.6 | 27.4 | -    | -    | -    |
|                        | 72      | 80.8                                 | 8.4                           | 59.5                    | 49.2 | 38.9 | 28.6 | -    | -    | 74.0                              | 9.3                           | 56.9                    | 46.6 | 36.3 | 26.0 | -    | -    |
|                        | 67      | 73.5                                 | 8.3                           | 69.6                    | 59.0 | 48.3 | 38.1 | 27.9 | -    | 67.9                              | 9.2                           | 66.0                    | 55.6 | 45.3 | 35.1 | 25.0 | -    |
|                        | 62      | 73.0                                 | 8.3                           | 71.2                    | 64.5 | 57.7 | 47.6 | 37.5 | 27.4 | 67.7                              | 9.2                           | 66.3                    | 60.2 | 54.2 | 44.2 | 34.2 | 24.2 |
| 2250                   | 77      | 88.7                                 | 8.5                           | 55.7                    | 42.5 | 29.2 | -    | -    | -    | 80.9                              | 9.4                           | 54.3                    | 40.6 | 26.8 | -    | -    | -    |
|                        | 72      | 82.7                                 | 8.4                           | 64.4                    | 52.6 | 40.9 | 29.1 | -    | -    | 76.0                              | 9.3                           | 61.7                    | 49.9 | 38.1 | 26.3 | -    | -    |
|                        | 67      | 76.7                                 | 8.3                           | 73.1                    | 62.8 | 52.5 | 40.6 | 28.8 | -    | 71.0                              | 9.2                           | 69.1                    | 59.2 | 49.4 | 37.6 | 25.7 | -    |
|                        | 62      | 76.1                                 | 8.4                           | 74.5                    | 69.3 | 64.1 | 52.2 | 40.2 | 28.2 | 70.6                              | 9.3                           | 69.5                    | 65.1 | 60.7 | 48.8 | 36.9 | 25.0 |
| 2625                   | 77      | 89.3                                 | 8.5                           | 62.1                    | 45.6 | 29.0 | -    | -    | -    | 81.7                              | 9.4                           | 60.7                    | 43.5 | 26.3 | -    | -    | -    |
|                        | 72      | 84.6                                 | 8.5                           | 69.3                    | 56.1 | 42.9 | 29.6 | -    | -    | 77.9                              | 9.4                           | 66.4                    | 53.2 | 39.9 | 26.7 | -    | -    |
|                        | 67      | 79.9                                 | 8.4                           | 76.5                    | 66.6 | 56.7 | 43.2 | 29.6 | -    | 74.1                              | 9.3                           | 72.2                    | 62.8 | 53.5 | 40.0 | 26.5 | -    |
|                        | 62      | 79.2                                 | 8.4                           | 77.7                    | 74.2 | 70.6 | 56.7 | 42.9 | 29.1 | 73.5                              | 9.3                           | 72.6                    | 69.9 | 67.1 | 53.3 | 39.5 | 25.7 |
| 3000                   | 77      | 89.9                                 | 8.5                           | 68.5                    | 48.7 | 28.8 | -    | -    | -    | 82.6                              | 9.4                           | 67.1                    | 46.4 | 25.8 | -    | -    | -    |
|                        | 72      | 86.5                                 | 8.5                           | 74.3                    | 59.6 | 44.8 | 30.1 | -    | -    | 79.9                              | 9.4                           | 71.2                    | 56.4 | 41.7 | 27.0 | -    | -    |
|                        | 67      | 83.1                                 | 8.5                           | 80.0                    | 70.5 | 60.9 | 45.7 | 30.5 | -    | 77.2                              | 9.4                           | 75.2                    | 66.5 | 57.7 | 42.4 | 27.2 | -    |
|                        | 62      | 82.2                                 | 8.5                           | 81.0                    | 79.0 | 77.0 | 61.3 | 45.6 | 29.9 | 76.4                              | 9.4                           | 75.8                    | 74.7 | 73.6 | 57.9 | 42.2 | 26.5 |
| 3375                   | 77      | 88.4                                 | 8.5                           | 79.2                    | 63.0 | 46.8 | 30.6 | -    | -    | 81.8                              | 9.4                           | 75.9                    | 59.7 | 43.5 | 27.3 | -    | -    |
|                        | 72      | 86.3                                 | 8.5                           | 83.5                    | 74.3 | 65.1 | 48.3 | 31.4 | -    | 80.3                              | 9.5                           | 78.3                    | 70.1 | 61.8 | 44.9 | 28.0 | -    |
|                        | 67      | 85.3                                 | 8.6                           | 84.3                    | 83.9 | 83.4 | 65.9 | 48.3 | 30.8 | 79.3                              | 9.5                           | 78.9                    | 78.9 | 78.9 | 62.5 | 44.9 | 27.3 |
|                        | 62      | 84.8                                 | 8.6                           | 84.8                    | 84.8 | 84.8 | 83.5 | 65.2 | 47.0 | 79.2                              | 9.5                           | 79.2                    | 79.2 | 79.2 | 79.2 | 61.8 | 43.4 |
| 3750                   | 77      | 90.3                                 | 8.6                           | 84.1                    | 66.5 | 48.8 | 31.1 | -    | -    | 83.8                              | 9.5                           | 80.7                    | 63.0 | 45.3 | 27.6 | -    | -    |
|                        | 72      | 89.5                                 | 8.6                           | 86.9                    | 78.1 | 69.3 | 50.8 | 32.3 | -    | 83.3                              | 9.5                           | 81.4                    | 73.7 | 65.9 | 47.3 | 28.7 | -    |
|                        | 67      | 88.3                                 | 8.6                           | 87.6                    | 87.6 | 87.6 | 70.4 | 51.0 | 31.6 | 82.2                              | 9.6                           | 82.1                    | 82.1 | 82.1 | 67.1 | 47.5 | 28.0 |
|                        | 62      | 87.9                                 | 8.7                           | 87.9                    | 87.9 | 87.9 | 87.9 | 69.8 | 49.5 | 82.2                              | 9.6                           | 82.2                    | 82.2 | 82.2 | 66.3 | 45.9 | -    |

1. These capacities are gross ratings. For net capacity, deduct the supply air blower motor heat (MBh = 3.415 x kW). Refer to the appropriate Blower Performance Table for the kW of the supply air blower motor.
2. These ratings include the condenser fan motors (total 1 kW) and the compressor motors but not the supply air blower motor.

ZX09 (8.5 Ton)

| Air on Evaporator Coil |         | Temperature of Air on Condenser Coil |                               |                         |       |       |       |      |      |                                   |                               |                         |       |       |       |      |      |
|------------------------|---------|--------------------------------------|-------------------------------|-------------------------|-------|-------|-------|------|------|-----------------------------------|-------------------------------|-------------------------|-------|-------|-------|------|------|
| CFM                    | WB (°F) | Total Capacity <sup>1</sup> (MBh)    | Total Input (kW) <sup>2</sup> | Sensible Capacity (MBh) |       |       |       |      |      | Total Capacity <sup>1</sup> (MBh) | Total Input (kW) <sup>2</sup> | Sensible Capacity (MBh) |       |       |       |      |      |
|                        |         |                                      |                               | Return Dry Bulb (°F)    |       |       |       |      |      |                                   |                               | Return Dry Bulb (°F)    |       |       |       |      |      |
|                        |         |                                      |                               | 90                      | 85    | 80    | 75    | 70   | 65   |                                   |                               | 90                      | 85    | 80    | 75    | 70   | 65   |
|                        |         |                                      |                               | 75°F                    |       |       |       |      |      | 85°F                              |                               |                         |       |       |       |      |      |
| 2125                   | 77      | 126.8                                | 6.3                           | 67.0                    | 53.9  | 40.8  | -     | -    | -    | 121.9                             | 7.0                           | 65.6                    | 53.5  | 41.3  | -     | -    | -    |
|                        | 72      | 118.4                                | 6.2                           | 80.7                    | 68.2  | 55.7  | 43.3  | -    | -    | 113.1                             | 6.9                           | 78.8                    | 66.5  | 54.3  | 42.0  | -    | -    |
|                        | 67      | 109.9                                | 6.1                           | 94.4                    | 82.5  | 70.7  | 56.6  | 44.6 | -    | 104.2                             | 6.8                           | 91.9                    | 79.6  | 67.3  | 54.3  | 42.4 | -    |
|                        | 62      | 104.0                                | 6.0                           | 103.0                   | 94.3  | 85.6  | 67.8  | 58.4 | 44.7 | 97.7                              | 6.7                           | 97.3                    | 88.7  | 80.2  | 65.6  | 55.0 | 42.4 |
| 2550                   | 77      | 126.8                                | 6.4                           | 71.8                    | 56.6  | 41.4  | -     | -    | -    | 121.5                             | 7.1                           | 70.8                    | 55.9  | 41.1  | -     | -    | -    |
|                        | 72      | 119.2                                | 6.2                           | 85.4                    | 71.5  | 57.6  | 43.7  | -    | -    | 113.9                             | 7.0                           | 83.5                    | 69.8  | 56.1  | 42.4  | -    | -    |
|                        | 67      | 111.7                                | 6.1                           | 98.9                    | 86.4  | 73.8  | 58.6  | 45.2 | -    | 106.4                             | 6.9                           | 96.3                    | 83.7  | 71.2  | 56.8  | 43.3 | -    |
|                        | 62      | 106.9                                | 6.0                           | 106.1                   | 98.0  | 90.0  | 72.0  | 60.6 | 45.9 | 101.1                             | 6.8                           | 100.7                   | 93.5  | 86.2  | 70.4  | 57.9 | 43.7 |
|                        | 57      | 106.2                                | 5.9                           | 106.2                   | 106.2 | 106.2 | 91.1  | 76.0 | 60.9 | 100.8                             | 6.7                           | 100.8                   | 100.8 | 100.8 | 86.9  | 72.4 | 58.0 |
| 2975                   | 77      | 126.7                                | 6.4                           | 76.6                    | 59.3  | 42.0  | -     | -    | -    | 121.1                             | 7.1                           | 75.9                    | 58.4  | 40.8  | -     | -    | -    |
|                        | 72      | 120.1                                | 6.3                           | 90.0                    | 74.7  | 59.4  | 44.1  | -    | -    | 114.8                             | 7.0                           | 88.3                    | 73.1  | 58.0  | 42.8  | -    | -    |
|                        | 67      | 113.4                                | 6.2                           | 103.5                   | 90.2  | 76.9  | 60.7  | 45.9 | -    | 108.5                             | 6.9                           | 100.6                   | 87.9  | 75.1  | 59.3  | 44.2 | -    |
|                        | 62      | 109.8                                | 6.1                           | 109.2                   | 101.8 | 94.4  | 76.1  | 62.9 | 47.1 | 104.6                             | 6.8                           | 104.2                   | 98.2  | 92.3  | 75.2  | 60.7 | 44.9 |
|                        | 57      | 109.3                                | 6.0                           | 109.3                   | 109.3 | 109.3 | 95.9  | 79.9 | 63.9 | 104.3                             | 6.8                           | 104.3                   | 104.3 | 104.3 | 93.3  | 77.2 | 61.1 |
| 3400                   | 77      | 126.7                                | 6.5                           | 81.3                    | 61.9  | 42.5  | -     | -    | -    | 120.6                             | 7.2                           | 81.1                    | 60.8  | 40.6  | -     | -    | -    |
|                        | 72      | 120.9                                | 6.3                           | 94.7                    | 78.0  | 61.3  | 44.6  | -    | -    | 115.6                             | 7.1                           | 93.0                    | 76.4  | 59.8  | 43.2  | -    | -    |
|                        | 67      | 115.1                                | 6.2                           | 108.0                   | 94.0  | 80.0  | 62.8  | 46.5 | -    | 110.6                             | 7.0                           | 104.9                   | 92.0  | 79.0  | 61.8  | 45.0 | -    |
|                        | 62      | 112.7                                | 6.2                           | 112.3                   | 105.5 | 98.7  | 80.3  | 65.1 | 48.4 | 108.0                             | 6.9                           | 107.6                   | 102.9 | 98.3  | 80.1  | 63.5 | 46.2 |
|                        | 57      | 112.3                                | 6.1                           | 112.3                   | 112.3 | 100.6 | 83.8  | 66.9 | -    | 107.8                             | 6.9                           | 107.8                   | 107.8 | 107.8 | 99.8  | 82.0 | 64.3 |
| 3825                   | 72      | 121.7                                | 6.4                           | 99.3                    | 81.2  | 63.1  | 45.0  | -    | -    | 116.5                             | 7.1                           | 97.8                    | 79.7  | 61.6  | 43.6  | -    | -    |
|                        | 67      | 116.8                                | 6.2                           | 112.5                   | 97.8  | 83.1  | 64.9  | 47.2 | -    | 112.8                             | 7.0                           | 109.3                   | 96.1  | 83.0  | 64.3  | 45.9 | -    |
|                        | 62      | 115.6                                | 6.2                           | 115.4                   | 109.2 | 103.1 | 84.4  | 67.4 | 49.6 | 111.4                             | 7.0                           | 111.1                   | 107.7 | 104.3 | 84.9  | 66.4 | 47.4 |
|                        | 57      | 115.4                                | 6.2                           | 115.4                   | 115.4 | 115.4 | 105.4 | 87.6 | 69.9 | 111.3                             | 7.0                           | 111.3                   | 111.3 | 111.3 | 106.2 | 86.8 | 67.4 |
| 4250                   | 72      | 122.6                                | 6.4                           | 104.0                   | 84.5  | 65.0  | 45.5  | -    | -    | 117.4                             | 7.2                           | 102.5                   | 83.0  | 63.5  | 43.9  | -    | -    |
|                        | 67      | 118.5                                | 6.3                           | 117.0                   | 101.6 | 86.2  | 67.0  | 47.8 | -    | 114.9                             | 7.1                           | 113.6                   | 100.3 | 86.9  | 66.8  | 46.8 | -    |
|                        | 62      | 118.5                                | 6.3                           | 118.5                   | 113.0 | 107.5 | 88.6  | 69.7 | 50.8 | 114.8                             | 7.1                           | 114.5                   | 112.4 | 110.3 | 89.7  | 69.2 | 48.6 |
|                        | 57      | 118.5                                | 6.3                           | 118.5                   | 118.5 | 118.5 | 110.1 | 91.5 | 72.9 | 114.8                             | 7.1                           | 114.8                   | 114.8 | 114.8 | 112.7 | 91.6 | 70.5 |
|                        |         |                                      |                               | 95°F                    |       |       |       |      |      | 105°F                             |                               |                         |       |       |       |      |      |
| 2125                   | 77      | 117.0                                | 7.7                           | 64.2                    | 53.0  | 41.8  | -     | -    | -    | 108.3                             | 8.8                           | 63.8                    | 51.9  | 39.9  | -     | -    | -    |
|                        | 72      | 107.8                                | 7.7                           | 76.8                    | 64.8  | 52.8  | 40.8  | -    | -    | 100.1                             | 8.7                           | 74.7                    | 62.6  | 50.5  | 38.3  | -    | -    |
|                        | 67      | 98.5                                 | 7.6                           | 89.4                    | 76.6  | 63.8  | 52.0  | 40.3 | -    | 92.0                              | 8.6                           | 85.6                    | 73.3  | 61.0  | 49.2  | 37.3 | -    |
|                        | 62      | 91.4                                 | 7.5                           | 91.4                    | 83.2  | 74.8  | 63.3  | 51.7 | 40.2 | 87.1                              | 8.5                           | 87.1                    | 79.4  | 71.5  | 60.0  | 48.5 | 36.9 |
| 2550                   | 77      | 116.2                                | 7.8                           | 69.8                    | 55.3  | 40.7  | -     | -    | -    | 109.4                             | 8.8                           | 68.6                    | 53.4  | 38.2  | -     | -    | -    |
|                        | 72      | 108.6                                | 7.7                           | 81.7                    | 68.2  | 54.7  | 41.1  | -    | -    | 102.1                             | 8.7                           | 78.9                    | 65.4  | 51.9  | 38.4  | -    | -    |
|                        | 67      | 101.1                                | 7.6                           | 93.6                    | 81.1  | 68.6  | 55.0  | 41.4 | -    | 94.8                              | 8.6                           | 89.1                    | 77.4  | 65.6  | 52.0  | 38.3 | -    |
|                        | 62      | 95.4                                 | 7.5                           | 95.4                    | 88.9  | 82.5  | 68.8  | 55.1 | 41.4 | 90.9                              | 8.5                           | 90.6                    | 85.0  | 79.4  | 65.6  | 51.7 | 37.9 |
|                        | 57      | 95.4                                 | 7.4                           | 95.4                    | 95.4  | 95.4  | 82.6  | 68.9 | 55.1 | 90.8                              | 8.5                           | 90.8                    | 90.8  | 90.8  | 79.1  | 65.1 | 51.1 |
| 2975                   | 77      | 115.4                                | 7.8                           | 75.3                    | 57.5  | 39.6  | -     | -    | -    | 110.6                             | 8.8                           | 73.4                    | 54.9  | 36.4  | -     | -    | -    |
|                        | 72      | 109.5                                | 7.7                           | 86.6                    | 71.5  | 56.5  | 41.5  | -    | -    | 104.1                             | 8.8                           | 83.1                    | 68.2  | 53.3  | 38.5  | -    | -    |
|                        | 67      | 103.6                                | 7.7                           | 97.8                    | 85.5  | 73.3  | 57.9  | 42.5 | -    | 97.6                              | 8.7                           | 92.7                    | 81.5  | 70.3  | 54.8  | 39.3 | -    |
|                        | 62      | 99.3                                 | 7.6                           | 99.2                    | 94.7  | 90.2  | 74.3  | 58.5 | 42.7 | 94.5                              | 8.6                           | 93.9                    | 90.6  | 87.2  | 71.1  | 55.0 | 38.9 |
|                        | 57      | 99.3                                 | 7.5                           | 99.3                    | 99.3  | 99.3  | 90.8  | 74.6 | 58.4 | 94.3                              | 8.6                           | 94.3                    | 94.3  | 94.3  | 87.5  | 70.7 | 54.0 |
| 3400                   | 77      | 114.6                                | 7.9                           | 80.9                    | 59.7  | 38.6  | -     | -    | -    | 111.7                             | 8.9                           | 78.2                    | 56.4  | 34.6  | -     | -    | -    |
|                        | 72      | 110.4                                | 7.8                           | 91.4                    | 74.9  | 58.3  | 41.8  | -    | -    | 106.1                             | 8.8                           | 87.2                    | 71.0  | 54.8  | 38.6  | -    | -    |
|                        | 67      | 106.2                                | 7.7                           | 101.9                   | 90.0  | 78.1  | 60.8  | 43.6 | -    | 100.4                             | 8.7                           | 96.3                    | 85.6  | 74.9  | 57.6  | 40.3 | -    |
|                        | 62      | 103.3                                | 7.7                           | 103.0                   | 100.4 | 97.8  | 79.9  | 61.9 | 44.0 | 98.1                              | 8.7                           | 97.2                    | 96.2  | 95.1  | 76.7  | 58.3 | 39.9 |
|                        | 57      | 103.2                                | 7.6                           | 103.2                   | 103.2 | 103.2 | 98.9  | 80.3 | 61.6 | 97.7                              | 8.7                           | 97.7                    | 97.7  | 97.7  | 95.8  | 76.3 | 56.8 |
| 3825                   | 72      | 111.2                                | 7.8                           | 96.3                    | 78.2  | 60.1  | 42.1  | -    | -    | 108.0                             | 8.8                           | 91.4                    | 73.8  | 56.2  | 38.6  | -    | -    |
|                        | 67      | 108.7                                | 7.8                           | 106.1                   | 94.5  | 82.8  | 63.7  | 44.7 | -    | 103.3                             | 8.8                           | 99.8                    | 89.7  | 79.6  | 60.5  | 41.3 | -    |
|                        | 62      | 107.2                                | 7.7                           | 106.7                   | 106.1 | 105.5 | 85.4  | 65.3 | 45.2 | 101.7                             | 8.8                           | 100.5                   | 100.5 | 100.5 | 82.3  | 61.6 | 40.9 |
|                        | 57      | 107.2                                | 7.7                           | 107.2                   | 107.2 | 107.2 | 86.0  | 64.8 | -    | 101.2                             | 8.8                           | 101.2                   | 101.2 | 101.2 | 101.2 | 81.8 | 59.6 |
| 4250                   | 72      | 112.1                                | 7.9                           | 101.1                   | 81.6  | 62.0  | 42.4  | -    | -    | 110.0                             | 8.9                           | 95.6                    | 76.6  | 57.7  | 38.7  | -    | -    |
|                        | 67      | 111.3                                | 7.8                           | 110.2                   | 98.9  | 87.6  | 66.7  | 45.8 | -    | 106.1                             | 8.9                           | 103.4                   | 93.8  | 84.2  | 63.3  | 42.3 | -    |
|                        | 62      | 111.2                                | 7.8                           | 110.5                   | 110.5 | 110.5 | 90.9  | 68.7 | 46.5 | 105.4                             | 8.9                           | 103.8                   | 103.8 | 103.8 | 87.8  | 64.9 | 41.9 |
|                        | 57      | 111.1                                | 7.8                           | 110.8                   | 110.8 | 110.8 | 91.6  | 68.1 | -    | 104.6                             | 8.9                           | 104.3                   | 104.3 | 104.3 | 104.3 | 87.4 | 62.4 |

**ZX09 (8.5 Ton) (Continued)**

| Air on Evaporator Coil |    | Temperature of Air on Condenser Coil |                               |                         |      |      |      |      |      |                                   |                               |                         |      |      |      |      |      |
|------------------------|----|--------------------------------------|-------------------------------|-------------------------|------|------|------|------|------|-----------------------------------|-------------------------------|-------------------------|------|------|------|------|------|
|                        |    | Total Capacity <sup>1</sup> (MBh)    | Total Input (kW) <sup>2</sup> | Sensible Capacity (MBh) |      |      |      |      |      | Total Capacity <sup>1</sup> (MBh) | Total Input (kW) <sup>2</sup> | Sensible Capacity (MBh) |      |      |      |      |      |
|                        |    |                                      |                               | Return Dry Bulb (°F)    |      |      |      |      |      |                                   |                               | Return Dry Bulb (°F)    |      |      |      |      |      |
|                        |    |                                      |                               | 90                      | 85   | 80   | 75   | 70   | 65   |                                   |                               | 90                      | 85   | 80   | 75   | 70   | 65   |
|                        |    | 115°F                                |                               |                         |      |      |      |      |      | 125°F                             |                               |                         |      |      |      |      |      |
| 2125                   | 77 | 99.6                                 | 9.8                           | 63.4                    | 50.7 | 38.0 | -    | -    | -    | 91.0                              | 10.8                          | 63.0                    | 49.6 | 36.1 | -    | -    | -    |
|                        | 72 | 92.5                                 | 9.6                           | 72.5                    | 60.3 | 48.1 | 35.9 | -    | -    | 84.9                              | 10.6                          | 70.4                    | 58.1 | 45.7 | 33.4 | -    | -    |
|                        | 67 | 85.4                                 | 9.5                           | 81.7                    | 69.9 | 58.2 | 46.3 | 34.4 | -    | 78.9                              | 10.5                          | 77.8                    | 66.6 | 55.3 | 43.4 | 31.5 | -    |
|                        | 62 | 82.9                                 | 9.5                           | 82.9                    | 75.6 | 68.2 | 56.7 | 45.2 | 33.7 | 78.6                              | 10.5                          | 78.6                    | 71.9 | 65.0 | 53.4 | 41.9 | 30.4 |
| 2550                   | 77 | 102.7                                | 9.8                           | 67.4                    | 51.5 | 35.6 | -    | -    | -    | 95.9                              | 10.8                          | 66.3                    | 49.6 | 33.0 | -    | -    | -    |
|                        | 72 | 95.6                                 | 9.7                           | 76.1                    | 62.6 | 49.2 | 35.7 | -    | -    | 89.1                              | 10.7                          | 73.2                    | 59.8 | 46.4 | 33.0 | -    | -    |
|                        | 67 | 88.5                                 | 9.6                           | 84.7                    | 73.7 | 62.7 | 49.0 | 35.3 | -    | 82.2                              | 10.6                          | 80.2                    | 70.0 | 59.8 | 46.0 | 32.3 | -    |
|                        | 62 | 86.5                                 | 9.6                           | 85.9                    | 81.1 | 76.3 | 62.3 | 48.3 | 34.4 | 82.0                              | 10.6                          | 81.1                    | 77.2 | 73.2 | 59.1 | 45.0 | 30.8 |
|                        | 57 | 86.3                                 | 9.5                           | 86.3                    | 86.3 | 86.3 | 75.6 | 61.4 | 47.2 | 81.8                              | 10.6                          | 81.8                    | 81.8 | 81.8 | 72.1 | 57.7 | 43.2 |
| 2975                   | 77 | 105.7                                | 9.8                           | 71.5                    | 52.3 | 33.1 | -    | -    | -    | 100.9                             | 10.9                          | 69.6                    | 49.7 | 29.9 | -    | -    | -    |
|                        | 72 | 98.7                                 | 9.8                           | 79.6                    | 64.9 | 50.2 | 35.5 | -    | -    | 93.3                              | 10.8                          | 76.1                    | 61.6 | 47.1 | 32.6 | -    | -    |
|                        | 67 | 91.6                                 | 9.7                           | 87.6                    | 77.5 | 67.3 | 51.7 | 36.2 | -    | 85.6                              | 10.7                          | 82.6                    | 73.4 | 64.3 | 48.6 | 33.0 | -    |
|                        | 62 | 89.7                                 | 9.7                           | 88.7                    | 86.5 | 84.3 | 67.9 | 51.5 | 35.1 | 84.9                              | 10.7                          | 83.5                    | 82.4 | 81.4 | 64.7 | 48.0 | 31.3 |
|                        | 57 | 89.2                                 | 9.7                           | 89.2                    | 89.2 | 89.2 | 84.1 | 66.8 | 49.6 | 84.2                              | 10.7                          | 84.2                    | 84.2 | 84.2 | 80.8 | 63.0 | 45.2 |
| 3400                   | 77 | 108.8                                | 9.9                           | 75.5                    | 53.1 | 30.7 | -    | -    | -    | 105.9                             | 10.9                          | 72.8                    | 49.8 | 26.8 | -    | -    | -    |
|                        | 72 | 101.8                                | 9.8                           | 83.1                    | 67.2 | 51.3 | 35.4 | -    | -    | 97.4                              | 10.8                          | 78.9                    | 63.3 | 47.7 | 32.2 | -    | -    |
|                        | 67 | 94.7                                 | 9.8                           | 90.6                    | 81.2 | 71.8 | 54.4 | 37.1 | -    | 89.0                              | 10.8                          | 84.9                    | 76.8 | 68.7 | 51.3 | 33.8 | -    |
|                        | 62 | 93.0                                 | 9.8                           | 91.5                    | 91.5 | 91.5 | 73.5 | 54.7 | 35.8 | 87.8                              | 10.8                          | 85.8                    | 85.8 | 85.8 | 70.4 | 51.1 | 31.7 |
|                        | 57 | 92.2                                 | 9.8                           | 92.2                    | 92.2 | 92.2 | 92.2 | 72.3 | 52.0 | 86.7                              | 10.8                          | 86.6                    | 86.6 | 86.6 | 86.6 | 68.3 | 47.1 |
| 3825                   | 72 | 104.8                                | 9.9                           | 86.6                    | 69.4 | 52.3 | 35.2 | -    | -    | 101.6                             | 10.9                          | 81.7                    | 65.1 | 48.4 | 31.7 | -    | -    |
|                        | 67 | 97.8                                 | 9.8                           | 93.6                    | 85.0 | 76.4 | 57.2 | 37.9 | -    | 92.4                              | 10.9                          | 87.3                    | 80.2 | 73.2 | 53.9 | 34.6 | -    |
|                        | 62 | 96.2                                 | 9.9                           | 94.3                    | 94.3 | 94.3 | 79.1 | 57.8 | 36.5 | 90.8                              | 10.9                          | 88.1                    | 88.1 | 88.1 | 76.0 | 54.1 | 32.2 |
|                        | 57 | 95.1                                 | 9.9                           | 95.1                    | 95.1 | 95.1 | 95.1 | 77.7 | 54.3 | 89.1                              | 11.0                          | 89.0                    | 89.0 | 89.0 | 89.0 | 73.6 | 49.1 |
| 4250                   | 72 | 107.9                                | 9.9                           | 90.1                    | 71.7 | 53.4 | 35.0 | -    | -    | 105.8                             | 10.9                          | 84.6                    | 66.8 | 49.1 | 31.3 | -    | -    |
|                        | 67 | 100.9                                | 9.9                           | 96.5                    | 88.7 | 80.9 | 59.9 | 38.8 | -    | 95.8                              | 11.0                          | 89.7                    | 83.7 | 77.6 | 56.5 | 35.4 | -    |
|                        | 62 | 99.5                                 | 10.0                          | 97.2                    | 97.2 | 97.2 | 84.7 | 61.0 | 37.3 | 93.7                              | 11.0                          | 90.5                    | 90.5 | 90.5 | 81.6 | 57.2 | 32.7 |
|                        | 57 | 98.1                                 | 10.0                          | 97.8                    | 97.8 | 97.8 | 97.8 | 83.2 | 56.7 | 91.6                              | 11.1                          | 91.3                    | 91.3 | 91.3 | 91.3 | 78.9 | 51.1 |

1. These capacities are gross ratings. For net capacity, deduct the supply air blower motor heat (MBh = 3.415 x kW). Refer to the appropriate Blower Performance Table for the kW of the supply air blower motor.
2. These ratings include the condenser fan motors (total 1 kW) and the compressor motors but not the supply air blower motor.

ZX12 (10 Ton)

| Air on Evaporator Coil |         | Temperature of Air on Condenser Coil |                               |                         |       |       |       |       |      |                                   |                               |                         |       |       |       |       |      |  |  |
|------------------------|---------|--------------------------------------|-------------------------------|-------------------------|-------|-------|-------|-------|------|-----------------------------------|-------------------------------|-------------------------|-------|-------|-------|-------|------|--|--|
| CFM                    | WB (°F) | Total Capacity <sup>1</sup> (MBh)    | Total Input (kW) <sup>2</sup> | Sensible Capacity (MBh) |       |       |       |       |      | Total Capacity <sup>1</sup> (MBh) | Total Input (kW) <sup>2</sup> | Sensible Capacity (MBh) |       |       |       |       |      |  |  |
|                        |         |                                      |                               | Return Dry Bulb (°F)    |       |       |       |       |      |                                   |                               | Return Dry Bulb (°F)    |       |       |       |       |      |  |  |
|                        |         |                                      |                               | 90                      | 85    | 80    | 75    | 70    | 65   |                                   |                               | 90                      | 85    | 80    | 75    | 70    | 65   |  |  |
|                        |         |                                      |                               | 75°F                    |       |       |       |       |      |                                   |                               | 85°F                    |       |       |       |       |      |  |  |
| 2500                   | 77      | 154.9                                | 7.6                           | 76.9                    | 65.4  | 53.8  | -     | -     | -    | 145.4                             | 8.9                           | 73.5                    | 62.1  | 50.6  | -     | -     | -    |  |  |
|                        | 72      | 142.2                                | 7.3                           | 94.0                    | 80.5  | 67.0  | 53.5  | -     | -    | 133.7                             | 8.5                           | 90.5                    | 77.2  | 63.8  | 50.4  | -     | -    |  |  |
|                        | 67      | 129.5                                | 7.1                           | 111.0                   | 95.5  | 80.1  | 66.6  | 53.2  | -    | 122.1                             | 8.1                           | 107.5                   | 92.2  | 76.9  | 63.5  | 50.1  | -    |  |  |
|                        | 62      | 124.9                                | 7.0                           | 120.5                   | 106.9 | 93.3  | 76.9  | 66.5  | 53.1 | 118.2                             | 8.0                           | 115.9                   | 103.0 | 90.1  | 75.2  | 63.2  | 49.8 |  |  |
| 3000                   | 77      | 156.2                                | 7.6                           | 84.5                    | 68.6  | 52.7  | -     | -     | -    | 149.4                             | 8.5                           | 82.5                    | 66.3  | 50.2  | -     | -     | -    |  |  |
|                        | 72      | 145.1                                | 7.4                           | 101.3                   | 85.4  | 69.5  | 53.6  | -     | -    | 138.4                             | 8.3                           | 98.6                    | 82.6  | 66.7  | 50.8  | -     | -    |  |  |
|                        | 67      | 134.1                                | 7.2                           | 118.1                   | 102.2 | 86.3  | 70.1  | 54.1  | -    | 127.4                             | 8.2                           | 114.6                   | 98.9  | 83.2  | 67.1  | 51.1  | -    |  |  |
|                        | 62      | 130.3                                | 7.1                           | 126.1                   | 114.6 | 103.0 | 84.5  | 70.6  | 54.3 | 124.1                             | 8.1                           | 121.5                   | 110.7 | 99.8  | 82.4  | 67.3  | 51.0 |  |  |
| 3500                   | 77      | 157.6                                | 7.6                           | 92.1                    | 71.9  | 51.6  | -     | -     | -    | 153.3                             | 8.1                           | 91.6                    | 70.6  | 49.7  | -     | -     | -    |  |  |
|                        | 72      | 148.1                                | 7.5                           | 108.7                   | 90.3  | 72.0  | 53.7  | -     | -    | 143.0                             | 8.2                           | 106.6                   | 88.1  | 69.6  | 51.1  | -     | -    |  |  |
|                        | 67      | 138.6                                | 7.3                           | 125.2                   | 108.8 | 92.4  | 73.7  | 55.0  | -    | 132.7                             | 8.2                           | 121.6                   | 105.6 | 89.5  | 70.7  | 52.0  | -    |  |  |
|                        | 62      | 135.8                                | 7.2                           | 131.8                   | 122.3 | 112.8 | 92.0  | 74.7  | 55.6 | 130.0                             | 8.1                           | 127.2                   | 118.3 | 109.5 | 89.5  | 71.4  | 52.3 |  |  |
| 4000                   | 77      | 158.9                                | 7.7                           | 99.7                    | 75.1  | 50.5  | -     | -     | -    | 157.2                             | 7.7                           | 100.6                   | 74.9  | 49.2  | -     | -     | -    |  |  |
|                        | 72      | 151.0                                | 7.5                           | 116.0                   | 95.3  | 74.5  | 53.8  | -     | -    | 147.7                             | 8.0                           | 114.6                   | 93.6  | 72.5  | 51.4  | -     | -    |  |  |
|                        | 67      | 143.2                                | 7.4                           | 132.4                   | 115.5 | 98.6  | 77.2  | 55.9  | -    | 138.1                             | 8.3                           | 128.7                   | 112.2 | 95.8  | 74.3  | 52.9  | -    |  |  |
|                        | 62      | 141.2                                | 7.3                           | 137.5                   | 130.1 | 122.6 | 99.5  | 78.8  | 56.8 | 135.9                             | 8.2                           | 132.9                   | 126.0 | 119.1 | 96.7  | 75.4  | 53.5 |  |  |
| 4500                   | 72      | 154.0                                | 7.6                           | 123.4                   | 100.2 | 77.1  | 53.9  | -     | -    | 152.3                             | 7.8                           | 122.7                   | 99.1  | 75.4  | 51.8  | -     | -    |  |  |
|                        | 67      | 147.7                                | 7.4                           | 139.5                   | 122.1 | 104.7 | 80.8  | 56.8  | -    | 143.4                             | 8.3                           | 135.7                   | 118.9 | 102.1 | 77.9  | 53.8  | -    |  |  |
|                        | 62      | 146.7                                | 7.4                           | 143.1                   | 137.8 | 132.4 | 107.1 | 82.9  | 58.1 | 141.8                             | 8.3                           | 138.5                   | 133.7 | 128.8 | 103.8 | 79.5  | 54.8 |  |  |
|                        | 57      | 145.7                                | 7.4                           | 145.1                   | 145.1 | 145.1 | 134.5 | 108.9 | 83.3 | 140.4                             | 8.3                           | 140.4                   | 140.4 | 140.4 | 130.3 | 105.1 | 79.9 |  |  |
| 5000                   | 72      | 156.9                                | 7.6                           | 130.7                   | 105.2 | 79.6  | 54.0  | -     | -    | 156.9                             | 7.6                           | 130.7                   | 104.5 | 78.3  | 52.1  | -     | -    |  |  |
|                        | 67      | 152.3                                | 7.5                           | 146.7                   | 128.8 | 110.9 | 84.3  | 57.7  | -    | 148.7                             | 8.4                           | 142.8                   | 125.6 | 108.4 | 81.6  | 54.7  | -    |  |  |
|                        | 62      | 152.2                                | 7.5                           | 148.8                   | 145.5 | 142.2 | 114.6 | 86.9  | 59.3 | 147.7                             | 8.4                           | 144.2                   | 141.3 | 138.5 | 111.0 | 83.5  | 56.0 |  |  |
|                        | 57      | 152.0                                | 7.5                           | 150.9                   | 150.9 | 150.9 | 144.9 | 116.2 | 87.5 | 146.6                             | 8.5                           | 145.6                   | 145.6 | 145.6 | 140.4 | 112.3 | 84.2 |  |  |
|                        |         |                                      |                               | 95°F                    |       |       |       |       |      |                                   |                               | 105°F                   |       |       |       |       |      |  |  |
| 2500                   | 77      | 135.9                                | 10.3                          | 70.0                    | 58.7  | 47.4  | -     | -     | -    | 125.3                             | 11.2                          | 67.5                    | 55.9  | 44.3  | -     | -     | -    |  |  |
|                        | 72      | 125.3                                | 9.7                           | 87.1                    | 73.8  | 60.6  | 47.3  | -     | -    | 117.4                             | 10.7                          | 84.0                    | 70.6  | 57.1  | 43.7  | -     | -    |  |  |
|                        | 67      | 114.6                                | 9.0                           | 104.1                   | 89.0  | 73.8  | 60.4  | 47.1  | -    | 109.6                             | 10.3                          | 100.5                   | 85.2  | 70.0  | 56.5  | 43.1  | -    |  |  |
|                        | 62      | 111.5                                | 8.9                           | 111.3                   | 99.1  | 87.0  | 73.5  | 60.0  | 46.5 | 106.6                             | 10.1                          | 105.3                   | 94.1  | 82.8  | 69.4  | 56.0  | 42.5 |  |  |
| 3000                   | 77      | 142.5                                | 9.4                           | 80.5                    | 64.1  | 47.6  | -     | -     | -    | 130.8                             | 10.6                          | 77.8                    | 60.8  | 43.9  | -     | -     | -    |  |  |
|                        | 72      | 131.6                                | 9.3                           | 95.8                    | 79.8  | 63.9  | 47.9  | -     | -    | 122.7                             | 10.5                          | 92.0                    | 76.1  | 60.1  | 44.1  | -     | -    |  |  |
|                        | 67      | 120.7                                | 9.1                           | 111.1                   | 95.6  | 80.2  | 64.1  | 48.0  | -    | 114.7                             | 10.3                          | 106.3                   | 91.3  | 76.3  | 60.2  | 44.0  | -    |  |  |
|                        | 62      | 117.9                                | 9.0                           | 116.9                   | 106.7 | 96.5  | 80.3  | 64.0  | 47.8 | 112.0                             | 10.2                          | 110.3                   | 101.4 | 92.6  | 76.2  | 59.9  | 43.6 |  |  |
| 3500                   | 77      | 149.0                                | 8.5                           | 91.1                    | 69.4  | 47.7  | -     | -     | -    | 136.3                             | 10.0                          | 88.0                    | 65.7  | 43.5  | -     | -     | -    |  |  |
|                        | 72      | 137.9                                | 8.9                           | 104.5                   | 85.9  | 67.2  | 48.5  | -     | -    | 128.0                             | 10.2                          | 100.1                   | 81.6  | 63.1  | 44.6  | -     | -    |  |  |
|                        | 67      | 126.9                                | 9.2                           | 118.0                   | 102.3 | 86.6  | 67.8  | 48.9  | -    | 119.8                             | 10.4                          | 112.1                   | 97.4  | 82.7  | 63.8  | 45.0  | -    |  |  |
|                        | 62      | 124.2                                | 9.1                           | 122.6                   | 114.3 | 106.1 | 87.1  | 68.0  | 49.0 | 117.3                             | 10.3                          | 115.3                   | 108.8 | 102.3 | 83.1  | 63.9  | 44.6 |  |  |
| 4000                   | 77      | 155.6                                | 7.7                           | 101.6                   | 74.7  | 47.9  | -     | -     | -    | 141.8                             | 9.4                           | 98.2                    | 70.7  | 43.1  | -     | -     | -    |  |  |
|                        | 72      | 144.3                                | 8.4                           | 113.3                   | 91.9  | 70.5  | 49.1  | -     | -    | 133.3                             | 10.0                          | 108.1                   | 87.1  | 66.1  | 45.1  | -     | -    |  |  |
|                        | 67      | 133.0                                | 9.2                           | 125.0                   | 109.0 | 93.0  | 71.5  | 49.9  | -    | 124.9                             | 10.5                          | 118.0                   | 103.5 | 89.1  | 67.5  | 45.9  | -    |  |  |
|                        | 62      | 130.5                                | 9.2                           | 128.3                   | 121.9 | 115.6 | 93.8  | 72.1  | 50.3 | 122.7                             | 10.4                          | 120.2                   | 116.1 | 112.0 | 89.9  | 67.8  | 45.7 |  |  |
| 4500                   | 72      | 150.6                                | 8.0                           | 122.0                   | 97.9  | 73.8  | 49.7  | -     | -    | 138.6                             | 9.7                           | 116.1                   | 92.6  | 69.1  | 45.5  | -     | -    |  |  |
|                        | 67      | 139.1                                | 9.3                           | 131.9                   | 115.7 | 99.5  | 75.1  | 50.8  | -    | 130.0                             | 10.5                          | 123.8                   | 109.6 | 95.4  | 71.1  | 46.9  | -    |  |  |
|                        | 62      | 136.9                                | 9.2                           | 133.9                   | 129.6 | 125.2 | 100.6 | 76.1  | 51.5 | 128.1                             | 10.5                          | 125.2                   | 123.5 | 121.8 | 96.8  | 71.7  | 46.7 |  |  |
|                        | 57      | 135.2                                | 9.2                           | 135.2                   | 135.2 | 135.2 | 126.1 | 101.3 | 76.6 | 126.5                             | 10.5                          | 126.5                   | 126.5 | 126.5 | 122.4 | 96.6  | 70.9 |  |  |
| 5000                   | 72      | 156.9                                | 7.6                           | 130.7                   | 103.9 | 77.1  | 50.2  | -     | -    | 143.9                             | 9.5                           | 124.2                   | 98.1  | 72.0  | 46.0  | -     | -    |  |  |
|                        | 67      | 145.2                                | 9.3                           | 138.9                   | 122.4 | 105.9 | 78.8  | 51.7  | -    | 135.1                             | 10.6                          | 129.6                   | 115.7 | 101.8 | 74.8  | 47.8  | -    |  |  |
|                        | 62      | 143.2                                | 9.3                           | 139.6                   | 137.2 | 134.7 | 107.4 | 80.1  | 52.8 | 133.4                             | 10.6                          | 130.2                   | 130.2 | 130.2 | 103.6 | 75.7  | 47.8 |  |  |
|                        | 57      | 141.2                                | 9.4                           | 140.3                   | 140.3 | 140.3 | 136.0 | 108.4 | 80.9 | 131.8                             | 10.6                          | 130.8                   | 130.8 | 130.8 | 130.8 | 103.6 | 74.7 |  |  |

**ZX12 (10 Ton) (Continued)**

| Air on Evaporator Coil |    | Temperature of Air on Condenser Coil |                               |                         |       |       |       |      |      |                                   |                               |                         |       |       |       |      |      |
|------------------------|----|--------------------------------------|-------------------------------|-------------------------|-------|-------|-------|------|------|-----------------------------------|-------------------------------|-------------------------|-------|-------|-------|------|------|
|                        |    | Total Capacity <sup>1</sup> (MBh)    | Total Input (kW) <sup>2</sup> | Sensible Capacity (MBh) |       |       |       |      |      | Total Capacity <sup>1</sup> (MBh) | Total Input (kW) <sup>2</sup> | Sensible Capacity (MBh) |       |       |       |      |      |
|                        |    |                                      |                               | Return Dry Bulb (°F)    |       |       |       |      |      |                                   |                               | Return Dry Bulb (°F)    |       |       |       |      |      |
|                        |    |                                      |                               | 90                      | 85    | 80    | 75    | 70   | 65   |                                   |                               | 90                      | 85    | 80    | 75    | 70   | 65   |
|                        |    | 115°F                                |                               |                         |       |       |       |      |      | 125°F                             |                               |                         |       |       |       |      |      |
| 2500                   | 77 | 114.7                                | 12.0                          | 65.0                    | 53.1  | 41.1  | -     | -    | -    | 104.1                             | 12.9                          | 62.6                    | 50.3  | 38.0  | -     | -    | -    |
|                        | 72 | 109.6                                | 11.8                          | 80.9                    | 67.3  | 53.6  | 40.0  | -    | -    | 101.8                             | 12.8                          | 77.9                    | 64.0  | 50.2  | 36.3  | -    | -    |
|                        | 67 | 104.5                                | 11.5                          | 96.8                    | 81.5  | 66.2  | 52.7  | 39.1 | -    | 99.4                              | 12.7                          | 93.2                    | 77.8  | 62.4  | 48.8  | 35.2 | -    |
|                        | 62 | 101.7                                | 11.3                          | 99.3                    | 89.0  | 78.7  | 65.3  | 51.9 | 38.5 | 96.7                              | 12.6                          | 93.3                    | 84.0  | 74.6  | 61.2  | 47.9 | 34.5 |
| 3000                   | 77 | 119.1                                | 11.8                          | 75.0                    | 57.6  | 40.2  | -     | -    | -    | 107.4                             | 12.9                          | 72.2                    | 54.3  | 36.5  | -     | -    | -    |
|                        | 72 | 113.8                                | 11.7                          | 88.3                    | 72.3  | 56.3  | 40.3  | -    | -    | 105.0                             | 12.9                          | 84.5                    | 68.5  | 52.5  | 36.6  | -    | -    |
|                        | 67 | 108.6                                | 11.5                          | 101.5                   | 87.0  | 72.5  | 56.3  | 40.1 | -    | 102.5                             | 12.8                          | 96.8                    | 82.7  | 68.6  | 52.4  | 36.1 | -    |
|                        | 62 | 106.1                                | 11.4                          | 103.6                   | 96.1  | 88.6  | 72.2  | 55.8 | 39.4 | 100.2                             | 12.7                          | 97.0                    | 90.8  | 84.7  | 68.2  | 51.7 | 35.2 |
|                        | 57 | 104.2                                | 11.3                          | 104.2                   | 104.2 | 104.2 | 88.2  | 71.5 | 54.9 | 97.8                              | 12.6                          | 97.2                    | 97.2  | 97.2  | 84.0  | 67.2 | 50.5 |
| 3500                   | 77 | 123.5                                | 11.5                          | 85.0                    | 62.1  | 39.2  | -     | -    | -    | 110.8                             | 13.0                          | 81.9                    | 58.4  | 35.0  | -     | -    | -    |
|                        | 72 | 118.1                                | 11.6                          | 95.6                    | 77.3  | 59.0  | 40.7  | -    | -    | 108.2                             | 12.9                          | 91.1                    | 73.0  | 54.9  | 36.8  | -    | -    |
|                        | 67 | 112.7                                | 11.6                          | 106.2                   | 92.5  | 78.8  | 59.9  | 41.0 | -    | 105.6                             | 12.9                          | 100.3                   | 87.6  | 74.8  | 56.0  | 37.1 | -    |
|                        | 62 | 110.5                                | 11.6                          | 107.9                   | 103.2 | 98.6  | 79.1  | 59.7 | 40.2 | 103.6                             | 12.8                          | 100.6                   | 97.7  | 94.8  | 75.1  | 55.5 | 35.8 |
|                        | 57 | 108.8                                | 11.5                          | 108.8                   | 108.8 | 108.8 | 98.3  | 78.3 | 58.3 | 101.6                             | 12.8                          | 100.8                   | 100.8 | 100.8 | 94.3  | 73.9 | 53.5 |
| 4000                   | 77 | 127.9                                | 11.2                          | 94.9                    | 66.6  | 38.3  | -     | -    | -    | 114.1                             | 13.0                          | 91.6                    | 62.5  | 33.5  | -     | -    | -    |
|                        | 72 | 122.3                                | 11.5                          | 102.9                   | 82.3  | 61.7  | 41.0  | -    | -    | 111.4                             | 13.0                          | 97.7                    | 77.5  | 57.3  | 37.0  | -    | -    |
|                        | 67 | 116.8                                | 11.7                          | 110.9                   | 98.0  | 85.1  | 63.5  | 42.0 | -    | 108.7                             | 12.9                          | 103.9                   | 92.5  | 81.1  | 59.6  | 38.0 | -    |
|                        | 62 | 114.9                                | 11.7                          | 112.2                   | 110.3 | 108.5 | 86.0  | 63.5 | 41.1 | 107.0                             | 12.9                          | 104.2                   | 104.2 | 104.2 | 82.1  | 59.3 | 36.5 |
|                        | 57 | 113.3                                | 11.6                          | 113.3                   | 113.3 | 113.3 | 108.5 | 85.1 | 61.7 | 105.4                             | 12.9                          | 104.4                   | 104.4 | 104.4 | 104.4 | 80.5 | 56.4 |
| 4500                   | 72 | 126.6                                | 11.4                          | 110.2                   | 87.3  | 64.4  | 41.4  | -    | -    | 114.6                             | 13.0                          | 104.4                   | 82.0  | 59.6  | 37.3  | -    | -    |
|                        | 67 | 120.8                                | 11.8                          | 115.6                   | 103.5 | 91.4  | 67.1  | 42.9 | -    | 111.7                             | 13.0                          | 107.5                   | 97.4  | 87.3  | 63.2  | 39.0 | -    |
|                        | 62 | 119.3                                | 11.8                          | 116.5                   | 116.5 | 116.5 | 92.9  | 67.4 | 41.9 | 110.5                             | 13.0                          | 107.8                   | 107.8 | 107.8 | 89.0  | 63.1 | 37.1 |
|                        | 57 | 117.9                                | 11.8                          | 117.4                   | 117.4 | 117.4 | 117.4 | 91.9 | 65.1 | 109.2                             | 13.0                          | 108.1                   | 108.1 | 108.1 | 108.1 | 87.2 | 59.4 |
| 5000                   | 72 | 130.8                                | 11.3                          | 117.6                   | 92.3  | 67.0  | 41.8  | -    | -    | 117.8                             | 13.1                          | 111.0                   | 86.5  | 62.0  | 37.5  | -    | -    |
|                        | 67 | 124.9                                | 11.9                          | 120.3                   | 109.0 | 97.7  | 70.8  | 43.9 | -    | 114.8                             | 13.1                          | 111.1                   | 102.3 | 93.6  | 66.7  | 39.9 | -    |
|                        | 62 | 123.7                                | 11.9                          | 120.8                   | 120.8 | 120.8 | 99.8  | 71.3 | 42.8 | 113.9                             | 13.2                          | 111.4                   | 111.4 | 111.4 | 96.0  | 66.9 | 37.8 |
|                        | 57 | 122.4                                | 11.9                          | 121.3                   | 121.3 | 121.3 | 121.3 | 98.7 | 68.6 | 113.0                             | 13.2                          | 111.7                   | 111.7 | 111.7 | 111.7 | 93.8 | 62.4 |

1. These capacities are gross ratings. For net capacity, deduct the supply air blower motor heat (MBh = 3.415 x kW). Refer to the appropriate Blower Performance Table for the kW of the supply air blower motor.
2. These ratings include the condenser fan motors (total 1 kW) and the compressor motors but not the supply air blower motor.



**ZX14 (12.5 Ton)**

| Air on Evaporator Coil |         | Temperature of Air on Condenser Coil |                               |                         |       |       |       |       |      |                                   |                               |                         |       |       |       |       |      |
|------------------------|---------|--------------------------------------|-------------------------------|-------------------------|-------|-------|-------|-------|------|-----------------------------------|-------------------------------|-------------------------|-------|-------|-------|-------|------|
| CFM                    | WB (°F) | Total Capacity <sup>1</sup> (MBh)    | Total Input (kW) <sup>2</sup> | Sensible Capacity (MBh) |       |       |       |       |      | Total Capacity <sup>1</sup> (MBh) | Total Input (kW) <sup>2</sup> | Sensible Capacity (MBh) |       |       |       |       |      |
|                        |         |                                      |                               | Return Dry Bulb (°F)    |       |       |       |       |      |                                   |                               | Return Dry Bulb (°F)    |       |       |       |       |      |
|                        |         |                                      |                               | 90                      | 85    | 80    | 75    | 70    | 65   |                                   |                               | 90                      | 85    | 80    | 75    | 70    | 65   |
|                        |         |                                      |                               | 75°F                    |       |       |       |       |      | 85°F                              |                               |                         |       |       |       |       |      |
| 3200                   | 77      | 185.1                                | 8.9                           | 93.2                    | 78.5  | 63.9  | -     | -     | -    | 176.3                             | 9.8                           | 92.7                    | 76.8  | 60.9  | -     | -     | -    |
|                        | 72      | 169.2                                | 8.8                           | 114.0                   | 97.2  | 80.3  | 63.4  | -     | -    | 161.1                             | 9.7                           | 111.3                   | 94.2  | 77.0  | 59.9  | -     | -    |
|                        | 67      | 153.2                                | 8.6                           | 134.9                   | 115.8 | 96.7  | 79.2  | 63.2  | -    | 145.8                             | 9.7                           | 129.9                   | 111.5 | 93.1  | 76.0  | 59.6  | -    |
|                        | 62      | 142.2                                | 8.6                           | 137.1                   | 125.1 | 113.1 | 89.8  | 79.8  | 63.1 | 140.0                             | 9.6                           | 135.4                   | 122.3 | 109.2 | 89.5  | 76.5  | 60.1 |
| 3750                   | 77      | 185.7                                | 9.0                           | 103.6                   | 82.7  | 61.8  | -     | -     | -    | 176.6                             | 9.9                           | 103.1                   | 81.0  | 59.0  | -     | -     | -    |
|                        | 72      | 171.6                                | 8.8                           | 122.7                   | 102.8 | 82.8  | 62.8  | -     | -    | 163.4                             | 9.8                           | 119.9                   | 99.7  | 79.6  | 59.4  | -     | -    |
|                        | 67      | 157.6                                | 8.7                           | 141.8                   | 122.8 | 103.7 | 83.0  | 63.4  | -    | 150.3                             | 9.7                           | 136.7                   | 118.4 | 100.2 | 79.7  | 59.9  | -    |
|                        | 62      | 148.7                                | 8.6                           | 144.0                   | 134.3 | 124.7 | 99.0  | 83.9  | 63.6 | 145.6                             | 9.7                           | 141.3                   | 131.0 | 120.8 | 97.9  | 80.5  | 60.3 |
|                        | 57      | 147.6                                | 8.6                           | 146.2                   | 145.9 | 145.6 | 125.0 | 104.5 | 83.9 | 144.7                             | 9.6                           | 144.7                   | 143.7 | 141.4 | 121.2 | 101.0 | 80.9 |
| 4300                   | 77      | 186.3                                | 9.0                           | 114.1                   | 86.9  | 59.8  | -     | -     | -    | 176.9                             | 9.9                           | 113.5                   | 85.3  | 57.0  | -     | -     | -    |
|                        | 72      | 174.1                                | 8.9                           | 131.4                   | 108.3 | 85.3  | 62.2  | -     | -    | 165.8                             | 9.8                           | 128.5                   | 105.3 | 82.1  | 59.0  | -     | -    |
|                        | 67      | 161.9                                | 8.7                           | 148.7                   | 129.7 | 110.7 | 86.8  | 63.6  | -    | 154.8                             | 9.8                           | 143.4                   | 125.3 | 107.3 | 83.5  | 60.1  | -    |
|                        | 62      | 155.2                                | 8.7                           | 150.9                   | 143.5 | 136.2 | 108.1 | 88.1  | 64.0 | 151.2                             | 9.7                           | 147.2                   | 139.8 | 132.4 | 106.4 | 84.4  | 60.4 |
|                        | 57      | 154.3                                | 8.7                           | 153.0                   | 153.0 | 153.0 | 137.1 | 112.5 | 88.0 | 150.5                             | 9.7                           | 150.5                   | 150.5 | 150.5 | 133.1 | 108.8 | 84.4 |
| 4900                   | 77      | 186.9                                | 9.1                           | 124.5                   | 91.2  | 57.8  | -     | -     | -    | 177.2                             | 10.0                          | 124.0                   | 89.5  | 55.0  | -     | -     | -    |
|                        | 72      | 176.6                                | 8.9                           | 140.1                   | 113.9 | 87.8  | 61.6  | -     | -    | 168.2                             | 9.9                           | 137.1                   | 110.9 | 84.7  | 58.5  | -     | -    |
|                        | 67      | 166.3                                | 8.8                           | 155.7                   | 136.7 | 117.7 | 90.5  | 63.9  | -    | 159.2                             | 9.8                           | 150.2                   | 132.3 | 114.3 | 87.2  | 60.3  | -    |
|                        | 62      | 161.7                                | 8.8                           | 157.7                   | 152.7 | 147.7 | 117.3 | 92.2  | 64.5 | 156.8                             | 9.8                           | 153.1                   | 148.5 | 144.0 | 114.9 | 88.4  | 60.6 |
|                        | 57      | 161.0                                | 8.7                           | 159.8                   | 159.8 | 159.8 | 149.1 | 120.6 | 92.1 | 156.2                             | 9.8                           | 155.9                   | 155.9 | 155.9 | 145.0 | 116.5 | 87.9 |
| 5400                   | 72      | 179.1                                | 9.0                           | 148.7                   | 119.5 | 90.3  | 61.0  | -     | -    | 170.6                             | 9.9                           | 145.7                   | 116.5 | 87.2  | 58.0  | -     | -    |
|                        | 67      | 170.6                                | 8.8                           | 162.6                   | 143.7 | 124.7 | 94.3  | 64.1  | -    | 163.7                             | 9.8                           | 157.0                   | 139.2 | 121.4 | 90.9  | 60.6  | -    |
|                        | 62      | 168.2                                | 8.8                           | 164.6                   | 161.9 | 159.2 | 126.5 | 96.4  | 64.9 | 162.3                             | 9.8                           | 158.9                   | 157.3 | 155.6 | 123.3 | 92.4  | 60.8 |
|                        | 57      | 167.7                                | 8.8                           | 166.5                   | 166.5 | 166.5 | 161.2 | 128.7 | 96.1 | 161.9                             | 9.8                           | 160.9                   | 160.9 | 160.9 | 157.0 | 124.2 | 91.4 |
| 6000                   | 72      | 181.6                                | 9.0                           | 157.4                   | 125.1 | 92.8  | 60.4  | -     | -    | 173.0                             | 10.0                          | 154.3                   | 122.1 | 89.8  | 57.5  | -     | -    |
|                        | 67      | 175.0                                | 8.8                           | 169.5                   | 150.6 | 131.8 | 98.0  | 64.3  | -    | 168.2                             | 9.9                           | 163.8                   | 146.2 | 128.5 | 94.7  | 60.8  | -    |
|                        | 62      | 174.7                                | 8.9                           | 171.4                   | 171.1 | 170.8 | 135.6 | 100.5 | 65.4 | 167.9                             | 9.9                           | 164.8                   | 164.8 | 164.8 | 131.8 | 96.3  | 60.9 |
|                        | 57      | 174.5                                | 8.9                           | 173.3                   | 173.3 | 173.2 | 136.7 | 100.2 | 67.7 | 167.7                             | 9.9                           | 165.9                   | 165.9 | 165.9 | 165.9 | 131.9 | 94.8 |
|                        |         |                                      |                               | 95°F                    |       |       |       |       |      | 105°F                             |                               |                         |       |       |       |       |      |
| 3200                   | 77      | 167.5                                | 10.7                          | 92.2                    | 75.1  | 58.0  | -     | -     | -    | 153.5                             | 12.0                          | 90.1                    | 72.1  | 54.1  | -     | -     | -    |
|                        | 72      | 153.0                                | 10.7                          | 108.5                   | 91.1  | 73.8  | 56.4  | -     | -    | 141.4                             | 12.1                          | 104.7                   | 87.2  | 69.6  | 52.0  | -     | -    |
|                        | 67      | 138.4                                | 10.8                          | 124.9                   | 107.2 | 89.5  | 72.8  | 56.1  | -    | 129.4                             | 12.2                          | 119.4                   | 102.2 | 85.0  | 68.2  | 51.4  | -    |
|                        | 62      | 137.8                                | 10.7                          | 133.7                   | 119.4 | 105.2 | 89.2  | 73.2  | 57.2 | 128.7                             | 12.1                          | 125.5                   | 113.0 | 100.5 | 84.4  | 68.3  | 52.2 |
| 3750                   | 77      | 167.5                                | 10.7                          | 102.6                   | 79.4  | 56.1  | -     | -     | -    | 154.3                             | 12.1                          | 100.0                   | 75.8  | 51.6  | -     | -     | -    |
|                        | 72      | 155.2                                | 10.8                          | 117.1                   | 96.7  | 76.4  | 56.0  | -     | -    | 144.1                             | 12.2                          | 112.6                   | 92.2  | 71.8  | 51.4  | -     | -    |
|                        | 67      | 143.0                                | 10.8                          | 131.5                   | 114.1 | 96.6  | 76.5  | 56.3  | -    | 133.9                             | 12.2                          | 125.2                   | 108.6 | 92.0  | 71.8  | 51.6  | -    |
|                        | 62      | 142.4                                | 10.7                          | 138.6                   | 127.7 | 116.9 | 96.9  | 77.0  | 57.0 | 133.2                             | 12.2                          | 130.2                   | 121.2 | 112.2 | 92.2  | 72.2  | 52.1 |
|                        | 57      | 141.9                                | 10.6                          | 141.9                   | 141.4 | 137.2 | 117.4 | 97.6  | 77.8 | 132.6                             | 12.1                          | 132.6                   | 132.6 | 132.4 | 112.6 | 92.8  | 72.9 |
| 4300                   | 77      | 167.4                                | 10.8                          | 113.0                   | 83.6  | 54.2  | -     | -     | -    | 155.1                             | 12.2                          | 109.9                   | 79.4  | 49.0  | -     | -     | -    |
|                        | 72      | 157.5                                | 10.8                          | 125.6                   | 102.3 | 79.0  | 55.7  | -     | -    | 146.8                             | 12.2                          | 120.5                   | 97.2  | 74.0  | 50.7  | -     | -    |
|                        | 67      | 147.6                                | 10.8                          | 138.2                   | 121.0 | 103.8 | 80.2  | 56.6  | -    | 138.4                             | 12.2                          | 131.0                   | 115.0 | 98.9  | 75.3  | 51.7  | -    |
|                        | 62      | 147.1                                | 10.8                          | 143.5                   | 136.0 | 128.6 | 104.7 | 80.8  | 56.9 | 137.8                             | 12.2                          | 134.8                   | 129.3 | 123.9 | 99.9  | 76.0  | 52.1 |
|                        | 57      | 146.6                                | 10.7                          | 146.6                   | 146.6 | 146.6 | 129.2 | 105.0 | 80.7 | 137.2                             | 12.1                          | 137.2                   | 137.2 | 137.2 | 124.6 | 100.3 | 76.0 |
| 4900                   | 77      | 167.4                                | 10.9                          | 123.5                   | 87.9  | 52.3  | -     | -     | -    | 155.9                             | 12.3                          | 119.8                   | 83.1  | 46.5  | -     | -     | -    |
|                        | 72      | 159.8                                | 10.9                          | 134.1                   | 107.9 | 81.6  | 55.3  | -     | -    | 149.4                             | 12.3                          | 128.3                   | 102.2 | 76.2  | 50.1  | -     | -    |
|                        | 67      | 152.2                                | 10.8                          | 144.8                   | 127.9 | 110.9 | 83.9  | 56.8  | -    | 143.0                             | 12.3                          | 136.9                   | 121.4 | 105.9 | 78.9  | 51.9  | -    |
|                        | 62      | 151.8                                | 10.8                          | 148.4                   | 144.3 | 140.3 | 112.4 | 84.6  | 56.7 | 142.4                             | 12.2                          | 139.4                   | 137.5 | 135.6 | 107.7 | 79.9  | 52.0 |
|                        | 57      | 151.4                                | 10.8                          | 151.4                   | 151.4 | 151.4 | 141.0 | 112.3 | 83.7 | 141.7                             | 12.2                          | 141.7                   | 141.7 | 141.7 | 136.5 | 107.8 | 79.1 |
| 5400                   | 72      | 162.1                                | 10.9                          | 142.7                   | 113.4 | 84.2  | 55.0  | -     | -    | 152.1                             | 12.3                          | 136.2                   | 107.3 | 78.3  | 49.4  | -     | -    |
|                        | 67      | 156.8                                | 10.9                          | 151.5                   | 134.8 | 118.1 | 87.6  | 57.1  | -    | 147.5                             | 12.3                          | 142.7                   | 127.7 | 112.8 | 82.4  | 52.1  | -    |
|                        | 62      | 156.5                                | 10.9                          | 153.3                   | 152.7 | 152.0 | 120.2 | 88.4  | 56.6 | 146.9                             | 12.3                          | 144.1                   | 144.1 | 144.1 | 115.5 | 83.7  | 51.9 |
|                        | 57      | 156.1                                | 10.8                          | 155.2                   | 155.2 | 155.2 | 152.8 | 119.7 | 86.6 | 146.3                             | 12.2                          | 145.4                   | 145.4 | 145.4 | 145.4 | 115.3 | 82.1 |
| 6000                   | 72      | 164.3                                | 11.0                          | 151.2                   | 119.0 | 86.8  | 54.6  | -     | -    | 154.8                             | 12.4                          | 144.1                   | 112.3 | 80.5  | 48.8  | -     | -    |
|                        | 67      | 161.4                                | 10.9                          | 158.1                   | 141.7 | 125.2 | 91.3  | 57.3  | -    | 152.1                             | 12.3                          | 148.5                   | 134.1 | 119.7 | 86.0  | 52.3  | -    |
|                        | 62      | 161.1                                | 10.9                          | 158.2                   | 158.2 | 158.2 | 127.9 | 92.2  | 56.4 | 151.5                             | 12.3                          | 148.7                   | 148.7 | 148.7 | 123.2 | 87.6  | 51.9 |
|                        | 57      | 160.9                                | 10.9                          | 158.4                   | 158.4 | 158.4 | 158.4 | 127.0 | 89.5 | 150.9                             | 12.3                          | 148.9                   | 148.9 | 148.9 | 148.9 | 122.8 | 85.2 |

**ZX14 (12.5 Ton) (Continued)**

| Air on Evaporator Coil |       | Temperature of Air on Condenser Coil |                               |                         |       |       |       |       |       |                                   |                               |                         |       |       |       |       |      |
|------------------------|-------|--------------------------------------|-------------------------------|-------------------------|-------|-------|-------|-------|-------|-----------------------------------|-------------------------------|-------------------------|-------|-------|-------|-------|------|
|                        |       | Total Capacity <sup>1</sup> (MBh)    | Total Input (kW) <sup>2</sup> | Sensible Capacity (MBh) |       |       |       |       |       | Total Capacity <sup>1</sup> (MBh) | Total Input (kW) <sup>2</sup> | Sensible Capacity (MBh) |       |       |       |       |      |
|                        |       |                                      |                               | Return Dry Bulb (°F)    |       |       |       |       |       |                                   |                               | Return Dry Bulb (°F)    |       |       |       |       |      |
|                        |       |                                      |                               | 90                      | 85    | 80    | 75    | 70    | 65    |                                   |                               | 90                      | 85    | 80    | 75    | 70    | 65   |
|                        |       | 115°F                                |                               |                         |       |       |       |       |       | 125°F                             |                               |                         |       |       |       |       |      |
| 3200                   | 77    | 139.5                                | 13.4                          | 88.0                    | 69.1  | 50.2  | -     | -     | -     | 125.5                             | 14.8                          | 85.9                    | 66.1  | 46.2  | -     | -     | -    |
|                        | 72    | 129.9                                | 13.5                          | 100.9                   | 83.2  | 65.4  | 47.6  | -     | -     | 118.4                             | 14.9                          | 97.1                    | 79.2  | 61.2  | 43.2  | -     | -    |
|                        | 67    | 120.3                                | 13.6                          | 113.9                   | 97.2  | 80.6  | 63.6  | 46.6  | -     | 111.3                             | 15.0                          | 108.4                   | 92.3  | 76.2  | 59.0  | 41.9  | -    |
|                        | 62    | 119.6                                | 13.6                          | 117.4                   | 106.6 | 95.8  | 79.6  | 63.4  | 47.3  | 110.5                             | 15.0                          | 109.2                   | 100.2 | 91.1  | 74.9  | 58.6  | 42.3 |
| 3750                   | 77    | 141.1                                | 13.5                          | 97.4                    | 72.2  | 47.0  | -     | -     | -     | 128.0                             | 14.9                          | 94.8                    | 68.6  | 42.4  | -     | -     | -    |
|                        | 72    | 133.0                                | 13.6                          | 108.1                   | 87.6  | 67.2  | 46.7  | -     | -     | 121.8                             | 15.0                          | 103.7                   | 83.1  | 62.6  | 42.0  | -     | -    |
|                        | 67    | 124.8                                | 13.6                          | 118.9                   | 103.1 | 87.3  | 67.0  | 46.8  | -     | 115.7                             | 15.1                          | 112.6                   | 97.6  | 82.7  | 62.3  | 42.0  | -    |
|                        | 62    | 124.0                                | 13.6                          | 121.7                   | 114.6 | 107.5 | 87.4  | 67.3  | 47.3  | 114.9                             | 15.0                          | 113.3                   | 108.0 | 102.8 | 82.7  | 62.5  | 42.4 |
| 57                     | 123.3 | 13.5                                 | 123.3                         | 123.3                   | 123.3 | 107.8 | 87.9  | 68.1  | 114.0 | 15.0                              | 114.0                         | 114.0                   | 114.0 | 103.0 | 83.1  | 63.2  |      |
| 4300                   | 77    | 142.8                                | 13.5                          | 106.8                   | 75.3  | 43.8  | -     | -     | -     | 130.4                             | 14.9                          | 103.6                   | 71.1  | 38.6  | -     | -     | -    |
|                        | 72    | 136.0                                | 13.6                          | 115.3                   | 92.1  | 68.9  | 45.7  | -     | -     | 125.3                             | 15.0                          | 110.2                   | 87.1  | 63.9  | 40.8  | -     | -    |
|                        | 67    | 129.3                                | 13.7                          | 123.9                   | 109.0 | 94.0  | 70.5  | 46.9  | -     | 120.1                             | 15.1                          | 116.8                   | 103.0 | 89.2  | 65.6  | 42.1  | -    |
|                        | 62    | 128.5                                | 13.6                          | 126.1                   | 122.6 | 119.2 | 95.2  | 71.2  | 47.3  | 119.2                             | 15.1                          | 117.4                   | 115.9 | 114.4 | 90.5  | 66.5  | 42.5 |
| 57                     | 127.7 | 13.6                                 | 127.7                         | 127.7                   | 119.9 | 95.6  | 71.3  |       | 118.2 | 15.0                              | 118.0                         | 118.0                   | 115.3 | 90.9  | 66.5  |       |      |
| 4875                   | 77    | 144.4                                | 13.6                          | 116.1                   | 78.4  | 40.7  | -     | -     | -     | 132.9                             | 14.9                          | 112.5                   | 73.7  | 34.8  | -     | -     | -    |
|                        | 72    | 139.1                                | 13.6                          | 122.5                   | 96.6  | 70.7  | 44.8  | -     | -     | 128.7                             | 15.0                          | 116.7                   | 91.0  | 65.3  | 39.5  | -     | -    |
|                        | 67    | 133.8                                | 13.7                          | 128.9                   | 114.8 | 100.8 | 73.9  | 47.0  | -     | 124.5                             | 15.1                          | 121.0                   | 108.3 | 95.7  | 68.9  | 42.1  | -    |
|                        | 62    | 132.9                                | 13.6                          | 130.4                   | 130.4 | 130.4 | 103.0 | 75.1  | 47.3  | 123.5                             | 15.1                          | 121.5                   | 121.5 | 121.5 | 98.3  | 70.4  | 42.6 |
| 57                     | 132.1 | 13.6                                 | 132.0                         | 132.0                   | 132.0 | 132.0 | 103.3 | 74.5  | 122.4 | 15.0                              | 121.9                         | 121.9                   | 121.9 | 121.9 | 98.8  | 69.9  |      |
| 5400                   | 72    | 142.2                                | 13.7                          | 129.7                   | 101.1 | 72.5  | 43.9  | -     | -     | 132.2                             | 15.1                          | 123.3                   | 94.9  | 66.6  | 38.3  | -     | -    |
|                        | 67    | 138.3                                | 13.7                          | 134.0                   | 120.7 | 107.5 | 77.3  | 47.1  | -     | 129.0                             | 15.2                          | 125.2                   | 113.7 | 102.2 | 72.2  | 42.2  | -    |
|                        | 62    | 137.4                                | 13.7                          | 134.8                   | 134.8 | 134.8 | 110.8 | 79.0  | 47.3  | 127.8                             | 15.1                          | 125.5                   | 125.5 | 125.5 | 106.1 | 74.4  | 42.7 |
|                        | 57    | 136.5                                | 13.6                          | 135.6                   | 135.6 | 135.6 | 135.6 | 110.9 | 77.7  | 126.6                             | 15.0                          | 125.9                   | 125.9 | 125.9 | 125.9 | 106.6 | 73.2 |
| 6000                   | 72    | 145.2                                | 13.7                          | 136.9                   | 105.6 | 74.3  | 42.9  | -     | -     | 135.7                             | 15.1                          | 129.8                   | 98.9  | 68.0  | 37.1  | -     | -    |
|                        | 67    | 142.7                                | 13.8                          | 139.0                   | 126.6 | 114.2 | 80.7  | 47.3  | -     | 133.4                             | 15.2                          | 129.4                   | 119.1 | 108.7 | 75.5  | 42.2  | -    |
|                        | 62    | 141.8                                | 13.7                          | 139.2                   | 139.2 | 139.2 | 118.6 | 82.9  | 47.3  | 132.1                             | 15.1                          | 129.6                   | 129.6 | 129.6 | 113.9 | 78.3  | 42.8 |
|                        | 57    | 140.9                                | 13.6                          | 139.3                   | 139.3 | 139.3 | 139.3 | 118.6 | 80.9  | 130.8                             | 15.0                          | 129.8                   | 129.8 | 129.8 | 129.8 | 114.4 | 76.6 |

1. These capacities are gross ratings. For net capacity, deduct the supply air blower motor heat (MBh = 3.415 x kW). Refer to the appropriate Blower Performance Table for the kW of the supply air blower motor.
2. These ratings include the condenser fan motors (total 1 kW) and the compressor motors but not the supply air blower motor.

ZY04-12 Cooling Capacities

ZY04 (3.0 Ton)

| Air on Evaporator Coil |         | Temperature of Air on Condenser Coil |                               |                         |      |      |      |      |      |                                   |                               |                         |      |      |      |      |      |  |  |
|------------------------|---------|--------------------------------------|-------------------------------|-------------------------|------|------|------|------|------|-----------------------------------|-------------------------------|-------------------------|------|------|------|------|------|--|--|
| CFM                    | WB (°F) | Total Capacity <sup>1</sup> (MBh)    | Total Input (kW) <sup>2</sup> | Sensible Capacity (MBh) |      |      |      |      |      | Total Capacity <sup>1</sup> (MBh) | Total Input (kW) <sup>2</sup> | Sensible Capacity (MBh) |      |      |      |      |      |  |  |
|                        |         |                                      |                               | Return Dry Bulb (°F)    |      |      |      |      |      |                                   |                               | Return Dry Bulb (°F)    |      |      |      |      |      |  |  |
|                        |         |                                      |                               | 90                      | 85   | 80   | 75   | 70   | 65   |                                   |                               | 90                      | 85   | 80   | 75   | 70   | 65   |  |  |
|                        |         | 75°F                                 |                               |                         |      |      |      |      |      |                                   | 85°F                          |                         |      |      |      |      |      |  |  |
| 750                    | 77      | 47.1                                 | 2.1                           | 23.2                    | 19.7 | 16.3 | -    | -    | -    | 45.3                              | 2.4                           | 22.2                    | 18.7 | 15.1 | -    | -    | -    |  |  |
|                        | 72      | 43.9                                 | 2.1                           | 28.3                    | 24.1 | 19.9 | 15.8 | -    | -    | 41.7                              | 2.4                           | 27.4                    | 23.1 | 18.9 | 14.7 | -    | -    |  |  |
|                        | 67      | 40.8                                 | 2.1                           | 33.3                    | 28.5 | 23.6 | 19.9 | 15.7 | -    | 38.1                              | 2.4                           | 32.5                    | 27.6 | 22.7 | 18.8 | 14.6 | -    |  |  |
|                        | 62      | 36.2                                 | 2.1                           | 34.8                    | 31.0 | 27.2 | 22.8 | 19.8 | 16.2 | 35.0                              | 2.4                           | 33.6                    | 30.1 | 26.6 | 22.3 | 18.7 | 14.8 |  |  |
| 900                    | 77      | 47.9                                 | 2.1                           | 26.0                    | 21.3 | 16.7 | -    | -    | -    | 46.0                              | 2.4                           | 25.2                    | 20.5 | 15.7 | -    | -    | -    |  |  |
|                        | 72      | 45.1                                 | 2.1                           | 31.0                    | 26.1 | 21.2 | 16.4 | -    | -    | 42.8                              | 2.4                           | 30.0                    | 25.1 | 20.3 | 15.4 | -    | -    |  |  |
|                        | 67      | 42.2                                 | 2.1                           | 35.9                    | 30.8 | 25.8 | 21.2 | 16.4 | -    | 39.7                              | 2.4                           | 34.8                    | 29.8 | 24.8 | 20.1 | 15.3 | -    |  |  |
|                        | 62      | 38.3                                 | 2.1                           | 37.1                    | 33.7 | 30.4 | 25.2 | 21.2 | 16.6 | 37.0                              | 2.4                           | 35.8                    | 32.6 | 29.4 | 24.4 | 20.0 | 15.3 |  |  |
|                        | 57      | 38.3                                 | 2.1                           | 38.3                    | 36.6 | 34.9 | 30.5 | 26.0 | 21.5 | 36.6                              | 2.4                           | 36.6                    | 35.4 | 34.0 | 29.4 | 24.8 | 20.2 |  |  |
| 1050                   | 77      | 48.7                                 | 2.1                           | 28.9                    | 23.0 | 17.0 | -    | -    | -    | 46.6                              | 2.4                           | 28.2                    | 22.3 | 16.3 | -    | -    | -    |  |  |
|                        | 72      | 46.2                                 | 2.1                           | 33.7                    | 28.1 | 22.5 | 17.0 | -    | -    | 44.0                              | 2.4                           | 32.7                    | 27.1 | 21.6 | 16.1 | -    | -    |  |  |
|                        | 67      | 43.6                                 | 2.1                           | 38.4                    | 33.2 | 28.0 | 22.6 | 17.0 | -    | 41.3                              | 2.4                           | 37.1                    | 32.0 | 26.9 | 21.5 | 15.9 | -    |  |  |
|                        | 62      | 40.4                                 | 2.1                           | 39.4                    | 36.5 | 33.5 | 27.6 | 22.5 | 17.0 | 39.0                              | 2.4                           | 37.9                    | 35.1 | 32.2 | 26.5 | 21.3 | 15.9 |  |  |
|                        | 57      | 40.1                                 | 2.1                           | 40.1                    | 39.3 | 38.5 | 33.5 | 28.1 | 22.6 | 38.6                              | 2.4                           | 38.6                    | 37.9 | 37.2 | 32.1 | 26.7 | 21.3 |  |  |
| 1200                   | 77      | 49.6                                 | 2.1                           | 31.7                    | 24.6 | 17.4 | -    | -    | -    | 47.3                              | 2.4                           | 31.2                    | 24.1 | 16.9 | -    | -    | -    |  |  |
|                        | 72      | 47.3                                 | 2.1                           | 36.4                    | 30.1 | 23.8 | 17.6 | -    | -    | 45.1                              | 2.4                           | 35.3                    | 29.1 | 23.0 | 16.8 | -    | -    |  |  |
|                        | 67      | 45.0                                 | 2.1                           | 41.0                    | 35.6 | 30.2 | 24.0 | 17.6 | -    | 42.8                              | 2.4                           | 39.4                    | 34.2 | 29.0 | 22.8 | 16.6 | -    |  |  |
|                        | 62      | 42.5                                 | 2.1                           | 41.7                    | 39.2 | 36.7 | 30.0 | 23.9 | 17.5 | 41.0                              | 2.3                           | 40.1                    | 37.5 | 35.0 | 28.7 | 22.6 | 16.5 |  |  |
|                        | 57      | 42.0                                 | 2.1                           | 42.0                    | 42.0 | 42.0 | 36.6 | 30.1 | 23.7 | 40.5                              | 2.3                           | 40.5                    | 40.5 | 40.5 | 34.9 | 28.7 | 22.5 |  |  |
| 1350                   | 72      | 48.4                                 | 2.1                           | 39.1                    | 32.1 | 25.1 | 18.2 | -    | -    | 46.2                              | 2.4                           | 38.0                    | 31.1 | 24.3 | 17.5 | -    | -    |  |  |
|                        | 67      | 46.4                                 | 2.1                           | 43.5                    | 38.0 | 32.5 | 25.4 | 18.2 | -    | 44.4                              | 2.3                           | 41.7                    | 36.4 | 31.1 | 24.2 | 17.3 | -    |  |  |
|                        | 62      | 44.6                                 | 2.1                           | 44.0                    | 41.9 | 39.8 | 32.3 | 25.2 | 17.9 | 43.0                              | 2.3                           | 42.2                    | 40.0 | 37.8 | 30.8 | 24.0 | 17.0 |  |  |
|                        | 57      | 43.8                                 | 2.1                           | 43.8                    | 43.8 | 43.8 | 39.7 | 32.2 | 24.7 | 42.4                              | 2.3                           | 42.4                    | 42.4 | 42.4 | 37.6 | 30.6 | 23.6 |  |  |
| 1500                   | 72      | 49.5                                 | 2.1                           | 41.8                    | 34.1 | 26.4 | 18.7 | -    | -    | 47.4                              | 2.4                           | 40.6                    | 33.1 | 25.7 | 18.2 | -    | -    |  |  |
|                        | 67      | 47.8                                 | 2.1                           | 46.1                    | 40.4 | 34.7 | 26.7 | 18.8 | -    | 46.0                              | 2.3                           | 44.0                    | 38.6 | 33.1 | 25.6 | 18.0 | -    |  |  |
|                        | 62      | 46.7                                 | 2.1                           | 46.3                    | 44.6 | 43.0 | 34.7 | 26.5 | 18.3 | 45.0                              | 2.3                           | 44.4                    | 42.5 | 40.6 | 33.0 | 25.3 | 17.6 |  |  |
|                        | 57      | 45.7                                 | 2.1                           | 45.7                    | 45.7 | 45.7 | 42.7 | 34.3 | 25.8 | 44.3                              | 2.3                           | 44.3                    | 44.3 | 44.3 | 40.3 | 32.6 | 24.8 |  |  |
|                        |         | 95°F                                 |                               |                         |      |      |      |      |      |                                   | 105°F                         |                         |      |      |      |      |      |  |  |
| 750                    | 77      | 43.5                                 | 2.6                           | 21.3                    | 17.6 | 13.8 | -    | -    | -    | 39.8                              | 3.1                           | 20.9                    | 16.8 | 12.8 | -    | -    | -    |  |  |
|                        | 72      | 39.4                                 | 2.6                           | 26.5                    | 22.2 | 17.9 | 13.6 | -    | -    | 36.7                              | 3.1                           | 25.1                    | 20.9 | 16.7 | 12.5 | -    | -    |  |  |
|                        | 67      | 35.4                                 | 2.6                           | 31.7                    | 26.8 | 21.9 | 17.7 | 13.4 | -    | 33.6                              | 3.1                           | 29.4                    | 25.0 | 20.7 | 16.5 | 12.3 | -    |  |  |
|                        | 62      | 33.8                                 | 2.6                           | 32.4                    | 29.2 | 25.9 | 21.8 | 17.6 | 13.4 | 32.1                              | 3.0                           | 30.7                    | 27.7 | 24.6 | 20.5 | 16.3 | 12.2 |  |  |
| 900                    | 77      | 44.0                                 | 2.6                           | 24.5                    | 19.6 | 14.7 | -    | -    | -    | 40.2                              | 3.1                           | 23.9                    | 18.6 | 13.3 | -    | -    | -    |  |  |
|                        | 72      | 40.6                                 | 2.6                           | 29.1                    | 24.2 | 19.3 | 14.4 | -    | -    | 37.6                              | 3.1                           | 27.6                    | 22.8 | 17.9 | 13.1 | -    | -    |  |  |
|                        | 67      | 37.1                                 | 2.6                           | 33.7                    | 28.8 | 23.9 | 19.0 | 14.2 | -    | 35.0                              | 3.0                           | 31.3                    | 26.9 | 22.5 | 17.7 | 12.9 | -    |  |  |
|                        | 62      | 35.7                                 | 2.6                           | 34.5                    | 31.4 | 28.4 | 23.6 | 18.9 | 14.1 | 33.6                              | 3.0                           | 32.5                    | 29.8 | 27.2 | 22.3 | 17.5 | 12.7 |  |  |
|                        | 57      | 35.0                                 | 2.6                           | 35.0                    | 34.1 | 33.0 | 28.3 | 23.6 | 18.9 | 32.8                              | 3.0                           | 32.8                    | 32.7 | 31.8 | 27.0 | 22.2 | 17.4 |  |  |
| 1050                   | 77      | 44.6                                 | 2.6                           | 27.6                    | 21.6 | 15.6 | -    | -    | -    | 40.7                              | 3.1                           | 26.9                    | 20.3 | 13.8 | -    | -    | -    |  |  |
|                        | 72      | 41.7                                 | 2.6                           | 31.7                    | 26.2 | 20.7 | 15.2 | -    | -    | 38.5                              | 3.1                           | 30.1                    | 24.6 | 19.1 | 13.6 | -    | -    |  |  |
|                        | 67      | 38.9                                 | 2.6                           | 35.8                    | 30.8 | 25.8 | 20.3 | 14.9 | -    | 36.4                              | 3.0                           | 33.3                    | 28.9 | 24.4 | 18.9 | 13.4 | -    |  |  |
|                        | 62      | 37.5                                 | 2.6                           | 36.5                    | 33.7 | 30.9 | 25.5 | 20.2 | 14.8 | 35.2                              | 3.0                           | 34.2                    | 32.0 | 29.7 | 24.2 | 18.8 | 13.3 |  |  |
|                        | 57      | 37.0                                 | 2.6                           | 37.0                    | 36.6 | 36.0 | 30.7 | 25.4 | 20.1 | 34.6                              | 3.0                           | 34.6                    | 34.6 | 34.6 | 29.5 | 24.1 | 18.6 |  |  |
| 1200                   | 77      | 45.1                                 | 2.6                           | 30.8                    | 23.6 | 16.4 | -    | -    | -    | 41.1                              | 3.1                           | 29.9                    | 22.1 | 14.3 | -    | -    | -    |  |  |
|                        | 72      | 42.9                                 | 2.6                           | 34.3                    | 28.2 | 22.1 | 16.0 | -    | -    | 39.4                              | 3.1                           | 32.6                    | 26.4 | 20.3 | 14.2 | -    | -    |  |  |
|                        | 67      | 40.7                                 | 2.6                           | 37.8                    | 32.8 | 27.7 | 21.7 | 15.7 | -    | 37.8                              | 3.0                           | 35.3                    | 30.8 | 26.3 | 20.1 | 14.0 | -    |  |  |
|                        | 62      | 39.4                                 | 2.6                           | 38.5                    | 35.9 | 33.4 | 27.4 | 21.4 | 15.5 | 36.8                              | 3.0                           | 36.0                    | 34.1 | 32.2 | 26.1 | 20.0 | 13.8 |  |  |
|                        | 57      | 39.0                                 | 2.6                           | 39.0                    | 39.0 | 39.0 | 33.1 | 27.2 | 21.3 | 36.3                              | 3.0                           | 36.3                    | 36.3 | 36.3 | 32.1 | 25.9 | 19.8 |  |  |
| 1350                   | 72      | 44.0                                 | 2.6                           | 36.9                    | 30.2 | 23.5 | 16.8 | -    | -    | 40.4                              | 3.1                           | 35.0                    | 28.3 | 21.5 | 14.7 | -    | -    |  |  |
|                        | 67      | 42.4                                 | 2.6                           | 39.9                    | 34.8 | 29.7 | 23.0 | 16.4 | -    | 39.2                              | 3.0                           | 37.2                    | 32.7 | 28.1 | 21.3 | 14.6 | -    |  |  |
|                        | 62      | 41.3                                 | 2.6                           | 40.5                    | 38.2 | 35.8 | 29.3 | 22.7 | 16.2 | 38.4                              | 3.0                           | 37.7                    | 36.3 | 34.8 | 28.0 | 21.2 | 14.4 |  |  |
|                        | 57      | 41.0                                 | 2.6                           | 41.0                    | 41.0 | 41.0 | 35.5 | 29.0 | 22.6 | 38.1                              | 3.0                           | 38.1                    | 38.1 | 38.1 | 34.6 | 27.8 | 21.0 |  |  |
| 1500                   | 72      | 45.2                                 | 2.6                           | 39.5                    | 32.2 | 24.9 | 17.6 | -    | -    | 41.3                              | 3.1                           | 37.5                    | 30.1 | 22.7 | 15.3 | -    | -    |  |  |
|                        | 67      | 44.2                                 | 2.6                           | 42.0                    | 36.8 | 31.6 | 24.4 | 17.1 | -    | 40.6                              | 3.0                           | 39.2                    | 34.6 | 30.0 | 22.6 | 15.1 | -    |  |  |
|                        | 62      | 43.2                                 | 2.6                           | 42.5                    | 40.4 | 38.3 | 31.2 | 24.0 | 16.8 | 40.0                              | 3.0                           | 39.5                    | 38.4 | 37.3 | 29.9 | 22.4 | 15.0 |  |  |
|                        | 57      | 43.0                                 | 2.6                           | 43.0                    | 43.0 | 43.0 | 37.9 | 30.9 | 23.8 | 39.8                              | 3.0                           | 39.8                    | 39.8 | 39.8 | 37.2 | 29.7 | 22.2 |  |  |

ZY04 (3.0 Ton) (Continued)

| Air on Evaporator Coil |    | Temperature of Air on Condenser Coil |                               |                         |      |      |      |      |      |                                   |                               |                         |      |      |      |      |      |
|------------------------|----|--------------------------------------|-------------------------------|-------------------------|------|------|------|------|------|-----------------------------------|-------------------------------|-------------------------|------|------|------|------|------|
|                        |    | Total Capacity <sup>1</sup> (MBh)    | Total Input (kW) <sup>2</sup> | Sensible Capacity (MBh) |      |      |      |      |      | Total Capacity <sup>1</sup> (MBh) | Total Input (kW) <sup>2</sup> | Sensible Capacity (MBh) |      |      |      |      |      |
|                        |    |                                      |                               | Return Dry Bulb (°F)    |      |      |      |      |      |                                   |                               | Return Dry Bulb (°F)    |      |      |      |      |      |
|                        |    |                                      |                               | 90                      | 85   | 80   | 75   | 70   | 65   |                                   |                               | 90                      | 85   | 80   | 75   | 70   | 65   |
|                        |    | 115°F                                |                               |                         |      |      |      |      |      | 125°F                             |                               |                         |      |      |      |      |      |
| 750                    | 77 | 36.2                                 | 3.6                           | 20.4                    | 16.1 | 11.7 | -    | -    | -    | 32.5                              | 4.2                           | 20.0                    | 15.3 | 10.7 | -    | -    | -    |
|                        | 72 | 34.0                                 | 3.5                           | 23.8                    | 19.7 | 15.6 | 11.5 | -    | -    | 31.2                              | 4.0                           | 22.4                    | 18.4 | 14.4 | 10.4 | -    | -    |
|                        | 67 | 31.7                                 | 3.5                           | 27.1                    | 23.3 | 19.4 | 15.3 | 11.2 | -    | 29.9                              | 3.9                           | 24.9                    | 21.5 | 18.2 | 14.2 | 10.1 | -    |
|                        | 62 | 30.3                                 | 3.5                           | 29.0                    | 26.2 | 23.3 | 19.2 | 15.1 | 10.9 | 28.6                              | 3.9                           | 27.3                    | 24.6 | 22.0 | 17.9 | 13.8 | 9.7  |
| 900                    | 77 | 36.5                                 | 3.6                           | 23.3                    | 17.6 | 11.9 | -    | -    | -    | 32.7                              | 4.1                           | 22.7                    | 16.6 | 10.5 | -    | -    | -    |
|                        | 72 | 34.6                                 | 3.5                           | 26.1                    | 21.3 | 16.6 | 11.8 | -    | -    | 31.7                              | 4.0                           | 24.6                    | 19.9 | 15.2 | 10.5 | -    | -    |
|                        | 67 | 32.8                                 | 3.5                           | 29.0                    | 25.1 | 21.2 | 16.4 | 11.6 | -    | 30.7                              | 3.9                           | 26.6                    | 23.3 | 19.9 | 15.1 | 10.3 | -    |
|                        | 62 | 31.6                                 | 3.5                           | 30.5                    | 28.2 | 25.9 | 21.1 | 16.2 | 11.4 | 29.6                              | 3.9                           | 28.5                    | 26.6 | 24.6 | 19.8 | 14.9 | 10.0 |
|                        | 57 | 30.7                                 | 3.4                           | 30.7                    | 30.7 | 30.6 | 25.7 | 20.8 | 16.0 | 28.5                              | 3.9                           | 28.5                    | 28.5 | 28.5 | 24.4 | 19.4 | 14.5 |
| 1050                   | 77 | 36.8                                 | 3.5                           | 26.1                    | 19.1 | 12.0 | -    | -    | -    | 32.9                              | 4.0                           | 25.4                    | 17.8 | 10.3 | -    | -    | -    |
|                        | 72 | 35.3                                 | 3.5                           | 28.5                    | 23.0 | 17.5 | 12.1 | -    | -    | 32.1                              | 4.0                           | 26.8                    | 21.4 | 16.0 | 10.5 | -    | -    |
|                        | 67 | 33.9                                 | 3.5                           | 30.8                    | 26.9 | 23.0 | 17.5 | 12.0 | -    | 31.4                              | 3.9                           | 28.3                    | 25.0 | 21.6 | 16.1 | 10.5 | -    |
|                        | 62 | 32.9                                 | 3.4                           | 32.0                    | 30.2 | 28.5 | 22.9 | 17.4 | 11.8 | 30.6                              | 3.9                           | 29.8                    | 28.5 | 27.3 | 21.6 | 16.0 | 10.3 |
|                        | 57 | 32.2                                 | 3.4                           | 32.2                    | 32.2 | 32.2 | 28.4 | 22.7 | 17.1 | 29.8                              | 3.8                           | 29.8                    | 29.8 | 29.8 | 27.2 | 21.4 | 15.7 |
| 1200                   | 77 | 37.1                                 | 3.5                           | 29.0                    | 20.6 | 12.2 | -    | -    | -    | 33.0                              | 3.9                           | 28.0                    | 19.1 | 10.1 | -    | -    | -    |
|                        | 72 | 36.0                                 | 3.5                           | 30.8                    | 24.7 | 18.5 | 12.4 | -    | -    | 32.6                              | 4.0                           | 29.1                    | 22.9 | 16.7 | 10.5 | -    | -    |
|                        | 67 | 35.0                                 | 3.4                           | 32.7                    | 28.7 | 24.8 | 18.6 | 12.4 | -    | 32.1                              | 3.8                           | 30.1                    | 26.7 | 23.3 | 17.0 | 10.7 | -    |
|                        | 62 | 34.2                                 | 3.4                           | 33.5                    | 32.3 | 31.1 | 24.8 | 18.5 | 12.2 | 31.5                              | 3.8                           | 31.0                    | 30.5 | 29.9 | 23.5 | 17.1 | 10.6 |
|                        | 57 | 33.7                                 | 3.4                           | 33.7                    | 33.7 | 33.7 | 31.0 | 24.7 | 18.3 | 31.0                              | 3.8                           | 31.0                    | 31.0 | 31.0 | 30.0 | 23.4 | 16.8 |
| 1350                   | 72 | 36.7                                 | 3.5                           | 33.2                    | 26.3 | 19.5 | 12.6 | -    | -    | 33.0                              | 4.0                           | 31.3                    | 24.4 | 17.5 | 10.6 | -    | -    |
|                        | 67 | 36.0                                 | 3.4                           | 34.5                    | 30.5 | 26.6 | 19.7 | 12.7 | -    | 32.8                              | 3.8                           | 31.8                    | 28.4 | 25.0 | 18.0 | 10.9 | -    |
|                        | 62 | 35.5                                 | 3.4                           | 35.0                    | 34.3 | 33.7 | 26.7 | 19.7 | 12.7 | 32.5                              | 3.8                           | 32.3                    | 32.3 | 32.3 | 25.4 | 18.1 | 10.9 |
|                        | 57 | 35.1                                 | 3.4                           | 35.1                    | 35.1 | 35.1 | 33.7 | 26.6 | 19.5 | 32.2                              | 3.8                           | 32.2                    | 32.2 | 32.2 | 32.2 | 25.4 | 18.0 |
| 1500                   | 72 | 37.4                                 | 3.5                           | 35.5                    | 28.0 | 20.5 | 12.9 | -    | -    | 33.5                              | 3.9                           | 33.5                    | 25.9 | 18.2 | 10.6 | -    | -    |
|                        | 67 | 37.1                                 | 3.4                           | 36.4                    | 32.4 | 28.4 | 20.7 | 13.1 | -    | 33.5                              | 3.8                           | 33.5                    | 30.1 | 26.7 | 18.9 | 11.1 | -    |
|                        | 62 | 36.7                                 | 3.4                           | 36.5                    | 36.4 | 36.3 | 28.6 | 20.8 | 13.1 | 33.5                              | 3.8                           | 33.5                    | 33.5 | 33.5 | 27.2 | 19.2 | 11.2 |
|                        | 57 | 36.6                                 | 3.4                           | 36.6                    | 36.6 | 36.6 | 36.4 | 28.5 | 20.7 | 33.5                              | 3.8                           | 33.5                    | 33.5 | 33.5 | 33.5 | 27.4 | 19.1 |

1. These capacities are gross ratings. For net capacity, deduct the supply air blower motor heat (MBh = 3.415 x kW). Refer to the appropriate Blower Performance Table for the kW of the supply air blower motor.
2. These ratings include the condenser fan motors (total 1 kW) and the compressor motors but not the supply air blower motor.

ZY05 (4.0 Ton)

| Air on Evaporator Coil |         | Temperature of Air on Condenser Coil |                               |                         |      |      |      |      |      |                                   |                               |                         |      |      |      |      |      |
|------------------------|---------|--------------------------------------|-------------------------------|-------------------------|------|------|------|------|------|-----------------------------------|-------------------------------|-------------------------|------|------|------|------|------|
| CFM                    | WB (°F) | Total Capacity <sup>1</sup> (MBh)    | Total Input (kW) <sup>2</sup> | Sensible Capacity (MBh) |      |      |      |      |      | Total Capacity <sup>1</sup> (MBh) | Total Input (kW) <sup>2</sup> | Sensible Capacity (MBh) |      |      |      |      |      |
|                        |         |                                      |                               | Return Dry Bulb (°F)    |      |      |      |      |      |                                   |                               | Return Dry Bulb (°F)    |      |      |      |      |      |
|                        |         |                                      |                               | 90                      | 85   | 80   | 75   | 70   | 65   |                                   |                               | 90                      | 85   | 80   | 75   | 70   | 65   |
|                        |         |                                      |                               | 75°F                    |      |      |      |      |      | 85°F                              |                               |                         |      |      |      |      |      |
| 1000                   | 77      | 64.9                                 | 2.8                           | 32.3                    | 27.2 | 22.1 | -    | -    | -    | 59.9                              | 3.1                           | 30.9                    | 26.2 | 21.5 | -    | -    | -    |
|                        | 72      | 58.5                                 | 2.8                           | 38.1                    | 32.7 | 27.3 | 21.9 | -    | -    | 55.5                              | 3.1                           | 36.9                    | 31.7 | 26.5 | 21.2 | -    | -    |
|                        | 67      | 52.1                                 | 2.8                           | 44.0                    | 38.3 | 32.6 | 26.9 | 21.8 | -    | 51.2                              | 3.1                           | 43.0                    | 37.2 | 31.5 | 26.0 | 20.8 | -    |
|                        | 62      | 49.9                                 | 2.7                           | 49.3                    | 43.6 | 37.9 | 31.5 | 27.1 | 21.7 | 48.9                              | 3.1                           | 47.3                    | 41.9 | 36.5 | 30.6 | 25.7 | 20.3 |
| 1200                   | 77      | 65.4                                 | 2.8                           | 35.9                    | 29.1 | 22.4 | -    | -    | -    | 60.6                              | 3.1                           | 34.8                    | 28.2 | 21.5 | -    | -    | -    |
|                        | 72      | 59.9                                 | 2.8                           | 41.6                    | 35.3 | 28.9 | 22.5 | -    | -    | 56.8                              | 3.1                           | 40.4                    | 34.1 | 27.8 | 21.6 | -    | -    |
|                        | 67      | 54.4                                 | 2.8                           | 47.4                    | 41.4 | 35.4 | 28.7 | 22.5 | -    | 53.1                              | 3.1                           | 45.9                    | 40.1 | 34.2 | 27.7 | 21.4 | -    |
|                        | 62      | 52.5                                 | 2.7                           | 51.8                    | 46.9 | 42.0 | 34.6 | 28.9 | 22.3 | 51.1                              | 3.1                           | 49.7                    | 45.1 | 40.6 | 33.6 | 27.5 | 20.9 |
| 57                     | 51.8    | 2.7                                  | 51.8                          | 51.8                    | 48.5 | 41.9 | 35.2 | 28.6 | 49.7 | 3.1                               | 49.7                          | 49.7                    | 47.0 | 40.3 | 33.5 | 26.8 | 20.9 |
| 1400                   | 77      | 66.0                                 | 2.8                           | 39.5                    | 31.1 | 22.7 | -    | -    | -    | 61.3                              | 3.2                           | 38.8                    | 30.1 | 21.5 | -    | -    | -    |
|                        | 72      | 61.3                                 | 2.8                           | 45.1                    | 37.8 | 30.5 | 23.1 | -    | -    | 58.1                              | 3.2                           | 43.8                    | 36.5 | 29.2 | 21.9 | -    | -    |
|                        | 67      | 56.7                                 | 2.8                           | 50.8                    | 44.5 | 38.3 | 30.6 | 23.2 | -    | 55.0                              | 3.1                           | 48.9                    | 42.9 | 37.0 | 29.4 | 21.9 | -    |
|                        | 62      | 55.1                                 | 2.8                           | 54.4                    | 50.2 | 46.1 | 37.8 | 30.7 | 22.9 | 53.3                              | 3.1                           | 52.0                    | 48.4 | 44.7 | 36.7 | 29.3 | 21.5 |
| 57                     | 54.4    | 2.7                                  | 54.4                          | 54.4                    | 52.8 | 46.0 | 38.1 | 30.2 | 52.1 | 3.1                               | 52.1                          | 52.1                    | 51.9 | 44.5 | 36.6 | 28.6 | 21.5 |
| 1600                   | 77      | 66.6                                 | 2.8                           | 43.1                    | 33.0 | 22.9 | -    | -    | -    | 62.0                              | 3.2                           | 42.7                    | 32.1 | 21.4 | -    | -    | -    |
|                        | 72      | 62.8                                 | 2.8                           | 48.6                    | 40.3 | 32.0 | 23.7 | -    | -    | 59.4                              | 3.2                           | 47.3                    | 38.9 | 30.6 | 22.2 | -    | -    |
|                        | 67      | 58.9                                 | 2.8                           | 54.2                    | 47.6 | 41.1 | 32.4 | 23.9 | -    | 56.9                              | 3.2                           | 51.8                    | 45.8 | 39.7 | 31.0 | 22.5 | -    |
|                        | 62      | 57.7                                 | 2.8                           | 56.9                    | 53.5 | 50.2 | 40.9 | 32.4 | 23.6 | 55.6                              | 3.2                           | 54.4                    | 51.6 | 48.9 | 39.8 | 31.0 | 22.1 |
| 57                     | 57.0    | 2.8                                  | 57.0                          | 57.0                    | 50.1 | 40.9 | 31.8 | 23.8 | 54.6 | 3.1                               | 54.6                          | 54.6                    | 54.6 | 48.8 | 39.6 | 30.4 | 22.1 |
| 1800                   | 72      | 64.2                                 | 2.8                           | 52.1                    | 42.9 | 33.6 | 24.3 | -    | -    | 60.7                              | 3.2                           | 50.7                    | 41.3 | 32.0 | 22.6 | -    | -    |
|                        | 67      | 61.2                                 | 2.8                           | 57.6                    | 50.7 | 43.9 | 34.2 | 24.6 | -    | 58.8                              | 3.2                           | 54.8                    | 48.6 | 42.5 | 32.7 | 23.0 | -    |
|                        | 62      | 60.3                                 | 2.8                           | 59.4                    | 56.9 | 54.3 | 44.0 | 34.2 | 24.2 | 57.8                              | 3.2                           | 56.8                    | 54.9 | 53.0 | 42.8 | 32.8 | 22.8 |
|                        | 57      | 59.6                                 | 2.8                           | 59.6                    | 59.6 | 59.6 | 54.2 | 43.8 | 33.4 | 57.0                              | 3.2                           | 57.0                    | 57.0 | 57.0 | 53.1 | 42.7 | 32.2 |
| 2000                   | 72      | 65.6                                 | 2.8                           | 55.7                    | 45.4 | 35.1 | 24.9 | -    | -    | 62.0                              | 3.2                           | 54.2                    | 43.8 | 33.3 | 22.9 | -    | -    |
|                        | 67      | 63.5                                 | 2.8                           | 61.0                    | 53.9 | 46.8 | 36.0 | 25.3 | -    | 60.7                              | 3.2                           | 57.7                    | 51.5 | 45.3 | 34.4 | 23.6 | -    |
|                        | 62      | 62.9                                 | 2.8                           | 62.0                    | 60.2 | 58.4 | 47.2 | 36.0 | 24.8 | 60.0                              | 3.2                           | 59.2                    | 58.2 | 57.2 | 45.9 | 34.6 | 23.4 |
|                        | 57      | 62.2                                 | 2.8                           | 62.2                    | 62.2 | 62.2 | 58.3 | 46.6 | 35.0 | 59.4                              | 3.2                           | 59.4                    | 59.4 | 59.4 | 57.4 | 45.7 | 34.0 |
|                        |         |                                      |                               | 95°F                    |      |      |      |      |      | 105°F                             |                               |                         |      |      |      |      |      |
| 1000                   | 77      | 55.0                                 | 3.5                           | 29.5                    | 25.2 | 20.9 | -    | -    | -    | 51.7                              | 4.1                           | 28.6                    | 24.4 | 20.3 | -    | -    | -    |
|                        | 72      | 52.6                                 | 3.5                           | 35.8                    | 30.7 | 25.6 | 20.5 | -    | -    | 48.7                              | 4.1                           | 34.4                    | 29.4 | 24.5 | 19.6 | -    | -    |
|                        | 67      | 50.2                                 | 3.5                           | 42.0                    | 36.2 | 30.3 | 25.1 | 19.8 | -    | 46.1                              | 4.1                           | 40.2                    | 34.5 | 28.8 | 23.7 | 18.7 | -    |
|                        | 62      | 47.8                                 | 3.5                           | 45.3                    | 40.2 | 35.0 | 29.6 | 24.2 | 18.8 | 44.5                              | 4.1                           | 42.8                    | 37.9 | 33.0 | 27.9 | 22.7 | 17.6 |
| 1200                   | 77      | 55.8                                 | 3.5                           | 33.8                    | 27.2 | 20.6 | -    | -    | -    | 52.2                              | 4.1                           | 32.7                    | 26.2 | 19.7 | -    | -    | -    |
|                        | 72      | 53.8                                 | 3.5                           | 39.1                    | 33.0 | 26.8 | 20.6 | -    | -    | 50.0                              | 4.1                           | 37.6                    | 31.6 | 25.6 | 19.5 | -    | -    |
|                        | 67      | 51.8                                 | 3.5                           | 44.5                    | 38.8 | 33.0 | 26.6 | 20.2 | -    | 47.7                              | 4.1                           | 42.5                    | 36.9 | 31.4 | 25.2 | 19.0 | -    |
|                        | 62      | 49.7                                 | 3.5                           | 47.5                    | 43.4 | 39.2 | 32.6 | 26.0 | 19.4 | 46.3                              | 4.1                           | 44.8                    | 41.0 | 37.2 | 30.8 | 24.5 | 18.1 |
| 57                     | 47.6    | 3.6                                  | 47.6                          | 47.6                    | 45.4 | 38.6 | 31.8 | 25.0 | 44.9 | 4.1                               | 44.9                          | 44.9                    | 43.0 | 36.5 | 29.9 | 23.4 |      |
| 1400                   | 77      | 56.6                                 | 3.5                           | 38.1                    | 29.2 | 20.3 | -    | -    | -    | 52.7                              | 4.1                           | 36.9                    | 28.0 | 19.2 | -    | -    | -    |
|                        | 72      | 54.9                                 | 3.5                           | 42.5                    | 35.3 | 28.0 | 20.7 | -    | -    | 51.2                              | 4.1                           | 40.8                    | 33.7 | 26.6 | 19.5 | -    | -    |
|                        | 67      | 53.3                                 | 3.5                           | 47.0                    | 41.3 | 35.7 | 28.2 | 20.6 | -    | 49.3                              | 4.1                           | 44.8                    | 39.4 | 34.0 | 26.6 | 19.3 | -    |
|                        | 62      | 51.6                                 | 3.5                           | 49.7                    | 46.6 | 43.4 | 35.6 | 27.9 | 20.1 | 48.1                              | 4.1                           | 46.9                    | 44.1 | 41.3 | 33.8 | 26.2 | 18.6 |
| 57                     | 49.9    | 3.5                                  | 49.9                          | 49.9                    | 49.9 | 43.1 | 35.1 | 27.1 | 47.0 | 4.1                               | 47.0                          | 47.0                    | 47.0 | 40.9 | 33.1 | 25.3 |      |
| 1600                   | 77      | 57.4                                 | 3.5                           | 42.3                    | 31.1 | 19.9 | -    | -    | -    | 53.3                              | 4.1                           | 41.0                    | 29.9 | 18.7 | -    | -    | -    |
|                        | 72      | 56.1                                 | 3.5                           | 45.9                    | 37.5 | 29.2 | 20.8 | -    | -    | 52.4                              | 4.1                           | 44.1                    | 35.8 | 27.6 | 19.4 | -    | -    |
|                        | 67      | 54.8                                 | 3.5                           | 49.5                    | 43.9 | 38.4 | 29.7 | 21.0 | -    | 50.9                              | 4.1                           | 47.1                    | 41.8 | 36.6 | 28.1 | 19.5 | -    |
|                        | 62      | 53.4                                 | 3.5                           | 51.9                    | 49.8 | 47.6 | 38.6 | 29.7 | 20.7 | 50.0                              | 4.1                           | 48.9                    | 47.2 | 45.5 | 36.7 | 27.9 | 19.1 |
| 57                     | 52.1    | 3.5                                  | 52.1                          | 52.1                    | 52.1 | 47.6 | 38.3 | 29.1 | 49.1 | 4.1                               | 49.1                          | 49.1                    | 49.1 | 45.4 | 36.3 | 27.2 |      |
| 1800                   | 72      | 57.3                                 | 3.5                           | 49.3                    | 39.8 | 30.3 | 20.9 | -    | -    | 53.6                              | 4.1                           | 47.3                    | 38.0 | 28.7 | 19.3 | -    | -    |
|                        | 67      | 56.3                                 | 3.5                           | 52.0                    | 46.5 | 41.1 | 31.2 | 21.4 | -    | 52.5                              | 4.1                           | 49.5                    | 44.3 | 39.2 | 29.5 | 19.8 | -    |
|                        | 62      | 55.3                                 | 3.5                           | 54.1                    | 53.0 | 51.8 | 41.6 | 31.5 | 21.3 | 51.8                              | 4.1                           | 51.0                    | 50.3 | 49.7 | 39.6 | 29.6 | 19.6 |
|                        | 57      | 54.3                                 | 3.5                           | 54.3                    | 54.3 | 54.3 | 52.0 | 41.5 | 31.1 | 51.2                              | 4.1                           | 51.2                    | 51.2 | 51.2 | 49.8 | 39.5 | 29.1 |
| 2000                   | 72      | 58.4                                 | 3.5                           | 52.7                    | 42.1 | 31.5 | 20.9 | -    | -    | 54.8                              | 4.1                           | 50.5                    | 40.1 | 29.7 | 19.3 | -    | -    |
|                        | 67      | 57.8                                 | 3.5                           | 54.5                    | 49.1 | 43.8 | 32.8 | 21.8 | -    | 54.1                              | 4.2                           | 51.8                    | 46.8 | 41.8 | 30.9 | 20.1 | -    |
|                        | 62      | 57.2                                 | 3.5                           | 56.3                    | 56.2 | 56.0 | 44.6 | 33.3 | 22.0 | 53.7                              | 4.1                           | 53.1                    | 53.1 | 53.1 | 42.6 | 31.4 | 20.2 |
|                        | 57      | 56.6                                 | 3.5                           | 56.6                    | 56.6 | 56.6 | 56.5 | 44.8 | 33.1 | 53.2                              | 4.1                           | 53.2                    | 53.2 | 53.2 | 53.2 | 42.6 | 31.0 |

**ZY05 (4.0 Ton) (Continued)**

| Air on Evaporator Coil |         | Temperature of Air on Condenser Coil |                               |                         |      |      |      |      |      |                                   |                               |                         |      |      |      |      |      |
|------------------------|---------|--------------------------------------|-------------------------------|-------------------------|------|------|------|------|------|-----------------------------------|-------------------------------|-------------------------|------|------|------|------|------|
| CFM                    | WB (°F) | Total Capacity <sup>1</sup> (MBh)    | Total Input (kW) <sup>2</sup> | Sensible Capacity (MBh) |      |      |      |      |      | Total Capacity <sup>1</sup> (MBh) | Total Input (kW) <sup>2</sup> | Sensible Capacity (MBh) |      |      |      |      |      |
|                        |         |                                      |                               | Return Dry Bulb (°F)    |      |      |      |      |      |                                   |                               | Return Dry Bulb (°F)    |      |      |      |      |      |
|                        |         |                                      |                               | 90                      | 85   | 80   | 75   | 70   | 65   |                                   |                               | 90                      | 85   | 80   | 75   | 70   | 65   |
|                        |         | 115°F                                |                               |                         |      |      |      |      |      |                                   | 125°F                         |                         |      |      |      |      |      |
| 1000                   | 77      | 48.4                                 | 4.8                           | 27.7                    | 23.6 | 19.6 | -    | -    | -    | 45.1                              | 5.4                           | 26.7                    | 22.9 | 19.0 | -    | -    | -    |
|                        | 72      | 44.9                                 | 4.7                           | 33.0                    | 28.2 | 23.4 | 18.7 | -    | -    | 41.0                              | 5.3                           | 31.6                    | 27.0 | 22.4 | 17.7 | -    | -    |
|                        | 67      | 41.9                                 | 4.7                           | 38.3                    | 32.8 | 27.2 | 22.4 | 17.6 | -    | 37.8                              | 5.2                           | 36.5                    | 31.1 | 25.7 | 21.1 | 16.4 | -    |
|                        | 62      | 41.1                                 | 4.6                           | 40.3                    | 35.6 | 31.0 | 26.1 | 21.2 | 16.3 | 37.8                              | 5.2                           | 37.8                    | 33.4 | 29.0 | 24.4 | 19.7 | 15.1 |
| 1200                   | 77      | 48.6                                 | 4.8                           | 31.7                    | 25.3 | 18.9 | -    | -    | -    | 45.1                              | 5.4                           | 30.6                    | 24.3 | 18.1 | -    | -    | -    |
|                        | 72      | 46.1                                 | 4.7                           | 36.1                    | 30.2 | 24.3 | 18.4 | -    | -    | 42.3                              | 5.3                           | 34.5                    | 28.8 | 23.1 | 17.4 | -    | -    |
|                        | 67      | 43.6                                 | 4.7                           | 40.5                    | 35.1 | 29.7 | 23.7 | 17.7 | -    | 39.5                              | 5.3                           | 38.4                    | 33.3 | 28.1 | 22.3 | 16.5 | -    |
|                        | 62      | 42.9                                 | 4.7                           | 42.2                    | 38.7 | 35.1 | 29.0 | 22.9 | 16.7 | 39.5                              | 5.2                           | 39.5                    | 36.3 | 33.1 | 27.2 | 21.3 | 15.4 |
|                        | 57      | 42.2                                 | 4.6                           | 42.2                    | 42.2 | 40.6 | 34.3 | 28.0 | 21.8 | 39.5                              | 5.2                           | 39.5                    | 39.3 | 38.1 | 32.1 | 26.1 | 20.1 |
| 1400                   | 77      | 48.9                                 | 4.7                           | 35.7                    | 26.9 | 18.2 | -    | -    | -    | 45.0                              | 5.3                           | 34.5                    | 25.8 | 17.1 | -    | -    | -    |
|                        | 72      | 47.4                                 | 4.7                           | 39.1                    | 32.2 | 25.2 | 18.2 | -    | -    | 43.6                              | 5.3                           | 37.5                    | 30.6 | 23.8 | 17.0 | -    | -    |
|                        | 67      | 45.3                                 | 4.7                           | 42.6                    | 37.4 | 32.2 | 25.1 | 17.9 | -    | 41.3                              | 5.3                           | 40.4                    | 35.5 | 30.5 | 23.5 | 16.5 | -    |
|                        | 62      | 44.7                                 | 4.7                           | 44.1                    | 41.7 | 39.3 | 31.9 | 24.5 | 17.1 | 41.3                              | 5.2                           | 41.2                    | 39.2 | 37.2 | 30.0 | 22.8 | 15.7 |
|                        | 57      | 44.1                                 | 4.6                           | 44.1                    | 44.1 | 44.1 | 38.7 | 31.1 | 23.6 | 41.3                              | 5.2                           | 41.3                    | 41.3 | 41.3 | 36.5 | 29.2 | 21.8 |
| 1600                   | 77      | 49.1                                 | 4.7                           | 39.7                    | 28.6 | 17.4 | -    | -    | -    | 44.9                              | 5.3                           | 38.4                    | 27.3 | 16.2 | -    | -    | -    |
|                        | 72      | 48.7                                 | 4.7                           | 42.2                    | 34.2 | 26.1 | 18.0 | -    | -    | 44.9                              | 5.3                           | 40.4                    | 32.5 | 24.6 | 16.6 | -    | -    |
|                        | 67      | 47.0                                 | 4.7                           | 44.8                    | 39.8 | 34.7 | 26.4 | 18.1 | -    | 43.1                              | 5.3                           | 42.4                    | 37.7 | 32.9 | 24.7 | 16.6 | -    |
|                        | 62      | 46.5                                 | 4.7                           | 46.0                    | 44.7 | 43.4 | 34.8 | 26.2 | 17.5 | 43.1                              | 5.2                           | 43.0                    | 42.1 | 41.3 | 32.9 | 24.4 | 16.0 |
|                        | 57      | 46.1                                 | 4.6                           | 46.1                    | 46.1 | 46.1 | 43.2 | 34.3 | 25.4 | 43.0                              | 5.2                           | 43.0                    | 43.0 | 43.0 | 41.0 | 32.2 | 23.5 |
| 1800                   | 72      | 49.9                                 | 4.7                           | 45.3                    | 36.1 | 27.0 | 17.8 | -    | -    | 46.3                              | 5.3                           | 43.3                    | 34.3 | 25.3 | 16.3 | -    | -    |
|                        | 67      | 48.7                                 | 4.7                           | 46.9                    | 42.1 | 37.2 | 27.7 | 18.2 | -    | 44.9                              | 5.3                           | 44.4                    | 39.9 | 35.3 | 26.0 | 16.6 | -    |
|                        | 62      | 48.3                                 | 4.7                           | 47.9                    | 47.7 | 47.5 | 37.7 | 27.8 | 17.9 | 44.8                              | 5.3                           | 44.7                    | 44.7 | 44.7 | 35.7 | 26.0 | 16.2 |
|                        | 57      | 48.0                                 | 4.6                           | 48.0                    | 48.0 | 48.0 | 47.6 | 37.4 | 27.2 | 44.8                              | 5.2                           | 44.8                    | 44.8 | 44.8 | 44.8 | 35.3 | 25.2 |
| 2000                   | 72      | 51.2                                 | 4.7                           | 48.4                    | 38.1 | 27.9 | 17.6 | -    | -    | 47.6                              | 5.3                           | 46.2                    | 36.1 | 26.0 | 15.9 | -    | -    |
|                        | 67      | 50.4                                 | 4.8                           | 49.1                    | 44.4 | 39.8 | 29.1 | 18.4 | -    | 46.7                              | 5.4                           | 46.4                    | 42.1 | 37.8 | 27.2 | 16.7 | -    |
|                        | 62      | 50.1                                 | 4.7                           | 49.8                    | 49.8 | 49.8 | 40.5 | 29.4 | 18.3 | 46.6                              | 5.3                           | 46.5                    | 46.5 | 46.5 | 38.5 | 27.5 | 16.5 |
|                        | 57      | 49.9                                 | 4.6                           | 49.9                    | 49.9 | 49.9 | 49.9 | 40.5 | 29.0 | 46.5                              | 5.2                           | 46.5                    | 46.5 | 46.5 | 46.5 | 38.4 | 26.9 |

1. These capacities are gross ratings. For net capacity, deduct the supply air blower motor heat (MBh = 3.415 x kW). Refer to the appropriate Blower Performance Table for the kW of the supply air blower motor.
2. These ratings include the condenser fan motors (total 1 kW) and the compressor motors but not the supply air blower motor.

ZY06 (5.0 Ton)

| Air on Evaporator Coil |         | Temperature of Air on Condenser Coil |                               |                         |      |      |      |      |      |                                   |                               |                         |      |      |      |      |      |
|------------------------|---------|--------------------------------------|-------------------------------|-------------------------|------|------|------|------|------|-----------------------------------|-------------------------------|-------------------------|------|------|------|------|------|
| CFM                    | WB (°F) | Total Capacity <sup>1</sup> (MBh)    | Total Input (kW) <sup>2</sup> | Sensible Capacity (MBh) |      |      |      |      |      | Total Capacity <sup>1</sup> (MBh) | Total Input (kW) <sup>2</sup> | Sensible Capacity (MBh) |      |      |      |      |      |
|                        |         |                                      |                               | Return Dry Bulb (°F)    |      |      |      |      |      |                                   |                               | Return Dry Bulb (°F)    |      |      |      |      |      |
|                        |         |                                      |                               | 90                      | 85   | 80   | 75   | 70   | 65   |                                   |                               | 90                      | 85   | 80   | 75   | 70   | 65   |
|                        |         |                                      |                               | 75°F                    |      |      |      |      |      | 85°F                              |                               |                         |      |      |      |      |      |
| 1250                   | 77      | 78.9                                 | 3.4                           | 37.6                    | 31.8 | 26.0 | -    | -    | -    | 75.5                              | 4.1                           | 39.5                    | 32.5 | 25.4 | -    | -    | -    |
|                        | 72      | 71.2                                 | 3.4                           | 46.4                    | 39.6 | 32.9 | 26.1 | -    | -    | 67.9                              | 3.8                           | 46.5                    | 39.2 | 31.8 | 24.5 | -    | -    |
|                        | 67      | 63.4                                 | 3.4                           | 55.1                    | 47.4 | 39.8 | 33.1 | 26.3 | -    | 60.2                              | 3.5                           | 53.5                    | 45.9 | 38.3 | 31.4 | 24.5 | -    |
|                        | 62      | 60.2                                 | 3.3                           | 56.9                    | 51.8 | 46.7 | 38.1 | 33.2 | 26.5 | 57.8                              | 3.7                           | 54.7                    | 49.7 | 44.7 | 37.3 | 31.8 | 25.3 |
| 1500                   | 77      | 79.2                                 | 3.4                           | 43.0                    | 34.9 | 26.9 | -    | -    | -    | 75.3                              | 3.9                           | 43.0                    | 33.7 | 24.4 | -    | -    | -    |
|                        | 72      | 72.7                                 | 3.4                           | 51.1                    | 43.0 | 34.9 | 26.9 | -    | -    | 69.0                              | 3.8                           | 49.4                    | 41.2 | 33.0 | 24.8 | -    | -    |
|                        | 67      | 66.3                                 | 3.4                           | 59.1                    | 51.1 | 43.0 | 35.1 | 27.0 | -    | 62.8                              | 3.8                           | 55.8                    | 48.7 | 41.6 | 33.4 | 25.2 | -    |
|                        | 62      | 63.6                                 | 3.3                           | 60.8                    | 55.9 | 51.0 | 41.7 | 35.3 | 27.4 | 60.7                              | 3.8                           | 58.2                    | 54.2 | 50.2 | 41.2 | 33.7 | 25.4 |
|                        | 57      | 62.5                                 | 3.3                           | 62.5                    | 60.8 | 59.1 | 51.3 | 43.5 | 35.7 | 59.4                              | 3.7                           | 59.4                    | 59.4 | 58.8 | 50.5 | 42.2 | 33.9 |
| 1750                   | 77      | 79.5                                 | 3.5                           | 48.4                    | 38.1 | 27.8 | -    | -    | -    | 75.1                              | 3.6                           | 46.6                    | 35.0 | 23.4 | -    | -    | -    |
|                        | 72      | 74.3                                 | 3.4                           | 55.8                    | 46.4 | 37.0 | 27.6 | -    | -    | 70.2                              | 3.8                           | 52.3                    | 43.3 | 34.2 | 25.1 | -    | -    |
|                        | 67      | 69.2                                 | 3.4                           | 63.1                    | 54.7 | 46.2 | 37.0 | 27.8 | -    | 65.3                              | 4.0                           | 58.1                    | 51.5 | 44.9 | 35.4 | 25.8 | -    |
|                        | 62      | 67.1                                 | 3.4                           | 64.7                    | 60.1 | 55.4 | 45.3 | 37.3 | 28.3 | 63.7                              | 3.8                           | 61.6                    | 58.6 | 55.7 | 45.1 | 35.6 | 25.6 |
|                        | 57      | 66.1                                 | 3.3                           | 66.1                    | 65.3 | 64.4 | 55.8 | 46.9 | 38.0 | 62.6                              | 3.5                           | 62.6                    | 62.6 | 62.6 | 55.9 | 45.4 | 34.9 |
| 2000                   | 77      | 79.7                                 | 3.5                           | 53.8                    | 41.2 | 28.7 | -    | -    | -    | 74.9                              | 3.4                           | 50.1                    | 36.3 | 22.4 | -    | -    | -    |
|                        | 72      | 75.9                                 | 3.4                           | 60.5                    | 49.8 | 39.1 | 28.3 | -    | -    | 71.4                              | 3.9                           | 55.2                    | 45.3 | 35.4 | 25.4 | -    | -    |
|                        | 67      | 72.0                                 | 3.4                           | 67.2                    | 58.3 | 49.4 | 39.0 | 28.5 | -    | 67.8                              | 4.3                           | 60.4                    | 54.3 | 48.3 | 37.4 | 26.5 | -    |
|                        | 62      | 70.5                                 | 3.4                           | 68.7                    | 64.2 | 59.8 | 48.8 | 39.4 | 29.1 | 66.6                              | 3.8                           | 65.0                    | 63.1 | 61.2 | 49.0 | 37.5 | 25.7 |
|                        | 57      | 69.8                                 | 3.4                           | 69.8                    | 69.8 | 69.8 | 60.2 | 50.2 | 40.2 | 65.8                              | 3.3                           | 65.8                    | 65.8 | 65.8 | 61.4 | 48.6 | 35.8 |
| 2250                   | 72      | 77.5                                 | 3.5                           | 65.2                    | 53.1 | 41.1 | 29.1 | -    | -    | 72.5                              | 3.9                           | 58.1                    | 47.3 | 36.5 | 25.7 | -    | -    |
|                        | 67      | 74.9                                 | 3.4                           | 71.2                    | 61.9 | 52.7 | 41.0 | 29.2 | -    | 70.4                              | 4.5                           | 62.6                    | 57.1 | 51.6 | 39.4 | 27.2 | -    |
|                        | 62      | 74.0                                 | 3.4                           | 72.6                    | 68.4 | 64.2 | 52.4 | 41.4 | 30.0 | 69.6                              | 3.8                           | 68.4                    | 67.6 | 66.7 | 52.9 | 39.5 | 25.8 |
|                        | 57      | 73.4                                 | 3.4                           | 73.4                    | 73.4 | 73.4 | 64.7 | 53.6 | 42.5 | 68.9                              | 3.1                           | 68.9                    | 68.9 | 68.9 | 66.8 | 51.7 | 36.7 |
| 2500                   | 72      | 79.0                                 | 3.5                           | 69.9                    | 56.5 | 43.2 | 29.8 | -    | -    | 73.7                              | 3.9                           | 61.0                    | 49.4 | 37.7 | 26.1 | -    | -    |
|                        | 67      | 77.8                                 | 3.4                           | 75.2                    | 65.5 | 55.9 | 42.9 | 30.0 | -    | 72.9                              | 4.8                           | 64.9                    | 60.0 | 55.0 | 41.4 | 27.9 | -    |
|                        | 62      | 77.4                                 | 3.4                           | 76.5                    | 72.6 | 68.6 | 56.0 | 43.5 | 30.9 | 72.5                              | 3.8                           | 71.9                    | 71.9 | 71.9 | 56.8 | 41.4 | 26.0 |
|                        | 57      | 77.0                                 | 3.4                           | 77.0                    | 77.0 | 77.0 | 69.1 | 56.9 | 44.8 | 72.1                              | 2.9                           | 72.1                    | 72.1 | 72.1 | 72.1 | 54.9 | 37.6 |
|                        |         |                                      |                               | 95°F                    |      |      |      |      |      | 105°F                             |                               |                         |      |      |      |      |      |
| 1250                   | 77      | 72.1                                 | 4.7                           | 41.5                    | 33.1 | 24.8 | -    | -    | -    | 65.0                              | 5.3                           | 38.6                    | 30.7 | 22.7 | -    | -    | -    |
|                        | 72      | 64.6                                 | 4.2                           | 46.6                    | 38.7 | 30.8 | 22.9 | -    | -    | 59.3                              | 4.9                           | 43.9                    | 36.3 | 28.7 | 21.2 | -    | -    |
|                        | 67      | 57.0                                 | 3.7                           | 51.8                    | 44.3 | 36.8 | 29.7 | 22.6 | -    | 53.9                              | 4.6                           | 49.2                    | 42.0 | 34.8 | 27.8 | 20.8 | -    |
|                        | 62      | 55.3                                 | 4.1                           | 52.6                    | 47.7 | 42.7 | 36.5 | 30.3 | 24.1 | 52.2                              | 4.8                           | 49.7                    | 45.3 | 40.8 | 34.4 | 28.0 | 21.6 |
| 1500                   | 77      | 71.4                                 | 4.3                           | 43.1                    | 32.5 | 22.0 | -    | -    | -    | 65.0                              | 5.0                           | 41.1                    | 30.9 | 20.6 | -    | -    | -    |
|                        | 72      | 65.3                                 | 4.2                           | 47.8                    | 39.4 | 31.1 | 22.8 | -    | -    | 60.5                              | 4.9                           | 45.8                    | 37.6 | 29.4 | 21.2 | -    | -    |
|                        | 67      | 59.2                                 | 4.2                           | 52.4                    | 46.3 | 40.2 | 31.7 | 23.3 | -    | 55.9                              | 4.9                           | 50.4                    | 44.3 | 38.1 | 29.8 | 21.4 | -    |
|                        | 62      | 57.8                                 | 4.2                           | 55.5                    | 52.4 | 49.4 | 40.7 | 32.1 | 23.5 | 54.5                              | 4.8                           | 52.5                    | 49.7 | 46.9 | 38.4 | 29.8 | 21.2 |
|                        | 57      | 56.4                                 | 4.1                           | 56.4                    | 56.4 | 56.4 | 49.7 | 40.9 | 32.2 | 53.2                              | 4.8                           | 53.2                    | 53.2 | 53.2 | 47.0 | 38.2 | 29.5 |
| 1750                   | 77      | 70.8                                 | 3.8                           | 44.8                    | 31.9 | 19.1 | -    | -    | -    | 65.0                              | 4.7                           | 43.7                    | 31.1 | 18.5 | -    | -    | -    |
|                        | 72      | 66.1                                 | 4.3                           | 48.9                    | 40.1 | 31.4 | 22.6 | -    | -    | 61.6                              | 4.9                           | 47.6                    | 38.8 | 30.0 | 21.2 | -    | -    |
|                        | 67      | 61.4                                 | 4.7                           | 53.0                    | 48.3 | 43.7 | 33.8 | 23.9 | -    | 58.0                              | 5.2                           | 51.6                    | 46.5 | 41.5 | 31.7 | 22.0 | -    |
|                        | 62      | 60.2                                 | 4.2                           | 58.4                    | 57.2 | 56.0 | 44.9 | 33.9 | 22.9 | 56.9                              | 4.8                           | 55.3                    | 54.1 | 53.0 | 42.3 | 31.6 | 20.9 |
|                        | 57      | 59.1                                 | 3.7                           | 59.1                    | 59.1 | 59.1 | 56.1 | 43.9 | 31.7 | 55.8                              | 4.5                           | 55.8                    | 55.8 | 55.8 | 52.9 | 41.3 | 29.6 |
| 2000                   | 77      | 70.1                                 | 3.4                           | 46.4                    | 31.3 | 16.2 | -    | -    | -    | 65.1                              | 4.3                           | 46.2                    | 31.3 | 16.3 | -    | -    | -    |
|                        | 72      | 66.8                                 | 4.3                           | 50.0                    | 40.8 | 31.7 | 22.5 | -    | -    | 62.7                              | 4.9                           | 49.5                    | 40.0 | 30.6 | 21.2 | -    | -    |
|                        | 67      | 63.6                                 | 5.2                           | 53.6                    | 50.3 | 47.1 | 35.8 | 24.5 | -    | 60.0                              | 5.5                           | 52.8                    | 48.8 | 44.9 | 33.7 | 22.6 | -    |
|                        | 62      | 62.7                                 | 4.2                           | 61.4                    | 61.4 | 61.4 | 49.2 | 35.7 | 22.3 | 59.2                              | 4.8                           | 58.0                    | 58.0 | 58.0 | 46.3 | 33.5 | 20.6 |
|                        | 57      | 61.8                                 | 3.3                           | 61.8                    | 61.8 | 61.8 | 61.8 | 46.9 | 31.3 | 58.3                              | 4.2                           | 58.3                    | 58.3 | 58.3 | 58.3 | 44.3 | 29.8 |
| 2250                   | 72      | 67.6                                 | 4.3                           | 51.1                    | 41.5 | 32.0 | 22.4 | -    | -    | 63.8                              | 4.9                           | 51.4                    | 41.3 | 31.2 | 21.1 | -    | -    |
|                        | 67      | 65.8                                 | 5.6                           | 54.1                    | 52.4 | 50.6 | 37.9 | 25.2 | -    | 62.0                              | 5.8                           | 54.0                    | 51.1 | 48.2 | 35.7 | 23.2 | -    |
|                        | 62      | 65.1                                 | 4.2                           | 64.3                    | 64.3 | 64.3 | 53.4 | 37.5 | 21.7 | 61.5                              | 4.9                           | 60.8                    | 60.8 | 60.8 | 50.3 | 35.3 | 20.3 |
|                        | 57      | 64.5                                 | 2.8                           | 64.5                    | 64.5 | 64.5 | 64.5 | 49.9 | 30.9 | 60.9                              | 3.9                           | 60.9                    | 60.9 | 60.9 | 60.9 | 47.4 | 29.9 |
| 2500                   | 72      | 68.3                                 | 4.3                           | 52.2                    | 42.2 | 32.3 | 22.3 | -    | -    | 64.9                              | 4.9                           | 53.2                    | 42.5 | 31.8 | 21.1 | -    | -    |
|                        | 67      | 68.0                                 | 6.1                           | 54.7                    | 54.4 | 54.1 | 39.9 | 25.8 | -    | 64.1                              | 6.1                           | 55.2                    | 53.4 | 51.6 | 37.7 | 23.8 | -    |
|                        | 62      | 67.6                                 | 4.3                           | 67.2                    | 67.2 | 67.2 | 57.6 | 39.3 | 21.1 | 63.8                              | 4.9                           | 63.5                    | 63.5 | 63.5 | 54.2 | 37.1 | 20.0 |
|                        | 57      | 67.2                                 | 2.4                           | 67.2                    | 67.2 | 67.2 | 67.2 | 52.9 | 30.5 | 63.5                              | 3.6                           | 63.5                    | 63.5 | 63.5 | 63.5 | 50.4 | 30.1 |

**ZY06 (5.0 Ton) (Continued)**

| Air on<br>Evaporator Coil |    | Temperature of Air on Condenser Coil    |                                     |                         |      |      |      |      |      |   |                                     |                         |      |      |      |      |      |
|---------------------------|----|---|-------------------------------------|-------------------------|------|------|------|------|------|---|-------------------------------------|-------------------------|------|------|------|------|------|
|                           |    | Total<br>Capacity <sup>1</sup><br>(MBh) | Total<br>Input<br>(kW) <sup>2</sup> | Sensible Capacity (MBh) |      |      |      |      |      | Total<br>Capacity <sup>1</sup><br>(MBh) | Total<br>Input<br>(kW) <sup>2</sup> | Sensible Capacity (MBh) |      |      |      |      |      |
|                           |    |   |                                     | Return Dry Bulb (°F)    |      |      |      |      |      |   |                                     | Return Dry Bulb (°F)    |      |      |      |      |      |
|                           |    |   |                                     | 90                      | 85   | 80   | 75   | 70   | 65   |   |                                     | 90                      | 85   | 80   | 75   | 70   | 65   |
|                           |    | 115°F                                   |                                     |                         |      |      |      |      |      | 125°F                                   |                                     |                         |      |      |      |      |      |
| 1250                      | 77 | 57.8                                    | 5.9                                 | 35.8                    | 28.2 | 20.6 | -    | -    | -    | 50.6                                    | 6.4                                 | 33.0                    | 25.7 | 18.5 | -    | -    | -    |
|                           | 72 | 54.1                                    | 5.7                                 | 41.2                    | 33.9 | 26.7 | 19.5 | -    | -    | 48.9                                    | 6.4                                 | 38.4                    | 31.5 | 24.6 | 17.8 | -    | -    |
|                           | 67 | 50.8                                    | 5.4                                 | 46.5                    | 39.7 | 32.8 | 25.9 | 18.9 | -    | 47.6                                    | 6.3                                 | 43.9                    | 37.3 | 30.8 | 23.9 | 17.1 | -    |
|                           | 62 | 49.1                                    | 5.5                                 | 46.9                    | 42.9 | 38.9 | 32.3 | 25.6 | 19.0 | 46.0                                    | 6.2                                 | 44.1                    | 40.5 | 36.9 | 30.1 | 23.3 | 16.5 |
| 1500                      | 77 | 58.5                                    | 5.7                                 | 39.2                    | 29.2 | 19.2 | -    | -    | -    | 52.1                                    | 6.4                                 | 37.2                    | 27.5 | 17.9 | -    | -    | -    |
|                           | 72 | 55.6                                    | 5.6                                 | 43.8                    | 35.7 | 27.6 | 19.6 | -    | -    | 50.7                                    | 6.3                                 | 41.8                    | 33.9 | 25.9 | 18.0 | -    | -    |
|                           | 67 | 52.6                                    | 5.6                                 | 48.4                    | 42.2 | 36.1 | 27.8 | 19.5 | -    | 49.4                                    | 6.2                                 | 46.4                    | 40.2 | 34.0 | 25.8 | 17.6 | -    |
|                           | 62 | 51.3                                    | 5.5                                 | 49.5                    | 47.0 | 44.5 | 36.0 | 27.5 | 19.0 | 48.0                                    | 6.2                                 | 46.5                    | 44.3 | 42.0 | 33.6 | 25.2 | 16.8 |
|                           | 57 | 49.9                                    | 5.4                                 | 49.9                    | 49.9 | 49.9 | 44.2 | 35.5 | 26.8 | 46.7                                    | 6.1                                 | 46.6                    | 46.6 | 46.6 | 41.4 | 32.8 | 24.1 |
| 1750                      | 77 | 59.3                                    | 5.5                                 | 42.6                    | 30.2 | 17.8 | -    | -    | -    | 53.6                                    | 6.3                                 | 41.5                    | 29.4 | 17.2 | -    | -    | -    |
|                           | 72 | 57.1                                    | 5.6                                 | 46.4                    | 37.5 | 28.6 | 19.7 | -    | -    | 52.5                                    | 6.2                                 | 45.2                    | 36.2 | 27.2 | 18.2 | -    | -    |
|                           | 67 | 54.5                                    | 5.7                                 | 50.2                    | 44.8 | 39.3 | 29.7 | 20.0 | -    | 51.1                                    | 6.2                                 | 48.8                    | 43.0 | 37.1 | 27.6 | 18.1 | -    |
|                           | 62 | 53.5                                    | 5.5                                 | 52.1                    | 51.1 | 50.1 | 39.7 | 29.3 | 19.0 | 50.1                                    | 6.1                                 | 48.9                    | 48.0 | 47.1 | 37.1 | 27.0 | 17.0 |
|                           | 57 | 52.4                                    | 5.3                                 | 52.4                    | 52.4 | 52.4 | 49.7 | 38.6 | 27.5 | 49.1                                    | 6.1                                 | 49.0                    | 49.0 | 49.0 | 46.5 | 36.0 | 25.4 |
| 2000                      | 77 | 60.1                                    | 5.3                                 | 46.0                    | 31.2 | 16.4 | -    | -    | -    | 55.0                                    | 6.2                                 | 45.8                    | 31.2 | 16.6 | -    | -    | -    |
|                           | 72 | 58.5                                    | 5.5                                 | 49.0                    | 39.3 | 29.5 | 19.8 | -    | -    | 54.4                                    | 6.2                                 | 48.5                    | 38.5 | 28.4 | 18.4 | -    | -    |
|                           | 67 | 56.4                                    | 5.8                                 | 52.0                    | 47.3 | 42.6 | 31.6 | 20.6 | -    | 52.8                                    | 6.2                                 | 51.3                    | 45.8 | 40.3 | 29.5 | 18.6 | -    |
|                           | 62 | 55.6                                    | 5.5                                 | 54.7                    | 54.7 | 54.7 | 43.4 | 31.2 | 18.9 | 52.1                                    | 6.1                                 | 51.4                    | 51.4 | 51.4 | 40.6 | 28.9 | 17.2 |
|                           | 57 | 54.9                                    | 5.1                                 | 54.9                    | 54.9 | 54.9 | 54.9 | 41.7 | 28.2 | 51.5                                    | 6.1                                 | 51.4                    | 51.4 | 51.4 | 51.4 | 39.2 | 26.7 |
| 2250                      | 72 | 60.0                                    | 5.5                                 | 51.6                    | 41.0 | 30.5 | 19.9 | -    | -    | 56.2                                    | 6.1                                 | 51.9                    | 40.8 | 29.7 | 18.6 | -    | -    |
|                           | 67 | 58.3                                    | 6.0                                 | 53.9                    | 49.9 | 45.9 | 33.5 | 21.2 | -    | 54.5                                    | 6.1                                 | 53.7                    | 48.6 | 43.5 | 31.3 | 19.2 | -    |
|                           | 62 | 57.8                                    | 5.5                                 | 57.3                    | 57.3 | 57.3 | 47.1 | 33.0 | 18.9 | 54.2                                    | 6.1                                 | 53.8                    | 53.8 | 53.8 | 44.0 | 30.8 | 17.5 |
|                           | 57 | 57.4                                    | 5.0                                 | 57.4                    | 57.4 | 57.4 | 44.9 | 29.0 | -    | 53.8                                    | 6.1                                 | 53.8                    | 53.8 | 53.8 | 53.8 | 42.4 | 28.0 |
| 2500                      | 72 | 61.4                                    | 5.5                                 | 54.2                    | 42.8 | 31.4 | 20.0 | -    | -    | 58.0                                    | 6.0                                 | 55.3                    | 43.1 | 31.0 | 18.8 | -    | -    |
|                           | 67 | 60.1                                    | 6.1                                 | 55.7                    | 52.4 | 49.1 | 35.4 | 21.7 | -    | 56.2                                    | 6.1                                 | 56.2                    | 51.4 | 46.7 | 33.2 | 19.7 | -    |
|                           | 62 | 60.0                                    | 5.5                                 | 59.9                    | 59.9 | 59.9 | 50.9 | 34.9 | 18.9 | 56.2                                    | 6.1                                 | 56.2                    | 56.2 | 56.2 | 47.5 | 32.6 | 17.7 |
|                           | 57 | 59.9                                    | 4.8                                 | 59.9                    | 59.9 | 59.9 | 59.9 | 48.0 | 29.7 | 56.2                                    | 6.1                                 | 56.2                    | 56.2 | 56.2 | 56.2 | 45.6 | 29.3 |

1. These capacities are gross ratings. For net capacity, deduct the supply air blower motor heat (MBh = 3.415 x kW). Refer to the appropriate Blower Performance Table for the kW of the supply air blower motor.
2. These ratings include the condenser fan motors (total 1 kW) and the compressor motors but not the supply air blower motor.



ZY07 (6.0 Ton)

| Air on Evaporator Coil |         | Temperature of Air on Condenser Coil |                               |                         |      |      |      |      |      |                                   |                               |                         |      |      |      |      |      |
|------------------------|---------|--------------------------------------|-------------------------------|-------------------------|------|------|------|------|------|-----------------------------------|-------------------------------|-------------------------|------|------|------|------|------|
| CFM                    | WB (°F) | Total Capacity <sup>1</sup> (MBh)    | Total Input (kW) <sup>2</sup> | Sensible Capacity (MBh) |      |      |      |      |      | Total Capacity <sup>1</sup> (MBh) | Total Input (kW) <sup>2</sup> | Sensible Capacity (MBh) |      |      |      |      |      |
|                        |         |                                      |                               | Return Dry Bulb (°F)    |      |      |      |      |      |                                   |                               | Return Dry Bulb (°F)    |      |      |      |      |      |
|                        |         |                                      |                               | 90                      | 85   | 80   | 75   | 70   | 65   |                                   |                               | 90                      | 85   | 80   | 75   | 70   | 65   |
|                        |         |                                      |                               | 75°F                    |      |      |      |      |      | 85°F                              |                               |                         |      |      |      |      |      |
| 1500                   | 77      | 95.1                                 | 4.3                           | 46.6                    | 38.7 | 30.7 | -    | -    | -    | 91.0                              | 4.6                           | 44.6                    | 35.0 | 25.4 | -    | -    | -    |
|                        | 72      | 86.6                                 | 4.1                           | 57.1                    | 48.6 | 40.2 | 31.7 | -    | -    | 82.7                              | 4.6                           | 55.3                    | 45.8 | 36.3 | 26.9 | -    | -    |
|                        | 67      | 78.1                                 | 4.0                           | 67.6                    | 58.6 | 49.6 | 40.0 | 31.7 | -    | 74.5                              | 4.5                           | 65.9                    | 56.6 | 47.3 | 37.0 | 27.4 | -    |
|                        | 62      | 77.0                                 | 4.0                           | 71.7                    | 65.4 | 59.1 | 46.4 | 40.2 | 30.7 | 73.5                              | 4.4                           | 69.7                    | 64.0 | 58.3 | 46.2 | 37.4 | 27.0 |
| 1800                   | 77      | 95.2                                 | 4.3                           | 52.5                    | 42.1 | 31.7 | -    | -    | -    | 91.3                              | 4.6                           | 50.9                    | 40.5 | 30.1 | -    | -    | -    |
|                        | 72      | 88.3                                 | 4.2                           | 62.1                    | 52.3 | 42.5 | 32.7 | -    | -    | 84.6                              | 4.6                           | 60.5                    | 50.6 | 40.8 | 31.0 | -    | -    |
|                        | 67      | 81.3                                 | 4.1                           | 71.8                    | 62.6 | 53.4 | 42.5 | 32.8 | -    | 77.8                              | 4.5                           | 70.0                    | 60.7 | 51.5 | 41.0 | 30.9 | -    |
|                        | 62      | 80.1                                 | 4.0                           | 75.3                    | 69.7 | 64.2 | 50.8 | 42.7 | 31.9 | 76.8                              | 4.5                           | 73.0                    | 67.6 | 62.2 | 50.1 | 40.7 | 30.0 |
|                        | 57      | 78.8                                 | 4.0                           | 78.7                    | 76.9 | 75.1 | 63.8 | 52.6 | 41.3 | 75.7                              | 4.4                           | 75.7                    | 74.5 | 72.9 | 61.7 | 50.5 | 39.3 |
| 2100                   | 77      | 95.4                                 | 4.3                           | 58.3                    | 45.5 | 32.7 | -    | -    | -    | 91.7                              | 4.7                           | 57.3                    | 46.1 | 34.9 | -    | -    | -    |
|                        | 72      | 90.0                                 | 4.2                           | 67.2                    | 56.0 | 44.9 | 33.7 | -    | -    | 86.4                              | 4.6                           | 65.7                    | 55.5 | 45.3 | 35.1 | -    | -    |
|                        | 67      | 84.5                                 | 4.1                           | 76.1                    | 66.6 | 57.1 | 45.1 | 33.9 | -    | 81.1                              | 4.6                           | 74.0                    | 64.9 | 55.7 | 44.9 | 34.4 | -    |
|                        | 62      | 83.1                                 | 4.1                           | 78.8                    | 74.0 | 69.3 | 55.3 | 45.2 | 33.1 | 80.0                              | 4.5                           | 76.4                    | 71.3 | 66.1 | 54.1 | 44.0 | 33.0 |
|                        | 57      | 81.7                                 | 4.0                           | 81.5                    | 80.8 | 79.9 | 69.0 | 56.5 | 44.0 | 78.9                              | 4.5                           | 78.8                    | 77.3 | 75.7 | 65.0 | 53.6 | 42.1 |
| 2400                   | 77      | 95.5                                 | 4.3                           | 64.2                    | 48.9 | 33.7 | -    | -    | -    | 92.0                              | 4.7                           | 63.6                    | 51.6 | 39.6 | -    | -    | -    |
|                        | 72      | 91.6                                 | 4.2                           | 72.2                    | 59.8 | 47.3 | 34.8 | -    | -    | 88.2                              | 4.6                           | 70.9                    | 60.3 | 49.7 | 39.2 | -    | -    |
|                        | 67      | 87.7                                 | 4.1                           | 80.3                    | 70.6 | 60.8 | 47.6 | 35.0 | -    | 84.5                              | 4.6                           | 78.1                    | 69.0 | 59.9 | 48.8 | 38.0 | -    |
|                        | 62      | 86.2                                 | 4.1                           | 82.3                    | 78.4 | 74.4 | 59.7 | 47.7 | 34.4 | 83.2                              | 4.6                           | 79.8                    | 74.9 | 70.0 | 58.0 | 47.3 | 36.0 |
|                        | 57      | 84.7                                 | 4.1                           | 84.3                    | 84.3 | 84.3 | 74.2 | 60.4 | 46.7 | 82.0                              | 4.5                           | 81.5                    | 80.1 | 78.5 | 68.4 | 56.6 | 44.9 |
| 2700                   | 72      | 93.3                                 | 4.3                           | 77.3                    | 63.5 | 49.6 | 35.8 | -    | -    | 90.1                              | 4.7                           | 76.1                    | 65.1 | 54.2 | 43.3 | -    | -    |
|                        | 67      | 90.9                                 | 4.2                           | 84.6                    | 74.6 | 64.5 | 50.2 | 36.1 | -    | 87.8                              | 4.6                           | 82.2                    | 73.1 | 64.1 | 52.7 | 41.5 | -    |
|                        | 62      | 89.3                                 | 4.2                           | 85.8                    | 82.7 | 79.5 | 64.2 | 50.2 | 35.6 | 86.5                              | 4.6                           | 83.2                    | 78.6 | 73.9 | 61.9 | 50.6 | 38.9 |
|                        | 57      | 87.6                                 | 4.2                           | 87.1                    | 87.1 | 87.1 | 79.4 | 64.4 | 49.3 | 85.1                              | 4.6                           | 84.2                    | 83.6 | 82.9 | 71.7 | 59.7 | 47.7 |
| 3000                   | 72      | 95.0                                 | 4.3                           | 82.3                    | 67.2 | 52.0 | 36.8 | -    | -    | 91.9                              | 4.7                           | 81.3                    | 70.0 | 58.7 | 47.4 | -    | -    |
|                        | 67      | 94.1                                 | 4.2                           | 88.8                    | 78.6 | 68.3 | 52.7 | 37.2 | -    | 91.1                              | 4.6                           | 86.3                    | 77.2 | 68.2 | 56.6 | 45.0 | -    |
|                        | 62      | 92.3                                 | 4.2                           | 89.4                    | 87.0 | 84.6 | 68.7 | 52.7 | 36.8 | 89.7                              | 4.6                           | 86.6                    | 82.2 | 77.8 | 65.8 | 53.9 | 41.9 |
|                        | 57      | 90.5                                 | 4.2                           | 89.9                    | 89.9 | 89.9 | 84.6 | 68.3 | 52.0 | 88.2                              | 4.7                           | 87.0                    | 87.0 | 87.0 | 75.1 | 62.8 | 50.5 |
|                        |         |                                      |                               | 95°F                    |      |      |      |      |      | 105°F                             |                               |                         |      |      |      |      |      |
| 1500                   | 77      | 86.9                                 | 5.0                           | 42.6                    | 31.3 | 20.1 | -    | -    | -    | 80.8                              | 5.6                           | 40.9                    | 30.9 | 20.8 | -    | -    | -    |
|                        | 72      | 78.8                                 | 5.0                           | 53.4                    | 43.0 | 32.5 | 22.1 | -    | -    | 73.5                              | 5.6                           | 51.4                    | 41.6 | 31.9 | 22.1 | -    | -    |
|                        | 67      | 70.8                                 | 5.0                           | 64.2                    | 54.6 | 45.0 | 34.1 | 23.2 | -    | 66.6                              | 5.6                           | 61.9                    | 52.4 | 42.9 | 32.8 | 22.7 | -    |
|                        | 62      | 70.1                                 | 4.9                           | 67.6                    | 62.5 | 57.4 | 46.1 | 34.7 | 23.4 | 66.1                              | 5.6                           | 64.2                    | 59.1 | 53.9 | 43.5 | 33.1 | 22.7 |
| 1800                   | 77      | 87.4                                 | 5.0                           | 49.4                    | 39.0 | 28.6 | -    | -    | -    | 81.1                              | 5.7                           | 47.4                    | 36.9 | 26.5 | -    | -    | -    |
|                        | 72      | 80.8                                 | 5.0                           | 58.8                    | 48.9 | 39.1 | 29.2 | -    | -    | 75.5                              | 5.7                           | 56.4                    | 46.6 | 36.8 | 27.1 | -    | -    |
|                        | 67      | 74.3                                 | 5.0                           | 68.1                    | 58.9 | 49.6 | 39.4 | 29.1 | -    | 69.8                              | 5.6                           | 65.3                    | 56.3 | 47.2 | 37.1 | 26.9 | -    |
|                        | 62      | 73.5                                 | 4.9                           | 70.8                    | 65.5 | 60.1 | 49.5 | 38.8 | 28.1 | 69.3                              | 5.6                           | 67.2                    | 62.4 | 57.6 | 47.1 | 36.5 | 26.0 |
|                        | 57      | 72.6                                 | 4.8                           | 72.6                    | 72.1 | 70.7 | 59.6 | 48.5 | 37.4 | 68.7                              | 5.5                           | 68.7                    | 68.5 | 67.9 | 57.0 | 46.2 | 35.3 |
| 2100                   | 77      | 87.9                                 | 5.0                           | 56.3                    | 46.6 | 37.0 | -    | -    | -    | 81.5                              | 5.7                           | 53.9                    | 43.0 | 32.1 | -    | -    | -    |
|                        | 72      | 82.8                                 | 5.0                           | 64.1                    | 54.9 | 45.7 | 36.4 | -    | -    | 77.4                              | 5.7                           | 61.3                    | 51.5 | 41.8 | 32.0 | -    | -    |
|                        | 67      | 77.8                                 | 5.0                           | 72.0                    | 63.1 | 54.3 | 44.6 | 35.0 | -    | 73.0                              | 5.7                           | 68.7                    | 60.1 | 51.5 | 41.3 | 31.1 | -    |
|                        | 62      | 76.9                                 | 4.9                           | 74.1                    | 68.5 | 62.9 | 52.9 | 42.8 | 32.8 | 72.4                              | 5.6                           | 70.1                    | 65.7 | 61.2 | 50.6 | 40.0 | 29.4 |
|                        | 57      | 76.0                                 | 4.9                           | 76.0                    | 73.8 | 71.5 | 61.1 | 50.7 | 40.3 | 71.7                              | 5.6                           | 71.5                    | 71.2 | 70.9 | 59.9 | 48.8 | 37.8 |
| 2400                   | 77      | 88.5                                 | 5.1                           | 63.1                    | 54.3 | 45.5 | -    | -    | -    | 81.8                              | 5.7                           | 60.4                    | 49.1 | 37.7 | -    | -    | -    |
|                        | 72      | 84.8                                 | 5.0                           | 69.5                    | 60.9 | 52.2 | 43.6 | -    | -    | 79.3                              | 5.7                           | 66.3                    | 56.5 | 46.7 | 37.0 | -    | -    |
|                        | 67      | 81.2                                 | 5.0                           | 75.9                    | 67.4 | 58.9 | 49.9 | 40.9 | -    | 76.2                              | 5.7                           | 72.1                    | 63.9 | 55.8 | 45.5 | 35.3 | -    |
|                        | 62      | 80.3                                 | 5.0                           | 77.3                    | 71.5 | 65.6 | 56.2 | 46.9 | 37.5 | 75.5                              | 5.7                           | 73.1                    | 68.9 | 64.8 | 54.1 | 43.4 | 32.7 |
|                        | 57      | 79.3                                 | 5.0                           | 78.8                    | 75.5 | 72.3 | 62.6 | 52.9 | 43.2 | 74.8                              | 5.6                           | 74.1                    | 74.0 | 73.8 | 62.7 | 51.5 | 40.3 |
| 2700                   | 72      | 86.8                                 | 5.1                           | 74.9                    | 66.8 | 58.8 | 50.7 | -    | -    | 81.3                              | 5.7                           | 71.2                    | 61.5 | 51.7 | 42.0 | -    | -    |
|                        | 67      | 84.7                                 | 5.0                           | 79.8                    | 71.7 | 63.6 | 55.2 | 46.8 | -    | 79.4                              | 5.7                           | 75.5                    | 67.8 | 60.1 | 49.8 | 39.5 | -    |
|                        | 62      | 83.7                                 | 5.0                           | 80.6                    | 74.5 | 68.3 | 59.6 | 50.9 | 42.3 | 78.6                              | 5.7                           | 76.1                    | 72.2 | 68.4 | 57.6 | 46.8 | 36.0 |
|                        | 57      | 82.6                                 | 5.0                           | 81.4                    | 77.2 | 73.1 | 64.1 | 55.1 | 46.0 | 77.9                              | 5.7                           | 76.6                    | 76.6 | 76.6 | 65.5 | 54.1 | 42.8 |
| 3000                   | 72      | 88.8                                 | 5.1                           | 80.2                    | 72.8 | 65.4 | 57.9 | -    | -    | 83.2                              | 5.7                           | 76.2                    | 66.4 | 56.7 | 46.9 | -    | -    |
|                        | 67      | 88.2                                 | 5.0                           | 83.7                    | 75.9 | 68.2 | 60.5 | 52.7 | -    | 82.6                              | 5.7                           | 78.9                    | 71.6 | 64.4 | 54.0 | 43.7 | -    |
|                        | 62      | 87.1                                 | 5.1                           | 83.8                    | 77.4 | 71.0 | 63.0 | 55.0 | 47.0 | 81.8                              | 5.7                           | 79.0                    | 75.5 | 72.0 | 61.1 | 50.2 | 39.3 |
|                        | 57      | 86.0                                 | 5.1                           | 84.0                    | 79.0 | 73.9 | 65.6 | 57.3 | 48.9 | 80.9                              | 5.7                           | 79.2                    | 79.2 | 79.2 | 68.3 | 56.8 | 45.3 |

**ZY07 (6.0 Ton) (Continued)**

| Air on Evaporator Coil |         | Temperature of Air on Condenser Coil |                               |                         |      |      |      |      |      |                                   |                               |                         |      |      |      |      |      |
|------------------------|---------|--------------------------------------|-------------------------------|-------------------------|------|------|------|------|------|-----------------------------------|-------------------------------|-------------------------|------|------|------|------|------|
| CFM                    | WB (°F) | Total Capacity <sup>1</sup> (MBh)    | Total Input (kW) <sup>2</sup> | Sensible Capacity (MBh) |      |      |      |      |      | Total Capacity <sup>1</sup> (MBh) | Total Input (kW) <sup>2</sup> | Sensible Capacity (MBh) |      |      |      |      |      |
|                        |         |                                      |                               | Return Dry Bulb (°F)    |      |      |      |      |      |                                   |                               | Return Dry Bulb (°F)    |      |      |      |      |      |
|                        |         |                                      |                               | 90                      | 85   | 80   | 75   | 70   | 65   |                                   |                               | 90                      | 85   | 80   | 75   | 70   | 65   |
|                        |         |                                      |                               | 115°F                   |      |      |      |      |      | 125°F                             |                               |                         |      |      |      |      |      |
| 1500                   | 77      | 74.7                                 | 6.3                           | 39.2                    | 30.4 | 21.6 | -    | -    | -    | 68.7                              | 7.0                           | 37.5                    | 29.9 | 22.4 | -    | -    | -    |
|                        | 72      | 68.2                                 | 6.3                           | 49.4                    | 40.3 | 31.2 | 22.1 | -    | -    | 62.9                              | 7.0                           | 47.4                    | 39.0 | 30.6 | 22.1 | -    | -    |
|                        | 67      | 62.4                                 | 6.3                           | 59.7                    | 50.2 | 40.8 | 31.6 | 22.3 | -    | 58.2                              | 7.0                           | 57.4                    | 48.1 | 38.8 | 30.3 | 21.8 | -    |
|                        | 62      | 62.2                                 | 6.2                           | 60.8                    | 55.6 | 50.4 | 41.0 | 31.5 | 22.1 | 58.3                              | 6.9                           | 57.5                    | 52.2 | 47.0 | 38.4 | 29.9 | 21.4 |
| 1800                   | 77      | 74.9                                 | 6.3                           | 45.4                    | 34.9 | 24.4 | -    | -    | -    | 68.6                              | 7.0                           | 43.3                    | 32.8 | 22.3 | -    | -    | -    |
|                        | 72      | 70.1                                 | 6.3                           | 53.9                    | 44.3 | 34.6 | 24.9 | -    | -    | 64.7                              | 7.0                           | 51.5                    | 41.9 | 32.3 | 22.7 | -    | -    |
|                        | 67      | 65.4                                 | 6.3                           | 62.5                    | 53.7 | 44.8 | 34.8 | 24.8 | -    | 60.9                              | 7.0                           | 59.7                    | 51.0 | 42.3 | 32.5 | 22.6 | -    |
|                        | 62      | 65.1                                 | 6.3                           | 63.5                    | 59.2 | 55.0 | 44.6 | 34.3 | 24.0 | 60.8                              | 6.9                           | 59.9                    | 56.1 | 52.4 | 42.2 | 32.1 | 21.9 |
|                        | 57      | 64.7                                 | 6.2                           | 64.5                    | 64.5 | 64.5 | 54.5 | 43.9 | 33.2 | 60.8                              | 6.9                           | 60.0                    | 60.0 | 60.0 | 52.0 | 41.6 | 31.2 |
| 2100                   | 77      | 75.0                                 | 6.3                           | 51.5                    | 39.3 | 27.1 | -    | -    | -    | 68.5                              | 7.0                           | 49.2                    | 35.7 | 22.2 | -    | -    | -    |
|                        | 72      | 72.0                                 | 6.3                           | 58.5                    | 48.2 | 37.9 | 27.6 | -    | -    | 66.6                              | 7.0                           | 55.7                    | 44.9 | 34.1 | 23.3 | -    | -    |
|                        | 67      | 68.3                                 | 6.3                           | 65.4                    | 57.1 | 48.7 | 38.0 | 27.2 | -    | 63.5                              | 7.0                           | 62.1                    | 54.0 | 45.9 | 34.6 | 23.4 | -    |
|                        | 62      | 67.9                                 | 6.3                           | 66.2                    | 62.8 | 59.5 | 48.3 | 37.1 | 25.9 | 63.4                              | 7.0                           | 62.2                    | 60.0 | 57.8 | 46.0 | 34.2 | 22.5 |
|                        | 57      | 67.5                                 | 6.3                           | 66.9                    | 66.9 | 66.9 | 58.6 | 47.0 | 35.3 | 63.3                              | 6.9                           | 62.3                    | 62.3 | 62.3 | 57.4 | 45.1 | 32.9 |
| 2400                   | 77      | 75.1                                 | 6.4                           | 57.7                    | 43.8 | 29.9 | -    | -    | -    | 68.4                              | 7.0                           | 55.0                    | 38.6 | 22.1 | -    | -    | -    |
|                        | 72      | 73.9                                 | 6.3                           | 63.0                    | 52.1 | 41.3 | 30.4 | -    | -    | 68.4                              | 7.0                           | 59.8                    | 47.8 | 35.8 | 23.8 | -    | -    |
|                        | 67      | 71.2                                 | 6.3                           | 68.3                    | 60.5 | 52.6 | 41.2 | 29.7 | -    | 66.2                              | 7.0                           | 64.5                    | 57.0 | 49.5 | 36.8 | 24.1 | -    |
|                        | 62      | 70.8                                 | 6.3                           | 68.8                    | 66.4 | 64.0 | 52.0 | 39.9 | 27.8 | 66.0                              | 7.0                           | 64.6                    | 63.9 | 63.2 | 49.8 | 36.4 | 23.0 |
|                        | 57      | 70.3                                 | 6.3                           | 69.4                    | 69.4 | 69.4 | 62.7 | 50.1 | 37.4 | 65.8                              | 7.0                           | 64.7                    | 64.7 | 64.7 | 62.8 | 48.7 | 34.6 |
| 2700                   | 72      | 75.7                                 | 6.4                           | 67.5                    | 56.1 | 44.6 | 33.2 | -    | -    | 70.2                              | 7.0                           | 63.9                    | 50.7 | 37.5 | 24.4 | -    | -    |
|                        | 67      | 74.1                                 | 6.3                           | 71.2                    | 63.9 | 56.6 | 44.4 | 32.2 | -    | 68.8                              | 7.0                           | 66.9                    | 60.0 | 53.1 | 39.0 | 24.9 | -    |
|                        | 62      | 73.6                                 | 6.3                           | 71.5                    | 70.0 | 68.5 | 55.6 | 42.7 | 29.8 | 68.6                              | 7.0                           | 67.0                    | 67.0 | 67.0 | 53.6 | 38.6 | 23.5 |
|                        | 57      | 73.1                                 | 6.4                           | 71.8                    | 71.8 | 71.8 | 66.8 | 53.2 | 39.5 | 68.3                              | 7.0                           | 67.1                    | 67.1 | 67.1 | 67.1 | 52.2 | 36.3 |
| 3000                   | 72      | 77.6                                 | 6.4                           | 72.1                    | 60.0 | 48.0 | 35.9 | -    | -    | 72.0                              | 7.0                           | 68.0                    | 53.6 | 39.3 | 24.9 | -    | -    |
|                        | 67      | 77.1                                 | 6.3                           | 74.1                    | 67.3 | 60.5 | 47.6 | 34.7 | -    | 71.5                              | 7.0                           | 69.3                    | 63.0 | 56.7 | 41.2 | 25.7 | -    |
|                        | 62      | 76.5                                 | 6.4                           | 74.2                    | 73.6 | 73.0 | 59.3 | 45.5 | 31.7 | 71.2                              | 7.0                           | 69.4                    | 69.4 | 69.4 | 57.4 | 40.7 | 24.1 |
|                        | 57      | 75.9                                 | 6.4                           | 74.3                    | 74.3 | 74.3 | 70.9 | 56.3 | 41.6 | 70.8                              | 7.1                           | 69.4                    | 69.4 | 69.4 | 69.4 | 55.8 | 38.0 |

1. These capacities are gross ratings. For net capacity, deduct the supply air blower motor heat (MBh = 3.415 x kW). Refer to the appropriate Blower Performance Table for the kW of the supply air blower motor.
2. These ratings include the condenser fan motors (total 1 kW) and the compressor motors but not the supply air blower motor.

ZYA7 (6.0 Ton)

| Air on Evaporator Coil |         | Temperature of Air on Condenser Coil |                               |                         |      |        |      |      |      |                                   |                               |                         |      |      |      |      |      |
|------------------------|---------|--------------------------------------|-------------------------------|-------------------------|------|--------|------|------|------|-----------------------------------|-------------------------------|-------------------------|------|------|------|------|------|
| CFM                    | WB (°F) | Total Capacity <sup>1</sup> (MBh)    | Total Input (kW) <sup>2</sup> | Sensible Capacity (MBh) |      |        |      |      |      | Total Capacity <sup>1</sup> (MBh) | Total Input (kW) <sup>2</sup> | Sensible Capacity (MBh) |      |      |      |      |      |
|                        |         |                                      |                               | Return Dry Bulb (°F)    |      |        |      |      |      |                                   |                               | Return Dry Bulb (°F)    |      |      |      |      |      |
|                        |         |                                      |                               | 90                      | 85   | 80     | 75   | 70   | 65   |                                   |                               | 90                      | 85   | 80   | 75   | 70   | 65   |
|                        |         |                                      |                               | 75°F                    |      |        |      |      |      | 85°F                              |                               |                         |      |      |      |      |      |
| 1500                   | 77      | 91.7                                 | 4.2                           | 43.9                    | 38.2 | 32.4   | -    | -    | -    | 88.0                              | 4.7                           | 40.2                    | 34.9 | 29.5 | -    | -    | -    |
|                        | 72      | 83.7                                 | 4.1                           | 56.4                    | 48.2 | 40.0   | 31.8 | -    | -    | 79.7                              | 4.6                           | 53.8                    | 45.6 | 37.5 | 29.4 | -    | -    |
|                        | 67      | 75.6                                 | 4.1                           | 68.9                    | 58.2 | 47.6   | 39.7 | 31.9 | -    | 71.4                              | 4.6                           | 67.3                    | 56.4 | 45.5 | 37.4 | 29.4 | -    |
|                        | 62      | 73.2                                 | 4.1                           | 73.2                    | 64.2 | 55.2   | 46.2 | 40.2 | 32.7 | 70.8                              | 4.5                           | 70.3                    | 61.5 | 53.5 | 44.8 | 37.7 | 29.8 |
| 1800                   | 77      | 93.1                                 | 4.2                           | 52.0                    | 42.2 | 32.4   | -    | -    | -    | 88.4                              | 4.7                           | 50.1                    | 40.2 | 30.3 | -    | -    | -    |
|                        | 72      | 85.7                                 | 4.2                           | 61.0                    | 51.5 | 41.914 | 32.4 | -    | -    | 81.4                              | 4.6                           | 59.1                    | 49.4 | 39.8 | 30.2 | -    | -    |
|                        | 67      | 78.4                                 | 4.1                           | 70.1                    | 60.7 | 51.4   | 42.0 | 32.7 | -    | 74.3                              | 4.6                           | 68.0                    | 58.7 | 49.4 | 39.8 | 30.3 | -    |
|                        | 62      | 73.8                                 | 4.1                           | 73.8                    | 67.8 | 60.9   | 50.5 | 42.5 | 33.3 | 71.2                              | 4.6                           | 71.2                    | 65.4 | 58.9 | 48.9 | 40.0 | 30.6 |
| 57                     | 60.7    | 4.1                                  | 60.7                          | 60.7                    | 60.7 | 60.7   | 52.4 | 43.4 | 59.4 | 4.6                               | 59.4                          | 59.4                    | 59.4 | 59.1 | 49.8 | 40.4 |      |
| 2100                   | 77      | 94.5                                 | 4.2                           | 60.1                    | 46.3 | 32.4   | -    | -    | -    | 88.9                              | 4.7                           | 59.9                    | 45.5 | 31.0 | -    | -    | -    |
|                        | 72      | 87.8                                 | 4.2                           | 65.7                    | 54.8 | 43.8   | 32.9 | -    | -    | 83.1                              | 4.6                           | 64.3                    | 53.2 | 42.1 | 31.0 | -    | -    |
|                        | 67      | 81.1                                 | 4.1                           | 71.2                    | 63.2 | 55.2   | 44.3 | 33.4 | -    | 77.2                              | 4.6                           | 68.8                    | 61.0 | 53.2 | 42.2 | 31.2 | -    |
|                        | 62      | 74.4                                 | 4.1                           | 74.4                    | 71.4 | 66.6   | 54.9 | 44.8 | 34.0 | 71.6                              | 4.6                           | 71.6                    | 69.2 | 64.3 | 52.9 | 42.4 | 31.4 |
| 57                     | 61.3    | 4.1                                  | 61.3                          | 61.3                    | 61.3 | 61.3   | 56.3 | 45.4 | 59.4 | 4.6                               | 59.4                          | 59.4                    | 59.4 | 59.4 | 53.6 | 42.7 |      |
| 2400                   | 77      | 95.9                                 | 4.3                           | 68.2                    | 50.3 | 32.5   | -    | -    | -    | 89.4                              | 4.7                           | 69.7                    | 50.8 | 31.8 | -    | -    | -    |
|                        | 72      | 89.9                                 | 4.2                           | 70.3                    | 58.0 | 45.7   | 33.5 | -    | -    | 84.8                              | 4.7                           | 69.6                    | 57.0 | 44.5 | 31.9 | -    | -    |
|                        | 67      | 83.8                                 | 4.2                           | 72.4                    | 65.7 | 59.0   | 46.6 | 34.2 | -    | 80.2                              | 4.6                           | 69.5                    | 63.3 | 57.1 | 44.6 | 32.0 | -    |
|                        | 62      | 75.0                                 | 4.2                           | 75.0                    | 75.0 | 72.3   | 59.2 | 47.2 | 34.6 | 71.9                              | 4.6                           | 71.9                    | 71.9 | 69.8 | 57.0 | 44.8 | 32.3 |
| 57                     | 61.9    | 4.1                                  | 61.9                          | 61.9                    | 61.9 | 61.9   | 60.2 | 47.5 | 59.4 | 4.6                               | 59.4                          | 59.4                    | 59.4 | 59.4 | 57.5 | 45.1 |      |
| 2700                   | 72      | 91.9                                 | 4.2                           | 75.0                    | 61.3 | 47.7   | 34.0 | -    | -    | 86.5                              | 4.7                           | 74.9                    | 60.8 | 46.8 | 32.7 | -    | -    |
|                        | 67      | 86.5                                 | 4.2                           | 73.6                    | 68.2 | 62.8   | 48.9 | 34.9 | -    | 83.1                              | 4.6                           | 70.2                    | 65.6 | 61.0 | 46.9 | 32.9 | -    |
|                        | 62      | 75.6                                 | 4.2                           | 75.6                    | 75.6 | 75.6   | 63.5 | 49.5 | 35.3 | 72.3                              | 4.6                           | 72.3                    | 72.3 | 72.3 | 61.0 | 47.1 | 33.1 |
|                        | 57      | 62.5                                 | 4.2                           | 62.5                    | 62.5 | 62.5   | 62.5 | 62.5 | 49.6 | 59.4                              | 4.6                           | 59.4                    | 59.4 | 59.4 | 59.4 | 59.4 | 47.4 |
| 3000                   | 72      | 94.0                                 | 4.3                           | 79.6                    | 64.6 | 49.578 | 34.6 | -    | -    | 88.2                              | 4.7                           | 80.2                    | 64.6 | 49.1 | 33.5 | -    | -    |
|                        | 67      | 89.2                                 | 4.2                           | 74.8                    | 70.7 | 66.6   | 51.2 | 35.7 | -    | 86.0                              | 4.7                           | 71.0                    | 67.9 | 64.8 | 49.3 | 33.7 | -    |
|                        | 62      | 76.2                                 | 4.2                           | 76.2                    | 76.2 | 76.2   | 67.8 | 51.9 | 35.9 | 72.7                              | 4.7                           | 72.7                    | 72.7 | 72.7 | 65.1 | 49.5 | 33.9 |
|                        | 57      | 63.1                                 | 4.2                           | 63.1                    | 63.1 | 63.1   | 63.1 | 63.1 | 51.6 | 59.4                              | 4.6                           | 59.4                    | 59.4 | 59.4 | 59.4 | 59.4 | 49.7 |
|                        |         |                                      |                               | 95°F                    |      |        |      |      |      | 105°F                             |                               |                         |      |      |      |      |      |
| 1500                   | 77      | 84.3                                 | 5.1                           | 36.5                    | 31.6 | 26.7   | -    | -    | -    | 82.7                              | 5.8                           | 36.9                    | 31.0 | 25.2 | -    | -    | -    |
|                        | 72      | 75.7                                 | 5.1                           | 51.2                    | 43.1 | 35.0   | 26.9 | -    | -    | 71.6                              | 5.8                           | 49.9                    | 41.6 | 33.4 | 25.1 | -    | -    |
|                        | 67      | 67.1                                 | 5.0                           | 65.8                    | 54.6 | 43.4   | 35.2 | 27.0 | -    | 60.5                              | 5.7                           | 60.5                    | 52.3 | 41.5 | 33.1 | 24.7 | -    |
|                        | 62      | 68.3                                 | 5.0                           | 66.1                    | 58.9 | 51.7   | 43.4 | 35.2 | 26.9 | 64.6                              | 5.7                           | 62.5                    | 56.1 | 49.7 | 41.1 | 32.6 | 24.0 |
| 1800                   | 77      | 83.8                                 | 5.1                           | 48.1                    | 38.1 | 28.2   | -    | -    | -    | 80.4                              | 5.8                           | 47.1                    | 36.5 | 26.0 | -    | -    | -    |
|                        | 72      | 77.0                                 | 5.1                           | 57.1                    | 47.4 | 37.728 | 28.1 | -    | -    | 72.1                              | 5.8                           | 55.1                    | 45.3 | 35.6 | 25.9 | -    | -    |
|                        | 67      | 70.3                                 | 5.0                           | 66.0                    | 56.7 | 47.3   | 37.6 | 28.0 | -    | 63.8                              | 5.7                           | 63.0                    | 54.1 | 45.2 | 35.4 | 25.5 | -    |
|                        | 62      | 68.5                                 | 5.0                           | 68.5                    | 62.9 | 56.9   | 47.2 | 37.5 | 27.9 | 64.7                              | 5.7                           | 64.7                    | 60.0 | 54.9 | 44.9 | 35.0 | 25.0 |
| 57                     | 58.2    | 5.0                                  | 58.2                          | 58.2                    | 58.2 | 56.8   | 47.1 | 37.5 | 59.8 | 5.7                               | 59.8                          | 59.8                    | 59.8 | 54.4 | 44.4 | 34.3 |      |
| 2100                   | 77      | 83.3                                 | 5.1                           | 59.7                    | 44.7 | 29.6   | -    | -    | -    | 78.1                              | 5.8                           | 57.3                    | 42.0 | 26.7 | -    | -    | -    |
|                        | 72      | 78.3                                 | 5.1                           | 63.0                    | 51.7 | 40.4   | 29.2 | -    | -    | 72.6                              | 5.8                           | 60.2                    | 49.0 | 37.8 | 26.6 | -    | -    |
|                        | 67      | 73.4                                 | 5.1                           | 66.3                    | 58.8 | 51.2   | 40.1 | 28.9 | -    | 67.1                              | 5.8                           | 63.0                    | 56.0 | 48.9 | 37.6 | 26.4 | -    |
|                        | 62      | 68.7                                 | 5.1                           | 68.7                    | 67.0 | 62.0   | 51.0 | 39.9 | 28.9 | 64.8                              | 5.8                           | 64.8                    | 63.9 | 60.0 | 48.7 | 37.4 | 26.0 |
| 57                     | 57.5    | 5.0                                  | 57.5                          | 57.5                    | 57.5 | 57.5   | 51.0 | 40.0 | 58.1 | 5.8                               | 58.1                          | 58.1                    | 58.1 | 58.1 | 47.7 | 36.0 |      |
| 2400                   | 77      | 82.8                                 | 5.1                           | 71.2                    | 51.2 | 31.1   | -    | -    | -    | 75.8                              | 5.8                           | 67.5                    | 47.5 | 27.4 | -    | -    | -    |
|                        | 72      | 79.7                                 | 5.1                           | 68.9                    | 56.0 | 43.2   | 30.3 | -    | -    | 73.1                              | 5.8                           | 65.3                    | 52.7 | 40.0 | 27.4 | -    | -    |
|                        | 67      | 76.5                                 | 5.1                           | 66.6                    | 60.9 | 55.2   | 42.5 | 29.9 | -    | 70.3                              | 5.8                           | 63.1                    | 57.8 | 52.6 | 39.9 | 27.2 | -    |
|                        | 62      | 68.9                                 | 5.1                           | 68.9                    | 68.9 | 67.2   | 54.8 | 42.3 | 29.9 | 64.9                              | 5.8                           | 64.9                    | 64.9 | 64.9 | 52.5 | 39.8 | 27.0 |
| 57                     | 56.9    | 5.1                                  | 56.9                          | 56.9                    | 56.9 | 56.9   | 54.8 | 42.6 | 56.5 | 5.8                               | 56.5                          | 56.5                    | 56.5 | 56.5 | 51.0 | 37.6 |      |
| 2700                   | 72      | 81.0                                 | 5.1                           | 74.8                    | 60.3 | 45.9   | 31.4 | -    | -    | 73.5                              | 5.8                           | 70.4                    | 56.3 | 42.2 | 28.1 | -    | -    |
|                        | 67      | 79.6                                 | 5.1                           | 66.8                    | 63.0 | 59.1   | 45.0 | 30.8 | -    | 73.6                              | 5.8                           | 63.1                    | 59.7 | 56.3 | 42.2 | 28.1 | -    |
|                        | 62      | 69.1                                 | 5.1                           | 69.1                    | 69.1 | 69.1   | 58.6 | 44.7 | 30.9 | 64.9                              | 5.8                           | 64.9                    | 64.9 | 64.9 | 56.3 | 42.2 | 28.1 |
|                        | 57      | 56.3                                 | 5.1                           | 56.3                    | 56.3 | 56.3   | 56.3 | 56.3 | 45.2 | 54.8                              | 5.8                           | 54.8                    | 54.8 | 54.8 | 54.8 | 54.3 | 39.3 |
| 3000                   | 72      | 82.3                                 | 5.1                           | 80.7                    | 64.7 | 48.591 | 32.5 | -    | -    | 74.0                              | 5.8                           | 74.0                    | 60.0 | 44.4 | 28.9 | -    | -    |
|                        | 67      | 82.8                                 | 5.1                           | 67.1                    | 65.1 | 63.1   | 47.4 | 31.8 | -    | 76.9                              | 5.8                           | 63.1                    | 61.6 | 60.0 | 44.5 | 28.9 | -    |
|                        | 62      | 69.3                                 | 5.1                           | 69.3                    | 69.3 | 69.3   | 62.3 | 47.1 | 32.0 | 65.0                              | 5.8                           | 65.0                    | 65.0 | 65.0 | 60.1 | 44.6 | 29.1 |
|                        | 57      | 55.7                                 | 5.1                           | 55.7                    | 55.7 | 55.7   | 55.7 | 55.7 | 47.8 | 53.2                              | 5.8                           | 53.2                    | 53.2 | 53.2 | 53.2 | 53.2 | 41.0 |

ZYA7 (6.0 Ton) (Continued)

| Air on Evaporator Coil |         | Temperature of Air on Condenser Coil |                               |                         |      |      |      |      |      |                                   |                               |                         |      |      |      |      |      |
|------------------------|---------|--------------------------------------|-------------------------------|-------------------------|------|------|------|------|------|-----------------------------------|-------------------------------|-------------------------|------|------|------|------|------|
| CFM                    | WB (°F) | Total Capacity <sup>1</sup> (MBh)    | Total Input (kW) <sup>2</sup> | Sensible Capacity (MBh) |      |      |      |      |      | Total Capacity <sup>1</sup> (MBh) | Total Input (kW) <sup>2</sup> | Sensible Capacity (MBh) |      |      |      |      |      |
|                        |         |                                      |                               | Return Dry Bulb (°F)    |      |      |      |      |      |                                   |                               | Return Dry Bulb (°F)    |      |      |      |      |      |
|                        |         |                                      |                               | 90                      | 85   | 80   | 75   | 70   | 65   |                                   |                               | 90                      | 85   | 80   | 75   | 70   | 65   |
|                        |         |                                      |                               | 115°F                   |      |      |      |      |      | 125°F                             |                               |                         |      |      |      |      |      |
| 1500                   | 77      | 81.1                                 | 6.4                           | 37.2                    | 30.5 | 23.8 | -    | -    | -    | 79.5                              | 7.1                           | 37.5                    | 29.9 | 22.3 | -    | -    | -    |
|                        | 72      | 67.5                                 | 6.4                           | 48.7                    | 40.2 | 31.7 | 23.3 | -    | -    | 63.4                              | 7.1                           | 47.4                    | 38.8 | 30.1 | 21.4 | -    | -    |
|                        | 67      | 53.9                                 | 6.4                           | 53.9                    | 49.9 | 39.7 | 31.0 | 22.4 | -    | 47.3                              | 7.1                           | 47.3                    | 47.3 | 37.9 | 29.0 | 20.0 | -    |
|                        | 62      | 60.8                                 | 6.4                           | 58.9                    | 53.3 | 47.7 | 38.8 | 30.0 | 21.1 | 57.1                              | 7.2                           | 55.3                    | 50.5 | 45.6 | 36.5 | 27.4 | 18.2 |
| 1800                   | 77      | 77.0                                 | 6.4                           | 46.1                    | 34.9 | 23.7 | -    | -    | -    | 73.5                              | 7.1                           | 45.1                    | 33.3 | 21.5 | -    | -    | -    |
|                        | 72      | 67.1                                 | 6.4                           | 53.0                    | 43.2 | 33.4 | 23.7 | -    | -    | 62.2                              | 7.1                           | 51.0                    | 41.2 | 31.3 | 21.4 | -    | -    |
|                        | 67      | 57.3                                 | 6.4                           | 57.3                    | 51.6 | 43.1 | 33.1 | 23.1 | -    | 50.9                              | 7.1                           | 50.9                    | 49.0 | 41.1 | 30.9 | 20.7 | -    |
|                        | 62      | 60.8                                 | 6.5                           | 60.8                    | 57.0 | 52.8 | 42.6 | 32.4 | 22.1 | 57.0                              | 7.2                           | 57.0                    | 54.1 | 50.8 | 40.3 | 29.8 | 19.3 |
| 2100                   | 77      | 72.8                                 | 6.4                           | 55.0                    | 39.3 | 23.7 | -    | -    | -    | 67.6                              | 7.1                           | 52.6                    | 36.7 | 20.8 | -    | -    | -    |
|                        | 72      | 66.8                                 | 6.4                           | 57.4                    | 46.3 | 35.2 | 24.0 | -    | -    | 61.0                              | 7.1                           | 54.6                    | 43.5 | 32.5 | 21.5 | -    | -    |
|                        | 67      | 60.8                                 | 6.4                           | 59.8                    | 53.2 | 46.6 | 35.2 | 23.9 | -    | 54.4                              | 7.1                           | 54.4                    | 50.4 | 44.2 | 32.8 | 21.3 | -    |
|                        | 62      | 60.8                                 | 6.5                           | 60.8                    | 60.8 | 58.0 | 46.4 | 34.8 | 23.1 | 56.9                              | 7.2                           | 56.9                    | 56.9 | 56.0 | 44.1 | 32.2 | 20.3 |
| 2400                   | 77      | 68.7                                 | 6.5                           | 63.8                    | 43.8 | 23.7 | -    | -    | -    | 61.7                              | 7.1                           | 60.1                    | 40.1 | 20.0 | -    | -    | -    |
|                        | 72      | 66.5                                 | 6.5                           | 61.7                    | 49.3 | 36.9 | 24.4 | -    | -    | 59.8                              | 7.1                           | 58.1                    | 45.9 | 33.7 | 21.5 | -    | -    |
|                        | 67      | 64.2                                 | 6.5                           | 59.6                    | 54.8 | 50.0 | 37.3 | 24.6 | -    | 58.0                              | 7.1                           | 56.1                    | 51.8 | 47.4 | 34.7 | 22.0 | -    |
|                        | 62      | 60.8                                 | 6.5                           | 60.8                    | 60.8 | 60.8 | 50.2 | 37.2 | 24.2 | 56.8                              | 7.2                           | 56.8                    | 56.8 | 56.8 | 47.9 | 34.6 | 21.3 |
| 2700                   | 77      | 66.1                                 | 6.5                           | 66.1                    | 52.3 | 38.6 | 24.8 | -    | -    | 58.7                              | 7.1                           | 58.7                    | 48.3 | 34.9 | 21.6 | -    | -    |
|                        | 72      | 67.6                                 | 6.5                           | 59.4                    | 56.4 | 53.5 | 39.4 | 25.3 | -    | 61.6                              | 7.1                           | 55.7                    | 53.2 | 50.6 | 36.6 | 22.6 | -    |
|                        | 67      | 60.8                                 | 6.5                           | 60.8                    | 60.8 | 60.8 | 54.0 | 39.6 | 25.2 | 56.7                              | 7.2                           | 56.7                    | 56.7 | 56.7 | 51.7 | 37.0 | 22.3 |
|                        | 62      | 53.3                                 | 6.5                           | 53.3                    | 53.3 | 53.3 | 53.3 | 50.0 | 33.4 | 51.8                              | 7.2                           | 51.8                    | 51.8 | 51.8 | 51.8 | 45.7 | 27.5 |
| 3000                   | 72      | 65.8                                 | 6.5                           | 65.8                    | 55.3 | 40.3 | 25.2 | -    | -    | 57.5                              | 7.1                           | 57.5                    | 50.7 | 36.1 | 21.6 | -    | -    |
|                        | 67      | 71.0                                 | 6.5                           | 59.2                    | 58.0 | 56.9 | 41.5 | 26.1 | -    | 65.2                              | 7.2                           | 55.2                    | 54.5 | 53.8 | 38.5 | 23.2 | -    |
|                        | 62      | 60.8                                 | 6.5                           | 60.8                    | 60.8 | 60.8 | 57.8 | 42.0 | 26.2 | 56.6                              | 7.2                           | 56.6                    | 56.6 | 56.6 | 55.5 | 39.4 | 23.3 |
|                        | 57      | 50.6                                 | 6.5                           | 50.6                    | 50.6 | 50.6 | 50.6 | 50.6 | 34.2 | 48.0                              | 7.2                           | 48.0                    | 48.0 | 48.0 | 48.0 | 48.0 | 27.4 |

1. These capacities are gross ratings. For net capacity, deduct the supply air blower motor heat (MBh = 3.415 x kW). Refer to the appropriate Blower Performance Table for the kW of the supply air blower motor.
2. These ratings include the condenser fan motors (total 1 kW) and the compressor motors but not the supply air blower motor.

ZY08 (7.5 Ton)

| Air on Evaporator Coil |         | Temperature of Air on Condenser Coil |                               |                         |       |       |       |      |      |                                   |                               |                         |       |       |       |      |      |
|------------------------|---------|--------------------------------------|-------------------------------|-------------------------|-------|-------|-------|------|------|-----------------------------------|-------------------------------|-------------------------|-------|-------|-------|------|------|
| CFM                    | WB (°F) | Total Capacity <sup>1</sup> (MBh)    | Total Input (kW) <sup>2</sup> | Sensible Capacity (MBh) |       |       |       |      |      | Total Capacity <sup>1</sup> (MBh) | Total Input (kW) <sup>2</sup> | Sensible Capacity (MBh) |       |       |       |      |      |
|                        |         |                                      |                               | Return Dry Bulb (°F)    |       |       |       |      |      |                                   |                               | Return Dry Bulb (°F)    |       |       |       |      |      |
|                        |         |                                      |                               | 90                      | 85    | 80    | 75    | 70   | 65   |                                   |                               | 90                      | 85    | 80    | 75    | 70   | 65   |
|                        |         |                                      |                               | 75°F                    |       |       |       |      |      | 85°F                              |                               |                         |       |       |       |      |      |
| 1875                   | 77      | 118.6                                | 5.2                           | 62.2                    | 53.7  | 45.2  | -     | -    | -    | 106.8                             | 5.8                           | 59.9                    | 51.4  | 43.0  | -     | -    | -    |
|                        | 72      | 107.7                                | 5.2                           | 73.3                    | 63.4  | 53.6  | 43.8  | -    | -    | 102.0                             | 5.8                           | 70.6                    | 61.0  | 51.3  | 41.6  | -    | -    |
|                        | 67      | 96.9                                 | 5.2                           | 84.4                    | 73.2  | 62.0  | 52.2  | 42.8 | -    | 91.7                              | 5.9                           | 81.4                    | 70.5  | 59.6  | 49.7  | 40.0 | -    |
|                        | 62      | 93.3                                 | 5.2                           | 92.3                    | 81.4  | 70.4  | 59.4  | 51.7 | 42.4 | 89.5                              | 5.9                           | 88.6                    | 78.2  | 67.8  | 57.1  | 48.1 | 38.2 |
| 2250                   | 77      | 119.6                                | 5.2                           | 69.3                    | 56.9  | 44.5  | -     | -    | -    | 113.0                             | 5.8                           | 67.0                    | 54.3  | 41.6  | -     | -    | -    |
|                        | 72      | 110.3                                | 5.2                           | 79.7                    | 67.8  | 55.9  | 43.9  | -    | -    | 104.4                             | 5.9                           | 77.0                    | 65.0  | 53.1  | 41.2  | -    | -    |
|                        | 67      | 101.0                                | 5.2                           | 90.2                    | 78.7  | 67.2  | 55.1  | 43.4 | -    | 95.8                              | 5.9                           | 87.0                    | 75.8  | 64.7  | 52.6  | 40.7 | -    |
|                        | 62      | 98.1                                 | 5.2                           | 96.9                    | 87.7  | 78.5  | 65.3  | 54.8 | 43.0 | 94.0                              | 5.9                           | 92.9                    | 84.6  | 76.2  | 63.4  | 52.0 | 39.9 |
| 2625                   | 77      | 120.7                                | 5.2                           | 76.4                    | 60.1  | 43.8  | -     | -    | -    | 113.7                             | 5.8                           | 74.1                    | 57.1  | 40.2  | -     | -    | -    |
|                        | 72      | 112.9                                | 5.2                           | 86.2                    | 72.1  | 58.1  | 44.0  | -    | -    | 106.7                             | 5.9                           | 83.3                    | 69.1  | 55.0  | 40.8  | -    | -    |
|                        | 67      | 105.2                                | 5.3                           | 96.0                    | 84.2  | 72.3  | 58.0  | 44.0 | -    | 99.8                              | 5.9                           | 92.5                    | 81.1  | 69.8  | 55.5  | 41.3 | -    |
|                        | 62      | 103.0                                | 5.2                           | 101.5                   | 94.1  | 86.6  | 71.3  | 57.9 | 43.6 | 98.4                              | 5.9                           | 97.3                    | 90.9  | 84.6  | 69.8  | 55.9 | 41.6 |
| 3000                   | 77      | 121.7                                | 5.2                           | 83.5                    | 63.3  | 43.1  | -     | -    | -    | 114.4                             | 5.9                           | 81.2                    | 59.9  | 38.7  | -     | -    | -    |
|                        | 72      | 115.5                                | 5.2                           | 92.6                    | 76.5  | 60.3  | 44.1  | -    | -    | 109.1                             | 5.9                           | 89.6                    | 73.2  | 56.8  | 40.4  | -    | -    |
|                        | 67      | 109.3                                | 5.3                           | 101.8                   | 89.6  | 77.5  | 60.9  | 44.5 | -    | 103.8                             | 5.9                           | 98.1                    | 86.5  | 74.9  | 58.3  | 41.9 | -    |
|                        | 62      | 107.8                                | 5.2                           | 106.1                   | 100.4 | 94.7  | 77.2  | 61.0 | 44.2 | 102.9                             | 5.9                           | 101.6                   | 97.3  | 93.0  | 76.1  | 59.9 | 43.3 |
| 3375                   | 72      | 118.1                                | 5.3                           | 99.1                    | 80.8  | 62.5  | 44.3  | -    | -    | 111.5                             | 5.9                           | 96.0                    | 77.3  | 58.6  | 40.0  | -    | -    |
|                        | 67      | 113.5                                | 5.3                           | 107.6                   | 95.1  | 82.7  | 63.8  | 45.1 | -    | 107.9                             | 5.9                           | 103.6                   | 91.8  | 80.0  | 61.2  | 42.6 | -    |
|                        | 62      | 112.6                                | 5.2                           | 110.7                   | 106.7 | 102.8 | 83.1  | 64.1 | 44.8 | 107.3                             | 5.9                           | 106.0                   | 103.6 | 101.3 | 82.4  | 63.8 | 45.0 |
|                        | 57      | 112.1                                | 5.2                           | 112.1                   | 112.1 | 112.1 | 103.1 | 83.2 | 63.4 | 106.9                             | 5.8                           | 106.9                   | 106.9 | 106.9 | 103.9 | 85.0 | 66.2 |
| 3750                   | 72      | 120.7                                | 5.3                           | 105.6                   | 85.2  | 64.8  | 44.4  | -    | -    | 113.9                             | 5.9                           | 102.3                   | 81.4  | 60.5  | 39.6  | -    | -    |
|                        | 67      | 117.6                                | 5.3                           | 113.4                   | 100.6 | 87.8  | 66.7  | 45.6 | -    | 111.9                             | 5.9                           | 109.2                   | 97.1  | 85.1  | 64.1  | 43.2 | -    |
|                        | 62      | 117.4                                | 5.2                           | 115.3                   | 113.1 | 110.9 | 89.0  | 67.2 | 45.4 | 111.7                             | 5.9                           | 110.3                   | 110.0 | 109.7 | 88.7  | 67.7 | 46.7 |
|                        | 57      | 117.2                                | 5.2                           | 117.1                   | 117.1 | 117.1 | 111.4 | 88.9 | 66.3 | 111.6                             | 5.8                           | 111.4                   | 111.4 | 111.4 | 111.4 | 92.3 | 71.2 |
|                        |         |                                      |                               | 95°F                    |       |       |       |      |      | 105°F                             |                               |                         |       |       |       |      |      |
| 1875                   | 77      | 95.0                                 | 6.3                           | 57.5                    | 49.2  | 40.9  | -     | -    | -    | 89.4                              | 7.4                           | 54.8                    | 46.1  | 37.5  | -     | -    | -    |
|                        | 72      | 96.2                                 | 6.5                           | 68.0                    | 58.5  | 49.0  | 39.5  | -    | -    | 89.1                              | 7.5                           | 65.4                    | 55.7  | 46.0  | 36.3  | -    | -    |
|                        | 67      | 86.6                                 | 6.7                           | 78.5                    | 67.8  | 57.1  | 47.1  | 37.2 | -    | 81.6                              | 7.6                           | 76.0                    | 65.3  | 54.5  | 44.4  | 34.4 | -    |
|                        | 62      | 85.7                                 | 6.5                           | 84.8                    | 75.0  | 65.2  | 54.8  | 44.4 | 34.0 | 81.0                              | 7.5                           | 80.2                    | 71.6  | 63.0  | 52.6  | 42.2 | 31.7 |
| 2250                   | 77      | 106.3                                | 6.4                           | 64.6                    | 51.6  | 38.7  | -     | -    | -    | 97.8                              | 7.4                           | 62.0                    | 48.9  | 35.8  | -     | -    | -    |
|                        | 72      | 98.4                                 | 6.5                           | 74.2                    | 62.3  | 50.4  | 38.5  | -    | -    | 91.6                              | 7.5                           | 71.3                    | 59.4  | 47.6  | 35.7  | -    | -    |
|                        | 67      | 90.5                                 | 6.6                           | 83.8                    | 73.0  | 62.1  | 50.0  | 37.9 | -    | 85.3                              | 7.6                           | 80.6                    | 69.9  | 59.3  | 47.1  | 35.0 | -    |
|                        | 62      | 89.8                                 | 6.5                           | 88.9                    | 81.4  | 73.9  | 61.5  | 49.2 | 36.8 | 84.8                              | 7.5                           | 84.1                    | 77.5  | 71.0  | 58.6  | 46.2 | 33.8 |
| 2625                   | 77      | 106.7                                | 6.4                           | 71.7                    | 54.1  | 36.5  | -     | -    | -    | 99.0                              | 7.4                           | 69.2                    | 51.7  | 34.2  | -     | -    | -    |
|                        | 72      | 100.6                                | 6.5                           | 80.4                    | 66.1  | 51.8  | 37.6  | -    | -    | 94.0                              | 7.5                           | 77.2                    | 63.2  | 49.1  | 35.1  | -    | -    |
|                        | 67      | 94.4                                 | 6.6                           | 89.1                    | 78.1  | 67.2  | 52.9  | 38.6 | -    | 89.0                              | 7.6                           | 85.2                    | 74.6  | 64.0  | 49.8  | 35.6 | -    |
|                        | 62      | 93.9                                 | 6.5                           | 93.0                    | 87.8  | 82.5  | 68.2  | 53.9 | 39.6 | 88.6                              | 7.5                           | 87.9                    | 83.4  | 78.9  | 64.6  | 50.2 | 35.9 |
| 3000                   | 77      | 107.1                                | 6.5                           | 78.8                    | 56.6  | 34.3  | -     | -    | -    | 100.1                             | 7.5                           | 76.4                    | 54.5  | 32.6  | -     | -    | -    |
|                        | 72      | 102.8                                | 6.5                           | 86.6                    | 69.9  | 53.3  | 36.6  | -    | -    | 96.4                              | 7.5                           | 83.1                    | 66.9  | 50.7  | 34.5  | -    | -    |
|                        | 67      | 98.4                                 | 6.6                           | 94.4                    | 83.3  | 72.2  | 55.8  | 39.3 | -    | 92.7                              | 7.5                           | 89.8                    | 79.3  | 68.8  | 52.5  | 36.3 | -    |
|                        | 62      | 97.9                                 | 6.5                           | 97.1                    | 94.2  | 91.2  | 75.0  | 58.7 | 42.5 | 92.3                              | 7.5                           | 91.7                    | 89.3  | 86.8  | 70.6  | 54.3 | 38.0 |
| 3375                   | 77      | 104.9                                | 6.5                           | 92.8                    | 73.8  | 54.7  | 35.7  | -    | -    | 98.8                              | 7.5                           | 89.1                    | 70.7  | 52.3  | 33.9  | -    | -    |
|                        | 72      | 102.3                                | 6.5                           | 99.7                    | 88.5  | 77.3  | 58.7  | 40.1 | -    | 96.3                              | 7.5                           | 94.5                    | 84.0  | 73.5  | 55.2  | 36.9 | -    |
|                        | 67      | 102.0                                | 6.5                           | 101.2                   | 100.6 | 99.9  | 81.7  | 63.5 | 45.3 | 96.1                              | 7.5                           | 95.5                    | 95.1  | 94.8  | 76.6  | 58.3 | 40.1 |
|                        | 57      | 101.7                                | 6.4                           | 101.7                   | 101.7 | 101.7 | 86.9  | 69.1 | -    | 95.9                              | 7.4                           | 95.9                    | 95.9  | 95.9  | 95.9  | 79.8 | 61.6 |
| 3750                   | 72      | 107.1                                | 6.6                           | 99.0                    | 77.6  | 56.2  | 34.7  | -    | -    | 101.2                             | 7.5                           | 95.0                    | 74.4  | 53.8  | 33.3  | -    | -    |
|                        | 67      | 106.3                                | 6.5                           | 105.0                   | 93.7  | 82.3  | 61.6  | 40.8 | -    | 100.0                             | 7.5                           | 99.1                    | 88.7  | 78.3  | 57.9  | 37.6 | -    |
|                        | 62      | 106.1                                | 6.5                           | 105.3                   | 105.3 | 105.3 | 88.4  | 68.2 | 48.1 | 99.9                              | 7.5                           | 99.3                    | 99.3  | 99.3  | 82.5  | 62.4 | 42.2 |
|                        | 57      | 105.9                                | 6.5                           | 105.7                   | 105.7 | 105.7 | 105.7 | 95.7 | 76.2 | 99.8                              | 7.4                           | 99.6                    | 99.6  | 99.6  | 99.6  | 87.2 | 67.2 |

ZY08 (7.5 Ton) (Continued)

| Air on Evaporator Coil |    | Temperature of Air on Condenser Coil |                               |                         |      |      |      |      |      |                                   |                               |                         |      |      |      |      |      |
|------------------------|----|--------------------------------------|-------------------------------|-------------------------|------|------|------|------|------|-----------------------------------|-------------------------------|-------------------------|------|------|------|------|------|
|                        |    | Total Capacity <sup>1</sup> (MBh)    | Total Input (kW) <sup>2</sup> | Sensible Capacity (MBh) |      |      |      |      |      | Total Capacity <sup>1</sup> (MBh) | Total Input (kW) <sup>2</sup> | Sensible Capacity (MBh) |      |      |      |      |      |
|                        |    |                                      |                               | Return Dry Bulb (°F)    |      |      |      |      |      |                                   |                               | Return Dry Bulb (°F)    |      |      |      |      |      |
|                        |    |                                      |                               | 90                      | 85   | 80   | 75   | 70   | 65   |                                   |                               | 90                      | 85   | 80   | 75   | 70   | 65   |
|                        |    | 115°F                                |                               |                         |      |      |      |      |      | 125°F                             |                               |                         |      |      |      |      |      |
| 1875                   | 77 | 83.8                                 | 8.5                           | 52.1                    | 43.1 | 34.1 | -    | -    | -    | 78.3                              | 9.5                           | 49.4                    | 40.0 | 30.7 | -    | -    | -    |
|                        | 72 | 82.1                                 | 8.5                           | 62.8                    | 52.9 | 43.0 | 33.1 | -    | -    | 75.0                              | 9.5                           | 60.2                    | 50.1 | 40.0 | 29.9 | -    | -    |
|                        | 67 | 76.7                                 | 8.6                           | 73.5                    | 62.7 | 51.9 | 41.7 | 31.5 | -    | 71.7                              | 9.5                           | 71.1                    | 60.2 | 49.3 | 39.0 | 28.7 | -    |
|                        | 62 | 76.2                                 | 8.5                           | 75.7                    | 68.3 | 60.9 | 50.4 | 39.9 | 29.4 | 71.5                              | 9.5                           | 71.1                    | 64.9 | 58.7 | 48.1 | 37.6 | 27.1 |
| 2250                   | 77 | 89.3                                 | 8.5                           | 59.4                    | 46.2 | 33.0 | -    | -    | -    | 80.9                              | 9.5                           | 56.8                    | 43.5 | 30.2 | -    | -    | -    |
|                        | 72 | 84.7                                 | 8.5                           | 68.4                    | 56.6 | 44.7 | 32.8 | -    | -    | 77.9                              | 9.5                           | 65.6                    | 53.7 | 41.8 | 30.0 | -    | -    |
|                        | 67 | 80.1                                 | 8.5                           | 77.5                    | 66.9 | 56.4 | 44.2 | 32.1 | -    | 74.9                              | 9.5                           | 74.3                    | 63.9 | 53.5 | 41.3 | 29.2 | -    |
|                        | 62 | 79.7                                 | 8.5                           | 79.2                    | 73.6 | 68.1 | 55.6 | 43.2 | 30.8 | 74.7                              | 9.5                           | 74.3                    | 69.7 | 65.2 | 52.7 | 40.2 | 27.8 |
|                        | 57 | 79.4                                 | 8.5                           | 79.4                    | 79.4 | 79.4 | 67.0 | 54.3 | 41.7 | 74.5                              | 9.5                           | 74.4                    | 74.4 | 74.4 | 64.0 | 51.3 | 38.5 |
| 2625                   | 77 | 91.2                                 | 8.5                           | 66.7                    | 49.4 | 32.0 | -    | -    | -    | 83.4                              | 9.5                           | 64.2                    | 47.0 | 29.7 | -    | -    | -    |
|                        | 72 | 87.4                                 | 8.5                           | 74.1                    | 60.2 | 46.4 | 32.6 | -    | -    | 80.8                              | 9.5                           | 70.9                    | 57.3 | 43.7 | 30.1 | -    | -    |
|                        | 67 | 83.5                                 | 8.5                           | 81.4                    | 71.1 | 60.8 | 46.7 | 32.7 | -    | 78.1                              | 9.4                           | 77.5                    | 67.6 | 57.7 | 43.7 | 29.7 | -    |
|                        | 62 | 83.2                                 | 8.5                           | 82.7                    | 79.0 | 75.3 | 60.9 | 46.6 | 32.2 | 77.9                              | 9.5                           | 77.6                    | 74.6 | 71.6 | 57.2 | 42.9 | 28.5 |
|                        | 57 | 82.9                                 | 8.4                           | 82.9                    | 82.9 | 82.9 | 75.1 | 60.4 | 45.8 | 77.7                              | 9.5                           | 77.6                    | 77.6 | 77.6 | 70.8 | 56.0 | 41.3 |
| 3000                   | 77 | 93.1                                 | 8.5                           | 74.0                    | 52.5 | 30.9 | -    | -    | -    | 86.0                              | 9.5                           | 71.6                    | 50.4 | 29.2 | -    | -    | -    |
|                        | 72 | 90.0                                 | 8.5                           | 79.7                    | 63.9 | 48.1 | 32.3 | -    | -    | 83.6                              | 9.4                           | 76.2                    | 60.9 | 45.5 | 30.2 | -    | -    |
|                        | 67 | 86.9                                 | 8.5                           | 85.3                    | 75.3 | 65.3 | 49.3 | 33.2 | -    | 81.2                              | 9.4                           | 80.8                    | 71.3 | 61.8 | 46.0 | 30.2 | -    |
|                        | 62 | 86.7                                 | 8.5                           | 86.3                    | 84.4 | 82.5 | 66.2 | 49.9 | 33.6 | 81.1                              | 9.4                           | 80.8                    | 79.5 | 78.1 | 61.8 | 45.5 | 29.2 |
|                        | 57 | 86.5                                 | 8.4                           | 86.5                    | 86.5 | 86.5 | 83.1 | 66.5 | 50.0 | 81.0                              | 9.4                           | 80.9                    | 80.9 | 80.9 | 77.6 | 60.8 | 44.0 |
| 3375                   | 72 | 92.7                                 | 8.5                           | 85.3                    | 67.6 | 49.8 | 32.1 | -    | -    | 86.5                              | 9.4                           | 81.5                    | 64.5 | 47.4 | 30.3 | -    | -    |
|                        | 67 | 90.4                                 | 8.4                           | 89.2                    | 79.5 | 69.7 | 51.8 | 33.8 | -    | 84.4                              | 9.4                           | 84.0                    | 75.0 | 66.0 | 48.3 | 30.6 | -    |
|                        | 62 | 90.2                                 | 8.4                           | 89.8                    | 89.7 | 89.7 | 71.4 | 53.2 | 35.0 | 84.3                              | 9.4                           | 84.1                    | 84.1 | 84.1 | 66.3 | 48.1 | 29.8 |
|                        | 57 | 90.0                                 | 8.4                           | 90.0                    | 90.0 | 90.0 | 72.6 | 54.2 | -    | 84.2                              | 9.4                           | 84.1                    | 84.1 | 84.1 | 84.1 | 65.5 | 46.7 |
| 3750                   | 72 | 95.3                                 | 8.5                           | 90.9                    | 71.2 | 51.5 | 31.8 | -    | -    | 89.4                              | 9.4                           | 86.9                    | 68.0 | 49.2 | 30.4 | -    | -    |
|                        | 67 | 93.8                                 | 8.4                           | 93.2                    | 83.7 | 74.2 | 54.3 | 34.3 | -    | 87.6                              | 9.3                           | 87.3                    | 78.7 | 70.1 | 50.6 | 31.1 | -    |
|                        | 62 | 93.7                                 | 8.4                           | 93.3                    | 93.3 | 93.3 | 76.7 | 56.5 | 36.4 | 87.5                              | 9.4                           | 87.3                    | 87.3 | 87.3 | 70.9 | 50.7 | 30.5 |
|                        | 57 | 93.6                                 | 8.4                           | 93.5                    | 93.5 | 93.5 | 93.5 | 78.7 | 58.3 | 87.4                              | 9.4                           | 87.4                    | 87.4 | 87.4 | 70.3 | 49.4 |      |

1. These capacities are gross ratings. For net capacity, deduct the supply air blower motor heat (MBh = 3.415 x kW). Refer to the appropriate Blower Performance Table for the kW of the supply air blower motor.
2. These ratings include the condenser fan motors (total 1 kW) and the compressor motors but not the supply air blower motor.

ZY09 (8.5 Ton)

| Air on Evaporator Coil |         | Temperature of Air on Condenser Coil |                               |                         |       |       |       |      |      |                                   |                               |                         |       |       |       |      |      |
|------------------------|---------|--------------------------------------|-------------------------------|-------------------------|-------|-------|-------|------|------|-----------------------------------|-------------------------------|-------------------------|-------|-------|-------|------|------|
| CFM                    | WB (°F) | Total Capacity <sup>1</sup> (MBh)    | Total Input (kW) <sup>2</sup> | Sensible Capacity (MBh) |       |       |       |      |      | Total Capacity <sup>1</sup> (MBh) | Total Input (kW) <sup>2</sup> | Sensible Capacity (MBh) |       |       |       |      |      |
|                        |         |                                      |                               | Return Dry Bulb (°F)    |       |       |       |      |      |                                   |                               | Return Dry Bulb (°F)    |       |       |       |      |      |
|                        |         |                                      |                               | 90                      | 85    | 80    | 75    | 70   | 65   |                                   |                               | 90                      | 85    | 80    | 75    | 70   | 65   |
|                        |         |                                      |                               | 75°F                    |       |       |       |      |      | 85°F                              |                               |                         |       |       |       |      |      |
| 2125                   | 77      | 129.6                                | 5.9                           | 67.0                    | 57.1  | 47.1  | -     | -    | -    | 123.8                             | 6.5                           | 64.6                    | 54.4  | 44.2  | -     | -    | -    |
|                        | 72      | 121.7                                | 5.8                           | 83.1                    | 71.2  | 59.2  | 47.2  | -    | -    | 116.0                             | 6.5                           | 80.7                    | 68.5  | 56.3  | 44.1  | -    | -    |
|                        | 67      | 113.7                                | 5.8                           | 99.3                    | 85.3  | 71.2  | 58.7  | 46.8 | -    | 108.2                             | 6.5                           | 96.7                    | 82.6  | 68.4  | 56.0  | 43.9 | -    |
|                        | 62      | 112.3                                | 5.7                           | 107.4                   | 95.3  | 83.3  | 67.6  | 58.5 | 46.0 | 106.3                             | 6.5                           | 102.3                   | 91.4  | 80.6  | 66.6  | 55.9 | 43.6 |
| 2550                   | 77      | 132.2                                | 5.9                           | 75.2                    | 60.8  | 46.4  | -     | -    | -    | 125.7                             | 6.6                           | 73.3                    | 58.6  | 43.9  | -     | -    | -    |
|                        | 72      | 124.6                                | 5.9                           | 90.1                    | 75.9  | 61.6  | 47.3  | -    | -    | 118.6                             | 6.5                           | 87.7                    | 73.3  | 58.9  | 44.6  | -    | -    |
|                        | 67      | 117.1                                | 5.8                           | 105.1                   | 90.9  | 76.8  | 61.9  | 47.6 | -    | 111.5                             | 6.5                           | 102.0                   | 88.0  | 74.0  | 59.3  | 44.8 | -    |
|                        | 62      | 115.5                                | 5.8                           | 111.5                   | 101.8 | 92.1  | 74.4  | 62.1 | 47.1 | 109.8                             | 6.5                           | 106.5                   | 97.8  | 89.1  | 72.9  | 59.4 | 44.5 |
| 2975                   | 77      | 134.7                                | 6.0                           | 83.4                    | 64.5  | 45.6  | -     | -    | -    | 127.6                             | 6.6                           | 82.0                    | 62.8  | 43.6  | -     | -    | -    |
|                        | 72      | 127.6                                | 5.9                           | 97.1                    | 80.6  | 64.0  | 47.5  | -    | -    | 121.3                             | 6.6                           | 94.6                    | 78.1  | 61.6  | 45.1  | -    | -    |
|                        | 67      | 120.5                                | 5.8                           | 110.8                   | 96.6  | 82.4  | 65.2  | 48.3 | -    | 114.9                             | 6.5                           | 107.2                   | 93.4  | 79.6  | 62.5  | 45.7 | -    |
|                        | 62      | 118.7                                | 5.8                           | 115.7                   | 108.3 | 100.8 | 81.3  | 65.7 | 48.1 | 113.2                             | 6.5                           | 110.6                   | 104.1 | 97.6  | 79.2  | 62.8 | 45.3 |
| 3400                   | 77      | 137.3                                | 6.0                           | 91.5                    | 68.2  | 44.8  | -     | -    | -    | 129.5                             | 6.6                           | 90.7                    | 67.0  | 43.3  | -     | -    | -    |
|                        | 72      | 130.6                                | 5.9                           | 104.1                   | 85.2  | 66.4  | 47.6  | -    | -    | 123.9                             | 6.6                           | 101.6                   | 82.9  | 64.2  | 45.6  | -    | -    |
|                        | 67      | 123.9                                | 5.8                           | 116.6                   | 102.3 | 88.0  | 68.4  | 49.0 | -    | 118.3                             | 6.6                           | 112.4                   | 98.8  | 85.2  | 65.8  | 46.5 | -    |
|                        | 62      | 121.9                                | 5.8                           | 119.9                   | 114.7 | 109.6 | 88.1  | 69.3 | 49.1 | 116.7                             | 6.5                           | 114.8                   | 110.4 | 106.1 | 85.5  | 66.2 | 46.2 |
| 3825                   | 72      | 133.6                                | 6.0                           | 111.0                   | 89.9  | 68.8  | 47.7  | -    | -    | 126.5                             | 6.6                           | 108.5                   | 87.7  | 66.9  | 46.1  | -    | -    |
|                        | 67      | 127.3                                | 5.9                           | 122.4                   | 108.0 | 93.6  | 71.6  | 49.7 | -    | 121.6                             | 6.6                           | 117.6                   | 104.2 | 90.7  | 69.0  | 47.4 | -    |
|                        | 62      | 125.1                                | 5.9                           | 124.1                   | 121.2 | 118.3 | 94.9  | 72.8 | 50.1 | 120.1                             | 6.6                           | 118.9                   | 116.8 | 114.6 | 91.7  | 69.6 | 47.1 |
|                        | 57      | 124.6                                | 5.9                           | 124.6                   | 124.6 | 124.6 | 119.5 | 96.0 | 72.4 | 119.5                             | 6.5                           | 119.5                   | 119.5 | 119.5 | 115.1 | 91.7 | 68.4 |
| 4250                   | 72      | 136.6                                | 6.0                           | 118.0                   | 94.6  | 71.2  | 47.8  | -    | -    | 129.2                             | 6.6                           | 115.5                   | 92.5  | 69.5  | 46.5  | -    | -    |
|                        | 67      | 130.7                                | 5.9                           | 128.2                   | 113.6 | 99.1  | 74.8  | 50.4 | -    | 125.0                             | 6.6                           | 122.8                   | 109.6 | 96.3  | 72.3  | 48.3 | -    |
|                        | 62      | 128.2                                | 5.9                           | 128.2                   | 127.6 | 127.0 | 101.7 | 76.4 | 51.1 | 123.5                             | 6.6                           | 123.1                   | 123.1 | 123.1 | 98.0  | 73.0 | 47.9 |
|                        | 57      | 128.2                                | 5.9                           | 128.2                   | 128.2 | 128.2 | 102.4 | 76.2 | -    | 123.3                             | 6.6                           | 123.3                   | 123.3 | 123.3 | 123.3 | 97.7 | 71.6 |
|                        |         |                                      |                               | 95°F                    |       |       |       |      |      | 105°F                             |                               |                         |       |       |       |      |      |
| 2125                   | 77      | 118.0                                | 7.2                           | 62.3                    | 51.7  | 41.2  | -     | -    | -    | 110.3                             | 8.4                           | 62.5                    | 50.8  | 39.2  | -     | -    | -    |
|                        | 72      | 110.3                                | 7.2                           | 78.2                    | 65.8  | 53.4  | 41.0  | -    | -    | 103.8                             | 8.4                           | 76.1                    | 63.6  | 51.0  | 38.4  | -    | -    |
|                        | 67      | 102.6                                | 7.3                           | 94.2                    | 79.9  | 65.6  | 53.3  | 41.0 | -    | 97.2                              | 8.4                           | 89.8                    | 76.3  | 62.8  | 50.4  | 38.0 | -    |
|                        | 62      | 100.4                                | 7.2                           | 97.3                    | 87.6  | 77.9  | 65.7  | 53.4 | 41.2 | 94.8                              | 8.3                           | 91.9                    | 83.2  | 74.6  | 62.4  | 50.3 | 38.1 |
| 2550                   | 77      | 119.2                                | 7.2                           | 71.5                    | 56.4  | 41.4  | -     | -    | -    | 111.4                             | 8.4                           | 70.7                    | 54.7  | 38.6  | -     | -    | -    |
|                        | 72      | 112.6                                | 7.2                           | 85.2                    | 70.7  | 56.3  | 41.8  | -    | -    | 105.7                             | 8.4                           | 82.3                    | 67.8  | 53.4  | 38.9  | -    | -    |
|                        | 67      | 106.0                                | 7.3                           | 98.9                    | 85.0  | 71.2  | 56.6  | 42.0 | -    | 100.1                             | 8.4                           | 93.9                    | 81.0  | 68.1  | 53.5  | 38.9 | -    |
|                        | 62      | 104.1                                | 7.2                           | 101.4                   | 93.8  | 86.1  | 71.4  | 56.7 | 41.9 | 98.1                              | 8.3                           | 95.7                    | 89.3  | 82.9  | 68.1  | 53.4 | 38.6 |
| 2975                   | 77      | 120.5                                | 7.2                           | 80.7                    | 61.1  | 41.6  | -     | -    | -    | 112.5                             | 8.4                           | 78.9                    | 58.5  | 38.1  | -     | -    | -    |
|                        | 72      | 114.9                                | 7.3                           | 92.1                    | 75.6  | 59.2  | 42.7  | -    | -    | 107.7                             | 8.4                           | 88.5                    | 72.1  | 55.8  | 39.5  | -    | -    |
|                        | 67      | 109.3                                | 7.3                           | 103.5                   | 90.2  | 76.8  | 59.9  | 43.0 | -    | 102.9                             | 8.4                           | 98.0                    | 85.7  | 73.5  | 56.7  | 39.8 | -    |
|                        | 62      | 107.8                                | 7.2                           | 105.5                   | 99.9  | 94.4  | 77.1  | 59.9 | 42.6 | 101.4                             | 8.3                           | 99.4                    | 95.3  | 91.2  | 73.8  | 56.5 | 39.2 |
| 3400                   | 77      | 121.8                                | 7.3                           | 89.9                    | 65.8  | 41.8  | -     | -    | -    | 113.6                             | 8.4                           | 87.2                    | 62.4  | 37.6  | -     | -    | -    |
|                        | 72      | 117.2                                | 7.3                           | 99.1                    | 80.6  | 62.1  | 43.5  | -    | -    | 109.7                             | 8.4                           | 94.6                    | 76.4  | 58.2  | 40.0  | -    | -    |
|                        | 67      | 112.6                                | 7.3                           | 108.2                   | 95.3  | 82.3  | 63.2  | 44.1 | -    | 105.8                             | 8.4                           | 102.1                   | 90.5  | 78.8  | 59.8  | 40.7 | -    |
|                        | 62      | 111.4                                | 7.2                           | 109.7                   | 106.1 | 102.6 | 82.8  | 63.1 | 43.3 | 104.6                             | 8.4                           | 103.1                   | 101.3 | 99.5  | 79.6  | 59.7 | 39.7 |
| 3825                   | 72      | 119.5                                | 7.3                           | 106.0                   | 85.5  | 64.9  | 44.4  | -    | -    | 111.6                             | 8.4                           | 100.8                   | 80.7  | 60.6  | 40.6  | -    | -    |
|                        | 67      | 116.0                                | 7.3                           | 112.9                   | 100.4 | 87.9  | 66.5  | 45.1 | -    | 108.6                             | 8.4                           | 106.2                   | 95.2  | 84.2  | 62.9  | 41.6 | -    |
|                        | 62      | 115.1                                | 7.3                           | 113.8                   | 112.3 | 110.8 | 88.6  | 66.3 | 44.0 | 107.9                             | 8.4                           | 106.8                   | 106.8 | 106.8 | 85.3  | 62.8 | 40.3 |
|                        | 57      | 114.3                                | 7.2                           | 114.3                   | 114.3 | 114.3 | 110.7 | 87.5 | 64.4 | 107.2                             | 8.3                           | 107.2                   | 107.2 | 107.2 | 107.2 | 83.9 | 60.2 |
| 4250                   | 72      | 121.8                                | 7.3                           | 112.9                   | 90.4  | 67.8  | 45.3  | -    | -    | 113.6                             | 8.4                           | 107.0                   | 85.0  | 63.1  | 41.1  | -    | -    |
|                        | 67      | 119.3                                | 7.3                           | 117.5                   | 105.5 | 93.5  | 69.8  | 46.1 | -    | 111.5                             | 8.4                           | 110.3                   | 99.9  | 89.6  | 66.1  | 42.6 | -    |
|                        | 62      | 118.8                                | 7.3                           | 117.9                   | 117.9 | 117.9 | 94.3  | 69.5 | 44.7 | 111.2                             | 8.4                           | 110.6                   | 110.6 | 110.6 | 91.0  | 65.9 | 40.8 |
|                        | 57      | 118.4                                | 7.2                           | 118.4                   | 118.4 | 118.4 | 118.4 | 92.9 | 67.0 | 110.8                             | 8.3                           | 110.8                   | 110.8 | 110.8 | 110.8 | 89.3 | 62.6 |

ZY09 (8.5 Ton) (Continued)

| Air on Evaporator Coil |    | Temperature of Air on Condenser Coil |                               |                         |       |       |       |      |      |                                   |                               |                         |      |      |      |      |      |
|------------------------|----|--------------------------------------|-------------------------------|-------------------------|-------|-------|-------|------|------|-----------------------------------|-------------------------------|-------------------------|------|------|------|------|------|
|                        |    | Total Capacity <sup>1</sup> (MBh)    | Total Input (kW) <sup>2</sup> | Sensible Capacity (MBh) |       |       |       |      |      | Total Capacity <sup>1</sup> (MBh) | Total Input (kW) <sup>2</sup> | Sensible Capacity (MBh) |      |      |      |      |      |
|                        |    |                                      |                               | Return Dry Bulb (°F)    |       |       |       |      |      |                                   |                               | Return Dry Bulb (°F)    |      |      |      |      |      |
|                        |    |                                      |                               | 90                      | 85    | 80    | 75    | 70   | 65   |                                   |                               | 90                      | 85   | 80   | 75   | 70   | 65   |
|                        |    | 115°F                                |                               |                         |       |       |       |      |      | 125°F                             |                               |                         |      |      |      |      |      |
| 2125                   | 77 | 102.7                                | 9.5                           | 62.7                    | 49.9  | 37.1  | -     | -    | -    | 95.1                              | 10.7                          | 62.9                    | 49.0 | 35.1 | -    | -    | -    |
|                        | 72 | 97.3                                 | 9.5                           | 74.1                    | 61.3  | 48.5  | 35.7  | -    | -    | 90.7                              | 10.6                          | 72.0                    | 59.0 | 46.1 | 33.1 | -    | -    |
|                        | 67 | 91.8                                 | 9.5                           | 85.4                    | 72.7  | 59.9  | 47.5  | 35.0 | -    | 86.4                              | 10.6                          | 81.0                    | 69.0 | 57.0 | 44.5 | 32.0 | -    |
|                        | 62 | 89.3                                 | 9.4                           | 86.6                    | 78.9  | 71.3  | 59.2  | 47.1 | 35.0 | 83.7                              | 10.6                          | 81.3                    | 74.6 | 67.9 | 55.9 | 43.9 | 31.9 |
| 2550                   | 77 | 103.6                                | 9.5                           | 69.9                    | 52.9  | 35.9  | -     | -    | -    | 95.8                              | 10.7                          | 69.1                    | 51.2 | 33.2 | -    | -    | -    |
|                        | 72 | 98.9                                 | 9.5                           | 79.4                    | 65.0  | 50.5  | 36.0  | -    | -    | 92.0                              | 10.6                          | 76.6                    | 62.1 | 47.6 | 33.1 | -    | -    |
|                        | 67 | 94.1                                 | 9.5                           | 89.0                    | 77.0  | 65.0  | 50.4  | 35.8 | -    | 88.2                              | 10.6                          | 84.0                    | 73.0 | 62.0 | 47.3 | 32.7 | -    |
|                        | 62 | 92.1                                 | 9.4                           | 89.9                    | 84.8  | 79.6  | 64.9  | 50.1 | 35.4 | 86.2                              | 10.6                          | 84.2                    | 80.3 | 76.4 | 61.6 | 46.9 | 32.1 |
|                        | 57 | 90.1                                 | 9.4                           | 90.1                    | 90.1  | 90.1  | 79.3  | 64.4 | 49.5 | 84.1                              | 10.5                          | 84.1                    | 84.1 | 84.1 | 75.9 | 61.0 | 46.1 |
| 2975                   | 77 | 104.5                                | 9.5                           | 77.2                    | 55.9  | 34.7  | -     | -    | -    | 96.5                              | 10.6                          | 75.4                    | 53.3 | 31.2 | -    | -    | -    |
|                        | 72 | 100.5                                | 9.5                           | 84.8                    | 68.6  | 52.4  | 36.2  | -    | -    | 93.3                              | 10.6                          | 81.2                    | 65.1 | 49.1 | 33.0 | -    | -    |
|                        | 67 | 96.5                                 | 9.5                           | 92.5                    | 81.3  | 70.2  | 53.4  | 36.6 | -    | 90.1                              | 10.6                          | 87.0                    | 76.9 | 66.9 | 50.2 | 33.4 | -    |
|                        | 62 | 95.0                                 | 9.5                           | 93.2                    | 90.6  | 88.0  | 70.6  | 53.2 | 35.8 | 88.6                              | 10.6                          | 87.1                    | 85.9 | 84.8 | 67.3 | 49.8 | 32.3 |
|                        | 57 | 93.4                                 | 9.4                           | 93.4                    | 93.4  | 93.4  | 87.7  | 69.7 | 51.7 | 87.0                              | 10.5                          | 87.0                    | 87.0 | 87.0 | 84.4 | 66.2 | 48.0 |
| 3400                   | 77 | 105.4                                | 9.5                           | 84.4                    | 58.9  | 33.4  | -     | -    | -    | 97.1                              | 10.6                          | 81.7                    | 55.5 | 29.3 | -    | -    | -    |
|                        | 72 | 102.1                                | 9.5                           | 90.2                    | 72.3  | 54.4  | 36.5  | -    | -    | 94.6                              | 10.6                          | 85.8                    | 68.2 | 50.6 | 33.0 | -    | -    |
|                        | 67 | 98.9                                 | 9.5                           | 96.0                    | 85.7  | 75.4  | 56.4  | 37.4 | -    | 92.0                              | 10.6                          | 89.9                    | 80.9 | 71.9 | 53.0 | 34.1 | -    |
|                        | 62 | 97.8                                 | 9.5                           | 96.5                    | 96.4  | 96.3  | 76.3  | 56.2 | 36.2 | 91.0                              | 10.6                          | 90.0                    | 90.0 | 90.0 | 73.0 | 52.8 | 32.6 |
|                        | 57 | 96.7                                 | 9.4                           | 96.7                    | 96.7  | 96.7  | 96.2  | 75.0 | 53.9 | 89.9                              | 10.5                          | 89.9                    | 89.9 | 89.9 | 89.9 | 71.5 | 50.0 |
| 3825                   | 72 | 103.8                                | 9.5                           | 95.6                    | 76.0  | 56.4  | 36.8  | -    | -    | 95.9                              | 10.6                          | 90.4                    | 71.2 | 52.1 | 32.9 | -    | -    |
|                        | 67 | 101.3                                | 9.5                           | 99.5                    | 90.0  | 80.5  | 59.4  | 38.2 | -    | 93.9                              | 10.6                          | 92.9                    | 84.8 | 76.8 | 55.8 | 34.8 | -    |
|                        | 62 | 100.6                                | 9.5                           | 99.9                    | 99.9  | 99.9  | 82.0  | 59.3 | 36.6 | 93.4                              | 10.6                          | 92.9                    | 92.9 | 92.9 | 78.7 | 55.7 | 32.8 |
|                        | 57 | 100.0                                | 9.4                           | 100.0                   | 100.0 | 100.0 | 80.3  | 56.1 | -    | 92.9                              | 10.5                          | 92.9                    | 92.9 | 92.9 | 92.9 | 76.7 | 51.9 |
| 4250                   | 72 | 105.4                                | 9.5                           | 101.0                   | 79.7  | 58.3  | 37.0  | -    | -    | 97.2                              | 10.6                          | 95.0                    | 74.3 | 53.6 | 32.9 | -    | -    |
|                        | 67 | 103.6                                | 9.5                           | 103.0                   | 94.4  | 85.7  | 62.3  | 39.0 | -    | 95.8                              | 10.6                          | 95.8                    | 88.8 | 81.8 | 58.6 | 35.4 | -    |
|                        | 62 | 103.5                                | 9.5                           | 103.2                   | 103.2 | 103.2 | 87.7  | 62.3 | 36.9 | 95.8                              | 10.6                          | 95.8                    | 95.8 | 95.8 | 84.4 | 58.7 | 33.0 |
|                        | 57 | 103.3                                | 9.4                           | 103.3                   | 103.3 | 103.3 | 103.3 | 85.6 | 58.2 | 95.8                              | 10.5                          | 95.8                    | 95.8 | 95.8 | 95.8 | 82.0 | 53.8 |

1. These capacities are gross ratings. For net capacity, deduct the supply air blower motor heat (MBh = 3.415 x kW). Refer to the appropriate Blower Performance Table for the kW of the supply air blower motor.
2. These ratings include the condenser fan motors (total 1 kW) and the compressor motors but not the supply air blower motor.



ZY12 (10 Ton)

| Air on Evaporator Coil |         | Temperature of Air on Condenser Coil |                               |                         |       |       |       |       |      |                                   |                               |                         |       |       |       |       |      |
|------------------------|---------|--------------------------------------|-------------------------------|-------------------------|-------|-------|-------|-------|------|-----------------------------------|-------------------------------|-------------------------|-------|-------|-------|-------|------|
| CFM                    | WB (°F) | Total Capacity <sup>1</sup> (MBh)    | Total Input (kW) <sup>2</sup> | Sensible Capacity (MBh) |       |       |       |       |      | Total Capacity <sup>1</sup> (MBh) | Total Input (kW) <sup>2</sup> | Sensible Capacity (MBh) |       |       |       |       |      |
|                        |         |                                      |                               | Return Dry Bulb (°F)    |       |       |       |       |      |                                   |                               | Return Dry Bulb (°F)    |       |       |       |       |      |
|                        |         |                                      |                               | 90                      | 85    | 80    | 75    | 70    | 65   |                                   |                               | 90                      | 85    | 80    | 75    | 70    | 65   |
|                        |         |                                      |                               | 75°F                    |       |       |       |       |      | 85°F                              |                               |                         |       |       |       |       |      |
| 2500                   | 77      | 157.6                                | 7.2                           | 79.1                    | 66.6  | 54.2  | -     | -     | -    | 150.9                             | 8.0                           | 75.7                    | 63.7  | 51.8  | -     | -     | -    |
|                        | 72      | 143.9                                | 7.1                           | 94.6                    | 81.1  | 67.6  | 54.1  | -     | -    | 137.3                             | 8.0                           | 91.8                    | 78.3  | 64.8  | 51.4  | -     | -    |
|                        | 67      | 130.2                                | 7.0                           | 110.1                   | 95.6  | 81.0  | 66.8  | 53.8  | -    | 123.7                             | 7.9                           | 107.8                   | 92.9  | 77.9  | 64.1  | 51.0  | -    |
|                        | 62      | 123.5                                | 7.0                           | 120.7                   | 107.6 | 94.4  | 77.4  | 67.0  | 53.4 | 119.2                             | 7.9                           | 116.4                   | 103.7 | 91.0  | 75.9  | 64.1  | 50.6 |
| 3000                   | 77      | 159.0                                | 7.2                           | 88.0                    | 71.1  | 54.1  | -     | -     | -    | 151.5                             | 8.0                           | 85.2                    | 68.3  | 51.4  | -     | -     | -    |
|                        | 72      | 146.8                                | 7.1                           | 103.1                   | 86.9  | 70.8  | 54.7  | -     | -    | 139.9                             | 8.0                           | 100.1                   | 84.0  | 67.9  | 51.8  | -     | -    |
|                        | 67      | 134.7                                | 7.0                           | 118.1                   | 102.8 | 87.5  | 70.7  | 54.9  | -    | 128.3                             | 7.9                           | 114.9                   | 99.6  | 84.4  | 67.9  | 52.0  | -    |
|                        | 62      | 129.2                                | 7.0                           | 126.6                   | 115.4 | 104.1 | 85.0  | 71.2  | 54.7 | 124.4                             | 7.9                           | 121.8                   | 111.3 | 100.8 | 83.2  | 68.2  | 51.8 |
| 3500                   | 77      | 160.3                                | 7.2                           | 96.9                    | 75.5  | 54.1  | -     | -     | -    | 152.2                             | 8.0                           | 94.8                    | 72.9  | 51.1  | -     | -     | -    |
|                        | 72      | 149.7                                | 7.1                           | 111.5                   | 92.8  | 74.0  | 55.3  | -     | -    | 142.5                             | 8.0                           | 108.4                   | 89.7  | 71.0  | 52.3  | -     | -    |
|                        | 67      | 139.1                                | 7.1                           | 126.1                   | 110.0 | 94.0  | 74.6  | 55.9  | -    | 132.9                             | 8.0                           | 122.0                   | 106.4 | 90.8  | 71.7  | 52.9  | -    |
|                        | 62      | 134.9                                | 7.0                           | 132.4                   | 123.2 | 113.9 | 92.6  | 75.3  | 56.0 | 129.7                             | 7.9                           | 127.3                   | 119.0 | 110.7 | 90.5  | 72.3  | 53.1 |
| 4000                   | 77      | 161.6                                | 7.2                           | 105.9                   | 80.0  | 54.1  | -     | -     | -    | 152.9                             | 8.1                           | 104.3                   | 77.6  | 50.8  | -     | -     | -    |
|                        | 72      | 152.6                                | 7.2                           | 120.0                   | 98.6  | 77.3  | 55.9  | -     | -    | 145.2                             | 8.0                           | 116.7                   | 95.4  | 74.0  | 52.7  | -     | -    |
|                        | 67      | 143.6                                | 7.1                           | 134.1                   | 117.2 | 100.4 | 78.5  | 57.0  | -    | 137.5                             | 8.0                           | 129.1                   | 113.2 | 97.3  | 75.5  | 53.9  | -    |
|                        | 62      | 140.6                                | 7.1                           | 138.3                   | 130.9 | 123.6 | 100.2 | 79.4  | 57.3 | 135.0                             | 7.9                           | 132.7                   | 126.6 | 120.5 | 97.8  | 76.4  | 54.3 |
| 4500                   | 77      | 155.5                                | 7.2                           | 128.4                   | 104.4 | 80.5  | 56.5  | -     | -    | 147.8                             | 8.0                           | 125.0                   | 101.1 | 77.1  | 53.2  | -     | -    |
|                        | 72      | 148.0                                | 7.1                           | 142.0                   | 124.5 | 106.9 | 82.4  | 58.1  | -    | 142.0                             | 8.0                           | 136.2                   | 120.0 | 103.7 | 79.2  | 54.9  | -    |
|                        | 67      | 146.2                                | 7.1                           | 144.1                   | 138.7 | 133.3 | 107.8 | 83.5  | 58.6 | 140.3                             | 8.0                           | 138.2                   | 134.3 | 130.4 | 105.1 | 80.5  | 55.6 |
|                        | 62      | 145.2                                | 7.1                           | 144.2                   | 144.2 | 144.2 | 134.4 | 109.0 | 83.7 | 138.9                             | 7.9                           | 138.6                   | 138.6 | 138.6 | 131.6 | 106.1 | 80.7 |
| 5000                   | 77      | 158.4                                | 7.2                           | 136.8                   | 110.3 | 83.7  | 57.2  | -     | -    | 150.4                             | 8.0                           | 133.3                   | 106.8 | 80.2  | 53.6  | -     | -    |
|                        | 72      | 152.4                                | 7.1                           | 150.0                   | 131.7 | 113.4 | 86.3  | 59.1  | -    | 146.6                             | 8.0                           | 143.2                   | 126.7 | 110.2 | 83.0  | 55.8  | -    |
|                        | 67      | 151.9                                | 7.1                           | 150.0                   | 146.5 | 143.0 | 115.4 | 87.7  | 60.0 | 145.6                             | 8.0                           | 143.6                   | 141.9 | 140.2 | 112.4 | 84.6  | 56.8 |
|                        | 62      | 151.4                                | 7.1                           | 150.0                   | 150.0 | 150.0 | 144.4 | 116.2 | 87.9 | 144.5                             | 8.0                           | 144.0                   | 144.0 | 144.0 | 141.8 | 113.4 | 85.0 |
|                        |         |                                      |                               | 95°F                    |       |       |       |       |      | 105°F                             |                               |                         |       |       |       |       |      |
| 2500                   | 77      | 144.1                                | 8.8                           | 72.2                    | 60.8  | 49.4  | -     | -     | -    | 134.0                             | 10.1                          | 69.8                    | 57.7  | 45.6  | -     | -     | -    |
|                        | 72      | 130.6                                | 8.8                           | 88.9                    | 75.5  | 62.1  | 48.7  | -     | -    | 121.8                             | 10.1                          | 85.6                    | 72.0  | 58.3  | 44.6  | -     | -    |
|                        | 67      | 117.1                                | 8.8                           | 105.5                   | 90.2  | 74.8  | 61.5  | 48.2  | -    | 110.0                             | 10.1                          | 101.5                   | 86.2  | 70.9  | 57.7  | 44.5  | -    |
|                        | 62      | 114.8                                | 8.8                           | 112.0                   | 99.8  | 87.5  | 74.3  | 61.1  | 47.8 | 108.5                             | 10.1                          | 105.9                   | 94.8  | 83.6  | 70.8  | 58.0  | 45.3 |
| 3000                   | 77      | 144.1                                | 8.9                           | 82.4                    | 65.6  | 48.8  | -     | -     | -    | 133.8                             | 10.1                          | 79.8                    | 62.3  | 44.8  | -     | -     | -    |
|                        | 72      | 133.0                                | 8.9                           | 97.1                    | 81.0  | 65.0  | 49.0  | -     | -    | 124.2                             | 10.1                          | 93.4                    | 77.2  | 61.0  | 44.9  | -     | -    |
|                        | 67      | 121.8                                | 8.8                           | 111.7                   | 96.5  | 81.3  | 65.2  | 49.1  | -    | 114.5                             | 10.1                          | 107.0                   | 92.1  | 77.3  | 61.3  | 45.3  | -    |
|                        | 62      | 119.7                                | 8.8                           | 117.1                   | 107.3 | 97.5  | 81.3  | 65.2  | 49.0 | 113.1                             | 10.1                          | 110.6                   | 102.1 | 93.5  | 77.7  | 61.8  | 46.0 |
| 3500                   | 77      | 144.1                                | 8.9                           | 92.6                    | 70.4  | 48.1  | -     | -     | -    | 133.7                             | 10.1                          | 89.9                    | 67.0  | 44.1  | -     | -     | -    |
|                        | 72      | 135.3                                | 8.9                           | 105.2                   | 86.6  | 67.9  | 49.3  | -     | -    | 126.5                             | 10.1                          | 101.2                   | 82.5  | 63.8  | 45.2  | -     | -    |
|                        | 67      | 126.6                                | 8.8                           | 117.9                   | 102.8 | 87.7  | 68.8  | 49.9  | -    | 119.0                             | 10.1                          | 112.5                   | 98.0  | 83.6  | 64.8  | 46.1  | -    |
|                        | 62      | 124.6                                | 8.8                           | 122.1                   | 114.8 | 107.5 | 88.4  | 69.3  | 50.2 | 117.7                             | 10.1                          | 115.4                   | 109.3 | 103.3 | 84.5  | 65.7  | 46.8 |
| 4000                   | 77      | 144.1                                | 8.9                           | 102.7                   | 75.1  | 47.5  | -     | -     | -    | 133.5                             | 10.1                          | 99.9                    | 71.6  | 43.3  | -     | -     | -    |
|                        | 72      | 137.7                                | 8.9                           | 113.4                   | 92.1  | 70.8  | 49.5  | -     | -    | 128.9                             | 10.1                          | 109.0                   | 87.8  | 66.6  | 45.4  | -     | -    |
|                        | 67      | 131.3                                | 8.8                           | 124.1                   | 109.1 | 94.1  | 72.5  | 50.8  | -    | 123.5                             | 10.1                          | 118.0                   | 104.0 | 89.9  | 68.4  | 46.9  | -    |
|                        | 62      | 129.5                                | 8.8                           | 127.2                   | 122.3 | 117.4 | 95.4  | 73.4  | 51.3 | 122.2                             | 10.1                          | 120.1                   | 116.6 | 113.2 | 91.3  | 69.5  | 47.6 |
| 4500                   | 77      | 140.1                                | 8.9                           | 121.6                   | 97.7  | 73.7  | 49.8  | -     | -    | 131.3                             | 10.1                          | 116.7                   | 93.1  | 69.4  | 45.7  | -     | -    |
|                        | 72      | 136.1                                | 8.9                           | 130.3                   | 115.4 | 100.6 | 76.1  | 51.7  | -    | 128.0                             | 10.1                          | 123.5                   | 109.9 | 96.2  | 71.9  | 47.7  | -    |
|                        | 67      | 134.4                                | 8.8                           | 132.2                   | 129.8 | 127.4 | 102.4 | 77.5  | 52.5 | 126.8                             | 10.0                          | 124.9                   | 123.9 | 123.0 | 98.1  | 73.3  | 48.4 |
|                        | 62      | 132.6                                | 8.8                           | 132.6                   | 132.6 | 128.7 | 103.2 | 77.8  | 52.5 | 125.6                             | 10.0                          | 125.4                   | 125.4 | 125.4 | 124.3 | 98.9  | 73.4 |
| 5000                   | 77      | 142.5                                | 8.9                           | 129.8                   | 103.2 | 76.7  | 50.1  | -     | -    | 133.7                             | 10.1                          | 124.5                   | 98.4  | 72.2  | 46.0  | -     | -    |
|                        | 72      | 140.9                                | 8.9                           | 136.5                   | 121.8 | 107.0 | 79.8  | 52.6  | -    | 132.5                             | 10.1                          | 129.0                   | 115.8 | 102.5 | 75.5  | 48.5  | -    |
|                        | 67      | 139.2                                | 8.8                           | 137.3                   | 137.3 | 137.3 | 109.5 | 81.6  | 53.7 | 131.4                             | 10.0                          | 129.6                   | 129.6 | 129.6 | 105.0 | 77.1  | 49.2 |
|                        | 62      | 137.6                                | 8.8                           | 137.6                   | 137.6 | 137.6 | 137.6 | 110.6 | 82.0 | 130.3                             | 10.0                          | 130.1                   | 130.1 | 130.1 | 130.1 | 105.7 | 76.9 |

ZY12 (10 Ton) (Continued)

| Air on Evaporator Coil |    | Temperature of Air on Condenser Coil |                               |                         |       |                      |       |      |      |                                   |                               |                         |       |       |       |      |      |
|------------------------|----|--------------------------------------|-------------------------------|-------------------------|-------|----------------------|-------|------|------|-----------------------------------|-------------------------------|-------------------------|-------|-------|-------|------|------|
|                        |    | Total Capacity <sup>1</sup> (MBh)    | Total Input (kW) <sup>2</sup> | Sensible Capacity (MBh) |       |                      |       |      |      | Total Capacity <sup>1</sup> (MBh) | Total Input (kW) <sup>2</sup> | Sensible Capacity (MBh) |       |       |       |      |      |
| Return Dry Bulb (°F)   |    |                                      |                               |                         |       | Return Dry Bulb (°F) |       |      |      |                                   |                               |                         |       |       |       |      |      |
| 90                     | 85 |                                      |                               | 80                      | 75    | 70                   | 65    | 90   | 85   |                                   |                               | 80                      | 75    | 70    | 65    |      |      |
|                        |    | 115°F                                |                               |                         |       |                      |       |      |      | 125°F                             |                               |                         |       |       |       |      |      |
| 2500                   | 77 | 123.9                                | 11.4                          | 67.3                    | 54.6  | 41.8                 | -     | -    | -    | 113.8                             | 12.7                          | 64.8                    | 51.4  | 38.0  | -     | -    | -    |
|                        | 72 | 113.0                                | 11.4                          | 82.4                    | 68.4  | 54.4                 | 40.5  | -    | -    | 104.2                             | 12.6                          | 79.2                    | 64.9  | 50.6  | 36.3  | -    | -    |
|                        | 67 | 102.9                                | 11.3                          | 97.5                    | 82.3  | 67.1                 | 53.9  | 40.7 | -    | 95.8                              | 12.6                          | 93.5                    | 78.3  | 63.2  | 50.1  | 37.0 | -    |
|                        | 62 | 102.2                                | 11.4                          | 99.8                    | 89.7  | 79.7                 | 67.3  | 55.0 | 42.7 | 95.8                              | 12.7                          | 93.7                    | 84.7  | 75.7  | 63.9  | 52.0 | 40.1 |
| 3000                   | 77 | 123.6                                | 11.4                          | 77.2                    | 59.1  | 40.9                 | -     | -    | -    | 113.3                             | 12.7                          | 74.6                    | 55.8  | 37.0  | -     | -    | -    |
|                        | 72 | 115.4                                | 11.4                          | 89.8                    | 73.4  | 57.1                 | 40.8  | -    | -    | 106.6                             | 12.6                          | 86.1                    | 69.6  | 53.1  | 36.6  | -    | -    |
|                        | 67 | 107.2                                | 11.3                          | 102.3                   | 87.8  | 73.3                 | 57.4  | 41.5 | -    | 99.9                              | 12.6                          | 97.6                    | 83.4  | 69.3  | 53.5  | 37.7 | -    |
|                        | 62 | 106.4                                | 11.3                          | 104.2                   | 96.8  | 89.4                 | 74.0  | 58.5 | 43.1 | 99.8                              | 12.6                          | 97.8                    | 91.6  | 85.4  | 70.3  | 55.2 | 40.1 |
|                        | 57 | 105.7                                | 11.4                          | 104.5                   | 104.5 | 104.5                | 90.6  | 75.6 | 60.6 | 99.8                              | 12.7                          | 98.0                    | 98.0  | 98.0  | 87.1  | 72.7 | 58.3 |
| 3500                   | 77 | 123.3                                | 11.4                          | 87.2                    | 63.6  | 40.0                 | -     | -    | -    | 112.9                             | 12.6                          | 84.4                    | 60.2  | 36.0  | -     | -    | -    |
|                        | 72 | 117.8                                | 11.3                          | 97.1                    | 78.4  | 59.7                 | 41.1  | -    | -    | 109.0                             | 12.6                          | 93.1                    | 74.4  | 55.7  | 37.0  | -    | -    |
|                        | 67 | 111.4                                | 11.3                          | 107.1                   | 93.3  | 79.5                 | 60.8  | 42.2 | -    | 103.9                             | 12.5                          | 101.7                   | 88.5  | 75.3  | 56.8  | 38.3 | -    |
|                        | 62 | 110.7                                | 11.3                          | 108.6                   | 103.9 | 99.2                 | 80.6  | 62.0 | 43.5 | 103.8                             | 12.6                          | 101.9                   | 98.5  | 95.0  | 76.7  | 58.4 | 40.1 |
|                        | 57 | 110.0                                | 11.3                          | 108.9                   | 108.9 | 108.9                | 100.4 | 81.9 | 63.4 | 103.7                             | 12.6                          | 102.1                   | 102.1 | 102.1 | 96.6  | 78.5 | 60.5 |
| 4000                   | 77 | 123.0                                | 11.4                          | 97.1                    | 68.1  | 39.2                 | -     | -    | -    | 112.5                             | 12.6                          | 94.3                    | 64.6  | 35.0  | -     | -    | -    |
|                        | 72 | 120.1                                | 11.3                          | 104.5                   | 83.5  | 62.4                 | 41.4  | -    | -    | 111.3                             | 12.6                          | 100.1                   | 79.1  | 58.2  | 37.3  | -    | -    |
|                        | 67 | 115.7                                | 11.3                          | 111.9                   | 98.8  | 85.7                 | 64.3  | 42.9 | -    | 107.9                             | 12.5                          | 105.9                   | 93.6  | 81.4  | 60.2  | 39.0 | -    |
|                        | 62 | 115.0                                | 11.3                          | 113.1                   | 111.0 | 108.9                | 87.2  | 65.6 | 43.9 | 107.8                             | 12.5                          | 106.0                   | 105.3 | 104.6 | 83.1  | 61.7 | 40.2 |
|                        | 57 | 114.3                                | 11.3                          | 113.4                   | 113.4 | 113.4                | 110.2 | 88.2 | 66.2 | 107.7                             | 12.5                          | 106.1                   | 106.1 | 106.1 | 106.1 | 84.3 | 62.6 |
| 4500                   | 72 | 122.5                                | 11.3                          | 111.9                   | 88.5  | 65.1                 | 41.6  | -    | -    | 113.7                             | 12.5                          | 107.0                   | 83.9  | 60.7  | 37.6  | -    | -    |
|                        | 67 | 119.9                                | 11.3                          | 116.8                   | 104.3 | 91.9                 | 67.8  | 43.7 | -    | 111.9                             | 12.5                          | 110.0                   | 98.7  | 87.5  | 63.6  | 39.6 | -    |
|                        | 62 | 119.3                                | 11.3                          | 117.5                   | 117.5 | 117.5                | 93.9  | 69.1 | 44.3 | 111.7                             | 12.5                          | 110.1                   | 110.1 | 110.1 | 89.6  | 64.9 | 40.2 |
|                        | 57 | 118.6                                | 11.3                          | 117.8                   | 117.8 | 117.8                | 117.8 | 94.5 | 69.0 | 111.6                             | 12.5                          | 110.2                   | 110.2 | 110.2 | 110.2 | 90.1 | 64.7 |
| 5000                   | 72 | 124.9                                | 11.3                          | 119.3                   | 93.5  | 67.7                 | 41.9  | -    | -    | 116.1                             | 12.5                          | 114.0                   | 88.6  | 63.2  | 37.9  | -    | -    |
|                        | 67 | 124.2                                | 11.2                          | 121.6                   | 109.8 | 98.1                 | 71.2  | 44.4 | -    | 115.9                             | 12.4                          | 114.1                   | 103.8 | 93.6  | 66.9  | 40.3 | -    |
|                        | 62 | 123.6                                | 11.2                          | 121.9                   | 121.9 | 121.9                | 100.5 | 72.6 | 44.7 | 115.7                             | 12.4                          | 114.2                   | 114.2 | 114.2 | 96.0  | 68.1 | 40.2 |
|                        | 57 | 122.9                                | 11.2                          | 122.2                   | 122.2 | 122.2                | 100.8 | 71.9 | -    | 115.6                             | 12.4                          | 114.3                   | 114.3 | 114.3 | 114.3 | 95.9 | 66.8 |

1. These capacities are gross ratings. For net capacity, deduct the supply air blower motor heat (MBh = 3.415 x kW). Refer to the appropriate Blower Performance Table for the kW of the supply air blower motor.
2. These ratings include the condenser fan motors (total 1 kW) and the compressor motors but not the supply air blower motor.

**ZQ04-06 Cooling Capacities**

**ZQ04 (3.0 Ton)**

| Air on Evaporator Coil |         | Temperature of Air on Condenser Coil |                               |                         |      |      |      |      |      |                                   |                               |                         |      |      |      |      |      |
|------------------------|---------|--------------------------------------|-------------------------------|-------------------------|------|------|------|------|------|-----------------------------------|-------------------------------|-------------------------|------|------|------|------|------|
| CFM                    | WB (°F) | Total Capacity <sup>1</sup> (MBh)    | Total Input (kW) <sup>2</sup> | Sensible Capacity (MBh) |      |      |      |      |      | Total Capacity <sup>1</sup> (MBh) | Total Input (kW) <sup>2</sup> | Sensible Capacity (MBh) |      |      |      |      |      |
|                        |         |                                      |                               | Return Dry Bulb (°F)    |      |      |      |      |      |                                   |                               | Return Dry Bulb (°F)    |      |      |      |      |      |
|                        |         |                                      |                               | 90                      | 85   | 80   | 75   | 70   | 65   |                                   |                               | 90                      | 85   | 80   | 75   | 70   | 65   |
|                        |         | 75°F                                 |                               |                         |      |      |      |      |      |                                   | 85°F                          |                         |      |      |      |      |      |
| 750                    | 77      | 42.7                                 | 2.1                           | 22.8                    | 19.1 | 15.4 | -    | -    | -    | 41.4                              | 2.4                           | 22.1                    | 18.3 | 14.6 | -    | -    | -    |
|                        | 72      | 39.9                                 | 2.1                           | 27.3                    | 23.3 | 19.3 | 15.4 | -    | -    | 38.3                              | 2.4                           | 26.5                    | 22.5 | 18.4 | 14.4 | -    | -    |
|                        | 67      | 37.1                                 | 2.1                           | 31.5                    | 27.6 | 23.3 | 19.2 | 15.4 | -    | 35.2                              | 2.3                           | 30.8                    | 26.6 | 22.3 | 18.2 | 14.3 | -    |
|                        | 62      | 34.3                                 | 2.1                           | 31.5                    | 29.4 | 27.3 | 23.4 | 19.5 | 15.5 | 33.1                              | 2.3                           | 31.9                    | 29.0 | 26.2 | 22.3 | 18.3 | 14.4 |
| 900                    | 77      | 42.7                                 | 2.1                           | 24.0                    | 19.5 | 14.9 | -    | -    | -    | 41.4                              | 2.4                           | 23.7                    | 19.0 | 14.2 | -    | -    | -    |
|                        | 72      | 40.3                                 | 2.1                           | 28.7                    | 24.3 | 19.9 | 15.4 | -    | -    | 38.7                              | 2.4                           | 28.1                    | 23.6 | 19.1 | 14.5 | -    | -    |
|                        | 67      | 37.9                                 | 2.1                           | 33.3                    | 29.1 | 24.8 | 20.2 | 15.8 | -    | 36.1                              | 2.3                           | 32.5                    | 28.2 | 23.9 | 19.3 | 14.7 | -    |
|                        | 62      | 35.7                                 | 2.1                           | 33.3                    | 31.5 | 29.8 | 25.2 | 20.6 | 16.0 | 34.5                              | 2.3                           | 33.4                    | 31.1 | 28.7 | 24.1 | 19.5 | 14.9 |
| 1050                   | 77      | 42.6                                 | 2.1                           | 25.3                    | 19.9 | 14.5 | -    | -    | -    | 41.3                              | 2.4                           | 25.3                    | 19.6 | 13.9 | -    | -    | -    |
|                        | 72      | 40.6                                 | 2.1                           | 30.1                    | 25.2 | 20.4 | 15.5 | -    | -    | 39.2                              | 2.4                           | 29.7                    | 24.7 | 19.7 | 14.7 | -    | -    |
|                        | 67      | 38.7                                 | 2.1                           | 34.8                    | 30.6 | 26.3 | 21.1 | 16.2 | -    | 37.0                              | 2.3                           | 34.1                    | 29.8 | 25.5 | 20.3 | 15.2 | -    |
|                        | 62      | 37.1                                 | 2.1                           | 35.2                    | 33.7 | 32.2 | 27.0 | 21.7 | 16.4 | 35.9                              | 2.3                           | 34.9                    | 33.1 | 31.3 | 26.0 | 20.7 | 15.4 |
| 1200                   | 77      | 42.5                                 | 2.1                           | 26.5                    | 20.3 | 14.0 | -    | -    | -    | 41.3                              | 2.4                           | 26.9                    | 20.2 | 13.5 | -    | -    | -    |
|                        | 72      | 41.0                                 | 2.1                           | 31.5                    | 26.2 | 20.9 | 15.6 | -    | -    | 39.6                              | 2.4                           | 31.3                    | 25.8 | 20.3 | 14.8 | -    | -    |
|                        | 67      | 39.4                                 | 2.1                           | 36.4                    | 32.1 | 27.8 | 22.1 | 16.6 | -    | 38.0                              | 2.3                           | 35.7                    | 31.4 | 27.1 | 21.3 | 15.6 | -    |
|                        | 62      | 38.5                                 | 2.1                           | 37.0                    | 35.8 | 34.6 | 28.7 | 22.8 | 16.9 | 37.3                              | 2.3                           | 36.5                    | 35.2 | 33.8 | 27.9 | 21.8 | 15.8 |
| 1350                   | 77      | 41.3                                 | 2.1                           | 32.8                    | 27.1 | 21.4 | 15.7 | -    | -    | 40.1                              | 2.4                           | 32.9                    | 26.9 | 20.9 | 14.9 | -    | -    |
|                        | 72      | 40.2                                 | 2.1                           | 37.9                    | 33.6 | 29.2 | 23.0 | 16.9 | -    | 38.9                              | 2.3                           | 37.3                    | 33.0 | 28.7 | 22.3 | 16.0 | -    |
|                        | 67      | 39.9                                 | 2.1                           | 38.8                    | 37.9 | 37.1 | 30.5 | 23.9 | 17.4 | 38.8                              | 2.3                           | 38.0                    | 37.2 | 36.4 | 29.7 | 23.0 | 16.3 |
|                        | 62      | 39.7                                 | 2.1                           | 39.7                    | 39.7 | 39.7 | 37.9 | 30.9 | 24.0 | 38.7                              | 2.3                           | 38.7                    | 38.7 | 38.7 | 37.1 | 30.1 | 23.0 |
| 1500                   | 72      | 41.7                                 | 2.1                           | 34.2                    | 28.1 | 21.9 | 15.7 | -    | -    | 40.5                              | 2.3                           | 34.5                    | 28.0 | 21.5 | 15.1 | -    | -    |
|                        | 67      | 41.0                                 | 2.1                           | 39.4                    | 35.1 | 30.7 | 24.0 | 17.3 | -    | 39.8                              | 2.3                           | 38.8                    | 34.5 | 30.2 | 23.3 | 16.4 | -    |
|                        | 62      | 41.4                                 | 2.1                           | 40.7                    | 40.1 | 39.5 | 32.3 | 25.1 | 17.8 | 40.2                              | 2.3                           | 39.5                    | 39.2 | 39.0 | 31.6 | 24.2 | 16.8 |
|                        | 57      | 41.7                                 | 2.1                           | 41.7                    | 41.7 | 41.7 | 40.5 | 32.8 | 25.1 | 40.5                              | 2.4                           | 40.2                    | 40.2 | 40.2 | 39.8 | 32.0 | 24.2 |
|                        |         | 95°F                                 |                               |                         |      |      |      |      |      |                                   | 105°F                         |                         |      |      |      |      |      |
| 750                    | 77      | 40.2                                 | 2.7                           | 21.4                    | 17.6 | 13.8 | -    | -    | -    | 37.0                              | 3.1                           | 20.2                    | 16.4 | 12.6 | -    | -    | -    |
|                        | 72      | 36.7                                 | 2.6                           | 25.8                    | 21.7 | 17.5 | 13.4 | -    | -    | 33.8                              | 3.0                           | 24.5                    | 20.4 | 16.4 | 12.3 | -    | -    |
|                        | 67      | 33.2                                 | 2.6                           | 30.2                    | 25.7 | 21.3 | 17.3 | 13.2 | -    | 30.7                              | 3.0                           | 28.7                    | 24.4 | 20.1 | 16.1 | 12.1 | -    |
|                        | 62      | 31.9                                 | 2.6                           | 31.9                    | 28.7 | 25.0 | 21.1 | 17.2 | 13.3 | 30.0                              | 2.9                           | 30.0                    | 27.0 | 23.9 | 19.9 | 15.9 | 11.9 |
| 900                    | 77      | 40.1                                 | 2.7                           | 23.4                    | 18.5 | 13.6 | -    | -    | -    | 37.1                              | 3.0                           | 22.4                    | 17.4 | 12.4 | -    | -    | -    |
|                        | 72      | 37.2                                 | 2.6                           | 27.6                    | 22.9 | 18.3 | 13.6 | -    | -    | 34.5                              | 3.0                           | 26.3                    | 21.7 | 17.1 | 12.5 | -    | -    |
|                        | 67      | 34.3                                 | 2.6                           | 31.8                    | 27.4 | 23.0 | 18.3 | 13.7 | -    | 31.9                              | 3.0                           | 30.2                    | 26.0 | 21.8 | 17.2 | 12.5 | -    |
|                        | 62      | 33.3                                 | 2.6                           | 33.3                    | 30.6 | 27.7 | 23.0 | 18.4 | 13.8 | 31.3                              | 2.9                           | 31.3                    | 28.9 | 26.5 | 21.8 | 17.1 | 12.4 |
| 1050                   | 77      | 40.1                                 | 2.7                           | 25.3                    | 19.3 | 13.3 | -    | -    | -    | 37.2                              | 3.0                           | 24.6                    | 18.4 | 12.2 | -    | -    | -    |
|                        | 72      | 37.7                                 | 2.6                           | 29.4                    | 24.2 | 19.0 | 13.8 | -    | -    | 35.1                              | 3.0                           | 28.1                    | 23.0 | 17.8 | 12.7 | -    | -    |
|                        | 67      | 35.4                                 | 2.6                           | 33.4                    | 29.0 | 24.7 | 19.4 | 14.1 | -    | 33.0                              | 3.0                           | 31.6                    | 27.6 | 23.5 | 18.2 | 12.9 | -    |
|                        | 62      | 34.7                                 | 2.6                           | 34.7                    | 32.6 | 30.4 | 25.0 | 19.6 | 14.3 | 32.6                              | 2.9                           | 32.5                    | 30.9 | 29.2 | 23.7 | 18.3 | 12.8 |
| 1200                   | 77      | 40.1                                 | 2.6                           | 27.3                    | 20.1 | 13.0 | -    | -    | -    | 37.4                              | 3.0                           | 26.7                    | 19.3 | 11.9 | -    | -    | -    |
|                        | 72      | 38.3                                 | 2.6                           | 31.1                    | 25.4 | 19.7 | 14.0 | -    | -    | 35.8                              | 3.0                           | 29.9                    | 24.2 | 18.5 | 12.9 | -    | -    |
|                        | 67      | 36.5                                 | 2.6                           | 35.0                    | 30.7 | 26.4 | 20.5 | 14.6 | -    | 34.2                              | 3.0                           | 33.1                    | 29.1 | 25.2 | 19.2 | 13.3 | -    |
|                        | 62      | 36.1                                 | 2.6                           | 35.9                    | 34.5 | 33.1 | 27.0 | 20.9 | 14.8 | 33.9                              | 3.0                           | 33.7                    | 32.8 | 31.8 | 25.6 | 19.5 | 13.3 |
| 1350                   | 77      | 38.8                                 | 2.6                           | 32.9                    | 26.7 | 20.4 | 14.2 | -    | -    | 36.5                              | 3.0                           | 31.7                    | 25.5 | 19.3 | 13.0 | -    | -    |
|                        | 72      | 37.6                                 | 2.6                           | 36.6                    | 32.4 | 28.1 | 21.6 | 15.0 | -    | 35.4                              | 3.0                           | 34.6                    | 30.7 | 26.9 | 20.3 | 13.7 | -    |
|                        | 67      | 37.6                                 | 2.6                           | 37.1                    | 36.5 | 35.8 | 28.9 | 22.1 | 15.3 | 35.2                              | 3.0                           | 34.9                    | 34.7 | 34.4 | 27.5 | 20.7 | 13.8 |
|                        | 62      | 37.8                                 | 2.6                           | 37.7                    | 37.7 | 37.7 | 36.3 | 29.2 | 22.1 | 35.4                              | 3.0                           | 35.3                    | 35.3 | 35.3 | 33.4 | 27.6 | 21.8 |
| 1500                   | 72      | 39.3                                 | 2.6                           | 34.7                    | 27.9 | 21.2 | 14.4 | -    | -    | 37.1                              | 3.0                           | 33.6                    | 26.8 | 20.0 | 13.2 | -    | -    |
|                        | 67      | 38.7                                 | 2.6                           | 38.3                    | 34.0 | 29.8 | 22.6 | 15.5 | -    | 36.6                              | 3.0                           | 36.0                    | 32.3 | 28.5 | 21.3 | 14.1 | -    |
|                        | 62      | 39.0                                 | 2.6                           | 38.4                    | 38.4 | 38.4 | 30.9 | 23.3 | 15.8 | 36.5                              | 3.0                           | 36.1                    | 36.1 | 36.1 | 29.5 | 21.9 | 14.2 |
|                        | 57      | 39.3                                 | 2.6                           | 38.4                    | 38.4 | 38.4 | 38.4 | 31.2 | 23.3 | 36.7                              | 3.0                           | 36.2                    | 36.2 | 36.2 | 35.7 | 29.6 | 23.4 |

**ZQ04 (3.0 Ton) (Continued)**

| Air on Evaporator Coil |         | Temperature of Air on Condenser Coil |                               |                         |      |      |      |      |      |                                   |                               |                         |      |      |      |      |      |
|------------------------|---------|--------------------------------------|-------------------------------|-------------------------|------|------|------|------|------|-----------------------------------|-------------------------------|-------------------------|------|------|------|------|------|
| CFM                    | WB (°F) | Total Capacity <sup>1</sup> (MBh)    | Total Input (kW) <sup>2</sup> | Sensible Capacity (MBh) |      |      |      |      |      | Total Capacity <sup>1</sup> (MBh) | Total Input (kW) <sup>2</sup> | Sensible Capacity (MBh) |      |      |      |      |      |
|                        |         |                                      |                               | Return Dry Bulb (°F)    |      |      |      |      |      |                                   |                               | Return Dry Bulb (°F)    |      |      |      |      |      |
|                        |         |                                      |                               | 90                      | 85   | 80   | 75   | 70   | 65   |                                   |                               | 90                      | 85   | 80   | 75   | 70   | 65   |
|                        |         |                                      |                               | 115°F                   |      |      |      |      |      | 125°F                             |                               |                         |      |      |      |      |      |
| 750                    | 77      | 33.9                                 | 3.4                           | 19.0                    | 15.2 | 11.4 | -    | -    | -    | 30.7                              | 3.8                           | 17.8                    | 14.0 | 10.2 | -    | -    | -    |
|                        | 72      | 31.0                                 | 3.4                           | 23.1                    | 19.2 | 15.2 | 11.2 | -    | -    | 28.2                              | 3.7                           | 21.8                    | 17.9 | 14.0 | 10.1 | -    | -    |
|                        | 67      | 28.1                                 | 3.3                           | 27.3                    | 23.1 | 19.0 | 15.0 | 10.9 | -    | 25.6                              | 3.7                           | 25.6                    | 21.8 | 17.8 | 13.8 | 9.8  | -    |
|                        | 62      | 28.0                                 | 3.3                           | 28.0                    | 25.4 | 22.8 | 18.7 | 14.6 | 10.5 | 26.1                              | 3.7                           | 25.9                    | 23.8 | 21.7 | 17.5 | 13.3 | 9.1  |
| 900                    | 77      | 34.1                                 | 3.4                           | 21.4                    | 16.3 | 11.2 | -    | -    | -    | 31.1                              | 3.7                           | 20.4                    | 15.2 | 10.0 | -    | -    | -    |
|                        | 72      | 31.8                                 | 3.4                           | 25.0                    | 20.5 | 15.9 | 11.4 | -    | -    | 29.1                              | 3.7                           | 23.7                    | 19.2 | 14.8 | 10.3 | -    | -    |
|                        | 67      | 29.4                                 | 3.3                           | 28.6                    | 24.6 | 20.6 | 16.0 | 11.3 | -    | 27.0                              | 3.7                           | 27.0                    | 23.2 | 19.5 | 14.8 | 10.1 | -    |
|                        | 62      | 29.2                                 | 3.3                           | 29.2                    | 27.3 | 25.4 | 20.6 | 15.8 | 11.0 | 27.2                              | 3.7                           | 27.0                    | 25.6 | 24.2 | 19.3 | 14.4 | 9.5  |
| 1050                   | 77      | 34.4                                 | 3.4                           | 23.8                    | 17.4 | 11.0 | -    | -    | -    | 31.5                              | 3.7                           | 23.1                    | 16.5 | 9.9  | -    | -    | -    |
|                        | 72      | 32.5                                 | 3.3                           | 26.9                    | 21.8 | 16.7 | 11.5 | -    | -    | 30.0                              | 3.7                           | 25.6                    | 20.5 | 15.5 | 10.4 | -    | -    |
|                        | 67      | 30.7                                 | 3.3                           | 29.9                    | 26.1 | 22.3 | 17.0 | 11.7 | -    | 28.4                              | 3.7                           | 28.1                    | 24.6 | 21.1 | 15.8 | 10.4 | -    |
|                        | 62      | 30.5                                 | 3.3                           | 30.3                    | 29.1 | 27.9 | 22.4 | 16.9 | 11.4 | 28.3                              | 3.7                           | 28.1                    | 27.4 | 26.7 | 21.1 | 15.5 | 9.9  |
| 1200                   | 77      | 34.7                                 | 3.4                           | 26.2                    | 18.5 | 10.8 | -    | -    | -    | 31.9                              | 3.7                           | 25.7                    | 17.7 | 9.7  | -    | -    | -    |
|                        | 72      | 33.3                                 | 3.3                           | 28.7                    | 23.0 | 17.4 | 11.7 | -    | -    | 30.8                              | 3.7                           | 27.5                    | 21.9 | 16.2 | 10.6 | -    | -    |
|                        | 67      | 32.0                                 | 3.3                           | 31.2                    | 27.6 | 24.0 | 18.0 | 12.1 | -    | 29.7                              | 3.7                           | 29.3                    | 26.0 | 22.7 | 16.8 | 10.8 | -    |
|                        | 62      | 31.7                                 | 3.3                           | 31.5                    | 31.0 | 30.5 | 24.3 | 18.1 | 11.8 | 29.4                              | 3.7                           | 29.3                    | 29.3 | 29.3 | 23.0 | 16.6 | 10.3 |
| 1350                   | 77      | 34.1                                 | 3.3                           | 30.6                    | 24.3 | 18.1 | 11.9 | -    | -    | 31.7                              | 3.7                           | 29.4                    | 23.2 | 16.9 | 10.7 | -    | -    |
|                        | 67      | 33.3                                 | 3.3                           | 32.5                    | 29.1 | 25.6 | 19.0 | 12.4 | -    | 31.1                              | 3.7                           | 30.4                    | 27.4 | 24.4 | 17.7 | 11.1 | -    |
|                        | 62      | 32.9                                 | 3.3                           | 32.7                    | 32.7 | 32.7 | 26.2 | 19.2 | 12.3 | 30.5                              | 3.7                           | 30.4                    | 30.4 | 30.4 | 24.8 | 17.8 | 10.7 |
|                        | 57      | 33.0                                 | 3.4                           | 32.9                    | 32.9 | 32.9 | 30.5 | 26.0 | 21.4 | 30.6                              | 3.7                           | 30.5                    | 30.5 | 30.5 | 27.7 | 24.4 | 21.1 |
| 1500                   | 72      | 34.9                                 | 3.3                           | 32.4                    | 25.6 | 18.8 | 12.0 | -    | -    | 32.6                              | 3.7                           | 31.3                    | 24.5 | 17.7 | 10.9 | -    | -    |
|                        | 67      | 34.6                                 | 3.3                           | 33.8                    | 30.5 | 27.3 | 20.0 | 12.8 | -    | 32.5                              | 3.7                           | 31.6                    | 28.8 | 26.0 | 18.7 | 11.5 | -    |
|                        | 62      | 34.1                                 | 3.3                           | 33.8                    | 33.8 | 33.8 | 28.0 | 20.4 | 12.7 | 31.6                              | 3.7                           | 31.6                    | 31.6 | 31.6 | 26.6 | 18.9 | 11.1 |
|                        | 57      | 34.2                                 | 3.4                           | 33.9                    | 33.9 | 33.9 | 32.3 | 27.9 | 23.5 | 31.6                              | 3.8                           | 31.6                    | 31.6 | 31.6 | 28.9 | 26.3 | 23.6 |

1. These capacities are gross ratings. For net capacity, deduct the supply air blower motor heat (MBh = 3.415 x kW). Refer to the appropriate Blower Performance Table for the kW of the supply air blower motor.
2. These ratings include the condenser fan motors (total 1 kW) and the compressor motors but not the supply air blower motor.

ZQ05 (4.0 Ton)

| Air on Evaporator Coil |         | Temperature of Air on Condenser Coil |                               |                         |      |      |      |      |      |                                   |                               |                         |      |      |      |      |      |
|------------------------|---------|--------------------------------------|-------------------------------|-------------------------|------|------|------|------|------|-----------------------------------|-------------------------------|-------------------------|------|------|------|------|------|
| CFM                    | WB (°F) | Total Capacity <sup>1</sup> (MBh)    | Total Input (kW) <sup>2</sup> | Sensible Capacity (MBh) |      |      |      |      |      | Total Capacity <sup>1</sup> (MBh) | Total Input (kW) <sup>2</sup> | Sensible Capacity (MBh) |      |      |      |      |      |
|                        |         |                                      |                               | Return Dry Bulb (°F)    |      |      |      |      |      |                                   |                               | Return Dry Bulb (°F)    |      |      |      |      |      |
|                        |         |                                      |                               | 90                      | 85   | 80   | 75   | 70   | 65   |                                   |                               | 90                      | 85   | 80   | 75   | 70   | 65   |
|                        |         | 75°F                                 |                               |                         |      |      |      |      |      |                                   | 85°F                          |                         |      |      |      |      |      |
| 1000                   | 77      | 61.7                                 | 2.8                           | 31.1                    | 23.1 | 15.0 | -    | -    | -    | 59.0                              | 3.2                           | 29.6                    | 21.7 | 13.7 | -    | -    | -    |
|                        | 72      | 56.3                                 | 2.8                           | 37.3                    | 30.4 | 23.5 | 16.6 | -    | -    | 53.4                              | 3.1                           | 35.9                    | 29.0 | 22.1 | 15.2 | -    | -    |
|                        | 67      | 50.9                                 | 2.7                           | 43.4                    | 37.7 | 32.0 | 26.6 | 21.4 | -    | 47.9                              | 3.1                           | 42.2                    | 36.3 | 30.5 | 25.2 | 20.1 | -    |
|                        | 62      | 47.7                                 | 2.7                           | 43.4                    | 41.9 | 40.5 | 37.2 | 33.1 | 29.5 | 45.8                              | 3.0                           | 43.4                    | 41.1 | 38.8 | 35.6 | 32.0 | 28.6 |
| 1200                   | 77      | 62.7                                 | 2.8                           | 34.0                    | 25.1 | 16.2 | -    | -    | -    | 59.9                              | 3.2                           | 33.0                    | 23.9 | 14.9 | -    | -    | -    |
|                        | 72      | 57.7                                 | 2.8                           | 40.1                    | 32.6 | 25.2 | 17.7 | -    | -    | 54.8                              | 3.1                           | 38.9                    | 31.3 | 23.8 | 16.3 | -    | -    |
|                        | 67      | 52.6                                 | 2.7                           | 46.2                    | 40.2 | 34.2 | 27.9 | 21.7 | -    | 49.8                              | 3.1                           | 44.8                    | 38.8 | 32.8 | 26.6 | 20.4 | -    |
|                        | 62      | 49.8                                 | 2.7                           | 46.2                    | 44.7 | 43.2 | 38.5 | 33.3 | 28.3 | 47.9                              | 3.1                           | 45.7                    | 43.7 | 41.7 | 37.0 | 32.0 | 27.2 |
|                        | 57      | 47.0                                 | 2.7                           | 46.2                    | 46.2 | 46.2 | 46.2 | 44.8 | 41.1 | 46.1                              | 3.0                           | 46.1                    | 46.1 | 46.1 | 46.1 | 43.7 | 40.2 |
| 1400                   | 77      | 63.7                                 | 2.8                           | 36.8                    | 27.1 | 17.3 | -    | -    | -    | 60.7                              | 3.2                           | 36.3                    | 26.1 | 16.0 | -    | -    | -    |
|                        | 72      | 59.0                                 | 2.8                           | 42.9                    | 34.8 | 26.8 | 18.8 | -    | -    | 56.2                              | 3.1                           | 41.8                    | 33.7 | 25.5 | 17.4 | -    | -    |
|                        | 67      | 54.3                                 | 2.7                           | 48.9                    | 42.6 | 36.3 | 29.1 | 22.1 | -    | 51.7                              | 3.1                           | 47.3                    | 41.2 | 35.1 | 27.9 | 20.7 | -    |
|                        | 62      | 52.0                                 | 2.7                           | 48.9                    | 47.4 | 45.9 | 39.8 | 33.4 | 27.1 | 49.9                              | 3.1                           | 48.1                    | 46.4 | 44.6 | 38.5 | 32.1 | 25.8 |
|                        | 57      | 49.6                                 | 2.7                           | 48.9                    | 48.9 | 48.9 | 48.9 | 44.6 | 39.3 | 48.4                              | 3.1                           | 48.4                    | 48.4 | 48.4 | 48.4 | 43.5 | 38.2 |
| 1600                   | 77      | 64.7                                 | 2.9                           | 39.6                    | 29.0 | 18.5 | -    | -    | -    | 61.5                              | 3.2                           | 39.6                    | 28.4 | 17.1 | -    | -    | -    |
|                        | 72      | 60.4                                 | 2.8                           | 45.7                    | 37.1 | 28.5 | 19.9 | -    | -    | 57.6                              | 3.2                           | 44.8                    | 36.0 | 27.3 | 18.5 | -    | -    |
|                        | 67      | 56.0                                 | 2.7                           | 51.7                    | 45.1 | 38.5 | 30.4 | 22.4 | -    | 53.6                              | 3.1                           | 49.9                    | 43.7 | 37.4 | 29.2 | 21.0 | -    |
|                        | 62      | 54.1                                 | 2.7                           | 51.7                    | 50.1 | 48.6 | 41.2 | 33.5 | 25.9 | 52.0                              | 3.1                           | 50.4                    | 49.0 | 47.6 | 39.9 | 32.2 | 24.5 |
|                        | 57      | 52.2                                 | 2.7                           | 51.7                    | 51.7 | 51.7 | 51.6 | 44.5 | 37.5 | 50.7                              | 3.1                           | 50.7                    | 50.7 | 50.7 | 50.5 | 43.4 | 36.2 |
| 1800                   | 72      | 61.8                                 | 2.8                           | 48.5                    | 39.3 | 30.2 | 21.0 | -    | -    | 59.0                              | 3.2                           | 47.7                    | 38.4 | 29.0 | 19.6 | -    | -    |
|                        | 67      | 57.8                                 | 2.8                           | 54.5                    | 47.6 | 40.7 | 31.7 | 22.7 | -    | 55.5                              | 3.1                           | 52.5                    | 46.1 | 39.7 | 30.5 | 21.2 | -    |
|                        | 62      | 56.3                                 | 2.8                           | 54.5                    | 52.9 | 51.3 | 42.5 | 33.6 | 24.7 | 54.1                              | 3.1                           | 52.8                    | 51.6 | 50.5 | 41.4 | 32.2 | 23.1 |
|                        | 57      | 54.8                                 | 2.8                           | 54.5                    | 54.5 | 54.5 | 53.1 | 44.4 | 35.7 | 52.9                              | 3.1                           | 52.9                    | 52.9 | 52.9 | 52.2 | 43.2 | 34.3 |
| 2000                   | 72      | 63.1                                 | 2.8                           | 51.3                    | 41.5 | 31.8 | 22.1 | -    | -    | 60.3                              | 3.2                           | 50.7                    | 40.7 | 30.7 | 20.7 | -    | -    |
|                        | 67      | 59.5                                 | 2.8                           | 57.2                    | 50.1 | 42.9 | 33.0 | 23.0 | -    | 57.4                              | 3.1                           | 55.1                    | 48.6 | 42.0 | 31.8 | 21.5 | -    |
|                        | 62      | 58.4                                 | 2.8                           | 57.2                    | 55.6 | 54.0 | 43.8 | 33.7 | 23.5 | 56.1                              | 3.1                           | 55.1                    | 54.2 | 53.4 | 42.8 | 32.3 | 21.8 |
|                        | 57      | 57.4                                 | 2.8                           | 57.2                    | 57.2 | 57.2 | 54.7 | 44.3 | 33.9 | 55.2                              | 3.2                           | 55.1                    | 55.1 | 55.1 | 53.9 | 43.1 | 32.3 |
|                        |         | 95°F                                 |                               |                         |      |      |      |      |      |                                   | 105°F                         |                         |      |      |      |      |      |
| 1000                   | 77      | 56.3                                 | 3.5                           | 28.1                    | 20.3 | 12.5 | -    | -    | -    | 51.7                              | 4.1                           | 28.9                    | 21.2 | 13.5 | -    | -    | -    |
|                        | 72      | 50.6                                 | 3.5                           | 34.5                    | 27.6 | 20.7 | 13.8 | -    | -    | 47.7                              | 4.0                           | 34.0                    | 27.4 | 20.8 | 14.2 | -    | -    |
|                        | 67      | 44.8                                 | 3.4                           | 40.9                    | 34.9 | 29.0 | 23.9 | 18.9 | -    | 43.7                              | 3.9                           | 39.1                    | 33.6 | 28.1 | 23.3 | 18.5 | -    |
|                        | 62      | 43.9                                 | 3.4                           | 43.3                    | 40.2 | 37.2 | 34.0 | 30.8 | 27.6 | 42.9                              | 3.9                           | 41.5                    | 38.4 | 35.4 | 32.4 | 29.5 | 26.5 |
| 1200                   | 77      | 57.0                                 | 3.5                           | 31.9                    | 22.8 | 13.6 | -    | -    | -    | 52.3                              | 4.1                           | 32.2                    | 23.3 | 14.3 | -    | -    | -    |
|                        | 72      | 52.0                                 | 3.5                           | 37.6                    | 30.1 | 22.5 | 14.9 | -    | -    | 48.8                              | 4.0                           | 36.8                    | 29.5 | 22.1 | 14.8 | -    | -    |
|                        | 67      | 46.9                                 | 3.4                           | 43.3                    | 37.4 | 31.4 | 25.3 | 19.1 | -    | 45.3                              | 3.9                           | 41.3                    | 35.6 | 30.0 | 24.2 | 18.4 | -    |
|                        | 62      | 45.9                                 | 3.4                           | 45.2                    | 42.8 | 40.3 | 35.6 | 30.8 | 26.1 | 44.4                              | 4.0                           | 43.2                    | 40.5 | 37.8 | 33.6 | 29.3 | 25.1 |
|                        | 57      | 45.2                                 | 3.4                           | 45.2                    | 45.2 | 45.2 | 45.2 | 42.6 | 39.3 | 43.8                              | 4.0                           | 43.8                    | 43.8 | 43.8 | 42.9 | 40.2 | 37.5 |
| 1400                   | 77      | 57.7                                 | 3.6                           | 35.8                    | 25.2 | 14.7 | -    | -    | -    | 53.0                              | 4.1                           | 35.6                    | 25.4 | 15.1 | -    | -    | -    |
|                        | 72      | 53.4                                 | 3.5                           | 40.8                    | 32.5 | 24.3 | 16.0 | -    | -    | 49.9                              | 4.0                           | 39.5                    | 31.5 | 23.5 | 15.5 | -    | -    |
|                        | 67      | 49.1                                 | 3.4                           | 45.7                    | 39.8 | 33.8 | 26.6 | 19.3 | -    | 46.9                              | 3.9                           | 43.4                    | 37.6 | 31.8 | 25.1 | 18.3 | -    |
|                        | 62      | 47.9                                 | 3.4                           | 47.2                    | 45.3 | 43.4 | 37.1 | 30.9 | 24.6 | 45.9                              | 4.0                           | 44.8                    | 42.5 | 40.2 | 34.7 | 29.2 | 23.7 |
|                        | 57      | 47.2                                 | 3.4                           | 47.2                    | 47.2 | 47.2 | 47.2 | 42.4 | 37.1 | 45.3                              | 4.0                           | 45.3                    | 45.3 | 45.3 | 44.3 | 40.0 | 35.8 |
| 1600                   | 77      | 58.4                                 | 3.6                           | 39.6                    | 27.7 | 15.8 | -    | -    | -    | 53.6                              | 4.1                           | 39.0                    | 27.5 | 15.9 | -    | -    | -    |
|                        | 72      | 54.8                                 | 3.5                           | 43.9                    | 35.0 | 26.0 | 17.1 | -    | -    | 51.1                              | 4.0                           | 42.3                    | 33.5 | 24.8 | 16.1 | -    | -    |
|                        | 67      | 51.2                                 | 3.5                           | 48.2                    | 42.2 | 36.3 | 27.9 | 19.5 | -    | 48.5                              | 4.0                           | 45.6                    | 39.6 | 33.7 | 26.0 | 18.2 | -    |
|                        | 62      | 49.9                                 | 3.5                           | 49.1                    | 47.8 | 46.5 | 38.7 | 30.9 | 23.1 | 47.4                              | 4.0                           | 46.5                    | 44.6 | 42.6 | 35.8 | 29.0 | 22.2 |
|                        | 57      | 49.1                                 | 3.5                           | 49.1                    | 49.1 | 49.1 | 49.1 | 42.2 | 35.0 | 46.7                              | 4.0                           | 46.7                    | 46.7 | 46.7 | 45.7 | 39.8 | 34.0 |
| 1800                   | 72      | 56.2                                 | 3.5                           | 47.0                    | 37.4 | 27.8 | 18.2 | -    | -    | 52.2                              | 4.0                           | 45.0                    | 35.6 | 26.2 | 16.8 | -    | -    |
|                        | 67      | 53.3                                 | 3.5                           | 50.6                    | 44.7 | 38.7 | 29.3 | 19.8 | -    | 50.1                              | 4.0                           | 47.7                    | 41.6 | 35.6 | 26.8 | 18.1 | -    |
|                        | 62      | 51.8                                 | 3.5                           | 51.1                    | 50.4 | 49.6 | 40.3 | 30.9 | 21.6 | 48.9                              | 4.0                           | 48.2                    | 46.6 | 45.0 | 36.9 | 28.9 | 20.8 |
|                        | 57      | 51.1                                 | 3.5                           | 51.1                    | 51.1 | 51.1 | 51.1 | 42.1 | 32.8 | 48.2                              | 4.0                           | 48.2                    | 48.2 | 48.2 | 47.0 | 39.6 | 32.3 |
| 2000                   | 72      | 57.6                                 | 3.5                           | 50.1                    | 39.9 | 29.6 | 19.3 | -    | -    | 53.3                              | 4.0                           | 47.8                    | 37.6 | 27.5 | 17.4 | -    | -    |
|                        | 67      | 55.4                                 | 3.5                           | 53.0                    | 47.1 | 41.2 | 30.6 | 20.0 | -    | 51.7                              | 4.0                           | 49.8                    | 43.6 | 37.4 | 27.7 | 18.0 | -    |
|                        | 62      | 53.8                                 | 3.5                           | 53.0                    | 52.9 | 52.8 | 41.9 | 30.9 | 20.0 | 50.4                              | 4.0                           | 49.9                    | 48.6 | 47.4 | 38.1 | 28.7 | 19.4 |
|                        | 57      | 53.0                                 | 3.5                           | 53.0                    | 53.0 | 53.0 | 53.0 | 41.9 | 30.7 | 49.9                              | 4.0                           | 49.9                    | 49.9 | 49.9 | 48.4 | 39.5 | 30.5 |

**ZQ05 (4.0 Ton) (Continued)**

| Air on Evaporator Coil |         | Temperature of Air on Condenser Coil |                               |                         |      |      |      |      |       |                                   |                               |                         |      |      |      |      |      |
|------------------------|---------|--------------------------------------|-------------------------------|-------------------------|------|------|------|------|-------|-----------------------------------|-------------------------------|-------------------------|------|------|------|------|------|
| CFM                    | WB (°F) | Total Capacity <sup>1</sup> (MBh)    | Total Input (kW) <sup>2</sup> | Sensible Capacity (MBh) |      |      |      |      |       | Total Capacity <sup>1</sup> (MBh) | Total Input (kW) <sup>2</sup> | Sensible Capacity (MBh) |      |      |      |      |      |
|                        |         |                                      |                               | Return Dry Bulb (°F)    |      |      |      |      |       |                                   |                               | Return Dry Bulb (°F)    |      |      |      |      |      |
|                        |         |                                      |                               | 90                      | 85   | 80   | 75   | 70   | 65    |                                   |                               | 90                      | 85   | 80   | 75   | 70   | 65   |
|                        |         | 115°F                                |                               |                         |      |      |      |      | 125°F |                                   |                               |                         |      |      |      |      |      |
| 1000                   | 77      | 47.1                                 | 4.6                           | 29.7                    | 22.1 | 14.5 | -    | -    | -     | 42.4                              | 5.1                           | 30.4                    | 23.0 | 15.5 | -    | -    | -    |
|                        | 72      | 44.8                                 | 4.5                           | 33.5                    | 27.2 | 20.9 | 14.6 | -    | -     | 41.9                              | 5.0                           | 33.0                    | 27.0 | 20.9 | 14.9 | -    | -    |
|                        | 67      | 42.6                                 | 4.4                           | 37.3                    | 32.3 | 27.2 | 22.7 | 18.2 | -     | 41.4                              | 4.9                           | 35.6                    | 31.0 | 26.4 | 22.1 | 17.8 | -    |
|                        | 62      | 42.0                                 | 4.5                           | 39.7                    | 36.6 | 33.6 | 30.8 | 28.1 | 25.3  | 41.0                              | 5.0                           | 37.9                    | 34.8 | 31.8 | 29.3 | 26.7 | 24.2 |
| 1200                   | 77      | 47.7                                 | 4.6                           | 32.6                    | 23.8 | 15.0 | -    | -    | -     | 43.0                              | 5.1                           | 32.9                    | 24.3 | 15.8 | -    | -    | -    |
|                        | 72      | 45.7                                 | 4.5                           | 35.9                    | 28.8 | 21.8 | 14.7 | -    | -     | 42.5                              | 5.0                           | 35.0                    | 28.2 | 21.4 | 14.6 | -    | -    |
|                        | 67      | 43.6                                 | 4.4                           | 39.2                    | 33.9 | 28.5 | 23.1 | 17.7 | -     | 42.0                              | 5.0                           | 37.1                    | 32.1 | 27.1 | 22.1 | 17.1 | -    |
|                        | 62      | 43.0                                 | 4.5                           | 41.1                    | 38.2 | 35.3 | 31.5 | 27.8 | 24.0  | 41.5                              | 5.0                           | 39.0                    | 35.9 | 32.8 | 29.5 | 26.3 | 23.0 |
|                        | 57      | 42.4                                 | 4.5                           | 42.4                    | 42.4 | 42.0 | 39.9 | 37.8 | 35.7  | 41.0                              | 5.1                           | 40.9                    | 39.6 | 38.4 | 36.9 | 35.5 | 34.0 |
| 1400                   | 77      | 48.3                                 | 4.6                           | 35.4                    | 25.5 | 15.6 | -    | -    | -     | 43.6                              | 5.1                           | 35.3                    | 25.6 | 16.0 | -    | -    | -    |
|                        | 72      | 46.5                                 | 4.5                           | 38.3                    | 30.5 | 22.7 | 14.9 | -    | -     | 43.1                              | 5.0                           | 37.0                    | 29.5 | 21.9 | 14.4 | -    | -    |
|                        | 67      | 44.7                                 | 4.5                           | 41.1                    | 35.5 | 29.8 | 23.6 | 17.3 | -     | 42.6                              | 5.0                           | 38.7                    | 33.3 | 27.8 | 22.1 | 16.3 | -    |
|                        | 62      | 44.0                                 | 4.5                           | 42.5                    | 39.7 | 37.0 | 32.2 | 27.5 | 22.7  | 42.0                              | 5.0                           | 40.2                    | 36.9 | 33.7 | 29.8 | 25.8 | 21.8 |
|                        | 57      | 43.4                                 | 4.5                           | 43.4                    | 43.4 | 43.4 | 40.9 | 37.6 | 34.4  | 41.5                              | 5.1                           | 41.5                    | 40.6 | 39.6 | 37.4 | 35.2 | 33.0 |
| 1600                   | 77      | 48.9                                 | 4.6                           | 38.3                    | 27.2 | 16.1 | -    | -    | -     | 44.2                              | 5.1                           | 37.7                    | 27.0 | 16.3 | -    | -    | -    |
|                        | 72      | 47.4                                 | 4.5                           | 40.6                    | 32.1 | 23.6 | 15.1 | -    | -     | 43.7                              | 5.0                           | 39.0                    | 30.7 | 22.4 | 14.1 | -    | -    |
|                        | 67      | 45.8                                 | 4.5                           | 42.9                    | 37.0 | 31.1 | 24.0 | 16.9 | -     | 43.2                              | 5.0                           | 40.3                    | 34.4 | 28.6 | 22.0 | 15.5 | -    |
|                        | 62      | 45.0                                 | 4.5                           | 43.9                    | 41.3 | 38.6 | 32.9 | 27.2 | 21.4  | 42.5                              | 5.0                           | 41.3                    | 38.0 | 34.7 | 30.0 | 25.3 | 20.6 |
|                        | 57      | 44.3                                 | 4.5                           | 44.3                    | 44.3 | 44.3 | 41.8 | 37.4 | 33.1  | 41.9                              | 5.0                           | 41.9                    | 41.6 | 40.8 | 37.9 | 35.0 | 32.1 |
| 1800                   | 72      | 48.2                                 | 4.5                           | 43.0                    | 33.8 | 24.5 | 15.3 | -    | -     | 44.2                              | 5.0                           | 41.0                    | 31.9 | 22.9 | 13.8 | -    | -    |
|                        | 67      | 46.9                                 | 4.5                           | 44.8                    | 38.6 | 32.4 | 24.4 | 16.4 | -     | 43.7                              | 5.0                           | 41.9                    | 35.6 | 29.3 | 22.0 | 14.8 | -    |
|                        | 62      | 46.0                                 | 4.5                           | 45.3                    | 42.8 | 40.3 | 33.6 | 26.8 | 20.1  | 43.1                              | 5.0                           | 42.5                    | 39.1 | 35.7 | 30.2 | 24.8 | 19.4 |
|                        | 57      | 45.3                                 | 4.5                           | 45.3                    | 45.3 | 45.3 | 42.7 | 37.2 | 31.7  | 42.5                              | 5.0                           | 42.5                    | 42.5 | 42.0 | 38.4 | 34.8 | 31.2 |
| 2000                   | 72      | 49.1                                 | 4.5                           | 45.4                    | 35.4 | 25.4 | 15.5 | -    | -     | 44.8                              | 5.0                           | 43.0                    | 33.2 | 23.4 | 13.6 | -    | -    |
|                        | 67      | 48.0                                 | 4.5                           | 46.7                    | 40.2 | 33.7 | 24.9 | 16.0 | -     | 44.3                              | 5.0                           | 43.5                    | 36.7 | 30.0 | 22.0 | 14.0 | -    |
|                        | 62      | 47.0                                 | 4.5                           | 46.7                    | 44.4 | 42.0 | 34.3 | 26.5 | 18.8  | 43.6                              | 5.0                           | 43.6                    | 40.1 | 36.6 | 30.5 | 24.3 | 18.2 |
|                        | 57      | 46.7                                 | 4.5                           | 46.7                    | 46.7 | 46.7 | 43.7 | 37.0 | 30.4  | 43.6                              | 5.0                           | 43.6                    | 43.5 | 43.3 | 38.9 | 34.6 | 30.3 |

1. These capacities are gross ratings. For net capacity, deduct the supply air blower motor heat (MBh = 3.415 x kW). Refer to the appropriate Blower Performance Table for the kW of the supply air blower motor.
2. These ratings include the condenser fan motors (total 1 kW) and the compressor motors but not the supply air blower motor.

ZQ06 (5.0 Ton)

| Air on Evaporator Coil |         | Temperature of Air on Condenser Coil |                               |                         |      |      |      |      |      |                                   |                               |                         |      |      |      |      |      |
|------------------------|---------|--------------------------------------|-------------------------------|-------------------------|------|------|------|------|------|-----------------------------------|-------------------------------|-------------------------|------|------|------|------|------|
| CFM                    | WB (°F) | Total Capacity <sup>1</sup> (MBh)    | Total Input (kW) <sup>2</sup> | Sensible Capacity (MBh) |      |      |      |      |      | Total Capacity <sup>1</sup> (MBh) | Total Input (kW) <sup>2</sup> | Sensible Capacity (MBh) |      |      |      |      |      |
|                        |         |                                      |                               | Return Dry Bulb (°F)    |      |      |      |      |      |                                   |                               | Return Dry Bulb (°F)    |      |      |      |      |      |
|                        |         |                                      |                               | 90                      | 85   | 80   | 75   | 70   | 65   |                                   |                               | 90                      | 85   | 80   | 75   | 70   | 65   |
|                        |         | 75°F                                 |                               |                         |      |      |      |      |      | 85°F                              |                               |                         |      |      |      |      |      |
| 1250                   | 77      | 71.6                                 | 3.4                           | 36.3                    | 30.7 | 25.1 | -    | -    | -    | 69.9                              | 3.8                           | 35.6                    | 29.7 | 23.8 | -    | -    | -    |
|                        | 72      | 67.7                                 | 3.4                           | 45.4                    | 38.8 | 32.1 | 25.4 | -    | -    | 65.3                              | 3.8                           | 44.4                    | 37.6 | 30.7 | 23.9 | -    | -    |
|                        | 67      | 63.8                                 | 3.4                           | 54.5                    | 46.8 | 39.1 | 32.2 | 25.5 | -    | 60.8                              | 3.7                           | 53.3                    | 45.5 | 37.7 | 30.7 | 23.9 | -    |
|                        | 62      | 62.5                                 | 3.3                           | 54.6                    | 50.2 | 46.1 | 38.0 | 32.2 | 25.2 | 59.3                              | 3.7                           | 54.3                    | 49.5 | 44.6 | 36.2 | 30.8 | 23.9 |
| 1500                   | 77      | 72.8                                 | 3.4                           | 39.9                    | 32.2 | 24.4 | -    | -    | -    | 70.9                              | 3.8                           | 39.4                    | 31.3 | 23.2 | -    | -    | -    |
|                        | 72      | 69.2                                 | 3.4                           | 48.7                    | 41.0 | 33.2 | 25.4 | -    | -    | 66.8                              | 3.8                           | 47.8                    | 39.8 | 31.9 | 23.9 | -    | -    |
|                        | 67      | 65.7                                 | 3.4                           | 57.6                    | 49.7 | 41.9 | 33.7 | 25.8 | -    | 62.6                              | 3.8                           | 56.2                    | 48.4 | 40.5 | 32.3 | 24.3 | -    |
|                        | 62      | 64.3                                 | 3.3                           | 57.6                    | 54.1 | 50.6 | 41.0 | 34.0 | 25.7 | 61.3                              | 3.7                           | 57.1                    | 53.1 | 49.2 | 39.7 | 32.6 | 24.3 |
| 1750                   | 77      | 73.9                                 | 3.4                           | 43.6                    | 33.7 | 23.8 | -    | -    | -    | 71.9                              | 3.8                           | 43.2                    | 33.0 | 22.7 | -    | -    | -    |
|                        | 72      | 70.8                                 | 3.4                           | 52.1                    | 43.1 | 34.2 | 25.3 | -    | -    | 68.2                              | 3.8                           | 51.2                    | 42.1 | 33.0 | 24.0 | -    | -    |
|                        | 67      | 67.6                                 | 3.4                           | 60.6                    | 52.6 | 44.6 | 35.3 | 26.1 | -    | 64.5                              | 3.8                           | 59.1                    | 51.2 | 43.4 | 33.9 | 24.6 | -    |
|                        | 62      | 66.1                                 | 3.4                           | 60.8                    | 57.9 | 55.1 | 43.7 | 35.9 | 26.3 | 63.3                              | 3.8                           | 59.9                    | 56.8 | 53.7 | 43.1 | 34.3 | 24.6 |
| 2000                   | 77      | 75.1                                 | 3.5                           | 47.2                    | 35.2 | 23.1 | -    | -    | -    | 72.9                              | 3.9                           | 47.1                    | 34.6 | 22.2 | -    | -    | -    |
|                        | 72      | 72.3                                 | 3.4                           | 55.4                    | 45.3 | 35.3 | 25.2 | -    | -    | 69.6                              | 3.8                           | 54.5                    | 44.4 | 34.2 | 24.0 | -    | -    |
|                        | 67      | 69.5                                 | 3.4                           | 63.6                    | 55.5 | 47.4 | 36.9 | 26.4 | -    | 66.3                              | 3.8                           | 62.0                    | 54.1 | 46.2 | 35.5 | 25.0 | -    |
|                        | 62      | 67.9                                 | 3.4                           | 64.1                    | 61.8 | 59.5 | 47.5 | 37.8 | 26.9 | 65.2                              | 3.8                           | 62.7                    | 60.5 | 58.2 | 46.5 | 36.1 | 25.0 |
| 2250                   | 72      | 73.8                                 | 3.5                           | 58.7                    | 47.5 | 36.3 | 25.1 | -    | -    | 71.0                              | 3.8                           | 57.9                    | 46.6 | 35.3 | 24.0 | -    | -    |
|                        | 67      | 71.4                                 | 3.4                           | 66.6                    | 58.4 | 50.2 | 38.4 | 26.8 | -    | 68.2                              | 3.8                           | 64.9                    | 57.0 | 49.0 | 37.2 | 25.3 | -    |
|                        | 62      | 69.7                                 | 3.4                           | 67.4                    | 65.7 | 64.0 | 51.2 | 39.6 | 27.5 | 67.2                              | 3.8                           | 65.5                    | 64.1 | 62.7 | 50.0 | 37.8 | 25.4 |
|                        | 57      | 68.0                                 | 3.4                           | 68.0                    | 68.0 | 68.0 | 65.2 | 52.5 | 39.8 | 66.2                              | 3.8                           | 66.1                    | 66.1 | 66.1 | 63.4 | 50.4 | 37.4 |
| 2500                   | 72      | 75.3                                 | 3.5                           | 62.1                    | 49.7 | 37.4 | 25.0 | -    | -    | 72.5                              | 3.9                           | 61.3                    | 48.9 | 36.5 | 24.1 | -    | -    |
|                        | 67      | 73.3                                 | 3.4                           | 69.7                    | 61.3 | 52.9 | 40.0 | 27.1 | -    | 70.0                              | 3.9                           | 67.9                    | 59.9 | 51.9 | 38.8 | 25.6 | -    |
|                        | 62      | 71.5                                 | 3.5                           | 69.7                    | 69.6 | 68.5 | 55.0 | 41.5 | 28.0 | 69.1                              | 3.9                           | 68.3                    | 67.8 | 67.2 | 53.4 | 39.6 | 25.8 |
|                        | 57      | 69.8                                 | 3.5                           | 69.9                    | 69.9 | 69.9 | 69.9 | 55.9 | 41.9 | 68.2                              | 3.9                           | 68.4                    | 68.4 | 68.4 | 68.1 | 53.6 | 39.0 |
|                        |         | 95°F                                 |                               |                         |      |      |      |      |      | 105°F                             |                               |                         |      |      |      |      |      |
| 1250                   | 77      | 68.2                                 | 4.2                           | 34.9                    | 28.6 | 22.4 | -    | -    | -    | 63.3                              | 4.8                           | 33.9                    | 27.5 | 21.1 | -    | -    | -    |
|                        | 72      | 63.0                                 | 4.2                           | 43.5                    | 36.4 | 29.4 | 22.3 | -    | -    | 58.7                              | 4.7                           | 41.8                    | 34.8 | 27.8 | 20.8 | -    | -    |
|                        | 67      | 57.7                                 | 4.1                           | 52.1                    | 44.2 | 36.3 | 29.3 | 22.3 | -    | 54.1                              | 4.7                           | 49.7                    | 42.1 | 34.5 | 27.5 | 20.5 | -    |
|                        | 62      | 56.2                                 | 4.1                           | 54.2                    | 48.7 | 43.2 | 36.3 | 29.4 | 22.6 | 52.7                              | 4.7                           | 50.9                    | 46.0 | 41.2 | 34.2 | 27.2 | 20.1 |
| 1500                   | 77      | 69.0                                 | 4.2                           | 38.9                    | 30.5 | 22.0 | -    | -    | -    | 64.0                              | 4.8                           | 38.0                    | 29.3 | 20.5 | -    | -    | -    |
|                        | 72      | 64.3                                 | 4.2                           | 46.9                    | 38.7 | 30.6 | 22.5 | -    | -    | 60.0                              | 4.8                           | 45.1                    | 37.0 | 29.0 | 20.9 | -    | -    |
|                        | 67      | 59.6                                 | 4.1                           | 54.9                    | 47.0 | 39.2 | 30.9 | 22.7 | -    | 56.0                              | 4.7                           | 52.2                    | 44.8 | 37.4 | 29.1 | 20.8 | -    |
|                        | 62      | 58.3                                 | 4.2                           | 56.6                    | 52.2 | 47.7 | 39.4 | 31.1 | 22.8 | 54.8                              | 4.7                           | 53.1                    | 49.5 | 45.8 | 37.3 | 28.9 | 20.4 |
| 1750                   | 77      | 69.9                                 | 4.2                           | 42.9                    | 32.3 | 21.6 | -    | -    | -    | 64.8                              | 4.8                           | 42.2                    | 31.1 | 20.0 | -    | -    | -    |
|                        | 72      | 65.6                                 | 4.2                           | 50.3                    | 41.1 | 31.9 | 22.6 | -    | -    | 61.4                              | 4.8                           | 48.4                    | 39.3 | 30.1 | 20.9 | -    | -    |
|                        | 67      | 61.4                                 | 4.2                           | 57.7                    | 49.9 | 42.1 | 32.6 | 23.1 | -    | 57.9                              | 4.8                           | 54.7                    | 47.5 | 40.2 | 30.7 | 21.2 | -    |
|                        | 62      | 60.4                                 | 4.2                           | 59.0                    | 55.6 | 52.3 | 42.5 | 32.7 | 23.0 | 56.9                              | 4.8                           | 55.4                    | 52.9 | 50.4 | 40.5 | 30.6 | 20.7 |
| 2000                   | 77      | 70.7                                 | 4.2                           | 46.9                    | 34.1 | 21.2 | -    | -    | -    | 65.5                              | 4.8                           | 46.4                    | 32.9 | 19.4 | -    | -    | -    |
|                        | 72      | 67.0                                 | 4.2                           | 53.7                    | 43.4 | 33.1 | 22.8 | -    | -    | 62.7                              | 4.8                           | 51.8                    | 41.5 | 31.3 | 21.0 | -    | -    |
|                        | 67      | 63.2                                 | 4.2                           | 60.4                    | 52.7 | 45.0 | 34.2 | 23.5 | -    | 59.9                              | 4.8                           | 57.2                    | 50.1 | 43.1 | 32.3 | 21.5 | -    |
|                        | 62      | 62.5                                 | 4.2                           | 61.3                    | 59.1 | 56.9 | 45.6 | 34.4 | 23.1 | 59.0                              | 4.8                           | 57.7                    | 56.3 | 55.0 | 43.6 | 32.3 | 21.0 |
| 2250                   | 72      | 68.3                                 | 4.2                           | 57.1                    | 45.7 | 34.4 | 23.0 | -    | -    | 64.0                              | 4.8                           | 55.1                    | 43.7 | 32.4 | 21.1 | -    | -    |
|                        | 67      | 65.0                                 | 4.2                           | 63.2                    | 55.6 | 47.9 | 35.9 | 23.8 | -    | 61.8                              | 4.8                           | 59.7                    | 52.8 | 46.0 | 33.9 | 21.9 | -    |
|                        | 62      | 64.7                                 | 4.2                           | 63.7                    | 62.6 | 61.4 | 48.7 | 36.0 | 23.3 | 61.2                              | 4.8                           | 59.9                    | 59.7 | 59.5 | 46.8 | 34.0 | 21.3 |
|                        | 57      | 64.3                                 | 4.2                           | 64.1                    | 64.1 | 64.1 | 61.6 | 48.2 | 34.9 | 60.5                              | 4.9                           | 60.2                    | 60.2 | 60.2 | 59.6 | 46.2 | 32.7 |
| 2500                   | 72      | 69.6                                 | 4.3                           | 60.5                    | 48.1 | 35.6 | 23.2 | -    | -    | 65.4                              | 4.8                           | 58.4                    | 46.0 | 33.6 | 21.1 | -    | -    |
|                        | 67      | 66.8                                 | 4.3                           | 66.0                    | 58.4 | 50.8 | 37.5 | 24.2 | -    | 63.8                              | 4.8                           | 62.1                    | 55.5 | 48.8 | 35.5 | 22.2 | -    |
|                        | 62      | 66.8                                 | 4.3                           | 66.0                    | 66.0 | 66.0 | 51.8 | 37.7 | 23.5 | 63.3                              | 4.9                           | 62.2                    | 62.2 | 62.2 | 49.9 | 35.7 | 21.5 |
|                        | 57      | 66.7                                 | 4.3                           | 66.1                    | 66.1 | 66.1 | 66.1 | 51.2 | 36.1 | 62.8                              | 4.9                           | 62.2                    | 62.2 | 62.2 | 62.2 | 49.3 | 34.2 |

**ZQ06 (5.0 Ton) (Continued)**

| Air on Evaporator Coil |         | Temperature of Air on Condenser Coil |                               |                         |      |      |      |      |      |                                   |                               |                         |      |      |      |      |      |
|------------------------|---------|--------------------------------------|-------------------------------|-------------------------|------|------|------|------|------|-----------------------------------|-------------------------------|-------------------------|------|------|------|------|------|
| CFM                    | WB (°F) | Total Capacity <sup>1</sup> (MBh)    | Total Input (kW) <sup>2</sup> | Sensible Capacity (MBh) |      |      |      |      |      | Total Capacity <sup>1</sup> (MBh) | Total Input (kW) <sup>2</sup> | Sensible Capacity (MBh) |      |      |      |      |      |
|                        |         |                                      |                               | Return Dry Bulb (°F)    |      |      |      |      |      |                                   |                               | Return Dry Bulb (°F)    |      |      |      |      |      |
|                        |         |                                      |                               | 90                      | 85   | 80   | 75   | 70   | 65   |                                   |                               | 90                      | 85   | 80   | 75   | 70   | 65   |
|                        |         | 115°F                                |                               |                         |      |      |      |      |      |                                   | 125°F                         |                         |      |      |      |      |      |
| 1250                   | 77      | 58.4                                 | 5.4                           | 32.9                    | 26.3 | 19.8 | -    | -    | -    | 53.5                              | 5.9                           | 32.0                    | 25.2 | 18.4 | -    | -    | -    |
|                        | 72      | 54.4                                 | 5.3                           | 40.1                    | 33.2 | 26.3 | 19.3 | -    | -    | 50.1                              | 5.9                           | 38.5                    | 31.6 | 24.7 | 17.8 | -    | -    |
|                        | 67      | 50.4                                 | 5.3                           | 47.3                    | 40.0 | 32.8 | 25.7 | 18.6 | -    | 46.7                              | 5.8                           | 44.0                    | 38.0 | 31.0 | 23.9 | 16.8 | -    |
|                        | 62      | 49.1                                 | 5.3                           | 47.5                    | 43.4 | 39.2 | 32.1 | 24.9 | 17.7 | 45.6                              | 5.9                           | 44.2                    | 40.7 | 37.3 | 29.9 | 22.6 | 15.3 |
| 1500                   | 77      | 59.0                                 | 5.4                           | 37.2                    | 28.1 | 19.0 | -    | -    | -    | 54.0                              | 5.9                           | 36.4                    | 27.0 | 17.5 | -    | -    | -    |
|                        | 72      | 55.7                                 | 5.3                           | 43.4                    | 35.3 | 27.3 | 19.3 | -    | -    | 51.4                              | 5.9                           | 41.6                    | 33.6 | 25.7 | 17.7 | -    | -    |
|                        | 67      | 52.4                                 | 5.3                           | 49.5                    | 42.5 | 35.6 | 27.3 | 19.0 | -    | 48.9                              | 5.9                           | 46.2                    | 40.3 | 33.8 | 25.4 | 17.1 | -    |
|                        | 62      | 51.3                                 | 5.3                           | 49.7                    | 46.8 | 43.8 | 35.3 | 26.7 | 18.1 | 47.8                              | 5.9                           | 46.3                    | 44.1 | 41.9 | 33.2 | 24.5 | 15.7 |
| 1750                   | 77      | 59.7                                 | 5.4                           | 41.5                    | 29.9 | 18.3 | -    | -    | -    | 54.6                              | 5.9                           | 40.8                    | 28.7 | 16.7 | -    | -    | -    |
|                        | 72      | 57.1                                 | 5.3                           | 46.6                    | 37.5 | 28.4 | 19.2 | -    | -    | 52.8                              | 5.9                           | 44.8                    | 35.7 | 26.6 | 17.5 | -    | -    |
|                        | 67      | 54.5                                 | 5.3                           | 51.7                    | 45.1 | 38.4 | 28.8 | 19.3 | -    | 51.1                              | 5.9                           | 48.2                    | 42.6 | 36.6 | 27.0 | 17.4 | -    |
|                        | 62      | 53.4                                 | 5.4                           | 51.8                    | 50.1 | 48.4 | 38.4 | 28.4 | 18.4 | 49.9                              | 5.9                           | 48.3                    | 47.4 | 46.5 | 36.4 | 26.3 | 16.2 |
| 2000                   | 77      | 60.3                                 | 5.4                           | 45.8                    | 31.7 | 17.6 | -    | -    | -    | 55.1                              | 6.0                           | 45.3                    | 30.5 | 15.8 | -    | -    | -    |
|                        | 72      | 58.4                                 | 5.4                           | 49.9                    | 39.6 | 29.4 | 19.2 | -    | -    | 54.2                              | 5.9                           | 47.9                    | 37.7 | 27.5 | 17.4 | -    | -    |
|                        | 67      | 56.6                                 | 5.4                           | 53.9                    | 47.6 | 41.2 | 30.4 | 19.6 | -    | 53.3                              | 5.9                           | 50.2                    | 45.0 | 39.3 | 28.5 | 17.7 | -    |
|                        | 62      | 55.6                                 | 5.4                           | 54.0                    | 53.5 | 53.0 | 41.6 | 30.2 | 18.8 | 52.1                              | 6.0                           | 50.3                    | 50.3 | 50.3 | 39.6 | 28.1 | 16.7 |
| 2250                   | 77      | 61.2                                 | 5.4                           | 56.3                    | 43.9 | 31.5 | 19.1 | -    | -    | 56.9                              | 6.0                           | 54.2                    | 41.8 | 29.4 | 17.0 | -    | -    |
|                        | 72      | 59.8                                 | 5.4                           | 53.1                    | 41.8 | 30.4 | 19.1 | -    | -    | 55.6                              | 6.0                           | 51.1                    | 39.8 | 28.5 | 17.2 | -    | -    |
|                        | 67      | 58.6                                 | 5.4                           | 56.1                    | 50.1 | 44.0 | 32.0 | 19.9 | -    | 55.5                              | 6.0                           | 52.3                    | 47.3 | 42.1 | 30.0 | 17.9 | -    |
|                        | 62      | 57.7                                 | 5.4                           | 56.2                    | 56.2 | 56.2 | 44.8 | 32.0 | 19.2 | 54.2                              | 6.0                           | 52.4                    | 52.4 | 52.4 | 42.9 | 30.0 | 17.1 |
| 2500                   | 77      | 61.2                                 | 5.4                           | 56.3                    | 43.9 | 31.5 | 19.1 | -    | -    | 56.9                              | 6.0                           | 54.2                    | 41.8 | 29.4 | 17.0 | -    | -    |
|                        | 72      | 60.7                                 | 5.4                           | 58.3                    | 52.6 | 46.9 | 33.5 | 20.2 | -    | 57.6                              | 6.0                           | 54.4                    | 49.6 | 44.9 | 31.6 | 18.2 | -    |
|                        | 67      | 59.8                                 | 5.5                           | 58.3                    | 58.3 | 58.3 | 48.0 | 33.8 | 19.6 | 56.4                              | 6.1                           | 54.4                    | 54.4 | 54.4 | 46.1 | 31.8 | 17.6 |
|                        | 62      | 58.9                                 | 5.5                           | 58.4                    | 58.4 | 58.4 | 58.4 | 47.3 | 32.2 | 55.1                              | 6.1                           | 54.5                    | 54.5 | 54.5 | 54.5 | 45.4 | 30.2 |

1. These capacities are gross ratings. For net capacity, deduct the supply air blower motor heat (MBh = 3.415 x kW). Refer to the appropriate Blower Performance Table for the kW of the supply air blower motor.
2. These ratings include the condenser fan motors (total 1 kW) and the compressor motors but not the supply air blower motor.



**ZL08-14 Cooling Capacities**

**ZL08 (7.5 Ton)**

| Air on Evaporator Coil |         | Temperature of Air on Condenser Coil |                               |                         |       |       |       |      |      |                                   |                               |                         |       |       |       |      |      |
|------------------------|---------|--------------------------------------|-------------------------------|-------------------------|-------|-------|-------|------|------|-----------------------------------|-------------------------------|-------------------------|-------|-------|-------|------|------|
| CFM                    | WB (°F) | Total Capacity <sup>1</sup> (MBh)    | Total Input (kW) <sup>2</sup> | Sensible Capacity (MBh) |       |       |       |      |      | Total Capacity <sup>1</sup> (MBh) | Total Input (kW) <sup>2</sup> | Sensible Capacity (MBh) |       |       |       |      |      |
|                        |         |                                      |                               | Return Dry Bulb (°F)    |       |       |       |      |      |                                   |                               | Return Dry Bulb (°F)    |       |       |       |      |      |
|                        |         |                                      |                               | 90                      | 85    | 80    | 75    | 70   | 65   |                                   |                               | 90                      | 85    | 80    | 75    | 70   | 65   |
|                        |         |                                      |                               | 75°F                    |       |       |       |      |      | 85°F                              |                               |                         |       |       |       |      |      |
| 1875                   | 77      | 120.1                                | 5.3                           | 61.8                    | 51.4  | 41.1  | -     | -    | -    | 114.6                             | 5.6                           | 59.1                    | 49.2  | 39.3  | -     | -    | -    |
|                        | 72      | 108.3                                | 5.3                           | 71.0                    | 61.1  | 51.3  | 41.4  | -    | -    | 104.2                             | 5.6                           | 69.9                    | 59.6  | 49.2  | 38.9  | -    | -    |
|                        | 67      | 96.5                                 | 5.3                           | 80.3                    | 70.9  | 61.4  | 50.1  | 41.0 | -    | 93.8                              | 5.6                           | 80.7                    | 69.9  | 59.2  | 48.2  | 38.3 | -    |
|                        | 62      | 88.7                                 | 5.2                           | 88.7                    | 80.6  | 71.6  | 58.1  | 50.6 | 40.1 | 84.9                              | 5.6                           | 84.9                    | 77.9  | 69.1  | 57.1  | 48.0 | 37.5 |
| 2250                   | 77      | 121.3                                | 5.3                           | 67.9                    | 54.5  | 41.1  | -     | -    | -    | 115.6                             | 5.6                           | 65.1                    | 52.1  | 39.2  | -     | -    | -    |
|                        | 72      | 111.0                                | 5.3                           | 77.5                    | 65.6  | 53.6  | 41.8  | -    | -    | 106.4                             | 5.6                           | 75.8                    | 63.7  | 51.6  | 39.4  | -    | -    |
|                        | 67      | 100.7                                | 5.3                           | 87.0                    | 76.6  | 66.3  | 53.2  | 41.9 | -    | 97.1                              | 5.6                           | 85.2                    | 75.2  | 63.9  | 51.1  | 39.3 | -    |
|                        | 62      | 94.4                                 | 5.2                           | 92.9                    | 86.6  | 78.8  | 64.0  | 53.9 | 41.4 | 90.5                              | 5.6                           | 85.9                    | 83.8  | 76.3  | 62.6  | 51.2 | 38.6 |
| 2625                   | 77      | 122.4                                | 5.3                           | 74.1                    | 57.6  | 41.1  | -     | -    | -    | 116.5                             | 5.6                           | 71.1                    | 55.1  | 39.0  | -     | -    | -    |
|                        | 72      | 113.7                                | 5.3                           | 83.9                    | 70.0  | 56.1  | 42.2  | -    | -    | 108.5                             | 5.6                           | 81.6                    | 67.7  | 53.9  | 40.0  | -    | -    |
|                        | 67      | 105.0                                | 5.3                           | 93.7                    | 82.4  | 71.1  | 56.2  | 42.7 | -    | 100.5                             | 5.6                           | 92.1                    | 80.4  | 68.7  | 54.1  | 40.2 | -    |
|                        | 62      | 100.2                                | 5.3                           | 95.5                    | 92.7  | 86.1  | 69.9  | 57.2 | 42.7 | 96.1                              | 5.6                           | 93.1                    | 89.6  | 83.6  | 68.1  | 54.3 | 39.7 |
| 3000                   | 77      | 123.6                                | 5.3                           | 80.2                    | 60.6  | 41.1  | -     | -    | -    | 117.5                             | 5.6                           | 77.2                    | 58.0  | 38.8  | -     | -    | -    |
|                        | 72      | 116.4                                | 5.3                           | 90.3                    | 74.4  | 58.5  | 42.6  | -    | -    | 110.7                             | 5.6                           | 87.5                    | 71.8  | 56.2  | 40.5  | -    | -    |
|                        | 67      | 109.2                                | 5.3                           | 100.4                   | 88.2  | 75.9  | 59.3  | 43.6 | -    | 103.9                             | 5.6                           | 97.8                    | 85.6  | 73.5  | 57.1  | 41.2 | -    |
|                        | 62      | 106.0                                | 5.3                           | 102.4                   | 98.7  | 93.4  | 75.7  | 60.5 | 44.0 | 101.6                             | 5.6                           | 99.1                    | 95.5  | 90.8  | 73.6  | 57.5 | 40.8 |
| 3375                   | 72      | 119.1                                | 5.3                           | 96.7                    | 78.8  | 60.9  | 43.0  | -    | -    | 112.8                             | 5.6                           | 93.3                    | 75.9  | 58.5  | 41.0  | -    | -    |
|                        | 67      | 113.5                                | 5.3                           | 107.1                   | 94.0  | 80.8  | 62.4  | 44.4 | -    | 107.2                             | 5.6                           | 103.4                   | 90.9  | 78.3  | 60.1  | 42.1 | -    |
|                        | 62      | 111.8                                | 5.3                           | 108.2                   | 104.8 | 100.7 | 81.6  | 63.8 | 45.3 | 107.2                             | 5.6                           | 104.7                   | 101.4 | 98.1  | 79.1  | 60.6 | 41.9 |
|                        | 57      | 110.1                                | 5.3                           | 108.9                   | 108.9 | 101.8 | 83.1  | 64.4 | -    | 107.2                             | 5.6                           | 104.7                   | 104.7 | 104.7 | 98.5  | 79.2 | 59.8 |
| 3750                   | 72      | 121.8                                | 5.3                           | 103.2                   | 83.3  | 63.3  | 43.4  | -    | -    | 115.0                             | 5.6                           | 99.2                    | 80.0  | 60.8  | 41.6  | -    | -    |
|                        | 67      | 117.7                                | 5.3                           | 113.5                   | 99.7  | 85.6  | 65.4  | 45.3 | -    | 113.9                             | 5.6                           | 109.1                   | 96.1  | 83.0  | 63.1  | 43.1 | -    |
|                        | 62      | 117.6                                | 5.3                           | 113.7                   | 110.8 | 107.9 | 87.5  | 67.1 | 46.6 | 112.8                             | 5.6                           | 109.2                   | 107.2 | 105.3 | 84.5  | 63.8 | 43.0 |
|                        | 57      | 117.4                                | 5.3                           | 113.7                   | 113.7 | 113.7 | 109.5 | 88.8 | 68.1 | 112.7                             | 5.6                           | 109.2                   | 109.2 | 109.2 | 106.0 | 84.5 | 63.0 |
|                        |         |                                      |                               | 95°F                    |       |       |       |      |      | 105°F                             |                               |                         |       |       |       |      |      |
| 1875                   | 77      | 109.2                                | 5.9                           | 56.4                    | 47.0  | 37.6  | -     | -    | -    | 100.5                             | 6.4                           | 54.3                    | 44.6  | 34.9  | -     | -    | -    |
|                        | 72      | 100.1                                | 5.9                           | 68.8                    | 58.0  | 47.2  | 36.5  | -    | -    | 92.6                              | 6.4                           | 66.0                    | 55.2  | 44.4  | 33.6  | -    | -    |
|                        | 67      | 91.1                                 | 5.9                           | 81.1                    | 69.0  | 56.9  | 46.3  | 35.6 | -    | 84.7                              | 6.4                           | 77.7                    | 65.8  | 54.0  | 43.4  | 32.8 | -    |
|                        | 62      | 82.2                                 | 5.9                           | 82.2                    | 75.2  | 66.6  | 56.0  | 45.5 | 35.0 | 80.1                              | 6.4                           | 79.8                    | 71.6  | 63.5  | 53.2  | 42.8 | 32.5 |
| 2250                   | 77      | 109.9                                | 5.9                           | 62.3                    | 49.8  | 37.2  | -     | -    | -    | 101.4                             | 6.4                           | 60.8                    | 47.6  | 34.4  | -     | -    | -    |
|                        | 72      | 101.7                                | 5.9                           | 74.1                    | 61.7  | 49.4  | 37.1  | -    | -    | 94.4                              | 6.4                           | 71.3                    | 58.9  | 46.6  | 34.2  | -    | -    |
|                        | 67      | 93.6                                 | 5.9                           | 84.9                    | 73.7  | 61.6  | 49.1  | 36.7 | -    | 87.5                              | 6.4                           | 79.7                    | 70.2  | 58.7  | 46.2  | 33.8 | -    |
|                        | 62      | 86.5                                 | 5.9                           | 85.1                    | 80.9  | 73.8  | 61.2  | 48.5 | 35.9 | 82.1                              | 6.4                           | 80.0                    | 77.1  | 70.8  | 58.3  | 45.8 | 33.3 |
| 2625                   | 77      | 110.6                                | 5.9                           | 68.2                    | 52.6  | 36.9  | -     | -    | -    | 102.2                             | 6.4                           | 67.3                    | 50.6  | 34.0  | -     | -    | -    |
|                        | 72      | 103.3                                | 5.9                           | 79.3                    | 65.5  | 51.6  | 37.8  | -    | -    | 96.3                              | 6.4                           | 76.6                    | 62.6  | 48.7  | 34.7  | -    | -    |
|                        | 67      | 96.0                                 | 5.9                           | 88.0                    | 78.4  | 66.3  | 52.0  | 37.7 | -    | 90.3                              | 6.4                           | 85.0                    | 74.7  | 63.4  | 49.1  | 34.8 | -    |
|                        | 62      | 91.9                                 | 5.9                           | 88.5                    | 86.6  | 81.0  | 66.3  | 51.5 | 36.8 | 87.0                              | 6.4                           | 85.9                    | 82.7  | 78.1  | 63.4  | 48.7 | 34.1 |
| 3000                   | 77      | 111.4                                | 5.9                           | 74.1                    | 55.4  | 36.6  | -     | -    | -    | 103.0                             | 6.4                           | 73.8                    | 53.6  | 33.5  | -     | -    | -    |
|                        | 72      | 104.9                                | 5.9                           | 84.6                    | 69.2  | 53.8  | 38.4  | -    | -    | 98.1                              | 6.4                           | 81.9                    | 66.4  | 50.8  | 35.3  | -    | -    |
|                        | 67      | 98.5                                 | 5.9                           | 95.1                    | 83.1  | 71.0  | 54.9  | 38.8 | -    | 93.1                              | 6.4                           | 90.0                    | 79.1  | 68.1  | 51.9  | 35.7 | -    |
|                        | 62      | 97.3                                 | 5.9                           | 96.3                    | 92.3  | 88.3  | 71.4  | 54.5 | 37.6 | 92.0                              | 6.4                           | 90.6                    | 88.2  | 85.4  | 68.6  | 51.7 | 34.8 |
| 3375                   | 77      | 106.6                                | 5.9                           | 89.9                    | 73.0  | 56.0  | 39.1  | -    | -    | 99.9                              | 6.4                           | 87.2                    | 70.1  | 52.9  | 35.8  | -    | -    |
|                        | 72      | 104.3                                | 5.9                           | 99.8                    | 87.8  | 75.7  | 57.8  | 39.8 | -    | 97.8                              | 6.4                           | 94.1                    | 83.5  | 72.8  | 54.8  | 36.7 | -    |
|                        | 67      | 102.7                                | 5.9                           | 100.5                   | 98.0  | 95.5  | 76.5  | 57.5 | 38.5 | 96.9                              | 6.4                           | 94.7                    | 93.7  | 92.7  | 73.7  | 54.6 | 35.6 |
|                        | 57      | 101.9                                | 5.9                           | 101.3                   | 101.3 | 101.3 | 95.2  | 75.2 | 55.2 | 96.5                              | 6.4                           | 95.2                    | 95.2  | 95.2  | 92.6  | 72.6 | 52.6 |
| 3750                   | 72      | 112.6                                | 5.9                           | 95.2                    | 76.7  | 58.2  | 39.7  | -    | -    | 104.8                             | 6.4                           | 92.5                    | 73.8  | 55.1  | 36.4  | -    | -    |
|                        | 67      | 108.2                                | 5.9                           | 104.4                   | 92.4  | 80.5  | 60.7  | 40.9 | -    | 101.8                             | 6.4                           | 98.2                    | 87.9  | 77.5  | 57.6  | 37.6 | -    |
|                        | 62      | 108.0                                | 5.9                           | 104.7                   | 103.7 | 102.7 | 81.6  | 60.5 | 39.4 | 101.0                             | 6.4                           | 98.4                    | 98.4  | 98.4  | 78.8  | 57.6 | 36.4 |
|                        | 57      | 106.0                                | 5.9                           | 105.0                   | 105.0 | 105.0 | 102.6 | 80.2 | 57.8 | 98.8                              | 6.4                           | 98.6                    | 98.6  | 98.6  | 98.6  | 77.6 | 55.1 |

ZL08 (7.5 Ton) (Continued)

| Air on Evaporator Coil |         | Temperature of Air on Condenser Coil |                               |                         |      |      |      |      |      |                                   |                               |                         |      |      |      |      |      |
|------------------------|---------|--------------------------------------|-------------------------------|-------------------------|------|------|------|------|------|-----------------------------------|-------------------------------|-------------------------|------|------|------|------|------|
| CFM                    | WB (°F) | Total Capacity <sup>1</sup> (MBh)    | Total Input (kW) <sup>2</sup> | Sensible Capacity (MBh) |      |      |      |      |      | Total Capacity <sup>1</sup> (MBh) | Total Input (kW) <sup>2</sup> | Sensible Capacity (MBh) |      |      |      |      |      |
|                        |         |                                      |                               | Return Dry Bulb (°F)    |      |      |      |      |      |                                   |                               | Return Dry Bulb (°F)    |      |      |      |      |      |
|                        |         |                                      |                               | 90                      | 85   | 80   | 75   | 70   | 65   |                                   |                               | 90                      | 85   | 80   | 75   | 70   | 65   |
|                        |         |                                      |                               | 115°F                   |      |      |      |      |      | 125°F                             |                               |                         |      |      |      |      |      |
| 1875                   | 77      | 91.9                                 | 6.8                           | 52.2                    | 42.2 | 32.2 | -    | -    | -    | 83.3                              | 7.3                           | 50.1                    | 39.8 | 29.5 | -    | -    | -    |
|                        | 72      | 85.1                                 | 6.8                           | 63.2                    | 52.4 | 41.6 | 30.8 | -    | -    | 77.6                              | 7.3                           | 60.5                    | 49.6 | 38.8 | 27.9 | -    | -    |
|                        | 67      | 78.2                                 | 6.8                           | 74.3                    | 62.6 | 51.0 | 40.5 | 30.1 | -    | 71.8                              | 7.3                           | 68.8                    | 59.5 | 48.1 | 37.7 | 27.3 | -    |
|                        | 62      | 74.5                                 | 6.8                           | 74.5                    | 68.1 | 60.4 | 50.3 | 40.1 | 30.0 | 69.3                              | 7.3                           | 69.3                    | 64.5 | 57.4 | 47.4 | 37.5 | 27.5 |
| 2250                   | 77      | 92.8                                 | 6.8                           | 59.3                    | 45.4 | 31.6 | -    | -    | -    | 84.3                              | 7.3                           | 57.7                    | 43.2 | 28.8 | -    | -    | -    |
|                        | 72      | 87.1                                 | 6.8                           | 68.5                    | 56.1 | 43.7 | 31.2 | -    | -    | 79.8                              | 7.3                           | 65.8                    | 53.3 | 40.8 | 28.3 | -    | -    |
|                        | 67      | 81.4                                 | 6.8                           | 75.6                    | 66.8 | 55.7 | 43.3 | 30.9 | -    | 75.3                              | 7.3                           | 72.5                    | 63.3 | 52.8 | 40.4 | 28.1 | -    |
|                        | 62      | 77.7                                 | 6.8                           | 76.0                    | 73.4 | 67.8 | 55.4 | 43.1 | 30.7 | 73.3                              | 7.3                           | 72.7                    | 69.7 | 64.8 | 52.6 | 40.3 | 28.1 |
| 2625                   | 77      | 93.8                                 | 6.8                           | 66.3                    | 48.7 | 31.0 | -    | -    | -    | 85.3                              | 7.3                           | 65.4                    | 46.7 | 28.1 | -    | -    | -    |
|                        | 72      | 89.2                                 | 6.8                           | 73.8                    | 59.8 | 45.7 | 31.7 | -    | -    | 82.1                              | 7.3                           | 71.1                    | 57.0 | 42.8 | 28.6 | -    | -    |
|                        | 67      | 84.6                                 | 6.8                           | 81.4                    | 70.9 | 60.5 | 46.1 | 31.8 | -    | 78.9                              | 7.3                           | 76.2                    | 67.2 | 57.5 | 43.2 | 28.8 | -    |
|                        | 62      | 82.2                                 | 6.8                           | 81.6                    | 78.7 | 75.2 | 60.6 | 46.0 | 31.3 | 77.3                              | 7.3                           | 76.4                    | 74.8 | 72.3 | 57.7 | 43.2 | 28.6 |
| 3000                   | 77      | 94.7                                 | 6.8                           | 73.4                    | 51.9 | 30.4 | -    | -    | -    | 86.4                              | 7.3                           | 73.0                    | 50.2 | 27.3 | -    | -    | -    |
|                        | 72      | 91.2                                 | 6.8                           | 79.2                    | 63.5 | 47.8 | 32.1 | -    | -    | 84.4                              | 7.3                           | 76.4                    | 60.6 | 44.8 | 29.0 | -    | -    |
|                        | 67      | 87.8                                 | 6.8                           | 84.9                    | 75.1 | 65.2 | 48.9 | 32.7 | -    | 82.4                              | 7.3                           | 79.8                    | 71.1 | 62.3 | 45.9 | 29.6 | -    |
|                        | 62      | 86.7                                 | 6.8                           | 85.5                    | 84.1 | 82.6 | 65.7 | 48.9 | 32.0 | 81.3                              | 7.3                           | 80.1                    | 79.9 | 79.7 | 62.9 | 46.0 | 29.2 |
| 3375                   | 77      | 95.5                                 | 6.8                           | 85.5                    | 85.5 | 85.5 | 82.5 | 65.1 | 47.6 | 80.3                              | 7.3                           | 80.3                    | 80.3 | 80.3 | 79.8 | 62.5 | 45.1 |
|                        | 72      | 93.3                                 | 6.8                           | 84.5                    | 67.2 | 49.9 | 32.6 | -    | -    | 86.7                              | 7.3                           | 81.7                    | 64.3 | 46.8 | 29.4 | -    | -    |
|                        | 67      | 91.3                                 | 6.8                           | 88.5                    | 79.2 | 69.9 | 51.7 | 33.5 | -    | 85.9                              | 7.3                           | 82.9                    | 74.9 | 67.0 | 48.7 | 30.4 | -    |
|                        | 62      | 91.1                                 | 6.8                           | 88.8                    | 88.8 | 88.8 | 70.9 | 51.8 | 32.7 | 85.4                              | 7.3                           | 83.0                    | 83.0 | 83.0 | 68.0 | 48.9 | 29.8 |
| 3750                   | 77      | 90.9                                 | 6.8                           | 89.1                    | 89.1 | 89.1 | 89.1 | 70.0 | 50.0 | 84.8                              | 7.3                           | 83.1                    | 83.1 | 83.1 | 83.1 | 67.4 | 47.4 |
|                        | 72      | 97.1                                 | 6.9                           | 89.8                    | 70.9 | 52.0 | 33.0 | -    | -    | 90.3                              | 7.3                           | 85.5                    | 67.9 | 48.8 | 29.7 | -    | -    |
|                        | 67      | 95.6                                 | 6.8                           | 92.0                    | 83.3 | 74.6 | 54.5 | 34.4 | -    | 89.4                              | 7.3                           | 85.7                    | 78.8 | 71.7 | 51.5 | 31.2 | -    |
|                        | 62      | 95.3                                 | 6.8                           | 92.1                    | 92.1 | 92.1 | 76.0 | 54.7 | 33.4 | 89.4                              | 7.3                           | 85.8                    | 85.8 | 85.8 | 73.2 | 51.8 | 30.3 |
| 57                     | 95.0    | 6.8                                  | 92.2                          | 92.2                    | 92.2 | 92.2 | 75.0 | 52.4 | 89.3 | 7.3                               | 85.9                          | 85.9                    | 85.9 | 85.9 | 72.4 | 49.8 |      |

1. These capacities are gross ratings. For net capacity, deduct the supply air blower motor heat (MBh = 3.415 x kW). Refer to the appropriate Blower Performance Table for the kW of the supply air blower motor.
2. These ratings include the condenser fan motors (total 1 kW) and the compressor motors but not the supply air blower motor.

ZL09 (8.5 Ton)

| Air on Evaporator Coil |         | Temperature of Air on Condenser Coil |                               |                         |       |       |       |      |      |                                   |                               |                         |       |       |       |      |      |
|------------------------|---------|--------------------------------------|-------------------------------|-------------------------|-------|-------|-------|------|------|-----------------------------------|-------------------------------|-------------------------|-------|-------|-------|------|------|
| CFM                    | WB (°F) | Total Capacity <sup>1</sup> (MBh)    | Total Input (kW) <sup>2</sup> | Sensible Capacity (MBh) |       |       |       |      |      | Total Capacity <sup>1</sup> (MBh) | Total Input (kW) <sup>2</sup> | Sensible Capacity (MBh) |       |       |       |      |      |
|                        |         |                                      |                               | Return Dry Bulb (°F)    |       |       |       |      |      |                                   |                               | Return Dry Bulb (°F)    |       |       |       |      |      |
|                        |         |                                      |                               | 90                      | 85    | 80    | 75    | 70   | 65   |                                   |                               | 90                      | 85    | 80    | 75    | 70   | 65   |
|                        |         |                                      |                               | 75°F                    |       |       |       |      |      | 85°F                              |                               |                         |       |       |       |      |      |
| 2125                   | 77      | 123.4                                | 5.7                           | 61.3                    | 53.9  | 46.6  | -     | -    | -    | 118.9                             | 6.1                           | 58.2                    | 50.7  | 43.3  | -     | -    | -    |
|                        | 72      | 117.7                                | 5.6                           | 79.3                    | 68.0  | 56.7  | 45.5  | -    | -    | 112.1                             | 6.0                           | 76.9                    | 65.5  | 54.0  | 42.6  | -    | -    |
|                        | 67      | 112.0                                | 5.6                           | 97.3                    | 82.1  | 66.9  | 57.7  | 45.1 | -    | 105.3                             | 6.0                           | 95.6                    | 80.2  | 64.8  | 54.4  | 42.3 | -    |
|                        | 62      | 108.6                                | 5.6                           | 102.9                   | 89.7  | 77.1  | 65.0  | 56.1 | 45.6 | 99.2                              | 6.0                           | 98.3                    | 86.8  | 75.6  | 63.7  | 53.5 | 42.4 |
| 2550                   | 77      | 124.9                                | 5.7                           | 66.8                    | 56.1  | 45.4  | -     | -    | -    | 120.0                             | 6.1                           | 65.0                    | 53.8  | 42.6  | -     | -    | -    |
|                        | 72      | 119.9                                | 5.7                           | 85.4                    | 72.1  | 58.8  | 45.6  | -    | -    | 114.3                             | 6.0                           | 83.2                    | 69.8  | 56.4  | 43.0  | -    | -    |
|                        | 67      | 114.9                                | 5.6                           | 102.8                   | 88.1  | 72.3  | 60.5  | 46.0 | -    | 108.6                             | 6.0                           | 97.8                    | 85.8  | 70.2  | 57.4  | 43.2 | -    |
|                        | 62      | 107.6                                | 5.6                           | 103.2                   | 96.2  | 85.7  | 71.4  | 59.7 | 46.7 | 102.1                             | 6.0                           | 98.0                    | 93.2  | 84.0  | 69.8  | 56.9 | 43.3 |
|                        | 57      | 106.2                                | 5.6                           | 106.2                   | 104.3 | 99.1  | 86.2  | 73.4 | 60.5 | 98.1                              | 6.0                           | 98.1                    | 98.1  | 97.7  | 84.1  | 70.5 | 56.9 |
| 2975                   | 77      | 126.4                                | 5.7                           | 72.3                    | 58.3  | 44.3  | -     | -    | -    | 121.2                             | 6.1                           | 71.9                    | 56.9  | 41.9  | -     | -    | -    |
|                        | 72      | 122.1                                | 5.7                           | 91.4                    | 76.2  | 60.9  | 45.7  | -    | -    | 116.6                             | 6.1                           | 89.5                    | 74.1  | 58.7  | 43.3  | -    | -    |
|                        | 67      | 117.8                                | 5.6                           | 110.6                   | 94.1  | 77.6  | 63.2  | 46.8 | -    | 111.9                             | 6.0                           | 100.8                   | 91.3  | 75.5  | 60.3  | 44.1 | -    |
|                        | 62      | 109.6                                | 5.6                           | 109.6                   | 102.6 | 94.2  | 77.8  | 63.3 | 47.8 | 106.6                             | 6.0                           | 101.1                   | 99.5  | 92.3  | 75.9  | 60.3 | 44.3 |
|                        | 57      | 108.7                                | 5.6                           | 108.7                   | 106.1 | 103.5 | 95.3  | 79.7 | 64.1 | 101.3                             | 6.0                           | 101.3                   | 101.3 | 101.3 | 92.8  | 76.5 | 60.1 |
| 3400                   | 77      | 127.9                                | 5.8                           | 77.7                    | 60.4  | 43.1  | -     | -    | -    | 122.4                             | 6.1                           | 78.7                    | 59.9  | 41.2  | -     | -    | -    |
|                        | 72      | 124.3                                | 5.7                           | 97.5                    | 80.3  | 63.0  | 45.8  | -    | -    | 118.8                             | 6.1                           | 95.8                    | 78.4  | 61.1  | 43.7  | -    | -    |
|                        | 67      | 120.7                                | 5.7                           | 117.3                   | 100.1 | 82.9  | 66.0  | 47.7 | -    | 115.1                             | 6.0                           | 106.0                   | 96.9  | 80.9  | 63.3  | 45.0 | -    |
|                        | 62      | 114.3                                | 5.7                           | 114.3                   | 109.0 | 102.8 | 84.2  | 66.8 | 48.8 | 111.1                             | 6.0                           | 106.8                   | 105.8 | 100.7 | 81.9  | 63.7 | 45.2 |
|                        | 57      | 111.2                                | 5.7                           | 110.8                   | 110.8 | 110.8 | 104.4 | 86.0 | 67.6 | 107.0                             | 6.0                           | 106.9                   | 106.9 | 106.9 | 101.5 | 82.4 | 63.3 |
| 3825                   | 72      | 126.5                                | 5.7                           | 103.6                   | 84.3  | 65.1  | 45.9  | -    | -    | 121.0                             | 6.1                           | 102.1                   | 82.7  | 63.4  | 44.1  | -    | -    |
|                        | 67      | 123.6                                | 5.7                           | 114.1                   | 106.1 | 88.3  | 68.7  | 48.5 | -    | 118.4                             | 6.1                           | 112.4                   | 102.5 | 86.3  | 66.3  | 45.9 | -    |
|                        | 62      | 119.0                                | 5.7                           | 115.5                   | 115.5 | 111.4 | 90.6  | 70.4 | 49.9 | 115.6                             | 6.1                           | 113.2                   | 112.2 | 109.1 | 88.0  | 67.1 | 46.2 |
|                        | 57      | 116.2                                | 5.7                           | 115.8                   | 115.8 | 115.8 | 113.4 | 92.3 | 71.2 | 113.9                             | 6.1                           | 113.8                   | 113.8 | 113.8 | 110.2 | 88.4 | 66.5 |
| 4250                   | 72      | 128.7                                | 5.8                           | 109.6                   | 88.4  | 67.2  | 46.0  | -    | -    | 123.3                             | 6.1                           | 108.4                   | 87.1  | 65.7  | 44.4  | -    | -    |
|                        | 67      | 126.5                                | 5.7                           | 121.0                   | 112.1 | 93.6  | 71.5  | 49.4 | -    | 121.7                             | 6.1                           | 119.0                   | 108.0 | 91.6  | 69.2  | 46.8 | -    |
|                        | 62      | 123.7                                | 5.7                           | 122.5                   | 121.9 | 120.0 | 97.0  | 74.0 | 51.0 | 120.1                             | 6.1                           | 119.4                   | 118.5 | 117.5 | 94.0  | 70.6 | 47.1 |
|                        | 57      | 122.8                                | 5.7                           | 122.8                   | 122.8 | 122.8 | 122.5 | 98.6 | 74.7 | 119.5                             | 6.1                           | 119.5                   | 119.5 | 119.5 | 118.8 | 94.3 | 69.8 |
|                        |         |                                      |                               | 95°F                    |       |       |       |      |      | 105°F                             |                               |                         |       |       |       |      |      |
| 2125                   | 77      | 114.3                                | 6.5                           | 55.2                    | 47.6  | 40.0  | -     | -    | -    | 105.1                             | 7.1                           | 54.3                    | 45.4  | 36.6  | -     | -    | -    |
|                        | 72      | 106.5                                | 6.4                           | 74.5                    | 62.9  | 51.3  | 39.7  | -    | -    | 98.6                              | 7.1                           | 71.9                    | 60.1  | 48.4  | 36.6  | -    | -    |
|                        | 67      | 98.7                                 | 6.4                           | 93.9                    | 78.3  | 62.7  | 51.1  | 39.5 | -    | 92.2                              | 7.0                           | 89.5                    | 74.9  | 60.2  | 48.4  | 36.5 | -    |
|                        | 62      | 95.1                                 | 6.4                           | 94.5                    | 83.9  | 74.1  | 62.4  | 50.8 | 39.2 | 90.4                              | 7.0                           | 89.6                    | 80.3  | 72.0  | 60.1  | 48.2 | 36.3 |
| 2550                   | 77      | 115.2                                | 6.5                           | 63.3                    | 51.5  | 39.7  | -     | -    | -    | 106.5                             | 7.1                           | 63.0                    | 49.7  | 36.4  | -     | -    | -    |
|                        | 72      | 108.8                                | 6.4                           | 81.0                    | 67.5  | 53.9  | 40.4  | -    | -    | 101.1                             | 7.1                           | 78.4                    | 64.6  | 50.9  | 37.1  | -    | -    |
|                        | 67      | 102.3                                | 6.4                           | 95.5                    | 83.4  | 68.1  | 54.3  | 40.4 | -    | 95.8                              | 7.1                           | 91.4                    | 79.5  | 65.3  | 51.3  | 37.3 | -    |
|                        | 62      | 99.3                                 | 6.4                           | 96.0                    | 90.1  | 82.2  | 68.2  | 54.1 | 40.0 | 93.4                              | 7.0                           | 92.2                    | 86.1  | 79.8  | 65.6  | 51.3 | 37.0 |
|                        | 57      | 96.3                                 | 6.4                           | 96.3                    | 96.3  | 96.3  | 82.1  | 67.7 | 53.4 | 92.4                              | 7.0                           | 92.4                    | 92.4  | 92.4  | 79.8  | 65.3 | 50.7 |
| 2975                   | 77      | 116.1                                | 6.5                           | 71.5                    | 55.5  | 39.5  | -     | -    | -    | 107.9                             | 7.1                           | 71.8                    | 54.0  | 36.2  | -     | -    | -    |
|                        | 72      | 111.0                                | 6.4                           | 87.5                    | 72.0  | 56.5  | 41.0  | -    | -    | 103.7                             | 7.1                           | 84.8                    | 69.1  | 53.4  | 37.6  | -    | -    |
|                        | 67      | 106.0                                | 6.4                           | 102.0                   | 88.5  | 73.5  | 57.4  | 41.4 | -    | 99.4                              | 7.1                           | 95.8                    | 84.2  | 70.5  | 54.3  | 38.1 | -    |
|                        | 62      | 103.6                                | 6.4                           | 102.3                   | 96.4  | 90.4  | 73.9  | 57.3 | 40.8 | 97.5                              | 7.0                           | 96.2                    | 91.9  | 87.6  | 71.0  | 54.4 | 37.7 |
|                        | 57      | 102.8                                | 6.4                           | 102.8                   | 102.8 | 102.8 | 90.3  | 73.3 | 56.2 | 96.5                              | 7.0                           | 96.5                    | 96.5  | 96.5  | 87.7  | 70.6 | 53.5 |
| 3400                   | 77      | 117.0                                | 6.5                           | 79.6                    | 59.5  | 39.3  | -     | -    | -    | 109.4                             | 7.1                           | 80.5                    | 58.3  | 36.0  | -     | -    | -    |
|                        | 72      | 113.3                                | 6.4                           | 94.1                    | 76.6  | 59.1  | 41.6  | -    | -    | 106.2                             | 7.1                           | 91.3                    | 73.6  | 55.8  | 38.1  | -    | -    |
|                        | 67      | 109.6                                | 6.4                           | 105.6                   | 93.7  | 78.9  | 60.6  | 42.4 | -    | 103.0                             | 7.1                           | 99.9                    | 88.9  | 75.7  | 57.3  | 38.9 | -    |
|                        | 62      | 107.9                                | 6.4                           | 105.7                   | 102.6 | 98.6  | 79.6  | 60.6 | 41.6 | 102.0                             | 7.1                           | 100.1                   | 97.8  | 95.5  | 76.4  | 57.4 | 38.4 |
|                        | 57      | 106.1                                | 6.4                           | 105.8                   | 105.8 | 105.8 | 98.6  | 78.8 | 59.1 | 100.9                             | 7.0                           | 100.9                   | 100.9 | 100.9 | 95.6  | 76.0 | 56.3 |
| 3825                   | 72      | 115.5                                | 6.5                           | 100.6                   | 81.1  | 61.7  | 42.2  | -    | -    | 108.7                             | 7.1                           | 97.7                    | 78.0  | 58.3  | 38.6  | -    | -    |
|                        | 67      | 113.2                                | 6.4                           | 109.4                   | 98.8  | 84.3  | 63.8  | 43.3 | -    | 106.6                             | 7.1                           | 103.6                   | 93.5  | 80.8  | 60.3  | 39.7 | -    |
|                        | 62      | 112.1                                | 6.4                           | 110.0                   | 108.9 | 106.8 | 85.4  | 63.9 | 42.4 | 105.6                             | 7.1                           | 104.0                   | 103.6 | 103.3 | 81.9  | 60.5 | 39.1 |
|                        | 57      | 111.0                                | 6.4                           | 110.4                   | 110.4 | 110.4 | 106.9 | 84.4 | 61.9 | 104.7                             | 7.1                           | 104.7                   | 104.7 | 104.7 | 103.5 | 81.3 | 59.1 |
| 4250                   | 72      | 117.8                                | 6.5                           | 107.1                   | 85.7  | 64.3  | 42.9  | -    | -    | 111.2                             | 7.1                           | 104.2                   | 82.5  | 60.8  | 39.1  | -    | -    |
|                        | 67      | 116.9                                | 6.5                           | 115.5                   | 104.0 | 89.6  | 67.0  | 44.3 | -    | 110.3                             | 7.1                           | 106.9                   | 98.2  | 86.0  | 63.2  | 40.5 | -    |
|                        | 62      | 116.4                                | 6.5                           | 115.6                   | 115.1 | 115.0 | 91.1  | 67.1 | 43.2 | 109.7                             | 7.1                           | 107.8                   | 107.8 | 107.8 | 87.3  | 63.6 | 39.8 |
|                        | 57      | 115.9                                | 6.5                           | 115.7                   | 115.7 | 115.7 | 115.2 | 90.0 | 64.8 | 109.2                             | 7.1                           | 109.2                   | 109.2 | 109.2 | 109.2 | 86.7 | 61.9 |

**ZL09 (8.5 Ton) (Continued)**

| Air on Evaporator Coil |         | Temperature of Air on Condenser Coil |                               |                         |       |       |       |      |      |                                   |                               |                         |      |      |      |      |      |
|------------------------|---------|--------------------------------------|-------------------------------|-------------------------|-------|-------|-------|------|------|-----------------------------------|-------------------------------|-------------------------|------|------|------|------|------|
| CFM                    | WB (°F) | Total Capacity <sup>1</sup> (MBh)    | Total Input (kW) <sup>2</sup> | Sensible Capacity (MBh) |       |       |       |      |      | Total Capacity <sup>1</sup> (MBh) | Total Input (kW) <sup>2</sup> | Sensible Capacity (MBh) |      |      |      |      |      |
|                        |         |                                      |                               | Return Dry Bulb (°F)    |       |       |       |      |      |                                   |                               | Return Dry Bulb (°F)    |      |      |      |      |      |
|                        |         |                                      |                               | 90                      | 85    | 80    | 75    | 70   | 65   |                                   |                               | 90                      | 85   | 80   | 75   | 70   | 65   |
|                        |         |                                      |                               | 115°F                   |       |       |       |      |      | 125°F                             |                               |                         |      |      |      |      |      |
| 2125                   | 77      | 95.8                                 | 7.7                           | 53.4                    | 43.3  | 33.2  | -     | -    | -    | 86.6                              | 8.3                           | 52.5                    | 41.2 | 29.8 | -    | -    | -    |
|                        | 72      | 90.7                                 | 7.7                           | 69.3                    | 57.4  | 45.4  | 33.5  | -    | -    | 82.9                              | 8.3                           | 66.7                    | 54.6 | 42.5 | 30.4 | -    | -    |
|                        | 67      | 86.3                                 | 7.7                           | 83.5                    | 71.4  | 57.7  | 45.6  | 33.6 | -    | 79.1                              | 8.3                           | 77.5                    | 68.0 | 55.2 | 42.9 | 30.7 | -    |
|                        | 62      | 84.1                                 | 7.7                           | 84.1                    | 76.6  | 70.0  | 57.8  | 45.6 | 33.5 | 77.9                              | 8.3                           | 77.9                    | 73.0 | 67.9 | 55.5 | 43.0 | 30.6 |
| 2550                   | 77      | 97.8                                 | 7.7                           | 62.7                    | 47.9  | 33.0  | -     | -    | -    | 89.1                              | 8.3                           | 62.4                    | 46.1 | 29.7 | -    | -    | -    |
|                        | 72      | 93.5                                 | 7.7                           | 75.7                    | 61.8  | 47.8  | 33.9  | -    | -    | 85.9                              | 8.3                           | 73.0                    | 58.9 | 44.8 | 30.6 | -    | -    |
|                        | 67      | 89.2                                 | 7.7                           | 85.0                    | 75.6  | 62.6  | 48.4  | 34.2 | -    | 82.7                              | 8.3                           | 79.8                    | 71.7 | 59.9 | 45.5 | 31.1 | -    |
|                        | 62      | 87.5                                 | 7.7                           | 85.4                    | 82.1  | 77.4  | 63.0  | 48.5 | 34.1 | 81.6                              | 8.3                           | 80.1                    | 78.0 | 75.0 | 60.3 | 45.7 | 31.1 |
|                        | 57      | 85.7                                 | 7.7                           | 85.6                    | 85.6  | 85.6  | 77.5  | 62.8 | 48.1 | 80.4                              | 8.3                           | 80.4                    | 80.4 | 80.4 | 75.2 | 60.3 | 45.5 |
| 2975                   | 77      | 99.8                                 | 7.7                           | 72.1                    | 52.5  | 32.9  | -     | -    | -    | 91.6                              | 8.3                           | 72.4                    | 51.0 | 29.6 | -    | -    | -    |
|                        | 72      | 96.3                                 | 7.7                           | 82.1                    | 66.1  | 50.2  | 34.3  | -    | -    | 89.0                              | 8.3                           | 79.4                    | 63.2 | 47.1 | 30.9 | -    | -    |
|                        | 67      | 92.8                                 | 7.7                           | 89.0                    | 79.8  | 67.5  | 51.2  | 34.9 | -    | 86.3                              | 8.3                           | 83.6                    | 75.5 | 64.5 | 48.1 | 31.6 | -    |
|                        | 62      | 91.4                                 | 7.7                           | 89.4                    | 87.5  | 84.8  | 68.1  | 51.4 | 34.7 | 85.3                              | 8.3                           | 84.1                    | 83.0 | 82.0 | 65.2 | 48.4 | 31.6 |
|                        | 57      | 89.9                                 | 7.7                           | 89.9                    | 89.9  | 89.9  | 85.0  | 67.9 | 50.8 | 84.3                              | 8.3                           | 84.2                    | 84.2 | 84.2 | 82.4 | 65.3 | 48.1 |
| 3400                   | 77      | 101.8                                | 7.7                           | 81.4                    | 57.1  | 32.7  | -     | -    | -    | 94.1                              | 8.3                           | 82.3                    | 55.9 | 29.5 | -    | -    | -    |
|                        | 72      | 99.1                                 | 7.7                           | 88.5                    | 70.5  | 52.6  | 34.6  | -    | -    | 92.0                              | 8.3                           | 85.7                    | 67.5 | 49.3 | 31.2 | -    | -    |
|                        | 67      | 96.4                                 | 7.7                           | 93.3                    | 84.0  | 72.4  | 54.0  | 35.5 | -    | 89.9                              | 8.3                           | 87.6                    | 79.2 | 69.2 | 50.6 | 32.0 | -    |
|                        | 62      | 95.3                                 | 7.7                           | 93.6                    | 92.9  | 92.3  | 73.3  | 54.3 | 35.3 | 89.0                              | 8.3                           | 87.8                    | 87.8 | 87.8 | 70.1 | 51.1 | 32.1 |
|                        | 57      | 94.1                                 | 7.7                           | 94.1                    | 94.1  | 94.1  | 92.6  | 73.1 | 53.5 | 88.1                              | 8.3                           | 88.1                    | 88.1 | 88.1 | 88.1 | 70.2 | 50.8 |
| 3825                   | 72      | 102.4                                | 7.7                           | 94.9                    | 74.9  | 55.0  | 35.0  | -    | -    | 95.1                              | 8.3                           | 91.0                    | 71.8 | 51.6 | 31.4 | -    | -    |
|                        | 67      | 100.1                                | 7.7                           | 96.7                    | 88.2  | 77.4  | 56.7  | 36.1 | -    | 93.5                              | 8.3                           | 91.4                    | 82.9 | 73.9 | 53.2 | 32.5 | -    |
|                        | 62      | 99.2                                 | 7.7                           | 97.0                    | 97.0  | 97.0  | 78.4  | 57.2 | 35.9 | 92.7                              | 8.3                           | 91.7                    | 91.7 | 91.7 | 75.0 | 53.8 | 32.6 |
|                        | 57      | 98.3                                 | 7.7                           | 98.2                    | 98.2  | 98.2  | 98.2  | 78.2 | 56.3 | 91.9                              | 8.3                           | 91.9                    | 91.9 | 91.9 | 91.9 | 75.1 | 53.4 |
| 4250                   | 72      | 104.7                                | 7.7                           | 101.3                   | 79.3  | 57.4  | 35.4  | -    | -    | 98.1                              | 8.3                           | 94.1                    | 76.2 | 53.9 | 31.7 | -    | -    |
|                        | 67      | 103.7                                | 7.7                           | 102.0                   | 92.4  | 82.3  | 59.5  | 36.7 | -    | 97.1                              | 8.3                           | 94.7                    | 86.7 | 78.6 | 55.8 | 33.0 | -    |
|                        | 62      | 103.1                                | 7.7                           | 102.1                   | 102.1 | 102.1 | 83.6  | 60.0 | 36.5 | 96.4                              | 8.3                           | 95.4                    | 95.4 | 95.4 | 79.9 | 56.5 | 33.1 |
|                        | 57      | 102.5                                | 7.7                           | 102.5                   | 102.5 | 102.5 | 102.5 | 83.3 | 59.0 | 95.8                              | 8.3                           | 95.8                    | 95.8 | 95.8 | 95.8 | 80.0 | 56.1 |

1. These capacities are gross ratings. For net capacity, deduct the supply air blower motor heat (MBh = 3.415 x kW). Refer to the appropriate Blower Performance Table for the kW of the supply air blower motor.
2. These ratings include the condenser fan motors (total 1 kW) and the compressor motors but not the supply air blower motor.

ZL12 (10 Ton)

| Air on Evaporator Coil |         | Temperature of Air on Condenser Coil |                               |                         |       |       |       |       |      |                                   |                               |                         |       |       |       |       |      |  |  |
|------------------------|---------|--------------------------------------|-------------------------------|-------------------------|-------|-------|-------|-------|------|-----------------------------------|-------------------------------|-------------------------|-------|-------|-------|-------|------|--|--|
| CFM                    | WB (°F) | Total Capacity <sup>1</sup> (MBh)    | Total Input (kW) <sup>2</sup> | Sensible Capacity (MBh) |       |       |       |       |      | Total Capacity <sup>1</sup> (MBh) | Total Input (kW) <sup>2</sup> | Sensible Capacity (MBh) |       |       |       |       |      |  |  |
|                        |         |                                      |                               | Return Dry Bulb (°F)    |       |       |       |       |      |                                   |                               | Return Dry Bulb (°F)    |       |       |       |       |      |  |  |
|                        |         |                                      |                               | 90                      | 85    | 80    | 75    | 70    | 65   |                                   |                               | 90                      | 85    | 80    | 75    | 70    | 65   |  |  |
|                        |         |                                      |                               | 75°F                    |       |       |       |       |      |                                   |                               | 85°F                    |       |       |       |       |      |  |  |
| 2500                   | 77      | 153.2                                | 7.2                           | 76.1                    | 64.3  | 52.4  | -     | -     | -    | 145.4                             | 7.6                           | 74.7                    | 62.6  | 50.5  | -     | -     | -    |  |  |
|                        | 72      | 139.3                                | 7.1                           | 93.0                    | 79.6  | 66.1  | 52.7  | -     | -    | 133.8                             | 7.5                           | 92.5                    | 78.4  | 64.3  | 50.2  | -     | -    |  |  |
|                        | 67      | 125.4                                | 7.0                           | 109.8                   | 94.8  | 79.9  | 65.4  | 52.2  | -    | 122.2                             | 7.4                           | 110.2                   | 94.1  | 78.0  | 63.5  | 49.5  | -    |  |  |
|                        | 62      | 117.3                                | 7.0                           | 117.3                   | 105.8 | 93.6  | 75.2  | 65.2  | 51.0 | 117.7                             | 7.4                           | 116.9                   | 104.3 | 91.7  | 75.3  | 63.0  | 48.6 |  |  |
| 3000                   | 77      | 155.1                                | 7.2                           | 85.6                    | 68.9  | 52.2  | -     | -     | -    | 146.7                             | 7.6                           | 84.1                    | 67.0  | 50.0  | -     | -     | -    |  |  |
|                        | 72      | 143.1                                | 7.1                           | 101.6                   | 85.5  | 69.3  | 53.2  | -     | -    | 136.8                             | 7.5                           | 100.4                   | 83.8  | 67.2  | 50.6  | -     | -    |  |  |
|                        | 67      | 131.1                                | 7.0                           | 117.6                   | 102.0 | 86.5  | 69.5  | 53.4  | -    | 126.9                             | 7.4                           | 116.7                   | 100.6 | 84.4  | 67.3  | 50.7  | -    |  |  |
|                        | 62      | 124.4                                | 7.0                           | 119.1                   | 113.8 | 103.6 | 83.3  | 69.8  | 52.9 | 123.2                             | 7.4                           | 119.2                   | 111.8 | 101.6 | 82.8  | 67.4  | 50.2 |  |  |
|                        | 57      | 119.6                                | 7.0                           | 119.6                   | 119.6 | 119.6 | 103.5 | 86.1  | 68.8 | 119.4                             | 7.4                           | 119.4                   | 119.4 | 118.8 | 101.4 | 84.0  | 66.6 |  |  |
| 3500                   | 77      | 157.0                                | 7.2                           | 95.1                    | 73.5  | 52.0  | -     | -     | -    | 148.0                             | 7.7                           | 93.4                    | 71.4  | 49.5  | -     | -     | -    |  |  |
|                        | 72      | 146.9                                | 7.1                           | 110.2                   | 91.4  | 72.5  | 53.7  | -     | -    | 139.8                             | 7.6                           | 108.3                   | 89.2  | 70.2  | 51.1  | -     | -    |  |  |
|                        | 67      | 136.7                                | 7.0                           | 125.3                   | 109.2 | 93.1  | 73.5  | 54.6  | -    | 131.7                             | 7.5                           | 123.3                   | 107.1 | 90.9  | 71.2  | 51.9  | -    |  |  |
|                        | 62      | 131.4                                | 7.0                           | 126.0                   | 121.9 | 113.6 | 91.5  | 74.4  | 54.8 | 128.7                             | 7.5                           | 125.2                   | 119.3 | 111.5 | 90.4  | 71.7  | 51.8 |  |  |
|                        | 57      | 126.2                                | 7.0                           | 126.2                   | 126.2 | 126.2 | 114.2 | 94.2  | 74.2 | 125.7                             | 7.5                           | 125.7                   | 125.7 | 125.7 | 111.9 | 91.6  | 71.3 |  |  |
| 4000                   | 77      | 158.9                                | 7.2                           | 104.6                   | 78.2  | 51.8  | -     | -     | -    | 149.3                             | 7.7                           | 102.7                   | 75.8  | 48.9  | -     | -     | -    |  |  |
|                        | 72      | 150.6                                | 7.1                           | 118.8                   | 97.3  | 75.7  | 54.2  | -     | -    | 142.9                             | 7.6                           | 116.3                   | 94.7  | 73.1  | 51.5  | -     | -    |  |  |
|                        | 67      | 142.3                                | 7.0                           | 133.0                   | 116.4 | 99.7  | 77.5  | 55.8  | -    | 136.4                             | 7.5                           | 129.8                   | 113.6 | 97.3  | 75.0  | 53.0  | -    |  |  |
|                        | 62      | 138.5                                | 7.0                           | 134.2                   | 129.9 | 123.6 | 99.6  | 79.0  | 56.7 | 134.1                             | 7.5                           | 131.8                   | 126.7 | 121.5 | 97.9  | 76.1  | 53.4 |  |  |
|                        | 57      | 134.7                                | 7.0                           | 134.7                   | 134.7 | 134.7 | 124.9 | 102.2 | 79.5 | 131.9                             | 7.5                           | 131.9                   | 131.9 | 131.9 | 122.4 | 99.1  | 75.9 |  |  |
| 4500                   | 72      | 154.4                                | 7.1                           | 127.4                   | 103.2 | 78.9  | 54.7  | -     | -    | 145.9                             | 7.6                           | 124.2                   | 100.1 | 76.1  | 52.0  | -     | -    |  |  |
|                        | 67      | 148.0                                | 7.1                           | 140.8                   | 123.5 | 106.3 | 81.5  | 57.0  | -    | 141.1                             | 7.5                           | 136.4                   | 120.0 | 103.7 | 78.9  | 54.2  | -    |  |  |
|                        | 62      | 145.6                                | 7.1                           | 142.3                   | 138.0 | 133.6 | 107.8 | 83.6  | 58.6 | 139.6                             | 7.5                           | 137.1                   | 134.2 | 131.4 | 105.5 | 80.4  | 55.0 |  |  |
|                        | 57      | 143.2                                | 7.1                           | 143.2                   | 143.2 | 143.2 | 135.6 | 110.2 | 84.8 | 138.1                             | 7.5                           | 138.0                   | 138.0 | 138.0 | 132.9 | 106.7 | 80.5 |  |  |
| 5000                   | 72      | 158.2                                | 7.2                           | 136.0                   | 109.1 | 82.1  | 55.2  | -     | -    | 148.9                             | 7.6                           | 132.1                   | 105.6 | 79.0  | 52.5  | -     | -    |  |  |
|                        | 67      | 153.6                                | 7.1                           | 148.5                   | 130.7 | 112.9 | 85.5  | 58.2  | -    | 145.8                             | 7.5                           | 142.9                   | 126.5 | 110.1 | 82.7  | 55.4  | -    |  |  |
|                        | 62      | 152.6                                | 7.1                           | 149.6                   | 146.0 | 143.6 | 115.9 | 88.2  | 60.5 | 145.1                             | 7.5                           | 143.0                   | 141.7 | 141.3 | 113.0 | 84.8  | 56.6 |  |  |
|                        | 57      | 151.6                                | 7.1                           | 150.2                   | 150.2 | 146.3 | 118.2 | 90.1  | -    | 144.3                             | 7.5                           | 143.2                   | 143.2 | 143.2 | 143.2 | 114.2 | 85.2 |  |  |
|                        |         |                                      |                               | 95°F                    |       |       |       |       |      |                                   |                               | 105°F                   |       |       |       |       |      |  |  |
| 2500                   | 77      | 137.5                                | 8.1                           | 73.3                    | 61.0  | 48.7  | -     | -     | -    | 128.1                             | 8.7                           | 71.4                    | 58.4  | 45.5  | -     | -     | -    |  |  |
|                        | 72      | 128.3                                | 8.0                           | 92.0                    | 77.2  | 62.4  | 47.6  | -     | -    | 119.3                             | 8.6                           | 87.8                    | 73.2  | 58.6  | 44.1  | -     | -    |  |  |
|                        | 67      | 119.0                                | 7.9                           | 110.6                   | 93.4  | 76.1  | 61.5  | 46.8  | -    | 110.5                             | 8.5                           | 104.2                   | 88.0  | 71.8  | 57.5  | 43.2  | -    |  |  |
|                        | 62      | 118.1                                | 7.9                           | 115.9                   | 102.9 | 89.8  | 75.3  | 60.8  | 46.3 | 110.2                             | 8.5                           | 107.4                   | 96.2  | 85.0  | 71.0  | 56.9  | 42.9 |  |  |
| 3000                   | 77      | 138.3                                | 8.1                           | 82.5                    | 65.2  | 47.8  | -     | -     | -    | 128.9                             | 8.7                           | 80.4                    | 62.2  | 44.1  | -     | -     | -    |  |  |
|                        | 72      | 130.5                                | 8.0                           | 99.2                    | 82.2  | 65.1  | 48.0  | -     | -    | 121.7                             | 8.6                           | 94.7                    | 77.9  | 61.1  | 44.2  | -     | -    |  |  |
|                        | 67      | 122.8                                | 7.9                           | 115.9                   | 99.2  | 82.4  | 65.2  | 48.0  | -    | 114.4                             | 8.5                           | 109.0                   | 93.5  | 78.0  | 61.1  | 44.2  | -    |  |  |
|                        | 62      | 122.0                                | 7.9                           | 119.9                   | 109.8 | 99.7  | 82.3  | 64.9  | 47.6 | 114.1                             | 8.5                           | 111.4                   | 103.2 | 95.0  | 78.0  | 61.0  | 44.0 |  |  |
|                        | 57      | 121.1                                | 7.9                           | 121.1                   | 120.4 | 116.9 | 99.4  | 81.9  | 64.4 | 113.9                             | 8.5                           | 113.8                   | 112.9 | 111.9 | 94.9  | 77.8  | 60.7 |  |  |
| 3500                   | 77      | 139.0                                | 8.1                           | 91.6                    | 69.3  | 47.0  | -     | -     | -    | 129.7                             | 8.7                           | 89.3                    | 66.1  | 42.8  | -     | -     | -    |  |  |
|                        | 72      | 132.8                                | 8.0                           | 106.5                   | 87.1  | 67.8  | 48.5  | -     | -    | 124.0                             | 8.6                           | 101.6                   | 82.5  | 63.5  | 44.4  | -     | -    |  |  |
|                        | 67      | 126.6                                | 7.9                           | 121.3                   | 105.0 | 88.6  | 68.9  | 49.1  | -    | 118.3                             | 8.5                           | 113.9                   | 99.0  | 84.2  | 64.7  | 45.2  | -    |  |  |
|                        | 62      | 125.9                                | 7.9                           | 123.9                   | 116.7 | 109.5 | 89.3  | 69.0  | 48.8 | 118.1                             | 8.5                           | 115.4                   | 110.2 | 104.9 | 85.0  | 65.1  | 45.2 |  |  |
|                        | 57      | 125.1                                | 7.9                           | 125.1                   | 125.1 | 125.1 | 109.7 | 89.0  | 68.4 | 117.8                             | 8.5                           | 117.0                   | 117.0 | 117.0 | 105.3 | 85.0  | 64.6 |  |  |
| 4000                   | 77      | 139.7                                | 8.1                           | 100.8                   | 73.5  | 46.1  | -     | -     | -    | 130.5                             | 8.7                           | 98.3                    | 69.9  | 41.4  | -     | -     | -    |  |  |
|                        | 72      | 135.1                                | 8.0                           | 113.7                   | 92.1  | 70.5  | 48.9  | -     | -    | 126.4                             | 8.6                           | 108.5                   | 87.2  | 65.9  | 44.6  | -     | -    |  |  |
|                        | 67      | 130.5                                | 7.9                           | 126.6                   | 110.8 | 94.9  | 72.6  | 50.2  | -    | 122.2                             | 8.6                           | 118.7                   | 104.6 | 90.4  | 68.3  | 46.2  | -    |  |  |
|                        | 62      | 129.8                                | 7.9                           | 127.9                   | 123.6 | 119.3 | 96.2  | 73.2  | 50.1 | 122.0                             | 8.6                           | 119.4                   | 117.2 | 114.9 | 92.0  | 69.2  | 46.3 |  |  |
|                        | 57      | 129.1                                | 7.9                           | 129.1                   | 129.1 | 129.1 | 119.9 | 96.1  | 72.3 | 121.8                             | 8.5                           | 120.2                   | 120.2 | 120.2 | 115.8 | 92.1  | 68.4 |  |  |
| 4500                   | 72      | 137.4                                | 8.0                           | 121.0                   | 97.1  | 73.2  | 49.3  | -     | -    | 128.7                             | 8.6                           | 115.4                   | 91.9  | 68.3  | 44.8  | -     | -    |  |  |
|                        | 67      | 134.3                                | 7.9                           | 131.9                   | 116.5 | 101.2 | 76.3  | 51.4  | -    | 126.1                             | 8.6                           | 123.5                   | 110.1 | 96.6  | 71.9  | 47.2  | -    |  |  |
|                        | 62      | 133.7                                | 7.9                           | 131.9                   | 130.5 | 129.1 | 103.2 | 77.3  | 51.4 | 125.9                             | 8.6                           | 124.7                   | 124.2 | 124.7 | 99.1  | 73.2  | 47.4 |  |  |
|                        | 57      | 133.0                                | 7.9                           | 131.9                   | 131.9 | 131.9 | 130.1 | 103.2 | 76.2 | 125.7                             | 8.6                           | 125.3                   | 125.3 | 125.3 | 125.3 | 99.2  | 72.3 |  |  |
| 5000                   | 72      | 139.6                                | 8.0                           | 128.2                   | 102.1 | 75.9  | 49.8  | -     | -    | 131.1                             | 8.6                           | 122.3                   | 96.5  | 70.8  | 45.0  | -     | -    |  |  |
|                        | 67      | 138.1                                | 8.0                           | 136.0                   | 122.3 | 107.4 | 80.0  | 52.5  | -    | 130.0                             | 8.6                           | 127.6                   | 115.6 | 102.8 | 75.5  | 48.2  | -    |  |  |
|                        | 62      | 137.6                                | 8.0                           | 136.4                   | 136.4 | 136.4 | 110.1 | 81.4  | 52.6 | 129.8                             | 8.6                           | 128.4                   | 128.4 | 128.4 | 106.1 | 77.3  | 48.6 |  |  |
|                        | 57      | 137.0                                | 8.0                           | 136.9                   | 136.9 | 136.9 | 136.9 | 110.3 | 80.2 | 129.7                             | 8.6                           | 129.5                   | 129.5 | 129.5 | 106.4 | 76.1  | -    |  |  |

**ZL12 (10 Ton) (Continued)**

| Air on Evaporator Coil |         | Temperature of Air on Condenser Coil |                               |                         |       |       |       |       |      |                                   |                               |                         |       |       |       |      |      |
|------------------------|---------|--------------------------------------|-------------------------------|-------------------------|-------|-------|-------|-------|------|-----------------------------------|-------------------------------|-------------------------|-------|-------|-------|------|------|
| CFM                    | WB (°F) | Total Capacity <sup>1</sup> (MBh)    | Total Input (kW) <sup>2</sup> | Sensible Capacity (MBh) |       |       |       |       |      | Total Capacity <sup>1</sup> (MBh) | Total Input (kW) <sup>2</sup> | Sensible Capacity (MBh) |       |       |       |      |      |
|                        |         |                                      |                               | Return Dry Bulb (°F)    |       |       |       |       |      |                                   |                               | Return Dry Bulb (°F)    |       |       |       |      |      |
|                        |         |                                      |                               | 90                      | 85    | 80    | 75    | 70    | 65   |                                   |                               | 90                      | 85    | 80    | 75    | 70   | 65   |
|                        |         |                                      |                               | 115°F                   |       |       |       |       |      | 125°F                             |                               |                         |       |       |       |      |      |
| 2500                   | 77      | 118.7                                | 9.3                           | 69.5                    | 55.8  | 42.2  | -     | -     | -    | 109.2                             | 9.8                           | 67.5                    | 53.3  | 39.0  | -     | -    | -    |
|                        | 72      | 110.3                                | 9.2                           | 83.6                    | 69.3  | 54.9  | 40.5  | -     | -    | 101.4                             | 9.8                           | 79.5                    | 65.3  | 51.1  | 37.0  | -    | -    |
|                        | 67      | 102.6                                | 9.1                           | 97.8                    | 82.7  | 67.6  | 53.6  | 39.6  | -    | 94.5                              | 9.7                           | 91.4                    | 77.3  | 63.3  | 49.6  | 36.0 | -    |
|                        | 62      | 102.3                                | 9.1                           | 99.0                    | 89.6  | 80.2  | 66.6  | 53.1  | 39.5 | 93.5                              | 9.7                           | 91.9                    | 83.0  | 75.4  | 62.3  | 49.2 | 36.1 |
| 3000                   | 77      | 119.5                                | 9.3                           | 78.3                    | 59.3  | 40.4  | -     | -     | -    | 110.2                             | 9.8                           | 76.1                    | 56.4  | 36.7  | -     | -    | -    |
|                        | 72      | 112.8                                | 9.2                           | 90.2                    | 73.6  | 57.0  | 40.5  | -     | -    | 103.9                             | 9.8                           | 85.7                    | 69.3  | 53.0  | 36.7  | -    | -    |
|                        | 67      | 107.2                                | 9.1                           | 102.1                   | 87.9  | 73.7  | 57.1  | 40.5  | -    | 99.3                              | 9.8                           | 95.2                    | 82.3  | 69.3  | 53.0  | 36.7 | -    |
|                        | 62      | 106.8                                | 9.1                           | 103.0                   | 96.6  | 90.3  | 73.7  | 57.1  | 40.5 | 99.0                              | 9.8                           | 95.6                    | 90.1  | 85.6  | 69.4  | 53.2 | 36.9 |
|                        | 57      | 106.6                                | 9.1                           | 103.8                   | 103.8 | 103.8 | 90.3  | 73.7  | 57.1 | 98.8                              | 9.8                           | 95.9                    | 95.9  | 95.9  | 85.8  | 69.6 | 53.4 |
| 3500                   | 77      | 120.4                                | 9.3                           | 87.1                    | 62.8  | 38.5  | -     | -     | -    | 111.1                             | 9.9                           | 84.8                    | 59.5  | 34.3  | -     | -    | -    |
|                        | 72      | 115.2                                | 9.2                           | 96.8                    | 78.0  | 59.2  | 40.4  | -     | -    | 106.4                             | 9.8                           | 91.9                    | 73.4  | 54.9  | 36.3  | -    | -    |
|                        | 67      | 110.5                                | 9.2                           | 106.5                   | 93.1  | 79.8  | 60.6  | 41.4  | -    | 103.9                             | 9.8                           | 99.9                    | 87.2  | 75.4  | 56.4  | 37.5 | -    |
|                        | 62      | 110.3                                | 9.2                           | 107.0                   | 103.7 | 100.4 | 80.8  | 61.1  | 41.5 | 103.5                             | 9.8                           | 100.5                   | 97.2  | 95.9  | 76.5  | 57.2 | 37.8 |
|                        | 57      | 110.0                                | 9.1                           | 107.5                   | 107.5 | 107.5 | 101.0 | 80.9  | 60.8 | 103.3                             | 9.8                           | 101.2                   | 101.2 | 101.2 | 96.6  | 76.9 | 57.1 |
| 4000                   | 77      | 121.3                                | 9.3                           | 95.8                    | 66.3  | 36.7  | -     | -     | -    | 112.0                             | 9.9                           | 93.4                    | 62.7  | 32.0  | -     | -    | -    |
|                        | 72      | 117.6                                | 9.2                           | 103.3                   | 82.3  | 61.3  | 40.3  | -     | -    | 108.9                             | 9.9                           | 98.1                    | 77.4  | 56.7  | 36.0  | -    | -    |
|                        | 67      | 115.0                                | 9.2                           | 110.8                   | 98.4  | 85.9  | 64.1  | 42.2  | -    | 108.2                             | 9.8                           | 102.9                   | 92.2  | 81.4  | 59.8  | 38.3 | -    |
|                        | 62      | 114.7                                | 9.2                           | 111.0                   | 110.8 | 110.5 | 87.9  | 65.2  | 42.5 | 107.6                             | 9.8                           | 103.3                   | 103.3 | 103.3 | 83.7  | 61.2 | 38.7 |
|                        | 57      | 114.5                                | 9.2                           | 111.2                   | 111.2 | 111.2 | 111.2 | 88.1  | 64.6 | 107.2                             | 9.8                           | 104.2                   | 104.2 | 104.2 | 104.2 | 84.1 | 60.7 |
| 4500                   | 72      | 120.0                                | 9.3                           | 109.9                   | 86.7  | 63.5  | 40.2  | -     | -    | 113.4                             | 9.9                           | 104.3                   | 81.5  | 58.6  | 35.7  | -    | -    |
|                        | 67      | 118.6                                | 9.2                           | 115.1                   | 103.6 | 92.0  | 67.6  | 43.1  | -    | 111.7                             | 9.9                           | 106.7                   | 97.1  | 87.5  | 63.3  | 39.0 | -    |
|                        | 62      | 118.5                                | 9.2                           | 115.5                   | 115.5 | 115.5 | 94.9  | 69.2  | 43.5 | 111.4                             | 9.9                           | 107.5                   | 107.5 | 107.5 | 90.8  | 65.2 | 39.6 |
|                        | 57      | 118.2                                | 9.2                           | 116.2                   | 116.2 | 116.2 | 95.3  | 68.3  | 43.5 | 111.1                             | 9.8                           | 108.2                   | 108.2 | 108.2 | 108.2 | 91.4 | 64.4 |
| 5000                   | 72      | 123.1                                | 9.3                           | 116.4                   | 91.0  | 65.6  | 40.2  | -     | -    | 115.9                             | 9.9                           | 110.6                   | 85.5  | 60.4  | 35.4  | -    | -    |
|                        | 67      | 122.3                                | 9.3                           | 118.5                   | 108.8 | 98.2  | 71.1  | 44.0  | -    | 115.6                             | 9.9                           | 112.7                   | 102.0 | 93.6  | 66.7  | 39.8 | -    |
|                        | 62      | 122.1                                | 9.3                           | 119.0                   | 119.0 | 119.0 | 102.0 | 73.3  | 44.5 | 115.4                             | 9.9                           | 113.1                   | 113.1 | 113.1 | 97.9  | 69.2 | 40.5 |
|                        | 57      | 121.9                                | 9.2                           | 119.5                   | 119.5 | 119.5 | 119.5 | 102.5 | 72.1 | 115.0                             | 9.9                           | 113.1                   | 113.1 | 113.1 | 113.1 | 98.6 | 68.0 |

1. These capacities are gross ratings. For net capacity, deduct the supply air blower motor heat (MBh = 3.415 x kW). Refer to the appropriate Blower Performance Table for the kW of the supply air blower motor.
2. These ratings include the condenser fan motors (total 1 kW) and the compressor motors but not the supply air blower motor.

ZL14 (12.5 Ton)

| Air on Evaporator Coil |         | Temperature of Air on Condenser Coil |                               |                         |       |       |       |       |       |                                   |                               |                         |       |       |       |       |      |
|------------------------|---------|--------------------------------------|-------------------------------|-------------------------|-------|-------|-------|-------|-------|-----------------------------------|-------------------------------|-------------------------|-------|-------|-------|-------|------|
| CFM                    | WB (°F) | Total Capacity <sup>1</sup> (MBh)    | Total Input (kW) <sup>2</sup> | Sensible Capacity (MBh) |       |       |       |       |       | Total Capacity <sup>1</sup> (MBh) | Total Input (kW) <sup>2</sup> | Sensible Capacity (MBh) |       |       |       |       |      |
|                        |         |                                      |                               | Return Dry Bulb (°F)    |       |       |       |       |       |                                   |                               | Return Dry Bulb (°F)    |       |       |       |       |      |
|                        |         |                                      |                               | 90                      | 85    | 80    | 75    | 70    | 65    |                                   |                               | 90                      | 85    | 80    | 75    | 70    | 65   |
|                        |         | 75°F                                 |                               |                         |       |       |       |       |       | 85°F                              |                               |                         |       |       |       |       |      |
| 3200                   | 77      | 182.4                                | 8.3                           | 93.6                    | 76.6  | 59.5  | -     | -     | -     | 170.5                             | 8.8                           | 88.2                    | 73.1  | 58.1  | -     | -     | -    |
|                        | 72      | 166.6                                | 8.2                           | 113.7                   | 96.1  | 78.4  | 60.8  | -     | -     | 158.2                             | 8.7                           | 111.0                   | 93.4  | 75.8  | 58.3  | -     | -    |
|                        | 67      | 150.8                                | 8.1                           | 133.8                   | 115.6 | 97.3  | 78.2  | 61.7  | -     | 146.0                             | 8.7                           | 133.7                   | 113.7 | 93.6  | 75.5  | 58.7  | -    |
|                        | 62      | 147.2                                | 8.1                           | 142.3                   | 129.3 | 116.2 | 92.1  | 80.2  | 62.2  | 142.1                             | 8.6                           | 137.0                   | 124.2 | 111.4 | 91.0  | 76.7  | 59.3 |
| 3750                   | 77      | 182.9                                | 8.4                           | 104.3                   | 82.5  | 60.7  | -     | -     | -     | 171.2                             | 8.8                           | 99.3                    | 78.5  | 57.8  | -     | -     | -    |
|                        | 72      | 169.8                                | 8.2                           | 122.6                   | 102.5 | 82.4  | 62.3  | -     | -     | 161.1                             | 8.8                           | 119.3                   | 99.2  | 79.1  | 59.0  | -     | -    |
|                        | 67      | 156.7                                | 8.1                           | 140.9                   | 122.5 | 104.1 | 82.7  | 63.3  | -     | 151.1                             | 8.7                           | 139.4                   | 119.9 | 100.3 | 79.6  | 59.8  | -    |
|                        | 62      | 153.8                                | 8.1                           | 147.7                   | 136.7 | 125.8 | 100.2 | 84.4  | 63.7  | 148.3                             | 8.7                           | 141.9                   | 131.7 | 121.6 | 98.7  | 80.7  | 60.3 |
|                        | 57      | 150.9                                | 8.1                           | 150.9                   | 150.9 | 147.5 | 126.5 | 105.5 | 84.5  | 145.5                             | 8.7                           | 144.4                   | 143.6 | 142.8 | 122.2 | 101.7 | 81.1 |
| 4300                   | 77      | 183.4                                | 8.4                           | 115.0                   | 88.5  | 61.9  | -     | -     | -     | 171.9                             | 8.8                           | 110.3                   | 84.0  | 57.6  | -     | -     | -    |
|                        | 72      | 173.0                                | 8.3                           | 131.5                   | 108.9 | 86.4  | 63.9  | -     | -     | 164.1                             | 8.8                           | 127.7                   | 105.0 | 82.3  | 59.7  | -     | -    |
|                        | 67      | 162.6                                | 8.2                           | 147.9                   | 129.4 | 110.9 | 87.2  | 65.0  | -     | 156.2                             | 8.7                           | 145.1                   | 126.1 | 107.1 | 83.6  | 60.9  | -    |
|                        | 62      | 160.4                                | 8.1                           | 153.0                   | 144.2 | 135.4 | 108.3 | 88.6  | 65.2  | 154.5                             | 8.7                           | 146.7                   | 139.3 | 131.8 | 106.4 | 84.8  | 61.3 |
|                        | 57      | 158.3                                | 8.1                           | 158.1                   | 158.1 | 156.6 | 136.1 | 112.3 | 88.5  | 152.9                             | 8.7                           | 148.4                   | 148.4 | 148.4 | 132.6 | 108.7 | 84.8 |
| 4900                   | 77      | 183.9                                | 8.4                           | 125.7                   | 94.4  | 63.1  | -     | -     | -     | 172.7                             | 8.9                           | 121.3                   | 89.4  | 57.4  | -     | -     | -    |
|                        | 72      | 176.2                                | 8.3                           | 140.3                   | 115.4 | 90.4  | 65.4  | -     | -     | 167.0                             | 8.8                           | 136.0                   | 110.8 | 85.6  | 60.4  | -     | -    |
|                        | 67      | 168.4                                | 8.2                           | 154.9                   | 136.3 | 117.7 | 91.6  | 66.6  | -     | 161.3                             | 8.8                           | 150.7                   | 132.3 | 113.8 | 87.6  | 62.0  | -    |
|                        | 62      | 167.1                                | 8.2                           | 158.4                   | 151.7 | 144.9 | 116.4 | 92.8  | 66.7  | 160.7                             | 8.7                           | 151.6                   | 146.8 | 142.0 | 114.2 | 88.8  | 62.3 |
|                        | 57      | 165.7                                | 8.2                           | 161.8                   | 161.8 | 161.8 | 145.6 | 119.0 | 92.4  | 160.2                             | 8.7                           | 152.5                   | 152.5 | 152.5 | 142.9 | 115.7 | 88.4 |
| 5400                   | 72      | 179.3                                | 8.3                           | 149.2                   | 121.8 | 94.4  | 66.9  | -     | -     | 169.9                             | 8.8                           | 144.4                   | 116.6 | 88.8  | 61.1  | -     | -    |
|                        | 67      | 174.3                                | 8.2                           | 162.0                   | 143.2 | 124.4 | 96.1  | 68.3  | -     | 167.7                             | 8.8                           | 156.4                   | 138.5 | 120.5 | 91.7  | 63.1  | -    |
|                        | 62      | 173.7                                | 8.2                           | 163.8                   | 159.1 | 154.5 | 124.5 | 97.0  | 68.3  | 167.0                             | 8.8                           | 156.5                   | 154.3 | 152.2 | 121.9 | 92.9  | 63.2 |
|                        | 57      | 173.1                                | 8.2                           | 165.5                   | 165.5 | 165.5 | 155.2 | 125.7 | 96.3  | 166.8                             | 8.8                           | 156.6                   | 156.6 | 156.6 | 153.3 | 122.7 | 92.1 |
| 6000                   | 72      | 182.5                                | 8.3                           | 158.1                   | 128.2 | 98.4  | 68.5  | -     | -     | 172.8                             | 8.9                           | 152.8                   | 122.4 | 92.1  | 61.7  | -     | -    |
|                        | 67      | 180.4                                | 8.3                           | 169.0                   | 150.1 | 131.2 | 100.6 | 69.9  | -     | 172.1                             | 8.8                           | 162.1                   | 144.7 | 127.2 | 95.7  | 64.2  | -    |
|                        | 62      | 180.3                                | 8.3                           | 169.1                   | 166.6 | 164.1 | 132.6 | 101.2 | 69.8  | 171.9                             | 8.8                           | 162.3                   | 162.3 | 162.3 | 129.7 | 96.9  | 64.2 |
|                        | 57      | 180.1                                | 8.3                           | 169.3                   | 169.3 | 169.3 | 164.7 | 132.5 | 100.3 | 171.7                             | 8.8                           | 162.4                   | 162.4 | 162.4 | 162.4 | 129.7 | 95.8 |
|                        |         | 95°F                                 |                               |                         |       |       |       |       |       | 105°F                             |                               |                         |       |       |       |       |      |
| 3200                   | 77      | 158.5                                | 9.3                           | 82.8                    | 69.7  | 56.6  | -     | -     | -     | 146.5                             | 9.9                           | 83.7                    | 68.1  | 52.6  | -     | -     | -    |
|                        | 72      | 149.8                                | 9.2                           | 108.2                   | 90.7  | 73.3  | 55.8  | -     | -     | 139.4                             | 9.9                           | 104.5                   | 87.1  | 69.6  | 52.1  | -     | -    |
|                        | 67      | 141.1                                | 9.2                           | 133.6                   | 111.7 | 89.9  | 72.8  | 55.7  | -     | 132.4                             | 9.9                           | 125.4                   | 106.0 | 86.6  | 69.2  | 51.8  | -    |
|                        | 62      | 137.0                                | 9.2                           | 134.4                   | 119.1 | 106.5 | 89.8  | 73.1  | 56.4  | 129.7                             | 9.9                           | 126.5                   | 113.9 | 103.7 | 86.3  | 69.0  | 51.6 |
| 3750                   | 77      | 159.5                                | 9.3                           | 94.2                    | 74.6  | 55.0  | -     | -     | -     | 147.8                             | 10.0                          | 93.9                    | 72.2  | 50.6  | -     | -     | -    |
|                        | 72      | 152.5                                | 9.3                           | 116.0                   | 95.9  | 75.8  | 55.6  | -     | -     | 142.1                             | 10.0                          | 111.6                   | 91.6  | 71.6  | 51.5  | -     | -    |
|                        | 67      | 145.4                                | 9.3                           | 137.2                   | 117.2 | 96.6  | 76.4  | 56.3  | -     | 136.4                             | 9.9                           | 129.3                   | 110.9 | 92.6  | 72.3  | 52.1  | -    |
|                        | 62      | 142.8                                | 9.2                           | 137.8                   | 126.7 | 117.3 | 97.2  | 77.0  | 56.9  | 134.7                             | 9.9                           | 129.5                   | 120.8 | 113.6 | 93.1  | 72.7  | 52.3 |
|                        | 57      | 140.1                                | 9.2                           | 138.6                   | 136.2 | 138.1 | 118.0 | 97.8  | 77.6  | 133.0                             | 9.9                           | 129.6                   | 129.6 | 129.6 | 114.0 | 93.4  | 72.8 |
| 4300                   | 77      | 160.5                                | 9.3                           | 105.6                   | 79.5  | 53.3  | -     | -     | -     | 149.1                             | 10.0                          | 104.2                   | 76.4  | 48.6  | -     | -     | -    |
|                        | 72      | 155.1                                | 9.3                           | 123.9                   | 101.1 | 78.3  | 55.5  | -     | -     | 144.8                             | 10.0                          | 118.7                   | 96.1  | 73.5  | 50.9  | -     | -    |
|                        | 67      | 149.8                                | 9.3                           | 140.1                   | 122.7 | 103.2 | 80.0  | 56.8  | -     | 140.5                             | 10.0                          | 133.3                   | 115.9 | 98.5  | 75.4  | 52.4  | -    |
|                        | 62      | 148.6                                | 9.3                           | 143.2                   | 134.3 | 128.2 | 104.6 | 80.9  | 57.3  | 139.8                             | 10.0                          | 133.4                   | 127.7 | 123.4 | 99.9  | 76.5  | 53.0 |
|                        | 57      | 147.4                                | 9.2                           | 145.6                   | 145.6 | 145.6 | 129.1 | 105.1 | 81.1  | 139.1                             | 9.9                           | 133.6                   | 133.6 | 133.6 | 124.5 | 100.6 | 76.7 |
| 4900                   | 77      | 161.4                                | 9.4                           | 117.0                   | 84.3  | 51.7  | -     | -     | -     | 150.4                             | 10.0                          | 114.4                   | 80.5  | 46.6  | -     | -     | -    |
|                        | 72      | 157.8                                | 9.3                           | 131.7                   | 106.3 | 80.8  | 55.3  | -     | -     | 147.5                             | 10.0                          | 125.8                   | 100.6 | 75.5  | 50.3  | -     | -    |
|                        | 67      | 154.5                                | 9.3                           | 145.1                   | 128.2 | 109.9 | 83.6  | 57.4  | -     | 144.8                             | 10.0                          | 136.0                   | 120.8 | 104.4 | 78.5  | 52.7  | -    |
|                        | 62      | 154.4                                | 9.3                           | 147.6                   | 141.9 | 139.0 | 111.9 | 84.9  | 57.8  | 144.6                             | 10.0                          | 137.0                   | 134.7 | 133.3 | 106.8 | 80.2  | 53.7 |
|                        | 57      | 154.3                                | 9.3                           | 150.5                   | 150.5 | 150.5 | 140.2 | 112.4 | 84.5  | 144.5                             | 10.0                          | 137.3                   | 137.3 | 137.3 | 135.0 | 107.8 | 80.6 |
| 5400                   | 72      | 161.1                                | 9.4                           | 139.6                   | 111.4 | 83.3  | 55.2  | -     | -     | 150.2                             | 10.0                          | 132.9                   | 105.2 | 77.4  | 49.7  | -     | -    |
|                        | 67      | 160.5                                | 9.4                           | 150.2                   | 133.7 | 116.6 | 87.2  | 57.9  | -     | 149.8                             | 10.0                          | 140.0                   | 125.7 | 110.3 | 81.6  | 53.0  | -    |
|                        | 62      | 160.2                                | 9.3                           | 150.6                   | 149.5 | 149.8 | 119.3 | 88.8  | 58.2  | 149.7                             | 10.0                          | 141.1                   | 141.1 | 141.1 | 113.6 | 84.0  | 54.4 |
|                        | 57      | 160.1                                | 9.3                           | 150.9                   | 150.9 | 150.9 | 150.9 | 119.6 | 87.9  | 149.3                             | 10.0                          | 141.2                   | 141.2 | 141.2 | 141.2 | 115.0 | 84.5 |
| 6000                   | 72      | 168.2                                | 9.4                           | 147.4                   | 116.6 | 85.8  | 55.0  | -     | -     | 154.8                             | 10.0                          | 140.0                   | 109.7 | 79.4  | 49.1  | -     | -    |
|                        | 67      | 166.5                                | 9.4                           | 153.4                   | 139.2 | 123.2 | 90.8  | 58.4  | -     | 153.8                             | 10.0                          | 142.3                   | 130.6 | 116.2 | 84.7  | 53.2  | -    |
|                        | 62      | 166.0                                | 9.4                           | 155.2                   | 155.2 | 155.2 | 126.7 | 92.7  | 58.7  | 153.5                             | 10.0                          | 144.0                   | 144.0 | 144.0 | 120.4 | 87.7  | 55.1 |
|                        | 57      | 165.5                                | 9.3                           | 156.5                   | 156.5 | 156.5 | 156.5 | 126.9 | 91.3  | 153.3                             | 10.0                          | 144.2                   | 144.2 | 144.2 | 144.2 | 122.2 | 88.4 |

**ZL14 (12.5 Ton) (Continued)**

| Air on Evaporator Coil |         | Temperature of Air on Condenser Coil |                               |                         |       |       |       |       |      |                                   |                               |                         |       |       |       |       |      |
|------------------------|---------|--------------------------------------|-------------------------------|-------------------------|-------|-------|-------|-------|------|-----------------------------------|-------------------------------|-------------------------|-------|-------|-------|-------|------|
| CFM                    | WB (°F) | Total Capacity <sup>1</sup> (MBh)    | Total Input (kW) <sup>2</sup> | Sensible Capacity (MBh) |       |       |       |       |      | Total Capacity <sup>1</sup> (MBh) | Total Input (kW) <sup>2</sup> | Sensible Capacity (MBh) |       |       |       |       |      |
|                        |         |                                      |                               | Return Dry Bulb (°F)    |       |       |       |       |      |                                   |                               | Return Dry Bulb (°F)    |       |       |       |       |      |
|                        |         |                                      |                               | 90                      | 85    | 80    | 75    | 70    | 65   |                                   |                               | 90                      | 85    | 80    | 75    | 70    | 65   |
|                        |         | 115°F                                |                               |                         |       |       |       |       |      | 125°F                             |                               |                         |       |       |       |       |      |
| 3200                   | 77      | 134.4                                | 10.6                          | 84.5                    | 66.5  | 48.5  | -     | -     | -    | 122.4                             | 11.3                          | 85.4                    | 64.9  | 44.4  | -     | -     | -    |
|                        | 72      | 129.0                                | 10.6                          | 100.9                   | 83.4  | 65.9  | 48.5  | -     | -    | 118.7                             | 11.3                          | 97.3                    | 79.8  | 62.3  | 44.8  | -     | -    |
|                        | 67      | 123.6                                | 10.6                          | 117.3                   | 100.3 | 83.4  | 65.7  | 47.9  | -    | 115.3                             | 11.3                          | 109.1                   | 94.6  | 80.2  | 62.1  | 44.0  | -    |
|                        | 62      | 122.4                                | 10.6                          | 117.4                   | 108.6 | 100.9 | 82.9  | 64.8  | 46.8 | 115.1                             | 11.3                          | 109.2                   | 103.4 | 98.1  | 79.4  | 60.7  | 42.0 |
| 3750                   | 77      | 136.1                                | 10.7                          | 93.7                    | 69.9  | 46.1  | -     | -     | -    | 124.4                             | 11.3                          | 93.4                    | 67.5  | 41.7  | -     | -     | -    |
|                        | 72      | 131.8                                | 10.6                          | 107.2                   | 87.3  | 67.3  | 47.4  | -     | -    | 121.4                             | 11.3                          | 102.8                   | 83.0  | 63.1  | 43.3  | -     | -    |
|                        | 67      | 127.4                                | 10.6                          | 119.8                   | 104.7 | 88.6  | 68.3  | 47.9  | -    | 118.4                             | 11.3                          | 112.3                   | 98.4  | 84.6  | 64.2  | 43.8  | -    |
|                        | 62      | 126.7                                | 10.6                          | 120.0                   | 114.9 | 109.8 | 89.1  | 68.4  | 47.8 | 118.2                             | 11.3                          | 112.5                   | 109.0 | 106.0 | 85.1  | 64.1  | 43.2 |
|                        | 57      | 125.9                                | 10.6                          | 120.9                   | 120.9 | 110.0 | 88.9  | 67.9  | -    | 118.1                             | 11.3                          | 112.6                   | 112.6 | 112.6 | 105.9 | 84.5  | 63.0 |
| 4300                   | 77      | 137.7                                | 10.7                          | 102.8                   | 73.3  | 43.8  | -     | -     | -    | 126.4                             | 11.3                          | 101.4                   | 70.2  | 39.0  | -     | -     | -    |
|                        | 72      | 134.5                                | 10.6                          | 113.6                   | 91.2  | 68.8  | 46.3  | -     | -    | 124.2                             | 11.3                          | 108.4                   | 86.2  | 64.0  | 41.8  | -     | -    |
|                        | 67      | 131.2                                | 10.6                          | 123.6                   | 109.0 | 93.7  | 70.8  | 48.0  | -    | 122.4                             | 11.3                          | 115.4                   | 102.2 | 89.0  | 66.3  | 43.6  | -    |
|                        | 62      | 131.0                                | 10.6                          | 124.4                   | 121.2 | 118.7 | 95.3  | 72.0  | 48.7 | 122.2                             | 11.3                          | 115.6                   | 114.6 | 113.9 | 90.7  | 67.5  | 44.3 |
|                        | 57      | 130.7                                | 10.6                          | 124.6                   | 124.6 | 119.8 | 96.0  | 72.2  | -    | 121.9                             | 11.3                          | 115.9                   | 115.9 | 115.9 | 115.2 | 91.5  | 67.8 |
| 4900                   | 77      | 139.4                                | 10.7                          | 111.9                   | 76.7  | 41.4  | -     | -     | -    | 128.3                             | 11.3                          | 109.3                   | 72.8  | 36.3  | -     | -     | -    |
|                        | 72      | 137.2                                | 10.7                          | 119.9                   | 95.0  | 70.2  | 45.3  | -     | -    | 126.9                             | 11.3                          | 114.0                   | 89.4  | 64.8  | 40.3  | -     | -    |
|                        | 67      | 135.4                                | 10.6                          | 127.2                   | 113.4 | 98.9  | 73.4  | 48.0  | -    | 125.9                             | 11.3                          | 118.3                   | 106.0 | 93.4  | 68.3  | 43.3  | -    |
|                        | 62      | 135.3                                | 10.6                          | 127.4                   | 127.4 | 127.4 | 101.6 | 75.6  | 49.6 | 125.7                             | 11.3                          | 118.4                   | 118.4 | 118.4 | 96.4  | 71.0  | 45.5 |
|                        | 57      | 135.1                                | 10.6                          | 127.5                   | 127.5 | 127.5 | 127.5 | 103.2 | 76.6 | 125.5                             | 11.3                          | 118.6                   | 118.6 | 118.6 | 118.6 | 98.6  | 72.7 |
| 5400                   | 72      | 139.9                                | 10.7                          | 126.2                   | 98.9  | 71.6  | 44.2  | -     | -    | 129.6                             | 11.3                          | 119.5                   | 92.6  | 65.7  | 38.8  | -     | -    |
|                        | 67      | 138.8                                | 10.7                          | 130.8                   | 117.7 | 104.0 | 76.0  | 48.0  | -    | 129.4                             | 11.3                          | 121.7                   | 109.8 | 97.7  | 70.4  | 43.1  | -    |
|                        | 62      | 138.5                                | 10.7                          | 131.1                   | 131.1 | 131.1 | 107.8 | 79.2  | 50.5 | 129.2                             | 11.3                          | 121.9                   | 121.9 | 121.9 | 102.1 | 74.4  | 46.7 |
|                        | 57      | 138.4                                | 10.7                          | 131.3                   | 131.3 | 131.3 | 131.3 | 110.3 | 81.0 | 129.1                             | 11.3                          | 122.0                   | 122.0 | 122.0 | 122.0 | 105.6 | 77.5 |
| 6000                   | 72      | 145.1                                | 10.7                          | 132.6                   | 102.8 | 73.0  | 43.2  | -     | -    | 132.9                             | 11.3                          | 125.1                   | 95.8  | 66.5  | 37.3  | -     | -    |
|                        | 67      | 144.2                                | 10.7                          | 135.0                   | 122.1 | 109.2 | 78.6  | 48.1  | -    | 132.7                             | 11.3                          | 125.3                   | 113.6 | 102.1 | 72.5  | 42.9  | -    |
|                        | 62      | 143.8                                | 10.7                          | 135.8                   | 135.8 | 135.8 | 114.1 | 82.8  | 51.4 | 132.5                             | 11.3                          | 125.4                   | 125.4 | 125.4 | 107.8 | 77.8  | 47.8 |
|                        | 57      | 143.5                                | 10.7                          | 136.0                   | 136.0 | 136.0 | 136.0 | 117.4 | 85.4 | 132.2                             | 11.3                          | 125.5                   | 125.5 | 125.5 | 125.5 | 112.7 | 82.4 |

1. These capacities are gross ratings. For net capacity, deduct the supply air blower motor heat (MBh = 3.415 x kW). Refer to the appropriate Blower Performance Table for the kW of the supply air blower motor.
2. These ratings include the condenser fan motors (total 1 kW) and the compressor motors but not the supply air blower motor.



### Drive Selection

- Determine side or bottom supply duct Application.
- Determine desired airflow.
- Calculate or measure the amount of external static pressure.
  - Add or deduct any additional static resistance from "Additional Static Resistance Table".
- Using the operating point determined from steps 1, 2 & 3, locate this point on the appropriate supply air blower performance table. (Linear interpolation may be necessary.)
- Noting the RPM and BHP from step 4, locate the appropriate motor and, or drive on the RPM selection table.
- Review the BHP compared to the motor options available. Select the appropriate motor and, or drive.
- Review the RPM range for the motor options available. Select the appropriate drive if multiple drives are available for the chosen motor.
- Determine turns open to obtain the desired operation point.

### Example

- 3200 SCFM, Bottom Supply Duct application
- 1.8 IWG
- Using the airflow performance table below, the following data point was located: 1071 RPM & 2.52 BHP.
- Using the RPM selection table below, Model ZY and Size 08 (7.5 Tons) is found.
- 2.52 BHP exceeds the maximum continuous BHP rating of the 2.4 HP motor. The 3.7 HP motor is required.
- 1071 RPM is within the range of the 3.7 HP motor.
- Using the 3.7-HP motor and High-Static drive, 0.5 turns open will achieve the required 1071 RPM.

### Airflow Performance

#### Example Supply Air Blower Performance ZY08 (7.5 Ton) Bottom Duct

| CFM  | Available External Static, IWG |      |     |      |     |      |     |      |     |      |     |      |     |      |      |      |      |      |      |      |
|------|--------------------------------|------|-----|------|-----|------|-----|------|-----|------|-----|------|-----|------|------|------|------|------|------|------|
|      | 0.2                            |      | 0.4 |      | 0.6 |      | 0.8 |      | 1.0 |      | 1.2 |      | 1.4 |      | 1.6  |      | 1.8  |      | 2.0  |      |
|      | RPM                            | BHP  | RPM | BHP  | RPM | BHP  | RPM | BHP  | RPM | BHP  | RPM | BHP  | RPM | BHP  | RPM  | BHP  | RPM  | BHP  | RPM  | BHP  |
| 2250 | 556                            | 0.45 | 621 | 0.65 | 683 | 0.83 | 742 | 1.00 | 798 | 1.18 | 852 | 1.34 | 904 | 1.51 | 954  | 1.69 | 1003 | 1.87 | 1050 | 2.06 |
| 2400 | 567                            | 0.53 | 632 | 0.73 | 694 | 0.91 | 753 | 1.09 | 809 | 1.26 | 863 | 1.43 | 914 | 1.60 | 964  | 1.77 | 1013 | 1.95 | 1060 | 2.14 |
| 2600 | 580                            | 0.65 | 646 | 0.85 | 707 | 1.03 | 766 | 1.21 | 823 | 1.38 | 876 | 1.55 | 928 | 1.72 | 978  | 1.89 | 1027 | 2.07 | 1074 | 2.27 |
| 2800 | 595                            | 0.79 | 660 | 0.99 | 722 | 1.17 | 780 | 1.35 | 837 | 1.52 | 890 | 1.69 | 942 | 1.86 | 992  | 2.03 | 1041 | 2.21 | 1088 | 2.40 |
| 3000 | 609                            | 0.94 | 674 | 1.14 | 736 | 1.32 | 795 | 1.50 | 851 | 1.67 | 905 | 1.83 | 957 | 2.00 | 1007 | 2.18 | 1056 | 2.36 | 1100 | 2.55 |
| 3200 | 625                            | 1.10 | 690 | 1.30 | 752 | 1.48 | 810 | 1.66 | 867 | 1.83 | 921 | 2.00 | 972 | 2.17 | 1022 | 2.34 | 1071 | 2.52 | --   | --   |
| 3400 | 641                            | 1.28 | 706 | 1.47 | 768 | 1.66 | 827 | 1.83 | 883 | 2.00 | 937 | 2.17 | 989 | 2.34 | 1039 | 2.52 | 1087 | 2.70 | --   | --   |

|  |   |
|--|---|
|  | Standard Static Option with Motor rated at 2.4-hp |
|  | Medium Static Option with Motor rated at 2.4-hp   |
|  | High Static Option with Motor rated at 3.7-hp     |
|  | Exceeds recommended blower speed                  |

### Example RPM Selection

| Model | Size (Tons) | Airflow Option | Phase | Max BHP | Blower Sheave | Motor Sheave | 6 Turns Open | 5 Turns Open | 4 Turns Open | 3 Turns Open | 2 Turns Open | 1 Turns Open | Fully Closed |
|-------|-------------|----------------|-------|---------|---------------|--------------|--------------|--------------|--------------|--------------|--------------|--------------|--------------|
| ZY    | 08<br>(7.5) | Std.           | 3     | 2.4     | AK74          | 1VL34        | N/A          | 475          | 525          | 575          | 625          | 675          | 725          |
|       |             | Med.           | 3     | 2.4     | AK74          | 1VL44        | N/A          | 700          | 750          | 800          | 850          | 900          | 950          |
|       |             | H. Static      | 3     | 3.7     | AK74          | 1VP50        | N/A          | 850          | 900          | 950          | 1000         | 1050         | 1100         |

**Example Additional Static Resistance**

| Model | Size (Tons)                         | CFM  | Cooling Only <sup>1</sup> | Economizer <sup>2,3</sup> | 4" Filters <sup>2</sup> | Electric Heat kW <sup>2</sup> |             |            |            |      |                |          |           |
|-------|-------------------------------------|------|---------------------------|---------------------------|-------------------------|-------------------------------|-------------|------------|------------|------|----------------|----------|-----------|
|       |                                     |      |                           |                           |                         | 6/6.5                         | 9.2/10.5/11 | 13.8/14/16 | 16/16.5/17 | 23   | 24.8/25.5/27.8 | 32/33/34 | 41.7/42.4 |
| ZY    | 08 (7.5),<br>09 (8.5),<br>12 (10.0) | 2200 | 0.04                      | 0.11                      | ---                     | ---                           | ---         | ---        | 0.07       | ---  | 0.09           | 0.10     | 0.12      |
|       |                                     | 2600 | 0.06                      | 0.13                      | ---                     | ---                           | ---         | ---        | 0.09       | ---  | 0.11           | 0.12     | 0.15      |
|       |                                     | 3000 | 0.10                      | 0.17                      | ---                     | ---                           | ---         | ---        | 0.12       | ---  | 0.14           | 0.15     | 0.19      |
|       |                                     | 3400 | 0.13                      | 0.20                      | ---                     | ---                           | ---         | ---        | 0.15       | ---  | 0.18           | 0.19     | 0.23      |
|       |                                     | 3800 | 0.16                      | 0.25                      | ---                     | ---                           | ---         | ---        | 0.19       | ---  | 0.22           | 0.23     | 0.27      |
|       |                                     | 4000 | 0.17                      | 0.28                      | ---                     | ---                           | ---         | ---        | 0.21       | ---  | 0.24           | 0.25     | 0.30      |
|       |                                     | 4400 | 0.20                      | 0.33                      | ---                     | ---                           | ---         | ---        | 0.25       | ---  | 0.29           | 0.30     | 0.35      |
|       |                                     | 4800 | 0.22                      | 0.38                      | ---                     | ---                           | ---         | ---        | 0.30       | ---  | 0.34           | 0.35     | 0.41      |
|       |                                     | 5200 | 0.24                      | 0.43                      | ---                     | ---                           | ---         | ---        | 0.35       | ---  | 0.39           | 0.41     | 0.47      |
|       |                                     | 5600 | 0.26                      | 0.46                      | ---                     | ---                           | ---         | ---        | 0.41       | ---  | 0.45           | 0.47     | 0.54      |
| 6000  | 0.28                                | 0.50 | ---                       | ---                       | ---                     | ---                           | 0.48        | ---        | 0.52       | 0.54 | 0.60           |          |           |

**Altitude and Temperature Correction for CFM, Static Pressure and Power.**

The information below should be used to assist in application of product when being applied at altitudes at or exceeding 1000 feet above sea level.

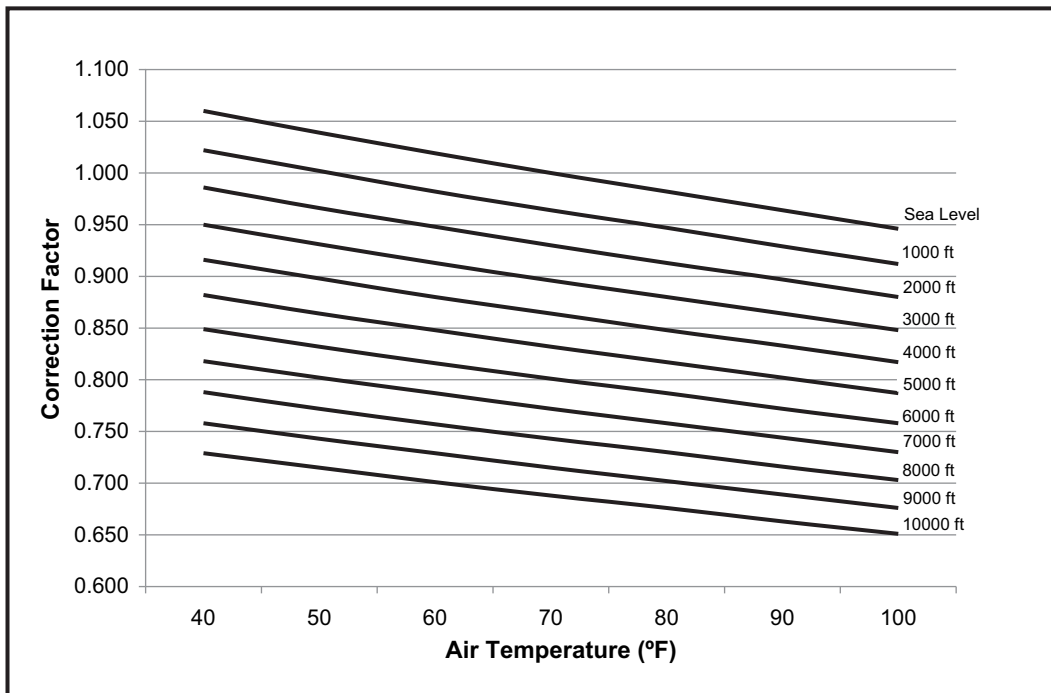
The air flow rates listed in the standard blower performance tables are based on standard air at sea level. As the altitude or temperature increases, the density of air decreases. In order to

use the indoor blower tables for high altitude applications, certain corrections are necessary.

A centrifugal fan is a "constant volume" device. This means that, if the RPM remains constant, the CFM delivered is the same regardless of the density of the air. However, since the air at high altitude is less dense, less static pressure will be generated and less power will be required than a similar application at sea level. Air density correction factors are shown below.

**Altitude/Temperature Correction Factors**

| Air Temp. | Altitude (Ft.) |       |       |       |       |       |       |       |       |       |       |
|-----------|----------------|-------|-------|-------|-------|-------|-------|-------|-------|-------|-------|
|           | 0              | 1000  | 2000  | 3000  | 4000  | 5000  | 6000  | 7000  | 8000  | 9000  | 10000 |
| 40        | 1.060          | 1.022 | 0.986 | 0.950 | 0.916 | 0.882 | 0.849 | 0.818 | 0.788 | 0.758 | 0.729 |
| 50        | 1.039          | 1.002 | 0.966 | 0.931 | 0.898 | 0.864 | 0.832 | 0.802 | 0.772 | 0.743 | 0.715 |
| 60        | 1.019          | 0.982 | 0.948 | 0.913 | 0.880 | 0.848 | 0.816 | 0.787 | 0.757 | 0.729 | 0.701 |
| 70        | 1.000          | 0.964 | 0.930 | 0.896 | 0.864 | 0.832 | 0.801 | 0.772 | 0.743 | 0.715 | 0.688 |
| 80        | 0.982          | 0.947 | 0.913 | 0.880 | 0.848 | 0.817 | 0.787 | 0.758 | 0.730 | 0.702 | 0.676 |
| 90        | 0.964          | 0.929 | 0.897 | 0.864 | 0.833 | 0.802 | 0.772 | 0.744 | 0.716 | 0.689 | 0.663 |
| 100       | 0.946          | 0.912 | 0.880 | 0.848 | 0.817 | 0.787 | 0.758 | 0.730 | 0.703 | 0.676 | 0.651 |



The examples below will assist in determining the airflow performance of the product at altitude.

**Example 1:** What are the corrected CFM, static pressure, and BHP at an elevation of 5,000 ft. if the airflow performance data is 3,000 CFM, 1.4 IWC and 2.0 BHP?

**Solution:** At an elevation of 5,000 ft. the indoor blower will still deliver 3,000 CFM if the rpm is unchanged. However, the Altitude correction must be used to determine the static pressure and BHP. Since no temperature data is given, we will assume an Air Temperature of 70°F. The Altitude/Temperature Factors show the correction factor to be 0.832.

$$\text{Corrected static pressure} = 1.4 \times 0.832 = 1.16 \text{ IWC}$$

$$\text{Corrected BHP} = 2.0 \times 0.832 = 1.66$$

**Example 2:** A system, located at 5,000 feet of elevation, is to deliver 3,000 CFM at a static pressure of 1.4". Use the unit

blower tables to select the blower speed and the BHP requirement.

**Solution:** As in the example above, no temperature information is given so 70°F is assumed.

The 1.4" static pressure given is at an elevation of 5,000 ft. The first step is to convert this static pressure to equivalent sea level conditions.

$$\text{Sea level static pressure} = 1.4" / .832 = 1.68"$$

Enter the Supply Air Blower Performance Table at 3,000 CFM and static pressure of 1.68". The rpm listed will be the same rpm needed at 5,000 ft.

Suppose that the corresponding BHP listed in the table is 2.0. This value must be corrected for elevation.

$$\text{BHP at 5,000 ft.} = 2.0 \times .832 = 1.66$$

**Indoor Blower Specifications**

| Model | Size (Tons) | Airflow Option | Motor        |      |      |      |      |       | Motor Sheave     |            |       | Blower Sheave    |            |       | Belt |
|-------|-------------|----------------|--------------|------|------|------|------|-------|------------------|------------|-------|------------------|------------|-------|------|
|       |             |                | Phase        | HP   | RPM  | Eff. | SF   | Frame | Datum Dia. (in.) | Bore (in.) | Model | Datum Dia. (in.) | Bore (in.) | Model |      |
| ZQ    | 04 (3)      | Std.           | Direct Drive |      |      |      |      |       |                  |            |       |                  |            |       |      |
|       |             | Med.           | 1            | 1.5  | 1725 | 0.79 | 1.15 | 56HZ  | 1.9 - 2.9        | 5/8        | 1VL34 | 4.2              | 3/4        | AK46  | A39  |
|       |             | Med.           | 3            | 2.4  | 1725 | 0.80 | 1.15 | 56Y   | 1.9 - 2.9        | 5/8        | 1VL34 | 4.2              | 3/4        | AK46  | A39  |
|       |             | H. Static      | 3            | 2.4  | 1725 | 0.80 | 1.15 | 56Y   | 2.8 - 3.8        | 5/8        | 1VL44 | 4.2              | 3/4        | AK46  | A40  |
| ZQ    | 05 (4)      | Std.           | Direct Drive |      |      |      |      |       |                  |            |       |                  |            |       |      |
|       |             | Med.           | 1            | 1.5  | 1725 | 0.79 | 1.15 | 56HZ  | 1.9 - 2.9        | 5/8        | 1VL34 | 4.2              | 3/4        | AK46  | A39  |
|       |             | Med.           | 3            | 2.4  | 1725 | 0.80 | 1.15 | 56Y   | 1.9 - 2.9        | 5/8        | 1VL34 | 4.2              | 3/4        | AK46  | A39  |
|       |             | H. Static      | 3            | 2.4  | 1725 | 0.80 | 1.15 | 56Y   | 2.8 - 3.8        | 5/8        | 1VL44 | 4.2              | 3/4        | AK46  | A40  |
| ZQ    | 06 (5)      | Std.           | Direct Drive |      |      |      |      |       |                  |            |       |                  |            |       |      |
|       |             | Med.           | 1            | 1.5  | 1725 | 0.79 | 1.15 | 56HZ  | 1.9 - 2.9        | 5/8        | 1VL34 | 4.2              | 3/4        | AK46  | A37  |
|       |             | Med.           | 3            | 2.4  | 1725 | 0.80 | 1.15 | 56Y   | 1.9 - 2.9        | 5/8        | 1VL34 | 4.2              | 3/4        | AK46  | A37  |
|       |             | H. Static      | 3            | 2.9  | 1725 | 0.81 | 1.15 | 56Y   | 2.8 - 3.8        | 7/8        | 1VL44 | 4.2              | 3/4        | AK46  | A39  |
| ZX    | A7 (6)      | Std.           | 3            | 2.4  | 1725 | 0.80 | 1.15 | 56Y   | 1.9 - 2.9        | 5/8        | 1VL34 | 4.7              | 3/4        | AK51  | A39  |
|       |             | Med.           | 3            | 2.9  | 1725 | 0.81 | 1.15 | 56Y   | 2.8 - 3.8        | 7/8        | 1VL44 | 4.7              | 3/4        | AK51  | A40  |
|       |             | H. Static      | 3            | 3.7  | 1725 | 0.84 | 1.15 | 56HZ  | 3.4 - 4.4        | 7/8        | 1VP50 | 4.7              | 3/4        | AK51  | A41  |
| ZX    | 08 (7.5)    | Std.           | 3            | 2.4  | 1725 | 0.80 | 1.15 | 56Y   | 1.9 - 2.9        | 5/8        | 1VL34 | 7.0              | 1          | AK74  | A47  |
|       |             | Med.           | 3            | 2.9  | 1725 | 0.81 | 1.15 | 56Y   | 2.8 - 3.8        | 7/8        | 1VL44 | 7.0              | 1          | AK74  | A48  |
|       |             | H. Static      | 3            | 3.7  | 1725 | 0.84 | 1.15 | 56HZ  | 3.4 - 4.4        | 7/8        | 1VP50 | 7.0              | 1          | AK74  | A50  |
| ZX    | 09 (8.5)    | Std.           | 3            | 2.4  | 1725 | 0.80 | 1.15 | 56Y   | 1.9 - 2.9        | 5/8        | 1VL34 | 7.0              | 1          | AK74  | A47  |
|       |             | Med.           | 3            | 2.4  | 1725 | 0.80 | 1.15 | 56Y   | 2.8 - 3.8        | 5/8        | 1VL44 | 7.0              | 1          | AK74  | A48  |
|       |             | H. Static      | 3            | 3.7  | 1725 | 0.84 | 1.15 | 56HZ  | 3.4 - 4.4        | 7/8        | 1VP50 | 7.0              | 1          | AK74  | A50  |
| ZX    | 12 (10)     | Std.           | 3            | 2.4  | 1725 | 0.80 | 1.15 | 56Y   | 2.8 - 3.8        | 5/8        | 1VL44 | 7.5              | 1          | AK79  | A50  |
|       |             | Med.           | 3            | 3.7  | 1725 | 0.84 | 1.15 | 56HZ  | 3.4 - 4.4        | 7/8        | 1VP50 | 7.5              | 1          | AK79  | A50  |
|       |             | H. Static      | 3            | 5.25 | 1725 | 0.84 | 1.15 | 145TY | 4.3 - 5.3        | 7/8        | 1VP56 | 7.9              | 1          | BK85  | BX52 |
| ZX    | 14 (12.5)   | Std.           | 3            | 2.9  | 1750 | 0.87 | 1.15 | 56Z   | 2.8 - 3.8        | 7/8        | 1VL44 | 7.5              | 1          | AK79  | A50  |
|       |             | Med.           | 3            | 3.7  | 1750 | 0.90 | 1.15 | 184TZ | 3.4 - 4.4        | 7/8        | 1VP50 | 7.5              | 1          | AK79  | A52  |
|       |             | H. Static      | 3            | 5.25 | 1750 | 0.90 | 1.15 | 184TZ | 4.3 - 5.3        | 7/8        | 1VP56 | 7.9              | 1          | BK85  | BX54 |
| ZY    | 04 (3)      | Std.           | Direct Drive |      |      |      |      |       |                  |            |       |                  |            |       |      |
|       |             | Med.           | 1            | 1.5  | 1725 | 0.79 | 1.15 | 56HZ  | 1.9 - 2.9        | 5/8        | 1VL34 | 4.2              | 3/4        | AK46  | A39  |
|       |             | Med.           | 3            | 2.4  | 1725 | 0.80 | 1.15 | 56Y   | 1.9 - 2.9        | 5/8        | 1VL34 | 4.2              | 3/4        | AK46  | A39  |
|       |             | H. Static      | 3            | 2.4  | 1725 | 0.80 | 1.15 | 56Y   | 2.8 - 3.8        | 5/8        | 1VL44 | 4.2              | 3/4        | AK46  | A40  |
| ZY    | 05 (4)      | Std.           | Direct Drive |      |      |      |      |       |                  |            |       |                  |            |       |      |
|       |             | Med.           | 1            | 1.5  | 1725 | 0.79 | 1.15 | 56HZ  | 1.9 - 2.9        | 5/8        | 1VL34 | 4.2              | 3/4        | AK46  | A39  |
|       |             | Med.           | 3            | 2.4  | 1725 | 0.80 | 1.15 | 56Y   | 1.9 - 2.9        | 5/8        | 1VL34 | 4.2              | 3/4        | AK46  | A39  |
|       |             | H. Static      | 3            | 2.9  | 1725 | 0.81 | 1.15 | 56Y   | 2.8 - 3.8        | 7/8        | 1VL44 | 4.2              | 3/4        | AK46  | A40  |
| ZY    | 06 (5)      | Std.           | Direct Drive |      |      |      |      |       |                  |            |       |                  |            |       |      |
|       |             | Med.           | 1            | 1.5  | 1750 | 0.83 | 1.15 | 56H   | 1.9 - 2.9        | 5/8        | 1VL34 | 4.2              | 3/4        | AK46  | A37  |
|       |             | Med.           | 3            | 2.4  | 1750 | 0.87 | 1.15 | 56HZ  | 1.9 - 2.9        | 5/8        | 1VL34 | 4.2              | 3/4        | AK46  | A37  |
|       |             | H. Static      | 3            | 2.9  | 1750 | 0.87 | 1.15 | 56Z   | 2.8 - 3.8        | 7/8        | 1VL44 | 4.2              | 3/4        | AK46  | A39  |
| ZY    | 07 (6)      | Std.           | 3            | 2.4  | 1725 | 0.80 | 1.15 | 56Y   | 1.9 - 2.9        | 5/8        | 1VL34 | 7.0              | 1          | AK74  | A47  |
|       |             | Med.           | 3            | 2.9  | 1725 | 0.81 | 1.15 | 56Y   | 2.8 - 3.8        | 7/8        | 1VL44 | 7.0              | 1          | AK74  | A48  |
|       |             | H. Static      | 3            | 3.7  | 1725 | 0.84 | 1.15 | 56HZ  | 3.4 - 4.4        | 7/8        | 1VP50 | 7.0              | 1          | AK74  | A48  |
| ZY    | A7 (6)      | Std.           | 3            | 2.4  | 1725 | 0.80 | 1.15 | 56Y   | 1.9 - 2.9        | 5/8        | 1VL34 | 7.0              | 1          | AK74  | A47  |
|       |             | Med.           | 3            | 2.9  | 1725 | 0.81 | 1.15 | 56Y   | 2.8 - 3.8        | 7/8        | 1VL44 | 7.0              | 1          | AK74  | A48  |
|       |             | H. Static      | 3            | 3.7  | 1725 | 0.84 | 1.15 | 56HZ  | 3.4 - 4.4        | 7/8        | 1VP50 | 7.0              | 1          | AK74  | A48  |
| ZY    | 08 (7.5)    | Std.           | 3            | 2.4  | 1725 | 0.80 | 1.15 | 56Y   | 1.9 - 2.9        | 5/8        | 1VL34 | 7.0              | 1          | AK74  | A47  |
|       |             | Med.           | 3            | 2.4  | 1725 | 0.80 | 1.15 | 56Y   | 2.8 - 3.8        | 5/8        | 1VL44 | 7.0              | 1          | AK74  | A48  |
|       |             | H. Static      | 3            | 3.7  | 1725 | 0.84 | 1.15 | 56HZ  | 3.4 - 4.4        | 7/8        | 1VP50 | 7.0              | 1          | AK74  | A50  |
| ZY    | 09 (8.5)    | Std.           | 3            | 2.4  | 1725 | 0.80 | 1.15 | 56Y   | 1.9 - 2.9        | 5/8        | 1VL34 | 7.0              | 1          | AK74  | A47  |
|       |             | Med.           | 3            | 2.4  | 1725 | 0.80 | 1.15 | 56Y   | 2.8 - 3.8        | 5/8        | 1VL44 | 7.0              | 1          | AK74  | A48  |
|       |             | H. Static      | 3            | 3.7  | 1725 | 0.84 | 1.15 | 56HZ  | 3.4 - 4.4        | 7/8        | 1VP50 | 7.0              | 1          | AK74  | A50  |
| ZY    | 12 (10)     | Std.           | 3            | 2.4  | 1725 | 0.80 | 1.15 | 56Y   | 2.8 - 3.8        | 5/8        | 1VL44 | 7.5              | 1          | AK79  | A50  |
|       |             | Med.           | 3            | 3.7  | 1725 | 0.84 | 1.15 | 56HZ  | 3.4 - 4.4        | 7/8        | 1VP50 | 7.5              | 1          | AK79  | A50  |
|       |             | H. Static      | 3            | 5.25 | 1725 | 0.84 | 1.15 | 145TY | 4.3 - 5.3        | 7/8        | 1VP56 | 7.9              | 1          | BK85  | BX52 |

## Indoor Blower Specifications (Continued)

| Model | Size (Tons) | Airflow Option | Motor |      |      |      |      |       | Motor Sheave     |            |       | Blower Sheave    |            |       | Belt |
|-------|-------------|----------------|-------|------|------|------|------|-------|------------------|------------|-------|------------------|------------|-------|------|
|       |             |                | Phase | HP   | RPM  | Eff. | SF   | Frame | Datum Dia. (in.) | Bore (in.) | Model | Datum Dia. (in.) | Bore (in.) | Model |      |
| ZL    | 08<br>(7.5) | Std.           | 3     | 2.4  | 1725 | 0.80 | 1.15 | 56Y   | 1.9 - 2.9        | 5/8        | 1VL34 | 7.0              | 1          | AK74  | A47  |
|       |             | Med.           | 3     | 2.4  | 1725 | 0.80 | 1.15 | 56Y   | 2.8 - 3.8        | 5/8        | 1VL44 | 7.0              | 1          | AK74  | A48  |
|       |             | H. Static      | 3     | 3.7  | 1725 | 0.84 | 1.15 | 56HZ  | 3.4 - 4.4        | 7/8        | 1VP50 | 7.0              | 1          | AK74  | A50  |
| ZL    | 09<br>(8.5) | Std.           | 3     | 2.4  | 1725 | 0.80 | 1.15 | 56Y   | 1.9 - 2.9        | 5/8        | 1VL34 | 7.0              | 1          | AK74  | A47  |
|       |             | Med.           | 3     | 2.4  | 1725 | 0.80 | 1.15 | 56Y   | 2.8 - 3.8        | 5/8        | 1VL44 | 7.0              | 1          | AK74  | A48  |
|       |             | H. Static      | 3     | 3.7  | 1725 | 0.84 | 1.15 | 56HZ  | 3.4 - 4.4        | 7/8        | 1VP50 | 7.0              | 1          | AK74  | A50  |
| ZL    | 12<br>(10)  | Std.           | 3     | 2.4  | 1725 | 0.80 | 1.15 | 56Y   | 2.8 - 3.8        | 5/8        | 1VL44 | 7.5              | 1          | AK79  | A50  |
|       |             | Med.           | 3     | 3.7  | 1725 | 0.84 | 1.15 | 56HZ  | 3.4 - 4.4        | 7/8        | 1VP50 | 7.5              | 1          | AK79  | A50  |
|       |             | H. Static      | 3     | 5.25 | 1725 | 0.84 | 1.15 | 145TY | 4.3 - 5.3        | 7/8        | 1VP56 | 7.9              | 1          | BK85  | BX52 |
| ZL    | 14<br>(10)  | Std.           | 3     | 2.9  | 1750 | 0.87 | 1.15 | 56Y   | 2.8 - 3.8        | 5/8        | 1VL44 | 7.5              | 1          | AK79  | A50  |
|       |             | Med.           | 3     | 3.7  | 1750 | 0.90 | 1.15 | 184TZ | 3.4 - 4.4        | 7/8        | 1VP50 | 7.5              | 1          | AK79  | A52  |
|       |             | H. Static      | 3     | 5.25 | 1750 | 0.90 | 1.15 | 184TZ | 4.3 - 5.3        | 7/8        | 1VP56 | 7.9              | 1          | BK85  | BX54 |

## RPM Selection

| Model | Size (Tons) | Airflow Option | Phase | MAX BHP | Blower Sheave | Motor Sheave | 6Turns Open  | 5Turns Open | 4Turns Open | 3Turns Open | 2Turns Open | 1Turns Open | Fully Closed |
|-------|-------------|----------------|-------|---------|---------------|--------------|--------------|-------------|-------------|-------------|-------------|-------------|--------------|
| ZX    | A7<br>(6)   | Std.           | 3     | 2.4     | AK51          | 1VL34        | N/A          | 707         | 782         | 856         | 931         | 1005        | 1080         |
|       |             | Med.           | 3     | 2.9     | AK51          | 1VL44        | N/A          | 1043        | 1117        | 1191        | 1266        | 1340        | 1415         |
|       |             | H. Static      | 3     | 3.7     | AK51          | 1VP50        | N/A          | 1266        | 1340        | 1415        | 1489        | 1564        | 1638         |
| ZX    | 08<br>(7.5) | Std.           | 3     | 2.4     | AK74          | 1VL34        | N/A          | 475         | 525         | 575         | 625         | 675         | 725          |
|       |             | Med.           | 3     | 2.9     | AK74          | 1VL44        | N/A          | 700         | 750         | 800         | 850         | 900         | 950          |
|       |             | H. Static      | 3     | 3.7     | AK74          | 1VP50        | N/A          | 850         | 900         | 950         | 1000        | 1050        | 1100         |
| ZX    | 09<br>(8.5) | Std.           | 3     | 2.4     | AK74          | 1VL34        | N/A          | 475         | 525         | 575         | 625         | 675         | 725          |
|       |             | Med.           | 3     | 2.4     | AK74          | 1VL44        | N/A          | 700         | 750         | 800         | 850         | 900         | 950          |
|       |             | H. Static      | 3     | 3.7     | AK74          | 1VP50        | N/A          | 850         | 900         | 950         | 1000        | 1050        | 1100         |
| ZX    | 12<br>(10)  | Std.           | 3     | 2.4     | AK79          | 1VL44        | N/A          | 653         | 700         | 747         | 793         | 840         | 887          |
|       |             | Med.           | 3     | 3.7     | AK79          | 1VP50        | N/A          | 793         | 840         | 887         | 933         | 980         | 1027         |
|       |             | H. Static      | 3     | 5.25    | BK85          | 1VP56        | 953          | 997         | 1041        | 1085        | 1130        | 1174        | N/A          |
| ZX    | 14<br>(12)  | Std.           | 3     | 2.9     | AK79          | 1VL44        | N/A          | 653         | 700         | 747         | 793         | 840         | 887          |
|       |             | Med.           | 3     | 3.7     | AK79          | 1VP50        | N/A          | 793         | 840         | 887         | 933         | 980         | 1027         |
|       |             | H. Static      | 3     | 5.25    | BK85          | 1VP56        | 953          | 997         | 1041        | 1085        | 1130        | 1174        | N/A          |
| ZY    | 04<br>(3)   | Std.           |       |         |               |              | Direct Drive |             |             |             |             |             |              |
|       |             | Med.           | 1     | 1.5     | AK46          | 1VL34        | N/A          | 792         | 875         | 958         | 1042        | 1125        | 1208         |
|       |             | H. Static      | 3     | 2.4     | AK46          | 1VL34        | N/A          | 792         | 875         | 958         | 1042        | 1125        | 1208         |
| ZY    | 05<br>(4)   | Std.           |       |         |               |              | Direct Drive |             |             |             |             |             |              |
|       |             | Med.           | 1     | 1.5     | AK46          | 1VL34        | N/A          | 792         | 875         | 958         | 1042        | 1125        | 1208         |
|       |             | H. Static      | 3     | 2.9     | AK46          | 1VL44        | N/A          | 1167        | 1250        | 1333        | 1417        | 1500        | 1593         |
| ZY    | 06<br>(5)   | Std.           |       |         |               |              | Direct Drive |             |             |             |             |             |              |
|       |             | Med.           | 1     | 1.5     | AK46          | 1VL34        | N/A          | 792         | 875         | 958         | 1042        | 1125        | 1208         |
|       |             | H. Static      | 3     | 2.9     | AK46          | 1VL44        | N/A          | 1167        | 1250        | 1333        | 1417        | 1500        | 1593         |
| ZY    | 07<br>(6)   | Std.           | 3     | 2.4     | AK74          | 1VL34        | N/A          | 475         | 525         | 575         | 625         | 675         | 725          |
|       |             | Med.           | 3     | 2.9     | AK74          | 1VL44        | N/A          | 700         | 750         | 800         | 850         | 900         | 950          |
|       |             | H. Static      | 3     | 3.7     | AK74          | 1VP50        | N/A          | 850         | 900         | 950         | 1000        | 1050        | 1100         |
| ZY    | A7<br>(6)   | Std.           | 3     | 2.4     | AK74          | 1VL34        | N/A          | 475         | 525         | 575         | 625         | 675         | 725          |
|       |             | Med.           | 3     | 2.9     | AK74          | 1VL44        | N/A          | 700         | 750         | 800         | 850         | 900         | 950          |
|       |             | H. Static      | 3     | 3.7     | AK74          | 1VP50        | N/A          | 850         | 900         | 950         | 1000        | 1050        | 1100         |
| ZY    | 08<br>(7.5) | Std.           | 3     | 2.4     | AK74          | 1VL34        | N/A          | 475         | 525         | 575         | 625         | 675         | 725          |
|       |             | Med.           | 3     | 2.4     | AK74          | 1VL44        | N/A          | 700         | 750         | 800         | 850         | 900         | 950          |
|       |             | H. Static      | 3     | 3.7     | AK74          | 1VP50        | N/A          | 850         | 900         | 950         | 1000        | 1050        | 1100         |
| ZY    | 09<br>(8.5) | Std.           | 3     | 2.4     | AK74          | 1VL34        | N/A          | 475         | 525         | 575         | 625         | 675         | 725          |
|       |             | Med.           | 3     | 2.4     | AK74          | 1VL44        | N/A          | 700         | 750         | 800         | 850         | 900         | 950          |
|       |             | H. Static      | 3     | 3.7     | AK74          | 1VP50        | N/A          | 850         | 900         | 950         | 1000        | 1050        | 1100         |
| ZY    | 12<br>(10)  | Std.           | 3     | 2.4     | AK79          | 1VL44        | N/A          | 653         | 700         | 747         | 793         | 840         | 887          |
|       |             | Med.           | 3     | 3.7     | AK79          | 1VP50        | N/A          | 793         | 840         | 887         | 933         | 980         | 1027         |
|       |             | H. Static      | 3     | 5.25    | BK85          | 1VP56        | 953          | 997         | 1041        | 1085        | 1130        | 1174        | N/A          |

**RPM Selection (Continued)**

| Model | Size (Tons)  | Airflow Option | Phase | MAX BHP | Blower Sheave | Motor Sheave | 6Turns Open  | 5Turns Open | 4Turns Open | 3 Turns Open | 2 Turns Open | 1 Turns Open | Fully Closed |
|-------|--------------|----------------|-------|---------|---------------|--------------|--------------|-------------|-------------|--------------|--------------|--------------|--------------|
| ZQ    | 04<br>(3)    | Std.           |       |         |               |              | Direct Drive |             |             |              |              |              |              |
|       |              | Med.           | 1     | 1.5     | AK46          | 1VL34        | N/A          | 792         | 875         | 958          | 1042         | 1125         | 1208         |
|       |              | Med.           | 3     | 2.4     | AK46          | 1VL34        | N/A          | 792         | 875         | 958          | 1042         | 1125         | 1208         |
|       |              | H. Static      | 3     | 2.4     | AK46          | 1VL44        | N/A          | 1167        | 1250        | 1333         | 1417         | 1500         | 1593         |
| ZQ    | 05<br>(4)    | Std.           |       |         |               |              | Direct Drive |             |             |              |              |              |              |
|       |              | Med.           | 1     | 1.5     | AK46          | 1VL34        | N/A          | 792         | 875         | 958          | 1042         | 1125         | 1208         |
|       |              | Med.           | 3     | 2.4     | AK46          | 1VL34        | N/A          | 792         | 875         | 958          | 1042         | 1125         | 1208         |
|       |              | H. Static      | 3     | 2.4     | AK46          | 1VL44        | N/A          | 1167        | 1250        | 1333         | 1417         | 1500         | 1593         |
| ZQ    | 06<br>(5)    | Std.           |       |         |               |              | Direct Drive |             |             |              |              |              |              |
|       |              | Med.           | 1     | 1.5     | AK46          | 1VL34        | N/A          | 792         | 875         | 958          | 1042         | 1125         | 1208         |
|       |              | Med.           | 3     | 2.4     | AK46          | 1VL34        | N/A          | 792         | 875         | 958          | 1042         | 1125         | 1208         |
|       |              | H. Static      | 3     | 2.9     | AK46          | 1VL44        | N/A          | 1167        | 1250        | 1333         | 1417         | 1500         | 1593         |
| ZL    | 08<br>(7.5)  | Std.           | 3     | 2.4     | AK74          | 1VL34        | N/A          | 475         | 525         | 575          | 625          | 675          | 725          |
|       |              | Med.           | 3     | 2.4     | AK74          | 1VL44        | N/A          | 700         | 750         | 800          | 850          | 900          | 950          |
|       |              | H. Static      | 3     | 3.7     | AK74          | 1VP50        | N/A          | 850         | 900         | 950          | 1000         | 1050         | 1100         |
| ZL    | 09<br>(8.5)  | Std.           | 3     | 2.4     | AK74          | 1VL34        | N/A          | 475         | 525         | 575          | 625          | 675          | 725          |
|       |              | Med.           | 3     | 2.4     | AK74          | 1VL44        | N/A          | 700         | 750         | 800          | 850          | 900          | 950          |
|       |              | H. Static      | 3     | 3.7     | AK74          | 1VP50        | N/A          | 850         | 900         | 950          | 1000         | 1050         | 1100         |
| ZL    | 12<br>(10)   | Std.           | 3     | 2.4     | AK79          | 1VL44        | N/A          | 653         | 700         | 747          | 793          | 840          | 887          |
|       |              | Med.           | 3     | 3.7     | AK79          | 1VP50        | N/A          | 793         | 840         | 887          | 933          | 980          | 1027         |
|       |              | H. Static      | 3     | 5.25    | BK85          | 1VP56        | 953          | 997         | 1041        | 1085         | 1130         | 1174         | N/A          |
| ZL    | 14<br>(12.5) | Std.           | 3     | 2.9     | AK79          | 1VL44        | N/A          | 653         | 700         | 747          | 793          | 840          | 887          |
|       |              | Med.           | 3     | 3.7     | AK79          | 1VP50        | N/A          | 793         | 840         | 887          | 933          | 980          | 1027         |
|       |              | H. Static      | 3     | 5.25    | BK85          | 1VP56        | 953          | 997         | 1041        | 1085         | 1130         | 1174         | N/A          |

**Additional Static Resistance - ZQ04-06**

| Model | Size (Tons)                  | CFM  | Cooling Only <sup>1</sup> | Economizer <sup>2 3</sup> | 4" Filter <sup>2</sup> | Electric Heat kW <sup>2</sup> |             |            |      |
|-------|------------------------------|------|---------------------------|---------------------------|------------------------|-------------------------------|-------------|------------|------|
|       |                              |      |                           |                           |                        | 6/6.5                         | 9.2/10.5/11 | 13.8/14/16 | 23   |
| ZQ    | 04<br>(3.0),<br>05<br>(4.0), | 900  | 0.04                      | 0.15                      | ---                    | 0.00                          | 0.00        | 0.01       | 0.01 |
|       |                              | 1000 | 0.05                      | 0.18                      | ---                    | 0.00                          | 0.00        | 0.02       | 0.02 |
|       |                              | 1100 | 0.06                      | 0.21                      | ---                    | 0.01                          | 0.01        | 0.02       | 0.03 |
|       |                              | 1200 | 0.07                      | 0.24                      | ---                    | 0.01                          | 0.01        | 0.02       | 0.03 |
|       |                              | 1300 | 0.10                      | 0.28                      | ---                    | 0.01                          | 0.01        | 0.03       | 0.03 |
|       |                              | 1400 | 0.12                      | 0.33                      | ---                    | 0.02                          | 0.02        | 0.03       | 0.04 |
|       |                              | 1500 | 0.14                      | 0.44                      | ---                    | 0.02                          | 0.02        | 0.04       | 0.04 |
|       |                              | 1600 | 0.16                      | 0.52                      | ---                    | 0.02                          | 0.02        | 0.04       | 0.05 |
|       |                              | 1700 | 0.18                      | 0.59                      | ---                    | 0.03                          | 0.03        | 0.05       | 0.05 |
|       |                              | 1800 | 0.22                      | 0.66                      | ---                    | 0.03                          | 0.03        | 0.05       | 0.06 |
|       |                              | 1900 | 0.25                      | 0.74                      | ---                    | 0.04                          | 0.04        | 0.06       | 0.07 |
|       |                              | 2000 | 0.28                      | 0.81                      | ---                    | 0.04                          | 0.04        | 0.07       | 0.08 |
|       |                              | 2100 | 0.33                      | 0.88                      | ---                    | 0.05                          | 0.05        | 0.07       | 0.08 |
|       |                              | 2200 | 0.36                      | 0.95                      | ---                    | 0.06                          | 0.06        | 0.08       | 0.09 |
|       |                              | 2300 | 0.41                      | 1.03                      | ---                    | 0.06                          | 0.06        | 0.09       | 0.10 |
|       | 2400                         | 0.45 | 1.10                      | ---                       | 0.07                   | 0.07                          | 0.10        | 0.11       |      |
|       | 2500                         | 0.50 | 1.17                      | ---                       | 0.08                   | 0.08                          | 0.11        | 0.12       |      |
|       | 06<br>(5.0)                  | 1800 | 0.23                      | 0.66                      | ---                    | 0.03                          | 0.03        | 0.05       | 0.06 |
|       |                              | 2000 | 0.28                      | 0.81                      | ---                    | 0.04                          | 0.04        | 0.07       | 0.08 |
|       |                              | 2200 | 0.32                      | 0.95                      | ---                    | 0.06                          | 0.06        | 0.08       | 0.09 |
| 2400  |                              | 0.37 | 1.10                      | ---                       | 0.07                   | 0.07                          | 0.10        | 0.11       |      |

1. Add these values to the available static resistance in the respective Blower Performance Tables.
2. Deduct these values from the available external static pressure shown in the respective Blower Performance Tables.
3. The pressure drop through the economizer is greater for 100% outdoor air than for 100% return air. If the resistance of the return air duct is less than 0.25 IWG, the unit will deliver less CFM during full economizer operation.

**Additional Static Resistance - ZXA7, 08-14**

| Model | Size (Tons)   | CFM  | Cooling Only <sup>1</sup> | Economizer <sup>2 3</sup> | 4" Filter <sup>2</sup> | Electric Heat kW <sup>2</sup> |             |            |            |      |                |          |           |
|-------|---|------|---------------------------|---------------------------|------------------------|-------------------------------|-------------|------------|------------|------|----------------|----------|-----------|
|       |   |      |                           |                           |                        | 6/6.5                         | 9.2/10.5/11 | 13.8/14/16 | 16/16.5/17 | 23   | 24.8/25.5/27.8 | 32/33/34 | 41.7/42.4 |
| ZX    | A7<br>(6)   | 1800 | 0.23                      | 0.11                      | ---                    | 0.03                          | 0.03        | 0.05       | ---        | ---  | ---            | ---      | ---       |
|       |   | 2000 | 0.28                      | 0.13                      | ---                    | 0.04                          | 0.04        | 0.06       | ---        | ---  | ---            | ---      | ---       |
|       |   | 2200 | 0.32                      | 0.15                      | ---                    | 0.06                          | 0.06        | 0.07       | ---        | ---  | ---            | ---      | ---       |
|       |   | 2400 | 0.37                      | 0.17                      | ---                    | 0.07                          | 0.07        | 0.08       | ---        | ---  | ---            | ---      | ---       |
|       |   | 2600 | 0.38                      | 0.20                      | ---                    | 0.08                          | 0.08        | 0.09       | ---        | ---  | ---            | ---      | ---       |
|       |   | 2800 | 0.41                      | 0.24                      | ---                    | 0.09                          | 0.09        | 0.10       | ---        | ---  | ---            | ---      | ---       |
|       |   | 3000 | 0.45                      | 0.29                      | ---                    | 0.11                          | 0.11        | 0.12       | ---        | ---  | ---            | ---      | ---       |
| ZX    | 08<br>(7.5),<br>09<br>(8.5),<br>12<br>(10.0),<br>14<br>(12.5) | 2200 | 0.04                      | 0.11                      | ---                    | ---                           | ---         | ---        | 0.07       | ---  | 0.09           | 0.10     | 0.12      |
|       |   | 2600 | 0.06                      | 0.13                      | ---                    | ---                           | ---         | ---        | 0.09       | ---  | 0.11           | 0.12     | 0.15      |
|       |   | 3000 | 0.10                      | 0.17                      | ---                    | ---                           | ---         | ---        | 0.12       | ---  | 0.14           | 0.15     | 0.19      |
|       |   | 3400 | 0.13                      | 0.20                      | ---                    | ---                           | ---         | ---        | 0.15       | ---  | 0.18           | 0.19     | 0.23      |
|       |   | 4800 | 0.22                      | 0.38                      | ---                    | ---                           | ---         | ---        | 0.30       | ---  | 0.34           | 0.35     | 0.41      |
|       |   | 5200 | 0.24                      | 0.43                      | ---                    | ---                           | ---         | ---        | 0.35       | ---  | 0.39           | 0.41     | 0.47      |
|       |   | 5600 | 0.26                      | 0.46                      | ---                    | ---                           | ---         | ---        | 0.41       | ---  | 0.45           | 0.47     | 0.54      |
| 6000  | 0.28  | 0.50 | ---                       | ---                       | ---                    | ---                           | 0.48        | ---        | 0.52       | 0.54 | 0.60           |          |           |

1. Add these values to the available static resistance in the respective Blower Performance Tables.
2. Deduct these values from the available external static pressure shown in the respective Blower Performance Tables.
3. The pressure drop through the economizer is greater for 100% outdoor air than for 100% return air. If the resistance of the return air duct is less than 0.25 IWG, the unit will deliver less CFM during full economizer operation.

**Additional Static Resistance - ZY04-12**

| Model | Size (Tons)                                  | CFM  | Cooling Only <sup>1</sup> | Economizer <sup>2 3</sup> | 4" Filters <sup>2</sup> | Electric Heat kW <sup>2</sup> |             |            |            |      |                |          |           |
|-------|--|------|---------------------------|---------------------------|-------------------------|-------------------------------|-------------|------------|------------|------|----------------|----------|-----------|
|       |  |      |                           |                           |                         | 6/6.5                         | 9.2/10.5/11 | 13.8/14/16 | 16/16.5/17 | 23   | 24.8/25.5/27.8 | 32/33/34 | 41.7/42.4 |
| ZY    | 04<br>(3.0)                                  | 900  | 0.04                      | 0.15                      | ---                     | 0.00                          | 0.00        | 0.01       | ---        | 0.01 | ---            | ---      | ---       |
|       |  | 1000 | 0.05                      | 0.18                      | ---                     | 0.00                          | 0.00        | 0.02       | ---        | 0.02 | ---            | ---      | ---       |
|       |  | 1100 | 0.06                      | 0.21                      | ---                     | 0.01                          | 0.01        | 0.02       | ---        | 0.03 | ---            | ---      | ---       |
|       |  | 1200 | 0.07                      | 0.24                      | ---                     | 0.01                          | 0.01        | 0.02       | ---        | 0.03 | ---            | ---      | ---       |
|       |  | 1300 | 0.10                      | 0.28                      | ---                     | 0.01                          | 0.01        | 0.03       | ---        | 0.03 | ---            | ---      | ---       |
|       |  | 1400 | 0.12                      | 0.33                      | ---                     | 0.02                          | 0.02        | 0.03       | ---        | 0.04 | ---            | ---      | ---       |
|       |  | 1500 | 0.14                      | 0.44                      | ---                     | 0.02                          | 0.02        | 0.04       | ---        | 0.04 | ---            | ---      | ---       |
|       | 05<br>(4.0)                                  | 1200 | 0.06                      | 0.24                      | ---                     | 0.01                          | 0.01        | 0.02       | ---        | 0.03 | ---            | ---      | ---       |
|       |  | 1300 | 0.06                      | 0.28                      | ---                     | 0.01                          | 0.01        | 0.03       | ---        | 0.03 | ---            | ---      | ---       |
|       |  | 1400 | 0.06                      | 0.33                      | ---                     | 0.02                          | 0.02        | 0.03       | ---        | 0.04 | ---            | ---      | ---       |
|       |  | 1500 | 0.07                      | 0.44                      | ---                     | 0.02                          | 0.02        | 0.04       | ---        | 0.04 | ---            | ---      | ---       |
|       |  | 1600 | 0.08                      | 0.52                      | ---                     | 0.02                          | 0.02        | 0.04       | ---        | 0.05 | ---            | ---      | ---       |
|       |  | 1700 | 0.11                      | 0.59                      | ---                     | 0.03                          | 0.03        | 0.05       | ---        | 0.05 | ---            | ---      | ---       |
|       |  | 1800 | 0.13                      | 0.66                      | ---                     | 0.03                          | 0.03        | 0.05       | ---        | 0.06 | ---            | ---      | ---       |
|       |  | 1900 | 0.16                      | 0.74                      | ---                     | 0.04                          | 0.04        | 0.06       | ---        | 0.07 | ---            | ---      | ---       |
|       | 06<br>(5.0)                                  | 2000 | 0.20                      | 0.81                      | ---                     | 0.04                          | 0.04        | 0.07       | ---        | 0.08 | ---            | ---      | ---       |
|       |  | 1800 | 0.23                      | 0.66                      | ---                     | 0.03                          | 0.03        | 0.05       | ---        | 0.06 | ---            | ---      | ---       |
|       |  | 2000 | 0.28                      | 0.81                      | ---                     | 0.04                          | 0.04        | 0.07       | ---        | 0.08 | ---            | ---      | ---       |
|       |  | 2200 | 0.32                      | 0.95                      | ---                     | 0.06                          | 0.06        | 0.08       | ---        | 0.09 | ---            | ---      | ---       |
|       |  | 2400 | 0.37                      | 1.10                      | ---                     | 0.07                          | 0.07        | 0.10       | ---        | 0.11 | ---            | ---      | ---       |
|       | 07<br>(6.0)                                  | 2500 | 0.50                      | 1.17                      | ---                     | 0.08                          | 0.08        | 0.11       | ---        | 0.12 | ---            | ---      | ---       |
|       |  | 1800 | 0.23                      | 0.13                      | ---                     | 0.03                          | ---         | ---        | 0.05       | ---  | 0.06           | ---      | ---       |
|       |  | 2000 | 0.28                      | 0.15                      | ---                     | 0.04                          | ---         | ---        | 0.06       | ---  | 0.07           | ---      | ---       |
|       |  | 2200 | 0.32                      | 0.18                      | ---                     | 0.06                          | ---         | ---        | 0.07       | ---  | 0.09           | ---      | ---       |
|       |  | 2400 | 0.37                      | 0.21                      | ---                     | 0.07                          | ---         | ---        | 0.08       | ---  | 0.1            | ---      | ---       |
|       |  | 2600 | 0.38                      | 0.24                      | ---                     | 0.08                          | ---         | ---        | 0.09       | ---  | 0.11           | ---      | ---       |
|       |  | 2800 | 0.41                      | 0.29                      | ---                     | 0.09                          | ---         | ---        | 0.10       | ---  | 0.12           | ---      | ---       |
|       | A7<br>(6.0)                                  | 3000 | 0.45                      | 0.35                      | ---                     | 0.11                          | ---         | ---        | 0.12       | ---  | 0.14           | ---      | ---       |
|       |  | 1800 | 0.23                      | 0.13                      | ---                     | 0.03                          | ---         | ---        | 0.05       | ---  | 0.06           | ---      | ---       |
|       |  | 2000 | 0.28                      | 0.15                      | ---                     | 0.04                          | ---         | ---        | 0.06       | ---  | 0.07           | ---      | ---       |
|       |  | 2200 | 0.32                      | 0.18                      | ---                     | 0.06                          | ---         | ---        | 0.07       | ---  | 0.09           | ---      | ---       |
|       |  | 2400 | 0.37                      | 0.21                      | ---                     | 0.07                          | ---         | ---        | 0.08       | ---  | 0.1            | ---      | ---       |
|       |  | 2600 | 0.38                      | 0.24                      | ---                     | 0.08                          | ---         | ---        | 0.09       | ---  | 0.11           | ---      | ---       |
|       |  | 2800 | 0.41                      | 0.29                      | ---                     | 0.09                          | ---         | ---        | 0.10       | ---  | 0.12           | ---      | ---       |
|       | 08<br>(7.5),<br>09<br>(8.5),<br>12<br>(10.0) | 3000 | 0.45                      | 0.35                      | ---                     | 0.11                          | ---         | ---        | 0.12       | ---  | 0.14           | ---      | ---       |
|       |  | 2200 | 0.04                      | 0.18                      | ---                     | ---                           | ---         | ---        | 0.07       | ---  | 0.09           | 0.10     | 0.12      |
|       |  | 2600 | 0.06                      | 0.24                      | ---                     | ---                           | ---         | ---        | 0.09       | ---  | 0.11           | 0.12     | 0.15      |
|       |  | 3000 | 0.10                      | 0.35                      | ---                     | ---                           | ---         | ---        | 0.12       | ---  | 0.14           | 0.15     | 0.19      |
|       |  | 3400 | 0.13                      | 0.47                      | ---                     | ---                           | ---         | ---        | 0.15       | ---  | 0.18           | 0.19     | 0.23      |
|       |  | 3800 | 0.16                      | 0.59                      | ---                     | ---                           | ---         | ---        | 0.19       | ---  | 0.22           | 0.23     | 0.27      |
|       |  | 4000 | 0.17                      | 0.66                      | ---                     | ---                           | ---         | ---        | 0.21       | ---  | 0.24           | 0.25     | 0.30      |
|       |  | 4400 | 0.20                      | 0.79                      | ---                     | ---                           | ---         | ---        | 0.25       | ---  | 0.29           | 0.30     | 0.35      |
| 4800  |  | 0.22 | 0.91                      | ---                       | ---                     | ---                           | ---         | 0.30       | ---        | 0.34 | 0.35           | 0.41     |           |
| 5200  |  | 0.24 | 1.04                      | ---                       | ---                     | ---                           | ---         | 0.35       | ---        | 0.39 | 0.41           | 0.47     |           |
| 5600  | 0.26   | 1.17 | ---                       | ---                       | ---                     | ---                           | 0.41        | ---        | 0.45       | 0.47 | 0.54           |          |           |
| 6000  | 0.28   | 1.30 | ---                       | ---                       | ---                     | ---                           | 0.48        | ---        | 0.52       | 0.54 | 0.60           |          |           |

1. Add these values to the available static resistance in the respective Blower Performance Tables.
2. Deduct these values from the available external static pressure shown in the respective Blower Performance Tables.
3. The pressure drop through the economizer is greater for 100% outdoor air than for 100% return air. If the resistance of the return air duct is less than 0.25 IWG, the unit will deliver less CFM during full economizer operation.



**Additional Static Resistance - ZL08-14**

| Model | Size (Tons)        | CFM  | Cooling Only <sup>1</sup> | Economizer <sup>2 3</sup> | 4" Filters <sup>2</sup> | Electric Heat kW <sup>2</sup> |             |            |            |      |                |          |           |
|-------|--------------------|------|---------------------------|---------------------------|-------------------------|-------------------------------|-------------|------------|------------|------|----------------|----------|-----------|
|       |                    |      |                           |                           |                         | 6/6.5                         | 9.2/10.5/11 | 13.8/14/16 | 16/16.5/17 | 23   | 24.8/25.5/27.8 | 32/33/34 | 41.7/42.4 |
| ZL    | 08<br>(7.5),<br>09 | 2200 | 0.04                      | 0.18                      | ---                     | ---                           | ---         | ---        | 0.07       | ---  | 0.09           | 0.10     | 0.12      |
|       |                    | 2600 | 0.06                      | 0.24                      | ---                     | ---                           | ---         | ---        | 0.09       | ---  | 0.11           | 0.12     | 0.15      |
|       | 12<br>(10.0)       | 3000 | 0.10                      | 0.35                      | ---                     | ---                           | ---         | ---        | 0.12       | ---  | 0.14           | 0.15     | 0.19      |
|       |                    | 3400 | 0.13                      | 0.47                      | ---                     | ---                           | ---         | ---        | 0.15       | ---  | 0.18           | 0.19     | 0.23      |
|       | 14<br>(12.5)       | 3800 | 0.16                      | 0.59                      | ---                     | ---                           | ---         | ---        | 0.19       | ---  | 0.22           | 0.23     | 0.27      |
|       |                    | 4000 | 0.17                      | 0.66                      | ---                     | ---                           | ---         | ---        | 0.21       | ---  | 0.24           | 0.25     | 0.30      |
|       |                    | 4400 | 0.20                      | 0.79                      | ---                     | ---                           | ---         | ---        | 0.25       | ---  | 0.29           | 0.30     | 0.35      |
|       |                    | 4800 | 0.22                      | 0.91                      | ---                     | ---                           | ---         | ---        | 0.30       | ---  | 0.34           | 0.35     | 0.41      |
|       |                    | 5200 | 0.24                      | 1.04                      | ---                     | ---                           | ---         | ---        | 0.35       | ---  | 0.39           | 0.41     | 0.47      |
|       |                    | 5600 | 0.26                      | 1.17                      | ---                     | ---                           | ---         | ---        | 0.41       | ---  | 0.45           | 0.47     | 0.54      |
|       | 6000               | 0.28 | 1.30                      | ---                       | ---                     | ---                           | ---         | 0.48       | ---        | 0.52 | 0.54           | 0.60     |           |

1. Add these values to the available static resistance in the respective Blower Performance Tables.
2. Deduct these values from the available external static pressure shown in the respective Blower Performance Tables.
3. The pressure drop through the economizer is greater for 100% outdoor air than for 100% return air. If the resistance of the return air duct is less than 0.25 IWG, the unit will deliver less CFM during full economizer operation.

## Airflow Performance

### ZXA7, 08-14 Side Duct Application (Belt Drive)

#### ZXA7 (6.0 Ton) Side Duct

| CFM  | Available External Static |      |      |      |      |      |      |      |      |      |      |      |      |      |      |      |      |      |      |      |
|------|---------------------------|------|------|------|------|------|------|------|------|------|------|------|------|------|------|------|------|------|------|------|
|      | 0.2                       |      | 0.4  |      | 0.6  |      | 0.8  |      | 1.0  |      | 1.2  |      | 1.4  |      | 1.6  |      | 1.8  |      | 2.0  |      |
|      | RPM                       | BHP  | RPM  | BHP  | RPM  | BHP  | RPM  | BHP  | RPM  | BHP  | RPM  | BHP  | RPM  | BHP  | RPM  | BHP  | RPM  | BHP  | RPM  | BHP  |
| 1800 | 915                       | 0.67 | 979  | 0.77 | 1041 | 0.89 | 1102 | 1.02 | 1162 | 1.16 | 1221 | 1.31 | 1278 | 1.45 | 1334 | 1.59 | 1389 | 1.72 | 1442 | 1.82 |
| 1900 | 939                       | 0.78 | 1003 | 0.87 | 1065 | 0.99 | 1126 | 1.12 | 1186 | 1.27 | 1244 | 1.41 | 1302 | 1.56 | 1358 | 1.69 | 1412 | 1.82 | 1466 | 1.93 |
| 2000 | 964                       | 0.89 | 1028 | 0.99 | 1090 | 1.11 | 1151 | 1.24 | 1211 | 1.38 | 1269 | 1.52 | 1327 | 1.67 | 1383 | 1.81 | 1437 | 1.93 | 1491 | 2.04 |
| 2100 | 990                       | 1.01 | 1054 | 1.11 | 1116 | 1.23 | 1177 | 1.36 | 1237 | 1.50 | 1296 | 1.65 | 1353 | 1.79 | 1409 | 1.93 | 1464 | 2.05 | 1517 | 2.16 |
| 2200 | 1018                      | 1.14 | 1081 | 1.24 | 1143 | 1.36 | 1204 | 1.49 | 1264 | 1.63 | 1323 | 1.78 | 1380 | 1.92 | 1436 | 2.06 | 1491 | 2.18 | 1544 | 2.29 |
| 2300 | 1046                      | 1.28 | 1110 | 1.37 | 1172 | 1.49 | 1233 | 1.62 | 1293 | 1.77 | 1351 | 1.91 | 1409 | 2.05 | 1465 | 2.19 | 1519 | 2.32 | 1573 | 2.43 |
| 2400 | 1076                      | 1.42 | 1139 | 1.52 | 1201 | 1.63 | 1262 | 1.76 | 1322 | 1.91 | 1381 | 2.05 | 1438 | 2.20 | 1494 | 2.33 | 1549 | 2.46 | 1602 | 2.57 |
| 2500 | 1106                      | 1.56 | 1170 | 1.66 | 1232 | 1.78 | 1293 | 1.91 | 1353 | 2.05 | 1411 | 2.20 | 1469 | 2.34 | 1525 | 2.48 | 1579 | 2.60 | 1633 | 2.71 |
| 2600 | 1138                      | 1.71 | 1201 | 1.81 | 1263 | 1.93 | 1324 | 2.06 | 1384 | 2.20 | 1443 | 2.35 | 1500 | 2.49 | 1556 | 2.63 | 1611 | 2.75 | --   | --   |
| 2700 | 1170                      | 1.87 | 1234 | 1.96 | 1296 | 2.08 | 1357 | 2.21 | 1417 | 2.35 | 1475 | 2.50 | 1533 | 2.64 | 1589 | 2.78 | 1638 | 2.91 | --   | --   |
| 2800 | 1203                      | 2.02 | 1267 | 2.12 | 1329 | 2.24 | 1390 | 2.37 | 1450 | 2.51 | 1509 | 2.66 | 1566 | 2.80 | 1622 | 2.94 | --   | --   | --   | --   |
| 2900 | 1238                      | 2.18 | 1301 | 2.28 | 1364 | 2.40 | 1425 | 2.53 | 1484 | 2.67 | 1543 | 2.81 | 1600 | 2.96 | --   | --   | --   | --   | --   | --   |
| 3000 | 1273                      | 2.34 | 1337 | 2.44 | 1399 | 2.56 | 1460 | 2.69 | 1520 | 2.83 | 1578 | 2.97 | 1635 | 3.12 | --   | --   | --   | --   | --   | --   |

|  |   |
|--|---|
|  | Standard Static Option with Motor rated at 2.4-hp |
|  | Medium Static Option with Motor rated at 2.9-hp   |
|  | High Static Option with Motor rated at 3.7-hp     |
|  | Exceeds recommended blower speed                  |

#### ZX08 (7.5 Ton) Side Duct

| CFM  | AVAILABLE EXTERNAL STATIC PRESSURE - IWG <sup>1</sup> |      |     |      |     |      |     |      |     |      |      |      |      |      |      |      |      |      |      |      |
|------|---|------|-----|------|-----|------|-----|------|-----|------|------|------|------|------|------|------|------|------|------|------|
|      | 0.2   |      | 0.4 |      | 0.6 |      | 0.8 |      | 1.0 |      | 1.2  |      | 1.4  |      | 1.6  |      | 1.8  |      | 2.0  |      |
|      | RPM   | BHP  | RPM | BHP  | RPM | BHP  | RPM | BHP  | RPM | BHP  | RPM  | BHP  | RPM  | BHP  | RPM  | BHP  | RPM  | BHP  | RPM  | BHP  |
| 2250 | 557   | 0.48 | 623 | 0.67 | 685 | 0.85 | 742 | 1.04 | 796 | 1.23 | 848  | 1.41 | 898  | 1.59 | 947  | 1.77 | 997  | 1.94 | 1049 | 2.11 |
| 2400 | 569   | 0.56 | 636 | 0.75 | 698 | 0.94 | 755 | 1.13 | 809 | 1.32 | 860  | 1.50 | 910  | 1.68 | 960  | 1.86 | 1010 | 2.03 | 1062 | 2.20 |
| 2600 | 588   | 0.69 | 655 | 0.88 | 716 | 1.07 | 773 | 1.26 | 827 | 1.44 | 879  | 1.63 | 929  | 1.81 | 978  | 1.98 | 1029 | 2.16 | 1080 | 2.32 |
| 2800 | 607   | 0.83 | 674 | 1.02 | 736 | 1.21 | 793 | 1.40 | 847 | 1.58 | 898  | 1.77 | 948  | 1.95 | 998  | 2.13 | 1048 | 2.30 | 1100 | 2.47 |
| 3000 | 628   | 0.99 | 695 | 1.18 | 757 | 1.37 | 814 | 1.56 | 868 | 1.74 | 919  | 1.92 | 969  | 2.11 | 1019 | 2.28 | 1069 | 2.45 | --   | --   |
| 3200 | 650   | 1.16 | 717 | 1.35 | 779 | 1.54 | 836 | 1.73 | 890 | 1.91 | 941  | 2.10 | 991  | 2.28 | 1041 | 2.45 | 1091 | 2.63 | --   | --   |
| 3400 | 673   | 1.35 | 740 | 1.54 | 802 | 1.73 | 859 | 1.91 | 913 | 2.10 | 964  | 2.28 | 1014 | 2.46 | 1064 | 2.64 | --   | --   | --   | --   |
| 3600 | 697   | 1.55 | 764 | 1.74 | 826 | 1.93 | 883 | 2.11 | 937 | 2.30 | 988  | 2.48 | 1038 | 2.67 | 1088 | 2.84 | --   | --   | --   | --   |
| 3750 | 716   | 1.71 | 783 | 1.90 | 844 | 2.09 | 901 | 2.28 | 955 | 2.46 | 1007 | 2.65 | 1057 | 2.83 | 1100 | 3.00 | --   | --   | --   | --   |

|  |   |
|--|---|
|  | Standard Static Option with Motor rated at 2.4-hp |
|  | Medium Static Option with Motor rated at 2.9-hp   |
|  | High Static Option with Motor rated at 3.7-hp     |
|  | Exceeds recommended Blower speed                  |

1. Blower performance includes gas heat exchangers and 2" filters. See STATIC RESISTANCE table for additional applications.

**Note:** See RPM SELECTION table to determine desired motor sheave setting and to determine the maximum continuous BHP.

$$kW = 0.929 \times BHP$$

**ZX09 (8.5 Ton) Side Duct**

| CFM  | AVAILABLE EXTERNAL STATIC PRESSURE - IWG <sup>1</sup> |      |     |      |     |      |     |      |     |      |     |      |      |      |      |      |      |      |      |      |
|------|---|------|-----|------|-----|------|-----|------|-----|------|-----|------|------|------|------|------|------|------|------|------|
|      | 0.2   |      | 0.4 |      | 0.6 |      | 0.8 |      | 1.0 |      | 1.2 |      | 1.4  |      | 1.6  |      | 1.8  |      | 2.0  |      |
|      | RPM   | BHP  | RPM | BHP  | RPM | BHP  | RPM | BHP  | RPM | BHP  | RPM | BHP  | RPM  | BHP  | RPM  | BHP  | RPM  | BHP  | RPM  | BHP  |
| 2550 | 549   | 0.45 | 609 | 0.69 | 668 | 0.91 | 727 | 1.11 | 784 | 1.31 | 840 | 1.49 | 893  | 1.68 | 944  | 1.87 | 991  | 2.06 | 1035 | 2.25 |
| 2600 | 552   | 0.48 | 611 | 0.72 | 671 | 0.94 | 729 | 1.14 | 787 | 1.34 | 842 | 1.53 | 896  | 1.71 | 946  | 1.90 | 994  | 2.09 | 1038 | 2.29 |
| 2800 | 562   | 0.62 | 621 | 0.86 | 681 | 1.07 | 739 | 1.28 | 796 | 1.47 | 852 | 1.66 | 905  | 1.85 | 956  | 2.03 | 1004 | 2.22 | 1048 | 2.42 |
| 3000 | 573   | 0.77 | 632 | 1.00 | 692 | 1.22 | 750 | 1.43 | 807 | 1.62 | 863 | 1.81 | 917  | 2.00 | 967  | 2.18 | 1015 | 2.37 | 1059 | 2.57 |
| 3200 | 585   | 0.93 | 644 | 1.16 | 704 | 1.38 | 762 | 1.59 | 820 | 1.78 | 875 | 1.97 | 929  | 2.16 | 979  | 2.34 | 1027 | 2.53 | 1071 | 2.73 |
| 3400 | 598   | 1.10 | 658 | 1.34 | 717 | 1.55 | 776 | 1.76 | 833 | 1.95 | 889 | 2.14 | 942  | 2.33 | 993  | 2.51 | 1040 | 2.70 | 1084 | 2.90 |
| 3600 | 613   | 1.28 | 672 | 1.52 | 732 | 1.74 | 790 | 1.94 | 848 | 2.14 | 903 | 2.32 | 957  | 2.51 | 1008 | 2.70 | 1055 | 2.89 | 1099 | 3.08 |
| 3800 | 629   | 1.47 | 688 | 1.71 | 748 | 1.93 | 806 | 2.13 | 864 | 2.33 | 919 | 2.52 | 973  | 2.70 | 1024 | 2.89 | 1071 | 3.08 | --   | --   |
| 4000 | 646   | 1.68 | 706 | 1.91 | 765 | 2.13 | 824 | 2.34 | 881 | 2.53 | 937 | 2.72 | 990  | 2.90 | 1041 | 3.09 | 1088 | 3.28 | --   | --   |
| 4200 | 665   | 1.89 | 724 | 2.12 | 784 | 2.34 | 842 | 2.55 | 900 | 2.74 | 955 | 2.93 | 1009 | 3.11 | 1059 | 3.30 | --   | --   | --   | --   |
| 4250 | 670   | 1.94 | 729 | 2.18 | 789 | 2.40 | 847 | 2.60 | 904 | 2.80 | 960 | 2.98 | 1014 | 3.17 | 1064 | 3.35 | --   | --   | --   | --   |

|  |   |
|--|---|
|  | Standard Static Option with Motor rated at 2.4-hp |
|  | Medium Static Option with Motor rated at 2.4-hp   |
|  | High Static Option with Motor rated at 3.7-hp     |
|  | Exceeds recommended Blower speed                  |

1. Blower performance includes gas heat exchangers and 2" filters. See STATIC RESISTANCE table for additional applications.  
**Note:** See RPM SELECTION table to determine desired motor sheave setting and to determine the maximum continuous BHP.  
 kW = 0.929 x BHP

**ZX12 (10 Ton) Side Duct**

| CFM  | AVAILABLE EXTERNAL STATIC PRESSURE - IWG <sup>1</sup> |      |     |      |     |      |     |      |      |      |      |      |      |      |      |      |      |      |      |      |
|------|---|------|-----|------|-----|------|-----|------|------|------|------|------|------|------|------|------|------|------|------|------|
|      | 0.2   |      | 0.4 |      | 0.6 |      | 0.8 |      | 1.0  |      | 1.2  |      | 1.4  |      | 1.6  |      | 1.8  |      | 2.0  |      |
|      | RPM   | BHP  | RPM | BHP  | RPM | BHP  | RPM | BHP  | RPM  | BHP  | RPM  | BHP  | RPM  | BHP  | RPM  | BHP  | RPM  | BHP  | RPM  | BHP  |
| 3000 |   |      | 689 | 0.94 | 740 | 1.19 | 790 | 1.44 | 841  | 1.70 | 891  | 1.94 | 941  | 2.19 | 990  | 2.43 | 1038 | 2.66 | 1085 | 2.89 |
| 3200 | 654   | 0.84 | 702 | 1.09 | 752 | 1.35 | 803 | 1.60 | 854  | 1.85 | 904  | 2.10 | 954  | 2.34 | 1003 | 2.58 | 1051 | 2.82 | 1098 | 3.04 |
| 3400 | 665   | 1.00 | 715 | 1.26 | 766 | 1.51 | 816 | 1.77 | 867  | 2.02 | 917  | 2.27 | 967  | 2.51 | 1016 | 2.75 | 1064 | 2.99 | 1111 | 3.21 |
| 3600 | 680   | 1.19 | 730 | 1.44 | 780 | 1.70 | 831 | 1.95 | 881  | 2.20 | 932  | 2.45 | 982  | 2.70 | 1031 | 2.94 | 1079 | 3.17 | 1125 | 3.40 |
| 3800 | 695   | 1.39 | 745 | 1.64 | 796 | 1.90 | 846 | 2.15 | 897  | 2.40 | 947  | 2.65 | 997  | 2.90 | 1046 | 3.14 | 1094 | 3.37 | 1141 | 3.60 |
| 4000 | 712   | 1.61 | 762 | 1.86 | 812 | 2.12 | 863 | 2.37 | 914  | 2.62 | 964  | 2.87 | 1014 | 3.12 | 1063 | 3.36 | 1111 | 3.59 | 1158 | 3.82 |
| 4200 | 729   | 1.85 | 779 | 2.10 | 830 | 2.36 | 881 | 2.61 | 931  | 2.86 | 982  | 3.11 | 1032 | 3.35 | 1081 | 3.59 | 1129 | 3.83 | 1174 | 4.06 |
| 4400 | 748   | 2.10 | 798 | 2.36 | 849 | 2.61 | 899 | 2.87 | 950  | 3.12 | 1000 | 3.37 | 1050 | 3.61 | 1099 | 3.85 | 1147 | 4.09 | --   | --   |
| 4600 | 768   | 2.38 | 818 | 2.64 | 869 | 2.89 | 919 | 3.15 | 970  | 3.40 | 1020 | 3.65 | 1070 | 3.89 | 1119 | 4.13 | 1167 | 4.36 | --   | --   |
| 4800 | 794   | 2.68 | 839 | 2.93 | 889 | 3.19 | 940 | 3.44 | 991  | 3.69 | 1041 | 3.94 | 1091 | 4.19 | 1140 | 4.43 | --   | --   | --   | --   |
| 5000 | 811   | 3.00 | 861 | 3.25 | 912 | 3.51 | 962 | 3.70 | 1013 | 4.01 | 1063 | 4.26 | 1113 | 4.50 | 1162 | 4.74 | --   | --   | --   | --   |

|  |   |
|--|---|
|  | Standard Static Option with Motor rated at 2.4-hp |
|  | Medium Static Option with Motor rated at 3.7-hp   |
|  | High Static Option with Motor rated at 5.25-hp    |
|  | Exceeds recommended Blower speed                  |

1. Blower performance includes gas heat exchangers and 2" filters. See STATIC RESISTANCE table for additional applications.  
**Note:** See RPM SELECTION table to determine desired motor sheave setting and to determine the maximum continuous BHP.  
 kW = 0.929 x BHP

ZX14 (12.5 Ton) Side Duct

| CFM  | AVAILABLE EXTERNAL STATIC PRESSURE - IWG <sup>1</sup> |             |            |             |      |      |      |      |      |      |      |      |      |      |      |      |      |      |      |      |
|------|---|-------------|------------|-------------|------|------|------|------|------|------|------|------|------|------|------|------|------|------|------|------|
|      | 0.2   |             | 0.4        |             | 0.6  |      | 0.8  |      | 1.0  |      | 1.2  |      | 1.4  |      | 1.6  |      | 1.8  |      | 2.0  |      |
|      | RPM   | BHP         | RPM        | BHP         | RPM  | BHP  | RPM  | BHP  | RPM  | BHP  | RPM  | BHP  | RPM  | BHP  | RPM  | BHP  | RPM  | BHP  | RPM  | BHP  |
| 3750 | 684   | 1.33        | 741        | 1.56        | 792  | 1.81 | 840  | 2.07 | 884  | 2.33 | 927  | 2.60 | 971  | 2.85 | 1017 | 3.09 | 1066 | 3.30 | 1121 | 3.49 |
| 3800 | 688   | 1.38        | 745        | 1.61        | 797  | 1.85 | 844  | 2.12 | 888  | 2.38 | 932  | 2.65 | 976  | 2.90 | 1021 | 3.14 | 1071 | 3.35 | 1125 | 3.54 |
| 4000 | 706   | 1.58        | 763        | 1.81        | 814  | 2.06 | 861  | 2.32 | 906  | 2.59 | 949  | 2.85 | 993  | 3.11 | 1039 | 3.35 | 1088 | 3.56 | 1142 | 3.74 |
| 4200 | 724   | 1.81        | 781        | 2.04        | 832  | 2.29 | 879  | 2.55 | 924  | 2.82 | 967  | 3.08 | 1011 | 3.34 | 1057 | 3.57 | 1106 | 3.79 | 1160 | 3.97 |
| 4400 | 742   | 2.06        | 799        | 2.29        | 850  | 2.54 | 897  | 2.80 | 942  | 3.06 | 985  | 3.33 | 1029 | 3.58 | 1075 | 3.82 | 1124 | 4.03 | 1178 | 4.22 |
| 4600 | 760   | 2.32        | 817        | 2.55        | 869  | 2.80 | 916  | 3.06 | 960  | 3.33 | 1004 | 3.59 | 1048 | 3.85 | 1093 | 4.08 | 1143 | 4.30 | --   | --   |
| 4800 | 779   | 2.60        | 836        | 2.83        | 888  | 3.08 | 935  | 3.34 | 979  | 3.61 | 1023 | 3.88 | 1067 | 4.13 | 1112 | 4.37 | 1162 | 4.58 | --   | --   |
| 5000 | 799   | 2.91        | 856        | 3.14        | 907  | 3.39 | 954  | 3.65 | 999  | 3.91 | 1042 | 4.18 | 1086 | 4.43 | 1132 | 4.67 | --   | --   | --   | --   |
| 5200 | 819   | 3.23        | 876        | 3.46        | 927  | 3.71 | 974  | 3.97 | 1019 | 4.23 | 1062 | 4.50 | 1106 | 4.75 | 1152 | 4.99 | --   | --   | --   | --   |
| 5400 | 839   | 3.57        | <b>896</b> | <b>3.80</b> | 953  | 4.04 | 995  | 4.31 | 1039 | 4.57 | 1083 | 4.84 | 1127 | 5.09 | --   | --   | --   | --   | --   | --   |
| 5600 | <b>860</b>  | <b>3.92</b> | <b>917</b> | <b>4.15</b> | 969  | 4.40 | 1016 | 4.66 | 1060 | 4.93 | 1104 | 5.19 | --   | --   | --   | --   | --   | --   | --   | --   |
| 5800 | <b>882</b>  | <b>4.30</b> | <b>939</b> | <b>4.53</b> | 990  | 4.77 | 1037 | 5.04 | --   | --   | --   | --   | --   | --   | --   | --   | --   | --   | --   | --   |
| 6000 | <b>904</b>  | <b>4.69</b> | 961        | 4.92        | 1012 | 5.17 | --   | --   | --   | --   | --   | --   | --   | --   | --   | --   | --   | --   | --   | --   |

- Standard Static Option with Motor rated at 2.9-hp
- Medium Static Option with Motor rated at 3.7-hp
- High Static Option with Motor rated at 5.25-hp
- Field-supplied BK95 x 1 fixed pulley (p/n 1074787) with Motor rated at 5.25-hp**
- Exceeds recommended Blower speed

1. Blower performance includes gas heat exchangers and 2" filters. See STATIC RESISTANCE table for additional applications.  
**Note:** See RPM SELECTION table to determine desired motor sheave setting and to determine the maximum continuous BHP.  
 kW = 0.857 x BHP for Standard Static option, kW = 0.829 x BHP for Medium and High Static options

**ZXA7, 08-14 Bottom Duct Application (Belt Drive)**

**ZXA7 (6.0 Ton) Bottom Duct**

| CFM  | Available External Static |      |      |      |      |      |      |      |      |      |      |      |      |      |      |      |      |      |      |      |
|------|---------------------------|------|------|------|------|------|------|------|------|------|------|------|------|------|------|------|------|------|------|------|
|      | 0.2                       |      | 0.4  |      | 0.6  |      | 0.8  |      | 1.0  |      | 1.2  |      | 1.4  |      | 1.6  |      | 1.8  |      | 2.0  |      |
|      | RPM                       | BHP  | RPM  | BHP  | RPM  | BHP  | RPM  | BHP  | RPM  | BHP  | RPM  | BHP  | RPM  | BHP  | RPM  | BHP  | RPM  | BHP  | RPM  | BHP  |
| 1800 | 933                       | 0.64 | 1000 | 0.79 | 1064 | 0.94 | 1126 | 1.09 | 1185 | 1.24 | 1243 | 1.38 | 1300 | 1.52 | 1356 | 1.64 | 1411 | 1.76 | 1466 | 1.86 |
| 1900 | 961                       | 0.74 | 1028 | 0.89 | 1092 | 1.04 | 1153 | 1.19 | 1213 | 1.34 | 1271 | 1.49 | 1328 | 1.62 | 1384 | 1.75 | 1439 | 1.86 | 1494 | 1.97 |
| 2000 | 989                       | 0.85 | 1055 | 1.00 | 1119 | 1.15 | 1181 | 1.31 | 1241 | 1.45 | 1299 | 1.60 | 1356 | 1.73 | 1411 | 1.86 | 1467 | 1.98 | 1521 | 2.08 |
| 2100 | 1017                      | 0.97 | 1083 | 1.12 | 1147 | 1.27 | 1209 | 1.42 | 1269 | 1.57 | 1327 | 1.72 | 1384 | 1.85 | 1439 | 1.98 | 1495 | 2.09 | 1549 | 2.20 |
| 2200 | 1045                      | 1.10 | 1112 | 1.25 | 1176 | 1.40 | 1238 | 1.55 | 1297 | 1.70 | 1355 | 1.84 | 1412 | 1.98 | 1468 | 2.10 | 1523 | 2.22 | 1578 | 2.32 |
| 2300 | 1075                      | 1.23 | 1141 | 1.38 | 1205 | 1.53 | 1267 | 1.68 | 1327 | 1.83 | 1385 | 1.97 | 1441 | 2.11 | 1497 | 2.24 | 1552 | 2.35 | 1607 | 2.45 |
| 2400 | 1105                      | 1.37 | 1171 | 1.52 | 1235 | 1.67 | 1297 | 1.82 | 1357 | 1.97 | 1415 | 2.11 | 1472 | 2.25 | 1527 | 2.38 | 1583 | 2.49 | 1637 | 2.59 |
| 2500 | 1136                      | 1.52 | 1202 | 1.67 | 1266 | 1.82 | 1328 | 1.97 | 1388 | 2.12 | 1446 | 2.26 | 1503 | 2.40 | 1559 | 2.53 | 1614 | 2.64 | --   | --   |
| 2600 | 1168                      | 1.67 | 1234 | 1.82 | 1298 | 1.97 | 1360 | 2.13 | 1420 | 2.27 | 1478 | 2.42 | 1535 | 2.55 | 1591 | 2.68 | 1638 | 2.80 | --   | --   |
| 2700 | 1201                      | 1.84 | 1268 | 1.99 | 1332 | 2.14 | 1393 | 2.29 | 1453 | 2.44 | 1511 | 2.58 | 1568 | 2.72 | 1624 | 2.84 | --   | --   | --   | --   |
| 2800 | 1235                      | 2.01 | 1302 | 2.16 | 1366 | 2.31 | 1428 | 2.46 | 1488 | 2.61 | 1546 | 2.75 | 1602 | 2.89 | --   | --   | --   | --   | --   | --   |
| 2900 | 1271                      | 2.18 | 1338 | 2.33 | 1402 | 2.49 | 1463 | 2.64 | 1523 | 2.79 | 1581 | 2.93 | 1638 | 3.07 | --   | --   | --   | --   | --   | --   |
| 3000 | 1308                      | 2.37 | 1374 | 2.52 | 1438 | 2.67 | 1500 | 2.82 | 1560 | 2.97 | 1618 | 3.12 | --   | --   | --   | --   | --   | --   | --   | --   |

- Standard Static Option with Motor rated at 2.4-hp
- Medium Static Option with Motor rated at 2.9-hp
- High Static Option with Motor rated at 3.7-hp
- Exceeds recommended Blower speed

**ZX08 (7.5 Ton) Bottom Duct**

| CFM  | AVAILABLE EXTERNAL STATIC PRESSURE - IWG <sup>1</sup> |      |     |      |     |      |     |      |     |      |      |      |      |      |      |      |      |      |      |      |
|------|---|------|-----|------|-----|------|-----|------|-----|------|------|------|------|------|------|------|------|------|------|------|
|      | 0.2   |      | 0.4 |      | 0.6 |      | 0.8 |      | 1.0 |      | 1.2  |      | 1.4  |      | 1.6  |      | 1.8  |      | 2.0  |      |
|      | RPM   | BHP  | RPM | BHP  | RPM | BHP  | RPM | BHP  | RPM | BHP  | RPM  | BHP  | RPM  | BHP  | RPM  | BHP  | RPM  | BHP  | RPM  | BHP  |
| 2250 | 577   | 0.50 | 636 | 0.68 | 693 | 0.86 | 749 | 1.03 | 803 | 1.21 | 856  | 1.39 | 908  | 1.57 | 959  | 1.74 | 1009 | 1.91 | 1059 | 2.07 |
| 2400 | 591   | 0.59 | 650 | 0.77 | 707 | 0.95 | 763 | 1.13 | 817 | 1.31 | 870  | 1.48 | 922  | 1.66 | 973  | 1.83 | 1023 | 2.00 | 1073 | 2.17 |
| 2600 | 611   | 0.73 | 670 | 0.91 | 727 | 1.09 | 782 | 1.27 | 836 | 1.44 | 889  | 1.62 | 941  | 1.80 | 992  | 1.97 | 1043 | 2.14 | 1092 | 2.31 |
| 2800 | 631   | 0.88 | 690 | 1.06 | 747 | 1.24 | 803 | 1.42 | 857 | 1.60 | 910  | 1.77 | 962  | 1.95 | 1013 | 2.12 | 1063 | 2.29 | --   | --   |
| 3000 | 653   | 1.05 | 711 | 1.23 | 768 | 1.41 | 824 | 1.59 | 878 | 1.76 | 931  | 1.94 | 983  | 2.12 | 1034 | 2.29 | 1084 | 2.46 | --   | --   |
| 3200 | 675   | 1.23 | 733 | 1.41 | 790 | 1.59 | 846 | 1.77 | 900 | 1.94 | 953  | 2.12 | 1005 | 2.30 | 1056 | 2.47 | 1100 | 2.64 | --   | --   |
| 3400 | 697   | 1.42 | 755 | 1.60 | 813 | 1.78 | 868 | 1.96 | 922 | 2.14 | 975  | 2.31 | 1027 | 2.49 | 1078 | 2.66 | --   | --   | --   | --   |
| 3600 | 719   | 1.63 | 778 | 1.80 | 835 | 1.98 | 891 | 2.16 | 945 | 2.34 | 998  | 2.52 | 1050 | 2.69 | 1100 | 2.87 | --   | --   | --   | --   |
| 3750 | 736   | 1.78 | 795 | 1.96 | 852 | 2.14 | 908 | 2.32 | 962 | 2.50 | 1015 | 2.68 | 1067 | 2.85 | --   | --   | --   | --   | --   | --   |

- Standard Static Option with Motor rated at 2.4-hp
- Medium Static Option with Motor rated at 2.9-hp
- High Static Option with Motor rated at 3.7-hp
- Exceeds recommended Blower speed

1. Blower performance includes gas heat exchangers and 2" filters. See STATIC RESISTANCE table for additional applications.

**Note:** See RPM SELECTION table to determine desired motor sheave setting and to determine the maximum continuous BHP.

$kW = 0.929 \times BHP$

**ZX09 (8.5 Ton) Bottom Duct**

| CFM  | AVAILABLE EXTERNAL STATIC PRESSURE - IWG <sup>1</sup> |      |     |      |     |      |     |      |     |      |      |      |      |      |      |      |      |      |      |      |
|------|---|------|-----|------|-----|------|-----|------|-----|------|------|------|------|------|------|------|------|------|------|------|
|      | 0.2   |      | 0.4 |      | 0.6 |      | 0.8 |      | 1.0 |      | 1.2  |      | 1.4  |      | 1.6  |      | 1.8  |      | 2.0  |      |
|      | RPM   | BHP  | RPM | BHP  | RPM | BHP  | RPM | BHP  | RPM | BHP  | RPM  | BHP  | RPM  | BHP  | RPM  | BHP  | RPM  | BHP  | RPM  | BHP  |
| 2550 | 570   | 0.59 | 630 | 0.77 | 687 | 0.94 | 744 | 1.13 | 799 | 1.31 | 852  | 1.49 | 903  | 1.67 | 953  | 1.85 | 1002 | 2.01 | 1049 | 2.16 |
| 2600 | 573   | 0.63 | 632 | 0.80 | 690 | 0.98 | 747 | 1.16 | 801 | 1.34 | 855  | 1.53 | 906  | 1.71 | 956  | 1.88 | 1005 | 2.04 | 1052 | 2.19 |
| 2800 | 585   | 0.77 | 645 | 0.94 | 703 | 1.12 | 759 | 1.30 | 814 | 1.49 | 867  | 1.67 | 918  | 1.85 | 968  | 2.02 | 1017 | 2.18 | 1064 | 2.33 |
| 3000 | 599   | 0.92 | 658 | 1.10 | 716 | 1.27 | 773 | 1.46 | 827 | 1.64 | 880  | 1.82 | 932  | 2.00 | 982  | 2.18 | 1030 | 2.34 | 1077 | 2.49 |
| 3200 | 614   | 1.09 | 673 | 1.27 | 731 | 1.44 | 787 | 1.63 | 842 | 1.81 | 895  | 1.99 | 947  | 2.17 | 997  | 2.35 | 1045 | 2.51 | 1092 | 2.66 |
| 3400 | 630   | 1.28 | 690 | 1.45 | 747 | 1.62 | 804 | 1.81 | 859 | 1.99 | 912  | 2.18 | 963  | 2.35 | 1013 | 2.53 | 1062 | 2.69 | --   | --   |
| 3600 | 648   | 1.47 | 708 | 1.64 | 765 | 1.82 | 822 | 2.00 | 877 | 2.19 | 930  | 2.37 | 981  | 2.55 | 1031 | 2.72 | 1080 | 2.88 | --   | --   |
| 3800 | 668   | 1.67 | 727 | 1.84 | 785 | 2.02 | 841 | 2.20 | 896 | 2.39 | 949  | 2.57 | 1001 | 2.75 | 1051 | 2.92 | 1099 | 3.09 | --   | --   |
| 4000 | 689   | 1.89 | 748 | 2.06 | 806 | 2.23 | 863 | 2.42 | 917 | 2.60 | 971  | 2.79 | 1022 | 2.96 | 1072 | 3.14 | --   | --   | --   | --   |
| 4200 | 712   | 2.11 | 771 | 2.28 | 829 | 2.46 | 886 | 2.64 | 940 | 2.83 | 994  | 3.01 | 1045 | 3.19 | 1095 | 3.36 | --   | --   | --   | --   |
| 4250 | 718   | 2.17 | 777 | 2.34 | 842 | 2.52 | 892 | 2.70 | 946 | 2.88 | 1000 | 3.07 | 1051 | 3.24 | 1100 | 3.42 | --   | --   | --   | --   |

- Standard Static Option with Motor rated at 2.4-hp
- Medium Static Option with Motor rated at 2.4-hp
- High Static Option with Motor rated at 3.7-hp

1. Blower performance includes gas heat exchangers and 2" filters. See STATIC RESISTANCE table for additional applications.  
**Note:** See RPM SELECTION table to determine desired motor sheave setting and to determine the maximum continuous BHP.  
 kW = 0.929 x BHP

**ZX12 (10 Ton) Bottom Duct**

| CFM  | AVAILABLE EXTERNAL STATIC PRESSURE - IWG <sup>1</sup> |      |     |      |     |      |      |      |      |      |      |      |      |      |      |      |      |      |      |      |
|------|---|------|-----|------|-----|------|------|------|------|------|------|------|------|------|------|------|------|------|------|------|
|      | 0.2   |      | 0.4 |      | 0.6 |      | 0.8  |      | 1.0  |      | 1.2  |      | 1.4  |      | 1.6  |      | 1.8  |      | 2.0  |      |
|      | RPM   | BHP  | RPM | BHP  | RPM | BHP  | RPM  | BHP  | RPM  | BHP  | RPM  | BHP  | RPM  | BHP  | RPM  | BHP  | RPM  | BHP  | RPM  | BHP  |
| 3000 | 653   | 0.79 | 706 | 1.02 | 758 | 1.25 | 808  | 1.49 | 858  | 1.72 | 907  | 1.95 | 955  | 2.18 | 1003 | 2.40 | 1049 | 2.62 | 1095 | 2.82 |
| 3200 | 667   | 0.94 | 720 | 1.17 | 771 | 1.40 | 822  | 1.64 | 872  | 1.88 | 921  | 2.11 | 969  | 2.34 | 1016 | 2.56 | 1063 | 2.77 | 1109 | 2.97 |
| 3400 | 682   | 1.11 | 734 | 1.34 | 786 | 1.57 | 837  | 1.81 | 887  | 2.04 | 936  | 2.28 | 984  | 2.50 | 1031 | 2.73 | 1078 | 2.94 | 1124 | 3.14 |
| 3600 | 697   | 1.29 | 750 | 1.52 | 802 | 1.76 | 853  | 1.99 | 903  | 2.23 | 952  | 2.46 | 1000 | 2.69 | 1047 | 2.91 | 1094 | 3.12 | 1140 | 3.32 |
| 3800 | 714   | 1.50 | 767 | 1.73 | 819 | 1.96 | 870  | 2.20 | 920  | 2.43 | 969  | 2.67 | 1017 | 2.90 | 1064 | 3.12 | 1111 | 3.33 | 1157 | 3.53 |
| 4000 | 733   | 1.73 | 786 | 1.96 | 837 | 2.19 | 888  | 2.43 | 938  | 2.66 | 987  | 2.90 | 1035 | 3.12 | 1083 | 3.34 | 1129 | 3.56 | 1174 | 3.76 |
| 4200 | 753   | 1.98 | 806 | 2.21 | 857 | 2.44 | 908  | 2.68 | 958  | 2.91 | 1007 | 3.15 | 1055 | 3.37 | 1102 | 3.60 | 1149 | 3.81 | --   | --   |
| 4400 | 774   | 2.25 | 827 | 2.48 | 879 | 2.72 | 930  | 2.95 | 979  | 3.19 | 1028 | 3.42 | 1076 | 3.65 | 1124 | 3.87 | 1170 | 4.08 | --   | --   |
| 4600 | 797   | 2.55 | 850 | 2.78 | 902 | 3.02 | 952  | 3.25 | 1002 | 3.49 | 1051 | 3.72 | 1099 | 3.95 | 1147 | 4.17 | --   | --   | --   | --   |
| 4800 | 822   | 2.88 | 874 | 3.11 | 926 | 3.34 | 977  | 3.58 | 1027 | 3.81 | 1076 | 4.05 | 1124 | 4.27 | 1171 | 4.50 | --   | --   | --   | --   |
| 5000 | 848   | 3.23 | 901 | 3.46 | 952 | 3.69 | 1003 | 3.93 | 1053 | 4.16 | 1102 | 4.40 | 1150 | 4.62 | --   | --   | --   | --   | --   | --   |

- Standard Static Option with Motor rated at 2.4-hp
- Medium Static Option with Motor rated at 3.7-hp
- High Static Option with Motor rated at 5.25-hp

1. Blower performance includes gas heat exchangers and 2" filters. See STATIC RESISTANCE table for additional applications.  
**Note:** See RPM SELECTION table to determine desired motor sheave setting and to determine the maximum continuous BHP.  
 kW = 0.929 x BHP

## ZX14 (12.5 Ton) Bottom Duct

| CFM  | AVAILABLE EXTERNAL STATIC PRESSURE - IWG <sup>1</sup> |      |      |      |      |      |      |      |      |      |      |      |      |      |      |      |      |      |      |      |
|------|---|------|------|------|------|------|------|------|------|------|------|------|------|------|------|------|------|------|------|------|
|      | 0.2   |      | 0.4  |      | 0.6  |      | 0.8  |      | 1.0  |      | 1.2  |      | 1.4  |      | 1.6  |      | 1.8  |      | 2.0  |      |
|      | RPM   | BHP  | RPM  | BHP  | RPM  | BHP  | RPM  | BHP  | RPM  | BHP  | RPM  | BHP  | RPM  | BHP  | RPM  | BHP  | RPM  | BHP  | RPM  | BHP  |
| 3750 | 715   | 1.46 | 762  | 1.68 | 810  | 1.91 | 858  | 2.13 | 907  | 2.36 | 957  | 2.58 | 1008 | 2.80 | 1060 | 3.02 | 1113 | 3.24 | 1167 | 3.46 |
| 3800 | 720   | 1.51 | 766  | 1.73 | 814  | 1.96 | 862  | 2.18 | 911  | 2.41 | 961  | 2.63 | 1012 | 2.85 | 1064 | 3.07 | 1117 | 3.29 | 1171 | 3.51 |
| 4000 | 737   | 1.72 | 784  | 1.94 | 832  | 2.17 | 880  | 2.39 | 929  | 2.62 | 979  | 2.84 | 1030 | 3.07 | 1082 | 3.29 | 1135 | 3.51 | --   | --   |
| 4200 | 756   | 1.95 | 803  | 2.17 | 851  | 2.40 | 899  | 2.63 | 948  | 2.85 | 998  | 3.07 | 1049 | 3.30 | 1101 | 3.52 | 1154 | 3.74 | --   | --   |
| 4400 | 777   | 2.20 | 824  | 2.42 | 871  | 2.65 | 920  | 2.87 | 969  | 3.10 | 1019 | 3.32 | 1069 | 3.55 | 1121 | 3.77 | 1174 | 3.98 | --   | --   |
| 4600 | 799   | 2.47 | 846  | 2.69 | 893  | 2.92 | 941  | 3.14 | 990  | 3.37 | 1040 | 3.59 | 1091 | 3.81 | 1143 | 4.04 | --   | --   | --   | --   |
| 4800 | 822   | 2.75 | 869  | 2.98 | 916  | 3.20 | 965  | 3.43 | 1014 | 3.65 | 1064 | 3.88 | 1114 | 4.10 | 1166 | 4.32 | --   | --   | --   | --   |
| 5000 | 846   | 3.06 | 893  | 3.28 | 941  | 3.51 | 989  | 3.73 | 1038 | 3.96 | 1088 | 4.18 | 1139 | 4.41 | --   | --   | --   | --   | --   | --   |
| 5200 | 872   | 3.39 | 919  | 3.61 | 966  | 3.83 | 1015 | 4.06 | 1064 | 4.28 | 1114 | 4.51 | 1164 | 4.73 | --   | --   | --   | --   | --   | --   |
| 5400 | 899   | 3.73 | 946  | 3.95 | 993  | 4.18 | 1042 | 4.40 | 1091 | 4.63 | 1141 | 4.85 | --   | --   | --   | --   | --   | --   | --   | --   |
| 5600 | 927   | 4.09 | 974  | 4.32 | 1021 | 4.54 | 1070 | 4.77 | 1119 | 4.99 | 1169 | 5.22 | --   | --   | --   | --   | --   | --   | --   | --   |
| 5800 | 956   | 4.47 | 1003 | 4.70 | 1051 | 4.92 | 1099 | 5.15 | --   | --   | --   | --   | --   | --   | --   | --   | --   | --   | --   | --   |
| 6000 | 987   | 4.87 | 1034 | 5.10 | --   | --   | --   | --   | --   | --   | --   | --   | --   | --   | --   | --   | --   | --   | --   | --   |

|  |   |
|--|---|
|  | Standard Static Option with Motor rated at 2.4-hp |
|  | Medium Static Option with Motor rated at 3.7-hp   |
|  | High Static Option with Motor rated at 5.25-hp    |

1. Blower performance includes gas heat exchangers and 2" filters. See STATIC RESISTANCE table for additional applications.

**Note:** See RPM SELECTION table to determine desired motor sheave setting and to determine the maximum continuous BHP.

kW = 0.857 x BHP for Standard Static option, kW = 0.829 x BHP for Medium and High Static options

**ZY04-12 Side Duct Application (Belt Drive)**

**ZY04 (3.0 Ton) Side Duct**

| CFM  | AVAILABLE EXTERNAL STATIC PRESSURE - IWG <sup>1</sup> |      |     |      |      |      |      |      |      |      |      |      |      |      |      |      |      |      |      |      |
|------|---|------|-----|------|------|------|------|------|------|------|------|------|------|------|------|------|------|------|------|------|
|      | 0.2   |      | 0.4 |      | 0.6  |      | 0.8  |      | 1.0  |      | 1.2  |      | 1.4  |      | 1.6  |      | 1.8  |      | 2.0  |      |
|      | RPM   | BHP  | RPM | BHP  | RPM  | BHP  | RPM  | BHP  | RPM  | BHP  | RPM  | BHP  | RPM  | BHP  | RPM  | BHP  | RPM  | BHP  | RPM  | BHP  |
| 900  |   |      | 874 | 0.31 | 972  | 0.40 | 1065 | 0.50 | 1153 | 0.60 | 1236 | 0.70 | 1315 | 0.80 | 1390 | 0.89 | 1460 | 0.97 | 1526 | 1.05 |
| 1000 |   |      | 887 | 0.36 | 985  | 0.45 | 1078 | 0.55 | 1165 | 0.65 | 1249 | 0.75 | 1328 | 0.85 | 1402 | 0.94 | 1472 | 1.03 | 1539 | 1.10 |
| 1100 | 797   | 0.33 | 900 | 0.42 | 998  | 0.51 | 1091 | 0.61 | 1179 | 0.71 | 1263 | 0.81 | 1341 | 0.91 | 1416 | 1.00 | 1486 | 1.08 | 1553 | 1.16 |
| 1200 | 813   | 0.40 | 916 | 0.48 | 1014 | 0.57 | 1107 | 0.67 | 1195 | 0.77 | 1279 | 0.87 | 1357 | 0.97 | 1432 | 1.06 | 1502 | 1.15 | 1569 | 1.22 |
| 1300 | 831   | 0.46 | 935 | 0.55 | 1033 | 0.64 | 1126 | 0.74 | 1214 | 0.84 | 1297 | 0.94 | 1376 | 1.03 | 1450 | 1.13 | 1520 | 1.21 | 1583 | 1.28 |
| 1400 | 852   | 0.53 | 956 | 0.61 | 1054 | 0.71 | 1146 | 0.80 | 1234 | 0.90 | 1318 | 1.00 | 1396 | 1.10 | 1471 | 1.19 | 1541 | 1.28 | --   | --   |
| 1500 | 876   | 0.59 | 979 | 0.68 | 1077 | 0.77 | 1170 | 0.87 | 1258 | 0.97 | 1341 | 1.07 | 1420 | 1.17 | 1494 | 1.26 | 1565 | 1.34 | --   | --   |

Medium Static Option with Motor rated at 2.4-hp  
 High Static Option with Motor rated at 2.9-hp  
 Exceeds recommended blower speed

1. Blower performance includes gas heat exchangers and 2" filters. See STATIC RESISTANCE table for additional applications.  
**Note:** See RPM SELECTION table to determine desired motor sheave setting and to determine the maximum continuous BHP.  
 kW = 0.929 x BHP

**ZY05 (4.0 Ton) Side Duct**

| CFM  | AVAILABLE EXTERNAL STATIC PRESSURE - IWG <sup>1</sup> |      |      |      |      |      |      |      |      |      |      |      |      |      |      |      |      |      |      |      |
|------|---|------|------|------|------|------|------|------|------|------|------|------|------|------|------|------|------|------|------|------|
|      | 0.2   |      | 0.4  |      | 0.6  |      | 0.8  |      | 1.0  |      | 1.2  |      | 1.4  |      | 1.6  |      | 1.8  |      | 2.0  |      |
|      | RPM   | BHP  | RPM  | BHP  | RPM  | BHP  | RPM  | BHP  | RPM  | BHP  | RPM  | BHP  | RPM  | BHP  | RPM  | BHP  | RPM  | BHP  | RPM  | BHP  |
| 1200 | 840   | 0.30 | 927  | 0.41 | 1012 | 0.53 | 1096 | 0.65 | 1177 | 0.77 | 1257 | 0.89 | 1334 | 1.01 | 1411 | 1.12 | 1485 | 1.22 | 1558 | 1.31 |
| 1300 | 857   | 0.35 | 944  | 0.47 | 1029 | 0.59 | 1112 | 0.71 | 1194 | 0.83 | 1273 | 0.95 | 1351 | 1.07 | 1427 | 1.18 | 1502 | 1.28 | 1574 | 1.37 |
| 1400 | 875   | 0.42 | 962  | 0.53 | 1048 | 0.65 | 1131 | 0.77 | 1212 | 0.89 | 1292 | 1.01 | 1370 | 1.13 | 1446 | 1.24 | 1520 | 1.34 | 1593 | 1.43 |
| 1500 | 897   | 0.49 | 984  | 0.60 | 1069 | 0.72 | 1152 | 0.84 | 1233 | 0.96 | 1313 | 1.08 | 1391 | 1.20 | 1467 | 1.31 | 1542 | 1.41 | --   | --   |
| 1600 | 921   | 0.56 | 1008 | 0.67 | 1093 | 0.79 | 1176 | 0.91 | 1258 | 1.04 | 1337 | 1.16 | 1415 | 1.27 | 1491 | 1.38 | 1566 | 1.49 | --   | --   |
| 1700 | 948   | 0.64 | 1035 | 0.76 | 1120 | 0.87 | 1204 | 1.00 | 1285 | 1.12 | 1365 | 1.24 | 1442 | 1.36 | 1518 | 1.47 | 1593 | 1.57 | --   | --   |
| 1800 | 979   | 0.73 | 1066 | 0.85 | 1151 | 0.96 | 1234 | 1.08 | 1315 | 1.21 | 1395 | 1.33 | 1473 | 1.44 | 1549 | 1.56 | --   | --   | --   | --   |
| 1900 | 1012  | 0.83 | 1099 | 0.94 | 1185 | 1.06 | 1268 | 1.18 | 1349 | 1.30 | 1429 | 1.42 | 1507 | 1.54 | 1583 | 1.65 | --   | --   | --   | --   |
| 2000 | 1049  | 0.93 | 1136 | 1.04 | 1222 | 1.16 | 1305 | 1.28 | 1386 | 1.40 | 1466 | 1.52 | 1544 | 1.64 | --   | --   | --   | --   | --   | --   |

Medium Static Option with Motor rated at 2.4-hp  
 High Static Option with Motor rated at 2.9-hp  
 Exceeds recommended blower speed

1. Blower performance includes gas heat exchangers and 2" filters. See STATIC RESISTANCE table for additional applications.  
**Note:** See RPM SELECTION table to determine desired motor sheave setting and to determine the maximum continuous BHP.  
 kW = 0.929 x BHP

**ZY06 (5.0 Ton) Side Duct**

| CFM  | AVAILABLE EXTERNAL STATIC PRESSURE - IWG <sup>1</sup> |      |      |      |      |      |      |      |      |      |      |      |      |      |      |      |      |      |      |      |
|------|---|------|------|------|------|------|------|------|------|------|------|------|------|------|------|------|------|------|------|------|
|      | 0.2   |      | 0.4  |      | 0.6  |      | 0.8  |      | 1.0  |      | 1.2  |      | 1.4  |      | 1.6  |      | 1.8  |      | 2.0  |      |
|      | RPM   | BHP  | RPM  | BHP  | RPM  | BHP  | RPM  | BHP  | RPM  | BHP  | RPM  | BHP  | RPM  | BHP  | RPM  | BHP  | RPM  | BHP  | RPM  | BHP  |
| 1500 | 810   | 0.49 | 883  | 0.60 | 954  | 0.70 | 1023 | 0.80 | 1089 | 0.91 | 1152 | 1.02 | 1213 | 1.14 | 1269 | 1.26 | 1323 | 1.40 | 1373 | 1.55 |
| 1600 | 831   | 0.58 | 904  | 0.68 | 975  | 0.79 | 1044 | 0.89 | 1110 | 1.00 | 1173 | 1.11 | 1233 | 1.22 | 1290 | 1.35 | 1344 | 1.49 | 1394 | 1.64 |
| 1700 | 854   | 0.66 | 927  | 0.77 | 998  | 0.87 | 1067 | 0.98 | 1133 | 1.08 | 1196 | 1.19 | 1256 | 1.31 | 1313 | 1.44 | 1367 | 1.57 | 1417 | 1.72 |
| 1800 | 878   | 0.75 | 952  | 0.86 | 1023 | 0.96 | 1091 | 1.07 | 1157 | 1.17 | 1221 | 1.28 | 1281 | 1.40 | 1338 | 1.52 | 1391 | 1.66 | 1441 | 1.81 |
| 1900 | 904   | 0.84 | 977  | 0.95 | 1048 | 1.05 | 1117 | 1.16 | 1183 | 1.26 | 1246 | 1.37 | 1306 | 1.49 | 1363 | 1.61 | 1417 | 1.75 | 1467 | 1.90 |
| 2000 | 931   | 0.93 | 1004 | 1.04 | 1075 | 1.15 | 1144 | 1.25 | 1210 | 1.36 | 1273 | 1.47 | 1333 | 1.58 | 1390 | 1.71 | 1444 | 1.84 | 1494 | 1.99 |
| 2100 | 959   | 1.03 | 1032 | 1.14 | 1103 | 1.24 | 1172 | 1.35 | 1238 | 1.45 | 1301 | 1.56 | 1361 | 1.68 | 1418 | 1.81 | 1472 | 1.94 | 1522 | 2.09 |
| 2200 | 988   | 1.13 | 1061 | 1.24 | 1132 | 1.35 | 1201 | 1.45 | 1267 | 1.56 | 1330 | 1.67 | 1390 | 1.78 | 1447 | 1.91 | 1501 | 2.04 | 1550 | 2.19 |
| 2300 | 1017  | 1.24 | 1091 | 1.35 | 1162 | 1.45 | 1230 | 1.56 | 1296 | 1.66 | 1359 | 1.77 | 1420 | 1.89 | 1477 | 2.02 | 1530 | 2.15 | 1580 | 2.30 |
| 2400 | 1047  | 1.36 | 1121 | 1.46 | 1192 | 1.57 | 1260 | 1.67 | 1326 | 1.78 | 1390 | 1.89 | 1450 | 2.01 | 1507 | 2.13 | 1560 | 2.27 | --   | --   |
| 2500 | 1078  | 1.48 | 1151 | 1.58 | 1222 | 1.69 | 1291 | 1.79 | 1357 | 1.90 | 1420 | 2.01 | 1480 | 2.13 | 1537 | 2.25 | 1591 | 2.39 | --   | --   |

Medium Static Option with Motor rated at 2.4-hp  
 High Static Option with Motor rated at 2.9-hp  
 Exceeds recommended blower speed

1. Blower performance includes gas heat exchangers and 2" filters. See STATIC RESISTANCE table for additional applications.  
**Note:** See RPM SELECTION table to determine desired motor sheave setting and to determine the maximum continuous BHP.  
 kW = 0.857 x BHP



ZY07 (6.0 Ton) Side Duct

| CFM  | AVAILABLE EXTERNAL STATIC PRESSURE - IWG <sup>1</sup> |      |     |      |     |      |     |      |     |      |     |      |     |      |      |      |      |      |      |      |
|------|---|------|-----|------|-----|------|-----|------|-----|------|-----|------|-----|------|------|------|------|------|------|------|
|      | 0.2   |      | 0.4 |      | 0.6 |      | 0.8 |      | 1.0 |      | 1.2 |      | 1.4 |      | 1.6  |      | 1.8  |      | 2.0  |      |
|      | RPM   | BHP  | RPM | BHP  | RPM | BHP  | RPM | BHP  | RPM | BHP  | RPM | BHP  | RPM | BHP  | RPM  | BHP  | RPM  | BHP  | RPM  | BHP  |
| 1800 | 521   | 0.27 | 583 | 0.44 | 644 | 0.63 | 703 | 0.81 | 759 | 0.99 | 814 | 1.17 | 866 | 1.34 | 916  | 1.51 | 964  | 1.67 | 1010 | 1.83 |
| 1900 | 529   | 0.31 | 591 | 0.49 | 651 | 0.67 | 710 | 0.85 | 767 | 1.03 | 821 | 1.21 | 874 | 1.39 | 924  | 1.56 | 972  | 1.72 | 1017 | 1.87 |
| 2000 | 536   | 0.36 | 598 | 0.54 | 659 | 0.72 | 718 | 0.90 | 774 | 1.08 | 829 | 1.26 | 881 | 1.44 | 931  | 1.61 | 979  | 1.77 | 1025 | 1.92 |
| 2100 | 544   | 0.42 | 606 | 0.59 | 667 | 0.77 | 725 | 0.95 | 782 | 1.14 | 836 | 1.32 | 889 | 1.49 | 939  | 1.66 | 987  | 1.82 | 1032 | 1.97 |
| 2200 | 551   | 0.47 | 614 | 0.65 | 674 | 0.83 | 733 | 1.01 | 789 | 1.19 | 844 | 1.37 | 896 | 1.55 | 947  | 1.72 | 994  | 1.88 | 1040 | 2.03 |
| 2300 | 559   | 0.53 | 622 | 0.71 | 682 | 0.89 | 741 | 1.07 | 797 | 1.25 | 852 | 1.43 | 904 | 1.61 | 954  | 1.77 | 1002 | 1.94 | 1048 | 2.09 |
| 2400 | 567   | 0.59 | 630 | 0.77 | 690 | 0.95 | 749 | 1.13 | 805 | 1.31 | 860 | 1.49 | 912 | 1.67 | 962  | 1.84 | 1010 | 2.00 | 1056 | 2.15 |
| 2500 | 575   | 0.66 | 638 | 0.83 | 698 | 1.01 | 757 | 1.20 | 813 | 1.38 | 868 | 1.56 | 920 | 1.73 | 970  | 1.90 | 1018 | 2.06 | 1064 | 2.22 |
| 2600 | 584   | 0.73 | 646 | 0.90 | 707 | 1.08 | 765 | 1.26 | 822 | 1.45 | 876 | 1.63 | 929 | 1.80 | 979  | 1.97 | 1027 | 2.13 | 1072 | 2.28 |
| 2700 | 592   | 0.80 | 655 | 0.97 | 715 | 1.15 | 774 | 1.34 | 830 | 1.52 | 885 | 1.70 | 937 | 1.87 | 987  | 2.04 | 1035 | 2.20 | 1081 | 2.36 |
| 2800 | 601   | 0.87 | 664 | 1.05 | 724 | 1.23 | 783 | 1.41 | 839 | 1.59 | 894 | 1.77 | 946 | 1.95 | 996  | 2.12 | 1044 | 2.28 | 1090 | 2.43 |
| 2900 | 610   | 0.95 | 673 | 1.13 | 733 | 1.31 | 792 | 1.49 | 848 | 1.67 | 903 | 1.85 | 955 | 2.03 | 1005 | 2.20 | 1053 | 2.36 | 1099 | 2.51 |
| 3000 | 619   | 1.03 | 682 | 1.21 | 742 | 1.39 | 801 | 1.57 | 858 | 1.75 | 912 | 1.93 | 964 | 2.11 | 1015 | 2.28 | 1063 | 2.44 | --   | --   |

|  |   |
|--|---|
|  | Standard Static Option with Motor rated at 2.4-hp |
|  | Medium Static Option with Motor rated at 2.9-hp   |
|  | High Static Option with Motor rated at 3.7-hp     |
|  | Exceeds recommended blower speed                  |

1. Blower performance includes gas heat exchangers and 2" filters. See STATIC RESISTANCE table for additional applications.

**Note:** See RPM SELECTION table to determine desired motor sheave setting and to determine the maximum continuous BHP.

$kW = 0.929 \times BHP$

ZYA7 (6.0 Ton) Side Duct

| CFM  | AVAILABLE EXTERNAL STATIC PRESSURE - IWG <sup>1</sup> |      |     |      |     |      |     |      |     |      |     |      |     |      |      |      |      |      |      |      |
|------|---|------|-----|------|-----|------|-----|------|-----|------|-----|------|-----|------|------|------|------|------|------|------|
|      | 0.2   |      | 0.4 |      | 0.6 |      | 0.8 |      | 1.0 |      | 1.2 |      | 1.4 |      | 1.6  |      | 1.8  |      | 2.0  |      |
|      | RPM   | BHP  | RPM | BHP  | RPM | BHP  | RPM | BHP  | RPM | BHP  | RPM | BHP  | RPM | BHP  | RPM  | BHP  | RPM  | BHP  | RPM  | BHP  |
| 1800 | 521   | 0.27 | 583 | 0.44 | 644 | 0.63 | 703 | 0.81 | 759 | 0.99 | 814 | 1.17 | 866 | 1.34 | 916  | 1.51 | 964  | 1.67 | 1010 | 1.83 |
| 1900 | 529   | 0.31 | 591 | 0.49 | 651 | 0.67 | 710 | 0.85 | 767 | 1.03 | 821 | 1.21 | 874 | 1.39 | 924  | 1.56 | 972  | 1.72 | 1017 | 1.87 |
| 2000 | 536   | 0.36 | 598 | 0.54 | 659 | 0.72 | 718 | 0.90 | 774 | 1.08 | 829 | 1.26 | 881 | 1.44 | 931  | 1.61 | 979  | 1.77 | 1025 | 1.92 |
| 2100 | 544   | 0.42 | 606 | 0.59 | 667 | 0.77 | 725 | 0.95 | 782 | 1.14 | 836 | 1.32 | 889 | 1.49 | 939  | 1.66 | 987  | 1.82 | 1032 | 1.97 |
| 2200 | 551   | 0.47 | 614 | 0.65 | 674 | 0.83 | 733 | 1.01 | 789 | 1.19 | 844 | 1.37 | 896 | 1.55 | 947  | 1.72 | 994  | 1.88 | 1040 | 2.03 |
| 2300 | 559   | 0.53 | 622 | 0.71 | 682 | 0.89 | 741 | 1.07 | 797 | 1.25 | 852 | 1.43 | 904 | 1.61 | 954  | 1.77 | 1002 | 1.94 | 1048 | 2.09 |
| 2400 | 567   | 0.59 | 630 | 0.77 | 690 | 0.95 | 749 | 1.13 | 805 | 1.31 | 860 | 1.49 | 912 | 1.67 | 962  | 1.84 | 1010 | 2.00 | 1056 | 2.15 |
| 2500 | 575   | 0.66 | 638 | 0.83 | 698 | 1.01 | 757 | 1.20 | 813 | 1.38 | 868 | 1.56 | 920 | 1.73 | 970  | 1.90 | 1018 | 2.06 | 1064 | 2.22 |
| 2600 | 584   | 0.73 | 646 | 0.90 | 707 | 1.08 | 765 | 1.26 | 822 | 1.45 | 876 | 1.63 | 929 | 1.80 | 979  | 1.97 | 1027 | 2.13 | 1072 | 2.28 |
| 2700 | 592   | 0.80 | 655 | 0.97 | 715 | 1.15 | 774 | 1.34 | 830 | 1.52 | 885 | 1.70 | 937 | 1.87 | 987  | 2.04 | 1035 | 2.20 | 1081 | 2.36 |
| 2800 | 601   | 0.87 | 664 | 1.05 | 724 | 1.23 | 783 | 1.41 | 839 | 1.59 | 894 | 1.77 | 946 | 1.95 | 996  | 2.12 | 1044 | 2.28 | 1090 | 2.43 |
| 2900 | 610   | 0.95 | 673 | 1.13 | 733 | 1.31 | 792 | 1.49 | 848 | 1.67 | 903 | 1.85 | 955 | 2.03 | 1005 | 2.20 | 1053 | 2.36 | 1099 | 2.51 |
| 3000 | 619   | 1.03 | 682 | 1.21 | 742 | 1.39 | 801 | 1.57 | 858 | 1.75 | 912 | 1.93 | 964 | 2.11 | 1015 | 2.28 | 1063 | 2.44 | --   | --   |

|  |   |
|--|---|
|  | Standard Static Option with Motor rated at 2.4-hp |
|  | Medium Static Option with Motor rated at 2.9-hp   |
|  | High Static Option with Motor rated at 3.7-hp     |
|  | Exceeds recommended blower speed                  |

1. Blower performance includes gas heat exchangers and 2" filters. See STATIC RESISTANCE table for additional applications.

**Note:** See RPM SELECTION table to determine desired motor sheave setting and to determine the maximum continuous BHP.

$kW = 0.929 \times BHP$

**ZY08 (7.5 Ton) Side Duct**

| CFM  | AVAILABLE EXTERNAL STATIC PRESSURE - IWG <sup>1</sup> |      |     |      |     |      |     |      |     |      |     |      |     |      |      |      |      |      |      |      |
|------|---|------|-----|------|-----|------|-----|------|-----|------|-----|------|-----|------|------|------|------|------|------|------|
|      | 0.2   |      | 0.4 |      | 0.6 |      | 0.8 |      | 1.0 |      | 1.2 |      | 1.4 |      | 1.6  |      | 1.8  |      | 2.0  |      |
|      | RPM   | BHP  | RPM | BHP  | RPM | BHP  | RPM | BHP  | RPM | BHP  | RPM | BHP  | RPM | BHP  | RPM  | BHP  | RPM  | BHP  | RPM  | BHP  |
| 2250 | 547   | 0.39 | 610 | 0.60 | 670 | 0.81 | 727 | 1.01 | 783 | 1.21 | 836 | 1.41 | 888 | 1.59 | 939  | 1.78 | 989  | 1.96 | 1038 | 2.13 |
| 2400 | 556   | 0.47 | 619 | 0.69 | 679 | 0.90 | 736 | 1.10 | 792 | 1.30 | 845 | 1.49 | 897 | 1.68 | 948  | 1.86 | 998  | 2.04 | 1047 | 2.22 |
| 2600 | 568   | 0.60 | 631 | 0.81 | 691 | 1.02 | 749 | 1.22 | 804 | 1.42 | 857 | 1.61 | 909 | 1.80 | 960  | 1.99 | 1010 | 2.17 | 1059 | 2.34 |
| 2800 | 581   | 0.73 | 644 | 0.95 | 704 | 1.16 | 762 | 1.36 | 817 | 1.56 | 871 | 1.75 | 923 | 1.94 | 973  | 2.13 | 1023 | 2.31 | 1073 | 2.48 |
| 3000 | 595   | 0.89 | 658 | 1.10 | 718 | 1.31 | 776 | 1.51 | 831 | 1.71 | 885 | 1.91 | 937 | 2.09 | 988  | 2.28 | 1038 | 2.46 | 1087 | 2.63 |
| 3200 | 610   | 1.05 | 673 | 1.27 | 733 | 1.48 | 791 | 1.68 | 846 | 1.88 | 900 | 2.07 | 952 | 2.26 | 1003 | 2.44 | 1053 | 2.62 | --   | --   |
| 3400 | 627   | 1.23 | 689 | 1.45 | 750 | 1.66 | 807 | 1.86 | 863 | 2.06 | 916 | 2.25 | 968 | 2.44 | 1019 | 2.62 | 1069 | 2.80 | --   | --   |
| 3600 | 644   | 1.42 | 707 | 1.64 | 767 | 1.85 | 824 | 2.05 | 880 | 2.25 | 933 | 2.44 | 985 | 2.63 | 1036 | 2.82 | 1086 | 3.00 | --   | --   |
| 3750 | 657   | 1.58 | 720 | 1.79 | 780 | 2.00 | 838 | 2.20 | 893 | 2.40 | 947 | 2.60 | 999 | 2.78 | 1049 | 2.97 | 1099 | 3.15 | --   | --   |

|  |   |
|--|---|
|  | Standard Static Option with Motor rated at 2.4-hp |
|  | Medium Static Option with Motor rated at 2.4-hp   |
|  | High Static Option with Motor rated at 3.7-hp     |
|  | Exceeds recommended blower speed                  |

1. Blower performance includes gas heat exchangers and 2" filters. See STATIC RESISTANCE table for additional applications.

**Note:** See RPM SELECTION table to determine desired motor sheave setting and to determine the maximum continuous BHP.

$kW = 0.929 \times BHP$

**ZY09 (8.5 Ton) Side Duct**

| CFM  | AVAILABLE EXTERNAL STATIC PRESSURE - IWG <sup>1</sup> |      |     |      |            |             |     |      |     |      |     |      |      |      |      |      |      |      |      |      |
|------|---|------|-----|------|------------|-------------|-----|------|-----|------|-----|------|------|------|------|------|------|------|------|------|
|      | 0.2   |      | 0.4 |      | 0.6        |             | 0.8 |      | 1.0 |      | 1.2 |      | 1.4  |      | 1.6  |      | 1.8  |      | 2.0  |      |
|      | RPM   | BHP  | RPM | BHP  | RPM        | BHP         | RPM | BHP  | RPM | BHP  | RPM | BHP  | RPM  | BHP  | RPM  | BHP  | RPM  | BHP  | RPM  | BHP  |
| 2550 | 565   | 0.56 | 628 | 0.78 | 688        | 0.99        | 745 | 1.19 | 801 | 1.39 | 854 | 1.58 | 906  | 1.77 | 957  | 1.95 | 1007 | 2.13 | 1056 | 2.31 |
| 2600 | 568   | 0.60 | 631 | 0.81 | 691        | 1.02        | 749 | 1.22 | 804 | 1.42 | 857 | 1.61 | 909  | 1.80 | 960  | 1.99 | 1010 | 2.17 | 1059 | 2.34 |
| 2800 | 581   | 0.73 | 644 | 0.95 | 704        | 1.16        | 762 | 1.36 | 817 | 1.56 | 871 | 1.75 | 923  | 1.94 | 973  | 2.13 | 1023 | 2.31 | 1073 | 2.48 |
| 3000 | 595   | 0.89 | 658 | 1.10 | 718        | 1.31        | 776 | 1.51 | 831 | 1.71 | 885 | 1.91 | 937  | 2.09 | 988  | 2.28 | 1038 | 2.46 | 1087 | 2.63 |
| 3200 | 610   | 1.05 | 673 | 1.27 | 733        | 1.48        | 791 | 1.68 | 846 | 1.88 | 900 | 2.07 | 952  | 2.26 | 1003 | 2.44 | 1053 | 2.62 | 1100 | 2.80 |
| 3400 | 627   | 1.23 | 689 | 1.45 | 750        | 1.66        | 807 | 1.86 | 863 | 2.06 | 916 | 2.25 | 968  | 2.44 | 1019 | 2.62 | 1069 | 2.80 | --   | --   |
| 3600 | 644   | 1.42 | 707 | 1.64 | 767        | 1.85        | 824 | 2.05 | 880 | 2.25 | 933 | 2.44 | 985  | 2.63 | 1036 | 2.82 | 1086 | 3.00 | --   | --   |
| 3800 | 662   | 1.63 | 725 | 1.84 | 785        | 2.05        | 842 | 2.26 | 898 | 2.46 | 951 | 2.65 | 1003 | 2.84 | 1054 | 3.02 | 1100 | 3.20 | --   | --   |
| 4000 | 681   | 1.85 | 744 | 2.06 | 804        | 2.27        | 861 | 2.47 | 917 | 2.67 | 970 | 2.87 | 1022 | 3.05 | 1073 | 3.24 | --   | --   | --   | --   |
| 4200 | 701   | 2.08 | 764 | 2.29 | <b>824</b> | <b>2.50</b> | 881 | 2.70 | 937 | 2.90 | 990 | 3.09 | 1042 | 3.28 | 1093 | 3.47 | --   | --   | --   | --   |
| 4250 | 706   | 2.14 | 769 | 2.35 | <b>829</b> | <b>2.56</b> | 887 | 2.76 | 942 | 2.96 | 996 | 3.15 | 1048 | 3.34 | 1098 | 3.53 | --   | --   | --   | --   |

|  |  |
|--|--|
|  | Standard Static Option with Motor rated at 2.4-hp                          |
|  | Medium Static Option with Motor rated at 2.4-hp                            |
|  | High Static Option with Motor rated at 3.7-hp                              |
|  | Field-supplied AK79 x 1 fixed pulley (p/n 9381) with Motor rated at 3.7-hp |
|  | Exceeds recommended blower speed   |

1. Blower performance includes gas heat exchangers and 2" filters. See STATIC RESISTANCE table for additional applications.

**Note:** See RPM SELECTION table to determine desired motor sheave setting and to determine the maximum continuous BHP.

$kW = 0.929 \times BHP$

## ZY12 (10 Ton) Side Duct

| CFM  | AVAILABLE EXTERNAL STATIC PRESSURE - IWG <sup>1</sup> |      |     |      |     |      |      |      |      |      |      |      |      |      |      |      |      |      |      |      |
|------|---|------|-----|------|-----|------|------|------|------|------|------|------|------|------|------|------|------|------|------|------|
|      | 0.2   |      | 0.4 |      | 0.6 |      | 0.8  |      | 1.0  |      | 1.2  |      | 1.4  |      | 1.6  |      | 1.8  |      | 2.0  |      |
|      | RPM   | BHP  | RPM | BHP  | RPM | BHP  | RPM  | BHP  | RPM  | BHP  | RPM  | BHP  | RPM  | BHP  | RPM  | BHP  | RPM  | BHP  | RPM  | BHP  |
| 3000 | 653   | 0.79 | 706 | 1.02 | 758 | 1.25 | 808  | 1.49 | 858  | 1.72 | 907  | 1.95 | 955  | 2.18 | 1003 | 2.40 | 1049 | 2.62 | 1095 | 2.82 |
| 3200 | 667   | 0.94 | 720 | 1.17 | 771 | 1.40 | 822  | 1.64 | 872  | 1.88 | 921  | 2.11 | 969  | 2.34 | 1016 | 2.56 | 1063 | 2.77 | 1109 | 2.97 |
| 3400 | 682   | 1.11 | 734 | 1.34 | 786 | 1.57 | 837  | 1.81 | 887  | 2.04 | 936  | 2.28 | 984  | 2.50 | 1031 | 2.73 | 1078 | 2.94 | 1124 | 3.14 |
| 3600 | 697   | 1.29 | 750 | 1.52 | 802 | 1.76 | 853  | 1.99 | 903  | 2.23 | 952  | 2.46 | 1000 | 2.69 | 1047 | 2.91 | 1094 | 3.12 | 1140 | 3.32 |
| 3800 | 714   | 1.50 | 767 | 1.73 | 819 | 1.96 | 870  | 2.20 | 920  | 2.43 | 969  | 2.67 | 1017 | 2.90 | 1064 | 3.12 | 1111 | 3.33 | 1157 | 3.53 |
| 4000 | 733   | 1.73 | 786 | 1.96 | 837 | 2.19 | 888  | 2.43 | 938  | 2.66 | 987  | 2.90 | 1035 | 3.12 | 1083 | 3.34 | 1129 | 3.56 | 1174 | 3.76 |
| 4200 | 753   | 1.98 | 806 | 2.21 | 857 | 2.44 | 908  | 2.68 | 958  | 2.91 | 1007 | 3.15 | 1055 | 3.37 | 1102 | 3.60 | 1149 | 3.81 | --   | --   |
| 4400 | 774   | 2.25 | 827 | 2.48 | 879 | 2.72 | 930  | 2.95 | 979  | 3.19 | 1028 | 3.42 | 1076 | 3.65 | 1124 | 3.87 | 1170 | 4.08 | --   | --   |
| 4600 | 797   | 2.55 | 850 | 2.78 | 902 | 3.02 | 952  | 3.25 | 1002 | 3.49 | 1051 | 3.72 | 1099 | 3.95 | 1147 | 4.17 | --   | --   | --   | --   |
| 4800 | 822   | 2.88 | 874 | 3.11 | 926 | 3.34 | 977  | 3.58 | 1027 | 3.81 | 1076 | 4.05 | 1124 | 4.27 | 1171 | 4.50 | --   | --   | --   | --   |
| 5000 | 848   | 3.23 | 901 | 3.46 | 952 | 3.69 | 1003 | 3.93 | 1053 | 4.16 | 1102 | 4.40 | 1150 | 4.62 | --   | --   | --   | --   | --   | --   |

|  |   |
|--|---|
|  | Standard Static Option with Motor rated at 2.4-hp |
|  | Medium Static Option with Motor rated at 3.7-hp   |
|  | High Static Option with Motor rated at 5.25-hp    |
|  | Exceeds recommended blower speed                  |

1. Blower performance includes gas heat exchangers and 2" filters. See STATIC RESISTANCE table for additional applications.

**Note:** See RPM SELECTION table to determine desired motor sheave setting and to determine the maximum continuous BHP.

$$\text{kW} = 0.929 \times \text{BHP}$$

**ZY04-12 Bottom Duct Application (Belt Drive)**

**ZY04 (3.0 Ton) Bottom Duct**

| CFM  | AVAILABLE EXTERNAL STATIC PRESSURE - IWG <sup>1</sup> |      |      |      |      |      |      |      |      |      |      |      |      |      |      |      |      |      |      |      |
|------|---|------|------|------|------|------|------|------|------|------|------|------|------|------|------|------|------|------|------|------|
|      | 0.2   |      | 0.4  |      | 0.6  |      | 0.8  |      | 1.0  |      | 1.2  |      | 1.4  |      | 1.6  |      | 1.8  |      | 2.0  |      |
|      | RPM   | BHP  | RPM  | BHP  | RPM  | BHP  | RPM  | BHP  | RPM  | BHP  | RPM  | BHP  | RPM  | BHP  | RPM  | BHP  | RPM  | BHP  | RPM  | BHP  |
| 900  |   |      | 878  | 0.26 | 976  | 0.37 | 1070 | 0.47 | 1161 | 0.58 | 1247 | 0.67 | 1329 | 0.76 | 1405 | 0.85 | 1477 | 0.93 | 1543 | 1.00 |
| 1000 | 792   | 0.20 | 894  | 0.31 | 992  | 0.42 | 1087 | 0.52 | 1177 | 0.62 | 1263 | 0.72 | 1345 | 0.81 | 1422 | 0.90 | 1493 | 0.98 | 1560 | 1.05 |
| 1100 | 810   | 0.26 | 912  | 0.37 | 1010 | 0.47 | 1104 | 0.58 | 1195 | 0.68 | 1281 | 0.77 | 1363 | 0.87 | 1439 | 0.95 | 1511 | 1.03 | 1577 | 1.11 |
| 1200 | 829   | 0.32 | 931  | 0.43 | 1029 | 0.54 | 1124 | 0.64 | 1214 | 0.74 | 1300 | 0.84 | 1382 | 0.93 | 1459 | 1.02 | 1530 | 1.10 | 1593 | 1.17 |
| 1300 | 850   | 0.39 | 952  | 0.50 | 1050 | 0.61 | 1145 | 0.71 | 1235 | 0.81 | 1321 | 0.91 | 1403 | 1.00 | 1480 | 1.09 | 1552 | 1.17 | --   | --   |
| 1400 | 874   | 0.47 | 975  | 0.58 | 1073 | 0.69 | 1168 | 0.79 | 1258 | 0.89 | 1344 | 0.99 | 1426 | 1.08 | 1503 | 1.17 | 1575 | 1.25 | --   | --   |
| 1500 | 899   | 0.56 | 1000 | 0.67 | 1098 | 0.77 | 1193 | 0.88 | 1283 | 0.98 | 1370 | 1.07 | 1451 | 1.17 | 1528 | 1.25 | 1600 | 1.33 | --   | --   |

|  |   |
|--|---|
|  | Medium Static Option with Motor rated at 2.4-hp |
|  | High Static Option with Motor rated at 2.9-hp   |
|  | Exceeds recommended blower speed                |

1. Blower performance includes gas heat exchangers and 2" filters. See STATIC RESISTANCE table for additional applications.  
**Note:** See RPM SELECTION table to determine desired motor sheave setting and to determine the maximum continuous BHP.  
 kW = 0.929 x BHP

**ZY05 (4.0 Ton) Bottom Duct**

| CFM  | AVAILABLE EXTERNAL STATIC PRESSURE - IWG <sup>1</sup> |      |      |      |      |      |      |      |      |      |      |      |      |      |      |      |      |      |      |      |
|------|---|------|------|------|------|------|------|------|------|------|------|------|------|------|------|------|------|------|------|------|
|      | 0.2   |      | 0.4  |      | 0.6  |      | 0.8  |      | 1.0  |      | 1.2  |      | 1.4  |      | 1.6  |      | 1.8  |      | 2.0  |      |
|      | RPM   | BHP  | RPM  | BHP  | RPM  | BHP  | RPM  | BHP  | RPM  | BHP  | RPM  | BHP  | RPM  | BHP  | RPM  | BHP  | RPM  | BHP  | RPM  | BHP  |
| 1200 | 840   | 0.37 | 929  | 0.46 | 1016 | 0.56 | 1101 | 0.68 | 1184 | 0.80 | 1265 | 0.93 | 1345 | 1.04 | 1423 | 1.14 | 1500 | 1.22 | 1576 | 1.28 |
| 1300 | 858   | 0.43 | 947  | 0.52 | 1035 | 0.62 | 1120 | 0.74 | 1203 | 0.86 | 1284 | 0.99 | 1364 | 1.10 | 1442 | 1.20 | 1519 | 1.28 | 1593 | 1.34 |
| 1400 | 879   | 0.49 | 968  | 0.58 | 1055 | 0.69 | 1140 | 0.81 | 1224 | 0.93 | 1305 | 1.05 | 1385 | 1.17 | 1463 | 1.27 | 1540 | 1.35 | --   | --   |
| 1500 | 903   | 0.56 | 992  | 0.65 | 1079 | 0.76 | 1164 | 0.88 | 1247 | 1.00 | 1328 | 1.12 | 1408 | 1.24 | 1486 | 1.34 | 1563 | 1.42 | --   | --   |
| 1600 | 929   | 0.64 | 1018 | 0.73 | 1105 | 0.83 | 1190 | 0.95 | 1273 | 1.07 | 1354 | 1.20 | 1434 | 1.31 | 1512 | 1.41 | 1589 | 1.49 | --   | --   |
| 1700 | 957   | 0.72 | 1047 | 0.81 | 1134 | 0.91 | 1219 | 1.03 | 1302 | 1.15 | 1383 | 1.28 | 1463 | 1.39 | 1541 | 1.49 | --   | --   | --   | --   |
| 1800 | 989   | 0.80 | 1078 | 0.89 | 1165 | 1.00 | 1250 | 1.12 | 1333 | 1.24 | 1415 | 1.36 | 1494 | 1.47 | 1572 | 1.58 | --   | --   | --   | --   |
| 1900 | 1023  | 0.89 | 1112 | 0.98 | 1199 | 1.08 | 1284 | 1.20 | 1367 | 1.33 | 1449 | 1.45 | 1528 | 1.56 | --   | --   | --   | --   | --   | --   |
| 2000 | 1059  | 0.98 | 1149 | 1.07 | 1236 | 1.18 | 1321 | 1.29 | 1404 | 1.42 | 1485 | 1.54 | 1565 | 1.65 | --   | --   | --   | --   | --   | --   |

|  |   |
|--|---|
|  | Medium Static Option with Motor rated at 2.4-hp |
|  | High Static Option with Motor rated at 2.9-hp   |
|  | Exceeds recommended blower speed                |

1. Blower performance includes gas heat exchangers and 2" filters. See STATIC RESISTANCE table for additional applications.  
**Note:** See RPM SELECTION table to determine desired motor sheave setting and to determine the maximum continuous BHP.  
 kW = 0.929 x BHP

**ZY06 (5.0 Ton) Bottom Duct**

| CFM  | AVAILABLE EXTERNAL STATIC PRESSURE - IWG <sup>1</sup> |      |      |      |      |      |      |      |      |      |      |      |      |      |      |      |      |      |      |      |
|------|---|------|------|------|------|------|------|------|------|------|------|------|------|------|------|------|------|------|------|------|
|      | 0.2   |      | 0.4  |      | 0.6  |      | 0.8  |      | 1.0  |      | 1.2  |      | 1.4  |      | 1.6  |      | 1.8  |      | 2.0  |      |
|      | RPM   | BHP  | RPM  | BHP  | RPM  | BHP  | RPM  | BHP  | RPM  | BHP  | RPM  | BHP  | RPM  | BHP  | RPM  | BHP  | RPM  | BHP  | RPM  | BHP  |
| 1500 | 840   | 0.48 | 910  | 0.58 | 977  | 0.67 | 1042 | 0.77 | 1106 | 0.87 | 1166 | 0.98 | 1225 | 1.08 | 1280 | 1.19 | 1334 | 1.30 | 1384 | 1.41 |
| 1600 | 866   | 0.55 | 935  | 0.65 | 1003 | 0.74 | 1068 | 0.84 | 1131 | 0.94 | 1192 | 1.04 | 1250 | 1.15 | 1306 | 1.26 | 1359 | 1.37 | 1410 | 1.48 |
| 1700 | 892   | 0.63 | 961  | 0.72 | 1029 | 0.82 | 1094 | 0.92 | 1157 | 1.02 | 1218 | 1.12 | 1276 | 1.23 | 1332 | 1.33 | 1385 | 1.44 | 1436 | 1.56 |
| 1800 | 918   | 0.71 | 987  | 0.81 | 1055 | 0.90 | 1120 | 1.00 | 1183 | 1.10 | 1244 | 1.21 | 1302 | 1.31 | 1358 | 1.42 | 1411 | 1.53 | 1462 | 1.64 |
| 1900 | 944   | 0.80 | 1014 | 0.90 | 1081 | 1.00 | 1146 | 1.09 | 1209 | 1.19 | 1270 | 1.30 | 1329 | 1.40 | 1384 | 1.51 | 1438 | 1.62 | 1488 | 1.73 |
| 2000 | 971   | 0.90 | 1041 | 1.00 | 1108 | 1.09 | 1174 | 1.19 | 1237 | 1.29 | 1297 | 1.39 | 1356 | 1.50 | 1412 | 1.61 | 1465 | 1.72 | 1516 | 1.83 |
| 2100 | 999   | 1.01 | 1069 | 1.10 | 1136 | 1.20 | 1202 | 1.30 | 1265 | 1.40 | 1326 | 1.50 | 1384 | 1.60 | 1440 | 1.71 | 1493 | 1.82 | 1544 | 1.93 |
| 2200 | 1028  | 1.12 | 1098 | 1.21 | 1165 | 1.31 | 1231 | 1.41 | 1294 | 1.51 | 1355 | 1.61 | 1413 | 1.72 | 1469 | 1.82 | 1522 | 1.93 | 1573 | 2.05 |
| 2300 | 1058  | 1.24 | 1128 | 1.33 | 1195 | 1.43 | 1261 | 1.53 | 1324 | 1.63 | 1385 | 1.73 | 1443 | 1.83 | 1499 | 1.94 | 1552 | 2.05 | --   | --   |
| 2400 | 1090  | 1.36 | 1159 | 1.46 | 1227 | 1.55 | 1292 | 1.65 | 1355 | 1.75 | 1416 | 1.85 | 1474 | 1.96 | 1530 | 2.07 | 1583 | 2.18 | --   | --   |
| 2500 | 1122  | 1.49 | 1191 | 1.59 | 1259 | 1.68 | 1324 | 1.78 | 1387 | 1.88 | 1448 | 1.98 | 1506 | 2.09 | 1562 | 2.20 | 1615 | 2.31 | --   | --   |

|  |   |
|--|---|
|  | Medium Static Option with Motor rated at 2.4-hp |
|  | High Static Option with Motor rated at 2.9-hp   |
|  | Exceeds recommended blower speed                |

1. Blower performance includes gas heat exchangers and 2" filters. See STATIC RESISTANCE table for additional applications.  
**Note:** See RPM SELECTION table to determine desired motor sheave setting and to determine the maximum continuous BHP.  
 kW = 0.857 x BHP

**ZY07 (6.0 Ton) Bottom Duct**

| CFM  | AVAILABLE EXTERNAL STATIC PRESSURE - IWG <sup>1</sup> |      |     |      |     |      |     |      |     |      |     |      |     |      |      |      |      |      |      |      |
|------|---|------|-----|------|-----|------|-----|------|-----|------|-----|------|-----|------|------|------|------|------|------|------|
|      | 0.2   |      | 0.4 |      | 0.6 |      | 0.8 |      | 1.0 |      | 1.2 |      | 1.4 |      | 1.6  |      | 1.8  |      | 2.0  |      |
|      | RPM   | BHP  | RPM | BHP  | RPM | BHP  | RPM | BHP  | RPM | BHP  | RPM | BHP  | RPM | BHP  | RPM  | BHP  | RPM  | BHP  | RPM  | BHP  |
| 1800 | 525   | 0.31 | 590 | 0.48 | 653 | 0.65 | 713 | 0.82 | 770 | 0.98 | 825 | 1.15 | 878 | 1.31 | 928  | 1.48 | 976  | 1.65 | 1022 | 1.83 |
| 1900 | 534   | 0.36 | 599 | 0.53 | 661 | 0.71 | 721 | 0.87 | 779 | 1.03 | 834 | 1.20 | 886 | 1.36 | 936  | 1.53 | 984  | 1.70 | 1030 | 1.88 |
| 2000 | 542   | 0.41 | 607 | 0.59 | 670 | 0.76 | 730 | 0.93 | 787 | 1.09 | 842 | 1.25 | 895 | 1.42 | 945  | 1.58 | 993  | 1.75 | 1039 | 1.93 |
| 2100 | 551   | 0.47 | 616 | 0.65 | 678 | 0.82 | 738 | 0.99 | 796 | 1.15 | 850 | 1.31 | 903 | 1.47 | 953  | 1.64 | 1001 | 1.81 | 1047 | 1.99 |
| 2200 | 559   | 0.53 | 624 | 0.71 | 687 | 0.88 | 747 | 1.05 | 804 | 1.21 | 859 | 1.37 | 912 | 1.54 | 962  | 1.70 | 1010 | 1.88 | 1056 | 2.05 |
| 2300 | 568   | 0.60 | 634 | 0.78 | 696 | 0.95 | 756 | 1.11 | 813 | 1.28 | 868 | 1.44 | 921 | 1.60 | 971  | 1.77 | 1019 | 1.94 | 1065 | 2.12 |
| 2400 | 578   | 0.66 | 643 | 0.84 | 705 | 1.01 | 765 | 1.18 | 823 | 1.34 | 878 | 1.51 | 930 | 1.67 | 981  | 1.84 | 1029 | 2.01 | 1074 | 2.19 |
| 2500 | 588   | 0.74 | 653 | 0.91 | 715 | 1.08 | 775 | 1.25 | 833 | 1.41 | 888 | 1.58 | 940 | 1.74 | 991  | 1.91 | 1039 | 2.08 | 1084 | 2.26 |
| 2600 | 598   | 0.81 | 663 | 0.99 | 725 | 1.16 | 785 | 1.32 | 843 | 1.49 | 898 | 1.65 | 950 | 1.81 | 1001 | 1.98 | 1049 | 2.15 | 1094 | 2.33 |
| 2700 | 609   | 0.88 | 674 | 1.06 | 736 | 1.23 | 796 | 1.40 | 853 | 1.56 | 908 | 1.72 | 961 | 1.89 | 1011 | 2.05 | 1059 | 2.23 | --   | --   |
| 2800 | 620   | 0.96 | 685 | 1.14 | 747 | 1.31 | 807 | 1.47 | 864 | 1.64 | 919 | 1.80 | 972 | 1.96 | 1022 | 2.13 | 1070 | 2.30 | --   | --   |
| 2900 | 631   | 1.04 | 696 | 1.22 | 759 | 1.39 | 819 | 1.55 | 876 | 1.72 | 931 | 1.88 | 984 | 2.04 | 1034 | 2.21 | 1082 | 2.38 | --   | --   |
| 3000 | 643   | 1.12 | 708 | 1.30 | 771 | 1.47 | 830 | 1.64 | 888 | 1.80 | 943 | 1.96 | 996 | 2.12 | 1046 | 2.29 | 1094 | 2.46 | --   | --   |

|  |   |
|--|---|
|  | Standard Static Option with Motor rated at 2.4-hp |
|  | Medium Static Option with Motor rated at 2.9-hp   |
|  | High Static Option with Motor rated at 3.7-hp     |
|  | Exceeds recommended blower speed                  |

1. Blower performance includes gas heat exchangers and 2" filters. See STATIC RESISTANCE table for additional applications.  
**Note:** See RPM SELECTION table to determine desired motor sheave setting and to determine the maximum continuous BHP.  
 kW = 0.929 x BHP

**ZYA7 (6.0 Ton) Bottom Duct**

| CFM  | AVAILABLE EXTERNAL STATIC PRESSURE - IWG <sup>1</sup> |      |     |      |     |      |     |      |     |      |     |      |     |      |      |      |      |      |      |      |
|------|---|------|-----|------|-----|------|-----|------|-----|------|-----|------|-----|------|------|------|------|------|------|------|
|      | 0.2   |      | 0.4 |      | 0.6 |      | 0.8 |      | 1.0 |      | 1.2 |      | 1.4 |      | 1.6  |      | 1.8  |      | 2.0  |      |
|      | RPM   | BHP  | RPM | BHP  | RPM | BHP  | RPM | BHP  | RPM | BHP  | RPM | BHP  | RPM | BHP  | RPM  | BHP  | RPM  | BHP  | RPM  | BHP  |
| 1800 | 525   | 0.31 | 590 | 0.48 | 653 | 0.65 | 713 | 0.82 | 770 | 0.98 | 825 | 1.15 | 878 | 1.31 | 928  | 1.48 | 976  | 1.65 | 1022 | 1.83 |
| 1900 | 534   | 0.36 | 599 | 0.53 | 661 | 0.71 | 721 | 0.87 | 779 | 1.03 | 834 | 1.20 | 886 | 1.36 | 936  | 1.53 | 984  | 1.70 | 1030 | 1.88 |
| 2000 | 542   | 0.41 | 607 | 0.59 | 670 | 0.76 | 730 | 0.93 | 787 | 1.09 | 842 | 1.25 | 895 | 1.42 | 945  | 1.58 | 993  | 1.75 | 1039 | 1.93 |
| 2100 | 551   | 0.47 | 616 | 0.65 | 678 | 0.82 | 738 | 0.99 | 796 | 1.15 | 850 | 1.31 | 903 | 1.47 | 953  | 1.64 | 1001 | 1.81 | 1047 | 1.99 |
| 2200 | 559   | 0.53 | 624 | 0.71 | 687 | 0.88 | 747 | 1.05 | 804 | 1.21 | 859 | 1.37 | 912 | 1.54 | 962  | 1.70 | 1010 | 1.88 | 1056 | 2.05 |
| 2300 | 568   | 0.60 | 634 | 0.78 | 696 | 0.95 | 756 | 1.11 | 813 | 1.28 | 868 | 1.44 | 921 | 1.60 | 971  | 1.77 | 1019 | 1.94 | 1065 | 2.12 |
| 2400 | 578   | 0.66 | 643 | 0.84 | 705 | 1.01 | 765 | 1.18 | 823 | 1.34 | 878 | 1.51 | 930 | 1.67 | 981  | 1.84 | 1029 | 2.01 | 1074 | 2.19 |
| 2500 | 588   | 0.74 | 653 | 0.91 | 715 | 1.08 | 775 | 1.25 | 833 | 1.41 | 888 | 1.58 | 940 | 1.74 | 991  | 1.91 | 1039 | 2.08 | 1084 | 2.26 |
| 2600 | 598   | 0.81 | 663 | 0.99 | 725 | 1.16 | 785 | 1.32 | 843 | 1.49 | 898 | 1.65 | 950 | 1.81 | 1001 | 1.98 | 1049 | 2.15 | 1094 | 2.33 |
| 2700 | 609   | 0.88 | 674 | 1.06 | 736 | 1.23 | 796 | 1.40 | 853 | 1.56 | 908 | 1.72 | 961 | 1.89 | 1011 | 2.05 | 1059 | 2.23 | --   | --   |
| 2800 | 620   | 0.96 | 685 | 1.14 | 747 | 1.31 | 807 | 1.47 | 864 | 1.64 | 919 | 1.80 | 972 | 1.96 | 1022 | 2.13 | 1070 | 2.30 | --   | --   |
| 2900 | 631   | 1.04 | 696 | 1.22 | 759 | 1.39 | 819 | 1.55 | 876 | 1.72 | 931 | 1.88 | 984 | 2.04 | 1034 | 2.21 | 1082 | 2.38 | --   | --   |
| 3000 | 643   | 1.12 | 708 | 1.30 | 771 | 1.47 | 830 | 1.64 | 888 | 1.80 | 943 | 1.96 | 996 | 2.12 | 1046 | 2.29 | 1094 | 2.46 | --   | --   |

|  |   |
|--|---|
|  | Standard Static Option with Motor rated at 2.4-hp |
|  | Medium Static Option with Motor rated at 2.9-hp   |
|  | High Static Option with Motor rated at 3.7-hp     |
|  | Exceeds recommended blower speed                  |

1. Blower performance includes gas heat exchangers and 2" filters. See STATIC RESISTANCE table for additional applications.  
**Note:** See RPM SELECTION table to determine desired motor sheave setting and to determine the maximum continuous BHP.  
 kW = 0.929 x BHP

ZY08 (7.5 Ton) Bottom Duct

| CFM  | AVAILABLE EXTERNAL STATIC PRESSURE - IWG <sup>1</sup> |      |     |      |     |      |     |      |     |      |     |      |      |      |      |      |      |      |      |      |
|------|---|------|-----|------|-----|------|-----|------|-----|------|-----|------|------|------|------|------|------|------|------|------|
|      | 0.2   |      | 0.4 |      | 0.6 |      | 0.8 |      | 1.0 |      | 1.2 |      | 1.4  |      | 1.6  |      | 1.8  |      | 2.0  |      |
|      | RPM   | BHP  | RPM | BHP  | RPM | BHP  | RPM | BHP  | RPM | BHP  | RPM | BHP  | RPM  | BHP  | RPM  | BHP  | RPM  | BHP  | RPM  | BHP  |
| 2250 | 556   | 0.45 | 621 | 0.65 | 683 | 0.83 | 742 | 1.00 | 798 | 1.18 | 852 | 1.34 | 904  | 1.51 | 954  | 1.69 | 1003 | 1.87 | 1050 | 2.06 |
| 2400 | 567   | 0.53 | 632 | 0.73 | 694 | 0.91 | 753 | 1.09 | 809 | 1.26 | 863 | 1.43 | 914  | 1.60 | 964  | 1.77 | 1013 | 1.95 | 1060 | 2.14 |
| 2600 | 580   | 0.65 | 646 | 0.85 | 707 | 1.03 | 766 | 1.21 | 823 | 1.38 | 876 | 1.55 | 928  | 1.72 | 978  | 1.89 | 1027 | 2.07 | 1074 | 2.27 |
| 2800 | 595   | 0.79 | 660 | 0.99 | 722 | 1.17 | 780 | 1.35 | 837 | 1.52 | 890 | 1.69 | 942  | 1.86 | 992  | 2.03 | 1041 | 2.21 | 1088 | 2.40 |
| 3000 | 609   | 0.94 | 674 | 1.14 | 736 | 1.32 | 795 | 1.50 | 851 | 1.67 | 905 | 1.83 | 957  | 2.00 | 1007 | 2.18 | 1056 | 2.36 | 1100 | 2.55 |
| 3200 | 625   | 1.10 | 690 | 1.30 | 752 | 1.48 | 810 | 1.66 | 867 | 1.83 | 921 | 2.00 | 972  | 2.17 | 1022 | 2.34 | 1071 | 2.52 | --   | --   |
| 3400 | 641   | 1.28 | 706 | 1.47 | 768 | 1.66 | 827 | 1.83 | 883 | 2.00 | 937 | 2.17 | 989  | 2.34 | 1039 | 2.52 | 1087 | 2.70 | --   | --   |
| 3600 | 658   | 1.47 | 723 | 1.66 | 785 | 1.85 | 844 | 2.02 | 900 | 2.19 | 954 | 2.36 | 1006 | 2.53 | 1056 | 2.70 | 1100 | 2.89 | --   | --   |
| 3750 | 672   | 1.61 | 737 | 1.81 | 799 | 1.99 | 858 | 2.17 | 914 | 2.34 | 968 | 2.51 | 1019 | 2.68 | 1069 | 2.85 | --   | --   | --   | --   |

|    |   |
|----|---|
|    | Standard Static Option with Motor rated at 2.4-hp |
|    | Medium Static Option with Motor rated at 2.4-hp   |
|    | High Static Option with Motor rated at 3.7-hp     |
| -- | Exceeds recommended blower speed                  |

1. Blower performance includes gas heat exchangers and 2" filters. See STATIC RESISTANCE table for additional applications.

**Note:** See RPM SELECTION table to determine desired motor sheave setting and to determine the maximum continuous BHP.

$kW = 0.929 \times BHP$

ZY09 (8.5 Ton) Bottom Duct

| CFM  | AVAILABLE EXTERNAL STATIC PRESSURE - IWG <sup>1</sup> |      |     |      |            |             |     |      |     |      |      |      |      |      |      |      |      |      |      |      |
|------|---|------|-----|------|------------|-------------|-----|------|-----|------|------|------|------|------|------|------|------|------|------|------|
|      | 0.2   |      | 0.4 |      | 0.6        |             | 0.8 |      | 1.0 |      | 1.2  |      | 1.4  |      | 1.6  |      | 1.8  |      | 2.0  |      |
|      | RPM   | BHP  | RPM | BHP  | RPM        | BHP         | RPM | BHP  | RPM | BHP  | RPM  | BHP  | RPM  | BHP  | RPM  | BHP  | RPM  | BHP  | RPM  | BHP  |
| 2550 | 577   | 0.62 | 642 | 0.82 | 704        | 1.00        | 763 | 1.18 | 819 | 1.35 | 873  | 1.52 | 925  | 1.69 | 975  | 1.86 | 1023 | 2.04 | 1071 | 2.23 |
| 2600 | 580   | 0.65 | 646 | 0.85 | 707        | 1.03        | 766 | 1.21 | 823 | 1.38 | 876  | 1.55 | 928  | 1.72 | 978  | 1.89 | 1027 | 2.07 | 1074 | 2.27 |
| 2800 | 595   | 0.79 | 660 | 0.99 | 722        | 1.17        | 780 | 1.35 | 837 | 1.52 | 890  | 1.69 | 942  | 1.86 | 992  | 2.03 | 1041 | 2.21 | 1088 | 2.40 |
| 3000 | 609   | 0.94 | 674 | 1.14 | 736        | 1.32        | 795 | 1.50 | 851 | 1.67 | 905  | 1.83 | 957  | 2.00 | 1007 | 2.18 | 1056 | 2.36 | 1103 | 2.55 |
| 3200 | 625   | 1.10 | 690 | 1.30 | 752        | 1.48        | 810 | 1.66 | 867 | 1.83 | 921  | 2.00 | 972  | 2.17 | 1022 | 2.34 | 1071 | 2.52 | --   | --   |
| 3400 | 641   | 1.28 | 706 | 1.47 | 768        | 1.66        | 827 | 1.83 | 883 | 2.00 | 937  | 2.17 | 989  | 2.34 | 1039 | 2.52 | 1087 | 2.70 | --   | --   |
| 3600 | 658   | 1.47 | 723 | 1.66 | 785        | 1.85        | 844 | 2.02 | 900 | 2.19 | 954  | 2.36 | 1006 | 2.53 | 1056 | 2.70 | 1104 | 2.89 | --   | --   |
| 3800 | 676   | 1.67 | 742 | 1.86 | 803        | 2.04        | 862 | 2.22 | 918 | 2.39 | 972  | 2.56 | 1024 | 2.73 | 1074 | 2.90 | --   | --   | --   | --   |
| 4000 | 696   | 1.88 | 761 | 2.07 | 823        | 2.26        | 882 | 2.43 | 938 | 2.60 | 992  | 2.77 | 1043 | 2.94 | 1093 | 3.12 | --   | --   | --   | --   |
| 4200 | 716   | 2.10 | 781 | 2.29 | <b>843</b> | <b>2.48</b> | 902 | 2.65 | 958 | 2.82 | 1012 | 2.99 | 1064 | 3.16 | 1114 | 3.34 | --   | --   | --   | --   |
| 4250 | 721   | 2.16 | 786 | 2.35 | 848        | 2.53        | 907 | 2.71 | 963 | 2.88 | 1017 | 3.05 | 1069 | 3.22 | 1119 | 3.39 | --   | --   | --   | --   |

|             |  |
|-------------|--|
|             | Standard Static Option with Motor rated at 2.4-hp                          |
|             | Medium Static Option with Motor rated at 2.4-hp                            |
|             | High Static Option with Motor rated at 3.7-hp                              |
| <b>Bold</b> | Field-supplied AK79 x 1 fixed pulley (p/n 9381) with Motor rated at 3.7-hp |
| --          | Exceeds recommended blower speed   |

1. Blower performance includes gas heat exchangers and 2" filters. See STATIC RESISTANCE table for additional applications.

**Note:** See RPM SELECTION table to determine desired motor sheave setting and to determine the maximum continuous BHP.

$kW = 0.929 \times BHP$

## ZY12 (10 Ton) Bottom Duct

| CFM  | AVAILABLE EXTERNAL STATIC PRESSURE - IWG <sup>1</sup> |      |     |      |     |      |      |      |      |      |      |      |      |      |      |      |      |      |      |      |
|------|---|------|-----|------|-----|------|------|------|------|------|------|------|------|------|------|------|------|------|------|------|
|      | 0.2   |      | 0.4 |      | 0.6 |      | 0.8  |      | 1.0  |      | 1.2  |      | 1.4  |      | 1.6  |      | 1.8  |      | 2.0  |      |
|      | RPM   | BHP  | RPM | BHP  | RPM | BHP  | RPM  | BHP  | RPM  | BHP  | RPM  | BHP  | RPM  | BHP  | RPM  | BHP  | RPM  | BHP  | RPM  | BHP  |
| 2600 | 626   | 0.50 | 679 | 0.73 | 731 | 0.97 | 782  | 1.20 | 831  | 1.44 | 880  | 1.67 | 928  | 1.90 | 976  | 2.12 | 1022 | 2.33 | 1068 | 2.53 |
| 2800 | 639   | 0.64 | 692 | 0.87 | 744 | 1.11 | 795  | 1.34 | 845  | 1.58 | 894  | 1.81 | 942  | 2.04 | 989  | 2.26 | 1036 | 2.47 | 1082 | 2.67 |
| 3000 | 653   | 0.79 | 706 | 1.02 | 758 | 1.25 | 808  | 1.49 | 858  | 1.72 | 907  | 1.95 | 955  | 2.18 | 1003 | 2.40 | 1049 | 2.62 | 1095 | 2.82 |
| 3200 | 667   | 0.94 | 720 | 1.17 | 771 | 1.40 | 822  | 1.64 | 872  | 1.88 | 921  | 2.11 | 969  | 2.34 | 1016 | 2.56 | 1063 | 2.77 | 1109 | 2.97 |
| 3400 | 682   | 1.11 | 734 | 1.34 | 786 | 1.57 | 837  | 1.81 | 887  | 2.04 | 936  | 2.28 | 984  | 2.50 | 1031 | 2.73 | 1078 | 2.94 | 1124 | 3.14 |
| 3600 | 697   | 1.29 | 750 | 1.52 | 802 | 1.76 | 853  | 1.99 | 903  | 2.23 | 952  | 2.46 | 1000 | 2.69 | 1047 | 2.91 | 1094 | 3.12 | 1140 | 3.32 |
| 3800 | 714   | 1.50 | 767 | 1.73 | 819 | 1.96 | 870  | 2.20 | 920  | 2.43 | 969  | 2.67 | 1017 | 2.90 | 1064 | 3.12 | 1111 | 3.33 | 1157 | 3.53 |
| 4000 | 733   | 1.73 | 786 | 1.96 | 837 | 2.19 | 888  | 2.43 | 938  | 2.66 | 987  | 2.90 | 1035 | 3.12 | 1083 | 3.34 | 1129 | 3.56 | 1175 | 3.76 |
| 4200 | 753   | 1.98 | 806 | 2.21 | 857 | 2.44 | 908  | 2.68 | 958  | 2.91 | 1007 | 3.15 | 1055 | 3.37 | 1102 | 3.60 | 1149 | 3.81 | 1195 | 4.01 |
| 4400 | 774   | 2.25 | 827 | 2.48 | 879 | 2.72 | 930  | 2.95 | 979  | 3.19 | 1028 | 3.42 | 1076 | 3.65 | 1124 | 3.87 | 1170 | 4.08 | 1216 | 4.28 |
| 4600 | 797   | 2.55 | 850 | 2.78 | 902 | 3.02 | 952  | 3.25 | 1002 | 3.49 | 1051 | 3.72 | 1099 | 3.95 | 1147 | 4.17 | 1193 | 4.38 | 1239 | 4.58 |
| 4800 | 822   | 2.88 | 874 | 3.11 | 926 | 3.34 | 977  | 3.58 | 1027 | 3.81 | 1076 | 4.05 | 1124 | 4.27 | 1171 | 4.50 | 1218 | 4.71 | --   | --   |
| 5000 | 848   | 3.23 | 901 | 3.46 | 952 | 3.69 | 1003 | 3.93 | 1053 | 4.16 | 1102 | 4.40 | 1150 | 4.62 | 1197 | 4.84 | 1242 | 5.06 | --   | --   |

|  |   |
|--|---|
|  | Standard Static Option with Motor rated at 2.4-hp |
|  | Medium Static Option with Motor rated at 3.7-hp   |
|  | High Static Option with Motor rated at 5.25-hp    |
|  | Exceeds recommended blower speed                  |

1. Blower performance includes gas heat exchangers and 2" filters. See STATIC RESISTANCE table for additional applications.

**Note:** See RPM SELECTION table to determine desired motor sheave setting and to determine the maximum continuous BHP.

$$\text{kW} = 0.929 \times \text{BHP}$$

**ZQ04-06 Side Duct Application (Belt Drive)**

**ZQ04 (3.0 Ton) Side Duct**

| CFM  | AVAILABLE EXTERNAL STATIC PRESSURE - IWG <sup>1</sup> |      |     |      |      |      |      |      |      |      |      |      |      |      |      |      |      |      |      |      |
|------|---|------|-----|------|------|------|------|------|------|------|------|------|------|------|------|------|------|------|------|------|
|      | 0.2   |      | 0.4 |      | 0.6  |      | 0.8  |      | 1.0  |      | 1.2  |      | 1.4  |      | 1.6  |      | 1.8  |      | 2.0  |      |
|      | RPM   | BHP  | RPM | BHP  | RPM  | BHP  | RPM  | BHP  | RPM  | BHP  | RPM  | BHP  | RPM  | BHP  | RPM  | BHP  | RPM  | BHP  | RPM  | BHP  |
| 900  | n/a   | n/a  | 877 | 0.25 | 965  | 0.34 | 1050 | 0.44 | 1133 | 0.54 | 1213 | 0.64 | 1292 | 0.74 | 1371 | 0.83 | 1450 | 0.92 | 1531 | 1.01 |
| 1000 | 795   | 0.21 | 887 | 0.29 | 976  | 0.38 | 1061 | 0.48 | 1143 | 0.58 | 1224 | 0.68 | 1303 | 0.78 | 1382 | 0.87 | 1461 | 0.96 | 1541 | 1.05 |
| 1100 | 806   | 0.25 | 899 | 0.34 | 988  | 0.43 | 1073 | 0.53 | 1155 | 0.63 | 1236 | 0.73 | 1315 | 0.83 | 1394 | 0.92 | 1473 | 1.01 | 1553 | 1.09 |
| 1200 | 820   | 0.31 | 913 | 0.39 | 1002 | 0.48 | 1087 | 0.58 | 1169 | 0.68 | 1249 | 0.78 | 1329 | 0.88 | 1407 | 0.97 | 1487 | 1.06 | 1567 | 1.15 |
| 1300 | 836   | 0.37 | 929 | 0.45 | 1018 | 0.54 | 1103 | 0.64 | 1185 | 0.74 | 1265 | 0.84 | 1345 | 0.94 | 1423 | 1.03 | 1503 | 1.12 | 1583 | 1.21 |
| 1400 | 855   | 0.43 | 948 | 0.52 | 1036 | 0.61 | 1121 | 0.70 | 1204 | 0.80 | 1284 | 0.90 | 1363 | 1.00 | 1442 | 1.10 | 1521 | 1.19 | --   | --   |
| 1500 | 876   | 0.50 | 969 | 0.58 | 1058 | 0.68 | 1143 | 0.77 | 1225 | 0.87 | 1305 | 0.97 | 1385 | 1.07 | 1464 | 1.17 | 1543 | 1.26 | --   | --   |

Medium Static Option with Motor rated at 2.4-hp  
 High Static Option with Motor rated at 2.4-hp  
 -- Exceeds recommended Blower speed

- Blower performance includes gas heat exchangers and 2" filters. See STATIC RESISTANCE table for additional applications.  
**Note:** See RPM SELECTION table to determine desired motor sheave setting and to determine the maximum continuous BHP.  
 kW = 0.929 x BHP

**ZQ05 (4.0 Ton) Side Duct**

| CFM  | AVAILABLE EXTERNAL STATIC PRESSURE - IWG <sup>1</sup> |      |      |      |      |      |      |      |      |      |      |      |      |      |      |      |      |      |      |      |
|------|---|------|------|------|------|------|------|------|------|------|------|------|------|------|------|------|------|------|------|------|
|      | 0.2   |      | 0.4  |      | 0.6  |      | 0.8  |      | 1.0  |      | 1.2  |      | 1.4  |      | 1.6  |      | 1.8  |      | 2.0  |      |
|      | RPM   | BHP  | RPM  | BHP  | RPM  | BHP  | RPM  | BHP  | RPM  | BHP  | RPM  | BHP  | RPM  | BHP  | RPM  | BHP  | RPM  | BHP  | RPM  | BHP  |
| 1200 | 893   | 0.37 | 976  | 0.46 | 1054 | 0.56 | 1128 | 0.66 | 1199 | 0.75 | 1268 | 0.85 | 1336 | 0.94 | 1404 | 1.03 | 1474 | 1.12 | 1545 | 1.20 |
| 1300 | 910   | 0.43 | 993  | 0.52 | 1071 | 0.62 | 1144 | 0.72 | 1216 | 0.81 | 1285 | 0.91 | 1353 | 1.00 | 1421 | 1.09 | 1491 | 1.18 | 1562 | 1.26 |
| 1400 | 931   | 0.49 | 1014 | 0.59 | 1092 | 0.69 | 1166 | 0.78 | 1237 | 0.88 | 1306 | 0.97 | 1374 | 1.06 | 1442 | 1.15 | 1512 | 1.24 | 1583 | 1.33 |
| 1500 | 956   | 0.56 | 1039 | 0.66 | 1117 | 0.76 | 1191 | 0.85 | 1262 | 0.95 | 1331 | 1.04 | 1399 | 1.14 | 1467 | 1.23 | 1537 | 1.31 | 1608 | 1.40 |
| 1600 | 985   | 0.64 | 1067 | 0.74 | 1145 | 0.83 | 1219 | 0.93 | 1290 | 1.03 | 1359 | 1.12 | 1428 | 1.21 | 1496 | 1.30 | 1565 | 1.39 | 1637 | 1.47 |
| 1700 | 1016  | 0.73 | 1099 | 0.82 | 1177 | 0.92 | 1251 | 1.02 | 1322 | 1.11 | 1391 | 1.21 | 1459 | 1.30 | 1528 | 1.39 | 1597 | 1.48 | --   | --   |
| 1800 | 1051  | 0.82 | 1134 | 0.92 | 1212 | 1.02 | 1286 | 1.11 | 1357 | 1.21 | 1426 | 1.30 | 1494 | 1.40 | 1562 | 1.49 | 1632 | 1.57 | --   | --   |
| 1900 | 1088  | 0.93 | 1171 | 1.02 | 1249 | 1.12 | 1323 | 1.22 | 1394 | 1.31 | 1463 | 1.41 | 1532 | 1.50 | 1600 | 1.59 | --   | --   | --   | --   |
| 2000 | 1128  | 1.04 | 1211 | 1.14 | 1289 | 1.23 | 1363 | 1.33 | 1434 | 1.43 | 1503 | 1.52 | 1571 | 1.61 | 1640 | 1.70 | --   | --   | --   | --   |

Medium Static Option with Motor rated at 2.4-hp  
 High Static Option with Motor rated at 2.4-hp  
 Field supplied AK41 x 3/4" fixed blower pulley with Motor rated at 2.4-hp  
 -- Exceeds recommended blower speed

- Blower performance includes gas heat exchangers and 2" filters. See STATIC RESISTANCE table for additional applications.  
**Note:** See RPM SELECTION table to determine desired motor sheave setting and to determine the maximum continuous BHP.  
 kW = 0.929 x BHP

**ZQ06 (5.0 Ton) Side Duct**

| CFM  | AVAILABLE EXTERNAL STATIC PRESSURE - IWG <sup>1</sup> |      |      |      |      |      |      |      |      |      |      |      |      |      |      |      |      |      |      |      |
|------|---|------|------|------|------|------|------|------|------|------|------|------|------|------|------|------|------|------|------|------|
|      | 0.2   |      | 0.4  |      | 0.6  |      | 0.8  |      | 1.0  |      | 1.2  |      | 1.4  |      | 1.6  |      | 1.8  |      | 2.0  |      |
|      | RPM   | BHP  | RPM  | BHP  | RPM  | BHP  | RPM  | BHP  | RPM  | BHP  | RPM  | BHP  | RPM  | BHP  | RPM  | BHP  | RPM  | BHP  | RPM  | BHP  |
| 1500 | 806   | 0.35 | 885  | 0.47 | 961  | 0.60 | 1034 | 0.73 | 1104 | 0.86 | 1170 | 1.00 | 1233 | 1.13 | 1292 | 1.26 | 1346 | 1.39 | 1396 | 1.52 |
| 1600 | 825   | 0.44 | 904  | 0.56 | 980  | 0.68 | 1053 | 0.81 | 1123 | 0.95 | 1189 | 1.08 | 1252 | 1.22 | 1311 | 1.35 | 1365 | 1.48 | 1415 | 1.61 |
| 1700 | 846   | 0.52 | 925  | 0.64 | 1001 | 0.76 | 1074 | 0.89 | 1144 | 1.03 | 1210 | 1.16 | 1273 | 1.30 | 1332 | 1.43 | 1386 | 1.56 | 1436 | 1.69 |
| 1800 | 869   | 0.60 | 947  | 0.72 | 1023 | 0.84 | 1096 | 0.97 | 1166 | 1.11 | 1233 | 1.24 | 1295 | 1.38 | 1354 | 1.51 | 1409 | 1.64 | 1459 | 1.77 |
| 1900 | 892   | 0.68 | 971  | 0.80 | 1047 | 0.93 | 1120 | 1.06 | 1190 | 1.19 | 1256 | 1.32 | 1319 | 1.46 | 1378 | 1.59 | 1432 | 1.72 | 1482 | 1.85 |
| 2000 | 916   | 0.77 | 995  | 0.89 | 1071 | 1.01 | 1144 | 1.14 | 1214 | 1.28 | 1280 | 1.41 | 1343 | 1.55 | 1402 | 1.68 | 1456 | 1.81 | 1506 | 1.94 |
| 2100 | 941   | 0.86 | 1019 | 0.98 | 1095 | 1.11 | 1168 | 1.24 | 1238 | 1.37 | 1305 | 1.50 | 1367 | 1.64 | 1426 | 1.77 | 1481 | 1.90 | 1531 | 2.03 |
| 2200 | 966   | 0.96 | 1044 | 1.08 | 1120 | 1.21 | 1193 | 1.34 | 1263 | 1.47 | 1329 | 1.61 | 1392 | 1.74 | 1451 | 1.87 | 1505 | 2.01 | 1555 | 2.13 |
| 2300 | 990   | 1.07 | 1069 | 1.19 | 1145 | 1.32 | 1218 | 1.45 | 1287 | 1.58 | 1354 | 1.72 | 1417 | 1.85 | 1476 | 1.98 | 1530 | 2.11 | 1580 | 2.24 |
| 2400 | 1015  | 1.19 | 1093 | 1.31 | 1169 | 1.44 | 1242 | 1.57 | 1312 | 1.70 | 1379 | 1.83 | 1441 | 1.97 | 1500 | 2.10 | 1555 | 2.23 | --   | --   |
| 2500 | 1039  | 1.32 | 1118 | 1.44 | 1193 | 1.56 | 1266 | 1.69 | 1336 | 1.83 | 1403 | 1.96 | 1466 | 2.10 | 1524 | 2.23 | 1579 | 2.36 | --   | --   |

Medium Static Option with Motor rated at 2.4-hp  
 High Static Option with Motor rated at 2.9-hp  
 -- Exceeds recommended blower speed

- Blower performance includes gas heat exchangers and 2" filters. See STATIC RESISTANCE table for additional applications.  
**Note:** See RPM SELECTION table to determine desired motor sheave setting and to determine the maximum continuous BHP.  
 kW = 0.929 x BHP



**ZQ04-06 Bottom Duct Application (Belt Drive)**

**ZQ04 (3.0 Ton) Bottom Duct**

| CFM  | AVAILABLE EXTERNAL STATIC PRESSURE - IWG <sup>1</sup> |      |     |      |      |      |      |      |      |      |      |      |      |      |      |      |      |      |      |      |
|------|---|------|-----|------|------|------|------|------|------|------|------|------|------|------|------|------|------|------|------|------|
|      | 0.2   |      | 0.4 |      | 0.6  |      | 0.8  |      | 1.0  |      | 1.2  |      | 1.4  |      | 1.6  |      | 1.8  |      | 2.0  |      |
|      | RPM   | BHP  | RPM | BHP  | RPM  | BHP  | RPM  | BHP  | RPM  | BHP  | RPM  | BHP  | RPM  | BHP  | RPM  | BHP  | RPM  | BHP  | RPM  | BHP  |
| 900  | 792   | 0.14 | 879 | 0.25 | 968  | 0.37 | 1055 | 0.49 | 1141 | 0.61 | 1226 | 0.73 | 1308 | 0.84 | 1388 | 0.93 | 1466 | 1.01 | 1541 | 1.06 |
| 1000 | 804   | 0.18 | 893 | 0.29 | 981  | 0.41 | 1069 | 0.53 | 1155 | 0.66 | 1239 | 0.77 | 1322 | 0.88 | 1402 | 0.98 | 1480 | 1.05 | 1554 | 1.10 |
| 1100 | 819   | 0.23 | 909 | 0.34 | 997  | 0.46 | 1084 | 0.58 | 1171 | 0.71 | 1255 | 0.82 | 1337 | 0.93 | 1418 | 1.03 | 1495 | 1.10 | 1570 | 1.15 |
| 1200 | 837   | 0.29 | 926 | 0.40 | 1015 | 0.52 | 1102 | 0.64 | 1188 | 0.76 | 1273 | 0.88 | 1355 | 0.99 | 1435 | 1.08 | 1513 | 1.16 | 1588 | 1.21 |
| 1300 | 857   | 0.36 | 946 | 0.46 | 1035 | 0.58 | 1122 | 0.70 | 1208 | 0.83 | 1293 | 0.94 | 1375 | 1.05 | 1455 | 1.15 | 1533 | 1.22 | --   | --   |
| 1400 | 880   | 0.43 | 969 | 0.53 | 1058 | 0.65 | 1145 | 0.77 | 1231 | 0.90 | 1315 | 1.02 | 1398 | 1.12 | 1478 | 1.22 | 1556 | 1.29 | --   | --   |
| 1500 | 905   | 0.50 | 994 | 0.61 | 1082 | 0.73 | 1170 | 0.85 | 1256 | 0.97 | 1340 | 1.09 | 1423 | 1.20 | 1503 | 1.30 | 1581 | 1.37 | --   | --   |

|    |   |
|----|---|
|    | Medium Static Option with Motor rated at 2.4-hp |
|    | High Static Option with Motor rated at 2.4-hp   |
| -- | Exceeds recommended Blower speed                |

1. Blower performance includes gas heat exchangers and 2" filters. See STATIC RESISTANCE table for additional applications.  
**Note:** See RPM SELECTION table to determine desired motor sheave setting and to determine the maximum continuous BHP.  
 kW = 0.929 x BHP

**ZQ05 (4.0 Ton) Bottom Duct**

| CFM  | AVAILABLE EXTERNAL STATIC PRESSURE - IWG <sup>1</sup> |      |      |      |      |      |      |      |      |      |      |      |      |      |      |      |      |      |      |      |
|------|---|------|------|------|------|------|------|------|------|------|------|------|------|------|------|------|------|------|------|------|
|      | 0.2   |      | 0.4  |      | 0.6  |      | 0.8  |      | 1.0  |      | 1.2  |      | 1.4  |      | 1.6  |      | 1.8  |      | 2.0  |      |
|      | RPM   | BHP  | RPM  | BHP  | RPM  | BHP  | RPM  | BHP  | RPM  | BHP  | RPM  | BHP  | RPM  | BHP  | RPM  | BHP  | RPM  | BHP  | RPM  | BHP  |
| 1200 | 908   | 0.34 | 994  | 0.45 | 1072 | 0.55 | 1145 | 0.64 | 1214 | 0.74 | 1283 | 0.83 | 1352 | 0.92 | 1424 | 1.01 | 1502 | 1.11 | 1586 | 1.20 |
| 1300 | 921   | 0.40 | 1007 | 0.51 | 1085 | 0.61 | 1158 | 0.70 | 1227 | 0.80 | 1296 | 0.89 | 1365 | 0.98 | 1437 | 1.07 | 1514 | 1.17 | 1599 | 1.26 |
| 1400 | 938   | 0.47 | 1023 | 0.58 | 1101 | 0.68 | 1174 | 0.77 | 1244 | 0.86 | 1312 | 0.96 | 1382 | 1.05 | 1454 | 1.14 | 1531 | 1.23 | 1616 | 1.33 |
| 1500 | 959   | 0.55 | 1044 | 0.65 | 1122 | 0.75 | 1195 | 0.85 | 1265 | 0.94 | 1333 | 1.03 | 1403 | 1.12 | 1475 | 1.21 | 1552 | 1.31 | 1637 | 1.41 |
| 1600 | 985   | 0.63 | 1070 | 0.73 | 1148 | 0.83 | 1221 | 0.93 | 1290 | 1.02 | 1359 | 1.11 | 1428 | 1.20 | 1500 | 1.29 | 1578 | 1.39 | --   | --   |
| 1700 | 1015  | 0.71 | 1100 | 0.82 | 1179 | 0.92 | 1251 | 1.01 | 1321 | 1.11 | 1389 | 1.20 | 1459 | 1.29 | 1531 | 1.38 | 1608 | 1.48 | --   | --   |
| 1800 | 1050  | 0.81 | 1136 | 0.91 | 1214 | 1.01 | 1287 | 1.11 | 1356 | 1.20 | 1425 | 1.29 | 1494 | 1.39 | 1566 | 1.48 | 1644 | 1.57 | --   | --   |
| 1900 | 1091  | 0.91 | 1176 | 1.02 | 1254 | 1.12 | 1327 | 1.21 | 1397 | 1.31 | 1465 | 1.40 | 1534 | 1.49 | 1607 | 1.58 | --   | --   | --   | --   |
| 2000 | 1136  | 1.02 | 1222 | 1.13 | 1300 | 1.23 | 1372 | 1.32 | 1442 | 1.42 | 1510 | 1.51 | 1580 | 1.60 | --   | --   | --   | --   | --   | --   |

|             |   |
|-------------|---|
|             | Medium Static Option with Motor rated at 2.4-hp                           |
|             | High Static Option with Motor rated at 2.4-hp                             |
| <b>Bold</b> | Field supplied AK41 x 3/4" fixed blower pulley with Motor rated at 2.4-hp |
| --          | Exceeds recommended blower speed  |

1. Blower performance includes gas heat exchangers and 2" filters. See STATIC RESISTANCE table for additional applications.  
**Note:** See RPM SELECTION table to determine desired motor sheave setting and to determine the maximum continuous BHP.  
 kW = 0.929 x BHP

**ZQ06 (5.0 Ton) Bottom Duct**

| CFM  | AVAILABLE EXTERNAL STATIC PRESSURE - IWG <sup>1</sup> |      |      |      |      |      |      |      |      |      |      |      |      |      |      |      |      |      |      |      |
|------|---|------|------|------|------|------|------|------|------|------|------|------|------|------|------|------|------|------|------|------|
|      | 0.2   |      | 0.4  |      | 0.6  |      | 0.8  |      | 1.0  |      | 1.2  |      | 1.4  |      | 1.6  |      | 1.8  |      | 2.0  |      |
|      | RPM   | BHP  | RPM  | BHP  | RPM  | BHP  | RPM  | BHP  | RPM  | BHP  | RPM  | BHP  | RPM  | BHP  | RPM  | BHP  | RPM  | BHP  | RPM  | BHP  |
| 1500 | 846   | 0.34 | 914  | 0.48 | 983  | 0.62 | 1052 | 0.75 | 1120 | 0.89 | 1188 | 1.02 | 1254 | 1.16 | 1318 | 1.29 | 1378 | 1.43 | 1435 | 1.56 |
| 1600 | 868   | 0.41 | 936  | 0.55 | 1004 | 0.68 | 1073 | 0.82 | 1142 | 0.95 | 1210 | 1.09 | 1276 | 1.23 | 1339 | 1.36 | 1400 | 1.50 | 1457 | 1.63 |
| 1700 | 889   | 0.49 | 957  | 0.62 | 1026 | 0.76 | 1095 | 0.90 | 1164 | 1.03 | 1231 | 1.17 | 1297 | 1.30 | 1361 | 1.44 | 1422 | 1.57 | 1479 | 1.71 |
| 1800 | 911   | 0.57 | 979  | 0.71 | 1048 | 0.85 | 1117 | 0.98 | 1186 | 1.12 | 1253 | 1.25 | 1319 | 1.39 | 1383 | 1.53 | 1443 | 1.66 | 1501 | 1.79 |
| 1900 | 934   | 0.67 | 1002 | 0.81 | 1071 | 0.94 | 1140 | 1.08 | 1208 | 1.21 | 1276 | 1.35 | 1342 | 1.48 | 1405 | 1.62 | 1466 | 1.75 | 1523 | 1.89 |
| 2000 | 958   | 0.77 | 1026 | 0.91 | 1094 | 1.04 | 1164 | 1.18 | 1232 | 1.32 | 1300 | 1.45 | 1366 | 1.59 | 1429 | 1.72 | 1490 | 1.86 | 1547 | 1.99 |
| 2100 | 983   | 0.88 | 1051 | 1.02 | 1120 | 1.15 | 1189 | 1.29 | 1258 | 1.42 | 1325 | 1.56 | 1391 | 1.69 | 1455 | 1.83 | 1516 | 1.96 | 1573 | 2.10 |
| 2200 | 1010  | 0.99 | 1078 | 1.13 | 1147 | 1.26 | 1216 | 1.40 | 1285 | 1.54 | 1352 | 1.67 | 1418 | 1.81 | 1482 | 1.94 | 1543 | 2.08 | --   | --   |
| 2300 | 1039  | 1.11 | 1107 | 1.25 | 1176 | 1.38 | 1245 | 1.52 | 1314 | 1.65 | 1381 | 1.79 | 1447 | 1.93 | 1511 | 2.06 | 1572 | 2.20 | --   | --   |
| 2400 | 1070  | 1.23 | 1138 | 1.37 | 1207 | 1.50 | 1276 | 1.64 | 1345 | 1.78 | 1412 | 1.91 | 1478 | 2.05 | 1542 | 2.18 | --   | --   | --   | --   |
| 2500 | 1103  | 1.36 | 1171 | 1.49 | 1240 | 1.63 | 1309 | 1.77 | 1378 | 1.90 | 1445 | 2.04 | 1511 | 2.17 | 1575 | 2.31 | --   | --   | --   | --   |

|    |   |
|----|---|
|    | Medium Static Option with Motor rated at 2.4-hp |
|    | High Static Option with Motor rated at 2.9-hp   |
| -- | Exceeds recommended blower speed                |

1. Blower performance includes gas heat exchangers and 2" filters. See STATIC RESISTANCE table for additional applications.  
**Note:** See RPM SELECTION table to determine desired motor sheave setting and to determine the maximum continuous BHP.  
 kW = 0.929 x BHP

**ZL08-14 Side Duct Application (Belt Drive)**

**ZL08 (7.5 Ton) Side Duct**

| CFM  | AVAILABLE EXTERNAL STATIC PRESSURE - IWG <sup>1</sup> |      |     |      |     |      |     |      |     |      |     |      |     |      |      |      |      |      |      |      |
|------|---|------|-----|------|-----|------|-----|------|-----|------|-----|------|-----|------|------|------|------|------|------|------|
|      | 0.2   |      | 0.4 |      | 0.6 |      | 0.8 |      | 1.0 |      | 1.2 |      | 1.4 |      | 1.6  |      | 1.8  |      | 2.0  |      |
|      | RPM   | BHP  | RPM | BHP  | RPM | BHP  | RPM | BHP  | RPM | BHP  | RPM | BHP  | RPM | BHP  | RPM  | BHP  | RPM  | BHP  | RPM  | BHP  |
| 2250 | 547   | 0.39 | 610 | 0.60 | 670 | 0.81 | 727 | 1.01 | 783 | 1.21 | 836 | 1.41 | 888 | 1.59 | 939  | 1.78 | 989  | 1.96 | 1038 | 2.13 |
| 2400 | 556   | 0.47 | 619 | 0.69 | 679 | 0.90 | 736 | 1.10 | 792 | 1.30 | 845 | 1.49 | 897 | 1.68 | 948  | 1.86 | 998  | 2.04 | 1047 | 2.22 |
| 2600 | 568   | 0.60 | 631 | 0.81 | 691 | 1.02 | 749 | 1.22 | 804 | 1.42 | 857 | 1.61 | 909 | 1.80 | 960  | 1.99 | 1010 | 2.17 | 1059 | 2.34 |
| 2800 | 581   | 0.73 | 644 | 0.95 | 704 | 1.16 | 762 | 1.36 | 817 | 1.56 | 871 | 1.75 | 923 | 1.94 | 973  | 2.13 | 1023 | 2.31 | 1073 | 2.48 |
| 3000 | 595   | 0.89 | 658 | 1.10 | 718 | 1.31 | 776 | 1.51 | 831 | 1.71 | 885 | 1.91 | 937 | 2.09 | 988  | 2.28 | 1038 | 2.46 | 1087 | 2.63 |
| 3200 | 610   | 1.05 | 673 | 1.27 | 733 | 1.48 | 791 | 1.68 | 846 | 1.88 | 900 | 2.07 | 952 | 2.26 | 1003 | 2.44 | 1053 | 2.62 | --   | --   |
| 3400 | 627   | 1.23 | 689 | 1.45 | 750 | 1.66 | 807 | 1.86 | 863 | 2.06 | 916 | 2.25 | 968 | 2.44 | 1019 | 2.62 | 1069 | 2.80 | --   | --   |
| 3600 | 644   | 1.42 | 707 | 1.64 | 767 | 1.85 | 824 | 2.05 | 880 | 2.25 | 933 | 2.44 | 985 | 2.63 | 1036 | 2.82 | 1086 | 3.00 | --   | --   |
| 3750 | 657   | 1.58 | 720 | 1.79 | 780 | 2.00 | 838 | 2.20 | 893 | 2.40 | 947 | 2.60 | 999 | 2.78 | 1049 | 2.97 | 1099 | 3.15 | --   | --   |

|  |   |
|--|---|
|  | Standard Static Option with Motor rated at 2.4-hp |
|  | Medium Static Option with Motor rated at 2.4-hp   |
|  | High Static Option with Motor rated at 3.7-hp     |
|  | Exceeds recommended blower speed                  |

1. Blower performance includes gas heat exchangers and 2" filters. See STATIC RESISTANCE table for additional applications.  
**Note:** See RPM SELECTION table to determine desired motor sheave setting and to determine the maximum continuous BHP.  
 kW = 0.929 x BHP

**ZL09 (8.5 Ton) Side Duct**

| CFM  | AVAILABLE EXTERNAL STATIC PRESSURE - IWG <sup>1</sup> |      |     |      |     |      |     |      |     |      |     |      |      |      |      |      |      |      |      |      |
|------|---|------|-----|------|-----|------|-----|------|-----|------|-----|------|------|------|------|------|------|------|------|------|
|      | 0.2   |      | 0.4 |      | 0.6 |      | 0.8 |      | 1.0 |      | 1.2 |      | 1.4  |      | 1.6  |      | 1.8  |      | 2.0  |      |
|      | RPM   | BHP  | RPM | BHP  | RPM | BHP  | RPM | BHP  | RPM | BHP  | RPM | BHP  | RPM  | BHP  | RPM  | BHP  | RPM  | BHP  | RPM  | BHP  |
| 2550 | 565   | 0.56 | 628 | 0.78 | 688 | 0.99 | 745 | 1.19 | 801 | 1.39 | 854 | 1.58 | 906  | 1.77 | 957  | 1.95 | 1007 | 2.13 | 1056 | 2.31 |
| 2600 | 568   | 0.60 | 631 | 0.81 | 691 | 1.02 | 749 | 1.22 | 804 | 1.42 | 857 | 1.61 | 909  | 1.80 | 960  | 1.99 | 1010 | 2.17 | 1059 | 2.34 |
| 2800 | 581   | 0.73 | 644 | 0.95 | 704 | 1.16 | 762 | 1.36 | 817 | 1.56 | 871 | 1.75 | 923  | 1.94 | 973  | 2.13 | 1023 | 2.31 | 1073 | 2.48 |
| 3000 | 595   | 0.89 | 658 | 1.10 | 718 | 1.31 | 776 | 1.51 | 831 | 1.71 | 885 | 1.91 | 937  | 2.09 | 988  | 2.28 | 1038 | 2.46 | 1087 | 2.63 |
| 3200 | 610   | 1.05 | 673 | 1.27 | 733 | 1.48 | 791 | 1.68 | 846 | 1.88 | 900 | 2.07 | 952  | 2.26 | 1003 | 2.44 | 1053 | 2.62 | 1100 | 2.80 |
| 3400 | 627   | 1.23 | 689 | 1.45 | 750 | 1.66 | 807 | 1.86 | 863 | 2.06 | 916 | 2.25 | 968  | 2.44 | 1019 | 2.62 | 1069 | 2.80 | --   | --   |
| 3600 | 644   | 1.42 | 707 | 1.64 | 767 | 1.85 | 824 | 2.05 | 880 | 2.25 | 933 | 2.44 | 985  | 2.63 | 1036 | 2.82 | 1086 | 3.00 | --   | --   |
| 3800 | 662   | 1.63 | 725 | 1.84 | 785 | 2.05 | 842 | 2.26 | 898 | 2.46 | 951 | 2.65 | 1003 | 2.84 | 1054 | 3.02 | 1100 | 3.20 | --   | --   |
| 4000 | 681   | 1.85 | 744 | 2.06 | 804 | 2.27 | 861 | 2.47 | 917 | 2.67 | 970 | 2.87 | 1022 | 3.05 | 1073 | 3.24 | --   | --   | --   | --   |
| 4200 | 701   | 2.08 | 764 | 2.29 | 824 | 2.50 | 881 | 2.70 | 937 | 2.90 | 990 | 3.09 | 1042 | 3.28 | 1093 | 3.47 | --   | --   | --   | --   |
| 4250 | 706   | 2.14 | 769 | 2.35 | 829 | 2.56 | 887 | 2.76 | 942 | 2.96 | 996 | 3.15 | 1048 | 3.34 | 1098 | 3.53 | --   | --   | --   | --   |

|             |  |
|-------------|--|
|             | Standard Static Option with Motor rated at 2.4-hp                          |
|             | Medium Static Option with Motor rated at 2.4-hp                            |
|             | High Static Option with Motor rated at 3.7-hp                              |
| <b>Bold</b> | Field-supplied AK79 x 1 fixed pulley (p/n 9381) with Motor rated at 3.7-hp |
|             | Exceeds recommended blower speed   |

1. Blower performance includes gas heat exchangers and 2" filters. See STATIC RESISTANCE table for additional applications.  
**Note:** See RPM SELECTION table to determine desired motor sheave setting and to determine the maximum continuous BHP.  
 kW = 0.929 x BHP

ZL12 (10 Ton) Side Duct

| CFM  | AVAILABLE EXTERNAL STATIC PRESSURE - IWG <sup>1</sup> |      |     |      |     |      |      |      |      |      |      |      |      |      |      |      |      |      |      |      |
|------|---|------|-----|------|-----|------|------|------|------|------|------|------|------|------|------|------|------|------|------|------|
|      | 0.2   |      | 0.4 |      | 0.6 |      | 0.8  |      | 1.0  |      | 1.2  |      | 1.4  |      | 1.6  |      | 1.8  |      | 2.0  |      |
|      | RPM   | BHP  | RPM | BHP  | RPM | BHP  | RPM  | BHP  | RPM  | BHP  | RPM  | BHP  | RPM  | BHP  | RPM  | BHP  | RPM  | BHP  | RPM  | BHP  |
| 3000 | 653   | 0.79 | 706 | 1.02 | 758 | 1.25 | 808  | 1.49 | 858  | 1.72 | 907  | 1.95 | 955  | 2.18 | 1003 | 2.40 | 1049 | 2.62 | 1095 | 2.82 |
| 3200 | 667   | 0.94 | 720 | 1.17 | 771 | 1.40 | 822  | 1.64 | 872  | 1.88 | 921  | 2.11 | 969  | 2.34 | 1016 | 2.56 | 1063 | 2.77 | 1109 | 2.97 |
| 3400 | 682   | 1.11 | 734 | 1.34 | 786 | 1.57 | 837  | 1.81 | 887  | 2.04 | 936  | 2.28 | 984  | 2.50 | 1031 | 2.73 | 1078 | 2.94 | 1124 | 3.14 |
| 3600 | 697   | 1.29 | 750 | 1.52 | 802 | 1.76 | 853  | 1.99 | 903  | 2.23 | 952  | 2.46 | 1000 | 2.69 | 1047 | 2.91 | 1094 | 3.12 | 1140 | 3.32 |
| 3800 | 714   | 1.50 | 767 | 1.73 | 819 | 1.96 | 870  | 2.20 | 920  | 2.43 | 969  | 2.67 | 1017 | 2.90 | 1064 | 3.12 | 1111 | 3.33 | 1157 | 3.53 |
| 4000 | 733   | 1.73 | 786 | 1.96 | 837 | 2.19 | 888  | 2.43 | 938  | 2.66 | 987  | 2.90 | 1035 | 3.12 | 1083 | 3.34 | 1129 | 3.56 | 1174 | 3.76 |
| 4200 | 753   | 1.98 | 806 | 2.21 | 857 | 2.44 | 908  | 2.68 | 958  | 2.91 | 1007 | 3.15 | 1055 | 3.37 | 1102 | 3.60 | 1149 | 3.81 | --   | --   |
| 4400 | 774   | 2.25 | 827 | 2.48 | 879 | 2.72 | 930  | 2.95 | 979  | 3.19 | 1028 | 3.42 | 1076 | 3.65 | 1124 | 3.87 | 1170 | 4.08 | --   | --   |
| 4600 | 797   | 2.55 | 850 | 2.78 | 902 | 3.02 | 952  | 3.25 | 1002 | 3.49 | 1051 | 3.72 | 1099 | 3.95 | 1147 | 4.17 | --   | --   | --   | --   |
| 4800 | 822   | 2.88 | 874 | 3.11 | 926 | 3.34 | 977  | 3.58 | 1027 | 3.81 | 1076 | 4.05 | 1124 | 4.27 | 1171 | 4.50 | --   | --   | --   | --   |
| 5000 | 848   | 3.23 | 901 | 3.46 | 952 | 3.69 | 1003 | 3.93 | 1053 | 4.16 | 1102 | 4.40 | 1150 | 4.62 | --   | --   | --   | --   | --   | --   |

- Standard Static Option with Motor rated at 2.4-hp
- Medium Static Option with Motor rated at 3.7-hp
- High Static Option with Motor rated at 5.25-hp
- Exceeds recommended blower speed

1. Blower performance includes gas heat exchangers and 2" filters. See STATIC RESISTANCE table for additional applications.  
**Note:** See RPM SELECTION table to determine desired motor sheave setting and to determine the maximum continuous BHP.  
 kW = 0.929 x BHP

ZL14 (12.5 Ton) Side Duct

| CFM  | AVAILABLE EXTERNAL STATIC PRESSURE - IWG <sup>1</sup> |             |            |             |      |      |      |      |      |      |      |      |      |      |      |      |      |      |      |      |
|------|---|-------------|------------|-------------|------|------|------|------|------|------|------|------|------|------|------|------|------|------|------|------|
|      | 0.2   |             | 0.4        |             | 0.6  |      | 0.8  |      | 1.0  |      | 1.2  |      | 1.4  |      | 1.6  |      | 1.8  |      | 2.0  |      |
|      | RPM   | BHP         | RPM        | BHP         | RPM  | BHP  | RPM  | BHP  | RPM  | BHP  | RPM  | BHP  | RPM  | BHP  | RPM  | BHP  | RPM  | BHP  | RPM  | BHP  |
| 3750 | 684   | 1.33        | 741        | 1.56        | 792  | 1.81 | 840  | 2.07 | 884  | 2.33 | 927  | 2.60 | 971  | 2.85 | 1017 | 3.09 | 1066 | 3.30 | 1121 | 3.49 |
| 3800 | 688   | 1.38        | 745        | 1.61        | 797  | 1.85 | 844  | 2.12 | 888  | 2.38 | 932  | 2.65 | 976  | 2.90 | 1021 | 3.14 | 1071 | 3.35 | 1125 | 3.54 |
| 4000 | 706   | 1.58        | 763        | 1.81        | 814  | 2.06 | 861  | 2.32 | 906  | 2.59 | 949  | 2.85 | 993  | 3.11 | 1039 | 3.35 | 1088 | 3.56 | 1142 | 3.74 |
| 4200 | 724   | 1.81        | 781        | 2.04        | 832  | 2.29 | 879  | 2.55 | 924  | 2.82 | 967  | 3.08 | 1011 | 3.34 | 1057 | 3.57 | 1106 | 3.79 | 1160 | 3.97 |
| 4400 | 742   | 2.06        | 799        | 2.29        | 850  | 2.54 | 897  | 2.80 | 942  | 3.06 | 985  | 3.33 | 1029 | 3.58 | 1075 | 3.82 | 1124 | 4.03 | 1178 | 4.22 |
| 4600 | 760   | 2.32        | 817        | 2.55        | 869  | 2.80 | 916  | 3.06 | 960  | 3.33 | 1004 | 3.59 | 1048 | 3.85 | 1093 | 4.08 | 1143 | 4.30 | --   | --   |
| 4800 | 779   | 2.60        | 836        | 2.83        | 888  | 3.08 | 935  | 3.34 | 979  | 3.61 | 1023 | 3.88 | 1067 | 4.13 | 1112 | 4.37 | 1162 | 4.58 | --   | --   |
| 5000 | 799   | 2.91        | 856        | 3.14        | 907  | 3.39 | 954  | 3.65 | 999  | 3.91 | 1042 | 4.18 | 1086 | 4.43 | 1132 | 4.67 | --   | --   | --   | --   |
| 5200 | 819   | 3.23        | 876        | 3.46        | 927  | 3.71 | 974  | 3.97 | 1019 | 4.23 | 1062 | 4.50 | 1106 | 4.75 | 1152 | 4.99 | --   | --   | --   | --   |
| 5400 | 839   | 3.57        | <b>896</b> | <b>3.80</b> | 953  | 4.04 | 995  | 4.31 | 1039 | 4.57 | 1083 | 4.84 | 1127 | 5.09 | --   | --   | --   | --   | --   | --   |
| 5600 | <b>860</b>  | <b>3.92</b> | <b>917</b> | <b>4.15</b> | 969  | 4.40 | 1016 | 4.66 | 1060 | 4.93 | 1104 | 5.19 | --   | --   | --   | --   | --   | --   | --   | --   |
| 5800 | <b>882</b>  | <b>4.30</b> | <b>939</b> | <b>4.53</b> | 990  | 4.77 | 1037 | 5.04 | --   | --   | --   | --   | --   | --   | --   | --   | --   | --   | --   | --   |
| 6000 | <b>904</b>  | <b>4.69</b> | 961        | 4.92        | 1012 | 5.17 | --   | --   | --   | --   | --   | --   | --   | --   | --   | --   | --   | --   | --   | --   |

- Standard Static Option with Motor rated at 2.9-hp
- Medium Static Option with Motor rated at 3.7-hp
- High Static Option with Motor rated at 5.25-hp
- Field-supplied BK95 x 1 fixed pulley (p/n 1074787) with Motor rated at 5.25-hp
- Exceeds recommended Blower speed

1. Blower performance includes gas heat exchangers and 2" filters. See STATIC RESISTANCE table for additional applications.  
**Note:** See RPM SELECTION table to determine desired motor sheave setting and to determine the maximum continuous BHP.  
 kW = 0.857 x BHP for Standard Static option, kW = 0.829 x BHP for Medium and High Static options

**ZL08-14 Bottom Duct Application (Belt Drive)**

**ZL08 (7.5 Ton) Bottom Duct**

| CFM  | AVAILABLE EXTERNAL STATIC PRESSURE - IWG <sup>1</sup> |      |     |      |     |      |     |      |     |      |     |      |      |      |      |      |      |      |      |      |
|------|---|------|-----|------|-----|------|-----|------|-----|------|-----|------|------|------|------|------|------|------|------|------|
|      | 0.2   |      | 0.4 |      | 0.6 |      | 0.8 |      | 1.0 |      | 1.2 |      | 1.4  |      | 1.6  |      | 1.8  |      | 2.0  |      |
|      | RPM   | BHP  | RPM | BHP  | RPM | BHP  | RPM | BHP  | RPM | BHP  | RPM | BHP  | RPM  | BHP  | RPM  | BHP  | RPM  | BHP  | RPM  | BHP  |
| 2250 | 556   | 0.45 | 621 | 0.65 | 683 | 0.83 | 742 | 1.00 | 798 | 1.18 | 852 | 1.34 | 904  | 1.51 | 954  | 1.69 | 1003 | 1.87 | 1050 | 2.06 |
| 2400 | 567   | 0.53 | 632 | 0.73 | 694 | 0.91 | 753 | 1.09 | 809 | 1.26 | 863 | 1.43 | 914  | 1.60 | 964  | 1.77 | 1013 | 1.95 | 1060 | 2.14 |
| 2600 | 580   | 0.65 | 646 | 0.85 | 707 | 1.03 | 766 | 1.21 | 823 | 1.38 | 876 | 1.55 | 928  | 1.72 | 978  | 1.89 | 1027 | 2.07 | 1074 | 2.27 |
| 2800 | 595   | 0.79 | 660 | 0.99 | 722 | 1.17 | 780 | 1.35 | 837 | 1.52 | 890 | 1.69 | 942  | 1.86 | 992  | 2.03 | 1041 | 2.21 | 1088 | 2.40 |
| 3000 | 609   | 0.94 | 674 | 1.14 | 736 | 1.32 | 795 | 1.50 | 851 | 1.67 | 905 | 1.83 | 957  | 2.00 | 1007 | 2.18 | 1056 | 2.36 | 1100 | 2.55 |
| 3200 | 625   | 1.10 | 690 | 1.30 | 752 | 1.48 | 810 | 1.66 | 867 | 1.83 | 921 | 2.00 | 972  | 2.17 | 1022 | 2.34 | 1071 | 2.52 | --   | --   |
| 3400 | 641   | 1.28 | 706 | 1.47 | 768 | 1.66 | 827 | 1.83 | 883 | 2.00 | 937 | 2.17 | 989  | 2.34 | 1039 | 2.52 | 1087 | 2.70 | --   | --   |
| 3600 | 658   | 1.47 | 723 | 1.66 | 785 | 1.85 | 844 | 2.02 | 900 | 2.19 | 954 | 2.36 | 1006 | 2.53 | 1056 | 2.70 | 1100 | 2.89 | --   | --   |
| 3750 | 672   | 1.61 | 737 | 1.81 | 799 | 1.99 | 858 | 2.17 | 914 | 2.34 | 968 | 2.51 | 1019 | 2.68 | 1069 | 2.85 | --   | --   | --   | --   |

|  |   |
|--|---|
|  | Standard Static Option with Motor rated at 2.4-hp |
|  | Medium Static Option with Motor rated at 2.4-hp   |
|  | High Static Option with Motor rated at 3.7-hp     |
|  | Exceeds recommended blower speed                  |

1. Blower performance includes gas heat exchangers and 2" filters. See STATIC RESISTANCE table for additional applications.  
**Note:** See RPM SELECTION table to determine desired motor sheave setting and to determine the maximum continuous BHP.  
 kW = 0.929 x BHP

**ZL09 (8.5 Ton) Bottom Duct**

| CFM  | AVAILABLE EXTERNAL STATIC PRESSURE - IWG <sup>1</sup> |      |     |      |     |      |     |      |     |      |      |      |      |      |      |      |      |      |      |      |
|------|---|------|-----|------|-----|------|-----|------|-----|------|------|------|------|------|------|------|------|------|------|------|
|      | 0.2   |      | 0.4 |      | 0.6 |      | 0.8 |      | 1.0 |      | 1.2  |      | 1.4  |      | 1.6  |      | 1.8  |      | 2.0  |      |
|      | RPM   | BHP  | RPM | BHP  | RPM | BHP  | RPM | BHP  | RPM | BHP  | RPM  | BHP  | RPM  | BHP  | RPM  | BHP  | RPM  | BHP  | RPM  | BHP  |
| 2550 | 577   | 0.62 | 642 | 0.82 | 704 | 1.00 | 763 | 1.18 | 819 | 1.35 | 873  | 1.52 | 925  | 1.69 | 975  | 1.86 | 1023 | 2.04 | 1071 | 2.23 |
| 2600 | 580   | 0.65 | 646 | 0.85 | 707 | 1.03 | 766 | 1.21 | 823 | 1.38 | 876  | 1.55 | 928  | 1.72 | 978  | 1.89 | 1027 | 2.07 | 1074 | 2.27 |
| 2800 | 595   | 0.79 | 660 | 0.99 | 722 | 1.17 | 780 | 1.35 | 837 | 1.52 | 890  | 1.69 | 942  | 1.86 | 992  | 2.03 | 1041 | 2.21 | 1088 | 2.40 |
| 3000 | 609   | 0.94 | 674 | 1.14 | 736 | 1.32 | 795 | 1.50 | 851 | 1.67 | 905  | 1.83 | 957  | 2.00 | 1007 | 2.18 | 1056 | 2.36 | 1103 | 2.55 |
| 3200 | 625   | 1.10 | 690 | 1.30 | 752 | 1.48 | 810 | 1.66 | 867 | 1.83 | 921  | 2.00 | 972  | 2.17 | 1022 | 2.34 | 1071 | 2.52 | --   | --   |
| 3400 | 641   | 1.28 | 706 | 1.47 | 768 | 1.66 | 827 | 1.83 | 883 | 2.00 | 937  | 2.17 | 989  | 2.34 | 1039 | 2.52 | 1087 | 2.70 | --   | --   |
| 3600 | 658   | 1.47 | 723 | 1.66 | 785 | 1.85 | 844 | 2.02 | 900 | 2.19 | 954  | 2.36 | 1006 | 2.53 | 1056 | 2.70 | 1104 | 2.89 | --   | --   |
| 3800 | 676   | 1.67 | 742 | 1.86 | 803 | 2.04 | 862 | 2.22 | 918 | 2.39 | 972  | 2.56 | 1024 | 2.73 | 1074 | 2.90 | --   | --   | --   | --   |
| 4000 | 696   | 1.88 | 761 | 2.07 | 823 | 2.26 | 882 | 2.43 | 938 | 2.60 | 992  | 2.77 | 1043 | 2.94 | 1093 | 3.12 | --   | --   | --   | --   |
| 4200 | 716   | 2.10 | 781 | 2.29 | 843 | 2.48 | 902 | 2.65 | 958 | 2.82 | 1012 | 2.99 | 1064 | 3.16 | 1114 | 3.34 | --   | --   | --   | --   |
| 4250 | 721   | 2.16 | 786 | 2.35 | 848 | 2.53 | 907 | 2.71 | 963 | 2.88 | 1017 | 3.05 | 1069 | 3.22 | 1119 | 3.39 | --   | --   | --   | --   |

|  |  |
|--|--|
|  | Standard Static Option with Motor rated at 2.4-hp                          |
|  | Medium Static Option with Motor rated at 2.4-hp                            |
|  | High Static Option with Motor rated at 3.7-hp                              |
|  | Field-supplied AK79 x 1 fixed pulley (p/n 9381) with Motor rated at 3.7-hp |
|  | Exceeds recommended blower speed   |

1. Blower performance includes gas heat exchangers and 2" filters. See STATIC RESISTANCE table for additional applications.  
**Note:** See RPM SELECTION table to determine desired motor sheave setting and to determine the maximum continuous BHP.  
 kW = 0.929 x BHP

**ZL12 (10 Ton) Bottom Duct**

| CFM  | AVAILABLE EXTERNAL STATIC PRESSURE - IWG <sup>1</sup> |      |     |      |     |      |      |      |      |      |      |      |      |      |      |      |      |      |      |      |
|------|---|------|-----|------|-----|------|------|------|------|------|------|------|------|------|------|------|------|------|------|------|
|      | 0.2   |      | 0.4 |      | 0.6 |      | 0.8  |      | 1.0  |      | 1.2  |      | 1.4  |      | 1.6  |      | 1.8  |      | 2.0  |      |
|      | RPM   | BHP  | RPM | BHP  | RPM | BHP  | RPM  | BHP  | RPM  | BHP  | RPM  | BHP  | RPM  | BHP  | RPM  | BHP  | RPM  | BHP  | RPM  | BHP  |
| 2600 | 626   | 0.50 | 679 | 0.73 | 731 | 0.97 | 782  | 1.20 | 831  | 1.44 | 880  | 1.67 | 928  | 1.90 | 976  | 2.12 | 1022 | 2.33 | 1068 | 2.53 |
| 2800 | 639   | 0.64 | 692 | 0.87 | 744 | 1.11 | 795  | 1.34 | 845  | 1.58 | 894  | 1.81 | 942  | 2.04 | 989  | 2.26 | 1036 | 2.47 | 1082 | 2.67 |
| 3000 | 653   | 0.79 | 706 | 1.02 | 758 | 1.25 | 808  | 1.49 | 858  | 1.72 | 907  | 1.95 | 955  | 2.18 | 1003 | 2.40 | 1049 | 2.62 | 1095 | 2.82 |
| 3200 | 667   | 0.94 | 720 | 1.17 | 771 | 1.40 | 822  | 1.64 | 872  | 1.88 | 921  | 2.11 | 969  | 2.34 | 1016 | 2.56 | 1063 | 2.77 | 1109 | 2.97 |
| 3400 | 682   | 1.11 | 734 | 1.34 | 786 | 1.57 | 837  | 1.81 | 887  | 2.04 | 936  | 2.28 | 984  | 2.50 | 1031 | 2.73 | 1078 | 2.94 | 1124 | 3.14 |
| 3600 | 697   | 1.29 | 750 | 1.52 | 802 | 1.76 | 853  | 1.99 | 903  | 2.23 | 952  | 2.46 | 1000 | 2.69 | 1047 | 2.91 | 1094 | 3.12 | 1140 | 3.32 |
| 3800 | 714   | 1.50 | 767 | 1.73 | 819 | 1.96 | 870  | 2.20 | 920  | 2.43 | 969  | 2.67 | 1017 | 2.90 | 1064 | 3.12 | 1111 | 3.33 | 1157 | 3.53 |
| 4000 | 733   | 1.73 | 786 | 1.96 | 837 | 2.19 | 888  | 2.43 | 938  | 2.66 | 987  | 2.90 | 1035 | 3.12 | 1083 | 3.34 | 1129 | 3.56 | 1175 | 3.76 |
| 4200 | 753   | 1.98 | 806 | 2.21 | 857 | 2.44 | 908  | 2.68 | 958  | 2.91 | 1007 | 3.15 | 1055 | 3.37 | 1102 | 3.60 | 1149 | 3.81 | 1195 | 4.01 |
| 4400 | 774   | 2.25 | 827 | 2.48 | 879 | 2.72 | 930  | 2.95 | 979  | 3.19 | 1028 | 3.42 | 1076 | 3.65 | 1124 | 3.87 | 1170 | 4.08 | 1216 | 4.28 |
| 4600 | 797   | 2.55 | 850 | 2.78 | 902 | 3.02 | 952  | 3.25 | 1002 | 3.49 | 1051 | 3.72 | 1099 | 3.95 | 1147 | 4.17 | 1193 | 4.38 | 1239 | 4.58 |
| 4800 | 822   | 2.88 | 874 | 3.11 | 926 | 3.34 | 977  | 3.58 | 1027 | 3.81 | 1076 | 4.05 | 1124 | 4.27 | 1171 | 4.50 | 1218 | 4.71 | --   | --   |
| 5000 | 848   | 3.23 | 901 | 3.46 | 952 | 3.69 | 1003 | 3.93 | 1053 | 4.16 | 1102 | 4.40 | 1150 | 4.62 | 1197 | 4.84 | 1242 | 5.06 | --   | --   |

|  |   |
|--|---|
|  | Standard Static Option with Motor rated at 2.4-hp |
|  | Medium Static Option with Motor rated at 3.7-hp   |
|  | High Static Option with Motor rated at 5.25-hp    |
|  | Exceeds recommended blower speed                  |

1. Blower performance includes gas heat exchangers and 2" filters. See STATIC RESISTANCE table for additional applications.  
**Note:** See RPM SELECTION table to determine desired motor sheave setting and to determine the maximum continuous BHP.  
 kW = 0.929 x BHP

**ZL14 (12.5 Ton) Bottom Duct**

| CFM  | AVAILABLE EXTERNAL STATIC PRESSURE - IWG <sup>1</sup> |      |      |      |      |      |      |      |      |      |      |      |      |      |      |      |      |      |      |      |
|------|---|------|------|------|------|------|------|------|------|------|------|------|------|------|------|------|------|------|------|------|
|      | 0.2   |      | 0.4  |      | 0.6  |      | 0.8  |      | 1.0  |      | 1.2  |      | 1.4  |      | 1.6  |      | 1.8  |      | 2.0  |      |
|      | RPM   | BHP  | RPM  | BHP  | RPM  | BHP  | RPM  | BHP  | RPM  | BHP  | RPM  | BHP  | RPM  | BHP  | RPM  | BHP  | RPM  | BHP  | RPM  | BHP  |
| 3750 | 715   | 1.46 | 762  | 1.68 | 810  | 1.91 | 858  | 2.13 | 907  | 2.36 | 957  | 2.58 | 1008 | 2.80 | 1060 | 3.02 | 1113 | 3.24 | 1167 | 3.46 |
| 3800 | 720   | 1.51 | 766  | 1.73 | 814  | 1.96 | 862  | 2.18 | 911  | 2.41 | 961  | 2.63 | 1012 | 2.85 | 1064 | 3.07 | 1117 | 3.29 | 1171 | 3.51 |
| 4000 | 737   | 1.72 | 784  | 1.94 | 832  | 2.17 | 880  | 2.39 | 929  | 2.62 | 979  | 2.84 | 1030 | 3.07 | 1082 | 3.29 | 1135 | 3.51 | --   | --   |
| 4200 | 756   | 1.95 | 803  | 2.17 | 851  | 2.40 | 899  | 2.63 | 948  | 2.85 | 998  | 3.07 | 1049 | 3.30 | 1101 | 3.52 | 1154 | 3.74 | --   | --   |
| 4400 | 777   | 2.20 | 824  | 2.42 | 871  | 2.65 | 920  | 2.87 | 969  | 3.10 | 1019 | 3.32 | 1069 | 3.55 | 1121 | 3.77 | 1174 | 3.98 | --   | --   |
| 4600 | 799   | 2.47 | 846  | 2.69 | 893  | 2.92 | 941  | 3.14 | 990  | 3.37 | 1040 | 3.59 | 1091 | 3.81 | 1143 | 4.04 | --   | --   | --   | --   |
| 4800 | 822   | 2.75 | 869  | 2.98 | 916  | 3.20 | 965  | 3.43 | 1014 | 3.65 | 1064 | 3.88 | 1114 | 4.10 | 1166 | 4.32 | --   | --   | --   | --   |
| 5000 | 846   | 3.06 | 893  | 3.28 | 941  | 3.51 | 989  | 3.73 | 1038 | 3.96 | 1088 | 4.18 | 1139 | 4.41 | --   | --   | --   | --   | --   | --   |
| 5200 | 872   | 3.39 | 919  | 3.61 | 966  | 3.83 | 1015 | 4.06 | 1064 | 4.28 | 1114 | 4.51 | 1164 | 4.73 | --   | --   | --   | --   | --   | --   |
| 5400 | 899   | 3.73 | 946  | 3.95 | 993  | 4.18 | 1042 | 4.40 | 1091 | 4.63 | 1141 | 4.85 | --   | --   | --   | --   | --   | --   | --   | --   |
| 5600 | 927   | 4.09 | 974  | 4.32 | 1021 | 4.54 | 1070 | 4.77 | 1119 | 4.99 | 1169 | 5.22 | --   | --   | --   | --   | --   | --   | --   | --   |
| 5800 | 956   | 4.47 | 1003 | 4.70 | 1051 | 4.92 | 1099 | 5.15 | --   | --   | --   | --   | --   | --   | --   | --   | --   | --   | --   | --   |
| 6000 | 987   | 4.87 | 1034 | 5.10 | --   | --   | --   | --   | --   | --   | --   | --   | --   | --   | --   | --   | --   | --   | --   | --   |

|  |   |
|--|---|
|  | Standard Static Option with Motor rated at 2.4-hp |
|  | Medium Static Option with Motor rated at 3.7-hp   |
|  | High Static Option with Motor rated at 5.25-hp    |

1. Blower performance includes gas heat exchangers and 2" filters. See STATIC RESISTANCE table for additional applications.  
**Note:** See RPM SELECTION table to determine desired motor sheave setting and to determine the maximum continuous BHP.  
 kW = 0.857 x BHP for Standard Static option, kW = 0.829 x BHP for Medium and High Static options

**ZY04-06 Side Duct Application (Direct Drive)**

**ZY04-06 Side Duct (Cooling)**

| Unit<br>(Ton) | Motor<br>Speed | Available External Static |       |     |      |       |     |      |       |      |      |       |      |      |       |      |
|---------------|----------------|---------------------------|-------|-----|------|-------|-----|------|-------|------|------|-------|------|------|-------|------|
|               |                | 0.2                       |       |     | 0.4  |       |     | 0.6  |       |      | 0.8  |       |      | 1.0  |       |      |
|               |                | CFM                       | WATTS | RPM | CFM  | WATTS | RPM | CFM  | WATTS | RPM  | CFM  | WATTS | RPM  | CFM  | WATTS | RPM  |
| ZY04<br>(3)   | 1 (LOW)        | 987                       | 120   | 651 | 813  | 145   | 774 | 698  | 162   | 864  | 541  | 180   | 959  | 383  | 201   | 1047 |
|               | 2 (MED/LOW)    | 1079                      | 144   | 677 | 936  | 171   | 795 | 793  | 190   | 886  | 692  | 214   | 975  | 521  | 232   | 1063 |
|               | 3 (MED)        | 1153                      | 166   | 701 | 1037 | 195   | 812 | 875  | 221   | 913  | 786  | 239   | 986  | 654  | 263   | 1076 |
|               | 4 (MED/HI)     | 1191                      | 178   | 712 | 1086 | 206   | 815 | 927  | 233   | 916  | 837  | 257   | 998  | 711  | 278   | 1083 |
|               | 5 (HI)         | 1326                      | 229   | 757 | 1235 | 261   | 856 | 1124 | 291   | 951  | 973  | 319   | 1035 | 896  | 336   | 1099 |
| ZY05<br>(4)   | 1 (LOW)        | 1302                      | 207   | 727 | 1188 | 240   | 841 | 1037 | 266   | 933  | 941  | 296   | 1022 | 882  | 318   | 1098 |
|               | 2 (MED/LOW)    | 1421                      | 247   | 757 | 1323 | 282   | 861 | 1209 | 315   | 958  | 1064 | 346   | 1043 | 993  | 368   | 1116 |
|               | 3 (MED)        | 1538                      | 297   | 795 | 1453 | 332   | 888 | 1343 | 367   | 982  | 1216 | 396   | 1058 | 1093 | 427   | 1146 |
|               | 4 (MED/HI)     | 1571                      | 315   | 809 | 1496 | 352   | 898 | 1385 | 389   | 996  | 1288 | 420   | 1072 | 1135 | 444   | 1147 |
|               | 5 (HI)         | 1779                      | 432   | 878 | 1707 | 470   | 960 | 1615 | 511   | 1042 | 1516 | 544   | 1123 | 1165 | 468   | 1160 |
| ZY06<br>(5)   | 1 (LOW)        | 1588                      | 298   | 695 | 1517 | 330   | 761 | 1409 | 358   | 835  | 1273 | 393   | 913  | 1167 | 418   | 973  |
|               | 2 (MED/LOW)    | 1624                      | 321   | 713 | 1557 | 352   | 777 | 1464 | 383   | 845  | 1315 | 418   | 924  | 1224 | 446   | 983  |
|               | 3 (MED)        | 1942                      | 504   | 792 | 1881 | 536   | 852 | 1800 | 565   | 908  | 1714 | 605   | 969  | 1611 | 644   | 1038 |
|               | 4 (MED/HI)     | 2146                      | 631   | 840 | 2064 | 692   | 908 | 2001 | 713   | 954  | 1932 | 757   | 1007 | 1843 | 794   | 1065 |
|               | 5 (HI)         | 2316                      | 812   | 892 | 2240 | 861   | 954 | 2181 | 894   | 1000 | 2113 | 938   | 1045 | 2003 | 946   | 1093 |

**ZY04-06 Side Duct (Gas Heat)**

| Unit<br>(Ton) | Motor<br>Speed | Available External Static |       |      |      |       |      |      |       |      |      |       |      |      |       |      |
|---------------|----------------|---------------------------|-------|------|------|-------|------|------|-------|------|------|-------|------|------|-------|------|
|               |                | 0.2                       |       |      | 0.4  |       |      | 0.6  |       |      | 0.8  |       |      | 1.0  |       |      |
|               |                | CFM                       | WATTS | RPM  | CFM  | WATTS | RPM  | CFM  | WATTS | RPM  | CFM  | WATTS | RPM  | CFM  | WATTS | RPM  |
| ZY04<br>(3)   | 1 (LOW)        | 978                       | 125   | 684  | 853  | 149   | 797  | 734  | 172   | 906  | 596  | 190   | 998  | 445  | 203   | 1068 |
|               | 2 (MED/LOW)    | 1078                      | 153   | 721  | 962  | 175   | 817  | 846  | 200   | 922  | 726  | 226   | 1026 | 599  | 241   | 1098 |
|               | 3 (MED)        | 1153                      | 178   | 748  | 1045 | 199   | 837  | 934  | 226   | 937  | 831  | 251   | 1031 | 709  | 272   | 1114 |
|               | 4 (MED/HI)     | 1315                      | 248   | 819  | 1239 | 272   | 895  | 1138 | 300   | 980  | 1037 | 323   | 1062 | 922  | 343   | 1144 |
|               | 5 (HI)         | 1728                      | 484   | 959  | 1649 | 515   | 1027 | 1579 | 544   | 1089 | 1425 | 524   | 1138 | 1001 | 405   | 1168 |
| ZY05<br>(4)   | 1 (LOW)        | 1299                      | 223   | 786  | 1226 | 249   | 871  | 1137 | 273   | 956  | 1031 | 303   | 1051 | 923  | 329   | 1143 |
|               | 2 (MED/LOW)    | 1413                      | 272   | 832  | 1349 | 299   | 906  | 1266 | 325   | 982  | 1160 | 352   | 1070 | 1042 | 370   | 1155 |
|               | 3 (MED)        | 1514                      | 327   | 878  | 1456 | 353   | 942  | 1389 | 381   | 1014 | 1298 | 408   | 1089 | 1133 | 405   | 1165 |
|               | 4 (MED/HI)     | 1751                      | 472   | 972  | 1698 | 502   | 1033 | 1639 | 534   | 1088 | 1543 | 536   | 1142 | 1156 | 420   | 1172 |
|               | 5 (HI)         | 2093                      | 768   | 1116 | 1944 | 717   | 1137 | 1764 | 651   | 1152 | 1506 | 552   | 1163 | 1146 | 441   | 1177 |
| ZY06<br>(5)   | 1 (LOW)        | 1528                      | 328   | 781  | 1427 | 356   | 850  | 1346 | 386   | 912  | 1256 | 410   | 969  | 1181 | 434   | 1022 |
|               | 2 (MED/LOW)    | 1575                      | 362   | 803  | 1488 | 391   | 871  | 1401 | 419   | 929  | 1319 | 445   | 985  | 1247 | 469   | 1037 |
|               | 3 (MED)        | 1867                      | 572   | 902  | 1795 | 601   | 963  | 1709 | 628   | 1015 | 1633 | 652   | 1061 | 1544 | 671   | 1110 |
|               | 4 (MED/HI)     | 2049                      | 718   | 968  | 1969 | 768   | 1026 | 1902 | 788   | 1070 | 1808 | 802   | 1110 | 1637 | 744   | 1132 |
|               | 5 (HI)         | 2218                      | 899   | 1021 | 2138 | 928   | 1074 | 2007 | 907   | 1105 | 1846 | 842   | 1123 | 1671 | 767   | 1139 |

**ZY04-06 Bottom Duct Application (Direct Drive)****ZY04-06 Bottom Duct (Cooling)**

| Unit<br>(Ton) | Motor<br>Speed | Available External Static |       |     |      |       |      |      |       |      |      |       |      |      |       |      |
|---------------|----------------|---------------------------|-------|-----|------|-------|------|------|-------|------|------|-------|------|------|-------|------|
|               |                | 0.2                       |       |     | 0.4  |       |      | 0.6  |       |      | 0.8  |       |      | 1.0  |       |      |
|               |                | CFM                       | WATTS | RPM | CFM  | WATTS | RPM  | CFM  | WATTS | RPM  | CFM  | WATTS | RPM  | CFM  | WATTS | RPM  |
| ZY04<br>(3)   | 1 (LOW)        | 929                       | 128   | 699 | 782  | 148   | 794  | 663  | 164   | 880  | 514  | 187   | 976  | 377  | 202   | 1053 |
|               | 2 (MED/LOW)    | 1036                      | 157   | 732 | 870  | 177   | 827  | 803  | 198   | 905  | 649  | 217   | 996  | 508  | 236   | 1074 |
|               | 3 (MED)        | 1106                      | 181   | 760 | 956  | 204   | 849  | 878  | 225   | 928  | 755  | 245   | 1010 | 616  | 266   | 1092 |
|               | 4 (MED/HI)     | 1147                      | 197   | 776 | 1042 | 218   | 860  | 916  | 243   | 944  | 820  | 262   | 1017 | 671  | 286   | 1103 |
|               | 5 (HI)         | 1272                      | 252   | 830 | 1177 | 277   | 909  | 1037 | 304   | 986  | 975  | 323   | 1053 | 872  | 347   | 1125 |
| ZY05<br>(4)   | 1 (LOW)        | 1256                      | 220   | 776 | 1170 | 242   | 851  | 1077 | 266   | 931  | 988  | 298   | 1025 | 872  | 321   | 1113 |
|               | 2 (MED/LOW)    | 1350                      | 272   | 828 | 1279 | 292   | 893  | 1196 | 320   | 966  | 1105 | 347   | 1048 | 1003 | 372   | 1131 |
|               | 3 (MED)        | 1449                      | 323   | 866 | 1380 | 350   | 937  | 1303 | 370   | 996  | 1223 | 402   | 1071 | 1133 | 428   | 1149 |
|               | 4 (MED/HI)     | 1488                      | 345   | 882 | 1418 | 374   | 954  | 1357 | 394   | 1006 | 1264 | 424   | 1083 | 1160 | 442   | 1155 |
|               | 5 (HI)         | 1677                      | 471   | 966 | 1602 | 507   | 1034 | 1543 | 525   | 1083 | 1475 | 545   | 1131 | 1209 | 465   | 1162 |
| ZY06<br>(5)   | 1 (LOW)        | 1548                      | 310   | 720 | 1441 | 336   | 792  | 1337 | 370   | 864  | 1213 | 397   | 928  | 1097 | 421   | 988  |
|               | 2 (MED/LOW)    | 1593                      | 337   | 738 | 1488 | 363   | 805  | 1381 | 394   | 875  | 1271 | 425   | 937  | 1150 | 451   | 997  |
|               | 3 (MED)        | 1880                      | 532   | 827 | 1792 | 563   | 890  | 1719 | 588   | 944  | 1632 | 629   | 1006 | 1527 | 652   | 1061 |
|               | 4 (MED/HI)     | 2066                      | 689   | 895 | 1999 | 712   | 942  | 1907 | 761   | 999  | 1830 | 773   | 1048 | 1734 | 809   | 1100 |
|               | 5 (HI)         | 2237                      | 862   | 949 | 2163 | 882   | 996  | 2097 | 929   | 1036 | 1998 | 946   | 1085 | 1815 | 883   | 1115 |

**ZY04-06 Bottom Duct (Gas Heat)**

| Unit<br>(Ton) | Motor<br>Speed | Available External Static |       |      |      |       |      |      |       |      |      |       |      |      |       |      |
|---------------|----------------|---------------------------|-------|------|------|-------|------|------|-------|------|------|-------|------|------|-------|------|
|               |                | 0.2                       |       |      | 0.4  |       |      | 0.6  |       |      | 0.8  |       |      | 1.0  |       |      |
|               |                | CFM                       | WATTS | RPM  | CFM  | WATTS | RPM  | CFM  | WATTS | RPM  | CFM  | WATTS | RPM  | CFM  | WATTS | RPM  |
| ZY04<br>(3)   | 1 (LOW)        | 969                       | 130   | 703  | 839  | 151   | 810  | 717  | 174   | 916  | 569  | 191   | 1006 | 444  | 204   | 1069 |
|               | 2 (MED/LOW)    | 1063                      | 158   | 741  | 955  | 180   | 834  | 828  | 204   | 938  | 709  | 227   | 1030 | 583  | 242   | 1100 |
|               | 3 (MED)        | 1135                      | 182   | 769  | 1041 | 208   | 858  | 919  | 229   | 952  | 805  | 254   | 1045 | 681  | 275   | 1127 |
|               | 4 (MED/HI)     | 1310                      | 256   | 842  | 1225 | 279   | 917  | 1123 | 307   | 1001 | 1029 | 334   | 1083 | 863  | 335   | 1155 |
|               | 5 (HI)         | 1680                      | 501   | 997  | 1622 | 526   | 1056 | 1538 | 546   | 1119 | 1296 | 485   | 1153 | 939  | 374   | 1176 |
| ZY05<br>(4)   | 1 (LOW)        | 1277                      | 228   | 801  | 1196 | 251   | 878  | 1096 | 278   | 967  | 983  | 305   | 1062 | 873  | 329   | 1156 |
|               | 2 (MED/LOW)    | 1382                      | 278   | 847  | 1307 | 302   | 916  | 1217 | 327   | 994  | 1108 | 355   | 1083 | 949  | 359   | 1164 |
|               | 3 (MED)        | 1486                      | 331   | 888  | 1417 | 359   | 957  | 1331 | 385   | 1028 | 1237 | 410   | 1103 | 1023 | 385   | 1169 |
|               | 4 (MED/HI)     | 1717                      | 473   | 991  | 1653 | 509   | 1052 | 1586 | 538   | 1107 | 1443 | 521   | 1150 | 1052 | 394   | 1175 |
|               | 5 (HI)         | 2006                      | 738   | 1132 | 1854 | 682   | 1147 | 1704 | 621   | 1154 | 1504 | 552   | 1168 | 1073 | 418   | 1177 |
| ZY06<br>(5)   | 1 (LOW)        | 1488                      | 335   | 787  | 1400 | 363   | 851  | 1320 | 389   | 910  | 1242 | 416   | 969  | 1160 | 440   | 1027 |
|               | 2 (MED/LOW)    | 1536                      | 364   | 803  | 1453 | 392   | 864  | 1363 | 419   | 924  | 1293 | 447   | 981  | 1212 | 471   | 1037 |
|               | 3 (MED)        | 1822                      | 586   | 914  | 1752 | 602   | 966  | 1666 | 632   | 1017 | 1586 | 656   | 1066 | 1503 | 676   | 1113 |
|               | 4 (MED/HI)     | 1999                      | 726   | 982  | 1932 | 761   | 1030 | 1860 | 809   | 1076 | 1753 | 799   | 1114 | 1598 | 749   | 1134 |
|               | 5 (HI)         | 2170                      | 932   | 1040 | 2091 | 930   | 1084 | 1965 | 910   | 1109 | 1798 | 843   | 1127 | 1618 | 763   | 1139 |

**ZQ04-06 Side Duct Application (Direct Drive)**

**ZQ04-06 Side Duct (Cooling)**

| Unit (Ton) | Motor Speed | Available External Static |       |      |      |       |      |      |       |      |      |       |      |      |       |      |
|------------|-------------|---------------------------|-------|------|------|-------|------|------|-------|------|------|-------|------|------|-------|------|
|            |             | 0.2                       |       |      | 0.4  |       |      | 0.6  |       |      | 0.8  |       |      | 1.0  |       |      |
|            |             | CFM                       | WATTS | RPM  | CFM  | WATTS | RPM  | CFM  | WATTS | RPM  | CFM  | WATTS | RPM  | CFM  | WATTS | RPM  |
| ZQ04 (3)   | 1 (LOW)     | 1147                      | 152   | 659  | 988  | 181   | 787  | 901  | 203   | 891  | 800  | 226   | 987  | 682  | 247   | 1071 |
|            | 2 (MED/LOW) | 1214                      | 175   | 683  | 1094 | 206   | 810  | 965  | 232   | 896  | 898  | 258   | 1003 | 794  | 276   | 1084 |
|            | 3 (MED)     | 1402                      | 234   | 735  | 1324 | 264   | 835  | 1161 | 302   | 947  | 1074 | 329   | 1034 | 986  | 351   | 1114 |
|            | 4 (MED/HI)  | 1570                      | 310   | 791  | 1512 | 348   | 884  | 1429 | 381   | 977  | 1253 | 420   | 1079 | 1130 | 423   | 1148 |
|            | 5 (HI)      | 1825                      | 448   | 866  | 1769 | 487   | 946  | 1705 | 521   | 1023 | 1610 | 559   | 1107 | 1229 | 472   | 1159 |
| ZQ05 (4)   | 1 (LOW)     | 1412                      | 261   | 793  | 1322 | 290   | 884  | 1244 | 321   | 966  | 1109 | 347   | 1059 | 1035 | 369   | 1131 |
|            | 2 (MED/LOW) | 1521                      | 313   | 831  | 1461 | 349   | 920  | 1382 | 374   | 989  | 1283 | 400   | 1072 | 1166 | 426   | 1150 |
|            | 3 (MED)     | 1636                      | 376   | 874  | 1574 | 413   | 959  | 1487 | 441   | 1034 | 1413 | 465   | 1099 | 1184 | 446   | 1164 |
|            | 4 (MED/HI)  | 1813                      | 484   | 937  | 1747 | 522   | 1013 | 1668 | 552   | 1088 | 1581 | 565   | 1141 | 1212 | 458   | 1170 |
|            | 5 (HI)      | 2351                      | 920   | 1111 | 2129 | 819   | 1138 | 1912 | 718   | 1153 | 1678 | 622   | 1164 | 1378 | 513   | 1176 |
| ZQ06 (5)   | 1 (LOW)     | 1692                      | 345   | 727  | 1583 | 374   | 797  | 1482 | 403   | 866  | 1380 | 437   | 939  | 1262 | 462   | 1000 |
|            | 2 (MED/LOW) | 1849                      | 438   | 779  | 1755 | 468   | 843  | 1667 | 495   | 902  | 1552 | 530   | 971  | 1439 | 558   | 1033 |
|            | 3 (MED)     | 1989                      | 532   | 818  | 1904 | 564   | 877  | 1828 | 598   | 935  | 1738 | 628   | 994  | 1633 | 664   | 1058 |
|            | 4 (MED/HI)  | 2159                      | 673   | 876  | 2087 | 713   | 931  | 2010 | 729   | 985  | 1933 | 778   | 1035 | 1859 | 812   | 1091 |
|            | 5 (HI)      | 2349                      | 852   | 928  | 2270 | 887   | 978  | 2195 | 922   | 1028 | 2118 | 947   | 1075 | 1973 | 914   | 1109 |

**ZQ04-06 Side Duct (Gas Heat)**

| Unit (Ton) | Motor Speed | Available External Static |       |      |      |       |      |      |       |      |      |       |      |      |       |      |
|------------|-------------|---------------------------|-------|------|------|-------|------|------|-------|------|------|-------|------|------|-------|------|
|            |             | 0.2                       |       |      | 0.4  |       |      | 0.6  |       |      | 0.8  |       |      | 1.0  |       |      |
|            |             | CFM                       | WATTS | RPM  | CFM  | WATTS | RPM  | CFM  | WATTS | RPM  | CFM  | WATTS | RPM  | CFM  | WATTS | RPM  |
| ZQ04 (3)   | 1 (LOW)     | 1094                      | 165   | 715  | 956  | 187   | 828  | 851  | 213   | 932  | 752  | 237   | 1026 | 638  | 253   | 1100 |
|            | 2 (MED/LOW) | 1180                      | 189   | 735  | 1064 | 216   | 842  | 940  | 242   | 945  | 849  | 263   | 1029 | 748  | 286   | 1116 |
|            | 3 (MED)     | 1353                      | 251   | 790  | 1271 | 280   | 883  | 1138 | 310   | 979  | 1036 | 338   | 1068 | 958  | 362   | 1144 |
|            | 4 (MED/HI)  | 1517                      | 340   | 863  | 1450 | 374   | 940  | 1364 | 398   | 1021 | 1232 | 434   | 1114 | 1022 | 393   | 1163 |
|            | 5 (HI)      | 1763                      | 490   | 953  | 1690 | 520   | 1020 | 1619 | 549   | 1086 | 1442 | 525   | 1140 | 1070 | 413   | 1168 |
| ZQ05 (4)   | 1 (LOW)     | 1356                      | 285   | 870  | 1280 | 308   | 939  | 1185 | 332   | 1019 | 1074 | 364   | 1113 | 850  | 343   | 1179 |
|            | 2 (MED/LOW) | 1459                      | 349   | 920  | 1390 | 371   | 985  | 1306 | 393   | 1050 | 1195 | 421   | 1133 | 862  | 350   | 1182 |
|            | 3 (MED)     | 1553                      | 412   | 973  | 1475 | 442   | 1039 | 1415 | 462   | 1092 | 1289 | 469   | 1155 | 880  | 357   | 1182 |
|            | 4 (MED/HI)  | 1718                      | 530   | 1040 | 1645 | 562   | 1102 | 1534 | 555   | 1147 | 1377 | 510   | 1165 | 961  | 390   | 1183 |
|            | 5 (HI)      | 1955                      | 737   | 1146 | 1780 | 665   | 1156 | 1587 | 599   | 1168 | 1407 | 529   | 1175 | 902  | 366   | 1186 |
| ZQ06 (5)   | 1 (LOW)     | 1570                      | 372   | 791  | 1463 | 399   | 855  | 1358 | 425   | 918  | 1260 | 456   | 983  | 1161 | 481   | 1044 |
|            | 2 (MED/LOW) | 1740                      | 468   | 845  | 1638 | 496   | 903  | 1543 | 529   | 965  | 1454 | 553   | 1015 | 1360 | 578   | 1070 |
|            | 3 (MED)     | 1882                      | 569   | 889  | 1786 | 601   | 947  | 1687 | 629   | 1002 | 1587 | 660   | 1053 | 1487 | 680   | 1105 |
|            | 4 (MED/HI)  | 2052                      | 732   | 955  | 1967 | 749   | 999  | 1883 | 778   | 1049 | 1788 | 808   | 1099 | 1621 | 778   | 1130 |
|            | 5 (HI)      | 2227                      | 905   | 1004 | 2138 | 937   | 1051 | 2038 | 947   | 1091 | 1869 | 887   | 1118 | 1662 | 811   | 1137 |



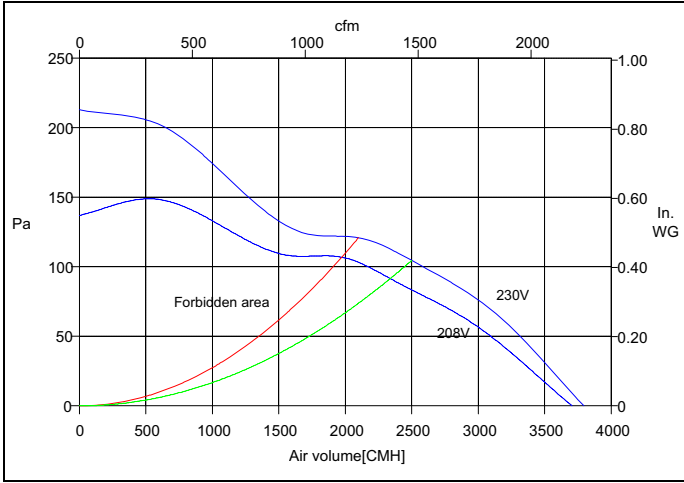
**ZQ04-06 Bottom Duct Application (Direct Drive)****ZQ04-06 Bottom Duct (Cooling)**

| Unit<br>(Ton) | Motor<br>Speed | Available External Static |       |      |      |       |      |      |       |      |      |       |      |      |       |      |
|---------------|----------------|---------------------------|-------|------|------|-------|------|------|-------|------|------|-------|------|------|-------|------|
|               |                | 0.2                       |       |      | 0.4  |       |      | 0.6  |       |      | 0.8  |       |      | 1.0  |       |      |
|               |                | CFM                       | WATTS | RPM  | CFM  | WATTS | RPM  | CFM  | WATTS | RPM  | CFM  | WATTS | RPM  | CFM  | WATTS | RPM  |
| ZQ04<br>(3)   | 1 (LOW)        | 1086                      | 165   | 721  | 929  | 192   | 837  | 861  | 211   | 927  | 769  | 235   | 1023 | 636  | 253   | 1108 |
|               | 2 (MED/LOW)    | 1171                      | 192   | 745  | 1035 | 221   | 856  | 946  | 241   | 944  | 868  | 267   | 1037 | 771  | 290   | 1119 |
|               | 3 (MED)        | 1328                      | 257   | 806  | 1255 | 280   | 890  | 1106 | 316   | 993  | 1038 | 336   | 1068 | 944  | 354   | 1148 |
|               | 4 (MED/HI)     | 1509                      | 340   | 867  | 1449 | 376   | 953  | 1309 | 407   | 1046 | 1210 | 436   | 1121 | 1002 | 387   | 1162 |
|               | 5 (HI)         | 1740                      | 490   | 959  | 1683 | 522   | 1033 | 1618 | 555   | 1101 | 1315 | 500   | 1149 | 1037 | 404   | 1168 |
| ZQ05<br>(4)   | 1 (LOW)        | 1330                      | 284   | 863  | 1261 | 302   | 929  | 1172 | 329   | 1006 | 1053 | 353   | 1088 | 970  | 376   | 1162 |
|               | 2 (MED/LOW)    | 1458                      | 349   | 917  | 1385 | 372   | 981  | 1307 | 395   | 1047 | 1174 | 421   | 1129 | 1023 | 398   | 1170 |
|               | 3 (MED)        | 1553                      | 414   | 965  | 1477 | 440   | 1033 | 1427 | 461   | 1086 | 1334 | 480   | 1148 | 1017 | 400   | 1175 |
|               | 4 (MED/HI)     | 1714                      | 532   | 1041 | 1638 | 563   | 1107 | 1555 | 563   | 1143 | 1374 | 503   | 1161 | 1033 | 406   | 1176 |
|               | 5 (HI)         | 1935                      | 740   | 1150 | 1768 | 667   | 1160 | 1610 | 610   | 1167 | 1421 | 536   | 1175 | 1061 | 421   | 1183 |
| ZQ06<br>(5)   | 1 (LOW)        | 1600                      | 355   | 759  | 1518 | 390   | 831  | 1437 | 418   | 897  | 1324 | 445   | 961  | 1224 | 469   | 1020 |
|               | 2 (MED/LOW)    | 1760                      | 449   | 811  | 1676 | 486   | 879  | 1587 | 514   | 938  | 1497 | 547   | 999  | 1414 | 574   | 1057 |
|               | 3 (MED)        | 1898                      | 554   | 859  | 1809 | 587   | 921  | 1735 | 619   | 977  | 1641 | 647   | 1035 | 1549 | 675   | 1088 |
|               | 4 (MED/HI)     | 2072                      | 708   | 923  | 1991 | 741   | 977  | 1917 | 775   | 1029 | 1836 | 802   | 1079 | 1702 | 794   | 1122 |
|               | 5 (HI)         | 2228                      | 884   | 980  | 2151 | 919   | 1031 | 2072 | 944   | 1077 | 1945 | 914   | 1109 | 1731 | 822   | 1131 |

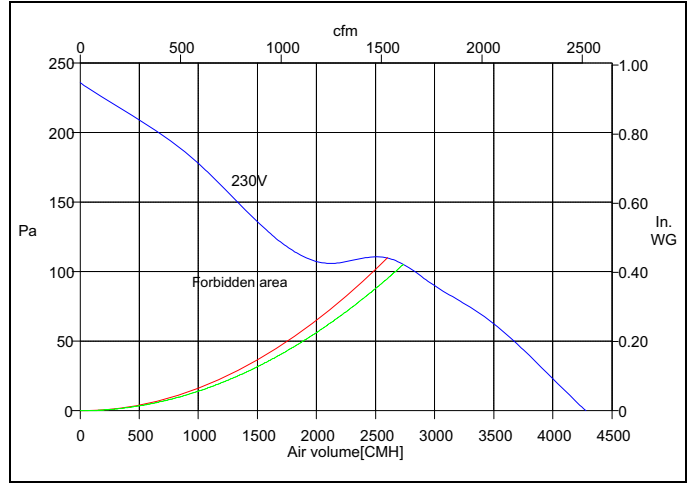
**ZQ04-06 Bottom Duct (Gas Heat)**

| Unit<br>(Ton) | Motor<br>Speed | Available External Static |       |      |      |       |      |      |       |      |      |       |      |      |       |      |
|---------------|----------------|---------------------------|-------|------|------|-------|------|------|-------|------|------|-------|------|------|-------|------|
|               |                | 0.2                       |       |      | 0.4  |       |      | 0.6  |       |      | 0.8  |       |      | 1.0  |       |      |
|               |                | CFM                       | WATTS | RPM  | CFM  | WATTS | RPM  | CFM  | WATTS | RPM  | CFM  | WATTS | RPM  | CFM  | WATTS | RPM  |
| ZQ04<br>(3)   | 1 (LOW)        | 1047                      | 167   | 733  | 903  | 195   | 854  | 808  | 220   | 956  | 693  | 238   | 1042 | 567  | 254   | 1115 |
|               | 2 (MED/LOW)    | 1122                      | 197   | 769  | 995  | 225   | 876  | 899  | 252   | 979  | 804  | 276   | 1065 | 682  | 294   | 1143 |
|               | 3 (MED)        | 1275                      | 262   | 829  | 1197 | 291   | 916  | 1058 | 324   | 1025 | 963  | 350   | 1108 | 792  | 334   | 1165 |
|               | 4 (MED/HI)     | 1461                      | 353   | 895  | 1391 | 381   | 972  | 1279 | 415   | 1064 | 1123 | 432   | 1146 | 854  | 355   | 1169 |
|               | 5 (HI)         | 1674                      | 506   | 993  | 1620 | 538   | 1061 | 1533 | 555   | 1123 | 1179 | 463   | 1161 | 885  | 369   | 1176 |
| ZQ05<br>(4)   | 1 (LOW)        | 1301                      | 300   | 911  | 1211 | 324   | 986  | 1112 | 349   | 1062 | 1007 | 371   | 1144 | 738  | 318   | 1184 |
|               | 2 (MED/LOW)    | 1408                      | 366   | 970  | 1331 | 390   | 1041 | 1232 | 416   | 1117 | 1061 | 401   | 1169 | 693  | 306   | 1184 |
|               | 3 (MED)        | 1496                      | 436   | 1019 | 1425 | 459   | 1079 | 1331 | 482   | 1146 | 1083 | 415   | 1171 | 717  | 316   | 1184 |
|               | 4 (MED/HI)     | 1641                      | 553   | 1091 | 1566 | 566   | 1138 | 1392 | 520   | 1160 | 1104 | 429   | 1176 | 738  | 321   | 1185 |
|               | 5 (HI)         | 1779                      | 680   | 1160 | 1630 | 621   | 1167 | 1428 | 547   | 1174 | 1144 | 447   | 1184 | 761  | 332   | 1191 |
| ZQ06<br>(5)   | 1 (LOW)        | 1572                      | 373   | 802  | 1466 | 402   | 868  | 1378 | 434   | 935  | 1264 | 461   | 999  | 1183 | 484   | 1055 |
|               | 2 (MED/LOW)    | 1718                      | 475   | 859  | 1632 | 508   | 920  | 1531 | 535   | 980  | 1438 | 562   | 1036 | 1344 | 592   | 1094 |
|               | 3 (MED)        | 1868                      | 578   | 908  | 1777 | 606   | 961  | 1687 | 639   | 1019 | 1591 | 666   | 1074 | 1474 | 678   | 1122 |
|               | 4 (MED/HI)     | 2019                      | 740   | 976  | 1944 | 770   | 1023 | 1859 | 797   | 1070 | 1743 | 796   | 1114 | 1528 | 728   | 1139 |
|               | 5 (HI)         | 2182                      | 927   | 1035 | 2089 | 949   | 1080 | 1961 | 918   | 1109 | 1808 | 854   | 1128 | 1552 | 737   | 1144 |

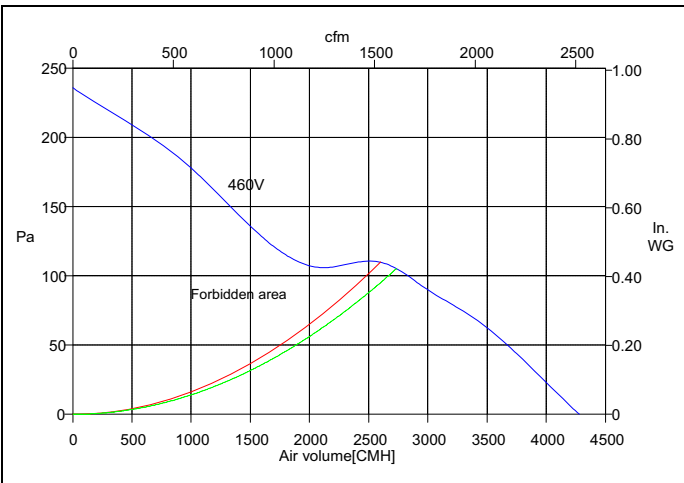
## Power Exhaust Blower Curves



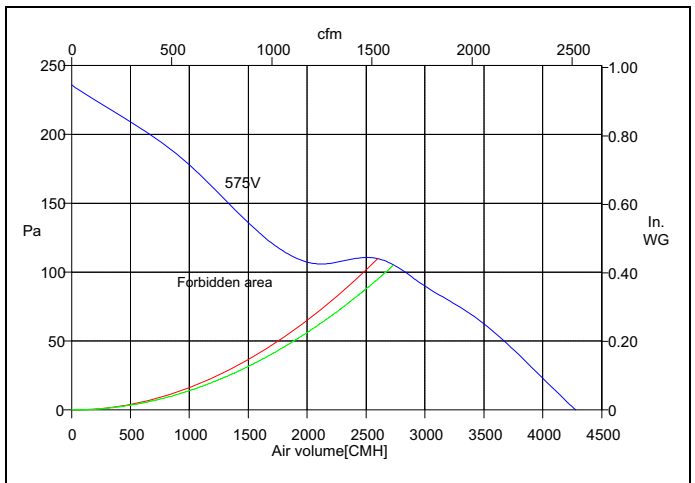
**208/280-1-60 Power Exhaust Fan Curve**



**208/280-3-60 Power Exhaust Fan Curve**



**460-3-60 Power Exhaust Fan Curve**



**575-3-50 Power Exhaust Fan Curve**

# Electrical Data

## ZXA7, 08-14 Standard Static Indoor Blower - Without Powered Convenience Outlet

| Size (Tons)        | Nominal Unit Voltage | Compressor 1 |      |     | Compressor 2 |      |     | OD Fan Motors (each) | Supply Blower Motor | Pwr Exh Motor | Pwr Conv Outlet | Electric Heat Field Installed Kit 2EK045* |      |        |      | MCA <sup>1</sup> (Amps) | Min Fuse <sup>2</sup> /<br>Breaker <sup>3</sup> Size (Amps) | Max Fuse <sup>2</sup> /<br>Breaker <sup>3</sup> Size (Amps) | Min Discon-nect Rating <sup>4</sup> |      | MCA <sup>1</sup> w/Pwr Exh (Amps) | Min Fuse <sup>2</sup> /<br>Breaker <sup>3</sup> Size w/ Pwr Exh (Amps) | Max Fuse <sup>2</sup> /<br>Breaker <sup>3</sup> Size w/ Pwr Exh (Amps) | Min Discon-nect Rating <sup>4</sup> /<br>Pwr Exh |     |
|--------------------|----------------------|--------------|------|-----|--------------|------|-----|----------------------|---------------------|---------------|-----------------|---|------|--------|------|-------------------------|---|---|-------------------------------------|------|-----------------------------------|--|--|--|-----|
|                    |                      | RLA          | LRA  | MCC | RLA          | LRA  | MCC |                      |                     |               |                 | Model                                     | kW   | Stages | Amps |                         |   |   | FLA                                 | LRA  |                                   |  |  | FLA  | LRA |
|                    |                      |              |      |     |              |      |     |                      |                     |               |                 |   |      |        |      |                         |   |   |                                     |      |                                   |  |  |  |     |
| <b>Without VFD</b> |                      |              |      |     |              |      |     |                      |                     |               |                 |   |      |        |      |                         |   |   |                                     |      |                                   |  |  |  |     |
| A7 (6)             | 208-3-60             | 17.6         | 136  | 27  |              |      |     | 4.4                  | 5.2                 | 1.1           |                 | None                                      | -    | -      | -    | 31.6                    | 35  | 45  | 31                                  | 158  | 32.7                              | 35   | 50   | 33   | 161 |
|                    |                      |              |      |     |              |      |     |                      |                     |               |                 | 10625                                     | 4.9  | 1      | 13.6 | 31.6                    | 35  | 45  | 31                                  | 158  | 32.7                              | 35   | 50   | 33   | 161 |
|                    |                      |              |      |     |              |      |     |                      |                     |               |                 | 11125                                     | 7.9  | 1      | 21.9 | 33.9                    | 35  | 45  | 31                                  | 158  | 35.3                              | 40   | 50   | 33   | 161 |
|                    |                      |              |      |     |              |      |     |                      |                     |               |                 | 11625                                     | 12   | 1      | 33.3 | 48.1                    | 50  | 50  | 44                                  | 158  | 49.5                              | 50   | 50   | 46   | 161 |
|                    | 230-3-60             | 17.6         | 136  | 27  |              |      |     | 4.4                  | 5.2                 | 1             |                 | None                                      | -    | -      | -    | 31.6                    | 35  | 45  | 31                                  | 161  | 32.6                              | 35   | 50   | 32   | 163 |
|                    |                      |              |      |     |              |      |     |                      |                     |               |                 | 10625                                     | 6.5  | 1      | 15.6 | 31.6                    | 35  | 45  | 31                                  | 161  | 32.6                              | 35   | 50   | 32   | 163 |
|                    |                      |              |      |     |              |      |     |                      |                     |               |                 | 11125                                     | 10.5 | 1      | 25.3 | 38.1                    | 40  | 45  | 35                                  | 161  | 39.4                              | 40   | 50   | 36   | 163 |
|                    |                      |              |      |     |              |      |     |                      |                     |               |                 | 11625                                     | 16   | 1      | 38.5 | 54.6                    | 60  | 60  | 50                                  | 161  | 55.9                              | 60   | 60   | 51   | 163 |
|                    | 460-3-60             | 8.5          | 66.1 | 13  |              |      |     | 2.5                  | 2.6                 | 0.5           |                 | None                                      | -    | -      | -    | 15.7                    | 20  | 20  | 16                                  | 79   | 16.2                              | 20   | 20   | 16   | 80  |
|                    |                      |              |      |     |              |      |     |                      |                     |               |                 | 10646                                     | 6    | 1      | 7.2  | 15.7                    | 20  | 20  | 11                                  | 79   | 16.2                              | 20   | 20   | 12   | 80  |
|                    |                      |              |      |     |              |      |     |                      |                     |               |                 | 11146                                     | 11.5 | 1      | 13.8 | 20.5                    | 25  | 25  | 19                                  | 79   | 21.1                              | 25   | 25   | 19   | 80  |
|                    |                      |              |      |     |              |      |     |                      |                     |               |                 | 11446                                     | 14   | 1      | 16.8 | 24.3                    | 25  | 25  | 22                                  | 79   | 24.9                              | 25   | 25   | 23   | 80  |
| 575-3-60           | 6.3                  | 55.3         | 10   |     |              |      | 4.4 | 2                    | 0.4                 |               | None            | -   | -    | -      | 14.3 | 15                      | 20  | 15  | 65                                  | 14.7 | 15                                | 20   | 15   | 66   |     |
| <b>With VFD</b>    |                      |              |      |     |              |      |     |                      |                     |               |                 |   |      |        |      |                         |   |   |                                     |      |                                   |  |  |  |     |
| A7 (6)             | 208-3-60             | 17.6         | 136  | 27  |              |      |     | 4.4                  | 7                   | 1.1           |                 | None                                      | -    | -      | -    | 33.4                    | 35  | 50  | 33                                  | 196  | 34.5                              | 35   | 50   | 35   | 199 |
|                    |                      |              |      |     |              |      |     |                      |                     |               |                 | 10625                                     | 4.9  | 1      | 13.6 | 33.4                    | 35  | 50  | 33                                  | 196  | 34.5                              | 35   | 50   | 35   | 199 |
|                    |                      |              |      |     |              |      |     |                      |                     |               |                 | 11125                                     | 7.9  | 1      | 21.9 | 36.1                    | 40  | 50  | 33                                  | 196  | 37.5                              | 40   | 50   | 35   | 199 |
|                    |                      |              |      |     |              |      |     |                      |                     |               |                 | 11625                                     | 12   | 1      | 33.3 | 50.4                    | 60  | 60  | 46                                  | 196  | 51.8                              | 60   | 60   | 48   | 199 |
|                    | 230-3-60             | 17.6         | 136  | 27  |              |      |     | 4.4                  | 7.2                 | 1             |                 | None                                      | -    | -      | -    | 33.6                    | 35  | 50  | 34                                  | 198  | 34.6                              | 35   | 50   | 35   | 200 |
|                    |                      |              |      |     |              |      |     |                      |                     |               |                 | 10625                                     | 6.5  | 1      | 15.6 | 33.6                    | 35  | 50  | 34                                  | 198  | 34.6                              | 35   | 50   | 35   | 200 |
|                    |                      |              |      |     |              |      |     |                      |                     |               |                 | 11125                                     | 10.5 | 1      | 25.3 | 40.6                    | 45  | 50  | 37                                  | 198  | 41.9                              | 45   | 50   | 39   | 200 |
|                    |                      |              |      |     |              |      |     |                      |                     |               |                 | 11625                                     | 16   | 1      | 38.5 | 57.1                    | 60  | 60  | 53                                  | 198  | 58.4                              | 60   | 60   | 54   | 200 |
|                    | 460-3-60             | 8.5          | 66.1 | 13  |              |      |     | 2.5                  | 3.6                 | 0.5           |                 | None                                      | -    | -      | -    | 16.7                    | 20  | 25  | 17                                  | 97   | 17.2                              | 20   | 25   | 17   | 98  |
|                    |                      |              |      |     |              |      |     |                      |                     |               |                 | 10646                                     | 6    | 1      | 7.2  | 16.7                    | 20  | 25  | 12                                  | 97   | 17.2                              | 20   | 25   | 13   | 98  |
|                    |                      |              |      |     |              |      |     |                      |                     |               |                 | 11146                                     | 11.5 | 1      | 13.8 | 21.8                    | 25  | 25  | 20                                  | 97   | 22.4                              | 25   | 25   | 21   | 98  |
|                    |                      |              |      |     |              |      |     |                      |                     |               |                 | 11446                                     | 14   | 1      | 16.8 | 25.5                    | 30  | 30  | 23                                  | 97   | 26.1                              | 30   | 30   | 24   | 98  |
| 575-3-60           | 6.3                  | 55.3         | 10   |     |              |      | 4.4 | 2.5                  | 0.4                 |               | None            | -   | -    | -      | 14.8 | 15                      | 20  | 15  | 73                                  | 15.2 | 20                                | 20   | 16   | 74   |     |
| 08 (7.5)           | 208-3-60             | 13.6         | 83.1 | 21  | 13.6         | 83.1 | 21  | 2.3                  | 7                   | 1.1           |                 | None                                      | -    | -      | -    | 42.2                    | 45  | 50  | 45                                  | 246  | 44.4                              | 45   | 50   | 47   | 256 |
|                    |                      |              |      |     |              |      |     |                      |                     |               |                 | 11725                                     | 12   | 1      | 33.3 | 50.4                    | 60  | 60  | 46                                  | 246  | 53.1                              | 60   | 60   | 49   | 256 |
|                    |                      |              |      |     |              |      |     |                      |                     |               |                 | 12525                                     | 18.6 | 1      | 51.6 | 73.3                    | 80  | 80  | 67                                  | 246  | 76                                | 80   | 80   | 70   | 256 |
|                    |                      |              |      |     |              |      |     |                      |                     |               |                 | 13225                                     | 24   | 1      | 66.6 | 92                      | 100   | 100   | 85                                  | 246  | 94.8                              | 100  | 100  | 87   | 256 |
|                    | 230-3-60             | 13.6         | 83.1 | 21  | 13.6         | 83.1 | 21  | 2.3                  | 7.2                 | 1             |                 | None                                      | -    | -      | -    | 42.4                    | 45  | 50  | 45                                  | 248  | 44.4                              | 45   | 50   | 47   | 243 |
|                    |                      |              |      |     |              |      |     |                      |                     |               |                 | 11725                                     | 16   | 1      | 38.5 | 57.1                    | 60  | 60  | 53                                  | 248  | 59.6                              | 60   | 60   | 55   | 243 |
|                    |                      |              |      |     |              |      |     |                      |                     |               |                 | 12525                                     | 24.8 | 1      | 59.7 | 83.6                    | 90  | 90  | 77                                  | 248  | 86.1                              | 90   | 90   | 79   | 243 |
|                    |                      |              |      |     |              |      |     |                      |                     |               |                 | 13225                                     | 32   | 1      | 77   | 105.3                   | 110   | 110   | 97                                  | 248  | 107.8                             | 110  | 110  | 99   | 243 |
|                    | 460-3-60             | 6.1          | 41   | 10  | 6.1          | 41   | 10  | 1.3                  | 3.6                 | 0.5           |                 | None                                      | -    | -      | -    | 19.9                    | 20  | 25  | 21                                  | 125  | 20.9                              | 25   | 25   | 22   | 121 |
|                    |                      |              |      |     |              |      |     |                      |                     |               |                 | 11746                                     | 16.5 | 1      | 19.8 | 29.3                    | 30  | 30  | 27                                  | 125  | 30.5                              | 35   | 35   | 28   | 121 |
|                    |                      |              |      |     |              |      |     |                      |                     |               |                 | 12846                                     | 27.8 | 1      | 33.4 | 46.3                    | 50  | 50  | 43                                  | 125  | 47.5                              | 50   | 50   | 44   | 121 |
|                    |                      |              |      |     |              |      |     |                      |                     |               |                 | 13346                                     | 33   | 1      | 39.7 | 54.1                    | 60  | 60  | 50                                  | 125  | 55.4                              | 60   | 60   | 51   | 121 |
| 575-3-60           | 4.2                  | 33           | 7    | 4.2 | 33           | 7    | 1.1 | 2.5                  | 0.4                 |               | None            | -   | -    | -      | 14.2 | 15                      | 15  | 15  | 93                                  | 15   | 15                                | 15   | 16   | 90   |     |
|                    |                      |              |      |     |              |      |     |                      |                     |               | 11758           | 17  | 1    | 16.4   | 23.6 | 25                      | 25  | 22  | 93                                  | 24.6 | 25                                | 25   | 23   | 90   |     |
|                    |                      |              |      |     |              |      |     |                      |                     |               | 13458           | 34  | 1    | 32.7   | 44   | 45                      | 45  | 40  | 93                                  | 45   | 45                                | 45   | 41   | 90   |     |
|                    |                      |              |      |     |              |      |     |                      |                     |               |                 |   |      |        |      |                         |   |   |                                     |      |                                   |  |  |  |     |

**ZXA7, 08-14 Standard Static Indoor Blower - Without Powered Convenience Outlet (Continued)**

| Size (Tons) | Nominal Unit Voltage | Compressor 1 |      |     | Compressor 2 |      |     | OD Fan Motors (each) | Supply Blower Motor | Pwr Exh Motor | Pwr Conv Outlet | Electric Heat Field Installed Kit 2EK045* |      |        |      | MCA <sup>1</sup> (Amps) | Min Fuse <sup>2</sup> /<br>Breaker <sup>3</sup> Size (Amps) | Max Fuse <sup>2</sup> /<br>Breaker <sup>3</sup> Size (Amps) | Min Disconnect Rating <sup>4</sup> |     | MCA <sup>1</sup> w/Pwr Exh (Amps) | Min Fuse <sup>2</sup> /<br>Breaker <sup>3</sup> Size w/ Pwr Exh (Amps) | Max Fuse <sup>2</sup> /<br>Breaker <sup>3</sup> Size w/ Pwr Exh (Amps) | Min Disconnect Rating <sup>4</sup> w/ Pwr Exh |     |
|-------------|----------------------|--------------|------|-----|--------------|------|-----|----------------------|---------------------|---------------|-----------------|---|------|--------|------|-------------------------|---|---|------------------------------------|-----|-----------------------------------|--|--|---|-----|
|             |                      | RLA          | LRA  | MCC | RLA          | LRA  | MCC |                      |                     |               |                 | Model                                     | kW   | Stages | Amps |                         |   |   | FLA                                | LRA |                                   |  |  | FLA   | LRA |
|             |                      |              |      |     |              |      |     |                      |                     |               |                 |   |      |        |      |                         |   |   |                                    |     |                                   |  |  |   |     |
| 09 (8.5)    | 208-3-60             | 14.5         | 98   | 23  | 14.5         | 98   | 23  | 2.3                  | 7                   | 1.1           |                 | None                                      | -    | -      | -    | 44.2                    | 45  | 50  | 47                                 | 275 | 46.4                              | 50   | 50   | 49  | 285 |
|             |                      |              |      |     |              |      |     |                      |                     |               |                 | 11725                                     | 12   | 1      | 33.3 | 50.4                    | 60  | 60  | 47                                 | 275 | 53.1                              | 60   | 60   | 49  | 285 |
|             |                      |              |      |     |              |      |     |                      |                     |               |                 | 12525                                     | 18.6 | 1      | 51.6 | 73.3                    | 80  | 80  | 67                                 | 275 | 76                                | 80   | 80   | 70  | 285 |
|             |                      |              |      |     |              |      |     |                      |                     |               |                 | 13225                                     | 24   | 1      | 66.6 | 92                      | 100   | 100   | 85                                 | 275 | 94.8                              | 100  | 100  | 87  | 285 |
|             | 230-3-60             | 14.5         | 98   | 23  | 14.5         | 98   | 23  | 2.3                  | 7.2                 | 1             |                 | None                                      | -    | -      | -    | 44.4                    | 45  | 50  | 47                                 | 278 | 46.4                              | 50   | 60   | 49  | 272 |
|             |                      |              |      |     |              |      |     |                      |                     |               |                 | 11725                                     | 16   | 1      | 38.5 | 57.1                    | 60  | 60  | 53                                 | 278 | 59.6                              | 60   | 60   | 55  | 272 |
|             |                      |              |      |     |              |      |     |                      |                     |               |                 | 12525                                     | 24.8 | 1      | 59.7 | 83.6                    | 90  | 90  | 77                                 | 278 | 86.1                              | 90   | 90   | 79  | 272 |
|             |                      |              |      |     |              |      |     |                      |                     |               |                 | 13225                                     | 32   | 1      | 77   | 105.3                   | 110   | 110   | 97                                 | 278 | 107.8                             | 110  | 110  | 99  | 272 |
|             | 460-3-60             | 6.3          | 55   | 10  | 6.3          | 55   | 10  | 1.3                  | 3.6                 | 0.5           |                 | None                                      | -    | -      | -    | 20.4                    | 25  | 25  | 22                                 | 153 | 21.4                              | 25   | 25   | 23  | 149 |
|             |                      |              |      |     |              |      |     |                      |                     |               |                 | 11746                                     | 16.5 | 1      | 19.8 | 29.3                    | 30  | 30  | 27                                 | 153 | 30.5                              | 35   | 35   | 28  | 149 |
|             |                      |              |      |     |              |      |     |                      |                     |               |                 | 12846                                     | 27.8 | 1      | 33.4 | 46.3                    | 50  | 50  | 43                                 | 153 | 47.5                              | 50   | 50   | 44  | 149 |
|             |                      |              |      |     |              |      |     |                      |                     |               |                 | 13346                                     | 33   | 1      | 39.7 | 54.1                    | 60  | 60  | 50                                 | 153 | 55.4                              | 60   | 60   | 51  | 149 |
|             | 575-3-60             | 6            | 41   | 9   | 6            | 41   | 9   | 1.1                  | 2.5                 | 0.4           |                 | None                                      | -    | -      | -    | 18.2                    | 20  | 20  | 19                                 | 109 | 19                                | 20   | 20   | 20  | 106 |
|             |                      |              |      |     |              |      |     |                      |                     |               |                 | 11758                                     | 17   | 1      | 16.4 | 23.6                    | 25  | 25  | 22                                 | 109 | 24.6                              | 25   | 25   | 23  | 106 |
|             |                      |              |      |     |              |      |     |                      |                     |               |                 | 13458                                     | 34   | 1      | 32.7 | 44                      | 45  | 45  | 40                                 | 109 | 45                                | 45   | 45   | 41  | 106 |
|             |                      |              |      |     |              |      |     |                      |                     |               |                 |   |      |        |      |                         |   |   |                                    |     |                                   |  |  |   |     |
| 12 (10)     | 208-3-60             | 16           | 110  | 25  | 15.6         | 110  | 24  | 2.3                  | 7                   | 1.1           |                 | None                                      | -    | -      | -    | 47.2                    | 50  | 60  | 50                                 | 299 | 49.4                              | 50   | 60   | 52  | 309 |
|             |                      |              |      |     |              |      |     |                      |                     |               |                 | 11725                                     | 12   | 1      | 33.3 | 50.4                    | 60  | 60  | 50                                 | 299 | 53.1                              | 60   | 60   | 52  | 309 |
|             |                      |              |      |     |              |      |     |                      |                     |               |                 | 12525                                     | 18.6 | 1      | 51.6 | 73.3                    | 80  | 80  | 67                                 | 299 | 76                                | 80   | 80   | 70  | 309 |
|             |                      |              |      |     |              |      |     |                      |                     |               |                 | 13225                                     | 24   | 1      | 66.6 | 92                      | 100   | 100   | 85                                 | 299 | 94.8                              | 100  | 100  | 87  | 309 |
|             | 230-3-60             | 16           | 110  | 25  | 15.6         | 110  | 24  | 2.3                  | 7.2                 | 1             |                 | None                                      | -    | -      | -    | 47.4                    | 50  | 60  | 50                                 | 302 | 49.4                              | 50   | 60   | 52  | 296 |
|             |                      |              |      |     |              |      |     |                      |                     |               |                 | 11725                                     | 16   | 1      | 38.5 | 57.1                    | 60  | 60  | 53                                 | 302 | 59.6                              | 60   | 60   | 55  | 296 |
|             |                      |              |      |     |              |      |     |                      |                     |               |                 | 12525                                     | 24.8 | 1      | 59.7 | 83.6                    | 90  | 90  | 77                                 | 302 | 86.1                              | 90   | 90   | 79  | 296 |
|             |                      |              |      |     |              |      |     |                      |                     |               |                 | 13225                                     | 32   | 1      | 77   | 105.3                   | 110   | 110   | 97                                 | 302 | 107.8                             | 110  | 110  | 99  | 296 |
|             | 460-3-60             | 7.8          | 52   | 12  | 7.8          | 52   | 12  | 1.3                  | 3.6                 | 0.5           |                 | None                                      | -    | -      | -    | 23.8                    | 25  | 30  | 25                                 | 147 | 24.8                              | 25   | 30   | 26  | 143 |
|             |                      |              |      |     |              |      |     |                      |                     |               |                 | 11746                                     | 16.5 | 1      | 19.8 | 29.3                    | 30  | 30  | 27                                 | 147 | 30.5                              | 35   | 35   | 28  | 143 |
|             |                      |              |      |     |              |      |     |                      |                     |               |                 | 12846                                     | 27.8 | 1      | 33.4 | 46.3                    | 50  | 50  | 43                                 | 147 | 47.5                              | 50   | 50   | 44  | 143 |
|             |                      |              |      |     |              |      |     |                      |                     |               |                 | 13346                                     | 33   | 1      | 39.7 | 54.1                    | 60  | 60  | 50                                 | 147 | 55.4                              | 60   | 60   | 51  | 143 |
|             | 575-3-60             | 5.7          | 38.9 | 9   | 5.8          | 38.9 | 9   | 1.1                  | 2.5                 | 0.4           |                 | None                                      | -    | -      | -    | 17.7                    | 20  | 20  | 19                                 | 105 | 18.5                              | 20   | 20   | 20  | 102 |
|             |                      |              |      |     |              |      |     |                      |                     |               |                 | 11758                                     | 17   | 1      | 16.4 | 23.6                    | 25  | 25  | 22                                 | 105 | 24.6                              | 25   | 25   | 23  | 102 |
|             |                      |              |      |     |              |      |     |                      |                     |               |                 | 13458                                     | 34   | 1      | 32.7 | 44                      | 45  | 45  | 40                                 | 105 | 45                                | 45   | 45   | 41  | 102 |
|             |                      |              |      |     |              |      |     |                      |                     |               |                 |   |      |        |      |                         |   |   |                                    |     |                                   |  |  |   |     |
| 14 (12.5)   | 208-3-60             | 19.6         | 136  | 31  | 19.6         | 136  | 31  | 5.8                  | 8.9                 | 1.1           |                 | None                                      | -    | -      | -    | 58.8                    | 60  | 70  | 62                                 | 371 | 61                                | 70   | 70   | 65  | 381 |
|             |                      |              |      |     |              |      |     |                      |                     |               |                 | 11725                                     | 12   | 1      | 33.3 | 58.8                    | 60  | 70  | 62                                 | 371 | 61                                | 70   | 70   | 65  | 381 |
|             |                      |              |      |     |              |      |     |                      |                     |               |                 | 12525                                     | 18.6 | 1      | 51.6 | 75.6                    | 80  | 80  | 70                                 | 371 | 78.4                              | 80   | 80   | 72  | 381 |
|             |                      |              |      |     |              |      |     |                      |                     |               |                 | 13225                                     | 24   | 1      | 66.6 | 94.4                    | 100   | 100   | 87                                 | 371 | 97.1                              | 100  | 100  | 89  | 381 |
|             | 230-3-60             | 19.6         | 136  | 31  | 19.6         | 136  | 31  | 5.2                  | 8.2                 | 1             |                 | None                                      | -    | -      | -    | 57.5                    | 60  | 70  | 60                                 | 370 | 59.5                              | 60   | 70   | 63  | 375 |
|             |                      |              |      |     |              |      |     |                      |                     |               |                 | 11725                                     | 16   | 1      | 38.5 | 58.4                    | 60  | 70  | 60                                 | 370 | 60.9                              | 70   | 70   | 63  | 375 |
|             |                      |              |      |     |              |      |     |                      |                     |               |                 | 12525                                     | 24.8 | 1      | 59.7 | 84.9                    | 90  | 90  | 78                                 | 370 | 87.4                              | 90   | 90   | 80  | 375 |
|             |                      |              |      |     |              |      |     |                      |                     |               |                 | 13225                                     | 32   | 1      | 77   | 106.5                   | 110   | 110   | 98                                 | 370 | 109                               | 110  | 110  | 100   | 375 |
|             | 460-3-60             | 8.2          | 66.1 | 13  | 8.2          | 66.1 | 13  | 2.9                  | 4.1                 | 0.5           |                 | None                                      | -    | -      | -    | 25.5                    | 30  | 30  | 27                                 | 178 | 26.5                              | 30   | 30   | 28  | 180 |
|             |                      |              |      |     |              |      |     |                      |                     |               |                 | 11746                                     | 16.5 | 1      | 19.8 | 29.9                    | 30  | 30  | 27                                 | 178 | 31.1                              | 35   | 35   | 29  | 180 |
|             |                      |              |      |     |              |      |     |                      |                     |               |                 | 12846                                     | 27.8 | 1      | 33.4 | 46.9                    | 50  | 50  | 43                                 | 178 | 48.1                              | 50   | 50   | 44  | 180 |
|             |                      |              |      |     |              |      |     |                      |                     |               |                 | 13346                                     | 33   | 1      | 39.7 | 54.8                    | 60  | 60  | 50                                 | 178 | 56                                | 60   | 60   | 52  | 180 |
|             | 575-3-60             | 6.6          | 55.3 | 10  | 6.6          | 55.3 | 10  | 2.2                  | 3.2                 | 0.4           |                 | None                                      | -    | -      | -    | 20.3                    | 25  | 25  | 21                                 | 148 | 21.1                              | 25   | 25   | 22  | 150 |
|             |                      |              |      |     |              |      |     |                      |                     |               |                 | 11758                                     | 17   | 1      | 16.4 | 24.5                    | 25  | 25  | 23                                 | 148 | 25.5                              | 30   | 30   | 23  | 150 |
|             |                      |              |      |     |              |      |     |                      |                     |               |                 | 13458                                     | 34   | 1      | 32.7 | 44.9                    | 45  | 45  | 41                                 | 148 | 45.9                              | 50   | 50   | 42  | 150 |
|             |                      |              |      |     |              |      |     |                      |                     |               |                 |   |      |        |      |                         |   |   |                                    |     |                                   |  |  |   |     |

1. Minimum Circuit Ampacity.
2. Dual Element, Time Delay Type.
3. HACR type per NEC.
4. Non-fused Disconnect, Verify on the unit nameplate that the disconnect is properly sized for the application. Units with field installed electric heat kits may exceed the factory installed disconnect amperage rating.

**ZXA7, 08-14 Standard Static Indoor Blower - With Powered Convenience Outlet**

| Size (Tons)        | Nominal Unit Voltage | Compressor 1 |      |      | Compressor 2 |      |     | OD Fan Motors (each) | Supply Blower Motor | Pwr Exh Motor | Pwr Conv Outlet | Electric Heat Field Installed Kit 2EK045* |      |        | MCA <sup>1</sup> (Amps) | Min Fuse <sup>2</sup> /<br>Breaker <sup>3</sup> Size (Amps) | Max Fuse <sup>2</sup> /<br>Breaker <sup>3</sup> Size (Amps) | Min Discon-nect Rating <sup>4</sup> |     | MCA <sup>1</sup> w/Pwr Exh (Amps) | Min Fuse <sup>2</sup> /<br>Breaker <sup>3</sup> Size w/ Pwr Exh (Amps) | Max Fuse <sup>2</sup> /<br>Breaker <sup>3</sup> Size w/ Pwr Exh (Amps) | Min Discon-nect Rating <sup>4</sup> /<br>Pwr Exh |     |     |
|--------------------|----------------------|--------------|------|------|--------------|------|-----|----------------------|---------------------|---------------|-----------------|---|------|--------|-------------------------|---|---|-------------------------------------|-----|-----------------------------------|--|--|--|-----|-----|
|                    |                      | RLA          | LRA  | MCC  | RLA          | LRA  | MCC |                      |                     |               |                 | Model                                     | kW   | Stages |                         |   |   | Amps                                | FLA |                                   |  |  | LRA  | FLA | LRA |
|                    |                      |              |      |      |              |      |     |                      |                     |               |                 |   |      |        |                         |   |   |                                     |     |                                   |  |  |  |     |     |
| <b>Without VFD</b> |                      |              |      |      |              |      |     |                      |                     |               |                 |   |      |        |                         |   |   |                                     |     |                                   |  |  |  |     |     |
| A7 (6)             | 208-3-60             | 17.6         | 136  | 27   |              |      |     | 4.4                  | 5.2                 | 1.1           | 8.6             | None                                      | -    | -      | -                       | 35.9  | 40  | 50                                  | 36  | 163                               | 37   | 40   | 50   | 37  | 165 |
|                    |                      |              |      |      |              |      |     |                      |                     |               |                 | 10625                                     | 4.9  | 1      | 13.6                    | 35.9  | 40  | 50                                  | 36  | 163                               | 37   | 40   | 50   | 37  | 165 |
|                    |                      |              |      |      |              |      |     |                      |                     |               |                 | 11125                                     | 7.9  | 1      | 21.9                    | 39.3  | 40  | 50                                  | 36  | 163                               | 40.6   | 45   | 50   | 37  | 165 |
|                    |                      |              |      |      |              |      |     |                      |                     |               |                 | 11625                                     | 12   | 1      | 33.3                    | 53.5  | 60  | 60                                  | 49  | 163                               | 54.9   | 60   | 60   | 50  | 165 |
|                    | 230-3-60             | 17.6         | 136  | 27   |              |      |     | 4.4                  | 5.2                 | 1             | 8.6             | None                                      | -    | -      | -                       | 35.9  | 40  | 50                                  | 36  | 165                               | 36.9   | 40   | 50   | 37  | 168 |
|                    |                      |              |      |      |              |      |     |                      |                     |               |                 | 10625                                     | 6.5  | 1      | 15.6                    | 35.9  | 40  | 50                                  | 36  | 165                               | 36.9   | 40   | 50   | 37  | 168 |
|                    |                      |              |      |      |              |      |     |                      |                     |               |                 | 11125                                     | 10.5 | 1      | 25.3                    | 43.5  | 45  | 50                                  | 40  | 165                               | 44.8   | 45   | 50   | 41  | 168 |
|                    |                      |              |      |      |              |      |     |                      |                     |               |                 | 11625                                     | 16   | 1      | 38.5                    | 60  | 60  | 55                                  | 165 | 61.3                              | 70   | 70   | 56   | 168 |     |
|                    | 460-3-60             | 8.5          | 66.1 | 13   |              |      |     | 2.5                  | 2.6                 | 0.5           | 8.6             | None                                      | -    | -      | -                       | 17.9  | 20  | 25                                  | 18  | 81                                | 18.4   | 20   | 25   | 19  | 82  |
|                    |                      |              |      |      |              |      |     |                      |                     |               |                 | 10646                                     | 6    | 1      | 7.2                     | 17.9  | 20  | 25                                  | 14  | 81                                | 18.4   | 20   | 25   | 14  | 82  |
|                    |                      |              |      |      |              |      |     |                      |                     |               |                 | 11146                                     | 11.5 | 1      | 13.8                    | 23.2  | 25  | 25                                  | 21  | 81                                | 23.8   | 25   | 25   | 22  | 82  |
|                    |                      |              |      |      |              |      |     |                      |                     |               |                 | 11446                                     | 14   | 1      | 16.8                    | 26.9  | 30  | 30                                  | 25  | 81                                | 27.6   | 30   | 30   | 25  | 82  |
| 575-3-60           | 6.3                  | 55.3         | 10   |      |              |      | 4.4 | 2                    | 0.4                 | 8.6           | None            | -   | -    | -      | 16                      | 20  | 20  | 17                                  | 67  | 16.4                              | 20   | 20   | 17   | 68  |     |
| <b>With VFD</b>    |                      |              |      |      |              |      |     |                      |                     |               |                 |   |      |        |                         |   |   |                                     |     |                                   |  |  |  |     |     |
| A7 (6)             | 208-3-60             | 17.6         | 136  | 27   |              |      |     | 4.4                  | 7                   | 1.1           | 8.6             | None                                      | -    | -      | -                       | 37.7  | 40  | 50                                  | 38  | 200                               | 38.8   | 40   | 50   | 40  | 203 |
|                    |                      |              |      |      |              |      |     |                      |                     |               |                 | 10625                                     | 4.9  | 1      | 13.6                    | 37.7  | 40  | 50                                  | 38  | 200                               | 38.8   | 40   | 50   | 40  | 203 |
|                    |                      |              |      |      |              |      |     |                      |                     |               |                 | 11125                                     | 7.9  | 1      | 21.9                    | 41.5  | 45  | 50                                  | 38  | 200                               | 42.9   | 45   | 50   | 40  | 203 |
|                    |                      |              |      |      |              |      |     |                      |                     |               |                 | 11625                                     | 12   | 1      | 33.3                    | 55.8  | 60  | 60                                  | 51  | 200                               | 57.1   | 60   | 60   | 53  | 203 |
|                    | 230-3-60             | 17.6         | 136  | 27   |              |      |     | 4.4                  | 7.2                 | 1             | 8.6             | None                                      | -    | -      | -                       | 37.9  | 40  | 50                                  | 39  | 202                               | 38.9   | 40   | 50   | 40  | 204 |
|                    |                      |              |      |      |              |      |     |                      |                     |               |                 | 10625                                     | 6.5  | 1      | 15.6                    | 37.9  | 40  | 50                                  | 39  | 202                               | 38.9   | 40   | 50   | 40  | 204 |
|                    |                      |              |      |      |              |      |     |                      |                     |               |                 | 11125                                     | 10.5 | 1      | 25.3                    | 46  | 50  | 50                                  | 42  | 202                               | 47.3   | 50   | 50   | 43  | 204 |
|                    |                      |              |      |      |              |      |     |                      |                     |               |                 | 11625                                     | 16   | 1      | 38.5                    | 62.5  | 70  | 70                                  | 58  | 202                               | 63.8   | 70   | 70   | 59  | 204 |
|                    | 460-3-60             | 8.5          | 66.1 | 13   |              |      |     | 2.5                  | 3.6                 | 0.5           | 8.6             | None                                      | -    | -      | -                       | 18.9  | 20  | 25                                  | 19  | 99                                | 19.4   | 20   | 25   | 20  | 100 |
|                    |                      |              |      |      |              |      |     |                      |                     |               |                 | 10646                                     | 6    | 1      | 7.2                     | 18.9  | 20  | 25                                  | 15  | 99                                | 19.4   | 20   | 25   | 15  | 100 |
|                    |                      |              |      |      |              |      |     |                      |                     |               |                 | 11146                                     | 11.5 | 1      | 13.8                    | 24.4  | 25  | 25                                  | 22  | 99                                | 25.1   | 30   | 30   | 23  | 100 |
|                    |                      |              |      |      |              |      |     |                      |                     |               |                 | 11446                                     | 14   | 1      | 16.8                    | 28.2  | 30  | 30                                  | 26  | 99                                | 28.8   | 30   | 30   | 27  | 100 |
| 575-3-60           | 6.3                  | 55.3         | 10   |      |              |      | 4.4 | 2.5                  | 0.4                 | 8.6           | None            | -   | -    | -      | 16.5                    | 20  | 20  | 17                                  | 75  | 16.9                              | 20   | 20   | 18   | 76  |     |
| 08 (7.5)           | 208-3-60             | 13.6         | 83.1 | 21   | 13.6         | 83.1 | 21  | 2.3                  | 7                   | 1.1           | 8.6             | None                                      | -    | -      | -                       | 46.5  | 50  | 60                                  | 50  | 250                               | 48.7   | 50   | 60   | 52  | 260 |
|                    |                      |              |      |      |              |      |     |                      |                     |               |                 | 11725                                     | 12   | 1      | 33.3                    | 55.8  | 60  | 60                                  | 51  | 250                               | 58.5   | 60   | 60   | 54  | 260 |
|                    |                      |              |      |      |              |      |     |                      |                     |               |                 | 12525                                     | 18.6 | 1      | 51.6                    | 78.6  | 80  | 80                                  | 72  | 250                               | 81.4   | 90   | 90   | 75  | 260 |
|                    |                      |              |      |      |              |      |     |                      |                     |               |                 | 13225                                     | 24   | 1      | 66.6                    | 97.4  | 100   | 100                                 | 90  | 250                               | 100.1  | 110  | 110  | 92  | 260 |
|                    | 230-3-60             | 13.6         | 83.1 | 21   | 13.6         | 83.1 | 21  | 2.3                  | 7.2                 | 1             | 8.6             | 14225                                     | 31.8 | 2      | 88.3                    | 124.5   | 125   | 125                                 | 115 | 250                               | 127.3  | 150  | 150  | 117 | 260 |
|                    |                      |              |      |      |              |      |     |                      |                     |               |                 | None                                      | -    | -      | -                       | 46.7  | 50  | 60                                  | 50  | 252                               | 48.7   | 50   | 60   | 52  | 247 |
|                    |                      |              |      |      |              |      |     |                      |                     |               |                 | 11725                                     | 16   | 1      | 38.5                    | 62.5  | 70  | 70                                  | 58  | 252                               | 65   | 70   | 70   | 60  | 247 |
|                    |                      |              |      |      |              |      |     |                      |                     |               |                 | 12525                                     | 24.8 | 1      | 59.7                    | 89  | 90  | 90                                  | 82  | 252                               | 91.5   | 100  | 100  | 84  | 247 |
|                    | 460-3-60             | 6.1          | 41   | 10   | 6.1          | 41   | 10  | 1.3                  | 3.6                 | 0.5           | 8.6             | 13225                                     | 32   | 1      | 77                      | 110.6   | 125   | 125                                 | 102 | 252                               | 113.1  | 125  | 125  | 104 | 247 |
|                    |                      |              |      |      |              |      |     |                      |                     |               |                 | 14225                                     | 42.4 | 2      | 102                     | 141.9   | 150   | 150                                 | 131 | 252                               | 144.4  | 150  | 150  | 133 | 247 |
|                    |                      |              |      |      |              |      |     |                      |                     |               |                 | None                                      | -    | -      | -                       | 22.1  | 25  | 25                                  | 24  | 127                               | 23.1   | 25   | 25   | 25  | 123 |
|                    |                      |              |      |      |              |      |     |                      |                     |               |                 | 11746                                     | 16.5 | 1      | 19.8                    | 31.9  | 35  | 35                                  | 29  | 127                               | 33.2   | 35   | 35   | 31  | 123 |
| 575-3-60           | 4.2                  | 33           | 7    | 4.2  | 33           | 7    | 1.1 | 2.5                  | 0.4                 | 8.6           | 12846           | 27.8                                      | 1    | 33.4   | 48.9                    | 50  | 50  | 45                                  | 127 | 50.2                              | 60   | 60   | 46   | 123 |     |
|                    |                      |              |      |      |              |      |     |                      |                     |               | 13346           | 33  | 1    | 39.7   | 56.8                    | 60  | 60  | 52                                  | 127 | 58.1                              | 60   | 60   | 53   | 123 |     |
|                    |                      |              |      |      |              |      |     |                      |                     |               | 14246           | 41.7                                      | 2    | 50.2   | 69.9                    | 70  | 70  | 64                                  | 127 | 71.2                              | 80   | 80   | 65   | 123 |     |
|                    |                      |              |      |      |              |      |     |                      |                     |               | None            | -   | -    | -      | 15.9                    | 20  | 20  | 17                                  | 95  | 16.7                              | 20   | 20   | 18   | 92  |     |
| 11758              | 17                   | 1            | 16.4 | 25.8 | 30           | 30   | 24  | 95                   | 26.8                | 30            | 30              | 25  | 92   |        |                         |   |   |                                     |     |                                   |  |  |  |     |     |
| 13458              | 34                   | 1            | 32.7 | 46.2 | 50           | 50   | 42  | 95                   | 47.2                | 50            | 50              | 43  | 92   |        |                         |   |   |                                     |     |                                   |  |  |  |     |     |

**ZXA7, 08-14 Standard Static Indoor Blower - With Powered Convenience Outlet (Continued)**

| Size (Tons) | Nominal Unit Voltage | Compressor 1 |      |     | Compressor 2 |      |     | OD Fan Motors (each) | Supply Blower Motor | Pwr Exh Motor | Pwr Conv Outlet | Electric Heat Field Installed Kit 2EK045* |      |        |      | MCA <sup>1</sup> (Amps) | Min Fuse <sup>2/</sup> /Breaker <sup>3</sup> Size (Amps) | Max Fuse <sup>2/</sup> /Breaker <sup>3</sup> Size (Amps) | Min Disconnect Rating <sup>4</sup> |      | MCA <sup>1</sup> w/Pwr Exh (Amps) | Min Fuse <sup>2/</sup> /Breaker <sup>3</sup> Size w/ Pwr Exh (Amps) | Max Fuse <sup>2/</sup> /Breaker <sup>3</sup> Size w/ Pwr Exh (Amps) | Min Disconnect Rating <sup>4</sup> /Pwr Exh |     |
|-------------|----------------------|--------------|------|-----|--------------|------|-----|----------------------|---------------------|---------------|-----------------|---|------|--------|------|-------------------------|--|--|------------------------------------|------|-----------------------------------|---|---|---|-----|
|             |                      | RLA          | LRA  | MCC | RLA          | LRA  | MCC |                      |                     |               |                 | Model                                     | kW   | Stages | Amps |                         |  |  | FLA                                | LRA  |                                   |   |   | FLA   | LRA |
|             |                      |              |      |     |              |      |     |                      |                     |               |                 |   |      |        |      |                         |  |  |                                    |      |                                   |   |   |   |     |
| 09 (8.5)    | 208-3-60             | 14.5         | 98   | 23  | 14.5         | 98   | 23  | 2.3                  | 7                   | 1.1           | 8.6             | None                                      | -    | -      | -    | 48.5                    | 50   | 60   | 52                                 | 280  | 50.7                              | 60  | 60  | 54  | 290 |
|             |                      |              |      |     |              |      |     |                      |                     |               |                 | 11725                                     | 12   | 1      | 33.3 | 55.8                    | 60   | 60   | 52                                 | 280  | 58.5                              | 60  | 60  | 54  | 290 |
|             |                      |              |      |     |              |      |     |                      |                     |               |                 | 12525                                     | 18.6 | 1      | 51.6 | 78.6                    | 80   | 80   | 72                                 | 280  | 81.4                              | 90  | 90  | 75  | 290 |
|             |                      |              |      |     |              |      |     |                      |                     |               |                 | 13225                                     | 24   | 1      | 66.6 | 97.4                    | 100  | 100  | 90                                 | 280  | 100.1                             | 110   | 110   | 92  | 290 |
|             |                      |              |      |     |              |      |     |                      |                     |               |                 | 14225                                     | 31.8 | 2      | 88.3 | 124.5                   | 125  | 125  | 115                                | 280  | 127.3                             | 150   | 150   | 117   | 290 |
|             | 230-3-60             | 14.5         | 98   | 23  | 14.5         | 98   | 23  | 2.3                  | 7.2                 | 1             | 8.6             | None                                      | -    | -      | -    | 48.7                    | 50   | 60   | 52                                 | 282  | 50.7                              | 60  | 60  | 54  | 277 |
|             |                      |              |      |     |              |      |     |                      |                     |               |                 | 11725                                     | 16   | 1      | 38.5 | 62.5                    | 70   | 70   | 58                                 | 282  | 65                                | 70  | 70  | 60  | 277 |
|             |                      |              |      |     |              |      |     |                      |                     |               |                 | 12525                                     | 24.8 | 1      | 59.7 | 89                      | 90   | 90   | 82                                 | 282  | 91.5                              | 100   | 100   | 84  | 277 |
|             |                      |              |      |     |              |      |     |                      |                     |               |                 | 13225                                     | 32   | 1      | 77   | 110.6                   | 125  | 125  | 102                                | 282  | 113.1                             | 125   | 125   | 104   | 277 |
|             |                      |              |      |     |              |      |     |                      |                     |               |                 | 14225                                     | 42.4 | 2      | 102  | 141.9                   | 150  | 150  | 131                                | 282  | 144.4                             | 150   | 150   | 133   | 277 |
|             | 460-3-60             | 6.3          | 55   | 10  | 6.3          | 55   | 10  | 1.3                  | 3.6                 | 0.5           | 8.6             | None                                      | -    | -      | -    | 22.6                    | 25   | 25   | 24                                 | 155  | 23.6                              | 25  | 25  | 25  | 151 |
|             |                      |              |      |     |              |      |     |                      |                     |               |                 | 11746                                     | 16.5 | 1      | 19.8 | 31.9                    | 35   | 35   | 29                                 | 155  | 33.2                              | 35  | 35  | 31  | 151 |
|             |                      |              |      |     |              |      |     |                      |                     |               |                 | 12846                                     | 27.8 | 1      | 33.4 | 48.9                    | 50   | 50   | 45                                 | 155  | 50.2                              | 60  | 60  | 46  | 151 |
|             |                      |              |      |     |              |      |     |                      |                     |               |                 | 13346                                     | 33   | 1      | 39.7 | 56.8                    | 60   | 60   | 52                                 | 155  | 58.1                              | 60  | 60  | 53  | 151 |
|             |                      |              |      |     |              |      |     |                      |                     |               |                 | 14246                                     | 41.7 | 2      | 50.2 | 69.9                    | 70   | 70   | 64                                 | 155  | 71.2                              | 80  | 80  | 65  | 151 |
|             | 575-3-60             | 6            | 41   | 9   | 6            | 41   | 9   | 1.1                  | 2.5                 | 0.4           | 8.6             | None                                      | -    | -      | -    | 19.9                    | 20   | 25   | 21                                 | 111  | 20.7                              | 25  | 25  | 22  | 108 |
| 11758       |                      |              |      |     |              |      |     |                      |                     |               |                 | 17  | 1    | 16.4   | 25.8 | 30                      | 30   | 24   | 111                                | 26.8 | 30                                | 30  | 25  | 108   |     |
| 13458       |                      |              |      |     |              |      |     |                      |                     |               |                 | 34  | 1    | 32.7   | 46.2 | 50                      | 50   | 42   | 111                                | 47.2 | 50                                | 50  | 43  | 108   |     |
| 12 (10)     | 208-3-60             | 16           | 110  | 25  | 15.6         | 110  | 24  | 2.3                  | 7                   | 1.1           | 8.6             | None                                      | -    | -      | -    | 51.5                    | 60   | 60   | 55                                 | 304  | 53.7                              | 60  | 60  | 57  | 314 |
|             |                      |              |      |     |              |      |     |                      |                     |               |                 | 11725                                     | 12   | 1      | 33.3 | 55.8                    | 60   | 60   | 55                                 | 304  | 58.5                              | 60  | 60  | 57  | 314 |
|             |                      |              |      |     |              |      |     |                      |                     |               |                 | 12525                                     | 18.6 | 1      | 51.6 | 78.6                    | 80   | 80   | 72                                 | 304  | 81.4                              | 90  | 90  | 75  | 314 |
|             |                      |              |      |     |              |      |     |                      |                     |               |                 | 13225                                     | 24   | 1      | 66.6 | 97.4                    | 100  | 100  | 90                                 | 304  | 100.1                             | 110   | 110   | 92  | 314 |
|             |                      |              |      |     |              |      |     |                      |                     |               |                 | 14225                                     | 31.8 | 2      | 88.3 | 124.5                   | 125  | 125  | 115                                | 304  | 127.3                             | 150   | 150   | 117   | 314 |
|             | 230-3-60             | 16           | 110  | 25  | 15.6         | 110  | 24  | 2.3                  | 7.2                 | 1             | 8.6             | None                                      | -    | -      | -    | 51.7                    | 60   | 60   | 55                                 | 306  | 53.7                              | 60  | 60  | 57  | 301 |
|             |                      |              |      |     |              |      |     |                      |                     |               |                 | 11725                                     | 16   | 1      | 38.5 | 62.5                    | 70   | 70   | 58                                 | 306  | 65                                | 70  | 70  | 60  | 301 |
|             |                      |              |      |     |              |      |     |                      |                     |               |                 | 12525                                     | 24.8 | 1      | 59.7 | 89                      | 90   | 90   | 82                                 | 306  | 91.5                              | 100   | 100   | 84  | 301 |
|             |                      |              |      |     |              |      |     |                      |                     |               |                 | 13225                                     | 32   | 1      | 77   | 110.6                   | 125  | 125  | 102                                | 306  | 113.1                             | 125   | 125   | 104   | 301 |
|             |                      |              |      |     |              |      |     |                      |                     |               |                 | 14225                                     | 42.4 | 2      | 102  | 141.9                   | 150  | 150  | 131                                | 306  | 144.4                             | 150   | 150   | 133   | 301 |
|             | 460-3-60             | 7.8          | 52   | 12  | 7.8          | 52   | 12  | 1.3                  | 3.6                 | 0.5           | 8.6             | None                                      | -    | -      | -    | 26                      | 30   | 30   | 28                                 | 149  | 27                                | 30  | 30  | 29  | 145 |
|             |                      |              |      |     |              |      |     |                      |                     |               |                 | 11746                                     | 16.5 | 1      | 19.8 | 31.9                    | 35   | 35   | 29                                 | 149  | 33.2                              | 35  | 35  | 31  | 145 |
|             |                      |              |      |     |              |      |     |                      |                     |               |                 | 12846                                     | 27.8 | 1      | 33.4 | 48.9                    | 50   | 50   | 45                                 | 149  | 50.2                              | 60  | 60  | 46  | 145 |
|             |                      |              |      |     |              |      |     |                      |                     |               |                 | 13346                                     | 33   | 1      | 39.7 | 56.8                    | 60   | 60   | 52                                 | 149  | 58.1                              | 60  | 60  | 53  | 145 |
|             |                      |              |      |     |              |      |     |                      |                     |               |                 | 14246                                     | 41.7 | 2      | 50.2 | 69.9                    | 70   | 70   | 64                                 | 149  | 71.2                              | 80  | 80  | 65  | 145 |
|             | 575-3-60             | 5.7          | 38.9 | 9   | 5.8          | 38.9 | 9   | 1.1                  | 2.5                 | 0.4           | 8.6             | None                                      | -    | -      | -    | 19.4                    | 20   | 25   | 21                                 | 107  | 20.2                              | 25  | 25  | 22  | 104 |
| 11758       |                      |              |      |     |              |      |     |                      |                     |               |                 | 17  | 1    | 16.4   | 25.8 | 30                      | 30   | 24   | 107                                | 26.8 | 30                                | 30  | 25  | 104   |     |
| 13458       |                      |              |      |     |              |      |     |                      |                     |               |                 | 34  | 1    | 32.7   | 46.2 | 50                      | 50   | 42   | 107                                | 47.2 | 50                                | 50  | 43  | 104   |     |
| 14 (12.5)   | 208-3-60             | 19.6         | 136  | 31  | 19.6         | 136  | 31  | 5.8                  | 8.9                 | 1.1           | 8.6             | None                                      | -    | -      | -    | 63.1                    | 70   | 80   | 67                                 | 375  | 65.3                              | 70  | 80  | 69  | 385 |
|             |                      |              |      |     |              |      |     |                      |                     |               |                 | 11725                                     | 12   | 1      | 33.3 | 63.1                    | 70   | 80   | 67                                 | 375  | 65.3                              | 70  | 80  | 69  | 385 |
|             |                      |              |      |     |              |      |     |                      |                     |               |                 | 12525                                     | 18.6 | 1      | 51.6 | 81                      | 90   | 90   | 75                                 | 375  | 83.8                              | 90  | 90  | 77  | 385 |
|             |                      |              |      |     |              |      |     |                      |                     |               |                 | 13225                                     | 24   | 1      | 66.6 | 99.8                    | 100  | 100  | 92                                 | 375  | 102.5                             | 110   | 110   | 94  | 385 |
|             |                      |              |      |     |              |      |     |                      |                     |               |                 | 14225                                     | 31.8 | 2      | 88.3 | 126.9                   | 150  | 150  | 117                                | 375  | 129.6                             | 150   | 150   | 119   | 385 |
|             | 230-3-60             | 19.6         | 136  | 31  | 19.6         | 136  | 31  | 5.2                  | 8.2                 | 1             | 8.6             | None                                      | -    | -      | -    | 61.8                    | 70   | 80   | 65                                 | 374  | 63.8                              | 70  | 80  | 68  | 379 |
|             |                      |              |      |     |              |      |     |                      |                     |               |                 | 11725                                     | 16   | 1      | 38.5 | 63.8                    | 70   | 80   | 65                                 | 374  | 66.3                              | 70  | 80  | 68  | 379 |
|             |                      |              |      |     |              |      |     |                      |                     |               |                 | 12525                                     | 24.8 | 1      | 59.7 | 90.3                    | 100  | 100  | 83                                 | 374  | 92.8                              | 100   | 100   | 85  | 379 |
|             |                      |              |      |     |              |      |     |                      |                     |               |                 | 13225                                     | 32   | 1      | 77   | 111.9                   | 125  | 125  | 103                                | 374  | 114.4                             | 125   | 125   | 105   | 379 |
|             |                      |              |      |     |              |      |     |                      |                     |               |                 | 14225                                     | 42.4 | 2      | 102  | 143.1                   | 150  | 150  | 132                                | 374  | 145.6                             | 150   | 150   | 134   | 379 |
|             | 460-3-60             | 8.2          | 66.1 | 13  | 8.2          | 66.1 | 13  | 2.9                  | 4.1                 | 0.5           | 8.6             | None                                      | -    | -      | -    | 27.7                    | 30   | 35   | 29                                 | 180  | 28.7                              | 30  | 35  | 31  | 182 |
|             |                      |              |      |     |              |      |     |                      |                     |               |                 | 11746                                     | 16.5 | 1      | 19.8 | 32.6                    | 35   | 35   | 30                                 | 180  | 33.8                              | 35  | 35  | 31  | 182 |
|             |                      |              |      |     |              |      |     |                      |                     |               |                 | 12846                                     | 27.8 | 1      | 33.4 | 49.6                    | 50   | 50   | 46                                 | 180  | 50.8                              | 60  | 60  | 47  | 182 |
|             |                      |              |      |     |              |      |     |                      |                     |               |                 | 13346                                     | 33   | 1      | 39.7 | 57.4                    | 60   | 60   | 53                                 | 180  | 58.7                              | 60  | 60  | 54  | 182 |
|             |                      |              |      |     |              |      |     |                      |                     |               |                 | 14246                                     | 41.7 | 2      | 50.2 | 70.6                    | 80   | 80   | 65                                 | 180  | 71.8                              | 80  | 80  | 66  | 182 |
|             | 575-3-60             | 6.6          | 55.3 | 10  | 6.6          | 55.3 | 10  | 2.2                  | 3.2                 | 0.4           | 8.6             | None                                      | -    | -      | -    | 22                      | 25   | 25   | 23                                 | 150  | 22.8                              | 25  | 25  | 24  | 152 |
| 11758       |                      |              |      |     |              |      |     |                      |                     |               |                 | 17  | 1    | 16.4   | 26.7 | 30                      | 30   | 25   | 150                                | 27.7 | 30                                | 30  | 25  | 152   |     |
| 13458       |                      |              |      |     |              |      |     |                      |                     |               |                 | 34  | 1    | 32.7   | 47   | 50                      | 50   | 43   | 150                                | 48   | 50                                | 50  | 44  | 152   |     |

1. Minimum Circuit Ampacity.
2. Dual Element, Time Delay Type.
3. HACR type per NEC.
4. Non-fused Disconnect, Verify on the unit nameplate that the disconnect is properly sized for the application. Units with field installed electric heat kits may exceed the factory installed disconnect amperage rating.

**ZXA7, ZX08-14 Medium Static Indoor Blower - Without Powered Convenience Outlet**

| Size (Tons)        | Nominal Unit Voltage | Compressor 1 |      |     | Compressor 2 |      |     | OD Fan Motors (each) | Supply Blower Motor | Pwr Exh Motor | Pwr Conv Outlet | Electric Heat Field Installed Kit 2EK045* |       |        | MCA <sup>1</sup> (Amps) | Min Fuse <sup>2/</sup> /Breaker <sup>3</sup> Size (Amps) | Max Fuse <sup>2/</sup> /Breaker <sup>3</sup> Size (Amps) | Min Discon-nect Rating <sup>4</sup> |     | MCA <sup>1</sup> w/Pwr Exh (Amps) | Min Fuse <sup>2/</sup> /Breaker <sup>3</sup> Size w/ Pwr Exh (Amps) | Max Fuse <sup>2/</sup> /Breaker <sup>3</sup> Size w/ Pwr Exh (Amps) | Min Discon-nect Rating <sup>4</sup> / Pwr Exh |     |     |     |
|--------------------|----------------------|--------------|------|-----|--------------|------|-----|----------------------|---------------------|---------------|-----------------|---|-------|--------|-------------------------|--|--|-------------------------------------|-----|-----------------------------------|---|---|---|-----|-----|-----|
|                    |                      | RLA          | LRA  | MCC | RLA          | LRA  | MCC |                      |                     |               |                 | Model                                     | kW    | Stages |                         |  |  | Amps                                | FLA |                                   |   |   | LRA   | FLA | LRA |     |
|                    |                      |              |      |     |              |      |     |                      |                     |               |                 |   |       |        |                         |  |  |                                     |     |                                   |   |   |   |     |     |     |
| <b>Without VFD</b> |                      |              |      |     |              |      |     |                      |                     |               |                 |   |       |        |                         |  |  |                                     |     |                                   |   |   |   |     |     |     |
| A7 (6)             | 208-3-60             | 17.6         | 136  | 27  |              |      |     | 4.4                  | 7.5                 | 1.1           |                 | None                                      | -     | -      | -                       | 33.9   | 35   | 50                                  | 34  | 185                               | 35  | 35  | 50  | 35  | 187 |     |
|                    |                      |              |      |     |              |      |     |                      |                     |               |                 | 10625                                     | 4.9   | 1      | 13.6                    | 33.9   | 35   | 50                                  | 34  | 185                               | 35  | 35  | 50  | 35  | 187 |     |
|                    |                      |              |      |     |              |      |     |                      |                     |               |                 | 11125                                     | 7.9   | 1      | 21.9                    | 36.8   | 40   | 50                                  | 34  | 185                               | 38.1  | 40  | 50  | 35  | 187 |     |
|                    |                      |              |      |     |              |      |     |                      |                     |               |                 | 11625                                     | 12    | 1      | 33.3                    | 51   | 60   | 60                                  | 47  | 185                               | 52.4  | 60  | 60  | 48  | 187 |     |
|                    | 230-3-60             | 17.6         | 136  | 27  |              |      |     | 4.4                  | 7.5                 | 1             |                 |   | None  | -      | -                       | -  | 33.9   | 35                                  | 50  | 34                                | 191   | 34.9  | 35  | 50  | 35  | 193 |
|                    |                      |              |      |     |              |      |     |                      |                     |               |                 |   | 10625 | 6.5    | 1                       | 15.6   | 33.9   | 35                                  | 50  | 34                                | 191   | 34.9  | 35  | 50  | 35  | 193 |
|                    |                      |              |      |     |              |      |     |                      |                     |               |                 |   | 11125 | 10.5   | 1                       | 25.3   | 41   | 45                                  | 50  | 38                                | 191   | 42.3  | 45  | 50  | 39  | 193 |
|                    |                      |              |      |     |              |      |     |                      |                     |               |                 |   | 11625 | 16     | 1                       | 38.5   | 57.5   | 60                                  | 60  | 53                                | 191   | 58.8  | 60  | 60  | 54  | 193 |
|                    | 460-3-60             | 8.5          | 66.1 | 13  |              |      |     | 2.5                  | 3.4                 | 0.5           |                 |   | None  | -      | -                       | -  | 16.5   | 20                                  | 25  | 17                                | 94  | 17  | 20  | 25  | 17  | 95  |
|                    |                      |              |      |     |              |      |     |                      |                     |               |                 |   | 10646 | 6      | 1                       | 7.2  | 16.5   | 20                                  | 25  | 12                                | 94  | 17  | 20  | 25  | 13  | 95  |
|                    |                      |              |      |     |              |      |     |                      |                     |               |                 |   | 11146 | 11.5   | 1                       | 13.8   | 21.5   | 25                                  | 25  | 20                                | 94  | 22.1  | 25  | 25  | 20  | 95  |
|                    |                      |              |      |     |              |      |     |                      |                     |               |                 |   | 11446 | 14     | 1                       | 16.8   | 25.3   | 30                                  | 30  | 23                                | 94  | 25.9  | 30  | 30  | 24  | 95  |
| 575-3-60           | 6.3                  | 55.3         | 10   |     |              |      | 4.4 | 2.8                  | 0.4                 |               |                 | None                                      | -     | -      | -                       | 15.1   | 20   | 20                                  | 16  | 77                                | 15.5  | 20  | 20  | 16  | 78  |     |
| <b>With VFD</b>    |                      |              |      |     |              |      |     |                      |                     |               |                 |   |       |        |                         |  |  |                                     |     |                                   |   |   |   |     |     |     |
| A7 (6)             | 208-3-60             | 17.6         | 136  | 27  |              |      |     | 4.4                  | 8.9                 | 1.1           |                 | None                                      | -     | -      | -                       | 35.3   | 40   | 50                                  | 36  | 198                               | 36.4  | 40  | 50  | 37  | 200 |     |
|                    |                      |              |      |     |              |      |     |                      |                     |               |                 | 10625                                     | 4.9   | 1      | 13.6                    | 35.3   | 40   | 50                                  | 36  | 198                               | 36.4  | 40  | 50  | 37  | 200 |     |
|                    |                      |              |      |     |              |      |     |                      |                     |               |                 | 11125                                     | 7.9   | 1      | 21.9                    | 38.5   | 40   | 50                                  | 36  | 198                               | 39.9  | 40  | 50  | 37  | 200 |     |
|                    |                      |              |      |     |              |      |     |                      |                     |               |                 | 11625                                     | 12    | 1      | 33.3                    | 52.8   | 60   | 60                                  | 49  | 198                               | 54.1  | 60  | 60  | 50  | 200 |     |
|                    | 230-3-60             | 17.6         | 136  | 27  |              |      |     | 4.4                  | 8.2                 | 1             |                 |   | None  | -      | -                       | -  | 34.6   | 35                                  | 50  | 35                                | 205   | 35.6  | 40  | 50  | 36  | 207 |
|                    |                      |              |      |     |              |      |     |                      |                     |               |                 |   | 10625 | 6.5    | 1                       | 15.6   | 34.6   | 35                                  | 50  | 35                                | 205   | 35.6  | 40  | 50  | 36  | 207 |
|                    |                      |              |      |     |              |      |     |                      |                     |               |                 |   | 11125 | 10.5   | 1                       | 25.3   | 41.9   | 45                                  | 50  | 39                                | 205   | 43.1  | 45  | 50  | 40  | 207 |
|                    |                      |              |      |     |              |      |     |                      |                     |               |                 |   | 11625 | 16     | 1                       | 38.5   | 58.4   | 60                                  | 60  | 54                                | 205   | 59.6  | 60  | 60  | 55  | 207 |
|                    | 460-3-60             | 8.5          | 66.1 | 13  |              |      |     | 2.5                  | 4.1                 | 0.5           |                 |   | None  | -      | -                       | -  | 17.2   | 20                                  | 25  | 17                                | 101   | 17.7  | 20  | 25  | 18  | 102 |
|                    |                      |              |      |     |              |      |     |                      |                     |               |                 |   | 10646 | 6      | 1                       | 7.2  | 17.2   | 20                                  | 25  | 13                                | 101   | 17.7  | 20  | 25  | 14  | 102 |
|                    |                      |              |      |     |              |      |     |                      |                     |               |                 |   | 11146 | 11.5   | 1                       | 13.8   | 22.4   | 25                                  | 25  | 21                                | 101   | 23  | 25  | 25  | 21  | 102 |
|                    |                      |              |      |     |              |      |     |                      |                     |               |                 |   | 11446 | 14     | 1                       | 16.8   | 26.1   | 30                                  | 30  | 24                                | 101   | 26.8  | 30  | 30  | 25  | 102 |
| 575-3-60           | 6.3                  | 55.3         | 10   |     |              |      | 4.4 | 3.2                  | 0.4                 |               |                 | None                                      | -     | -      | -                       | 15.5   | 20   | 20                                  | 16  | 81                                | 15.9  | 20  | 20  | 16  | 82  |     |
| 08 (7.5)           | 208-3-60             | 13.6         | 83.1 | 21  | 13.6         | 83.1 | 21  | 2.3                  | 8.9                 | 1.1           |                 | None                                      | -     | -      | -                       | 44.1   | 45   | 50                                  | 47  | 262                               | 46.3  | 50  | 50  | 49  | 272 |     |
|                    |                      |              |      |     |              |      |     |                      |                     |               |                 | 11725                                     | 12    | 1      | 33.3                    | 52.8   | 60   | 60                                  | 49  | 262                               | 55.5  | 60  | 60  | 51  | 272 |     |
|                    |                      |              |      |     |              |      |     |                      |                     |               |                 | 12525                                     | 18.6  | 1      | 51.6                    | 75.6   | 80   | 80                                  | 70  | 262                               | 78.4  | 80  | 80  | 72  | 272 |     |
|                    |                      |              |      |     |              |      |     |                      |                     |               |                 | 13225                                     | 24    | 1      | 66.6                    | 94.4   | 100  | 100                                 | 87  | 262                               | 97.1  | 100   | 100   | 89  | 272 |     |
|                    | 230-3-60             | 13.6         | 83.1 | 21  | 13.6         | 83.1 | 21  | 2.3                  | 8.2                 | 1             |                 |   | None  | -      | -                       | -  | 43.4   | 45                                  | 50  | 46                                | 265   | 45.4  | 50  | 50  | 48  | 260 |
|                    |                      |              |      |     |              |      |     |                      |                     |               |                 |   | 11725 | 16     | 1                       | 38.5   | 58.4   | 60                                  | 60  | 54                                | 265   | 60.9  | 70  | 70  | 56  | 260 |
|                    |                      |              |      |     |              |      |     |                      |                     |               |                 |   | 12525 | 24.8   | 1                       | 59.7   | 84.9   | 90                                  | 90  | 78                                | 265   | 87.4  | 90  | 90  | 80  | 260 |
|                    |                      |              |      |     |              |      |     |                      |                     |               |                 |   | 13225 | 32     | 1                       | 77   | 106.5  | 110                                 | 110 | 98                                | 265   | 109   | 110   | 110 | 100 | 260 |
|                    | 460-3-60             | 6.1          | 41   | 10  | 6.1          | 41   | 10  | 1.3                  | 4.1                 | 0.5           |                 |   | None  | -      | -                       | -  | 20.4   | 25                                  | 25  | 22                                | 128   | 21.4  | 25  | 25  | 23  | 125 |
|                    |                      |              |      |     |              |      |     |                      |                     |               |                 |   | 11746 | 16.5   | 1                       | 19.8   | 29.9   | 30                                  | 30  | 27                                | 128   | 31.1  | 35  | 35  | 29  | 125 |
|                    |                      |              |      |     |              |      |     |                      |                     |               |                 |   | 12846 | 27.8   | 1                       | 33.4   | 46.9   | 50                                  | 50  | 43                                | 128   | 48.1  | 50  | 50  | 44  | 125 |
|                    |                      |              |      |     |              |      |     |                      |                     |               |                 |   | 13346 | 33     | 1                       | 39.7   | 54.8   | 60                                  | 60  | 50                                | 128   | 56  | 60  | 60  | 52  | 125 |
| 575-3-60           | 4.2                  | 33           | 7    | 4.2 | 33           | 7    | 1.1 | 3.2                  | 0.4                 |               |                 | None                                      | -     | -      | -                       | 14.9   | 15   | 15                                  | 16  | 102                               | 15.7  | 20  | 20  | 17  | 99  |     |
|                    |                      |              |      |     |              |      |     |                      |                     |               |                 | 11758                                     | 17    | 1      | 16.4                    | 24.5   | 25   | 25                                  | 23  | 102                               | 25.5  | 30  | 30  | 23  | 99  |     |
|                    |                      |              |      |     |              |      |     |                      |                     |               |                 | 13458                                     | 34    | 1      | 32.7                    | 44.9   | 45   | 45                                  | 41  | 102                               | 45.9  | 50  | 50  | 42  | 99  |     |

**ZXA7, ZX08-14 Medium Static Indoor Blower - Without Powered Convenience Outlet (Continued)**

| Size (Tons) | Nominal Unit Voltage | Compressor 1 |      |     | Compressor 2 |      |     | OD Fan Motors (each) | Supply Blower Motor | Pwr Exh Motor | Pwr Conv Outlet | Electric Heat Field Installed Kit 2EK045* |       |        |      | MCA <sup>1</sup> (Amps) | Min Fuse <sup>2/</sup> Breaker <sup>3</sup> Size (Amps) | Max Fuse <sup>2/</sup> Breaker <sup>3</sup> Size (Amps) | Min Discon-nect Rating <sup>4</sup> |     | MCA <sup>1</sup> w/Pwr Exh (Amps) | Min Fuse <sup>2/</sup> Breaker <sup>3</sup> Size w/ Pwr Exh (Amps) | Max Fuse <sup>2/</sup> Breaker <sup>3</sup> Size w/ Pwr Exh (Amps) | Min Discon-nect Rating <sup>4</sup> / Pwr Exh |     |     |
|-------------|----------------------|--------------|------|-----|--------------|------|-----|----------------------|---------------------|---------------|-----------------|---|-------|--------|------|-------------------------|---|---|-------------------------------------|-----|-----------------------------------|--|--|---|-----|-----|
|             |                      | RLA          | LRA  | MCC | RLA          | LRA  | MCC |                      |                     |               |                 | Model                                     | kW    | Stages | Amps |                         |   |   | FLA                                 | LRA |                                   |  |  | FLA   | LRA |     |
|             |                      |              |      |     |              |      |     |                      |                     |               |                 |   |       |        |      |                         |   |   |                                     |     |                                   |  |  |   |     |     |
| 09 (8.5)    | 208-3-60             | 14.5         | 98   | 23  | 14.5         | 98   | 23  | 2.3                  | 7                   | 1.1           |                 | None                                      | -     | -      | -    | 44.2                    | 45  | 50  | 47                                  | 275 | 46.4                              | 50   | 50   | 49  | 285 |     |
|             |                      |              |      |     |              |      |     |                      |                     |               |                 | 11725                                     | 12    | 1      | 33.3 | 50.4                    | 60  | 60  | 47                                  | 275 | 53.1                              | 60   | 60   | 49  | 285 |     |
|             |                      |              |      |     |              |      |     |                      |                     |               |                 | 12525                                     | 18.6  | 1      | 51.6 | 73.3                    | 80  | 80  | 67                                  | 275 | 76                                | 80   | 80   | 70  | 285 |     |
|             |                      |              |      |     |              |      |     |                      |                     |               |                 | 13225                                     | 24    | 1      | 66.6 | 92                      | 100   | 100   | 85                                  | 275 | 94.8                              | 100  | 100  | 87  | 285 |     |
|             |                      |              |      |     |              |      |     |                      |                     |               |                 | 14225                                     | 31.8  | 2      | 88.3 | 119.1                   | 125   | 125   | 110                                 | 275 | 121.9                             | 125  | 125  | 112   | 285 |     |
|             | 230-3-60             | 14.5         | 98   | 23  | 14.5         | 98   | 23  | 2.3                  | 7.2                 | 1             |                 |   | None  | -      | -    | -                       | 44.4  | 45  | 50                                  | 47  | 278                               | 46.4   | 50   | 60  | 49  | 272 |
|             |                      |              |      |     |              |      |     |                      |                     |               |                 |   | 11725 | 16     | 1    | 38.5                    | 57.1  | 60  | 60                                  | 53  | 278                               | 59.6   | 60   | 60  | 55  | 272 |
|             |                      |              |      |     |              |      |     |                      |                     |               |                 |   | 12525 | 24.8   | 1    | 59.7                    | 83.6  | 90  | 90                                  | 77  | 278                               | 86.1   | 90   | 90  | 79  | 272 |
|             |                      |              |      |     |              |      |     |                      |                     |               |                 |   | 13225 | 32     | 1    | 77                      | 105.3   | 110   | 110                                 | 97  | 278                               | 107.8  | 110  | 110   | 99  | 272 |
|             |                      |              |      |     |              |      |     |                      |                     |               |                 |   | 14225 | 42.4   | 2    | 102                     | 136.5   | 150   | 150                                 | 126 | 278                               | 139  | 150  | 150   | 128 | 272 |
|             | 460-3-60             | 6.3          | 55   | 10  | 6.3          | 55   | 10  | 1.3                  | 3.6                 | 0.5           |                 |   | None  | -      | -    | -                       | 20.4  | 25  | 25                                  | 22  | 153                               | 21.4   | 25   | 25  | 23  | 149 |
|             |                      |              |      |     |              |      |     |                      |                     |               |                 |   | 11746 | 16.5   | 1    | 19.8                    | 29.3  | 30  | 30                                  | 27  | 153                               | 30.5   | 35   | 35  | 28  | 149 |
|             |                      |              |      |     |              |      |     |                      |                     |               |                 |   | 12846 | 27.8   | 1    | 33.4                    | 46.3  | 50  | 50                                  | 43  | 153                               | 47.5   | 50   | 50  | 44  | 149 |
|             |                      |              |      |     |              |      |     |                      |                     |               |                 |   | 13346 | 33     | 1    | 39.7                    | 54.1  | 60  | 60                                  | 50  | 153                               | 55.4   | 60   | 60  | 51  | 149 |
|             |                      |              |      |     |              |      |     |                      |                     |               |                 |   | 14246 | 41.7   | 2    | 50.2                    | 67.3  | 70  | 70                                  | 62  | 153                               | 68.5   | 70   | 70  | 63  | 149 |
|             | 575-3-60             | 6            | 41   | 9   | 6            | 41   | 9   | 1.1                  | 2.5                 | 0.4           |                 |   | None  | -      | -    | -                       | 18.2  | 20  | 20                                  | 19  | 109                               | 19   | 20   | 20  | 20  | 106 |
| 11758       |                      |              |      |     |              |      |     |                      |                     |               |                 |   | 17    | 1      | 16.4 | 23.6                    | 25  | 25  | 22                                  | 109 | 24.6                              | 25   | 25   | 23  | 106 |     |
| 13458       |                      |              |      |     |              |      |     |                      |                     |               |                 |   | 34    | 1      | 32.7 | 44                      | 45  | 45  | 40                                  | 109 | 45                                | 45   | 45   | 41  | 106 |     |
| None        |                      |              |      |     |              |      |     |                      |                     |               |                 |   | -     | -      | -    | 50.1                    | 60  | 60  | 53                                  | 312 | 52.3                              | 60   | 60   | 56  | 322 |     |
| 12 (10)     | 208-3-60             | 16           | 110  | 25  | 15.6         | 110  | 24  | 2.3                  | 9.9                 | 1.1           |                 | None                                      | -     | -      | -    | 50.1                    | 60  | 60  | 53                                  | 312 | 52.3                              | 60   | 60   | 56  | 322 |     |
|             |                      |              |      |     |              |      |     |                      |                     |               |                 | 11725                                     | 12    | 1      | 33.3 | 54                      | 60  | 60  | 53                                  | 312 | 56.8                              | 60   | 60   | 56  | 322 |     |
|             |                      |              |      |     |              |      |     |                      |                     |               |                 | 12525                                     | 18.6  | 1      | 51.6 | 76.9                    | 80  | 80  | 71                                  | 312 | 79.6                              | 80   | 80   | 73  | 322 |     |
|             |                      |              |      |     |              |      |     |                      |                     |               |                 | 13225                                     | 24    | 1      | 66.6 | 95.6                    | 100   | 100   | 88                                  | 312 | 98.4                              | 100  | 100  | 91  | 322 |     |
|             |                      |              |      |     |              |      |     |                      |                     |               |                 | 14225                                     | 31.8  | 2      | 88.3 | 122.8                   | 125   | 125   | 113                                 | 312 | 125.5                             | 150  | 150  | 115   | 322 |     |
|             | 230-3-60             | 16           | 110  | 25  | 15.6         | 110  | 24  | 2.3                  | 9.4                 | 1             |                 |   | None  | -      | -    | -                       | 49.6  | 50  | 60                                  | 52  | 321                               | 51.6   | 60   | 60  | 55  | 315 |
|             |                      |              |      |     |              |      |     |                      |                     |               |                 |   | 11725 | 16     | 1    | 38.5                    | 59.9  | 60  | 60                                  | 55  | 321                               | 62.4   | 70   | 70  | 57  | 315 |
|             |                      |              |      |     |              |      |     |                      |                     |               |                 |   | 12525 | 24.8   | 1    | 59.7                    | 86.4  | 90  | 90                                  | 79  | 321                               | 88.9   | 90   | 90  | 82  | 315 |
|             |                      |              |      |     |              |      |     |                      |                     |               |                 |   | 13225 | 32     | 1    | 77                      | 108   | 110   | 110                                 | 99  | 321                               | 110.5  | 125  | 125   | 102 | 315 |
|             |                      |              |      |     |              |      |     |                      |                     |               |                 |   | 14225 | 42.4   | 2    | 102                     | 139.3   | 150   | 150                                 | 128 | 321                               | 141.8  | 150  | 150   | 130 | 315 |
|             | 460-3-60             | 7.8          | 52   | 12  | 7.8          | 52   | 12  | 1.3                  | 4.7                 | 0.5           |                 |   | None  | -      | -    | -                       | 24.9  | 25  | 30                                  | 26  | 156                               | 25.9   | 30   | 30  | 27  | 152 |
|             |                      |              |      |     |              |      |     |                      |                     |               |                 |   | 11746 | 16.5   | 1    | 19.8                    | 30.6  | 35  | 35                                  | 28  | 156                               | 31.9   | 35   | 35  | 29  | 152 |
|             |                      |              |      |     |              |      |     |                      |                     |               |                 |   | 12846 | 27.8   | 1    | 33.4                    | 47.6  | 50  | 50                                  | 44  | 156                               | 48.9   | 50   | 50  | 45  | 152 |
|             |                      |              |      |     |              |      |     |                      |                     |               |                 |   | 13346 | 33     | 1    | 39.7                    | 55.5  | 60  | 60                                  | 51  | 156                               | 56.8   | 60   | 60  | 52  | 152 |
|             |                      |              |      |     |              |      |     |                      |                     |               |                 |   | 14246 | 41.7   | 2    | 50.2                    | 68.6  | 70  | 70                                  | 63  | 156                               | 69.9   | 70   | 70  | 64  | 152 |
|             | 575-3-60             | 5.7          | 38.9 | 9   | 5.8          | 38.9 | 9   | 1.1                  | 4.3                 | 0.4           |                 |   | None  | -      | -    | -                       | 19.5  | 20  | 25                                  | 21  | 127                               | 20.3   | 25   | 25  | 22  | 124 |
| 11758       |                      |              |      |     |              |      |     |                      |                     |               |                 |   | 17    | 1      | 16.4 | 25.9                    | 30  | 30  | 24                                  | 127 | 26.9                              | 30   | 30   | 25  | 124 |     |
| 13458       |                      |              |      |     |              |      |     |                      |                     |               |                 |   | 34    | 1      | 32.7 | 46.3                    | 50  | 50  | 43                                  | 127 | 47.3                              | 50   | 50   | 43  | 124 |     |
| None        |                      |              |      |     |              |      |     |                      |                     |               |                 |   | -     | -      | -    | 59.8                    | 60  | 70  | 63                                  | 367 | 62                                | 70   | 80   | 66  | 377 |     |
| 14 (12.5)   | 208-3-60             | 19.6         | 136  | 31  | 19.6         | 136  | 31  | 5.8                  | 9.9                 | 1.1           |                 | None                                      | -     | -      | -    | 59.8                    | 60  | 70  | 63                                  | 367 | 62                                | 70   | 80   | 66  | 377 |     |
|             |                      |              |      |     |              |      |     |                      |                     |               |                 | 11725                                     | 12    | 1      | 33.3 | 59.8                    | 60  | 70  | 63                                  | 367 | 62                                | 70   | 80   | 66  | 377 |     |
|             |                      |              |      |     |              |      |     |                      |                     |               |                 | 12525                                     | 18.6  | 1      | 51.6 | 76.9                    | 80  | 80  | 71                                  | 367 | 79.6                              | 80   | 80   | 73  | 377 |     |
|             |                      |              |      |     |              |      |     |                      |                     |               |                 | 13225                                     | 24    | 1      | 66.6 | 95.6                    | 100   | 100   | 88                                  | 367 | 98.4                              | 100  | 100  | 91  | 377 |     |
|             |                      |              |      |     |              |      |     |                      |                     |               |                 | 14225                                     | 31.8  | 2      | 88.3 | 122.8                   | 125   | 125   | 113                                 | 367 | 125.5                             | 150  | 150  | 115   | 377 |     |
|             | 230-3-60             | 19.6         | 136  | 31  | 19.6         | 136  | 31  | 5.2                  | 9.4                 | 1             |                 |   | None  | -      | -    | -                       | 58.7  | 60  | 70                                  | 62  | 372                               | 60.7   | 70   | 80  | 64  | 376 |
|             |                      |              |      |     |              |      |     |                      |                     |               |                 |   | 11725 | 16     | 1    | 38.5                    | 59.9  | 60  | 70                                  | 62  | 372                               | 62.4   | 70   | 80  | 64  | 376 |
|             |                      |              |      |     |              |      |     |                      |                     |               |                 |   | 12525 | 24.8   | 1    | 59.7                    | 86.4  | 90  | 90                                  | 79  | 372                               | 88.9   | 90   | 90  | 82  | 376 |
|             |                      |              |      |     |              |      |     |                      |                     |               |                 |   | 13225 | 32     | 1    | 77                      | 108   | 110   | 110                                 | 99  | 372                               | 110.5  | 125  | 125   | 102 | 376 |
|             |                      |              |      |     |              |      |     |                      |                     |               |                 |   | 14225 | 42.4   | 2    | 102                     | 139.3   | 150   | 150                                 | 128 | 372                               | 141.8  | 150  | 150   | 130 | 376 |
|             | 460-3-60             | 8.2          | 66.1 | 13  | 8.2          | 66.1 | 13  | 2.9                  | 4.7                 | 0.5           |                 |   | None  | -      | -    | -                       | 26.1  | 30  | 30                                  | 28  | 184                               | 27.1   | 30   | 30  | 29  | 186 |
|             |                      |              |      |     |              |      |     |                      |                     |               |                 |   | 11746 | 16.5   | 1    | 19.8                    | 30.6  | 35  | 35                                  | 28  | 184                               | 31.9   | 35   | 35  | 29  | 186 |
|             |                      |              |      |     |              |      |     |                      |                     |               |                 |   | 12846 | 27.8   | 1    | 33.4                    | 47.6  | 50  | 50                                  | 44  | 184                               | 48.9   | 50   | 50  | 45  | 186 |
|             |                      |              |      |     |              |      |     |                      |                     |               |                 |   | 13346 | 33     | 1    | 39.7                    | 55.5  | 60  | 60                                  | 51  | 184                               | 56.8   | 60   | 60  | 52  | 186 |
|             |                      |              |      |     |              |      |     |                      |                     |               |                 |   | 14246 | 41.7   | 2    | 50.2                    | 68.6  | 70  | 70                                  | 63  | 184                               | 69.9   | 70   | 70  | 64  | 186 |
|             | 575-3-60             | 6.6          | 55.3 | 10  | 6.6          | 55.3 | 10  | 2.2                  | 4.3                 | 0.4           |                 |   | None  | -      | -    | -                       | 21.4  | 25  | 25                                  | 23  | 162                               | 22.2   | 25   | 25  | 24  | 164 |
| 11758       |                      |              |      |     |              |      |     |                      |                     |               |                 |   | 17    | 1      | 16.4 | 25.9                    | 30  | 30  | 24                                  | 162 | 26.9                              | 30   | 30   | 25  | 164 |     |
| 13458       |                      |              |      |     |              |      |     |                      |                     |               |                 |   | 34    | 1      | 32.7 | 46.3                    | 50  | 50  | 43                                  | 162 | 47.3                              | 50   | 50   | 43  | 164 |     |
| None        |                      |              |      |     |              |      |     |                      |                     |               |                 |   | -     | -      | -    | 58.7                    | 60  | 70  | 62                                  | 372 | 60.7                              | 70   | 80   | 64  | 376 |     |

1. Minimum Circuit Ampacity.
2. Dual Element, Time Delay Type.
3. HACR type per NEC.
4. Non-fused Disconnect, Verify on the unit nameplate that the disconnect is properly sized for the application. Units with field installed electric heat kits may exceed the factory installed disconnect amperage rating.



**ZXA7, ZX08-14 Medium Static Indoor Blower - With Powered Convenience Outlet**

| Size (Tons)        | Nominal Unit Voltage | Compressor 1 |      |     | Compressor 2 |      |     | OD Fan Motors (each) | Supply Blower Motor | Pwr Exh Motor | Pwr Conv Outlet | Electric Heat Field Installed Kit 2EK045* |      |        |      | MCA <sup>1</sup> (Amps) | Min Fuse <sup>2</sup> /<br>Breaker <sup>3</sup> Size (Amps) | Max Fuse <sup>2</sup> /<br>Breaker <sup>3</sup> Size (Amps) | Min Disconnect Rating <sup>4</sup> |      | MCA <sup>1</sup> w/Pwr Exh (Amps) | Min Fuse <sup>2</sup> /<br>Breaker <sup>3</sup> Size w/ Pwr Exh (Amps) | Max Fuse <sup>2</sup> /<br>Breaker <sup>3</sup> Size w/ Pwr Exh (Amps) | Min Disconnect Rating <sup>4</sup> /<br>Pwr Exh |     |
|--------------------|----------------------|--------------|------|-----|--------------|------|-----|----------------------|---------------------|---------------|-----------------|---|------|--------|------|-------------------------|---|---|------------------------------------|------|-----------------------------------|--|--|---|-----|
|                    |                      | RLA          | LRA  | MCC | RLA          | LRA  | MCC |                      |                     |               |                 | Model                                     | kW   | Stages | Amps |                         |   |   | FLA                                | LRA  |                                   |  |  | FLA   | LRA |
|                    |                      |              |      |     |              |      |     |                      |                     |               |                 |   |      |        |      |                         |   |   |                                    |      |                                   |  |  |   |     |
| <b>Without VFD</b> |                      |              |      |     |              |      |     |                      |                     |               |                 |   |      |        |      |                         |   |   |                                    |      |                                   |  |  |   |     |
| A7 (6)             | 208-3-60             | 17.6         | 136  | 27  |              |      |     | 4.4                  | 7.5                 | 1.1           | 8.6             | None                                      | -    | -      | -    | 38.2                    | 40  | 50  | 39                                 | 189  | 39.3                              | 40   | 50   | 40  | 191 |
|                    |                      |              |      |     |              |      |     |                      |                     |               |                 | 10625                                     | 4.9  | 1      | 13.6 | 38.2                    | 40  | 50  | 39                                 | 189  | 39.3                              | 40   | 50   | 40  | 191 |
|                    |                      |              |      |     |              |      |     |                      |                     |               |                 | 11125                                     | 7.9  | 1      | 21.9 | 42.1                    | 45  | 50  | 39                                 | 189  | 43.5                              | 45   | 50   | 40  | 191 |
|                    |                      |              |      |     |              |      |     |                      |                     |               |                 | 11625                                     | 12   | 1      | 33.3 | 56.4                    | 60  | 60  | 52                                 | 189  | 57.8                              | 60   | 60   | 53  | 191 |
|                    | 230-3-60             | 17.6         | 136  | 27  |              |      |     | 4.4                  | 7.5                 | 1             | 8.6             | None                                      | -    | -      | -    | 38.2                    | 40  | 50  | 39                                 | 195  | 39.2                              | 40   | 50   | 40  | 198 |
|                    |                      |              |      |     |              |      |     |                      |                     |               |                 | 10625                                     | 6.5  | 1      | 15.6 | 38.2                    | 40  | 50  | 39                                 | 195  | 39.2                              | 40   | 50   | 40  | 198 |
|                    |                      |              |      |     |              |      |     |                      |                     |               |                 | 11125                                     | 10.5 | 1      | 25.3 | 46.4                    | 50  | 50  | 43                                 | 195  | 47.6                              | 50   | 50   | 44  | 198 |
|                    |                      |              |      |     |              |      |     |                      |                     |               |                 | 11625                                     | 16   | 1      | 38.5 | 62.9                    | 70  | 70  | 58                                 | 195  | 64.1                              | 70   | 70   | 59  | 198 |
|                    | 460-3-60             | 8.5          | 66.1 | 13  |              |      |     | 2.5                  | 3.4                 | 0.5           | 8.6             | None                                      | -    | -      | -    | 18.7                    | 20  | 25  | 19                                 | 96   | 19.2                              | 20   | 25   | 20  | 97  |
|                    |                      |              |      |     |              |      |     |                      |                     |               |                 | 10646                                     | 6    | 1      | 7.2  | 18.7                    | 20  | 25  | 15                                 | 96   | 19.2                              | 20   | 25   | 15  | 97  |
|                    |                      |              |      |     |              |      |     |                      |                     |               |                 | 11146                                     | 11.5 | 1      | 13.8 | 24.2                    | 25  | 25  | 22                                 | 96   | 24.8                              | 25   | 25   | 23  | 97  |
|                    |                      |              |      |     |              |      |     |                      |                     |               |                 | 11446                                     | 14   | 1      | 16.8 | 27.9                    | 30  | 30  | 26                                 | 96   | 28.6                              | 30   | 30   | 26  | 97  |
| 575-3-60           | 6.3                  | 55.3         | 10   |     |              |      | 4.4 | 2.8                  | 0.4                 | 8.6           | None            | -   | -    | -      | 16.8 | 20                      | 20  | 17  | 79                                 | 17.2 | 20                                | 20   | 18   | 80  |     |
| <b>With VFD</b>    |                      |              |      |     |              |      |     |                      |                     |               |                 |   |      |        |      |                         |   |   |                                    |      |                                   |  |  |   |     |
| A7 (6)             | 208-3-60             | 17.6         | 136  | 27  |              |      |     | 4.4                  | 8.9                 | 1.1           | 8.6             | None                                      | -    | -      | -    | 39.6                    | 40  | 50  | 40                                 | 202  | 40.7                              | 45   | 50   | 42  | 205 |
|                    |                      |              |      |     |              |      |     |                      |                     |               |                 | 10625                                     | 4.9  | 1      | 13.6 | 39.6                    | 40  | 50  | 40                                 | 202  | 40.7                              | 45   | 50   | 42  | 205 |
|                    |                      |              |      |     |              |      |     |                      |                     |               |                 | 11125                                     | 7.9  | 1      | 21.9 | 43.9                    | 45  | 50  | 40                                 | 202  | 45.3                              | 50   | 50   | 42  | 205 |
|                    |                      |              |      |     |              |      |     |                      |                     |               |                 | 11625                                     | 12   | 1      | 33.3 | 58.1                    | 60  | 60  | 53                                 | 202  | 59.5                              | 60   | 60   | 55  | 205 |
|                    | 230-3-60             | 17.6         | 136  | 27  |              |      |     | 4.4                  | 8.2                 | 1             | 8.6             | None                                      | -    | -      | -    | 38.9                    | 40  | 50  | 40                                 | 209  | 39.9                              | 40   | 50   | 41  | 212 |
|                    |                      |              |      |     |              |      |     |                      |                     |               |                 | 10625                                     | 6.5  | 1      | 15.6 | 38.9                    | 40  | 50  | 40                                 | 209  | 39.9                              | 40   | 50   | 41  | 212 |
|                    |                      |              |      |     |              |      |     |                      |                     |               |                 | 11125                                     | 10.5 | 1      | 25.3 | 47.3                    | 50  | 50  | 43                                 | 209  | 48.5                              | 50   | 50   | 45  | 212 |
|                    |                      |              |      |     |              |      |     |                      |                     |               |                 | 11625                                     | 16   | 1      | 38.5 | 63.8                    | 70  | 70  | 59                                 | 209  | 65                                | 70   | 70   | 60  | 212 |
|                    | 460-3-60             | 8.5          | 66.1 | 13  |              |      |     | 2.5                  | 4.1                 | 0.5           | 8.6             | None                                      | -    | -      | -    | 19.4                    | 20  | 25  | 20                                 | 103  | 19.9                              | 20   | 25   | 20  | 104 |
|                    |                      |              |      |     |              |      |     |                      |                     |               |                 | 10646                                     | 6    | 1      | 7.2  | 19.4                    | 20  | 25  | 15                                 | 103  | 19.9                              | 20   | 25   | 16  | 104 |
|                    |                      |              |      |     |              |      |     |                      |                     |               |                 | 11146                                     | 11.5 | 1      | 13.8 | 25.1                    | 30  | 30  | 23                                 | 103  | 25.7                              | 30   | 30   | 24  | 104 |
|                    |                      |              |      |     |              |      |     |                      |                     |               |                 | 11446                                     | 14   | 1      | 16.8 | 28.8                    | 30  | 30  | 27                                 | 103  | 29.4                              | 30   | 30   | 27  | 104 |
| 575-3-60           | 6.3                  | 55.3         | 10   |     |              |      | 4.4 | 3.2                  | 0.4                 | 8.6           | None            | -   | -    | -      | 17.2 | 20                      | 20  | 18  | 83                                 | 17.6 | 20                                | 20   | 18   | 84  |     |
| 08 (7.5)           | 208-3-60             | 13.6         | 83.1 | 21  | 13.6         | 83.1 | 21  | 2.3                  | 8.9                 | 1.1           | 8.6             | None                                      | -    | -      | -    | 48.4                    | 50  | 60  | 52                                 | 267  | 50.6                              | 60   | 60   | 54  | 277 |
|                    |                      |              |      |     |              |      |     |                      |                     |               |                 | 11725                                     | 12   | 1      | 33.3 | 58.1                    | 60  | 60  | 53                                 | 267  | 60.9                              | 70   | 70   | 56  | 277 |
|                    |                      |              |      |     |              |      |     |                      |                     |               |                 | 12525                                     | 18.6 | 1      | 51.6 | 81                      | 90  | 90  | 75                                 | 267  | 83.8                              | 90   | 90   | 77  | 277 |
|                    |                      |              |      |     |              |      |     |                      |                     |               |                 | 13225                                     | 24   | 1      | 66.6 | 99.8                    | 100   | 100   | 92                                 | 267  | 102.5                             | 110  | 110  | 94  | 277 |
|                    | 230-3-60             | 13.6         | 83.1 | 21  | 13.6         | 83.1 | 21  | 2.3                  | 8.2                 | 1             | 8.6             | None                                      | -    | -      | -    | 47.7                    | 50  | 60  | 51                                 | 270  | 49.7                              | 50   | 60   | 53  | 264 |
|                    |                      |              |      |     |              |      |     |                      |                     |               |                 | 11725                                     | 16   | 1      | 38.5 | 63.8                    | 70  | 70  | 59                                 | 270  | 66.3                              | 70   | 70   | 61  | 264 |
|                    |                      |              |      |     |              |      |     |                      |                     |               |                 | 12525                                     | 24.8 | 1      | 59.7 | 90.3                    | 100   | 100   | 83                                 | 270  | 92.8                              | 100  | 100  | 85  | 264 |
|                    |                      |              |      |     |              |      |     |                      |                     |               |                 | 13225                                     | 32   | 1      | 77   | 111.9                   | 125   | 125   | 103                                | 270  | 114.4                             | 125  | 125  | 105   | 264 |
|                    | 460-3-60             | 6.1          | 41   | 10  | 6.1          | 41   | 10  | 1.3                  | 4.1                 | 0.5           | 8.6             | None                                      | -    | -      | -    | 22.6                    | 25  | 25  | 24                                 | 130  | 23.6                              | 25   | 25   | 25  | 127 |
|                    |                      |              |      |     |              |      |     |                      |                     |               |                 | 11746                                     | 16.5 | 1      | 19.8 | 32.6                    | 35  | 35  | 30                                 | 130  | 33.8                              | 35   | 35   | 31  | 127 |
|                    |                      |              |      |     |              |      |     |                      |                     |               |                 | 12846                                     | 27.8 | 1      | 33.4 | 49.6                    | 50  | 50  | 46                                 | 130  | 50.8                              | 60   | 60   | 47  | 127 |
|                    |                      |              |      |     |              |      |     |                      |                     |               |                 | 13346                                     | 33   | 1      | 39.7 | 57.4                    | 60  | 60  | 53                                 | 130  | 58.7                              | 60   | 60   | 54  | 127 |
| 575-3-60           | 4.2                  | 33           | 7    | 4.2 | 33           | 7    | 1.1 | 3.2                  | 0.4                 | 8.6           | None            | -   | -    | -      | 16.6 | 20                      | 20  | 18  | 103                                | 17.4 | 20                                | 20   | 19   | 100   |     |
|                    |                      |              |      |     |              |      |     |                      |                     |               | 11758           | 17  | 1    | 16.4   | 26.7 | 30                      | 30  | 25  | 103                                | 27.7 | 30                                | 30   | 25   | 100   |     |
|                    |                      |              |      |     |              |      |     |                      |                     |               | 13458           | 34  | 1    | 32.7   | 47   | 50                      | 50  | 43  | 103                                | 48   | 50                                | 50   | 44   | 100   |     |
|                    |                      |              |      |     |              |      |     |                      |                     |               |                 |   |      |        |      |                         |   |   |                                    |      |                                   |  |  |   |     |

**ZXA7, ZX08-14 Medium Static Indoor Blower - With Powered Convenience Outlet (Continued)**

| Size (Tons) | Nominal Unit Voltage | Compressor 1 |      |     | Compressor 2 |      |     | OD Fan Motors (each) | Supply Blower Motor | Pwr Exh Motor | Pwr Conv Outlet | Electric Heat Field Installed Kit 2EK045* |      |        |      | MCA <sup>1</sup> (Amps) | Min Fuse <sup>2</sup> /Breaker <sup>3</sup> Size (Amps) | Max Fuse <sup>2</sup> /Breaker <sup>3</sup> Size (Amps) | Min Disconnect Rating <sup>4</sup> |      | MCA <sup>1</sup> w/Pwr Exh (Amps) | Min Fuse <sup>2</sup> /Breaker <sup>3</sup> Size w/ Pwr Exh (Amps) | Max Fuse <sup>2</sup> /Breaker <sup>3</sup> Size w/ Pwr Exh (Amps) | Min Disconnect Rating <sup>4</sup> w/ Pwr Exh |     |
|-------------|----------------------|--------------|------|-----|--------------|------|-----|----------------------|---------------------|---------------|-----------------|---|------|--------|------|-------------------------|---|---|------------------------------------|------|-----------------------------------|--|--|---|-----|
|             |                      | RLA          | LRA  | MCC | RLA          | LRA  | MCC |                      |                     |               |                 | Model                                     | kW   | Stages | Amps |                         |   |   | FLA                                | LRA  |                                   |  |  | FLA   | LRA |
|             |                      |              |      |     |              |      |     |                      |                     |               |                 |   |      |        |      |                         |   |   |                                    |      |                                   |  |  |   |     |
| 09 (8.5)    | 208-3-60             | 14.5         | 98   | 23  | 14.5         | 98   | 23  | 2.3                  | 7                   | 1.1           | 8.6             | None                                      | -    | -      | -    | 48.5                    | 50  | 60  | 52                                 | 280  | 50.7                              | 60   | 60   | 54  | 290 |
|             |                      |              |      |     |              |      |     |                      |                     |               |                 | 11725                                     | 12   | 1      | 33.3 | 55.8                    | 60  | 60  | 52                                 | 280  | 58.5                              | 60   | 54   | 290   |     |
|             |                      |              |      |     |              |      |     |                      |                     |               |                 | 12525                                     | 18.6 | 1      | 51.6 | 78.6                    | 80  | 80  | 72                                 | 280  | 81.4                              | 90   | 90   | 75  | 290 |
|             |                      |              |      |     |              |      |     |                      |                     |               |                 | 13225                                     | 24   | 1      | 66.6 | 97.4                    | 100   | 100   | 90                                 | 280  | 100.1                             | 110  | 110  | 92  | 290 |
|             |                      |              |      |     |              |      |     |                      |                     |               |                 | 14225                                     | 31.8 | 2      | 88.3 | 124.5                   | 125   | 125   | 115                                | 280  | 127.3                             | 150  | 150  | 117   | 290 |
|             | 230-3-60             | 14.5         | 98   | 23  | 14.5         | 98   | 23  | 2.3                  | 7.2                 | 1             | 8.6             | None                                      | -    | -      | -    | 48.7                    | 50  | 60  | 52                                 | 282  | 50.7                              | 60   | 60   | 54  | 277 |
|             |                      |              |      |     |              |      |     |                      |                     |               |                 | 11725                                     | 16   | 1      | 38.5 | 62.5                    | 70  | 70  | 58                                 | 282  | 65                                | 70   | 70   | 60  | 277 |
|             |                      |              |      |     |              |      |     |                      |                     |               |                 | 12525                                     | 24.8 | 1      | 59.7 | 89                      | 90  | 90  | 82                                 | 282  | 91.5                              | 100  | 100  | 84  | 277 |
|             |                      |              |      |     |              |      |     |                      |                     |               |                 | 13225                                     | 32   | 1      | 77   | 110.6                   | 125   | 125   | 102                                | 282  | 113.1                             | 125  | 125  | 104   | 277 |
|             |                      |              |      |     |              |      |     |                      |                     |               |                 | 14225                                     | 42.4 | 2      | 102  | 141.9                   | 150   | 150   | 131                                | 282  | 144.4                             | 150  | 150  | 133   | 277 |
|             | 460-3-60             | 6.3          | 55   | 10  | 6.3          | 55   | 10  | 1.3                  | 3.6                 | 0.5           | 8.6             | None                                      | -    | -      | -    | 22.6                    | 25  | 25  | 24                                 | 155  | 23.6                              | 25   | 25   | 25  | 151 |
|             |                      |              |      |     |              |      |     |                      |                     |               |                 | 11746                                     | 16.5 | 1      | 19.8 | 31.9                    | 35  | 35  | 29                                 | 155  | 33.2                              | 35   | 35   | 31  | 151 |
|             |                      |              |      |     |              |      |     |                      |                     |               |                 | 12846                                     | 27.8 | 1      | 33.4 | 48.9                    | 50  | 50  | 45                                 | 155  | 50.2                              | 60   | 60   | 46  | 151 |
|             |                      |              |      |     |              |      |     |                      |                     |               |                 | 13346                                     | 33   | 1      | 39.7 | 56.8                    | 60  | 60  | 52                                 | 155  | 58.1                              | 60   | 60   | 53  | 151 |
|             |                      |              |      |     |              |      |     |                      |                     |               |                 | 14246                                     | 41.7 | 2      | 50.2 | 69.9                    | 70  | 70  | 64                                 | 155  | 71.2                              | 80   | 80   | 65  | 151 |
|             | 575-3-60             | 6            | 41   | 9   | 6            | 41   | 9   | 1.1                  | 2.5                 | 0.4           | 8.6             | None                                      | -    | -      | -    | 19.9                    | 20  | 25  | 21                                 | 111  | 20.7                              | 25   | 25   | 22  | 108 |
| 11758       |                      |              |      |     |              |      |     |                      |                     |               |                 | 17  | 1    | 16.4   | 25.8 | 30                      | 30  | 24  | 111                                | 26.8 | 30                                | 30   | 25   | 108   |     |
| 13458       |                      |              |      |     |              |      |     |                      |                     |               |                 | 34  | 1    | 32.7   | 46.2 | 50                      | 50  | 42  | 111                                | 47.2 | 50                                | 50   | 43   | 108   |     |
|             |                      |              |      |     |              |      |     |                      |                     |               |                 |   |      |        |      |                         |   |   |                                    |      |                                   |  |  |   |     |
| 12 (10)     | 208-3-60             | 16           | 110  | 25  | 15.6         | 110  | 24  | 2.3                  | 9.9                 | 1.1           | 8.6             | None                                      | -    | -      | -    | 54.4                    | 60  | 70  | 58                                 | 316  | 56.6                              | 60   | 70   | 60  | 326 |
|             |                      |              |      |     |              |      |     |                      |                     |               |                 | 11725                                     | 12   | 1      | 33.3 | 59.4                    | 60  | 70  | 58                                 | 316  | 62.1                              | 70   | 70   | 60  | 326 |
|             |                      |              |      |     |              |      |     |                      |                     |               |                 | 12525                                     | 18.6 | 1      | 51.6 | 82.3                    | 90  | 90  | 76                                 | 316  | 85                                | 90   | 90   | 78  | 326 |
|             |                      |              |      |     |              |      |     |                      |                     |               |                 | 13225                                     | 24   | 1      | 66.6 | 101                     | 110   | 110   | 93                                 | 316  | 103.8                             | 110  | 110  | 95  | 326 |
|             |                      |              |      |     |              |      |     |                      |                     |               |                 | 14225                                     | 31.8 | 2      | 88.3 | 128.1                   | 150   | 150   | 118                                | 316  | 130.9                             | 150  | 150  | 120   | 326 |
|             | 230-3-60             | 16           | 110  | 25  | 15.6         | 110  | 24  | 2.3                  | 9.4                 | 1             | 8.6             | None                                      | -    | -      | -    | 53.9                    | 60  | 60  | 57                                 | 325  | 55.9                              | 60   | 70   | 60  | 320 |
|             |                      |              |      |     |              |      |     |                      |                     |               |                 | 11725                                     | 16   | 1      | 38.5 | 65.3                    | 70  | 70  | 60                                 | 325  | 67.8                              | 70   | 70   | 62  | 320 |
|             |                      |              |      |     |              |      |     |                      |                     |               |                 | 12525                                     | 24.8 | 1      | 59.7 | 91.8                    | 100   | 100   | 84                                 | 325  | 94.3                              | 100  | 100  | 87  | 320 |
|             |                      |              |      |     |              |      |     |                      |                     |               |                 | 13225                                     | 32   | 1      | 77   | 113.4                   | 125   | 125   | 104                                | 325  | 115.9                             | 125  | 125  | 107   | 320 |
|             |                      |              |      |     |              |      |     |                      |                     |               |                 | 14225                                     | 42.4 | 2      | 102  | 144.6                   | 150   | 150   | 133                                | 325  | 147.1                             | 150  | 150  | 135   | 320 |
|             | 460-3-60             | 7.8          | 52   | 12  | 7.8          | 52   | 12  | 1.3                  | 4.7                 | 0.5           | 8.6             | None                                      | -    | -      | -    | 27.1                    | 30  | 30  | 29                                 | 158  | 28.1                              | 30   | 30   | 30  | 154 |
|             |                      |              |      |     |              |      |     |                      |                     |               |                 | 11746                                     | 16.5 | 1      | 19.8 | 33.3                    | 35  | 35  | 31                                 | 158  | 34.6                              | 35   | 35   | 32  | 154 |
|             |                      |              |      |     |              |      |     |                      |                     |               |                 | 12846                                     | 27.8 | 1      | 33.4 | 50.3                    | 60  | 60  | 46                                 | 158  | 51.6                              | 60   | 60   | 47  | 154 |
|             |                      |              |      |     |              |      |     |                      |                     |               |                 | 13346                                     | 33   | 1      | 39.7 | 58.2                    | 60  | 60  | 54                                 | 158  | 59.4                              | 60   | 60   | 55  | 154 |
|             |                      |              |      |     |              |      |     |                      |                     |               |                 | 14246                                     | 41.7 | 2      | 50.2 | 71.3                    | 80  | 80  | 66                                 | 158  | 72.6                              | 80   | 80   | 67  | 154 |
|             | 575-3-60             | 5.7          | 38.9 | 9   | 5.8          | 38.9 | 9   | 1.1                  | 4.3                 | 0.4           | 8.6             | None                                      | -    | -      | -    | 21.2                    | 25  | 25  | 23                                 | 129  | 22                                | 25   | 25   | 24  | 126 |
| 11758       |                      |              |      |     |              |      |     |                      |                     |               |                 | 17  | 1    | 16.4   | 28   | 30                      | 30  | 26  | 129                                | 29   | 30                                | 30   | 27   | 126   |     |
| 13458       |                      |              |      |     |              |      |     |                      |                     |               |                 | 34  | 1    | 32.7   | 48.4 | 50                      | 50  | 45  | 129                                | 49.4 | 50                                | 50   | 45   | 126   |     |
|             |                      |              |      |     |              |      |     |                      |                     |               |                 |   |      |        |      |                         |   |   |                                    |      |                                   |  |  |   |     |
| 14 (12.5)   | 208-3-60             | 19.6         | 136  | 31  | 19.6         | 136  | 31  | 5.8                  | 9.9                 | 1.1           | 8.6             | None                                      | -    | -      | -    | 64.1                    | 70  | 80  | 68                                 | 371  | 66.3                              | 70   | 80   | 71  | 381 |
|             |                      |              |      |     |              |      |     |                      |                     |               |                 | 11725                                     | 12   | 1      | 33.3 | 64.1                    | 70  | 80  | 68                                 | 371  | 66.3                              | 70   | 80   | 71  | 381 |
|             |                      |              |      |     |              |      |     |                      |                     |               |                 | 12525                                     | 18.6 | 1      | 51.6 | 82.3                    | 90  | 90  | 76                                 | 371  | 85                                | 90   | 90   | 78  | 381 |
|             |                      |              |      |     |              |      |     |                      |                     |               |                 | 13225                                     | 24   | 1      | 66.6 | 101                     | 110   | 110   | 93                                 | 371  | 103.8                             | 110  | 110  | 95  | 381 |
|             |                      |              |      |     |              |      |     |                      |                     |               |                 | 14225                                     | 31.8 | 2      | 88.3 | 128.1                   | 150   | 150   | 118                                | 371  | 130.9                             | 150  | 150  | 120   | 381 |
|             | 230-3-60             | 19.6         | 136  | 31  | 19.6         | 136  | 31  | 5.2                  | 9.4                 | 1             | 8.6             | None                                      | -    | -      | -    | 63                      | 70  | 80  | 67                                 | 376  | 65                                | 70   | 80   | 69  | 381 |
|             |                      |              |      |     |              |      |     |                      |                     |               |                 | 11725                                     | 16   | 1      | 38.5 | 65.3                    | 70  | 80  | 67                                 | 376  | 67.8                              | 70   | 80   | 69  | 381 |
|             |                      |              |      |     |              |      |     |                      |                     |               |                 | 12525                                     | 24.8 | 1      | 59.7 | 91.8                    | 100   | 100   | 84                                 | 376  | 94.3                              | 100  | 100  | 87  | 381 |
|             |                      |              |      |     |              |      |     |                      |                     |               |                 | 13225                                     | 32   | 1      | 77   | 113.4                   | 125   | 125   | 104                                | 376  | 115.9                             | 125  | 125  | 107   | 381 |
|             |                      |              |      |     |              |      |     |                      |                     |               |                 | 14225                                     | 42.4 | 2      | 102  | 144.6                   | 150   | 150   | 133                                | 376  | 147.1                             | 150  | 150  | 135   | 381 |
|             | 460-3-60             | 8.2          | 66.1 | 13  | 8.2          | 66.1 | 13  | 2.9                  | 4.7                 | 0.5           | 8.6             | None                                      | -    | -      | -    | 28.3                    | 30  | 35  | 30                                 | 186  | 29.3                              | 30   | 35   | 31  | 188 |
|             |                      |              |      |     |              |      |     |                      |                     |               |                 | 11746                                     | 16.5 | 1      | 19.8 | 33.3                    | 35  | 35  | 31                                 | 186  | 34.6                              | 35   | 35   | 32  | 188 |
|             |                      |              |      |     |              |      |     |                      |                     |               |                 | 12846                                     | 27.8 | 1      | 33.4 | 50.3                    | 60  | 60  | 46                                 | 186  | 51.6                              | 60   | 60   | 47  | 188 |
|             |                      |              |      |     |              |      |     |                      |                     |               |                 | 13346                                     | 33   | 1      | 39.7 | 58.2                    | 60  | 60  | 54                                 | 186  | 59.4                              | 60   | 60   | 55  | 188 |
|             |                      |              |      |     |              |      |     |                      |                     |               |                 | 14246                                     | 41.7 | 2      | 50.2 | 71.3                    | 80  | 80  | 66                                 | 186  | 72.6                              | 80   | 80   | 67  | 188 |
|             | 575-3-60             | 6.6          | 55.3 | 10  | 6.6          | 55.3 | 10  | 2.2                  | 4.3                 | 0.4           | 8.6             | None                                      | -    | -      | -    | 23.1                    | 25  | 25  | 25                                 | 164  | 23.9                              | 25   | 25   | 26  | 165 |
| 11758       |                      |              |      |     |              |      |     |                      |                     |               |                 | 17  | 1    | 16.4   | 28   | 30                      | 30  | 26  | 164                                | 29   | 30                                | 30   | 27   | 165   |     |
| 13458       |                      |              |      |     |              |      |     |                      |                     |               |                 | 34  | 1    | 32.7   | 48.4 | 50                      | 50  | 45  | 164                                | 49.4 | 50                                | 50   | 45   | 165   |     |
|             |                      |              |      |     |              |      |     |                      |                     |               |                 |   |      |        |      |                         |   |   |                                    |      |                                   |  |  |   |     |

1. Minimum Circuit Ampacity.
2. Dual Element, Time Delay Type.
3. HACR type per NEC.
4. Non-fused Disconnect, Verify on the unit nameplate that the disconnect is properly sized for the application. Units with field installed electric heat kits may exceed the factory installed disconnect amperage rating.

**ZXA7, 08-14 Hi Static Indoor Blower - Without Powered Convenience Outlet**

| Size (Tons)        | Nominal Unit Voltage | Compressor 1 |      |     | Compressor 2 |      |     | OD Fan Motors (each) | Supply Blower Motor | Pwr Exh Motor | Pwr Conv Outlet | Electric Heat Field Installed Kit 2EK045* |       |        |      | MCA <sup>1</sup> (Amps) | Min Fuse <sup>2</sup> / Breaker <sup>3</sup> Size (Amps) | Max Fuse <sup>2</sup> / Breaker <sup>3</sup> Size (Amps) | Min Disconnect Rating <sup>4</sup> |     | MCA <sup>1</sup> w/Pwr Exh (Amps) | Min Fuse <sup>2</sup> / Breaker <sup>3</sup> Size w/ Pwr Exh (Amps) | Max Fuse <sup>2</sup> / Breaker <sup>3</sup> Size w/ Pwr Exh (Amps) | Min Disconnect Rating <sup>4</sup> / Pwr Exh |     |     |
|--------------------|----------------------|--------------|------|-----|--------------|------|-----|----------------------|---------------------|---------------|-----------------|---|-------|--------|------|-------------------------|--|--|------------------------------------|-----|-----------------------------------|---|---|--|-----|-----|
|                    |                      | RLA          | LRA  | MCC | RLA          | LRA  | MCC |                      |                     |               |                 | Model                                     | kW    | Stages | Amps |                         |  |  | FLA                                | LRA |                                   |   |   | FLA  | LRA |     |
|                    |                      |              |      |     |              |      |     |                      |                     |               |                 |   |       |        |      |                         |  |  |                                    |     |                                   |   |   |  |     |     |
| <b>Without VFD</b> |                      |              |      |     |              |      |     |                      |                     |               |                 |   |       |        |      |                         |  |  |                                    |     |                                   |   |   |  |     |     |
| A7 (6)             | 208-3-60             | 17.6         | 136  | 27  |              |      |     | 4.4                  | 10.2                | 1.1           |                 | None                                      | -     | -      | -    | 36.6                    | 40   | 50   | 37                                 | 199 | 37.7                              | 40  | 50  | 38   | 202 |     |
|                    |                      |              |      |     |              |      |     |                      |                     |               |                 | 10625                                     | 4.9   | 1      | 13.6 | 36.6                    | 40   | 50   | 37                                 | 199 | 37.7                              | 40  | 50  | 38   | 202 |     |
|                    |                      |              |      |     |              |      |     |                      |                     |               |                 | 11125                                     | 7.9   | 1      | 21.9 | 40.1                    | 45   | 50   | 37                                 | 199 | 41.5                              | 45  | 50  | 38   | 202 |     |
|                    |                      |              |      |     |              |      |     |                      |                     |               |                 | 11625                                     | 12    | 1      | 33.3 | 54.4                    | 60   | 60   | 50                                 | 199 | 55.8                              | 60  | 60  | 51   | 202 |     |
|                    | 230-3-60             | 17.6         | 136  | 27  |              |      |     | 4.4                  | 10.2                | 1             |                 |   | None  | -      | -    | -                       | 36.6   | 40   | 50                                 | 37  | 205                               | 37.6  | 40  | 50   | 38  | 207 |
|                    |                      |              |      |     |              |      |     |                      |                     |               |                 |   | 10625 | 6.5    | 1    | 15.6                    | 36.6   | 40   | 50                                 | 37  | 205                               | 37.6  | 40  | 50   | 38  | 207 |
|                    |                      |              |      |     |              |      |     |                      |                     |               |                 |   | 11125 | 10.5   | 1    | 25.3                    | 44.4   | 45   | 50                                 | 41  | 205                               | 45.6  | 50  | 50   | 42  | 207 |
|                    |                      |              |      |     |              |      |     |                      |                     |               |                 |   | 11625 | 16     | 1    | 38.5                    | 60.9   | 70   | 70                                 | 56  | 205                               | 62.1  | 70  | 70   | 57  | 207 |
|                    | 460-3-60             | 8.5          | 66.1 | 13  |              |      |     | 2.5                  | 4.8                 | 0.5           |                 |   | None  | -      | -    | -                       | 17.9   | 20   | 25                                 | 18  | 101                               | 18.4  | 20  | 25   | 19  | 102 |
|                    |                      |              |      |     |              |      |     |                      |                     |               |                 |   | 10646 | 6      | 1    | 7.2                     | 17.9   | 20   | 25                                 | 14  | 101                               | 18.4  | 20  | 25   | 14  | 102 |
|                    |                      |              |      |     |              |      |     |                      |                     |               |                 |   | 11146 | 11.5   | 1    | 13.8                    | 23.3   | 25   | 25                                 | 21  | 101                               | 23.9  | 25  | 25   | 22  | 102 |
|                    |                      |              |      |     |              |      |     |                      |                     |               |                 |   | 11446 | 14     | 1    | 16.8                    | 27   | 30   | 30                                 | 25  | 101                               | 27.6  | 30  | 30   | 25  | 102 |
| 575-3-60           | 6.3                  | 55.3         | 10   |     |              |      | 4.4 | 3.4                  | 0.4                 |               |                 | None                                      | -     | -      | -    | 15.7                    | 20   | 20   | 16                                 | 83  | 16.1                              | 20  | 20  | 17   | 84  |     |
| <b>With VFD</b>    |                      |              |      |     |              |      |     |                      |                     |               |                 |   |       |        |      |                         |  |  |                                    |     |                                   |   |   |  |     |     |
| A7 (6)             | 208-3-60             | 17.6         | 136  | 27  |              |      |     | 4.4                  | 9.9                 | 1.1           |                 | None                                      | -     | -      | -    | 36.3                    | 40   | 50   | 37                                 | 209 | 37.4                              | 40  | 50  | 38   | 211 |     |
|                    |                      |              |      |     |              |      |     |                      |                     |               |                 | 10625                                     | 4.9   | 1      | 13.6 | 36.3                    | 40   | 50   | 37                                 | 209 | 37.4                              | 40  | 50  | 38   | 211 |     |
|                    |                      |              |      |     |              |      |     |                      |                     |               |                 | 11125                                     | 7.9   | 1      | 21.9 | 39.8                    | 40   | 50   | 37                                 | 209 | 41.1                              | 45  | 50  | 38   | 211 |     |
|                    |                      |              |      |     |              |      |     |                      |                     |               |                 | 11625                                     | 12    | 1      | 33.3 | 54                      | 60   | 60   | 50                                 | 209 | 55.4                              | 60  | 60  | 51   | 211 |     |
|                    | 230-3-60             | 17.6         | 136  | 27  |              |      |     | 4.4                  | 9.4                 | 1             |                 |   | None  | -      | -    | -                       | 35.8   | 40   | 50                                 | 36  | 217                               | 36.8  | 40  | 50   | 37  | 219 |
|                    |                      |              |      |     |              |      |     |                      |                     |               |                 |   | 10625 | 6.5    | 1    | 15.6                    | 35.8   | 40   | 50                                 | 36  | 217                               | 36.8  | 40  | 50   | 37  | 219 |
|                    |                      |              |      |     |              |      |     |                      |                     |               |                 |   | 11125 | 10.5   | 1    | 25.3                    | 43.4   | 45   | 50                                 | 40  | 217                               | 44.6  | 45  | 50   | 41  | 219 |
|                    |                      |              |      |     |              |      |     |                      |                     |               |                 |   | 11625 | 16     | 1    | 38.5                    | 59.9   | 60   | 60                                 | 55  | 217                               | 61.1  | 70  | 70   | 56  | 219 |
|                    | 460-3-60             | 8.5          | 66.1 | 13  |              |      |     | 2.5                  | 4.7                 | 0.5           |                 |   | None  | -      | -    | -                       | 17.8   | 20   | 25                                 | 18  | 106                               | 18.3  | 20  | 25   | 19  | 108 |
|                    |                      |              |      |     |              |      |     |                      |                     |               |                 |   | 10646 | 6      | 1    | 7.2                     | 17.8   | 20   | 25                                 | 14  | 106                               | 18.3  | 20  | 25   | 14  | 108 |
|                    |                      |              |      |     |              |      |     |                      |                     |               |                 |   | 11146 | 11.5   | 1    | 13.8                    | 23.1   | 25   | 25                                 | 21  | 106                               | 23.8  | 25  | 25   | 22  | 108 |
|                    |                      |              |      |     |              |      |     |                      |                     |               |                 |   | 11446 | 14     | 1    | 16.8                    | 26.9   | 30   | 30                                 | 25  | 106                               | 27.5  | 30  | 30   | 25  | 108 |
| 575-3-60           | 6.3                  | 55.3         | 10   |     |              |      | 4.4 | 4.3                  | 0.4                 |               |                 | None                                      | -     | -      | -    | 16.6                    | 20   | 20   | 17                                 | 95  | 17                                | 20  | 20  | 18   | 96  |     |
| 08 (7.5)           | 208-3-60             | 13.6         | 83.1 | 21  | 13.6         | 83.1 | 21  | 2.3                  | 9.9                 | 1.1           |                 | None                                      | -     | -      | -    | 45.1                    | 50   | 50   | 48                                 | 258 | 47.3                              | 50  | 50  | 50   | 268 |     |
|                    |                      |              |      |     |              |      |     |                      |                     |               |                 | 11725                                     | 12    | 1      | 33.3 | 54                      | 60   | 60   | 50                                 | 258 | 56.8                              | 60  | 60  | 52   | 268 |     |
|                    |                      |              |      |     |              |      |     |                      |                     |               |                 | 12525                                     | 18.6  | 1      | 51.6 | 76.9                    | 80   | 80   | 71                                 | 258 | 79.6                              | 80  | 80  | 73   | 268 |     |
|                    |                      |              |      |     |              |      |     |                      |                     |               |                 | 13225                                     | 24    | 1      | 66.6 | 95.6                    | 100  | 100  | 88                                 | 258 | 98.4                              | 100   | 100   | 91   | 268 |     |
|                    | 230-3-60             | 13.6         | 83.1 | 21  | 13.6         | 83.1 | 21  | 2.3                  | 9.4                 | 1             |                 |   | None  | -      | -    | -                       | 44.6   | 45   | 50                                 | 47  | 267                               | 46.6  | 50  | 60   | 50  | 261 |
|                    |                      |              |      |     |              |      |     |                      |                     |               |                 |   | 11725 | 16     | 1    | 38.5                    | 59.9   | 60   | 60                                 | 55  | 267                               | 62.4  | 70  | 70   | 57  | 261 |
|                    |                      |              |      |     |              |      |     |                      |                     |               |                 |   | 12525 | 24.8   | 1    | 59.7                    | 86.4   | 90   | 90                                 | 79  | 267                               | 88.9  | 90  | 90   | 82  | 261 |
|                    |                      |              |      |     |              |      |     |                      |                     |               |                 |   | 13225 | 32     | 1    | 77                      | 108  | 110  | 110                                | 99  | 267                               | 110.5   | 125   | 125  | 102 | 261 |
|                    | 460-3-60             | 6.1          | 41   | 10  | 6.1          | 41   | 10  | 1.3                  | 4.7                 | 0.5           |                 |   | None  | -      | -    | -                       | 21   | 25   | 25                                 | 22  | 134                               | 22  | 25  | 25   | 24  | 130 |
|                    |                      |              |      |     |              |      |     |                      |                     |               |                 |   | 11746 | 16.5   | 1    | 19.8                    | 30.6   | 35   | 35                                 | 28  | 134                               | 31.9  | 35  | 35   | 29  | 130 |
|                    |                      |              |      |     |              |      |     |                      |                     |               |                 |   | 12846 | 27.8   | 1    | 33.4                    | 47.6   | 50   | 50                                 | 44  | 134                               | 48.9  | 50  | 50   | 45  | 130 |
|                    |                      |              |      |     |              |      |     |                      |                     |               |                 |   | 13346 | 33     | 1    | 39.7                    | 55.5   | 60   | 60                                 | 51  | 134                               | 56.8  | 60  | 60   | 52  | 130 |
| 575-3-60           | 4.2                  | 33           | 7    | 4.2 | 33           | 7    | 1.1 | 4.3                  | 0.4                 |               |                 | None                                      | -     | -      | -    | 16                      | 20   | 20   | 17                                 | 115 | 16.8                              | 20  | 20  | 18   | 113 |     |
|                    |                      |              |      |     |              |      |     |                      |                     |               |                 | 11758                                     | 17    | 1      | 16.4 | 25.9                    | 30   | 30   | 24                                 | 115 | 26.9                              | 30  | 30  | 25   | 113 |     |
|                    |                      |              |      |     |              |      |     |                      |                     |               |                 | 13458                                     | 34    | 1      | 32.7 | 46.3                    | 50   | 50   | 43                                 | 115 | 47.3                              | 50  | 50  | 43   | 113 |     |
|                    |                      |              |      |     |              |      |     |                      |                     |               |                 |   |       |        |      |                         |  |  |                                    |     |                                   |   |   |  |     |     |

**ZXA7, 08-14 Hi Static Indoor Blower - Without Powered Convenience Outlet (Continued)**

| Size (Tons) | Nominal Unit Voltage | Compressor 1 |          |      | Compressor 2 |      |      | OD Fan Motors (each) | Supply Blower Motor | Pwr Exh Motor | Pwr Conv Outlet | Electric Heat Field Installed Kit 2EK045* |       |        | MCA <sup>1</sup> (Amps) | Min Fuse <sup>2</sup> /Breaker <sup>3</sup> Size (Amps) | Max Fuse <sup>2</sup> /Breaker <sup>3</sup> Size (Amps) | Min Disconnect Rating <sup>4</sup> |     | MCA <sup>1</sup> w/Pwr Exh (Amps) | Min Fuse <sup>2</sup> /Breaker <sup>3</sup> Size w/ Pwr Exh (Amps) | Max Fuse <sup>2</sup> /Breaker <sup>3</sup> Size w/ Pwr Exh (Amps) | Min Disconnect Rating <sup>4</sup> /Pwr Exh |      |     |     |
|-------------|----------------------|--------------|----------|------|--------------|------|------|----------------------|---------------------|---------------|-----------------|---|-------|--------|-------------------------|---|---|------------------------------------|-----|-----------------------------------|--|--|---|------|-----|-----|
|             |                      | RLA          | LRA      | MCC  | RLA          | LRA  | MCC  |                      |                     |               |                 | Model                                     | kW    | Stages |                         |   |   | Amps                               | FLA |                                   |  |  | LRA   | FLA  | LRA |     |
|             |                      | 09 (8.5)     | 208-3-60 | 14.5 | 98           | 23   | 14.5 |                      |                     |               |                 | 98  | 23    | 2.3    |                         |   |   | 9.9                                | 1.1 |                                   |  |  |   | None | -   | -   |
| 11725       | 12                   |              |          |      |              |      |      | 1                    | 33.3                | 54            | 60              |   |       |        | 60                      | 50  | 288   |                                    |     | 56.8                              | 60   | 60   |   | 53   | 298 |     |
| 12525       | 18.6                 |              |          |      |              |      |      | 1                    | 51.6                | 76.9          | 80              |   |       |        | 80                      | 71  | 288   |                                    |     | 79.6                              | 80   | 80   |   | 73   | 298 |     |
| 13225       | 24                   |              |          |      |              |      |      | 1                    | 66.6                | 95.6          | 100             |   |       |        | 100                     | 88  | 288   |                                    |     | 98.4                              | 100  | 100  |   | 91   | 298 |     |
| 14225       | 31.8                 |              |          |      |              |      |      | 2                    | 88.3                | 122.8         | 125             |   |       |        | 125                     | 113   | 288   |                                    |     | 125.5                             | 150  | 150  |   | 115  | 298 |     |
| 230-3-60    | 14.5                 |              | 98       | 23   | 14.5         | 98   | 23   | 2.3                  | 9.4                 | 1             |                 |   | None  | -      | -                       | -   | 46.6  | 50                                 | 60  | 49                                | 297  | 48.6   | 50  | 60   | 52  | 291 |
|             |                      |              |          |      |              |      |      |                      |                     |               |                 |   | 11725 | 16     | 1                       | 38.5  | 59.9  | 60                                 | 60  | 55                                | 297  | 62.4   | 70  | 70   | 57  | 291 |
|             |                      |              |          |      |              |      |      |                      |                     |               |                 |   | 12525 | 24.8   | 1                       | 59.7  | 86.4  | 90                                 | 90  | 79                                | 297  | 88.9   | 90  | 90   | 82  | 291 |
|             |                      |              |          |      |              |      |      |                      |                     |               |                 |   | 13225 | 32     | 1                       | 77  | 108   | 110                                | 110 | 99                                | 297  | 110.5  | 125   | 125  | 102 | 291 |
|             |                      |              |          |      |              |      |      |                      |                     |               |                 |   | 14225 | 42.4   | 2                       | 102   | 139.3   | 150                                | 150 | 128                               | 297  | 141.8  | 150   | 150  | 130 | 291 |
| 460-3-60    | 6.3                  |              | 55       | 10   | 6.3          | 55   | 10   | 1.3                  | 4.7                 | 0.5           |                 |   | None  | -      | -                       | -   | 21.5  | 25                                 | 25  | 23                                | 162  | 22.5   | 25  | 25   | 24  | 158 |
|             |                      |              |          |      |              |      |      |                      |                     |               |                 |   | 11746 | 16.5   | 1                       | 19.8  | 30.6  | 35                                 | 35  | 28                                | 162  | 31.9   | 35  | 35   | 29  | 158 |
|             |                      | 12846        |          |      |              |      |      |                      |                     |               |                 |   | 27.8  | 1      | 33.4                    | 47.6  | 50  | 50                                 | 44  | 162                               | 48.9   | 50   | 50  | 45   | 158 |     |
|             |                      | 13346        |          |      |              |      |      |                      |                     |               |                 |   | 33    | 1      | 39.7                    | 55.5  | 60  | 60                                 | 51  | 162                               | 56.8   | 60   | 60  | 52   | 158 |     |
|             |                      | 14246        |          |      |              |      |      |                      |                     |               |                 |   | 41.7  | 2      | 50.2                    | 68.6  | 70  | 70                                 | 63  | 162                               | 69.9   | 70   | 70  | 64   | 158 |     |
| 575-3-60    | 6                    | 41           | 9        | 6    | 41           | 9    | 1.1  | 4.3                  | 0.4                 |               |                 | None                                      | -     | -      | -                       | 20  | 25  | 21                                 | 131 | 20.8                              | 25   | 25   | 22  | 129  |     |     |
|             |                      |              |          |      |              |      |      |                      |                     |               |                 | 11758                                     | 17    | 1      | 16.4                    | 25.9  | 30  | 30                                 | 24  | 131                               | 26.9   | 30   | 30  | 25   | 129 |     |
|             |                      |              |          |      |              |      |      |                      |                     |               |                 | 13458                                     | 34    | 1      | 32.7                    | 46.3  | 50  | 50                                 | 43  | 131                               | 47.3   | 50   | 50  | 43   | 129 |     |
| 12 (10)     | 208-3-60             | 16           | 110      | 25   | 15.6         | 110  | 24   | 2.3                  | 13.5                | 1.1           |                 | None                                      | -     | -      | -                       | 53.7  | 60  | 60                                 | 57  | 342                               | 55.9   | 60   | 70  | 60   | 352 |     |
|             |                      |              |          |      |              |      |      |                      |                     |               |                 | 11725                                     | 12    | 1      | 33.3                    | 58.5  | 60  | 60                                 | 57  | 342                               | 61.3   | 70   | 70  | 60   | 352 |     |
|             |                      |              |          |      |              |      |      |                      |                     |               |                 | 12525                                     | 18.6  | 1      | 51.6                    | 81.4  | 90  | 90                                 | 75  | 342                               | 84.1   | 90   | 90  | 77   | 352 |     |
|             |                      |              |          |      |              |      |      |                      |                     |               |                 | 13225                                     | 24    | 1      | 66.6                    | 100.1   | 110   | 110                                | 92  | 342                               | 102.9  | 110  | 110   | 95   | 352 |     |
|             |                      |              |          |      |              |      |      |                      |                     |               |                 | 14225                                     | 31.8  | 2      | 88.3                    | 127.3   | 150   | 150                                | 117 | 342                               | 130  | 150  | 150   | 120  | 352 |     |
|             | 230-3-60             | 16           | 110      | 25   | 15.6         | 110  | 24   | 2.3                  | 13.4                | 1             |                 |   | None  | -      | -                       | -   | 53.6  | 60                                 | 60  | 57                                | 342  | 55.6   | 60  | 70   | 59  | 337 |
|             |                      |              |          |      |              |      |      |                      |                     |               |                 |   | 11725 | 16     | 1                       | 38.5  | 64.9  | 70                                 | 70  | 60                                | 342  | 67.4   | 70  | 70   | 62  | 337 |
|             |                      |              |          |      |              |      |      |                      |                     |               |                 |   | 12525 | 24.8   | 1                       | 59.7  | 91.4  | 100                                | 100 | 84                                | 342  | 93.9   | 100   | 100  | 86  | 337 |
|             |                      |              |          |      |              |      |      |                      |                     |               |                 |   | 13225 | 32     | 1                       | 77  | 113   | 125                                | 125 | 104                               | 342  | 115.5  | 125   | 125  | 106 | 337 |
|             |                      |              |          |      |              |      |      |                      |                     |               |                 |   | 14225 | 42.4   | 2                       | 102   | 144.3   | 150                                | 150 | 133                               | 342  | 146.8  | 150   | 150  | 135 | 337 |
|             | 460-3-60             | 7.8          | 52       | 12   | 7.8          | 52   | 12   | 1.3                  | 6.7                 | 0.5           |                 |   | None  | -      | -                       | -   | 26.9  | 30                                 | 30  | 29                                | 167  | 27.9   | 30  | 30   | 30  | 163 |
|             |                      |              |          |      |              |      |      |                      |                     |               |                 |   | 11746 | 16.5   | 1                       | 19.8  | 33.1  | 35                                 | 35  | 30                                | 167  | 34.4   | 35  | 35   | 32  | 163 |
| 12846       |                      |              |          |      |              |      |      |                      |                     |               |                 |   | 27.8  | 1      | 33.4                    | 50.1  | 60  | 60                                 | 46  | 167                               | 51.4   | 60   | 60  | 47   | 163 |     |
| 13346       |                      |              |          |      |              |      |      |                      |                     |               |                 |   | 33    | 1      | 39.7                    | 58  | 60  | 60                                 | 53  | 167                               | 59.3   | 60   | 60  | 55   | 163 |     |
| 14246       |                      |              |          |      |              |      |      |                      |                     |               |                 |   | 41.7  | 2      | 50.2                    | 71.1  | 80  | 80                                 | 65  | 167                               | 72.4   | 80   | 80  | 67   | 163 |     |
| 575-3-60    | 5.7                  | 38.9         | 9        | 5.8  | 38.9         | 9    | 1.1  | 5.4                  | 0.4                 |               |                 | None                                      | -     | -      | -                       | 20.6  | 25  | 22                                 | 127 | 21.4                              | 25   | 25   | 23  | 124  |     |     |
|             |                      |              |          |      |              |      |      |                      |                     |               |                 | 11758                                     | 17    | 1      | 16.4                    | 27.3  | 30  | 30                                 | 25  | 127                               | 28.3   | 30   | 30  | 26   | 124 |     |
|             |                      |              |          |      |              |      |      |                      |                     |               |                 | 13458                                     | 34    | 1      | 32.7                    | 47.6  | 50  | 50                                 | 44  | 127                               | 48.6   | 50   | 50  | 45   | 124 |     |
| 14 (12.5)   | 208-3-60             | 19.6         | 136      | 31   | 19.6         | 136  | 31   | 5.8                  | 13.5                | 1.1           |                 | None                                      | -     | -      | -                       | 63.4  | 70  | 80                                 | 67  | 397                               | 65.6   | 70   | 80  | 70   | 407 |     |
|             |                      |              |          |      |              |      |      |                      |                     |               |                 | 11725                                     | 12    | 1      | 33.3                    | 63.4  | 70  | 80                                 | 67  | 397                               | 65.6   | 70   | 80  | 70   | 407 |     |
|             |                      |              |          |      |              |      |      |                      |                     |               |                 | 12525                                     | 18.6  | 1      | 51.6                    | 81.4  | 90  | 90                                 | 75  | 397                               | 84.1   | 90   | 90  | 77   | 407 |     |
|             |                      |              |          |      |              |      |      |                      |                     |               |                 | 13225                                     | 24    | 1      | 66.6                    | 100.1   | 110   | 110                                | 92  | 397                               | 102.9  | 110  | 110   | 95   | 407 |     |
|             |                      |              |          |      |              |      |      |                      |                     |               |                 | 14225                                     | 31.8  | 2      | 88.3                    | 127.3   | 150   | 150                                | 117 | 397                               | 130  | 150  | 150   | 120  | 407 |     |
|             | 230-3-60             | 19.6         | 136      | 31   | 19.6         | 136  | 31   | 5.2                  | 13.4                | 1             |                 |   | None  | -      | -                       | -   | 62.7  | 70                                 | 80  | 66                                | 393  | 64.7   | 70  | 80   | 69  | 398 |
|             |                      |              |          |      |              |      |      |                      |                     |               |                 |   | 11725 | 16     | 1                       | 38.5  | 64.9  | 70                                 | 80  | 66                                | 393  | 67.4   | 70  | 80   | 69  | 398 |
|             |                      |              |          |      |              |      |      |                      |                     |               |                 |   | 12525 | 24.8   | 1                       | 59.7  | 91.4  | 100                                | 100 | 84                                | 393  | 93.9   | 100   | 100  | 86  | 398 |
|             |                      |              |          |      |              |      |      |                      |                     |               |                 |   | 13225 | 32     | 1                       | 77  | 113   | 125                                | 125 | 104                               | 393  | 115.5  | 125   | 125  | 106 | 398 |
|             |                      |              |          |      |              |      |      |                      |                     |               |                 |   | 14225 | 42.4   | 2                       | 102   | 144.3   | 150                                | 150 | 133                               | 393  | 146.8  | 150   | 150  | 135 | 398 |
|             | 460-3-60             | 8.2          | 66.1     | 13   | 8.2          | 66.1 | 13   | 2.9                  | 6.7                 | 0.5           |                 |   | None  | -      | -                       | -   | 28.1  | 30                                 | 35  | 30                                | 194  | 29.1   | 30  | 35   | 31  | 196 |
|             |                      |              |          |      |              |      |      |                      |                     |               |                 |   | 11746 | 16.5   | 1                       | 19.8  | 33.1  | 35                                 | 35  | 30                                | 194  | 34.4   | 35  | 35   | 32  | 196 |
| 12846       |                      |              |          |      |              |      |      |                      |                     |               |                 |   | 27.8  | 1      | 33.4                    | 50.1  | 60  | 60                                 | 46  | 194                               | 51.4   | 60   | 60  | 47   | 196 |     |
| 13346       |                      |              |          |      |              |      |      |                      |                     |               |                 |   | 33    | 1      | 39.7                    | 58  | 60  | 60                                 | 53  | 194                               | 59.3   | 60   | 60  | 55   | 196 |     |
| 14246       |                      |              |          |      |              |      |      |                      |                     |               |                 |   | 41.7  | 2      | 50.2                    | 71.1  | 80  | 80                                 | 65  | 194                               | 72.4   | 80   | 80  | 67   | 196 |     |
| 575-3-60    | 6.6                  | 55.3         | 10       | 6.6  | 55.3         | 10   | 2.2  | 5.4                  | 0.4                 |               |                 | None                                      | -     | -      | -                       | 22.5  | 25  | 24                                 | 162 | 23.3                              | 25   | 25   | 25  | 164  |     |     |
|             |                      |              |          |      |              |      |      |                      |                     |               |                 | 11758                                     | 17    | 1      | 16.4                    | 27.3  | 30  | 30                                 | 25  | 162                               | 28.3   | 30   | 30  | 26   | 164 |     |
|             |                      |              |          |      |              |      |      |                      |                     |               |                 | 13458                                     | 34    | 1      | 32.7                    | 47.6  | 50  | 50                                 | 44  | 162                               | 48.6   | 50   | 50  | 45   | 164 |     |

1. Minimum Circuit Ampacity.
2. Dual Element, Time Delay Type.
3. HACR type per NEC.
4. Non-fused Disconnect, Verify on the unit nameplate that the disconnect is properly sized for the application. Units with field installed electric heat kits may exceed the factory installed disconnect amperage rating.

**ZXA7, 08-14 Hi Static Indoor Blower - With Powered Convenience Outlet**

| Size (Tons)        | Nominal Unit Voltage | Compressor 1 |      |      | Compressor 2 |      |     | OD Fan Motors (each) | Supply Blower Motor | Pwr Exh Motor | Pwr Conv Outlet | Electric Heat Field Installed Kit 2EK045* |      |        |      | MCA <sup>1</sup> (Amps) | Min Fuse <sup>2</sup> /Breaker <sup>3</sup> Size (Amps) | Max Fuse <sup>2</sup> /Breaker <sup>3</sup> Size (Amps) | Min Disconnect Rating <sup>4</sup> |      | MCA <sup>1</sup> w/Pwr Exh (Amps) | Min Fuse <sup>2</sup> /Breaker <sup>3</sup> Size w/ Pwr Exh (Amps) | Max Fuse <sup>2</sup> /Breaker <sup>3</sup> Size w/ Pwr Exh (Amps) | Min Disconnect Rating <sup>4</sup> w/ Pwr Exh |     |
|--------------------|----------------------|--------------|------|------|--------------|------|-----|----------------------|---------------------|---------------|-----------------|---|------|--------|------|-------------------------|---|---|------------------------------------|------|-----------------------------------|--|--|---|-----|
|                    |                      | RLA          | LRA  | MCC  | RLA          | LRA  | MCC |                      |                     |               |                 | Model                                     | kW   | Stages | Amps |                         |   |   | FLA                                | LRA  |                                   |  |  | FLA   | LRA |
|                    |                      |              |      |      |              |      |     |                      |                     |               |                 |   |      |        |      |                         |   |   |                                    |      |                                   |  |  |   |     |
| <b>Without VFD</b> |                      |              |      |      |              |      |     |                      |                     |               |                 |   |      |        |      |                         |   |   |                                    |      |                                   |  |  |   |     |
| A7 (6)             | 208-3-60             | 17.6         | 136  | 27   |              |      |     | 4.4                  | 10.2                | 1.1           | 8.6             | None                                      | -    | -      | -    | 40.9                    | 45  | 50  | 42                                 | 204  | 42                                | 45   | 50   | 43  | 206 |
|                    |                      |              |      |      |              |      |     |                      |                     |               |                 | 10625                                     | 4.9  | 1      | 13.6 | 40.9                    | 45  | 50  | 42                                 | 204  | 42                                | 45   | 50   | 43  | 206 |
|                    |                      |              |      |      |              |      |     |                      |                     |               |                 | 11125                                     | 7.9  | 1      | 21.9 | 45.5                    | 50  | 50  | 42                                 | 204  | 46.9                              | 50   | 50   | 43  | 206 |
|                    |                      |              |      |      |              |      |     |                      |                     |               |                 | 11625                                     | 12   | 1      | 33.3 | 59.8                    | 60  | 60  | 55                                 | 204  | 61.1                              | 70   | 70   | 56  | 206 |
|                    | 230-3-60             | 17.6         | 136  | 27   |              |      |     | 4.4                  | 10.2                | 1             | 8.6             | None                                      | -    | -      | -    | 40.9                    | 45  | 50  | 42                                 | 209  | 41.9                              | 45   | 50   | 43  | 212 |
|                    |                      |              |      |      |              |      |     |                      |                     |               |                 | 10625                                     | 6.5  | 1      | 15.6 | 40.9                    | 45  | 50  | 42                                 | 209  | 41.9                              | 45   | 50   | 43  | 212 |
|                    |                      |              |      |      |              |      |     |                      |                     |               |                 | 11125                                     | 10.5 | 1      | 25.3 | 49.8                    | 50  | 50  | 46                                 | 209  | 51                                | 60   | 60   | 47  | 212 |
|                    |                      |              |      |      |              |      |     |                      |                     |               |                 | 11625                                     | 16   | 1      | 38.5 | 66.3                    | 70  | 70  | 61                                 | 209  | 67.5                              | 70   | 70   | 62  | 212 |
|                    | 460-3-60             | 8.5          | 66.1 | 13   |              |      |     | 2.5                  | 4.8                 | 0.5           | 8.6             | None                                      | -    | -      | -    | 20.1                    | 25  | 25  | 21                                 | 103  | 20.6                              | 25   | 25   | 21  | 104 |
|                    |                      |              |      |      |              |      |     |                      |                     |               |                 | 10646                                     | 6    | 1      | 7.2  | 20.1                    | 25  | 25  | 16                                 | 103  | 20.6                              | 25   | 25   | 17  | 104 |
|                    |                      |              |      |      |              |      |     |                      |                     |               |                 | 11146                                     | 11.5 | 1      | 13.8 | 25.9                    | 30  | 30  | 24                                 | 103  | 26.6                              | 30   | 30   | 24  | 104 |
|                    |                      |              |      |      |              |      |     |                      |                     |               |                 | 11446                                     | 14   | 1      | 16.8 | 29.7                    | 30  | 30  | 27                                 | 103  | 30.3                              | 35   | 35   | 28  | 104 |
| 575-3-60           | 6.3                  | 55.3         | 10   |      |              |      | 4.4 | 3.4                  | 0.4                 | 8.6           | None            | -   | -    | -      | 17.4 | 20                      | 20  | 18  | 85                                 | 17.8 | 20                                | 20   | 19   | 86  |     |
| <b>With VFD</b>    |                      |              |      |      |              |      |     |                      |                     |               |                 |   |      |        |      |                         |   |   |                                    |      |                                   |  |  |   |     |
| A7 (6)             | 208-3-60             | 17.6         | 136  | 27   |              |      |     | 4.4                  | 9.9                 | 1.1           | 8.6             | None                                      | -    | -      | -    | 40.6                    | 45  | 50  | 42                                 | 213  | 41.7                              | 45   | 50   | 43  | 215 |
|                    |                      |              |      |      |              |      |     |                      |                     |               |                 | 10625                                     | 4.9  | 1      | 13.6 | 40.6                    | 45  | 50  | 42                                 | 213  | 41.7                              | 45   | 50   | 43  | 215 |
|                    |                      |              |      |      |              |      |     |                      |                     |               |                 | 11125                                     | 7.9  | 1      | 21.9 | 45.1                    | 50  | 50  | 42                                 | 213  | 46.5                              | 50   | 50   | 43  | 215 |
|                    |                      |              |      |      |              |      |     |                      |                     |               |                 | 11625                                     | 12   | 1      | 33.3 | 59.4                    | 60  | 60  | 55                                 | 213  | 60.8                              | 70   | 70   | 56  | 215 |
|                    | 230-3-60             | 17.6         | 136  | 27   |              |      |     | 4.4                  | 9.4                 | 1             | 8.6             | None                                      | -    | -      | -    | 40.1                    | 45  | 50  | 41                                 | 221  | 41.1                              | 45   | 50   | 42  | 223 |
|                    |                      |              |      |      |              |      |     |                      |                     |               |                 | 10625                                     | 6.5  | 1      | 15.6 | 40.1                    | 45  | 50  | 41                                 | 221  | 41.1                              | 45   | 50   | 42  | 223 |
|                    |                      |              |      |      |              |      |     |                      |                     |               |                 | 11125                                     | 10.5 | 1      | 25.3 | 48.8                    | 50  | 50  | 45                                 | 221  | 50                                | 50   | 50   | 46  | 223 |
|                    |                      |              |      |      |              |      |     |                      |                     |               |                 | 11625                                     | 16   | 1      | 38.5 | 65.3                    | 70  | 70  | 60                                 | 221  | 66.5                              | 70   | 70   | 61  | 223 |
|                    | 460-3-60             | 8.5          | 66.1 | 13   |              |      |     | 2.5                  | 4.7                 | 0.5           | 8.6             | None                                      | -    | -      | -    | 20                      | 25  | 25  | 21                                 | 109  | 20.5                              | 25   | 25   | 21  | 110 |
|                    |                      |              |      |      |              |      |     |                      |                     |               |                 | 10646                                     | 6    | 1      | 7.2  | 20                      | 20  | 25  | 16                                 | 109  | 20.5                              | 25   | 25   | 17  | 110 |
|                    |                      |              |      |      |              |      |     |                      |                     |               |                 | 11146                                     | 11.5 | 1      | 13.8 | 25.8                    | 30  | 30  | 24                                 | 109  | 26.4                              | 30   | 30   | 24  | 110 |
|                    |                      |              |      |      |              |      |     |                      |                     |               |                 | 11446                                     | 14   | 1      | 16.8 | 29.6                    | 30  | 30  | 27                                 | 109  | 30.2                              | 35   | 35   | 28  | 110 |
| 575-3-60           | 6.3                  | 55.3         | 10   |      |              |      | 4.4 | 4.3                  | 0.4                 | 8.6           | None            | -   | -    | -      | 18.3 | 20                      | 20  | 19  | 97                                 | 18.7 | 20                                | 20   | 20   | 98  |     |
| 08 (7.5)           | 208-3-60             | 13.6         | 83.1 | 21   | 13.6         | 83.1 | 21  | 2.3                  | 9.9                 | 1.1           | 8.6             | None                                      | -    | -      | -    | 49.4                    | 50  | 60  | 53                                 | 262  | 51.6                              | 60   | 60   | 55  | 272 |
|                    |                      |              |      |      |              |      |     |                      |                     |               |                 | 11725                                     | 12   | 1      | 33.3 | 59.4                    | 60  | 60  | 55                                 | 262  | 62.1                              | 70   | 70   | 57  | 272 |
|                    |                      |              |      |      |              |      |     |                      |                     |               |                 | 12525                                     | 18.6 | 1      | 51.6 | 82.3                    | 90  | 90  | 76                                 | 262  | 85                                | 90   | 90   | 78  | 272 |
|                    |                      |              |      |      |              |      |     |                      |                     |               |                 | 13225                                     | 24   | 1      | 66.6 | 101                     | 110   | 110   | 93                                 | 262  | 103.8                             | 110  | 110  | 95  | 272 |
|                    | 230-3-60             | 13.6         | 83.1 | 21   | 13.6         | 83.1 | 21  | 2.3                  | 9.4                 | 1             | 8.6             | 14225                                     | 31.8 | 2      | 88.3 | 128.1                   | 150   | 150   | 118                                | 262  | 130.9                             | 150  | 150  | 120   | 272 |
|                    |                      |              |      |      |              |      |     |                      |                     |               |                 | None                                      | -    | -      | -    | 48.9                    | 50  | 60  | 52                                 | 271  | 50.9                              | 60   | 60   | 55  | 266 |
|                    |                      |              |      |      |              |      |     |                      |                     |               |                 | 11725                                     | 16   | 1      | 38.5 | 65.3                    | 70  | 70  | 60                                 | 271  | 67.8                              | 70   | 70   | 62  | 266 |
|                    |                      |              |      |      |              |      |     |                      |                     |               |                 | 12525                                     | 24.8 | 1      | 59.7 | 91.8                    | 100   | 100   | 84                                 | 271  | 94.3                              | 100  | 100  | 87  | 266 |
|                    | 460-3-60             | 6.1          | 41   | 10   | 6.1          | 41   | 10  | 1.3                  | 4.7                 | 0.5           | 8.6             | 13225                                     | 32   | 1      | 77   | 113.4                   | 125   | 125   | 104                                | 271  | 115.9                             | 125  | 125  | 107   | 266 |
|                    |                      |              |      |      |              |      |     |                      |                     |               |                 | 14225                                     | 42.4 | 2      | 102  | 144.6                   | 150   | 150   | 133                                | 271  | 147.1                             | 150  | 150  | 135   | 266 |
|                    |                      |              |      |      |              |      |     |                      |                     |               |                 | None                                      | -    | -      | -    | 23.2                    | 25  | 25  | 25                                 | 136  | 24.2                              | 25   | 25   | 26  | 132 |
|                    |                      |              |      |      |              |      |     |                      |                     |               |                 | 11746                                     | 16.5 | 1      | 19.8 | 33.3                    | 35  | 35  | 31                                 | 136  | 34.6                              | 35   | 35   | 32  | 132 |
| 575-3-60           | 4.2                  | 33           | 7    | 4.2  | 33           | 7    | 1.1 | 4.3                  | 0.4                 | 8.6           | 12846           | 27.8                                      | 1    | 33.4   | 50.3 | 60                      | 60  | 46  | 136                                | 51.6 | 60                                | 60   | 47   | 132   |     |
|                    |                      |              |      |      |              |      |     |                      |                     |               | 13346           | 33  | 1    | 39.7   | 58.2 | 60                      | 60  | 54  | 136                                | 59.4 | 60                                | 60   | 55   | 132   |     |
|                    |                      |              |      |      |              |      |     |                      |                     |               | 14246           | 41.7                                      | 2    | 50.2   | 71.3 | 80                      | 80  | 66  | 136                                | 72.6 | 80                                | 80   | 67   | 132   |     |
|                    |                      |              |      |      |              |      |     |                      |                     |               | None            | -   | -    | -      | 17.7 | 20                      | 20  | 19  | 117                                | 18.5 | 20                                | 20   | 20   | 114   |     |
| 11758              | 17                   | 1            | 16.4 | 28   | 30           | 30   | 26  | 117                  | 29                  | 30            | 30              | 27  | 114  |        |      |                         |   |   |                                    |      |                                   |  |  |   |     |
| 13458              | 34                   | 1            | 32.7 | 48.4 | 50           | 50   | 45  | 117                  | 49.4                | 50            | 50              | 45  | 114  |        |      |                         |   |   |                                    |      |                                   |  |  |   |     |

**ZXA7, 08-14 Hi Static Indoor Blower - With Powered Convenience Outlet (Continued)**

| Size (Tons) | Nominal Unit Voltage | Compressor 1 |      |     | Compressor 2 |      |     | OD Fan Motors (each) | Supply Blower Motor | Pwr Exh Motor | Pwr Conv Outlet | Electric Heat Field Installed Kit 2EK045* |      |        |      | MCA <sup>1</sup> (Amps) | Min Fuse <sup>2/</sup> Breaker <sup>3</sup> Size (Amps) | Max Fuse <sup>2/</sup> Breaker <sup>3</sup> Size (Amps) | Min Disconnect Rating <sup>4</sup> |      | MCA <sup>1</sup> w/Pwr Exh (Amps) | Min Fuse <sup>2/</sup> Breaker <sup>3</sup> Size w/ Pwr Exh (Amps) | Max Fuse <sup>2/</sup> Breaker <sup>3</sup> Size w/ Pwr Exh (Amps) | Min Disconnect Rating <sup>4</sup> / Pwr Exh |     |
|-------------|----------------------|--------------|------|-----|--------------|------|-----|----------------------|---------------------|---------------|-----------------|---|------|--------|------|-------------------------|---|---|------------------------------------|------|-----------------------------------|--|--|--|-----|
|             |                      | RLA          | LRA  | MCC | RLA          | LRA  | MCC |                      |                     |               |                 | Model                                     | kW   | Stages | Amps |                         |   |   | FLA                                | LRA  |                                   |  |  | FLA  | LRA |
|             |                      |              |      |     |              |      |     |                      |                     |               |                 |   |      |        |      |                         |   |   |                                    |      |                                   |  |  |  |     |
| 09 (8.5)    | 208-3-60             | 14.5         | 98   | 23  | 14.5         | 98   | 23  | 2.3                  | 9.9                 | 1.1           | 8.6             | None                                      | -    | -      | -    | 51.4                    | 60  | 60  | 55                                 | 292  | 53.6                              | 60   | 60   | 58   | 302 |
|             |                      |              |      |     |              |      |     |                      |                     |               |                 | 11725                                     | 12   | 1      | 33.3 | 59.4                    | 60  | 60  | 55                                 | 292  | 62.1                              | 70   | 70   | 58   | 302 |
|             |                      |              |      |     |              |      |     |                      |                     |               |                 | 12525                                     | 18.6 | 1      | 51.6 | 82.3                    | 90  | 90  | 76                                 | 292  | 85                                | 90   | 90   | 78   | 302 |
|             |                      |              |      |     |              |      |     |                      |                     |               |                 | 13225                                     | 24   | 1      | 66.6 | 101                     | 110   | 110   | 93                                 | 292  | 103.8                             | 110  | 110  | 95   | 302 |
|             |                      |              |      |     |              |      |     |                      |                     |               |                 | 14225                                     | 31.8 | 2      | 88.3 | 128.1                   | 150   | 150   | 118                                | 292  | 130.9                             | 150  | 150  | 120  | 302 |
|             | 230-3-60             | 14.5         | 98   | 23  | 14.5         | 98   | 23  | 2.3                  | 9.4                 | 1             | 8.6             | None                                      | -    | -      | -    | 50.9                    | 60  | 60  | 54                                 | 301  | 52.9                              | 60   | 60   | 57   | 296 |
|             |                      |              |      |     |              |      |     |                      |                     |               |                 | 11725                                     | 16   | 1      | 38.5 | 65.3                    | 70  | 70  | 60                                 | 301  | 67.8                              | 70   | 70   | 62   | 296 |
|             |                      |              |      |     |              |      |     |                      |                     |               |                 | 12525                                     | 24.8 | 1      | 59.7 | 91.8                    | 100   | 100   | 84                                 | 301  | 94.3                              | 100  | 100  | 87   | 296 |
|             |                      |              |      |     |              |      |     |                      |                     |               |                 | 13225                                     | 32   | 1      | 77   | 113.4                   | 125   | 125   | 104                                | 301  | 115.9                             | 125  | 125  | 107  | 296 |
|             |                      |              |      |     |              |      |     |                      |                     |               |                 | 14225                                     | 42.4 | 2      | 102  | 144.6                   | 150   | 150   | 133                                | 301  | 147.1                             | 150  | 150  | 135  | 296 |
|             | 460-3-60             | 6.3          | 55   | 10  | 6.3          | 55   | 10  | 1.3                  | 4.7                 | 0.5           | 8.6             | None                                      | -    | -      | -    | 23.7                    | 25  | 25  | 25                                 | 164  | 24.7                              | 25   | 25   | 27   | 160 |
|             |                      |              |      |     |              |      |     |                      |                     |               |                 | 11746                                     | 16.5 | 1      | 19.8 | 33.3                    | 35  | 35  | 31                                 | 164  | 34.6                              | 35   | 35   | 32   | 160 |
| 12846       |                      |              |      |     |              |      |     |                      |                     |               |                 | 27.8                                      | 1    | 33.4   | 50.3 | 60                      | 60  | 46  | 164                                | 51.6 | 60                                | 60   | 47   | 160  |     |
| 13346       |                      |              |      |     |              |      |     |                      |                     |               |                 | 33  | 1    | 39.7   | 58.2 | 60                      | 60  | 54  | 164                                | 59.4 | 60                                | 60   | 55   | 160  |     |
| 14246       |                      |              |      |     |              |      |     |                      |                     |               |                 | 41.7                                      | 2    | 50.2   | 71.3 | 80                      | 80  | 66  | 164                                | 72.6 | 80                                | 80   | 67   | 160  |     |
| 575-3-60    | 6                    | 41           | 9    | 6   | 41           | 9    | 1.1 | 4.3                  | 0.4                 | 8.6           | None            | -   | -    | -      | 21.7 | 25                      | 25  | 23  | 133                                | 22.5 | 25                                | 25   | 24   | 130  |     |
|             |                      |              |      |     |              |      |     |                      |                     |               | 11758           | 17  | 1    | 16.4   | 28   | 30                      | 30  | 26  | 133                                | 29   | 30                                | 30   | 27   | 130  |     |
|             |                      |              |      |     |              |      |     |                      |                     |               | 13458           | 34  | 1    | 32.7   | 48.4 | 50                      | 50  | 45  | 133                                | 49.4 | 50                                | 50   | 45   | 130  |     |
|             |                      |              |      |     |              |      |     |                      |                     |               |                 |   |      |        |      |                         |   |   |                                    |      |                                   |  |  |  |     |
|             |                      |              |      |     |              |      |     |                      |                     |               |                 |   |      |        |      |                         |   |   |                                    |      |                                   |  |  |  |     |
| 12 (10)     | 208-3-60             | 16           | 110  | 25  | 15.6         | 110  | 24  | 2.3                  | 13.5                | 1.1           | 8.6             | None                                      | -    | -      | -    | 58                      | 60  | 70  | 62                                 | 346  | 60.2                              | 70   | 70   | 65   | 356 |
|             |                      |              |      |     |              |      |     |                      |                     |               |                 | 11725                                     | 12   | 1      | 33.3 | 63.9                    | 70  | 70  | 62                                 | 346  | 66.6                              | 70   | 70   | 65   | 356 |
|             |                      |              |      |     |              |      |     |                      |                     |               |                 | 12525                                     | 18.6 | 1      | 51.6 | 86.8                    | 90  | 90  | 80                                 | 346  | 89.5                              | 90   | 90   | 82   | 356 |
|             |                      |              |      |     |              |      |     |                      |                     |               |                 | 13225                                     | 24   | 1      | 66.6 | 105.5                   | 110   | 110   | 97                                 | 346  | 108.3                             | 110  | 110  | 100  | 356 |
|             |                      |              |      |     |              |      |     |                      |                     |               |                 | 14225                                     | 31.8 | 2      | 88.3 | 132.6                   | 150   | 150   | 122                                | 346  | 135.4                             | 150  | 150  | 125  | 356 |
|             | 230-3-60             | 16           | 110  | 25  | 15.6         | 110  | 24  | 2.3                  | 13.4                | 1             | 8.6             | None                                      | -    | -      | -    | 57.9                    | 60  | 70  | 62                                 | 346  | 59.9                              | 60   | 70   | 64   | 341 |
|             |                      |              |      |     |              |      |     |                      |                     |               |                 | 11725                                     | 16   | 1      | 38.5 | 70.3                    | 80  | 80  | 65                                 | 346  | 72.8                              | 80   | 80   | 67   | 341 |
|             |                      |              |      |     |              |      |     |                      |                     |               |                 | 12525                                     | 24.8 | 1      | 59.7 | 96.8                    | 100   | 100   | 89                                 | 346  | 99.3                              | 100  | 100  | 91   | 341 |
|             |                      |              |      |     |              |      |     |                      |                     |               |                 | 13225                                     | 32   | 1      | 77   | 118.4                   | 125   | 125   | 109                                | 346  | 120.9                             | 125  | 125  | 111  | 341 |
|             |                      |              |      |     |              |      |     |                      |                     |               |                 | 14225                                     | 42.4 | 2      | 102  | 149.6                   | 150   | 150   | 138                                | 346  | 152.1                             | 175  | 175  | 140  | 341 |
|             | 460-3-60             | 7.8          | 52   | 12  | 7.8          | 52   | 12  | 1.3                  | 6.7                 | 0.5           | 8.6             | None                                      | -    | -      | -    | 29.1                    | 30  | 35  | 31                                 | 169  | 30.1                              | 35   | 35   | 32   | 165 |
|             |                      |              |      |     |              |      |     |                      |                     |               |                 | 11746                                     | 16.5 | 1      | 19.8 | 35.8                    | 40  | 40  | 33                                 | 169  | 37.1                              | 40   | 40   | 34   | 165 |
| 12846       |                      |              |      |     |              |      |     |                      |                     |               |                 | 27.8                                      | 1    | 33.4   | 52.8 | 60                      | 60  | 49  | 169                                | 54.1 | 60                                | 60   | 50   | 165  |     |
| 13346       |                      |              |      |     |              |      |     |                      |                     |               |                 | 33  | 1    | 39.7   | 60.7 | 70                      | 70  | 56  | 169                                | 61.9 | 70                                | 70   | 57   | 165  |     |
| 14246       |                      |              |      |     |              |      |     |                      |                     |               |                 | 41.7                                      | 2    | 50.2   | 73.8 | 80                      | 80  | 68  | 169                                | 75.1 | 80                                | 80   | 69   | 165  |     |
| 575-3-60    | 5.7                  | 38.9         | 9    | 5.8 | 38.9         | 9    | 1.1 | 5.4                  | 0.4                 | 8.6           | None            | -   | -    | -      | 22.3 | 25                      | 25  | 24  | 129                                | 23.1 | 25                                | 25   | 25   | 126  |     |
|             |                      |              |      |     |              |      |     |                      |                     |               | 11758           | 17  | 1    | 16.4   | 29.4 | 30                      | 30  | 27  | 129                                | 30.4 | 35                                | 35   | 28   | 126  |     |
|             |                      |              |      |     |              |      |     |                      |                     |               | 13458           | 34  | 1    | 32.7   | 49.8 | 50                      | 50  | 46  | 129                                | 50.8 | 60                                | 60   | 47   | 126  |     |
|             |                      |              |      |     |              |      |     |                      |                     |               |                 |   |      |        |      |                         |   |   |                                    |      |                                   |  |  |  |     |
|             |                      |              |      |     |              |      |     |                      |                     |               |                 |   |      |        |      |                         |   |   |                                    |      |                                   |  |  |  |     |
| 14 (12.5)   | 208-3-60             | 19.6         | 136  | 31  | 19.6         | 136  | 31  | 5.8                  | 13.5                | 1.1           | 8.6             | None                                      | -    | -      | -    | 67.7                    | 70  | 80  | 72                                 | 401  | 69.9                              | 70   | 80   | 75   | 411 |
|             |                      |              |      |     |              |      |     |                      |                     |               |                 | 11725                                     | 12   | 1      | 33.3 | 67.7                    | 70  | 80  | 72                                 | 401  | 69.9                              | 70   | 80   | 75   | 411 |
|             |                      |              |      |     |              |      |     |                      |                     |               |                 | 12525                                     | 18.6 | 1      | 51.6 | 86.8                    | 90  | 90  | 80                                 | 401  | 89.5                              | 90   | 90   | 82   | 411 |
|             |                      |              |      |     |              |      |     |                      |                     |               |                 | 13225                                     | 24   | 1      | 66.6 | 105.5                   | 110   | 110   | 97                                 | 401  | 108.3                             | 110  | 110  | 100  | 411 |
|             |                      |              |      |     |              |      |     |                      |                     |               |                 | 14225                                     | 31.8 | 2      | 88.3 | 132.6                   | 150   | 150   | 122                                | 401  | 135.4                             | 150  | 150  | 125  | 411 |
|             | 230-3-60             | 19.6         | 136  | 31  | 19.6         | 136  | 31  | 5.2                  | 13.4                | 1             | 8.6             | None                                      | -    | -      | -    | 67                      | 70  | 80  | 71                                 | 397  | 69                                | 70   | 80   | 74   | 402 |
|             |                      |              |      |     |              |      |     |                      |                     |               |                 | 11725                                     | 16   | 1      | 38.5 | 70.3                    | 80  | 80  | 71                                 | 397  | 72.8                              | 80   | 80   | 74   | 402 |
|             |                      |              |      |     |              |      |     |                      |                     |               |                 | 12525                                     | 24.8 | 1      | 59.7 | 96.8                    | 100   | 100   | 89                                 | 397  | 99.3                              | 100  | 100  | 91   | 402 |
|             |                      |              |      |     |              |      |     |                      |                     |               |                 | 13225                                     | 32   | 1      | 77   | 118.4                   | 125   | 125   | 109                                | 397  | 120.9                             | 125  | 125  | 111  | 402 |
|             |                      |              |      |     |              |      |     |                      |                     |               |                 | 14225                                     | 42.4 | 2      | 102  | 149.6                   | 150   | 150   | 138                                | 397  | 152.1                             | 175  | 175  | 140  | 402 |
|             | 460-3-60             | 8.2          | 66.1 | 13  | 8.2          | 66.1 | 13  | 2.9                  | 6.7                 | 0.5           | 8.6             | None                                      | -    | -      | -    | 30.3                    | 35  | 35  | 32                                 | 196  | 31.3                              | 35   | 35   | 34   | 199 |
|             |                      |              |      |     |              |      |     |                      |                     |               |                 | 11746                                     | 16.5 | 1      | 19.8 | 35.8                    | 40  | 40  | 33                                 | 196  | 37.1                              | 40   | 40   | 34   | 199 |
| 12846       |                      |              |      |     |              |      |     |                      |                     |               |                 | 27.8                                      | 1    | 33.4   | 52.8 | 60                      | 60  | 49  | 196                                | 54.1 | 60                                | 60   | 50   | 199  |     |
| 13346       |                      |              |      |     |              |      |     |                      |                     |               |                 | 33  | 1    | 39.7   | 60.7 | 70                      | 70  | 56  | 196                                | 61.9 | 70                                | 70   | 57   | 199  |     |
| 14246       |                      |              |      |     |              |      |     |                      |                     |               |                 | 41.7                                      | 2    | 50.2   | 73.8 | 80                      | 80  | 68  | 196                                | 75.1 | 80                                | 80   | 69   | 199  |     |
| 575-3-60    | 6.6                  | 55.3         | 10   | 6.6 | 55.3         | 10   | 2.2 | 5.4                  | 0.4                 | 8.6           | None            | -   | -    | -      | 24.2 | 25                      | 30  | 26  | 164                                | 25   | 25                                | 30   | 27   | 165  |     |
|             |                      |              |      |     |              |      |     |                      |                     |               | 11758           | 17  | 1    | 16.4   | 29.4 | 30                      | 30  | 27  | 164                                | 30.4 | 35                                | 35   | 28   | 165  |     |
|             |                      |              |      |     |              |      |     |                      |                     |               | 13458           | 34  | 1    | 32.7   | 49.8 | 50                      | 50  | 46  | 164                                | 50.8 | 60                                | 60   | 47   | 165  |     |
|             |                      |              |      |     |              |      |     |                      |                     |               |                 |   |      |        |      |                         |   |   |                                    |      |                                   |  |  |  |     |
|             |                      |              |      |     |              |      |     |                      |                     |               |                 |   |      |        |      |                         |   |   |                                    |      |                                   |  |  |  |     |

1. Minimum Circuit Ampacity.
2. Dual Element, Time Delay Type.
3. HACR type per NEC.
4. Non-fused Disconnect, Verify on the unit nameplate that the disconnect is properly sized for the application. Units with field installed electric heat kits may exceed the factory installed disconnect amperage rating.

ZY04-12 Standard Static Indoor Blower - Without Powered Convenience Outlet

| Size (Tons) | Nominal Unit Voltage | Compressor 1 |      |     | Compressor 2 |     |     | OD Fan Motors (each) | Supply Blower Motor | Pwr Exh Motor | Pwr Conv Outlet | Electric Heat Field Installed Kit 2EK045* |      |        | MCA <sup>1</sup> (Amps) | Min Fuse <sup>2</sup> / Breaker <sup>3</sup> Size (Amps) | Max Fuse <sup>2</sup> / Breaker <sup>3</sup> Size (Amps) | Min Disconnect Rating <sup>4</sup> |     | MCA <sup>1</sup> w/Pwr Exh (Amps) | Min Fuse <sup>2</sup> / Breaker <sup>3</sup> Size w/ Pwr Exh (Amps) | Max Fuse <sup>2</sup> / Breaker <sup>3</sup> Size w/ Pwr Exh (Amps) | Min Disconnect Rating <sup>4</sup> / Pwr Exh |     |     |
|-------------|----------------------|--------------|------|-----|--------------|-----|-----|----------------------|---------------------|---------------|-----------------|---|------|--------|-------------------------|--|--|------------------------------------|-----|-----------------------------------|---|---|--|-----|-----|
|             |                      | RLA          | LRA  | MCC | RLA          | LRA | MCC |                      |                     |               |                 | Model                                     | kW   | Stages |                         |  |  | Amps                               | FLA |                                   |   |   | LRA  | FLA | LRA |
|             |                      |              |      |     |              |     |     |                      |                     |               |                 |   |      |        |                         |  |  |                                    |     |                                   |   |   |  |     |     |
| 04<br>(3)   | 208-1-60             | 16.7         | 79   | 26  |              |     |     | 1.4                  | 6.6                 | 1.5           |                 | None                                      | -    | -      | -                       | 28.9   | 30   | 45                                 | 28  | 84                                | 30.4  | 35  | 45   | 30  | 88  |
|             |                      |              |      |     |              |     |     |                      |                     |               |                 | 10625                                     | 4.9  | 1      | 23.6                    | 37.8   | 40   | 45                                 | 35  | 84                                | 39.6  | 40  | 45   | 36  | 88  |
|             |                      |              |      |     |              |     |     |                      |                     |               |                 | 11125                                     | 7.9  | 1      | 38                      | 55.8   | 60   | 60                                 | 51  | 84                                | 57.6  | 60  | 60   | 53  | 88  |
|             | 230-1-60             | 16.7         | 79   | 26  |              |     |     | 1.4                  | 6                   | 1.3           |                 | None                                      | -    | -      | -                       | 28.3   | 30   | 40                                 | 28  | 84                                | 29.6  | 30  | 45   | 29  | 87  |
|             |                      |              |      |     |              |     |     |                      |                     |               |                 | 10625                                     | 6.5  | 1      | 27.1                    | 41.4   | 45   | 45                                 | 38  | 84                                | 43  | 45  | 45   | 40  | 87  |
|             |                      |              |      |     |              |     |     |                      |                     |               |                 | 11125                                     | 10.5 | 1      | 43.8                    | 62.3   | 70   | 70                                 | 57  | 84                                | 63.9  | 70  | 70   | 59  | 87  |
|             | 208-3-60             | 10.4         | 73   | 16  |              |     |     | 1.4                  | 6.6                 | 1.1           |                 | None                                      | -    | -      | -                       | 21   | 25   | 30                                 | 21  | 78                                | 22.1  | 25  | 30   | 22  | 81  |
|             |                      |              |      |     |              |     |     |                      |                     |               |                 | 10625                                     | 4.9  | 1      | 13.6                    | 25.3   | 30   | 30                                 | 23  | 78                                | 26.6  | 30  | 30   | 24  | 81  |
|             |                      |              |      |     |              |     |     |                      |                     |               |                 | 11125                                     | 7.9  | 1      | 21.9                    | 35.6   | 40   | 40                                 | 33  | 78                                | 37  | 40  | 40   | 34  | 81  |
|             | 230-3-60             | 10.4         | 73   | 16  |              |     |     | 1.4                  | 6                   | 1             |                 | None                                      | -    | -      | -                       | 20.4   | 25   | 30                                 | 20  | 78                                | 21.4  | 25  | 30   | 22  | 81  |
|             |                      |              |      |     |              |     |     |                      |                     |               |                 | 10625                                     | 6.5  | 1      | 15.6                    | 27   | 30   | 30                                 | 25  | 78                                | 28.3  | 30  | 30   | 26  | 81  |
|             |                      |              |      |     |              |     |     |                      |                     |               |                 | 11125                                     | 10.5 | 1      | 25.3                    | 39.1   | 40   | 40                                 | 36  | 78                                | 40.4  | 45  | 45   | 37  | 81  |
|             | 460-3-60             | 5.8          | 38   | 9   |              |     |     | 0.8                  | 3.2                 | 0.5           |                 | None                                      | -    | -      | -                       | 11.3   | 15   | 15                                 | 11  | 42                                | 11.8  | 15  | 15   | 12  | 43  |
|             |                      |              |      |     |              |     |     |                      |                     |               |                 | 10646                                     | 6    | 1      | 7.2                     | 13   | 15   | 15                                 | 12  | 42                                | 13.6  | 15  | 15   | 13  | 43  |
|             |                      |              |      |     |              |     |     |                      |                     |               |                 | 11146                                     | 11.5 | 1      | 13.8                    | 21.3   | 25   | 25                                 | 20  | 42                                | 21.9  | 25  | 25   | 20  | 43  |
|             | 575-3-60             | 3.8          | 36.5 | 6   |              |     |     | 0.6                  | 6                   | 0.4           |                 | None                                      | -    | -      | -                       | 7.8  | 15   | 15                                 | 8   | 39                                | 8.2   | 15  | 15   | 8   | 40  |
|             |                      |              |      |     |              |     |     |                      |                     |               |                 | 11058                                     | 9.2  | 1      | 8.9                     | 14.1   | 15   | 15                                 | 13  | 39                                | 14.6  | 15  | 15   | 13  | 40  |
|             |                      |              |      |     |              |     |     |                      |                     |               |                 | 11458                                     | 13.8 | 1      | 13.3                    | 19.6   | 20   | 20                                 | 18  | 39                                | 20.1  | 25  | 25   | 19  | 40  |
| 05<br>(4)   | 208-1-60             | 21.8         | 117  | 34  |              |     |     | 1.4                  | 8.4                 | 1.5           |                 | None                                      | -    | -      | -                       | 37.1   | 40   | 50                                 | 36  | 122                               | 38.6  | 40  | 60   | 38  | 126 |
|             |                      |              |      |     |              |     |     |                      |                     |               |                 | 10625                                     | 4.9  | 1      | 23.6                    | 40   | 40   | 50                                 | 37  | 122                               | 41.9  | 45  | 60   | 39  | 126 |
|             |                      |              |      |     |              |     |     |                      |                     |               |                 | 11125                                     | 7.9  | 1      | 38                      | 58   | 60   | 60                                 | 53  | 122                               | 59.9  | 60  | 60   | 55  | 126 |
|             | 230-1-60             | 21.8         | 117  | 34  |              |     |     | 1.4                  | 7.6                 | 1.3           |                 | None                                      | -    | -      | -                       | 36.3   | 40   | 50                                 | 35  | 122                               | 37.6  | 40  | 50   | 37  | 125 |
|             |                      |              |      |     |              |     |     |                      |                     |               |                 | 10625                                     | 6.5  | 1      | 27.1                    | 43.4   | 45   | 50                                 | 40  | 122                               | 45  | 45  | 50   | 41  | 125 |
|             |                      |              |      |     |              |     |     |                      |                     |               |                 | 11125                                     | 10.5 | 1      | 43.8                    | 64.3   | 70   | 70                                 | 59  | 122                               | 65.9  | 70  | 70   | 61  | 125 |
|             | 208-3-60             | 13.7         | 83.1 | 21  |              |     |     | 1.4                  | 8.4                 | 1.1           |                 | None                                      | -    | -      | -                       | 26.9   | 30   | 40                                 | 27  | 88                                | 28  | 30  | 40   | 28  | 91  |
|             |                      |              |      |     |              |     |     |                      |                     |               |                 | 10625                                     | 4.9  | 1      | 13.6                    | 27.5   | 30   | 40                                 | 27  | 88                                | 28.9  | 30  | 40   | 28  | 91  |
|             |                      |              |      |     |              |     |     |                      |                     |               |                 | 11125                                     | 7.9  | 1      | 21.9                    | 37.9   | 40   | 40                                 | 35  | 88                                | 39.3  | 40  | 40   | 36  | 91  |
|             | 230-3-60             | 13.7         | 83.1 | 21  |              |     |     | 1.4                  | 7.6                 | 1             |                 | None                                      | -    | -      | -                       | 26.1   | 30   | 35                                 | 26  | 88                                | 27.1  | 30  | 40   | 27  | 91  |
|             |                      |              |      |     |              |     |     |                      |                     |               |                 | 10625                                     | 6.5  | 1      | 15.6                    | 29   | 30   | 35                                 | 27  | 88                                | 30.3  | 35  | 40   | 28  | 91  |
|             |                      |              |      |     |              |     |     |                      |                     |               |                 | 11125                                     | 10.5 | 1      | 25.3                    | 41.1   | 45   | 45                                 | 38  | 88                                | 42.4  | 45  | 45   | 39  | 91  |
|             | 460-3-60             | 6.2          | 41   | 10  |              |     |     | 0.8                  | 4                   | 0.5           |                 | None                                      | -    | -      | -                       | 12.6   | 15   | 15                                 | 13  | 45                                | 13.1  | 15  | 15   | 13  | 46  |
|             |                      |              |      |     |              |     |     |                      |                     |               |                 | 10646                                     | 6    | 1      | 7.2                     | 14   | 15   | 15                                 | 13  | 45                                | 14.6  | 15  | 15   | 13  | 46  |
|             |                      |              |      |     |              |     |     |                      |                     |               |                 | 11146                                     | 11.5 | 1      | 13.8                    | 22.3   | 25   | 25                                 | 20  | 45                                | 22.9  | 25  | 25   | 21  | 46  |
|             | 575-3-60             | 4.8          | 33   | 8   |              |     |     | 0.6                  | 7.6                 | 0.4           |                 | None                                      | -    | -      | -                       | 9.6  | 15   | 15                                 | 10  | 35                                | 10  | 15  | 15   | 10  | 36  |
|             |                      |              |      |     |              |     |     |                      |                     |               |                 | 11058                                     | 9.2  | 1      | 8.9                     | 14.9   | 15   | 15                                 | 14  | 35                                | 15.4  | 20  | 20   | 14  | 36  |
|             |                      |              |      |     |              |     |     |                      |                     |               |                 | 11458                                     | 13.8 | 1      | 13.3                    | 20.4   | 25   | 25                                 | 19  | 35                                | 20.9  | 25  | 25   | 19  | 36  |

ZY04-12 Standard Static Indoor Blower - Without Powered Convenience Outlet (Continued)

| Size (Tons) | Nominal Unit Voltage | Compressor 1 |      |     | Compressor 2 |     |     | OD Fan Motors (each) | Supply Blower Motor | Pwr Exh Motor | Pwr Conv Outlet | Electric Heat Field Installed Kit 2EK045* |       |        | MCA <sup>1</sup> (Amps) | Min Fuse <sup>2</sup> /<br>Breaker <sup>3</sup> Size (Amps) | Max Fuse <sup>2</sup> /<br>Breaker <sup>3</sup> Size (Amps) | Min Disconnect Rating <sup>4</sup> |     | MCA <sup>1</sup> w/Pwr Exh (Amps) | Min Fuse <sup>2</sup> /<br>Breaker <sup>3</sup> Size w/ Pwr Exh (Amps) | Max Fuse <sup>2</sup> /<br>Breaker <sup>3</sup> Size w/ Pwr Exh (Amps) | Min Disconnect Rating <sup>4</sup> /<br>Pwr Exh |     |     |     |
|-------------|----------------------|--------------|------|-----|--------------|-----|-----|----------------------|---------------------|---------------|-----------------|---|-------|--------|-------------------------|---|---|------------------------------------|-----|-----------------------------------|--|--|---|-----|-----|-----|
|             |                      | RLA          | LRA  | MCC | RLA          | LRA | MCC |                      |                     |               |                 | Model                                     | kW    | Stages |                         |   |   | Amps                               | FLA |                                   |  |  | LRA   | FLA | LRA |     |
|             |                      |              |      |     |              |     |     |                      |                     |               |                 |   |       |        |                         |   |   |                                    |     |                                   |  |  |   |     |     |     |
| 06<br>(5)   | 208-1-60             | 25           | 134  | 39  |              |     |     | 2.3                  | 8.4                 | 1.5           |                 | None                                      | -     | -      | -                       | 42  | 45  | 60                                 | 41  | 141                               | 43.5   | 45   | 60  | 43  | 144 |     |
|             |                      |              |      |     |              |     |     |                      |                     |               |                 | 10625                                     | 4.9   | 1      | 23.6                    | 42  | 45  | 60                                 | 41  | 141                               | 43.5   | 45   | 60  | 43  | 144 |     |
|             |                      |              |      |     |              |     |     |                      |                     |               |                 | 11125                                     | 7.9   | 1      | 38                      | 58  | 60  | 60                                 | 53  | 141                               | 59.9   | 60   | 60  | 55  | 144 |     |
|             | 230-1-60             | 25           | 134  | 39  |              |     |     | 2.3                  | 7.6                 | 1.3           |                 | None                                      | -     | -      | -                       | 41.2  | 45  | 60                                 | 40  | 141                               | 42.5   | 45   | 60  | 42  | 144 |     |
|             |                      |              |      |     |              |     |     |                      |                     |               |                 | 10625                                     | 6.5   | 1      | 27.1                    | 43.4  | 45  | 60                                 | 40  | 141                               | 45   | 45   | 60  | 42  | 144 |     |
|             |                      |              |      |     |              |     |     |                      |                     |               |                 | 11125                                     | 10.5  | 1      | 43.8                    | 64.3  | 70  | 70                                 | 59  | 141                               | 65.9   | 70   | 70  | 61  | 144 |     |
|             | 208-3-60             | 15.9         | 110  | 25  |              |     |     | 2.3                  | 8.4                 | 1.1           |                 | None                                      | -     | -      | -                       | 30.6  | 35  | 45                                 | 31  | 117                               | 31.7   | 35   | 45  | 32  | 119 |     |
|             |                      |              |      |     |              |     |     |                      |                     |               |                 | 10625                                     | 4.9   | 1      | 13.6                    | 30.6  | 35  | 45                                 | 31  | 117                               | 31.7   | 35   | 45  | 32  | 119 |     |
|             |                      |              |      |     |              |     |     |                      |                     |               |                 | 11125                                     | 7.9   | 1      | 21.9                    | 37.9  | 40  | 45                                 | 35  | 117                               | 39.3   | 40   | 45  | 36  | 119 |     |
|             | 230-3-60             | 15.9         | 110  | 25  |              |     |     | 2.3                  | 7.6                 | 1             |                 | None                                      | -     | -      | -                       | 29.8  | 30  | 45                                 | 30  | 117                               | 30.8   | 35   | 45  | 31  | 119 |     |
|             |                      |              |      |     |              |     |     |                      |                     |               |                 | 10625                                     | 6.5   | 1      | 15.6                    | 29.8  | 30  | 45                                 | 30  | 117                               | 30.8   | 35   | 45  | 31  | 119 |     |
|             |                      |              |      |     |              |     |     |                      |                     |               |                 | 11125                                     | 10.5  | 1      | 25.3                    | 41.1  | 45  | 45                                 | 38  | 117                               | 42.4   | 45   | 45  | 39  | 119 |     |
|             | 460-3-60             | 7.1          | 52   | 11  |              |     |     | 1.3                  | 4                   | 0.5           |                 | None                                      | -     | -      | -                       | 14.2  | 15  | 20                                 | 14  | 57                                | 14.7   | 15   | 20  | 15  | 58  |     |
|             |                      |              |      |     |              |     |     |                      |                     |               |                 | 11146                                     | 6     | 1      | 7.2                     | 14.2  | 15  | 20                                 | 13  | 57                                | 14.7   | 15   | 20  | 13  | 58  |     |
|             |                      |              |      |     |              |     |     |                      |                     |               |                 | 11446                                     | 11.5  | 1      | 13.8                    | 22.3  | 25  | 25                                 | 20  | 57                                | 22.9   | 25   | 25  | 21  | 58  |     |
|             | 575-3-60             | 5.1          | 39.5 | 8   |              |     |     | 1.1                  | 7.6                 | 0.4           |                 | None                                      | -     | -      | -                       | 10.5  | 15  | 15                                 | 11  | 43                                | 10.9   | 15   | 15  | 11  | 44  |     |
|             |                      |              |      |     |              |     |     |                      |                     |               |                 | 11458                                     | 13.8  | 1      | 13.3                    | 20.4  | 25  | 25                                 | 19  | 43                                | 20.9   | 25   | 25  | 19  | 44  |     |
|             |                      |              |      |     |              |     |     |                      |                     |               |                 | 12358                                     | 23    | 1      | 22.1                    | 31.4  | 35  | 35                                 | 29  | 43                                | 31.9   | 35   | 35  | 29  | 44  |     |
|             | 07<br>(6)            | 208-3-60     | 19   | 123 | 30           |     |     | 2.3                  | 5.2                 | 1.1           |                 | None                                      | -     | -      | -                       | 33.6  | 35  | 50                                 | 33  | 165                               | 35.8   | 40   | 50  | 36  | 175 |     |
|             |                      |              |      |     |              |     |     |                      |                     |               |                 | 10725                                     | 4.9   | 1      | 13.6                    | 33.6  | 35  | 50                                 | 33  | 165                               | 35.8   | 40   | 50  | 36  | 175 |     |
|             |                      |              |      |     |              |     |     |                      |                     |               |                 | 11725                                     | 12    | 1      | 33.3                    | 48.1  | 50  | 50                                 | 44  | 165                               | 50.9   | 60   | 60  | 47  | 175 |     |
|             |                      |              |      |     |              |     |     |                      |                     |               |                 | 12525                                     | 18.6  | 1      | 51.6                    | 71  | 80  | 80                                 | 65  | 165                               | 73.8   | 80   | 80  | 68  | 175 |     |
|             |                      | 230-3-60     | 19   | 123 | 30           |     |     |                      | 2.3                 | 5.2           | 1               |   | None  | -      | -                       | -   | 33.6  | 35                                 | 50  | 33                                | 168  | 35.6   | 40  | 50  | 35  | 163 |
|             |                      |              |      |     |              |     |     |                      |                     |               |                 |   | 10725 | 6.5    | 1                       | 15.6  | 33.6  | 35                                 | 50  | 33                                | 168  | 35.6   | 40  | 50  | 35  | 163 |
| 11725       |                      |              |      |     |              |     |     |                      |                     |               |                 |   | 16    | 1      | 38.5                    | 54.6  | 60  | 60                                 | 50  | 168                               | 57.1   | 60   | 60  | 53  | 163 |     |
| 12525       |                      |              |      |     |              |     |     |                      |                     |               |                 |   | 24.8  | 1      | 59.7                    | 81.1  | 90  | 90                                 | 75  | 168                               | 83.6   | 90   | 90  | 77  | 163 |     |
| 460-3-60    |                      | 9.7          | 62   | 15  |              |     |     | 1.3                  | 2.6                 | 0.5           |                 | None                                      | -     | -      | -                       | 17.3  | 20  | 25                                 | 17  | 86                                | 18.3   | 20   | 25  | 18  | 83  |     |
|             |                      |              |      |     |              |     |     |                      |                     |               |                 | 10746                                     | 6     | 1      | 7.2                     | 17.3  | 20  | 25                                 | 11  | 86                                | 18.3   | 20   | 25  | 12  | 83  |     |
|             |                      |              |      |     |              |     |     |                      |                     |               |                 | 11746                                     | 16.5  | 1      | 19.8                    | 28  | 30  | 30                                 | 26  | 86                                | 29.3   | 30   | 30  | 27  | 83  |     |
|             |                      |              |      |     |              |     |     |                      |                     |               |                 | 12646                                     | 25.5  | 1      | 30.7                    | 41.6  | 45  | 45                                 | 38  | 86                                | 42.9   | 45   | 45  | 39  | 83  |     |
| 575-3-60    |                      | 7.4          | 50   | 12  |              |     |     | 1.1                  | 2                   | 0.4           |                 | None                                      | -     | -      | -                       | 13.5  | 15  | 20                                 | 13  | 69                                | 14.3   | 15   | 20  | 14  | 67  |     |
|             |                      |              |      |     |              |     |     |                      |                     |               |                 | 11758                                     | 17    | 1      | 16.4                    | 23  | 25  | 25                                 | 21  | 69                                | 24   | 25   | 25  | 22  | 67  |     |
|             |                      |              |      |     |              |     |     |                      |                     |               |                 | 12658                                     | 25.7  | 1      | 24.7                    | 33.4  | 35  | 35                                 | 31  | 69                                | 34.4   | 35   | 35  | 32  | 67  |     |
|             |                      |              |      |     |              |     |     |                      |                     |               |                 | None                                      | -     | -      | -                       | 31.8  | 35  | 45                                 | 32  | 168                               | 34   | 35   | 50  | 34  | 173 |     |
| A7<br>(6)   |                      | 208-3-60     | 17.6 | 136 | 27           |     |     | 2.3                  | 5.2                 | 1.1           |                 | None                                      | -     | -      | -                       | 31.8  | 35  | 45                                 | 32  | 168                               | 34   | 35   | 50  | 34  | 173 |     |
|             |                      |              |      |     |              |     |     |                      |                     |               |                 | 10725                                     | 4.9   | 1      | 13.6                    | 31.8  | 35  | 45                                 | 32  | 168                               | 34   | 35   | 50  | 34  | 173 |     |
|             |                      |              |      |     |              |     |     |                      |                     |               |                 | 11725                                     | 12    | 1      | 33.3                    | 48.1  | 50  | 50                                 | 44  | 168                               | 50.9   | 60   | 60  | 47  | 173 |     |
|             |                      |              |      |     |              |     |     |                      |                     |               |                 | 12525                                     | 18.6  | 1      | 51.6                    | 71  | 80  | 80                                 | 65  | 168                               | 73.8   | 80   | 80  | 68  | 173 |     |
|             |                      | 230-3-60     | 17.6 | 136 | 27           |     |     |                      | 2.3                 | 5.2           | 1               |   | None  | -      | -                       | -   | 31.8  | 35                                 | 45  | 32                                | 171  | 33.8   | 35  | 50  | 34  | 176 |
|             |                      |              |      |     |              |     |     |                      |                     |               |                 |   | 10725 | 6.5    | 1                       | 15.6  | 31.8  | 35                                 | 45  | 32                                | 171  | 33.8   | 35  | 50  | 34  | 176 |
|             |                      |              |      |     |              |     |     |                      |                     |               |                 |   | 11725 | 16     | 1                       | 38.5  | 54.6  | 60                                 | 60  | 50                                | 171  | 57.1   | 60  | 60  | 53  | 176 |
|             |                      |              |      |     |              |     |     |                      |                     |               |                 |   | 12525 | 24.8   | 1                       | 59.7  | 81.1  | 90                                 | 90  | 75                                | 171  | 83.6   | 90  | 90  | 77  | 176 |
|             | 460-3-60             | 8.5          | 66.1 | 13  |              |     |     | 1.3                  | 2.6                 | 0.5           |                 | None                                      | -     | -      | -                       | 15.8  | 20  | 20                                 | 16  | 84                                | 16.8   | 20   | 20  | 17  | 87  |     |
|             |                      |              |      |     |              |     |     |                      |                     |               |                 | 10746                                     | 6     | 1      | 7.2                     | 15.8  | 20  | 20                                 | 11  | 84                                | 16.8   | 20   | 20  | 12  | 87  |     |
|             |                      |              |      |     |              |     |     |                      |                     |               |                 | 11746                                     | 16.5  | 1      | 19.8                    | 28  | 30  | 30                                 | 26  | 84                                | 29.3   | 30   | 30  | 27  | 87  |     |
|             |                      |              |      |     |              |     |     |                      |                     |               |                 | 12646                                     | 25.5  | 1      | 30.7                    | 41.6  | 45  | 45                                 | 38  | 84                                | 42.9   | 45   | 45  | 39  | 87  |     |
|             | 575-3-60             | 6.3          | 55.3 | 10  |              |     |     | 1.1                  | 2                   | 0.4           |                 | None                                      | -     | -      | -                       | 12.1  | 15  | 15                                 | 12  | 70                                | 12.9   | 15   | 15  | 13  | 72  |     |
|             |                      |              |      |     |              |     |     |                      |                     |               |                 | 11758                                     | 17    | 1      | 16.4                    | 23  | 25  | 25                                 | 21  | 70                                | 24   | 25   | 25  | 22  | 72  |     |
|             |                      |              |      |     |              |     |     |                      |                     |               |                 | 12658                                     | 25.7  | 1      | 24.7                    | 33.4  | 35  | 35                                 | 31  | 70                                | 34.4   | 35   | 35  | 32  | 72  |     |
|             |                      |              |      |     |              |     |     |                      |                     |               |                 | None                                      | -     | -      | -                       | 31.8  | 35  | 45                                 | 32  | 168                               | 34   | 35   | 50  | 34  | 173 |     |



ZY04-12 Standard Static Indoor Blower - Without Powered Convenience Outlet (Continued)

| Size (Tons) | Nominal Unit Voltage | Compressor 1 |      |     | Compressor 2 |      |     | OD Fan Motors (each) | Supply Blower Motor | Pwr Exh Motor | Pwr Conv Outlet | Electric Heat Field Installed Kit 2EK045* |       |        | MCA <sup>1</sup> (Amps) | Min Fuse <sup>2</sup> /<br>Breaker <sup>3</sup> Size (Amps) | Max Fuse <sup>2</sup> /<br>Breaker <sup>3</sup> Size (Amps) | Min Discon-nect <sup>4</sup> |     | MCA <sup>1</sup> w/Pwr Exh (Amps) | Min Fuse <sup>2</sup> /<br>Breaker <sup>3</sup> Size w/ Pwr Exh (Amps) | Max Fuse <sup>2</sup> /<br>Breaker <sup>3</sup> Size w/ Pwr Exh (Amps) | Min Discon-nect <sup>4</sup> /<br>Pwr Exh |     |     |     |
|-------------|----------------------|--------------|------|-----|--------------|------|-----|----------------------|---------------------|---------------|-----------------|---|-------|--------|-------------------------|---|---|------------------------------|-----|-----------------------------------|--|--|---|-----|-----|-----|
|             |                      | RLA          | LRA  | MCC | RLA          | LRA  | MCC |                      |                     |               |                 | Model                                     | kW    | Stages |                         |   |   | Amps                         | FLA |                                   |  |  | LRA                                       | FLA | LRA |     |
|             |                      |              |      |     |              |      |     |                      |                     |               |                 |   |       |        |                         |   |   |                              |     |                                   |  |  |   |     |     |     |
| 08<br>(7.5) | 208-3-60             | 13.6         | 83.1 | 21  | 13.6         | 83.1 | 21  | 2.3                  | 5.2                 | 1.1           |                 | None                                      | -     | -      | -                       | 40.4  | 45  | 50                           | 43  | 208                               | 42.6   | 45   | 50  | 45  | 218 |     |
|             |                      |              |      |     |              |      |     |                      |                     |               |                 | 11725                                     | 12    | 1      | 33.3                    | 48.1  | 50  | 50                           | 44  | 208                               | 50.9   | 60   | 60  | 47  | 218 |     |
|             |                      |              |      |     |              |      |     |                      |                     |               |                 | 12525                                     | 18.6  | 1      | 51.6                    | 71  | 80  | 80                           | 65  | 208                               | 73.8   | 80   | 80  | 68  | 218 |     |
|             |                      |              |      |     |              |      |     |                      |                     |               |                 | 13225                                     | 24    | 1      | 66.6                    | 89.8  | 90  | 90                           | 83  | 208                               | 92.5   | 100  | 100                                       | 85  | 218 |     |
|             | 230-3-60             | 13.6         | 83.1 | 21  | 13.6         | 83.1 | 21  | 2.3                  | 5.2                 | 1             |                 |   | None  | -      | -                       | -   | 40.4  | 45                           | 50  | 43                                | 211  | 42.4   | 45  | 50  | 45  | 206 |
|             |                      |              |      |     |              |      |     |                      |                     |               |                 |   | 11725 | 16     | 1                       | 38.5  | 54.6  | 60                           | 60  | 50                                | 211  | 57.1   | 60  | 60  | 53  | 206 |
|             |                      |              |      |     |              |      |     |                      |                     |               |                 |   | 12525 | 24.8   | 1                       | 59.7  | 81.1  | 90                           | 90  | 75                                | 211  | 83.6   | 90  | 90  | 77  | 206 |
|             |                      |              |      |     |              |      |     |                      |                     |               |                 |   | 13225 | 32     | 1                       | 77  | 102.8   | 110                          | 110 | 95                                | 211  | 105.3  | 110                                       | 110 | 97  | 206 |
|             | 460-3-60             | 6.1          | 41   | 10  | 6.1          | 41   | 10  | 1.3                  | 2.6                 | 0.5           |                 |   | None  | -      | -                       | -   | 18.9  | 20                           | 25  | 20                                | 106  | 19.9   | 20  | 25  | 21  | 103 |
|             |                      |              |      |     |              |      |     |                      |                     |               |                 |   | 11746 | 16.5   | 1                       | 19.8  | 28  | 30                           | 30  | 26                                | 106  | 29.3   | 30  | 30  | 27  | 103 |
|             |                      |              |      |     |              |      |     |                      |                     |               |                 |   | 12846 | 27.8   | 1                       | 33.4  | 45  | 45                           | 45  | 41                                | 106  | 46.3   | 50  | 50  | 43  | 103 |
|             |                      |              |      |     |              |      |     |                      |                     |               |                 |   | 13346 | 33     | 1                       | 39.7  | 52.9  | 60                           | 60  | 49                                | 106  | 54.1   | 60  | 60  | 50  | 103 |
| 575-3-60    | 4.2                  | 33           | 7    | 4.2 | 33           | 7    | 1.1 | 2                    | 0.4                 |               |                 | None                                      | -     | -      | -                       | 13.7  | 15  | 15                           | 14  | 85                                | 14.5   | 15   | 15  | 15  | 83  |     |
|             |                      |              |      |     |              |      |     |                      |                     |               |                 | 11758                                     | 17    | 1      | 16.4                    | 23  | 25  | 25                           | 21  | 85                                | 24   | 25   | 25  | 22  | 83  |     |
|             |                      |              |      |     |              |      |     |                      |                     |               |                 | 13458                                     | 34    | 1      | 32.7                    | 43.4  | 45  | 45                           | 40  | 85                                | 44.4   | 45   | 45  | 41  | 83  |     |
|             |                      |              |      |     |              |      |     |                      |                     |               |                 | None                                      | -     | -      | -                       | 19.2  | 20  | 25                           | 20  | 106                               | 20.2   | 25   | 25  | 21  | 103 |     |
| 09<br>(8.5) | 208-3-60             | 13.7         | 83.1 | 21  | 13.7         | 83.1 | 21  | 2.3                  | 5.2                 | 1.1           |                 | None                                      | -     | -      | -                       | 40.6  | 45  | 50                           | 43  | 208                               | 42.8   | 45   | 50  | 45  | 218 |     |
|             |                      |              |      |     |              |      |     |                      |                     |               |                 | 11725                                     | 12    | 1      | 33.3                    | 48.1  | 50  | 50                           | 44  | 208                               | 50.9   | 60   | 60  | 47  | 218 |     |
|             |                      |              |      |     |              |      |     |                      |                     |               |                 | 12525                                     | 18.6  | 1      | 51.6                    | 71  | 80  | 80                           | 65  | 208                               | 73.8   | 80   | 80  | 68  | 218 |     |
|             |                      |              |      |     |              |      |     |                      |                     |               |                 | 13225                                     | 24    | 1      | 66.6                    | 89.8  | 90  | 90                           | 83  | 208                               | 92.5   | 100  | 100                                       | 85  | 218 |     |
|             | 230-3-60             | 13.7         | 83.1 | 21  | 13.7         | 83.1 | 21  | 2.3                  | 5.2                 | 1             |                 |   | None  | -      | -                       | -   | 40.6  | 45                           | 50  | 43                                | 211  | 42.6   | 45  | 50  | 45  | 206 |
|             |                      |              |      |     |              |      |     |                      |                     |               |                 |   | 11725 | 16     | 1                       | 38.5  | 54.6  | 60                           | 60  | 50                                | 211  | 57.1   | 60  | 60  | 53  | 206 |
|             |                      |              |      |     |              |      |     |                      |                     |               |                 |   | 12525 | 24.8   | 1                       | 59.7  | 81.1  | 90                           | 90  | 75                                | 211  | 83.6   | 90  | 90  | 77  | 206 |
|             |                      |              |      |     |              |      |     |                      |                     |               |                 |   | 13225 | 32     | 1                       | 77  | 102.8   | 110                          | 110 | 95                                | 211  | 105.3  | 110                                       | 110 | 97  | 206 |
|             | 460-3-60             | 6.2          | 41   | 10  | 6.2          | 41   | 10  | 1.3                  | 2.6                 | 0.5           |                 |   | None  | -      | -                       | -   | 19.2  | 20                           | 25  | 20                                | 106  | 20.2   | 25  | 25  | 21  | 103 |
|             |                      |              |      |     |              |      |     |                      |                     |               |                 |   | 11746 | 16.5   | 1                       | 19.8  | 28  | 30                           | 30  | 26                                | 106  | 29.3   | 30  | 30  | 27  | 103 |
|             |                      |              |      |     |              |      |     |                      |                     |               |                 |   | 12846 | 27.8   | 1                       | 33.4  | 45  | 45                           | 45  | 41                                | 106  | 46.3   | 50  | 50  | 43  | 103 |
|             |                      |              |      |     |              |      |     |                      |                     |               |                 |   | 13346 | 33     | 1                       | 39.7  | 52.9  | 60                           | 60  | 49                                | 106  | 54.1   | 60  | 60  | 50  | 103 |
| 575-3-60    | 4.8                  | 33           | 8    | 4.8 | 33           | 8    | 1.1 | 2                    | 0.4                 |               |                 | None                                      | -     | -      | -                       | 15  | 20  | 20                           | 16  | 85                                | 15.8   | 20   | 20  | 17  | 83  |     |
|             |                      |              |      |     |              |      |     |                      |                     |               |                 | 11758                                     | 17    | 1      | 16.4                    | 23  | 25  | 25                           | 21  | 85                                | 24   | 25   | 25  | 22  | 83  |     |
|             |                      |              |      |     |              |      |     |                      |                     |               |                 | 13458                                     | 34    | 1      | 32.7                    | 43.4  | 45  | 45                           | 40  | 85                                | 44.4   | 45   | 45  | 41  | 83  |     |
|             |                      |              |      |     |              |      |     |                      |                     |               |                 | None                                      | -     | -      | -                       | 47  | 50  | 60                           | 49  | 264                               | 49.2   | 50   | 60  | 52  | 274 |     |
| 12<br>(10)  | 208-3-60             | 16           | 110  | 25  | 16           | 110  | 25  | 5.8                  | 5.2                 | 1.1           |                 | None                                      | -     | -      | -                       | 47  | 50  | 60                           | 49  | 264                               | 49.2   | 50   | 60  | 52  | 274 |     |
|             |                      |              |      |     |              |      |     |                      |                     |               |                 | 11725                                     | 12    | 1      | 33.3                    | 48.1  | 50  | 60                           | 49  | 264                               | 50.9   | 60   | 60  | 52  | 274 |     |
|             |                      |              |      |     |              |      |     |                      |                     |               |                 | 12525                                     | 18.6  | 1      | 51.6                    | 71  | 80  | 80                           | 65  | 264                               | 73.8   | 80   | 80  | 68  | 274 |     |
|             |                      |              |      |     |              |      |     |                      |                     |               |                 | 13225                                     | 24    | 1      | 66.6                    | 89.8  | 90  | 90                           | 83  | 264                               | 92.5   | 100  | 100                                       | 85  | 274 |     |
|             | 230-3-60             | 16           | 110  | 25  | 16           | 110  | 25  | 5.2                  | 5.2                 | 1             |                 |   | None  | -      | -                       | -   | 46.4  | 50                           | 60  | 49                                | 264  | 48.4   | 50  | 60  | 51  | 269 |
|             |                      |              |      |     |              |      |     |                      |                     |               |                 |   | 11725 | 16     | 1                       | 38.5  | 54.6  | 60                           | 60  | 50                                | 264  | 57.1   | 60  | 60  | 53  | 269 |
|             |                      |              |      |     |              |      |     |                      |                     |               |                 |   | 12525 | 24.8   | 1                       | 59.7  | 81.1  | 90                           | 90  | 75                                | 264  | 83.6   | 90  | 90  | 77  | 269 |
|             |                      |              |      |     |              |      |     |                      |                     |               |                 |   | 13225 | 32     | 1                       | 77  | 102.8   | 110                          | 110 | 95                                | 264  | 105.3  | 110                                       | 110 | 97  | 269 |
|             | 460-3-60             | 7.8          | 52   | 12  | 7.8          | 52   | 12  | 2.9                  | 2.6                 | 0.5           |                 |   | None  | -      | -                       | -   | 23.1  | 25                           | 30  | 24                                | 128  | 24.1   | 25  | 30  | 25  | 130 |
|             |                      |              |      |     |              |      |     |                      |                     |               |                 |   | 11746 | 16.5   | 1                       | 19.8  | 28  | 30                           | 30  | 26                                | 128  | 29.3   | 30  | 30  | 27  | 130 |
|             |                      |              |      |     |              |      |     |                      |                     |               |                 |   | 12846 | 27.8   | 1                       | 33.4  | 45  | 45                           | 45  | 41                                | 128  | 46.3   | 50  | 50  | 43  | 130 |
|             |                      |              |      |     |              |      |     |                      |                     |               |                 |   | 13346 | 33     | 1                       | 39.7  | 52.9  | 60                           | 60  | 49                                | 128  | 54.1   | 60  | 60  | 50  | 130 |
| 575-3-60    | 5.7                  | 38.9         | 9    | 5.7 | 38.9         | 9    | 2.2 | 2                    | 0.4                 |               |                 | None                                      | -     | -      | -                       | 17  | 20  | 20                           | 18  | 99                                | 17.8   | 20   | 20  | 19  | 101 |     |
|             |                      |              |      |     |              |      |     |                      |                     |               |                 | 11758                                     | 17    | 1      | 16.4                    | 23  | 25  | 25                           | 21  | 99                                | 24   | 25   | 25  | 22  | 101 |     |
|             |                      |              |      |     |              |      |     |                      |                     |               |                 | 13458                                     | 34    | 1      | 32.7                    | 43.4  | 45  | 45                           | 40  | 99                                | 44.4   | 45   | 45  | 41  | 101 |     |
|             |                      |              |      |     |              |      |     |                      |                     |               |                 | None                                      | -     | -      | -                       | 17  | 20  | 20                           | 18  | 99                                | 17.8   | 20   | 20  | 19  | 101 |     |

**ZY04-12 Standard Static Indoor Blower - Without Powered Convenience Outlet (Continued)**

| Size (Tons)     | Nominal Unit Voltage | Compressor 1 |      |     | Compressor 2 |      |     | OD Fan Motors (each) | Supply Blower Motor | Pwr Exh Motor | Pwr Conv Outlet | Electric Heat Field Installed Kit 2EK045* |       |        | MCA <sup>1</sup> (Amps) | Min Fuse <sup>2</sup> /<br>Breaker <sup>3</sup> Size (Amps) | Max Fuse <sup>2</sup> /<br>Breaker <sup>3</sup> Size (Amps) | Min Disconnect Rating <sup>4</sup> |     | MCA <sup>1</sup> w/Pwr Exh (Amps) | Min Fuse <sup>2</sup> /<br>Breaker <sup>3</sup> Size w/ Pwr Exh (Amps) | Max Fuse <sup>2</sup> /<br>Breaker <sup>3</sup> Size w/ Pwr Exh (Amps) | Min Disconnect Rating <sup>4</sup> /<br>Pwr Exh |     |     |     |
|-----------------|----------------------|--------------|------|-----|--------------|------|-----|----------------------|---------------------|---------------|-----------------|---|-------|--------|-------------------------|---|---|------------------------------------|-----|-----------------------------------|--|--|---|-----|-----|-----|
|                 |                      | RLA          | LRA  | MCC | RLA          | LRA  | MCC |                      |                     |               |                 | Model                                     | kW    | Stages |                         |   |   | Amps                               | FLA |                                   |  |  | LRA   | FLA | LRA |     |
|                 |                      |              |      |     |              |      |     |                      |                     |               |                 |   |       |        |                         |   |   |                                    |     |                                   |  |  |   |     |     |     |
| <b>With VFD</b> |                      |              |      |     |              |      |     |                      |                     |               |                 |   |       |        |                         |   |   |                                    |     |                                   |  |  |   |     |     |     |
| A7 (6)          | 208-3-60             | 17.6         | 136  | 27  |              |      |     | 2.3                  | 7                   | 1.1           |                 | None                                      | -     | -      | -                       | 33.6  | 35  | 50                                 | 34  | 206                               | 35.8   | 40   | 50  | 36  | 211 |     |
|                 |                      |              |      |     |              |      |     |                      |                     |               |                 | 10725                                     | 4.9   | 1      | 13.6                    | 33.6  | 35  | 50                                 | 34  | 206                               | 35.8   | 40   | 50  | 36  | 211 |     |
|                 |                      |              |      |     |              |      |     |                      |                     |               |                 | 11725                                     | 12    | 1      | 33.3                    | 50.4  | 60  | 60                                 | 46  | 206                               | 53.1   | 60   | 60  | 49  | 211 |     |
|                 |                      |              |      |     |              |      |     |                      |                     |               |                 | 12525                                     | 18.6  | 1      | 51.6                    | 73.3  | 80  | 80                                 | 67  | 206                               | 76   | 80   | 80  | 70  | 211 |     |
|                 | 230-3-60             | 17.6         | 136  | 27  |              |      |     | 2.3                  | 7.2                 | 1             |                 |   | None  | -      | -                       | -   | 33.8  | 35                                 | 50  | 34                                | 208  | 35.8   | 40  | 50  | 36  | 212 |
|                 |                      |              |      |     |              |      |     |                      |                     |               |                 |   | 10725 | 6.5    | 1                       | 15.6  | 33.8  | 35                                 | 50  | 34                                | 208  | 35.8   | 40  | 50  | 36  | 212 |
|                 |                      |              |      |     |              |      |     |                      |                     |               |                 |   | 11725 | 16     | 1                       | 38.5  | 57.1  | 60                                 | 60  | 53                                | 208  | 59.6   | 60  | 60  | 55  | 212 |
|                 |                      |              |      |     |              |      |     |                      |                     |               |                 |   | 12525 | 24.8   | 1                       | 59.7  | 83.6  | 90                                 | 90  | 77                                | 208  | 86.1   | 90  | 90  | 79  | 212 |
|                 | 460-3-60             | 8.5          | 66.1 | 13  |              |      |     | 1.3                  | 3.6                 | 0.5           |                 |   | None  | -      | -                       | -   | 16.8  | 20                                 | 25  | 17                                | 103  | 17.8   | 20  | 25  | 18  | 105 |
|                 |                      |              |      |     |              |      |     |                      |                     |               |                 |   | 10746 | 6      | 1                       | 7.2   | 16.8  | 20                                 | 25  | 12                                | 103  | 17.8   | 20  | 25  | 14  | 105 |
|                 |                      |              |      |     |              |      |     |                      |                     |               |                 |   | 11746 | 16.5   | 1                       | 19.8  | 29.3  | 30                                 | 30  | 27                                | 103  | 30.5   | 35  | 35  | 28  | 105 |
|                 |                      |              |      |     |              |      |     |                      |                     |               |                 |   | 12646 | 25.5   | 1                       | 30.7  | 42.9  | 45                                 | 45  | 39                                | 103  | 44.1   | 45  | 45  | 41  | 105 |
| 575-3-60        | 6.3                  | 55.3         | 10   |     |              |      | 1.1 | 2.5                  | 0.4                 |               |                 | None                                      | -     | -      | -                       | 12.6  | 15  | 15                                 | 13  | 78                                | 13.4   | 15   | 15  | 14  | 80  |     |
|                 |                      |              |      |     |              |      |     |                      |                     |               |                 | 11758                                     | 17    | 1      | 16.4                    | 23.6  | 25  | 25                                 | 22  | 78                                | 24.6   | 25   | 25  | 23  | 80  |     |
|                 |                      |              |      |     |              |      |     |                      |                     |               |                 | 12658                                     | 25.7  | 1      | 24.7                    | 34  | 35  | 35                                 | 31  | 78                                | 35   | 35   | 35  | 32  | 80  |     |
|                 |                      |              |      |     |              |      |     |                      |                     |               |                 |   |       |        |                         |   |   |                                    |     |                                   |  |  |   |     |     |     |
| 08 (7.5)        | 208-3-60             | 13.6         | 83.1 | 21  | 13.6         | 83.1 | 21  | 2.3                  | 7                   | 1.1           |                 | None                                      | -     | -      | -                       | 42.2  | 45  | 50                                 | 45  | 246                               | 44.4   | 45   | 50  | 47  | 256 |     |
|                 |                      |              |      |     |              |      |     |                      |                     |               |                 | 11725                                     | 12    | 1      | 33.3                    | 50.4  | 60  | 60                                 | 46  | 246                               | 53.1   | 60   | 60  | 49  | 256 |     |
|                 |                      |              |      |     |              |      |     |                      |                     |               |                 | 12525                                     | 18.6  | 1      | 51.6                    | 73.3  | 80  | 80                                 | 67  | 246                               | 76   | 80   | 80  | 70  | 256 |     |
|                 |                      |              |      |     |              |      |     |                      |                     |               |                 | 13225                                     | 24    | 1      | 66.6                    | 92  | 100   | 100                                | 85  | 246                               | 94.8   | 100  | 100   | 87  | 256 |     |
|                 | 230-3-60             | 13.6         | 83.1 | 21  | 13.6         | 83.1 | 21  | 2.3                  | 7.2                 | 1             |                 |   | None  | -      | -                       | -   | 42.4  | 45                                 | 50  | 45                                | 248  | 44.4   | 45  | 50  | 47  | 243 |
|                 |                      |              |      |     |              |      |     |                      |                     |               |                 |   | 11725 | 16     | 1                       | 38.5  | 57.1  | 60                                 | 60  | 53                                | 248  | 59.6   | 60  | 60  | 55  | 243 |
|                 |                      |              |      |     |              |      |     |                      |                     |               |                 |   | 12525 | 24.8   | 1                       | 59.7  | 83.6  | 90                                 | 90  | 77                                | 248  | 86.1   | 90  | 90  | 79  | 243 |
|                 |                      |              |      |     |              |      |     |                      |                     |               |                 |   | 13225 | 32     | 1                       | 77  | 105.3   | 110                                | 110 | 97                                | 248  | 107.8  | 110   | 110 | 99  | 243 |
|                 | 460-3-60             | 6.1          | 41   | 10  | 6.1          | 41   | 10  | 1.3                  | 3.6                 | 0.5           |                 |   | None  | -      | -                       | -   | 19.9  | 20                                 | 25  | 21                                | 125  | 20.9   | 25  | 25  | 22  | 121 |
|                 |                      |              |      |     |              |      |     |                      |                     |               |                 |   | 11746 | 16.5   | 1                       | 19.8  | 29.3  | 30                                 | 30  | 27                                | 125  | 30.5   | 35  | 35  | 28  | 121 |
|                 |                      |              |      |     |              |      |     |                      |                     |               |                 |   | 12846 | 27.8   | 1                       | 33.4  | 46.3  | 50                                 | 50  | 43                                | 125  | 47.5   | 50  | 50  | 44  | 121 |
|                 |                      |              |      |     |              |      |     |                      |                     |               |                 |   | 13346 | 33     | 1                       | 39.7  | 54.1  | 60                                 | 60  | 50                                | 125  | 55.4   | 60  | 60  | 51  | 121 |
| 575-3-60        | 4.2                  | 33           | 7    | 4.2 | 33           | 7    | 1.1 | 2.5                  | 0.4                 |               |                 | None                                      | -     | -      | -                       | 14.2  | 15  | 15                                 | 15  | 93                                | 15   | 15   | 15  | 16  | 90  |     |
|                 |                      |              |      |     |              |      |     |                      |                     |               |                 | 11758                                     | 17    | 1      | 16.4                    | 23.6  | 25  | 25                                 | 22  | 93                                | 24.6   | 25   | 25  | 23  | 90  |     |
|                 |                      |              |      |     |              |      |     |                      |                     |               |                 | 13458                                     | 34    | 1      | 32.7                    | 44  | 45  | 45                                 | 40  | 93                                | 45   | 45   | 45  | 41  | 90  |     |
|                 |                      |              |      |     |              |      |     |                      |                     |               |                 |   |       |        |                         |   |   |                                    |     |                                   |  |  |   |     |     |     |
| 09 (8.5)        | 208-3-60             | 13.7         | 83.1 | 21  | 13.7         | 83.1 | 21  | 2.3                  | 7                   | 1.1           |                 | None                                      | -     | -      | -                       | 42.4  | 45  | 50                                 | 45  | 246                               | 44.6   | 45   | 50  | 47  | 256 |     |
|                 |                      |              |      |     |              |      |     |                      |                     |               |                 | 11725                                     | 12    | 1      | 33.3                    | 50.4  | 60  | 60                                 | 46  | 246                               | 53.1   | 60   | 60  | 49  | 256 |     |
|                 |                      |              |      |     |              |      |     |                      |                     |               |                 | 12525                                     | 18.6  | 1      | 51.6                    | 73.3  | 80  | 80                                 | 67  | 246                               | 76   | 80   | 80  | 70  | 256 |     |
|                 |                      |              |      |     |              |      |     |                      |                     |               |                 | 13225                                     | 24    | 1      | 66.6                    | 92  | 100   | 100                                | 85  | 246                               | 94.8   | 100  | 100   | 87  | 256 |     |
|                 | 230-3-60             | 13.7         | 83.1 | 21  | 13.7         | 83.1 | 21  | 2.3                  | 7.2                 | 1             |                 |   | None  | -      | -                       | -   | 42.6  | 45                                 | 50  | 45                                | 248  | 44.6   | 45  | 50  | 47  | 243 |
|                 |                      |              |      |     |              |      |     |                      |                     |               |                 |   | 11725 | 16     | 1                       | 38.5  | 57.1  | 60                                 | 60  | 53                                | 248  | 59.6   | 60  | 60  | 55  | 243 |
|                 |                      |              |      |     |              |      |     |                      |                     |               |                 |   | 12525 | 24.8   | 1                       | 59.7  | 83.6  | 90                                 | 90  | 77                                | 248  | 86.1   | 90  | 90  | 79  | 243 |
|                 |                      |              |      |     |              |      |     |                      |                     |               |                 |   | 13225 | 32     | 1                       | 77  | 105.3   | 110                                | 110 | 97                                | 248  | 107.8  | 110   | 110 | 99  | 243 |
|                 | 460-3-60             | 6.2          | 41   | 10  | 6.2          | 41   | 10  | 1.3                  | 3.6                 | 0.5           |                 |   | None  | -      | -                       | -   | 20.2  | 25                                 | 25  | 21                                | 125  | 21.2   | 25  | 25  | 23  | 121 |
|                 |                      |              |      |     |              |      |     |                      |                     |               |                 |   | 11746 | 16.5   | 1                       | 19.8  | 29.3  | 30                                 | 30  | 27                                | 125  | 30.5   | 35  | 35  | 28  | 121 |
|                 |                      |              |      |     |              |      |     |                      |                     |               |                 |   | 12846 | 27.8   | 1                       | 33.4  | 46.3  | 50                                 | 50  | 43                                | 125  | 47.5   | 50  | 50  | 44  | 121 |
|                 |                      |              |      |     |              |      |     |                      |                     |               |                 |   | 13346 | 33     | 1                       | 39.7  | 54.1  | 60                                 | 60  | 50                                | 125  | 55.4   | 60  | 60  | 51  | 121 |
| 575-3-60        | 4.8                  | 33           | 8    | 4.8 | 33           | 8    | 1.1 | 2.5                  | 0.4                 |               |                 | None                                      | -     | -      | -                       | 15.5  | 20  | 20                                 | 16  | 93                                | 16.3   | 20   | 20  | 17  | 90  |     |
|                 |                      |              |      |     |              |      |     |                      |                     |               |                 | 11758                                     | 17    | 1      | 16.4                    | 23.6  | 25  | 25                                 | 22  | 93                                | 24.6   | 25   | 25  | 23  | 90  |     |
|                 |                      |              |      |     |              |      |     |                      |                     |               |                 | 13458                                     | 34    | 1      | 32.7                    | 44  | 45  | 45                                 | 40  | 93                                | 45   | 45   | 45  | 41  | 90  |     |
|                 |                      |              |      |     |              |      |     |                      |                     |               |                 |   |       |        |                         |   |   |                                    |     |                                   |  |  |   |     |     |     |

**ZY04-12 Standard Static Indoor Blower - Without Powered Convenience Outlet (Continued)**

| Size (Tons) | Nominal Unit Voltage | Compressor 1 |          |     | Compressor 2 |      |     | OD Fan Motors (each) | Supply Blower Motor | Pwr Exh Motor | Pwr Conv Outlet | Electric Heat Field Installed Kit 2EK045* |    |        | MCA <sup>1</sup> (Amps) | Min Fuse <sup>2</sup> /<br>Breaker <sup>3</sup> Size (Amps) | Max Fuse <sup>2</sup> /<br>Breaker <sup>3</sup> Size (Amps) | Min Disconnect Rating <sup>4</sup> |     | MCA <sup>1</sup> w/Pwr Exh (Amps) | Min Fuse <sup>2</sup> /<br>Breaker <sup>3</sup> Size w/ Pwr Exh (Amps) | Max Fuse <sup>2</sup> /<br>Breaker <sup>3</sup> Size w/ Pwr Exh (Amps) | Min Disconnect Rating <sup>4</sup> /<br>Pwr Exh |     |     |       |      |   |      |       |     |     |     |     |       |      |     |     |     |
|-------------|----------------------|--------------|----------|-----|--------------|------|-----|----------------------|---------------------|---------------|-----------------|---|----|--------|-------------------------|---|---|------------------------------------|-----|-----------------------------------|--|--|---|-----|-----|-------|------|---|------|-------|-----|-----|-----|-----|-------|------|-----|-----|-----|
|             |                      | RLA          | LRA      | MCC | RLA          | LRA  | MCC |                      |                     |               |                 | Model                                     | kW | Stages |                         |   |   | Amps                               | FLA |                                   |  |  | LRA   | FLA | LRA |       |      |   |      |       |     |     |     |     |       |      |     |     |     |
|             |                      | 12 (10)      | 208-3-60 | 16  | 110          | 25   | 16  |                      |                     |               |                 | 110                                       | 25 | 5.8    |                         |   |   | 7                                  | 1.1 |                                   |  |  |   |     |     |       |      |   |      |       |     |     |     |     |       | None | -   | -   | -   |
| 11725       | 12                   |              |          |     |              |      |     | 1                    | 33.3                | 50.4          | 60              |   |    |        | 60                      | 52  | 302   |                                    |     | 53.1                              | 60   | 60   |   |     |     |       |      |   |      |       |     |     |     |     |       | 54   | 312 |     |     |
| 12525       | 18.6                 |              |          |     |              |      |     | 1                    | 51.6                | 73.3          | 80              |   |    |        | 80                      | 67  | 302   |                                    |     | 76                                | 80   | 80   |   |     |     |       |      |   |      |       |     |     |     |     |       | 70   | 312 |     |     |
| 13225       | 24                   |              |          |     |              |      |     | 1                    | 66.6                | 92            | 100             |   |    |        | 100                     | 85  | 302   |                                    |     | 94.8                              | 100  | 100  |   |     |     |       |      |   |      |       |     |     |     |     |       | 87   | 312 |     |     |
| 14225       | 31.8                 |              |          |     |              |      |     | 2                    | 88.3                | 119.1         | 125             |   |    |        | 125                     | 110   | 302   |                                    |     | 121.9                             | 125  | 125  |   |     |     |       |      |   |      |       |     |     |     |     |       | 112  | 312 |     |     |
| 230-3-60    | 16                   |              | 110      | 25  | 16           | 110  | 25  | 5.2                  | 7.2                 | 1             |                 |   |    |        |                         |   |   |                                    |     |                                   |  |  |   |     |     | None  | -    | - | -    | 48.4  | 50  | 60  | 51  | 301 | 50.4  | 60   | 60  | 53  | 305 |
|             |                      |              |          |     |              |      |     |                      |                     |               |                 |   |    |        |                         |   |   |                                    |     |                                   |  |  |   |     |     | 11725 | 16   | 1 | 38.5 | 57.1  | 60  | 60  | 53  | 301 | 59.6  | 60   | 60  | 55  | 305 |
|             |                      |              |          |     |              |      |     |                      |                     |               |                 |   |    |        |                         |   |   |                                    |     |                                   |  |  |   |     |     | 12525 | 24.8 | 1 | 59.7 | 83.6  | 90  | 90  | 77  | 301 | 86.1  | 90   | 90  | 79  | 305 |
|             |                      |              |          |     |              |      |     |                      |                     |               |                 |   |    |        |                         |   |   |                                    |     |                                   |  |  |   |     |     | 13225 | 32   | 1 | 77   | 105.3 | 110 | 110 | 97  | 301 | 107.8 | 110  | 110 | 99  | 305 |
|             |                      |              |          |     |              |      |     |                      |                     |               |                 |   |    |        |                         |   |   |                                    |     |                                   |  |  |   |     |     | 14225 | 42.4 | 2 | 102  | 136.5 | 150 | 150 | 126 | 301 | 139   | 150  | 150 | 128 | 305 |
| 460-3-60    | 7.8                  |              | 52       | 12  | 7.8          | 52   | 12  | 2.9                  | 3.6                 | 0.5           |                 |   |    |        |                         |   |   |                                    |     |                                   |  |  |   |     |     | None  | -    | - | -    | 24.1  | 25  | 30  | 25  | 146 | 25.1  | 30   | 30  | 27  | 148 |
|             |                      |              |          |     |              |      |     |                      |                     |               |                 |   |    |        |                         |   |   |                                    |     |                                   |  |  |   |     |     | 11746 | 16.5 | 1 | 19.8 | 29.3  | 30  | 30  | 27  | 146 | 30.5  | 35   | 35  | 28  | 148 |
|             |                      |              |          |     |              |      |     |                      |                     |               |                 |   |    |        |                         |   |   |                                    |     |                                   |  |  |   |     |     | 12846 | 27.8 | 1 | 33.4 | 46.3  | 50  | 50  | 43  | 146 | 47.5  | 50   | 50  | 44  | 148 |
|             |                      |              |          |     |              |      |     |                      |                     |               |                 |   |    |        |                         |   |   |                                    |     |                                   |  |  |   |     |     | 13346 | 33   | 1 | 39.7 | 54.1  | 60  | 60  | 50  | 146 | 55.4  | 60   | 60  | 51  | 148 |
|             |                      |              |          |     |              |      |     |                      |                     |               |                 |   |    |        |                         |   |   |                                    |     |                                   |  |  |   |     |     | 14246 | 41.7 | 2 | 50.2 | 67.3  | 70  | 70  | 62  | 146 | 68.5  | 70   | 70  | 63  | 148 |
| 575-3-60    | 5.7                  |              | 38.9     | 9   | 5.7          | 38.9 | 9   | 2.2                  | 2.5                 | 0.4           |                 |   |    |        |                         |   |   |                                    |     |                                   |  |  |   |     |     | None  | -    | - | -    | 17.5  | 20  | 20  | 19  | 107 | 18.3  | 20   | 20  | 19  | 109 |
|             |                      |              |          |     |              |      |     |                      |                     |               |                 |   |    |        |                         |   |   |                                    |     |                                   |  |  |   |     |     | 11758 | 17   | 1 | 16.4 | 23.6  | 25  | 25  | 22  | 107 | 24.6  | 25   | 25  | 23  | 109 |
|             |                      |              |          |     |              |      |     |                      |                     |               |                 |   |    |        |                         |   |   |                                    |     |                                   |  |  |   |     |     | 13458 | 34   | 1 | 32.7 | 44    | 45  | 45  | 40  | 107 | 45    | 45   | 45  | 41  | 109 |

1. Minimum Circuit Ampacity.
2. Dual Element, Time Delay Type.
3. HACR type per NEC.
4. Non-fused Disconnect, Verify on the unit nameplate that the disconnect is properly sized for the application. Units with field installed electric heat kits may exceed the factory installed disconnect amperage rating.

ZY04-12 Standard Static Indoor Blower - With Powered Convenience Outlet

| Size (Tons) | Nominal Unit Voltage | Compressor 1 |      |     | Compressor 2 |     |     | OD Fan Motors (each) | Supply Blower Motor | Pwr Exh Motor | Pwr Conv Outlet | Electric Heat Field Installed Kit 2EK045* |       |        | MCA <sup>1</sup> (Amps) | Min Fuse <sup>2/</sup> Breaker <sup>3</sup> Size (Amps) | Max Fuse <sup>2/</sup> Breaker <sup>3</sup> Size (Amps) | Min Disconnect Rating <sup>4</sup> |     | MCA <sup>1</sup> w/Pwr Exh (Amps) | Min Fuse <sup>2/</sup> Breaker <sup>3</sup> Size w/ Pwr Exh (Amps) | Max Fuse <sup>2/</sup> Breaker <sup>3</sup> Size w/ Pwr Exh (Amps) | Min Disconnect Rating <sup>4</sup> / Pwr Exh |     |     |     |
|-------------|----------------------|--------------|------|-----|--------------|-----|-----|----------------------|---------------------|---------------|-----------------|---|-------|--------|-------------------------|---|---|------------------------------------|-----|-----------------------------------|--|--|--|-----|-----|-----|
|             |                      | RLA          | LRA  | MCC | RLA          | LRA | MCC |                      |                     |               |                 | Model                                     | kW    | Stages |                         |   |   | Amps                               | FLA |                                   |  |  | LRA  | FLA | LRA |     |
|             |                      |              |      |     |              |     |     |                      |                     |               |                 |   |       |        |                         |   |   |                                    |     |                                   |  |  |  |     |     |     |
| 04 (3)      | 208-1-60             | 16.7         | 79   | 26  |              |     |     | 1.4                  | 6.6                 | 1.5           | 8.6             | None                                      | -     | -      | -                       | 33.2  | 35  | 45                                 | 33  | 89                                | 34.7   | 35   | 50   | 35  | 92  |     |
|             |                      |              |      |     |              |     |     |                      |                     |               |                 | 10625                                     | 4.9   | 1      | 23.6                    | 43.1  | 45  | 45                                 | 40  | 89                                | 45   | 45   | 50   | 41  | 92  |     |
|             |                      |              |      |     |              |     |     |                      |                     |               |                 | 11125                                     | 7.9   | 1      | 38                      | 61.1  | 70  | 70                                 | 56  | 89                                | 63   | 70   | 70   | 58  | 92  |     |
|             | 230-1-60             | 16.7         | 79   | 26  |              |     |     | 1.4                  | 6                   | 1.3           | 8.6             | None                                      | -     | -      | -                       | 32.6  | 35  | 45                                 | 33  | 89                                | 33.9   | 35   | 50   | 34  | 92  |     |
|             |                      |              |      |     |              |     |     |                      |                     |               |                 | 10625                                     | 6.5   | 1      | 27.1                    | 46.8  | 50  | 50                                 | 43  | 89                                | 48.4   | 50   | 50   | 45  | 92  |     |
|             |                      |              |      |     |              |     |     |                      |                     |               |                 | 11125                                     | 10.5  | 1      | 43.8                    | 67.6  | 70  | 70                                 | 62  | 89                                | 69.3   | 70   | 70   | 64  | 92  |     |
|             | 208-3-60             | 10.4         | 73   | 16  |              |     |     | 1.4                  | 6.6                 | 1.1           | 8.6             | None                                      | -     | -      | -                       | 25.3  | 30  | 35                                 | 26  | 83                                | 26.4   | 30   | 35   | 27  | 85  |     |
|             |                      |              |      |     |              |     |     |                      |                     |               |                 | 10625                                     | 4.9   | 1      | 13.6                    | 30.6  | 35  | 35                                 | 28  | 83                                | 32   | 35   | 35   | 29  | 85  |     |
|             |                      |              |      |     |              |     |     |                      |                     |               |                 | 11125                                     | 7.9   | 1      | 21.9                    | 41  | 45  | 45                                 | 38  | 83                                | 42.4   | 45   | 45   | 39  | 85  |     |
|             | 230-3-60             | 10.4         | 73   | 16  |              |     |     | 1.4                  | 6                   | 1             | 8.6             | None                                      | -     | -      | -                       | 24.7  | 25  | 35                                 | 25  | 83                                | 25.7   | 30   | 35   | 27  | 85  |     |
|             |                      |              |      |     |              |     |     |                      |                     |               |                 | 10625                                     | 6.5   | 1      | 15.6                    | 32.4  | 35  | 35                                 | 30  | 83                                | 33.6   | 35   | 35   | 31  | 85  |     |
|             |                      |              |      |     |              |     |     |                      |                     |               |                 | 11125                                     | 10.5  | 1      | 25.3                    | 44.5  | 45  | 45                                 | 41  | 83                                | 45.8   | 50   | 50   | 42  | 85  |     |
|             | 460-3-60             | 5.8          | 38   | 9   |              |     |     | 0.8                  | 3.2                 | 0.5           | 8.6             | None                                      | -     | -      | -                       | 13.5  | 15  | 15                                 | 14  | 44                                | 14   | 15   | 15   | 14  | 45  |     |
|             |                      |              |      |     |              |     |     |                      |                     |               |                 | 10646                                     | 6     | 1      | 7.2                     | 15.7  | 20  | 20                                 | 14  | 44                                | 16.3   | 20   | 20   | 15  | 45  |     |
|             |                      |              |      |     |              |     |     |                      |                     |               |                 | 11146                                     | 11.5  | 1      | 13.8                    | 23.9  | 25  | 25                                 | 22  | 44                                | 24.6   | 25   | 25   | 23  | 45  |     |
|             | 575-3-60             | 3.8          | 36.5 | 6   |              |     |     | 0.6                  | 6                   | 0.4           | 8.6             | None                                      | -     | -      | -                       | 9.5   | 15  | 15                                 | 10  | 41                                | 9.9  | 15   | 15   | 10  | 41  |     |
|             |                      |              |      |     |              |     |     |                      |                     |               |                 | 11058                                     | 9.2   | 1      | 8.9                     | 16.3  | 20  | 20                                 | 15  | 41                                | 16.8   | 20   | 20   | 15  | 41  |     |
|             |                      |              |      |     |              |     |     |                      |                     |               |                 | 11458                                     | 13.8  | 1      | 13.3                    | 21.8  | 25  | 25                                 | 20  | 41                                | 22.3   | 25   | 25   | 20  | 41  |     |
|             | 05 (4)               | 208-1-60     | 21.8 | 117 | 34           |     |     |                      | 1.4                 | 8.4           | 1.5             | 8.6                                       | None  | -      | -                       | -   | 41.4  | 45                                 | 60  | 41                                | 127  | 42.9   | 45   | 60  | 43  | 130 |
|             |                      |              |      |     |              |     |     |                      |                     |               |                 |   | 10625 | 4.9    | 1                       | 23.6  | 45.4  | 50                                 | 60  | 42                                | 127  | 47.3   | 50   | 60  | 43  | 130 |
|             |                      |              |      |     |              |     |     |                      |                     |               |                 |   | 11125 | 7.9    | 1                       | 38  | 63.4  | 70                                 | 70  | 58                                | 127  | 65.3   | 70   | 70  | 60  | 130 |
|             |                      | 230-1-60     | 21.8 | 117 | 34           |     |     |                      | 1.4                 | 7.6           | 1.3             | 8.6                                       | None  | -      | -                       | -   | 40.6  | 45                                 | 60  | 40                                | 127  | 41.9   | 45   | 60  | 42  | 130 |
|             |                      |              |      |     |              |     |     |                      |                     |               |                 |   | 10625 | 6.5    | 1                       | 27.1  | 48.8  | 50                                 | 60  | 45                                | 127  | 50.4   | 60   | 60  | 46  | 130 |
|             |                      |              |      |     |              |     |     |                      |                     |               |                 |   | 11125 | 10.5   | 1                       | 43.8  | 69.6  | 70                                 | 70  | 64                                | 127  | 71.3   | 80   | 80  | 66  | 130 |
| 208-3-60    |                      | 13.7         | 83.1 | 21  |              |     |     | 1.4                  | 8.4                 | 1.1           | 8.6             | None                                      | -     | -      | -                       | 31.2  | 35  | 40                                 | 32  | 93                                | 32.3   | 35   | 45   | 33  | 95  |     |
|             |                      |              |      |     |              |     |     |                      |                     |               |                 | 10625                                     | 4.9   | 1      | 13.6                    | 32.9  | 35  | 40                                 | 32  | 93                                | 34.3   | 35   | 45   | 33  | 95  |     |
|             |                      |              |      |     |              |     |     |                      |                     |               |                 | 11125                                     | 7.9   | 1      | 21.9                    | 43.3  | 45  | 45                                 | 40  | 93                                | 44.6   | 45   | 45   | 41  | 95  |     |
| 230-3-60    |                      | 13.7         | 83.1 | 21  |              |     |     | 1.4                  | 7.6                 | 1             | 8.6             | None                                      | -     | -      | -                       | 30.4  | 35  | 40                                 | 31  | 93                                | 31.4   | 35   | 45   | 32  | 95  |     |
|             |                      |              |      |     |              |     |     |                      |                     |               |                 | 10625                                     | 6.5   | 1      | 15.6                    | 34.4  | 35  | 40                                 | 32  | 93                                | 35.6   | 40   | 45   | 33  | 95  |     |
|             |                      |              |      |     |              |     |     |                      |                     |               |                 | 11125                                     | 10.5  | 1      | 25.3                    | 46.5  | 50  | 50                                 | 43  | 93                                | 47.8   | 50   | 50   | 44  | 95  |     |
| 460-3-60    |                      | 6.2          | 41   | 10  |              |     |     | 0.8                  | 4                   | 0.5           | 8.6             | None                                      | -     | -      | -                       | 14.8  | 15  | 20                                 | 15  | 47                                | 15.3   | 20   | 20   | 16  | 48  |     |
|             |                      |              |      |     |              |     |     |                      |                     |               |                 | 10646                                     | 6     | 1      | 7.2                     | 16.7  | 20  | 20                                 | 15  | 47                                | 17.3   | 20   | 20   | 16  | 48  |     |
|             |                      |              |      |     |              |     |     |                      |                     |               |                 | 11146                                     | 11.5  | 1      | 13.8                    | 24.9  | 25  | 25                                 | 23  | 47                                | 25.6   | 30   | 30   | 24  | 48  |     |
| 575-3-60    |                      | 4.8          | 33   | 8   |              |     |     | 0.6                  | 7.6                 | 0.4           | 8.6             | None                                      | -     | -      | -                       | 11.4  | 15  | 15                                 | 12  | 37                                | 11.8   | 15   | 15   | 12  | 38  |     |
|             |                      |              |      |     |              |     |     |                      |                     |               |                 | 11058                                     | 9.2   | 1      | 8.9                     | 17.1  | 20  | 20                                 | 16  | 37                                | 17.6   | 20   | 20   | 16  | 38  |     |
|             |                      |              |      |     |              |     |     |                      |                     |               |                 | 11458                                     | 13.8  | 1      | 13.3                    | 22.6  | 25  | 25                                 | 21  | 37                                | 23.1   | 25   | 25   | 21  | 38  |     |

ZY04-12 Standard Static Indoor Blower - With Powered Convenience Outlet (Continued)

| Size (Tons) | Nominal Unit Voltage | Compressor 1 |      |      | Compressor 2 |     |     | OD Fan Motors (each) | Supply Blower Motor | Pwr Exh Motor | Pwr Conv Outlet | Electric Heat Field Installed Kit 2EK045* |      |        |      | MCA <sup>1</sup> (Amps) | Min Fuse <sup>2/</sup> Breaker <sup>3</sup> Size (Amps) | Max Fuse <sup>2/</sup> Breaker <sup>3</sup> Size (Amps) | Min Discon-nect Rating <sup>4</sup> |      | MCA <sup>1</sup> w/Pwr Exh (Amps) | Min Fuse <sup>2/</sup> Breaker <sup>3</sup> Size w/ Pwr Exh (Amps) | Max Fuse <sup>2/</sup> Breaker <sup>3</sup> Size w/ Pwr Exh (Amps) | Min Discon-nect Rating <sup>4</sup> / Pwr Exh |     |
|-------------|----------------------|--------------|------|------|--------------|-----|-----|----------------------|---------------------|---------------|-----------------|---|------|--------|------|-------------------------|---|---|-------------------------------------|------|-----------------------------------|--|--|---|-----|
|             |                      | RLA          | LRA  | MCC  | RLA          | LRA | MCC |                      |                     |               |                 | Model                                     | kW   | Stages | Amps |                         |   |   | FLA                                 | LRA  |                                   |  |  | FLA   | LRA |
|             |                      |              |      |      |              |     |     |                      |                     |               |                 |   |      |        |      |                         |   |   |                                     |      |                                   |  |  |   |     |
| 06 (5)      | 208-1-60             | 25           | 134  | 39   |              |     |     | 2.3                  | 8.4                 | 1.5           | 8.6             | None                                      | -    | -      | -    | 46.3                    | 50  | 70  | 46                                  | 145  | 47.8                              | 50   | 70   | 48  | 149 |
|             |                      |              |      |      |              |     |     |                      |                     |               |                 | 10625                                     | 4.9  | 1      | 23.6 | 46.3                    | 50  | 70  | 46                                  | 145  | 47.8                              | 50   | 70   | 48  | 149 |
|             |                      |              |      |      |              |     |     |                      |                     |               |                 | 11125                                     | 7.9  | 1      | 38   | 63.4                    | 70  | 70  | 58                                  | 145  | 65.3                              | 70   | 70   | 60  | 149 |
|             | 230-1-60             | 25           | 134  | 39   |              |     |     | 2.3                  | 7.6                 | 1.3           | 8.6             | None                                      | -    | -      | -    | 45.5                    | 50  | 70  | 45                                  | 145  | 46.8                              | 50   | 70   | 47  | 148 |
|             |                      |              |      |      |              |     |     |                      |                     |               |                 | 10625                                     | 6.5  | 1      | 27.1 | 48.8                    | 50  | 70  | 45                                  | 145  | 50.4                              | 60   | 70   | 47  | 148 |
|             |                      |              |      |      |              |     |     |                      |                     |               |                 | 11125                                     | 10.5 | 1      | 43.8 | 69.6                    | 70  | 70  | 64                                  | 145  | 71.3                              | 80   | 80   | 66  | 148 |
|             | 208-3-60             | 15.9         | 110  | 25   |              |     |     | 2.3                  | 8.4                 | 1.1           | 8.6             | None                                      | -    | -      | -    | 34.9                    | 35  | 50  | 36                                  | 121  | 36                                | 40   | 50   | 37  | 124 |
|             |                      |              |      |      |              |     |     |                      |                     |               |                 | 10625                                     | 4.9  | 1      | 13.6 | 34.9                    | 35  | 50  | 36                                  | 121  | 36                                | 40   | 50   | 37  | 124 |
|             |                      |              |      |      |              |     |     |                      |                     |               |                 | 11125                                     | 7.9  | 1      | 21.9 | 43.3                    | 45  | 50  | 40                                  | 121  | 44.6                              | 45   | 50   | 41  | 124 |
|             | 230-3-60             | 15.9         | 110  | 25   |              |     |     | 2.3                  | 7.6                 | 1             | 8.6             | None                                      | -    | -      | -    | 34.1                    | 35  | 45  | 35                                  | 121  | 35.1                              | 40   | 50   | 36  | 124 |
|             |                      |              |      |      |              |     |     |                      |                     |               |                 | 10625                                     | 6.5  | 1      | 15.6 | 34.4                    | 35  | 45  | 35                                  | 121  | 35.6                              | 40   | 50   | 36  | 124 |
|             |                      |              |      |      |              |     |     |                      |                     |               |                 | 11125                                     | 10.5 | 1      | 25.3 | 46.5                    | 50  | 50  | 43                                  | 121  | 47.8                              | 50   | 50   | 44  | 124 |
|             | 460-3-60             | 7.1          | 52   | 11   |              |     |     | 1.3                  | 4                   | 0.5           | 8.6             | None                                      | -    | -      | -    | 16.4                    | 20  | 20  | 17                                  | 59   | 16.9                              | 20   | 20   | 17  | 60  |
|             |                      |              |      |      |              |     |     |                      |                     |               |                 | 11146                                     | 6    | 1      | 7.2  | 16.7                    | 20  | 20  | 15                                  | 59   | 17.3                              | 20   | 20   | 16  | 60  |
|             |                      |              |      |      |              |     |     |                      |                     |               |                 | 11146                                     | 11.5 | 1      | 13.8 | 24.9                    | 25  | 25  | 23                                  | 59   | 25.6                              | 30   | 30   | 24  | 60  |
|             | 575-3-60             | 5.1          | 39.5 | 8    |              |     |     | 1.1                  | 7.6                 | 0.4           | 8.6             | None                                      | -    | -      | -    | 12.3                    | 15  | 15  | 13                                  | 44   | 12.7                              | 15   | 15   | 13  | 45  |
|             |                      |              |      |      |              |     |     |                      |                     |               |                 | 11458                                     | 13.8 | 1      | 13.3 | 22.6                    | 25  | 25  | 21                                  | 44   | 23.1                              | 25   | 25   | 21  | 45  |
|             |                      |              |      |      |              |     |     |                      |                     |               |                 | 12358                                     | 23   | 1      | 22.1 | 33.6                    | 35  | 35  | 31                                  | 44   | 34.1                              | 35   | 35   | 31  | 45  |
|             | 07 (6)               | 208-3-60     | 19   | 123  | 30           |     |     | 2.3                  | 5.2                 | 1.1           | 8.6             | None                                      | -    | -      | -    | 37.9                    | 40  | 50  | 38                                  | 169  | 40.1                              | 45   | 50   | 41  | 179 |
|             |                      |              |      |      |              |     |     |                      |                     |               |                 | 10725                                     | 4.9  | 1      | 13.6 | 37.9                    | 40  | 50  | 38                                  | 169  | 40.1                              | 45   | 50   | 41  | 179 |
|             |                      |              |      |      |              |     |     |                      |                     |               |                 | 11725                                     | 12   | 1      | 33.3 | 53.5                    | 60  | 60  | 49                                  | 169  | 56.3                              | 60   | 60   | 52  | 179 |
|             |                      |              |      |      |              |     |     |                      |                     |               |                 | 12525                                     | 18.6 | 1      | 51.6 | 76.4                    | 80  | 80  | 70                                  | 169  | 79.1                              | 80   | 80   | 73  | 179 |
|             |                      | 230-3-60     | 19   | 123  | 30           |     |     | 2.3                  | 5.2                 | 1             | 8.6             | None                                      | -    | -      | -    | 37.9                    | 40  | 50  | 38                                  | 172  | 39.9                              | 40   | 50   | 40  | 167 |
|             |                      |              |      |      |              |     |     |                      |                     |               |                 | 10725                                     | 6.5  | 1      | 15.6 | 37.9                    | 40  | 50  | 38                                  | 172  | 39.9                              | 40   | 50   | 40  | 167 |
| 11725       |                      |              |      |      |              |     |     |                      |                     |               |                 | 16  | 1    | 38.5   | 60   | 60                      | 60  | 55  | 172                                 | 62.5 | 70                                | 70   | 58   | 167   |     |
| 12525       |                      |              |      |      |              |     |     |                      |                     |               |                 | 24.8                                      | 1    | 59.7   | 86.5 | 90                      | 90  | 80  | 172                                 | 89   | 90                                | 90   | 82   | 167   |     |
| 460-3-60    |                      | 9.7          | 62   | 15   |              |     | 1.3 | 2.6                  | 0.5                 | 8.6           | None            | -   | -    | -      | 19.5 | 20                      | 25  | 20  | 88                                  | 20.5 | 25                                | 25   | 21   | 85  |     |
|             |                      |              |      |      |              |     |     |                      |                     |               | 10746           | 6   | 1    | 7.2    | 19.5 | 20                      | 25  | 14  | 88                                  | 20.5 | 25                                | 25   | 15   | 85  |     |
|             |                      |              |      |      |              |     |     |                      |                     |               | 11746           | 16.5                                      | 1    | 19.8   | 30.7 | 35                      | 35  | 28  | 88                                  | 31.9 | 35                                | 35   | 29   | 85  |     |
| 575-3-60    |                      | 7.4          | 50   | 12   |              |     | 1.1 | 2                    | 0.4                 | 8.6           | None            | -   | -    | -      | 15.2 | 20                      | 20  | 15  | 71                                  | 16   | 20                                | 20   | 16   | 68  |     |
|             |                      |              |      |      |              |     |     |                      |                     |               | 11758           | 17  | 1    | 16.4   | 25.2 | 30                      | 30  | 23  | 71                                  | 26.2 | 30                                | 30   | 24   | 68  |     |
|             |                      |              |      |      |              |     |     |                      |                     |               | 12658           | 25.7                                      | 1    | 24.7   | 35.5 | 40                      | 40  | 33  | 71                                  | 36.5 | 40                                | 40   | 34   | 68  |     |
| A7 (6)      |                      | 208-3-60     | 17.6 | 136  | 27           |     |     | 2.3                  | 5.2                 | 1.1           | 8.6             | None                                      | -    | -      | -    | 36.1                    | 40  | 50  | 36                                  | 172  | 38.3                              | 40   | 50   | 39  | 177 |
|             |                      |              |      |      |              |     |     |                      |                     |               |                 | 10725                                     | 4.9  | 1      | 13.6 | 36.1                    | 40  | 50  | 36                                  | 172  | 38.3                              | 40   | 50   | 39  | 177 |
|             |                      |              |      |      |              |     |     |                      |                     |               |                 | 11725                                     | 12   | 1      | 33.3 | 53.5                    | 60  | 60  | 49                                  | 172  | 56.3                              | 60   | 60   | 52  | 177 |
|             |                      |              |      |      |              |     |     |                      |                     |               |                 | 12525                                     | 18.6 | 1      | 51.6 | 76.4                    | 80  | 80  | 70                                  | 172  | 79.1                              | 80   | 80   | 73  | 177 |
|             |                      | 230-3-60     | 17.6 | 136  | 27           |     |     | 2.3                  | 5.2                 | 1             | 8.6             | None                                      | -    | -      | -    | 36.1                    | 40  | 50  | 36                                  | 175  | 38.1                              | 40   | 50   | 39  | 180 |
|             |                      |              |      |      |              |     |     |                      |                     |               |                 | 10725                                     | 6.5  | 1      | 15.6 | 36.1                    | 40  | 50  | 36                                  | 175  | 38.1                              | 40   | 50   | 39  | 180 |
|             |                      |              |      |      |              |     |     |                      |                     |               |                 | 11725                                     | 16   | 1      | 38.5 | 60                      | 60  | 60  | 55                                  | 175  | 62.5                              | 70   | 70   | 58  | 180 |
|             |                      |              |      |      |              |     |     |                      |                     |               |                 | 12525                                     | 24.8 | 1      | 59.7 | 86.5                    | 90  | 90  | 80                                  | 175  | 89                                | 90   | 90   | 82  | 180 |
|             |                      | 460-3-60     | 8.5  | 66.1 | 13           |     |     | 1.3                  | 2.6                 | 0.5           | 8.6             | None                                      | -    | -      | -    | 18                      | 20  | 25  | 18                                  | 87   | 19                                | 20   | 25   | 19  | 89  |
|             |                      |              |      |      |              |     |     |                      |                     |               |                 | 10746                                     | 6    | 1      | 7.2  | 18                      | 20  | 25  | 14                                  | 87   | 19                                | 20   | 25   | 15  | 89  |
|             | 11746                |              |      |      |              |     |     |                      |                     |               |                 | 16.5                                      | 1    | 19.8   | 30.7 | 35                      | 35  | 28  | 87                                  | 31.9 | 35                                | 35   | 29   | 89  |     |
|             | 575-3-60             | 6.3          | 55.3 | 10   |              |     | 1.1 | 2                    | 0.4                 | 8.6           | None            | -   | -    | -      | 13.8 | 15                      | 20  | 14  | 72                                  | 14.6 | 15                                | 20   | 15   | 74  |     |
|             |                      |              |      |      |              |     |     |                      |                     |               | 11758           | 17  | 1    | 16.4   | 25.2 | 30                      | 30  | 23  | 72                                  | 26.2 | 30                                | 30   | 24   | 74  |     |
|             |                      |              |      |      |              |     |     |                      |                     |               | 12658           | 25.7                                      | 1    | 24.7   | 35.5 | 40                      | 40  | 33  | 72                                  | 36.5 | 40                                | 40   | 34   | 74  |     |

ZY04-12 Standard Static Indoor Blower - With Powered Convenience Outlet (Continued)

| Size (Tons) | Nominal Unit Voltage | Compressor 1 |      |     | Compressor 2 |      |     | OD Fan Motors (each) | Supply Blower Motor | Pwr Exh Motor | Pwr Conv Outlet | Electric Heat Field Installed Kit 2EK045* |      |        |      | MCA <sup>1</sup> (Amps) | Min Fuse <sup>2</sup> /Breaker <sup>3</sup> Size (Amps) | Max Fuse <sup>2</sup> /Breaker <sup>3</sup> Size (Amps) | Min Disconnect Rating <sup>4</sup> |      | MCA <sup>1</sup> w/Pwr Exh (Amps) | Min Fuse <sup>2</sup> /Breaker <sup>3</sup> Size w/ Pwr Exh (Amps) | Max Fuse <sup>2</sup> /Breaker <sup>3</sup> Size w/ Pwr Exh (Amps) | Min Disconnect Rating <sup>7</sup> /Pwr Exh |     |
|-------------|----------------------|--------------|------|-----|--------------|------|-----|----------------------|---------------------|---------------|-----------------|---|------|--------|------|-------------------------|---|---|------------------------------------|------|-----------------------------------|--|--|---|-----|
|             |                      | RLA          | LRA  | MCC | RLA          | LRA  | MCC |                      |                     |               |                 | Model                                     | kW   | Stages | Amps |                         |   |   | FLA                                | LRA  |                                   |  |  | FLA   | LRA |
|             |                      |              |      |     |              |      |     |                      |                     |               |                 |   |      |        |      |                         |   |   |                                    |      |                                   |  |  |   |     |
| 08<br>(7.5) | 208-3-60             | 13.6         | 83.1 | 21  | 13.6         | 83.1 | 21  | 2.3                  | 5.2                 | 1.1           | 8.6             | None                                      | -    | -      | -    | 44.7                    | 45  | 50  | 47                                 | 212  | 46.9                              | 50   | 50   | 50  | 222 |
|             |                      |              |      |     |              |      |     |                      |                     |               |                 | 11725                                     | 12   | 1      | 33.3 | 53.5                    | 60  | 60  | 49                                 | 212  | 56.3                              | 60   | 60   | 52  | 222 |
|             |                      |              |      |     |              |      |     |                      |                     |               |                 | 12525                                     | 18.6 | 1      | 51.6 | 76.4                    | 80  | 80  | 70                                 | 212  | 79.1                              | 80   | 80   | 73  | 222 |
|             |                      |              |      |     |              |      |     |                      |                     |               |                 | 13225                                     | 24   | 1      | 66.6 | 95.1                    | 100   | 100   | 88                                 | 212  | 97.9                              | 100  | 100  | 90  | 222 |
|             |                      |              |      |     |              |      |     |                      |                     |               |                 | 14225                                     | 31.8 | 2      | 88.3 | 122.3                   | 125   | 125   | 112                                | 212  | 125                               | 150  | 150  | 115   | 222 |
|             | 230-3-60             | 13.6         | 83.1 | 21  | 13.6         | 83.1 | 21  | 2.3                  | 5.2                 | 1             | 8.6             | None                                      | -    | -      | -    | 44.7                    | 45  | 50  | 47                                 | 216  | 46.7                              | 50   | 60   | 50  | 210 |
|             |                      |              |      |     |              |      |     |                      |                     |               |                 | 11725                                     | 16   | 1      | 38.5 | 60                      | 60  | 60  | 55                                 | 216  | 62.5                              | 70   | 70   | 58  | 210 |
|             |                      |              |      |     |              |      |     |                      |                     |               |                 | 12525                                     | 24.8 | 1      | 59.7 | 86.5                    | 90  | 90  | 80                                 | 216  | 89                                | 90   | 90   | 82  | 210 |
|             |                      |              |      |     |              |      |     |                      |                     |               |                 | 13225                                     | 32   | 1      | 77   | 108.1                   | 110   | 110   | 99                                 | 216  | 110.6                             | 125  | 125  | 102   | 210 |
|             |                      |              |      |     |              |      |     |                      |                     |               |                 | 14225                                     | 42.4 | 2      | 102  | 139.4                   | 150   | 150   | 128                                | 216  | 141.9                             | 150  | 150  | 131   | 210 |
|             | 460-3-60             | 6.1          | 41   | 10  | 6.1          | 41   | 10  | 1.3                  | 2.6                 | 0.5           | 8.6             | None                                      | -    | -      | -    | 21.1                    | 25  | 25  | 23                                 | 108  | 22.1                              | 25   | 25   | 24  | 105 |
|             |                      |              |      |     |              |      |     |                      |                     |               |                 | 11746                                     | 16.5 | 1      | 19.8 | 30.7                    | 35  | 35  | 28                                 | 108  | 31.9                              | 35   | 35   | 29  | 105 |
|             |                      |              |      |     |              |      |     |                      |                     |               |                 | 12846                                     | 27.8 | 1      | 33.4 | 47.7                    | 50  | 50  | 44                                 | 108  | 48.9                              | 50   | 50   | 45  | 105 |
|             |                      |              |      |     |              |      |     |                      |                     |               |                 | 13346                                     | 33   | 1      | 39.7 | 55.6                    | 60  | 60  | 51                                 | 108  | 56.8                              | 60   | 60   | 52  | 105 |
|             |                      |              |      |     |              |      |     |                      |                     |               |                 | 14246                                     | 41.7 | 2      | 50.2 | 68.7                    | 70  | 70  | 63                                 | 108  | 69.9                              | 70   | 70   | 64  | 105 |
|             | 575-3-60             | 4.2          | 33   | 7   | 4.2          | 33   | 7   | 1.1                  | 2                   | 0.4           | 8.6             | None                                      | -    | -      | -    | 15.4                    | 20  | 20  | 16                                 | 87   | 16.2                              | 20   | 20   | 17  | 84  |
| 11758       |                      |              |      |     |              |      |     |                      |                     |               |                 | 17  | 1    | 16.4   | 25.2 | 30                      | 30  | 23  | 87                                 | 26.2 | 30                                | 30   | 24   | 84  |     |
| 13458       |                      |              |      |     |              |      |     |                      |                     |               |                 | 34  | 1    | 32.7   | 45.5 | 50                      | 50  | 42  | 87                                 | 46.5 | 50                                | 50   | 43   | 84  |     |
| 09<br>(8.5) | 208-3-60             | 13.7         | 83.1 | 21  | 13.7         | 83.1 | 21  | 2.3                  | 5.2                 | 1.1           | 8.6             | None                                      | -    | -      | -    | 44.9                    | 45  | 50  | 48                                 | 212  | 47.1                              | 50   | 50   | 50  | 222 |
|             |                      |              |      |     |              |      |     |                      |                     |               |                 | 11725                                     | 12   | 1      | 33.3 | 53.5                    | 60  | 60  | 49                                 | 212  | 56.3                              | 60   | 60   | 52  | 222 |
|             |                      |              |      |     |              |      |     |                      |                     |               |                 | 12525                                     | 18.6 | 1      | 51.6 | 76.4                    | 80  | 80  | 70                                 | 212  | 79.1                              | 80   | 80   | 73  | 222 |
|             |                      |              |      |     |              |      |     |                      |                     |               |                 | 13225                                     | 24   | 1      | 66.6 | 95.1                    | 100   | 100   | 88                                 | 212  | 97.9                              | 100  | 100  | 90  | 222 |
|             |                      |              |      |     |              |      |     |                      |                     |               |                 | 14225                                     | 31.8 | 2      | 88.3 | 122.3                   | 125   | 125   | 112                                | 212  | 125                               | 150  | 150  | 115   | 222 |
|             | 230-3-60             | 13.7         | 83.1 | 21  | 13.7         | 83.1 | 21  | 2.3                  | 5.2                 | 1             | 8.6             | None                                      | -    | -      | -    | 44.9                    | 45  | 50  | 48                                 | 216  | 46.9                              | 50   | 60   | 50  | 210 |
|             |                      |              |      |     |              |      |     |                      |                     |               |                 | 11725                                     | 16   | 1      | 38.5 | 60                      | 60  | 60  | 55                                 | 216  | 62.5                              | 70   | 70   | 58  | 210 |
|             |                      |              |      |     |              |      |     |                      |                     |               |                 | 12525                                     | 24.8 | 1      | 59.7 | 86.5                    | 90  | 90  | 80                                 | 216  | 89                                | 90   | 90   | 82  | 210 |
|             |                      |              |      |     |              |      |     |                      |                     |               |                 | 13225                                     | 32   | 1      | 77   | 108.1                   | 110   | 110   | 99                                 | 216  | 110.6                             | 125  | 125  | 102   | 210 |
|             |                      |              |      |     |              |      |     |                      |                     |               |                 | 14225                                     | 42.4 | 2      | 102  | 139.4                   | 150   | 150   | 128                                | 216  | 141.9                             | 150  | 150  | 131   | 210 |
|             | 460-3-60             | 6.2          | 41   | 10  | 6.2          | 41   | 10  | 1.3                  | 2.6                 | 0.5           | 8.6             | None                                      | -    | -      | -    | 21.4                    | 25  | 25  | 23                                 | 108  | 22.4                              | 25   | 25   | 24  | 105 |
|             |                      |              |      |     |              |      |     |                      |                     |               |                 | 11746                                     | 16.5 | 1      | 19.8 | 30.7                    | 35  | 35  | 28                                 | 108  | 31.9                              | 35   | 35   | 29  | 105 |
|             |                      |              |      |     |              |      |     |                      |                     |               |                 | 12846                                     | 27.8 | 1      | 33.4 | 47.7                    | 50  | 50  | 44                                 | 108  | 48.9                              | 50   | 50   | 45  | 105 |
|             |                      |              |      |     |              |      |     |                      |                     |               |                 | 13346                                     | 33   | 1      | 39.7 | 55.6                    | 60  | 60  | 51                                 | 108  | 56.8                              | 60   | 60   | 52  | 105 |
|             |                      |              |      |     |              |      |     |                      |                     |               |                 | 14246                                     | 41.7 | 2      | 50.2 | 68.7                    | 70  | 70  | 63                                 | 108  | 69.9                              | 70   | 70   | 64  | 105 |
|             | 575-3-60             | 4.8          | 33   | 8   | 4.8          | 33   | 8   | 1.1                  | 2                   | 0.4           | 8.6             | None                                      | -    | -      | -    | 16.7                    | 20  | 20  | 18                                 | 87   | 17.5                              | 20   | 20   | 19  | 84  |
| 11758       |                      |              |      |     |              |      |     |                      |                     |               |                 | 17  | 1    | 16.4   | 25.2 | 30                      | 30  | 23  | 87                                 | 26.2 | 30                                | 30   | 24   | 84  |     |
| 13458       |                      |              |      |     |              |      |     |                      |                     |               |                 | 34  | 1    | 32.7   | 45.5 | 50                      | 50  | 42  | 87                                 | 46.5 | 50                                | 50   | 43   | 84  |     |
| 12<br>(10)  | 208-3-60             | 16           | 110  | 25  | 16           | 110  | 25  | 5.8                  | 5.2                 | 1.1           | 8.6             | None                                      | -    | -      | -    | 51.3                    | 60  | 60  | 54                                 | 269  | 53.5                              | 60   | 60   | 57  | 279 |
|             |                      |              |      |     |              |      |     |                      |                     |               |                 | 11725                                     | 12   | 1      | 33.3 | 53.5                    | 60  | 60  | 54                                 | 269  | 56.3                              | 60   | 60   | 57  | 279 |
|             |                      |              |      |     |              |      |     |                      |                     |               |                 | 12525                                     | 18.6 | 1      | 51.6 | 76.4                    | 80  | 80  | 70                                 | 269  | 79.1                              | 80   | 80   | 73  | 279 |
|             |                      |              |      |     |              |      |     |                      |                     |               |                 | 13225                                     | 24   | 1      | 66.6 | 95.1                    | 100   | 100   | 88                                 | 269  | 97.9                              | 100  | 100  | 90  | 279 |
|             |                      |              |      |     |              |      |     |                      |                     |               |                 | 14225                                     | 31.8 | 2      | 88.3 | 122.3                   | 125   | 125   | 112                                | 269  | 125                               | 150  | 150  | 115   | 279 |
|             | 230-3-60             | 16           | 110  | 25  | 16           | 110  | 25  | 5.2                  | 5.2                 | 1             | 8.6             | None                                      | -    | -      | -    | 50.7                    | 60  | 60  | 54                                 | 268  | 52.7                              | 60   | 60   | 56  | 273 |
|             |                      |              |      |     |              |      |     |                      |                     |               |                 | 11725                                     | 16   | 1      | 38.5 | 60                      | 60  | 60  | 55                                 | 268  | 62.5                              | 70   | 70   | 58  | 273 |
|             |                      |              |      |     |              |      |     |                      |                     |               |                 | 12525                                     | 24.8 | 1      | 59.7 | 86.5                    | 90  | 90  | 80                                 | 268  | 89                                | 90   | 90   | 82  | 273 |
|             |                      |              |      |     |              |      |     |                      |                     |               |                 | 13225                                     | 32   | 1      | 77   | 108.1                   | 110   | 110   | 99                                 | 268  | 110.6                             | 125  | 125  | 102   | 273 |
|             |                      |              |      |     |              |      |     |                      |                     |               |                 | 14225                                     | 42.4 | 2      | 102  | 139.4                   | 150   | 150   | 128                                | 268  | 141.9                             | 150  | 150  | 131   | 273 |
|             | 460-3-60             | 7.8          | 52   | 12  | 7.8          | 52   | 12  | 2.9                  | 2.6                 | 0.5           | 8.6             | None                                      | -    | -      | -    | 25.3                    | 30  | 30  | 27                                 | 130  | 26.3                              | 30   | 30   | 28  | 132 |
|             |                      |              |      |     |              |      |     |                      |                     |               |                 | 11746                                     | 16.5 | 1      | 19.8 | 30.7                    | 35  | 35  | 28                                 | 130  | 31.9                              | 35   | 35   | 29  | 132 |
|             |                      |              |      |     |              |      |     |                      |                     |               |                 | 12846                                     | 27.8 | 1      | 33.4 | 47.7                    | 50  | 50  | 44                                 | 130  | 48.9                              | 50   | 50   | 45  | 132 |
|             |                      |              |      |     |              |      |     |                      |                     |               |                 | 13346                                     | 33   | 1      | 39.7 | 55.6                    | 60  | 60  | 51                                 | 130  | 56.8                              | 60   | 60   | 52  | 132 |
|             |                      |              |      |     |              |      |     |                      |                     |               |                 | 14246                                     | 41.7 | 2      | 50.2 | 68.7                    | 70  | 70  | 63                                 | 130  | 69.9                              | 70   | 70   | 64  | 132 |
|             | 575-3-60             | 5.7          | 38.9 | 9   | 5.7          | 38.9 | 9   | 2.2                  | 2                   | 0.4           | 8.6             | None                                      | -    | -      | -    | 18.7                    | 20  | 20  | 20                                 | 101  | 19.5                              | 20   | 20   | 21  | 103 |
| 11758       |                      |              |      |     |              |      |     |                      |                     |               |                 | 17  | 1    | 16.4   | 25.2 | 30                      | 30  | 23  | 101                                | 26.2 | 30                                | 30   | 24   | 103   |     |
| 13458       |                      |              |      |     |              |      |     |                      |                     |               |                 | 34  | 1    | 32.7   | 45.5 | 50                      | 50  | 42  | 101                                | 46.5 | 50                                | 50   | 43   | 103   |     |

ZY04-12 Standard Static Indoor Blower - With Powered Convenience Outlet (Continued)

| Size (Tons)     | Nominal Unit Voltage | Compressor 1 |      |     | Compressor 2 |      |     | OD Fan Motors (each) | Supply Blower Motor | Pwr Exh Motor | Pwr Conv Outlet | Electric Heat Field Installed Kit 2EK045* |      |        |      | MCA <sup>1</sup> (Amps) | Min Fuse <sup>2</sup> /<br>Breaker <sup>3</sup> Size (Amps) | Max Fuse <sup>2</sup> /<br>Breaker <sup>3</sup> Size (Amps) | Min Discon-nect Rating <sup>4</sup> |     | MCA <sup>1</sup> w/Pwr Exh (Amps) | Min Fuse <sup>2</sup> /<br>Breaker <sup>3</sup> Size w/ Pwr Exh (Amps) | Max Fuse <sup>2</sup> /<br>Breaker <sup>3</sup> Size w/ Pwr Exh (Amps) | Min Discon-nect Rating <sup>4</sup> /<br>Pwr Exh |     |
|-----------------|----------------------|--------------|------|-----|--------------|------|-----|----------------------|---------------------|---------------|-----------------|---|------|--------|------|-------------------------|---|---|-------------------------------------|-----|-----------------------------------|--|--|--|-----|
|                 |                      | RLA          | LRA  | MCC | RLA          | LRA  | MCC |                      |                     |               |                 | Model                                     | kW   | Stages | Amps |                         |   |   | FLA                                 | LRA |                                   |  |  | FLA  | LRA |
|                 |                      |              |      |     |              |      |     |                      |                     |               |                 |   |      |        |      |                         |   |   |                                     |     |                                   |  |  |  |     |
| <b>With VFD</b> |                      |              |      |     |              |      |     |                      |                     |               |                 |   |      |        |      |                         |   |   |                                     |     |                                   |  |  |  |     |
| A7 (6)          | 208-3-60             | 17.6         | 136  | 27  |              |      |     | 2.3                  | 7                   | 1.1           | 8.6             | None                                      | -    | -      | -    | 37.9                    | 40  | 50  | 39                                  | 210 | 40.1                              | 45   | 50   | 41   | 215 |
|                 |                      |              |      |     |              |      |     |                      |                     |               |                 | 10725                                     | 4.9  | 1      | 13.6 | 37.9                    | 40  | 50  | 39                                  | 210 | 40.1                              | 45   | 50   | 41   | 215 |
|                 |                      |              |      |     |              |      |     |                      |                     |               |                 | 11725                                     | 12   | 1      | 33.3 | 55.8                    | 60  | 60  | 51                                  | 210 | 58.5                              | 60   | 60   | 54   | 215 |
|                 |                      |              |      |     |              |      |     |                      |                     |               |                 | 12525                                     | 18.6 | 1      | 51.6 | 78.6                    | 80  | 80  | 72                                  | 210 | 81.4                              | 90   | 90   | 75   | 215 |
|                 | 230-3-60             | 17.6         | 136  | 27  |              |      |     | 2.3                  | 7.2                 | 1             | 8.6             | None                                      | -    | -      | -    | 38.1                    | 40  | 50  | 39                                  | 212 | 40.1                              | 45   | 50   | 41   | 217 |
|                 |                      |              |      |     |              |      |     |                      |                     |               |                 | 10725                                     | 6.5  | 1      | 15.6 | 38.1                    | 40  | 50  | 39                                  | 212 | 40.1                              | 45   | 50   | 41   | 217 |
|                 |                      |              |      |     |              |      |     |                      |                     |               |                 | 11725                                     | 16   | 1      | 38.5 | 62.5                    | 70  | 70  | 58                                  | 212 | 65                                | 70   | 70   | 60   | 217 |
|                 |                      |              |      |     |              |      |     |                      |                     |               |                 | 12525                                     | 24.8 | 1      | 59.7 | 89                      | 90  | 90  | 82                                  | 212 | 91.5                              | 100  | 100  | 84   | 217 |
|                 | 460-3-60             | 8.5          | 66.1 | 13  |              |      |     | 1.3                  | 3.6                 | 0.5           | 8.6             | None                                      | -    | -      | -    | 19                      | 20  | 25  | 19                                  | 105 | 20                                | 20   | 25   | 21   | 107 |
|                 |                      |              |      |     |              |      |     |                      |                     |               |                 | 10746                                     | 6    | 1      | 7.2  | 19                      | 20  | 25  | 15                                  | 105 | 20                                | 20   | 25   | 16   | 107 |
|                 |                      |              |      |     |              |      |     |                      |                     |               |                 | 11746                                     | 16.5 | 1      | 19.8 | 31.9                    | 35  | 35  | 29                                  | 105 | 33.2                              | 35   | 35   | 31   | 107 |
|                 |                      |              |      |     |              |      |     |                      |                     |               |                 | 12646                                     | 25.5 | 1      | 30.7 | 45.6                    | 50  | 50  | 42                                  | 105 | 46.8                              | 50   | 50   | 43   | 107 |
|                 | 575-3-60             | 6.3          | 55.3 | 10  |              |      |     | 1.1                  | 2.5                 | 0.4           | 8.6             | None                                      | -    | -      | -    | 14.3                    | 15  | 20  | 15                                  | 79  | 15.1                              | 20   | 20   | 16   | 81  |
|                 |                      |              |      |     |              |      |     |                      |                     |               |                 | 11758                                     | 17   | 1      | 16.4 | 25.8                    | 30  | 30  | 24                                  | 79  | 26.8                              | 30   | 30   | 25   | 81  |
|                 |                      |              |      |     |              |      |     |                      |                     |               |                 | 12658                                     | 25.7 | 1      | 24.7 | 36.2                    | 40  | 40  | 33                                  | 79  | 37.2                              | 40   | 40   | 34   | 81  |
|                 |                      |              |      |     |              |      |     |                      |                     |               |                 |   |      |        |      |                         |   |   |                                     |     |                                   |  |  |  |     |
| 08 (7.5)        | 208-3-60             | 13.6         | 83.1 | 21  | 13.6         | 83.1 | 21  | 2.3                  | 7                   | 1.1           | 8.6             | None                                      | -    | -      | -    | 46.5                    | 50  | 60  | 50                                  | 250 | 48.7                              | 50   | 60   | 52   | 260 |
|                 |                      |              |      |     |              |      |     |                      |                     |               |                 | 11725                                     | 12   | 1      | 33.3 | 55.8                    | 60  | 60  | 51                                  | 250 | 58.5                              | 60   | 60   | 54   | 260 |
|                 |                      |              |      |     |              |      |     |                      |                     |               |                 | 12525                                     | 18.6 | 1      | 51.6 | 78.6                    | 80  | 80  | 72                                  | 250 | 81.4                              | 90   | 90   | 75   | 260 |
|                 |                      |              |      |     |              |      |     |                      |                     |               |                 | 13225                                     | 24   | 1      | 66.6 | 97.4                    | 100   | 100   | 90                                  | 250 | 100.1                             | 110  | 110  | 92   | 260 |
|                 | 230-3-60             | 13.6         | 83.1 | 21  | 13.6         | 83.1 | 21  | 2.3                  | 7.2                 | 1             | 8.6             | None                                      | -    | -      | -    | 46.7                    | 50  | 60  | 50                                  | 252 | 48.7                              | 50   | 60   | 52   | 247 |
|                 |                      |              |      |     |              |      |     |                      |                     |               |                 | 11725                                     | 16   | 1      | 38.5 | 62.5                    | 70  | 70  | 58                                  | 252 | 65                                | 70   | 70   | 60   | 247 |
|                 |                      |              |      |     |              |      |     |                      |                     |               |                 | 12525                                     | 24.8 | 1      | 59.7 | 89                      | 90  | 90  | 82                                  | 252 | 91.5                              | 100  | 100  | 84   | 247 |
|                 |                      |              |      |     |              |      |     |                      |                     |               |                 | 13225                                     | 32   | 1      | 77   | 110.6                   | 125   | 125   | 102                                 | 252 | 113.1                             | 125  | 125  | 104  | 247 |
|                 | 460-3-60             | 6.1          | 41   | 10  | 6.1          | 41   | 10  | 1.3                  | 3.6                 | 0.5           | 8.6             | None                                      | -    | -      | -    | 22.1                    | 25  | 25  | 24                                  | 127 | 23.1                              | 25   | 25   | 25   | 123 |
|                 |                      |              |      |     |              |      |     |                      |                     |               |                 | 11746                                     | 16.5 | 1      | 19.8 | 31.9                    | 35  | 35  | 29                                  | 127 | 33.2                              | 35   | 35   | 31   | 123 |
|                 |                      |              |      |     |              |      |     |                      |                     |               |                 | 12846                                     | 27.8 | 1      | 33.4 | 48.9                    | 50  | 50  | 45                                  | 127 | 50.2                              | 60   | 60   | 46   | 123 |
|                 |                      |              |      |     |              |      |     |                      |                     |               |                 | 13346                                     | 33   | 1      | 39.7 | 56.8                    | 60  | 60  | 52                                  | 127 | 58.1                              | 60   | 60   | 53   | 123 |
|                 | 575-3-60             | 4.2          | 33   | 7   | 4.2          | 33   | 7   | 1.1                  | 2.5                 | 0.4           | 8.6             | None                                      | -    | -      | -    | 15.9                    | 20  | 20  | 17                                  | 95  | 16.7                              | 20   | 20   | 18   | 92  |
|                 |                      |              |      |     |              |      |     |                      |                     |               |                 | 11758                                     | 17   | 1      | 16.4 | 25.8                    | 30  | 30  | 24                                  | 95  | 26.8                              | 30   | 30   | 25   | 92  |
|                 |                      |              |      |     |              |      |     |                      |                     |               |                 | 13458                                     | 34   | 1      | 32.7 | 46.2                    | 50  | 50  | 42                                  | 95  | 47.2                              | 50   | 50   | 43   | 92  |
|                 |                      |              |      |     |              |      |     |                      |                     |               |                 |   |      |        |      |                         |   |   |                                     |     |                                   |  |  |  |     |
| 09 (8.5)        | 208-3-60             | 13.7         | 83.1 | 21  | 13.7         | 83.1 | 21  | 2.3                  | 7                   | 1.1           | 8.6             | None                                      | -    | -      | -    | 46.7                    | 50  | 60  | 50                                  | 250 | 48.9                              | 50   | 60   | 52   | 260 |
|                 |                      |              |      |     |              |      |     |                      |                     |               |                 | 11725                                     | 12   | 1      | 33.3 | 55.8                    | 60  | 60  | 51                                  | 250 | 58.5                              | 60   | 60   | 54   | 260 |
|                 |                      |              |      |     |              |      |     |                      |                     |               |                 | 12525                                     | 18.6 | 1      | 51.6 | 78.6                    | 80  | 80  | 72                                  | 250 | 81.4                              | 90   | 90   | 75   | 260 |
|                 |                      |              |      |     |              |      |     |                      |                     |               |                 | 13225                                     | 24   | 1      | 66.6 | 97.4                    | 100   | 100   | 90                                  | 250 | 100.1                             | 110  | 110  | 92   | 260 |
|                 | 230-3-60             | 13.7         | 83.1 | 21  | 13.7         | 83.1 | 21  | 2.3                  | 7.2                 | 1             | 8.6             | None                                      | -    | -      | -    | 46.9                    | 50  | 60  | 50                                  | 252 | 48.9                              | 50   | 60   | 52   | 247 |
|                 |                      |              |      |     |              |      |     |                      |                     |               |                 | 11725                                     | 16   | 1      | 38.5 | 62.5                    | 70  | 70  | 58                                  | 252 | 65                                | 70   | 70   | 60   | 247 |
|                 |                      |              |      |     |              |      |     |                      |                     |               |                 | 12525                                     | 24.8 | 1      | 59.7 | 89                      | 90  | 90  | 82                                  | 252 | 91.5                              | 100  | 100  | 84   | 247 |
|                 |                      |              |      |     |              |      |     |                      |                     |               |                 | 13225                                     | 32   | 1      | 77   | 110.6                   | 125   | 125   | 102                                 | 252 | 113.1                             | 125  | 125  | 104  | 247 |
|                 | 460-3-60             | 6.2          | 41   | 10  | 6.2          | 41   | 10  | 1.3                  | 3.6                 | 0.5           | 8.6             | None                                      | -    | -      | -    | 22.4                    | 25  | 25  | 24                                  | 127 | 23.4                              | 25   | 25   | 25   | 123 |
|                 |                      |              |      |     |              |      |     |                      |                     |               |                 | 11746                                     | 16.5 | 1      | 19.8 | 31.9                    | 35  | 35  | 29                                  | 127 | 33.2                              | 35   | 35   | 31   | 123 |
|                 |                      |              |      |     |              |      |     |                      |                     |               |                 | 12846                                     | 27.8 | 1      | 33.4 | 48.9                    | 50  | 50  | 45                                  | 127 | 50.2                              | 60   | 60   | 46   | 123 |
|                 |                      |              |      |     |              |      |     |                      |                     |               |                 | 13346                                     | 33   | 1      | 39.7 | 56.8                    | 60  | 60  | 52                                  | 127 | 58.1                              | 60   | 60   | 53   | 123 |
|                 | 575-3-60             | 4.8          | 33   | 8   | 4.8          | 33   | 8   | 1.1                  | 2.5                 | 0.4           | 8.6             | None                                      | -    | -      | -    | 17.2                    | 20  | 20  | 18                                  | 95  | 18                                | 20   | 20   | 19   | 92  |
|                 |                      |              |      |     |              |      |     |                      |                     |               |                 | 11758                                     | 17   | 1      | 16.4 | 25.8                    | 30  | 30  | 24                                  | 95  | 26.8                              | 30   | 30   | 25   | 92  |
|                 |                      |              |      |     |              |      |     |                      |                     |               |                 | 13458                                     | 34   | 1      | 32.7 | 46.2                    | 50  | 50  | 42                                  | 95  | 47.2                              | 50   | 50   | 43   | 92  |
|                 |                      |              |      |     |              |      |     |                      |                     |               |                 |   |      |        |      |                         |   |   |                                     |     |                                   |  |  |  |     |

ZY04-12 Standard Static Indoor Blower - With Powered Convenience Outlet (Continued)

| Size (Tons) | Nominal Unit Voltage | Compressor 1 |      |     | Compressor 2 |      |     | OD Fan Motors (each) | Supply Blower Motor | Pwr Exh Motor | Pwr Conv Outlet | Electric Heat Field Installed Kit 2EK045* |      |        |      | MCA <sup>1</sup> (Amps) | Min Fuse <sup>2</sup> /<br>Breaker <sup>3</sup> Size (Amps) | Max Fuse <sup>2</sup> /<br>Breaker <sup>3</sup> Size (Amps) | Min Disconnect Rating <sup>4</sup> |     | MCA <sup>1</sup> w/Pwr Exh (Amps) | Min Fuse <sup>2</sup> /<br>Breaker <sup>3</sup> Size w/ Pwr Exh (Amps) | Max Fuse <sup>2</sup> /<br>Breaker <sup>3</sup> Size w/ Pwr Exh (Amps) | Min Disconnect Rating <sup>4</sup> /<br>Pwr Exh |     |
|-------------|----------------------|--------------|------|-----|--------------|------|-----|----------------------|---------------------|---------------|-----------------|---|------|--------|------|-------------------------|---|---|------------------------------------|-----|-----------------------------------|--|--|---|-----|
|             |                      | RLA          | LRA  | MCC | RLA          | LRA  | MCC |                      |                     |               |                 | Model                                     | kW   | Stages | Amps |                         |   |   | FLA                                | LRA |                                   |  |  | FLA   | LRA |
|             |                      |              |      |     |              |      |     |                      |                     |               |                 |   |      |        |      |                         |   |   |                                    |     |                                   |  |  |   |     |
| 12 (10)     | 208-3-60             | 16           | 110  | 25  | 16           | 110  | 25  | 5.8                  | 7                   | 1.1           | 8.6             | None                                      | -    | -      | -    | 53.1                    | 60  | 60  | 56                                 | 306 | 55.3                              | 60   | 70   | 59  | 316 |
|             |                      |              |      |     |              |      |     |                      |                     |               |                 | 11725                                     | 12   | 1      | 33.3 | 55.8                    | 60  | 60  | 56                                 | 306 | 58.5                              | 60   | 70   | 59  | 316 |
|             |                      |              |      |     |              |      |     |                      |                     |               |                 | 12525                                     | 18.6 | 1      | 51.6 | 78.6                    | 80  | 80  | 72                                 | 306 | 81.4                              | 90   | 90   | 75  | 316 |
|             |                      |              |      |     |              |      |     |                      |                     |               |                 | 13225                                     | 24   | 1      | 66.6 | 97.4                    | 100   | 100   | 90                                 | 306 | 100.1                             | 110  | 110  | 92  | 316 |
|             |                      |              |      |     |              |      |     |                      |                     |               |                 | 14225                                     | 31.8 | 2      | 88.3 | 124.5                   | 125   | 125   | 115                                | 306 | 127.3                             | 150  | 150  | 117   | 316 |
|             | 230-3-60             | 16           | 110  | 25  | 16           | 110  | 25  | 5.2                  | 7.2                 | 1             | 8.6             | None                                      | -    | -      | -    | 52.7                    | 60  | 60  | 56                                 | 305 | 54.7                              | 60   | 70   | 58  | 310 |
|             |                      |              |      |     |              |      |     |                      |                     |               |                 | 11725                                     | 16   | 1      | 38.5 | 62.5                    | 70  | 70  | 58                                 | 305 | 65                                | 70   | 70   | 60  | 310 |
|             |                      |              |      |     |              |      |     |                      |                     |               |                 | 12525                                     | 24.8 | 1      | 59.7 | 89                      | 90  | 90  | 82                                 | 305 | 91.5                              | 100  | 100  | 84  | 310 |
|             |                      |              |      |     |              |      |     |                      |                     |               |                 | 13225                                     | 32   | 1      | 77   | 110.6                   | 125   | 125   | 102                                | 305 | 113.1                             | 125  | 125  | 104   | 310 |
|             |                      |              |      |     |              |      |     |                      |                     |               |                 | 14225                                     | 42.4 | 2      | 102  | 141.9                   | 150   | 150   | 131                                | 305 | 144.4                             | 150  | 150  | 133   | 310 |
|             | 460-3-60             | 7.8          | 52   | 12  | 7.8          | 52   | 12  | 2.9                  | 3.6                 | 0.5           | 8.6             | None                                      | -    | -      | -    | 26.3                    | 30  | 30  | 28                                 | 148 | 27.3                              | 30   | 30   | 29  | 150 |
|             |                      |              |      |     |              |      |     |                      |                     |               |                 | 11746                                     | 16.5 | 1      | 19.8 | 31.9                    | 35  | 35  | 29                                 | 148 | 33.2                              | 35   | 35   | 31  | 150 |
|             |                      |              |      |     |              |      |     |                      |                     |               |                 | 12846                                     | 27.8 | 1      | 33.4 | 48.9                    | 50  | 50  | 45                                 | 148 | 50.2                              | 60   | 60   | 46  | 150 |
|             |                      |              |      |     |              |      |     |                      |                     |               |                 | 13346                                     | 33   | 1      | 39.7 | 56.8                    | 60  | 60  | 52                                 | 148 | 58.1                              | 60   | 60   | 53  | 150 |
|             |                      |              |      |     |              |      |     |                      |                     |               |                 | 14246                                     | 41.7 | 2      | 50.2 | 69.9                    | 70  | 70  | 64                                 | 148 | 71.2                              | 80   | 80   | 65  | 150 |
|             | 575-3-60             | 5.7          | 38.9 | 9   | 5.7          | 38.9 | 9   | 2.2                  | 2.5                 | 0.4           | 8.6             | None                                      | -    | -      | -    | 19.2                    | 20  | 20  | 20                                 | 109 | 20                                | 20   | 20   | 21  | 110 |
|             |                      |              |      |     |              |      |     |                      |                     |               |                 | 11758                                     | 17   | 1      | 16.4 | 25.8                    | 30  | 30  | 24                                 | 109 | 26.8                              | 30   | 30   | 25  | 110 |
|             |                      |              |      |     |              |      |     |                      |                     |               |                 | 13458                                     | 34   | 1      | 32.7 | 46.2                    | 50  | 50  | 42                                 | 109 | 47.2                              | 50   | 50   | 43  | 110 |

1. Minimum Circuit Ampacity.
2. Dual Element, Time Delay Type.
3. HACR type per NEC.
4. Non-fused Disconnect, Verify on the unit nameplate that the disconnect is properly sized for the application. Units with field installed electric heat kits may exceed the factory installed disconnect amperage rating.



ZY04-12 Medium Static Indoor Blower - Without Powered Convenience Outlet

| Size (Tons) | Nominal Unit Voltage | Compressor 1 |      |     | Compressor 2 |     |     | OD Fan Motors (each) | Supply Blower Motor | Pwr Exh Motor | Pwr Conv Outlet | Electric Heat Field Installed Kit 2EK045* |       |        | MCA <sup>1</sup> (Amps) | Min Fuse <sup>2</sup> /<br>Breaker <sup>3</sup> Size (Amps) | Max Fuse <sup>2</sup> /<br>Breaker <sup>3</sup> Size (Amps) | Min Disconnect Rating <sup>4</sup> |     | MCA <sup>1</sup> w/Pwr Exh (Amps) | Min Fuse <sup>2</sup> /<br>Breaker <sup>3</sup> Size w/ Pwr Exh (Amps) | Max Fuse <sup>2</sup> /<br>Breaker <sup>3</sup> Size w/ Pwr Exh (Amps) | Min Disconnect Rating <sup>4</sup> /<br>Pwr Exh |     |     |     |
|-------------|----------------------|--------------|------|-----|--------------|-----|-----|----------------------|---------------------|---------------|-----------------|---|-------|--------|-------------------------|---|---|------------------------------------|-----|-----------------------------------|--|--|---|-----|-----|-----|
|             |                      | RLA          | LRA  | MCC | RLA          | LRA | MCC |                      |                     |               |                 | Model                                     | kW    | Stages |                         |   |   | Amps                               | FLA |                                   |  |  | LRA   | FLA | LRA |     |
|             |                      |              |      |     |              |     |     |                      |                     |               |                 |   |       |        |                         |   |   |                                    |     |                                   |  |  |   |     |     |     |
| 04<br>(3)   | 208-1-60             | 16.7         | 79   | 26  |              |     |     | 1.4                  | 7.6                 | 1.5           |                 | None                                      | -     | -      | -                       | 29.9  | 30  | 45                                 | 30  | 115                               | 31.4   | 35   | 45  | 31  | 119 |     |
|             |                      |              |      |     |              |     |     |                      |                     |               |                 | 10625                                     | 4.9   | 1      | 23.6                    | 39  | 40  | 45                                 | 36  | 115                               | 40.9   | 45   | 45  | 38  | 119 |     |
|             |                      |              |      |     |              |     |     |                      |                     |               |                 | 11125                                     | 7.9   | 1      | 38                      | 57  | 60  | 60                                 | 52  | 115                               | 58.9   | 60   | 60  | 54  | 119 |     |
|             | 230-1-60             | 16.7         | 79   | 26  |              |     |     | 1.4                  | 7                   | 1.3           |                 | None                                      | -     | -      | -                       | 29.3  | 30  | 45                                 | 29  | 118                               | 30.6   | 35   | 45  | 30  | 121 |     |
|             |                      |              |      |     |              |     |     |                      |                     |               |                 | 10625                                     | 6.5   | 1      | 27.1                    | 42.6  | 45  | 45                                 | 39  | 118                               | 44.3   | 45   | 45  | 41  | 121 |     |
|             |                      |              |      |     |              |     |     |                      |                     |               |                 | 11125                                     | 10.5  | 1      | 43.8                    | 63.5  | 70  | 70                                 | 58  | 118                               | 65.1   | 70   | 70  | 60  | 121 |     |
|             | 208-3-60             | 10.4         | 73   | 16  |              |     |     | 1.4                  | 5.2                 | 1.1           |                 | None                                      | -     | -      | -                       | 19.6  | 20  | 30                                 | 20  | 99                                | 20.7   | 25   | 30  | 21  | 101 |     |
|             |                      |              |      |     |              |     |     |                      |                     |               |                 | 10625                                     | 4.9   | 1      | 13.6                    | 23.5  | 25  | 30                                 | 22  | 99                                | 24.9   | 25   | 30  | 23  | 101 |     |
|             |                      |              |      |     |              |     |     |                      |                     |               |                 | 11125                                     | 7.9   | 1      | 21.9                    | 33.9  | 35  | 35                                 | 31  | 99                                | 35.3   | 40   | 40  | 32  | 101 |     |
|             | 230-3-60             | 10.4         | 73   | 16  |              |     |     | 1.4                  | 5.2                 | 1             |                 | None                                      | -     | -      | -                       | 19.6  | 20  | 30                                 | 20  | 101                               | 20.6   | 25   | 30  | 21  | 104 |     |
|             |                      |              |      |     |              |     |     |                      |                     |               |                 | 10625                                     | 6.5   | 1      | 15.6                    | 26  | 30  | 30                                 | 24  | 101                               | 27.3   | 30   | 30  | 25  | 104 |     |
|             |                      |              |      |     |              |     |     |                      |                     |               |                 | 11125                                     | 10.5  | 1      | 25.3                    | 38.1  | 40  | 40                                 | 35  | 101                               | 39.4   | 40   | 40  | 36  | 104 |     |
|             | 460-3-60             | 5.8          | 38   | 9   |              |     |     | 0.8                  | 2.6                 | 0.5           |                 | None                                      | -     | -      | -                       | 10.7  | 15  | 15                                 | 11  | 52                                | 11.2   | 15   | 15  | 11  | 54  |     |
|             |                      |              |      |     |              |     |     |                      |                     |               |                 | 10646                                     | 6     | 1      | 7.2                     | 12.3  | 15  | 15                                 | 11  | 52                                | 12.9   | 15   | 15  | 12  | 54  |     |
|             |                      |              |      |     |              |     |     |                      |                     |               |                 | 11146                                     | 11.5  | 1      | 13.8                    | 20.5  | 25  | 25                                 | 19  | 52                                | 21.1   | 25   | 25  | 19  | 54  |     |
|             | 575-3-60             | 3.8          | 36.5 | 6   |              |     |     | 0.6                  | 2                   | 0.4           |                 | None                                      | -     | -      | -                       | 7.4   | 15  | 15                                 | 7   | 48                                | 7.8  | 15   | 15  | 8   | 49  |     |
|             |                      |              |      |     |              |     |     |                      |                     |               |                 | 11058                                     | 9.2   | 1      | 8.9                     | 13.6  | 15  | 15                                 | 13  | 48                                | 14.1   | 15   | 15  | 13  | 49  |     |
|             |                      |              |      |     |              |     |     |                      |                     |               |                 | 11458                                     | 13.8  | 1      | 13.3                    | 19.1  | 20  | 20                                 | 18  | 48                                | 19.6   | 20   | 20  | 18  | 49  |     |
|             | 05<br>(4)            | 208-1-60     | 21.8 | 117 | 34           |     |     |                      | 1.4                 | 7.6           | 1.5             |   | None  | -      | -                       | -   | 36.3  | 40                                 | 50  | 35                                | 153  | 37.8   | 40  | 50  | 37  | 157 |
|             |                      |              |      |     |              |     |     |                      |                     |               |                 |   | 10625 | 4.9    | 1                       | 23.6  | 39  | 40                                 | 50  | 36                                | 153  | 40.9   | 45  | 50  | 38  | 157 |
|             |                      |              |      |     |              |     |     |                      |                     |               |                 |   | 11125 | 7.9    | 1                       | 38  | 57  | 60                                 | 60  | 52                                | 153  | 58.9   | 60  | 60  | 54  | 157 |
|             |                      | 230-1-60     | 21.8 | 117 | 34           |     |     |                      | 1.4                 | 7             | 1.3             |   | None  | -      | -                       | -   | 35.7  | 40                                 | 50  | 35                                | 156  | 37   | 40  | 50  | 36  | 159 |
|             |                      |              |      |     |              |     |     |                      |                     |               |                 |   | 10625 | 6.5    | 1                       | 27.1  | 42.6  | 45                                 | 50  | 39                                | 156  | 44.3   | 45  | 50  | 41  | 159 |
|             |                      |              |      |     |              |     |     |                      |                     |               |                 |   | 11125 | 10.5   | 1                       | 43.8  | 63.5  | 70                                 | 70  | 58                                | 156  | 65.1   | 70  | 70  | 60  | 159 |
| 208-3-60    |                      | 13.7         | 83.1 | 21  |              |     |     | 1.4                  | 5.2                 | 1.1           |                 | None                                      | -     | -      | -                       | 23.7  | 25  | 35                                 | 23  | 109                               | 24.8   | 25   | 35  | 25  | 111 |     |
|             |                      |              |      |     |              |     |     |                      |                     |               |                 | 10625                                     | 4.9   | 1      | 13.6                    | 23.7  | 25  | 35                                 | 23  | 109                               | 24.9   | 25   | 35  | 25  | 111 |     |
|             |                      |              |      |     |              |     |     |                      |                     |               |                 | 11125                                     | 7.9   | 1      | 21.9                    | 33.9  | 35  | 35                                 | 31  | 109                               | 35.3   | 40   | 40  | 32  | 111 |     |
| 230-3-60    |                      | 13.7         | 83.1 | 21  |              |     |     | 1.4                  | 5.2                 | 1             |                 | None                                      | -     | -      | -                       | 23.7  | 25  | 35                                 | 23  | 111                               | 24.7   | 25   | 35  | 24  | 114 |     |
|             |                      |              |      |     |              |     |     |                      |                     |               |                 | 10625                                     | 6.5   | 1      | 15.6                    | 26  | 30  | 35                                 | 24  | 111                               | 27.3   | 30   | 35  | 25  | 114 |     |
|             |                      |              |      |     |              |     |     |                      |                     |               |                 | 11125                                     | 10.5  | 1      | 25.3                    | 38.1  | 40  | 40                                 | 35  | 111                               | 39.4   | 40   | 40  | 36  | 114 |     |
| 460-3-60    |                      | 6.2          | 41   | 10  |              |     |     | 0.8                  | 2.6                 | 0.5           |                 | None                                      | -     | -      | -                       | 11.2  | 15  | 15                                 | 11  | 55                                | 11.7   | 15   | 15  | 12  | 57  |     |
|             |                      |              |      |     |              |     |     |                      |                     |               |                 | 10646                                     | 6     | 1      | 7.2                     | 12.3  | 15  | 15                                 | 11  | 55                                | 12.9   | 15   | 15  | 12  | 57  |     |
|             |                      |              |      |     |              |     |     |                      |                     |               |                 | 11146                                     | 11.5  | 1      | 13.8                    | 20.5  | 25  | 25                                 | 19  | 55                                | 21.1   | 25   | 25  | 19  | 57  |     |
| 575-3-60    |                      | 4.8          | 33   | 8   |              |     |     | 0.6                  | 2                   | 0.4           |                 | None                                      | -     | -      | -                       | 8.6   | 15  | 15                                 | 9   | 45                                | 9  | 15   | 15  | 9   | 45  |     |
|             |                      |              |      |     |              |     |     |                      |                     |               |                 | 11058                                     | 9.2   | 1      | 8.9                     | 13.6  | 15  | 15                                 | 13  | 45                                | 14.1   | 15   | 15  | 13  | 45  |     |
|             |                      |              |      |     |              |     |     |                      |                     |               |                 | 11458                                     | 13.8  | 1      | 13.3                    | 19.1  | 20  | 20                                 | 18  | 45                                | 19.6   | 20   | 20  | 18  | 45  |     |

ZY04-12 Medium Static Indoor Blower - Without Powered Convenience Outlet (Continued)

| Size (Tons) | Nominal Unit Voltage | Compressor 1 |      |      | Compressor 2 |     |     | OD Fan Motors (each) | Supply Blower Motor | Pwr Exh Motor | Pwr Conv Outlet | Electric Heat Field Installed Kit 2EK045* |       |        |      | MCA <sup>1</sup> (Amps) | Min Fuse <sup>2/3</sup> Breaker <sup>3</sup> Size (Amps) | Max Fuse <sup>2/3</sup> Breaker <sup>3</sup> Size (Amps) | Min Disconnect Rating <sup>4</sup> |     | MCA <sup>1</sup> w/Pwr Exh (Amps) | Min Fuse <sup>2/3</sup> Breaker <sup>3</sup> Size w/ Pwr Exh (Amps) | Max Fuse <sup>2/3</sup> Breaker <sup>3</sup> Size w/ Pwr Exh (Amps) | Min Disconnect Rating <sup>4</sup> / Pwr Exh |     |     |     |
|-------------|----------------------|--------------|------|------|--------------|-----|-----|----------------------|---------------------|---------------|-----------------|---|-------|--------|------|-------------------------|--|--|------------------------------------|-----|-----------------------------------|---|---|--|-----|-----|-----|
|             |                      | RLA          | LRA  | MCC  | RLA          | LRA | MCC |                      |                     |               |                 | Model                                     | kW    | Stages | Amps |                         |  |  | FLA                                | LRA |                                   |   |   | FLA  | LRA |     |     |
|             |                      |              |      |      |              |     |     |                      |                     |               |                 |   |       |        |      |                         |  |  |                                    |     |                                   |   |   |  |     |     |     |
| 06 (5)      | 208-1-60             | 25           | 134  | 39   |              |     |     | 2.3                  | 6.8                 | 1.5           |                 | None                                      | -     | -      | -    | 40.4                    | 45   | 60   | 39                                 | 171 | 41.9                              | 45  | 60  | 41   | 175 |     |     |
|             |                      |              |      |      |              |     |     |                      |                     |               |                 | 10625                                     | 4.9   | 1      | 23.6 | 40.4                    | 45   | 60   | 39                                 | 171 | 41.9                              | 45  | 60  | 41   | 175 |     |     |
|             |                      |              |      |      |              |     |     |                      |                     |               |                 | 11125                                     | 7.9   | 1      | 38   | 56                      | 60   | 60   | 52                                 | 171 | 57.9                              | 60  | 60  | 53   | 175 |     |     |
|             | 230-1-60             | 25           | 134  | 39   |              |     |     | 2.3                  | 6.2                 | 1.3           |                 |   | None  | -      | -    | -                       | 39.8   | 40   | 60                                 | 39  | 172                               | 41.1  | 45  | 60   | 40  | 175 |     |
|             |                      |              |      |      |              |     |     |                      |                     |               |                 |   | 10625 | 6.5    | 1    | 27.1                    | 41.6   | 45   | 60                                 | 39  | 172                               | 43.3  | 45  | 60   | 40  | 175 |     |
|             |                      |              |      |      |              |     |     |                      |                     |               |                 |   | 11125 | 10.5   | 1    | 43.8                    | 62.5   | 70   | 70                                 | 58  | 172                               | 64.1  | 70  | 70   | 59  | 175 |     |
|             | 208-3-60             | 15.9         | 110  | 25   |              |     |     | 2.3                  | 7                   | 1.1           |                 |   | None  | -      | -    | -                       | 29.2   | 30   | 45                                 | 29  | 175                               | 30.3  | 35  | 45   | 30  | 177 |     |
|             |                      |              |      |      |              |     |     |                      |                     |               |                 |   | 10625 | 4.9    | 1    | 13.6                    | 29.2   | 30   | 45                                 | 29  | 175                               | 30.3  | 35  | 45   | 30  | 177 |     |
|             |                      |              |      |      |              |     |     |                      |                     |               |                 |   | 11125 | 7.9    | 1    | 21.9                    | 36.1   | 40   | 45                                 | 33  | 175                               | 37.5  | 40  | 45   | 35  | 177 |     |
|             | 230-3-60             | 15.9         | 110  | 25   |              |     |     | 2.3                  | 7.2                 | 1             |                 |   | None  | -      | -    | -                       | 29.4   | 30   | 45                                 | 29  | 177                               | 30.4  | 35  | 45   | 30  | 179 |     |
|             |                      |              |      |      |              |     |     |                      |                     |               |                 |   | 10625 | 6.5    | 1    | 15.6                    | 29.4   | 30   | 45                                 | 29  | 177                               | 30.4  | 35  | 45   | 30  | 179 |     |
|             |                      |              |      |      |              |     |     |                      |                     |               |                 |   | 11125 | 10.5   | 1    | 25.3                    | 40.6   | 45   | 45                                 | 37  | 177                               | 41.9  | 45  | 45   | 39  | 179 |     |
|             | 460-3-60             | 7.1          | 52   | 11   |              |     |     | 1.3                  | 3.6                 | 0.5           |                 |   | None  | -      | -    | -                       | 13.8   | 15   | 20                                 | 14  | 86                                | 14.3  | 15  | 20   | 14  | 87  |     |
|             |                      |              |      |      |              |     |     |                      |                     |               |                 |   | 11146 | 6      | 1    | 7.2                     | 13.8   | 15   | 20                                 | 12  | 86                                | 14.3  | 15  | 20   | 13  | 87  |     |
|             |                      |              |      |      |              |     |     |                      |                     |               |                 |   | 11146 | 11.5   | 1    | 13.8                    | 21.8   | 25   | 25                                 | 20  | 86                                | 22.4  | 25  | 25   | 21  | 87  |     |
|             | 575-3-60             | 5.1          | 39.5 | 8    |              |     |     | 1.1                  | 2.5                 | 0.4           |                 |   | None  | -      | -    | -                       | 10   | 15   | 15                                 | 10  | 60                                | 10.4  | 15  | 15   | 10  | 60  |     |
|             |                      |              |      |      |              |     |     |                      |                     |               |                 |   | 11458 | 13.8   | 1    | 13.3                    | 19.8   | 20   | 20                                 | 18  | 60                                | 20.3  | 25  | 25   | 19  | 60  |     |
|             |                      |              |      |      |              |     |     |                      |                     |               |                 |   | 12358 | 23     | 1    | 22.1                    | 30.8   | 35   | 35                                 | 28  | 60                                | 31.3  | 35  | 35   | 29  | 60  |     |
|             | 07 (6)               | 208-3-60     | 19   | 123  | 30           |     |     |                      | 2.3                 | 7.5           | 1.1             |   | None  | -      | -    | -                       | 35.9   | 40   | 50                                 | 36  | 191                               | 38.1  | 40  | 50   | 38  | 201 |     |
|             |                      |              |      |      |              |     |     |                      |                     |               |                 |   | 10725 | 4.9    | 1    | 13.6                    | 35.9   | 40   | 50                                 | 36  | 191                               | 38.1  | 40  | 50   | 38  | 201 |     |
|             |                      |              |      |      |              |     |     |                      |                     |               |                 |   | 11725 | 12     | 1    | 33.3                    | 51   | 60   | 60                                 | 47  | 191                               | 53.8  | 60  | 60   | 49  | 201 |     |
|             |                      |              |      |      |              |     |     |                      |                     |               |                 |   | 12525 | 18.6   | 1    | 51.6                    | 73.9   | 80   | 80                                 | 68  | 191                               | 76.6  | 80  | 80   | 70  | 201 |     |
|             |                      | 230-3-60     | 19   | 123  | 30           |     |     |                      | 2.3                 | 7.5           | 1               |   |       | None   | -    | -                       | -  | 35.9   | 40                                 | 50  | 36                                | 198   | 37.9  | 40   | 50  | 38  | 193 |
|             |                      |              |      |      |              |     |     |                      |                     |               |                 |   |       | 10725  | 6.5  | 1                       | 15.6   | 35.9   | 40                                 | 50  | 36                                | 198   | 37.9  | 40   | 50  | 38  | 193 |
| 11725       |                      |              |      |      |              |     |     |                      |                     |               |                 |   |       | 16     | 1    | 38.5                    | 57.5   | 60   | 60                                 | 53  | 198                               | 60  | 60  | 60   | 55  | 193 |     |
| 12525       |                      |              |      |      |              |     |     |                      |                     |               |                 |   |       | 24.8   | 1    | 59.7                    | 84   | 90   | 90                                 | 77  | 198                               | 86.5  | 90  | 90   | 80  | 193 |     |
| 460-3-60    |                      | 9.7          | 62   | 15   |              |     |     | 1.3                  | 3.4                 | 0.5           |                 |   | None  | -      | -    | -                       | 18.1   | 20   | 25                                 | 18  | 101                               | 19.1  | 20  | 25   | 19  | 98  |     |
|             |                      |              |      |      |              |     |     |                      |                     |               |                 |   | 10746 | 6      | 1    | 7.2                     | 18.1   | 20   | 25                                 | 12  | 101                               | 19.1  | 20  | 25   | 13  | 98  |     |
|             |                      |              |      |      |              |     |     |                      |                     |               |                 |   | 11746 | 16.5   | 1    | 19.8                    | 29   | 30   | 30                                 | 27  | 101                               | 30.3  | 35  | 35   | 28  | 98  |     |
|             |                      |              |      |      |              |     |     |                      |                     |               |                 |   | 12646 | 25.5   | 1    | 30.7                    | 42.6   | 45   | 45                                 | 39  | 101                               | 43.9  | 45  | 45   | 40  | 98  |     |
| 575-3-60    |                      | 7.4          | 50   | 12   |              |     |     | 1.1                  | 2.8                 | 0.4           |                 |   | None  | -      | -    | -                       | 14.3   | 15   | 20                                 | 14  | 81                                | 15.1  | 20  | 20   | 15  | 79  |     |
|             |                      |              |      |      |              |     |     |                      |                     |               |                 |   | 11758 | 17     | 1    | 16.4                    | 24   | 25   | 25                                 | 22  | 81                                | 25  | 25  | 25   | 23  | 79  |     |
|             |                      |              |      |      |              |     |     |                      |                     |               |                 |   | 12658 | 25.7   | 1    | 24.7                    | 34.4   | 35   | 35                                 | 32  | 81                                | 35.4  | 40  | 40   | 33  | 79  |     |
| A7 (6)      |                      | 208-3-60     | 17.6 | 136  | 27           |     |     |                      | 2.3                 | 7.5           | 1.1             |   | None  | -      | -    | -                       | 34.1   | 35   | 50                                 | 34  | 194                               | 36.3  | 40  | 50   | 37  | 199 |     |
|             |                      |              |      |      |              |     |     |                      |                     |               |                 |   | 10725 | 4.9    | 1    | 13.6                    | 34.1   | 35   | 50                                 | 34  | 194                               | 36.3  | 40  | 50   | 37  | 199 |     |
|             |                      |              |      |      |              |     |     |                      |                     |               |                 |   | 11725 | 12     | 1    | 33.3                    | 51   | 60   | 60                                 | 47  | 194                               | 53.8  | 60  | 60   | 49  | 199 |     |
|             |                      |              |      |      |              |     |     |                      |                     |               |                 |   | 12525 | 18.6   | 1    | 51.6                    | 73.9   | 80   | 80                                 | 68  | 194                               | 76.6  | 80  | 80   | 70  | 199 |     |
|             |                      | 230-3-60     | 17.6 | 136  | 27           |     |     |                      | 2.3                 | 7.5           | 1               |   |       | None   | -    | -                       | -  | 34.1   | 35                                 | 50  | 34                                | 201   | 36.1  | 40   | 50  | 36  | 206 |
|             |                      |              |      |      |              |     |     |                      |                     |               |                 |   |       | 10725  | 6.5  | 1                       | 15.6   | 34.1   | 35                                 | 50  | 34                                | 201   | 36.1  | 40   | 50  | 36  | 206 |
|             |                      |              |      |      |              |     |     |                      |                     |               |                 |   |       | 11725  | 16   | 1                       | 38.5   | 57.5   | 60                                 | 60  | 53                                | 201   | 60  | 60   | 60  | 55  | 206 |
|             |                      |              |      |      |              |     |     |                      |                     |               |                 |   |       | 12525  | 24.8 | 1                       | 59.7   | 84   | 90                                 | 90  | 77                                | 201   | 86.5  | 90   | 90  | 80  | 206 |
|             |                      | 460-3-60     | 8.5  | 66.1 | 13           |     |     |                      | 1.3                 | 3.4           | 0.5             |   |       | None   | -    | -                       | -  | 16.6   | 20                                 | 25  | 17                                | 99  | 17.6  | 20   | 25  | 18  | 102 |
|             | 10746                |              |      |      |              |     |     |                      |                     |               |                 |   |       | 6      | 1    | 7.2                     | 16.6   | 20   | 25                                 | 12  | 99                                | 17.6  | 20  | 25   | 13  | 102 |     |
|             | 11746                |              |      |      |              |     |     |                      |                     |               |                 |   |       | 16.5   | 1    | 19.8                    | 29   | 30   | 30                                 | 27  | 99                                | 30.3  | 35  | 35   | 28  | 102 |     |
|             | 12646                |              |      |      |              |     |     |                      |                     |               |                 |   |       | 25.5   | 1    | 30.7                    | 42.6   | 45   | 45                                 | 39  | 99                                | 43.9  | 45  | 45   | 40  | 102 |     |
|             | 575-3-60             | 6.3          | 55.3 | 10   |              |     |     | 1.1                  | 2.8                 | 0.4           |                 |   | None  | -      | -    | -                       | 12.9   | 15   | 15                                 | 13  | 82                                | 13.7  | 15  | 15   | 14  | 84  |     |
|             |                      |              |      |      |              |     |     |                      |                     |               |                 |   | 11758 | 17     | 1    | 16.4                    | 24   | 25   | 25                                 | 22  | 82                                | 25  | 25  | 25   | 23  | 84  |     |
|             |                      |              |      |      |              |     |     |                      |                     |               |                 |   | 12658 | 25.7   | 1    | 24.7                    | 34.4   | 35   | 35                                 | 32  | 82                                | 35.4  | 40  | 40   | 33  | 84  |     |

ZY04-12 Medium Static Indoor Blower - Without Powered Convenience Outlet (Continued)

| Size (Tons) | Nominal Unit Voltage | Compressor 1 |      |     | Compressor 2 |      |     | OD Fan Motors (each) | Supply Blower Motor | Pwr Exh Motor | Pwr Conv Outlet | Electric Heat Field Installed Kit 2EK045* |       |        |      | MCA <sup>1</sup> (Amps) | Min Fuse <sup>2</sup> /Breaker <sup>3</sup> Size (Amps) | Max Fuse <sup>2</sup> /Breaker <sup>3</sup> Size (Amps) | Min Discon-nect Rating <sup>4</sup> |     | MCA <sup>1</sup> w/Pwr Exh (Amps) | Min Fuse <sup>2</sup> /Breaker <sup>3</sup> Size w/ Pwr Exh (Amps) | Max Fuse <sup>2</sup> /Breaker <sup>3</sup> Size w/ Pwr Exh (Amps) | Min Discon-nect Rating <sup>4</sup> /Pwr Exh |     |     |
|-------------|----------------------|--------------|------|-----|--------------|------|-----|----------------------|---------------------|---------------|-----------------|---|-------|--------|------|-------------------------|---|---|-------------------------------------|-----|-----------------------------------|--|--|--|-----|-----|
|             |                      | RLA          | LRA  | MCC | RLA          | LRA  | MCC |                      |                     |               |                 | Model                                     | kW    | Stages | Amps |                         |   |   | FLA                                 | LRA |                                   |  |  | FLA  | LRA |     |
|             |                      |              |      |     |              |      |     |                      |                     |               |                 |   |       |        |      |                         |   |   |                                     |     |                                   |  |  |  |     |     |
| 08<br>(7.5) | 208-3-60             | 13.6         | 83.1 | 21  | 13.6         | 83.1 | 21  | 2.3                  | 5.2                 | 1.1           |                 | None                                      | -     | -      | -    | 40.4                    | 45  | 50  | 43                                  | 208 | 42.6                              | 45   | 50   | 45   | 218 |     |
|             |                      |              |      |     |              |      |     |                      |                     |               |                 | 11725                                     | 12    | 1      | 33.3 | 48.1                    | 50  | 50  | 44                                  | 208 | 50.9                              | 60   | 60   | 47   | 218 |     |
|             |                      |              |      |     |              |      |     |                      |                     |               |                 | 12525                                     | 18.6  | 1      | 51.6 | 71                      | 80  | 80  | 65                                  | 208 | 73.8                              | 80   | 80   | 68   | 218 |     |
|             |                      |              |      |     |              |      |     |                      |                     |               |                 | 13225                                     | 24    | 1      | 66.6 | 89.8                    | 90  | 90  | 83                                  | 208 | 92.5                              | 100  | 100  | 85   | 218 |     |
|             |                      |              |      |     |              |      |     |                      |                     |               |                 | 14225                                     | 31.8  | 2      | 88.3 | 116.9                   | 125   | 125   | 108                                 | 208 | 119.6                             | 125  | 125  | 110  | 218 |     |
|             | 230-3-60             | 13.6         | 83.1 | 21  | 13.6         | 83.1 | 21  | 2.3                  | 5.2                 | 1             |                 |   | None  | -      | -    | -                       | 40.4  | 45  | 50                                  | 43  | 211                               | 42.4   | 45   | 50   | 45  | 206 |
|             |                      |              |      |     |              |      |     |                      |                     |               |                 |   | 11725 | 16     | 1    | 38.5                    | 54.6  | 60  | 60                                  | 50  | 211                               | 57.1   | 60   | 60   | 53  | 206 |
|             |                      |              |      |     |              |      |     |                      |                     |               |                 |   | 12525 | 24.8   | 1    | 59.7                    | 81.1  | 90  | 90                                  | 75  | 211                               | 83.6   | 90   | 90   | 77  | 206 |
|             |                      |              |      |     |              |      |     |                      |                     |               |                 |   | 13225 | 32     | 1    | 77                      | 102.8   | 110   | 110                                 | 95  | 211                               | 105.3  | 110  | 110  | 97  | 206 |
|             |                      |              |      |     |              |      |     |                      |                     |               |                 |   | 14225 | 42.4   | 2    | 102                     | 134   | 150   | 150                                 | 123 | 211                               | 136.5  | 150  | 150  | 126 | 206 |
|             | 460-3-60             | 6.1          | 41   | 10  | 6.1          | 41   | 10  | 1.3                  | 2.6                 | 0.5           |                 |   | None  | -      | -    | -                       | 18.9  | 20  | 25                                  | 20  | 106                               | 19.9   | 20   | 25   | 21  | 103 |
|             |                      |              |      |     |              |      |     |                      |                     |               |                 |   | 11746 | 16.5   | 1    | 19.8                    | 28  | 30  | 30                                  | 26  | 106                               | 29.3   | 30   | 30   | 27  | 103 |
|             |                      |              |      |     |              |      |     |                      |                     |               |                 |   | 12846 | 27.8   | 1    | 33.4                    | 45  | 45  | 45                                  | 41  | 106                               | 46.3   | 50   | 50   | 43  | 103 |
|             |                      |              |      |     |              |      |     |                      |                     |               |                 |   | 13346 | 33     | 1    | 39.7                    | 52.9  | 60  | 60                                  | 49  | 106                               | 54.1   | 60   | 60   | 50  | 103 |
|             |                      |              |      |     |              |      |     |                      |                     |               |                 |   | 14246 | 41.7   | 2    | 50.2                    | 66  | 70  | 70                                  | 61  | 106                               | 67.3   | 70   | 70   | 62  | 103 |
|             | 575-3-60             | 4.2          | 33   | 7   | 4.2          | 33   | 7   | 1.1                  | 2                   | 0.4           |                 |   | None  | -      | -    | -                       | 13.7  | 15  | 15                                  | 14  | 85                                | 14.5   | 15   | 15   | 15  | 83  |
| 11758       |                      |              |      |     |              |      |     |                      |                     |               |                 |   | 17    | 1      | 16.4 | 23                      | 25  | 25  | 21                                  | 85  | 24                                | 25   | 25   | 22   | 83  |     |
| 13458       |                      |              |      |     |              |      |     |                      |                     |               |                 |   | 34    | 1      | 32.7 | 43.4                    | 45  | 45  | 40                                  | 85  | 44.4                              | 45   | 45   | 41   | 83  |     |
| 09<br>(8.5) | 208-3-60             | 13.7         | 83.1 | 21  | 13.7         | 83.1 | 21  | 2.3                  | 5.2                 | 1.1           |                 | None                                      | -     | -      | -    | 40.6                    | 45  | 50  | 43                                  | 208 | 42.8                              | 45   | 50   | 45   | 218 |     |
|             |                      |              |      |     |              |      |     |                      |                     |               |                 | 11725                                     | 12    | 1      | 33.3 | 48.1                    | 50  | 50  | 44                                  | 208 | 50.9                              | 60   | 60   | 47   | 218 |     |
|             |                      |              |      |     |              |      |     |                      |                     |               |                 | 12525                                     | 18.6  | 1      | 51.6 | 71                      | 80  | 80  | 65                                  | 208 | 73.8                              | 80   | 80   | 68   | 218 |     |
|             |                      |              |      |     |              |      |     |                      |                     |               |                 | 13225                                     | 24    | 1      | 66.6 | 89.8                    | 90  | 90  | 83                                  | 208 | 92.5                              | 100  | 100  | 85   | 218 |     |
|             |                      |              |      |     |              |      |     |                      |                     |               |                 | 14225                                     | 31.8  | 2      | 88.3 | 116.9                   | 125   | 125   | 108                                 | 208 | 119.6                             | 125  | 125  | 110  | 218 |     |
|             | 230-3-60             | 13.7         | 83.1 | 21  | 13.7         | 83.1 | 21  | 2.3                  | 5.2                 | 1             |                 |   | None  | -      | -    | -                       | 40.6  | 45  | 50                                  | 43  | 211                               | 42.6   | 45   | 50   | 45  | 206 |
|             |                      |              |      |     |              |      |     |                      |                     |               |                 |   | 11725 | 16     | 1    | 38.5                    | 54.6  | 60  | 60                                  | 50  | 211                               | 57.1   | 60   | 60   | 53  | 206 |
|             |                      |              |      |     |              |      |     |                      |                     |               |                 |   | 12525 | 24.8   | 1    | 59.7                    | 81.1  | 90  | 90                                  | 75  | 211                               | 83.6   | 90   | 90   | 77  | 206 |
|             |                      |              |      |     |              |      |     |                      |                     |               |                 |   | 13225 | 32     | 1    | 77                      | 102.8   | 110   | 110                                 | 95  | 211                               | 105.3  | 110  | 110  | 97  | 206 |
|             |                      |              |      |     |              |      |     |                      |                     |               |                 |   | 14225 | 42.4   | 2    | 102                     | 134   | 150   | 150                                 | 123 | 211                               | 136.5  | 150  | 150  | 126 | 206 |
|             | 460-3-60             | 6.2          | 41   | 10  | 6.2          | 41   | 10  | 1.3                  | 2.6                 | 0.5           |                 |   | None  | -      | -    | -                       | 19.2  | 20  | 25                                  | 20  | 106                               | 20.2   | 25   | 25   | 21  | 103 |
|             |                      |              |      |     |              |      |     |                      |                     |               |                 |   | 11746 | 16.5   | 1    | 19.8                    | 28  | 30  | 30                                  | 26  | 106                               | 29.3   | 30   | 30   | 27  | 103 |
|             |                      |              |      |     |              |      |     |                      |                     |               |                 |   | 12846 | 27.8   | 1    | 33.4                    | 45  | 45  | 45                                  | 41  | 106                               | 46.3   | 50   | 50   | 43  | 103 |
|             |                      |              |      |     |              |      |     |                      |                     |               |                 |   | 13346 | 33     | 1    | 39.7                    | 52.9  | 60  | 60                                  | 49  | 106                               | 54.1   | 60   | 60   | 50  | 103 |
|             |                      |              |      |     |              |      |     |                      |                     |               |                 |   | 14246 | 41.7   | 2    | 50.2                    | 66  | 70  | 70                                  | 61  | 106                               | 67.3   | 70   | 70   | 62  | 103 |
|             | 575-3-60             | 4.8          | 33   | 8   | 4.8          | 33   | 8   | 1.1                  | 2                   | 0.4           |                 |   | None  | -      | -    | -                       | 15  | 20  | 20                                  | 16  | 85                                | 15.8   | 20   | 20   | 17  | 83  |
| 11758       |                      |              |      |     |              |      |     |                      |                     |               |                 |   | 17    | 1      | 16.4 | 23                      | 25  | 25  | 21                                  | 85  | 24                                | 25   | 25   | 22   | 83  |     |
| 13458       |                      |              |      |     |              |      |     |                      |                     |               |                 |   | 34    | 1      | 32.7 | 43.4                    | 45  | 45  | 40                                  | 85  | 44.4                              | 45   | 45   | 41   | 83  |     |
| 12<br>(10)  | 208-3-60             | 16           | 110  | 25  | 16           | 110  | 25  | 5.8                  | 10.2                | 1.1           |                 | None                                      | -     | -      | -    | 52                      | 60  | 60  | 55                                  | 305 | 54.2                              | 60   | 60   | 58   | 315 |     |
|             |                      |              |      |     |              |      |     |                      |                     |               |                 | 11725                                     | 12    | 1      | 33.3 | 54.4                    | 60  | 60  | 55                                  | 305 | 57.1                              | 60   | 60   | 58   | 315 |     |
|             |                      |              |      |     |              |      |     |                      |                     |               |                 | 12525                                     | 18.6  | 1      | 51.6 | 77.3                    | 80  | 80  | 71                                  | 305 | 80                                | 90   | 90   | 74   | 315 |     |
|             |                      |              |      |     |              |      |     |                      |                     |               |                 | 13225                                     | 24    | 1      | 66.6 | 96                      | 100   | 100   | 88                                  | 305 | 98.8                              | 100  | 100  | 91   | 315 |     |
|             |                      |              |      |     |              |      |     |                      |                     |               |                 | 14225                                     | 31.8  | 2      | 88.3 | 123.1                   | 125   | 125   | 113                                 | 305 | 125.9                             | 150  | 150  | 116  | 315 |     |
|             | 230-3-60             | 16           | 110  | 25  | 16           | 110  | 25  | 5.2                  | 10.2                | 1             |                 |   | None  | -      | -    | -                       | 51.4  | 60  | 60                                  | 55  | 308                               | 53.4   | 60   | 60   | 57  | 313 |
|             |                      |              |      |     |              |      |     |                      |                     |               |                 |   | 11725 | 16     | 1    | 38.5                    | 60.9  | 70  | 70                                  | 56  | 308                               | 63.4   | 70   | 70   | 58  | 313 |
|             |                      |              |      |     |              |      |     |                      |                     |               |                 |   | 12525 | 24.8   | 1    | 59.7                    | 87.4  | 90  | 90                                  | 80  | 308                               | 89.9   | 90   | 90   | 83  | 313 |
|             |                      |              |      |     |              |      |     |                      |                     |               |                 |   | 13225 | 32     | 1    | 77                      | 109   | 110   | 110                                 | 100 | 308                               | 111.5  | 125  | 125  | 103 | 313 |
|             |                      |              |      |     |              |      |     |                      |                     |               |                 |   | 14225 | 42.4   | 2    | 102                     | 140.3   | 150   | 150                                 | 129 | 308                               | 142.8  | 150  | 150  | 131 | 313 |
|             | 460-3-60             | 7.8          | 52   | 12  | 7.8          | 52   | 12  | 2.9                  | 4.8                 | 0.5           |                 |   | None  | -      | -    | -                       | 25.3  | 30  | 30                                  | 27  | 150                               | 26.3   | 30   | 30   | 28  | 152 |
|             |                      |              |      |     |              |      |     |                      |                     |               |                 |   | 11746 | 16.5   | 1    | 19.8                    | 30.8  | 35  | 35                                  | 28  | 150                               | 32   | 35   | 35   | 29  | 152 |
|             |                      |              |      |     |              |      |     |                      |                     |               |                 |   | 12846 | 27.8   | 1    | 33.4                    | 47.8  | 50  | 50                                  | 44  | 150                               | 49   | 50   | 50   | 45  | 152 |
|             |                      |              |      |     |              |      |     |                      |                     |               |                 |   | 13346 | 33     | 1    | 39.7                    | 55.6  | 60  | 60                                  | 51  | 150                               | 56.9   | 60   | 60   | 52  | 152 |
|             |                      |              |      |     |              |      |     |                      |                     |               |                 |   | 14246 | 41.7   | 2    | 50.2                    | 68.8  | 70  | 70                                  | 63  | 150                               | 70   | 70   | 70   | 64  | 152 |
|             | 575-3-60             | 5.7          | 38.9 | 9   | 5.7          | 38.9 | 9   | 2.2                  | 3.4                 | 0.4           |                 |   | None  | -      | -    | -                       | 18.4  | 20  | 20                                  | 20  | 117                               | 19.2   | 20   | 20   | 20  | 119 |
| 11758       |                      |              |      |     |              |      |     |                      |                     |               |                 |   | 17    | 1      | 16.4 | 24.8                    | 25  | 25  | 23                                  | 117 | 25.8                              | 30   | 30   | 24   | 119 |     |
| 13458       |                      |              |      |     |              |      |     |                      |                     |               |                 |   | 34    | 1      | 32.7 | 45.1                    | 50  | 50  | 42                                  | 117 | 46.1                              | 50   | 50   | 42   | 119 |     |

ZY04-12 Medium Static Indoor Blower - Without Powered Convenience Outlet (Continued)

| Size (Tons)     | Nominal Unit Voltage | Compressor 1 |      |     | Compressor 2 |      |     | OD Fan Motors (each) | Supply Blower Motor | Pwr Exh Motor | Pwr Conv Outlet | Electric Heat Field Installed Kit 2EK045* |       |        |      | MCA <sup>1</sup> (Amps) | Min Fuse <sup>2/</sup> /Breaker <sup>3</sup> Size (Amps) | Max Fuse <sup>2/</sup> /Breaker <sup>3</sup> Size (Amps) | Min Discon-nect Rating <sup>4</sup> |     | MCA <sup>1</sup> w/Pwr Exh (Amps) | Min Fuse <sup>2/</sup> /Breaker <sup>3</sup> Size w/ Pwr Exh (Amps) | Max Fuse <sup>2/</sup> /Breaker <sup>3</sup> Size w/ Pwr Exh (Amps) | Min Discon-nect Rating <sup>4</sup> /Pwr Exh |     |     |
|-----------------|----------------------|--------------|------|-----|--------------|------|-----|----------------------|---------------------|---------------|-----------------|---|-------|--------|------|-------------------------|--|--|-------------------------------------|-----|-----------------------------------|---|---|--|-----|-----|
|                 |                      | RLA          | LRA  | MCC | RLA          | LRA  | MCC |                      |                     |               |                 | Model                                     | kW    | Stages | Amps |                         |  |  | FLA                                 | LRA |                                   |   |   | FLA  | LRA |     |
|                 |                      |              |      |     |              |      |     |                      |                     |               |                 |   |       |        |      |                         |  |  |                                     |     |                                   |   |   |  |     |     |
| <b>With VFD</b> |                      |              |      |     |              |      |     |                      |                     |               |                 |   |       |        |      |                         |  |  |                                     |     |                                   |   |   |  |     |     |
| A7 (6)          | 208-3-60             | 17.6         | 136  | 27  |              |      |     | 2.3                  | 8.9                 | 1.1           |                 | None                                      | -     | -      | -    | 35.5                    | 40   | 50   | 36                                  | 207 | 37.7                              | 40  | 50  | 38   | 212 |     |
|                 |                      |              |      |     |              |      |     |                      |                     |               |                 | 10725                                     | 4.9   | 1      | 13.6 | 35.5                    | 40   | 50   | 36                                  | 207 | 37.7                              | 40  | 50  | 38   | 212 |     |
|                 |                      |              |      |     |              |      |     |                      |                     |               |                 | 11725                                     | 12    | 1      | 33.3 | 52.8                    | 60   | 60   | 49                                  | 207 | 55.5                              | 60  | 60  | 51   | 212 |     |
|                 |                      |              |      |     |              |      |     |                      |                     |               |                 | 12525                                     | 18.6  | 1      | 51.6 | 75.6                    | 80   | 80   | 70                                  | 207 | 78.4                              | 80  | 80  | 72   | 212 |     |
|                 | 230-3-60             | 17.6         | 136  | 27  |              |      |     | 2.3                  | 8.2                 | 1             |                 |   | None  | -      | -    | -                       | 34.8   | 35   | 50                                  | 35  | 215                               | 36.8  | 40  | 50   | 37  | 220 |
|                 |                      |              |      |     |              |      |     |                      |                     |               |                 |   | 10725 | 6.5    | 1    | 15.6                    | 34.8   | 35   | 50                                  | 35  | 215                               | 36.8  | 40  | 50   | 37  | 220 |
|                 |                      |              |      |     |              |      |     |                      |                     |               |                 |   | 11725 | 16     | 1    | 38.5                    | 58.4   | 60   | 60                                  | 54  | 215                               | 60.9  | 70  | 70   | 56  | 220 |
|                 |                      |              |      |     |              |      |     |                      |                     |               |                 |   | 12525 | 24.8   | 1    | 59.7                    | 84.9   | 90   | 90                                  | 78  | 215                               | 87.4  | 90  | 90   | 80  | 220 |
|                 | 460-3-60             | 8.5          | 66.1 | 13  |              |      |     | 1.3                  | 4.1                 | 0.5           |                 |   | None  | -      | -    | -                       | 17.3   | 20   | 25                                  | 17  | 106                               | 18.3  | 20  | 25   | 19  | 109 |
|                 |                      |              |      |     |              |      |     |                      |                     |               |                 |   | 10746 | 6      | 1    | 7.2                     | 17.3   | 20   | 25                                  | 13  | 106                               | 18.3  | 20  | 25   | 14  | 109 |
|                 |                      |              |      |     |              |      |     |                      |                     |               |                 |   | 11746 | 16.5   | 1    | 19.8                    | 29.9   | 30   | 30                                  | 27  | 106                               | 31.1  | 35  | 35   | 29  | 109 |
|                 |                      |              |      |     |              |      |     |                      |                     |               |                 |   | 12646 | 25.5   | 1    | 30.7                    | 43.5   | 45   | 45                                  | 40  | 106                               | 44.8  | 45  | 45   | 41  | 109 |
| 575-3-60        | 6.3                  | 55.3         | 10   |     |              |      | 1.1 | 3.2                  | 0.4                 |               |                 | None                                      | -     | -      | -    | 13.3                    | 15   | 15   | 13                                  | 86  | 14.1                              | 15  | 15  | 14   | 88  |     |
|                 |                      |              |      |     |              |      |     |                      |                     |               |                 | 11758                                     | 17    | 1      | 16.4 | 24.5                    | 25   | 25   | 23                                  | 86  | 25.5                              | 30  | 30  | 23   | 88  |     |
|                 |                      |              |      |     |              |      |     |                      |                     |               |                 | 12658                                     | 25.7  | 1      | 24.7 | 34.9                    | 35   | 35   | 32                                  | 86  | 35.9                              | 40  | 40  | 33   | 88  |     |
|                 |                      |              |      |     |              |      |     |                      |                     |               |                 |   |       |        |      |                         |  |  |                                     |     |                                   |   |   |  |     |     |
| 08 (7.5)        | 208-3-60             | 13.6         | 83.1 | 21  | 13.6         | 83.1 | 21  | 2.3                  | 7                   | 1.1           |                 | None                                      | -     | -      | -    | 42.2                    | 45   | 50   | 45                                  | 246 | 44.4                              | 45  | 50  | 47   | 256 |     |
|                 |                      |              |      |     |              |      |     |                      |                     |               |                 | 11725                                     | 12    | 1      | 33.3 | 50.4                    | 60   | 60   | 46                                  | 246 | 53.1                              | 60  | 60  | 49   | 256 |     |
|                 |                      |              |      |     |              |      |     |                      |                     |               |                 | 12525                                     | 18.6  | 1      | 51.6 | 73.3                    | 80   | 80   | 67                                  | 246 | 76                                | 80  | 80  | 70   | 256 |     |
|                 |                      |              |      |     |              |      |     |                      |                     |               |                 | 13225                                     | 24    | 1      | 66.6 | 92                      | 100  | 100  | 85                                  | 246 | 94.8                              | 100   | 100   | 87   | 256 |     |
|                 | 230-3-60             | 13.6         | 83.1 | 21  | 13.6         | 83.1 | 21  | 2.3                  | 7.2                 | 1             |                 |   | None  | -      | -    | -                       | 42.4   | 45   | 50                                  | 45  | 248                               | 44.4  | 45  | 50   | 47  | 243 |
|                 |                      |              |      |     |              |      |     |                      |                     |               |                 |   | 11725 | 16     | 1    | 38.5                    | 57.1   | 60   | 60                                  | 53  | 248                               | 59.6  | 60  | 60   | 55  | 243 |
|                 |                      |              |      |     |              |      |     |                      |                     |               |                 |   | 12525 | 24.8   | 1    | 59.7                    | 83.6   | 90   | 90                                  | 77  | 248                               | 86.1  | 90  | 90   | 79  | 243 |
|                 |                      |              |      |     |              |      |     |                      |                     |               |                 |   | 13225 | 32     | 1    | 77                      | 105.3  | 110  | 110                                 | 97  | 248                               | 107.8   | 110   | 110  | 99  | 243 |
|                 | 460-3-60             | 6.1          | 41   | 10  | 6.1          | 41   | 10  | 1.3                  | 3.6                 | 0.5           |                 |   | None  | -      | -    | -                       | 19.9   | 20   | 25                                  | 21  | 125                               | 20.9  | 25  | 25   | 22  | 121 |
|                 |                      |              |      |     |              |      |     |                      |                     |               |                 |   | 11746 | 16.5   | 1    | 19.8                    | 29.3   | 30   | 30                                  | 27  | 125                               | 30.5  | 35  | 35   | 28  | 121 |
|                 |                      |              |      |     |              |      |     |                      |                     |               |                 |   | 12846 | 27.8   | 1    | 33.4                    | 46.3   | 50   | 50                                  | 43  | 125                               | 47.5  | 50  | 50   | 44  | 121 |
|                 |                      |              |      |     |              |      |     |                      |                     |               |                 |   | 13346 | 33     | 1    | 39.7                    | 54.1   | 60   | 60                                  | 50  | 125                               | 55.4  | 60  | 60   | 51  | 121 |
| 575-3-60        | 4.2                  | 33           | 7    | 4.2 | 33           | 7    | 1.1 | 2.5                  | 0.4                 |               |                 | None                                      | -     | -      | -    | 14.2                    | 15   | 15   | 15                                  | 93  | 15                                | 15  | 15  | 16   | 90  |     |
|                 |                      |              |      |     |              |      |     |                      |                     |               |                 | 11758                                     | 17    | 1      | 16.4 | 23.6                    | 25   | 25   | 22                                  | 93  | 24.6                              | 25  | 25  | 23   | 90  |     |
|                 |                      |              |      |     |              |      |     |                      |                     |               |                 | 13458                                     | 34    | 1      | 32.7 | 44                      | 45   | 45   | 40                                  | 93  | 45                                | 45  | 45  | 41   | 90  |     |
|                 |                      |              |      |     |              |      |     |                      |                     |               |                 |   |       |        |      |                         |  |  |                                     |     |                                   |   |   |  |     |     |
| 09 (8.5)        | 208-3-60             | 13.7         | 83.1 | 21  | 13.7         | 83.1 | 21  | 2.3                  | 7                   | 1.1           |                 | None                                      | -     | -      | -    | 42.4                    | 45   | 50   | 45                                  | 246 | 44.6                              | 45  | 50  | 47   | 256 |     |
|                 |                      |              |      |     |              |      |     |                      |                     |               |                 | 11725                                     | 12    | 1      | 33.3 | 50.4                    | 60   | 60   | 46                                  | 246 | 53.1                              | 60  | 60  | 49   | 256 |     |
|                 |                      |              |      |     |              |      |     |                      |                     |               |                 | 12525                                     | 18.6  | 1      | 51.6 | 73.3                    | 80   | 80   | 67                                  | 246 | 76                                | 80  | 80  | 70   | 256 |     |
|                 |                      |              |      |     |              |      |     |                      |                     |               |                 | 13225                                     | 24    | 1      | 66.6 | 92                      | 100  | 100  | 85                                  | 246 | 94.8                              | 100   | 100   | 87   | 256 |     |
|                 | 230-3-60             | 13.7         | 83.1 | 21  | 13.7         | 83.1 | 21  | 2.3                  | 7.2                 | 1             |                 |   | None  | -      | -    | -                       | 42.6   | 45   | 50                                  | 45  | 248                               | 44.6  | 45  | 50   | 47  | 243 |
|                 |                      |              |      |     |              |      |     |                      |                     |               |                 |   | 11725 | 16     | 1    | 38.5                    | 57.1   | 60   | 60                                  | 53  | 248                               | 59.6  | 60  | 60   | 55  | 243 |
|                 |                      |              |      |     |              |      |     |                      |                     |               |                 |   | 12525 | 24.8   | 1    | 59.7                    | 83.6   | 90   | 90                                  | 77  | 248                               | 86.1  | 90  | 90   | 79  | 243 |
|                 |                      |              |      |     |              |      |     |                      |                     |               |                 |   | 13225 | 32     | 1    | 77                      | 105.3  | 110  | 110                                 | 97  | 248                               | 107.8   | 110   | 110  | 99  | 243 |
|                 | 460-3-60             | 6.2          | 41   | 10  | 6.2          | 41   | 10  | 1.3                  | 3.6                 | 0.5           |                 |   | None  | -      | -    | -                       | 20.2   | 25   | 25                                  | 21  | 125                               | 21.2  | 25  | 25   | 23  | 121 |
|                 |                      |              |      |     |              |      |     |                      |                     |               |                 |   | 11746 | 16.5   | 1    | 19.8                    | 29.3   | 30   | 30                                  | 27  | 125                               | 30.5  | 35  | 35   | 28  | 121 |
|                 |                      |              |      |     |              |      |     |                      |                     |               |                 |   | 12846 | 27.8   | 1    | 33.4                    | 46.3   | 50   | 50                                  | 43  | 125                               | 47.5  | 50  | 50   | 44  | 121 |
|                 |                      |              |      |     |              |      |     |                      |                     |               |                 |   | 13346 | 33     | 1    | 39.7                    | 54.1   | 60   | 60                                  | 50  | 125                               | 55.4  | 60  | 60   | 51  | 121 |
| 575-3-60        | 4.8                  | 33           | 8    | 4.8 | 33           | 8    | 1.1 | 2.5                  | 0.4                 |               |                 | None                                      | -     | -      | -    | 15.5                    | 20   | 20   | 16                                  | 93  | 16.3                              | 20  | 20  | 17   | 90  |     |
|                 |                      |              |      |     |              |      |     |                      |                     |               |                 | 11758                                     | 17    | 1      | 16.4 | 23.6                    | 25   | 25   | 22                                  | 93  | 24.6                              | 25  | 25  | 23   | 90  |     |
|                 |                      |              |      |     |              |      |     |                      |                     |               |                 | 13458                                     | 34    | 1      | 32.7 | 44                      | 45   | 45   | 40                                  | 93  | 45                                | 45  | 45  | 41   | 90  |     |
|                 |                      |              |      |     |              |      |     |                      |                     |               |                 |   |       |        |      |                         |  |  |                                     |     |                                   |   |   |  |     |     |

ZY04-12 Medium Static Indoor Blower - Without Powered Convenience Outlet (Continued)

| Size (Tons) | Nominal Unit Voltage | Compressor 1 |          |     | Compressor 2 |      |     | OD Fan Motors (each) | Supply Blower Motor | Pwr Exh Motor | Pwr Conv Outlet | Electric Heat Field Installed Kit 2EK045* |       |        | MCA <sup>1</sup> (Amps) | Min Fuse <sup>2</sup> /<br>Breaker <sup>3</sup> Size (Amps) | Max Fuse <sup>2</sup> /<br>Breaker <sup>3</sup> Size (Amps) | Min Discon-<br>nect Rating <sup>4</sup> |     | MCA <sup>1</sup> w/Pwr Exh (Amps) | Min Fuse <sup>2</sup> /<br>Breaker <sup>3</sup> Size w/ Pwr Exh (Amps) | Max Fuse <sup>2</sup> /<br>Breaker <sup>3</sup> Size w/ Pwr Exh (Amps) | Min Discon-<br>nect Rating <sup>4</sup> /<br>Pwr Exh |      |     |     |
|-------------|----------------------|--------------|----------|-----|--------------|------|-----|----------------------|---------------------|---------------|-----------------|---|-------|--------|-------------------------|---|---|---|-----|-----------------------------------|--|--|--|------|-----|-----|
|             |                      | RLA          | LRA      | MCC | RLA          | LRA  | MCC |                      |                     |               |                 | Model                                     | kW    | Stages |                         |   |   | Amps                                    | FLA |                                   |  |  | LRA  | FLA  | LRA |     |
|             |                      | 12 (10)      | 208-3-60 | 16  | 110          | 25   | 16  |                      |                     |               |                 | 110                                       | 25    | 5.8    |                         |   |   | 9.9                                     | 1.1 |                                   |  |  |  | None | -   | -   |
| 11725       | 12                   |              |          |     |              |      |     | 1                    | 33.3                | 54            | 60              |   |       |        | 60                      | 55  | 315   |   |     | 56.8                              | 60   | 60   |  | 57   | 325 |     |
| 12525       | 18.6                 |              |          |     |              |      |     | 1                    | 51.6                | 76.9          | 80              |   |       |        | 80                      | 71  | 315   |   |     | 79.6                              | 80   | 80   |  | 73   | 325 |     |
| 13225       | 24                   |              |          |     |              |      |     | 1                    | 66.6                | 95.6          | 100             |   |       |        | 100                     | 88  | 315   |   |     | 98.4                              | 100  | 100  |  | 91   | 325 |     |
| 14225       | 31.8                 |              |          |     |              |      |     | 2                    | 88.3                | 122.8         | 125             |   |       |        | 125                     | 113   | 315   |   |     | 125.5                             | 150  | 150  |  | 115  | 325 |     |
| 230-3-60    | 16                   |              | 110      | 25  | 16           | 110  | 25  | 5.2                  | 9.4                 | 1             |                 |   | None  | -      | -                       | -   | 50.6  | 60                                      | 60  | 54                                | 320  | 52.6   | 60   | 60   | 56  | 324 |
|             |                      |              |          |     |              |      |     |                      |                     |               |                 |   | 11725 | 16     | 1                       | 38.5  | 59.9  | 60                                      | 60  | 55                                | 320  | 62.4   | 70   | 70   | 57  | 324 |
|             |                      |              |          |     |              |      |     |                      |                     |               |                 |   | 12525 | 24.8   | 1                       | 59.7  | 86.4  | 90                                      | 90  | 79                                | 320  | 88.9   | 90   | 90   | 82  | 324 |
|             |                      |              |          |     |              |      |     |                      |                     |               |                 |   | 13225 | 32     | 1                       | 77  | 108   | 110                                     | 110 | 99                                | 320  | 110.5  | 125  | 125  | 102 | 324 |
|             |                      |              |          |     |              |      |     |                      |                     |               |                 |   | 14225 | 42.4   | 2                       | 102   | 139.3   | 150                                     | 150 | 128                               | 320  | 141.8  | 150  | 150  | 130 | 324 |
| 460-3-60    | 7.8                  |              | 52       | 12  | 7.8          | 52   | 12  | 2.9                  | 4.7                 | 0.5           |                 |   | None  | -      | -                       | -   | 25.2  | 30                                      | 30  | 27                                | 155  | 26.2   | 30   | 30   | 28  | 158 |
|             |                      |              |          |     |              |      |     |                      |                     |               |                 |   | 11746 | 16.5   | 1                       | 19.8  | 30.6  | 35                                      | 35  | 28                                | 155  | 31.9   | 35   | 35   | 29  | 158 |
|             |                      |              |          |     |              |      |     |                      |                     |               |                 |   | 12846 | 27.8   | 1                       | 33.4  | 47.6  | 50                                      | 50  | 44                                | 155  | 48.9   | 50   | 50   | 45  | 158 |
|             |                      |              |          |     |              |      |     |                      |                     |               |                 |   | 13346 | 33     | 1                       | 39.7  | 55.5  | 60                                      | 60  | 51                                | 155  | 56.8   | 60   | 60   | 52  | 158 |
|             |                      |              |          |     |              |      |     |                      |                     |               |                 |   | 14246 | 41.7   | 2                       | 50.2  | 68.6  | 70                                      | 70  | 63                                | 155  | 69.9   | 70   | 70   | 64  | 158 |
| 575-3-60    | 5.7                  |              | 38.9     | 9   | 5.7          | 38.9 | 9   | 2.2                  | 4.3                 | 0.4           |                 |   | None  | -      | -                       | -   | 19.3  | 20                                      | 25  | 21                                | 129  | 20.1   | 25   | 25   | 22  | 131 |
|             |                      |              |          |     |              |      |     |                      |                     |               |                 |   | 11758 | 17     | 1                       | 16.4  | 25.9  | 30                                      | 30  | 24                                | 129  | 26.9   | 30   | 30   | 25  | 131 |
|             |                      |              |          |     |              |      |     |                      |                     |               |                 |   | 13458 | 34     | 1                       | 32.7  | 46.3  | 50                                      | 50  | 43                                | 129  | 47.3   | 50   | 50   | 43  | 131 |

1. Minimum Circuit Ampacity.
2. Dual Element, Time Delay Type.
3. HACR type per NEC.
4. Non-fused Disconnect, Verify on the unit nameplate that the disconnect is properly sized for the application. Units with field installed electric heat kits may exceed the factory installed disconnect amperage rating.

**ZY04-12 Medium Static Indoor Blower - With Powered Convenience Outlet**

| Size (Tons) | Nominal Unit Voltage | Compressor 1 |      |     | Compressor 2 |     |     | OD Fan Motors (each) | Supply Blower Motor | Pwr Exh Motor | Pwr Conv Outlet | Electric Heat Field Installed Kit 2EK045* |       |        |      | MCA <sup>1</sup> (Amps) | Min Fuse <sup>2</sup> /Breaker <sup>3</sup> Size (Amps) | Max Fuse <sup>2</sup> /Breaker <sup>3</sup> Size (Amps) | Min Disconnect Rating <sup>4</sup> |      | MCA <sup>1</sup> w/Pwr Exh (Amps) | Min Fuse <sup>2</sup> /Breaker <sup>3</sup> Size w/ Pwr Exh (Amps) | Max Fuse <sup>2</sup> /Breaker <sup>3</sup> Size w/ Pwr Exh (Amps) | Min Disconnect Rating <sup>4</sup> /Pwr Exh |     |     |
|-------------|----------------------|--------------|------|-----|--------------|-----|-----|----------------------|---------------------|---------------|-----------------|---|-------|--------|------|-------------------------|---|---|------------------------------------|------|-----------------------------------|--|--|---|-----|-----|
|             |                      | RLA          | LRA  | MCC | RLA          | LRA | MCC |                      |                     |               |                 | Model                                     | kW    | Stages | Amps |                         |   |   | FLA                                | LRA  |                                   |  |  | FLA   | LRA |     |
|             |                      |              |      |     |              |     |     |                      |                     |               |                 |   |       |        |      |                         |   |   |                                    |      |                                   |  |  |   |     |     |
| 04<br>(3)   | 208-1-60             | 16.7         | 79   | 26  |              |     |     | 1.4                  | 7.6                 | 1.5           | 8.6             | None                                      | -     | -      | -    | 34.2                    | 35  | 50  | 35                                 | 120  | 35.7                              | 40   | 50   | 36  | 123 |     |
|             |                      |              |      |     |              |     |     |                      |                     |               |                 | 10625                                     | 4.9   | 1      | 23.6 | 44.4                    | 45  | 50  | 41                                 | 120  | 46.3                              | 50   | 50   | 43  | 123 |     |
|             |                      |              |      |     |              |     |     |                      |                     |               |                 | 11125                                     | 7.9   | 1      | 38   | 62.4                    | 70  | 70  | 57                                 | 120  | 64.3                              | 70   | 70   | 59  | 123 |     |
|             | 230-1-60             | 16.7         | 79   | 26  |              |     |     | 1.4                  | 7                   | 1.3           | 8.6             | None                                      | -     | -      | -    | 33.6                    | 35  | 50  | 34                                 | 122  | 34.9                              | 35   | 50   | 35  | 125 |     |
|             |                      |              |      |     |              |     |     |                      |                     |               |                 | 10625                                     | 6.5   | 1      | 27.1 | 48                      | 50  | 44  | 122                                | 49.6 | 50                                | 50   | 46   | 125   |     |     |
|             |                      |              |      |     |              |     |     |                      |                     |               |                 | 11125                                     | 10.5  | 1      | 43.8 | 68.9                    | 70  | 70  | 63                                 | 122  | 70.5                              | 80   | 80   | 65  | 125 |     |
|             | 208-3-60             | 10.4         | 73   | 16  |              |     |     | 1.4                  | 5.2                 | 1.1           | 8.6             | None                                      | -     | -      | -    | 23.9                    | 25  | 30  | 24                                 | 103  | 25                                | 25   | 35   | 26  | 105 |     |
|             |                      |              |      |     |              |     |     |                      |                     |               |                 | 10625                                     | 4.9   | 1      | 13.6 | 28.9                    | 30  | 30  | 27                                 | 103  | 30.3                              | 35   | 35   | 28  | 105 |     |
|             |                      |              |      |     |              |     |     |                      |                     |               |                 | 11125                                     | 7.9   | 1      | 21.9 | 39.3                    | 40  | 40  | 36                                 | 103  | 40.6                              | 45   | 45   | 37  | 105 |     |
|             | 230-3-60             | 10.4         | 73   | 16  |              |     |     | 1.4                  | 5.2                 | 1             | 8.6             | None                                      | -     | -      | -    | 23.9                    | 25  | 30  | 24                                 | 106  | 24.9                              | 25   | 35   | 26  | 108 |     |
|             |                      |              |      |     |              |     |     |                      |                     |               |                 | 10625                                     | 6.5   | 1      | 15.6 | 31.4                    | 35  | 35  | 29                                 | 106  | 32.6                              | 35   | 35   | 30  | 108 |     |
|             |                      |              |      |     |              |     |     |                      |                     |               |                 | 11125                                     | 10.5  | 1      | 25.3 | 43.5                    | 45  | 45  | 40                                 | 106  | 44.8                              | 45   | 45   | 41  | 108 |     |
|             | 460-3-60             | 5.8          | 38   | 9   |              |     |     | 0.8                  | 2.6                 | 0.5           | 8.6             | None                                      | -     | -      | -    | 12.9                    | 15  | 15  | 13                                 | 55   | 13.4                              | 15   | 15   | 14  | 56  |     |
|             |                      |              |      |     |              |     |     |                      |                     |               |                 | 10646                                     | 6     | 1      | 7.2  | 14.9                    | 15  | 15  | 14                                 | 55   | 15.6                              | 20   | 20   | 14  | 56  |     |
|             |                      |              |      |     |              |     |     |                      |                     |               |                 | 11146                                     | 11.5  | 1      | 13.8 | 23.2                    | 25  | 25  | 21                                 | 55   | 23.8                              | 25   | 25   | 22  | 56  |     |
|             | 575-3-60             | 3.8          | 36.5 | 6   |              |     |     | 0.6                  | 2                   | 0.4           | 8.6             | None                                      | -     | -      | -    | 9.1                     | 15  | 15  | 9                                  | 50   | 9.5                               | 15   | 15   | 10  | 51  |     |
|             |                      |              |      |     |              |     |     |                      |                     |               |                 | 11058                                     | 9.2   | 1      | 8.9  | 15.8                    | 20  | 20  | 15                                 | 50   | 16.3                              | 20   | 20   | 15  | 51  |     |
|             |                      |              |      |     |              |     |     |                      |                     |               |                 | 11458                                     | 13.8  | 1      | 13.3 | 21.3                    | 25  | 25  | 20                                 | 50   | 21.8                              | 25   | 25   | 20  | 51  |     |
|             | 05<br>(4)            | 208-1-60     | 21.8 | 117 | 34           |     |     |                      | 1.4                 | 7.6           | 1.5             | 8.6                                       | None  | -      | -    | -                       | 40.6  | 45  | 60                                 | 40   | 158                               | 42.1   | 45   | 60  | 42  | 161 |
|             |                      |              |      |     |              |     |     |                      |                     |               |                 |   | 10625 | 4.9    | 1    | 23.6                    | 44.4  | 45  | 60                                 | 41   | 158                               | 46.3   | 50   | 60  | 43  | 161 |
|             |                      |              |      |     |              |     |     |                      |                     |               |                 |   | 11125 | 7.9    | 1    | 38                      | 62.4  | 70  | 70                                 | 57   | 158                               | 64.3   | 70   | 70  | 59  | 161 |
|             |                      | 230-1-60     | 21.8 | 117 | 34           |     |     |                      | 1.4                 | 7             | 1.3             | 8.6                                       | None  | -      | -    | -                       | 40  | 40  | 60                                 | 40   | 160                               | 41.3   | 45   | 60  | 41  | 163 |
|             |                      |              |      |     |              |     |     |                      |                     |               |                 |   | 10625 | 6.5    | 1    | 27.1                    | 48  | 50  | 60                                 | 44   | 160                               | 49.6   | 50   | 60  | 46  | 163 |
|             |                      |              |      |     |              |     |     |                      |                     |               |                 |   | 11125 | 10.5   | 1    | 43.8                    | 68.9  | 70  | 70                                 | 63   | 160                               | 70.5   | 80   | 80  | 65  | 163 |
| 208-3-60    |                      | 13.7         | 83.1 | 21  |              |     |     | 1.4                  | 5.2                 | 1.1           | 8.6             | None                                      | -     | -      | -    | 28                      | 30  | 40  | 28                                 | 113  | 29.1                              | 30   | 40   | 30  | 116 |     |
|             |                      |              |      |     |              |     |     |                      |                     |               |                 | 10625                                     | 4.9   | 1      | 13.6 | 28.9                    | 30  | 40  | 28                                 | 113  | 30.3                              | 35   | 40   | 30  | 116 |     |
|             |                      |              |      |     |              |     |     |                      |                     |               |                 | 11125                                     | 7.9   | 1      | 21.9 | 39.3                    | 40  | 40  | 36                                 | 113  | 40.6                              | 45   | 45   | 37  | 116 |     |
| 230-3-60    |                      | 13.7         | 83.1 | 21  |              |     |     | 1.4                  | 5.2                 | 1             | 8.6             | None                                      | -     | -      | -    | 28                      | 30  | 40  | 28                                 | 116  | 29                                | 30   | 40   | 29  | 118 |     |
|             |                      |              |      |     |              |     |     |                      |                     |               |                 | 10625                                     | 6.5   | 1      | 15.6 | 31.4                    | 35  | 40  | 29                                 | 116  | 32.6                              | 35   | 40   | 30  | 118 |     |
|             |                      |              |      |     |              |     |     |                      |                     |               |                 | 11125                                     | 10.5  | 1      | 25.3 | 43.5                    | 45  | 45  | 40                                 | 116  | 44.8                              | 45   | 45   | 41  | 118 |     |
| 460-3-60    |                      | 6.2          | 41   | 10  |              |     |     | 0.8                  | 2.6                 | 0.5           | 8.6             | None                                      | -     | -      | -    | 13.4                    | 15  | 15  | 14                                 | 58   | 13.9                              | 15   | 15   | 14  | 59  |     |
|             |                      |              |      |     |              |     |     |                      |                     |               |                 | 10646                                     | 6     | 1      | 7.2  | 14.9                    | 15  | 15  | 14                                 | 58   | 15.6                              | 20   | 20   | 14  | 59  |     |
|             |                      |              |      |     |              |     |     |                      |                     |               |                 | 11146                                     | 11.5  | 1      | 13.8 | 23.2                    | 25  | 25  | 21                                 | 58   | 23.8                              | 25   | 25   | 22  | 59  |     |
| 575-3-60    |                      | 4.8          | 33   | 8   |              |     |     | 0.6                  | 2                   | 0.4           | 8.6             | None                                      | -     | -      | -    | 10.3                    | 15  | 15  | 10                                 | 46   | 10.7                              | 15   | 15   | 11  | 47  |     |
|             |                      |              |      |     |              |     |     |                      |                     |               |                 | 11058                                     | 9.2   | 1      | 8.9  | 15.8                    | 20  | 20  | 15                                 | 46   | 16.3                              | 20   | 20   | 15  | 47  |     |
|             |                      |              |      |     |              |     |     |                      |                     |               |                 | 11458                                     | 13.8  | 1      | 13.3 | 21.3                    | 25  | 25  | 20                                 | 46   | 21.8                              | 25   | 25   | 20  | 47  |     |

ZY04-12 Medium Static Indoor Blower - With Powered Convenience Outlet (Continued)

| Size (Tons) | Nominal Unit Voltage | Compressor 1 |      |     | Compressor 2 |     |     | OD Fan Motors (each) | Supply Blower Motor | Pwr Exh Motor | Pwr Conv Outlet | Electric Heat Field Installed Kit 2EK045* |      |        |      | MCA <sup>1</sup> (Amps) | Min Fuse <sup>2</sup> / Breaker <sup>3</sup> Size (Amps) | Max Fuse <sup>2</sup> / Breaker <sup>3</sup> Size (Amps) | Min Disconnect Rating <sup>4</sup> |      | MCA <sup>1</sup> w/Pwr Exh (Amps) | Min Fuse <sup>2</sup> / Breaker <sup>3</sup> Size w/ Pwr Exh (Amps) | Max Fuse <sup>2</sup> / Breaker <sup>3</sup> Size w/ Pwr Exh (Amps) | Min Disconnect Rating <sup>6</sup> / Pwr Exh |     |
|-------------|----------------------|--------------|------|-----|--------------|-----|-----|----------------------|---------------------|---------------|-----------------|---|------|--------|------|-------------------------|--|--|------------------------------------|------|-----------------------------------|---|---|--|-----|
|             |                      | RLA          | LRA  | MCC | RLA          | LRA | MCC |                      |                     |               |                 | Model                                     | kW   | Stages | Amps |                         |  |  | FLA                                | LRA  |                                   |   |   | FLA  | LRA |
|             |                      |              |      |     |              |     |     |                      |                     |               |                 |   |      |        |      |                         |  |  |                                    |      |                                   |   |   |  |     |
| 06 (5)      | 208-1-60             | 25           | 134  | 39  |              |     |     | 2.3                  | 6.8                 | 1.5           | 8.6             | None                                      | -    | -      | -    | 44.7                    | 45   | 60   | 44                                 | 176  | 46.2                              | 50  | 70  | 46   | 179 |
|             |                      |              |      |     |              |     |     |                      |                     |               |                 | 10625                                     | 4.9  | 1      | 23.6 | 44.7                    | 45   | 60   | 44                                 | 176  | 46.2                              | 50  | 70  | 46   | 179 |
|             |                      |              |      |     |              |     |     |                      |                     |               |                 | 11125                                     | 7.9  | 1      | 38   | 61.4                    | 70   | 70   | 56                                 | 176  | 63.3                              | 70  | 70  | 58   | 179 |
|             | 230-1-60             | 25           | 134  | 39  |              |     |     | 2.3                  | 6.2                 | 1.3           | 8.6             | None                                      | -    | -      | -    | 44.1                    | 45   | 60   | 43                                 | 176  | 45.4                              | 50  | 70  | 45   | 179 |
|             |                      |              |      |     |              |     |     |                      |                     |               |                 | 10625                                     | 6.5  | 1      | 27.1 | 47                      | 50   | 60   | 43                                 | 176  | 48.6                              | 50  | 70  | 45   | 179 |
|             |                      |              |      |     |              |     |     |                      |                     |               |                 | 11125                                     | 10.5 | 1      | 43.8 | 67.9                    | 70   | 70   | 62                                 | 176  | 69.5                              | 70  | 70  | 64   | 179 |
|             | 208-3-60             | 15.9         | 110  | 25  |              |     |     | 2.3                  | 7                   | 1.1           | 8.6             | None                                      | -    | -      | -    | 33.5                    | 35   | 45   | 34                                 | 179  | 34.6                              | 35  | 50  | 35   | 182 |
|             |                      |              |      |     |              |     |     |                      |                     |               |                 | 10625                                     | 4.9  | 1      | 13.6 | 33.5                    | 35   | 45   | 34                                 | 179  | 34.6                              | 35  | 50  | 35   | 182 |
|             |                      |              |      |     |              |     |     |                      |                     |               |                 | 11125                                     | 7.9  | 1      | 21.9 | 41.5                    | 45   | 45   | 38                                 | 179  | 42.9                              | 45  | 50  | 39   | 182 |
|             |                      |              |      |     |              |     |     |                      |                     |               |                 | 11625                                     | 12   | 1      | 33.3 | 55.8                    | 60   | 60   | 51                                 | 179  | 57.1                              | 60  | 60  | 53   | 182 |
|             | 230-3-60             | 15.9         | 110  | 25  |              |     |     | 2.3                  | 7.2                 | 1             | 8.6             | None                                      | -    | -      | -    | 33.7                    | 35   | 45   | 34                                 | 181  | 34.7                              | 35  | 50  | 35   | 183 |
|             |                      |              |      |     |              |     |     |                      |                     |               |                 | 10625                                     | 6.5  | 1      | 15.6 | 33.9                    | 35   | 45   | 34                                 | 181  | 35.1                              | 40  | 50  | 35   | 183 |
|             |                      |              |      |     |              |     |     |                      |                     |               |                 | 11125                                     | 10.5 | 1      | 25.3 | 46                      | 50   | 50   | 42                                 | 181  | 47.3                              | 50  | 50  | 43   | 183 |
|             |                      |              |      |     |              |     |     |                      |                     |               |                 | 11625                                     | 16   | 1      | 38.5 | 62.5                    | 70   | 70   | 58                                 | 181  | 63.8                              | 70  | 70  | 59   | 183 |
|             | 460-3-60             | 7.1          | 52   | 11  |              |     |     | 1.3                  | 3.6                 | 0.5           | 8.6             | None                                      | -    | -      | -    | 16                      | 20   | 20   | 16                                 | 88   | 16.5                              | 20  | 20  | 17   | 89  |
|             |                      |              |      |     |              |     |     |                      |                     |               |                 | 11146                                     | 6    | 1      | 7.2  | 16.2                    | 20   | 20   | 15                                 | 88   | 16.8                              | 20  | 20  | 15   | 89  |
|             |                      |              |      |     |              |     |     |                      |                     |               |                 | 11146                                     | 11.5 | 1      | 13.8 | 24.4                    | 25   | 25   | 22                                 | 88   | 25.1                              | 30  | 30  | 23   | 89  |
|             |                      |              |      |     |              |     |     |                      |                     |               |                 | 11446                                     | 14   | 1      | 16.8 | 28.2                    | 30   | 30   | 26                                 | 88   | 28.8                              | 30  | 30  | 27   | 89  |
|             | 575-3-60             | 5.1          | 39.5 | 8   |              |     |     | 1.1                  | 2.5                 | 0.4           | 8.6             | None                                      | -    | -      | -    | 11.7                    | 15   | 15   | 12                                 | 61   | 12.1                              | 15  | 15  | 12   | 62  |
|             |                      |              |      |     |              |     |     |                      |                     |               |                 | 11458                                     | 13.8 | 1      | 13.3 | 21.9                    | 25   | 25   | 20                                 | 61   | 22.4                              | 25  | 25  | 21   | 62  |
|             |                      |              |      |     |              |     |     |                      |                     |               |                 | 12358                                     | 23   | 1      | 22.1 | 32.9                    | 35   | 35   | 30                                 | 61   | 33.4                              | 35  | 35  | 31   | 62  |
|             | 07 (6)               | 208-3-60     | 19   | 123 | 30           |     |     | 2.3                  | 7.5                 | 1.1           | 8.6             | None                                      | -    | -      | -    | 40.2                    | 45   | 50   | 41                                 | 195  | 42.4                              | 45  | 60  | 43   | 205 |
|             |                      |              |      |     |              |     |     |                      |                     |               |                 | 10725                                     | 4.9  | 1      | 13.6 | 40.2                    | 45   | 50   | 41                                 | 195  | 42.4                              | 45  | 60  | 43   | 205 |
|             |                      |              |      |     |              |     |     |                      |                     |               |                 | 11725                                     | 12   | 1      | 33.3 | 56.4                    | 60   | 60   | 52                                 | 195  | 59.1                              | 60  | 60  | 54   | 205 |
| 12525       |                      |              |      |     |              |     |     |                      |                     |               |                 | 18.6                                      | 1    | 51.6   | 79.3 | 80                      | 80   | 73   | 195                                | 82   | 90                                | 90  | 75  | 205  |     |
| 230-3-60    |                      | 19           | 123  | 30  |              |     |     | 2.3                  | 7.5                 | 1             | 8.6             | None                                      | -    | -      | -    | 40.2                    | 45   | 50   | 41                                 | 202  | 42.2                              | 45  | 60  | 43   | 197 |
|             |                      |              |      |     |              |     |     |                      |                     |               |                 | 10725                                     | 6.5  | 1      | 15.6 | 40.2                    | 45   | 50   | 41                                 | 202  | 42.2                              | 45  | 60  | 43   | 197 |
|             |                      |              |      |     |              |     |     |                      |                     |               |                 | 11725                                     | 16   | 1      | 38.5 | 62.9                    | 70   | 70   | 58                                 | 202  | 65.4                              | 70  | 70  | 60   | 197 |
|             |                      |              |      |     |              |     |     |                      |                     |               |                 | 12525                                     | 24.8 | 1      | 59.7 | 89.4                    | 90   | 90   | 82                                 | 202  | 91.9                              | 100   | 100   | 85   | 197 |
| 460-3-60    |                      | 9.7          | 62   | 15  |              |     |     | 1.3                  | 3.4                 | 0.5           | 8.6             | None                                      | -    | -      | -    | 20.3                    | 25   | 30   | 21                                 | 103  | 21.3                              | 25  | 30  | 22   | 100 |
|             |                      |              |      |     |              |     |     |                      |                     |               |                 | 10746                                     | 6    | 1      | 7.2  | 20.3                    | 25   | 30   | 15                                 | 103  | 21.3                              | 25  | 30  | 16   | 100 |
|             |                      |              |      |     |              |     |     |                      |                     |               |                 | 11746                                     | 16.5 | 1      | 19.8 | 31.7                    | 35   | 35   | 29                                 | 103  | 32.9                              | 35  | 35  | 30   | 100 |
|             |                      |              |      |     |              |     |     |                      |                     |               |                 | 12646                                     | 25.5 | 1      | 30.7 | 45.3                    | 50   | 50   | 42                                 | 103  | 46.6                              | 50  | 50  | 43   | 100 |
| 575-3-60    | 7.4                  | 50           | 12   |     |              |     | 1.1 | 2.8                  | 0.4                 | 8.6           | None            | -   | -    | -      | 16   | 20                      | 20   | 16   | 83                                 | 16.8 | 20                                | 20  | 17  | 80   |     |
|             |                      |              |      |     |              |     |     |                      |                     |               | 11758           | 17  | 1    | 16.4   | 26.2 | 30                      | 30   | 24   | 83                                 | 27.2 | 30                                | 30  | 25  | 80   |     |
|             |                      |              |      |     |              |     |     |                      |                     |               | 12658           | 25.7                                      | 1    | 24.7   | 36.5 | 40                      | 40   | 34   | 83                                 | 37.5 | 40                                | 40  | 35  | 80   |     |
| A7 (6)      | 208-3-60             | 17.6         | 136  | 27  |              |     | 2.3 | 7.5                  | 1.1                 | 8.6           | None            | -   | -    | -      | 38.4 | 40                      | 50   | 39   | 199                                | 40.6 | 45                                | 50  | 42  | 204  |     |
|             |                      |              |      |     |              |     |     |                      |                     |               | 10725           | 4.9                                       | 1    | 13.6   | 38.4 | 40                      | 50   | 39   | 199                                | 40.6 | 45                                | 50  | 42  | 204  |     |
|             |                      |              |      |     |              |     |     |                      |                     |               | 11725           | 12  | 1    | 33.3   | 56.4 | 60                      | 60   | 52   | 199                                | 59.1 | 60                                | 60  | 54  | 204  |     |
|             |                      |              |      |     |              |     |     |                      |                     |               | 12525           | 18.6                                      | 1    | 51.6   | 79.3 | 80                      | 80   | 73   | 199                                | 82   | 90                                | 90  | 75  | 204  |     |
|             | 230-3-60             | 17.6         | 136  | 27  |              |     |     | 2.3                  | 7.5                 | 1             | 8.6             | None                                      | -    | -      | -    | 38.4                    | 40   | 50   | 39                                 | 205  | 40.4                              | 45  | 50  | 41   | 210 |
|             |                      |              |      |     |              |     |     |                      |                     |               |                 | 10725                                     | 6.5  | 1      | 15.6 | 38.4                    | 40   | 50   | 39                                 | 205  | 40.4                              | 45  | 50  | 41   | 210 |
|             |                      |              |      |     |              |     |     |                      |                     |               |                 | 11725                                     | 16   | 1      | 38.5 | 62.9                    | 70   | 70   | 58                                 | 205  | 65.4                              | 70  | 70  | 60   | 210 |
|             |                      |              |      |     |              |     |     |                      |                     |               |                 | 12525                                     | 24.8 | 1      | 59.7 | 89.4                    | 90   | 90   | 82                                 | 205  | 91.9                              | 100   | 100   | 85   | 210 |
|             | 460-3-60             | 8.5          | 66.1 | 13  |              |     |     | 1.3                  | 3.4                 | 0.5           | 8.6             | None                                      | -    | -      | -    | 18.8                    | 20   | 25   | 19                                 | 102  | 19.8                              | 20  | 25  | 20   | 104 |
|             |                      |              |      |     |              |     |     |                      |                     |               |                 | 10746                                     | 6    | 1      | 7.2  | 18.8                    | 20   | 25   | 15                                 | 102  | 19.8                              | 20  | 25  | 16   | 104 |
|             |                      |              |      |     |              |     |     |                      |                     |               |                 | 11746                                     | 16.5 | 1      | 19.8 | 31.7                    | 35   | 35   | 29                                 | 102  | 32.9                              | 35  | 35  | 30   | 104 |
|             |                      |              |      |     |              |     |     |                      |                     |               |                 | 12646                                     | 25.5 | 1      | 30.7 | 45.3                    | 50   | 50   | 42                                 | 102  | 46.6                              | 50  | 50  | 43   | 104 |
|             | 575-3-60             | 6.3          | 55.3 | 10  |              |     |     | 1.1                  | 2.8                 | 0.4           | 8.6             | None                                      | -    | -      | -    | 14.6                    | 15   | 20   | 15                                 | 84   | 15.4                              | 20  | 20  | 16   | 86  |
|             |                      |              |      |     |              |     |     |                      |                     |               |                 | 11758                                     | 17   | 1      | 16.4 | 26.2                    | 30   | 30   | 24                                 | 84   | 27.2                              | 30  | 30  | 25   | 86  |
|             |                      |              |      |     |              |     |     |                      |                     |               |                 | 12658                                     | 25.7 | 1      | 24.7 | 36.5                    | 40   | 40   | 34                                 | 84   | 37.5                              | 40  | 40  | 35   | 86  |

ZY04-12 Medium Static Indoor Blower - With Powered Convenience Outlet (Continued)

| Size (Tons) | Nominal Unit Voltage | Compressor 1 |      |     | Compressor 2 |      |     | OD Fan Motors (each) | Supply Blower Motor | Pwr Exh Motor | Pwr Conv Outlet | Electric Heat Field Installed Kit 2EK045* |      |        | MCA <sup>1</sup> (Amps) | Min Fuse <sup>2</sup> /<br>Breaker <sup>3</sup> Size (Amps) | Max Fuse <sup>2</sup> /<br>Breaker <sup>3</sup> Size (Amps) | Min Disconnect Rating <sup>4</sup> |     | MCA <sup>1</sup> w/Pwr Exh (Amps) | Min Fuse <sup>2</sup> /<br>Breaker <sup>3</sup> Size w/ Pwr Exh (Amps) | Max Fuse <sup>2</sup> /<br>Breaker <sup>3</sup> Size w/ Pwr Exh (Amps) | Min Disconnect Rating <sup>4</sup> /<br>Pwr Exh |     |     |
|-------------|----------------------|--------------|------|-----|--------------|------|-----|----------------------|---------------------|---------------|-----------------|---|------|--------|-------------------------|---|---|------------------------------------|-----|-----------------------------------|--|--|---|-----|-----|
|             |                      | RLA          | LRA  | MCC | RLA          | LRA  | MCC |                      |                     |               |                 | Model                                     | kW   | Stages |                         |   |   | Amps                               | FLA |                                   |  |  | LRA   | FLA | LRA |
|             |                      |              |      |     |              |      |     |                      |                     |               |                 |   |      |        |                         |   |   |                                    |     |                                   |  |  |   |     |     |
| 08 (7.5)    | 208-3-60             | 13.6         | 83.1 | 21  | 13.6         | 83.1 | 21  | 2.3                  | 5.2                 | 1.1           | 8.6             | None                                      | -    | -      | -                       | 44.7  | 45  | 50                                 | 47  | 212                               | 46.9   | 50   | 50  | 50  | 222 |
|             |                      |              |      |     |              |      |     |                      |                     |               |                 | 11725                                     | 12   | 1      | 33.3                    | 53.5  | 60  | 60                                 | 49  | 212                               | 56.3   | 60   | 60  | 52  | 222 |
|             |                      |              |      |     |              |      |     |                      |                     |               |                 | 12525                                     | 18.6 | 1      | 51.6                    | 76.4  | 80  | 80                                 | 70  | 212                               | 79.1   | 80   | 80  | 73  | 222 |
|             |                      |              |      |     |              |      |     |                      |                     |               |                 | 13225                                     | 24   | 1      | 66.6                    | 95.1  | 100   | 100                                | 88  | 212                               | 97.9   | 100  | 100   | 90  | 222 |
|             |                      |              |      |     |              |      |     |                      |                     |               |                 | 14225                                     | 31.8 | 2      | 88.3                    | 122.3   | 125   | 125                                | 112 | 212                               | 125  | 150  | 150   | 115 | 222 |
|             | 230-3-60             | 13.6         | 83.1 | 21  | 13.6         | 83.1 | 21  | 2.3                  | 5.2                 | 1             | 8.6             | None                                      | -    | -      | -                       | 44.7  | 45  | 50                                 | 47  | 216                               | 46.7   | 50   | 60  | 50  | 210 |
|             |                      |              |      |     |              |      |     |                      |                     |               |                 | 11725                                     | 16   | 1      | 38.5                    | 60  | 60  | 60                                 | 55  | 216                               | 62.5   | 70   | 70  | 58  | 210 |
|             |                      |              |      |     |              |      |     |                      |                     |               |                 | 12525                                     | 24.8 | 1      | 59.7                    | 86.5  | 90  | 90                                 | 80  | 216                               | 89   | 90   | 90  | 82  | 210 |
|             |                      |              |      |     |              |      |     |                      |                     |               |                 | 13225                                     | 32   | 1      | 77                      | 108.1   | 110   | 110                                | 99  | 216                               | 110.6  | 125  | 125   | 102 | 210 |
|             |                      |              |      |     |              |      |     |                      |                     |               |                 | 14225                                     | 42.4 | 2      | 102                     | 139.4   | 150   | 150                                | 128 | 216                               | 141.9  | 150  | 150   | 131 | 210 |
|             | 460-3-60             | 6.1          | 41   | 10  | 6.1          | 41   | 10  | 1.3                  | 2.6                 | 0.5           | 8.6             | None                                      | -    | -      | -                       | 21.1  | 25  | 25                                 | 23  | 108                               | 22.1   | 25   | 25  | 24  | 105 |
|             |                      |              |      |     |              |      |     |                      |                     |               |                 | 11746                                     | 16.5 | 1      | 19.8                    | 30.7  | 35  | 35                                 | 28  | 108                               | 31.9   | 35   | 35  | 29  | 105 |
| 12846       |                      |              |      |     |              |      |     |                      |                     |               |                 | 27.8                                      | 1    | 33.4   | 47.7                    | 50  | 50  | 44                                 | 108 | 48.9                              | 50   | 50   | 45  | 105 |     |
| 13346       |                      |              |      |     |              |      |     |                      |                     |               |                 | 33  | 1    | 39.7   | 55.6                    | 60  | 60  | 51                                 | 108 | 56.8                              | 60   | 60   | 52  | 105 |     |
| 14246       |                      |              |      |     |              |      |     |                      |                     |               |                 | 41.7                                      | 2    | 50.2   | 68.7                    | 70  | 70  | 63                                 | 108 | 69.9                              | 70   | 70   | 64  | 105 |     |
| 575-3-60    | 4.2                  | 33           | 7    | 4.2 | 33           | 7    | 1.1 | 2                    | 0.4                 | 8.6           | None            | -   | -    | -      | 15.4                    | 20  | 20  | 16                                 | 87  | 16.2                              | 20   | 20   | 17  | 84  |     |
|             |                      |              |      |     |              |      |     |                      |                     |               | 11758           | 17  | 1    | 16.4   | 25.2                    | 30  | 30  | 23                                 | 87  | 26.2                              | 30   | 30   | 24  | 84  |     |
|             |                      |              |      |     |              |      |     |                      |                     |               | 13458           | 34  | 1    | 32.7   | 45.5                    | 50  | 50  | 42                                 | 87  | 46.5                              | 50   | 50   | 43  | 84  |     |
|             |                      |              |      |     |              |      |     |                      |                     |               | None            | -   | -    | -      | 44.9                    | 45  | 50  | 48                                 | 212 | 47.1                              | 50   | 50   | 50  | 222 |     |
|             |                      |              |      |     |              |      |     |                      |                     |               | 11725           | 12  | 1    | 33.3   | 53.5                    | 60  | 60  | 49                                 | 212 | 56.3                              | 60   | 60   | 52  | 222 |     |
| 09 (8.5)    | 208-3-60             | 13.7         | 83.1 | 21  | 13.7         | 83.1 | 21  | 2.3                  | 5.2                 | 1.1           | 8.6             | None                                      | -    | -      | -                       | 44.9  | 45  | 50                                 | 48  | 212                               | 47.1   | 50   | 50  | 50  | 222 |
|             |                      |              |      |     |              |      |     |                      |                     |               |                 | 11725                                     | 12   | 1      | 33.3                    | 53.5  | 60  | 60                                 | 49  | 212                               | 56.3   | 60   | 60  | 52  | 222 |
|             |                      |              |      |     |              |      |     |                      |                     |               |                 | 12525                                     | 18.6 | 1      | 51.6                    | 76.4  | 80  | 80                                 | 70  | 212                               | 79.1   | 80   | 80  | 73  | 222 |
|             |                      |              |      |     |              |      |     |                      |                     |               |                 | 13225                                     | 24   | 1      | 66.6                    | 95.1  | 100   | 100                                | 88  | 212                               | 97.9   | 100  | 100   | 90  | 222 |
|             |                      |              |      |     |              |      |     |                      |                     |               |                 | 14225                                     | 31.8 | 2      | 88.3                    | 122.3   | 125   | 125                                | 112 | 212                               | 125  | 150  | 150   | 115 | 222 |
|             | 230-3-60             | 13.7         | 83.1 | 21  | 13.7         | 83.1 | 21  | 2.3                  | 5.2                 | 1             | 8.6             | None                                      | -    | -      | -                       | 44.9  | 45  | 50                                 | 48  | 216                               | 46.9   | 50   | 60  | 50  | 210 |
|             |                      |              |      |     |              |      |     |                      |                     |               |                 | 11725                                     | 16   | 1      | 38.5                    | 60  | 60  | 60                                 | 55  | 216                               | 62.5   | 70   | 70  | 58  | 210 |
|             |                      |              |      |     |              |      |     |                      |                     |               |                 | 12525                                     | 24.8 | 1      | 59.7                    | 86.5  | 90  | 90                                 | 80  | 216                               | 89   | 90   | 90  | 82  | 210 |
|             |                      |              |      |     |              |      |     |                      |                     |               |                 | 13225                                     | 32   | 1      | 77                      | 108.1   | 110   | 110                                | 99  | 216                               | 110.6  | 125  | 125   | 102 | 210 |
|             |                      |              |      |     |              |      |     |                      |                     |               |                 | 14225                                     | 42.4 | 2      | 102                     | 139.4   | 150   | 150                                | 128 | 216                               | 141.9  | 150  | 150   | 131 | 210 |
|             | 460-3-60             | 6.2          | 41   | 10  | 6.2          | 41   | 10  | 1.3                  | 2.6                 | 0.5           | 8.6             | None                                      | -    | -      | -                       | 21.4  | 25  | 25                                 | 23  | 108                               | 22.4   | 25   | 25  | 24  | 105 |
|             |                      |              |      |     |              |      |     |                      |                     |               |                 | 11746                                     | 16.5 | 1      | 19.8                    | 30.7  | 35  | 35                                 | 28  | 108                               | 31.9   | 35   | 35  | 29  | 105 |
| 12846       |                      |              |      |     |              |      |     |                      |                     |               |                 | 27.8                                      | 1    | 33.4   | 47.7                    | 50  | 50  | 44                                 | 108 | 48.9                              | 50   | 50   | 45  | 105 |     |
| 13346       |                      |              |      |     |              |      |     |                      |                     |               |                 | 33  | 1    | 39.7   | 55.6                    | 60  | 60  | 51                                 | 108 | 56.8                              | 60   | 60   | 52  | 105 |     |
| 14246       |                      |              |      |     |              |      |     |                      |                     |               |                 | 41.7                                      | 2    | 50.2   | 68.7                    | 70  | 70  | 63                                 | 108 | 69.9                              | 70   | 70   | 64  | 105 |     |
| 575-3-60    | 4.8                  | 33           | 8    | 4.8 | 33           | 8    | 1.1 | 2                    | 0.4                 | 8.6           | None            | -   | -    | -      | 16.7                    | 20  | 20  | 18                                 | 87  | 17.5                              | 20   | 20   | 19  | 84  |     |
|             |                      |              |      |     |              |      |     |                      |                     |               | 11758           | 17  | 1    | 16.4   | 25.2                    | 30  | 30  | 23                                 | 87  | 26.2                              | 30   | 30   | 24  | 84  |     |
|             |                      |              |      |     |              |      |     |                      |                     |               | 13458           | 34  | 1    | 32.7   | 45.5                    | 50  | 50  | 42                                 | 87  | 46.5                              | 50   | 50   | 43  | 84  |     |
|             |                      |              |      |     |              |      |     |                      |                     |               | None            | -   | -    | -      | 56.3                    | 60  | 70  | 60                                 | 310 | 58.5                              | 60   | 70   | 63  | 320 |     |
|             |                      |              |      |     |              |      |     |                      |                     |               | 11725           | 12  | 1    | 33.3   | 59.8                    | 60  | 70  | 60                                 | 310 | 62.5                              | 70   | 70   | 63  | 320 |     |
| 12 (10)     | 208-3-60             | 16           | 110  | 25  | 16           | 110  | 25  | 5.8                  | 10.2                | 1.1           | 8.6             | None                                      | -    | -      | -                       | 55.7  | 60  | 70                                 | 59  | 312                               | 57.7   | 60   | 70  | 62  | 317 |
|             |                      |              |      |     |              |      |     |                      |                     |               |                 | 11725                                     | 16   | 1      | 38.5                    | 66.3  | 70  | 70                                 | 61  | 312                               | 68.8   | 70   | 70  | 63  | 317 |
|             |                      |              |      |     |              |      |     |                      |                     |               |                 | 12525                                     | 24.8 | 1      | 59.7                    | 92.8  | 100   | 100                                | 85  | 312                               | 95.3   | 100  | 100   | 88  | 317 |
|             |                      |              |      |     |              |      |     |                      |                     |               |                 | 13225                                     | 32   | 1      | 77                      | 114.4   | 125   | 125                                | 105 | 312                               | 116.9  | 125  | 125   | 108 | 317 |
|             |                      |              |      |     |              |      |     |                      |                     |               |                 | 14225                                     | 42.4 | 2      | 102                     | 145.6   | 150   | 150                                | 134 | 312                               | 148.1  | 150  | 150   | 136 | 317 |
|             | 230-3-60             | 16           | 110  | 25  | 16           | 110  | 25  | 5.2                  | 10.2                | 1             | 8.6             | None                                      | -    | -      | -                       | 27.5  | 30  | 35                                 | 29  | 152                               | 28.5   | 30   | 35  | 30  | 154 |
|             |                      |              |      |     |              |      |     |                      |                     |               |                 | 11746                                     | 16.5 | 1      | 19.8                    | 33.4  | 35  | 35                                 | 31  | 152                               | 34.7   | 35   | 35  | 32  | 154 |
|             |                      |              |      |     |              |      |     |                      |                     |               |                 | 12846                                     | 27.8 | 1      | 33.4                    | 50.4  | 60  | 60                                 | 46  | 152                               | 51.7   | 60   | 60  | 48  | 154 |
|             |                      |              |      |     |              |      |     |                      |                     |               |                 | 13346                                     | 33   | 1      | 39.7                    | 58.3  | 60  | 60                                 | 54  | 152                               | 59.6   | 60   | 60  | 55  | 154 |
|             |                      |              |      |     |              |      |     |                      |                     |               |                 | 14246                                     | 41.7 | 2      | 50.2                    | 71.4  | 80  | 80                                 | 66  | 152                               | 72.7   | 80   | 80  | 67  | 154 |
|             | 575-3-60             | 5.7          | 38.9 | 9   | 5.7          | 38.9 | 9   | 2.2                  | 3.4                 | 0.4           | 8.6             | None                                      | -    | -      | -                       | 20.1  | 25  | 25                                 | 22  | 118                               | 20.9   | 25   | 25  | 22  | 120 |
|             |                      |              |      |     |              |      |     |                      |                     |               |                 | 11758                                     | 17   | 1      | 16.4                    | 26.9  | 30  | 30                                 | 25  | 118                               | 27.9   | 30   | 30  | 26  | 120 |
| 13458       |                      |              |      |     |              |      |     |                      |                     |               |                 | 34  | 1    | 32.7   | 47.3                    | 50  | 50  | 43                                 | 118 | 48.3                              | 50   | 50   | 44  | 120 |     |
| None        |                      |              |      |     |              |      |     |                      |                     |               |                 | -   | -    | -      | 56.3                    | 60  | 70  | 60                                 | 310 | 58.5                              | 60   | 70   | 63  | 320 |     |
| 11725       |                      |              |      |     |              |      |     |                      |                     |               |                 | 12  | 1    | 33.3   | 59.8                    | 60  | 70  | 60                                 | 310 | 62.5                              | 70   | 70   | 63  | 320 |     |



ZY04-12 Medium Static Indoor Blower - With Powered Convenience Outlet (Continued)

| Size (Tons)     | Nominal Unit Voltage | Compressor 1 |      |     | Compressor 2 |      |     | OD Fan Motors (each) | Supply Blower Motor | Pwr Exh Motor | Pwr Conv Outlet | Electric Heat Field Installed Kit 2EK045* |      |        |      | MCA <sup>1</sup> (Amps) | Min Fuse <sup>2</sup> /<br>Breaker <sup>3</sup> Size (Amps) | Max Fuse <sup>2</sup> /<br>Breaker <sup>3</sup> Size (Amps) | Min Discon-nect Rating <sup>4</sup> |      | MCA <sup>1</sup> w/Pwr Exh (Amps) | Min Fuse <sup>2</sup> /<br>Breaker <sup>3</sup> Size w/ Pwr Exh (Amps) | Max Fuse <sup>2</sup> /<br>Breaker <sup>3</sup> Size w/ Pwr Exh (Amps) | Min Discon-nect Rating <sup>4</sup> /<br>Pwr Exh |     |
|-----------------|----------------------|--------------|------|-----|--------------|------|-----|----------------------|---------------------|---------------|-----------------|---|------|--------|------|-------------------------|---|---|-------------------------------------|------|-----------------------------------|--|--|--|-----|
|                 |                      | RLA          | LRA  | MCC | RLA          | LRA  | MCC |                      |                     |               |                 | Model                                     | kW   | Stages | Amps |                         |   |   | FLA                                 | LRA  |                                   |  |  | FLA  | LRA |
|                 |                      |              |      |     |              |      |     |                      |                     |               |                 |   |      |        |      |                         |   |   |                                     |      |                                   |  |  |  |     |
| <b>With VFD</b> |                      |              |      |     |              |      |     |                      |                     |               |                 |   |      |        |      |                         |   |   |                                     |      |                                   |  |  |  |     |
| A7 (6)          | 208-3-60             | 17.6         | 136  | 27  |              |      |     | 2.3                  | 8.9                 | 1.1           | 8.6             | None                                      | -    | -      | -    | 39.8                    | 40  | 50  | 41                                  | 212  | 42                                | 45   | 50   | 43   | 217 |
|                 |                      |              |      |     |              |      |     |                      |                     |               |                 | 10725                                     | 4.9  | 1      | 13.6 | 39.8                    | 40  | 50  | 41                                  | 212  | 42                                | 45   | 50   | 43   | 217 |
|                 |                      |              |      |     |              |      |     |                      |                     |               |                 | 11725                                     | 12   | 1      | 33.3 | 58.1                    | 60  | 60  | 53                                  | 212  | 60.9                              | 70   | 70   | 56   | 217 |
|                 |                      |              |      |     |              |      |     |                      |                     |               |                 | 12525                                     | 18.6 | 1      | 51.6 | 81                      | 90  | 90  | 75                                  | 212  | 83.8                              | 90   | 90   | 77   | 217 |
|                 | 230-3-60             | 17.6         | 136  | 27  |              |      |     | 2.3                  | 8.2                 | 1             | 8.6             | None                                      | -    | -      | -    | 39.1                    | 40  | 50  | 40                                  | 219  | 41.1                              | 45   | 50   | 42   | 224 |
|                 |                      |              |      |     |              |      |     |                      |                     |               |                 | 10725                                     | 6.5  | 1      | 15.6 | 39.1                    | 40  | 50  | 40                                  | 219  | 41.1                              | 45   | 50   | 42   | 224 |
|                 |                      |              |      |     |              |      |     |                      |                     |               |                 | 11725                                     | 16   | 1      | 38.5 | 63.8                    | 70  | 70  | 59                                  | 219  | 66.3                              | 70   | 70   | 61   | 224 |
|                 |                      |              |      |     |              |      |     |                      |                     |               |                 | 12525                                     | 24.8 | 1      | 59.7 | 90.3                    | 100   | 100   | 83                                  | 219  | 92.8                              | 100  | 100  | 85   | 224 |
|                 | 460-3-60             | 8.5          | 66.1 | 13  |              |      |     | 1.3                  | 4.1                 | 0.5           | 8.6             | None                                      | -    | -      | -    | 19.5                    | 20  | 25  | 20                                  | 109  | 20.5                              | 25   | 25   | 21   | 111 |
|                 |                      |              |      |     |              |      |     |                      |                     |               |                 | 10746                                     | 6    | 1      | 7.2  | 19.5                    | 20  | 25  | 15                                  | 109  | 20.5                              | 25   | 25   | 17   | 111 |
|                 |                      |              |      |     |              |      |     |                      |                     |               |                 | 11746                                     | 16.5 | 1      | 19.8 | 32.6                    | 35  | 35  | 30                                  | 109  | 33.8                              | 35   | 35   | 31   | 111 |
|                 |                      |              |      |     |              |      |     |                      |                     |               |                 | 12646                                     | 25.5 | 1      | 30.7 | 46.2                    | 50  | 50  | 42                                  | 109  | 47.4                              | 50   | 50   | 44   | 111 |
| 575-3-60        | 6.3                  | 55.3         | 10   |     |              |      | 1.1 | 3.2                  | 0.4                 | 8.6           | None            | -   | -    | -      | 15   | 20                      | 20  | 15  | 88                                  | 15.8 | 20                                | 20   | 16   | 90   |     |
|                 |                      |              |      |     |              |      |     |                      |                     |               | 11758           | 17  | 1    | 16.4   | 26.7 | 30                      | 30  | 25  | 88                                  | 27.7 | 30                                | 30   | 25   | 90   |     |
|                 |                      |              |      |     |              |      |     |                      |                     |               | 12658           | 25.7                                      | 1    | 24.7   | 37   | 40                      | 40  | 34  | 88                                  | 38   | 40                                | 40   | 35   | 90   |     |
|                 |                      |              |      |     |              |      |     |                      |                     |               |                 |   |      |        |      |                         |   |   |                                     |      |                                   |  |  |  |     |
| 08 (7.5)        | 208-3-60             | 13.6         | 83.1 | 21  | 13.6         | 83.1 | 21  | 2.3                  | 7                   | 1.1           | 8.6             | None                                      | -    | -      | -    | 46.5                    | 50  | 60  | 50                                  | 250  | 48.7                              | 50   | 60   | 52   | 260 |
|                 |                      |              |      |     |              |      |     |                      |                     |               |                 | 11725                                     | 12   | 1      | 33.3 | 55.8                    | 60  | 60  | 51                                  | 250  | 58.5                              | 60   | 60   | 54   | 260 |
|                 |                      |              |      |     |              |      |     |                      |                     |               |                 | 12525                                     | 18.6 | 1      | 51.6 | 78.6                    | 80  | 80  | 72                                  | 250  | 81.4                              | 90   | 90   | 75   | 260 |
|                 |                      |              |      |     |              |      |     |                      |                     |               |                 | 13225                                     | 24   | 1      | 66.6 | 97.4                    | 100   | 100   | 90                                  | 250  | 100.1                             | 110  | 110  | 92   | 260 |
|                 | 230-3-60             | 13.6         | 83.1 | 21  | 13.6         | 83.1 | 21  | 2.3                  | 7.2                 | 1             | 8.6             | None                                      | -    | -      | -    | 46.7                    | 50  | 60  | 50                                  | 252  | 48.7                              | 50   | 60   | 52   | 247 |
|                 |                      |              |      |     |              |      |     |                      |                     |               |                 | 11725                                     | 16   | 1      | 38.5 | 62.5                    | 70  | 70  | 58                                  | 252  | 65                                | 70   | 70   | 60   | 247 |
|                 |                      |              |      |     |              |      |     |                      |                     |               |                 | 12525                                     | 24.8 | 1      | 59.7 | 89                      | 90  | 90  | 82                                  | 252  | 91.5                              | 100  | 100  | 84   | 247 |
|                 |                      |              |      |     |              |      |     |                      |                     |               |                 | 13225                                     | 32   | 1      | 77   | 110.6                   | 125   | 125   | 102                                 | 252  | 113.1                             | 125  | 125  | 104  | 247 |
|                 | 460-3-60             | 6.1          | 41   | 10  | 6.1          | 41   | 10  | 1.3                  | 3.6                 | 0.5           | 8.6             | None                                      | -    | -      | -    | 22.1                    | 25  | 25  | 24                                  | 127  | 23.1                              | 25   | 25   | 25   | 123 |
|                 |                      |              |      |     |              |      |     |                      |                     |               |                 | 11746                                     | 16.5 | 1      | 19.8 | 31.9                    | 35  | 35  | 29                                  | 127  | 33.2                              | 35   | 35   | 31   | 123 |
|                 |                      |              |      |     |              |      |     |                      |                     |               |                 | 12846                                     | 27.8 | 1      | 33.4 | 48.9                    | 50  | 50  | 45                                  | 127  | 50.2                              | 60   | 60   | 46   | 123 |
|                 |                      |              |      |     |              |      |     |                      |                     |               |                 | 13346                                     | 33   | 1      | 39.7 | 56.8                    | 60  | 60  | 52                                  | 127  | 58.1                              | 60   | 60   | 53   | 123 |
| 575-3-60        | 4.2                  | 33           | 7    | 4.2 | 33           | 7    | 1.1 | 2.5                  | 0.4                 | 8.6           | None            | -   | -    | -      | 15.9 | 20                      | 20  | 17  | 95                                  | 16.7 | 20                                | 20   | 18   | 92   |     |
|                 |                      |              |      |     |              |      |     |                      |                     |               | 11758           | 17  | 1    | 16.4   | 25.8 | 30                      | 30  | 24  | 95                                  | 26.8 | 30                                | 30   | 25   | 92   |     |
|                 |                      |              |      |     |              |      |     |                      |                     |               | 13458           | 34  | 1    | 32.7   | 46.2 | 50                      | 50  | 42  | 95                                  | 47.2 | 50                                | 50   | 43   | 92   |     |
|                 |                      |              |      |     |              |      |     |                      |                     |               |                 |   |      |        |      |                         |   |   |                                     |      |                                   |  |  |  |     |
| 09 (8.5)        | 208-3-60             | 13.7         | 83.1 | 21  | 13.7         | 83.1 | 21  | 2.3                  | 7                   | 1.1           | 8.6             | None                                      | -    | -      | -    | 46.7                    | 50  | 60  | 50                                  | 250  | 48.9                              | 50   | 60   | 52   | 260 |
|                 |                      |              |      |     |              |      |     |                      |                     |               |                 | 11725                                     | 12   | 1      | 33.3 | 55.8                    | 60  | 60  | 51                                  | 250  | 58.5                              | 60   | 60   | 54   | 260 |
|                 |                      |              |      |     |              |      |     |                      |                     |               |                 | 12525                                     | 18.6 | 1      | 51.6 | 78.6                    | 80  | 80  | 72                                  | 250  | 81.4                              | 90   | 90   | 75   | 260 |
|                 |                      |              |      |     |              |      |     |                      |                     |               |                 | 13225                                     | 24   | 1      | 66.6 | 97.4                    | 100   | 100   | 90                                  | 250  | 100.1                             | 110  | 110  | 92   | 260 |
|                 | 230-3-60             | 13.7         | 83.1 | 21  | 13.7         | 83.1 | 21  | 2.3                  | 7.2                 | 1             | 8.6             | None                                      | -    | -      | -    | 46.9                    | 50  | 60  | 50                                  | 252  | 48.9                              | 50   | 60   | 52   | 247 |
|                 |                      |              |      |     |              |      |     |                      |                     |               |                 | 11725                                     | 16   | 1      | 38.5 | 62.5                    | 70  | 70  | 58                                  | 252  | 65                                | 70   | 70   | 60   | 247 |
|                 |                      |              |      |     |              |      |     |                      |                     |               |                 | 12525                                     | 24.8 | 1      | 59.7 | 89                      | 90  | 90  | 82                                  | 252  | 91.5                              | 100  | 100  | 84   | 247 |
|                 |                      |              |      |     |              |      |     |                      |                     |               |                 | 13225                                     | 32   | 1      | 77   | 110.6                   | 125   | 125   | 102                                 | 252  | 113.1                             | 125  | 125  | 104  | 247 |
|                 | 460-3-60             | 6.2          | 41   | 10  | 6.2          | 41   | 10  | 1.3                  | 3.6                 | 0.5           | 8.6             | None                                      | -    | -      | -    | 22.4                    | 25  | 25  | 24                                  | 127  | 23.4                              | 25   | 25   | 25   | 123 |
|                 |                      |              |      |     |              |      |     |                      |                     |               |                 | 11746                                     | 16.5 | 1      | 19.8 | 31.9                    | 35  | 35  | 29                                  | 127  | 33.2                              | 35   | 35   | 31   | 123 |
|                 |                      |              |      |     |              |      |     |                      |                     |               |                 | 12846                                     | 27.8 | 1      | 33.4 | 48.9                    | 50  | 50  | 45                                  | 127  | 50.2                              | 60   | 60   | 46   | 123 |
|                 |                      |              |      |     |              |      |     |                      |                     |               |                 | 13346                                     | 33   | 1      | 39.7 | 56.8                    | 60  | 60  | 52                                  | 127  | 58.1                              | 60   | 60   | 53   | 123 |
| 575-3-60        | 4.8                  | 33           | 8    | 4.8 | 33           | 8    | 1.1 | 2.5                  | 0.4                 | 8.6           | None            | -   | -    | -      | 17.2 | 20                      | 20  | 18  | 95                                  | 18   | 20                                | 20   | 19   | 92   |     |
|                 |                      |              |      |     |              |      |     |                      |                     |               | 11758           | 17  | 1    | 16.4   | 25.8 | 30                      | 30  | 24  | 95                                  | 26.8 | 30                                | 30   | 25   | 92   |     |
|                 |                      |              |      |     |              |      |     |                      |                     |               | 13458           | 34  | 1    | 32.7   | 46.2 | 50                      | 50  | 42  | 95                                  | 47.2 | 50                                | 50   | 43   | 92   |     |
|                 |                      |              |      |     |              |      |     |                      |                     |               |                 |   |      |        |      |                         |   |   |                                     |      |                                   |  |  |  |     |

**ZY04-12 Medium Static Indoor Blower - With Powered Convenience Outlet (Continued)**

| Size<br>(Tons) | Nominal<br>Unit<br>Voltage | Compressor 1 |      |     | Compressor 2 |      |     | OD<br>Fan<br>Motors<br>(each) | Supply<br>Blower<br>Motor | Pwr<br>Exh<br>Motor | Pwr<br>Conv<br>Outlet | Electric Heat<br>Field Installed Kit<br>2EK045* |      |        |      | MCA <sup>1</sup><br>(Amps) | Min<br>Fuse <sup>2</sup> /<br>Breaker <sup>3</sup><br>Size<br>(Amps) | Max<br>Fuse <sup>2</sup> /<br>Breaker <sup>3</sup><br>Size<br>(Amps) | Min<br>Discon-<br>nect<br>Rating <sup>4</sup> |     | MCA <sup>1</sup><br>w/Pwr<br>Exh<br>(Amps) | Min<br>Fuse <sup>2</sup> /<br>Breaker <sup>3</sup><br>Size<br>w/<br>Pwr Exh<br>(Amps) | Max<br>Fuse <sup>2</sup> /<br>Breaker <sup>3</sup><br>Size<br>w/<br>Pwr Exh<br>(Amps) | Min<br>Discon-<br>nect<br>Rating <sup>4</sup> /<br>Pwr Exh |     |
|----------------|----------------------------|--------------|------|-----|--------------|------|-----|-------------------------------|---------------------------|---------------------|-----------------------|---|------|--------|------|----------------------------|--|--|---|-----|--|---|---|--|-----|
|                |                            | RLA          | LRA  | MCC | RLA          | LRA  | MCC |                               |                           |                     |                       | Model   | kW   | Stages | Amps |                            |  |  | FLA   | LRA |  |   |   | FLA  | LRA |
|                |                            |              |      |     |              |      |     |                               |                           |                     |                       |   |      |        |      |                            |  |  |   |     |  |   |   |  |     |
| 12<br>(10)     | 208-3-60                   | 16           | 110  | 25  | 16           | 110  | 25  | 5.8                           | 9.9                       | 1.1                 | 8.6                   | None  | -    | -      | -    | 56                         | 60   | 70   | 60  | 319 | 58.2                                       | 60  | 70  | 62   | 329 |
|                |                            |              |      |     |              |      |     |                               |                           |                     |                       | 11725   | 12   | 1      | 33.3 | 59.4                       | 60   | 70   | 60  | 319 | 62.1                                       | 70  | 70  | 62   | 329 |
|                |                            |              |      |     |              |      |     |                               |                           |                     |                       | 12525   | 18.6 | 1      | 51.6 | 82.3                       | 90   | 90   | 76  | 319 | 85   | 90  | 90  | 78   | 329 |
|                |                            |              |      |     |              |      |     |                               |                           |                     |                       | 13225   | 24   | 1      | 66.6 | 101                        | 110  | 110  | 93  | 319 | 103.8                                      | 110   | 110   | 95   | 329 |
|                |                            |              |      |     |              |      |     |                               |                           |                     |                       | 14225   | 31.8 | 2      | 88.3 | 128.1                      | 150  | 150  | 118   | 319 | 130.9                                      | 150   | 150   | 120  | 329 |
|                | 230-3-60                   | 16           | 110  | 25  | 16           | 110  | 25  | 5.2                           | 9.4                       | 1                   | 8.6                   | None  | -    | -      | -    | 54.9                       | 60   | 70   | 59  | 324 | 56.9                                       | 60  | 70  | 61   | 329 |
|                |                            |              |      |     |              |      |     |                               |                           |                     |                       | 11725   | 16   | 1      | 38.5 | 65.3                       | 70   | 70   | 60  | 324 | 67.8                                       | 70  | 70  | 62   | 329 |
|                |                            |              |      |     |              |      |     |                               |                           |                     |                       | 12525   | 24.8 | 1      | 59.7 | 91.8                       | 100  | 100  | 84  | 324 | 94.3                                       | 100   | 100   | 87   | 329 |
|                |                            |              |      |     |              |      |     |                               |                           |                     |                       | 13225   | 32   | 1      | 77   | 113.4                      | 125  | 125  | 104   | 324 | 115.9                                      | 125   | 125   | 107  | 329 |
|                |                            |              |      |     |              |      |     |                               |                           |                     |                       | 14225   | 42.4 | 2      | 102  | 144.6                      | 150  | 150  | 133   | 324 | 147.1                                      | 150   | 150   | 135  | 329 |
|                | 460-3-60                   | 7.8          | 52   | 12  | 7.8          | 52   | 12  | 2.9                           | 4.7                       | 0.5                 | 8.6                   | None  | -    | -      | -    | 27.4                       | 30   | 35   | 29  | 157 | 28.4                                       | 30  | 35  | 30   | 160 |
|                |                            |              |      |     |              |      |     |                               |                           |                     |                       | 11746   | 16.5 | 1      | 19.8 | 33.3                       | 35   | 35   | 31  | 157 | 34.6                                       | 35  | 35  | 32   | 160 |
|                |                            |              |      |     |              |      |     |                               |                           |                     |                       | 12846   | 27.8 | 1      | 33.4 | 50.3                       | 60   | 60   | 46  | 157 | 51.6                                       | 60  | 60  | 47   | 160 |
|                |                            |              |      |     |              |      |     |                               |                           |                     |                       | 13346   | 33   | 1      | 39.7 | 58.2                       | 60   | 60   | 54  | 157 | 59.4                                       | 60  | 60  | 55   | 160 |
|                |                            |              |      |     |              |      |     |                               |                           |                     |                       | 14246   | 41.7 | 2      | 50.2 | 71.3                       | 80   | 80   | 66  | 157 | 72.6                                       | 80  | 80  | 67   | 160 |
|                | 575-3-60                   | 5.7          | 38.9 | 9   | 5.7          | 38.9 | 9   | 2.2                           | 4.3                       | 0.4                 | 8.6                   | None  | -    | -      | -    | 21                         | 25   | 25   | 23  | 131 | 21.8                                       | 25  | 25  | 23   | 133 |
|                |                            |              |      |     |              |      |     |                               |                           |                     |                       | 11758   | 17   | 1      | 16.4 | 28                         | 30   | 30   | 26  | 131 | 29   | 30  | 30  | 27   | 133 |
|                |                            |              |      |     |              |      |     |                               |                           |                     |                       | 13458   | 34   | 1      | 32.7 | 48.4                       | 50   | 50   | 45  | 131 | 49.4                                       | 50  | 50  | 45   | 133 |

1. Minimum Circuit Ampacity.
2. Dual Element, Time Delay Type.
3. HACR type per NEC.
4. Non-fused Disconnect, Verify on the unit nameplate that the disconnect is properly sized for the application. Units with field installed electric heat kits may exceed the factory installed disconnect amperage rating.

**ZY04-12 High Static Indoor Blower - Without Powered Convenience Outlet**

| Size (Tons) | Nominal Unit Voltage | Compressor 1 |      |     | Compressor 2 |     |     | OD Fan Motors (each) | Supply Blower Motor | Pwr Exh Motor | Pwr Conv Outlet | Electric Heat Field Installed Kit 2EK045* |       |        | MCA <sup>1</sup> (Amps) | Min Fuse <sup>2</sup> /<br>Breaker <sup>3</sup> Size (Amps) | Max Fuse <sup>2</sup> /<br>Breaker <sup>3</sup> Size (Amps) | Min Discon-nect Rating <sup>4</sup> |     | MCA <sup>1</sup> w/Pwr Exh (Amps) | Min Fuse <sup>2</sup> /<br>Breaker <sup>3</sup> Size w/ Pwr Exh (Amps) | Max Fuse <sup>2</sup> /<br>Breaker <sup>3</sup> Size w/ Pwr Exh (Amps) | Min Discon-nect Rating <sup>4</sup> /<br>Pwr Exh |     |     |     |
|-------------|----------------------|--------------|------|-----|--------------|-----|-----|----------------------|---------------------|---------------|-----------------|---|-------|--------|-------------------------|---|---|-------------------------------------|-----|-----------------------------------|--|--|--|-----|-----|-----|
|             |                      | RLA          | LRA  | MCC | RLA          | LRA | MCC |                      |                     |               |                 | Model                                     | kW    | Stages |                         |   |   | Amps                                | FLA |                                   |  |  | LRA  | FLA | LRA |     |
|             |                      |              |      |     |              |     |     |                      |                     |               |                 |   |       |        |                         |   |   |                                     |     |                                   |  |  |  |     |     |     |
| 04<br>(3)   | 208-3-60             | 10.4         | 73   | 16  |              |     |     | 1.4                  | 5.2                 | 1.1           |                 | None                                      | -     | -      | -                       | 19.6  | 20  | 30                                  | 20  | 99                                | 20.7   | 25   | 30   | 21  | 101 |     |
|             |                      |              |      |     |              |     |     |                      |                     |               |                 | 10625                                     | 4.9   | 1      | 13.6                    | 23.5  | 25  | 30                                  | 22  | 99                                | 24.9   | 25   | 30   | 23  | 101 |     |
|             |                      |              |      |     |              |     |     |                      |                     |               |                 | 11125                                     | 7.9   | 1      | 21.9                    | 33.9  | 35  | 35                                  | 31  | 99                                | 35.3   | 40   | 40   | 32  | 101 |     |
|             |                      |              |      |     |              |     |     |                      |                     |               |                 | 11625                                     | 12    | 1      | 33.3                    | 48.1  | 50  | 50                                  | 44  | 99                                | 49.5   | 50   | 50   | 46  | 101 |     |
|             | 230-3-60             | 10.4         | 73   | 16  |              |     |     | 1.4                  | 5.2                 | 1             |                 |   | None  | -      | -                       | -   | 19.6  | 20                                  | 30  | 20                                | 101  | 20.6   | 25   | 30  | 21  | 104 |
|             |                      |              |      |     |              |     |     |                      |                     |               |                 |   | 10625 | 6.5    | 1                       | 15.6  | 26  | 30                                  | 30  | 24                                | 101  | 27.3   | 30   | 30  | 25  | 104 |
|             |                      |              |      |     |              |     |     |                      |                     |               |                 |   | 11125 | 10.5   | 1                       | 25.3  | 38.1  | 40                                  | 40  | 35                                | 101  | 39.4   | 40   | 40  | 36  | 104 |
|             |                      |              |      |     |              |     |     |                      |                     |               |                 |   | 11625 | 16     | 1                       | 38.5  | 54.6  | 60                                  | 60  | 50                                | 101  | 55.9   | 60   | 60  | 51  | 104 |
|             | 460-3-60             | 5.8          | 38   | 9   |              |     |     | 0.8                  | 2.6                 | 0.5           |                 |   | None  | -      | -                       | -   | 10.7  | 15                                  | 15  | 11                                | 52   | 11.2   | 15   | 15  | 11  | 54  |
|             |                      |              |      |     |              |     |     |                      |                     |               |                 |   | 10646 | 6      | 1                       | 7.2   | 12.3  | 15                                  | 15  | 11                                | 52   | 12.9   | 15   | 15  | 12  | 54  |
|             |                      |              |      |     |              |     |     |                      |                     |               |                 |   | 11146 | 11.5   | 1                       | 13.8  | 20.5  | 25                                  | 25  | 19                                | 52   | 21.1   | 25   | 25  | 19  | 54  |
|             |                      |              |      |     |              |     |     |                      |                     |               |                 |   | 11446 | 14     | 1                       | 16.8  | 24.3  | 25                                  | 25  | 22                                | 52   | 24.9   | 25   | 25  | 23  | 54  |
| 575-3-60    | 3.8                  | 36.5         | 6    |     |              |     | 0.6 | 2                    | 0.4                 |               |                 | None                                      | -     | -      | -                       | 7.4   | 15  | 15                                  | 7   | 48                                | 7.8  | 15   | 15   | 8   | 49  |     |
|             |                      |              |      |     |              |     |     |                      |                     |               |                 | 11058                                     | 9.2   | 1      | 8.9                     | 13.6  | 15  | 15                                  | 13  | 48                                | 14.1   | 15   | 15   | 13  | 49  |     |
|             |                      |              |      |     |              |     |     |                      |                     |               |                 | 11458                                     | 13.8  | 1      | 13.3                    | 19.1  | 20  | 20                                  | 18  | 48                                | 19.6   | 20   | 20   | 18  | 49  |     |
|             |                      |              |      |     |              |     |     |                      |                     |               |                 |   |       |        |                         |   |   |                                     |     |                                   |  |  |  |     |     |     |
| 05<br>(4)   | 208-3-60             | 13.7         | 83.1 | 21  |              |     | 1.4 | 7.5                  | 1.1                 |               |                 | None                                      | -     | -      | -                       | 26  | 30  | 35                                  | 26  | 135                               | 27.1   | 30   | 40   | 27  | 137 |     |
|             |                      |              |      |     |              |     |     |                      |                     |               |                 | 10625                                     | 4.9   | 1      | 13.6                    | 26.4  | 30  | 35                                  | 26  | 135                               | 27.8   | 30   | 40   | 27  | 137 |     |
|             |                      |              |      |     |              |     |     |                      |                     |               |                 | 11125                                     | 7.9   | 1      | 21.9                    | 36.8  | 40  | 40                                  | 34  | 135                               | 38.1   | 40   | 40   | 35  | 137 |     |
|             |                      |              |      |     |              |     |     |                      |                     |               |                 | 11625                                     | 12    | 1      | 33.3                    | 51  | 60  | 60                                  | 47  | 135                               | 52.4   | 60   | 60   | 48  | 137 |     |
|             | 230-3-60             | 13.7         | 83.1 | 21  |              |     |     | 1.4                  | 7.5                 | 1             |                 |   | None  | -      | -                       | -   | 26  | 30                                  | 35  | 26                                | 141  | 27   | 30   | 40  | 27  | 144 |
|             |                      |              |      |     |              |     |     |                      |                     |               |                 |   | 10625 | 6.5    | 1                       | 15.6  | 28.9  | 30                                  | 35  | 27                                | 141  | 30.1   | 35   | 40  | 28  | 144 |
|             |                      |              |      |     |              |     |     |                      |                     |               |                 |   | 11125 | 10.5   | 1                       | 25.3  | 41  | 45                                  | 45  | 38                                | 141  | 42.3   | 45   | 45  | 39  | 144 |
|             |                      |              |      |     |              |     |     |                      |                     |               |                 |   | 11625 | 16     | 1                       | 38.5  | 57.5  | 60                                  | 60  | 53                                | 141  | 58.8   | 60   | 60  | 54  | 144 |
|             | 460-3-60             | 6.2          | 41   | 10  |              |     |     | 0.8                  | 3.4                 | 0.5           |                 |   | None  | -      | -                       | -   | 12  | 15                                  | 15  | 12                                | 70   | 12.5   | 15   | 15  | 13  | 72  |
|             |                      |              |      |     |              |     |     |                      |                     |               |                 |   | 10646 | 6      | 1                       | 7.2   | 13.3  | 15                                  | 15  | 12                                | 70   | 13.9   | 15   | 15  | 13  | 72  |
|             |                      |              |      |     |              |     |     |                      |                     |               |                 |   | 11146 | 11.5   | 1                       | 13.8  | 21.5  | 25                                  | 25  | 20                                | 70   | 22.1   | 25   | 25  | 20  | 72  |
|             |                      |              |      |     |              |     |     |                      |                     |               |                 |   | 11446 | 14     | 1                       | 16.8  | 25.3  | 30                                  | 30  | 23                                | 70   | 25.9   | 30   | 30  | 24  | 72  |
| 575-3-60    | 4.8                  | 33           | 8    |     |              |     | 0.6 | 2.8                  | 0.4                 |               |                 | None                                      | -     | -      | -                       | 9.4   | 15  | 15                                  | 9   | 57                                | 9.8  | 15   | 15   | 10  | 57  |     |
|             |                      |              |      |     |              |     |     |                      |                     |               |                 | 11058                                     | 9.2   | 1      | 8.9                     | 14.6  | 15  | 15                                  | 13  | 57                                | 15.1   | 20   | 20   | 14  | 57  |     |
|             |                      |              |      |     |              |     |     |                      |                     |               |                 | 11458                                     | 13.8  | 1      | 13.3                    | 20.1  | 25  | 25                                  | 19  | 57                                | 20.6   | 25   | 25   | 19  | 57  |     |
|             |                      |              |      |     |              |     |     |                      |                     |               |                 |   |       |        |                         |   |   |                                     |     |                                   |  |  |  |     |     |     |
| 06<br>(5)   | 208-3-60             | 15.9         | 110  | 25  |              |     | 2.3 | 8.9                  | 1.1                 |               |                 | None                                      | -     | -      | -                       | 31.1  | 35  | 45                                  | 31  | 192                               | 32.2   | 35   | 45   | 32  | 194 |     |
|             |                      |              |      |     |              |     |     |                      |                     |               |                 | 10625                                     | 4.9   | 1      | 13.6                    | 31.1  | 35  | 45                                  | 31  | 192                               | 32.2   | 35   | 45   | 32  | 194 |     |
|             |                      |              |      |     |              |     |     |                      |                     |               |                 | 11125                                     | 7.9   | 1      | 21.9                    | 38.5  | 40  | 45                                  | 35  | 192                               | 39.9   | 40   | 45   | 37  | 194 |     |
|             |                      |              |      |     |              |     |     |                      |                     |               |                 | 11625                                     | 12    | 1      | 33.3                    | 52.8  | 60  | 60                                  | 49  | 192                               | 54.1   | 60   | 60   | 50  | 194 |     |
|             | 230-3-60             | 15.9         | 110  | 25  |              |     |     | 2.3                  | 8.2                 | 1             |                 |   | None  | -      | -                       | -   | 30.4  | 35                                  | 45  | 30                                | 194  | 31.4   | 35   | 45  | 32  | 196 |
|             |                      |              |      |     |              |     |     |                      |                     |               |                 |   | 10625 | 6.5    | 1                       | 15.6  | 30.4  | 35                                  | 45  | 30                                | 194  | 31.4   | 35   | 45  | 32  | 196 |
|             |                      |              |      |     |              |     |     |                      |                     |               |                 |   | 11125 | 10.5   | 1                       | 25.3  | 41.9  | 45                                  | 45  | 39                                | 194  | 43.1   | 45   | 45  | 40  | 196 |
|             |                      |              |      |     |              |     |     |                      |                     |               |                 |   | 11625 | 16     | 1                       | 38.5  | 58.4  | 60                                  | 60  | 54                                | 194  | 59.6   | 60   | 60  | 55  | 196 |
|             | 460-3-60             | 7.1          | 52   | 11  |              |     |     | 1.3                  | 4.1                 | 0.5           |                 |   | None  | -      | -                       | -   | 14.3  | 15                                  | 20  | 14                                | 89   | 14.8   | 15   | 20  | 15  | 91  |
|             |                      |              |      |     |              |     |     |                      |                     |               |                 |   | 11146 | 6      | 1                       | 7.2   | 14.3  | 15                                  | 20  | 13                                | 89   | 14.8   | 15   | 20  | 14  | 91  |
|             |                      |              |      |     |              |     |     |                      |                     |               |                 |   | 11446 | 11.5   | 1                       | 13.8  | 22.4  | 25                                  | 25  | 21                                | 89   | 23   | 25   | 25  | 21  | 91  |
|             |                      |              |      |     |              |     |     |                      |                     |               |                 |   | 11446 | 14     | 1                       | 16.8  | 26.1  | 30                                  | 30  | 24                                | 89   | 26.8   | 30   | 30  | 25  | 91  |
| 575-3-60    | 5.1                  | 39.5         | 8    |     |              |     | 1.1 | 3.2                  | 0.4                 |               |                 | None                                      | -     | -      | -                       | 10.7  | 15  | 15                                  | 11  | 68                                | 11.1   | 15   | 15   | 11  | 69  |     |
|             |                      |              |      |     |              |     |     |                      |                     |               |                 | 11458                                     | 13.8  | 1      | 13.3                    | 20.6  | 25  | 25                                  | 19  | 68                                | 21.1   | 25   | 25   | 19  | 69  |     |
|             |                      |              |      |     |              |     |     |                      |                     |               |                 | 12358                                     | 23    | 1      | 22.1                    | 31.6  | 35  | 35                                  | 29  | 68                                | 32.1   | 35   | 35   | 30  | 69  |     |
|             |                      |              |      |     |              |     |     |                      |                     |               |                 |   |       |        |                         |   |   |                                     |     |                                   |  |  |  |     |     |     |

ZY04-12 High Static Indoor Blower - Without Powered Convenience Outlet (Continued)

| Size (Tons) | Nominal Unit Voltage | Compressor 1 |      |     | Compressor 2 |      |     | OD Fan Motors (each) | Supply Blower Motor | Pwr Exh Motor | Pwr Conv Outlet | Electric Heat Field Installed Kit 2EK045* |       |        | MCA <sup>1</sup> (Amps) | Min Fuse <sup>2</sup> /<br>Breaker <sup>3</sup> Size (Amps) | Max Fuse <sup>2</sup> /<br>Breaker <sup>3</sup> Size (Amps) | Min Discon-nect Rating <sup>4</sup> |     | MCA <sup>1</sup> w/Pwr Exh (Amps) | Min Fuse <sup>2</sup> /<br>Breaker <sup>3</sup> Size w/ Pwr Exh (Amps) | Max Fuse <sup>2</sup> /<br>Breaker <sup>3</sup> Size w/ Pwr Exh (Amps) | Min Discon-nect Rating <sup>4</sup> /<br>Pwr Exh |     |     |     |
|-------------|----------------------|--------------|------|-----|--------------|------|-----|----------------------|---------------------|---------------|-----------------|---|-------|--------|-------------------------|---|---|-------------------------------------|-----|-----------------------------------|--|--|--|-----|-----|-----|
|             |                      | RLA          | LRA  | MCC | RLA          | LRA  | MCC |                      |                     |               |                 | Model                                     | kW    | Stages |                         |   |   | Amps                                | FLA |                                   |  |  | LRA  | FLA | LRA |     |
|             |                      |              |      |     |              |      |     |                      |                     |               |                 |   |       |        |                         |   |   |                                     |     |                                   |  |  |  |     |     |     |
| 07 (6)      | 208-3-60             | 19           | 123  | 30  |              |      |     | 2.3                  | 10.2                | 1.1           |                 | None                                      | -     | -      | -                       | 38.6  | 40  | 50                                  | 39  | 206                               | 40.8   | 45   | 50   | 41  | 216 |     |
|             |                      |              |      |     |              |      |     |                      |                     |               |                 | 10725                                     | 4.9   | 1      | 13.6                    | 38.6  | 40  | 50                                  | 39  | 206                               | 40.8   | 45   | 50   | 41  | 216 |     |
|             |                      |              |      |     |              |      |     |                      |                     |               |                 | 11725                                     | 12    | 1      | 33.3                    | 54.4  | 60  | 60                                  | 50  | 206                               | 57.1   | 60   | 60   | 53  | 216 |     |
|             |                      |              |      |     |              |      |     |                      |                     |               |                 | 12525                                     | 18.6  | 1      | 51.6                    | 77.3  | 80  | 80                                  | 71  | 206                               | 80   | 90   | 90   | 74  | 216 |     |
|             | 230-3-60             | 19           | 123  | 30  |              |      |     | 2.3                  | 10.2                | 1             |                 |   | None  | -      | -                       | -   | 38.6  | 40                                  | 50  | 39                                | 212  | 40.6   | 45   | 50  | 41  | 207 |
|             |                      |              |      |     |              |      |     |                      |                     |               |                 |   | 10725 | 6.5    | 1                       | 15.6  | 38.6  | 40                                  | 50  | 39                                | 212  | 40.6   | 45   | 50  | 41  | 207 |
|             |                      |              |      |     |              |      |     |                      |                     |               |                 |   | 11725 | 16     | 1                       | 38.5  | 60.9  | 70                                  | 70  | 56                                | 212  | 63.4   | 70   | 70  | 58  | 207 |
|             |                      |              |      |     |              |      |     |                      |                     |               |                 |   | 12525 | 24.8   | 1                       | 59.7  | 87.4  | 90                                  | 90  | 80                                | 212  | 89.9   | 90   | 90  | 83  | 207 |
|             | 460-3-60             | 9.7          | 62   | 15  |              |      |     | 1.3                  | 4.8                 | 0.5           |                 |   | None  | -      | -                       | -   | 19.5  | 20                                  | 25  | 20                                | 108  | 20.5   | 25   | 25  | 21  | 105 |
|             |                      |              |      |     |              |      |     |                      |                     |               |                 |   | 10746 | 6      | 1                       | 7.2   | 19.5  | 20                                  | 25  | 14                                | 108  | 20.5   | 25   | 25  | 15  | 105 |
|             |                      |              |      |     |              |      |     |                      |                     |               |                 |   | 11746 | 16.5   | 1                       | 19.8  | 30.8  | 35                                  | 35  | 28                                | 108  | 32   | 35   | 35  | 29  | 105 |
|             |                      |              |      |     |              |      |     |                      |                     |               |                 |   | 12646 | 25.5   | 1                       | 30.7  | 44.4  | 45                                  | 45  | 41                                | 108  | 45.6   | 50   | 50  | 42  | 105 |
| 575-3-60    | 7.4                  | 50           | 12   |     |              |      | 1.1 | 3.4                  | 0.4                 |               |                 | None                                      | -     | -      | -                       | 14.9  | 15  | 20                                  | 15  | 87                                | 15.7   | 20   | 20   | 16  | 84  |     |
|             |                      |              |      |     |              |      |     |                      |                     |               |                 | 11758                                     | 17    | 1      | 16.4                    | 24.8  | 25  | 25                                  | 23  | 87                                | 25.8   | 30   | 30   | 24  | 84  |     |
|             |                      |              |      |     |              |      |     |                      |                     |               |                 | 12658                                     | 25.7  | 1      | 24.7                    | 35.1  | 40  | 40                                  | 32  | 87                                | 36.1   | 40   | 40   | 33  | 84  |     |
|             |                      |              |      |     |              |      |     |                      |                     |               |                 | None                                      | -     | -      | -                       | 36.8  | 40  | 50                                  | 37  | 209                               | 39   | 40   | 50   | 40  | 214 |     |
| A7 (6)      | 208-3-60             | 17.6         | 136  | 27  |              |      |     | 2.3                  | 10.2                | 1.1           |                 | None                                      | -     | -      | -                       | 36.8  | 40  | 50                                  | 37  | 209                               | 39   | 40   | 50   | 40  | 214 |     |
|             |                      |              |      |     |              |      |     |                      |                     |               |                 | 10725                                     | 4.9   | 1      | 13.6                    | 36.8  | 40  | 50                                  | 37  | 209                               | 39   | 40   | 50   | 40  | 214 |     |
|             |                      |              |      |     |              |      |     |                      |                     |               |                 | 11725                                     | 12    | 1      | 33.3                    | 54.4  | 60  | 60                                  | 50  | 209                               | 57.1   | 60   | 60   | 53  | 214 |     |
|             |                      |              |      |     |              |      |     |                      |                     |               |                 | 12525                                     | 18.6  | 1      | 51.6                    | 77.3  | 80  | 80                                  | 71  | 209                               | 80   | 90   | 90   | 74  | 214 |     |
|             | 230-3-60             | 17.6         | 136  | 27  |              |      |     | 2.3                  | 10.2                | 1             |                 |   | None  | -      | -                       | -   | 36.8  | 40                                  | 50  | 37                                | 215  | 38.8   | 40   | 50  | 40  | 220 |
|             |                      |              |      |     |              |      |     |                      |                     |               |                 |   | 10725 | 6.5    | 1                       | 15.6  | 36.8  | 40                                  | 50  | 37                                | 215  | 38.8   | 40   | 50  | 40  | 220 |
|             |                      |              |      |     |              |      |     |                      |                     |               |                 |   | 11725 | 16     | 1                       | 38.5  | 60.9  | 70                                  | 70  | 56                                | 215  | 63.4   | 70   | 70  | 58  | 220 |
|             |                      |              |      |     |              |      |     |                      |                     |               |                 |   | 12525 | 24.8   | 1                       | 59.7  | 87.4  | 90                                  | 90  | 80                                | 215  | 89.9   | 90   | 90  | 83  | 220 |
|             | 460-3-60             | 8.5          | 66.1 | 13  |              |      |     | 1.3                  | 4.8                 | 0.5           |                 |   | None  | -      | -                       | -   | 18  | 20                                  | 25  | 18                                | 106  | 19   | 20   | 25  | 19  | 109 |
|             |                      |              |      |     |              |      |     |                      |                     |               |                 |   | 10746 | 6      | 1                       | 7.2   | 18  | 20                                  | 25  | 14                                | 106  | 19   | 20   | 25  | 15  | 109 |
|             |                      |              |      |     |              |      |     |                      |                     |               |                 |   | 11746 | 16.5   | 1                       | 19.8  | 30.8  | 35                                  | 35  | 28                                | 106  | 32   | 35   | 35  | 29  | 109 |
|             |                      |              |      |     |              |      |     |                      |                     |               |                 |   | 12646 | 25.5   | 1                       | 30.7  | 44.4  | 45                                  | 45  | 41                                | 106  | 45.6   | 50   | 50  | 42  | 109 |
| 575-3-60    | 6.3                  | 55.3         | 10   |     |              |      | 1.1 | 3.4                  | 0.4                 |               |                 | None                                      | -     | -      | -                       | 13.5  | 15  | 15                                  | 14  | 88                                | 14.3   | 15   | 15   | 15  | 89  |     |
|             |                      |              |      |     |              |      |     |                      |                     |               |                 | 11758                                     | 17    | 1      | 16.4                    | 24.8  | 25  | 25                                  | 23  | 88                                | 25.8   | 30   | 30   | 24  | 89  |     |
|             |                      |              |      |     |              |      |     |                      |                     |               |                 | 12658                                     | 25.7  | 1      | 24.7                    | 35.1  | 40  | 40                                  | 32  | 88                                | 36.1   | 40   | 40   | 33  | 89  |     |
|             |                      |              |      |     |              |      |     |                      |                     |               |                 | None                                      | -     | -      | -                       | 45.4  | 50  | 50                                  | 48  | 249                               | 47.6   | 50   | 60   | 51  | 259 |     |
| 08 (7.5)    | 208-3-60             | 13.6         | 83.1 | 21  | 13.6         | 83.1 | 21  | 2.3                  | 10.2                | 1.1           |                 | None                                      | -     | -      | -                       | 45.4  | 50  | 50                                  | 48  | 249                               | 47.6   | 50   | 60   | 51  | 259 |     |
|             |                      |              |      |     |              |      |     |                      |                     |               |                 | 11725                                     | 12    | 1      | 33.3                    | 54.4  | 60  | 60                                  | 50  | 249                               | 57.1   | 60   | 60   | 53  | 259 |     |
|             |                      |              |      |     |              |      |     |                      |                     |               |                 | 12525                                     | 18.6  | 1      | 51.6                    | 77.3  | 80  | 80                                  | 71  | 249                               | 80   | 90   | 90   | 74  | 259 |     |
|             |                      |              |      |     |              |      |     |                      |                     |               |                 | 13225                                     | 24    | 1      | 66.6                    | 96  | 100   | 100                                 | 88  | 249                               | 98.8   | 100  | 100  | 91  | 259 |     |
|             | 230-3-60             | 13.6         | 83.1 | 21  | 13.6         | 83.1 | 21  | 2.3                  | 10.2                | 1             |                 |   | None  | -      | -                       | -   | 45.4  | 50                                  | 50  | 48                                | 255  | 47.4   | 50   | 60  | 51  | 250 |
|             |                      |              |      |     |              |      |     |                      |                     |               |                 |   | 11725 | 16     | 1                       | 38.5  | 60.9  | 70                                  | 70  | 56                                | 255  | 63.4   | 70   | 70  | 58  | 250 |
|             |                      |              |      |     |              |      |     |                      |                     |               |                 |   | 12525 | 24.8   | 1                       | 59.7  | 87.4  | 90                                  | 90  | 80                                | 255  | 89.9   | 90   | 90  | 83  | 250 |
|             |                      |              |      |     |              |      |     |                      |                     |               |                 |   | 13225 | 32     | 1                       | 77  | 109   | 110                                 | 110 | 100                               | 255  | 111.5  | 125  | 125 | 103 | 250 |
|             | 460-3-60             | 6.1          | 41   | 10  | 6.1          | 41   | 10  | 1.3                  | 4.8                 | 0.5           |                 |   | None  | -      | -                       | -   | 21.1  | 25                                  | 25  | 23                                | 128  | 22.1   | 25   | 25  | 24  | 125 |
|             |                      |              |      |     |              |      |     |                      |                     |               |                 |   | 11746 | 16.5   | 1                       | 19.8  | 30.8  | 35                                  | 35  | 28                                | 128  | 32   | 35   | 35  | 29  | 125 |
|             |                      |              |      |     |              |      |     |                      |                     |               |                 |   | 12846 | 27.8   | 1                       | 33.4  | 47.8  | 50                                  | 50  | 44                                | 128  | 49   | 50   | 50  | 45  | 125 |
|             |                      |              |      |     |              |      |     |                      |                     |               |                 |   | 13346 | 33     | 1                       | 39.7  | 55.6  | 60                                  | 60  | 51                                | 128  | 56.9   | 60   | 60  | 52  | 125 |
| 575-3-60    | 4.2                  | 33           | 7    | 4.2 | 33           | 7    | 1.1 | 3.4                  | 0.4                 |               |                 | None                                      | -     | -      | -                       | 15.1  | 20  | 20                                  | 16  | 103                               | 15.9   | 20   | 20   | 17  | 100 |     |
|             |                      |              |      |     |              |      |     |                      |                     |               |                 | 11758                                     | 17    | 1      | 16.4                    | 24.8  | 25  | 25                                  | 23  | 103                               | 25.8   | 30   | 30   | 24  | 100 |     |
|             |                      |              |      |     |              |      |     |                      |                     |               |                 | 13458                                     | 34    | 1      | 32.7                    | 45.1  | 50  | 50                                  | 42  | 103                               | 46.1   | 50   | 50   | 42  | 100 |     |
|             |                      |              |      |     |              |      |     |                      |                     |               |                 | None                                      | -     | -      | -                       | 45.4  | 50  | 50                                  | 48  | 249                               | 47.6   | 50   | 60   | 51  | 259 |     |

ZY04-12 High Static Indoor Blower - Without Powered Convenience Outlet (Continued)

| Size (Tons)     | Nominal Unit Voltage | Compressor 1 |      |     | Compressor 2 |      |     | OD Fan Motors (each) | Supply Blower Motor | Pwr Exh Motor | Pwr Conv Outlet | Electric Heat Field Installed Kit 2EK045* |       |        | MCA <sup>1</sup> (Amps) | Min Fuse <sup>2</sup> /<br>Breaker <sup>3</sup> Size (Amps) | Max Fuse <sup>2</sup> /<br>Breaker <sup>3</sup> Size (Amps) | Min Discon-nect Rating <sup>4</sup> |     | MCA <sup>1</sup> w/Pwr Exh (Amps) | Min Fuse <sup>2</sup> /<br>Breaker <sup>3</sup> Size w/ Pwr Exh (Amps) | Max Fuse <sup>2</sup> /<br>Breaker <sup>3</sup> Size w/ Pwr Exh (Amps) | Min Discon-nect Rating <sup>4</sup> /<br>Pwr Exh |     |     |     |
|-----------------|----------------------|--------------|------|-----|--------------|------|-----|----------------------|---------------------|---------------|-----------------|---|-------|--------|-------------------------|---|---|-------------------------------------|-----|-----------------------------------|--|--|--|-----|-----|-----|
|                 |                      | RLA          | LRA  | MCC | RLA          | LRA  | MCC |                      |                     |               |                 | Model                                     | kW    | Stages |                         |   |   | Amps                                | FLA |                                   |  |  | LRA  | FLA | LRA |     |
|                 |                      |              |      |     |              |      |     |                      |                     |               |                 |   |       |        |                         |   |   |                                     |     |                                   |  |  |  |     |     |     |
| 09 (8.5)        | 208-3-60             | 13.7         | 83.1 | 21  | 13.7         | 83.1 | 21  | 2.3                  | 10.2                | 1.1           |                 | None                                      | -     | -      | -                       | 45.6  | 50  | 50                                  | 49  | 249                               | 47.8   | 50   | 60   | 51  | 259 |     |
|                 |                      |              |      |     |              |      |     |                      |                     |               |                 | 11725                                     | 12    | 1      | 33.3                    | 54.4  | 60  | 60                                  | 50  | 249                               | 57.1   | 60   | 60   | 53  | 259 |     |
|                 |                      |              |      |     |              |      |     |                      |                     |               |                 | 12525                                     | 18.6  | 1      | 51.6                    | 77.3  | 80  | 80                                  | 71  | 249                               | 80   | 90   | 90   | 74  | 259 |     |
|                 |                      |              |      |     |              |      |     |                      |                     |               |                 | 13225                                     | 24    | 1      | 66.6                    | 96  | 100   | 100                                 | 88  | 249                               | 98.8   | 100  | 100  | 91  | 259 |     |
|                 |                      |              |      |     |              |      |     |                      |                     |               |                 | 14225                                     | 31.8  | 2      | 88.3                    | 123.1   | 125   | 125                                 | 113 | 249                               | 125.9  | 150  | 150  | 116 | 259 |     |
|                 | 230-3-60             | 13.7         | 83.1 | 21  | 13.7         | 83.1 | 21  | 2.3                  | 10.2                | 1             |                 |   | None  | -      | -                       | -   | 45.6  | 50                                  | 50  | 49                                | 255  | 47.6   | 50   | 60  | 51  | 250 |
|                 |                      |              |      |     |              |      |     |                      |                     |               |                 |   | 11725 | 16     | 1                       | 38.5  | 60.9  | 70                                  | 70  | 56                                | 255  | 63.4   | 70   | 70  | 58  | 250 |
|                 |                      |              |      |     |              |      |     |                      |                     |               |                 |   | 12525 | 24.8   | 1                       | 59.7  | 87.4  | 90                                  | 90  | 80                                | 255  | 89.9   | 90   | 90  | 83  | 250 |
|                 |                      |              |      |     |              |      |     |                      |                     |               |                 |   | 13225 | 32     | 1                       | 77  | 109   | 110                                 | 110 | 100                               | 255  | 111.5  | 125  | 125 | 103 | 250 |
|                 |                      |              |      |     |              |      |     |                      |                     |               |                 |   | 14225 | 42.4   | 2                       | 102   | 140.3   | 150                                 | 150 | 129                               | 255  | 142.8  | 150  | 150 | 131 | 250 |
|                 | 460-3-60             | 6.2          | 41   | 10  | 6.2          | 41   | 10  | 1.3                  | 4.8                 | 0.5           |                 |   | None  | -      | -                       | -   | 21.4  | 25                                  | 25  | 23                                | 128  | 22.4   | 25   | 25  | 24  | 125 |
|                 |                      |              |      |     |              |      |     |                      |                     |               |                 |   | 11746 | 16.5   | 1                       | 19.8  | 30.8  | 35                                  | 35  | 28                                | 128  | 32   | 35   | 35  | 29  | 125 |
| 12846           |                      |              |      |     |              |      |     |                      |                     |               |                 |   | 27.8  | 1      | 33.4                    | 47.8  | 50  | 50                                  | 44  | 128                               | 49   | 50   | 50   | 45  | 125 |     |
| 13346           |                      |              |      |     |              |      |     |                      |                     |               |                 |   | 33    | 1      | 39.7                    | 55.6  | 60  | 60                                  | 51  | 128                               | 56.9   | 60   | 60   | 52  | 125 |     |
| 14246           |                      |              |      |     |              |      |     |                      |                     |               |                 |   | 41.7  | 2      | 50.2                    | 68.8  | 70  | 70                                  | 63  | 128                               | 70   | 70   | 70   | 64  | 125 |     |
| 575-3-60        | 4.8                  | 33           | 8    | 4.8 | 33           | 8    | 1.1 | 3.4                  | 0.4                 |               |                 | None                                      | -     | -      | -                       | 16.4  | 20  | 20                                  | 17  | 103                               | 17.2   | 20   | 20   | 18  | 100 |     |
|                 |                      |              |      |     |              |      |     |                      |                     |               |                 | 11758                                     | 17    | 1      | 16.4                    | 24.8  | 25  | 25                                  | 23  | 103                               | 25.8   | 30   | 30   | 24  | 100 |     |
|                 |                      |              |      |     |              |      |     |                      |                     |               |                 | 13458                                     | 34    | 1      | 32.7                    | 45.1  | 50  | 50                                  | 42  | 103                               | 46.1   | 50   | 50   | 42  | 100 |     |
| 12 (10)         | 208-3-60             | 16           | 110  | 25  | 16           | 110  | 25  | 5.8                  | 14.9                | 1.1           |                 | None                                      | -     | -      | -                       | 56.7  | 60  | 70                                  | 61  | 323                               | 58.9   | 60   | 70   | 63  | 333 |     |
|                 |                      |              |      |     |              |      |     |                      |                     |               |                 | 11725                                     | 12    | 1      | 33.3                    | 60.3  | 70  | 70                                  | 61  | 323                               | 63   | 70   | 70   | 63  | 333 |     |
|                 |                      |              |      |     |              |      |     |                      |                     |               |                 | 12525                                     | 18.6  | 1      | 51.6                    | 83.1  | 90  | 90                                  | 76  | 323                               | 85.9   | 90   | 90   | 79  | 333 |     |
|                 |                      |              |      |     |              |      |     |                      |                     |               |                 | 13225                                     | 24    | 1      | 66.6                    | 101.9   | 110   | 110                                 | 94  | 323                               | 104.6  | 110  | 110  | 96  | 333 |     |
|                 |                      |              |      |     |              |      |     |                      |                     |               |                 | 14225                                     | 31.8  | 2      | 88.3                    | 129   | 150   | 150                                 | 119 | 323                               | 131.8  | 150  | 150  | 121 | 333 |     |
|                 | 230-3-60             | 16           | 110  | 25  | 16           | 110  | 25  | 5.2                  | 15                  | 1             |                 |   | None  | -      | -                       | -   | 56.2  | 60                                  | 70  | 60                                | 322  | 58.2   | 60   | 70  | 62  | 327 |
|                 |                      |              |      |     |              |      |     |                      |                     |               |                 |   | 11725 | 16     | 1                       | 38.5  | 66.9  | 70                                  | 70  | 62                                | 322  | 69.4   | 70   | 70  | 64  | 327 |
|                 |                      |              |      |     |              |      |     |                      |                     |               |                 |   | 12525 | 24.8   | 1                       | 59.7  | 93.4  | 100                                 | 100 | 86                                | 322  | 95.9   | 100  | 100 | 88  | 327 |
|                 |                      |              |      |     |              |      |     |                      |                     |               |                 |   | 13225 | 32     | 1                       | 77  | 115   | 125                                 | 125 | 106                               | 322  | 117.5  | 125  | 125 | 108 | 327 |
|                 |                      |              |      |     |              |      |     |                      |                     |               |                 |   | 14225 | 42.4   | 2                       | 102   | 146.3   | 150                                 | 150 | 135                               | 322  | 148.8  | 150  | 150 | 137 | 327 |
|                 | 460-3-60             | 7.8          | 52   | 12  | 7.8          | 52   | 12  | 2.9                  | 7.5                 | 0.5           |                 |   | None  | -      | -                       | -   | 28  | 30                                  | 35  | 30                                | 159  | 29   | 30   | 35  | 31  | 161 |
|                 |                      |              |      |     |              |      |     |                      |                     |               |                 |   | 11746 | 16.5   | 1                       | 19.8  | 34.1  | 35                                  | 35  | 31                                | 159  | 35.4   | 40   | 40  | 33  | 161 |
| 12846           |                      |              |      |     |              |      |     |                      |                     |               |                 |   | 27.8  | 1      | 33.4                    | 51.1  | 60  | 60                                  | 47  | 159                               | 52.4   | 60   | 60   | 48  | 161 |     |
| 13346           |                      |              |      |     |              |      |     |                      |                     |               |                 |   | 33    | 1      | 39.7                    | 59  | 60  | 60                                  | 54  | 159                               | 60.3   | 70   | 70   | 55  | 161 |     |
| 14246           |                      |              |      |     |              |      |     |                      |                     |               |                 |   | 41.7  | 2      | 50.2                    | 72.1  | 80  | 80                                  | 66  | 159                               | 73.4   | 80   | 80   | 68  | 161 |     |
| 575-3-60        | 5.7                  | 38.9         | 9    | 5.7 | 38.9         | 9    | 2.2 | 5.6                  | 0.4                 |               |                 | None                                      | -     | -      | -                       | 20.6  | 25  | 25                                  | 22  | 124                               | 21.4   | 25   | 25   | 23  | 126 |     |
|                 |                      |              |      |     |              |      |     |                      |                     |               |                 | 11758                                     | 17    | 1      | 16.4                    | 27.5  | 30  | 30                                  | 25  | 124                               | 28.5   | 30   | 30   | 26  | 126 |     |
|                 |                      |              |      |     |              |      |     |                      |                     |               |                 | 13458                                     | 34    | 1      | 32.7                    | 47.9  | 50  | 50                                  | 44  | 124                               | 48.9   | 50   | 50   | 45  | 126 |     |
| <b>With VFD</b> |                      |              |      |     |              |      |     |                      |                     |               |                 |   |       |        |                         |   |   |                                     |     |                                   |  |  |  |     |     |     |
| A7 (6)          | 208-3-60             | 17.6         | 136  | 27  |              |      |     | 2.3                  | 9.9                 | 1.1           |                 | None                                      | -     | -      | -                       | 36.5  | 40  | 50                                  | 37  | 218                               | 38.7   | 40   | 50   | 39  | 223 |     |
|                 |                      |              |      |     |              |      |     |                      |                     |               |                 | 10725                                     | 4.9   | 1      | 13.6                    | 36.5  | 40  | 50                                  | 37  | 218                               | 38.7   | 40   | 50   | 39  | 223 |     |
|                 |                      |              |      |     |              |      |     |                      |                     |               |                 | 11725                                     | 12    | 1      | 33.3                    | 54  | 60  | 60                                  | 50  | 218                               | 56.8   | 60   | 60   | 52  | 223 |     |
|                 |                      |              |      |     |              |      |     |                      |                     |               |                 | 12525                                     | 18.6  | 1      | 51.6                    | 76.9  | 80  | 80                                  | 71  | 218                               | 79.6   | 80   | 80   | 73  | 223 |     |
|                 |                      |              |      |     |              |      |     |                      |                     |               |                 | 14225                                     | 31.8  | 2      | 88.3                    | 123.1   | 125   | 125                                 | 113 | 218                               | 125.9  | 150  | 150  | 116 | 223 |     |
|                 | 230-3-60             | 17.6         | 136  | 27  |              |      |     | 2.3                  | 9.4                 | 1             |                 |   | None  | -      | -                       | -   | 36  | 40                                  | 50  | 36                                | 227  | 38   | 40   | 50  | 39  | 231 |
|                 |                      |              |      |     |              |      |     |                      |                     |               |                 |   | 10725 | 6.5    | 1                       | 15.6  | 36  | 40                                  | 50  | 36                                | 227  | 38   | 40   | 50  | 39  | 231 |
|                 |                      |              |      |     |              |      |     |                      |                     |               |                 |   | 11725 | 16     | 1                       | 38.5  | 59.9  | 60                                  | 60  | 55                                | 227  | 62.4   | 70   | 70  | 57  | 231 |
|                 |                      |              |      |     |              |      |     |                      |                     |               |                 |   | 12525 | 24.8   | 1                       | 59.7  | 86.4  | 90                                  | 90  | 79                                | 227  | 88.9   | 90   | 90  | 82  | 231 |
|                 |                      |              |      |     |              |      |     |                      |                     |               |                 |   | 14225 | 42.4   | 2                       | 102   | 146.3   | 150                                 | 150 | 135                               | 227  | 148.8  | 150  | 150 | 137 | 231 |
|                 | 460-3-60             | 8.5          | 66.1 | 13  |              |      |     | 1.3                  | 4.7                 | 0.5           |                 |   | None  | -      | -                       | -   | 17.9  | 20                                  | 25  | 18                                | 112  | 18.9   | 20   | 25  | 19  | 114 |
|                 |                      |              |      |     |              |      |     |                      |                     |               |                 |   | 10746 | 6      | 1                       | 7.2   | 17.9  | 20                                  | 25  | 14                                | 112  | 18.9   | 20   | 25  | 15  | 114 |
| 11746           |                      |              |      |     |              |      |     |                      |                     |               |                 |   | 16.5  | 1      | 19.8                    | 30.6  | 35  | 35                                  | 28  | 112                               | 31.9   | 35   | 35   | 29  | 114 |     |
| 12646           |                      |              |      |     |              |      |     |                      |                     |               |                 |   | 25.5  | 1      | 30.7                    | 44.3  | 45  | 45                                  | 41  | 112                               | 45.5   | 50   | 50   | 42  | 114 |     |
| 575-3-60        | 6.3                  | 55.3         | 10   |     |              |      | 1.1 | 4.3                  | 0.4                 |               |                 | None                                      | -     | -      | -                       | 14.4  | 15  | 20                                  | 15  | 100                               | 15.2   | 20   | 20   | 16  | 102 |     |
|                 |                      |              |      |     |              |      |     |                      |                     |               |                 | 11758                                     | 17    | 1      | 16.4                    | 25.9  | 30  | 30                                  | 24  | 100                               | 26.9   | 30   | 30   | 25  | 102 |     |
|                 |                      |              |      |     |              |      |     |                      |                     |               |                 | 12658                                     | 25.7  | 1      | 24.7                    | 36.3  | 40  | 40                                  | 33  | 100                               | 37.3   | 40   | 40   | 34  | 102 |     |

ZY04-12 High Static Indoor Blower - Without Powered Convenience Outlet (Continued)

| Size (Tons) | Nominal Unit Voltage | Compressor 1 |      |     | Compressor 2 |      |     | OD Fan Motors (each) | Supply Blower Motor | Pwr Exh Motor | Pwr Conv Outlet | Electric Heat Field Installed Kit 2EK045* |      |        |       | MCA <sup>1</sup> (Amps) | Min Fuse <sup>2</sup> / Breaker <sup>3</sup> Size (Amps) | Max Fuse <sup>2</sup> / Breaker <sup>3</sup> Size (Amps) | Min Disconnect Rating <sup>4</sup> |       | MCA <sup>1</sup> w/Pwr Exh (Amps) | Min Fuse <sup>2</sup> / Breaker <sup>3</sup> Size w/ Pwr Exh (Amps) | Max Fuse <sup>2</sup> / Breaker <sup>3</sup> Size w/ Pwr Exh (Amps) | Min Disconnect Rating <sup>4</sup> / Pwr Exh |     |
|-------------|----------------------|--------------|------|-----|--------------|------|-----|----------------------|---------------------|---------------|-----------------|---|------|--------|-------|-------------------------|--|--|------------------------------------|-------|-----------------------------------|---|---|--|-----|
|             |                      | RLA          | LRA  | MCC | RLA          | LRA  | MCC |                      |                     |               |                 | Model                                     | kW   | Stages | Amps  |                         |  |  | FLA                                | LRA   |                                   |   |   | FLA  | LRA |
|             |                      |              |      |     |              |      |     |                      |                     |               |                 |   |      |        |       |                         |  |  |                                    |       |                                   |   |   |  |     |
| 08 (7.5)    | 208-3-60             | 13.6         | 83.1 | 21  | 13.6         | 83.1 | 21  | 2.3                  | 9.9                 | 1.1           | None            | -   | -    | -      | 45.1  | 50                      | 50   | 48   | 258                                | 47.3  | 50                                | 50  | 50  | 268  |     |
|             |                      |              |      |     |              |      |     |                      |                     |               | 11725           | 12  | 1    | 33.3   | 54    | 60                      | 60   | 50   | 258                                | 56.8  | 60                                | 60  | 52  | 268  |     |
|             |                      |              |      |     |              |      |     |                      |                     |               | 12525           | 18.6                                      | 1    | 51.6   | 76.9  | 80                      | 80   | 71   | 258                                | 79.6  | 80                                | 80  | 73  | 268  |     |
|             |                      |              |      |     |              |      |     |                      |                     |               | 13225           | 24  | 1    | 66.6   | 95.6  | 100                     | 100  | 88   | 258                                | 98.4  | 100                               | 100   | 91  | 268  |     |
|             |                      |              |      |     |              |      |     |                      |                     |               | 14225           | 31.8                                      | 2    | 88.3   | 122.8 | 125                     | 125  | 113  | 258                                | 125.5 | 150                               | 150   | 115   | 268  |     |
|             | 230-3-60             | 13.6         | 83.1 | 21  | 13.6         | 83.1 | 21  | 2.3                  | 9.4                 | 1             | None            | -   | -    | -      | 44.6  | 45                      | 50   | 47   | 267                                | 46.6  | 50                                | 60  | 50  | 261  |     |
|             |                      |              |      |     |              |      |     |                      |                     |               | 11725           | 16  | 1    | 38.5   | 59.9  | 60                      | 60   | 55   | 267                                | 62.4  | 70                                | 70  | 57  | 261  |     |
|             |                      |              |      |     |              |      |     |                      |                     |               | 12525           | 24.8                                      | 1    | 59.7   | 86.4  | 90                      | 90   | 79   | 267                                | 88.9  | 90                                | 90  | 82  | 261  |     |
|             |                      |              |      |     |              |      |     |                      |                     |               | 13225           | 32  | 1    | 77     | 108   | 110                     | 110  | 99   | 267                                | 110.5 | 125                               | 125   | 102   | 261  |     |
|             |                      |              |      |     |              |      |     |                      |                     |               | 14225           | 42.4                                      | 2    | 102    | 139.3 | 150                     | 150  | 128  | 267                                | 141.8 | 150                               | 150   | 130   | 261  |     |
|             | 460-3-60             | 6.1          | 41   | 10  | 6.1          | 41   | 10  | 1.3                  | 4.7                 | 0.5           | None            | -   | -    | -      | 21    | 25                      | 25   | 22   | 134                                | 22    | 25                                | 25  | 24  | 130  |     |
|             |                      |              |      |     |              |      |     |                      |                     |               | 11746           | 16.5                                      | 1    | 19.8   | 30.6  | 35                      | 35   | 28   | 134                                | 31.9  | 35                                | 35  | 29  | 130  |     |
| 12846       |                      |              |      |     |              |      |     |                      |                     |               | 27.8            | 1   | 33.4 | 47.6   | 50    | 50                      | 44   | 134  | 48.9                               | 50    | 50                                | 45  | 130   |  |     |
| 13346       |                      |              |      |     |              |      |     |                      |                     |               | 33              | 1   | 39.7 | 55.5   | 60    | 60                      | 51   | 134  | 56.8                               | 60    | 60                                | 52  | 130   |  |     |
| 14246       |                      |              |      |     |              |      |     |                      |                     |               | 41.7            | 2   | 50.2 | 68.6   | 70    | 70                      | 63   | 134  | 69.9                               | 70    | 70                                | 64  | 130   |  |     |
| 575-3-60    | 4.2                  | 33           | 7    | 4.2 | 33           | 7    | 1.1 | 4.3                  | 0.4                 | None          | -               | -   | -    | 16     | 20    | 20                      | 17   | 115  | 16.8                               | 20    | 20                                | 18  | 113   |  |     |
|             |                      |              |      |     |              |      |     |                      |                     | 11758         | 17              | 1   | 16.4 | 25.9   | 30    | 30                      | 24   | 115  | 26.9                               | 30    | 30                                | 25  | 113   |  |     |
|             |                      |              |      |     |              |      |     |                      |                     | 13458         | 34              | 1   | 32.7 | 46.3   | 50    | 50                      | 43   | 115  | 47.3                               | 50    | 50                                | 43  | 113   |  |     |
| 09 (8.5)    | 208-3-60             | 13.7         | 83.1 | 21  | 13.7         | 83.1 | 21  | 2.3                  | 9.9                 | 1.1           | None            | -   | -    | -      | 45.3  | 50                      | 50   | 48   | 258                                | 47.5  | 50                                | 60  | 51  | 268  |     |
|             |                      |              |      |     |              |      |     |                      |                     |               | 11725           | 12  | 1    | 33.3   | 54    | 60                      | 60   | 50   | 258                                | 56.8  | 60                                | 60  | 52  | 268  |     |
|             |                      |              |      |     |              |      |     |                      |                     |               | 12525           | 18.6                                      | 1    | 51.6   | 76.9  | 80                      | 80   | 71   | 258                                | 79.6  | 80                                | 80  | 73  | 268  |     |
|             |                      |              |      |     |              |      |     |                      |                     |               | 13225           | 24  | 1    | 66.6   | 95.6  | 100                     | 100  | 88   | 258                                | 98.4  | 100                               | 100   | 91  | 268  |     |
|             |                      |              |      |     |              |      |     |                      |                     |               | 14225           | 31.8                                      | 2    | 88.3   | 122.8 | 125                     | 125  | 113  | 258                                | 125.5 | 150                               | 150   | 115   | 268  |     |
|             | 230-3-60             | 13.7         | 83.1 | 21  | 13.7         | 83.1 | 21  | 2.3                  | 9.4                 | 1             | None            | -   | -    | -      | 44.8  | 45                      | 50   | 48   | 267                                | 46.8  | 50                                | 60  | 50  | 261  |     |
|             |                      |              |      |     |              |      |     |                      |                     |               | 11725           | 16  | 1    | 38.5   | 59.9  | 60                      | 60   | 55   | 267                                | 62.4  | 70                                | 70  | 57  | 261  |     |
|             |                      |              |      |     |              |      |     |                      |                     |               | 12525           | 24.8                                      | 1    | 59.7   | 86.4  | 90                      | 90   | 79   | 267                                | 88.9  | 90                                | 90  | 82  | 261  |     |
|             |                      |              |      |     |              |      |     |                      |                     |               | 13225           | 32  | 1    | 77     | 108   | 110                     | 110  | 99   | 267                                | 110.5 | 125                               | 125   | 102   | 261  |     |
|             |                      |              |      |     |              |      |     |                      |                     |               | 14225           | 42.4                                      | 2    | 102    | 139.3 | 150                     | 150  | 128  | 267                                | 141.8 | 150                               | 150   | 130   | 261  |     |
|             | 460-3-60             | 6.2          | 41   | 10  | 6.2          | 41   | 10  | 1.3                  | 4.7                 | 0.5           | None            | -   | -    | -      | 21.3  | 25                      | 25   | 23   | 134                                | 22.3  | 25                                | 25  | 24  | 130  |     |
|             |                      |              |      |     |              |      |     |                      |                     |               | 11746           | 16.5                                      | 1    | 19.8   | 30.6  | 35                      | 35   | 28   | 134                                | 31.9  | 35                                | 35  | 29  | 130  |     |
| 12846       |                      |              |      |     |              |      |     |                      |                     |               | 27.8            | 1   | 33.4 | 47.6   | 50    | 50                      | 44   | 134  | 48.9                               | 50    | 50                                | 45  | 130   |  |     |
| 13346       |                      |              |      |     |              |      |     |                      |                     |               | 33              | 1   | 39.7 | 55.5   | 60    | 60                      | 51   | 134  | 56.8                               | 60    | 60                                | 52  | 130   |  |     |
| 14246       |                      |              |      |     |              |      |     |                      |                     |               | 41.7            | 2   | 50.2 | 68.6   | 70    | 70                      | 63   | 134  | 69.9                               | 70    | 70                                | 64  | 130   |  |     |
| 575-3-60    | 4.8                  | 33           | 8    | 4.8 | 33           | 8    | 1.1 | 4.3                  | 0.4                 | None          | -               | -   | -    | 17.3   | 20    | 20                      | 19   | 115  | 18.1                               | 20    | 20                                | 19  | 113   |  |     |
|             |                      |              |      |     |              |      |     |                      |                     | 11758         | 17              | 1   | 16.4 | 25.9   | 30    | 30                      | 24   | 115  | 26.9                               | 30    | 30                                | 25  | 113   |  |     |
|             |                      |              |      |     |              |      |     |                      |                     | 13458         | 34              | 1   | 32.7 | 46.3   | 50    | 50                      | 43   | 115  | 47.3                               | 50    | 50                                | 43  | 113   |  |     |
| 12 (10)     | 208-3-60             | 16           | 110  | 25  | 16           | 110  | 25  | 5.8                  | 13.5                | 1.1           | None            | -   | -    | -      | 55.3  | 60                      | 70   | 59   | 345                                | 57.5  | 60                                | 70  | 62  | 355  |     |
|             |                      |              |      |     |              |      |     |                      |                     |               | 11725           | 12  | 1    | 33.3   | 58.5  | 60                      | 70   | 59   | 345                                | 61.3  | 70                                | 70  | 62  | 355  |     |
|             |                      |              |      |     |              |      |     |                      |                     |               | 12525           | 18.6                                      | 1    | 51.6   | 81.4  | 90                      | 90   | 75   | 345                                | 84.1  | 90                                | 90  | 77  | 355  |     |
|             |                      |              |      |     |              |      |     |                      |                     |               | 13225           | 24  | 1    | 66.6   | 100.1 | 110                     | 110  | 92   | 345                                | 102.9 | 110                               | 110   | 95  | 355  |     |
|             |                      |              |      |     |              |      |     |                      |                     |               | 14225           | 31.8                                      | 2    | 88.3   | 127.3 | 150                     | 150  | 117  | 345                                | 130   | 150                               | 150   | 120   | 355  |     |
|             | 230-3-60             | 16           | 110  | 25  | 16           | 110  | 25  | 5.2                  | 13.4                | 1             | None            | -   | -    | -      | 54.6  | 60                      | 70   | 58   | 341                                | 56.6  | 60                                | 70  | 60  | 346  |     |
|             |                      |              |      |     |              |      |     |                      |                     |               | 11725           | 16  | 1    | 38.5   | 64.9  | 70                      | 70   | 60   | 341                                | 67.4  | 70                                | 70  | 62  | 346  |     |
|             |                      |              |      |     |              |      |     |                      |                     |               | 12525           | 24.8                                      | 1    | 59.7   | 91.4  | 100                     | 100  | 84   | 341                                | 93.9  | 100                               | 100   | 86  | 346  |     |
|             |                      |              |      |     |              |      |     |                      |                     |               | 13225           | 32  | 1    | 77     | 113   | 125                     | 125  | 104  | 341                                | 115.5 | 125                               | 125   | 106   | 346  |     |
|             |                      |              |      |     |              |      |     |                      |                     |               | 14225           | 42.4                                      | 2    | 102    | 144.3 | 150                     | 150  | 133  | 341                                | 146.8 | 150                               | 150   | 135   | 346  |     |
|             | 460-3-60             | 7.8          | 52   | 12  | 7.8          | 52   | 12  | 2.9                  | 6.7                 | 0.5           | None            | -   | -    | -      | 27.2  | 30                      | 30   | 29   | 166                                | 28.2  | 30                                | 30  | 30  | 168  |     |
|             |                      |              |      |     |              |      |     |                      |                     |               | 11746           | 16.5                                      | 1    | 19.8   | 33.1  | 35                      | 35   | 30   | 166                                | 34.4  | 35                                | 35  | 32  | 168  |     |
| 12846       |                      |              |      |     |              |      |     |                      |                     |               | 27.8            | 1   | 33.4 | 50.1   | 60    | 60                      | 46   | 166  | 51.4                               | 60    | 60                                | 47  | 168   |  |     |
| 13346       |                      |              |      |     |              |      |     |                      |                     |               | 33              | 1   | 39.7 | 58     | 60    | 60                      | 53   | 166  | 59.3                               | 60    | 60                                | 55  | 168   |  |     |
| 14246       |                      |              |      |     |              |      |     |                      |                     |               | 41.7            | 2   | 50.2 | 71.1   | 80    | 80                      | 65   | 166  | 72.4                               | 80    | 80                                | 67  | 168   |  |     |
| 575-3-60    | 5.7                  | 38.9         | 9    | 5.7 | 38.9         | 9    | 2.2 | 5.4                  | 0.4                 | None          | -               | -   | -    | 20.4   | 25    | 25                      | 22   | 129  | 21.2                               | 25    | 25                                | 23  | 131   |  |     |
|             |                      |              |      |     |              |      |     |                      |                     | 11758         | 17              | 1   | 16.4 | 27.3   | 30    | 30                      | 25   | 129  | 28.3                               | 30    | 30                                | 26  | 131   |  |     |
|             |                      |              |      |     |              |      |     |                      |                     | 13458         | 34              | 1   | 32.7 | 47.6   | 50    | 50                      | 44   | 129  | 48.6                               | 50    | 50                                | 45  | 131   |  |     |

1. Minimum Circuit Ampacity.
2. Dual Element, Time Delay Type.
3. HACR type per NEC.
4. Non-fused Disconnect, Verify on the unit nameplate that the disconnect is properly sized for the application. Units with field installed electric heat kits may exceed the factory installed disconnect amperage rating.

ZY04-12 High Static Indoor Blower - With Powered Convenience Outlet

| Size (Tons) | Nominal Unit Voltage | Compressor 1 |      |     | Compressor 2 |     |     | OD Fan Motors (each) | Supply Blower Motor | Pwr Exh Motor | Pwr Conv Outlet | Electric Heat Field Installed Kit 2EK045* |      |        |      | MCA <sup>1</sup> (Amps) | Min Fuse <sup>2</sup> /Breaker <sup>3</sup> Size (Amps) | Max Fuse <sup>2</sup> /Breaker <sup>3</sup> Size (Amps) | Min Discon-nect Rating <sup>4</sup> |      | MCA <sup>1</sup> w/Pwr Exh (Amps) | Min Fuse <sup>2</sup> /Breaker <sup>3</sup> Size w/ Pwr Exh (Amps) | Max Fuse <sup>2</sup> /Breaker <sup>3</sup> Size w/ Pwr Exh (Amps) | Min Discon-nect Rating <sup>4</sup> /Pwr Exh |     |
|-------------|----------------------|--------------|------|-----|--------------|-----|-----|----------------------|---------------------|---------------|-----------------|---|------|--------|------|-------------------------|---|---|-------------------------------------|------|-----------------------------------|--|--|--|-----|
|             |                      | RLA          | LRA  | MCC | RLA          | LRA | MCC |                      |                     |               |                 | Model                                     | kW   | Stages | Amps |                         |   |   | FLA                                 | LRA  |                                   |  |  | FLA  | LRA |
|             |                      |              |      |     |              |     |     |                      |                     |               |                 |   |      |        |      |                         |   |   |                                     |      |                                   |  |  |  |     |
| 04 (3)      | 208-3-60             | 10.4         | 73   | 16  |              |     |     | 1.4                  | 5.2                 | 1.1           | 8.6             | None                                      | -    | -      | -    | 23.9                    | 25  | 30  | 24                                  | 103  | 25                                | 35   | 26   | 105  |     |
|             |                      |              |      |     |              |     |     |                      |                     |               |                 | 10625                                     | 4.9  | 1      | 13.6 | 28.9                    | 30  | 30  | 27                                  | 103  | 30.3                              | 35   | 35   | 28   | 105 |
|             |                      |              |      |     |              |     |     |                      |                     |               |                 | 11125                                     | 7.9  | 1      | 21.9 | 39.3                    | 40  | 40  | 36                                  | 103  | 40.6                              | 45   | 45   | 37   | 105 |
|             |                      |              |      |     |              |     |     |                      |                     |               |                 | 11625                                     | 12   | 1      | 33.3 | 53.5                    | 60  | 60  | 49                                  | 103  | 54.9                              | 60   | 60   | 50   | 105 |
|             | 230-3-60             | 10.4         | 73   | 16  |              |     |     | 1.4                  | 5.2                 | 1             | 8.6             | None                                      | -    | -      | -    | 23.9                    | 25  | 30  | 24                                  | 106  | 24.9                              | 25   | 35   | 26   | 108 |
|             |                      |              |      |     |              |     |     |                      |                     |               |                 | 10625                                     | 6.5  | 1      | 15.6 | 31.4                    | 35  | 35  | 29                                  | 106  | 32.6                              | 35   | 35   | 30   | 108 |
|             |                      |              |      |     |              |     |     |                      |                     |               |                 | 11125                                     | 10.5 | 1      | 25.3 | 43.5                    | 45  | 45  | 40                                  | 106  | 44.8                              | 45   | 45   | 41   | 108 |
|             |                      |              |      |     |              |     |     |                      |                     |               |                 | 11625                                     | 16   | 1      | 38.5 | 60                      | 60  | 60  | 55                                  | 106  | 61.3                              | 70   | 70   | 56   | 108 |
|             | 460-3-60             | 5.8          | 38   | 9   |              |     |     | 0.8                  | 2.6                 | 0.5           | 8.6             | None                                      | -    | -      | -    | 12.9                    | 15  | 15  | 13                                  | 55   | 13.4                              | 15   | 15   | 14   | 56  |
|             |                      |              |      |     |              |     |     |                      |                     |               |                 | 10646                                     | 6    | 1      | 7.2  | 14.9                    | 15  | 15  | 14                                  | 55   | 15.6                              | 20   | 20   | 14   | 56  |
|             |                      |              |      |     |              |     |     |                      |                     |               |                 | 11146                                     | 11.5 | 1      | 13.8 | 23.2                    | 25  | 25  | 21                                  | 55   | 23.8                              | 25   | 25   | 22   | 56  |
|             |                      |              |      |     |              |     |     |                      |                     |               |                 | 11446                                     | 14   | 1      | 16.8 | 26.9                    | 30  | 30  | 25                                  | 55   | 27.6                              | 30   | 30   | 25   | 56  |
| 575-3-60    | 3.8                  | 36.5         | 6    |     |              |     | 0.6 | 2                    | 0.4                 | 8.6           | None            | -   | -    | -      | 9.1  | 15                      | 15  | 9   | 50                                  | 9.5  | 15                                | 15   | 10   | 51   |     |
|             |                      |              |      |     |              |     |     |                      |                     |               | 11058           | 9.2                                       | 1    | 8.9    | 15.8 | 20                      | 20  | 15  | 50                                  | 16.3 | 20                                | 20   | 15   | 51   |     |
|             |                      |              |      |     |              |     |     |                      |                     |               | 11458           | 13.8                                      | 1    | 13.3   | 21.3 | 25                      | 25  | 20  | 50                                  | 21.8 | 25                                | 25   | 20   | 51   |     |
|             |                      |              |      |     |              |     |     |                      |                     |               |                 |   |      |        |      |                         |   |   |                                     |      |                                   |  |  |  |     |
| 05 (4)      | 208-3-60             | 13.7         | 83.1 | 21  |              |     |     | 1.4                  | 7.5                 | 1.1           | 8.6             | None                                      | -    | -      | -    | 30.3                    | 35  | 40  | 31                                  | 139  | 31.4                              | 35   | 45   | 32   | 142 |
|             |                      |              |      |     |              |     |     |                      |                     |               |                 | 10625                                     | 4.9  | 1      | 13.6 | 31.8                    | 35  | 40  | 31                                  | 139  | 33.1                              | 35   | 45   | 32   | 142 |
|             |                      |              |      |     |              |     |     |                      |                     |               |                 | 11125                                     | 7.9  | 1      | 21.9 | 42.1                    | 45  | 45  | 39                                  | 139  | 43.5                              | 45   | 45   | 40   | 142 |
|             |                      |              |      |     |              |     |     |                      |                     |               |                 | 11625                                     | 12   | 1      | 33.3 | 56.4                    | 60  | 60  | 52                                  | 139  | 57.8                              | 60   | 60   | 53   | 142 |
|             | 230-3-60             | 13.7         | 83.1 | 21  |              |     |     | 1.4                  | 7.5                 | 1             | 8.6             | None                                      | -    | -      | -    | 30.3                    | 35  | 40  | 31                                  | 146  | 31.3                              | 35   | 45   | 32   | 148 |
|             |                      |              |      |     |              |     |     |                      |                     |               |                 | 10625                                     | 6.5  | 1      | 15.6 | 34.3                    | 35  | 40  | 32                                  | 146  | 35.5                              | 40   | 45   | 33   | 148 |
|             |                      |              |      |     |              |     |     |                      |                     |               |                 | 11125                                     | 10.5 | 1      | 25.3 | 46.4                    | 50  | 50  | 43                                  | 146  | 47.6                              | 50   | 50   | 44   | 148 |
|             |                      |              |      |     |              |     |     |                      |                     |               |                 | 11625                                     | 16   | 1      | 38.5 | 62.9                    | 70  | 70  | 58                                  | 146  | 64.1                              | 70   | 70   | 59   | 148 |
|             | 460-3-60             | 6.2          | 41   | 10  |              |     |     | 0.8                  | 3.4                 | 0.5           | 8.6             | None                                      | -    | -      | -    | 14.2                    | 15  | 20  | 14                                  | 73   | 14.7                              | 15   | 20   | 15   | 74  |
|             |                      |              |      |     |              |     |     |                      |                     |               |                 | 10646                                     | 6    | 1      | 7.2  | 15.9                    | 20  | 20  | 15                                  | 73   | 16.6                              | 20   | 20   | 15   | 74  |
|             |                      |              |      |     |              |     |     |                      |                     |               |                 | 11146                                     | 11.5 | 1      | 13.8 | 24.2                    | 25  | 25  | 22                                  | 73   | 24.8                              | 25   | 25   | 23   | 74  |
|             |                      |              |      |     |              |     |     |                      |                     |               |                 | 11446                                     | 14   | 1      | 16.8 | 27.9                    | 30  | 30  | 26                                  | 73   | 28.6                              | 30   | 30   | 26   | 74  |
| 575-3-60    | 4.8                  | 33           | 8    |     |              |     | 0.6 | 2.8                  | 0.4                 | 8.6           | None            | -   | -    | -      | 11.1 | 15                      | 15  | 11  | 58                                  | 11.5 | 15                                | 15   | 12   | 59   |     |
|             |                      |              |      |     |              |     |     |                      |                     |               | 11058           | 9.2                                       | 1    | 8.9    | 16.8 | 20                      | 20  | 15  | 58                                  | 17.3 | 20                                | 20   | 16   | 59   |     |
|             |                      |              |      |     |              |     |     |                      |                     |               | 11458           | 13.8                                      | 1    | 13.3   | 22.3 | 25                      | 25  | 20  | 58                                  | 22.8 | 25                                | 25   | 21   | 59   |     |
|             |                      |              |      |     |              |     |     |                      |                     |               |                 |   |      |        |      |                         |   |   |                                     |      |                                   |  |  |  |     |
| 06 (5)      | 208-3-60             | 15.9         | 110  | 25  |              |     |     | 2.3                  | 8.9                 | 1.1           | 8.6             | None                                      | -    | -      | -    | 35.4                    | 40  | 50  | 36                                  | 196  | 36.5                              | 40   | 50   | 37   | 198 |
|             |                      |              |      |     |              |     |     |                      |                     |               |                 | 10625                                     | 4.9  | 1      | 13.6 | 35.4                    | 40  | 50  | 36                                  | 196  | 36.5                              | 40   | 50   | 37   | 198 |
|             |                      |              |      |     |              |     |     |                      |                     |               |                 | 11125                                     | 7.9  | 1      | 21.9 | 43.9                    | 45  | 50  | 40                                  | 196  | 45.3                              | 50   | 50   | 42   | 198 |
|             |                      |              |      |     |              |     |     |                      |                     |               |                 | 11625                                     | 12   | 1      | 33.3 | 58.1                    | 60  | 60  | 53                                  | 196  | 59.5                              | 60   | 60   | 55   | 198 |
|             | 230-3-60             | 15.9         | 110  | 25  |              |     |     | 2.3                  | 8.2                 | 1             | 8.6             | None                                      | -    | -      | -    | 34.7                    | 35  | 50  | 35                                  | 198  | 35.7                              | 40   | 50   | 36   | 201 |
|             |                      |              |      |     |              |     |     |                      |                     |               |                 | 10625                                     | 6.5  | 1      | 15.6 | 35.1                    | 40  | 50  | 35                                  | 198  | 36.4                              | 40   | 50   | 36   | 201 |
|             |                      |              |      |     |              |     |     |                      |                     |               |                 | 11125                                     | 10.5 | 1      | 25.3 | 47.3                    | 50  | 50  | 43                                  | 198  | 48.5                              | 50   | 50   | 45   | 201 |
|             |                      |              |      |     |              |     |     |                      |                     |               |                 | 11625                                     | 16   | 1      | 38.5 | 63.8                    | 70  | 70  | 59                                  | 198  | 65                                | 70   | 70   | 60   | 201 |
|             | 460-3-60             | 7.1          | 52   | 11  |              |     |     | 1.3                  | 4.1                 | 0.5           | 8.6             | None                                      | -    | -      | -    | 16.5                    | 20  | 20  | 17                                  | 92   | 17                                | 20   | 20   | 17   | 93  |
|             |                      |              |      |     |              |     |     |                      |                     |               |                 | 11146                                     | 6    | 1      | 7.2  | 16.8                    | 20  | 20  | 15                                  | 92   | 17.4                              | 20   | 20   | 16   | 93  |
|             |                      |              |      |     |              |     |     |                      |                     |               |                 | 11146                                     | 11.5 | 1      | 13.8 | 25.1                    | 30  | 30  | 23                                  | 92   | 25.7                              | 30   | 30   | 24   | 93  |
|             |                      |              |      |     |              |     |     |                      |                     |               |                 | 11446                                     | 14   | 1      | 16.8 | 28.8                    | 30  | 30  | 27                                  | 92   | 29.4                              | 30   | 30   | 27   | 93  |
| 575-3-60    | 5.1                  | 39.5         | 8    |     |              |     | 1.1 | 3.2                  | 0.4                 | 8.6           | None            | -   | -    | -      | 12.4 | 15                      | 15  | 13  | 70                                  | 12.8 | 15                                | 15   | 13   | 71   |     |
|             |                      |              |      |     |              |     |     |                      |                     |               | 11458           | 13.8                                      | 1    | 13.3   | 22.8 | 25                      | 25  | 21  | 70                                  | 23.3 | 25                                | 25   | 21   | 71   |     |
|             |                      |              |      |     |              |     |     |                      |                     |               | 12358           | 23  | 1    | 22.1   | 33.8 | 35                      | 35  | 31  | 70                                  | 34.3 | 35                                | 35   | 32   | 71   |     |
|             |                      |              |      |     |              |     |     |                      |                     |               |                 |   |      |        |      |                         |   |   |                                     |      |                                   |  |  |  |     |

ZY04-12 High Static Indoor Blower - With Powered Convenience Outlet (Continued)

| Size (Tons) | Nominal Unit Voltage | Compressor 1 |      |     | Compressor 2 |      |     | OD Fan Motors (each) | Supply Blower Motor | Pwr Exh Motor | Pwr Conv Outlet | Electric Heat Field Installed Kit 2EK045* |      |        |      | MCA <sup>1</sup> (Amps) | Min Fuse <sup>2</sup> / Breaker <sup>3</sup> Size (Amps) | Max Fuse <sup>2</sup> / Breaker <sup>3</sup> Size (Amps) | Min Disconnect Rating <sup>4</sup> |      | MCA <sup>1</sup> w/Pwr Exh (Amps) | Min Fuse <sup>2</sup> / Breaker <sup>3</sup> Size w/ Pwr Exh (Amps) | Max Fuse <sup>2</sup> / Breaker <sup>3</sup> Size w/ Pwr Exh (Amps) | Min Disconnect Rating <sup>6</sup> / Pwr Exh |     |
|-------------|----------------------|--------------|------|-----|--------------|------|-----|----------------------|---------------------|---------------|-----------------|---|------|--------|------|-------------------------|--|--|------------------------------------|------|-----------------------------------|---|---|--|-----|
|             |                      | RLA          | LRA  | MCC | RLA          | LRA  | MCC |                      |                     |               |                 | Model                                     | kW   | Stages | Amps |                         |  |  | FLA                                | LRA  |                                   |   |   | FLA  | LRA |
|             |                      |              |      |     |              |      |     |                      |                     |               |                 |   |      |        |      |                         |  |  |                                    |      |                                   |   |   |  |     |
| 07 (6)      | 208-3-60             | 19           | 123  | 30  |              |      |     | 2.3                  | 10.2                | 1.1           | 8.6             | None                                      | -    | -      | -    | 42.9                    | 45   | 60   | 44                                 | 210  | 45.1                              | 50  | 60  | 46   | 220 |
|             |                      |              |      |     |              |      |     |                      |                     |               |                 | 10725                                     | 4.9  | 1      | 13.6 | 42.9                    | 45   | 60   | 44                                 | 210  | 45.1                              | 50  | 60  | 46   | 220 |
|             |                      |              |      |     |              |      |     |                      |                     |               |                 | 11725                                     | 12   | 1      | 33.3 | 59.8                    | 60   | 60   | 55                                 | 210  | 62.5                              | 70  | 70  | 58   | 220 |
|             |                      |              |      |     |              |      |     |                      |                     |               |                 | 12525                                     | 18.6 | 1      | 51.6 | 82.6                    | 90   | 90   | 76                                 | 210  | 85.4                              | 90  | 90  | 79   | 220 |
|             | 230-3-60             | 19           | 123  | 30  |              |      |     | 2.3                  | 10.2                | 1             | 8.6             | None                                      | -    | -      | -    | 42.9                    | 45   | 60   | 44                                 | 216  | 44.9                              | 45  | 60  | 46   | 211 |
|             |                      |              |      |     |              |      |     |                      |                     |               |                 | 10725                                     | 6.5  | 1      | 15.6 | 42.9                    | 45   | 60   | 44                                 | 216  | 44.9                              | 45  | 60  | 46   | 211 |
|             |                      |              |      |     |              |      |     |                      |                     |               |                 | 11725                                     | 16   | 1      | 38.5 | 66.3                    | 70   | 70   | 61                                 | 216  | 68.8                              | 70  | 70  | 63   | 211 |
|             |                      |              |      |     |              |      |     |                      |                     |               |                 | 12525                                     | 24.8 | 1      | 59.7 | 92.8                    | 100  | 100  | 85                                 | 216  | 95.3                              | 100   | 100   | 88   | 211 |
|             | 460-3-60             | 9.7          | 62   | 15  |              |      |     | 1.3                  | 4.8                 | 0.5           | 8.6             | None                                      | -    | -      | -    | 21.7                    | 25   | 30   | 22                                 | 110  | 22.7                              | 25  | 30  | 23   | 107 |
|             |                      |              |      |     |              |      |     |                      |                     |               |                 | 10746                                     | 6    | 1      | 7.2  | 21.7                    | 25   | 30   | 16                                 | 110  | 22.7                              | 25  | 30  | 17   | 107 |
|             |                      |              |      |     |              |      |     |                      |                     |               |                 | 11746                                     | 16.5 | 1      | 19.8 | 33.4                    | 35   | 35   | 31                                 | 110  | 34.7                              | 35  | 35  | 32   | 107 |
|             |                      |              |      |     |              |      |     |                      |                     |               |                 | 12646                                     | 25.5 | 1      | 30.7 | 47.1                    | 50   | 50   | 43                                 | 110  | 48.3                              | 50  | 50  | 44   | 107 |
| 575-3-60    | 7.4                  | 50           | 12   |     |              |      | 1.1 | 3.4                  | 0.4                 | 8.6           | None            | -   | -    | -      | 16.6 | 20                      | 20   | 17   | 89                                 | 17.4 | 20                                | 20  | 18  | 86   |     |
|             |                      |              |      |     |              |      |     |                      |                     |               | 11758           | 17  | 1    | 16.4   | 26.9 | 30                      | 30   | 25   | 89                                 | 27.9 | 30                                | 30  | 26  | 86   |     |
|             |                      |              |      |     |              |      |     |                      |                     |               | 12658           | 25.7                                      | 1    | 24.7   | 37.3 | 40                      | 40   | 34   | 89                                 | 38.3 | 40                                | 40  | 35  | 86   |     |
|             |                      |              |      |     |              |      |     |                      |                     |               |                 |   |      |        |      |                         |  |  |                                    |      |                                   |   |   |  |     |
| A7 (6)      | 208-3-60             | 17.6         | 136  | 27  |              |      |     | 2.3                  | 10.2                | 1.1           | 8.6             | None                                      | -    | -      | -    | 41.1                    | 45   | 50   | 42                                 | 213  | 43.3                              | 45  | 50  | 45   | 218 |
|             |                      |              |      |     |              |      |     |                      |                     |               |                 | 10725                                     | 4.9  | 1      | 13.6 | 41.1                    | 45   | 50   | 42                                 | 213  | 43.3                              | 45  | 50  | 45   | 218 |
|             |                      |              |      |     |              |      |     |                      |                     |               |                 | 11725                                     | 12   | 1      | 33.3 | 59.8                    | 60   | 60   | 55                                 | 213  | 62.5                              | 70  | 70  | 58   | 218 |
|             |                      |              |      |     |              |      |     |                      |                     |               |                 | 12525                                     | 18.6 | 1      | 51.6 | 82.6                    | 90   | 90   | 76                                 | 213  | 85.4                              | 90  | 90  | 79   | 218 |
|             | 230-3-60             | 17.6         | 136  | 27  |              |      |     | 2.3                  | 10.2                | 1             | 8.6             | None                                      | -    | -      | -    | 41.1                    | 45   | 50   | 42                                 | 219  | 43.1                              | 45  | 60  | 45   | 224 |
|             |                      |              |      |     |              |      |     |                      |                     |               |                 | 10725                                     | 6.5  | 1      | 15.6 | 41.1                    | 45   | 50   | 42                                 | 219  | 43.1                              | 45  | 60  | 45   | 224 |
|             |                      |              |      |     |              |      |     |                      |                     |               |                 | 11725                                     | 16   | 1      | 38.5 | 66.3                    | 70   | 70   | 61                                 | 219  | 68.8                              | 70  | 70  | 63   | 224 |
|             |                      |              |      |     |              |      |     |                      |                     |               |                 | 12525                                     | 24.8 | 1      | 59.7 | 92.8                    | 100  | 100  | 85                                 | 219  | 95.3                              | 100   | 100   | 88   | 224 |
|             | 460-3-60             | 8.5          | 66.1 | 13  |              |      |     | 1.3                  | 4.8                 | 0.5           | 8.6             | None                                      | -    | -      | -    | 20.2                    | 25   | 25   | 21                                 | 109  | 21.2                              | 25  | 25  | 22   | 111 |
|             |                      |              |      |     |              |      |     |                      |                     |               |                 | 10746                                     | 6    | 1      | 7.2  | 20.2                    | 25   | 25   | 16                                 | 109  | 21.2                              | 25  | 25  | 17   | 111 |
|             |                      |              |      |     |              |      |     |                      |                     |               |                 | 11746                                     | 16.5 | 1      | 19.8 | 33.4                    | 35   | 35   | 31                                 | 109  | 34.7                              | 35  | 35  | 32   | 111 |
|             |                      |              |      |     |              |      |     |                      |                     |               |                 | 12646                                     | 25.5 | 1      | 30.7 | 47.1                    | 50   | 50   | 43                                 | 109  | 48.3                              | 50  | 50  | 44   | 111 |
| 575-3-60    | 6.3                  | 55.3         | 10   |     |              |      | 1.1 | 3.4                  | 0.4                 | 8.6           | None            | -   | -    | -      | 15.2 | 20                      | 20   | 16   | 89                                 | 16   | 20                                | 20  | 17  | 91   |     |
|             |                      |              |      |     |              |      |     |                      |                     |               | 11758           | 17  | 1    | 16.4   | 26.9 | 30                      | 30   | 25   | 89                                 | 27.9 | 30                                | 30  | 26  | 91   |     |
|             |                      |              |      |     |              |      |     |                      |                     |               | 12658           | 25.7                                      | 1    | 24.7   | 37.3 | 40                      | 40   | 34   | 89                                 | 38.3 | 40                                | 40  | 35  | 91   |     |
|             |                      |              |      |     |              |      |     |                      |                     |               |                 |   |      |        |      |                         |  |  |                                    |      |                                   |   |   |  |     |
| 08 (7.5)    | 208-3-60             | 13.6         | 83.1 | 21  | 13.6         | 83.1 | 21  | 2.3                  | 10.2                | 1.1           | 8.6             | None                                      | -    | -      | -    | 49.7                    | 50   | 60   | 53                                 | 253  | 51.9                              | 60  | 60  | 56   | 263 |
|             |                      |              |      |     |              |      |     |                      |                     |               |                 | 11725                                     | 12   | 1      | 33.3 | 59.8                    | 60   | 60   | 55                                 | 253  | 62.5                              | 70  | 70  | 58   | 263 |
|             |                      |              |      |     |              |      |     |                      |                     |               |                 | 12525                                     | 18.6 | 1      | 51.6 | 82.6                    | 90   | 90   | 76                                 | 253  | 85.4                              | 90  | 90  | 79   | 263 |
|             |                      |              |      |     |              |      |     |                      |                     |               |                 | 13225                                     | 24   | 1      | 66.6 | 101.4                   | 110  | 110  | 93                                 | 253  | 104.1                             | 110   | 110   | 96   | 263 |
|             | 230-3-60             | 13.6         | 83.1 | 21  | 13.6         | 83.1 | 21  | 2.3                  | 10.2                | 1             | 8.6             | None                                      | -    | -      | -    | 49.7                    | 50   | 60   | 53                                 | 260  | 51.7                              | 60  | 60  | 56   | 254 |
|             |                      |              |      |     |              |      |     |                      |                     |               |                 | 11725                                     | 16   | 1      | 38.5 | 66.3                    | 70   | 70   | 61                                 | 260  | 68.8                              | 70  | 70  | 63   | 254 |
|             |                      |              |      |     |              |      |     |                      |                     |               |                 | 12525                                     | 24.8 | 1      | 59.7 | 92.8                    | 100  | 100  | 85                                 | 260  | 95.3                              | 100   | 100   | 88   | 254 |
|             |                      |              |      |     |              |      |     |                      |                     |               |                 | 13225                                     | 32   | 1      | 77   | 114.4                   | 125  | 125  | 105                                | 260  | 116.9                             | 125   | 125   | 108  | 254 |
|             | 460-3-60             | 6.1          | 41   | 10  | 6.1          | 41   | 10  | 1.3                  | 4.8                 | 0.5           | 8.6             | None                                      | -    | -      | -    | 23.3                    | 25   | 25   | 25                                 | 130  | 24.3                              | 25  | 25  | 26   | 127 |
|             |                      |              |      |     |              |      |     |                      |                     |               |                 | 11746                                     | 16.5 | 1      | 19.8 | 33.4                    | 35   | 35   | 31                                 | 130  | 34.7                              | 35  | 35  | 32   | 127 |
|             |                      |              |      |     |              |      |     |                      |                     |               |                 | 12846                                     | 27.8 | 1      | 33.4 | 50.4                    | 60   | 60   | 46                                 | 130  | 51.7                              | 60  | 60  | 48   | 127 |
|             |                      |              |      |     |              |      |     |                      |                     |               |                 | 13346                                     | 33   | 1      | 39.7 | 58.3                    | 60   | 60   | 54                                 | 130  | 59.6                              | 60  | 60  | 55   | 127 |
| 575-3-60    | 4.2                  | 33           | 7    | 4.2 | 33           | 7    | 1.1 | 3.4                  | 0.4                 | 8.6           | None            | -   | -    | -      | 16.8 | 20                      | 20   | 18   | 105                                | 17.6 | 20                                | 20  | 19  | 102  |     |
|             |                      |              |      |     |              |      |     |                      |                     |               | 11758           | 17  | 1    | 16.4   | 26.9 | 30                      | 30   | 25   | 105                                | 27.9 | 30                                | 30  | 26  | 102  |     |
|             |                      |              |      |     |              |      |     |                      |                     |               | 13458           | 34  | 1    | 32.7   | 47.3 | 50                      | 50   | 43   | 105                                | 48.3 | 50                                | 50  | 44  | 102  |     |
|             |                      |              |      |     |              |      |     |                      |                     |               |                 |   |      |        |      |                         |  |  |                                    |      |                                   |   |   |  |     |



**ZY04-12 High Static Indoor Blower - With Powered Convenience Outlet (Continued)**

| Size (Tons) | Nominal Unit Voltage | Compressor 1 |      |     | Compressor 2 |      |     | OD Fan Motors (each) | Supply Blower Motor | Pwr Exh Motor | Pwr Conv Outlet | Electric Heat Field Installed Kit 2EK045* |      |        |      | MCA <sup>1</sup> (Amps) | Min Fuse <sup>2/</sup> Breaker <sup>3</sup> Size (Amps) | Max Fuse <sup>2/</sup> Breaker <sup>3</sup> Size (Amps) | Min Disconnect Rating <sup>4</sup> |      | MCA <sup>1</sup> w/Pwr Exh (Amps) | Min Fuse <sup>2/</sup> Breaker <sup>3</sup> Size w/ Pwr Exh (Amps) | Max Fuse <sup>2/</sup> Breaker <sup>3</sup> Size w/ Pwr Exh (Amps) | Min Disconnect Rating <sup>4</sup> w/ Pwr Exh |     |
|-------------|----------------------|--------------|------|-----|--------------|------|-----|----------------------|---------------------|---------------|-----------------|---|------|--------|------|-------------------------|---|---|------------------------------------|------|-----------------------------------|--|--|---|-----|
|             |                      | RLA          | LRA  | MCC | RLA          | LRA  | MCC |                      |                     |               |                 | Model                                     | kW   | Stages | Amps |                         |   |   | FLA                                | LRA  |                                   |  |  | FLA   | LRA |
|             |                      |              |      |     |              |      |     |                      |                     |               |                 |   |      |        |      |                         |   |   |                                    |      |                                   |  |  |   |     |
| 09 (8.5)    | 208-3-60             | 13.7         | 83.1 | 21  | 13.7         | 83.1 | 21  | 2.3                  | 10.2                | 1.1           | 8.6             | None                                      | -    | -      | -    | 49.9                    | 50  | 60  | 53                                 | 253  | 52.1                              | 60   | 60   | 56  | 263 |
|             |                      |              |      |     |              |      |     |                      |                     |               |                 | 11725                                     | 12   | 1      | 33.3 | 59.8                    | 60  | 60  | 55                                 | 253  | 62.5                              | 70   | 70   | 58  | 263 |
|             |                      |              |      |     |              |      |     |                      |                     |               |                 | 12525                                     | 18.6 | 1      | 51.6 | 82.6                    | 90  | 90  | 76                                 | 253  | 85.4                              | 90   | 90   | 79  | 263 |
|             |                      |              |      |     |              |      |     |                      |                     |               |                 | 13225                                     | 24   | 1      | 66.6 | 101.4                   | 110   | 110   | 93                                 | 253  | 104.1                             | 110  | 110  | 96  | 263 |
|             |                      |              |      |     |              |      |     |                      |                     |               |                 | 14225                                     | 31.8 | 2      | 88.3 | 128.5                   | 150   | 150   | 118                                | 253  | 131.3                             | 150  | 150  | 121   | 263 |
|             |                      |              |      |     |              |      |     |                      |                     |               |                 | None                                      | -    | -      | -    | 49.9                    | 50  | 60  | 53                                 | 260  | 51.9                              | 60   | 60   | 56  | 254 |
|             | 230-3-60             | 13.7         | 83.1 | 21  | 13.7         | 83.1 | 21  | 2.3                  | 10.2                | 1             | 8.6             | None                                      | -    | -      | -    | 49.9                    | 50  | 60  | 53                                 | 260  | 51.9                              | 60   | 60   | 56  | 254 |
|             |                      |              |      |     |              |      |     |                      |                     |               |                 | 11725                                     | 16   | 1      | 38.5 | 66.3                    | 70  | 70  | 61                                 | 260  | 68.8                              | 70   | 70   | 63  | 254 |
|             |                      |              |      |     |              |      |     |                      |                     |               |                 | 12525                                     | 24.8 | 1      | 59.7 | 92.8                    | 100   | 100   | 85                                 | 260  | 95.3                              | 100  | 100  | 88  | 254 |
|             |                      |              |      |     |              |      |     |                      |                     |               |                 | 13225                                     | 32   | 1      | 77   | 114.4                   | 125   | 125   | 105                                | 260  | 116.9                             | 125  | 125  | 108   | 254 |
|             |                      |              |      |     |              |      |     |                      |                     |               |                 | 14225                                     | 42.4 | 2      | 102  | 145.6                   | 150   | 150   | 134                                | 260  | 148.1                             | 150  | 150  | 136   | 254 |
|             |                      |              |      |     |              |      |     |                      |                     |               |                 | None                                      | -    | -      | -    | 23.6                    | 25  | 25  | 25                                 | 130  | 24.6                              | 25   | 25   | 25  | 127 |
| 460-3-60    | 6.2                  | 41           | 10   | 6.2 | 41           | 10   | 1.3 | 4.8                  | 0.5                 | 8.6           | 11746           | 16.5                                      | 1    | 19.8   | 33.4 | 35                      | 35  | 31  | 130                                | 34.7 | 35                                | 35   | 32   | 127   |     |
|             |                      |              |      |     |              |      |     |                      |                     |               | 12846           | 27.8                                      | 1    | 33.4   | 50.4 | 60                      | 60  | 46  | 130                                | 51.7 | 60                                | 60   | 48   | 127   |     |
|             |                      |              |      |     |              |      |     |                      |                     |               | 13346           | 33  | 1    | 39.7   | 58.3 | 60                      | 60  | 54  | 130                                | 59.6 | 60                                | 60   | 55   | 127   |     |
|             |                      |              |      |     |              |      |     |                      |                     |               | 14246           | 41.7                                      | 2    | 50.2   | 71.4 | 80                      | 80  | 66  | 130                                | 72.7 | 80                                | 80   | 67   | 127   |     |
|             |                      |              |      |     |              |      |     |                      |                     |               | None            | -   | -    | -      | 18.1 | 20                      | 20  | 19  | 105                                | 18.9 | 20                                | 20   | 20   | 102   |     |
|             |                      |              |      |     |              |      |     |                      |                     |               | 11758           | 17  | 1    | 16.4   | 26.9 | 30                      | 30  | 25  | 105                                | 27.9 | 30                                | 30   | 26   | 102   |     |
| 12 (10)     | 208-3-60             | 16           | 110  | 25  | 16           | 110  | 25  | 5.8                  | 14.9                | 1.1           | 8.6             | None                                      | -    | -      | -    | 61                      | 70  | 70  | 66                                 | 328  | 63.2                              | 70   | 70   | 68  | 338 |
|             |                      |              |      |     |              |      |     |                      |                     |               |                 | 11725                                     | 12   | 1      | 33.3 | 65.6                    | 70  | 70  | 66                                 | 328  | 68.4                              | 70   | 70   | 68  | 338 |
|             |                      |              |      |     |              |      |     |                      |                     |               |                 | 12525                                     | 18.6 | 1      | 51.6 | 88.5                    | 90  | 90  | 81                                 | 328  | 91.3                              | 100  | 100  | 84  | 338 |
|             |                      |              |      |     |              |      |     |                      |                     |               |                 | 13225                                     | 24   | 1      | 66.6 | 107.3                   | 110   | 110   | 99                                 | 328  | 110                               | 125  | 125  | 101   | 338 |
|             |                      |              |      |     |              |      |     |                      |                     |               |                 | 14225                                     | 31.8 | 2      | 88.3 | 134.4                   | 150   | 150   | 124                                | 328  | 137.1                             | 150  | 150  | 126   | 338 |
|             |                      |              |      |     |              |      |     |                      |                     |               |                 | None                                      | -    | -      | -    | 60.5                    | 70  | 70  | 65                                 | 326  | 62.5                              | 70   | 70   | 67  | 331 |
|             | 230-3-60             | 16           | 110  | 25  | 16           | 110  | 25  | 5.2                  | 15                  | 1             | 8.6             | None                                      | -    | -      | -    | 60.5                    | 70  | 70  | 65                                 | 326  | 62.5                              | 70   | 70   | 67  | 331 |
|             |                      |              |      |     |              |      |     |                      |                     |               |                 | 11725                                     | 16   | 1      | 38.5 | 72.3                    | 80  | 80  | 66                                 | 326  | 74.8                              | 80   | 80   | 69  | 331 |
|             |                      |              |      |     |              |      |     |                      |                     |               |                 | 12525                                     | 24.8 | 1      | 59.7 | 98.8                    | 100   | 100   | 91                                 | 326  | 101.3                             | 110  | 110  | 93  | 331 |
|             |                      |              |      |     |              |      |     |                      |                     |               |                 | 13225                                     | 32   | 1      | 77   | 120.4                   | 125   | 125   | 111                                | 326  | 122.9                             | 125  | 125  | 113   | 331 |
|             |                      |              |      |     |              |      |     |                      |                     |               |                 | 14225                                     | 42.4 | 2      | 102  | 151.6                   | 175   | 175   | 139                                | 326  | 154.1                             | 175  | 175  | 142   | 331 |
|             |                      |              |      |     |              |      |     |                      |                     |               |                 | None                                      | -    | -      | -    | 30.2                    | 35  | 35  | 32                                 | 161  | 31.2                              | 35   | 35   | 34  | 163 |
| 460-3-60    | 7.8                  | 52           | 12   | 7.8 | 52           | 12   | 2.9 | 7.5                  | 0.5                 | 8.6           | 11746           | 16.5                                      | 1    | 19.8   | 36.8 | 40                      | 40  | 34  | 161                                | 38.1 | 40                                | 40   | 35   | 163   |     |
|             |                      |              |      |     |              |      |     |                      |                     |               | 12846           | 27.8                                      | 1    | 33.4   | 53.8 | 60                      | 60  | 50  | 161                                | 55.1 | 60                                | 60   | 51   | 163   |     |
|             |                      |              |      |     |              |      |     |                      |                     |               | 13346           | 33  | 1    | 39.7   | 61.7 | 70                      | 70  | 57  | 161                                | 62.9 | 70                                | 70   | 58   | 163   |     |
|             |                      |              |      |     |              |      |     |                      |                     |               | 14246           | 41.7                                      | 2    | 50.2   | 74.8 | 80                      | 80  | 69  | 161                                | 76.1 | 80                                | 80   | 70   | 163   |     |
|             |                      |              |      |     |              |      |     |                      |                     |               | None            | -   | -    | -      | 22.3 | 25                      | 25  | 24  | 126                                | 23.1 | 25                                | 25   | 25   | 128   |     |
|             |                      |              |      |     |              |      |     |                      |                     |               | 11758           | 17  | 1    | 16.4   | 29.7 | 30                      | 30  | 27  | 126                                | 30.7 | 35                                | 35   | 28   | 128   |     |
| A7 (6)      | 208-3-60             | 17.6         | 136  | 27  |              |      |     | 2.3                  | 9.9                 | 1.1           | 8.6             | None                                      | -    | -      | -    | 40.8                    | 45  | 50  | 42                                 | 222  | 43                                | 45   | 50   | 44  | 227 |
|             |                      |              |      |     |              |      |     |                      |                     |               |                 | 10725                                     | 4.9  | 1      | 13.6 | 40.8                    | 45  | 50  | 42                                 | 222  | 43                                | 45   | 50   | 44  | 227 |
|             |                      |              |      |     |              |      |     |                      |                     |               |                 | 11725                                     | 12   | 1      | 33.3 | 59.4                    | 60  | 60  | 55                                 | 222  | 62.1                              | 70   | 70   | 57  | 227 |
|             |                      |              |      |     |              |      |     |                      |                     |               |                 | 12525                                     | 18.6 | 1      | 51.6 | 82.3                    | 90  | 90  | 76                                 | 222  | 85                                | 90   | 90   | 78  | 227 |
|             |                      |              |      |     |              |      |     |                      |                     |               |                 | None                                      | -    | -      | -    | 40.3                    | 45  | 50  | 41                                 | 231  | 42.3                              | 45   | 50   | 44  | 236 |
|             |                      |              |      |     |              |      |     |                      |                     |               |                 | 10725                                     | 6.5  | 1      | 15.6 | 40.3                    | 45  | 50  | 41                                 | 231  | 42.3                              | 45   | 50   | 44  | 236 |
|             | 230-3-60             | 17.6         | 136  | 27  |              |      |     | 2.3                  | 9.4                 | 1             | 8.6             | 11725                                     | 16   | 1      | 38.5 | 65.3                    | 70  | 70  | 60                                 | 231  | 67.8                              | 70   | 70   | 62  | 236 |
|             |                      |              |      |     |              |      |     |                      |                     |               |                 | 12525                                     | 24.8 | 1      | 59.7 | 91.8                    | 100   | 100   | 84                                 | 231  | 94.3                              | 100  | 100  | 87  | 236 |
|             |                      |              |      |     |              |      |     |                      |                     |               |                 | None                                      | -    | -      | -    | 20.1                    | 25  | 25  | 21                                 | 114  | 21.1                              | 25   | 25   | 22  | 117 |
|             |                      |              |      |     |              |      |     |                      |                     |               |                 | 10746                                     | 6    | 1      | 7.2  | 20.1                    | 25  | 25  | 16                                 | 114  | 21.1                              | 25   | 25   | 17  | 117 |
|             |                      |              |      |     |              |      |     |                      |                     |               |                 | 11746                                     | 16.5 | 1      | 19.8 | 33.3                    | 35  | 35  | 31                                 | 114  | 34.6                              | 35   | 35   | 32  | 117 |
|             |                      |              |      |     |              |      |     |                      |                     |               |                 | 12646                                     | 25.5 | 1      | 30.7 | 46.9                    | 50  | 50  | 43                                 | 114  | 48.2                              | 50   | 50   | 44  | 117 |
| 460-3-60    | 8.5                  | 66.1         | 13   |     |              |      | 1.3 | 4.7                  | 0.5                 | 8.6           | None            | -   | -    | -      | 16.1 | 20                      | 20  | 17  | 102                                | 16.9 | 20                                | 20   | 18   | 104   |     |
|             |                      |              |      |     |              |      |     |                      |                     |               | 10746           | 6   | 1    | 7.2    | 20.1 | 25                      | 25  | 16  | 114                                | 21.1 | 25                                | 25   | 17   | 117   |     |
|             |                      |              |      |     |              |      |     |                      |                     |               | 11746           | 16.5                                      | 1    | 19.8   | 33.3 | 35                      | 35  | 31  | 114                                | 34.6 | 35                                | 35   | 32   | 117   |     |
|             |                      |              |      |     |              |      |     |                      |                     |               | 12646           | 25.5                                      | 1    | 30.7   | 46.9 | 50                      | 50  | 43  | 114                                | 48.2 | 50                                | 50   | 44   | 117   |     |
|             |                      |              |      |     |              |      |     |                      |                     |               | None            | -   | -    | -      | 16.1 | 20                      | 20  | 17  | 102                                | 16.9 | 20                                | 20   | 18   | 104   |     |
|             |                      |              |      |     |              |      |     |                      |                     |               | 11758           | 17  | 1    | 16.4   | 28   | 30                      | 30  | 26  | 102                                | 29   | 30                                | 30   | 27   | 104   |     |
| 575-3-60    | 6.3                  | 55.3         | 10   |     |              |      | 1.1 | 4.3                  | 0.4                 | 8.6           | 12658           | 25.7                                      | 1    | 24.7   | 38.4 | 40                      | 40  | 35  | 102                                | 39.4 | 40                                | 40   | 36   | 104   |     |
|             |                      |              |      |     |              |      |     |                      |                     |               | None            | -   | -    | -      | 16.1 | 20                      | 20  | 17  | 102                                | 16.9 | 20                                | 20   | 18   | 104   |     |

**With VFD**

**ZY04-12 High Static Indoor Blower - With Powered Convenience Outlet (Continued)**

| Size (Tons) | Nominal Unit Voltage | Compressor 1 |      |     | Compressor 2 |      |     | OD Fan Motors (each) | Supply Blower Motor | Pwr Exh Motor | Pwr Conv Outlet | Electric Heat Field Installed Kit 2EK045* |      |        |      | MCA <sup>1</sup> (Amps) | Min Fuse <sup>2/</sup> Breaker <sup>3</sup> Size (Amps) | Max Fuse <sup>2/</sup> Breaker <sup>3</sup> Size (Amps) | Min Disconnect Rating <sup>4</sup> |      | MCA <sup>1</sup> w/Pwr Exh (Amps) | Min Fuse <sup>2/</sup> Breaker <sup>3</sup> Size w/ Pwr Exh (Amps) | Max Fuse <sup>2/</sup> Breaker <sup>3</sup> Size w/ Pwr Exh (Amps) | Min Disconnect Rating <sup>4</sup> / Pwr Exh |     |
|-------------|----------------------|--------------|------|-----|--------------|------|-----|----------------------|---------------------|---------------|-----------------|---|------|--------|------|-------------------------|---|---|------------------------------------|------|-----------------------------------|--|--|--|-----|
|             |                      | RLA          | LRA  | MCC | RLA          | LRA  | MCC |                      |                     |               |                 | Model                                     | kW   | Stages | Amps |                         |   |   | FLA                                | LRA  |                                   |  |  | FLA  | LRA |
|             |                      |              |      |     |              |      |     |                      |                     |               |                 |   |      |        |      |                         |   |   |                                    |      |                                   |  |  |  |     |
| 08 (7.5)    | 208-3-60             | 13.6         | 83.1 | 21  | 13.6         | 83.1 | 21  | 2.3                  | 9.9                 | 1.1           | 8.6             | None                                      | -    | -      | -    | 49.4                    | 50  | 60  | 53                                 | 262  | 51.6                              | 60   | 60   | 55   | 272 |
|             |                      |              |      |     |              |      |     |                      |                     |               |                 | 11725                                     | 12   | 1      | 33.3 | 59.4                    | 60  | 60  | 55                                 | 262  | 62.1                              | 70   | 70   | 57   | 272 |
|             |                      |              |      |     |              |      |     |                      |                     |               |                 | 12525                                     | 18.6 | 1      | 51.6 | 82.3                    | 90  | 90  | 76                                 | 262  | 85                                | 90   | 90   | 78   | 272 |
|             |                      |              |      |     |              |      |     |                      |                     |               |                 | 13225                                     | 24   | 1      | 66.6 | 101                     | 110   | 110   | 93                                 | 262  | 103.8                             | 110  | 110  | 95   | 272 |
|             |                      |              |      |     |              |      |     |                      |                     |               |                 | 14225                                     | 31.8 | 2      | 88.3 | 128.1                   | 150   | 150   | 118                                | 262  | 130.9                             | 150  | 150  | 120  | 272 |
|             | 230-3-60             | 13.6         | 83.1 | 21  | 13.6         | 83.1 | 21  | 2.3                  | 9.4                 | 1             | 8.6             | None                                      | -    | -      | -    | 48.9                    | 50  | 60  | 52                                 | 271  | 50.9                              | 60   | 60   | 55   | 266 |
|             |                      |              |      |     |              |      |     |                      |                     |               |                 | 11725                                     | 16   | 1      | 38.5 | 65.3                    | 70  | 70  | 60                                 | 271  | 67.8                              | 70   | 70   | 62   | 266 |
|             |                      |              |      |     |              |      |     |                      |                     |               |                 | 12525                                     | 24.8 | 1      | 59.7 | 91.8                    | 100   | 100   | 84                                 | 271  | 94.3                              | 100  | 100  | 87   | 266 |
|             |                      |              |      |     |              |      |     |                      |                     |               |                 | 13225                                     | 32   | 1      | 77   | 113.4                   | 125   | 125   | 104                                | 271  | 115.9                             | 125  | 125  | 107  | 266 |
|             |                      |              |      |     |              |      |     |                      |                     |               |                 | 14225                                     | 42.4 | 2      | 102  | 144.6                   | 150   | 150   | 133                                | 271  | 147.1                             | 150  | 150  | 135  | 266 |
|             | 460-3-60             | 6.1          | 41   | 10  | 6.1          | 41   | 10  | 1.3                  | 4.7                 | 0.5           | 8.6             | None                                      | -    | -      | -    | 23.2                    | 25  | 25  | 25                                 | 136  | 24.2                              | 25   | 25   | 26   | 132 |
|             |                      |              |      |     |              |      |     |                      |                     |               |                 | 11746                                     | 16.5 | 1      | 19.8 | 33.3                    | 35  | 35  | 31                                 | 136  | 34.6                              | 35   | 35   | 32   | 132 |
| 12846       |                      |              |      |     |              |      |     |                      |                     |               |                 | 27.8                                      | 1    | 33.4   | 50.3 | 60                      | 60  | 46  | 136                                | 51.6 | 60                                | 60   | 47   | 132  |     |
| 13346       |                      |              |      |     |              |      |     |                      |                     |               |                 | 33  | 1    | 39.7   | 58.2 | 60                      | 60  | 54  | 136                                | 59.4 | 60                                | 60   | 55   | 132  |     |
| 14246       |                      |              |      |     |              |      |     |                      |                     |               |                 | 41.7                                      | 2    | 50.2   | 71.3 | 80                      | 80  | 66  | 136                                | 72.6 | 80                                | 80   | 67   | 132  |     |
| 575-3-60    | 4.2                  | 33           | 7    | 4.2 | 33           | 7    | 1.1 | 4.3                  | 0.4                 | 8.6           | None            | -   | -    | -      | 17.7 | 20                      | 20  | 19  | 117                                | 18.5 | 20                                | 20   | 20   | 114  |     |
|             |                      |              |      |     |              |      |     |                      |                     |               | 11758           | 17  | 1    | 16.4   | 28   | 30                      | 30  | 26  | 117                                | 29   | 30                                | 30   | 27   | 114  |     |
|             |                      |              |      |     |              |      |     |                      |                     |               | 13458           | 34  | 1    | 32.7   | 48.4 | 50                      | 50  | 45  | 117                                | 49.4 | 50                                | 50   | 45   | 114  |     |
|             |                      |              |      |     |              |      |     |                      |                     |               | None            | -   | -    | -      | 49.6 | 50                      | 60  | 53  | 262                                | 51.8 | 60                                | 60   | 56   | 272  |     |
|             |                      |              |      |     |              |      |     |                      |                     |               | 11725           | 12  | 1    | 33.3   | 59.4 | 60                      | 60  | 55  | 262                                | 62.1 | 70                                | 70   | 57   | 272  |     |
| 09 (8.5)    | 208-3-60             | 13.7         | 83.1 | 21  | 13.7         | 83.1 | 21  | 2.3                  | 9.9                 | 1.1           | 8.6             | None                                      | -    | -      | -    | 49.6                    | 50  | 60  | 53                                 | 262  | 51.8                              | 60   | 60   | 56   | 272 |
|             |                      |              |      |     |              |      |     |                      |                     |               |                 | 11725                                     | 12   | 1      | 33.3 | 59.4                    | 60  | 60  | 55                                 | 262  | 62.1                              | 70   | 70   | 57   | 272 |
|             |                      |              |      |     |              |      |     |                      |                     |               |                 | 12525                                     | 18.6 | 1      | 51.6 | 82.3                    | 90  | 90  | 76                                 | 262  | 85                                | 90   | 90   | 78   | 272 |
|             |                      |              |      |     |              |      |     |                      |                     |               |                 | 13225                                     | 24   | 1      | 66.6 | 101                     | 110   | 110   | 93                                 | 262  | 103.8                             | 110  | 110  | 95   | 272 |
|             |                      |              |      |     |              |      |     |                      |                     |               |                 | 14225                                     | 31.8 | 2      | 88.3 | 128.1                   | 150   | 150   | 118                                | 262  | 130.9                             | 150  | 150  | 120  | 272 |
|             | 230-3-60             | 13.7         | 83.1 | 21  | 13.7         | 83.1 | 21  | 2.3                  | 9.4                 | 1             | 8.6             | None                                      | -    | -      | -    | 49.1                    | 50  | 60  | 53                                 | 271  | 51.1                              | 60   | 60   | 55   | 266 |
|             |                      |              |      |     |              |      |     |                      |                     |               |                 | 11725                                     | 16   | 1      | 38.5 | 65.3                    | 70  | 70  | 60                                 | 271  | 67.8                              | 70   | 70   | 62   | 266 |
|             |                      |              |      |     |              |      |     |                      |                     |               |                 | 12525                                     | 24.8 | 1      | 59.7 | 91.8                    | 100   | 100   | 84                                 | 271  | 94.3                              | 100  | 100  | 87   | 266 |
|             |                      |              |      |     |              |      |     |                      |                     |               |                 | 13225                                     | 32   | 1      | 77   | 113.4                   | 125   | 125   | 104                                | 271  | 115.9                             | 125  | 125  | 107  | 266 |
|             |                      |              |      |     |              |      |     |                      |                     |               |                 | 14225                                     | 42.4 | 2      | 102  | 144.6                   | 150   | 150   | 133                                | 271  | 147.1                             | 150  | 150  | 135  | 266 |
|             | 460-3-60             | 6.2          | 41   | 10  | 6.2          | 41   | 10  | 1.3                  | 4.7                 | 0.5           | 8.6             | None                                      | -    | -      | -    | 23.5                    | 25  | 25  | 25                                 | 136  | 24.5                              | 25   | 25   | 26   | 132 |
|             |                      |              |      |     |              |      |     |                      |                     |               |                 | 11746                                     | 16.5 | 1      | 19.8 | 33.3                    | 35  | 35  | 31                                 | 136  | 34.6                              | 35   | 35   | 32   | 132 |
| 12846       |                      |              |      |     |              |      |     |                      |                     |               |                 | 27.8                                      | 1    | 33.4   | 50.3 | 60                      | 60  | 46  | 136                                | 51.6 | 60                                | 60   | 47   | 132  |     |
| 13346       |                      |              |      |     |              |      |     |                      |                     |               |                 | 33  | 1    | 39.7   | 58.2 | 60                      | 60  | 54  | 136                                | 59.4 | 60                                | 60   | 55   | 132  |     |
| 14246       |                      |              |      |     |              |      |     |                      |                     |               |                 | 41.7                                      | 2    | 50.2   | 71.3 | 80                      | 80  | 66  | 136                                | 72.6 | 80                                | 80   | 67   | 132  |     |
| 575-3-60    | 4.8                  | 33           | 8    | 4.8 | 33           | 8    | 1.1 | 4.3                  | 0.4                 | 8.6           | None            | -   | -    | -      | 19   | 20                      | 20  | 20  | 117                                | 19.8 | 20                                | 20   | 20   | 114  |     |
|             |                      |              |      |     |              |      |     |                      |                     |               | 11758           | 17  | 1    | 16.4   | 28   | 30                      | 30  | 26  | 117                                | 29   | 30                                | 30   | 27   | 114  |     |
|             |                      |              |      |     |              |      |     |                      |                     |               | 13458           | 34  | 1    | 32.7   | 48.4 | 50                      | 50  | 45  | 117                                | 49.4 | 50                                | 50   | 45   | 114  |     |
|             |                      |              |      |     |              |      |     |                      |                     |               | None            | -   | -    | -      | 59.6 | 60                      | 70  | 64  | 349                                | 61.8 | 70                                | 70   | 66   | 359  |     |
|             |                      |              |      |     |              |      |     |                      |                     |               | 11725           | 12  | 1    | 33.3   | 63.9 | 70                      | 70  | 64  | 349                                | 66.6 | 70                                | 70   | 66   | 359  |     |
| 12 (10)     | 208-3-60             | 16           | 110  | 25  | 16           | 110  | 25  | 5.8                  | 13.5                | 1.1           | 8.6             | None                                      | -    | -      | -    | 59.6                    | 60  | 70  | 64                                 | 349  | 61.8                              | 70   | 70   | 66   | 359 |
|             |                      |              |      |     |              |      |     |                      |                     |               |                 | 11725                                     | 12   | 1      | 33.3 | 63.9                    | 70  | 70  | 64                                 | 349  | 66.6                              | 70   | 70   | 66   | 359 |
|             |                      |              |      |     |              |      |     |                      |                     |               |                 | 12525                                     | 18.6 | 1      | 51.6 | 86.8                    | 90  | 90  | 80                                 | 349  | 89.5                              | 90   | 90   | 82   | 359 |
|             |                      |              |      |     |              |      |     |                      |                     |               |                 | 13225                                     | 24   | 1      | 66.6 | 105.5                   | 110   | 110   | 97                                 | 349  | 108.3                             | 110  | 110  | 100  | 359 |
|             |                      |              |      |     |              |      |     |                      |                     |               |                 | 14225                                     | 31.8 | 2      | 88.3 | 132.6                   | 150   | 150   | 122                                | 349  | 135.4                             | 150  | 150  | 125  | 359 |
|             | 230-3-60             | 16           | 110  | 25  | 16           | 110  | 25  | 5.2                  | 13.4                | 1             | 8.6             | None                                      | -    | -      | -    | 58.9                    | 60  | 70  | 63                                 | 345  | 60.9                              | 70   | 70   | 65   | 350 |
|             |                      |              |      |     |              |      |     |                      |                     |               |                 | 11725                                     | 16   | 1      | 38.5 | 70.3                    | 80  | 80  | 65                                 | 345  | 72.8                              | 80   | 80   | 67   | 350 |
|             |                      |              |      |     |              |      |     |                      |                     |               |                 | 12525                                     | 24.8 | 1      | 59.7 | 96.8                    | 100   | 100   | 89                                 | 345  | 99.3                              | 100  | 100  | 91   | 350 |
|             |                      |              |      |     |              |      |     |                      |                     |               |                 | 13225                                     | 32   | 1      | 77   | 118.4                   | 125   | 125   | 109                                | 345  | 120.9                             | 125  | 125  | 111  | 350 |
|             |                      |              |      |     |              |      |     |                      |                     |               |                 | 14225                                     | 42.4 | 2      | 102  | 149.6                   | 150   | 150   | 138                                | 345  | 152.1                             | 175  | 175  | 140  | 350 |
|             | 460-3-60             | 7.8          | 52   | 12  | 7.8          | 52   | 12  | 2.9                  | 6.7                 | 0.5           | 8.6             | None                                      | -    | -      | -    | 29.4                    | 30  | 35  | 32                                 | 168  | 30.4                              | 35   | 35   | 33   | 170 |
|             |                      |              |      |     |              |      |     |                      |                     |               |                 | 11746                                     | 16.5 | 1      | 19.8 | 35.8                    | 40  | 40  | 33                                 | 168  | 37.1                              | 40   | 40   | 34   | 170 |
| 12846       |                      |              |      |     |              |      |     |                      |                     |               |                 | 27.8                                      | 1    | 33.4   | 52.8 | 60                      | 60  | 49  | 168                                | 54.1 | 60                                | 60   | 50   | 170  |     |
| 13346       |                      |              |      |     |              |      |     |                      |                     |               |                 | 33  | 1    | 39.7   | 60.7 | 70                      | 70  | 56  | 168                                | 61.9 | 70                                | 70   | 57   | 170  |     |
| 14246       |                      |              |      |     |              |      |     |                      |                     |               |                 | 41.7                                      | 2    | 50.2   | 73.8 | 80                      | 80  | 68  | 168                                | 75.1 | 80                                | 80   | 69   | 170  |     |
| 575-3-60    | 5.7                  | 38.9         | 9    | 5.7 | 38.9         | 9    | 2.2 | 5.4                  | 0.4                 | 8.6           | None            | -   | -    | -      | 22.1 | 25                      | 25  | 24  | 131                                | 22.9 | 25                                | 25   | 25   | 133  |     |
|             |                      |              |      |     |              |      |     |                      |                     |               | 11758           | 17  | 1    | 16.4   | 29.4 | 30                      | 30  | 27  | 131                                | 30.4 | 35                                | 35   | 28   | 133  |     |
|             |                      |              |      |     |              |      |     |                      |                     |               | 13458           | 34  | 1    | 32.7   | 49.8 | 50                      | 50  | 46  | 131                                | 50.8 | 60                                | 60   | 47   | 133  |     |
|             |                      |              |      |     |              |      |     |                      |                     |               | None            | -   | -    | -      | 59.6 | 60                      | 70  | 64  | 349                                | 61.8 | 70                                | 70   | 66   | 359  |     |
|             |                      |              |      |     |              |      |     |                      |                     |               | 11725           | 12  | 1    | 33.3   | 63.9 | 70                      | 70  | 64  | 349                                | 66.6 | 70                                | 70   | 66   | 359  |     |

1. Minimum Circuit Ampacity.
2. Dual Element, Time Delay Type.
3. HACR type per NEC.
4. Non-fused Disconnect, Verify on the unit nameplate that the disconnect is properly sized for the application. Units with field installed electric heat kits may exceed the factory installed disconnect amperage rating.

**ZQ04-06 Standard Static Indoor Blower - Without Powered Convenience Outlet**

| Size (Tons) | Nominal Unit Voltage | Compressor 1 |      |     | Compressor 2 |     |     | OD Fan Motors (each) | Supply Blower Motor | Pwr Exh Motor | Pwr Conv Outlet | Electric Heat Field Installed Kit 2EK045* |        |        | MCA <sup>1</sup> (Amps) | Min Fuse <sup>2/</sup> Breaker <sup>3</sup> Size (Amps) | Max Fuse <sup>2/</sup> Breaker <sup>3</sup> Size (Amps) | Min Discon-nect Rating <sup>4</sup> |     | MCA <sup>1</sup> w/Pwr Exh (Amps) | Min Fuse <sup>2/</sup> Breaker <sup>3</sup> Size w/ Pwr Exh (Amps) | Max Fuse <sup>2/</sup> Breaker <sup>3</sup> Size w/ Pwr Exh (Amps) | Min Discon-nect Rating <sup>4</sup> / Pwr Exh |     |     |     |     |
|-------------|----------------------|--------------|------|-----|--------------|-----|-----|----------------------|---------------------|---------------|-----------------|---|--------|--------|-------------------------|---|---|-------------------------------------|-----|-----------------------------------|--|--|---|-----|-----|-----|-----|
|             |                      | RLA          | LRA  | MCC | RLA          | LRA | MCC |                      |                     |               |                 | Model                                     | kW     | Stages |                         |   |   | Amps                                | FLA |                                   |  |  | LRA   | FLA | LRA |     |     |
|             |                      |              |      |     |              |     |     |                      |                     |               |                 |   |        |        |                         |   |   |                                     |     |                                   |  |  |   |     |     |     |     |
| 04<br>(3)   | 208-1-60             | 15.4         | 83.9 | 24  |              |     |     | 1.4                  | 6.6                 | 1.5           |                 | None                                      | -      | -      | -                       | 27.3  | 30  | 40                                  | 27  | 89                                | 28.8   | 30   | 40  | 29  | 93  |     |     |
|             |                      |              |      |     |              |     |     |                      |                     |               |                 | 10625                                     | 4.9    | 1      | 23.6                    | 37.8  | 40  | 40                                  | 35  | 89                                | 39.6   | 40   | 40  | 36  | 93  |     |     |
|             |                      |              |      |     |              |     |     |                      |                     |               |                 | 11125                                     | 7.9    | 1      | 38                      | 55.8  | 60  | 60                                  | 51  | 89                                | 57.6   | 60   | 60  | 53  | 93  |     |     |
|             | 230-1-60             | 15.4         | 83.9 | 24  |              |     |     | 1.4                  | 6                   | 1.3           |                 |   | None   | -      | -                       | -   | 26.7  | 30                                  | 40  | 26                                | 89   | 28   | 30  | 40  | 28  | 92  |     |
|             |                      |              |      |     |              |     |     |                      |                     |               |                 |   | 10625  | 6.5    | 1                       | 27.1  | 41.4  | 45                                  | 45  | 38                                | 89   | 43   | 45  | 45  | 40  | 92  |     |
|             |                      |              |      |     |              |     |     |                      |                     |               |                 |   | 11125  | 10.5   | 1                       | 43.8  | 62.3  | 70                                  | 70  | 57                                | 89   | 63.9   | 70  | 70  | 59  | 92  |     |
|             | 208-3-60             | 10.4         | 73   | 16  |              |     |     | 1.4                  | 6.6                 | 1.1           |                 |   | None   | -      | -                       | -   | 21  | 25                                  | 30  | 21                                | 78   | 22.1   | 25  | 30  | 22  | 81  |     |
|             |                      |              |      |     |              |     |     |                      |                     |               |                 |   | 10625  | 4.9    | 1                       | 13.6  | 25.3  | 30                                  | 30  | 23                                | 78   | 26.6   | 30  | 30  | 24  | 81  |     |
|             |                      |              |      |     |              |     |     |                      |                     |               |                 |   | 11125  | 7.9    | 1                       | 21.9  | 35.6  | 40                                  | 40  | 33                                | 78   | 37   | 40  | 40  | 34  | 81  |     |
|             | 230-3-60             | 10.4         | 73   | 16  |              |     |     | 1.4                  | 6                   | 1             |                 |   | None   | -      | -                       | -   | 20.4  | 25                                  | 30  | 20                                | 78   | 21.4   | 25  | 30  | 22  | 81  |     |
|             |                      |              |      |     |              |     |     |                      |                     |               |                 |   | 10625  | 6.5    | 1                       | 15.6  | 27  | 30                                  | 30  | 25                                | 78   | 28.3   | 30  | 30  | 26  | 81  |     |
|             |                      |              |      |     |              |     |     |                      |                     |               |                 |   | 11125  | 10.5   | 1                       | 25.3  | 39.1  | 40                                  | 40  | 36                                | 78   | 40.4   | 45  | 45  | 37  | 81  |     |
|             | 460-3-60             | 5.8          | 38   | 9   |              |     |     | 0.8                  | 3.2                 | 0.5           |                 |   | None   | -      | -                       | -   | 11.3  | 15                                  | 15  | 11                                | 42   | 11.8   | 15  | 15  | 12  | 43  |     |
|             |                      |              |      |     |              |     |     |                      |                     |               |                 |   | 10646  | 6      | 1                       | 7.2   | 13  | 15                                  | 15  | 12                                | 42   | 13.6   | 15  | 15  | 13  | 43  |     |
|             |                      |              |      |     |              |     |     |                      |                     |               |                 |   | 11146  | 11.5   | 1                       | 13.8  | 21.3  | 25                                  | 25  | 20                                | 42   | 21.9   | 25  | 25  | 20  | 43  |     |
|             | 575-3-60             | 3.8          | 36.5 | 6   |              |     |     | 0.6                  | 6                   | 0.4           |                 |   | None   | -      | -                       | -   | 7.8   | 15                                  | 15  | 8                                 | 39   | 8.2  | 15  | 15  | 8   | 40  |     |
|             |                      |              |      |     |              |     |     |                      |                     |               |                 |   | 111058 | 9.2    | 1                       | 8.9   | 14.1  | 15                                  | 15  | 13                                | 39   | 14.6   | 15  | 15  | 13  | 40  |     |
|             |                      |              |      |     |              |     |     |                      |                     |               |                 |   | 11458  | 13.8   | 1                       | 13.3  | 19.6  | 20                                  | 20  | 18                                | 39   | 20.1   | 25  | 25  | 19  | 40  |     |
|             | 05<br>(4)            | 208-1-60     | 19.6 | 130 | 31           |     |     |                      | 1.4                 | 8.4           | 1.5             |   | None   | -      | -                       | -   | 34.3  | 35                                  | 50  | 34                                | 135  | 35.8   | 40  | 50  | 36  | 139 |     |
|             |                      |              |      |     |              |     |     |                      |                     |               |                 |   | 10625  | 4.9    | 1                       | 23.6  | 40  | 40                                  | 50  | 37                                | 135  | 41.9   | 45  | 50  | 39  | 139 |     |
|             |                      |              |      |     |              |     |     |                      |                     |               |                 |   | 11125  | 7.9    | 1                       | 38  | 58  | 60                                  | 60  | 53                                | 135  | 59.9   | 60  | 60  | 55  | 139 |     |
|             |                      | 230-1-60     | 19.6 | 130 | 31           |     |     |                      | 1.4                 | 7.6           | 1.3             |   |        | None   | -                       | -   | -   | 33.5                                | 35  | 50                                | 33   | 135  | 34.8  | 35  | 50  | 34  | 138 |
|             |                      |              |      |     |              |     |     |                      |                     |               |                 |   |        | 10625  | 6.5                     | 1   | 27.1  | 43.4                                | 45  | 50                                | 40   | 135  | 45  | 45  | 50  | 41  | 138 |
|             |                      |              |      |     |              |     |     |                      |                     |               |                 |   |        | 11125  | 10.5                    | 1   | 43.8  | 64.3                                | 70  | 70                                | 59   | 135  | 65.9  | 70  | 70  | 61  | 138 |
| 208-3-60    |                      | 13.7         | 83.1 | 21  |              |     |     | 1.4                  | 8.4                 | 1.1           |                 |   | None   | -      | -                       | -   | 26.9  | 30                                  | 40  | 27                                | 88   | 28   | 30  | 40  | 28  | 91  |     |
|             |                      |              |      |     |              |     |     |                      |                     |               |                 |   | 10625  | 4.9    | 1                       | 13.6  | 27.5  | 30                                  | 40  | 27                                | 88   | 28.9   | 30  | 40  | 28  | 91  |     |
|             |                      |              |      |     |              |     |     |                      |                     |               |                 |   | 11125  | 7.9    | 1                       | 21.9  | 37.9  | 40                                  | 40  | 35                                | 88   | 39.3   | 40  | 40  | 36  | 91  |     |
| 230-3-60    |                      | 13.7         | 83.1 | 21  |              |     |     | 1.4                  | 7.6                 | 1             |                 |   | None   | -      | -                       | -   | 26.1  | 30                                  | 35  | 26                                | 88   | 27.1   | 30  | 40  | 27  | 91  |     |
|             |                      |              |      |     |              |     |     |                      |                     |               |                 |   | 10625  | 6.5    | 1                       | 15.6  | 29  | 30                                  | 35  | 27                                | 88   | 30.3   | 35  | 40  | 28  | 91  |     |
|             |                      |              |      |     |              |     |     |                      |                     |               |                 |   | 11125  | 10.5   | 1                       | 25.3  | 41.1  | 45                                  | 45  | 38                                | 88   | 42.4   | 45  | 45  | 39  | 91  |     |
| 460-3-60    |                      | 6.2          | 41   | 10  |              |     |     | 0.8                  | 4                   | 0.5           |                 |   | None   | -      | -                       | -   | 12.6  | 15                                  | 15  | 13                                | 45   | 13.1   | 15  | 15  | 13  | 46  |     |
|             |                      |              |      |     |              |     |     |                      |                     |               |                 |   | 10646  | 6      | 1                       | 7.2   | 14  | 15                                  | 15  | 13                                | 45   | 14.6   | 15  | 15  | 13  | 46  |     |
|             |                      |              |      |     |              |     |     |                      |                     |               |                 |   | 11146  | 11.5   | 1                       | 13.8  | 22.3  | 25                                  | 25  | 20                                | 45   | 22.9   | 25  | 25  | 21  | 46  |     |
| 575-3-60    |                      | 4.8          | 33   | 8   |              |     |     | 0.6                  | 7.6                 | 0.4           |                 |   | None   | -      | -                       | -   | 9.6   | 15                                  | 15  | 10                                | 35   | 10   | 15  | 15  | 10  | 36  |     |
|             |                      |              |      |     |              |     |     |                      |                     |               |                 |   | 111058 | 9.2    | 1                       | 8.9   | 14.9  | 15                                  | 15  | 14                                | 35   | 15.4   | 20  | 20  | 14  | 36  |     |
|             |                      |              |      |     |              |     |     |                      |                     |               |                 |   | 11458  | 13.8   | 1                       | 13.3  | 20.4  | 25                                  | 25  | 19                                | 35   | 20.9   | 25  | 25  | 19  | 36  |     |

**ZQ04-06 Standard Static Indoor Blower - Without Powered Convenience Outlet (Continued)**

| Size<br>(Tons) | Nominal<br>Unit<br>Voltage | Compressor 1 |       |     | Compressor 2 |     |     | OD<br>Fan<br>Motors<br>(each) | Supply<br>Blower<br>Motor | Pwr<br>Exh<br>Motor | Pwr<br>Conv<br>Outlet | Electric Heat<br>Field Installed Kit<br>2EK045* |      |        |      | MCA <sup>1</sup><br>(Amps) | Min<br>Fuse <sup>2/</sup><br>Breaker <sup>3</sup><br>Size<br>(Amps) | Max<br>Fuse <sup>2/</sup><br>Breaker <sup>3</sup><br>Size<br>(Amps) | Min<br>Discon-<br>nect<br>Rating <sup>4</sup> |     | MCA <sup>1</sup><br>w/Pwr<br>Exh<br>(Amps) | Min<br>Fuse <sup>2/</sup><br>Breaker <sup>3</sup><br>Size<br>w/<br>Pwr Exh<br>(Amps) | Max<br>Fuse <sup>2/</sup><br>Breaker <sup>3</sup><br>Size<br>w/<br>Pwr Exh<br>(Amps) | Min<br>Discon-<br>nect<br>Rating <sup>4</sup> /<br>Pwr Exh |     |
|----------------|----------------------------|--------------|-------|-----|--------------|-----|-----|-------------------------------|---------------------------|---------------------|-----------------------|---|------|--------|------|----------------------------|---|---|---|-----|--|--|--|--|-----|
|                |                            | RLA          | LRA   | MCC | RLA          | LRA | MCC |                               |                           |                     |                       | Model   | kW   | Stages | Amps |                            |   |   | FLA   | LRA |  |  |  | FLA  | LRA |
|                |                            |              |       |     |              |     |     |                               |                           |                     |                       |   |      |        |      |                            |   |   |   |     |  |  |  |  |     |
| 06<br>(5)      | 208-1-60                   | 24.4         | 144.2 | 38  |              |     |     | 2.3                           | 8.4                       | 1.5                 |                       | None  | -    | -      | -    | 41.2                       | 45  | 60  | 40  | 151 | 42.7                                       | 45   | 60   | 42   | 154 |
|                |                            |              |       |     |              |     |     |                               |                           |                     |                       | 10625   | 4.9  | 1      | 23.6 | 41.2                       | 45  | 60  | 40  | 151 | 42.7                                       | 45   | 60   | 42   | 154 |
|                |                            |              |       |     |              |     |     |                               |                           |                     |                       | 11125   | 7.9  | 1      | 38   | 58                         | 60  | 60  | 53  | 151 | 59.9                                       | 60   | 60   | 55   | 154 |
|                | 230-1-60                   | 24.4         | 144.2 | 38  |              |     |     | 2.3                           | 7.6                       | 1.3                 |                       | None  | -    | -      | -    | 40.4                       | 45  | 60  | 39  | 151 | 41.7                                       | 45   | 60   | 41   | 154 |
|                |                            |              |       |     |              |     |     |                               |                           |                     |                       | 10625   | 6.5  | 1      | 27.1 | 43.4                       | 45  | 60  | 40  | 151 | 45   | 45   | 60   | 41   | 154 |
|                |                            |              |       |     |              |     |     |                               |                           |                     |                       | 11125   | 10.5 | 1      | 43.8 | 64.3                       | 70  | 70  | 59  | 151 | 65.9                                       | 70   | 70   | 61   | 154 |
|                | 208-3-60                   | 16           | 110   | 25  |              |     |     | 2.3                           | 8.4                       | 1.1                 |                       | None  | -    | -      | -    | 30.7                       | 35  | 45  | 31  | 117 | 31.8                                       | 35   | 45   | 32   | 119 |
|                |                            |              |       |     |              |     |     |                               |                           |                     |                       | 10625   | 4.9  | 1      | 13.6 | 30.7                       | 35  | 45  | 31  | 117 | 31.8                                       | 35   | 45   | 32   | 119 |
|                |                            |              |       |     |              |     |     |                               |                           |                     |                       | 11125   | 7.9  | 1      | 21.9 | 37.9                       | 40  | 45  | 35  | 117 | 39.3                                       | 40   | 45   | 36   | 119 |
|                |                            |              |       |     |              |     |     |                               |                           |                     |                       | 11625   | 12   | 1      | 33.3 | 52.1                       | 60  | 60  | 48  | 117 | 53.5                                       | 60   | 60   | 49   | 119 |
|                | 230-3-60                   | 16           | 110   | 25  |              |     |     | 2.3                           | 7.6                       | 1                   |                       | None  | -    | -      | -    | 29.9                       | 30  | 45  | 30  | 117 | 30.9                                       | 35   | 45   | 31   | 119 |
|                |                            |              |       |     |              |     |     |                               |                           |                     |                       | 10625   | 6.5  | 1      | 15.6 | 29.9                       | 30  | 45  | 30  | 117 | 30.9                                       | 35   | 45   | 31   | 119 |
|                |                            |              |       |     |              |     |     |                               |                           |                     |                       | 11125   | 10.5 | 1      | 25.3 | 41.1                       | 45  | 45  | 38  | 117 | 42.4                                       | 45   | 45   | 39   | 119 |
|                |                            |              |       |     |              |     |     |                               |                           |                     |                       | 11625   | 16   | 1      | 38.5 | 57.6                       | 60  | 60  | 53  | 117 | 58.9                                       | 60   | 60   | 54   | 119 |
|                | 460-3-60                   | 7.8          | 52    | 12  |              |     |     | 1.3                           | 4                         | 0.5                 |                       | None  | -    | -      | -    | 15.1                       | 20  | 20  | 15  | 57  | 15.6                                       | 20   | 20   | 16   | 58  |
|                |                            |              |       |     |              |     |     |                               |                           |                     |                       | 10646   | 6    | 1      | 7.2  | 15.1                       | 20  | 20  | 13  | 57  | 15.6                                       | 20   | 20   | 13   | 58  |
|                |                            |              |       |     |              |     |     |                               |                           |                     |                       | 11146   | 11.5 | 1      | 13.8 | 22.3                       | 25  | 25  | 20  | 57  | 22.9                                       | 25   | 25   | 21   | 58  |
|                |                            |              |       |     |              |     |     |                               |                           |                     |                       | 11446   | 14   | 1      | 16.8 | 26                         | 30  | 30  | 24  | 57  | 26.6                                       | 30   | 30   | 24   | 58  |
|                | 575-3-60                   | 5.7          | 38.9  | 9   |              |     |     | 1.1                           | 7.6                       | 0.4                 |                       | None  | -    | -      | -    | 11.2                       | 15  | 15  | 11  | 42  | 11.6                                       | 15   | 15   | 12   | 43  |
|                |                            |              |       |     |              |     |     |                               |                           |                     |                       | 11458   | 13.8 | 1      | 13.3 | 20.4                       | 25  | 25  | 19  | 42  | 20.9                                       | 25   | 25   | 19   | 43  |
|                |                            |              |       |     |              |     |     |                               |                           |                     |                       | 12358   | 23   | 1      | 22.1 | 31.4                       | 35  | 35  | 29  | 42  | 31.9                                       | 35   | 35   | 29   | 43  |

1. Minimum Circuit Ampacity.
2. Dual Element, Time Delay Type.
3. HACR type per NEC.
4. Non-fused Disconnect, Verify on the unit nameplate that the disconnect is properly sized for the application. Units with field installed electric heat kits may exceed the factory installed disconnect amperage rating.

ZQ04-06 Standard Static Indoor Blower - With Powered Convenience Outlet

| Size (Tons) | Nominal Unit Voltage | Compressor 1 |      |     | Compressor 2 |      |     | OD Fan Motors (each) | Supply Blower Motor | Pwr Exh Motor | Pwr Conv Outlet | Electric Heat Field Installed Kit 2EK045* |       |        |      | MCA <sup>1</sup> (Amps) | Min Fuse <sup>2</sup> /Breaker <sup>3</sup> Size (Amps) | Max Fuse <sup>2</sup> /Breaker <sup>3</sup> Size (Amps) | Min Disconnect Rating <sup>4</sup> |     | MCA <sup>1</sup> w/Pwr Exh (Amps) | Min Fuse <sup>2</sup> /Breaker <sup>3</sup> Size w/ Pwr Exh (Amps) | Max Fuse <sup>2</sup> /Breaker <sup>3</sup> Size w/ Pwr Exh (Amps) | Min Disconnect Rating <sup>4</sup> /Pwr Exh |     |     |
|-------------|----------------------|--------------|------|-----|--------------|------|-----|----------------------|---------------------|---------------|-----------------|---|-------|--------|------|-------------------------|---|---|------------------------------------|-----|-----------------------------------|--|--|---|-----|-----|
|             |                      | RLA          | LRA  | MCC | RLA          | LRA  | MCC |                      |                     |               |                 | Model                                     | kW    | Stages | Amps |                         |   |   | FLA                                | LRA |                                   |  |  | FLA   | LRA |     |
|             |                      |              |      |     |              |      |     |                      |                     |               |                 |   |       |        |      |                         |   |   |                                    |     |                                   |  |  |   |     |     |
| 04<br>(3)   | 208-1-60             | 15.4         | 83.9 | 24  |              |      |     | 1.4                  | 6.6                 | 1.5           | 8.6             | None                                      | -     | -      | -    | 31.6                    | 35  | 45  | 32                                 | 94  | 33.1                              | 35   | 45   | 34  | 97  |     |
|             |                      |              |      |     |              |      |     |                      |                     |               |                 | 10625                                     | 4.9   | 1      | 23.6 | 43.1                    | 45  | 45  | 40                                 | 94  | 45                                | 45   | 41   | 97  |     |     |
|             |                      |              |      |     |              |      |     |                      |                     |               |                 | 11125                                     | 7.9   | 1      | 38   | 61.1                    | 70  | 70  | 56                                 | 94  | 63                                | 70   | 70   | 58  | 97  |     |
|             | 230-1-60             | 15.4         | 83.9 | 24  |              |      |     | 1.4                  | 6                   | 1.3           | 8.6             | None                                      | -     | -      | -    | 31                      | 35  | 45  | 31                                 | 94  | 32.3                              | 35   | 45   | 33  | 96  |     |
|             |                      |              |      |     |              |      |     |                      |                     |               |                 | 10625                                     | 6.5   | 1      | 27.1 | 46.8                    | 50  | 50  | 43                                 | 94  | 48.4                              | 50   | 50   | 45  | 96  |     |
|             |                      |              |      |     |              |      |     |                      |                     |               |                 | 11125                                     | 10.5  | 1      | 43.8 | 67.6                    | 70  | 70  | 62                                 | 94  | 69.3                              | 70   | 70   | 64  | 96  |     |
|             | 208-3-60             | 10.4         | 73   | 16  |              |      |     | 1.4                  | 6.6                 | 1.1           | 8.6             | None                                      | -     | -      | -    | 25.3                    | 30  | 35  | 26                                 | 83  | 26.4                              | 30   | 35   | 27  | 85  |     |
|             |                      |              |      |     |              |      |     |                      |                     |               |                 | 10625                                     | 4.9   | 1      | 13.6 | 30.6                    | 35  | 35  | 28                                 | 83  | 32                                | 35   | 35   | 29  | 85  |     |
|             |                      |              |      |     |              |      |     |                      |                     |               |                 | 11125                                     | 7.9   | 1      | 21.9 | 41                      | 45  | 45  | 38                                 | 83  | 42.4                              | 45   | 45   | 39  | 85  |     |
|             | 230-3-60             | 10.4         | 73   | 16  |              |      |     | 1.4                  | 6                   | 1             | 8.6             | None                                      | -     | -      | -    | 24.7                    | 25  | 35  | 25                                 | 83  | 25.7                              | 30   | 35   | 27  | 85  |     |
|             |                      |              |      |     |              |      |     |                      |                     |               |                 | 10625                                     | 6.5   | 1      | 15.6 | 32.4                    | 35  | 35  | 30                                 | 83  | 33.6                              | 35   | 35   | 31  | 85  |     |
|             |                      |              |      |     |              |      |     |                      |                     |               |                 | 11125                                     | 10.5  | 1      | 25.3 | 44.5                    | 45  | 45  | 41                                 | 83  | 45.8                              | 50   | 50   | 42  | 85  |     |
|             | 460-3-60             | 5.8          | 38   | 9   |              |      |     | 0.8                  | 3.2                 | 0.5           | 8.6             | 11625                                     | 12    | 1      | 33.3 | 55.3                    | 60  | 60  | 51                                 | 83  | 56.6                              | 60   | 60   | 52  | 85  |     |
|             |                      |              |      |     |              |      |     |                      |                     |               |                 | None                                      | -     | -      | -    | 13.5                    | 15  | 15  | 14                                 | 44  | 14                                | 15   | 15   | 14  | 45  |     |
|             |                      |              |      |     |              |      |     |                      |                     |               |                 | 10646                                     | 6     | 1      | 7.2  | 15.7                    | 20  | 20  | 14                                 | 44  | 16.3                              | 20   | 20   | 15  | 45  |     |
|             | 575-3-60             | 3.8          | 36.5 | 6   |              |      |     | 0.6                  | 6                   | 0.4           | 8.6             | 11146                                     | 11.5  | 1      | 13.8 | 23.9                    | 25  | 25  | 22                                 | 44  | 24.6                              | 25   | 25   | 23  | 45  |     |
|             |                      |              |      |     |              |      |     |                      |                     |               |                 | 11446                                     | 14    | 1      | 16.8 | 27.7                    | 30  | 30  | 25                                 | 44  | 28.3                              | 30   | 30   | 26  | 45  |     |
|             |                      |              |      |     |              |      |     |                      |                     |               |                 | None                                      | -     | -      | -    | 9.5                     | 15  | 15  | 10                                 | 41  | 9.9                               | 15   | 15   | 10  | 41  |     |
|             | 05<br>(4)            | 208-1-60     | 19.6 | 130 | 31           |      |     |                      | 1.4                 | 8.4           | 1.5             | 8.6                                       | None  | -      | -    | -                       | 38.6  | 40  | 50                                 | 39  | 140                               | 40.1   | 45   | 50  | 40  | 143 |
|             |                      |              |      |     |              |      |     |                      |                     |               |                 |   | 10625 | 4.9    | 1    | 23.6                    | 45.4  | 50  | 50                                 | 42  | 140                               | 47.3   | 50   | 50  | 43  | 143 |
|             |                      |              |      |     |              |      |     |                      |                     |               |                 |   | 11125 | 7.9    | 1    | 38                      | 63.4  | 70  | 70                                 | 58  | 140                               | 65.3   | 70   | 70  | 60  | 143 |
|             |                      | 230-1-60     | 19.6 | 130 | 31           |      |     |                      | 1.4                 | 7.6           | 1.3             | 8.6                                       | None  | -      | -    | -                       | 37.8  | 40  | 50                                 | 38  | 140                               | 39.1   | 40   | 50  | 39  | 143 |
|             |                      |              |      |     |              |      |     |                      |                     |               |                 |   | 10625 | 6.5    | 1    | 27.1                    | 48.8  | 50  | 50                                 | 45  | 140                               | 50.4   | 60   | 60  | 46  | 143 |
|             |                      |              |      |     |              |      |     |                      |                     |               |                 |   | 11125 | 10.5   | 1    | 43.8                    | 69.6  | 70  | 70                                 | 64  | 140                               | 71.3   | 80   | 80  | 66  | 143 |
| 208-3-60    |                      | 13.7         | 83.1 | 21  |              |      |     | 1.4                  | 8.4                 | 1.1           | 8.6             | None                                      | -     | -      | -    | 31.2                    | 35  | 40  | 32                                 | 93  | 32.3                              | 35   | 45   | 33  | 95  |     |
|             |                      |              |      |     |              |      |     |                      |                     |               |                 | 10625                                     | 4.9   | 1      | 13.6 | 32.9                    | 35  | 40  | 32                                 | 93  | 34.3                              | 35   | 45   | 33  | 95  |     |
|             |                      |              |      |     |              |      |     |                      |                     |               |                 | 11125                                     | 7.9   | 1      | 21.9 | 43.3                    | 45  | 45  | 40                                 | 93  | 44.6                              | 45   | 45   | 41  | 95  |     |
| 230-3-60    |                      | 13.7         | 83.1 | 21  |              |      |     | 1.4                  | 7.6                 | 1             | 8.6             | 11625                                     | 12    | 1      | 33.3 | 57.5                    | 60  | 60  | 53                                 | 93  | 58.9                              | 60   | 60   | 54  | 95  |     |
|             |                      |              |      |     |              |      |     |                      |                     |               |                 | None                                      | -     | -      | -    | 30.4                    | 35  | 40  | 31                                 | 93  | 31.4                              | 35   | 45   | 32  | 95  |     |
|             |                      |              |      |     |              |      |     |                      |                     |               |                 | 10625                                     | 6.5   | 1      | 15.6 | 34.4                    | 35  | 40  | 32                                 | 93  | 35.6                              | 40   | 45   | 33  | 95  |     |
| 460-3-60    |                      | 6.2          | 41   | 10  |              |      |     | 0.8                  | 4                   | 0.5           | 8.6             | 11625                                     | 16    | 1      | 38.5 | 63                      | 70  | 70  | 58                                 | 93  | 64.3                              | 70   | 70   | 59  | 95  |     |
|             |                      |              |      |     |              |      |     |                      |                     |               |                 | None                                      | -     | -      | -    | 14.8                    | 15  | 20  | 15                                 | 47  | 15.3                              | 20   | 20   | 16  | 48  |     |
|             |                      |              |      |     |              |      |     |                      |                     |               |                 | 10646                                     | 6     | 1      | 7.2  | 16.7                    | 20  | 20  | 15                                 | 47  | 17.3                              | 20   | 20   | 16  | 48  |     |
| 575-3-60    |                      | 4.8          | 33   | 8   |              |      |     | 0.6                  | 7.6                 | 0.4           | 8.6             | 11146                                     | 11.5  | 1      | 13.8 | 24.9                    | 25  | 25  | 23                                 | 47  | 25.6                              | 30   | 30   | 24  | 48  |     |
|             |                      |              |      |     |              |      |     |                      |                     |               |                 | 11446                                     | 14    | 1      | 16.8 | 28.7                    | 30  | 30  | 26                                 | 47  | 29.3                              | 30   | 30   | 27  | 48  |     |
|             |                      |              |      |     |              |      |     |                      |                     |               |                 | None                                      | -     | -      | -    | 11.4                    | 15  | 15  | 12                                 | 37  | 11.8                              | 15   | 15   | 12  | 38  |     |
| 11058       |                      | 9.2          | 1    | 8.9 | 17.1         | 20   | 20  | 16                   | 37                  | 17.6          | 20              | 20  | 16    | 38     |      |                         |   |   |                                    |     |                                   |  |  |   |     |     |
|             |                      | 11458        | 13.8 | 1   | 13.3         | 22.6 | 25  | 25                   | 21                  | 37            | 23.1            | 25  | 25    | 21     | 38   |                         |   |   |                                    |     |                                   |  |  |   |     |     |

**ZQ04-06 Standard Static Indoor Blower - With Powered Convenience Outlet (Continued)**

| Size (Tons) | Nominal Unit Voltage | Compressor 1 |          |      | Compressor 2 |     |     | OD Fan Motors (each) | Supply Blower Motor | Pwr Exh Motor | Pwr Conv Outlet | Electric Heat Field Installed Kit 2EK045* |      |        | MCA <sup>1</sup> (Amps) | Min Fuse <sup>2</sup> /<br>Breaker <sup>3</sup> Size (Amps) | Max Fuse <sup>2</sup> /<br>Breaker <sup>3</sup> Size (Amps) | Min Disconnect Rating <sup>4</sup> |     | MCA <sup>1</sup> w/Pwr Exh (Amps) | Min Fuse <sup>2</sup> /<br>Breaker <sup>3</sup> Size w/ Pwr Exh (Amps) | Max Fuse <sup>2</sup> /<br>Breaker <sup>3</sup> Size w/ Pwr Exh (Amps) | Min Disconnect Rating <sup>4</sup> /<br>Pwr Exh |      |     |
|-------------|----------------------|--------------|----------|------|--------------|-----|-----|----------------------|---------------------|---------------|-----------------|---|------|--------|-------------------------|---|---|------------------------------------|-----|-----------------------------------|--|--|---|------|-----|
|             |                      | RLA          | LRA      | MCC  | RLA          | LRA | MCC |                      |                     |               |                 | Model                                     | kW   | Stages |                         |   |   | Amps                               | FLA |                                   |  |  | LRA   | FLA  | LRA |
|             |                      | 06<br>(5)    | 208-1-60 | 24.4 | 144.2        | 38  |     |                      |                     |               |                 |   |      | 2.3    |                         |   |   | 8.4                                | 1.5 |                                   |  |  | 8.6   | None | -   |
| 10625       | 4.9                  |              |          |      |              |     |     | 1                    | 23.6                | 45.5          | 50              |   |      |        | 60                      | 45  | 155   |                                    |     | 47.3                              | 50   | 70   |   | 47   | 159 |
| 11125       | 7.9                  |              |          |      |              |     |     | 1                    | 38                  | 63.4          | 70              |   |      |        | 70                      | 58  | 155   |                                    |     | 65.3                              | 70   | 70   |   | 60   | 159 |
| 230-1-60    | 24.4                 |              | 144.2    | 38   |              |     |     | 2.3                  | 7.6                 | 1.3           | 8.6             | None                                      | -    | -      | -                       | 44.7  | 45  | 60                                 | 44  | 156                               | 46   | 50   | 70  | 46   | 158 |
|             |                      |              |          |      |              |     |     |                      |                     |               |                 | 10625                                     | 6.5  | 1      | 27.1                    | 48.8  | 50  | 60                                 | 45  | 156                               | 50.4   | 60   | 70  | 46   | 158 |
|             |                      |              |          |      |              |     |     |                      |                     |               |                 | 11125                                     | 10.5 | 1      | 43.8                    | 69.6  | 70  | 70                                 | 64  | 156                               | 71.3   | 80   | 80  | 66   | 158 |
| 208-3-60    | 16                   |              | 110      | 25   |              |     |     | 2.3                  | 8.4                 | 1.1           | 8.6             | None                                      | -    | -      | -                       | 35  | 35  | 50                                 | 36  | 121                               | 36.1   | 40   | 50  | 37   | 124 |
|             |                      |              |          |      |              |     |     |                      |                     |               |                 | 10625                                     | 4.9  | 1      | 13.6                    | 35  | 35  | 50                                 | 36  | 121                               | 36.1   | 40   | 50  | 37   | 124 |
|             |                      |              |          |      |              |     |     |                      |                     |               |                 | 11125                                     | 7.9  | 1      | 21.9                    | 43.3  | 45  | 50                                 | 40  | 121                               | 44.6   | 45   | 50  | 41   | 124 |
| 230-3-60    | 16                   |              | 110      | 25   |              |     |     | 2.3                  | 7.6                 | 1             | 8.6             | 11625                                     | 12   | 1      | 33.3                    | 57.5  | 60  | 60                                 | 53  | 121                               | 58.9   | 60   | 60  | 54   | 124 |
|             |                      |              |          |      |              |     |     |                      |                     |               |                 | None                                      | -    | -      | -                       | 34.2  | 35  | 50                                 | 35  | 121                               | 35.2   | 40   | 50  | 36   | 124 |
|             |                      |              |          |      |              |     |     |                      |                     |               |                 | 10625                                     | 6.5  | 1      | 15.6                    | 34.4  | 35  | 50                                 | 35  | 121                               | 35.6   | 40   | 50  | 36   | 124 |
| 460-3-60    | 7.8                  |              | 52       | 12   |              |     |     | 1.3                  | 4                   | 0.5           | 8.6             | 11125                                     | 10.5 | 1      | 25.3                    | 46.5  | 50  | 50                                 | 43  | 121                               | 47.8   | 50   | 50  | 44   | 124 |
|             |                      |              |          |      |              |     |     |                      |                     |               |                 | 11625                                     | 16   | 1      | 38.5                    | 63  | 70  | 70                                 | 58  | 121                               | 64.3   | 70   | 70  | 59   | 124 |
|             |                      |              |          |      |              |     |     |                      |                     |               |                 | None                                      | -    | -      | -                       | 17.3  | 20  | 25                                 | 18  | 59                                | 17.8   | 20   | 25  | 18   | 60  |
| 575-3-60    | 5.7                  |              | 38.9     | 9    |              |     |     | 1.1                  | 7.6                 | 0.4           | 8.6             | 10646                                     | 6    | 1      | 7.2                     | 17.3  | 20  | 25                                 | 15  | 59                                | 17.8   | 20   | 25  | 16   | 60  |
|             |                      |              |          |      |              |     |     |                      |                     |               |                 | 11146                                     | 11.5 | 1      | 13.8                    | 24.9  | 25  | 25                                 | 23  | 59                                | 25.6   | 30   | 30  | 24   | 60  |
|             |                      |              |          |      |              |     |     |                      |                     |               |                 | 11446                                     | 14   | 1      | 16.8                    | 28.7  | 30  | 30                                 | 26  | 59                                | 29.3   | 30   | 30  | 27   | 60  |
| 575-3-60    | 5.7                  |              | 38.9     | 9    |              |     |     | 1.1                  | 7.6                 | 0.4           | 8.6             | None                                      | -    | -      | -                       | 13  | 15  | 15                                 | 13  | 44                                | 13.4   | 15   | 15  | 14   | 45  |
|             |                      |              |          |      |              |     |     |                      |                     |               |                 | 11458                                     | 13.8 | 1      | 13.3                    | 22.6  | 25  | 25                                 | 21  | 44                                | 23.1   | 25   | 25  | 21   | 45  |
|             |                      |              |          |      |              |     |     |                      |                     |               |                 | 12358                                     | 23   | 1      | 22.1                    | 33.6  | 35  | 35                                 | 31  | 44                                | 34.1   | 35   | 35  | 31   | 45  |

1. Minimum Circuit Ampacity.
2. Dual Element, Time Delay Type.
3. HACR type per NEC.
4. Non-fused Disconnect, Verify on the unit nameplate that the disconnect is properly sized for the application. Units with field installed electric heat kits may exceed the factory installed disconnect amperage rating.

ZQ04-06 Medium Static Indoor Blower - Without Powered Convenience Outlet

| Size (Tons) | Nominal Unit Voltage | Compressor 1 |      |     | Compressor 2 |     |     | OD Fan Motors (each) | Supply Blower Motor | Pwr Exh Motor | Pwr Conv Outlet | Electric Heat Field Installed Kit 2EK045* |       |        | MCA <sup>1</sup> (Amps) | Min Fuse <sup>2</sup> /Breaker <sup>3</sup> Size (Amps) | Max Fuse <sup>2</sup> /Breaker <sup>3</sup> Size (Amps) | Min Discon-nect Rating <sup>4</sup> |     | MCA <sup>1</sup> w/Pwr Exh (Amps) | Min Fuse <sup>2</sup> /Breaker <sup>3</sup> Size w/ Pwr Exh (Amps) | Max Fuse <sup>2</sup> /Breaker <sup>3</sup> Size w/ Pwr Exh (Amps) | Min Discon-nect Rating <sup>4</sup> /Pwr Exh |     |     |     |
|-------------|----------------------|--------------|------|-----|--------------|-----|-----|----------------------|---------------------|---------------|-----------------|---|-------|--------|-------------------------|---|---|-------------------------------------|-----|-----------------------------------|--|--|--|-----|-----|-----|
|             |                      | RLA          | LRA  | MCC | RLA          | LRA | MCC |                      |                     |               |                 | Model                                     | kW    | Stages |                         |   |   | Amps                                | FLA |                                   |  |  | LRA  | FLA | LRA |     |
|             |                      |              |      |     |              |     |     |                      |                     |               |                 |   |       |        |                         |   |   |                                     |     |                                   |  |  |  |     |     |     |
| 04 (3)      | 208-1-60             | 15.4         | 83.9 | 24  |              |     |     | 1.4                  | 7.6                 | 1.5           |                 | None                                      | -     | -      | -                       | 28.3  | 30  | 40                                  | 28  | 120                               | 29.8   | 30   | 45   | 30  | 124 |     |
|             |                      |              |      |     |              |     |     |                      |                     |               |                 | 10625                                     | 4.9   | 1      | 23.6                    | 39  | 40  | 40                                  | 36  | 120                               | 40.9   | 45   | 45   | 38  | 124 |     |
|             |                      |              |      |     |              |     |     |                      |                     |               |                 | 11125                                     | 7.9   | 1      | 38                      | 57  | 60  | 60                                  | 52  | 120                               | 58.9   | 60   | 60   | 54  | 124 |     |
|             | 230-1-60             | 15.4         | 83.9 | 24  |              |     |     | 1.4                  | 7                   | 1.3           |                 | None                                      | -     | -      | -                       | 27.7  | 30  | 40                                  | 27  | 123                               | 29   | 30   | 40   | 29  | 126 |     |
|             |                      |              |      |     |              |     |     |                      |                     |               |                 | 10625                                     | 6.5   | 1      | 27.1                    | 42.6  | 45  | 45                                  | 39  | 123                               | 44.3   | 45   | 45   | 41  | 126 |     |
|             |                      |              |      |     |              |     |     |                      |                     |               |                 | 11125                                     | 10.5  | 1      | 43.8                    | 63.5  | 70  | 70                                  | 58  | 123                               | 65.1   | 70   | 70   | 60  | 126 |     |
|             | 208-3-60             | 10.4         | 73   | 16  |              |     |     | 1.4                  | 5.2                 | 1.1           |                 | None                                      | -     | -      | -                       | 19.6  | 20  | 30                                  | 20  | 99                                | 20.7   | 25   | 30   | 21  | 101 |     |
|             |                      |              |      |     |              |     |     |                      |                     |               |                 | 10625                                     | 4.9   | 1      | 13.6                    | 23.5  | 25  | 30                                  | 22  | 99                                | 24.9   | 25   | 30   | 23  | 101 |     |
|             |                      |              |      |     |              |     |     |                      |                     |               |                 | 11125                                     | 7.9   | 1      | 21.9                    | 33.9  | 35  | 35                                  | 31  | 99                                | 35.3   | 40   | 40   | 32  | 101 |     |
|             | 230-3-60             | 10.4         | 73   | 16  |              |     |     | 1.4                  | 5.2                 | 1             |                 | None                                      | -     | -      | -                       | 19.6  | 20  | 30                                  | 20  | 101                               | 20.6   | 25   | 30   | 21  | 104 |     |
|             |                      |              |      |     |              |     |     |                      |                     |               |                 | 10625                                     | 6.5   | 1      | 15.6                    | 26  | 30  | 30                                  | 24  | 101                               | 27.3   | 30   | 30   | 25  | 104 |     |
|             |                      |              |      |     |              |     |     |                      |                     |               |                 | 11125                                     | 10.5  | 1      | 25.3                    | 38.1  | 40  | 40                                  | 35  | 101                               | 39.4   | 40   | 40   | 36  | 104 |     |
|             | 460-3-60             | 5.8          | 38   | 9   |              |     |     | 0.8                  | 2.6                 | 0.5           |                 | None                                      | -     | -      | -                       | 10.7  | 15  | 15                                  | 11  | 52                                | 11.2   | 15   | 15   | 11  | 54  |     |
|             |                      |              |      |     |              |     |     |                      |                     |               |                 | 10646                                     | 6     | 1      | 7.2                     | 12.3  | 15  | 15                                  | 11  | 52                                | 12.9   | 15   | 15   | 12  | 54  |     |
|             |                      |              |      |     |              |     |     |                      |                     |               |                 | 11146                                     | 11.5  | 1      | 13.8                    | 20.5  | 25  | 25                                  | 19  | 52                                | 21.1   | 25   | 25   | 19  | 54  |     |
|             | 575-3-60             | 3.8          | 36.5 | 6   |              |     |     | 0.6                  | 2                   | 0.4           |                 | None                                      | -     | -      | -                       | 7.4   | 15  | 15                                  | 7   | 48                                | 7.8  | 15   | 15   | 8   | 49  |     |
|             |                      |              |      |     |              |     |     |                      |                     |               |                 | 11058                                     | 9.2   | 1      | 8.9                     | 13.6  | 15  | 15                                  | 13  | 48                                | 14.1   | 15   | 15   | 13  | 49  |     |
|             |                      |              |      |     |              |     |     |                      |                     |               |                 | 11458                                     | 13.8  | 1      | 13.3                    | 19.1  | 20  | 20                                  | 18  | 48                                | 19.6   | 20   | 20   | 18  | 49  |     |
|             | 05 (4)               | 208-1-60     | 19.6 | 130 | 31           |     |     |                      | 1.4                 | 7.6           | 1.5             |   | None  | -      | -                       | -   | 33.5  | 35                                  | 50  | 33                                | 166  | 35   | 35   | 50  | 35  | 170 |
|             |                      |              |      |     |              |     |     |                      |                     |               |                 |   | 10625 | 4.9    | 1                       | 23.6  | 39  | 40                                  | 50  | 36                                | 166  | 40.9   | 45   | 50  | 38  | 170 |
|             |                      |              |      |     |              |     |     |                      |                     |               |                 |   | 11125 | 7.9    | 1                       | 38  | 57  | 60                                  | 60  | 52                                | 166  | 58.9   | 60   | 60  | 54  | 170 |
|             |                      | 230-1-60     | 19.6 | 130 | 31           |     |     |                      | 1.4                 | 7             | 1.3             |   | None  | -      | -                       | -   | 32.9  | 35                                  | 50  | 32                                | 169  | 34.2   | 35   | 50  | 34  | 172 |
|             |                      |              |      |     |              |     |     |                      |                     |               |                 |   | 10625 | 6.5    | 1                       | 27.1  | 42.6  | 45                                  | 50  | 39                                | 169  | 44.3   | 45   | 50  | 41  | 172 |
|             |                      |              |      |     |              |     |     |                      |                     |               |                 |   | 11125 | 10.5   | 1                       | 43.8  | 63.5  | 70                                  | 70  | 58                                | 169  | 65.1   | 70   | 70  | 60  | 172 |
| 208-3-60    |                      | 13.7         | 83.1 | 21  |              |     |     | 1.4                  | 5.2                 | 1.1           |                 | None                                      | -     | -      | -                       | 23.7  | 25  | 35                                  | 23  | 109                               | 24.8   | 25   | 35   | 25  | 111 |     |
|             |                      |              |      |     |              |     |     |                      |                     |               |                 | 10625                                     | 4.9   | 1      | 13.6                    | 23.7  | 25  | 35                                  | 23  | 109                               | 24.9   | 25   | 35   | 25  | 111 |     |
|             |                      |              |      |     |              |     |     |                      |                     |               |                 | 11125                                     | 7.9   | 1      | 21.9                    | 33.9  | 35  | 35                                  | 31  | 109                               | 35.3   | 40   | 40   | 32  | 111 |     |
| 230-3-60    |                      | 13.7         | 83.1 | 21  |              |     |     | 1.4                  | 5.2                 | 1             |                 | None                                      | -     | -      | -                       | 23.7  | 25  | 35                                  | 23  | 111                               | 24.7   | 25   | 35   | 24  | 114 |     |
|             |                      |              |      |     |              |     |     |                      |                     |               |                 | 10625                                     | 6.5   | 1      | 15.6                    | 26  | 30  | 35                                  | 24  | 111                               | 27.3   | 30   | 35   | 25  | 114 |     |
|             |                      |              |      |     |              |     |     |                      |                     |               |                 | 11125                                     | 10.5  | 1      | 25.3                    | 38.1  | 40  | 40                                  | 35  | 111                               | 39.4   | 40   | 40   | 36  | 114 |     |
| 460-3-60    |                      | 6.2          | 41   | 10  |              |     |     | 0.8                  | 2.6                 | 0.5           |                 | None                                      | -     | -      | -                       | 11.2  | 15  | 15                                  | 11  | 55                                | 11.7   | 15   | 15   | 12  | 57  |     |
|             |                      |              |      |     |              |     |     |                      |                     |               |                 | 10646                                     | 6     | 1      | 7.2                     | 12.3  | 15  | 15                                  | 11  | 55                                | 12.9   | 15   | 15   | 12  | 57  |     |
|             |                      |              |      |     |              |     |     |                      |                     |               |                 | 11146                                     | 11.5  | 1      | 13.8                    | 20.5  | 25  | 25                                  | 19  | 55                                | 21.1   | 25   | 25   | 19  | 57  |     |
| 575-3-60    |                      | 4.8          | 33   | 8   |              |     |     | 0.6                  | 2                   | 0.4           |                 | None                                      | -     | -      | -                       | 8.6   | 15  | 15                                  | 9   | 45                                | 9  | 15   | 15   | 9   | 45  |     |
|             |                      |              |      |     |              |     |     |                      |                     |               |                 | 11058                                     | 9.2   | 1      | 8.9                     | 13.6  | 15  | 15                                  | 13  | 45                                | 14.1   | 15   | 15   | 13  | 45  |     |
|             |                      |              |      |     |              |     |     |                      |                     |               |                 | 11458                                     | 13.8  | 1      | 13.3                    | 19.1  | 20  | 20                                  | 18  | 45                                | 19.6   | 20   | 20   | 18  | 45  |     |

**ZQ04-06 Medium Static Indoor Blower - Without Powered Convenience Outlet (Continued)**

| Size (Tons) | Nominal Unit Voltage | Compressor 1 |       |     | Compressor 2 |     |     | OD Fan Motors (each) | Supply Blower Motor | Pwr Exh Motor | Pwr Conv Outlet | Electric Heat Field Installed Kit 2EK045* |       |        |      | MCA <sup>1</sup> (Amps) | Min Fuse <sup>2</sup> /<br>Breaker <sup>3</sup> Size (Amps) | Max Fuse <sup>2</sup> /<br>Breaker <sup>3</sup> Size (Amps) | Min Disconnect Rating <sup>4</sup> |     | MCA <sup>1</sup> w/Pwr Exh (Amps) | Min Fuse <sup>2</sup> /<br>Breaker <sup>3</sup> Size w/ Pwr Exh (Amps) | Max Fuse <sup>2</sup> /<br>Breaker <sup>3</sup> Size w/ Pwr Exh (Amps) | Min Disconnect Rating <sup>4</sup> /<br>Pwr Exh |     |     |
|-------------|----------------------|--------------|-------|-----|--------------|-----|-----|----------------------|---------------------|---------------|-----------------|---|-------|--------|------|-------------------------|---|---|------------------------------------|-----|-----------------------------------|--|--|---|-----|-----|
|             |                      | RLA          | LRA   | MCC | RLA          | LRA | MCC |                      |                     |               |                 | Model                                     | kW    | Stages | Amps |                         |   |   | FLA                                | LRA |                                   |  |  | FLA   | LRA |     |
|             |                      |              |       |     |              |     |     |                      |                     |               |                 |   |       |        |      |                         |   |   |                                    |     |                                   |  |  |   |     |     |
| 06<br>(5)   | 208-1-60             | 24.4         | 144.2 | 38  |              |     |     | 2.3                  | 7.6                 | 1.5           |                 | None                                      | -     | -      | -    | 40.4                    | 45  | 60  | 39                                 | 182 | 41.9                              | 45   | 60   | 41  | 185 |     |
|             |                      |              |       |     |              |     |     |                      |                     |               |                 | 10625                                     | 4.9   | 1      | 23.6 | 40.4                    | 45  | 60  | 39                                 | 182 | 41.9                              | 45   | 60   | 41  | 185 |     |
|             |                      |              |       |     |              |     |     |                      |                     |               |                 | 11125                                     | 7.9   | 1      | 38   | 57                      | 60  | 60  | 52                                 | 182 | 58.9                              | 60   | 60   | 54  | 185 |     |
|             | 230-1-60             | 24.4         | 144.2 | 38  |              |     |     | 2.3                  | 7                   | 1.3           |                 |   | None  | -      | -    | -                       | 39.8  | 40  | 60                                 | 39  | 185                               | 41.1   | 45   | 60  | 40  | 188 |
|             |                      |              |       |     |              |     |     |                      |                     |               |                 |   | 10625 | 6.5    | 1    | 27.1                    | 42.6  | 45  | 60                                 | 39  | 185                               | 44.3   | 45   | 60  | 41  | 188 |
|             |                      |              |       |     |              |     |     |                      |                     |               |                 |   | 11125 | 10.5   | 1    | 43.8                    | 63.5  | 70  | 70                                 | 58  | 185                               | 65.1   | 70   | 70  | 60  | 188 |
|             | 208-3-60             | 16           | 110   | 25  |              |     |     | 2.3                  | 5.2                 | 1.1           |                 |   | None  | -      | -    | -                       | 27.5  | 30  | 40                                 | 27  | 137                               | 28.6   | 30   | 40  | 28  | 140 |
|             |                      |              |       |     |              |     |     |                      |                     |               |                 |   | 10625 | 4.9    | 1    | 13.6                    | 27.5  | 30  | 40                                 | 27  | 137                               | 28.6   | 30   | 40  | 28  | 140 |
|             |                      |              |       |     |              |     |     |                      |                     |               |                 |   | 11125 | 7.9    | 1    | 21.9                    | 33.9  | 35  | 40                                 | 31  | 137                               | 35.3   | 40   | 40  | 32  | 140 |
|             | 230-3-60             | 16           | 110   | 25  |              |     |     | 2.3                  | 5.2                 | 1             |                 |   | None  | -      | -    | -                       | 27.5  | 30  | 40                                 | 27  | 140                               | 28.5   | 30   | 40  | 28  | 142 |
|             |                      |              |       |     |              |     |     |                      |                     |               |                 |   | 10625 | 6.5    | 1    | 15.6                    | 27.5  | 30  | 40                                 | 27  | 140                               | 28.5   | 30   | 40  | 28  | 142 |
|             |                      |              |       |     |              |     |     |                      |                     |               |                 |   | 11125 | 10.5   | 1    | 25.3                    | 38.1  | 40  | 40                                 | 35  | 140                               | 39.4   | 40   | 40  | 36  | 142 |
|             | 460-3-60             | 7.8          | 52    | 12  |              |     |     | 1.3                  | 2.6                 | 0.5           |                 |   | None  | -      | -    | -                       | 13.7  | 15  | 20                                 | 13  | 67                                | 14.2   | 15   | 20  | 14  | 69  |
|             |                      |              |       |     |              |     |     |                      |                     |               |                 |   | 10646 | 6      | 1    | 7.2                     | 13.7  | 15  | 20                                 | 11  | 67                                | 14.2   | 15   | 20  | 12  | 69  |
|             |                      |              |       |     |              |     |     |                      |                     |               |                 |   | 11146 | 11.5   | 1    | 13.8                    | 20.5  | 25  | 25                                 | 19  | 67                                | 21.1   | 25   | 25  | 19  | 69  |
|             | 575-3-60             | 5.7          | 38.9  | 9   |              |     |     | 1.1                  | 2                   | 0.4           |                 |   | None  | -      | -    | -                       | 10.2  | 15  | 15                                 | 10  | 51                                | 10.6   | 15   | 15  | 11  | 52  |
|             |                      |              |       |     |              |     |     |                      |                     |               |                 |   | 11458 | 13.8   | 1    | 13.3                    | 19.1  | 20  | 20                                 | 18  | 51                                | 19.6   | 20   | 20  | 18  | 52  |
|             |                      |              |       |     |              |     |     |                      |                     |               |                 |   | 12358 | 23     | 1    | 22.1                    | 30.1  | 35  | 35                                 | 28  | 51                                | 30.6   | 35   | 35  | 28  | 52  |

1. Minimum Circuit Ampacity.
2. Dual Element, Time Delay Type.
3. HACR type per NEC.
4. Non-fused Disconnect, Verify on the unit nameplate that the disconnect is properly sized for the application. Units with field installed electric heat kits may exceed the factory installed disconnect amperage rating.



**ZQ04-06 Medium Static Indoor Blower - With Powered Convenience Outlet**

| Size (Tons) | Nominal Unit Voltage | Compressor 1 |      |     | Compressor 2 |     |     | OD Fan Motors (each) | Supply Blower Motor | Pwr Exh Motor | Pwr Conv Outlet | Electric Heat Field Installed Kit 2EK045* |      |        | MCA <sup>1</sup> (Amps) | Min Fuse <sup>2</sup> /<br>Breaker <sup>3</sup> Size (Amps) | Max Fuse <sup>2</sup> /<br>Breaker <sup>3</sup> Size (Amps) | Min Discon-<br>nect Rating <sup>4</sup> |     | MCA <sup>1</sup> w/Pwr Exh (Amps) | Min Fuse <sup>2</sup> /<br>Breaker <sup>3</sup> Size w/ Pwr Exh (Amps) | Max Fuse <sup>2</sup> /<br>Breaker <sup>3</sup> Size w/ Pwr Exh (Amps) | Min Discon-<br>nect Rating <sup>4</sup> /<br>Pwr Exh |     |     |
|-------------|----------------------|--------------|------|-----|--------------|-----|-----|----------------------|---------------------|---------------|-----------------|---|------|--------|-------------------------|---|---|---|-----|-----------------------------------|--|--|--|-----|-----|
|             |                      | RLA          | LRA  | MCC | RLA          | LRA | MCC |                      |                     |               |                 | Model                                     | kW   | Stages |                         |   |   | Amps                                    | FLA |                                   |  |  | LRA  | FLA | LRA |
|             |                      |              |      |     |              |     |     |                      |                     |               |                 |   |      |        |                         |   |   |   |     |                                   |  |  |  |     |     |
| 04<br>(3)   | 208-1-60             | 15.4         | 83.9 | 24  |              |     |     | 1.4                  | 7.6                 | 1.5           | 8.6             | None                                      | -    | -      | -                       | 32.6  | 35  | 45                                      | 33  | 125                               | 34.1   | 35   | 45   | 35  | 128 |
|             |                      |              |      |     |              |     |     |                      |                     |               |                 | 10625                                     | 4.9  | 1      | 23.6                    | 44.4  | 45  | 45                                      | 41  | 125                               | 46.3   | 50   | 50   | 43  | 128 |
|             |                      |              |      |     |              |     |     |                      |                     |               |                 | 11125                                     | 7.9  | 1      | 38                      | 62.4  | 70  | 70                                      | 57  | 125                               | 64.3   | 70   | 70   | 59  | 128 |
|             | 230-1-60             | 15.4         | 83.9 | 24  |              |     |     | 1.4                  | 7                   | 1.3           | 8.6             | None                                      | -    | -      | -                       | 32  | 35  | 45                                      | 32  | 127                               | 33.3   | 35   | 45   | 34  | 130 |
|             |                      |              |      |     |              |     |     |                      |                     |               |                 | 10625                                     | 6.5  | 1      | 27.1                    | 48  | 50  | 50                                      | 44  | 127                               | 49.6   | 50   | 50   | 46  | 130 |
|             |                      |              |      |     |              |     |     |                      |                     |               |                 | 11125                                     | 10.5 | 1      | 43.8                    | 68.9  | 70  | 70                                      | 63  | 127                               | 70.5   | 80   | 80   | 65  | 130 |
|             | 208-3-60             | 10.4         | 73   | 16  |              |     |     | 1.4                  | 5.2                 | 1.1           | 8.6             | None                                      | -    | -      | -                       | 23.9  | 25  | 30                                      | 24  | 103                               | 25   | 25   | 35   | 26  | 106 |
|             |                      |              |      |     |              |     |     |                      |                     |               |                 | 10625                                     | 4.9  | 1      | 13.6                    | 28.9  | 30  | 30                                      | 27  | 103                               | 30.3   | 35   | 35   | 28  | 106 |
|             |                      |              |      |     |              |     |     |                      |                     |               |                 | 11125                                     | 7.9  | 1      | 21.9                    | 39.3  | 40  | 40                                      | 36  | 103                               | 40.6   | 45   | 45   | 37  | 106 |
|             | 230-3-60             | 10.4         | 73   | 16  |              |     |     | 1.4                  | 5.2                 | 1             | 8.6             | 11625                                     | 12   | 1      | 33.3                    | 53.5  | 60  | 60                                      | 49  | 103                               | 54.9   | 60   | 60   | 50  | 106 |
|             |                      |              |      |     |              |     |     |                      |                     |               |                 | None                                      | -    | -      | -                       | 23.9  | 25  | 30                                      | 24  | 106                               | 24.9   | 25   | 35   | 26  | 108 |
|             |                      |              |      |     |              |     |     |                      |                     |               |                 | 10625                                     | 6.5  | 1      | 15.6                    | 31.4  | 35  | 35                                      | 29  | 106                               | 32.6   | 35   | 35   | 30  | 108 |
|             | 460-3-60             | 5.8          | 38   | 9   |              |     |     | 0.8                  | 2.6                 | 0.5           | 8.6             | 11125                                     | 10.5 | 1      | 25.3                    | 43.5  | 45  | 45                                      | 40  | 106                               | 44.8   | 45   | 45   | 41  | 108 |
|             |                      |              |      |     |              |     |     |                      |                     |               |                 | 11625                                     | 16   | 1      | 38.5                    | 60  | 60  | 60                                      | 55  | 106                               | 61.3   | 70   | 70   | 56  | 108 |
|             |                      |              |      |     |              |     |     |                      |                     |               |                 | None                                      | -    | -      | -                       | 12.9  | 15  | 15                                      | 13  | 55                                | 13.4   | 15   | 15   | 14  | 56  |
|             | 575-3-60             | 3.8          | 36.5 | 6   |              |     |     | 0.6                  | 2                   | 0.4           | 8.6             | 10646                                     | 6    | 1      | 7.2                     | 14.9  | 15  | 15                                      | 14  | 55                                | 15.6   | 20   | 20   | 14  | 56  |
|             |                      |              |      |     |              |     |     |                      |                     |               |                 | 11146                                     | 11.5 | 1      | 13.8                    | 23.2  | 25  | 25                                      | 21  | 55                                | 23.8   | 25   | 25   | 22  | 56  |
|             |                      |              |      |     |              |     |     |                      |                     |               |                 | 11446                                     | 14   | 1      | 16.8                    | 26.9  | 30  | 30                                      | 25  | 55                                | 27.6   | 30   | 30   | 25  | 56  |
|             | 208-1-60             | 19.6         | 130  | 31  |              |     |     | 1.4                  | 7.6                 | 1.5           | 8.6             | None                                      | -    | -      | -                       | 37.8  | 40  | 50                                      | 38  | 171                               | 39.3   | 40   | 50   | 40  | 174 |
|             |                      |              |      |     |              |     |     |                      |                     |               |                 | 10625                                     | 4.9  | 1      | 23.6                    | 44.4  | 45  | 50                                      | 41  | 171                               | 46.3   | 50   | 50   | 43  | 174 |
|             |                      |              |      |     |              |     |     |                      |                     |               |                 | 11125                                     | 7.9  | 1      | 38                      | 62.4  | 70  | 70                                      | 57  | 171                               | 64.3   | 70   | 70   | 59  | 174 |
|             | 230-1-60             | 19.6         | 130  | 31  |              |     |     | 1.4                  | 7                   | 1.3           | 8.6             | None                                      | -    | -      | -                       | 37.2  | 40  | 50                                      | 37  | 173                               | 38.5   | 40   | 50   | 39  | 176 |
|             |                      |              |      |     |              |     |     |                      |                     |               |                 | 10625                                     | 6.5  | 1      | 27.1                    | 48  | 50  | 50                                      | 44  | 173                               | 49.6   | 50   | 50   | 46  | 176 |
|             |                      |              |      |     |              |     |     |                      |                     |               |                 | 11125                                     | 10.5 | 1      | 43.8                    | 68.9  | 70  | 70                                      | 63  | 173                               | 70.5   | 80   | 80   | 65  | 176 |
| 208-3-60    | 13.7                 | 83.1         | 21   |     |              |     | 1.4 | 5.2                  | 1.1                 | 8.6           | None            | -   | -    | -      | 28                      | 30  | 40  | 28                                      | 113 | 29.1                              | 30   | 40   | 30   | 116 |     |
|             |                      |              |      |     |              |     |     |                      |                     |               | 10625           | 4.9                                       | 1    | 13.6   | 28.9                    | 30  | 40  | 28                                      | 113 | 30.3                              | 35   | 40   | 30   | 116 |     |
|             |                      |              |      |     |              |     |     |                      |                     |               | 11125           | 7.9                                       | 1    | 21.9   | 39.3                    | 40  | 40  | 36                                      | 113 | 40.6                              | 45   | 45   | 37   | 116 |     |
| 230-3-60    | 13.7                 | 83.1         | 21   |     |              |     | 1.4 | 5.2                  | 1                   | 8.6           | 11625           | 12  | 1    | 33.3   | 53.5                    | 60  | 60  | 49                                      | 113 | 54.9                              | 60   | 60   | 50   | 116 |     |
|             |                      |              |      |     |              |     |     |                      |                     |               | None            | -   | -    | -      | 28                      | 30  | 40  | 28                                      | 116 | 29                                | 30   | 40   | 29   | 118 |     |
|             |                      |              |      |     |              |     |     |                      |                     |               | 10625           | 6.5                                       | 1    | 15.6   | 31.4                    | 35  | 40  | 29                                      | 116 | 32.6                              | 35   | 40   | 30   | 118 |     |
| 460-3-60    | 6.2                  | 41           | 10   |     |              |     | 0.8 | 2.6                  | 0.5                 | 8.6           | 11125           | 10.5                                      | 1    | 25.3   | 43.5                    | 45  | 45  | 40                                      | 116 | 44.8                              | 45   | 45   | 41   | 118 |     |
|             |                      |              |      |     |              |     |     |                      |                     |               | 11625           | 16  | 1    | 38.5   | 60                      | 60  | 60  | 55                                      | 116 | 61.3                              | 70   | 70   | 56   | 118 |     |
|             |                      |              |      |     |              |     |     |                      |                     |               | None            | -   | -    | -      | 13.4                    | 15  | 15  | 14                                      | 58  | 13.9                              | 15   | 15   | 14   | 59  |     |
| 575-3-60    | 4.8                  | 33           | 8    |     |              |     | 0.6 | 2                    | 0.4                 | 8.6           | 10646           | 6   | 1    | 7.2    | 14.9                    | 15  | 15  | 14                                      | 58  | 15.6                              | 20   | 20   | 14   | 59  |     |
|             |                      |              |      |     |              |     |     |                      |                     |               | 11146           | 11.5                                      | 1    | 13.8   | 23.2                    | 25  | 25  | 21                                      | 58  | 23.8                              | 25   | 25   | 22   | 59  |     |
|             |                      |              |      |     |              |     |     |                      |                     |               | 11446           | 14  | 1    | 16.8   | 26.9                    | 30  | 30  | 25                                      | 58  | 27.6                              | 30   | 30   | 25   | 59  |     |
| 208-1-60    | 19.6                 | 130          | 31   |     |              |     | 1.4 | 7.6                  | 1.5                 | 8.6           | None            | -   | -    | -      | 10.3                    | 15  | 15  | 10                                      | 46  | 10.7                              | 15   | 15   | 11   | 47  |     |
|             |                      |              |      |     |              |     |     |                      |                     |               | 11058           | 9.2                                       | 1    | 8.9    | 15.8                    | 20  | 20  | 15                                      | 46  | 16.3                              | 20   | 20   | 15   | 47  |     |
|             |                      |              |      |     |              |     |     |                      |                     |               | 11458           | 13.8                                      | 1    | 13.3   | 21.3                    | 25  | 25  | 20                                      | 46  | 21.8                              | 25   | 25   | 20   | 47  |     |

**ZQ04-06 Medium Static Indoor Blower - With Powered Convenience Outlet (Continued)**

| Size (Tons) | Nominal Unit Voltage | Compressor 1 |       |     | Compressor 2 |     |     | OD Fan Motors (each) | Supply Blower Motor | Pwr Exh Motor | Pwr Conv Outlet | Electric Heat Field Installed Kit 2EK045* |      |        |      | MCA <sup>1</sup> (Amps) | Min Fuse <sup>2</sup> /<br>Breaker <sup>3</sup> Size (Amps) | Max Fuse <sup>2</sup> /<br>Breaker <sup>3</sup> Size (Amps) | Min Discon-nect Rating <sup>4</sup> |     | MCA <sup>1</sup> w/Pwr Exh (Amps) | Min Fuse <sup>2</sup> /<br>Breaker <sup>3</sup> Size w/ Pwr Exh (Amps) | Max Fuse <sup>2</sup> /<br>Breaker <sup>3</sup> Size w/ Pwr Exh (Amps) | Min Discon-nect Rating <sup>4</sup> /<br>Pwr Exh |     |
|-------------|----------------------|--------------|-------|-----|--------------|-----|-----|----------------------|---------------------|---------------|-----------------|---|------|--------|------|-------------------------|---|---|-------------------------------------|-----|-----------------------------------|--|--|--|-----|
|             |                      | RLA          | LRA   | MCC | RLA          | LRA | MCC |                      |                     |               |                 | Model                                     | kW   | Stages | Amps |                         |   |   | FLA                                 | LRA |                                   |  |  | FLA  | LRA |
|             |                      |              |       |     |              |     |     |                      |                     |               |                 |   |      |        |      |                         |   |   |                                     |     |                                   |  |  |  |     |
| 06<br>(5)   | 208-1-60             | 24.4         | 144.2 | 38  |              |     |     | 2.3                  | 7.6                 | 1.5           | 8.6             | None                                      | -    | -      | -    | 44.7                    | 45  | 60  | 44                                  | 186 | 46.2                              | 50   | 70   | 46   | 190 |
|             |                      |              |       |     |              |     |     |                      |                     |               |                 | 10625                                     | 4.9  | 1      | 23.6 | 44.7                    | 45  | 60  | 44                                  | 186 | 46.3                              | 50   | 70   | 46   | 190 |
|             |                      |              |       |     |              |     |     |                      |                     |               |                 | 11125                                     | 7.9  | 1      | 38   | 62.4                    | 70  | 70  | 57                                  | 186 | 64.3                              | 70   | 70   | 59   | 190 |
|             | 230-1-60             | 24.4         | 144.2 | 38  |              |     |     | 2.3                  | 7                   | 1.3           | 8.6             | None                                      | -    | -      | -    | 44.1                    | 45  | 60  | 44                                  | 189 | 45.4                              | 50   | 60   | 45   | 192 |
|             |                      |              |       |     |              |     |     |                      |                     |               |                 | 10625                                     | 6.5  | 1      | 27.1 | 48                      | 50  | 60  | 44                                  | 189 | 49.6                              | 50   | 60   | 46   | 192 |
|             |                      |              |       |     |              |     |     |                      |                     |               |                 | 11125                                     | 10.5 | 1      | 43.8 | 68.9                    | 70  | 70  | 63                                  | 189 | 70.5                              | 80   | 80   | 65   | 192 |
|             | 208-3-60             | 16           | 110   | 25  |              |     |     | 2.3                  | 5.2                 | 1.1           | 8.6             | None                                      | -    | -      | -    | 31.8                    | 35  | 45  | 32                                  | 142 | 32.9                              | 35   | 45   | 33   | 144 |
|             |                      |              |       |     |              |     |     |                      |                     |               |                 | 10625                                     | 4.9  | 1      | 13.6 | 31.8                    | 35  | 45  | 32                                  | 142 | 32.9                              | 35   | 45   | 33   | 144 |
|             |                      |              |       |     |              |     |     |                      |                     |               |                 | 11125                                     | 7.9  | 1      | 21.9 | 39.3                    | 40  | 45  | 36                                  | 142 | 40.6                              | 45   | 45   | 37   | 144 |
|             | 230-3-60             | 16           | 110   | 25  |              |     |     | 2.3                  | 5.2                 | 1             | 8.6             | None                                      | -    | -      | -    | 31.8                    | 35  | 45  | 32                                  | 144 | 32.8                              | 35   | 45   | 33   | 147 |
|             |                      |              |       |     |              |     |     |                      |                     |               |                 | 10625                                     | 6.5  | 1      | 15.6 | 31.8                    | 35  | 45  | 32                                  | 144 | 32.8                              | 35   | 45   | 33   | 147 |
|             |                      |              |       |     |              |     |     |                      |                     |               |                 | 11125                                     | 10.5 | 1      | 25.3 | 43.5                    | 45  | 45  | 40                                  | 144 | 44.8                              | 45   | 45   | 41   | 147 |
|             | 460-3-60             | 7.8          | 52    | 12  |              |     |     | 1.3                  | 2.6                 | 0.5           | 8.6             | None                                      | -    | -      | -    | 15.9                    | 20  | 20  | 16                                  | 70  | 16.4                              | 20   | 20   | 17   | 71  |
|             |                      |              |       |     |              |     |     |                      |                     |               |                 | 10646                                     | 6    | 1      | 7.2  | 15.9                    | 20  | 20  | 14                                  | 70  | 16.4                              | 20   | 20   | 14   | 71  |
|             |                      |              |       |     |              |     |     |                      |                     |               |                 | 11146                                     | 11.5 | 1      | 13.8 | 23.2                    | 25  | 25  | 21                                  | 70  | 23.8                              | 25   | 25   | 22   | 71  |
|             | 575-3-60             | 5.7          | 38.9  | 9   |              |     |     | 1.1                  | 2                   | 0.4           | 8.6             | None                                      | -    | -      | -    | 11.9                    | 15  | 15  | 12                                  | 53  | 12.3                              | 15   | 15   | 13   | 54  |
|             |                      |              |       |     |              |     |     |                      |                     |               |                 | 11446                                     | 14   | 1      | 16.8 | 26.9                    | 30  | 30  | 25                                  | 70  | 27.6                              | 30   | 30   | 25   | 71  |
|             |                      |              |       |     |              |     |     |                      |                     |               |                 | 11458                                     | 13.8 | 1      | 13.3 | 21.3                    | 25  | 25  | 20                                  | 53  | 21.8                              | 25   | 25   | 20   | 54  |
|             |                      |              |       |     |              |     |     |                      |                     |               |                 | 12358                                     | 23   | 1      | 22.1 | 32.3                    | 35  | 35  | 30                                  | 53  | 32.8                              | 35   | 35   | 30   | 54  |

1. Minimum Circuit Ampacity.
2. Dual Element, Time Delay Type.
3. HACR type per NEC.
4. Non-fused Disconnect, Verify on the unit nameplate that the disconnect is properly sized for the application. Units with field installed electric heat kits may exceed the factory installed disconnect amperage rating.

**ZQ04-06 Hi Static Indoor Blower - Without Powered Convenience Outlet**

| Size (Tons) | Nominal Unit Voltage | Compressor 1 |      |     | Compressor 2 |     |     | OD Fan Motors (each) | Supply Blower Motor | Pwr Exh Motor | Pwr Conv Outlet | Electric Heat Field Installed Kit 2EK045* |       |        |      | MCA <sup>1</sup> (Amps) | Min Fuse <sup>2</sup> /<br>Breaker <sup>3</sup> Size (Amps) | Max Fuse <sup>2</sup> /<br>Breaker <sup>3</sup> Size (Amps) | Min Discon-nect Rating <sup>4</sup> |     | MCA <sup>1</sup> w/Pwr Exh (Amps) | Min Fuse <sup>2</sup> /<br>Breaker <sup>3</sup> Size w/ Pwr Exh (Amps) | Max Fuse <sup>2</sup> /<br>Breaker <sup>3</sup> Size w/ Pwr Exh (Amps) | Min Discon-nect Rating <sup>4</sup> /<br>Pwr Exh |     |     |
|-------------|----------------------|--------------|------|-----|--------------|-----|-----|----------------------|---------------------|---------------|-----------------|---|-------|--------|------|-------------------------|---|---|-------------------------------------|-----|-----------------------------------|--|--|--|-----|-----|
|             |                      | RLA          | LRA  | MCC | RLA          | LRA | MCC |                      |                     |               |                 | Model                                     | kW    | Stages | Amps |                         |   |   | FLA                                 | LRA |                                   |  |  | FLA  | LRA |     |
|             |                      |              |      |     |              |     |     |                      |                     |               |                 |   |       |        |      |                         |   |   |                                     |     |                                   |  |  |  |     |     |
| 04 (3)      | 208-3-60             | 10.4         | 73   | 16  |              |     |     | 1.4                  | 5.2                 | 1.1           |                 | None                                      | -     | -      | -    | 19.6                    | 20  | 30  | 20                                  | 99  | 20.7                              | 25   | 30   | 21   | 101 |     |
|             |                      |              |      |     |              |     |     |                      |                     |               |                 | 10625                                     | 4.9   | 1      | 13.6 | 23.5                    | 25  | 30  | 22                                  | 99  | 24.9                              | 25   | 30   | 23   | 101 |     |
|             |                      |              |      |     |              |     |     |                      |                     |               |                 | 11125                                     | 7.9   | 1      | 21.9 | 33.9                    | 35  | 35  | 31                                  | 99  | 35.3                              | 40   | 40   | 32   | 101 |     |
|             |                      |              |      |     |              |     |     |                      |                     |               |                 | 11625                                     | 12    | 1      | 33.3 | 48.1                    | 50  | 50  | 44                                  | 99  | 49.5                              | 50   | 50   | 46   | 101 |     |
|             | 230-3-60             | 10.4         | 73   | 16  |              |     |     | 1.4                  | 5.2                 | 1             |                 |   | None  | -      | -    | -                       | 19.6  | 20  | 30                                  | 20  | 101                               | 20.6   | 25   | 30   | 21  | 104 |
|             |                      |              |      |     |              |     |     |                      |                     |               |                 |   | 10625 | 6.5    | 1    | 15.6                    | 26  | 30  | 30                                  | 24  | 101                               | 27.3   | 30   | 30   | 25  | 104 |
|             |                      |              |      |     |              |     |     |                      |                     |               |                 |   | 11125 | 10.5   | 1    | 25.3                    | 38.1  | 40  | 40                                  | 35  | 101                               | 39.4   | 40   | 40   | 36  | 104 |
|             |                      |              |      |     |              |     |     |                      |                     |               |                 |   | 11625 | 16     | 1    | 38.5                    | 54.6  | 60  | 60                                  | 50  | 101                               | 55.9   | 60   | 60   | 51  | 104 |
|             | 460-3-60             | 5.8          | 38   | 9   |              |     |     | 0.8                  | 2.6                 | 0.5           |                 |   | None  | -      | -    | -                       | 10.7  | 15  | 15                                  | 11  | 52                                | 11.2   | 15   | 15   | 11  | 54  |
|             |                      |              |      |     |              |     |     |                      |                     |               |                 |   | 10646 | 6      | 1    | 7.2                     | 12.3  | 15  | 15                                  | 11  | 52                                | 12.9   | 15   | 15   | 12  | 54  |
|             |                      |              |      |     |              |     |     |                      |                     |               |                 |   | 11146 | 11.5   | 1    | 13.8                    | 20.5  | 25  | 25                                  | 19  | 52                                | 21.1   | 25   | 25   | 19  | 54  |
|             |                      |              |      |     |              |     |     |                      |                     |               |                 |   | 11446 | 14     | 1    | 16.8                    | 24.3  | 25  | 25                                  | 22  | 52                                | 24.9   | 25   | 25   | 23  | 54  |
| 575-3-60    | 3.8                  | 36.5         | 6    |     |              |     | 0.6 | 2                    | 0.4                 |               |                 | None                                      | -     | -      | -    | 7.4                     | 15  | 15  | 7                                   | 48  | 7.8                               | 15   | 15   | 8  | 49  |     |
|             |                      |              |      |     |              |     |     |                      |                     |               |                 | 11058                                     | 9.2   | 1      | 8.9  | 13.6                    | 15  | 15  | 13                                  | 48  | 14.1                              | 15   | 15   | 13   | 49  |     |
|             |                      |              |      |     |              |     |     |                      |                     |               |                 | 11458                                     | 13.8  | 1      | 13.3 | 19.1                    | 20  | 20  | 18                                  | 48  | 19.6                              | 20   | 20   | 18   | 49  |     |
|             |                      |              |      |     |              |     |     |                      |                     |               |                 | 11458                                     | 13.8  | 1      | 13.3 | 19.1                    | 20  | 20  | 18                                  | 48  | 19.6                              | 20   | 20   | 18   | 49  |     |
| 05 (4)      | 208-3-60             | 13.7         | 83.1 | 21  |              |     | 1.4 | 5.2                  | 1.1                 |               |                 | None                                      | -     | -      | -    | 23.7                    | 25  | 35  | 23                                  | 109 | 24.8                              | 25   | 35   | 25   | 111 |     |
|             |                      |              |      |     |              |     |     |                      |                     |               |                 | 10625                                     | 4.9   | 1      | 13.6 | 23.7                    | 25  | 35  | 23                                  | 109 | 24.9                              | 25   | 35   | 25   | 111 |     |
|             |                      |              |      |     |              |     |     |                      |                     |               |                 | 11125                                     | 7.9   | 1      | 21.9 | 33.9                    | 35  | 35  | 31                                  | 109 | 35.3                              | 40   | 40   | 32   | 111 |     |
|             |                      |              |      |     |              |     |     |                      |                     |               |                 | 11625                                     | 12    | 1      | 33.3 | 48.1                    | 50  | 50  | 44                                  | 109 | 49.5                              | 50   | 50   | 46   | 111 |     |
|             | 230-3-60             | 13.7         | 83.1 | 21  |              |     |     | 1.4                  | 5.2                 | 1             |                 |   | None  | -      | -    | -                       | 23.7  | 25  | 35                                  | 23  | 111                               | 24.7   | 25   | 35   | 24  | 114 |
|             |                      |              |      |     |              |     |     |                      |                     |               |                 |   | 10625 | 6.5    | 1    | 15.6                    | 26  | 30  | 35                                  | 24  | 111                               | 27.3   | 30   | 35   | 25  | 114 |
|             |                      |              |      |     |              |     |     |                      |                     |               |                 |   | 11125 | 10.5   | 1    | 25.3                    | 38.1  | 40  | 40                                  | 35  | 111                               | 39.4   | 40   | 40   | 36  | 114 |
|             |                      |              |      |     |              |     |     |                      |                     |               |                 |   | 11625 | 16     | 1    | 38.5                    | 54.6  | 60  | 60                                  | 50  | 111                               | 55.9   | 60   | 60   | 51  | 114 |
|             | 460-3-60             | 6.2          | 41   | 10  |              |     |     | 0.8                  | 2.6                 | 0.5           |                 |   | None  | -      | -    | -                       | 11.2  | 15  | 15                                  | 11  | 55                                | 11.7   | 15   | 15   | 12  | 57  |
|             |                      |              |      |     |              |     |     |                      |                     |               |                 |   | 10646 | 6      | 1    | 7.2                     | 12.3  | 15  | 15                                  | 11  | 55                                | 12.9   | 15   | 15   | 12  | 57  |
|             |                      |              |      |     |              |     |     |                      |                     |               |                 |   | 11146 | 11.5   | 1    | 13.8                    | 20.5  | 25  | 25                                  | 19  | 55                                | 21.1   | 25   | 25   | 19  | 57  |
|             |                      |              |      |     |              |     |     |                      |                     |               |                 |   | 11446 | 14     | 1    | 16.8                    | 24.3  | 25  | 25                                  | 22  | 55                                | 24.9   | 25   | 25   | 23  | 57  |
| 575-3-60    | 4.8                  | 33           | 8    |     |              |     | 0.6 | 2                    | 0.4                 |               |                 | None                                      | -     | -      | -    | 8.6                     | 15  | 15  | 9                                   | 45  | 9                                 | 15   | 15   | 9  | 45  |     |
|             |                      |              |      |     |              |     |     |                      |                     |               |                 | 11058                                     | 9.2   | 1      | 8.9  | 13.6                    | 15  | 15  | 13                                  | 45  | 14.1                              | 15   | 15   | 13   | 45  |     |
|             |                      |              |      |     |              |     |     |                      |                     |               |                 | 11458                                     | 13.8  | 1      | 13.3 | 19.1                    | 20  | 20  | 18                                  | 45  | 19.6                              | 20   | 20   | 18   | 45  |     |
|             |                      |              |      |     |              |     |     |                      |                     |               |                 | 11458                                     | 13.8  | 1      | 13.3 | 19.1                    | 20  | 20  | 18                                  | 45  | 19.6                              | 20   | 20   | 18   | 45  |     |
| 06 (5)      | 208-3-60             | 16           | 110  | 25  |              |     | 2.3 | 7.5                  | 1.1                 |               |                 | None                                      | -     | -      | -    | 29.8                    | 30  | 45  | 30                                  | 163 | 30.9                              | 35   | 45   | 31   | 166 |     |
|             |                      |              |      |     |              |     |     |                      |                     |               |                 | 10625                                     | 4.9   | 1      | 13.6 | 29.8                    | 30  | 45  | 30                                  | 163 | 30.9                              | 35   | 45   | 31   | 166 |     |
|             |                      |              |      |     |              |     |     |                      |                     |               |                 | 11125                                     | 7.9   | 1      | 21.9 | 36.8                    | 40  | 45  | 34                                  | 163 | 38.1                              | 40   | 45   | 35   | 166 |     |
|             |                      |              |      |     |              |     |     |                      |                     |               |                 | 11625                                     | 12    | 1      | 33.3 | 51                      | 60  | 60  | 47                                  | 163 | 52.4                              | 60   | 60   | 48   | 166 |     |
|             | 230-3-60             | 16           | 110  | 25  |              |     |     | 2.3                  | 7.5                 | 1             |                 |   | None  | -      | -    | -                       | 29.8  | 30  | 45                                  | 30  | 170                               | 30.8   | 35   | 45   | 31  | 172 |
|             |                      |              |      |     |              |     |     |                      |                     |               |                 |   | 10625 | 6.5    | 1    | 15.6                    | 29.8  | 30  | 45                                  | 30  | 170                               | 30.8   | 35   | 45   | 31  | 172 |
|             |                      |              |      |     |              |     |     |                      |                     |               |                 |   | 11125 | 10.5   | 1    | 25.3                    | 41  | 45  | 45                                  | 38  | 170                               | 42.3   | 45   | 45   | 39  | 172 |
|             |                      |              |      |     |              |     |     |                      |                     |               |                 |   | 11625 | 16     | 1    | 38.5                    | 57.5  | 60  | 60                                  | 53  | 170                               | 58.8   | 60   | 60   | 54  | 172 |
|             | 460-3-60             | 7.8          | 52   | 12  |              |     |     | 1.3                  | 3.4                 | 0.5           |                 |   | None  | -      | -    | -                       | 14.5  | 15  | 20                                  | 14  | 82                                | 15   | 15   | 20   | 15  | 84  |
|             |                      |              |      |     |              |     |     |                      |                     |               |                 |   | 10646 | 6      | 1    | 7.2                     | 14.5  | 15  | 20                                  | 12  | 82                                | 15   | 15   | 20   | 13  | 84  |
|             |                      |              |      |     |              |     |     |                      |                     |               |                 |   | 11146 | 11.5   | 1    | 13.8                    | 21.5  | 25  | 25                                  | 20  | 82                                | 22.1   | 25   | 25   | 20  | 84  |
|             |                      |              |      |     |              |     |     |                      |                     |               |                 |   | 11446 | 14     | 1    | 16.8                    | 25.3  | 30  | 30                                  | 23  | 82                                | 25.9   | 30   | 30   | 24  | 84  |
| 575-3-60    | 5.7                  | 38.9         | 9    |     |              |     | 1.1 | 2.8                  | 0.4                 |               |                 | None                                      | -     | -      | -    | 11                      | 15  | 15  | 11                                  | 63  | 11.4                              | 15   | 15   | 12   | 64  |     |
|             |                      |              |      |     |              |     |     |                      |                     |               |                 | 11458                                     | 13.8  | 1      | 13.3 | 20.1                    | 25  | 25  | 19                                  | 63  | 20.6                              | 25   | 25   | 19   | 64  |     |
|             |                      |              |      |     |              |     |     |                      |                     |               |                 | 12358                                     | 23    | 1      | 22.1 | 31.1                    | 35  | 35  | 29                                  | 63  | 31.6                              | 35   | 35   | 29   | 64  |     |
|             |                      |              |      |     |              |     |     |                      |                     |               |                 | 12358                                     | 23    | 1      | 22.1 | 31.1                    | 35  | 35  | 29                                  | 63  | 31.6                              | 35   | 35   | 29   | 64  |     |

1. Minimum Circuit Ampacity.
2. Dual Element, Time Delay Type.
3. HACR type per NEC.
4. Non-fused Disconnect, Verify on the unit nameplate that the disconnect is properly sized for the application. Units with field installed electric heat kits may exceed the factory installed disconnect amperage rating.

**ZQ04-06 Hi Static Indoor Blower - With Powered Convenience Outlet**

| Size (Tons) | Nominal Unit Voltage | Compressor 1 |      |     | Compressor 2 |     |     | OD Fan Motors (each) | Supply Blower Motor | Pwr Exh Motor | Pwr Conv Outlet | Electric Heat Field Installed Kit 2EK045* |      |        |      | MCA <sup>1</sup> (Amps) | Min Fuse <sup>2</sup> /<br>Breaker <sup>3</sup> Size (Amps) | Max Fuse <sup>2</sup> /<br>Breaker <sup>3</sup> Size (Amps) | Min Disconnect Rating <sup>4</sup> |      | MCA <sup>1</sup> w/Pwr Exh (Amps) | Min Fuse <sup>2</sup> /<br>Breaker <sup>3</sup> Size w/ Pwr Exh (Amps) | Max Fuse <sup>2</sup> /<br>Breaker <sup>3</sup> Size w/ Pwr Exh (Amps) | Min Disconnect Rating <sup>4</sup> /<br>Pwr Exh |     |
|-------------|----------------------|--------------|------|-----|--------------|-----|-----|----------------------|---------------------|---------------|-----------------|---|------|--------|------|-------------------------|---|---|------------------------------------|------|-----------------------------------|--|--|---|-----|
|             |                      | RLA          | LRA  | MCC | RLA          | LRA | MCC |                      |                     |               |                 | Model                                     | kW   | Stages | Amps |                         |   |   | FLA                                | LRA  |                                   |  |  | FLA   | LRA |
|             |                      |              |      |     |              |     |     |                      |                     |               |                 |   |      |        |      |                         |   |   |                                    |      |                                   |  |  |   |     |
| 04 (3)      | 208-3-60             | 10.4         | 73   | 16  |              |     |     | 1.4                  | 5.2                 | 1.1           | 8.6             | None                                      | -    | -      | -    | 23.9                    | 25  | 30  | 24                                 | 103  | 25                                | 25   | 35   | 26  | 106 |
|             |                      |              |      |     |              |     |     |                      |                     |               |                 | 10625                                     | 4.9  | 1      | 13.6 | 28.9                    | 30  | 30  | 27                                 | 103  | 30.3                              | 35   | 35   | 28  | 106 |
|             |                      |              |      |     |              |     |     |                      |                     |               |                 | 11125                                     | 7.9  | 1      | 21.9 | 39.3                    | 40  | 40  | 36                                 | 103  | 40.6                              | 45   | 45   | 37  | 106 |
|             |                      |              |      |     |              |     |     |                      |                     |               |                 | 11625                                     | 12   | 1      | 33.3 | 53.5                    | 60  | 60  | 49                                 | 103  | 54.9                              | 60   | 60   | 50  | 106 |
|             | 230-3-60             | 10.4         | 73   | 16  |              |     |     | 1.4                  | 5.2                 | 1             | 8.6             | None                                      | -    | -      | -    | 23.9                    | 25  | 30  | 24                                 | 106  | 24.9                              | 25   | 35   | 26  | 108 |
|             |                      |              |      |     |              |     |     |                      |                     |               |                 | 10625                                     | 6.5  | 1      | 15.6 | 31.4                    | 35  | 35  | 29                                 | 106  | 32.6                              | 35   | 35   | 30  | 108 |
|             |                      |              |      |     |              |     |     |                      |                     |               |                 | 11125                                     | 10.5 | 1      | 25.3 | 43.5                    | 45  | 45  | 40                                 | 106  | 44.8                              | 45   | 45   | 41  | 108 |
|             |                      |              |      |     |              |     |     |                      |                     |               |                 | 11625                                     | 16   | 1      | 38.5 | 60                      | 60  | 60  | 55                                 | 106  | 61.3                              | 70   | 70   | 56  | 108 |
|             | 460-3-60             | 5.8          | 38   | 9   |              |     |     | 0.8                  | 2.6                 | 0.5           | 8.6             | None                                      | -    | -      | -    | 12.9                    | 15  | 15  | 13                                 | 55   | 13.4                              | 15   | 15   | 14  | 56  |
|             |                      |              |      |     |              |     |     |                      |                     |               |                 | 10646                                     | 6    | 1      | 7.2  | 14.9                    | 15  | 15  | 14                                 | 55   | 15.6                              | 20   | 20   | 14  | 56  |
|             |                      |              |      |     |              |     |     |                      |                     |               |                 | 11146                                     | 11.5 | 1      | 13.8 | 23.2                    | 25  | 25  | 21                                 | 55   | 23.8                              | 25   | 25   | 22  | 56  |
|             |                      |              |      |     |              |     |     |                      |                     |               |                 | 11446                                     | 14   | 1      | 16.8 | 26.9                    | 30  | 30  | 25                                 | 55   | 27.6                              | 30   | 30   | 25  | 56  |
| 575-3-60    | 3.8                  | 36.5         | 6    |     |              |     | 0.6 | 2                    | 0.4                 | 8.6           | None            | -   | -    | -      | 9.1  | 15                      | 15  | 9   | 50                                 | 9.5  | 15                                | 15   | 10   | 51  |     |
|             |                      |              |      |     |              |     |     |                      |                     |               | 11058           | 9.2                                       | 1    | 8.9    | 15.8 | 20                      | 20  | 15  | 50                                 | 16.3 | 20                                | 20   | 15   | 51  |     |
|             |                      |              |      |     |              |     |     |                      |                     |               | 11458           | 13.8                                      | 1    | 13.3   | 21.3 | 25                      | 25  | 20  | 50                                 | 21.8 | 25                                | 25   | 20   | 51  |     |
|             |                      |              |      |     |              |     |     |                      |                     |               |                 |   |      |        |      |                         |   |   |                                    |      |                                   |  |  |   |     |
| 05 (4)      | 208-3-60             | 13.7         | 83.1 | 21  |              |     |     | 1.4                  | 5.2                 | 1.1           | 8.6             | None                                      | -    | -      | -    | 28                      | 30  | 40  | 28                                 | 113  | 29.1                              | 30   | 40   | 30  | 116 |
|             |                      |              |      |     |              |     |     |                      |                     |               |                 | 10625                                     | 4.9  | 1      | 13.6 | 28.9                    | 30  | 40  | 28                                 | 113  | 30.3                              | 35   | 40   | 30  | 116 |
|             |                      |              |      |     |              |     |     |                      |                     |               |                 | 11125                                     | 7.9  | 1      | 21.9 | 39.3                    | 40  | 40  | 36                                 | 113  | 40.6                              | 45   | 45   | 37  | 116 |
|             |                      |              |      |     |              |     |     |                      |                     |               |                 | 11625                                     | 12   | 1      | 33.3 | 53.5                    | 60  | 60  | 49                                 | 113  | 54.9                              | 60   | 60   | 50  | 116 |
|             | 230-3-60             | 13.7         | 83.1 | 21  |              |     |     | 1.4                  | 5.2                 | 1             | 8.6             | None                                      | -    | -      | -    | 28                      | 30  | 40  | 28                                 | 116  | 29                                | 30   | 40   | 29  | 118 |
|             |                      |              |      |     |              |     |     |                      |                     |               |                 | 10625                                     | 6.5  | 1      | 15.6 | 31.4                    | 35  | 40  | 29                                 | 116  | 32.6                              | 35   | 40   | 30  | 118 |
|             |                      |              |      |     |              |     |     |                      |                     |               |                 | 11125                                     | 10.5 | 1      | 25.3 | 43.5                    | 45  | 45  | 40                                 | 116  | 44.8                              | 45   | 45   | 41  | 118 |
|             |                      |              |      |     |              |     |     |                      |                     |               |                 | 11625                                     | 16   | 1      | 38.5 | 60                      | 60  | 60  | 55                                 | 116  | 61.3                              | 70   | 70   | 56  | 118 |
|             | 460-3-60             | 6.2          | 41   | 10  |              |     |     | 0.8                  | 2.6                 | 0.5           | 8.6             | None                                      | -    | -      | -    | 13.4                    | 15  | 15  | 14                                 | 58   | 13.9                              | 15   | 15   | 14  | 59  |
|             |                      |              |      |     |              |     |     |                      |                     |               |                 | 10646                                     | 6    | 1      | 7.2  | 14.9                    | 15  | 15  | 14                                 | 58   | 15.6                              | 20   | 20   | 14  | 59  |
|             |                      |              |      |     |              |     |     |                      |                     |               |                 | 11146                                     | 11.5 | 1      | 13.8 | 23.2                    | 25  | 25  | 21                                 | 58   | 23.8                              | 25   | 25   | 22  | 59  |
|             |                      |              |      |     |              |     |     |                      |                     |               |                 | 11446                                     | 14   | 1      | 16.8 | 26.9                    | 30  | 30  | 25                                 | 58   | 27.6                              | 30   | 30   | 25  | 59  |
| 575-3-60    | 4.8                  | 33           | 8    |     |              |     | 0.6 | 2                    | 0.4                 | 8.6           | None            | -   | -    | -      | 10.3 | 15                      | 15  | 10  | 46                                 | 10.7 | 15                                | 15   | 11   | 47  |     |
|             |                      |              |      |     |              |     |     |                      |                     |               | 11058           | 9.2                                       | 1    | 8.9    | 15.8 | 20                      | 20  | 15  | 46                                 | 16.3 | 20                                | 20   | 15   | 47  |     |
|             |                      |              |      |     |              |     |     |                      |                     |               | 11458           | 13.8                                      | 1    | 13.3   | 21.3 | 25                      | 25  | 20  | 46                                 | 21.8 | 25                                | 25   | 20   | 47  |     |
|             |                      |              |      |     |              |     |     |                      |                     |               |                 |   |      |        |      |                         |   |   |                                    |      |                                   |  |  |   |     |
| 06 (5)      | 208-3-60             | 16           | 110  | 25  |              |     |     | 2.3                  | 7.5                 | 1.1           | 8.6             | None                                      | -    | -      | -    | 34.1                    | 35  | 50  | 35                                 | 168  | 35.2                              | 40   | 50   | 36  | 170 |
|             |                      |              |      |     |              |     |     |                      |                     |               |                 | 10625                                     | 4.9  | 1      | 13.6 | 34.1                    | 35  | 50  | 35                                 | 168  | 35.2                              | 40   | 50   | 36  | 170 |
|             |                      |              |      |     |              |     |     |                      |                     |               |                 | 11125                                     | 7.9  | 1      | 21.9 | 42.1                    | 45  | 50  | 39                                 | 168  | 43.5                              | 45   | 50   | 40  | 170 |
|             |                      |              |      |     |              |     |     |                      |                     |               |                 | 11625                                     | 12   | 1      | 33.3 | 56.4                    | 60  | 60  | 52                                 | 168  | 57.8                              | 60   | 60   | 53  | 170 |
|             | 230-3-60             | 16           | 110  | 25  |              |     |     | 2.3                  | 7.5                 | 1             | 8.6             | None                                      | -    | -      | -    | 34.1                    | 35  | 50  | 35                                 | 174  | 35.1                              | 40   | 50   | 36  | 177 |
|             |                      |              |      |     |              |     |     |                      |                     |               |                 | 10625                                     | 6.5  | 1      | 15.6 | 34.3                    | 35  | 50  | 35                                 | 174  | 35.5                              | 40   | 50   | 36  | 177 |
|             |                      |              |      |     |              |     |     |                      |                     |               |                 | 11125                                     | 10.5 | 1      | 25.3 | 46.4                    | 50  | 50  | 43                                 | 174  | 47.6                              | 50   | 50   | 44  | 177 |
|             |                      |              |      |     |              |     |     |                      |                     |               |                 | 11625                                     | 16   | 1      | 38.5 | 62.9                    | 70  | 70  | 58                                 | 174  | 64.1                              | 70   | 70   | 59  | 177 |
|             | 460-3-60             | 7.8          | 52   | 12  |              |     |     | 1.3                  | 3.4                 | 0.5           | 8.6             | None                                      | -    | -      | -    | 16.7                    | 20  | 20  | 17                                 | 85   | 17.2                              | 20   | 20   | 17  | 86  |
|             |                      |              |      |     |              |     |     |                      |                     |               |                 | 10646                                     | 6    | 1      | 7.2  | 16.7                    | 20  | 20  | 15                                 | 85   | 17.2                              | 20   | 20   | 15  | 86  |
|             |                      |              |      |     |              |     |     |                      |                     |               |                 | 11146                                     | 11.5 | 1      | 13.8 | 24.2                    | 25  | 25  | 22                                 | 85   | 24.8                              | 25   | 25   | 23  | 86  |
|             |                      |              |      |     |              |     |     |                      |                     |               |                 | 11446                                     | 14   | 1      | 16.8 | 27.9                    | 30  | 30  | 26                                 | 85   | 28.6                              | 30   | 30   | 26  | 86  |
| 575-3-60    | 5.7                  | 38.9         | 9    |     |              |     | 1.1 | 2.8                  | 0.4                 | 8.6           | None            | -   | -    | -      | 12.7 | 15                      | 15  | 13  | 65                                 | 13.1 | 15                                | 15   | 13   | 66  |     |
|             |                      |              |      |     |              |     |     |                      |                     |               | 11458           | 13.8                                      | 1    | 13.3   | 22.3 | 25                      | 25  | 20  | 65                                 | 22.8 | 25                                | 25   | 21   | 66  |     |
|             |                      |              |      |     |              |     |     |                      |                     |               | 12358           | 23  | 1    | 22.1   | 33.3 | 35                      | 35  | 31  | 65                                 | 33.8 | 35                                | 35   | 31   | 66  |     |
|             |                      |              |      |     |              |     |     |                      |                     |               |                 |   |      |        |      |                         |   |   |                                    |      |                                   |  |  |   |     |

1. Minimum Circuit Ampacity.
2. Dual Element, Time Delay Type.
3. HACR type per NEC.
4. Non-fused Disconnect, Verify on the unit nameplate that the disconnect is properly sized for the application. Units with field installed electric heat kits may exceed the factory installed disconnect amperage rating.

**ZL08-14 Standard Indoor Blower - Without Powered Convenience Outlet**

| Size (Tons)     | Nominal Unit Voltage | Compressor 1 |      |     | Compressor 2 |      |     | OD Fan Motors (each) | Supply Blower Motor | Pwr Exh Motor | Pwr Conv Outlet | Electric Heat Field Installed Kit 2EK045* |      |        |      | MCA <sup>1</sup> (Amps) | Min Fuse <sup>2/</sup> Breaker <sup>3</sup> Size (Amps) | Max Fuse <sup>2/</sup> Breaker <sup>3</sup> Size (Amps) | Min Disconnect Rating <sup>4</sup> |     | MCA <sup>1</sup> w/Pwr Exh (Amps) | Min Fuse <sup>2/</sup> Breaker <sup>3</sup> Size w/ Pwr Exh (Amps) | Max Fuse <sup>2/</sup> Breaker <sup>3</sup> Size w/ Pwr Exh (Amps) | Min Disconnect Rating <sup>4/</sup> Pwr Exh |     |
|-----------------|----------------------|--------------|------|-----|--------------|------|-----|----------------------|---------------------|---------------|-----------------|---|------|--------|------|-------------------------|---|---|------------------------------------|-----|-----------------------------------|--|--|---|-----|
|                 |                      | RLA          | LRA  | MCC | RLA          | LRA  | MCC |                      |                     |               |                 | Model                                     | kW   | Stages | Amps |                         |   |   | FLA                                | LRA |                                   |  |  | FLA   | LRA |
|                 |                      |              |      |     |              |      |     |                      |                     |               |                 |   |      |        |      |                         |   |   |                                    |     |                                   |  |  |   |     |
| <b>With VFD</b> |                      |              |      |     |              |      |     |                      |                     |               |                 |   |      |        |      |                         |   |   |                                    |     |                                   |  |  |   |     |
| 08 (7.5)        | 208-3-60             | 14           | 83.1 | 22  | 13.5         | 88   | 21  | 2.3                  | 7                   | 1.1           |                 | None                                      | -    | -      | -    | 42.6                    | 45  | 50  | 45                                 | 241 | 44.8                              | 45   | 50   | 47  | 246 |
|                 |                      |              |      |     |              |      |     |                      |                     |               |                 | 11725                                     | 12   | 1      | 33.3 | 50.4                    | 60  | 60  | 46                                 | 241 | 53.1                              | 60   | 60   | 49  | 246 |
|                 |                      |              |      |     |              |      |     |                      |                     |               |                 | 12525                                     | 18.6 | 1      | 51.6 | 73.3                    | 80  | 80  | 67                                 | 241 | 76                                | 80   | 80   | 70  | 246 |
|                 |                      |              |      |     |              |      |     |                      |                     |               |                 | 13225                                     | 24   | 1      | 66.6 | 92                      | 100   | 100   | 85                                 | 241 | 94.8                              | 100  | 100  | 87  | 246 |
|                 | 230-3-60             | 14           | 83.1 | 22  | 13.5         | 88   | 21  | 2.3                  | 7.2                 | 1             |                 | None                                      | -    | -      | -    | 42.8                    | 45  | 50  | 45                                 | 243 | 44.8                              | 45   | 50   | 47  | 248 |
|                 |                      |              |      |     |              |      |     |                      |                     |               |                 | 11725                                     | 16   | 1      | 38.5 | 57.1                    | 60  | 60  | 53                                 | 243 | 59.6                              | 60   | 60   | 55  | 248 |
|                 |                      |              |      |     |              |      |     |                      |                     |               |                 | 12525                                     | 24.8 | 1      | 59.7 | 83.6                    | 90  | 90  | 77                                 | 243 | 86.1                              | 90   | 90   | 79  | 248 |
|                 |                      |              |      |     |              |      |     |                      |                     |               |                 | 13225                                     | 32   | 1      | 77   | 105.3                   | 110   | 110   | 97                                 | 243 | 107.8                             | 110  | 110  | 99  | 248 |
|                 | 460-3-60             | 6.4          | 41   | 10  | 6            | 44   | 9   | 1.3                  | 3.6                 | 0.5           |                 | None                                      | -    | -      | -    | 20.2                    | 25  | 25  | 21                                 | 122 | 21.2                              | 25   | 25   | 23  | 124 |
|                 |                      |              |      |     |              |      |     |                      |                     |               |                 | 11746                                     | 16.5 | 1      | 19.8 | 29.3                    | 30  | 30  | 27                                 | 122 | 30.5                              | 35   | 35   | 28  | 124 |
|                 |                      |              |      |     |              |      |     |                      |                     |               |                 | 12846                                     | 27.8 | 1      | 33.4 | 46.3                    | 50  | 50  | 43                                 | 122 | 47.5                              | 50   | 50   | 44  | 124 |
|                 |                      |              |      |     |              |      |     |                      |                     |               |                 | 13346                                     | 33   | 1      | 39.7 | 54.1                    | 60  | 60  | 50                                 | 122 | 55.4                              | 60   | 60   | 51  | 124 |
|                 | 575-3-60             | 4.6          | 33   | 7   | 4.9          | 34   | 8   | 1.1                  | 2.5                 | 0.4           |                 | None                                      | -    | -      | -    | 15.4                    | 20  | 20  | 16                                 | 89  | 16.2                              | 20   | 20   | 17  | 91  |
|                 |                      |              |      |     |              |      |     |                      |                     |               |                 | 11758                                     | 17   | 1      | 16.4 | 23.6                    | 25  | 25  | 22                                 | 89  | 24.6                              | 25   | 25   | 23  | 91  |
|                 |                      |              |      |     |              |      |     |                      |                     |               |                 | 13458                                     | 34   | 1      | 32.7 | 44                      | 45  | 45  | 40                                 | 89  | 45                                | 45   | 45   | 41  | 91  |
|                 |                      |              |      |     |              |      |     |                      |                     |               |                 |   |      |        |      |                         |   |   |                                    |     |                                   |  |  |   |     |
| 09 (8.5)        | 208-3-60             | 14           | 83.1 | 22  | 13.7         | 83.1 | 21  | 2.3                  | 7                   | 1.1           |                 | None                                      | -    | -      | -    | 42.8                    | 45  | 50  | 45                                 | 236 | 45                                | 45   | 50   | 48  | 241 |
|                 |                      |              |      |     |              |      |     |                      |                     |               |                 | 11725                                     | 12   | 1      | 33.3 | 50.4                    | 60  | 60  | 46                                 | 236 | 53.1                              | 60   | 60   | 49  | 241 |
|                 |                      |              |      |     |              |      |     |                      |                     |               |                 | 12525                                     | 18.6 | 1      | 51.6 | 73.3                    | 80  | 80  | 67                                 | 236 | 76                                | 80   | 80   | 70  | 241 |
|                 |                      |              |      |     |              |      |     |                      |                     |               |                 | 13225                                     | 24   | 1      | 66.6 | 92                      | 100   | 100   | 85                                 | 236 | 94.8                              | 100  | 100  | 87  | 241 |
|                 | 230-3-60             | 14           | 83.1 | 22  | 13.7         | 83.1 | 21  | 2.3                  | 7.2                 | 1             |                 | None                                      | -    | -      | -    | 43                      | 45  | 50  | 45                                 | 238 | 45                                | 45   | 50   | 48  | 243 |
|                 |                      |              |      |     |              |      |     |                      |                     |               |                 | 11725                                     | 16   | 1      | 38.5 | 57.1                    | 60  | 60  | 53                                 | 238 | 59.6                              | 60   | 60   | 55  | 243 |
|                 |                      |              |      |     |              |      |     |                      |                     |               |                 | 12525                                     | 24.8 | 1      | 59.7 | 83.6                    | 90  | 90  | 77                                 | 238 | 86.1                              | 90   | 90   | 79  | 243 |
|                 |                      |              |      |     |              |      |     |                      |                     |               |                 | 13225                                     | 32   | 1      | 77   | 105.3                   | 110   | 110   | 97                                 | 238 | 107.8                             | 110  | 110  | 99  | 243 |
|                 | 460-3-60             | 6.4          | 41   | 10  | 6.2          | 41   | 10  | 1.3                  | 3.6                 | 0.5           |                 | None                                      | -    | -      | -    | 20.4                    | 25  | 25  | 22                                 | 119 | 21.4                              | 25   | 25   | 23  | 121 |
|                 |                      |              |      |     |              |      |     |                      |                     |               |                 | 11746                                     | 16.5 | 1      | 19.8 | 29.3                    | 30  | 30  | 27                                 | 119 | 30.5                              | 35   | 35   | 28  | 121 |
|                 |                      |              |      |     |              |      |     |                      |                     |               |                 | 12846                                     | 27.8 | 1      | 33.4 | 46.3                    | 50  | 50  | 43                                 | 119 | 47.5                              | 50   | 50   | 44  | 121 |
|                 |                      |              |      |     |              |      |     |                      |                     |               |                 | 13346                                     | 33   | 1      | 39.7 | 54.1                    | 60  | 60  | 50                                 | 119 | 55.4                              | 60   | 60   | 51  | 121 |
|                 | 575-3-60             | 4.6          | 33   | 7   | 4.8          | 33   | 8   | 1.1                  | 2.5                 | 0.4           |                 | None                                      | -    | -      | -    | 15.3                    | 20  | 20  | 16                                 | 88  | 16.1                              | 20   | 20   | 17  | 90  |
|                 |                      |              |      |     |              |      |     |                      |                     |               |                 | 11758                                     | 17   | 1      | 16.4 | 23.6                    | 25  | 25  | 22                                 | 88  | 24.6                              | 25   | 25   | 23  | 90  |
|                 |                      |              |      |     |              |      |     |                      |                     |               |                 | 13458                                     | 34   | 1      | 32.7 | 44                      | 45  | 45  | 40                                 | 88  | 45                                | 45   | 45   | 41  | 90  |
|                 |                      |              |      |     |              |      |     |                      |                     |               |                 |   |      |        |      |                         |   |   |                                    |     |                                   |  |  |   |     |
| 12 (10)         | 208-3-60             | 16.5         | 110  | 26  | 16           | 110  | 25  | 5.8                  | 7                   | 1.1           |                 | None                                      | -    | -      | -    | 49.4                    | 50  | 60  | 52                                 | 302 | 51.6                              | 60   | 60   | 55  | 307 |
|                 |                      |              |      |     |              |      |     |                      |                     |               |                 | 11725                                     | 12   | 1      | 33.3 | 50.4                    | 60  | 60  | 52                                 | 302 | 53.1                              | 60   | 60   | 55  | 307 |
|                 |                      |              |      |     |              |      |     |                      |                     |               |                 | 12525                                     | 18.6 | 1      | 51.6 | 73.3                    | 80  | 80  | 67                                 | 302 | 76                                | 80   | 80   | 70  | 307 |
|                 |                      |              |      |     |              |      |     |                      |                     |               |                 | 13225                                     | 24   | 1      | 66.6 | 92                      | 100   | 100   | 85                                 | 302 | 94.8                              | 100  | 100  | 87  | 307 |
|                 | 230-3-60             | 16.5         | 110  | 26  | 16           | 110  | 25  | 5.2                  | 7.2                 | 1             |                 | None                                      | -    | -      | -    | 49                      | 50  | 60  | 52                                 | 301 | 51                                | 60   | 60   | 54  | 305 |
|                 |                      |              |      |     |              |      |     |                      |                     |               |                 | 11725                                     | 16   | 1      | 38.5 | 57.1                    | 60  | 60  | 53                                 | 301 | 59.6                              | 60   | 60   | 55  | 305 |
|                 |                      |              |      |     |              |      |     |                      |                     |               |                 | 12525                                     | 24.8 | 1      | 59.7 | 83.6                    | 90  | 90  | 77                                 | 301 | 86.1                              | 90   | 90   | 79  | 305 |
|                 |                      |              |      |     |              |      |     |                      |                     |               |                 | 13225                                     | 32   | 1      | 77   | 105.3                   | 110   | 110   | 97                                 | 301 | 107.8                             | 110  | 110  | 99  | 305 |
|                 | 460-3-60             | 7.2          | 52   | 11  | 7.8          | 52   | 12  | 2.9                  | 3.6                 | 0.5           |                 | None                                      | -    | -      | -    | 23.5                    | 25  | 30  | 25                                 | 146 | 24.5                              | 25   | 30   | 26  | 148 |
|                 |                      |              |      |     |              |      |     |                      |                     |               |                 | 11746                                     | 16.5 | 1      | 19.8 | 29.3                    | 30  | 30  | 27                                 | 146 | 30.5                              | 35   | 35   | 28  | 148 |
|                 |                      |              |      |     |              |      |     |                      |                     |               |                 | 12846                                     | 27.8 | 1      | 33.4 | 46.3                    | 50  | 50  | 43                                 | 146 | 47.5                              | 50   | 50   | 44  | 148 |
|                 |                      |              |      |     |              |      |     |                      |                     |               |                 | 13346                                     | 33   | 1      | 39.7 | 54.1                    | 60  | 60  | 50                                 | 146 | 55.4                              | 60   | 60   | 51  | 148 |
|                 | 575-3-60             | 5.7          | 43.8 | 9   | 5.7          | 38.9 | 9   | 2.2                  | 2.5                 | 0.4           |                 | None                                      | -    | -      | -    | 17.5                    | 20  | 20  | 19                                 | 112 | 18.3                              | 20   | 20   | 19  | 114 |
|                 |                      |              |      |     |              |      |     |                      |                     |               |                 | 11758                                     | 17   | 1      | 16.4 | 23.6                    | 25  | 25  | 22                                 | 112 | 24.6                              | 25   | 25   | 23  | 114 |
|                 |                      |              |      |     |              |      |     |                      |                     |               |                 | 13458                                     | 34   | 1      | 32.7 | 44                      | 45  | 45  | 40                                 | 112 | 45                                | 45   | 45   | 41  | 114 |
|                 |                      |              |      |     |              |      |     |                      |                     |               |                 |   |      |        |      |                         |   |   |                                    |     |                                   |  |  |   |     |

**ZL08-14 Standard Indoor Blower - Without Powered Convenience Outlet**

| Size (Tons) | Nominal Unit Voltage | Compressor 1 |      |     | Compressor 2 |      |     | OD Fan Motors (each) | Supply Blower Motor | Pwr Exh Motor | Pwr Conv Outlet | Electric Heat Field Installed Kit 2EK045* |       |        |      | MCA <sup>1</sup> (Amps) | Min Fuse <sup>2</sup> /<br>Breaker <sup>3</sup> Size (Amps) | Max Fuse <sup>2</sup> /<br>Breaker <sup>3</sup> Size (Amps) | Min Disconnect Rating <sup>4</sup> |     | MCA <sup>1</sup> w/Pwr Exh (Amps) | Min Fuse <sup>2</sup> /<br>Breaker <sup>3</sup> Size w/ Pwr Exh (Amps) | Max Fuse <sup>2</sup> /<br>Breaker <sup>3</sup> Size w/ Pwr Exh (Amps) | Min Disconnect Rating <sup>4</sup> /<br>Pwr Exh |     |     |
|-------------|----------------------|--------------|------|-----|--------------|------|-----|----------------------|---------------------|---------------|-----------------|---|-------|--------|------|-------------------------|---|---|------------------------------------|-----|-----------------------------------|--|--|---|-----|-----|
|             |                      | RLA          | LRA  | MCC | RLA          | LRA  | MCC |                      |                     |               |                 | Model                                     | kW    | Stages | Amps |                         |   |   | FLA                                | LRA |                                   |  |  | FLA   | LRA |     |
|             |                      |              |      |     |              |      |     |                      |                     |               |                 |   |       |        |      |                         |   |   |                                    |     |                                   |  |  |   |     |     |
| 14 (12.5)   | 208-3-60             | 18.6         | 149  | 29  | 19.6         | 136  | 31  | 5.8                  | 8.9                 | 0             |                 | None                                      | -     | -      | -    | 57.8                    | 60  | 70  | 61                                 | 384 | 57.8                              | 60   | 70   | 61  | 384 |     |
|             |                      |              |      |     |              |      |     |                      |                     |               |                 | 11725                                     | 12    | 1      | 33.3 | 57.8                    | 60  | 70  | 61                                 | 384 | 57.8                              | 60   | 70   | 61  | 384 |     |
|             |                      |              |      |     |              |      |     |                      |                     |               |                 | 12525                                     | 18.6  | 1      | 51.6 | 75.6                    | 80  | 80  | 70                                 | 384 | 75.6                              | 80   | 80   | 70  | 384 |     |
|             |                      |              |      |     |              |      |     |                      |                     |               |                 | 13225                                     | 24    | 1      | 66.6 | 94.4                    | 100   | 100   | 87                                 | 384 | 94.4                              | 100  | 100  | 87  | 384 |     |
|             |                      |              |      |     |              |      |     |                      |                     |               |                 | 14225                                     | 31.8  | 2      | 88.3 | 121.5                   | 125   | 125   | 112                                | 384 | 121.5                             | 125  | 125  | 112   | 384 |     |
|             | 230-3-60             | 18.6         | 149  | 29  | 19.6         | 136  | 31  | 5.2                  | 8.2                 | 0             |                 |   | None  | -      | -    | -                       | 56.5  | 60  | 70                                 | 59  | 383                               | 56.5   | 60   | 70  | 59  | 383 |
|             |                      |              |      |     |              |      |     |                      |                     |               |                 |   | 11725 | 16     | 1    | 38.5                    | 58.4  | 60  | 70                                 | 59  | 383                               | 58.4   | 60   | 70  | 59  | 383 |
|             |                      |              |      |     |              |      |     |                      |                     |               |                 |   | 12525 | 24.8   | 1    | 59.7                    | 84.9  | 90  | 90                                 | 78  | 383                               | 84.9   | 90   | 90  | 78  | 383 |
|             |                      |              |      |     |              |      |     |                      |                     |               |                 |   | 13225 | 32     | 1    | 77                      | 106.5   | 110   | 110                                | 98  | 383                               | 106.5  | 110  | 110   | 98  | 383 |
|             | 460-3-60             | 9            | 60.9 | 14  | 8.2          | 66.1 | 13  | 2.9                  | 4.1                 | 0             |                 |   | None  | -      | -    | -                       | 26.5  | 30  | 35                                 | 28  | 173                               | 26.5   | 30   | 35  | 28  | 173 |
|             |                      |              |      |     |              |      |     |                      |                     |               |                 |   | 11746 | 16.5   | 1    | 19.8                    | 29.9  | 30  | 35                                 | 27  | 173                               | 29.9   | 30   | 35  | 27  | 173 |
|             |                      |              |      |     |              |      |     |                      |                     |               |                 |   | 12846 | 27.8   | 1    | 33.4                    | 46.9  | 50  | 50                                 | 43  | 173                               | 46.9   | 50   | 50  | 43  | 173 |
|             |                      |              |      |     |              |      |     |                      |                     |               |                 |   | 13346 | 33     | 1    | 39.7                    | 54.8  | 60  | 60                                 | 50  | 173                               | 54.8   | 60   | 60  | 50  | 173 |
|             | 575-3-60             | 7.1          | 56   | 11  | 6.6          | 55.3 | 10  | 2.2                  | 3.2                 | 0             |                 |   | None  | -      | -    | -                       | 20.9  | 25  | 25                                 | 22  | 149                               | 20.9   | 25   | 25  | 22  | 149 |
|             |                      |              |      |     |              |      |     |                      |                     |               |                 |   | 11758 | 17     | 1    | 16.4                    | 24.5  | 25  | 25                                 | 23  | 149                               | 24.5   | 25   | 25  | 23  | 149 |
|             |                      |              |      |     |              |      |     |                      |                     |               |                 |   | 13458 | 34     | 1    | 32.7                    | 44.9  | 45  | 45                                 | 41  | 149                               | 44.9   | 45   | 45  | 41  | 149 |
|             |                      |              |      |     |              |      |     |                      |                     |               |                 |   |       |        |      |                         |   |   |                                    |     |                                   |  |  |   |     |     |

1. Minimum Circuit Ampacity.
2. Dual Element, Time Delay Type.
3. HACR type per NEC.
4. Non-fused Disconnect, Verify on the unit nameplate that the disconnect is properly sized for the application. Units with field installed electric heat kits may exceed the factory installed disconnect amperage rating.

**ZL08-14 Standard Indoor Blower - With Powered Convenience Outlet**

| Size (Tons)     | Nominal Unit Voltage | Compressor 1 |      |     | Compressor 2 |      |     | OD Fan Motors (each) | Supply Blower Motor | Pwr Exh Motor | Pwr Conv Outlet | Electric Heat Field Installed Kit 2EK045* |      |        |      | MCA <sup>1</sup> (Amps) | Min Fuse <sup>2/</sup> Breaker <sup>3</sup> Size (Amps) | Max Fuse <sup>2/</sup> Breaker <sup>3</sup> Size (Amps) | Min Disconnect Rating <sup>4</sup> |     | MCA <sup>1</sup> w/Pwr Exh (Amps) | Min Fuse <sup>2/</sup> Breaker <sup>3</sup> Size w/ Pwr Exh (Amps) | Max Fuse <sup>2/</sup> Breaker <sup>3</sup> Size w/ Pwr Exh (Amps) | Min Disconnect Rating <sup>4/</sup> Pwr Exh |     |
|-----------------|----------------------|--------------|------|-----|--------------|------|-----|----------------------|---------------------|---------------|-----------------|---|------|--------|------|-------------------------|---|---|------------------------------------|-----|-----------------------------------|--|--|---|-----|
|                 |                      | RLA          | LRA  | MCC | RLA          | LRA  | MCC |                      |                     |               |                 | Model                                     | kW   | Stages | Amps |                         |   |   | FLA                                | LRA |                                   |  |  | FLA   | LRA |
|                 |                      |              |      |     |              |      |     |                      |                     |               |                 |   |      |        |      |                         |   |   |                                    |     |                                   |  |  |   |     |
| <b>With VFD</b> |                      |              |      |     |              |      |     |                      |                     |               |                 |   |      |        |      |                         |   |   |                                    |     |                                   |  |  |   |     |
| 08<br>(7.5)     | 208-3-60             | 14           | 83.1 | 22  | 13.5         | 88   | 21  | 2.3                  | 7                   | 1.1           | 8.6             | None                                      | -    | -      | -    | 46.9                    | 50  | 60  | 50                                 | 245 | 49.1                              | 50   | 60   | 52  | 250 |
|                 |                      |              |      |     |              |      |     |                      |                     |               |                 | 11725                                     | 12   | 1      | 33.3 | 55.8                    | 60  | 60  | 51                                 | 245 | 58.5                              | 60   | 60   | 54  | 250 |
|                 |                      |              |      |     |              |      |     |                      |                     |               |                 | 12525                                     | 18.6 | 1      | 51.6 | 78.6                    | 80  | 80  | 72                                 | 245 | 81.4                              | 90   | 90   | 75  | 250 |
|                 |                      |              |      |     |              |      |     |                      |                     |               |                 | 13225                                     | 24   | 1      | 66.6 | 97.4                    | 100   | 100   | 90                                 | 245 | 100.1                             | 110  | 110  | 92  | 250 |
|                 | 230-3-60             | 14           | 83.1 | 22  | 13.5         | 88   | 21  | 2.3                  | 7.2                 | 1             | 8.6             | None                                      | -    | -      | -    | 47.1                    | 50  | 60  | 50                                 | 247 | 49.1                              | 50   | 60   | 52  | 252 |
|                 |                      |              |      |     |              |      |     |                      |                     |               |                 | 11725                                     | 16   | 1      | 38.5 | 62.5                    | 70  | 70  | 58                                 | 247 | 65                                | 70   | 70   | 60  | 252 |
|                 |                      |              |      |     |              |      |     |                      |                     |               |                 | 12525                                     | 24.8 | 1      | 59.7 | 89                      | 90  | 90  | 82                                 | 247 | 91.5                              | 100  | 100  | 84  | 252 |
|                 |                      |              |      |     |              |      |     |                      |                     |               |                 | 13225                                     | 32   | 1      | 77   | 110.6                   | 125   | 125   | 102                                | 247 | 113.1                             | 125  | 125  | 104   | 252 |
|                 | 460-3-60             | 6.4          | 41   | 10  | 6            | 44   | 9   | 1.3                  | 3.6                 | 0.5           | 8.6             | None                                      | -    | -      | -    | 22.4                    | 25  | 25  | 24                                 | 124 | 23.4                              | 25   | 25   | 25  | 126 |
|                 |                      |              |      |     |              |      |     |                      |                     |               |                 | 11746                                     | 16.5 | 1      | 19.8 | 31.9                    | 35  | 35  | 29                                 | 124 | 33.2                              | 35   | 35   | 31  | 126 |
|                 |                      |              |      |     |              |      |     |                      |                     |               |                 | 12846                                     | 27.8 | 1      | 33.4 | 48.9                    | 50  | 50  | 45                                 | 124 | 50.2                              | 60   | 60   | 46  | 126 |
|                 |                      |              |      |     |              |      |     |                      |                     |               |                 | 13346                                     | 33   | 1      | 39.7 | 56.8                    | 60  | 60  | 52                                 | 124 | 58.1                              | 60   | 60   | 53  | 126 |
|                 | 575-3-60             | 4.6          | 33   | 7   | 4.9          | 34   | 8   | 1.1                  | 2.5                 | 0.4           | 8.6             | None                                      | -    | -      | -    | 17.1                    | 20  | 20  | 18                                 | 91  | 17.9                              | 20   | 20   | 19  | 93  |
|                 |                      |              |      |     |              |      |     |                      |                     |               |                 | 11758                                     | 17   | 1      | 16.4 | 25.8                    | 30  | 30  | 24                                 | 91  | 26.8                              | 30   | 30   | 25  | 93  |
|                 |                      |              |      |     |              |      |     |                      |                     |               |                 | 13458                                     | 34   | 1      | 32.7 | 46.2                    | 50  | 50  | 42                                 | 91  | 47.2                              | 50   | 50   | 43  | 93  |
|                 |                      |              |      |     |              |      |     |                      |                     |               |                 |   |      |        |      |                         |   |   |                                    |     |                                   |  |  |   |     |
| 09<br>(8.5)     | 208-3-60             | 14           | 83.1 | 22  | 13.7         | 83.1 | 21  | 2.3                  | 7                   | 1.1           | 8.6             | None                                      | -    | -      | -    | 47.1                    | 50  | 60  | 50                                 | 240 | 49.3                              | 50   | 60   | 53  | 245 |
|                 |                      |              |      |     |              |      |     |                      |                     |               |                 | 11725                                     | 12   | 1      | 33.3 | 55.8                    | 60  | 60  | 51                                 | 240 | 58.5                              | 60   | 60   | 54  | 245 |
|                 |                      |              |      |     |              |      |     |                      |                     |               |                 | 12525                                     | 18.6 | 1      | 51.6 | 78.6                    | 80  | 80  | 72                                 | 240 | 81.4                              | 90   | 90   | 75  | 245 |
|                 |                      |              |      |     |              |      |     |                      |                     |               |                 | 13225                                     | 24   | 1      | 66.6 | 97.4                    | 100   | 100   | 90                                 | 240 | 100.1                             | 110  | 110  | 92  | 245 |
|                 | 230-3-60             | 14           | 83.1 | 22  | 13.7         | 83.1 | 21  | 2.3                  | 7.2                 | 1             | 8.6             | None                                      | -    | -      | -    | 47.3                    | 50  | 60  | 50                                 | 242 | 49.3                              | 50   | 60   | 53  | 247 |
|                 |                      |              |      |     |              |      |     |                      |                     |               |                 | 11725                                     | 16   | 1      | 38.5 | 62.5                    | 70  | 70  | 58                                 | 242 | 65                                | 70   | 70   | 60  | 247 |
|                 |                      |              |      |     |              |      |     |                      |                     |               |                 | 12525                                     | 24.8 | 1      | 59.7 | 89                      | 90  | 90  | 82                                 | 242 | 91.5                              | 100  | 100  | 84  | 247 |
|                 |                      |              |      |     |              |      |     |                      |                     |               |                 | 13225                                     | 32   | 1      | 77   | 110.6                   | 125   | 125   | 102                                | 242 | 113.1                             | 125  | 125  | 104   | 247 |
|                 | 460-3-60             | 6.4          | 41   | 10  | 6.2          | 41   | 10  | 1.3                  | 3.6                 | 0.5           | 8.6             | None                                      | -    | -      | -    | 22.6                    | 25  | 25  | 24                                 | 121 | 23.6                              | 25   | 25   | 25  | 123 |
|                 |                      |              |      |     |              |      |     |                      |                     |               |                 | 11746                                     | 16.5 | 1      | 19.8 | 31.9                    | 35  | 35  | 29                                 | 121 | 33.2                              | 35   | 35   | 31  | 123 |
|                 |                      |              |      |     |              |      |     |                      |                     |               |                 | 12846                                     | 27.8 | 1      | 33.4 | 48.9                    | 50  | 50  | 45                                 | 121 | 50.2                              | 60   | 60   | 46  | 123 |
|                 |                      |              |      |     |              |      |     |                      |                     |               |                 | 13346                                     | 33   | 1      | 39.7 | 56.8                    | 60  | 60  | 52                                 | 121 | 58.1                              | 60   | 60   | 53  | 123 |
|                 | 575-3-60             | 4.6          | 33   | 7   | 4.8          | 33   | 8   | 1.1                  | 2.5                 | 0.4           | 8.6             | None                                      | -    | -      | -    | 17                      | 20  | 20  | 18                                 | 90  | 17.8                              | 20   | 20   | 19  | 92  |
|                 |                      |              |      |     |              |      |     |                      |                     |               |                 | 11758                                     | 17   | 1      | 16.4 | 25.8                    | 30  | 30  | 24                                 | 90  | 26.8                              | 30   | 30   | 25  | 92  |
|                 |                      |              |      |     |              |      |     |                      |                     |               |                 | 13458                                     | 34   | 1      | 32.7 | 46.2                    | 50  | 50  | 42                                 | 90  | 47.2                              | 50   | 50   | 43  | 92  |
|                 |                      |              |      |     |              |      |     |                      |                     |               |                 |   |      |        |      |                         |   |   |                                    |     |                                   |  |  |   |     |
| 12<br>(10)      | 208-3-60             | 16.5         | 110  | 26  | 16           | 110  | 25  | 5.8                  | 7                   | 1.1           | 8.6             | None                                      | -    | -      | -    | 53.7                    | 60  | 70  | 57                                 | 306 | 55.9                              | 60   | 70   | 60  | 311 |
|                 |                      |              |      |     |              |      |     |                      |                     |               |                 | 11725                                     | 12   | 1      | 33.3 | 55.8                    | 60  | 70  | 57                                 | 306 | 58.5                              | 60   | 70   | 60  | 311 |
|                 |                      |              |      |     |              |      |     |                      |                     |               |                 | 12525                                     | 18.6 | 1      | 51.6 | 78.6                    | 80  | 80  | 72                                 | 306 | 81.4                              | 90   | 90   | 75  | 311 |
|                 |                      |              |      |     |              |      |     |                      |                     |               |                 | 13225                                     | 24   | 1      | 66.6 | 97.4                    | 100   | 100   | 90                                 | 306 | 100.1                             | 110  | 110  | 92  | 311 |
|                 | 230-3-60             | 16.5         | 110  | 26  | 16           | 110  | 25  | 5.2                  | 7.2                 | 1             | 8.6             | None                                      | -    | -      | -    | 53.3                    | 60  | 60  | 57                                 | 305 | 55.3                              | 60   | 70   | 59  | 310 |
|                 |                      |              |      |     |              |      |     |                      |                     |               |                 | 11725                                     | 16   | 1      | 38.5 | 62.5                    | 70  | 70  | 58                                 | 305 | 65                                | 70   | 70   | 60  | 310 |
|                 |                      |              |      |     |              |      |     |                      |                     |               |                 | 12525                                     | 24.8 | 1      | 59.7 | 89                      | 90  | 90  | 82                                 | 305 | 91.5                              | 100  | 100  | 84  | 310 |
|                 |                      |              |      |     |              |      |     |                      |                     |               |                 | 13225                                     | 32   | 1      | 77   | 110.6                   | 125   | 125   | 102                                | 305 | 113.1                             | 125  | 125  | 104   | 310 |
|                 | 460-3-60             | 7.2          | 52   | 11  | 7.8          | 52   | 12  | 2.9                  | 3.6                 | 0.5           | 8.6             | None                                      | -    | -      | -    | 25.7                    | 30  | 30  | 27                                 | 148 | 26.7                              | 30   | 30   | 28  | 150 |
|                 |                      |              |      |     |              |      |     |                      |                     |               |                 | 11746                                     | 16.5 | 1      | 19.8 | 31.9                    | 35  | 35  | 29                                 | 148 | 33.2                              | 35   | 35   | 31  | 150 |
|                 |                      |              |      |     |              |      |     |                      |                     |               |                 | 12846                                     | 27.8 | 1      | 33.4 | 48.9                    | 50  | 50  | 45                                 | 148 | 50.2                              | 60   | 60   | 46  | 150 |
|                 |                      |              |      |     |              |      |     |                      |                     |               |                 | 13346                                     | 33   | 1      | 39.7 | 56.8                    | 60  | 60  | 52                                 | 148 | 58.1                              | 60   | 60   | 53  | 150 |
|                 | 575-3-60             | 5.7          | 43.8 | 9   | 5.7          | 38.9 | 9   | 2.2                  | 2.5                 | 0.4           | 8.6             | None                                      | -    | -      | -    | 19.2                    | 20  | 20  | 20                                 | 113 | 20                                | 20   | 20   | 21  | 115 |
|                 |                      |              |      |     |              |      |     |                      |                     |               |                 | 11758                                     | 17   | 1      | 16.4 | 25.8                    | 30  | 30  | 24                                 | 113 | 26.8                              | 30   | 30   | 25  | 115 |
|                 |                      |              |      |     |              |      |     |                      |                     |               |                 | 13458                                     | 34   | 1      | 32.7 | 46.2                    | 50  | 50  | 42                                 | 113 | 47.2                              | 50   | 50   | 43  | 115 |
|                 |                      |              |      |     |              |      |     |                      |                     |               |                 |   |      |        |      |                         |   |   |                                    |     |                                   |  |  |   |     |

**ZL08-14 Standard Indoor Blower - With Powered Convenience Outlet**

| Size (Tons) | Nominal Unit Voltage | Compressor 1 |      |     | Compressor 2 |      |     | OD Fan Motors (each) | Supply Blower Motor | Pwr Exh Motor | Pwr Conv Outlet | Electric Heat Field Installed Kit 2EK045* |      |        |      | MCA <sup>1</sup> (Amps) | Min Fuse <sup>2/3</sup> Breaker <sup>3</sup> Size (Amps) | Max Fuse <sup>2/3</sup> Breaker <sup>3</sup> Size (Amps) | Min Disconnect Rating <sup>4</sup> |     | MCA <sup>1</sup> w/Pwr Exh (Amps) | Min Fuse <sup>2/3</sup> Breaker <sup>3</sup> Size w/ Pwr Exh (Amps) | Max Fuse <sup>2/3</sup> Breaker <sup>3</sup> Size w/ Pwr Exh (Amps) | Min Disconnect Rating <sup>4</sup> / Pwr Exh |     |
|-------------|----------------------|--------------|------|-----|--------------|------|-----|----------------------|---------------------|---------------|-----------------|---|------|--------|------|-------------------------|--|--|------------------------------------|-----|-----------------------------------|---|---|--|-----|
|             |                      | RLA          | LRA  | MCC | RLA          | LRA  | MCC |                      |                     |               |                 | Model                                     | kW   | Stages | Amps |                         |  |  | FLA                                | LRA |                                   |   |   | FLA  | LRA |
|             |                      |              |      |     |              |      |     |                      |                     |               |                 |   |      |        |      |                         |  |  |                                    |     |                                   |   |   |  |     |
| 14 (12.5)   | 208-3-60             | 18.6         | 149  | 29  | 19.6         | 136  | 31  | 5.8                  | 8.9                 | 0             | 8.6             | None                                      | -    | -      | -    | 62.1                    | 70   | 80   | 66                                 | 388 | 62.1                              | 70  | 80  | 66   | 388 |
|             |                      |              |      |     |              |      |     |                      |                     |               |                 | 11725                                     | 12   | 1      | 33.3 | 62.1                    | 70   | 80   | 66                                 | 388 | 62.1                              | 70  | 80  | 66   | 388 |
|             |                      |              |      |     |              |      |     |                      |                     |               |                 | 12525                                     | 18.6 | 1      | 51.6 | 81                      | 90   | 90   | 75                                 | 388 | 81                                | 90  | 90  | 75   | 388 |
|             |                      |              |      |     |              |      |     |                      |                     |               |                 | 13225                                     | 24   | 1      | 66.6 | 99.8                    | 100  | 100  | 92                                 | 388 | 99.8                              | 100   | 100   | 92   | 388 |
|             | 230-3-60             | 18.6         | 149  | 29  | 19.6         | 136  | 31  | 5.2                  | 8.2                 | 0             | 8.6             | None                                      | -    | -      | -    | 60.8                    | 70   | 80   | 64                                 | 387 | 60.8                              | 70  | 80  | 64   | 387 |
|             |                      |              |      |     |              |      |     |                      |                     |               |                 | 11725                                     | 16   | 1      | 38.5 | 63.8                    | 70   | 80   | 64                                 | 387 | 63.8                              | 70  | 80  | 64   | 387 |
|             |                      |              |      |     |              |      |     |                      |                     |               |                 | 12525                                     | 24.8 | 1      | 59.7 | 90.3                    | 100  | 100  | 83                                 | 387 | 90.3                              | 100   | 100   | 83   | 387 |
|             |                      |              |      |     |              |      |     |                      |                     |               |                 | 13225                                     | 32   | 1      | 77   | 111.9                   | 125  | 125  | 103                                | 387 | 111.9                             | 125   | 125   | 103  | 387 |
|             | 460-3-60             | 9            | 60.9 | 14  | 8.2          | 66.1 | 13  | 2.9                  | 4.1                 | 0             | 8.6             | None                                      | -    | -      | -    | 28.7                    | 30   | 35   | 30                                 | 175 | 28.7                              | 30  | 35  | 30   | 175 |
|             |                      |              |      |     |              |      |     |                      |                     |               |                 | 11746                                     | 16.5 | 1      | 19.8 | 32.6                    | 35   | 35   | 30                                 | 175 | 32.6                              | 35  | 35  | 30   | 175 |
|             |                      |              |      |     |              |      |     |                      |                     |               |                 | 12846                                     | 27.8 | 1      | 33.4 | 49.6                    | 50   | 50   | 46                                 | 175 | 49.6                              | 50  | 50  | 46   | 175 |
|             |                      |              |      |     |              |      |     |                      |                     |               |                 | 13346                                     | 33   | 1      | 39.7 | 57.4                    | 60   | 60   | 53                                 | 175 | 57.4                              | 60  | 60  | 53   | 175 |
|             | 575-3-60             | 7.1          | 56   | 11  | 6.6          | 55.3 | 10  | 2.2                  | 3.2                 | 0             | 8.6             | None                                      | -    | -      | -    | 22.6                    | 25   | 25   | 24                                 | 150 | 22.6                              | 25  | 25  | 24   | 150 |
|             |                      |              |      |     |              |      |     |                      |                     |               |                 | 11758                                     | 17   | 1      | 16.4 | 26.7                    | 30   | 30   | 25                                 | 150 | 26.7                              | 30  | 30  | 25   | 150 |
|             |                      |              |      |     |              |      |     |                      |                     |               |                 | 13458                                     | 34   | 1      | 32.7 | 47                      | 50   | 50   | 43                                 | 150 | 47                                | 50  | 50  | 43   | 150 |
|             |                      |              |      |     |              |      |     |                      |                     |               |                 |   |      |        |      |                         |  |  |                                    |     |                                   |   |   |  |     |

1. Minimum Circuit Ampacity.
2. Dual Element, Time Delay Type.
3. HACR type per NEC.
4. Non-fused Disconnect, Verify on the unit nameplate that the disconnect is properly sized for the application. Units with field installed electric heat kits may exceed the factory installed disconnect amperage rating.



**ZL08-14 Medium Indoor Blower - Without Powered Convenience Outlet**

| Size (Tons)     | Nominal Unit Voltage | Compressor 1 |      |     | Compressor 2 |      |     | OD Fan Motors (each) | Supply Blower Motor | Pwr Exh Motor | Pwr Conv Outlet | Electric Heat Field Installed Kit 2EK045* |      |        |      | MCA <sup>1</sup> (Amps) | Min Fuse <sup>2/</sup> Breaker <sup>3</sup> Size (Amps) | Max Fuse <sup>2/</sup> Breaker <sup>3</sup> Size (Amps) | Min Disconnect Rating <sup>4</sup> |     | MCA <sup>1</sup> w/Pwr Exh (Amps) | Min Fuse <sup>2/</sup> Breaker <sup>3</sup> Size w/ Pwr Exh (Amps) | Max Fuse <sup>2/</sup> Breaker <sup>3</sup> Size w/ Pwr Exh (Amps) | Min Disconnect Rating <sup>4</sup> / Pwr Exh |     |
|-----------------|----------------------|--------------|------|-----|--------------|------|-----|----------------------|---------------------|---------------|-----------------|---|------|--------|------|-------------------------|---|---|------------------------------------|-----|-----------------------------------|--|--|--|-----|
|                 |                      | RLA          | LRA  | MCC | RLA          | LRA  | MCC |                      |                     |               |                 | Model                                     | kW   | Stages | Amps |                         |   |   | FLA                                | LRA |                                   |  |  | FLA  | LRA |
|                 |                      |              |      |     |              |      |     |                      |                     |               |                 |   |      |        |      |                         |   |   |                                    |     |                                   |  |  |  |     |
| <b>With VFD</b> |                      |              |      |     |              |      |     |                      |                     |               |                 |   |      |        |      |                         |   |   |                                    |     |                                   |  |  |  |     |
| 08 (7.5)        | 208-3-60             | 14           | 83.1 | 22  | 13.5         | 88   | 21  | 2.3                  | 7                   | 1.1           |                 | None                                      | -    | -      | -    | 42.6                    | 45  | 50  | 45                                 | 241 | 44.8                              | 45   | 50   | 47   | 246 |
|                 |                      |              |      |     |              |      |     |                      |                     |               |                 | 11725                                     | 12   | 1      | 33.3 | 50.4                    | 60  | 60  | 46                                 | 241 | 53.1                              | 60   | 60   | 49   | 246 |
|                 |                      |              |      |     |              |      |     |                      |                     |               |                 | 12525                                     | 18.6 | 1      | 51.6 | 73.3                    | 80  | 80  | 67                                 | 241 | 76                                | 80   | 80   | 70   | 246 |
|                 |                      |              |      |     |              |      |     |                      |                     |               |                 | 13225                                     | 24   | 1      | 66.6 | 92                      | 100   | 100   | 85                                 | 241 | 94.8                              | 100  | 100  | 87   | 246 |
|                 | 230-3-60             | 14           | 83.1 | 22  | 13.5         | 88   | 21  | 2.3                  | 7.2                 | 1             |                 | None                                      | -    | -      | -    | 42.8                    | 45  | 50  | 45                                 | 243 | 44.8                              | 45   | 50   | 47   | 248 |
|                 |                      |              |      |     |              |      |     |                      |                     |               |                 | 11725                                     | 16   | 1      | 38.5 | 57.1                    | 60  | 60  | 53                                 | 243 | 59.6                              | 60   | 60   | 55   | 248 |
|                 |                      |              |      |     |              |      |     |                      |                     |               |                 | 12525                                     | 24.8 | 1      | 59.7 | 83.6                    | 90  | 90  | 77                                 | 243 | 86.1                              | 90   | 90   | 79   | 248 |
|                 |                      |              |      |     |              |      |     |                      |                     |               |                 | 13225                                     | 32   | 1      | 77   | 105.3                   | 110   | 110   | 97                                 | 243 | 107.8                             | 110  | 110  | 99   | 248 |
|                 | 460-3-60             | 6.4          | 41   | 10  | 6            | 44   | 9   | 1.3                  | 3.6                 | 0.5           |                 | None                                      | -    | -      | -    | 20.2                    | 25  | 25  | 21                                 | 122 | 21.2                              | 25   | 25   | 23   | 124 |
|                 |                      |              |      |     |              |      |     |                      |                     |               |                 | 11746                                     | 16.5 | 1      | 19.8 | 29.3                    | 30  | 30  | 27                                 | 122 | 30.5                              | 35   | 35   | 28   | 124 |
|                 |                      |              |      |     |              |      |     |                      |                     |               |                 | 12846                                     | 27.8 | 1      | 33.4 | 46.3                    | 50  | 50  | 43                                 | 122 | 47.5                              | 50   | 50   | 44   | 124 |
|                 |                      |              |      |     |              |      |     |                      |                     |               |                 | 13346                                     | 33   | 1      | 39.7 | 54.1                    | 60  | 60  | 50                                 | 122 | 55.4                              | 60   | 60   | 51   | 124 |
|                 | 575-3-60             | 4.6          | 33   | 7   | 4.9          | 34   | 8   | 1.1                  | 2.5                 | 0.4           |                 | None                                      | -    | -      | -    | 15.4                    | 20  | 20  | 16                                 | 89  | 16.2                              | 20   | 20   | 17   | 91  |
|                 |                      |              |      |     |              |      |     |                      |                     |               |                 | 11758                                     | 17   | 1      | 16.4 | 23.6                    | 25  | 25  | 22                                 | 89  | 24.6                              | 25   | 25   | 23   | 91  |
|                 |                      |              |      |     |              |      |     |                      |                     |               |                 | 13458                                     | 34   | 1      | 32.7 | 44                      | 45  | 45  | 40                                 | 89  | 45                                | 45   | 45   | 41   | 91  |
|                 |                      |              |      |     |              |      |     |                      |                     |               |                 |   |      |        |      |                         |   |   |                                    |     |                                   |  |  |  |     |
| 09 (8.5)        | 208-3-60             | 14           | 83.1 | 22  | 13.7         | 83.1 | 21  | 2.3                  | 7                   | 1.1           |                 | None                                      | -    | -      | -    | 42.8                    | 45  | 50  | 45                                 | 236 | 45                                | 45   | 50   | 48   | 241 |
|                 |                      |              |      |     |              |      |     |                      |                     |               |                 | 11725                                     | 12   | 1      | 33.3 | 50.4                    | 60  | 60  | 46                                 | 236 | 53.1                              | 60   | 60   | 49   | 241 |
|                 |                      |              |      |     |              |      |     |                      |                     |               |                 | 12525                                     | 18.6 | 1      | 51.6 | 73.3                    | 80  | 80  | 67                                 | 236 | 76                                | 80   | 80   | 70   | 241 |
|                 |                      |              |      |     |              |      |     |                      |                     |               |                 | 13225                                     | 24   | 1      | 66.6 | 92                      | 100   | 100   | 85                                 | 236 | 94.8                              | 100  | 100  | 87   | 241 |
|                 | 230-3-60             | 14           | 83.1 | 22  | 13.7         | 83.1 | 21  | 2.3                  | 7.2                 | 1             |                 | None                                      | -    | -      | -    | 43                      | 45  | 50  | 45                                 | 238 | 45                                | 45   | 50   | 48   | 243 |
|                 |                      |              |      |     |              |      |     |                      |                     |               |                 | 11725                                     | 16   | 1      | 38.5 | 57.1                    | 60  | 60  | 53                                 | 238 | 59.6                              | 60   | 60   | 55   | 243 |
|                 |                      |              |      |     |              |      |     |                      |                     |               |                 | 12525                                     | 24.8 | 1      | 59.7 | 83.6                    | 90  | 90  | 77                                 | 238 | 86.1                              | 90   | 90   | 79   | 243 |
|                 |                      |              |      |     |              |      |     |                      |                     |               |                 | 13225                                     | 32   | 1      | 77   | 105.3                   | 110   | 110   | 97                                 | 238 | 107.8                             | 110  | 110  | 99   | 243 |
|                 | 460-3-60             | 6.4          | 41   | 10  | 6.2          | 41   | 10  | 1.3                  | 3.6                 | 0.5           |                 | None                                      | -    | -      | -    | 20.4                    | 25  | 25  | 22                                 | 119 | 21.4                              | 25   | 25   | 23   | 121 |
|                 |                      |              |      |     |              |      |     |                      |                     |               |                 | 11746                                     | 16.5 | 1      | 19.8 | 29.3                    | 30  | 30  | 27                                 | 119 | 30.5                              | 35   | 35   | 28   | 121 |
|                 |                      |              |      |     |              |      |     |                      |                     |               |                 | 12846                                     | 27.8 | 1      | 33.4 | 46.3                    | 50  | 50  | 43                                 | 119 | 47.5                              | 50   | 50   | 44   | 121 |
|                 |                      |              |      |     |              |      |     |                      |                     |               |                 | 13346                                     | 33   | 1      | 39.7 | 54.1                    | 60  | 60  | 50                                 | 119 | 55.4                              | 60   | 60   | 51   | 121 |
|                 | 575-3-60             | 4.6          | 33   | 7   | 4.8          | 33   | 8   | 1.1                  | 2.5                 | 0.4           |                 | None                                      | -    | -      | -    | 15.3                    | 20  | 20  | 16                                 | 88  | 16.1                              | 20   | 20   | 17   | 90  |
|                 |                      |              |      |     |              |      |     |                      |                     |               |                 | 11758                                     | 17   | 1      | 16.4 | 23.6                    | 25  | 25  | 22                                 | 88  | 24.6                              | 25   | 25   | 23   | 90  |
|                 |                      |              |      |     |              |      |     |                      |                     |               |                 | 13458                                     | 34   | 1      | 32.7 | 44                      | 45  | 45  | 40                                 | 88  | 45                                | 45   | 45   | 41   | 90  |
|                 |                      |              |      |     |              |      |     |                      |                     |               |                 |   |      |        |      |                         |   |   |                                    |     |                                   |  |  |  |     |
| 12 (10)         | 208-3-60             | 16.5         | 110  | 26  | 16           | 110  | 25  | 5.8                  | 9.9                 | 1.1           |                 | None                                      | -    | -      | -    | 52.3                    | 60  | 60  | 55                                 | 315 | 54.5                              | 60   | 60   | 58   | 320 |
|                 |                      |              |      |     |              |      |     |                      |                     |               |                 | 11725                                     | 12   | 1      | 33.3 | 54                      | 60  | 60  | 55                                 | 315 | 56.8                              | 60   | 60   | 58   | 320 |
|                 |                      |              |      |     |              |      |     |                      |                     |               |                 | 12525                                     | 18.6 | 1      | 51.6 | 76.9                    | 80  | 80  | 71                                 | 315 | 79.6                              | 80   | 80   | 73   | 320 |
|                 |                      |              |      |     |              |      |     |                      |                     |               |                 | 13225                                     | 24   | 1      | 66.6 | 95.6                    | 100   | 100   | 88                                 | 315 | 94.4                              | 100  | 100  | 91   | 320 |
|                 | 230-3-60             | 16.5         | 110  | 26  | 16           | 110  | 25  | 5.2                  | 9.4                 | 1             |                 | None                                      | -    | -      | -    | 51.2                    | 60  | 60  | 54                                 | 320 | 53.2                              | 60   | 60   | 56   | 324 |
|                 |                      |              |      |     |              |      |     |                      |                     |               |                 | 11725                                     | 16   | 1      | 38.5 | 59.9                    | 60  | 60  | 55                                 | 320 | 62.4                              | 70   | 70   | 57   | 324 |
|                 |                      |              |      |     |              |      |     |                      |                     |               |                 | 12525                                     | 24.8 | 1      | 59.7 | 86.4                    | 90  | 90  | 79                                 | 320 | 88.9                              | 90   | 90   | 82   | 324 |
|                 |                      |              |      |     |              |      |     |                      |                     |               |                 | 13225                                     | 32   | 1      | 77   | 108                     | 110   | 110   | 99                                 | 320 | 110.5                             | 125  | 125  | 102  | 324 |
|                 | 460-3-60             | 7.2          | 52   | 11  | 7.8          | 52   | 12  | 2.9                  | 4.7                 | 0.5           |                 | None                                      | -    | -      | -    | 24.6                    | 25  | 30  | 26                                 | 155 | 25.6                              | 30   | 30   | 27   | 158 |
|                 |                      |              |      |     |              |      |     |                      |                     |               |                 | 11746                                     | 16.5 | 1      | 19.8 | 30.6                    | 35  | 35  | 28                                 | 155 | 31.9                              | 35   | 35   | 29   | 158 |
|                 |                      |              |      |     |              |      |     |                      |                     |               |                 | 12846                                     | 27.8 | 1      | 33.4 | 47.6                    | 50  | 50  | 44                                 | 155 | 48.9                              | 50   | 50   | 45   | 158 |
|                 |                      |              |      |     |              |      |     |                      |                     |               |                 | 13346                                     | 33   | 1      | 39.7 | 55.5                    | 60  | 60  | 51                                 | 155 | 56.8                              | 60   | 60   | 52   | 158 |
|                 | 575-3-60             | 5.7          | 43.8 | 9   | 5.7          | 38.9 | 9   | 2.2                  | 4.3                 | 0.4           |                 | None                                      | -    | -      | -    | 19.3                    | 20  | 25  | 21                                 | 134 | 20.1                              | 25   | 25   | 22   | 136 |
|                 |                      |              |      |     |              |      |     |                      |                     |               |                 | 11758                                     | 17   | 1      | 16.4 | 25.9                    | 30  | 30  | 24                                 | 134 | 26.9                              | 30   | 30   | 25   | 136 |
|                 |                      |              |      |     |              |      |     |                      |                     |               |                 | 13458                                     | 34   | 1      | 32.7 | 46.3                    | 50  | 50  | 43                                 | 134 | 47.3                              | 50   | 50   | 43   | 136 |
|                 |                      |              |      |     |              |      |     |                      |                     |               |                 |   |      |        |      |                         |   |   |                                    |     |                                   |  |  |  |     |



**ZL08-14 Medium Indoor Blower - With Powered Convenience Outlet**

| Size (Tons)     | Nominal Unit Voltage | Compressor 1 |      |     | Compressor 2 |      |     | OD Fan Motors (each) | Supply Blower Motor | Pwr Exh Motor | Pwr Conv Outlet | Electric Heat Field Installed Kit 2EK045* |      |        |      | MCA <sup>1</sup> (Amps) | Min Fuse <sup>2/</sup> Breaker <sup>3</sup> Size (Amps) | Max Fuse <sup>2/</sup> Breaker <sup>3</sup> Size (Amps) | Min Disconnect Rating <sup>4</sup> |     | MCA <sup>1</sup> w/Pwr Exh (Amps) | Min Fuse <sup>2/</sup> Breaker <sup>3</sup> Size w/ Pwr Exh (Amps) | Max Fuse <sup>2/</sup> Breaker <sup>3</sup> Size w/ Pwr Exh (Amps) | Min Disconnect Rating <sup>4</sup> / Pwr Exh |     |
|-----------------|----------------------|--------------|------|-----|--------------|------|-----|----------------------|---------------------|---------------|-----------------|---|------|--------|------|-------------------------|---|---|------------------------------------|-----|-----------------------------------|--|--|--|-----|
|                 |                      | RLA          | LRA  | MCC | RLA          | LRA  | MCC |                      |                     |               |                 | Model                                     | kW   | Stages | Amps |                         |   |   | FLA                                | LRA |                                   |  |  | FLA  | LRA |
|                 |                      |              |      |     |              |      |     |                      |                     |               |                 |   |      |        |      |                         |   |   |                                    |     |                                   |  |  |  |     |
| <b>With VFD</b> |                      |              |      |     |              |      |     |                      |                     |               |                 |   |      |        |      |                         |   |   |                                    |     |                                   |  |  |  |     |
| 08<br>(7.5)     | 208-3-60             | 14           | 83.1 | 22  | 13.5         | 88   | 21  | 2.3                  | 7                   | 1.1           | 8.6             | None                                      | -    | -      | -    | 46.9                    | 50  | 60  | 50                                 | 245 | 49.1                              | 50   | 60   | 52   | 250 |
|                 |                      |              |      |     |              |      |     |                      |                     |               |                 | 11725                                     | 12   | 1      | 33.3 | 55.8                    | 60  | 60  | 51                                 | 245 | 58.5                              | 60   | 60   | 54   | 250 |
|                 |                      |              |      |     |              |      |     |                      |                     |               |                 | 12525                                     | 18.6 | 1      | 51.6 | 78.6                    | 80  | 80  | 72                                 | 245 | 81.4                              | 90   | 90   | 75   | 250 |
|                 |                      |              |      |     |              |      |     |                      |                     |               |                 | 13225                                     | 24   | 1      | 66.6 | 97.4                    | 100   | 100   | 90                                 | 245 | 100.1                             | 110  | 110  | 92   | 250 |
|                 |                      |              |      |     |              |      |     |                      |                     |               |                 | 14225                                     | 31.8 | 2      | 88.3 | 124.5                   | 125   | 125   | 115                                | 245 | 127.3                             | 150  | 150  | 117  | 250 |
|                 | 230-3-60             | 14           | 83.1 | 22  | 13.5         | 88   | 21  | 2.3                  | 7.2                 | 1             | 8.6             | None                                      | -    | -      | -    | 47.1                    | 50  | 60  | 50                                 | 247 | 49.1                              | 50   | 60   | 52   | 252 |
|                 |                      |              |      |     |              |      |     |                      |                     |               |                 | 11725                                     | 16   | 1      | 38.5 | 62.5                    | 70  | 70  | 58                                 | 247 | 65                                | 70   | 70   | 60   | 252 |
|                 |                      |              |      |     |              |      |     |                      |                     |               |                 | 12525                                     | 24.8 | 1      | 59.7 | 89                      | 90  | 90  | 82                                 | 247 | 91.5                              | 100  | 100  | 84   | 252 |
|                 |                      |              |      |     |              |      |     |                      |                     |               |                 | 13225                                     | 32   | 1      | 77   | 110.6                   | 125   | 125   | 102                                | 247 | 113.1                             | 125  | 125  | 104  | 252 |
|                 |                      |              |      |     |              |      |     |                      |                     |               |                 | 14225                                     | 42.4 | 2      | 102  | 141.9                   | 150   | 150   | 131                                | 247 | 144.4                             | 150  | 150  | 133  | 252 |
|                 | 460-3-60             | 6.4          | 41   | 10  | 6            | 44   | 9   | 1.3                  | 3.6                 | 0.5           | 8.6             | None                                      | -    | -      | -    | 22.4                    | 25  | 25  | 24                                 | 124 | 23.4                              | 25   | 25   | 25   | 126 |
|                 |                      |              |      |     |              |      |     |                      |                     |               |                 | 11746                                     | 16.5 | 1      | 19.8 | 31.9                    | 35  | 35  | 29                                 | 124 | 33.2                              | 35   | 35   | 31   | 126 |
|                 |                      |              |      |     |              |      |     |                      |                     |               |                 | 12846                                     | 27.8 | 1      | 33.4 | 48.9                    | 50  | 50  | 45                                 | 124 | 50.2                              | 60   | 60   | 46   | 126 |
|                 |                      |              |      |     |              |      |     |                      |                     |               |                 | 13346                                     | 33   | 1      | 39.7 | 56.8                    | 60  | 60  | 52                                 | 124 | 58.1                              | 60   | 60   | 53   | 126 |
|                 |                      |              |      |     |              |      |     |                      |                     |               |                 | 14246                                     | 41.7 | 2      | 50.2 | 69.9                    | 70  | 70  | 64                                 | 124 | 71.2                              | 80   | 80   | 65   | 126 |
|                 | 575-3-60             | 4.6          | 33   | 7   | 4.9          | 34   | 8   | 1.1                  | 2.5                 | 0.4           | 8.6             | None                                      | -    | -      | -    | 17.1                    | 20  | 20  | 18                                 | 91  | 17.9                              | 20   | 20   | 19   | 93  |
|                 |                      |              |      |     |              |      |     |                      |                     |               |                 | 11758                                     | 17   | 1      | 16.4 | 25.8                    | 30  | 30  | 24                                 | 91  | 26.8                              | 30   | 30   | 25   | 93  |
|                 |                      |              |      |     |              |      |     |                      |                     |               |                 | 13458                                     | 34   | 1      | 32.7 | 46.2                    | 50  | 50  | 42                                 | 91  | 47.2                              | 50   | 50   | 43   | 93  |
|                 |                      |              |      |     |              |      |     |                      |                     |               |                 | None                                      | -    | -      | -    | 47.1                    | 50  | 60  | 50                                 | 240 | 49.3                              | 50   | 60   | 53   | 245 |
|                 |                      |              |      |     |              |      |     |                      |                     |               |                 | 11725                                     | 12   | 1      | 33.3 | 55.8                    | 60  | 60  | 51                                 | 240 | 58.5                              | 60   | 60   | 54   | 245 |
| 09<br>(8.5)     | 208-3-60             | 14           | 83.1 | 22  | 13.7         | 83.1 | 21  | 2.3                  | 7                   | 1.1           | 8.6             | None                                      | -    | -      | -    | 47.1                    | 50  | 60  | 50                                 | 240 | 49.3                              | 50   | 60   | 53   | 245 |
|                 |                      |              |      |     |              |      |     |                      |                     |               |                 | 11725                                     | 12   | 1      | 33.3 | 55.8                    | 60  | 60  | 51                                 | 240 | 58.5                              | 60   | 60   | 54   | 245 |
|                 |                      |              |      |     |              |      |     |                      |                     |               |                 | 12525                                     | 18.6 | 1      | 51.6 | 78.6                    | 80  | 80  | 72                                 | 240 | 81.4                              | 90   | 90   | 75   | 245 |
|                 |                      |              |      |     |              |      |     |                      |                     |               |                 | 13225                                     | 24   | 1      | 66.6 | 97.4                    | 100   | 100   | 90                                 | 240 | 100.1                             | 110  | 110  | 92   | 245 |
|                 |                      |              |      |     |              |      |     |                      |                     |               |                 | 14225                                     | 31.8 | 2      | 88.3 | 124.5                   | 125   | 125   | 115                                | 240 | 127.3                             | 150  | 150  | 117  | 245 |
|                 | 230-3-60             | 14           | 83.1 | 22  | 13.7         | 83.1 | 21  | 2.3                  | 7.2                 | 1             | 8.6             | None                                      | -    | -      | -    | 47.3                    | 50  | 60  | 50                                 | 242 | 49.3                              | 50   | 60   | 53   | 247 |
|                 |                      |              |      |     |              |      |     |                      |                     |               |                 | 11725                                     | 16   | 1      | 38.5 | 62.5                    | 70  | 70  | 58                                 | 242 | 65                                | 70   | 70   | 60   | 247 |
|                 |                      |              |      |     |              |      |     |                      |                     |               |                 | 12525                                     | 24.8 | 1      | 59.7 | 89                      | 90  | 90  | 82                                 | 242 | 91.5                              | 100  | 100  | 84   | 247 |
|                 |                      |              |      |     |              |      |     |                      |                     |               |                 | 13225                                     | 32   | 1      | 77   | 110.6                   | 125   | 125   | 102                                | 242 | 113.1                             | 125  | 125  | 104  | 247 |
|                 |                      |              |      |     |              |      |     |                      |                     |               |                 | 14225                                     | 42.4 | 2      | 102  | 141.9                   | 150   | 150   | 131                                | 242 | 144.4                             | 150  | 150  | 133  | 247 |
|                 | 460-3-60             | 6.4          | 41   | 10  | 6.2          | 41   | 10  | 1.3                  | 3.6                 | 0.5           | 8.6             | None                                      | -    | -      | -    | 22.6                    | 25  | 25  | 24                                 | 121 | 23.6                              | 25   | 25   | 25   | 123 |
|                 |                      |              |      |     |              |      |     |                      |                     |               |                 | 11746                                     | 16.5 | 1      | 19.8 | 31.9                    | 35  | 35  | 29                                 | 121 | 33.2                              | 35   | 35   | 31   | 123 |
|                 |                      |              |      |     |              |      |     |                      |                     |               |                 | 12846                                     | 27.8 | 1      | 33.4 | 48.9                    | 50  | 50  | 45                                 | 121 | 50.2                              | 60   | 60   | 46   | 123 |
|                 |                      |              |      |     |              |      |     |                      |                     |               |                 | 13346                                     | 33   | 1      | 39.7 | 56.8                    | 60  | 60  | 52                                 | 121 | 58.1                              | 60   | 60   | 53   | 123 |
|                 |                      |              |      |     |              |      |     |                      |                     |               |                 | 14246                                     | 41.7 | 2      | 50.2 | 69.9                    | 70  | 70  | 64                                 | 121 | 71.2                              | 80   | 80   | 65   | 123 |
|                 | 575-3-60             | 4.6          | 33   | 7   | 4.8          | 33   | 8   | 1.1                  | 2.5                 | 0.4           | 8.6             | None                                      | -    | -      | -    | 17                      | 20  | 20  | 18                                 | 90  | 17.8                              | 20   | 20   | 19   | 92  |
|                 |                      |              |      |     |              |      |     |                      |                     |               |                 | 11758                                     | 17   | 1      | 16.4 | 25.8                    | 30  | 30  | 24                                 | 90  | 26.8                              | 30   | 30   | 25   | 92  |
|                 |                      |              |      |     |              |      |     |                      |                     |               |                 | 13458                                     | 34   | 1      | 32.7 | 46.2                    | 50  | 50  | 42                                 | 90  | 47.2                              | 50   | 50   | 43   | 92  |
|                 |                      |              |      |     |              |      |     |                      |                     |               |                 | None                                      | -    | -      | -    | 56.6                    | 60  | 70  | 60                                 | 319 | 58.8                              | 60   | 70   | 63   | 324 |
|                 |                      |              |      |     |              |      |     |                      |                     |               |                 | 11725                                     | 12   | 1      | 33.3 | 59.4                    | 60  | 70  | 60                                 | 319 | 62.1                              | 70   | 70   | 63   | 324 |
| 12<br>(10)      | 208-3-60             | 16.5         | 110  | 26  | 16           | 110  | 25  | 5.8                  | 9.9                 | 1.1           | 8.6             | None                                      | -    | -      | -    | 56.6                    | 60  | 70  | 60                                 | 319 | 58.8                              | 60   | 70   | 63   | 324 |
|                 |                      |              |      |     |              |      |     |                      |                     |               |                 | 11725                                     | 12   | 1      | 33.3 | 59.4                    | 60  | 70  | 60                                 | 319 | 62.1                              | 70   | 70   | 63   | 324 |
|                 |                      |              |      |     |              |      |     |                      |                     |               |                 | 12525                                     | 18.6 | 1      | 51.6 | 82.3                    | 90  | 90  | 76                                 | 319 | 85                                | 90   | 90   | 78   | 324 |
|                 |                      |              |      |     |              |      |     |                      |                     |               |                 | 13225                                     | 24   | 1      | 66.6 | 101                     | 110   | 110   | 93                                 | 319 | 103.8                             | 110  | 110  | 95   | 324 |
|                 |                      |              |      |     |              |      |     |                      |                     |               |                 | 14225                                     | 31.8 | 2      | 88.3 | 128.1                   | 150   | 150   | 118                                | 319 | 130.9                             | 150  | 150  | 120  | 324 |
|                 | 230-3-60             | 16.5         | 110  | 26  | 16           | 110  | 25  | 5.2                  | 9.4                 | 1             | 8.6             | None                                      | -    | -      | -    | 55.5                    | 60  | 70  | 59                                 | 324 | 57.5                              | 60   | 70   | 61   | 329 |
|                 |                      |              |      |     |              |      |     |                      |                     |               |                 | 11725                                     | 16   | 1      | 38.5 | 65.3                    | 70  | 70  | 60                                 | 324 | 67.8                              | 70   | 70   | 62   | 329 |
|                 |                      |              |      |     |              |      |     |                      |                     |               |                 | 12525                                     | 24.8 | 1      | 59.7 | 91.8                    | 100   | 100   | 84                                 | 324 | 94.3                              | 100  | 100  | 87   | 329 |
|                 |                      |              |      |     |              |      |     |                      |                     |               |                 | 13225                                     | 32   | 1      | 77   | 113.4                   | 125   | 125   | 104                                | 324 | 115.9                             | 125  | 125  | 107  | 329 |
|                 |                      |              |      |     |              |      |     |                      |                     |               |                 | 14225                                     | 42.4 | 2      | 102  | 144.6                   | 150   | 150   | 133                                | 324 | 147.1                             | 150  | 150  | 135  | 329 |
|                 | 460-3-60             | 7.2          | 52   | 11  | 7.8          | 52   | 12  | 2.9                  | 4.7                 | 0.5           | 8.6             | None                                      | -    | -      | -    | 26.8                    | 30  | 30  | 29                                 | 157 | 27.8                              | 30   | 30   | 30   | 160 |
|                 |                      |              |      |     |              |      |     |                      |                     |               |                 | 11746                                     | 16.5 | 1      | 19.8 | 33.3                    | 35  | 35  | 31                                 | 157 | 34.6                              | 35   | 35   | 32   | 160 |
|                 |                      |              |      |     |              |      |     |                      |                     |               |                 | 12846                                     | 27.8 | 1      | 33.4 | 50.3                    | 60  | 60  | 46                                 | 157 | 51.6                              | 60   | 60   | 47   | 160 |
|                 |                      |              |      |     |              |      |     |                      |                     |               |                 | 13346                                     | 33   | 1      | 39.7 | 58.2                    | 60  | 60  | 54                                 | 157 | 59.4                              | 60   | 60   | 55   | 160 |
|                 |                      |              |      |     |              |      |     |                      |                     |               |                 | 14246                                     | 41.7 | 2      | 50.2 | 71.3                    | 80  | 80  | 66                                 | 157 | 72.6                              | 80   | 80   | 67   | 160 |
|                 | 575-3-60             | 5.7          | 43.8 | 9   | 5.7          | 38.9 | 9   | 2.2                  | 4.3                 | 0.4           | 8.6             | None                                      | -    | -      | -    | 21                      | 25  | 25  | 23                                 | 136 | 21.8                              | 25   | 25   | 23   | 138 |
|                 |                      |              |      |     |              |      |     |                      |                     |               |                 | 11758                                     | 17   | 1      | 16.4 | 28                      | 30  | 30  | 26                                 | 136 | 29                                | 30   | 30   | 27   | 138 |
|                 |                      |              |      |     |              |      |     |                      |                     |               |                 | 13458                                     | 34   | 1      | 32.7 | 48.4                    | 50  | 50  | 45                                 | 136 | 49.4                              | 50   | 50   | 45   | 138 |

**ZL08-14 Medium Indoor Blower - With Powered Convenience Outlet**

| Size<br>(Tons) | Nominal<br>Unit<br>Voltage | Compressor 1 |      |     | Compressor 2 |      |     | OD<br>Fan<br>Motors<br>(each) | Supply<br>Blower<br>Motor | Pwr<br>Exh<br>Motor | Pwr<br>Conv<br>Outlet | Electric Heat<br>Field Installed Kit<br>2EK045* |      |        |      | MCA <sup>1</sup><br>(Amps) | Min<br>Fuse <sup>2</sup> /<br>Breaker <sup>3</sup><br>Size<br>(Amps) | Max<br>Fuse <sup>2</sup> /<br>Breaker <sup>3</sup><br>Size<br>(Amps) | Min<br>Disconnect<br>Rating <sup>4</sup> |     | MCA <sup>1</sup><br>w/Pwr<br>Exh<br>(Amps) | Min<br>Fuse <sup>2</sup> /<br>Breaker <sup>3</sup><br>Size<br>w/<br>Pwr Exh<br>(Amps) | Max<br>Fuse <sup>2</sup> /<br>Breaker <sup>3</sup><br>Size<br>w/<br>Pwr Exh<br>(Amps) | Min<br>Disconnect<br>Rating <sup>4</sup> /<br>Pwr Exh |     |
|----------------|----------------------------|--------------|------|-----|--------------|------|-----|-------------------------------|---------------------------|---------------------|-----------------------|---|------|--------|------|----------------------------|--|--|--|-----|--|---|---|---|-----|
|                |                            | RLA          | LRA  | MCC | RLA          | LRA  | MCC |                               |                           |                     |                       | Model   | kW   | Stages | Amps |                            |  |  | FLA                                      | LRA |  |   |   | FLA   | LRA |
|                |                            |              |      |     |              |      |     |                               |                           |                     |                       |   |      |        |      |                            |  |  |  |     |  |   |   |   |     |
| 14<br>(12.5)   | 208-3-60                   | 18.6         | 149  | 29  | 19.6         | 136  | 31  | 5.8                           | 9.9                       | 0                   | 8.6                   | None  | -    | -      | -    | 63.1                       | 70   | 80   | 67                                       | 384 | 63.1                                       | 70  | 80  | 67  | 384 |
|                |                            |              |      |     |              |      |     |                               |                           |                     |                       | 11725   | 12   | 1      | 33.3 | 63.1                       | 70   | 80   | 67                                       | 384 | 63.1                                       | 70  | 80  | 67  | 384 |
|                |                            |              |      |     |              |      |     |                               |                           |                     |                       | 12525   | 18.6 | 1      | 51.6 | 82.3                       | 90   | 90   | 76                                       | 384 | 82.3                                       | 90  | 90  | 76  | 384 |
|                |                            |              |      |     |              |      |     |                               |                           |                     |                       | 13225   | 24   | 1      | 66.6 | 101                        | 110  | 110  | 93                                       | 384 | 101  | 110   | 110   | 93  | 384 |
|                |                            |              |      |     |              |      |     |                               |                           |                     |                       | 14225   | 31.8 | 2      | 88.3 | 128.1                      | 150  | 150  | 118                                      | 384 | 128.1                                      | 150   | 150   | 118   | 384 |
|                | 230-3-60                   | 18.6         | 149  | 29  | 19.6         | 136  | 31  | 5.2                           | 9.4                       | 0                   | 8.6                   | None  | -    | -      | -    | 62                         | 70   | 80   | 66                                       | 389 | 62   | 70  | 80  | 66  | 389 |
|                |                            |              |      |     |              |      |     |                               |                           |                     |                       | 11725   | 16   | 1      | 38.5 | 65.3                       | 70   | 80   | 66                                       | 389 | 65.3                                       | 70  | 80  | 66  | 389 |
|                |                            |              |      |     |              |      |     |                               |                           |                     |                       | 12525   | 24.8 | 1      | 59.7 | 91.8                       | 100  | 100  | 84                                       | 389 | 91.8                                       | 100   | 100   | 84  | 389 |
|                |                            |              |      |     |              |      |     |                               |                           |                     |                       | 13225   | 32   | 1      | 77   | 113.4                      | 125  | 125  | 104                                      | 389 | 113.4                                      | 125   | 125   | 104   | 389 |
|                |                            |              |      |     |              |      |     |                               |                           |                     |                       | 14225   | 42.4 | 2      | 102  | 144.6                      | 150  | 150  | 133                                      | 389 | 144.6                                      | 150   | 150   | 133   | 389 |
|                | 460-3-60                   | 9            | 60.9 | 14  | 8.2          | 66.1 | 13  | 2.9                           | 4.7                       | 0                   | 8.6                   | None  | -    | -      | -    | 29.3                       | 30   | 35   | 31                                       | 180 | 29.3                                       | 30  | 35  | 31  | 180 |
|                |                            |              |      |     |              |      |     |                               |                           |                     |                       | 11746   | 16.5 | 1      | 19.8 | 33.3                       | 35   | 35   | 31                                       | 180 | 33.3                                       | 35  | 35  | 31  | 180 |
|                |                            |              |      |     |              |      |     |                               |                           |                     |                       | 12846   | 27.8 | 1      | 33.4 | 50.3                       | 60   | 60   | 46                                       | 180 | 50.3                                       | 60  | 60  | 46  | 180 |
|                |                            |              |      |     |              |      |     |                               |                           |                     |                       | 13346   | 33   | 1      | 39.7 | 58.2                       | 60   | 60   | 54                                       | 180 | 58.2                                       | 60  | 60  | 54  | 180 |
|                |                            |              |      |     |              |      |     |                               |                           |                     |                       | 14246   | 41.7 | 2      | 50.2 | 71.3                       | 80   | 80   | 66                                       | 180 | 71.3                                       | 80  | 80  | 66  | 180 |
|                | 575-3-60                   | 7.1          | 56   | 11  | 6.6          | 55.3 | 10  | 2.2                           | 4.3                       | 0                   | 8.6                   | None  | -    | -      | -    | 23.7                       | 25   | 30   | 25                                       | 164 | 23.7                                       | 25  | 30  | 25  | 164 |
|                |                            |              |      |     |              |      |     |                               |                           |                     |                       | 11758   | 17   | 1      | 16.4 | 28                         | 30   | 30   | 26                                       | 164 | 28   | 30  | 30  | 26  | 164 |
|                |                            |              |      |     |              |      |     |                               |                           |                     |                       | 13458   | 34   | 1      | 32.7 | 48.4                       | 50   | 50   | 45                                       | 164 | 48.4                                       | 50  | 50  | 45  | 164 |
|                |                            |              |      |     |              |      |     |                               |                           |                     |                       |   |      |        |      |                            |  |  |  |     |  |   |   |   |     |

1. Minimum Circuit Ampacity.
2. Dual Element, Time Delay Type.
3. HACR type per NEC.
4. Non-fused Disconnect, Verify on the unit nameplate that the disconnect is properly sized for the application. Units with field installed electric heat kits may exceed the factory installed disconnect amperage rating.

**ZL08-14 High Indoor Blower - Without Powered Convenience Outlet**

| Size (Tons)     | Nominal Unit Voltage | Compressor 1 |      |     | Compressor 2 |      |     | OD Fan Motors (each) | Supply Blower Motor | Pwr Exh Motor | Pwr Conv Outlet | Electric Heat Field Installed Kit 2EK045* |       |        |      | MCA <sup>1</sup> (Amps) | Min Fuse <sup>2/</sup> Breaker <sup>3</sup> Size (Amps) | Max Fuse <sup>2/</sup> Breaker <sup>3</sup> Size (Amps) | Min Disconnect Rating <sup>4</sup> |     | MCA <sup>1</sup> w/Pwr Exh (Amps) | Min Fuse <sup>2/</sup> Breaker <sup>3</sup> Size w/ Pwr Exh (Amps) | Max Fuse <sup>2/</sup> Breaker <sup>3</sup> Size w/ Pwr Exh (Amps) | Min Disconnect Rating <sup>4</sup> Pwr Exh |     |     |
|-----------------|----------------------|--------------|------|-----|--------------|------|-----|----------------------|---------------------|---------------|-----------------|---|-------|--------|------|-------------------------|---|---|------------------------------------|-----|-----------------------------------|--|--|--|-----|-----|
|                 |                      | RLA          | LRA  | MCC | RLA          | LRA  | MCC |                      |                     |               |                 | Model                                     | kW    | Stages | Amps |                         |   |   | FLA                                | LRA |                                   |  |  | FLA  | LRA |     |
|                 |                      |              |      |     |              |      |     |                      |                     |               |                 |   |       |        |      |                         |   |   |                                    |     |                                   |  |  |  |     |     |
| <b>With VFD</b> |                      |              |      |     |              |      |     |                      |                     |               |                 |   |       |        |      |                         |   |   |                                    |     |                                   |  |  |  |     |     |
| 08<br>(7.5)     | 208-3-60             | 14           | 83.1 | 22  | 13.5         | 88   | 21  | 2.3                  | 9.9                 | 1.1           |                 | None                                      | -     | -      | -    | 45.5                    | 50  | 50  | 48                                 | 253 | 47.7                              | 50   | 60   | 51   | 258 |     |
|                 |                      |              |      |     |              |      |     |                      |                     |               |                 | 11725                                     | 12    | 1      | 33.3 | 54                      | 60  | 60  | 50                                 | 253 | 56.8                              | 60   | 60   | 52   | 258 |     |
|                 |                      |              |      |     |              |      |     |                      |                     |               |                 | 12525                                     | 18.6  | 1      | 51.6 | 76.9                    | 80  | 80  | 71                                 | 253 | 79.6                              | 80   | 80   | 73   | 258 |     |
|                 |                      |              |      |     |              |      |     |                      |                     |               |                 | 13225                                     | 24    | 1      | 66.6 | 95.6                    | 100   | 100   | 88                                 | 253 | 98.4                              | 100  | 100  | 91   | 258 |     |
|                 | 230-3-60             | 14           | 83.1 | 22  | 13.5         | 88   | 21  | 2.3                  | 9.4                 | 1             |                 |   | None  | -      | -    | -                       | 45  | 45  | 50                                 | 48  | 262                               | 47   | 50   | 60   | 50  | 266 |
|                 |                      |              |      |     |              |      |     |                      |                     |               |                 |   | 11725 | 16     | 1    | 38.5                    | 59.9  | 60  | 60                                 | 55  | 262                               | 62.4   | 70   | 70   | 57  | 266 |
|                 |                      |              |      |     |              |      |     |                      |                     |               |                 |   | 12525 | 24.8   | 1    | 59.7                    | 86.4  | 90  | 90                                 | 79  | 262                               | 88.9   | 90   | 90   | 82  | 266 |
|                 |                      |              |      |     |              |      |     |                      |                     |               |                 |   | 13225 | 32     | 1    | 77                      | 108   | 110   | 110                                | 99  | 262                               | 110.5  | 125  | 125  | 102 | 266 |
|                 | 460-3-60             | 6.4          | 41   | 10  | 6            | 44   | 9   | 1.3                  | 4.7                 | 0.5           |                 |   | None  | -      | -    | -                       | 21.3  | 25  | 25                                 | 23  | 131                               | 22.3   | 25   | 25   | 24  | 133 |
|                 |                      |              |      |     |              |      |     |                      |                     |               |                 |   | 11746 | 16.5   | 1    | 19.8                    | 30.6  | 35  | 35                                 | 28  | 131                               | 31.9   | 35   | 35   | 29  | 133 |
|                 |                      |              |      |     |              |      |     |                      |                     |               |                 |   | 12846 | 27.8   | 1    | 33.4                    | 47.6  | 50  | 50                                 | 44  | 131                               | 48.9   | 50   | 50   | 45  | 133 |
|                 |                      |              |      |     |              |      |     |                      |                     |               |                 |   | 13346 | 33     | 1    | 39.7                    | 55.5  | 60  | 60                                 | 51  | 131                               | 56.8   | 60   | 60   | 52  | 133 |
|                 | 575-3-60             | 4.6          | 33   | 7   | 4.9          | 34   | 8   | 1.1                  | 4.3                 | 0.4           |                 |   | None  | -      | -    | -                       | 17.2  | 20  | 20                                 | 18  | 112                               | 18   | 20   | 20   | 19  | 114 |
|                 |                      |              |      |     |              |      |     |                      |                     |               |                 |   | 11758 | 17     | 1    | 16.4                    | 25.9  | 30  | 30                                 | 24  | 112                               | 26.9   | 30   | 30   | 25  | 114 |
|                 |                      |              |      |     |              |      |     |                      |                     |               |                 |   | 13458 | 34     | 1    | 32.7                    | 46.3  | 50  | 50                                 | 43  | 112                               | 47.3   | 50   | 50   | 43  | 114 |
|                 |                      |              |      |     |              |      |     |                      |                     |               |                 |   | None  | -      | -    | -                       | 45.7  | 50  | 50                                 | 49  | 248                               | 47.9   | 50   | 60   | 51  | 253 |
| 09<br>(8.5)     | 208-3-60             | 14           | 83.1 | 22  | 13.7         | 83.1 | 21  | 2.3                  | 9.9                 | 1.1           |                 | None                                      | -     | -      | -    | 45.7                    | 50  | 50  | 49                                 | 248 | 47.9                              | 50   | 60   | 51   | 253 |     |
|                 |                      |              |      |     |              |      |     |                      |                     |               |                 | 11725                                     | 12    | 1      | 33.3 | 54                      | 60  | 60  | 50                                 | 248 | 56.8                              | 60   | 60   | 52   | 253 |     |
|                 |                      |              |      |     |              |      |     |                      |                     |               |                 | 12525                                     | 18.6  | 1      | 51.6 | 76.9                    | 80  | 80  | 71                                 | 248 | 79.6                              | 80   | 80   | 73   | 253 |     |
|                 |                      |              |      |     |              |      |     |                      |                     |               |                 | 13225                                     | 24    | 1      | 66.6 | 95.6                    | 100   | 100   | 88                                 | 248 | 98.4                              | 100  | 100  | 91   | 253 |     |
|                 | 230-3-60             | 14           | 83.1 | 22  | 13.7         | 83.1 | 21  | 2.3                  | 9.4                 | 1             |                 |   | None  | -      | -    | -                       | 45.2  | 50  | 50                                 | 48  | 257                               | 47.2   | 50   | 60   | 50  | 261 |
|                 |                      |              |      |     |              |      |     |                      |                     |               |                 |   | 11725 | 16     | 1    | 38.5                    | 59.9  | 60  | 60                                 | 55  | 257                               | 62.4   | 70   | 70   | 57  | 261 |
|                 |                      |              |      |     |              |      |     |                      |                     |               |                 |   | 12525 | 24.8   | 1    | 59.7                    | 86.4  | 90  | 90                                 | 79  | 257                               | 88.9   | 90   | 90   | 82  | 261 |
|                 |                      |              |      |     |              |      |     |                      |                     |               |                 |   | 13225 | 32     | 1    | 77                      | 108   | 110   | 110                                | 99  | 257                               | 110.5  | 125  | 125  | 102 | 261 |
|                 | 460-3-60             | 6.4          | 41   | 10  | 6.2          | 41   | 10  | 1.3                  | 4.7                 | 0.5           |                 |   | None  | -      | -    | -                       | 21.5  | 25  | 25                                 | 23  | 128                               | 22.5   | 25   | 25   | 24  | 130 |
|                 |                      |              |      |     |              |      |     |                      |                     |               |                 |   | 11746 | 16.5   | 1    | 19.8                    | 30.6  | 35  | 35                                 | 28  | 128                               | 31.9   | 35   | 35   | 29  | 130 |
|                 |                      |              |      |     |              |      |     |                      |                     |               |                 |   | 12846 | 27.8   | 1    | 33.4                    | 47.6  | 50  | 50                                 | 44  | 128                               | 48.9   | 50   | 50   | 45  | 130 |
|                 |                      |              |      |     |              |      |     |                      |                     |               |                 |   | 13346 | 33     | 1    | 39.7                    | 55.5  | 60  | 60                                 | 51  | 128                               | 56.8   | 60   | 60   | 52  | 130 |
|                 | 575-3-60             | 4.6          | 33   | 7   | 4.8          | 33   | 8   | 1.1                  | 4.3                 | 0.4           |                 |   | None  | -      | -    | -                       | 17.1  | 20  | 20                                 | 18  | 111                               | 17.9   | 20   | 20   | 19  | 113 |
|                 |                      |              |      |     |              |      |     |                      |                     |               |                 |   | 11758 | 17     | 1    | 16.4                    | 25.9  | 30  | 30                                 | 24  | 111                               | 26.9   | 30   | 30   | 25  | 113 |
|                 |                      |              |      |     |              |      |     |                      |                     |               |                 |   | 13458 | 34     | 1    | 32.7                    | 46.3  | 50  | 50                                 | 43  | 111                               | 47.3   | 50   | 50   | 43  | 113 |
|                 |                      |              |      |     |              |      |     |                      |                     |               |                 |   | None  | -      | -    | -                       | 55.9  | 60  | 70                                 | 60  | 345                               | 58.1   | 60   | 70   | 62  | 350 |
| 12<br>(10)      | 208-3-60             | 16.5         | 110  | 26  | 16           | 110  | 25  | 5.8                  | 13.5                | 1.1           |                 | None                                      | -     | -      | -    | 55.9                    | 60  | 70  | 60                                 | 345 | 58.1                              | 60   | 70   | 62   | 350 |     |
|                 |                      |              |      |     |              |      |     |                      |                     |               |                 | 11725                                     | 12    | 1      | 33.3 | 58.5                    | 60  | 70  | 60                                 | 345 | 61.3                              | 70   | 70   | 62   | 350 |     |
|                 |                      |              |      |     |              |      |     |                      |                     |               |                 | 12525                                     | 18.6  | 1      | 51.6 | 81.4                    | 90  | 90  | 75                                 | 345 | 84.1                              | 90   | 90   | 77   | 350 |     |
|                 |                      |              |      |     |              |      |     |                      |                     |               |                 | 13225                                     | 24    | 1      | 66.6 | 100.1                   | 110   | 110   | 92                                 | 345 | 102.9                             | 110  | 110  | 95   | 350 |     |
|                 | 230-3-60             | 16.5         | 110  | 26  | 16           | 110  | 25  | 5.2                  | 13.4                | 1             |                 |   | None  | -      | -    | -                       | 55.2  | 60  | 70                                 | 59  | 341                               | 57.2   | 60   | 70   | 61  | 346 |
|                 |                      |              |      |     |              |      |     |                      |                     |               |                 |   | 11725 | 16     | 1    | 38.5                    | 64.9  | 70  | 70                                 | 60  | 341                               | 67.4   | 70   | 70   | 62  | 346 |
|                 |                      |              |      |     |              |      |     |                      |                     |               |                 |   | 12525 | 24.8   | 1    | 59.7                    | 91.4  | 100   | 100                                | 84  | 341                               | 93.9   | 100  | 100  | 86  | 346 |
|                 |                      |              |      |     |              |      |     |                      |                     |               |                 |   | 13225 | 32     | 1    | 77                      | 113   | 125   | 125                                | 104 | 341                               | 115.5  | 125  | 125  | 106 | 346 |
|                 | 460-3-60             | 7.2          | 52   | 11  | 7.8          | 52   | 12  | 2.9                  | 6.7                 | 0.5           |                 |   | None  | -      | -    | -                       | 26.6  | 30  | 30                                 | 28  | 166                               | 27.6   | 30   | 30   | 29  | 168 |
|                 |                      |              |      |     |              |      |     |                      |                     |               |                 |   | 11746 | 16.5   | 1    | 19.8                    | 33.1  | 35  | 35                                 | 30  | 166                               | 34.4   | 35   | 35   | 32  | 168 |
|                 |                      |              |      |     |              |      |     |                      |                     |               |                 |   | 12846 | 27.8   | 1    | 33.4                    | 50.1  | 60  | 60                                 | 46  | 166                               | 51.4   | 60   | 60   | 47  | 168 |
|                 |                      |              |      |     |              |      |     |                      |                     |               |                 |   | 13346 | 33     | 1    | 39.7                    | 58  | 60  | 60                                 | 53  | 166                               | 59.3   | 60   | 60   | 55  | 168 |
|                 | 575-3-60             | 5.7          | 43.8 | 9   | 5.7          | 38.9 | 9   | 2.2                  | 5.4                 | 0.4           |                 |   | None  | -      | -    | -                       | 20.4  | 25  | 25                                 | 22  | 134                               | 21.2   | 25   | 25   | 23  | 136 |
|                 |                      |              |      |     |              |      |     |                      |                     |               |                 |   | 11758 | 17     | 1    | 16.4                    | 27.3  | 30  | 30                                 | 25  | 134                               | 28.3   | 30   | 30   | 26  | 136 |
|                 |                      |              |      |     |              |      |     |                      |                     |               |                 |   | 13458 | 34     | 1    | 32.7                    | 47.6  | 50  | 50                                 | 44  | 134                               | 48.6   | 50   | 50   | 45  | 136 |
|                 |                      |              |      |     |              |      |     |                      |                     |               |                 |   | None  | -      | -    | -                       | 55.9  | 60  | 70                                 | 60  | 345                               | 58.1   | 60   | 70   | 62  | 350 |

**ZL08-14 High Indoor Blower - Without Powered Convenience Outlet**

| Size<br>(Tons) | Nominal<br>Unit<br>Voltage | Compressor 1 |      |     | Compressor 2 |      |     | OD<br>Fan<br>Motors<br>(each) | Supply<br>Blower<br>Motor | Pwr<br>Exh<br>Motor | Pwr<br>Conv<br>Outlet | Electric Heat<br>Field Installed Kit<br>2EK045* |       |        |      | MCA <sup>1</sup><br>(Amps) | Min<br>Fuse <sup>2</sup> /<br>Breaker <sup>3</sup><br>Size<br>(Amps) | Max<br>Fuse <sup>2</sup> /<br>Breaker <sup>3</sup><br>Size<br>(Amps) | Min<br>Disconnect<br>Rating <sup>4</sup> |     | MCA <sup>1</sup><br>w/Pwr<br>Exh<br>(Amps) | Min<br>Fuse <sup>2</sup> /<br>Breaker <sup>3</sup><br>Size<br>w/<br>Pwr Exh<br>(Amps) | Max<br>Fuse <sup>2</sup> /<br>Breaker <sup>3</sup><br>Size<br>w/<br>Pwr Exh<br>(Amps) | Min<br>Disconnect<br>Rating <sup>4</sup> /<br>Pwr Exh |     |     |
|----------------|----------------------------|--------------|------|-----|--------------|------|-----|-------------------------------|---------------------------|---------------------|-----------------------|---|-------|--------|------|----------------------------|--|--|--|-----|--|---|---|---|-----|-----|
|                |                            | RLA          | LRA  | MCC | RLA          | LRA  | MCC |                               |                           |                     |                       | Model   | kW    | Stages | Amps |                            |  |  | FLA                                      | LRA |  |   |   | FLA   | LRA |     |
|                |                            |              |      |     |              |      |     |                               |                           |                     |                       |   |       |        |      |                            |  |  |  |     |  |   |   |   |     | FLA |
| 14<br>(12.5)   | 208-3-60                   | 18.6         | 149  | 29  | 19.6         | 136  | 31  | 5.8                           | 13.5                      | 0                   |                       | None  | -     | -      | -    | 62.4                       | 70   | 80   | 66                                       | 410 | 62.4                                       | 70  | 80  | 66  | 410 |     |
|                |                            |              |      |     |              |      |     |                               |                           |                     |                       | 11725   | 12    | 1      | 33.3 | 62.4                       | 70   | 80   | 66                                       | 410 | 62.4                                       | 70  | 80  | 66  | 410 |     |
|                |                            |              |      |     |              |      |     |                               |                           |                     |                       | 12525   | 18.6  | 1      | 51.6 | 81.4                       | 90   | 90   | 75                                       | 410 | 81.4                                       | 90  | 90  | 75  | 410 |     |
|                |                            |              |      |     |              |      |     |                               |                           |                     |                       | 13225   | 24    | 1      | 66.6 | 100.1                      | 110  | 110  | 92                                       | 410 | 100.1                                      | 110   | 110   | 92  | 410 |     |
|                |                            |              |      |     |              |      |     |                               |                           |                     |                       | 14225   | 31.8  | 2      | 88.3 | 127.3                      | 150  | 150  | 117                                      | 410 | 127.3                                      | 150   | 150   | 117   | 410 |     |
|                | 230-3-60                   | 18.6         | 149  | 29  | 19.6         | 136  | 31  | 5.2                           | 13.4                      | 0                   |                       |   | None  | -      | -    | -                          | 61.7   | 70   | 80                                       | 65  | 406  | 61.7  | 70  | 80  | 65  | 406 |
|                |                            |              |      |     |              |      |     |                               |                           |                     |                       |   | 11725 | 16     | 1    | 38.5                       | 64.9   | 70   | 80                                       | 65  | 406  | 64.9  | 70  | 80  | 65  | 406 |
|                |                            |              |      |     |              |      |     |                               |                           |                     |                       |   | 12525 | 24.8   | 1    | 59.7                       | 91.4   | 100  | 100                                      | 84  | 406  | 91.4  | 100   | 100   | 84  | 406 |
|                |                            |              |      |     |              |      |     |                               |                           |                     |                       |   | 13225 | 32     | 1    | 77                         | 113  | 125  | 125                                      | 104 | 406  | 113   | 125   | 125   | 104 | 406 |
|                | 460-3-60                   | 9            | 60.9 | 14  | 8.2          | 66.1 | 13  | 2.9                           | 6.7                       | 0                   |                       |   | None  | -      | -    | -                          | 29.1   | 30   | 35                                       | 31  | 189  | 29.1  | 30  | 35  | 31  | 189 |
|                |                            |              |      |     |              |      |     |                               |                           |                     |                       |   | 11746 | 16.5   | 1    | 19.8                       | 33.1   | 35   | 35                                       | 30  | 189  | 33.1  | 35  | 35  | 30  | 189 |
|                |                            |              |      |     |              |      |     |                               |                           |                     |                       |   | 12846 | 27.8   | 1    | 33.4                       | 50.1   | 60   | 60                                       | 46  | 189  | 50.1  | 60  | 60  | 46  | 189 |
|                |                            |              |      |     |              |      |     |                               |                           |                     |                       |   | 13346 | 33     | 1    | 39.7                       | 58   | 60   | 60                                       | 53  | 189  | 58  | 60  | 60  | 53  | 189 |
|                | 575-3-60                   | 7.1          | 56   | 11  | 6.6          | 55.3 | 10  | 2.2                           | 5.4                       | 0                   |                       |   | None  | -      | -    | -                          | 23.1   | 25   | 30                                       | 24  | 163  | 23.1  | 25  | 30  | 24  | 163 |
|                |                            |              |      |     |              |      |     |                               |                           |                     |                       |   | 11758 | 17     | 1    | 16.4                       | 27.3   | 30   | 30                                       | 25  | 163  | 27.3  | 30  | 30  | 25  | 163 |
|                |                            |              |      |     |              |      |     |                               |                           |                     |                       |   | 13458 | 34     | 1    | 32.7                       | 47.6   | 50   | 50                                       | 44  | 163  | 47.6  | 50  | 50  | 44  | 163 |

1. Minimum Circuit Ampacity.
2. Dual Element, Time Delay Type.
3. HACR type per NEC.
4. Non-fused Disconnect, Verify on the unit nameplate that the disconnect is properly sized for the application. Units with field installed electric heat kits may exceed the factory installed disconnect amperage rating.

**ZL08-14 High Indoor Blower - With Powered Convenience Outlet**

| Size (Tons)     | Nominal Unit Voltage | Compressor 1 |      |     | Compressor 2 |      |     | OD Fan Motors (each) | Supply Blower Motor | Pwr Exh Motor | Pwr Conv Outlet | Electric Heat Field Installed Kit 2EK045* |      |        |      | MCA <sup>1</sup> (Amps) | Min Fuse <sup>2/3</sup> Breaker Size (Amps) | Max Fuse <sup>2/3</sup> Breaker Size (Amps) | Min Disconnect Rating <sup>4</sup> |     | MCA <sup>1</sup> w/Pwr Exh (Amps) | Min Fuse <sup>2/3</sup> Breaker Size w/ Pwr Exh (Amps) | Max Fuse <sup>2/3</sup> Breaker Size w/ Pwr Exh (Amps) | Min Disconnect Rating <sup>4</sup> Pwr Exh |     |
|-----------------|----------------------|--------------|------|-----|--------------|------|-----|----------------------|---------------------|---------------|-----------------|---|------|--------|------|-------------------------|---|---|------------------------------------|-----|-----------------------------------|--|--|--|-----|
|                 |                      | RLA          | LRA  | MCC | RLA          | LRA  | MCC |                      |                     |               |                 | Model                                     | kW   | Stages | Amps |                         |   |   | FLA                                | LRA |                                   |  |  | FLA  | LRA |
|                 |                      |              |      |     |              |      |     |                      |                     |               |                 |   |      |        |      |                         |   |   |                                    |     |                                   |  |  |  |     |
| <b>With VFD</b> |                      |              |      |     |              |      |     |                      |                     |               |                 |   |      |        |      |                         |   |   |                                    |     |                                   |  |  |  |     |
| 08<br>(7.5)     | 208-3-60             | 14           | 83.1 | 22  | 13.5         | 88   | 21  | 2.3                  | 9.9                 | 1.1           | 8.6             | None                                      | -    | -      | -    | 49.8                    | 50  | 60  | 53                                 | 258 | 52                                | 60   | 60   | 56   | 263 |
|                 |                      |              |      |     |              |      |     |                      |                     |               |                 | 11725                                     | 12   | 1      | 33.3 | 59.4                    | 60  | 60  | 55                                 | 258 | 62.1                              | 70   | 70   | 57   | 263 |
|                 |                      |              |      |     |              |      |     |                      |                     |               |                 | 12525                                     | 18.6 | 1      | 51.6 | 82.3                    | 90  | 90  | 76                                 | 258 | 85                                | 90   | 90   | 78   | 263 |
|                 |                      |              |      |     |              |      |     |                      |                     |               |                 | 13225                                     | 24   | 1      | 66.6 | 101                     | 110   | 110   | 93                                 | 258 | 103.8                             | 110  | 110  | 95   | 263 |
|                 | 230-3-60             | 14           | 83.1 | 22  | 13.5         | 88   | 21  | 2.3                  | 9.4                 | 1             | 8.6             | None                                      | -    | -      | -    | 49.3                    | 50  | 60  | 53                                 | 266 | 51.3                              | 60   | 60   | 55   | 271 |
|                 |                      |              |      |     |              |      |     |                      |                     |               |                 | 11725                                     | 16   | 1      | 38.5 | 65.3                    | 70  | 70  | 60                                 | 266 | 67.8                              | 70   | 70   | 62   | 271 |
|                 |                      |              |      |     |              |      |     |                      |                     |               |                 | 12525                                     | 24.8 | 1      | 59.7 | 91.8                    | 100   | 100   | 84                                 | 266 | 94.3                              | 100  | 100  | 87   | 271 |
|                 |                      |              |      |     |              |      |     |                      |                     |               |                 | 13225                                     | 32   | 1      | 77   | 113.4                   | 125   | 125   | 104                                | 266 | 115.9                             | 125  | 125  | 107  | 271 |
|                 | 460-3-60             | 6.4          | 41   | 10  | 6            | 44   | 9   | 1.3                  | 4.7                 | 0.5           | 8.6             | None                                      | -    | -      | -    | 23.5                    | 25  | 25  | 25                                 | 133 | 24.5                              | 25   | 25   | 26   | 135 |
|                 |                      |              |      |     |              |      |     |                      |                     |               |                 | 11746                                     | 16.5 | 1      | 19.8 | 33.3                    | 35  | 35  | 31                                 | 133 | 34.6                              | 35   | 35   | 32   | 135 |
|                 |                      |              |      |     |              |      |     |                      |                     |               |                 | 12846                                     | 27.8 | 1      | 33.4 | 50.3                    | 60  | 60  | 46                                 | 133 | 51.6                              | 60   | 60   | 47   | 135 |
|                 |                      |              |      |     |              |      |     |                      |                     |               |                 | 13346                                     | 33   | 1      | 39.7 | 58.2                    | 60  | 60  | 54                                 | 133 | 59.4                              | 60   | 60   | 55   | 135 |
|                 | 575-3-60             | 4.6          | 33   | 7   | 4.9          | 34   | 8   | 1.1                  | 4.3                 | 0.4           | 8.6             | None                                      | -    | -      | -    | 18.9                    | 20  | 20  | 20                                 | 113 | 19.7                              | 20   | 20   | 21   | 115 |
|                 |                      |              |      |     |              |      |     |                      |                     |               |                 | 11758                                     | 17   | 1      | 16.4 | 28                      | 30  | 30  | 26                                 | 113 | 29                                | 30   | 30   | 27   | 115 |
|                 |                      |              |      |     |              |      |     |                      |                     |               |                 | 13458                                     | 34   | 1      | 32.7 | 48.4                    | 50  | 50  | 45                                 | 113 | 49.4                              | 50   | 50   | 45   | 115 |
|                 |                      |              |      |     |              |      |     |                      |                     |               |                 | None                                      | -    | -      | -    | 50                      | 50  | 60  | 53                                 | 253 | 52.2                              | 60   | 60   | 56   | 258 |
| 09<br>(8.5)     | 208-3-60             | 14           | 83.1 | 22  | 13.7         | 83.1 | 21  | 2.3                  | 9.9                 | 1.1           | 8.6             | None                                      | -    | -      | -    | 50                      | 60  | 60  | 55                                 | 253 | 62.1                              | 70   | 70   | 57   | 258 |
|                 |                      |              |      |     |              |      |     |                      |                     |               |                 | 11725                                     | 12   | 1      | 33.3 | 59.4                    | 60  | 60  | 55                                 | 253 | 85                                | 90   | 90   | 78   | 258 |
|                 |                      |              |      |     |              |      |     |                      |                     |               |                 | 12525                                     | 18.6 | 1      | 51.6 | 82.3                    | 90  | 90  | 76                                 | 253 | 103.8                             | 110  | 110  | 95   | 258 |
|                 |                      |              |      |     |              |      |     |                      |                     |               |                 | 13225                                     | 24   | 1      | 66.6 | 101                     | 110   | 110   | 93                                 | 253 | 130.9                             | 150  | 150  | 120  | 258 |
|                 | 230-3-60             | 14           | 83.1 | 22  | 13.7         | 83.1 | 21  | 2.3                  | 9.4                 | 1             | 8.6             | None                                      | -    | -      | -    | 49.5                    | 50  | 60  | 53                                 | 261 | 51.5                              | 60   | 60   | 55   | 266 |
|                 |                      |              |      |     |              |      |     |                      |                     |               |                 | 11725                                     | 16   | 1      | 38.5 | 65.3                    | 70  | 70  | 60                                 | 261 | 67.8                              | 70   | 70   | 62   | 266 |
|                 |                      |              |      |     |              |      |     |                      |                     |               |                 | 12525                                     | 24.8 | 1      | 59.7 | 91.8                    | 100   | 100   | 84                                 | 261 | 94.3                              | 100  | 100  | 87   | 266 |
|                 |                      |              |      |     |              |      |     |                      |                     |               |                 | 13225                                     | 32   | 1      | 77   | 113.4                   | 125   | 125   | 104                                | 261 | 115.9                             | 125  | 125  | 107  | 266 |
|                 | 460-3-60             | 6.4          | 41   | 10  | 6.2          | 41   | 10  | 1.3                  | 4.7                 | 0.5           | 8.6             | None                                      | -    | -      | -    | 23.7                    | 25  | 30  | 25                                 | 130 | 24.7                              | 25   | 30   | 27   | 132 |
|                 |                      |              |      |     |              |      |     |                      |                     |               |                 | 11746                                     | 16.5 | 1      | 19.8 | 33.3                    | 35  | 35  | 31                                 | 130 | 34.6                              | 35   | 35   | 32   | 132 |
|                 |                      |              |      |     |              |      |     |                      |                     |               |                 | 12846                                     | 27.8 | 1      | 33.4 | 50.3                    | 60  | 60  | 46                                 | 130 | 51.6                              | 60   | 60   | 47   | 132 |
|                 |                      |              |      |     |              |      |     |                      |                     |               |                 | 13346                                     | 33   | 1      | 39.7 | 58.2                    | 60  | 60  | 54                                 | 130 | 59.4                              | 60   | 60   | 55   | 132 |
|                 | 575-3-60             | 4.6          | 33   | 7   | 4.8          | 33   | 8   | 1.1                  | 4.3                 | 0.4           | 8.6             | None                                      | -    | -      | -    | 18.8                    | 20  | 20  | 20                                 | 112 | 19.6                              | 20   | 20   | 21   | 114 |
|                 |                      |              |      |     |              |      |     |                      |                     |               |                 | 11758                                     | 17   | 1      | 16.4 | 28                      | 30  | 30  | 26                                 | 112 | 29                                | 30   | 30   | 27   | 114 |
|                 |                      |              |      |     |              |      |     |                      |                     |               |                 | 13458                                     | 34   | 1      | 32.7 | 48.4                    | 50  | 50  | 45                                 | 112 | 49.4                              | 50   | 50   | 45   | 114 |
|                 |                      |              |      |     |              |      |     |                      |                     |               |                 | None                                      | -    | -      | -    | 60.2                    | 70  | 70  | 65                                 | 349 | 62.4                              | 70   | 70   | 67   | 354 |
| 12<br>(10)      | 208-3-60             | 16.5         | 110  | 26  | 16           | 110  | 25  | 5.8                  | 13.5                | 1.1           | 8.6             | None                                      | -    | -      | -    | 60.2                    | 70  | 70  | 65                                 | 349 | 62.4                              | 70   | 70   | 67   | 354 |
|                 |                      |              |      |     |              |      |     |                      |                     |               |                 | 11725                                     | 12   | 1      | 33.3 | 63.9                    | 70  | 70  | 65                                 | 349 | 66.6                              | 70   | 70   | 67   | 354 |
|                 |                      |              |      |     |              |      |     |                      |                     |               |                 | 12525                                     | 18.6 | 1      | 51.6 | 86.8                    | 90  | 90  | 80                                 | 349 | 89.5                              | 90   | 90   | 82   | 354 |
|                 |                      |              |      |     |              |      |     |                      |                     |               |                 | 13225                                     | 24   | 1      | 66.6 | 105.5                   | 110   | 110   | 97                                 | 349 | 108.3                             | 110  | 110  | 100  | 354 |
|                 | 230-3-60             | 16.5         | 110  | 26  | 16           | 110  | 25  | 5.2                  | 13.4                | 1             | 8.6             | None                                      | -    | -      | -    | 59.5                    | 60  | 70  | 64                                 | 345 | 61.5                              | 70   | 70   | 66   | 350 |
|                 |                      |              |      |     |              |      |     |                      |                     |               |                 | 11725                                     | 16   | 1      | 38.5 | 70.3                    | 80  | 80  | 65                                 | 345 | 72.8                              | 80   | 80   | 67   | 350 |
|                 |                      |              |      |     |              |      |     |                      |                     |               |                 | 12525                                     | 24.8 | 1      | 59.7 | 96.8                    | 100   | 100   | 89                                 | 345 | 99.3                              | 100  | 100  | 91   | 350 |
|                 |                      |              |      |     |              |      |     |                      |                     |               |                 | 13225                                     | 32   | 1      | 77   | 118.4                   | 125   | 125   | 109                                | 345 | 120.9                             | 125  | 125  | 111  | 350 |
|                 | 460-3-60             | 7.2          | 52   | 11  | 7.8          | 52   | 12  | 2.9                  | 6.7                 | 0.5           | 8.6             | None                                      | -    | -      | -    | 28.8                    | 30  | 35  | 31                                 | 168 | 29.8                              | 30   | 35   | 32   | 170 |
|                 |                      |              |      |     |              |      |     |                      |                     |               |                 | 11746                                     | 16.5 | 1      | 19.8 | 35.8                    | 40  | 40  | 33                                 | 168 | 37.1                              | 40   | 40   | 34   | 170 |
|                 |                      |              |      |     |              |      |     |                      |                     |               |                 | 12846                                     | 27.8 | 1      | 33.4 | 52.8                    | 60  | 60  | 49                                 | 168 | 54.1                              | 60   | 60   | 50   | 170 |
|                 |                      |              |      |     |              |      |     |                      |                     |               |                 | 13346                                     | 33   | 1      | 39.7 | 60.7                    | 70  | 70  | 56                                 | 168 | 61.9                              | 70   | 70   | 57   | 170 |
|                 | 575-3-60             | 5.7          | 43.8 | 9   | 5.7          | 38.9 | 9   | 2.2                  | 5.4                 | 0.4           | 8.6             | None                                      | -    | -      | -    | 22.1                    | 25  | 25  | 24                                 | 136 | 22.9                              | 25   | 25   | 25   | 138 |
|                 |                      |              |      |     |              |      |     |                      |                     |               |                 | 11758                                     | 17   | 1      | 16.4 | 29.4                    | 30  | 30  | 27                                 | 136 | 30.4                              | 35   | 35   | 28   | 138 |
|                 |                      |              |      |     |              |      |     |                      |                     |               |                 | 13458                                     | 34   | 1      | 32.7 | 49.8                    | 50  | 50  | 46                                 | 136 | 50.8                              | 60   | 60   | 47   | 138 |
|                 |                      |              |      |     |              |      |     |                      |                     |               |                 | None                                      | -    | -      | -    | 60.2                    | 70  | 70  | 65                                 | 349 | 62.4                              | 70   | 70   | 67   | 354 |

**ZL08-14 High Indoor Blower - With Powered Convenience Outlet**

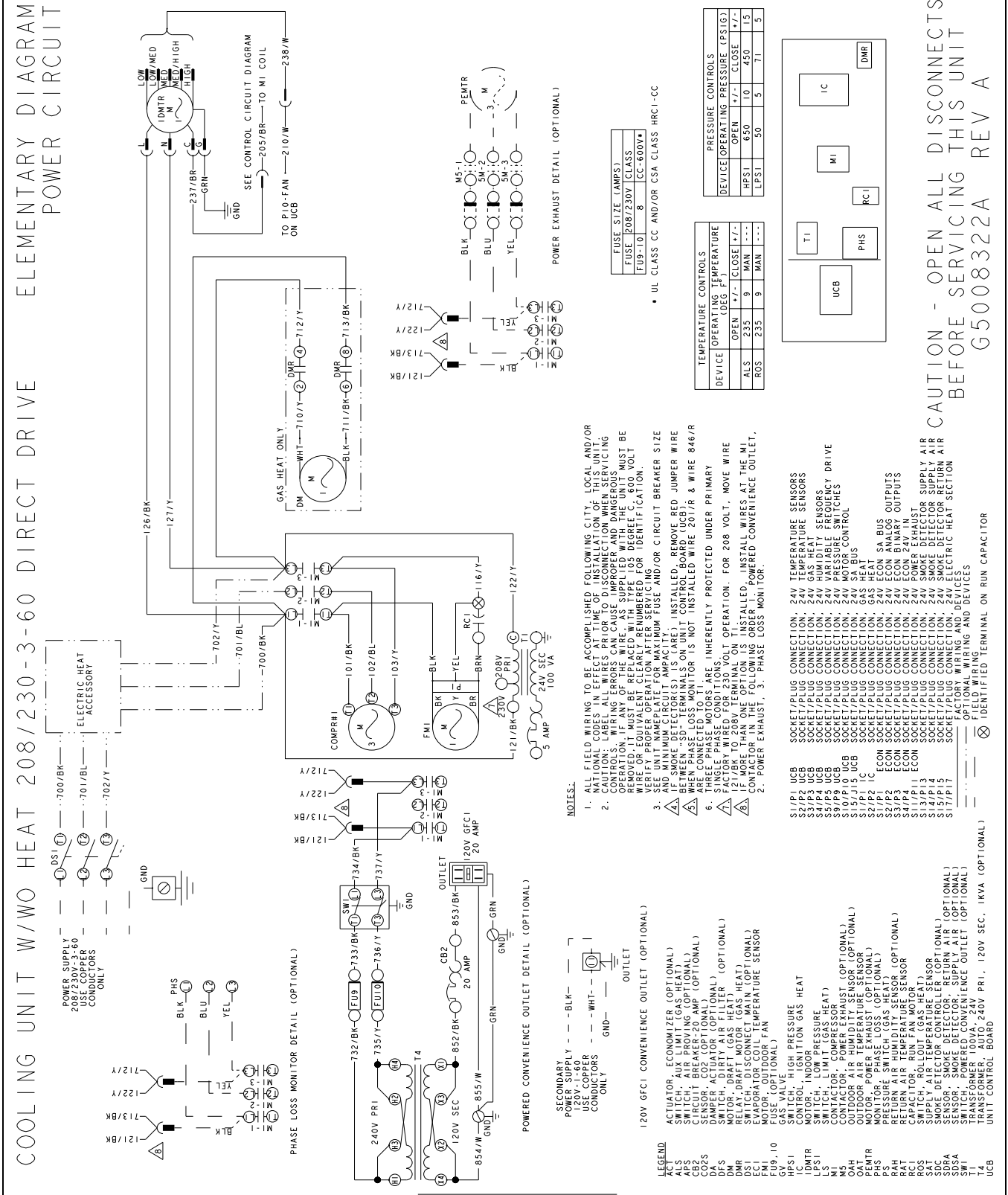
| Size (Tons) | Nominal Unit Voltage | Compressor 1 |      |     | Compressor 2 |      |     | OD Fan Motors (each) | Supply Blower Motor | Pwr Exh Motor | Pwr Conv Outlet | Electric Heat Field Installed Kit 2EK045* |      |        |      | MCA <sup>1</sup> (Amps) | Min Fuse <sup>2/</sup> Breaker <sup>3</sup> Size (Amps) | Max Fuse <sup>2/</sup> Breaker <sup>3</sup> Size (Amps) | Min Disconnect Rating <sup>4</sup> |      | MCA <sup>1</sup> w/Pwr Exh (Amps) | Min Fuse <sup>2/</sup> Breaker <sup>3</sup> Size w/ Pwr Exh (Amps) | Max Fuse <sup>2/</sup> Breaker <sup>3</sup> Size w/ Pwr Exh (Amps) | Min Disconnect Rating <sup>4</sup> |     |
|-------------|----------------------|--------------|------|-----|--------------|------|-----|----------------------|---------------------|---------------|-----------------|---|------|--------|------|-------------------------|---|---|------------------------------------|------|-----------------------------------|--|--|------------------------------------|-----|
|             |                      | RLA          | LRA  | MCC | RLA          | LRA  | MCC |                      |                     |               |                 | Model                                     | kW   | Stages | Amps |                         |   |   | FLA                                | LRA  |                                   |  |  | FLA                                | LRA |
|             |                      |              |      |     |              |      |     |                      |                     |               |                 |   |      |        |      |                         |   |   |                                    |      |                                   |  |  |                                    |     |
| 14 (12.5)   | 208-3-60             | 18.6         | 149  | 29  | 19.6         | 136  | 31  | 5.8                  | 13.5                | 0             | 8.6             | None                                      | -    | -      | -    | 66.7                    | 70  | 80  | 71                                 | 414  | 66.7                              | 70   | 80   | 71                                 | 414 |
|             |                      |              |      |     |              |      |     |                      |                     |               |                 | 11725                                     | 12   | 1      | 33.3 | 66.7                    | 70  | 80  | 71                                 | 414  | 66.7                              | 70   | 80   | 71                                 | 414 |
|             |                      |              |      |     |              |      |     |                      |                     |               |                 | 12525                                     | 18.6 | 1      | 51.6 | 86.8                    | 90  | 90  | 80                                 | 414  | 86.8                              | 90   | 90   | 80                                 | 414 |
|             |                      |              |      |     |              |      |     |                      |                     |               |                 | 13225                                     | 24   | 1      | 66.6 | 105.5                   | 110   | 110   | 97                                 | 414  | 105.5                             | 110  | 110  | 97                                 | 414 |
|             |                      |              |      |     |              |      |     |                      |                     |               |                 | 14225                                     | 31.8 | 2      | 88.3 | 132.6                   | 150   | 150   | 122                                | 414  | 132.6                             | 150  | 150  | 122                                | 414 |
|             | 230-3-60             | 18.6         | 149  | 29  | 19.6         | 136  | 31  | 5.2                  | 13.4                | 0             | 8.6             | None                                      | -    | -      | -    | 66                      | 70  | 80  | 70                                 | 410  | 66                                | 70   | 80   | 70                                 | 410 |
|             |                      |              |      |     |              |      |     |                      |                     |               |                 | 11725                                     | 16   | 1      | 38.5 | 70.3                    | 80  | 80  | 70                                 | 410  | 70.3                              | 80   | 80   | 70                                 | 410 |
|             |                      |              |      |     |              |      |     |                      |                     |               |                 | 12525                                     | 24.8 | 1      | 59.7 | 96.8                    | 100   | 100   | 89                                 | 410  | 96.8                              | 100  | 100  | 89                                 | 410 |
|             |                      |              |      |     |              |      |     |                      |                     |               |                 | 13225                                     | 32   | 1      | 77   | 118.4                   | 125   | 125   | 109                                | 410  | 118.4                             | 125  | 125  | 109                                | 410 |
|             | 460-3-60             | 9            | 60.9 | 14  | 8.2          | 66.1 | 13  | 2.9                  | 6.7                 | 0             | 8.6             | None                                      | -    | -      | -    | 31.3                    | 35  | 40  | 33                                 | 191  | 31.3                              | 35   | 40   | 33                                 | 191 |
|             |                      |              |      |     |              |      |     |                      |                     |               |                 | 11746                                     | 16.5 | 1      | 19.8 | 35.8                    | 40  | 40  | 33                                 | 191  | 35.8                              | 40   | 40   | 33                                 | 191 |
|             |                      |              |      |     |              |      |     |                      |                     |               |                 | 12846                                     | 27.8 | 1      | 33.4 | 52.8                    | 60  | 60  | 49                                 | 191  | 52.8                              | 60   | 60   | 49                                 | 191 |
| 13346       |                      |              |      |     |              |      |     |                      |                     |               |                 | 33  | 1    | 39.7   | 60.7 | 70                      | 70  | 56  | 191                                | 60.7 | 70                                | 70   | 56   | 191                                |     |
| 575-3-60    | 7.1                  | 56           | 11   | 6.6 | 55.3         | 10   | 2.2 | 5.4                  | 0                   | 8.6           | None            | -   | -    | -      | 24.8 | 25                      | 30  | 26  | 164                                | 24.8 | 25                                | 30   | 26   | 164                                |     |
|             |                      |              |      |     |              |      |     |                      |                     |               | 11758           | 17  | 1    | 16.4   | 29.4 | 30                      | 30  | 27  | 164                                | 29.4 | 30                                | 30   | 27   | 164                                |     |
|             |                      |              |      |     |              |      |     |                      |                     |               | 13458           | 34  | 1    | 32.7   | 49.8 | 50                      | 50  | 46  | 164                                | 49.8 | 50                                | 50   | 46   | 164                                |     |

1. Minimum Circuit Ampacity.
2. Dual Element, Time Delay Type.
3. HACR type per NEC.
4. Non-fused Disconnect, Verify on the unit nameplate that the disconnect is properly sized for the application. Units with field installed electric heat kits may exceed the factory installed disconnect amperage rating.

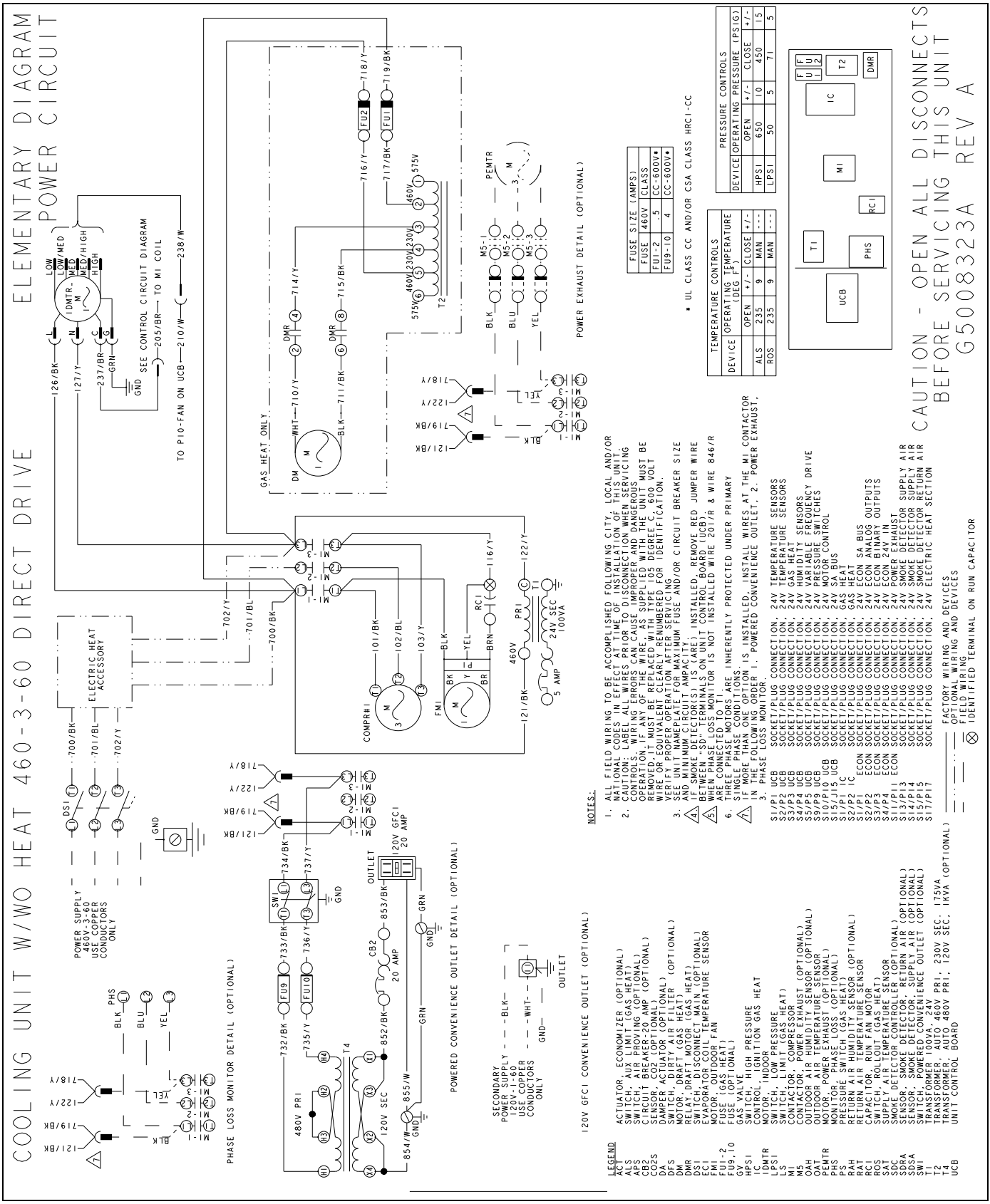




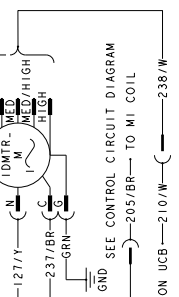
Typical ZY/ZQ04-06 Cooling Unit w/wo Gas Heat 208/230-3-60 Direct Drive Elementary Diagram Power Circuit



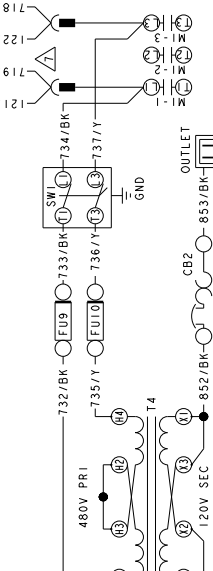
Typical ZY/ZQ04-06 Cooling Unit w/o Gas Heat 460-3-60 Direct Drive Elementary Diagram Power Circuit



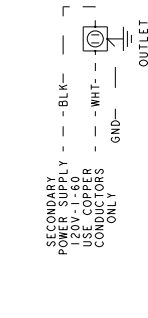
COOLING UNIT W/WO GAS HEAT 460-3-60 DIRECT DRIVE ELEMENTARY DIAGRAM POWER CIRCUIT



PHASE LOSS MONITOR DETAIL (OPTIONAL)



POWERED CONVENIENCE OUTLET (OPTIONAL)



120V GFCI 20 AMP

POWERED CONVENIENCE OUTLET (OPTIONAL)

PHASE LOSS MONITOR DETAIL (OPTIONAL)

TO P10-FAN ON UCB - 210/W-C - 238/W

POWER EXHAUST DETAIL (OPTIONAL)

UL CLASS CC AND/OR CSA CLASS HRC1-CC

TEMPERATURE CONTROLS

DEVICE OPERATING TEMPERATURE (DEG F)

OPEN +/- CLOSE +/-

ALS 255 9 MAN ---

POS 235 9 MAN ---

PSI 650 10 450 15

LPS1 50 5 71 5

UCB

MI

PHS

RCI

IC

T2

DMR

NOTES:  
 1. ALL FIELD WIRING TO BE ACCOMPLISHED FOLLOWING CITY, LOCAL AND/OR NATIONAL CODES IN EFFECT AT TIME OF INSTALLATION OF THIS UNIT.  
 2. CAUTION: LABEL ALL WIRES PRIOR TO DISCONNECTION WHEN SERVICING OPERATION. WIRING SHOULD BE WIRE MARKED WITH PERMANENT IDENTIFICATION. IT MUST BE REPLACED WITH TYPE 105 DEGREE C, 600 VOLT WIRE OR EQUIVALENT CLEARLY RE-NUMBERED FOR IDENTIFICATION.  
 3. SEE UNIT MANUAL FOR MAXIMUM FUSE AND/OR CIRCUIT BREAKER SIZE AND MINIMUM CIRCUIT AMPACITY.  
 4. IF SMOKE DETECTOR(S) IS (ARE) INSTALLED, REMOVE RED JUMPER WIRE WHEN SMOKE DETECTOR(S) IS (ARE) INSTALLED. CONTROL BOARD UCB/R & WIRE 846/R ARE CONNECTED TO T11. T11 IS NOT INSTALLED WIRE 201/R & WIRE 846/R WHEN SMOKE DETECTOR(S) IS (ARE) INSTALLED.  
 5. THREE PHASE MOTORS ARE INHERENTLY PROTECTED UNDER PRIMARY SINGLE PHASE CONDITIONS. IS INSTALLED, INSTALL WIRES AT THE MI CONTACTOR IN THE FOLLOWING ORDER: 1. POWERED CONVENIENCE OUTLET, 2. POWER EXHAUST, 3. PHASE LOSS MONITOR.

LEGEND  
 ACTUATOR, ECONOMIZER (OPTIONAL)  
 ALS SWITCH, AUX LIMIT (GAS HEAT)  
 APS SWITCH, AIR PROVING (OPTIONAL)  
 CBS SENSOR, CO2 (OPTIONAL)  
 DA DAMPER ACTUATOR (OPTIONAL)  
 DFS SWITCH, DIRTY AIR FILTER (OPTIONAL)  
 DMR RETURN AIR FAN MOTOR (GAS HEAT)  
 EC1 SWITCH, DISCONNECT MAIN (OPTIONAL)  
 EC2 EVAPORATOR COIL TEMPERATURE SENSOR  
 FMI FAN MOTOR (OPTIONAL)  
 FUS, T0 FUSE (OPTIONAL)  
 GV GAS VALVE  
 HPS1 SWITCH, HIGH PRESSURE  
 I MOTOR, INDOOR  
 IDMTIR SWITCH, INDOOR TEMPERATURE  
 LPS1 SWITCH, LOW PRESSURE  
 M5 SWITCH, MAIN GAS HEAT  
 M5 SWITCH, MAIN GAS HEAT  
 M5 CONTACTOR, POWER EXHAUST (OPTIONAL)  
 OAH OUTDOOR AIR HUMIDITY SENSOR (OPTIONAL)  
 OAH OUTDOOR AIR HUMIDITY SENSOR (OPTIONAL)  
 OAH OUTDOOR AIR TEMPERATURE SENSOR  
 PMS MONITOR, PHASE LOSS (OPTIONAL)  
 PS PRESSURE SWITCH (GAS HEAT)  
 RAH RETURN AIR HUMIDITY SENSOR (OPTIONAL)  
 RCI CAPACITOR, RUN FAN MOTOR  
 ROS SWITCH, ROLLOUT (GAS HEAT)  
 SAT SUPPLY AIR TEMPERATURE SENSOR (OPTIONAL)  
 SDR4 SMOKE DETECTOR, RETURN AIR (OPTIONAL)  
 SDR5 SMOKE DETECTOR, SUPPLY AIR (OPTIONAL)  
 SWI SWITCH, POWERED CONVENIENCE OUTLET (OPTIONAL)  
 T2 TRANSFORMER, AUTO 460V PRI, 230V SEC, 175VA  
 T4 UNIT CONTROL BOARD

LEGEND (continued)  
 UCB  
 MI  
 PHS  
 RCI  
 IC  
 T2  
 DMR

LEGEND (continued)  
 FUSE SIZE (AMPS)  
 FUSE 460V CLASS  
 FUI-2 .5 CC-600V\*  
 FUI-10 4 CC-600V\*

LEGEND (continued)  
 TEMPERATURE CONTROLS  
 DEVICE OPERATING TEMPERATURE (DEG F)  
 OPEN +/- CLOSE +/-  
 ALS 255 9 MAN ---  
 POS 235 9 MAN ---

LEGEND (continued)  
 PSI 650 10 450 15  
 LPS1 50 5 71 5

LEGEND (continued)  
 UCB  
 MI  
 PHS  
 RCI  
 IC  
 T2  
 DMR

LEGEND (continued)  
 CAUTION - OPEN ALL DISCONNECTS BEFORE SERVICING THIS UNIT

LEGEND (continued)  
 G5008323A REV A

LEGEND (continued)  
 FACTORY WIRING AND DEVICES  
 OPTIONAL WIRING AND DEVICES  
 IDENTIFIED TERMINAL ON RUN CAPACITOR

LEGEND (continued)  
 IDENTIFIED TERMINAL ON RUN CAPACITOR

LEGEND (continued)  
 IDENTIFIED TERMINAL ON RUN CAPACITOR

LEGEND (continued)  
 IDENTIFIED TERMINAL ON RUN CAPACITOR

LEGEND (continued)  
 IDENTIFIED TERMINAL ON RUN CAPACITOR

LEGEND (continued)  
 IDENTIFIED TERMINAL ON RUN CAPACITOR

LEGEND (continued)  
 IDENTIFIED TERMINAL ON RUN CAPACITOR

LEGEND (continued)  
 IDENTIFIED TERMINAL ON RUN CAPACITOR

LEGEND (continued)  
 IDENTIFIED TERMINAL ON RUN CAPACITOR

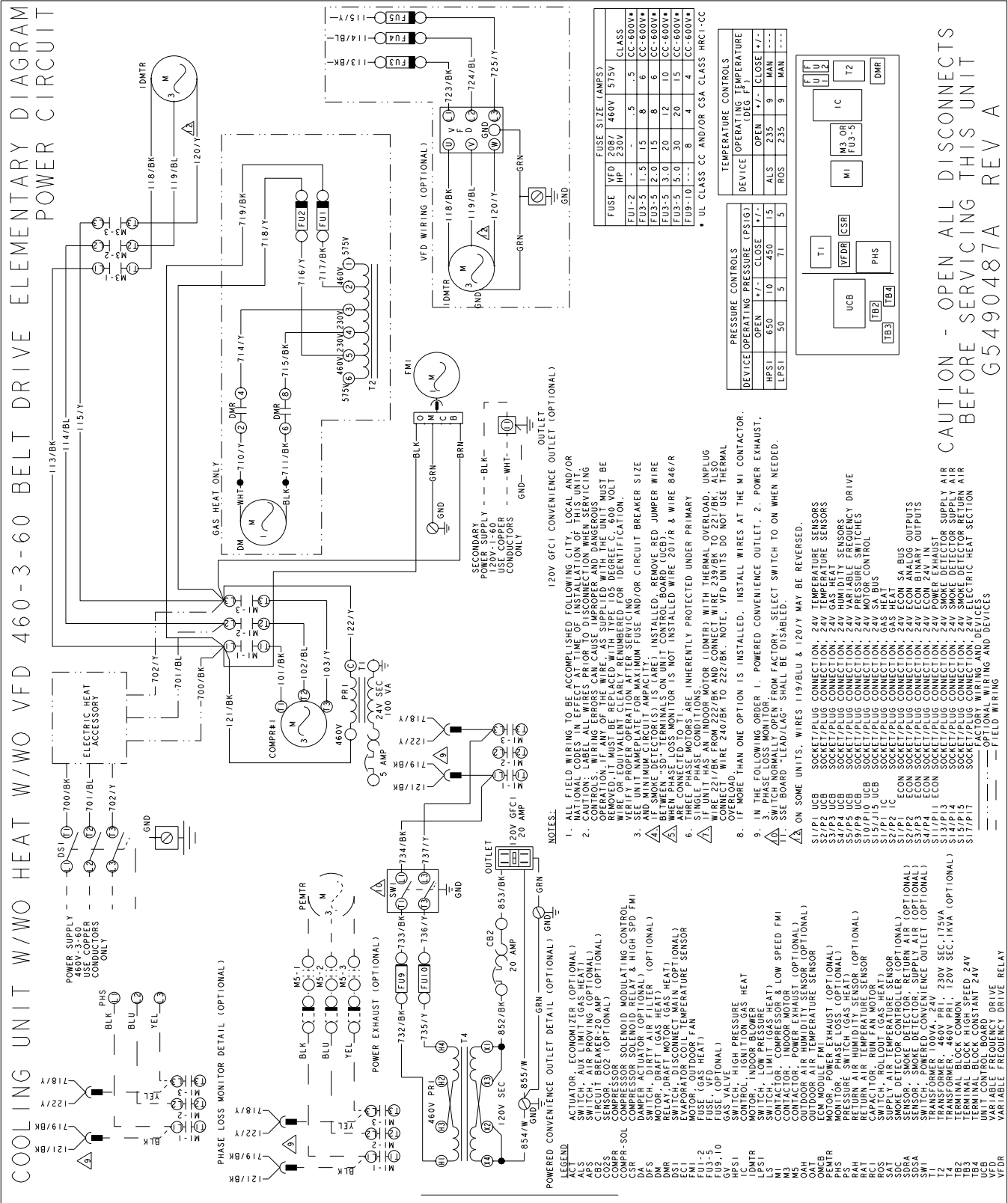
LEGEND (continued)  
 IDENTIFIED TERMINAL ON RUN CAPACITOR

LEGEND (continued)  
 IDENTIFIED TERMINAL ON RUN CAPACITOR

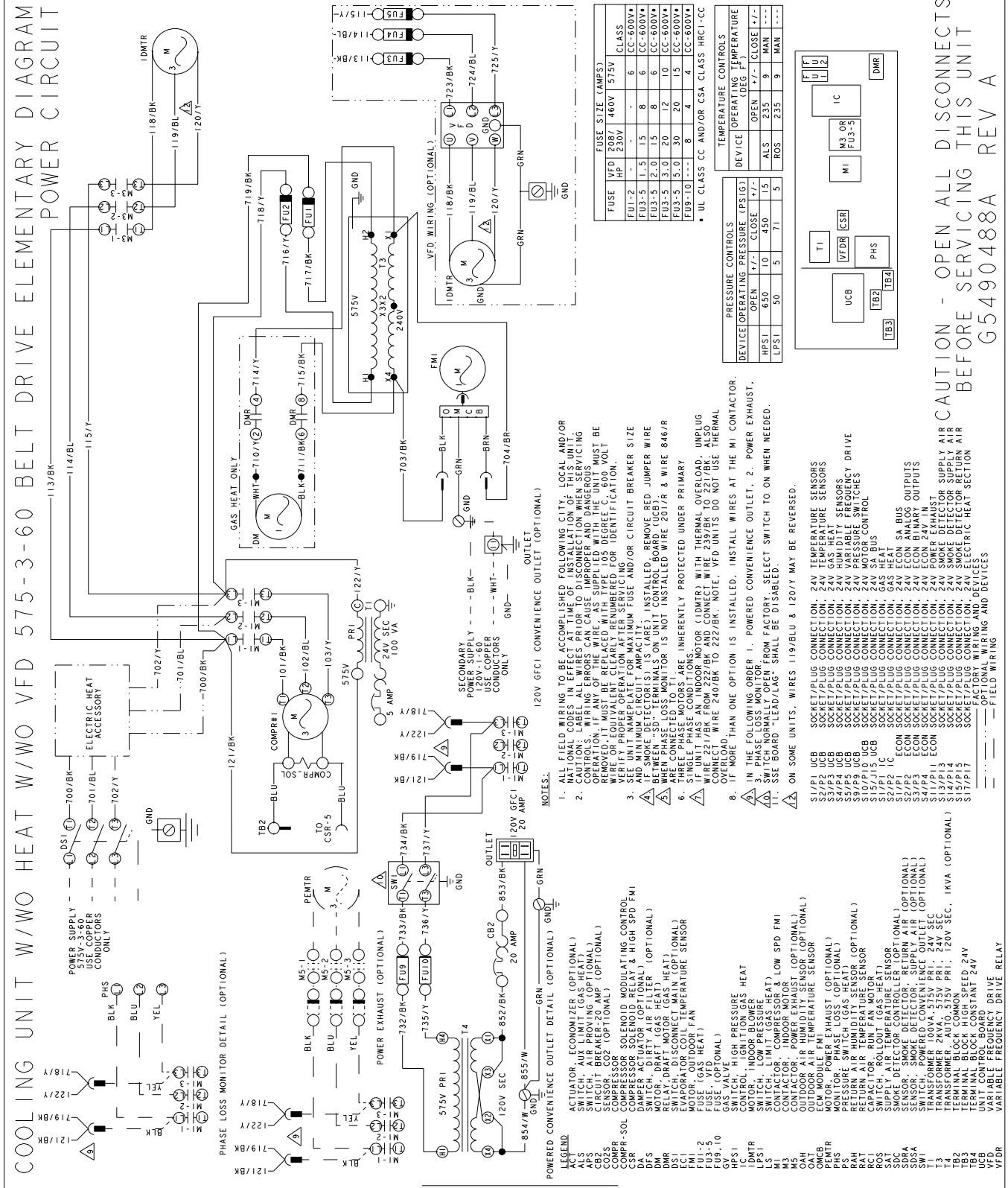




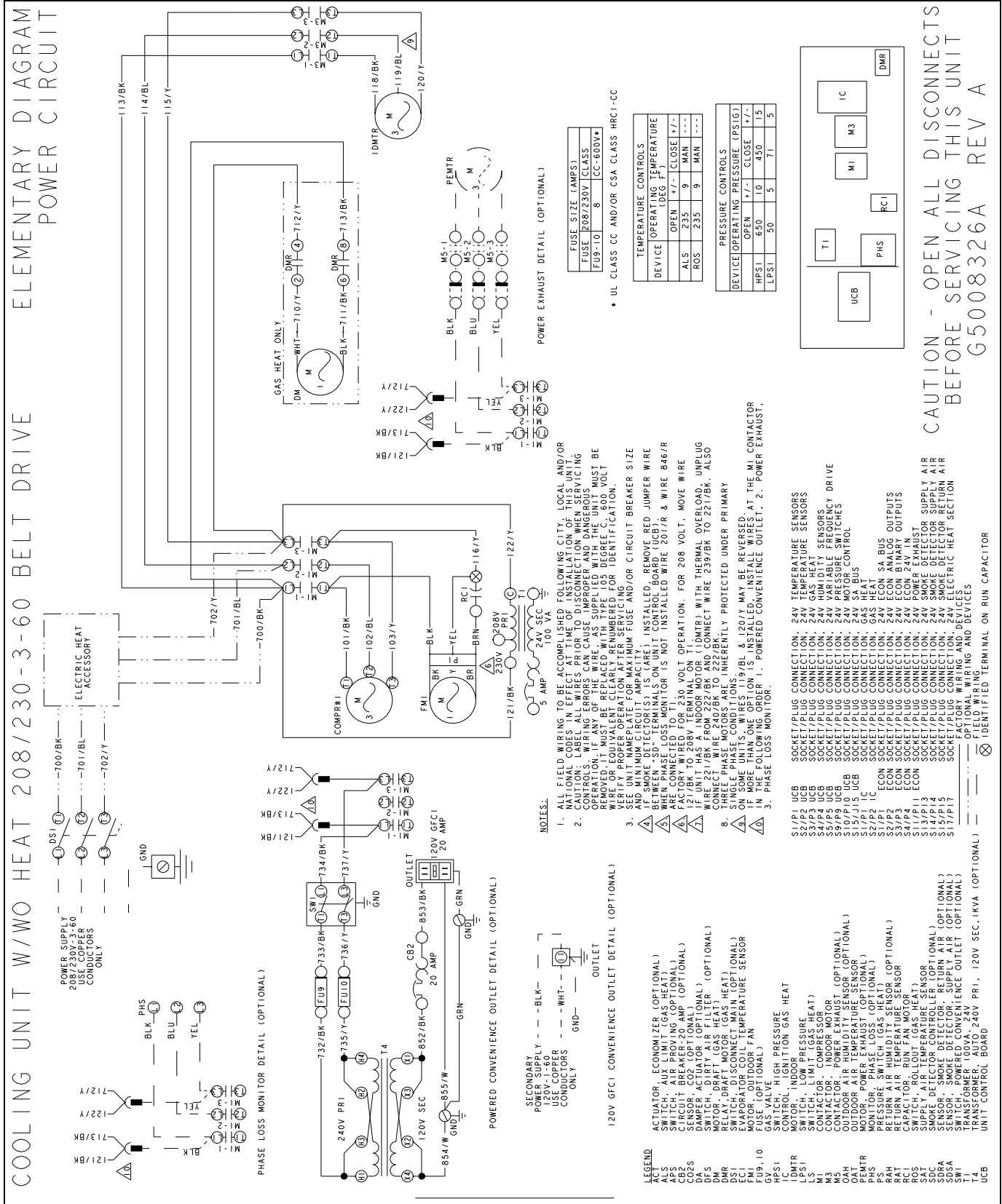
Typical ZXEA7 Cooling Unit w/wo Electric Heat w/wo VFD 460-3-60 Belt Drive - Elementary Diagram Power Circuit



Typical ZXEA7 Cooling Unit w/wo Electric Heat w/wo VFD 575-3-60 Belt Drive - Elementary Diagram Power Circuit



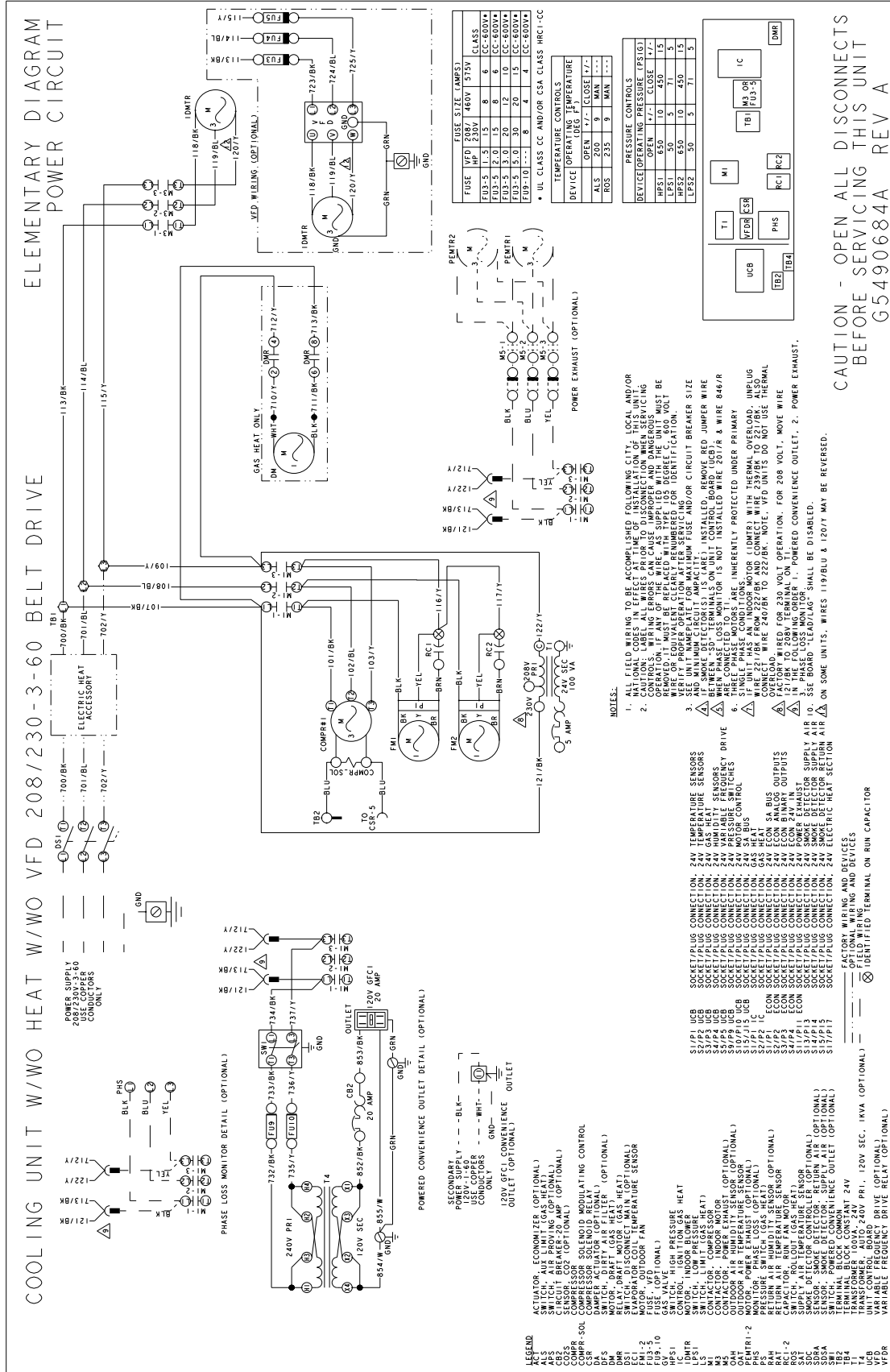
Typical ZX08/ZY04-06/ZQ04-06 Cooling Unit w/wo Gas Heat 208/230-3-60 Belt Drive Elementary Diagram Power Circuit







Typical ZYEA7 Cooling Unit w/wo Electric Heat w/wo VFD 208/230-3-60 Belt Drive - Elementary Diagram Power Circuit

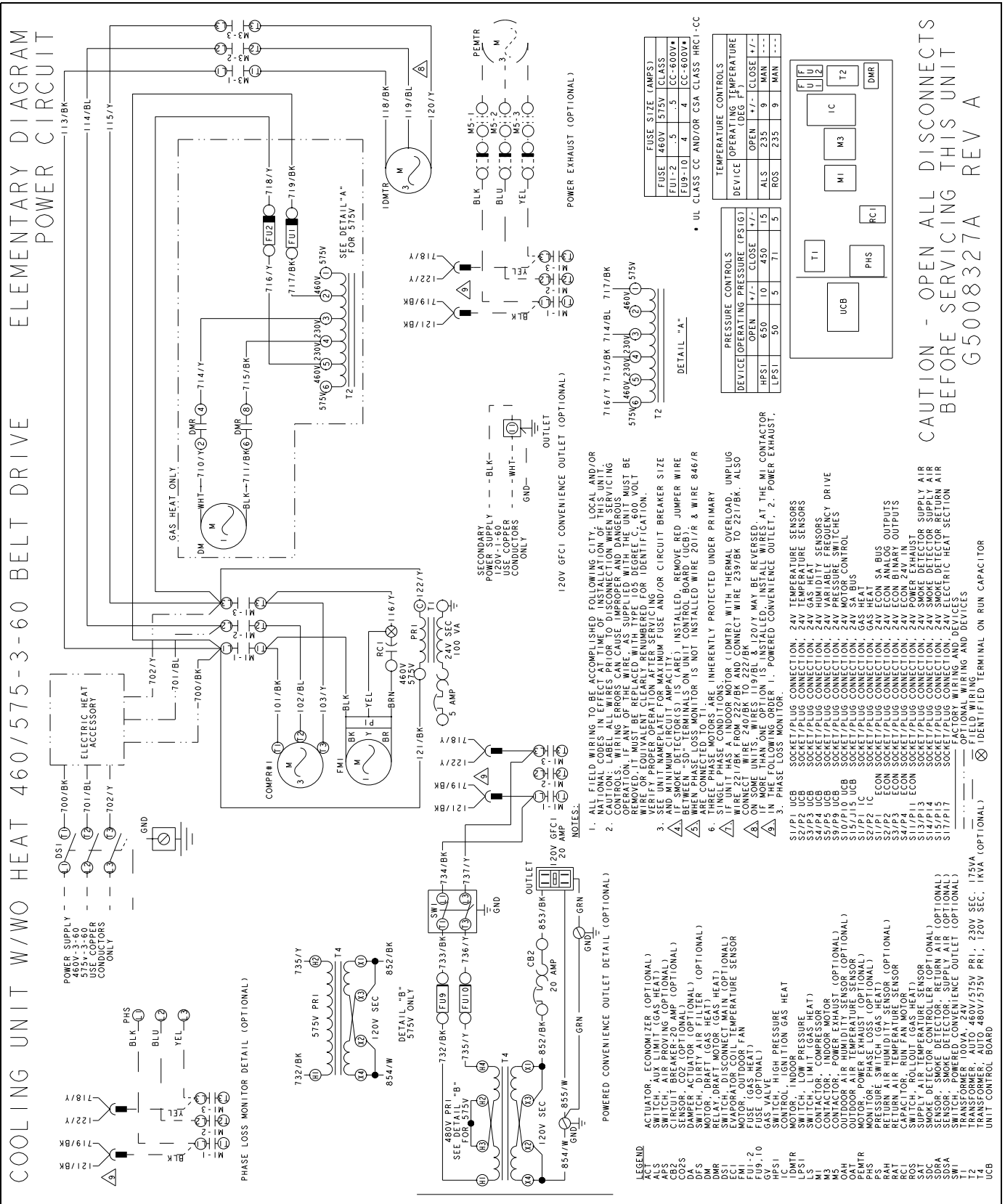








Typical ZX08/ZY04-06/ZQ04-06 Cooling Unit w/o Gas Heat 460/575-3-60 Belt Drive Elementary Diagram Power Circuit











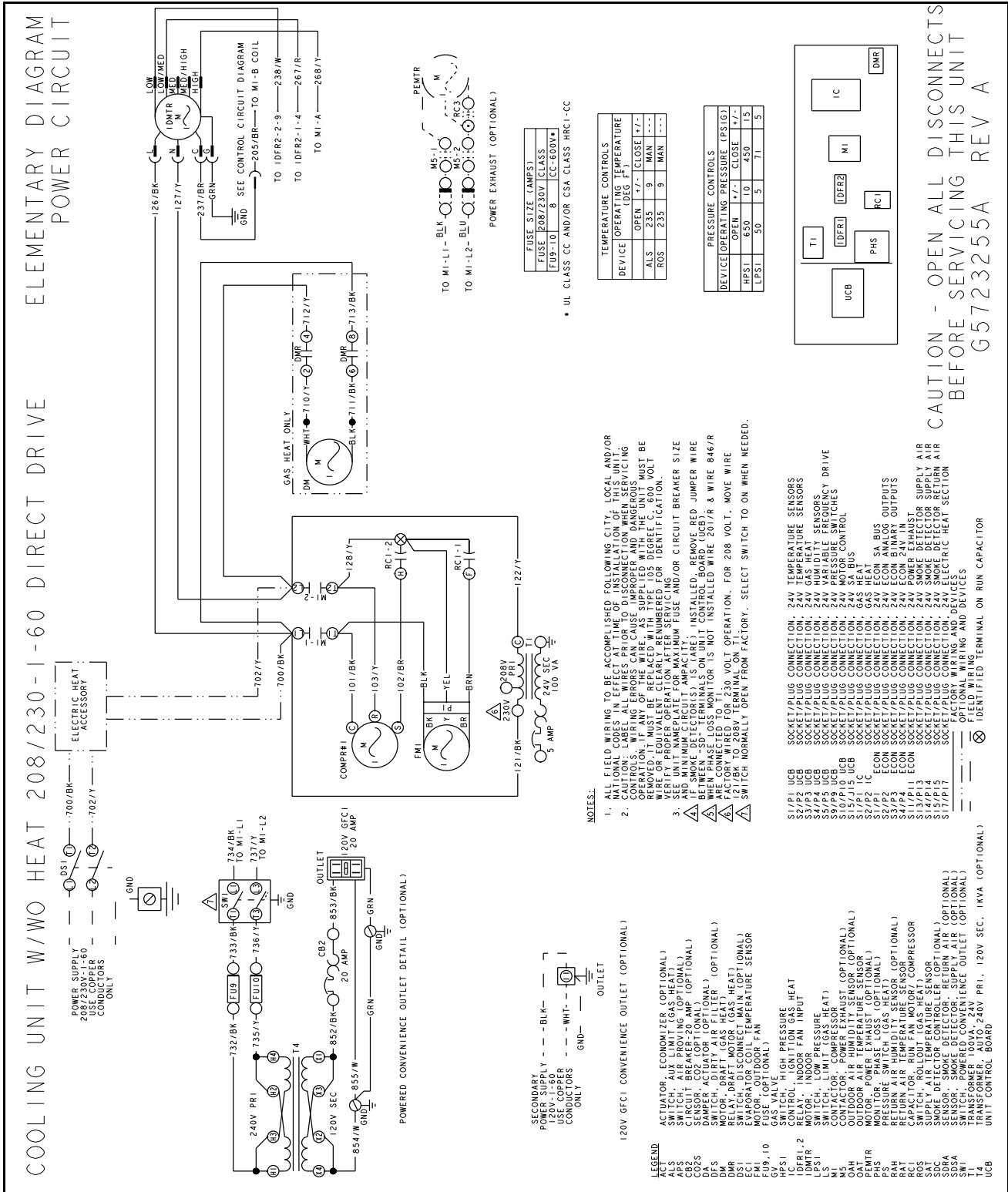






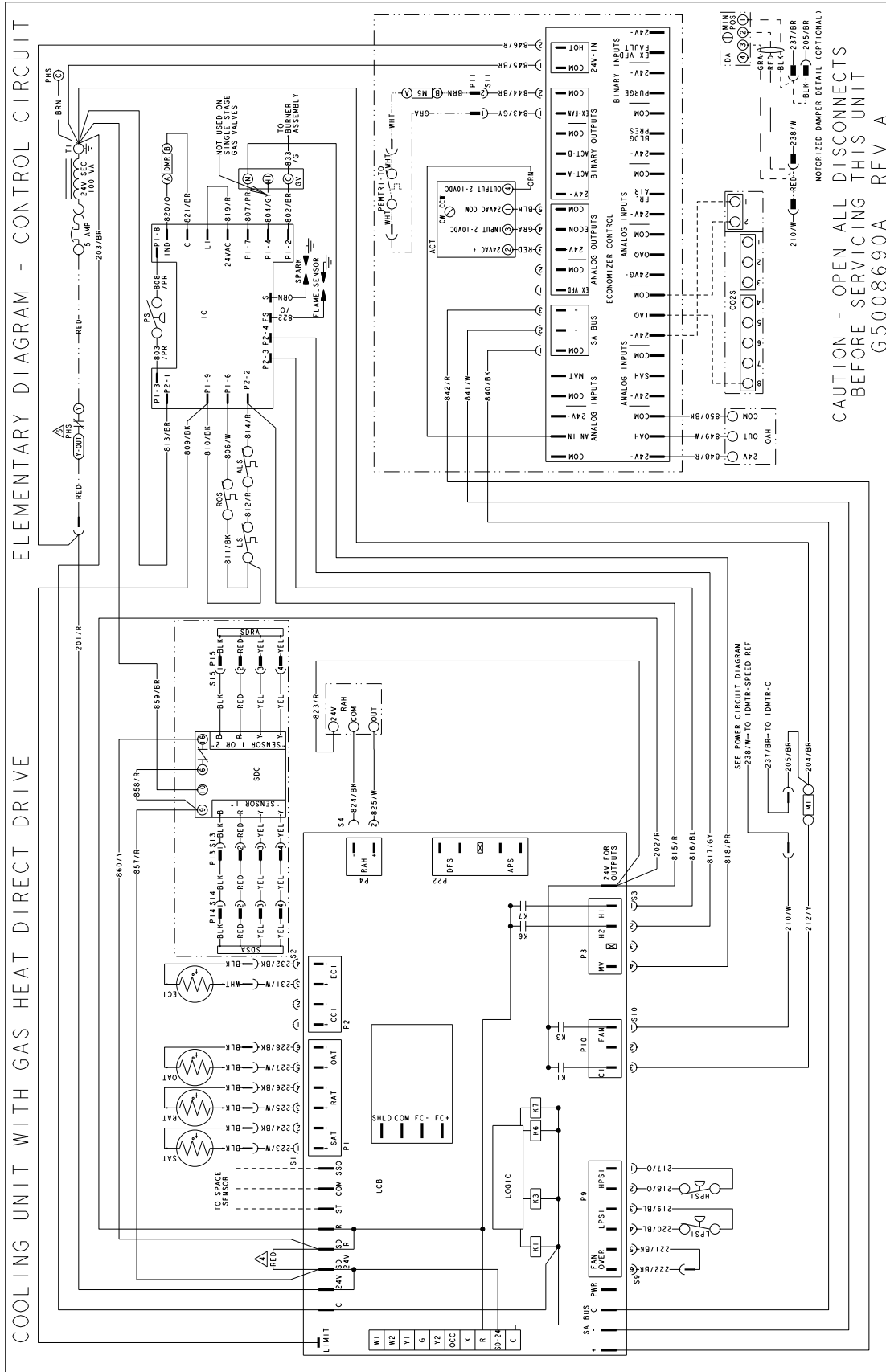


Typical ZY/ZQ04-06 Cooling Unit w Gas Heat 208/230-1-60 Direct Drive Elementary Diagram Power Circuit for FER





Typical ZY/ZQ04-06 Cooling Unit with Gas Heat Direct Drive Elementary Diagram Control Circuit

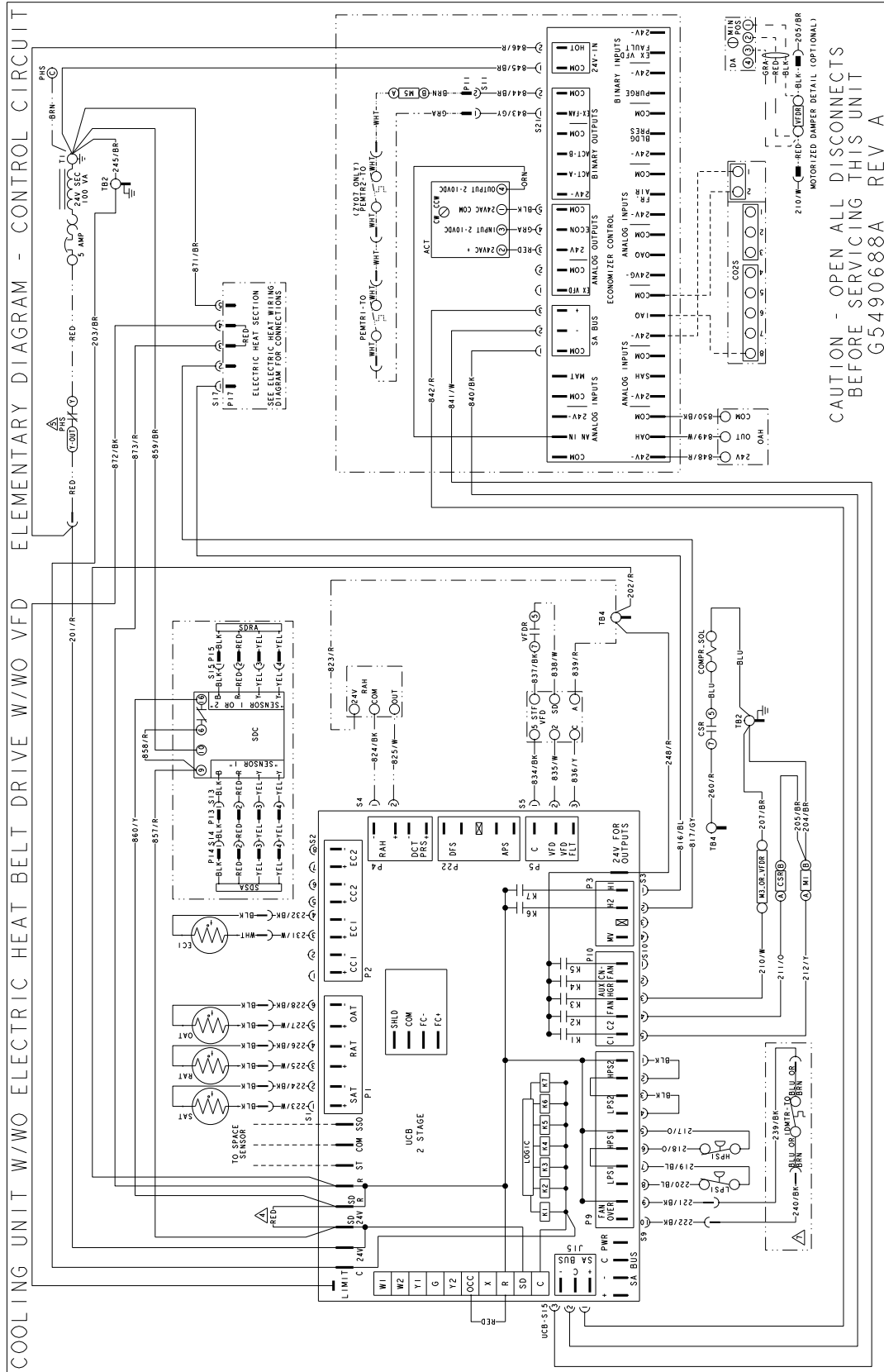




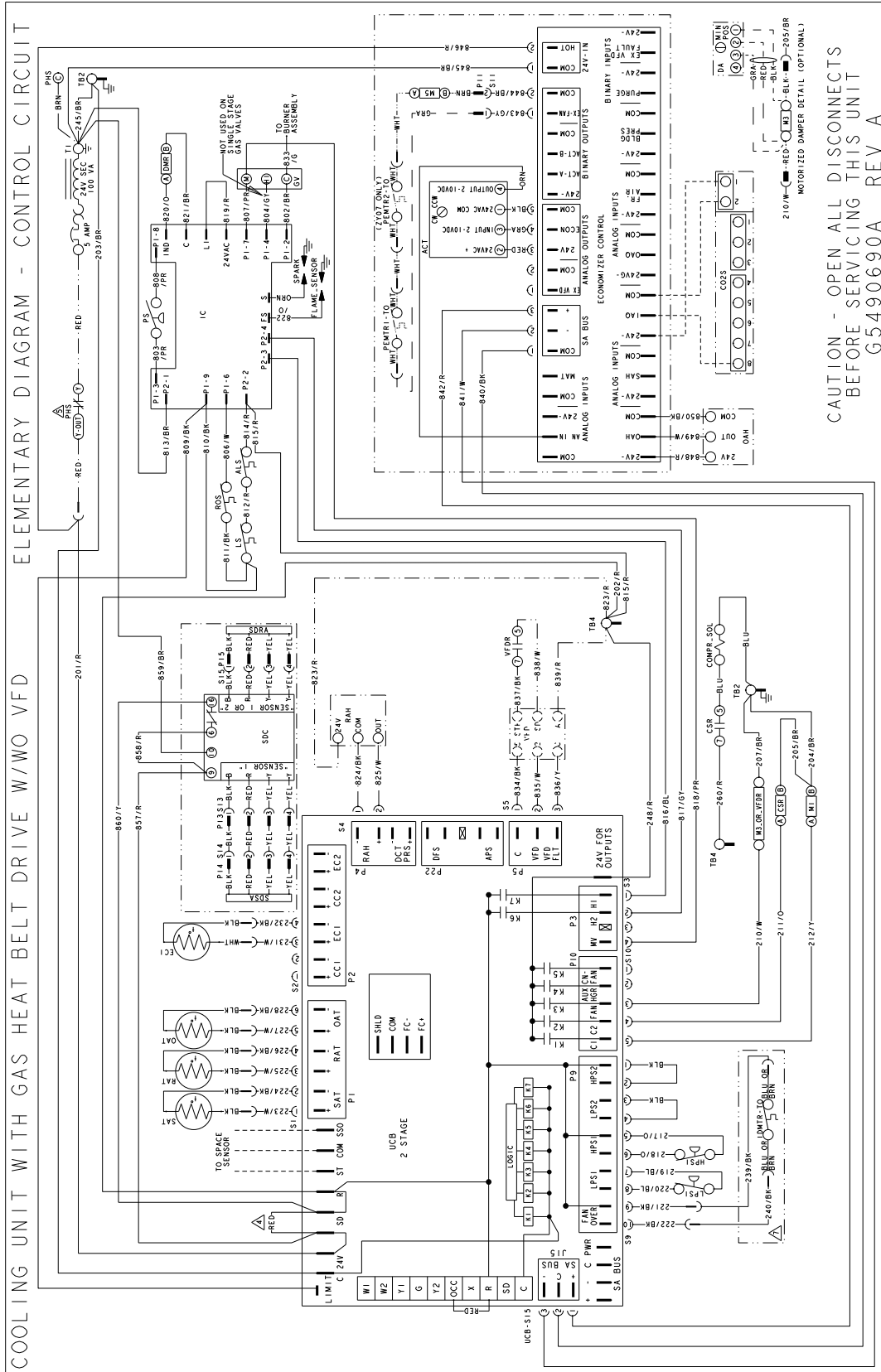




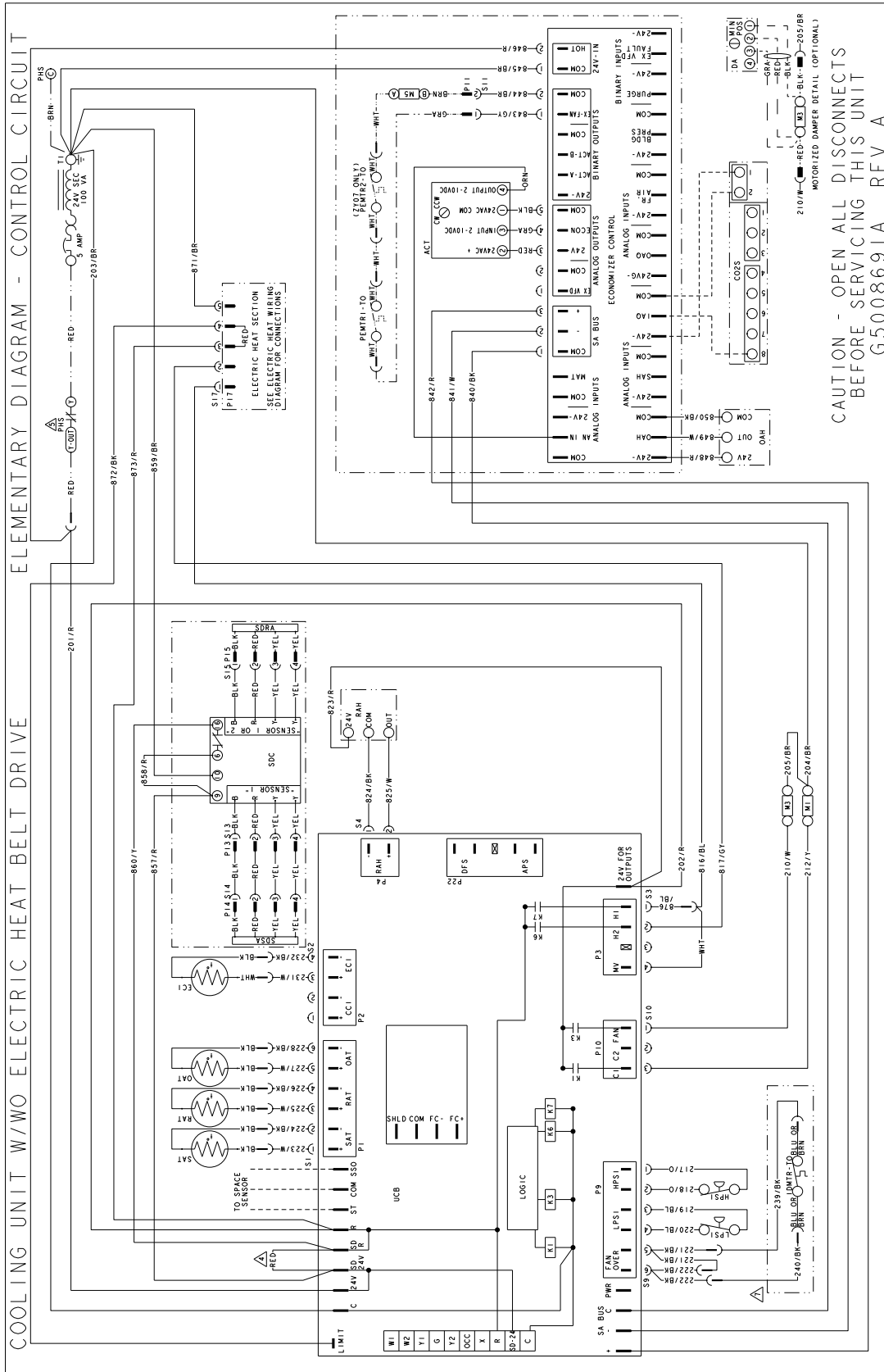
Typical ZYEA7 Cooling Unit w/wo Electric Heat w/wo VFD Belt Drive - Elementary Diagram Control Circuit



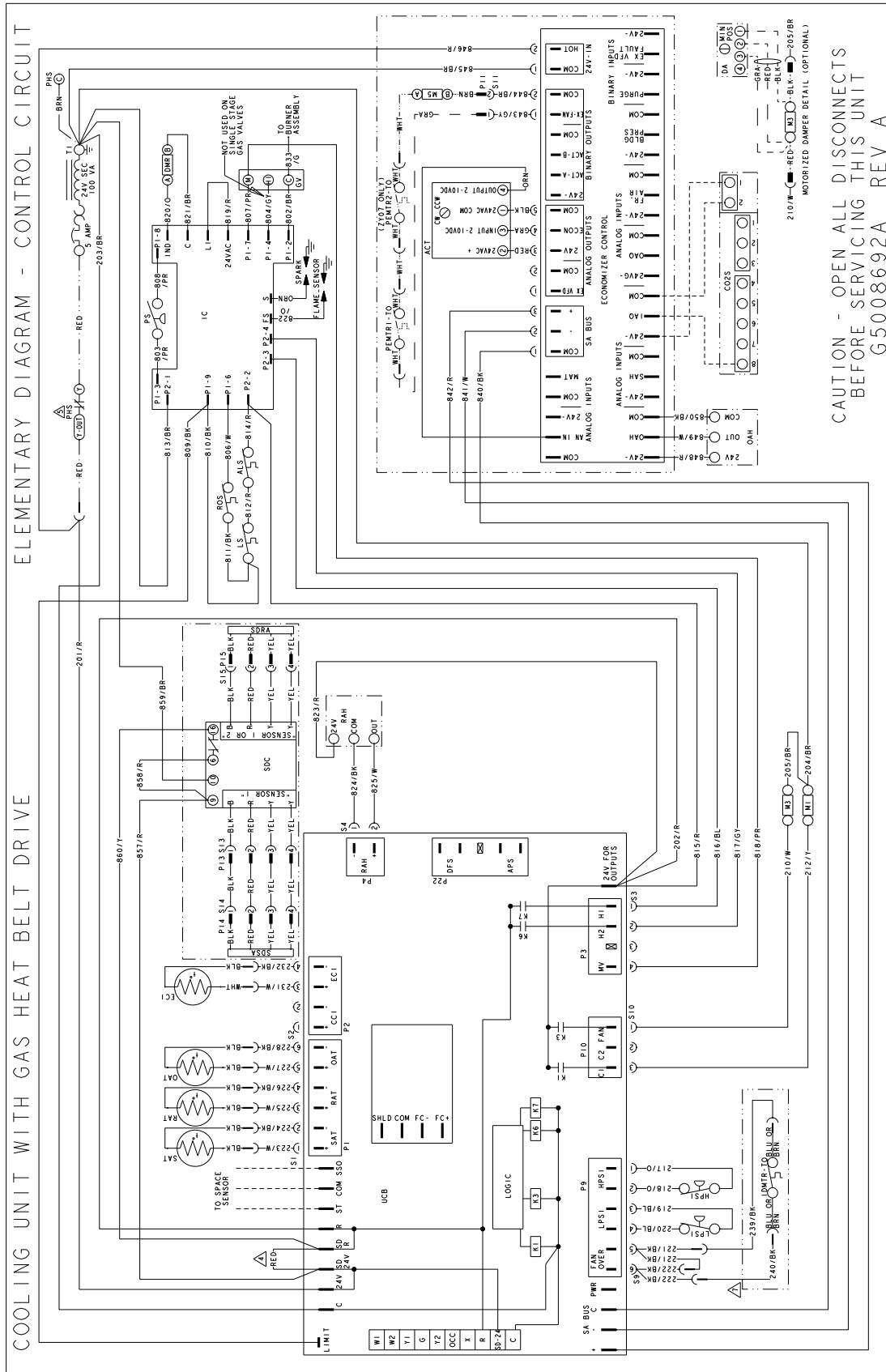
Typical ZYA7 Cooling Unit with Gas Heat w/o VFD Belt Drive - Elementary Diagram Control Circuit



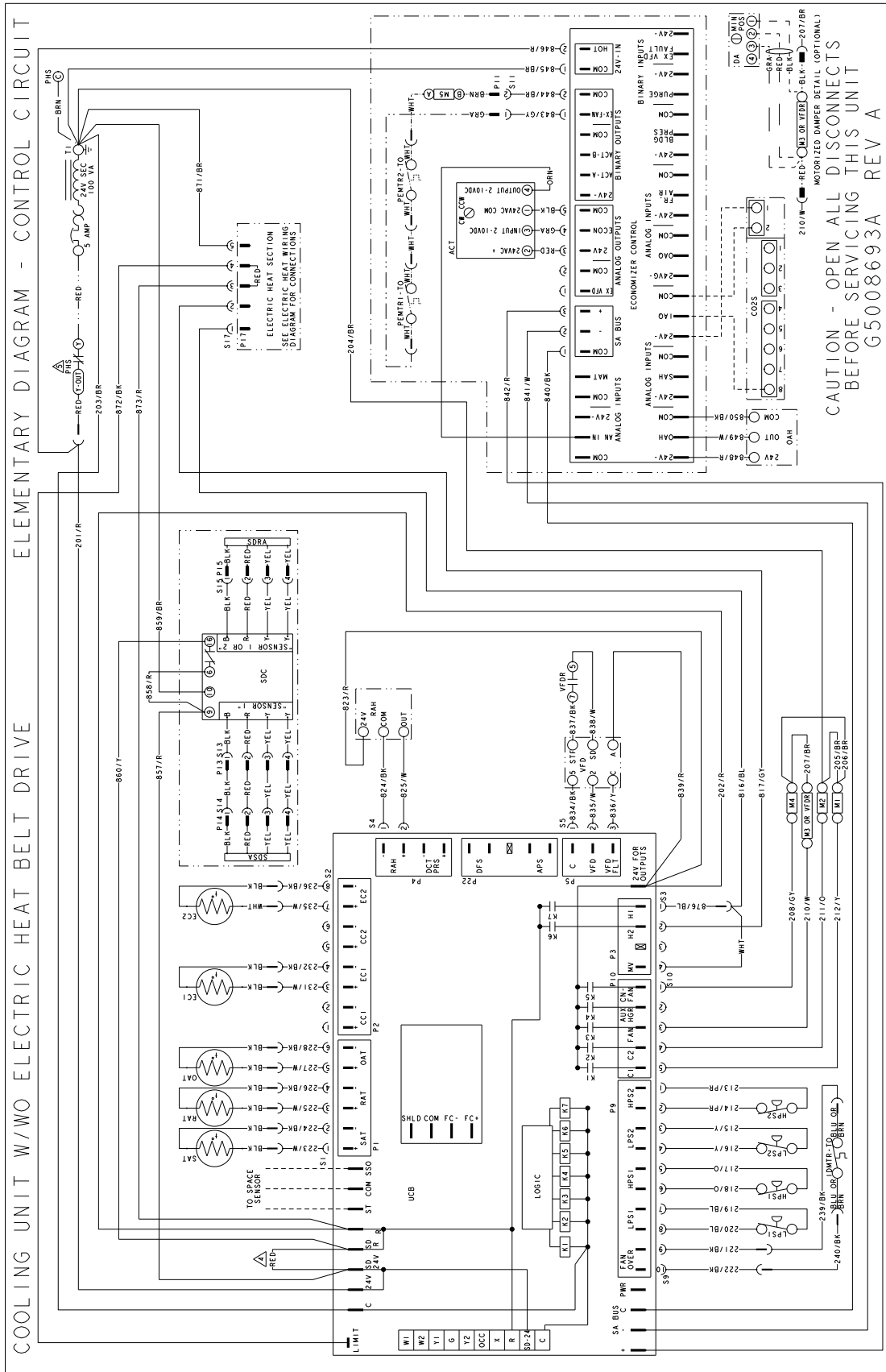
Typical ZX08-09/ZY04-07/ZQ04-06 Cooling Unit Belt Drive Elementary Diagram Control Circuit



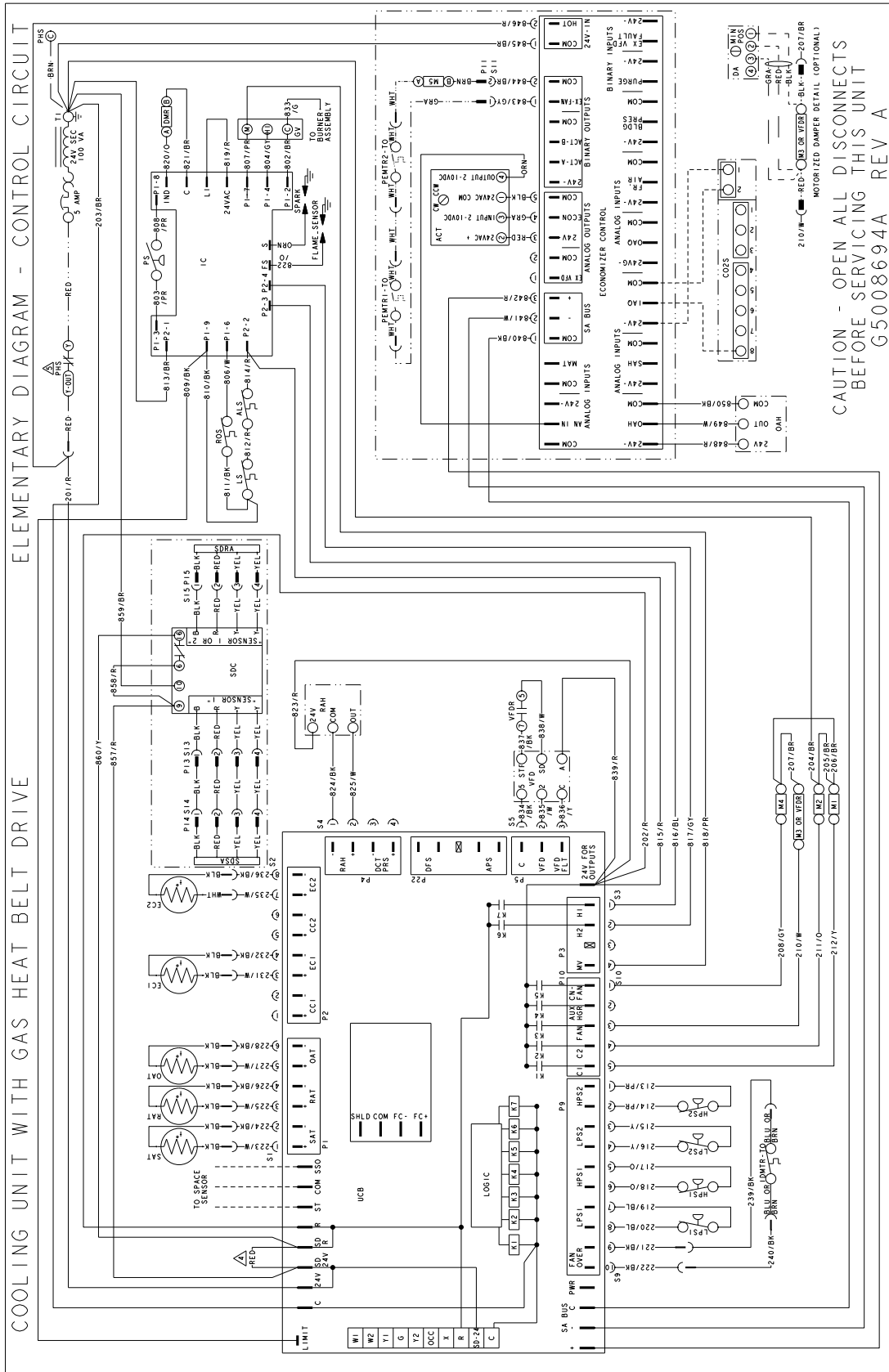
Typical ZX08-09/ZY04-07/ZQ04-06 Cooling Unit with Gas Heat Belt Drive Elementary Diagram Control Circuit



Typical ZX12, 14/ZY09-12 Cooling Unit Belt Drive w/wo VFD Elementary Diagram Control Circuit

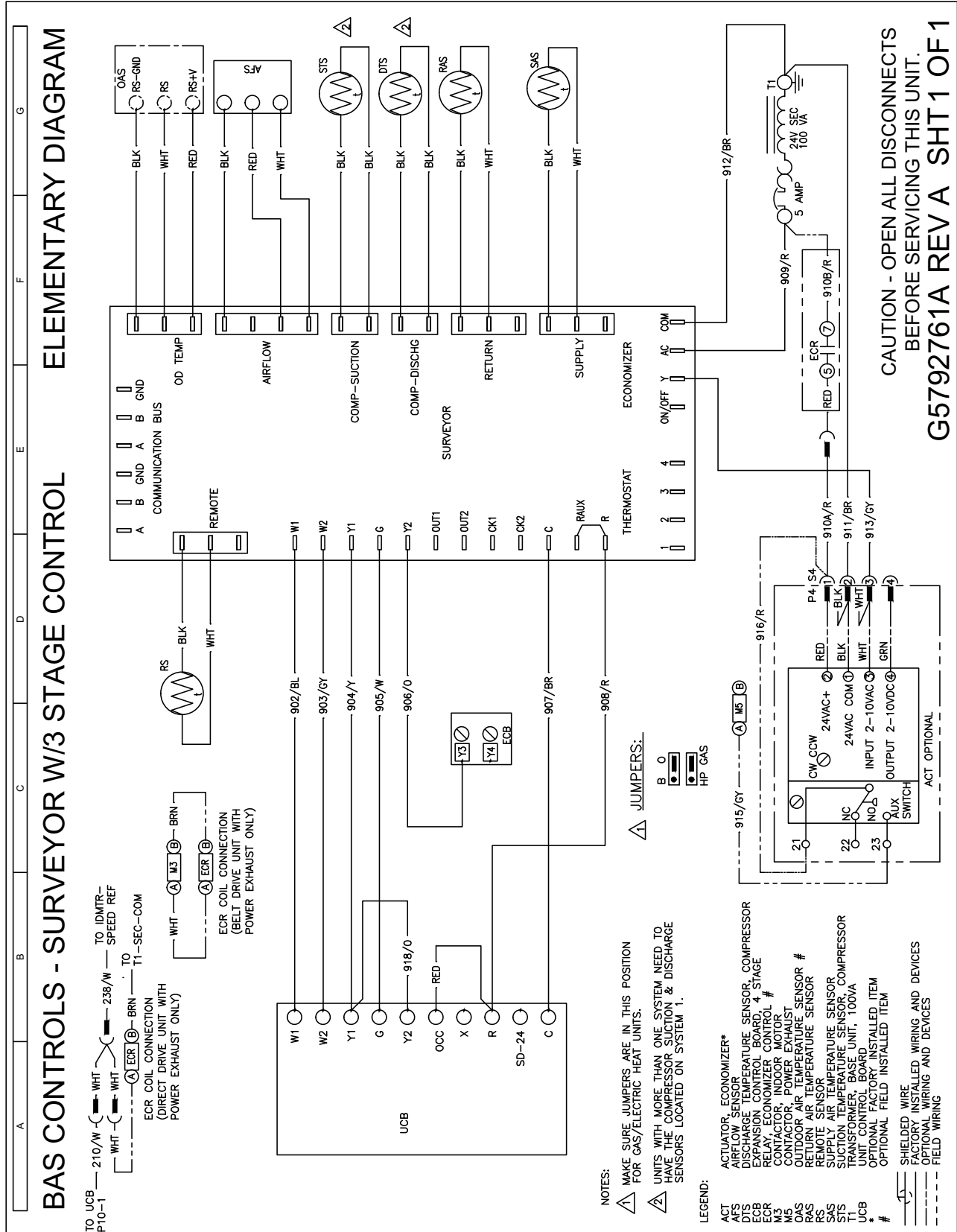


Typical ZX12, 14/ZY09-12 Cooling Unit with Gas Heat Belt Drive w/wo VFD Elementary Diagram Control Circuit



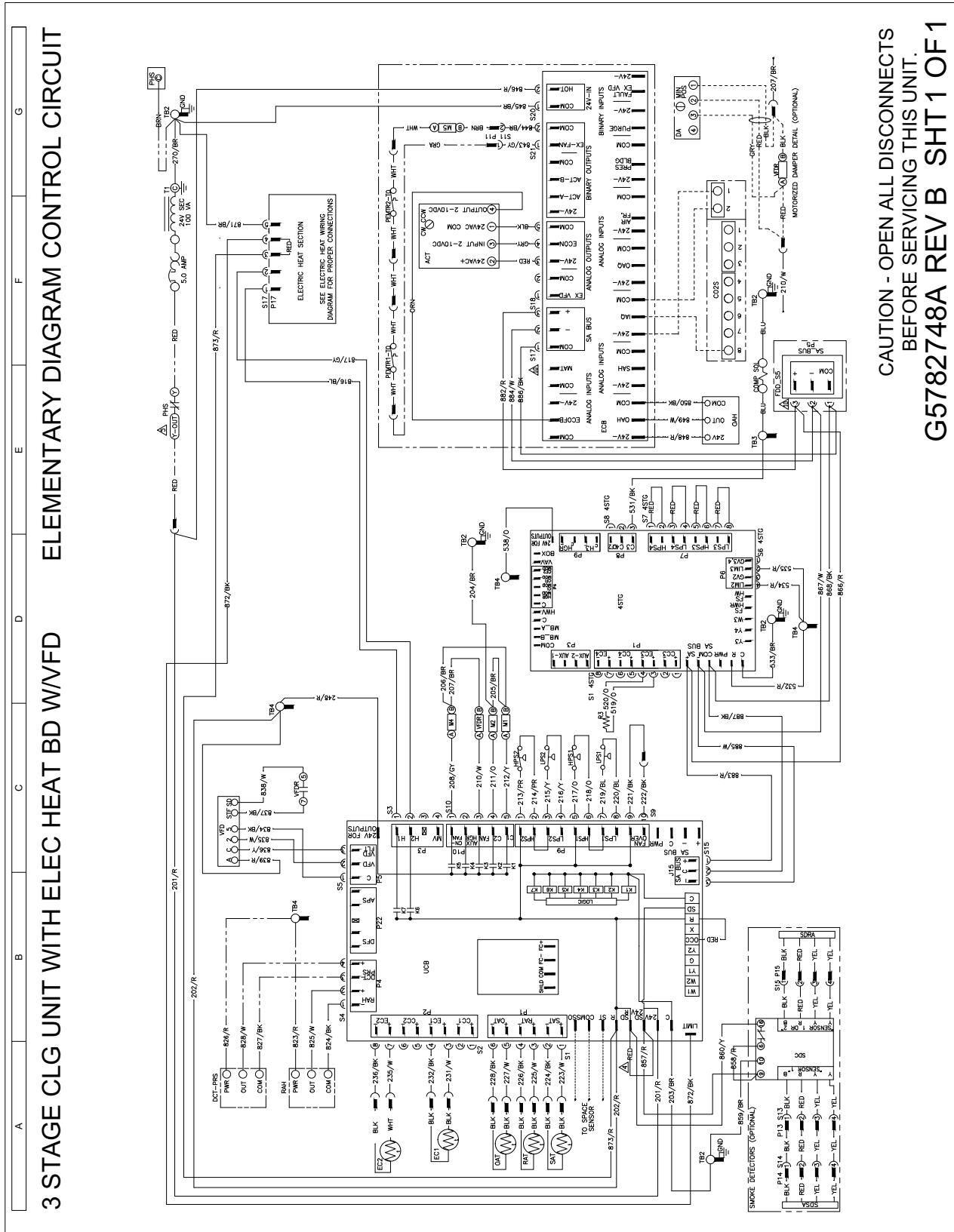


Typical ZL08-14 BAS Controls - Surveyor with 3 Stage Control

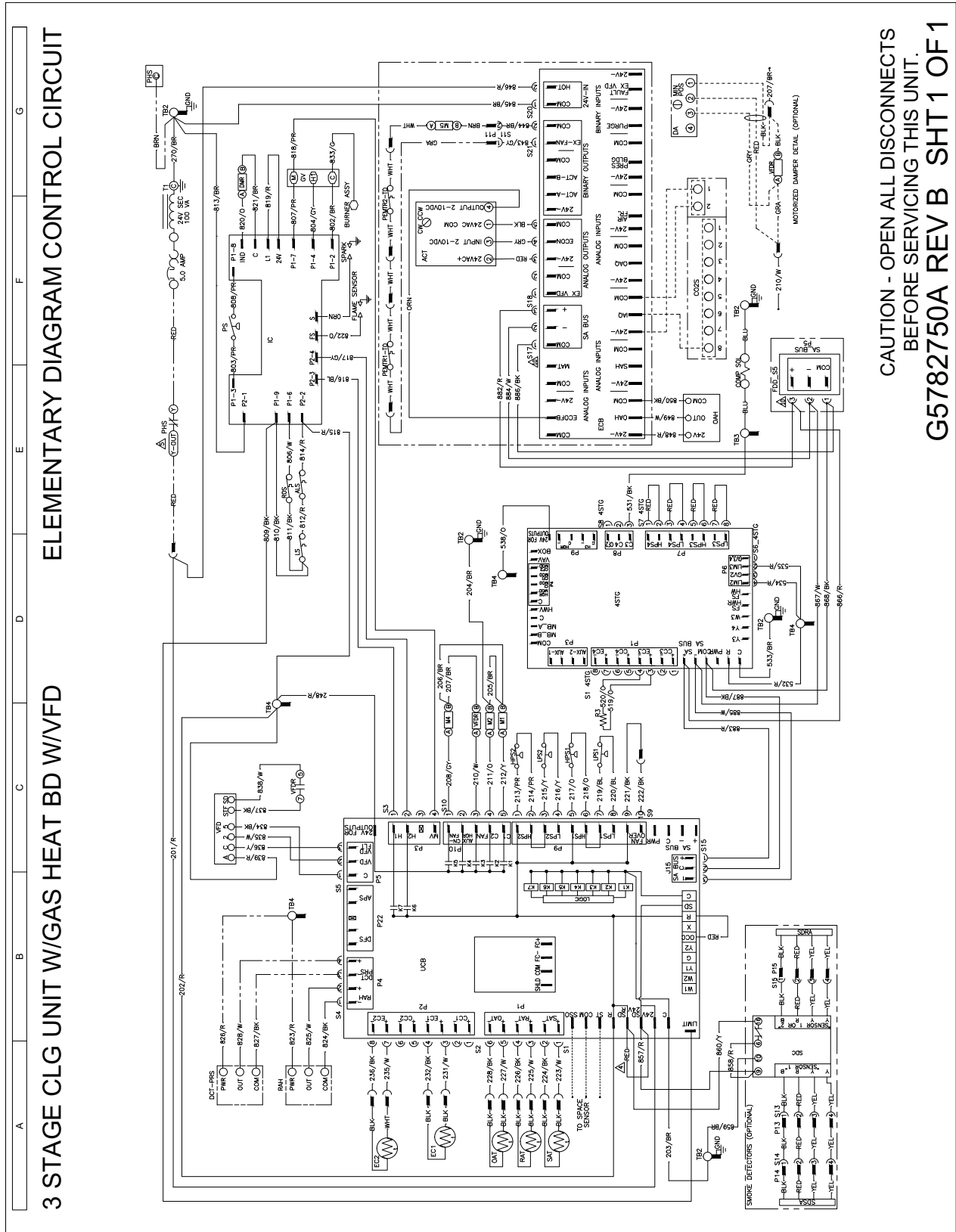




### Typical ZL08-14 3 Stage Cooling With Electric Heat BD With VFD



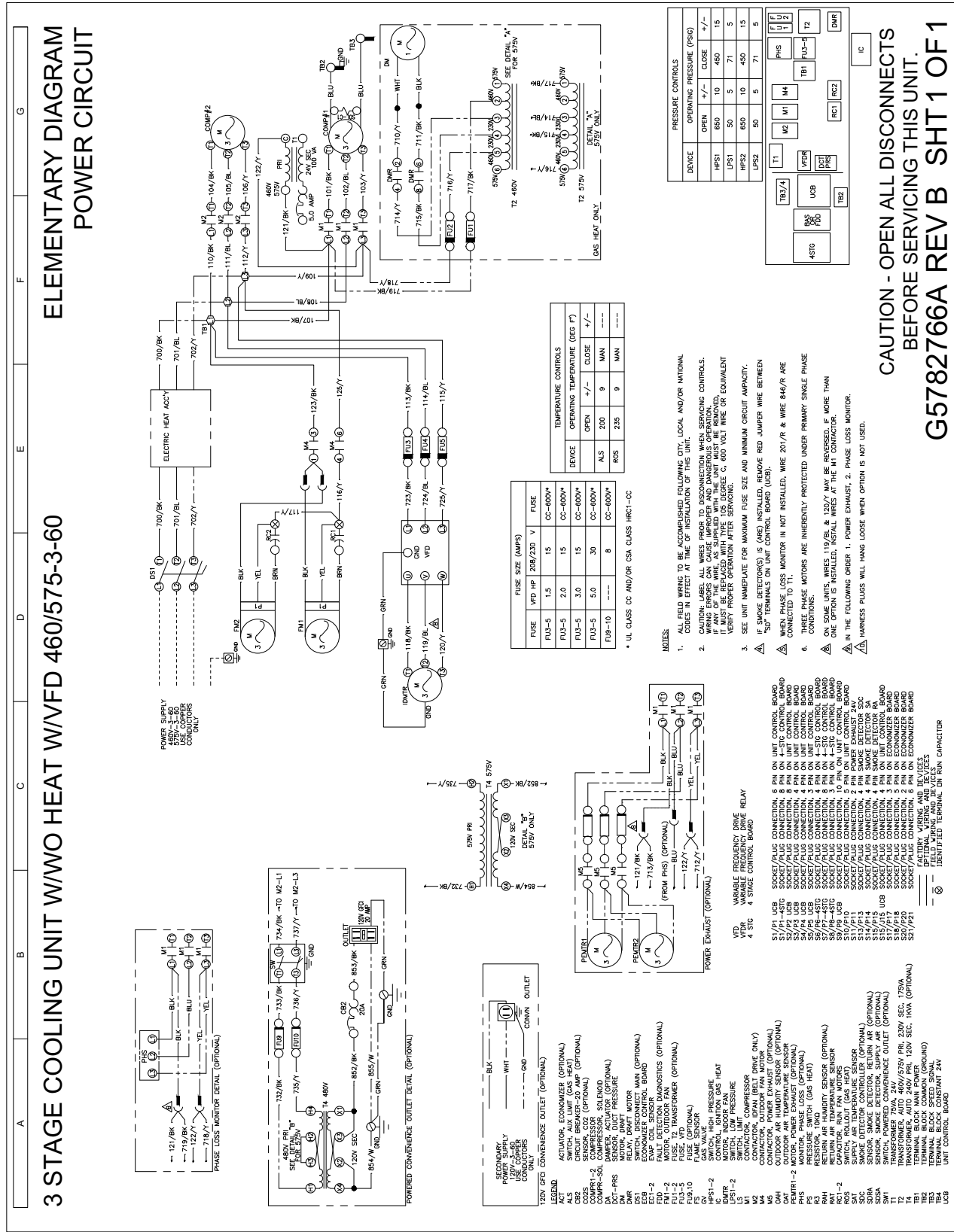
### Typical ZL08-14 3 Stage Cooling Unit With Gas Heat BD With VFD







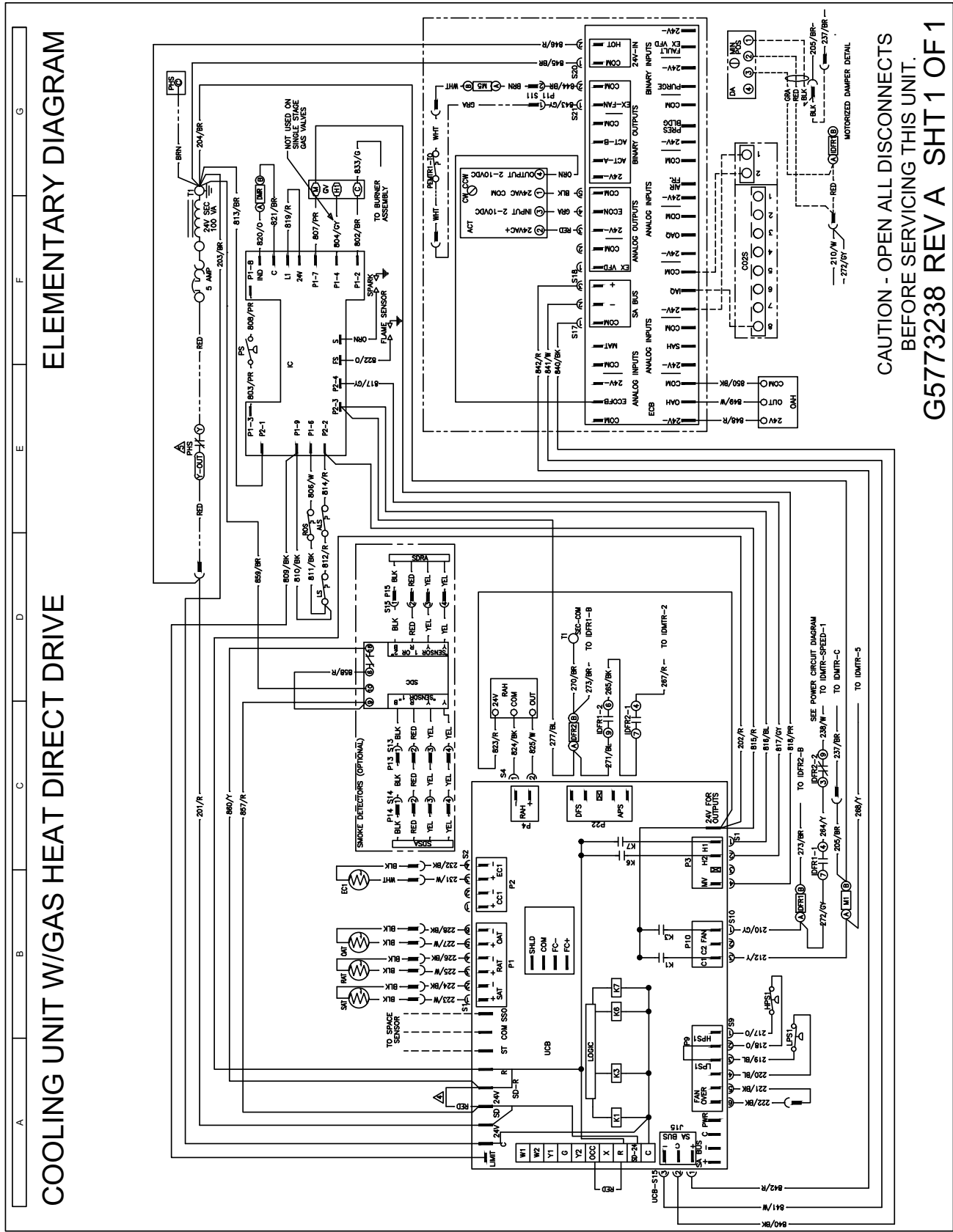
Typical ZL08-09 3 Stage Cooling Unit w/wo Heat With VFD 460/575-3-60







Typical ZY/ZQ04-06 Cooling Unit w Gas Heat 208/230-1-60 Direct Drive Elementary Diagram Control Circuit for FER



ELEMENTARY DIAGRAM

COOLING UNIT W/GAS HEAT DIRECT DRIVE

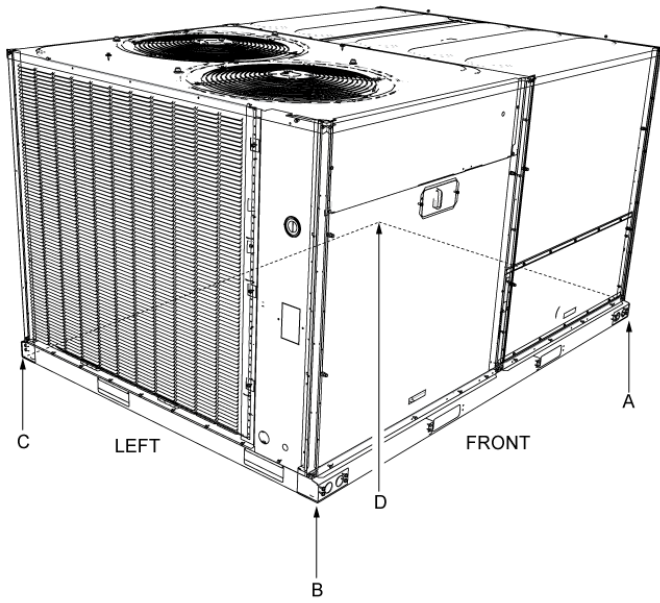
CAUTION - OPEN ALL DISCONNECTS BEFORE SERVICING THIS UNIT. G5773238 REV A SHT 1 OF 1



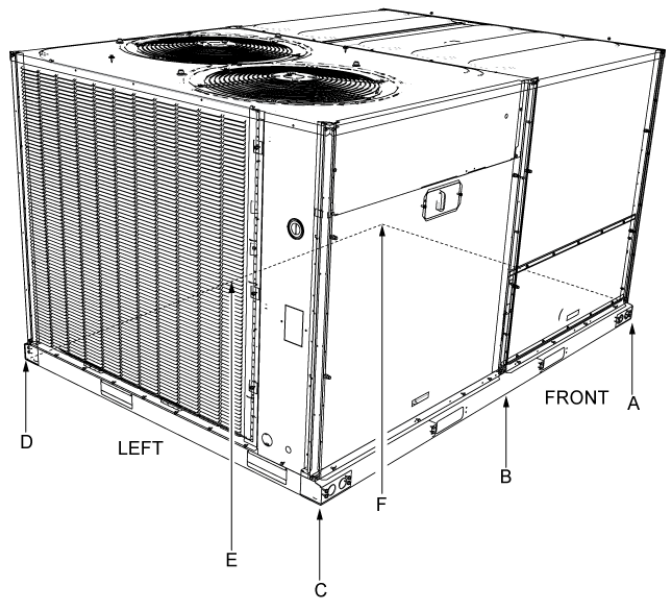
## Weights and Dimensions

### ZXA7, 08-14/ZY04-12/ZQ04-06/ZL08-14 Unit Weights

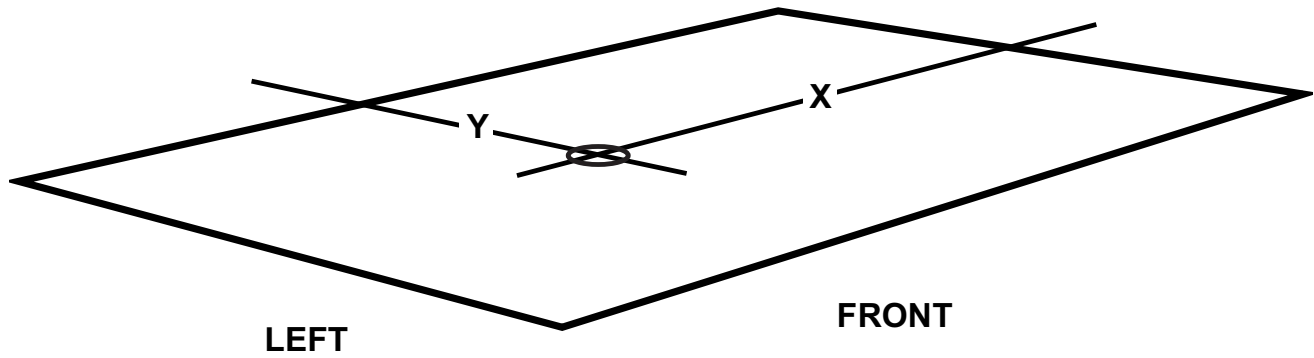
#### Unit 4 Point Load Weight



#### Unit 6 Point Load Weight



#### Unit Center Of Gravity



**ZXA7-14/ZY04-12, A7/ZQ04-06/ZL08-14 Corner Weights**

| Model | Size (Tons) | Weight (lbs.) |           | Center of Gravity |    | 4 point Load Location (lbs.) |     |     |     | 6 point Load Location (lbs.) |     |     |     |     |     |
|-------|-------------|---------------|-----------|-------------------|----|------------------------------|-----|-----|-----|------------------------------|-----|-----|-----|-----|-----|
|       |             | Shipping      | Operating | X                 | Y  | A                            | B   | C   | D   | A                            | B   | C   | D   | E   | F   |
| ZQE   | 04 (3)      | 479           | 450       | 36                | 26 | 121                          | 117 | 104 | 108 | 81                           | 79  | 78  | 69  | 71  | 72  |
| ZQE   | 05 (4)      | 516           | 487       | 36                | 26 | 131                          | 124 | 113 | 119 | 88                           | 85  | 82  | 75  | 77  | 80  |
| ZQE   | 06 (5)      | 595           | 566       | 38                | 25 | 142                          | 146 | 141 | 137 | 94                           | 96  | 98  | 94  | 93  | 91  |
| ZXE   | A7 (6)      | 634           | 614       | 34                | 25 | 168                          | 146 | 139 | 160 | 115                          | 104 | 95  | 91  | 99  | 109 |
| ZXE   | 08 (7.5)    | 796           | 791       | 47                | 36 | 214                          | 248 | 177 | 152 | 139                          | 153 | 169 | 121 | 109 | 99  |
| ZXE   | 09 (8.5)    | 857           | 852       | 46                | 36 | 230                          | 262 | 192 | 168 | 150                          | 163 | 178 | 131 | 120 | 110 |
| ZXE   | 12 (10)     | 884           | 879       | 46                | 36 | 242                          | 271 | 193 | 172 | 158                          | 171 | 184 | 131 | 122 | 113 |
| ZXE   | 14 (12.5)   | 946           | 941       | 45                | 36 | 265                          | 284 | 203 | 189 | 175                          | 183 | 192 | 137 | 130 | 125 |
| ZYE   | 04 (3)      | 486           | 481       | 36                | 25 | 127                          | 118 | 113 | 122 | 86                           | 82  | 78  | 75  | 78  | 82  |
| ZYE   | 05 (4)      | 569           | 564       | 36                | 25 | 145                          | 140 | 137 | 142 | 97                           | 95  | 93  | 91  | 93  | 95  |
| ZYE   | 06 (5)      | 587           | 582       | 36                | 25 | 151                          | 145 | 140 | 146 | 101                          | 99  | 96  | 93  | 95  | 98  |
| ZYE   | 07 (6)      | 739           | 734       | 44                | 36 | 208                          | 213 | 158 | 154 | 138                          | 140 | 143 | 106 | 104 | 103 |
| ZYE   | A7 (6)      | 849           | 829       | 45                | 35 | 229                          | 244 | 183 | 172 | 151                          | 158 | 165 | 124 | 118 | 113 |
| ZYE   | 08 (7.5)    | 883           | 878       | 46                | 36 | 239                          | 271 | 196 | 173 | 156                          | 169 | 184 | 133 | 122 | 113 |
| ZYE   | 09 (8.5)    | 878           | 878       | 46                | 36 | 241                          | 265 | 195 | 177 | 158                          | 168 | 180 | 132 | 124 | 116 |
| ZYE   | 12 (10)     | 907           | 902       | 47                | 36 | 239                          | 278 | 207 | 178 | 155                          | 171 | 190 | 142 | 128 | 116 |
| ZYE   | 12 (10)     | 907           | 902       | 47                | 36 | 239                          | 278 | 207 | 178 | 155                          | 171 | 190 | 142 | 128 | 116 |
| ZLE   | 08 (7.5)    | 925           | 920       | 45                | 37 | 262                          | 282 | 195 | 181 | 173                          | 181 | 191 | 131 | 125 | 119 |
| ZLE   | 09 (8.5)    | 930           | 925       | 46                | 36 | 258                          | 284 | 201 | 182 | 169                          | 180 | 192 | 136 | 128 | 120 |
| ZLE   | 12 (10)     | 960           | 955       | 46                | 35 | 258                          | 287 | 216 | 194 | 169                          | 181 | 195 | 146 | 136 | 127 |
| ZLE   | 14 (12.5)   | 985           | 980       | 44                | 35 | 277                          | 283 | 213 | 208 | 184                          | 186 | 189 | 142 | 140 | 138 |

**ZXA7-14/ZY04-12/ZQ04-06/ZL08-14 Corner Weights**

| Model | Size (Tons) | Weight (lbs.) |           | Center of Gravity |    | 4 point Load Location (lbs.) |     |     |     | 6 point Load Location (lbs.) |     |     |     |     |     |
|-------|-------------|---------------|-----------|-------------------|----|------------------------------|-----|-----|-----|------------------------------|-----|-----|-----|-----|-----|
|       |             | Shipping      | Operating | X                 | Y  | A                            | B   | C   | D   | A                            | B   | C   | D   | E   | F   |
| ZXG   | A7 (6)      | 688           | 668       | 34                | 25 | 183                          | 159 | 152 | 174 | 125                          | 114 | 104 | 99  | 108 | 119 |
| ZXG   | 08 (7.5)    | 898           | 893       | 46                | 37 | 251                          | 285 | 190 | 168 | 164                          | 178 | 194 | 129 | 119 | 109 |
| ZXG   | 09 (8.5)    | 959           | 954       | 45                | 36 | 269                          | 291 | 205 | 189 | 177                          | 186 | 197 | 138 | 131 | 125 |
| ZXG   | 12 (10)     | 990           | 985       | 45                | 37 | 284                          | 301 | 206 | 194 | 187                          | 195 | 203 | 139 | 133 | 128 |
| ZXG   | 14 (12.5)   | 1052          | 1047      | 44                | 37 | 304                          | 312 | 218 | 212 | 202                          | 205 | 209 | 146 | 144 | 141 |
| ZYG   | 04 (3)      | 532           | 527       | 36                | 27 | 147                          | 136 | 117 | 126 | 99                           | 94  | 90  | 77  | 81  | 85  |
| ZYG   | 05 (4)      | 623           | 618       | 36                | 26 | 167                          | 156 | 142 | 152 | 113                          | 108 | 103 | 94  | 98  | 103 |
| ZYG   | 06 (5)      | 641           | 636       | 35                | 26 | 174                          | 159 | 144 | 159 | 118                          | 111 | 104 | 95  | 101 | 108 |
| ZYG   | 07 (6)      | 809           | 804       | 43                | 37 | 240                          | 236 | 163 | 166 | 161                          | 159 | 157 | 108 | 109 | 111 |
| ZYG   | A7 (6)      | 919           | 899       | 45.0              | 35 | 249                          | 265 | 199 | 187 | 164                          | 171 | 179 | 134 | 128 | 123 |

**ZXA7-14/ZY04-12/ZQ04-06/ZL08-14 Corner Weights**

| Model | Size (Tons)  | Weight (lbs.) |           | Center of Gravity |    | 4 point Load Location (lbs.) |     |     |     | 6 point Load Location (lbs.) |     |     |     |     |     |
|-------|--------------|---------------|-----------|-------------------|----|------------------------------|-----|-----|-----|------------------------------|-----|-----|-----|-----|-----|
|       |              | Shipping      | Operating | X                 | Y  | A                            | B   | C   | D   | A                            | B   | C   | D   | E   | F   |
| ZYG   | 08<br>(7.5)  | 985           | 980       | 44                | 37 | 290                          | 297 | 199 | 195 | 192                          | 195 | 198 | 133 | 131 | 129 |
| ZYG   | 09<br>(8.5)  | 980           | 980       | 45                | 36 | 279                          | 292 | 209 | 200 | 184                          | 190 | 196 | 141 | 136 | 132 |
| ZYG   | 12<br>(10)   | 1013          | 1008      | 45                | 36 | 285                          | 300 | 217 | 206 | 189                          | 195 | 202 | 146 | 141 | 136 |
| ZQG   | 04<br>(3)    | 527           | 498       | 36                | 27 | 141                          | 132 | 109 | 116 | 95                           | 91  | 87  | 72  | 75  | 79  |
| ZQG   | 05<br>(4)    | 567           | 538       | 35                | 26 | 147                          | 135 | 123 | 134 | 99                           | 94  | 89  | 81  | 85  | 90  |
| ZQG   | 06<br>(5)    | 644           | 615       | 36                | 26 | 168                          | 157 | 140 | 150 | 113                          | 108 | 103 | 93  | 97  | 101 |
| ZLG   | 08<br>(7.5)  | 1045          | 1040      | 44                | 37 | 304                          | 312 | 215 | 210 | 202                          | 205 | 209 | 144 | 141 | 139 |
| ZLG   | 09<br>(8.5)  | 1035          | 1030      | 45                | 36 | 294                          | 309 | 219 | 208 | 194                          | 201 | 208 | 147 | 142 | 138 |
| ZLG   | 12<br>(10)   | 1055          | 1050      | 45                | 36 | 299                          | 313 | 224 | 214 | 198                          | 204 | 210 | 151 | 146 | 142 |
| ZLG   | 14<br>(12.5) | 1075          | 1070      | 44                | 36 | 309                          | 316 | 225 | 220 | 205                          | 208 | 211 | 151 | 148 | 146 |

**ZX/ZY/ZQ/ZL04-14 Unit Accessory Weights**

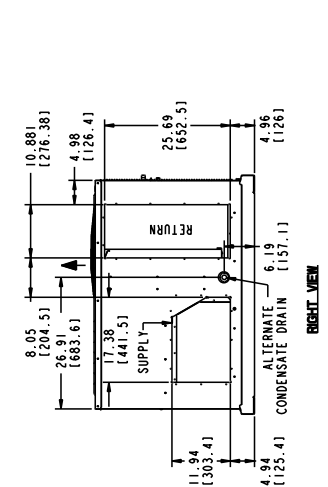
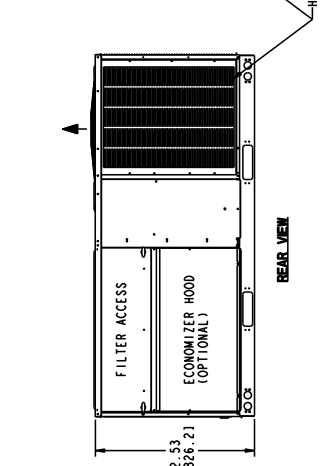
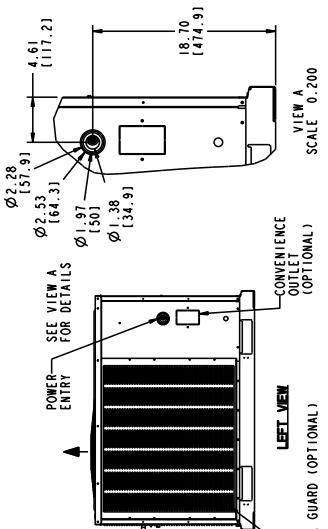
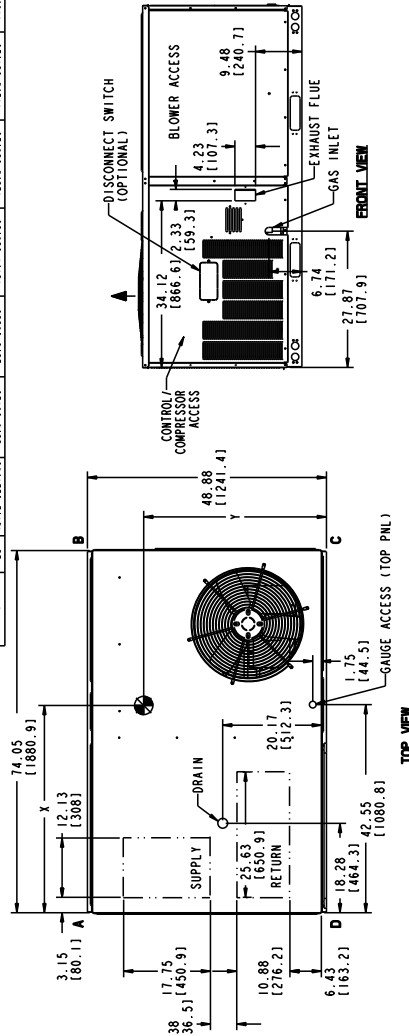
| Unit Accessory  | Weights (lbs.) |
|---|----------------|
| Powered Convenience Outlet Factory installed              | 35             |
| Non-Powered Convenience Outlet Factory Installed          | 10             |
| Vertical Flow Dry Bulb Economizer Small Footprint         | 63             |
| Vertical Flow Dry Bulb Economizer Large Footprint         | 96             |
| Horizontal Flow Dry Bulb Economizer Small Footprint Short | 75             |
| Horizontal Flow Dry Bulb Economizer Small Footprint Tall  | 81             |
| Horizontal Flow Dry Bulb Economizer Large Footprint Short | 105            |
| Horizontal Flow Dry Bulb Economizer Large Footprint Tall  | 102            |
| Power Exhaust Vert Flow Small Footprint                   | 39             |
| Power Exhaust Vert Flow Large Footprint                   | 39             |
| Power Exhaust Horiz Flow Small Footprint                  | 39             |
| Power Exhaust Horiz Flow Large Footprint                  | 39             |
| Hail Guard Kit Small Short Factory Installed              | 19             |
| Hail Guard Kit Small Tall Factory Installed               | 24             |
| Hail Guard Kit Large Short Factory Installed              | 50             |
| Hail Guard Kit Large Tall Factory Installed               | 50             |
| Flue Extension Kit (1FE0414)                              | 15             |
| Flue Extension Kit (1FE0415)                              | 17             |
| Flue Extension Kit (1FE0416)                              | 19             |
| Curb Rigid 14" Small Footprint                            | 145            |
| Curb Rigid 14" Large Footprint                            | 135            |
| Curb Rigid 24" Small Footprint                            | 135            |
| Curb Rigid 24" Large Footprint                            | 135            |

ZXA7, 08-14/ZY04-12/ZQ04-06/ZL08-14 Unit Dimensions

ZY04 and ZQ04-05

| TONNAGE | H N OPERATING HEIGHT (BASE UNIT) |                | CENTER OF GRAVITY LOCATION (BASE UNIT) |             | 4 POINT CORNER LOADS (LESS BASE UNIT) |               |               |             |
|---------|----------------------------------|----------------|--|-------------|---------------------------------------|---------------|---------------|-------------|
|         | T                                | N              | X                                      | Y           | A                                     | B             | C             | D           |
| 3       | 24                               | 468 (2212.7)   | 36.5 (1827)                            | 25.5 (1448) | 122.7 (555.7)                         | 119.8 (543.3) | 111.8 (540.7) | 114.5 (532) |
| 4       | 24                               | 488 (2254.9)   | 36.1 (1917)                            | 25 (1635)   | 129.1 (586.6)                         | 123.3 (581)   | 119.9 (544.4) | 125.5 (557) |
| 5       | 24                               | 530 (2240.4)   | 36.1 (1917)                            | 24.1 (1612) | 132.5 (560.1)                         | 126.5 (574)   | 132.3 (600)   | 138.5 (629) |
| 3       | 27                               | 481 (2218.2)   | 35.6 (1904)                            | 25.2 (1440) | 127.4 (551.8)                         | 118.4 (537.7) | 113.2 (551.4) | 121.8 (553) |
| 3       | 20                               | 450.2 (2204.2) | 34.3 (1822)                            | 26.1 (1683) | 121.2 (555)                           | 117.1 (531.1) | 104.4 (27.1)  | 107.7 (489) |
| 4       | 20                               | 487.2 (2221.0) | 35.9 (1912)                            | 25.8 (1655) | 131.1 (559.5)                         | 123.8 (562.2) | 112.8 (531.2) | 119.4 (542) |

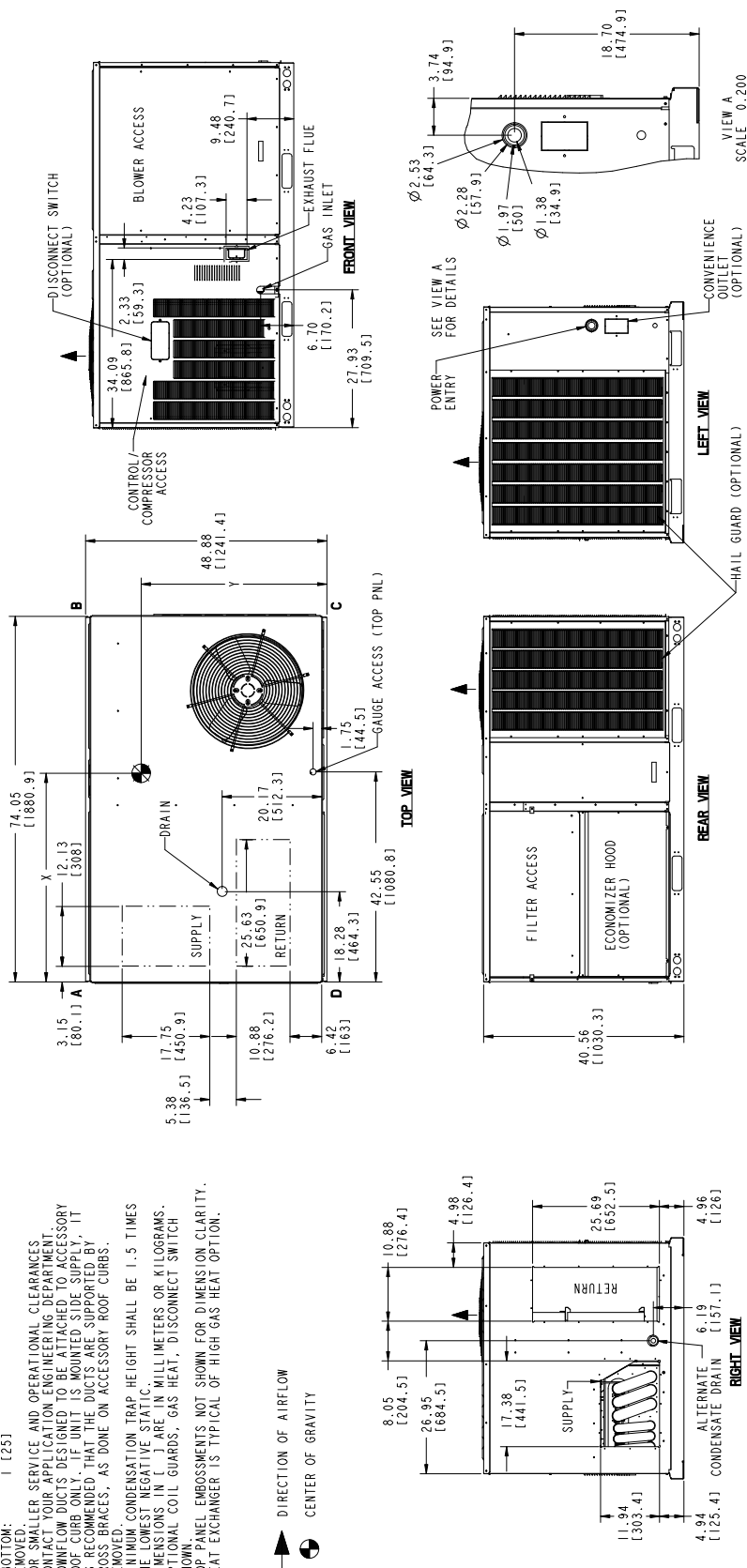
- NOTES:
- FOR OUTDOOR USE ONLY.
  - WEIGHTS SHOWN ARE FOR COOLING ONLY UNITS.
  - REMOVE CURB WITH 1/4" CLEARANCE TO CONDENSATE DRAIN: 24 (600)
  - REMOVE CURB WITH 1/4" CLEARANCE TO CONDENSATE DRAIN: 18 (450)
  - LEFT SIDE: 12 (300) W/F/IGTALL: 18 (450)
  - FRONT: 36 (900)
  - REAR: 18 (450) W/ECONOMIZER/POWER EXHAUST: 36 (900)
  - TOP: 72 (1800)
  - BOTTOM: 1 (25)
  - FOR SUPPLIER SERVICE AND OPERATIONAL CLEARANCES.
  - CONTACT YOUR APPLICATION ENGINEERING DEPARTMENT.
  - DOWNFLOW DUCTS DESIGNED TO BE ATTACHED TO ACCESSORY ROOF CURB ONLY. IF UNIT IS MOUNTED SIDE SUPPLY, IT IS RECOMMENDED THAT THE DUCTS BE SUPPORTED BY CROSS BRACES, AS DONE ON ACCESSORY ROOF CURBS.
  - REMOVE CONDENSATION TRAP HEIGHT SHALL BE 1.5 TIMES THE LOWEST NEGATIVE STATIC.
  - DIMENSIONS IN " ARE IN MILLIMETERS OR KILOGRAMS.
  - OPTIONAL COIL GUARDS, GAS HEAT, DISCONNECT SWITCH SHOWN.
  - TOP PANEL EMBOSSEMENTS NOT SHOWN FOR DIMENSION CLARITY.
  - HEAT EXCHANGER IS TYPICAL OF HIGH GAS HEAT OPTION.



ZY05-06, ZXA7 and ZQ06

| TONNAGE | U<br>I | N<br>I | OPERATING<br>WEIGHT (LBS)<br>(KGS) | CENTER OF GRAVITY<br>LOCATION (BASE UNIT) |            |              | 4 POINT CORNER LOADS (LBS) (BASE UNIT) |              |              |              |
|---------|--------|--------|------------------------------------|---|------------|--------------|--|--------------|--------------|--------------|
|         |        |        |                                    | X   | Y          | Z            | A                                      | B            | C            | D            |
| 4       | 27     | 27     | 584 [265.8]                        | 36.3 [922]                                | 24.9 [632] | 144.9 [65.7] | 139.9 [63.5]                           | 137.1 [62.2] | 142 [64.4]   | 145.7 [66.1] |
| 5       | 27     | 27     | 582 [264]                          | 36.2 [919]                                | 25.1 [638] | 145.1 [65.8] | 139.9 [63.5]                           | 141 [64]     | 146.2 [66.4] | 141 [64]     |
| 6       | ZXA    | ZXA    | 614 [278.8]                        | 34.4 [874]                                | 25.3 [643] | 168.0 [76.3] | 146.0 [66.3]                           | 139.0 [63.1] | 160.0 [72.8] | 160.0 [72.8] |

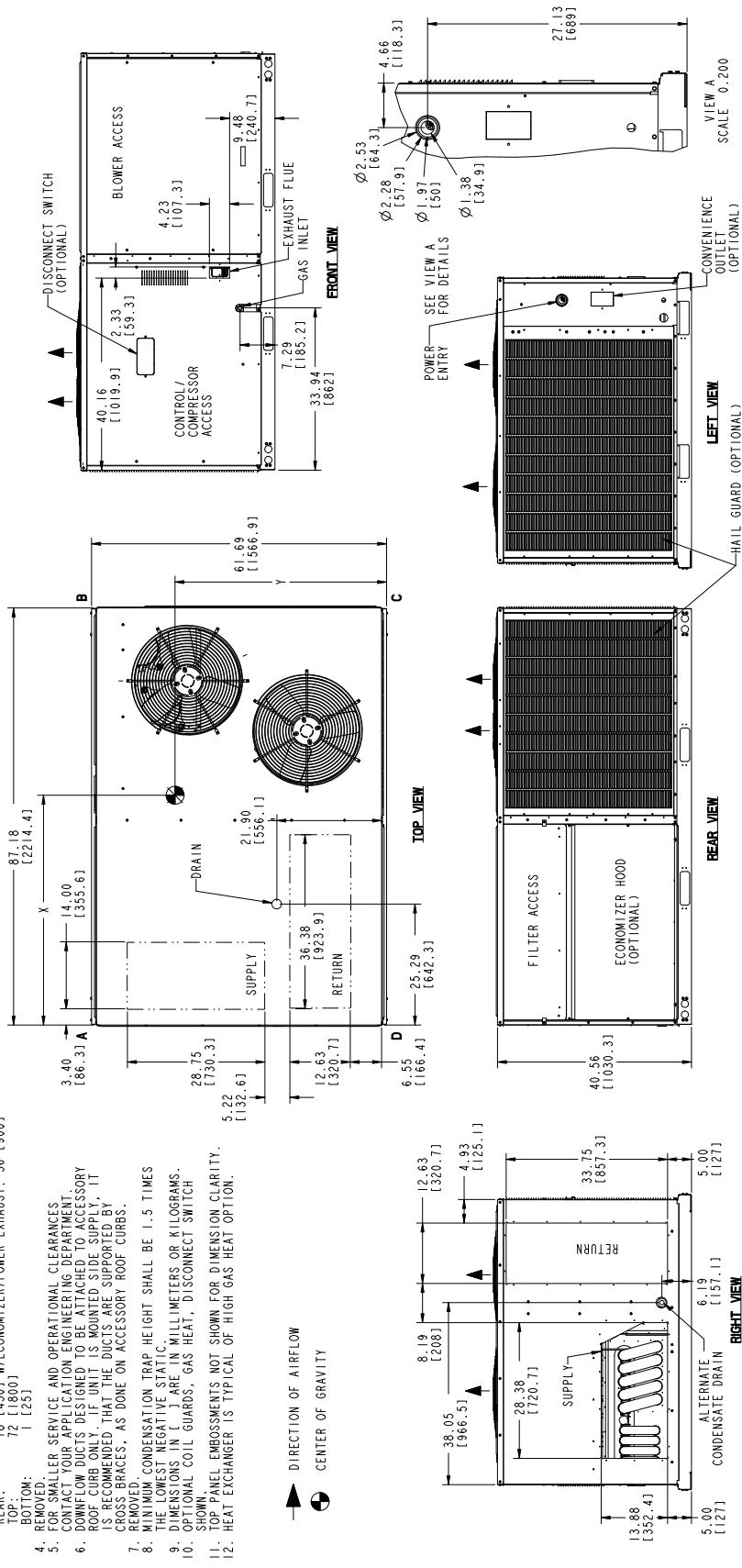
- NOTES:
- FOR OUTDOOR USE ONLY.
  - WEIGHTS SHOWN ARE FOR COOLING ONLY UNITS.
  - RECOMMENDED MIN. CLEARANCES:  
RIGHT SIDE: 18 [450] W/SIDE CONDENSATE DRAIN: 24 [600]  
LEFT SIDE: 12 [300] W/P IGTAIL: 18 [450]  
FRONT: 36 [900]  
REAR: 36 [900] W/ECONOMIZER/POWER EXHAUST: 36 [900]  
YEAR: 72 [1800]
  - REMOVED.
  - FOR SMALLER SERVICE AND OPERATIONAL CLEARANCES  
CONTACT YOUR APPLICATION ENGINEERING DEPARTMENT.
  - DOWNFLOW DUCTS DESIGNED TO BE ATTACHED TO ACCESSORY  
ROOF CURB ONLY. IF UNIT IS MOUNTED SIDE SUPPLY, IT  
IS RECOMMENDED THAT THE DUCTS ARE SUPPORTED BY  
CROSS BRACES, AS DONE ON ACCESSORY ROOF CURBS.
  - REMOVED.
  - MINIMUM CONDENSATION TRAP HEIGHT SHALL BE 1.5 TIMES  
THE LOWEST NEGATIVE STATIC.
  - DIMENSIONS IN [ ] ARE IN MILLIMETERS OR KILOGRAMS.
  - SHOW COIL GUARDS, GAS HEAT, DISCONNECT SWITCH
  - TOP PANEL EMBROSSMENTS NOT SHOWN FOR DIMENSION CLARITY.
  - HEAT EXCHANGER IS TYPICAL OF HIGH GAS HEAT OPTION.



ZX08, ZY07, and ZYA7

| TONNAGE | U<br>T | OPERATING WEIGHT (LBS) (BASE UNIT) | CENTER OF GRAVITY LOCATION (BASE UNIT) |              |             |               |              |              |
|---------|--------|------------------------------------|--|--------------|-------------|---------------|--------------|--------------|
|         |        |                                    | X                                      | Y            | A           | B             |              |              |
| 6       | ZYA    | 829 (376.4)                        | 45 (11.43)                             | 35.3 (896.6) | 229 (104.0) | 244 (110.8)   | 183 (83.1)   | 172 (78.1)   |
| 7.5     | ZX     | 791 (358.8)                        | 46.7 (11.86)                           | 36.2 (819)   | 213.9 (97)  | 247.9 (112.4) | 176.6 (80.1) | 192.4 (89.2) |

- NOTES:
- FOR OUTDOOR USE ONLY.
  - WEIGHTS SHOWN ARE FOR COOLING ONLY UNITS.
  - RECOMMENDED MIN. CLEARANCES:  
RIGHT SIDE: 18 (450) W/SIDE CONDENSATE DRAIN: 24 (600)  
LEFT SIDE: 12 (300) W/PIGTAIL: 18 (450)  
FRONT: 48 (1200)  
REAR: 18 (450) W/ECONOMIZER/POWER EXHAUST: 36 (900)  
TOP: 72 (1800)  
BOTTOM: 1 (25)
  - REMOVED.
  - OR SMALLER SERVICE AND OPERATIONAL CLEARANCES.  
CONDENSATE DRAIN AND ECONOMIZER HOOD (OPTIONAL) ARE NOT TO BE INSTALLED ON ROOF CURB ONLY. THE UNIT IS MOUNTED SIDE SUPPLY, IT IS RECOMMENDED THAT THE DUCTS ARE SUPPORTED BY CROSS BRACES, AS DONE ON ACCESSORY ROOF CURBS.
  - REMOVED.
  - MINIMUM CONDENSATION TRAP HEIGHT SHALL BE 1.5 TIMES THE LOWEST NEGATIVE STATIC.
  - DIMENSIONS IN ( ) ARE IN MILLIMETERS OR KILOGRAMS.
  - OPTIONAL COIL GUARDS, GAS HEAT, DISCONNECT SWITCH SHOWN.
  - TOP PANEL EMBOSSEMENTS NOT SHOWN FOR DIMENSION CLARITY.
  - HEAT EXCHANGER IS TYPICAL OF HIGH GAS HEAT OPTION.

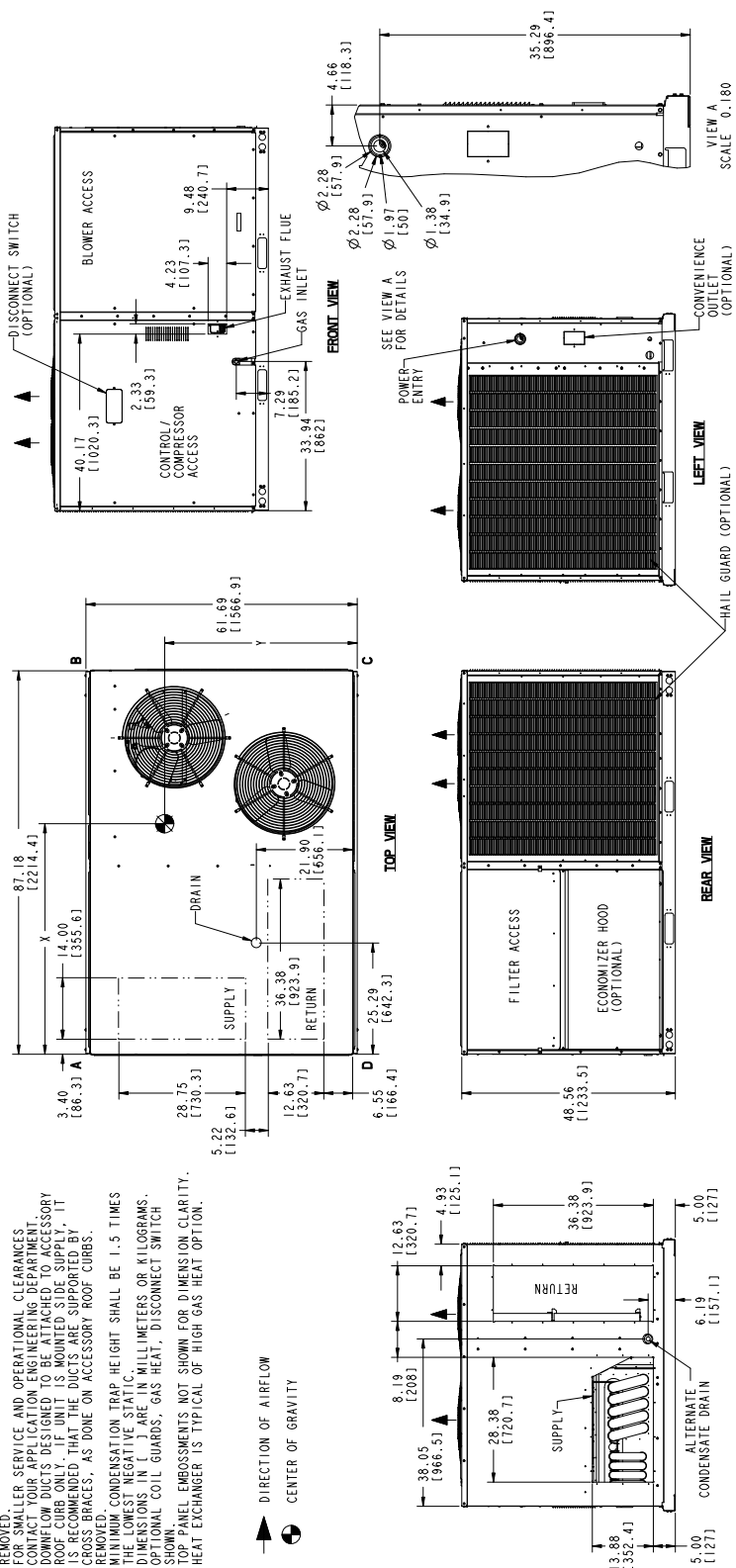




ZX09/12, ZY08/09 and ZL08/09

| TONNAGE | U  | N  | OPERATING WEIGHT (LBS) | CENTER OF GRAVITY LOCATION (BASE UNIT) |              |               |               | 4 POINT CORNER LOADS (LBS) (BASE UNIT) |              |  |  |
|---------|----|----|------------------------|--|--------------|---------------|---------------|--|--------------|--|--|
|         |    |    |                        | X                                      | Y            | A             | B             | C                                      | D            |  |  |
| 7.5     | ZL | ZL | 920 [417.3]            | 45.1 [1145.5]                          | 36.7 [892.2] | 262.3 [119]   | 282.3 [128.1] | 184.5 [84.2]                           | 180.8 [82]   |  |  |
| 8.5     | ZL | ZL | 925 [419.6]            | 45.6 [1159.2]                          | 36.3 [892.2] | 257.7 [117]   | 282.8 [128.8] | 201.0 [92.3]                           | 182.5 [83.8] |  |  |
| 8.5     | ZL | ZL | 852 [386.2]            | 46.3 [1178]                            | 35.8 [899.5] | 236.1 [106.4] | 281.8 [128.8] | 191.8 [88.3]                           | 185.1 [84.4] |  |  |
| 10      | ZL | ZL | 879 [398.7]            | 46 [1168]                              | 36.2 [894]   | 241.8 [109.1] | 271.3 [123.1] | 195.3 [88.7]                           | 172.3 [78.2] |  |  |
| 7.5     | ZL | ZL | 818 [368.3]            | 46.2 [1173]                            | 36 [894]     | 239 [108.4]   | 270.7 [122.8] | 195.5 [88.7]                           | 172.8 [78.3] |  |  |
| 8.5     | ZL | ZL | 819 [368.3]            | 45.6 [1158]                            | 35.7 [890]   | 240.3 [109.1] | 264.9 [120.2] | 195.2 [88.5]                           | 177.2 [80.4] |  |  |

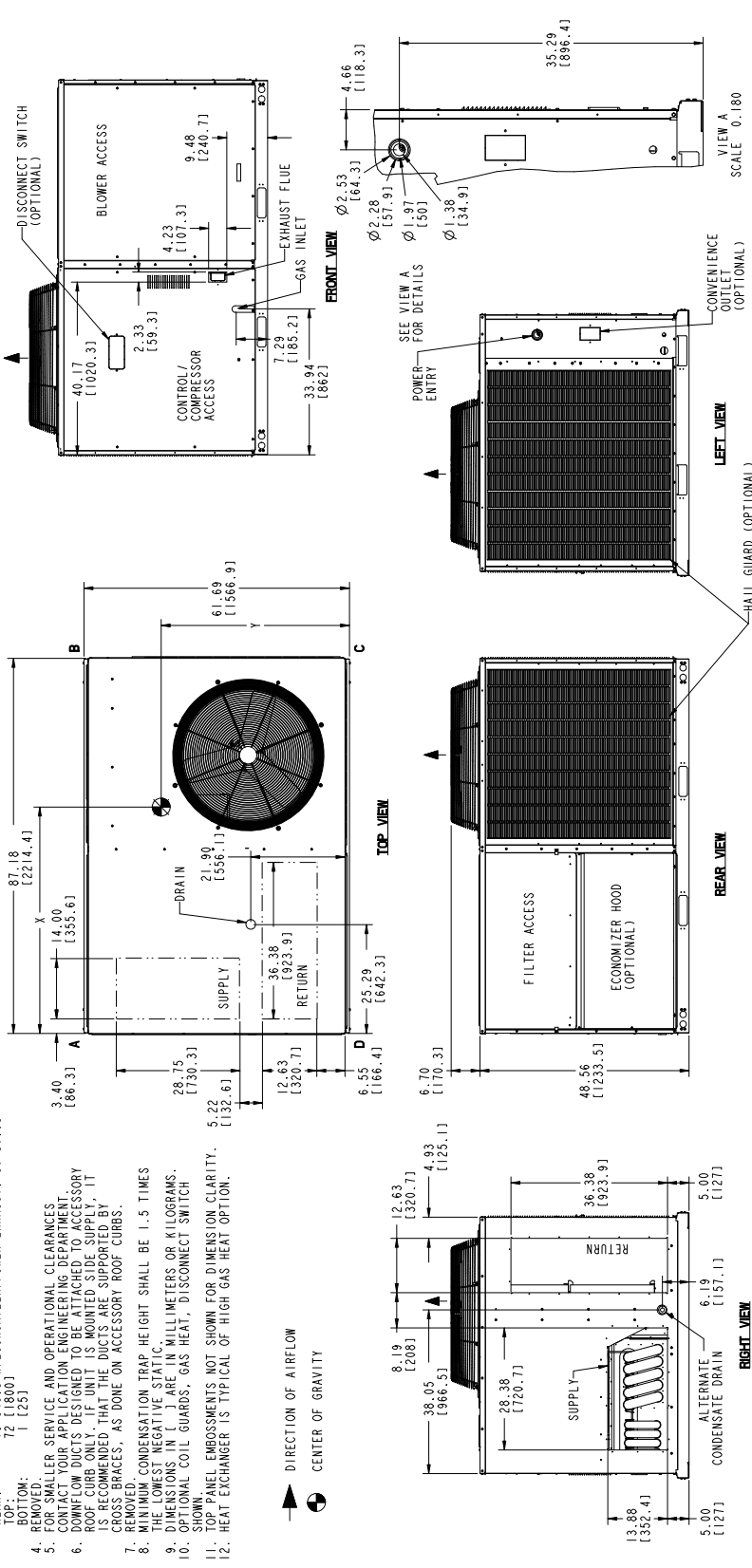
- NOTES:
- FOR OUTDOOR USE ONLY.
  - WEIGHTS SHOWN ARE FOR COOLING ONLY UNITS.
  - RECOMMENDED MIN. CLEARANCES:  
 FLOOR SIDE: 18 [430] W/SIDE CONDENSATE DRAIN: 24 [600]  
 FRONT SIDE: 48 [1200]  
 REAR: 18 [450] W/ECONOMIZER/POWER EXHAUST: 36 [900]  
 TOP:  
 BOTTOM:  
 1 [25]  
 4. FOR SMALLER SERVICE AND OPERATIONAL CLEARANCES:  
 5. THE LOWEST NEGATIVE STATIC HEAD CLEARANCE SHALL BE 1.5 TIMES THE LOWEST NEGATIVE STATIC HEAD CLEARANCE.  
 6. DOWNFLOW COIL DESIGN ON ENGINEERING DRAWINGS IS RECOMMENDED FOR ROOF CURB ONLY. THE UNIT IS MOUNTED SIDE SUPPLY, IT IS RECOMMENDED THAT THE DUCTS ARE SUPPORTED BY CROSS BRACES, AS DONE ON ACCESSORY ROOF CURBS.  
 7. REMOVED.  
 8. MINIMUM CONDENSATION TRAP HEIGHT SHALL BE 1.5 TIMES THE LOWEST NEGATIVE STATIC HEAD CLEARANCE.  
 9. THE LOWEST NEGATIVE STATIC HEAD CLEARANCE SHALL BE 1.5 TIMES THE LOWEST NEGATIVE STATIC HEAD CLEARANCE.  
 10. OPTIONAL COIL GUARDS, GAS HEAT, DISCONNECT SWITCH IS SHOWN.  
 11. TOP PANEL EMBOSMENTS NOT SHOWN FOR DIMENSION CLARITY.  
 12. HEAT EXCHANGER IS TYPICAL OF HIGH GAS HEAT OPTION.



ZX14, ZY12 and ZL12/14

| TONNAGE | U<br>N | OPERATING WEIGHT (LBS) (BASE UNIT) | CENTER OF GRAVITY LOCATION (BASE UNIT) |              |               |               | 4 POINT CORNER LOADS (LBS) (BASE UNIT) |              |  |  |
|---------|--------|------------------------------------|--|--------------|---------------|---------------|--|--------------|--|--|
|         |        |                                    | X                                      | Y            | A             | B             | C                                      | D            |  |  |
| 10      | ZL     | 955 (433.2)                        | 45.8 (1163.3)                          | 35.4 (889.2) | 258.2 (117.1) | 283.1 (130.2) | 215.7 (97.8)                           | 194.0 (88.0) |  |  |
| 12.5    | ZL     | 986 (444.5)                        | 44 (1117.6)                            | 35.4 (889.2) | 216.6 (125.5) | 283.0 (130.4) | 212.6 (96.4)                           | 207.8 (94.3) |  |  |
| 12.5    | ZX     | 941 (426.8)                        | 45 (1143)                              | 36.2 (893)   | 265.2 (120.3) | 284.1 (130.9) | 202.5 (91.9)                           | 188 (85.3)   |  |  |
| 10      | ZT     | 902 (409.1)                        | 46.8 (1189)                            | 35.5 (892)   | 238.5 (108.2) | 271.8 (126)   | 207.3 (94.1)                           | 178.1 (80.8) |  |  |

- NOTES:
- FOR OUTDOOR USE ONLY.
  - WEIGHTS SHOWN ARE FOR COOLING ONLY UNITS.
  - RECOMMENDED MIN. CLEARANCES:  
RIGHT SIDE: 15 (450) W/SIDE CONDENSATE DRAIN: 24 (600)  
FRONT: 48 (1200) W/FILTER: 18 (450)  
REAR: 18 (450) W/ECONOMIZER/POWER EXHAUST: 36 (900)  
TOP: 72 (1800)  
BOTTOM: 1 (25)
  - REMOVED.
  - FOR SMALLER SERVICE AND OPERATIONAL CLEARANCES CONTACT YOUR APPLICATION ENGINEERING DEPARTMENT.
  - DOWNFLOW UNITS DESIGNED TO BE INSTALLED ON ROOFS. DOWNFLOW UNITS DESIGNED TO BE INSTALLED ON ROOFS. IT IS RECOMMENDED THAT THE DUCTS ARE SUPPORTED BY CROSS BRACES, AS DONE ON ACCESSORY ROOF CURBS.
  - REMOVED.
  - MINIMUM CONDENSATION TRAP HEIGHT SHALL BE 1.5 TIMES THE LOWEST NEGATIVE STATIC.
  - DIMENSIONS IN ( ) ARE IN MILLIMETERS OR KILOGRAMS.
  - OPTIONAL COIL GUARDS, GAS HEAT, DISCONNECT SWITCH.
  - TOP PANEL EMBOSSEMENTS NOT SHOWN FOR DIMENSION CLARITY.
  - HEAT EXCHANGER IS TYPICAL OF HIGH GAS HEAT OPTION.



**ZY04-06, ZXA7, and ZQ04-06 Unit Clearances**

| Direction        | Distance (in.)                   | Direction           | Distance (in.) |
|------------------|----------------------------------|---------------------|----------------|
| Top <sup>1</sup> | 72                               | Right               | 18             |
| Front            | 36                               | Left                | 12             |
| Rear             | 18 <sup>2</sup> /36 <sup>3</sup> | Bottom <sup>4</sup> | 1              |

1. Units must be installed outdoors. Over hanging structure or shrubs should not obscure condenser air discharge outlet.
2. Units without economizer or power exhaust.
3. Units equipped with an Economizer or Power Exhaust. Flue products must not be discharged within 10 Feet of the rear of the unit.
4. Units may be installed on combustible floors made from wood or class A, B or C roof covering materials.

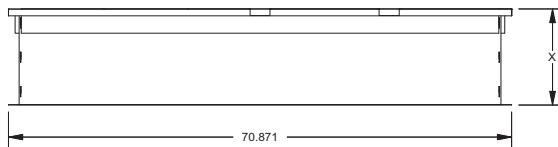
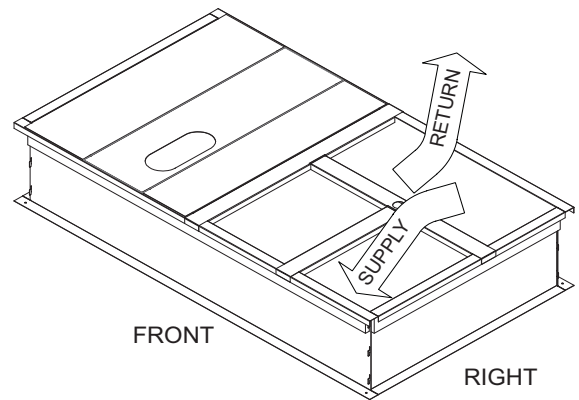
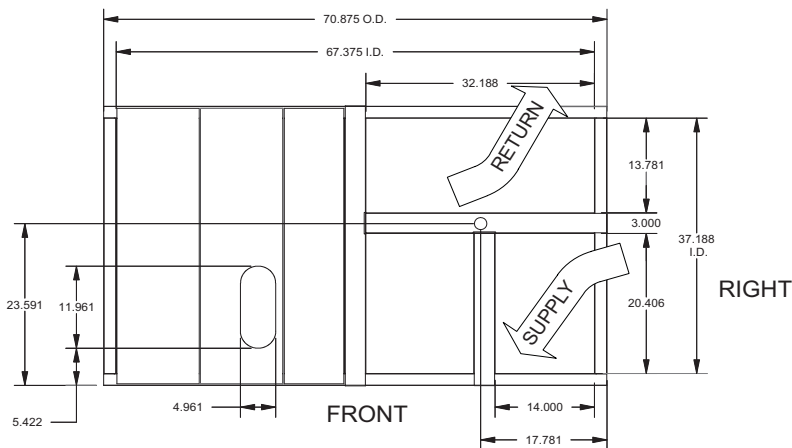
**ZX08-14, ZY07-12, ZL08-14 Unit Clearances**

| Direction        | Distance (in.)                   | Direction           | Distance (in.) |
|------------------|----------------------------------|---------------------|----------------|
| Top <sup>1</sup> | 72                               | Right               | 18             |
| Front            | 48                               | Left                | 12             |
| Rear             | 18 <sup>2</sup> /36 <sup>3</sup> | Bottom <sup>4</sup> | 1              |

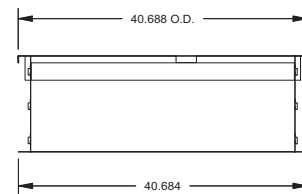
1. Units must be installed outdoors. Over hanging structure or shrubs should not obscure condenser air discharge outlet.
2. Units without economizer or power exhaust.
3. Units equipped with an Economizer or Power Exhaust. Flue products must not be discharged within 10 Feet of the rear of the unit.
4. Units may be installed on combustible floors made from wood or class A, B or C roof covering materials.

**ZXA7-14/ZY04-12/ZQ04-06/ZL08-14 Unit Roof Curb Dimensions**

**1RC0456, 1RC0458 Roof Curb Dimensions**



1RC0456 X= 14" Height  
 1RC0458 X= 24" Height



**Notes:**

1. Sides, ends and cross support are 18-G90. Deck pans, R/A & S/A supports are 20-G90.
2. Full perimeter wood nailer.
3. Insulated deck pans.

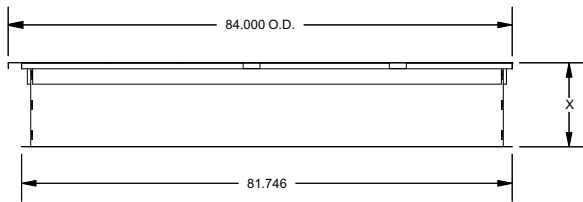
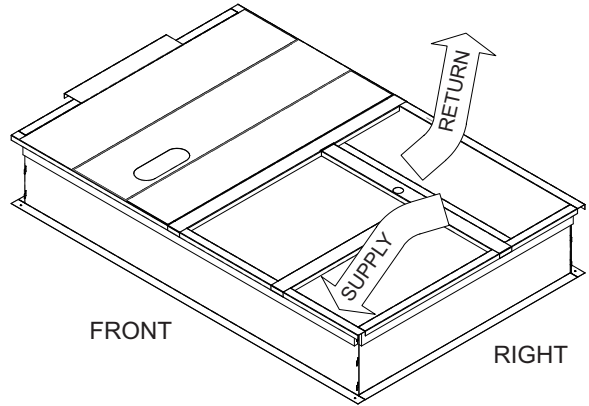
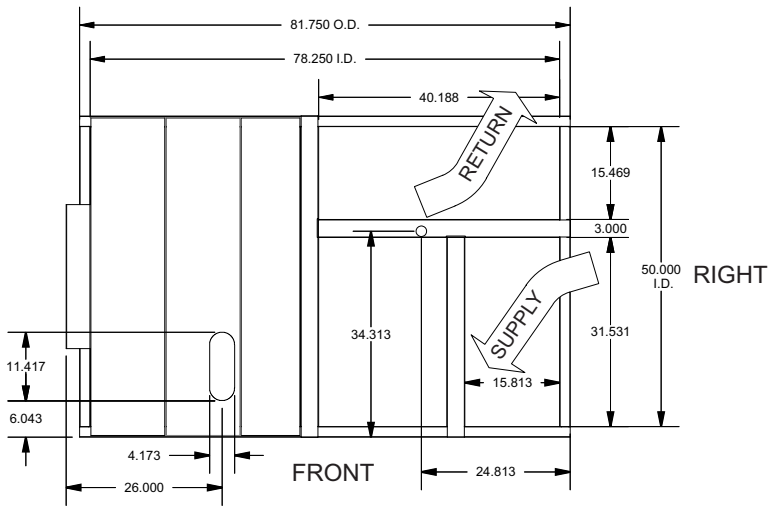
**Unit Models used with 1RC0456, 1RC0458 Roof Curb**

|      |      |      |
|------|------|------|
| ZY04 | ZQ04 | ZXA7 |
| ZY05 | ZQ05 |      |
| ZY06 | ZQ06 |      |

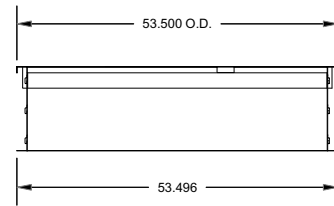
**NOTE:** If utilities are required thru the base of the unit or thru the roof curb the following field installed accessories can be purchased thru your dealer or contractor:

- 1TB0401 - Thru the base electrical and thru the curb gas
- 1TB0403 - Thru the base electrical and gas

**1RC0457, 1RC0459 Roof Curb Dimensions**



1RC0457 X= 14" Height  
 1RC0459 X= 24" Height



**Notes:**

1. Sides, ends, unit locator and cross support are 18-G90. Deck pans, R/A & S/A supports are 20-G90.
2. Full perimeter wood nailer.
3. Insulated deck pans.

**Unit Models used with 1RC0457, 1RC0459 Roof Curb**

|      |      |      |
|------|------|------|
|      | ZYA7 |      |
| ZX08 | ZY07 | ZL08 |
| ZX09 | ZY08 | ZL09 |
| ZX12 | ZY09 | ZL12 |
| ZX14 | ZY12 | ZL14 |

**NOTE:** If utilities are required thru the base of the unit or thru the roof curb the following field installed accessories can be purchased thru your dealer or contractor:

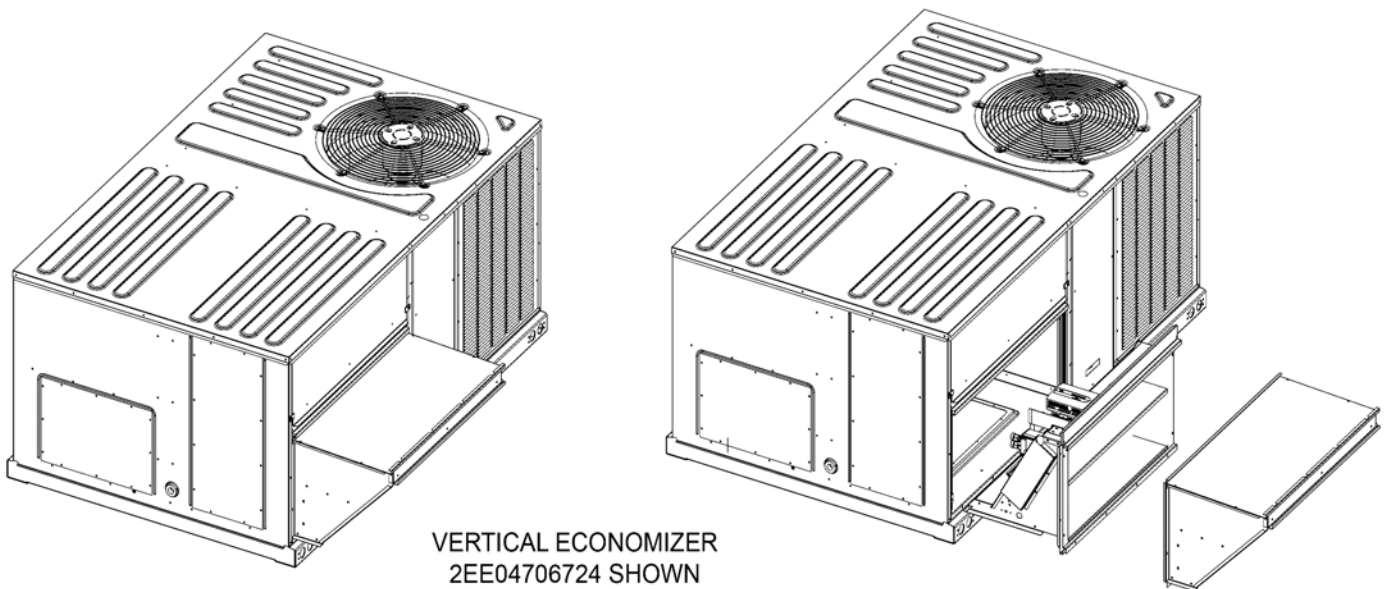
- 1TB0402 - Thru the base electrical and thru the curb gas
- 1TB0404 - Thru the base electrical and gas

## Economizer Options

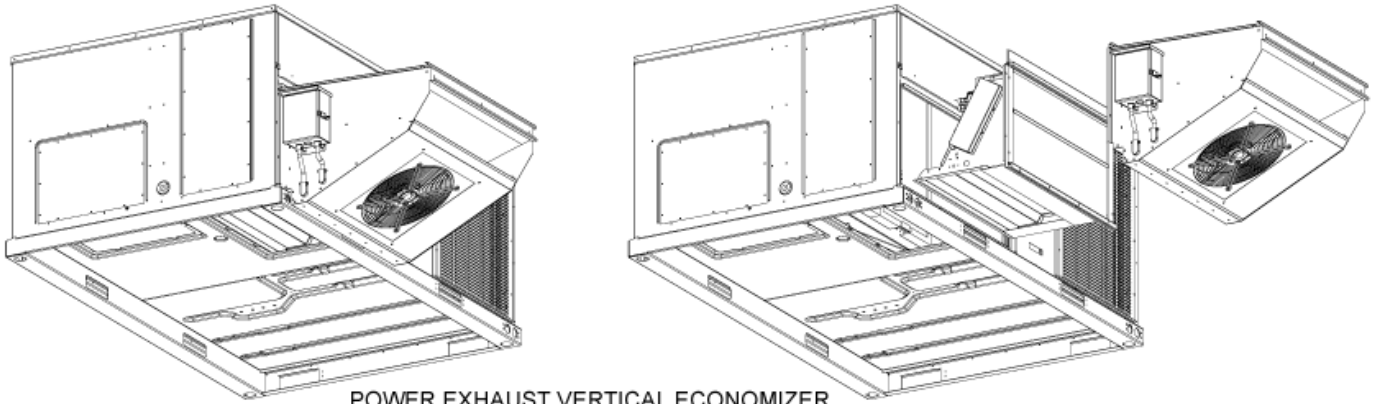
### Economizer Usage

| Application                   | Description   | Accessory Kit Number |
|-------------------------------|---|----------------------|
| Economizer Vertical Flow      | Econ, DB, Vertical Flow, Small Footprint                  | 2EE04706724          |
|                               | Econ, DB, Vertical Flow, Large Footprint                  | 2EE04706824          |
| Economizer Horizontal Flow    | Econ, DB, Horizontal Flow, Small Footprint, Short Cabinet | 2EE04707024          |
|                               | Econ, DB, Horizontal Flow, Small Footprint, Tall Cabinet  | 2EE04707124          |
|                               | Econ, DB, Horizontal Flow, Large Footprint, Short Cabinet | 2EE04707224          |
|                               | Econ, DB, Horizontal Flow, Large Footprint, Tall Cabinet  | 2EE04707324          |
| Power Exhaust Vertical Flow   | Power Exhaust Vert Flow Small Footprint 208V-230V 1-ph    | 2PE04704206          |
|                               | Power Exhaust Vert Flow Small Footprint 208V-230V 3-ph    | 2PE04704225          |
|                               | Power Exhaust Vert Flow Small Footprint 460V 3-ph         | 2PE04704246          |
|                               | Power Exhaust Vert Flow Small Footprint 575V 3-ph         | 2PE04704258          |
|                               | Power Exhaust Vert Flow Large Footprint 208V-230V 1-ph    | 2PE04704306          |
|                               | Power Exhaust Vert Flow Large Footprint 208V-230V 3-ph    | 2PE04704325          |
|                               | Power Exhaust Vert Flow Large Footprint 460V 3-ph         | 2PE04704346          |
|                               | Power Exhaust Vert Flow Large Footprint 575V 3-ph         | 2PE04704358          |
| Power Exhaust Horizontal Flow | Power Exhaust Horiz Flow Small Footprint 208V-230V 1-ph   | 2PE04704406          |
|                               | Power Exhaust Horiz Flow Small Footprint 208V-230V 3-ph   | 2PE04704425          |
|                               | Power Exhaust Horiz Flow Small Footprint 460V 3-ph        | 2PE04704446          |
|                               | Power Exhaust Horiz Flow Small Footprint 575V 3-ph        | 2PE04704458          |
|                               | Power Exhaust Horiz Flow Large Footprint 208V-230V 1-ph   | 2PE04704506          |
|                               | Power Exhaust Horiz Flow Large Footprint 208V-230V 3-ph   | 2PE04704525          |
|                               | Power Exhaust Horiz Flow Large Footprint 460V 3-ph        | 2PE04704546          |
|                               | Power Exhaust Horiz Flow Large Footprint 575V 3-ph        | 2PE04704558          |

### Field Installed Vertical Flow Economizer

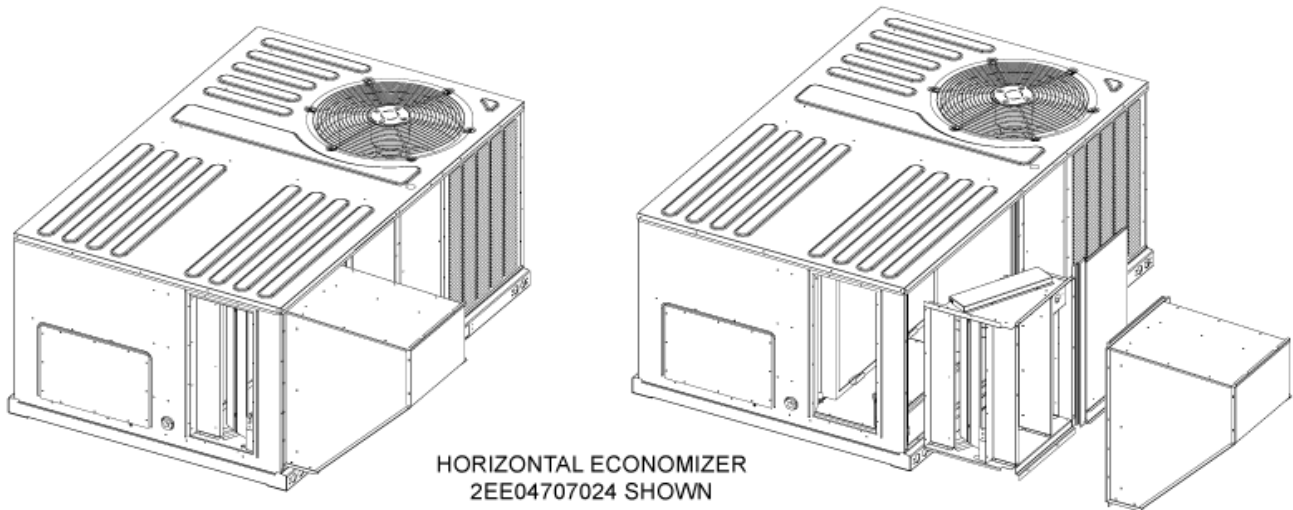


**Field Installed Vertical Flow Economizer W/Power Exhaust**



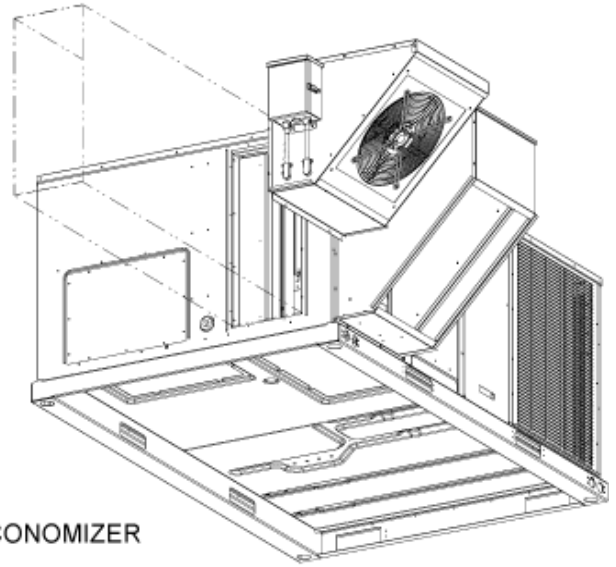
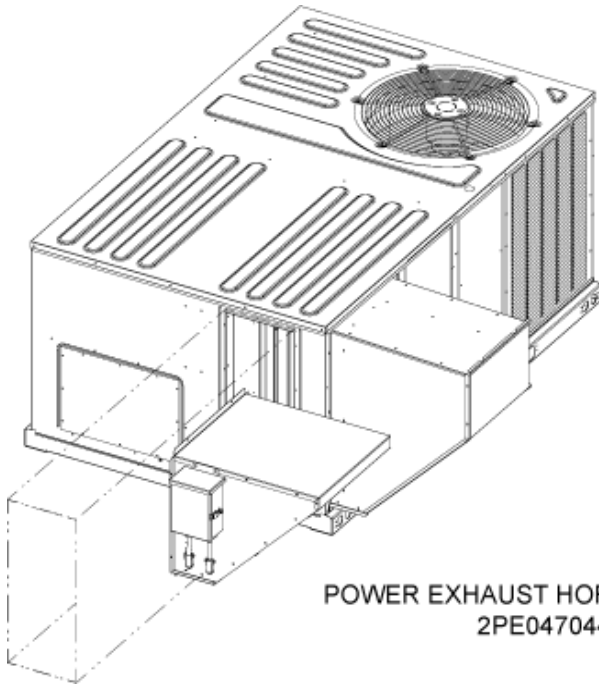
POWER EXHAUST VERTICAL ECONOMIZER  
2PE04704206 SHOWN

**Field Installed Horizontal Flow Economizer**



HORIZONTAL ECONOMIZER  
2EE04707024 SHOWN

Field Installed Horizontal Flow Economizer W/Power Exhaust



POWER EXHAUST HORIZONTAL ECONOMIZER  
2PE04704406 SHOWN

## Guide Specifications

### DUCTED SYSTEMS GUIDE MECHANICAL SPECIFICATIONS SINGLE PACKAGE AIR CONDITIONERS

3 THRU 12-1/2 NOMINAL TONS

#### Core SERIES

Size Range: 3 to 12-1/2 Tons Nominal Cooling

45,000 to 200,000 BTUH Nominal Gas Heating Output

Model Series: ZX, ZY, ZQ & ZL

## DIVISION 23 – HEATING, VENTILATING, AND AIR-CONDITIONING (HVAC)

**Number**    **Title**

### 23 00 00 HEATING, VENTILATING, AND AIR-CONDITIONING (HVAC)

**23 06 00 Schedules for HVAC**

**23 06 80 Schedules for Decentralized HVAC Equipment**

23 06 80.13 Decentralized Unitary HVAC Equipment Schedule

23 06 80.13.A. Rooftop unit schedule

**23 07 00 HVAC Insulation**

**23 07 16 HVAC Equipment Insulation**

23 07 16.13 Decentralized, Rooftop Units:

23 07 16.13.A. Evaporator fan compartment:

1. Interior cabinet surfaces shall be insulated with a minimum 1/2- in. thick, minimum 1 1/2 lb density, flexible fiberglass insulation coated on the air side.
2. Insulation and adhesive shall meet NFPA 90A requirements for flame spread and smoke generation.

23 07 16.13.B. Gas heat compartment:

1. Aluminum foil- faced fiberglass insulation shall be used.
2. Insulation and adhesive shall meet NFPA 90A requirements for flame spread and smoke generation.

**23 09 00 Instrumentation and Control for HVAC**

**23 09 13 Instrumentation and Control Devices for HVAC**

23 09 13.23 Sensors and Transmitters



## 23 09 13.23.A. Thermostats

1. Thermostat must
  - a. energize "G" when calling for fan only or continuous fan.
  - b. have capability to energize 2 different stages of cooling, and 2 different stages of heating.
  - c. include capability for occupancy scheduling.

**23 09 23 Direct- digital Control system for HVAC**

## 23 09 23.13 Decentralized, Rooftop Units:

## 23 09 23.13.A. Smart Equipment™ (Unit based microprocessor control)

1. Shall be ASHRAE 62 compliant.
  2. Shall include an integrated economizer controller to support an economizer with 2 to 10 v DC actuator input.
  3. Controller shall accept the following inputs: space temperature, setpoint adjustment, outdoor air temperature, indoor air quality, outdoor air quality, indoor relative humidity, compressor lockout, fire shutdown, enthalpy, fan status, remote time clock/door switch.
  4. Shall accept a CO2 sensor in the conditioned space, and be Demand Control Ventilation ready.
  5. Unit shall provide surge protection for the controller through a circuit breaker.
  6. Shall have an LED display independently showing the status of activity on the communication bus, and processor operation.
  7. Software upgrades will be accomplished by local download. Software upgrades through chip replacements are not allowed.
- A. Unit shall be complete with self-contained low-voltage control circuit protected by a resettable circuit breaker on the 24-volt transformer side.
  - B. Unit shall incorporate a lockout circuit which provides reset capability at the space thermostat or base unit should any of the following standard safety devices trip and shut off compressor:
    - C. Loss-of-charge/Low-pressure switch.
    - D. High-pressure switch.
    - E. Freeze-protection temperature sensor, evaporator coil. If any of the above safety devices trip, an LED (light-emitting diode) indicator shall flash a diagnostic code that indicates which safety switch has tripped.
    - F. Unit shall incorporate "AUTO RESET" compressor over temperature, over current protection.
    - G. Unit shall operate with conventional thermostat designs and have a low voltage terminal strip for easy hook-up.
    - H. Unit control board shall have on-board diagnostics and fault code display.
    - I. Standard controls shall include anti-short cycle and low voltage protection, and permit cooling operation down to 0 °F.
    - J. Control board shall monitor each refrigerant safety switch independently.
    - K. Control board shall retain last 5 fault codes in non-volatile memory, which will not be lost in the event of a power loss.
- 23 09 23.13.B. RTU Open - multi- protocol, direct digital controller:
    1. Shall be ASHRAE 62 compliant.
    2. Shall include built- in protocol for BACNET , Modbus , and Johnson N2.
    3. Shall allow access of up to 62 network variables (SNVT). Shall be compatible with all open controllers
    4. Baud rate Controller shall be selectable using a dip switch.
    5. Shall have an LED display independently showing the status of serial communication, running, errors, power, all digital outputs, and all analog inputs.

6. Shall accept the following inputs: space temperature, setpoint adjustment, outdoor air temperature, indoor air quality, outdoor air quality, compressor lock- out, fire shutdown, enthalpy switch, and fan status/filter status/ humidity/ remote occupancy.
7. Software upgrades will be accomplished by either local or remote download. No software upgrades through chip replacements are allowed.

### **23 09 33 Electric and Electronic Control System for HVAC**

23 09 33.13 Decentralized, Rooftop Units:

23 09 33.13.A. General:

1. Shall be complete with self- contained low- voltage control circuit protected by a resettable circuit breaker on the 24- v transformer side. Transformer shall have 75VA capability.
2. Shall utilize color- coded wiring.
3. Shall include a central control terminal board to conveniently and safely provide connection points for vital control functions such as: smoke detectors, phase monitor, gas controller, economizer, thermostat, DDC control options, and low and high pressure switches.
4. The heat exchanger shall be controlled by an integrated gas controller (IGC) microprocessor. See heat exchanger section of this specification.

23 09 33.23.B. Safeties:

1. Compressor over- temperature, over- current. High internal pressure differential.
2. Low- pressure switch.
  - a. Units with 2 compressors shall have different sized connectors for the circuit 1 and circuit 2 **low and high** pressure switches. They shall physically prevent the cross- wiring of the safety switches between circuits 1 and 2.
  - b. Low pressure switch shall use different color wire than the high pressure switch. The purpose is to assist the installer and service technician to correctly wire and or troubleshoot the rooftop unit.
3. High- pressure switch.
  - a. Units with 2 compressors shall have different sized connectors for the circuit 1 and circuit 2 **low and high** pressure switches. They shall physically prevent the cross- wiring of the safety switches between circuits 1 and 2.
  - b. High pressure switch shall use different color wire than the low pressure switch. The purpose is to assist the installer and service technician to correctly wire and or troubleshoot the rooftop unit.
4. Automatic reset, motor thermal overload protector.
5. Heating section shall be provided with the following minimum protections:
  - a. High- temperature limit switches.
  - b. Induced draft motor speed sensor.
  - c. Flame roll-out switch.
  - d. Flame proving controls

### **23 40 13 Panel Air Filters**

23 40 13.13 Decentralized, Rooftop Units:

23 40 13.13.A. Standard filter section

1. Shall consist of factory- installed, low velocity, disposable 2" or 4" thick fiberglass filters of commercially available sizes.
2. Units can accept 2" or 4" filters and have a field convertible toolless filter rack
3. Filters shall be accessible through an access panel with toolless removal as described in the unit cabinet section of this specification (23 81 19.13.H).

### **23 81 19 Self- Contained Air Conditioners**

### 23 81 19.13 Small- Capacity Self- Contained Air Conditioners

#### 23 81 19.13.A. General

1. Outdoor, rooftop mounted, electrically controlled, heating and cooling unit utilizing a fully hermetic scroll compressor(s) for cooling duty and gas combustion for heating duty.
2. Factory assembled, single- piece heating and cooling rooftop unit. Contained within the unit enclosure shall be all factory wiring, piping, controls, and special features required prior to field start- up.
3. Unit shall use environmentally sound, R-410A refrigerant.
4. Unit shall be installed in accordance with the manufacturer's instructions.
5. Unit must be selected and installed in compliance with local, state, and federal codes.

#### 23 81 19.13.B. Quality Assurance

1. Unit meets ASHRAE 90.1 minimum efficiency requirements.
2. Unit shall be rated in accordance with AHRI Standards 210/240 or 340/360.
3. Unit shall be designed to conform to ASHRAE 15.
4. Unit shall be UL- tested and certified in accordance with ANSI Z21.47 -2012/CSA 2.3-2012, CSA C22.2 No. 236-11 (UL 1995) 4th edition and CSA C22.2 No. 3 - M 1988.
5. Insulation and adhesive shall meet NFPA 90A requirements for flame spread and smoke generation.
6. Unit casing shall be capable of withstanding 750-hour salt spray exposure per ASTM B117 (scribed specimen).
7. Unit shall be designed in accordance with ISO 9001, and shall be manufactured in a facility registered by ISO 9001.
8. Roof curb shall be designed to conform to NRCA Standards.
9. Unit shall be subjected to a completely automated run test on the assembly line. The data for each unit will be stored at the factory, and must be available upon request.
10. Unit shall be designed in accordance with UL Standard 1995, including tested to withstand rain.
11. Unit shake tested to assurance level 1, ASTM D4169 to ensure shipping reliability.
12. High Efficient Motors listed shall meet section 313 of the Energy Independence and Security Act of 2007 (EISA 2007).

#### 23 81 19.13.C. Delivery, Storage, and Handling

1. Unit shall be stored and handled per manufacturer's recommendations.

#### 23 81 19.13.E. Project Conditions

1. As specified in the contract.

#### 23 81 19.13.F. Operating Characteristics

1. Unit shall be capable of starting and running at 125°F (52°C) ambient outdoor temperature, meeting maximum load criteria of AHRI Standard 210/240 or 340/360 at ± 10% voltage.
2. Compressor with standard controls shall be capable of operation down to 0°F (2°C), ambient outdoor temperatures. See below for head pressure control package or winter start kit.
3. Unit shall discharge supply air vertically or horizontally as shown on contract drawings.
4. Unit shall be factory configured for vertical supply & return configurations.
5. Unit shall be field convertible from vertical to horizontal airflow on all models.
6. Unit shall be capable of mixed operation: vertical supply with horizontal return or horizontal supply with vertical return.

#### 23 81 19.13.G. Electrical Requirements

1. Main power supply voltage, phase, and frequency must match those required by the manufacturer.

#### 23 81 19.13.H. Unit Cabinet

1. **Unit cabinet shall be constructed of galvanized steel with exterior surfaces coated with a non-chalking, powder paint finish, certified at 750-hour salt spray test per ASTM-B117 standards.**
2. Evaporator fan compartment interior cabinet insulation shall conform to AHRI Standards 210/240 or 340/360 minimum exterior sweat criteria. Interior surfaces shall be insulated with a minimum 1/2- in. thick, 1 1/2 lb density, flexible fiberglass insulation, neoprene coated on the air side. Aluminum foil- faced fiberglass insulation shall be used in the gas heat compartment. Fan shall be a belt drive assembly and include an adjustable pitch motor pulley. Job site selected brake horsepower shall not exceed the motors nameplate horsepower rating plus the service factor (Only premium efficiency motors have hp rating on the nameplate). Units shall be designed to operate within the service factor. Fan wheel shall be double inlet type with forward curve blades, dynamically balanced to operate smoothly throughout the entire range of operation. Airflow design shall be constant volume. Bearings shall be sealed and permanently lubricated for longer life and no maintenance.

Condenser Fan Assembly: The outdoor fans shall be of the direct drive type, discharge air vertically, have aluminum blades riveted to corrosion resistant steel spider brackets and shall be dynamically balanced for smooth operation. The outdoor fan motors shall have permanently lubricated bearings internally protected against overload conditions and staged independently.

3. Base of unit shall have a minimum of four locations for thru- the- base gas and electrical connections (factory installed or field installed), standard.
4. Base Rail
  - a. Unit shall have base rails on a minimum of 4 sides.
  - b. Holes shall be provided in the base rails for rigging shackles to facilitate maneuvering and overhead rigging.
  - c. Holes shall be provided in the base rail for moving the rooftop by fork truck.
  - d. Base rail shall be a minimum of 16 gauge thickness.
5. Condensate pan and connections:
  - a. Shall be an internally sloped condensate drain pan made of a non- corrosive material. b. Shall comply with ASHRAE Standard 62.
  - c. Shall use a 3/4" - 14 NPT drain connection, possible either through the bottom or side of the drain pan. Connection shall be made per manufacturer's recommendations.
6. Top panel:
  - a. Shall be a single piece top panel.
7. Gas Connections:
  - a. All gas piping connecting to unit gas valve shall enter the unit cabinet at a single location on side of unit
  - b. Thru- the- base capability
    - (1.) Standard unit shall have a thru- the- base gas- line location using a raised, embossed portion of the unit base-pan.
    - (2.) Optional, factory- approved, water- tight connection method must be used for thru- the- base gas connections.
    - (3.) No base-pan penetration, other than those authorized by the manufacturer, is permitted.
8. Electrical Connections
  - a. All unit power wiring shall enter unit cabinet at a single, factory- prepared, knockout location. b. Thru- the- base capability.
    - (1.) Standard unit shall have a thru- the- base electrical location (s) using a raised, embossed portion of the unit base-pan.
    - (2.) Optional, factory- approved, water- tight connection method must be used for thru- the- base electrical connections.
    - (3.) No base-pan penetration, other than those authorized by the manufacturer, is permitted.

9. Component access panels (standard)
  - a. Cabinet panels shall be easily removable for servicing.
  - b. Unit shall have one factory installed, toolless, removable, filter access panel.
  - c. Panels covering control box, indoor fan, indoor fan motor, gas components (where applicable), and compressors shall have a molded composite handles.
  - d. Handles shall be UV modified, composite. They shall be permanently attached, and recessed into the panel.
  - e. Screws on the vertical portion of all removable access panel shall engage into heat resistant, molded composite collars.
  - f. Collars shall be removable and easily replaceable using manufacturer recommended parts.

#### 23 81 19.13.I. Gas Heat

##### 1. General

- a. Heat exchanger shall be an induced draft design. Positive pressure heat exchanger designs shall not be allowed.
- b. Shall incorporate a direct- spark ignition system and redundant main gas valve.
- c. Gas supply pressure at the inlet to the rooftop unit gas valve must match that required by the manufacturer.

##### 2. The heat exchanger shall be controlled by an integrated gas controller (IGC) microprocessor.

- a. IGC board shall notify users of fault using an LED (light- emitting diode).
- b. IGC board shall contain algorithms that modify evaporator- fan operation to prevent future cycling on high temperature limit switch.
- c. Unit shall be equipped with anti- cycle protection with one short cycle on unit flame roll-out switch or 4 continuous short cycles on the high temperature limit switch. Fault indication shall be made using an LED.

##### 3. Standard Heat Exchanger construction

- a. Heat exchanger shall be of the tubular- section type constructed of a minimum of 20- gauge steel coated with a nominal 1.2 mil aluminum- silicone alloy for corrosion resistance.
- b. Burners shall be of the in- shot type constructed of aluminum- coated steel.
- c. Burners shall incorporate orifices for rated heat output up to 2000 ft (610m) elevation. Additional accessory kits may be required for applications above 2000 ft (610m) elevation, depending on local gas supply conditions.
- d. Each heat exchanger tube shall contain multiple dimples for increased heating effectiveness.

##### 4. Optional Stainless Steel Heat Exchanger construction

a. Use energy saving, direct- spark ignition system. b. Use a redundant main gas valve.

- c. Burners shall be of the in- shot type constructed of aluminum- coated steel.
- d. All gas piping shall enter the unit cabinet at a single location on side of unit (horizontal plane).
- e. The optional stainless steel heat exchanger shall be of the tubular- section type, constructed of a minimum of 20- gauge type 409 stainless steel.
- f. Type 409 stainless steel shall be used in heat exchanger tubes and vestibule plate
- g. Complete stainless steel heat exchanger allows for greater application flexibility.

##### 1. Optional Low NOx Heat Exchanger construction

- a. Primary tubes and vestibule plates on low NOx units shall be 409 stainless steel. Other components shall be aluminized steel.

##### 2. Induced draft combustion motor and blower

- a. Shall be a direct- drive, single inlet, forward- curved centrifugal type.
- b. Shall be made from steel with a corrosion- resistant finish.
- c. Shall have permanently lubricated sealed bearings. d. Shall have inherent thermal overload protection.
- d. Shall have an automatic reset feature.

## 23 81 19.13.J. Coils

1. Standard Aluminum Fin/Copper Tube Coils:
  - a. Standard evaporator and condenser coils shall have aluminum lanced plate fins mechanically bonded to seamless internally grooved copper tubes with all joints brazed.
  - b. Evaporator coils shall be leak tested to 150 psig, pressure tested to 450 psig, and qualified to CSA C22.2 No. 236-11 (UL 1995) 4th edition burst test at 1775 psig.
  - c. Condenser coils shall be leak tested to 150 psig, pressure tested to 650 psig, and qualified to CSA C22.2 No. 236-11 (UL 1995) 4th edition burst test at 1980 psig.
2. Optional EFIN- coated aluminum- fin evaporator and condenser coils:
  - a. Shall have a durable epoxy- phenolic coating to provide protection in mildly corrosive coastal environments.
  - b. Coating shall be applied to the aluminum fin stock prior to the fin stamping process to create an inert barrier between the aluminum fin and copper tube.
  - c. Epoxy- phenolic barrier shall minimize galvanic action between dissimilar metals.

## 23 81 19.13.K. Refrigerant Components

1. Refrigerant circuit shall include the following control, safety, and maintenance features:
  - a. Thermostatic Expansion Valve (TXV) shall help provide optimum performance across the entire operating range. Shall contain removable power element to allow change out of power element and bulb without removing the valve body. (Orifice on ZX08, ZX09, ZX12, ZQ04, ZQ05 & ZQ6)
  - b. Refrigerant filter drier - Solid core design.
  - c. Service gauge connections on suction and discharge lines.
  - d. Pressure gauge access through a specially designed access port in the top panel of the unit.
2. There shall be gauge line access port in the skin of the rooftop, covered by a black, removable plug.
  - a. The plug shall be easy to remove and replace.
  - b. When the plug is removed, the gauge access port shall enable maintenance personnel to route their pressure gauge lines.
  - c. This gauge access port shall facilitate correct and accurate condenser pressure readings by enabling the reading with the compressor access panel on.
  - d. The plug shall be made of a leak proof, UV- resistant, composite material.
3. Compressors
  - a. Unit shall use fully hermetic, scroll compressor for each independent refrigeration circuit.
  - b. Compressor motors shall be cooled by refrigerant gas passing through motor windings.
  - c. Compressors shall be internally protected from high discharge temperature conditions.
  - d. Compressors shall be protected from an over- temperature and over- amperage conditions by an internal, motor overload device.
  - e. Compressor shall be factory mounted on rubber grommets.
  - f. Compressor motors shall have internal line break thermal, current overload and high pressure differential protection.
  - g. Crankcase heaters shall not be required for normal operating range, unless provided by the factory.

## 23 81 19.13.L. Filter Section

1. Filters access is specified in the unit cabinet section of this specification.
3. Shall consist of factory- installed, low velocity, throw- away 2" or 4" thick fiberglass filters.
3. Units can accept 2" or 4" filters and have a field convertible toolless

## 23 81 19.13.M. Evaporator Fan and Motor

1. Evaporator fan motor:
  - a. Shall have permanently lubricated bearings.

- b. Shall have inherent automatic reset thermal protection (Only on single-phase, belt-drive motors, three - phase, belt-drive motors have internal thermostat used for external line-break control.).
- 2. Electric Drive (Direct Drive) X13 – 5 Speed/Torque Evaporator Fan:
  - a. Multi- speed motor with easy quick adjustment settings.
  - b. Blower fan shall be double- inlet type with forward- curved blades.
  - c. Shall be constructed from steel with a corrosion resistant finish and dynamically balanced.
- 3. Belt- driven Evaporator Fan:
  - a. Belt drive shall include an adjustable- pitch motor pulley.
  - b. Shall use sealed, permanently lubricated ball- bearing type.
  - c. Blower fan shall be double- inlet type with forward- curved blades.
  - d. Shall be constructed from steel with a corrosion resistant finish and dynamically balanced.

#### 23 81 19.13.N. Condenser Fans and Motors

The outdoor fans shall be of the direct drive type, discharge air vertically, have aluminum blades riveted to corrosion resistant steel spider brackets and shall be dynamically balanced for smooth operation. The outdoor fan motors shall have permanently lubricated 60°C ball bearings internally protected against overload conditions and staged independently. A cleaning window shall be provided on two sides of the units for coil cleaning.

- 1. Condenser fan motors:
  - a. Shall be a totally enclosed motor.
  - b. Shall use permanently lubricated bearings.
  - c. Shall have inherent thermal overload protection with an automatic reset feature.
  - d. All models Shall use a shaft- down design except shaft- up on ZX14, ZY12, and ZL12-14 size with rain shield.
- 2. Condenser Fans:
  - a. Shall be a direct- driven propeller type fan.
  - b. Shall have galvanized steel blades riveted to corrosion- resistant steel spiders and shall be dynamically balanced.

#### 23 81 19.13.O. Special Features Options and Accessories

- 1. IntelliSpeed™ - Staged Air Volume System (ZX08-14, ZY08-12 and ZL08-14)
  - a. Evaporator fan motor:
    - (1.) Shall have permanently lubricated bearings.
    - (2.) Shall have a maximum continuous BHP rating for continuous duty operation; no safety factors above that rating.
    - (3.) Shall be Variable Frequency duty and 2- speed control, or 3-speed for ZL08-14 models.
- 2. Variable Frequency Drive (VFD). Only available on 2- speed or 3-speed models indoor fan motor option (IntelliSpeed™):
  - a. Shall be installed inside the unit cabinet, mounted, wired and tested.
  - b. Shall contain Electromagnetic Interference (EMI) frequency protection.
  - c. Insulated Gate Bi- Polar Transistors (IGBT) used to produce the output pulse width modulated (PWM) waveform.
  - d. Built in LED display and controls. Does not require additional kit or options.
  - e. RS485 capability standard.
  - f. Electronic thermal overload protection.
  - g. 5% swinging chokes for harmonic reduction and improved power factor.
  - h. All printed circuit boards shall be conformal coated.
- 3. Standard Integrated Economizers:

- a. Integrated, gear- driven opposing modulating blade design type capable of simultaneous economizer and compressor operation.
  - b. Independent modules for vertical or horizontal return configurations shall be available. Vertical return modules shall be available as a factory installed option.
  - c. Damper blades shall be galvanized steel with composite gears. Plastic or composite blades on intake or return shall not be acceptable.
  - d. Shall include all hardware and controls to provide free cooling with outdoor air when temperature and/or humidity are below set-points.
  - e. Shall be equipped with gear driven dampers for both the outdoor ventilation air and the return air for positive air stream control.
  - f. Standard models shall be equipped with low- leakage dampers, not to exceed 2% leakage at 1 in. wg pressure differential. Economizers will come with Actuator and module that is tied to Smart Equipment™:
    - (1.) Combined minimum and DCV maximum damper position potentiometers with compressor staging relay.
    - (2.) Functions with solid state analog enthalpy or dry bulb changeover control sensing.
    - (3.) Contain LED indicates for: when free cooling is available when module is in DCV mode when exhaust fan contact is closed
4. Two- Position Damper
- a. Damper shall be a Two- Position Damper. Damper travel shall be from the full closed position to the field adjustable %- open setpoint.
  - b. Damper shall include adjustable damper travel from 25% to 100% (full open).
  - c. Damper shall include single or dual blade, gear driven dampers and actuator motor.
  - d. Actuator shall be direct coupled to damper gear. No linkage arms or control rods shall be acceptable. e. Damper will admit up to 100% outdoor air for applicable rooftop units.
  - f. Damper shall close upon indoor (evaporator) fan shutoff and/or loss of power.
  - g. The damper actuator shall plug into the rooftop unit's wiring harness plug. No hard wiring shall be required.
  - h. Outside air hood shall include aluminum water entrainment filter.
5. Manual damper
- a. Manual damper package shall consist of damper, air inlet screen, and rain hood which can be preset to admit up to 25 or 50% outdoor air for year round ventilation.
6. Condenser Coil Hail Guard Assembly (Factory and Field option available on all models):
- a. Shall protect against damage from hail.
  - b. Shall be of louvered style.
7. Unit- Mounted, Non- Fused Disconnect Switch: (Verify on the unit nameplate that the disconnect is properly sized for the application. Units with field installed electric heat may exceed the factory installed disconnect amperage rating.)
- a. Switch shall be factory- installed, internally mounted.
  - b. National Electric Code (NEC) and UL approved non- fused switch shall provide unit power shutoff.
  - c. Shall be accessible from outside the unit.
  - d. Shall provide local shutdown and lockout capability.
8. Thru- the- Base Connectors:
- a. Kits shall provide connectors to permit gas and electrical connections to be brought to the unit through the unit base-pan.
  - b. Minimum of four connection locations per unit.
9. Propeller Power Exhaust:
- a. Power exhaust shall be used in conjunction with an integrated economizer.
  - b. Independent modules for vertical or horizontal return configurations shall be available.



- c. Horizontal power exhaust is shall be mounted in return ductwork.
  - d. Power exhaust shall be controlled by economizer controller operation. Exhaust fans shall be energized when dampers open past the 0- 100% adjustable setpoint on the economizer control.
10. Roof Curbs (Vertical):
- a. Full perimeter roof curb with exhaust capability providing separate air streams for energy recovery from the exhaust air without supply air contamination.
  - b. Formed galvanized steel with wood nailer strip and shall be capable of supporting entire unit weight. c. Permits installation and securing of ductwork to curb prior to mounting unit on the curb.
11. High Altitude Gas Conversion Kit:
- a. Package shall contain all the necessary hardware and instructions to convert a standard natural gas.
12. Outdoor Air Enthalpy Sensor:
- a. The outdoor air enthalpy sensor shall be used to provide single enthalpy control. When used in conjunction with a return air enthalpy sensor, the unit will provide differential enthalpy control. The sensor allows the unit to determine if outside air is suitable for free cooling.
13. Return Air Enthalpy Sensor:
- a. The return air enthalpy sensor shall be used in conjunction with an outdoor air enthalpy sensor to provide differential enthalpy control.
14. Indoor Air Quality (CO2) Sensor:
- a. Shall be able to provide demand ventilation indoor air quality (IAQ) control.
  - b. The IAQ sensor shall be available in duct mount, wall mount, or wall mount with LED display. The set- point shall have adjustment capability.
  - b. Shall be environmental compensated with differential sensing for reliable, stable, and drift- free sensitivity.
  - c. Shall use magnet- activated test/reset sensor switches.
  - d. Shall have tool- less connection terminal access.