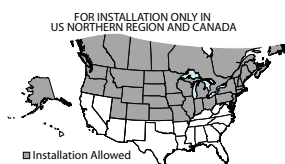




TECHNICAL GUIDE

LX SERIES SPLIT SYSTEM AIR CONDITIONERS 13 SEER – R-410A – 1 PHASE 1.5 TO 5 NOMINAL TONS MODELS: TC3B18 TO 60



Due to continuous product improvement, specifications are subject to change without notice.

Visit us on the web at

www.simplygettingthejobdone.com and
www.colemanac.com

Additional rating information can be found at

www.ahridirectory.org

WARRANTY SUMMARY*

Standard 5-year limited parts warranty.

Standard 10-year limited compressor warranty.

Extended 10-year limited parts warranty when product is registered online within 90 days of purchase for replacement or closing for new home construction.

*Does not apply to R-22 models, 3-Phase models, or Internet sales.

See Limited Warranty certificate in the *User's Information Manual* for details.

DESCRIPTION

The TC3B models are part of our successful LX Series split system air conditioner lineup. Optimized for the 13 SEER Regional Minimum Efficiency in the North US and Canada, these outdoor units are specifically designed to be matched with Johnson Controls Ducted Systems indoor coils, furnaces, and air handlers to provide a complete system solution.

FEATURES

- **Small Footprint** - Minimum footprint for easier handling, transportation, and installation.
- **Easier Installation** - Independent panels provide quick access for unit setup. Installation time is reduced by easy power and control wiring access. Options are provided for indoor piston or TXV. The factory installed filter-drier and factory charge for a 15-ft lineset means less time spent brazing and charging the system. The small base dimension and reduced unit clearances make for easier retrofits.
- **Accessible Information** - QR code on the unit provides quick access to technical documents and warranty information.
- **Durable Finish** - The coated steel wire fan guard, coated external fasteners, and pre-treated G90-equivalent galvanized steel chassis components resist corrosion and rust creep. Titanium colored powdercoat paint further protects external panels.
- **Quality Coils** - The high efficiency microchannel aluminum coil is manufactured using an improved material system providing reliable performance and small unit size.
- **Rugged Coil Protection** - Coils are protected from mechanical damage by a proven stamped steel coil guard design.
- **Protected Compressor** - Compressors are protected internally by a high-pressure relief valve and a temperature sensor, and externally by the system high pressure switch. The liquid line filter-drier is factory installed to protect the compressor against moisture and debris.
- **Reliable Operation** - Ball bearing fan motors provide superior performance in extreme temperatures.
- **Environmentally Friendly** - CFC-free R-410A refrigerant delivers environmentally friendly performance with zero ozone depletion.
- **Top Discharge** - Warm air is blown up, away from the structure and any landscaping, allowing compact location on multi-unit applications.
- **Low Operating Sound Levels** - Developed using CFD and FEA tools, the sturdy cabinet and top design provides sound performance of 77 dBA or lower. Compatible accessories for further sound reduction are also available.
- **Better Service Access** - Diagonal base valves with open access for low-loss fittings, single panel access to the electrical controls, swing out control box for full corner access, and removable fan guard allow easy access for unit maintenance.
- **Agency Listed** - Safety certified by CSA to UL 1995/CSA 22.2. Performance certified to ANSI/AHRI Standard 210/240 in accordance with the Unitary Small Equipment certification program.

LIST OF SECTIONS

DESCRIPTION 1
FEATURES 1
NOMENCLATURE 2
PHYSICAL AND ELECTRICAL DATA 3
DIMENSIONS 3
SYSTEM CHARGE FOR VARIOUS MATCHED SYSTEMS 4
COOLING CAPACITY - With Air Handler Coils 5
**COOLING CAPACITY - Upflow, Downflow, and Horizontal
 Furnaces and Coils (Coil Only Ratings)** 9
COOLING CAPACITY - With High Efficiency Motor Furnaces .. 10
APPLICATIONS AND ACCESSORIES 69
SOUND POWER RATINGS 69
MECHANICAL SPECIFICATIONS 70
TYPICAL INSTALLATION 71
TYPICAL FIELD WIRING 72
ALTERNATIVE INSTALLATION CLEARANCES 72
PERFORMANCE DATA - 1.5 TON 73
PERFORMANCE DATA - 2 TON 78
PERFORMANCE DATA - 2.5 TON 86
PERFORMANCE DATA - 3 TON 91
PERFORMANCE DATA - 3.5 TON 100
PERFORMANCE DATA - 4 TON 108
PERFORMANCE DATA - 5 TON 113

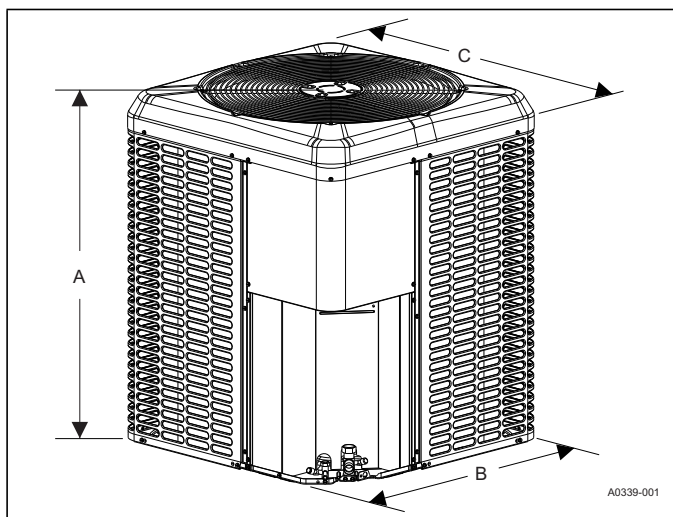
NOMENCLATURE

BRAND	T	T = Factory Branded	
PRODUCT TYPE	C	C = Air Conditioner (US Northern or Southeast Region)	
NOMINAL SERIES EFFICIENCY AND STAGING	3	3 = 13 SEER/1-Stage (US Northern Region)	
REFRIGERANT	B	B = R-410A	
NOMINAL UNIT CAPACITY (MBH)	36	18 = 1.5 ton 24 = 2 ton 30 = 2.5 ton 36 = 3 ton	42 = 3.5 ton 48 = 4 ton 60 = 5 ton
VOLTAGE (Voltage-Phase-Hertz)	2	2 = 208/230-1-60	
GENERATION (MAJOR REVISION)	1	1 = 1st Gen 2 = 2nd Gen etc.	
FACTORY OPTION	S	S = Standard (No Options)	
STYLE LETTER (MINOR REVISION) NOT USED FOR ORDERING	A	A = Style A B = Style B	

PHYSICAL AND ELECTRICAL DATA

MODEL		TC3B1822S	TC3B2423S	TC3B3022S	TC3B3623S	TC3B4223S	TC3B4821S	TC3B6022S
Unit Supply Voltage		208-230 V, 1 ϕ , 60 Hz						
Normal Voltage Range ¹		187 to 252						
Minimum Circuit Ampacity		12.9	11.4	18.4	19.8	21.1	28.5	29.1
Maximum Overcurrent Device (A) ²		20	15	30	30	35	50	50
Minimum Overcurrent Device (A) ³		15	15	20	20	25	30	30
Compressor	Type ⁴	Scroll	Rotary	Scroll	Scroll	Scroll	Scroll	Scroll
	Rated Load	9.7	8.4	14.1	14.7	15.9	21.8	22.2
	Locked Rotor	46.0	53.0	73.0	75	112.3	117.0	127.9
Crankcase Heater		No	No	No	No	No	No	No
Factory External Discharge Muffler		No	No	No	No	No	No	No
HS Kit Required with TXV		No	n/a	No	No	No	No	No
HS Kit Part Number (S1-2SA067****) ⁵		21806	n/a	10106	10106	10206	10106	10206
Fan Diameter (in.)		18	18	18	18	22	22	22
Fan Motor	Rated HP	1/8	1/8	1/8	1/4	1/4	1/4	1/4
	Rated Load (A)	0.80	0.80	0.80	1.50	1.30	1.30	1.30
	Nominal RPM	1075	1075	1075	1100	850	850	850
	Nominal CFM	1950	1950	2150	2575	2925	3225	3350
Coil	Face Area (ft ²)	9.78	9.78	11.07	12.37	13.83	13.83	17.37
	Rows Deep	1	1	1	1	1	1	1
	Fins/Inch	23	23	23	23	23	23	23
Liquid Line Set OD (Field Installed)		3/8	3/8	3/8	3/8	3/8	3/8	3/8
Vapor Line Set OD (Field Installed) ⁶		3/4	3/4	3/4	3/4	7/8	7/8	1-1/8 [‡]
Unit Charge (lb - oz) ⁷		2 - 13	3 - 7	3 - 10	3 - 12	4 - 6	4 - 8	5 - 1
Charge (oz/ft)		0.62	0.62	0.62	0.62	0.67	0.67	0.75
Operating Weight (lb)		125	130	140	165	175	165	190

1. Rated in accordance with AHRI Standard 110-2012, utilization range "A".
2. Dual element fuses or HACR circuit breaker. Maximum allowable overcurrent protection.
3. Dual element fuses or HACR circuit breaker. Minimum recommended overcurrent protection.
4. Rotary compressor models are limited to an equivalent length of lineset of 100 ft with no exceptions.
5. Use S1-2SA067**** series kit. Refer to the *Hard Start Kit Accessory Installation Manual*.
6. For applications with non-standard vapor line sizes, see the *APPLICATIONS AND ACCESSORIES* section.
7. The Unit Charge is correct for the outdoor unit, smallest matched indoor unit, and 15 ft of refrigerant tubing. For tubing lengths other than 15 ft, add or subtract the amount of refrigerant, using the difference in actual lineset length (not the equivalent length) multiplied by the per foot value.



DIMENSIONS

Unit Model	Dimensions (in.)			Refrigerant Connection Service Valve Size	
	A	B	C	Liquid	Vapor
TC3B1822S	26 3/4	24	24	3/8	3/4
TC3B2423S	26 3/4	24	24		
TC3B3022S	30	24	24		
TC3B3623S	33 1/4	24	24		7/8
TC3B4223S	30	29 1/4	29 1/4		
TC3B4821S	30	29 1/4	29 1/4	7/8 [‡]	
TC3B6022S	36 1/4	29 1/4	29 1/4		

‡ Adapter fitting must be field installed for the required 1 1/8 in. line set.
 All dimensions are in inches and are subject to change without notice.
 Overall height is from the bottom of the base pan to the top of the fan guard.
 Overall length and width include screw heads.

SYSTEM CHARGE FOR VARIOUS MATCHED SYSTEMS

Outdoor Unit	TC3B1822S	TC3B2423S	TC3B3022S	TC3B3623S	TC3B4223S	TC3B4821S	TC3B6022S
Required Orifice or TXV ^{1,2}	0.049 / BH1	0.057 / BH1	0.061 / BA1	0.070 / BA1	0.075 / BC1	0.077 / BC1	0.084 / BD1
Indoor Unit ^{3,4,5}	Additional Charge (oz)						
AP18B	0	–	–	–	–	–	–
AP24B	3	0	–	–	–	–	–
AP30B	–	7	2	–	–	–	–
AP36B	–	–	–	0	–	–	–
AP36C	–	–	2	2	–	–	–
AP37C	–	–	–	5	–	–	–
AP42C	–	–	–	–	–	–	–
AP48C	–	–	–	5	2	0	–
AP48D	–	–	–	–	2	0	–
AP60(C,D)	–	–	–	–	–	2	–
AE18B	0	–	–	–	–	–	–
AE24B	3	0	–	–	–	–	–
AE30B	8	5	0	–	–	–	–
AE36(B,C)	–	7	2	0	–	–	–
AE42C	–	–	–	5	2	–	–
AE48(C,D)	–	–	–	5	2	0	–
AE60C	–	–	–	–	9	2	0
AE60D	–	–	–	–	29 oz TXV ONLY	22 oz TXV ONLY	20 oz TXV ONLY
AVC18B	0	–	–	–	–	–	–
AVC24B	3	0	–	–	–	–	–
AVC30B	8	5	0	–	–	–	–
AVC36(B,C)	–	7	2	0	–	–	–
AVC42C	–	–	–	5	2	–	–
AVC48(C,D)	–	–	–	5	2	0	–
AVC60C	–	–	–	–	–	2	0
AVC60D	–	–	–	–	29 oz TXV ONLY	22 oz TXV ONLY	20 oz TXV ONLY
CF/CM/CU18(A,B)	0	–	–	–	–	–	–
CF/CM/CU24(A,B)	3	0	–	–	–	–	–
CF/CM/CU30(A,B,C)	8	5	0	–	–	–	–
CF/CM/CU36(A,B,C,D)	10	7	2	0	–	–	–
CF/CM/CU42(B,C,D)	–	11	2	2	0	–	–
CF/CM/CU48(C,D)	–	–	–	5	2	0	–
CF/CM/CU60(C,D)	–	–	–	–	9	2	0
CF/CM64D	–	–	–	–	29 oz TXV ONLY	22 oz TXV ONLY	20 oz TXV ONLY

Some of the combinations shown in the table require Advanced Main Air Circulating Fan indoor product. For approved coil only matches, see the *COOLING CAPACITY - Upflow, Downflow, and Horizontal Furnaces and Coils (Coil Only Ratings)* table.

FOOTNOTES:

- For applications requiring a TXV, use S1-1TVM*** series kit.
- Approved orifice(s) shipped with outdoor unit.
- Systems matched with furnaces or air handlers not equipped with blower-off delays may require 60-s time delay.
- CF coils cannot be used in horizontal applications.
- Charge adders shown above do not indicate that coils are rated for every application. See the performance data tables for actual performance for specified system matches. Obtain certified system ratings from www.ahridirectory.org.

CHARGING PROCEDURES:

- Check the Factory Unit Charge listed on the unit nameplate to verify the refrigerant charge for the outdoor unit, the smallest matched indoor unit, and the 15 ft of interconnecting lineset.
- Verify the indoor metering device and additional charge required for the specific matched indoor unit in the system using the SYSTEM CHARGE FOR VARIOUS MATCHED SYSTEMS table.
- Add additional charge for the amount of interconnecting lineset tubing greater than 15 ft at the rate specified in the *PHYSICAL AND ELECTRICAL DATA* table.
- For installations requiring additional charge, weigh in refrigerant for the specific matching indoor unit and actual lineset length.
- After weighing in the charge adders for the matched indoor unit and lineset, verify the system operation against the temperatures and pressures in the Charging Chart for the outdoor unit. Locate the Charging Charts on the outdoor unit and also in the *Service Data Application Guide* on www.simplygettingthejobdone.com. Follow the Subcool or Superheat charging procedure in the *Installation Manual* according to the type of indoor metering device in the system, and allow 10 min after each charge adjustment for the system operation to stabilize. Record the charge adjustment made to match the Charging Chart.
- Permanently stamp the unit nameplate with the TOTAL SYSTEM CHARGE defined as follows: TOTAL SYSTEM CHARGE = Base Charge (as shipped) + charge adder for matched indoor unit + charge adder for actual lineset length + charge adjustments to match the Charging Chart.

COOLING CAPACITY - With Air Handler Coils

UNIT MODEL	AIR HANDLER		COIL MODEL ¹	COOLING				
	MODEL	WIDTH		RATED CFM	NET MBH		SEER	EER
					TOTAL	SENS.		
TC3B1822S	AE18BX21	17.5	–	650	17.90	14.90	15.00	12.75
TC3B1822S	AE24BX21	17.5	–	625	18.00	14.70	15.00	12.75
TC3B1822S	AE30BX21	17.5	–	600	18.00	14.40	15.00	12.75
TC3B1822S	AP18BX21	17.5	–	650	17.60	14.60	13.50	11.50
TC3B1822S	AP24BX21	17.5	–	675	17.60	15.00	13.50	11.50
TC3B1822S	AVC18BX21	17.5	–	650	17.90	14.90	15.00	12.75
TC3B1822S	AVC24BX21	17.5	–	600	17.90	14.20	15.00	12.75
TC3B1822S	AVC30BX21	17.5	–	625	18.00	14.50	15.00	12.75
TC3B1822S	ME08BN21	17.5	CF/CM18B	575	17.70	13.90	15.00	12.75
TC3B1822S	ME08BN21	17.5	CF/CM24B	575	17.80	14.00	15.00	12.75
TC3B1822S	ME08BN21	17.5	CF/CM30B	600	18.00	14.40	15.00	12.75
TC3B1822S	ME08BN21	17.5	CF/CM36B	575	18.00	14.10	15.00	12.75
TC3B1822S	ME12BN21	17.5	CF/CM18B	675	18.00	15.20	15.00	12.75
TC3B1822S	ME12BN21	17.5	CF/CM24B	675	18.00	15.40	15.00	12.75
TC3B1822S	ME12BN21	17.5	CF/CM30B	675	18.00	15.00	15.00	12.75
TC3B1822S	ME12BN21	17.5	CF/CM36B	675	18.00	15.00	15.00	12.75
TC3B1822S	ME12CN21	21.0	CF/CM24C	600	17.90	14.20	15.00	12.75
TC3B1822S	ME12CN21	21.0	CF/CM30C	600	18.00	14.40	15.00	12.75
TC3B1822S	ME12CN21	21.0	CF/CM36C	600	18.00	14.30	15.00	12.75
TC3B1822S	MVC08BN21	17.5	CF/CM18B	650	17.90	14.90	15.00	12.75
TC3B1822S	MVC08BN21	17.5	CF/CM24B	650	18.00	14.90	15.00	12.75
TC3B1822S	MVC08BN21	17.5	CF/CM30B	650	18.00	15.00	15.00	12.75
TC3B1822S	MVC08BN21	17.5	CF/CM36B	650	18.00	14.90	15.00	12.75
TC3B1822S	MVC12CN21	21.0	CF/CM24C	650	18.00	14.90	15.00	12.75
TC3B1822S	MVC12CN21	21.0	CF/CM30C	650	18.00	15.00	15.00	12.75
TC3B1822S	MVC12CN21	21.0	CF/CM36C	650	18.00	14.90	15.00	12.75
TC3B2423S	AE24BX21	17.5	–	825	24.00	19.60	14.50	12.50
TC3B2423S	AE30BX21	17.5	–	900	24.00	20.80	14.75	12.50
TC3B2423S	AE36BX21	17.5	–	850	24.00	20.40	14.75	12.50
TC3B2423S	AE36CX21	21.0	–	800	24.00	19.80	15.00	12.50
TC3B2423S	AP24BX21	17.5	–	675	23.60	17.40	13.00	11.50
TC3B2423S	AP30BX21	17.5	–	850	24.00	20.00	13.50	11.50
TC3B2423S	AVC24BX21	17.5	–	750	24.00	18.80	14.50	12.50
TC3B2423S	AVC30BX21	17.5	–	750	24.00	19.00	14.75	12.50
TC3B2423S	AVC36BX21	17.5	–	850	24.00	20.40	14.75	12.50
TC3B2423S	AVC36CX21	21.0	–	900	24.00	21.30	15.00	12.50
TC3B2423S	ME08BN21	17.5	CF/CM24B	800	24.00	19.30	14.50	12.50
TC3B2423S	ME08BN21	17.5	CF/CM30B	800	24.00	20.00	14.75	12.50
TC3B2423S	ME08BN21	17.5	CF/CM36B	800	24.00	19.90	14.75	12.50
TC3B2423S	ME08BN21	17.5	CF42B	775	24.00	19.50	14.75	12.50
TC3B2423S	ME12BN21	17.5	CF/CM24B	875	24.00	20.30	14.75	12.50
TC3B2423S	ME12BN21	17.5	CF/CM30B	875	24.00	20.50	15.00	12.50
TC3B2423S	ME12BN21	17.5	CF/CM36B	875	24.00	20.90	15.00	12.50
TC3B2423S	ME12BN21	17.5	CF42B	850	24.00	20.50	15.00	12.50
TC3B2423S	ME12CN21	21.0	CF/CM24C	850	24.00	20.00	14.75	12.50
TC3B2423S	ME12CN21	21.0	CF/CM30C	850	24.00	20.50	15.00	12.50
TC3B2423S	ME12CN21	21.0	CF/CM36C	850	24.00	20.50	15.00	12.50
TC3B2423S	ME12CN21	21.0	CF/CM42C	850	24.00	20.50	15.00	12.50
TC3B2423S	ME14DN21	24.5	CF/CM36D	875	24.00	20.90	15.00	12.50
TC3B2423S	ME14DN21	24.5	CF/CM42D	875	24.00	20.90	15.00	12.50
TC3B2423S	ME16CN21	21.0	CF/CM24C	925	24.00	19.40	14.50	12.50
TC3B2423S	ME16CN21	21.0	CF/CM30C	925	24.00	21.30	15.00	12.50
TC3B2423S	ME16CN21	21.0	CF/CM36C	925	24.00	21.50	15.00	12.50

COOLING CAPACITY - With Air Handler Coils (Continued)

UNIT MODEL	AIR HANDLER		COIL MODEL ¹	COOLING				
	MODEL	WIDTH		RATED CFM	NET MBH		SEER	EER
					TOTAL	SENS.		
TC3B2423S	ME16CN21	21.0	CF/CM42C	925	24.00	21.60	15.00	12.50
TC3B2423S	MVC08BN21	17.5	CF/CM24B	725	24.00	18.40	14.50	12.50
TC3B2423S	MVC08BN21	17.5	CF/CM30B	800	24.00	20.00	14.75	12.50
TC3B2423S	MVC08BN21	17.5	CF/CM36B	725	24.00	18.80	14.75	12.50
TC3B2423S	MVC08BN21	17.5	CF42B	725	24.00	18.90	15.00	12.50
TC3B2423S	MVC12BN21	17.5	CF/CM24B	775	24.00	19.20	14.50	12.50
TC3B2423S	MVC12BN21	17.5	CF/CM30B	775	24.00	19.30	14.75	12.50
TC3B2423S	MVC12BN21	17.5	CF/CM36B	875	24.00	20.70	14.75	12.50
TC3B2423S	MVC12BN21	17.5	CF42B	775	24.00	19.70	15.00	12.50
TC3B2423S	MVC12CN21	21.0	CF/CM24C	875	24.00	20.30	15.00	12.50
TC3B2423S	MVC12CN21	21.0	CF/CM30C	875	24.00	20.70	15.00	12.50
TC3B2423S	MVC12CN21	21.0	CF/CM36C	875	24.00	20.90	15.00	12.50
TC3B2423S	MVC12CN21	21.0	CF/CM42C	875	24.00	20.90	15.00	12.50
TC3B2423S	MVC14DN21	24.5	CF/CM36D	875	24.00	20.90	15.00	12.50
TC3B2423S	MVC14DN21	24.5	CF/CM42D	875	24.00	20.90	15.00	12.50
TC3B2423S	MVC16CN21	21.0	CF/CM24C	925	24.00	19.40	14.75	12.50
TC3B2423S	MVC16CN21	21.0	CF/CM30C	925	24.00	21.30	15.00	12.50
TC3B2423S	MVC16CN21	21.0	CF/CM36C	925	24.00	21.50	15.00	12.50
TC3B2423S	MVC16CN21	21.0	CF/CM42C	925	24.00	21.50	15.00	12.50
TC3B3022S	AE30BX21	17.5	--	875	28.80	21.80	14.00	12.25
TC3B3022S	AE36BX21	17.5	--	825	28.80	21.20	14.25	12.25
TC3B3022S	AE36CX21	21.0	--	975	29.60	23.20	14.50	12.50
TC3B3022S	AP30BX21	17.5	--	825	28.80	23.60	13.00	11.50
TC3B3022S	AP36CX21	21.0	--	1125	29.60	24.60	13.00	11.50
TC3B3022S	AVC30BX21	17.5	--	825	28.60	21.00	14.25	12.25
TC3B3022S	AVC36BX21	17.5	--	850	29.00	21.40	14.25	12.25
TC3B3022S	AVC36CX21	21.0	--	900	29.40	22.20	14.50	12.50
TC3B3022S	ME08BN21	17.5	CF/CM30B	875	28.80	21.80	14.00	12.25
TC3B3022S	ME08BN21	17.5	CF/CM36B	900	29.20	22.20	14.25	12.25
TC3B3022S	ME08BN21	17.5	CF42B	875	29.20	22.00	14.25	12.25
TC3B3022S	ME12BN21	17.5	CF/CM30B	850	28.80	21.60	14.25	12.25
TC3B3022S	ME12BN21	17.5	CF/CM36B	850	29.00	21.40	14.50	12.50
TC3B3022S	ME12BN21	17.5	CF42B	850	29.00	21.60	14.50	12.50
TC3B3022S	ME12CN21	21.0	CF/CM30C	1000	29.40	23.20	14.50	12.50
TC3B3022S	ME12CN21	21.0	CF/CM36C	1000	29.60	23.40	14.50	12.50
TC3B3022S	ME12CN21	21.0	CF/CM42C	825	29.00	21.20	14.50	12.50
TC3B3022S	ME14DN21	24.5	CF/CM36D	1025	29.80	24.00	14.75	12.50
TC3B3022S	ME14DN21	24.5	CF/CM42D	1025	29.80	24.00	14.75	12.50
TC3B3022S	ME16CN21	21.0	CF/CM30C	900	29.00	22.20	14.25	12.25
TC3B3022S	ME16CN21	21.0	CF/CM36C	900	29.40	22.20	14.50	12.50
TC3B3022S	ME16CN21	21.0	CF/CM42C	900	29.40	22.40	14.50	12.50
TC3B3022S	MVC08BN21	17.5	CF/CM30B	825	28.60	21.00	14.25	12.25
TC3B3022S	MVC08BN21	17.5	CF/CM36B	825	28.80	21.20	14.25	12.25
TC3B3022S	MVC08BN21	17.5	CF42B	850	29.00	21.60	14.25	12.25
TC3B3022S	MVC12BN21	17.5	CF/CM30B	875	28.80	21.60	14.25	12.25
TC3B3022S	MVC12BN21	17.5	CF/CM36B	875	29.20	22.00	14.25	12.25
TC3B3022S	MVC12BN21	17.5	CF42B	875	29.20	22.00	14.50	12.50
TC3B3022S	MVC12CN21	21.0	CF/CM30C	975	29.40	23.20	14.50	12.50
TC3B3022S	MVC12CN21	21.0	CF/CM36C	1000	29.80	23.60	14.75	12.50
TC3B3022S	MVC12CN21	21.0	CF/CM42C	975	29.80	23.20	14.75	12.50
TC3B3022S	MVC14DN21	24.5	CF/CM36D	1000	29.80	23.60	14.75	12.50
TC3B3022S	MVC14DN21	24.5	CF/CM42D	1000	29.80	23.40	14.75	12.50
TC3B3022S	MVC16CN21	21.0	CF/CM30C	925	29.00	22.60	14.50	12.50

COOLING CAPACITY - With Air Handler Coils (Continued)

UNIT MODEL	AIR HANDLER		COIL MODEL ¹	COOLING				
	MODEL	WIDTH		RATED CFM	NET MBH		SEER	EER
					TOTAL	SENS.		
TC3B3022S	MVC16CN21	21.0	CF/CM36C	1025	29.80	24.00	14.50	12.50
TC3B3022S	MVC16CN21	21.0	CF/CM42C	925	29.40	22.60	14.75	12.50
TC3B3623S	AE36BX21	17.5	–	1100	35.60	27.00	13.75	12.00
TC3B3623S	AE36CX21	21.0	–	1175	36.00	27.80	14.25	12.25
TC3B3623S	AE42CX21	21.0	–	1150	36.00	27.90	14.25	12.25
TC3B3623S	AE48CX21	21.0	–	1050	36.00	26.70	14.50	12.25
TC3B3623S	AE48DX21	24.5	–	1050	36.00	26.70	14.50	12.25
TC3B3623S	AP36BX21	17.5	–	1150	35.40	27.40	13.00	11.25
TC3B3623S	AP36CX21	21.0	–	1125	35.40	27.00	13.00	11.25
TC3B3623S	AP48CX21	21.0	–	1300	36.00	29.00	13.00	11.25
TC3B3623S	AVC36BX21	17.5	–	1200	36.00	28.30	13.75	12.00
TC3B3623S	AVC36CX21	21.0	–	1175	36.00	28.00	14.25	12.25
TC3B3623S	AVC42CX21	21.0	–	1050	36.00	26.80	14.50	12.25
TC3B3623S	AVC48CX21	21.0	–	1025	36.00	26.40	14.50	12.25
TC3B3623S	AVC48DX21	24.5	–	1150	36.00	27.90	14.50	12.25
TC3B3623S	ME12BN21	17.5	CF/CM36B	1050	35.60	26.60	14.00	12.00
TC3B3623S	ME12BN21	17.5	CF42B	1050	36.00	26.40	14.00	12.00
TC3B3623S	ME12CN21	21.0	CF/CM36C	1000	35.40	25.90	14.25	12.25
TC3B3623S	ME12CN21	21.0	CF/CM42C	1000	35.80	25.90	14.25	12.25
TC3B3623S	ME12CN21	21.0	CF/CM48C	1000	35.80	26.10	14.50	12.25
TC3B3623S	ME14DN21	24.5	CF/CM36D	1200	36.00	28.60	14.50	12.25
TC3B3623S	ME14DN21	24.5	CF/CM42D	1025	35.80	26.60	14.50	12.25
TC3B3623S	ME14DN21	24.5	CF/CM48D	1025	36.00	26.40	14.75	12.25
TC3B3623S	ME16CN21	21.0	CF/CM36C	1100	35.80	27.20	14.25	12.25
TC3B3623S	ME16CN21	21.0	CF/CM42C	1100	36.00	27.50	14.25	12.25
TC3B3623S	ME16CN21	21.0	CF/CM48C	1100	36.00	27.70	14.50	12.25
TC3B3623S	ME20DN21	24.5	CF/CM36D	1275	36.00	29.30	14.50	12.25
TC3B3623S	ME20DN21	24.5	CF/CM42D	1275	36.00	29.20	14.50	12.25
TC3B3623S	ME20DN21	24.5	CF/CM48D	1275	36.00	29.40	14.75	12.25
TC3B3623S	MVC08BN21	17.5	CF/CM36B	1000	35.20	25.80	14.00	12.00
TC3B3623S	MVC08BN21	17.5	CF42B	1000	35.60	25.70	14.00	12.00
TC3B3623S	MVC12BN21	17.5	CF/CM36B	1075	35.60	26.70	14.00	12.00
TC3B3623S	MVC12BN21	17.5	CF42B	975	35.60	25.50	14.25	12.00
TC3B3623S	MVC12CN21	21.0	CF/CM36C	1125	36.00	27.70	14.50	12.25
TC3B3623S	MVC12CN21	21.0	CF/CM42C	1125	36.00	27.60	14.50	12.25
TC3B3623S	MVC12CN21	21.0	CF/CM48C	1125	36.00	27.70	14.75	12.25
TC3B3623S	MVC14DN21	24.5	CF/CM36D	1175	36.00	28.00	14.50	12.25
TC3B3623S	MVC14DN21	24.5	CF/CM42D	1175	36.00	28.10	14.75	12.25
TC3B3623S	MVC14DN21	24.5	CF/CM48D	1175	36.00	28.30	14.75	12.25
TC3B3623S	MVC16CN21	21.0	CF/CM36C	1125	36.00	27.70	14.50	12.25
TC3B3623S	MVC16CN21	21.0	CF/CM42C	1150	36.00	27.70	14.50	12.25
TC3B3623S	MVC16CN21	21.0	CF/CM48C	1125	36.00	27.70	14.75	12.25
TC3B3623S	MVC20DN21	24.5	CF/CM36D	1175	36.00	28.00	14.75	12.25
TC3B3623S	MVC20DN21	24.5	CF/CM42D	1175	36.00	28.10	14.75	12.25
TC3B3623S	MVC20DN21	24.5	CF/CM48D	1275	36.00	29.40	14.75	12.25
TC3B4223S	AE42CX21	21.0	–	1350	41.50	32.10	14.00	12.00
TC3B4223S	AE43CX21	21.0	–	1200	41.00	30.30	14.00	12.25
TC3B4223S	AE48CX21	21.0	–	1425	42.00	33.60	14.25	12.25
TC3B4223S	AE48DX21	24.5	–	1475	42.00	34.30	14.50	12.50
TC3B4223S	AE60CX21	21.0	–	1425	42.00	33.40	14.00	12.25
TC3B4223S	AE60CX22	21.0	–	1425	41.50	32.60	14.00	12.00
TC3B4223S	AE60DX21	24.5	–	1350	42.00	32.90	14.25	12.50
TC3B4223S	AP48CX21	21.0	–	1300	41.00	31.30	13.00	11.50

COOLING CAPACITY - With Air Handler Coils (Continued)

UNIT MODEL	AIR HANDLER		COIL MODEL ¹	COOLING				
	MODEL	WIDTH		RATED CFM	NET MBH		SEER	EER
					TOTAL	SENS.		
TC3B4223S	AP48DX21	24.5	--	1475	41.50	33.40	13.00	11.50
TC3B4223S	AP60DX22	24.5	--	1550	41.50	34.50	13.00	11.25
TC3B4223S	AP60DX23	24.5	--	1550	41.00	33.60	13.00	11.00
TC3B4223S	AVC42CX21	21.0	--	1325	41.50	32.00	14.00	12.00
TC3B4223S	AVC48CX21	21.0	--	1275	41.50	31.50	14.25	12.25
TC3B4223S	AVC48DX21	24.5	--	1375	42.00	32.50	14.50	12.50
TC3B4223S	AVC60CX22	21.0	--	1200	40.50	29.90	14.00	12.00
TC3B4223S	AVC60DX21	24.5	--	1175	42.00	30.80	14.25	12.50
TC3B4223S	ME12CN21	21.0	CF/CM42C	1225	41.00	30.60	14.25	12.25
TC3B4223S	ME12CN21	21.0	CF/CM48C	1225	41.50	31.00	14.25	12.25
TC3B4223S	ME12CN21	21.0	CF/CM60C	1225	41.00	30.40	14.25	12.25
TC3B4223S	ME14DN21	24.5	CF/CM42D	1200	41.00	30.50	14.50	12.25
TC3B4223S	ME14DN21	24.5	CF/CM48D	1375	42.00	32.50	14.25	12.25
TC3B4223S	ME14DN21	24.5	CF/CM60D	1200	41.00	30.30	14.50	12.25
TC3B4223S	ME14DN21	24.5	CF/CM64D	1200	42.00	30.80	14.25	12.75
TC3B4223S	ME16CN21	21.0	CF/CM42C	1325	41.50	31.90	14.00	12.25
TC3B4223S	ME16CN21	21.0	CF/CM48C	1325	41.50	32.00	14.00	12.00
TC3B4223S	ME16CN21	21.0	CF/CM60C	1325	41.00	31.10	14.00	12.00
TC3B4223S	ME20DN21	24.5	CF/CM42D	1275	41.50	31.30	14.50	12.50
TC3B4223S	ME20DN21	24.5	CF/CM48D	1275	41.50	31.50	14.75	12.50
TC3B4223S	ME20DN21	24.5	CF/CM60D	1525	42.00	34.20	14.50	12.25
TC3B4223S	ME20DN21	24.5	CF/CM64D	1250	42.00	31.70	14.50	12.75
TC3B4223S	MVC12CN21	21.0	CF/CM42C	1175	41.00	30.00	14.50	12.50
TC3B4223S	MVC12CN21	21.0	CF/CM48C	1175	41.00	30.30	14.50	12.25
TC3B4223S	MVC12CN21	21.0	CF/CM60C	1175	41.00	29.90	14.50	12.25
TC3B4223S	MVC14DN21	24.5	CF/CM42D	1250	41.50	31.40	14.50	12.50
TC3B4223S	MVC14DN21	24.5	CF/CM48D	1250	41.50	31.30	14.50	12.50
TC3B4223S	MVC14DN21	24.5	CF/CM60D	1175	41.00	29.80	14.50	12.50
TC3B4223S	MVC14DN21	24.5	CF/CM64D	1250	42.00	31.70	14.50	12.75
TC3B4223S	MVC16CN21	21.0	CF/CM42C	1275	41.50	31.30	14.50	12.50
TC3B4223S	MVC16CN21	21.0	CF/CM48C	1275	41.50	31.50	14.50	12.50
TC3B4223S	MVC16CN21	21.0	CF/CM60C	1275	41.00	30.80	14.50	12.25
TC3B4223S	MVC20DN21	24.5	CF/CM42D	1300	42.00	32.00	14.75	12.75
TC3B4223S	MVC20DN21	24.5	CF/CM48D	1275	41.50	31.50	14.75	12.75
TC3B4223S	MVC20DN21	24.5	CF/CM60D	1175	41.00	29.80	14.75	12.50
TC3B4223S	MVC20DN21	24.5	CF/CM64D	1275	42.00	32.00	14.50	12.75
TC3B4821S	AE48CX21	21.0	--	1425	47.50	35.00	14.25	12.25
TC3B4821S	AE48DX21	24.5	--	1425	48.00	35.50	14.50	12.25
TC3B4821S	AE60CX21	21.0	--	1425	48.00	35.50	14.50	12.25
TC3B4821S	AE60DX21	24.5	--	1400	48.00	35.00	14.75	12.25
TC3B4821S	AP48CX21	21.0	--	1300	46.00	32.50	13.25	11.50
TC3B4821S	AP48DX21	24.5	--	1475	47.50	35.00	13.00	11.00
TC3B4821S	AP60CX21	21.0	--	1500	48.00	35.50	13.00	11.25
TC3B4821S	AP60DX22	24.5	--	1475	47.50	34.80	13.25	11.25
TC3B4821S	AP60DX23	24.5	--	1475	47.50	34.80	13.25	11.25
TC3B4821S	AVC48CX21	21.0	--	1350	47.50	34.50	14.25	12.00
TC3B4821S	AVC48DX21	24.5	--	1400	48.00	35.00	14.50	12.25
TC3B4821S	AVC60CX21	21.0	--	1350	48.00	34.50	14.25	12.25
TC3B4821S	AVC60DX21	24.5	--	1475	48.00	35.50	14.50	12.25
TC3B4821S	ME14DN21	24.5	CF/CM60D	1425	48.00	35.00	14.50	12.25
TC3B4821S	ME14DN21	24.5	CF/CM64D	1375	48.00	34.50	14.75	12.25
TC3B4821S	ME16CN21	21.0	CF/CM48C	1475	48.00	35.50	14.50	12.25
TC3B4821S	ME16CN21	21.0	CF/CM60C	1450	48.00	35.50	14.50	12.25

COOLING CAPACITY - With Air Handler Coils (Continued)

UNIT MODEL	AIR HANDLER		COIL MODEL ¹	COOLING				
	MODEL	WIDTH		RATED CFM	NET MBH		SEER	EER
					TOTAL	SENS.		
TC3B4821S	ME20DN21	24.5	CF/CM48D	1475	48.00	35.50	14.50	12.25
TC3B4821S	ME20DN21	24.5	CF/CM60D	1425	48.00	35.00	14.50	12.25
TC3B4821S	ME20DN21	24.5	CF/CM64D	1425	48.00	35.50	14.75	12.25
TC3B4821S	MVC14DN21	24.5	CF/CM48D	1325	47.50	33.50	14.50	12.25
TC3B4821S	MVC14DN21	24.5	CF/CM60D	1350	47.50	34.00	14.25	12.25
TC3B4821S	MVC14DN21	24.5	CF/CM64D	1325	48.00	34.00	14.75	12.25
TC3B4821S	MVC16CN21	21.0	CF/CM48C	1425	48.00	35.00	14.25	12.25
TC3B4821S	MVC16CN21	21.0	CF/CM60C	1650	48.00	37.00	15.00	12.50
TC3B4821S	MVC20DN21	24.5	CF/CM48D	1450	48.00	35.50	14.25	12.00
TC3B4821S	MVC20DN21	24.5	CF/CM60D	1475	48.00	35.50	14.50	12.25
TC3B4821S	MVC20DN21	24.5	CF/CM64D	1375	48.00	34.50	14.75	12.25
TC3B6022S	AE60CX22	21.0	–	1600	56.00	41.00	13.25	11.25
TC3B6022S	AE60DX21	24.5	–	1550	57.00	41.00	13.25	11.25
TC3B6022S	AVC60DX21	24.5	–	1600	56.50	41.00	13.50	11.25
TC3B6022S	ME16CN21	21.0	CF/CM60C	1575	55.50	40.50	13.50	11.25
TC3B6022S	ME20DN21	24.5	CF/CM60D	1700	56.00	41.50	13.50	11.25
TC3B6022S	ME20DN21	24.5	CF/CM64D	1675	56.50	42.00	13.50	11.50
TC3B6022S	MVC16CN21	21.0	CF/CM60C	1650	56.00	41.00	13.50	11.50
TC3B6022S	MVC20DN21	24.5	CF/CM60D	1550	56.00	40.00	13.50	11.25
TC3B6022S	MVC20DN21	24.5	CF/CM64D	1575	56.50	41.00	13.50	11.25

Rated in accordance with DOE test procedures (Federal Register 12-27-79 and 3-18-88) and ANSI/AHRI Standard 210/240.

Cooling MBH based on 80°F entering air temperature, 50% RH (Relative Humidity), and rated airflow.

EER (Energy Efficiency Ratio) is the total cooling output in BTUs at 95°F outdoor ambient divided by the total electric power in watt-hours at those conditions.

SEER (Seasonal Energy Efficiency Ratio) is the total cooling output in BTUs during a normal annual usage period for cooling divided by the total electric power input in watt-hours during the same period.

1. CM coils available with a factory installed horizontal drain pan. See the Price pages for specific model number.

– = Not applicable.

MP Modular Air Handlers use Coil Only Ratings.

COOLING CAPACITY - Upflow, Downflow, and Horizontal Furnaces and Coils (Coil Only Ratings)

UNIT MODEL	COIL		CFM RANGE (MINIMUM-MAXIMUM)	COOLING				
	MODEL	WIDTH		RATED CFM	NET MBH		SEER ¹	EER
					TOTAL	SENS.		
TC3B1822S	CF/CM/CU18A	14.5	450-750	600	17.2	13.0	13.00	11.50
TC3B1822S	CF/CM/CU18B	17.5	450-750	600	17.2	13.8	13.00	11.50
TC3B1822S	CF/CM/CU24A	14.5	450-750	600	17.4	13.9	13.00	11.50
TC3B1822S	CF/CM/CU24B	17.5	450-750	600	17.4	13.9	13.00	11.50
TC3B1822S	CF/CM/CU30A	14.5	450-750	600	17.6	14.1	13.00	11.50
TC3B1822S	CF/CM/CU30B	17.5	450-750	600	17.6	14.1	13.00	11.50
TC3B1822S	CF/CM/CU36B	17.5	450-750	600	17.6	14.0	13.25	11.75
TC3B1822S	CF/CM/CU36C	21.0	450-750	600	17.6	14.0	13.25	11.75
TC3B1822S	CF/CM24C	21.0	450-750	600	17.4	13.9	13.00	11.50
TC3B1822S	CF/CM30C	21.0	450-750	600	17.6	14.1	13.00	11.50
TC3B1822S	CF/CM36A	14.5	450-750	600	17.6	14.0	13.25	11.75
TC3B1822S	CF/CM36D	24.5	450-750	600	17.6	14.0	13.25	11.75
TC3B2423S	CF/CM/CU24A	14.5	600-1000	800	23.6	16.8	13.00	11.50
TC3B2423S	CF/CM/CU24B	17.5	600-1000	800	23.6	18.9	13.00	11.50
TC3B2423S	CF/CM/CU30A	14.5	600-1000	800	23.6	19.3	13.00	11.50
TC3B2423S	CF/CM/CU30B	17.5	600-1000	800	23.6	19.3	13.00	11.50
TC3B2423S	CF/CM/CU36B	17.5	600-1000	800	23.8	19.2	13.00	11.50
TC3B2423S	CF/CM/CU36C	21.0	600-1000	800	23.8	19.2	13.00	11.50
TC3B2423S	CF/CM/CU42C	21.0	600-1000	800	24.0	19.3	13.00	11.50
TC3B2423S	CF/CM24C	21.0	600-1000	800	23.6	18.9	13.00	11.50
TC3B2423S	CF/CM30C	21.0	600-1000	800	23.6	19.3	13.00	11.50
TC3B2423S	CF/CM36A	14.5	600-1000	800	23.8	19.2	13.00	11.50

COOLING CAPACITY - Upflow, Downflow, and Horizontal Furnaces and Coils (Coil Only Ratings) (Continued)

UNIT MODEL	COIL		CFM RANGE (MINIMUM- MAXIMUM)	COOLING				
	MODEL	WIDTH		RATED CFM	NET MBH		SEER ¹	EER
					TOTAL	SENS.		
TC3B2423S	CF/CM36D	24.5	600-1000	800	23.8	19.2	13.00	11.50
TC3B2423S	CF/CM42D	24.5	600-1000	800	24.0	19.3	13.00	11.50
TC3B2423S	CF42B	17.5	600-1000	800	24.0	19.3	13.00	11.50
TC3B3022S	CF/CM/CU30B	17.5	800-1200	1000	28.6	21.4	13.00	11.00
TC3B3022S	CF/CM/CU36B	17.5	800-1200	1000	29.0	23.0	13.00	11.25
TC3B3022S	CF/CM/CU36C	21.0	800-1200	1000	29.0	23.0	13.00	11.25
TC3B3022S	CF/CM/CU42C	21.0	800-1200	1000	29.0	22.8	13.00	11.25
TC3B3022S	CF/CM30C	21.0	800-1200	1000	28.8	22.8	13.00	11.00
TC3B3022S	CF/CM36A	14.5	800-1200	900	28.6	21.8	13.00	11.00
TC3B3022S	CF/CM36D	24.5	800-1200	1000	29.0	23.0	13.00	11.25
TC3B3022S	CF/CM42D	24.5	800-1200	1000	29.0	22.8	13.00	11.25
TC3B3623S	CF/CM/CU36B	17.5	1000-1400	1200	35.4	23.6	13.00	11.00
TC3B3623S	CF/CM/CU36B	17.5	1000-1400	1200	35.4	23.6	13.00	11.00
TC3B3623S	CF/CM/CU36C	21.0	1000-1400	1200	35.4	28.0	13.00	11.00
TC3B3623S	CF/CM/CU42C	21.0	1000-1400	1200	35.8	27.6	13.00	11.00
TC3B3623S	CF/CM/CU48C	21.0	1000-1400	1200	35.8	27.8	13.00	11.25
TC3B3623S	CF/CM/CU48D	24.5	1000-1400	1200	35.8	27.8	13.00	11.25
TC3B3623S	CF/CM36D	24.5	1000-1400	1200	35.4	28.0	13.00	11.00
TC3B3623S	CF/CM42D	24.5	1000-1400	1200	35.8	27.6	13.00	11.00
TC3B3623S	CF42B	17.5	1000-1400	1200	35.8	27.6	13.00	11.00
TC3B4223S	CF/CM/CU42C	21.0	1200-1600	1400	40.5	29.0	13.00	11.00
TC3B4223S	CF/CM/CU42C	21.0	1200-1600	1400	40.5	29.0	13.00	11.00
TC3B4223S	CF/CM/CU48C	21.0	1200-1600	1400	41.0	32.1	13.00	11.25
TC3B4223S	CF/CM/CU48D	24.5	1200-1600	1400	41.0	32.1	13.00	11.25
TC3B4223S	CF/CM/CU60C	21.0	1200-1600	1400	40.5	31.6	13.00	11.25
TC3B4223S	CF/CM42D	24.5	1200-1600	1400	41.0	32.4	13.00	11.25
TC3B4223S	CF/CM64D	24.5	1200-1600	1400	42.0	33.1	13.00	11.50
TC3B4821S	CF/CM/CU48C	21.0	1400-1800	1600	46.0	33.5	13.00	11.00
TC3B4821S	CF/CM/CU48D	24.5	1400-1800	1600	46.0	33.5	13.00	11.00
TC3B4821S	CF/CM/CU60C	21.0	1400-1800	1600	48.0	36.0	13.00	11.25
TC3B4821S	CF/CM/CU60D	24.5	1400-1800	1600	48.0	36.0	13.00	11.25
TC3B4821S	CF/CM64D	24.5	1400-1800	1600	48.0	36.0	13.00	11.25
TC3B6022S	CF/CM/CU60C	21.0	1520-1920	1725	55.0	41.0	13.00	11.00
TC3B6022S	CF/CM/CU60D	24.5	1520-1920	1725	55.5	38.0	13.00	11.00
TC3B6022S	CF/CM/CU60D	24.5	1520-1920	1725	55.5	38.0	13.00	11.00
TC3B6022S	CF/CM64D	24.5	1520-1920	1725	56.5	42.5	13.00	11.00

For rated condition information, see the *COOLING CAPACITY - With Air Handler Coils* table footnotes.

1. Requires a S1-2FD06700224 Blower Time Delay unless a standard furnace is equipped with one.

- = Not Applicable.

MP Modular Air Handlers use Coil Only Ratings.

PSC furnaces, such as the TG8S, TGLS, and TG9S, use Coil Only Ratings.

COOLING CAPACITY - With High Efficiency Motor Furnaces¹

UNIT MODEL	FURNACE		COIL MODEL ²	COOLING				
	MODEL	WIDTH		RATED CFM	NET MBH		SEER	EER
					TOTAL	SENS.		
TC3B1822S	TM8V060A12MP12C	14.5	CF/CM/CU18A	575	17.7	13.9	15.00	12.75
TC3B1822S	TM8V060A12MP12C	14.5	CF/CM/CU18B	625	17.8	14.5	15.00	12.75
TC3B1822S	TM8V060A12MP12C	14.5	CF/CM/CU24A	625	18.0	14.7	15.00	12.75
TC3B1822S	TM8V060A12MP12C	14.5	CF/CM/CU24B	625	18.0	14.7	15.00	12.75
TC3B1822S	TM8V060A12MP12C	14.5	CF/CM/CU30A	575	17.9	14.0	14.75	12.75
TC3B1822S	TM8V060A12MP12C	14.5	CF/CM/CU30B	575	18.0	14.1	15.00	12.75
TC3B1822S	TM8V060A12MP12C	14.5	CF/CM/CU36B	575	18.0	14.1	15.00	12.75
TC3B1822S	TM8V060A12MP12C	14.5	CF/CM36A	625	18.0	14.6	15.00	12.75

COOLING CAPACITY - With High Efficiency Motor Furnaces¹ (Continued)

UNIT MODEL	FURNACE		COIL MODEL ²	COOLING				
	MODEL	WIDTH		RATED CFM	NET MBH		SEER	EER
					TOTAL	SENS.		
TC3B1822S	TM8V080B12MP12C	17.5	CF/CM/CU18B	550	17.5	13.7	14.75	12.75
TC3B1822S	TM8V080B12MP12C	17.5	CF/CM/CU24B	625	17.9	14.6	15.00	12.75
TC3B1822S	TM8V080B12MP12C	17.5	CF/CM/CU30B	625	18.0	14.5	14.75	12.75
TC3B1822S	TM8V080B12MP12C	17.5	CF/CM/CU36B	675	18.0	15.0	14.75	12.75
TC3B1822S	TM8V080B12MP12C	17.5	CF/CM/CU36C	675	18.0	15.0	15.00	12.75
TC3B1822S	TM8V080B12MP12C	17.5	CF/CM24C	675	17.9	15.3	15.00	12.75
TC3B1822S	TM8V080B12MP12C	17.5	CF/CM30C	625	18.0	14.5	14.75	12.75
TC3B1822S	TM8X060A12MP11	14.5	CF/CM/CU18A	625	17.8	14.5	14.75	12.75
TC3B1822S	TM8X060A12MP11	14.5	CF/CM/CU18B	650	17.9	14.9	14.75	12.75
TC3B1822S	TM8X060A12MP11	14.5	CF/CM/CU24A	625	17.9	14.6	15.00	12.75
TC3B1822S	TM8X060A12MP11	14.5	CF/CM/CU24B	650	18.0	14.9	15.00	12.75
TC3B1822S	TM8X060A12MP11	14.5	CF/CM/CU30A	625	18.0	14.5	14.75	12.75
TC3B1822S	TM8X060A12MP11	14.5	CF/CM/CU30B	650	18.0	14.9	15.00	12.75
TC3B1822S	TM8X060A12MP11	14.5	CF/CM/CU36B	650	18.0	15.0	15.00	12.75
TC3B1822S	TM8X060A12MP11	14.5	CF/CM36A	625	18.0	14.6	15.00	12.75
TC3B1822S	TM8X080B12MP11	17.5	CF/CM/CU18B	675	18.0	15.2	15.00	12.75
TC3B1822S	TM8X080B12MP11	17.5	CF/CM/CU24B	675	18.0	15.4	15.00	12.75
TC3B1822S	TM8X080B12MP11	17.5	CF/CM/CU30B	675	18.0	15.0	15.00	12.75
TC3B1822S	TM8X080B12MP11	17.5	CF/CM/CU36B	675	18.0	15.0	15.00	12.75
TC3B1822S	TM8X080B12MP11	17.5	CF/CM24C	675	18.0	15.4	15.00	12.75
TC3B1822S	TM8X080B12MP11	17.5	CF/CM30C	675	18.0	15.0	15.00	12.75
TC3B1822S	TM8Y060A12MP11	14.5	CF/CM/CU18A	625	17.8	14.5	14.75	12.75
TC3B1822S	TM8Y060A12MP11	14.5	CF/CM/CU18B	650	17.9	14.9	14.75	12.75
TC3B1822S	TM8Y060A12MP11	14.5	CF/CM/CU24A	625	17.9	14.6	15.00	12.75
TC3B1822S	TM8Y060A12MP11	14.5	CF/CM/CU24B	650	18.0	14.9	15.00	12.75
TC3B1822S	TM8Y060A12MP11	14.5	CF/CM/CU30A	625	18.0	14.5	14.75	12.75
TC3B1822S	TM8Y060A12MP11	14.5	CF/CM/CU30B	650	18.0	14.9	15.00	12.75
TC3B1822S	TM8Y060A12MP11	14.5	CF/CM/CU36B	650	18.0	15.0	15.00	12.75
TC3B1822S	TM8Y060A12MP11	14.5	CF/CM36A	625	18.0	14.6	15.00	12.75
TC3B1822S	TM8Y080B12MP11	17.5	CF/CM/CU18B	675	18.0	15.2	15.00	12.75
TC3B1822S	TM8Y080B12MP11	17.5	CF/CM/CU24B	675	18.0	15.4	15.00	12.75
TC3B1822S	TM8Y080B12MP11	17.5	CF/CM/CU30B	675	18.0	15.0	15.00	12.75
TC3B1822S	TM8Y080B12MP11	17.5	CF/CM/CU36B	675	18.0	15.0	15.00	12.75
TC3B1822S	TM8Y080B12MP11	17.5	CF/CM24C	675	18.0	15.4	15.00	12.75
TC3B1822S	TM8Y080B12MP11	17.5	CF/CM30C	675	18.0	15.0	15.00	12.75
TC3B1822S	TM9E040A10MP11	14.5	CF/CM/CU18A	675	17.7	15.0	13.75	12.25
TC3B1822S	TM9E040A10MP11	14.5	CF/CM/CU18B	525	17.3	13.0	14.50	12.75
TC3B1822S	TM9E040A10MP11	14.5	CF/CM/CU24A	675	17.7	15.1	14.00	12.25
TC3B1822S	TM9E040A10MP11	14.5	CF/CM/CU24B	525	17.4	13.2	14.75	12.75
TC3B1822S	TM9E040A10MP11	14.5	CF/CM/CU30A	675	18.0	15.0	13.75	12.50
TC3B1822S	TM9E040A10MP11	14.5	CF/CM/CU30B	525	17.6	13.4	14.25	12.75
TC3B1822S	TM9E040A10MP11	14.5	CF/CM/CU36B	525	17.7	13.3	14.50	12.75
TC3B1822S	TM9E040A10MP11	14.5	CF/CM36A	675	18.0	15.0	14.00	12.50
TC3B1822S	TM9E060B12MP11	17.5	CF/CM/CU18B	675	17.9	15.1	15.00	12.75
TC3B1822S	TM9E060B12MP11	17.5	CF/CM/CU24B	675	17.9	15.3	15.00	12.75
TC3B1822S	TM9E060B12MP11	17.5	CF/CM/CU30B	675	18.0	15.0	14.50	12.75
TC3B1822S	TM9E060B12MP11	17.5	CF/CM/CU36B	675	18.0	15.0	15.00	12.75
TC3B1822S	TM9E060B12MP11	17.5	CF/CM24C	675	17.9	15.3	15.00	12.75
TC3B1822S	TM9E060B12MP11	17.5	CF/CM30C	675	18.0	15.0	14.75	12.75
TC3B1822S	TM9E080C16MP11	21.0	CF/CM/CU36C	600	18.0	14.3	15.00	12.75
TC3B1822S	TM9E080C16MP11	21.0	CF/CM24C	600	17.9	14.2	15.00	12.75
TC3B1822S	TM9E080C16MP11	21.0	CF/CM30C	600	18.0	14.4	15.00	12.75
TC3B1822S	TM9E080C16MP11	21.0	CF/CM36D	600	18.0	14.3	15.00	12.75

COOLING CAPACITY - With High Efficiency Motor Furnaces¹ (Continued)

UNIT MODEL	FURNACE		COIL MODEL ²	COOLING				
	MODEL	WIDTH		RATED CFM	NET MBH		SEER	EER
					TOTAL	SENS.		
TC3B1822S	TM9E100C16MP11	21.0	CF/CM/CU36C	650	18.0	14.9	15.00	12.75
TC3B1822S	TM9E100C16MP11	21.0	CF/CM24C	625	18.0	14.7	15.00	12.75
TC3B1822S	TM9E100C16MP11	21.0	CF/CM30C	625	18.0	14.5	15.00	12.75
TC3B1822S	TM9E100C16MP11	21.0	CF/CM36D	650	18.0	14.9	15.00	12.75
TC3B1822S	TM9V040A10MP12C	14.5	CF/CM/CU18A	525	17.3	13.1	14.50	12.75
TC3B1822S	TM9V040A10MP12C	14.5	CF/CM/CU18B	525	17.4	13.1	14.50	12.75
TC3B1822S	TM9V040A10MP12C	14.5	CF/CM/CU24A	525	17.4	13.2	14.50	12.75
TC3B1822S	TM9V040A10MP12C	14.5	CF/CM/CU24B	525	17.5	13.3	14.75	12.75
TC3B1822S	TM9V040A10MP12C	14.5	CF/CM/CU30A	525	17.6	13.4	14.25	12.75
TC3B1822S	TM9V040A10MP12C	14.5	CF/CM/CU30B	650	18.0	14.9	14.50	12.75
TC3B1822S	TM9V040A10MP12C	14.5	CF/CM/CU36B	525	17.7	13.3	14.50	12.75
TC3B1822S	TM9V040A10MP12C	14.5	CF/CM36A	525	17.7	13.3	14.50	12.75
TC3B1822S	TM9V060B12MP12C	17.5	CF/CM/CU18B	600	17.7	14.2	15.00	12.75
TC3B1822S	TM9V060B12MP12C	17.5	CF/CM/CU24B	600	17.8	14.2	15.00	12.75
TC3B1822S	TM9V060B12MP12C	17.5	CF/CM/CU30B	650	18.0	14.9	15.00	12.75
TC3B1822S	TM9V060B12MP12C	17.5	CF/CM/CU36B	600	18.0	14.3	15.00	12.75
TC3B1822S	TM9V060B12MP12C	17.5	CF/CM/CU36C	650	18.0	15.0	15.00	12.75
TC3B1822S	TM9V060B12MP12C	17.5	CF/CM24C	600	17.8	14.2	15.00	12.75
TC3B1822S	TM9V060B12MP12C	17.5	CF/CM30C	650	18.0	14.9	15.00	12.75
TC3B1822S	TM9V080B12MP12C	17.5	CF/CM/CU18B	575	17.7	13.9	15.00	12.75
TC3B1822S	TM9V080B12MP12C	17.5	CF/CM/CU24B	675	18.0	15.4	15.00	12.75
TC3B1822S	TM9V080B12MP12C	17.5	CF/CM/CU30B	575	18.0	14.1	15.00	12.75
TC3B1822S	TM9V080B12MP12C	17.5	CF/CM/CU36B	675	18.0	15.0	15.00	12.75
TC3B1822S	TM9V080B12MP12C	17.5	CF/CM/CU36C	675	18.0	15.0	15.00	12.75
TC3B1822S	TM9V080B12MP12C	17.5	CF/CM24C	675	18.0	15.4	15.00	12.75
TC3B1822S	TM9V080B12MP12C	17.5	CF/CM30C	575	18.0	14.1	15.00	12.75
TC3B1822S	TM9Y040A10MP11	14.5	CF/CM/CU18A	675	17.7	15.0	13.75	12.25
TC3B1822S	TM9Y040A10MP11	14.5	CF/CM/CU18B	525	17.3	13.0	14.50	12.75
TC3B1822S	TM9Y040A10MP11	14.5	CF/CM/CU24A	675	17.7	15.1	14.00	12.25
TC3B1822S	TM9Y040A10MP11	14.5	CF/CM/CU24B	525	17.4	13.2	14.75	12.75
TC3B1822S	TM9Y040A10MP11	14.5	CF/CM/CU30A	675	18.0	15.0	13.75	12.50
TC3B1822S	TM9Y040A10MP11	14.5	CF/CM/CU30B	525	17.6	13.4	14.25	12.75
TC3B1822S	TM9Y040A10MP11	14.5	CF/CM/CU36B	525	17.7	13.3	14.50	12.75
TC3B1822S	TM9Y040A10MP11	14.5	CF/CM36A	675	18.0	15.0	14.00	12.50
TC3B1822S	TM9Y060B12MP11	17.5	CF/CM/CU18B	675	17.9	15.1	15.00	12.75
TC3B1822S	TM9Y060B12MP11	17.5	CF/CM/CU24B	675	17.9	15.3	15.00	12.75
TC3B1822S	TM9Y060B12MP11	17.5	CF/CM/CU30B	675	18.0	15.0	14.50	12.75
TC3B1822S	TM9Y060B12MP11	17.5	CF/CM/CU36B	675	18.0	15.0	15.00	12.75
TC3B1822S	TM9Y060B12MP11	17.5	CF/CM24C	675	17.9	15.3	15.00	12.75
TC3B1822S	TM9Y060B12MP11	17.5	CF/CM30C	675	18.0	15.0	14.75	12.75
TC3B1822S	TM9Y080C16MP11	21.0	CF/CM/CU36C	600	18.0	14.3	15.00	12.75
TC3B1822S	TM9Y080C16MP11	21.0	CF/CM24C	600	17.9	14.2	15.00	12.75
TC3B1822S	TM9Y080C16MP11	21.0	CF/CM30C	600	18.0	14.4	15.00	12.75
TC3B1822S	TM9Y080C16MP11	21.0	CF/CM36D	600	18.0	14.3	15.00	12.75
TC3B1822S	TM9Y100C16MP11	21.0	CF/CM/CU36C	650	18.0	14.9	15.00	12.75
TC3B1822S	TM9Y100C16MP11	21.0	CF/CM24C	625	18.0	14.7	15.00	12.75
TC3B1822S	TM9Y100C16MP11	21.0	CF/CM30C	625	18.0	14.5	15.00	12.75
TC3B1822S	TM9Y100C16MP11	21.0	CF/CM36D	650	18.0	14.9	15.00	12.75
TC3B1822S	TMLV060A12MP12C	14.5	CF/CM/CU18A	575	17.7	13.9	15.00	12.75
TC3B1822S	TMLV060A12MP12C	14.5	CF/CM/CU18B	625	17.8	14.5	15.00	12.75
TC3B1822S	TMLV060A12MP12C	14.5	CF/CM/CU24A	625	18.0	14.7	15.00	12.75
TC3B1822S	TMLV060A12MP12C	14.5	CF/CM/CU24B	625	18.0	14.7	15.00	12.75
TC3B1822S	TMLV060A12MP12C	14.5	CF/CM/CU30A	575	17.9	14.0	14.75	12.75

COOLING CAPACITY - With High Efficiency Motor Furnaces¹ (Continued)

UNIT MODEL	FURNACE		COIL MODEL ²	COOLING				
	MODEL	WIDTH		RATED CFM	NET MBH		SEER	EER
					TOTAL	SENS.		
TC3B1822S	TMLV060A12MP12C	14.5	CF/CM/CU30B	575	18.0	14.1	15.00	12.75
TC3B1822S	TMLV060A12MP12C	14.5	CF/CM/CU36B	575	18.0	14.1	15.00	12.75
TC3B1822S	TMLV060A12MP12C	14.5	CF/CM36A	625	18.0	14.6	15.00	12.75
TC3B1822S	TMLV080B12MP12C	17.5	CF/CM/CU18B	550	17.5	13.7	14.75	12.75
TC3B1822S	TMLV080B12MP12C	17.5	CF/CM/CU24B	625	17.9	14.6	15.00	12.75
TC3B1822S	TMLV080B12MP12C	17.5	CF/CM/CU30B	625	18.0	14.5	14.75	12.75
TC3B1822S	TMLV080B12MP12C	17.5	CF/CM/CU36B	675	18.0	15.0	14.75	12.75
TC3B1822S	TMLV080B12MP12C	17.5	CF/CM/CU36C	675	18.0	15.0	15.00	12.75
TC3B1822S	TMLV080B12MP12C	17.5	CF/CM24C	675	17.9	15.3	15.00	12.75
TC3B1822S	TMLV080B12MP12C	17.5	CF/CM30C	625	18.0	14.5	14.75	12.75
TC3B1822S	TMLX060A12MP11	14.5	CF/CM/CU18A	625	17.8	14.5	14.75	12.75
TC3B1822S	TMLX060A12MP11	14.5	CF/CM/CU18B	650	17.9	14.9	14.75	12.75
TC3B1822S	TMLX060A12MP11	14.5	CF/CM/CU24A	625	17.9	14.6	15.00	12.75
TC3B1822S	TMLX060A12MP11	14.5	CF/CM/CU24B	650	18.0	14.9	15.00	12.75
TC3B1822S	TMLX060A12MP11	14.5	CF/CM/CU30A	625	18.0	14.5	14.75	12.75
TC3B1822S	TMLX060A12MP11	14.5	CF/CM/CU30B	650	18.0	14.9	15.00	12.75
TC3B1822S	TMLX060A12MP11	14.5	CF/CM/CU36B	650	18.0	15.0	15.00	12.75
TC3B1822S	TMLX060A12MP11	14.5	CF/CM36A	625	18.0	14.6	15.00	12.75
TC3B1822S	TMLX080B12MP11	17.5	CF/CM/CU18B	675	18.0	15.2	15.00	12.75
TC3B1822S	TMLX080B12MP11	17.5	CF/CM/CU24B	675	18.0	15.4	15.00	12.75
TC3B1822S	TMLX080B12MP11	17.5	CF/CM/CU30B	675	18.0	15.0	15.00	12.75
TC3B1822S	TMLX080B12MP11	17.5	CF/CM/CU36B	675	18.0	15.0	15.00	12.75
TC3B1822S	TMLX080B12MP11	17.5	CF/CM24C	675	18.0	15.4	15.00	12.75
TC3B1822S	TMLX080B12MP11	17.5	CF/CM30C	675	18.0	15.0	15.00	12.75
TC3B1822S	TP9C060B12MP13C	17.5	CF/CM/CU18B	600	17.7	14.2	15.00	12.75
TC3B1822S	TP9C060B12MP13C	17.5	CF/CM/CU24B	600	17.8	14.2	15.00	12.75
TC3B1822S	TP9C060B12MP13C	17.5	CF/CM/CU30B	650	18.0	14.9	15.00	12.75
TC3B1822S	TP9C060B12MP13C	17.5	CF/CM/CU36B	600	18.0	14.3	15.00	12.75
TC3B1822S	TP9C060B12MP13C	17.5	CF/CM/CU36C	650	18.0	15.0	15.00	12.75
TC3B1822S	TP9C060B12MP13C	17.5	CF/CM24C	600	17.8	14.2	15.00	12.75
TC3B1822S	TP9C060B12MP13C	17.5	CF/CM30C	650	18.0	14.9	15.00	12.75
TC3B1822S	TP9C080B12MP13C	17.5	CF/CM/CU18B	575	17.7	13.9	15.00	12.75
TC3B1822S	TP9C080B12MP13C	17.5	CF/CM/CU24B	675	18.0	15.4	15.00	12.75
TC3B1822S	TP9C080B12MP13C	17.5	CF/CM/CU30B	575	18.0	14.1	15.00	12.75
TC3B1822S	TP9C080B12MP13C	17.5	CF/CM/CU36B	675	18.0	15.0	15.00	12.75
TC3B1822S	TP9C080B12MP13C	17.5	CF/CM/CU36C	675	18.0	15.0	15.00	12.75
TC3B1822S	TP9C080B12MP13C	17.5	CF/CM24C	675	18.0	15.4	15.00	12.75
TC3B1822S	TP9C080B12MP13C	17.5	CF/CM30C	575	18.0	14.1	15.00	12.75
TC3B1822S	TPLC060A12MP13C	14.5	CF/CM/CU18A	575	17.7	13.9	15.00	12.75
TC3B1822S	TPLC060A12MP13C	14.5	CF/CM/CU18B	625	17.8	14.5	15.00	12.75
TC3B1822S	TPLC060A12MP13C	14.5	CF/CM/CU24A	625	18.0	14.7	15.00	12.75
TC3B1822S	TPLC060A12MP13C	14.5	CF/CM/CU24B	625	18.0	14.7	15.00	12.75
TC3B1822S	TPLC060A12MP13C	14.5	CF/CM/CU30A	575	17.9	14.0	14.75	12.75
TC3B1822S	TPLC060A12MP13C	14.5	CF/CM/CU30B	575	18.0	14.1	15.00	12.75
TC3B1822S	TPLC060A12MP13C	14.5	CF/CM/CU36B	575	18.0	14.1	15.00	12.75
TC3B1822S	TPLC060A12MP13C	14.5	CF/CM36A	625	18.0	14.6	15.00	12.75
TC3B1822S	TPLC080B12MP13C	17.5	CF/CM/CU18B	550	17.5	13.7	14.75	12.75
TC3B1822S	TPLC080B12MP13C	17.5	CF/CM/CU24B	625	17.9	14.6	15.00	12.75
TC3B1822S	TPLC080B12MP13C	17.5	CF/CM/CU30B	625	18.0	14.5	14.75	12.75
TC3B1822S	TPLC080B12MP13C	17.5	CF/CM/CU36B	675	18.0	15.0	14.75	12.75
TC3B1822S	TPLC080B12MP13C	17.5	CF/CM/CU36C	675	18.0	15.0	15.00	12.75
TC3B1822S	TPLC080B12MP13C	17.5	CF/CM24C	675	17.9	15.3	15.00	12.75
TC3B1822S	TPLC080B12MP13C	17.5	CF/CM30C	625	18.0	14.5	14.75	12.75

COOLING CAPACITY - With High Efficiency Motor Furnaces¹ (Continued)

UNIT MODEL	FURNACE		COIL MODEL ²	COOLING				
	MODEL	WIDTH		RATED CFM	NET MBH		SEER	EER
					TOTAL	SENS.		
TC3B1822S	CP9C060B12MP13C	17.5	CF/CM/CU18B	600	17.7	14.2	15.00	12.75
TC3B1822S	CP9C060B12MP13C	17.5	CF/CM/CU24B	600	17.8	14.2	15.00	12.75
TC3B1822S	CP9C060B12MP13C	17.5	CF/CM/CU30B	650	18.0	14.9	15.00	12.75
TC3B1822S	CP9C060B12MP13C	17.5	CF/CM/CU36B	600	18.0	14.3	15.00	12.75
TC3B1822S	CP9C060B12MP13C	17.5	CF/CM/CU36C	650	18.0	15.0	15.00	12.75
TC3B1822S	CP9C060B12MP13C	17.5	CF/CM24C	600	17.8	14.2	15.00	12.75
TC3B1822S	CP9C060B12MP13C	17.5	CF/CM30C	650	18.0	14.9	15.00	12.75
TC3B1822S	CP9C080B12MP13C	17.5	CF/CM/CU18B	575	17.7	13.9	15.00	12.75
TC3B1822S	CP9C080B12MP13C	17.5	CF/CM/CU24B	675	18.0	15.4	15.00	12.75
TC3B1822S	CP9C080B12MP13C	17.5	CF/CM/CU30B	575	18.0	14.1	15.00	12.75
TC3B1822S	CP9C080B12MP13C	17.5	CF/CM/CU36B	675	18.0	15.0	15.00	12.75
TC3B1822S	CP9C080B12MP13C	17.5	CF/CM/CU36C	675	18.0	15.0	15.00	12.75
TC3B1822S	CP9C080B12MP13C	17.5	CF/CM24C	675	18.0	15.4	15.00	12.75
TC3B1822S	CP9C080B12MP13C	17.5	CF/CM30C	575	18.0	14.1	15.00	12.75
TC3B1822S	CPLC060A12MP13C	14.5	CF/CM/CU18A	575	17.7	13.9	15.00	12.75
TC3B1822S	CPLC060A12MP13C	14.5	CF/CM/CU18B	625	17.8	14.5	15.00	12.75
TC3B1822S	CPLC060A12MP13C	14.5	CF/CM/CU24A	625	18.0	14.7	15.00	12.75
TC3B1822S	CPLC060A12MP13C	14.5	CF/CM/CU24B	625	18.0	14.7	15.00	12.75
TC3B1822S	CPLC060A12MP13C	14.5	CF/CM/CU30A	575	17.9	14.0	14.75	12.75
TC3B1822S	CPLC060A12MP13C	14.5	CF/CM/CU30B	575	18.0	14.1	15.00	12.75
TC3B1822S	CPLC060A12MP13C	14.5	CF/CM/CU36B	575	18.0	14.1	15.00	12.75
TC3B1822S	CPLC060A12MP13C	14.5	CF/CM36A	625	18.0	14.6	15.00	12.75
TC3B1822S	CPLC080B12MP13C	17.5	CF/CM/CU18B	550	17.5	13.7	14.75	12.75
TC3B1822S	CPLC080B12MP13C	17.5	CF/CM/CU24B	625	17.9	14.6	15.00	12.75
TC3B1822S	CPLC080B12MP13C	17.5	CF/CM/CU30B	625	18.0	14.5	14.75	12.75
TC3B1822S	CPLC080B12MP13C	17.5	CF/CM/CU36B	675	18.0	15.0	14.75	12.75
TC3B1822S	CPLC080B12MP13C	17.5	CF/CM/CU36C	675	18.0	15.0	15.00	12.75
TC3B1822S	CPLC080B12MP13C	17.5	CF/CM24C	675	17.9	15.3	15.00	12.75
TC3B1822S	CPLC080B12MP13C	17.5	CF/CM30C	625	18.0	14.5	14.75	12.75
TC3B2423S	TL8E060A12UH11	14.5	CF/CM/CU24A	650	24.0	17.4	14.00	12.25
TC3B2423S	TL8E060A12UH11	14.5	CF/CM/CU24B	700	24.0	18.1	14.25	12.25
TC3B2423S	TL8E060A12UH11	14.5	CF/CM/CU30A	650	24.0	17.5	14.25	12.25
TC3B2423S	TL8E060A12UH11	14.5	CF/CM/CU30B	700	24.0	18.4	14.50	12.50
TC3B2423S	TL8E060A12UH11	14.5	CF/CM/CU36B	700	24.0	18.4	14.50	12.50
TC3B2423S	TL8E060A12UH11	14.5	CF/CM36A	625	24.0	17.1	14.25	12.25
TC3B2423S	TL8E060A12UH11	14.5	CF42B	675	24.0	18.2	14.25	12.50
TC3B2423S	TL8E080C16UH11	21.0	CF/CM24C	950	24.0	19.6	14.00	12.25
TC3B2423S	TL8E080C16UH11	21.0	CF/CM30C	950	24.0	21.5	14.50	12.50
TC3B2423S	TL9E060B12UH11	17.5	CF/CM/CU24B	650	24.0	17.4	14.00	12.25
TC3B2423S	TL9E060B12UH11	17.5	CF/CM/CU30B	675	24.0	17.8	14.25	12.25
TC3B2423S	TL9E060B12UH11	17.5	CF/CM/CU36B	650	24.0	17.5	14.25	12.25
TC3B2423S	TL9E060B12UH11	17.5	CF/CM/CU36C	700	24.0	18.4	14.25	12.25
TC3B2423S	TL9E060B12UH11	17.5	CF/CM/CU42C	700	24.0	18.4	14.25	12.25
TC3B2423S	TL9E060B12UH11	17.5	CF/CM24C	700	24.0	17.9	14.00	12.25
TC3B2423S	TL9E060B12UH11	17.5	CF/CM30C	700	24.0	18.4	14.25	12.25
TC3B2423S	TL9E060B12UH11	17.5	CF42B	675	24.0	18.2	14.50	12.50
TC3B2423S	TL9E080C16UH11	21.0	CF/CM/CU36C	925	24.0	21.5	14.75	12.50
TC3B2423S	TL9E080C16UH11	21.0	CF/CM/CU42C	925	24.0	21.4	14.75	12.50
TC3B2423S	TL9E080C16UH11	21.0	CF/CM24C	900	24.0	19.1	14.00	12.25
TC3B2423S	TL9E080C16UH11	21.0	CF/CM30C	925	24.0	21.4	14.50	12.50
TC3B2423S	TL9E080C16UH11	21.0	CF/CM36D	925	24.0	21.5	14.75	12.50
TC3B2423S	TL9E080C16UH11	21.0	CF/CM42D	925	24.0	21.4	14.75	12.50
TC3B2423S	TM8E040A12MP11	14.5	CF/CM/CU24A	650	24.0	17.3	14.25	12.25

COOLING CAPACITY - With High Efficiency Motor Furnaces¹ (Continued)

UNIT MODEL	FURNACE		COIL MODEL ²	COOLING				
	MODEL	WIDTH		RATED CFM	NET MBH		SEER	EER
					TOTAL	SENS.		
TC3B2423S	TM8E040A12MP11	14.5	CF/CM/CU24B	775	24.0	19.0	14.25	12.25
TC3B2423S	TM8E040A12MP11	14.5	CF/CM/CU30A	725	24.0	18.6	14.25	12.25
TC3B2423S	TM8E040A12MP11	14.5	CF/CM/CU30B	775	24.0	19.4	14.50	12.50
TC3B2423S	TM8E040A12MP11	14.5	CF/CM/CU36B	775	24.0	19.5	14.50	12.50
TC3B2423S	TM8E040A12MP11	14.5	CF/CM36A	725	24.0	18.6	14.50	12.50
TC3B2423S	TM8E040A12MP11	14.5	CF42B	775	24.0	19.5	14.50	12.50
TC3B2423S	TM8E060A12MP11	14.5	CF/CM/CU24A	725	24.0	18.4	14.25	12.25
TC3B2423S	TM8E060A12MP11	14.5	CF/CM/CU24B	750	24.0	18.8	14.25	12.25
TC3B2423S	TM8E060A12MP11	14.5	CF/CM/CU30A	775	24.0	19.4	14.25	12.25
TC3B2423S	TM8E060A12MP11	14.5	CF/CM/CU30B	825	24.0	20.0	14.50	12.50
TC3B2423S	TM8E060A12MP11	14.5	CF/CM/CU36B	750	24.0	19.0	14.50	12.50
TC3B2423S	TM8E060A12MP11	14.5	CF/CM36A	725	24.0	18.6	14.50	12.50
TC3B2423S	TM8E060A12MP11	14.5	CF42B	750	24.0	19.3	14.50	12.50
TC3B2423S	TM8E080B12MP11	17.5	CF/CM/CU24B	725	24.0	18.4	14.25	12.25
TC3B2423S	TM8E080B12MP11	17.5	CF/CM/CU30B	725	24.0	18.6	14.50	12.50
TC3B2423S	TM8E080B12MP11	17.5	CF/CM/CU36B	725	24.0	18.8	14.50	12.50
TC3B2423S	TM8E080B12MP11	17.5	CF/CM/CU36C	750	24.0	19.0	14.50	12.50
TC3B2423S	TM8E080B12MP11	17.5	CF/CM/CU42C	750	24.0	19.2	14.75	12.50
TC3B2423S	TM8E080B12MP11	17.5	CF/CM24C	750	24.0	18.8	14.25	12.25
TC3B2423S	TM8E080B12MP11	17.5	CF/CM30C	750	24.0	19.0	14.50	12.50
TC3B2423S	TM8E080B12MP11	17.5	CF42B	725	24.0	18.9	14.75	12.50
TC3B2423S	TM8E080C16MP11	21.0	CF/CM/CU36C	825	24.0	20.4	14.75	12.50
TC3B2423S	TM8E080C16MP11	21.0	CF/CM/CU42C	825	24.0	20.0	15.00	12.50
TC3B2423S	TM8E080C16MP11	21.0	CF/CM24C	825	24.0	19.8	14.50	12.50
TC3B2423S	TM8E080C16MP11	21.0	CF/CM30C	825	24.0	20.0	15.00	12.50
TC3B2423S	TM8E080C16MP11	21.0	CF/CM36D	825	24.0	20.4	14.75	12.50
TC3B2423S	TM8E080C16MP11	21.0	CF/CM42D	825	24.0	20.2	14.75	12.50
TC3B2423S	TM8E100B12MP11	17.5	CF/CM/CU24B	725	24.0	18.4	14.25	12.25
TC3B2423S	TM8E100B12MP11	17.5	CF/CM/CU30B	725	24.0	18.6	14.50	12.50
TC3B2423S	TM8E100B12MP11	17.5	CF/CM/CU36B	725	24.0	18.8	14.50	12.50
TC3B2423S	TM8E100B12MP11	17.5	CF/CM/CU36C	725	24.0	18.8	14.50	12.50
TC3B2423S	TM8E100B12MP11	17.5	CF/CM/CU42C	850	24.0	20.5	14.75	12.50
TC3B2423S	TM8E100B12MP11	17.5	CF/CM24C	725	24.0	18.4	14.25	12.25
TC3B2423S	TM8E100B12MP11	17.5	CF/CM30C	725	24.0	18.6	14.50	12.50
TC3B2423S	TM8E100B12MP11	17.5	CF42B	825	24.0	20.0	14.75	12.50
TC3B2423S	TM8E100C16MP11	21.0	CF/CM/CU36C	800	24.0	19.9	14.75	12.50
TC3B2423S	TM8E100C16MP11	21.0	CF/CM/CU42C	800	24.0	19.8	15.00	12.50
TC3B2423S	TM8E100C16MP11	21.0	CF/CM24C	800	24.0	19.3	14.50	12.50
TC3B2423S	TM8E100C16MP11	21.0	CF/CM30C	800	24.0	20.0	14.75	12.50
TC3B2423S	TM8E100C16MP11	21.0	CF/CM36D	800	24.0	19.9	14.75	12.50
TC3B2423S	TM8E100C16MP11	21.0	CF/CM42D	800	24.0	19.8	14.75	12.50
TC3B2423S	TM8E120C16MP11	21.0	CF/CM/CU36C	825	24.0	20.6	15.00	12.50
TC3B2423S	TM8E120C16MP11	21.0	CF/CM/CU42C	825	24.0	20.2	15.00	12.50
TC3B2423S	TM8E120C16MP11	21.0	CF/CM24C	800	24.0	19.3	14.50	12.50
TC3B2423S	TM8E120C16MP11	21.0	CF/CM30C	800	24.0	20.0	14.75	12.50
TC3B2423S	TM8E120C16MP11	21.0	CF/CM36D	825	24.0	20.6	14.75	12.50
TC3B2423S	TM8E120C16MP11	21.0	CF/CM42D	825	24.0	20.2	14.75	12.50
TC3B2423S	TM8V060A12MP11C	14.5	CF/CM/CU24A	725	24.0	18.4	14.00	12.25
TC3B2423S	TM8V060A12MP11C	14.5	CF/CM/CU24B	700	24.0	18.1	14.25	12.50
TC3B2423S	TM8V060A12MP11C	14.5	CF/CM/CU30A	725	24.0	18.6	14.25	12.50
TC3B2423S	TM8V060A12MP11C	14.5	CF/CM/CU30B	700	24.0	18.4	14.50	12.50
TC3B2423S	TM8V060A12MP11C	14.5	CF/CM/CU36B	725	24.0	18.8	14.50	12.50
TC3B2423S	TM8V060A12MP11C	14.5	CF/CM36A	725	24.0	18.6	14.25	12.50

COOLING CAPACITY - With High Efficiency Motor Furnaces¹ (Continued)

UNIT MODEL	FURNACE		COIL MODEL ²	COOLING				
	MODEL	WIDTH		RATED CFM	NET MBH		SEER	EER
					TOTAL	SENS.		
TC3B2423S	TM8V060A12MP11C	14.5	CF42B	700	24.0	18.4	14.50	12.50
TC3B2423S	TM8V060A12MP12C	14.5	CF/CM/CU24A	725	24.0	18.4	14.00	12.25
TC3B2423S	TM8V060A12MP12C	14.5	CF/CM/CU24B	700	24.0	18.1	14.25	12.50
TC3B2423S	TM8V060A12MP12C	14.5	CF/CM/CU30A	725	24.0	18.6	14.25	12.50
TC3B2423S	TM8V060A12MP12C	14.5	CF/CM/CU30B	700	24.0	18.4	14.50	12.50
TC3B2423S	TM8V060A12MP12C	14.5	CF/CM/CU36B	725	24.0	18.8	14.50	12.50
TC3B2423S	TM8V060A12MP12C	14.5	CF/CM36A	725	24.0	18.6	14.25	12.50
TC3B2423S	TM8V060A12MP12C	14.5	CF42B	700	24.0	18.4	14.50	12.50
TC3B2423S	TM8V080B12MP11C	17.5	CF/CM/CU24B	675	24.0	17.7	14.00	12.25
TC3B2423S	TM8V080B12MP11C	17.5	CF/CM/CU30B	675	24.0	17.8	14.25	12.50
TC3B2423S	TM8V080B12MP11C	17.5	CF/CM/CU36B	725	24.0	18.6	14.25	12.50
TC3B2423S	TM8V080B12MP11C	17.5	CF/CM/CU36C	725	24.0	18.6	14.25	12.50
TC3B2423S	TM8V080B12MP11C	17.5	CF/CM/CU42C	725	24.0	18.7	14.50	12.50
TC3B2423S	TM8V080B12MP11C	17.5	CF/CM24C	725	24.0	18.4	14.00	12.25
TC3B2423S	TM8V080B12MP11C	17.5	CF/CM30C	825	24.0	20.1	14.25	12.50
TC3B2423S	TM8V080B12MP11C	17.5	CF42B	625	24.0	17.5	14.50	12.50
TC3B2423S	TM8V080B12MP12C	17.5	CF/CM/CU24B	675	24.0	17.7	14.00	12.25
TC3B2423S	TM8V080B12MP12C	17.5	CF/CM/CU30B	675	24.0	17.8	14.25	12.50
TC3B2423S	TM8V080B12MP12C	17.5	CF/CM/CU36B	725	24.0	18.6	14.25	12.50
TC3B2423S	TM8V080B12MP12C	17.5	CF/CM/CU36C	725	24.0	18.6	14.25	12.50
TC3B2423S	TM8V080B12MP12C	17.5	CF/CM/CU42C	725	24.0	18.7	14.50	12.50
TC3B2423S	TM8V080B12MP12C	17.5	CF/CM24C	725	24.0	18.4	14.00	12.25
TC3B2423S	TM8V080B12MP12C	17.5	CF/CM30C	825	24.0	20.1	14.25	12.50
TC3B2423S	TM8V080B12MP12C	17.5	CF42B	625	24.0	17.5	14.50	12.50
TC3B2423S	TM8V080C16MP11C	21.0	CF/CM/CU36C	875	24.0	20.7	14.75	12.50
TC3B2423S	TM8V080C16MP11C	21.0	CF/CM/CU42C	875	24.0	20.7	14.75	12.50
TC3B2423S	TM8V080C16MP11C	21.0	CF/CM24C	875	24.0	20.4	14.50	12.50
TC3B2423S	TM8V080C16MP11C	21.0	CF/CM30C	875	24.0	20.5	14.75	12.50
TC3B2423S	TM8V080C16MP11C	21.0	CF/CM36D	875	24.0	20.7	14.75	12.50
TC3B2423S	TM8V080C16MP11C	21.0	CF/CM42D	875	24.0	20.9	14.75	12.50
TC3B2423S	TM8V080C16MP12C	21.0	CF/CM/CU36C	875	24.0	20.7	14.75	12.50
TC3B2423S	TM8V080C16MP12C	21.0	CF/CM/CU42C	875	24.0	20.7	14.75	12.50
TC3B2423S	TM8V080C16MP12C	21.0	CF/CM24C	875	24.0	20.4	14.50	12.50
TC3B2423S	TM8V080C16MP12C	21.0	CF/CM30C	875	24.0	20.5	14.75	12.50
TC3B2423S	TM8V080C16MP12C	21.0	CF/CM36D	875	24.0	20.7	14.75	12.50
TC3B2423S	TM8V080C16MP12C	21.0	CF/CM42D	875	24.0	20.9	14.75	12.50
TC3B2423S	TM8V100C16MP11C	21.0	CF/CM/CU36C	875	24.0	20.7	14.75	12.50
TC3B2423S	TM8V100C16MP11C	21.0	CF/CM/CU42C	875	24.0	20.7	14.75	12.50
TC3B2423S	TM8V100C16MP11C	21.0	CF/CM24C	875	24.0	20.4	14.50	12.50
TC3B2423S	TM8V100C16MP11C	21.0	CF/CM30C	875	24.0	20.5	14.75	12.50
TC3B2423S	TM8V100C16MP11C	21.0	CF/CM36D	875	24.0	20.7	14.75	12.50
TC3B2423S	TM8V100C16MP11C	21.0	CF/CM42D	875	24.0	20.9	14.75	12.50
TC3B2423S	TM8V100C16MP12C	21.0	CF/CM/CU36C	875	24.0	20.7	14.75	12.50
TC3B2423S	TM8V100C16MP12C	21.0	CF/CM/CU42C	875	24.0	20.7	14.75	12.50
TC3B2423S	TM8V100C16MP12C	21.0	CF/CM24C	875	24.0	20.4	14.50	12.50
TC3B2423S	TM8V100C16MP12C	21.0	CF/CM30C	875	24.0	20.5	14.75	12.50
TC3B2423S	TM8V100C16MP12C	21.0	CF/CM36D	875	24.0	20.7	14.75	12.50
TC3B2423S	TM8V100C16MP12C	21.0	CF/CM42D	875	24.0	20.9	14.75	12.50
TC3B2423S	TM8X060A12MP11	14.5	CF/CM/CU24A	625	23.6	16.9	14.00	12.25
TC3B2423S	TM8X060A12MP11	14.5	CF/CM/CU24B	725	24.0	18.4	14.25	12.50
TC3B2423S	TM8X060A12MP11	14.5	CF/CM/CU30A	625	24.0	17.2	14.25	12.50
TC3B2423S	TM8X060A12MP11	14.5	CF/CM/CU30B	800	24.0	19.8	14.50	12.50
TC3B2423S	TM8X060A12MP11	14.5	CF/CM/CU36B	725	24.0	18.6	14.25	12.50

COOLING CAPACITY - With High Efficiency Motor Furnaces¹ (Continued)

UNIT MODEL	FURNACE		COIL MODEL ²	COOLING				
	MODEL	WIDTH		RATED CFM	NET MBH		SEER	EER
					TOTAL	SENS.		
TC3B2423S	TM8X060A12MP11	14.5	CF/CM36A	625	24.0	17.2	14.25	12.50
TC3B2423S	TM8X060A12MP11	14.5	CF42B	725	24.0	18.7	14.50	12.50
TC3B2423S	TM8X080B12MP11	17.5	CF/CM/CU24B	775	24.0	19.0	14.25	12.50
TC3B2423S	TM8X080B12MP11	17.5	CF/CM/CU30B	775	24.0	19.4	14.50	12.50
TC3B2423S	TM8X080B12MP11	17.5	CF/CM/CU36B	775	24.0	19.5	14.50	12.50
TC3B2423S	TM8X080B12MP11	17.5	CF/CM/CU36C	850	24.0	20.4	14.50	12.50
TC3B2423S	TM8X080B12MP11	17.5	CF/CM/CU42C	700	24.0	18.4	14.75	12.50
TC3B2423S	TM8X080B12MP11	17.5	CF/CM24C	775	24.0	19.0	14.25	12.50
TC3B2423S	TM8X080B12MP11	17.5	CF/CM30C	775	24.0	19.4	14.50	12.50
TC3B2423S	TM8X080B12MP11	17.5	CF42B	750	24.0	19.1	14.75	12.50
TC3B2423S	TM8X080C16MP11	21.0	CF/CM/CU36C	700	24.0	18.4	14.75	12.50
TC3B2423S	TM8X080C16MP11	21.0	CF/CM/CU42C	700	24.0	18.4	14.75	12.50
TC3B2423S	TM8X080C16MP11	21.0	CF/CM24C	700	24.0	18.1	14.50	12.50
TC3B2423S	TM8X080C16MP11	21.0	CF/CM30C	700	24.0	18.4	14.75	12.50
TC3B2423S	TM8X080C16MP11	21.0	CF/CM36D	725	24.0	18.8	14.75	12.50
TC3B2423S	TM8X080C16MP11	21.0	CF/CM42D	725	24.0	18.9	15.00	12.50
TC3B2423S	TM8X100C16MP11	21.0	CF/CM/CU36C	700	24.0	18.4	14.75	12.50
TC3B2423S	TM8X100C16MP11	21.0	CF/CM/CU42C	700	24.0	18.4	14.75	12.50
TC3B2423S	TM8X100C16MP11	21.0	CF/CM24C	700	24.0	18.1	14.50	12.50
TC3B2423S	TM8X100C16MP11	21.0	CF/CM30C	700	24.0	18.4	14.75	12.50
TC3B2423S	TM8X100C16MP11	21.0	CF/CM36D	725	24.0	18.8	14.75	12.50
TC3B2423S	TM8X100C16MP11	21.0	CF/CM42D	725	24.0	18.9	15.00	12.50
TC3B2423S	TM8Y060A12MP11	14.5	CF/CM/CU24A	625	23.6	16.9	14.00	12.25
TC3B2423S	TM8Y060A12MP11	14.5	CF/CM/CU24B	725	24.0	18.4	14.25	12.50
TC3B2423S	TM8Y060A12MP11	14.5	CF/CM/CU30A	625	24.0	17.2	14.25	12.50
TC3B2423S	TM8Y060A12MP11	14.5	CF/CM/CU30B	800	24.0	19.8	14.50	12.50
TC3B2423S	TM8Y060A12MP11	14.5	CF/CM/CU36B	725	24.0	18.6	14.25	12.50
TC3B2423S	TM8Y060A12MP11	14.5	CF/CM36A	625	24.0	17.2	14.25	12.50
TC3B2423S	TM8Y060A12MP11	14.5	CF42B	725	24.0	18.7	14.50	12.50
TC3B2423S	TM8Y080B12MP11	17.5	CF/CM/CU24B	775	24.0	19.0	14.25	12.50
TC3B2423S	TM8Y080B12MP11	17.5	CF/CM/CU30B	775	24.0	19.4	14.50	12.50
TC3B2423S	TM8Y080B12MP11	17.5	CF/CM/CU36B	775	24.0	19.5	14.50	12.50
TC3B2423S	TM8Y080B12MP11	17.5	CF/CM/CU36C	850	24.0	20.4	14.50	12.50
TC3B2423S	TM8Y080B12MP11	17.5	CF/CM/CU42C	700	24.0	18.4	14.75	12.50
TC3B2423S	TM8Y080B12MP11	17.5	CF/CM24C	775	24.0	19.0	14.25	12.50
TC3B2423S	TM8Y080B12MP11	17.5	CF/CM30C	775	24.0	19.4	14.50	12.50
TC3B2423S	TM8Y080B12MP11	17.5	CF42B	750	24.0	19.1	14.75	12.50
TC3B2423S	TM8Y080C16MP11	21.0	CF/CM/CU36C	700	24.0	18.4	14.75	12.50
TC3B2423S	TM8Y080C16MP11	21.0	CF/CM/CU42C	700	24.0	18.4	14.75	12.50
TC3B2423S	TM8Y080C16MP11	21.0	CF/CM24C	700	24.0	18.1	14.50	12.50
TC3B2423S	TM8Y080C16MP11	21.0	CF/CM30C	700	24.0	18.4	14.75	12.50
TC3B2423S	TM8Y080C16MP11	21.0	CF/CM36D	725	24.0	18.8	14.75	12.50
TC3B2423S	TM8Y080C16MP11	21.0	CF/CM42D	725	24.0	18.9	15.00	12.50
TC3B2423S	TM8Y100C16MP11	21.0	CF/CM/CU36C	700	24.0	18.4	14.75	12.50
TC3B2423S	TM8Y100C16MP11	21.0	CF/CM/CU42C	700	24.0	18.4	14.75	12.50
TC3B2423S	TM8Y100C16MP11	21.0	CF/CM24C	700	24.0	18.1	14.50	12.50
TC3B2423S	TM8Y100C16MP11	21.0	CF/CM30C	700	24.0	18.4	14.75	12.50
TC3B2423S	TM8Y100C16MP11	21.0	CF/CM36D	725	24.0	18.8	14.75	12.50
TC3B2423S	TM8Y100C16MP11	21.0	CF/CM42D	725	24.0	18.9	15.00	12.50
TC3B2423S	TM9E040A10MP11	14.5	CF/CM/CU24A	675	23.6	17.6	13.50	11.75
TC3B2423S	TM9E040A10MP11	14.5	CF/CM/CU24B	700	24.0	17.8	13.50	11.50
TC3B2423S	TM9E040A10MP11	14.5	CF/CM/CU30A	675	24.0	17.6	13.50	11.75
TC3B2423S	TM9E040A10MP11	14.5	CF/CM/CU30B	700	24.0	18.3	13.75	12.00

COOLING CAPACITY - With High Efficiency Motor Furnaces¹ (Continued)

UNIT MODEL	FURNACE		COIL MODEL ²	COOLING				
	MODEL	WIDTH		RATED CFM	NET MBH		SEER	EER
					TOTAL	SENS.		
TC3B2423S	TM9E040A10MP11	14.5	CF/CM/CU36B	700	24.0	18.2	13.75	12.00
TC3B2423S	TM9E040A10MP11	14.5	CF/CM36A	675	24.0	17.8	13.50	11.75
TC3B2423S	TM9E040A10MP11	14.5	CF42B	675	24.0	18.0	13.75	12.00
TC3B2423S	TM9E040A10MP12	14.5	CF/CM/CU24A	600	23.2	16.5	13.50	11.50
TC3B2423S	TM9E040A10MP12	14.5	CF/CM/CU24B	625	23.6	16.9	13.75	11.75
TC3B2423S	TM9E040A10MP12	14.5	CF/CM/CU30A	600	24.0	16.8	14.00	12.25
TC3B2423S	TM9E040A10MP12	14.5	CF/CM/CU30B	625	24.0	17.2	14.00	12.25
TC3B2423S	TM9E040A10MP12	14.5	CF/CM/CU36B	625	24.0	17.2	14.00	12.25
TC3B2423S	TM9E040A10MP12	14.5	CF/CM36A	675	24.0	17.8	14.00	12.25
TC3B2423S	TM9E040A10MP12	14.5	CF42B	625	24.0	17.3	14.00	12.25
TC3B2423S	TM9E060A10MP12	14.5	CF/CM/CU24A	675	24.0	17.7	13.75	11.75
TC3B2423S	TM9E060A10MP12	14.5	CF/CM/CU24B	700	24.0	18.0	14.00	12.25
TC3B2423S	TM9E060A10MP12	14.5	CF/CM/CU30A	675	24.0	17.8	14.25	12.25
TC3B2423S	TM9E060A10MP12	14.5	CF/CM/CU30B	700	24.0	18.4	14.25	12.25
TC3B2423S	TM9E060A10MP12	14.5	CF/CM/CU36B	700	24.0	18.2	14.25	12.25
TC3B2423S	TM9E060A10MP12	14.5	CF/CM36A	675	24.0	18.0	14.25	12.25
TC3B2423S	TM9E060A10MP12	14.5	CF42B	700	24.0	18.5	14.25	12.25
TC3B2423S	TM9E060B12MP11	17.5	CF/CM/CU24B	675	24.0	17.7	14.00	12.25
TC3B2423S	TM9E060B12MP11	17.5	CF/CM/CU30B	675	24.0	18.0	14.25	12.50
TC3B2423S	TM9E060B12MP11	17.5	CF/CM/CU36B	675	24.0	18.0	14.25	12.50
TC3B2423S	TM9E060B12MP11	17.5	CF/CM/CU36C	700	24.0	18.4	14.25	12.50
TC3B2423S	TM9E060B12MP11	17.5	CF/CM/CU42C	700	24.0	18.4	14.50	12.50
TC3B2423S	TM9E060B12MP11	17.5	CF/CM24C	675	24.0	17.7	14.00	12.25
TC3B2423S	TM9E060B12MP11	17.5	CF/CM30C	675	24.0	18.0	14.25	12.50
TC3B2423S	TM9E060B12MP11	17.5	CF42B	675	24.0	18.2	14.50	12.50
TC3B2423S	TM9E060B12MP12	17.5	CF/CM/CU24B	750	24.0	18.6	14.00	12.25
TC3B2423S	TM9E060B12MP12	17.5	CF/CM/CU30B	750	24.0	18.9	14.50	12.50
TC3B2423S	TM9E060B12MP12	17.5	CF/CM/CU36B	750	24.0	19.0	14.25	12.25
TC3B2423S	TM9E060B12MP12	17.5	CF/CM/CU36C	750	24.0	19.0	14.25	12.25
TC3B2423S	TM9E060B12MP12	17.5	CF/CM/CU42C	750	24.0	19.1	14.25	12.25
TC3B2423S	TM9E060B12MP12	17.5	CF/CM24C	750	24.0	18.6	14.00	12.25
TC3B2423S	TM9E060B12MP12	17.5	CF/CM30C	750	24.0	18.9	14.25	12.25
TC3B2423S	TM9E060B12MP12	17.5	CF42B	725	24.0	18.7	14.50	12.50
TC3B2423S	TM9E080B12MP11	17.5	CF/CM/CU24B	700	24.0	17.9	14.25	12.50
TC3B2423S	TM9E080B12MP11	17.5	CF/CM/CU30B	700	24.0	18.4	14.50	12.50
TC3B2423S	TM9E080B12MP11	17.5	CF/CM/CU36B	700	24.0	18.4	14.50	12.50
TC3B2423S	TM9E080B12MP11	17.5	CF/CM/CU36C	925	24.0	21.3	14.50	12.50
TC3B2423S	TM9E080B12MP11	17.5	CF/CM/CU42C	700	24.0	18.4	14.50	12.50
TC3B2423S	TM9E080B12MP11	17.5	CF/CM24C	700	24.0	18.1	14.25	12.50
TC3B2423S	TM9E080B12MP11	17.5	CF/CM30C	700	24.0	18.4	14.50	12.50
TC3B2423S	TM9E080B12MP11	17.5	CF42B	675	24.0	18.2	14.50	12.50
TC3B2423S	TM9E080B12MP12	17.5	CF/CM/CU24B	800	24.0	19.4	14.25	12.25
TC3B2423S	TM9E080B12MP12	17.5	CF/CM/CU30B	800	24.0	19.8	14.50	12.50
TC3B2423S	TM9E080B12MP12	17.5	CF/CM/CU36B	800	24.0	19.7	14.50	12.50
TC3B2423S	TM9E080B12MP12	17.5	CF/CM/CU36C	825	24.0	20.4	14.50	12.50
TC3B2423S	TM9E080B12MP12	17.5	CF/CM/CU42C	825	24.0	20.0	14.50	12.50
TC3B2423S	TM9E080B12MP12	17.5	CF/CM24C	800	24.0	19.4	14.25	12.25
TC3B2423S	TM9E080B12MP12	17.5	CF/CM30C	825	24.0	20.0	14.50	12.50
TC3B2423S	TM9E080B12MP12	17.5	CF42B	775	24.0	19.5	14.50	12.50
TC3B2423S	TM9E080C16MP11	21.0	CF/CM/CU36C	600	24.0	16.9	14.25	12.50
TC3B2423S	TM9E080C16MP11	21.0	CF/CM/CU42C	600	24.0	17.0	14.75	12.50
TC3B2423S	TM9E080C16MP11	21.0	CF/CM24C	600	23.4	16.6	14.25	12.50
TC3B2423S	TM9E080C16MP11	21.0	CF/CM30C	600	24.0	17.0	14.50	12.50

COOLING CAPACITY - With High Efficiency Motor Furnaces¹ (Continued)

UNIT MODEL	FURNACE		COIL MODEL ²	COOLING				
	MODEL	WIDTH		RATED CFM	NET MBH		SEER	EER
					TOTAL	SENS.		
TC3B2423S	TM9E080C16MP11	21.0	CF/CM36D	600	24.0	16.9	14.25	12.50
TC3B2423S	TM9E080C16MP11	21.0	CF/CM42D	600	24.0	17.0	14.75	12.50
TC3B2423S	TM9E080C16MP12	21.0	CF/CM/CU36C	750	24.0	19.0	14.25	12.50
TC3B2423S	TM9E080C16MP12	21.0	CF/CM/CU42C	750	24.0	19.2	14.75	12.50
TC3B2423S	TM9E080C16MP12	21.0	CF/CM24C	750	24.0	18.8	14.50	12.50
TC3B2423S	TM9E080C16MP12	21.0	CF/CM30C	750	24.0	19.0	14.50	12.50
TC3B2423S	TM9E080C16MP12	21.0	CF/CM36D	925	24.0	21.3	14.25	12.50
TC3B2423S	TM9E080C16MP12	21.0	CF/CM42D	750	24.0	19.2	14.75	12.50
TC3B2423S	TM9E100C16MP11	21.0	CF/CM/CU36C	650	24.0	17.7	14.50	12.50
TC3B2423S	TM9E100C16MP11	21.0	CF/CM/CU42C	650	24.0	17.9	14.75	12.50
TC3B2423S	TM9E100C16MP11	21.0	CF/CM24C	625	24.0	17.0	14.25	12.50
TC3B2423S	TM9E100C16MP11	21.0	CF/CM30C	625	24.0	17.3	14.50	12.50
TC3B2423S	TM9E100C16MP11	21.0	CF/CM36D	650	24.0	17.7	14.50	12.50
TC3B2423S	TM9E100C16MP11	21.0	CF/CM42D	650	24.0	17.9	14.75	12.50
TC3B2423S	TM9E100C16MP12	21.0	CF/CM/CU36C	800	24.0	19.9	14.50	12.50
TC3B2423S	TM9E100C16MP12	21.0	CF/CM/CU42C	800	24.0	19.8	14.75	12.50
TC3B2423S	TM9E100C16MP12	21.0	CF/CM24C	775	24.0	19.0	14.25	12.50
TC3B2423S	TM9E100C16MP12	21.0	CF/CM30C	800	24.0	20.0	14.50	12.50
TC3B2423S	TM9E100C16MP12	21.0	CF/CM36D	800	24.0	19.9	14.50	12.50
TC3B2423S	TM9E100C16MP12	21.0	CF/CM42D	800	24.0	19.8	14.75	12.50
TC3B2423S	TM9V040A10MP11C	14.5	CF/CM/CU24A	625	23.6	16.9	13.50	11.75
TC3B2423S	TM9V040A10MP11C	14.5	CF/CM/CU24B	650	23.6	17.2	13.75	12.00
TC3B2423S	TM9V040A10MP11C	14.5	CF/CM/CU30A	625	24.0	17.2	13.75	12.00
TC3B2423S	TM9V040A10MP11C	14.5	CF/CM/CU30B	725	24.0	18.4	14.00	12.25
TC3B2423S	TM9V040A10MP11C	14.5	CF/CM/CU36B	725	24.0	18.6	13.75	12.00
TC3B2423S	TM9V040A10MP11C	14.5	CF/CM36A	625	24.0	17.2	13.75	12.00
TC3B2423S	TM9V040A10MP11C	14.5	CF42B	625	24.0	17.3	14.00	12.25
TC3B2423S	TM9V040A10MP12C	14.5	CF/CM/CU24A	625	23.6	16.9	13.50	11.75
TC3B2423S	TM9V040A10MP12C	14.5	CF/CM/CU24B	650	23.6	17.2	13.75	12.00
TC3B2423S	TM9V040A10MP12C	14.5	CF/CM/CU30A	625	24.0	17.2	13.75	12.00
TC3B2423S	TM9V040A10MP12C	14.5	CF/CM/CU30B	725	24.0	18.4	14.00	12.25
TC3B2423S	TM9V040A10MP12C	14.5	CF/CM/CU36B	725	24.0	18.6	13.75	12.00
TC3B2423S	TM9V040A10MP12C	14.5	CF/CM36A	625	24.0	17.2	13.75	12.00
TC3B2423S	TM9V040A10MP12C	14.5	CF42B	625	24.0	17.3	14.00	12.25
TC3B2423S	TM9V060B12MP11C	17.5	CF/CM/CU24B	700	24.0	18.0	14.00	12.25
TC3B2423S	TM9V060B12MP11C	17.5	CF/CM/CU30B	700	24.0	18.4	14.25	12.50
TC3B2423S	TM9V060B12MP11C	17.5	CF/CM/CU36B	700	24.0	18.2	14.25	12.50
TC3B2423S	TM9V060B12MP11C	17.5	CF/CM/CU36C	700	24.0	18.4	14.25	12.50
TC3B2423S	TM9V060B12MP11C	17.5	CF/CM/CU42C	775	24.0	19.5	14.50	12.50
TC3B2423S	TM9V060B12MP11C	17.5	CF/CM24C	775	24.0	19.0	14.00	12.25
TC3B2423S	TM9V060B12MP11C	17.5	CF/CM30C	700	24.0	18.4	14.25	12.50
TC3B2423S	TM9V060B12MP11C	17.5	CF42B	700	24.0	18.5	14.25	12.50
TC3B2423S	TM9V060B12MP12C	17.5	CF/CM/CU24B	700	24.0	18.0	14.00	12.25
TC3B2423S	TM9V060B12MP12C	17.5	CF/CM/CU30B	700	24.0	18.4	14.25	12.50
TC3B2423S	TM9V060B12MP12C	17.5	CF/CM/CU36B	700	24.0	18.2	14.25	12.50
TC3B2423S	TM9V060B12MP12C	17.5	CF/CM/CU36C	700	24.0	18.4	14.25	12.50
TC3B2423S	TM9V060B12MP12C	17.5	CF/CM/CU42C	775	24.0	19.5	14.50	12.50
TC3B2423S	TM9V060B12MP12C	17.5	CF/CM24C	775	24.0	19.0	14.00	12.25
TC3B2423S	TM9V060B12MP12C	17.5	CF/CM30C	700	24.0	18.4	14.25	12.50
TC3B2423S	TM9V060B12MP12C	17.5	CF42B	700	24.0	18.5	14.25	12.50
TC3B2423S	TM9V080B12MP11C	17.5	CF/CM/CU24B	725	24.0	18.4	14.25	12.50
TC3B2423S	TM9V080B12MP11C	17.5	CF/CM/CU30B	800	24.0	19.8	14.50	12.50
TC3B2423S	TM9V080B12MP11C	17.5	CF/CM/CU36B	800	24.0	19.7	14.50	12.50

COOLING CAPACITY - With High Efficiency Motor Furnaces¹ (Continued)

UNIT MODEL	FURNACE		COIL MODEL ²	COOLING				
	MODEL	WIDTH		RATED CFM	NET MBH		SEER	EER
					TOTAL	SENS.		
TC3B2423S	TM9V080B12MP11C	17.5	CF/CM/CU36C	725	24.0	18.8	14.50	12.50
TC3B2423S	TM9V080B12MP11C	17.5	CF/CM/CU42C	850	24.0	20.5	14.75	12.50
TC3B2423S	TM9V080B12MP11C	17.5	CF/CM24C	725	24.0	18.4	14.25	12.50
TC3B2423S	TM9V080B12MP11C	17.5	CF/CM30C	775	24.0	19.4	14.50	12.50
TC3B2423S	TM9V080B12MP11C	17.5	CF42B	800	24.0	19.8	14.50	12.50
TC3B2423S	TM9V080B12MP12C	17.5	CF/CM/CU24B	725	24.0	18.4	14.25	12.50
TC3B2423S	TM9V080B12MP12C	17.5	CF/CM/CU30B	800	24.0	19.8	14.50	12.50
TC3B2423S	TM9V080B12MP12C	17.5	CF/CM/CU36B	800	24.0	19.7	14.50	12.50
TC3B2423S	TM9V080B12MP12C	17.5	CF/CM/CU36C	725	24.0	18.8	14.50	12.50
TC3B2423S	TM9V080B12MP12C	17.5	CF/CM/CU42C	850	24.0	20.5	14.75	12.50
TC3B2423S	TM9V080B12MP12C	17.5	CF/CM24C	725	24.0	18.4	14.25	12.50
TC3B2423S	TM9V080B12MP12C	17.5	CF/CM30C	775	24.0	19.4	14.50	12.50
TC3B2423S	TM9V080B12MP12C	17.5	CF42B	800	24.0	19.8	14.50	12.50
TC3B2423S	TM9V080C16MP11C	21.0	CF/CM/CU36C	950	24.0	21.6	14.50	12.50
TC3B2423S	TM9V080C16MP11C	21.0	CF/CM/CU42C	950	24.0	21.9	14.50	12.50
TC3B2423S	TM9V080C16MP11C	21.0	CF/CM24C	950	24.0	19.4	14.00	12.25
TC3B2423S	TM9V080C16MP11C	21.0	CF/CM30C	950	24.0	21.6	14.50	12.50
TC3B2423S	TM9V080C16MP11C	21.0	CF/CM36D	950	24.0	21.8	14.50	12.50
TC3B2423S	TM9V080C16MP11C	21.0	CF/CM42D	950	24.0	21.9	14.50	12.50
TC3B2423S	TM9V080C16MP12C	21.0	CF/CM/CU36C	950	24.0	21.6	14.50	12.50
TC3B2423S	TM9V080C16MP12C	21.0	CF/CM/CU42C	950	24.0	21.9	14.50	12.50
TC3B2423S	TM9V080C16MP12C	21.0	CF/CM24C	950	24.0	19.4	14.00	12.25
TC3B2423S	TM9V080C16MP12C	21.0	CF/CM30C	950	24.0	21.6	14.50	12.50
TC3B2423S	TM9V080C16MP12C	21.0	CF/CM36D	950	24.0	21.8	14.50	12.50
TC3B2423S	TM9V080C16MP12C	21.0	CF/CM42D	950	24.0	21.9	14.50	12.50
TC3B2423S	TM9V100C16MP11C	21.0	CF/CM/CU36C	900	24.0	21.1	14.75	12.50
TC3B2423S	TM9V100C16MP11C	21.0	CF/CM/CU42C	900	24.0	21.2	14.75	12.50
TC3B2423S	TM9V100C16MP11C	21.0	CF/CM24C	900	24.0	19.1	14.00	12.25
TC3B2423S	TM9V100C16MP11C	21.0	CF/CM30C	900	24.0	21.0	14.75	12.50
TC3B2423S	TM9V100C16MP11C	21.0	CF/CM36D	900	24.0	21.1	14.75	12.50
TC3B2423S	TM9V100C16MP11C	21.0	CF/CM42D	900	24.0	21.2	14.75	12.50
TC3B2423S	TM9V100C16MP12C	21.0	CF/CM/CU36C	900	24.0	21.1	14.75	12.50
TC3B2423S	TM9V100C16MP12C	21.0	CF/CM/CU42C	900	24.0	21.2	14.75	12.50
TC3B2423S	TM9V100C16MP12C	21.0	CF/CM24C	900	24.0	19.1	14.00	12.25
TC3B2423S	TM9V100C16MP12C	21.0	CF/CM30C	900	24.0	21.0	14.75	12.50
TC3B2423S	TM9V100C16MP12C	21.0	CF/CM36D	900	24.0	21.1	14.75	12.50
TC3B2423S	TM9V100C16MP12C	21.0	CF/CM42D	900	24.0	21.2	14.75	12.50
TC3B2423S	TM9Y040A10MP11	14.5	CF/CM/CU24A	675	23.6	17.6	13.50	11.75
TC3B2423S	TM9Y040A10MP11	14.5	CF/CM/CU24B	700	24.0	17.8	13.50	11.50
TC3B2423S	TM9Y040A10MP11	14.5	CF/CM/CU30A	675	24.0	17.6	13.50	11.75
TC3B2423S	TM9Y040A10MP11	14.5	CF/CM/CU30B	700	24.0	18.3	13.75	12.00
TC3B2423S	TM9Y040A10MP11	14.5	CF/CM/CU36B	700	24.0	18.2	13.75	12.00
TC3B2423S	TM9Y040A10MP11	14.5	CF/CM36A	675	24.0	17.8	13.50	11.75
TC3B2423S	TM9Y040A10MP11	14.5	CF42B	675	24.0	18.0	13.75	12.00
TC3B2423S	TM9Y060B12MP11	17.5	CF/CM/CU24B	675	24.0	17.7	14.00	12.25
TC3B2423S	TM9Y060B12MP11	17.5	CF/CM/CU30B	675	24.0	18.0	14.25	12.50
TC3B2423S	TM9Y060B12MP11	17.5	CF/CM/CU36B	675	24.0	18.0	14.25	12.50
TC3B2423S	TM9Y060B12MP11	17.5	CF/CM/CU36C	700	24.0	18.4	14.25	12.50
TC3B2423S	TM9Y060B12MP11	17.5	CF/CM/CU42C	700	24.0	18.4	14.50	12.50
TC3B2423S	TM9Y060B12MP11	17.5	CF/CM24C	675	24.0	17.7	14.00	12.25
TC3B2423S	TM9Y060B12MP11	17.5	CF/CM30C	675	24.0	18.0	14.25	12.50
TC3B2423S	TM9Y060B12MP11	17.5	CF42B	675	24.0	18.2	14.50	12.50
TC3B2423S	TM9Y080B12MP11	17.5	CF/CM/CU24B	700	24.0	17.9	14.25	12.50

COOLING CAPACITY - With High Efficiency Motor Furnaces¹ (Continued)

UNIT MODEL	FURNACE		COIL MODEL ²	COOLING				
	MODEL	WIDTH		RATED CFM	NET MBH		SEER	EER
					TOTAL	SENS.		
TC3B2423S	TM9Y080B12MP11	17.5	CF/CM/CU30B	700	24.0	18.4	14.50	12.50
TC3B2423S	TM9Y080B12MP11	17.5	CF/CM/CU36B	700	24.0	18.4	14.50	12.50
TC3B2423S	TM9Y080B12MP11	17.5	CF/CM/CU36C	925	24.0	21.3	14.50	12.50
TC3B2423S	TM9Y080B12MP11	17.5	CF/CM/CU42C	700	24.0	18.4	14.50	12.50
TC3B2423S	TM9Y080B12MP11	17.5	CF/CM24C	700	24.0	18.1	14.25	12.50
TC3B2423S	TM9Y080B12MP11	17.5	CF/CM30C	700	24.0	18.4	14.50	12.50
TC3B2423S	TM9Y080B12MP11	17.5	CF42B	675	24.0	18.2	14.50	12.50
TC3B2423S	TM9Y080C16MP11	21.0	CF/CM/CU36C	600	24.0	16.9	14.25	12.50
TC3B2423S	TM9Y080C16MP11	21.0	CF/CM/CU42C	600	24.0	17.0	14.75	12.50
TC3B2423S	TM9Y080C16MP11	21.0	CF/CM24C	600	23.4	16.6	14.25	12.50
TC3B2423S	TM9Y080C16MP11	21.0	CF/CM30C	600	24.0	17.0	14.50	12.50
TC3B2423S	TM9Y080C16MP11	21.0	CF/CM36D	600	24.0	16.9	14.25	12.50
TC3B2423S	TM9Y080C16MP11	21.0	CF/CM42D	600	24.0	17.0	14.75	12.50
TC3B2423S	TM9Y100C16MP11	21.0	CF/CM/CU36C	650	24.0	17.7	14.50	12.50
TC3B2423S	TM9Y100C16MP11	21.0	CF/CM/CU42C	650	24.0	17.9	14.75	12.50
TC3B2423S	TM9Y100C16MP11	21.0	CF/CM24C	625	24.0	17.0	14.25	12.50
TC3B2423S	TM9Y100C16MP11	21.0	CF/CM30C	625	24.0	17.3	14.50	12.50
TC3B2423S	TM9Y100C16MP11	21.0	CF/CM36D	650	24.0	17.7	14.50	12.50
TC3B2423S	TM9Y100C16MP11	21.0	CF/CM42D	650	24.0	17.9	14.75	12.50
TC3B2423S	TMLE040A12MP11	14.5	CF/CM/CU24A	650	24.0	17.3	14.25	12.25
TC3B2423S	TMLE040A12MP11	14.5	CF/CM/CU24B	775	24.0	19.0	14.25	12.25
TC3B2423S	TMLE040A12MP11	14.5	CF/CM/CU30A	725	24.0	18.6	14.25	12.25
TC3B2423S	TMLE040A12MP11	14.5	CF/CM/CU30B	775	24.0	19.4	14.50	12.50
TC3B2423S	TMLE040A12MP11	14.5	CF/CM/CU36B	775	24.0	19.5	14.50	12.50
TC3B2423S	TMLE040A12MP11	14.5	CF/CM36A	725	24.0	18.6	14.50	12.50
TC3B2423S	TMLE040A12MP11	14.5	CF42B	775	24.0	19.5	14.50	12.50
TC3B2423S	TMLE060A12MP11	14.5	CF/CM/CU24A	725	24.0	18.4	14.25	12.25
TC3B2423S	TMLE060A12MP11	14.5	CF/CM/CU24B	750	24.0	18.8	14.25	12.25
TC3B2423S	TMLE060A12MP11	14.5	CF/CM/CU30A	775	24.0	19.4	14.25	12.25
TC3B2423S	TMLE060A12MP11	14.5	CF/CM/CU30B	825	24.0	20.0	14.50	12.50
TC3B2423S	TMLE060A12MP11	14.5	CF/CM/CU36B	750	24.0	19.0	14.50	12.50
TC3B2423S	TMLE060A12MP11	14.5	CF/CM36A	725	24.0	18.6	14.50	12.50
TC3B2423S	TMLE060A12MP11	14.5	CF42B	750	24.0	19.3	14.50	12.50
TC3B2423S	TMLE080B12MP11	17.5	CF/CM/CU24B	725	24.0	18.4	14.25	12.25
TC3B2423S	TMLE080B12MP11	17.5	CF/CM/CU30B	725	24.0	18.6	14.50	12.50
TC3B2423S	TMLE080B12MP11	17.5	CF/CM/CU36B	725	24.0	18.8	14.50	12.50
TC3B2423S	TMLE080B12MP11	17.5	CF/CM/CU36C	750	24.0	19.0	14.50	12.50
TC3B2423S	TMLE080B12MP11	17.5	CF/CM/CU42C	750	24.0	19.2	14.75	12.50
TC3B2423S	TMLE080B12MP11	17.5	CF/CM24C	750	24.0	18.8	14.25	12.25
TC3B2423S	TMLE080B12MP11	17.5	CF/CM30C	750	24.0	19.0	14.50	12.50
TC3B2423S	TMLE080B12MP11	17.5	CF42B	725	24.0	18.9	14.75	12.50
TC3B2423S	TMLE080C16MP11	21.0	CF/CM/CU36C	825	24.0	20.4	14.75	12.50
TC3B2423S	TMLE080C16MP11	21.0	CF/CM/CU42C	825	24.0	20.0	15.00	12.50
TC3B2423S	TMLE080C16MP11	21.0	CF/CM24C	825	24.0	19.8	14.50	12.50
TC3B2423S	TMLE080C16MP11	21.0	CF/CM30C	825	24.0	20.0	15.00	12.50
TC3B2423S	TMLE080C16MP11	21.0	CF/CM36D	825	24.0	20.4	14.75	12.50
TC3B2423S	TMLE080C16MP11	21.0	CF/CM42D	825	24.0	20.2	14.75	12.50
TC3B2423S	TMLE100B12MP11	17.5	CF/CM/CU24B	725	24.0	18.4	14.25	12.25
TC3B2423S	TMLE100B12MP11	17.5	CF/CM/CU30B	725	24.0	18.6	14.50	12.50
TC3B2423S	TMLE100B12MP11	17.5	CF/CM/CU36B	725	24.0	18.8	14.50	12.50
TC3B2423S	TMLE100B12MP11	17.5	CF/CM/CU36C	725	24.0	18.8	14.50	12.50
TC3B2423S	TMLE100B12MP11	17.5	CF/CM/CU42C	850	24.0	20.5	14.75	12.50
TC3B2423S	TMLE100B12MP11	17.5	CF/CM24C	725	24.0	18.4	14.25	12.25

COOLING CAPACITY - With High Efficiency Motor Furnaces¹ (Continued)

UNIT MODEL	FURNACE		COIL MODEL ²	COOLING				
	MODEL	WIDTH		RATED CFM	NET MBH		SEER	EER
					TOTAL	SENS.		
TC3B2423S	TMLE100B12MP11	17.5	CF/CM30C	725	24.0	18.6	14.50	12.50
TC3B2423S	TMLE100B12MP11	17.5	CF42B	825	24.0	20.0	14.75	12.50
TC3B2423S	TMLE100C16MP11	21.0	CF/CM/CU36C	800	24.0	19.9	14.75	12.50
TC3B2423S	TMLE100C16MP11	21.0	CF/CM/CU42C	800	24.0	19.8	15.00	12.50
TC3B2423S	TMLE100C16MP11	21.0	CF/CM24C	800	24.0	19.3	14.50	12.50
TC3B2423S	TMLE100C16MP11	21.0	CF/CM30C	800	24.0	20.0	14.75	12.50
TC3B2423S	TMLE100C16MP11	21.0	CF/CM36D	800	24.0	19.9	14.75	12.50
TC3B2423S	TMLE100C16MP11	21.0	CF/CM42D	800	24.0	19.8	14.75	12.50
TC3B2423S	TMLE120C16MP11	21.0	CF/CM/CU36C	825	24.0	20.6	15.00	12.50
TC3B2423S	TMLE120C16MP11	21.0	CF/CM/CU42C	825	24.0	20.2	15.00	12.50
TC3B2423S	TMLE120C16MP11	21.0	CF/CM24C	800	24.0	19.3	14.50	12.50
TC3B2423S	TMLE120C16MP11	21.0	CF/CM30C	800	24.0	20.0	14.75	12.50
TC3B2423S	TMLE120C16MP11	21.0	CF/CM36D	825	24.0	20.6	14.75	12.50
TC3B2423S	TMLE120C16MP11	21.0	CF/CM42D	825	24.0	20.2	14.75	12.50
TC3B2423S	TMLV060A12MP11C	14.5	CF/CM/CU24A	725	24.0	18.4	14.00	12.25
TC3B2423S	TMLV060A12MP11C	14.5	CF/CM/CU24B	700	24.0	18.1	14.25	12.50
TC3B2423S	TMLV060A12MP11C	14.5	CF/CM/CU30A	725	24.0	18.6	14.25	12.50
TC3B2423S	TMLV060A12MP11C	14.5	CF/CM/CU30B	700	24.0	18.4	14.50	12.50
TC3B2423S	TMLV060A12MP11C	14.5	CF/CM/CU36B	725	24.0	18.8	14.50	12.50
TC3B2423S	TMLV060A12MP11C	14.5	CF/CM36A	725	24.0	18.6	14.25	12.50
TC3B2423S	TMLV060A12MP11C	14.5	CF42B	700	24.0	18.4	14.50	12.50
TC3B2423S	TMLV060A12MP12C	14.5	CF/CM/CU24A	725	24.0	18.4	14.00	12.25
TC3B2423S	TMLV060A12MP12C	14.5	CF/CM/CU24B	700	24.0	18.1	14.25	12.50
TC3B2423S	TMLV060A12MP12C	14.5	CF/CM/CU30A	725	24.0	18.6	14.25	12.50
TC3B2423S	TMLV060A12MP12C	14.5	CF/CM/CU30B	700	24.0	18.4	14.50	12.50
TC3B2423S	TMLV060A12MP12C	14.5	CF/CM/CU36B	725	24.0	18.8	14.50	12.50
TC3B2423S	TMLV060A12MP12C	14.5	CF/CM36A	725	24.0	18.6	14.25	12.50
TC3B2423S	TMLV060A12MP12C	14.5	CF42B	700	24.0	18.4	14.50	12.50
TC3B2423S	TMLV080B12MP11C	17.5	CF/CM/CU24B	675	24.0	17.7	14.00	12.25
TC3B2423S	TMLV080B12MP11C	17.5	CF/CM/CU30B	675	24.0	17.8	14.25	12.50
TC3B2423S	TMLV080B12MP11C	17.5	CF/CM/CU36B	725	24.0	18.6	14.25	12.50
TC3B2423S	TMLV080B12MP11C	17.5	CF/CM/CU36C	725	24.0	18.6	14.25	12.50
TC3B2423S	TMLV080B12MP11C	17.5	CF/CM/CU42C	725	24.0	18.7	14.50	12.50
TC3B2423S	TMLV080B12MP11C	17.5	CF/CM24C	725	24.0	18.4	14.00	12.25
TC3B2423S	TMLV080B12MP11C	17.5	CF/CM30C	825	24.0	20.1	14.25	12.50
TC3B2423S	TMLV080B12MP11C	17.5	CF42B	625	24.0	17.5	14.50	12.50
TC3B2423S	TMLV080B12MP12C	17.5	CF/CM/CU24B	675	24.0	17.7	14.00	12.25
TC3B2423S	TMLV080B12MP12C	17.5	CF/CM/CU30B	675	24.0	17.8	14.25	12.50
TC3B2423S	TMLV080B12MP12C	17.5	CF/CM/CU36B	725	24.0	18.6	14.25	12.50
TC3B2423S	TMLV080B12MP12C	17.5	CF/CM/CU36C	725	24.0	18.6	14.25	12.50
TC3B2423S	TMLV080B12MP12C	17.5	CF/CM/CU42C	725	24.0	18.7	14.50	12.50
TC3B2423S	TMLV080B12MP12C	17.5	CF/CM24C	725	24.0	18.4	14.00	12.25
TC3B2423S	TMLV080B12MP12C	17.5	CF/CM30C	825	24.0	20.1	14.25	12.50
TC3B2423S	TMLV080B12MP12C	17.5	CF42B	625	24.0	17.5	14.50	12.50
TC3B2423S	TMLV080C16MP11C	21.0	CF/CM/CU36C	875	24.0	20.7	14.75	12.50
TC3B2423S	TMLV080C16MP11C	21.0	CF/CM/CU42C	875	24.0	20.7	14.75	12.50
TC3B2423S	TMLV080C16MP11C	21.0	CF/CM24C	875	24.0	20.4	14.50	12.50
TC3B2423S	TMLV080C16MP11C	21.0	CF/CM30C	875	24.0	20.5	14.75	12.50
TC3B2423S	TMLV080C16MP11C	21.0	CF/CM36D	875	24.0	20.7	14.75	12.50
TC3B2423S	TMLV080C16MP11C	21.0	CF/CM42D	875	24.0	20.9	14.75	12.50
TC3B2423S	TMLV080C16MP12C	21.0	CF/CM/CU36C	875	24.0	20.7	14.75	12.50
TC3B2423S	TMLV080C16MP12C	21.0	CF/CM/CU42C	875	24.0	20.7	14.75	12.50
TC3B2423S	TMLV080C16MP12C	21.0	CF/CM24C	875	24.0	20.4	14.50	12.50

COOLING CAPACITY - With High Efficiency Motor Furnaces¹ (Continued)

UNIT MODEL	FURNACE		COIL MODEL ²	COOLING				
	MODEL	WIDTH		RATED CFM	NET MBH		SEER	EER
					TOTAL	SENS.		
TC3B2423S	TMLV080C16MP12C	21.0	CF/CM30C	875	24.0	20.5	14.75	12.50
TC3B2423S	TMLV080C16MP12C	21.0	CF/CM36D	875	24.0	20.7	14.75	12.50
TC3B2423S	TMLV080C16MP12C	21.0	CF/CM42D	875	24.0	20.9	14.75	12.50
TC3B2423S	TMLV100C16MP11C	21.0	CF/CM/CU36C	875	24.0	20.7	14.75	12.50
TC3B2423S	TMLV100C16MP11C	21.0	CF/CM/CU42C	875	24.0	20.7	14.75	12.50
TC3B2423S	TMLV100C16MP11C	21.0	CF/CM24C	875	24.0	20.4	14.50	12.50
TC3B2423S	TMLV100C16MP11C	21.0	CF/CM30C	875	24.0	20.5	14.75	12.50
TC3B2423S	TMLV100C16MP11C	21.0	CF/CM36D	875	24.0	20.7	14.75	12.50
TC3B2423S	TMLV100C16MP11C	21.0	CF/CM42D	875	24.0	20.9	14.75	12.50
TC3B2423S	TMLV100C16MP12C	21.0	CF/CM/CU36C	875	24.0	20.7	14.75	12.50
TC3B2423S	TMLV100C16MP12C	21.0	CF/CM/CU42C	875	24.0	20.7	14.75	12.50
TC3B2423S	TMLV100C16MP12C	21.0	CF/CM24C	875	24.0	20.4	14.50	12.50
TC3B2423S	TMLV100C16MP12C	21.0	CF/CM30C	875	24.0	20.5	14.75	12.50
TC3B2423S	TMLV100C16MP12C	21.0	CF/CM36D	875	24.0	20.7	14.75	12.50
TC3B2423S	TMLV100C16MP12C	21.0	CF/CM42D	875	24.0	20.9	14.75	12.50
TC3B2423S	TMLX060A12MP11	14.5	CF/CM/CU24A	625	23.6	16.9	14.00	12.25
TC3B2423S	TMLX060A12MP11	14.5	CF/CM/CU24B	725	24.0	18.4	14.25	12.50
TC3B2423S	TMLX060A12MP11	14.5	CF/CM/CU30A	625	24.0	17.2	14.25	12.50
TC3B2423S	TMLX060A12MP11	14.5	CF/CM/CU30B	800	24.0	19.8	14.50	12.50
TC3B2423S	TMLX060A12MP11	14.5	CF/CM/CU36B	725	24.0	18.6	14.25	12.50
TC3B2423S	TMLX060A12MP11	14.5	CF/CM36A	625	24.0	17.2	14.25	12.50
TC3B2423S	TMLX060A12MP11	14.5	CF42B	725	24.0	18.7	14.50	12.50
TC3B2423S	TMLX080B12MP11	17.5	CF/CM/CU24B	775	24.0	19.0	14.25	12.50
TC3B2423S	TMLX080B12MP11	17.5	CF/CM/CU30B	775	24.0	19.4	14.50	12.50
TC3B2423S	TMLX080B12MP11	17.5	CF/CM/CU36B	775	24.0	19.5	14.50	12.50
TC3B2423S	TMLX080B12MP11	17.5	CF/CM/CU36C	850	24.0	20.4	14.50	12.50
TC3B2423S	TMLX080B12MP11	17.5	CF/CM/CU42C	700	24.0	18.4	14.75	12.50
TC3B2423S	TMLX080B12MP11	17.5	CF/CM24C	775	24.0	19.0	14.25	12.50
TC3B2423S	TMLX080B12MP11	17.5	CF/CM30C	775	24.0	19.4	14.50	12.50
TC3B2423S	TMLX080B12MP11	17.5	CF42B	750	24.0	19.1	14.75	12.50
TC3B2423S	TMLX080C16MP11	21.0	CF/CM/CU36C	700	24.0	18.4	14.75	12.50
TC3B2423S	TMLX080C16MP11	21.0	CF/CM/CU42C	700	24.0	18.4	14.75	12.50
TC3B2423S	TMLX080C16MP11	21.0	CF/CM24C	700	24.0	18.1	14.50	12.50
TC3B2423S	TMLX080C16MP11	21.0	CF/CM30C	700	24.0	18.4	14.75	12.50
TC3B2423S	TMLX080C16MP11	21.0	CF/CM36D	725	24.0	18.8	14.75	12.50
TC3B2423S	TMLX080C16MP11	21.0	CF/CM42D	725	24.0	18.9	15.00	12.50
TC3B2423S	TMLX100C16MP11	21.0	CF/CM/CU36C	700	24.0	18.4	14.75	12.50
TC3B2423S	TMLX100C16MP11	21.0	CF/CM/CU42C	700	24.0	18.4	14.75	12.50
TC3B2423S	TMLX100C16MP11	21.0	CF/CM24C	700	24.0	18.1	14.50	12.50
TC3B2423S	TMLX100C16MP11	21.0	CF/CM30C	700	24.0	18.4	14.75	12.50
TC3B2423S	TMLX100C16MP11	21.0	CF/CM36D	725	24.0	18.8	14.75	12.50
TC3B2423S	TMLX100C16MP11	21.0	CF/CM42D	725	24.0	18.9	15.00	12.50
TC3B2423S	TP9C060B12MP13C	17.5	CF/CM/CU24B	700	24.0	18.0	14.00	12.25
TC3B2423S	TP9C060B12MP13C	17.5	CF/CM/CU30B	700	24.0	18.4	14.25	12.50
TC3B2423S	TP9C060B12MP13C	17.5	CF/CM/CU36B	700	24.0	18.2	14.25	12.50
TC3B2423S	TP9C060B12MP13C	17.5	CF/CM/CU36C	700	24.0	18.4	14.25	12.50
TC3B2423S	TP9C060B12MP13C	17.5	CF/CM/CU42C	775	24.0	19.5	14.50	12.50
TC3B2423S	TP9C060B12MP13C	17.5	CF/CM24C	775	24.0	19.0	14.00	12.25
TC3B2423S	TP9C060B12MP13C	17.5	CF/CM30C	700	24.0	18.4	14.25	12.50
TC3B2423S	TP9C060B12MP13C	17.5	CF42B	700	24.0	18.5	14.25	12.50
TC3B2423S	TP9C080B12MP12C	17.5	CF/CM/CU24B	725	24.0	18.4	14.25	12.50
TC3B2423S	TP9C080B12MP12C	17.5	CF/CM/CU30B	800	24.0	19.8	14.50	12.50
TC3B2423S	TP9C080B12MP12C	17.5	CF/CM/CU36B	800	24.0	19.7	14.50	12.50

COOLING CAPACITY - With High Efficiency Motor Furnaces¹ (Continued)

UNIT MODEL	FURNACE		COIL MODEL ²	COOLING				
	MODEL	WIDTH		RATED CFM	NET MBH		SEER	EER
					TOTAL	SENS.		
TC3B2423S	TP9C080B12MP12C	17.5	CF/CM/CU36C	725	24.0	18.8	14.50	12.50
TC3B2423S	TP9C080B12MP12C	17.5	CF/CM/CU42C	850	24.0	20.5	14.75	12.50
TC3B2423S	TP9C080B12MP12C	17.5	CF/CM24C	725	24.0	18.4	14.25	12.50
TC3B2423S	TP9C080B12MP12C	17.5	CF/CM30C	775	24.0	19.4	14.50	12.50
TC3B2423S	TP9C080B12MP12C	17.5	CF42B	800	24.0	19.8	14.50	12.50
TC3B2423S	TP9C080B12MP13C	17.5	CF/CM/CU24B	725	24.0	18.4	14.25	12.50
TC3B2423S	TP9C080B12MP13C	17.5	CF/CM/CU30B	800	24.0	19.8	14.50	12.50
TC3B2423S	TP9C080B12MP13C	17.5	CF/CM/CU36B	800	24.0	19.7	14.50	12.50
TC3B2423S	TP9C080B12MP13C	17.5	CF/CM/CU36C	725	24.0	18.8	14.50	12.50
TC3B2423S	TP9C080B12MP13C	17.5	CF/CM/CU42C	850	24.0	20.5	14.75	12.50
TC3B2423S	TP9C080B12MP13C	17.5	CF/CM24C	725	24.0	18.4	14.25	12.50
TC3B2423S	TP9C080B12MP13C	17.5	CF/CM30C	775	24.0	19.4	14.50	12.50
TC3B2423S	TP9C080B12MP13C	17.5	CF42B	800	24.0	19.8	14.50	12.50
TC3B2423S	TP9C080C16MP13C	21.0	CF/CM/CU36C	950	24.0	21.6	14.50	12.50
TC3B2423S	TP9C080C16MP13C	21.0	CF/CM/CU42C	950	24.0	21.9	14.50	12.50
TC3B2423S	TP9C080C16MP13C	21.0	CF/CM24C	950	24.0	19.4	14.00	12.25
TC3B2423S	TP9C080C16MP13C	21.0	CF/CM30C	950	24.0	21.6	14.50	12.50
TC3B2423S	TP9C080C16MP13C	21.0	CF/CM36D	950	24.0	21.8	14.50	12.50
TC3B2423S	TP9C080C16MP13C	21.0	CF/CM42D	950	24.0	21.9	14.50	12.50
TC3B2423S	TP9C100C16MP12C	21.0	CF/CM/CU36C	900	24.0	21.1	14.75	12.50
TC3B2423S	TP9C100C16MP12C	21.0	CF/CM/CU42C	900	24.0	21.2	14.75	12.50
TC3B2423S	TP9C100C16MP12C	21.0	CF/CM24C	900	24.0	19.1	14.00	12.25
TC3B2423S	TP9C100C16MP12C	21.0	CF/CM30C	900	24.0	21.0	14.75	12.50
TC3B2423S	TP9C100C16MP12C	21.0	CF/CM36D	900	24.0	21.1	14.75	12.50
TC3B2423S	TP9C100C16MP12C	21.0	CF/CM42D	900	24.0	21.2	14.75	12.50
TC3B2423S	TP9C100C16MP13C	21.0	CF/CM/CU36C	900	24.0	21.1	14.75	12.50
TC3B2423S	TP9C100C16MP13C	21.0	CF/CM/CU42C	900	24.0	21.2	14.75	12.50
TC3B2423S	TP9C100C16MP13C	21.0	CF/CM24C	900	24.0	19.1	14.00	12.25
TC3B2423S	TP9C100C16MP13C	21.0	CF/CM30C	900	24.0	21.0	14.75	12.50
TC3B2423S	TP9C100C16MP13C	21.0	CF/CM36D	900	24.0	21.1	14.75	12.50
TC3B2423S	TP9C100C16MP13C	21.0	CF/CM42D	900	24.0	21.2	14.75	12.50
TC3B2423S	TPLC060A12MP12C	14.5	CF/CM/CU24A	725	24.0	18.4	14.00	12.25
TC3B2423S	TPLC060A12MP12C	14.5	CF/CM/CU24B	700	24.0	18.1	14.25	12.50
TC3B2423S	TPLC060A12MP12C	14.5	CF/CM/CU30A	725	24.0	18.6	14.25	12.50
TC3B2423S	TPLC060A12MP12C	14.5	CF/CM/CU30B	700	24.0	18.4	14.50	12.50
TC3B2423S	TPLC060A12MP12C	14.5	CF/CM/CU36B	725	24.0	18.8	14.50	12.50
TC3B2423S	TPLC060A12MP12C	14.5	CF/CM36A	725	24.0	18.6	14.25	12.50
TC3B2423S	TPLC060A12MP12C	14.5	CF42B	700	24.0	18.4	14.50	12.50
TC3B2423S	TPLC060A12MP13C	14.5	CF/CM/CU24A	725	24.0	18.4	14.00	12.25
TC3B2423S	TPLC060A12MP13C	14.5	CF/CM/CU24B	700	24.0	18.1	14.25	12.50
TC3B2423S	TPLC060A12MP13C	14.5	CF/CM/CU30A	725	24.0	18.6	14.25	12.50
TC3B2423S	TPLC060A12MP13C	14.5	CF/CM/CU30B	700	24.0	18.4	14.50	12.50
TC3B2423S	TPLC060A12MP13C	14.5	CF/CM/CU36B	725	24.0	18.8	14.50	12.50
TC3B2423S	TPLC060A12MP13C	14.5	CF/CM36A	725	24.0	18.6	14.25	12.50
TC3B2423S	TPLC060A12MP13C	14.5	CF42B	700	24.0	18.4	14.50	12.50
TC3B2423S	TPLC080B12MP12C	17.5	CF/CM/CU24B	675	24.0	17.7	14.00	12.25
TC3B2423S	TPLC080B12MP12C	17.5	CF/CM/CU30B	675	24.0	17.8	14.25	12.50
TC3B2423S	TPLC080B12MP12C	17.5	CF/CM/CU36B	725	24.0	18.6	14.25	12.50
TC3B2423S	TPLC080B12MP12C	17.5	CF/CM/CU36C	725	24.0	18.6	14.25	12.50
TC3B2423S	TPLC080B12MP12C	17.5	CF/CM/CU42C	725	24.0	18.7	14.50	12.50
TC3B2423S	TPLC080B12MP12C	17.5	CF/CM24C	725	24.0	18.4	14.00	12.25
TC3B2423S	TPLC080B12MP12C	17.5	CF/CM30C	825	24.0	20.1	14.25	12.50
TC3B2423S	TPLC080B12MP12C	17.5	CF42B	625	24.0	17.5	14.50	12.50

COOLING CAPACITY - With High Efficiency Motor Furnaces¹ (Continued)

UNIT MODEL	FURNACE		COIL MODEL ²	COOLING				
	MODEL	WIDTH		RATED CFM	NET MBH		SEER	EER
					TOTAL	SENS.		
TC3B2423S	TPLC080B12MP13C	17.5	CF/CM/CU24B	675	24.0	17.7	14.00	12.25
TC3B2423S	TPLC080B12MP13C	17.5	CF/CM/CU30B	675	24.0	17.8	14.25	12.50
TC3B2423S	TPLC080B12MP13C	17.5	CF/CM/CU36B	725	24.0	18.6	14.25	12.50
TC3B2423S	TPLC080B12MP13C	17.5	CF/CM/CU36C	725	24.0	18.6	14.25	12.50
TC3B2423S	TPLC080B12MP13C	17.5	CF/CM/CU42C	725	24.0	18.7	14.50	12.50
TC3B2423S	TPLC080B12MP13C	17.5	CF/CM24C	725	24.0	18.4	14.00	12.25
TC3B2423S	TPLC080B12MP13C	17.5	CF/CM30C	825	24.0	20.1	14.25	12.50
TC3B2423S	TPLC080B12MP13C	17.5	CF42B	625	24.0	17.5	14.50	12.50
TC3B2423S	TPLC080C16MP12C	21.0	CF/CM/CU36C	875	24.0	20.7	14.75	12.50
TC3B2423S	TPLC080C16MP12C	21.0	CF/CM/CU42C	875	24.0	20.7	14.75	12.50
TC3B2423S	TPLC080C16MP12C	21.0	CF/CM24C	875	24.0	20.4	14.50	12.50
TC3B2423S	TPLC080C16MP12C	21.0	CF/CM30C	875	24.0	20.5	14.75	12.50
TC3B2423S	TPLC080C16MP12C	21.0	CF/CM36D	875	24.0	20.7	14.75	12.50
TC3B2423S	TPLC080C16MP12C	21.0	CF/CM42D	875	24.0	20.9	14.75	12.50
TC3B2423S	TPLC080C16MP13C	21.0	CF/CM/CU36C	875	24.0	20.7	14.75	12.50
TC3B2423S	TPLC080C16MP13C	21.0	CF/CM/CU42C	875	24.0	20.7	14.75	12.50
TC3B2423S	TPLC080C16MP13C	21.0	CF/CM24C	875	24.0	20.4	14.50	12.50
TC3B2423S	TPLC080C16MP13C	21.0	CF/CM30C	875	24.0	20.5	14.75	12.50
TC3B2423S	TPLC080C16MP13C	21.0	CF/CM36D	875	24.0	20.7	14.75	12.50
TC3B2423S	TPLC080C16MP13C	21.0	CF/CM42D	875	24.0	20.9	14.75	12.50
TC3B2423S	TPLC100C16MP12C	21.0	CF/CM/CU36C	875	24.0	20.7	14.75	12.50
TC3B2423S	TPLC100C16MP12C	21.0	CF/CM/CU42C	875	24.0	20.7	14.75	12.50
TC3B2423S	TPLC100C16MP12C	21.0	CF/CM24C	875	24.0	20.4	14.50	12.50
TC3B2423S	TPLC100C16MP12C	21.0	CF/CM30C	875	24.0	20.5	14.75	12.50
TC3B2423S	TPLC100C16MP12C	21.0	CF/CM36D	875	24.0	20.7	14.75	12.50
TC3B2423S	TPLC100C16MP12C	21.0	CF/CM42D	875	24.0	20.9	14.75	12.50
TC3B2423S	TPLC100C16MP13C	21.0	CF/CM/CU36C	875	24.0	20.7	14.75	12.50
TC3B2423S	TPLC100C16MP13C	21.0	CF/CM/CU42C	875	24.0	20.7	14.75	12.50
TC3B2423S	TPLC100C16MP13C	21.0	CF/CM24C	875	24.0	20.4	14.50	12.50
TC3B2423S	TPLC100C16MP13C	21.0	CF/CM30C	875	24.0	20.5	14.75	12.50
TC3B2423S	TPLC100C16MP13C	21.0	CF/CM36D	875	24.0	20.7	14.75	12.50
TC3B2423S	TPLC100C16MP13C	21.0	CF/CM42D	875	24.0	20.9	14.75	12.50
TC3B2423S	CP9C060B12MP13C	17.5	CF/CM/CU24B	700	24.0	18.0	14.00	12.25
TC3B2423S	CP9C060B12MP13C	17.5	CF/CM/CU30B	700	24.0	18.4	14.25	12.50
TC3B2423S	CP9C060B12MP13C	17.5	CF/CM/CU36B	700	24.0	18.2	14.25	12.50
TC3B2423S	CP9C060B12MP13C	17.5	CF/CM/CU36C	700	24.0	18.4	14.25	12.50
TC3B2423S	CP9C060B12MP13C	17.5	CF/CM/CU42C	775	24.0	19.5	14.50	12.50
TC3B2423S	CP9C060B12MP13C	17.5	CF/CM24C	775	24.0	19.0	14.00	12.25
TC3B2423S	CP9C060B12MP13C	17.5	CF/CM30C	700	24.0	18.4	14.25	12.50
TC3B2423S	CP9C060B12MP13C	17.5	CF42B	700	24.0	18.5	14.25	12.50
TC3B2423S	CP9C080B12MP12C	17.5	CF/CM/CU24B	725	24.0	18.4	14.25	12.50
TC3B2423S	CP9C080B12MP12C	17.5	CF/CM/CU30B	800	24.0	19.8	14.50	12.50
TC3B2423S	CP9C080B12MP12C	17.5	CF/CM/CU36B	800	24.0	19.7	14.50	12.50
TC3B2423S	CP9C080B12MP12C	17.5	CF/CM/CU36C	725	24.0	18.8	14.50	12.50
TC3B2423S	CP9C080B12MP12C	17.5	CF/CM/CU42C	850	24.0	20.5	14.75	12.50
TC3B2423S	CP9C080B12MP12C	17.5	CF/CM24C	725	24.0	18.4	14.25	12.50
TC3B2423S	CP9C080B12MP12C	17.5	CF/CM30C	775	24.0	19.4	14.50	12.50
TC3B2423S	CP9C080B12MP12C	17.5	CF42B	800	24.0	19.8	14.50	12.50
TC3B2423S	CP9C080B12MP13C	17.5	CF/CM/CU24B	725	24.0	18.4	14.25	12.50
TC3B2423S	CP9C080B12MP13C	17.5	CF/CM/CU30B	800	24.0	19.8	14.50	12.50
TC3B2423S	CP9C080B12MP13C	17.5	CF/CM/CU36B	800	24.0	19.7	14.50	12.50
TC3B2423S	CP9C080B12MP13C	17.5	CF/CM/CU36C	725	24.0	18.8	14.50	12.50
TC3B2423S	CP9C080B12MP13C	17.5	CF/CM/CU42C	850	24.0	20.5	14.75	12.50

COOLING CAPACITY - With High Efficiency Motor Furnaces¹ (Continued)

UNIT MODEL	FURNACE		COIL MODEL ²	COOLING				
	MODEL	WIDTH		RATED CFM	NET MBH		SEER	EER
					TOTAL	SENS.		
TC3B2423S	CP9C080B12MP13C	17.5	CF/CM24C	725	24.0	18.4	14.25	12.50
TC3B2423S	CP9C080B12MP13C	17.5	CF/CM30C	775	24.0	19.4	14.50	12.50
TC3B2423S	CP9C080B12MP13C	17.5	CF42B	800	24.0	19.8	14.50	12.50
TC3B2423S	CP9C080C16MP13C	21.0	CF/CM/CU36C	950	24.0	21.6	14.50	12.50
TC3B2423S	CP9C080C16MP13C	21.0	CF/CM/CU42C	950	24.0	21.9	14.50	12.50
TC3B2423S	CP9C080C16MP13C	21.0	CF/CM24C	950	24.0	19.4	14.00	12.25
TC3B2423S	CP9C080C16MP13C	21.0	CF/CM30C	950	24.0	21.6	14.50	12.50
TC3B2423S	CP9C080C16MP13C	21.0	CF/CM36D	950	24.0	21.8	14.50	12.50
TC3B2423S	CP9C080C16MP13C	21.0	CF/CM42D	950	24.0	21.9	14.50	12.50
TC3B2423S	CP9C100C16MP12C	21.0	CF/CM/CU36C	900	24.0	21.1	14.75	12.50
TC3B2423S	CP9C100C16MP12C	21.0	CF/CM/CU42C	900	24.0	21.2	14.75	12.50
TC3B2423S	CP9C100C16MP12C	21.0	CF/CM24C	900	24.0	19.1	14.00	12.25
TC3B2423S	CP9C100C16MP12C	21.0	CF/CM30C	900	24.0	21.0	14.75	12.50
TC3B2423S	CP9C100C16MP12C	21.0	CF/CM36D	900	24.0	21.1	14.75	12.50
TC3B2423S	CP9C100C16MP12C	21.0	CF/CM42D	900	24.0	21.2	14.75	12.50
TC3B2423S	CP9C100C16MP13C	21.0	CF/CM/CU36C	900	24.0	21.1	14.75	12.50
TC3B2423S	CP9C100C16MP13C	21.0	CF/CM/CU42C	900	24.0	21.2	14.75	12.50
TC3B2423S	CP9C100C16MP13C	21.0	CF/CM24C	900	24.0	19.1	14.00	12.25
TC3B2423S	CP9C100C16MP13C	21.0	CF/CM30C	900	24.0	21.0	14.75	12.50
TC3B2423S	CP9C100C16MP13C	21.0	CF/CM36D	900	24.0	21.1	14.75	12.50
TC3B2423S	CP9C100C16MP13C	21.0	CF/CM42D	900	24.0	21.2	14.75	12.50
TC3B2423S	CPLC060A12MP12C	14.5	CF/CM/CU24A	725	24.0	18.4	14.00	12.25
TC3B2423S	CPLC060A12MP12C	14.5	CF/CM/CU24B	700	24.0	18.1	14.25	12.50
TC3B2423S	CPLC060A12MP12C	14.5	CF/CM/CU30A	725	24.0	18.6	14.25	12.50
TC3B2423S	CPLC060A12MP12C	14.5	CF/CM/CU30B	700	24.0	18.4	14.50	12.50
TC3B2423S	CPLC060A12MP12C	14.5	CF/CM/CU36B	725	24.0	18.8	14.50	12.50
TC3B2423S	CPLC060A12MP12C	14.5	CF/CM36A	725	24.0	18.6	14.25	12.50
TC3B2423S	CPLC060A12MP12C	14.5	CF42B	700	24.0	18.4	14.50	12.50
TC3B2423S	CPLC060A12MP13C	14.5	CF/CM/CU24A	725	24.0	18.4	14.00	12.25
TC3B2423S	CPLC060A12MP13C	14.5	CF/CM/CU24B	700	24.0	18.1	14.25	12.50
TC3B2423S	CPLC060A12MP13C	14.5	CF/CM/CU30A	725	24.0	18.6	14.25	12.50
TC3B2423S	CPLC060A12MP13C	14.5	CF/CM/CU30B	700	24.0	18.4	14.50	12.50
TC3B2423S	CPLC060A12MP13C	14.5	CF/CM/CU36B	725	24.0	18.8	14.50	12.50
TC3B2423S	CPLC060A12MP13C	14.5	CF/CM36A	725	24.0	18.6	14.25	12.50
TC3B2423S	CPLC060A12MP13C	14.5	CF42B	700	24.0	18.4	14.50	12.50
TC3B2423S	CPLC080B12MP12C	17.5	CF/CM/CU24B	675	24.0	17.7	14.00	12.25
TC3B2423S	CPLC080B12MP12C	17.5	CF/CM/CU30B	675	24.0	17.8	14.25	12.50
TC3B2423S	CPLC080B12MP12C	17.5	CF/CM/CU36B	725	24.0	18.6	14.25	12.50
TC3B2423S	CPLC080B12MP12C	17.5	CF/CM/CU36C	725	24.0	18.6	14.25	12.50
TC3B2423S	CPLC080B12MP12C	17.5	CF/CM/CU42C	725	24.0	18.7	14.50	12.50
TC3B2423S	CPLC080B12MP12C	17.5	CF/CM24C	725	24.0	18.4	14.00	12.25
TC3B2423S	CPLC080B12MP12C	17.5	CF/CM30C	825	24.0	20.1	14.25	12.50
TC3B2423S	CPLC080B12MP12C	17.5	CF42B	625	24.0	17.5	14.50	12.50
TC3B2423S	CPLC080B12MP13C	17.5	CF/CM/CU24B	675	24.0	17.7	14.00	12.25
TC3B2423S	CPLC080B12MP13C	17.5	CF/CM/CU30B	675	24.0	17.8	14.25	12.50
TC3B2423S	CPLC080B12MP13C	17.5	CF/CM/CU36B	725	24.0	18.6	14.25	12.50
TC3B2423S	CPLC080B12MP13C	17.5	CF/CM/CU36C	725	24.0	18.6	14.25	12.50
TC3B2423S	CPLC080B12MP13C	17.5	CF/CM/CU42C	725	24.0	18.7	14.50	12.50
TC3B2423S	CPLC080B12MP13C	17.5	CF/CM24C	725	24.0	18.4	14.00	12.25
TC3B2423S	CPLC080B12MP13C	17.5	CF/CM30C	825	24.0	20.1	14.25	12.50
TC3B2423S	CPLC080B12MP13C	17.5	CF42B	625	24.0	17.5	14.50	12.50
TC3B2423S	CPLC080C16MP12C	21.0	CF/CM/CU36C	875	24.0	20.7	14.75	12.50
TC3B2423S	CPLC080C16MP12C	21.0	CF/CM/CU42C	875	24.0	20.7	14.75	12.50

COOLING CAPACITY - With High Efficiency Motor Furnaces¹ (Continued)

UNIT MODEL	FURNACE		COIL MODEL ²	COOLING				
	MODEL	WIDTH		RATED CFM	NET MBH		SEER	EER
					TOTAL	SENS.		
TC3B2423S	CPLC080C16MP12C	21.0	CF/CM24C	875	24.0	20.4	14.50	12.50
TC3B2423S	CPLC080C16MP12C	21.0	CF/CM30C	875	24.0	20.5	14.75	12.50
TC3B2423S	CPLC080C16MP12C	21.0	CF/CM36D	875	24.0	20.7	14.75	12.50
TC3B2423S	CPLC080C16MP12C	21.0	CF/CM42D	875	24.0	20.9	14.75	12.50
TC3B2423S	CPLC080C16MP13C	21.0	CF/CM/CU36C	875	24.0	20.7	14.75	12.50
TC3B2423S	CPLC080C16MP13C	21.0	CF/CM/CU42C	875	24.0	20.7	14.75	12.50
TC3B2423S	CPLC080C16MP13C	21.0	CF/CM24C	875	24.0	20.4	14.50	12.50
TC3B2423S	CPLC080C16MP13C	21.0	CF/CM30C	875	24.0	20.5	14.75	12.50
TC3B2423S	CPLC080C16MP13C	21.0	CF/CM36D	875	24.0	20.7	14.75	12.50
TC3B2423S	CPLC080C16MP13C	21.0	CF/CM42D	875	24.0	20.9	14.75	12.50
TC3B2423S	CPLC100C16MP12C	21.0	CF/CM/CU36C	875	24.0	20.7	14.75	12.50
TC3B2423S	CPLC100C16MP12C	21.0	CF/CM/CU42C	875	24.0	20.7	14.75	12.50
TC3B2423S	CPLC100C16MP12C	21.0	CF/CM24C	875	24.0	20.4	14.50	12.50
TC3B2423S	CPLC100C16MP12C	21.0	CF/CM30C	875	24.0	20.5	14.75	12.50
TC3B2423S	CPLC100C16MP12C	21.0	CF/CM36D	875	24.0	20.7	14.75	12.50
TC3B2423S	CPLC100C16MP12C	21.0	CF/CM42D	875	24.0	20.9	14.75	12.50
TC3B2423S	CPLC100C16MP13C	21.0	CF/CM/CU36C	875	24.0	20.7	14.75	12.50
TC3B2423S	CPLC100C16MP13C	21.0	CF/CM/CU42C	875	24.0	20.7	14.75	12.50
TC3B2423S	CPLC100C16MP13C	21.0	CF/CM24C	875	24.0	20.4	14.50	12.50
TC3B2423S	CPLC100C16MP13C	21.0	CF/CM30C	875	24.0	20.5	14.75	12.50
TC3B2423S	CPLC100C16MP13C	21.0	CF/CM36D	875	24.0	20.7	14.75	12.50
TC3B2423S	CPLC100C16MP13C	21.0	CF/CM42D	875	24.0	20.9	14.75	12.50
TC3B3022S	TL8E060A12UH11	14.5	CF/CM36A	825	28.8	21.2	13.75	12.00
TC3B3022S	TM8E040A12MP11	14.5	CF/CM36A	825	28.8	21.2	13.75	12.00
TC3B3022S	TM8E060A12MP11	14.5	CF/CM36A	825	28.8	21.2	13.75	12.00
TC3B3022S	TM8V060A12MP12C	14.5	CF/CM/CU30A	875	28.6	21.6	13.75	12.00
TC3B3022S	TM8V060A12MP12C	14.5	CF/CM/CU30B	875	28.8	21.8	14.00	12.00
TC3B3022S	TM8V060A12MP12C	14.5	CF/CM/CU36B	875	29.0	21.8	14.00	12.25
TC3B3022S	TM8V060A12MP12C	14.5	CF/CM36A	875	28.8	21.6	13.75	12.00
TC3B3022S	TM8V060A12MP12C	14.5	CF42B	875	29.0	21.8	14.00	12.25
TC3B3022S	TM8V080B12MP12C	17.5	CF/CM/CU30B	825	28.4	21.0	13.75	12.00
TC3B3022S	TM8V080B12MP12C	17.5	CF/CM/CU36B	825	28.6	21.0	13.75	12.00
TC3B3022S	TM8V080B12MP12C	17.5	CF/CM/CU36C	825	28.8	21.0	14.00	12.00
TC3B3022S	TM8V080B12MP12C	17.5	CF/CM/CU42C	825	28.8	21.2	14.00	12.25
TC3B3022S	TM8V080B12MP12C	17.5	CF/CM30C	825	28.4	21.0	13.75	12.00
TC3B3022S	TM8V080B12MP12C	17.5	CF42B	825	28.8	21.2	14.00	12.00
TC3B3022S	TM8V080C16MP12C	21.0	CF/CM/CU36C	875	29.0	21.8	14.25	12.25
TC3B3022S	TM8V080C16MP12C	21.0	CF/CM/CU42C	875	29.2	22.0	14.25	12.25
TC3B3022S	TM8V080C16MP12C	21.0	CF/CM30C	875	28.8	21.8	14.25	12.25
TC3B3022S	TM8V080C16MP12C	21.0	CF/CM36D	875	29.2	22.0	14.25	12.25
TC3B3022S	TM8V080C16MP12C	21.0	CF/CM42D	875	29.2	22.0	14.25	12.25
TC3B3022S	TM8V100C16MP12C	21.0	CF/CM/CU36C	875	29.0	21.8	14.25	12.25
TC3B3022S	TM8V100C16MP12C	21.0	CF/CM/CU42C	875	29.2	22.0	14.25	12.25
TC3B3022S	TM8V100C16MP12C	21.0	CF/CM30C	875	28.8	21.8	14.25	12.25
TC3B3022S	TM8V100C16MP12C	21.0	CF/CM36D	875	29.2	22.0	14.25	12.25
TC3B3022S	TM8V100C16MP12C	21.0	CF/CM42D	875	29.2	22.0	14.25	12.25
TC3B3022S	TM8X060A12MP11	14.5	CF/CM/CU30A	875	28.6	21.6	13.50	11.75
TC3B3022S	TM8X060A12MP11	14.5	CF/CM/CU30B	925	28.8	22.4	13.75	12.00
TC3B3022S	TM8X060A12MP11	14.5	CF/CM/CU36B	925	29.0	22.4	13.75	12.00
TC3B3022S	TM8X060A12MP11	14.5	CF/CM36A	875	28.8	21.6	13.50	11.75
TC3B3022S	TM8X060A12MP11	14.5	CF42B	925	29.2	22.4	14.00	12.00
TC3B3022S	TM8X080B12MP11	17.5	CF/CM/CU30B	825	28.6	21.0	14.00	12.25
TC3B3022S	TM8X080B12MP11	17.5	CF/CM/CU36B	825	28.8	21.0	14.00	12.25

COOLING CAPACITY - With High Efficiency Motor Furnaces¹ (Continued)

UNIT MODEL	FURNACE		COIL MODEL ²	COOLING				
	MODEL	WIDTH		RATED CFM	NET MBH		SEER	EER
					TOTAL	SENS.		
TC3B3022S	TM8X080B12MP11	17.5	CF/CM/CU36C	825	28.8	21.0	14.00	12.25
TC3B3022S	TM8X080B12MP11	17.5	CF/CM/CU42C	825	28.8	21.2	14.25	12.25
TC3B3022S	TM8X080B12MP11	17.5	CF/CM30C	825	28.6	21.0	14.00	12.25
TC3B3022S	TM8X080B12MP11	17.5	CF42B	950	29.4	22.8	14.00	12.25
TC3B3022S	TM8X080C16MP11	21.0	CF/CM/CU36C	950	29.2	22.8	14.25	12.25
TC3B3022S	TM8X080C16MP11	21.0	CF/CM/CU42C	950	29.6	23.0	14.25	12.25
TC3B3022S	TM8X080C16MP11	21.0	CF/CM30C	950	29.2	22.8	14.25	12.25
TC3B3022S	TM8X080C16MP11	21.0	CF/CM36D	975	29.6	23.2	14.25	12.25
TC3B3022S	TM8X080C16MP11	21.0	CF/CM42D	975	29.8	23.2	14.50	12.50
TC3B3022S	TM8X100C16MP11	21.0	CF/CM/CU36C	950	29.2	22.8	14.25	12.25
TC3B3022S	TM8X100C16MP11	21.0	CF/CM/CU42C	950	29.6	23.0	14.25	12.25
TC3B3022S	TM8X100C16MP11	21.0	CF/CM30C	950	29.2	22.8	14.25	12.25
TC3B3022S	TM8X100C16MP11	21.0	CF/CM36D	975	29.6	23.2	14.25	12.25
TC3B3022S	TM8X100C16MP11	21.0	CF/CM42D	975	29.8	23.2	14.50	12.50
TC3B3022S	TM8X100C20MP11	21.0	CF/CM/CU36C	1000	29.6	23.4	14.50	12.50
TC3B3022S	TM8X100C20MP11	21.0	CF/CM/CU42C	1000	29.8	23.6	14.50	12.50
TC3B3022S	TM8X100C20MP11	21.0	CF/CM30C	1000	29.4	23.2	14.25	12.25
TC3B3022S	TM8X100C20MP11	21.0	CF/CM36D	1000	29.6	23.4	14.50	12.50
TC3B3022S	TM8X100C20MP11	21.0	CF/CM42D	1000	29.8	23.6	14.50	12.50
TC3B3022S	TM8X120C20MP11	21.0	CF/CM/CU36C	1000	29.6	23.4	14.50	12.50
TC3B3022S	TM8X120C20MP11	21.0	CF/CM/CU42C	1000	29.8	23.6	14.50	12.50
TC3B3022S	TM8X120C20MP11	21.0	CF/CM30C	1000	29.4	23.2	14.25	12.25
TC3B3022S	TM8X120C20MP11	21.0	CF/CM36D	1000	29.6	23.4	14.50	12.50
TC3B3022S	TM8X120C20MP11	21.0	CF/CM42D	1000	29.8	23.6	14.50	12.50
TC3B3022S	TM8Y060A12MP11	14.5	CF/CM/CU30A	875	28.6	21.6	13.50	11.75
TC3B3022S	TM8Y060A12MP11	14.5	CF/CM/CU30B	925	28.8	22.4	13.75	12.00
TC3B3022S	TM8Y060A12MP11	14.5	CF/CM/CU36B	925	29.0	22.4	13.75	12.00
TC3B3022S	TM8Y060A12MP11	14.5	CF/CM36A	875	28.8	21.6	13.50	11.75
TC3B3022S	TM8Y060A12MP11	14.5	CF42B	925	29.2	22.4	14.00	12.00
TC3B3022S	TM8Y080B12MP11	17.5	CF/CM/CU30B	825	28.6	21.0	14.00	12.25
TC3B3022S	TM8Y080B12MP11	17.5	CF/CM/CU36B	825	28.8	21.0	14.00	12.25
TC3B3022S	TM8Y080B12MP11	17.5	CF/CM/CU36C	825	28.8	21.0	14.00	12.25
TC3B3022S	TM8Y080B12MP11	17.5	CF/CM/CU42C	825	28.8	21.2	14.25	12.25
TC3B3022S	TM8Y080B12MP11	17.5	CF/CM30C	825	28.6	21.0	14.00	12.25
TC3B3022S	TM8Y080B12MP11	17.5	CF42B	950	29.4	22.8	14.00	12.25
TC3B3022S	TM8Y080C16MP11	21.0	CF/CM/CU36C	950	29.2	22.8	14.25	12.25
TC3B3022S	TM8Y080C16MP11	21.0	CF/CM/CU42C	950	29.6	23.0	14.25	12.25
TC3B3022S	TM8Y080C16MP11	21.0	CF/CM30C	950	29.2	22.8	14.25	12.25
TC3B3022S	TM8Y080C16MP11	21.0	CF/CM36D	975	29.6	23.2	14.25	12.25
TC3B3022S	TM8Y080C16MP11	21.0	CF/CM42D	975	29.8	23.2	14.50	12.50
TC3B3022S	TM8Y100C16MP11	21.0	CF/CM/CU36C	950	29.2	22.8	14.25	12.25
TC3B3022S	TM8Y100C16MP11	21.0	CF/CM/CU42C	950	29.6	23.0	14.25	12.25
TC3B3022S	TM8Y100C16MP11	21.0	CF/CM30C	950	29.2	22.8	14.25	12.25
TC3B3022S	TM8Y100C16MP11	21.0	CF/CM36D	975	29.6	23.2	14.25	12.25
TC3B3022S	TM8Y100C16MP11	21.0	CF/CM42D	975	29.8	23.2	14.50	12.50
TC3B3022S	TM8Y100C20MP11	21.0	CF/CM/CU36C	1000	29.6	23.4	14.50	12.50
TC3B3022S	TM8Y100C20MP11	21.0	CF/CM/CU42C	1000	29.8	23.6	14.50	12.50
TC3B3022S	TM8Y100C20MP11	21.0	CF/CM30C	1000	29.4	23.2	14.25	12.25
TC3B3022S	TM8Y100C20MP11	21.0	CF/CM36D	1000	29.6	23.4	14.50	12.50
TC3B3022S	TM8Y100C20MP11	21.0	CF/CM42D	1000	29.8	23.6	14.50	12.50
TC3B3022S	TM8Y120C20MP11	21.0	CF/CM/CU36C	1000	29.6	23.4	14.50	12.50
TC3B3022S	TM8Y120C20MP11	21.0	CF/CM/CU42C	1000	29.8	23.6	14.50	12.50
TC3B3022S	TM8Y120C20MP11	21.0	CF/CM30C	1000	29.4	23.2	14.25	12.25

COOLING CAPACITY - With High Efficiency Motor Furnaces¹ (Continued)

UNIT MODEL	FURNACE		COIL MODEL ²	COOLING				
	MODEL	WIDTH		RATED CFM	NET MBH		SEER	EER
					TOTAL	SENS.		
TC3B3022S	TM8Y120C20MP11	21.0	CF/CM36D	1000	29.6	23.4	14.50	12.50
TC3B3022S	TM8Y120C20MP11	21.0	CF/CM42D	1000	29.8	23.6	14.50	12.50
TC3B3022S	TM9E040A10MP12	14.5	CF/CM36A	825	28.6	20.9	13.00	11.25
TC3B3022S	TM9E060A10MP12	14.5	CF/CM36A	825	28.6	21.1	13.25	11.50
TC3B3022S	TM9E060B12MP11	17.5	CF/CM/CU30B	850	28.6	21.6	13.75	12.00
TC3B3022S	TM9E060B12MP11	17.5	CF/CM/CU36B	850	28.8	21.4	13.75	12.00
TC3B3022S	TM9E060B12MP11	17.5	CF/CM/CU36C	875	29.0	21.8	14.00	12.00
TC3B3022S	TM9E060B12MP11	17.5	CF/CM/CU42C	875	29.0	21.8	14.00	12.25
TC3B3022S	TM9E060B12MP11	17.5	CF/CM30C	875	28.6	21.6	13.75	12.00
TC3B3022S	TM9E060B12MP11	17.5	CF42B	850	28.8	21.4	13.75	12.00
TC3B3022S	TM9E080B12MP11	17.5	CF/CM/CU30B	875	28.6	21.6	14.00	12.00
TC3B3022S	TM9E080B12MP11	17.5	CF/CM/CU36B	875	29.0	21.8	14.00	12.25
TC3B3022S	TM9E080B12MP11	17.5	CF/CM/CU36C	900	29.2	22.2	14.00	12.25
TC3B3022S	TM9E080B12MP11	17.5	CF/CM/CU42C	900	29.2	22.2	14.00	12.25
TC3B3022S	TM9E080B12MP11	17.5	CF/CM30C	900	28.8	22.2	14.00	12.25
TC3B3022S	TM9E080B12MP11	17.5	CF42B	875	29.0	21.8	14.00	12.25
TC3B3022S	TM9E080C16MP11	21.0	CF/CM/CU36C	975	29.4	23.0	14.00	12.25
TC3B3022S	TM9E080C16MP11	21.0	CF/CM/CU42C	975	29.6	23.0	14.25	12.25
TC3B3022S	TM9E080C16MP11	21.0	CF/CM30C	975	29.2	23.0	14.00	12.25
TC3B3022S	TM9E080C16MP11	21.0	CF/CM36D	975	29.4	23.0	14.00	12.25
TC3B3022S	TM9E080C16MP11	21.0	CF/CM42D	975	29.6	23.0	14.25	12.25
TC3B3022S	TM9E100C16MP11	21.0	CF/CM/CU36C	975	29.4	23.0	14.00	12.25
TC3B3022S	TM9E100C16MP11	21.0	CF/CM/CU42C	975	29.6	23.0	14.25	12.25
TC3B3022S	TM9E100C16MP11	21.0	CF/CM30C	975	29.2	23.0	14.00	12.25
TC3B3022S	TM9E100C16MP11	21.0	CF/CM36D	1000	29.6	23.6	14.25	12.25
TC3B3022S	TM9E100C16MP11	21.0	CF/CM42D	1000	29.6	23.4	14.25	12.25
TC3B3022S	TM9E120D20MP11	24.5	CF/CM36D	950	29.4	23.0	14.50	12.50
TC3B3022S	TM9E120D20MP11	24.5	CF/CM42D	950	29.6	23.0	14.50	12.50
TC3B3022S	TM9V040A10MP12C	14.5	CF/CM/CU30A	875	28.2	21.2	13.00	11.25
TC3B3022S	TM9V040A10MP12C	14.5	CF/CM/CU30B	875	28.4	21.4	13.25	11.50
TC3B3022S	TM9V040A10MP12C	14.5	CF/CM/CU36B	875	28.6	21.6	13.25	11.50
TC3B3022S	TM9V040A10MP12C	14.5	CF/CM36A	875	28.6	21.4	13.00	11.50
TC3B3022S	TM9V040A10MP12C	14.5	CF42B	875	28.8	21.6	13.25	11.50
TC3B3022S	TM9V060B12MP12C	17.5	CF/CM/CU30B	875	28.6	21.6	13.75	12.00
TC3B3022S	TM9V060B12MP12C	17.5	CF/CM/CU36B	875	28.8	21.6	13.75	12.00
TC3B3022S	TM9V060B12MP12C	17.5	CF/CM/CU36C	875	29.0	21.8	13.75	12.00
TC3B3022S	TM9V060B12MP12C	17.5	CF/CM/CU42C	875	29.0	21.8	14.00	12.00
TC3B3022S	TM9V060B12MP12C	17.5	CF/CM30C	875	28.6	21.6	13.75	12.00
TC3B3022S	TM9V060B12MP12C	17.5	CF42B	875	29.0	21.8	13.75	12.00
TC3B3022S	TM9V080B12MP12C	17.5	CF/CM/CU30B	850	28.6	21.6	14.00	12.00
TC3B3022S	TM9V080B12MP12C	17.5	CF/CM/CU36B	850	28.8	21.4	14.00	12.25
TC3B3022S	TM9V080B12MP12C	17.5	CF/CM/CU36C	850	29.0	21.4	14.00	12.25
TC3B3022S	TM9V080B12MP12C	17.5	CF/CM/CU42C	875	29.0	21.8	14.00	12.25
TC3B3022S	TM9V080B12MP12C	17.5	CF/CM30C	850	28.6	21.6	14.00	12.25
TC3B3022S	TM9V080B12MP12C	17.5	CF42B	850	28.8	21.6	14.00	12.25
TC3B3022S	TM9V080C16MP12C	21.0	CF/CM/CU36C	950	29.2	22.8	14.00	12.25
TC3B3022S	TM9V080C16MP12C	21.0	CF/CM/CU42C	950	29.4	22.8	14.00	12.25
TC3B3022S	TM9V080C16MP12C	21.0	CF/CM30C	950	29.2	22.8	14.00	12.25
TC3B3022S	TM9V080C16MP12C	21.0	CF/CM36D	950	29.2	22.8	14.00	12.25
TC3B3022S	TM9V080C16MP12C	21.0	CF/CM42D	950	29.4	23.0	14.25	12.25
TC3B3022S	TM9V100C16MP12C	21.0	CF/CM/CU36C	900	29.2	22.2	14.25	12.25
TC3B3022S	TM9V100C16MP12C	21.0	CF/CM/CU42C	900	29.4	22.4	14.25	12.25
TC3B3022S	TM9V100C16MP12C	21.0	CF/CM30C	900	29.0	22.4	14.25	12.25

COOLING CAPACITY - With High Efficiency Motor Furnaces¹ (Continued)

UNIT MODEL	FURNACE		COIL MODEL ²	COOLING				
	MODEL	WIDTH		RATED CFM	NET MBH		SEER	EER
					TOTAL	SENS.		
TC3B3022S	TM9V100C16MP12C	21.0	CF/CM36D	900	29.2	22.2	14.25	12.25
TC3B3022S	TM9V100C16MP12C	21.0	CF/CM42D	900	29.4	22.4	14.25	12.25
TC3B3022S	TM9V100C20MP12C	21.0	CF/CM/CU36C	1100	29.8	24.8	14.00	12.25
TC3B3022S	TM9V100C20MP12C	21.0	CF/CM/CU42C	1100	29.8	24.6	14.00	12.25
TC3B3022S	TM9V100C20MP12C	21.0	CF/CM30C	1100	29.6	24.4	13.75	12.00
TC3B3022S	TM9V100C20MP12C	21.0	CF/CM36D	1100	29.8	24.8	14.00	12.25
TC3B3022S	TM9V100C20MP12C	21.0	CF/CM42D	1100	29.8	24.6	14.00	12.25
TC3B3022S	TM9V120D20MP12C	24.5	CF/CM36D	1050	29.8	24.2	14.25	12.25
TC3B3022S	TM9V120D20MP12C	24.5	CF/CM42D	1050	29.8	24.2	14.50	12.50
TC3B3022S	TM9Y060B12MP11	17.5	CF/CM/CU30B	850	28.6	21.6	13.75	12.00
TC3B3022S	TM9Y060B12MP11	17.5	CF/CM/CU36B	850	28.8	21.4	13.75	12.00
TC3B3022S	TM9Y060B12MP11	17.5	CF/CM/CU36C	875	29.0	21.8	14.00	12.00
TC3B3022S	TM9Y060B12MP11	17.5	CF/CM/CU42C	875	29.0	21.8	14.00	12.25
TC3B3022S	TM9Y060B12MP11	17.5	CF/CM30C	875	28.6	21.6	13.75	12.00
TC3B3022S	TM9Y060B12MP11	17.5	CF42B	850	28.8	21.4	13.75	12.00
TC3B3022S	TM9Y080B12MP11	17.5	CF/CM/CU30B	875	28.6	21.6	14.00	12.00
TC3B3022S	TM9Y080B12MP11	17.5	CF/CM/CU36B	875	29.0	21.8	14.00	12.25
TC3B3022S	TM9Y080B12MP11	17.5	CF/CM/CU36C	900	29.2	22.2	14.00	12.25
TC3B3022S	TM9Y080B12MP11	17.5	CF/CM/CU42C	900	29.2	22.2	14.00	12.25
TC3B3022S	TM9Y080B12MP11	17.5	CF/CM30C	900	28.8	22.2	14.00	12.25
TC3B3022S	TM9Y080B12MP11	17.5	CF42B	875	29.0	21.8	14.00	12.25
TC3B3022S	TM9Y080C16MP11	21.0	CF/CM/CU36C	975	29.4	23.0	14.00	12.25
TC3B3022S	TM9Y080C16MP11	21.0	CF/CM/CU42C	975	29.6	23.0	14.25	12.25
TC3B3022S	TM9Y080C16MP11	21.0	CF/CM30C	975	29.2	23.0	14.00	12.25
TC3B3022S	TM9Y080C16MP11	21.0	CF/CM36D	975	29.4	23.0	14.00	12.25
TC3B3022S	TM9Y080C16MP11	21.0	CF/CM42D	975	29.6	23.0	14.25	12.25
TC3B3022S	TM9Y100C16MP11	21.0	CF/CM/CU36C	975	29.4	23.0	14.00	12.25
TC3B3022S	TM9Y100C16MP11	21.0	CF/CM/CU42C	975	29.6	23.0	14.25	12.25
TC3B3022S	TM9Y100C16MP11	21.0	CF/CM30C	975	29.2	23.0	14.00	12.25
TC3B3022S	TM9Y100C16MP11	21.0	CF/CM36D	1000	29.6	23.6	14.25	12.25
TC3B3022S	TM9Y100C16MP11	21.0	CF/CM42D	1000	29.6	23.4	14.25	12.25
TC3B3022S	TM9Y120D20MP11	24.5	CF/CM36D	950	29.4	23.0	14.50	12.50
TC3B3022S	TM9Y120D20MP11	24.5	CF/CM42D	950	29.6	23.0	14.50	12.50
TC3B3022S	TMLE040A12MP11	14.5	CF/CM36A	825	28.8	21.2	13.75	12.00
TC3B3022S	TMLE060A12MP11	14.5	CF/CM36A	825	28.8	21.2	13.75	12.00
TC3B3022S	TMLV060A12MP12C	14.5	CF/CM/CU30A	875	28.6	21.6	13.75	12.00
TC3B3022S	TMLV060A12MP12C	14.5	CF/CM/CU30B	875	28.8	21.8	14.00	12.00
TC3B3022S	TMLV060A12MP12C	14.5	CF/CM/CU36B	875	29.0	21.8	14.00	12.25
TC3B3022S	TMLV060A12MP12C	14.5	CF/CM36A	875	28.8	21.6	13.75	12.00
TC3B3022S	TMLV060A12MP12C	14.5	CF42B	875	29.0	21.8	14.00	12.25
TC3B3022S	TMLV080B12MP12C	17.5	CF/CM/CU30B	825	28.4	21.0	13.75	12.00
TC3B3022S	TMLV080B12MP12C	17.5	CF/CM/CU36B	825	28.6	21.0	13.75	12.00
TC3B3022S	TMLV080B12MP12C	17.5	CF/CM/CU36C	825	28.8	21.0	14.00	12.00
TC3B3022S	TMLV080B12MP12C	17.5	CF/CM/CU42C	825	28.8	21.2	14.00	12.25
TC3B3022S	TMLV080B12MP12C	17.5	CF/CM30C	825	28.4	21.0	13.75	12.00
TC3B3022S	TMLV080B12MP12C	17.5	CF42B	825	28.8	21.2	14.00	12.00
TC3B3022S	TMLV080C16MP12C	21.0	CF/CM/CU36C	875	29.0	21.8	14.25	12.25
TC3B3022S	TMLV080C16MP12C	21.0	CF/CM/CU42C	875	29.2	22.0	14.25	12.25
TC3B3022S	TMLV080C16MP12C	21.0	CF/CM30C	875	28.8	21.8	14.25	12.25
TC3B3022S	TMLV080C16MP12C	21.0	CF/CM36D	875	29.2	22.0	14.25	12.25
TC3B3022S	TMLV080C16MP12C	21.0	CF/CM42D	875	29.2	22.0	14.25	12.25
TC3B3022S	TMLV100C16MP12C	21.0	CF/CM/CU36C	875	29.0	21.8	14.25	12.25
TC3B3022S	TMLV100C16MP12C	21.0	CF/CM/CU42C	875	29.2	22.0	14.25	12.25

COOLING CAPACITY - With High Efficiency Motor Furnaces¹ (Continued)

UNIT MODEL	FURNACE		COIL MODEL ²	COOLING				
	MODEL	WIDTH		RATED CFM	NET MBH		SEER	EER
					TOTAL	SENS.		
TC3B3022S	TMLV100C16MP12C	21.0	CF/CM30C	875	28.8	21.8	14.25	12.25
TC3B3022S	TMLV100C16MP12C	21.0	CF/CM36D	875	29.2	22.0	14.25	12.25
TC3B3022S	TMLV100C16MP12C	21.0	CF/CM42D	875	29.2	22.0	14.25	12.25
TC3B3022S	TMLX060A12MP11	14.5	CF/CM/CU30A	875	28.6	21.6	13.50	11.75
TC3B3022S	TMLX060A12MP11	14.5	CF/CM/CU30B	925	28.8	22.4	13.75	12.00
TC3B3022S	TMLX060A12MP11	14.5	CF/CM/CU36B	925	29.0	22.4	13.75	12.00
TC3B3022S	TMLX060A12MP11	14.5	CF/CM36A	875	28.8	21.6	13.50	11.75
TC3B3022S	TMLX060A12MP11	14.5	CF42B	925	29.2	22.4	14.00	12.00
TC3B3022S	TMLX080B12MP11	17.5	CF/CM/CU30B	825	28.6	21.0	14.00	12.25
TC3B3022S	TMLX080B12MP11	17.5	CF/CM/CU36B	825	28.8	21.0	14.00	12.25
TC3B3022S	TMLX080B12MP11	17.5	CF/CM/CU36C	825	28.8	21.0	14.00	12.25
TC3B3022S	TMLX080B12MP11	17.5	CF/CM/CU42C	825	28.8	21.2	14.25	12.25
TC3B3022S	TMLX080B12MP11	17.5	CF/CM30C	825	28.6	21.0	14.00	12.25
TC3B3022S	TMLX080B12MP11	17.5	CF42B	950	29.4	22.8	14.00	12.25
TC3B3022S	TMLX080C16MP11	21.0	CF/CM/CU36C	950	29.2	22.8	14.25	12.25
TC3B3022S	TMLX080C16MP11	21.0	CF/CM/CU42C	950	29.6	23.0	14.25	12.25
TC3B3022S	TMLX080C16MP11	21.0	CF/CM30C	950	29.2	22.8	14.25	12.25
TC3B3022S	TMLX080C16MP11	21.0	CF/CM36D	975	29.6	23.2	14.25	12.25
TC3B3022S	TMLX080C16MP11	21.0	CF/CM42D	975	29.8	23.2	14.50	12.50
TC3B3022S	TMLX100C16MP11	21.0	CF/CM/CU36C	950	29.2	22.8	14.25	12.25
TC3B3022S	TMLX100C16MP11	21.0	CF/CM/CU42C	950	29.6	23.0	14.25	12.25
TC3B3022S	TMLX100C16MP11	21.0	CF/CM30C	950	29.2	22.8	14.25	12.25
TC3B3022S	TMLX100C16MP11	21.0	CF/CM36D	975	29.6	23.2	14.25	12.25
TC3B3022S	TMLX100C16MP11	21.0	CF/CM42D	975	29.8	23.2	14.50	12.50
TC3B3022S	TMLX100C20MP11	21.0	CF/CM/CU36C	1000	29.6	23.4	14.50	12.50
TC3B3022S	TMLX100C20MP11	21.0	CF/CM/CU42C	1000	29.8	23.6	14.50	12.50
TC3B3022S	TMLX100C20MP11	21.0	CF/CM30C	1000	29.4	23.2	14.25	12.25
TC3B3022S	TMLX100C20MP11	21.0	CF/CM36D	1000	29.6	23.4	14.50	12.50
TC3B3022S	TMLX100C20MP11	21.0	CF/CM42D	1000	29.8	23.6	14.50	12.50
TC3B3022S	TMLX120C20MP11	21.0	CF/CM/CU36C	1000	29.6	23.4	14.50	12.50
TC3B3022S	TMLX120C20MP11	21.0	CF/CM/CU42C	1000	29.8	23.6	14.50	12.50
TC3B3022S	TMLX120C20MP11	21.0	CF/CM30C	1000	29.4	23.2	14.25	12.25
TC3B3022S	TMLX120C20MP11	21.0	CF/CM36D	1000	29.6	23.4	14.50	12.50
TC3B3022S	TMLX120C20MP11	21.0	CF/CM42D	1000	29.8	23.6	14.50	12.50
TC3B3022S	TP9C060B12MP13C	17.5	CF/CM/CU30B	875	28.6	21.6	13.75	12.00
TC3B3022S	TP9C060B12MP13C	17.5	CF/CM/CU36B	875	28.8	21.6	13.75	12.00
TC3B3022S	TP9C060B12MP13C	17.5	CF/CM/CU36C	875	29.0	21.8	13.75	12.00
TC3B3022S	TP9C060B12MP13C	17.5	CF/CM/CU42C	875	29.0	21.8	14.00	12.00
TC3B3022S	TP9C060B12MP13C	17.5	CF/CM30C	875	28.6	21.6	13.75	12.00
TC3B3022S	TP9C060B12MP13C	17.5	CF42B	875	29.0	21.8	13.75	12.00
TC3B3022S	TP9C080B12MP13C	17.5	CF/CM/CU30B	850	28.6	21.6	14.00	12.00
TC3B3022S	TP9C080B12MP13C	17.5	CF/CM/CU36B	850	28.8	21.4	14.00	12.25
TC3B3022S	TP9C080B12MP13C	17.5	CF/CM/CU36C	850	29.0	21.4	14.00	12.25
TC3B3022S	TP9C080B12MP13C	17.5	CF/CM/CU42C	875	29.0	21.8	14.00	12.25
TC3B3022S	TP9C080B12MP13C	17.5	CF/CM30C	850	28.6	21.6	14.00	12.25
TC3B3022S	TP9C080B12MP13C	17.5	CF42B	850	28.8	21.6	14.00	12.25
TC3B3022S	TP9C080C16MP13C	21.0	CF/CM/CU36C	950	29.2	22.8	14.00	12.25
TC3B3022S	TP9C080C16MP13C	21.0	CF/CM/CU42C	950	29.4	22.8	14.00	12.25
TC3B3022S	TP9C080C16MP13C	21.0	CF/CM30C	950	29.2	22.8	14.00	12.25
TC3B3022S	TP9C080C16MP13C	21.0	CF/CM36D	950	29.2	22.8	14.00	12.25
TC3B3022S	TP9C080C16MP13C	21.0	CF/CM42D	950	29.4	23.0	14.25	12.25
TC3B3022S	TP9C100C16MP13C	21.0	CF/CM/CU36C	900	29.2	22.2	14.25	12.25
TC3B3022S	TP9C100C16MP13C	21.0	CF/CM/CU42C	900	29.4	22.4	14.25	12.25

COOLING CAPACITY - With High Efficiency Motor Furnaces¹ (Continued)

UNIT MODEL	FURNACE		COIL MODEL ²	COOLING				
	MODEL	WIDTH		RATED CFM	NET MBH		SEER	EER
					TOTAL	SENS.		
TC3B3022S	TP9C100C16MP13C	21.0	CF/CM30C	900	29.0	22.4	14.25	12.25
TC3B3022S	TP9C100C16MP13C	21.0	CF/CM36D	900	29.2	22.2	14.25	12.25
TC3B3022S	TP9C100C16MP13C	21.0	CF/CM42D	900	29.4	22.4	14.25	12.25
TC3B3022S	TP9C100C20MP13C	21.0	CF/CM/CU36C	1100	29.8	24.8	14.00	12.25
TC3B3022S	TP9C100C20MP13C	21.0	CF/CM/CU42C	1100	29.8	24.6	14.00	12.25
TC3B3022S	TP9C100C20MP13C	21.0	CF/CM30C	1100	29.6	24.4	13.75	12.00
TC3B3022S	TP9C100C20MP13C	21.0	CF/CM36D	1100	29.8	24.8	14.00	12.25
TC3B3022S	TP9C100C20MP13C	21.0	CF/CM42D	1100	29.8	24.6	14.00	12.25
TC3B3022S	TP9C120D20MP13C	24.5	CF/CM36D	1050	29.8	24.2	14.25	12.25
TC3B3022S	TP9C120D20MP13C	24.5	CF/CM42D	1050	29.8	24.2	14.50	12.50
TC3B3022S	TPLC060A12MP13C	14.5	CF/CM/CU30A	875	28.6	21.6	13.75	12.00
TC3B3022S	TPLC060A12MP13C	14.5	CF/CM/CU30B	875	28.8	21.8	14.00	12.00
TC3B3022S	TPLC060A12MP13C	14.5	CF/CM/CU36B	875	29.0	21.8	14.00	12.25
TC3B3022S	TPLC060A12MP13C	14.5	CF/CM36A	875	28.8	21.6	13.75	12.00
TC3B3022S	TPLC060A12MP13C	14.5	CF42B	875	29.0	21.8	14.00	12.25
TC3B3022S	TPLC080B12MP13C	17.5	CF/CM/CU30B	825	28.4	21.0	13.75	12.00
TC3B3022S	TPLC080B12MP13C	17.5	CF/CM/CU36B	825	28.6	21.0	13.75	12.00
TC3B3022S	TPLC080B12MP13C	17.5	CF/CM/CU36C	825	28.8	21.0	14.00	12.00
TC3B3022S	TPLC080B12MP13C	17.5	CF/CM/CU42C	825	28.8	21.2	14.00	12.25
TC3B3022S	TPLC080B12MP13C	17.5	CF/CM30C	825	28.4	21.0	13.75	12.00
TC3B3022S	TPLC080B12MP13C	17.5	CF42B	825	28.8	21.2	14.00	12.00
TC3B3022S	TPLC080C16MP13C	21.0	CF/CM/CU36C	875	29.0	21.8	14.25	12.25
TC3B3022S	TPLC080C16MP13C	21.0	CF/CM/CU42C	875	29.2	22.0	14.25	12.25
TC3B3022S	TPLC080C16MP13C	21.0	CF/CM30C	875	28.8	21.8	14.25	12.25
TC3B3022S	TPLC080C16MP13C	21.0	CF/CM36D	875	29.2	22.0	14.25	12.25
TC3B3022S	TPLC080C16MP13C	21.0	CF/CM42D	875	29.2	22.0	14.25	12.25
TC3B3022S	TPLC100C16MP13C	21.0	CF/CM/CU36C	875	29.0	21.8	14.25	12.25
TC3B3022S	TPLC100C16MP13C	21.0	CF/CM/CU42C	875	29.2	22.0	14.25	12.25
TC3B3022S	TPLC100C16MP13C	21.0	CF/CM30C	875	28.8	21.8	14.25	12.25
TC3B3022S	TPLC100C16MP13C	21.0	CF/CM36D	875	29.2	22.0	14.25	12.25
TC3B3022S	TPLC100C16MP13C	21.0	CF/CM42D	875	29.2	22.0	14.25	12.25
TC3B3022S	CP9C060B12MP13C	17.5	CF/CM/CU30B	875	28.6	21.6	13.75	12.00
TC3B3022S	CP9C060B12MP13C	17.5	CF/CM/CU36B	875	28.8	21.6	13.75	12.00
TC3B3022S	CP9C060B12MP13C	17.5	CF/CM/CU36C	875	29.0	21.8	13.75	12.00
TC3B3022S	CP9C060B12MP13C	17.5	CF/CM/CU42C	875	29.0	21.8	14.00	12.00
TC3B3022S	CP9C060B12MP13C	17.5	CF/CM30C	875	28.6	21.6	13.75	12.00
TC3B3022S	CP9C060B12MP13C	17.5	CF42B	875	29.0	21.8	13.75	12.00
TC3B3022S	CP9C080B12MP13C	17.5	CF/CM/CU30B	850	28.6	21.6	14.00	12.00
TC3B3022S	CP9C080B12MP13C	17.5	CF/CM/CU36B	850	28.8	21.4	14.00	12.25
TC3B3022S	CP9C080B12MP13C	17.5	CF/CM/CU36C	850	29.0	21.4	14.00	12.25
TC3B3022S	CP9C080B12MP13C	17.5	CF/CM/CU42C	875	29.0	21.8	14.00	12.25
TC3B3022S	CP9C080B12MP13C	17.5	CF/CM30C	850	28.6	21.6	14.00	12.25
TC3B3022S	CP9C080B12MP13C	17.5	CF42B	850	28.8	21.6	14.00	12.25
TC3B3022S	CP9C080C16MP13C	21.0	CF/CM/CU36C	950	29.2	22.8	14.00	12.25
TC3B3022S	CP9C080C16MP13C	21.0	CF/CM/CU42C	950	29.4	22.8	14.00	12.25
TC3B3022S	CP9C080C16MP13C	21.0	CF/CM30C	950	29.2	22.8	14.00	12.25
TC3B3022S	CP9C080C16MP13C	21.0	CF/CM36D	950	29.2	22.8	14.00	12.25
TC3B3022S	CP9C080C16MP13C	21.0	CF/CM42D	950	29.4	23.0	14.25	12.25
TC3B3022S	CP9C100C16MP13C	21.0	CF/CM/CU36C	900	29.2	22.2	14.25	12.25
TC3B3022S	CP9C100C16MP13C	21.0	CF/CM/CU42C	900	29.4	22.4	14.25	12.25
TC3B3022S	CP9C100C16MP13C	21.0	CF/CM30C	900	29.0	22.4	14.25	12.25
TC3B3022S	CP9C100C16MP13C	21.0	CF/CM36D	900	29.2	22.2	14.25	12.25
TC3B3022S	CP9C100C16MP13C	21.0	CF/CM42D	900	29.4	22.4	14.25	12.25

COOLING CAPACITY - With High Efficiency Motor Furnaces¹ (Continued)

UNIT MODEL	FURNACE		COIL MODEL ²	COOLING				
	MODEL	WIDTH		RATED CFM	NET MBH		SEER	EER
					TOTAL	SENS.		
TC3B3022S	CP9C100C20MP13C	21.0	CF/CM/CU36C	1100	29.8	24.8	14.00	12.25
TC3B3022S	CP9C100C20MP13C	21.0	CF/CM/CU42C	1100	29.8	24.6	14.00	12.25
TC3B3022S	CP9C100C20MP13C	21.0	CF/CM30C	1100	29.6	24.4	13.75	12.00
TC3B3022S	CP9C100C20MP13C	21.0	CF/CM36D	1100	29.8	24.8	14.00	12.25
TC3B3022S	CP9C100C20MP13C	21.0	CF/CM42D	1100	29.8	24.6	14.00	12.25
TC3B3022S	CP9C120D20MP13C	24.5	CF/CM36D	1050	29.8	24.2	14.25	12.25
TC3B3022S	CP9C120D20MP13C	24.5	CF/CM42D	1050	29.8	24.2	14.50	12.50
TC3B3022S	CPLC060A12MP13C	14.5	CF/CM/CU30A	875	28.6	21.6	13.75	12.00
TC3B3022S	CPLC060A12MP13C	14.5	CF/CM/CU30B	875	28.8	21.8	14.00	12.00
TC3B3022S	CPLC060A12MP13C	14.5	CF/CM/CU36B	875	29.0	21.8	14.00	12.25
TC3B3022S	CPLC060A12MP13C	14.5	CF/CM36A	875	28.8	21.6	13.75	12.00
TC3B3022S	CPLC060A12MP13C	14.5	CF42B	875	29.0	21.8	14.00	12.25
TC3B3022S	CPLC080B12MP13C	17.5	CF/CM/CU30B	825	28.4	21.0	13.75	12.00
TC3B3022S	CPLC080B12MP13C	17.5	CF/CM/CU36B	825	28.6	21.0	13.75	12.00
TC3B3022S	CPLC080B12MP13C	17.5	CF/CM/CU36C	825	28.8	21.0	14.00	12.00
TC3B3022S	CPLC080B12MP13C	17.5	CF/CM/CU42C	825	28.8	21.2	14.00	12.25
TC3B3022S	CPLC080B12MP13C	17.5	CF/CM30C	825	28.4	21.0	13.75	12.00
TC3B3022S	CPLC080B12MP13C	17.5	CF42B	825	28.8	21.2	14.00	12.00
TC3B3022S	CPLC080C16MP13C	21.0	CF/CM/CU36C	875	29.0	21.8	14.25	12.25
TC3B3022S	CPLC080C16MP13C	21.0	CF/CM/CU42C	875	29.2	22.0	14.25	12.25
TC3B3022S	CPLC080C16MP13C	21.0	CF/CM30C	875	28.8	21.8	14.25	12.25
TC3B3022S	CPLC080C16MP13C	21.0	CF/CM36D	875	29.2	22.0	14.25	12.25
TC3B3022S	CPLC080C16MP13C	21.0	CF/CM42D	875	29.2	22.0	14.25	12.25
TC3B3022S	CPLC100C16MP13C	21.0	CF/CM/CU36C	875	29.0	21.8	14.25	12.25
TC3B3022S	CPLC100C16MP13C	21.0	CF/CM/CU42C	875	29.2	22.0	14.25	12.25
TC3B3022S	CPLC100C16MP13C	21.0	CF/CM30C	875	28.8	21.8	14.25	12.25
TC3B3022S	CPLC100C16MP13C	21.0	CF/CM36D	875	29.2	22.0	14.25	12.25
TC3B3022S	CPLC100C16MP13C	21.0	CF/CM42D	875	29.2	22.0	14.25	12.25
TC3B3623S	TL8E060A12UH11	14.5	CF/CM/CU36B	1025	35.2	26.2	13.50	11.50
TC3B3623S	TL8E060A12UH11	14.5	CF42B	1025	35.4	26.3	13.50	11.50
TC3B3623S	TL8E080C16UH11	21.0	CF/CM/CU36C	1125	36.0	27.5	14.00	12.00
TC3B3623S	TL8E080C16UH11	21.0	CF/CM/CU42C	1125	36.0	27.5	14.00	12.00
TC3B3623S	TL8E080C16UH11	21.0	CF/CM/CU48C	1125	36.0	27.6	14.25	12.25
TC3B3623S	TL8E080C16UH11	21.0	CF/CM/CU48D	1125	36.0	27.6	14.25	12.00
TC3B3623S	TL8E080C16UH11	21.0	CF/CM36D	1125	36.0	27.5	14.00	12.00
TC3B3623S	TL8E080C16UH11	21.0	CF/CM42D	1125	36.0	27.5	14.00	12.00
TC3B3623S	TL8E100C20UH11	21.0	CF/CM/CU36C	1050	35.6	26.6	14.25	12.25
TC3B3623S	TL8E100C20UH11	21.0	CF/CM/CU42C	1050	36.0	26.6	14.25	12.25
TC3B3623S	TL8E100C20UH11	21.0	CF/CM/CU48C	1050	36.0	26.8	14.50	12.25
TC3B3623S	TL8E100C20UH11	21.0	CF/CM/CU48D	1050	36.0	26.8	14.50	12.25
TC3B3623S	TL8E100C20UH11	21.0	CF/CM36D	1050	35.6	26.6	14.25	12.00
TC3B3623S	TL8E100C20UH11	21.0	CF/CM42D	1050	36.0	26.6	14.25	12.00
TC3B3623S	TL9E060B12UH11	17.5	CF/CM/CU36B	1025	35.0	26.0	13.25	11.50
TC3B3623S	TL9E060B12UH11	17.5	CF/CM/CU36C	1050	35.2	26.3	13.25	11.50
TC3B3623S	TL9E060B12UH11	17.5	CF/CM/CU42C	1050	35.8	26.3	13.25	11.50
TC3B3623S	TL9E060B12UH11	17.5	CF/CM/CU48C	1050	35.6	26.3	13.50	11.50
TC3B3623S	TL9E060B12UH11	17.5	CF42B	1025	35.2	26.2	13.25	11.50
TC3B3623S	TL9E080C16UH11	21.0	CF/CM/CU36C	1075	35.6	26.8	13.75	12.00
TC3B3623S	TL9E080C16UH11	21.0	CF/CM/CU42C	1075	36.0	26.6	13.75	12.00
TC3B3623S	TL9E080C16UH11	21.0	CF/CM/CU48C	1075	36.0	26.7	14.00	12.00
TC3B3623S	TL9E080C16UH11	21.0	CF/CM/CU48D	1100	36.0	27.6	14.00	11.75
TC3B3623S	TL9E080C16UH11	21.0	CF/CM36D	1100	35.8	27.2	13.75	11.75
TC3B3623S	TL9E080C16UH11	21.0	CF/CM42D	1100	36.0	27.3	14.00	12.00

COOLING CAPACITY - With High Efficiency Motor Furnaces¹ (Continued)

UNIT MODEL	FURNACE		COIL MODEL ²	COOLING				
	MODEL	WIDTH		RATED CFM	NET MBH		SEER	EER
					TOTAL	SENS.		
TC3B3623S	TL9E100C20UH11	21.0	CF/CM/CU36C	1125	36.0	27.5	14.25	12.25
TC3B3623S	TL9E100C20UH11	21.0	CF/CM/CU42C	1125	36.0	27.4	14.25	12.25
TC3B3623S	TL9E100C20UH11	21.0	CF/CM/CU48C	1125	36.0	27.6	14.50	12.25
TC3B3623S	TL9E100C20UH11	21.0	CF/CM/CU48D	1150	36.0	27.9	14.25	12.00
TC3B3623S	TL9E100C20UH11	21.0	CF/CM36D	1150	36.0	27.9	14.25	12.00
TC3B3623S	TL9E100C20UH11	21.0	CF/CM42D	1150	36.0	27.5	14.25	12.00
TC3B3623S	TM8E040A12MP11	14.5	CF/CM/CU36B	1025	35.2	26.1	13.75	11.75
TC3B3623S	TM8E040A12MP11	14.5	CF42B	1000	35.6	25.7	13.75	11.75
TC3B3623S	TM8E060A12MP11	14.5	CF/CM/CU36B	1025	35.2	26.1	13.75	11.75
TC3B3623S	TM8E060A12MP11	14.5	CF42B	1000	35.6	25.7	13.75	11.75
TC3B3623S	TM8E080B12MP11	17.5	CF/CM/CU36B	1025	35.2	26.1	13.75	11.75
TC3B3623S	TM8E080B12MP11	17.5	CF/CM/CU36C	1050	35.4	26.5	13.75	11.75
TC3B3623S	TM8E080B12MP11	17.5	CF/CM/CU42C	1050	36.0	26.4	13.75	11.75
TC3B3623S	TM8E080B12MP11	17.5	CF/CM/CU48C	1050	35.8	26.4	13.75	11.75
TC3B3623S	TM8E080B12MP11	17.5	CF42B	1025	35.4	26.3	13.75	11.75
TC3B3623S	TM8E080C16MP11	21.0	CF/CM/CU36C	1100	35.8	27.2	14.00	12.00
TC3B3623S	TM8E080C16MP11	21.0	CF/CM/CU42C	1100	36.0	27.3	14.00	12.25
TC3B3623S	TM8E080C16MP11	21.0	CF/CM/CU48C	1100	36.0	27.5	14.25	12.25
TC3B3623S	TM8E080C16MP11	21.0	CF/CM/CU48D	1100	36.0	27.5	14.25	12.00
TC3B3623S	TM8E080C16MP11	21.0	CF/CM36D	1125	36.0	27.5	14.00	12.00
TC3B3623S	TM8E080C16MP11	21.0	CF/CM42D	1125	36.0	27.4	14.25	12.00
TC3B3623S	TM8E080C20MP11	21.0	CF/CM/CU36C	1250	36.0	28.8	14.00	12.00
TC3B3623S	TM8E080C20MP11	21.0	CF/CM/CU42C	1250	36.0	28.6	14.00	12.25
TC3B3623S	TM8E080C20MP11	21.0	CF/CM/CU48C	1250	36.0	28.9	14.25	12.25
TC3B3623S	TM8E080C20MP11	21.0	CF/CM/CU48D	1275	36.0	29.3	14.25	12.00
TC3B3623S	TM8E080C20MP11	21.0	CF/CM36D	1275	36.0	29.1	14.00	12.00
TC3B3623S	TM8E080C20MP11	21.0	CF/CM42D	1275	36.0	29.1	14.00	12.00
TC3B3623S	TM8E100B12MP11	17.5	CF/CM/CU36B	1075	35.4	26.6	13.50	11.75
TC3B3623S	TM8E100B12MP11	17.5	CF/CM/CU36C	1100	35.6	27.0	13.75	11.75
TC3B3623S	TM8E100B12MP11	17.5	CF/CM/CU42C	1100	35.8	27.1	13.75	11.75
TC3B3623S	TM8E100B12MP11	17.5	CF/CM/CU48C	1100	36.0	27.4	13.75	11.75
TC3B3623S	TM8E100B12MP11	17.5	CF42B	1050	35.8	26.3	13.50	11.75
TC3B3623S	TM8E100C16MP11	21.0	CF/CM/CU36C	1125	36.0	27.5	14.00	12.00
TC3B3623S	TM8E100C16MP11	21.0	CF/CM/CU42C	1125	36.0	27.4	14.00	12.00
TC3B3623S	TM8E100C16MP11	21.0	CF/CM/CU48C	1125	36.0	27.6	14.25	12.25
TC3B3623S	TM8E100C16MP11	21.0	CF/CM/CU48D	1125	36.0	27.6	14.25	12.00
TC3B3623S	TM8E100C16MP11	21.0	CF/CM36D	1125	36.0	27.5	14.00	12.00
TC3B3623S	TM8E100C16MP11	21.0	CF/CM42D	1125	36.0	27.4	14.00	12.00
TC3B3623S	TM8E100C20MP11	21.0	CF/CM/CU36C	1250	36.0	28.8	14.00	12.00
TC3B3623S	TM8E100C20MP11	21.0	CF/CM/CU42C	1250	36.0	28.6	14.00	12.00
TC3B3623S	TM8E100C20MP11	21.0	CF/CM/CU48C	1250	36.0	28.9	14.25	12.25
TC3B3623S	TM8E100C20MP11	21.0	CF/CM/CU48D	1275	36.0	29.3	14.25	12.00
TC3B3623S	TM8E100C20MP11	21.0	CF/CM36D	1275	36.0	29.1	14.00	12.00
TC3B3623S	TM8E100C20MP11	21.0	CF/CM42D	1275	36.0	29.1	14.00	12.00
TC3B3623S	TM8E120C16MP11	21.0	CF/CM/CU36C	1125	36.0	27.5	14.00	12.00
TC3B3623S	TM8E120C16MP11	21.0	CF/CM/CU42C	1125	36.0	27.4	14.00	12.00
TC3B3623S	TM8E120C16MP11	21.0	CF/CM/CU48C	1125	36.0	27.6	14.25	12.25
TC3B3623S	TM8E120C16MP11	21.0	CF/CM/CU48D	1125	36.0	27.6	14.25	12.00
TC3B3623S	TM8E120C16MP11	21.0	CF/CM36D	1125	36.0	27.5	14.00	12.00
TC3B3623S	TM8E120C16MP11	21.0	CF/CM42D	1125	36.0	27.4	14.00	12.00
TC3B3623S	TM8E120C20MP11	21.0	CF/CM/CU36C	1275	36.0	29.1	14.00	12.00
TC3B3623S	TM8E120C20MP11	21.0	CF/CM/CU42C	1275	36.0	29.1	14.00	12.00
TC3B3623S	TM8E120C20MP11	21.0	CF/CM/CU48C	1300	36.0	29.4	14.25	12.00

COOLING CAPACITY - With High Efficiency Motor Furnaces¹ (Continued)

UNIT MODEL	FURNACE		COIL MODEL ²	COOLING				
	MODEL	WIDTH		RATED CFM	NET MBH		SEER	EER
					TOTAL	SENS.		
TC3B3623S	TM8E120C20MP11	21.0	CF/CM/CU48D	1300	36.0	29.4	14.25	12.00
TC3B3623S	TM8E120C20MP11	21.0	CF/CM36D	1300	35.4	27.2	13.50	11.50
TC3B3623S	TM8E120C20MP11	21.0	CF/CM42D	1300	36.0	29.6	14.00	12.00
TC3B3623S	TM8E130D20MP11	24.5	CF/CM/CU48D	1300	36.0	29.6	14.25	12.25
TC3B3623S	TM8E130D20MP11	24.5	CF/CM36D	1300	35.4	27.2	13.50	11.75
TC3B3623S	TM8E130D20MP11	24.5	CF/CM42D	1300	36.0	29.6	14.25	12.25
TC3B3623S	TM8V060A12MP11C	14.5	CF/CM/CU36B	975	34.8	25.4	13.50	11.75
TC3B3623S	TM8V060A12MP11C	14.5	CF42B	975	35.4	25.4	13.50	11.75
TC3B3623S	TM8V060A12MP12C	14.5	CF/CM/CU36B	975	34.8	25.4	13.50	11.75
TC3B3623S	TM8V060A12MP12C	14.5	CF42B	975	35.4	25.4	13.50	11.75
TC3B3623S	TM8V080B12MP11C	17.5	CF/CM/CU36B	1000	34.8	25.5	13.25	11.50
TC3B3623S	TM8V080B12MP11C	17.5	CF/CM/CU36C	1000	34.8	25.4	13.25	11.50
TC3B3623S	TM8V080B12MP11C	17.5	CF/CM/CU42C	1000	35.4	25.6	13.25	11.50
TC3B3623S	TM8V080B12MP11C	17.5	CF/CM/CU48C	1000	35.4	25.8	13.50	11.75
TC3B3623S	TM8V080B12MP11C	17.5	CF42B	1000	35.2	25.4	13.25	11.50
TC3B3623S	TM8V080B12MP12C	17.5	CF/CM/CU36B	1000	34.8	25.5	13.25	11.50
TC3B3623S	TM8V080B12MP12C	17.5	CF/CM/CU36C	1000	34.8	25.4	13.25	11.50
TC3B3623S	TM8V080B12MP12C	17.5	CF/CM/CU42C	1000	35.4	25.6	13.25	11.50
TC3B3623S	TM8V080B12MP12C	17.5	CF/CM/CU48C	1000	35.4	25.8	13.50	11.75
TC3B3623S	TM8V080B12MP12C	17.5	CF42B	1000	35.2	25.4	13.25	11.50
TC3B3623S	TM8V080C16MP11C	21.0	CF/CM/CU36C	1050	35.6	26.6	14.00	12.00
TC3B3623S	TM8V080C16MP11C	21.0	CF/CM/CU42C	1050	36.0	26.4	14.00	12.00
TC3B3623S	TM8V080C16MP11C	21.0	CF/CM/CU48C	1050	36.0	26.6	14.25	12.25
TC3B3623S	TM8V080C16MP11C	21.0	CF/CM/CU48D	1050	36.0	26.6	14.25	12.25
TC3B3623S	TM8V080C16MP11C	21.0	CF/CM36D	1050	35.6	26.6	14.00	12.00
TC3B3623S	TM8V080C16MP11C	21.0	CF/CM42D	1050	36.0	26.4	14.00	12.00
TC3B3623S	TM8V080C16MP12C	21.0	CF/CM/CU36C	1050	35.6	26.6	14.00	12.00
TC3B3623S	TM8V080C16MP12C	21.0	CF/CM/CU42C	1050	36.0	26.4	14.00	12.00
TC3B3623S	TM8V080C16MP12C	21.0	CF/CM/CU48C	1050	36.0	26.6	14.25	12.25
TC3B3623S	TM8V080C16MP12C	21.0	CF/CM/CU48D	1050	36.0	26.6	14.25	12.25
TC3B3623S	TM8V080C16MP12C	21.0	CF/CM36D	1050	35.6	26.6	14.00	12.00
TC3B3623S	TM8V080C16MP12C	21.0	CF/CM42D	1050	36.0	26.4	14.00	12.00
TC3B3623S	TM8V100C16MP11C	21.0	CF/CM/CU36C	1050	35.6	26.6	14.00	12.00
TC3B3623S	TM8V100C16MP11C	21.0	CF/CM/CU42C	1050	36.0	26.4	14.00	12.00
TC3B3623S	TM8V100C16MP11C	21.0	CF/CM/CU48C	1050	36.0	26.6	14.25	12.25
TC3B3623S	TM8V100C16MP11C	21.0	CF/CM/CU48D	1050	36.0	26.6	14.25	12.25
TC3B3623S	TM8V100C16MP11C	21.0	CF/CM36D	1050	35.6	26.6	14.00	12.00
TC3B3623S	TM8V100C16MP11C	21.0	CF/CM42D	1050	36.0	26.4	14.00	12.00
TC3B3623S	TM8V100C16MP12C	21.0	CF/CM/CU36C	1050	35.6	26.6	14.00	12.00
TC3B3623S	TM8V100C16MP12C	21.0	CF/CM/CU42C	1050	36.0	26.4	14.00	12.00
TC3B3623S	TM8V100C16MP12C	21.0	CF/CM/CU48C	1050	36.0	26.6	14.25	12.25
TC3B3623S	TM8V100C16MP12C	21.0	CF/CM/CU48D	1050	36.0	26.6	14.25	12.25
TC3B3623S	TM8V100C16MP12C	21.0	CF/CM36D	1050	35.6	26.6	14.00	12.00
TC3B3623S	TM8V100C16MP12C	21.0	CF/CM42D	1050	36.0	26.4	14.00	12.00
TC3B3623S	TM8V100C20MP11C	21.0	CF/CM/CU36C	1150	36.0	27.9	14.00	12.25
TC3B3623S	TM8V100C20MP11C	21.0	CF/CM/CU42C	1150	36.0	27.6	14.25	12.25
TC3B3623S	TM8V100C20MP11C	21.0	CF/CM/CU48C	1150	36.0	27.9	14.25	12.25
TC3B3623S	TM8V100C20MP11C	21.0	CF/CM/CU48D	1150	36.0	27.9	14.25	12.25
TC3B3623S	TM8V100C20MP11C	21.0	CF/CM36D	1150	36.0	27.9	14.25	12.25
TC3B3623S	TM8V100C20MP11C	21.0	CF/CM42D	1150	36.0	27.5	14.25	12.25
TC3B3623S	TM8V100C20MP12C	21.0	CF/CM/CU36C	1150	36.0	27.9	14.00	12.25
TC3B3623S	TM8V100C20MP12C	21.0	CF/CM/CU42C	1150	36.0	27.6	14.25	12.25
TC3B3623S	TM8V100C20MP12C	21.0	CF/CM/CU48C	1150	36.0	27.9	14.25	12.25

COOLING CAPACITY - With High Efficiency Motor Furnaces¹ (Continued)

UNIT MODEL	FURNACE		COIL MODEL ²	COOLING				
	MODEL	WIDTH		RATED CFM	NET MBH		SEER	EER
					TOTAL	SENS.		
TC3B3623S	TM8V100C20MP12C	21.0	CF/CM/CU48D	1150	36.0	27.9	14.25	12.25
TC3B3623S	TM8V100C20MP12C	21.0	CF/CM36D	1150	36.0	27.9	14.25	12.25
TC3B3623S	TM8V100C20MP12C	21.0	CF/CM42D	1150	36.0	27.5	14.25	12.25
TC3B3623S	TM8V120C20MP11C	21.0	CF/CM/CU36C	1150	36.0	27.9	14.00	12.25
TC3B3623S	TM8V120C20MP11C	21.0	CF/CM/CU42C	1150	36.0	27.6	14.25	12.25
TC3B3623S	TM8V120C20MP11C	21.0	CF/CM/CU48C	1150	36.0	27.9	14.25	12.25
TC3B3623S	TM8V120C20MP11C	21.0	CF/CM/CU48D	1150	36.0	27.9	14.25	12.25
TC3B3623S	TM8V120C20MP11C	21.0	CF/CM36D	1150	36.0	27.9	14.25	12.25
TC3B3623S	TM8V120C20MP11C	21.0	CF/CM42D	1150	36.0	27.5	14.25	12.25
TC3B3623S	TM8V120C20MP12C	21.0	CF/CM/CU36C	1150	36.0	27.9	14.00	12.25
TC3B3623S	TM8V120C20MP12C	21.0	CF/CM/CU42C	1150	36.0	27.6	14.25	12.25
TC3B3623S	TM8V120C20MP12C	21.0	CF/CM/CU48C	1150	36.0	27.9	14.25	12.25
TC3B3623S	TM8V120C20MP12C	21.0	CF/CM/CU48D	1150	36.0	27.9	14.25	12.25
TC3B3623S	TM8V120C20MP12C	21.0	CF/CM36D	1150	36.0	27.9	14.25	12.25
TC3B3623S	TM8V120C20MP12C	21.0	CF/CM42D	1150	36.0	27.5	14.25	12.25
TC3B3623S	TM8X060A12MP11	14.5	CF/CM/CU36B	1125	35.2	27.2	13.25	11.50
TC3B3623S	TM8X060A12MP11	14.5	CF42B	1125	36.0	27.1	13.25	11.50
TC3B3623S	TM8X080B12MP11	17.5	CF/CM/CU36B	975	35.0	25.6	13.75	11.75
TC3B3623S	TM8X080B12MP11	17.5	CF/CM/CU36C	1000	35.2	25.8	13.75	12.00
TC3B3623S	TM8X080B12MP11	17.5	CF/CM/CU42C	1000	35.6	25.7	13.75	12.00
TC3B3623S	TM8X080B12MP11	17.5	CF/CM/CU48C	1000	35.6	25.9	14.00	12.00
TC3B3623S	TM8X080B12MP11	17.5	CF42B	1150	36.0	27.3	13.25	11.50
TC3B3623S	TM8X080C16MP11	21.0	CF/CM/CU36C	1150	36.0	27.9	14.00	12.00
TC3B3623S	TM8X080C16MP11	21.0	CF/CM/CU42C	1150	36.0	27.6	14.00	12.00
TC3B3623S	TM8X080C16MP11	21.0	CF/CM/CU48C	1150	36.0	27.7	14.25	12.00
TC3B3623S	TM8X080C16MP11	21.0	CF/CM/CU48D	975	35.6	25.7	14.25	12.25
TC3B3623S	TM8X080C16MP11	21.0	CF/CM36D	975	35.2	25.7	14.00	12.00
TC3B3623S	TM8X080C16MP11	21.0	CF/CM42D	975	35.6	25.5	14.25	12.25
TC3B3623S	TM8X100C16MP11	21.0	CF/CM/CU36C	1150	36.0	27.9	14.00	12.00
TC3B3623S	TM8X100C16MP11	21.0	CF/CM/CU42C	1150	36.0	27.6	14.00	12.00
TC3B3623S	TM8X100C16MP11	21.0	CF/CM/CU48C	1150	36.0	27.7	14.25	12.00
TC3B3623S	TM8X100C16MP11	21.0	CF/CM/CU48D	975	35.6	25.7	14.25	12.25
TC3B3623S	TM8X100C16MP11	21.0	CF/CM36D	975	35.2	25.7	14.00	12.00
TC3B3623S	TM8X100C16MP11	21.0	CF/CM42D	975	35.6	25.5	14.25	12.25
TC3B3623S	TM8X100C20MP11	21.0	CF/CM/CU36C	1000	35.2	25.7	14.25	12.25
TC3B3623S	TM8X100C20MP11	21.0	CF/CM/CU42C	1000	35.8	25.9	14.25	12.25
TC3B3623S	TM8X100C20MP11	21.0	CF/CM/CU48C	1000	35.8	26.1	14.50	12.25
TC3B3623S	TM8X100C20MP11	21.0	CF/CM/CU48D	1000	35.8	26.1	14.50	12.25
TC3B3623S	TM8X100C20MP11	21.0	CF/CM36D	1000	35.4	25.9	14.25	12.25
TC3B3623S	TM8X100C20MP11	21.0	CF/CM42D	1000	35.8	25.9	14.25	12.25
TC3B3623S	TM8X120C20MP11	21.0	CF/CM/CU36C	1000	35.2	25.7	14.25	12.25
TC3B3623S	TM8X120C20MP11	21.0	CF/CM/CU42C	1000	35.8	25.9	14.25	12.25
TC3B3623S	TM8X120C20MP11	21.0	CF/CM/CU48C	1000	35.8	26.1	14.50	12.25
TC3B3623S	TM8X120C20MP11	21.0	CF/CM/CU48D	1000	35.8	26.1	14.50	12.25
TC3B3623S	TM8X120C20MP11	21.0	CF/CM36D	1000	35.4	25.9	14.25	12.25
TC3B3623S	TM8X120C20MP11	21.0	CF/CM42D	1000	35.8	25.9	14.25	12.25
TC3B3623S	TM8Y060A12MP11	14.5	CF/CM/CU36B	1125	35.2	27.2	13.25	11.50
TC3B3623S	TM8Y060A12MP11	14.5	CF42B	1125	36.0	27.1	13.25	11.50
TC3B3623S	TM8Y080B12MP11	17.5	CF/CM/CU36B	975	35.0	25.6	13.75	11.75
TC3B3623S	TM8Y080B12MP11	17.5	CF/CM/CU36C	1000	35.2	25.8	13.75	12.00
TC3B3623S	TM8Y080B12MP11	17.5	CF/CM/CU42C	1000	35.6	25.7	13.75	12.00
TC3B3623S	TM8Y080B12MP11	17.5	CF/CM/CU48C	1000	35.6	25.9	14.00	12.00
TC3B3623S	TM8Y080B12MP11	17.5	CF42B	1150	36.0	27.3	13.25	11.50

COOLING CAPACITY - With High Efficiency Motor Furnaces¹ (Continued)

UNIT MODEL	FURNACE		COIL MODEL ²	COOLING				
	MODEL	WIDTH		RATED CFM	NET MBH		SEER	EER
					TOTAL	SENS.		
TC3B3623S	TM8Y080C16MP11	21.0	CF/CM/CU36C	1150	36.0	27.9	14.00	12.00
TC3B3623S	TM8Y080C16MP11	21.0	CF/CM/CU42C	1150	36.0	27.6	14.00	12.00
TC3B3623S	TM8Y080C16MP11	21.0	CF/CM/CU48C	1150	36.0	27.7	14.25	12.00
TC3B3623S	TM8Y080C16MP11	21.0	CF/CM/CU48D	975	35.6	25.7	14.25	12.25
TC3B3623S	TM8Y080C16MP11	21.0	CF/CM36D	975	35.2	25.7	14.00	12.00
TC3B3623S	TM8Y080C16MP11	21.0	CF/CM42D	975	35.6	25.5	14.25	12.25
TC3B3623S	TM8Y100C16MP11	21.0	CF/CM/CU36C	1150	36.0	27.9	14.00	12.00
TC3B3623S	TM8Y100C16MP11	21.0	CF/CM/CU42C	1150	36.0	27.6	14.00	12.00
TC3B3623S	TM8Y100C16MP11	21.0	CF/CM/CU48C	1150	36.0	27.7	14.25	12.00
TC3B3623S	TM8Y100C16MP11	21.0	CF/CM/CU48D	975	35.6	25.7	14.25	12.25
TC3B3623S	TM8Y100C16MP11	21.0	CF/CM36D	975	35.2	25.7	14.00	12.00
TC3B3623S	TM8Y100C16MP11	21.0	CF/CM42D	975	35.6	25.5	14.25	12.25
TC3B3623S	TM8Y100C20MP11	21.0	CF/CM/CU36C	1000	35.2	25.7	14.25	12.25
TC3B3623S	TM8Y100C20MP11	21.0	CF/CM/CU42C	1000	35.8	25.9	14.25	12.25
TC3B3623S	TM8Y100C20MP11	21.0	CF/CM/CU48C	1000	35.8	26.1	14.50	12.25
TC3B3623S	TM8Y100C20MP11	21.0	CF/CM/CU48D	1000	35.8	26.1	14.50	12.25
TC3B3623S	TM8Y100C20MP11	21.0	CF/CM36D	1000	35.4	25.9	14.25	12.25
TC3B3623S	TM8Y100C20MP11	21.0	CF/CM42D	1000	35.8	25.9	14.25	12.25
TC3B3623S	TM8Y120C20MP11	21.0	CF/CM/CU36C	1000	35.2	25.7	14.25	12.25
TC3B3623S	TM8Y120C20MP11	21.0	CF/CM/CU42C	1000	35.8	25.9	14.25	12.25
TC3B3623S	TM8Y120C20MP11	21.0	CF/CM/CU48C	1000	35.8	26.1	14.50	12.25
TC3B3623S	TM8Y120C20MP11	21.0	CF/CM/CU48D	1000	35.8	26.1	14.50	12.25
TC3B3623S	TM8Y120C20MP11	21.0	CF/CM36D	1000	35.4	25.9	14.25	12.25
TC3B3623S	TM8Y120C20MP11	21.0	CF/CM42D	1000	35.8	25.9	14.25	12.25
TC3B3623S	TM9E060A10MP12	14.5	CF/CM/CU36B	1025	35.0	26.0	13.00	11.25
TC3B3623S	TM9E060A10MP12	14.5	CF42B	1025	35.0	26.0	13.00	11.25
TC3B3623S	TM9E060B12MP11	17.5	CF/CM/CU36B	1100	35.2	26.7	13.00	11.25
TC3B3623S	TM9E060B12MP11	17.5	CF/CM/CU36C	975	34.8	25.4	13.50	11.75
TC3B3623S	TM9E060B12MP11	17.5	CF/CM/CU42C	975	35.4	25.4	13.50	11.75
TC3B3623S	TM9E060B12MP11	17.5	CF/CM/CU48C	975	35.4	25.6	13.75	11.75
TC3B3623S	TM9E060B12MP11	17.5	CF42B	1100	35.4	26.8	13.00	11.25
TC3B3623S	TM9E060B12MP12	17.5	CF/CM/CU36B	1075	35.2	26.4	13.25	11.50
TC3B3623S	TM9E060B12MP12	17.5	CF/CM/CU36C	1100	35.4	26.9	13.25	11.25
TC3B3623S	TM9E060B12MP12	17.5	CF/CM/CU42C	1100	35.6	27.0	13.25	11.50
TC3B3623S	TM9E060B12MP12	17.5	CF/CM/CU48C	1100	35.8	27.2	13.50	11.50
TC3B3623S	TM9E060B12MP12	17.5	CF42B	1050	35.6	26.1	13.25	11.50
TC3B3623S	TM9E080B12MP11	17.5	CF/CM/CU36B	975	34.8	25.4	13.75	11.75
TC3B3623S	TM9E080B12MP11	17.5	CF/CM/CU36C	1000	35.0	25.6	13.75	11.75
TC3B3623S	TM9E080B12MP11	17.5	CF/CM/CU42C	1000	35.6	25.7	13.75	12.00
TC3B3623S	TM9E080B12MP11	17.5	CF/CM/CU48C	1000	35.6	25.9	14.00	12.00
TC3B3623S	TM9E080B12MP11	17.5	CF42B	975	35.4	25.4	13.75	11.75
TC3B3623S	TM9E080B12MP12	17.5	CF/CM/CU36B	1050	35.4	26.5	13.50	11.75
TC3B3623S	TM9E080B12MP12	17.5	CF/CM/CU36C	1075	35.4	26.6	13.50	11.75
TC3B3623S	TM9E080B12MP12	17.5	CF/CM/CU42C	1075	36.0	26.6	13.50	11.75
TC3B3623S	TM9E080B12MP12	17.5	CF/CM/CU48C	1075	36.0	26.8	13.75	11.75
TC3B3623S	TM9E080B12MP12	17.5	CF42B	1025	35.2	26.1	13.50	11.75
TC3B3623S	TM9E080C16MP11	21.0	CF/CM/CU36C	975	35.0	25.5	14.00	12.00
TC3B3623S	TM9E080C16MP11	21.0	CF/CM/CU42C	975	35.6	25.5	14.00	12.00
TC3B3623S	TM9E080C16MP11	21.0	CF/CM/CU48C	975	35.4	25.5	14.25	12.25
TC3B3623S	TM9E080C16MP11	21.0	CF/CM/CU48D	975	35.4	25.5	14.00	12.25
TC3B3623S	TM9E080C16MP11	21.0	CF/CM36D	975	35.0	25.5	13.75	12.00
TC3B3623S	TM9E080C16MP11	21.0	CF/CM42D	975	35.6	25.5	14.00	12.00
TC3B3623S	TM9E080C16MP12	21.0	CF/CM/CU36C	1075	35.6	26.8	13.75	12.00

COOLING CAPACITY - With High Efficiency Motor Furnaces¹ (Continued)

UNIT MODEL	FURNACE		COIL MODEL ²	COOLING				
	MODEL	WIDTH		RATED CFM	NET MBH		SEER	EER
					TOTAL	SENS.		
TC3B3623S	TM9E080C16MP12	21.0	CF/CM/CU42C	1075	36.0	26.6	13.75	12.00
TC3B3623S	TM9E080C16MP12	21.0	CF/CM/CU48C	1100	36.0	27.6	14.00	12.00
TC3B3623S	TM9E080C16MP12	21.0	CF/CM/CU48D	1100	36.0	27.6	14.00	11.75
TC3B3623S	TM9E080C16MP12	21.0	CF/CM36D	1100	35.6	27.0	13.75	11.75
TC3B3623S	TM9E080C16MP12	21.0	CF/CM42D	1100	36.0	27.3	14.00	11.75
TC3B3623S	TM9E080C20MP12	21.0	CF/CM/CU36C	1225	36.0	28.6	14.00	12.00
TC3B3623S	TM9E080C20MP12	21.0	CF/CM/CU42C	1225	36.0	28.5	14.00	12.00
TC3B3623S	TM9E080C20MP12	21.0	CF/CM/CU48C	1225	36.0	28.8	14.25	12.00
TC3B3623S	TM9E080C20MP12	21.0	CF/CM/CU48D	1250	36.0	28.9	14.25	12.00
TC3B3623S	TM9E080C20MP12	21.0	CF/CM36D	1250	36.0	29.0	14.00	12.00
TC3B3623S	TM9E080C20MP12	21.0	CF/CM42D	1250	36.0	28.8	14.00	12.00
TC3B3623S	TM9E100C16MP11	21.0	CF/CM/CU36C	975	35.0	25.5	14.00	12.00
TC3B3623S	TM9E100C16MP11	21.0	CF/CM/CU42C	975	35.6	25.5	14.00	12.00
TC3B3623S	TM9E100C16MP11	21.0	CF/CM/CU48C	1000	35.6	25.9	14.25	12.25
TC3B3623S	TM9E100C16MP11	21.0	CF/CM/CU48D	1000	35.6	25.9	14.25	12.25
TC3B3623S	TM9E100C16MP11	21.0	CF/CM36D	1000	35.2	25.8	14.00	12.00
TC3B3623S	TM9E100C16MP11	21.0	CF/CM42D	1000	35.8	25.9	14.00	12.00
TC3B3623S	TM9E100C16MP12	21.0	CF/CM/CU36C	1075	35.6	26.7	14.00	12.00
TC3B3623S	TM9E100C16MP12	21.0	CF/CM/CU42C	1075	36.0	26.8	14.00	12.00
TC3B3623S	TM9E100C16MP12	21.0	CF/CM/CU48C	1075	36.0	26.7	14.25	12.00
TC3B3623S	TM9E100C16MP12	21.0	CF/CM/CU48D	1075	36.0	26.7	14.25	12.00
TC3B3623S	TM9E100C16MP12	21.0	CF/CM36D	1075	35.6	26.7	14.00	12.00
TC3B3623S	TM9E100C16MP12	21.0	CF/CM42D	1075	36.0	26.8	14.00	12.00
TC3B3623S	TM9E100C20MP11	21.0	CF/CM/CU36C	1175	36.0	27.9	13.75	11.75
TC3B3623S	TM9E100C20MP11	21.0	CF/CM/CU42C	1175	36.0	27.8	14.00	12.00
TC3B3623S	TM9E100C20MP11	21.0	CF/CM/CU48C	1175	36.0	28.2	14.00	12.00
TC3B3623S	TM9E100C20MP11	21.0	CF/CM/CU48D	1200	36.0	28.3	14.00	12.25
TC3B3623S	TM9E100C20MP11	21.0	CF/CM36D	1200	36.0	28.5	13.75	12.00
TC3B3623S	TM9E100C20MP11	21.0	CF/CM42D	1200	36.0	28.1	14.00	12.00
TC3B3623S	TM9E100C20MP12	21.0	CF/CM/CU36C	1200	36.0	28.4	14.00	12.00
TC3B3623S	TM9E100C20MP12	21.0	CF/CM/CU42C	1225	36.0	28.5	14.25	12.25
TC3B3623S	TM9E100C20MP12	21.0	CF/CM/CU48C	1225	36.0	28.8	14.25	12.25
TC3B3623S	TM9E100C20MP12	21.0	CF/CM/CU48D	1225	36.0	29.0	14.25	12.00
TC3B3623S	TM9E100C20MP12	21.0	CF/CM36D	1225	36.0	28.6	14.00	12.00
TC3B3623S	TM9E100C20MP12	21.0	CF/CM42D	1225	36.0	28.5	14.25	12.00
TC3B3623S	TM9E120D20MP11	24.5	CF/CM/CU48D	1250	36.0	28.9	14.25	12.25
TC3B3623S	TM9E120D20MP11	24.5	CF/CM36D	1250	36.0	28.8	14.00	12.00
TC3B3623S	TM9E120D20MP11	24.5	CF/CM42D	1250	36.0	28.6	14.00	12.25
TC3B3623S	TM9E120D20MP12	24.5	CF/CM/CU48D	1250	36.0	28.9	14.25	12.25
TC3B3623S	TM9E120D20MP12	24.5	CF/CM36D	1250	36.0	28.8	14.00	12.00
TC3B3623S	TM9E120D20MP12	24.5	CF/CM42D	1250	36.0	28.6	14.00	12.00
TC3B3623S	TM9V060B12MP11C	17.5	CF/CM/CU36B	1000	34.8	25.5	13.25	11.50
TC3B3623S	TM9V060B12MP11C	17.5	CF/CM/CU36C	1000	35.0	25.6	13.25	11.50
TC3B3623S	TM9V060B12MP11C	17.5	CF/CM/CU42C	1000	35.4	25.6	13.50	11.50
TC3B3623S	TM9V060B12MP11C	17.5	CF/CM/CU48C	1000	35.4	25.8	13.50	11.75
TC3B3623S	TM9V060B12MP11C	17.5	CF42B	1000	35.4	25.6	13.25	11.50
TC3B3623S	TM9V060B12MP12C	17.5	CF/CM/CU36B	1000	34.8	25.5	13.25	11.50
TC3B3623S	TM9V060B12MP12C	17.5	CF/CM/CU36C	1000	35.0	25.6	13.25	11.50
TC3B3623S	TM9V060B12MP12C	17.5	CF/CM/CU42C	1000	35.4	25.6	13.50	11.50
TC3B3623S	TM9V060B12MP12C	17.5	CF/CM/CU48C	1000	35.4	25.8	13.50	11.75
TC3B3623S	TM9V060B12MP12C	17.5	CF42B	1000	35.4	25.6	13.25	11.50
TC3B3623S	TM9V080B12MP11C	17.5	CF/CM/CU36B	975	34.8	25.4	13.75	11.75
TC3B3623S	TM9V080B12MP11C	17.5	CF/CM/CU36C	1050	35.4	26.5	13.50	11.75

COOLING CAPACITY - With High Efficiency Motor Furnaces¹ (Continued)

UNIT MODEL	FURNACE		COIL MODEL ²	COOLING				
	MODEL	WIDTH		RATED CFM	NET MBH		SEER	EER
					TOTAL	SENS.		
TC3B3623S	TM9V080B12MP11C	17.5	CF/CM/CU42C	1050	35.8	26.3	13.75	11.75
TC3B3623S	TM9V080B12MP11C	17.5	CF/CM/CU48C	1075	36.0	26.6	13.75	11.75
TC3B3623S	TM9V080B12MP11C	17.5	CF42B	975	35.4	25.4	13.75	11.50
TC3B3623S	TM9V080B12MP12C	17.5	CF/CM/CU36B	975	34.8	25.4	13.75	11.75
TC3B3623S	TM9V080B12MP12C	17.5	CF/CM/CU36C	1050	35.4	26.5	13.50	11.75
TC3B3623S	TM9V080B12MP12C	17.5	CF/CM/CU42C	1050	35.8	26.3	13.75	11.75
TC3B3623S	TM9V080B12MP12C	17.5	CF/CM/CU48C	1075	36.0	26.6	13.75	11.75
TC3B3623S	TM9V080B12MP12C	17.5	CF42B	975	35.4	25.4	13.75	11.50
TC3B3623S	TM9V080C16MP11C	21.0	CF/CM/CU36C	1025	35.2	26.1	13.75	12.00
TC3B3623S	TM9V080C16MP11C	21.0	CF/CM/CU42C	1025	35.4	26.3	13.75	12.00
TC3B3623S	TM9V080C16MP11C	21.0	CF/CM/CU48C	1025	35.8	26.2	14.00	12.00
TC3B3623S	TM9V080C16MP11C	21.0	CF/CM/CU48D	1025	35.8	26.2	14.00	12.00
TC3B3623S	TM9V080C16MP11C	21.0	CF/CM36D	1025	35.4	26.3	13.75	12.00
TC3B3623S	TM9V080C16MP11C	21.0	CF/CM42D	1025	35.4	26.3	13.75	12.00
TC3B3623S	TM9V080C16MP12C	21.0	CF/CM/CU36C	1025	35.2	26.1	13.75	12.00
TC3B3623S	TM9V080C16MP12C	21.0	CF/CM/CU42C	1025	35.4	26.3	13.75	12.00
TC3B3623S	TM9V080C16MP12C	21.0	CF/CM/CU48C	1025	35.8	26.2	14.00	12.00
TC3B3623S	TM9V080C16MP12C	21.0	CF/CM/CU48D	1025	35.8	26.2	14.00	12.00
TC3B3623S	TM9V080C16MP12C	21.0	CF/CM36D	1025	35.4	26.3	13.75	12.00
TC3B3623S	TM9V080C16MP12C	21.0	CF/CM42D	1025	35.4	26.3	13.75	12.00
TC3B3623S	TM9V100C16MP11C	21.0	CF/CM/CU36C	1000	35.2	25.8	14.00	12.00
TC3B3623S	TM9V100C16MP11C	21.0	CF/CM/CU42C	1000	35.8	25.9	14.00	12.25
TC3B3623S	TM9V100C16MP11C	21.0	CF/CM/CU48C	1075	36.0	26.7	14.25	12.25
TC3B3623S	TM9V100C16MP11C	21.0	CF/CM/CU48D	1075	36.0	26.7	14.25	12.25
TC3B3623S	TM9V100C16MP11C	21.0	CF/CM36D	1075	35.6	26.7	14.00	12.00
TC3B3623S	TM9V100C16MP11C	21.0	CF/CM42D	975	35.6	25.5	14.00	12.25
TC3B3623S	TM9V100C16MP12C	21.0	CF/CM/CU36C	1000	35.2	25.8	14.00	12.00
TC3B3623S	TM9V100C16MP12C	21.0	CF/CM/CU42C	1000	35.8	25.9	14.00	12.25
TC3B3623S	TM9V100C16MP12C	21.0	CF/CM/CU48C	1075	36.0	26.7	14.25	12.25
TC3B3623S	TM9V100C16MP12C	21.0	CF/CM/CU48D	1075	36.0	26.7	14.25	12.25
TC3B3623S	TM9V100C16MP12C	21.0	CF/CM36D	1075	35.6	26.7	14.00	12.00
TC3B3623S	TM9V100C16MP12C	21.0	CF/CM42D	975	35.6	25.5	14.00	12.25
TC3B3623S	TM9V100C20MP11C	21.0	CF/CM/CU36C	1100	35.6	27.0	13.75	12.00
TC3B3623S	TM9V100C20MP11C	21.0	CF/CM/CU42C	1100	36.0	27.3	14.00	12.00
TC3B3623S	TM9V100C20MP11C	21.0	CF/CM/CU48C	1100	36.0	27.6	14.00	12.00
TC3B3623S	TM9V100C20MP11C	21.0	CF/CM/CU48D	1100	36.0	27.5	14.00	12.00
TC3B3623S	TM9V100C20MP11C	21.0	CF/CM36D	1100	35.8	27.2	13.75	12.00
TC3B3623S	TM9V100C20MP11C	21.0	CF/CM42D	1100	36.0	27.3	14.00	12.00
TC3B3623S	TM9V100C20MP12C	21.0	CF/CM/CU36C	1100	35.6	27.0	13.75	12.00
TC3B3623S	TM9V100C20MP12C	21.0	CF/CM/CU42C	1100	36.0	27.3	14.00	12.00
TC3B3623S	TM9V100C20MP12C	21.0	CF/CM/CU48C	1100	36.0	27.6	14.00	12.00
TC3B3623S	TM9V100C20MP12C	21.0	CF/CM/CU48D	1100	36.0	27.5	14.00	12.00
TC3B3623S	TM9V100C20MP12C	21.0	CF/CM36D	1100	35.8	27.2	13.75	12.00
TC3B3623S	TM9V100C20MP12C	21.0	CF/CM42D	1100	36.0	27.3	14.00	12.00
TC3B3623S	TM9V120D20MP11C	24.5	CF/CM/CU48D	1050	36.0	26.6	14.50	12.25
TC3B3623S	TM9V120D20MP11C	24.5	CF/CM36D	1050	35.6	26.6	14.25	12.25
TC3B3623S	TM9V120D20MP11C	24.5	CF/CM42D	1050	36.0	26.6	14.25	12.25
TC3B3623S	TM9V120D20MP12C	24.5	CF/CM/CU48D	1050	36.0	26.6	14.50	12.25
TC3B3623S	TM9V120D20MP12C	24.5	CF/CM36D	1050	35.6	26.6	14.25	12.25
TC3B3623S	TM9V120D20MP12C	24.5	CF/CM42D	1050	36.0	26.6	14.25	12.25
TC3B3623S	TM9Y060B12MP11	17.5	CF/CM/CU36B	1100	35.2	26.7	13.00	11.25
TC3B3623S	TM9Y060B12MP11	17.5	CF/CM/CU36C	975	34.8	25.4	13.50	11.75
TC3B3623S	TM9Y060B12MP11	17.5	CF/CM/CU42C	975	35.4	25.4	13.50	11.75

COOLING CAPACITY - With High Efficiency Motor Furnaces¹ (Continued)

UNIT MODEL	FURNACE		COIL MODEL ²	COOLING				
	MODEL	WIDTH		RATED CFM	NET MBH		SEER	EER
					TOTAL	SENS.		
TC3B3623S	TM9Y060B12MP11	17.5	CF/CM/CU48C	975	35.4	25.6	13.75	11.75
TC3B3623S	TM9Y060B12MP11	17.5	CF42B	1100	35.4	26.8	13.00	11.25
TC3B3623S	TM9Y080B12MP11	17.5	CF/CM/CU36B	975	34.8	25.4	13.75	11.75
TC3B3623S	TM9Y080B12MP11	17.5	CF/CM/CU36C	1000	35.0	25.6	13.75	11.75
TC3B3623S	TM9Y080B12MP11	17.5	CF/CM/CU42C	1000	35.6	25.7	13.75	12.00
TC3B3623S	TM9Y080B12MP11	17.5	CF/CM/CU48C	1000	35.6	25.9	14.00	12.00
TC3B3623S	TM9Y080B12MP11	17.5	CF42B	975	35.4	25.4	13.75	11.75
TC3B3623S	TM9Y080C16MP11	21.0	CF/CM/CU36C	975	35.0	25.5	14.00	12.00
TC3B3623S	TM9Y080C16MP11	21.0	CF/CM/CU42C	975	35.6	25.5	14.00	12.00
TC3B3623S	TM9Y080C16MP11	21.0	CF/CM/CU48C	975	35.4	25.5	14.25	12.25
TC3B3623S	TM9Y080C16MP11	21.0	CF/CM/CU48D	975	35.4	25.5	14.00	12.25
TC3B3623S	TM9Y080C16MP11	21.0	CF/CM36D	975	35.0	25.5	13.75	12.00
TC3B3623S	TM9Y080C16MP11	21.0	CF/CM42D	975	35.6	25.5	14.00	12.00
TC3B3623S	TM9Y100C16MP11	21.0	CF/CM/CU36C	975	35.0	25.5	14.00	12.00
TC3B3623S	TM9Y100C16MP11	21.0	CF/CM/CU42C	975	35.6	25.5	14.00	12.00
TC3B3623S	TM9Y100C16MP11	21.0	CF/CM/CU48C	1000	35.6	25.9	14.25	12.25
TC3B3623S	TM9Y100C16MP11	21.0	CF/CM/CU48D	1000	35.6	25.9	14.25	12.25
TC3B3623S	TM9Y100C16MP11	21.0	CF/CM36D	1000	35.2	25.8	14.00	12.00
TC3B3623S	TM9Y100C16MP11	21.0	CF/CM42D	1000	35.8	25.9	14.00	12.00
TC3B3623S	TM9Y100C20MP11	21.0	CF/CM/CU36C	1175	36.0	27.9	13.75	11.75
TC3B3623S	TM9Y100C20MP11	21.0	CF/CM/CU42C	1175	36.0	27.8	14.00	12.00
TC3B3623S	TM9Y100C20MP11	21.0	CF/CM/CU48C	1175	36.0	28.2	14.00	12.00
TC3B3623S	TM9Y100C20MP11	21.0	CF/CM/CU48D	1200	36.0	28.3	14.00	12.25
TC3B3623S	TM9Y100C20MP11	21.0	CF/CM36D	1200	36.0	28.5	13.75	12.00
TC3B3623S	TM9Y100C20MP11	21.0	CF/CM42D	1200	36.0	28.1	14.00	12.00
TC3B3623S	TM9Y120D20MP11	24.5	CF/CM/CU48D	1250	36.0	28.9	14.25	12.25
TC3B3623S	TM9Y120D20MP11	24.5	CF/CM36D	1250	36.0	28.8	14.00	12.00
TC3B3623S	TM9Y120D20MP11	24.5	CF/CM42D	1250	36.0	28.6	14.00	12.25
TC3B3623S	TMLE040A12MP11	14.5	CF/CM/CU36B	1025	35.2	26.1	13.75	11.75
TC3B3623S	TMLE040A12MP11	14.5	CF42B	1000	35.6	25.7	13.75	11.75
TC3B3623S	TMLE060A12MP11	14.5	CF/CM/CU36B	1025	35.2	26.1	13.75	11.75
TC3B3623S	TMLE060A12MP11	14.5	CF42B	1000	35.6	25.7	13.75	11.75
TC3B3623S	TMLE080B12MP11	17.5	CF/CM/CU36B	1025	35.2	26.1	13.75	11.75
TC3B3623S	TMLE080B12MP11	17.5	CF/CM/CU36C	1050	35.4	26.5	13.75	11.75
TC3B3623S	TMLE080B12MP11	17.5	CF/CM/CU42C	1050	36.0	26.4	13.75	11.75
TC3B3623S	TMLE080B12MP11	17.5	CF/CM/CU48C	1050	35.8	26.4	13.75	11.75
TC3B3623S	TMLE080B12MP11	17.5	CF42B	1025	35.4	26.3	13.75	11.75
TC3B3623S	TMLE080C16MP11	21.0	CF/CM/CU36C	1100	35.8	27.2	14.00	12.00
TC3B3623S	TMLE080C16MP11	21.0	CF/CM/CU42C	1100	36.0	27.3	14.00	12.25
TC3B3623S	TMLE080C16MP11	21.0	CF/CM/CU48C	1100	36.0	27.5	14.25	12.25
TC3B3623S	TMLE080C16MP11	21.0	CF/CM/CU48D	1100	36.0	27.5	14.25	12.00
TC3B3623S	TMLE080C16MP11	21.0	CF/CM36D	1125	36.0	27.5	14.00	12.00
TC3B3623S	TMLE080C16MP11	21.0	CF/CM42D	1125	36.0	27.4	14.25	12.00
TC3B3623S	TMLE080C20MP11	21.0	CF/CM/CU36C	1250	36.0	28.8	14.00	12.00
TC3B3623S	TMLE080C20MP11	21.0	CF/CM/CU42C	1250	36.0	28.6	14.00	12.25
TC3B3623S	TMLE080C20MP11	21.0	CF/CM/CU48C	1250	36.0	28.9	14.25	12.25
TC3B3623S	TMLE080C20MP11	21.0	CF/CM/CU48D	1275	36.0	29.3	14.25	12.00
TC3B3623S	TMLE080C20MP11	21.0	CF/CM36D	1275	36.0	29.1	14.00	12.00
TC3B3623S	TMLE080C20MP11	21.0	CF/CM42D	1275	36.0	29.1	14.00	12.00
TC3B3623S	TMLE100B12MP11	17.5	CF/CM/CU36B	1075	35.4	26.6	13.50	11.75
TC3B3623S	TMLE100B12MP11	17.5	CF/CM/CU36C	1100	35.6	27.0	13.75	11.75
TC3B3623S	TMLE100B12MP11	17.5	CF/CM/CU42C	1100	35.8	27.1	13.75	11.75
TC3B3623S	TMLE100B12MP11	17.5	CF/CM/CU48C	1100	36.0	27.4	13.75	11.75

COOLING CAPACITY - With High Efficiency Motor Furnaces¹ (Continued)

UNIT MODEL	FURNACE		COIL MODEL ²	COOLING				
	MODEL	WIDTH		RATED CFM	NET MBH		SEER	EER
					TOTAL	SENS.		
TC3B3623S	TMLE100B12MP11	17.5	CF42B	1050	35.8	26.3	13.50	11.75
TC3B3623S	TMLE100C16MP11	21.0	CF/CM/CU36C	1125	36.0	27.5	14.00	12.00
TC3B3623S	TMLE100C16MP11	21.0	CF/CM/CU42C	1125	36.0	27.4	14.00	12.00
TC3B3623S	TMLE100C16MP11	21.0	CF/CM/CU48C	1125	36.0	27.6	14.25	12.25
TC3B3623S	TMLE100C16MP11	21.0	CF/CM/CU48D	1125	36.0	27.6	14.25	12.00
TC3B3623S	TMLE100C16MP11	21.0	CF/CM36D	1125	36.0	27.5	14.00	12.00
TC3B3623S	TMLE100C16MP11	21.0	CF/CM42D	1125	36.0	27.4	14.00	12.00
TC3B3623S	TMLE100C20MP11	21.0	CF/CM/CU36C	1250	36.0	28.8	14.00	12.00
TC3B3623S	TMLE100C20MP11	21.0	CF/CM/CU42C	1250	36.0	28.6	14.00	12.00
TC3B3623S	TMLE100C20MP11	21.0	CF/CM/CU48C	1250	36.0	28.9	14.25	12.25
TC3B3623S	TMLE100C20MP11	21.0	CF/CM/CU48D	1275	36.0	29.3	14.25	12.00
TC3B3623S	TMLE100C20MP11	21.0	CF/CM36D	1275	36.0	29.1	14.00	12.00
TC3B3623S	TMLE100C20MP11	21.0	CF/CM42D	1275	36.0	29.1	14.00	12.00
TC3B3623S	TMLE120C16MP11	21.0	CF/CM/CU36C	1125	36.0	27.5	14.00	12.00
TC3B3623S	TMLE120C16MP11	21.0	CF/CM/CU42C	1125	36.0	27.4	14.00	12.00
TC3B3623S	TMLE120C16MP11	21.0	CF/CM/CU48C	1125	36.0	27.6	14.25	12.25
TC3B3623S	TMLE120C16MP11	21.0	CF/CM/CU48D	1125	36.0	27.6	14.25	12.00
TC3B3623S	TMLE120C16MP11	21.0	CF/CM36D	1125	36.0	27.5	14.00	12.00
TC3B3623S	TMLE120C16MP11	21.0	CF/CM42D	1125	36.0	27.4	14.00	12.00
TC3B3623S	TMLE120C20MP11	21.0	CF/CM/CU36C	1275	36.0	29.1	14.00	12.00
TC3B3623S	TMLE120C20MP11	21.0	CF/CM/CU42C	1275	36.0	29.1	14.00	12.00
TC3B3623S	TMLE120C20MP11	21.0	CF/CM/CU48C	1300	36.0	29.4	14.25	12.00
TC3B3623S	TMLE120C20MP11	21.0	CF/CM/CU48D	1300	36.0	29.4	14.25	12.00
TC3B3623S	TMLE120C20MP11	21.0	CF/CM36D	1300	35.4	27.2	13.50	11.50
TC3B3623S	TMLE120C20MP11	21.0	CF/CM42D	1300	36.0	29.6	14.00	12.00
TC3B3623S	TMLE130D20MP11	24.5	CF/CM/CU48D	1300	36.0	29.6	14.25	12.25
TC3B3623S	TMLE130D20MP11	24.5	CF/CM36D	1300	35.4	27.2	13.50	11.75
TC3B3623S	TMLE130D20MP11	24.5	CF/CM42D	1300	36.0	29.6	14.25	12.25
TC3B3623S	TMLV060A12MP11C	14.5	CF/CM/CU36B	975	34.8	25.4	13.50	11.75
TC3B3623S	TMLV060A12MP11C	14.5	CF42B	975	35.4	25.4	13.50	11.75
TC3B3623S	TMLV060A12MP12C	14.5	CF/CM/CU36B	975	34.8	25.4	13.50	11.75
TC3B3623S	TMLV060A12MP12C	14.5	CF42B	975	35.4	25.4	13.50	11.75
TC3B3623S	TMLV080B12MP11C	17.5	CF/CM/CU36B	1000	34.8	25.5	13.25	11.50
TC3B3623S	TMLV080B12MP11C	17.5	CF/CM/CU36C	1000	34.8	25.4	13.25	11.50
TC3B3623S	TMLV080B12MP11C	17.5	CF/CM/CU42C	1000	35.4	25.6	13.25	11.50
TC3B3623S	TMLV080B12MP11C	17.5	CF/CM/CU48C	1000	35.4	25.8	13.50	11.75
TC3B3623S	TMLV080B12MP11C	17.5	CF42B	1000	35.2	25.4	13.25	11.50
TC3B3623S	TMLV080B12MP12C	17.5	CF/CM/CU36B	1000	34.8	25.5	13.25	11.50
TC3B3623S	TMLV080B12MP12C	17.5	CF/CM/CU36C	1000	34.8	25.4	13.25	11.50
TC3B3623S	TMLV080B12MP12C	17.5	CF/CM/CU42C	1000	35.4	25.6	13.25	11.50
TC3B3623S	TMLV080B12MP12C	17.5	CF/CM/CU48C	1000	35.4	25.8	13.50	11.75
TC3B3623S	TMLV080B12MP12C	17.5	CF42B	1000	35.2	25.4	13.25	11.50
TC3B3623S	TMLV080C16MP11C	21.0	CF/CM/CU36C	1050	35.6	26.6	14.00	12.00
TC3B3623S	TMLV080C16MP11C	21.0	CF/CM/CU42C	1050	36.0	26.4	14.00	12.00
TC3B3623S	TMLV080C16MP11C	21.0	CF/CM/CU48C	1050	36.0	26.6	14.25	12.25
TC3B3623S	TMLV080C16MP11C	21.0	CF/CM/CU48D	1050	36.0	26.6	14.25	12.25
TC3B3623S	TMLV080C16MP11C	21.0	CF/CM36D	1050	35.6	26.6	14.00	12.00
TC3B3623S	TMLV080C16MP11C	21.0	CF/CM42D	1050	36.0	26.4	14.00	12.00
TC3B3623S	TMLV080C16MP12C	21.0	CF/CM/CU36C	1050	35.6	26.6	14.00	12.00
TC3B3623S	TMLV080C16MP12C	21.0	CF/CM/CU42C	1050	36.0	26.4	14.00	12.00
TC3B3623S	TMLV080C16MP12C	21.0	CF/CM/CU48C	1050	36.0	26.6	14.25	12.25
TC3B3623S	TMLV080C16MP12C	21.0	CF/CM/CU48D	1050	36.0	26.6	14.25	12.25
TC3B3623S	TMLV080C16MP12C	21.0	CF/CM36D	1050	35.6	26.6	14.00	12.00

COOLING CAPACITY - With High Efficiency Motor Furnaces¹ (Continued)

UNIT MODEL	FURNACE		COIL MODEL ²	COOLING				
	MODEL	WIDTH		RATED CFM	NET MBH		SEER	EER
					TOTAL	SENS.		
TC3B3623S	TMLV080C16MP12C	21.0	CF/CM42D	1050	36.0	26.4	14.00	12.00
TC3B3623S	TMLV100C16MP11C	21.0	CF/CM/CU36C	1050	35.6	26.6	14.00	12.00
TC3B3623S	TMLV100C16MP11C	21.0	CF/CM/CU42C	1050	36.0	26.4	14.00	12.00
TC3B3623S	TMLV100C16MP11C	21.0	CF/CM/CU48C	1050	36.0	26.6	14.25	12.25
TC3B3623S	TMLV100C16MP11C	21.0	CF/CM/CU48D	1050	36.0	26.6	14.25	12.25
TC3B3623S	TMLV100C16MP11C	21.0	CF/CM36D	1050	35.6	26.6	14.00	12.00
TC3B3623S	TMLV100C16MP11C	21.0	CF/CM42D	1050	36.0	26.4	14.00	12.00
TC3B3623S	TMLV100C16MP12C	21.0	CF/CM/CU36C	1050	35.6	26.6	14.00	12.00
TC3B3623S	TMLV100C16MP12C	21.0	CF/CM/CU42C	1050	36.0	26.4	14.00	12.00
TC3B3623S	TMLV100C16MP12C	21.0	CF/CM/CU48C	1050	36.0	26.6	14.25	12.25
TC3B3623S	TMLV100C16MP12C	21.0	CF/CM/CU48D	1050	36.0	26.6	14.25	12.25
TC3B3623S	TMLV100C16MP12C	21.0	CF/CM36D	1050	35.6	26.6	14.00	12.00
TC3B3623S	TMLV100C16MP12C	21.0	CF/CM42D	1050	36.0	26.4	14.00	12.00
TC3B3623S	TMLV100C20MP11C	21.0	CF/CM/CU36C	1150	36.0	27.9	14.00	12.25
TC3B3623S	TMLV100C20MP11C	21.0	CF/CM/CU42C	1150	36.0	27.6	14.25	12.25
TC3B3623S	TMLV100C20MP11C	21.0	CF/CM/CU48C	1150	36.0	27.9	14.25	12.25
TC3B3623S	TMLV100C20MP11C	21.0	CF/CM/CU48D	1150	36.0	27.9	14.25	12.25
TC3B3623S	TMLV100C20MP11C	21.0	CF/CM36D	1150	36.0	27.9	14.25	12.25
TC3B3623S	TMLV100C20MP11C	21.0	CF/CM42D	1150	36.0	27.5	14.25	12.25
TC3B3623S	TMLV100C20MP12C	21.0	CF/CM/CU36C	1150	36.0	27.9	14.00	12.25
TC3B3623S	TMLV100C20MP12C	21.0	CF/CM/CU42C	1150	36.0	27.6	14.25	12.25
TC3B3623S	TMLV100C20MP12C	21.0	CF/CM/CU48C	1150	36.0	27.9	14.25	12.25
TC3B3623S	TMLV100C20MP12C	21.0	CF/CM/CU48D	1150	36.0	27.9	14.25	12.25
TC3B3623S	TMLV100C20MP12C	21.0	CF/CM36D	1150	36.0	27.9	14.25	12.25
TC3B3623S	TMLV100C20MP12C	21.0	CF/CM42D	1150	36.0	27.5	14.25	12.25
TC3B3623S	TMLV120C20MP11C	21.0	CF/CM/CU36C	1150	36.0	27.9	14.00	12.25
TC3B3623S	TMLV120C20MP11C	21.0	CF/CM/CU42C	1150	36.0	27.6	14.25	12.25
TC3B3623S	TMLV120C20MP11C	21.0	CF/CM/CU48C	1150	36.0	27.9	14.25	12.25
TC3B3623S	TMLV120C20MP11C	21.0	CF/CM/CU48D	1150	36.0	27.9	14.25	12.25
TC3B3623S	TMLV120C20MP11C	21.0	CF/CM36D	1150	36.0	27.9	14.25	12.25
TC3B3623S	TMLV120C20MP11C	21.0	CF/CM42D	1150	36.0	27.5	14.25	12.25
TC3B3623S	TMLV120C20MP12C	21.0	CF/CM/CU36C	1150	36.0	27.9	14.00	12.25
TC3B3623S	TMLV120C20MP12C	21.0	CF/CM/CU42C	1150	36.0	27.6	14.25	12.25
TC3B3623S	TMLV120C20MP12C	21.0	CF/CM/CU48C	1150	36.0	27.9	14.25	12.25
TC3B3623S	TMLV120C20MP12C	21.0	CF/CM/CU48D	1150	36.0	27.9	14.25	12.25
TC3B3623S	TMLV120C20MP12C	21.0	CF/CM36D	1150	36.0	27.9	14.25	12.25
TC3B3623S	TMLV120C20MP12C	21.0	CF/CM42D	1150	36.0	27.5	14.25	12.25
TC3B3623S	TMLX060A12MP11	14.5	CF/CM/CU36B	1125	35.2	27.2	13.25	11.50
TC3B3623S	TMLX060A12MP11	14.5	CF42B	1125	36.0	27.1	13.25	11.50
TC3B3623S	TMLX080B12MP11	17.5	CF/CM/CU36B	975	35.0	25.6	13.75	11.75
TC3B3623S	TMLX080B12MP11	17.5	CF/CM/CU36C	1000	35.2	25.8	13.75	12.00
TC3B3623S	TMLX080B12MP11	17.5	CF/CM/CU42C	1000	35.6	25.7	13.75	12.00
TC3B3623S	TMLX080B12MP11	17.5	CF/CM/CU48C	1000	35.6	25.9	14.00	12.00
TC3B3623S	TMLX080B12MP11	17.5	CF42B	1150	36.0	27.3	13.25	11.50
TC3B3623S	TMLX080C16MP11	21.0	CF/CM/CU36C	1150	36.0	27.9	14.00	12.00
TC3B3623S	TMLX080C16MP11	21.0	CF/CM/CU42C	1150	36.0	27.6	14.00	12.00
TC3B3623S	TMLX080C16MP11	21.0	CF/CM/CU48C	1150	36.0	27.7	14.25	12.00
TC3B3623S	TMLX080C16MP11	21.0	CF/CM/CU48D	975	35.6	25.7	14.25	12.25
TC3B3623S	TMLX080C16MP11	21.0	CF/CM36D	975	35.2	25.7	14.00	12.00
TC3B3623S	TMLX080C16MP11	21.0	CF/CM42D	975	35.6	25.5	14.25	12.25
TC3B3623S	TMLX100C16MP11	21.0	CF/CM/CU36C	1150	36.0	27.9	14.00	12.00
TC3B3623S	TMLX100C16MP11	21.0	CF/CM/CU42C	1150	36.0	27.6	14.00	12.00
TC3B3623S	TMLX100C16MP11	21.0	CF/CM/CU48C	1150	36.0	27.7	14.25	12.00

COOLING CAPACITY - With High Efficiency Motor Furnaces¹ (Continued)

UNIT MODEL	FURNACE		COIL MODEL ²	COOLING				
	MODEL	WIDTH		RATED CFM	NET MBH		SEER	EER
					TOTAL	SENS.		
TC3B3623S	TMLX100C16MP11	21.0	CF/CM/CU48D	975	35.6	25.7	14.25	12.25
TC3B3623S	TMLX100C16MP11	21.0	CF/CM36D	975	35.2	25.7	14.00	12.00
TC3B3623S	TMLX100C16MP11	21.0	CF/CM42D	975	35.6	25.5	14.25	12.25
TC3B3623S	TMLX100C20MP11	21.0	CF/CM/CU36C	1000	35.2	25.7	14.25	12.25
TC3B3623S	TMLX100C20MP11	21.0	CF/CM/CU42C	1000	35.8	25.9	14.25	12.25
TC3B3623S	TMLX100C20MP11	21.0	CF/CM/CU48C	1000	35.8	26.1	14.50	12.25
TC3B3623S	TMLX100C20MP11	21.0	CF/CM/CU48D	1000	35.8	26.1	14.50	12.25
TC3B3623S	TMLX100C20MP11	21.0	CF/CM36D	1000	35.4	25.9	14.25	12.25
TC3B3623S	TMLX100C20MP11	21.0	CF/CM42D	1000	35.8	25.9	14.25	12.25
TC3B3623S	TMLX120C20MP11	21.0	CF/CM/CU36C	1000	35.2	25.7	14.25	12.25
TC3B3623S	TMLX120C20MP11	21.0	CF/CM/CU42C	1000	35.8	25.9	14.25	12.25
TC3B3623S	TMLX120C20MP11	21.0	CF/CM/CU48C	1000	35.8	26.1	14.50	12.25
TC3B3623S	TMLX120C20MP11	21.0	CF/CM/CU48D	1000	35.8	26.1	14.50	12.25
TC3B3623S	TMLX120C20MP11	21.0	CF/CM36D	1000	35.4	25.9	14.25	12.25
TC3B3623S	TMLX120C20MP11	21.0	CF/CM42D	1000	35.8	25.9	14.25	12.25
TC3B3623S	TP9C060B12MP13C	17.5	CF/CM/CU36B	1000	34.8	25.5	13.25	11.50
TC3B3623S	TP9C060B12MP13C	17.5	CF/CM/CU36C	1000	35.0	25.6	13.25	11.50
TC3B3623S	TP9C060B12MP13C	17.5	CF/CM/CU42C	1000	35.4	25.6	13.50	11.50
TC3B3623S	TP9C060B12MP13C	17.5	CF/CM/CU48C	1000	35.4	25.8	13.50	11.75
TC3B3623S	TP9C060B12MP13C	17.5	CF42B	1000	35.4	25.6	13.25	11.50
TC3B3623S	TP9C080B12MP12C	17.5	CF/CM/CU36B	975	34.8	25.4	13.75	11.75
TC3B3623S	TP9C080B12MP12C	17.5	CF/CM/CU36C	1050	35.4	26.5	13.50	11.75
TC3B3623S	TP9C080B12MP12C	17.5	CF/CM/CU42C	1050	35.8	26.3	13.75	11.75
TC3B3623S	TP9C080B12MP12C	17.5	CF/CM/CU48C	1075	36.0	26.6	13.75	11.75
TC3B3623S	TP9C080B12MP12C	17.5	CF42B	975	35.4	25.4	13.75	11.50
TC3B3623S	TP9C080B12MP13C	17.5	CF/CM/CU36B	975	34.8	25.4	13.75	11.75
TC3B3623S	TP9C080B12MP13C	17.5	CF/CM/CU36C	1050	35.4	26.5	13.50	11.75
TC3B3623S	TP9C080B12MP13C	17.5	CF/CM/CU42C	1050	35.8	26.3	13.75	11.75
TC3B3623S	TP9C080B12MP13C	17.5	CF/CM/CU48C	1075	36.0	26.6	13.75	11.75
TC3B3623S	TP9C080B12MP13C	17.5	CF42B	975	35.4	25.4	13.75	11.50
TC3B3623S	TP9C080C16MP13C	21.0	CF/CM/CU36C	1025	35.2	26.1	13.75	12.00
TC3B3623S	TP9C080C16MP13C	21.0	CF/CM/CU42C	1025	35.4	26.3	13.75	12.00
TC3B3623S	TP9C080C16MP13C	21.0	CF/CM/CU48C	1025	35.8	26.2	14.00	12.00
TC3B3623S	TP9C080C16MP13C	21.0	CF/CM/CU48D	1025	35.8	26.2	14.00	12.00
TC3B3623S	TP9C080C16MP13C	21.0	CF/CM36D	1025	35.4	26.3	13.75	12.00
TC3B3623S	TP9C080C16MP13C	21.0	CF/CM42D	1025	35.4	26.3	13.75	12.00
TC3B3623S	TP9C100C16MP12C	21.0	CF/CM/CU36C	1000	35.2	25.8	14.00	12.00
TC3B3623S	TP9C100C16MP12C	21.0	CF/CM/CU42C	1000	35.8	25.9	14.00	12.25
TC3B3623S	TP9C100C16MP12C	21.0	CF/CM/CU48C	1075	36.0	26.7	14.25	12.25
TC3B3623S	TP9C100C16MP12C	21.0	CF/CM/CU48D	1075	36.0	26.7	14.25	12.25
TC3B3623S	TP9C100C16MP12C	21.0	CF/CM36D	1075	35.6	26.7	14.00	12.00
TC3B3623S	TP9C100C16MP12C	21.0	CF/CM42D	975	35.6	25.5	14.00	12.25
TC3B3623S	TP9C100C16MP13C	21.0	CF/CM/CU36C	1000	35.2	25.8	14.00	12.00
TC3B3623S	TP9C100C16MP13C	21.0	CF/CM/CU42C	1000	35.8	25.9	14.00	12.25
TC3B3623S	TP9C100C16MP13C	21.0	CF/CM/CU48C	1075	36.0	26.7	14.25	12.25
TC3B3623S	TP9C100C16MP13C	21.0	CF/CM/CU48D	1075	36.0	26.7	14.25	12.25
TC3B3623S	TP9C100C16MP13C	21.0	CF/CM36D	1075	35.6	26.7	14.00	12.00
TC3B3623S	TP9C100C16MP13C	21.0	CF/CM42D	975	35.6	25.5	14.00	12.25
TC3B3623S	TP9C100C20MP12C	21.0	CF/CM/CU36C	1100	35.6	27.0	13.75	12.00
TC3B3623S	TP9C100C20MP12C	21.0	CF/CM/CU42C	1100	36.0	27.3	14.00	12.00
TC3B3623S	TP9C100C20MP12C	21.0	CF/CM/CU48C	1100	36.0	27.6	14.00	12.00
TC3B3623S	TP9C100C20MP12C	21.0	CF/CM/CU48D	1100	36.0	27.5	14.00	12.00
TC3B3623S	TP9C100C20MP12C	21.0	CF/CM36D	1100	35.8	27.2	13.75	12.00

COOLING CAPACITY - With High Efficiency Motor Furnaces¹ (Continued)

UNIT MODEL	FURNACE		COIL MODEL ²	COOLING				
	MODEL	WIDTH		RATED CFM	NET MBH		SEER	EER
					TOTAL	SENS.		
TC3B3623S	TP9C100C20MP12C	21.0	CF/CM42D	1100	36.0	27.3	14.00	12.00
TC3B3623S	TP9C100C20MP13C	21.0	CF/CM/CU36C	1100	35.6	27.0	13.75	12.00
TC3B3623S	TP9C100C20MP13C	21.0	CF/CM/CU42C	1100	36.0	27.3	14.00	12.00
TC3B3623S	TP9C100C20MP13C	21.0	CF/CM/CU48C	1100	36.0	27.6	14.00	12.00
TC3B3623S	TP9C100C20MP13C	21.0	CF/CM/CU48D	1100	36.0	27.5	14.00	12.00
TC3B3623S	TP9C100C20MP13C	21.0	CF/CM36D	1100	35.8	27.2	13.75	12.00
TC3B3623S	TP9C100C20MP13C	21.0	CF/CM42D	1100	36.0	27.3	14.00	12.00
TC3B3623S	TP9C120D20MP12C	24.5	CF/CM/CU48D	1050	36.0	26.6	14.50	12.25
TC3B3623S	TP9C120D20MP12C	24.5	CF/CM36D	1050	35.6	26.6	14.25	12.25
TC3B3623S	TP9C120D20MP12C	24.5	CF/CM42D	1050	36.0	26.6	14.25	12.25
TC3B3623S	TP9C120D20MP13C	24.5	CF/CM/CU48D	1050	36.0	26.6	14.50	12.25
TC3B3623S	TP9C120D20MP13C	24.5	CF/CM36D	1050	35.6	26.6	14.25	12.25
TC3B3623S	TP9C120D20MP13C	24.5	CF/CM42D	1050	36.0	26.6	14.25	12.25
TC3B3623S	TPLC060A12MP12C	14.5	CF/CM/CU36B	975	34.8	25.4	13.50	11.75
TC3B3623S	TPLC060A12MP12C	14.5	CF42B	975	35.4	25.4	13.50	11.75
TC3B3623S	TPLC060A12MP13C	14.5	CF/CM/CU36B	975	34.8	25.4	13.50	11.75
TC3B3623S	TPLC060A12MP13C	14.5	CF42B	975	35.4	25.4	13.50	11.75
TC3B3623S	TPLC080B12MP12C	17.5	CF/CM/CU36B	1000	34.8	25.5	13.25	11.50
TC3B3623S	TPLC080B12MP12C	17.5	CF/CM/CU36C	1000	34.8	25.4	13.25	11.50
TC3B3623S	TPLC080B12MP12C	17.5	CF/CM/CU42C	1000	35.4	25.6	13.25	11.50
TC3B3623S	TPLC080B12MP12C	17.5	CF/CM/CU48C	1000	35.4	25.8	13.50	11.75
TC3B3623S	TPLC080B12MP12C	17.5	CF42B	1000	35.2	25.4	13.25	11.50
TC3B3623S	TPLC080B12MP13C	17.5	CF/CM/CU36B	1000	34.8	25.5	13.25	11.50
TC3B3623S	TPLC080B12MP13C	17.5	CF/CM/CU36C	1000	34.8	25.4	13.25	11.50
TC3B3623S	TPLC080B12MP13C	17.5	CF/CM/CU42C	1000	35.4	25.6	13.25	11.50
TC3B3623S	TPLC080B12MP13C	17.5	CF/CM/CU48C	1000	35.4	25.8	13.50	11.75
TC3B3623S	TPLC080B12MP13C	17.5	CF42B	1000	35.2	25.4	13.25	11.50
TC3B3623S	TPLC080C16MP12C	21.0	CF/CM/CU36C	1050	35.6	26.6	14.00	12.00
TC3B3623S	TPLC080C16MP12C	21.0	CF/CM/CU42C	1050	36.0	26.4	14.00	12.00
TC3B3623S	TPLC080C16MP12C	21.0	CF/CM/CU48C	1050	36.0	26.6	14.25	12.25
TC3B3623S	TPLC080C16MP12C	21.0	CF/CM/CU48D	1050	36.0	26.6	14.25	12.25
TC3B3623S	TPLC080C16MP12C	21.0	CF/CM36D	1050	35.6	26.6	14.00	12.00
TC3B3623S	TPLC080C16MP12C	21.0	CF/CM42D	1050	36.0	26.4	14.00	12.00
TC3B3623S	TPLC080C16MP13C	21.0	CF/CM/CU36C	1050	35.6	26.6	14.00	12.00
TC3B3623S	TPLC080C16MP13C	21.0	CF/CM/CU42C	1050	36.0	26.4	14.00	12.00
TC3B3623S	TPLC080C16MP13C	21.0	CF/CM/CU48C	1050	36.0	26.6	14.25	12.25
TC3B3623S	TPLC080C16MP13C	21.0	CF/CM/CU48D	1050	36.0	26.6	14.25	12.25
TC3B3623S	TPLC080C16MP13C	21.0	CF/CM36D	1050	35.6	26.6	14.00	12.00
TC3B3623S	TPLC080C16MP13C	21.0	CF/CM42D	1050	36.0	26.4	14.00	12.00
TC3B3623S	TPLC100C16MP12C	21.0	CF/CM/CU36C	1050	35.6	26.6	14.00	12.00
TC3B3623S	TPLC100C16MP12C	21.0	CF/CM/CU42C	1050	36.0	26.4	14.00	12.00
TC3B3623S	TPLC100C16MP12C	21.0	CF/CM/CU48C	1050	36.0	26.6	14.25	12.25
TC3B3623S	TPLC100C16MP12C	21.0	CF/CM/CU48D	1050	36.0	26.6	14.25	12.25
TC3B3623S	TPLC100C16MP12C	21.0	CF/CM36D	1050	35.6	26.6	14.00	12.00
TC3B3623S	TPLC100C16MP12C	21.0	CF/CM42D	1050	36.0	26.4	14.00	12.00
TC3B3623S	TPLC100C16MP13C	21.0	CF/CM/CU36C	1050	35.6	26.6	14.00	12.00
TC3B3623S	TPLC100C16MP13C	21.0	CF/CM/CU42C	1050	36.0	26.4	14.00	12.00
TC3B3623S	TPLC100C16MP13C	21.0	CF/CM/CU48C	1050	36.0	26.6	14.25	12.25
TC3B3623S	TPLC100C16MP13C	21.0	CF/CM/CU48D	1050	36.0	26.6	14.25	12.25
TC3B3623S	TPLC100C16MP13C	21.0	CF/CM36D	1050	35.6	26.6	14.00	12.00
TC3B3623S	TPLC100C16MP13C	21.0	CF/CM42D	1050	36.0	26.4	14.00	12.00
TC3B3623S	TPLC100C20MP12C	21.0	CF/CM/CU36C	1150	36.0	27.9	14.00	12.25
TC3B3623S	TPLC100C20MP12C	21.0	CF/CM/CU42C	1150	36.0	27.6	14.25	12.25

COOLING CAPACITY - With High Efficiency Motor Furnaces¹ (Continued)

UNIT MODEL	FURNACE		COIL MODEL ²	COOLING				
	MODEL	WIDTH		RATED CFM	NET MBH		SEER	EER
					TOTAL	SENS.		
TC3B3623S	TPLC100C20MP12C	21.0	CF/CM/CU48C	1150	36.0	27.9	14.25	12.25
TC3B3623S	TPLC100C20MP12C	21.0	CF/CM/CU48D	1150	36.0	27.9	14.25	12.25
TC3B3623S	TPLC100C20MP12C	21.0	CF/CM36D	1150	36.0	27.9	14.25	12.25
TC3B3623S	TPLC100C20MP12C	21.0	CF/CM42D	1150	36.0	27.5	14.25	12.25
TC3B3623S	TPLC100C20MP13C	21.0	CF/CM/CU36C	1150	36.0	27.9	14.00	12.25
TC3B3623S	TPLC100C20MP13C	21.0	CF/CM/CU42C	1150	36.0	27.6	14.25	12.25
TC3B3623S	TPLC100C20MP13C	21.0	CF/CM/CU48C	1150	36.0	27.9	14.25	12.25
TC3B3623S	TPLC100C20MP13C	21.0	CF/CM/CU48D	1150	36.0	27.9	14.25	12.25
TC3B3623S	TPLC100C20MP13C	21.0	CF/CM36D	1150	36.0	27.9	14.25	12.25
TC3B3623S	TPLC100C20MP13C	21.0	CF/CM42D	1150	36.0	27.5	14.25	12.25
TC3B3623S	TPLC120C20MP12C	21.0	CF/CM/CU36C	1150	36.0	27.9	14.00	12.25
TC3B3623S	TPLC120C20MP12C	21.0	CF/CM/CU42C	1150	36.0	27.6	14.25	12.25
TC3B3623S	TPLC120C20MP12C	21.0	CF/CM/CU48C	1150	36.0	27.9	14.25	12.25
TC3B3623S	TPLC120C20MP12C	21.0	CF/CM/CU48D	1150	36.0	27.9	14.25	12.25
TC3B3623S	TPLC120C20MP12C	21.0	CF/CM36D	1150	36.0	27.9	14.25	12.25
TC3B3623S	TPLC120C20MP12C	21.0	CF/CM42D	1150	36.0	27.5	14.25	12.25
TC3B3623S	TPLC120C20MP13C	21.0	CF/CM/CU36C	1150	36.0	27.9	14.00	12.25
TC3B3623S	TPLC120C20MP13C	21.0	CF/CM/CU42C	1150	36.0	27.6	14.25	12.25
TC3B3623S	TPLC120C20MP13C	21.0	CF/CM/CU48C	1150	36.0	27.9	14.25	12.25
TC3B3623S	TPLC120C20MP13C	21.0	CF/CM/CU48D	1150	36.0	27.9	14.25	12.25
TC3B3623S	TPLC120C20MP13C	21.0	CF/CM36D	1150	36.0	27.9	14.25	12.25
TC3B3623S	TPLC120C20MP13C	21.0	CF/CM42D	1150	36.0	27.5	14.25	12.25
TC3B3623S	CP9C060B12MP13C	17.5	CF/CM/CU36B	1000	34.8	25.5	13.25	11.50
TC3B3623S	CP9C060B12MP13C	17.5	CF/CM/CU36C	1000	35.0	25.6	13.25	11.50
TC3B3623S	CP9C060B12MP13C	17.5	CF/CM/CU42C	1000	35.4	25.6	13.50	11.50
TC3B3623S	CP9C060B12MP13C	17.5	CF/CM/CU48C	1000	35.4	25.8	13.50	11.75
TC3B3623S	CP9C060B12MP13C	17.5	CF42B	1000	35.4	25.6	13.25	11.50
TC3B3623S	CP9C080B12MP12C	17.5	CF/CM/CU36B	975	34.8	25.4	13.75	11.75
TC3B3623S	CP9C080B12MP12C	17.5	CF/CM/CU36C	1050	35.4	26.5	13.50	11.75
TC3B3623S	CP9C080B12MP12C	17.5	CF/CM/CU42C	1050	35.8	26.3	13.75	11.75
TC3B3623S	CP9C080B12MP12C	17.5	CF/CM/CU48C	1075	36.0	26.6	13.75	11.75
TC3B3623S	CP9C080B12MP12C	17.5	CF42B	975	35.4	25.4	13.75	11.50
TC3B3623S	CP9C080B12MP13C	17.5	CF/CM/CU36B	975	34.8	25.4	13.75	11.75
TC3B3623S	CP9C080B12MP13C	17.5	CF/CM/CU36C	1050	35.4	26.5	13.50	11.75
TC3B3623S	CP9C080B12MP13C	17.5	CF/CM/CU42C	1050	35.8	26.3	13.75	11.75
TC3B3623S	CP9C080B12MP13C	17.5	CF/CM/CU48C	1075	36.0	26.6	13.75	11.75
TC3B3623S	CP9C080B12MP13C	17.5	CF42B	975	35.4	25.4	13.75	11.50
TC3B3623S	CP9C080C16MP13C	21.0	CF/CM/CU36C	1025	35.2	26.1	13.75	12.00
TC3B3623S	CP9C080C16MP13C	21.0	CF/CM/CU42C	1025	35.4	26.3	13.75	12.00
TC3B3623S	CP9C080C16MP13C	21.0	CF/CM/CU48C	1025	35.8	26.2	14.00	12.00
TC3B3623S	CP9C080C16MP13C	21.0	CF/CM/CU48D	1025	35.8	26.2	14.00	12.00
TC3B3623S	CP9C080C16MP13C	21.0	CF/CM36D	1025	35.4	26.3	13.75	12.00
TC3B3623S	CP9C080C16MP13C	21.0	CF/CM42D	1025	35.4	26.3	13.75	12.00
TC3B3623S	CP9C100C16MP12C	21.0	CF/CM/CU36C	1000	35.2	25.8	14.00	12.00
TC3B3623S	CP9C100C16MP12C	21.0	CF/CM/CU42C	1000	35.8	25.9	14.00	12.25
TC3B3623S	CP9C100C16MP12C	21.0	CF/CM/CU48C	1075	36.0	26.7	14.25	12.25
TC3B3623S	CP9C100C16MP12C	21.0	CF/CM/CU48D	1075	36.0	26.7	14.25	12.25
TC3B3623S	CP9C100C16MP12C	21.0	CF/CM36D	1075	35.6	26.7	14.00	12.00
TC3B3623S	CP9C100C16MP12C	21.0	CF/CM42D	975	35.6	25.5	14.00	12.25
TC3B3623S	CP9C100C16MP13C	21.0	CF/CM/CU36C	1000	35.2	25.8	14.00	12.00
TC3B3623S	CP9C100C16MP13C	21.0	CF/CM/CU42C	1000	35.8	25.9	14.00	12.25
TC3B3623S	CP9C100C16MP13C	21.0	CF/CM/CU48C	1075	36.0	26.7	14.25	12.25
TC3B3623S	CP9C100C16MP13C	21.0	CF/CM/CU48D	1075	36.0	26.7	14.25	12.25

COOLING CAPACITY - With High Efficiency Motor Furnaces¹ (Continued)

UNIT MODEL	FURNACE		COIL MODEL ²	COOLING				
	MODEL	WIDTH		RATED CFM	NET MBH		SEER	EER
					TOTAL	SENS.		
TC3B3623S	CP9C100C16MP13C	21.0	CF/CM36D	1075	35.6	26.7	14.00	12.00
TC3B3623S	CP9C100C16MP13C	21.0	CF/CM42D	975	35.6	25.5	14.00	12.25
TC3B3623S	CP9C100C20MP12C	21.0	CF/CM/CU36C	1100	35.6	27.0	13.75	12.00
TC3B3623S	CP9C100C20MP12C	21.0	CF/CM/CU42C	1100	36.0	27.3	14.00	12.00
TC3B3623S	CP9C100C20MP12C	21.0	CF/CM/CU48C	1100	36.0	27.6	14.00	12.00
TC3B3623S	CP9C100C20MP12C	21.0	CF/CM/CU48D	1100	36.0	27.5	14.00	12.00
TC3B3623S	CP9C100C20MP12C	21.0	CF/CM36D	1100	35.8	27.2	13.75	12.00
TC3B3623S	CP9C100C20MP12C	21.0	CF/CM42D	1100	36.0	27.3	14.00	12.00
TC3B3623S	CP9C100C20MP13C	21.0	CF/CM/CU36C	1100	35.6	27.0	13.75	12.00
TC3B3623S	CP9C100C20MP13C	21.0	CF/CM/CU42C	1100	36.0	27.3	14.00	12.00
TC3B3623S	CP9C100C20MP13C	21.0	CF/CM/CU48C	1100	36.0	27.6	14.00	12.00
TC3B3623S	CP9C100C20MP13C	21.0	CF/CM/CU48D	1100	36.0	27.5	14.00	12.00
TC3B3623S	CP9C100C20MP13C	21.0	CF/CM36D	1100	35.8	27.2	13.75	12.00
TC3B3623S	CP9C100C20MP13C	21.0	CF/CM42D	1100	36.0	27.3	14.00	12.00
TC3B3623S	CP9C120D20MP12C	24.5	CF/CM/CU48D	1050	36.0	26.6	14.50	12.25
TC3B3623S	CP9C120D20MP12C	24.5	CF/CM36D	1050	35.6	26.6	14.25	12.25
TC3B3623S	CP9C120D20MP12C	24.5	CF/CM42D	1050	36.0	26.6	14.25	12.25
TC3B3623S	CP9C120D20MP13C	24.5	CF/CM/CU48D	1050	36.0	26.6	14.50	12.25
TC3B3623S	CP9C120D20MP13C	24.5	CF/CM36D	1050	35.6	26.6	14.25	12.25
TC3B3623S	CP9C120D20MP13C	24.5	CF/CM42D	1050	36.0	26.6	14.25	12.25
TC3B3623S	CPLC060A12MP12C	14.5	CF/CM/CU36B	975	34.8	25.4	13.50	11.75
TC3B3623S	CPLC060A12MP12C	14.5	CF42B	975	35.4	25.4	13.50	11.75
TC3B3623S	CPLC060A12MP13C	14.5	CF/CM/CU36B	975	34.8	25.4	13.50	11.75
TC3B3623S	CPLC060A12MP13C	14.5	CF42B	975	35.4	25.4	13.50	11.75
TC3B3623S	CPLC080B12MP12C	17.5	CF/CM/CU36B	1000	34.8	25.5	13.25	11.50
TC3B3623S	CPLC080B12MP12C	17.5	CF/CM/CU36C	1000	34.8	25.4	13.25	11.50
TC3B3623S	CPLC080B12MP12C	17.5	CF/CM/CU42C	1000	35.4	25.6	13.25	11.50
TC3B3623S	CPLC080B12MP12C	17.5	CF/CM/CU48C	1000	35.4	25.8	13.50	11.75
TC3B3623S	CPLC080B12MP12C	17.5	CF42B	1000	35.2	25.4	13.25	11.50
TC3B3623S	CPLC080B12MP13C	17.5	CF/CM/CU36B	1000	34.8	25.5	13.25	11.50
TC3B3623S	CPLC080B12MP13C	17.5	CF/CM/CU36C	1000	34.8	25.4	13.25	11.50
TC3B3623S	CPLC080B12MP13C	17.5	CF/CM/CU42C	1000	35.4	25.6	13.25	11.50
TC3B3623S	CPLC080B12MP13C	17.5	CF/CM/CU48C	1000	35.4	25.8	13.50	11.75
TC3B3623S	CPLC080B12MP13C	17.5	CF42B	1000	35.2	25.4	13.25	11.50
TC3B3623S	CPLC080C16MP12C	21.0	CF/CM/CU36C	1050	35.6	26.6	14.00	12.00
TC3B3623S	CPLC080C16MP12C	21.0	CF/CM/CU42C	1050	36.0	26.4	14.00	12.00
TC3B3623S	CPLC080C16MP12C	21.0	CF/CM/CU48C	1050	36.0	26.6	14.25	12.25
TC3B3623S	CPLC080C16MP12C	21.0	CF/CM/CU48D	1050	36.0	26.6	14.25	12.25
TC3B3623S	CPLC080C16MP12C	21.0	CF/CM36D	1050	35.6	26.6	14.00	12.00
TC3B3623S	CPLC080C16MP12C	21.0	CF/CM42D	1050	36.0	26.4	14.00	12.00
TC3B3623S	CPLC080C16MP13C	21.0	CF/CM/CU36C	1050	35.6	26.6	14.00	12.00
TC3B3623S	CPLC080C16MP13C	21.0	CF/CM/CU42C	1050	36.0	26.4	14.00	12.00
TC3B3623S	CPLC080C16MP13C	21.0	CF/CM/CU48C	1050	36.0	26.6	14.25	12.25
TC3B3623S	CPLC080C16MP13C	21.0	CF/CM/CU48D	1050	36.0	26.6	14.25	12.25
TC3B3623S	CPLC080C16MP13C	21.0	CF/CM36D	1050	35.6	26.6	14.00	12.00
TC3B3623S	CPLC080C16MP13C	21.0	CF/CM42D	1050	36.0	26.4	14.00	12.00
TC3B3623S	CPLC100C16MP12C	21.0	CF/CM/CU36C	1050	35.6	26.6	14.00	12.00
TC3B3623S	CPLC100C16MP12C	21.0	CF/CM/CU42C	1050	36.0	26.4	14.00	12.00
TC3B3623S	CPLC100C16MP12C	21.0	CF/CM/CU48C	1050	36.0	26.6	14.25	12.25
TC3B3623S	CPLC100C16MP12C	21.0	CF/CM/CU48D	1050	36.0	26.6	14.25	12.25
TC3B3623S	CPLC100C16MP12C	21.0	CF/CM36D	1050	35.6	26.6	14.00	12.00
TC3B3623S	CPLC100C16MP12C	21.0	CF/CM42D	1050	36.0	26.4	14.00	12.00
TC3B3623S	CPLC100C16MP13C	21.0	CF/CM/CU36C	1050	35.6	26.6	14.00	12.00

COOLING CAPACITY - With High Efficiency Motor Furnaces¹ (Continued)

UNIT MODEL	FURNACE		COIL MODEL ²	COOLING				
	MODEL	WIDTH		RATED CFM	NET MBH		SEER	EER
					TOTAL	SENS.		
TC3B3623S	CPLC100C16MP13C	21.0	CF/CM/CU42C	1050	36.0	26.4	14.00	12.00
TC3B3623S	CPLC100C16MP13C	21.0	CF/CM/CU48C	1050	36.0	26.6	14.25	12.25
TC3B3623S	CPLC100C16MP13C	21.0	CF/CM/CU48D	1050	36.0	26.6	14.25	12.25
TC3B3623S	CPLC100C16MP13C	21.0	CF/CM36D	1050	35.6	26.6	14.00	12.00
TC3B3623S	CPLC100C16MP13C	21.0	CF/CM42D	1050	36.0	26.4	14.00	12.00
TC3B3623S	CPLC100C20MP12C	21.0	CF/CM/CU36C	1150	36.0	27.9	14.00	12.25
TC3B3623S	CPLC100C20MP12C	21.0	CF/CM/CU42C	1150	36.0	27.6	14.25	12.25
TC3B3623S	CPLC100C20MP12C	21.0	CF/CM/CU48C	1150	36.0	27.9	14.25	12.25
TC3B3623S	CPLC100C20MP12C	21.0	CF/CM/CU48D	1150	36.0	27.9	14.25	12.25
TC3B3623S	CPLC100C20MP12C	21.0	CF/CM36D	1150	36.0	27.9	14.25	12.25
TC3B3623S	CPLC100C20MP12C	21.0	CF/CM42D	1150	36.0	27.5	14.25	12.25
TC3B3623S	CPLC100C20MP13C	21.0	CF/CM/CU36C	1150	36.0	27.9	14.00	12.25
TC3B3623S	CPLC100C20MP13C	21.0	CF/CM/CU42C	1150	36.0	27.6	14.25	12.25
TC3B3623S	CPLC100C20MP13C	21.0	CF/CM/CU48C	1150	36.0	27.9	14.25	12.25
TC3B3623S	CPLC100C20MP13C	21.0	CF/CM/CU48D	1150	36.0	27.9	14.25	12.25
TC3B3623S	CPLC100C20MP13C	21.0	CF/CM36D	1150	36.0	27.9	14.25	12.25
TC3B3623S	CPLC100C20MP13C	21.0	CF/CM42D	1150	36.0	27.5	14.25	12.25
TC3B3623S	CPLC120C20MP12C	21.0	CF/CM/CU36C	1150	36.0	27.9	14.00	12.25
TC3B3623S	CPLC120C20MP12C	21.0	CF/CM/CU42C	1150	36.0	27.6	14.25	12.25
TC3B3623S	CPLC120C20MP12C	21.0	CF/CM/CU48C	1150	36.0	27.9	14.25	12.25
TC3B3623S	CPLC120C20MP12C	21.0	CF/CM/CU48D	1150	36.0	27.9	14.25	12.25
TC3B3623S	CPLC120C20MP12C	21.0	CF/CM36D	1150	36.0	27.9	14.25	12.25
TC3B3623S	CPLC120C20MP12C	21.0	CF/CM42D	1150	36.0	27.5	14.25	12.25
TC3B3623S	CPLC120C20MP13C	21.0	CF/CM/CU36C	1150	36.0	27.9	14.00	12.25
TC3B3623S	CPLC120C20MP13C	21.0	CF/CM/CU42C	1150	36.0	27.6	14.25	12.25
TC3B3623S	CPLC120C20MP13C	21.0	CF/CM/CU48C	1150	36.0	27.9	14.25	12.25
TC3B3623S	CPLC120C20MP13C	21.0	CF/CM/CU48D	1150	36.0	27.9	14.25	12.25
TC3B3623S	CPLC120C20MP13C	21.0	CF/CM36D	1150	36.0	27.9	14.25	12.25
TC3B3623S	CPLC120C20MP13C	21.0	CF/CM42D	1150	36.0	27.5	14.25	12.25
TC3B4223S	TL8E080C16UH11	21.0	CF/CM/CU42C	1275	41.0	30.9	13.75	12.00
TC3B4223S	TL8E080C16UH11	21.0	CF/CM/CU48C	1275	41.0	31.1	14.00	12.00
TC3B4223S	TL8E080C16UH11	21.0	CF/CM/CU48D	1300	41.5	31.6	14.00	12.00
TC3B4223S	TL8E080C16UH11	21.0	CF/CM/CU60C	1275	41.0	30.9	13.75	11.75
TC3B4223S	TL8E080C16UH11	21.0	CF/CM/CU60D	1300	41.0	31.0	14.00	12.00
TC3B4223S	TL8E080C16UH11	21.0	CF/CM42D	1300	41.5	31.6	14.00	12.00
TC3B4223S	TL8E080C16UH11	21.0	CF/CM64D	1275	42.0	31.6	14.00	12.25
TC3B4223S	TL8E100C20UH11	21.0	CF/CM/CU42C	1250	41.0	31.0	14.25	12.25
TC3B4223S	TL8E100C20UH11	21.0	CF/CM/CU48C	1250	41.0	30.9	14.25	12.25
TC3B4223S	TL8E100C20UH11	21.0	CF/CM/CU48D	1275	41.5	31.5	14.25	12.25
TC3B4223S	TL8E100C20UH11	21.0	CF/CM/CU60C	1250	41.0	30.6	14.25	12.00
TC3B4223S	TL8E100C20UH11	21.0	CF/CM/CU60D	1275	41.0	30.9	14.25	12.25
TC3B4223S	TL8E100C20UH11	21.0	CF/CM42D	1275	41.5	31.3	14.25	12.25
TC3B4223S	TL8E100C20UH11	21.0	CF/CM64D	1250	42.0	31.3	14.25	12.50
TC3B4223S	TL9E060B12UH11	17.5	CF/CM/CU42C	1225	40.5	30.3	13.00	11.25
TC3B4223S	TL9E060B12UH11	17.5	CF/CM/CU48C	1225	40.5	30.2	13.00	11.25
TC3B4223S	TL9E060B12UH11	17.5	CF/CM/CU60C	1225	40.0	29.6	13.00	11.25
TC3B4223S	TL9E080C16UH11	21.0	CF/CM/CU42C	1250	41.0	31.0	13.75	11.75
TC3B4223S	TL9E080C16UH11	21.0	CF/CM/CU48C	1250	41.0	30.9	13.75	11.75
TC3B4223S	TL9E080C16UH11	21.0	CF/CM/CU48D	1275	41.0	31.1	13.75	12.00
TC3B4223S	TL9E080C16UH11	21.0	CF/CM/CU60C	1250	40.5	30.2	13.75	11.75
TC3B4223S	TL9E080C16UH11	21.0	CF/CM/CU60D	1275	40.5	30.4	13.75	11.75
TC3B4223S	TL9E080C16UH11	21.0	CF/CM42D	1275	41.0	30.9	13.75	12.00
TC3B4223S	TL9E080C16UH11	21.0	CF/CM64D	1250	42.0	31.4	13.75	12.00

COOLING CAPACITY - With High Efficiency Motor Furnaces¹ (Continued)

UNIT MODEL	FURNACE		COIL MODEL ²	COOLING				
	MODEL	WIDTH		RATED CFM	NET MBH		SEER	EER
					TOTAL	SENS.		
TC3B4223S	TL9E100C20UH11	21.0	CF/CM/CU42C	1225	41.0	30.6	14.25	12.25
TC3B4223S	TL9E100C20UH11	21.0	CF/CM/CU48C	1225	41.5	31.1	14.25	12.25
TC3B4223S	TL9E100C20UH11	21.0	CF/CM/CU48D	1250	40.5	30.9	13.75	11.75
TC3B4223S	TL9E100C20UH11	21.0	CF/CM/CU60C	1225	41.0	30.4	14.25	12.00
TC3B4223S	TL9E100C20UH11	21.0	CF/CM/CU60D	1250	41.0	30.6	14.25	12.25
TC3B4223S	TL9E100C20UH11	21.0	CF/CM42D	1250	41.0	31.0	14.25	12.25
TC3B4223S	TL9E100C20UH11	21.0	CF/CM64D	1225	42.0	31.3	14.25	12.50
TC3B4223S	TM8E080B12MP11	17.5	CF/CM/CU42C	1250	40.5	30.6	13.50	11.50
TC3B4223S	TM8E080B12MP11	17.5	CF/CM/CU48C	1250	41.0	31.0	13.50	11.75
TC3B4223S	TM8E080B12MP11	17.5	CF/CM/CU60C	1250	40.5	30.2	13.50	11.50
TC3B4223S	TM8E080C16MP11	21.0	CF/CM/CU42C	1275	41.5	31.4	14.00	12.00
TC3B4223S	TM8E080C16MP11	21.0	CF/CM/CU48C	1275	41.5	31.6	14.00	12.00
TC3B4223S	TM8E080C16MP11	21.0	CF/CM/CU48D	1300	41.5	31.6	14.00	12.00
TC3B4223S	TM8E080C16MP11	21.0	CF/CM/CU60C	1275	41.0	30.9	14.00	12.00
TC3B4223S	TM8E080C16MP11	21.0	CF/CM/CU60D	1300	41.0	31.0	14.00	12.00
TC3B4223S	TM8E080C16MP11	21.0	CF/CM42D	1300	41.5	31.6	14.00	12.00
TC3B4223S	TM8E080C16MP11	21.0	CF/CM64D	1275	42.0	31.6	14.00	12.25
TC3B4223S	TM8E080C20MP11	21.0	CF/CM/CU42C	1250	41.0	31.0	14.25	12.25
TC3B4223S	TM8E080C20MP11	21.0	CF/CM/CU48C	1250	41.0	30.9	14.25	12.25
TC3B4223S	TM8E080C20MP11	21.0	CF/CM/CU48D	1275	41.5	31.5	14.25	12.25
TC3B4223S	TM8E080C20MP11	21.0	CF/CM/CU60C	1250	41.0	30.6	14.25	12.00
TC3B4223S	TM8E080C20MP11	21.0	CF/CM/CU60D	1275	41.0	30.9	14.25	12.25
TC3B4223S	TM8E080C20MP11	21.0	CF/CM42D	1275	41.5	31.3	14.25	12.25
TC3B4223S	TM8E080C20MP11	21.0	CF/CM64D	1250	42.0	31.3	14.25	12.50
TC3B4223S	TM8E100B12MP11	17.5	CF/CM/CU42C	1250	40.5	30.6	13.50	11.75
TC3B4223S	TM8E100B12MP11	17.5	CF/CM/CU48C	1250	41.0	31.0	13.50	11.75
TC3B4223S	TM8E100B12MP11	17.5	CF/CM/CU60C	1250	40.5	30.2	13.50	11.75
TC3B4223S	TM8E100C16MP11	21.0	CF/CM/CU42C	1300	41.5	31.6	13.75	12.00
TC3B4223S	TM8E100C16MP11	21.0	CF/CM/CU48C	1300	41.5	31.7	13.75	12.00
TC3B4223S	TM8E100C16MP11	21.0	CF/CM/CU48D	1325	41.5	32.0	14.00	12.00
TC3B4223S	TM8E100C16MP11	21.0	CF/CM/CU60C	1300	41.0	31.0	13.75	12.00
TC3B4223S	TM8E100C16MP11	21.0	CF/CM/CU60D	1325	41.0	31.2	14.00	12.00
TC3B4223S	TM8E100C16MP11	21.0	CF/CM42D	1325	41.5	31.9	14.00	12.00
TC3B4223S	TM8E100C16MP11	21.0	CF/CM64D	1325	42.0	32.3	14.00	12.25
TC3B4223S	TM8E100C20MP11	21.0	CF/CM/CU42C	1250	41.0	31.0	14.25	12.25
TC3B4223S	TM8E100C20MP11	21.0	CF/CM/CU48C	1250	41.0	30.9	14.25	12.25
TC3B4223S	TM8E100C20MP11	21.0	CF/CM/CU48D	1275	41.5	31.5	14.25	12.25
TC3B4223S	TM8E100C20MP11	21.0	CF/CM/CU60C	1250	41.0	30.6	14.25	12.00
TC3B4223S	TM8E100C20MP11	21.0	CF/CM/CU60D	1275	41.0	30.9	14.25	12.25
TC3B4223S	TM8E100C20MP11	21.0	CF/CM42D	1275	41.5	31.3	14.25	12.25
TC3B4223S	TM8E100C20MP11	21.0	CF/CM64D	1250	42.0	31.3	14.25	12.50
TC3B4223S	TM8E120C16MP11	21.0	CF/CM/CU42C	1300	41.5	31.6	14.00	12.00
TC3B4223S	TM8E120C16MP11	21.0	CF/CM/CU48C	1325	41.5	32.0	14.00	12.00
TC3B4223S	TM8E120C16MP11	21.0	CF/CM/CU48D	1325	41.5	32.0	14.00	12.00
TC3B4223S	TM8E120C16MP11	21.0	CF/CM/CU60C	1300	41.0	31.0	13.75	12.00
TC3B4223S	TM8E120C16MP11	21.0	CF/CM/CU60D	1325	41.0	31.2	14.00	12.00
TC3B4223S	TM8E120C16MP11	21.0	CF/CM42D	1325	41.5	31.9	14.00	12.00
TC3B4223S	TM8E120C16MP11	21.0	CF/CM64D	1325	42.0	32.2	14.00	12.25
TC3B4223S	TM8E120C20MP11	21.0	CF/CM/CU42C	1275	41.5	31.4	14.00	12.25
TC3B4223S	TM8E120C20MP11	21.0	CF/CM/CU48C	1300	41.5	31.6	14.25	12.25
TC3B4223S	TM8E120C20MP11	21.0	CF/CM/CU48D	1300	41.5	31.6	14.25	12.25
TC3B4223S	TM8E120C20MP11	21.0	CF/CM/CU60C	1275	41.0	30.9	14.00	12.00
TC3B4223S	TM8E120C20MP11	21.0	CF/CM/CU60D	1325	41.5	31.6	14.25	12.25

COOLING CAPACITY - With High Efficiency Motor Furnaces¹ (Continued)

UNIT MODEL	FURNACE		COIL MODEL ²	COOLING				
	MODEL	WIDTH		RATED CFM	NET MBH		SEER	EER
					TOTAL	SENS.		
TC3B4223S	TM8E120C20MP11	21.0	CF/CM42D	1300	41.5	31.6	14.25	12.25
TC3B4223S	TM8E120C20MP11	21.0	CF/CM64D	1300	42.0	32.0	14.00	12.50
TC3B4223S	TM8E130D20MP11	24.5	CF/CM/CU48D	1300	41.5	31.6	14.25	12.25
TC3B4223S	TM8E130D20MP11	24.5	CF/CM/CU60D	1325	41.5	31.6	14.25	12.25
TC3B4223S	TM8E130D20MP11	24.5	CF/CM42D	1300	41.5	31.6	14.25	12.25
TC3B4223S	TM8E130D20MP11	24.5	CF/CM64D	1300	42.0	32.5	14.00	12.50
TC3B4223S	TM8V080C16MP11C	21.0	CF/CM/CU42C	1200	40.5	30.1	14.00	12.00
TC3B4223S	TM8V080C16MP11C	21.0	CF/CM/CU48C	1200	41.0	30.4	14.00	12.00
TC3B4223S	TM8V080C16MP11C	21.0	CF/CM/CU48D	1275	41.5	31.6	14.00	12.00
TC3B4223S	TM8V080C16MP11C	21.0	CF/CM/CU60C	1200	40.5	29.9	14.00	12.00
TC3B4223S	TM8V080C16MP11C	21.0	CF/CM/CU60D	1275	41.0	30.9	14.00	12.00
TC3B4223S	TM8V080C16MP11C	21.0	CF/CM42D	1275	41.5	31.4	14.00	12.00
TC3B4223S	TM8V080C16MP11C	21.0	CF/CM64D	1275	42.0	31.6	13.75	12.25
TC3B4223S	TM8V080C16MP12C	21.0	CF/CM/CU42C	1200	40.5	30.1	14.00	12.00
TC3B4223S	TM8V080C16MP12C	21.0	CF/CM/CU48C	1200	41.0	30.4	14.00	12.00
TC3B4223S	TM8V080C16MP12C	21.0	CF/CM/CU48D	1275	41.5	31.6	14.00	12.00
TC3B4223S	TM8V080C16MP12C	21.0	CF/CM/CU60C	1200	40.5	29.9	14.00	12.00
TC3B4223S	TM8V080C16MP12C	21.0	CF/CM/CU60D	1275	41.0	30.9	14.00	12.00
TC3B4223S	TM8V080C16MP12C	21.0	CF/CM42D	1275	41.5	31.4	14.00	12.00
TC3B4223S	TM8V080C16MP12C	21.0	CF/CM64D	1275	42.0	31.6	13.75	12.25
TC3B4223S	TM8V100C16MP11C	21.0	CF/CM/CU42C	1200	40.5	30.1	14.00	12.00
TC3B4223S	TM8V100C16MP11C	21.0	CF/CM/CU48C	1200	41.0	30.4	14.00	12.00
TC3B4223S	TM8V100C16MP11C	21.0	CF/CM/CU48D	1275	41.5	31.6	14.00	12.00
TC3B4223S	TM8V100C16MP11C	21.0	CF/CM/CU60C	1200	40.5	29.9	14.00	12.00
TC3B4223S	TM8V100C16MP11C	21.0	CF/CM/CU60D	1275	41.0	30.9	14.00	12.00
TC3B4223S	TM8V100C16MP11C	21.0	CF/CM42D	1275	41.5	31.4	14.00	12.00
TC3B4223S	TM8V100C16MP11C	21.0	CF/CM64D	1275	42.0	31.6	13.75	12.25
TC3B4223S	TM8V100C16MP12C	21.0	CF/CM/CU42C	1200	40.5	30.1	14.00	12.00
TC3B4223S	TM8V100C16MP12C	21.0	CF/CM/CU48C	1200	41.0	30.4	14.00	12.00
TC3B4223S	TM8V100C16MP12C	21.0	CF/CM/CU48D	1275	41.5	31.6	14.00	12.00
TC3B4223S	TM8V100C16MP12C	21.0	CF/CM/CU60C	1200	40.5	29.9	14.00	12.00
TC3B4223S	TM8V100C16MP12C	21.0	CF/CM/CU60D	1275	41.0	30.9	14.00	12.00
TC3B4223S	TM8V100C16MP12C	21.0	CF/CM42D	1275	41.5	31.4	14.00	12.00
TC3B4223S	TM8V100C16MP12C	21.0	CF/CM64D	1275	42.0	31.6	13.75	12.25
TC3B4223S	TM8V100C20MP11C	21.0	CF/CM/CU42C	1325	41.5	31.9	14.00	12.25
TC3B4223S	TM8V100C20MP11C	21.0	CF/CM/CU48C	1375	42.0	32.6	14.00	12.00
TC3B4223S	TM8V100C20MP11C	21.0	CF/CM/CU48D	1375	42.0	32.5	14.00	12.25
TC3B4223S	TM8V100C20MP11C	21.0	CF/CM/CU60C	1225	41.0	30.4	14.00	12.00
TC3B4223S	TM8V100C20MP11C	21.0	CF/CM/CU60D	1325	41.5	31.6	14.25	12.25
TC3B4223S	TM8V100C20MP11C	21.0	CF/CM42D	1325	41.5	31.9	14.25	12.25
TC3B4223S	TM8V100C20MP11C	21.0	CF/CM64D	1325	42.0	32.7	14.25	12.50
TC3B4223S	TM8V100C20MP12C	21.0	CF/CM/CU42C	1325	41.5	31.9	14.00	12.25
TC3B4223S	TM8V100C20MP12C	21.0	CF/CM/CU48C	1375	42.0	32.6	14.00	12.00
TC3B4223S	TM8V100C20MP12C	21.0	CF/CM/CU48D	1375	42.0	32.5	14.00	12.25
TC3B4223S	TM8V100C20MP12C	21.0	CF/CM/CU60C	1225	41.0	30.4	14.00	12.00
TC3B4223S	TM8V100C20MP12C	21.0	CF/CM/CU60D	1325	41.5	31.6	14.25	12.25
TC3B4223S	TM8V100C20MP12C	21.0	CF/CM42D	1325	41.5	31.9	14.25	12.25
TC3B4223S	TM8V100C20MP12C	21.0	CF/CM64D	1325	42.0	32.7	14.25	12.50
TC3B4223S	TM8V120C20MP11C	21.0	CF/CM/CU42C	1325	41.5	31.9	14.00	12.25
TC3B4223S	TM8V120C20MP11C	21.0	CF/CM/CU48C	1375	42.0	32.6	14.00	12.00
TC3B4223S	TM8V120C20MP11C	21.0	CF/CM/CU48D	1375	42.0	32.5	14.00	12.25
TC3B4223S	TM8V120C20MP11C	21.0	CF/CM/CU60C	1225	41.0	30.4	14.00	12.00
TC3B4223S	TM8V120C20MP11C	21.0	CF/CM/CU60D	1325	41.5	31.6	14.25	12.25

COOLING CAPACITY - With High Efficiency Motor Furnaces¹ (Continued)

UNIT MODEL	FURNACE		COIL MODEL ²	COOLING				
	MODEL	WIDTH		RATED CFM	NET MBH		SEER	EER
					TOTAL	SENS.		
TC3B4223S	TM8V120C20MP11C	21.0	CF/CM42D	1325	41.5	31.9	14.25	12.25
TC3B4223S	TM8V120C20MP11C	21.0	CF/CM64D	1325	42.0	32.7	14.25	12.50
TC3B4223S	TM8V120C20MP12C	21.0	CF/CM/CU42C	1325	41.5	31.9	14.00	12.25
TC3B4223S	TM8V120C20MP12C	21.0	CF/CM/CU48C	1375	42.0	32.6	14.00	12.00
TC3B4223S	TM8V120C20MP12C	21.0	CF/CM/CU48D	1375	42.0	32.5	14.00	12.25
TC3B4223S	TM8V120C20MP12C	21.0	CF/CM/CU60C	1225	41.0	30.4	14.00	12.00
TC3B4223S	TM8V120C20MP12C	21.0	CF/CM/CU60D	1325	41.5	31.6	14.25	12.25
TC3B4223S	TM8V120C20MP12C	21.0	CF/CM42D	1325	41.5	31.9	14.25	12.25
TC3B4223S	TM8V120C20MP12C	21.0	CF/CM64D	1325	42.0	32.7	14.25	12.50
TC3B4223S	TM8X080B12MP11	17.5	CF/CM/CU42C	1200	40.5	30.1	13.50	11.75
TC3B4223S	TM8X080B12MP11	17.5	CF/CM/CU48C	1200	40.5	30.0	13.75	11.75
TC3B4223S	TM8X080B12MP11	17.5	CF/CM/CU60C	1200	40.5	29.9	13.50	11.75
TC3B4223S	TM8X080C16MP11	21.0	CF/CM/CU42C	1375	41.0	32.3	13.75	11.75
TC3B4223S	TM8X080C16MP11	21.0	CF/CM/CU48C	1375	41.5	32.1	13.75	11.75
TC3B4223S	TM8X080C16MP11	21.0	CF/CM/CU48D	1400	41.5	32.5	13.75	12.00
TC3B4223S	TM8X080C16MP11	21.0	CF/CM/CU60C	1375	41.0	31.6	13.75	11.75
TC3B4223S	TM8X080C16MP11	21.0	CF/CM/CU60D	1175	40.5	29.4	14.25	12.00
TC3B4223S	TM8X080C16MP11	21.0	CF/CM42D	1175	41.0	30.0	14.25	12.25
TC3B4223S	TM8X080C16MP11	21.0	CF/CM64D	1375	42.0	33.2	13.50	12.00
TC3B4223S	TM8X100C16MP11	21.0	CF/CM/CU42C	1375	41.0	32.3	13.75	11.75
TC3B4223S	TM8X100C16MP11	21.0	CF/CM/CU48C	1375	41.5	32.1	13.75	11.75
TC3B4223S	TM8X100C16MP11	21.0	CF/CM/CU48D	1400	41.5	32.5	13.75	12.00
TC3B4223S	TM8X100C16MP11	21.0	CF/CM/CU60C	1375	41.0	31.6	13.75	11.75
TC3B4223S	TM8X100C16MP11	21.0	CF/CM/CU60D	1175	40.5	29.4	14.25	12.00
TC3B4223S	TM8X100C16MP11	21.0	CF/CM42D	1175	41.0	30.0	14.25	12.25
TC3B4223S	TM8X100C16MP11	21.0	CF/CM64D	1375	42.0	33.2	13.50	12.00
TC3B4223S	TM8X100C20MP11	21.0	CF/CM/CU42C	1225	41.0	30.6	14.25	12.25
TC3B4223S	TM8X100C20MP11	21.0	CF/CM/CU48C	1225	41.5	31.1	14.25	12.25
TC3B4223S	TM8X100C20MP11	21.0	CF/CM/CU48D	1250	41.0	30.9	14.25	12.25
TC3B4223S	TM8X100C20MP11	21.0	CF/CM/CU60C	1225	41.0	30.4	14.25	12.25
TC3B4223S	TM8X100C20MP11	21.0	CF/CM/CU60D	1250	41.0	30.6	14.25	12.25
TC3B4223S	TM8X100C20MP11	21.0	CF/CM42D	1250	41.0	31.0	14.25	12.25
TC3B4223S	TM8X100C20MP11	21.0	CF/CM64D	1225	42.0	31.3	14.25	12.50
TC3B4223S	TM8X120C20MP11	21.0	CF/CM/CU42C	1225	41.0	30.6	14.25	12.25
TC3B4223S	TM8X120C20MP11	21.0	CF/CM/CU48C	1225	41.5	31.1	14.25	12.25
TC3B4223S	TM8X120C20MP11	21.0	CF/CM/CU48D	1250	41.0	30.9	14.25	12.25
TC3B4223S	TM8X120C20MP11	21.0	CF/CM/CU60C	1225	41.0	30.4	14.25	12.25
TC3B4223S	TM8X120C20MP11	21.0	CF/CM/CU60D	1250	41.0	30.6	14.25	12.25
TC3B4223S	TM8X120C20MP11	21.0	CF/CM42D	1250	41.0	31.0	14.25	12.25
TC3B4223S	TM8X120C20MP11	21.0	CF/CM64D	1225	42.0	31.3	14.25	12.50
TC3B4223S	TM8Y080B12MP11	17.5	CF/CM/CU42C	1200	40.5	30.1	13.50	11.75
TC3B4223S	TM8Y080B12MP11	17.5	CF/CM/CU48C	1200	40.5	30.0	13.75	11.75
TC3B4223S	TM8Y080B12MP11	17.5	CF/CM/CU60C	1200	40.5	29.9	13.50	11.75
TC3B4223S	TM8Y080C16MP11	21.0	CF/CM/CU42C	1375	41.0	32.3	13.75	11.75
TC3B4223S	TM8Y080C16MP11	21.0	CF/CM/CU48C	1375	41.5	32.1	13.75	11.75
TC3B4223S	TM8Y080C16MP11	21.0	CF/CM/CU48D	1400	41.5	32.5	13.75	12.00
TC3B4223S	TM8Y080C16MP11	21.0	CF/CM/CU60C	1375	41.0	31.6	13.75	11.75
TC3B4223S	TM8Y080C16MP11	21.0	CF/CM/CU60D	1175	40.5	29.4	14.25	12.00
TC3B4223S	TM8Y080C16MP11	21.0	CF/CM42D	1175	41.0	30.0	14.25	12.25
TC3B4223S	TM8Y080C16MP11	21.0	CF/CM64D	1375	42.0	33.2	13.50	12.00
TC3B4223S	TM8Y100C16MP11	21.0	CF/CM/CU42C	1375	41.0	32.3	13.75	11.75
TC3B4223S	TM8Y100C16MP11	21.0	CF/CM/CU48C	1375	41.5	32.1	13.75	11.75
TC3B4223S	TM8Y100C16MP11	21.0	CF/CM/CU48D	1400	41.5	32.5	13.75	12.00

COOLING CAPACITY - With High Efficiency Motor Furnaces¹ (Continued)

UNIT MODEL	FURNACE		COIL MODEL ²	COOLING				
	MODEL	WIDTH		RATED CFM	NET MBH		SEER	EER
					TOTAL	SENS.		
TC3B4223S	TM8Y100C16MP11	21.0	CF/CM/CU60C	1375	41.0	31.6	13.75	11.75
TC3B4223S	TM8Y100C16MP11	21.0	CF/CM/CU60D	1175	40.5	29.4	14.25	12.00
TC3B4223S	TM8Y100C16MP11	21.0	CF/CM42D	1175	41.0	30.0	14.25	12.25
TC3B4223S	TM8Y100C16MP11	21.0	CF/CM64D	1375	42.0	33.2	13.50	12.00
TC3B4223S	TM8Y100C20MP11	21.0	CF/CM/CU42C	1225	41.0	30.6	14.25	12.25
TC3B4223S	TM8Y100C20MP11	21.0	CF/CM/CU48C	1225	41.5	31.1	14.25	12.25
TC3B4223S	TM8Y100C20MP11	21.0	CF/CM/CU48D	1250	41.0	30.9	14.25	12.25
TC3B4223S	TM8Y100C20MP11	21.0	CF/CM/CU60C	1225	41.0	30.4	14.25	12.25
TC3B4223S	TM8Y100C20MP11	21.0	CF/CM/CU60D	1250	41.0	30.6	14.25	12.25
TC3B4223S	TM8Y100C20MP11	21.0	CF/CM42D	1250	41.0	31.0	14.25	12.25
TC3B4223S	TM8Y100C20MP11	21.0	CF/CM64D	1225	42.0	31.3	14.25	12.50
TC3B4223S	TM8Y120C20MP11	21.0	CF/CM/CU42C	1225	41.0	30.6	14.25	12.25
TC3B4223S	TM8Y120C20MP11	21.0	CF/CM/CU48C	1225	41.5	31.1	14.25	12.25
TC3B4223S	TM8Y120C20MP11	21.0	CF/CM/CU48D	1250	41.0	30.9	14.25	12.25
TC3B4223S	TM8Y120C20MP11	21.0	CF/CM/CU60C	1225	41.0	30.4	14.25	12.25
TC3B4223S	TM8Y120C20MP11	21.0	CF/CM/CU60D	1250	41.0	30.6	14.25	12.25
TC3B4223S	TM8Y120C20MP11	21.0	CF/CM42D	1250	41.0	31.0	14.25	12.25
TC3B4223S	TM8Y120C20MP11	21.0	CF/CM64D	1225	42.0	31.3	14.25	12.50
TC3B4223S	TM9E060B12MP12	17.5	CF/CM/CU42C	1225	40.5	30.3	13.00	11.25
TC3B4223S	TM9E060B12MP12	17.5	CF/CM/CU48C	1225	40.5	30.2	13.00	11.25
TC3B4223S	TM9E060B12MP12	17.5	CF/CM/CU60C	1225	40.0	29.5	13.00	11.25
TC3B4223S	TM9E080B12MP11	17.5	CF/CM/CU42C	1175	40.5	29.6	13.50	11.75
TC3B4223S	TM9E080B12MP11	17.5	CF/CM/CU48C	1200	40.5	30.0	13.50	11.75
TC3B4223S	TM9E080B12MP11	17.5	CF/CM/CU60C	1175	40.5	29.5	13.50	11.50
TC3B4223S	TM9E080B12MP12	17.5	CF/CM/CU42C	1250	40.5	30.6	13.50	11.50
TC3B4223S	TM9E080B12MP12	17.5	CF/CM/CU48C	1250	40.5	30.5	13.50	11.50
TC3B4223S	TM9E080B12MP12	17.5	CF/CM/CU60C	1250	40.5	30.2	13.25	11.50
TC3B4223S	TM9E080C16MP11	21.0	CF/CM/CU42C	1250	41.0	31.1	13.50	11.75
TC3B4223S	TM9E080C16MP11	21.0	CF/CM/CU48C	1275	41.0	31.1	13.75	11.75
TC3B4223S	TM9E080C16MP11	21.0	CF/CM/CU48D	1275	41.0	31.1	13.75	11.75
TC3B4223S	TM9E080C16MP11	21.0	CF/CM/CU60C	1250	40.5	30.2	13.50	11.75
TC3B4223S	TM9E080C16MP11	21.0	CF/CM/CU60D	1275	40.5	30.5	13.75	11.75
TC3B4223S	TM9E080C16MP11	21.0	CF/CM42D	1275	41.0	30.9	13.75	11.75
TC3B4223S	TM9E080C16MP11	21.0	CF/CM64D	1275	42.0	31.6	13.75	12.00
TC3B4223S	TM9E080C16MP12	21.0	CF/CM/CU42C	1275	41.0	30.9	13.75	11.75
TC3B4223S	TM9E080C16MP12	21.0	CF/CM/CU48C	1275	41.0	31.1	13.75	11.75
TC3B4223S	TM9E080C16MP12	21.0	CF/CM/CU48D	1275	41.0	31.1	13.75	12.00
TC3B4223S	TM9E080C16MP12	21.0	CF/CM/CU60C	1275	40.5	30.4	13.75	11.75
TC3B4223S	TM9E080C16MP12	21.0	CF/CM/CU60D	1275	40.5	30.4	13.75	11.75
TC3B4223S	TM9E080C16MP12	21.0	CF/CM42D	1275	41.0	30.9	13.75	12.00
TC3B4223S	TM9E080C16MP12	21.0	CF/CM64D	1275	42.0	31.6	13.75	12.00
TC3B4223S	TM9E080C20MP12	21.0	CF/CM/CU42C	1225	41.0	30.6	14.25	12.25
TC3B4223S	TM9E080C20MP12	21.0	CF/CM/CU48C	1225	41.5	31.1	14.25	12.25
TC3B4223S	TM9E080C20MP12	21.0	CF/CM/CU48D	1250	41.0	30.9	14.25	12.25
TC3B4223S	TM9E080C20MP12	21.0	CF/CM/CU60C	1225	41.0	30.4	14.00	12.00
TC3B4223S	TM9E080C20MP12	21.0	CF/CM/CU60D	1450	41.5	32.9	14.00	12.00
TC3B4223S	TM9E080C20MP12	21.0	CF/CM42D	1250	41.0	31.0	14.25	12.25
TC3B4223S	TM9E080C20MP12	21.0	CF/CM64D	1250	42.0	31.3	14.25	12.50
TC3B4223S	TM9E100C16MP11	21.0	CF/CM/CU42C	1275	41.0	30.9	13.75	12.00
TC3B4223S	TM9E100C16MP11	21.0	CF/CM/CU48C	1275	41.0	31.1	13.75	12.00
TC3B4223S	TM9E100C16MP11	21.0	CF/CM/CU48D	1175	40.5	29.8	14.00	12.00
TC3B4223S	TM9E100C16MP11	21.0	CF/CM/CU60C	1275	40.5	30.4	13.75	11.75
TC3B4223S	TM9E100C16MP11	21.0	CF/CM/CU60D	1175	40.5	29.4	14.00	12.00

COOLING CAPACITY - With High Efficiency Motor Furnaces¹ (Continued)

UNIT MODEL	FURNACE		COIL MODEL ²	COOLING				
	MODEL	WIDTH		RATED CFM	NET MBH		SEER	EER
					TOTAL	SENS.		
TC3B4223S	TM9E100C16MP11	21.0	CF/CM42D	1175	41.0	30.0	14.00	12.00
TC3B4223S	TM9E100C16MP11	21.0	CF/CM64D	1275	42.0	31.6	13.75	12.25
TC3B4223S	TM9E100C16MP12	21.0	CF/CM/CU42C	1275	41.0	30.9	13.75	12.00
TC3B4223S	TM9E100C16MP12	21.0	CF/CM/CU48C	1275	41.0	31.1	13.75	12.00
TC3B4223S	TM9E100C16MP12	21.0	CF/CM/CU48D	1300	41.5	31.7	13.75	12.00
TC3B4223S	TM9E100C16MP12	21.0	CF/CM/CU60C	1275	40.5	30.4	13.75	11.75
TC3B4223S	TM9E100C16MP12	21.0	CF/CM/CU60D	1300	41.0	31.0	13.75	12.00
TC3B4223S	TM9E100C16MP12	21.0	CF/CM42D	1300	41.5	31.6	13.75	12.00
TC3B4223S	TM9E100C16MP12	21.0	CF/CM64D	1275	42.0	31.6	13.75	12.25
TC3B4223S	TM9E100C20MP11	21.0	CF/CM/CU42C	1175	41.0	30.0	14.00	12.00
TC3B4223S	TM9E100C20MP11	21.0	CF/CM/CU48C	1175	40.5	29.8	14.00	12.00
TC3B4223S	TM9E100C20MP11	21.0	CF/CM/CU48D	1200	41.0	30.4	14.00	12.00
TC3B4223S	TM9E100C20MP11	21.0	CF/CM/CU60C	1175	40.5	29.4	14.00	12.00
TC3B4223S	TM9E100C20MP11	21.0	CF/CM/CU60D	1575	41.5	34.3	13.25	11.50
TC3B4223S	TM9E100C20MP11	21.0	CF/CM42D	1200	41.0	30.5	14.00	12.00
TC3B4223S	TM9E100C20MP11	21.0	CF/CM64D	1175	41.5	30.4	14.00	12.25
TC3B4223S	TM9E100C20MP12	21.0	CF/CM/CU42C	1225	41.0	30.6	14.25	12.25
TC3B4223S	TM9E100C20MP12	21.0	CF/CM/CU48C	1225	41.5	31.1	14.25	12.25
TC3B4223S	TM9E100C20MP12	21.0	CF/CM/CU48D	1225	41.5	31.1	14.25	12.25
TC3B4223S	TM9E100C20MP12	21.0	CF/CM/CU60C	1225	41.0	30.4	14.25	12.25
TC3B4223S	TM9E100C20MP12	21.0	CF/CM/CU60D	1250	41.0	30.6	14.25	12.25
TC3B4223S	TM9E100C20MP12	21.0	CF/CM42D	1225	41.0	30.6	14.25	12.25
TC3B4223S	TM9E100C20MP12	21.0	CF/CM64D	1225	42.0	31.3	14.25	12.50
TC3B4223S	TM9E120D20MP11	24.5	CF/CM/CU48D	1250	41.0	30.9	14.25	12.25
TC3B4223S	TM9E120D20MP11	24.5	CF/CM/CU60D	1250	41.0	30.6	14.25	12.25
TC3B4223S	TM9E120D20MP11	24.5	CF/CM42D	1250	41.0	31.0	14.25	12.25
TC3B4223S	TM9E120D20MP11	24.5	CF/CM64D	1250	42.0	31.3	14.25	12.50
TC3B4223S	TM9E120D20MP12	24.5	CF/CM/CU48D	1250	41.0	30.9	14.25	12.25
TC3B4223S	TM9E120D20MP12	24.5	CF/CM/CU60D	1250	41.0	30.6	14.00	12.00
TC3B4223S	TM9E120D20MP12	24.5	CF/CM42D	1250	41.0	31.0	14.25	12.25
TC3B4223S	TM9E120D20MP12	24.5	CF/CM64D	1250	42.0	31.3	14.25	12.50
TC3B4223S	TM9V080B12MP11C	17.5	CF/CM/CU42C	1250	40.5	30.6	13.25	11.50
TC3B4223S	TM9V080B12MP11C	17.5	CF/CM/CU48C	1250	40.5	30.5	13.25	11.50
TC3B4223S	TM9V080B12MP11C	17.5	CF/CM/CU60C	1250	40.5	30.2	13.25	11.50
TC3B4223S	TM9V080B12MP12C	17.5	CF/CM/CU42C	1250	40.5	30.6	13.25	11.50
TC3B4223S	TM9V080B12MP12C	17.5	CF/CM/CU48C	1250	40.5	30.5	13.25	11.50
TC3B4223S	TM9V080B12MP12C	17.5	CF/CM/CU60C	1250	40.5	30.2	13.25	11.50
TC3B4223S	TM9V080C16MP11C	21.0	CF/CM/CU42C	1225	41.0	30.7	13.75	11.75
TC3B4223S	TM9V080C16MP11C	21.0	CF/CM/CU48C	1225	41.0	30.6	13.75	11.75
TC3B4223S	TM9V080C16MP11C	21.0	CF/CM/CU48D	1225	41.0	30.6	13.75	12.00
TC3B4223S	TM9V080C16MP11C	21.0	CF/CM/CU60C	1225	40.5	30.0	13.75	11.75
TC3B4223S	TM9V080C16MP11C	21.0	CF/CM/CU60D	1225	40.5	29.9	13.75	11.75
TC3B4223S	TM9V080C16MP11C	21.0	CF/CM42D	1225	41.0	30.7	13.75	11.75
TC3B4223S	TM9V080C16MP11C	21.0	CF/CM64D	1225	41.5	30.8	13.75	12.00
TC3B4223S	TM9V080C16MP12C	21.0	CF/CM/CU42C	1225	41.0	30.7	13.75	11.75
TC3B4223S	TM9V080C16MP12C	21.0	CF/CM/CU48C	1225	41.0	30.6	13.75	11.75
TC3B4223S	TM9V080C16MP12C	21.0	CF/CM/CU48D	1225	41.0	30.6	13.75	12.00
TC3B4223S	TM9V080C16MP12C	21.0	CF/CM/CU60C	1225	40.5	30.0	13.75	11.75
TC3B4223S	TM9V080C16MP12C	21.0	CF/CM/CU60D	1225	40.5	29.9	13.75	11.75
TC3B4223S	TM9V080C16MP12C	21.0	CF/CM42D	1225	41.0	30.7	13.75	11.75
TC3B4223S	TM9V080C16MP12C	21.0	CF/CM64D	1225	41.5	30.8	13.75	12.00
TC3B4223S	TM9V100C16MP11C	21.0	CF/CM/CU42C	1175	41.0	30.0	14.00	12.00
TC3B4223S	TM9V100C16MP11C	21.0	CF/CM/CU48C	1275	41.5	31.5	14.00	12.00

COOLING CAPACITY - With High Efficiency Motor Furnaces¹ (Continued)

UNIT MODEL	FURNACE		COIL MODEL ²	COOLING				
	MODEL	WIDTH		RATED CFM	NET MBH		SEER	EER
					TOTAL	SENS.		
TC3B4223S	TM9V100C16MP11C	21.0	CF/CM/CU48D	1200	41.0	30.4	14.00	12.00
TC3B4223S	TM9V100C16MP11C	21.0	CF/CM/CU60C	1175	40.5	29.4	14.00	12.00
TC3B4223S	TM9V100C16MP11C	21.0	CF/CM/CU60D	1175	40.5	29.4	14.25	12.00
TC3B4223S	TM9V100C16MP11C	21.0	CF/CM42D	1175	41.0	30.0	14.25	12.25
TC3B4223S	TM9V100C16MP11C	21.0	CF/CM64D	1225	42.0	31.3	14.00	12.25
TC3B4223S	TM9V100C16MP12C	21.0	CF/CM/CU42C	1175	41.0	30.0	14.00	12.00
TC3B4223S	TM9V100C16MP12C	21.0	CF/CM/CU48C	1275	41.5	31.5	14.00	12.00
TC3B4223S	TM9V100C16MP12C	21.0	CF/CM/CU48D	1200	41.0	30.4	14.00	12.00
TC3B4223S	TM9V100C16MP12C	21.0	CF/CM/CU60C	1175	40.5	29.4	14.00	12.00
TC3B4223S	TM9V100C16MP12C	21.0	CF/CM/CU60D	1175	40.5	29.4	14.25	12.00
TC3B4223S	TM9V100C16MP12C	21.0	CF/CM42D	1175	41.0	30.0	14.25	12.25
TC3B4223S	TM9V100C16MP12C	21.0	CF/CM64D	1225	42.0	31.3	14.00	12.25
TC3B4223S	TM9V100C20MP11C	21.0	CF/CM/CU42C	1225	41.0	30.6	14.00	12.00
TC3B4223S	TM9V100C20MP11C	21.0	CF/CM/CU48C	1225	41.0	30.6	14.00	12.00
TC3B4223S	TM9V100C20MP11C	21.0	CF/CM/CU48D	1225	41.0	30.6	14.00	12.25
TC3B4223S	TM9V100C20MP11C	21.0	CF/CM/CU60C	1225	40.5	29.9	14.00	12.00
TC3B4223S	TM9V100C20MP11C	21.0	CF/CM/CU60D	1225	41.0	30.4	14.00	12.00
TC3B4223S	TM9V100C20MP11C	21.0	CF/CM42D	1225	41.0	30.6	14.00	12.00
TC3B4223S	TM9V100C20MP11C	21.0	CF/CM64D	1225	42.0	31.3	14.00	12.25
TC3B4223S	TM9V100C20MP12C	21.0	CF/CM/CU42C	1225	41.0	30.6	14.00	12.00
TC3B4223S	TM9V100C20MP12C	21.0	CF/CM/CU48C	1225	41.0	30.6	14.00	12.00
TC3B4223S	TM9V100C20MP12C	21.0	CF/CM/CU48D	1225	41.0	30.6	14.00	12.25
TC3B4223S	TM9V100C20MP12C	21.0	CF/CM/CU60C	1225	40.5	29.9	14.00	12.00
TC3B4223S	TM9V100C20MP12C	21.0	CF/CM/CU60D	1225	41.0	30.4	14.00	12.00
TC3B4223S	TM9V100C20MP12C	21.0	CF/CM42D	1225	41.0	30.6	14.00	12.00
TC3B4223S	TM9V100C20MP12C	21.0	CF/CM64D	1225	42.0	31.3	14.00	12.25
TC3B4223S	TM9V120D20MP11C	24.5	CF/CM/CU48D	1400	42.0	32.9	14.00	12.25
TC3B4223S	TM9V120D20MP11C	24.5	CF/CM/CU60D	1400	41.5	32.5	14.00	12.00
TC3B4223S	TM9V120D20MP11C	24.5	CF/CM42D	1300	41.5	31.6	14.25	12.25
TC3B4223S	TM9V120D20MP11C	24.5	CF/CM64D	1250	42.0	31.3	14.25	12.50
TC3B4223S	TM9V120D20MP12C	24.5	CF/CM/CU48D	1400	42.0	32.9	14.00	12.25
TC3B4223S	TM9V120D20MP12C	24.5	CF/CM/CU60D	1400	41.5	32.5	14.00	12.00
TC3B4223S	TM9V120D20MP12C	24.5	CF/CM42D	1300	41.5	31.6	14.25	12.25
TC3B4223S	TM9V120D20MP12C	24.5	CF/CM64D	1250	42.0	31.3	14.25	12.50
TC3B4223S	TM9Y080B12MP11	17.5	CF/CM/CU42C	1175	40.5	29.6	13.50	11.75
TC3B4223S	TM9Y080B12MP11	17.5	CF/CM/CU48C	1200	40.5	30.0	13.50	11.75
TC3B4223S	TM9Y080B12MP11	17.5	CF/CM/CU60C	1175	40.5	29.5	13.50	11.50
TC3B4223S	TM9Y080C16MP11	21.0	CF/CM/CU42C	1250	41.0	31.1	13.50	11.75
TC3B4223S	TM9Y080C16MP11	21.0	CF/CM/CU48C	1275	41.0	31.1	13.75	11.75
TC3B4223S	TM9Y080C16MP11	21.0	CF/CM/CU48D	1275	41.0	31.1	13.75	11.75
TC3B4223S	TM9Y080C16MP11	21.0	CF/CM/CU60C	1250	40.5	30.2	13.50	11.75
TC3B4223S	TM9Y080C16MP11	21.0	CF/CM/CU60D	1275	40.5	30.5	13.75	11.75
TC3B4223S	TM9Y080C16MP11	21.0	CF/CM42D	1275	41.0	30.9	13.75	11.75
TC3B4223S	TM9Y080C16MP11	21.0	CF/CM64D	1275	42.0	31.6	13.75	12.00
TC3B4223S	TM9Y100C16MP11	21.0	CF/CM/CU42C	1275	41.0	30.9	13.75	12.00
TC3B4223S	TM9Y100C16MP11	21.0	CF/CM/CU48C	1275	41.0	31.1	13.75	12.00
TC3B4223S	TM9Y100C16MP11	21.0	CF/CM/CU48D	1175	40.5	29.8	14.00	12.00
TC3B4223S	TM9Y100C16MP11	21.0	CF/CM/CU60C	1275	40.5	30.4	13.75	11.75
TC3B4223S	TM9Y100C16MP11	21.0	CF/CM/CU60D	1175	40.5	29.4	14.00	12.00
TC3B4223S	TM9Y100C16MP11	21.0	CF/CM42D	1175	41.0	30.0	14.00	12.00
TC3B4223S	TM9Y100C16MP11	21.0	CF/CM64D	1275	42.0	31.6	13.75	12.25
TC3B4223S	TM9Y100C20MP11	21.0	CF/CM/CU42C	1175	41.0	30.0	14.00	12.00
TC3B4223S	TM9Y100C20MP11	21.0	CF/CM/CU48C	1175	40.5	29.8	14.00	12.00

COOLING CAPACITY - With High Efficiency Motor Furnaces¹ (Continued)

UNIT MODEL	FURNACE		COIL MODEL ²	COOLING				
	MODEL	WIDTH		RATED CFM	NET MBH		SEER	EER
					TOTAL	SENS.		
TC3B4223S	TM9Y100C20MP11	21.0	CF/CM/CU48D	1200	41.0	30.4	14.00	12.00
TC3B4223S	TM9Y100C20MP11	21.0	CF/CM/CU60C	1175	40.5	29.4	14.00	12.00
TC3B4223S	TM9Y100C20MP11	21.0	CF/CM/CU60D	1575	41.5	34.3	13.25	11.50
TC3B4223S	TM9Y100C20MP11	21.0	CF/CM42D	1200	41.0	30.5	14.00	12.00
TC3B4223S	TM9Y100C20MP11	21.0	CF/CM64D	1175	41.5	30.4	14.00	12.25
TC3B4223S	TM9Y120D20MP11	24.5	CF/CM/CU48D	1250	41.0	30.9	14.25	12.25
TC3B4223S	TM9Y120D20MP11	24.5	CF/CM/CU60D	1250	41.0	30.6	14.25	12.25
TC3B4223S	TM9Y120D20MP11	24.5	CF/CM42D	1250	41.0	31.0	14.25	12.25
TC3B4223S	TM9Y120D20MP11	24.5	CF/CM64D	1250	42.0	31.3	14.25	12.50
TC3B4223S	TMLE080B12MP11	17.5	CF/CM/CU42C	1250	40.5	30.6	13.50	11.50
TC3B4223S	TMLE080B12MP11	17.5	CF/CM/CU48C	1250	41.0	31.0	13.50	11.75
TC3B4223S	TMLE080B12MP11	17.5	CF/CM/CU60C	1250	40.5	30.2	13.50	11.50
TC3B4223S	TMLE080C16MP11	21.0	CF/CM/CU42C	1275	41.5	31.4	14.00	12.00
TC3B4223S	TMLE080C16MP11	21.0	CF/CM/CU48C	1275	41.5	31.6	14.00	12.00
TC3B4223S	TMLE080C16MP11	21.0	CF/CM/CU48D	1300	41.5	31.6	14.00	12.00
TC3B4223S	TMLE080C16MP11	21.0	CF/CM/CU60C	1275	41.0	30.9	14.00	12.00
TC3B4223S	TMLE080C16MP11	21.0	CF/CM/CU60D	1300	41.0	31.0	14.00	12.00
TC3B4223S	TMLE080C16MP11	21.0	CF/CM42D	1300	41.5	31.6	14.00	12.00
TC3B4223S	TMLE080C16MP11	21.0	CF/CM64D	1275	42.0	31.6	14.00	12.25
TC3B4223S	TMLE080C20MP11	21.0	CF/CM/CU42C	1250	41.0	31.0	14.25	12.25
TC3B4223S	TMLE080C20MP11	21.0	CF/CM/CU48C	1250	41.0	30.9	14.25	12.25
TC3B4223S	TMLE080C20MP11	21.0	CF/CM/CU48D	1275	41.5	31.5	14.25	12.25
TC3B4223S	TMLE080C20MP11	21.0	CF/CM/CU60C	1250	41.0	30.6	14.25	12.00
TC3B4223S	TMLE080C20MP11	21.0	CF/CM/CU60D	1275	41.0	30.9	14.25	12.25
TC3B4223S	TMLE080C20MP11	21.0	CF/CM42D	1275	41.5	31.3	14.25	12.25
TC3B4223S	TMLE080C20MP11	21.0	CF/CM64D	1250	42.0	31.3	14.25	12.50
TC3B4223S	TMLE100B12MP11	17.5	CF/CM/CU42C	1250	40.5	30.6	13.50	11.75
TC3B4223S	TMLE100B12MP11	17.5	CF/CM/CU48C	1250	41.0	31.0	13.50	11.75
TC3B4223S	TMLE100B12MP11	17.5	CF/CM/CU60C	1250	40.5	30.2	13.50	11.75
TC3B4223S	TMLE100C16MP11	21.0	CF/CM/CU42C	1300	41.5	31.6	13.75	12.00
TC3B4223S	TMLE100C16MP11	21.0	CF/CM/CU48C	1300	41.5	31.7	13.75	12.00
TC3B4223S	TMLE100C16MP11	21.0	CF/CM/CU48D	1325	41.5	32.0	14.00	12.00
TC3B4223S	TMLE100C16MP11	21.0	CF/CM/CU60C	1300	41.0	31.0	13.75	12.00
TC3B4223S	TMLE100C16MP11	21.0	CF/CM/CU60D	1325	41.0	31.2	14.00	12.00
TC3B4223S	TMLE100C16MP11	21.0	CF/CM42D	1325	41.5	31.9	14.00	12.00
TC3B4223S	TMLE100C16MP11	21.0	CF/CM64D	1325	42.0	32.3	14.00	12.25
TC3B4223S	TMLE100C20MP11	21.0	CF/CM/CU42C	1250	41.0	31.0	14.25	12.25
TC3B4223S	TMLE100C20MP11	21.0	CF/CM/CU48C	1250	41.0	30.9	14.25	12.25
TC3B4223S	TMLE100C20MP11	21.0	CF/CM/CU48D	1275	41.5	31.5	14.25	12.25
TC3B4223S	TMLE100C20MP11	21.0	CF/CM/CU60C	1250	41.0	30.6	14.25	12.00
TC3B4223S	TMLE100C20MP11	21.0	CF/CM/CU60D	1275	41.0	30.9	14.25	12.25
TC3B4223S	TMLE100C20MP11	21.0	CF/CM42D	1275	41.5	31.3	14.25	12.25
TC3B4223S	TMLE100C20MP11	21.0	CF/CM64D	1250	42.0	31.3	14.25	12.50
TC3B4223S	TMLE120C16MP11	21.0	CF/CM/CU42C	1300	41.5	31.6	14.00	12.00
TC3B4223S	TMLE120C16MP11	21.0	CF/CM/CU48C	1325	41.5	32.0	14.00	12.00
TC3B4223S	TMLE120C16MP11	21.0	CF/CM/CU48D	1325	41.5	32.0	14.00	12.00
TC3B4223S	TMLE120C16MP11	21.0	CF/CM/CU60C	1300	41.0	31.0	13.75	12.00
TC3B4223S	TMLE120C16MP11	21.0	CF/CM/CU60D	1325	41.0	31.2	14.00	12.00
TC3B4223S	TMLE120C16MP11	21.0	CF/CM42D	1325	41.5	31.9	14.00	12.00
TC3B4223S	TMLE120C16MP11	21.0	CF/CM64D	1325	42.0	32.2	14.00	12.25
TC3B4223S	TMLE120C20MP11	21.0	CF/CM/CU42C	1275	41.5	31.4	14.00	12.25
TC3B4223S	TMLE120C20MP11	21.0	CF/CM/CU48C	1300	41.5	31.6	14.25	12.25
TC3B4223S	TMLE120C20MP11	21.0	CF/CM/CU48D	1300	41.5	31.6	14.25	12.25

COOLING CAPACITY - With High Efficiency Motor Furnaces¹ (Continued)

UNIT MODEL	FURNACE		COIL MODEL ²	COOLING				
	MODEL	WIDTH		RATED CFM	NET MBH		SEER	EER
					TOTAL	SENS.		
TC3B4223S	TMLE120C20MP11	21.0	CF/CM/CU60C	1275	41.0	30.9	14.00	12.00
TC3B4223S	TMLE120C20MP11	21.0	CF/CM/CU60D	1325	41.5	31.6	14.25	12.25
TC3B4223S	TMLE120C20MP11	21.0	CF/CM42D	1300	41.5	31.6	14.25	12.25
TC3B4223S	TMLE120C20MP11	21.0	CF/CM64D	1300	42.0	32.0	14.00	12.50
TC3B4223S	TMLE130D20MP11	24.5	CF/CM/CU48D	1300	41.5	31.6	14.25	12.25
TC3B4223S	TMLE130D20MP11	24.5	CF/CM/CU60D	1325	41.5	31.6	14.25	12.25
TC3B4223S	TMLE130D20MP11	24.5	CF/CM42D	1300	41.5	31.6	14.25	12.25
TC3B4223S	TMLE130D20MP11	24.5	CF/CM64D	1300	42.0	32.5	14.00	12.50
TC3B4223S	TMLV080C16MP11C	21.0	CF/CM/CU42C	1200	40.5	30.1	14.00	12.00
TC3B4223S	TMLV080C16MP11C	21.0	CF/CM/CU48C	1200	41.0	30.4	14.00	12.00
TC3B4223S	TMLV080C16MP11C	21.0	CF/CM/CU48D	1275	41.5	31.6	14.00	12.00
TC3B4223S	TMLV080C16MP11C	21.0	CF/CM/CU60C	1200	40.5	29.9	14.00	12.00
TC3B4223S	TMLV080C16MP11C	21.0	CF/CM/CU60D	1275	41.0	30.9	14.00	12.00
TC3B4223S	TMLV080C16MP11C	21.0	CF/CM42D	1275	41.5	31.4	14.00	12.00
TC3B4223S	TMLV080C16MP11C	21.0	CF/CM64D	1275	42.0	31.6	13.75	12.25
TC3B4223S	TMLV080C16MP12C	21.0	CF/CM/CU42C	1200	40.5	30.1	14.00	12.00
TC3B4223S	TMLV080C16MP12C	21.0	CF/CM/CU48C	1200	41.0	30.4	14.00	12.00
TC3B4223S	TMLV080C16MP12C	21.0	CF/CM/CU48D	1275	41.5	31.6	14.00	12.00
TC3B4223S	TMLV080C16MP12C	21.0	CF/CM/CU60C	1200	40.5	29.9	14.00	12.00
TC3B4223S	TMLV080C16MP12C	21.0	CF/CM/CU60D	1275	41.0	30.9	14.00	12.00
TC3B4223S	TMLV080C16MP12C	21.0	CF/CM42D	1275	41.5	31.4	14.00	12.00
TC3B4223S	TMLV080C16MP12C	21.0	CF/CM64D	1275	42.0	31.6	13.75	12.25
TC3B4223S	TMLV100C16MP11C	21.0	CF/CM/CU42C	1200	40.5	30.1	14.00	12.00
TC3B4223S	TMLV100C16MP11C	21.0	CF/CM/CU48C	1200	41.0	30.4	14.00	12.00
TC3B4223S	TMLV100C16MP11C	21.0	CF/CM/CU48D	1275	41.5	31.6	14.00	12.00
TC3B4223S	TMLV100C16MP11C	21.0	CF/CM/CU60C	1200	40.5	29.9	14.00	12.00
TC3B4223S	TMLV100C16MP11C	21.0	CF/CM/CU60D	1275	41.0	30.9	14.00	12.00
TC3B4223S	TMLV100C16MP11C	21.0	CF/CM42D	1275	41.5	31.4	14.00	12.00
TC3B4223S	TMLV100C16MP11C	21.0	CF/CM64D	1275	42.0	31.6	13.75	12.25
TC3B4223S	TMLV100C16MP12C	21.0	CF/CM/CU42C	1200	40.5	30.1	14.00	12.00
TC3B4223S	TMLV100C16MP12C	21.0	CF/CM/CU48C	1200	41.0	30.4	14.00	12.00
TC3B4223S	TMLV100C16MP12C	21.0	CF/CM/CU48D	1275	41.5	31.6	14.00	12.00
TC3B4223S	TMLV100C16MP12C	21.0	CF/CM/CU60C	1200	40.5	29.9	14.00	12.00
TC3B4223S	TMLV100C16MP12C	21.0	CF/CM/CU60D	1275	41.0	30.9	14.00	12.00
TC3B4223S	TMLV100C16MP12C	21.0	CF/CM42D	1275	41.5	31.4	14.00	12.00
TC3B4223S	TMLV100C16MP12C	21.0	CF/CM64D	1275	42.0	31.6	13.75	12.25
TC3B4223S	TMLV100C20MP11C	21.0	CF/CM/CU42C	1325	41.5	31.9	14.00	12.25
TC3B4223S	TMLV100C20MP11C	21.0	CF/CM/CU48C	1375	42.0	32.6	14.00	12.00
TC3B4223S	TMLV100C20MP11C	21.0	CF/CM/CU48D	1375	42.0	32.5	14.00	12.25
TC3B4223S	TMLV100C20MP11C	21.0	CF/CM/CU60C	1225	41.0	30.4	14.00	12.00
TC3B4223S	TMLV100C20MP11C	21.0	CF/CM/CU60D	1325	41.5	31.6	14.25	12.25
TC3B4223S	TMLV100C20MP11C	21.0	CF/CM42D	1325	41.5	31.9	14.25	12.25
TC3B4223S	TMLV100C20MP11C	21.0	CF/CM64D	1325	42.0	32.7	14.25	12.50
TC3B4223S	TMLV100C20MP12C	21.0	CF/CM/CU42C	1325	41.5	31.9	14.00	12.25
TC3B4223S	TMLV100C20MP12C	21.0	CF/CM/CU48C	1375	42.0	32.6	14.00	12.00
TC3B4223S	TMLV100C20MP12C	21.0	CF/CM/CU48D	1375	42.0	32.5	14.00	12.25
TC3B4223S	TMLV100C20MP12C	21.0	CF/CM/CU60C	1225	41.0	30.4	14.00	12.00
TC3B4223S	TMLV100C20MP12C	21.0	CF/CM/CU60D	1325	41.5	31.6	14.25	12.25
TC3B4223S	TMLV100C20MP12C	21.0	CF/CM42D	1325	41.5	31.9	14.25	12.25
TC3B4223S	TMLV100C20MP12C	21.0	CF/CM64D	1325	42.0	32.7	14.25	12.50
TC3B4223S	TMLV120C20MP11C	21.0	CF/CM/CU42C	1325	41.5	31.9	14.00	12.25
TC3B4223S	TMLV120C20MP11C	21.0	CF/CM/CU48C	1375	42.0	32.6	14.00	12.00
TC3B4223S	TMLV120C20MP11C	21.0	CF/CM/CU48D	1375	42.0	32.5	14.00	12.25

COOLING CAPACITY - With High Efficiency Motor Furnaces¹ (Continued)

UNIT MODEL	FURNACE		COIL MODEL ²	COOLING				
	MODEL	WIDTH		RATED CFM	NET MBH		SEER	EER
					TOTAL	SENS.		
TC3B4223S	TMLV120C20MP11C	21.0	CF/CM/CU60C	1225	41.0	30.4	14.00	12.00
TC3B4223S	TMLV120C20MP11C	21.0	CF/CM/CU60D	1325	41.5	31.6	14.25	12.25
TC3B4223S	TMLV120C20MP11C	21.0	CF/CM42D	1325	41.5	31.9	14.25	12.25
TC3B4223S	TMLV120C20MP11C	21.0	CF/CM64D	1325	42.0	32.7	14.25	12.50
TC3B4223S	TMLV120C20MP12C	21.0	CF/CM/CU42C	1325	41.5	31.9	14.00	12.25
TC3B4223S	TMLV120C20MP12C	21.0	CF/CM/CU48C	1375	42.0	32.6	14.00	12.00
TC3B4223S	TMLV120C20MP12C	21.0	CF/CM/CU48D	1375	42.0	32.5	14.00	12.25
TC3B4223S	TMLV120C20MP12C	21.0	CF/CM/CU60C	1225	41.0	30.4	14.00	12.00
TC3B4223S	TMLV120C20MP12C	21.0	CF/CM/CU60D	1325	41.5	31.6	14.25	12.25
TC3B4223S	TMLV120C20MP12C	21.0	CF/CM42D	1325	41.5	31.9	14.25	12.25
TC3B4223S	TMLV120C20MP12C	21.0	CF/CM64D	1325	42.0	32.7	14.25	12.50
TC3B4223S	TMLX080B12MP11	17.5	CF/CM/CU42C	1200	40.5	30.1	13.50	11.75
TC3B4223S	TMLX080B12MP11	17.5	CF/CM/CU48C	1200	40.5	30.0	13.75	11.75
TC3B4223S	TMLX080B12MP11	17.5	CF/CM/CU60C	1200	40.5	29.9	13.50	11.75
TC3B4223S	TMLX080C16MP11	21.0	CF/CM/CU42C	1375	41.0	32.3	13.75	11.75
TC3B4223S	TMLX080C16MP11	21.0	CF/CM/CU48C	1375	41.5	32.1	13.75	11.75
TC3B4223S	TMLX080C16MP11	21.0	CF/CM/CU48D	1400	41.5	32.5	13.75	12.00
TC3B4223S	TMLX080C16MP11	21.0	CF/CM/CU60C	1375	41.0	31.6	13.75	11.75
TC3B4223S	TMLX080C16MP11	21.0	CF/CM/CU60D	1175	40.5	29.4	14.25	12.00
TC3B4223S	TMLX080C16MP11	21.0	CF/CM42D	1175	41.0	30.0	14.25	12.25
TC3B4223S	TMLX080C16MP11	21.0	CF/CM64D	1375	42.0	33.2	13.50	12.00
TC3B4223S	TMLX100C16MP11	21.0	CF/CM/CU42C	1375	41.0	32.3	13.75	11.75
TC3B4223S	TMLX100C16MP11	21.0	CF/CM/CU48C	1375	41.5	32.1	13.75	11.75
TC3B4223S	TMLX100C16MP11	21.0	CF/CM/CU48D	1400	41.5	32.5	13.75	12.00
TC3B4223S	TMLX100C16MP11	21.0	CF/CM/CU60C	1375	41.0	31.6	13.75	11.75
TC3B4223S	TMLX100C16MP11	21.0	CF/CM/CU60D	1175	40.5	29.4	14.25	12.00
TC3B4223S	TMLX100C16MP11	21.0	CF/CM42D	1175	41.0	30.0	14.25	12.25
TC3B4223S	TMLX100C16MP11	21.0	CF/CM64D	1375	42.0	33.2	13.50	12.00
TC3B4223S	TMLX100C20MP11	21.0	CF/CM/CU42C	1225	41.0	30.6	14.25	12.25
TC3B4223S	TMLX100C20MP11	21.0	CF/CM/CU48C	1225	41.5	31.1	14.25	12.25
TC3B4223S	TMLX100C20MP11	21.0	CF/CM/CU48D	1250	41.0	30.9	14.25	12.25
TC3B4223S	TMLX100C20MP11	21.0	CF/CM/CU60C	1225	41.0	30.4	14.25	12.25
TC3B4223S	TMLX100C20MP11	21.0	CF/CM/CU60D	1250	41.0	30.6	14.25	12.25
TC3B4223S	TMLX100C20MP11	21.0	CF/CM42D	1250	41.0	31.0	14.25	12.25
TC3B4223S	TMLX100C20MP11	21.0	CF/CM64D	1225	42.0	31.3	14.25	12.50
TC3B4223S	TMLX120C20MP11	21.0	CF/CM/CU42C	1225	41.0	30.6	14.25	12.25
TC3B4223S	TMLX120C20MP11	21.0	CF/CM/CU48C	1225	41.5	31.1	14.25	12.25
TC3B4223S	TMLX120C20MP11	21.0	CF/CM/CU48D	1250	41.0	30.9	14.25	12.25
TC3B4223S	TMLX120C20MP11	21.0	CF/CM/CU60C	1225	41.0	30.4	14.25	12.25
TC3B4223S	TMLX120C20MP11	21.0	CF/CM/CU60D	1250	41.0	30.6	14.25	12.25
TC3B4223S	TMLX120C20MP11	21.0	CF/CM42D	1250	41.0	31.0	14.25	12.25
TC3B4223S	TMLX120C20MP11	21.0	CF/CM64D	1225	42.0	31.3	14.25	12.50
TC3B4223S	TP9C080B12MP12C	17.5	CF/CM/CU42C	1250	40.5	30.6	13.25	11.50
TC3B4223S	TP9C080B12MP12C	17.5	CF/CM/CU48C	1250	40.5	30.5	13.25	11.50
TC3B4223S	TP9C080B12MP12C	17.5	CF/CM/CU60C	1250	40.5	30.2	13.25	11.50
TC3B4223S	TP9C080B12MP13C	17.5	CF/CM/CU42C	1250	40.5	30.6	13.25	11.50
TC3B4223S	TP9C080B12MP13C	17.5	CF/CM/CU48C	1250	40.5	30.5	13.25	11.50
TC3B4223S	TP9C080B12MP13C	17.5	CF/CM/CU60C	1250	40.5	30.2	13.25	11.50
TC3B4223S	TP9C080C16MP13C	21.0	CF/CM/CU42C	1225	41.0	30.7	13.75	11.75
TC3B4223S	TP9C080C16MP13C	21.0	CF/CM/CU48C	1225	41.0	30.6	13.75	11.75
TC3B4223S	TP9C080C16MP13C	21.0	CF/CM/CU48D	1225	41.0	30.6	13.75	12.00
TC3B4223S	TP9C080C16MP13C	21.0	CF/CM/CU60C	1225	40.5	30.0	13.75	11.75
TC3B4223S	TP9C080C16MP13C	21.0	CF/CM/CU60D	1225	40.5	29.9	13.75	11.75

COOLING CAPACITY - With High Efficiency Motor Furnaces¹ (Continued)

UNIT MODEL	FURNACE		COIL MODEL ²	COOLING				
	MODEL	WIDTH		RATED CFM	NET MBH		SEER	EER
					TOTAL	SENS.		
TC3B4223S	TP9C080C16MP13C	21.0	CF/CM42D	1225	41.0	30.7	13.75	11.75
TC3B4223S	TP9C080C16MP13C	21.0	CF/CM64D	1225	41.5	30.8	13.75	12.00
TC3B4223S	TP9C100C16MP12C	21.0	CF/CM/CU42C	1175	41.0	30.0	14.00	12.00
TC3B4223S	TP9C100C16MP12C	21.0	CF/CM/CU48C	1275	41.5	31.5	14.00	12.00
TC3B4223S	TP9C100C16MP12C	21.0	CF/CM/CU48D	1200	41.0	30.4	14.00	12.00
TC3B4223S	TP9C100C16MP12C	21.0	CF/CM/CU60C	1175	40.5	29.4	14.00	12.00
TC3B4223S	TP9C100C16MP12C	21.0	CF/CM/CU60D	1175	40.5	29.4	14.25	12.00
TC3B4223S	TP9C100C16MP12C	21.0	CF/CM42D	1175	41.0	30.0	14.25	12.25
TC3B4223S	TP9C100C16MP12C	21.0	CF/CM64D	1225	42.0	31.3	14.00	12.25
TC3B4223S	TP9C100C16MP13C	21.0	CF/CM/CU42C	1175	41.0	30.0	14.00	12.00
TC3B4223S	TP9C100C16MP13C	21.0	CF/CM/CU48C	1275	41.5	31.5	14.00	12.00
TC3B4223S	TP9C100C16MP13C	21.0	CF/CM/CU48D	1200	41.0	30.4	14.00	12.00
TC3B4223S	TP9C100C16MP13C	21.0	CF/CM/CU60C	1175	40.5	29.4	14.00	12.00
TC3B4223S	TP9C100C16MP13C	21.0	CF/CM/CU60D	1175	40.5	29.4	14.25	12.00
TC3B4223S	TP9C100C16MP13C	21.0	CF/CM42D	1175	41.0	30.0	14.25	12.25
TC3B4223S	TP9C100C16MP13C	21.0	CF/CM64D	1225	42.0	31.3	14.00	12.25
TC3B4223S	TP9C100C20MP12C	21.0	CF/CM/CU42C	1225	41.0	30.6	14.00	12.00
TC3B4223S	TP9C100C20MP12C	21.0	CF/CM/CU48C	1225	41.0	30.6	14.00	12.00
TC3B4223S	TP9C100C20MP12C	21.0	CF/CM/CU48D	1225	41.0	30.6	14.00	12.25
TC3B4223S	TP9C100C20MP12C	21.0	CF/CM/CU60C	1225	40.5	29.9	14.00	12.00
TC3B4223S	TP9C100C20MP12C	21.0	CF/CM/CU60D	1225	41.0	30.4	14.00	12.00
TC3B4223S	TP9C100C20MP12C	21.0	CF/CM42D	1225	41.0	30.6	14.00	12.00
TC3B4223S	TP9C100C20MP12C	21.0	CF/CM64D	1225	42.0	31.3	14.00	12.25
TC3B4223S	TP9C100C20MP13C	21.0	CF/CM/CU42C	1225	41.0	30.6	14.00	12.00
TC3B4223S	TP9C100C20MP13C	21.0	CF/CM/CU48C	1225	41.0	30.6	14.00	12.00
TC3B4223S	TP9C100C20MP13C	21.0	CF/CM/CU48D	1225	41.0	30.6	14.00	12.25
TC3B4223S	TP9C100C20MP13C	21.0	CF/CM/CU60C	1225	40.5	29.9	14.00	12.00
TC3B4223S	TP9C100C20MP13C	21.0	CF/CM/CU60D	1225	41.0	30.4	14.00	12.00
TC3B4223S	TP9C100C20MP13C	21.0	CF/CM42D	1225	41.0	30.6	14.00	12.00
TC3B4223S	TP9C100C20MP13C	21.0	CF/CM64D	1225	42.0	31.3	14.00	12.25
TC3B4223S	TP9C120D20MP12C	24.5	CF/CM/CU48D	1400	42.0	32.9	14.00	12.25
TC3B4223S	TP9C120D20MP12C	24.5	CF/CM/CU60D	1400	41.5	32.5	14.00	12.00
TC3B4223S	TP9C120D20MP12C	24.5	CF/CM42D	1300	41.5	31.6	14.25	12.25
TC3B4223S	TP9C120D20MP12C	24.5	CF/CM64D	1250	42.0	31.3	14.25	12.50
TC3B4223S	TP9C120D20MP13C	24.5	CF/CM/CU48D	1400	42.0	32.9	14.00	12.25
TC3B4223S	TP9C120D20MP13C	24.5	CF/CM/CU60D	1400	41.5	32.5	14.00	12.00
TC3B4223S	TP9C120D20MP13C	24.5	CF/CM42D	1300	41.5	31.6	14.25	12.25
TC3B4223S	TP9C120D20MP13C	24.5	CF/CM64D	1250	42.0	31.3	14.25	12.50
TC3B4223S	TPLC080C16MP12C	21.0	CF/CM/CU42C	1200	40.5	30.1	14.00	12.00
TC3B4223S	TPLC080C16MP12C	21.0	CF/CM/CU48C	1200	41.0	30.4	14.00	12.00
TC3B4223S	TPLC080C16MP12C	21.0	CF/CM/CU48D	1275	41.5	31.6	14.00	12.00
TC3B4223S	TPLC080C16MP12C	21.0	CF/CM/CU60C	1200	40.5	29.9	14.00	12.00
TC3B4223S	TPLC080C16MP12C	21.0	CF/CM/CU60D	1275	41.0	30.9	14.00	12.00
TC3B4223S	TPLC080C16MP12C	21.0	CF/CM42D	1275	41.5	31.4	14.00	12.00
TC3B4223S	TPLC080C16MP12C	21.0	CF/CM64D	1275	42.0	31.6	13.75	12.25
TC3B4223S	TPLC080C16MP13C	21.0	CF/CM/CU42C	1200	40.5	30.1	14.00	12.00
TC3B4223S	TPLC080C16MP13C	21.0	CF/CM/CU48C	1200	41.0	30.4	14.00	12.00
TC3B4223S	TPLC080C16MP13C	21.0	CF/CM/CU48D	1275	41.5	31.6	14.00	12.00
TC3B4223S	TPLC080C16MP13C	21.0	CF/CM/CU60C	1200	40.5	29.9	14.00	12.00
TC3B4223S	TPLC080C16MP13C	21.0	CF/CM/CU60D	1275	41.0	30.9	14.00	12.00
TC3B4223S	TPLC080C16MP13C	21.0	CF/CM42D	1275	41.5	31.4	14.00	12.00
TC3B4223S	TPLC080C16MP13C	21.0	CF/CM64D	1275	42.0	31.6	13.75	12.25
TC3B4223S	TPLC100C16MP12C	21.0	CF/CM/CU42C	1200	40.5	30.1	14.00	12.00

COOLING CAPACITY - With High Efficiency Motor Furnaces¹ (Continued)

UNIT MODEL	FURNACE		COIL MODEL ²	COOLING				
	MODEL	WIDTH		RATED CFM	NET MBH		SEER	EER
					TOTAL	SENS.		
TC3B4223S	TPLC100C16MP12C	21.0	CF/CM/CU48C	1200	41.0	30.4	14.00	12.00
TC3B4223S	TPLC100C16MP12C	21.0	CF/CM/CU48D	1275	41.5	31.6	14.00	12.00
TC3B4223S	TPLC100C16MP12C	21.0	CF/CM/CU60C	1200	40.5	29.9	14.00	12.00
TC3B4223S	TPLC100C16MP12C	21.0	CF/CM/CU60D	1275	41.0	30.9	14.00	12.00
TC3B4223S	TPLC100C16MP12C	21.0	CF/CM42D	1275	41.5	31.4	14.00	12.00
TC3B4223S	TPLC100C16MP12C	21.0	CF/CM64D	1275	42.0	31.6	13.75	12.25
TC3B4223S	TPLC100C16MP13C	21.0	CF/CM/CU42C	1200	40.5	30.1	14.00	12.00
TC3B4223S	TPLC100C16MP13C	21.0	CF/CM/CU48C	1200	41.0	30.4	14.00	12.00
TC3B4223S	TPLC100C16MP13C	21.0	CF/CM/CU48D	1275	41.5	31.6	14.00	12.00
TC3B4223S	TPLC100C16MP13C	21.0	CF/CM/CU60C	1200	40.5	29.9	14.00	12.00
TC3B4223S	TPLC100C16MP13C	21.0	CF/CM/CU60D	1275	41.0	30.9	14.00	12.00
TC3B4223S	TPLC100C16MP13C	21.0	CF/CM42D	1275	41.5	31.4	14.00	12.00
TC3B4223S	TPLC100C16MP13C	21.0	CF/CM64D	1275	42.0	31.6	13.75	12.25
TC3B4223S	TPLC100C20MP12C	21.0	CF/CM/CU42C	1325	41.5	31.9	14.00	12.25
TC3B4223S	TPLC100C20MP12C	21.0	CF/CM/CU48C	1375	42.0	32.6	14.00	12.00
TC3B4223S	TPLC100C20MP12C	21.0	CF/CM/CU48D	1375	42.0	32.5	14.00	12.25
TC3B4223S	TPLC100C20MP12C	21.0	CF/CM/CU60C	1225	41.0	30.4	14.00	12.00
TC3B4223S	TPLC100C20MP12C	21.0	CF/CM/CU60D	1325	41.5	31.6	14.25	12.25
TC3B4223S	TPLC100C20MP12C	21.0	CF/CM42D	1325	41.5	31.9	14.25	12.25
TC3B4223S	TPLC100C20MP12C	21.0	CF/CM64D	1325	42.0	32.7	14.25	12.50
TC3B4223S	TPLC100C20MP13C	21.0	CF/CM/CU42C	1325	41.5	31.9	14.00	12.25
TC3B4223S	TPLC100C20MP13C	21.0	CF/CM/CU48C	1375	42.0	32.6	14.00	12.00
TC3B4223S	TPLC100C20MP13C	21.0	CF/CM/CU48D	1375	42.0	32.5	14.00	12.25
TC3B4223S	TPLC100C20MP13C	21.0	CF/CM/CU60C	1225	41.0	30.4	14.00	12.00
TC3B4223S	TPLC100C20MP13C	21.0	CF/CM/CU60D	1325	41.5	31.6	14.25	12.25
TC3B4223S	TPLC100C20MP13C	21.0	CF/CM42D	1325	41.5	31.9	14.25	12.25
TC3B4223S	TPLC100C20MP13C	21.0	CF/CM64D	1325	42.0	32.7	14.25	12.50
TC3B4223S	TPLC120C20MP12C	21.0	CF/CM/CU42C	1325	41.5	31.9	14.00	12.25
TC3B4223S	TPLC120C20MP12C	21.0	CF/CM/CU48C	1375	42.0	32.6	14.00	12.00
TC3B4223S	TPLC120C20MP12C	21.0	CF/CM/CU48D	1375	42.0	32.5	14.00	12.25
TC3B4223S	TPLC120C20MP12C	21.0	CF/CM/CU60C	1225	41.0	30.4	14.00	12.00
TC3B4223S	TPLC120C20MP12C	21.0	CF/CM/CU60D	1325	41.5	31.6	14.25	12.25
TC3B4223S	TPLC120C20MP12C	21.0	CF/CM42D	1325	41.5	31.9	14.25	12.25
TC3B4223S	TPLC120C20MP12C	21.0	CF/CM64D	1325	42.0	32.7	14.25	12.50
TC3B4223S	TPLC120C20MP13C	21.0	CF/CM/CU42C	1325	41.5	31.9	14.00	12.25
TC3B4223S	TPLC120C20MP13C	21.0	CF/CM/CU48C	1375	42.0	32.6	14.00	12.00
TC3B4223S	TPLC120C20MP13C	21.0	CF/CM/CU48D	1375	42.0	32.5	14.00	12.25
TC3B4223S	TPLC120C20MP13C	21.0	CF/CM/CU60C	1225	41.0	30.4	14.00	12.00
TC3B4223S	TPLC120C20MP13C	21.0	CF/CM/CU60D	1325	41.5	31.6	14.25	12.25
TC3B4223S	TPLC120C20MP13C	21.0	CF/CM42D	1325	41.5	31.9	14.25	12.25
TC3B4223S	TPLC120C20MP13C	21.0	CF/CM64D	1325	42.0	32.7	14.25	12.50
TC3B4223S	CP9C080B12MP12C	17.5	CF/CM/CU42C	1250	40.5	30.6	13.25	11.50
TC3B4223S	CP9C080B12MP12C	17.5	CF/CM/CU48C	1250	40.5	30.5	13.25	11.50
TC3B4223S	CP9C080B12MP12C	17.5	CF/CM/CU60C	1250	40.5	30.2	13.25	11.50
TC3B4223S	CP9C080B12MP13C	17.5	CF/CM/CU42C	1250	40.5	30.6	13.25	11.50
TC3B4223S	CP9C080B12MP13C	17.5	CF/CM/CU48C	1250	40.5	30.5	13.25	11.50
TC3B4223S	CP9C080B12MP13C	17.5	CF/CM/CU60C	1250	40.5	30.2	13.25	11.50
TC3B4223S	CP9C080C16MP13C	21.0	CF/CM/CU42C	1225	41.0	30.7	13.75	11.75
TC3B4223S	CP9C080C16MP13C	21.0	CF/CM/CU48C	1225	41.0	30.6	13.75	11.75
TC3B4223S	CP9C080C16MP13C	21.0	CF/CM/CU48D	1225	41.0	30.6	13.75	12.00
TC3B4223S	CP9C080C16MP13C	21.0	CF/CM/CU60C	1225	40.5	30.0	13.75	11.75
TC3B4223S	CP9C080C16MP13C	21.0	CF/CM/CU60D	1225	40.5	29.9	13.75	11.75
TC3B4223S	CP9C080C16MP13C	21.0	CF/CM42D	1225	41.0	30.7	13.75	11.75

COOLING CAPACITY - With High Efficiency Motor Furnaces¹ (Continued)

UNIT MODEL	FURNACE		COIL MODEL ²	COOLING				
	MODEL	WIDTH		RATED CFM	NET MBH		SEER	EER
					TOTAL	SENS.		
TC3B4223S	CP9C080C16MP13C	21.0	CF/CM64D	1225	41.5	30.8	13.75	12.00
TC3B4223S	CP9C100C16MP12C	21.0	CF/CM/CU42C	1175	41.0	30.0	14.00	12.00
TC3B4223S	CP9C100C16MP12C	21.0	CF/CM/CU48C	1275	41.5	31.5	14.00	12.00
TC3B4223S	CP9C100C16MP12C	21.0	CF/CM/CU48D	1200	41.0	30.4	14.00	12.00
TC3B4223S	CP9C100C16MP12C	21.0	CF/CM/CU60C	1175	40.5	29.4	14.00	12.00
TC3B4223S	CP9C100C16MP12C	21.0	CF/CM/CU60D	1175	40.5	29.4	14.25	12.00
TC3B4223S	CP9C100C16MP12C	21.0	CF/CM42D	1175	41.0	30.0	14.25	12.25
TC3B4223S	CP9C100C16MP12C	21.0	CF/CM64D	1225	42.0	31.3	14.00	12.25
TC3B4223S	CP9C100C16MP13C	21.0	CF/CM/CU42C	1175	41.0	30.0	14.00	12.00
TC3B4223S	CP9C100C16MP13C	21.0	CF/CM/CU48C	1275	41.5	31.5	14.00	12.00
TC3B4223S	CP9C100C16MP13C	21.0	CF/CM/CU48D	1200	41.0	30.4	14.00	12.00
TC3B4223S	CP9C100C16MP13C	21.0	CF/CM/CU60C	1175	40.5	29.4	14.00	12.00
TC3B4223S	CP9C100C16MP13C	21.0	CF/CM/CU60D	1175	40.5	29.4	14.25	12.00
TC3B4223S	CP9C100C16MP13C	21.0	CF/CM42D	1175	41.0	30.0	14.25	12.25
TC3B4223S	CP9C100C16MP13C	21.0	CF/CM64D	1225	42.0	31.3	14.00	12.25
TC3B4223S	CP9C100C20MP12C	21.0	CF/CM/CU42C	1225	41.0	30.6	14.00	12.00
TC3B4223S	CP9C100C20MP12C	21.0	CF/CM/CU48C	1225	41.0	30.6	14.00	12.00
TC3B4223S	CP9C100C20MP12C	21.0	CF/CM/CU48D	1225	41.0	30.6	14.00	12.25
TC3B4223S	CP9C100C20MP12C	21.0	CF/CM/CU60C	1225	40.5	29.9	14.00	12.00
TC3B4223S	CP9C100C20MP12C	21.0	CF/CM/CU60D	1225	41.0	30.4	14.00	12.00
TC3B4223S	CP9C100C20MP12C	21.0	CF/CM42D	1225	41.0	30.6	14.00	12.00
TC3B4223S	CP9C100C20MP12C	21.0	CF/CM64D	1225	42.0	31.3	14.00	12.25
TC3B4223S	CP9C100C20MP13C	21.0	CF/CM/CU42C	1225	41.0	30.6	14.00	12.00
TC3B4223S	CP9C100C20MP13C	21.0	CF/CM/CU48C	1225	41.0	30.6	14.00	12.00
TC3B4223S	CP9C100C20MP13C	21.0	CF/CM/CU48D	1225	41.0	30.6	14.00	12.25
TC3B4223S	CP9C100C20MP13C	21.0	CF/CM/CU60C	1225	40.5	29.9	14.00	12.00
TC3B4223S	CP9C100C20MP13C	21.0	CF/CM/CU60D	1225	41.0	30.4	14.00	12.00
TC3B4223S	CP9C100C20MP13C	21.0	CF/CM42D	1225	41.0	30.6	14.00	12.00
TC3B4223S	CP9C100C20MP13C	21.0	CF/CM64D	1225	42.0	31.3	14.00	12.25
TC3B4223S	CP9C120D20MP12C	24.5	CF/CM/CU48D	1400	42.0	32.9	14.00	12.25
TC3B4223S	CP9C120D20MP12C	24.5	CF/CM/CU60D	1400	41.5	32.5	14.00	12.00
TC3B4223S	CP9C120D20MP12C	24.5	CF/CM42D	1300	41.5	31.6	14.25	12.25
TC3B4223S	CP9C120D20MP12C	24.5	CF/CM64D	1250	42.0	31.3	14.25	12.50
TC3B4223S	CP9C120D20MP13C	24.5	CF/CM/CU48D	1400	42.0	32.9	14.00	12.25
TC3B4223S	CP9C120D20MP13C	24.5	CF/CM/CU60D	1400	41.5	32.5	14.00	12.00
TC3B4223S	CP9C120D20MP13C	24.5	CF/CM42D	1300	41.5	31.6	14.25	12.25
TC3B4223S	CP9C120D20MP13C	24.5	CF/CM64D	1250	42.0	31.3	14.25	12.50
TC3B4223S	CPLC080C16MP12C	21.0	CF/CM/CU42C	1200	40.5	30.1	14.00	12.00
TC3B4223S	CPLC080C16MP12C	21.0	CF/CM/CU48C	1200	41.0	30.4	14.00	12.00
TC3B4223S	CPLC080C16MP12C	21.0	CF/CM/CU48D	1275	41.5	31.6	14.00	12.00
TC3B4223S	CPLC080C16MP12C	21.0	CF/CM/CU60C	1200	40.5	29.9	14.00	12.00
TC3B4223S	CPLC080C16MP12C	21.0	CF/CM/CU60D	1275	41.0	30.9	14.00	12.00
TC3B4223S	CPLC080C16MP12C	21.0	CF/CM42D	1275	41.5	31.4	14.00	12.00
TC3B4223S	CPLC080C16MP12C	21.0	CF/CM64D	1275	42.0	31.6	13.75	12.25
TC3B4223S	CPLC080C16MP13C	21.0	CF/CM/CU42C	1200	40.5	30.1	14.00	12.00
TC3B4223S	CPLC080C16MP13C	21.0	CF/CM/CU48C	1200	41.0	30.4	14.00	12.00
TC3B4223S	CPLC080C16MP13C	21.0	CF/CM/CU48D	1275	41.5	31.6	14.00	12.00
TC3B4223S	CPLC080C16MP13C	21.0	CF/CM/CU60C	1200	40.5	29.9	14.00	12.00
TC3B4223S	CPLC080C16MP13C	21.0	CF/CM/CU60D	1275	41.0	30.9	14.00	12.00
TC3B4223S	CPLC080C16MP13C	21.0	CF/CM42D	1275	41.5	31.4	14.00	12.00
TC3B4223S	CPLC080C16MP13C	21.0	CF/CM64D	1275	42.0	31.6	13.75	12.25
TC3B4223S	CPLC100C16MP12C	21.0	CF/CM/CU42C	1200	40.5	30.1	14.00	12.00
TC3B4223S	CPLC100C16MP12C	21.0	CF/CM/CU48C	1200	41.0	30.4	14.00	12.00

COOLING CAPACITY - With High Efficiency Motor Furnaces¹ (Continued)

UNIT MODEL	FURNACE		COIL MODEL ²	COOLING				
	MODEL	WIDTH		RATED CFM	NET MBH		SEER	EER
					TOTAL	SENS.		
TC3B4223S	CPLC100C16MP12C	21.0	CF/CM/CU48D	1275	41.5	31.6	14.00	12.00
TC3B4223S	CPLC100C16MP12C	21.0	CF/CM/CU60C	1200	40.5	29.9	14.00	12.00
TC3B4223S	CPLC100C16MP12C	21.0	CF/CM/CU60D	1275	41.0	30.9	14.00	12.00
TC3B4223S	CPLC100C16MP12C	21.0	CF/CM42D	1275	41.5	31.4	14.00	12.00
TC3B4223S	CPLC100C16MP12C	21.0	CF/CM64D	1275	42.0	31.6	13.75	12.25
TC3B4223S	CPLC100C16MP13C	21.0	CF/CM/CU42C	1200	40.5	30.1	14.00	12.00
TC3B4223S	CPLC100C16MP13C	21.0	CF/CM/CU48C	1200	41.0	30.4	14.00	12.00
TC3B4223S	CPLC100C16MP13C	21.0	CF/CM/CU48D	1275	41.5	31.6	14.00	12.00
TC3B4223S	CPLC100C16MP13C	21.0	CF/CM/CU60C	1200	40.5	29.9	14.00	12.00
TC3B4223S	CPLC100C16MP13C	21.0	CF/CM/CU60D	1275	41.0	30.9	14.00	12.00
TC3B4223S	CPLC100C16MP13C	21.0	CF/CM42D	1275	41.5	31.4	14.00	12.00
TC3B4223S	CPLC100C16MP13C	21.0	CF/CM64D	1275	42.0	31.6	13.75	12.25
TC3B4223S	CPLC100C20MP12C	21.0	CF/CM/CU42C	1325	41.5	31.9	14.00	12.25
TC3B4223S	CPLC100C20MP12C	21.0	CF/CM/CU48C	1375	42.0	32.6	14.00	12.00
TC3B4223S	CPLC100C20MP12C	21.0	CF/CM/CU48D	1375	42.0	32.5	14.00	12.25
TC3B4223S	CPLC100C20MP12C	21.0	CF/CM/CU60C	1225	41.0	30.4	14.00	12.00
TC3B4223S	CPLC100C20MP12C	21.0	CF/CM/CU60D	1325	41.5	31.6	14.25	12.25
TC3B4223S	CPLC100C20MP12C	21.0	CF/CM42D	1325	41.5	31.9	14.25	12.25
TC3B4223S	CPLC100C20MP12C	21.0	CF/CM64D	1325	42.0	32.7	14.25	12.50
TC3B4223S	CPLC100C20MP13C	21.0	CF/CM/CU42C	1325	41.5	31.9	14.00	12.25
TC3B4223S	CPLC100C20MP13C	21.0	CF/CM/CU48C	1375	42.0	32.6	14.00	12.00
TC3B4223S	CPLC100C20MP13C	21.0	CF/CM/CU48D	1375	42.0	32.5	14.00	12.25
TC3B4223S	CPLC100C20MP13C	21.0	CF/CM/CU60C	1225	41.0	30.4	14.00	12.00
TC3B4223S	CPLC100C20MP13C	21.0	CF/CM/CU60D	1325	41.5	31.6	14.25	12.25
TC3B4223S	CPLC100C20MP13C	21.0	CF/CM42D	1325	41.5	31.9	14.25	12.25
TC3B4223S	CPLC100C20MP13C	21.0	CF/CM64D	1325	42.0	32.7	14.25	12.50
TC3B4223S	CPLC120C20MP12C	21.0	CF/CM/CU42C	1325	41.5	31.9	14.00	12.25
TC3B4223S	CPLC120C20MP12C	21.0	CF/CM/CU48C	1375	42.0	32.6	14.00	12.00
TC3B4223S	CPLC120C20MP12C	21.0	CF/CM/CU48D	1375	42.0	32.5	14.00	12.25
TC3B4223S	CPLC120C20MP12C	21.0	CF/CM/CU60C	1225	41.0	30.4	14.00	12.00
TC3B4223S	CPLC120C20MP12C	21.0	CF/CM/CU60D	1325	41.5	31.6	14.25	12.25
TC3B4223S	CPLC120C20MP12C	21.0	CF/CM42D	1325	41.5	31.9	14.25	12.25
TC3B4223S	CPLC120C20MP12C	21.0	CF/CM64D	1325	42.0	32.7	14.25	12.50
TC3B4223S	CPLC120C20MP13C	21.0	CF/CM/CU42C	1325	41.5	31.9	14.00	12.25
TC3B4223S	CPLC120C20MP13C	21.0	CF/CM/CU48C	1375	42.0	32.6	14.00	12.00
TC3B4223S	CPLC120C20MP13C	21.0	CF/CM/CU48D	1375	42.0	32.5	14.00	12.25
TC3B4223S	CPLC120C20MP13C	21.0	CF/CM/CU60C	1225	41.0	30.4	14.00	12.00
TC3B4223S	CPLC120C20MP13C	21.0	CF/CM/CU60D	1325	41.5	31.6	14.25	12.25
TC3B4223S	CPLC120C20MP13C	21.0	CF/CM42D	1325	41.5	31.9	14.25	12.25
TC3B4223S	CPLC120C20MP13C	21.0	CF/CM64D	1325	42.0	32.7	14.25	12.50
TC3B4821S	TM8V080C16MP12C	21.0	CF/CM/CU48C	1425	46.5	34.8	13.75	11.75
TC3B4821S	TM8V080C16MP12C	21.0	CF/CM/CU48D	1425	47.0	35.2	13.75	11.75
TC3B4821S	TM8V080C16MP12C	21.0	CF/CM/CU60C	1425	47.0	35.2	14.00	11.75
TC3B4821S	TM8V080C16MP12C	21.0	CF/CM/CU60D	1425	47.0	35.0	14.00	11.75
TC3B4821S	TM8V080C16MP12C	21.0	CF/CM64D	1425	48.0	35.8	14.25	12.00
TC3B4821S	TM8V100C16MP12C	21.0	CF/CM/CU48C	1425	46.5	34.8	13.75	11.75
TC3B4821S	TM8V100C16MP12C	21.0	CF/CM/CU48D	1425	47.0	35.2	13.75	11.75
TC3B4821S	TM8V100C16MP12C	21.0	CF/CM/CU60C	1425	47.0	35.2	14.00	11.75
TC3B4821S	TM8V100C16MP12C	21.0	CF/CM/CU60D	1425	47.0	35.0	14.00	11.75
TC3B4821S	TM8V100C16MP12C	21.0	CF/CM64D	1425	48.0	35.8	14.25	12.00
TC3B4821S	TM8V100C20MP12C	21.0	CF/CM/CU48C	1425	47.0	35.2	14.00	11.75
TC3B4821S	TM8V100C20MP12C	21.0	CF/CM/CU48D	1475	47.5	36.0	14.25	12.25
TC3B4821S	TM8V100C20MP12C	21.0	CF/CM/CU60C	1425	47.5	35.4	14.00	11.75

COOLING CAPACITY - With High Efficiency Motor Furnaces¹ (Continued)

UNIT MODEL	FURNACE		COIL MODEL ²	COOLING				
	MODEL	WIDTH		RATED CFM	NET MBH		SEER	EER
					TOTAL	SENS.		
TC3B4821S	TM8V100C20MP12C	21.0	CF/CM/CU60D	1475	48.0	36.2	14.00	11.75
TC3B4821S	TM8V100C20MP12C	21.0	CF/CM64D	1375	47.5	34.8	14.50	12.00
TC3B4821S	TM8V120C20MP12C	21.0	CF/CM/CU48C	1425	47.0	35.2	14.00	11.75
TC3B4821S	TM8V120C20MP12C	21.0	CF/CM/CU48D	1475	47.5	36.0	14.25	12.25
TC3B4821S	TM8V120C20MP12C	21.0	CF/CM/CU60C	1425	47.5	35.4	14.00	11.75
TC3B4821S	TM8V120C20MP12C	21.0	CF/CM/CU60D	1475	48.0	36.2	14.00	11.75
TC3B4821S	TM8V120C20MP12C	21.0	CF/CM64D	1375	47.5	34.8	14.50	12.00
TC3B4821S	TM8X080C16MP11	21.0	CF/CM/CU48C	1350	46.0	33.6	13.75	11.75
TC3B4821S	TM8X080C16MP11	21.0	CF/CM/CU48D	1375	46.5	34.4	13.75	11.75
TC3B4821S	TM8X080C16MP11	21.0	CF/CM/CU60C	1350	46.5	34.0	14.00	11.75
TC3B4821S	TM8X080C16MP11	21.0	CF/CM/CU60D	1375	46.5	34.2	14.00	11.75
TC3B4821S	TM8X080C16MP11	21.0	CF/CM64D	1350	47.0	34.2	14.25	12.00
TC3B4821S	TM8X100C16MP11	21.0	CF/CM/CU48C	1350	46.0	33.6	13.75	11.75
TC3B4821S	TM8X100C16MP11	21.0	CF/CM/CU48D	1375	46.5	34.4	13.75	11.75
TC3B4821S	TM8X100C16MP11	21.0	CF/CM/CU60C	1350	46.5	34.0	14.00	11.75
TC3B4821S	TM8X100C16MP11	21.0	CF/CM/CU60D	1375	46.5	34.2	14.00	11.75
TC3B4821S	TM8X100C16MP11	21.0	CF/CM64D	1350	47.0	34.2	14.25	12.00
TC3B4821S	TM8X100C20MP11	21.0	CF/CM/CU48C	1375	46.5	34.4	14.00	11.75
TC3B4821S	TM8X100C20MP11	21.0	CF/CM/CU48D	1400	47.0	35.2	14.00	12.25
TC3B4821S	TM8X100C20MP11	21.0	CF/CM/CU60C	1375	47.0	34.6	14.25	12.25
TC3B4821S	TM8X100C20MP11	21.0	CF/CM/CU60D	1600	48.0	37.4	14.25	12.00
TC3B4821S	TM8X100C20MP11	21.0	CF/CM64D	1375	47.5	34.8	14.25	12.25
TC3B4821S	TM8X120C20MP11	21.0	CF/CM/CU48C	1375	46.5	34.4	14.00	11.75
TC3B4821S	TM8X120C20MP11	21.0	CF/CM/CU48D	1400	47.0	35.2	14.00	12.25
TC3B4821S	TM8X120C20MP11	21.0	CF/CM/CU60C	1375	47.0	34.6	14.25	12.25
TC3B4821S	TM8X120C20MP11	21.0	CF/CM/CU60D	1600	48.0	37.4	14.25	12.00
TC3B4821S	TM8X120C20MP11	21.0	CF/CM64D	1375	47.5	34.8	14.25	12.25
TC3B4821S	TM8Y080C16MP11	21.0	CF/CM/CU48C	1350	46.0	33.6	13.75	11.75
TC3B4821S	TM8Y080C16MP11	21.0	CF/CM/CU48D	1375	46.5	34.4	13.75	11.75
TC3B4821S	TM8Y080C16MP11	21.0	CF/CM/CU60C	1350	46.5	34.0	14.00	11.75
TC3B4821S	TM8Y080C16MP11	21.0	CF/CM/CU60D	1375	46.5	34.2	14.00	11.75
TC3B4821S	TM8Y080C16MP11	21.0	CF/CM64D	1350	47.0	34.2	14.25	12.00
TC3B4821S	TM8Y100C16MP11	21.0	CF/CM/CU48C	1350	46.0	33.6	13.75	11.75
TC3B4821S	TM8Y100C16MP11	21.0	CF/CM/CU48D	1375	46.5	34.4	13.75	11.75
TC3B4821S	TM8Y100C16MP11	21.0	CF/CM/CU60C	1350	46.5	34.0	14.00	11.75
TC3B4821S	TM8Y100C16MP11	21.0	CF/CM/CU60D	1375	46.5	34.2	14.00	11.75
TC3B4821S	TM8Y100C16MP11	21.0	CF/CM64D	1350	47.0	34.2	14.25	12.00
TC3B4821S	TM8Y100C20MP11	21.0	CF/CM/CU48C	1375	46.5	34.4	14.00	11.75
TC3B4821S	TM8Y100C20MP11	21.0	CF/CM/CU48D	1400	47.0	35.2	14.00	12.25
TC3B4821S	TM8Y100C20MP11	21.0	CF/CM/CU60C	1375	47.0	34.6	14.25	12.25
TC3B4821S	TM8Y100C20MP11	21.0	CF/CM/CU60D	1600	48.0	37.4	14.25	12.00
TC3B4821S	TM8Y100C20MP11	21.0	CF/CM64D	1375	47.5	34.8	14.25	12.25
TC3B4821S	TM8Y120C20MP11	21.0	CF/CM/CU48C	1375	46.5	34.4	14.00	11.75
TC3B4821S	TM8Y120C20MP11	21.0	CF/CM/CU48D	1400	47.0	35.2	14.00	12.25
TC3B4821S	TM8Y120C20MP11	21.0	CF/CM/CU60C	1375	47.0	34.6	14.25	12.25
TC3B4821S	TM8Y120C20MP11	21.0	CF/CM/CU60D	1600	48.0	37.4	14.25	12.00
TC3B4821S	TM8Y120C20MP11	21.0	CF/CM64D	1375	47.5	34.8	14.25	12.25
TC3B4821S	TM9E100C16MP11	21.0	CF/CM/CU48C	1400	46.5	34.8	13.50	11.75
TC3B4821S	TM9E100C16MP11	21.0	CF/CM/CU48D	1400	46.5	34.8	13.50	11.75
TC3B4821S	TM9E100C16MP11	21.0	CF/CM/CU60C	1400	46.5	34.6	13.75	11.75
TC3B4821S	TM9E100C16MP11	21.0	CF/CM/CU60D	1425	47.0	35.0	13.75	11.75
TC3B4821S	TM9E100C16MP11	21.0	CF/CM64D	1400	47.5	35.0	14.00	11.75
TC3B4821S	TM9E100C20MP11	21.0	CF/CM/CU48C	1350	46.0	33.6	13.75	11.75

COOLING CAPACITY - With High Efficiency Motor Furnaces¹ (Continued)

UNIT MODEL	FURNACE		COIL MODEL ²	COOLING				
	MODEL	WIDTH		RATED CFM	NET MBH		SEER	EER
					TOTAL	SENS.		
TC3B4821S	TM9E100C20MP11	21.0	CF/CM/CU48D	1350	46.0	33.6	13.75	11.75
TC3B4821S	TM9E100C20MP11	21.0	CF/CM/CU60C	1325	46.0	33.4	14.00	11.75
TC3B4821S	TM9E100C20MP11	21.0	CF/CM/CU60D	1350	46.5	34.0	14.00	12.00
TC3B4821S	TM9E100C20MP11	21.0	CF/CM64D	1350	47.0	34.2	14.25	12.00
TC3B4821S	TM9E120D20MP11	24.5	CF/CM/CU48D	1400	46.5	34.8	14.00	12.00
TC3B4821S	TM9E120D20MP11	24.5	CF/CM/CU60D	1600	48.0	37.4	14.25	12.25
TC3B4821S	TM9E120D20MP11	24.5	CF/CM64D	1575	48.0	37.2	14.50	12.25
TC3B4821S	TM9V100C16MP12C	21.0	CF/CM/CU48C	1325	46.0	33.4	13.75	11.75
TC3B4821S	TM9V100C16MP12C	21.0	CF/CM/CU48D	1425	47.0	35.2	14.00	12.00
TC3B4821S	TM9V100C16MP12C	21.0	CF/CM/CU60C	1425	47.0	35.2	14.00	11.75
TC3B4821S	TM9V100C16MP12C	21.0	CF/CM/CU60D	1475	47.5	36.0	14.00	11.75
TC3B4821S	TM9V100C16MP12C	21.0	CF/CM64D	1325	47.0	34.0	14.25	12.25
TC3B4821S	TM9V100C20MP12C	21.0	CF/CM/CU48C	1350	46.0	33.6	13.50	11.25
TC3B4821S	TM9V100C20MP12C	21.0	CF/CM/CU48D	1350	46.0	33.8	13.75	11.75
TC3B4821S	TM9V100C20MP12C	21.0	CF/CM/CU60C	1475	47.5	36.0	13.75	11.50
TC3B4821S	TM9V100C20MP12C	21.0	CF/CM/CU60D	1475	47.5	36.0	14.00	12.00
TC3B4821S	TM9V100C20MP12C	21.0	CF/CM64D	1475	48.0	36.0	14.25	12.25
TC3B4821S	TM9V120D20MP12C	24.5	CF/CM/CU48D	1400	47.0	35.2	14.00	12.00
TC3B4821S	TM9V120D20MP12C	24.5	CF/CM/CU60D	1575	48.0	37.0	14.25	12.25
TC3B4821S	TM9V120D20MP12C	24.5	CF/CM64D	1575	48.0	37.2	14.50	11.75
TC3B4821S	TM9Y100C16MP11	21.0	CF/CM/CU48C	1400	46.5	34.8	13.50	11.75
TC3B4821S	TM9Y100C16MP11	21.0	CF/CM/CU48D	1400	46.5	34.8	13.50	11.75
TC3B4821S	TM9Y100C16MP11	21.0	CF/CM/CU60C	1400	46.5	34.6	13.75	11.75
TC3B4821S	TM9Y100C16MP11	21.0	CF/CM/CU60D	1425	47.0	35.0	13.75	11.75
TC3B4821S	TM9Y100C16MP11	21.0	CF/CM64D	1400	47.5	35.0	14.00	11.75
TC3B4821S	TM9Y100C20MP11	21.0	CF/CM/CU48C	1350	46.0	33.6	13.75	11.75
TC3B4821S	TM9Y100C20MP11	21.0	CF/CM/CU48D	1350	46.0	33.6	13.75	11.75
TC3B4821S	TM9Y100C20MP11	21.0	CF/CM/CU60C	1325	46.0	33.4	14.00	11.75
TC3B4821S	TM9Y100C20MP11	21.0	CF/CM/CU60D	1350	46.5	34.0	14.00	12.00
TC3B4821S	TM9Y100C20MP11	21.0	CF/CM64D	1350	47.0	34.2	14.25	12.00
TC3B4821S	TM9Y120D20MP11	24.5	CF/CM/CU48D	1400	46.5	34.8	14.00	12.00
TC3B4821S	TM9Y120D20MP11	24.5	CF/CM/CU60D	1600	48.0	37.4	14.25	12.25
TC3B4821S	TM9Y120D20MP11	24.5	CF/CM64D	1575	48.0	37.2	14.50	12.25
TC3B4821S	TMLV080C16MP12C	21.0	CF/CM/CU48C	1425	46.5	34.8	13.75	11.75
TC3B4821S	TMLV080C16MP12C	21.0	CF/CM/CU48D	1425	47.0	35.2	13.75	11.75
TC3B4821S	TMLV080C16MP12C	21.0	CF/CM/CU60C	1425	47.0	35.2	14.00	11.75
TC3B4821S	TMLV080C16MP12C	21.0	CF/CM/CU60D	1425	47.0	35.0	14.00	11.75
TC3B4821S	TMLV080C16MP12C	21.0	CF/CM64D	1425	48.0	35.8	14.25	12.00
TC3B4821S	TMLV100C16MP12C	21.0	CF/CM/CU48C	1425	46.5	34.8	13.75	11.75
TC3B4821S	TMLV100C16MP12C	21.0	CF/CM/CU48D	1425	47.0	35.2	13.75	11.75
TC3B4821S	TMLV100C16MP12C	21.0	CF/CM/CU60C	1425	47.0	35.2	14.00	11.75
TC3B4821S	TMLV100C16MP12C	21.0	CF/CM/CU60D	1425	47.0	35.0	14.00	11.75
TC3B4821S	TMLV100C16MP12C	21.0	CF/CM64D	1425	48.0	35.8	14.25	12.00
TC3B4821S	TMLV100C20MP12C	21.0	CF/CM/CU48C	1425	47.0	35.2	14.00	11.75
TC3B4821S	TMLV100C20MP12C	21.0	CF/CM/CU48D	1475	47.5	36.0	14.25	12.25
TC3B4821S	TMLV100C20MP12C	21.0	CF/CM/CU60C	1425	47.5	35.4	14.00	11.75
TC3B4821S	TMLV100C20MP12C	21.0	CF/CM/CU60D	1475	48.0	36.2	14.00	11.75
TC3B4821S	TMLV100C20MP12C	21.0	CF/CM64D	1375	47.5	34.8	14.50	12.00
TC3B4821S	TMLV120C20MP12C	21.0	CF/CM/CU48C	1425	47.0	35.2	14.00	11.75
TC3B4821S	TMLV120C20MP12C	21.0	CF/CM/CU48D	1475	47.5	36.0	14.25	12.25
TC3B4821S	TMLV120C20MP12C	21.0	CF/CM/CU60C	1425	47.5	35.4	14.00	11.75
TC3B4821S	TMLV120C20MP12C	21.0	CF/CM/CU60D	1475	48.0	36.2	14.00	11.75
TC3B4821S	TMLV120C20MP12C	21.0	CF/CM64D	1375	47.5	34.8	14.50	12.00

COOLING CAPACITY - With High Efficiency Motor Furnaces¹ (Continued)

UNIT MODEL	FURNACE		COIL MODEL ²	COOLING				
	MODEL	WIDTH		RATED CFM	NET MBH		SEER	EER
					TOTAL	SENS.		
TC3B4821S	TMLX080C16MP11	21.0	CF/CM/CU48C	1350	46.0	33.6	13.75	11.75
TC3B4821S	TMLX080C16MP11	21.0	CF/CM/CU48D	1375	46.5	34.4	13.75	11.75
TC3B4821S	TMLX080C16MP11	21.0	CF/CM/CU60C	1350	46.5	34.0	14.00	11.75
TC3B4821S	TMLX080C16MP11	21.0	CF/CM/CU60D	1375	46.5	34.2	14.00	11.75
TC3B4821S	TMLX080C16MP11	21.0	CF/CM64D	1350	47.0	34.2	14.25	12.00
TC3B4821S	TMLX100C16MP11	21.0	CF/CM/CU48C	1350	46.0	33.6	13.75	11.75
TC3B4821S	TMLX100C16MP11	21.0	CF/CM/CU48D	1375	46.5	34.4	13.75	11.75
TC3B4821S	TMLX100C16MP11	21.0	CF/CM/CU60C	1350	46.5	34.0	14.00	11.75
TC3B4821S	TMLX100C16MP11	21.0	CF/CM/CU60D	1375	46.5	34.2	14.00	11.75
TC3B4821S	TMLX100C16MP11	21.0	CF/CM64D	1350	47.0	34.2	14.25	12.00
TC3B4821S	TMLX100C20MP11	21.0	CF/CM/CU48C	1375	46.5	34.4	14.00	11.75
TC3B4821S	TMLX100C20MP11	21.0	CF/CM/CU48D	1400	47.0	35.2	14.00	12.25
TC3B4821S	TMLX100C20MP11	21.0	CF/CM/CU60C	1375	47.0	34.6	14.25	12.25
TC3B4821S	TMLX100C20MP11	21.0	CF/CM/CU60D	1600	48.0	37.4	14.25	12.00
TC3B4821S	TMLX100C20MP11	21.0	CF/CM64D	1375	47.5	34.8	14.25	12.25
TC3B4821S	TMLX120C20MP11	21.0	CF/CM/CU48C	1375	46.5	34.4	14.00	11.75
TC3B4821S	TMLX120C20MP11	21.0	CF/CM/CU48D	1400	47.0	35.2	14.00	12.25
TC3B4821S	TMLX120C20MP11	21.0	CF/CM/CU60C	1375	47.0	34.6	14.25	12.25
TC3B4821S	TMLX120C20MP11	21.0	CF/CM/CU60D	1600	48.0	37.4	14.25	12.00
TC3B4821S	TMLX120C20MP11	21.0	CF/CM64D	1375	47.5	34.8	14.25	12.25
TC3B4821S	TP9C100C16MP13C	21.0	CF/CM/CU48C	1325	46.0	33.4	13.75	11.75
TC3B4821S	TP9C100C16MP13C	21.0	CF/CM/CU48D	1425	47.0	35.2	14.00	12.00
TC3B4821S	TP9C100C16MP13C	21.0	CF/CM/CU60C	1425	47.0	35.2	14.00	11.75
TC3B4821S	TP9C100C16MP13C	21.0	CF/CM/CU60D	1475	47.5	36.0	14.00	11.75
TC3B4821S	TP9C100C16MP13C	21.0	CF/CM64D	1325	47.0	34.0	14.25	12.25
TC3B4821S	TP9C100C20MP13C	21.0	CF/CM/CU48C	1350	46.0	33.6	13.50	11.25
TC3B4821S	TP9C100C20MP13C	21.0	CF/CM/CU48D	1350	46.0	33.8	13.75	11.75
TC3B4821S	TP9C100C20MP13C	21.0	CF/CM/CU60C	1475	47.5	36.0	13.75	11.50
TC3B4821S	TP9C100C20MP13C	21.0	CF/CM/CU60D	1475	47.5	36.0	14.00	12.00
TC3B4821S	TP9C100C20MP13C	21.0	CF/CM64D	1475	48.0	36.0	14.25	12.25
TC3B4821S	TP9C120D20MP13C	24.5	CF/CM/CU48D	1400	47.0	35.2	14.00	12.00
TC3B4821S	TP9C120D20MP13C	24.5	CF/CM/CU60D	1575	48.0	37.0	14.25	12.25
TC3B4821S	TP9C120D20MP13C	24.5	CF/CM64D	1575	48.0	37.2	14.50	11.75
TC3B4821S	TPLC080C16MP13C	21.0	CF/CM/CU48C	1425	46.5	34.8	13.75	11.75
TC3B4821S	TPLC080C16MP13C	21.0	CF/CM/CU48D	1425	47.0	35.2	13.75	11.75
TC3B4821S	TPLC080C16MP13C	21.0	CF/CM/CU60C	1425	47.0	35.2	14.00	11.75
TC3B4821S	TPLC080C16MP13C	21.0	CF/CM/CU60D	1425	47.0	35.0	14.00	11.75
TC3B4821S	TPLC080C16MP13C	21.0	CF/CM64D	1425	48.0	35.8	14.25	12.00
TC3B4821S	TPLC100C16MP13C	21.0	CF/CM/CU48C	1425	46.5	34.8	13.75	11.75
TC3B4821S	TPLC100C16MP13C	21.0	CF/CM/CU48D	1425	47.0	35.2	13.75	11.75
TC3B4821S	TPLC100C16MP13C	21.0	CF/CM/CU60C	1425	47.0	35.2	14.00	11.75
TC3B4821S	TPLC100C16MP13C	21.0	CF/CM/CU60D	1425	47.0	35.0	14.00	11.75
TC3B4821S	TPLC100C16MP13C	21.0	CF/CM64D	1425	48.0	35.8	14.25	12.00
TC3B4821S	TPLC100C20MP13C	21.0	CF/CM/CU48C	1425	47.0	35.2	14.00	11.75
TC3B4821S	TPLC100C20MP13C	21.0	CF/CM/CU48D	1475	47.5	36.0	14.25	12.25
TC3B4821S	TPLC100C20MP13C	21.0	CF/CM/CU60C	1425	47.5	35.4	14.00	11.75
TC3B4821S	TPLC100C20MP13C	21.0	CF/CM/CU60D	1475	48.0	36.2	14.00	11.75
TC3B4821S	TPLC100C20MP13C	21.0	CF/CM64D	1375	47.5	34.8	14.50	12.00
TC3B4821S	TPLC120C20MP13C	21.0	CF/CM/CU48C	1425	47.0	35.2	14.00	11.75
TC3B4821S	TPLC120C20MP13C	21.0	CF/CM/CU48D	1475	47.5	36.0	14.25	12.25
TC3B4821S	TPLC120C20MP13C	21.0	CF/CM/CU60C	1425	47.5	35.4	14.00	11.75
TC3B4821S	TPLC120C20MP13C	21.0	CF/CM/CU60D	1475	48.0	36.2	14.00	11.75
TC3B4821S	TPLC120C20MP13C	21.0	CF/CM64D	1375	47.5	34.8	14.50	12.00

COOLING CAPACITY - With High Efficiency Motor Furnaces¹ (Continued)

UNIT MODEL	FURNACE		COIL MODEL ²	COOLING				
	MODEL	WIDTH		RATED CFM	NET MBH		SEER	EER
					TOTAL	SENS.		
TC3B4821S	CP9C100C16MP13C	21.0	CF/CM/CU48C	1325	46.0	33.4	13.75	11.75
TC3B4821S	CP9C100C16MP13C	21.0	CF/CM/CU48D	1425	47.0	35.2	14.00	12.00
TC3B4821S	CP9C100C16MP13C	21.0	CF/CM/CU60C	1425	47.0	35.2	14.00	11.75
TC3B4821S	CP9C100C16MP13C	21.0	CF/CM/CU60D	1475	47.5	36.0	14.00	11.75
TC3B4821S	CP9C100C16MP13C	21.0	CF/CM64D	1325	47.0	34.0	14.25	12.25
TC3B4821S	CP9C100C20MP13C	21.0	CF/CM/CU48C	1350	46.0	33.6	13.50	11.25
TC3B4821S	CP9C100C20MP13C	21.0	CF/CM/CU48D	1350	46.0	33.8	13.75	11.75
TC3B4821S	CP9C100C20MP13C	21.0	CF/CM/CU60C	1475	47.5	36.0	13.75	11.50
TC3B4821S	CP9C100C20MP13C	21.0	CF/CM/CU60D	1475	47.5	36.0	14.00	12.00
TC3B4821S	CP9C100C20MP13C	21.0	CF/CM64D	1475	48.0	36.0	14.25	12.25
TC3B4821S	CP9C120D20MP13C	24.5	CF/CM/CU48D	1400	47.0	35.2	14.00	12.00
TC3B4821S	CP9C120D20MP13C	24.5	CF/CM/CU60D	1575	48.0	37.0	14.25	12.25
TC3B4821S	CP9C120D20MP13C	24.5	CF/CM64D	1575	48.0	37.2	14.50	11.75
TC3B4821S	CPLC080C16MP13C	21.0	CF/CM/CU48C	1425	46.5	34.8	13.75	11.75
TC3B4821S	CPLC080C16MP13C	21.0	CF/CM/CU48D	1425	47.0	35.2	13.75	11.75
TC3B4821S	CPLC080C16MP13C	21.0	CF/CM/CU60C	1425	47.0	35.2	14.00	11.75
TC3B4821S	CPLC080C16MP13C	21.0	CF/CM/CU60D	1425	47.0	35.0	14.00	11.75
TC3B4821S	CPLC080C16MP13C	21.0	CF/CM64D	1425	48.0	35.8	14.25	12.00
TC3B4821S	CPLC100C16MP13C	21.0	CF/CM/CU48C	1425	46.5	34.8	13.75	11.75
TC3B4821S	CPLC100C16MP13C	21.0	CF/CM/CU48D	1425	47.0	35.2	13.75	11.75
TC3B4821S	CPLC100C16MP13C	21.0	CF/CM/CU60C	1425	47.0	35.2	14.00	11.75
TC3B4821S	CPLC100C16MP13C	21.0	CF/CM/CU60D	1425	47.0	35.0	14.00	11.75
TC3B4821S	CPLC100C16MP13C	21.0	CF/CM64D	1425	48.0	35.8	14.25	12.00
TC3B4821S	CPLC100C20MP13C	21.0	CF/CM/CU48C	1425	47.0	35.2	14.00	11.75
TC3B4821S	CPLC100C20MP13C	21.0	CF/CM/CU48D	1475	47.5	36.0	14.25	12.25
TC3B4821S	CPLC100C20MP13C	21.0	CF/CM/CU60C	1425	47.5	35.4	14.00	11.75
TC3B4821S	CPLC100C20MP13C	21.0	CF/CM/CU60D	1475	48.0	36.2	14.00	11.75
TC3B4821S	CPLC100C20MP13C	21.0	CF/CM64D	1375	47.5	34.8	14.50	12.00
TC3B4821S	CPLC120C20MP13C	21.0	CF/CM/CU48C	1425	47.0	35.2	14.00	11.75
TC3B4821S	CPLC120C20MP13C	21.0	CF/CM/CU48D	1475	47.5	36.0	14.25	12.25
TC3B4821S	CPLC120C20MP13C	21.0	CF/CM/CU60C	1425	47.5	35.4	14.00	11.75
TC3B4821S	CPLC120C20MP13C	21.0	CF/CM/CU60D	1475	48.0	36.2	14.00	11.75
TC3B4821S	CPLC120C20MP13C	21.0	CF/CM64D	1375	47.5	34.8	14.50	12.00
TC3B6022S	TL8E080C16UH11	21.0	CF/CM/CU60C	1550	54.5	39.0	13.00	11.00
TC3B6022S	TL8E080C16UH11	21.0	CF/CM/CU60D	1575	55.5	40.5	13.00	11.00
TC3B6022S	TL8E080C16UH11	21.0	CF/CM64D	1550	56.0	40.5	13.00	11.00
TC3B6022S	TL8E100C20UH11	21.0	CF/CM/CU60C	1600	55.0	40.0	13.00	11.00
TC3B6022S	TL8E100C20UH11	21.0	CF/CM/CU60D	1625	56.0	41.0	13.00	11.00
TC3B6022S	TL8E100C20UH11	21.0	CF/CM64D	1600	56.5	41.0	13.25	11.25
TC3B6022S	TL9E100C20UH11	21.0	CF/CM/CU60C	1600	54.5	39.5	13.00	11.00
TC3B6022S	TL9E100C20UH11	21.0	CF/CM/CU60D	1625	56.0	41.0	13.00	11.00
TC3B6022S	TL9E100C20UH11	21.0	CF/CM64D	1600	56.5	41.0	13.25	11.25
TC3B6022S	TM8E080C16MP11	21.0	CF/CM/CU60C	1575	54.5	39.5	13.00	11.00
TC3B6022S	TM8E080C16MP11	21.0	CF/CM/CU60D	1600	54.5	39.5	13.00	11.00
TC3B6022S	TM8E080C16MP11	21.0	CF/CM64D	1575	56.0	40.5	13.00	11.00
TC3B6022S	TM8E080C20MP11	21.0	CF/CM/CU60C	1550	54.5	39.0	13.00	11.00
TC3B6022S	TM8E080C20MP11	21.0	CF/CM/CU60D	1575	54.5	39.5	13.25	11.25
TC3B6022S	TM8E080C20MP11	21.0	CF/CM64D	1575	56.5	41.0	13.25	11.25
TC3B6022S	TM8E100C16MP11	21.0	CF/CM/CU60C	1575	54.5	39.5	13.00	11.00
TC3B6022S	TM8E100C16MP11	21.0	CF/CM/CU60D	1600	54.5	39.5	13.00	11.00
TC3B6022S	TM8E100C16MP11	21.0	CF/CM64D	1575	56.0	40.5	13.00	11.00
TC3B6022S	TM8E100C20MP11	21.0	CF/CM/CU60C	1725	55.0	41.0	13.00	11.00
TC3B6022S	TM8E100C20MP11	21.0	CF/CM/CU60D	1550	54.5	39.0	13.25	11.25

COOLING CAPACITY - With High Efficiency Motor Furnaces¹ (Continued)

UNIT MODEL	FURNACE		COIL MODEL ²	COOLING				
	MODEL	WIDTH		RATED CFM	NET MBH		SEER	EER
					TOTAL	SENS.		
TC3B6022S	TM8E100C20MP11	21.0	CF/CM64D	1525	56.0	40.0	13.25	11.25
TC3B6022S	TM8E120C16MP11	21.0	CF/CM/CU60C	1575	54.5	40.0	13.00	11.00
TC3B6022S	TM8E120C16MP11	21.0	CF/CM/CU60D	1600	54.5	39.5	13.00	11.00
TC3B6022S	TM8E120C16MP11	21.0	CF/CM64D	1575	56.0	40.5	13.00	11.00
TC3B6022S	TM8E120C20MP11	21.0	CF/CM/CU60C	1750	55.0	41.0	13.00	11.00
TC3B6022S	TM8E120C20MP11	21.0	CF/CM/CU60D	1525	54.5	39.0	13.25	11.25
TC3B6022S	TM8E120C20MP11	21.0	CF/CM64D	1525	56.0	40.0	13.25	11.25
TC3B6022S	TM8E130D20MP11	24.5	CF/CM/CU60D	1650	55.0	40.5	13.00	11.00
TC3B6022S	TM8E130D20MP11	24.5	CF/CM64D	1625	56.0	41.0	13.00	11.00
TC3B6022S	TM8V080C16MP11C	21.0	CF/CM/CU60D	1700	55.5	41.0	13.00	11.00
TC3B6022S	TM8V080C16MP12C	21.0	CF/CM/CU60D	1700	55.5	41.0	13.00	11.00
TC3B6022S	TM8V100C16MP11C	21.0	CF/CM/CU60D	1700	55.5	41.0	13.00	11.00
TC3B6022S	TM8V100C16MP12C	21.0	CF/CM/CU60D	1700	55.5	41.0	13.00	11.00
TC3B6022S	TM8V100C20MP11C	21.0	CF/CM/CU60C	1550	55.0	39.5	13.00	11.00
TC3B6022S	TM8V100C20MP11C	21.0	CF/CM/CU60D	1550	55.0	39.5	13.25	11.25
TC3B6022S	TM8V100C20MP11C	21.0	CF/CM64D	1550	55.0	40.0	13.25	11.25
TC3B6022S	TM8V100C20MP12C	21.0	CF/CM/CU60C	1550	55.0	39.5	13.00	11.00
TC3B6022S	TM8V100C20MP12C	21.0	CF/CM/CU60D	1550	55.0	39.5	13.25	11.25
TC3B6022S	TM8V100C20MP12C	21.0	CF/CM64D	1550	55.0	40.0	13.25	11.25
TC3B6022S	TM8V120C20MP11C	21.0	CF/CM/CU60C	1550	55.0	39.5	13.00	11.00
TC3B6022S	TM8V120C20MP11C	21.0	CF/CM/CU60D	1550	55.0	39.5	13.25	11.25
TC3B6022S	TM8V120C20MP11C	21.0	CF/CM64D	1550	55.0	40.0	13.25	11.25
TC3B6022S	TM8V120C20MP12C	21.0	CF/CM/CU60C	1550	55.0	39.5	13.00	11.00
TC3B6022S	TM8V120C20MP12C	21.0	CF/CM/CU60D	1550	55.0	39.5	13.25	11.25
TC3B6022S	TM8V120C20MP12C	21.0	CF/CM64D	1550	55.0	40.0	13.25	11.25
TC3B6022S	TM8X080C16MP11	21.0	CF/CM/CU60C	1525	55.0	39.5	13.00	11.00
TC3B6022S	TM8X080C16MP11	21.0	CF/CM/CU60D	1550	55.5	40.0	13.00	11.25
TC3B6022S	TM8X080C16MP11	21.0	CF/CM64D	1525	54.5	39.0	13.00	11.00
TC3B6022S	TM8X100C16MP11	21.0	CF/CM/CU60C	1525	55.0	39.5	13.00	11.00
TC3B6022S	TM8X100C16MP11	21.0	CF/CM/CU60D	1550	55.5	40.0	13.00	11.25
TC3B6022S	TM8X100C16MP11	21.0	CF/CM64D	1525	54.5	39.0	13.00	11.00
TC3B6022S	TM8X100C20MP11	21.0	CF/CM/CU60C	1550	54.5	39.0	13.25	11.25
TC3B6022S	TM8X100C20MP11	21.0	CF/CM/CU60D	1600	55.0	40.0	13.25	11.25
TC3B6022S	TM8X100C20MP11	21.0	CF/CM64D	1550	55.0	40.0	13.25	11.25
TC3B6022S	TM8X120C20MP11	21.0	CF/CM/CU60C	1550	54.5	39.0	13.25	11.25
TC3B6022S	TM8X120C20MP11	21.0	CF/CM/CU60D	1600	55.0	40.0	13.25	11.25
TC3B6022S	TM8X120C20MP11	21.0	CF/CM64D	1550	55.0	40.0	13.25	11.25
TC3B6022S	TM8Y080C16MP11	21.0	CF/CM/CU60C	1525	55.0	39.5	13.00	11.00
TC3B6022S	TM8Y080C16MP11	21.0	CF/CM/CU60D	1550	55.5	40.0	13.00	11.25
TC3B6022S	TM8Y080C16MP11	21.0	CF/CM64D	1525	54.5	39.0	13.00	11.00
TC3B6022S	TM8Y100C16MP11	21.0	CF/CM/CU60C	1525	55.0	39.5	13.00	11.00
TC3B6022S	TM8Y100C16MP11	21.0	CF/CM/CU60D	1550	55.5	40.0	13.00	11.25
TC3B6022S	TM8Y100C16MP11	21.0	CF/CM64D	1525	54.5	39.0	13.00	11.00
TC3B6022S	TM8Y100C20MP11	21.0	CF/CM/CU60C	1550	54.5	39.0	13.25	11.25
TC3B6022S	TM8Y100C20MP11	21.0	CF/CM/CU60D	1600	55.0	40.0	13.25	11.25
TC3B6022S	TM8Y100C20MP11	21.0	CF/CM64D	1550	55.0	40.0	13.25	11.25
TC3B6022S	TM8Y120C20MP11	21.0	CF/CM/CU60C	1550	54.5	39.0	13.25	11.25
TC3B6022S	TM8Y120C20MP11	21.0	CF/CM/CU60D	1600	55.0	40.0	13.25	11.25
TC3B6022S	TM8Y120C20MP11	21.0	CF/CM64D	1550	55.0	40.0	13.25	11.25
TC3B6022S	TM9E080C20MP12	21.0	CF/CM/CU60C	1725	55.0	41.0	13.00	11.00
TC3B6022S	TM9E080C20MP12	21.0	CF/CM/CU60D	1525	54.5	39.0	13.25	11.25
TC3B6022S	TM9E080C20MP12	21.0	CF/CM64D	1750	56.0	42.0	13.25	11.25
TC3B6022S	TM9E100C16MP12	21.0	CF/CM/CU60D	1600	54.5	40.0	13.00	11.00

COOLING CAPACITY - With High Efficiency Motor Furnaces¹ (Continued)

UNIT MODEL	FURNACE		COIL MODEL ²	COOLING				
	MODEL	WIDTH		RATED CFM	NET MBH		SEER	EER
					TOTAL	SENS.		
TC3B6022S	TM9E100C20MP11	21.0	CF/CM/CU60C	1525	53.5	38.5	13.00	11.00
TC3B6022S	TM9E100C20MP11	21.0	CF/CM/CU60D	1550	54.0	39.0	13.00	11.25
TC3B6022S	TM9E100C20MP11	21.0	CF/CM64D	1550	55.0	39.5	13.00	11.00
TC3B6022S	TM9E100C20MP12	21.0	CF/CM/CU60C	1700	55.0	41.0	13.00	11.00
TC3B6022S	TM9E100C20MP12	21.0	CF/CM/CU60D	1550	54.5	39.0	13.25	11.25
TC3B6022S	TM9E100C20MP12	21.0	CF/CM64D	1525	56.0	40.0	13.25	11.25
TC3B6022S	TM9E120D20MP11	24.5	CF/CM/CU60D	1600	55.0	40.0	13.25	11.25
TC3B6022S	TM9E120D20MP11	24.5	CF/CM64D	1575	55.5	40.5	13.25	11.25
TC3B6022S	TM9E120D20MP12	24.5	CF/CM/CU60D	1625	55.0	40.5	13.00	11.00
TC3B6022S	TM9E120D20MP12	24.5	CF/CM64D	1600	56.0	41.0	13.00	11.25
TC3B6022S	TM9V080C16MP11C	21.0	CF/CM/CU60D	1525	54.0	38.5	13.00	11.00
TC3B6022S	TM9V080C16MP12C	21.0	CF/CM/CU60D	1525	54.0	38.5	13.00	11.00
TC3B6022S	TM9V100C16MP11C	21.0	CF/CM/CU60C	1600	55.5	40.5	13.00	11.00
TC3B6022S	TM9V100C16MP11C	21.0	CF/CM/CU60D	1600	54.5	39.5	13.00	11.00
TC3B6022S	TM9V100C16MP11C	21.0	CF/CM64D	1600	55.5	40.5	13.00	11.00
TC3B6022S	TM9V100C16MP12C	21.0	CF/CM/CU60C	1600	55.5	40.5	13.00	11.00
TC3B6022S	TM9V100C16MP12C	21.0	CF/CM/CU60D	1600	54.5	39.5	13.00	11.00
TC3B6022S	TM9V100C16MP12C	21.0	CF/CM64D	1600	55.5	40.5	13.00	11.00
TC3B6022S	TM9V100C20MP11C	21.0	CF/CM/CU60C	1600	54.5	40.0	13.00	11.00
TC3B6022S	TM9V100C20MP11C	21.0	CF/CM/CU60D	1575	54.5	40.0	13.25	11.00
TC3B6022S	TM9V100C20MP11C	21.0	CF/CM64D	1600	55.5	40.5	13.00	11.00
TC3B6022S	TM9V100C20MP12C	21.0	CF/CM/CU60C	1600	54.5	40.0	13.00	11.00
TC3B6022S	TM9V100C20MP12C	21.0	CF/CM/CU60D	1575	54.5	40.0	13.25	11.00
TC3B6022S	TM9V100C20MP12C	21.0	CF/CM64D	1600	55.5	40.5	13.00	11.00
TC3B6022S	TM9V120D20MP11C	24.5	CF/CM/CU60D	1575	54.5	39.5	13.00	11.00
TC3B6022S	TM9V120D20MP11C	24.5	CF/CM64D	1575	55.5	40.5	13.00	11.25
TC3B6022S	TM9V120D20MP12C	24.5	CF/CM/CU60D	1575	54.5	39.5	13.00	11.00
TC3B6022S	TM9V120D20MP12C	24.5	CF/CM64D	1575	55.5	40.5	13.00	11.25
TC3B6022S	TMLE080C16MP11	21.0	CF/CM/CU60C	1575	54.5	39.5	13.00	11.00
TC3B6022S	TMLE080C16MP11	21.0	CF/CM/CU60D	1600	54.5	39.5	13.00	11.00
TC3B6022S	TMLE080C16MP11	21.0	CF/CM64D	1575	56.0	40.5	13.00	11.00
TC3B6022S	TMLE080C20MP11	21.0	CF/CM/CU60C	1550	54.5	39.0	13.00	11.00
TC3B6022S	TMLE080C20MP11	21.0	CF/CM/CU60D	1575	54.5	39.5	13.25	11.25
TC3B6022S	TMLE080C20MP11	21.0	CF/CM64D	1575	56.5	41.0	13.25	11.25
TC3B6022S	TMLE100C16MP11	21.0	CF/CM/CU60C	1575	54.5	39.5	13.00	11.00
TC3B6022S	TMLE100C16MP11	21.0	CF/CM/CU60D	1600	54.5	39.5	13.00	11.00
TC3B6022S	TMLE100C16MP11	21.0	CF/CM64D	1575	56.0	40.5	13.00	11.00
TC3B6022S	TMLE100C20MP11	21.0	CF/CM/CU60C	1725	55.0	41.0	13.00	11.00
TC3B6022S	TMLE100C20MP11	21.0	CF/CM/CU60D	1550	54.5	39.0	13.25	11.25
TC3B6022S	TMLE100C20MP11	21.0	CF/CM64D	1525	56.0	40.0	13.25	11.25
TC3B6022S	TMLE120C16MP11	21.0	CF/CM/CU60C	1575	54.5	40.0	13.00	11.00
TC3B6022S	TMLE120C16MP11	21.0	CF/CM/CU60D	1600	54.5	39.5	13.00	11.00
TC3B6022S	TMLE120C16MP11	21.0	CF/CM64D	1575	56.0	40.5	13.00	11.00
TC3B6022S	TMLE120C20MP11	21.0	CF/CM/CU60C	1750	55.0	41.0	13.00	11.00
TC3B6022S	TMLE120C20MP11	21.0	CF/CM/CU60D	1525	54.5	39.0	13.25	11.25
TC3B6022S	TMLE120C20MP11	21.0	CF/CM64D	1525	56.0	40.0	13.25	11.25
TC3B6022S	TMLE130D20MP11	24.5	CF/CM/CU60D	1650	55.0	40.5	13.00	11.00
TC3B6022S	TMLE130D20MP11	24.5	CF/CM64D	1625	56.0	41.0	13.00	11.00
TC3B6022S	TMLV080C16MP11C	21.0	CF/CM/CU60D	1700	55.5	41.0	13.00	11.00
TC3B6022S	TMLV080C16MP12C	21.0	CF/CM/CU60D	1700	55.5	41.0	13.00	11.00
TC3B6022S	TMLV100C16MP11C	21.0	CF/CM/CU60D	1700	55.5	41.0	13.00	11.00
TC3B6022S	TMLV100C16MP12C	21.0	CF/CM/CU60D	1700	55.5	41.0	13.00	11.00
TC3B6022S	TMLV100C20MP11C	21.0	CF/CM/CU60C	1550	55.0	39.5	13.00	11.00

COOLING CAPACITY - With High Efficiency Motor Furnaces¹ (Continued)

UNIT MODEL	FURNACE		COIL MODEL ²	COOLING				
	MODEL	WIDTH		RATED CFM	NET MBH		SEER	EER
					TOTAL	SENS.		
TC3B6022S	TMLV100C20MP11C	21.0	CF/CM/CU60D	1550	55.0	39.5	13.25	11.25
TC3B6022S	TMLV100C20MP11C	21.0	CF/CM64D	1550	55.0	40.0	13.25	11.25
TC3B6022S	TMLV100C20MP12C	21.0	CF/CM/CU60C	1550	55.0	39.5	13.00	11.00
TC3B6022S	TMLV100C20MP12C	21.0	CF/CM/CU60D	1550	55.0	39.5	13.25	11.25
TC3B6022S	TMLV100C20MP12C	21.0	CF/CM64D	1550	55.0	40.0	13.25	11.25
TC3B6022S	TMLV120C20MP11C	21.0	CF/CM/CU60C	1550	55.0	39.5	13.00	11.00
TC3B6022S	TMLV120C20MP11C	21.0	CF/CM/CU60D	1550	55.0	39.5	13.25	11.25
TC3B6022S	TMLV120C20MP11C	21.0	CF/CM64D	1550	55.0	40.0	13.25	11.25
TC3B6022S	TMLV120C20MP12C	21.0	CF/CM/CU60C	1550	55.0	39.5	13.00	11.00
TC3B6022S	TMLV120C20MP12C	21.0	CF/CM/CU60D	1550	55.0	39.5	13.25	11.25
TC3B6022S	TMLV120C20MP12C	21.0	CF/CM64D	1550	55.0	40.0	13.25	11.25
TC3B6022S	TMLX080C16MP11	21.0	CF/CM/CU60C	1525	55.0	39.5	13.00	11.00
TC3B6022S	TMLX080C16MP11	21.0	CF/CM/CU60D	1550	55.5	40.0	13.00	11.25
TC3B6022S	TMLX080C16MP11	21.0	CF/CM64D	1525	54.5	39.0	13.00	11.00
TC3B6022S	TMLX100C16MP11	21.0	CF/CM/CU60C	1525	55.0	39.5	13.00	11.00
TC3B6022S	TMLX100C16MP11	21.0	CF/CM/CU60D	1550	55.5	40.0	13.00	11.25
TC3B6022S	TMLX100C16MP11	21.0	CF/CM64D	1525	54.5	39.0	13.00	11.00
TC3B6022S	TMLX100C20MP11	21.0	CF/CM/CU60C	1550	54.5	39.0	13.25	11.25
TC3B6022S	TMLX100C20MP11	21.0	CF/CM/CU60D	1600	55.0	40.0	13.25	11.25
TC3B6022S	TMLX100C20MP11	21.0	CF/CM64D	1550	55.0	40.0	13.25	11.25
TC3B6022S	TMLX120C20MP11	21.0	CF/CM/CU60C	1550	54.5	39.0	13.25	11.25
TC3B6022S	TMLX120C20MP11	21.0	CF/CM/CU60D	1600	55.0	40.0	13.25	11.25
TC3B6022S	TMLX120C20MP11	21.0	CF/CM64D	1550	55.0	40.0	13.25	11.25
TC3B6022S	TP9C080C16MP13C	21.0	CF/CM/CU60D	1525	54.0	38.5	13.00	11.00
TC3B6022S	TP9C100C16MP12C	21.0	CF/CM/CU60C	1600	55.5	40.5	13.00	11.00
TC3B6022S	TP9C100C16MP12C	21.0	CF/CM/CU60D	1600	54.5	39.5	13.00	11.00
TC3B6022S	TP9C100C16MP12C	21.0	CF/CM64D	1600	55.5	40.5	13.00	11.00
TC3B6022S	TP9C100C16MP13C	21.0	CF/CM/CU60C	1600	55.5	40.5	13.00	11.00
TC3B6022S	TP9C100C16MP13C	21.0	CF/CM/CU60D	1600	54.5	39.5	13.00	11.00
TC3B6022S	TP9C100C16MP13C	21.0	CF/CM64D	1600	55.5	40.5	13.00	11.00
TC3B6022S	TP9C100C20MP12C	21.0	CF/CM/CU60C	1600	54.5	40.0	13.00	11.00
TC3B6022S	TP9C100C20MP12C	21.0	CF/CM/CU60D	1575	54.5	40.0	13.25	11.00
TC3B6022S	TP9C100C20MP12C	21.0	CF/CM64D	1600	55.5	40.5	13.00	11.00
TC3B6022S	TP9C100C20MP13C	21.0	CF/CM/CU60C	1600	54.5	40.0	13.00	11.00
TC3B6022S	TP9C100C20MP13C	21.0	CF/CM/CU60D	1575	54.5	40.0	13.25	11.00
TC3B6022S	TP9C100C20MP13C	21.0	CF/CM64D	1600	55.5	40.5	13.00	11.00
TC3B6022S	TP9C120D20MP12C	24.5	CF/CM/CU60D	1575	54.5	39.5	13.00	11.00
TC3B6022S	TP9C120D20MP12C	24.5	CF/CM64D	1575	55.5	40.5	13.00	11.25
TC3B6022S	TP9C120D20MP13C	24.5	CF/CM/CU60D	1575	54.5	39.5	13.00	11.00
TC3B6022S	TP9C120D20MP13C	24.5	CF/CM64D	1575	55.5	40.5	13.00	11.25
TC3B6022S	TPLC080C16MP12C	21.0	CF/CM/CU60D	1700	55.5	41.0	13.00	11.00
TC3B6022S	TPLC080C16MP13C	21.0	CF/CM/CU60D	1700	55.5	41.0	13.00	11.00
TC3B6022S	TPLC100C16MP12C	21.0	CF/CM/CU60D	1700	55.5	41.0	13.00	11.00
TC3B6022S	TPLC100C16MP13C	21.0	CF/CM/CU60D	1700	55.5	41.0	13.00	11.00
TC3B6022S	TPLC100C20MP12C	21.0	CF/CM/CU60C	1550	55.0	39.5	13.00	11.00
TC3B6022S	TPLC100C20MP12C	21.0	CF/CM/CU60D	1550	55.0	39.5	13.25	11.25
TC3B6022S	TPLC100C20MP12C	21.0	CF/CM64D	1550	55.0	40.0	13.25	11.25
TC3B6022S	TPLC100C20MP13C	21.0	CF/CM/CU60C	1550	55.0	39.5	13.00	11.00
TC3B6022S	TPLC100C20MP13C	21.0	CF/CM/CU60D	1550	55.0	39.5	13.25	11.25
TC3B6022S	TPLC100C20MP13C	21.0	CF/CM64D	1550	55.0	40.0	13.25	11.25
TC3B6022S	TPLC120C20MP12C	21.0	CF/CM/CU60C	1550	55.0	39.5	13.00	11.00
TC3B6022S	TPLC120C20MP12C	21.0	CF/CM/CU60D	1550	55.0	39.5	13.25	11.25
TC3B6022S	TPLC120C20MP12C	21.0	CF/CM64D	1550	55.0	40.0	13.25	11.25

COOLING CAPACITY - With High Efficiency Motor Furnaces¹ (Continued)

UNIT MODEL	FURNACE		COIL MODEL ²	COOLING				
	MODEL	WIDTH		RATED CFM	NET MBH		SEER	EER
					TOTAL	SENS.		
TC3B6022S	TPLC120C20MP13C	21.0	CF/CM/CU60C	1550	55.0	39.5	13.00	11.00
TC3B6022S	TPLC120C20MP13C	21.0	CF/CM/CU60D	1550	55.0	39.5	13.25	11.25
TC3B6022S	TPLC120C20MP13C	21.0	CF/CM64D	1550	55.0	40.0	13.25	11.25
TC3B6022S	CP9C080C16MP13C	21.0	CF/CM/CU60D	1525	54.0	38.5	13.00	11.00
TC3B6022S	CP9C100C16MP12C	21.0	CF/CM/CU60C	1600	55.5	40.5	13.00	11.00
TC3B6022S	CP9C100C16MP12C	21.0	CF/CM/CU60D	1600	54.5	39.5	13.00	11.00
TC3B6022S	CP9C100C16MP12C	21.0	CF/CM64D	1600	55.5	40.5	13.00	11.00
TC3B6022S	CP9C100C16MP13C	21.0	CF/CM/CU60C	1600	55.5	40.5	13.00	11.00
TC3B6022S	CP9C100C16MP13C	21.0	CF/CM/CU60D	1600	54.5	39.5	13.00	11.00
TC3B6022S	CP9C100C16MP13C	21.0	CF/CM64D	1600	55.5	40.5	13.00	11.00
TC3B6022S	CP9C100C20MP12C	21.0	CF/CM/CU60C	1600	54.5	40.0	13.00	11.00
TC3B6022S	CP9C100C20MP12C	21.0	CF/CM/CU60D	1575	54.5	40.0	13.25	11.00
TC3B6022S	CP9C100C20MP12C	21.0	CF/CM64D	1600	55.5	40.5	13.00	11.00
TC3B6022S	CP9C100C20MP13C	21.0	CF/CM/CU60C	1600	54.5	40.0	13.00	11.00
TC3B6022S	CP9C100C20MP13C	21.0	CF/CM/CU60D	1575	54.5	40.0	13.25	11.00
TC3B6022S	CP9C100C20MP13C	21.0	CF/CM64D	1600	55.5	40.5	13.00	11.00
TC3B6022S	CP9C120D20MP12C	24.5	CF/CM/CU60D	1575	54.5	39.5	13.00	11.00
TC3B6022S	CP9C120D20MP12C	24.5	CF/CM64D	1575	55.5	40.5	13.00	11.25
TC3B6022S	CP9C120D20MP13C	24.5	CF/CM/CU60D	1575	54.5	39.5	13.00	11.00
TC3B6022S	CP9C120D20MP13C	24.5	CF/CM64D	1575	55.5	40.5	13.00	11.25
TC3B6022S	CPLC080C16MP12C	21.0	CF/CM/CU60D	1700	55.5	41.0	13.00	11.00
TC3B6022S	CPLC080C16MP13C	21.0	CF/CM/CU60D	1700	55.5	41.0	13.00	11.00
TC3B6022S	CPLC100C16MP12C	21.0	CF/CM/CU60D	1700	55.5	41.0	13.00	11.00
TC3B6022S	CPLC100C16MP13C	21.0	CF/CM/CU60D	1700	55.5	41.0	13.00	11.00
TC3B6022S	CPLC100C20MP12C	21.0	CF/CM/CU60C	1550	55.0	39.5	13.00	11.00
TC3B6022S	CPLC100C20MP12C	21.0	CF/CM/CU60D	1550	55.0	39.5	13.25	11.25
TC3B6022S	CPLC100C20MP12C	21.0	CF/CM64D	1550	55.0	40.0	13.25	11.25
TC3B6022S	CPLC100C20MP13C	21.0	CF/CM/CU60C	1550	55.0	39.5	13.00	11.00
TC3B6022S	CPLC100C20MP13C	21.0	CF/CM/CU60D	1550	55.0	39.5	13.25	11.25
TC3B6022S	CPLC100C20MP13C	21.0	CF/CM64D	1550	55.0	40.0	13.25	11.25
TC3B6022S	CPLC120C20MP12C	21.0	CF/CM/CU60C	1550	55.0	39.5	13.00	11.00
TC3B6022S	CPLC120C20MP12C	21.0	CF/CM/CU60D	1550	55.0	39.5	13.25	11.25
TC3B6022S	CPLC120C20MP12C	21.0	CF/CM64D	1550	55.0	40.0	13.25	11.25
TC3B6022S	CPLC120C20MP13C	21.0	CF/CM/CU60C	1550	55.0	39.5	13.00	11.00
TC3B6022S	CPLC120C20MP13C	21.0	CF/CM/CU60D	1550	55.0	39.5	13.25	11.25
TC3B6022S	CPLC120C20MP13C	21.0	CF/CM64D	1550	55.0	40.0	13.25	11.25

For rated condition information, see the *COOLING CAPACITY - With Air Handler Coils* table footnotes.

- High Efficiency Motor Furnaces have blower off delay (B.O.D) standard.
 - CM coils available with a factory installed horizontal drain pan. See the Price pages for specific model number.
- PSC furnaces, such as the TG8S, TGLS, and TG9S, use Coil Only Ratings.

APPLICATIONS AND ACCESSORIES

Refer to the *Price Manual* for specific model numbers.

Standard Application Limits*		
Maximum Lineset Equivalent Length	80 ft	
Outdoor Ambient Temperature Limits		
Cooling Operation	Maximum DB	115°F
	Minimum DB	55°F

*For Low Ambient and/or Long Lineset Applications, see the accessories listed below.

Non-Standard Lineset Applications - For installations with reduced diameter or long linesets, refer to the current version of the *Piping Application Guide* P/N 247077, available in the *Application Bulletins* section on www.simplygettingthejobdone.com.

OD Unit Anti Short Cycle Kit (10 Pack) (S1-2TD08700124BK): A time delay that prevents rapid compressor restarting as a result of power interruption, limit switch operation, or thermostat resetting. Not required for HP models, or for AC models with factory electronic controls.

Standard Low Ambient Control Kit (S1-2LA06700424): Allows the use of air conditioning at low outdoor ambient temperatures down to +20°F (-7°C). For use with all R-410A single-stage AC and HP models.

Advanced Low Ambient Control Kit (S1-2LA04701024): Contains the necessary components and controls to allow cooling operation down to -20°F (-29°C). For use with some R-410A single-stage AC and HP models. This accessory can only be applied to models that contain a PSC outdoor fan motor.

Low Pressure Switch Kit (S1-2PS06700524): Provides field installed low pressure (loss of charge) protection. Not required for HP models, or for AC models with factory electronic controls.

High Ambient Outdoor Fan Motor (S1-FHM**HT)**: Class F 70°C motor to allow cooling operation up to 160°F air entering the outdoor coil. For use with all R-410A single stage AC and HP models containing R-410A refrigerant only.

Outdoor Communicating Board Kit (S1-33102952310): Electronic control upgrade for standard air conditioning units to provide compatibility with the residential Touch Screen Communicating Control.

Start Assist Kit (S1-2SA067**)**: Provides increased compressor starting torque for areas with low supply voltage. Required for units with reciprocating compressors when applied with indoor TXV, and for all units when applied with long linesets or low ambient kits. May be factory installed on select AC and HP units (see the *PHYSICAL AND ELECTRICAL DATA* table.). Refer to the Price pages or Source 1 SmartSearch for the correct kit for each application.

Compressor Crankcase Heater Kit (S1-025-**-*)**: A wrap-around electrical resistance heater that warms the compressor sump, reducing the chance of liquid slugging on startup. Required on all long lineset and low ambient applications. Refer to the Price pages or Source 1 SmartSearch for the correct part for each application.

Anchor Bracket Kit (S1-1HK0601): Firmly anchors unit to pad or support structure. When properly installed, approved for ground-mounted or roof-mounted applications.

Indoor TXV Kit (S1-1TVM*)**: Thermal expansion valves precisely meter refrigerant for optimum performance over a wide range of conditions. See the SYSTEM CHARGE FOR VARIOUS MATCHED SYSTEMS table or refer to the Price pages or Source 1 Smart Search for the TXV part number for each AC and HP model.

Winter Cover Kit (S1-CCVRE*)**: Custom fit winter cover protects AC condensing unit from debris during the off-season. Remove before unit operation. Refer to the Price pages or Source 1 SmartSearch for the correct cover for each application.

Cold Weather Charging Tent (S1-CHGTENT01): Provides warm environment to accurately service AC and HP systems in ambient conditions 55°F (13°C) or colder.

Touch-up Paint (S1-5130153**)**: Color matched aerosol paint for touching up unit chassis and panels. Refer to the Price pages or Source 1 SmartSearch for the correct color for each application.

Compressor Sound Blanket (S1-010-07xxx-000): A field installed dense foam cover that provides 2 dBA sound level reduction. Refer to the Price pages or Source 1 SmartSearch for the correct blanket for each application.

Thermostat: Compatible thermostat controls are available through accessory sourcing. For optimum performance, these outdoor units are fully compatible with our residential Hx™ Touch Screen Thermostats available through Source 1. For more information, refer to the *Thermostats & Controllers* section of the *Offering Catalog*.

SOUND POWER RATINGS

Cooling Model Number	Octave Band Sound Power Level (db re. 1-pW)									
	63	125	250	500	1000	2000	4000	8000	dBA	SQI
TC3B1822S	76.4	74.9	67.8	70.2	69.6	66.0	61.6	57.9	74.0	19.1
TC3B2423S	67.2	70.3	65.8	67.8	67.5	63.7	58.8	54.8	74.0	19.1
TC3B3022S	73.9	75.1	66.4	69.4	69.1	63.9	59.6	60.6	74.0	19.0
TC3B3623S	75.7	71.2	68.1	70.2	69.6	64.8	60.1	55.8	75.0	19.0
TC3B4223S	71.8	75.2	68.5	71.9	69.9	64.4	59.8	55.8	75.0	19.1
TC3B4821S	73.0	75.7	70.3	72.0	72.8	65.8	60.8	55.9	76.0	19.1
TC3B6022S	72.1	71.9	69.1	70.7	70.1	66.5	67.3	64.4	76.0	19.0

Rated in accordance with ARI Standard 270.

MECHANICAL SPECIFICATIONS**MANUFACTURE AND CERTIFICATIONS**

- Units shall be manufactured in an ISO 9001 certified facility.
- Units shall be certified by CSA to UL 1995/CSA 22.2 and performance certified to ANSI/AHRI Standard 210/240.
- Units shall be sound tested according to ANSI/AHRI Standard 270.
- Certified matched system ratings shall be available for download from the AHRI online directory at www.ahridirectory.org
- Unit packaging shall be marked, "Assembled in the USA".

UNIT APPLICATION

- Units shall be approved for cooling operation between 55°F and 115°F without modification.
- Units shall be approved for linesets up to 80 ft equivalent length without modification.
- Units shall be approved for installation within 6 in. of a flat vertical wall without modification, according to the instructions in the technical literature.
- Units shall be certified to the 5th Edition (2014) of the Florida Building Code for a combined allowable lateral and uplift wind force of 200 psf and 100 psf, respectively, for both ground-mounted and rooftop-mounted applications up to 200 ft above grade with approved mounting kit.
- Units shall be designed to 77 dBA or less to minimize sound pollution.

UNIT ACCESS

- Units shall have a removable fan guard that can be removed independently of the top for interior access through the top of the unit without damaging the coil.
- Units shall have two removable stamped steel coil guards for exterior coil access.
- Units shall have a separate compartment for electrical controls that can be accessed without disturbing the unit airflow.
- Units shall have a blockoff panel that can be removed to provide interior unit access through the side of the unit.
- Units shall have a removable blockoff panel and a swing away removable electrical panel that provides sufficient interior unit access for removing the compressor through the side of the unit.

UNIT CONSTRUCTION

- Units shall be shipped completely wired, piped, and assembled. Wiring pigtails shall be provided for field control wiring connections. Service valves shall be provided for field refrigerant line connections.

- Units shall be factory leak checked, run tested, and shipped with a holding charge of R-410A refrigerant.
- Unit cabinet components shall be G90 equivalent steel, finished with powder-coat paint rated at a minimum of 500 h under ASTM B117 testing.
- Unit base pan shall be stamped G90 equivalent steel, finished with powder-coat paint rated at a minimum of 500 h under ASTM B117 testing.
- Units shall have a single corner post opposite the electrical control box and two independently removable steel coil guard panels to optimize cabinet strength and serviceability.
- Units shall have L-shaped stamped sheet metal coil guards with punched and extruded slots for maximum panel durability and stiffness.
- Units shall have a factory installed filter-drier for faster installation and improved system reliability.
- Unit base valves shall be mounted diagonally on the unit base pan with service ports that provide sufficient clearance for low-loss hose fittings.
- Units shall be constructed with a high-pressure switch for system protection.
- Units shall be constructed with all badging and labels applied at the factory.

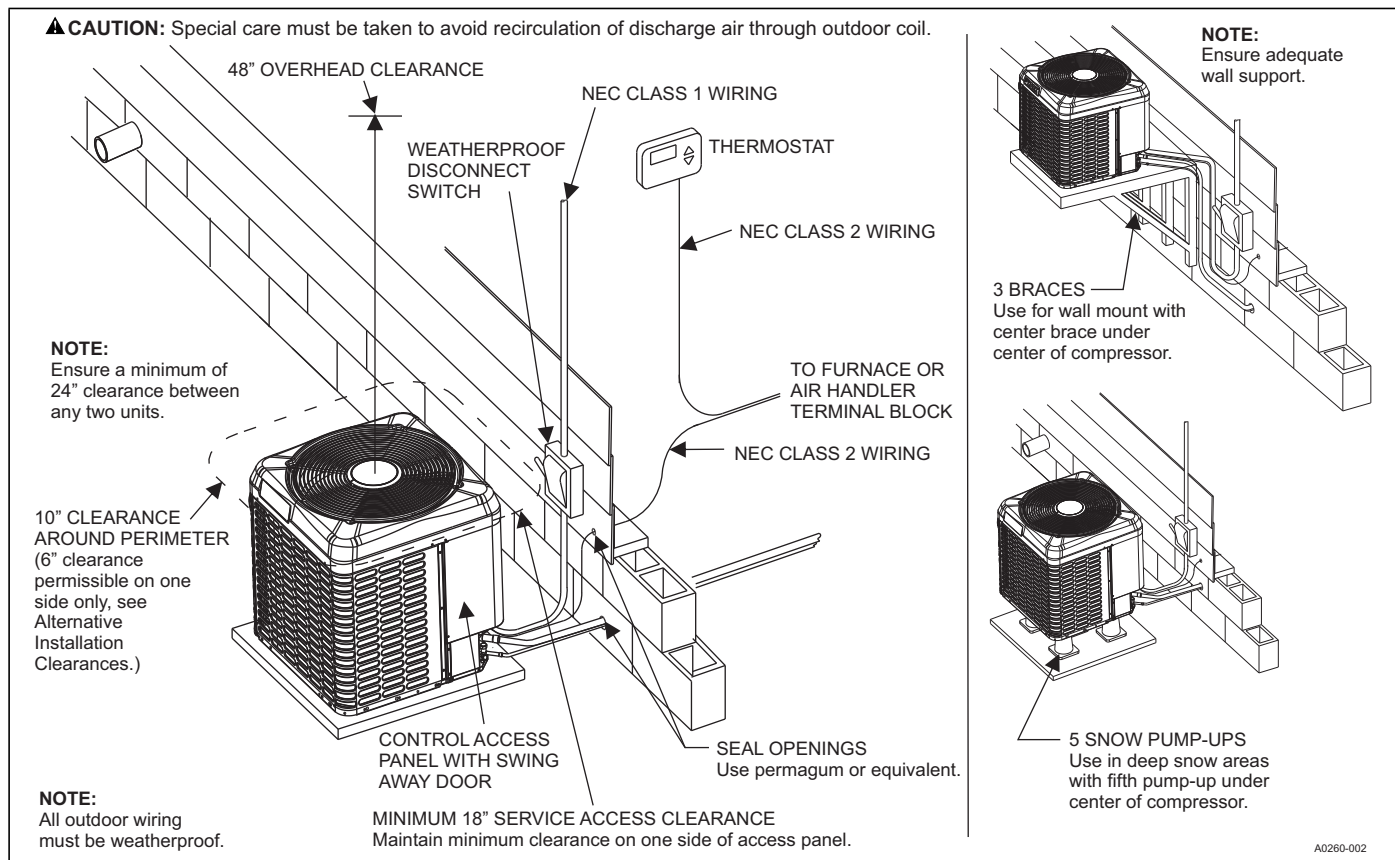
UNIT COMPONENTS

- Compressor shall be hermetic with internal electrical overload protection and internal overpressure protection.
- Compressor shall be mounted on rubber vibration isolators that do not require the removal of transportation clips or brackets.
- Units shall be constructed with scroll compressors.
- Outdoor fan shall be direct drive with vertical air discharge for low sound levels.
- Outdoor fan motor shall be totally enclosed with permanently lubricated ball bearings motors approved for vertical shaft applications.
- Outdoor coil shall be air cooled and have zinc-coated aluminum microchannel construction for small size and low weight.

UNIT WARRANTIES

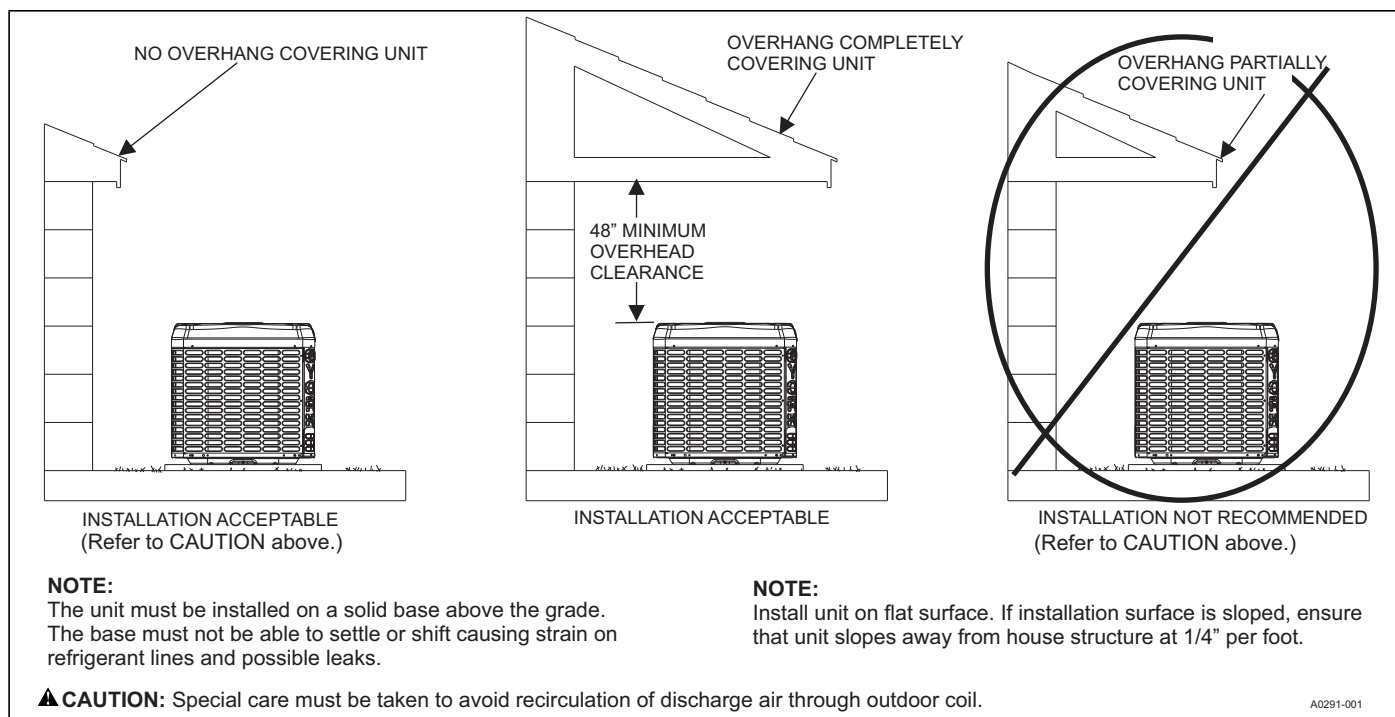
- Unit manufacturer shall provide a 10-year compressor warranty without a requirement for unit registration.
- Unit manufacturer shall provide a 5-year parts warranty without a requirement for unit registration.

TYPICAL INSTALLATION

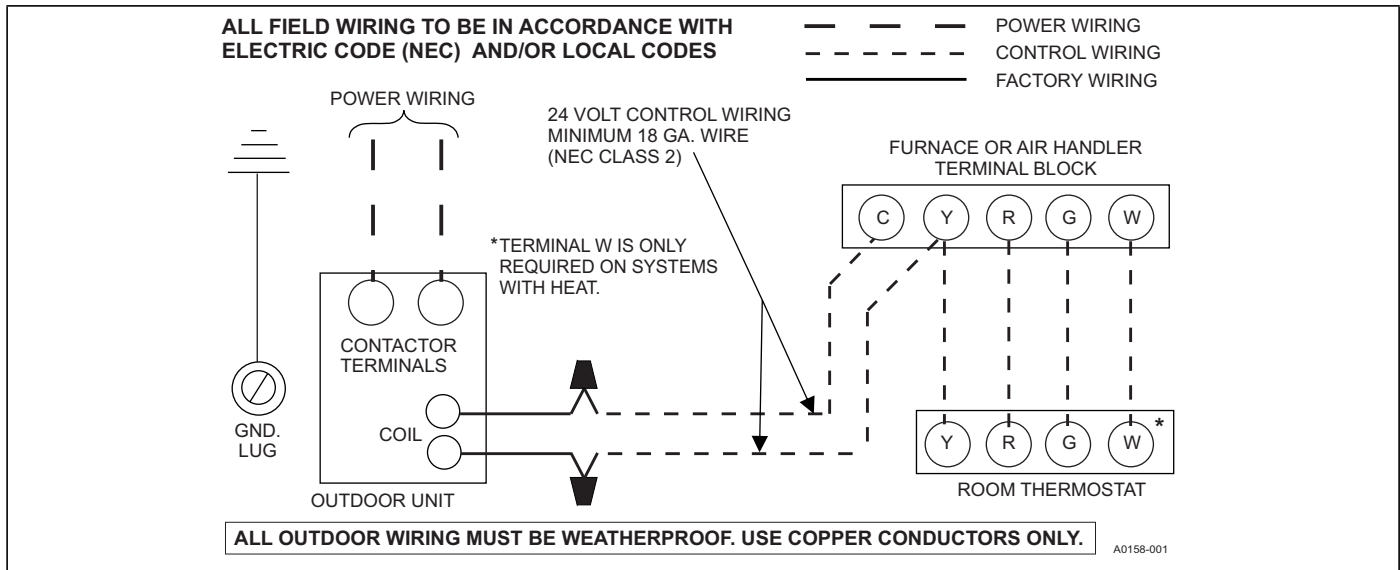


CAUTION

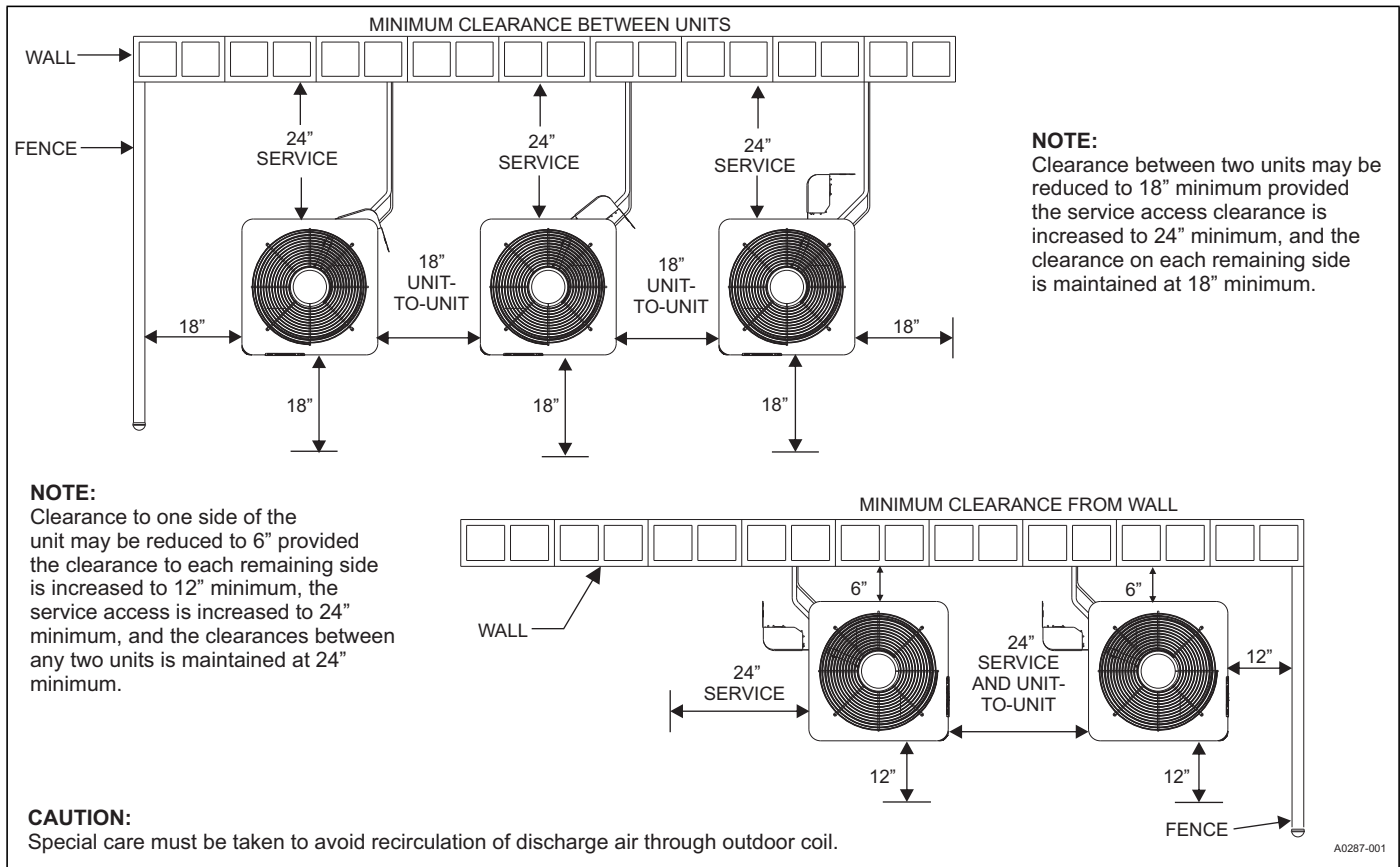
Care must be taken to prevent ice from damaging the unit. Damage may occur from ice falling onto unit from a sloped roof or from a vertical drip line due to a partial overhang.



TYPICAL FIELD WIRING



ALTERNATIVE INSTALLATION CLEARANCES



PERFORMANCE DATA - 1.5 TON

CONDENSER-ONLY DATA (OUTDOOR UNIT)																
MODEL	SATURATED SUCTION AT COMPRESSOR		Outdoor Ambient Temperature													
			55°F		65°F		75°F		85°F		95°F		105°F		115°F	
	T (°F)	P (PSIG)	MBH	kW	MBH	kW	MBH	kW	MBH	kW	MBH	kW	MBH	kW	MBH	kW
TC3B1822S	35	107	15.6	1.04	14.8	1.17	13.9	1.29	13.1	1.42	12.2	1.56	11.3	1.73	10.3	1.93
	40	119	17.3	1.03	16.4	1.15	15.4	1.27	14.5	1.40	13.6	1.55	12.6	1.72	11.5	1.92
	45	130	19.1	1.01	18.1	1.13	17.1	1.26	16.1	1.39	15.0	1.53	13.9	1.70	12.8	1.90
	50	143	21.0	0.99	19.9	1.12	18.9	1.24	17.8	1.37	16.6	1.51	15.4	1.68	14.2	1.89
	55	156	23.2	0.98	22.0	1.10	20.8	1.22	19.6	1.35	18.4	1.49	17.1	1.66	15.7	1.86

Notes:

- For Outdoor Unit (Condenser) performance only. Data does not include the effects of air handler power or heat.
- Performance based on 15°F subcooling and 15°F superheat at the Outdoor Unit base valves.
 - Increase capacity by 1% for each 2°F increase in subcooling.
 - Decrease capacity by 1% for each 2°F decrease in subcooling.
- Maximum recommended condensing temperature is 140°F.

COOLING PERFORMANCE DATA																
OUTDOOR UNIT MODEL NO.		TC3B1822S														
INDOOR COIL MODEL NO.		CF18AXA1														
AIR TEMPERATURE ENTERING OUTDOOR UNIT (°F)	ID CFM	450					600					750				
	ID DB (°F)	80	80	75	80	80	80	80	75	80	80	80	80	75	80	80
	ID WB (°F)	57	62	62	67	72	57	62	62	67	72	57	62	62	67	72
55	T.C.	14.5	15.8	15.8	15.8	15.5	15.2	15.8	15.9	15.8	15.5	15.8	15.9	16.0	15.8	15.5
	S.C.	14.5	13.5	11.4	10.5	8.2	15.2	13.2	11.8	10.8	8.3	15.8	12.9	12.1	11.2	8.5
	kW	0.98	0.98	0.98	0.98	0.99	0.98	0.98	0.98	0.98	0.99	0.98	0.98	0.98	0.98	0.99
65	T.C.	15.1	16.2	16.1	16.5	16.7	15.7	16.3	16.3	16.7	16.8	16.4	16.5	16.5	16.8	16.9
	S.C.	15.1	13.9	11.9	11.1	8.8	15.7	14.2	12.4	11.6	9.1	16.4	14.5	13.0	12.1	9.3
	kW	1.09	1.09	1.09	1.09	1.09	1.08	1.09	1.09	1.09	1.09	1.08	1.09	1.09	1.09	1.09
75	T.C.	15.6	16.5	16.5	17.3	17.9	16.3	16.8	16.8	17.5	18.1	17.0	17.1	17.1	17.8	18.2
	S.C.	15.6	14.2	12.3	11.7	9.4	16.3	15.2	13.0	12.3	9.8	17.0	16.1	13.8	13.0	10.2
	kW	1.20	1.19	1.19	1.20	1.20	1.19	1.19	1.19	1.20	1.20	1.19	1.19	1.19	1.20	1.20
85	T.C.	15.4	15.8	15.9	17.0	18.0	16.1	16.3	16.3	17.4	18.2	16.8	16.8	16.7	17.7	18.4
	S.C.	15.4	14.1	13.0	11.8	9.5	16.1	15.3	13.2	12.7	10.0	16.8	16.4	13.3	13.6	10.5
	kW	1.35	1.35	1.34	1.35	1.34	1.34	1.34	1.34	1.35	1.35	1.34	1.34	1.34	1.35	1.35
95	T.C.	15.1	15.1	15.2	16.7	18.1	15.8	15.8	15.8	17.2	18.4	16.6	16.5	16.4	17.7	18.6
	S.C.	15.1	14.0	13.7	11.9	9.6	15.8	15.4	13.3	13.0	10.2	16.6	16.5	12.9	14.1	10.8
	kW	1.50	1.50	1.50	1.50	1.49	1.50	1.50	1.49	1.50	1.49	1.49	1.49	1.49	1.49	1.50
105	T.C.	13.9	13.9	13.9	15.6	17.3	14.9	14.7	14.5	16.1	17.6	15.9	15.5	15.1	16.6	18.0
	S.C.	13.9	13.4	12.3	11.5	9.4	14.9	14.6	12.9	12.8	10.2	15.9	15.5	13.4	14.2	11.0
	kW	1.70	1.70	1.70	1.70	1.70	1.70	1.70	1.70	1.70	1.70	1.69	1.69	1.70	1.70	1.70
115	T.C.	12.6	12.6	12.5	14.5	16.5	13.9	13.6	13.1	15.0	16.9	15.2	14.5	13.8	15.4	17.3
	S.C.	12.6	12.6	10.9	11.1	9.1	13.9	13.6	12.4	12.7	10.1	15.2	14.5	13.8	14.2	11.1
	kW	1.90	1.91	1.90	1.90	1.90	1.90	1.90	1.90	1.90	1.90	1.89	1.90	1.90	1.90	1.90

Note: All capacities include indoor fan heat. kW values are for the system (outdoor + indoor).

Green shaded cells are ACCA (TVA) conditions.

Blue shaded cells are AHRI conditions.

Multipliers for determining the performance with other indoor sections

Note: For dry bulb temperatures different than those listed (between 73°F to 87°F), sensible capacity increases by 1060 BTUH per 1000 CFM per degree above the listed temperature and decreases by 1060 BTUH per 1000 CFM per degree below the listed temperature.

COIL MULTIPLIERS - 1.5 TON

Air Handler	Coil	T.C.	S.C.	kW
–	CF/CM/CU18A	1.00	1.00	1.00
–	CF/CM/CU18B	1.00	1.06	1.00
–	CF/CM/CU24A	1.01	1.04	1.01
–	CF/CM/CU24B	1.01	1.04	1.01
–	CF/CM/CU30A	1.02	1.04	1.02
–	CF/CM/CU30B	1.02	1.04	1.02
–	CF/CM/CU36B	1.02	1.03	1.00
–	CF/CM/CU36C	1.02	1.03	1.00
–	CF/CM24C	1.01	1.04	1.01
–	CF/CM30C	1.02	1.04	1.02
–	CF/CM36A	1.00	1.00	1.00
–	CF/CM36D	1.02	1.03	1.00
AE18BX21	–	1.04	1.06	0.94
AE24BX21	–	1.05	1.03	0.94
AE30BX21	–	1.05	1.01	0.94
AP18BX21	–	1.02	1.07	1.02
AP24BX21	–	1.02	1.10	1.02
AVC18BX21	–	1.04	1.06	0.94
AVC24BX21	–	1.04	1.01	0.94
AVC30BX21	–	1.05	1.02	0.94
ME08BN21	CF/CM18B	1.03	1.01	0.93
ME08BN21	CF/CM24B	1.03	1.01	0.93
ME08BN21	CF/CM30B	1.05	1.01	0.94
ME08BN21	CF/CM36B	1.05	0.99	0.94
ME12BN21	CF/CM18B	1.05	1.07	0.94
ME12BN21	CF/CM24B	1.05	1.08	0.94
ME12BN21	CF/CM30B	1.05	1.05	0.94
ME12BN21	CF/CM36B	1.05	1.05	0.94
ME12CN21	CF/CM24C	1.04	1.01	0.94
ME12CN21	CF/CM30C	1.05	1.01	0.94
ME12CN21	CF/CM36C	1.05	1.01	0.94
MVC08BN21	CF/CM18B	1.04	1.06	0.94
MVC08BN21	CF/CM24B	1.05	1.05	0.94
MVC08BN21	CF/CM30B	1.05	1.05	0.94
MVC08BN21	CF/CM36B	1.05	1.04	0.94
MVC12CN21	CF/CM24C	1.05	1.05	0.94
MVC12CN21	CF/CM30C	1.05	1.05	0.94
MVC12CN21	CF/CM36C	1.05	1.04	0.94

FURNACE MULTIPLIERS - 1.5 TON

Furnaces	Coil	T.C.	S.C.	kW
TL8E060A12UH11	CF/CM/CU18A	1.03	1.09	0.95
TL8E060A12UH11	CF/CM/CU18B	1.03	1.13	0.95
TL8E060A12UH11	CF/CM/CU24A	1.03	1.09	0.95
TL8E060A12UH11	CF/CM/CU24B	1.05	1.18	0.96
TL8E060A12UH11	CF/CM/CU30A	1.03	1.13	0.95
TL8E060A12UH11	CF/CM/CU30B	1.05	1.14	0.96
TL8E060A12UH11	CF/CM/CU36B	1.05	1.18	0.96
TL8E060A12UH11	CF/CM36A	1.05	1.12	0.96
TL9E060B12UH11	CF/CM/CU18B	1.03	1.13	0.95
TL9E060B12UH11	CF/CM/CU24B	1.05	1.14	0.96
TL9E060B12UH11	CF/CM/CU30B	1.05	1.12	0.96
TL9E060B12UH11	CF/CM/CU36B	1.05	1.14	0.96
TL9E060B12UH11	CF/CM/CU36C	1.05	1.18	0.96
TL9E060B12UH11	CF/CM24C	1.05	1.18	0.96
TL9E060B12UH11	CF/CM30C	1.05	1.14	0.96
TM8E040A12MP11	CF/CM/CU18A	1.03	1.13	0.95
TM8E040A12MP11	CF/CM/CU18B	1.03	1.14	0.95
TM8E040A12MP11	CF/CM/CU24A	1.05	1.14	0.96
TM8E040A12MP11	CF/CM/CU24B	1.05	1.18	0.96
TM8E040A12MP11	CF/CM/CU30A	1.04	1.11	0.96
TM8E040A12MP11	CF/CM/CU30B	1.04	1.15	0.96
TM8E040A12MP11	CF/CM/CU36B	1.05	1.18	0.96
TM8E040A12MP11	CF/CM36A	1.05	1.14	0.96
TM8E060A12MP11	CF/CM36A	1.05	1.20	0.96
TM8E080B12MP11	CF/CM/CU30B	1.04	1.19	0.96
TM8E080B12MP11	CF/CM/CU36B	1.05	1.19	0.96
TM8E100B12MP11	CF/CM/CU18B	1.03	1.17	0.95
TM8E100B12MP11	CF/CM/CU30B	1.05	1.20	0.96
TM8E100B12MP11	CF/CM/CU36B	1.05	1.19	0.96
TM8E100B12MP11	CF/CM/CU36C	1.05	1.19	0.96
TM8E100B12MP11	CF/CM30C	1.05	1.20	0.96
TM8V060A12MP11C	CF/CM/CU18A	1.03	1.07	0.93
TM8V060A12MP11C	CF/CM/CU18B	1.03	1.12	0.93
TM8V060A12MP11C	CF/CM/CU24A	1.05	1.13	0.94
TM8V060A12MP11C	CF/CM/CU24B	1.05	1.13	0.94
TM8V060A12MP11C	CF/CM/CU30A	1.04	1.08	0.94
TM8V060A12MP11C	CF/CM/CU30B	1.05	1.08	0.94
TM8V060A12MP11C	CF/CM/CU36B	1.05	1.08	0.94
TM8V060A12MP11C	CF/CM36A	1.05	1.12	0.94
TM8V060A12MP12C	CF/CM/CU18A	1.03	1.07	0.93
TM8V060A12MP12C	CF/CM/CU18B	1.03	1.12	0.93
TM8V060A12MP12C	CF/CM/CU24A	1.05	1.13	0.94
TM8V060A12MP12C	CF/CM/CU24B	1.05	1.13	0.94
TM8V060A12MP12C	CF/CM/CU30A	1.04	1.08	0.94
TM8V060A12MP12C	CF/CM/CU30B	1.05	1.08	0.94
TM8V060A12MP12C	CF/CM/CU36B	1.05	1.08	0.94
TM8V060A12MP12C	CF/CM36A	1.05	1.12	0.94
TM8V080B12MP11C	CF/CM/CU18B	1.02	1.05	0.92
TM8V080B12MP11C	CF/CM/CU24B	1.04	1.12	0.94
TM8V080B12MP11C	CF/CM/CU30B	1.05	1.12	0.94
TM8V080B12MP11C	CF/CM/CU36B	1.05	1.15	0.94
TM8V080B12MP11C	CF/CM/CU36C	1.05	1.15	0.94
TM8V080B12MP11C	CF/CM24C	1.04	1.18	0.94
TM8V080B12MP11C	CF/CM30C	1.05	1.12	0.94
TM8V080B12MP12C	CF/CM/CU18B	1.02	1.05	0.92

FURNACE MULTIPLIERS - 1.5 TON (Continued)

Furnaces	Coil	T.C.	S.C.	kW
TM8V080B12MP12C	CF/CM/CU24B	1.04	1.12	0.94
TM8V080B12MP12C	CF/CM/CU30B	1.05	1.12	0.94
TM8V080B12MP12C	CF/CM/CU36B	1.05	1.15	0.94
TM8V080B12MP12C	CF/CM/CU36C	1.05	1.15	0.94
TM8V080B12MP12C	CF/CM24C	1.04	1.18	0.94
TM8V080B12MP12C	CF/CM30C	1.05	1.12	0.94
TM8X060A12MP11	CF/CM/CU18A	1.03	1.12	0.93
TM8X060A12MP11	CF/CM/CU18B	1.04	1.15	0.94
TM8X060A12MP11	CF/CM/CU24A	1.04	1.12	0.94
TM8X060A12MP11	CF/CM/CU24B	1.05	1.15	0.94
TM8X060A12MP11	CF/CM/CU30A	1.05	1.12	0.94
TM8X060A12MP11	CF/CM/CU30B	1.05	1.15	0.94
TM8X060A12MP11	CF/CM/CU36B	1.05	1.15	0.94
TM8X060A12MP11	CF/CM36A	1.05	1.12	0.94
TM8X080B12MP11	CF/CM/CU18B	1.05	1.17	0.94
TM8X080B12MP11	CF/CM/CU24B	1.05	1.18	0.94
TM8X080B12MP11	CF/CM/CU30B	1.05	1.15	0.94
TM8X080B12MP11	CF/CM/CU36B	1.05	1.15	0.94
TM8X080B12MP11	CF/CM24C	1.05	1.18	0.94
TM8X080B12MP11	CF/CM30C	1.05	1.15	0.94
TM8Y060A12MP11	CF/CM/CU18A	1.03	1.12	0.93
TM8Y060A12MP11	CF/CM/CU18B	1.04	1.15	0.94
TM8Y060A12MP11	CF/CM/CU24A	1.04	1.12	0.94
TM8Y060A12MP11	CF/CM/CU24B	1.05	1.15	0.94
TM8Y060A12MP11	CF/CM/CU30A	1.05	1.12	0.94
TM8Y060A12MP11	CF/CM/CU30B	1.05	1.15	0.94
TM8Y060A12MP11	CF/CM/CU36B	1.05	1.15	0.94
TM8Y060A12MP11	CF/CM36A	1.05	1.12	0.94
TM8Y080B12MP11	CF/CM/CU18B	1.05	1.17	0.94
TM8Y080B12MP11	CF/CM/CU24B	1.05	1.18	0.94
TM8Y080B12MP11	CF/CM/CU30B	1.05	1.15	0.94
TM8Y080B12MP11	CF/CM/CU36B	1.05	1.15	0.94
TM8Y080B12MP11	CF/CM24C	1.05	1.18	0.94
TM8Y080B12MP11	CF/CM30C	1.05	1.15	0.94
TM9E040A10MP11	CF/CM/CU18A	1.03	1.15	0.97
TM9E040A10MP11	CF/CM/CU18B	1.01	1.00	0.91
TM9E040A10MP11	CF/CM/CU24A	1.03	1.16	0.97
TM9E040A10MP11	CF/CM/CU24B	1.01	1.02	0.91
TM9E040A10MP11	CF/CM/CU30A	1.05	1.15	0.96
TM9E040A10MP11	CF/CM/CU30B	1.02	1.03	0.92
TM9E040A10MP11	CF/CM/CU36B	1.03	1.02	0.93
TM9E040A10MP11	CF/CM36A	1.05	1.15	0.96
TM9E040A10MP12	CF/CM/CU18A	1.02	1.08	0.94
TM9E040A10MP12	CF/CM/CU18B	1.02	1.09	0.94
TM9E040A10MP12	CF/CM/CU24A	1.03	1.08	0.95
TM9E040A10MP12	CF/CM/CU24B	1.03	1.11	0.95
TM9E040A10MP12	CF/CM/CU30A	1.04	1.09	0.98
TM9E040A10MP12	CF/CM/CU30B	1.04	1.12	0.98
TM9E040A10MP12	CF/CM/CU36B	1.03	1.12	0.95
TM9E040A10MP12	CF/CM36A	1.03	1.08	0.95
TM9E060A10MP12	CF/CM/CU18A	1.03	1.13	0.95
TM9E060A10MP12	CF/CM/CU18B	1.03	1.17	0.95
TM9E060A10MP12	CF/CM/CU24A	1.05	1.16	0.96
TM9E060A10MP12	CF/CM/CU24B	1.03	1.17	0.95
TM9E060A10MP12	CF/CM/CU30A	1.05	1.15	0.98

FURNACE MULTIPLIERS - 1.5 TON (Continued)

Furnaces	Coil	T.C.	S.C.	kW
TM9E060A10MP12	CF/CM/CU30B	1.04	1.18	0.96
TM9E060A10MP12	CF/CM/CU36B	1.03	1.16	0.95
TM9E060A10MP12	CF/CM36A	1.03	1.14	0.95
TM9E060B12MP11	CF/CM/CU18B	1.04	1.16	0.94
TM9E060B12MP11	CF/CM/CU24B	1.04	1.18	0.94
TM9E060B12MP11	CF/CM/CU30B	1.05	1.15	0.94
TM9E060B12MP11	CF/CM/CU36B	1.05	1.15	0.94
TM9E060B12MP11	CF/CM24C	1.04	1.18	0.94
TM9E060B12MP11	CF/CM30C	1.05	1.15	0.94
TM9E080C16MP11	CF/CM/CU36C	1.05	1.10	0.94
TM9E080C16MP11	CF/CM24C	1.04	1.09	0.94
TM9E080C16MP11	CF/CM30C	1.05	1.11	0.94
TM9E080C16MP11	CF/CM36D	1.05	1.10	0.94
TM9E100C16MP11	CF/CM/CU36C	1.05	1.15	0.94
TM9E100C16MP11	CF/CM24C	1.05	1.13	0.94
TM9E100C16MP11	CF/CM30C	1.05	1.12	0.94
TM9E100C16MP11	CF/CM36D	1.05	1.15	0.94
TM9V040A10MP12C	CF/CM/CU18A	1.01	1.01	0.91
TM9V040A10MP12C	CF/CM/CU18B	1.01	1.01	0.91
TM9V040A10MP12C	CF/CM/CU24A	1.01	1.02	0.91
TM9V040A10MP12C	CF/CM/CU24B	1.02	1.02	0.92
TM9V040A10MP12C	CF/CM/CU30A	1.02	1.03	0.92
TM9V040A10MP12C	CF/CM/CU30B	1.05	1.15	0.94
TM9V040A10MP12C	CF/CM/CU36B	1.03	1.02	0.93
TM9V040A10MP12C	CF/CM36A	1.03	1.02	0.93
TM9V060B12MP12C	CF/CM/CU18B	1.03	1.09	0.93
TM9V060B12MP12C	CF/CM/CU24B	1.03	1.09	0.93
TM9V060B12MP12C	CF/CM/CU30B	1.05	1.15	0.94
TM9V060B12MP12C	CF/CM/CU36B	1.05	1.10	0.94
TM9V060B12MP12C	CF/CM/CU36C	1.05	1.15	0.94
TM9V060B12MP12C	CF/CM24C	1.03	1.09	0.93
TM9V060B12MP12C	CF/CM30C	1.05	1.15	0.94
TM9V080B12MP11C	CF/CM/CU18B	1.03	1.07	0.93
TM9V080B12MP11C	CF/CM/CU24B	1.05	1.18	0.94
TM9V080B12MP11C	CF/CM/CU30B	1.05	1.08	0.94
TM9V080B12MP11C	CF/CM/CU36B	1.05	1.15	0.94
TM9V080B12MP11C	CF/CM/CU36C	1.05	1.15	0.94
TM9V080B12MP11C	CF/CM24C	1.05	1.18	0.94
TM9V080B12MP11C	CF/CM30C	1.05	1.08	0.94
TM9V080B12MP12C	CF/CM/CU18B	1.03	1.07	0.93
TM9V080B12MP12C	CF/CM/CU24B	1.05	1.18	0.94
TM9V080B12MP12C	CF/CM/CU30B	1.05	1.08	0.94
TM9V080B12MP12C	CF/CM/CU36B	1.05	1.15	0.94
TM9V080B12MP12C	CF/CM/CU36C	1.05	1.15	0.94
TM9V080B12MP12C	CF/CM24C	1.05	1.18	0.94
TM9V080B12MP12C	CF/CM30C	1.05	1.08	0.94
TM9Y040A10MP11	CF/CM/CU18A	1.03	1.15	0.97
TM9Y040A10MP11	CF/CM/CU18B	1.01	1.00	0.91
TM9Y040A10MP11	CF/CM/CU24A	1.03	1.16	0.97
TM9Y040A10MP11	CF/CM/CU24B	1.01	1.02	0.91
TM9Y040A10MP11	CF/CM/CU30A	1.05	1.15	0.96
TM9Y040A10MP11	CF/CM/CU30B	1.02	1.03	0.92
TM9Y040A10MP11	CF/CM/CU36B	1.03	1.02	0.93
TM9Y040A10MP11	CF/CM36A	1.05	1.15	0.96
TM9Y040A10MP11	CF/CM/CU30B	1.02	1.03	0.92
TM9Y040A10MP11	CF/CM/CU36B	1.03	1.02	0.93
TM9Y040A10MP11	CF/CM36A	1.05	1.15	0.96
TM9Y060B12MP11	CF/CM/CU18B	1.04	1.16	0.94

FURNACE MULTIPLIERS - 1.5 TON (Continued)

Furnaces	Coil	T.C.	S.C.	kW
TM9Y060B12MP11	CF/CM/CU24B	1.04	1.18	0.94
TM9Y060B12MP11	CF/CM/CU30B	1.05	1.15	0.94
TM9Y060B12MP11	CF/CM/CU36B	1.05	1.15	0.94
TM9Y060B12MP11	CF/CM24C	1.04	1.18	0.94
TM9Y060B12MP11	CF/CM30C	1.05	1.15	0.94
TM9Y080C16MP11	CF/CM/CU36C	1.05	1.10	0.94
TM9Y080C16MP11	CF/CM24C	1.04	1.09	0.94
TM9Y080C16MP11	CF/CM30C	1.05	1.11	0.94
TM9Y080C16MP11	CF/CM36D	1.05	1.10	0.94
TM9Y100C16MP11	CF/CM/CU36C	1.05	1.15	0.94
TM9Y100C16MP11	CF/CM24C	1.05	1.13	0.94
TM9Y100C16MP11	CF/CM30C	1.05	1.12	0.94
TM9Y100C16MP11	CF/CM36D	1.05	1.15	0.94
TMLV060A12MP11C	CF/CM/CU18A	1.03	1.07	0.93
TMLV060A12MP11C	CF/CM/CU18B	1.03	1.12	0.93
TMLV060A12MP11C	CF/CM/CU24A	1.05	1.13	0.94
TMLV060A12MP11C	CF/CM/CU24B	1.05	1.13	0.94
TMLV060A12MP11C	CF/CM/CU30A	1.04	1.08	0.94
TMLV060A12MP11C	CF/CM/CU30B	1.05	1.08	0.94
TMLV060A12MP11C	CF/CM/CU36B	1.05	1.08	0.94
TMLV060A12MP11C	CF/CM36A	1.05	1.12	0.94
TMLV060A12MP12C	CF/CM/CU18A	1.03	1.07	0.93
TMLV060A12MP12C	CF/CM/CU18B	1.03	1.12	0.93
TMLV060A12MP12C	CF/CM/CU24A	1.05	1.13	0.94
TMLV060A12MP12C	CF/CM/CU24B	1.05	1.13	0.94
TMLV060A12MP12C	CF/CM/CU30A	1.04	1.08	0.94
TMLV060A12MP12C	CF/CM/CU30B	1.05	1.08	0.94
TMLV060A12MP12C	CF/CM/CU36B	1.05	1.08	0.94
TMLV060A12MP12C	CF/CM36A	1.05	1.12	0.94
TMLV080B12MP11C	CF/CM/CU18B	1.02	1.05	0.92
TMLV080B12MP11C	CF/CM/CU24B	1.04	1.12	0.94
TMLV080B12MP11C	CF/CM/CU30B	1.05	1.12	0.94
TMLV080B12MP11C	CF/CM/CU36B	1.05	1.15	0.94
TMLV080B12MP11C	CF/CM/CU36C	1.05	1.15	0.94
TMLV080B12MP11C	CF/CM24C	1.04	1.18	0.94
TMLV080B12MP11C	CF/CM30C	1.05	1.12	0.94
TMLV080B12MP12C	CF/CM/CU18B	1.02	1.05	0.92
TMLV080B12MP12C	CF/CM/CU24B	1.04	1.12	0.94
TMLV080B12MP12C	CF/CM/CU30B	1.05	1.12	0.94
TMLV080B12MP12C	CF/CM/CU36B	1.05	1.15	0.94
TMLV080B12MP12C	CF/CM/CU36C	1.05	1.15	0.94
TMLV080B12MP12C	CF/CM24C	1.04	1.18	0.94
TMLV080B12MP12C	CF/CM30C	1.05	1.12	0.94
TMLX060A12MP11	CF/CM/CU18A	1.03	1.12	0.93
TMLX060A12MP11	CF/CM/CU18B	1.04	1.15	0.94
TMLX060A12MP11	CF/CM/CU24A	1.04	1.12	0.94
TMLX060A12MP11	CF/CM/CU24B	1.05	1.15	0.94
TMLX060A12MP11	CF/CM/CU30A	1.05	1.12	0.94
TMLX060A12MP11	CF/CM/CU30B	1.05	1.15	0.94
TMLX060A12MP11	CF/CM/CU36B	1.05	1.15	0.94
TMLX060A12MP11	CF/CM36A	1.05	1.12	0.94
TMLX080B12MP11	CF/CM/CU18B	1.05	1.17	0.94
TMLX080B12MP11	CF/CM/CU24B	1.05	1.18	0.94
TMLX080B12MP11	CF/CM/CU30B	1.05	1.15	0.94
TMLX080B12MP11	CF/CM/CU36B	1.05	1.15	0.94

FURNACE MULTIPLIERS - 1.5 TON (Continued)

Furnaces	Coil	T.C.	S.C.	kW
TMLX080B12MP11	CF/CM24C	1.05	1.18	0.94
TMLX080B12MP11	CF/CM30C	1.05	1.15	0.94
TP9C060B12MP13C	CF/CM/CU18B	1.03	1.09	0.93
TP9C060B12MP13C	CF/CM/CU24B	1.03	1.09	0.93
TP9C060B12MP13C	CF/CM/CU30B	1.05	1.15	0.94
TP9C060B12MP13C	CF/CM/CU36B	1.05	1.10	0.94
TP9C060B12MP13C	CF/CM/CU36C	1.05	1.15	0.94
TP9C060B12MP13C	CF/CM24C	1.03	1.09	0.93
TP9C060B12MP13C	CF/CM30C	1.05	1.15	0.94
TP9C080B12MP12C	CF/CM/CU18B	1.03	1.07	0.93
TP9C080B12MP12C	CF/CM/CU24B	1.05	1.18	0.94
TP9C080B12MP12C	CF/CM/CU30B	1.05	1.08	0.94
TP9C080B12MP12C	CF/CM/CU36B	1.05	1.15	0.94
TP9C080B12MP12C	CF/CM/CU36C	1.05	1.15	0.94
TP9C080B12MP12C	CF/CM24C	1.05	1.18	0.94
TP9C080B12MP12C	CF/CM30C	1.05	1.08	0.94
TP9C080B12MP13C	CF/CM/CU18B	1.03	1.07	0.93
TP9C080B12MP13C	CF/CM/CU24B	1.05	1.18	0.94
TP9C080B12MP13C	CF/CM/CU30B	1.05	1.08	0.94
TP9C080B12MP13C	CF/CM/CU36B	1.05	1.15	0.94
TP9C080B12MP13C	CF/CM/CU36C	1.05	1.15	0.94
TP9C080B12MP13C	CF/CM24C	1.05	1.18	0.94
TP9C080B12MP13C	CF/CM30C	1.05	1.08	0.94
TPLC060A12MP12C	CF/CM/CU18A	1.03	1.07	0.93
TPLC060A12MP12C	CF/CM/CU18B	1.03	1.12	0.93
TPLC060A12MP12C	CF/CM/CU24A	1.05	1.13	0.94
TPLC060A12MP12C	CF/CM/CU24B	1.05	1.13	0.94
TPLC060A12MP12C	CF/CM/CU30A	1.04	1.08	0.94
TPLC060A12MP12C	CF/CM/CU30B	1.05	1.08	0.94
TPLC060A12MP12C	CF/CM/CU36B	1.05	1.08	0.94
TPLC060A12MP12C	CF/CM36A	1.05	1.12	0.94
TPLC060A12MP13C	CF/CM/CU18A	1.03	1.07	0.93
TPLC060A12MP13C	CF/CM/CU18B	1.03	1.12	0.93
TPLC060A12MP13C	CF/CM/CU24A	1.05	1.13	0.94
TPLC060A12MP13C	CF/CM/CU24B	1.05	1.13	0.94
TPLC060A12MP13C	CF/CM/CU30A	1.04	1.08	0.94
TPLC060A12MP13C	CF/CM/CU30B	1.05	1.08	0.94
TPLC060A12MP13C	CF/CM/CU36B	1.05	1.08	0.94
TPLC060A12MP13C	CF/CM36A	1.05	1.12	0.94
TPLC080B12MP12C	CF/CM/CU18B	1.02	1.05	0.92
TPLC080B12MP12C	CF/CM/CU24B	1.04	1.12	0.94
TPLC080B12MP12C	CF/CM/CU30B	1.05	1.12	0.94
TPLC080B12MP12C	CF/CM/CU36B	1.05	1.15	0.94
TPLC080B12MP12C	CF/CM24C	1.04	1.18	0.94
TPLC080B12MP12C	CF/CM/CU36C	1.05	1.15	0.94
TPLC080B12MP12C	CF/CM24C	1.04	1.18	0.94
TPLC080B12MP12C	CF/CM30C	1.05	1.12	0.94
TPLC080B12MP13C	CF/CM/CU18B	1.02	1.05	0.92
TPLC080B12MP13C	CF/CM/CU24B	1.04	1.12	0.94
TPLC080B12MP13C	CF/CM/CU30B	1.05	1.12	0.94
TPLC080B12MP13C	CF/CM/CU36B	1.05	1.15	0.94
TPLC080B12MP13C	CF/CM/CU36C	1.05	1.15	0.94
TPLC080B12MP13C	CF/CM24C	1.04	1.18	0.94
TPLC080B12MP13C	CF/CM30C	1.05	1.12	0.94
CP9C060B12MP13C	CF/CM/CU18B	1.03	1.09	0.93
CP9C060B12MP13C	CF/CM/CU24B	1.03	1.09	0.93

FURNACE MULTIPLIERS - 1.5 TON (Continued)

Furnaces	Coil	T.C.	S.C.	kW
CP9C060B12MP13C	CF/CM/CU30B	1.05	1.15	0.94
CP9C060B12MP13C	CF/CM/CU36B	1.05	1.10	0.94
CP9C060B12MP13C	CF/CM/CU36C	1.05	1.15	0.94
CP9C060B12MP13C	CF/CM24C	1.03	1.09	0.93
CP9C060B12MP13C	CF/CM30C	1.05	1.15	0.94
CP9C080B12MP12C	CF/CM/CU18B	1.03	1.07	0.93
CP9C080B12MP12C	CF/CM/CU24B	1.05	1.18	0.94
CP9C080B12MP12C	CF/CM/CU30B	1.05	1.08	0.94
CP9C080B12MP12C	CF/CM/CU36B	1.05	1.15	0.94
CP9C080B12MP12C	CF/CM/CU36C	1.05	1.15	0.94
CP9C080B12MP12C	CF/CM24C	1.05	1.18	0.94
CP9C080B12MP12C	CF/CM30C	1.05	1.08	0.94
CP9C080B12MP13C	CF/CM/CU18B	1.03	1.07	0.93
CP9C080B12MP13C	CF/CM/CU24B	1.05	1.18	0.94
CP9C080B12MP13C	CF/CM/CU30B	1.05	1.08	0.94
CP9C080B12MP13C	CF/CM/CU36B	1.05	1.15	0.94
CP9C080B12MP13C	CF/CM/CU36C	1.05	1.15	0.94
CP9C080B12MP13C	CF/CM24C	1.05	1.18	0.94
CP9C080B12MP13C	CF/CM30C	1.05	1.08	0.94
CPLC060A12MP12C	CF/CM/CU18A	1.03	1.07	0.93
CPLC060A12MP12C	CF/CM/CU18B	1.03	1.12	0.93
CPLC060A12MP12C	CF/CM/CU24A	1.05	1.13	0.94
CPLC060A12MP12C	CF/CM/CU24B	1.05	1.13	0.94
CPLC060A12MP12C	CF/CM/CU30A	1.04	1.08	0.94
CPLC060A12MP12C	CF/CM/CU30B	1.05	1.08	0.94
CPLC060A12MP12C	CF/CM/CU36B	1.05	1.08	0.94

FURNACE MULTIPLIERS - 1.5 TON (Continued)

Furnaces	Coil	T.C.	S.C.	kW
CPLC060A12MP12C	CF/CM36A	1.05	1.12	0.94
CPLC060A12MP13C	CF/CM/CU18A	1.03	1.07	0.93
CPLC060A12MP13C	CF/CM/CU18B	1.03	1.12	0.93
CPLC060A12MP13C	CF/CM/CU24A	1.05	1.13	0.94
CPLC060A12MP13C	CF/CM/CU24B	1.05	1.13	0.94
CPLC060A12MP13C	CF/CM/CU30A	1.04	1.08	0.94
CPLC060A12MP13C	CF/CM/CU30B	1.05	1.08	0.94
CPLC060A12MP13C	CF/CM/CU36B	1.05	1.08	0.94
CPLC060A12MP13C	CF/CM36A	1.05	1.12	0.94
CPLC080B12MP12C	CF/CM/CU18B	1.02	1.05	0.92
CPLC080B12MP12C	CF/CM/CU24B	1.04	1.12	0.94
CPLC080B12MP12C	CF/CM/CU30B	1.05	1.12	0.94
CPLC080B12MP12C	CF/CM/CU36B	1.05	1.15	0.94
CPLC080B12MP12C	CF/CM/CU36C	1.05	1.15	0.94
CPLC080B12MP12C	CF/CM24C	1.04	1.18	0.94
CPLC080B12MP12C	CF/CM30C	1.05	1.12	0.94
CPLC080B12MP13C	CF/CM/CU18B	1.02	1.05	0.92
CPLC080B12MP13C	CF/CM/CU24B	1.04	1.12	0.94
CPLC080B12MP13C	CF/CM/CU30B	1.05	1.12	0.94
CPLC080B12MP13C	CF/CM/CU36B	1.05	1.15	0.94
CPLC080B12MP13C	CF/CM/CU36C	1.05	1.15	0.94
CPLC080B12MP13C	CF/CM24C	1.04	1.18	0.94
CPLC080B12MP13C	CF/CM30C	1.05	1.12	0.94
CPLC080B12MP13C	CF/CM/CU18B	1.02	1.05	0.92
CPLC080B12MP13C	CF/CM/CU24B	1.04	1.12	0.94
CPLC080B12MP13C	CF/CM/CU30B	1.05	1.12	0.94
CPLC080B12MP13C	CF/CM/CU36B	1.05	1.15	0.94
CPLC080B12MP13C	CF/CM/CU36C	1.05	1.15	0.94
CPLC080B12MP13C	CF/CM24C	1.04	1.18	0.94
CPLC080B12MP13C	CF/CM30C	1.05	1.12	0.94

PERFORMANCE DATA - 2 TON

CONDENSER-ONLY DATA (OUTDOOR UNIT)																
MODEL	SATURATED SUCTION AT COMPRESSOR		Outdoor Ambient Temperature													
			55°F		65°F		75°F		85°F		95°F		105°F		115°F	
	T (°F)	P (PSIG)	MBH	kW	MBH	kW	MBH	kW	MBH	kW	MBH	kW	MBH	kW	MBH	kW
TC3B2423S	35	107	23.6	1.27	22.3	1.47	21.0	1.67	19.6	1.85	18.2	2.03	16.8	2.20	15.4	2.37
	40	118	26.0	1.24	24.6	1.45	23.2	1.66	21.7	1.85	20.2	2.04	18.7	2.22	17.1	2.41
	45	130	28.6	1.21	27.1	1.44	25.6	1.65	24.0	1.85	22.4	2.04	20.7	2.24	19.0	2.43
	50	142	31.3	1.19	29.7	1.42	28.1	1.64	26.4	1.85	24.7	2.05	22.9	2.26	21.1	2.46
	55	156	34.2	1.17	32.5	1.41	30.8	1.64	29.0	1.86	27.1	2.06	25.2	2.27	23.3	2.48

Notes:

- For Outdoor Unit (Condenser) performance only. Data does not include the effects of air handler power or heat.
- Performance based on 15°F subcooling and 15°F superheat at the Outdoor Unit base valves.
 - Increase capacity by 1% for each 2°F increase in subcooling.
 - Decrease capacity by 1% for each 2°F decrease in subcooling.
- Maximum recommended condensing temperature is 140°F.

COOLING PERFORMANCE DATA																
OUTDOOR UNIT MODEL NO.		TC3B2423S														
INDOOR COIL MODEL NO.		CF24AXA1														
AIR TEMPERATURE ENTERING OUTDOOR UNIT (°F)	ID CFM	600					800					1000				
	ID DB (°F)	80	80	75	80	80	80	80	75	80	80	80	80	75	80	80
	ID WB (°F)	57	62	62	67	72	57	62	62	67	72	57	62	62	67	72
55	T.C.	23.5	24.8	24.5	25.4	25.0	24.3	25.4	25.2	26.6	25.9	25.1	26.0	25.8	27.8	26.7
	S.C.	22.4	18.9	16.6	15.5	11.2	23.5	20.2	17.5	16.7	11.9	24.5	21.4	18.5	18.0	12.5
	kW	1.46	1.45	1.45	1.45	1.47	1.53	1.52	1.52	1.53	1.54	1.59	1.59	1.60	1.60	1.62
65	T.C.	22.8	24.4	24.0	25.4	24.9	24.0	25.2	24.7	26.5	25.8	25.1	26.1	25.4	27.7	26.8
	S.C.	22.0	19.1	16.5	15.7	11.4	23.2	20.8	17.9	17.0	12.0	24.5	22.6	19.2	18.4	12.7
	kW	1.61	1.60	1.60	1.60	1.61	1.68	1.67	1.67	1.67	1.68	1.75	1.74	1.75	1.75	1.76
75	T.C.	22.2	24.0	23.5	25.3	24.7	23.7	25.1	24.3	26.4	25.8	25.2	26.1	25.0	27.5	26.9
	S.C.	21.6	19.2	16.4	15.9	11.6	23.0	21.5	18.2	17.4	12.2	24.5	23.7	20.0	18.8	12.8
	kW	1.76	1.75	1.75	1.75	1.75	1.83	1.82	1.82	1.82	1.83	1.90	1.89	1.90	1.89	1.90
85	T.C.	21.3	23.9	22.2	24.2	25.0	22.9	23.7	23.2	25.3	26.0	24.4	23.6	24.2	26.5	26.9
	S.C.	20.5	21.2	15.8	15.5	11.7	22.1	21.0	17.9	17.3	12.5	23.7	20.9	19.9	19.1	13.4
	kW	1.93	2.01	1.93	1.93	1.94	2.01	2.01	2.00	2.01	2.01	2.09	2.00	2.08	2.09	2.09
95	T.C.	20.4	23.8	21.0	23.0	25.4	22.1	22.4	22.1	24.2	26.2	23.7	21.1	23.3	25.4	27.0
	S.C.	19.5	23.1	15.2	15.2	11.8	21.3	20.6	17.5	17.2	12.9	23.0	18.1	19.8	19.3	13.9
	kW	2.10	2.27	2.11	2.12	2.13	2.19	2.19	2.19	2.20	2.20	2.27	2.11	2.27	2.28	2.28
105	T.C.	19.2	20.6	19.1	21.5	23.5	21.0	20.5	20.2	22.6	24.2	22.8	20.5	21.3	23.8	24.9
	S.C.	18.3	19.9	14.4	14.5	11.3	20.0	19.3	16.7	16.6	12.4	21.7	18.8	19.0	18.8	13.5
	kW	2.31	2.39	2.31	2.33	2.35	2.40	2.40	2.39	2.42	2.43	2.49	2.41	2.48	2.50	2.51
115	T.C.	18.0	17.3	17.2	19.9	21.7	20.0	18.6	18.2	21.0	22.3	21.9	19.9	19.3	22.1	22.9
	S.C.	17.0	16.6	13.6	13.8	10.7	18.7	18.0	15.9	16.1	11.9	20.4	19.4	18.1	18.3	13.2
	kW	2.51	2.52	2.51	2.54	2.58	2.61	2.61	2.60	2.63	2.66	2.71	2.71	2.69	2.72	2.74

Note: All capacities include indoor fan heat. kW values are for the system (outdoor + indoor).

Green shaded cells are ACCA (TVA) conditions.

Blue shaded cells are AHRI conditions.

Multipliers for determining the performance with other indoor sections

Note: For dry bulb temperatures different than those listed (between 73°F to 87°F), sensible capacity increases by 1060 BTUH per 1000 CFM per degree above the listed temperature and decreases by 1060 BTUH per 1000 CFM per degree below the listed temperature.

COIL MULTIPLIERS - 2 TON

Air Handler	Coil	T.C.	S.C.	kW
-	CF/CM/CU24A	1.00	1.00	1.00
-	CF/CM/CU24B	1.00	1.13	1.00
-	CF/CM/CU30A	1.00	1.15	1.00
-	CF/CM/CU30B	1.00	1.15	1.00
-	CF/CM/CU36B	1.01	1.14	1.01
-	CF/CM/CU36C	1.01	1.14	1.01
-	CF/CM/CU42C	1.02	1.15	1.02
-	CF/CM24C	1.00	1.13	1.00
-	CF/CM30C	1.00	1.15	1.00
-	CF/CM36A	1.01	1.14	1.01
-	CF/CM36D	1.01	1.14	1.01
-	CF/CM42D	1.02	1.15	1.02
-	CF42B	1.02	1.15	1.02
AE24BX21	-	1.02	1.17	0.94
AE30BX21	-	1.02	1.24	0.94
AE36BX21	-	1.02	1.21	0.94
AE36CX21	-	1.02	1.18	0.94
AP24BX21	-	1.00	1.04	1.00
AP30BX21	-	1.02	1.19	1.02
AVC24BX21	-	1.02	1.12	0.94
AVC30BX21	-	1.02	1.13	0.94
AVC36BX21	-	1.02	1.21	0.94
AVC36CX21	-	1.02	1.27	0.94
ME08BN21	CF/CM24B	1.02	1.15	0.94
ME08BN21	CF/CM30B	1.02	1.19	0.94
ME08BN21	CF/CM36B	1.02	1.18	0.94
ME08BN21	CF42B	1.02	1.16	0.94
ME12BN21	CF/CM24B	1.02	1.21	0.94
ME12BN21	CF/CM30B	1.02	1.22	0.94
ME12BN21	CF/CM36B	1.02	1.24	0.94
ME12BN21	CF42B	1.02	1.22	0.94
ME12CN21	CF/CM24C	1.02	1.19	0.94
ME12CN21	CF/CM30C	1.02	1.22	0.94
ME12CN21	CF/CM36C	1.02	1.22	0.94
ME12CN21	CF/CM42C	1.02	1.22	0.94
ME14DN21	CF/CM36D	1.02	1.24	0.94
ME14DN21	CF/CM42D	1.02	1.24	0.94
ME16CN21	CF/CM24C	1.02	1.15	0.94
ME16CN21	CF/CM30C	1.02	1.27	0.94
ME16CN21	CF/CM36C	1.02	1.28	0.94
ME16CN21	CF/CM42C	1.02	1.29	0.94
MVC08BN21	CF/CM24B	1.02	1.10	0.94
MVC08BN21	CF/CM30B	1.02	1.19	0.94
MVC08BN21	CF/CM36B	1.02	1.12	0.94
MVC08BN21	CF42B	1.02	1.13	0.94
MVC12BN21	CF/CM24B	1.02	1.14	0.94
MVC12BN21	CF/CM30B	1.02	1.15	0.94
MVC12BN21	CF/CM36B	1.02	1.23	0.94
MVC12BN21	CF42B	1.02	1.17	0.94
MVC12CN21	CF/CM24C	1.02	1.21	0.94
MVC12CN21	CF/CM30C	1.02	1.23	0.94
MVC12CN21	CF/CM36C	1.02	1.24	0.94
MVC12CN21	CF/CM42C	1.02	1.24	0.94
MVC14DN21	CF/CM36D	1.02	1.24	0.94
MVC14DN21	CF/CM42D	1.02	1.24	0.94

COIL MULTIPLIERS - 2 TON

Air Handler	Coil	T.C.	S.C.	kW
MVC16CN21	CF/CM24C	1.02	1.15	0.94
MVC16CN21	CF/CM30C	1.02	1.27	0.94
MVC16CN21	CF/CM36C	1.02	1.28	0.94
MVC16CN21	CF/CM42C	1.02	1.28	0.94

FURNACE MULTIPLIERS - 2 TON

Furnaces	Coil	T.C.	S.C.	kW
TL8E060A12UH11	CF/CM/CU24A	1.02	1.04	0.95
TL8E060A12UH11	CF/CM/CU24B	1.02	1.08	0.95
TL8E060A12UH11	CF/CM/CU30A	1.02	1.04	0.95
TL8E060A12UH11	CF/CM/CU30B	1.02	1.10	0.94
TL8E060A12UH11	CF/CM/CU36B	1.02	1.10	0.94
TL8E060A12UH11	CF/CM36A	1.02	1.02	0.95
TL8E060A12UH11	CF42B	1.02	1.08	0.94
TL8E080C16UH11	CF/CM24C	1.02	1.17	0.95
TL8E080C16UH11	CF/CM30C	1.02	1.28	0.94
TL9E060B12UH11	CF/CM/CU24B	1.02	1.04	0.95
TL9E060B12UH11	CF/CM/CU30B	1.02	1.06	0.95
TL9E060B12UH11	CF/CM/CU36B	1.02	1.04	0.95
TL9E060B12UH11	CF/CM/CU36C	1.02	1.10	0.95
TL9E060B12UH11	CF/CM/CU42C	1.02	1.10	0.95
TL9E060B12UH11	CF/CM24C	1.02	1.07	0.95
TL9E060B12UH11	CF/CM30C	1.02	1.10	0.95
TL9E060B12UH11	CF42B	1.02	1.08	0.94
TL9E080C16UH11	CF/CM/CU36C	1.02	1.28	0.94
TL9E080C16UH11	CF/CM/CU42C	1.02	1.27	0.94
TL9E080C16UH11	CF/CM24C	1.02	1.14	0.95
TL9E080C16UH11	CF/CM30C	1.02	1.27	0.94
TL9E080C16UH11	CF/CM36D	1.02	1.28	0.94
TL9E080C16UH11	CF/CM42D	1.02	1.27	0.94
TM8E040A12MP11	CF/CM/CU24A	1.02	1.03	0.95
TM8E040A12MP11	CF/CM/CU24B	1.02	1.13	0.95
TM8E040A12MP11	CF/CM/CU30A	1.02	1.11	0.95
TM8E040A12MP11	CF/CM/CU30B	1.02	1.15	0.94
TM8E040A12MP11	CF/CM/CU36B	1.02	1.16	0.94
TM8E040A12MP11	CF/CM36A	1.02	1.11	0.94
TM8E040A12MP11	CF42B	1.02	1.16	0.94
TM8E060A12MP11	CF/CM/CU24A	1.02	1.10	0.95
TM8E060A12MP11	CF/CM/CU24B	1.02	1.12	0.95
TM8E060A12MP11	CF/CM/CU30A	1.02	1.15	0.95
TM8E060A12MP11	CF/CM/CU30B	1.02	1.19	0.94
TM8E060A12MP11	CF/CM/CU36B	1.02	1.13	0.94
TM8E060A12MP11	CF/CM36A	1.02	1.11	0.94
TM8E060A12MP11	CF42B	1.02	1.15	0.94
TM8E080B12MP11	CF/CM/CU24B	1.02	1.10	0.95
TM8E080B12MP11	CF/CM/CU30B	1.02	1.11	0.94
TM8E080B12MP11	CF/CM/CU36B	1.02	1.12	0.94
TM8E080B12MP11	CF/CM/CU36C	1.02	1.13	0.94
TM8E080B12MP11	CF/CM/CU42C	1.02	1.14	0.94
TM8E080B12MP11	CF/CM24C	1.02	1.12	0.95
TM8E080B12MP11	CF/CM30C	1.02	1.13	0.94
TM8E080B12MP11	CF42B	1.02	1.13	0.94
TM8E080C16MP11	CF/CM/CU36C	1.02	1.21	0.94
TM8E080C16MP11	CF/CM/CU42C	1.02	1.19	0.94

FURNACE MULTIPLIERS - 2 TON (Continued)

Furnaces	Coil	T.C.	S.C.	kW
TM8E080C16MP11	CF/CM24C	1.02	1.18	0.94
TM8E080C16MP11	CF/CM30C	1.02	1.19	0.94
TM8E080C16MP11	CF/CM36D	1.02	1.21	0.94
TM8E080C16MP11	CF/CM42D	1.02	1.20	0.94
TM8E100B12MP11	CF/CM/CU24B	1.02	1.10	0.95
TM8E100B12MP11	CF/CM/CU30B	1.02	1.11	0.94
TM8E100B12MP11	CF/CM/CU36B	1.02	1.12	0.94
TM8E100B12MP11	CF/CM/CU36C	1.02	1.12	0.94
TM8E100B12MP11	CF/CM/CU42C	1.02	1.22	0.94
TM8E100B12MP11	CF/CM24C	1.02	1.10	0.95
TM8E100B12MP11	CF/CM30C	1.02	1.11	0.94
TM8E100B12MP11	CF42B	1.02	1.19	0.94
TM8E100C16MP11	CF/CM/CU36C	1.02	1.18	0.94
TM8E100C16MP11	CF/CM/CU42C	1.02	1.18	0.94
TM8E100C16MP11	CF/CM24C	1.02	1.15	0.94
TM8E100C16MP11	CF/CM30C	1.02	1.19	0.94
TM8E100C16MP11	CF/CM36D	1.02	1.18	0.94
TM8E100C16MP11	CF/CM42D	1.02	1.18	0.94
TM8E120C16MP11	CF/CM/CU36C	1.02	1.23	0.94
TM8E120C16MP11	CF/CM/CU42C	1.02	1.20	0.94
TM8E120C16MP11	CF/CM24C	1.02	1.15	0.94
TM8E120C16MP11	CF/CM30C	1.02	1.19	0.94
TM8E120C16MP11	CF/CM36D	1.02	1.23	0.94
TM8E120C16MP11	CF/CM42D	1.02	1.20	0.94
TM8V060A12MP11C	CF/CM/CU24A	1.02	1.10	0.95
TM8V060A12MP11C	CF/CM/CU24B	1.02	1.08	0.94
TM8V060A12MP11C	CF/CM/CU30A	1.02	1.11	0.94
TM8V060A12MP11C	CF/CM/CU30B	1.02	1.10	0.94
TM8V060A12MP11C	CF/CM/CU36B	1.02	1.12	0.94
TM8V060A12MP11C	CF/CM36A	1.02	1.11	0.94
TM8V060A12MP11C	CF42B	1.02	1.10	0.94
TM8V060A12MP12C	CF/CM/CU24A	1.02	1.10	0.95
TM8V060A12MP12C	CF/CM/CU24B	1.02	1.08	0.94
TM8V060A12MP12C	CF/CM/CU30A	1.02	1.11	0.94
TM8V060A12MP12C	CF/CM/CU30B	1.02	1.10	0.94
TM8V060A12MP12C	CF/CM/CU36B	1.02	1.12	0.94
TM8V060A12MP12C	CF/CM36A	1.02	1.11	0.94
TM8V060A12MP12C	CF42B	1.02	1.10	0.94
TM8V080B12MP11C	CF/CM/CU24B	1.02	1.05	0.95
TM8V080B12MP11C	CF/CM/CU30B	1.02	1.06	0.94
TM8V080B12MP11C	CF/CM/CU36B	1.02	1.11	0.94
TM8V080B12MP11C	CF/CM/CU36C	1.02	1.11	0.94
TM8V080B12MP11C	CF/CM/CU42C	1.02	1.11	0.94
TM8V080B12MP11C	CF/CM24C	1.02	1.10	0.95
TM8V080B12MP11C	CF/CM30C	1.02	1.20	0.94
TM8V080B12MP11C	CF42B	1.02	1.04	0.94
TM8V080B12MP12C	CF/CM/CU24B	1.02	1.05	0.95
TM8V080B12MP12C	CF/CM/CU30B	1.02	1.06	0.94
TM8V080B12MP12C	CF/CM/CU36B	1.02	1.11	0.94
TM8V080B12MP12C	CF/CM/CU36C	1.02	1.11	0.94
TM8V080B12MP12C	CF/CM/CU42C	1.02	1.11	0.94
TM8V080B12MP12C	CF/CM24C	1.02	1.10	0.95
TM8V080B12MP12C	CF/CM30C	1.02	1.20	0.94
TM8V080B12MP12C	CF42B	1.02	1.04	0.94
TM8V080C16MP11C	CF/CM/CU36C	1.02	1.23	0.94

FURNACE MULTIPLIERS - 2 TON (Continued)

Furnaces	Coil	T.C.	S.C.	kW
TM8V080C16MP11C	CF/CM/CU42C	1.02	1.23	0.94
TM8V080C16MP11C	CF/CM24C	1.02	1.21	0.94
TM8V080C16MP11C	CF/CM30C	1.02	1.22	0.94
TM8V080C16MP11C	CF/CM36D	1.02	1.23	0.94
TM8V080C16MP11C	CF/CM42D	1.02	1.24	0.94
TM8V080C16MP12C	CF/CM/CU36C	1.02	1.23	0.94
TM8V080C16MP12C	CF/CM/CU42C	1.02	1.23	0.94
TM8V080C16MP12C	CF/CM24C	1.02	1.21	0.94
TM8V080C16MP12C	CF/CM30C	1.02	1.22	0.94
TM8V080C16MP12C	CF/CM36D	1.02	1.23	0.94
TM8V080C16MP12C	CF/CM42D	1.02	1.24	0.94
TM8V100C16MP11C	CF/CM/CU36C	1.02	1.23	0.94
TM8V100C16MP11C	CF/CM/CU42C	1.02	1.23	0.94
TM8V100C16MP11C	CF/CM24C	1.02	1.21	0.94
TM8V100C16MP11C	CF/CM30C	1.02	1.22	0.94
TM8V100C16MP11C	CF/CM36D	1.02	1.23	0.94
TM8V100C16MP11C	CF/CM42D	1.02	1.24	0.94
TM8V100C16MP12C	CF/CM/CU36C	1.02	1.23	0.94
TM8V100C16MP12C	CF/CM/CU42C	1.02	1.23	0.94
TM8V100C16MP12C	CF/CM24C	1.02	1.21	0.94
TM8V100C16MP12C	CF/CM30C	1.02	1.22	0.94
TM8V100C16MP12C	CF/CM36D	1.02	1.23	0.94
TM8V100C16MP12C	CF/CM42D	1.02	1.24	0.94
TM8X060A12MP11	CF/CM/CU24A	1.00	1.01	0.94
TM8X060A12MP11	CF/CM/CU24B	1.02	1.10	0.94
TM8X060A12MP11	CF/CM/CU30A	1.02	1.02	0.94
TM8X060A12MP11	CF/CM/CU30B	1.02	1.18	0.94
TM8X060A12MP11	CF/CM/CU36B	1.02	1.11	0.94
TM8X060A12MP11	CF/CM36A	1.02	1.02	0.94
TM8X060A12MP11	CF42B	1.02	1.11	0.94
TM8X080B12MP11	CF/CM/CU24B	1.02	1.13	0.94
TM8X080B12MP11	CF/CM/CU30B	1.02	1.15	0.94
TM8X080B12MP11	CF/CM/CU36B	1.02	1.16	0.94
TM8X080B12MP11	CF/CM/CU36C	1.02	1.21	0.94
TM8X080B12MP11	CF/CM/CU42C	1.02	1.10	0.94
TM8X080B12MP11	CF/CM24C	1.02	1.13	0.94
TM8X080B12MP11	CF/CM30C	1.02	1.15	0.94
TM8X080B12MP11	CF42B	1.02	1.14	0.94
TM8X080C16MP11	CF/CM/CU36C	1.02	1.10	0.94
TM8X080C16MP11	CF/CM/CU42C	1.02	1.10	0.94
TM8X080C16MP11	CF/CM24C	1.02	1.08	0.94
TM8X080C16MP11	CF/CM30C	1.02	1.10	0.94
TM8X080C16MP11	CF/CM36D	1.02	1.12	0.94
TM8X080C16MP11	CF/CM42D	1.02	1.13	0.94
TM8X100C16MP11	CF/CM/CU36C	1.02	1.10	0.94
TM8X100C16MP11	CF/CM/CU42C	1.02	1.10	0.94
TM8X100C16MP11	CF/CM24C	1.02	1.08	0.94
TM8X100C16MP11	CF/CM30C	1.02	1.10	0.94
TM8X100C16MP11	CF/CM36D	1.02	1.12	0.94
TM8X100C16MP11	CF/CM42D	1.02	1.13	0.94
TM8Y060A12MP11	CF/CM/CU24A	1.00	1.01	0.94
TM8Y060A12MP11	CF/CM/CU24B	1.02	1.10	0.94
TM8Y060A12MP11	CF/CM/CU30A	1.02	1.02	0.94
TM8Y060A12MP11	CF/CM/CU30B	1.02	1.18	0.94
TM8Y060A12MP11	CF/CM/CU36B	1.02	1.11	0.94

FURNACE MULTIPLIERS - 2 TON (Continued)

Furnaces	Coil	T.C.	S.C.	kW
TM8Y060A12MP11	CF/CM36A	1.02	1.02	0.94
TM8Y060A12MP11	CF42B	1.02	1.11	0.94
TM8Y080B12MP11	CF/CM/CU24B	1.02	1.13	0.94
TM8Y080B12MP11	CF/CM/CU30B	1.02	1.15	0.94
TM8Y080B12MP11	CF/CM/CU36B	1.02	1.16	0.94
TM8Y080B12MP11	CF/CM/CU36C	1.02	1.21	0.94
TM8Y080B12MP11	CF/CM/CU42C	1.02	1.10	0.94
TM8Y080B12MP11	CF/CM24C	1.02	1.13	0.94
TM8Y080B12MP11	CF/CM30C	1.02	1.15	0.94
TM8Y080B12MP11	CF42B	1.02	1.14	0.94
TM8Y080C16MP11	CF/CM/CU36C	1.02	1.10	0.94
TM8Y080C16MP11	CF/CM/CU42C	1.02	1.10	0.94
TM8Y080C16MP11	CF/CM24C	1.02	1.08	0.94
TM8Y080C16MP11	CF/CM30C	1.02	1.10	0.94
TM8Y080C16MP11	CF/CM36D	1.02	1.12	0.94
TM8Y080C16MP11	CF/CM42D	1.02	1.13	0.94
TM8Y100C16MP11	CF/CM/CU36C	1.02	1.10	0.94
TM8Y100C16MP11	CF/CM/CU42C	1.02	1.10	0.94
TM8Y100C16MP11	CF/CM24C	1.02	1.08	0.94
TM8Y100C16MP11	CF/CM30C	1.02	1.10	0.94
TM8Y100C16MP11	CF/CM36D	1.02	1.12	0.94
TM8Y100C16MP11	CF/CM42D	1.02	1.13	0.94
TM9E040A10MP11	CF/CM/CU24A	1.00	1.05	0.98
TM9E040A10MP11	CF/CM/CU24B	1.02	1.06	1.02
TM9E040A10MP11	CF/CM/CU30A	1.02	1.05	1.00
TM9E040A10MP11	CF/CM/CU30B	1.02	1.09	0.97
TM9E040A10MP11	CF/CM/CU36B	1.02	1.08	0.97
TM9E040A10MP11	CF/CM36A	1.02	1.06	1.00
TM9E040A10MP11	CF42B	1.02	1.07	0.97
TM9E040A10MP12	CF/CM/CU24A	0.98	0.98	0.98
TM9E040A10MP12	CF/CM/CU24B	1.00	1.01	0.98
TM9E040A10MP12	CF/CM/CU30A	1.02	1.00	0.95
TM9E040A10MP12	CF/CM/CU30B	1.02	1.02	0.95
TM9E040A10MP12	CF/CM/CU36B	1.02	1.02	0.95
TM9E040A10MP12	CF/CM36A	1.02	1.06	0.95
TM9E040A10MP12	CF42B	1.02	1.03	0.95
TM9E060A10MP12	CF/CM/CU24A	1.02	1.05	1.00
TM9E060A10MP12	CF/CM/CU24B	1.02	1.07	0.95
TM9E060A10MP12	CF/CM/CU30A	1.02	1.06	0.95
TM9E060A10MP12	CF/CM/CU30B	1.02	1.10	0.95
TM9E060A10MP12	CF/CM/CU36B	1.02	1.08	0.95
TM9E060A10MP12	CF/CM36A	1.02	1.07	0.95
TM9E060A10MP12	CF42B	1.02	1.10	0.95
TM9E060B12MP11	CF/CM/CU24B	1.02	1.05	0.95
TM9E060B12MP11	CF/CM/CU30B	1.02	1.07	0.94
TM9E060B12MP11	CF/CM/CU36B	1.02	1.07	0.94
TM9E060B12MP11	CF/CM/CU36C	1.02	1.10	0.94
TM9E060B12MP11	CF/CM/CU42C	1.02	1.10	0.94
TM9E060B12MP11	CF/CM24C	1.02	1.05	0.95
TM9E060B12MP11	CF/CM30C	1.02	1.07	0.94
TM9E060B12MP11	CF42B	1.02	1.08	0.94
TM9E060B12MP12	CF/CM/CU24B	1.02	1.11	0.95
TM9E060B12MP12	CF/CM/CU30B	1.02	1.13	0.94
TM9E060B12MP12	CF/CM/CU36B	1.02	1.13	0.95
TM9E060B12MP12	CF/CM/CU36C	1.02	1.13	0.95

FURNACE MULTIPLIERS - 2 TON (Continued)

Furnaces	Coil	T.C.	S.C.	kW
TM9E060B12MP12	CF/CM/CU42C	1.02	1.14	0.95
TM9E060B12MP12	CF/CM24C	1.02	1.11	0.95
TM9E060B12MP12	CF/CM30C	1.02	1.13	0.95
TM9E060B12MP12	CF42B	1.02	1.11	0.94
TM9E080B12MP11	CF/CM/CU24B	1.02	1.07	0.94
TM9E080B12MP11	CF/CM/CU30B	1.02	1.10	0.94
TM9E080B12MP11	CF/CM/CU36B	1.02	1.10	0.94
TM9E080B12MP11	CF/CM/CU36C	1.02	1.27	0.94
TM9E080B12MP11	CF/CM/CU42C	1.02	1.10	0.94
TM9E080B12MP11	CF/CM24C	1.02	1.08	0.94
TM9E080B12MP11	CF/CM30C	1.02	1.10	0.94
TM9E080B12MP11	CF42B	1.02	1.08	0.94
TM9E080B12MP12	CF/CM/CU24B	1.02	1.15	0.95
TM9E080B12MP12	CF/CM/CU30B	1.02	1.18	0.94
TM9E080B12MP12	CF/CM/CU36B	1.02	1.17	0.94
TM9E080B12MP12	CF/CM/CU36C	1.02	1.21	0.94
TM9E080B12MP12	CF/CM/CU42C	1.02	1.19	0.94
TM9E080B12MP12	CF/CM24C	1.02	1.15	0.95
TM9E080B12MP12	CF/CM30C	1.02	1.19	0.94
TM9E080B12MP12	CF42B	1.02	1.16	0.94
TM9E080C16MP11	CF/CM/CU36C	1.02	1.01	0.94
TM9E080C16MP11	CF/CM/CU42C	1.02	1.01	0.94
TM9E080C16MP11	CF/CM24C	0.99	0.99	0.91
TM9E080C16MP11	CF/CM30C	1.02	1.01	0.94
TM9E080C16MP11	CF/CM36D	1.02	1.01	0.94
TM9E080C16MP11	CF/CM42D	1.02	1.01	0.94
TM9E080C16MP12	CF/CM/CU36C	1.02	1.13	0.94
TM9E080C16MP12	CF/CM/CU42C	1.02	1.14	0.94
TM9E080C16MP12	CF/CM24C	1.02	1.12	0.94
TM9E080C16MP12	CF/CM30C	1.02	1.13	0.94
TM9E080C16MP12	CF/CM36D	1.02	1.27	0.94
TM9E080C16MP12	CF/CM42D	1.02	1.14	0.94
TM9E100C16MP11	CF/CM/CU36C	1.02	1.05	0.94
TM9E100C16MP11	CF/CM/CU42C	1.02	1.07	0.94
TM9E100C16MP11	CF/CM24C	1.02	1.01	0.94
TM9E100C16MP11	CF/CM30C	1.02	1.03	0.94
TM9E100C16MP11	CF/CM36D	1.02	1.05	0.94
TM9E100C16MP11	CF/CM42D	1.02	1.07	0.94
TM9E100C16MP12	CF/CM/CU36C	1.02	1.18	0.94
TM9E100C16MP12	CF/CM/CU42C	1.02	1.18	0.94
TM9E100C16MP12	CF/CM24C	1.02	1.13	0.94
TM9E100C16MP12	CF/CM30C	1.02	1.19	0.94
TM9E100C16MP12	CF/CM36D	1.02	1.18	0.94
TM9E100C16MP12	CF/CM42D	1.02	1.18	0.94
TM9V040A10MP11C	CF/CM/CU24A	1.00	1.01	0.98
TM9V040A10MP11C	CF/CM/CU24B	1.00	1.02	0.96
TM9V040A10MP11C	CF/CM/CU30A	1.02	1.02	0.97
TM9V040A10MP11C	CF/CM/CU30B	1.02	1.10	0.95
TM9V040A10MP11C	CF/CM/CU36B	1.02	1.11	0.97
TM9V040A10MP11C	CF/CM36A	1.02	1.02	0.97
TM9V040A10MP11C	CF42B	1.02	1.03	0.95
TM9V040A10MP12C	CF/CM/CU24A	1.00	1.01	0.98
TM9V040A10MP12C	CF/CM/CU24B	1.00	1.02	0.96
TM9V040A10MP12C	CF/CM/CU30A	1.02	1.02	0.97
TM9V040A10MP12C	CF/CM/CU30B	1.02	1.10	0.95

FURNACE MULTIPLIERS - 2 TON (Continued)

Furnaces	Coil	T.C.	S.C.	kW
TM9V040A10MP12C	CF/CM/CU36B	1.02	1.11	0.97
TM9V040A10MP12C	CF/CM36A	1.02	1.02	0.97
TM9V040A10MP12C	CF42B	1.02	1.03	0.95
TM9V060B12MP11C	CF/CM/CU24B	1.02	1.07	0.95
TM9V060B12MP11C	CF/CM/CU30B	1.02	1.10	0.94
TM9V060B12MP11C	CF/CM/CU36B	1.02	1.08	0.94
TM9V060B12MP11C	CF/CM/CU36C	1.02	1.10	0.94
TM9V060B12MP11C	CF/CM/CU42C	1.02	1.16	0.94
TM9V060B12MP11C	CF/CM24C	1.02	1.13	0.95
TM9V060B12MP11C	CF/CM30C	1.02	1.10	0.94
TM9V060B12MP11C	CF42B	1.02	1.10	0.94
TM9V060B12MP12C	CF/CM/CU24B	1.02	1.07	0.95
TM9V060B12MP12C	CF/CM/CU30B	1.02	1.10	0.94
TM9V060B12MP12C	CF/CM/CU36B	1.02	1.08	0.94
TM9V060B12MP12C	CF/CM/CU36C	1.02	1.10	0.94
TM9V060B12MP12C	CF/CM/CU42C	1.02	1.16	0.94
TM9V060B12MP12C	CF/CM24C	1.02	1.13	0.95
TM9V060B12MP12C	CF/CM30C	1.02	1.10	0.94
TM9V060B12MP12C	CF42B	1.02	1.10	0.94
TM9V080B12MP11C	CF/CM/CU24B	1.02	1.10	0.94
TM9V080B12MP11C	CF/CM/CU30B	1.02	1.18	0.94
TM9V080B12MP11C	CF/CM/CU36B	1.02	1.17	0.94
TM9V080B12MP11C	CF/CM/CU36C	1.02	1.12	0.94
TM9V080B12MP11C	CF/CM/CU42C	1.02	1.22	0.94
TM9V080B12MP11C	CF/CM24C	1.02	1.10	0.94
TM9V080B12MP11C	CF/CM30C	1.02	1.15	0.94
TM9V080B12MP11C	CF42B	1.02	1.18	0.94
TM9V080B12MP12C	CF/CM/CU24B	1.02	1.10	0.94
TM9V080B12MP12C	CF/CM/CU30B	1.02	1.18	0.94
TM9V080B12MP12C	CF/CM/CU36B	1.02	1.17	0.94
TM9V080B12MP12C	CF/CM/CU36C	1.02	1.12	0.94
TM9V080B12MP12C	CF/CM/CU42C	1.02	1.22	0.94
TM9V080B12MP12C	CF/CM24C	1.02	1.10	0.94
TM9V080B12MP12C	CF/CM30C	1.02	1.15	0.94
TM9V080B12MP12C	CF42B	1.02	1.18	0.94
TM9V080C16MP11C	CF/CM/CU36C	1.02	1.29	0.94
TM9V080C16MP11C	CF/CM/CU42C	1.02	1.30	0.94
TM9V080C16MP11C	CF/CM24C	1.02	1.15	0.95
TM9V080C16MP11C	CF/CM30C	1.02	1.29	0.94
TM9V080C16MP11C	CF/CM36D	1.02	1.30	0.94
TM9V080C16MP11C	CF/CM42D	1.02	1.30	0.94
TM9V080C16MP12C	CF/CM/CU36C	1.02	1.29	0.94
TM9V080C16MP12C	CF/CM/CU42C	1.02	1.30	0.94
TM9V080C16MP12C	CF/CM24C	1.02	1.15	0.95
TM9V080C16MP12C	CF/CM30C	1.02	1.29	0.94
TM9V080C16MP12C	CF/CM36D	1.02	1.30	0.94
TM9V080C16MP12C	CF/CM42D	1.02	1.30	0.94
TM9V100C16MP11C	CF/CM/CU36C	1.02	1.26	0.94
TM9V100C16MP11C	CF/CM/CU42C	1.02	1.26	0.94
TM9V100C16MP11C	CF/CM24C	1.02	1.14	0.95
TM9V100C16MP11C	CF/CM30C	1.02	1.25	0.94
TM9V100C16MP11C	CF/CM36D	1.02	1.26	0.94
TM9V100C16MP11C	CF/CM42D	1.02	1.26	0.94
TM9V100C16MP12C	CF/CM/CU36C	1.02	1.26	0.94
TM9V100C16MP12C	CF/CM/CU42C	1.02	1.26	0.94

FURNACE MULTIPLIERS - 2 TON (Continued)

Furnaces	Coil	T.C.	S.C.	kW
TM9V100C16MP12C	CF/CM24C	1.02	1.14	0.95
TM9V100C16MP12C	CF/CM30C	1.02	1.25	0.94
TM9V100C16MP12C	CF/CM36D	1.02	1.26	0.94
TM9V100C16MP12C	CF/CM42D	1.02	1.26	0.94
TM9Y040A10MP11	CF/CM/CU24A	1.00	1.05	0.98
TM9Y040A10MP11	CF/CM/CU24B	1.02	1.06	1.02
TM9Y040A10MP11	CF/CM/CU30A	1.02	1.05	1.00
TM9Y040A10MP11	CF/CM/CU30B	1.02	1.09	0.97
TM9Y040A10MP11	CF/CM/CU36B	1.02	1.08	0.97
TM9Y040A10MP11	CF/CM36A	1.02	1.06	1.00
TM9Y040A10MP11	CF42B	1.02	1.07	0.97
TM9Y060B12MP11	CF/CM/CU24B	1.02	1.05	0.95
TM9Y060B12MP11	CF/CM/CU30B	1.02	1.07	0.94
TM9Y060B12MP11	CF/CM/CU36B	1.02	1.07	0.94
TM9Y060B12MP11	CF/CM/CU36C	1.02	1.10	0.94
TM9Y060B12MP11	CF/CM/CU42C	1.02	1.10	0.94
TM9Y060B12MP11	CF/CM24C	1.02	1.05	0.95
TM9Y060B12MP11	CF/CM30C	1.02	1.07	0.94
TM9Y060B12MP11	CF42B	1.02	1.08	0.94
TM9Y080B12MP11	CF/CM/CU24B	1.02	1.07	0.94
TM9Y080B12MP11	CF/CM/CU30B	1.02	1.10	0.94
TM9Y080B12MP11	CF/CM/CU36B	1.02	1.10	0.94
TM9Y080B12MP11	CF/CM/CU36C	1.02	1.27	0.94
TM9Y080B12MP11	CF/CM/CU42C	1.02	1.10	0.94
TM9Y080B12MP11	CF/CM24C	1.02	1.08	0.94
TM9Y080B12MP11	CF/CM30C	1.02	1.10	0.94
TM9Y080B12MP11	CF42B	1.02	1.08	0.94
TM9Y080C16MP11	CF/CM/CU36C	1.02	1.01	0.94
TM9Y080C16MP11	CF/CM/CU42C	1.02	1.01	0.94
TM9Y080C16MP11	CF/CM24C	0.99	0.99	0.91
TM9Y080C16MP11	CF/CM30C	1.02	1.01	0.94
TM9Y080C16MP11	CF/CM36D	1.02	1.01	0.94
TM9Y080C16MP11	CF/CM42D	1.02	1.01	0.94
TM9Y100C16MP11	CF/CM/CU36C	1.02	1.05	0.94
TM9Y100C16MP11	CF/CM/CU42C	1.02	1.07	0.94
TM9Y100C16MP11	CF/CM24C	1.02	1.01	0.94
TM9Y100C16MP11	CF/CM30C	1.02	1.03	0.94
TM9Y100C16MP11	CF/CM36D	1.02	1.05	0.94
TM9Y100C16MP11	CF/CM42D	1.02	1.07	0.94
TMLE040A12MP11	CF/CM/CU24A	1.02	1.03	0.95
TMLE040A12MP11	CF/CM/CU24B	1.02	1.13	0.95
TMLE040A12MP11	CF/CM/CU30A	1.02	1.11	0.95
TMLE040A12MP11	CF/CM/CU30B	1.02	1.15	0.94
TMLE040A12MP11	CF/CM/CU36B	1.02	1.16	0.94
TMLE040A12MP11	CF/CM36A	1.02	1.11	0.94
TMLE040A12MP11	CF42B	1.02	1.16	0.94
TMLE060A12MP11	CF/CM/CU24A	1.02	1.10	0.95
TMLE060A12MP11	CF/CM/CU24B	1.02	1.12	0.95
TMLE060A12MP11	CF/CM/CU30A	1.02	1.15	0.95
TMLE060A12MP11	CF/CM/CU30B	1.02	1.19	0.94
TMLE060A12MP11	CF/CM/CU36B	1.02	1.13	0.94
TMLE060A12MP11	CF/CM36A	1.02	1.11	0.94
TMLE060A12MP11	CF42B	1.02	1.15	0.94
TMLE080B12MP11	CF/CM/CU24B	1.02	1.10	0.95
TMLE080B12MP11	CF/CM/CU30B	1.02	1.11	0.94

FURNACE MULTIPLIERS - 2 TON (Continued)

Furnaces	Coil	T.C.	S.C.	kW
TMLE080B12MP11	CF/CM/CU36B	1.02	1.12	0.94
TMLE080B12MP11	CF/CM/CU36C	1.02	1.13	0.94
TMLE080B12MP11	CF/CM/CU42C	1.02	1.14	0.94
TMLE080B12MP11	CF/CM24C	1.02	1.12	0.95
TMLE080B12MP11	CF/CM30C	1.02	1.13	0.94
TMLE080B12MP11	CF42B	1.02	1.13	0.94
TMLE080C16MP11	CF/CM/CU36C	1.02	1.21	0.94
TMLE080C16MP11	CF/CM/CU42C	1.02	1.19	0.94
TMLE080C16MP11	CF/CM24C	1.02	1.18	0.94
TMLE080C16MP11	CF/CM30C	1.02	1.19	0.94
TMLE080C16MP11	CF/CM36D	1.02	1.21	0.94
TMLE080C16MP11	CF/CM42D	1.02	1.20	0.94
TMLE100B12MP11	CF/CM/CU24B	1.02	1.10	0.95
TMLE100B12MP11	CF/CM/CU30B	1.02	1.11	0.94
TMLE100B12MP11	CF/CM/CU36B	1.02	1.12	0.94
TMLE100B12MP11	CF/CM/CU36C	1.02	1.12	0.94
TMLE100B12MP11	CF/CM/CU42C	1.02	1.22	0.94
TMLE100B12MP11	CF/CM24C	1.02	1.10	0.95
TMLE100B12MP11	CF/CM30C	1.02	1.11	0.94
TMLE100B12MP11	CF42B	1.02	1.19	0.94
TMLE100C16MP11	CF/CM/CU36C	1.02	1.18	0.94
TMLE100C16MP11	CF/CM/CU42C	1.02	1.18	0.94
TMLE100C16MP11	CF/CM24C	1.02	1.15	0.94
TMLE100C16MP11	CF/CM30C	1.02	1.19	0.94
TMLE100C16MP11	CF/CM36D	1.02	1.18	0.94
TMLE100C16MP11	CF/CM42D	1.02	1.18	0.94
TMLE120C16MP11	CF/CM/CU36C	1.02	1.23	0.94
TMLE120C16MP11	CF/CM/CU42C	1.02	1.20	0.94
TMLE120C16MP11	CF/CM24C	1.02	1.15	0.94
TMLE120C16MP11	CF/CM30C	1.02	1.19	0.94
TMLE120C16MP11	CF/CM36D	1.02	1.23	0.94
TMLE120C16MP11	CF/CM42D	1.02	1.20	0.94
TMLV060A12MP11C	CF/CM/CU24A	1.02	1.10	0.95
TMLV060A12MP11C	CF/CM/CU24B	1.02	1.08	0.94
TMLV060A12MP11C	CF/CM/CU30A	1.02	1.11	0.94
TMLV060A12MP11C	CF/CM/CU30B	1.02	1.10	0.94
TMLV060A12MP11C	CF/CM/CU36B	1.02	1.12	0.94
TMLV060A12MP11C	CF/CM36A	1.02	1.11	0.94
TMLV060A12MP11C	CF42B	1.02	1.10	0.94
TMLV060A12MP12C	CF/CM/CU24A	1.02	1.10	0.95
TMLV060A12MP12C	CF/CM/CU24B	1.02	1.08	0.94
TMLV060A12MP12C	CF/CM/CU30A	1.02	1.11	0.94
TMLV060A12MP12C	CF/CM/CU30B	1.02	1.10	0.94
TMLV060A12MP12C	CF/CM/CU36B	1.02	1.12	0.94
TMLV060A12MP12C	CF/CM36A	1.02	1.11	0.94
TMLV060A12MP12C	CF42B	1.02	1.10	0.94
TMLV080B12MP11C	CF/CM/CU24B	1.02	1.05	0.95
TMLV080B12MP11C	CF/CM/CU30B	1.02	1.06	0.94
TMLV080B12MP11C	CF/CM/CU36B	1.02	1.11	0.94
TMLV080B12MP11C	CF/CM/CU36C	1.02	1.11	0.94
TMLV080B12MP11C	CF/CM/CU42C	1.02	1.11	0.94
TMLV080B12MP11C	CF/CM24C	1.02	1.10	0.95
TMLV080B12MP11C	CF/CM30C	1.02	1.20	0.94
TMLV080B12MP11C	CF42B	1.02	1.04	0.94
TMLV080B12MP12C	CF/CM/CU24B	1.02	1.05	0.95

FURNACE MULTIPLIERS - 2 TON (Continued)

Furnaces	Coil	T.C.	S.C.	kW
TMLV080B12MP12C	CF/CM/CU30B	1.02	1.06	0.94
TMLV080B12MP12C	CF/CM/CU36B	1.02	1.11	0.94
TMLV080B12MP12C	CF/CM/CU36C	1.02	1.11	0.94
TMLV080B12MP12C	CF/CM/CU42C	1.02	1.11	0.94
TMLV080B12MP12C	CF/CM24C	1.02	1.10	0.95
TMLV080B12MP12C	CF/CM30C	1.02	1.20	0.94
TMLV080B12MP12C	CF42B	1.02	1.04	0.94
TMLV080C16MP11C	CF/CM/CU36C	1.02	1.23	0.94
TMLV080C16MP11C	CF/CM/CU42C	1.02	1.23	0.94
TMLV080C16MP11C	CF/CM24C	1.02	1.21	0.94
TMLV080C16MP11C	CF/CM30C	1.02	1.22	0.94
TMLV080C16MP11C	CF/CM36D	1.02	1.23	0.94
TMLV080C16MP11C	CF/CM42D	1.02	1.24	0.94
TMLV080C16MP12C	CF/CM/CU36C	1.02	1.23	0.94
TMLV080C16MP12C	CF/CM/CU42C	1.02	1.23	0.94
TMLV080C16MP12C	CF/CM24C	1.02	1.21	0.94
TMLV080C16MP12C	CF/CM30C	1.02	1.22	0.94
TMLV080C16MP12C	CF/CM36D	1.02	1.23	0.94
TMLV080C16MP12C	CF/CM42D	1.02	1.24	0.94
TMLV100C16MP11C	CF/CM/CU36C	1.02	1.23	0.94
TMLV100C16MP11C	CF/CM/CU42C	1.02	1.23	0.94
TMLV100C16MP11C	CF/CM24C	1.02	1.21	0.94
TMLV100C16MP11C	CF/CM30C	1.02	1.22	0.94
TMLV100C16MP11C	CF/CM36D	1.02	1.23	0.94
TMLV100C16MP11C	CF/CM42D	1.02	1.24	0.94
TMLV100C16MP12C	CF/CM/CU36C	1.02	1.23	0.94
TMLV100C16MP12C	CF/CM/CU42C	1.02	1.23	0.94
TMLV100C16MP12C	CF/CM24C	1.02	1.21	0.94
TMLV100C16MP12C	CF/CM30C	1.02	1.22	0.94
TMLV100C16MP12C	CF/CM36D	1.02	1.23	0.94
TMLV100C16MP12C	CF/CM42D	1.02	1.24	0.94
TMLX060A12MP11	CF/CM/CU24A	1.00	1.01	0.94
TMLX060A12MP11	CF/CM/CU24B	1.02	1.10	0.94
TMLX060A12MP11	CF/CM/CU30A	1.02	1.02	0.94
TMLX060A12MP11	CF/CM/CU30B	1.02	1.18	0.94
TMLX060A12MP11	CF/CM/CU36B	1.02	1.11	0.94
TMLX060A12MP11	CF/CM36A	1.02	1.02	0.94
TMLX060A12MP11	CF42B	1.02	1.11	0.94
TMLX080B12MP11	CF/CM/CU24B	1.02	1.13	0.94
TMLX080B12MP11	CF/CM/CU30B	1.02	1.15	0.94
TMLX080B12MP11	CF/CM/CU36B	1.02	1.16	0.94
TMLX080B12MP11	CF/CM/CU36C	1.02	1.21	0.94
TMLX080B12MP11	CF/CM/CU42C	1.02	1.10	0.94
TMLX080B12MP11	CF/CM24C	1.02	1.13	0.94
TMLX080B12MP11	CF/CM30C	1.02	1.15	0.94
TMLX080B12MP11	CF42B	1.02	1.14	0.94
TMLX080C16MP11	CF/CM/CU36C	1.02	1.10	0.94
TMLX080C16MP11	CF/CM/CU42C	1.02	1.10	0.94
TMLX080C16MP11	CF/CM24C	1.02	1.08	0.94
TMLX080C16MP11	CF/CM30C	1.02	1.10	0.94
TMLX080C16MP11	CF/CM36D	1.02	1.12	0.94
TMLX080C16MP11	CF/CM42D	1.02	1.13	0.94
TMLX100C16MP11	CF/CM/CU36C	1.02	1.10	0.94
TMLX100C16MP11	CF/CM/CU42C	1.02	1.10	0.94
TMLX100C16MP11	CF/CM24C	1.02	1.08	0.94

FURNACE MULTIPLIERS - 2 TON (Continued)

Furnaces	Coil	T.C.	S.C.	kW
TMLX100C16MP11	CF/CM30C	1.02	1.10	0.94
TMLX100C16MP11	CF/CM36D	1.02	1.12	0.94
TMLX100C16MP11	CF/CM42D	1.02	1.13	0.94
TP9C060B12MP13C	CF/CM/CU24B	1.02	1.07	0.95
TP9C060B12MP13C	CF/CM/CU30B	1.02	1.10	0.94
TP9C060B12MP13C	CF/CM/CU36B	1.02	1.08	0.94
TP9C060B12MP13C	CF/CM/CU36C	1.02	1.10	0.94
TP9C060B12MP13C	CF/CM/CU42C	1.02	1.16	0.94
TP9C060B12MP13C	CF/CM24C	1.02	1.13	0.95
TP9C060B12MP13C	CF/CM30C	1.02	1.10	0.94
TP9C060B12MP13C	CF42B	1.02	1.10	0.94
TP9C080B12MP12C	CF/CM/CU24B	1.02	1.10	0.94
TP9C080B12MP12C	CF/CM/CU30B	1.02	1.18	0.94
TP9C080B12MP12C	CF/CM/CU36B	1.02	1.17	0.94
TP9C080B12MP12C	CF/CM/CU36C	1.02	1.12	0.94
TP9C080B12MP12C	CF/CM/CU42C	1.02	1.22	0.94
TP9C080B12MP12C	CF/CM24C	1.02	1.10	0.94
TP9C080B12MP12C	CF/CM30C	1.02	1.15	0.94
TP9C080B12MP12C	CF42B	1.02	1.18	0.94
TP9C080B12MP13C	CF/CM/CU24B	1.02	1.10	0.94
TP9C080B12MP13C	CF/CM/CU30B	1.02	1.18	0.94
TP9C080B12MP13C	CF/CM/CU36B	1.02	1.17	0.94
TP9C080B12MP13C	CF/CM/CU36C	1.02	1.12	0.94
TP9C080B12MP13C	CF/CM/CU42C	1.02	1.22	0.94
TP9C080B12MP13C	CF/CM24C	1.02	1.10	0.94
TP9C080B12MP13C	CF/CM30C	1.02	1.15	0.94
TP9C080B12MP13C	CF42B	1.02	1.18	0.94
TP9C080C16MP13C	CF/CM/CU36C	1.02	1.29	0.94
TP9C080C16MP13C	CF/CM/CU42C	1.02	1.30	0.94
TP9C080C16MP13C	CF/CM24C	1.02	1.15	0.95
TP9C080C16MP13C	CF/CM30C	1.02	1.29	0.94
TP9C080C16MP13C	CF/CM36D	1.02	1.30	0.94
TP9C080C16MP13C	CF/CM42D	1.02	1.30	0.94
TP9C100C16MP12C	CF/CM/CU36C	1.02	1.26	0.94
TP9C100C16MP12C	CF/CM/CU42C	1.02	1.26	0.94
TP9C100C16MP12C	CF/CM24C	1.02	1.14	0.95
TP9C100C16MP12C	CF/CM30C	1.02	1.25	0.94
TP9C100C16MP12C	CF/CM36D	1.02	1.26	0.94
TP9C100C16MP12C	CF/CM42D	1.02	1.26	0.94
TP9C100C16MP13C	CF/CM/CU36C	1.02	1.26	0.94
TP9C100C16MP13C	CF/CM/CU42C	1.02	1.26	0.94
TP9C100C16MP13C	CF/CM24C	1.02	1.14	0.95
TP9C100C16MP13C	CF/CM30C	1.02	1.25	0.94
TP9C100C16MP13C	CF/CM36D	1.02	1.26	0.94
TP9C100C16MP13C	CF/CM42D	1.02	1.26	0.94
TPLC060A12MP12C	CF/CM/CU24A	1.02	1.10	0.95
TPLC060A12MP12C	CF/CM/CU24B	1.02	1.08	0.94
TPLC060A12MP12C	CF/CM/CU30A	1.02	1.11	0.94
TPLC060A12MP12C	CF/CM/CU30B	1.02	1.10	0.94
TPLC060A12MP12C	CF/CM/CU36B	1.02	1.12	0.94
TPLC060A12MP12C	CF/CM36A	1.02	1.11	0.94
TPLC060A12MP12C	CF42B	1.02	1.10	0.94
TPLC060A12MP13C	CF/CM/CU24A	1.02	1.10	0.95
TPLC060A12MP13C	CF/CM/CU24B	1.02	1.08	0.94
TPLC060A12MP13C	CF/CM/CU30A	1.02	1.11	0.94

FURNACE MULTIPLIERS - 2 TON (Continued)

Furnaces	Coil	T.C.	S.C.	kW
TPLC060A12MP13C	CF/CM/CU30B	1.02	1.10	0.94
TPLC060A12MP13C	CF/CM/CU36B	1.02	1.12	0.94
TPLC060A12MP13C	CF/CM36A	1.02	1.11	0.94
TPLC060A12MP13C	CF42B	1.02	1.10	0.94
TPLC080B12MP12C	CF/CM/CU24B	1.02	1.05	0.95
TPLC080B12MP12C	CF/CM/CU30B	1.02	1.06	0.94
TPLC080B12MP12C	CF/CM/CU36B	1.02	1.11	0.94
TPLC080B12MP12C	CF/CM/CU36C	1.02	1.11	0.94
TPLC080B12MP12C	CF/CM/CU42C	1.02	1.11	0.94
TPLC080B12MP12C	CF/CM24C	1.02	1.10	0.95
TPLC080B12MP12C	CF/CM30C	1.02	1.20	0.94
TPLC080B12MP12C	CF42B	1.02	1.04	0.94
TPLC080B12MP13C	CF/CM/CU24B	1.02	1.05	0.95
TPLC080B12MP13C	CF/CM/CU30B	1.02	1.06	0.94
TPLC080B12MP13C	CF/CM/CU36B	1.02	1.11	0.94
TPLC080B12MP13C	CF/CM/CU36C	1.02	1.11	0.94
TPLC080B12MP13C	CF/CM/CU42C	1.02	1.11	0.94
TPLC080B12MP13C	CF/CM24C	1.02	1.10	0.95
TPLC080B12MP13C	CF/CM30C	1.02	1.20	0.94
TPLC080B12MP13C	CF42B	1.02	1.04	0.94
TPLC080C16MP12C	CF/CM/CU36C	1.02	1.23	0.94
TPLC080C16MP12C	CF/CM/CU42C	1.02	1.23	0.94
TPLC080C16MP12C	CF/CM24C	1.02	1.21	0.94
TPLC080C16MP12C	CF/CM30C	1.02	1.22	0.94
TPLC080C16MP12C	CF/CM36D	1.02	1.23	0.94
TPLC080C16MP12C	CF/CM42D	1.02	1.24	0.94
TPLC080C16MP13C	CF/CM/CU36C	1.02	1.23	0.94
TPLC080C16MP13C	CF/CM/CU42C	1.02	1.23	0.94
TPLC080C16MP13C	CF/CM24C	1.02	1.21	0.94
TPLC080C16MP13C	CF/CM30C	1.02	1.22	0.94
TPLC080C16MP13C	CF/CM36D	1.02	1.23	0.94
TPLC080C16MP13C	CF/CM42D	1.02	1.24	0.94
TPLC100C16MP12C	CF/CM/CU36C	1.02	1.23	0.94
TPLC100C16MP12C	CF/CM/CU42C	1.02	1.23	0.94
TPLC100C16MP12C	CF/CM24C	1.02	1.21	0.94
TPLC100C16MP12C	CF/CM30C	1.02	1.22	0.94
TPLC100C16MP12C	CF/CM36D	1.02	1.23	0.94
TPLC100C16MP12C	CF/CM42D	1.02	1.24	0.94
TPLC100C16MP13C	CF/CM/CU36C	1.02	1.23	0.94
TPLC100C16MP13C	CF/CM/CU42C	1.02	1.23	0.94
TPLC100C16MP13C	CF/CM24C	1.02	1.21	0.94
TPLC100C16MP13C	CF/CM30C	1.02	1.22	0.94
TPLC100C16MP13C	CF/CM36D	1.02	1.23	0.94
TPLC100C16MP13C	CF/CM42D	1.02	1.24	0.94
CP9C060B12MP13C	CF/CM/CU24B	1.02	1.07	0.95
CP9C060B12MP13C	CF/CM/CU30B	1.02	1.10	0.94
CP9C060B12MP13C	CF/CM/CU36B	1.02	1.08	0.94
CP9C060B12MP13C	CF/CM/CU36C	1.02	1.10	0.94
CP9C060B12MP13C	CF/CM/CU42C	1.02	1.16	0.94
CP9C060B12MP13C	CF/CM24C	1.02	1.13	0.95
CP9C060B12MP13C	CF/CM30C	1.02	1.10	0.94
CP9C060B12MP13C	CF42B	1.02	1.10	0.94
CP9C080B12MP12C	CF/CM/CU24B	1.02	1.10	0.94
CP9C080B12MP12C	CF/CM/CU30B	1.02	1.18	0.94
CP9C080B12MP12C	CF/CM/CU36B	1.02	1.17	0.94

FURNACE MULTIPLIERS - 2 TON (Continued)

Furnaces	Coil	T.C.	S.C.	kW
CP9C080B12MP12C	CF/CM/CU36C	1.02	1.12	0.94
CP9C080B12MP12C	CF/CM/CU42C	1.02	1.22	0.94
CP9C080B12MP12C	CF/CM24C	1.02	1.10	0.94
CP9C080B12MP12C	CF/CM30C	1.02	1.15	0.94
CP9C080B12MP12C	CF42B	1.02	1.18	0.94
CP9C080B12MP13C	CF/CM/CU24B	1.02	1.10	0.94
CP9C080B12MP13C	CF/CM/CU30B	1.02	1.18	0.94
CP9C080B12MP13C	CF/CM/CU36B	1.02	1.17	0.94
CP9C080B12MP13C	CF/CM/CU36C	1.02	1.12	0.94
CP9C080B12MP13C	CF/CM/CU42C	1.02	1.22	0.94
CP9C080B12MP13C	CF/CM24C	1.02	1.10	0.94
CP9C080B12MP13C	CF/CM30C	1.02	1.15	0.94
CP9C080B12MP13C	CF42B	1.02	1.18	0.94
CP9C080C16MP13C	CF/CM/CU36C	1.02	1.29	0.94
CP9C080C16MP13C	CF/CM/CU42C	1.02	1.30	0.94
CP9C080C16MP13C	CF/CM24C	1.02	1.15	0.95
CP9C080C16MP13C	CF/CM30C	1.02	1.29	0.94
CP9C080C16MP13C	CF/CM36D	1.02	1.30	0.94
CP9C080C16MP13C	CF/CM42D	1.02	1.30	0.94
CP9C100C16MP12C	CF/CM/CU36C	1.02	1.26	0.94
CP9C100C16MP12C	CF/CM/CU42C	1.02	1.26	0.94
CP9C100C16MP12C	CF/CM24C	1.02	1.14	0.95
CP9C100C16MP12C	CF/CM30C	1.02	1.25	0.94
CP9C100C16MP12C	CF/CM36D	1.02	1.26	0.94
CP9C100C16MP12C	CF/CM42D	1.02	1.26	0.94
CP9C100C16MP13C	CF/CM/CU36C	1.02	1.26	0.94
CP9C100C16MP13C	CF/CM/CU42C	1.02	1.26	0.94
CP9C100C16MP13C	CF/CM24C	1.02	1.14	0.95
CP9C100C16MP13C	CF/CM30C	1.02	1.25	0.94
CP9C100C16MP13C	CF/CM36D	1.02	1.26	0.94
CP9C100C16MP13C	CF/CM42D	1.02	1.26	0.94
CPLC060A12MP12C	CF/CM/CU24A	1.02	1.10	0.95
CPLC060A12MP12C	CF/CM/CU24B	1.02	1.08	0.94
CPLC060A12MP12C	CF/CM/CU30A	1.02	1.11	0.94
CPLC060A12MP12C	CF/CM/CU30B	1.02	1.10	0.94
CPLC060A12MP12C	CF/CM/CU36B	1.02	1.12	0.94
CPLC060A12MP12C	CF/CM36A	1.02	1.11	0.94
CPLC060A12MP12C	CF42B	1.02	1.10	0.94
CPLC060A12MP13C	CF/CM/CU24A	1.02	1.10	0.95
CPLC060A12MP13C	CF/CM/CU24B	1.02	1.08	0.94
CPLC060A12MP13C	CF/CM/CU30A	1.02	1.11	0.94
CPLC060A12MP13C	CF/CM/CU30B	1.02	1.10	0.94
CPLC060A12MP13C	CF/CM/CU36B	1.02	1.12	0.94
CPLC060A12MP13C	CF/CM36A	1.02	1.11	0.94

FURNACE MULTIPLIERS - 2 TON (Continued)

Furnaces	Coil	T.C.	S.C.	kW
CPLC060A12MP13C	CF42B	1.02	1.10	0.94
CPLC080B12MP12C	CF/CM/CU24B	1.02	1.05	0.95
CPLC080B12MP12C	CF/CM/CU30B	1.02	1.06	0.94
CPLC080B12MP12C	CF/CM/CU36B	1.02	1.11	0.94
CPLC080B12MP12C	CF/CM/CU36C	1.02	1.11	0.94
CPLC080B12MP12C	CF/CM/CU42C	1.02	1.11	0.94
CPLC080B12MP12C	CF/CM24C	1.02	1.10	0.95
CPLC080B12MP12C	CF/CM30C	1.02	1.20	0.94
CPLC080B12MP12C	CF42B	1.02	1.04	0.94
CPLC080B12MP13C	CF/CM/CU24B	1.02	1.05	0.95
CPLC080B12MP13C	CF/CM/CU30B	1.02	1.06	0.94
CPLC080B12MP13C	CF/CM/CU36B	1.02	1.11	0.94
CPLC080B12MP13C	CF/CM/CU36C	1.02	1.11	0.94
CPLC080B12MP13C	CF/CM/CU42C	1.02	1.11	0.94
CPLC080B12MP13C	CF/CM24C	1.02	1.10	0.95
CPLC080B12MP13C	CF/CM30C	1.02	1.20	0.94
CPLC080B12MP13C	CF42B	1.02	1.04	0.94
CPLC080C16MP12C	CF/CM/CU36C	1.02	1.23	0.94
CPLC080C16MP12C	CF/CM/CU42C	1.02	1.23	0.94
CPLC080C16MP12C	CF/CM24C	1.02	1.21	0.94
CPLC080C16MP12C	CF/CM30C	1.02	1.22	0.94
CPLC080C16MP12C	CF/CM36D	1.02	1.23	0.94
CPLC080C16MP12C	CF/CM42D	1.02	1.24	0.94
CPLC080C16MP13C	CF/CM/CU36C	1.02	1.23	0.94
CPLC080C16MP13C	CF/CM/CU42C	1.02	1.23	0.94
CPLC080C16MP13C	CF/CM24C	1.02	1.21	0.94
CPLC080C16MP13C	CF/CM30C	1.02	1.22	0.94
CPLC080C16MP13C	CF/CM36D	1.02	1.23	0.94
CPLC080C16MP13C	CF/CM42D	1.02	1.24	0.94
CPLC100C16MP12C	CF/CM/CU36C	1.02	1.23	0.94
CPLC100C16MP12C	CF/CM/CU42C	1.02	1.23	0.94
CPLC100C16MP12C	CF/CM24C	1.02	1.21	0.94
CPLC100C16MP12C	CF/CM30C	1.02	1.22	0.94
CPLC100C16MP12C	CF/CM36D	1.02	1.23	0.94
CPLC100C16MP12C	CF/CM42D	1.02	1.24	0.94
CPLC100C16MP13C	CF/CM/CU36C	1.02	1.23	0.94
CPLC100C16MP13C	CF/CM/CU42C	1.02	1.23	0.94
CPLC100C16MP13C	CF/CM24C	1.02	1.21	0.94
CPLC100C16MP13C	CF/CM30C	1.02	1.22	0.94
CPLC100C16MP13C	CF/CM36D	1.02	1.23	0.94
CPLC100C16MP13C	CF/CM42D	1.02	1.24	0.94

PERFORMANCE DATA - 2.5 TON

CONDENSER-ONLY DATA (OUTDOOR UNIT)																
MODEL	SATURATED SUCTION AT COMPRESSOR		Outdoor Ambient Temperature													
			55°F		65°F		75°F		85°F		95°F		105°F		115°F	
	T (°F)	P (PSIG)	MBH	kW	MBH	kW	MBH	kW	MBH	kW	MBH	kW	MBH	kW	MBH	kW
TC3B3022S	35	107	26.7	1.67	25.4	1.86	24.0	2.06	22.7	2.29	21.3	2.55	19.7	2.86	18.1	3.22
	40	119	29.5	1.67	28.0	1.86	26.5	2.06	25.1	2.28	23.6	2.53	21.9	2.84	20.2	3.20
	45	130	32.4	1.66	30.7	1.85	29.2	2.06	27.6	2.27	26.0	2.52	24.3	2.82	22.4	3.17
	50	143	35.5	1.67	33.7	1.86	32.0	2.06	30.3	2.28	28.6	2.52	26.8	2.81	24.8	3.15
	55	156	38.8	1.68	36.8	1.87	34.9	2.07	33.1	2.29	31.3	2.52	29.4	2.81	27.3	3.14

Notes:

- For Outdoor Unit (Condenser) performance only. Data does not include the effects of air handler power or heat.
- Performance based on 15°F subcooling and 15°F superheat at the Outdoor Unit base valves.
 - Increase capacity by 1% for each 2°F increase in subcooling.
 - Decrease capacity by 1% for each 2°F decrease in subcooling.
- Maximum recommended condensing temperature is 140°F.

COOLING PERFORMANCE DATA																
OUTDOOR UNIT MODEL NO.		TC3B3022S														
INDOOR COIL MODEL NO.		CF30BXA1														
AIR TEMPERATURE ENTERING OUTDOOR UNIT (°F)	ID CFM	800					1000					1200				
	ID DB (°F)	80	80	75	80	80	80	80	75	80	80	80	80	75	80	80
	ID WB (°F)	57	62	62	67	72	57	62	62	67	72	57	62	62	67	72
55	T.C.	27.3	28.3	28.1	29.4	29.7	27.9	28.8	28.5	29.8	30.1	28.4	29.2	28.9	30.2	30.6
	S.C.	27.2	23.1	20.0	19.0	15.1	27.8	24.3	21.0	19.7	15.8	28.3	25.4	21.9	20.4	16.4
	kW	1.62	1.64	1.64	1.65	1.66	1.63	1.64	1.64	1.65	1.67	1.63	1.65	1.64	1.66	1.68
65	T.C.	27.4	28.0	28.0	29.4	30.3	28.0	28.5	28.4	29.9	30.7	28.6	29.1	28.9	30.3	31.2
	S.C.	27.3	23.5	20.3	19.4	15.5	27.9	24.9	21.5	20.2	16.3	28.5	26.3	22.6	21.1	17.0
	kW	1.82	1.83	1.83	1.84	1.85	1.83	1.84	1.83	1.85	1.86	1.83	1.85	1.84	1.86	1.88
75	T.C.	27.5	27.7	27.8	29.5	30.9	28.2	28.3	28.3	30.0	31.3	28.9	29.0	28.8	30.5	31.8
	S.C.	27.5	23.8	20.6	19.8	16.0	28.1	25.5	22.0	20.8	16.8	28.8	27.1	23.4	21.7	17.6
	kW	2.01	2.03	2.01	2.04	2.04	2.02	2.04	2.02	2.05	2.06	2.03	2.05	2.04	2.06	2.07
85	T.C.	26.1	26.5	26.7	28.8	30.6	27.2	27.3	27.3	29.3	31.1	28.2	28.1	27.9	29.8	31.6
	S.C.	26.0	23.7	20.3	19.8	16.0	27.1	25.4	22.0	21.1	16.8	28.1	27.1	23.6	22.3	17.7
	kW	2.28	2.30	2.28	2.32	2.32	2.29	2.31	2.29	2.33	2.34	2.30	2.31	2.30	2.34	2.35
95	T.C.	24.7	25.4	25.6	28.0	30.3	26.1	26.3	26.3	28.6	30.8	27.5	27.2	27.0	29.2	31.3
	S.C.	24.6	23.5	19.9	19.8	15.9	26.0	25.3	21.9	21.4	16.9	27.5	27.1	23.9	23.0	17.8
	kW	2.54	2.57	2.56	2.59	2.61	2.55	2.58	2.56	2.60	2.62	2.57	2.58	2.56	2.61	2.63
105	T.C.	22.9	23.7	23.8	26.4	28.9	24.5	24.7	24.4	27.0	29.4	26.1	25.7	25.0	27.6	29.9
	S.C.	22.9	22.5	19.2	19.2	15.4	24.4	24.1	21.1	21.0	16.5	26.0	25.6	23.1	22.7	17.6
	kW	2.90	2.92	2.89	2.94	2.97	2.91	2.92	2.90	2.95	2.99	2.93	2.93	2.91	2.96	3.00
115	T.C.	21.2	22.0	22.0	24.7	27.5	22.9	23.1	22.6	25.3	28.0	24.6	24.3	23.1	25.9	28.5
	S.C.	21.2	21.6	18.4	18.6	14.9	22.9	22.9	20.4	20.5	16.2	24.6	24.2	22.4	22.5	17.4
	kW	3.26	3.27	3.23	3.28	3.34	3.27	3.27	3.24	3.30	3.36	3.28	3.28	3.25	3.31	3.37

Note: All capacities include indoor fan heat. kW values are for the system (outdoor + indoor).

Green shaded cells are ACCA (TVA) conditions.

Blue shaded cells are AHRI conditions.

Multipliers for determining the performance with other indoor sections

Note: For dry bulb temperatures different than those listed (between 73°F to 87°F), sensible capacity increases by 1060 BTUH per 1000 CFM per degree above the listed temperature and decreases by 1060 BTUH per 1000 CFM per degree below the listed temperature.

COIL MULTIPLIERS - 2.5 TON

Air Handler	Coil	T.C.	S.C.	kW
-	CF/CM/CU30B	1.00	1.00	1.00
-	CF/CM/CU36B	1.01	1.05	0.99
-	CF/CM/CU36C	1.01	1.05	0.99
-	CF/CM/CU42C	1.01	1.04	0.99
-	CF/CM30C	1.01	1.05	1.01
-	CF/CM36A	1.00	1.02	1.00
-	CF/CM36D	1.01	1.05	0.99
-	CF/CM42D	1.01	1.04	0.99
AE30BX21	-	1.01	1.01	0.90
AE36BX21	-	1.01	0.98	0.90
AE36CX21	-	1.03	1.02	0.91
AP30BX21	-	1.01	1.10	0.96
AP36CX21	-	1.03	1.08	0.99
AVC30BX21	-	1.00	0.99	0.90
AVC36BX21	-	1.01	0.98	0.91
AVC36CX21	-	1.03	0.99	0.90
ME08BN21	CF/CM30B	1.01	1.01	0.90
ME08BN21	CF/CM36B	1.02	1.00	0.92
ME08BN21	CF42B	1.02	0.99	0.92
ME12BN21	CF/CM30B	1.01	1.00	0.90
ME12BN21	CF/CM36B	1.01	0.98	0.89
ME12BN21	CF42B	1.01	0.99	0.89
ME12CN21	CF/CM30C	1.03	1.03	0.90
ME12CN21	CF/CM36C	1.03	1.03	0.91
ME12CN21	CF/CM42C	1.01	0.97	0.89
ME14DN21	CF/CM36D	1.04	1.03	0.92
ME14DN21	CF/CM42D	1.04	1.04	0.92
ME16CN21	CF/CM30C	1.01	1.02	0.91
ME16CN21	CF/CM36C	1.03	0.99	0.90
ME16CN21	CF/CM42C	1.03	0.99	0.90
MVC08BN21	CF/CM30B	1.00	0.99	0.90
MVC08BN21	CF/CM36B	1.01	0.98	0.90
MVC08BN21	CF42B	1.01	0.98	0.91
MVC12BN21	CF/CM30B	1.01	1.00	0.90
MVC12BN21	CF/CM36B	1.02	0.99	0.92
MVC12BN21	CF42B	1.02	0.99	0.90
MVC12CN21	CF/CM30C	1.03	1.03	0.90
MVC12CN21	CF/CM36C	1.04	1.02	0.92
MVC12CN21	CF/CM42C	1.04	1.00	0.92
MVC14DN21	CF/CM36D	1.04	1.02	0.92
MVC14DN21	CF/CM42D	1.04	1.02	0.92
MVC16CN21	CF/CM30C	1.01	1.03	0.89
MVC16CN21	CF/CM36C	1.04	1.03	0.92
MVC16CN21	CF/CM42C	1.03	1.00	0.90

FURNACE MULTIPLIERS - 2.5 TON

Furnaces	Coil	T.C.	S.C.	kW
TL8E060A12UH11	CF/CM36A	1.01	0.99	0.92
TM8E040A12MP11	CF/CM36A	1.01	0.99	0.92
TM8E060A12MP11	CF/CM36A	1.01	0.99	0.92
TM8V060A12MP12C	CF/CM/CU30A	1.00	1.01	0.92
TM8V060A12MP12C	CF/CM/CU30B	1.01	1.01	0.92
TM8V060A12MP12C	CF/CM36A	1.01	1.00	0.92
TM8V060A12MP12C	CF/CM/CU36B	1.01	0.99	0.91
TM8V060A12MP12C	CF42B	1.01	0.99	0.91
TM8V080B12MP12C	CF/CM/CU30B	0.99	1.00	0.91
TM8V080B12MP12C	CF/CM30C	0.99	1.00	0.91
TM8V080B12MP12C	CF/CM/CU36B	1.00	0.98	0.92
TM8V080B12MP12C	CF/CM/CU36C	1.01	0.97	0.92
TM8V080B12MP12C	CF42B	1.01	0.98	0.92
TM8V080B12MP12C	CF/CM/CU42C	1.01	0.98	0.90
TM8V080C16MP12C	CF/CM30C	1.01	1.01	0.90
TM8V080C16MP12C	CF/CM/CU36C	1.01	1.00	0.91
TM8V080C16MP12C	CF/CM36D	1.02	0.99	0.92
TM8V080C16MP12C	CF/CM/CU42C	1.02	0.99	0.92
TM8V080C16MP12C	CF/CM42D	1.02	0.99	0.92
TM8V100C16MP12C	CF/CM30C	1.01	1.01	0.90
TM8V100C16MP12C	CF/CM/CU36C	1.01	1.00	0.91
TM8V100C16MP12C	CF/CM36D	1.02	0.99	0.92
TM8V100C16MP12C	CF/CM/CU42C	1.02	0.99	0.92
TM8V100C16MP12C	CF/CM42D	1.02	0.99	0.92
TM8X060A12MP11	CF/CM/CU30A	1.00	1.01	0.94
TM8X060A12MP11	CF/CM/CU30B	1.01	1.04	0.92
TM8X060A12MP11	CF/CM36A	1.01	1.00	0.94
TM8X060A12MP11	CF/CM/CU36B	1.01	1.02	0.93
TM8X060A12MP11	CF42B	1.02	1.01	0.94
TM8X080B12MP11	CF/CM/CU30B	1.00	0.99	0.90
TM8X080B12MP11	CF/CM30C	1.00	0.99	0.90
TM8X080B12MP11	CF/CM/CU36B	1.01	0.97	0.90
TM8X080B12MP11	CF/CM/CU36C	1.01	0.97	0.90
TM8X080B12MP11	CF42B	1.03	1.01	0.92
TM8X080B12MP11	CF/CM/CU42C	1.01	0.98	0.90
TM8X080C16MP11	CF/CM30C	1.02	1.02	0.92
TM8X080C16MP11	CF/CM/CU36C	1.02	1.02	0.92
TM8X080C16MP11	CF/CM36D	1.03	1.02	0.93
TM8X080C16MP11	CF/CM/CU42C	1.03	1.01	0.93
TM8X080C16MP11	CF/CM42D	1.04	1.00	0.92
TM8X100C16MP11	CF/CM30C	1.02	1.02	0.92
TM8X100C16MP11	CF/CM/CU36C	1.02	1.02	0.92
TM8X100C16MP11	CF/CM36D	1.03	1.02	0.93
TM8X100C16MP11	CF/CM/CU42C	1.03	1.01	0.93
TM8X100C16MP11	CF/CM42D	1.04	1.00	0.92
TM8X100C20MP11	CF/CM30C	1.03	1.03	0.92
TM8X100C20MP11	CF/CM/CU36C	1.03	1.03	0.91
TM8X100C20MP11	CF/CM36D	1.03	1.03	0.91
TM8X100C20MP11	CF/CM/CU42C	1.04	1.02	0.92
TM8X100C20MP11	CF/CM42D	1.04	1.02	0.92
TM8X120C20MP11	CF/CM30C	1.03	1.03	0.92
TM8X120C20MP11	CF/CM/CU36C	1.03	1.03	0.91
TM8X120C20MP11	CF/CM36D	1.03	1.03	0.91
TM8X120C20MP11	CF/CM/CU42C	1.04	1.02	0.92
TM8X120C20MP11	CF/CM42D	1.04	1.02	0.92

FURNACE MULTIPLIERS - 2.5 TON (Continued)

Furnaces	Coil	T.C.	S.C.	kW
TM8Y060A12MP11	CF/CM/CU30A	1.00	1.01	0.94
TM8Y060A12MP11	CF/CM/CU30B	1.01	1.04	0.92
TM8Y060A12MP11	CF/CM36A	1.01	1.00	0.94
TM8Y060A12MP11	CF/CM/CU36B	1.01	1.02	0.93
TM8Y060A12MP11	CF42B	1.02	1.01	0.94
TM8Y080B12MP11	CF/CM/CU30B	1.00	0.99	0.90
TM8Y080B12MP11	CF/CM30C	1.00	0.99	0.90
TM8Y080B12MP11	CF/CM/CU36B	1.01	0.97	0.90
TM8Y080B12MP11	CF/CM/CU36C	1.01	0.97	0.90
TM8Y080B12MP11	CF42B	1.03	1.01	0.92
TM8Y080B12MP11	CF/CM/CU42C	1.01	0.98	0.90
TM8Y080C16MP11	CF/CM30C	1.02	1.02	0.92
TM8Y080C16MP11	CF/CM/CU36C	1.02	1.02	0.92
TM8Y080C16MP11	CF/CM36D	1.03	1.02	0.93
TM8Y080C16MP11	CF/CM/CU42C	1.03	1.01	0.93
TM8Y080C16MP11	CF/CM42D	1.04	1.00	0.92
TM8Y100C16MP11	CF/CM30C	1.02	1.02	0.92
TM8Y100C16MP11	CF/CM/CU36C	1.02	1.02	0.92
TM8Y100C16MP11	CF/CM36D	1.03	1.02	0.93
TM8Y100C16MP11	CF/CM/CU42C	1.03	1.01	0.93
TM8Y100C16MP11	CF/CM42D	1.04	1.00	0.92
TM8Y100C20MP11	CF/CM30C	1.03	1.03	0.92
TM8Y100C20MP11	CF/CM/CU36C	1.03	1.03	0.91
TM8Y100C20MP11	CF/CM36D	1.03	1.03	0.91
TM8Y100C20MP11	CF/CM/CU42C	1.04	1.02	0.92
TM8Y100C20MP11	CF/CM42D	1.04	1.02	0.92
TM8Y120C20MP11	CF/CM30C	1.03	1.03	0.92
TM8Y120C20MP11	CF/CM/CU36C	1.03	1.03	0.91
TM8Y120C20MP11	CF/CM36D	1.03	1.03	0.91
TM8Y120C20MP11	CF/CM/CU42C	1.04	1.02	0.92
TM8Y120C20MP11	CF/CM42D	1.04	1.02	0.92
TM9E040A10MP12	CF/CM36A	1.00	0.98	0.98
TM9E060A10MP12	CF/CM36A	1.00	0.99	0.96
TM9E060B12MP11	CF/CM/CU30B	1.00	1.01	0.92
TM9E060B12MP11	CF/CM30C	1.00	1.01	0.92
TM9E060B12MP11	CF/CM/CU36B	1.01	0.99	0.92
TM9E060B12MP11	CF/CM/CU36C	1.01	0.99	0.93
TM9E060B12MP11	CF42B	1.01	0.99	0.92
TM9E060B12MP11	CF/CM/CU42C	1.01	0.99	0.91
TM9E080B12MP11	CF/CM/CU30B	1.00	1.01	0.92
TM9E080B12MP11	CF/CM30C	1.01	1.03	0.90
TM9E080B12MP11	CF/CM/CU36B	1.01	0.99	0.91
TM9E080B12MP11	CF/CM/CU36C	1.02	1.00	0.92
TM9E080B12MP11	CF42B	1.01	0.99	0.91
TM9E080B12MP11	CF/CM/CU42C	1.02	1.00	0.92
TM9E080C16MP11	CF/CM30C	1.02	1.04	0.92
TM9E080C16MP11	CF/CM/CU36C	1.03	1.02	0.92
TM9E080C16MP11	CF/CM36D	1.03	1.02	0.92
TM9E080C16MP11	CF/CM/CU42C	1.03	1.01	0.93
TM9E080C16MP11	CF/CM42D	1.03	1.01	0.93
TM9E100C16MP11	CF/CM30C	1.02	1.04	0.92
TM9E100C16MP11	CF/CM/CU36C	1.03	1.02	0.92
TM9E100C16MP11	CF/CM36D	1.03	1.03	0.93
TM9E100C16MP11	CF/CM/CU42C	1.03	1.01	0.93
TM9E100C16MP11	CF/CM42D	1.03	1.01	0.93

FURNACE MULTIPLIERS - 2.5 TON (Continued)

Furnaces	Coil	T.C.	S.C.	kW
TM9E120D20MP11	CF/CM36D	1.03	1.02	0.90
TM9E120D20MP11	CF/CM42D	1.03	1.01	0.91
TM9V040A10MP12C	CF/CM/CU30A	0.99	1.03	0.96
TM9V040A10MP12C	CF/CM/CU30B	0.99	1.02	0.95
TM9V040A10MP12C	CF/CM36A	1.00	1.01	0.96
TM9V040A10MP12C	CF/CM/CU36B	1.00	1.01	0.96
TM9V040A10MP12C	CF42B	1.01	1.00	0.96
TM9V060B12MP12C	CF/CM/CU30B	1.00	1.01	0.92
TM9V060B12MP12C	CF/CM30C	1.00	1.01	0.92
TM9V060B12MP12C	CF/CM/CU36B	1.01	1.00	0.92
TM9V060B12MP12C	CF/CM/CU36C	1.01	0.99	0.93
TM9V060B12MP12C	CF42B	1.01	1.00	0.93
TM9V060B12MP12C	CF/CM/CU42C	1.01	1.00	0.93
TM9V080B12MP12C	CF/CM/CU30B	1.00	1.01	0.92
TM9V080B12MP12C	CF/CM30C	1.00	1.01	0.90
TM9V080B12MP12C	CF/CM/CU36B	1.01	0.99	0.90
TM9V080B12MP12C	CF/CM/CU36C	1.01	0.98	0.91
TM9V080B12MP12C	CF42B	1.01	1.00	0.90
TM9V080B12MP12C	CF/CM/CU42C	1.01	1.00	0.91
TM9V080C16MP12C	CF/CM30C	1.02	1.02	0.92
TM9V080C16MP12C	CF/CM/CU36C	1.02	1.02	0.92
TM9V080C16MP12C	CF/CM36D	1.02	1.02	0.92
TM9V080C16MP12C	CF/CM/CU42C	1.03	1.01	0.92
TM9V080C16MP12C	CF/CM42D	1.03	1.02	0.92
TM9V100C16MP12C	CF/CM30C	1.01	1.02	0.91
TM9V100C16MP12C	CF/CM/CU36C	1.02	1.00	0.92
TM9V100C16MP12C	CF/CM36D	1.02	1.00	0.92
TM9V100C16MP12C	CF/CM/CU42C	1.03	0.99	0.92
TM9V100C16MP12C	CF/CM42D	1.03	0.99	0.92
TM9V100C20MP12C	CF/CM30C	1.03	1.07	0.95
TM9V100C20MP12C	CF/CM/CU36C	1.04	1.07	0.94
TM9V100C20MP12C	CF/CM36D	1.04	1.07	0.94
TM9V100C20MP12C	CF/CM/CU42C	1.04	1.06	0.94
TM9V100C20MP12C	CF/CM42D	1.04	1.06	0.94
TM9V120D20MP12C	CF/CM36D	1.04	1.05	0.94
TM9V120D20MP12C	CF/CM42D	1.04	1.04	0.92
TM9Y060B12MP11	CF/CM/CU30B	1.00	1.01	0.92
TM9Y060B12MP11	CF/CM30C	1.00	1.01	0.92
TM9Y060B12MP11	CF/CM/CU36B	1.01	0.99	0.92
TM9Y060B12MP11	CF/CM/CU36C	1.01	0.99	0.93
TM9Y060B12MP11	CF42B	1.01	0.99	0.92
TM9Y060B12MP11	CF/CM/CU42C	1.01	0.99	0.91
TM9Y080B12MP11	CF/CM/CU30B	1.00	1.01	0.92
TM9Y080B12MP11	CF/CM30C	1.01	1.03	0.90
TM9Y080B12MP11	CF/CM/CU36B	1.01	0.99	0.91
TM9Y080B12MP11	CF/CM/CU36C	1.02	1.00	0.92
TM9Y080B12MP11	CF42B	1.01	0.99	0.91
TM9Y080B12MP11	CF/CM/CU42C	1.02	1.00	0.92
TM9Y080C16MP11	CF/CM30C	1.02	1.04	0.92
TM9Y080C16MP11	CF/CM/CU36C	1.03	1.02	0.92
TM9Y080C16MP11	CF/CM36D	1.03	1.02	0.92
TM9Y080C16MP11	CF/CM/CU42C	1.03	1.01	0.93
TM9Y080C16MP11	CF/CM42D	1.03	1.01	0.93
TM9Y100C16MP11	CF/CM30C	1.02	1.04	0.92
TM9Y100C16MP11	CF/CM/CU36C	1.03	1.02	0.92

FURNACE MULTIPLIERS - 2.5 TON (Continued)

Furnaces	Coil	T.C.	S.C.	kW
TM9Y100C16MP11	CF/CM36D	1.03	1.03	0.93
TM9Y100C16MP11	CF/CM/CU42C	1.03	1.01	0.93
TM9Y100C16MP11	CF/CM42D	1.03	1.02	0.93
TM9Y120D20MP11	CF/CM36D	1.03	1.02	0.90
TM9Y120D20MP11	CF/CM42D	1.03	1.01	0.91
TMLE040A12MP11	CF/CM36A	1.01	0.99	0.92
TMLE060A12MP11	CF/CM36A	1.01	0.99	0.92
TMLV060A12MP12C	CF/CM/CU30A	1.00	1.01	0.92
TMLV060A12MP12C	CF/CM/CU30B	1.01	1.01	0.92
TMLV060A12MP12C	CF/CM36A	1.01	1.00	0.92
TMLV060A12MP12C	CF/CM/CU36B	1.01	0.99	0.91
TMLV060A12MP12C	CF42B	1.01	0.99	0.91
TMLV080B12MP12C	CF/CM/CU30B	0.99	1.00	0.91
TMLV080B12MP12C	CF/CM30C	0.99	1.00	0.91
TMLV080B12MP12C	CF/CM/CU36B	1.00	0.98	0.92
TMLV080B12MP12C	CF/CM/CU36C	1.01	0.97	0.92
TMLV080B12MP12C	CF42B	1.01	0.98	0.92
TMLV080B12MP12C	CF/CM/CU42C	1.01	0.98	0.90
TMLV080C16MP12C	CF/CM30C	1.01	1.01	0.90
TMLV080C16MP12C	CF/CM/CU36C	1.01	1.00	0.91
TMLV080C16MP12C	CF/CM36D	1.02	0.99	0.92
TMLV080C16MP12C	CF/CM/CU42C	1.02	0.99	0.92
TMLV080C16MP12C	CF/CM42D	1.02	0.99	0.92
TMLV100C16MP12C	CF/CM30C	1.01	1.01	0.90
TMLV100C16MP12C	CF/CM/CU36C	1.01	1.00	0.91
TMLV100C16MP12C	CF/CM36D	1.02	0.99	0.92
TMLV100C16MP12C	CF/CM/CU42C	1.02	0.99	0.92
TMLV100C16MP12C	CF/CM42D	1.02	0.99	0.92
TMLX060A12MP11	CF/CM/CU30A	1.00	1.01	0.94
TMLX060A12MP11	CF/CM/CU30B	1.01	1.04	0.92
TMLX060A12MP11	CF/CM36A	1.01	1.00	0.94
TMLX060A12MP11	CF/CM/CU36B	1.01	1.02	0.93
TMLX060A12MP11	CF42B	1.02	1.01	0.94
TMLX080B12MP11	CF/CM/CU30B	1.00	0.99	0.90
TMLX080B12MP11	CF/CM30C	1.00	0.99	0.90
TMLX080B12MP11	CF/CM/CU36B	1.01	0.97	0.90
TMLX080B12MP11	CF/CM/CU36C	1.01	0.97	0.90
TMLX080B12MP11	CF42B	1.03	1.01	0.92
TMLX080B12MP11	CF/CM/CU42C	1.01	0.98	0.90
TMLX080C16MP11	CF/CM30C	1.02	1.02	0.92
TMLX080C16MP11	CF/CM/CU36C	1.02	1.02	0.92
TMLX080C16MP11	CF/CM36D	1.03	1.02	0.93
TMLX080C16MP11	CF/CM/CU42C	1.03	1.01	0.93
TMLX080C16MP11	CF/CM42D	1.04	1.00	0.92
TMLX100C16MP11	CF/CM30C	1.02	1.02	0.92
TMLX100C16MP11	CF/CM/CU36C	1.02	1.02	0.92
TMLX100C16MP11	CF/CM36D	1.03	1.02	0.93
TMLX100C16MP11	CF/CM/CU42C	1.03	1.01	0.93
TMLX100C16MP11	CF/CM42D	1.04	1.00	0.92
TMLX100C20MP11	CF/CM30C	1.03	1.03	0.92
TMLX100C20MP11	CF/CM/CU36C	1.03	1.03	0.91
TMLX100C20MP11	CF/CM36D	1.03	1.03	0.91
TMLX100C20MP11	CF/CM/CU42C	1.04	1.02	0.92
TMLX100C20MP11	CF/CM42D	1.04	1.02	0.92
TMLX120C20MP11	CF/CM30C	1.03	1.03	0.92

FURNACE MULTIPLIERS - 2.5 TON (Continued)

Furnaces	Coil	T.C.	S.C.	kW
TMLX120C20MP11	CF/CM/CU36C	1.03	1.03	0.91
TMLX120C20MP11	CF/CM36D	1.03	1.03	0.91
TMLX120C20MP11	CF/CM/CU42C	1.04	1.02	0.92
TMLX120C20MP11	CF/CM42D	1.04	1.02	0.92
TP9C060B12MP13C	CF/CM/CU30B	1.00	1.01	0.92
TP9C060B12MP13C	CF/CM30C	1.00	1.01	0.92
TP9C060B12MP13C	CF/CM/CU36B	1.01	1.00	0.92
TP9C060B12MP13C	CF/CM/CU36C	1.01	0.99	0.93
TP9C060B12MP13C	CF42B	1.01	1.00	0.93
TP9C060B12MP13C	CF/CM/CU42C	1.01	1.00	0.93
TP9C080B12MP13C	CF/CM/CU30B	1.00	1.01	0.92
TP9C080B12MP13C	CF/CM30C	1.00	1.01	0.90
TP9C080B12MP13C	CF/CM/CU36B	1.01	0.99	0.90
TP9C080B12MP13C	CF/CM/CU36C	1.01	0.98	0.91
TP9C080B12MP13C	CF42B	1.01	1.00	0.90
TP9C080B12MP13C	CF/CM/CU42C	1.01	1.00	0.91
TP9C080C16MP13C	CF/CM30C	1.02	1.02	0.92
TP9C080C16MP13C	CF/CM/CU36C	1.02	1.02	0.92
TP9C080C16MP13C	CF/CM36D	1.02	1.02	0.92
TP9C080C16MP13C	CF/CM/CU42C	1.03	1.01	0.92
TP9C080C16MP13C	CF/CM42D	1.03	1.02	0.92
TP9C100C16MP13C	CF/CM30C	1.01	1.02	0.91
TP9C100C16MP13C	CF/CM/CU36C	1.02	1.00	0.92
TP9C100C16MP13C	CF/CM36D	1.02	1.00	0.92
TP9C100C16MP13C	CF/CM/CU42C	1.03	0.99	0.92
TP9C100C16MP13C	CF/CM42D	1.03	0.99	0.92
TP9C100C20MP13C	CF/CM30C	1.03	1.07	0.95
TP9C100C20MP13C	CF/CM/CU36C	1.04	1.07	0.94
TP9C100C20MP13C	CF/CM36D	1.04	1.07	0.94
TP9C100C20MP13C	CF/CM/CU42C	1.04	1.06	0.94
TP9C100C20MP13C	CF/CM42D	1.04	1.06	0.94
TP9C120D20MP13C	CF/CM36D	1.04	1.05	0.94
TP9C120D20MP13C	CF/CM42D	1.04	1.04	0.92
TPLC060A12MP13C	CF/CM/CU30A	1.00	1.01	0.92
TPLC060A12MP13C	CF/CM/CU30B	1.01	1.01	0.92
TPLC060A12MP13C	CF/CM36A	1.01	1.00	0.92
TPLC060A12MP13C	CF/CM/CU36B	1.01	0.99	0.91
TPLC060A12MP13C	CF42B	1.01	0.99	0.91
TPLC080B12MP13C	CF/CM/CU30B	0.99	1.00	0.91
TPLC080B12MP13C	CF/CM30C	0.99	1.00	0.91
TPLC080B12MP13C	CF/CM/CU36B	1.00	0.98	0.92
TPLC080B12MP13C	CF/CM/CU36C	1.01	0.97	0.92
TPLC080B12MP13C	CF42B	1.01	0.98	0.92
TPLC080B12MP13C	CF/CM/CU42C	1.01	0.98	0.90
TPLC080C16MP13C	CF/CM30C	1.01	1.01	0.90
TPLC080C16MP13C	CF/CM/CU36C	1.01	1.00	0.91
TPLC080C16MP13C	CF/CM36D	1.02	0.99	0.92
TPLC080C16MP13C	CF/CM/CU42C	1.02	0.99	0.92
TPLC080C16MP13C	CF/CM42D	1.02	0.99	0.92
TPLC100C16MP13C	CF/CM30C	1.01	1.01	0.90
TPLC100C16MP13C	CF/CM/CU36C	1.01	1.00	0.91
TPLC100C16MP13C	CF/CM36D	1.02	0.99	0.92
TPLC100C16MP13C	CF/CM/CU42C	1.02	0.99	0.92
TPLC100C16MP13C	CF/CM42D	1.02	0.99	0.92
CP9C060B12MP13C	CF/CM/CU30B	1.00	1.01	0.92

FURNACE MULTIPLIERS - 2.5 TON (Continued)

Furnaces	Coil	T.C.	S.C.	kW
CP9C060B12MP13C	CF/CM30C	1.00	1.01	0.92
CP9C060B12MP13C	CF/CM/CU36B	1.01	1.00	0.92
CP9C060B12MP13C	CF/CM/CU36C	1.01	0.99	0.93
CP9C060B12MP13C	CF42B	1.01	1.00	0.93
CP9C060B12MP13C	CF/CM/CU42C	1.01	1.00	0.93
CP9C080B12MP13C	CF/CM/CU30B	1.00	1.01	0.92
CP9C080B12MP13C	CF/CM30C	1.00	1.01	0.90
CP9C080B12MP13C	CF/CM/CU36B	1.01	0.99	0.90
CP9C080B12MP13C	CF/CM/CU36C	1.01	0.98	0.91
CP9C080B12MP13C	CF42B	1.01	1.00	0.90
CP9C080B12MP13C	CF/CM/CU42C	1.01	1.00	0.91
CP9C080C16MP13C	CF/CM30C	1.02	1.02	0.92
CP9C080C16MP13C	CF/CM/CU36C	1.02	1.02	0.92
CP9C080C16MP13C	CF/CM36D	1.02	1.02	0.92
CP9C080C16MP13C	CF/CM/CU42C	1.03	1.01	0.92
CP9C080C16MP13C	CF/CM42D	1.03	1.02	0.92
CP9C100C16MP13C	CF/CM30C	1.01	1.02	0.91
CP9C100C16MP13C	CF/CM/CU36C	1.02	1.00	0.92
CP9C100C16MP13C	CF/CM36D	1.02	1.00	0.92
CP9C100C16MP13C	CF/CM/CU42C	1.03	0.99	0.92
CP9C100C16MP13C	CF/CM42D	1.03	0.99	0.92
CP9C100C20MP13C	CF/CM30C	1.03	1.07	0.95
CP9C100C20MP13C	CF/CM/CU36C	1.04	1.07	0.94
CP9C100C20MP13C	CF/CM36D	1.04	1.07	0.94
CP9C100C20MP13C	CF/CM/CU42C	1.04	1.06	0.94
CP9C100C20MP13C	CF/CM42D	1.04	1.06	0.94

FURNACE MULTIPLIERS - 2.5 TON (Continued)

Furnaces	Coil	T.C.	S.C.	kW
CP9C120D20MP13C	CF/CM36D	1.04	1.05	0.94
CP9C120D20MP13C	CF/CM42D	1.04	1.04	0.92
CPLC060A12MP13C	CF/CM/CU30A	1.00	1.01	0.92
CPLC060A12MP13C	CF/CM/CU30B	1.01	1.01	0.92
CPLC060A12MP13C	CF/CM36A	1.01	1.00	0.92
CPLC060A12MP13C	CF/CM/CU36B	1.01	0.99	0.91
CPLC060A12MP13C	CF42B	1.01	0.99	0.91
CPLC080B12MP13C	CF/CM/CU30B	0.99	1.00	0.91
CPLC080B12MP13C	CF/CM30C	0.99	1.00	0.91
CPLC080B12MP13C	CF/CM/CU36B	1.00	0.98	0.92
CPLC080B12MP13C	CF/CM/CU36C	1.01	0.97	0.92
CPLC080B12MP13C	CF42B	1.01	0.98	0.92
CPLC080B12MP13C	CF/CM/CU42C	1.01	0.98	0.90
CPLC080C16MP13C	CF/CM30C	1.01	1.01	0.90
CPLC080C16MP13C	CF/CM/CU36C	1.01	1.00	0.91
CPLC080C16MP13C	CF/CM36D	1.02	0.99	0.92
CPLC080C16MP13C	CF/CM/CU42C	1.02	0.99	0.92
CPLC080C16MP13C	CF/CM42D	1.02	0.99	0.92
CPLC100C16MP13C	CF/CM30C	1.01	1.01	0.90
CPLC100C16MP13C	CF/CM/CU36C	1.01	1.00	0.91
CPLC100C16MP13C	CF/CM36D	1.02	0.99	0.92
CPLC100C16MP13C	CF/CM/CU42C	1.02	0.99	0.92
CPLC100C16MP13C	CF/CM42D	1.02	0.99	0.92

PERFORMANCE DATA - 3 TON

CONDENSER-ONLY DATA (OUTDOOR UNIT)																
MODEL	SATURATED SUCTION AT COMPRESSOR		Outdoor Ambient Temperature													
			55°F		65°F		75°F		85°F		95°F		105°F		115°F	
	T (°F)	P (PSIG)	MBH	kW	MBH	kW	MBH	kW	MBH	kW	MBH	kW	MBH	kW	MBH	kW
TC3B3623S	35	107	34.4	1.92	32.2	2.21	30.3	2.47	28.5	2.73	26.7	3.02	24.8	3.35	22.9	3.75
	40	118	38.2	1.92	35.8	2.21	33.6	2.47	31.6	2.73	29.6	3.01	27.6	3.34	25.4	3.74
	45	130	42.4	1.94	39.7	2.22	37.4	2.48	35.1	2.74	32.9	3.01	30.6	3.33	28.2	3.73
	50	142	47.1	1.98	44.2	2.26	41.4	2.51	38.9	2.76	36.4	3.03	34.0	3.34	31.4	3.72
	55	156	52.2	2.04	49.0	2.30	46.0	2.55	43.1	2.81	40.4	3.06	37.6	3.37	34.9	3.73

Notes:

- For Outdoor Unit (Condenser) performance only. Data does not include the effects of air handler power or heat.
- Performance based on 15°F subcooling and 15°F superheat at the Outdoor Unit base valves.
 - Increase capacity by 1% for each 2°F increase in subcooling.
 - Decrease capacity by 1% for each 2°F decrease in subcooling.
- Maximum recommended condensing temperature is 140°F.

COOLING PERFORMANCE DATA																
OUTDOOR UNIT MODEL NO.		TC3B3623S														
INDOOR COIL MODEL NO.		CF36BXA1														
AIR TEMPERATURE ENTERING OUTDOOR UNIT (°F)	ID CFM	1000					1200					1400				
	ID DB (°F)	80	80	75	80	80	80	80	75	80	80	80	80	75	80	80
	ID WB (°F)	57	62	62	67	72	57	62	62	67	72	57	62	62	67	72
55	T.C.	31.0	34.0	34.2	35.8	36.8	31.6	34.5	35.0	36.3	37.6	32.3	35.0	35.7	36.9	38.5
	S.C.	31.0	25.6	22.4	21.0	16.3	31.6	26.3	23.1	21.2	16.5	32.3	26.9	23.8	21.5	16.7
	kW	2.10	2.10	2.09	2.10	2.11	2.18	2.18	2.18	2.18	2.19	2.25	2.25	2.26	2.26	2.27
65	T.C.	30.9	33.8	34.1	35.9	38.0	31.7	34.5	34.9	36.6	38.9	32.5	35.1	35.7	37.4	39.8
	S.C.	30.9	26.4	22.9	21.5	16.9	31.7	27.4	23.9	22.1	17.2	32.5	28.5	24.8	22.7	17.5
	kW	2.33	2.33	2.33	2.33	2.34	2.41	2.41	2.41	2.42	2.43	2.49	2.49	2.49	2.50	2.51
75	T.C.	30.8	33.6	33.9	36.1	39.1	31.8	34.4	34.8	37.0	40.1	32.7	35.3	35.7	37.8	41.1
	S.C.	30.8	27.1	23.4	22.1	17.5	31.8	28.5	24.6	23.0	17.9	32.7	30.0	25.8	23.9	18.4
	kW	2.56	2.56	2.57	2.57	2.58	2.64	2.64	2.65	2.65	2.66	2.72	2.72	2.73	2.73	2.74
85	T.C.	30.0	32.3	32.7	35.3	38.8	31.1	33.3	33.7	36.2	39.8	32.3	34.3	34.6	37.1	40.8
	S.C.	30.0	27.1	23.3	22.2	17.5	31.1	28.8	24.8	23.4	18.1	32.3	30.5	26.2	24.5	18.7
	kW	2.83	2.83	2.84	2.85	2.87	2.92	2.92	2.93	2.93	2.95	3.00	3.00	3.01	3.02	3.04
95	T.C.	29.1	31.1	31.5	34.5	38.5	30.5	32.2	32.5	35.4	39.4	31.9	33.3	33.6	36.3	40.4
	S.C.	29.1	27.0	23.1	22.3	17.5	30.5	29.1	24.9	23.7	18.3	31.9	33.3	26.7	25.1	19.1
	kW	3.11	3.11	3.12	3.13	3.15	3.20	3.20	3.20	3.22	3.24	3.28	3.28	3.29	3.30	3.33
105	T.C.	27.5	29.3	29.3	32.6	36.9	28.9	30.6	30.3	33.5	38.1	30.3	31.8	31.4	34.5	39.3
	S.C.	27.5	26.2	22.3	21.8	17.1	28.9	27.9	24.2	23.5	18.0	30.3	31.8	26.1	25.1	18.9
	kW	3.44	3.44	3.45	3.48	3.51	3.53	3.54	3.54	3.57	3.60	3.63	3.63	3.63	3.65	3.69
115	T.C.	25.8	27.5	27.1	30.7	35.4	27.3	28.9	28.1	31.7	36.8	28.8	30.4	29.2	32.6	38.1
	S.C.	25.8	27.5	21.5	21.3	16.6	27.3	28.9	23.5	23.2	17.6	28.8	30.4	25.4	25.0	18.6
	kW	3.77	3.78	3.78	3.83	3.87	3.87	3.88	3.87	3.92	3.96	3.97	3.97	3.97	4.00	4.05

Note: All capacities include indoor fan heat. kW values are for the system (outdoor + indoor).

Green shaded cells are ACCA (TVA) conditions.

Blue shaded cells are AHRI conditions.

Multipliers for determining the performance with other indoor sections

Note: For dry bulb temperatures different than those listed (between 73°F to 87°F), sensible capacity increases by 1060 BTUH per 1000 CFM per degree above the listed temperature and decreases by 1060 BTUH per 1000 CFM per degree below the listed temperature.

COIL MULTIPLIERS - 3 TON

Air Handler	Coil	T.C.	S.C.	kW
–	CF/CM/CU36B	1.00	1.00	1.00
–	CF/CM/CU36B	1.00	1.00	1.00
–	CF/CM/CU36C	1.00	1.19	1.00
–	CF/CM/CU42C	1.01	1.17	1.01
–	CF/CM/CU48C	1.01	1.18	0.99
–	CF/CM/CU48D	1.01	1.18	0.99
–	CF/CM36D	1.00	1.19	1.00
–	CF/CM42D	1.01	1.17	1.01
–	CF42B	1.01	1.17	1.01
AE36BX21	–	1.01	1.14	0.92
AE36CX21	–	1.02	1.18	0.91
AE42CX21	–	1.02	1.18	0.91
AE48CX21	–	1.02	1.13	0.91
AE48DX21	–	1.02	1.13	0.91
AP36BX21	–	1.00	1.16	0.98
AP36CX21	–	1.00	1.14	0.98
AP48CX21	–	1.02	1.23	0.99
AVC36BX21	–	1.02	1.20	0.93
AVC36CX21	–	1.02	1.19	0.91
AVC42CX21	–	1.02	1.14	0.91
AVC48CX21	–	1.02	1.12	0.91
AVC48DX21	–	1.02	1.18	0.91
ME12BN21	CF/CM36B	1.01	1.13	0.92
ME12BN21	CF42B	1.02	1.12	0.93
ME12CN21	CF/CM36C	1.00	1.10	0.90
ME12CN21	CF/CM42C	1.01	1.10	0.91
ME12CN21	CF/CM48C	1.01	1.11	0.91
ME14DN21	CF/CM36D	1.02	1.21	0.91
ME14DN21	CF/CM42D	1.01	1.13	0.91
ME14DN21	CF/CM48D	1.02	1.12	0.91
ME16CN21	CF/CM36C	1.01	1.15	0.91
ME16CN21	CF/CM42C	1.02	1.17	0.91
ME16CN21	CF/CM48C	1.02	1.17	0.91
ME20DN21	CF/CM36D	1.02	1.24	0.91
ME20DN21	CF/CM42D	1.02	1.24	0.91
ME20DN21	CF/CM48D	1.02	1.25	0.91
MVC08BN21	CF/CM36B	0.99	1.09	0.91
MVC08BN21	CF42B	1.01	1.09	0.92
MVC12BN21	CF/CM36B	1.01	1.13	0.92
MVC12BN21	CF42B	1.01	1.08	0.92
MVC12CN21	CF/CM36C	1.02	1.17	0.91
MVC12CN21	CF/CM42C	1.02	1.17	0.91
MVC12CN21	CF/CM48C	1.02	1.17	0.91
MVC14DN21	CF/CM36D	1.02	1.19	0.91
MVC14DN21	CF/CM42D	1.02	1.19	0.91
MVC14DN21	CF/CM48D	1.02	1.20	0.91
MVC16CN21	CF/CM36C	1.02	1.17	0.91
MVC16CN21	CF/CM42C	1.02	1.17	0.91
MVC16CN21	CF/CM48C	1.02	1.17	0.91
MVC20DN21	CF/CM36D	1.02	1.19	0.91
MVC20DN21	CF/CM42D	1.02	1.19	0.91
MVC20DN21	CF/CM48D	1.02	1.25	0.91

FURNACE MULTIPLIERS - 3 TON

Furnaces	Coil	T.C.	S.C.	kW
TL8E060A12UH11	CF/CM/CU36B	0.99	1.11	0.95
TL8E060A12UH11	CF42B	1.00	1.11	0.96
TL8E080C16UH11	CF/CM/CU36C	1.02	1.17	0.93
TL8E080C16UH11	CF/CM/CU42C	1.02	1.17	0.93
TL8E080C16UH11	CF/CM/CU48C	1.02	1.17	0.91
TL8E080C16UH11	CF/CM/CU48D	1.02	1.17	0.93
TL8E080C16UH11	CF/CM36D	1.02	1.17	0.93
TL8E080C16UH11	CF/CM42D	1.02	1.17	0.93
TL8E100C20UH11	CF/CM/CU36C	1.01	1.13	0.90
TL8E100C20UH11	CF/CM/CU42C	1.02	1.13	0.91
TL8E100C20UH11	CF/CM/CU48C	1.02	1.14	0.91
TL8E100C20UH11	CF/CM/CU48D	1.02	1.14	0.91
TL8E100C20UH11	CF/CM36D	1.01	1.13	0.92
TL8E100C20UH11	CF/CM42D	1.02	1.13	0.93
TL9E060B12UH11	CF/CM/CU36B	0.99	1.10	0.95
TL9E060B12UH11	CF/CM/CU36C	0.99	1.11	0.95
TL9E060B12UH11	CF/CM/CU42C	1.01	1.11	0.97
TL9E060B12UH11	CF/CM/CU48C	1.01	1.11	0.96
TL9E060B12UH11	CF42B	0.99	1.11	0.95
TL9E080C16UH11	CF/CM/CU36C	1.01	1.14	0.92
TL9E080C16UH11	CF/CM/CU42C	1.02	1.13	0.93
TL9E080C16UH11	CF/CM/CU48C	1.02	1.13	0.93
TL9E080C16UH11	CF/CM/CU48D	1.02	1.17	0.95
TL9E080C16UH11	CF/CM36D	1.01	1.15	0.95
TL9E080C16UH11	CF/CM42D	1.02	1.16	0.93
TL9E100C20UH11	CF/CM/CU36C	1.02	1.17	0.91
TL9E100C20UH11	CF/CM/CU42C	1.02	1.16	0.91
TL9E100C20UH11	CF/CM/CU48C	1.02	1.17	0.91
TL9E100C20UH11	CF/CM/CU48D	1.02	1.18	0.93
TL9E100C20UH11	CF/CM36D	1.02	1.18	0.93
TL9E100C20UH11	CF/CM42D	1.02	1.17	0.93
TM8E040A12MP11	CF/CM/CU36B	0.99	1.11	0.93
TM8E040A12MP11	CF42B	1.01	1.09	0.94
TM8E060A12MP11	CF/CM/CU36B	0.99	1.11	0.93
TM8E060A12MP11	CF42B	1.01	1.09	0.94
TM8E080B12MP11	CF/CM/CU36B	0.99	1.11	0.93
TM8E080B12MP11	CF/CM/CU36C	1.00	1.12	0.94
TM8E080B12MP11	CF/CM/CU42C	1.02	1.12	0.95
TM8E080B12MP11	CF/CM/CU48C	1.01	1.12	0.95
TM8E080B12MP11	CF42B	1.00	1.11	0.94
TM8E080C16MP11	CF/CM/CU36C	1.01	1.15	0.93
TM8E080C16MP11	CF/CM/CU42C	1.02	1.16	0.91
TM8E080C16MP11	CF/CM/CU48C	1.02	1.17	0.91
TM8E080C16MP11	CF/CM/CU48D	1.02	1.17	0.93
TM8E080C16MP11	CF/CM36D	1.02	1.17	0.93
TM8E080C16MP11	CF/CM42D	1.02	1.16	0.93
TM8E080C20MP11	CF/CM/CU36C	1.02	1.22	0.93
TM8E080C20MP11	CF/CM/CU42C	1.02	1.21	0.91
TM8E080C20MP11	CF/CM/CU48C	1.02	1.22	0.91
TM8E080C20MP11	CF/CM/CU48D	1.02	1.24	0.93
TM8E080C20MP11	CF/CM36D	1.02	1.23	0.93
TM8E080C20MP11	CF/CM42D	1.02	1.23	0.93
TM8E100B12MP11	CF/CM/CU36B	1.00	1.13	0.94
TM8E100B12MP11	CF/CM/CU36C	1.01	1.14	0.94
TM8E100B12MP11	CF/CM/CU42C	1.01	1.15	0.95

FURNACE MULTIPLIERS - 3 TON (Continued)

Furnaces	Coil	T.C.	S.C.	kW
TM8E100B12MP11	CF/CM/CU48C	1.02	1.16	0.95
TM8E100B12MP11	CF42B	1.01	1.11	0.95
TM8E100C16MP11	CF/CM/CU36C	1.02	1.17	0.93
TM8E100C16MP11	CF/CM/CU42C	1.02	1.16	0.93
TM8E100C16MP11	CF/CM/CU48C	1.02	1.17	0.91
TM8E100C16MP11	CF/CM/CU48D	1.02	1.17	0.93
TM8E100C16MP11	CF/CM36D	1.02	1.17	0.93
TM8E100C16MP11	CF/CM42D	1.02	1.16	0.93
TM8E100C20MP11	CF/CM/CU36C	1.02	1.22	0.93
TM8E100C20MP11	CF/CM/CU42C	1.02	1.21	0.93
TM8E100C20MP11	CF/CM/CU48C	1.02	1.22	0.91
TM8E100C20MP11	CF/CM/CU48D	1.02	1.24	0.93
TM8E100C20MP11	CF/CM36D	1.02	1.23	0.93
TM8E100C20MP11	CF/CM42D	1.02	1.23	0.93
TM8E120C16MP11	CF/CM/CU36C	1.02	1.17	0.93
TM8E120C16MP11	CF/CM/CU42C	1.02	1.16	0.93
TM8E120C16MP11	CF/CM/CU48C	1.02	1.17	0.91
TM8E120C16MP11	CF/CM/CU48D	1.02	1.17	0.93
TM8E120C16MP11	CF/CM36D	1.02	1.17	0.93
TM8E120C16MP11	CF/CM42D	1.02	1.16	0.93
TM8E120C20MP11	CF/CM/CU36C	1.02	1.23	0.93
TM8E120C20MP11	CF/CM/CU42C	1.02	1.23	0.93
TM8E120C20MP11	CF/CM/CU48C	1.02	1.25	0.93
TM8E120C20MP11	CF/CM/CU48D	1.02	1.25	0.93
TM8E120C20MP11	CF/CM36D	1.00	1.15	0.96
TM8E120C20MP11	CF/CM42D	1.02	1.25	0.93
TM8E130D20MP11	CF/CM/CU48D	1.02	1.25	0.91
TM8E130D20MP11	CF/CM36D	1.00	1.15	0.94
TM8E130D20MP11	CF/CM42D	1.02	1.25	0.91
TM8V060A12MP11C	CF/CM/CU36B	0.98	1.08	0.92
TM8V060A12MP11C	CF42B	1.00	1.08	0.94
TM8V060A12MP12C	CF/CM/CU36B	0.98	1.08	0.92
TM8V060A12MP12C	CF42B	1.00	1.08	0.94
TM8V080B12MP11C	CF/CM/CU36B	0.98	1.08	0.94
TM8V080B12MP11C	CF/CM/CU36C	0.98	1.08	0.94
TM8V080B12MP11C	CF/CM/CU42C	1.00	1.08	0.96
TM8V080B12MP11C	CF/CM/CU48C	1.00	1.09	0.94
TM8V080B12MP11C	CF42B	0.99	1.08	0.95
TM8V080B12MP12C	CF/CM/CU36B	0.98	1.08	0.94
TM8V080B12MP12C	CF/CM/CU36C	0.98	1.08	0.94
TM8V080B12MP12C	CF/CM/CU42C	1.00	1.08	0.96
TM8V080B12MP12C	CF/CM/CU48C	1.00	1.09	0.94
TM8V080B12MP12C	CF42B	0.99	1.08	0.95
TM8V080C16MP11C	CF/CM/CU36C	1.01	1.13	0.92
TM8V080C16MP11C	CF/CM/CU42C	1.02	1.12	0.93
TM8V080C16MP11C	CF/CM/CU48C	1.02	1.13	0.91
TM8V080C16MP11C	CF/CM/CU48D	1.02	1.13	0.91
TM8V080C16MP11C	CF/CM36D	1.01	1.13	0.92
TM8V080C16MP11C	CF/CM42D	1.02	1.12	0.93
TM8V080C16MP12C	CF/CM/CU36C	1.01	1.13	0.92
TM8V080C16MP12C	CF/CM/CU42C	1.02	1.12	0.93
TM8V080C16MP12C	CF/CM/CU48C	1.02	1.13	0.91
TM8V080C16MP12C	CF/CM/CU48D	1.02	1.13	0.91
TM8V080C16MP12C	CF/CM36D	1.01	1.13	0.92
TM8V080C16MP12C	CF/CM42D	1.02	1.12	0.93
TM8X060A12MP11	CF/CM/CU36B	0.99	1.15	0.95
TM8X060A12MP11	CF42B	1.02	1.15	0.97
TM8X080B12MP11	CF/CM/CU36B	0.99	1.08	0.93
TM8X080B12MP11	CF/CM/CU36C	0.99	1.09	0.91
TM8X080B12MP11	CF/CM/CU42C	1.01	1.09	0.92
TM8X080B12MP11	CF/CM/CU48C	1.01	1.10	0.92
TM8X080B12MP11	CF42B	1.02	1.16	0.97
TM8X080C16MP11	CF/CM/CU36C	1.02	1.18	0.93
TM8X080C16MP11	CF/CM/CU42C	1.02	1.17	0.93
TM8X080C16MP11	CF/CM/CU48C	1.02	1.17	0.93
TM8X080C16MP11	CF/CM/CU48D	1.01	1.09	0.90
TM8X080C16MP11	CF/CM36D	0.99	1.09	0.91
TM8X080C16MP11	CF/CM42D	1.01	1.08	0.90
TM8X100C16MP11	CF/CM/CU36C	1.02	1.18	0.93
TM8X100C16MP11	CF/CM/CU42C	1.02	1.17	0.93
TM8X100C16MP11	CF/CM/CU48C	1.02	1.17	0.93
TM8X100C16MP11	CF/CM/CU48D	1.01	1.09	0.90
TM8X100C16MP11	CF/CM36D	0.99	1.09	0.91
TM8X100C16MP11	CF/CM42D	1.01	1.08	0.90

FURNACE MULTIPLIERS - 3 TON (Continued)

Furnaces	Coil	T.C.	S.C.	kW
TM8V100C16MP11C	CF/CM/CU36C	1.01	1.13	0.92
TM8V100C16MP11C	CF/CM/CU42C	1.02	1.12	0.93
TM8V100C16MP11C	CF/CM/CU48C	1.02	1.13	0.91
TM8V100C16MP11C	CF/CM/CU48D	1.02	1.13	0.91
TM8V100C16MP11C	CF/CM36D	1.01	1.13	0.92
TM8V100C16MP11C	CF/CM42D	1.02	1.12	0.93
TM8V100C16MP12C	CF/CM/CU36C	1.01	1.13	0.92
TM8V100C16MP12C	CF/CM/CU42C	1.02	1.12	0.93
TM8V100C16MP12C	CF/CM/CU48C	1.02	1.13	0.91
TM8V100C16MP12C	CF/CM/CU48D	1.02	1.13	0.91
TM8V100C16MP12C	CF/CM36D	1.01	1.13	0.92
TM8V100C16MP12C	CF/CM42D	1.02	1.12	0.93
TM8V100C20MP11C	CF/CM/CU36C	1.02	1.18	0.91
TM8V100C20MP11C	CF/CM/CU42C	1.02	1.17	0.91
TM8V100C20MP11C	CF/CM/CU48C	1.02	1.18	0.91
TM8V100C20MP11C	CF/CM/CU48D	1.02	1.18	0.91
TM8V100C20MP11C	CF/CM36D	1.02	1.18	0.91
TM8V100C20MP11C	CF/CM42D	1.02	1.17	0.91
TM8V100C20MP12C	CF/CM/CU36C	1.02	1.18	0.91
TM8V100C20MP12C	CF/CM/CU42C	1.02	1.17	0.91
TM8V100C20MP12C	CF/CM/CU48C	1.02	1.18	0.91
TM8V100C20MP12C	CF/CM/CU48D	1.02	1.18	0.91
TM8V100C20MP12C	CF/CM36D	1.02	1.18	0.91
TM8V100C20MP12C	CF/CM42D	1.02	1.17	0.91
TM8V120C20MP11C	CF/CM/CU36C	1.02	1.18	0.91
TM8V120C20MP11C	CF/CM/CU42C	1.02	1.17	0.91
TM8V120C20MP11C	CF/CM/CU48C	1.02	1.18	0.91
TM8V120C20MP11C	CF/CM/CU48D	1.02	1.18	0.91
TM8V120C20MP11C	CF/CM36D	1.02	1.18	0.91
TM8V120C20MP11C	CF/CM42D	1.02	1.17	0.91
TM8V120C20MP12C	CF/CM/CU36C	1.02	1.18	0.91
TM8V120C20MP12C	CF/CM/CU42C	1.02	1.17	0.91
TM8V120C20MP12C	CF/CM/CU48C	1.02	1.18	0.91
TM8V120C20MP12C	CF/CM/CU48D	1.02	1.18	0.91
TM8V120C20MP12C	CF/CM36D	1.02	1.18	0.91
TM8V120C20MP12C	CF/CM42D	1.02	1.17	0.91

FURNACE MULTIPLIERS - 3 TON (Continued)

Furnaces	Coil	T.C.	S.C.	kW
TM8X100C20MP11	CF/CM/CU36C	0.99	1.09	0.89
TM8X100C20MP11	CF/CM/CU42C	1.01	1.10	0.91
TM8X100C20MP11	CF/CM/CU48C	1.01	1.11	0.91
TM8X100C20MP11	CF/CM/CU48D	1.01	1.11	0.91
TM8X100C20MP11	CF/CM36D	1.00	1.10	0.90
TM8X100C20MP11	CF/CM42D	1.01	1.10	0.91
TM8X120C20MP11	CF/CM/CU36C	0.99	1.09	0.89
TM8X120C20MP11	CF/CM/CU42C	1.01	1.10	0.91
TM8X120C20MP11	CF/CM/CU48C	1.01	1.11	0.91
TM8X120C20MP11	CF/CM/CU48D	1.01	1.11	0.91
TM8X120C20MP11	CF/CM36D	1.00	1.10	0.90
TM8X120C20MP11	CF/CM42D	1.01	1.10	0.91
TM8Y060A12MP11	CF/CM/CU36B	0.99	1.15	0.95
TM8Y060A12MP11	CF42B	1.02	1.15	0.97
TM8Y080B12MP11	CF/CM/CU36B	0.99	1.08	0.93
TM8Y080B12MP11	CF/CM/CU36C	0.99	1.09	0.91
TM8Y080B12MP11	CF/CM/CU42C	1.01	1.09	0.92
TM8Y080B12MP11	CF/CM/CU48C	1.01	1.10	0.92
TM8Y080B12MP11	CF42B	1.02	1.16	0.97
TM8Y080C16MP11	CF/CM/CU36C	1.02	1.18	0.93
TM8Y080C16MP11	CF/CM/CU42C	1.02	1.17	0.93
TM8Y080C16MP11	CF/CM/CU48C	1.02	1.17	0.93
TM8Y080C16MP11	CF/CM/CU48D	1.01	1.09	0.90
TM8Y080C16MP11	CF/CM36D	0.99	1.09	0.91
TM8Y080C16MP11	CF/CM42D	1.01	1.08	0.90
TM8Y100C16MP11	CF/CM/CU36C	1.02	1.18	0.93
TM8Y100C16MP11	CF/CM/CU42C	1.02	1.17	0.93
TM8Y100C16MP11	CF/CM/CU48C	1.02	1.17	0.93
TM8Y100C16MP11	CF/CM/CU48D	1.01	1.09	0.90
TM8Y100C16MP11	CF/CM36D	0.99	1.09	0.91
TM8Y100C16MP11	CF/CM42D	1.01	1.08	0.90
TM8Y100C20MP11	CF/CM/CU36C	0.99	1.09	0.89
TM8Y100C20MP11	CF/CM/CU42C	1.01	1.10	0.91
TM8Y100C20MP11	CF/CM/CU48C	1.01	1.11	0.91
TM8Y100C20MP11	CF/CM/CU48D	1.01	1.11	0.91
TM8Y100C20MP11	CF/CM36D	1.00	1.10	0.90
TM8Y100C20MP11	CF/CM42D	1.01	1.10	0.91
TM8Y120C20MP11	CF/CM/CU36C	0.99	1.09	0.89
TM8Y120C20MP11	CF/CM/CU42C	1.01	1.10	0.91
TM8Y120C20MP11	CF/CM/CU48C	1.01	1.11	0.91
TM8Y120C20MP11	CF/CM/CU48D	1.01	1.11	0.91
TM8Y120C20MP11	CF/CM36D	1.00	1.10	0.90
TM8Y120C20MP11	CF/CM42D	1.01	1.10	0.91
TM9E060A10MP12	CF/CM/CU36B	0.99	1.10	0.97
TM9E060A10MP12	CF42B	0.99	1.10	0.97
TM9E060B12MP11	CF/CM/CU36B	0.99	1.13	0.97
TM9E060B12MP11	CF/CM/CU36C	0.98	1.08	0.92
TM9E060B12MP11	CF/CM/CU42C	1.00	1.08	0.94
TM9E060B12MP11	CF/CM/CU48C	1.00	1.08	0.94
TM9E060B12MP11	CF42B	1.00	1.14	0.98
TM9E060B12MP12	CF/CM/CU36B	0.99	1.12	0.95
TM9E060B12MP12	CF/CM/CU36C	1.00	1.14	0.98
TM9E060B12MP12	CF/CM/CU42C	1.01	1.14	0.96
TM9E060B12MP12	CF/CM/CU48C	1.01	1.15	0.97
TM9E060B12MP12	CF42B	1.01	1.11	0.96

FURNACE MULTIPLIERS - 3 TON (Continued)

Furnaces	Coil	T.C.	S.C.	kW
TM9E080B12MP11	CF/CM/CU36B	0.98	1.08	0.92
TM9E080B12MP11	CF/CM/CU36C	0.99	1.08	0.93
TM9E080B12MP11	CF/CM/CU42C	1.01	1.09	0.92
TM9E080B12MP11	CF/CM/CU48C	1.01	1.10	0.92
TM9E080B12MP11	CF42B	1.00	1.08	0.94
TM9E080B12MP12	CF/CM/CU36B	1.00	1.12	0.94
TM9E080B12MP12	CF/CM/CU36C	1.00	1.13	0.94
TM9E080B12MP12	CF/CM/CU42C	1.02	1.13	0.95
TM9E080B12MP12	CF/CM/CU48C	1.02	1.14	0.95
TM9E080B12MP12	CF42B	0.99	1.11	0.93
TM9E080C16MP11	CF/CM/CU36C	0.99	1.08	0.91
TM9E080C16MP11	CF/CM/CU42C	1.01	1.08	0.92
TM9E080C16MP11	CF/CM/CU48C	1.00	1.08	0.90
TM9E080C16MP11	CF/CM/CU48D	1.00	1.08	0.90
TM9E080C16MP11	CF/CM36D	0.99	1.08	0.91
TM9E080C16MP11	CF/CM42D	1.01	1.08	0.92
TM9E080C16MP12	CF/CM/CU36C	1.01	1.14	0.92
TM9E080C16MP12	CF/CM/CU42C	1.02	1.13	0.93
TM9E080C16MP12	CF/CM/CU48C	1.02	1.17	0.93
TM9E080C16MP12	CF/CM/CU48D	1.02	1.17	0.95
TM9E080C16MP12	CF/CM36D	1.01	1.14	0.94
TM9E080C16MP12	CF/CM42D	1.02	1.16	0.95
TM9E080C20MP12	CF/CM/CU36C	1.02	1.21	0.93
TM9E080C20MP12	CF/CM/CU42C	1.02	1.21	0.93
TM9E080C20MP12	CF/CM/CU48C	1.02	1.22	0.93
TM9E080C20MP12	CF/CM/CU48D	1.02	1.22	0.93
TM9E080C20MP12	CF/CM36D	1.02	1.23	0.93
TM9E080C20MP12	CF/CM42D	1.02	1.22	0.93
TM9E100C16MP11	CF/CM/CU36C	0.99	1.08	0.91
TM9E100C16MP11	CF/CM/CU42C	1.01	1.08	0.92
TM9E100C16MP11	CF/CM/CU48C	1.01	1.10	0.90
TM9E100C16MP11	CF/CM/CU48D	1.01	1.10	0.90
TM9E100C16MP11	CF/CM36D	0.99	1.09	0.91
TM9E100C16MP11	CF/CM42D	1.01	1.10	0.93
TM9E100C16MP12	CF/CM/CU36C	1.01	1.13	0.92
TM9E100C16MP12	CF/CM/CU42C	1.02	1.14	0.93
TM9E100C16MP12	CF/CM/CU48C	1.02	1.13	0.93
TM9E100C16MP12	CF/CM/CU48D	1.02	1.13	0.93
TM9E100C16MP12	CF/CM36D	1.01	1.13	0.92
TM9E100C16MP12	CF/CM42D	1.02	1.14	0.93
TM9E100C20MP11	CF/CM/CU36C	1.02	1.18	0.95
TM9E100C20MP11	CF/CM/CU42C	1.02	1.18	0.93
TM9E100C20MP11	CF/CM/CU48C	1.02	1.19	0.93
TM9E100C20MP11	CF/CM/CU48D	1.02	1.20	0.91
TM9E100C20MP11	CF/CM36D	1.02	1.21	0.93
TM9E100C20MP11	CF/CM42D	1.02	1.19	0.93
TM9E100C20MP12	CF/CM/CU36C	1.02	1.20	0.93
TM9E100C20MP12	CF/CM/CU42C	1.02	1.21	0.91
TM9E100C20MP12	CF/CM/CU48C	1.02	1.22	0.91
TM9E100C20MP12	CF/CM/CU48D	1.02	1.23	0.93
TM9E100C20MP12	CF/CM36D	1.02	1.21	0.93
TM9E100C20MP12	CF/CM42D	1.02	1.21	0.93
TM9E120D20MP11	CF/CM/CU48D	1.02	1.22	0.91
TM9E120D20MP11	CF/CM36D	1.02	1.22	0.93
TM9E120D20MP11	CF/CM42D	1.02	1.21	0.91

FURNACE MULTIPLIERS - 3 TON (Continued)

Furnaces	Coil	T.C.	S.C.	kW
TM9E120D20MP12	CF/CM/CU48D	1.02	1.22	0.91
TM9E120D20MP12	CF/CM36D	1.02	1.22	0.93
TM9E120D20MP12	CF/CM42D	1.02	1.21	0.93
TM9V060B12MP11C	CF/CM/CU36B	0.98	1.08	0.94
TM9V060B12MP11C	CF/CM/CU36C	0.99	1.08	0.95
TM9V060B12MP11C	CF/CM/CU42C	1.00	1.08	0.96
TM9V060B12MP11C	CF/CM/CU48C	1.00	1.09	0.94
TM9V060B12MP11C	CF42B	1.00	1.08	0.96
TM9V060B12MP12C	CF/CM/CU36B	0.98	1.08	0.94
TM9V060B12MP12C	CF/CM/CU36C	0.99	1.08	0.95
TM9V060B12MP12C	CF/CM/CU42C	1.00	1.08	0.96
TM9V060B12MP12C	CF/CM/CU48C	1.00	1.09	0.94
TM9V060B12MP12C	CF42B	1.00	1.08	0.96
TM9V080B12MP11C	CF/CM/CU36B	0.98	1.08	0.92
TM9V080B12MP11C	CF/CM/CU36C	1.00	1.12	0.94
TM9V080B12MP11C	CF/CM/CU42C	1.01	1.11	0.95
TM9V080B12MP11C	CF/CM/CU48C	1.02	1.13	0.95
TM9V080B12MP11C	CF42B	1.00	1.08	0.96
TM9V080B12MP12C	CF/CM/CU36B	0.98	1.08	0.92
TM9V080B12MP12C	CF/CM/CU36C	1.00	1.12	0.94
TM9V080B12MP12C	CF/CM/CU42C	1.01	1.11	0.95
TM9V080B12MP12C	CF/CM/CU48C	1.02	1.13	0.95
TM9V080B12MP12C	CF42B	1.00	1.08	0.96
TM9V080C16MP11C	CF/CM/CU36C	0.99	1.11	0.91
TM9V080C16MP11C	CF/CM/CU42C	1.00	1.11	0.92
TM9V080C16MP11C	CF/CM/CU48C	1.01	1.11	0.93
TM9V080C16MP11C	CF/CM/CU48D	1.01	1.11	0.93
TM9V080C16MP11C	CF/CM36D	1.00	1.11	0.92
TM9V080C16MP11C	CF/CM42D	1.00	1.11	0.92
TM9V080C16MP12C	CF/CM/CU36C	0.99	1.11	0.91
TM9V080C16MP12C	CF/CM/CU42C	1.00	1.11	0.92
TM9V080C16MP12C	CF/CM/CU48C	1.01	1.11	0.93
TM9V080C16MP12C	CF/CM/CU48D	1.01	1.11	0.93
TM9V080C16MP12C	CF/CM36D	1.00	1.11	0.92
TM9V080C16MP12C	CF/CM42D	1.00	1.11	0.92
TM9V100C16MP11C	CF/CM/CU36C	0.99	1.09	0.91
TM9V100C16MP11C	CF/CM/CU42C	1.01	1.10	0.91
TM9V100C16MP11C	CF/CM/CU48C	1.02	1.13	0.91
TM9V100C16MP11C	CF/CM/CU48D	1.02	1.13	0.91
TM9V100C16MP11C	CF/CM36D	1.01	1.13	0.92
TM9V100C16MP11C	CF/CM42D	1.01	1.08	0.90
TM9V100C16MP12C	CF/CM/CU36C	0.99	1.09	0.91
TM9V100C16MP12C	CF/CM/CU42C	1.01	1.10	0.91
TM9V100C16MP12C	CF/CM/CU48C	1.02	1.13	0.91
TM9V100C16MP12C	CF/CM/CU48D	1.02	1.13	0.91
TM9V100C16MP12C	CF/CM36D	1.01	1.13	0.92
TM9V100C16MP12C	CF/CM42D	1.01	1.08	0.90
TM9V100C20MP11C	CF/CM/CU36C	1.01	1.14	0.92
TM9V100C20MP11C	CF/CM/CU42C	1.02	1.16	0.93
TM9V100C20MP11C	CF/CM/CU48C	1.02	1.17	0.93
TM9V100C20MP11C	CF/CM/CU48D	1.02	1.17	0.93
TM9V100C20MP11C	CF/CM36D	1.01	1.15	0.93
TM9V100C20MP11C	CF/CM42D	1.02	1.16	0.93
TM9V100C20MP12C	CF/CM/CU36C	1.01	1.14	0.92
TM9V100C20MP12C	CF/CM/CU42C	1.02	1.16	0.93

FURNACE MULTIPLIERS - 3 TON (Continued)

Furnaces	Coil	T.C.	S.C.	kW
TM9V100C20MP12C	CF/CM/CU48C	1.02	1.17	0.93
TM9V100C20MP12C	CF/CM/CU48D	1.02	1.17	0.93
TM9V100C20MP12C	CF/CM36D	1.01	1.15	0.93
TM9V100C20MP12C	CF/CM42D	1.02	1.16	0.93
TM9V120D20MP11C	CF/CM/CU48D	1.02	1.13	0.91
TM9V120D20MP11C	CF/CM36D	1.01	1.13	0.90
TM9V120D20MP11C	CF/CM42D	1.02	1.13	0.91
TM9V120D20MP12C	CF/CM/CU48D	1.02	1.13	0.91
TM9V120D20MP12C	CF/CM36D	1.01	1.13	0.90
TM9V120D20MP12C	CF/CM42D	1.02	1.13	0.91
TM9Y060B12MP11	CF/CM/CU36B	0.99	1.13	0.97
TM9Y060B12MP11	CF/CM/CU36C	0.98	1.08	0.92
TM9Y060B12MP11	CF/CM/CU42C	1.00	1.08	0.94
TM9Y060B12MP11	CF/CM/CU48C	1.00	1.08	0.94
TM9Y060B12MP11	CF42B	1.00	1.14	0.98
TM9Y080B12MP11	CF/CM/CU36B	0.98	1.08	0.92
TM9Y080B12MP11	CF/CM/CU36C	0.99	1.08	0.93
TM9Y080B12MP11	CF/CM/CU42C	1.01	1.09	0.92
TM9Y080B12MP11	CF/CM/CU48C	1.01	1.10	0.92
TM9Y080B12MP11	CF42B	1.00	1.08	0.94
TM9Y080C16MP11	CF/CM/CU36C	0.99	1.08	0.91
TM9Y080C16MP11	CF/CM/CU42C	1.01	1.08	0.92
TM9Y080C16MP11	CF/CM/CU48C	1.00	1.08	0.90
TM9Y080C16MP11	CF/CM/CU48D	1.00	1.08	0.90
TM9Y080C16MP11	CF/CM36D	0.99	1.08	0.91
TM9Y080C16MP11	CF/CM42D	1.01	1.08	0.92
TM9Y100C16MP11	CF/CM/CU36C	0.99	1.08	0.91
TM9Y100C16MP11	CF/CM/CU42C	1.01	1.08	0.92
TM9Y100C16MP11	CF/CM/CU48C	1.01	1.10	0.90
TM9Y100C16MP11	CF/CM/CU48D	1.01	1.10	0.90
TM9Y100C16MP11	CF/CM36D	0.99	1.09	0.91
TM9Y100C16MP11	CF/CM42D	1.01	1.10	0.93
TM9Y100C20MP11	CF/CM/CU36C	1.02	1.18	0.95
TM9Y100C20MP11	CF/CM/CU42C	1.02	1.18	0.93
TM9Y100C20MP11	CF/CM/CU48C	1.02	1.19	0.93
TM9Y100C20MP11	CF/CM/CU48D	1.02	1.20	0.91
TM9Y100C20MP11	CF/CM36D	1.02	1.21	0.93
TM9Y100C20MP11	CF/CM42D	1.02	1.19	0.93
TM9Y120D20MP11	CF/CM/CU48D	1.02	1.22	0.91
TM9Y120D20MP11	CF/CM36D	1.02	1.22	0.93
TM9Y120D20MP11	CF/CM42D	1.02	1.21	0.91
TMLE040A12MP11	CF/CM/CU36B	0.99	1.11	0.93
TMLE040A12MP11	CF42B	1.01	1.09	0.94
TMLE060A12MP11	CF/CM/CU36B	0.99	1.11	0.93
TMLE060A12MP11	CF42B	1.01	1.09	0.94
TMLE080B12MP11	CF/CM/CU36B	0.99	1.11	0.93
TMLE080B12MP11	CF/CM/CU36C	1.00	1.12	0.94
TMLE080B12MP11	CF/CM/CU42C	1.02	1.12	0.95
TMLE080B12MP11	CF/CM/CU48C	1.01	1.12	0.95
TMLE080B12MP11	CF42B	1.00	1.11	0.94
TMLE080C16MP11	CF/CM/CU36C	1.01	1.15	0.93
TMLE080C16MP11	CF/CM/CU42C	1.02	1.16	0.91
TMLE080C16MP11	CF/CM/CU48C	1.02	1.17	0.91
TMLE080C16MP11	CF/CM/CU48D	1.02	1.17	0.93
TMLE080C16MP11	CF/CM36D	1.02	1.17	0.93

FURNACE MULTIPLIERS - 3 TON (Continued)

Furnaces	Coil	T.C.	S.C.	kW
TMLE080C16MP11	CF/CM42D	1.02	1.16	0.93
TMLE080C20MP11	CF/CM/CU36C	1.02	1.22	0.93
TMLE080C20MP11	CF/CM/CU42C	1.02	1.21	0.91
TMLE080C20MP11	CF/CM/CU48C	1.02	1.22	0.91
TMLE080C20MP11	CF/CM/CU48D	1.02	1.24	0.93
TMLE080C20MP11	CF/CM36D	1.02	1.23	0.93
TMLE080C20MP11	CF/CM42D	1.02	1.23	0.93
TMLE100B12MP11	CF/CM/CU36B	1.00	1.13	0.94
TMLE100B12MP11	CF/CM/CU36C	1.01	1.14	0.94
TMLE100B12MP11	CF/CM/CU42C	1.01	1.15	0.95
TMLE100B12MP11	CF/CM/CU48C	1.02	1.16	0.95
TMLE100B12MP11	CF42B	1.01	1.11	0.95
TMLE100C16MP11	CF/CM/CU36C	1.02	1.17	0.93
TMLE100C16MP11	CF/CM/CU42C	1.02	1.16	0.93
TMLE100C16MP11	CF/CM/CU48C	1.02	1.17	0.91
TMLE100C16MP11	CF/CM/CU48D	1.02	1.17	0.93
TMLE100C16MP11	CF/CM36D	1.02	1.17	0.93
TMLE100C16MP11	CF/CM42D	1.02	1.16	0.93
TMLE100C20MP11	CF/CM/CU36C	1.02	1.22	0.93
TMLE100C20MP11	CF/CM/CU42C	1.02	1.21	0.93
TMLE100C20MP11	CF/CM/CU48C	1.02	1.22	0.91
TMLE100C20MP11	CF/CM/CU48D	1.02	1.24	0.93
TMLE100C20MP11	CF/CM36D	1.02	1.23	0.93
TMLE100C20MP11	CF/CM42D	1.02	1.23	0.93
TMLE120C16MP11	CF/CM/CU36C	1.02	1.17	0.93
TMLE120C16MP11	CF/CM/CU42C	1.02	1.16	0.93
TMLE120C16MP11	CF/CM/CU48C	1.02	1.17	0.91
TMLE120C16MP11	CF/CM/CU48D	1.02	1.17	0.93
TMLE120C16MP11	CF/CM36D	1.02	1.17	0.93
TMLE120C16MP11	CF/CM42D	1.02	1.16	0.93
TMLE120C20MP11	CF/CM/CU36C	1.02	1.23	0.93
TMLE120C20MP11	CF/CM/CU42C	1.02	1.23	0.93
TMLE120C20MP11	CF/CM/CU48C	1.02	1.25	0.93
TMLE120C20MP11	CF/CM/CU48D	1.02	1.25	0.93
TMLE120C20MP11	CF/CM36D	1.00	1.15	0.96
TMLE120C20MP11	CF/CM42D	1.02	1.25	0.93
TMLE130D20MP11	CF/CM/CU48D	1.02	1.25	0.91
TMLE130D20MP11	CF/CM36D	1.00	1.15	0.94
TMLE130D20MP11	CF/CM42D	1.02	1.25	0.91
TMLV060A12MP11C	CF/CM/CU36B	0.98	1.08	0.92
TMLV060A12MP11C	CF42B	1.00	1.08	0.94
TMLV060A12MP12C	CF/CM/CU36B	0.98	1.08	0.92
TMLV060A12MP12C	CF42B	1.00	1.08	0.94
TMLV080B12MP11C	CF/CM/CU36B	0.98	1.08	0.94
TMLV080B12MP11C	CF/CM/CU36C	0.98	1.08	0.94
TMLV080B12MP11C	CF/CM/CU42C	1.00	1.08	0.96
TMLV080B12MP11C	CF/CM/CU48C	1.00	1.09	0.94
TMLV080B12MP11C	CF42B	0.99	1.08	0.95
TMLV080B12MP12C	CF/CM/CU36B	0.98	1.08	0.94
TMLV080B12MP12C	CF/CM/CU36C	0.98	1.08	0.94
TMLV080B12MP12C	CF/CM/CU42C	1.00	1.08	0.96
TMLV080B12MP12C	CF/CM/CU48C	1.00	1.09	0.94
TMLV080B12MP12C	CF42B	0.99	1.08	0.95
TMLV080C16MP11C	CF/CM/CU36C	1.01	1.13	0.92
TMLV080C16MP11C	CF/CM/CU42C	1.02	1.12	0.93

FURNACE MULTIPLIERS - 3 TON (Continued)

Furnaces	Coil	T.C.	S.C.	kW
TMLV080C16MP11C	CF/CM/CU48C	1.02	1.13	0.91
TMLV080C16MP11C	CF/CM/CU48D	1.02	1.13	0.91
TMLV080C16MP11C	CF/CM36D	1.01	1.13	0.92
TMLV080C16MP11C	CF/CM42D	1.02	1.12	0.93
TMLV080C16MP12C	CF/CM/CU36C	1.01	1.13	0.92
TMLV080C16MP12C	CF/CM/CU42C	1.02	1.12	0.93
TMLV080C16MP12C	CF/CM/CU48C	1.02	1.13	0.91
TMLV080C16MP12C	CF/CM/CU48D	1.02	1.13	0.91
TMLV080C16MP12C	CF/CM36D	1.01	1.13	0.92
TMLV080C16MP12C	CF/CM42D	1.02	1.12	0.93
TMLV100C16MP11C	CF/CM/CU36C	1.01	1.13	0.92
TMLV100C16MP11C	CF/CM/CU42C	1.02	1.12	0.93
TMLV100C16MP11C	CF/CM/CU48C	1.02	1.13	0.91
TMLV100C16MP11C	CF/CM/CU48D	1.02	1.13	0.91
TMLV100C16MP11C	CF/CM36D	1.01	1.13	0.92
TMLV100C16MP11C	CF/CM42D	1.02	1.12	0.93
TMLV100C16MP12C	CF/CM/CU36C	1.01	1.13	0.92
TMLV100C16MP12C	CF/CM/CU42C	1.02	1.12	0.93
TMLV100C16MP12C	CF/CM/CU48C	1.02	1.13	0.91
TMLV100C16MP12C	CF/CM/CU48D	1.02	1.13	0.91
TMLV100C16MP12C	CF/CM36D	1.01	1.13	0.92
TMLV100C16MP12C	CF/CM42D	1.02	1.12	0.93
TMLV100C20MP11C	CF/CM/CU36C	1.02	1.18	0.91
TMLV100C20MP11C	CF/CM/CU42C	1.02	1.17	0.91
TMLV100C20MP11C	CF/CM/CU48C	1.02	1.18	0.91
TMLV100C20MP11C	CF/CM/CU48D	1.02	1.18	0.91
TMLV100C20MP11C	CF/CM36D	1.02	1.18	0.91
TMLV100C20MP11C	CF/CM42D	1.02	1.17	0.91
TMLV100C20MP12C	CF/CM/CU36C	1.02	1.18	0.91
TMLV100C20MP12C	CF/CM/CU42C	1.02	1.17	0.91
TMLV100C20MP12C	CF/CM/CU48C	1.02	1.18	0.91
TMLV100C20MP12C	CF/CM/CU48D	1.02	1.18	0.91
TMLV100C20MP12C	CF/CM36D	1.02	1.18	0.91
TMLV100C20MP12C	CF/CM42D	1.02	1.17	0.91
TMLV120C20MP11C	CF/CM/CU36C	1.02	1.18	0.91
TMLV120C20MP11C	CF/CM/CU42C	1.02	1.17	0.91
TMLV120C20MP11C	CF/CM/CU48C	1.02	1.18	0.91
TMLV120C20MP11C	CF/CM/CU48D	1.02	1.18	0.91
TMLV120C20MP11C	CF/CM36D	1.02	1.18	0.91
TMLV120C20MP11C	CF/CM42D	1.02	1.17	0.91
TMLV120C20MP12C	CF/CM/CU36C	1.02	1.18	0.91
TMLV120C20MP12C	CF/CM/CU42C	1.02	1.17	0.91
TMLV120C20MP12C	CF/CM/CU48C	1.02	1.18	0.91
TMLV120C20MP12C	CF/CM/CU48D	1.02	1.18	0.91
TMLV120C20MP12C	CF/CM36D	1.02	1.18	0.91
TMLV120C20MP12C	CF/CM42D	1.02	1.17	0.91
TMLX060A12MP11	CF/CM/CU36B	0.99	1.15	0.95
TMLX060A12MP11	CF42B	1.02	1.15	0.97
TMLX080B12MP11	CF/CM/CU36B	0.99	1.08	0.93
TMLX080B12MP11	CF/CM/CU36C	0.99	1.09	0.91
TMLX080B12MP11	CF/CM/CU42C	1.01	1.09	0.92
TMLX080B12MP11	CF/CM/CU48C	1.01	1.10	0.92
TMLX080B12MP11	CF42B	1.02	1.16	0.97
TMLX080C16MP11	CF/CM/CU36C	1.02	1.18	0.93
TMLX080C16MP11	CF/CM/CU42C	1.02	1.17	0.93

FURNACE MULTIPLIERS - 3 TON (Continued)

Furnaces	Coil	T.C.	S.C.	kW
TMLX080C16MP11	CF/CM/CU48C	1.02	1.17	0.93
TMLX080C16MP11	CF/CM/CU48D	1.01	1.09	0.90
TMLX080C16MP11	CF/CM36D	0.99	1.09	0.91
TMLX080C16MP11	CF/CM42D	1.01	1.08	0.90
TMLX100C16MP11	CF/CM/CU36C	1.02	1.18	0.93
TMLX100C16MP11	CF/CM/CU42C	1.02	1.17	0.93
TMLX100C16MP11	CF/CM/CU48C	1.02	1.17	0.93
TMLX100C16MP11	CF/CM/CU48D	1.01	1.09	0.90
TMLX100C16MP11	CF/CM36D	0.99	1.09	0.91
TMLX100C16MP11	CF/CM42D	1.01	1.08	0.90
TMLX100C20MP11	CF/CM/CU36C	0.99	1.09	0.89
TMLX100C20MP11	CF/CM/CU42C	1.01	1.10	0.91
TMLX100C20MP11	CF/CM/CU48C	1.01	1.11	0.91
TMLX100C20MP11	CF/CM/CU48D	1.01	1.11	0.91
TMLX100C20MP11	CF/CM36D	1.00	1.10	0.90
TMLX100C20MP11	CF/CM42D	1.01	1.10	0.91
TMLX120C20MP11	CF/CM/CU36C	0.99	1.09	0.89
TMLX120C20MP11	CF/CM/CU42C	1.01	1.10	0.91
TMLX120C20MP11	CF/CM/CU48C	1.01	1.11	0.91
TMLX120C20MP11	CF/CM/CU48D	1.01	1.11	0.91
TMLX120C20MP11	CF/CM36D	1.00	1.10	0.90
TMLX120C20MP11	CF/CM42D	1.01	1.10	0.91
TP9C060B12MP13C	CF/CM/CU36B	0.98	1.08	0.94
TP9C060B12MP13C	CF/CM/CU36C	0.99	1.08	0.95
TP9C060B12MP13C	CF/CM/CU42C	1.00	1.08	0.96
TP9C060B12MP13C	CF/CM/CU48C	1.00	1.09	0.94
TP9C060B12MP13C	CF42B	1.00	1.08	0.96
TP9C080B12MP12C	CF/CM/CU36B	0.98	1.08	0.92
TP9C080B12MP12C	CF/CM/CU36C	1.00	1.12	0.94
TP9C080B12MP12C	CF/CM/CU42C	1.01	1.11	0.95
TP9C080B12MP12C	CF/CM/CU48C	1.02	1.13	0.95
TP9C080B12MP12C	CF42B	1.00	1.08	0.96
TP9C080B12MP13C	CF/CM/CU36B	0.98	1.08	0.92
TP9C080B12MP13C	CF/CM/CU36C	1.00	1.12	0.94
TP9C080B12MP13C	CF/CM/CU42C	1.01	1.11	0.95
TP9C080B12MP13C	CF/CM/CU48C	1.02	1.13	0.95
TP9C080B12MP13C	CF42B	1.00	1.08	0.96
TP9C080C16MP13C	CF/CM/CU36C	0.99	1.11	0.91
TP9C080C16MP13C	CF/CM/CU42C	1.00	1.11	0.92
TP9C080C16MP13C	CF/CM/CU48C	1.01	1.11	0.93
TP9C080C16MP13C	CF/CM/CU48D	1.01	1.11	0.93
TP9C080C16MP13C	CF/CM36D	1.00	1.11	0.92
TP9C080C16MP13C	CF/CM42D	1.00	1.11	0.92
TP9C100C16MP12C	CF/CM/CU36C	0.99	1.09	0.91
TP9C100C16MP12C	CF/CM/CU42C	1.01	1.10	0.91
TP9C100C16MP12C	CF/CM/CU48C	1.02	1.13	0.91
TP9C100C16MP12C	CF/CM/CU48D	1.02	1.13	0.91
TP9C100C16MP12C	CF/CM36D	1.01	1.13	0.92
TP9C100C16MP12C	CF/CM42D	1.01	1.08	0.90
TP9C100C16MP13C	CF/CM/CU36C	0.99	1.09	0.91
TP9C100C16MP13C	CF/CM/CU42C	1.01	1.10	0.91
TP9C100C16MP13C	CF/CM/CU48C	1.02	1.13	0.91
TP9C100C16MP13C	CF/CM/CU48D	1.02	1.13	0.91
TP9C100C16MP13C	CF/CM36D	1.01	1.13	0.92
TP9C100C16MP13C	CF/CM42D	1.01	1.08	0.90

FURNACE MULTIPLIERS - 3 TON (Continued)

Furnaces	Coil	T.C.	S.C.	kW
TP9C100C20MP12C	CF/CM/CU36C	1.01	1.14	0.92
TP9C100C20MP12C	CF/CM/CU42C	1.02	1.16	0.93
TP9C100C20MP12C	CF/CM/CU48C	1.02	1.17	0.93
TP9C100C20MP12C	CF/CM/CU48D	1.02	1.17	0.93
TP9C100C20MP12C	CF/CM36D	1.01	1.15	0.93
TP9C100C20MP12C	CF/CM42D	1.02	1.16	0.93
TP9C100C20MP13C	CF/CM/CU36C	1.01	1.14	0.92
TP9C100C20MP13C	CF/CM/CU42C	1.02	1.16	0.93
TP9C100C20MP13C	CF/CM/CU48C	1.02	1.17	0.93
TP9C100C20MP13C	CF/CM/CU48D	1.02	1.17	0.93
TP9C100C20MP13C	CF/CM36D	1.01	1.15	0.93
TP9C100C20MP13C	CF/CM42D	1.02	1.16	0.93
TP9C120D20MP12C	CF/CM/CU48D	1.02	1.13	0.91
TP9C120D20MP12C	CF/CM36D	1.01	1.13	0.90
TP9C120D20MP12C	CF/CM42D	1.02	1.13	0.91
TP9C120D20MP13C	CF/CM/CU48D	1.02	1.13	0.91
TP9C120D20MP13C	CF/CM36D	1.01	1.13	0.90
TP9C120D20MP13C	CF/CM42D	1.02	1.13	0.91
TPLC060A12MP12C	CF/CM/CU36B	0.98	1.08	0.92
TPLC060A12MP12C	CF42B	1.00	1.08	0.94
TPLC060A12MP13C	CF/CM/CU36B	0.98	1.08	0.92
TPLC060A12MP13C	CF42B	1.00	1.08	0.94
TPLC080B12MP12C	CF/CM/CU36B	0.98	1.08	0.94
TPLC080B12MP12C	CF/CM/CU36C	0.98	1.08	0.94
TPLC080B12MP12C	CF/CM/CU42C	1.00	1.08	0.96
TPLC080B12MP12C	CF/CM/CU48C	1.00	1.09	0.94
TPLC080B12MP12C	CF42B	0.99	1.08	0.95
TPLC080B12MP13C	CF/CM/CU36B	0.98	1.08	0.94
TPLC080B12MP13C	CF/CM/CU36C	0.98	1.08	0.94
TPLC080B12MP13C	CF/CM/CU42C	1.00	1.08	0.96
TPLC080B12MP13C	CF/CM/CU48C	1.00	1.09	0.94
TPLC080B12MP13C	CF42B	0.99	1.08	0.95
TPLC080C16MP12C	CF/CM/CU36C	1.01	1.13	0.92
TPLC080C16MP12C	CF/CM/CU42C	1.02	1.12	0.93
TPLC080C16MP12C	CF/CM/CU48C	1.02	1.13	0.91
TPLC080C16MP12C	CF/CM/CU48D	1.02	1.13	0.91
TPLC080C16MP12C	CF/CM36D	1.01	1.13	0.92
TPLC080C16MP12C	CF/CM42D	1.02	1.12	0.93
TPLC080C16MP13C	CF/CM/CU36C	1.01	1.13	0.92
TPLC080C16MP13C	CF/CM/CU42C	1.02	1.12	0.93
TPLC080C16MP13C	CF/CM/CU48C	1.02	1.13	0.91
TPLC080C16MP13C	CF/CM/CU48D	1.02	1.13	0.91
TPLC080C16MP13C	CF/CM36D	1.01	1.13	0.92
TPLC080C16MP13C	CF/CM42D	1.02	1.12	0.93
TPLC100C16MP12C	CF/CM/CU36C	1.01	1.13	0.92
TPLC100C16MP12C	CF/CM/CU42C	1.02	1.12	0.93
TPLC100C16MP12C	CF/CM/CU48C	1.02	1.13	0.91
TPLC100C16MP12C	CF/CM/CU48D	1.02	1.13	0.91
TPLC100C16MP12C	CF/CM36D	1.01	1.13	0.92
TPLC100C16MP12C	CF/CM42D	1.02	1.12	0.93
TPLC100C16MP13C	CF/CM/CU36C	1.01	1.13	0.92
TPLC100C16MP13C	CF/CM/CU42C	1.02	1.12	0.93
TPLC100C16MP13C	CF/CM/CU48C	1.02	1.13	0.91
TPLC100C16MP13C	CF/CM/CU48D	1.02	1.13	0.91
TPLC100C16MP13C	CF/CM36D	1.01	1.13	0.92

FURNACE MULTIPLIERS - 3 TON (Continued)

Furnaces	Coil	T.C.	S.C.	kW
TPLC100C16MP13C	CF/CM42D	1.02	1.12	0.93
TPLC100C20MP12C	CF/CM/CU36C	1.02	1.18	0.91
TPLC100C20MP12C	CF/CM/CU42C	1.02	1.17	0.91
TPLC100C20MP12C	CF/CM/CU48C	1.02	1.18	0.91
TPLC100C20MP12C	CF/CM/CU48D	1.02	1.18	0.91
TPLC100C20MP12C	CF/CM36D	1.02	1.18	0.91
TPLC100C20MP12C	CF/CM42D	1.02	1.17	0.91
TPLC100C20MP13C	CF/CM/CU36C	1.02	1.18	0.91
TPLC100C20MP13C	CF/CM/CU42C	1.02	1.17	0.91
TPLC100C20MP13C	CF/CM/CU48C	1.02	1.18	0.91
TPLC100C20MP13C	CF/CM/CU48D	1.02	1.18	0.91
TPLC100C20MP13C	CF/CM36D	1.02	1.18	0.91
TPLC100C20MP13C	CF/CM42D	1.02	1.17	0.91
TPLC120C20MP12C	CF/CM/CU36C	1.02	1.18	0.91
TPLC120C20MP12C	CF/CM/CU42C	1.02	1.17	0.91
TPLC120C20MP12C	CF/CM/CU48C	1.02	1.18	0.91
TPLC120C20MP12C	CF/CM/CU48D	1.02	1.18	0.91
TPLC120C20MP12C	CF/CM36D	1.02	1.18	0.91
TPLC120C20MP12C	CF/CM42D	1.02	1.17	0.91
TPLC120C20MP13C	CF/CM/CU36C	1.02	1.18	0.91
TPLC120C20MP13C	CF/CM/CU42C	1.02	1.17	0.91
TPLC120C20MP13C	CF/CM/CU48C	1.02	1.18	0.91
TPLC120C20MP13C	CF/CM/CU48D	1.02	1.18	0.91
TPLC120C20MP13C	CF/CM36D	1.02	1.18	0.91
TPLC120C20MP13C	CF/CM42D	1.02	1.17	0.91
CP9C060B12MP13C	CF/CM/CU36B	0.98	1.08	0.94
CP9C060B12MP13C	CF/CM/CU36C	0.99	1.08	0.95
CP9C060B12MP13C	CF/CM/CU42C	1.00	1.08	0.96
CP9C060B12MP13C	CF/CM/CU48C	1.00	1.09	0.94
CP9C060B12MP13C	CF42B	1.00	1.08	0.96
CP9C080B12MP12C	CF/CM/CU36B	0.98	1.08	0.92
CP9C080B12MP12C	CF/CM/CU36C	1.00	1.12	0.94
CP9C080B12MP12C	CF/CM/CU42C	1.01	1.11	0.95
CP9C080B12MP12C	CF/CM/CU48C	1.02	1.13	0.95
CP9C080B12MP12C	CF42B	1.00	1.08	0.96
CP9C080B12MP13C	CF/CM/CU36B	0.98	1.08	0.92
CP9C080B12MP13C	CF/CM/CU36C	1.00	1.12	0.94
CP9C080B12MP13C	CF/CM/CU42C	1.01	1.11	0.95
CP9C080B12MP13C	CF/CM/CU48C	1.02	1.13	0.95
CP9C080B12MP13C	CF42B	1.00	1.08	0.96
CP9C080C16MP13C	CF/CM/CU36C	0.99	1.11	0.91
CP9C080C16MP13C	CF/CM/CU42C	1.00	1.11	0.92
CP9C080C16MP13C	CF/CM/CU48C	1.01	1.11	0.93
CP9C080C16MP13C	CF/CM/CU48D	1.01	1.11	0.93
CP9C080C16MP13C	CF/CM36D	1.00	1.11	0.92
CP9C080C16MP13C	CF/CM42D	1.00	1.11	0.92
CP9C100C16MP12C	CF/CM/CU36C	0.99	1.09	0.91
CP9C100C16MP12C	CF/CM/CU42C	1.01	1.10	0.91
CP9C100C16MP12C	CF/CM/CU48C	1.02	1.13	0.91
CP9C100C16MP12C	CF/CM/CU48D	1.02	1.13	0.91
CP9C100C16MP12C	CF/CM36D	1.01	1.13	0.92
CP9C100C16MP12C	CF/CM42D	1.01	1.08	0.90
CP9C100C16MP13C	CF/CM/CU36C	0.99	1.09	0.91
CP9C100C16MP13C	CF/CM/CU42C	1.01	1.10	0.91
CP9C100C16MP13C	CF/CM/CU48C	1.02	1.13	0.91
CP9C100C16MP13C	CF/CM/CU48D	1.02	1.13	0.91
CP9C100C16MP13C	CF/CM36D	1.01	1.13	0.92
CP9C100C16MP13C	CF/CM42D	1.01	1.08	0.90
CP9C100C16MP13C	CF/CM/CU36C	0.99	1.09	0.91
CP9C100C16MP13C	CF/CM/CU42C	1.01	1.10	0.91
CP9C100C16MP13C	CF/CM/CU48C	1.02	1.13	0.91

FURNACE MULTIPLIERS - 3 TON (Continued)

Furnaces	Coil	T.C.	S.C.	kW
CP9C100C16MP13C	CF/CM/CU48D	1.02	1.13	0.91
CP9C100C16MP13C	CF/CM36D	1.01	1.13	0.92
CP9C100C16MP13C	CF/CM42D	1.01	1.08	0.90
CP9C100C20MP12C	CF/CM/CU36C	1.01	1.14	0.92
CP9C100C20MP12C	CF/CM/CU42C	1.02	1.16	0.93
CP9C100C20MP12C	CF/CM/CU48C	1.02	1.17	0.93
CP9C100C20MP12C	CF/CM/CU48D	1.02	1.17	0.93
CP9C100C20MP12C	CF/CM36D	1.01	1.15	0.93
CP9C100C20MP12C	CF/CM42D	1.02	1.16	0.93
CP9C100C20MP13C	CF/CM/CU36C	1.01	1.14	0.92
CP9C100C20MP13C	CF/CM/CU42C	1.02	1.16	0.93
CP9C100C20MP13C	CF/CM/CU48C	1.02	1.17	0.93
CP9C100C20MP13C	CF/CM/CU48D	1.02	1.17	0.93
CP9C100C20MP13C	CF/CM36D	1.01	1.15	0.93
CP9C100C20MP13C	CF/CM42D	1.02	1.16	0.93
CP9C120D20MP12C	CF/CM/CU48D	1.02	1.13	0.91
CP9C120D20MP12C	CF/CM36D	1.01	1.13	0.90
CP9C120D20MP12C	CF/CM42D	1.02	1.13	0.91
CP9C120D20MP13C	CF/CM/CU48D	1.02	1.13	0.91
CP9C120D20MP13C	CF/CM36D	1.01	1.13	0.90
CP9C120D20MP13C	CF/CM42D	1.02	1.13	0.91
CPLC060A12MP12C	CF/CM/CU36B	0.98	1.08	0.92
CPLC060A12MP12C	CF42B	1.00	1.08	0.94
CPLC060A12MP13C	CF/CM/CU36B	0.98	1.08	0.92
CPLC060A12MP13C	CF42B	1.00	1.08	0.94
CPLC080B12MP12C	CF/CM/CU36B	0.98	1.08	0.94
CPLC080B12MP12C	CF/CM/CU36C	0.98	1.08	0.94
CPLC080B12MP12C	CF/CM/CU42C	1.00	1.08	0.96
CPLC080B12MP12C	CF/CM/CU48C	1.00	1.09	0.94
CPLC080B12MP12C	CF42B	0.99	1.08	0.95
CPLC080B12MP13C	CF/CM/CU36B	0.98	1.08	0.94
CPLC080B12MP13C	CF/CM/CU36C	0.98	1.08	0.94
CPLC080B12MP13C	CF/CM/CU42C	1.00	1.08	0.96
CPLC080B12MP13C	CF/CM/CU48C	1.00	1.09	0.94
CPLC080B12MP13C	CF42B	0.99	1.08	0.95
CPLC080C16MP12C	CF/CM/CU36C	1.01	1.13	0.92
CPLC080C16MP12C	CF/CM/CU42C	1.02	1.12	0.93
CPLC080C16MP12C	CF/CM/CU48C	1.02	1.13	0.91
CPLC080C16MP12C	CF/CM/CU48D	1.02	1.13	0.91
CPLC080C16MP12C	CF/CM36D	1.01	1.13	0.92
CPLC080C16MP12C	CF/CM42D	1.02	1.12	0.93
CPLC080C16MP13C	CF/CM/CU36C	1.01	1.13	0.92
CPLC080C16MP13C	CF/CM/CU42C	1.02	1.12	0.93
CPLC080C16MP13C	CF/CM/CU48C	1.02	1.13	0.91
CPLC080C16MP13C	CF/CM/CU48D	1.02	1.13	0.91
CPLC080C16MP13C	CF/CM36D	1.01	1.13	0.92
CPLC080C16MP13C	CF/CM42D	1.02	1.12	0.93
CPLC100C16MP12C	CF/CM/CU36C	1.01	1.13	0.92
CPLC100C16MP12C	CF/CM/CU42C	1.02	1.12	0.93
CPLC100C16MP12C	CF/CM/CU48C	1.02	1.13	0.91
CPLC100C16MP12C	CF/CM/CU48D	1.02	1.13	0.91
CPLC100C16MP12C	CF/CM36D	1.01	1.13	0.92
CPLC100C16MP12C	CF/CM42D	1.02	1.12	0.93
CPLC100C16MP13C	CF/CM/CU36C	1.01	1.13	0.92
CPLC100C16MP13C	CF/CM/CU42C	1.02	1.12	0.93

FURNACE MULTIPLIERS - 3 TON (Continued)

Furnaces	Coil	T.C.	S.C.	kW
CPLC100C16MP13C	CF/CM/CU48C	1.02	1.13	0.91
CPLC100C16MP13C	CF/CM/CU48D	1.02	1.13	0.91
CPLC100C16MP13C	CF/CM36D	1.01	1.13	0.92
CPLC100C16MP13C	CF/CM42D	1.02	1.12	0.93
CPLC100C20MP12C	CF/CM/CU36C	1.02	1.18	0.91
CPLC100C20MP12C	CF/CM/CU42C	1.02	1.17	0.91
CPLC100C20MP12C	CF/CM/CU48C	1.02	1.18	0.91
CPLC100C20MP12C	CF/CM/CU48D	1.02	1.18	0.91
CPLC100C20MP12C	CF/CM36D	1.02	1.18	0.91
CPLC100C20MP12C	CF/CM42D	1.02	1.17	0.91
CPLC100C20MP13C	CF/CM/CU36C	1.02	1.18	0.91
CPLC100C20MP13C	CF/CM/CU42C	1.02	1.17	0.91
CPLC100C20MP13C	CF/CM/CU48C	1.02	1.18	0.91
CPLC100C20MP13C	CF/CM/CU48D	1.02	1.18	0.91
CPLC100C20MP13C	CF/CM36D	1.02	1.18	0.91
CPLC100C20MP13C	CF/CM42D	1.02	1.17	0.91

FURNACE MULTIPLIERS - 3 TON (Continued)

Furnaces	Coil	T.C.	S.C.	kW
CPLC100C20MP13C	CF/CM42D	1.02	1.17	0.91
CPLC120C20MP12C	CF/CM/CU36C	1.02	1.18	0.91
CPLC120C20MP12C	CF/CM/CU42C	1.02	1.17	0.91
CPLC120C20MP12C	CF/CM/CU48C	1.02	1.18	0.91
CPLC120C20MP12C	CF/CM/CU48D	1.02	1.18	0.91
CPLC120C20MP12C	CF/CM36D	1.02	1.18	0.91
CPLC120C20MP12C	CF/CM42D	1.02	1.17	0.91
CPLC120C20MP13C	CF/CM/CU36C	1.02	1.18	0.91
CPLC120C20MP13C	CF/CM/CU42C	1.02	1.17	0.91
CPLC120C20MP13C	CF/CM/CU48C	1.02	1.18	0.91
CPLC120C20MP13C	CF/CM/CU48D	1.02	1.18	0.91
CPLC120C20MP13C	CF/CM36D	1.02	1.18	0.91
CPLC120C20MP13C	CF/CM42D	1.02	1.17	0.91

PERFORMANCE DATA - 3.5 TON

CONDENSER-ONLY DATA (OUTDOOR UNIT)																
MODEL	SATURATED SUCTION AT COMPRESSOR		Outdoor Ambient Temperature													
			55°F		65°F		75°F		85°F		95°F		105°F		115°F	
	T (°F)	P (PSIG)	MBH	kW	MBH	kW	MBH	kW	MBH	kW	MBH	kW	MBH	kW	MBH	kW
TC3B4223S	35	107	38.8	2.47	37.2	2.70	35.5	2.97	33.5	3.28	31.3	3.63	29.0	4.04	26.5	4.48
	40	118	42.7	2.47	41.0	2.70	39.1	2.96	36.9	3.27	34.6	3.61	32.0	4.01	29.3	4.45
	45	130	46.9	2.49	45.0	2.71	42.9	2.97	40.5	3.26	38.0	3.59	35.2	3.98	32.3	4.41
	50	142	51.3	2.52	49.2	2.74	46.8	2.99	44.2	3.27	41.5	3.58	38.5	3.96	35.3	4.38
	55	156	55.9	2.56	53.5	2.77	50.9	3.02	48.1	3.29	45.0	3.59	41.9	3.94	38.5	4.34

Notes:

- For Outdoor Unit (Condenser) performance only. Data does not include the effects of air handler power or heat.
- Performance based on 15°F subcooling and 15°F superheat at the Outdoor Unit base valves.
 - Increase capacity by 1% for each 2°F increase in subcooling.
 - Decrease capacity by 1% for each 2°F decrease in subcooling.
- Maximum recommended condensing temperature is 140°F.

COOLING PERFORMANCE DATA																
OUTDOOR UNIT MODEL NO.		TC3B4223S														
INDOOR COIL MODEL NO.		CF42CXA1														
AIR TEMPERATURE ENTERING OUTDOOR UNIT (°F)	ID CFM	1200					1400					1600				
	ID DB (°F)	80	80	75	80	80	80	80	75	80	80	80	80	75	80	80
	ID WB (°F)	57	62	62	67	72	57	62	62	67	72	57	62	62	67	72
55	T.C.	42.8	40.7	41.6	41.7	43.9	44.9	41.0	42.2	42.4	44.3	47.0	41.3	42.7	43.1	44.6
	S.C.	42.8	33.3	28.9	26.3	20.9	44.9	34.5	29.9	27.2	21.3	47.0	35.7	30.9	28.1	21.6
	kW	2.41	2.42	2.43	2.41	2.41	2.49	2.50	2.50	2.49	2.49	2.56	2.57	2.57	2.57	2.57
65	T.C.	41.9	40.0	40.9	41.4	43.3	43.9	40.7	41.5	44.2	43.5	46.0	41.4	42.0	47.0	43.8
	S.C.	41.9	33.8	29.2	26.9	20.9	43.9	35.4	30.4	28.5	21.3	46.0	37.0	31.7	30.1	21.7
	kW	2.68	2.70	2.70	2.69	2.70	2.76	2.77	2.77	2.77	2.77	2.83	2.84	2.85	2.84	2.85
75	T.C.	40.9	39.3	40.3	41.0	42.6	42.9	40.4	40.7	46.0	42.8	44.9	41.5	41.2	50.9	43.0
	S.C.	40.9	34.3	29.5	27.5	20.9	42.9	36.3	30.9	29.8	21.3	44.9	38.3	32.4	32.2	21.8
	kW	2.96	2.97	2.97	2.97	2.98	3.03	3.04	3.04	3.04	3.06	3.10	3.12	3.12	3.12	3.13
85	T.C.	38.9	38.1	38.0	40.4	42.5	40.8	38.8	38.8	43.2	42.9	42.7	39.5	39.6	46.1	43.4
	S.C.	38.9	33.7	28.7	27.5	21.0	40.8	35.5	30.5	29.5	21.7	42.7	37.2	32.2	31.5	22.3
	kW	3.26	3.27	3.27	3.28	3.30	3.34	3.35	3.35	3.36	3.38	3.43	3.43	3.43	3.44	3.46
95	T.C.	36.9	36.9	35.8	39.7	42.3	38.7	37.2	36.8	40.5	43.0	40.4	37.6	37.9	41.3	43.7
	S.C.	36.9	33.1	27.9	27.6	21.2	38.7	37.2	30.0	29.2	22.0	40.4	37.6	32.1	30.8	22.8
	kW	3.57	3.57	3.57	3.60	3.62	3.66	3.66	3.66	3.68	3.71	3.75	3.74	3.74	3.76	3.79
105	T.C.	35.1	34.4	33.6	37.1	40.0	37.2	35.3	34.4	38.0	40.4	39.2	36.2	35.1	38.9	40.8
	S.C.	35.1	31.6	27.0	26.8	20.4	37.2	35.3	28.9	28.6	21.3	39.2	36.2	30.9	30.3	22.2
	kW	3.94	3.94	3.93	3.98	4.01	4.04	4.03	4.02	4.07	4.10	4.13	4.12	4.11	4.15	4.18
115	T.C.	33.4	31.9	31.5	34.6	37.6	35.7	33.4	31.9	35.5	37.7	38.0	34.8	32.3	36.5	37.9
	S.C.	33.4	31.9	26.2	26.1	19.6	35.7	33.4	27.9	28.0	20.6	38.0	34.8	32.3	29.9	21.6
	kW	4.32	4.31	4.29	4.37	4.40	4.41	4.41	4.39	4.45	4.49	4.51	4.51	4.48	4.53	4.57

Note: All capacities include indoor fan heat. kW values are for the system (outdoor + indoor).

Green shaded cells are ACCA (TVA) conditions.

Blue shaded cells are AHRI conditions.

Multipliers for determining the performance with other indoor sections

Note: For dry bulb temperatures different than those listed (between 73°F to 87°F), sensible capacity increases by 1060 BTUH per 1000 CFM per degree above the listed temperature and decreases by 1060 BTUH per 1000 CFM per degree below the listed temperature.

COIL MULTIPLIERS - 3.5 TON

Air Handler	Coil	T.C.	S.C.	kW
-	CF/CM/CU42C	1.00	1.00	1.00
-	CF/CM/CU42C	1.00	1.00	1.00
-	CF/CM/CU48C	1.01	1.11	0.99
-	CF/CM/CU48D	1.01	1.11	0.99
-	CF/CM/CU60C	1.00	1.09	0.98
-	CF/CM42D	1.01	1.12	0.99
-	CF/CM64D	1.04	1.14	0.99
AE42CX21	-	1.02	1.11	0.94
AE43CX21	-	1.01	1.04	0.91
AE48CX21	-	1.04	1.16	0.93
AE48DX21	-	1.04	1.18	0.91
AE60CX21	-	1.04	1.15	0.93
AE60CX22	-	1.02	1.12	0.94
AE60DX21	-	1.04	1.13	0.91
AP48CX21	-	1.01	1.08	0.97
AP48DX21	-	1.02	1.15	0.98
AP60DX22	-	1.02	1.19	1.00
AP60DX23	-	1.01	1.16	1.01
AVC42CX21	-	1.02	1.10	0.94
AVC48CX21	-	1.02	1.09	0.92
AVC48DX21	-	1.04	1.12	0.91
AVC60CX22	-	1.00	1.03	0.92
AVC60DX21	-	1.04	1.06	0.91
ME12CN21	CF/CM42C	1.01	1.06	0.91
ME12CN21	CF/CM48C	1.02	1.07	0.92
ME12CN21	CF/CM60C	1.01	1.05	0.91
ME14DN21	CF/CM42D	1.01	1.05	0.91
ME14DN21	CF/CM48D	1.04	1.12	0.93
ME14DN21	CF/CM60D	1.01	1.04	0.91
ME14DN21	CF/CM64D	1.04	1.06	0.89
ME16CN21	CF/CM42C	1.02	1.10	0.92
ME16CN21	CF/CM48C	1.02	1.10	0.94
ME16CN21	CF/CM60C	1.01	1.07	0.93
ME20DN21	CF/CM42D	1.02	1.08	0.90
ME20DN21	CF/CM48D	1.02	1.09	0.90
ME20DN21	CF/CM60D	1.04	1.18	0.93
ME20DN21	CF/CM64D	1.04	1.09	0.89
MVC12CN21	CF/CM42C	1.01	1.03	0.89
MVC12CN21	CF/CM48C	1.01	1.04	0.91
MVC12CN21	CF/CM60C	1.01	1.03	0.91
MVC14DN21	CF/CM42D	1.02	1.08	0.90
MVC14DN21	CF/CM48D	1.02	1.08	0.90
MVC14DN21	CF/CM60D	1.01	1.03	0.89
MVC14DN21	CF/CM64D	1.04	1.09	0.89
MVC16CN21	CF/CM42C	1.02	1.08	0.90
MVC16CN21	CF/CM48C	1.02	1.09	0.90
MVC16CN21	CF/CM60C	1.01	1.06	0.91
MVC20DN21	CF/CM42D	1.04	1.10	0.89
MVC20DN21	CF/CM48D	1.02	1.09	0.88
MVC20DN21	CF/CM60D	1.01	1.03	0.89
MVC20DN21	CF/CM64D	1.04	1.10	0.89

FURNACE MULTIPLIERS - 3.5 TON

Furnaces	Coil	T.C.	S.C.	kW
TL8E080C16UH11	CF/CM/CU42C	1.01	1.07	0.93
TL8E080C16UH11	CF/CM/CU48C	1.01	1.07	0.93
TL8E080C16UH11	CF/CM/CU48D	1.02	1.09	0.94
TL8E080C16UH11	CF/CM/CU60C	1.01	1.07	0.95
TL8E080C16UH11	CF/CM/CU60D	1.01	1.07	0.93
TL8E080C16UH11	CF/CM42D	1.02	1.09	0.94
TL8E080C16UH11	CF/CM64D	1.04	1.09	0.93
TL8E100C20UH11	CF/CM/CU42C	1.01	1.07	0.91
TL8E100C20UH11	CF/CM/CU48C	1.01	1.07	0.91
TL8E100C20UH11	CF/CM/CU48D	1.02	1.09	0.92
TL8E100C20UH11	CF/CM/CU60C	1.01	1.06	0.93
TL8E100C20UH11	CF/CM/CU60D	1.01	1.07	0.91
TL8E100C20UH11	CF/CM42D	1.02	1.08	0.92
TL8E100C20UH11	CF/CM64D	1.04	1.08	0.91
TL9E060B12UH11	CF/CM/CU42C	1.00	1.04	0.98
TL9E060B12UH11	CF/CM/CU48C	1.00	1.04	0.98
TL9E060B12UH11	CF/CM/CU60C	0.99	1.02	0.97
TL9E080C16UH11	CF/CM/CU42C	1.01	1.07	0.95
TL9E080C16UH11	CF/CM/CU48C	1.01	1.07	0.95
TL9E080C16UH11	CF/CM/CU48D	1.01	1.07	0.93
TL9E080C16UH11	CF/CM/CU60C	1.00	1.04	0.94
TL9E080C16UH11	CF/CM/CU60D	1.00	1.05	0.94
TL9E080C16UH11	CF/CM42D	1.01	1.07	0.93
TL9E080C16UH11	CF/CM64D	1.04	1.08	0.95
TL9E100C20UH11	CF/CM/CU42C	1.01	1.06	0.91
TL9E100C20UH11	CF/CM/CU48C	1.02	1.07	0.92
TL9E100C20UH11	CF/CM/CU48D	1.00	1.07	0.94
TL9E100C20UH11	CF/CM/CU60C	1.01	1.05	0.93
TL9E100C20UH11	CF/CM/CU60D	1.01	1.06	0.91
TL9E100C20UH11	CF/CM42D	1.01	1.07	0.91
TL9E100C20UH11	CF/CM64D	1.04	1.08	0.91
TM8E080B12MP11	CF/CM/CU42C	1.00	1.06	0.96
TM8E080B12MP11	CF/CM/CU48C	1.01	1.07	0.95
TM8E080B12MP11	CF/CM/CU60C	1.00	1.04	0.96
TM8E080C16MP11	CF/CM/CU42C	1.02	1.08	0.94
TM8E080C16MP11	CF/CM/CU48C	1.02	1.09	0.94
TM8E080C16MP11	CF/CM/CU48D	1.02	1.09	0.94
TM8E080C16MP11	CF/CM/CU60C	1.01	1.07	0.93
TM8E080C16MP11	CF/CM/CU60D	1.01	1.07	0.93
TM8E080C16MP11	CF/CM42D	1.02	1.09	0.94
TM8E080C16MP11	CF/CM64D	1.04	1.09	0.93
TM8E080C20MP11	CF/CM/CU42C	1.01	1.07	0.91
TM8E080C20MP11	CF/CM/CU48C	1.01	1.07	0.91
TM8E080C20MP11	CF/CM/CU48D	1.02	1.09	0.92
TM8E080C20MP11	CF/CM/CU60C	1.01	1.06	0.93
TM8E080C20MP11	CF/CM/CU60D	1.01	1.07	0.91
TM8E080C20MP11	CF/CM42D	1.02	1.08	0.92
TM8E080C20MP11	CF/CM64D	1.04	1.08	0.91
TM8E100B12MP11	CF/CM/CU42C	1.00	1.06	0.94
TM8E100B12MP11	CF/CM/CU48C	1.01	1.07	0.95
TM8E100B12MP11	CF/CM/CU60C	1.00	1.04	0.94
TM8E100C16MP11	CF/CM/CU42C	1.02	1.09	0.94
TM8E100C16MP11	CF/CM/CU48C	1.02	1.09	0.94
TM8E100C16MP11	CF/CM/CU48D	1.02	1.10	0.94
TM8E100C16MP11	CF/CM/CU60C	1.01	1.07	0.93

FURNACE MULTIPLIERS - 3.5 TON (Continued)

Furnaces	Coil	T.C.	S.C.	kW
TM8E100C16MP11	CF/CM/CU60D	1.01	1.08	0.93
TM8E100C16MP11	CF/CM42D	1.02	1.10	0.94
TM8E100C16MP11	CF/CM64D	1.04	1.11	0.93
TM8E100C20MP11	CF/CM/CU42C	1.01	1.07	0.91
TM8E100C20MP11	CF/CM/CU48C	1.01	1.07	0.91
TM8E100C20MP11	CF/CM/CU48D	1.02	1.09	0.92
TM8E100C20MP11	CF/CM/CU60C	1.01	1.06	0.93
TM8E100C20MP11	CF/CM/CU60D	1.01	1.07	0.91
TM8E100C20MP11	CF/CM42D	1.02	1.08	0.92
TM8E100C20MP11	CF/CM64D	1.04	1.08	0.91
TM8E120C16MP11	CF/CM/CU42C	1.02	1.09	0.94
TM8E120C16MP11	CF/CM/CU48C	1.02	1.10	0.94
TM8E120C16MP11	CF/CM/CU48D	1.02	1.10	0.94
TM8E120C16MP11	CF/CM/CU60C	1.01	1.07	0.93
TM8E120C16MP11	CF/CM/CU60D	1.01	1.08	0.93
TM8E120C16MP11	CF/CM42D	1.02	1.10	0.94
TM8E120C16MP11	CF/CM64D	1.04	1.11	0.93
TM8E120C20MP11	CF/CM/CU42C	1.02	1.08	0.92
TM8E120C20MP11	CF/CM/CU48C	1.02	1.09	0.92
TM8E120C20MP11	CF/CM/CU48D	1.02	1.09	0.92
TM8E120C20MP11	CF/CM/CU60C	1.01	1.07	0.93
TM8E120C20MP11	CF/CM/CU60D	1.02	1.09	0.92
TM8E120C20MP11	CF/CM42D	1.02	1.09	0.92
TM8E120C20MP11	CF/CM64D	1.04	1.10	0.91
TM8E130D20MP11	CF/CM/CU48D	1.02	1.09	0.92
TM8E130D20MP11	CF/CM/CU60D	1.02	1.09	0.92
TM8E130D20MP11	CF/CM42D	1.02	1.09	0.92
TM8E130D20MP11	CF/CM64D	1.04	1.12	0.91
TM8V080C16MP11C	CF/CM/CU42C	1.00	1.04	0.92
TM8V080C16MP11C	CF/CM/CU48C	1.01	1.05	0.93
TM8V080C16MP11C	CF/CM/CU48D	1.02	1.09	0.94
TM8V080C16MP11C	CF/CM/CU60C	1.00	1.03	0.92
TM8V080C16MP11C	CF/CM/CU60D	1.01	1.07	0.93
TM8V080C16MP11C	CF/CM42D	1.02	1.08	0.94
TM8V080C16MP11C	CF/CM64D	1.04	1.09	0.93
TM8V080C16MP12C	CF/CM/CU42C	1.00	1.04	0.92
TM8V080C16MP12C	CF/CM/CU48C	1.01	1.05	0.93
TM8V080C16MP12C	CF/CM/CU48D	1.02	1.09	0.94
TM8V080C16MP12C	CF/CM/CU60C	1.00	1.03	0.92
TM8V080C16MP12C	CF/CM/CU60D	1.01	1.07	0.93
TM8V080C16MP12C	CF/CM42D	1.02	1.08	0.94
TM8V080C16MP12C	CF/CM64D	1.04	1.09	0.93
TM8V100C16MP11C	CF/CM/CU42C	1.00	1.04	0.92
TM8V100C16MP11C	CF/CM/CU48C	1.01	1.05	0.93
TM8V100C16MP11C	CF/CM/CU48D	1.02	1.09	0.94
TM8V100C16MP11C	CF/CM/CU60C	1.00	1.03	0.92
TM8V100C16MP11C	CF/CM/CU60D	1.01	1.07	0.93
TM8V100C16MP11C	CF/CM42D	1.02	1.08	0.94
TM8V100C16MP11C	CF/CM64D	1.04	1.09	0.93
TM8V100C16MP12C	CF/CM/CU42C	1.00	1.04	0.92
TM8V100C16MP12C	CF/CM/CU48C	1.01	1.05	0.93
TM8V100C16MP12C	CF/CM/CU48D	1.02	1.09	0.94
TM8V100C16MP12C	CF/CM/CU60C	1.00	1.03	0.92
TM8V100C16MP12C	CF/CM/CU60D	1.01	1.07	0.93
TM8V100C16MP12C	CF/CM42D	1.02	1.08	0.94
TM8V100C16MP12C	CF/CM64D	1.04	1.09	0.93
TM8V100C20MP11C	CF/CM/CU42C	1.01	1.06	0.91
TM8V100C20MP11C	CF/CM/CU48C	1.02	1.07	0.92
TM8V100C20MP11C	CF/CM/CU48D	1.01	1.07	0.91
TM8V100C20MP11C	CF/CM/CU60C	1.01	1.05	0.93
TM8V100C20MP11C	CF/CM/CU60D	1.01	1.06	0.91
TM8V100C20MP11C	CF/CM42D	1.01	1.07	0.91
TM8V100C20MP11C	CF/CM64D	1.04	1.08	0.91
TM8V100C20MP12C	CF/CM/CU42C	1.01	1.06	0.91
TM8V100C20MP12C	CF/CM/CU48C	1.02	1.07	0.92

FURNACE MULTIPLIERS - 3.5 TON (Continued)

Furnaces	Coil	T.C.	S.C.	kW
TM8V100C16MP12C	CF/CM64D	1.04	1.09	0.93
TM8V100C20MP11C	CF/CM/CU42C	1.02	1.10	0.92
TM8V100C20MP11C	CF/CM/CU48C	1.04	1.12	0.95
TM8V100C20MP11C	CF/CM/CU48D	1.04	1.12	0.93
TM8V100C20MP11C	CF/CM/CU60C	1.01	1.05	0.93
TM8V100C20MP11C	CF/CM/CU60D	1.02	1.09	0.92
TM8V100C20MP11C	CF/CM42D	1.02	1.10	0.92
TM8V100C20MP11C	CF/CM64D	1.04	1.13	0.91
TM8V100C20MP12C	CF/CM/CU42C	1.02	1.10	0.92
TM8V100C20MP12C	CF/CM/CU48C	1.04	1.12	0.95
TM8V100C20MP12C	CF/CM/CU48D	1.04	1.12	0.93
TM8V100C20MP12C	CF/CM/CU60C	1.01	1.05	0.93
TM8V100C20MP12C	CF/CM/CU60D	1.02	1.09	0.92
TM8V100C20MP12C	CF/CM42D	1.02	1.10	0.92
TM8V100C20MP12C	CF/CM64D	1.04	1.13	0.91
TM8V120C20MP11C	CF/CM/CU42C	1.02	1.10	0.92
TM8V120C20MP11C	CF/CM/CU48C	1.04	1.12	0.95
TM8V120C20MP11C	CF/CM/CU48D	1.04	1.12	0.93
TM8V120C20MP11C	CF/CM/CU60C	1.01	1.05	0.93
TM8V120C20MP11C	CF/CM/CU60D	1.02	1.09	0.92
TM8V120C20MP11C	CF/CM42D	1.02	1.10	0.92
TM8V120C20MP11C	CF/CM64D	1.04	1.13	0.91
TM8V120C20MP12C	CF/CM/CU42C	1.02	1.10	0.92
TM8V120C20MP12C	CF/CM/CU48C	1.04	1.12	0.95
TM8V120C20MP12C	CF/CM/CU48D	1.04	1.12	0.93
TM8V120C20MP12C	CF/CM/CU60C	1.01	1.05	0.93
TM8V120C20MP12C	CF/CM/CU60D	1.02	1.09	0.92
TM8V120C20MP12C	CF/CM42D	1.02	1.10	0.92
TM8V120C20MP12C	CF/CM64D	1.04	1.13	0.91
TM8V120C20MP12C	CF/CM/CU42C	1.02	1.10	0.92
TM8V120C20MP12C	CF/CM/CU48C	1.04	1.12	0.95
TM8V120C20MP12C	CF/CM/CU48D	1.04	1.12	0.93
TM8V120C20MP12C	CF/CM/CU60C	1.01	1.05	0.93
TM8V120C20MP12C	CF/CM/CU60D	1.02	1.09	0.92
TM8V120C20MP12C	CF/CM42D	1.02	1.10	0.92
TM8V120C20MP12C	CF/CM64D	1.04	1.13	0.91
TM8X080B12MP11	CF/CM/CU42C	1.00	1.04	0.94
TM8X080B12MP11	CF/CM/CU48C	1.00	1.03	0.94
TM8X080B12MP11	CF/CM/CU60C	1.00	1.03	0.94
TM8X080C16MP11	CF/CM/CU42C	1.01	1.11	0.95
TM8X080C16MP11	CF/CM/CU48C	1.02	1.11	0.96
TM8X080C16MP11	CF/CM/CU48D	1.02	1.12	0.94
TM8X080C16MP11	CF/CM/CU60C	1.01	1.09	0.95
TM8X080C16MP11	CF/CM/CU60D	1.00	1.01	0.92
TM8X080C16MP11	CF/CM42D	1.01	1.03	0.91
TM8X080C16MP11	CF/CM64D	1.04	1.14	0.95
TM8X100C16MP11	CF/CM/CU42C	1.01	1.11	0.95
TM8X100C16MP11	CF/CM/CU48C	1.02	1.11	0.96
TM8X100C16MP11	CF/CM/CU48D	1.02	1.12	0.94
TM8X100C16MP11	CF/CM/CU60C	1.01	1.09	0.95
TM8X100C16MP11	CF/CM/CU60D	1.00	1.01	0.92
TM8X100C16MP11	CF/CM42D	1.01	1.03	0.91
TM8X100C16MP11	CF/CM64D	1.04	1.14	0.95
TM8X100C20MP11	CF/CM/CU42C	1.01	1.06	0.91
TM8X100C20MP11	CF/CM/CU48C	1.02	1.07	0.92
TM8X100C20MP11	CF/CM/CU48D	1.01	1.07	0.91
TM8X100C20MP11	CF/CM/CU60C	1.01	1.05	0.91
TM8X100C20MP11	CF/CM/CU60D	1.01	1.06	0.91
TM8X100C20MP11	CF/CM42D	1.01	1.07	0.91
TM8X100C20MP11	CF/CM64D	1.04	1.08	0.91
TM8X120C20MP11	CF/CM/CU42C	1.01	1.06	0.91
TM8X120C20MP11	CF/CM/CU48C	1.02	1.07	0.92

FURNACE MULTIPLIERS - 3.5 TON (Continued)

Furnaces	Coil	T.C.	S.C.	kW
TM8X120C20MP11	CF/CM/CU48D	1.01	1.07	0.91
TM8X120C20MP11	CF/CM/CU60C	1.01	1.05	0.91
TM8X120C20MP11	CF/CM/CU60D	1.01	1.06	0.91
TM8X120C20MP11	CF/CM42D	1.01	1.07	0.91
TM8X120C20MP11	CF/CM64D	1.04	1.08	0.91
TM8Y080B12MP11	CF/CM/CU42C	1.00	1.04	0.94
TM8Y080B12MP11	CF/CM/CU48C	1.00	1.03	0.94
TM8Y080B12MP11	CF/CM/CU60C	1.00	1.03	0.94
TM8Y080C16MP11	CF/CM/CU42C	1.01	1.11	0.95
TM8Y080C16MP11	CF/CM/CU48C	1.02	1.11	0.96
TM8Y080C16MP11	CF/CM/CU48D	1.02	1.12	0.94
TM8Y080C16MP11	CF/CM/CU60C	1.01	1.09	0.95
TM8Y080C16MP11	CF/CM/CU60D	1.00	1.01	0.92
TM8Y080C16MP11	CF/CM42D	1.01	1.03	0.91
TM8Y080C16MP11	CF/CM64D	1.04	1.14	0.95
TM8Y100C16MP11	CF/CM/CU42C	1.01	1.11	0.95
TM8Y100C16MP11	CF/CM/CU48C	1.02	1.11	0.96
TM8Y100C16MP11	CF/CM/CU48D	1.02	1.12	0.94
TM8Y100C16MP11	CF/CM/CU60C	1.01	1.09	0.95
TM8Y100C16MP11	CF/CM/CU60D	1.00	1.01	0.92
TM8Y100C16MP11	CF/CM42D	1.01	1.03	0.91
TM8Y100C16MP11	CF/CM64D	1.04	1.14	0.95
TM8Y100C20MP11	CF/CM/CU42C	1.01	1.06	0.91
TM8Y100C20MP11	CF/CM/CU48C	1.02	1.07	0.92
TM8Y100C20MP11	CF/CM/CU48D	1.01	1.07	0.91
TM8Y100C20MP11	CF/CM/CU60C	1.01	1.05	0.91
TM8Y100C20MP11	CF/CM/CU60D	1.01	1.06	0.91
TM8Y100C20MP11	CF/CM42D	1.01	1.07	0.91
TM8Y100C20MP11	CF/CM64D	1.04	1.08	0.91
TM8Y120C20MP11	CF/CM/CU42C	1.01	1.06	0.91
TM8Y120C20MP11	CF/CM/CU48C	1.02	1.07	0.92
TM8Y120C20MP11	CF/CM/CU48D	1.01	1.07	0.91
TM8Y120C20MP11	CF/CM/CU60C	1.01	1.05	0.91
TM8Y120C20MP11	CF/CM/CU60D	1.01	1.06	0.91
TM8Y120C20MP11	CF/CM42D	1.01	1.07	0.91
TM8Y120C20MP11	CF/CM64D	1.04	1.08	0.91
TM9E060B12MP12	CF/CM/CU42C	1.00	1.04	0.98
TM9E060B12MP12	CF/CM/CU48C	1.00	1.04	0.98
TM9E060B12MP12	CF/CM/CU60C	0.99	1.02	0.97
TM9E080B12MP11	CF/CM/CU42C	1.00	1.02	0.94
TM9E080B12MP11	CF/CM/CU48C	1.00	1.03	0.94
TM9E080B12MP11	CF/CM/CU60C	1.00	1.02	0.96
TM9E080B12MP12	CF/CM/CU42C	1.00	1.06	0.96
TM9E080B12MP12	CF/CM/CU48C	1.00	1.05	0.96
TM9E080B12MP12	CF/CM/CU60C	1.00	1.04	0.96
TM9E080C16MP11	CF/CM/CU42C	1.01	1.07	0.95
TM9E080C16MP11	CF/CM/CU48C	1.01	1.07	0.95
TM9E080C16MP11	CF/CM/CU48D	1.01	1.07	0.95
TM9E080C16MP11	CF/CM/CU60C	1.00	1.04	0.94
TM9E080C16MP11	CF/CM/CU60D	1.00	1.05	0.94
TM9E080C16MP11	CF/CM42D	1.01	1.07	0.95
TM9E080C16MP11	CF/CM64D	1.04	1.09	0.95
TM9E080C16MP12	CF/CM/CU42C	1.01	1.07	0.95
TM9E080C16MP12	CF/CM/CU48C	1.01	1.07	0.95
TM9E080C16MP12	CF/CM/CU48D	1.01	1.07	0.93

FURNACE MULTIPLIERS - 3.5 TON (Continued)

Furnaces	Coil	T.C.	S.C.	kW
TM9E080C16MP12	CF/CM/CU60C	1.00	1.05	0.94
TM9E080C16MP12	CF/CM/CU60D	1.00	1.05	0.94
TM9E080C16MP12	CF/CM42D	1.01	1.07	0.93
TM9E080C16MP12	CF/CM64D	1.04	1.09	0.95
TM9E080C20MP12	CF/CM/CU42C	1.01	1.06	0.91
TM9E080C20MP12	CF/CM/CU48C	1.02	1.07	0.92
TM9E080C20MP12	CF/CM/CU48D	1.01	1.07	0.91
TM9E080C20MP12	CF/CM/CU60C	1.01	1.05	0.93
TM9E080C20MP12	CF/CM/CU60D	1.02	1.13	0.94
TM9E080C20MP12	CF/CM42D	1.01	1.07	0.91
TM9E080C20MP12	CF/CM64D	1.04	1.08	0.91
TM9E100C16MP11	CF/CM/CU42C	1.01	1.07	0.93
TM9E100C16MP11	CF/CM/CU48C	1.01	1.07	0.93
TM9E100C16MP11	CF/CM/CU48D	1.00	1.03	0.92
TM9E100C16MP11	CF/CM/CU60C	1.00	1.05	0.94
TM9E100C16MP11	CF/CM/CU60D	1.00	1.01	0.92
TM9E100C16MP11	CF/CM42D	1.01	1.03	0.93
TM9E100C16MP11	CF/CM64D	1.04	1.09	0.93
TM9E100C16MP12	CF/CM/CU42C	1.01	1.07	0.93
TM9E100C16MP12	CF/CM/CU48C	1.01	1.07	0.93
TM9E100C16MP12	CF/CM/CU48D	1.02	1.09	0.94
TM9E100C16MP12	CF/CM/CU60C	1.00	1.05	0.94
TM9E100C16MP12	CF/CM/CU60D	1.01	1.07	0.93
TM9E100C16MP12	CF/CM42D	1.02	1.09	0.94
TM9E100C16MP12	CF/CM64D	1.04	1.09	0.93
TM9E100C20MP11	CF/CM/CU42C	1.01	1.03	0.93
TM9E100C20MP11	CF/CM/CU48C	1.00	1.03	0.92
TM9E100C20MP11	CF/CM/CU48D	1.01	1.05	0.93
TM9E100C20MP11	CF/CM/CU60C	1.00	1.01	0.92
TM9E100C20MP11	CF/CM/CU60D	1.02	1.18	0.98
TM9E100C20MP11	CF/CM42D	1.01	1.05	0.93
TM9E100C20MP11	CF/CM64D	1.02	1.05	0.92
TM9E100C20MP12	CF/CM/CU42C	1.01	1.06	0.91
TM9E100C20MP12	CF/CM/CU48C	1.02	1.07	0.92
TM9E100C20MP12	CF/CM/CU48D	1.02	1.07	0.92
TM9E100C20MP12	CF/CM/CU60C	1.01	1.05	0.91
TM9E100C20MP12	CF/CM/CU60D	1.01	1.06	0.91
TM9E100C20MP12	CF/CM42D	1.01	1.06	0.91
TM9E100C20MP12	CF/CM64D	1.04	1.08	0.91
TM9V080B12MP11C	CF/CM/CU42C	1.00	1.06	0.96
TM9V080B12MP11C	CF/CM/CU48C	1.00	1.05	0.96
TM9V080B12MP11C	CF/CM/CU60C	1.00	1.04	0.96
TM9V080B12MP12C	CF/CM/CU42C	1.00	1.06	0.96
TM9V080B12MP12C	CF/CM/CU48C	1.00	1.05	0.96
TM9V080B12MP12C	CF/CM/CU60C	1.00	1.04	0.96
TM9V080C16MP11C	CF/CM/CU42C	1.01	1.06	0.95
TM9V080C16MP11C	CF/CM/CU48C	1.01	1.06	0.95

FURNACE MULTIPLIERS - 3.5 TON (Continued)

Furnaces	Coil	T.C.	S.C.	kW
TM9V080C16MP11C	CF/CM/CU48D	1.01	1.06	0.93
TM9V080C16MP11C	CF/CM/CU60C	1.00	1.03	0.94
TM9V080C16MP11C	CF/CM/CU60D	1.00	1.03	0.94
TM9V080C16MP11C	CF/CM42D	1.01	1.06	0.95
TM9V080C16MP11C	CF/CM64D	1.02	1.06	0.94
TM9V080C16MP12C	CF/CM/CU42C	1.01	1.06	0.95
TM9V080C16MP12C	CF/CM/CU48C	1.01	1.06	0.95
TM9V080C16MP12C	CF/CM/CU48D	1.01	1.06	0.93
TM9V080C16MP12C	CF/CM/CU60C	1.00	1.03	0.94
TM9V080C16MP12C	CF/CM/CU60D	1.00	1.03	0.94
TM9V080C16MP12C	CF/CM42D	1.01	1.06	0.95
TM9V080C16MP12C	CF/CM64D	1.02	1.06	0.94
TM9V100C16MP11C	CF/CM/CU42C	1.01	1.03	0.93
TM9V100C16MP11C	CF/CM/CU48C	1.02	1.09	0.94
TM9V100C16MP11C	CF/CM/CU48D	1.01	1.05	0.93
TM9V100C16MP11C	CF/CM/CU60C	1.00	1.01	0.92
TM9V100C16MP11C	CF/CM/CU60D	1.00	1.01	0.92
TM9V100C16MP11C	CF/CM42D	1.01	1.03	0.91
TM9V100C16MP11C	CF/CM64D	1.04	1.08	0.93
TM9V100C16MP12C	CF/CM/CU42C	1.01	1.03	0.93
TM9V100C16MP12C	CF/CM/CU48C	1.02	1.09	0.94
TM9V100C16MP12C	CF/CM/CU48D	1.01	1.05	0.93
TM9V100C16MP12C	CF/CM/CU60C	1.00	1.01	0.92
TM9V100C16MP12C	CF/CM/CU60D	1.00	1.01	0.92
TM9V100C16MP12C	CF/CM42D	1.01	1.03	0.91
TM9V100C16MP12C	CF/CM64D	1.04	1.08	0.93
TM9V100C20MP11C	CF/CM/CU42C	1.01	1.06	0.93
TM9V100C20MP11C	CF/CM/CU48C	1.01	1.06	0.93
TM9V100C20MP11C	CF/CM/CU48D	1.01	1.06	0.91
TM9V100C20MP11C	CF/CM/CU60C	1.00	1.03	0.92
TM9V100C20MP11C	CF/CM/CU60D	1.01	1.05	0.93
TM9V100C20MP11C	CF/CM42D	1.01	1.06	0.93
TM9V100C20MP11C	CF/CM64D	1.04	1.08	0.93
TM9V100C20MP12C	CF/CM/CU42C	1.01	1.06	0.93
TM9V100C20MP12C	CF/CM/CU48C	1.01	1.06	0.93
TM9V100C20MP12C	CF/CM/CU48D	1.01	1.06	0.91
TM9V100C20MP12C	CF/CM/CU60C	1.00	1.03	0.92
TM9V100C20MP12C	CF/CM/CU60D	1.01	1.05	0.93
TM9V100C20MP12C	CF/CM42D	1.01	1.06	0.93
TM9V100C20MP12C	CF/CM64D	1.04	1.08	0.93
TM9V120D20MP11C	CF/CM/CU48D	1.04	1.13	0.93
TM9V120D20MP11C	CF/CM/CU60D	1.02	1.12	0.94
TM9V120D20MP11C	CF/CM42D	1.02	1.09	0.92
TM9V120D20MP11C	CF/CM64D	1.04	1.08	0.91
TM9V120D20MP12C	CF/CM/CU48D	1.04	1.13	0.93
TM9V120D20MP12C	CF/CM/CU60D	1.02	1.12	0.94
TM9V120D20MP12C	CF/CM42D	1.02	1.09	0.92
TM9V120D20MP12C	CF/CM64D	1.04	1.08	0.91
TM9Y080B12MP11	CF/CM/CU42C	1.00	1.02	0.94
TM9Y080B12MP11	CF/CM/CU48C	1.00	1.03	0.94
TM9Y080B12MP11	CF/CM/CU60C	1.00	1.02	0.96
TM9Y080C16MP11	CF/CM/CU42C	1.01	1.07	0.95
TM9Y080C16MP11	CF/CM/CU48C	1.01	1.07	0.95
TM9Y080C16MP11	CF/CM/CU48D	1.01	1.07	0.95
TM9Y080C16MP11	CF/CM/CU60C	1.00	1.04	0.94

FURNACE MULTIPLIERS - 3.5 TON (Continued)

Furnaces	Coil	T.C.	S.C.	kW
TM9Y080C16MP11	CF/CM/CU60D	1.00	1.05	0.94
TM9Y080C16MP11	CF/CM42D	1.01	1.07	0.95
TM9Y080C16MP11	CF/CM64D	1.04	1.09	0.95
TM9Y100C16MP11	CF/CM/CU42C	1.01	1.07	0.93
TM9Y100C16MP11	CF/CM/CU48C	1.01	1.07	0.93
TM9Y100C16MP11	CF/CM/CU48D	1.00	1.03	0.92
TM9Y100C16MP11	CF/CM/CU60C	1.00	1.05	0.94
TM9Y100C16MP11	CF/CM/CU60D	1.00	1.01	0.92
TM9Y100C16MP11	CF/CM42D	1.01	1.03	0.93
TM9Y100C16MP11	CF/CM64D	1.04	1.09	0.93
TM9Y100C20MP11	CF/CM/CU42C	1.01	1.03	0.93
TM9Y100C20MP11	CF/CM/CU48C	1.00	1.03	0.92
TM9Y100C20MP11	CF/CM/CU48D	1.01	1.05	0.93
TM9Y100C20MP11	CF/CM/CU60C	1.00	1.01	0.92
TM9Y100C20MP11	CF/CM/CU60D	1.02	1.18	0.98
TM9Y100C20MP11	CF/CM42D	1.01	1.05	0.93
TM9Y100C20MP11	CF/CM64D	1.02	1.05	0.92
TM9Y120D20MP11	CF/CM/CU48D	1.01	1.07	0.91
TM9Y120D20MP11	CF/CM/CU60D	1.01	1.06	0.91
TM9Y120D20MP11	CF/CM42D	1.01	1.07	0.91
TM9Y120D20MP11	CF/CM64D	1.04	1.08	0.91
TMLE080B12MP11	CF/CM/CU42C	1.00	1.06	0.96
TMLE080B12MP11	CF/CM/CU48C	1.01	1.07	0.95
TMLE080B12MP11	CF/CM/CU60C	1.00	1.04	0.96
TMLE080C16MP11	CF/CM/CU42C	1.02	1.08	0.94
TMLE080C16MP11	CF/CM/CU48C	1.02	1.09	0.94
TMLE080C16MP11	CF/CM/CU48D	1.02	1.09	0.94
TMLE080C16MP11	CF/CM/CU60C	1.01	1.07	0.93
TMLE080C16MP11	CF/CM/CU60D	1.01	1.07	0.93
TMLE080C16MP11	CF/CM42D	1.02	1.09	0.94
TMLE080C16MP11	CF/CM64D	1.04	1.09	0.93
TMLE080C20MP11	CF/CM/CU42C	1.01	1.07	0.91
TMLE080C20MP11	CF/CM/CU48C	1.01	1.07	0.91
TMLE080C20MP11	CF/CM/CU48D	1.02	1.09	0.92
TMLE080C20MP11	CF/CM/CU60C	1.01	1.06	0.93
TMLE080C20MP11	CF/CM/CU60D	1.01	1.07	0.91
TMLE080C20MP11	CF/CM42D	1.02	1.08	0.92
TMLE080C20MP11	CF/CM64D	1.04	1.08	0.91
TMLE100B12MP11	CF/CM/CU42C	1.00	1.06	0.94
TMLE100B12MP11	CF/CM/CU48C	1.01	1.07	0.95
TMLE100B12MP11	CF/CM/CU60C	1.00	1.04	0.94
TMLE100C16MP11	CF/CM/CU42C	1.02	1.09	0.94
TMLE100C16MP11	CF/CM/CU48C	1.02	1.09	0.94
TMLE100C16MP11	CF/CM/CU48D	1.02	1.10	0.94
TMLE100C16MP11	CF/CM/CU60C	1.01	1.07	0.93
TMLE100C16MP11	CF/CM/CU60D	1.01	1.08	0.93
TMLE100C16MP11	CF/CM42D	1.02	1.10	0.94
TMLE100C16MP11	CF/CM64D	1.04	1.11	0.93
TMLE100C20MP11	CF/CM/CU42C	1.01	1.07	0.91
TMLE100C20MP11	CF/CM/CU48C	1.01	1.07	0.91
TMLE100C20MP11	CF/CM/CU48D	1.02	1.09	0.92
TMLE100C20MP11	CF/CM/CU60C	1.01	1.06	0.93
TMLE100C20MP11	CF/CM/CU60D	1.01	1.07	0.91
TMLE100C20MP11	CF/CM42D	1.02	1.08	0.92
TMLE100C20MP11	CF/CM64D	1.04	1.08	0.91

FURNACE MULTIPLIERS - 3.5 TON (Continued)

Furnaces	Coil	T.C.	S.C.	kW
TMLE120C16MP11	CF/CM/CU42C	1.02	1.09	0.94
TMLE120C16MP11	CF/CM/CU48C	1.02	1.10	0.94
TMLE120C16MP11	CF/CM/CU48D	1.02	1.10	0.94
TMLE120C16MP11	CF/CM/CU60C	1.01	1.07	0.93
TMLE120C16MP11	CF/CM/CU60D	1.01	1.08	0.93
TMLE120C16MP11	CF/CM/42D	1.02	1.10	0.94
TMLE120C16MP11	CF/CM/64D	1.04	1.11	0.93
TMLE120C20MP11	CF/CM/CU42C	1.02	1.08	0.92
TMLE120C20MP11	CF/CM/CU48C	1.02	1.09	0.92
TMLE120C20MP11	CF/CM/CU48D	1.02	1.09	0.92
TMLE120C20MP11	CF/CM/CU60C	1.01	1.07	0.93
TMLE120C20MP11	CF/CM/CU60D	1.02	1.09	0.92
TMLE120C20MP11	CF/CM/42D	1.02	1.09	0.92
TMLE120C20MP11	CF/CM/64D	1.04	1.10	0.91
TMLE130D20MP11	CF/CM/CU48D	1.02	1.09	0.92
TMLE130D20MP11	CF/CM/CU60D	1.02	1.09	0.92
TMLE130D20MP11	CF/CM/42D	1.02	1.09	0.92
TMLE130D20MP11	CF/CM/64D	1.04	1.12	0.91
TMLV080C16MP11C	CF/CM/CU42C	1.00	1.04	0.92
TMLV080C16MP11C	CF/CM/CU48C	1.01	1.05	0.93
TMLV080C16MP11C	CF/CM/CU48D	1.02	1.09	0.94
TMLV080C16MP11C	CF/CM/CU60C	1.00	1.03	0.92
TMLV080C16MP11C	CF/CM/CU60D	1.01	1.07	0.93
TMLV080C16MP11C	CF/CM/42D	1.02	1.08	0.94
TMLV080C16MP11C	CF/CM/64D	1.04	1.09	0.93
TMLV080C16MP12C	CF/CM/CU42C	1.00	1.04	0.92
TMLV080C16MP12C	CF/CM/CU48C	1.01	1.05	0.93
TMLV080C16MP12C	CF/CM/CU48D	1.02	1.09	0.94
TMLV080C16MP12C	CF/CM/CU60C	1.00	1.03	0.92
TMLV080C16MP12C	CF/CM/CU60D	1.01	1.07	0.93
TMLV080C16MP12C	CF/CM/42D	1.02	1.08	0.94
TMLV080C16MP12C	CF/CM/64D	1.04	1.09	0.93
TMLV100C16MP11C	CF/CM/CU42C	1.00	1.04	0.92
TMLV100C16MP11C	CF/CM/CU48C	1.01	1.05	0.93
TMLV100C16MP11C	CF/CM/CU48D	1.02	1.09	0.94
TMLV100C16MP11C	CF/CM/CU60C	1.00	1.03	0.92
TMLV100C16MP11C	CF/CM/CU60D	1.01	1.07	0.93
TMLV100C16MP11C	CF/CM/42D	1.02	1.08	0.94
TMLV100C16MP11C	CF/CM/64D	1.04	1.09	0.93
TMLV100C16MP12C	CF/CM/CU42C	1.00	1.04	0.92
TMLV100C16MP12C	CF/CM/CU48C	1.01	1.05	0.93
TMLV100C16MP12C	CF/CM/CU48D	1.02	1.09	0.94
TMLV100C16MP12C	CF/CM/CU60C	1.00	1.03	0.92
TMLV100C16MP12C	CF/CM/CU60D	1.01	1.07	0.93
TMLV100C16MP12C	CF/CM/42D	1.02	1.08	0.94
TMLV100C16MP12C	CF/CM/64D	1.04	1.09	0.93
TMLV100C20MP11C	CF/CM/CU42C	1.02	1.10	0.92
TMLV100C20MP11C	CF/CM/CU48C	1.04	1.12	0.95
TMLV100C20MP11C	CF/CM/CU48D	1.04	1.12	0.93
TMLV100C20MP11C	CF/CM/CU60C	1.01	1.05	0.93
TMLV100C20MP11C	CF/CM/CU60D	1.02	1.09	0.92
TMLV100C20MP11C	CF/CM/42D	1.02	1.10	0.92
TMLV100C20MP11C	CF/CM/64D	1.04	1.13	0.91
TMLV100C20MP12C	CF/CM/CU42C	1.02	1.10	0.92
TMLV100C20MP12C	CF/CM/CU48C	1.04	1.12	0.95
TMLV100C20MP12C	CF/CM/CU48D	1.04	1.12	0.93
TMLV100C20MP12C	CF/CM/CU60C	1.01	1.05	0.93
TMLV100C20MP12C	CF/CM/CU60D	1.02	1.09	0.92
TMLV100C20MP12C	CF/CM/42D	1.02	1.10	0.92
TMLV100C20MP12C	CF/CM/64D	1.04	1.13	0.91
TP9C080B12MP12C	CF/CM/CU42C	1.00	1.06	0.96
TP9C080B12MP12C	CF/CM/CU48C	1.00	1.05	0.96
TP9C080B12MP12C	CF/CM/CU60C	1.00	1.04	0.96
TP9C080B12MP13C	CF/CM/CU42C	1.00	1.06	0.96
TP9C080B12MP13C	CF/CM/CU48C	1.00	1.05	0.96

FURNACE MULTIPLIERS - 3.5 TON (Continued)

Furnaces	Coil	T.C.	S.C.	kW
TMLV100C20MP12C	CF/CM/CU48D	1.04	1.12	0.93
TMLV100C20MP12C	CF/CM/CU60C	1.01	1.05	0.93
TMLV100C20MP12C	CF/CM/CU60D	1.02	1.09	0.92
TMLV100C20MP12C	CF/CM/42D	1.02	1.10	0.92
TMLV100C20MP12C	CF/CM/64D	1.04	1.13	0.91
TMLV120C20MP11C	CF/CM/CU42C	1.02	1.10	0.92
TMLV120C20MP11C	CF/CM/CU48C	1.04	1.12	0.95
TMLV120C20MP11C	CF/CM/CU48D	1.04	1.12	0.93
TMLV120C20MP11C	CF/CM/CU60C	1.01	1.05	0.93
TMLV120C20MP11C	CF/CM/CU60D	1.02	1.09	0.92
TMLV120C20MP11C	CF/CM/42D	1.02	1.10	0.92
TMLV120C20MP11C	CF/CM/64D	1.04	1.13	0.91
TMLV120C20MP12C	CF/CM/CU42C	1.02	1.10	0.92
TMLV120C20MP12C	CF/CM/CU48C	1.04	1.12	0.95
TMLV120C20MP12C	CF/CM/CU48D	1.04	1.12	0.93
TMLV120C20MP12C	CF/CM/CU60C	1.01	1.05	0.93
TMLV120C20MP12C	CF/CM/CU60D	1.02	1.09	0.92
TMLV120C20MP12C	CF/CM/42D	1.02	1.10	0.92
TMLV120C20MP12C	CF/CM/64D	1.04	1.13	0.91
TMLX080B12MP11	CF/CM/CU42C	1.00	1.04	0.94
TMLX080B12MP11	CF/CM/CU48C	1.00	1.03	0.94
TMLX080B12MP11	CF/CM/CU60C	1.00	1.03	0.94
TMLX080C16MP11	CF/CM/CU42C	1.01	1.11	0.95
TMLX080C16MP11	CF/CM/CU48C	1.02	1.11	0.96
TMLX080C16MP11	CF/CM/CU48D	1.02	1.12	0.94
TMLX080C16MP11	CF/CM/CU60C	1.01	1.09	0.95
TMLX080C16MP11	CF/CM/CU60D	1.00	1.01	0.92
TMLX080C16MP11	CF/CM/42D	1.01	1.03	0.91
TMLX080C16MP11	CF/CM/64D	1.04	1.14	0.95
TMLX100C16MP11	CF/CM/CU42C	1.01	1.11	0.95
TMLX100C16MP11	CF/CM/CU48C	1.02	1.11	0.96
TMLX100C16MP11	CF/CM/CU48D	1.02	1.12	0.94
TMLX100C16MP11	CF/CM/CU60C	1.01	1.09	0.95
TMLX100C16MP11	CF/CM/CU60D	1.00	1.01	0.92
TMLX100C16MP11	CF/CM/42D	1.01	1.03	0.91
TMLX100C16MP11	CF/CM/64D	1.04	1.14	0.95
TMLX100C20MP11	CF/CM/CU42C	1.01	1.06	0.91
TMLX100C20MP11	CF/CM/CU48C	1.02	1.07	0.92
TMLX100C20MP11	CF/CM/CU48D	1.01	1.07	0.91
TMLX100C20MP11	CF/CM/CU60C	1.01	1.05	0.91
TMLX100C20MP11	CF/CM/CU60D	1.01	1.06	0.91
TMLX100C20MP11	CF/CM/42D	1.01	1.07	0.91
TMLX100C20MP11	CF/CM/64D	1.04	1.08	0.91
TMLX120C20MP11	CF/CM/CU42C	1.01	1.06	0.91
TMLX120C20MP11	CF/CM/CU48C	1.02	1.07	0.92
TMLX120C20MP11	CF/CM/CU48D	1.01	1.07	0.91
TMLX120C20MP11	CF/CM/CU60C	1.01	1.05	0.91
TMLX120C20MP11	CF/CM/CU60D	1.01	1.06	0.91
TMLX120C20MP11	CF/CM/42D	1.01	1.07	0.91
TMLX120C20MP11	CF/CM/64D	1.04	1.08	0.91

FURNACE MULTIPLIERS - 3.5 TON (Continued)

Furnaces	Coil	T.C.	S.C.	kW
CP9C080C16MP13C	CF/CM/CU60D	1.00	1.03	0.94
CP9C080C16MP13C	CF/CM42D	1.01	1.06	0.95
CP9C080C16MP13C	CF/CM64D	1.02	1.06	0.94
CP9C100C16MP12C	CF/CM/CU42C	1.01	1.03	0.93
CP9C100C16MP12C	CF/CM/CU48C	1.02	1.09	0.94
CP9C100C16MP12C	CF/CM/CU48D	1.01	1.05	0.93
CP9C100C16MP12C	CF/CM/CU60C	1.00	1.01	0.92
CP9C100C16MP12C	CF/CM/CU60D	1.00	1.01	0.92
CP9C100C16MP12C	CF/CM42D	1.01	1.03	0.91
CP9C100C16MP12C	CF/CM64D	1.04	1.08	0.93
CP9C100C16MP13C	CF/CM/CU42C	1.01	1.03	0.93
CP9C100C16MP13C	CF/CM/CU48C	1.02	1.09	0.94
CP9C100C16MP13C	CF/CM/CU48D	1.01	1.05	0.93
CP9C100C16MP13C	CF/CM/CU60C	1.00	1.01	0.92
CP9C100C16MP13C	CF/CM/CU60D	1.00	1.01	0.92
CP9C100C16MP13C	CF/CM42D	1.01	1.03	0.91
CP9C100C16MP13C	CF/CM64D	1.04	1.08	0.93
CP9C100C20MP12C	CF/CM/CU42C	1.01	1.06	0.93
CP9C100C20MP12C	CF/CM/CU48C	1.01	1.06	0.93
CP9C100C20MP12C	CF/CM/CU48D	1.01	1.06	0.91
CP9C100C20MP12C	CF/CM/CU60C	1.00	1.03	0.92
CP9C100C20MP12C	CF/CM/CU60D	1.01	1.05	0.93
CP9C100C20MP12C	CF/CM42D	1.01	1.06	0.93
CP9C100C20MP12C	CF/CM64D	1.04	1.08	0.93
CP9C100C20MP13C	CF/CM/CU42C	1.01	1.06	0.93
CP9C100C20MP13C	CF/CM/CU48C	1.01	1.06	0.93
CP9C100C20MP13C	CF/CM/CU48D	1.01	1.06	0.91
CP9C100C20MP13C	CF/CM/CU60C	1.00	1.03	0.92
CP9C100C20MP13C	CF/CM/CU60D	1.01	1.05	0.93
CP9C100C20MP13C	CF/CM42D	1.01	1.06	0.93
CP9C100C20MP13C	CF/CM64D	1.04	1.08	0.93
CP9C120D20MP12C	CF/CM/CU48D	1.04	1.13	0.93
CP9C120D20MP12C	CF/CM/CU60D	1.02	1.12	0.94
CP9C120D20MP12C	CF/CM42D	1.02	1.09	0.92
CP9C120D20MP12C	CF/CM64D	1.04	1.08	0.91
CP9C120D20MP13C	CF/CM/CU48D	1.04	1.13	0.93
CP9C120D20MP13C	CF/CM/CU60D	1.02	1.12	0.94
CP9C120D20MP13C	CF/CM42D	1.02	1.09	0.92
CP9C120D20MP13C	CF/CM64D	1.04	1.08	0.91
CPLC080C16MP12C	CF/CM/CU42C	1.00	1.04	0.92
CPLC080C16MP12C	CF/CM/CU48C	1.01	1.05	0.93
CPLC080C16MP12C	CF/CM/CU48D	1.02	1.09	0.94
CPLC080C16MP12C	CF/CM/CU60C	1.00	1.03	0.92
CPLC080C16MP12C	CF/CM/CU60D	1.01	1.07	0.93
CPLC080C16MP12C	CF/CM42D	1.02	1.08	0.94
CPLC080C16MP12C	CF/CM64D	1.04	1.09	0.93
CPLC080C16MP13C	CF/CM/CU42C	1.00	1.04	0.92
CPLC080C16MP13C	CF/CM/CU48C	1.01	1.05	0.93
CPLC080C16MP13C	CF/CM/CU48D	1.02	1.09	0.94

FURNACE MULTIPLIERS - 3.5 TON (Continued)

Furnaces	Coil	T.C.	S.C.	kW
CPLC080C16MP13C	CF/CM/CU60C	1.00	1.03	0.92
CPLC080C16MP13C	CF/CM/CU60D	1.01	1.07	0.93
CPLC080C16MP13C	CF/CM42D	1.02	1.08	0.94
CPLC080C16MP13C	CF/CM64D	1.04	1.09	0.93
CPLC100C16MP12C	CF/CM/CU42C	1.00	1.04	0.92
CPLC100C16MP12C	CF/CM/CU48C	1.01	1.05	0.93
CPLC100C16MP12C	CF/CM/CU48D	1.02	1.09	0.94
CPLC100C16MP12C	CF/CM/CU60C	1.00	1.03	0.92
CPLC100C16MP12C	CF/CM/CU60D	1.01	1.07	0.93
CPLC100C16MP12C	CF/CM42D	1.02	1.08	0.94
CPLC100C16MP12C	CF/CM64D	1.04	1.09	0.93
CPLC100C16MP13C	CF/CM/CU42C	1.00	1.04	0.92
CPLC100C16MP13C	CF/CM/CU48C	1.01	1.05	0.93
CPLC100C16MP13C	CF/CM/CU48D	1.02	1.09	0.94
CPLC100C16MP13C	CF/CM/CU60C	1.00	1.03	0.92
CPLC100C16MP13C	CF/CM/CU60D	1.01	1.07	0.93
CPLC100C16MP13C	CF/CM42D	1.02	1.08	0.94
CPLC100C16MP13C	CF/CM64D	1.04	1.09	0.93
CPLC100C20MP12C	CF/CM/CU42C	1.02	1.10	0.92
CPLC100C20MP12C	CF/CM/CU48C	1.04	1.12	0.95
CPLC100C20MP12C	CF/CM/CU48D	1.04	1.12	0.93
CPLC100C20MP12C	CF/CM/CU60C	1.01	1.05	0.93
CPLC100C20MP12C	CF/CM/CU60D	1.02	1.09	0.92
CPLC100C20MP12C	CF/CM42D	1.02	1.10	0.92
CPLC100C20MP12C	CF/CM64D	1.04	1.13	0.91
CPLC100C20MP13C	CF/CM/CU42C	1.02	1.10	0.92
CPLC100C20MP13C	CF/CM/CU48C	1.04	1.12	0.95
CPLC100C20MP13C	CF/CM/CU48D	1.04	1.12	0.93
CPLC100C20MP13C	CF/CM/CU60C	1.01	1.05	0.93
CPLC100C20MP13C	CF/CM/CU60D	1.02	1.09	0.92
CPLC100C20MP13C	CF/CM42D	1.02	1.10	0.92
CPLC100C20MP13C	CF/CM64D	1.04	1.13	0.91
CPLC120C20MP12C	CF/CM/CU42C	1.02	1.10	0.92
CPLC120C20MP12C	CF/CM/CU48C	1.04	1.12	0.95
CPLC120C20MP12C	CF/CM/CU48D	1.04	1.12	0.93
CPLC120C20MP12C	CF/CM/CU60C	1.01	1.05	0.93
CPLC120C20MP12C	CF/CM/CU60D	1.02	1.09	0.92
CPLC120C20MP12C	CF/CM42D	1.02	1.10	0.92
CPLC120C20MP12C	CF/CM64D	1.04	1.13	0.91
CPLC120C20MP13C	CF/CM/CU42C	1.02	1.10	0.92
CPLC120C20MP13C	CF/CM/CU48C	1.04	1.12	0.95
CPLC120C20MP13C	CF/CM/CU48D	1.04	1.12	0.93
CPLC120C20MP13C	CF/CM/CU60C	1.01	1.05	0.93
CPLC120C20MP13C	CF/CM/CU60D	1.02	1.09	0.92
CPLC120C20MP13C	CF/CM42D	1.02	1.10	0.92
CPLC120C20MP13C	CF/CM64D	1.04	1.13	0.91

PERFORMANCE DATA - 4 TON

CONDENSER-ONLY DATA (OUTDOOR UNIT)																
MODEL	SATURATED SUCTION AT COMPRESSOR		Outdoor Ambient Temperature													
			55°F		65°F		75°F		85°F		95°F		105°F		115°F	
	T (°F)	P (PSIG)	MBH	kW	MBH	kW	MBH	kW	MBH	kW	MBH	kW	MBH	kW	MBH	kW
TC3B4821S	35	107	46.2	2.20	44.0	2.49	41.7	2.79	39.4	3.13	36.9	3.51	34.3	3.98	31.5	4.51
	40	119	50.8	2.19	48.4	2.49	45.9	2.80	43.3	3.14	40.7	3.51	37.9	3.97	34.9	4.50
	45	130	55.8	2.19	53.0	2.50	50.3	2.81	47.6	3.15	44.6	3.53	41.8	3.97	38.6	4.50
	50	143	61.1	2.19	58.1	2.51	55.0	2.83	52.0	3.17	48.9	3.56	45.8	4.00	42.5	4.50
	55	156	66.7	2.20	63.4	2.52	60.0	2.85	56.6	3.21	53.4	3.58	49.9	4.04	46.6	4.52

Notes:

- For Outdoor Unit (Condenser) performance only. Data does not include the effects of air handler power or heat.
- Performance based on 15°F subcooling and 15°F superheat at the Outdoor Unit base valves.
 - Increase capacity by 1% for each 2°F increase in subcooling.
 - Decrease capacity by 1% for each 2°F decrease in subcooling.
- Maximum recommended condensing temperature is 140°F.

COOLING PERFORMANCE DATA																
OUTDOOR UNIT MODEL NO.		TC3B4821S														
INDOOR COIL MODEL NO.		CF48CXA1														
AIR TEMPERATURE ENTERING OUTDOOR UNIT (°F)	ID CFM	1400					1600					1800				
	ID DB (°F)	80	80	75	80	80	80	80	75	80	80	80	80	75	80	80
	ID WB (°F)	57	62	62	67	72	57	62	62	67	72	57	62	62	67	72
55	T.C.	43.3	46.5	46.4	49.1	51.0	44.0	46.8	46.8	49.5	51.0	44.6	47.0	47.1	49.8	50.9
	S.C.	42.7	36.7	32.2	30.5	23.8	43.4	38.0	33.1	31.3	24.2	44.0	39.4	34.0	32.2	24.6
	kW	2.70	2.69	2.73	2.77	2.81	2.76	2.80	2.82	2.85	2.89	2.82	2.91	2.90	2.94	2.98
65	T.C.	43.2	46.0	45.9	48.8	51.5	44.1	46.4	46.4	49.2	51.5	45.0	46.8	47.0	49.7	51.6
	S.C.	42.6	37.5	32.6	31.1	24.2	43.5	39.1	34.0	32.1	24.7	44.4	40.7	35.4	33.2	25.2
	kW	2.99	2.96	3.02	3.06	3.10	3.04	3.05	3.10	3.14	3.18	3.09	3.15	3.18	3.22	3.27
75	T.C.	43.1	45.5	45.4	48.4	51.9	44.3	46.1	46.1	49.0	52.1	45.4	46.6	46.8	49.6	52.2
	S.C.	42.5	38.4	33.1	31.7	24.6	43.7	40.2	34.9	32.9	25.2	44.8	41.9	36.8	34.1	25.9
	kW	3.27	3.23	3.30	3.34	3.39	3.32	3.31	3.38	3.43	3.47	3.36	3.39	3.46	3.51	3.56
85	T.C.	41.5	43.5	43.1	47.2	50.8	43.1	44.0	43.8	47.5	50.6	44.7	44.5	44.6	47.9	50.5
	S.C.	40.9	38.1	32.2	31.6	24.2	42.5	40.0	34.2	33.2	25.0	44.0	41.8	36.3	34.8	25.8
	kW	3.58	3.63	3.65	3.72	3.78	3.65	3.69	3.74	3.80	3.87	3.72	3.75	3.82	3.89	3.95
95	T.C.	39.9	41.4	40.7	45.9	49.7	41.9	41.9	41.5	46.0	49.2	43.9	42.3	42.3	46.1	48.7
	S.C.	39.4	37.9	31.3	31.5	23.9	41.3	39.8	33.5	33.5	24.8	43.2	41.7	35.7	35.5	25.7
	kW	3.89	4.02	4.01	4.10	4.17	3.99	4.06	4.10	4.18	4.26	4.09	4.11	4.19	4.27	4.35
105	T.C.	37.6	38.3	37.4	42.3	46.8	39.3	39.3	38.0	42.7	46.4	41.0	40.4	38.7	43.1	46.1
	S.C.	37.1	36.3	29.8	30.3	22.9	38.7	38.1	32.0	32.4	24.0	40.4	39.8	34.2	34.4	25.2
	kW	4.33	4.39	4.45	4.56	4.66	4.44	4.47	4.54	4.65	4.75	4.54	4.55	4.63	4.74	4.85
115	T.C.	35.2	35.2	34.1	38.6	43.8	36.7	36.8	34.6	39.4	43.7	38.1	38.4	35.0	40.1	43.5
	S.C.	34.7	34.7	28.4	29.1	21.9	36.2	36.3	30.5	31.2	23.3	37.6	37.9	32.7	33.4	24.7
	kW	4.77	4.77	4.88	5.03	5.14	4.89	4.88	4.98	5.12	5.24	5.00	4.98	5.07	5.21	5.34

Note: All capacities include indoor fan heat. kW values are for the system (outdoor + indoor).

Green shaded cells are ACCA (TVA) conditions.

Blue shaded cells are AHRI conditions.

Multipliers for determining the performance with other indoor sections

Note: For dry bulb temperatures different than those listed (between 73°F to 87°F), sensible capacity increases by 1060 BTUH per 1000 CFM per degree above the listed temperature and decreases by 1060 BTUH per 1000 CFM per degree below the listed temperature.

COIL MULTIPLIERS - 4 TON

Air Handler	Coil	T.C.	S.C.	kW
-	CF/CM/CU48C	1.00	1.00	1.00
-	CF/CM/CU48D	1.00	1.00	1.00
-	CF/CM/CU60C	1.04	1.07	1.02
-	CF/CM/CU60D	1.04	1.07	1.02
-	CF/CM64D	1.04	1.07	1.02
AE48CX21	-	1.03	1.04	0.93
AE48DX21	-	1.04	1.06	0.94
AE60CX21	-	1.04	1.06	0.94
AE60DX21	-	1.04	1.04	0.94
AP48CX21	-	1.00	0.97	0.96
AP48DX21	-	1.03	1.04	1.03
AP60CX21	-	1.04	1.06	1.02
AP60DX22	-	1.02	1.03	0.95
AP60DX23	-	1.02	1.03	0.95
AVC48CX21	-	1.03	1.03	0.95
AVC48DX21	-	1.04	1.04	0.94
AVC60CX21	-	1.04	1.03	0.94
AVC60DX21	-	1.04	1.06	0.94
ME14DN21	CF/CM60D	1.04	1.04	0.94
ME14DN21	CF/CM64D	1.04	1.03	0.94
ME16CN21	CF/CM48C	1.04	1.06	0.94
ME16CN21	CF/CM60C	1.04	1.06	0.94
ME20DN21	CF/CM48D	1.04	1.06	0.94
ME20DN21	CF/CM60D	1.04	1.04	0.94
ME20DN21	CF/CM64D	1.04	1.06	0.94
MVC14DN21	CF/CM48D	1.03	1.00	0.93
MVC14DN21	CF/CM60D	1.03	1.01	0.93
MVC14DN21	CF/CM64D	1.04	1.01	0.94
MVC16CN21	CF/CM48C	1.04	1.04	0.94
MVC16CN21	CF/CM60C	1.04	1.10	0.92
MVC20DN21	CF/CM48D	1.04	1.06	0.96
MVC20DN21	CF/CM60D	1.04	1.06	0.94
MVC20DN21	CF/CM64D	1.04	1.03	0.94

FURNACE MULTIPLIERS - 4 TON

Furnaces	Coil	T.C.	S.C.	kW
TL8E080C16UH11	CF/CM/CU48C	1.02	1.05	0.96
TL8E080C16UH11	CF/CM/CU48D	1.02	1.05	0.96
TL8E080C16UH11	CF/CM/CU60C	1.02	1.02	0.96
TL8E080C16UH11	CF/CM64D	1.03	1.05	0.95
TL8E100C20UH11	CF/CM/CU48C	1.02	1.05	0.94
TL8E100C20UH11	CF/CM/CU48D	1.02	1.05	0.94
TL8E100C20UH11	CF/CM/CU60C	1.02	1.03	0.94
TL8E100C20UH11	CF/CM64D	1.03	1.05	0.93
TL9E080C16UH11	CF/CM/CU48C	1.01	1.04	0.97
TL9E080C16UH11	CF/CM/CU48D	1.01	1.04	0.97
TL9E080C16UH11	CF/CM/CU60C	1.01	1.02	0.97
TL9E080C16UH11	CF/CM64D	1.02	1.04	0.96
TL9E100C20UH11	CF/CM/CU48C	1.02	1.05	0.96
TL9E100C20UH11	CF/CM/CU48D	1.02	1.05	0.96
TL9E100C20UH11	CF/CM/CU60C	1.02	1.04	0.94
TL9E100C20UH11	CF/CM64D	1.03	1.05	0.95
TM8E080B12MP11	CF/CM/CU48C	1.01	1.01	0.99
TM8E080B12MP11	CF/CM/CU60C	1.02	1.01	1.00

FURNACE MULTIPLIERS - 4 TON (Continued)

Furnaces	Coil	T.C.	S.C.	kW
TM8E080C16MP11	CF/CM/CU48C	1.01	1.04	0.99
TM8E080C16MP11	CF/CM/CU48D	1.01	1.04	1.01
TM8E080C16MP11	CF/CM/CU60C	1.02	1.08	0.98
TM8E080C16MP11	CF/CM/CU60D	1.02	1.09	0.98
TM8E080C16MP11	CF/CM64D	1.03	1.10	0.97
TM8E080C20MP11	CF/CM/CU48C	1.02	1.07	0.94
TM8E080C20MP11	CF/CM/CU48D	1.02	1.07	0.94
TM8E080C20MP11	CF/CM/CU60C	1.03	1.05	0.95
TM8E080C20MP11	CF/CM/CU60D	1.03	1.07	0.95
TM8E080C20MP11	CF/CM64D	1.03	1.07	0.93
TM8E100C16MP11	CF/CM/CU48C	1.02	1.01	0.94
TM8E100C16MP11	CF/CM/CU48D	1.02	1.01	0.96
TM8E100C16MP11	CF/CM/CU60C	1.02	1.08	0.98
TM8E100C16MP11	CF/CM/CU60D	1.03	1.02	0.97
TM8E100C16MP11	CF/CM64D	1.03	1.03	0.93
TM8E100C20MP11	CF/CM/CU48C	1.02	1.05	0.94
TM8E100C20MP11	CF/CM/CU48D	1.02	1.07	0.94
TM8E100C20MP11	CF/CM/CU60C	1.03	1.05	0.95
TM8E100C20MP11	CF/CM/CU60D	1.03	1.06	0.95
TM8E100C20MP11	CF/CM64D	1.03	1.06	0.93
TM8E120C16MP11	CF/CM/CU48C	1.02	1.01	0.94
TM8E120C16MP11	CF/CM/CU48D	1.02	1.01	0.94
TM8E120C16MP11	CF/CM/CU60C	1.03	1.02	0.95
TM8E120C16MP11	CF/CM/CU60D	1.03	1.02	0.95
TM8E120C16MP11	CF/CM64D	1.03	1.03	0.93
TM8E120C20MP11	CF/CM/CU48C	1.02	1.05	0.94
TM8E120C20MP11	CF/CM/CU48D	1.02	1.07	0.94
TM8E120C20MP11	CF/CM/CU60C	1.03	1.05	0.95
TM8E120C20MP11	CF/CM/CU60D	1.03	1.02	0.95
TM8E120C20MP11	CF/CM64D	1.03	1.06	0.93
TM8E130D20MP11	CF/CM/CU48D	1.02	1.05	0.94
TM8E130D20MP11	CF/CM/CU60D	1.03	1.06	0.95
TM8E130D20MP11	CF/CM64D	1.03	1.06	0.93
TM8V080C16MP11C	CF/CM/CU48C	1.01	1.04	0.95
TM8V080C16MP11C	CF/CM/CU48D	1.02	1.05	0.96
TM8V080C16MP11C	CF/CM/CU60C	1.02	1.05	0.96
TM8V080C16MP11C	CF/CM/CU60D	1.02	1.05	0.96
TM8V080C16MP11C	CF/CM64D	1.04	1.07	0.96
TM8V080C16MP12C	CF/CM/CU48C	1.01	1.04	0.95
TM8V080C16MP12C	CF/CM/CU48D	1.02	1.05	0.96
TM8V080C16MP12C	CF/CM/CU60C	1.02	1.05	0.96
TM8V080C16MP12C	CF/CM/CU60D	1.02	1.05	0.96
TM8V080C16MP12C	CF/CM64D	1.04	1.07	0.96
TM8V100C16MP11C	CF/CM/CU48C	1.01	1.04	0.95
TM8V100C16MP11C	CF/CM/CU48D	1.02	1.05	0.96
TM8V100C16MP11C	CF/CM/CU60C	1.02	1.05	0.96
TM8V100C16MP11C	CF/CM/CU60D	1.02	1.05	0.96
TM8V100C16MP11C	CF/CM64D	1.04	1.07	0.96
TM8V100C16MP12C	CF/CM/CU48C	1.01	1.04	0.95
TM8V100C16MP12C	CF/CM/CU48D	1.02	1.05	0.96
TM8V100C16MP12C	CF/CM/CU60C	1.02	1.05	0.96
TM8V100C16MP12C	CF/CM/CU60D	1.02	1.05	0.96
TM8V100C16MP12C	CF/CM64D	1.04	1.07	0.96
TM8V100C20MP11C	CF/CM/CU48C	1.02	1.05	0.96
TM8V100C20MP11C	CF/CM/CU48D	1.03	1.08	0.93

FURNACE MULTIPLIERS - 4 TON (Continued)

Furnaces	Coil	T.C.	S.C.	kW
TM8V100C20MP11C	CF/CM/CU60C	1.03	1.06	0.97
TM8V100C20MP11C	CF/CM/CU60D	1.04	1.08	0.98
TM8V100C20MP11C	CF/CM64D	1.03	1.04	0.95
TM8V100C20MP12C	CF/CM/CU48C	1.02	1.05	0.96
TM8V100C20MP12C	CF/CM/CU48D	1.03	1.08	0.93
TM8V100C20MP12C	CF/CM/CU60C	1.03	1.06	0.97
TM8V100C20MP12C	CF/CM/CU60D	1.04	1.09	0.98
TM8V100C20MP12C	CF/CM64D	1.03	1.04	0.95
TM8V120C20MP12C	CF/CM/CU48C	1.02	1.05	0.96
TM8V120C20MP12C	CF/CM/CU48D	1.03	1.08	0.93
TM8V120C20MP12C	CF/CM/CU60C	1.03	1.06	0.97
TM8V120C20MP12C	CF/CM/CU60D	1.04	1.09	0.98
TM8V120C20MP12C	CF/CM64D	1.03	1.04	0.95
TM8X080C16MP11	CF/CM/CU48C	1.00	1.01	0.94
TM8X080C16MP11	CF/CM/CU48D	1.01	1.03	0.95
TM8X080C16MP11	CF/CM/CU60C	1.01	1.02	0.95
TM8X080C16MP11	CF/CM/CU60D	1.01	1.02	0.95
TM8X080C16MP11	CF/CM64D	1.02	1.02	0.94
TM8X100C16MP11	CF/CM/CU48C	1.00	1.01	0.94
TM8X100C16MP11	CF/CM/CU48D	1.01	1.03	0.95
TM8X100C16MP11	CF/CM/CU60C	1.01	1.02	0.95
TM8X100C16MP11	CF/CM/CU60D	1.01	1.02	0.95
TM8X100C16MP11	CF/CM64D	1.02	1.02	0.94
TM8X100C20MP11	CF/CM/CU48C	1.01	1.03	0.95
TM8X100C20MP11	CF/CM/CU48D	1.02	1.05	0.92
TM8X100C20MP11	CF/CM/CU60C	1.02	1.04	0.92
TM8X100C20MP11	CF/CM/CU60D	1.04	1.12	0.96
TM8X100C20MP11	CF/CM64D	1.03	1.04	0.93
TM8X120C20MP11	CF/CM/CU48C	1.01	1.03	0.95
TM8X120C20MP11	CF/CM/CU48D	1.02	1.05	0.92
TM8X120C20MP11	CF/CM/CU60C	1.02	1.04	0.92
TM8X120C20MP11	CF/CM/CU60D	1.04	1.12	0.96
TM8X120C20MP11	CF/CM64D	1.03	1.04	0.93
TM8Y080C16MP11	CF/CM/CU48C	1.00	1.01	0.94
TM8Y080C16MP11	CF/CM/CU48D	1.01	1.03	0.95
TM8Y080C16MP11	CF/CM/CU60C	1.01	1.02	0.95
TM8Y080C16MP11	CF/CM/CU60D	1.01	1.02	0.95
TM8Y080C16MP11	CF/CM64D	1.02	1.02	0.94
TM8Y100C16MP11	CF/CM/CU48C	1.00	1.01	0.94
TM8Y100C16MP11	CF/CM/CU48D	1.01	1.03	0.95
TM8Y100C16MP11	CF/CM/CU60C	1.01	1.02	0.95
TM8Y100C16MP11	CF/CM/CU60D	1.01	1.02	0.95
TM8Y100C16MP11	CF/CM64D	1.02	1.02	0.94
TM8Y100C20MP11	CF/CM/CU48C	1.01	1.03	0.95
TM8Y100C20MP11	CF/CM/CU48D	1.02	1.05	0.92
TM8Y100C20MP11	CF/CM/CU60C	1.02	1.04	0.92
TM8Y100C20MP11	CF/CM/CU60D	1.04	1.12	0.96
TM8Y100C20MP11	CF/CM64D	1.03	1.04	0.93
TM8Y120C20MP11	CF/CM/CU48C	1.01	1.03	0.95
TM8Y120C20MP11	CF/CM/CU48D	1.02	1.05	0.92
TM8Y120C20MP11	CF/CM/CU60C	1.02	1.04	0.92
TM8Y120C20MP11	CF/CM/CU60D	1.04	1.12	0.96
TM8Y120C20MP11	CF/CM64D	1.03	1.04	0.93
TM9E080B12MP12	CF/CM/CU48C	1.01	1.01	0.99
TM9E080B12MP12	CF/CM/CU60C	1.02	1.01	1.00

FURNACE MULTIPLIERS - 4 TON (Continued)

Furnaces	Coil	T.C.	S.C.	kW
TM9E080C16MP11	CF/CM/CU48C	1.03	1.05	0.99
TM9E080C16MP11	CF/CM/CU48D	1.03	1.07	0.99
TM9E080C16MP11	CF/CM/CU60C	1.03	1.03	0.99
TM9E080C16MP11	CF/CM/CU60D	1.03	1.04	0.99
TM9E080C20MP12	CF/CM/CU48C	1.02	1.05	0.94
TM9E080C20MP12	CF/CM/CU48D	1.02	1.05	0.94
TM9E080C20MP12	CF/CM/CU60C	1.03	1.05	0.95
TM9E080C20MP12	CF/CM/CU60D	1.03	1.05	0.95
TM9E080C20MP12	CF/CM64D	1.03	1.05	0.93
TM9E100C16MP11	CF/CM/CU48C	1.01	1.04	0.95
TM9E100C16MP11	CF/CM/CU48D	1.01	1.04	0.95
TM9E100C16MP11	CF/CM/CU60C	1.01	1.04	0.95
TM9E100C16MP11	CF/CM/CU60D	1.02	1.05	0.96
TM9E100C16MP11	CF/CM64D	1.03	1.05	0.97
TM9E100C16MP12	CF/CM/CU60D	1.02	1.08	1.00
TM9E100C20MP11	CF/CM/CU48C	1.00	1.01	0.94
TM9E100C20MP11	CF/CM/CU48D	1.00	1.01	0.94
TM9E100C20MP11	CF/CM/CU60C	1.00	1.00	0.94
TM9E100C20MP11	CF/CM/CU60D	1.01	1.02	0.93
TM9E100C20MP11	CF/CM64D	1.02	1.02	0.94
TM9E100C20MP12	CF/CM/CU48C	1.02	1.05	0.94
TM9E100C20MP12	CF/CM/CU48D	1.02	1.05	0.94
TM9E100C20MP12	CF/CM/CU60C	1.03	1.05	0.95
TM9E100C20MP12	CF/CM/CU60D	1.03	1.05	0.95
TM9E100C20MP12	CF/CM64D	1.03	1.05	0.93
TM9E120D20MP11	CF/CM/CU48D	1.01	1.04	0.93
TM9E120D20MP11	CF/CM/CU60D	1.04	1.12	0.94
TM9E120D20MP11	CF/CM64D	1.04	1.11	0.94
TM9E120D20MP12	CF/CM/CU48D	1.02	1.07	0.94
TM9E120D20MP12	CF/CM/CU60D	1.03	1.05	0.95
TM9E120D20MP12	CF/CM64D	1.03	1.07	0.93
TM9V080C16MP11C	CF/CM/CU48C	1.02	1.02	0.96
TM9V080C16MP11C	CF/CM/CU48D	1.03	1.03	0.95
TM9V080C16MP11C	CF/CM/CU60C	1.02	1.01	0.96
TM9V080C16MP11C	CF/CM/CU60D	1.02	1.01	0.96
TM9V080C16MP12C	CF/CM/CU48C	1.02	1.02	0.96
TM9V080C16MP12C	CF/CM/CU48D	1.03	1.03	0.95
TM9V080C16MP12C	CF/CM/CU60C	1.02	1.01	0.96
TM9V080C16MP12C	CF/CM/CU60D	1.02	1.01	0.96
TM9V100C16MP11C	CF/CM/CU48C	1.00	1.00	0.94
TM9V100C16MP11C	CF/CM/CU48D	1.02	1.05	0.94
TM9V100C16MP11C	CF/CM/CU60C	1.02	1.05	0.96
TM9V100C16MP11C	CF/CM/CU60D	1.03	1.08	0.97
TM9V100C16MP11C	CF/CM64D	1.02	1.02	0.92
TM9V100C16MP12C	CF/CM/CU48C	1.00	1.00	0.94
TM9V100C16MP12C	CF/CM/CU48D	1.02	1.05	0.94
TM9V100C16MP12C	CF/CM/CU60C	1.02	1.05	0.96
TM9V100C16MP12C	CF/CM/CU60D	1.03	1.08	0.97
TM9V100C16MP12C	CF/CM64D	1.02	1.02	0.92
TM9V100C20MP11C	CF/CM/CU48C	1.00	1.01	0.98
TM9V100C20MP11C	CF/CM/CU48D	1.00	1.01	0.94
TM9V100C20MP11C	CF/CM/CU60C	1.03	1.08	0.99
TM9V100C20MP11C	CF/CM/CU60D	1.03	1.08	0.95
TM9V100C20MP11C	CF/CM64D	1.04	1.08	0.94
TM9V100C20MP12C	CF/CM/CU48C	1.00	1.00	0.98

FURNACE MULTIPLIERS - 4 TON (Continued)

Furnaces	Coil	T.C.	S.C.	kW
TM9V100C20MP12C	CF/CM/CU48D	1.00	1.01	0.94
TM9V100C20MP12C	CF/CM/CU60C	1.03	1.08	0.99
TM9V100C20MP12C	CF/CM/CU60D	1.03	1.08	0.95
TM9V100C20MP12C	CF/CM64D	1.04	1.08	0.94
TM9V120D20MP11C	CF/CM/CU48D	1.02	1.05	0.94
TM9V120D20MP11C	CF/CM/CU60D	1.04	1.11	0.94
TM9V120D20MP11C	CF/CM64D	1.04	1.11	0.98
TM9V120D20MP12C	CF/CM/CU48D	1.02	1.05	0.94
TM9V120D20MP12C	CF/CM/CU60D	1.04	1.11	0.94
TM9V120D20MP12C	CF/CM64D	1.04	1.11	0.98
TM9Y080C16MP11	CF/CM/CU48C	1.03	1.05	0.99
TM9Y080C16MP11	CF/CM/CU48D	1.03	1.07	0.99
TM9Y080C16MP11	CF/CM/CU60C	1.03	1.03	0.99
TM9Y080C16MP11	CF/CM/CU60D	1.03	1.04	0.99
TM9Y080C16MP11	CF/CM64D	1.04	1.01	0.98
TM9Y100C16MP11	CF/CM/CU48C	1.01	1.04	0.95
TM9Y100C16MP11	CF/CM/CU48D	1.01	1.04	0.95
TM9Y100C16MP11	CF/CM/CU60C	1.01	1.04	0.95
TM9Y100C16MP11	CF/CM/CU60D	1.02	1.05	0.96
TM9Y100C16MP11	CF/CM64D	1.03	1.05	0.97
TM9Y100C20MP11	CF/CM/CU48C	1.00	1.01	0.94
TM9Y100C20MP11	CF/CM/CU48D	1.00	1.01	0.94
TM9Y100C20MP11	CF/CM/CU60C	1.00	1.00	0.94
TM9Y100C20MP11	CF/CM/CU60D	1.01	1.02	0.93
TM9Y100C20MP11	CF/CM64D	1.02	1.02	0.94
TM9Y120D20MP11	CF/CM/CU48D	1.01	1.04	0.93
TM9Y120D20MP11	CF/CM/CU60D	1.04	1.12	0.94
TM9Y120D20MP11	CF/CM64D	1.04	1.11	0.94
TMLV080C16MP12C	CF/CM/CU48C	1.01	1.04	0.95
TMLV080C16MP12C	CF/CM/CU48D	1.02	1.05	0.96
TMLV080C16MP12C	CF/CM/CU60C	1.02	1.05	0.96
TMLV080C16MP12C	CF/CM/CU60D	1.02	1.05	0.96
TMLV080C16MP12C	CF/CM64D	1.04	1.07	0.96
TMLV100C16MP12C	CF/CM/CU48C	1.01	1.04	0.95
TMLV100C16MP12C	CF/CM/CU48D	1.02	1.05	0.96
TMLV100C16MP12C	CF/CM/CU60C	1.02	1.05	0.96
TMLV100C16MP12C	CF/CM/CU60D	1.02	1.05	0.96
TMLV100C16MP12C	CF/CM64D	1.04	1.07	0.96
TMLV100C20MP12C	CF/CM/CU48C	1.02	1.05	0.96
TMLV100C20MP12C	CF/CM/CU48D	1.03	1.08	0.93
TMLV100C20MP12C	CF/CM/CU60C	1.03	1.06	0.97
TMLV100C20MP12C	CF/CM/CU60D	1.04	1.09	0.98
TMLV100C20MP12C	CF/CM64D	1.03	1.04	0.95
TMLV120C20MP12C	CF/CM/CU48C	1.02	1.05	0.96
TMLV120C20MP12C	CF/CM/CU48D	1.03	1.08	0.93
TMLV120C20MP12C	CF/CM/CU60C	1.03	1.06	0.97
TMLV120C20MP12C	CF/CM/CU60D	1.04	1.09	0.98
TMLV120C20MP12C	CF/CM64D	1.03	1.04	0.95
TMLX080C16MP11	CF/CM/CU48C	1.00	1.01	0.94
TMLX080C16MP11	CF/CM/CU48D	1.01	1.03	0.95
TMLX080C16MP11	CF/CM/CU60C	1.01	1.02	0.95
TMLX080C16MP11	CF/CM/CU60D	1.01	1.02	0.95
TMLX080C16MP11	CF/CM64D	1.02	1.02	0.94
TMLX100C16MP11	CF/CM/CU48C	1.00	1.01	0.94
TMLX100C16MP11	CF/CM/CU48D	1.01	1.03	0.95

FURNACE MULTIPLIERS - 4 TON (Continued)

Furnaces	Coil	T.C.	S.C.	kW
TMLX100C16MP11	CF/CM/CU60C	1.01	1.02	0.95
TMLX100C16MP11	CF/CM/CU60D	1.01	1.02	0.95
TMLX100C16MP11	CF/CM64D	1.02	1.02	0.94
TMLX100C20MP11	CF/CM/CU48C	1.01	1.03	0.95
TMLX100C20MP11	CF/CM/CU48D	1.02	1.05	0.92
TMLX100C20MP11	CF/CM/CU60C	1.02	1.04	0.92
TMLX100C20MP11	CF/CM/CU60D	1.04	1.12	0.96
TMLX100C20MP11	CF/CM64D	1.03	1.04	0.93
TMLX120C20MP11	CF/CM/CU48C	1.01	1.03	0.95
TMLX120C20MP11	CF/CM/CU48D	1.02	1.05	0.92
TMLX120C20MP11	CF/CM/CU60C	1.02	1.04	0.92
TMLX120C20MP11	CF/CM/CU60D	1.04	1.12	0.96
TMLX120C20MP11	CF/CM64D	1.03	1.04	0.93
TP9C080C16MP13C	CF/CM/CU48C	1.02	1.02	0.96
TP9C080C16MP13C	CF/CM/CU48D	1.03	1.03	0.95
TP9C080C16MP13C	CF/CM/CU60C	1.02	1.01	0.96
TP9C080C16MP13C	CF/CM/CU60D	1.02	1.01	0.96
TP9C100C16MP12C	CF/CM/CU48C	1.00	1.00	0.94
TP9C100C16MP12C	CF/CM/CU48D	1.02	1.05	0.94
TP9C100C16MP12C	CF/CM/CU60C	1.02	1.05	0.96
TP9C100C16MP12C	CF/CM/CU60D	1.03	1.08	0.97
TP9C100C16MP12C	CF/CM64D	1.02	1.02	0.92
TP9C100C16MP13C	CF/CM/CU48C	1.00	1.00	0.94
TP9C100C16MP13C	CF/CM/CU48D	1.02	1.05	0.94
TP9C100C16MP13C	CF/CM/CU60C	1.02	1.05	0.96
TP9C100C16MP13C	CF/CM/CU60D	1.03	1.08	0.97
TP9C100C16MP13C	CF/CM64D	1.02	1.02	0.92
TP9C100C20MP12C	CF/CM/CU48C	1.00	1.01	0.98
TP9C100C20MP12C	CF/CM/CU48D	1.00	1.01	0.94
TP9C100C20MP12C	CF/CM/CU60C	1.03	1.08	0.99
TP9C100C20MP12C	CF/CM/CU60D	1.03	1.08	0.95
TP9C100C20MP12C	CF/CM64D	1.04	1.08	0.94
TP9C100C20MP13C	CF/CM/CU48C	1.00	1.00	0.98
TP9C100C20MP13C	CF/CM/CU48D	1.00	1.01	0.94
TP9C100C20MP13C	CF/CM/CU60C	1.03	1.08	0.99
TP9C100C20MP13C	CF/CM/CU60D	1.03	1.08	0.95
TP9C100C20MP13C	CF/CM64D	1.04	1.08	0.94
TP9C120D20MP13C	CF/CM/CU48D	1.02	1.05	0.94
TP9C120D20MP13C	CF/CM/CU60D	1.04	1.11	0.94
TP9C120D20MP13C	CF/CM64D	1.04	1.11	0.98
TPLC080C16MP12C	CF/CM/CU48C	1.01	1.04	0.95
TPLC080C16MP12C	CF/CM/CU48D	1.02	1.05	0.96
TPLC080C16MP12C	CF/CM/CU60C	1.02	1.05	0.96
TPLC080C16MP12C	CF/CM/CU60D	1.02	1.05	0.96
TPLC080C16MP12C	CF/CM64D	1.04	1.07	0.96
TPLC080C16MP13C	CF/CM/CU48C	1.01	1.04	0.95
TPLC080C16MP13C	CF/CM/CU48D	1.02	1.05	0.96
TPLC080C16MP13C	CF/CM/CU60C	1.02	1.05	0.96
TPLC080C16MP13C	CF/CM/CU60D	1.02	1.05	0.96
TPLC080C16MP13C	CF/CM64D	1.04	1.07	0.96
TPLC100C16MP12C	CF/CM/CU48C	1.01	1.04	0.95
TPLC100C16MP12C	CF/CM/CU48D	1.02	1.05	0.96
TPLC100C16MP12C	CF/CM/CU60C	1.02	1.05	0.96
TPLC100C16MP12C	CF/CM/CU60D	1.02	1.05	0.96
TPLC100C16MP12C	CF/CM64D	1.04	1.07	0.96

FURNACE MULTIPLIERS - 4 TON (Continued)

Furnaces	Coil	T.C.	S.C.	kW
TPLC100C16MP13C	CF/CM/CU48C	1.01	1.04	0.95
TPLC100C16MP13C	CF/CM/CU48D	1.02	1.05	0.96
TPLC100C16MP13C	CF/CM/CU60C	1.02	1.05	0.96
TPLC100C16MP13C	CF/CM/CU60D	1.02	1.05	0.96
TPLC100C16MP13C	CF/CM64D	1.04	1.07	0.96
TPLC100C20MP13C	CF/CM/CU48C	1.02	1.05	0.96
TPLC100C20MP13C	CF/CM/CU48D	1.03	1.08	0.93
TPLC100C20MP13C	CF/CM/CU60C	1.03	1.06	0.97
TPLC100C20MP13C	CF/CM/CU60D	1.04	1.09	0.98
TPLC100C20MP13C	CF/CM64D	1.03	1.04	0.95
TPLC120C20MP13C	CF/CM/CU48C	1.02	1.05	0.96
TPLC120C20MP13C	CF/CM/CU48D	1.03	1.08	0.93
TPLC120C20MP13C	CF/CM/CU60C	1.03	1.06	0.97
TPLC120C20MP13C	CF/CM/CU60D	1.04	1.09	0.98
TPLC120C20MP13C	CF/CM64D	1.03	1.04	0.95
CP9C080C16MP13C	CF/CM/CU48C	1.02	1.02	0.96
CP9C080C16MP13C	CF/CM/CU48D	1.03	1.03	0.95
CP9C080C16MP13C	CF/CM/CU60C	1.02	1.01	0.96
CP9C080C16MP13C	CF/CM/CU60D	1.02	1.01	0.96
CP9C100C16MP12C	CF/CM/CU48C	1.00	1.00	0.94
CP9C100C16MP12C	CF/CM/CU48D	1.02	1.05	0.94
CP9C100C16MP12C	CF/CM/CU60C	1.02	1.05	0.96
CP9C100C16MP12C	CF/CM/CU60D	1.03	1.08	0.97
CP9C100C16MP12C	CF/CM64D	1.02	1.02	0.92
CP9C100C16MP13C	CF/CM/CU48C	1.00	1.00	0.94
CP9C100C16MP13C	CF/CM/CU48D	1.02	1.05	0.94
CP9C100C16MP13C	CF/CM/CU60C	1.02	1.05	0.96
CP9C100C16MP13C	CF/CM/CU60D	1.03	1.08	0.97
CP9C100C16MP13C	CF/CM64D	1.02	1.02	0.92
CP9C100C20MP12C	CF/CM/CU48C	1.00	1.01	0.98
CP9C100C20MP12C	CF/CM/CU48D	1.00	1.01	0.94
CP9C100C20MP12C	CF/CM/CU60C	1.03	1.08	0.99
CP9C100C20MP12C	CF/CM/CU60D	1.03	1.08	0.95
CP9C100C20MP12C	CF/CM64D	1.04	1.08	0.94
CP9C100C20MP13C	CF/CM/CU48C	1.00	1.00	0.98
CP9C100C20MP13C	CF/CM/CU48D	1.00	1.01	0.94
CP9C100C20MP13C	CF/CM/CU60C	1.03	1.08	0.99
CP9C100C20MP13C	CF/CM/CU60D	1.03	1.08	0.95
CP9C100C20MP13C	CF/CM64D	1.04	1.08	0.94
CP9C120D20MP12C	CF/CM/CU48D	1.02	1.05	0.94
CP9C120D20MP12C	CF/CM/CU60D	1.04	1.11	0.94
CP9C120D20MP12C	CF/CM64D	1.04	1.11	0.98
CP9C120D20MP13C	CF/CM/CU48D	1.02	1.05	0.94
CP9C120D20MP13C	CF/CM/CU60D	1.04	1.11	0.94

FURNACE MULTIPLIERS - 4 TON (Continued)

Furnaces	Coil	T.C.	S.C.	kW
CP9C120D20MP13C	CF/CM64D	1.04	1.11	0.98
CPLC080C16MP12C	CF/CM/CU48C	1.01	1.04	0.95
CPLC080C16MP12C	CF/CM/CU48D	1.02	1.05	0.96
CPLC080C16MP12C	CF/CM/CU60C	1.02	1.05	0.96
CPLC080C16MP12C	CF/CM/CU60D	1.02	1.05	0.96
CPLC080C16MP12C	CF/CM64D	1.04	1.07	0.96
CPLC080C16MP13C	CF/CM/CU48C	1.01	1.04	0.95
CPLC080C16MP13C	CF/CM/CU48D	1.02	1.05	0.96
CPLC080C16MP13C	CF/CM/CU60C	1.02	1.05	0.96
CPLC080C16MP13C	CF/CM/CU60D	1.02	1.05	0.96
CPLC080C16MP13C	CF/CM64D	1.04	1.07	0.96
CPLC100C16MP12C	CF/CM/CU48C	1.01	1.04	0.95
CPLC100C16MP12C	CF/CM/CU48D	1.02	1.05	0.96
CPLC100C16MP12C	CF/CM/CU60C	1.02	1.05	0.96
CPLC100C16MP12C	CF/CM/CU60D	1.02	1.05	0.96
CPLC100C16MP12C	CF/CM64D	1.04	1.07	0.96
CPLC100C16MP13C	CF/CM/CU48C	1.01	1.04	0.95
CPLC100C16MP13C	CF/CM/CU48D	1.02	1.05	0.96
CPLC100C16MP13C	CF/CM/CU60C	1.02	1.05	0.96
CPLC100C16MP13C	CF/CM/CU60D	1.02	1.05	0.96
CPLC100C16MP13C	CF/CM64D	1.04	1.07	0.96
CPLC100C20MP12C	CF/CM/CU48C	1.02	1.05	0.96
CPLC100C20MP12C	CF/CM/CU48D	1.03	1.08	0.93
CPLC100C20MP12C	CF/CM/CU60C	1.03	1.06	0.97
CPLC100C20MP12C	CF/CM/CU60D	1.04	1.08	0.98
CPLC100C20MP12C	CF/CM64D	1.03	1.04	0.95
CPLC100C20MP13C	CF/CM/CU48C	1.02	1.05	0.96
CPLC100C20MP13C	CF/CM/CU48D	1.03	1.08	0.93
CPLC100C20MP13C	CF/CM/CU60C	1.03	1.06	0.97
CPLC100C20MP13C	CF/CM/CU60D	1.04	1.09	0.98
CPLC100C20MP13C	CF/CM64D	1.03	1.04	0.95
CPLC120C20MP12C	CF/CM/CU48C	1.02	1.05	0.96
CPLC120C20MP12C	CF/CM/CU48D	1.03	1.08	0.93
CPLC120C20MP12C	CF/CM/CU60C	1.03	1.06	0.97
CPLC120C20MP12C	CF/CM/CU60D	1.04	1.08	0.98
CPLC120C20MP12C	CF/CM64D	1.03	1.04	0.95
CPLC120C20MP13C	CF/CM/CU48C	1.02	1.05	0.96
CPLC120C20MP13C	CF/CM/CU48D	1.03	1.08	0.93
CPLC120C20MP13C	CF/CM/CU60C	1.03	1.06	0.97
CPLC120C20MP13C	CF/CM/CU60D	1.04	1.09	0.98
CPLC120C20MP13C	CF/CM64D	1.03	1.04	0.95

PERFORMANCE DATA - 5 TON

CONDENSER-ONLY DATA (OUTDOOR UNIT)																
MODEL	SATURATED SUCTION AT COMPRESSOR		Outdoor Ambient Temperature													
			55°F		65°F		75°F		85°F		95°F		105°F		115°F	
	T (°F)	P (PSIG)	MBH	kW	MBH	kW	MBH	kW	MBH	kW	MBH	kW	MBH	kW	MBH	kW
TC3B6022S	35	107	55.4	3.33	52.8	3.73	50.1	4.10	47.4	4.47	44.6	4.89	41.6	5.39	38.5	5.98
	40	119	60.9	3.31	57.9	3.73	55.1	4.10	52.1	4.49	49.0	4.90	45.9	5.39	42.5	5.98
	45	130	66.9	3.30	63.6	3.72	60.3	4.11	57.1	4.49	53.7	4.91	50.3	5.40	46.7	5.98
	50	143	73.4	3.27	69.7	3.70	66.1	4.10	62.4	4.51	58.8	4.92	55.0	5.42	51.3	5.98
	55	156	80.2	3.23	76.2	3.67	72.2	4.08	68.1	4.49	64.1	4.92	60.0	5.43	55.9	5.99

Notes:

- For Outdoor Unit (Condenser) performance only. Data does not include the effects of air handler power or heat.
- Performance based on 15°F subcooling and 15°F superheat at the Outdoor Unit base valves.
 - Increase capacity by 1% for each 2°F increase in subcooling.
 - Decrease capacity by 1% for each 2°F decrease in subcooling.
- Maximum recommended condensing temperature is 140°F.

COOLING PERFORMANCE DATA																
OUTDOOR UNIT MODEL NO.		TC3B6022S														
INDOOR COIL MODEL NO.		CF60CXA1														
AIR TEMPERATURE ENTERING OUTDOOR UNIT (°F)	ID CFM	1525					1725					1925				
	ID DB (°F)	80	80	75	80	80	80	80	75	80	80	80	80	75	80	80
	ID WB (°F)	57	62	62	67	72	57	62	62	67	72	57	62	62	67	72
55	T.C.	54.7	57.1	54.0	56.8	57.3	56.7	58.0	54.8	57.8	57.3	58.6	58.8	55.7	58.7	57.2
	S.C.	49.6	26.3	37.2	35.5	28.1	51.0	36.7	38.6	36.9	28.8	52.4	47.0	40.0	38.2	29.5
	kW	3.27	3.30	3.31	3.33	3.35	3.35	3.38	3.39	3.41	3.43	3.43	3.46	3.47	3.49	3.51
65	T.C.	52.3	55.5	52.9	56.2	56.6	55.3	56.3	53.9	57.0	56.9	58.3	57.1	54.9	57.9	57.3
	S.C.	48.9	35.4	37.3	35.8	27.8	50.3	41.2	38.8	37.1	28.7	51.8	47.0	40.4	38.5	29.5
	kW	3.63	3.66	3.67	3.70	3.73	3.72	3.72	3.75	3.78	3.82	3.81	3.78	3.83	3.87	3.90
75	T.C.	49.9	54.0	51.9	55.5	55.9	54.0	54.7	53.1	56.3	56.6	58.0	55.4	54.2	57.1	57.4
	S.C.	48.2	44.4	37.3	36.1	27.5	49.6	45.7	39.0	37.4	28.5	51.1	47.0	40.7	38.8	29.5
	kW	4.00	4.02	4.03	4.06	4.11	4.09	4.06	4.10	4.15	4.20	4.18	4.10	4.18	4.24	4.29
85	T.C.	49.1	52.3	50.0	55.0	55.4	51.5	53.0	51.1	55.9	56.2	53.9	53.7	52.3	56.8	56.9
	S.C.	46.5	44.2	36.6	36.2	27.3	48.0	45.5	38.6	37.9	28.4	49.4	46.8	40.5	39.5	29.6
	kW	4.43	4.46	4.47	4.51	4.56	4.53	4.50	4.55	4.60	4.65	4.62	4.54	4.63	4.69	4.73
95	T.C.	48.3	50.5	48.1	54.4	55.0	49.0	51.3	49.2	55.5	55.8	49.8	52.0	50.3	56.6	56.5
	S.C.	44.8	43.9	35.9	36.3	27.0	46.3	45.2	38.1	38.3	28.3	47.7	46.5	40.2	40.3	29.6
	kW	4.87	4.90	4.90	4.96	5.02	4.96	4.94	4.99	5.05	5.10	5.06	4.99	5.07	5.13	5.18
105	T.C.	45.4	47.3	43.7	49.8	52.1	46.5	47.9	44.6	50.8	52.8	47.6	48.5	45.4	51.8	53.5
	S.C.	42.0	41.9	34.2	34.7	26.0	43.5	43.1	36.3	36.8	27.3	44.9	44.2	38.3	38.9	28.7
	kW	5.46	5.48	5.47	5.55	5.63	5.56	5.55	5.56	5.65	5.72	5.67	5.62	5.65	5.74	5.81
115	T.C.	42.5	44.1	39.5	45.4	49.2	44.1	44.6	40.1	46.2	49.9	45.6	45.1	40.6	47.1	50.5
	S.C.	39.3	40.0	32.5	33.2	25.1	40.7	40.9	34.5	35.4	26.4	42.2	41.9	36.5	37.5	27.8
	kW	6.03	6.04	6.02	6.13	6.22	6.14	6.13	6.12	6.23	6.32	6.26	6.23	6.22	6.32	6.42

Note: All capacities include indoor fan heat. kW values are for the system (outdoor + indoor).

Green shaded cells are ACCA (TVA) conditions.

Blue shaded cells are AHRI conditions.

Multipliers for determining the performance with other indoor sections

Note: For dry bulb temperatures different than those listed (between 73°F to 87°F), sensible capacity increases by 1060 BTUH per 1000 CFM per degree above the listed temperature and decreases by 1060 BTUH per 1000 CFM per degree below the listed temperature.

COIL MULTIPLIERS - 5 TON

Air Handler	Coil	T.C.	S.C.	kW
–	CF/CM/CU60C	0.99	1.08	0.99
–	CF/CM/CU60D	1.00	1.00	1.00
–	CF/CM/CU60D	1.00	1.00	1.00
–	CF/CM64D	1.02	1.12	1.02
AE60CX22	–	1.01	1.08	0.99
AE60DX21	–	1.03	1.08	1.00
AVC60DX21	–	1.02	1.08	1.00
ME16CN21	CF/CM60C	1.00	1.07	0.98
ME20DN21	CF/CM60D	1.01	1.09	0.99
ME20DN21	CF/CM64D	1.02	1.11	0.97
MVC16CN21	CF/CM60C	1.01	1.08	0.97
MVC20DN21	CF/CM60D	1.01	1.05	0.99
MVC20DN21	CF/CM64D	1.02	1.08	1.00

FURNACE MULTIPLIERS - 5 TON

Furnaces	Coil	T.C.	S.C.	kW
TL8E080C16UH11	CF/CM/CU60C	0.98	1.03	0.98
TL8E080C16UH11	CF/CM/CU60D	1.00	1.07	1.00
TL8E080C16UH11	CF/CM64D	1.01	1.07	1.01
TL8E100C20UH11	CF/CM/CU60C	0.99	1.05	0.99
TL8E100C20UH11	CF/CM/CU60D	1.01	1.08	1.01
TL8E100C20UH11	CF/CM64D	1.02	1.08	1.00
TL9E100C20UH11	CF/CM/CU60C	0.98	1.04	0.98
TL9E100C20UH11	CF/CM/CU60D	1.01	1.08	1.01
TL9E100C20UH11	CF/CM64D	1.02	1.08	1.00
TM8E080C16MP11	CF/CM/CU60C	0.98	1.04	0.98
TM8E080C16MP11	CF/CM/CU60D	0.98	1.04	0.98
TM8E080C16MP11	CF/CM64D	1.01	1.07	1.01
TM8E080C20MP11	CF/CM/CU60C	0.98	1.03	0.98
TM8E080C20MP11	CF/CM/CU60D	0.98	1.04	0.96
TM8E080C20MP11	CF/CM64D	1.02	1.08	1.00
TM8E100C16MP11	CF/CM/CU60C	0.98	1.04	0.98
TM8E100C16MP11	CF/CM/CU60D	0.98	1.04	0.98
TM8E100C16MP11	CF/CM64D	1.01	1.07	1.01
TM8E100C20MP11	CF/CM/CU60C	0.99	1.08	0.99
TM8E100C20MP11	CF/CM/CU60D	0.98	1.03	0.96
TM8E100C20MP11	CF/CM64D	1.01	1.05	0.99
TM8E120C16MP11	CF/CM/CU60C	0.98	1.05	0.98
TM8E120C16MP11	CF/CM/CU60D	0.98	1.04	0.98
TM8E120C16MP11	CF/CM64D	1.01	1.07	1.01
TM8E120C20MP11	CF/CM/CU60C	0.99	1.08	0.99
TM8E120C20MP11	CF/CM/CU60D	0.98	1.03	0.96
TM8E120C20MP11	CF/CM64D	1.01	1.05	0.99
TM8E130D20MP11	CF/CM/CU60D	0.99	1.07	0.99
TM8E130D20MP11	CF/CM64D	1.01	1.08	1.01
TM8V080C16MP11C	CF/CM/CU60D	1.00	1.08	1.00
TM8V080C16MP12C	CF/CM/CU60D	1.00	1.08	1.00
TM8V100C16MP11C	CF/CM/CU60D	1.00	1.08	1.00
TM8V100C16MP12C	CF/CM/CU60D	1.00	1.08	1.00
TM8V100C20MP11C	CF/CM/CU60C	0.99	1.04	0.99
TM8V100C20MP11C	CF/CM/CU60D	0.99	1.04	0.97
TM8V100C20MP11C	CF/CM64D	0.99	1.05	0.97
TM8V100C20MP12C	CF/CM/CU60C	0.99	1.04	0.99
TM8V100C20MP12C	CF/CM/CU60D	0.99	1.04	0.97

FURNACE MULTIPLIERS - 5 TON (Continued)

Furnaces	Coil	T.C.	S.C.	kW
TM8V100C20MP12C	CF/CM64D	0.99	1.05	0.97
TM8V120C20MP11C	CF/CM/CU60C	0.99	1.04	0.99
TM8V120C20MP11C	CF/CM/CU60D	0.99	1.04	0.97
TM8V120C20MP11C	CF/CM64D	0.99	1.05	0.97
TM8V120C20MP12C	CF/CM/CU60C	0.99	1.04	0.99
TM8V120C20MP12C	CF/CM/CU60D	0.99	1.04	0.97
TM8V120C20MP12C	CF/CM64D	0.99	1.05	0.97
TM8X080C16MP11	CF/CM/CU60C	0.99	1.04	0.99
TM8X080C16MP11	CF/CM/CU60D	1.00	1.05	0.98
TM8X080C16MP11	CF/CM64D	0.98	1.03	0.98
TM8X100C16MP11	CF/CM/CU60C	0.99	1.04	0.99
TM8X100C16MP11	CF/CM/CU60D	1.00	1.05	0.98
TM8X100C16MP11	CF/CM64D	0.98	1.03	0.98
TM8X100C20MP11	CF/CM/CU60C	0.98	1.03	0.96
TM8X100C20MP11	CF/CM/CU60D	0.99	1.05	0.97
TM8X100C20MP11	CF/CM64D	0.99	1.05	0.97
TM8X120C20MP11	CF/CM/CU60C	0.98	1.03	0.96
TM8X120C20MP11	CF/CM/CU60D	0.99	1.05	0.97
TM8X120C20MP11	CF/CM64D	0.99	1.05	0.97
TM8Y080C16MP11	CF/CM/CU60C	0.99	1.04	0.99
TM8Y080C16MP11	CF/CM/CU60D	1.00	1.05	0.98
TM8Y080C16MP11	CF/CM64D	0.98	1.03	0.98
TM8Y100C16MP11	CF/CM/CU60C	0.99	1.04	0.99
TM8Y100C16MP11	CF/CM/CU60D	1.00	1.05	0.98
TM8Y100C16MP11	CF/CM64D	0.98	1.03	0.98
TM8Y100C20MP11	CF/CM/CU60C	0.98	1.03	0.96
TM8Y100C20MP11	CF/CM/CU60D	0.99	1.05	0.97
TM8Y100C20MP11	CF/CM64D	0.99	1.05	0.97
TM8Y120C20MP11	CF/CM/CU60C	0.98	1.03	0.96
TM8Y120C20MP11	CF/CM/CU60D	0.99	1.05	0.97
TM8Y120C20MP11	CF/CM64D	0.99	1.05	0.97
TM9E080C20MP12	CF/CM/CU60C	0.99	1.08	0.99
TM9E080C20MP12	CF/CM/CU60D	0.98	1.03	0.96
TM9E080C20MP12	CF/CM64D	1.01	1.11	0.99
TM9E100C16MP12	CF/CM/CU60D	0.98	1.05	0.98
TM9E100C20MP11	CF/CM/CU60C	0.96	1.01	0.96
TM9E100C20MP11	CF/CM/CU60D	0.97	1.03	0.95
TM9E100C20MP11	CF/CM64D	0.99	1.04	0.99
TM9E100C20MP12	CF/CM/CU60C	0.99	1.08	0.99
TM9E100C20MP12	CF/CM/CU60D	0.98	1.03	0.96
TM9E100C20MP12	CF/CM64D	1.01	1.05	0.99
TM9E120D20MP11	CF/CM/CU60D	0.99	1.05	0.97
TM9E120D20MP11	CF/CM64D	1.00	1.07	0.98
TM9E120D20MP12	CF/CM/CU60D	0.99	1.07	0.99
TM9E120D20MP12	CF/CM64D	1.01	1.08	0.99
TM9V080C16MP11C	CF/CM/CU60D	0.97	1.01	0.97
TM9V080C16MP12C	CF/CM/CU60D	0.97	1.01	0.97
TM9V100C16MP11C	CF/CM/CU60C	1.00	1.07	1.00
TM9V100C16MP11C	CF/CM/CU60D	0.98	1.04	0.98
TM9V100C16MP11C	CF/CM64D	1.00	1.07	1.00
TM9V100C16MP12C	CF/CM/CU60C	1.00	1.07	1.00
TM9V100C16MP12C	CF/CM/CU60D	0.98	1.04	0.98
TM9V100C16MP12C	CF/CM64D	1.00	1.07	1.00
TM9V100C20MP11C	CF/CM/CU60C	0.98	1.05	0.98
TM9V100C20MP11C	CF/CM/CU60D	0.98	1.05	0.98

FURNACE MULTIPLIERS - 5 TON (Continued)

Furnaces	Coil	T.C.	S.C.	kW
TM9V100C20MP11C	CF/CM64D	1.00	1.07	1.00
TM9V100C20MP12C	CF/CM/CU60C	0.98	1.05	0.98
TM9V100C20MP12C	CF/CM/CU60D	0.98	1.05	0.98
TM9V100C20MP12C	CF/CM64D	1.00	1.07	1.00
TM9V120D20MP11C	CF/CM/CU60D	0.98	1.04	0.98
TM9V120D20MP11C	CF/CM64D	1.00	1.07	0.98
TM9V120D20MP12C	CF/CM/CU60D	0.98	1.04	0.98
TM9V120D20MP12C	CF/CM64D	1.00	1.07	0.98
TMLE080C16MP11	CF/CM/CU60C	0.98	1.04	0.98
TMLE080C16MP11	CF/CM/CU60D	0.98	1.04	0.98
TMLE080C16MP11	CF/CM64D	1.01	1.07	1.01
TMLE080C20MP11	CF/CM/CU60C	0.98	1.03	0.98
TMLE080C20MP11	CF/CM/CU60D	0.98	1.04	0.96
TMLE080C20MP11	CF/CM64D	1.02	1.08	1.00
TMLE100C16MP11	CF/CM/CU60C	0.98	1.04	0.98
TMLE100C16MP11	CF/CM/CU60D	0.98	1.04	0.98
TMLE100C16MP11	CF/CM64D	1.01	1.07	1.01
TMLE100C20MP11	CF/CM/CU60C	0.99	1.08	0.99
TMLE100C20MP11	CF/CM/CU60D	0.98	1.03	0.96
TMLE100C20MP11	CF/CM64D	1.01	1.05	0.99
TMLE120C16MP11	CF/CM/CU60C	0.98	1.05	0.98
TMLE120C16MP11	CF/CM/CU60D	0.98	1.04	0.98
TMLE120C16MP11	CF/CM64D	1.01	1.07	1.01
TMLE120C20MP11	CF/CM/CU60C	0.99	1.08	0.99
TMLE120C20MP11	CF/CM/CU60D	0.98	1.03	0.96
TMLE120C20MP11	CF/CM64D	1.01	1.05	0.99
TMLE130D20MP11	CF/CM/CU60D	0.99	1.07	0.99
TMLE130D20MP11	CF/CM64D	1.01	1.08	1.01
TMLV080C16MP11C	CF/CM/CU60D	1.00	1.08	1.00
TMLV080C16MP12C	CF/CM/CU60D	1.00	1.08	1.00
TMLV100C16MP11C	CF/CM/CU60D	1.00	1.08	1.00
TMLV100C16MP12C	CF/CM/CU60D	1.00	1.08	1.00
TMLV100C20MP11C	CF/CM/CU60C	0.99	1.04	0.99
TMLV100C20MP11C	CF/CM/CU60D	0.99	1.04	0.97
TMLV100C20MP11C	CF/CM64D	0.99	1.05	0.97
TMLV100C20MP12C	CF/CM/CU60C	0.99	1.04	0.99
TMLV100C20MP12C	CF/CM/CU60D	0.99	1.04	0.97
TMLV100C20MP12C	CF/CM64D	0.99	1.05	0.97
TMLV120C20MP11C	CF/CM/CU60C	0.99	1.04	0.99
TMLV120C20MP11C	CF/CM/CU60D	0.99	1.04	0.97
TMLV120C20MP11C	CF/CM64D	0.99	1.05	0.97
TMLV120C20MP12C	CF/CM/CU60C	0.99	1.04	0.99
TMLV120C20MP12C	CF/CM/CU60D	0.99	1.04	0.97
TMLV120C20MP12C	CF/CM64D	0.99	1.05	0.97
TMLX080C16MP11	CF/CM/CU60C	0.99	1.04	0.99
TMLX080C16MP11	CF/CM/CU60D	1.00	1.05	0.98
TMLX080C16MP11	CF/CM64D	0.98	1.03	0.98
TMLX100C16MP11	CF/CM/CU60C	0.99	1.04	0.99
TMLX100C16MP11	CF/CM/CU60D	1.00	1.05	0.98
TMLX100C16MP11	CF/CM64D	0.98	1.03	0.98
TMLX100C20MP11	CF/CM/CU60C	0.98	1.03	0.96
TMLX100C20MP11	CF/CM/CU60D	0.99	1.05	0.97
TMLX100C20MP11	CF/CM64D	0.99	1.05	0.97
TMLX120C20MP11	CF/CM/CU60C	0.98	1.03	0.96
TMLX120C20MP11	CF/CM/CU60D	0.99	1.05	0.97

FURNACE MULTIPLIERS - 5 TON (Continued)

Furnaces	Coil	T.C.	S.C.	kW
TMLX120C20MP11	CF/CM64D	0.99	1.05	0.97
TP9C080C16MP13C	CF/CM/CU60D	0.97	1.01	0.97
TP9C100C16MP12C	CF/CM/CU60C	1.00	1.07	1.00
TP9C100C16MP12C	CF/CM/CU60D	0.98	1.04	0.98
TP9C100C16MP12C	CF/CM64D	1.00	1.07	1.00
TP9C100C16MP13C	CF/CM/CU60C	1.00	1.07	1.00
TP9C100C16MP13C	CF/CM/CU60D	0.98	1.04	0.98
TP9C100C16MP13C	CF/CM64D	1.00	1.07	1.00
TP9C100C20MP12C	CF/CM/CU60C	0.98	1.05	0.98
TP9C100C20MP12C	CF/CM/CU60D	0.98	1.05	0.98
TP9C100C20MP12C	CF/CM64D	1.00	1.07	1.00
TP9C100C20MP13C	CF/CM/CU60C	0.98	1.05	0.98
TP9C100C20MP13C	CF/CM/CU60D	0.98	1.05	0.98
TP9C100C20MP13C	CF/CM64D	1.00	1.07	1.00
TP9C120D20MP12C	CF/CM/CU60D	0.98	1.04	0.98
TP9C120D20MP12C	CF/CM64D	1.00	1.07	0.98
TP9C120D20MP13C	CF/CM/CU60D	0.98	1.04	0.98
TP9C120D20MP13C	CF/CM64D	1.00	1.07	0.98
TPLC080C16MP12C	CF/CM/CU60D	1.00	1.08	1.00
TPLC080C16MP13C	CF/CM/CU60D	1.00	1.08	1.00
TPLC100C16MP12C	CF/CM/CU60D	1.00	1.08	1.00
TPLC100C16MP13C	CF/CM/CU60D	1.00	1.08	1.00
TPLC100C20MP12C	CF/CM/CU60C	0.99	1.04	0.99
TPLC100C20MP12C	CF/CM/CU60D	0.99	1.04	0.97
TPLC100C20MP12C	CF/CM64D	0.99	1.05	0.97
TPLC100C20MP13C	CF/CM/CU60C	0.99	1.04	0.99
TPLC100C20MP13C	CF/CM/CU60D	0.99	1.04	0.97
TPLC100C20MP13C	CF/CM64D	0.99	1.05	0.97
TPLC120C20MP12C	CF/CM/CU60C	0.99	1.04	0.99
TPLC120C20MP12C	CF/CM/CU60D	0.99	1.04	0.97
TPLC120C20MP12C	CF/CM64D	0.99	1.05	0.97
TPLC120C20MP13C	CF/CM/CU60C	0.99	1.04	0.99
TPLC120C20MP13C	CF/CM/CU60D	0.99	1.04	0.97
TPLC120C20MP13C	CF/CM64D	0.99	1.05	0.97
CP9C080C16MP13C	CF/CM/CU60D	0.97	1.01	0.97
CP9C100C16MP12C	CF/CM/CU60C	1.00	1.07	1.00
CP9C100C16MP12C	CF/CM/CU60D	0.98	1.04	0.98
CP9C100C16MP12C	CF/CM64D	1.00	1.07	1.00
CP9C100C16MP13C	CF/CM/CU60C	1.00	1.07	1.00
CP9C100C16MP13C	CF/CM/CU60D	0.98	1.04	0.98
CP9C100C16MP13C	CF/CM64D	1.00	1.07	1.00
CP9C100C20MP12C	CF/CM/CU60C	0.98	1.05	0.98
CP9C100C20MP12C	CF/CM/CU60D	0.98	1.05	0.98
CP9C100C20MP12C	CF/CM64D	1.00	1.07	1.00
CP9C100C20MP13C	CF/CM/CU60C	0.98	1.05	0.98
CP9C100C20MP13C	CF/CM/CU60D	0.98	1.05	0.98
CP9C100C20MP13C	CF/CM64D	1.00	1.07	1.00
CP9C120D20MP12C	CF/CM/CU60D	0.98	1.04	0.98
CP9C120D20MP12C	CF/CM64D	1.00	1.07	0.98
CP9C120D20MP13C	CF/CM/CU60D	0.98	1.04	0.98
CP9C120D20MP13C	CF/CM64D	1.00	1.07	0.98
CPLC080C16MP12C	CF/CM/CU60D	1.00	1.08	1.00
CPLC080C16MP13C	CF/CM/CU60D	1.00	1.08	1.00
CPLC100C16MP12C	CF/CM/CU60D	1.00	1.08	1.00
CPLC100C16MP13C	CF/CM/CU60D	1.00	1.08	1.00

FURNACE MULTIPLIERS - 5 TON (Continued)

Furnaces	Coil	T.C.	S.C.	kW
CPLC100C20MP12C	CF/CM/CU60C	0.99	1.04	0.99
CPLC100C20MP12C	CF/CM/CU60D	0.99	1.04	0.97
CPLC100C20MP12C	CF/CM64D	0.99	1.05	0.97
CPLC100C20MP13C	CF/CM/CU60C	0.99	1.04	0.99
CPLC100C20MP13C	CF/CM/CU60D	0.99	1.04	0.97
CPLC100C20MP13C	CF/CM64D	0.99	1.05	0.97
CPLC120C20MP12C	CF/CM/CU60C	0.99	1.04	0.99

FURNACE MULTIPLIERS - 5 TON (Continued)

Furnaces	Coil	T.C.	S.C.	kW
CPLC120C20MP12C	CF/CM/CU60D	0.99	1.04	0.97
CPLC120C20MP12C	CF/CM64D	0.99	1.05	0.97
CPLC120C20MP13C	CF/CM/CU60C	0.99	1.04	0.99
CPLC120C20MP13C	CF/CM/CU60D	0.99	1.04	0.97
CPLC120C20MP13C	CF/CM64D	0.99	1.05	0.97