



# Technical Guide: Coleman® Point™ Choice CD15 to CD28



York International Corporation, 5005  
York Drive, Norman, OK 73069

[www.colemanac.com](http://www.colemanac.com)

2019-08-01

5782798-CTG-A-0819

Revision: A-0819



For distribution use only - not to be used at point of retail sale  
Johnson Controls Ducted Systems



# Contents

Description.....	3
Product highlights.....	3
Unit components.....	4
Nomenclature.....	5
Features and benefits.....	6
Standard features.....	6
Options and accessories.....	11
Factory and field-installed options.....	13
Physical data.....	20
Unit limitations.....	24
Capacity performance.....	25
CD15 cooling capacity performance.....	25
CD18 cooling capacity performance.....	27
CD20 cooling capacity performance.....	29
CD25 cooling capacity performance.....	31
CD28 cooling capacity performance.....	33
CD15 hot gas reheat capacity performance.....	35
CD18 hot gas reheat capacity performance.....	37
CD20 hot gas reheat capacity performance.....	39
CD25 hot gas reheat capacity performance.....	41
CD28 hot gas reheat capacity performance.....	43
Airflow performance.....	45
RPM selection and static resistance.....	47
Drive selection.....	48
Airflow specifications.....	49

Sound performance..... 53

Electrical data..... 54

    Constant volume standard static..... 54

    Constant volume medium static..... 60

    Constant volume high static..... 66

    VFD 2 stage standard static..... 72

    VFD 2 stage medium static..... 78

    VFD 2 stage high static..... 84

    VFD 4 stage standard static..... 90

    VFD 4 stage medium static..... 96

    VFD 4 stage high static..... 102

    VFD CS standard static..... 108

    VFD CS medium static..... 114

    VFD CS high static..... 120

Typical wiring diagrams..... 126

Weights and dimensions..... 150

    Rain hood dimensions..... 154

    Utilities entry..... 154

    Accessory weights..... 155

    Roof curbs..... 156

    Economizer options..... 160

    Typical installation..... 160



# Description

The Coleman® Point™ Choice 15 to 27.5 ton platform is designed with all the flexibility needed for today's applications, while simultaneously meeting tomorrow's efficiency requirements. Realizing that efficiency requirements are continuously pushing the envelope of technology, standard efficiency Choice units meet the latest U.S. Department of Energy (DOE) efficiency requirements in the base constant volume configuration while the optional IntelliSpeed and variable air volume (VAV) airflow options deliver energy efficiency exceeding the DOE mandates for 2023. Achieving efficiencies as high as 14.8 IEER (cooling only/electric heat) and 14.6 IEER (gas heat), the standard efficiency Choice product line provides users with significant energy savings alongside impressive flexibility and unparalleled reliability.

All models are available with extensive options and accessories provided both through factory installation and field kits. Airflow requirements are met through constant volume, IntelliSpeed discrete fan control, and VAV blower configurations. All tonnages can be configured for cooling only, electric heating, staged gas heating, or modulating gas heating. Near limitless flexibility is available with custom modifications provided by the Norman Modification Center located in the HVAC Rooftop Center of Excellence in Norman, Oklahoma.

The units are tested in accordance with the following:



## Product highlights

- Smart Equipment™ Controls: streamlines commissioning, integration, and service
- Industry leading standard efficiency, up to 14.8 IEER, designed to meet DOE 2023 efficiency requirements
- Two independent refrigerant circuits
- Two stages of cooling (constant volume and IntelliSpeed) and four stages of cooling (IntelliSpeed and VAV) to meet advanced building code requirements
- Four unique airflow options in each tonnage. Constant volume, 2-stage IntelliSpeed, 4-stage IntelliSpeed, and VAV
- Footprint design allows for direct replacement of multiple competitive models (Carrier and Trane) without a transition curb
- Reliability designed into all products and tested at the component and system level at the Advanced Technology Lab in Norman, Oklahoma
- Factory installed staged gas heat and factory or field installed electric heat
- Optional modulating gas heat furnace with standard stainless steel heat exchanger
- Optional modulating hot gas reheat for maximum humidity control. The reheat option added to the base model allows for increased flexibility

# Unit components

Figure 1: Component location

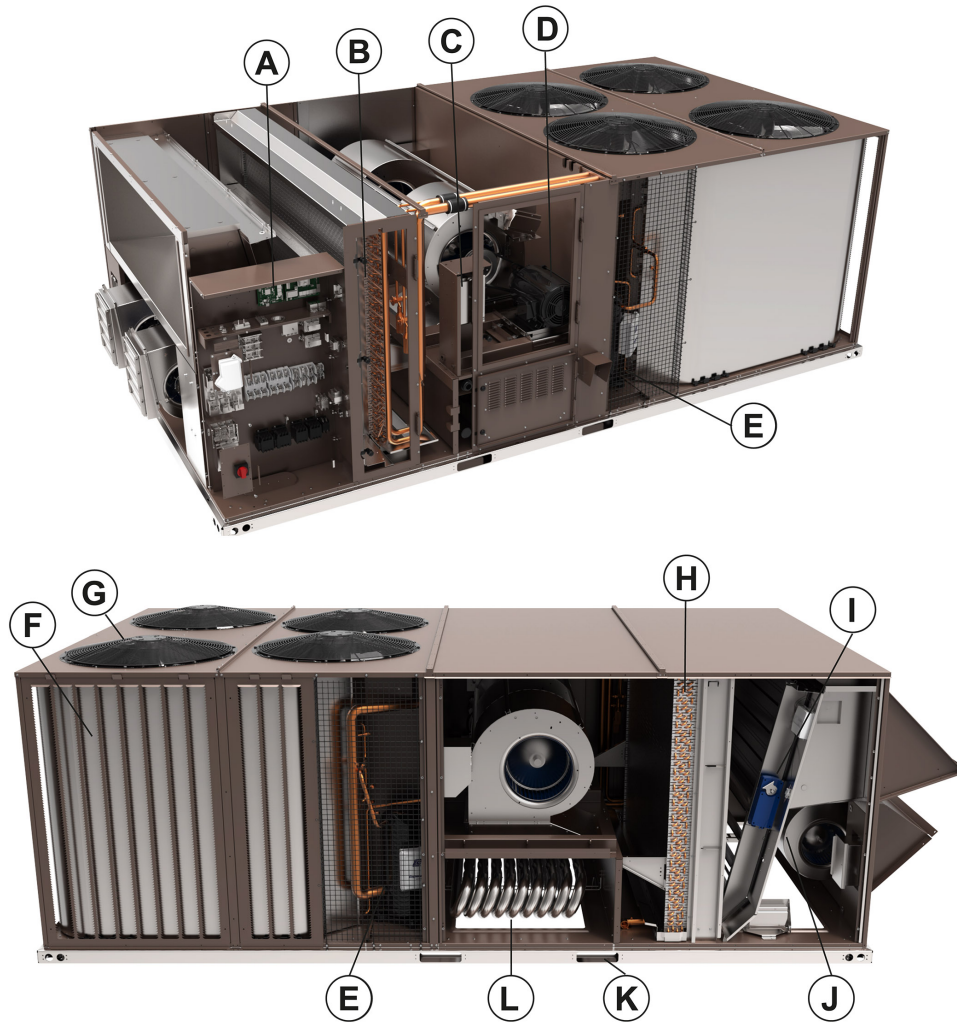
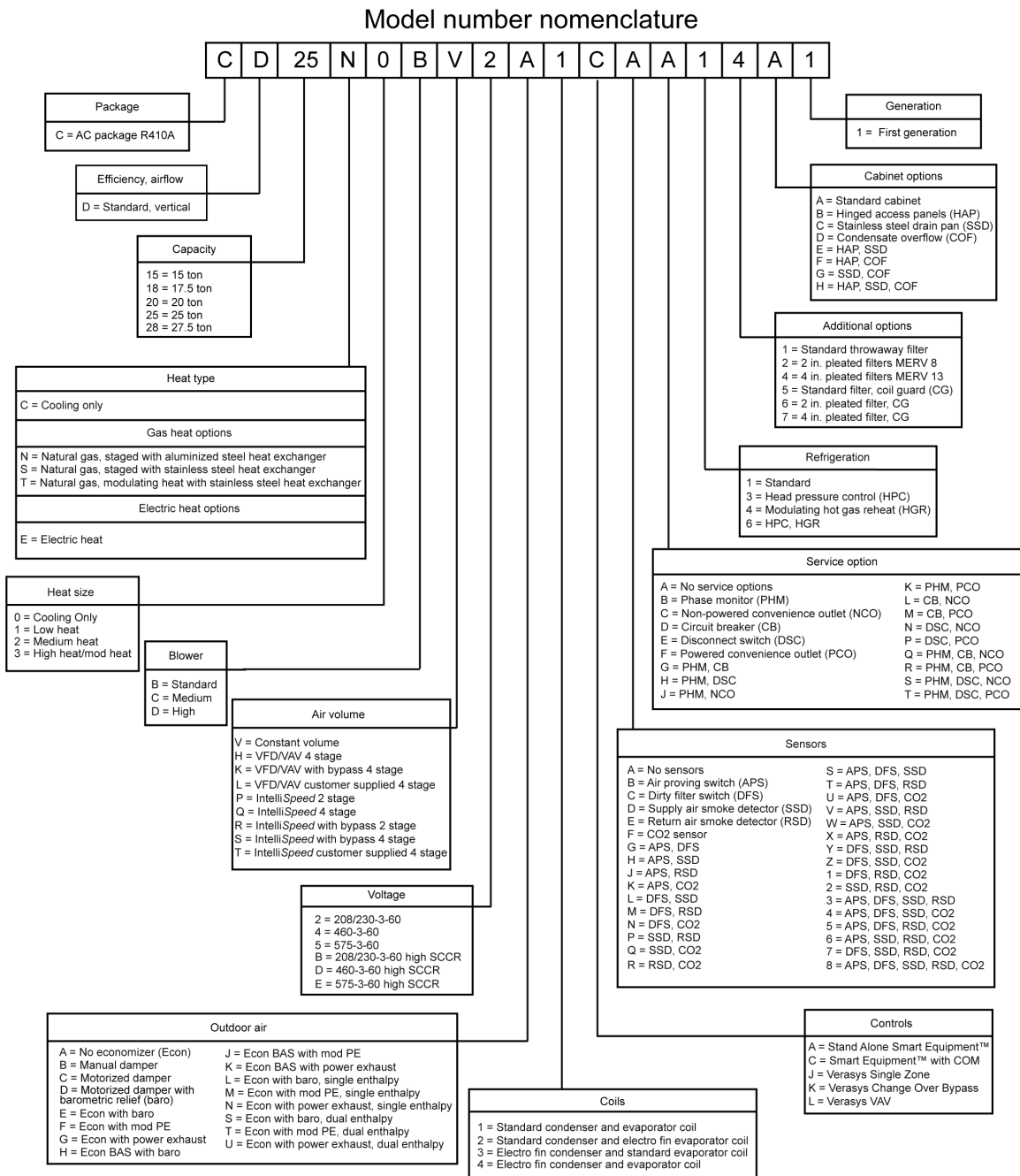


Table 1: Component location table

Item	Description	Item	Description
A	Smart Equipment™ controls	G	Condenser fans
B	Filter access, 2-inch or 4-inch filter options	H	Copper tube/aluminum fin evaporator coil
C	Optional variable frequency drive	I	Optional economizer. Optional manual or motorized outside air dampers not shown.
D	Belt drive blower motor with dual centrifugal fan design	J	Optional powered exhaust. Optional barometric relief not shown.
E	Scroll compressors in various arrangements to produce 2 or 4 stages of cooling depending on the selected model	K	Full perimeter base rails with holes for overhead rigging
F	MicroChannel condenser coils	L	Optional staged or modulating gas heat with aluminized or stainless steel heat exchanger. Optional electric heat not shown.

# Nomenclature

Figure 2: Product nomenclature



# Features and benefits

## Standard features

Coleman® Point™ Choice units have the following standard features.

### Efficiency

Available in standard efficiency cooling only, gas heat, or electric heat, Choice units achieve up to 11.1 EER. IEER ratings as high as 14.8 are specific to each model's heat type and indoor airflow selection to provide dialed in efficiencies for every model classification.

### Indoor airflow options

Each tonnage has an industry leading four unique indoor airflow options available for maximum customization to meet the needs of each job site. Constant volume, 2-stage IntelliSpeed, 4-stage IntelliSpeed, and variable air volume (VAV) configurations each have a dedicated airflow and compressor staging algorithm designed to maximize efficiency and reliability. Variable airflow models, IntelliSpeed or VAV, include a factory installed variable frequency drive (VFD) to modulate the blower airflow.

### Refrigerant circuits

All models contain a dual circuit refrigeration design with multiple compressor staging options dependent on the selected airflow option. Constant volume and 2-stage IntelliSpeed models have two stages of cooling operation, and 4-stage IntelliSpeed and VAV models have four stages of cooling operation.

### Variable frequency drive

Factory-installed variable frequency drives (VFD) provide higher efficiency through both IntelliSpeed and variable air volume (VAV) operation. All factory-installed VFDs come with a 5-year manufacturer warranty and provide ease of commissioning with operation through the standard Smart Equipment™ control board and soft start capabilities for improved motor and belt life.

### Indoor blower

The indoor blower is a single shaft, dual blower, forward curve centrifugal wheel design. All tonnages use a belt drive motor configuration with options for multiple levels of static resistance. The blower motor is mounted on a motor sled (patent pending) with multidirectional movement for simplified precise adjustments to belt tension and easier belt replacement.



## Evaporator coils

All units come with copper tube/aluminum fin evaporator coils.

## Condenser coils

All units come with microchannel condenser coils.

## Balanced staged heating

All gas heat units are of a tubular design with in-shot burners and induced draft. Standard controls provide two stages of capacity control with an additional option for modulating gas heat. Each section includes a durable heat exchanger with aluminized steel or optional stainless steel tubes, a redundant gas valve, spark ignition, power venting, an ignition module for 100% shut-off, and all of the safety controls required to meet the latest ANSI standards. You can route the gas supply piping into the heating compartment through a hole in the base pan of the unit or through a hole in the piping panel on the front of the unit.

All electric heat models (factory or field installed) include a bank of nickel chromium elements mounted at the discharge of the supply air blower to provide a high velocity and uniform distribution of air across the heating elements. Each element bank is fully protected against excessive current and temperature by fuses and two thermal limit switches.

## Advanced, versatile controls

Smart Equipment™ control boards have standardized a number of features previously available only as options or by using additional controls.



All units are factory commissioned, configured, and run tested.

You can configure the Smart Equipment™ control for use with a standard thermostat using the convenient screw terminals or for use with a zone sensor. You can also configure the control to communicate with multiple BAS communication protocols to integrate with building automation systems.

## On-board USB port

The Smart Equipment™ control comes standard with an on-board USB port that accepts a common flash drive. You can use the port for features like data logging, listing current and



previous system faults, and backing up or updating the software version. Self-test and start up reports are also available through the USB port.

### Built-in LCD

The Smart Equipment™ control board has an easy to read, built-in LCD and easy to use navigation joystick and buttons. Users can quickly navigate the menus to view unit status, options, current function, supply, return and outdoor temperatures, fault codes, and other information.

## NOTICE

The Smart Equipment™ control board used in this product can effectively operate the cooling system down to 0°F when this product is applied in a comfort cooling application for people. An economizer is typically included in this type of application. When you apply this product for process cooling applications (such as computer rooms or switchgear), call the applications department for Ducted Systems at 1-877-874-SERV for guidance. Additional accessories may be needed for stable operation at temperatures below 30°F.

### Reduced field installed complexity

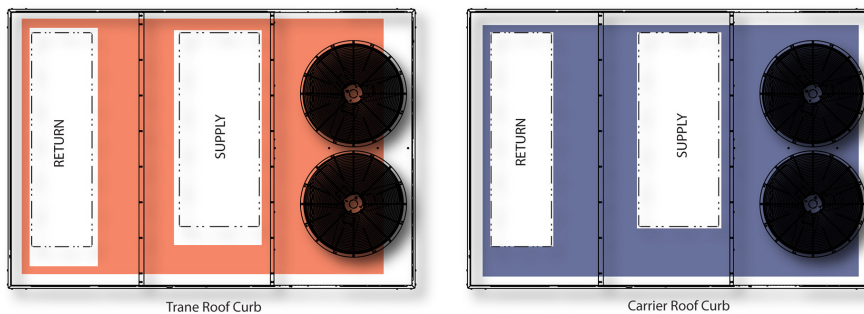
Each unit comes equipped with factory installed supply air, return air, and outdoor air temperature sensors to provide key temperature readings and reduce field installed complexity.

### Standard factory warranty

All models include a 1-year limited warranty on the complete unit. Compressors and electric heater elements each have a 5-year warranty. Aluminized steel heat exchangers have a 10-year warranty and stainless steel heat exchangers have a 15-year warranty.

### Replacement opportunity with footprint

All tonnages have a meticulously designed footprint providing the unique ability to directly replace, without the need for a transition curb, existing 15 to 27.5 ton units from select competitive manufacturers (Carrier and Trane). Airflow testing was conducted on each competitive footprint to ensure full unit performance and operation in these applications. Some utilities may require relocation with guidance from competitive replacement literature.



## **Dedicated duct configuration**

All models are manufactured with a dedicated duct configuration for downflow operation allowing for quick and easy installation without removing or relocating panels.

## **Utility connections**

Gas and electrical utility entries are supplied in the unit underside as well as the side of the unit. You can make utility connections quickly and with a minimum amount of field labor.

## **Sloped drain pan**

All units are provided with a multidirectional sloped condensate drain pan with 1 in. I.D. female connection. Drain pans are sloped in accordance with ASHRAE 62 and are available in composite or stainless steel configurations.

## **Color-coded and numbered wiring**

Wiring is color coded and numbered to match the provided unit wiring diagram to make for easy troubleshooting and field installation.

## **Convertible filter rack**

Units are provided with the selected 2-inch or 4-inch filter. With a simple conversion in the field, units can accept either size filter in the standard filter rack.

## **Full perimeter base rails**

The permanently attached base rails provide a solid foundation for the entire unit and protect the unit during shipment. The rails offer rigging holes so that you can use an overhead crane to place the units on a roof.

## **Operating conditions**

The units are capable of starting and running at 125°F outdoor temperature, exceeding the maximum load criteria of AHRI Standard 340/360. The compressor, with standard controls, is capable of operation down to 45°F outdoor temperature in all installations and as low as 0°F outdoor temperature with cyclic cooling cycles in certain applications. The addition of a low ambient kit allows for cooling operation down to -20°F outdoor temperature. Gas heat is rated to operate in outdoor temperatures down to -40°F.

## **Safety monitoring**

The control monitors the outdoor, supply, and return air temperatures and the high and low pressure switch status on the independent refrigerant circuits. On units with heating, the gas valve and high temperature limit switches are monitored on gas and electric heating units. The control also monitors the voltage supplied to the unit and protects the unit if low voltage occurs due to a brown out, or if other electrical issues occur.

## **Anti-short cycle protection**

To aid compressor life, an anti-short cycle delay is incorporated into the standard control. Compressor reliability is further ensured by programmable minimum run times. For testing, you can temporarily override the anti-short cycle delay with the push of a button.

## **Fan delays**

Fan on and fan off delays are fully programmable. Furthermore, the heating and cooling fan delay times are independent of one another. All units are programmed with default values based on their configuration of cooling and heating capacity.

## **Nuisance trip protection and three strikes**

To prevent nuisance calls, the control board uses a three times, you're out philosophy. The high-pressure switch, low-pressure switch, antifreeze protection, or low voltage, detection must trip three times within two hours before the unit control board locks out the associated compressor. Similarly, the heating high limit switch must trip three times within one hour before the unit control board locks out heating operation. An alarm message appears on the LCD.

## **Low limit control**

When there is a demand for cooling during cold outside conditions the low limit control (LLC) prevents the supply air from dropping below a specified setpoint. This is a programmable setpoint.



## Options and accessories

<b>Non-electrical option or accessory</b>	<b>Factory option</b>	<b>Field-installed option</b>
Roof curb, 14-inch or 24-inch height		✓
Burglar bars		✓
Coil/hail guard	✓	✓
Hinged and toolless access panels	✓	
Magna-Dry modulating hot gas reheat dehumidification	✓	
Aluminized steel gas heat exchanger	✓	
Stainless steel gas heat exchanger	✓	
Modulating gas heat	✓	
Flue exhaust extension		✓
Propane conversion		✓
High altitude kit for propane		✓
High altitude kit for natural gas		✓
Stainless steel drain pan	✓	
E-Coat coil coating	✓	
MERV 8, 2-in. filter	✓	
MERV 13, 4-in. filter	✓	

<b>Electrical option or accessory</b>	<b>Factory option</b>	<b>Field-installed option</b>
Constant volume airflow	✓	
IntelliSpeed discrete fan control	✓	
Multi-zone variable air volume (VAV)	✓	
CRSZ control single zone VAV	✓	
Standard, medium, or high static indoor blower motor	✓	
Non-fused disconnect switch	✓	
Circuit breaker	✓	
Powered convenience outlet	✓	
Non-powered convenience outlet	✓	✓
65 kA high SCCR	✓	
Phase monitor	✓	
Electric heat	✓	✓

<b>Fresh air option or accessory</b>	<b>Factory option</b>	<b>Field-installed option</b>
Manual outside air damper	✓	✓
Motorized outside air damper	✓	✓
Low leak economizer	✓	✓
Single or dual enthalpy economizer control	✓	✓
Barometric relief damper	✓	✓
Constant volume power exhaust	✓	✓
Modulating power exhaust	✓	✓
Bolt on energy recovery ventilator (ERV)		✓

<b>Controls option or accessory</b>	<b>Factory option</b>	<b>Field-installed option</b>
Air proving switch	✓	✓
Dirty filter switch	✓	✓
CO <sup>2</sup> sensor	✓	✓
Condensate overflow switch	✓	✓
Low ambient head pressure control	✓	✓
Supply and return air smoke detectors	✓	✓
Smart Equipment™ control communication card	✓	✓
MAP (Mobile Access Portal) Gateway for use with Smart Equipment™ control		✓
Verasys	✓	✓

# Factory and field-installed options

Coleman® Point™ Choice units have many factory options and field-installed accessories available for a wide range of application needs.

## **Constant volume airflow**

Factory option

The standard airflow option on all Choice models, this provides the most traditional on and off method of blower control where the supply fan airflow and the air volume through the building duct remain constant. The unit's refrigerant staging adjusts based on the load to maintain the zone temperature.

## **IntelliSpeed discrete fan control with VFD**

Factory option

The IntelliSpeed blower control method uses a variable frequency drive (VFD) to control staged modulation of the supply fan airflow in what is called multispeed fan control or discrete fan control. The VFD runs the supply fan at predetermined speeds set at the factory based on the number of cooling stages engaged by the cooling demand. This feature allows for higher part load efficiency and meets all requirements of ASHRAE 90.1 2013/2016 and 2015 IECC.

## **Multi-zone variable air volume (VAV)**

Factory option

Intended for job applications where multiple zones are serviced by a single rooftop with zone dampers in the ductwork to control airflow to each zone. Similar to the IntelliSpeed blower control method, the VAV blower control option uses a VFD to control modulation of the supply fan airflow. Unlike IntelliSpeed, VAV operation provides full modulation of the supply fan speed to provide both a constant supply air temperature and a constant duct static pressure. This modulation is controlled by the VFD based on readings from a pressure transducer mounted in the unit supply duct.

## **CRSZ control single zone VAV**

Factory option

A proprietary control logic for single-zone VAV applications, the continuous reset single zone control (CRSZ control) option provides the industry's best temperature control of a single-zone VAV system. The CRSZ control airflow option uses compressor staging and fan speed, along with programmatic resetting of the supply air temperature setpoint, to deliver stable zone temperature and humidity control.

## **High static indoor blower motor**

Factory option

For applications with high static restrictions, units are offered with optional indoor motors that provide higher static output to varying degrees based on the application requirements.

## MagnaDry modulating hot gas reheat dehumidification

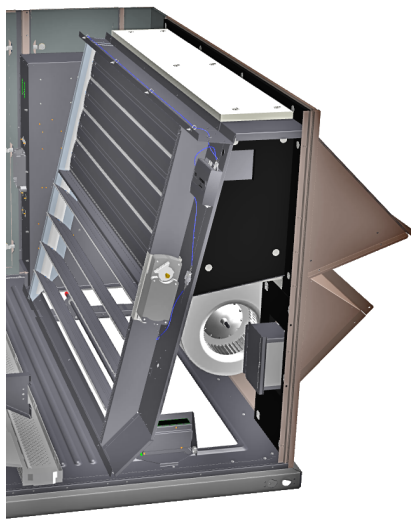
Factory option

Units optioned with reheat coils provide superior dehumidification at a wide range of outdoor temperatures to provide maximum comfort without overcooling the space. Unlike traditional on and off reheat systems, this system modulates dehumidification to more accurately meet the humidity and temperature setpoints.

## Low leak economizer with fresh air hood

Factory or field-installed option

All units offer a variety of optional factory-installed or field-installed economizers that are shipped, installed, and wired with low leak dampers. The dampers are designed to meet ASHRAE 90.1, AMCA 511 Class 1A damper, and the International Energy Conservation Code (IECC) certification requirements by achieving leakage rates of 3 CFM/sq. ft. at 1-inch of static pressure. Each economizer goes through a rigorous 60,000 cycle test. You can select dry bulb, single enthalpy, or dual enthalpy economizer control as either a factory option or field-installed accessory. The economizer has spring return, fully modulating damper actuators and it is capable of introducing up to 100% outdoor air. As the outdoor air intake dampers open, the return air dampers close. The changeover from mechanical refrigeration to economizer operation is regulated by the outdoor air dry bulb temperature or the outdoor air enthalpy input.



## Single or dual enthalpy control

Factory or field-installed option

Low leak economizers are available with standard dry bulb sensing. You can select the following configurations for true enthalpy control of the unit economizer.

- Single enthalpy control to monitor outdoor air humidity and temperature
  - Dual enthalpy control to monitor outdoor air and return air humidity and temperature
- Single or dual enthalpy sensors are available factory installed or as field-installed accessories.

### **Manual outside air damper**

Factory or field-installed option

The manual outdoor air damper includes a slide-in assembly with a manually adjustable opening for fresh air entry. The factory installed damper has an opening range of 0% to 100%. The field-installed accessory is available with two options for opening range, 0% to 25% or 0% to 100%.

### **Motorized outside air damper**

Factory or field-installed option

The motorized outdoor air damper includes a slide-in and plug-in damper assembly with a 2-position, spring return motor actuator. The damper opens to a preset position whenever the supply air blower is operating and drives fully closed when the blower motor shuts down. The factory installed damper has an opening range of 0% to 100%. The field-installed accessory is available with two options for opening range, 0% to 25% or 0% to 100%.

### **Barometric relief damper**

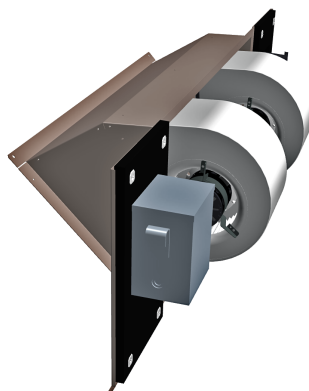
Factory or field-installed option

You can use this damper option to relieve internal building air pressure on units with an economizer or motorized damper without a power exhaust. This accessory includes a rain hood, a bird screen, and a fully assembled damper.

### **Constant volume power exhaust**

Factory or field-installed option

Units with an economizer are available with constant volume power exhaust. Whenever the outdoor air intake dampers are opened for free cooling, the exhaust fan is energized to prevent the conditioned space from being over-pressurized during economizer operation. The factory-installed version has an incorporated fold-out hood design for easy setup and operation. There are two options for the field-installed constant volume power exhaust. The standard CFM exhaust provides the same operational parameters as the factory-installed power exhaust while the high CFM exhaust provides expanded air movement capabilities.



### **Modulating power exhaust**

Factory or field-installed option

For more precise control over a unit's exhaust performance, you can select a modulating power exhaust as a factory or field-installed option. The modulating power exhaust

monitors fluctuations to the static pressure in the duct and works in conjunction with the unit economizer to equalize pressure changes caused by bringing in fresh air. There are two options for the field-installed constant volume power exhaust. The standard CFM exhaust provides the same operational parameters as the factory-installed power exhaust while the high CFM exhaust provides expanded air movement capabilities.

### **Staged electric heat**

Factory or field-installed option

Electric heat is available as a factory or field-installed option in 25 kW, 50 kW, and 75 kW and is available in all voltage options of the base units. All heaters are single point power and all field-installed electric heat accessories require a supplemental single point power kit based on the unit specifications.

### **Staged gas heat**

Factory option in aluminized steel or stainless steel

Staged gas heating is available in two sizes, each with two stages of operation. The standard gas heat exchanger comes in aluminized steel for applications in non-corrosive environments with an optional stainless steel gas heat exchanger available for application in corrosive environments.

### **Modulating gas heat**

Factory option

For improved temperature control and to provide more exact heating operation, select a modulating gas heat furnace. With the same maximum heating capacity as the high-heat staged gas heat and a 2.85 to 1 turndown ratio, the modulating gas heat option provides the same full load heating capabilities as the staged heating option and can also adjust the input rate to reflect the heating call. All modulating gas heat furnaces are equipped with stainless steel heat exchangers.

### **Flue exhaust extension**

Field-installed option

In locations with wind or weather conditions that may interfere with the proper exhausting of furnace combustion products, this accessory can prevent the flue exhaust from entering nearby fresh air intakes.

### **Propane conversion kit**

Field-installed option

Use this kit to convert a gas-fired heater from natural gas to propane. It contains the main burner orifices and gas valve replacement springs.

### **Gas heat high altitude kit**

Field-installed option

Use this kit to convert a gas heat unit to operate at high altitudes from 2,000 to 10,000 feet. Conversion kits are available for natural gas and propane.

### **Hinged and toolless access panels**

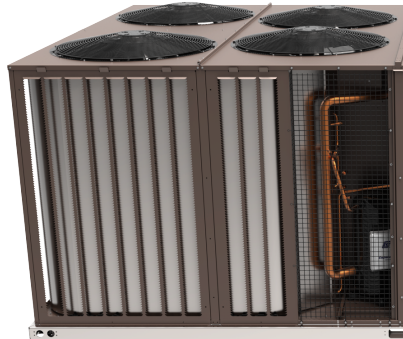
Factory option

To reduce service time, hinged and toolless access panels provide quick and easy access to frequently inspected or service components and areas of the unit. Hinged panels provide access to the control box, filters, gas and electric heat controls, and indoor blower section.

### **Coil guard and hail guard**

Factory or field-installed option

A louvered panel design combination coil guard and hail guard protects the unit condenser coils and outdoor condenser area from a wide range of damage caused by events such as hail, tampering, and animal entry.



### **Stainless steel drain pan**

Factory option

An optional rust-proof stainless steel drain pan is available to provide years of trouble-free operation in corrosive environments.

### **Circuit breaker**

Factory option

A factory-installed circuit breaker provides both easy access to shut off power to the unit for safe servicing and also protects the unit from a short-circuit or overload condition.

### **Non-fused disconnect switch**

Factory option

A factory-mounted service disconnect switch provides easy access to shut off power to the unit for safe servicing of the product.

### **Powered convenience outlet**

Factory option

The powered convenience outlet option provides a 120V single-phase GFCI outlet with a cover on the unit exterior. The outlet is powered by a stepdown transformer in the unit.

### **Non-powered convenience outlet**

Factory or field-installed option

The non-powered convenience outlet option provides a 120V single-phase GFCI outlet with a cover on the exterior of the unit. The outlet requires the installer to provide the 120V single-phase power source and wiring. The outlet is available factory installed or as a field-installed accessory.

## 65 kA high SCCR

Factory option

The HIGH SCCR electrical option replaces all necessary electrical components and wiring with higher rated components and larger gauge wiring to increase the short-circuit current rating to 65 kA from the standard unit 5 kA rating. This provides additional protection to the unit in the event of a short-circuit condition.

## Supply and return air smoke detectors

Factory or field-installed option

The smoke detectors stop operation of the unit and provide a fault message to the control board. Smoke detectors are available for supply and/or return air configurations.

### **WARNING**

Factory-installed smoke detectors may be subjected to extreme temperatures during off times due to outside air infiltration. These smoke detectors have an operational limit of -4°F to 158°F. Smoke detectors installed in areas that could be outside this range must be relocated to prevent false alarms.

## Phase monitor

Factory option

Monitors the electrical phase to the unit to prevent damage from out of phase conditions.

## Air proving switch

Factory or field-installed option

To ensure proper indoor blower operation, you can use an optional air proving switch to monitor whether supply air airflow is present when a cooling or heating cycle initiates. If proper airflow is not detected at the beginning of a cycle or throughout operation, the call for heating or cooling is cancelled and a unit alarm registered.

## Dirty filter switch

Factory or field-installed option

This option includes a differential pressure switch that energizes the fault light on the unit thermostat, indicating that there is an abnormally high pressure drop across the filters.

## CO<sub>2</sub> sensor

Factory or field-installed option

The provided CO<sub>2</sub> sensor detects CO<sub>2</sub> levels and automatically overrides the economizer when levels rise above the preset limits.

## Condensate overflow switch

Factory or field-installed option

Mounted to the unit drain pan, the condensate overflow switch is a float switch that monitors the level of water in the drain pan to shut down unit operation and prevent drain pan overflow within the unit.



## **Low ambient head pressure control**

Factory or field-installed option

An integrated low-ambient control allows units to operate in the cooling mode down to 0°F outdoor ambient without additional components or intervention. The option includes a divider panel for the condenser section to isolate airflow through the condenser coils. Optionally, you can program the control board to lock out the compressors when the outdoor air temperature is low or when free cooling is available.

## **E-coat evaporator and condenser**

Factory option

The evaporator and/or condenser coils are coated with an epoxy polymer coating to protect against corrosion.

## **Filters**

Factory option

Two-inch pleated MERV 8 or 4-inch pleated MERV 13 are available to meet LEED requirements. A 2-inch throwaway is shipped as standard.

## **Burglar bars**

Field-installed option

Mount in the supply and return openings to prevent entry into the duct work.

## **Smart Equipment™ control with communication**

Factory or field-installed option

The communication option for the Smart Equipment™ control is a factory installed add-on card to expand the capabilities with a gateway to BACnet MS/TP (programmable to Modbus or N2 protocols).

## **Mobile Access Portal gateway for use with Smart Equipment™ control**

Field-installed option

You can use the Mobile Access Portal (MAP) gateway to provide a wireless connection to any Smart Equipment™ enabled product or system. The MAP gateway generates a Wi-Fi signal for connection with any electronic device with Wi-Fi capabilities and a web browser. Used in conjunction with the Smart Equipment™ communication card and daisy chained network wiring, a single MAP gateway can provide single point access to an entire network of rooftop units through the unit control board, a Smart Equipment™ enabled zone sensor, or Smart Equipment™ enabled thermostat.

## **Verasys**

Factory or field-installed option

Verasys provides a simple user experience with configurable self-recognizing controllers without the need for any additional tools. Verasys creates enhanced integration of HVACR equipment, zoning, and controls. Contractors are able to offer a complete bundled solution of equipment and controls to serve the light commercial market.

# Physical data

**Table 2: CD15 to CD18 physical data**

Component	Models					
	CD15			CD18		
Nominal tonnage	15			17.5		
ARI cooling performance	2 Stage		4 Stage	2 Stage		4 Stage
Gross capacity @ ARI A point (Btu)	183,000		184,000	211,000		211,000
ARI net capacity (Btu)	172,000		174,000	198,000		198,000
EER	11.1 <sup>1</sup> / 10.9 <sup>2</sup>		11.0 <sup>1</sup> / 10.8 <sup>2</sup>	11.0 <sup>1</sup> / 10.8 <sup>2</sup>		11.0 <sup>1</sup> / 10.8 <sup>2</sup>
IEER CV	13.0 <sup>1</sup> / 12.8 <sup>2</sup>		NA	12.6 <sup>1</sup> / 12.4 <sup>2</sup>		NA
IEER with Intellispeed	14.2 <sup>1</sup> / 14.0 <sup>2</sup>		14.8 <sup>1</sup> / 14.6 <sup>2</sup>	14.2 <sup>1</sup> / 14.0 <sup>2</sup>		14.6 <sup>1</sup> / 14.4 <sup>2</sup>
IEER with VAV	NA		14.6 <sup>1</sup> / 14.4 <sup>2</sup>	NA		14.4 <sup>1</sup> / 14.2 <sup>2</sup>
CFM	4800		4570	5400		5780
System power (KW)	15.78		16.11	18.33		18.33
Refrigerant type	R-410a		R-410a	R-410a		R-410a
Refrigerant charge (lb-oz)						
System 1	7-10		7-12	10-0		9-12
System 2	8-2		8-0	10-4		10-0
ARI heating performance						
Heating model	(N,S)1	(N,S)3	T3	(N,S)1	(N,S)3	T3
Heating type	Stg. low	Stg. high	Mod. high	Stg. low	Stg. high	Mod. high
1st stage heat input (K Btu)	165	300	140	165	300	140
2nd stage heat input (K Btu)	220	400	400	220	400	400
1st stage heat output (K Btu)	134	243	113	134	243	113
2nd stage heat output (K Btu)	178	324	324	178	324	324
Steady state efficiency (%)	81	81	81	81	81	81
No. of burners	5	9	9	5	9	9
No. of stages / Turn down	2	2	2.85 to 1	2	2	2.85 to 1
Temperature rise range (°F)	15-45	35-65	35-65	15-45	30-65	30-65
Gas limit setting (°F)	130	130	130	130	130	130
Gas piping connection (in.)	3/4	3/4	3/4	3/4	3/4	3/4
Dimensions (in.)						
Length	129-3/4					
Width	88-3/4					
Height	48-9/16					
Operating weight	1750			1830		
Compressors	2 Stage		4 Stage	2 Stage		4 Stage
Type	Scroll		Scroll	Scroll		Scroll
Quantity	2		2	2		2
Unit capacity steps (%)	50 / 100		34/50/84/100	47 / 53		31/47/85/100
Condenser coil data						
Face area (sq. ft.)	22.1			22.1		
Type	MCHX			MCHX		
Thickness	20 mm			25 mm		
FPI	23			23		
Circuitry type	2-Pass			2-Pass		
Evaporator coil data						
Face area (sq. st.)	22.0			22.0		
Rows	3			4		
Fins per inch	17			15		
Tube diameter	3/8			3/8		
Circuitry type	Intertwined			Intertwined		

**Table 2: CD15 to CD18 physical data**

Component	Models					
	CD15			CD18		
<b>Nominal tonnage</b>	<b>15</b>			<b>17.5</b>		
Refrigerant control	TXV			TXV		
Condenser fan data						
Quantity	2			2		
Fan diameter (in.)	30			30		
Type	Prop			Prop		
Drive type	Direct			Direct		
Number of motors	2			2		
Motor HP each	1/2			1/2		
RPM	850			850		
Nominal total CFM	10,800			10,700		
Belt drive evap fan data						
Quantity	2			2		
Fan size (in.)	15x15			15x15		
Type	Centrifugal			Centrifugal		
Static range	Std	Med	High	Std	Med	High
Motor sheave	1VP40	1VP40	1VP60	1VP60	1VP65	1VP65
Blower sheave	AK89	BK77	BK100	AK114	BK115	BK100
Belt	AX41	BX43	BX48	AX49	BX50	BX46
Motor HP each	2.9	3.7	5.25	3.7	5.25	7.5
RPM	1745	1750	1750	1750	1750	1760
Frame size	56	56	145T	56	145T	213T
Filters						
Quantity - size	6 - (20 x 25 x 2) <sup>34</sup>			6 - (20 x 25 x 2) <sup>34</sup>		
	6 - (20 x 25 x 4) <sup>5</sup>			6 - (20 x 25 x 4) <sup>5</sup>		

- 1 Cooling only unit or cooling unit with electric heat
- 2 Cooling unit with gas heat
- 3 2 in. throwaway, standard, MERV (Minimum Efficiency Reporting Value) 3
- 4 Optional 2 in. pleated, MERV 8
- 5 Optional 4 in. pleated, MERV 13

**Table 3: CD20 to CD28 physical data**

Component	Models								
	CD20			CD25			CD28		
Nominal tonnage	20			25			27.5		
ARI cooling performance	2 Stage		4 Stage	2 Stage		4 Stage	2 Stage		4 Stage
Gross capacity @ ARI A point (Btu)	252,000	252,000		308,000	304,000		347,000	350,000	
ARI net capacity (Btu)	238,000	234,000		286,000	274,000		320,000	320,000	
EER	11.0 <sup>1</sup> / 10.8 <sup>2</sup>	11.0 <sup>1</sup> / 10.8 <sup>2</sup>		10.2 <sup>1</sup> / 10.0 <sup>2</sup>	10.2 <sup>1</sup> / 10.0 <sup>2</sup>		10.4 <sup>1</sup> / 10.2 <sup>2</sup>	10.2 <sup>1</sup> / 10.0 <sup>2</sup>	
IEER CV	12.4 <sup>1</sup> / 12.2 <sup>2</sup>	NA		11.6 <sup>1</sup> / 11.4 <sup>2</sup>	NA		11.6 <sup>1</sup> / 11.4 <sup>2</sup>	NA	
IEER with Intellispeed	14.2 <sup>1</sup> / 14.0 <sup>2</sup>	14.4 <sup>1</sup> / 14.2 <sup>2</sup>		14.0 <sup>1</sup> / 13.8 <sup>2</sup>	14.4 <sup>1</sup> / 14.2 <sup>2</sup>		13.4 <sup>1</sup> / 13.2 <sup>2</sup>	14.4 <sup>1</sup> / 14.2 <sup>2</sup>	
IEER with VAV	NA	14.2 <sup>1</sup> / 14.0 <sup>2</sup>		NA	14.2 <sup>1</sup> / 14.0 <sup>2</sup>		NA	14.2 <sup>1</sup> / 14.0 <sup>2</sup>	
CFM	6000	6090		8000	7800		9050	9350	
System power (KW)	22.04	21.67		28.60	27.40		31.37	32.00	
Refrigerant type	R-410a	R-410a		R-410a	R-410a		R-410a	R-410a	
Refrigerant charge (lb-oz)									
System 1	10-14	10-10		14-12	15-4		16-8	16-8	
System 2	11-4	11-10		15-4	16-0		17-4	17-4	
ARI heating performance									
Heating model	(N,S)1	(N,S)3	T3	(N,S)1	(N,S)3	T3	(N,S)1	(N,S)3	T3
Heating type	Stg. low	Stg. high	Mod. high	Stg. low	Stg. high	Mod. high	Stg. low	Stg. high	Mod. high
1st stage heat input (K Btu)	165	300	140	165	300	140	165	300	140
2nd stage heat input (K Btu)	220	400	400	220	400	400	220	400	400
1st stage heat output (K Btu)	134	243	113	134	243	113	134	243	113
2nd stage heat output (K Btu)	178	324	324	178	324	324	178	324	324
Steady state efficiency (%)	81	81	81	81	81	81	81	81	81
No. of burners	5	9	9	5	9	9	5	9	9
No. of stages / Turn down	2	2	2.85 to 1	2	2	2.85 to 1	2	2	2.85 to 1
Temperature rise range (°F)	15-45	30-65	30-65	10-40	20-55	20-55	10-40	20-55	20-55
Gas limit setting (°F)	130	130	130	130	130	130	130	130	130
Gas piping connection (in.)	3/4	3/4	3/4	3/4	3/4	3/4	3/4	3/4	3/4
Dimensions (in.)									
Length	143-13/16			143-13/16			160-1/16		
Width	88-3/4			88-3/4			88-3/4		
Height	48-9/16			56-9/16			56-9/16		
Operating weight	1930			2090			2170		
Compressors	2 Stage		4 Stage	2 Stage		4 Stage	2 Stage		4 Stage
Type	Scroll		Scroll	Scroll		Scroll	Scroll		Scroll
Quantity	2		2	2		3	2		3
Unit capacity steps (%)	46 / 100	31/46/85/100		50 / 50	25/50/75/100		50 / 50	25/50/75/100	
Condenser coil data									
Face area (sq. ft.)	25.1			30.8			35.4		
Type	MCHX			MCHX			MCHX		
Thickness	25 mm			25 mm			25 mm		
FPI	23			23			23		
Circuitry type	2-Pass			2-Pass			2-Pass		
Evaporator coil data									
Face area (sq. st.)	22.0			26.0			26.0		
Rows	4			4			4		
Fins per inch	15			15			15		
Tube diameter	3/8			3/8			3/8		
Circuitry type	Intertwined			Intertwined			Intertwined		

**Table 3: CD20 to CD28 physical data**

Component	Models								
	CD20			CD25			CD28		
<b>Nominal tonnage</b>	<b>20</b>			<b>25</b>			<b>27.5</b>		
Refrigerant control	TXV			TXV			TXV		
Condenser fan data									
Quantity	4			4			4		
Fan diameter (in.)	24			24			30		
Type	Prop			Prop			Prop		
Drive type	Direct			Direct			Direct		
Number of motors	2			2			2		
Motor HP each	1/2			1/2			1/2		
RPM	1120			1120			850		
Nominal total CFM	15,800			16,900			21,400		
Belt drive evap fan data									
Quantity	2			2			2		
Fan size (in.)	15x15			15x15			15x15		
Type	Centrifugal			Centrifugal			Centrifugal		
Static range	Std	Med	High	Std	Med	High	Std	Med	High
Motor sheave	1VP60	2VP60	1VP65	2VP36	2VP60	2VP60	1VP65	1VP65	2VP60
Blower sheave	1B5V110	2BK100	1B5V90	2BK65	2B5V86	2BK80	1B5V110	1B5V90	2B5V74
Belt	BX48	BX48 (x2)	5VX490	BX37 (x2)	BX43 (x2)	BX43 (x2)	BX48	5VX490	5VX450 (x2)
Motor HP each	5.25	7.5	10	5.25	7.5	10	7.5	10	12
RPM	1750	1760	1765	1750	1760	1765	1760	1765	1765
Frame size	145T	213T	215T	145T	213T	215T	213T	215T	215T
Filters									
Quantity - size	6 - (20 x 25 x 2) <sup>34</sup>			9 - (16 x 25 x 2) <sup>34</sup>			9 - (16 x 25 x 2) <sup>34</sup>		
	6 - (20 x 25 x 4) <sup>5</sup>			9 - (16 x 25 x 4) <sup>5</sup>			9 - (16 x 25 x 4) <sup>5</sup>		

- 1 Cooling only unit or cooling unit with electric heat
- 2 Cooling unit with gas heat
- 3 2 in. throwaway, standard, MERV (Minimum Efficiency Reporting Value) 3
- 4 Optional 2 in. pleated, MERV 8
- 5 Optional 4 in. pleated, MERV 13

## Unit limitations

**Table 4: CD15 to CD28 unit limitations**

Unit voltage	Applied voltage		Outdoor DB temperature
	Minimum	Maximum	Maximum (°F)
208/230-3-60	187	252	125
460-3-60	432	504	125
575-3-60	540	630	125

# Capacity performance

The following tables show the capacity performance for the units. The total capacities (TC) and sensible capacities (SC) are gross ratings. For net capacity, deduct air blower motor, MBh = 3.415 x kW. See the appropriate blower performance table for the kW of the supply air blower motor.

**① Note:**

- TC = Total capacity
- SC = Sensible capacity

## CD15 cooling capacity performance

**Table 5: CD15 cooling performance**

Air on evap. coil		Temperature of air on condenser coil																							
		Return dry bulb temperature (°F)												Return dry bulb temperature (°F)											
		90		85		80		75		70		65		90		85		80		75		70		65	
CFM	WB (°F)	TC	SC	TC	SC	TC	SC	TC	SC	TC	SC	TC	SC	TC	SC	TC	SC	TC	SC	TC	SC	TC	SC		
		MBH	MBH	MBH	MBH	MBH	MBH	MBH	MBH	MBH	MBH	MBH	MBH	MBH	MBH	MBH	MBH	MBH	MBH	MBH	MBH	MBH	MBH	MBH	
		75 (°F)												85 (°F)											
3750	77	211.5	114.6	211.7	96.3	211.4	77.5	-	-	-	-	-	-	200.0	109.8	200.4	91.5	200.1	72.8	-	-	-	-		
	72	194.6	133.5	194.8	115.2	194.8	96.7	194.6	78.0	-	-	-	-	184.1	128.7	184.1	110.3	184.3	91.9	184.0	73.2	-	-	-	
	67	178.8	152.3	178.8	134.0	178.9	115.5	178.9	97.0	178.7	78.3	-	-	168.8	147.4	169.0	129.1	169.0	110.6	169.2	92.3	169.1	73.7	-	-
	62	165.4	165.4	163.5	152.1	163.8	134.1	163.8	115.6	163.7	97.0	163.5	78.4	157.7	157.7	154.3	147.2	154.8	129.3	154.8	110.9	154.7	92.3	154.4	73.6
	57	164.2	164.2	156.7	156.7	149.3	149.3	149.2	133.6	149.3	115.2	149.2	96.6	156.4	156.4	149.2	149.2	142.1	142.1	140.9	128.8	140.8	110.4	140.8	91.9
4500	77	222.0	125.7	222.4	103.8	222.2	81.5	-	-	-	-	-	-	209.6	120.6	209.9	98.8	209.7	76.5	-	-	-	-	-	
	72	204.9	148.4	205.2	126.5	205.4	104.5	205.3	82.3	-	-	-	-	193.0	143.3	193.5	121.3	193.6	99.3	193.6	77.2	-	-	-	-
	67	187.9	170.5	188.1	148.9	188.2	126.8	188.3	104.7	188.2	82.5	-	-	176.8	165.2	177.2	143.7	177.5	121.7	177.6	99.7	177.6	77.5	-	-
	62	179.0	179.0	171.0	170.5	172.3	149.0	172.5	127.0	172.6	104.9	172.4	82.6	170.1	170.1	162.3	162.3	162.1	143.6	162.6	122.0	162.5	99.7	162.3	77.5
	57	177.5	177.5	169.4	169.4	161.4	161.4	157.4	148.4	157.6	126.8	157.5	104.5	168.6	168.6	160.8	160.8	152.9	152.9	147.7	143.0	148.1	121.7	148.1	99.4
5250	77	230.4	136.3	231.0	111.0	231.1	85.2	-	-	-	-	-	-	217.2	131.0	217.3	105.5	218.2	80.0	-	-	-	-	-	
	72	212.3	162.5	212.7	137.0	212.9	111.4	212.9	85.8	-	-	-	-	199.7	156.9	200.0	131.5	200.3	105.9	200.5	80.4	-	-	-	-
	67	194.7	187.4	195.5	163.0	195.8	137.6	195.9	111.8	196.1	86.3	-	-	182.1	181.5	183.6	157.3	184.0	132.1	184.3	106.5	184.3	80.8	-	-
	62	190.2	190.2	181.7	181.2	178.9	162.8	179.3	137.6	179.4	112.0	179.3	86.2	180.3	180.3	171.6	171.6	167.7	157.2	168.2	132.1	168.2	106.4	168.2	80.7
	57	188.5	188.5	179.9	179.9	171.1	171.1	162.7	162.6	163.6	137.4	163.7	111.6	178.4	178.4	170.0	170.0	161.8	161.8	153.6	153.6	153.1	131.8	153.2	106.1
6000	77	236.9	146.3	237.6	117.4	237.9	88.4	-	-	-	-	-	-	222.7	140.8	223.4	111.8	223.6	82.8	-	-	-	-	-	
	72	218.5	175.9	219.1	147.1	219.5	118.0	219.6	89.0	-	-	-	-	204.5	169.8	205.5	141.3	205.8	112.2	206.3	83.3	-	-	-	-
	67	201.6	199.6	201.0	176.0	201.3	147.5	201.7	118.4	201.8	89.3	-	-	190.5	189.9	188.3	170.1	188.5	141.6	189.1	112.6	189.3	83.6	-	-
	62	199.3	199.3	190.4	189.8	184.0	175.8	184.9	147.8	185.2	118.7	184.8	89.3	188.3	188.3	179.7	179.7	171.2	170.8	173.0	142.0	173.2	112.8	172.9	83.6
	57	197.4	197.4	188.4	188.4	179.4	179.4	170.3	170.2	168.4	147.2	168.6	118.2	186.1	186.1	177.7	177.7	169.0	169.0	160.4	160.4	157.3	141.2	157.2	112.3
6750	77	242.3	155.9	243.3	123.8	243.7	91.4	-	-	-	-	-	-	227.3	149.9	228.2	117.7	228.6	85.5	-	-	-	-	-	
	72	223.7	188.4	224.1	156.7	224.7	124.2	224.8	91.8	-	-	-	-	208.8	182.4	209.7	150.6	210.5	118.2	211.0	86.0	-	-	-	-
	67	209.6	207.4	205.3	189.0	206.2	157.1	206.6	124.6	206.8	92.3	-	-	197.6	196.9	191.6	182.2	192.8	151.1	193.4	118.6	193.5	86.2	-	-
	62	207.2	207.2	197.9	197.1	188.4	186.9	189.1	157.3	189.2	124.8	189.1	92.1	195.2	195.2	186.4	186.4	177.2	177.2	176.5	150.9	176.8	118.7	176.6	86.1
	57	205.0	205.0	195.7	195.7	186.2	186.2	176.7	176.6	172.4	156.8	172.4	124.3	193.0	193.0	184.1	184.1	175.0	175.0	166.0	166.0	160.5	150.7	160.7	118.3
7500	77	246.9	165.2	248.0	129.6	248.7	94.1	-	-	-	-	-	-	231.1	159.0	232.2	123.4	233.0	88.0	-	-	-	-	-	
	72	227.1	200.6	228.6	165.9	229.4	130.2	229.5	94.6	-	-	-	-	212.0	194.1	213.5	159.5	214.3	124.0	214.9	88.4	-	-	-	-
	67	216.7	214.2	208.6	201.1	210.0	166.3	210.7	130.5	210.9	94.8	-	-	203.9	203.0	194.8	193.1	196.0	159.8	196.6	124.0	196.9	88.5	-	-
	62	214.3	214.3	204.4	203.5	194.6	193.0	192.6	166.0	192.8	130.5	193.0	94.7	201.3	201.3	192.0	192.0	182.7	182.7	179.1	159.9	179.5	124.1	179.6	88.3
	57	211.6	211.6	202.0	202.0	192.2	192.2	182.4	182.2	175.7	165.7	176.0	130.3	198.9	198.9	189.5	189.5	180.1	180.1	170.8	170.8	162.7	159.7	163.5	123.9
		95 (°F)												105 (°F)											
3750	77	186.7	104.8	187.2	86.6	187.0	68.0	-	-	-	-	-	-	177.8	100.0	178.1	81.6	177.9	63.0	-	-	-	-	-	
	72	171.6	123.8	171.7	105.3	171.8	87.0	171.7	68.4	-	-	-	-	163.4	118.6	163.7	100.3	164.0	82.1	163.8	63.5	-	-	-	-
	67	156.9	142.1	157.2	124.1	157.6	105.9	157.5	87.3	157.4	68.7	-	-	149.3	136.9	149.8	119.0	150.2	100.7	150.2	82.3	150.1	63.8	-	-
	62	148.0	148.0	142.8	141.8	143.7	124.3	143.8	105.9	143.6	87.4	143.4	68.8	142.7	142.7	136.0	136.0	136.9	119.0	137.1	100.8	136.9	82.2	136.8	63.6
	57	146.7	146.7	139.9	139.9	132.9	132.9	130.4	123.7	130.4	105.5	130.3	87.0	141.4	141.4	134.8	134.8	128.0	128.0	124.0	118.4	124.3	100.3	124.2	81.8

**Table 5: CD15 cooling performance**

Air on evap. coil		Temperature of air on condenser coil																							
		Return dry bulb temperature (°F)												Return dry bulb temperature (°F)											
		90		85		80		75		70		65		90		85		80		75		70		65	
CFM	WB (°F)	TC	SC	TC	SC	TC	SC	TC	SC	TC	SC	TC	SC	TC	SC	TC	SC	TC	SC	TC	SC	TC	SC		
		MBH	MBH	MBH	MBH	MBH	MBH	MBH	MBH	MBH	MBH	MBH	MBH	MBH	MBH	MBH	MBH	MBH	MBH	MBH	MBH	MBH	MBH	MBH	
4500	77	194.8	115.2	195.0	93.4	195.2	71.4	-	-	-	-	-	-	185.1	110.0	185.7	88.1	186.1	66.2	-	-	-	-	-	
	72	179.1	138.0	179.5	116.0	179.9	94.1	179.9	72.0	-	-	-	-	170.4	132.6	171.0	110.7	171.5	88.8	171.4	66.7	-	-	-	
	67	163.5	159.3	164.1	138.3	164.7	116.5	164.6	94.3	164.5	72.2	-	-	154.7	153.9	156.3	132.6	156.6	110.9	156.9	88.9	156.7	66.7	-	
	62	159.0	159.0	151.6	151.6	149.7	138.1	150.0	116.4	150.2	94.4	150.0	72.2	153.0	153.0	145.8	145.8	142.3	132.6	142.9	110.9	143.2	89.0	143.0	66.7
	57	157.5	157.5	149.9	149.9	142.5	142.5	135.2	135.2	136.4	116.2	136.2	94.0	151.5	151.5	144.3	144.3	137.1	137.1	129.8	129.8	130.0	110.6	129.9	88.4
5250	77	201.3	125.4	201.3	99.9	201.6	74.3	-	-	-	-	-	-	190.6	119.5	191.4	94.2	192.0	68.8	-	-	-	-	-	
	72	184.4	151.2	185.0	125.8	185.3	100.3	185.5	74.8	-	-	-	-	175.4	145.2	175.9	120.0	176.6	94.7	177.0	69.3	-	-	-	
	67	169.5	169.5	169.1	151.2	170.2	126.5	170.1	100.8	169.7	75.0	-	-	163.1	162.2	160.8	145.5	161.7	120.6	162.4	95.1	162.2	69.5	-	
	62	167.6	167.6	159.6	159.6	154.1	151.2	154.7	126.4	154.7	100.7	154.5	75.0	161.6	161.6	153.6	153.6	146.0	145.7	147.3	120.5	147.5	94.9	147.5	69.3
	57	165.8	165.8	157.9	157.9	149.9	149.9	142.0	142.0	140.2	125.9	140.3	100.4	159.4	159.4	151.8	151.8	144.3	144.3	136.6	136.6	133.8	119.9	133.9	94.5
6000	77	205.4	134.7	206.4	105.9	206.7	77.0	-	-	-	-	-	-	195.3	128.8	196.2	99.9	197.3	71.3	-	-	-	-	-	
	72	188.3	163.7	189.0	135.1	189.8	106.3	190.1	77.5	-	-	-	-	178.8	157.5	180.1	129.4	180.9	100.4	181.4	71.7	-	-	-	
	67	183.5	183.5	172.5	163.8	173.2	135.7	173.7	106.6	173.8	77.7	-	-	170.0	168.9	163.8	158.1	165.1	129.6	165.7	100.7	165.9	71.7	-	
	62	174.5	174.5	166.2	166.2	158.3	158.3	158.3	135.8	158.5	106.7	158.4	77.7	167.8	167.8	160.0	160.0	151.9	151.6	150.9	129.5	151.2	100.6	151.2	71.6
	57	172.5	172.5	164.3	164.3	156.1	156.1	147.6	147.6	143.0	135.5	143.2	106.3	165.9	165.9	158.1	158.1	150.2	150.2	142.0	142.0	136.4	128.9	136.7	100.1
6750	77	208.8	143.7	210.0	111.5	210.8	79.5	-	-	-	-	-	-	198.6	137.4	199.9	105.4	201.0	73.4	-	-	-	-	-	
	72	191.3	176.2	192.4	144.3	193.3	112.1	193.8	79.9	-	-	-	-	181.3	169.2	183.3	138.1	184.3	105.8	184.9	73.7	-	-	-	
	67	182.8	182.8	174.2	174.2	176.4	144.6	177.1	112.4	177.2	80.0	-	-	175.9	174.7	167.8	165.8	168.2	138.1	168.8	106.1	169.3	73.8	-	
	62	180.4	180.4	171.6	171.6	163.1	163.1	160.8	144.6	161.1	112.3	161.1	79.9	173.3	173.3	165.2	165.2	157.1	156.6	153.2	138.3	153.6	105.9	153.9	73.5
	57	178.0	178.0	169.5	169.5	160.8	160.8	152.1	152.1	145.3	144.1	145.7	111.9	171.4	171.4	163.1	163.1	154.8	154.8	146.5	146.5	138.1	138.1	139.2	105.4
7500	77	211.9	152.5	213.2	117.0	214.0	81.7	-	-	-	-	-	-	201.7	146.1	203.0	110.6	204.4	75.5	-	-	-	-	-	
	72	192.7	187.7	195.5	153.1	196.2	117.5	196.9	82.1	-	-	-	-	183.6	179.4	185.9	146.2	186.9	110.9	187.9	75.7	-	-	-	
	67	187.8	187.8	179.1	179.1	178.7	153.0	179.4	117.8	179.4	82.0	-	-	180.6	179.3	172.4	170.2	169.8	146.4	171.2	111.1	171.8	75.6	-	
	62	185.1	185.1	176.5	176.5	167.4	167.4	162.2	153.3	162.9	117.5	163.0	81.8	178.0	178.0	169.7	169.7	161.2	160.7	154.9	146.5	155.6	110.9	155.9	75.2
	57	182.9	182.9	173.9	173.9	165.0	165.0	156.0	156.0	146.9	146.9	147.7	117.3	175.5	175.5	167.3	167.3	158.8	158.8	150.3	150.3	141.6	141.6	141.0	110.5
115 (°F)												125 (°F)													
3750	77	165.2	94.6	165.9	76.4	165.7	57.9	-	-	-	-	-	-	151.8	88.9	152.3	70.8	152.4	52.4	-	-	-	-	-	
	72	151.7	113.3	152.2	95.0	152.5	76.7	152.3	58.1	-	-	-	-	139.3	107.6	139.4	89.3	139.7	71.0	140.0	52.7	-	-	-	
	67	138.1	131.1	138.7	113.4	139.2	95.2	139.4	76.9	139.3	58.4	-	-	125.6	125.1	127.0	107.6	127.1	89.3	127.5	71.1	127.7	52.7	-	
	62	133.9	133.9	127.5	127.5	126.6	113.3	126.8	95.2	126.8	76.7	126.7	58.2	124.2	124.2	118.1	118.1	114.9	107.3	115.7	89.3	115.7	70.9	115.6	52.4
	57	132.7	132.7	126.2	126.2	119.8	119.8	113.6	113.2	114.7	94.7	114.7	76.2	122.9	122.9	116.8	116.8	110.6	110.6	104.3	104.3	104.2	88.7	104.2	70.3
4500	77	171.7	104.3	172.3	82.5	172.7	60.6	-	-	-	-	-	-	157.0	98.3	157.9	76.7	158.6	54.9	-	-	-	-	-	
	72	157.7	126.6	158.3	104.9	158.7	82.8	158.9	61.0	-	-	-	-	143.9	120.3	144.6	98.8	145.0	77.0	145.6	55.1	-	-	-	
	67	144.7	144.0	144.2	126.8	144.9	105.1	144.9	83.0	145.4	61.1	-	-	134.0	133.3	131.1	120.5	132.1	99.0	132.5	77.0	132.7	55.1	-	
	62	143.1	143.1	136.3	136.3	130.9	126.6	131.7	104.9	132.1	83.0	132.1	60.9	132.4	132.4	125.8	125.8	119.2	119.1	119.6	98.6	120.0	76.7	120.1	54.8
	57	141.5	141.5	134.7	134.7	127.8	127.8	120.9	119.4	104.5	119.5	82.5	130.8	130.8	124.2	124.2	117.7	117.7	111.0	111.0	107.6	98.0	108.1	76.2	
5250	77	176.4	113.5	177.3	88.3	178.0	63.0	-	-	-	-	-	-	161.1	107.3	162.3	82.1	163.2	57.0	-	-	-	-	-	
	72	161.4	139.0	162.5	114.1	163.3	88.7	163.7	63.3	-	-	-	-	147.1	132.6	148.1	107.7	149.1	82.5	149.7	57.1	-	-	-	
	67	152.2	151.4	148.1	139.1	149.1	114.4	149.6	88.9	149.9	63.5	-	-	140.4	139.6	133.7	132.3	135.5	107.9	136.1	82.5	136.3	57.1	-	
	62	150.4	150.4	143.2	143.2	136.2	135.9	135.6	114.1	135.7	88.6	136.1	63.2	138.5	138.5	131.8	131.8	124.9	124.8	122.9	107.6	123.1	82.2	123.2	56.7
	57	148.8	148.8	141.3	141.3	134.3	134.3	126.7	122.4	113.6	122.7	88.2	136.8	136.8	130.0	130.0	123.0	123.0	116.1	116.1	109.7	107.4	110.4	81.4	
6000	77	179.9	122.4	181.7	93.9	182.6	65.3	-	-	-	-	-	-	164.3	116.0	165.9	87.4	167.0	58.9	-	-	-	-	-	
	72	164.3	150.8	165.9	123.0	167.0	94.1	167.6	65.4	-	-	-	-	148.0	144.9	150.8	116.0	151.8	87.5	152.8	58.9	-	-	-	
	67	158.5	157.5	151.0	149.3	151.6	122.8	152.5	94.2	152.8	65.4	-	-	145.6	144.7	139.1	137.6	137.5	116.2	138.5	87.5	138.9	58.7	-	
	62	156.2	156.2	148.7	148.7	141.2	140.8	138.5	123.0	138.8	94.2	139.0	65.1	144.5	144.5	136.5	136.5	129.3	129.1	124.7	115.9	125.4	87.3	125.7	58.4
	57	154.2	154.2	146.8	146.8	139.2	139.2	131.5	131.5	124.0	123.3	125.1	93.5	141.4	141.4	134.5	134.5	127.3	127.3	120.0	120.0	112.6	112.6	112.5	86.5
6750	77	182.7	130.9	184.4	98.8	185.9	67.2	-	-	-	-	-	-	166.3	123.9	167.4	92.1	169.7	60.6	-	-	-	-	-	
	72	166.0	162.3	168.6	131.2	169.9	99.3	170.7	67.3	-	-	-	-	152.7	149.1	152.6	124.5	154.4	92.5	155.5	60.6	-	-	-	
	67	163.3	162.2	155.7	153.8	153.8	131.4	155.2	99.4	155.6	67.1	-	-	150.0	149.0	142.9	141.1	139.5	124.4	140.5	92.4	141.2	60.4	-	
	62	160.9	160.9	153.2	153.2	145.5	145.1	139.9	131.2	140.9	99.2	141.0	66.8	147.5	147.5	140.3	140.3	133.0	132.8	125.6	124.6	127.0	92.0	126.7	59.6
	57	158.7	158.7	151.0	151.0	143.3	143.3	135.4	135.4	127.3	127.3	126.9	98.5	145.1	145.1	138.1	138.1	130.8	130.8	123.3	123.3	115.6	115.6	113.8	91.2
7500	77	185.8	138.9	187.3	103.9	188.5	68.9	-	-	-	-	-	-	168.1	132.1	170.3	97.0	172.1	62.1	-	-	-	-	-	
	72	170.5	166.3	170.4	139.4	172.2	104.3	173.2	69.0	-	-	-	-	156.6	152.6	154.0	132.6	156.3	97.1	157.3	62.0	-	-	-	
	67	167.6	166.3	159.8	157.6	155.8	139.5	157.0	104.1	157.7	68.8	-</													





**Table 6: CD18 cooling performance**

Air on evap. coil		Temperature of air on condenser coil																							
		Return dry bulb temperature (°F)												Return dry bulb temperature (°F)											
		90		85		80		75		70		65		90		85		80		75		70		65	
CFM	WB (°F)	TC	SC	TC	SC	TC	SC	TC	SC	TC	SC	TC	SC	TC	SC	TC	SC	TC	SC	TC	SC	TC	SC		
		MBH	MBH	MBH	MBH	MBH	MBH	MBH	MBH	MBH	MBH	MBH	MBH	MBH	MBH	MBH	MBH	MBH	MBH	MBH	MBH	MBH	MBH	MBH	
8750	77	244.4	177.8	246.9	136.3	249.6	95.1	-	-	-	-	-	-	232.8	170.0	235.8	128.6	239.4	87.8	-	-	-	-	-	-
	72	221.2	219.3	225.6	178.6	227.5	136.9	230.0	95.7	-	-	-	-	212.6	206.8	215.2	171.0	217.7	129.3	220.6	88.3	-	-	-	-
	67	216.7	216.7	207.3	207.3	206.7	179.2	208.5	137.4	210.4	96.0	-	-	208.8	207.0	200.0	197.0	198.5	171.4	199.9	129.7	202.0	88.4	-	-
	62	213.5	213.5	203.8	203.8	194.0	194.0	188.1	179.7	190.2	137.6	191.5	96.0	205.3	205.3	196.5	196.5	187.2	186.5	179.3	172.1	182.4	129.8	182.9	87.8
	57	210.3	210.3	200.6	200.6	190.8	190.8	180.8	180.8	171.0	171.0	172.5	137.4	202.4	202.4	193.2	193.2	184.0	184.0	174.7	174.7	165.4	165.4	165.6	129.5
115 (°F)												125 (°F)													
4375	77	195.4	112.1	197.6	90.5	198.5	68.4	-	-	-	-	-	-	179.4	105.4	181.2	83.7	183.0	61.9	-	-	-	-	-	-
	72	179.4	135.0	180.6	113.0	182.6	91.3	182.9	69.1	-	-	-	-	163.9	128.0	165.4	106.1	166.8	84.3	168.3	62.5	-	-	-	-
	67	162.8	157.2	164.6	135.5	165.6	113.5	166.8	91.6	167.7	69.5	-	-	149.1	148.3	150.2	128.6	151.5	106.5	152.9	84.7	154.2	62.8	-	-
	62	158.9	158.9	151.1	151.1	150.4	136.1	151.7	113.9	152.0	91.6	153.0	69.6	147.1	147.1	140.4	140.4	136.5	129.3	138.5	106.9	139.4	84.9	140.1	62.8
	57	157.1	157.1	149.9	149.9	142.8	142.8	136.3	135.3	137.8	113.8	138.2	91.5	145.3	145.3	138.6	138.6	131.9	131.9	125.1	125.1	125.4	106.8	126.1	84.5
5250	77	201.6	122.9	203.4	97.1	205.3	71.2	-	-	-	-	-	-	184.1	115.7	186.3	90.0	187.3	63.9	-	-	-	-	-	-
	72	184.7	149.8	186.1	123.7	187.7	97.8	189.4	71.9	-	-	-	-	167.9	142.6	169.8	116.5	171.8	90.6	173.8	64.9	-	-	-	-
	67	170.4	169.3	169.1	150.6	170.7	124.2	172.1	98.2	173.2	72.1	-	-	157.2	156.3	153.2	143.5	155.5	116.9	157.3	91.0	158.9	65.1	-	-
	62	168.0	168.0	160.5	160.5	154.1	150.3	156.0	124.5	157.2	98.4	158.2	72.3	154.8	154.8	148.0	148.0	140.8	140.8	141.9	117.1	143.1	91.0	144.5	65.1
	57	165.8	165.8	158.4	158.4	150.8	150.8	143.3	143.3	141.9	124.5	142.8	98.2	152.8	152.8	145.8	145.8	138.7	138.7	131.6	131.6	128.1	117.5	129.7	90.8
6125	77	205.7	133.2	207.3	103.1	210.6	73.7	-	-	-	-	-	-	187.6	125.7	190.2	96.0	193.3	66.6	-	-	-	-	-	-
	72	187.8	164.1	190.0	133.9	192.1	104.0	194.2	74.3	-	-	-	-	169.5	156.6	172.8	126.3	175.2	96.5	177.8	67.0	-	-	-	-
	67	177.8	176.5	171.9	164.4	174.8	134.6	176.3	104.5	178.0	74.7	-	-	163.5	162.3	156.4	154.2	158.8	126.9	160.6	97.0	162.6	67.3	-	-
	62	175.2	175.2	167.4	167.4	159.5	159.0	159.4	134.8	160.6	104.6	162.0	74.6	160.9	160.9	153.7	153.7	146.3	146.1	144.1	127.4	146.1	97.0	147.4	67.0
	57	172.7	172.7	165.1	165.1	157.0	157.0	149.1	149.1	144.0	135.0	145.8	104.3	158.5	158.5	151.4	151.4	143.9	143.9	136.5	136.5	129.7	127.1	131.8	96.6
7000	77	209.2	143.1	211.8	109.3	215.0	76.1	-	-	-	-	-	-	190.0	135.3	193.1	101.7	197.0	68.6	-	-	-	-	-	-
	72	189.3	177.6	193.0	143.7	195.3	110.0	197.8	76.5	-	-	-	-	171.7	167.1	175.1	136.0	177.8	102.2	179.7	68.5	-	-	-	-
	67	183.9	182.4	175.9	173.5	177.3	144.4	179.1	110.4	181.1	76.7	-	-	168.5	167.2	161.3	159.1	160.5	136.6	162.7	102.5	165.1	69.0	-	-
	62	180.9	180.9	172.9	172.9	164.8	164.2	161.4	144.9	163.5	110.5	165.0	76.7	165.7	165.7	158.3	158.3	150.7	150.4	145.3	137.0	148.2	102.6	149.9	68.8
	57	178.2	178.2	170.3	170.3	162.0	162.0	153.8	153.8	145.8	144.6	147.9	110.1	163.0	163.0	155.7	155.7	148.1	148.1	140.5	140.5	133.7	133.7	133.5	102.1
7875	77	211.5	152.6	215.4	115.3	218.4	78.1	-	-	-	-	-	-	191.8	144.8	195.5	107.2	199.9	70.5	-	-	-	-	-	-
	72	192.3	187.1	195.3	153.5	198.1	115.7	200.9	78.5	-	-	-	-	176.4	171.5	176.0	144.9	179.9	107.6	183.3	70.6	-	-	-	-
	67	188.9	187.3	180.7	178.0	179.3	153.8	181.5	116.1	183.8	78.6	-	-	172.9	171.5	165.9	163.4	161.2	145.9	164.6	107.9	167.3	70.7	-	-
	62	185.5	185.5	177.5	177.5	169.1	168.5	162.6	154.4	165.5	116.1	167.2	78.5	169.6	169.6	162.1	162.1	154.3	153.9	146.5	144.9	149.6	107.9	151.5	70.4
	57	182.8	182.8	174.6	174.6	166.1	166.1	157.6	157.6	149.1	149.1	149.7	115.8	166.6	166.6	159.2	159.2	152.5	152.5	143.6	143.6	135.5	135.5	134.7	107.4
8750	77	213.8	162.2	217.1	120.6	221.3	80.1	-	-	-	-	-	-	193.9	153.5	197.4	112.5	201.6	72.0	-	-	-	-	-	-
	72	197.1	191.6	196.9	162.5	200.2	121.2	203.5	80.4	-	-	-	-	179.8	174.6	177.2	154.6	181.6	112.9	185.5	72.3	-	-	-	-
	67	193.1	191.4	184.8	181.9	180.0	163.3	183.3	121.5	185.9	80.4	-	-	176.5	174.9	168.7	166.0	161.2	155.2	166.0	113.1	168.9	72.2	-	-
	62	189.6	189.6	181.3	181.3	172.8	172.1	164.1	162.0	167.0	121.5	168.8	80.2	172.8	172.8	165.2	165.2	157.4	157.0	149.3	147.8	150.5	113.0	152.6	71.8
	57	186.5	186.5	178.2	178.2	169.5	169.5	161.0	161.0	152.1	152.1	151.1	121.3	169.7	169.7	162.0	162.0	154.2	154.2	146.1	146.1	137.8	137.8	135.1	112.7

# CD20 cooling capacity performance

**Table 7: CD20 cooling performance**

Air on evap. coil		Temperature of air on condenser coil																											
CFM	WB (°F)	Return dry bulb temperature (°F)														Return dry bulb temperature (°F)													
		90		85		80		75		70		65		90		85		80		75		70		65					
		TC MBH	SC MBH	TC MBH	SC MBH	TC MBH	SC MBH	TC MBH	SC MBH	TC MBH	SC MBH	TC MBH	SC MBH	TC MBH	SC MBH	TC MBH	SC MBH	TC MBH	SC MBH	TC MBH	SC MBH	TC MBH	SC MBH	TC MBH	SC MBH				
		75 (°F)														85 (°F)													
5000	77	285.6	155.7	286.3	131.0	286.2	105.9	-	-	-	-	-	-	271.2	149.9	271.9	125.1	271.9	100.0	-	-	-	-	-	-				
	72	263.9	182.0	264.4	157.1	264.8	132.4	265.1	107.3	-	-	-	-	250.7	176.0	251.3	151.2	252.0	126.6	252.2	101.6	-	-	-	-	-			
	67	243.9	208.1	244.2	183.3	244.7	158.5	245.0	133.7	244.6	108.3	-	-	231.5	202.1	232.1	177.5	232.9	152.7	233.2	127.9	233.4	102.9	-	-	-			
	62	227.4	227.4	225.1	209.1	225.5	184.5	225.7	159.5	226.1	134.6	226.1	109.5	217.8	217.8	213.3	203.2	214.3	178.5	214.7	153.7	215.0	128.8	215.2	103.9	-			
	57	226.3	226.3	216.8	216.8	207.2	207.2	184.8	207.7	159.9	207.9	135.0	216.8	216.8	207.6	207.6	198.3	198.3	197.1	178.9	197.5	154.2	197.8	129.3	-	-			
6000	77	296.8	169.4	297.4	140.1	297.7	110.3	-	-	-	-	-	-	281.1	163.2	282.0	133.9	282.7	104.4	-	-	-	-	-	-	-			
	72	275.1	200.6	275.6	171.1	276.3	141.7	276.6	112.1	-	-	-	-	260.7	194.3	261.3	164.9	262.3	135.7	262.7	106.1	-	-	-	-	-			
	67	253.8	231.0	254.5	201.9	255.0	172.4	255.6	143.0	255.9	113.4	-	-	240.3	224.6	241.2	195.7	241.9	166.3	242.5	136.9	243.0	107.4	-	-	-			
	62	243.5	243.5	233.8	231.5	235.1	203.0	235.8	173.6	236.1	144.1	236.5	114.6	232.5	232.5	222.6	222.6	222.6	196.6	223.4	167.4	224.1	138.0	224.6	108.6				
	57	242.3	242.3	231.8	231.8	221.6	221.6	216.8	203.6	217.1	174.2	217.6	144.8	231.4	231.4	221.4	221.4	211.5	211.5	204.8	197.4	206.1	168.1	206.4	138.6				
7000	77	305.2	182.3	306.1	148.5	306.7	114.4	-	-	-	-	-	-	288.5	175.9	289.7	142.1	290.7	108.3	-	-	-	-	-	-	-			
	72	283.0	218.0	283.5	183.9	284.5	150.1	285.2	116.2	-	-	-	-	267.4	211.4	268.3	177.6	269.5	143.8	270.2	109.9	-	-	-	-	-			
	67	260.7	252.7	262.7	219.6	263.4	185.7	264.0	151.7	264.5	117.7	-	-	246.0	245.1	248.5	213.0	249.2	179.2	250.8	145.6	250.7	111.5	-	-	-			
	62	256.5	256.5	245.5	245.2	242.5	220.6	243.1	186.8	243.7	152.7	244.3	118.8	244.5	244.5	233.9	233.9	229.1	213.9	229.9	180.2	230.7	146.3	231.5	112.5				
	57	255.3	255.3	244.3	244.3	233.0	233.0	222.9	221.0	224.4	187.5	224.9	153.6	243.2	243.2	232.6	232.6	222.1	222.1	211.5	211.5	212.2	181.0	212.8	147.1				
8000	77	312.1	194.8	313.2	156.5	314.1	118.2	-	-	-	-	-	-	294.5	187.9	296.0	150.0	297.4	111.9	-	-	-	-	-	-	-			
	72	289.3	234.6	290.7	196.5	291.4	158.2	292.2	120.0	-	-	-	-	272.8	227.8	274.1	189.7	275.5	151.7	276.7	113.6	-	-	-	-	-			
	67	269.0	267.5	268.4	236.3	269.3	198.0	270.1	159.6	270.8	121.4	-	-	256.0	255.5	253.4	229.2	254.3	219.3	255.2	153.0	256.4	115.0	-	-	-			
	62	267.4	267.4	255.7	255.2	247.9	237.3	249.3	199.3	250.0	161.0	250.7	122.7	254.4	254.4	243.3	243.3	233.1	230.4	235.4	192.5	236.3	154.3	237.3	116.3				
	57	266.0	266.0	254.3	254.3	242.8	242.8	231.2	231.1	229.7	199.9	230.4	161.7	252.9	252.9	241.9	241.9	230.9	230.9	219.8	219.8	216.8	193.3	217.6	155.0				
9000	77	317.3	206.5	318.7	164.1	320.1	121.8	-	-	-	-	-	-	298.9	199.6	301.0	157.4	302.6	115.2	-	-	-	-	-	-	-			
	72	294.3	250.8	295.4	208.3	296.7	165.8	297.8	123.4	-	-	-	-	277.1	243.6	278.7	201.4	279.8	158.9	281.5	116.8	-	-	-	-	-			
	67	278.4	276.8	273.1	252.1	274.6	210.0	275.3	167.4	276.2	124.9	-	-	264.5	264.0	256.4	244.8	258.9	203.0	259.9	160.5	261.4	118.4	-	-	-			
	62	276.7	276.7	264.5	264.0	252.6	251.2	254.2	211.3	254.9	168.6	255.8	126.3	262.7	262.7	251.2	251.2	239.8	239.8	240.0	204.4	240.6	161.8	241.7	119.5				
	57	275.0	275.0	262.9	262.9	251.0	251.0	239.0	238.8	234.2	212.0	235.1	169.4	261.0	261.0	249.6	249.6	238.3	238.3	226.7	226.7	220.7	204.9	221.7	162.5				
10000	77	321.8	218.0	323.3	171.3	324.9	124.9	-	-	-	-	-	-	302.9	210.9	304.9	164.4	307.0	118.3	-	-	-	-	-	-	-			
	72	298.3	266.1	299.1	219.6	301.5	173.2	302.8	126.8	-	-	-	-	280.0	258.8	282.7	212.7	284.3	166.2	285.8	119.9	-	-	-	-	-			
	67	286.6	284.9	275.8	267.7	278.7	221.5	279.8	174.7	280.7	128.1	-	-	271.7	271.1	259.9	258.3	262.4	214.3	263.6	167.6	265.2	121.3	-	-	-			
	62	284.8	284.8	272.1	271.5	259.7	258.5	257.8	222.8	258.6	175.8	259.8	129.3	269.8	269.8	257.9	257.9	246.2	246.2	215.6	243.8	168.8	245.3	122.5	-				
	57	282.9	282.9	270.4	270.4	258.0	258.0	245.7	245.6	237.8	223.6	239.1	176.8	268.0	268.0	256.2	256.2	244.5	244.5	232.7	232.7	223.1	216.5	225.1	169.7				
		95 (°F)														105 (°F)													
5000	77	254.5	143.5	255.7	119.1	255.7	94.0	-	-	-	-	-	-	240.4	137.0	241.7	112.7	242.2	87.8	-	-	-	-	-	-	-			
	72	235.0	169.6	236.1	145.0	236.9	120.4	237.1	95.4	-	-	-	-	222.3	163.2	223.4	138.6	224.3	114.1	224.9	89.2	-	-	-	-	-			
	67	216.9	195.6	217.7	171.1	218.4	146.4	219.2	121.8	219.5	96.8	-	-	204.9	188.9	205.9	164.5	206.9	139.9	207.8	115.4	208.3	90.5	-	-	-			
	62	206.2	206.2	199.5	196.6	201.3	172.3	201.4	147.4	201.9	122.6	201.7	97.5	197.2	197.2	188.8	188.8	190.8	165.6	191.0	140.9	191.6	116.2	192.2	91.4				
	57	205.3	205.3	196.4	196.4	187.2	187.2	184.6	172.6	185.2	147.9	185.5	123.0	196.3	196.3	187.9	187.9	179.1	179.1	174.4	166.2	175.5	141.3	176.0	116.5				
6000	77	262.8	156.5	264.0	127.4	264.9	98.1	-	-	-	-	-	-	248.0	149.8	249.6	120.9	250.7	91.6	-	-	-	-	-	-	-			
	72	243.6	187.7	244.5	158.3	245.6	129.1	246.3	99.7	-	-	-	-	229.9	180.6	231.1	151.5	232.4	122.5	233.9	93.4	-	-	-	-	-			
	67	223.5	217.7	225.6	188.9	226.3	159.6	227.2	130.4	227.8	101.0	-	-	211.2	210.2	213.2	182.0	213.8	152.6	214.5	123.4	216.2	94.5	-	-	-			
	62	219.4	219.4	209.9	209.9	207.9	189.9	208.9	160.7	209.7	131.4	210.3	102.1	209.5	209.5	200.5	200.5	196.4	182.9	197.5	153.7	198.8	124.7	199.2	95.3				
	57	218.3	218.3	208.7	208.7	199.2	199.2	190.6	190.5	192.5	161.5	192.9	132.0	208.4	208.4	199.4	199.4	190.3	190.3	181.2	181.2	182.4	154.6	182.8	125.2				
7000	77	269.0	169.0	270.6	135.4	272.0	101.8	-	-	-	-	-	-	253.6	161.9	255.6	128.5	257.4	95.1	-	-	-	-	-	-	-			
	72	249.3	204.2	250.4	170.6	251.8	137.0	252.8	103.3	-	-	-	-	234.4	197.1	236.4	163.6	238.1	130.1	240.3	96.9	-	-	-	-	-			
	67	231.3	231.3	231.3	206.0	232.5	172.3	233.5	138.5	234.5	104.8	-	-	220.6	220.0	218.1	198.6	219.7	165.1	221.0	131.5	222.4	98.0	-	-	-			
	62	229.9	229.9	219.9	219.9	212.5	206.7	214.3	173.2	215.1	139.4	216.1	105.8	219.2	219.2	209.9	209.9	200.5	199.5	202.9	166.1	203.9	132.4	205.4	99.0				
	57	228.6	228.6	218.6	218.6	208.6	208.6	198.4	198.4	197.3	173.9	198.1	140.2	218.0	218.0	208.6	208.6	199.2	199.2	189.4	189.4	186.6	166.7	187.7	133.0				
8000	77	274.0	180.9	276.1	143.0	277.7	105.1	-	-	-	-	-	-	258.2	173.6	260.5	135.9	262.8	98.3	-	-	-	-	-	-	-			
	72	253.5	220.6	255.2	182.5	256.7	144.6	258.1	106.6	-	-	-	-	238.6	213.0	240.7	175.2	242.7	137.4	244.6	99.8	-	-	-	-	-			
	67	240.2	240.2	234.6	221.9	236.6	184.1	237.8	145.9	239.3	108.1	-	-	228.8	228.1	220.3	214.9	223.6	176.7	225.0	138.7	226.7	101.0	-	-	-			
	62	238.5	238.5	228.0	228.0	217.6	217.6	218.9	185.3	219.8	147.2	220.9	109.3	227.2	227.2	217.5	217.5	207.6	207.3	206.9	178.0	208.2	139.9	209.6	102.1				
	57	237.1	237.1	226.6	226.6	216.2	216.2																						

**Table 7: CD20 cooling performance**

Air on evap. coil		Temperature of air on condenser coil																							
		Return dry bulb temperature (°F)												Return dry bulb temperature (°F)											
		90		85		80		75		70		65		90		85		80		75		70		65	
CFM	WB (°F)	TC MBH	SC MBH	TC MBH	SC MBH	TC MBH	SC MBH	TC MBH	SC MBH	TC MBH	SC MBH	TC MBH	SC MBH	TC MBH	SC MBH	TC MBH	SC MBH	TC MBH	SC MBH	TC MBH	SC MBH	TC MBH	SC MBH		
10000	77	280.6	203.4	282.9	156.9	285.7	111.1	-	-	-	-	-	-	264.3	195.6	267.1	149.5	270.5	103.9	-	-	-	-	-	
	72	258.6	251.8	262.0	205.1	263.8	158.7	265.9	112.7	-	-	-	-	243.3	240.1	247.0	197.6	249.4	151.1	252.2	105.4	-	-	-	
	67	253.6	253.6	242.8	242.8	242.9	206.8	244.3	160.1	246.4	114.0	-	-	241.4	240.4	230.3	228.8	229.2	198.8	231.6	152.5	233.6	106.5	-	
	62	251.7	251.7	240.6	240.6	229.6	229.6	224.1	207.8	225.7	161.2	227.0	114.9	239.4	239.4	229.2	229.2	218.8	218.5	211.3	200.2	213.9	153.5	215.3	107.3
	57	249.9	249.9	238.8	238.8	227.8	227.8	216.5	216.5	205.5	205.5	207.9	162.0	237.7	237.7	227.8	227.8	217.1	217.1	206.7	206.7	196.0	196.0	197.0	154.1
115 (°F)												125 (°F)													
5000	77	223.8	130.4	224.5	105.9	225.5	81.2	-	-	-	-	-	-	204.4	123.0	206.2	98.8	207.6	74.3	-	-	-	-	-	
	72	206.3	156.1	207.5	131.6	208.7	107.3	209.7	82.7	-	-	-	-	188.9	148.8	190.3	124.4	191.9	100.1	193.2	75.6	-	-	-	
	67	189.0	181.8	191.1	157.3	191.9	132.8	193.5	108.5	194.1	83.8	-	-	173.1	172.7	175.1	149.8	176.2	125.4	177.5	101.1	178.8	76.7	-	
	62	185.3	185.3	177.3	177.3	177.0	158.6	177.5	133.8	178.3	109.2	178.9	84.6	172.3	172.3	164.6	164.6	160.8	151.1	162.6	126.3	163.8	101.9	164.6	77.4
	57	184.3	184.3	176.3	176.3	168.3	168.3	161.3	158.7	163.1	134.3	163.5	109.5	171.1	171.1	163.8	163.8	156.2	156.2	148.6	148.6	149.3	126.8	150.2	102.2
6000	77	229.1	142.5	231.4	113.8	233.1	84.8	-	-	-	-	-	-	209.8	135.0	212.2	106.4	214.5	77.7	-	-	-	-	-	
	72	212.5	173.2	213.9	144.2	215.6	115.3	217.0	86.3	-	-	-	-	193.7	165.5	195.7	136.6	197.6	107.7	199.6	79.0	-	-	-	
	67	198.7	198.1	196.8	174.5	198.4	145.5	199.7	116.4	201.0	87.4	-	-	182.7	182.2	179.0	167.1	181.5	137.7	183.1	108.9	184.7	80.1	-	
	62	196.0	196.0	187.8	187.8	181.3	175.6	183.0	146.3	184.3	117.3	185.5	88.3	181.6	181.6	173.8	173.8	165.9	165.7	167.4	138.6	168.7	109.5	170.1	80.7
	57	194.2	194.2	186.7	186.7	178.1	178.1	169.8	169.8	168.5	147.0	169.4	117.8	180.4	180.4	172.7	172.7	164.8	164.8	156.7	156.7	153.6	139.1	155.0	110.1
7000	77	233.7	154.2	236.6	121.2	238.9	88.0	-	-	-	-	-	-	213.4	146.6	216.5	113.5	219.6	80.7	-	-	-	-	-	
	72	216.6	189.4	218.6	156.0	220.1	122.6	222.4	89.4	-	-	-	-	196.2	181.7	199.4	148.2	201.7	114.9	204.3	82.0	-	-	-	
	67	206.1	205.5	200.3	191.0	203.2	157.5	204.7	124.0	206.3	90.7	-	-	190.4	189.9	182.4	181.3	185.2	149.4	187.2	116.1	189.3	83.1	-	
	62	204.7	204.7	196.1	196.1	186.9	186.7	187.5	158.4	188.8	124.8	190.0	91.4	188.7	188.7	180.9	180.9	172.7	172.6	170.9	150.4	172.5	116.9	174.2	83.6
	57	203.5	203.5	194.8	194.8	185.8	185.8	176.9	176.9	172.1	159.0	173.4	125.3	187.5	187.5	179.6	179.6	171.4	171.4	163.1	163.1	156.1	151.3	158.2	117.1
8000	77	238.0	165.8	240.7	128.3	243.7	91.0	-	-	-	-	-	-	216.3	157.7	219.9	120.4	223.7	83.5	-	-	-	-	-	
	72	218.7	205.2	222.1	167.5	224.2	129.7	226.9	92.3	-	-	-	-	198.0	195.5	202.1	159.4	204.9	121.8	208.1	84.7	-	-	-	
	67	213.2	212.5	204.1	202.8	206.3	168.9	208.1	131.0	210.0	93.4	-	-	196.4	195.8	188.2	187.0	187.7	160.7	190.0	122.8	192.5	85.6	-	
	62	211.6	211.6	202.6	202.6	193.5	193.2	190.7	169.9	192.4	132.0	193.9	94.3	194.9	194.9	186.6	186.6	178.2	178.0	172.9	162.0	175.6	123.8	177.5	86.4
	57	210.2	210.2	201.2	201.2	192.0	192.0	182.7	182.7	174.3	171.2	176.5	132.4	193.4	193.4	186.2	186.2	176.7	176.7	168.2	168.2	159.4	159.4	160.8	124.1
9000	77	240.5	176.6	243.7	135.0	247.5	93.8	-	-	-	-	-	-	218.4	168.8	222.2	126.8	226.9	86.1	-	-	-	-	-	
	72	221.0	218.1	224.9	178.6	227.3	136.5	230.4	95.1	-	-	-	-	204.2	201.7	204.2	170.2	207.4	128.3	211.1	87.2	-	-	-	
	67	219.2	218.3	210.0	208.6	208.8	179.9	211.0	137.8	213.4	96.1	-	-	201.4	200.7	192.9	191.7	189.1	171.8	192.2	129.4	195.4	88.1	-	
	62	217.4	217.4	208.1	208.1	198.9	198.6	192.0	181.1	195.0	138.8	197.9	97.4	199.6	199.6	191.2	191.2	182.7	182.5	173.6	172.6	177.5	130.3	179.7	88.6
	57	215.8	215.8	206.9	206.9	197.2	197.2	187.6	187.6	178.0	178.0	179.2	139.3	198.0	198.0	189.7	189.7	181.0	181.0	172.2	172.2	163.4	163.4	162.9	130.7
10000	77	243.4	187.8	246.4	141.5	250.4	96.2	-	-	-	-	-	-	220.2	179.2	224.4	133.3	229.6	88.4	-	-	-	-	-	
	72	226.2	223.3	226.8	189.3	229.8	143.0	233.5	97.6	-	-	-	-	207.6	204.9	205.0	180.7	209.4	134.6	213.7	89.5	-	-	-	
	67	224.2	223.2	216.8	215.2	210.2	190.8	213.1	144.1	216.0	98.5	-	-	205.5	204.7	197.1	195.7	189.3	183.3	194.1	135.6	197.4	90.3	-	
	62	222.3	222.3	212.8	212.8	203.2	202.9	193.4	191.9	197.1	145.2	198.9	99.2	203.6	203.6	195.2	195.2	186.5	186.3	177.4	176.6	179.2	136.6	181.6	90.9
	57	220.5	220.5	211.1	211.1	201.5	201.5	191.6	191.6	181.9	181.9	181.1	145.7	201.9	201.9	193.4	193.4	184.7	184.7	175.7	175.7	166.6	166.6	164.4	137.3

# CD25 cooling capacity performance

**Table 8: CD25 cooling performance**

Air on evap. coil		Temperature of air on condenser coil																							
CFM	WB (°F)	Return dry bulb temperature (°F)												Return dry bulb temperature (°F)											
		90		85		80		75		70		65		90		85		80		75		70		65	
		TC MBH	SC MBH	TC MBH	SC MBH	TC MBH	SC MBH	TC MBH	SC MBH	TC MBH	SC MBH	TC MBH	SC MBH	TC MBH	SC MBH	TC MBH	SC MBH	TC MBH	SC MBH	TC MBH	SC MBH	TC MBH	SC MBH	TC MBH	SC MBH
		75 (°F)												85 (°F)											
6250	77	375.8	199.4	376.2	167.9	376.2	135.9	-	-	-	-	-	-	355.8	190.9	356.2	159.3	356.2	127.4	-	-	-	-	-	-
	72	344.6	231.7	345.1	200.2	345.5	168.7	345.5	136.7	-	-	-	-	325.7	223.1	326.1	191.5	326.6	160.1	326.4	128.0	-	-	-	-
	67	315.3	263.8	315.7	232.3	316.0	200.7	315.9	168.9	315.8	136.9	-	-	297.3	254.9	297.9	223.6	298.1	191.9	298.1	160.1	298.1	128.3	-	-
	62	289.8	289.8	287.9	263.6	288.1	232.2	288.0	200.4	288.1	168.6	287.8	136.6	275.2	275.2	270.9	254.7	271.4	223.5	271.5	191.9	271.5	160.0	271.2	128.0
	57	286.3	286.3	273.6	273.6	262.0	260.5	261.9	231.2	262.0	199.6	261.9	167.7	271.7	271.7	259.2	259.2	247.0	246.1	222.5	245.6	190.6	245.9	159.0	128.0
7500	77	390.8	216.2	391.6	179.4	391.3	141.6	-	-	-	-	-	-	369.0	207.4	369.8	170.4	369.8	132.7	-	-	-	-	-	-
	72	359.0	254.6	359.9	217.6	360.4	180.3	360.5	142.6	-	-	-	-	338.9	245.6	339.4	208.5	339.9	171.2	340.1	133.7	-	-	-	-
	67	328.8	292.2	329.2	255.2	329.6	217.9	329.9	180.6	329.8	142.9	-	-	309.3	282.8	310.0	246.2	310.2	208.8	310.4	171.4	310.7	133.9	-	-
	62	310.6	310.6	299.6	290.9	300.6	255.2	300.9	217.9	301.4	180.6	301.4	142.9	294.6	294.6	282.6	280.4	282.3	245.8	283.0	208.8	283.3	171.4	283.1	133.8
	57	306.8	306.8	293.2	293.2	279.5	279.5	274.0	254.4	274.3	217.4	274.2	179.8	290.8	290.8	277.5	277.5	264.2	264.2	256.6	245.6	257.2	208.2	257.0	170.6
8750	77	401.8	232.4	403.0	189.8	403.2	146.7	-	-	-	-	-	-	379.6	223.3	380.2	180.6	380.9	137.8	-	-	-	-	-	-
	72	369.7	276.3	370.4	233.6	371.3	190.9	371.5	147.7	-	-	-	-	347.9	266.8	349.1	224.2	349.9	181.4	350.1	138.4	-	-	-	-
	67	338.3	319.0	340.4	277.2	340.6	234.4	340.9	191.5	340.6	148.2	-	-	318.1	308.1	319.6	267.5	320.2	225.0	320.5	182.0	320.7	139.0	-	-
	62	327.6	327.6	313.3	311.9	310.6	277.0	310.8	234.2	311.1	191.3	311.2	148.2	310.2	310.2	296.3	296.3	291.0	267.1	291.6	224.7	292.1	182.0	292.1	138.8
	57	323.6	323.6	309.3	309.3	294.8	294.8	282.7	275.8	283.4	233.8	283.6	190.8	306.2	306.2	292.0	292.0	278.1	278.1	265.1	264.9	265.1	224.2	265.2	181.0
10000	77	411.2	247.8	412.9	200.0	413.1	151.6	-	-	-	-	-	-	387.5	238.4	388.8	190.4	389.6	142.3	-	-	-	-	-	-
	72	378.0	296.9	379.5	249.0	380.6	200.9	381.0	152.6	-	-	-	-	356.4	287.3	357.1	239.4	357.9	191.3	358.4	143.0	-	-	-	-
	67	347.1	341.3	347.9	297.7	348.4	249.8	348.9	201.4	349.1	153.0	-	-	328.0	326.5	326.6	287.9	327.0	239.8	327.5	191.5	328.3	143.4	-	-
	62	341.3	341.3	326.9	325.4	318.2	297.8	319.0	250.0	319.6	201.7	319.7	153.2	323.3	323.3	308.8	308.8	297.6	287.4	298.9	240.2	299.5	191.9	299.5	143.4
	57	338.1	338.1	322.7	322.7	307.5	307.5	292.1	291.8	290.7	249.3	290.9	200.9	319.2	319.2	304.4	304.4	289.7	289.7	274.9	274.9	271.5	239.2	271.7	191.0
11250	77	418.3	262.5	420.5	209.4	420.8	155.9	-	-	-	-	-	-	392.4	252.3	395.5	199.5	396.4	146.3	-	-	-	-	-	-
	72	385.7	316.8	386.1	263.5	388.3	210.6	388.1	156.8	-	-	-	-	361.0	306.7	362.7	253.6	363.8	200.3	364.6	147.1	-	-	-	-
	67	358.7	354.1	354.3	317.7	355.4	264.6	355.8	210.9	356.5	157.4	-	-	338.5	337.0	331.4	307.2	333.1	254.4	333.7	200.8	334.5	147.6	-	-
	62	354.0	354.0	338.4	336.9	324.7	316.0	325.4	264.8	325.9	211.2	326.2	157.6	334.6	334.6	319.3	319.3	303.9	303.9	304.7	254.7	305.1	201.1	305.3	147.6
	57	349.5	349.5	334.0	334.0	318.3	318.3	302.3	301.9	296.8	264.2	297.0	210.5	330.2	330.2	314.9	314.9	299.7	299.7	284.2	284.2	276.7	254.0	276.9	200.3
12500	77	424.1	276.7	426.4	218.1	427.4	160.0	-	-	-	-	-	-	399.3	266.8	400.4	208.3	402.0	150.1	-	-	-	-	-	-
	72	390.2	335.8	392.6	278.1	393.9	219.6	394.4	161.0	-	-	-	-	366.9	326.2	367.9	267.8	369.6	209.4	370.4	150.9	-	-	-	-
	67	369.5	364.8	359.1	336.5	360.8	278.8	361.6	220.0	362.3	161.5	-	-	349.0	347.4	336.2	324.6	337.9	268.4	338.7	209.9	339.7	151.4	-	-
	62	364.8	364.7	348.4	346.8	332.3	329.1	330.3	278.7	330.9	220.1	331.6	161.6	344.4	344.4	328.4	328.4	312.5	312.5	308.6	268.5	309.4	209.9	309.7	151.2
	57	359.9	359.9	343.9	343.9	327.7	327.7	311.1	310.6	301.5	278.8	302.4	219.9	339.8	339.8	323.8	323.8	308.0	308.0	292.0	280.5	268.3	281.6	209.4	151.2
		95 (°F)												105 (°F)											
6250	77	330.0	181.8	330.6	150.3	330.3	118.3	-	-	-	-	-	-	316.1	172.2	317.0	141.0	317.0	109.0	-	-	-	-	-	-
	72	301.1	213.8	301.7	182.3	301.9	150.7	301.4	118.7	-	-	-	-	288.8	204.2	289.6	172.8	290.0	141.3	289.9	109.4	-	-	-	-
	67	273.9	245.4	274.3	214.2	274.7	182.6	275.1	151.1	275.1	119.2	-	-	262.9	235.6	263.5	204.5	264.3	173.1	264.7	141.6	264.8	109.7	-	-
	62	255.5	255.5	248.2	245.3	249.3	214.2	249.4	182.5	249.4	150.8	249.0	118.8	248.3	248.3	239.4	234.6	240.0	204.5	240.5	173.1	240.4	141.3	240.1	109.3
	57	251.8	251.8	239.9	239.9	227.8	227.8	224.9	213.1	225.0	181.6	224.7	149.7	244.8	244.8	233.3	222.0	222.0	216.5	203.5	217.0	172.0	216.9	140.2	109.3
7500	77	340.7	197.8	341.8	160.7	342.3	123.3	-	-	-	-	-	-	326.2	187.9	327.6	151.0	327.9	113.6	-	-	-	-	-	-
	72	311.9	235.8	313.0	198.7	313.7	161.6	313.6	124.1	-	-	-	-	299.1	225.9	300.2	188.8	301.0	151.8	301.5	114.5	-	-	-	-
	67	283.5	273.1	284.4	236.2	285.1	199.0	285.6	161.8	285.7	124.3	-	-	271.9	261.9	273.3	226.0	274.0	189.1	274.6	151.9	274.8	114.5	-	-
	62	272.9	272.9	260.0	260.0	258.5	236.1	259.0	199.0	259.4	161.7	259.2	124.1	264.6	264.6	252.4	252.4	248.4	225.8	249.1	188.9	250.1	151.9	249.6	114.2
	57	269.0	269.0	256.1	256.1	243.3	243.3	233.6	233.6	234.4	198.5	234.1	160.8	260.9	260.9	248.6	248.6	236.4	236.4	225.3	223.8	225.7	188.4	225.6	150.9
8750	77	349.4	213.1	350.8	170.7	351.6	127.9	-	-	-	-	-	-	334.0	202.8	336.0	160.6	336.7	117.9	-	-	-	-	-	-
	72	319.9	256.7	320.9	214.1	321.8	171.4	322.3	128.6	-	-	-	-	306.0	246.1	307.1	203.8	308.3	161.2	309.2	118.6	-	-	-	-
	67	291.7	291.7	293.1	257.5	293.5	214.7	294.4	172.0	294.4	129.1	-	-	282.2	279.9	280.3	246.7	281.8	204.4	282.6	161.7	283.0	119.0	-	-
	62	286.8	286.8	273.4	273.4	265.4	257.1	266.4	214.7	266.6	171.7	266.7	128.7	277.7	277.7	264.8	264.8	254.7	246.1	256.0	204.1	256.4	161.3	256.4	118.4
	57	282.7	282.7	269.3	269.3	255.5	255.5	242.0	242.0	240.8	213.8	241.0	171.0	273.6	273.6	260.7	260.7	247.9	247.9	235.1	235.1	231.5	203.2	231.9	160.5
10000	77	356.3	227.9	358.3	180.2	359.9	132.5	-	-	-	-	-	-	340.7	217.3	342.7	169.8	344.1	122.1	-	-	-	-	-	-
	72	326.0	276.6	327.5	228.8	328.9	181.0	329.7	133.0	-	-	-	-	311.8	265.8	313.3	218.3	315.0	170.4	316.3	122.6	-	-	-	-
	67	303.0	303.0	298.3	277.4	299.0	229.3	300.0	181.2	300.5	133.2	-	-	293.1	290.7	285.0	266.4	286.6	218.6	287.7	170.7	288.6	122.7	-	-
	62	298.4	298.4	284.6	284.6	271.6	271.6	272.4	229.6	272.9	181.4	273.0	133.1	288.1	288.1	275.1	275.1	261.6	260.7	261.4	218.6	261.8	170.4	262.5	122.5
	57	294.2	294.2	280.0	280.0	265.7	265.7	251.7	251.7	245.9	228.7	246.2	180.5	284.2	284.2	270.7	270.7	257.5	257.5	2					

**Table 8: CD25 cooling performance**

Air on evap. coil		Temperature of air on condenser coil																							
		Return dry bulb temperature (°F)												Return dry bulb temperature (°C)											
		90		85		80		75		70		65		90		85		80		75		70		65	
CFM	WB (°F)	TC MBH	SC MBH	TC MBH	SC MBH	TC MBH	SC MBH	TC MBH	SC MBH	TC MBH	SC MBH	TC MBH	SC MBH	TC MBH	SC MBH	TC MBH	SC MBH	TC MBH	SC MBH	TC MBH	SC MBH	TC MBH	SC MBH		
12500	77	365.5	255.1	366.8	197.3	369.4	139.6	-	-	-	-	-	-	348.7	244.8	351.3	186.6	354.1	129.0	-	-	-	-	-	
	72	333.3	314.4	336.9	257.0	338.4	198.3	340.8	140.9	-	-	-	-	318.4	301.5	321.8	245.4	324.0	187.5	325.8	129.7	-	-	-	
	67	321.3	321.3	306.4	306.4	308.0	257.1	309.2	198.9	310.2	140.8	-	-	310.2	307.6	296.3	292.0	294.5	246.0	296.7	187.9	297.3	129.6	-	
	62	316.2	316.2	301.3	301.3	286.2	286.2	279.9	257.6	280.9	198.9	281.1	140.2	304.9	304.9	291.1	291.1	276.7	275.7	268.4	246.3	269.4	187.5	270.1	
	57	311.7	311.7	296.8	296.8	281.6	281.6	266.4	266.4	253.5	253.5	254.1	198.2	300.4	300.4	286.5	286.5	272.2	272.2	257.9	257.9	243.5	243.5	244.2	
115 (°F)												125 (°F)													
6250	77	293.1	162.0	294.3	130.9	294.6	99.2	-	-	-	-	-	-	268.1	151.3	270.2	120.5	270.9	89.0	-	-	-	-	-	
	72	267.7	194.0	268.6	162.6	269.3	131.4	269.6	99.6	-	-	-	-	244.8	183.3	245.8	152.1	248.0	121.2	247.5	89.3	-	-	-	
	67	242.6	225.5	244.2	194.4	244.9	162.9	245.7	131.6	245.7	99.8	-	-	221.6	213.5	222.9	183.4	223.8	152.3	224.6	120.9	225.2	89.4	-	
	62	232.7	232.7	221.9	221.9	221.8	194.1	222.3	162.8	222.5	131.2	222.4	99.3	215.2	215.2	205.1	205.1	201.8	183.5	202.4	151.9	203.3	120.6		
	57	229.0	229.0	218.2	218.2	207.4	207.4	199.6	193.3	200.3	161.9	201.2	130.6	211.6	211.6	201.4	201.4	191.3	191.3	181.7	181.5	182.3	151.3	182.6	
7500	77	302.0	177.3	303.6	140.6	304.4	103.4	-	-	-	-	-	-	275.8	166.4	278.0	129.8	279.5	93.0	-	-	-	-	-	
	72	276.3	215.1	277.4	178.2	278.8	141.3	279.6	104.2	-	-	-	-	251.8	203.8	253.3	167.1	253.4	129.8	256.0	93.4	-	-	-	
	67	251.5	249.4	252.1	215.3	253.3	178.5	254.0	141.4	254.4	104.1	-	-	232.0	230.2	229.6	204.3	230.7	167.4	231.8	130.3	232.5	93.3	-	
	62	247.1	247.1	235.5	235.5	228.5	215.4	229.8	178.2	230.4	141.1	230.7	103.8	228.1	228.1	217.1	217.1	207.9	203.0	208.7	167.0	209.7	130.0		
	57	243.3	243.3	231.7	231.7	220.2	220.2	208.6	208.6	207.5	177.5	207.8	140.2	224.1	224.1	213.4	213.4	202.5	202.5	191.5	191.5	188.0	166.2		
8750	77	308.6	192.0	310.5	149.8	312.0	107.5	-	-	-	-	-	-	280.6	180.5	283.6	138.5	286.0	96.7	-	-	-	-	-	
	72	282.1	235.1	283.6	192.8	285.2	150.4	286.0	107.8	-	-	-	-	256.2	223.7	258.0	181.2	259.1	138.7	261.8	97.0	-	-	-	
	67	263.0	260.9	257.5	235.7	259.7	193.4	260.6	150.8	261.0	108.0	-	-	242.1	240.3	233.6	223.0	235.6	181.6	237.3	139.3	238.6	97.1	-	
	62	258.6	258.6	246.6	246.6	234.3	233.6	235.5	192.9	236.2	150.3	236.6	107.6	237.7	237.7	226.6	226.6	215.3	214.9	213.7	181.5	214.5	138.9		
	57	254.7	254.7	242.5	242.5	230.6	230.6	218.0	218.0	212.4	192.1	213.0	149.5	233.7	233.7	222.6	222.6	211.3	211.3	199.8	199.8	191.6	180.9		
10000	77	314.2	206.1	316.5	158.7	318.5	111.2	-	-	-	-	-	-	285.0	194.4	288.3	147.1	290.9	99.9	-	-	-	-	-	
	72	285.9	254.5	288.7	207.0	290.6	159.2	292.2	111.7	-	-	-	-	258.7	242.1	262.2	195.2	264.9	147.7	266.7	100.3	-	-	-	
	67	272.6	270.3	261.9	253.0	263.8	207.2	265.0	159.3	266.1	111.6	-	-	250.6	248.6	239.3	235.8	239.3	195.4	240.9	147.7	242.3	100.1	-	
	62	268.0	268.0	255.6	255.6	243.0	242.2	240.2	207.5	241.1	159.3	241.7	111.3	246.1	246.1	234.4	234.4	222.8	222.4	216.7	195.8	218.5	147.5		
	57	263.8	263.8	251.4	251.4	238.7	238.7	226.1	226.1	216.2	206.8	216.8	158.2	241.6	241.6	230.1	230.1	218.5	218.5	206.6	206.6	195.1	193.8		
11250	77	317.5	219.7	320.6	167.0	323.5	114.7	-	-	-	-	-	-	287.9	207.5	291.6	155.2	294.9	103.1	-	-	-	-	-	
	72	289.3	271.9	292.4	220.3	294.6	167.6	296.5	115.0	-	-	-	-	262.7	255.5	265.5	208.5	267.9	155.8	270.6	103.4	-	-	-	
	67	280.5	278.1	268.1	264.1	267.5	221.0	269.5	167.9	270.5	115.0	-	-	257.1	255.0	245.8	242.2	241.8	209.4	244.3	156.0	246.4	103.4		
	62	275.8	275.8	263.2	263.2	250.2	249.3	242.8	221.2	244.6	167.7	245.3	114.5	252.6	252.6	240.6	240.6	228.1	227.6	219.0	209.1	221.2	155.5		
	57	271.7	271.7	258.8	258.8	245.9	245.9	232.4	232.4	219.7	219.0	220.7	166.9	248.1	248.1	236.4	236.4	221.6	221.6	212.1	212.1	199.8	199.8		
12500	77	320.5	232.5	323.7	175.0	327.1	117.7	-	-	-	-	-	-	290.6	221.1	294.8	163.1	298.0	106.0	-	-	-	-	-	
	72	293.0	285.1	295.6	233.8	298.5	175.9	300.5	118.3	-	-	-	-	268.6	261.1	267.2	221.5	270.3	163.5	274.3	106.6	-	-	-	
	67	287.6	285.1	274.6	270.5	269.9	234.6	272.2	175.8	274.0	118.1	-	-	263.0	260.8	251.2	247.4	242.2	222.2	246.7	163.7	248.8	106.1		
	62	282.4	282.4	269.6	269.6	256.4	255.5	245.4	234.4	247.1	175.6	248.0	117.4	258.1	258.1	246.2	246.2	233.1	232.6	221.5	219.4	223.3	163.3		
	57	278.1	278.1	265.0	265.0	251.7	251.7	238.3	238.3	224.6	224.6	223.4	175.1	253.5	253.5	241.6	241.6	230.8	230.8	216.9	216.9	204.2	204.2		

# CD28 cooling capacity performance

**Table 9: CD28 cooling performance**

Air on evap. coil		Temperature of air on condenser coil																																															
CFM	WB (°F)	Return dry bulb temperature (°F)														Return dry bulb temperature (°F)																																	
		90				85				80				75				70				65				90				85				80				75				70				65			
		TC MBH	SC MBH	TC MBH	SC MBH	TC MBH	SC MBH	TC MBH	SC MBH	TC MBH	SC MBH	TC MBH	SC MBH	TC MBH	SC MBH	TC MBH	SC MBH	TC MBH	SC MBH	TC MBH	SC MBH	TC MBH	SC MBH	TC MBH	SC MBH	TC MBH	SC MBH	TC MBH	SC MBH	TC MBH	SC MBH	TC MBH	SC MBH	TC MBH	SC MBH														
75 (°F)														85 (°F)																																			
6875	77	428.4	224.8	428.4	189.5	428.2	154.2	-	-	-	-	-	-	407.2	215.3	406.9	180.3	406.7	145.0	-	-	-	-	-	-	-	-	-	-	-	-	-	-	-	-	-	-												
	72	391.3	259.7	391.2	224.6	390.8	189.5	390.5	154.0	-	-	-	-	370.9	250.3	370.6	215.2	370.2	180.0	369.9	144.6	-	-	-	-	-	-	-	-	-	-	-	-	-	-	-	-												
	67	355.8	294.1	355.9	259.3	355.6	224.1	355.1	188.8	354.9	153.3	-	-	336.5	284.7	336.5	249.7	336.3	214.6	335.8	179.3	335.4	143.9	-	-	-	-	-	-	-	-	-	-	-	-	-	-												
	62	324.9	324.9	323.1	293.1	322.7	258.3	322.2	222.8	321.3	187.2	321.1	151.9	309.1	309.1	304.5	283.4	304.4	248.6	303.8	213.3	303.0	177.8	302.5	142.3	-	-	-	-	-	-	-	-	-	-	-	-												
	57	320.5	320.5	305.5	305.5	292.2	289.6	291.3	256.0	290.9	220.8	290.3	185.3	304.7	304.7	289.8	289.8	275.2	273.8	246.4	273.3	211.2	272.6	175.7	-	-	-	-	-	-	-	-	-	-	-	-	-												
8250	77	446.3	243.3	445.9	202.1	445.4	160.3	-	-	-	-	-	-	423.1	233.7	422.7	192.4	422.7	150.8	-	-	-	-	-	-	-	-	-	-	-	-	-	-	-	-	-	-												
	72	408.3	285.0	408.4	243.7	407.9	202.3	407.5	160.5	-	-	-	-	386.3	275.1	386.2	233.8	385.7	192.5	385.3	150.7	-	-	-	-	-	-	-	-	-	-	-	-	-	-	-	-												
	67	372.3	325.6	371.9	284.6	371.5	243.2	371.1	201.6	370.5	159.9	-	-	351.2	315.6	350.8	274.5	350.6	233.2	350.1	191.7	349.5	149.9	-	-	-	-	-	-	-	-	-	-	-	-	-	-												
	62	349.1	349.1	337.5	324.2	337.2	283.6	337.2	242.2	336.7	200.6	336.0	158.7	331.7	331.7	318.2	313.2	317.2	273.3	317.1	232.0	316.6	190.5	315.8	148.6	-	-	-	-	-	-	-	-	-	-	-	-												
	57	344.5	344.5	328.1	328.1	311.8	311.8	305.3	281.8	304.9	240.4	304.0	198.5	327.0	327.0	310.9	310.9	295.0	295.0	286.2	271.4	285.7	230.1	284.8	188.3	-	-	-	-	-	-	-	-	-	-	-	-	-											
9625	77	459.3	260.9	459.2	213.6	459.0	165.9	-	-	-	-	-	-	435.0	250.9	435.0	203.6	434.4	155.8	-	-	-	-	-	-	-	-	-	-	-	-	-	-	-	-	-	-	-											
	72	421.0	308.7	420.8	261.2	420.7	213.9	420.2	166.1	-	-	-	-	397.6	298.4	397.3	250.9	397.2	203.6	396.5	155.8	-	-	-	-	-	-	-	-	-	-	-	-	-	-	-	-	-											
	67	384.2	355.6	384.0	308.6	384.1	261.4	383.5	213.5	382.8	165.7	-	-	362.0	344.6	361.9	298.2	361.8	250.8	361.3	203.1	360.5	155.3	-	-	-	-	-	-	-	-	-	-	-	-	-	-	-											
	62	369.2	369.2	351.7	350.0	349.0	307.4	348.3	260.0	348.0	212.4	347.2	164.5	350.4	350.4	333.1	333.1	327.5	296.7	327.3	249.6	326.5	201.8	325.5	153.9	-	-	-	-	-	-	-	-	-	-	-	-	-											
	57	364.2	364.2	346.8	346.8	329.3	329.3	315.5	305.2	315.2	258.3	314.6	210.5	345.4	345.4	328.2	328.2	311.0	311.0	295.7	293.8	294.7	247.6	294.3	199.9	-	-	-	-	-	-	-	-	-	-	-	-	-											
11000	77	469.8	277.7	470.0	224.5	469.5	171.0	-	-	-	-	-	-	444.5	267.3	444.4	214.1	443.9	160.7	-	-	-	-	-	-	-	-	-	-	-	-	-	-	-	-	-	-	-											
	72	430.9	331.4	431.0	278.2	430.9	224.8	430.1	171.2	-	-	-	-	406.5	320.6	406.4	267.4	406.2	214.1	405.6	160.6	-	-	-	-	-	-	-	-	-	-	-	-	-	-	-	-	-	-										
	67	394.4	381.9	393.6	331.1	393.2	277.9	392.6	224.2	392.0	170.7	-	-	371.8	369.4	370.3	320.2	369.9	267.1	369.4	213.6	368.5	160.0	-	-	-	-	-	-	-	-	-	-	-	-	-	-	-	-										
	62	386.0	386.0	367.4	365.6	358.0	330.3	357.9	277.2	357.2	223.6	356.0	169.7	365.9	365.9	347.7	347.7	335.8	319.0	335.6	266.4	334.8	212.7	333.5	158.8	-	-	-	-	-	-	-	-	-	-	-	-	-	-										
	57	380.8	380.8	362.3	362.3	343.9	343.9	325.7	325.2	323.2	275.1	322.8	221.6	360.7	360.7	342.6	342.6	324.6	324.6	306.7	306.7	302.2	264.1	301.3	210.5	-	-	-	-	-	-	-	-	-	-	-	-	-	-										
12375	77	478.2	293.6	478.4	234.7	478.0	175.7	-	-	-	-	-	-	451.7	282.9	452.1	224.1	451.5	165.0	-	-	-	-	-	-	-	-	-	-	-	-	-	-	-	-	-	-	-											
	72	439.0	353.0	439.2	294.1	438.9	235.0	438.2	175.7	-	-	-	-	413.9	341.9	413.9	283.1	413.5	224.1	412.6	164.9	-	-	-	-	-	-	-	-	-	-	-	-	-	-	-	-	-	-										
	67	406.1	400.4	401.4	352.8	401.2	294.0	400.8	234.8	399.8	175.4	-	-	385.1	383.1	376.9	341.9	376.9	343.0	338.6	341.7	282.0	340.9	222.6	339.7	163.1	-	-	-	-	-	-	-	-	-	-	-	-	-										
	62	400.2	400.2	381.1	379.1	365.5	351.3	364.7	293.3	364.2	233.9	363.0	174.3	379.2	379.2	360.3	360.3	343.0	338.6	341.7	282.0	340.9	222.6	339.7	163.1	-	-	-	-	-	-	-	-	-	-	-	-	-	-										
	57	394.8	394.8	375.6	375.6	356.3	356.3	337.4	336.9	330.5	291.4	329.5	232.0	373.9	373.9	354.7	354.7	335.9	335.9	317.4	317.4	308.2	280.1	307.3	220.7	-	-	-	-	-	-	-	-	-	-	-	-	-	-										
13750	77	485.2	309.0	485.5	244.5	485.1	179.9	-	-	-	-	-	-	458.0	298.0	458.3	233.6	457.8	169.2	-	-	-	-	-	-	-	-	-	-	-	-	-	-	-	-	-	-	-											
	72	445.8	373.8	445.7	309.5	445.8	244.8	445.1	180.1	-	-	-	-	419.6	362.5	420.0	298.3	419.6	233.6	419.0	169.1	-	-	-	-	-	-	-	-	-	-	-	-	-	-	-	-	-	-										
	67	418.7	412.7	407.6	373.7	407.6	309.5	407.1	244.5	406.2	179.8	-	-	396.6	394.5	382.6	361.6	382.2	298.0	382.1	233.3	380.9	168.4	-	-	-	-	-	-	-	-	-	-	-	-	-	-	-	-										
	62	412.5	412.4	392.8	390.8	372.8	368.8	370.8	308.5	370.2	243.7	369.1	178.7	390.5	390.5	371.0	371.0	351.4	351.4	346.8	296.9	345.9	232.0	344.6	167.1	-	-	-	-	-	-	-	-	-	-	-	-	-	-										
	57	406.9	406.9	386.9	386.9	367.1	367.1	347.5	346.9	336.0	307.3	335.3	242.0	384.8	384.8	365.3	365.3	345.7	345.7	326.3	326.3	313.0	295.5	312.4	230.5	-	-	-	-	-	-	-	-	-	-	-	-	-	-										
95 (°F)														105 (°F)																																			
6875	77	378.9	205.5	378.4	170.4	378.1	134.9	-	-	-	-	-	-	365.8	195.1	365.5	160.1	365.3	124.8	-	-	-	-	-	-	-	-	-	-	-	-	-	-	-	-	-	-	-											
	72	343.9	240.2	343.6	205.1	343.1	169.9	342.7	134.5	-	-	-	-	332.5	229.9	332.3	194.8	331.9	159.7	331.5	124.2	-	-	-	-	-	-	-	-	-	-	-	-	-	-	-	-	-	-										
	67	310.9	274.5	310.7	239.6	310.5	204.4	309.9	169.2	309.3	133.7	-	-	300.9	263.9	300.6	229.1	300.5	194.1	299.9	158.7	299.5	123.3	-	-	-	-	-	-	-	-	-	-	-	-	-	-	-	-										
	62	287.2	287.2	279.6	273.2	279.5	238.2	278.9	203.0	278.2	167.7	277.5	132.1	281.1	281.1	270.9	262.3	270.6	227.7	270.2	192.5	269.7	157.2	269.0	121.6	-	-	-	-	-	-	-	-	-	-	-	-	-	-										
	57	282.8	282.8	268.1	268.1	253.7	253.7	250.2	236.2	249.5	201.0	248.7	165.5	276.8	276.8	262.6	262.6	248.6	248.6	242.4	225.5	242.0	190.5	241.4	155.0	-	-	-	-	-	-	-	-	-	-	-	-	-	-										
8250	77	392.5	223.2	392.3	182.0	391.8	140.3	-	-	-	-	-	-	378.7	212.5	378.4	171.3	378.0	129.7	-	-	-	-	-	-	-	-	-	-	-	-	-	-	-	-	-	-	-											
	72	357.1	264.5	357.1	223.2	356.7	181.7	356.1	140.3	-	-	-	-	344.7	253.6	344.8	212.4	344.6	171.1	344.1	129.4	-	-	-	-	-	-	-	-	-	-	-	-	-	-	-	-	-	-										
	67	323.6	304.9	323.2	264.1	322.8	222.6	322.2	181.1	321.5	139.3	-	-	312.3	293.6	312.2	252.9	311.9	211.4	311.7	170.1	310.7	128.4	-	-	-	-	-	-	-	-	-	-	-	-	-	-	-	-										
	62	307.8	307.8	292.6	292.6	290.7	262.5	290.3	221.2	289.8	179.7	289.0	138.0	300.7	300.7	285.3	285.3	281.2	251.3	280.8	210.1																												

**Table 9: CD28 cooling performance**

Air on evap. coil		Temperature of air on condenser coil																							
		Return dry bulb temperature (°F)												Return dry bulb temperature (°F)											
		90		85		80		75		70		65		90		85		80		75		70		65	
CFM	WB (°F)	TC	SC	TC	SC	TC	SC	TC	SC	TC	SC	TC	SC	TC	SC	TC	SC	TC	SC	TC	SC	TC	SC		
		MBH	MBH	MBH	MBH	MBH	MBH	MBH	MBH	MBH	MBH	MBH	MBH	MBH	MBH	MBH	MBH	MBH	MBH	MBH	MBH	MBH	MBH	MBH	
13750	77	422.0	286.4	422.1	221.9	421.6	157.5	-	-	-	-	-	-	406.2	274.2	406.6	209.8	406.3	145.6	-	-	-	-	-	
	72	384.6	350.8	385.3	286.5	385.1	221.9	384.3	157.4	-	-	-	-	370.4	338.0	371.4	274.5	371.4	209.7	370.6	145.3	-	-	-	
	67	366.4	366.4	349.7	348.6	349.4	286.0	348.7	221.3	347.4	156.5	-	-	356.7	353.5	338.5	333.2	337.1	273.4	336.6	208.9	335.4	144.2	-	
	62	360.0	360.0	341.2	341.2	322.1	322.1	314.4	284.8	313.6	219.8	312.3	155.0	350.4	350.4	332.5	332.5	314.0	312.8	303.7	272.7	303.1	207.3	301.9	142.5
	57	354.5	354.5	335.4	335.4	316.3	316.3	297.4	297.4	281.7	281.7	281.2	218.0	344.6	344.6	326.6	326.6	308.3	308.3	290.0	290.0	272.8	269.7	272.1	205.5
115 (°F)												125 (°F)													
6875	77	341.9	184.2	341.8	149.2	341.6	114.0	-	-	-	-	-	-	316.3	172.8	316.1	137.9	316.0	102.7	-	-	-	-	-	
	72	310.6	218.9	310.3	183.8	310.0	148.8	309.6	113.4	-	-	-	-	286.5	207.3	286.6	172.4	286.3	137.4	286.0	102.1	-	-	-	
	67	280.1	252.5	280.1	218.0	279.8	182.9	279.6	147.8	279.1	112.4	-	-	257.7	241.1	257.6	206.3	257.7	171.4	257.5	136.2	257.1	101.0	-	
	62	264.9	264.9	252.4	249.8	251.6	216.6	251.2	181.4	250.6	146.1	250.0	110.7	247.0	247.0	233.9	233.9	230.9	204.9	230.8	170.0	230.1	134.7	229.4	99.3
	57	260.5	260.5	246.7	246.7	232.9	232.9	224.2	214.5	224.2	179.4	223.5	144.0	242.7	242.7	229.4	229.4	216.4	216.4	205.0	202.5	205.0	167.9	204.3	132.4
8250	77	353.1	201.1	353.1	159.9	352.9	118.5	-	-	-	-	-	-	325.7	189.0	326.0	148.1	325.7	106.9	-	-	-	-	-	
	72	321.1	242.1	321.1	200.8	320.9	159.6	320.3	118.0	-	-	-	-	295.7	230.2	295.5	188.8	295.4	147.6	295.1	106.2	-	-	-	
	67	290.5	281.3	290.4	241.3	290.1	200.1	289.7	158.6	289.0	117.0	-	-	268.1	265.9	266.6	229.1	266.4	188.0	266.3	146.7	265.4	105.1	-	
	62	282.7	282.7	268.1	268.1	260.5	239.7	260.1	198.4	259.8	157.0	259.2	115.5	263.0	263.0	248.9	248.9	238.2	227.6	238.2	186.4	237.7	144.9	237.1	103.4
	57	278.1	278.1	263.3	263.3	248.5	248.5	233.9	233.9	232.5	196.6	231.9	155.0	258.3	258.3	244.2	244.2	230.0	230.0	216.0	216.0	211.8	184.2	211.2	142.7
9625	77	361.1	217.0	361.4	169.9	361.0	122.5	-	-	-	-	-	-	332.6	204.7	332.9	157.8	332.7	110.5	-	-	-	-	-	
	72	327.9	263.7	329.0	216.9	328.8	169.5	328.1	122.1	-	-	-	-	301.7	251.3	302.2	204.5	302.3	157.2	301.7	109.9	-	-	-	
	67	302.6	299.9	298.0	263.3	297.6	216.2	297.1	168.7	296.3	121.1	-	-	281.3	278.9	272.8	250.8	272.6	203.7	272.3	156.1	271.6	108.8	-	
	62	297.2	297.2	281.5	281.5	267.7	261.2	267.2	214.7	266.7	167.1	265.6	119.4	275.8	275.8	260.9	260.9	245.9	245.4	244.2	202.1	243.5	154.6	242.6	107.0
	57	292.2	292.2	276.1	276.1	260.9	260.9	245.4	245.4	238.4	212.5	237.8	164.9	270.8	270.8	255.9	255.9	241.0	241.0	226.0	226.0	216.4	200.1	216.1	152.3
11000	77	368.2	232.4	368.4	179.5	368.0	126.4	-	-	-	-	-	-	338.2	219.8	338.7	166.8	338.7	114.0	-	-	-	-	-	
	72	334.7	285.1	335.0	232.1	334.8	179.0	334.1	125.8	-	-	-	-	306.4	272.0	307.1	219.4	307.3	166.2	306.7	113.3	-	-	-	
	67	314.7	311.9	303.1	284.3	302.7	231.3	302.6	178.1	301.5	124.6	-	-	291.9	289.4	276.8	270.3	277.2	218.4	276.9	165.2	276.1	112.1	-	
	62	308.9	308.9	292.7	292.7	276.4	275.4	272.9	230.2	272.2	176.8	271.0	123.3	286.2	286.2	270.6	270.6	255.2	254.6	248.5	217.3	248.2	164.0	247.2	110.5
	57	303.7	303.7	287.4	287.4	271.0	271.0	254.8	254.8	243.1	228.2	242.5	174.4	280.9	280.9	265.4	265.4	249.7	249.7	234.3	234.3	220.4	215.4	220.0	161.5
12375	77	372.4	246.9	373.3	188.6	373.1	129.9	-	-	-	-	-	-	341.9	234.1	342.4	175.4	343.1	117.3	-	-	-	-	-	
	72	338.8	305.1	339.9	247.2	340.0	188.2	339.4	129.3	-	-	-	-	309.7	292.4	311.2	233.7	311.6	175.1	311.2	116.6	-	-	-	
	67	324.8	321.8	308.1	303.2	307.9	246.1	307.4	187.2	306.6	128.3	-	-	300.6	298.0	284.8	280.2	280.9	233.3	281.0	174.2	280.1	115.3	-	
	62	318.7	318.7	302.1	302.1	285.0	283.9	276.8	245.2	276.0	185.8	274.8	126.4	294.6	294.6	278.9	278.9	262.7	262.0	251.7	232.0	251.1	172.3	250.2	113.4
	57	313.4	313.4	296.5	296.5	279.5	279.5	262.5	262.5	247.1	242.7	246.4	183.5	289.1	289.1	273.3	273.3	257.2	257.2	241.1	241.1	225.0	225.0	223.2	170.3
13750	77	376.8	261.3	377.5	197.2	377.3	133.2	-	-	-	-	-	-	345.5	248.2	346.5	184.0	346.7	120.4	-	-	-	-	-	
	72	342.4	324.6	344.0	261.3	344.1	196.9	343.3	132.6	-	-	-	-	315.1	305.6	313.8	247.7	315.0	183.7	314.5	119.5	-	-	-	
	67	333.4	330.2	316.0	310.8	311.2	260.8	310.8	195.9	309.8	131.3	-	-	308.1	305.4	291.9	287.2	283.4	247.4	283.7	182.4	282.8	118.1	-	
	62	327.1	327.1	309.8	309.8	292.4	291.3	279.7	259.2	279.4	194.2	280.9	130.9	302.0	302.0	285.6	285.6	269.1	268.5	254.0	245.9	253.7	180.7	252.6	116.2
	57	321.5	321.5	304.2	304.2	286.7	286.7	269.2	269.2	251.8	251.8	249.3	192.3	296.3	296.3	279.9	279.9	263.5	263.5	246.7	246.7	230.2	230.2	225.5	178.6



# CD15 hot gas reheat capacity performance

**Table 10: CD15 HGRH capacity performance**

Air on evap. coil		Temperature of air on condenser coil																			
CFM	WB (°F)	Return dry bulb temperature (°F)										Return dry bulb temperature (°F)									
		85		80		75		70		65		85		80		75		70		65	
		TC MBH	SC MBH	TC MBH	SC MBH	TC MBH	SC MBH	TC MBH	SC MBH	TC MBH	SC MBH	TC MBH	SC MBH	TC MBH	SC MBH	TC MBH	SC MBH	TC MBH	SC MBH	TC MBH	SC MBH
35°F											45°F										
4500	72	121.5	35.7	122.2	12.4	-	-	-	-	-	-	118.2	33.8	118.4	10.5	-	-	-	-	-	-
	67	112.8	65.7	74.3	13.2	113.1	19.8	-	-	-	-	109.4	63.7	90.1	26.0	109.6	17.8	-	-	-	-
	62	103.4	94.8	104.1	72.1	104.0	48.9	104.1	26.5	103.9	3.9	100.4	92.8	100.8	70.1	100.9	47.2	100.8	24.5	100.6	1.8
	57	100.3	98.6	95.9	94.3	95.9	78.4	96.4	56.0	96.3	33.4	97.6	95.9	93.1	91.3	92.8	76.3	93.0	53.9	92.9	31.1
5250	72	126.9	42.1	127.6	18.4	-	-	-	-	-	-	123.3	40.8	123.6	15.5	-	-	-	-	-	-
	67	118.2	75.4	117.9	49.3	117.5	23.0	-	-	-	-	114.4	73.6	114.3	47.3	114.2	21.0	-	-	-	-
	62	106.9	105.0	108.7	83.0	108.4	56.7	108.4	30.6	108.6	5.2	104.2	102.2	105.3	81.0	105.3	54.9	105.4	28.7	105.0	3.0
	57	107.0	105.2	102.2	100.3	100.5	89.6	100.8	64.0	100.6	37.6	102.4	99.4	97.6	97.0	87.3	97.3	61.7	97.0	97.0	35.5
6000	72	131.8	50.3	131.4	22.2	-	-	-	-	-	-	127.6	48.5	127.4	19.6	-	-	-	-	-	-
	67	121.4	86.6	122.0	57.1	121.9	27.4	-	-	-	-	117.7	84.4	118.1	54.9	118.1	25.3	-	-	-	-
	62	112.7	109.5	113.1	94.0	112.9	64.7	112.2	34.8	111.5	5.9	109.8	107.1	109.3	91.9	109.3	62.6	108.9	32.9	108.1	3.9
	57	112.8	111.0	107.6	105.6	103.8	101.9	104.3	71.3	104.2	42.2	109.8	107.9	104.7	102.8	100.2	98.3	100.7	69.1	100.5	39.8
6750	72	134.5	57.7	134.5	25.1	-	-	-	-	-	-	130.5	55.8	130.5	23.1	-	-	-	-	-	-
	67	124.4	97.1	124.6	64.7	124.3	31.3	-	-	-	-	120.7	95.1	120.9	62.4	120.8	29.4	-	-	-	-
	62	117.6	114.6	115.8	103.0	115.9	70.6	116.3	39.4	114.9	7.6	114.6	111.6	112.0	100.7	112.3	68.5	112.4	37.2	110.9	5.3
	57	117.6	114.3	112.7	110.6	106.8	104.7	107.1	78.6	107.0	46.4	114.6	111.6	109.5	107.5	103.9	101.9	103.5	76.5	103.2	44.1
7500	72	137.0	64.9	137.3	29.1	-	-	-	-	-	-	133.1	63.0	133.3	27.2	-	-	-	-	-	-
	67	127.4	107.5	128.1	73.2	127.6	35.8	127.0	1.4	-	-	123.3	105.3	124.0	69.7	123.7	33.7	-	-	-	-
	62	121.9	119.5	117.8	116.0	118.6	78.0	118.6	42.4	117.2	10.2	118.9	116.5	114.0	112.0	114.8	75.9	114.8	40.2	113.3	6.7
	57	122.0	119.6	117.0	114.9	110.4	108.5	109.2	85.6	109.2	50.5	118.8	116.6	113.6	111.5	107.5	105.5	105.8	83.4	105.6	48.2
55°F											65°F										
4500	72	114.8	31.8	114.7	8.6	-	-	-	-	-	-	110.3	29.5	110.5	6.4	-	-	-	-	-	-
	67	106.0	61.7	106.0	38.7	106.2	15.8	-	-	-	-	101.7	59.3	101.8	36.4	101.8	13.4	-	-	-	-
	62	97.4	90.8	97.5	68.1	97.8	45.5	97.5	22.5	-	-	93.4	88.3	93.8	65.9	93.9	43.1	93.7	20.2	-	-
	57	95.0	93.1	90.2	88.4	89.6	74.2	89.6	51.7	89.4	28.7	92.0	89.7	87.4	85.6	86.0	71.8	85.9	49.3	85.5	26.4
5250	72	119.6	39.4	119.5	12.7	-	-	-	-	-	-	114.9	36.9	115.0	10.5	-	-	-	-	-	-
	67	110.6	71.7	110.7	45.4	110.9	19.1	-	-	-	-	106.2	69.4	106.4	43.1	106.2	16.7	-	-	-	-
	62	101.5	99.4	101.9	79.0	102.3	53.1	102.3	26.9	101.4	0.9	97.9	95.9	97.9	76.6	98.1	50.6	97.9	24.4	-	-
	57	101.4	99.6	96.6	94.8	93.5	85.1	93.8	59.3	93.5	33.3	97.9	96.1	93.3	91.4	89.9	82.6	89.9	56.8	89.8	30.9
6000	72	123.4	46.7	123.4	17.0	-	-	-	-	-	-	118.4	44.2	118.6	14.5	-	-	-	-	-	-
	67	114.0	82.3	114.2	52.8	114.3	23.2	-	-	-	-	109.2	79.9	109.8	50.4	109.8	20.9	-	-	-	-
	62	106.9	104.8	105.5	89.8	105.7	60.4	105.6	31.0	104.6	2.0	103.2	101.2	101.2	87.2	101.5	57.9	101.7	28.5	-	-
	57	106.8	104.9	101.8	99.9	96.5	94.7	97.1	66.9	96.8	37.5	103.2	101.2	98.2	96.3	93.4	91.4	93.2	64.7	92.9	35.1
6750	72	126.5	53.9	126.5	21.0	-	-	-	-	-	-	121.5	51.4	121.7	18.6	-	-	-	-	-	-
	67	117.0	93.1	117.2	60.0	117.4	27.5	-	-	-	-	112.3	90.4	112.7	57.7	112.5	24.9	-	-	-	-
	62	111.6	108.7	108.3	98.4	108.7	66.5	108.5	35.0	106.9	3.0	107.7	104.9	103.7	95.8	104.3	63.9	104.0	31.2	102.5	0.5
	57	111.5	108.8	106.3	104.3	101.0	99.0	99.9	74.4	99.5	41.8	107.6	104.9	102.5	100.6	97.4	95.3	64.6	51.1	95.3	39.1
7500	72	129.1	61.1	129.2	25.2	-	-	-	-	-	-	124.0	58.5	124.3	22.7	-	-	-	-	-	-
	67	119.3	103.0	119.9	66.2	119.9	31.6	-	-	-	-	114.4	100.4	115.4	65.2	115.1	29.0	-	-	-	-
	62	115.8	113.6	111.2	108.0	111.1	73.7	111.0	38.0	109.3	3.2	111.7	109.4	106.4	104.3	106.5	71.0	106.2	35.3	104.1	0.4
	57	115.6	113.6	110.2	108.1	104.6	102.6	102.4	81.2	102.0	45.9	111.6	109.4	106.2	104.3	100.9	98.8	98.2	78.8	97.9	43.5
75°F											85°F										
4500	72	105.1	26.8	105.1	3.6	-	-	-	-	-	-	106.6	30.5	106.4	7.7	-	-	-	-	-	-
	67	96.7	56.5	97.1	33.7	96.9	10.6	-	-	-	-	98.0	59.5	98.2	36.5	98.0	13.4	-	-	-	-
	62	88.5	85.7	89.2	63.2	89.0	40.3	89.0	17.4	-	-	89.9	88.5	90.3	66.2	90.4	43.4	90.2	20.6	-	-
	57	87.9	86.1	83.8	82.0	82.0	69.3	82.0	46.8	81.4	23.8	89.9	88.1	85.6	83.8	82.9	71.8	77.5	46.7	82.6	26.5
5250	72	109.4	34.2	109.5	7.7	-	-	-	-	-	-	110.8	38.6	110.8	11.9	-	-	-	-	-	-
	67	101.1	66.5	101.3	40.3	101.2	13.7	-	-	-	-	102.3	70.3	102.5	44.6	102.2	17.5	-	-	-	-
	62	93.9	91.9	93.2	73.8	93.3	47.7	93.1	21.5	-	-	96.0	93.9	94.0	77.0	94.2	50.9	94.2	24.7	-	-
	57	93.8	92.0	89.4	87.5	85.2	80.0	85.7	54.3	85.4	28.1	95.9	94.1	91.2	89.4	86.3	82.6	86.6	57.0	86.2	30.8
6000	72	112.9	41.3	113.0	11.6	-	-	-	-	-	-	114.4	45.8	114.2	15.9	-	-	-	-	-	-
	67	104.3	76.8	104.5	47.6	104.4	17.8	-	-	-	-	105.6	80.8	105.6	51.4	105.4	21.7	-	-	-	-
	62	98.9	96.8	96.2	84.2	96.5	55.0	96.2	25.5	-	-	100.7	97.7	96.9	87.1	97.4	58.1	97.0	28.5	-	-
	57	98.8	96.9	94.2	92.2	89.4	87.4	88.5	61.6	88.3	32.2	100.6	99.2	95.8	93.9	90.6	88.9	89.3	64.2	89.1	34.9

**Table 10: CD15 HGRH capacity performance**

Air on evap. coil		Temperature of air on condenser coil																			
		Return dry bulb temperature (°F)										Return dry bulb temperature (°F)									
		85		80		75		70		65		85		80		75		70		65	
CFM	WB (°F)	TC	SC	TC	SC	TC	SC	TC	SC	TC	SC	TC	SC	TC	SC	TC	SC	TC	SC	TC	SC
		MBH	MBH	MBH	MBH	MBH	MBH	MBH	MBH	MBH	MBH	MBH	MBH	MBH	MBH	MBH	MBH	MBH	MBH	MBH	MBH
6750	72	116.0	48.3	115.8	15.6	-	-	-	-	-	-	116.8	52.8	116.7	19.7	-	-	-	-	-	-
	67	106.6	86.6	107.3	54.8	107.1	22.0	-	-	-	-	107.5	90.9	107.6	58.5	108.0	25.6	-	-	-	-
	62	103.2	100.6	98.2	93.3	99.1	60.9	98.7	28.3	-	-	104.9	102.5	99.9	95.6	99.8	64.1	99.4	31.2	97.2	0.2
	57	103.1	100.6	98.1	96.2	93.2	91.1	91.2	69.0	90.8	36.4	104.9	102.7	99.7	97.8	94.6	92.6	91.4	71.1	91.0	38.8
7500	72	118.5	55.5	118.3	20.4	-	-	-	-	-	-	119.3	59.7	118.9	24.5	-	-	-	-	-	-
	67	109.0	97.1	109.7	61.9	109.4	25.9	-	-	-	-	109.4	101.2	110.2	65.3	109.9	27.7	-	-	-	-
	62	107.0	105.1	101.8	98.4	101.3	68.1	101.0	32.2	-	-	108.5	106.9	103.0	100.0	101.8	71.1	101.2	35.2	-	-
	57	107.0	105.2	101.8	98.5	96.5	94.6	93.0	76.1	92.9	40.4	108.4	106.9	103.0	100.1	97.6	95.7	93.5	77.9	93.0	42.7

# CD18 hot gas reheat capacity performance

**Table 11: CD18 HGRH capacity performance**

Air on evap. coil		Temperature of air on condenser coil																			
CFM	WB (°F)	Return dry bulb temperature (°F)										Return dry bulb temperature (°F)									
		85		80		75		70		65		85		80		75		70		65	
		TC MBH	SC MBH	TC MBH	SC MBH	TC MBH	SC MBH	TC MBH	SC MBH	TC MBH	SC MBH	TC MBH	SC MBH	TC MBH	SC MBH	TC MBH	SC MBH	TC MBH	SC MBH	TC MBH	SC MBH
35°F											45°F										
5250	72	129.8	45.7	129.1	18.0	-	-	-	-	-	-	123.0	42.9	122.8	14.4	-	-	-	-	-	-
	67	118.0	83.6	119.5	52.9	119.0	24.1	-	-	-	-	112.7	79.4	113.5	49.4	113.3	20.6	-	-	-	-
	62	108.2	110.6	110.2	89.7	110.1	59.7	109.8	31.5	109.4	3.2	103.0	103.8	104.7	86.3	104.7	56.3	104.6	28.1	104.3	0.2
	57	107.4	105.6	102.2	99.9	101.7	92.5	101.3	65.7	100.9	37.7	102.5	100.5	97.5	95.3	96.2	88.7	96.3	62.4	96.1	34.5
6125	72	134.9	57.3	134.3	23.2	-	-	-	-	-	-	127.6	53.3	127.9	19.2	-	-	-	-	-	-
	67	124.6	97.5	124.3	61.9	124.2	28.1	-	-	-	-	118.2	93.7	118.2	58.3	118.3	24.9	-	-	-	-
	62	114.5	112.9	114.2	99.8	115.2	69.5	114.6	36.5	114.1	4.3	109.2	106.7	108.5	96.3	109.3	65.6	109.2	32.9	108.9	1.3
	57	114.5	112.1	108.7	106.5	103.9	102.0	105.5	75.6	105.5	42.9	109.1	106.9	103.7	101.5	99.0	97.6	100.3	72.0	100.5	39.6
7000	72	138.2	65.1	138.4	25.7	-	-	-	-	-	-	131.3	61.2	131.7	22.8	-	-	-	-	-	-
	67	127.5	105.7	127.9	70.9	128.2	33.8	-	-	-	-	121.0	103.3	121.6	67.0	122.1	30.0	-	-	-	-
	62	120.2	116.5	117.7	110.0	118.3	77.6	118.4	41.1	118.1	6.0	114.6	111.5	111.3	105.3	112.6	73.4	112.9	37.5	112.4	2.7
	57	119.8	117.5	114.1	111.6	108.3	109.6	109.0	84.2	109.5	47.1	114.4	112.0	108.9	106.5	103.4	102.8	103.7	80.6	104.2	44.0
7875	72	141.3	73.3	141.3	32.1	-	-	-	-	-	-	134.3	69.4	134.8	28.0	-	-	-	-	-	-
	67	130.2	117.3	131.1	79.7	131.5	36.8	-	-	-	-	123.4	113.1	124.7	75.9	125.2	33.7	-	-	-	-
	62	125.0	122.2	119.0	115.9	121.2	84.7	121.4	44.1	120.9	5.8	119.2	116.7	113.5	111.0	115.3	81.0	115.7	40.6	115.1	2.4
	57	124.9	122.5	118.6	114.9	112.4	110.2	111.7	92.8	112.0	52.3	119.2	116.9	113.2	109.6	107.4	105.0	106.2	89.2	106.7	48.9
8750	72	143.5	81.7	144.1	36.1	-	-	-	-	-	-	136.6	77.5	137.5	32.2	-	-	-	-	-	-
	67	131.6	125.9	133.8	86.8	133.7	44.4	132.9	0.6	-	-	124.6	121.3	127.1	83.0	127.4	39.8	-	-	-	-
	62	129.1	127.0	122.6	121.1	123.4	93.2	124.0	48.4	122.8	7.3	123.1	121.3	117.1	115.6	117.4	89.6	118.0	45.1	116.9	3.5
	57	129.0	127.3	122.5	119.3	116.2	112.3	114.3	101.5	114.2	56.9	123.1	121.5	116.9	113.8	111.0	107.6	108.6	97.8	108.9	53.3
55°F											65°F										
5250	72	116.3	40.2	116.4	10.8	-	-	-	-	-	-	109.6	36.3	109.9	7.0	-	-	-	-	-	-
	67	107.3	75.1	107.5	45.9	107.6	17.1	-	-	-	-	101.0	71.2	101.4	42.0	101.7	13.3	-	-	-	-
	62	97.7	97.0	99.2	83.0	99.3	52.9	99.4	24.7	-	-	92.5	90.1	93.2	79.3	93.6	49.3	93.9	21.2	-	-
	57	97.6	95.4	92.9	90.8	90.8	84.9	91.4	59.1	91.4	31.4	92.4	90.3	88.0	85.8	85.3	81.2	86.3	55.7	86.4	28.0
6125	72	120.3	49.3	121.4	15.3	-	-	-	-	-	-	113.7	44.9	114.6	11.5	-	-	-	-	-	-
	67	111.8	89.8	112.0	54.7	112.4	21.7	-	-	-	-	105.0	85.7	105.6	50.8	106.2	18.0	-	-	-	-
	62	103.8	100.5	102.8	92.9	103.4	61.7	103.8	29.2	-	-	98.3	95.2	96.6	89.0	97.5	57.9	98.1	25.9	-	-
	57	103.6	101.7	98.8	96.6	94.0	93.1	95.2	68.3	95.6	36.3	98.3	95.0	93.6	91.4	89.0	88.2	90.1	64.7	90.4	32.8
7000	72	124.5	57.3	125.0	20.0	-	-	-	-	-	-	117.3	53.5	118.2	15.8	-	-	-	-	-	-
	67	114.5	100.8	115.4	63.1	116.0	26.1	-	-	-	-	107.7	95.9	108.7	59.2	109.7	22.5	-	-	-	-
	62	109.0	106.5	104.9	100.7	107.0	69.1	107.3	33.9	-	-	103.3	100.6	98.5	95.8	100.8	65.3	101.4	29.1	-	-
	57	109.1	106.4	103.7	101.4	98.5	95.9	98.3	77.0	98.9	40.9	103.2	100.8	98.2	95.9	93.3	91.0	92.8	73.4	93.5	37.5
7875	72	127.4	65.4	128.3	24.0	-	-	-	-	-	-	120.0	61.3	121.2	20.1	-	-	-	-	-	-
	67	116.5	108.8	118.2	72.0	119.0	30.7	-	-	-	-	109.2	104.5	111.5	67.6	112.6	26.8	-	-	-	-
	62	113.5	111.1	108.0	106.2	109.3	77.4	110.0	37.1	-	-	107.5	105.4	102.5	100.2	103.1	73.6	104.2	33.5	-	-
	57	113.4	111.3	107.8	104.3	102.4	99.8	100.8	85.6	101.5	45.4	107.3	105.6	102.2	98.9	97.0	94.5	95.4	81.6	96.1	41.8
8750	72	129.7	73.4	130.8	28.2	-	-	-	-	-	-	122.2	69.3	123.7	24.1	-	-	-	-	-	-
	67	117.7	116.6	120.4	79.2	121.1	35.2	-	-	-	-	111.2	111.0	113.5	75.5	115.0	31.1	-	-	-	-
	62	117.1	115.5	111.6	110.1	111.4	86.0	112.0	41.8	-	-	111.0	109.5	105.5	102.5	105.1	81.8	106.3	37.8	-	-
	57	117.1	115.6	111.4	108.4	105.8	102.9	102.8	94.1	103.6	49.8	110.9	109.6	105.5	102.5	100.2	97.6	96.9	90.1	98.0	46.1
75°F											85°F										
5250	72	102.4	32.2	103.0	3.0	-	-	-	-	-	-	94.8	27.8	-	-	-	-	-	-	-	-
	67	94.2	67.1	94.7	38.1	95.3	9.4	-	-	-	-	87.0	62.6	87.8	34.0	88.9	6.1	-	-	-	-
	62	86.9	84.6	87.0	75.2	87.7	45.5	88.1	17.5	-	-	81.0	78.6	80.5	70.8	81.3	41.4	82.1	13.6	-	-
	57	86.8	84.8	82.8	80.6	79.3	77.4	80.9	52.1	81.2	24.4	80.9	78.8	77.2	75.0	73.5	72.6	75.1	48.2	75.7	20.7
6125	72	106.4	40.7	107.6	7.4	-	-	-	-	-	-	98.6	36.3	100.1	3.2	-	-	-	-	-	-
	67	97.9	81.5	98.9	46.8	99.7	14.1	-	-	-	-	91.0	77.6	91.5	43.0	93.0	10.1	-	-	-	-
	62	92.4	91.0	90.1	84.6	91.4	54.1	92.2	22.2	-	-	86.1	83.3	82.8	80.3	84.8	50.0	85.9	17.8	-	-
	57	92.3	89.4	88.1	85.8	83.8	83.1	84.4	61.0	85.1	29.2	86.1	82.9	82.1	79.9	78.2	75.9	78.3	57.0	79.4	25.2
7000	72	109.7	49.0	111.0	11.7	-	-	-	-	-	-	101.4	44.2	103.7	7.9	-	-	-	-	-	-
	67	100.3	91.6	101.5	55.1	103.1	19.0	-	-	-	-	92.4	87.0	94.4	50.3	96.3	14.5	-	-	-	-
	62	97.0	94.6	92.5	90.2	94.4	61.5	95.1	26.4	-	-	90.5	88.3	86.3	84.3	87.7	57.2	89.3	22.3	-	-
	57	97.1	96.3	92.4	90.1	87.9	85.9	87.0	69.5	88.0	33.8	90.4	88.3	86.2	82.8	82.0	79.7	81.0	65.4	82.2	29.8

**Table 11: CD18 HGRH capacity performance**

Air on evap. coil		Temperature of air on condenser coil																			
		Return dry bulb temperature (°F)										Return dry bulb temperature (°F)									
		85		80		75		70		65		85		80		75		70		65	
CFM	WB (°F)	TC	SC	TC	SC	TC	SC	TC	SC	TC	SC	TC	SC	TC	SC	TC	SC	TC	SC	TC	SC
		MBH	MBH	MBH	MBH	MBH	MBH	MBH	MBH	MBH	MBH	MBH	MBH	MBH	MBH	MBH	MBH	MBH	MBH	MBH	MBH
7875	72	112.3	57.0	114.0	15.9	-	-	-	-	-	-	104.1	52.5	106.0	11.7	-	-	-	-	-	-
	67	101.4	100.1	104.6	63.4	105.8	21.6	-	-	-	-	94.2	93.9	96.9	59.1	98.7	18.4	-	-	-	-
	62	101.0	99.1	96.2	95.3	96.8	69.5	98.0	29.5	-	-	94.1	92.5	89.7	86.7	90.0	65.3	91.5	25.6	-	-
	57	100.9	99.3	96.1	93.1	91.3	88.8	89.4	77.6	91.0	38.3	94.1	92.4	89.7	86.7	85.3	82.9	82.7	73.7	84.6	34.1
8750	72	114.4	65.0	116.3	19.7	-	-	-	-	-	-	106.2	60.4	108.1	15.3	-	-	-	-	-	-
	67	104.4	104.4	106.3	71.3	108.0	27.1	-	-	-	-	97.3	97.3	98.7	67.1	100.9	22.5	-	-	-	-
	62	104.2	101.6	99.4	96.2	98.6	77.7	100.0	33.8	-	-	97.2	96.0	92.7	91.5	91.7	73.4	93.5	29.5	-	-
	57	104.2	102.9	99.2	96.5	94.3	90.2	90.7	86.1	92.5	42.1	97.2	96.2	92.6	91.5	88.1	84.2	84.5	82.0	86.4	38.1

# CD20 hot gas reheat capacity performance

**Table 12: CD20 HGRH capacity performance**

Air on evap. coil		Temperature of air on condenser coil																											
CFM	WB (°F)	Return dry bulb temperature (°F)										Return dry bulb temperature (°F)																	
		85		80		75		70		65		85		80		75		70		65									
		TC MBH	SC MBH	TC MBH	SC MBH	TC MBH	SC MBH	TC MBH	SC MBH	TC MBH	SC MBH	TC MBH	SC MBH	TC MBH	SC MBH	TC MBH	SC MBH	TC MBH	SC MBH	TC MBH	SC MBH								
										35°F										45°F									
6000	72	156.1	45.4	156.1	15.3	-	-	-	-	-	-	151.1	43.3	150.9	12.3	-	-	-	-	-	-								
	67	147.4	87.7	148.5	54.6	144.6	24.6	-	-	-	-	141.7	84.2	142.5	51.7	140.0	21.8	-	-	-	-								
	62	135.8	124.7	134.3	95.9	138.2	67.4	133.6	33.6	132.5	2.6	130.6	121.1	130.2	93.2	132.3	63.5	129.2	30.8	-	-								
	57	130.9	128.6	123.7	121.0	124.5	105.2	124.2	73.0	123.2	42.5	126.4	123.9	119.8	117.1	120.3	102.4	119.9	70.2	119.0	39.5								
7000	72	162.6	56.8	162.7	20.9	-	-	-	-	-	-	157.4	53.9	157.3	17.8	-	-	-	-	-	-								
	67	154.0	102.2	152.8	65.9	150.8	29.0	-	-	-	-	148.0	98.9	147.1	62.5	146.1	26.2	-	-	-	-								
	62	140.0	138.8	140.4	110.2	142.1	76.1	140.3	39.5	138.5	3.5	135.1	134.0	135.9	107.2	136.8	72.7	135.1	36.5	133.7	0.6								
	57	139.7	136.4	131.4	128.6	129.3	118.5	130.7	84.2	129.6	48.4	134.8	131.8	127.7	124.8	125.1	115.4	125.8	80.9	125.0	45.4								
8000	72	167.6	66.7	167.7	26.3	-	-	-	-	-	-	162.4	63.7	162.4	23.2	-	-	-	-	-	-								
	67	156.4	114.1	156.5	76.6	155.6	34.5	-	-	-	-	151.3	111.8	151.4	72.7	150.9	31.7	-	-	-	-								
	62	148.7	143.8	146.4	127.5	144.9	84.8	144.4	44.7	143.5	5.0	143.0	138.3	141.0	123.9	140.4	81.8	140.0	41.9	138.4	1.9								
	57	147.0	142.3	137.9	135.1	133.4	128.7	133.8	93.4	134.0	54.3	141.8	137.3	134.1	131.2	128.8	125.4	129.4	90.6	129.1	51.2								
9000	72	171.2	76.0	172.4	30.8	-	-	-	-	-	-	166.1	72.9	166.7	27.9	-	-	-	-	-	-								
	67	161.7	128.4	160.4	84.6	159.6	38.9	-	-	-	-	155.7	126.2	155.1	81.4	154.7	36.5	-	-	-	-								
	62	152.5	148.8	148.8	135.1	148.8	92.9	148.1	49.0	146.2	4.5	147.3	143.6	143.7	131.9	144.0	89.8	143.5	45.9	141.2	1.4								
	57	150.6	147.4	143.9	141.0	136.8	135.6	136.4	103.8	137.2	59.2	146.4	143.0	139.8	136.8	132.9	131.8	132.5	100.6	132.4	56.2								
10000	72	174.7	84.6	174.9	34.4	-	-	-	-	-	-	169.3	81.7	169.5	32.1	-	-	-	-	-	-								
	67	165.2	144.5	163.7	96.3	163.4	44.9	-	-	-	-	158.8	140.8	158.2	91.8	157.9	42.1	-	-	-	-								
	62	155.7	152.6	150.7	144.4	151.8	102.6	151.0	53.9	149.2	6.2	151.3	148.1	145.7	140.9	146.9	99.5	146.2	50.9	143.9	3.0								
	57	157.6	154.5	148.8	144.4	140.8	139.8	140.2	112.4	139.8	64.6	152.2	149.2	144.3	139.9	136.9	135.9	135.7	109.4	135.1	61.3								
										55°F										65°F									
6000	72	146.2	41.2	145.7	9.3	-	-	-	-	-	-	140.1	36.2	140.0	6.1	-	-	-	-	-	-								
	67	136.1	80.8	136.4	48.8	135.4	19.1	-	-	-	-	130.4	77.4	130.3	45.9	129.9	15.8	-	-	-	-								
	62	125.3	117.4	126.0	90.5	126.5	59.7	124.9	28.0	-	-	120.0	113.8	121.0	87.2	120.6	55.9	120.0	24.8	-	-								
	57	121.9	119.3	115.9	113.2	116.1	99.7	115.6	67.3	114.9	36.5	117.4	114.6	112.0	109.3	111.3	96.1	110.9	63.9	110.5	33.2								
7000	72	152.3	51.1	152.0	14.7	-	-	-	-	-	-	146.1	47.6	146.3	11.6	-	-	-	-	-	-								
	67	142.0	95.5	141.5	59.1	141.4	23.4	-	-	-	-	136.0	92.1	135.9	55.7	135.6	20.1	-	-	-	-								
	62	130.3	129.1	131.4	104.3	131.4	69.3	130.0	33.5	-	-	125.4	124.3	126.1	101.6	126.1	65.9	125.4	30.4	-	-								
	57	130.0	127.2	123.9	121.0	120.9	112.3	120.9	77.7	120.3	42.4	125.1	122.5	119.3	116.6	116.4	109.2	116.0	74.4	115.5	39.1								
8000	72	157.2	60.6	157.1	20.0	-	-	-	-	-	-	150.7	56.9	151.1	16.5	-	-	-	-	-	-								
	67	146.2	109.6	146.2	68.9	146.2	28.9	-	-	-	-	140.2	105.9	140.4	65.6	140.1	25.3	-	-	-	-								
	62	137.3	132.8	135.6	120.3	135.8	78.9	135.5	39.2	-	-	131.6	127.3	130.2	116.7	130.3	75.4	129.6	34.0	-	-								
	57	136.6	132.4	130.2	127.4	124.1	122.1	125.0	87.7	124.2	48.1	131.4	127.5	125.3	123.0	119.7	118.4	120.3	84.5	119.4	44.5								
9000	72	160.9	69.8	161.0	25.0	-	-	-	-	-	-	154.3	66.1	154.7	21.6	-	-	-	-	-	-								
	67	149.6	124.0	149.7	78.3	149.8	34.0	-	-	-	-	143.6	121.8	143.9	74.8	143.4	30.4	-	-	-	-								
	62	142.1	138.5	138.7	128.7	139.2	86.8	138.9	42.8	-	-	136.9	133.3	132.8	125.0	133.6	83.4	133.0	39.1	-	-								
	57	142.1	138.6	135.7	132.5	129.0	128.0	128.6	97.3	127.7	53.2	136.9	133.4	130.3	127.4	124.2	123.2	123.5	93.9	122.5	49.5								
10000	72	163.9	78.7	164.1	29.8	-	-	-	-	-	-	157.3	75.0	157.4	26.3	-	-	-	-	-	-								
	67	152.4	137.2	152.7	87.4	152.3	39.2	-	-	-	-	146.0	133.5	146.7	83.9	146.4	35.2	-	-	-	-								
	62	146.9	143.6	140.8	137.3	142.0	96.4	141.5	48.0	-	-	141.4	138.5	135.1	132.4	136.2	92.8	135.5	44.2	-	-								
	57	146.8	143.9	139.9	135.4	133.0	132.0	131.1	106.4	130.3	58.0	141.4	138.6	134.6	130.0	128.1	124.9	125.9	102.8	124.9	54.5								
										75°F										85°F									
6000	72	133.1	34.5	133.3	2.3	-	-	-	-	-	-	126.2	29.8	-	-	-	-	-	-	-	-								
	67	124.1	73.6	124.2	43.0	123.5	11.9	-	-	-	-	117.3	69.5	117.1	37.8	116.6	6.6	-	-	-	-								
	62	113.9	109.8	115.1	83.5	114.7	52.1	114.2	21.1	-	-	107.1	105.4	108.6	79.4	126.5	59.7	107.6	16.9	-	-								
	57	112.3	109.6	107.1	104.5	106.5	92.6	105.7	60.7	104.8	29.7	106.5	103.9	101.7	99.1	101.6	89.1	99.7	56.5	99.0	25.8								
7000	72	139.3	43.7	139.5	7.5	-	-	-	-	-	-	131.8	39.5	131.5	3.2	-	-	-	-	-	-								
	67	129.4	88.1	129.5	51.8	129.1	16.1	-	-	-	-	122.3	83.9	122.4	48.4	122.0	11.9	-	-	-	-								
	62	119.9	118.9	119.9	97.6	119.9	62.1	119.4	26.5	-	-	113.7	110.9	113.2	93.4	113.2	57.7	112.8	22.3	-	-								
	57	119.7	117.0	114.1	111.4	110.6	105.3	110.6	70.8	109.9	35.4	113.7	110.8	108.5	105.9	104.2	101.1	105.2	67.2	103.6	31.4								
8000	72	143.7	53.0	143.8	12.5	-	-	-	-	-	-	136.0	48.7	135.9	8.2	-	-	-	-	-	-								
	67	133.2	102.0	133.7	61.7	133.5	21.3	-	-	-	-	125.8	97.8	126.4	57.3	126.0	16.9	-	-	-	-								
	62	125.9	121.8	124.0	112.7	123.9	70.0	123.3	30.2	-	-	119.6	115.7	117.0	107.9	117.1	65.6	116.4	25.9	-	-								
	57	125.9	121.9	120.0	117.2	114.3	113.2	114.4	80.7	113.7	40.8	119.5	115.8	114.0	111.2	108.4	107.3	108.0	76.3	107.0	36.5								

**Table 12: CD20 HGRH capacity performance**

Air on evap. coil		Temperature of air on condenser coil																			
		Return dry bulb temperature (°F)										Return dry bulb temperature (°F)									
		85		80		75		70		65		85		80		75		70		65	
CFM	WB (°F)	TC	SC	TC	SC	TC	SC	TC	SC	TC	SC	TC	SC	TC	SC	TC	SC	TC	SC	TC	SC
		MBH	MBH	MBH	MBH	MBH	MBH	MBH	MBH	MBH	MBH	MBH	MBH	MBH	MBH	MBH	MBH	MBH	MBH	MBH	MBH
9000	72	147.3	62.2	147.3	17.4	-	-	-	-	-	-	139.4	57.7	139.5	13.0	-	-	-	-	-	-
	67	136.6	116.5	137.2	70.8	136.8	26.1	-	-	-	-	129.1	111.6	129.6	66.5	129.3	22.0	-	-	-	-
	62	131.0	127.7	126.3	120.9	127.1	79.4	126.6	34.9	-	-	124.4	121.2	119.1	115.8	120.1	75.0	119.2	31.0	-	-
	57	131.0	127.8	124.9	121.9	118.6	117.7	117.3	89.9	116.4	45.5	124.4	121.3	118.5	114.0	112.6	109.5	110.5	85.3	109.8	41.2
10000	72	150.1	70.9	150.1	22.0	-	-	-	-	-	-	142.1	66.5	142.0	17.9	-	-	-	-	-	-
	67	138.8	129.1	139.9	79.9	139.4	28.9	-	-	-	-	131.0	124.1	132.1	75.6	131.8	26.7	-	-	-	-
	62	135.3	132.7	129.1	126.7	129.6	88.8	128.9	40.0	-	-	128.6	126.0	122.6	120.4	122.4	84.3	121.2	36.1	-	-
	57	135.3	132.8	128.8	124.8	122.4	119.3	119.9	98.7	118.3	48.9	128.5	126.1	122.5	118.4	116.2	113.0	113.0	94.3	111.6	44.5

# CD25 hot gas reheat capacity performance

**Table 13: CD25 HGRH capacity performance**

Air on evap. coil		Temperature of air on condenser coil																			
CFM	WB (°F)	Return dry bulb temperature (°F)										Return dry bulb temperature (°F)									
		85		80		75		70		65		85		80		75		70		65	
		TC MBH	SC MBH	TC MBH	SC MBH	TC MBH	SC MBH	TC MBH	SC MBH	TC MBH	SC MBH	TC MBH	SC MBH	TC MBH	SC MBH	TC MBH	SC MBH	TC MBH	SC MBH	TC MBH	SC MBH
35°F											45°F										
7500	72	199.8	60.7	199.4	22.5	-	-	-	-	-	-	194.2	57.9	194.0	19.8	-	-	-	-	-	-
	67	184.9	110.2	184.6	71.8	184.1	34.0	-	-	-	-	179.8	107.4	179.6	69.3	179.3	31.3	-	-	-	-
	62	170.4	160.2	170.9	121.2	171.3	83.5	170.1	44.8	170.2	7.2	165.6	157.1	166.0	118.2	166.3	80.5	165.4	42.1	165.4	4.3
	57	166.1	164.4	158.3	156.5	157.4	131.5	157.3	93.9	157.1	55.6	162.1	160.2	154.3	152.4	152.8	128.6	152.7	90.8	152.3	52.7
8750	72	207.7	74.0	207.5	30.6	-	-	-	-	-	-	202.0	71.4	202.0	27.6	-	-	-	-	-	-
	67	193.1	127.9	192.6	84.1	192.5	40.0	-	-	-	-	187.5	125.0	187.4	81.3	187.2	37.4	-	-	-	-
	62	177.3	175.3	178.0	139.9	178.6	96.7	178.8	52.6	178.4	9.3	173.0	170.8	173.2	137.2	173.5	93.8	173.5	49.9	173.1	6.3
	57	177.6	175.2	167.9	166.9	164.6	151.2	164.7	107.5	164.0	63.5	173.0	170.9	164.4	162.7	159.6	148.1	159.8	104.5	159.3	60.7
10000	72	214.7	87.5	214.2	38.1	-	-	-	-	-	-	209.0	85.0	208.7	35.4	-	-	-	-	-	-
	67	199.4	146.3	199.3	96.7	199.3	48.1	-	-	-	-	193.7	143.8	193.9	94.5	193.9	45.4	-	-	-	-
	62	187.4	185.2	184.7	157.1	185.1	110.1	185.3	61.4	184.6	11.7	182.5	180.3	179.7	154.5	179.9	107.2	179.8	58.2	179.1	8.7
	57	187.1	185.0	177.8	175.9	169.3	169.9	171.5	121.6	170.6	72.2	182.3	180.3	173.6	171.6	165.2	164.3	166.0	118.4	165.6	69.1
11250	72	220.9	101.7	220.5	46.7	-	-	-	-	-	-	214.8	98.8	214.7	43.8	-	-	-	-	-	-
	67	205.5	166.3	205.1	111.6	204.9	55.9	205.0	2.4	-	-	199.6	163.2	199.6	108.6	199.2	53.6	-	-	-	-
	62	195.6	192.2	190.2	179.5	190.6	122.1	190.9	67.5	189.9	12.6	190.7	187.2	184.7	176.5	185.2	119.0	185.1	64.4	184.3	9.5
	57	195.4	192.1	186.2	184.0	177.4	175.0	175.9	134.9	175.7	80.7	190.6	187.3	181.6	179.4	172.8	170.5	171.0	131.9	170.8	77.6
12500	72	228.8	117.5	226.1	54.9	-	-	-	-	-	-	221.4	113.6	220.0	52.1	-	-	-	-	-	-
	67	73.1	90.5	210.3	126.5	209.8	65.0	209.9	5.1	-	-	135.9	135.9	204.7	122.2	204.3	62.3	204.1	2.1	-	-
	62	203.7	201.8	194.4	191.9	195.1	136.1	196.0	75.9	195.0	16.1	198.4	195.8	189.3	185.9	189.7	133.1	190.1	72.9	189.2	13.0
	57	203.4	202.0	193.5	189.2	184.0	182.4	181.5	149.2	180.5	88.9	198.3	195.9	188.8	184.7	179.5	177.6	176.2	145.9	175.6	86.1
55°F											65°F										
7500	72	188.5	55.1	188.6	17.1	-	-	-	-	-	-	181.9	52.3	181.8	13.5	-	-	-	-	-	-
	67	174.6	104.6	174.6	66.9	174.6	28.5	-	-	-	-	168.2	100.9	168.3	63.3	167.9	25.2	-	-	-	-
	62	160.8	154.1	161.2	115.3	161.2	77.5	160.8	39.5	160.5	1.4	154.8	150.6	155.1	112.1	155.0	73.8	154.9	36.0	-	-
	57	158.0	155.9	150.3	148.3	148.3	125.6	148.1	87.8	147.5	49.7	153.0	151.5	145.7	143.7	142.9	122.3	142.7	84.6	142.0	46.3
8750	72	196.4	68.7	196.5	24.6	-	-	-	-	-	-	189.5	65.5	189.5	21.6	-	-	-	-	-	-
	67	182.0	122.1	182.2	78.6	182.0	34.7	-	-	-	-	175.6	118.8	175.6	75.1	175.1	31.3	-	-	-	-
	62	168.7	166.3	168.5	134.4	168.4	90.9	168.1	47.2	167.7	3.2	163.5	161.1	162.2	130.9	162.0	87.3	161.8	43.6	-	-
	57	168.5	166.5	160.8	158.6	154.6	145.0	154.9	101.4	154.6	58.0	163.2	161.2	155.3	153.3	148.9	141.6	149.3	98.0	148.9	54.4
10000	72	203.2	82.4	203.2	32.8	-	-	-	-	-	-	196.0	78.9	196.1	29.5	-	-	-	-	-	-
	67	188.0	141.2	188.5	92.2	188.4	42.6	-	-	-	-	181.6	137.8	181.6	88.4	181.1	38.8	-	-	-	-
	62	177.6	175.4	174.7	152.0	174.7	104.3	174.3	55.1	173.6	5.8	172.3	170.0	168.0	147.7	168.0	100.6	167.7	51.5	166.9	1.8
	57	177.5	175.5	169.4	167.2	161.0	158.7	160.5	115.3	160.5	66.0	172.2	170.2	163.9	161.8	155.5	153.3	154.5	111.6	154.4	62.4
11250	72	208.7	95.8	208.9	40.9	-	-	-	-	-	-	202.0	92.5	202.1	37.2	-	-	-	-	-	-
	67	193.7	160.2	194.1	105.7	193.6	51.3	-	-	-	-	187.0	156.4	187.0	101.9	186.8	47.4	-	-	-	-
	62	185.9	182.3	179.3	173.4	179.8	115.9	179.3	61.2	178.6	6.4	180.3	177.0	172.5	169.5	173.0	112.2	172.8	57.6	171.7	2.7
	57	185.7	182.5	177.1	174.8	168.3	166.0	166.1	128.9	165.9	74.5	180.1	177.1	171.4	169.2	162.7	160.2	159.9	125.4	159.0	70.6
12500	72	214.0	109.6	214.0	49.2	-	-	-	-	-	-	206.8	106.2	206.8	45.8	-	-	-	-	-	-
	67	198.7	181.2	199.0	117.9	198.8	59.7	-	-	-	-	191.3	177.7	191.8	116.9	191.8	55.8	-	-	-	-
	62	193.2	189.8	184.2	179.8	184.4	130.1	184.1	69.9	183.4	9.9	187.5	185.4	178.4	174.3	177.5	126.1	177.5	66.4	176.2	6.1
	57	193.1	189.8	184.0	180.3	175.1	172.9	170.9	142.6	170.6	83.2	187.2	185.5	178.2	174.3	169.0	167.0	164.4	138.8	163.9	79.2
75°F											85°F										
7500	72	174.1	47.7	173.8	9.8	-	-	-	-	-	-	165.2	44.0	165.5	5.2	-	-	-	-	-	-
	67	160.7	95.5	160.7	59.1	160.5	21.1	-	-	-	-	152.6	92.4	152.4	53.4	152.3	16.8	-	-	-	-
	62	147.9	145.9	147.9	107.8	148.1	70.0	147.9	31.9	-	-	140.7	138.4	140.4	103.3	140.3	65.8	140.1	27.5	-	-
	57	147.3	145.0	139.9	138.2	136.5	118.4	136.1	80.4	135.6	42.5	140.5	138.2	133.7	131.8	129.4	113.8	129.1	76.0	128.6	38.1
8750	72	181.5	61.5	181.2	17.6	-	-	-	-	-	-	172.1	57.4	172.0	13.2	-	-	-	-	-	-
	67	167.7	114.9	167.8	71.0	167.7	27.2	-	-	-	-	159.2	110.4	159.3	66.5	159.0	22.7	-	-	-	-
	62	157.2	154.9	155.0	126.8	154.8	83.2	154.4	39.5	-	-	150.2	148.0	147.0	122.4	146.8	78.7	146.3	35.0	-	-
	57	157.0	155.0	149.4	147.1	142.3	137.8	142.5	93.9	142.0	50.2	150.1	148.1	142.7	140.6	135.4	133.2	135.0	89.4	134.3	45.6
10000	72	187.6	75.0	187.4	25.3	-	-	-	-	-	-	178.1	70.5	178.0	20.9	-	-	-	-	-	-
	67	173.8	133.5	173.4	84.2	173.5	35.0	-	-	-	-	164.5	129.0	164.8	79.7	164.4	30.4	-	-	-	-
	62	165.8	163.5	160.3	143.4	160.7	96.7	160.3	47.4	-	-	158.3	154.4	151.9	138.6	152.2	91.7	151.9	42.8	-	-
	57	165.6	163.7	157.5	155.4	149.4	147.4	147.5	107.3	146.9	58.3	158.2	154.6	150.5	148.2	142.7	140.2	140.0	102.8	139.5	53.7

**Table 13: CD25 HGRH capacity performance**

Air on evap. coil		Temperature of air on condenser coil																			
		Return dry bulb temperature (°F)										Return dry bulb temperature (°F)									
CFM	WB (°F)	85		80		75		70		65		85		80		75		70		65	
		TC MBH	SC MBH	TC MBH	SC MBH	TC MBH	SC MBH	TC MBH	SC MBH	TC MBH	SC MBH	TC MBH	SC MBH	TC MBH	SC MBH	TC MBH	SC MBH	TC MBH	SC MBH	TC MBH	SC MBH
11250	72	193.0	88.5	192.8	33.5	-	-	-	-	-	-	183.1	83.8	183.1	28.7	-	-	-	-	-	-
	67	178.8	151.3	178.5	98.2	178.3	43.7	-	-	-	-	169.4	148.0	170.0	93.4	169.7	39.0	-	-	-	-
	62	173.6	170.4	165.3	163.9	165.2	108.1	165.1	53.4	-	-	165.7	163.1	157.5	155.0	156.8	103.3	156.5	48.5	-	-
	57	173.5	170.3	164.8	163.0	156.3	154.1	152.6	121.3	152.0	66.5	165.5	163.2	157.2	155.0	149.2	147.0	144.6	116.5	144.0	61.9
12500	72	198.0	102.2	197.8	41.5	-	-	-	-	-	-	188.1	97.4	187.8	36.8	-	-	-	-	-	-
	67	182.9	173.6	183.5	111.9	183.6	51.8	-	-	-	-	173.5	168.5	174.2	107.2	174.1	44.3	-	-	-	-
	62	180.4	178.3	171.3	167.7	169.8	121.6	169.4	62.0	168.0	1.8	172.6	170.9	163.8	159.9	161.3	117.4	160.5	57.3	-	-
	57	180.2	178.7	171.3	167.1	162.5	160.3	157.1	134.5	156.6	74.9	172.3	170.8	163.6	159.9	155.3	153.1	148.6	129.8	148.4	70.2



# CD28 hot gas reheat capacity performance

**Table 14: CD28 HGRH capacity performance**

Air on evap. coil		Temperature of air on condenser coil																											
CFM	WB (°F)	Return dry bulb temperature (°F)										Return dry bulb temperature (°F)																	
		85		80		75		70		65		85		80		75		70		65									
		TC MBH	SC MBH	TC MBH	SC MBH	TC MBH	SC MBH	TC MBH	SC MBH	TC MBH	SC MBH	TC MBH	SC MBH	TC MBH	SC MBH	TC MBH	SC MBH	TC MBH	SC MBH	TC MBH	SC MBH								
										35°F										45°F									
8250	72	237.0	88.7	236.9	47.3	236.5	4.2	-	-	-	-	-	235.3	87.9	235.2	46.5	234.9	4.2	-	-	-	-							
	67	220.5	140.1	220.0	100.3	220.0	59.4	220.5	18.0	-	-	-	218.9	139.3	218.6	99.4	218.4	58.4	218.4	16.9	-	-							
	62	203.6	194.4	205.0	153.1	204.9	111.9	204.4	70.3	203.9	28.7	202.1	193.4	203.0	151.9	202.8	110.6	202.4	69.2	201.8	27.6	-							
	57	201.3	199.1	192.4	190.3	189.0	162.9	188.9	122.0	188.8	80.9	200.0	197.9	190.8	188.6	186.9	161.7	186.8	120.7	186.5	79.3	-							
9625	72	243.7	101.7	243.5	54.8	242.9	6.6	-	-	-	-	242.1	101.0	241.9	53.8	241.4	5.9	-	-	-	-								
	67	227.4	159.7	227.0	113.9	227.4	65.0	227.3	17.2	-	-	225.7	158.9	225.4	112.2	225.4	64.0	225.1	16.2	-	-								
	62	212.9	210.8	210.9	172.5	212.2	125.5	211.0	77.7	211.0	30.0	211.0	209.0	209.2	171.4	209.6	124.2	209.0	76.6	208.7	29.0								
	57	244.2	240.5	202.9	200.7	194.8	183.6	195.2	135.9	195.5	88.5	226.8	224.0	201.1	199.0	192.9	182.5	193.2	134.7	192.9	87.1								
11000	72	249.2	117.7	248.5	61.3	248.6	8.0	-	-	-	-	247.7	115.6	247.4	60.8	247.1	7.4	-	-	-	-								
	67	232.6	179.8	232.8	126.2	232.7	72.8	232.8	19.4	-	-	231.0	178.7	231.1	125.4	230.9	71.9	230.7	18.4	-	-								
	62	221.7	219.5	216.9	192.1	217.1	137.1	217.0	85.8	216.1	29.8	220.3	217.9	215.0	190.6	215.0	135.8	214.8	84.4	213.9	28.8								
	57	221.7	219.7	211.2	209.1	201.1	198.2	200.4	149.6	200.6	96.6	220.2	218.2	209.9	207.6	199.5	197.0	198.6	148.5	198.3	95.3								
12375	72	254.4	127.1	253.9	69.9	253.4	10.5	-	-	-	-	252.7	127.2	252.6	69.1	252.0	9.8	-	-	-	-								
	67	163.1	165.7	238.0	140.3	237.4	81.0	237.3	22.1	-	-	199.0	181.8	236.3	139.5	235.9	80.1	235.5	21.0	-	-								
	62	230.4	230.3	221.2	211.9	222.4	151.5	222.1	92.4	221.2	33.0	228.7	227.0	219.4	210.8	220.1	150.2	219.8	91.0	219.0	31.8								
	57	230.3	224.8	219.4	217.2	209.4	206.9	205.3	164.1	205.5	105.3	228.6	225.3	217.9	215.6	207.2	205.0	203.5	163.0	203.2	103.8								
13750	72	324.9	330.9	258.6	78.0	257.9	14.0	-	-	-	-	290.4	236.2	257.3	77.5	256.7	12.8	-	-	-	-								
	67	241.6	221.7	242.7	155.0	223.1	178.3	242.3	24.9	-	-	240.1	220.9	241.0	154.7	231.0	133.1	240.1	23.9	-	-								
	62	238.5	233.9	226.8	222.4	226.9	166.0	226.6	101.1	226.1	36.3	236.3	233.4	225.3	220.9	224.6	164.7	224.4	99.8	223.3	34.9								
	57	237.8	233.6	226.5	222.4	216.7	214.3	210.6	177.0	209.7	116.0	236.1	233.3	225.1	221.0	214.6	212.1	208.4	175.8	207.7	112.4								
										55°F										65°F									
8250	72	233.6	87.1	233.5	45.7	233.3	4.2	-	-	-	-	229.0	84.8	228.6	43.3	228.4	1.9	-	-	-	-								
	67	217.3	138.5	217.2	98.5	216.8	57.3	216.3	15.8	-	-	212.5	136.0	212.5	94.6	212.2	53.5	211.5	13.3	-	-								
	62	200.7	192.5	200.9	150.8	200.8	109.4	200.4	68.1	199.7	26.4	196.6	189.7	196.5	148.3	196.1	106.8	195.9	65.2	195.0	23.6								
	57	198.6	196.7	189.2	186.9	184.8	160.5	184.7	119.4	184.2	77.6	195.0	192.9	185.6	183.6	180.7	158.0	180.5	116.8	180.1	75.1								
9625	72	240.5	100.4	240.4	52.8	240.0	5.3	-	-	-	-	235.6	98.1	235.4	50.5	235.0	2.8	-	-	-	-								
	67	223.9	158.1	223.9	110.5	223.4	62.9	222.9	15.3	-	-	219.0	155.5	218.9	107.9	218.6	60.5	217.9	12.7	-	-								
	62	209.0	207.3	207.4	170.2	207.0	122.9	207.0	75.4	206.3	28.0	205.4	203.0	203.0	167.6	202.7	120.2	202.2	72.6	201.1	25.1								
	57	209.5	207.5	199.3	197.4	191.1	181.3	191.2	133.4	190.4	85.6	205.4	203.3	195.6	193.3	186.8	178.5	186.4	130.5	186.1	83.0								
11000	72	246.1	113.6	246.3	60.2	245.6	6.8	-	-	-	-	241.3	111.5	241.0	57.8	240.4	4.4	-	-	-	-								
	67	229.3	177.6	229.5	124.5	229.1	71.1	228.5	17.3	-	-	224.5	175.1	224.5	122.0	224.0	68.5	223.3	14.7	-	-								
	62	218.9	216.4	213.0	189.1	212.9	134.5	212.6	83.0	211.6	27.9	214.7	210.3	208.2	186.4	208.2	132.0	207.5	78.5	206.3	25.0								
	57	218.7	216.6	208.5	206.1	197.9	195.8	196.8	147.4	196.0	94.0	214.6	210.5	204.3	201.9	193.9	191.6	191.9	144.6	191.2	90.8								
12375	72	251.1	127.4	251.2	68.4	250.5	9.2	-	-	-	-	246.5	125.4	246.1	66.1	245.6	6.5	-	-	-	-								
	67	234.8	198.0	234.6	138.7	234.4	79.2	233.8	19.9	-	-	229.7	195.3	229.5	136.1	229.2	76.7	228.2	17.3	-	-								
	62	227.0	223.6	217.7	209.7	217.8	148.9	217.5	89.5	216.7	30.6	223.0	219.6	212.7	206.9	212.9	146.3	212.2	86.8	211.1	27.7								
	57	226.9	225.8	216.3	214.0	205.1	203.0	201.6	161.9	201.0	102.4	222.8	219.8	212.0	210.0	201.4	199.1	196.7	158.8	196.0	99.6								
13750	72	255.8	141.6	256.0	76.9	255.5	11.5	-	-	-	-	250.9	139.8	250.9	74.6	249.9	9.6	-	-	-	-								
	67	238.7	220.1	239.4	154.4	238.9	88.0	237.9	22.9	-	-	233.5	218.0	234.2	150.0	233.7	85.4	232.4	20.3	-	-								
	62	234.1	232.9	223.8	219.3	222.3	163.5	222.2	98.6	220.6	33.6	230.6	228.3	219.3	215.2	217.2	160.9	216.9	95.9	215.5	30.7								
	57	234.5	233.1	223.7	219.6	212.4	210.0	206.3	174.5	205.7	108.8	230.4	228.6	219.2	215.2	208.1	205.9	201.1	171.5	200.6	108.6								
										75°F										85°F									
8250	72	222.1	81.4	221.7	40.0	-	-	-	-	-	-	213.6	77.1	213.3	35.9	-	-	-	-	-	-								
	67	206.1	132.6	205.9	91.2	205.3	49.6	204.6	9.6	-	-	198.2	128.6	197.9	87.1	197.1	45.5	196.5	4.2	-	-								
	62	190.0	185.9	190.0	144.4	189.8	103.1	189.2	61.8	188.4	19.8	183.5	180.5	182.1	140.0	182.0	98.7	181.7	57.5	181.0	15.6								
	57	189.8	187.8	180.5	178.2	174.3	154.2	174.4	113.0	173.8	71.6	183.4	181.2	174.2	172.1	167.1	150.1	167.3	108.8	166.6	67.1								
9625	72	228.5	94.5	228.5	47.1	-	-	-	-	-	-	220.0	90.6	219.8	42.8	-	-	-	-	-	-								
	67	212.3	151.9	212.1	104.5	211.6	56.9	210.8	8.9	-	-	203.8	147.8	203.9	100.2	203.2	52.8	202.0	5.1	-	-								
	62	200.2	197.7	196.5	164.0	196.0	116.7	195.4	68.9	194.2	21.3	193.4	191.0	188.5	159.6	188.1	112.2	187.4	64.4	186.2	16.7								
	57	200.0	198.0	190.1	187.9	180.4	174.6	180.2	126.8	179.6	79.3	193.3	191.3	183.5	181.3	174.0	169.4	172.8	122.2	172.2	74.6								
11000	72	233.5	108.1	233.7	54.6	233.0	0.9	-	-	-	-	225.2	103.9	224.8	50.3	-	-	-	-	-	-								
	67	217.6	171.7	217.5	118.5	216.9	64.9	216.1	11.1	-	-	209.1	167.5	208.8	114.1	208.3	60.5	207.1	6.8	-	-								
	62	209.0	204.6	201.5	182.6	201.5	128.3	200.5	74.6	199.2	21.3	202.0	198.0	193.2	178.3	193.3	123.8	192.6	70.3	191.0	16.7								
	57	208.9	204.8	198.6	196.4	188.3	185.8	184.8	140.7	184.6	87.4	201.9	198.2	191.8	189.4	181.4	179.2	177.3	136.1	176.6	82.7								

**Table 14: CD28 HGRH capacity performance**

Air on evap. coil		Temperature of air on condenser coil																			
		Return dry bulb temperature (°F)										Return dry bulb temperature (°F)									
		85		80		75		70		65		85		80		75		70		65	
CFM	WB (°F)	TC	SC	TC	SC	TC	SC	TC	SC	TC	SC	TC	SC	TC	SC	TC	SC	TC	SC	TC	SC
		MBH	MBH	MBH	MBH	MBH	MBH	MBH	MBH	MBH	MBH	MBH	MBH	MBH	MBH	MBH	MBH	MBH	MBH	MBH	MBH
12375	72	238.9	121.9	238.7	62.6	238.0	3.4	-	-	-	-	230.0	117.8	229.5	58.5	-	-	-	-	-	-
	67	222.2	191.8	222.4	132.4	221.9	73.0	220.4	13.6	-	-	213.6	187.8	213.7	128.2	213.0	68.7	211.8	9.2	-	-
	62	217.0	214.0	206.4	202.6	205.8	142.6	205.1	83.1	203.9	23.9	209.7	206.9	199.1	198.3	197.3	138.0	196.9	78.8	195.3	19.5
	57	216.9	214.2	206.3	204.1	195.4	193.2	190.1	155.0	189.2	95.6	209.6	207.0	198.9	196.8	188.4	186.2	182.0	150.8	181.3	91.0
13750	72	243.3	136.2	243.4	71.0	242.3	6.2	-	-	-	-	234.3	131.9	233.6	67.4	232.9	1.9	-	-	-	-
	67	226.3	213.6	227.0	146.8	226.3	81.5	225.1	16.7	-	-	218.0	208.7	218.0	142.5	217.2	75.3	216.0	12.4	-	-
	62	224.3	222.2	213.3	209.2	210.1	157.0	209.6	92.1	208.2	27.3	216.9	215.1	206.0	201.9	201.5	152.4	201.1	87.6	199.3	22.1
	57	224.1	222.5	213.2	209.4	202.1	199.9	194.3	167.7	193.5	104.2	216.6	215.2	205.9	202.0	194.9	192.5	185.8	165.9	185.2	99.9

# Airflow performance

**Table 15: CD15 bottom duct application**

Air flow (CFM)	Available external static pressure - IWG <sup>1</sup>																			
	0.2		0.4		0.6		0.8		1.0		1.2		1.4		1.6		1.8		2.0	
	RPM	BHP	RPM	BHP	RPM	BHP	RPM	BHP	RPM	BHP	RPM	BHP	RPM	BHP	RPM	BHP	RPM	BHP	RPM	BHP
	Standard 2 HP and drive				Medium static 3 HP and drive								High static 5 HP and drive							
4500	575	0.74	636	1.07	697	1.39	759	1.71	821	2.02	881	2.30	941	2.56	998	2.78	1054	2.95	1106	3.08
4800	586	0.87	647	1.19	708	1.51	770	1.83	831	2.14	892	2.42	951	2.68	1009	2.90	1064	3.08	1117	3.20
5100	597	1.00	658	1.32	720	1.65	781	1.97	843	2.27	904	2.56	963	2.81	1021	3.03	1076	3.21	1129	3.33
5400	610	1.14	671	1.47	732	1.79	794	2.11	856	2.42	916	2.70	976	2.96	1033	3.18	1089	3.35	1141	3.48
5700	624	1.30	684	1.62	746	1.95	808	2.26	869	2.57	930	2.86	989	3.11	1047	3.33	1102	3.51	1155	3.63
6000	638	1.47	699	1.79	760	2.11	822	2.43	884	2.74	944	3.02	1004	3.28	1061	3.50	1117	3.68	1169	3.80
6300	653	1.65	714	1.97	776	2.30	837	2.61	899	2.92	960	3.21	1019	3.46	1077	3.68	1132	3.86	1185	3.98
6600	669	1.84	730	2.17	792	2.49	854	2.81	915	3.12	976	3.40	1035	3.66	1093	3.88	1148	4.05	1201	4.18
6900	686	2.05	747	2.38	809	2.70	870	3.02	932	3.33	992	3.61	1052	3.87	1109	4.09	1165	4.26	1218	4.39
7200	704	2.28	764	2.60	826	2.92	888	3.24	949	3.55	1010	3.83	1069	4.09	1127	4.31	1182	4.49	1235	4.61
7500	722	2.51	783	2.84	844	3.16	906	3.48	967	3.79	1028	4.07	1087	4.33	1145	4.55	1200	4.72	1253	4.85
	High static 5 HP and field supplied drive																			

<sup>1</sup> Blower performance includes gas heat exchangers and 2-inch filters. See the Static resistance table for additional applications. See the RPM selection table to determine the required motor sheave setting and to determine the maximum continuous BHP. kW = BHP x 0.968

**Table 16: CD18 bottom duct application**

Air flow (CFM)	Available external static pressure - IWG <sup>1</sup>																			
	0.2		0.4		0.6		0.8		1.0		1.2		1.4		1.6		1.8		2.0	
	RPM	BHP	RPM	BHP	RPM	BHP	RPM	BHP	RPM	BHP	RPM	BHP	RPM	BHP	RPM	BHP	RPM	BHP	RPM	BHP
	Std 3 HP and field drive		Standard static 3 HP and drive						Med static 5 HP and drive				High static 7.5 HP and drive							
5400	648	1.00	703	1.41	758	1.77	813	2.10	868	2.40	923	2.69	977	2.96	1031	3.24	1085	3.52	1137	3.82
5800	662	1.24	716	1.65	771	2.01	827	2.34	882	2.64	937	2.93	991	3.20	1045	3.47	1099	3.76	1151	4.06
6200	677	1.50	732	1.91	787	2.27	842	2.60	897	2.91	952	3.19	1007	3.46	1061	3.74	1114	4.02	1167	4.32
6600	695	1.79	749	2.20	804	2.56	860	2.89	915	3.19	970	3.48	1024	3.75	1078	4.02	1131	4.31	1184	4.61
7000	714	2.10	768	2.51	824	2.87	879	3.20	934	3.50	989	3.79	1043	4.06	1097	4.34	1151	4.62	1203	4.92
7400	735	2.43	789	2.84	844	3.21	900	3.54	955	3.84	1010	4.12	1064	4.40	1118	4.67	1172	4.95	1224	5.25
7800	757	2.79	812	3.20	867	3.57	922	3.89	977	4.20	1032	4.48	1087	4.75	1141	5.03	1194	5.31	1247	5.61
8200	782	3.17	836	3.58	891	3.95	947	4.27	1002	4.58	1057	4.86	1111	5.13	1165	5.41	1219	5.69	1271	5.99
8600	808	3.57	862	3.98	918	4.35	973	4.67	1028	4.98	1083	5.26	1137	5.53	1191	5.81	1245	6.09	1297	6.39
9000	835	3.99	890	4.40	945	4.77	1000	5.10	1056	5.40	1111	5.68	1165	5.96	1219	6.23	1272	6.51	1325	6.81
	High static 7.5 HP and field supplied drive																			

<sup>1</sup> Blower performance includes gas heat exchangers and 2-inch filters. See the Static resistance table for additional applications. See the RPM selection table to determine the required motor sheave setting and to determine the maximum continuous BHP. kW = BHP x 0.929

**Table 17: CD20 bottom duct application**

Air Flow (CFM)	Available external static pressure - IWG <sup>1</sup>																			
	0.2		0.4		0.6		0.8		1.0		1.2		1.4		1.6		1.8		2.0	
	RPM	BHP	RPM	BHP	RPM	BHP	RPM	BHP	RPM	BHP	RPM	BHP	RPM	BHP	RPM	BHP	RPM	BHP	RPM	BHP
	Standard static 5 HP and drive								Medium static 7.5 HP and drive						High static 10 HP and drive					
6000	703	1.38	751	1.78	799	2.15	848	2.49	897	2.81	947	3.10	997	3.37	1047	3.63	1098	3.86	1149	4.09
6500	723	1.71	770	2.11	819	2.47	867	2.82	917	3.13	966	3.43	1017	3.70	1067	3.95	1118	4.19	1168	4.41
7000	745	2.08	792	2.47	841	2.84	889	3.19	939	3.50	988	3.79	1039	4.07	1089	4.32	1140	4.56	1190	4.78
7500	769	2.49	817	2.89	865	3.26	914	3.60	963	3.91	1013	4.21	1063	4.48	1113	4.73	1164	4.97	1215	5.20
8000	796	2.94	843	3.34	891	3.71	940	4.05	990	4.37	1039	4.66	1089	4.94	1140	5.19	1190	5.43	1241	5.65
8500	825	3.44	872	3.84	920	4.21	969	4.55	1018	4.87	1068	5.16	1118	5.44	1169	5.69	1219	5.93	1270	6.15
9000	855	3.99	903	4.39	951	4.75	1000	5.10	1049	5.41	1099	5.71	1149	5.98	1199	6.23	1250	6.47	1301	6.69
9500	888	4.57	936	4.97	984	5.34	1033	5.68	1082	6.00	1132	6.29	1182	6.56	1232	6.82	1283	7.05	1334	7.28
10000	923	5.20	971	5.59	1019	5.96	1068	6.30	1117	6.62	1167	6.91	1217	7.19	1267	7.44	1318	7.68	1368	7.90
	High static 10 HP and field supplied drive																			

1 Blower performance includes gas heat exchangers and 2-inch filters. See the Static resistance table for additional applications. See the RPM selection table to determine the required motor sheave setting and to determine the maximum continuous BHP. kW = BHP x 0.929

**Table 18: CD25 bottom duct application**

Air flow (CFM)	Available external static pressure - IWG <sup>1</sup>																			
	0.2		0.4		0.6		0.8		1.0		1.2		1.4		1.6		1.8		2.0	
	RPM	BHP	RPM	BHP	RPM	BHP	RPM	BHP	RPM	BHP	RPM	BHP	RPM	BHP	RPM	BHP	RPM	BHP	RPM	BHP
	Standard static 5 HP and drive								Medium static 7.5 HP and drive						High static 10 HP and drive					
7500	780	2.53	832	2.95	884	3.34	937	3.72	990	4.07	1043	4.41	1095	4.75	1147	5.07	1198	5.39	1248	5.70
8000	807	2.99	858	3.41	911	3.80	963	4.17	1016	4.53	1069	4.87	1121	5.20	1173	5.53	1224	5.84	1274	6.16
8500	835	3.48	886	3.89	938	4.29	991	4.66	1044	5.02	1097	5.36	1149	5.69	1201	6.01	1252	6.33	1302	6.65
9000	864	3.99	916	4.41	968	4.80	1021	5.18	1074	5.53	1126	5.87	1179	6.20	1231	6.53	1282	6.85	1332	7.16
9500	895	4.53	947	4.95	999	5.34	1052	5.72	1105	6.07	1158	6.41	1210	6.75	1262	7.07	1313	7.39	1363	7.70
10000	928	5.10	980	5.52	1032	5.91	1085	6.28	1138	6.64	1190	6.98	1243	7.31	1295	7.64	1346	7.95	1396	8.27
10500	962	5.69	1014	6.11	1066	6.50	1119	6.87	1172	7.23	1225	7.57	1277	7.90	1329	8.23	1380	8.54	1430	8.86
11000	998	6.30	1050	6.72	1102	7.11	1155	7.49	1208	7.84	1260	8.18	1313	8.52	1365	8.84	1416	9.16	1466	9.47
11500	1035	6.94	1087	7.36	1139	7.75	1192	8.12	1245	8.48	1298	8.82	1350	9.15	1402	9.47	1453	9.79	1503	10.11
12000	1074	7.60	1125	8.01	1178	8.41	1230	8.78	1283	9.14	1336	9.48	1389	9.81	1440	10.13	1492	10.45	1542	10.77
12500	1114	8.27	1165	8.69	1218	9.08	1270	9.46	1323	9.81	1376	10.15	1428	10.49	1480	10.81	1531	11.13	-	-
	High static 10 HP and field supplied drive																			

1 Blower performance includes gas heat exchangers and 2-inch filters. See the Static resistance table for additional applications. See the RPM selection table to determine the required motor sheave setting and to determine the maximum continuous BHP. kW = BHP x 0.929

**Table 19: CD28 bottom duct application**

Air flow (CFM)	Available external static pressure - IWG <sup>1</sup>																			
	0.2		0.4		0.6		0.8		1.0		1.2		1.4		1.6		1.8		2.0	
	RPM	BHP	RPM	BHP	RPM	BHP	RPM	BHP	RPM	BHP	RPM	BHP	RPM	BHP	RPM	BHP	RPM	BHP	RPM	BHP
	Standard static 7.5 HP and drive								Medium static 10 HP and drive								High static 12 HP and drive			
8000	836	2.61	883	3.24	930	3.83	979	4.37	1027	4.88	1076	5.35	1125	5.78	1174	6.18	1222	6.55	1269	6.90
8500	862	3.21	909	3.84	956	4.43	1005	4.97	1053	5.48	1102	5.95	1151	6.38	1200	6.78	1248	7.15	1295	7.50
9000	890	3.85	936	4.48	984	5.07	1032	5.62	1081	6.12	1130	6.59	1178	7.02	1227	7.42	1275	7.79	1323	8.14
9500	918	4.53	965	5.16	1013	5.75	1061	6.30	1109	6.80	1158	7.27	1207	7.70	1256	8.11	1304	8.48	1352	8.82
10000	949	5.25	995	5.89	1043	6.47	1091	7.02	1140	7.52	1189	7.99	1237	8.43	1286	8.83	1334	9.20	1382	9.54
10500	980	6.01	1027	6.65	1074	7.23	1123	7.78	1171	8.28	1220	8.75	1269	9.19	1318	9.59	1366	9.96	1413	10.30
11000	1013	6.81	1060	7.44	1107	8.03	1155	8.58	1204	9.08	1253	9.55	1302	9.98	1350	10.38	1399	10.75	1446	11.10
11500	1047	7.64	1094	8.27	1141	8.86	1189	9.41	1238	9.91	1287	10.38	1336	10.81	1384	11.21	1433	11.59	1480	11.93
12000	1082	8.51	1129	9.14	1177	9.73	1225	10.27	1273	10.78	1322	11.25	1371	11.68	1420	12.08	1468	12.45	1515	12.79
12500	1119	9.40	1165	10.04	1213	10.62	1261	11.17	1310	11.68	1359	12.14	1407	12.58	1456	12.98	1504	13.35	-	-
13000	1156	10.33	1203	10.97	1250	11.55	1299	12.10	1347	12.61	1396	13.07	1445	13.51	-	-	-	-	-	-
13500	1195	11.29	1241	11.93	1289	12.51	1337	13.06	1386	13.57	-	-	-	-	-	-	-	-	-	-
14000	1234	12.28	1281	12.92	1328	13.50	-	-	-	-	-	-	-	-	-	-	-	-	-	-
	High static 12 HP and field supplied drive																			

<sup>1</sup> Blower performance includes gas heat exchangers and 2-inch filters. See the Static resistance table for additional applications. See the RPM selection table to determine the required motor sheave setting and to determine the maximum continuous BHP. kW = BHP x 0.819

## RPM selection and static resistance

**Table 20: RPM selection**

Model	HP	Max BHP	Motor sheave	Blower sheave	6 turns open	5 turns open	4 turns open	3 turns open	2 turns open	1 turn open	Fully closed
CD15	2.0	2.30	1VP40	AK89	N/A	487	528	568	609	649	690
	3.0	3.45	1VP40	BK77	656	705	753	802	851	899	948
	5.0	5.75	1VP60	BK100	789	826	862	899	936	972	1009
CD18	3.0	3.45	1VP60	AK114	N/A	659	690	721	753	784	815
	5.0	5.75	1VP65	BK115	760	792	823	855	887	918	950
	7.5	8.63	1VP65	BK100	881	918	954	991	1028	1064	1101
CD20	5.0	5.75	1VP60	1B5V110	674	706	737	769	800	832	863
	7.5	8.63	2VP60	2BK100	826	857	887	918	948	979	1009
	10.0	11.50	1VP65	1B5V90	986	1024	1062	1100	1137	1175	1213
CD25	5.0	5.75	2VP36	2BK65	N/A	731	790	848	907	965	N/A
	7.5	8.63	2VP60	2B5V86	883	924	965	1006	1047	1088	1129
	10.0	11.50	2VP60	2BK80	1027	1075	1123	1171	1218	1266	1314
CD28	7.5	8.63	1VP65	1B5V110	771	803	835	867	899	931	963
	10.0	11.50	1VP65	1B5V90	1010	1049	1088	1127	1165	1204	1243
	12.0	13.80	2VP60	2B5V74	1103	1150	1197	1244	1291	1338	1385

**Note:**

- For cooling only models, add the cooling only value to the available static resistance in the respective blower performance tables.
- For models with electric heat, add the electric heat value for your heater size to the available static resistance in the respective blower performance tables.
- If the unit contains a reheat coil or economizer, deduct the corresponding value from the available external static pressure shown in the respective blower performance tables.
- The pressure drop through the economizer is greater for 100% outdoor air than for 100% return air. If the resistance of the return air duct is less than 0.25 IWG, the unit delivers less CFM during full economizer operation.

**Table 21: Additional static resistance**

Model	CFM	Cooling only	Reheat coil	Economizer	Electric heat kW		
					25	50	75
CD15 CD18 CD20	4000	0.09	0.03	0.01	0.07	0.06	0.05
	5000	0.11	0.05	0.02	0.09	0.08	0.07
	6000	0.15	0.06	0.07	0.13	0.11	0.10
	7000	0.20	0.07	0.11	0.18	0.16	0.15
	8000	0.28	0.09	0.14	0.26	0.24	0.23
	9000	0.38	0.10	0.15	0.35	0.34	0.32
CD25 CD28	10000	0.49	0.11	0.16	0.46	0.44	0.42
	7000	0.20	0.04	0.11	0.18	0.16	0.15
	8000	0.28	0.06	0.13	0.26	0.24	0.23
	9000	0.38	0.07	0.16	0.35	0.34	0.32
	10000	0.49	0.08	0.19	0.46	0.44	0.42
	11000	0.60	0.10	0.23	0.56	0.53	0.51
	12000	0.70	0.11	0.28	0.65	0.62	0.59
	13000	0.76	0.13	0.34	0.69	0.65	0.61
14000	0.80	0.14	0.43	0.73	0.69	0.65	

## Drive selection

1. Determine the required airflow.
2. Calculate or measure the amount of external static pressure.
3. With the operating point determined from the previous steps, locate this point on the appropriate supply air blower performance table. Linear interpolation may be necessary.
4. Note the RPM and BHP from the previous step and locate the appropriate motor and/or drive.
5. Review the BHP compared to the motor options available. Select the appropriate motor and/or drive.
6. Review the RPM range for the motor options available. Select the appropriate drive if multiple drives are available for the chosen motor.
7. Determine the turns open to obtain the required operation point.

### Example

1. 5100 CFM

2. 0.8 iwg
3. Using the supply air blower performance table below, the following data point was located: 781 RPM and 1.97 BHP.
4. Using the RPM selection table below, Size X and Model Y is found.
5. 1.97 BHP does not exceed the maximum continuous BHP rating of any of the 3 motor options, so all 3 motors are still eligible for selection.
6. 781 RPM falls within the range of the 3 HP drive.
7. Using the 3 HP motor, 3.5 turns open achieves 781 RPM.

**Table 22: Example supply air blower performance**

Air flow (CFM)	Available external static pressure - IWG <sup>1</sup>																			
	0.2		0.4		0.6		0.8		1.0		1.2		1.4		1.6		1.8		2.0	
	RPM	BHP	RPM	BHP	RPM	BHP	RPM	BHP	RPM	BHP	RPM	BHP	RPM	BHP	RPM	BHP	RPM	BHP	RPM	BHP
	Standard 2 HP and drive				Medium static 3 HP and drive						High static 5 HP and drive									
4500	575	0.74	636	1.07	697	1.39	759	1.71	821	2.02	881	2.30	941	2.56	998	2.78	1054	2.95	1106	3.08
4800	586	0.87	647	1.19	708	1.51	770	1.83	831	2.14	892	2.42	951	2.68	1009	2.90	1064	3.08	1117	3.20
5100	597	1.00	658	1.32	720	1.65	781	1.97	843	2.27	904	2.56	963	2.81	1021	3.03	1076	3.21	1129	3.33
5400	610	1.14	671	1.47	732	1.79	794	2.11	856	2.42	916	2.70	976	2.96	1033	3.18	1089	3.35	1141	3.48
	High static 5 HP and field supplied drive																			

1 Blower performance includes gas heat exchangers and 2-inch filters. See the Static resistance table for additional applications. See the RPM selection table to determine the required motor sheave setting and to determine the maximum continuous BHP. kW = BHP x 0.833

**Table 23: Example RPM selection**

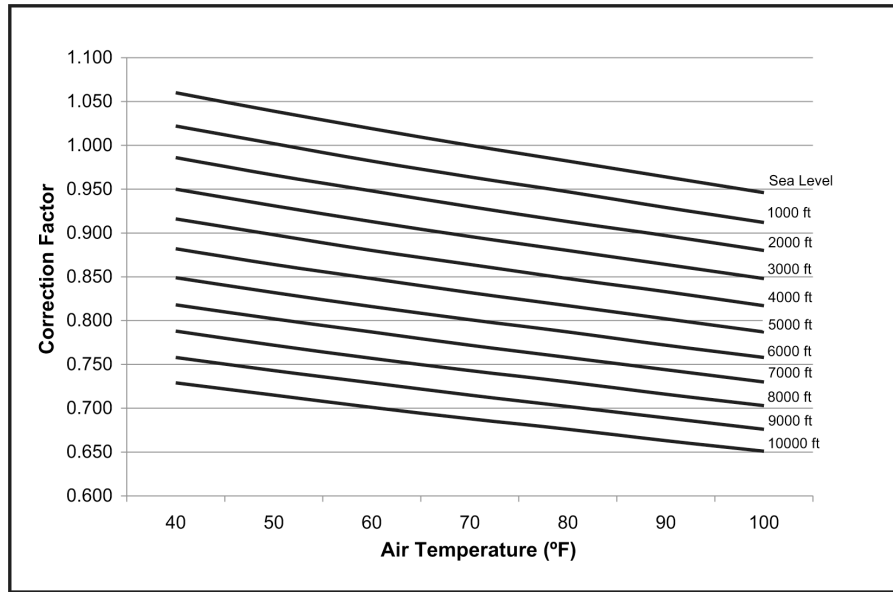
Model	HP	Max BHP	Motor sheave	Blower sheave	6 turns open	5 turns open	4 turns open	3 turns open	2 turns open	1 turn open	Fully closed
CD15	2.0	2.30	1VP40	AK89	N/A	487	528	568	609	649	690
	3.0	3.45	1VP40	BK77	656	705	753	802	851	899	948
	5.0	5.75	1VP60	BK100	789	826	862	899	936	972	1009

## Airflow specifications

**Table 24: Altitude/temperature correction factors**

Air temp.	Altitude (ft.)										
	0	1000	2000	3000	4000	5000	6000	7000	8000	9000	10000
40	1.060	1.022	0.986	0.950	0.916	0.882	0.849	0.818	0.788	0.758	0.729
50	1.039	1.002	0.966	0.931	0.898	0.864	0.832	0.802	0.772	0.743	0.715
60	1.019	0.982	0.948	0.913	0.880	0.848	0.816	0.787	0.757	0.729	0.701
70	1.000	0.964	0.930	0.896	0.864	0.832	0.801	0.772	0.743	0.715	0.688
80	0.982	0.947	0.913	0.880	0.848	0.817	0.787	0.758	0.730	0.702	0.676
90	0.964	0.929	0.897	0.864	0.833	0.802	0.772	0.744	0.716	0.689	0.663
100	0.946	0.912	0.880	0.848	0.817	0.787	0.758	0.730	0.703	0.676	0.651

**Figure 3: Altitude/temperature correction factors**



**Table 25: Gas heat allowable air flow**

Size (tons)	Unit	Heat size	Supply air (CFM)	
			Min	Max
CD15 (15)		(N,S)1	3660	7500
		(N,S)3	4620	7500
		T3	4620	7500
CD18 (17.5)		(N,S)1	3660	8750
		(N,S)3	4620	8750
		T3	4620	8750
CD20 (20)		(N,S)1	3660	10000
		(N,S)3	4620	10000
		T3	4620	10000
CD25 (25)		(N,S)1	4120	12500
		(N,S)3	5450	12500
		T3	5450	12500
CD28 (27.5)		(N,S)1	4120	13750
		(N,S)3	5450	13750
		T3	5450	13750

**CAUTION**

For units with VFD and staged gas heat, the speed of the indoor blower motor continues to be controlled by duct static pressure through the VAV control board. If there are VAV boxes present in the duct system, the boxes must be driven to the full-open position using a customer-supplied power source to ensure adequate airflow across the gas heat furnace.

**Table 26: Electric heat minimum air flow requirements**

Size (tons)	Heat size		
	75 kW	50 kW	25 kW
CD15 (15)	6000	4500	4500
CD18 (17.5)	6000	5250	5250
CD20 (20)	6000	6000	6000
CD25 (25)	7500	7500	7500
CD28 (27.5)	8250	8250	8250



 **CAUTION**

For units with VFD and electric heat, the speed of the indoor blower motor continues to be controlled by duct static pressure through the VAV control board. If there are VAV boxes present in the duct system, the boxes must be driven to the full-open position using a customer-supplied power source to ensure adequate airflow across the electric heating elements.

**Table 27: Indoor blower specifications**

Model	Motor					Motor sheave			Blower sheave			Belt
	HP	RPM	Eff.	SF	Frame	Datum dia. (in.)	Bore (in.)	Model	Datum dia. (in.)	Bore (in.)	Blower sheave	
CD15	2.0	1756	0.77	1.15	56	2.4 - 3.4	7/8	1VP40	8.5	1 7/16	AK89	AX41
	3.0	1749	0.82	1.15	56	2.7 - 3.7	7/8	1VP40	7.1	1 7/16	BK77	BX43
	5.0	1726	0.80	1.15	145T	4.3 - 5.5	7/8	1VP60	9.4	1 7/16	BK100	BX41
CD18	3.0	1749	0.82	1.15	56	4.2 - 5.2	7/8	1VP60	11.0	1 7/16	AK114	AX49
	5.0	1726	0.80	1.15	145T	4.8 - 6.0	7/8	1VP65	10.9	1 7/16	BK115	BX50
	7.5	1766	0.91	1.15	213T	4.8 - 6.0	1 3/8	1VP65	9.4	1 7/16	BK100	BX46
CD20	5.0	1726	0.80	1.15	145T	4.3 - 5.5	7/8	1VP60	11.0	1 7/16	1B5V110	BX48
	7.5	1766	0.91	1.15	213T	4.3 - 5.5	1 3/8	2VP60	9.4	1 7/16	2BK100	BX48
	10.0	1768	0.92	1.15	215T	5.2 - 6.4	1 3/8	1VP65	9.1	1 7/16	1B5V90	5VX490
CD25	5.0	1726	0.80	1.15	145T	2.5 - 3.3	7/8	2VP36	5.9	1 7/16	2BK65	BX37
	7.5	1766	0.91	1.15	213T	4.3 - 5.5	1 3/8	2VP60	8.6	1 7/16	2B5V86	BX43
	10.0	1768	0.92	1.15	215T	4.3 - 5.5	1 3/8	2VP60	7.4	1 7/16	2BK80	BX43
CD28	7.5	1766	0.91	1.15	213T	4.8 - 6.0	1 3/8	1VP65	11.0	1 7/16	1B5V110	BX48
	10.0	1768	0.92	1.15	215T	5.2 - 6.4	1 3/8	1VP65	9.1	1 7/16	1B5V90	5VX490
	12.0	1760	0.92	1.15	215T	4.7 - 5.9	1 3/8	2VP60	7.5	1 7/16	2B5V74	5VX450

**Table 28: Standard CFM constant volume power exhaust (208V) airflow**

Motor speed	Available return static - IWG																	
	0.1			0.2			0.3			0.4			0.5			0.6		
	CFM	Watts	RPM	CFM	Watts	RPM	CFM	Watts	RPM	CFM	Watts	RPM	CFM	Watts	RPM	CFM	Watts	RPM
Low	3029	1150	809	2978	1116	878	2913	1093	924	2828	1061	956	2716	1014	982	-	-	-
Med.	3293	1280	868	3196	1224	915	3093	1179	948	2982	1129	980	2852	1075	1009	-	-	-
High	3794	1527	968	3628	1437	1006	3501	1386	1023	3345	1323	1040	3170	1260	1057	-	-	-

**Table 29: Standard CFM constant volume power exhaust (230, 460, 575V) airflow**

Motor speed	Available return static - IWG																	
	0.1			0.2			0.3			0.4			0.5			0.6		
	CFM	Watts	RPM	CFM	Watts	RPM	CFM	Watts	RPM	CFM	Watts	RPM	CFM	Watts	RPM	CFM	Watts	RPM
Low	3395	1308	886	3297	1265	937	3191	1228	969	3071	1171	990	2931	1105	1010	2765	1076	1039
Med.	3667	1454	940	3518	1368	983	3386	1307	1008	3251	1257	1026	3103	1207	1041	2944	1148	1051
High	4093	1702	1044	3910	1637	1064	3754	1576	1074	3577	1503	1086	3367	1430	1096	3152	1360	1105

**Note:**

- The following values represent the maximum power exhaust capability (maximum motor speed @ 10 VDC input signal from building pressure sensor [0-1 in. WC, 0-10 VDC])
- Airflow, watts, and RPM modulate as building pressure fluctuates below 1 in. WC

**Table 30: Standard CFM modulating power exhaust airflow**

Motor speed	Available return static - IWG																	
	0.1			0.2			0.3			0.4			0.5			0.6		
	CFM	Watts	RPM	CFM	Watts	RPM	CFM	Watts	RPM	CFM	Watts	RPM	CFM	Watts	RPM	CFM	Watts	RPM
Max. (10 VDC)	3054	498	740	3152	630	829	3227	751	902	3278	861	962	3302	957	1012	3300	1039	1056

**Table 31: Standard CFM modulating power exhaust airflow - continued**

Motor speed	Available return static - IWG																	
	0.7			0.8			0.9			1.0			1.1			1.2		
	CFM	Watts	RPM	CFM	Watts	RPM	CFM	Watts	RPM	CFM	Watts	RPM	CFM	Watts	RPM	CFM	Watts	RPM
Max. (10 VDC)	3273	1107	1096	3222	1162	1133	3149	1204	1168	3060	1236	1202	2958	1259	1235	2849	1277	1266

**Table 32: High CFM constant volume and modulating power exhaust (208V) airflow - field-installed only**

CFM	Available external static pressure - IWG													
	0		0.1		0.2		0.3		0.4		0.5			
	RPM	BHP	RPM	BHP	RPM	BHP	RPM	BHP	RPM	BHP	RPM	BHP		
2500	-	-	-	-	-	-	494	0.68	532	0.74	527	0.89		
2750	-	-	-	-	-	-	511	0.71	549	0.78	543	0.93		
3000	-	-	-	-	471	0.76	529	0.80	567	0.86	562	1.01		
3250	-	-	-	-	492	0.87	549	0.91	587	0.97	582	1.12		
3500	-	-	459	0.95	513	1.00	571	1.03	-	-	-	-		
3750	-	-	482	1.08	536	1.14	-	-	-	-	-	-		
4000	479	1.09	506	1.22	560	1.27	-	-	-	-	-	-		
4250	504	1.22	531	1.35	585	1.40	-	-	-	-	-	-		
4500	530	1.34	557	1.47	-	-	-	-	-	-	-	-		
4750	556	1.45	583	1.59	-	-	-	-	-	-	-	-		
5000	583	1.56	-	-	-	-	-	-	-	-	-	-		

**Table 33: High CFM constant volume and modulating power exhaust (230, 460, 575V) airflow - field-installed only**

CFM	Available external static pressure - IWG													
	0		0.1		0.2		0.3		0.4		0.5			
	RPM	BHP	RPM	BHP	RPM	BHP	RPM	BHP	RPM	BHP	RPM	BHP		
2500	-	-	-	-	-	-	488	0.84	531	0.86	541	0.70		
2750	-	-	-	-	-	-	508	0.93	550	0.94	560	0.78		
3000	-	-	-	-	471	0.91	527	1.02	569	1.04	580	0.87		
3250	-	-	-	-	491	1.01	547	1.12	589	1.13	-	-		
3500	-	-	457	0.99	512	1.11	568	1.22	-	-	-	-		
3750	-	-	480	1.09	534	1.22	591	1.32	-	-	-	-		
4000	469	1.14	504	1.20	558	1.32	-	-	-	-	-	-		
4250	495	1.25	529	1.31	583	1.44	-	-	-	-	-	-		
4500	522	1.37	557	1.43	-	-	-	-	-	-	-	-		
4750	551	1.49	586	1.55	-	-	-	-	-	-	-	-		
5000	582	1.61	-	-	-	-	-	-	-	-	-	-		

**Table 34: Electric heat multipliers**

Voltage		kW Capacity multipliers <sup>1</sup>
Nominal	Applied	
240	208	0.75
	230	0.92
480	460	0.92
600	575	0.92

<sup>1</sup> Electric heaters are rated at nominal voltage. Use this table to determine the electric heat capacity for heaters applied at lower voltages.

# Sound performance

**Table 35: Indoor sound performance**

Size (tons)	CFM	Type	Sound power, dB (10 <sup>-12</sup> ) watts							
			Octave band centerline frequency (Hz)							
			63	125	250	500	1000	2000	4000	8000
CD15 (15)	6000	Ducted discharge	84	80	78	75	72	71	68	63
		Ducted inlet	85	77	75	73	72	69	64	60
CD18 (17.5)	7000	Ducted discharge	86	82	80	78	76	75	72	64
		Ducted inlet	86	76	73	70	69	66	62	59
CD20 (20)	8000	Ducted discharge	90	85	81	81	80	79	76	68
		Ducted inlet	89	75	71	63	64	59	56	48
CD25 (25)	10000	Ducted discharge	95	88	85	83	83	82	79	72
		Ducted inlet	93	80	73	68	68	63	58	47
CD28 (27.5)	11000	Ducted discharge	98	90	87	84	84	82	79	72
		Ducted inlet	96	82	72	69	68	62	57	46

**Note:**

- Tested in accordance with AHRI 260-2017.
- Ratings include duct end correction E1.
- Ratings include compressor noise.

**Table 36: Outdoor sound performance**

Size (tons)	Sound power, dB (10 <sup>-12</sup> ) watts								
	Sound rating dB (A)	Octave band centerline frequency (Hz)							
		63	125	250	500	1000	2000	4000	8000
CD15 (15)	85	89	85.5	83	83.5	80.5	76	72.5	67.5
CD18 (17.5)	85	92.5	86.5	83	83	80	76.5	73	68.5
CD20 (20)	82	95	88	80	77.5	76.5	74	71.5	67.5
CD25 (25)	84	94	87	80	79.5	78.5	76.5	73	70.5
CD28 (27.5)	86	92.5	87.5	84.5	84	81	78	74	71

**Note:**

- Tested in accordance with AHRI 370-2015.
- Ratings include compressor noise.

# Electrical data

## Constant volume standard static

**Note:**

- MCA = minimum circuit ampacity
- f/b = fuse/breaker
- Fuse is a dual element, time delay type
- Breaker is a HACR type per NEC

**Table 37: CD15 to CD28 constant volume standard static without power exhaust**

Size (tons)	Nominal unit voltage	Comp. 1		Comp. 2		OD fan motors each FLA	Supply blower motor FLA	120V trans FLA	Electric heat option field installed kit				MCA A	Max f/b size A	Min disconnect rating		MCA with 120V trans A	Max f/b size with 120V trans A	Min disconnect rating/120V trans	
		RLA	LRA	RLA	LRA				Model	kW	Stages	A			FLA	LRA			FLA	LRA
CD15 (15)	208-3-60	25.0	190	25.0	190	2.1	7.5	9.6	None	-	-	-	68.0	90	71	439	77.6	100	82	448
									2EH04502525	18.8	1	52.2	74.6	90	71	439	86.6	100	82	448
									2EH04505025	37.6	2	104.4	139.9	150	129	439	151.9	175	140	448
									2EH04507525	56.3	2	156.3	165.7	175	188	439	177.7	200	199	448
	230-3-60	25.0	190	25.0	190	2.1	7.5	8.7	None	-	-	-	68.0	90	71	445	76.7	100	81	454
									2EH04502525	23.0	1	57.7	81.5	90	75	445	92.4	100	85	454
									2EH04505025	45.9	2	115.2	153.4	175	141	445	164.3	175	151	454
									2EH04507525	68.9	2	173.0	182.4	200	208	445	193.3	200	218	454
	460-3-60	12.2	100	12.2	100	1.0	3.4	4.3	None	-	-	-	32.9	45	34	233	37.2	45	39	237
									2EH04502546	23.0	1	28.9	40.4	45	37	233	45.8	50	42	237
									2EH04505046	45.9	2	57.6	76.3	80	70	233	81.6	90	75	237
									2EH04507546	68.9	2	86.5	90.8	100	103	233	96.1	100	108	237
575-3-60	9.3	72	9.3	72	0.9	2.8	3.5	None	-	-	-	25.5	30	27	170	29.0	35	31	174	
								2EH04502558	23.0	1	23.1	32.4	35	30	170	36.8	40	34	174	
								2EH04505058	45.9	2	46.1	61.1	70	56	170	65.5	70	60	174	
								2EH04507558	68.9	2	69.2	72.7	80	83	170	77.1	80	87	174	
CD18 (17.5)	208-3-60	27.6	191	28.2	240	2.1	10.2	9.6	None	-	-	-	77.3	100	81	504	86.9	110	92	514
									2EH04502525	18.8	1	52.2	78.0	100	81	504	90.0	110	92	514
									2EH04505025	37.6	2	104.4	143.3	150	132	504	155.3	175	143	514
									2EH04507525	56.3	2	156.3	169.1	200	191	504	181.1	200	203	514
	230-3-60	27.6	191	28.2	240	2.1	10.2	8.7	None	-	-	-	77.3	100	81	510	86.0	110	91	519
									2EH04502525	23.0	1	57.7	84.9	100	81	510	95.8	110	91	519
									2EH04505025	45.9	2	115.2	156.8	175	144	510	167.6	175	154	519
									2EH04507525	68.9	2	173.0	185.8	200	211	510	196.6	225	221	519
	460-3-60	12.8	100	14.7	130	1.0	4.8	4.3	None	-	-	-	38.0	50	39	270	42.3	50	44	274
									2EH04502546	23.0	1	28.9	42.1	50	39	270	47.5	50	44	274
									2EH04505046	45.9	2	57.6	78.0	80	72	270	83.4	90	77	274
									2EH04507546	68.9	2	86.5	92.5	100	105	270	97.9	110	110	274
575-3-60	9.6	78	11.3	94	0.9	3.4	3.5	None	-	-	-	28.9	40	30	204	32.4	40	34	207	
								2EH04502558	23.0	1	23.1	33.1	40	30	204	37.5	40	35	207	
								2EH04505058	45.9	2	46.1	61.9	70	57	204	66.3	70	61	207	
								2EH04507558	68.9	2	69.2	73.5	80	83	204	77.8	90	88	207	

**Table 37: CD15 to CD28 constant volume standard static without power exhaust**

Size (tons)	Nominal unit voltage	Comp. 1		Comp. 2		OD fan motors each FLA	Supply blower motor FLA	120V trans FLA	Electric heat option field installed kit				MCA A	Max f/b size A	Min disconnect rating		MCA with 120V trans A	Max f/b size with 120V trans A	Min disconnect rating/120V trans	
		RLA	LRA	RLA	LRA				Model	kW	Stages	A			FLA	LRA			FLA	LRA
CD20 (20)	208-3-60	28.2	240	34.0	240	2.3	14.9	9.6	None	-	-	-	94.8	125	99	581	104.4	125	110	590
									2EH04502525	18.8	1	52.2	94.8	125	99	581	104.4	125	110	590
									2EH04505025	37.6	2	104.4	149.1	150	137	581	161.1	175	148	590
									2EH04507525	56.3	2	156.3	174.9	200	197	581	186.9	200	208	590
	230-3-60	28.2	240	34.0	240	2.3	15.0	8.7	None	-	-	-	94.9	125	99	582	103.6	125	109	591
									2EH04502525	23.0	1	57.7	94.9	125	99	582	103.6	125	109	591
									2EH04505025	45.9	2	115.2	162.8	175	150	582	173.6	175	160	591
									2EH04507525	68.9	2	173.0	191.8	225	216	582	202.6	225	226	591
	460-3-60	14.7	130	16.0	140	1.3	7.5	4.3	None	-	-	-	47.4	60	50	325	51.7	60	55	329
									2EH04502546	23.0	1	28.9	45.5	60	50	325	50.9	60	55	329
									2EH04505046	45.9	2	57.6	81.4	90	75	325	86.8	90	80	329
									2EH04507546	68.9	2	86.5	95.9	110	108	325	101.3	110	113	329
575-3-60	11.3	94	12.9	108	1.1	5.6	3.5	None	-	-	-	37.4	50	39	246	40.9	50	43	250	
								2EH04502558	23.0	1	23.1	35.9	50	39	246	40.3	50	43	250	
								2EH04505058	45.9	2	46.1	64.6	70	59	246	69.0	70	63	250	
								2EH04507558	68.9	2	69.2	76.2	90	86	246	80.6	90	90	250	
CD25 (25)	208-3-60	41.0	304	41.0	304	2.3	14.9	9.6	None	-	-	-	116.4	150	122	709	126.0	150	133	718
									2EH04502525	18.8	1	52.2	116.4	150	122	709	126.0	150	133	718
									2EH04505025	37.6	2	104.4	149.1	150	137	709	161.1	175	148	718
									2EH04507525	56.3	2	156.3	174.9	200	197	709	186.9	200	208	718
	230-3-60	41.0	304	41.0	304	2.3	15.0	8.7	None	-	-	-	116.5	150	122	710	125.2	150	132	719
									2EH04502525	23.0	1	57.7	116.5	150	122	710	125.2	150	132	719
									2EH04505025	45.9	2	115.2	162.8	175	150	710	173.6	175	160	719
									2EH04507525	68.9	2	173.0	191.8	225	216	710	202.6	225	226	719
	460-3-60	19.2	147	19.2	147	1.3	7.5	4.3	None	-	-	-	55.9	70	59	349	60.2	70	64	353
									2EH04502546	23.0	1	28.9	45.5	70	59	349	50.9	70	64	353
									2EH04505046	45.9	2	57.6	81.4	90	75	349	86.8	90	80	353
									2EH04507546	68.9	2	86.5	95.9	110	108	349	101.3	110	113	353
575-3-60	16.7	122	16.7	122	1.1	5.6	3.5	None	-	-	-	47.6	60	50	288	51.1	60	54	292	
								2EH04502558	23.0	1	23.1	35.9	60	50	288	40.3	60	54	292	
								2EH04505058	45.9	2	46.1	64.6	70	59	288	69.0	70	63	292	
								2EH04507558	68.9	2	69.2	76.2	90	86	288	80.6	90	90	292	
CD28 (27.5)	208-3-60	51.3	300	51.3	300	2.1	19.8	9.6	None	-	-	-	143.6	175	150	740	153.2	200	161	750
									2EH04502525	18.8	1	52.2	143.6	175	150	740	153.2	200	161	750
									2EH04505025	37.6	2	104.4	155.3	175	150	740	167.3	200	161	750
									2EH04507525	56.3	2	156.3	181.1	200	203	740	193.1	200	214	750
	230-3-60	51.3	300	51.3	300	2.1	19.8	8.7	None	-	-	-	143.6	175	150	740	152.3	200	160	749
									2EH04502525	23.0	1	57.7	143.6	175	150	740	152.3	200	160	749
									2EH04505025	45.9	2	115.2	168.8	175	155	740	179.6	200	165	749
									2EH04507525	68.9	2	173.0	197.8	225	222	740	208.6	225	232	749
	460-3-60	22.4	150	22.4	150	1.0	9.9	4.3	None	-	-	-	64.3	80	68	371	68.6	90	72	376
									2EH04502546	23.0	1	28.9	48.5	80	68	371	53.9	90	72	376
									2EH04505046	45.9	2	57.6	84.4	90	78	371	89.8	90	83	376
									2EH04507546	68.9	2	86.5	98.9	110	111	371	104.3	110	116	376
575-3-60	19.9	109	19.9	109	0.9	7.9	3.5	None	-	-	-	56.3	70	59	277	59.8	70	63	280	
								2EH04502558	23.0	1	23.1	38.8	70	59	277	43.1	70	63	280	
								2EH04505058	45.9	2	46.1	67.5	70	62	277	71.9	80	66	280	
								2EH04507558	68.9	2	69.2	79.1	90	89	277	83.5	90	93	280	

**Table 38: CD15 to CD28 constant volume standard static with on/off power exhaust**

Size (tons)	Nominal unit voltage	Comp. 1		Comp. 2		OD fan motors (each) FLA	Supply blower motor FLA	Pwr exh motor FLA	120V trans FLA	Electric heat option field installed kit				MCA A	Max f/b size A	Min disconnect rating		MCA with 120V trans A	Max f/b size with 120V trans A	Min disconnect rating/120V trans	
		RLA	LRA	RLA	LRA					Model	kW	Stages	A			FLA	LRA			FLA	LRA
CD15 (15)	208-3-60	25.0	190	25.0	190	2.1	7.5	5.0	9.6	None	-	-	-	78.0	100	82	460	87.6	110	93	469
										2EH04502525	18.8	1	52.2	87.1	100	82	460	99.1	110	93	469
										2EH04505025	37.6	2	104.4	152.4	175	140	460	164.4	175	151	469
										2EH04507525	56.3	2	156.3	178.2	200	200	460	190.2	200	211	469
	230-3-60	25.0	190	25.0	190	2.1	7.5	5.0	8.7	None	-	-	-	78.0	100	82	466	86.7	110	92	475
										2EH04502525	23.0	1	57.7	94.0	100	86	466	104.9	110	96	475
										2EH04505025	45.9	2	115.2	165.9	175	153	466	176.8	200	163	475
										2EH04507525	68.9	2	173.0	194.9	200	219	466	205.8	225	229	475
	460-3-60	12.2	100	12.2	100	1.0	3.4	2.2	4.3	None	-	-	-	37.3	45	39	242	41.6	50	44	247
										2EH04502546	23.0	1	28.9	45.9	50	42	242	51.3	60	47	247
										2EH04505046	45.9	2	57.6	81.8	90	75	242	87.1	90	80	247
										2EH04507546	68.9	2	86.5	96.3	100	108	242	101.6	110	113	247
575-3-60	9.3	72	9.3	72	0.9	2.8	1.5	3.5	None	-	-	-	28.5	35	30	176	32.0	40	34	180	
									2EH04502558	23.0	1	23.1	36.1	40	33	176	40.5	45	37	180	
									2EH04505058	45.9	2	46.1	64.9	70	60	176	69.3	70	64	180	
									2EH04507558	68.9	2	69.2	76.5	80	86	176	80.8	90	90	180	
CD18 (17.5)	208-3-60	27.6	191	28.2	240	2.1	10.2	5.0	9.6	None	-	-	-	87.3	110	92	525	96.9	125	103	535
										2EH04502525	18.8	1	52.2	90.5	110	92	525	102.5	125	103	535
										2EH04505025	37.6	2	104.4	155.8	175	143	525	167.8	175	154	535
										2EH04507525	56.3	2	156.3	181.6	200	203	525	193.6	200	214	535
	230-3-60	27.6	191	28.2	240	2.1	10.2	5.0	8.7	None	-	-	-	87.3	110	92	531	96.0	110	102	540
										2EH04502525	23.0	1	57.7	97.4	110	92	531	108.3	110	102	540
										2EH04505025	45.9	2	115.2	169.3	175	156	531	180.1	200	166	540
										2EH04507525	68.9	2	173.0	198.3	225	222	531	209.1	225	232	540
	460-3-60	12.8	100	14.7	130	1.0	4.8	2.2	4.3	None	-	-	-	42.4	50	45	279	46.7	60	49	284
										2EH04502546	23.0	1	28.9	47.6	50	44	279	53.0	60	49	284
										2EH04505046	45.9	2	57.6	83.5	90	77	279	88.9	90	82	284
										2EH04507546	68.9	2	86.5	98.0	110	110	279	103.4	110	115	284
575-3-60	9.6	78	11.3	94	0.9	3.4	1.5	3.5	None	-	-	-	31.9	40	33	210	35.4	45	37	214	
									2EH04502558	23.0	1	23.1	36.9	40	34	210	41.3	45	38	214	
									2EH04505058	45.9	2	46.1	65.6	70	60	210	70.0	80	64	214	
									2EH04507558	68.9	2	69.2	77.2	80	87	210	81.6	90	91	214	
CD20 (20)	208-3-60	28.2	240	34.0	240	2.3	14.9	5.0	9.6	None	-	-	-	104.8	125	111	602	114.4	125	122	611
										2EH04502525	18.8	1	52.2	104.8	125	111	602	114.4	125	122	611
										2EH04505025	37.6	2	104.4	161.6	175	149	602	173.6	175	160	611
										2EH04507525	56.3	2	156.3	187.4	200	208	602	199.4	200	219	611
	230-3-60	28.2	240	34.0	240	2.3	15.0	5.0	8.7	None	-	-	-	104.9	125	111	603	113.6	125	121	612
										2EH04502525	23.0	1	57.7	104.9	125	111	603	114.3	125	121	612
										2EH04505025	45.9	2	115.2	175.3	200	161	603	186.1	200	171	612
										2EH04507525	68.9	2	173.0	204.3	225	228	603	215.1	225	238	612
	460-3-60	14.7	130	16.0	140	1.3	7.5	2.2	4.3	None	-	-	-	51.8	60	55	334	56.1	70	60	338
										2EH04502546	23.0	1	28.9	51.0	60	50	334	56.4	70	55	338
										2EH04505046	45.9	2	57.6	86.9	90	80	334	92.3	100	85	338
										2EH04507546	68.9	2	86.5	101.4	110	113	334	106.8	110	118	338
575-3-60	11.3	94	12.9	108	1.1	5.6	1.5	3.5	None	-	-	-	40.4	50	43	252	43.9	50	47	256	
									2EH04502558	23.0	1	23.1	39.6	50	39	252	44.0	50	43	256	
									2EH04505058	45.9	2	46.1	68.4	70	63	252	72.8	80	67	256	
									2EH04507558	68.9	2	69.2	80.0	90	89	252	84.3	90	93	256	

**Table 38: CD15 to CD28 constant volume standard static with on/off power exhaust**

Size (tons)	Nominal unit voltage	Comp. 1		Comp. 2		OD fan motors (each) FLA	Supply blower motor FLA	Pwr exh motor FLA	120V trans FLA	Electric heat option field installed kit				MCA A	Max f/b size A	Min disconnect rating		MCA with 120V trans A	Max f/b size with 120V trans A	Min disconnect rating/120V trans	
		RLA	LRA	RLA	LRA					Model	kW	Stages	A			FLA	LRA			FLA	LRA
CD25 (25)	208-3-60	41.0	304	41.0	304	2.3	14.9	5.0	9.6	None	-	-	-	126.4	150	134	730	136.0	175	145	739
										2EH04502525	18.8	1	52.2	126.4	150	134	730	136.0	175	145	739
										2EH04505025	37.6	2	104.4	161.6	175	149	730	173.6	175	160	739
										2EH04507525	56.3	2	156.3	187.4	200	208	730	199.4	200	219	739
	230-3-60	41.0	304	41.0	304	2.3	15.0	5.0	8.7	None	-	-	-	126.5	150	134	731	135.2	175	144	740
										2EH04502525	23.0	1	57.7	126.5	150	134	731	135.2	175	144	740
										2EH04505025	45.9	2	115.2	175.3	200	161	731	186.1	200	171	740
										2EH04507525	68.9	2	173.0	204.3	225	228	731	215.1	225	238	740
	460-3-60	19.2	147	19.2	147	1.3	7.5	2.2	4.3	None	-	-	-	60.3	70	64	358	64.6	80	69	362
										2EH04502546	23.0	1	28.9	51.0	70	59	358	56.4	80	64	362
										2EH04505046	45.9	2	57.6	86.9	90	80	358	92.3	100	85	362
										2EH04507546	68.9	2	86.5	101.4	110	113	358	106.8	110	118	362
575-3-60	16.7	122	16.7	122	1.1	5.6	1.5	3.5	None	-	-	-	50.6	60	53	294	54.1	70	57	298	
									2EH04502558	23.0	1	23.1	39.6	60	50	294	44.0	70	54	298	
									2EH04505058	45.9	2	46.1	68.4	70	63	294	72.8	80	67	298	
									2EH04507558	68.9	2	69.2	80.0	90	89	294	84.3	90	93	298	
CD28 (27.5)	208-3-60	51.3	300	51.3	300	2.1	19.8	5.0	9.6	None	-	-	-	153.6	200	162	761	163.2	200	173	771
										2EH04502525	18.8	1	52.2	153.6	200	162	761	163.2	200	173	771
										2EH04505025	37.6	2	104.4	167.8	200	162	761	179.8	200	173	771
										2EH04507525	56.3	2	156.3	193.6	200	214	761	205.6	225	225	771
	230-3-60	51.3	300	51.3	300	2.1	19.8	5.0	8.7	None	-	-	-	153.6	200	162	761	162.3	200	172	770
										2EH04502525	23.0	1	57.7	153.6	200	162	761	162.3	200	172	770
										2EH04505025	45.9	2	115.2	181.3	200	167	761	192.1	200	177	770
										2EH04507525	68.9	2	173.0	210.3	225	233	761	221.1	225	243	770
	460-3-60	22.4	150	22.4	150	1.0	9.9	2.2	4.3	None	-	-	-	68.7	90	73	380	73.0	90	78	385
										2EH04502546	23.0	1	28.9	54.0	90	68	380	59.4	90	72	385
										2EH04505046	45.9	2	57.6	89.9	90	83	380	95.3	100	88	385
										2EH04507546	68.9	2	86.5	104.4	110	116	380	109.8	110	121	385
575-3-60	19.9	109	19.9	109	0.9	7.9	1.5	3.5	None	-	-	-	59.3	70	62	283	62.8	80	66	287	
									2EH04502558	23.0	1	23.1	42.5	70	59	283	46.9	80	63	287	
									2EH04505058	45.9	2	46.1	71.3	80	66	283	75.6	80	70	287	
									2EH04507558	68.9	2	69.2	82.8	90	92	283	87.2	90	96	287	

**Table 39: CD15 to CD28 constant volume standard static with modulating power exhaust**

Size (tons)	Nominal unit voltage	Comp. 1		Comp. 2		OD fan motors each FLA	Supply blower motor FLA	Pwr exh motor FLA	120V trans FLA	Electric heat option field installed kit				MCA A	Max f/b size A	Min disconnect rating		MCA with 120V trans A	Max f/b size with 120V trans A	Min disconnect rating/120V trans	
		RLA	LRA	RLA	LRA					Model	kW	Stages	A			FLA	LRA			FLA	LRA
CD15 (15)	208-3-60	25.0	190	25.0	190	2.1	7.5	6.7	9.6	None	-	-	-	81.4	100	86	452	91.0	110	97	462
										2EH04502525	18.8	1	52.2	91.4	100	86	452	103.4	110	97	462
										2EH04505025	37.6	2	104.4	156.6	175	144	452	168.6	175	155	462
										2EH04507525	56.3	2	156.3	182.4	200	204	452	194.4	200	215	462
	230-3-60	25.0	190	25.0	190	2.1	7.5	6.7	8.7	None	-	-	-	81.4	100	86	458	90.1	110	96	467
										2EH04502525	23.0	1	57.7	98.3	100	90	458	109.1	110	100	467
										2EH04505025	45.9	2	115.2	170.1	175	157	458	181.0	200	167	467
										2EH04507525	68.9	2	173.0	199.1	225	223	458	210.0	225	233	467
	460-3-60	12.2	100	12.2	100	1.0	3.4	3.4	4.3	None	-	-	-	39.7	50	42	240	44.0	50	47	244
										2EH04502546	23.0	1	28.9	48.9	50	45	240	54.3	60	50	244
										2EH04505046	45.9	2	57.6	84.8	90	78	240	90.1	100	83	244
										2EH04507546	68.9	2	86.5	99.3	110	111	240	104.6	110	116	244
575-3-60	9.3	72	9.3	72	0.9	2.8	2.7	3.5	None	-	-	-	30.9	40	33	175	34.4	40	37	179	
									2EH04502558	23.0	1	23.1	39.1	40	36	175	43.5	45	40	179	
									2EH04505058	45.9	2	46.1	67.9	70	62	175	72.3	80	66	179	
									2EH04507558	68.9	2	69.2	79.5	90	89	175	83.8	90	93	179	

**Table 39: CD15 to CD28 constant volume standard static with modulating power exhaust**

Size (tons)	Nominal unit voltage	Comp. 1		Comp. 2		OD fan motors each FLA	Supply blower motor FLA	Pwr exh motor FLA	120V trans FLA	Electric heat option field installed kit				MCA A	Max f/b size A	Min disconnect rating		MCA with 120V trans A	Max f/b size with 120V trans A	Min disconnect rating/120V trans	
		RLA	LRA	RLA	LRA					Model	kW	Stages	A			FLA	LRA			FLA	LRA
CD18 (17.5)	208-3-60	27.6	191	28.2	240	2.1	10.2	6.7	9.6	None	-	-	-	90.7	110	96	518	100.3	125	107	527
										2EH04502525	18.8	1	52.2	94.8	110	96	518	106.8	125	107	527
										2EH04505025	37.6	2	104.4	160.0	175	147	518	172.0	175	158	527
										2EH04507525	56.3	2	156.3	185.8	200	207	518	197.8	200	218	527
	230-3-60	27.6	191	28.2	240	2.1	10.2	6.7	8.7	None	-	-	-	90.7	110	96	523	99.4	125	106	532
										2EH04502525	23.0	1	57.7	101.6	110	96	523	112.5	125	106	532
										2EH04505025	45.9	2	115.2	173.5	175	160	523	184.4	200	170	532
										2EH04507525	68.9	2	173.0	202.5	225	226	523	213.4	225	236	532
	460-3-60	12.8	100	14.7	130	1.0	4.8	3.4	4.3	None	-	-	-	44.8	50	47	277	49.1	60	52	281
										2EH04502546	23.0	1	28.9	50.6	60	47	277	56.0	60	52	281
										2EH04505046	45.9	2	57.6	86.5	90	80	277	91.9	100	85	281
										2EH04507546	68.9	2	86.5	101.0	110	113	277	106.4	110	118	281
575-3-60	9.6	78	11.3	94	0.9	3.4	2.7	3.5	None	-	-	-	34.3	45	36	209	37.8	45	40	213	
									2EH04502558	23.0	1	23.1	39.9	45	37	209	44.3	45	41	213	
									2EH04505058	45.9	2	46.1	68.6	70	63	209	73.0	80	67	213	
									2EH04507558	68.9	2	69.2	80.2	90	90	209	84.6	90	94	213	
CD20 (20)	208-3-60	28.2	240	34.0	240	2.3	14.9	6.7	9.6	None	-	-	-	108.2	125	115	594	117.8	150	126	604
										2EH04502525	18.8	1	52.2	108.2	125	115	594	117.8	150	126	604
										2EH04505025	37.6	2	104.4	165.9	175	153	594	177.9	200	164	604
										2EH04507525	56.3	2	156.3	191.7	200	212	594	203.7	225	223	604
	230-3-60	28.2	240	34.0	240	2.3	15.0	6.7	8.7	None	-	-	-	108.3	125	115	596	117.0	150	125	604
										2EH04502525	23.0	1	57.7	108.3	125	115	596	118.5	150	125	604
										2EH04505025	45.9	2	115.2	179.5	200	165	596	190.4	200	175	604
										2EH04507525	68.9	2	173.0	208.5	225	232	596	219.4	225	242	604
	460-3-60	14.7	130	16.0	140	1.3	7.5	3.4	4.3	None	-	-	-	54.2	70	58	332	58.5	70	63	336
										2EH04502546	23.0	1	28.9	54.0	70	58	332	59.4	70	63	336
										2EH04505046	45.9	2	57.6	89.9	90	83	332	95.3	100	88	336
										2EH04507546	68.9	2	86.5	104.4	110	116	332	109.8	110	121	336
575-3-60	11.3	94	12.9	108	1.1	5.6	2.7	3.5	None	-	-	-	42.8	50	46	251	46.3	50	50	255	
									2EH04502558	23.0	1	23.1	42.6	50	46	251	47.0	50	50	255	
									2EH04505058	45.9	2	46.1	71.4	80	66	251	75.8	80	70	255	
									2EH04507558	68.9	2	69.2	83.0	90	92	251	87.3	90	96	255	
CD25 (25)	208-3-60	41.0	304	41.0	304	2.3	14.9	6.7	9.6	None	-	-	-	129.8	150	137	722	139.4	175	148	732
										2EH04502525	18.8	1	52.2	129.8	150	137	722	139.4	175	148	732
										2EH04505025	37.6	2	104.4	165.9	175	153	722	177.9	200	164	732
										2EH04507525	56.3	2	156.3	191.7	200	212	722	203.7	225	223	732
	230-3-60	41.0	304	41.0	304	2.3	15.0	6.7	8.7	None	-	-	-	129.9	150	138	724	138.6	175	148	732
										2EH04502525	23.0	1	57.7	129.9	150	138	724	138.6	175	148	732
										2EH04505025	45.9	2	115.2	179.5	200	165	724	190.4	200	175	732
										2EH04507525	68.9	2	173.0	208.5	225	232	724	219.4	225	242	732
	460-3-60	19.2	147	19.2	147	1.3	7.5	3.4	4.3	None	-	-	-	62.7	80	67	356	67.0	80	72	360
										2EH04502546	23.0	1	28.9	54.0	80	67	356	59.4	80	72	360
										2EH04505046	45.9	2	57.6	89.9	90	83	356	95.3	100	88	360
										2EH04507546	68.9	2	86.5	104.4	110	116	356	109.8	110	121	360
575-3-60	16.7	122	16.7	122	1.1	5.6	2.7	3.5	None	-	-	-	53.0	60	56	293	56.5	70	60	297	
									2EH04502558	23.0	1	23.1	42.6	60	56	293	47.0	70	60	297	
									2EH04505058	45.9	2	46.1	71.4	80	66	293	75.8	80	70	297	
									2EH04507558	68.9	2	69.2	83.0	90	92	293	87.3	90	96	297	



**Table 39: CD15 to CD28 constant volume standard static with modulating power exhaust**

Size (tons)	Nominal unit voltage	Comp. 1		Comp. 2		OD fan motors each FLA	Supply blower motor FLA	Pwr exh motor FLA	120V trans FLA	Electric heat option field installed kit				MCA A	Max f/b size A	Min disconnect rating		MCA with 120V trans A	Max f/b size with 120V trans A	Min disconnect rating/120V trans	
		RLA	LRA	RLA	LRA					Model	kW	Stages	A			FLA	LRA			FLA	LRA
CD28 (27.5)	208-3-60	51.3	300	51.3	300	2.1	19.8	6.7	9.6	None	-	-	-	157.0	200	166	753	166.6	200	177	763
										2EH04502525	18.8	1	52.2	157.0	200	166	753	166.6	200	177	763
										2EH04505025	37.6	2	104.4	172.0	200	166	753	184.0	200	177	763
										2EH04507525	56.3	2	156.3	197.8	200	218	753	209.8	225	229	763
	230-3-60	51.3	300	51.3	300	2.1	19.8	6.7	8.7	None	-	-	-	157.0	200	166	753	165.7	200	176	762
										2EH04502525	23.0	1	57.7	157.0	200	166	753	165.7	200	176	762
										2EH04505025	45.9	2	115.2	185.5	200	171	753	196.4	200	181	762
										2EH04507525	68.9	2	173.0	214.5	225	237	753	225.4	250	247	762
	460-3-60	22.4	150	22.4	150	1.0	9.9	3.4	4.3	None	-	-	-	71.1	90	75	378	75.4	90	80	382
										2EH04502546	23.0	1	28.9	57.0	90	75	378	62.4	90	80	382
										2EH04505046	45.9	2	57.6	92.9	100	85	378	98.3	100	90	382
										2EH04507546	68.9	2	86.5	107.4	110	119	378	112.8	125	124	382
	575-3-60	19.9	109	19.9	109	0.9	7.9	2.7	3.5	None	-	-	-	61.7	80	65	282	65.2	80	69	286
										2EH04502558	23.0	1	23.1	45.5	80	65	282	49.9	80	69	286
										2EH04505058	45.9	2	46.1	74.3	80	68	282	78.6	80	72	286
										2EH04507558	68.9	2	69.2	85.8	90	95	282	90.2	100	99	286

# Constant volume medium static

**Note:**

- MCA = minimum circuit ampacity
- f/b = fuse/breaker
- Fuse is a dual element, time delay type
- Breaker is a HACR type per NEC

**Table 40: CD15 to CD28 constant volume medium static without power exhaust**

Size (tons)	Nominal unit voltage	Comp. 1		Comp. 2		OD fan motors each FLA	Supply blower motor FLA	120V trans FLA	Electric heat option field installed kit				MCA A	Max f/b size A	Min disconnect rating		MCA with 120V trans A	Max f/b size with 120V trans A	Min disconnect rating/120V trans	
		RLA	LRA	RLA	LRA				Model	kW	Stages	A			FLA	LRA			FLA	LRA
CD15 (15)	208-3-60	25.0	190	25.0	190	2.1	10.2	9.6	None	-	-	-	70.7	90	74	453	80.3	100	85	463
									2EH04502525	18.8	1	52.2	78.0	90	74	453	90.0	100	85	463
									2EH04505025	37.6	2	104.4	143.3	150	132	453	155.3	175	143	463
									2EH04507525	56.3	2	156.3	169.1	200	191	453	181.1	200	203	463
	230-3-60	25.0	190	25.0	190	2.1	10.2	8.7	None	-	-	-	70.7	90	74	459	79.4	100	84	468
									2EH04502525	23.0	1	57.7	84.9	90	78	459	95.8	100	88	468
									2EH04505025	45.9	2	115.2	156.8	175	144	459	167.6	175	154	468
									2EH04507525	68.9	2	173.0	185.8	200	211	459	196.6	225	221	468
	460-3-60	12.2	100	12.2	100	1.0	4.8	4.3	None	-	-	-	34.3	45	36	240	38.6	50	41	244
									2EH04502546	23.0	1	28.9	42.1	45	39	240	47.5	50	44	244
									2EH04505046	45.9	2	57.6	78.0	80	72	240	83.4	90	77	244
									2EH04507546	68.9	2	86.5	92.5	100	105	240	97.9	110	110	244
575-3-60	9.3	72	9.3	72	0.9	3.4	3.5	None	-	-	-	26.1	35	27	176	29.6	35	31	179	
								2EH04502558	23.0	1	23.1	33.1	35	30	176	37.5	40	35	179	
								2EH04505058	45.9	2	46.1	61.9	70	57	176	66.3	70	61	179	
								2EH04507558	68.9	2	69.2	73.5	80	83	176	77.8	90	88	179	
CD18 (17.5)	208-3-60	27.6	191	28.2	240	2.1	14.9	9.6	None	-	-	-	82.0	110	86	522	91.6	110	97	532
									2EH04502525	18.8	1	52.2	83.9	110	86	522	95.9	110	97	532
									2EH04505025	37.6	2	104.4	149.1	150	137	522	161.1	175	148	532
									2EH04507525	56.3	2	156.3	174.9	200	197	522	186.9	200	208	532
	230-3-60	27.6	191	28.2	240	2.1	15.0	8.7	None	-	-	-	82.1	110	86	524	90.8	110	96	533
									2EH04502525	23.0	1	57.7	90.9	110	86	524	101.8	110	96	533
									2EH04505025	45.9	2	115.2	162.8	175	150	524	173.6	175	160	533
									2EH04507525	68.9	2	173.0	191.8	225	216	524	202.6	225	226	533
	460-3-60	12.8	100	14.7	130	1.0	7.5	4.3	None	-	-	-	40.7	50	43	280	45.0	50	47	284
									2EH04502546	23.0	1	28.9	45.5	50	43	280	50.9	60	47	284
									2EH04505046	45.9	2	57.6	81.4	90	75	280	86.8	90	80	284
									2EH04507546	68.9	2	86.5	95.9	110	108	280	101.3	110	113	284
575-3-60	9.6	78	11.3	94	0.9	5.6	3.5	None	-	-	-	31.1	40	33	211	34.6	45	37	215	
								2EH04502558	23.0	1	23.1	35.9	40	33	211	40.3	45	37	215	
								2EH04505058	45.9	2	46.1	64.6	70	59	211	69.0	70	63	215	
								2EH04507558	68.9	2	69.2	76.2	90	86	211	80.6	90	90	215	

**Table 40: CD15 to CD28 constant volume medium static without power exhaust**

Size (tons)	Nominal unit voltage	Comp. 1		Comp. 2		OD fan motors each FLA	Supply blower motor FLA	120V trans FLA	Electric heat option field installed kit				MCA A	Max f/b size A	Min disconnect rating		MCA with 120V trans A	Max f/b size with 120V trans A	Min disconnect rating/120V trans	
		RLA	LRA	RLA	LRA				Model	kW	Stages	A			FLA	LRA			FLA	LRA
CD20 (20)	208-3-60	28.2	240	34.0	240	2.3	19.8	9.6	None	-	-	-	99.7	125	105	619	109.3	125	116	629
									2EH04502525	18.8	1	52.2	99.7	125	105	619	109.3	125	116	629
									2EH04505025	37.6	2	104.4	155.3	175	143	619	167.3	175	154	629
									2EH04507525	56.3	2	156.3	181.1	200	203	619	193.1	200	214	629
	230-3-60	28.2	240	34.0	240	2.3	19.8	8.7	None	-	-	-	99.7	125	105	619	108.4	125	115	628
									2EH04502525	23.0	1	57.7	99.7	125	105	619	108.4	125	115	628
									2EH04505025	45.9	2	115.2	168.8	175	155	619	179.6	200	165	628
									2EH04507525	68.9	2	173.0	197.8	225	222	619	208.6	225	232	628
	460-3-60	14.7	130	16.0	140	1.3	9.9	4.3	None	-	-	-	49.8	60	53	341	54.1	70	58	345
									2EH04502546	23.0	1	28.9	48.5	60	53	341	53.9	70	58	345
									2EH04505046	45.9	2	57.6	84.4	90	78	341	89.8	90	83	345
									2EH04507546	68.9	2	86.5	98.9	110	111	341	104.3	110	116	345
575-3-60	11.3	94	12.9	108	1.1	7.9	3.5	None	-	-	-	39.7	50	42	262	43.2	50	46	265	
								2EH04502558	23.0	1	23.1	38.8	50	42	262	43.1	50	46	265	
								2EH04505058	45.9	2	46.1	67.5	70	62	262	71.9	80	66	265	
								2EH04507558	68.9	2	69.2	79.1	90	89	262	83.5	90	93	265	
CD25 (25)	208-3-60	41.0	304	41.0	304	2.3	19.8	9.6	None	-	-	-	121.3	150	128	747	130.9	150	139	757
									2EH04502525	18.8	1	52.2	121.3	150	128	747	130.9	150	139	757
									2EH04505025	37.6	2	104.4	155.3	175	143	747	167.3	175	154	757
									2EH04507525	56.3	2	156.3	181.1	200	203	747	193.1	200	214	757
	230-3-60	41.0	304	41.0	304	2.3	19.8	8.7	None	-	-	-	121.3	150	128	747	130.0	150	138	756
									2EH04502525	23.0	1	57.7	121.3	150	128	747	130.0	150	138	756
									2EH04505025	45.9	2	115.2	168.8	175	155	747	179.6	200	165	756
									2EH04507525	68.9	2	173.0	197.8	225	222	747	208.6	225	232	756
	460-3-60	19.2	147	19.2	147	1.3	9.9	4.3	None	-	-	-	58.3	70	62	365	62.6	80	66	369
									2EH04502546	23.0	1	28.9	48.5	70	62	365	53.9	80	66	369
									2EH04505046	45.9	2	57.6	84.4	90	78	365	89.8	90	83	369
									2EH04507546	68.9	2	86.5	98.9	110	111	365	104.3	110	116	369
575-3-60	16.7	122	16.7	122	1.1	7.9	3.5	None	-	-	-	49.9	60	53	304	53.4	70	57	307	
								2EH04502558	23.0	1	23.1	38.8	60	53	304	43.1	70	57	307	
								2EH04505058	45.9	2	46.1	67.5	70	62	304	71.9	80	66	307	
								2EH04507558	68.9	2	69.2	79.1	90	89	304	83.5	90	93	307	
CD28 (27.5)	208-3-60	51.3	300	51.3	300	2.1	25.4	9.6	None	-	-	-	149.2	200	157	778	158.8	200	168	788
									2EH04502525	18.8	1	52.2	149.2	200	157	778	158.8	200	168	788
									2EH04505025	37.6	2	104.4	162.3	200	157	778	174.3	200	168	788
									2EH04507525	56.3	2	156.3	188.1	200	209	778	200.1	225	220	788
	230-3-60	51.3	300	51.3	300	2.1	25.4	8.7	None	-	-	-	149.2	200	157	778	157.9	200	167	787
									2EH04502525	23.0	1	57.7	149.2	200	157	778	157.9	200	167	787
									2EH04505025	45.9	2	115.2	175.8	200	162	778	186.6	200	172	787
									2EH04507525	68.9	2	173.0	204.8	225	228	778	215.6	225	238	787
	460-3-60	22.4	150	22.4	150	1.0	12.7	4.3	None	-	-	-	67.1	80	71	390	71.4	90	76	395
									2EH04502546	23.0	1	28.9	52.0	80	71	390	57.4	90	76	395
									2EH04505046	45.9	2	57.6	87.9	90	81	390	93.3	100	86	395
									2EH04507546	68.9	2	86.5	102.4	110	114	390	107.8	110	119	395
575-3-60	19.9	109	19.9	109	0.9	10.5	3.5	None	-	-	-	58.9	70	62	308	62.4	80	66	311	
								2EH04502558	23.0	1	23.1	42.0	70	62	308	46.4	80	66	311	
								2EH04505058	45.9	2	46.1	70.8	80	65	308	75.1	80	69	311	
								2EH04507558	68.9	2	69.2	82.3	90	92	308	86.7	90	96	311	

**Table 41: CD15 to CD28 constant volume medium static with on/off power exhaust**

Size (tons)	Nominal unit voltage	Comp. 1		Comp. 2		OD fan motors each FLA	Supply blower motor FLA	Pwr exh motor FLA	120V trans FLA	Electric heat option field installed kit				MCA A	Max f/b size A	Min disconnect rating		MCA with 120V trans A	Max f/b size with 120V trans A	Min disconnect rating/120V trans	
		RLA	LRA	RLA	LRA					Model	kW	Stages	A			FLA	LRA			FLA	LRA
CD15 (15)	208-3-60	25.0	190	25.0	190	2.1	10.2	5.0	9.6	None	-	-	-	80.7	100	86	474	90.3	110	97	484
										2EH04502525	18.8	1	52.2	90.5	100	86	474	102.5	110	97	484
										2EH04505025	37.6	2	104.4	155.8	175	143	474	167.8	175	154	484
										2EH04507525	56.3	2	156.3	181.6	200	203	474	193.6	200	214	484
	230-3-60	25.0	190	25.0	190	2.1	10.2	5.0	8.7	None	-	-	-	80.7	100	86	480	89.4	110	96	489
										2EH04502525	23.0	1	57.7	97.4	100	90	480	108.3	110	100	489
										2EH04505025	45.9	2	115.2	169.3	175	156	480	180.1	200	166	489
										2EH04507525	68.9	2	173.0	198.3	225	222	480	209.1	225	232	489
	460-3-60	12.2	100	12.2	100	1.0	4.8	2.2	4.3	None	-	-	-	38.7	50	41	249	43.0	50	46	254
										2EH04502546	23.0	1	28.9	47.6	50	44	249	53.0	60	49	254
										2EH04505046	45.9	2	57.6	83.5	90	77	249	88.9	90	82	254
										2EH04507546	68.9	2	86.5	98.0	110	110	249	103.4	110	115	254
	575-3-60	9.3	72	9.3	72	0.9	3.4	1.5	3.5	None	-	-	-	29.1	35	31	182	32.6	40	35	186
										2EH04502558	23.0	1	23.1	36.9	40	34	182	41.3	45	38	186
										2EH04505058	45.9	2	46.1	65.6	70	60	182	70.0	80	64	186
										2EH04507558	68.9	2	69.2	77.2	80	87	182	81.6	90	91	186
CD18 (17.5)	208-3-60	27.6	191	28.2	240	2.1	14.9	5.0	9.6	None	-	-	-	92.0	110	98	543	101.6	125	109	553
										2EH04502525	18.8	1	52.2	96.4	110	98	543	108.4	125	109	553
										2EH04505025	37.6	2	104.4	161.6	175	149	543	173.6	175	160	553
										2EH04507525	56.3	2	156.3	187.4	200	208	543	199.4	200	219	553
	230-3-60	27.6	191	28.2	240	2.1	15.0	5.0	8.7	None	-	-	-	92.1	110	98	545	100.8	125	108	554
										2EH04502525	23.0	1	57.7	103.4	110	98	545	114.3	125	108	554
										2EH04505025	45.9	2	115.2	175.3	200	161	545	186.1	200	171	554
										2EH04507525	68.9	2	173.0	204.3	225	228	545	215.1	225	238	554
	460-3-60	12.8	100	14.7	130	1.0	7.5	2.2	4.3	None	-	-	-	45.1	50	48	289	49.4	60	53	293
										2EH04502546	23.0	1	28.9	51.0	60	47	289	56.4	60	52	293
										2EH04505046	45.9	2	57.6	86.9	90	80	289	92.3	100	85	293
										2EH04507546	68.9	2	86.5	101.4	110	113	289	106.8	110	118	293
	575-3-60	9.6	78	11.3	94	0.9	5.6	1.5	3.5	None	-	-	-	34.1	45	36	218	37.6	45	40	221
										2EH04502558	23.0	1	23.1	39.6	45	36	218	44.0	45	40	221
										2EH04505058	45.9	2	46.1	68.4	70	63	218	72.8	80	67	221
										2EH04507558	68.9	2	69.2	80.0	90	89	218	84.3	90	93	221
CD20 (20)	208-3-60	28.2	240	34.0	240	2.3	19.8	5.0	9.6	None	-	-	-	109.7	125	116	640	119.3	150	127	650
										2EH04502525	18.8	1	52.2	109.7	125	116	640	119.3	150	127	650
										2EH04505025	37.6	2	104.4	167.8	175	154	640	179.8	200	165	650
										2EH04507525	56.3	2	156.3	193.6	200	214	640	205.6	225	225	650
	230-3-60	28.2	240	34.0	240	2.3	19.8	5.0	8.7	None	-	-	-	109.7	125	116	640	118.4	150	126	649
										2EH04502525	23.0	1	57.7	109.7	125	116	640	120.3	150	126	649
										2EH04505025	45.9	2	115.2	181.3	200	167	640	192.1	200	177	649
										2EH04507525	68.9	2	173.0	210.3	225	233	640	221.1	225	243	649
	460-3-60	14.7	130	16.0	140	1.3	9.9	2.2	4.3	None	-	-	-	54.2	70	58	350	58.5	70	63	354
										2EH04502546	23.0	1	28.9	54.0	70	53	350	59.4	70	58	354
										2EH04505046	45.9	2	57.6	89.9	90	83	350	95.3	100	88	354
										2EH04507546	68.9	2	86.5	104.4	110	116	350	109.8	110	121	354
	575-3-60	11.3	94	12.9	108	1.1	7.9	1.5	3.5	None	-	-	-	42.7	50	45	268	46.2	50	49	272
										2EH04502558	23.0	1	23.1	42.5	50	42	268	46.9	50	46	272
										2EH04505058	45.9	2	46.1	71.3	80	66	268	75.6	80	70	272
										2EH04507558	68.9	2	69.2	82.8	90	92	268	87.2	90	96	272

**Table 41: CD15 to CD28 constant volume medium static with on/off power exhaust**

Size (tons)	Nominal unit voltage	Comp. 1		Comp. 2		OD fan motors each FLA	Supply blower motor FLA	Pwr exh motor FLA	120V trans FLA	Electric heat option field installed kit				MCA A	Max f/b size A	Min disconnect rating		MCA with 120V trans A	Max f/b size with 120V trans A	Min disconnect rating/120V trans	
		RLA	LRA	RLA	LRA					Model	kW	Stages	A			FLA	LRA			FLA	LRA
CD25 (25)	208-3-60	41.0	304	41.0	304	2.3	19.8	5.0	9.6	None	-	-	-	131.3	150	139	768	140.9	175	150	778
										2EH04502525	18.8	1	52.2	131.3	150	139	768	140.9	175	150	778
										2EH04505025	37.6	2	104.4	167.8	175	154	768	179.8	200	165	778
										2EH04507525	56.3	2	156.3	193.6	200	214	768	205.6	225	225	778
	230-3-60	41.0	304	41.0	304	2.3	19.8	5.0	8.7	None	-	-	-	131.3	150	139	768	140.0	175	149	777
										2EH04502525	23.0	1	57.7	131.3	150	139	768	140.0	175	149	777
										2EH04505025	45.9	2	115.2	181.3	200	167	768	192.1	200	177	777
										2EH04507525	68.9	2	173.0	210.3	225	233	768	221.1	225	243	777
	460-3-60	19.2	147	19.2	147	1.3	9.9	2.2	4.3	None	-	-	-	62.7	80	67	374	67.0	80	72	378
										2EH04502546	23.0	1	28.9	54.0	80	62	374	59.4	80	66	378
										2EH04505046	45.9	2	57.6	89.9	90	83	374	95.3	100	88	378
										2EH04507546	68.9	2	86.5	104.4	110	116	374	109.8	110	121	378
575-3-60	16.7	122	16.7	122	1.1	7.9	1.5	3.5	None	-	-	-	52.9	60	56	310	56.4	70	60	314	
									2EH04502558	23.0	1	23.1	42.5	60	53	310	46.9	70	57	314	
									2EH04505058	45.9	2	46.1	71.3	80	66	310	75.6	80	70	314	
									2EH04507558	68.9	2	69.2	82.8	90	92	310	87.2	90	96	314	
CD28 (27.5)	208-3-60	51.3	300	51.3	300	2.1	25.4	5.0	9.6	None	-	-	-	159.2	200	168	799	168.8	200	179	809
										2EH04502525	18.8	1	52.2	159.2	200	168	799	168.8	200	179	809
										2EH04505025	37.6	2	104.4	174.8	200	168	799	186.8	200	179	809
										2EH04507525	56.3	2	156.3	200.6	225	220	799	212.6	225	231	809
	230-3-60	51.3	300	51.3	300	2.1	25.4	5.0	8.7	None	-	-	-	159.2	200	168	799	167.9	200	178	808
										2EH04502525	23.0	1	57.7	159.2	200	168	799	167.9	200	178	808
										2EH04505025	45.9	2	115.2	188.3	200	173	799	199.1	200	183	808
										2EH04507525	68.9	2	173.0	217.3	225	240	799	228.1	250	250	808
	460-3-60	22.4	150	22.4	150	1.0	12.7	2.2	4.3	None	-	-	-	71.5	90	76	399	75.8	90	81	404
										2EH04502546	23.0	1	28.9	57.5	90	71	399	62.9	90	76	404
										2EH04505046	45.9	2	57.6	93.4	100	86	399	98.8	100	91	404
										2EH04507546	68.9	2	86.5	107.9	110	119	399	113.3	125	124	404
575-3-60	19.9	109	19.9	109	0.9	10.5	1.5	3.5	None	-	-	-	61.9	80	65	314	65.4	80	69	317	
									2EH04502558	23.0	1	23.1	45.8	80	62	314	50.1	80	66	317	
									2EH04505058	45.9	2	46.1	74.5	80	69	314	78.9	80	73	317	
									2EH04507558	68.9	2	69.2	86.1	90	95	314	90.5	100	99	317	

**Table 42: CD15 to CD28 constant volume medium static with modulating power exhaust**

Size (tons)	Nominal unit voltage	Comp. 1		Comp. 2		OD fan motors each FLA	Supply blower motor FLA	Pwr Exh Motor FLA	120V trans FLA	Electric heat option field installed kit				MCA A	Max f/b size A	Min disconnect rating		MCA with 120V trans A	Max f/b size with 120V trans A	Min disconnect rating/120V trans	
		RLA	LRA	RLA	LRA					Model	kW	Stages	A			FLA	LRA			FLA	LRA
CD15 (15)	208-3-60	25.0	190	25.0	190	2.1	10.2	6.7	9.6	None	-	-	-	84.1	100	89	467	93.7	110	101	476
										2EH04502525	18.8	1	52.2	94.8	100	89	467	106.8	110	101	476
										2EH04505025	37.6	2	104.4	160.0	175	147	467	172.0	175	158	476
										2EH04507525	56.3	2	156.3	185.8	200	207	467	197.8	200	218	476
	230-3-60	25.0	190	25.0	190	2.1	10.2	6.7	8.7	None	-	-	-	84.1	100	89	472	92.8	110	99	481
										2EH04502525	23.0	1	57.7	101.6	110	93	472	112.5	125	104	481
										2EH04505025	45.9	2	115.2	173.5	175	160	472	184.4	200	170	481
										2EH04507525	68.9	2	173.0	202.5	225	226	472	213.4	225	236	481
	460-3-60	12.2	100	12.2	100	1.0	4.8	3.4	4.3	None	-	-	-	41.1	50	44	247	45.4	50	49	251
										2EH04502546	23.0	1	28.9	50.6	60	47	247	56.0	60	52	251
										2EH04505046	45.9	2	57.6	86.5	90	80	247	91.9	100	85	251
										2EH04507546	68.9	2	86.5	101.0	110	113	247	106.4	110	118	251
575-3-60	9.3	72	9.3	72	0.9	3.4	2.7	3.5	None	-	-	-	31.5	40	34	181	35.0	40	38	185	
									2EH04502558	23.0	1	23.1	39.9	40	37	181	44.3	45	41	185	
									2EH04505058	45.9	2	46.1	68.6	70	63	181	73.0	80	67	185	
									2EH04507558	68.9	2	69.2	80.2	90	90	181	84.6	90	94	185	

**Table 42: CD15 to CD28 constant volume medium static with modulating power exhaust**

Size (tons)	Nominal unit voltage	Comp. 1		Comp. 2		OD fan motors each FLA	Supply blower motor FLA	Pwr Exh Motor FLA	120V trans FLA	Electric heat option field installed kit				MCA A	Max f/b size A	Min disconnect rating		MCA with 120V trans A	Max f/b size with 120V trans A	Min disconnect rating/120V trans	
		RLA	LRA	RLA	LRA					Model	kW	Stages	A			FLA	LRA			FLA	LRA
CD18 (17.5)	208-3-60	27.6	191	28.2	240	2.1	14.9	6.7	9.6	None	-	-	-	95.4	110	102	536	105.0	125	113	545
										2EH04502525	18.8	1	52.2	100.6	110	102	536	112.6	125	113	545
										2EH04505025	37.6	2	104.4	165.9	175	153	536	177.9	200	164	545
										2EH04507525	56.3	2	156.3	191.7	200	212	536	203.7	225	223	545
	230-3-60	27.6	191	28.2	240	2.1	15.0	6.7	8.7	None	-	-	-	95.5	110	102	537	104.2	125	112	546
										2EH04502525	23.0	1	57.7	107.6	110	102	537	118.5	125	112	546
										2EH04505025	45.9	2	115.2	179.5	200	165	537	190.4	200	175	546
										2EH04507525	68.9	2	173.0	208.5	225	232	537	219.4	225	242	546
	460-3-60	12.8	100	14.7	130	1.0	7.5	3.4	4.3	None	-	-	-	47.5	60	50	286	51.8	60	55	291
										2EH04502546	23.0	1	28.9	54.0	60	50	286	59.4	60	55	291
										2EH04505046	45.9	2	57.6	89.9	90	83	286	95.3	100	88	291
										2EH04507546	68.9	2	86.5	104.4	110	116	286	109.8	110	121	291
575-3-60	9.6	78	11.3	94	0.9	5.6	2.7	3.5	None	-	-	-	36.5	45	39	217	40.0	50	43	220	
									2EH04502558	23.0	1	23.1	42.6	45	39	217	47.0	50	43	220	
									2EH04505058	45.9	2	46.1	71.4	80	66	217	75.8	80	70	220	
									2EH04507558	68.9	2	69.2	83.0	90	92	217	87.3	90	96	220	
CD20 (20)	208-3-60	28.2	240	34.0	240	2.3	19.8	6.7	9.6	None	-	-	-	113.1	125	120	633	122.7	150	131	642
										2EH04502525	18.8	1	52.2	113.1	125	120	633	122.7	150	131	642
										2EH04505025	37.6	2	104.4	172.0	175	158	633	184.0	200	169	642
										2EH04507525	56.3	2	156.3	197.8	200	218	633	209.8	225	229	642
	230-3-60	28.2	240	34.0	240	2.3	19.8	6.7	8.7	None	-	-	-	113.1	125	120	633	121.8	150	130	641
										2EH04502525	23.0	1	57.7	113.6	125	120	633	124.5	150	130	641
										2EH04505025	45.9	2	115.2	185.5	200	171	633	196.4	200	181	641
										2EH04507525	68.9	2	173.0	214.5	225	237	633	225.4	250	247	641
	460-3-60	14.7	130	16.0	140	1.3	9.9	3.4	4.3	None	-	-	-	56.6	70	60	348	60.9	70	65	352
										2EH04502546	23.0	1	28.9	57.0	70	60	348	62.4	70	65	352
										2EH04505046	45.9	2	57.6	92.9	100	85	348	98.3	100	90	352
										2EH04507546	68.9	2	86.5	107.4	110	119	348	112.8	125	124	352
575-3-60	11.3	94	12.9	108	1.1	7.9	2.7	3.5	None	-	-	-	45.1	50	48	267	48.6	60	52	271	
									2EH04502558	23.0	1	23.1	45.5	50	48	267	49.9	60	52	271	
									2EH04505058	45.9	2	46.1	74.3	80	68	267	78.6	80	72	271	
									2EH04507558	68.9	2	69.2	85.8	90	95	267	90.2	100	99	271	
CD25 (25)	208-3-60	41.0	304	41.0	304	2.3	19.8	6.7	9.6	None	-	-	-	134.7	175	143	761	144.3	175	154	770
										2EH04502525	18.8	1	52.2	134.7	175	143	761	144.3	175	154	770
										2EH04505025	37.6	2	104.4	172.0	175	158	761	184.0	200	169	770
										2EH04507525	56.3	2	156.3	197.8	200	218	761	209.8	225	229	770
	230-3-60	41.0	304	41.0	304	2.3	19.8	6.7	8.7	None	-	-	-	134.7	175	143	761	143.4	175	153	769
										2EH04502525	23.0	1	57.7	134.7	175	143	761	143.4	175	153	769
										2EH04505025	45.9	2	115.2	185.5	200	171	761	196.4	200	181	769
										2EH04507525	68.9	2	173.0	214.5	225	237	761	225.4	250	247	769
	460-3-60	19.2	147	19.2	147	1.3	9.9	3.4	4.3	None	-	-	-	65.1	80	69	372	69.4	80	74	376
										2EH04502546	23.0	1	28.9	57.0	80	69	372	62.4	80	74	376
										2EH04505046	45.9	2	57.6	92.9	100	85	372	98.3	100	90	376
										2EH04507546	68.9	2	86.5	107.4	110	119	372	112.8	125	124	376
575-3-60	16.7	122	16.7	122	1.1	7.9	2.7	3.5	None	-	-	-	55.3	70	59	309	58.8	70	63	313	
									2EH04502558	23.0	1	23.1	45.5	70	59	309	49.9	70	63	313	
									2EH04505058	45.9	2	46.1	74.3	80	68	309	78.6	80	72	313	
									2EH04507558	68.9	2	69.2	85.8	90	95	309	90.2	100	99	313	

**Table 42: CD15 to CD28 constant volume medium static with modulating power exhaust**

Size (tons)	Nominal unit voltage	Comp. 1		Comp. 2		OD fan motors each FLA	Supply blower motor FLA	Pwr Exh Motor FLA	120V trans FLA	Electric heat option field installed kit				MCA A	Max f/b size A	Min disconnect rating		MCA with 120V trans A	Max f/b size with 120V trans A	Min disconnect rating/120V trans	
		RLA	LRA	RLA	LRA					Model	kW	Stages	A			FLA	LRA			FLA	LRA
CD28 (27.5)	208-3-60	51.3	300	51.3	300	2.1	25.4	6.7	9.6	None	-	-	-	162.6	200	172	791	172.2	200	183	801
										2EH04502525	18.8	1	52.2	162.6	200	172	791	172.2	200	183	801
										2EH04505025	37.6	2	104.4	179.0	200	172	791	191.0	200	183	801
										2EH04507525	56.3	2	156.3	204.8	225	224	791	216.8	225	235	801
	230-3-60	51.3	300	51.3	300	2.1	25.4	6.7	8.7	None	-	-	-	162.6	200	172	791	171.3	200	182	800
										2EH04502525	23.0	1	57.7	162.6	200	172	791	171.3	200	182	800
										2EH04505025	45.9	2	115.2	192.5	200	177	791	203.4	225	187	800
										2EH04507525	68.9	2	173.0	221.5	225	244	791	232.4	250	254	800
	460-3-60	22.4	150	22.4	150	1.0	12.7	3.4	4.3	None	-	-	-	73.9	90	79	397	78.2	100	83	401
										2EH04502546	23.0	1	28.9	60.5	90	79	397	65.9	100	83	401
										2EH04505046	45.9	2	57.6	96.4	100	89	397	101.8	110	94	401
										2EH04507546	68.9	2	86.5	110.9	125	122	397	116.3	125	127	401
	575-3-60	19.9	109	19.9	109	0.9	10.5	2.7	3.5	None	-	-	-	64.3	80	68	313	67.8	80	72	316
										2EH04502558	23.0	1	23.1	48.8	80	68	313	53.1	80	72	316
										2EH04505058	45.9	2	46.1	77.5	80	71	313	81.9	90	75	316
										2EH04507558	68.9	2	69.2	89.1	90	98	313	93.5	100	102	316

# Constant volume high static

**Note:**

- MCA = minimum circuit ampacity
- f/b = fuse/breaker
- Fuse is a dual element, time delay type
- Breaker is a HACR type per NEC

**Table 43: CD15 to CD28 constant volume high static without power exhaust**

Size (tons)	Nominal unit voltage	Comp. 1		Comp. 2		OD fan motors each FLA	Supply blower motor FLA	120V trans FLA	Electric heat option field installed kit				MCA A	Max f/b size A	Min disconnect rating		MCA with 120V trans A	Max f/b size with 120V trans A	Min disconnect rating/120V trans	
		RLA	LRA	RLA	LRA				Model	kW	Stages	A			FLA	LRA			FLA	LRA
CD15 (15)	208-3-60	25.0	190	25.0	190	2.1	14.9	9.6	None	-	-	-	75.4	100	79	471	85.0	110	91	481
									2EH04502525	18.8	1	52.2	83.9	100	79	471	95.9	110	91	481
									2EH04505025	37.6	2	104.4	149.1	150	137	471	161.1	175	148	481
									2EH04507525	56.3	2	156.3	174.9	200	197	471	186.9	200	208	481
	230-3-60	25.0	190	25.0	190	2.1	15.0	8.7	None	-	-	-	75.5	100	80	473	84.2	100	90	482
									2EH04502525	23.0	1	57.7	90.9	100	84	473	101.8	110	94	482
									2EH04505025	45.9	2	115.2	162.8	175	150	473	173.6	175	160	482
									2EH04507525	68.9	2	173.0	191.8	225	216	473	202.6	225	226	482
	460-3-60	12.2	100	12.2	100	1.0	7.5	4.3	None	-	-	-	37.0	45	39	250	41.3	50	44	254
									2EH04502546	23.0	1	28.9	45.5	50	42	250	50.9	60	47	254
									2EH04505046	45.9	2	57.6	81.4	90	75	250	86.8	90	80	254
									2EH04507546	68.9	2	86.5	95.9	110	108	250	101.3	110	113	254
575-3-60	9.3	72	9.3	72	0.9	5.6	3.5	None	-	-	-	28.3	35	30	183	31.8	40	34	187	
								2EH04502558	23.0	1	23.1	35.9	40	33	183	40.3	45	37	187	
								2EH04505058	45.9	2	46.1	64.6	70	59	183	69.0	70	63	187	
								2EH04507558	68.9	2	69.2	76.2	90	86	183	80.6	90	90	187	
CD18 (17.5)	208-3-60	27.6	191	28.2	240	2.1	19.8	9.6	None	-	-	-	86.9	110	92	561	96.5	110	103	571
									2EH04502525	18.8	1	52.2	90.0	110	92	561	102.0	110	103	571
									2EH04505025	37.6	2	104.4	155.3	175	143	561	167.3	175	154	571
									2EH04507525	56.3	2	156.3	181.1	200	203	561	193.1	200	214	571
	230-3-60	27.6	191	28.2	240	2.1	19.8	8.7	None	-	-	-	86.9	110	92	561	95.6	110	102	570
									2EH04502525	23.0	1	57.7	96.9	110	92	561	107.8	110	102	570
									2EH04505025	45.9	2	115.2	168.8	175	155	561	179.6	200	165	570
									2EH04507525	68.9	2	173.0	197.8	225	222	561	208.6	225	232	570
	460-3-60	12.8	100	14.7	130	1.0	9.9	4.3	None	-	-	-	43.1	50	45	296	47.4	60	50	300
									2EH04502546	23.0	1	28.9	48.5	50	45	296	53.9	60	50	300
									2EH04505046	45.9	2	57.6	84.4	90	78	296	89.8	90	83	300
									2EH04507546	68.9	2	86.5	98.9	110	111	296	104.3	110	116	300
575-3-60	9.6	78	11.3	94	0.9	7.9	3.5	None	-	-	-	33.4	40	35	227	36.9	45	39	230	
								2EH04502558	23.0	1	23.1	38.8	40	36	227	43.1	45	40	230	
								2EH04505058	45.9	2	46.1	67.5	70	62	227	71.9	80	66	230	
								2EH04507558	68.9	2	69.2	79.1	90	89	227	83.5	90	93	230	



**Table 43: CD15 to CD28 constant volume high static without power exhaust**

Size (tons)	Nominal unit voltage	Comp. 1		Comp. 2		OD fan motors each FLA	Supply blower motor FLA	120V trans FLA	Electric heat option field installed kit				MCA A	Max f/b size A	Min disconnect rating		MCA with 120V trans A	Max f/b size with 120V trans A	Min disconnect rating/120V trans	
		RLA	LRA	RLA	LRA				Model	kW	Stages	A			FLA	LRA			FLA	LRA
CD20 (20)	208-3-60	28.2	240	34.0	240	2.3	25.4	9.6	None	-	-	-	105.3	125	111	657	114.9	125	122	667
									2EH04502525	18.8	1	52.2	105.3	125	111	657	114.9	125	122	667
									2EH04505025	37.6	2	104.4	162.3	175	149	657	174.3	175	160	667
									2EH04507525	56.3	2	156.3	188.1	200	209	657	200.1	225	220	667
	230-3-60	28.2	240	34.0	240	2.3	25.4	8.7	None	-	-	-	105.3	125	111	657	114.0	125	121	666
									2EH04502525	23.0	1	57.7	105.3	125	111	657	114.8	125	121	666
									2EH04505025	45.9	2	115.2	175.8	200	162	657	186.6	200	172	666
									2EH04507525	68.9	2	173.0	204.8	225	228	657	215.6	225	238	666
	460-3-60	14.7	130	16.0	140	1.3	12.7	4.3	None	-	-	-	52.6	60	56	360	56.9	70	61	364
									2EH04502546	23.0	1	28.9	52.0	60	56	360	57.4	70	61	364
									2EH04505046	45.9	2	57.6	87.9	90	81	360	93.3	100	86	364
									2EH04507546	68.9	2	86.5	102.4	110	114	360	107.8	110	119	364
575-3-60	11.3	94	12.9	108	1.1	10.5	3.5	None	-	-	-	42.3	50	45	292	45.8	50	49	296	
								2EH04502558	23.0	1	23.1	42.0	50	45	292	46.4	50	49	296	
								2EH04505058	45.9	2	46.1	70.8	80	65	292	75.1	80	69	296	
								2EH04507558	68.9	2	69.2	82.3	90	92	292	86.7	90	96	296	
CD25 (25)	208-3-60	41.0	304	41.0	304	2.3	25.4	9.6	None	-	-	-	126.9	150	134	785	136.5	175	145	795
									2EH04502525	18.8	1	52.2	126.9	150	134	785	136.5	175	145	795
									2EH04505025	37.6	2	104.4	162.3	175	149	785	174.3	175	160	795
									2EH04507525	56.3	2	156.3	188.1	200	209	785	200.1	225	220	795
	230-3-60	41.0	304	41.0	304	2.3	25.4	8.7	None	-	-	-	126.9	150	134	785	135.6	175	144	794
									2EH04502525	23.0	1	57.7	126.9	150	134	785	135.6	175	144	794
									2EH04505025	45.9	2	115.2	175.8	200	162	785	186.6	200	172	794
									2EH04507525	68.9	2	173.0	204.8	225	228	785	215.6	225	238	794
	460-3-60	19.2	147	19.2	147	1.3	12.7	4.3	None	-	-	-	61.1	80	65	384	65.4	80	70	388
									2EH04502546	23.0	1	28.9	52.0	80	65	384	57.4	80	70	388
									2EH04505046	45.9	2	57.6	87.9	90	81	384	93.3	100	86	388
									2EH04507546	68.9	2	86.5	102.4	110	114	384	107.8	110	119	388
575-3-60	16.7	122	16.7	122	1.1	10.5	3.5	None	-	-	-	52.5	60	56	334	56.0	70	60	338	
								2EH04502558	23.0	1	23.1	42.0	60	56	334	46.4	70	60	338	
								2EH04505058	45.9	2	46.1	70.8	80	65	334	75.1	80	69	338	
								2EH04507558	68.9	2	69.2	82.3	90	92	334	86.7	90	96	338	
CD28 (27.5)	208-3-60	51.3	300	51.3	300	2.1	30.2	9.6	None	-	-	-	154.0	200	162	808	163.6	200	173	818
									2EH04502525	18.8	1	52.2	154.0	200	162	808	163.6	200	173	818
									2EH04505025	37.6	2	104.4	168.3	200	162	808	180.3	200	173	818
									2EH04507525	56.3	2	156.3	194.1	200	214	808	206.1	225	226	818
	230-3-60	51.3	300	51.3	300	2.1	30.2	8.7	None	-	-	-	154.0	200	162	808	162.7	200	172	817
									2EH04502525	23.0	1	57.7	154.0	200	162	808	162.7	200	172	817
									2EH04505025	45.9	2	115.2	181.8	200	167	808	192.6	200	177	817
									2EH04507525	68.9	2	173.0	210.8	225	234	808	221.6	225	244	817
	460-3-60	22.4	150	22.4	150	1.0	15.1	4.3	None	-	-	-	69.5	90	73	405	73.8	90	78	410
									2EH04502546	23.0	1	28.9	55.0	90	73	405	60.4	90	78	410
									2EH04505046	45.9	2	57.6	90.9	100	84	405	96.3	100	89	410
									2EH04507546	68.9	2	86.5	105.4	110	117	405	110.8	110	122	410
575-3-60	19.9	109	19.9	109	0.9	12.0	3.5	None	-	-	-	60.4	80	64	296	63.9	80	68	300	
								2EH04502558	23.0	1	23.1	43.9	80	64	296	48.3	80	68	300	
								2EH04505058	45.9	2	46.1	72.6	80	67	296	77.0	80	71	300	
								2EH04507558	68.9	2	69.2	84.2	90	93	296	88.6	90	97	300	

**Table 44: CD15 to CD28 constant volume high static with on/off power exhaust**

Size (tons)	Nominal unit voltage	Comp. 1		Comp. 2		OD fan motors each FLA	Supply blower motor FLA	Pwr exh motor FLA	120V trans FLA	Electric heat option field installed kit				MCA A	Max f/b size A	Min disconnect rating		MCA with 120V trans A	Max f/b size with 120V trans A	Min disconnect rating/120V trans	
		RLA	LRA	RLA	LRA					Model	kW	Stages	A			FLA	LRA			FLA	LRA
CD15 (15)	208-3-60	25.0	190	25.0	190	2.1	14.9	5.0	9.6	None	-	-	-	85.4	110	91	492	95.0	110	102	502
										2EH04502525	18.8	1	52.2	96.4	110	91	492	108.4	110	102	502
										2EH04505025	37.6	2	104.4	161.6	175	149	492	173.6	175	160	502
										2EH04507525	56.3	2	156.3	187.4	200	208	492	199.4	200	219	502
	230-3-60	25.0	190	25.0	190	2.1	15.0	5.0	8.7	None	-	-	-	85.5	110	91	494	94.2	110	101	503
										2EH04502525	23.0	1	57.7	103.4	110	95	494	114.3	125	105	503
										2EH04505025	45.9	2	115.2	175.3	200	161	494	186.1	200	171	503
										2EH04507525	68.9	2	173.0	204.3	225	228	494	215.1	225	238	503
	460-3-60	12.2	100	12.2	100	1.0	7.5	2.2	4.3	None	-	-	-	41.4	50	44	259	45.7	50	49	263
										2EH04502546	23.0	1	28.9	51.0	60	47	259	56.4	60	52	263
										2EH04505046	45.9	2	57.6	86.9	90	80	259	92.3	100	85	263
										2EH04507546	68.9	2	86.5	101.4	110	113	259	106.8	110	118	263
575-3-60	9.3	72	9.3	72	0.9	5.6	1.5	3.5	None	-	-	-	31.3	40	33	190	34.8	40	37	193	
									2EH04502558	23.0	1	23.1	39.6	40	36	190	44.0	45	40	193	
									2EH04505058	45.9	2	46.1	68.4	70	63	190	72.8	80	67	193	
									2EH04507558	68.9	2	69.2	80.0	90	89	190	84.3	90	93	193	
CD18 (17.5)	208-3-60	27.6	191	28.2	240	2.1	19.8	5.0	9.6	None	-	-	-	96.9	125	103	582	106.5	125	114	592
										2EH04502525	18.8	1	52.2	102.5	125	103	582	114.5	125	114	592
										2EH04505025	37.6	2	104.4	167.8	175	154	582	179.8	200	165	592
										2EH04507525	56.3	2	156.3	193.6	200	214	582	205.6	225	225	592
	230-3-60	27.6	191	28.2	240	2.1	19.8	5.0	8.7	None	-	-	-	96.9	125	103	582	105.6	125	113	591
										2EH04502525	23.0	1	57.7	109.4	125	103	582	120.3	125	113	591
										2EH04505025	45.9	2	115.2	181.3	200	167	582	192.1	200	177	591
										2EH04507525	68.9	2	173.0	210.3	225	233	582	221.1	225	243	591
	460-3-60	12.8	100	14.7	130	1.0	9.9	2.2	4.3	None	-	-	-	47.5	60	50	305	51.8	60	55	309
										2EH04502546	23.0	1	28.9	54.0	60	50	305	59.4	60	55	309
										2EH04505046	45.9	2	57.6	89.9	90	83	305	95.3	100	88	309
										2EH04507546	68.9	2	86.5	104.4	110	116	305	109.8	110	121	309
575-3-60	9.6	78	11.3	94	0.9	7.9	1.5	3.5	None	-	-	-	36.4	45	39	233	39.9	50	43	237	
									2EH04502558	23.0	1	23.1	42.5	45	39	233	46.9	50	43	237	
									2EH04505058	45.9	2	46.1	71.3	80	66	233	75.6	80	70	237	
									2EH04507558	68.9	2	69.2	82.8	90	92	233	87.2	90	96	237	
CD20 (20)	208-3-60	28.2	240	34.0	240	2.3	25.4	5.0	9.6	None	-	-	-	115.3	125	123	678	124.9	150	134	688
										2EH04502525	18.8	1	52.2	115.3	125	123	678	124.9	150	134	688
										2EH04505025	37.6	2	104.4	174.8	175	161	678	186.8	200	172	688
										2EH04507525	56.3	2	156.3	200.6	225	220	678	212.6	225	231	688
	230-3-60	28.2	240	34.0	240	2.3	25.4	5.0	8.7	None	-	-	-	115.3	125	123	678	124.0	150	133	687
										2EH04502525	23.0	1	57.7	116.4	125	123	678	127.3	150	133	687
										2EH04505025	45.9	2	115.2	188.3	200	173	678	199.1	200	183	687
										2EH04507525	68.9	2	173.0	217.3	225	240	678	228.1	250	250	687
	460-3-60	14.7	130	16.0	140	1.3	12.7	2.2	4.3	None	-	-	-	57.0	70	61	369	61.3	70	66	373
										2EH04502546	23.0	1	28.9	57.5	70	56	369	62.9	70	61	373
										2EH04505046	45.9	2	57.6	93.4	100	86	369	98.8	100	91	373
										2EH04507546	68.9	2	86.5	107.9	110	119	369	113.3	125	124	373
575-3-60	11.3	94	12.9	108	1.1	10.5	1.5	3.5	None	-	-	-	45.3	50	48	299	48.8	60	52	302	
									2EH04502558	23.0	1	23.1	45.8	50	45	299	50.1	60	49	302	
									2EH04505058	45.9	2	46.1	74.5	80	69	299	78.9	80	73	302	
									2EH04507558	68.9	2	69.2	86.1	90	95	299	90.5	100	99	302	

**Table 44: CD15 to CD28 constant volume high static with on/off power exhaust**

Size (tons)	Nominal unit voltage	Comp. 1		Comp. 2		OD fan motors each FLA	Supply blower motor FLA	Pwr exh motor FLA	120V trans FLA	Electric heat option field installed kit				MCA A	Max f/b size A	Min disconnect rating		MCA with 120V trans A	Max f/b size with 120V trans A	Min disconnect rating/120V trans	
		RLA	LRA	RLA	LRA					Model	kW	Stages	A			FLA	LRA			FLA	LRA
CD25 (25)	208-3-60	41.0	304	41.0	304	2.3	25.4	5.0	9.6	None	-	-	-	136.9	175	146	806	146.5	175	157	816
										2EH04502525	18.8	1	52.2	136.9	175	146	806	146.5	175	157	816
										2EH04505025	37.6	2	104.4	174.8	175	161	806	186.8	200	172	816
										2EH04507525	56.3	2	156.3	200.6	225	220	806	212.6	225	231	816
	230-3-60	41.0	304	41.0	304	2.3	25.4	5.0	8.7	None	-	-	-	136.9	175	146	806	145.6	175	156	815
										2EH04502525	23.0	1	57.7	136.9	175	146	806	145.6	175	156	815
										2EH04505025	45.9	2	115.2	188.3	200	173	806	199.1	200	183	815
										2EH04507525	68.9	2	173.0	217.3	225	240	806	228.1	250	250	815
	460-3-60	19.2	147	19.2	147	1.3	12.7	2.2	4.3	None	-	-	-	65.5	80	70	393	69.8	80	75	397
										2EH04502546	23.0	1	28.9	57.5	80	65	393	62.9	80	70	397
										2EH04505046	45.9	2	57.6	93.4	100	86	393	98.8	100	91	397
										2EH04507546	68.9	2	86.5	107.9	110	119	393	113.3	125	124	397
575-3-60	16.7	122	16.7	122	1.1	10.5	1.5	3.5	None	-	-	-	55.5	70	59	341	59.0	70	63	344	
									2EH04502558	23.0	1	23.1	45.8	70	56	341	50.1	70	60	344	
									2EH04505058	45.9	2	46.1	74.5	80	69	341	78.9	80	73	344	
									2EH04507558	68.9	2	69.2	86.1	90	95	341	90.5	100	99	344	
CD28 (27.5)	208-3-60	51.3	300	51.3	300	2.1	30.2	5.0	9.6	None	-	-	-	164.0	200	174	829	173.6	200	185	839
										2EH04502525	18.8	1	52.2	164.0	200	174	829	173.6	200	185	839
										2EH04505025	37.6	2	104.4	180.8	200	174	829	192.8	200	185	839
										2EH04507525	56.3	2	156.3	206.6	225	226	829	218.6	225	237	839
	230-3-60	51.3	300	51.3	300	2.1	30.2	5.0	8.7	None	-	-	-	164.0	200	174	829	172.7	200	184	838
										2EH04502525	23.0	1	57.7	164.0	200	174	829	172.7	200	184	838
										2EH04505025	45.9	2	115.2	194.3	200	179	829	205.1	225	189	838
										2EH04507525	68.9	2	173.0	223.3	250	245	829	234.1	250	255	838
	460-3-60	22.4	150	22.4	150	1.0	15.1	2.2	4.3	None	-	-	-	73.9	90	79	414	78.2	100	83	419
										2EH04502546	23.0	1	28.9	60.5	90	73	414	65.9	100	78	419
										2EH04505046	45.9	2	57.6	96.4	100	89	414	101.8	110	94	419
										2EH04507546	68.9	2	86.5	110.9	125	122	414	116.3	125	127	419
575-3-60	19.9	109	19.9	109	0.9	12.0	1.5	3.5	None	-	-	-	63.4	80	67	303	66.9	80	71	306	
									2EH04502558	23.0	1	23.1	47.6	80	64	303	52.0	80	68	306	
									2EH04505058	45.9	2	46.1	76.4	80	70	303	80.8	90	74	306	
									2EH04507558	68.9	2	69.2	88.0	90	97	303	92.3	100	101	306	

**Table 45: CD15 to CD28 constant volume high static with modulating power exhaust**

Size (tons)	Nominal unit voltage	Comp. 1		Comp. 2		OD fan motors each FLA	Supply blower motor FLA	Pwr exh motor FLA	120V trans FLA	Electric heat option field installed kit				MCA A	Max f/b size A	Min disconnect rating		MCA with 120V trans A	Max f/b size with 120V trans A	Min disconnect rating/120V trans	
		RLA	LRA	RLA	LRA					Model	kW	Stages	A			FLA	LRA			FLA	LRA
CD15 (15)	208-3-60	25.0	190	25.0	190	2.1	14.9	6.7	9.6	None	-	-	-	88.8	110	95	485	98.4	110	106	494
										2EH04502525	18.8	1	52.2	100.6	110	95	485	112.6	125	106	494
										2EH04505025	37.6	2	104.4	165.9	175	153	485	177.9	200	164	494
										2EH04507525	56.3	2	156.3	191.7	200	212	485	203.7	225	223	494
	230-3-60	25.0	190	25.0	190	2.1	15.0	6.7	8.7	None	-	-	-	88.9	110	95	486	97.6	110	105	495
										2EH04502525	23.0	1	57.7	107.6	110	99	486	118.5	125	109	495
										2EH04505025	45.9	2	115.2	179.5	200	165	486	190.4	200	175	495
										2EH04507525	68.9	2	173.0	208.5	225	232	486	219.4	225	242	495
	460-3-60	12.2	100	12.2	100	1.0	7.5	3.4	4.3	None	-	-	-	43.8	50	47	256	48.1	60	52	261
										2EH04502546	23.0	1	28.9	54.0	60	50	256	59.4	60	55	261
										2EH04505046	45.9	2	57.6	89.9	90	83	256	95.3	100	88	261
										2EH04507546	68.9	2	86.5	104.4	110	116	256	109.8	110	121	261
575-3-60	9.3	72	9.3	72	0.9	5.6	2.7	3.5	None	-	-	-	33.7	40	36	189	37.2	45	40	192	
									2EH04502558	23.0	1	23.1	42.6	45	39	189	47.0	50	43	192	
									2EH04505058	45.9	2	46.1	71.4	80	66	189	75.8	80	70	192	
									2EH04507558	68.9	2	69.2	83.0	90	92	189	87.3	90	96	192	

**Table 45: CD15 to CD28 constant volume high static with modulating power exhaust**

Size (tons)	Nominal unit voltage	Comp. 1		Comp. 2		OD fan motors each FLA	Supply blower motor FLA	Pwr exh motor FLA	120V trans FLA	Electric heat option field installed kit				MCA A	Max f/b size A	Min disconnect rating		MCA with 120V trans A	Max f/b size with 120V trans A	Min disconnect rating/120V trans	
		RLA	LRA	RLA	LRA					Model	kW	Stages	A			FLA	LRA			FLA	LRA
CD18 (17.5)	208-3-60	27.6	191	28.2	240	2.1	19.8	6.7	9.6	None	-	-	-	100.3	125	107	574	109.9	125	118	584
										2EH04502525	18.8	1	52.2	106.8	125	107	574	118.8	125	118	584
										2EH04505025	37.6	2	104.4	172.0	175	158	574	184.0	200	169	584
										2EH04507525	56.3	2	156.3	197.8	200	218	574	209.8	225	229	584
	230-3-60	27.6	191	28.2	240	2.1	19.8	6.7	8.7	None	-	-	-	100.3	125	107	574	109.0	125	117	583
										2EH04502525	23.0	1	57.7	113.6	125	107	574	124.5	125	117	583
										2EH04505025	45.9	2	115.2	185.5	200	171	574	196.4	200	181	583
										2EH04507525	68.9	2	173.0	214.5	225	237	574	225.4	250	247	583
	460-3-60	12.8	100	14.7	130	1.0	9.9	3.4	4.3	None	-	-	-	49.9	60	53	302	54.2	60	58	307
										2EH04502546	23.0	1	28.9	57.0	60	53	302	62.4	70	58	307
										2EH04505046	45.9	2	57.6	92.9	100	85	302	98.3	100	90	307
										2EH04507546	68.9	2	86.5	107.4	110	119	302	112.8	125	124	307
575-3-60	9.6	78	11.3	94	0.9	7.9	2.7	3.5	None	-	-	-	38.8	50	41	232	42.3	50	45	236	
									2EH04502558	23.0	1	23.1	45.5	50	42	232	49.9	50	46	236	
									2EH04505058	45.9	2	46.1	74.3	80	68	232	78.6	80	72	236	
									2EH04507558	68.9	2	69.2	85.8	90	95	232	90.2	100	99	236	
CD20 (20)	208-3-60	28.2	240	34.0	240	2.3	25.4	6.7	9.6	None	-	-	-	118.7	150	127	671	128.3	150	138	680
										2EH04502525	18.8	1	52.2	118.7	150	127	671	128.3	150	138	680
										2EH04505025	37.6	2	104.4	179.0	200	165	671	191.0	200	176	680
										2EH04507525	56.3	2	156.3	204.8	225	224	671	216.8	225	235	680
	230-3-60	28.2	240	34.0	240	2.3	25.4	6.7	8.7	None	-	-	-	118.7	150	127	671	127.4	150	137	679
										2EH04502525	23.0	1	57.7	120.6	150	127	671	131.5	150	137	679
										2EH04505025	45.9	2	115.2	192.5	200	177	671	203.4	225	187	679
										2EH04507525	68.9	2	173.0	221.5	225	244	671	232.4	250	254	679
	460-3-60	14.7	130	16.0	140	1.3	12.7	3.4	4.3	None	-	-	-	59.4	70	64	367	63.7	70	69	371
										2EH04502546	23.0	1	28.9	60.5	70	64	367	65.9	70	69	371
										2EH04505046	45.9	2	57.6	96.4	100	89	367	101.8	110	94	371
										2EH04507546	68.9	2	86.5	110.9	125	122	367	116.3	125	127	371
575-3-60	11.3	94	12.9	108	1.1	10.5	2.7	3.5	None	-	-	-	47.7	60	51	298	51.2	60	55	301	
									2EH04502558	23.0	1	23.1	48.8	60	51	298	53.1	60	55	301	
									2EH04505058	45.9	2	46.1	77.5	80	71	298	81.9	90	75	301	
									2EH04507558	68.9	2	69.2	89.1	90	98	298	93.5	100	102	301	
CD25 (25)	208-3-60	41.0	304	41.0	304	2.3	25.4	6.7	9.6	None	-	-	-	140.3	175	150	799	149.9	175	161	808
										2EH04502525	18.8	1	52.2	140.3	175	150	799	149.9	175	161	808
										2EH04505025	37.6	2	104.4	179.0	200	165	799	191.0	200	176	808
										2EH04507525	56.3	2	156.3	204.8	225	224	799	216.8	225	235	808
	230-3-60	41.0	304	41.0	304	2.3	25.4	6.7	8.7	None	-	-	-	140.3	175	150	799	149.0	175	160	807
										2EH04502525	23.0	1	57.7	140.3	175	150	799	149.0	175	160	807
										2EH04505025	45.9	2	115.2	192.5	200	177	799	203.4	225	187	807
										2EH04507525	68.9	2	173.0	221.5	225	244	799	232.4	250	254	807
	460-3-60	19.2	147	19.2	147	1.3	12.7	3.4	4.3	None	-	-	-	67.9	80	73	391	72.2	90	78	395
										2EH04502546	23.0	1	28.9	60.5	80	73	391	65.9	90	78	395
										2EH04505046	45.9	2	57.6	96.4	100	89	391	101.8	110	94	395
										2EH04507546	68.9	2	86.5	110.9	125	122	391	116.3	125	127	395
575-3-60	16.7	122	16.7	122	1.1	10.5	2.7	3.5	None	-	-	-	57.9	70	62	340	61.4	70	66	343	
									2EH04502558	23.0	1	23.1	48.8	70	62	340	53.1	70	66	343	
									2EH04505058	45.9	2	46.1	77.5	80	71	340	81.9	90	75	343	
									2EH04507558	68.9	2	69.2	89.1	90	98	340	93.5	100	102	343	

**Table 45: CD15 to CD28 constant volume high static with modulating power exhaust**

Size (tons)	Nominal unit voltage	Comp. 1		Comp. 2		OD fan motors each FLA	Supply blower motor FLA	Pwr exh motor FLA	120V trans FLA	Electric heat option field installed kit				MCA A	Max f/b size A	Min disconnect rating		MCA with 120V trans A	Max f/b size with 120V trans A	Min disconnect rating/120V trans	
		RLA	LRA	RLA	LRA					Model	kW	Stages	A			FLA	LRA			FLA	LRA
CD28 (27.5)	208-3-60	51.3	300	51.3	300	2.1	30.2	6.7	9.6	None	-	-	-	167.4	200	178	821	177.0	225	189	831
										2EH04502525	18.8	1	52.2	167.4	200	178	821	177.0	225	189	831
										2EH04505025	37.6	2	104.4	185.0	200	178	821	197.0	225	189	831
										2EH04507525	56.3	2	156.3	210.8	225	230	821	222.8	225	241	831
	230-3-60	51.3	300	51.3	300	2.1	30.2	6.7	8.7	None	-	-	-	167.4	200	178	821	176.1	225	188	830
										2EH04502525	23.0	1	57.7	167.4	200	178	821	176.1	225	188	830
										2EH04505025	45.9	2	115.2	198.5	200	183	821	209.4	225	193	830
										2EH04507525	68.9	2	173.0	227.5	250	249	821	238.4	250	259	830
	460-3-60	22.4	150	22.4	150	1.0	15.1	3.4	4.3	None	-	-	-	76.3	90	81	412	80.6	100	86	416
										2EH04502546	23.0	1	28.9	63.5	90	81	412	68.9	100	86	416
										2EH04505046	45.9	2	57.6	99.4	100	91	412	104.8	110	96	416
										2EH04507546	68.9	2	86.5	113.9	125	125	412	119.3	125	130	416
	575-3-60	19.9	109	19.9	109	0.9	12.0	2.7	3.5	None	-	-	-	65.8	80	70	302	69.3	80	74	305
										2EH04502558	23.0	1	23.1	50.6	80	70	302	55.0	80	74	305
										2EH04505058	45.9	2	46.1	79.4	80	73	302	83.8	90	77	305
										2EH04507558	68.9	2	69.2	91.0	100	100	302	95.3	100	104	305

# VFD 2 stage standard static

**Note:**

- MCA = minimum circuit ampacity
- f/b = fuse/breaker
- Fuse is a dual element, time delay type
- Breaker is a HACR type per NEC

**Table 46: CD15 to CD28 VFD 2 stage standard static without power exhaust**

Size (tons)	Nominal unit voltage	Comp. 1		Comp. 2		OD fan motors each FLA	Supply blower motor FLA	120V trans FLA	Electric heat option field installed kit				MCA A	Max f/b size A	Min disconnect rating		MCA with 120V trans A	Max f/b size with 120V trans A	Min disconnect rating/120V trans	
		RLA	LRA	RLA	LRA				Model	kW	Stages	A			FLA	LRA			FLA	LRA
CD15 (15)	208-3-60	25.0	190	25.0	190	2.1	13.2	9.6	None	-	-	-	73.7	90	78	452	83.3	100	89	461
									2EH04502525	18.8	1	52.2	81.8	90	78	452	93.8	100	89	461
									2EH04505025	37.6	2	104.4	147.0	150	135	452	159.0	175	146	461
									2EH04507525	56.3	2	156.3	172.8	200	195	452	184.8	200	206	461
	230-3-60	25.0	190	25.0	190	2.1	13.2	8.7	None	-	-	-	73.7	90	78	459	82.4	100	88	468
									2EH04502525	23.0	1	57.7	88.6	90	82	459	99.5	100	92	468
									2EH04505025	45.9	2	115.2	160.5	175	148	459	171.4	175	158	468
									2EH04507525	68.9	2	173.0	189.5	225	214	459	200.4	225	224	468
	460-3-60	12.2	100	12.2	100	1.0	6.1	4.3	None	-	-	-	35.6	45	37	240	39.9	50	42	244
									2EH04502546	23.0	1	28.9	43.8	45	40	240	49.1	50	45	244
									2EH04505046	45.9	2	57.6	79.6	80	73	240	85.0	90	78	244
									2EH04507546	68.9	2	86.5	94.1	110	106	240	99.5	110	111	244
575-3-60	9.3	72	9.3	72	0.9	5.9	3.5	None	-	-	-	28.6	35	30	174	32.1	40	34	178	
								2EH04502558	23.0	1	23.1	36.3	40	33	174	40.6	45	37	178	
								2EH04505058	45.9	2	46.1	65.0	70	60	174	69.4	70	64	178	
								2EH04507558	68.9	2	69.2	76.6	90	86	174	81.0	90	90	178	
CD18 (17.5)	208-3-60	27.6	191	28.2	240	2.1	13.2	9.6	None	-	-	-	80.3	100	84	514	89.9	110	95	523
									2EH04502525	18.8	1	52.2	81.8	100	84	514	93.8	110	95	523
									2EH04505025	37.6	2	104.4	147.0	150	135	514	159.0	175	146	523
									2EH04507525	56.3	2	156.3	172.8	200	195	514	184.8	200	206	523
	230-3-60	27.6	191	28.2	240	2.1	13.2	8.7	None	-	-	-	80.3	100	84	522	89.0	110	94	530
									2EH04502525	23.0	1	57.7	88.6	100	84	522	99.5	110	94	530
									2EH04505025	45.9	2	115.2	160.5	175	148	522	171.4	175	158	530
									2EH04507525	68.9	2	173.0	189.5	225	214	522	200.4	225	224	530
	460-3-60	12.8	100	14.7	130	1.0	6.1	4.3	None	-	-	-	39.3	50	41	276	43.6	50	46	280
									2EH04502546	23.0	1	28.9	43.8	50	41	276	49.1	50	46	280
									2EH04505046	45.9	2	57.6	79.6	80	73	276	85.0	90	78	280
									2EH04507546	68.9	2	86.5	94.1	110	106	276	99.5	110	111	280
575-3-60	9.6	78	11.3	94	0.9	7.0	3.5	None	-	-	-	32.5	40	34	216	36.0	45	38	220	
								2EH04502558	23.0	1	23.1	37.6	40	35	216	42.0	45	39	220	
								2EH04505058	45.9	2	46.1	66.4	70	61	216	70.8	80	65	220	
								2EH04507558	68.9	2	69.2	78.0	90	88	216	82.3	90	92	220	

**Table 46: CD15 to CD28 VFD 2 stage standard static without power exhaust**

Size (tons)	Nominal unit voltage	Comp. 1		Comp. 2		OD fan motors each FLA	Supply blower motor FLA	120V trans FLA	Electric heat option field installed kit				MCA A	Max f/b size A	Min disconnect rating		MCA with 120V trans A	Max f/b size with 120V trans A	Min disconnect rating/120V trans	
		RLA	LRA	RLA	LRA				Model	kW	Stages	A			FLA	LRA			FLA	LRA
CD20 (20)	208-3-60	28.2	240	34.0	240	2.3	20.4	9.6	None	-	-	-	100.3	125	106	602	109.9	125	117	612
									2EH04502525	18.8	1	52.2	100.3	125	106	602	109.9	125	117	612
									2EH04505025	37.6	2	104.4	156.0	175	144	602	168.0	175	155	612
									2EH04507525	56.3	2	156.3	181.8	200	203	602	193.8	200	214	612
	230-3-60	28.2	240	34.0	240	2.3	20.4	8.7	None	-	-	-	100.3	125	106	601	109.0	125	116	610
									2EH04502525	23.0	1	57.7	100.3	125	106	601	109.0	125	116	610
									2EH04505025	45.9	2	115.2	169.5	175	156	601	180.4	200	166	610
									2EH04507525	68.9	2	173.0	198.5	225	222	601	209.4	225	232	610
	460-3-60	14.7	130	16.0	140	1.3	9.9	4.3	None	-	-	-	49.8	60	53	332	54.1	70	58	336
									2EH04502546	23.0	1	28.9	48.5	60	53	332	53.9	70	58	336
									2EH04505046	45.9	2	57.6	84.4	90	78	332	89.8	90	83	336
									2EH04507546	68.9	2	86.5	98.9	110	111	332	104.3	110	116	336
575-3-60	11.3	94	12.9	108	1.1	7.0	3.5	None	-	-	-	38.8	50	41	251	42.3	50	45	254	
								2EH04502558	23.0	1	23.1	37.6	50	41	251	42.0	50	45	254	
								2EH04505058	45.9	2	46.1	66.4	70	61	251	70.8	80	65	254	
								2EH04507558	68.9	2	69.2	78.0	90	88	251	82.3	90	92	254	
CD25 (25)	208-3-60	41.0	304	41.0	304	2.3	20.4	9.6	None	-	-	-	121.9	150	128	730	131.5	150	139	740
									2EH04502525	18.8	1	52.2	121.9	150	128	730	131.5	150	139	740
									2EH04505025	37.6	2	104.4	156.0	175	144	730	168.0	175	155	740
									2EH04507525	56.3	2	156.3	181.8	200	203	730	193.8	200	214	740
	230-3-60	41.0	304	41.0	304	2.3	20.4	8.7	None	-	-	-	121.9	150	128	729	130.6	150	138	738
									2EH04502525	23.0	1	57.7	121.9	150	128	729	130.6	150	138	738
									2EH04505025	45.9	2	115.2	169.5	175	156	729	180.4	200	166	738
									2EH04507525	68.9	2	173.0	198.5	225	222	729	209.4	225	232	738
	460-3-60	19.2	147	19.2	147	1.3	9.9	4.3	None	-	-	-	58.3	70	62	356	62.6	80	66	360
									2EH04502546	23.0	1	28.9	48.5	70	62	356	53.9	80	66	360
									2EH04505046	45.9	2	57.6	84.4	90	78	356	89.8	90	83	360
									2EH04507546	68.9	2	86.5	98.9	110	111	356	104.3	110	116	360
575-3-60	16.7	122	16.7	122	1.1	7.0	3.5	None	-	-	-	49.0	60	52	293	52.5	60	56	296	
								2EH04502558	23.0	1	23.1	37.6	60	52	293	42.0	60	56	296	
								2EH04505058	45.9	2	46.1	66.4	70	61	293	70.8	80	65	296	
								2EH04507558	68.9	2	69.2	78.0	90	88	293	82.3	90	92	296	
CD28 (27.5)	208-3-60	51.3	300	51.3	300	2.1	30.0	9.6	None	-	-	-	153.8	200	162	740	163.4	200	173	750
									2EH04502525	18.8	1	52.2	153.8	200	162	740	163.4	200	173	750
									2EH04505025	37.6	2	104.4	168.0	200	162	740	180.0	200	173	750
									2EH04507525	56.3	2	156.3	193.8	200	214	740	205.8	225	225	750
	230-3-60	51.3	300	51.3	300	2.1	30.0	8.7	None	-	-	-	153.8	200	162	740	162.5	200	172	749
									2EH04502525	23.0	1	57.7	153.8	200	162	740	162.5	200	172	749
									2EH04505025	45.9	2	115.2	181.5	200	167	740	192.4	200	177	749
									2EH04507525	68.9	2	173.0	210.5	225	233	740	221.4	225	243	749
	460-3-60	22.4	150	22.4	150	1.0	14.3	4.3	None	-	-	-	68.7	90	73	371	73.0	90	78	376
									2EH04502546	23.0	1	28.9	54.0	90	73	371	59.4	90	78	376
									2EH04505046	45.9	2	57.6	89.9	90	83	371	95.3	100	88	376
									2EH04507546	68.9	2	86.5	104.4	110	116	371	109.8	110	121	376
575-3-60	19.9	109	19.9	109	0.9	10.5	3.5	None	-	-	-	58.9	70	62	277	62.4	80	66	280	
								2EH04502558	23.0	1	23.1	42.0	70	62	277	46.4	80	66	280	
								2EH04505058	45.9	2	46.1	70.8	80	65	277	75.1	80	69	280	
								2EH04507558	68.9	2	69.2	82.3	90	92	277	86.7	90	96	280	

**Table 47: CD15 to CD28 VFD 2 stage standard static with on/off power exhaust**

Size (tons)	Nominal unit voltage	Comp. 1		Comp. 2		OD fan motors each FLA	Supply blower motor FLA	Pwr exh motor FLA	120V trans FLA	Electric heat option field installed kit				MCA A	Max f/b size A	Min disconnect rating		MCA with 120V trans A	Max f/b size with 120V trans A	Min disconnect rating/120V trans	
		RLA	LRA	RLA	LRA					Model	kW	Stages	A			FLA	LRA			FLA	LRA
CD15 (15)	208-3-60	25.0	190	25.0	190	2.1	13.2	5.0	9.6	None	-	-	-	83.7	100	89	473	93.3	110	100	482
										2EH04502525	18.8	1	52.2	94.3	100	89	473	106.3	110	100	482
										2EH04505025	37.6	2	104.4	159.5	175	147	473	171.5	175	158	482
										2EH04507525	56.3	2	156.3	185.3	200	206	473	197.3	200	217	482
	230-3-60	25.0	190	25.0	190	2.1	13.2	5.0	8.7	None	-	-	-	83.7	100	89	480	92.4	110	99	489
										2EH04502525	23.0	1	57.7	101.1	110	93	480	112.0	125	103	489
										2EH04505025	45.9	2	115.2	173.0	175	159	480	183.9	200	169	489
										2EH04507525	68.9	2	173.0	202.0	225	226	480	212.9	225	236	489
	460-3-60	12.2	100	12.2	100	1.0	6.1	2.2	4.3	None	-	-	-	40.0	50	42	249	44.3	50	47	254
										2EH04502546	23.0	1	28.9	49.3	50	45	249	54.6	60	50	254
										2EH04505046	45.9	2	57.6	85.1	90	78	249	90.5	100	83	254
										2EH04507546	68.9	2	86.5	99.6	110	112	249	105.0	110	116	254
	575-3-60	9.3	72	9.3	72	0.9	5.9	1.5	3.5	None	-	-	-	31.6	40	34	181	35.1	40	38	184
										2EH04502558	23.0	1	23.1	40.0	45	37	181	44.4	45	41	184
										2EH04505058	45.9	2	46.1	68.8	70	63	181	73.1	80	67	184
										2EH04507558	68.9	2	69.2	80.3	90	90	181	84.7	90	94	184
CD18 (17.5)	208-3-60	27.6	191	28.2	240	2.1	13.2	5.0	9.6	None	-	-	-	90.3	110	96	535	99.9	125	107	544
										2EH04502525	18.8	1	52.2	94.3	110	96	535	106.3	125	107	544
										2EH04505025	37.6	2	104.4	159.5	175	147	535	171.5	175	158	544
										2EH04507525	56.3	2	156.3	185.3	200	206	535	197.3	200	217	544
	230-3-60	27.6	191	28.2	240	2.1	13.2	5.0	8.7	None	-	-	-	90.3	110	96	543	99.0	125	106	551
										2EH04502525	23.0	1	57.7	101.1	110	96	543	112.0	125	106	551
										2EH04505025	45.9	2	115.2	173.0	175	159	543	183.9	200	169	551
										2EH04507525	68.9	2	173.0	202.0	225	226	543	212.9	225	236	551
	460-3-60	12.8	100	14.7	130	1.0	6.1	2.2	4.3	None	-	-	-	43.7	50	46	285	48.0	60	51	289
										2EH04502546	23.0	1	28.9	49.3	50	45	285	54.6	60	50	289
										2EH04505046	45.9	2	57.6	85.1	90	78	285	90.5	100	83	289
										2EH04507546	68.9	2	86.5	99.6	110	112	285	105.0	110	116	289
	575-3-60	9.6	78	11.3	94	0.9	7.0	1.5	3.5	None	-	-	-	35.5	45	38	222	39.0	50	42	226
										2EH04502558	23.0	1	23.1	41.4	45	38	222	45.8	50	42	226
										2EH04505058	45.9	2	46.1	70.1	80	65	222	74.5	80	69	226
										2EH04507558	68.9	2	69.2	81.7	90	91	222	86.1	90	95	226
CD20 (20)	208-3-60	28.2	240	34.0	240	2.3	20.4	5.0	9.6	None	-	-	-	110.3	125	117	623	119.9	150	128	633
										2EH04502525	18.8	1	52.2	110.3	125	117	623	119.9	150	128	633
										2EH04505025	37.6	2	104.4	168.5	175	155	623	180.5	200	166	633
										2EH04507525	56.3	2	156.3	194.3	200	215	623	206.3	225	226	633
	230-3-60	28.2	240	34.0	240	2.3	20.4	5.0	8.7	None	-	-	-	110.3	125	117	622	119.0	150	127	631
										2EH04502525	23.0	1	57.7	110.3	125	117	622	121.0	150	127	631
										2EH04505025	45.9	2	115.2	182.0	200	167	622	192.9	200	177	631
										2EH04507525	68.9	2	173.0	211.0	225	234	622	221.9	225	244	631
	460-3-60	14.7	130	16.0	140	1.3	9.9	2.2	4.3	None	-	-	-	54.2	70	58	341	58.5	70	63	345
										2EH04502546	23.0	1	28.9	54.0	70	53	341	59.4	70	58	345
										2EH04505046	45.9	2	57.6	89.9	90	83	341	95.3	100	88	345
										2EH04507546	68.9	2	86.5	104.4	110	116	341	109.8	110	121	345
	575-3-60	11.3	94	12.9	108	1.1	7.0	1.5	3.5	None	-	-	-	41.8	50	44	257	45.3	50	48	261
										2EH04502558	23.0	1	23.1	41.4	50	41	257	45.8	50	45	261
										2EH04505058	45.9	2	46.1	70.1	80	65	257	74.5	80	69	261
										2EH04507558	68.9	2	69.2	81.7	90	91	257	86.1	90	95	261



**Table 47: CD15 to CD28 VFD 2 stage standard static with on/off power exhaust**

Size (tons)	Nominal unit voltage	Comp. 1		Comp. 2		OD fan motors each FLA	Supply blower motor FLA	Pwr exh motor FLA	120V trans FLA	Electric heat option field installed kit				MCA A	Max f/b size A	Min disconnect rating		MCA with 120V trans A	Max f/b size with 120V trans A	Min disconnect rating/120V trans	
		RLA	LRA	RLA	LRA					Model	kW	Stages	A			FLA	LRA			FLA	LRA
CD25 (25)	208-3-60	41.0	304	41.0	304	2.3	20.4	5.0	9.6	None	-	-	-	131.9	150	140	751	141.5	175	151	761
										2EH04502525	18.8	1	52.2	131.9	150	140	751	141.5	175	151	761
		2EH04505025	37.6	2	104.4					168.5	175	155	751	180.5	200	166	761				
		2EH04507525	56.3	2	156.3					194.3	200	215	751	206.3	225	226	761				
	230-3-60	41.0	304	41.0	304	2.3	20.4	5.0	8.7	None	-	-	-	131.9	150	140	750	140.6	175	150	759
										2EH04502525	23.0	1	57.7	131.9	150	140	750	140.6	175	150	759
		2EH04505025	45.9	2	115.2					182.0	200	167	750	192.9	200	177	759				
		2EH04507525	68.9	2	173.0					211.0	225	234	750	221.9	225	244	759				
	460-3-60	19.2	147	19.2	147	1.3	9.9	2.2	4.3	None	-	-	-	62.7	80	67	365	67.0	80	72	369
										2EH04502546	23.0	1	28.9	54.0	80	62	365	59.4	80	66	369
		2EH04505046	45.9	2	57.6					89.9	90	83	365	95.3	100	88	369				
		2EH04507546	68.9	2	86.5					104.4	110	116	365	109.8	110	121	369				
575-3-60	16.7	122	16.7	122	1.1	7.0	1.5	3.5	None	-	-	-	52.0	60	55	299	55.5	70	59	303	
									2EH04502558	23.0	1	23.1	41.4	60	52	299	45.8	70	56	303	
	2EH04505058	45.9	2	46.1					70.1	80	65	299	74.5	80	69	303					
	2EH04507558	68.9	2	69.2					81.7	90	91	299	86.1	90	95	303					
CD28 (27.5)	208-3-60	51.3	300	51.3	300	2.1	30.0	5.0	9.6	None	-	-	-	163.8	200	174	761	173.4	200	185	771
										2EH04502525	18.8	1	52.2	163.8	200	174	761	173.4	200	185	771
		2EH04505025	37.6	2	104.4					180.5	200	174	761	192.5	200	185	771				
		2EH04507525	56.3	2	156.3					206.3	225	226	761	218.3	225	237	771				
	230-3-60	51.3	300	51.3	300	2.1	30.0	5.0	8.7	None	-	-	-	163.8	200	174	761	172.5	200	184	770
										2EH04502525	23.0	1	57.7	163.8	200	174	761	172.5	200	184	770
		2EH04505025	45.9	2	115.2					194.0	200	178	761	204.9	225	188	770				
		2EH04507525	68.9	2	173.0					223.0	250	245	761	233.9	250	255	770				
	460-3-60	22.4	150	22.4	150	1.0	14.3	2.2	4.3	None	-	-	-	73.1	90	78	380	77.4	90	83	385
										2EH04502546	23.0	1	28.9	59.5	90	73	380	64.9	90	78	385
		2EH04505046	45.9	2	57.6					95.4	100	88	380	100.8	110	93	385				
		2EH04507546	68.9	2	86.5					109.9	110	121	380	115.3	125	126	385				
575-3-60	19.9	109	19.9	109	0.9	10.5	1.5	3.5	None	-	-	-	61.9	80	65	283	65.4	80	69	287	
									2EH04502558	23.0	1	23.1	45.8	80	62	283	50.1	80	66	287	
	2EH04505058	45.9	2	46.1					74.5	80	69	283	78.9	80	73	287					
	2EH04507558	68.9	2	69.2					86.1	90	95	283	90.5	100	99	287					

**Table 48: CD15 to CD28 VFD 2 stage standard static with modulating power exhaust**

Size (tons)	Nominal unit voltage	Comp. 1		Comp. 2		OD fan motors (each) FLA	Supply blower motor FLA	Pwr exh motor FLA	120V trans FLA	Electric heat option field installed kit				MCA A	Max f/b size A	Min disconnect rating		MCA with 120V trans A	Max f/b size with 120V trans A	Min disconnect rating/120V trans	
		RLA	LRA	RLA	LRA					Model	kW	Stages	A			FLA	LRA			FLA	LRA
CD15 (15)	208-3-60	25.0	190	25.0	190	2.1	13.2	6.7	9.6	None	-	-	-	87.1	110	93	465	96.7	110	104	475
										2EH04502525	18.8	1	52.2	98.5	110	93	465	110.5	125	104	475
		2EH04505025	37.6	2	104.4					163.8	175	151	465	175.8	200	162	475				
		2EH04507525	56.3	2	156.3					189.6	200	210	465	201.6	225	221	475				
	230-3-60	25.0	190	25.0	190	2.1	13.2	6.7	8.7	None	-	-	-	87.1	110	93	472	95.8	110	103	481
										2EH04502525	23.0	1	57.7	105.4	110	97	472	116.3	125	107	481
		2EH04505025	45.9	2	115.2					177.3	200	163	472	188.1	200	173	481				
		2EH04507525	68.9	2	173.0					206.3	225	230	472	217.1	225	240	481				
	460-3-60	12.2	100	12.2	100	1.0	6.1	3.4	4.3	None	-	-	-	42.4	50	45	247	46.7	50	50	251
										2EH04502546	23.0	1	28.9	52.3	60	48	247	57.6	60	53	251
		2EH04505046	45.9	2	57.6					88.1	90	81	247	93.5	100	86	251				
		2EH04507546	68.9	2	86.5					102.6	110	114	247	108.0	110	119	251				
575-3-60	9.3	72	9.3	72	0.9	5.9	2.7	3.5	None	-	-	-	34.0	40	36	180	37.5	45	40	183	
									2EH04502558	23.0	1	23.1	43.0	45	40	180	47.4	50	44	183	
	2EH04505058	45.9	2	46.1					71.8	80	66	180	76.1	80	70	183					
	2EH04507558	68.9	2	69.2					83.3	90	93	180	87.7	90	97	183					

**Table 48: CD15 to CD28 VFD 2 stage standard static with modulating power exhaust**

Size (tons)	Nominal unit voltage	Comp. 1		Comp. 2		OD fan motors (each) FLA	Supply blower motor FLA	Pwr exh motor FLA	120V trans FLA	Electric heat option field installed kit				MCA A	Max f/b size A	Min disconnect rating		MCA with 120V trans A	Max f/b size with 120V trans A	Min disconnect rating/120V trans	
		RLA	LRA	RLA	LRA					Model	kW	Stages	A			FLA	LRA			FLA	LRA
CD18 (17.5)	208-3-60	27.6	191	28.2	240	2.1	13.2	6.7	9.6	None	-	-	-	93.7	110	100	527	103.3	125	111	537
										2EH04502525	18.8	1	52.2	98.5	110	100	527	110.5	125	111	537
										2EH04505025	37.6	2	104.4	163.8	175	151	527	175.8	200	162	537
										2EH04507525	56.3	2	156.3	189.6	200	210	527	201.6	225	221	537
	230-3-60	27.6	191	28.2	240	2.1	13.2	6.7	8.7	None	-	-	-	93.7	110	100	535	102.4	125	110	544
										2EH04502525	23.0	1	57.7	105.4	110	100	535	116.3	125	110	544
										2EH04505025	45.9	2	115.2	177.3	200	163	535	188.1	200	173	544
										2EH04507525	68.9	2	173.0	206.3	225	230	535	217.1	225	240	544
	460-3-60	12.8	100	14.7	130	1.0	6.1	3.4	4.3	None	-	-	-	46.1	60	49	283	50.4	60	54	287
										2EH04502546	23.0	1	28.9	52.3	60	49	283	57.6	60	54	287
										2EH04505046	45.9	2	57.6	88.1	90	81	283	93.5	100	86	287
										2EH04507546	68.9	2	86.5	102.6	110	114	283	108.0	110	119	287
575-3-60	9.6	78	11.3	94	0.9	7.0	2.7	3.5	None	-	-	-	37.9	45	40	221	41.4	50	44	225	
									2EH04502558	23.0	1	23.1	44.4	45	41	221	48.8	50	45	225	
									2EH04505058	45.9	2	46.1	73.1	80	67	221	77.5	80	71	225	
									2EH04507558	68.9	2	69.2	84.7	90	94	221	89.1	90	98	225	
CD20 (20)	208-3-60	28.2	240	34.0	240	2.3	20.4	6.7	9.6	None	-	-	-	113.7	125	121	615	123.3	150	132	625
										2EH04502525	18.8	1	52.2	113.7	125	121	615	123.3	150	132	625
										2EH04505025	37.6	2	104.4	172.8	175	159	615	184.8	200	170	625
										2EH04507525	56.3	2	156.3	198.6	200	219	615	210.6	225	230	625
	230-3-60	28.2	240	34.0	240	2.3	20.4	6.7	8.7	None	-	-	-	113.7	125	121	615	122.4	150	131	623
										2EH04502525	23.0	1	57.7	114.4	125	121	615	125.3	150	131	623
										2EH04505025	45.9	2	115.2	186.3	200	171	615	197.1	200	181	623
										2EH04507525	68.9	2	173.0	215.3	225	238	615	226.1	250	248	623
	460-3-60	14.7	130	16.0	140	1.3	9.9	3.4	4.3	None	-	-	-	56.6	70	60	339	60.9	70	65	343
										2EH04502546	23.0	1	28.9	57.0	70	60	339	62.4	70	65	343
										2EH04505046	45.9	2	57.6	92.9	100	85	339	98.3	100	90	343
										2EH04507546	68.9	2	86.5	107.4	110	119	339	112.8	125	124	343
575-3-60	11.3	94	12.9	108	1.1	7.0	2.7	3.5	None	-	-	-	44.2	50	47	256	47.7	60	51	260	
									2EH04502558	23.0	1	23.1	44.4	50	47	256	48.8	60	51	260	
									2EH04505058	45.9	2	46.1	73.1	80	67	256	77.5	80	71	260	
									2EH04507558	68.9	2	69.2	84.7	90	94	256	89.1	90	98	260	
CD25 (25)	208-3-60	41.0	304	41.0	304	2.3	20.4	6.7	9.6	None	-	-	-	135.3	175	144	743	144.9	175	155	753
										2EH04502525	18.8	1	52.2	135.3	175	144	743	144.9	175	155	753
										2EH04505025	37.6	2	104.4	172.8	175	159	743	184.8	200	170	753
										2EH04507525	56.3	2	156.3	198.6	200	219	743	210.6	225	230	753
	230-3-60	41.0	304	41.0	304	2.3	20.4	6.7	8.7	None	-	-	-	135.3	175	144	743	144.0	175	154	751
										2EH04502525	23.0	1	57.7	135.3	175	144	743	144.0	175	154	751
										2EH04505025	45.9	2	115.2	186.3	200	171	743	197.1	200	181	751
										2EH04507525	68.9	2	173.0	215.3	225	238	743	226.1	250	248	751
	460-3-60	19.2	147	19.2	147	1.3	9.9	3.4	4.3	None	-	-	-	65.1	80	69	363	69.4	80	74	367
										2EH04502546	23.0	1	28.9	57.0	80	69	363	62.4	80	74	367
										2EH04505046	45.9	2	57.6	92.9	100	85	363	98.3	100	90	367
										2EH04507546	68.9	2	86.5	107.4	110	119	363	112.8	125	124	367
575-3-60	16.7	122	16.7	122	1.1	7.0	2.7	3.5	None	-	-	-	54.4	70	58	298	57.9	70	62	302	
									2EH04502558	23.0	1	23.1	44.4	70	58	298	48.8	70	62	302	
									2EH04505058	45.9	2	46.1	73.1	80	67	298	77.5	80	71	302	
									2EH04507558	68.9	2	69.2	84.7	90	94	298	89.1	90	98	302	

**Table 48: CD15 to CD28 VFD 2 stage standard static with modulating power exhaust**

Size (tons)	Nominal unit voltage	Comp. 1		Comp. 2		OD fan motors (each) FLA	Supply blower motor FLA	Pwr exh motor FLA	120V trans FLA	Electric heat option field installed kit				MCA A	Max f/b size A	Min disconnect rating		MCA with 120V trans A	Max f/b size with 120V trans A	Min disconnect rating/120V trans	
		RLA	LRA	RLA	LRA					Model	kW	Stages	A			FLA	LRA			FLA	LRA
CD28 (27.5)	208-3-60	51.3	300	51.3	300	2.1	30.0	6.7	9.6	None	-	-	-	167.2	200	178	753	176.8	225	189	763
										2EH04502525	18.8	1	52.2	167.2	200	178	753	176.8	225	189	763
										2EH04505025	37.6	2	104.4	184.8	200	178	753	196.8	225	189	763
										2EH04507525	56.3	2	156.3	210.6	225	230	753	222.6	225	241	763
	230-3-60	51.3	300	51.3	300	2.1	30.0	6.7	8.7	None	-	-	-	167.2	200	178	753	175.9	225	188	762
										2EH04502525	23.0	1	57.7	167.2	200	178	753	175.9	225	188	762
										2EH04505025	45.9	2	115.2	198.3	200	182	753	209.1	225	192	762
										2EH04507525	68.9	2	173.0	227.3	250	249	753	238.1	250	259	762
	460-3-60	22.4	150	22.4	150	1.0	14.3	3.4	4.3	None	-	-	-	75.5	90	80	378	79.8	100	85	382
										2EH04502546	23.0	1	28.9	62.5	90	80	378	67.9	100	85	382
										2EH04505046	45.9	2	57.6	98.4	100	91	378	103.8	110	95	382
										2EH04507546	68.9	2	86.5	112.9	125	124	378	118.3	125	129	382
	575-3-60	19.9	109	19.9	109	0.9	10.5	2.7	3.5	None	-	-	-	64.3	80	68	282	67.8	80	72	286
										2EH04502558	23.0	1	23.1	48.8	80	68	282	53.1	80	72	286
										2EH04505058	45.9	2	46.1	77.5	80	71	282	81.9	90	75	286
										2EH04507558	68.9	2	69.2	89.1	90	98	282	93.5	100	102	286

# VFD 2 stage medium static

**Note:**

- MCA = minimum circuit ampacity
- f/b = fuse/breaker
- Fuse is a dual element, time delay type
- Breaker is a HACR type per NEC

**Table 49: CD15 to CD28 VFD 2 stage medium static without power exhaust**

Size (tons)	Nominal unit voltage	Comp. 1		Comp. 2		OD fan motors each FLA	Supply blower motor FLA	120V trans FLA	Electric heat option field installed kit				MCA A	Max f/b size A	Min disconnect rating		MCA with 120V trans A	Max f/b size with 120V trans A	Min disconnect rating/120V trans	
		RLA	LRA	RLA	LRA				Model	kW	Stages	A			FLA	LRA			FLA	LRA
CD15 (15)	208-3-60	25.0	190	25.0	190	2.1	13.2	9.6	None	-	-	-	73.7	90	78	463	83.3	100	89	472
									2EH04502525	18.8	1	52.2	81.8	90	78	463	93.8	100	89	472
									2EH04505025	37.6	2	104.4	147.0	150	135	463	159.0	175	146	472
									2EH04507525	56.3	2	156.3	172.8	200	195	463	184.8	200	206	472
	230-3-60	25.0	190	25.0	190	2.1	13.2	8.7	None	-	-	-	73.7	90	78	471	82.4	100	88	479
									2EH04502525	23.0	1	57.7	88.6	90	82	471	99.5	100	92	479
									2EH04505025	45.9	2	115.2	160.5	175	148	471	171.4	175	158	479
									2EH04507525	68.9	2	173.0	189.5	225	214	471	200.4	225	224	479
	460-3-60	12.2	100	12.2	100	1.0	6.1	4.3	None	-	-	-	35.6	45	37	246	39.9	50	42	250
									2EH04502546	23.0	1	28.9	43.8	45	40	246	49.1	50	45	250
									2EH04505046	45.9	2	57.6	79.6	80	73	246	85.0	90	78	250
									2EH04507546	68.9	2	86.5	94.1	110	106	246	99.5	110	111	250
575-3-60	9.3	72	9.3	72	0.9	7.0	3.5	None	-	-	-	29.7	35	32	188	33.2	40	36	192	
								2EH04502558	23.0	1	23.1	37.6	40	35	188	42.0	45	39	192	
								2EH04505058	45.9	2	46.1	66.4	70	61	188	70.8	80	65	192	
								2EH04507558	68.9	2	69.2	78.0	90	88	188	82.3	90	92	192	
CD18 (17.5)	208-3-60	27.6	191	28.2	240	2.1	20.4	9.6	None	-	-	-	87.5	110	92	544	97.1	125	104	553
									2EH04502525	18.8	1	52.2	90.8	110	92	544	102.8	125	104	553
									2EH04505025	37.6	2	104.4	156.0	175	144	544	168.0	175	155	553
									2EH04507525	56.3	2	156.3	181.8	200	203	544	193.8	200	214	553
	230-3-60	27.6	191	28.2	240	2.1	20.4	8.7	None	-	-	-	87.5	110	92	543	96.2	110	102	552
									2EH04502525	23.0	1	57.7	97.6	110	92	543	108.5	110	102	552
									2EH04505025	45.9	2	115.2	169.5	175	156	543	180.4	200	166	552
									2EH04507525	68.9	2	173.0	198.5	225	222	543	209.4	225	232	552
	460-3-60	12.8	100	14.7	130	1.0	9.9	4.3	None	-	-	-	43.1	50	45	287	47.4	60	50	291
									2EH04502546	23.0	1	28.9	48.5	50	45	287	53.9	60	50	291
									2EH04505046	45.9	2	57.6	84.4	90	78	287	89.8	90	83	291
									2EH04507546	68.9	2	86.5	98.9	110	111	287	104.3	110	116	291
575-3-60	9.6	78	11.3	94	0.9	7.0	3.5	None	-	-	-	32.5	40	34	216	36.0	45	38	220	
								2EH04502558	23.0	1	23.1	37.6	40	35	216	42.0	45	39	220	
								2EH04505058	45.9	2	46.1	66.4	70	61	216	70.8	80	65	220	
								2EH04507558	68.9	2	69.2	78.0	90	88	216	82.3	90	92	220	

**Table 49: CD15 to CD28 VFD 2 stage medium static without power exhaust**

Size (tons)	Nominal unit voltage	Comp. 1		Comp. 2		OD fan motors each FLA	Supply blower motor FLA	120V trans FLA	Electric heat option field installed kit				MCA A	Max f/b size A	Min disconnect rating		MCA with 120V trans A	Max f/b size with 120V trans A	Min disconnect rating/120V trans	
		RLA	LRA	RLA	LRA				Model	kW	Stages	A			FLA	LRA			FLA	LRA
CD20 (20)	208-3-60	28.2	240	34.0	240	2.3	30.0	9.6	None	-	-	-	109.9	125	117	619	119.5	150	128	629
									2EH04502525	18.8	1	52.2	109.9	125	117	619	119.5	150	128	629
									2EH04505025	37.6	2	104.4	168.0	175	155	619	180.0	200	166	629
									2EH04507525	56.3	2	156.3	193.8	200	214	619	205.8	225	225	629
	230-3-60	28.2	240	34.0	240	2.3	30.0	8.7	None	-	-	-	109.9	125	117	619	118.6	150	127	628
									2EH04502525	23.0	1	57.7	109.9	125	117	619	120.5	150	127	628
									2EH04505025	45.9	2	115.2	181.5	200	167	619	192.4	200	177	628
									2EH04507525	68.9	2	173.0	210.5	225	233	619	221.4	225	243	628
	460-3-60	14.7	130	16.0	140	1.3	14.3	4.3	None	-	-	-	54.2	70	58	341	58.5	70	63	345
									2EH04502546	23.0	1	28.9	54.0	70	58	341	59.4	70	63	345
									2EH04505046	45.9	2	57.6	89.9	90	83	341	95.3	100	88	345
									2EH04507546	68.9	2	86.5	104.4	110	116	341	109.8	110	121	345
575-3-60	11.3	94	12.9	108	1.1	10.5	3.5	None	-	-	-	42.3	50	45	262	45.8	50	49	265	
								2EH04502558	23.0	1	23.1	42.0	50	45	262	46.4	50	49	265	
								2EH04505058	45.9	2	46.1	70.8	80	65	262	75.1	80	69	265	
								2EH04507558	68.9	2	69.2	82.3	90	92	262	86.7	90	96	265	
CD25 (25)	208-3-60	41.0	304	41.0	304	2.3	30.0	9.6	None	-	-	-	131.5	150	139	747	141.1	175	150	757
									2EH04502525	18.8	1	52.2	131.5	150	139	747	141.1	175	150	757
									2EH04505025	37.6	2	104.4	168.0	175	155	747	180.0	200	166	757
									2EH04507525	56.3	2	156.3	193.8	200	214	747	205.8	225	225	757
	230-3-60	41.0	304	41.0	304	2.3	30.0	8.7	None	-	-	-	131.5	150	139	747	140.2	175	149	756
									2EH04502525	23.0	1	57.7	131.5	150	139	747	140.2	175	149	756
									2EH04505025	45.9	2	115.2	181.5	200	167	747	192.4	200	177	756
									2EH04507525	68.9	2	173.0	210.5	225	233	747	221.4	225	243	756
	460-3-60	19.2	147	19.2	147	1.3	14.3	4.3	None	-	-	-	62.7	80	67	365	67.0	80	72	369
									2EH04502546	23.0	1	28.9	54.0	80	67	365	59.4	80	72	369
									2EH04505046	45.9	2	57.6	89.9	90	83	365	95.3	100	88	369
									2EH04507546	68.9	2	86.5	104.4	110	116	365	109.8	110	121	369
575-3-60	16.7	122	16.7	122	1.1	10.5	3.5	None	-	-	-	52.5	60	56	304	56.0	70	60	307	
								2EH04502558	23.0	1	23.1	42.0	60	56	304	46.4	70	60	307	
								2EH04505058	45.9	2	46.1	70.8	80	65	304	75.1	80	69	307	
								2EH04507558	68.9	2	69.2	82.3	90	92	304	86.7	90	96	307	
CD28 (27.5)	208-3-60	51.3	300	51.3	300	2.1	39.6	9.6	None	-	-	-	163.4	200	173	778	173.0	200	184	788
									2EH04502525	18.8	1	52.2	163.4	200	173	778	173.0	200	184	788
									2EH04505025	37.6	2	104.4	180.0	200	173	778	192.0	200	184	788
									2EH04507525	56.3	2	156.3	205.8	225	225	778	217.8	250	236	788
	230-3-60	51.3	300	51.3	300	2.1	39.6	8.7	None	-	-	-	163.4	200	173	778	172.1	200	183	787
									2EH04502525	23.0	1	57.7	163.4	200	173	778	172.1	200	183	787
									2EH04505025	45.9	2	115.2	193.5	200	178	778	204.4	225	188	787
									2EH04507525	68.9	2	173.0	222.5	250	244	778	233.4	250	254	787
	460-3-60	22.4	150	22.4	150	1.0	18.7	4.3	None	-	-	-	73.1	90	78	390	77.4	90	83	395
									2EH04502546	23.0	1	28.9	59.5	90	78	390	64.9	90	83	395
									2EH04505046	45.9	2	57.6	95.4	100	88	390	100.8	110	93	395
									2EH04507546	68.9	2	86.5	109.9	125	121	390	115.3	125	126	395
575-3-60	19.9	109	19.9	109	0.9	12.9	3.5	None	-	-	-	61.3	80	65	308	64.8	80	69	311	
								2EH04502558	23.0	1	23.1	45.0	80	65	308	49.4	80	69	311	
								2EH04505058	45.9	2	46.1	73.8	80	68	308	78.1	80	72	311	
								2EH04507558	68.9	2	69.2	85.3	90	94	308	89.7	100	98	311	

**Table 50: CD15 to CD28 VFD 2 stage medium static with on/off power exhaust**

Size (tons)	Nominal unit voltage	Comp. 1		Comp. 2		OD fan motors each FLA	Supply blower motor FLA	Pwr exh motor FLA	120V trans FLA	Electric heat option field installed kit				MCA A	Max f/b size A	Min disconnect rating		MCA with 120V trans A	Max f/b size with 120V trans A	Min disconnect rating/120V trans	
		RLA	LRA	RLA	LRA					Model	kW	Stages	A			FLA	LRA			FLA	LRA
CD15 (15)	208-3-60	25.0	190	25.0	190	2.1	13.2	5.0	9.6	None	-	-	-	83.7	100	89	484	93.3	110	100	493
										2EH04502525	18.8	1	52.2	94.3	100	89	484	106.3	110	100	493
										2EH04505025	37.6	2	104.4	159.5	175	147	484	171.5	175	158	493
										2EH04507525	56.3	2	156.3	185.3	200	206	484	197.3	200	217	493
	230-3-60	25.0	190	25.0	190	2.1	13.2	5.0	8.7	None	-	-	-	83.7	100	89	492	92.4	110	99	500
										2EH04502525	23.0	1	57.7	101.1	110	93	492	112.0	125	103	500
										2EH04505025	45.9	2	115.2	173.0	175	159	492	183.9	200	169	500
										2EH04507525	68.9	2	173.0	202.0	225	226	492	212.9	225	236	500
	460-3-60	12.2	100	12.2	100	1.0	6.1	2.2	4.3	None	-	-	-	40.0	50	42	255	44.3	50	47	259
										2EH04502546	23.0	1	28.9	49.3	50	45	255	54.6	60	50	259
										2EH04505046	45.9	2	57.6	85.1	90	78	255	90.5	100	83	259
										2EH04507546	68.9	2	86.5	99.6	110	112	255	105.0	110	116	259
	575-3-60	9.3	72	9.3	72	0.9	7.0	1.5	3.5	None	-	-	-	32.7	40	35	194	36.2	45	39	198
										2EH04502558	23.0	1	23.1	41.4	45	38	194	45.8	50	42	198
										2EH04505058	45.9	2	46.1	70.1	80	65	194	74.5	80	69	198
										2EH04507558	68.9	2	69.2	81.7	90	91	194	86.1	90	95	198
CD18 (17.5)	208-3-60	27.6	191	28.2	240	2.1	20.4	5.0	9.6	None	-	-	-	97.5	125	104	565	107.1	125	115	574
										2EH04502525	18.8	1	52.2	103.3	125	104	565	115.3	125	115	574
										2EH04505025	37.6	2	104.4	168.5	175	155	565	180.5	200	166	574
										2EH04507525	56.3	2	156.3	194.3	200	215	565	206.3	225	226	574
	230-3-60	27.6	191	28.2	240	2.1	20.4	5.0	8.7	None	-	-	-	97.5	125	104	564	106.2	125	114	573
										2EH04502525	23.0	1	57.7	110.1	125	104	564	121.0	125	114	573
										2EH04505025	45.9	2	115.2	182.0	200	167	564	192.9	200	177	573
										2EH04507525	68.9	2	173.0	211.0	225	234	564	221.9	225	244	573
	460-3-60	12.8	100	14.7	130	1.0	9.9	2.2	4.3	None	-	-	-	47.5	60	50	296	51.8	60	55	300
										2EH04502546	23.0	1	28.9	54.0	60	50	296	59.4	60	55	300
										2EH04505046	45.9	2	57.6	89.9	90	83	296	95.3	100	88	300
										2EH04507546	68.9	2	86.5	104.4	110	116	296	109.8	110	121	300
	575-3-60	9.6	78	11.3	94	0.9	7.0	1.5	3.5	None	-	-	-	35.5	45	38	222	39.0	50	42	226
										2EH04502558	23.0	1	23.1	41.4	45	38	222	45.8	50	42	226
										2EH04505058	45.9	2	46.1	70.1	80	65	222	74.5	80	69	226
										2EH04507558	68.9	2	69.2	81.7	90	91	222	86.1	90	95	226
CD20 (20)	208-3-60	28.2	240	34.0	240	2.3	30.0	5.0	9.6	None	-	-	-	119.9	150	128	640	129.5	150	139	650
										2EH04502525	18.8	1	52.2	119.9	150	128	640	129.5	150	139	650
										2EH04505025	37.6	2	104.4	180.5	200	166	640	192.5	200	177	650
										2EH04507525	56.3	2	156.3	206.3	225	226	640	218.3	225	237	650
	230-3-60	28.2	240	34.0	240	2.3	30.0	5.0	8.7	None	-	-	-	119.9	150	128	640	128.6	150	138	649
										2EH04502525	23.0	1	57.7	122.1	150	128	640	133.0	150	138	649
										2EH04505025	45.9	2	115.2	194.0	200	178	640	204.9	225	188	649
										2EH04507525	68.9	2	173.0	223.0	250	245	640	233.9	250	255	649
	460-3-60	14.7	130	16.0	140	1.3	14.3	2.2	4.3	None	-	-	-	58.6	70	63	350	62.9	70	68	354
										2EH04502546	23.0	1	28.9	59.5	70	58	350	64.9	70	63	354
										2EH04505046	45.9	2	57.6	95.4	100	88	350	100.8	110	93	354
										2EH04507546	68.9	2	86.5	109.9	110	121	350	115.3	125	126	354
	575-3-60	11.3	94	12.9	108	1.1	10.5	1.5	3.5	None	-	-	-	45.3	50	48	268	48.8	60	52	272
										2EH04502558	23.0	1	23.1	45.8	50	45	268	50.1	60	49	272
										2EH04505058	45.9	2	46.1	74.5	80	69	268	78.9	80	73	272
										2EH04507558	68.9	2	69.2	86.1	90	95	268	90.5	100	99	272

**Table 50: CD15 to CD28 VFD 2 stage medium static with on/off power exhaust**

Size (tons)	Nominal unit voltage	Comp. 1		Comp. 2		OD fan motors each FLA	Supply blower motor FLA	Pwr exh motor FLA	120V trans FLA	Electric heat option field installed kit				MCA A	Max f/b size A	Min disconnect rating		MCA with 120V trans A	Max f/b size with 120V trans A	Min disconnect rating/120V trans	
		RLA	LRA	RLA	LRA					Model	kW	Stages	A			FLA	LRA			FLA	LRA
CD25 (25)	208-3-60	41.0	304	41.0	304	2.3	30.0	5.0	9.6	None	-	-	-	141.5	175	151	768	151.1	175	162	778
										2EH04502525	18.8	1	52.2	141.5	175	151	768	151.1	175	162	778
		2EH04505025	37.6	2	104.4					180.5	200	166	768	192.5	200	177	778				
		2EH04507525	56.3	2	156.3					206.3	225	226	768	218.3	225	237	778				
	230-3-60	41.0	304	41.0	304	2.3	30.0	5.0	8.7	None	-	-	-	141.5	175	151	768	150.2	175	161	777
										2EH04502525	23.0	1	57.7	141.5	175	151	768	150.2	175	161	777
		2EH04505025	45.9	2	115.2					194.0	200	178	768	204.9	225	188	777				
		2EH04507525	68.9	2	173.0					223.0	250	245	768	233.9	250	255	777				
	460-3-60	19.2	147	19.2	147	1.3	14.3	2.2	4.3	None	-	-	-	67.1	80	72	374	71.4	90	77	378
										2EH04502546	23.0	1	28.9	59.5	80	67	374	64.9	90	72	378
		2EH04505046	45.9	2	57.6					95.4	100	88	374	100.8	110	93	378				
		2EH04507546	68.9	2	86.5					109.9	110	121	374	115.3	125	126	378				
575-3-60	16.7	122	16.7	122	1.1	10.5	1.5	3.5	None	-	-	-	55.5	70	59	310	59.0	70	63	314	
									2EH04502558	23.0	1	23.1	45.8	70	56	310	50.1	70	60	314	
	2EH04505058	45.9	2	46.1					74.5	80	69	310	78.9	80	73	314					
	2EH04507558	68.9	2	69.2					86.1	90	95	310	90.5	100	99	314					
CD28 (27.5)	208-3-60	51.3	300	51.3	300	2.1	39.6	5.0	9.6	None	-	-	-	173.4	200	185	799	183.0	225	196	809
										2EH04502525	18.8	1	52.2	173.4	200	185	799	183.0	225	196	809
		2EH04505025	37.6	2	104.4					192.5	200	185	799	204.5	225	196	809				
		2EH04507525	56.3	2	156.3					218.3	250	237	799	230.3	250	248	809				
	230-3-60	51.3	300	51.3	300	2.1	39.6	5.0	8.7	None	-	-	-	173.4	200	185	799	182.1	225	195	808
										2EH04502525	23.0	1	57.7	173.4	200	185	799	182.1	225	195	808
		2EH04505025	45.9	2	115.2					206.0	225	190	799	216.9	225	200	808				
		2EH04507525	68.9	2	173.0					235.0	250	256	799	245.9	250	266	808				
	460-3-60	22.4	150	22.4	150	1.0	18.7	2.2	4.3	None	-	-	-	77.5	90	83	399	81.8	100	88	404
										2EH04502546	23.0	1	28.9	65.0	90	78	399	70.4	100	83	404
		2EH04505046	45.9	2	57.6					100.9	110	93	399	106.3	110	98	404				
		2EH04507546	68.9	2	86.5					115.4	125	126	399	120.8	125	131	404				
575-3-60	19.9	109	19.9	109	0.9	12.9	1.5	3.5	None	-	-	-	64.3	80	68	314	67.8	80	72	317	
									2EH04502558	23.0	1	23.1	48.8	80	65	314	53.1	80	69	317	
	2EH04505058	45.9	2	46.1					77.5	80	71	314	81.9	90	75	317					
	2EH04507558	68.9	2	69.2					89.1	100	98	314	93.5	100	102	317					

**Table 51: CD15 to CD28 VFD 2 stage medium static with modulating power exhaust**

Size (tons)	Nominal unit voltage	Comp. 1		Comp. 2		OD fan motors each FLA	Supply blower motor FLA	Pwr exh motor FLA	120V trans FLA	Electric heat option field installed kit				MCA A	Max f/b size A	Min disconnect rating		MCA with 120V trans A	Max f/b size with 120V trans A	Min disconnect rating/120V trans	
		RLA	LRA	RLA	LRA					Model	kW	Stages	A			FLA	LRA			FLA	LRA
CD15 (15)	208-3-60	25.0	190	25.0	190	2.1	13.2	6.7	9.6	None	-	-	-	87.1	110	93	476	96.7	110	104	486
										2EH04502525	18.8	1	52.2	98.5	110	93	476	110.5	125	104	486
		2EH04505025	37.6	2	104.4					163.8	175	151	476	175.8	200	162	486				
		2EH04507525	56.3	2	156.3					189.6	200	210	476	201.6	225	221	486				
	230-3-60	25.0	190	25.0	190	2.1	13.2	6.7	8.7	None	-	-	-	87.1	110	93	484	95.8	110	103	493
										2EH04502525	23.0	1	57.7	105.4	110	97	484	116.3	125	107	493
		2EH04505025	45.9	2	115.2					177.3	200	163	484	188.1	200	173	493				
		2EH04507525	68.9	2	173.0					206.3	225	230	484	217.1	225	240	493				
	460-3-60	12.2	100	12.2	100	1.0	6.1	3.4	4.3	None	-	-	-	42.4	50	45	253	46.7	50	50	257
										2EH04502546	23.0	1	28.9	52.3	60	48	253	57.6	60	53	257
		2EH04505046	45.9	2	57.6					88.1	90	81	253	93.5	100	86	257				
		2EH04507546	68.9	2	86.5					102.6	110	114	253	108.0	110	119	257				
575-3-60	9.3	72	9.3	72	0.9	7.0	2.7	3.5	None	-	-	-	35.1	40	38	193	38.6	45	42	197	
									2EH04502558	23.0	1	23.1	44.4	45	41	193	48.8	50	45	197	
	2EH04505058	45.9	2	46.1					73.1	80	67	193	77.5	80	71	197					
	2EH04507558	68.9	2	69.2					84.7	90	94	193	89.1	90	98	197					

**Table 51: CD15 to CD28 VFD 2 stage medium static with modulating power exhaust**

Size (tons)	Nominal unit voltage	Comp. 1		Comp. 2		OD fan motors each FLA	Supply blower motor FLA	Pwr exh motor FLA	120V trans FLA	Electric heat option field installed kit				MCA A	Max f/b size A	Min disconnect rating		MCA with 120V trans A	Max f/b size with 120V trans A	Min disconnect rating/120V trans	
		RLA	LRA	RLA	LRA					Model	kW	Stages	A			FLA	LRA			FLA	LRA
CD18 (17.5)	208-3-60	27.6	191	28.2	240	2.1	20.4	6.7	9.6	None	-	-	-	100.9	125	108	557	110.5	125	119	567
										2EH04502525	18.8	1	52.2	107.5	125	108	557	119.5	125	119	567
										2EH04505025	37.6	2	104.4	172.8	175	159	557	184.8	200	170	567
										2EH04507525	56.3	2	156.3	198.6	200	219	557	210.6	225	230	567
	230-3-60	27.6	191	28.2	240	2.1	20.4	6.7	8.7	None	-	-	-	100.9	125	108	556	109.6	125	118	565
										2EH04502525	23.0	1	57.7	114.4	125	108	556	125.3	150	118	565
										2EH04505025	45.9	2	115.2	186.3	200	171	556	197.1	200	181	565
										2EH04507525	68.9	2	173.0	215.3	225	238	556	226.1	250	248	565
	460-3-60	12.8	100	14.7	130	1.0	9.9	3.4	4.3	None	-	-	-	49.9	60	53	293	54.2	60	58	298
										2EH04502546	23.0	1	28.9	57.0	60	53	293	62.4	70	58	298
										2EH04505046	45.9	2	57.6	92.9	100	85	293	98.3	100	90	298
										2EH04507546	68.9	2	86.5	107.4	110	119	293	112.8	125	124	298
575-3-60	9.6	78	11.3	94	0.9	7.0	2.7	3.5	None	-	-	-	37.9	45	40	221	41.4	50	44	225	
									2EH04502558	23.0	1	23.1	44.4	45	41	221	48.8	50	45	225	
									2EH04505058	45.9	2	46.1	73.1	80	67	221	77.5	80	71	225	
									2EH04507558	68.9	2	69.2	84.7	90	94	221	89.1	90	98	225	
CD20 (20)	208-3-60	28.2	240	34.0	240	2.3	30.0	6.7	9.6	None	-	-	-	123.3	150	132	633	132.9	150	143	642
										2EH04502525	18.8	1	52.2	123.3	150	132	633	132.9	150	143	642
										2EH04505025	37.6	2	104.4	184.8	200	170	633	196.8	200	181	642
										2EH04507525	56.3	2	156.3	210.6	225	230	633	222.6	225	241	642
	230-3-60	28.2	240	34.0	240	2.3	30.0	6.7	8.7	None	-	-	-	123.3	150	132	633	132.0	150	142	641
										2EH04502525	23.0	1	57.7	126.4	150	132	633	137.3	150	142	641
										2EH04505025	45.9	2	115.2	198.3	200	182	633	209.1	225	192	641
										2EH04507525	68.9	2	173.0	227.3	250	249	633	238.1	250	259	641
	460-3-60	14.7	130	16.0	140	1.3	14.3	3.4	4.3	None	-	-	-	61.0	70	66	348	65.3	80	70	352
										2EH04502546	23.0	1	28.9	62.5	70	66	348	67.9	80	70	352
										2EH04505046	45.9	2	57.6	98.4	100	91	348	103.8	110	95	352
										2EH04507546	68.9	2	86.5	112.9	125	124	348	118.3	125	129	352
575-3-60	11.3	94	12.9	108	1.1	10.5	2.7	3.5	None	-	-	-	47.7	60	51	267	51.2	60	55	271	
									2EH04502558	23.0	1	23.1	48.8	60	51	267	53.1	60	55	271	
									2EH04505058	45.9	2	46.1	77.5	80	71	267	81.9	90	75	271	
									2EH04507558	68.9	2	69.2	89.1	90	98	267	93.5	100	102	271	
CD25 (25)	208-3-60	41.0	304	41.0	304	2.3	30.0	6.7	9.6	None	-	-	-	144.9	175	155	761	154.5	175	166	770
										2EH04502525	18.8	1	52.2	144.9	175	155	761	154.5	175	166	770
										2EH04505025	37.6	2	104.4	184.8	200	170	761	196.8	200	181	770
										2EH04507525	56.3	2	156.3	210.6	225	230	761	222.6	225	241	770
	230-3-60	41.0	304	41.0	304	2.3	30.0	6.7	8.7	None	-	-	-	144.9	175	155	761	153.6	175	165	769
										2EH04502525	23.0	1	57.7	144.9	175	155	761	153.6	175	165	769
										2EH04505025	45.9	2	115.2	198.3	200	182	761	209.1	225	192	769
										2EH04507525	68.9	2	173.0	227.3	250	249	761	238.1	250	259	769
	460-3-60	19.2	147	19.2	147	1.3	14.3	3.4	4.3	None	-	-	-	69.5	80	74	372	73.8	90	79	376
										2EH04502546	23.0	1	28.9	62.5	80	74	372	67.9	90	79	376
										2EH04505046	45.9	2	57.6	98.4	100	91	372	103.8	110	95	376
										2EH04507546	68.9	2	86.5	112.9	125	124	372	118.3	125	129	376
575-3-60	16.7	122	16.7	122	1.1	10.5	2.7	3.5	None	-	-	-	57.9	70	62	309	61.4	70	66	313	
									2EH04502558	23.0	1	23.1	48.8	70	62	309	53.1	70	66	313	
									2EH04505058	45.9	2	46.1	77.5	80	71	309	81.9	90	75	313	
									2EH04507558	68.9	2	69.2	89.1	90	98	309	93.5	100	102	313	



**Table 51: CD15 to CD28 VFD 2 stage medium static with modulating power exhaust**

Size (tons)	Nominal unit voltage	Comp. 1		Comp. 2		OD fan motors each FLA	Supply blower motor FLA	Pwr exh motor FLA	120V trans FLA	Electric heat option field installed kit				MCA A	Max f/b size A	Min disconnect rating		MCA with 120V trans A	Max f/b size with 120V trans A	Min disconnect rating/120V trans	
		RLA	LRA	RLA	LRA					Model	kW	Stages	A			FLA	LRA			FLA	LRA
		CD28 (27.5)	208-3-60	51.3	300					51.3	300	2.1	39.6			6.7	9.6			None	-
2EH04502525	18.8					1	52.2	176.8	225					189	791			186.4	225	200	801
2EH04505025	37.6					2	104.4	196.8	225					189	791			208.8	225	200	801
2EH04507525	56.3					2	156.3	222.6	250					241	791			234.6	250	252	801
230-3-60	51.3		300	51.3	300	2.1	39.6	6.7	8.7	None	-	-	-	176.8	225	189	791	185.5	225	199	800
										2EH04502525	23.0	1	57.7	176.8	225	189	791	185.5	225	199	800
										2EH04505025	45.9	2	115.2	210.3	225	193	791	221.1	225	203	800
										2EH04507525	68.9	2	173.0	239.3	250	260	791	250.1	300	270	800
460-3-60	22.4		150	22.4	150	1.0	18.7	3.4	4.3	None	-	-	-	79.9	100	85	397	84.2	100	90	401
										2EH04502546	23.0	1	28.9	68.0	100	85	397	73.4	100	90	401
										2EH04505046	45.9	2	57.6	103.9	110	96	397	109.3	110	101	401
										2EH04507546	68.9	2	86.5	118.4	125	129	397	123.8	125	134	401
575-3-60	19.9		109	19.9	109	0.9	12.9	2.7	3.5	None	-	-	-	66.7	80	71	313	70.2	90	75	316
										2EH04502558	23.0	1	23.1	51.8	80	71	313	56.1	90	75	316
										2EH04505058	45.9	2	46.1	80.5	90	74	313	84.9	90	78	316
										2EH04507558	68.9	2	69.2	92.1	100	101	313	96.5	100	105	316

# VFD 2 stage high static

**Note:**

- MCA = minimum circuit ampacity
- f/b = fuse/breaker
- Fuse is a dual element, time delay type
- Breaker is a HACR type per NEC

**Table 52: CD15 to CD28 VFD 2 stage high static without power exhaust**

Size (tons)	Nominal unit voltage	Comp. 1		Comp. 2		OD fan motors each FLA	Supply blower motor FLA	120V trans FLA	Electric heat option field installed kit				MCA A	Max f/b size A	Min Disconnect Rating		MCA with 120V trans A	Max f/b size with 120V trans A	Min disconnect rating/120V trans	
		RLA	LRA	RLA	LRA				Model	kW	Stages	A			FLA	LRA			FLA	LRA
CD15 (15)	208-3-60	25.0	190	25.0	190	2.1	20.4	9.6	None	-	-	-	80.9	100	86	493	90.5	110	97	502
									2EH04502525	18.8	1	52.2	90.8	100	86	493	102.8	110	97	502
									2EH04505025	37.6	2	104.4	156.0	175	144	493	168.0	175	155	502
									2EH04507525	56.3	2	156.3	181.8	200	203	493	193.8	200	214	502
	230-3-60	25.0	190	25.0	190	2.1	20.4	8.7	None	-	-	-	80.9	100	86	492	89.6	110	96	501
									2EH04502525	23.0	1	57.7	97.6	100	90	492	108.5	110	100	501
									2EH04505025	45.9	2	115.2	169.5	175	156	492	180.4	200	166	501
									2EH04507525	68.9	2	173.0	198.5	225	222	492	209.4	225	232	501
	460-3-60	12.2	100	12.2	100	1.0	9.9	4.3	None	-	-	-	39.4	50	42	257	43.7	50	47	261
									2EH04502546	23.0	1	28.9	48.5	50	45	257	53.9	60	50	261
									2EH04505046	45.9	2	57.6	84.4	90	78	257	89.8	90	83	261
									2EH04507546	68.9	2	86.5	98.9	110	111	257	104.3	110	116	261
575-3-60	9.3	72	9.3	72	0.9	7.0	3.5	None	-	-	-	29.7	35	32	188	33.2	40	36	192	
								2EH04502558	23.0	1	23.1	37.6	40	35	188	42.0	45	39	192	
								2EH04505058	45.9	2	46.1	66.4	70	61	188	70.8	80	65	192	
								2EH04507558	68.9	2	69.2	78.0	90	88	188	82.3	90	92	192	
CD18 (17.5)	208-3-60	27.6	191	28.2	240	2.1	30.0	9.6	None	-	-	-	97.5	125	104	561	107.1	125	115	571
									2EH04502525	18.8	1	52.2	102.8	125	104	561	114.8	125	115	571
									2EH04505025	37.6	2	104.4	168.0	175	155	561	180.0	200	166	571
									2EH04507525	56.3	2	156.3	193.8	200	214	561	205.8	225	225	571
	230-3-60	27.6	191	28.2	240	2.1	30.0	8.7	None	-	-	-	97.5	125	104	561	106.2	125	114	570
									2EH04502525	23.0	1	57.7	109.6	125	104	561	120.5	125	114	570
									2EH04505025	45.9	2	115.2	181.5	200	167	561	192.4	200	177	570
									2EH04507525	68.9	2	173.0	210.5	225	233	561	221.4	225	243	570
	460-3-60	12.8	100	14.7	130	1.0	14.3	4.3	None	-	-	-	47.5	60	50	296	51.8	60	55	300
									2EH04502546	23.0	1	28.9	54.0	60	50	296	59.4	60	55	300
									2EH04505046	45.9	2	57.6	89.9	90	83	296	95.3	100	88	300
									2EH04507546	68.9	2	86.5	104.4	110	116	296	109.8	110	121	300
	575-3-60	9.6	78	11.3	94	0.9	10.5	3.5	None	-	-	-	36.0	45	38	227	39.5	50	42	230
									2EH04502558	23.0	1	23.1	42.0	45	39	227	46.4	50	43	230
									2EH04505058	45.9	2	46.1	70.8	80	65	227	75.1	80	69	230
									2EH04507558	68.9	2	69.2	82.3	90	92	227	86.7	90	96	230

**Table 52: CD15 to CD28 VFD 2 stage high static without power exhaust**

Size (tons)	Nominal unit voltage	Comp. 1		Comp. 2		OD fan motors each FLA	Supply blower motor FLA	120V trans FLA	Electric heat option field installed kit				MCA A	Max f/b size A	Min Disconnect Rating		MCA with 120V trans A	Max f/b size with 120V trans A	Min disconnect rating/120V trans	
		RLA	LRA	RLA	LRA				Model	kW	Stages	A			FLA	LRA			FLA	LRA
CD20 (20)	208-3-60	28.2	240	34.0	240	2.3	39.6	9.6	None	-	-	-	120.9	150	128	657	130.5	150	139	667
									2EH04502525	18.8	1	52.2	120.9	150	128	657	130.5	150	139	667
									2EH04505025	37.6	2	104.4	180.0	200	166	657	192.0	200	177	667
									2EH04507525	56.3	2	156.3	205.8	225	225	657	217.8	250	236	667
	230-3-60	28.2	240	34.0	240	2.3	39.6	8.7	None	-	-	-	120.9	150	128	657	129.6	150	138	666
									2EH04502525	23.0	1	57.7	121.6	150	128	657	132.5	150	138	666
									2EH04505025	45.9	2	115.2	193.5	200	178	657	204.4	225	188	666
									2EH04507525	68.9	2	173.0	222.5	250	244	657	233.4	250	254	666
	460-3-60	14.7	130	16.0	140	1.3	18.7	4.3	None	-	-	-	59.3	70	63	360	63.6	80	68	364
									2EH04502546	23.0	1	28.9	59.5	70	63	360	64.9	80	68	364
									2EH04505046	45.9	2	57.6	95.4	100	88	360	100.8	110	93	364
									2EH04507546	68.9	2	86.5	109.9	125	121	360	115.3	125	126	364
575-3-60	11.3	94	12.9	108	1.1	12.9	3.5	None	-	-	-	44.7	50	48	292	48.2	60	52	296	
								2EH04502558	23.0	1	23.1	45.0	50	48	292	49.4	60	52	296	
								2EH04505058	45.9	2	46.1	73.8	80	68	292	78.1	80	72	296	
								2EH04507558	68.9	2	69.2	85.3	90	94	292	89.7	100	98	296	
CD25 (25)	208-3-60	41.0	304	41.0	304	2.3	39.6	9.6	None	-	-	-	141.1	175	150	785	150.7	175	161	795
									2EH04502525	18.8	1	52.2	141.1	175	150	785	150.7	175	161	795
									2EH04505025	37.6	2	104.4	180.0	200	166	785	192.0	200	177	795
									2EH04507525	56.3	2	156.3	205.8	225	225	785	217.8	250	236	795
	230-3-60	41.0	304	41.0	304	2.3	39.6	8.7	None	-	-	-	141.1	175	150	785	149.8	175	160	794
									2EH04502525	23.0	1	57.7	141.1	175	150	785	149.8	175	160	794
									2EH04505025	45.9	2	115.2	193.5	200	178	785	204.4	225	188	794
									2EH04507525	68.9	2	173.0	222.5	250	244	785	233.4	250	254	794
	460-3-60	19.2	147	19.2	147	1.3	18.7	4.3	None	-	-	-	67.1	80	72	384	71.4	90	77	388
									2EH04502546	23.0	1	28.9	59.5	80	72	384	64.9	90	77	388
									2EH04505046	45.9	2	57.6	95.4	100	88	384	100.8	110	93	388
									2EH04507546	68.9	2	86.5	109.9	125	121	384	115.3	125	126	388
575-3-60	16.7	122	16.7	122	1.1	12.9	3.5	None	-	-	-	54.9	70	58	334	58.4	70	62	338	
								2EH04502558	23.0	1	23.1	45.0	70	58	334	49.4	70	62	338	
								2EH04505058	45.9	2	46.1	73.8	80	68	334	78.1	80	72	338	
								2EH04507558	68.9	2	69.2	85.3	90	94	334	89.7	100	98	338	
CD28 (27.5)	208-3-60	51.3	300	51.3	300	2.1	39.6	9.6	None	-	-	-	163.4	200	173	808	173.0	200	184	818
									2EH04502525	18.8	1	52.2	163.4	200	173	808	173.0	200	184	818
									2EH04505025	37.6	2	104.4	180.0	200	173	808	192.0	200	184	818
									2EH04507525	56.3	2	156.3	205.8	225	225	808	217.8	250	236	818
	230-3-60	51.3	300	51.3	300	2.1	39.6	8.7	None	-	-	-	163.4	200	173	808	172.1	200	183	817
									2EH04502525	23.0	1	57.7	163.4	200	173	808	172.1	200	183	817
									2EH04505025	45.9	2	115.2	193.5	200	178	808	204.4	225	188	817
									2EH04507525	68.9	2	173.0	222.5	250	244	808	233.4	250	254	817
	460-3-60	22.4	150	22.4	150	1.0	18.7	4.3	None	-	-	-	73.1	90	78	405	77.4	90	83	410
									2EH04502546	23.0	1	28.9	59.5	90	78	405	64.9	90	83	410
									2EH04505046	45.9	2	57.6	95.4	100	88	405	100.8	110	93	410
									2EH04507546	68.9	2	86.5	109.9	125	121	405	115.3	125	126	410
575-3-60	19.9	109	19.9	109	0.9	12.9	3.5	None	-	-	-	61.3	80	65	296	64.8	80	69	300	
								2EH04502558	23.0	1	23.1	45.0	80	65	296	49.4	80	69	300	
								2EH04505058	45.9	2	46.1	73.8	80	68	296	78.1	80	72	300	
								2EH04507558	68.9	2	69.2	85.3	90	94	296	89.7	100	98	300	

**Table 53: CD15 to CD28 VFD 2 stage high static with on/off power exhaust**

Size (tons)	Nominal unit voltage	Comp. 1		Comp. 2		OD fan motors each FLA	Supply blower motor FLA	Pwr exh motor FLA	120V trans FLA	Electric heat option field installed kit				MCA A	Max f/b size A	Min disconnect rating		MCA with 120V trans A	Max f/b size with 120V trans A	Min disconnect rating/120V trans	
		RLA	LRA	RLA	LRA					Model	kW	Stages	A			FLA	LRA			FLA	LRA
CD15 (15)	208-3-60	25.0	190	25.0	190	2.1	20.4	5.0	9.6	None	-	-	-	90.9	110	97	514	100.5	125	108	523
										2EH04502525	18.8	1	52.2	103.3	110	97	514	115.3	125	108	523
										2EH04505025	37.6	2	104.4	168.5	175	155	514	180.5	200	166	523
										2EH04507525	56.3	2	156.3	194.3	200	215	514	206.3	225	226	523
	230-3-60	25.0	190	25.0	190	2.1	20.4	5.0	8.7	None	-	-	-	90.9	110	97	513	99.6	110	107	522
										2EH04502525	23.0	1	57.7	110.1	125	101	513	121.0	125	111	522
										2EH04505025	45.9	2	115.2	182.0	200	167	513	192.9	200	177	522
										2EH04507525	68.9	2	173.0	211.0	225	234	513	221.9	225	244	522
	460-3-60	12.2	100	12.2	100	1.0	9.9	2.2	4.3	None	-	-	-	43.8	50	47	266	48.1	60	52	270
										2EH04502546	23.0	1	28.9	54.0	60	50	266	59.4	60	55	270
										2EH04505046	45.9	2	57.6	89.9	90	83	266	95.3	100	88	270
										2EH04507546	68.9	2	86.5	104.4	110	116	266	109.8	110	121	270
	575-3-60	9.3	72	9.3	72	0.9	7.0	1.5	3.5	None	-	-	-	32.7	40	35	194	36.2	45	39	198
										2EH04502558	23.0	1	23.1	41.4	45	38	194	45.8	50	42	198
										2EH04505058	45.9	2	46.1	70.1	80	65	194	74.5	80	69	198
										2EH04507558	68.9	2	69.2	81.7	90	91	194	86.1	90	95	198
CD18 (17.5)	208-3-60	27.6	191	28.2	240	2.1	30.0	5.0	9.6	None	-	-	-	107.5	125	115	582	117.1	125	126	592
										2EH04502525	18.8	1	52.2	115.3	125	115	582	127.3	150	126	592
										2EH04505025	37.6	2	104.4	180.5	200	166	582	192.5	200	177	592
										2EH04507525	56.3	2	156.3	206.3	225	226	582	218.3	225	237	592
	230-3-60	27.6	191	28.2	240	2.1	30.0	5.0	8.7	None	-	-	-	107.5	125	115	582	116.2	125	125	591
										2EH04502525	23.0	1	57.7	122.1	125	115	582	133.0	150	125	591
										2EH04505025	45.9	2	115.2	194.0	200	178	582	204.9	225	188	591
										2EH04507525	68.9	2	173.0	223.0	250	245	582	233.9	250	255	591
	460-3-60	12.8	100	14.7	130	1.0	14.3	2.2	4.3	None	-	-	-	51.9	60	55	305	56.2	70	60	309
										2EH04502546	23.0	1	28.9	59.5	60	55	305	64.9	70	60	309
										2EH04505046	45.9	2	57.6	95.4	100	88	305	100.8	110	93	309
										2EH04507546	68.9	2	86.5	109.9	110	121	305	115.3	125	126	309
	575-3-60	9.6	78	11.3	94	0.9	10.5	1.5	3.5	None	-	-	-	39.0	50	42	233	42.5	50	46	237
										2EH04502558	23.0	1	23.1	45.8	50	42	233	50.1	60	46	237
										2EH04505058	45.9	2	46.1	74.5	80	69	233	78.9	80	73	237
										2EH04507558	68.9	2	69.2	86.1	90	95	233	90.5	100	99	237
CD20 (20)	208-3-60	28.2	240	34.0	240	2.3	39.6	5.0	9.6	None	-	-	-	130.9	150	139	678	140.5	175	150	688
										2EH04502525	18.8	1	52.2	130.9	150	139	678	140.5	175	150	688
										2EH04505025	37.6	2	104.4	192.5	200	177	678	204.5	225	188	688
										2EH04507525	56.3	2	156.3	218.3	250	237	678	230.3	250	248	688
	230-3-60	28.2	240	34.0	240	2.3	39.6	5.0	8.7	None	-	-	-	130.9	150	139	678	139.6	175	149	687
										2EH04502525	23.0	1	57.7	134.1	150	139	678	145.0	175	149	687
										2EH04505025	45.9	2	115.2	206.0	225	190	678	216.9	225	200	687
										2EH04507525	68.9	2	173.0	235.0	250	256	678	245.9	250	266	687
	460-3-60	14.7	130	16.0	140	1.3	18.7	2.2	4.3	None	-	-	-	63.7	80	68	369	68.0	80	73	373
										2EH04502546	23.0	1	28.9	65.0	80	63	369	70.4	80	68	373
										2EH04505046	45.9	2	57.6	100.9	110	93	369	106.3	110	98	373
										2EH04507546	68.9	2	86.5	115.4	125	126	369	120.8	125	131	373
	575-3-60	11.3	94	12.9	108	1.1	12.9	1.5	3.5	None	-	-	-	47.7	60	51	299	51.2	60	55	302
										2EH04502558	23.0	1	23.1	48.8	60	48	299	53.1	60	52	302
										2EH04505058	45.9	2	46.1	77.5	80	71	299	81.9	90	75	302
										2EH04507558	68.9	2	69.2	89.1	100	98	299	93.5	100	102	302

**Table 53: CD15 to CD28 VFD 2 stage high static with on/off power exhaust**

Size (tons)	Nominal unit voltage	Comp. 1		Comp. 2		OD fan motors each FLA	Supply blower motor FLA	Pwr exh motor FLA	120V trans FLA	Electric heat option field installed kit				MCA A	Max f/b size A	Min disconnect rating		MCA with 120V trans A	Max f/b size with 120V trans A	Min disconnect rating/120V trans	
		RLA	LRA	RLA	LRA					Model	kW	Stages	A			FLA	LRA			FLA	LRA
CD25 (25)	208-3-60	41.0	304	41.0	304	2.3	39.6	5.0	9.6	None	-	-	-	151.1	175	162	806	160.7	200	173	816
										2EH04502525	18.8	1	52.2	151.1	175	162	806	160.7	200	173	816
										2EH04505025	37.6	2	104.4	192.5	200	177	806	204.5	225	188	816
										2EH04507525	56.3	2	156.3	218.3	250	237	806	230.3	250	248	816
	230-3-60	41.0	304	41.0	304	2.3	39.6	5.0	8.7	None	-	-	-	151.1	175	162	806	159.8	200	172	815
										2EH04502525	23.0	1	57.7	151.1	175	162	806	159.8	200	172	815
										2EH04505025	45.9	2	115.2	206.0	225	190	806	216.9	225	200	815
										2EH04507525	68.9	2	173.0	235.0	250	256	806	245.9	250	266	815
	460-3-60	19.2	147	19.2	147	1.3	18.7	2.2	4.3	None	-	-	-	71.5	90	77	393	75.8	90	82	397
										2EH04502546	23.0	1	28.9	65.0	90	72	393	70.4	90	77	397
										2EH04505046	45.9	2	57.6	100.9	110	93	393	106.3	110	98	397
										2EH04507546	68.9	2	86.5	115.4	125	126	393	120.8	125	131	397
575-3-60	16.7	122	16.7	122	1.1	12.9	1.5	3.5	None	-	-	-	57.9	70	62	341	61.4	70	66	344	
									2EH04502558	23.0	1	23.1	48.8	70	58	341	53.1	70	62	344	
									2EH04505058	45.9	2	46.1	77.5	80	71	341	81.9	90	75	344	
									2EH04507558	68.9	2	69.2	89.1	100	98	341	93.5	100	102	344	
CD28 (27.5)	208-3-60	51.3	300	51.3	300	2.1	39.6	5.0	9.6	None	-	-	-	173.4	200	185	829	183.0	225	196	839
										2EH04502525	18.8	1	52.2	173.4	200	185	829	183.0	225	196	839
										2EH04505025	37.6	2	104.4	192.5	200	185	829	204.5	225	196	839
										2EH04507525	56.3	2	156.3	218.3	250	237	829	230.3	250	248	839
	230-3-60	51.3	300	51.3	300	2.1	39.6	5.0	8.7	None	-	-	-	173.4	200	185	829	182.1	225	195	838
										2EH04502525	23.0	1	57.7	173.4	200	185	829	182.1	225	195	838
										2EH04505025	45.9	2	115.2	206.0	225	190	829	216.9	225	200	838
										2EH04507525	68.9	2	173.0	235.0	250	256	829	245.9	250	266	838
	460-3-60	22.4	150	22.4	150	1.0	18.7	2.2	4.3	None	-	-	-	77.5	90	83	414	81.8	100	88	419
										2EH04502546	23.0	1	28.9	65.0	90	78	414	70.4	100	83	419
										2EH04505046	45.9	2	57.6	100.9	110	93	414	106.3	110	98	419
										2EH04507546	68.9	2	86.5	115.4	125	126	414	120.8	125	131	419
575-3-60	19.9	109	19.9	109	0.9	12.9	1.5	3.5	None	-	-	-	64.3	80	68	303	67.8	80	72	306	
									2EH04502558	23.0	1	23.1	48.8	80	65	303	53.1	80	69	306	
									2EH04505058	45.9	2	46.1	77.5	80	71	303	81.9	90	75	306	
									2EH04507558	68.9	2	69.2	89.1	100	98	303	93.5	100	102	306	

**Table 54: CD15 to CD28 VFD 2 stage high static with modulating power exhaust**

Size (tons)	Nominal unit voltage	Comp. 1		Comp. 2		OD fan motors each FLA	Supply blower motor FLA	Pwr exh motor FLA	120V trans FLA	Electric heat option field installed kit				MCA A	Max f/b size A	Min disconnect rating		MCA with 120V trans A	Max f/b size with 120V trans A	Min disconnect rating/120V trans	
		RLA	LRA	RLA	LRA					Model	kW	Stages	A			FLA	LRA			FLA	LRA
CD15 (15)	208-3-60	25.0	190	25.0	190	2.1	20.4	6.7	9.6	None	-	-	-	94.3	110	101	506	103.9	125	112	516
										2EH04502525	18.8	1	52.2	107.5	110	101	506	119.5	125	112	516
										2EH04505025	37.6	2	104.4	172.8	175	159	506	184.8	200	170	516
										2EH04507525	56.3	2	156.3	198.6	200	219	506	210.6	225	230	516
	230-3-60	25.0	190	25.0	190	2.1	20.4	6.7	8.7	None	-	-	-	94.3	110	101	505	103.0	125	111	514
										2EH04502525	23.0	1	57.7	114.4	125	105	505	125.3	150	115	514
										2EH04505025	45.9	2	115.2	186.3	200	171	505	197.1	200	181	514
										2EH04507525	68.9	2	173.0	215.3	225	238	505	226.1	250	248	514
	460-3-60	12.2	100	12.2	100	1.0	9.9	3.4	4.3	None	-	-	-	46.2	50	50	263	50.5	60	55	268
										2EH04502546	23.0	1	28.9	57.0	60	52	263	62.4	70	57	268
										2EH04505046	45.9	2	57.6	92.9	100	85	263	98.3	100	90	268
										2EH04507546	68.9	2	86.5	107.4	110	119	263	112.8	125	124	268
575-3-60	9.3	72	9.3	72	0.9	7.0	2.7	3.5	None	-	-	-	35.1	40	38	193	38.6	45	42	197	
									2EH04502558	23.0	1	23.1	44.4	45	41	193	48.8	50	45	197	
									2EH04505058	45.9	2	46.1	73.1	80	67	193	77.5	80	71	197	
									2EH04507558	68.9	2	69.2	84.7	90	94	193	89.1	90	98	197	

**Table 54: CD15 to CD28 VFD 2 stage high static with modulating power exhaust**

Size (tons)	Nominal unit voltage	Comp. 1		Comp. 2		OD fan motors each FLA	Supply blower motor FLA	Pwr exh motor FLA	120V trans FLA	Electric heat option field installed kit				MCA A	Max f/b size A	Min disconnect rating		MCA with 120V trans A	Max f/b size with 120V trans A	Min disconnect rating/120V trans	
		RLA	LRA	RLA	LRA					Model	kW	Stages	A			FLA	LRA			FLA	LRA
CD18 (17.5)	208-3-60	27.6	191	28.2	240	2.1	30.0	6.7	9.6	None	-	-	-	110.9	125	119	574	120.5	150	130	584
										2EH04502525	18.8	1	52.2	119.5	125	119	574	131.5	150	130	584
										2EH04505025	37.6	2	104.4	184.8	200	170	574	196.8	200	181	584
										2EH04507525	56.3	2	156.3	210.6	225	230	574	222.6	225	241	584
	230-3-60	27.6	191	28.2	240	2.1	30.0	6.7	8.7	None	-	-	-	110.9	125	119	574	119.6	125	129	583
										2EH04502525	23.0	1	57.7	126.4	150	119	574	137.3	150	129	583
										2EH04505025	45.9	2	115.2	198.3	200	182	574	209.1	225	192	583
										2EH04507525	68.9	2	173.0	227.3	250	249	574	238.1	250	259	583
	460-3-60	12.8	100	14.7	130	1.0	14.3	3.4	4.3	None	-	-	-	54.3	60	58	302	58.6	70	63	307
										2EH04502546	23.0	1	28.9	62.5	70	58	302	67.9	70	63	307
										2EH04505046	45.9	2	57.6	98.4	100	91	302	103.8	110	95	307
										2EH04507546	68.9	2	86.5	112.9	125	124	302	118.3	125	129	307
575-3-60	9.6	78	11.3	94	0.9	10.5	2.7	3.5	None	-	-	-	41.4	50	44	232	44.9	50	48	236	
									2EH04502558	23.0	1	23.1	48.8	50	45	232	53.1	60	49	236	
									2EH04505058	45.9	2	46.1	77.5	80	71	232	81.9	90	75	236	
									2EH04507558	68.9	2	69.2	89.1	90	98	232	93.5	100	102	236	
CD20 (20)	208-3-60	28.2	240	34.0	240	2.3	39.6	6.7	9.6	None	-	-	-	134.3	150	143	671	143.9	175	154	680
										2EH04502525	18.8	1	52.2	134.3	150	143	671	143.9	175	154	680
										2EH04505025	37.6	2	104.4	196.8	200	181	671	208.8	225	192	680
										2EH04507525	56.3	2	156.3	222.6	250	241	671	234.6	250	252	680
	230-3-60	28.2	240	34.0	240	2.3	39.6	6.7	8.7	None	-	-	-	134.3	150	143	671	143.0	175	153	679
										2EH04502525	23.0	1	57.7	138.4	150	143	671	149.3	175	153	679
										2EH04505025	45.9	2	115.2	210.3	225	193	671	221.1	225	203	679
										2EH04507525	68.9	2	173.0	239.3	250	260	671	250.1	300	270	679
	460-3-60	14.7	130	16.0	140	1.3	18.7	3.4	4.3	None	-	-	-	66.1	80	71	367	70.4	80	76	371
										2EH04502546	23.0	1	28.9	68.0	80	71	367	73.4	80	76	371
										2EH04505046	45.9	2	57.6	103.9	110	96	367	109.3	110	101	371
										2EH04507546	68.9	2	86.5	118.4	125	129	367	123.8	125	134	371
575-3-60	11.3	94	12.9	108	1.1	12.9	2.7	3.5	None	-	-	-	50.1	60	54	298	53.6	60	58	301	
									2EH04502558	23.0	1	23.1	51.8	60	54	298	56.1	60	58	301	
									2EH04505058	45.9	2	46.1	80.5	90	74	298	84.9	90	78	301	
									2EH04507558	68.9	2	69.2	92.1	100	101	298	96.5	100	105	301	
CD25 (25)	208-3-60	41.0	304	41.0	304	2.3	39.6	6.7	9.6	None	-	-	-	154.5	175	166	799	164.1	200	177	808
										2EH04502525	18.8	1	52.2	154.5	175	166	799	164.1	200	177	808
										2EH04505025	37.6	2	104.4	196.8	200	181	799	208.8	225	192	808
										2EH04507525	56.3	2	156.3	222.6	250	241	799	234.6	250	252	808
	230-3-60	41.0	304	41.0	304	2.3	39.6	6.7	8.7	None	-	-	-	154.5	175	166	799	163.2	200	176	807
										2EH04502525	23.0	1	57.7	154.5	175	166	799	163.2	200	176	807
										2EH04505025	45.9	2	115.2	210.3	225	193	799	221.1	225	203	807
										2EH04507525	68.9	2	173.0	239.3	250	260	799	250.1	300	270	807
	460-3-60	19.2	147	19.2	147	1.3	18.7	3.4	4.3	None	-	-	-	73.9	90	79	391	78.2	90	84	395
										2EH04502546	23.0	1	28.9	68.0	90	79	391	73.4	90	84	395
										2EH04505046	45.9	2	57.6	103.9	110	96	391	109.3	110	101	395
										2EH04507546	68.9	2	86.5	118.4	125	129	391	123.8	125	134	395
575-3-60	16.7	122	16.7	122	1.1	12.9	2.7	3.5	None	-	-	-	60.3	70	65	340	63.8	80	69	343	
									2EH04502558	23.0	1	23.1	51.8	70	65	340	56.1	80	69	343	
									2EH04505058	45.9	2	46.1	80.5	90	74	340	84.9	90	78	343	
									2EH04507558	68.9	2	69.2	92.1	100	101	340	96.5	100	105	343	

**Table 54: CD15 to CD28 VFD 2 stage high static with modulating power exhaust**

Size (tons)	Nominal unit voltage	Comp. 1		Comp. 2		OD fan motors each FLA	Supply blower motor FLA	Pwr exh motor FLA	120V trans FLA	Electric heat option field installed kit				MCA A	Max f/b size A	Min disconnect rating		MCA with 120V trans A	Max f/b size with 120V trans A	Min disconnect rating/120V trans	
		RLA	LRA	RLA	LRA					Model	kW	Stages	A			FLA	LRA			FLA	LRA
CD28 (27.5)	208-3-60	51.3	300	51.3	300	2.1	39.6	6.7	9.6	None	-	-	-	176.8	225	189	821	186.4	225	200	831
										2EH04502525	18.8	1	52.2	176.8	225	189	821	186.4	225	200	831
										2EH04505025	37.6	2	104.4	196.8	225	189	821	208.8	225	200	831
										2EH04507525	56.3	2	156.3	222.6	250	241	821	234.6	250	252	831
	230-3-60	51.3	300	51.3	300	2.1	39.6	6.7	8.7	None	-	-	-	176.8	225	189	821	185.5	225	199	830
										2EH04502525	23.0	1	57.7	176.8	225	189	821	185.5	225	199	830
										2EH04505025	45.9	2	115.2	210.3	225	193	821	221.1	225	203	830
										2EH04507525	68.9	2	173.0	239.3	250	260	821	250.1	300	270	830
	460-3-60	22.4	150	22.4	150	1.0	18.7	3.4	4.3	None	-	-	-	79.9	100	85	412	84.2	100	90	416
										2EH04502546	23.0	1	28.9	68.0	100	85	412	73.4	100	90	416
										2EH04505046	45.9	2	57.6	103.9	110	96	412	109.3	110	101	416
										2EH04507546	68.9	2	86.5	118.4	125	129	412	123.8	125	134	416
	575-3-60	19.9	109	19.9	109	0.9	12.9	2.7	3.5	None	-	-	-	66.7	80	71	302	70.2	90	75	305
										2EH04502558	23.0	1	23.1	51.8	80	71	302	56.1	90	75	305
										2EH04505058	45.9	2	46.1	80.5	90	74	302	84.9	90	78	305
										2EH04507558	68.9	2	69.2	92.1	100	101	302	96.5	100	105	305

# VFD 4 stage standard static

**Note:**

- MCA = minimum circuit ampacity
- f/b = fuse/breaker
- Fuse is a dual element, time delay type
- Breaker is a HACR type per NEC

**Table 55: CD15 to CD28 VFD 4 stage standard static without power exhaust**

Size (tons)	Nominal unit voltage	Comp. 1		Comp. 2		Comp. 3		OD fan motors each FLA	Supply blower motor FLA	120V trans FLA	Electric heat option field installed kit				MCA A	Max f/b size A	Min disconnect rating		MCA with 120V trans A	Max f/b size with 120V trans A	Min disconnect rating/120V trans	
		RLA	LRA	RLA	LRA	RLA	LRA				Model	kW	Stages	A			FLA	LRA			FLA	LRA
CD15 (15)	208-3-60	26.9	164	25.0	190			2.1	13.2	9.6	None	-	-	-	76.0	100	80	426	85.6	110	91	435
											2EH04502525	18.8	1	52.2	81.8	100	80	426	93.8	110	91	435
											2EH04505025	37.6	2	104.4	147.0	150	135	426	159.0	175	146	435
											2EH04507525	56.3	2	156.3	172.8	200	195	426	184.8	200	206	435
	230-3-60	26.9	164	25.0	190			2.1	13.2	8.7	None	-	-	-	76.0	100	80	433	84.7	110	90	442
											2EH04502525	23.0	1	57.7	88.6	100	82	433	99.5	110	92	442
											2EH04505025	45.9	2	115.2	160.5	175	148	433	171.4	175	158	442
											2EH04507525	68.9	2	173.0	189.5	225	214	433	200.4	225	224	442
	460-3-60	12.0	94	12.2	100			1.0	6.1	4.3	None	-	-	-	35.4	45	37	234	39.7	50	42	238
											2EH04502546	23.0	1	28.9	43.8	45	40	234	49.1	50	45	238
											2EH04505046	45.9	2	57.6	79.6	80	73	234	85.0	90	78	238
											2EH04507546	68.9	2	86.5	94.1	110	106	234	99.5	110	111	238
575-3-60	9.0	65	9.3	72			0.9	5.9	3.5	None	-	-	-	28.3	35	30	167	31.8	40	34	171	
										2EH04502558	23.0	1	23.1	36.3	40	33	167	40.6	45	37	171	
										2EH04505058	45.9	2	46.1	65.0	70	60	167	69.4	70	64	171	
										2EH04507558	68.9	2	69.2	76.6	90	86	167	81.0	90	90	171	
CD18 (17.5)	208-3-60	28.8	223	28.2	240			2.1	13.2	9.6	None	-	-	-	81.6	110	86	546	91.2	110	97	555
											2EH04502525	18.8	1	52.2	81.8	110	86	546	93.8	110	97	555
											2EH04505025	37.6	2	104.4	147.0	150	135	546	159.0	175	146	555
											2EH04507525	56.3	2	156.3	172.8	200	195	546	184.8	200	206	555
	230-3-60	28.8	223	28.2	240			2.1	13.2	8.7	None	-	-	-	81.6	110	86	554	90.3	110	96	562
											2EH04502525	23.0	1	57.7	88.6	110	86	554	99.5	110	96	562
											2EH04505025	45.9	2	115.2	160.5	175	148	554	171.4	175	158	562
											2EH04507525	68.9	2	173.0	189.5	225	214	554	200.4	225	224	562
	460-3-60	12.5	100	14.7	130			1.0	6.1	4.3	None	-	-	-	39.0	50	41	276	43.3	50	46	280
											2EH04502546	23.0	1	28.9	43.8	50	41	276	49.1	50	46	280
											2EH04505046	45.9	2	57.6	79.6	80	73	276	85.0	90	78	280
											2EH04507546	68.9	2	86.5	94.1	110	106	276	99.5	110	111	280
575-3-60	9.7	70	11.3	94			0.9	7.0	3.5	None	-	-	-	32.6	40	34	208	36.1	45	38	212	
										2EH04502558	23.0	1	23.1	37.6	40	35	208	42.0	45	39	212	
										2EH04505058	45.9	2	46.1	66.4	70	61	208	70.8	80	65	212	
										2EH04507558	68.9	2	69.2	78.0	90	88	208	82.3	90	92	212	



**Table 55: CD15 to CD28 VFD 4 stage standard static without power exhaust**

Size (tons)	Nominal unit voltage	Comp. 1		Comp. 2		Comp. 3		OD fan motors each FLA	Supply blower motor FLA	120V trans FLA	Electric heat option field installed kit				MCA A	Max f/b size A	Min disconnect rating		MCA with 120V trans A	Max f/b size with 120V trans A	Min disconnect rating/120V trans	
		RLA	LRA	RLA	LRA	RLA	LRA				Model	kW	Stages	A			FLA	LRA			FLA	LRA
CD20 (20)	208-3-60	32.6	240	34.0	240			2.3	20.4	9.6	None	-	-	-	104.7	125	111	602	114.3	125	122	612
											2EH04502525	18.8	1	52.2	104.7	125	111	602	114.3	125	122	612
											2EH04505025	37.6	2	104.4	156.0	175	144	602	168.0	175	155	612
											2EH04507525	56.3	2	156.3	181.8	200	203	602	193.8	200	214	612
	230-3-60	32.6	240	34.0	240			2.3	20.4	8.7	None	-	-	-	104.7	125	111	601	113.4	125	121	610
											2EH04502525	23.0	1	57.7	104.7	125	111	601	113.4	125	121	610
											2EH04505025	45.9	2	115.2	169.5	175	156	601	180.4	200	166	610
											2EH04507525	68.9	2	173.0	198.5	225	222	601	209.4	225	232	610
	460-3-60	14.8	130	16.0	140			1.3	9.9	4.3	None	-	-	-	49.9	60	53	332	54.2	70	58	336
											2EH04502546	23.0	1	28.9	48.5	60	53	332	53.9	70	58	336
											2EH04505046	45.9	2	57.6	84.4	90	78	332	89.8	90	83	336
											2EH04507546	68.9	2	86.5	98.9	110	111	332	104.3	110	116	336
575-3-60	11.1	94	12.9	108			1.1	7.0	3.5	None	-	-	-	38.6	50	41	251	42.1	50	45	254	
										2EH04502558	23.0	1	23.1	37.6	50	41	251	42.0	50	45	254	
										2EH04505058	45.9	2	46.1	66.4	70	61	251	70.8	80	65	254	
										2EH04507558	68.9	2	69.2	78.0	90	88	251	82.3	90	92	254	
CD25 (25)	208-3-60	22.4	149	41.0	304	22.4	149	2.3	20.4	9.6	None	-	-	-	125.7	150	133	724	135.3	175	144	734
											2EH04502525	18.8	1	52.2	125.7	150	133	724	135.3	175	144	734
											2EH04505025	37.6	2	104.4	156.0	175	144	724	168.0	175	155	734
											2EH04507525	56.3	2	156.3	181.8	200	203	724	193.8	200	214	734
	230-3-60	22.4	149	41.0	304	22.4	149	2.3	20.4	8.7	None	-	-	-	125.7	150	133	723	134.4	175	143	732
											2EH04502525	23.0	1	57.7	125.7	150	133	723	134.4	175	143	732
											2EH04505025	45.9	2	115.2	169.5	175	156	723	180.4	200	166	732
											2EH04507525	68.9	2	173.0	198.5	225	222	723	209.4	225	232	732
	460-3-60	10.6	75	19.2	147	10.6	75	1.3	9.9	4.3	None	-	-	-	60.3	70	64	359	64.6	80	69	363
											2EH04502546	23.0	1	28.9	48.5	70	64	359	53.9	80	69	363
											2EH04505046	45.9	2	57.6	84.4	90	78	359	89.8	90	83	363
											2EH04507546	68.9	2	86.5	98.9	110	111	359	104.3	110	116	363
575-3-60	7.7	54	16.7	122	7.7	54	1.1	7.0	3.5	None	-	-	-	47.7	60	50	279	51.2	60	54	282	
										2EH04502558	23.0	1	23.1	37.6	60	50	279	42.0	60	54	282	
										2EH04505058	45.9	2	46.1	66.4	70	61	279	70.8	80	65	282	
										2EH04507558	68.9	2	69.2	78.0	90	88	279	82.3	90	92	282	
CD28 (27.5)	208-3-60	25.0	164	51.3	300	25.0	164	2.1	30.0	9.6	None	-	-	-	152.5	200	161	768	162.1	200	172	778
											2EH04502525	18.8	1	52.2	152.5	200	161	768	162.1	200	172	778
											2EH04505025	37.6	2	104.4	168.0	200	161	768	180.0	200	172	778
											2EH04507525	56.3	2	156.3	193.8	200	214	768	205.8	225	225	778
	230-3-60	25.0	164	51.3	300	25.0	164	2.1	30.0	8.7	None	-	-	-	152.5	200	161	768	161.2	200	171	777
											2EH04502525	23.0	1	57.7	152.5	200	161	768	161.2	200	171	777
											2EH04505025	45.9	2	115.2	181.5	200	167	768	192.4	200	177	777
											2EH04507525	68.9	2	173.0	210.5	225	233	768	221.4	225	243	777
	460-3-60	12.8	100	22.4	150	12.8	100	1.0	14.3	4.3	None	-	-	-	71.9	90	76	421	76.2	90	81	426
											2EH04502546	23.0	1	28.9	54.0	90	76	421	59.4	90	81	426
											2EH04505046	45.9	2	57.6	89.9	90	83	421	95.3	100	88	426
											2EH04507546	68.9	2	86.5	104.4	110	116	421	109.8	110	121	426
575-3-60	9.6	78	19.9	109	9.6	78	0.9	10.5	3.5	None	-	-	-	58.2	70	61	324	61.7	80	65	327	
										2EH04502558	23.0	1	23.1	42.0	70	61	324	46.4	80	65	327	
										2EH04505058	45.9	2	46.1	70.8	80	65	324	75.1	80	69	327	
										2EH04507558	68.9	2	69.2	82.3	90	92	324	86.7	90	96	327	

**Table 56: CD15 to CD28 VFD 4 stage standard static with on/off power exhaust**

Size (tons)	Nominal unit voltage	Comp. 1		Comp. 2		Comp. 3		OD fan motors each FLA	Supply blower motor FLA	Pwr exh motor FLA	120V trans FLA	Electric heat option field installed kit				MCA A	Max f/b size A	Min disconnect rating		MCA with 120V trans A	Max f/b size with 120V trans A	Min disconnect rating/ 120V trans	
		RLA	LRA	RLA	LRA	RLA	LRA					Model	kW	Stages	A			FLA	LRA			FLA	LRA
CD15 (15)	208-3-60	26.9	164	25.0	190			2.1	13.2	5.0	9.6	None	-	-	-	86.0	110	91	447	95.6	110	102	456
												2EH04502525	18.8	1	52.2	94.3	110	91	447	106.3	110	102	456
												2EH04505025	37.6	2	104.4	159.5	175	147	447	171.5	175	158	456
												2EH04507525	56.3	2	156.3	185.3	200	206	447	197.3	200	217	456
	230-3-60	26.9	164	25.0	190			2.1	13.2	5.0	8.7	None	-	-	-	86.0	110	91	454	94.7	110	101	463
												2EH04502525	23.0	1	57.7	101.1	110	93	454	112.0	125	103	463
												2EH04505025	45.9	2	115.2	173.0	175	159	454	183.9	200	169	463
												2EH04507525	68.9	2	173.0	202.0	225	226	454	212.9	225	236	463
	460-3-60	12.0	94	12.2	100			1.0	6.1	2.2	4.3	None	-	-	-	39.8	50	42	243	44.1	50	47	248
												2EH04502546	23.0	1	28.9	49.3	50	45	243	54.6	60	50	248
												2EH04505046	45.9	2	57.6	85.1	90	78	243	90.5	100	83	248
												2EH04507546	68.9	2	86.5	99.6	110	112	243	105.0	110	116	248
575-3-60	9.0	65	9.3	72			0.9	5.9	1.5	3.5	None	-	-	-	31.3	40	33	174	34.8	40	37	177	
											2EH04502558	23.0	1	23.1	40.0	45	37	174	44.4	45	41	177	
											2EH04505058	45.9	2	46.1	68.8	70	63	174	73.1	80	67	177	
											2EH04507558	68.9	2	69.2	80.3	90	90	174	84.7	90	94	177	
CD18 (17.5)	208-3-60	28.8	223	28.2	240			2.1	13.2	5.0	9.6	None	-	-	-	91.6	110	97	567	101.2	125	108	576
												2EH04502525	18.8	1	52.2	94.3	110	97	567	106.3	125	108	576
												2EH04505025	37.6	2	104.4	159.5	175	147	567	171.5	175	158	576
												2EH04507525	56.3	2	156.3	185.3	200	206	567	197.3	200	217	576
	230-3-60	28.8	223	28.2	240			2.1	13.2	5.0	8.7	None	-	-	-	91.6	110	97	575	100.3	125	107	583
												2EH04502525	23.0	1	57.7	101.1	110	97	575	112.0	125	107	583
												2EH04505025	45.9	2	115.2	173.0	175	159	575	183.9	200	169	583
												2EH04507525	68.9	2	173.0	202.0	225	226	575	212.9	225	236	583
	460-3-60	12.5	100	14.7	130			1.0	6.1	2.2	4.3	None	-	-	-	43.4	50	46	285	47.7	60	51	289
												2EH04502546	23.0	1	28.9	49.3	50	45	285	54.6	60	50	289
												2EH04505046	45.9	2	57.6	85.1	90	78	285	90.5	100	83	289
												2EH04507546	68.9	2	86.5	99.6	110	112	285	105.0	110	116	289
575-3-60	9.7	70	11.3	94			0.9	7.0	1.5	3.5	None	-	-	-	35.6	45	38	214	39.1	50	42	218	
											2EH04502558	23.0	1	23.1	41.4	45	38	214	45.8	50	42	218	
											2EH04505058	45.9	2	46.1	70.1	80	65	214	74.5	80	69	218	
											2EH04507558	68.9	2	69.2	81.7	90	91	214	86.1	90	95	218	
CD20 (20)	208-3-60	32.6	240	34.0	240			2.3	20.4	5.0	9.6	None	-	-	-	114.7	125	122	623	124.3	150	133	633
												2EH04502525	18.8	1	52.2	114.7	125	122	623	124.3	150	133	633
												2EH04505025	37.6	2	104.4	168.5	175	155	623	180.5	200	166	633
												2EH04507525	56.3	2	156.3	194.3	200	215	623	206.3	225	226	633
	230-3-60	32.6	240	34.0	240			2.3	20.4	5.0	8.7	None	-	-	-	114.7	125	122	622	123.4	150	132	631
												2EH04502525	23.0	1	57.7	114.7	125	122	622	123.4	150	132	631
												2EH04505025	45.9	2	115.2	182.0	200	167	622	192.9	200	177	631
												2EH04507525	68.9	2	173.0	211.0	225	234	622	221.9	225	244	631
	460-3-60	14.8	130	16.0	140			1.3	9.9	2.2	4.3	None	-	-	-	54.3	70	58	341	58.6	70	63	345
												2EH04502546	23.0	1	28.9	54.0	70	53	341	59.4	70	58	345
												2EH04505046	45.9	2	57.6	89.9	90	83	341	95.3	100	88	345
												2EH04507546	68.9	2	86.5	104.4	110	116	341	109.8	110	121	345
575-3-60	11.1	94	12.9	108			1.1	7.0	1.5	3.5	None	-	-	-	41.6	50	44	257	45.1	50	48	261	
											2EH04502558	23.0	1	23.1	41.4	50	41	257	45.8	50	45	261	
											2EH04505058	45.9	2	46.1	70.1	80	65	257	74.5	80	69	261	
											2EH04507558	68.9	2	69.2	81.7	90	91	257	86.1	90	95	261	

**Table 56: CD15 to CD28 VFD 4 stage standard static with on/off power exhaust**

Size (tons)	Nominal unit voltage	Comp. 1		Comp. 2		Comp. 3		OD fan motors each FLA	Supply blower motor FLA	Pwr exh motor FLA	120V trans FLA	Electric heat option field installed kit				MCA A	Max f/b size A	Min disconnect rating		MCA with 120V trans A	Max f/b size with 120V trans A	Min disconnect rating/120V trans	
		RLA	LRA	RLA	LRA	RLA	LRA					Model	kW	Stages	A			FLA	LRA			FLA	LRA
CD25 (25)	208-3-60	22.4	149	41.0	304	22.4	149	2.3	20.4	5.0	9.6	None	-	-	-	135.7	175	144	745	145.3	175	155	755
												2EH04502525	18.8	1	52.2	135.7	175	144	745	145.3	175	155	755
												2EH04505025	37.6	2	104.4	168.5	175	155	745	180.5	200	166	755
												2EH04507525	56.3	2	156.3	194.3	200	215	745	206.3	225	226	755
	230-3-60	22.4	149	41.0	304	22.4	149	2.3	20.4	5.0	8.7	None	-	-	-	135.7	175	144	744	144.4	175	154	753
												2EH04502525	23.0	1	57.7	135.7	175	144	744	144.4	175	154	753
												2EH04505025	45.9	2	115.2	182.0	200	167	744	192.9	200	177	753
												2EH04507525	68.9	2	173.0	211.0	225	234	744	221.9	225	244	753
	460-3-60	10.6	75	19.2	147	10.6	75	1.3	9.9	2.2	4.3	None	-	-	-	64.7	80	69	368	69.0	80	74	372
												2EH04502546	23.0	1	28.9	54.0	80	64	368	59.4	80	69	372
												2EH04505046	45.9	2	57.6	89.9	90	83	368	95.3	100	88	372
												2EH04507546	68.9	2	86.5	104.4	110	116	368	109.8	110	121	372
575-3-60	7.7	54	16.7	122	7.7	54	1.1	7.0	1.5	3.5	None	-	-	-	50.7	60	53	285	54.2	70	58	289	
											2EH04502558	23.0	1	23.1	41.4	60	50	285	45.8	70	54	289	
											2EH04505058	45.9	2	46.1	70.1	80	65	285	74.5	80	69	289	
											2EH04507558	68.9	2	69.2	81.7	90	91	285	86.1	90	95	289	
CD28 (27.5)	208-3-60	25.0	164	51.3	300	25.0	164	2.1	30.0	5.0	9.6	None	-	-	-	162.5	200	172	789	172.1	200	183	799
												2EH04502525	18.8	1	52.2	162.5	200	172	789	172.1	200	183	799
												2EH04505025	37.6	2	104.4	180.5	200	172	789	192.5	200	183	799
												2EH04507525	56.3	2	156.3	206.3	225	226	789	218.3	225	237	799
	230-3-60	25.0	164	51.3	300	25.0	164	2.1	30.0	5.0	8.7	None	-	-	-	162.5	200	172	789	171.2	200	182	798
												2EH04502525	23.0	1	57.7	162.5	200	172	789	171.2	200	182	798
												2EH04505025	45.9	2	115.2	194.0	200	178	789	204.9	225	188	798
												2EH04507525	68.9	2	173.0	223.0	250	245	789	233.9	250	255	798
	460-3-60	12.8	100	22.4	150	12.8	100	1.0	14.3	2.2	4.3	None	-	-	-	76.3	90	81	430	80.6	100	86	435
												2EH04502546	23.0	1	28.9	59.5	90	76	430	64.9	100	81	435
												2EH04505046	45.9	2	57.6	95.4	100	88	430	100.8	110	93	435
												2EH04507546	68.9	2	86.5	109.9	110	121	430	115.3	125	126	435
	575-3-60	9.6	78	19.9	109	9.6	78	0.9	10.5	1.5	3.5	None	-	-	-	61.2	80	65	330	64.7	80	69	334
												2EH04502558	23.0	1	23.1	45.8	80	61	330	50.1	80	65	334
												2EH04505058	45.9	2	46.1	74.5	80	69	330	78.9	80	73	334
												2EH04507558	68.9	2	69.2	86.1	90	95	330	90.5	100	99	334

**Table 57: CD15 to CD28 VFD 4 stage standard static with modulating power exhaust**

Size (tons)	Nominal unit voltage	Comp. 1		Comp. 2		Comp. 3		OD fan motors each FLA	Supply blower motor FLA	Pwr exh motor FLA	120V trans FLA	Electric heat option field installed kit				MCA A	Max f/b size A	Min disconnect rating		MCA with 120V trans A	Max f/b size with 120V trans A	Min disconnect rating/120V trans	
		RLA	LRA	RLA	LRA	RLA	LRA					Model	kW	Stages	A			FLA	LRA			FLA	LRA
CD15 (15)	208-3-60	26.9	164	25.0	190			2.1	13.2	6.7	9.6	None	-	-	-	89.4	110	95	439	99.0	125	106	449
												2EH04502525	18.8	1	52.2	89.5	110	95	439	110.5	125	106	449
												2EH04505025	37.6	2	104.4	163.8	175	151	439	175.8	200	162	449
												2EH04507525	56.3	2	156.3	189.6	200	210	439	201.6	225	221	449
	230-3-60	26.9	164	25.0	190			2.1	13.2	6.7	8.7	None	-	-	-	89.4	110	95	446	98.1	125	105	455
												2EH04502525	23.0	1	57.7	105.4	110	97	446	116.3	125	107	455
												2EH04505025	45.9	2	115.2	177.3	200	163	446	188.1	200	173	455
												2EH04507525	68.9	2	173.0	206.3	225	230	446	217.1	225	240	455
	460-3-60	12.0	94	12.2	100			1.0	6.1	3.4	4.3	None	-	-	-	42.2	50	45	241	46.5	50	50	245
												2EH04502546	23.0	1	28.9	52.3	60	48	241	57.6	60	53	245
												2EH04505046	45.9	2	57.6	88.1	90	81	241	93.5	100	86	245
												2EH04507546	68.9	2	86.5	102.6	110	114	241	108.0	110	119	245
575-3-60	9.0	65	9.3	72			0.9	5.9	2.7	3.5	None	-	-	-	33.7	40	36	173	37.2	45	40	176	
											2EH04502558	23.0	1	23.1	43.0	45	40	173	47.4	50	44	176	
											2EH04505058	45.9	2	46.1	71.8	80	66	173	76.1	80	70	176	
											2EH04507558	68.9	2	69.2	83.3	90	93	173	87.7	90	97	176	

**Table 57: CD15 to CD28 VFD 4 stage standard static with modulating power exhaust**

Size (tons)	Nominal unit voltage	Comp. 1		Comp. 2		Comp. 3		OD fan motors each FLA	Supply blower motor FLA	Pwr exh motor FLA	120V trans FLA	Electric heat option field installed kit				MCA A	Max f/b size A	Min disconnect rating		MCA with 120V trans A	Max f/b size with 120V trans A	Min disconnect rating/120V trans	
		RLA	LRA	RLA	LRA	RLA	LRA					Model	kW	Stages	A			FLA	LRA			FLA	LRA
CD18 (17.5)	208-3-60	28.8	223	28.2	240			2.1	13.2	6.7	9.6	None	-	-	-	95.0	110	101	559	104.6	125	112	569
												2EH04502525	18.8	1	52.2	98.5	110	101	559	110.5	125	112	569
												2EH04505025	37.6	2	104.4	163.8	175	151	559	175.8	200	162	569
												2EH04507525	56.3	2	156.3	189.6	200	210	559	201.6	225	221	569
	230-3-60	28.8	223	28.2	240			2.1	13.2	6.7	8.7	None	-	-	-	95.0	110	101	567	103.7	125	111	576
												2EH04502525	23.0	1	57.7	105.4	110	101	567	116.3	125	111	576
												2EH04505025	45.9	2	115.2	177.3	200	163	567	188.1	200	173	576
												2EH04507525	68.9	2	173.0	206.3	225	230	567	217.1	225	240	576
	460-3-60	12.5	100	14.7	130			1.0	6.1	3.4	4.3	None	-	-	-	45.8	60	48	283	50.1	60	53	287
												2EH04502546	23.0	1	28.9	52.3	60	48	283	57.6	60	53	287
												2EH04505046	45.9	2	57.6	88.1	90	81	283	93.5	100	86	287
												2EH04507546	68.9	2	86.5	102.6	110	114	283	108.0	110	119	287
575-3-60	9.7	70	11.3	94			0.9	7.0	2.7	3.5	None	-	-	-	38.0	45	40	213	41.5	50	45	217	
											2EH04502558	23.0	1	23.1	44.4	45	41	213	48.8	50	45	217	
											2EH04505058	45.9	2	46.1	73.1	80	67	213	77.5	80	71	217	
											2EH04507558	68.9	2	69.2	84.7	90	94	213	89.1	90	98	217	
CD20 (20)	208-3-60	32.6	240	34.0	240			2.3	20.4	6.7	9.6	None	-	-	-	118.1	150	126	615	127.7	150	137	625
												2EH04502525	18.8	1	52.2	118.1	150	126	615	127.7	150	137	625
												2EH04505025	37.6	2	104.4	172.8	175	159	615	184.8	200	170	625
												2EH04507525	56.3	2	156.3	198.6	200	219	615	210.6	225	230	625
	230-3-60	32.6	240	34.0	240			2.3	20.4	6.7	8.7	None	-	-	-	118.1	150	126	615	126.8	150	136	623
												2EH04502525	23.0	1	57.7	118.1	150	126	615	126.8	150	136	623
												2EH04505025	45.9	2	115.2	186.3	200	171	615	197.1	200	181	623
												2EH04507525	68.9	2	173.0	215.3	225	238	615	226.1	250	248	623
	460-3-60	14.8	130	16.0	140			1.3	9.9	3.4	4.3	None	-	-	-	56.7	70	61	339	61.0	70	66	343
												2EH04502546	23.0	1	28.9	57.0	70	61	339	62.4	70	66	343
												2EH04505046	45.9	2	57.6	92.9	100	85	339	98.3	100	90	343
												2EH04507546	68.9	2	86.5	107.4	110	119	339	112.8	125	124	343
575-3-60	11.1	94	12.9	108			1.1	7.0	2.7	3.5	None	-	-	-	44.0	50	47	256	47.5	60	51	260	
											2EH04502558	23.0	1	23.1	44.4	50	47	256	48.8	60	51	260	
											2EH04505058	45.9	2	46.1	73.1	80	67	256	77.5	80	71	260	
											2EH04507558	68.9	2	69.2	84.7	90	94	256	89.1	90	98	260	
CD25 (25)	208-3-60	22.4	149	41.0	304	22.4	149	2.3	20.4	6.7	9.6	None	-	-	-	139.1	175	148	737	148.7	175	159	747
												2EH04502525	18.8	1	52.2	139.1	175	148	737	148.7	175	159	747
												2EH04505025	37.6	2	104.4	172.8	175	159	737	184.8	200	170	747
												2EH04507525	56.3	2	156.3	198.6	200	219	737	210.6	225	230	747
	230-3-60	22.4	149	41.0	304	22.4	149	2.3	20.4	6.7	8.7	None	-	-	-	139.1	175	148	737	147.8	175	158	745
												2EH04502525	23.0	1	57.7	139.1	175	148	737	147.8	175	158	745
												2EH04505025	45.9	2	115.2	186.3	200	171	737	197.1	200	181	745
												2EH04507525	68.9	2	173.0	215.3	225	238	737	226.1	250	248	745
	460-3-60	10.6	75	19.2	147	10.6	75	1.3	9.9	3.4	4.3	None	-	-	-	67.1	80	72	366	71.4	90	77	370
												2EH04502546	23.0	1	28.9	57.0	80	72	366	62.4	90	77	370
												2EH04505046	45.9	2	57.6	92.9	100	85	366	98.3	100	90	370
												2EH04507546	68.9	2	86.5	107.4	110	119	366	112.8	125	124	370
575-3-60	7.7	54	16.7	122	7.7	54	1.1	7.0	2.7	3.5	None	-	-	-	53.1	60	56	284	56.6	70	60	288	
											2EH04502558	23.0	1	23.1	44.4	60	56	284	48.8	70	60	288	
											2EH04505058	45.9	2	46.1	73.1	80	67	284	77.5	80	71	288	
											2EH04507558	68.9	2	69.2	84.7	90	94	284	89.1	90	98	288	

**Table 57: CD15 to CD28 VFD 4 stage standard static with modulating power exhaust**

Size (tons)	Nominal unit voltage	Comp. 1		Comp. 2		Comp. 3		OD fan motors each FLA	Supply blower motor FLA	Pwr exh motor FLA	120V trans FLA	Electric heat option field installed kit				MCA A	Max f/b size A	Min disconnect rating		MCA with 120V trans A	Max f/b size with 120V trans A	Min disconnect rating/120V trans	
		RLA	LRA	RLA	LRA	RLA	LRA					Model	kW	Stages	A			FLA	LRA			FLA	LRA
		CD28 (27.5)	208-3-60	25.0	164	51.3	300					25.0	164	2.1	30.0			6.7	9.6			None	-
2EH04502525	18.8							1	52.2	165.9	200					176	781			175.5	225	187	791
2EH04505025	37.6							2	104.4	184.8	200					176	781			196.8	225	187	791
2EH04507525	56.3							2	156.3	210.6	225					230	781			222.6	225	241	791
230-3-60	25.0		164	51.3	300	25.0	164	2.1	30.0	6.7	8.7	None	-	-	-	165.9	200	176	781	174.6	225	186	790
												2EH04502525	23.0	1	57.7	165.9	200	176	781	174.6	225	186	790
												2EH04505025	45.9	2	115.2	198.3	200	182	781	209.1	225	192	790
												2EH04507525	68.9	2	173.0	227.3	250	249	781	238.1	250	259	790
460-3-60	12.8		100	22.4	150	12.8	100	1.0	14.3	3.4	4.3	None	-	-	-	78.7	100	84	428	83.0	100	89	432
												2EH04502546	23.0	1	28.9	62.5	100	84	428	67.9	100	89	432
												2EH04505046	45.9	2	57.6	98.4	100	91	428	103.8	110	95	432
												2EH04507546	68.9	2	86.5	112.9	125	124	428	118.3	125	129	432
575-3-60	9.6		78	19.9	109	9.6	78	0.9	10.5	2.7	3.5	None	-	-	-	63.6	80	67	329	67.1	80	71	333
												2EH04502558	23.0	1	23.1	48.8	80	67	329	53.1	80	71	333
												2EH04505058	45.9	2	46.1	77.5	80	71	329	81.9	90	75	333
												2EH04507558	68.9	2	69.2	89.1	90	98	329	93.5	100	102	333

# VFD 4 stage medium static

**Note:**

- MCA = minimum circuit ampacity
- f/b = fuse/breaker
- Fuse is a dual element, time delay type
- Breaker is a HACR type per NEC

**Table 58: CD15 to CD28 VFD 4 stage medium static without power exhaust**

Size (tons)	Nominal unit voltage	Comp. 1		Comp. 2		Comp. 3		OD fan motors each FLA	Supply blower motor FLA	120V trans FLA	Electric heat option field installed kit				MCA A	Max f/b size A	Min disconnect rating		MCA with 120V trans A	Max f/b size with 120V trans A	Min disconnect rating/120V trans	
		RLA	LRA	RLA	LRA	RLA	LRA				Model	kW	Stages	A			FLA	LRA			FLA	LRA
CD15 (15)	208-3-60	26.9	164	25.0	190			2.1	13.2	9.6	None	-	-	-	76.0	100	80	437	85.6	110	91	446
											2EH04502525	18.8	1	52.2	81.8	100	80	437	93.8	110	91	446
											2EH04505025	37.6	2	104.4	147.0	150	135	437	159.0	175	146	446
											2EH04507525	56.3	2	156.3	172.8	200	195	437	184.8	200	206	446
	230-3-60	26.9	164	25.0	190			2.1	13.2	8.7	None	-	-	-	76.0	100	80	445	84.7	110	90	453
											2EH04502525	23.0	1	57.7	88.6	100	82	445	99.5	110	92	453
											2EH04505025	45.9	2	115.2	160.5	175	148	445	171.4	175	158	453
											2EH04507525	68.9	2	173.0	189.5	225	214	445	200.4	225	224	453
	460-3-60	12.0	94	12.2	100			1.0	6.1	4.3	None	-	-	-	35.4	45	37	240	39.7	50	42	244
											2EH04502546	23.0	1	28.9	43.8	45	40	240	49.1	50	45	244
											2EH04505046	45.9	2	57.6	79.6	80	73	240	85.0	90	78	244
											2EH04507546	68.9	2	86.5	94.1	110	106	240	99.5	110	111	244
575-3-60	9.0	65	9.3	72			0.9	7.0	3.5	None	-	-	-	29.4	35	31	181	32.9	40	35	185	
										2EH04502558	23.0	1	23.1	37.6	40	35	181	42.0	45	39	185	
										2EH04505058	45.9	2	46.1	66.4	70	61	181	70.8	80	65	185	
										2EH04507558	68.9	2	69.2	78.0	90	88	181	82.3	90	92	185	
CD18 (17.5)	208-3-60	28.8	223	28.2	240			2.1	20.4	9.6	None	-	-	-	88.8	110	94	576	98.4	125	105	585
											2EH04502525	18.8	1	52.2	90.8	110	94	576	102.8	125	105	585
											2EH04505025	37.6	2	104.4	156.0	175	144	576	168.0	175	155	585
											2EH04507525	56.3	2	156.3	181.8	200	203	576	193.8	200	214	585
	230-3-60	28.8	223	28.2	240			2.1	20.4	8.7	None	-	-	-	88.8	110	94	575	97.5	125	104	584
											2EH04502525	23.0	1	57.7	97.6	110	94	575	108.5	125	104	584
											2EH04505025	45.9	2	115.2	169.5	175	156	575	180.4	200	166	584
											2EH04507525	68.9	2	173.0	198.5	225	222	575	209.4	225	232	584
	460-3-60	12.5	100	14.7	130			1.0	9.9	4.3	None	-	-	-	42.8	50	45	287	47.1	60	50	291
											2EH04502546	23.0	1	28.9	48.5	50	45	287	53.9	60	50	291
											2EH04505046	45.9	2	57.6	84.4	90	78	287	89.8	90	83	291
											2EH04507546	68.9	2	86.5	98.9	110	111	287	104.3	110	116	291
575-3-60	9.7	70	11.3	94			0.9	7.0	3.5	None	-	-	-	32.6	40	34	208	36.1	45	38	212	
										2EH04502558	23.0	1	23.1	37.6	40	35	208	42.0	45	39	212	
										2EH04505058	45.9	2	46.1	66.4	70	61	208	70.8	80	65	212	
										2EH04507558	68.9	2	69.2	78.0	90	88	208	82.3	90	92	212	

**Table 58: CD15 to CD28 VFD 4 stage medium static without power exhaust**

Size (tons)	Nominal unit voltage	Comp. 1		Comp. 2		Comp. 3		OD fan motors each FLA	Supply blower motor FLA	120V trans FLA	Electric heat option field installed kit				MCA A	Max f/b size A	Min disconnect rating		MCA with 120V trans A	Max f/b size with 120V trans A	Min disconnect rating/120V trans	
		RLA	LRA	RLA	LRA	RLA	LRA				Model	kW	Stages	A			FLA	LRA			FLA	LRA
CD20 (20)	208-3-60	32.6	240	34.0	240			2.3	30.0	9.6	None	-	-	-	114.3	125	122	619	123.9	150	133	629
											2EH04502525	18.8	1	52.2	114.3	125	122	619	123.9	150	133	629
											2EH04505025	37.6	2	104.4	168.0	175	155	619	180.0	200	166	629
											2EH04507525	56.3	2	156.3	193.8	200	214	619	205.8	225	225	629
	230-3-60	32.6	240	34.0	240			2.3	30.0	8.7	None	-	-	-	114.3	125	122	619	123.0	150	132	628
											2EH04502525	23.0	1	57.7	114.3	125	122	619	123.0	150	132	628
											2EH04505025	45.9	2	115.2	181.5	200	167	619	192.4	200	177	628
											2EH04507525	68.9	2	173.0	210.5	225	233	619	221.4	225	243	628
	460-3-60	14.8	130	16.0	140			1.3	14.3	4.3	None	-	-	-	54.3	70	58	341	58.6	70	63	345
											2EH04502546	23.0	1	28.9	54.0	70	58	341	59.4	70	63	345
											2EH04505046	45.9	2	57.6	89.9	90	83	341	95.3	100	88	345
											2EH04507546	68.9	2	86.5	104.4	110	116	341	109.8	110	121	345
575-3-60	11.1	94	12.9	108			1.1	10.5	3.5	None	-	-	-	42.1	50	45	262	45.6	50	49	265	
										2EH04502558	23.0	1	23.1	42.0	50	45	262	46.4	50	49	265	
										2EH04505058	45.9	2	46.1	70.8	80	65	262	75.1	80	69	265	
										2EH04507558	68.9	2	69.2	82.3	90	92	262	86.7	90	96	265	
CD25 (25)	208-3-60	22.4	149	41.0	304	22.4	149	2.3	30.0	9.6	None	-	-	-	135.3	175	144	741	144.9	175	155	751
											2EH04502525	18.8	1	52.2	135.3	175	144	741	144.9	175	155	751
											2EH04505025	37.6	2	104.4	168.0	175	155	741	180.0	200	166	751
											2EH04507525	56.3	2	156.3	193.8	200	214	741	205.8	225	225	751
	230-3-60	22.4	149	41.0	304	22.4	149	2.3	30.0	8.7	None	-	-	-	135.3	175	144	741	144.0	175	154	750
											2EH04502525	23.0	1	57.7	135.3	175	144	741	144.0	175	154	750
											2EH04505025	45.9	2	115.2	181.5	200	167	741	192.4	200	177	750
											2EH04507525	68.9	2	173.0	210.5	225	233	741	221.4	225	243	750
	460-3-60	10.6	75	19.2	147	10.6	75	1.3	14.3	4.3	None	-	-	-	64.7	80	69	368	69.0	80	74	372
											2EH04502546	23.0	1	28.9	54.0	80	69	368	59.4	80	74	372
											2EH04505046	45.9	2	57.6	89.9	90	83	368	95.3	100	88	372
											2EH04507546	68.9	2	86.5	104.4	110	116	368	109.8	110	121	372
575-3-60	7.7	54	16.7	122	7.7	54	1.1	10.5	3.5	None	-	-	-	51.2	60	54	290	54.7	70	58	293	
										2EH04502558	23.0	1	23.1	42.0	60	54	290	46.4	70	58	293	
										2EH04505058	45.9	2	46.1	70.8	80	65	290	75.1	80	69	293	
										2EH04507558	68.9	2	69.2	82.3	90	92	290	86.7	90	96	293	
CD28 (27.5)	208-3-60	25.0	164	51.3	300	25.0	164	2.1	39.6	9.6	None	-	-	-	162.1	200	172	806	171.7	200	183	816
											2EH04502525	18.8	1	52.2	162.1	200	172	806	171.7	200	183	816
											2EH04505025	37.6	2	104.4	180.0	200	172	806	192.0	200	183	816
											2EH04507525	56.3	2	156.3	205.8	225	225	806	217.8	250	236	816
	230-3-60	25.0	164	51.3	300	25.0	164	2.1	39.6	8.7	None	-	-	-	162.1	200	172	806	170.8	200	182	815
											2EH04502525	23.0	1	57.7	162.1	200	172	806	170.8	200	182	815
											2EH04505025	45.9	2	115.2	193.5	200	178	806	204.4	225	188	815
											2EH04507525	68.9	2	173.0	222.5	250	244	806	233.4	250	254	815
	460-3-60	12.8	100	22.4	150	12.8	100	1.0	18.7	4.3	None	-	-	-	76.3	90	81	440	80.6	100	86	445
											2EH04502546	23.0	1	28.9	59.5	90	81	440	64.9	100	86	445
											2EH04505046	45.9	2	57.6	95.4	100	88	440	100.8	110	93	445
											2EH04507546	68.9	2	86.5	109.9	125	121	440	115.3	125	126	445
575-3-60	9.6	78	19.9	109	9.6	78	0.9	12.9	3.5	None	-	-	-	60.6	80	64	355	64.1	80	68	358	
										2EH04502558	23.0	1	23.1	45.0	80	64	355	49.4	80	68	358	
										2EH04505058	45.9	2	46.1	73.8	80	68	355	78.1	80	72	358	
										2EH04507558	68.9	2	69.2	85.3	90	94	355	89.7	100	98	358	

**Table 59: CD15 to CD28 VFD 4 stage medium static with on/off power exhaust**

Size (tons)	Nominal unit voltage	Comp. 1		Comp. 2		Comp. 3		OD fan motors each FLA	Supply blower motor FLA	Pwr exh motor FLA	120V trans FLA	Electric heat option field installed kit				MCA A	Max f/b size A	Min disconnect rating		MCA with 120V trans A	Max f/b size with 120V trans A	Min disconnect rating/120V trans	
		RLA	LRA	RLA	LRA	RLA	LRA					Model	kW	Stages	A			FLA	LRA			FLA	LRA
CD15 (15)	208-3-60	26.9	164	25.0	190			2.1	13.2	5.0	9.6	None	-	-	-	86.0	110	91	458	95.6	110	102	467
												2EH04502525	18.8	1	52.2	94.3	110	91	458	106.3	110	102	467
												2EH04505025	37.6	2	104.4	159.5	175	147	458	171.5	175	158	467
												2EH04507525	56.3	2	156.3	185.3	200	206	458	197.3	200	217	467
	230-3-60	26.9	164	25.0	190			2.1	13.2	5.0	8.7	None	-	-	-	86.0	110	91	466	94.7	110	101	474
												2EH04502525	23.0	1	57.7	101.1	110	93	466	112.0	125	103	474
												2EH04505025	45.9	2	115.2	173.0	175	159	466	183.9	200	169	474
												2EH04507525	68.9	2	173.0	202.0	225	226	466	212.9	225	236	474
	460-3-60	12.0	94	12.2	100			1.0	6.1	2.2	4.3	None	-	-	-	39.8	50	42	249	44.1	50	47	253
												2EH04502546	23.0	1	28.9	49.3	50	45	249	54.6	60	50	253
												2EH04505046	45.9	2	57.6	85.1	90	78	249	90.5	100	83	253
												2EH04507546	68.9	2	86.5	99.6	110	112	249	105.0	110	116	253
575-3-60	9.0	65	9.3	72			0.9	7.0	1.5	3.5	None	-	-	-	32.4	40	35	187	35.9	45	39	191	
											2EH04502558	23.0	1	23.1	41.4	45	38	187	45.8	50	42	191	
											2EH04505058	45.9	2	46.1	70.1	80	65	187	74.5	80	69	191	
											2EH04507558	68.9	2	69.2	81.7	90	91	187	86.1	90	95	191	
CD18 (17.5)	208-3-60	28.8	223	28.2	240			2.1	20.4	5.0	9.6	None	-	-	-	98.8	125	105	597	108.4	125	116	606
												2EH04502525	18.8	1	52.2	103.3	125	105	597	115.3	125	116	606
												2EH04505025	37.6	2	104.4	168.5	175	155	597	180.5	200	166	606
												2EH04507525	56.3	2	156.3	194.3	200	215	597	206.3	225	226	606
	230-3-60	28.8	223	28.2	240			2.1	20.4	5.0	8.7	None	-	-	-	98.8	125	105	596	107.5	125	115	605
												2EH04502525	23.0	1	57.7	110.1	125	105	596	121.0	125	115	605
												2EH04505025	45.9	2	115.2	182.0	200	167	596	192.9	200	177	605
												2EH04507525	68.9	2	173.0	211.0	225	234	596	221.9	225	244	605
	460-3-60	12.5	100	14.7	130			1.0	9.9	2.2	4.3	None	-	-	-	47.2	60	50	296	51.5	60	55	300
												2EH04502546	23.0	1	28.9	54.0	60	50	296	59.4	60	55	300
												2EH04505046	45.9	2	57.6	89.9	90	83	296	95.3	100	88	300
												2EH04507546	68.9	2	86.5	104.4	110	116	296	109.8	110	121	300
575-3-60	9.7	70	11.3	94			0.9	7.0	1.5	3.5	None	-	-	-	35.6	45	38	214	39.1	50	42	218	
											2EH04502558	23.0	1	23.1	41.4	45	38	214	45.8	50	42	218	
											2EH04505058	45.9	2	46.1	70.1	80	65	214	74.5	80	69	218	
											2EH04507558	68.9	2	69.2	81.7	90	91	214	86.1	90	95	218	
CD20 (20)	208-3-60	32.6	240	34.0	240			2.3	30.0	5.0	9.6	None	-	-	-	124.3	150	133	640	133.9	150	144	650
												2EH04502525	18.8	1	52.2	124.3	150	133	640	133.9	150	144	650
												2EH04505025	37.6	2	104.4	180.5	200	166	640	192.5	200	177	650
												2EH04507525	56.3	2	156.3	206.3	225	226	640	218.3	225	237	650
	230-3-60	32.6	240	34.0	240			2.3	30.0	5.0	8.7	None	-	-	-	124.3	150	133	640	133.0	150	143	649
												2EH04502525	23.0	1	57.7	124.3	150	133	640	133.0	150	143	649
												2EH04505025	45.9	2	115.2	194.0	200	178	640	204.9	225	188	649
												2EH04507525	68.9	2	173.0	223.0	250	245	640	233.9	250	255	649
	460-3-60	14.8	130	16.0	140			1.3	14.3	2.2	4.3	None	-	-	-	58.7	70	63	350	63.0	70	68	354
												2EH04502546	23.0	1	28.9	59.5	70	58	350	64.9	70	63	354
												2EH04505046	45.9	2	57.6	95.4	100	88	350	100.8	110	93	354
												2EH04507546	68.9	2	86.5	109.9	110	121	350	115.3	125	126	354
575-3-60	11.1	94	12.9	108			1.1	10.5	1.5	3.5	None	-	-	-	45.1	50	48	268	48.6	60	52	272	
											2EH04502558	23.0	1	23.1	45.8	50	45	268	50.1	60	49	272	
											2EH04505058	45.9	2	46.1	74.5	80	69	268	78.9	80	73	272	
											2EH04507558	68.9	2	69.2	86.1	90	95	268	90.5	100	99	272	



**Table 59: CD15 to CD28 VFD 4 stage medium static with on/off power exhaust**

Size (tons)	Nominal unit voltage	Comp. 1		Comp. 2		Comp. 3		OD fan motors each FLA	Supply blower motor FLA	Pwr exh motor FLA	120V trans FLA	Electric heat option field installed kit				MCA A	Max f/b size A	Min disconnect rating		MCA with 120V trans A	Max f/b size with 120V trans A	Min disconnect rating/120V trans	
		RLA	LRA	RLA	LRA	RLA	LRA					Model	kW	Stages	A			FLA	LRA			FLA	LRA
CD25 (25)	208-3-60	22.4	149	41.0	304	22.4	149	2.3	30.0	5.0	9.6	None	-	-	-	145.3	175	155	762	154.9	175	166	772
												2EH04502525	18.8	1	52.2	145.3	175	155	762	154.9	175	166	772
												2EH04505025	37.6	2	104.4	180.5	200	166	762	192.5	200	177	772
												2EH04507525	56.3	2	156.3	206.3	225	226	762	218.3	225	237	772
	230-3-60	22.4	149	41.0	304	22.4	149	2.3	30.0	5.0	8.7	None	-	-	-	145.3	175	155	762	154.0	175	165	771
												2EH04502525	23.0	1	57.7	145.3	175	155	762	154.0	175	165	771
												2EH04505025	45.9	2	115.2	194.0	200	178	762	204.9	225	188	771
												2EH04507525	68.9	2	173.0	223.0	250	245	762	233.9	250	255	771
	460-3-60	10.6	75	19.2	147	10.6	75	1.3	14.3	2.2	4.3	None	-	-	-	69.1	80	74	377	73.4	90	79	381
												2EH04502546	23.0	1	28.9	59.5	80	69	377	64.9	90	74	381
												2EH04505046	45.9	2	57.6	95.4	100	88	377	100.8	110	93	381
												2EH04507546	68.9	2	86.5	109.9	110	121	377	115.3	125	126	381
575-3-60	7.7	54	16.7	122	7.7	54	1.1	10.5	1.5	3.5	None	-	-	-	54.2	70	58	296	57.7	70	62	300	
											2EH04502558	23.0	1	23.1	45.8	70	54	296	50.1	70	58	300	
											2EH04505058	45.9	2	46.1	74.5	80	69	296	78.9	80	73	300	
											2EH04507558	68.9	2	69.2	86.1	90	95	296	90.5	100	99	300	
CD28 (27.5)	208-3-60	25.0	164	51.3	300	25.0	164	2.1	39.6	5.0	9.6	None	-	-	-	172.1	200	183	827	181.7	225	194	837
												2EH04502525	18.8	1	52.2	172.1	200	183	827	181.7	225	194	837
												2EH04505025	37.6	2	104.4	192.5	200	183	827	204.5	225	194	837
												2EH04507525	56.3	2	156.3	218.3	250	237	827	230.3	250	248	837
	230-3-60	25.0	164	51.3	300	25.0	164	2.1	39.6	5.0	8.7	None	-	-	-	172.1	200	183	827	180.8	225	193	836
												2EH04502525	23.0	1	57.7	172.1	200	183	827	180.8	225	193	836
												2EH04505025	45.9	2	115.2	206.0	225	190	827	216.9	225	200	836
												2EH04507525	68.9	2	173.0	235.0	250	256	827	245.9	250	266	836
	460-3-60	12.8	100	22.4	150	12.8	100	1.0	18.7	2.2	4.3	None	-	-	-	80.7	100	86	449	85.0	100	91	454
												2EH04502546	23.0	1	28.9	65.0	100	81	449	70.4	100	86	454
												2EH04505046	45.9	2	57.6	100.9	110	93	449	106.3	110	98	454
												2EH04507546	68.9	2	86.5	115.4	125	126	449	120.8	125	131	454
575-3-60	9.6	78	19.9	109	9.6	78	0.9	12.9	1.5	3.5	None	-	-	-	63.6	80	67	361	67.1	80	71	364	
											2EH04502558	23.0	1	23.1	48.8	80	64	361	53.1	80	68	364	
											2EH04505058	45.9	2	46.1	77.5	80	71	361	81.9	90	75	364	
											2EH04507558	68.9	2	69.2	89.1	100	98	361	93.5	100	102	364	

**Table 60: CD15 to CD28 VFD 4 stage medium static with modulating power exhaust**

Size (tons)	Nominal unit voltage	Comp. 1		Comp. 2		Comp. 3		OD fan motors each FLA	Supply blower motor FLA	Pwr exh motor FLA	120V trans FLA	Electric heat option field installed kit				MCA A	Max f/b size A	Min disconnect rating		MCA with 120V trans A	Max f/b size with 120V trans A	Min disconnect rating/120V trans	
		RLA	LRA	RLA	LRA	RLA	LRA					Model	kW	Stages	A			FLA	LRA			FLA	LRA
CD15 (15)	208-3-60	26.9	164	25.0	190			2.1	13.2	6.7	9.6	None	-	-	-	89.4	110	95	450	99.0	125	106	460
												2EH04502525	18.8	1	52.2	98.5	110	95	450	110.5	125	106	460
												2EH04505025	37.6	2	104.4	163.8	175	151	450	175.8	200	162	460
												2EH04507525	56.3	2	156.3	189.6	200	210	450	201.6	225	221	460
	230-3-60	26.9	164	25.0	190			2.1	13.2	6.7	8.7	None	-	-	-	89.4	110	95	458	98.1	125	105	467
												2EH04502525	23.0	1	57.7	105.4	110	97	458	116.3	125	107	467
												2EH04505025	45.9	2	115.2	177.3	200	163	458	188.1	200	173	467
												2EH04507525	68.9	2	173.0	206.3	225	230	458	217.1	225	240	467
	460-3-60	12.0	94	12.2	100			1.0	6.1	3.4	4.3	None	-	-	-	42.2	50	45	247	46.5	50	50	251
												2EH04502546	23.0	1	28.9	52.3	60	48	247	57.6	60	53	251
												2EH04505046	45.9	2	57.6	88.1	90	81	247	93.5	100	86	251
												2EH04507546	68.9	2	86.5	102.6	110	114	247	108.0	110	119	251
575-3-60	9.0	65	9.3	72			0.9	7.0	2.7	3.5	None	-	-	-	34.8	40	37	186	38.3	45	41	190	
											2EH04502558	23.0	1	23.1	44.4	45	41	186	48.8	50	45	190	
											2EH04505058	45.9	2	46.1	73.1	80	67	186	77.5	80	71	190	
											2EH04507558	68.9	2	69.2	84.7	90	94	186	89.1	90	98	190	

**Table 60: CD15 to CD28 VFD 4 stage medium static with modulating power exhaust**

Size (tons)	Nominal unit voltage	Comp. 1		Comp. 2		Comp. 3		OD fan motors each FLA	Supply blower motor FLA	Pwr exh motor FLA	120V trans FLA	Electric heat option field installed kit				MCA A	Max f/b size A	Min disconnect rating		MCA with 120V trans A	Max f/b size with 120V trans A	Min disconnect rating/120V trans	
		RLA	LRA	RLA	LRA	RLA	LRA					Model	kW	Stages	A			FLA	LRA			FLA	LRA
CD18 (17.5)	208-3-60	28.8	223	28.2	240			2.1	20.4	6.7	9.6	None	-	-	-	102.2	125	109	589	111.8	125	120	599
												2EH04502525	18.8	1	52.2	107.5	125	109	589	119.5	125	120	599
												2EH04505025	37.6	2	104.4	172.8	175	159	589	184.8	200	170	599
												2EH04507525	56.3	2	156.3	198.6	200	219	589	210.6	225	230	599
	230-3-60	28.8	223	28.2	240			2.1	20.4	6.7	8.7	None	-	-	-	102.2	125	109	588	110.9	125	119	597
												2EH04502525	23.0	1	57.7	114.4	125	109	588	125.3	150	119	597
												2EH04505025	45.9	2	115.2	186.3	200	171	588	197.1	200	181	597
												2EH04507525	68.9	2	173.0	215.3	225	238	588	226.1	250	248	597
	460-3-60	12.5	100	14.7	130			1.0	9.9	3.4	4.3	None	-	-	-	49.6	60	53	293	53.9	60	58	298
												2EH04502546	23.0	1	28.9	57.0	60	53	293	62.4	70	58	298
												2EH04505046	45.9	2	57.6	92.9	100	85	293	98.3	100	90	298
												2EH04507546	68.9	2	86.5	107.4	110	119	293	112.8	125	124	298
575-3-60	9.7	70	11.3	94			0.9	7.0	2.7	3.5	None	-	-	-	38.0	45	40	213	41.5	50	45	217	
											2EH04502558	23.0	1	23.1	44.4	45	41	213	48.8	50	45	217	
											2EH04505058	45.9	2	46.1	73.1	80	67	213	77.5	80	71	217	
											2EH04507558	68.9	2	69.2	84.7	90	94	213	89.1	90	98	217	
CD20 (20)	208-3-60	32.6	240	34.0	240			2.3	30.0	6.7	9.6	None	-	-	-	127.7	150	137	633	137.3	150	148	642
												2EH04502525	18.8	1	52.2	127.7	150	137	633	137.3	150	148	642
												2EH04505025	37.6	2	104.4	184.8	200	170	633	196.8	200	181	642
												2EH04507525	56.3	2	156.3	210.6	225	230	633	222.6	225	241	642
	230-3-60	32.6	240	34.0	240			2.3	30.0	6.7	8.7	None	-	-	-	127.7	150	137	633	136.4	150	147	641
												2EH04502525	23.0	1	57.7	127.7	150	137	633	137.3	150	147	641
												2EH04505025	45.9	2	115.2	198.3	200	182	633	209.1	225	192	641
												2EH04507525	68.9	2	173.0	227.3	250	249	633	238.1	250	259	641
	460-3-60	14.8	130	16.0	140			1.3	14.3	3.4	4.3	None	-	-	-	61.1	70	66	348	65.4	80	71	352
												2EH04502546	23.0	1	28.9	62.5	70	66	348	67.9	80	71	352
												2EH04505046	45.9	2	57.6	98.4	100	91	348	103.8	110	95	352
												2EH04507546	68.9	2	86.5	112.9	125	124	348	118.3	125	129	352
575-3-60	11.1	94	12.9	108			1.1	10.5	2.7	3.5	None	-	-	-	47.5	60	51	267	51.0	60	55	271	
											2EH04502558	23.0	1	23.1	48.8	60	51	267	53.1	60	55	271	
											2EH04505058	45.9	2	46.1	77.5	80	71	267	81.9	90	75	271	
											2EH04507558	68.9	2	69.2	89.1	90	98	267	93.5	100	102	271	
CD25 (25)	208-3-60	22.4	149	41.0	304	22.4	149	2.3	30.0	6.7	9.6	None	-	-	-	148.7	175	159	755	158.3	175	170	764
												2EH04502525	18.8	1	52.2	148.7	175	159	755	158.3	175	170	764
												2EH04505025	37.6	2	104.4	184.8	200	170	755	196.8	200	181	764
												2EH04507525	56.3	2	156.3	210.6	225	230	755	222.6	225	241	764
	230-3-60	22.4	149	41.0	304	22.4	149	2.3	30.0	6.7	8.7	None	-	-	-	148.7	175	159	755	157.4	175	169	763
												2EH04502525	23.0	1	57.7	148.7	175	159	755	157.4	175	169	763
												2EH04505025	45.9	2	115.2	198.3	200	182	755	209.1	225	192	763
												2EH04507525	68.9	2	173.0	227.3	250	249	755	238.1	250	259	763
	460-3-60	10.6	75	19.2	147	10.6	75	1.3	14.3	3.4	4.3	None	-	-	-	71.5	90	77	375	75.8	90	82	379
												2EH04502546	23.0	1	28.9	62.5	90	77	375	67.9	90	82	379
												2EH04505046	45.9	2	57.6	98.4	100	91	375	103.8	110	95	379
												2EH04507546	68.9	2	86.5	112.9	125	124	375	118.3	125	129	379
575-3-60	7.7	54	16.7	122	7.7	54	1.1	10.5	2.7	3.5	None	-	-	-	56.6	70	60	295	60.1	70	64	299	
											2EH04502558	23.0	1	23.1	48.8	70	60	295	53.1	70	64	299	
											2EH04505058	45.9	2	46.1	77.5	80	71	295	81.9	90	75	299	
											2EH04507558	68.9	2	69.2	89.1	90	98	295	93.5	100	102	299	

**Table 60: CD15 to CD28 VFD 4 stage medium static with modulating power exhaust**

Size (tons)	Nominal unit voltage	Comp. 1		Comp. 2		Comp. 3		OD fan motors each FLA	Supply blower motor FLA	Pwr exh motor FLA	120V trans FLA	Electric heat option field installed kit				MCA A	Max f/b size A	Min disconnect rating		MCA with 120V trans A	Max f/b size with 120V trans A	Min disconnect rating/120V trans	
		RLA	LRA	RLA	LRA	RLA	LRA					Model	kW	Stages	A			FLA	LRA			FLA	LRA
CD28 (27.5)	208-3-60	25.0	164	51.3	300	25.0	164	2.1	39.6	6.7	9.6	None	-	-	-	175.5	225	187	819	185.1	225	198	829
												2EH04502525	18.8	1	52.2	175.5	225	187	819	185.1	225	198	829
												2EH04505025	37.6	2	104.4	196.8	225	187	819	208.8	225	198	829
												2EH04507525	56.3	2	156.3	222.6	250	241	819	234.6	250	252	829
	230-3-60	25.0	164	51.3	300	25.0	164	2.1	39.6	6.7	8.7	None	-	-	-	175.5	225	187	819	184.2	225	197	828
												2EH04502525	23.0	1	57.7	175.5	225	187	819	184.2	225	197	828
												2EH04505025	45.9	2	115.2	210.3	225	193	819	221.1	225	203	828
												2EH04507525	68.9	2	173.0	239.3	250	260	819	250.1	300	270	828
	460-3-60	12.8	100	22.4	150	12.8	100	1.0	18.7	3.4	4.3	None	-	-	-	83.1	100	89	447	87.4	100	94	451
												2EH04502546	23.0	1	28.9	68.0	100	89	447	73.4	100	94	451
												2EH04505046	45.9	2	57.6	103.9	110	96	447	109.3	110	101	451
												2EH04507546	68.9	2	86.5	118.4	125	129	447	123.8	125	134	451
	575-3-60	9.6	78	19.9	109	9.6	78	0.9	12.9	2.7	3.5	None	-	-	-	66.0	80	70	360	69.5	80	74	363
												2EH04502558	23.0	1	23.1	51.8	80	70	360	56.1	80	74	363
												2EH04505058	45.9	2	46.1	80.5	90	74	360	84.9	90	78	363
												2EH04507558	68.9	2	69.2	92.1	100	101	360	96.5	100	105	363

# VFD 4 stage high static

**Note:**

- MCA = minimum circuit ampacity
- f/b = fuse/breaker
- Fuse is a dual element, time delay type
- Breaker is a HACR type per NEC

**Table 61: CD15 to CD28 VFD 4 stage high static without power exhaust**

Size (tons)	Nominal unit voltage	Comp. 1		Comp. 2		Comp. 3		OD fan motors each FLA	Supply blower motor FLA	120V trans FLA	Electric heat option field installed kit				MCA A	Max f/b size A	Min disconnect rating		MCA with 120V trans A	Max f/b size with 120V trans A	Min disconnect rating 120V trans	
		RLA	LRA	RLA	LRA	RLA	LRA				Model	kW	Stages	A			FLA	LRA			FLA	LRA
CD15 (15)	208-3-60	26.9	164	25.0	190			2.1	20.4	9.6	None	-	-	-	83.2	110	88	467	92.8	110	99	476
											2EH04502525	18.8	1	52.2	90.8	110	88	467	102.8	110	99	476
											2EH04505025	37.6	2	104.4	156.0	175	144	467	168.0	175	155	476
											2EH04507525	56.3	2	156.3	181.8	200	203	467	193.8	200	214	476
	230-3-60	26.9	164	25.0	190			2.1	20.4	8.7	None	-	-	-	83.2	110	88	466	91.9	110	98	475
											2EH04502525	23.0	1	57.7	97.6	110	90	466	108.5	110	100	475
											2EH04505025	45.9	2	115.2	169.5	175	156	466	180.4	200	166	475
											2EH04507525	68.9	2	173.0	198.5	225	222	466	209.4	225	232	475
	460-3-60	12.0	94	12.2	100			1.0	9.9	4.3	None	-	-	-	39.2	50	42	251	43.5	50	46	255
											2EH04502546	23.0	1	28.9	48.5	50	45	251	53.9	60	50	255
											2EH04505046	45.9	2	57.6	84.4	90	78	251	89.8	90	83	255
											2EH04507546	68.9	2	86.5	98.9	110	111	251	104.3	110	116	255
575-3-60	9.0	65	9.3	72			0.9	7.0	3.5	None	-	-	-	29.4	35	31	181	32.9	40	35	185	
										2EH04502558	23.0	1	23.1	37.6	40	35	181	42.0	45	39	185	
										2EH04505058	45.9	2	46.1	66.4	70	61	181	70.8	80	65	185	
										2EH04507558	68.9	2	69.2	78.0	90	88	181	82.3	90	92	185	
CD18 (17.5)	208-3-60	28.8	223	28.2	240			2.1	30.0	9.6	None	-	-	-	98.7	125	105	593	108.3	125	116	603
											2EH04502525	18.8	1	52.2	102.8	125	105	593	114.8	125	116	603
											2EH04505025	37.6	2	104.4	168.0	175	155	593	180.0	200	166	603
											2EH04507525	56.3	2	156.3	193.8	200	214	593	205.8	225	225	603
	230-3-60	28.8	223	28.2	240			2.1	30.0	8.7	None	-	-	-	98.7	125	105	593	107.4	125	115	602
											2EH04502525	23.0	1	57.7	109.6	125	105	593	120.5	125	115	602
											2EH04505025	45.9	2	115.2	181.5	200	167	593	192.4	200	177	602
											2EH04507525	68.9	2	173.0	210.5	225	233	593	221.4	225	243	602
	460-3-60	12.5	100	14.7	130			1.0	14.3	4.3	None	-	-	-	47.2	60	50	296	51.5	60	55	300
											2EH04502546	23.0	1	28.9	54.0	60	50	296	59.4	60	55	300
											2EH04505046	45.9	2	57.6	89.9	90	83	296	95.3	100	88	300
											2EH04507546	68.9	2	86.5	104.4	110	116	296	109.8	110	121	300
575-3-60	9.7	70	11.3	94			0.9	10.5	3.5	None	-	-	-	36.1	45	38	219	39.6	50	42	222	
										2EH04502558	23.0	1	23.1	42.0	45	39	219	46.4	50	43	222	
										2EH04505058	45.9	2	46.1	70.8	80	65	219	75.1	80	69	222	
										2EH04507558	68.9	2	69.2	82.3	90	92	219	86.7	90	96	222	

**Table 61: CD15 to CD28 VFD 4 stage high static without power exhaust**

Size (tons)	Nominal unit voltage	Comp. 1		Comp. 2		Comp. 3		OD fan motors each FLA	Supply blower motor FLA	120V trans FLA	Electric heat option field installed kit				MCA A	Max f/b size A	Min disconnect rating		MCA with 120V trans A	Max f/b size with 120V trans A	Min disconnect rating 120V trans	
		RLA	LRA	RLA	LRA	RLA	LRA				Model	kW	Stages	A			FLA	LRA			FLA	LRA
CD20 (20)	208-3-60	32.6	240	34.0	240			2.3	39.6	9.6	None	-	-	-	125.3	150	133	657	134.9	150	144	667
											2EH04502525	18.8	1	52.2	125.3	150	133	657	134.9	150	144	667
											2EH04505025	37.6	2	104.4	180.0	200	166	657	192.0	200	177	667
											2EH04507525	56.3	2	156.3	205.8	225	225	657	217.8	250	236	667
	230-3-60	32.6	240	34.0	240			2.3	39.6	8.7	None	-	-	-	125.3	150	133	657	134.0	150	143	666
											2EH04502525	23.0	1	57.7	125.3	150	133	657	134.0	150	143	666
											2EH04505025	45.9	2	115.2	193.5	200	178	657	204.4	225	188	666
											2EH04507525	68.9	2	173.0	222.5	250	244	657	233.4	250	254	666
	460-3-60	14.8	130	16.0	140			1.3	18.7	4.3	None	-	-	-	59.4	70	63	360	63.7	80	68	364
											2EH04502546	23.0	1	28.9	59.5	70	63	360	64.9	80	68	364
											2EH04505046	45.9	2	57.6	95.4	100	88	360	100.8	110	93	364
											2EH04507546	68.9	2	86.5	109.9	125	121	360	115.3	125	126	364
575-3-60	11.1	94	12.9	108			1.1	12.9	3.5	None	-	-	-	44.5	50	47	292	48.0	60	52	296	
										2EH04502558	23.0	1	23.1	45.0	50	47	292	49.4	60	52	296	
										2EH04505058	45.9	2	46.1	73.8	80	68	292	78.1	80	72	296	
										2EH04507558	68.9	2	69.2	85.3	90	94	292	89.7	100	98	296	
CD25 (25)	208-3-60	22.4	149	41.0	304	22.4	149	2.3	39.6	9.6	None	-	-	-	144.9	175	155	779	154.5	175	166	789
											2EH04502525	18.8	1	52.2	144.9	175	155	779	154.5	175	166	789
											2EH04505025	37.6	2	104.4	180.0	200	166	779	192.0	200	177	789
											2EH04507525	56.3	2	156.3	205.8	225	225	779	217.8	250	236	789
	230-3-60	22.4	149	41.0	304	22.4	149	2.3	39.6	8.7	None	-	-	-	144.9	175	155	779	153.6	175	165	788
											2EH04502525	23.0	1	57.7	144.9	175	155	779	153.6	175	165	788
											2EH04505025	45.9	2	115.2	193.5	200	178	779	204.4	225	188	788
											2EH04507525	68.9	2	173.0	222.5	250	244	779	233.4	250	254	788
	460-3-60	10.6	75	19.2	147	10.6	75	1.3	18.7	4.3	None	-	-	-	69.1	80	74	387	73.4	90	79	391
											2EH04502546	23.0	1	28.9	59.5	80	74	387	64.9	90	79	391
											2EH04505046	45.9	2	57.6	95.4	100	88	387	100.8	110	93	391
											2EH04507546	68.9	2	86.5	109.9	125	121	387	115.3	125	126	391
575-3-60	7.7	54	16.7	122	7.7	54	1.1	12.9	3.5	None	-	-	-	53.6	70	57	320	57.1	70	61	324	
										2EH04502558	23.0	1	23.1	45.0	70	57	320	49.4	70	61	324	
										2EH04505058	45.9	2	46.1	73.8	80	68	320	78.1	80	72	324	
										2EH04507558	68.9	2	69.2	85.3	90	94	320	89.7	100	98	324	
CD28 (27.5)	208-3-60	25.0	164	51.3	300	25.0	164	2.1	39.6	9.6	None	-	-	-	162.1	200	172	836	171.7	200	183	846
											2EH04502525	18.8	1	52.2	162.1	200	172	836	171.7	200	183	846
											2EH04505025	37.6	2	104.4	180.0	200	172	836	192.0	200	183	846
											2EH04507525	56.3	2	156.3	205.8	225	225	836	217.8	250	236	846
	230-3-60	25.0	164	51.3	300	25.0	164	2.1	39.6	8.7	None	-	-	-	162.1	200	172	836	170.8	200	182	845
											2EH04502525	23.0	1	57.7	162.1	200	172	836	170.8	200	182	845
											2EH04505025	45.9	2	115.2	193.5	200	178	836	204.4	225	188	845
											2EH04507525	68.9	2	173.0	222.5	250	244	836	233.4	250	254	845
	460-3-60	12.8	100	22.4	150	12.8	100	1.0	18.7	4.3	None	-	-	-	76.3	90	81	455	80.6	100	86	460
											2EH04502546	23.0	1	28.9	59.5	90	81	455	64.9	100	86	460
											2EH04505046	45.9	2	57.6	95.4	100	88	455	100.8	110	93	460
											2EH04507546	68.9	2	86.5	109.9	125	121	455	115.3	125	126	460
575-3-60	9.6	78	19.9	109	9.6	78	0.9	12.9	3.5	None	-	-	-	60.6	80	64	343	64.1	80	68	347	
										2EH04502558	23.0	1	23.1	45.0	80	64	343	49.4	80	68	347	
										2EH04505058	45.9	2	46.1	73.8	80	68	343	78.1	80	72	347	
										2EH04507558	68.9	2	69.2	85.3	90	94	343	89.7	100	98	347	

**Table 62: CD15 to CD28 VFD 4 stage high static with on/off power exhaust**

Size (tons)	Nominal unit voltage	Comp. 1		Comp. 2		Comp. 3		OD fan motors each FLA	Supply blower motor FLA	Pwr exh motor FLA	120V trans FLA	Electric heat option field installed kit				MCA A	Max f/b size A	Min disconnect rating		MCA with 120V trans A	Max f/b size with 120V trans A	Min disconnect rating/120V trans	
		RLA	LRA	RLA	LRA	RLA	LRA					Model	kW	Stages	A			FLA	LRA			FLA	LRA
CD15 (15)	208-3-60	26.9	164	25.0	190			2.1	20.4	5.0	9.6	None	-	-	-	93.2	110	99	488	102.8	125	111	497
												2EH04502525	18.8	1	52.2	103.3	110	99	488	115.3	125	111	497
												2EH04505025	37.6	2	104.4	168.5	175	155	488	180.5	200	166	497
												2EH04507525	56.3	2	156.3	194.3	200	215	488	206.3	225	226	497
	230-3-60	26.9	164	25.0	190			2.1	20.4	5.0	8.7	None	-	-	-	93.2	110	99	487	101.9	125	109	496
												2EH04502525	23.0	1	57.7	110.1	125	101	487	121.0	125	111	496
												2EH04505025	45.9	2	115.2	182.0	200	167	487	192.9	200	177	496
												2EH04507525	68.9	2	173.0	211.0	225	234	487	221.9	225	244	496
	460-3-60	12.0	94	12.2	100			1.0	9.9	2.2	4.3	None	-	-	-	43.6	50	47	260	47.9	60	52	264
												2EH04502546	23.0	1	28.9	54.0	60	50	260	59.4	60	55	264
												2EH04505046	45.9	2	57.6	89.9	90	83	260	95.3	100	88	264
												2EH04507546	68.9	2	86.5	104.4	110	116	260	109.8	110	121	264
575-3-60	9.0	65	9.3	72			0.9	7.0	1.5	3.5	None	-	-	-	32.4	40	35	187	35.9	45	39	191	
											2EH04502558	23.0	1	23.1	41.4	45	38	187	45.8	50	42	191	
											2EH04505058	45.9	2	46.1	70.1	80	65	187	74.5	80	69	191	
											2EH04507558	68.9	2	69.2	81.7	90	91	187	86.1	90	95	191	
CD18 (17.5)	208-3-60	28.8	223	28.2	240			2.1	30.0	5.0	9.6	None	-	-	-	108.7	125	116	614	118.3	125	127	624
												2EH04502525	18.8	1	52.2	115.3	125	116	614	127.3	150	127	624
												2EH04505025	37.6	2	104.4	180.5	200	166	614	192.5	200	177	624
												2EH04507525	56.3	2	156.3	206.3	225	226	614	218.3	225	237	624
	230-3-60	28.8	223	28.2	240			2.1	30.0	5.0	8.7	None	-	-	-	108.7	125	116	614	117.4	125	126	623
												2EH04502525	23.0	1	57.7	122.1	125	116	614	133.0	150	126	623
												2EH04505025	45.9	2	115.2	194.0	200	178	614	204.9	225	188	623
												2EH04507525	68.9	2	173.0	223.0	250	245	614	233.9	250	255	623
	460-3-60	12.5	100	14.7	130			1.0	14.3	2.2	4.3	None	-	-	-	51.6	60	55	305	55.9	70	60	309
												2EH04502546	23.0	1	28.9	59.5	60	55	305	64.9	70	60	309
												2EH04505046	45.9	2	57.6	95.4	100	88	305	100.8	110	93	309
												2EH04507546	68.9	2	86.5	109.9	110	121	305	115.3	125	126	309
575-3-60	9.7	70	11.3	94			0.9	10.5	1.5	3.5	None	-	-	-	39.1	50	42	225	42.6	50	46	229	
											2EH04502558	23.0	1	23.1	45.8	50	42	225	50.1	60	46	229	
											2EH04505058	45.9	2	46.1	74.5	80	69	225	78.9	80	73	229	
											2EH04507558	68.9	2	69.2	86.1	90	95	225	90.5	100	99	229	
CD20 (20)	208-3-60	32.6	240	34.0	240			2.3	39.6	5.0	9.6	None	-	-	-	135.3	150	144	678	144.9	175	155	688
												2EH04502525	18.8	1	52.2	135.3	150	144	678	144.9	175	155	688
												2EH04505025	37.6	2	104.4	192.5	200	177	678	204.5	225	188	688
												2EH04507525	56.3	2	156.3	218.3	250	237	678	230.3	250	248	688
	230-3-60	32.6	240	34.0	240			2.3	39.6	5.0	8.7	None	-	-	-	135.3	150	144	678	144.0	175	154	687
												2EH04502525	23.0	1	57.7	135.3	150	144	678	145.0	175	154	687
												2EH04505025	45.9	2	115.2	206.0	225	190	678	216.9	225	200	687
												2EH04507525	68.9	2	173.0	235.0	250	256	678	245.9	250	266	687
	460-3-60	14.8	130	16.0	140			1.3	18.7	2.2	4.3	None	-	-	-	63.8	80	68	369	68.1	80	73	373
												2EH04502546	23.0	1	28.9	65.0	80	63	369	70.4	80	68	373
												2EH04505046	45.9	2	57.6	100.9	110	93	369	106.3	110	98	373
												2EH04507546	68.9	2	86.5	115.4	125	126	369	120.8	125	131	373
575-3-60	11.1	94	12.9	108			1.1	12.9	1.5	3.5	None	-	-	-	47.5	60	51	299	51.0	60	55	302	
											2EH04502558	23.0	1	23.1	48.8	60	47	299	53.1	60	52	302	
											2EH04505058	45.9	2	46.1	77.5	80	71	299	81.9	90	75	302	
											2EH04507558	68.9	2	69.2	89.1	100	98	299	93.5	100	102	302	

**Table 62: CD15 to CD28 VFD 4 stage high static with on/off power exhaust**

Size (tons)	Nominal unit voltage	Comp. 1		Comp. 2		Comp. 3		OD fan motors each FLA	Supply blower motor FLA	Pwr exh motor FLA	120V trans FLA	Electric heat option field installed kit				MCA A	Max f/b size A	Min disconnect rating		MCA with 120V trans A	Max f/b size with 120V trans A	Min disconnect rating/120V trans	
		RLA	LRA	RLA	LRA	RLA	LRA					Model	kW	Stages	A			FLA	LRA			FLA	LRA
CD25 (25)	208-3-60	22.4	149	41.0	304	22.4	149	2.3	39.6	5.0	9.6	None	-	-	-	154.9	175	166	800	164.5	200	177	810
												2EH04502525	18.8	1	52.2	154.9	175	166	800	164.5	200	177	810
												2EH04505025	37.6	2	104.4	192.5	200	177	800	204.5	225	188	810
												2EH04507525	56.3	2	156.3	218.3	250	237	800	230.3	250	248	810
	230-3-60	22.4	149	41.0	304	22.4	149	2.3	39.6	5.0	8.7	None	-	-	-	154.9	175	166	800	163.6	200	176	809
												2EH04502525	23.0	1	57.7	154.9	175	166	800	163.6	200	176	809
												2EH04505025	45.9	2	115.2	206.0	225	190	800	216.9	225	200	809
												2EH04507525	68.9	2	173.0	235.0	250	256	800	245.9	250	266	809
	460-3-60	10.6	75	19.2	147	10.6	75	1.3	18.7	2.2	4.3	None	-	-	-	73.5	90	79	396	77.8	90	84	400
												2EH04502546	23.0	1	28.9	65.0	90	74	396	70.4	90	79	400
												2EH04505046	45.9	2	57.6	100.9	110	93	396	106.3	110	98	400
												2EH04507546	68.9	2	86.5	115.4	125	126	396	120.8	125	131	400
575-3-60	7.7	54	16.7	122	7.7	54	1.1	12.9	1.5	3.5	None	-	-	-	56.6	70	60	327	60.1	70	64	330	
											2EH04502558	23.0	1	23.1	48.8	70	57	327	53.1	70	61	330	
											2EH04505058	45.9	2	46.1	77.5	80	71	327	81.9	90	75	330	
											2EH04507558	68.9	2	69.2	89.1	100	98	327	93.5	100	102	330	
CD28 (27.5)	208-3-60	25.0	164	51.3	300	25.0	164	2.1	39.6	5.0	9.6	None	-	-	-	172.1	200	183	857	181.7	225	194	867
												2EH04502525	18.8	1	52.2	172.1	200	183	857	181.7	225	194	867
												2EH04505025	37.6	2	104.4	192.5	200	183	857	204.5	225	194	867
												2EH04507525	56.3	2	156.3	218.3	250	237	857	230.3	250	248	867
	230-3-60	25.0	164	51.3	300	25.0	164	2.1	39.6	5.0	8.7	None	-	-	-	172.1	200	183	857	180.8	225	193	866
												2EH04502525	23.0	1	57.7	172.1	200	183	857	180.8	225	193	866
												2EH04505025	45.9	2	115.2	206.0	225	190	857	216.9	225	200	866
												2EH04507525	68.9	2	173.0	235.0	250	256	857	245.9	250	266	866
	460-3-60	12.8	100	22.4	150	12.8	100	1.0	18.7	2.2	4.3	None	-	-	-	80.7	100	86	464	85.0	100	91	469
												2EH04502546	23.0	1	28.9	65.0	100	81	464	70.4	100	86	469
												2EH04505046	45.9	2	57.6	100.9	110	93	464	106.3	110	98	469
												2EH04507546	68.9	2	86.5	115.4	125	126	464	120.8	125	131	469
575-3-60	9.6	78	19.9	109	9.6	78	0.9	12.9	1.5	3.5	None	-	-	-	63.6	80	67	350	67.1	80	71	353	
											2EH04502558	23.0	1	23.1	48.8	80	64	350	53.1	80	68	353	
											2EH04505058	45.9	2	46.1	77.5	80	71	350	81.9	90	75	353	
											2EH04507558	68.9	2	69.2	89.1	100	98	350	93.5	100	102	353	

**Table 63: CD15 to CD28 VFD 4 stage high static with modulating power exhaust**

Size (tons)	Nominal unit voltage	Comp. 1		Comp. 2		Comp. 3		OD fan motors each FLA	Supply blower motor FLA	Pwr exh motor FLA	120V trans FLA	Electric heat option field installed kit				MCA A	Max f/b size A	Min disconnect rating		MCA with 120V trans A	Max f/b size with 120V trans A	Min disconnect rating/120V trans	
		RLA	LRA	RLA	LRA	RLA	LRA					Model	kW	Stages	A			FLA	LRA			FLA	LRA
CD15 (15)	208-3-60	26.9	164	25.0	190			2.1	20.4	6.7	9.6	None	-	-	-	96.6	110	103	480	106.2	125	114	490
												2EH04502525	18.8	1	52.2	107.5	110	103	480	119.5	125	114	490
												2EH04505025	37.6	2	104.4	172.8	175	159	480	184.8	200	170	490
												2EH04507525	56.3	2	156.3	198.6	200	219	480	210.6	225	230	490
	230-3-60	26.9	164	25.0	190			2.1	20.4	6.7	8.7	None	-	-	-	96.6	110	103	479	105.3	125	113	488
												2EH04502525	23.0	1	57.7	114.4	125	105	479	125.3	150	115	488
												2EH04505025	45.9	2	115.2	186.3	200	171	479	197.1	200	181	488
												2EH04507525	68.9	2	173.0	215.3	225	238	479	226.1	250	248	488
	460-3-60	12.0	94	12.2	100			1.0	9.9	3.4	4.3	None	-	-	-	46.0	50	49	257	50.3	60	54	262
												2EH04502546	23.0	1	28.9	57.0	60	52	257	62.4	70	57	262
												2EH04505046	45.9	2	57.6	92.9	100	85	257	98.3	100	90	262
												2EH04507546	68.9	2	86.5	107.4	110	119	257	112.8	125	124	262
575-3-60	9.0	65	9.3	72			0.9	7.0	2.7	3.5	None	-	-	-	34.8	40	37	186	38.3	45	41	190	
											2EH04502558	23.0	1	23.1	44.4	45	41	186	48.8	50	45	190	
											2EH04505058	45.9	2	46.1	73.1	80	67	186	77.5	80	71	190	
											2EH04507558	68.9	2	69.2	84.7	90	94	186	89.1	90	98	190	

**Table 63: CD15 to CD28 VFD 4 stage high static with modulating power exhaust**

Size (tons)	Nominal unit voltage	Comp. 1		Comp. 2		Comp. 3		OD fan motors each FLA	Supply blower motor FLA	Pwr exh motor FLA	120V trans FLA	Electric heat option field installed kit				MCA A	Max f/b size A	Min disconnect rating		MCA with 120V trans A	Max f/b size with 120V trans A	Min disconnect rating/120V trans	
		RLA	LRA	RLA	LRA	RLA	LRA					Model	kW	Stages	A			FLA	LRA			FLA	LRA
CD18 (17.5)	208-3-60	28.8	223	28.2	240			2.1	30.0	6.7	9.6	None	-	-	-	112.1	125	120	606	121.7	150	131	616
												2EH04502525	18.8	1	52.2	119.5	125	120	606	131.5	150	131	616
												2EH04505025	37.6	2	104.4	184.8	200	170	606	196.8	200	181	616
												2EH04507525	56.3	2	156.3	210.6	225	230	606	222.6	225	241	616
	230-3-60	28.8	223	28.2	240			2.1	30.0	6.7	8.7	None	-	-	-	112.1	125	120	606	120.8	150	130	615
												2EH04502525	23.0	1	57.7	126.4	150	120	606	137.3	150	130	615
												2EH04505025	45.9	2	115.2	198.3	200	182	606	209.1	225	192	615
												2EH04507525	68.9	2	173.0	227.3	250	249	606	238.1	250	259	615
	460-3-60	12.5	100	14.7	130			1.0	14.3	3.4	4.3	None	-	-	-	54.0	60	58	302	58.3	70	63	307
												2EH04502546	23.0	1	28.9	62.5	70	58	302	67.9	70	63	307
												2EH04505046	45.9	2	57.6	98.4	100	91	302	103.8	110	95	307
												2EH04507546	68.9	2	86.5	112.9	125	124	302	118.3	125	129	307
575-3-60	9.7	70	11.3	94			0.9	10.5	2.7	3.5	None	-	-	-	41.5	50	45	224	45.0	50	49	228	
											2EH04502558	23.0	1	23.1	48.8	50	45	224	53.1	60	49	228	
											2EH04505058	45.9	2	46.1	77.5	80	71	224	81.9	90	75	228	
											2EH04507558	68.9	2	69.2	89.1	90	98	224	93.5	100	102	228	
CD20 (20)	208-3-60	32.6	240	34.0	240			2.3	39.6	6.7	9.6	None	-	-	-	138.7	175	148	671	148.3	175	159	680
												2EH04502525	18.8	1	52.2	138.7	175	148	671	148.3	175	159	680
												2EH04505025	37.6	2	104.4	196.8	200	181	671	208.8	225	192	680
												2EH04507525	56.3	2	156.3	222.6	250	241	671	234.6	250	252	680
	230-3-60	32.6	240	34.0	240			2.3	39.6	6.7	8.7	None	-	-	-	138.7	175	148	671	147.4	175	158	679
												2EH04502525	23.0	1	57.7	138.7	175	148	671	149.3	175	158	679
												2EH04505025	45.9	2	115.2	210.3	225	193	671	221.1	225	203	679
												2EH04507525	68.9	2	173.0	239.3	250	260	671	250.1	300	270	679
	460-3-60	14.8	130	16.0	140			1.3	18.7	3.4	4.3	None	-	-	-	66.2	80	71	367	70.5	80	76	371
												2EH04502546	23.0	1	28.9	68.0	80	71	367	73.4	80	76	371
												2EH04505046	45.9	2	57.6	103.9	110	96	367	109.3	110	101	371
												2EH04507546	68.9	2	86.5	118.4	125	129	367	123.8	125	134	371
575-3-60	11.1	94	12.9	108			1.1	12.9	2.7	3.5	None	-	-	-	49.9	60	54	298	53.4	60	58	301	
											2EH04502558	23.0	1	23.1	51.8	60	54	298	56.1	60	58	301	
											2EH04505058	45.9	2	46.1	80.5	90	74	298	84.9	90	78	301	
											2EH04507558	68.9	2	69.2	92.1	100	101	298	96.5	100	105	301	
CD25 (25)	208-3-60	22.4	149	41.0	304	22.4	149	2.3	39.6	6.7	9.6	None	-	-	-	158.3	175	170	793	167.9	200	181	802
												2EH04502525	18.8	1	52.2	158.3	175	170	793	167.9	200	181	802
												2EH04505025	37.6	2	104.4	196.8	200	181	793	208.8	225	192	802
												2EH04507525	56.3	2	156.3	222.6	250	241	793	234.6	250	252	802
	230-3-60	22.4	149	41.0	304	22.4	149	2.3	39.6	6.7	8.7	None	-	-	-	158.3	175	170	793	167.0	200	180	801
												2EH04502525	23.0	1	57.7	158.3	175	170	793	167.0	200	180	801
												2EH04505025	45.9	2	115.2	210.3	225	193	793	221.1	225	203	801
												2EH04507525	68.9	2	173.0	239.3	250	260	793	250.1	300	270	801
	460-3-60	10.6	75	19.2	147	10.6	75	1.3	18.7	3.4	4.3	None	-	-	-	75.9	90	82	394	80.2	90	87	398
												2EH04502546	23.0	1	28.9	68.0	90	82	394	73.4	90	87	398
												2EH04505046	45.9	2	57.6	103.9	110	96	394	109.3	110	101	398
												2EH04507546	68.9	2	86.5	118.4	125	129	394	123.8	125	134	398
575-3-60	7.7	54	16.7	122	7.7	54	1.1	12.9	2.7	3.5	None	-	-	-	59.0	70	63	326	62.5	70	67	329	
											2EH04502558	23.0	1	23.1	51.8	70	63	326	56.1	70	67	329	
											2EH04505058	45.9	2	46.1	80.5	90	74	326	84.9	90	78	329	
											2EH04507558	68.9	2	69.2	92.1	100	101	326	96.5	100	105	329	



**Table 63: CD15 to CD28 VFD 4 stage high static with modulating power exhaust**

Size (tons)	Nominal unit voltage	Comp. 1		Comp. 2		Comp. 3		OD fan motors each FLA	Supply blower motor FLA	Pwr exh motor FLA	120V trans FLA	Electric heat option field installed kit				MCA A	Max f/b size A	Min disconnect rating		MCA with 120V trans A	Max f/b size with 120V trans A	Min disconnect rating/120V trans	
		RLA	LRA	RLA	LRA	RLA	LRA					Model	kW	Stages	A			FLA	LRA			FLA	LRA
		CD28 (27.5)	208-3-60	25.0	164	51.3	300					25.0	164	2.1	39.6			6.7	9.6			None	-
2EH04502525	18.8							1	52.2	175.5	225					187	849			185.1	225	198	859
2EH04505025	37.6							2	104.4	196.8	225					187	849			208.8	225	198	859
2EH04507525	56.3							2	156.3	222.6	250					241	849			234.6	250	252	859
230-3-60	25.0		164	51.3	300	25.0	164	2.1	39.6	6.7	8.7	None	-	-	-	175.5	225	187	849	184.2	225	197	858
												2EH04502525	23.0	1	57.7	175.5	225	187	849	184.2	225	197	858
												2EH04505025	45.9	2	115.2	210.3	225	193	849	221.1	225	203	858
												2EH04507525	68.9	2	173.0	239.3	250	260	849	250.1	300	270	858
460-3-60	12.8		100	22.4	150	12.8	100	1.0	18.7	3.4	4.3	None	-	-	-	83.1	100	89	462	87.4	100	94	466
												2EH04502546	23.0	1	28.9	68.0	100	89	462	73.4	100	94	466
												2EH04505046	45.9	2	57.6	103.9	110	96	462	109.3	110	101	466
												2EH04507546	68.9	2	86.5	118.4	125	129	462	123.8	125	134	466
575-3-60	9.6		78	19.9	109	9.6	78	0.9	12.9	2.7	3.5	None	-	-	-	66.0	80	70	349	69.5	80	74	352
												2EH04502558	23.0	1	23.1	51.8	80	70	349	56.1	80	74	352
												2EH04505058	45.9	2	46.1	80.5	90	74	349	84.9	90	78	352
												2EH04507558	68.9	2	69.2	92.1	100	101	349	96.5	100	105	352

# VFD CS standard static

**Note:**

- MCA = minimum circuit ampacity
- f/b = fuse/breaker
- Fuse is a dual element, time delay type
- Breaker is a HACR type per NEC

**Table 64: CD15 to CD28 VFD CS standard static without power exhaust**

Size (tons)	Nominal unit voltage	Comp. 1		Comp. 2		Comp. 3		OD fan motors each FLA	Supply blower motor FLA	120V trans FLA	Electric heat option field installed kit				MCA A	Max f/b size A	Min disconnect rating		MCA with 120V trans A	Max f/b size with 120V trans A	Min disconnect rating/120V trans	
		RLA	LRA	RLA	LRA	RLA	LRA				Model	kW	Stages	A			FLA	LRA			FLA	LRA
CD15 (15)	208-3-60	26.9	164	25.0	190			2.1	8.9	9.6	None	-	-	-	71.7	90	75	426	81.3	100	86	435
											2EH04502525	18.8	1	52.2	76.4	90	75	426	88.4	100	86	435
		2EH04505025	37.6	2	104.4	141.6	150				130	426	153.6	175	141	435						
		2EH04507525	56.3	2	156.3	167.4	200				190	426	179.4	200	201	435						
	230-3-60	26.9	164	25.0	190			2.1	8.2	8.7	None	-	-	-	71.0	90	74	433	79.7	100	84	442
											2EH04502525	23.0	1	57.7	82.4	90	76	433	93.3	100	86	442
		2EH04505025	45.9	2	115.2	154.3	175				142	433	165.1	175	152	442						
		2EH04507525	68.9	2	173.0	183.3	200				208	433	194.1	225	218	442						
	460-3-60	12.0	94	12.2	100			1.0	4.1	4.3	None	-	-	-	33.4	45	35	234	37.7	45	40	238
											2EH04502546	23.0	1	28.9	41.3	45	38	234	46.6	50	43	238
		2EH04505046	45.9	2	57.6	77.1	80				71	234	82.5	90	76	238						
		2EH04507546	68.9	2	86.5	91.6	100				104	234	97.0	110	109	238						
575-3-60	9.0	65	9.3	72			0.9	3.2	3.5	None	-	-	-	25.6	30	27	167	29.1	35	31	171	
										2EH04502558	23.0	1	23.1	32.9	35	30	167	37.3	40	34	171	
	2EH04505058	45.9	2	46.1	61.6	70				57	167	66.0	70	61	171							
	2EH04507558	68.9	2	69.2	73.2	80				83	167	77.6	80	87	171							
CD18 (17.5)	208-3-60	28.8	223	28.2	240			2.1	9.9	9.6	None	-	-	-	78.3	100	82	546	87.9	110	93	555
											2EH04502525	18.8	1	52.2	78.3	100	82	546	89.6	110	93	555
		2EH04505025	37.6	2	104.4	142.9	150				131	546	154.9	175	142	555						
		2EH04507525	56.3	2	156.3	168.7	200				191	546	180.7	200	202	555						
	230-3-60	28.8	223	28.2	240			2.1	9.4	8.7	None	-	-	-	77.8	100	81	554	86.5	110	91	562
											2EH04502525	23.0	1	57.7	83.9	100	81	554	94.8	110	91	562
		2EH04505025	45.9	2	115.2	155.8	175				143	554	166.6	175	153	562						
		2EH04507525	68.9	2	173.0	184.8	200				210	554	195.6	225	220	562						
	460-3-60	12.5	100	14.7	130			1.0	4.7	4.3	None	-	-	-	37.6	50	39	276	41.9	50	44	280
											2EH04502546	23.0	1	28.9	42.0	50	39	276	47.4	50	44	280
		2EH04505046	45.9	2	57.6	77.9	80				72	276	83.3	90	77	280						
		2EH04507546	68.9	2	86.5	92.4	100				105	276	97.8	110	110	280						
575-3-60	9.7	70	11.3	94			0.9	4.3	3.5	None	-	-	-	29.9	40	31	208	33.4	40	35	212	
										2EH04502558	23.0	1	23.1	34.3	40	32	208	38.6	40	36	212	
	2EH04505058	45.9	2	46.1	63.0	70				58	208	67.4	70	62	212							
	2EH04507558	68.9	2	69.2	74.6	80				85	208	79.0	90	89	212							

**Table 64: CD15 to CD28 VFD CS standard static without power exhaust**

Size (tons)	Nominal unit voltage	Comp. 1		Comp. 2		Comp. 3		OD fan motors each FLA	Supply blower motor FLA	120V trans FLA	Electric heat option field installed kit				MCA A	Max f/b size A	Min disconnect rating		MCA with 120V trans A	Max f/b size with 120V trans A	Min disconnect rating/120V trans	
		RLA	LRA	RLA	LRA	RLA	LRA				Model	kW	Stages	A			FLA	LRA			FLA	LRA
		CD20 (20)	208-3-60	32.6	240	34.0	240						2.3	13.5			9.6	None			-	-
2EH04502525	18.8							1	52.2	97.8					125	103		602	107.4	125	114	612
2EH04505025	37.6							2	104.4	147.4					150	136		602	159.4	175	147	612
2EH04507525	56.3							2	156.3	173.2					200	195		602	185.2	200	206	612
230-3-60	32.6		240	34.0	240			2.3	13.4	8.7	None	-	-	-	97.7	125	103	601	106.4	125	113	610
											2EH04502525	23.0	1	57.7	97.7	125	103	601	106.4	125	113	610
											2EH04505025	45.9	2	115.2	160.8	175	148	601	171.6	175	158	610
											2EH04507525	68.9	2	173.0	189.8	225	214	601	200.6	225	224	610
460-3-60	14.8		130	16.0	140			1.3	6.7	4.3	None	-	-	-	46.7	60	49	332	51.0	60	54	336
											2EH04502546	23.0	1	28.9	44.5	60	49	332	49.9	60	54	336
											2EH04505046	45.9	2	57.6	80.4	90	74	332	85.8	90	79	336
											2EH04507546	68.9	2	86.5	94.9	110	107	332	100.3	110	112	336
575-3-60	11.1	94	12.9	108			1.1	5.4	3.5	None	-	-	-	37.0	45	39	251	40.5	50	43	254	
										2EH04502558	23.0	1	23.1	35.6	45	39	251	40.0	50	43	254	
										2EH04505058	45.9	2	46.1	64.4	70	59	251	68.8	70	63	254	
										2EH04507558	68.9	2	69.2	76.0	90	86	251	80.3	90	90	254	
CD25 (25)	208-3-60	22.4	149	41.0	304	22.4	149	2.3	13.5	9.6	None	-	-	-	118.8	150	125	724	128.4	150	136	734
											2EH04502525	18.8	1	52.2	118.8	150	125	724	128.4	150	136	734
											2EH04505025	37.6	2	104.4	147.4	150	136	724	159.4	175	147	734
											2EH04507525	56.3	2	156.3	173.2	200	195	724	185.2	200	206	734
	230-3-60	22.4	149	41.0	304	22.4	149	2.3	13.4	8.7	None	-	-	-	118.7	150	125	723	127.4	150	135	732
											2EH04502525	23.0	1	57.7	118.7	150	125	723	127.4	150	135	732
											2EH04505025	45.9	2	115.2	160.8	175	148	723	171.6	175	158	732
											2EH04507525	68.9	2	173.0	189.8	225	214	723	200.6	225	224	732
	460-3-60	10.6	75	19.2	147	10.6	75	1.3	6.7	4.3	None	-	-	-	57.1	70	60	359	61.4	80	65	363
											2EH04502546	23.0	1	28.9	44.5	70	60	359	49.9	80	65	363
											2EH04505046	45.9	2	57.6	80.4	90	74	359	85.8	90	79	363
											2EH04507546	68.9	2	86.5	94.9	110	107	359	100.3	110	112	363
575-3-60	7.7	54	16.7	122	7.7	54	1.1	5.4	3.5	None	-	-	-	46.1	60	48	279	49.6	60	52	282	
										2EH04502558	23.0	1	23.1	35.6	60	48	279	40.0	60	52	282	
										2EH04505058	45.9	2	46.1	64.4	70	59	279	68.8	70	63	282	
										2EH04507558	68.9	2	69.2	76.0	90	86	279	80.3	90	90	282	
CD28 (27.5)	208-3-60	25.0	164	51.3	300	25.0	164	2.1	19.8	9.6	None	-	-	-	142.3	175	149	768	151.9	200	160	778
											2EH04502525	18.8	1	52.2	142.3	175	149	768	151.9	200	160	778
											2EH04505025	37.6	2	104.4	155.3	175	149	768	167.3	200	160	778
											2EH04507525	56.3	2	156.3	181.1	200	203	768	193.1	200	214	778
	230-3-60	25.0	164	51.3	300	25.0	164	2.1	19.8	8.7	None	-	-	-	142.3	175	149	768	151.0	200	159	777
											2EH04502525	23.0	1	57.7	142.3	175	149	768	151.0	200	159	777
											2EH04505025	45.9	2	115.2	168.8	175	155	768	179.6	200	165	777
											2EH04507525	68.9	2	173.0	197.8	225	222	768	208.6	225	232	777
	460-3-60	12.8	100	22.4	150	12.8	100	1.0	9.9	4.3	None	-	-	-	67.5	80	71	421	71.8	90	76	426
											2EH04502546	23.0	1	28.9	48.5	80	71	421	53.9	90	76	426
											2EH04505046	45.9	2	57.6	84.4	90	78	421	89.8	90	83	426
											2EH04507546	68.9	2	86.5	98.9	110	111	421	104.3	110	116	426
575-3-60	9.6	78	19.9	109	9.6	78	0.9	7.9	3.5	None	-	-	-	55.6	70	58	324	59.1	70	62	327	
										2EH04502558	23.0	1	23.1	38.8	70	58	324	43.1	70	62	327	
										2EH04505058	45.9	2	46.1	67.5	70	62	324	71.9	80	66	327	
										2EH04507558	68.9	2	69.2	79.1	90	89	324	83.5	90	93	327	

**Table 65: CD15 to CD28 VFD CS standard static with on/off power exhaust**

Size (tons)	Nominal unit voltage	Comp. 1		Comp. 2		Comp. 3		OD fan motors each FLA	Supply blower motor FLA	Pwr exh motor FLA	120V trans FLA	Electric heat option field installed kit				MCA A	Max f/b size A	Min disconnect rating		MCA with 120V trans A	Max f/b size with 120V trans A	Min disconnect rating/120V trans	
		RLA	LRA	RLA	LRA	RLA	LRA					Model	kW	Stages	A			FLA	LRA			FLA	LRA
CD15 (15)	208-3-60	26.9	164	25.0	190			2.1	8.9	5.0	9.6	None	-	-	-	81.7	100	86	447	91.3	110	97	456
												2EH04502525	18.8	1	52.2	88.9	100	86	447	100.9	110	97	456
												2EH04505025	37.6	2	104.4	154.1	175	142	447	166.1	175	153	456
												2EH04507525	56.3	2	156.3	179.9	200	201	447	191.9	200	213	456
	230-3-60	26.9	164	25.0	190			2.1	8.2	5.0	8.7	None	-	-	-	81.0	100	85	454	89.7	110	95	463
												2EH04502525	23.0	1	57.7	94.9	100	87	454	105.8	110	97	463
												2EH04505025	45.9	2	115.2	166.8	175	153	454	177.6	200	163	463
												2EH04507525	68.9	2	173.0	195.8	225	220	454	206.6	225	230	463
	460-3-60	12.0	94	12.2	100			1.0	4.1	2.2	4.3	None	-	-	-	37.8	50	40	243	42.1	50	45	248
												2EH04502546	23.0	1	28.9	46.8	50	43	243	52.1	60	48	248
												2EH04505046	45.9	2	57.6	82.6	90	76	243	88.0	90	81	248
												2EH04507546	68.9	2	86.5	97.1	110	109	243	102.5	110	114	248
575-3-60	9.0	65	9.3	72			0.9	3.2	1.5	3.5	None	-	-	-	28.6	35	30	174	32.1	40	34	177	
											2EH04502558	23.0	1	23.1	36.6	40	34	174	41.0	45	38	177	
											2EH04505058	45.9	2	46.1	65.4	70	60	174	69.8	70	64	177	
											2EH04507558	68.9	2	69.2	77.0	80	87	174	81.3	90	91	177	
CD18 (17.5)	208-3-60	28.8	223	28.2	240			2.1	9.9	5.0	9.6	None	-	-	-	88.3	110	93	567	97.9	125	104	576
												2EH04502525	18.8	1	52.2	90.1	110	93	567	102.1	125	104	576
												2EH04505025	37.6	2	104.4	155.4	175	143	567	167.4	175	154	576
												2EH04507525	56.3	2	156.3	181.2	200	203	567	193.2	200	214	576
	230-3-60	28.8	223	28.2	240			2.1	9.4	5.0	8.7	None	-	-	-	87.8	110	93	575	96.5	125	103	583
												2EH04502525	23.0	1	57.7	96.4	110	93	575	107.3	125	103	583
												2EH04505025	45.9	2	115.2	168.3	175	155	575	179.1	200	165	583
												2EH04507525	68.9	2	173.0	197.3	225	221	575	208.1	225	231	583
	460-3-60	12.5	100	14.7	130			1.0	4.7	2.2	4.3	None	-	-	-	42.0	50	44	285	46.3	60	49	289
												2EH04502546	23.0	1	28.9	47.5	50	44	285	52.9	60	49	289
												2EH04505046	45.9	2	57.6	83.4	90	77	285	88.8	90	82	289
												2EH04507546	68.9	2	86.5	97.9	110	110	285	103.3	110	115	289
575-3-60	9.7	70	11.3	94			0.9	4.3	1.5	3.5	None	-	-	-	32.9	40	35	214	36.4	45	39	218	
											2EH04502558	23.0	1	23.1	38.0	40	35	214	42.4	45	39	218	
											2EH04505058	45.9	2	46.1	66.8	70	61	214	71.1	80	65	218	
											2EH04507558	68.9	2	69.2	78.3	90	88	214	82.7	90	92	218	
CD20 (20)	208-3-60	32.6	240	34.0	240			2.3	13.5	5.0	9.6	None	-	-	-	107.8	125	114	623	117.4	150	125	633
												2EH04502525	18.8	1	52.2	107.8	125	114	623	117.4	150	125	633
												2EH04505025	37.6	2	104.4	159.9	175	147	623	171.9	175	158	633
												2EH04507525	56.3	2	156.3	185.7	200	207	623	197.7	200	218	633
	230-3-60	32.6	240	34.0	240			2.3	13.4	5.0	8.7	None	-	-	-	107.7	125	114	622	116.4	150	124	631
												2EH04502525	23.0	1	57.7	107.7	125	114	622	116.4	150	124	631
												2EH04505025	45.9	2	115.2	173.3	175	159	622	184.1	200	169	631
												2EH04507525	68.9	2	173.0	202.3	225	226	622	213.1	225	236	631
	460-3-60	14.8	130	16.0	140			1.3	6.7	2.2	4.3	None	-	-	-	51.1	60	54	341	55.4	70	59	345
												2EH04502546	23.0	1	28.9	50.0	60	49	341	55.4	70	54	345
												2EH04505046	45.9	2	57.6	85.9	90	79	341	91.3	100	84	345
												2EH04507546	68.9	2	86.5	100.4	110	112	341	105.8	110	117	345
575-3-60	11.1	94	12.9	108			1.1	5.4	1.5	3.5	None	-	-	-	40.0	50	42	257	43.5	50	46	261	
											2EH04502558	23.0	1	23.1	39.4	50	39	257	43.8	50	43	261	
											2EH04505058	45.9	2	46.1	68.1	70	63	257	72.5	80	67	261	
											2EH04507558	68.9	2	69.2	79.7	90	89	257	84.1	90	93	261	

**Table 65: CD15 to CD28 VFD CS standard static with on/off power exhaust**

Size (tons)	Nominal unit voltage	Comp. 1		Comp. 2		Comp. 3		OD fan motors each FLA	Supply blower motor FLA	Pwr exh motor FLA	120V trans FLA	Electric heat option field installed kit				MCA A	Max f/b size A	Min disconnect rating		MCA with 120V trans A	Max f/b size with 120V trans A	Min disconnect rating/120V trans	
		RLA	LRA	RLA	LRA	RLA	LRA					Model	kW	Stages	A			FLA	LRA			FLA	LRA
CD25 (25)	208-3-60	22.4	149	41.0	304	22.4	149	2.3	13.5	5.0	9.6	None	-	-	-	128.8	150	136	745	138.4	175	147	755
												2EH04502525	18.8	1	52.2	128.8	150	136	745	138.4	175	147	755
												2EH04505025	37.6	2	104.4	159.9	175	147	745	171.9	175	158	755
												2EH04507525	56.3	2	156.3	185.7	200	207	745	197.7	200	218	755
	230-3-60	22.4	149	41.0	304	22.4	149	2.3	13.4	5.0	8.7	None	-	-	-	128.7	150	136	744	137.4	175	146	753
												2EH04502525	23.0	1	57.7	128.7	150	136	744	137.4	175	146	753
												2EH04505025	45.9	2	115.2	173.3	175	159	744	184.1	200	169	753
												2EH04507525	68.9	2	173.0	202.3	225	226	744	213.1	225	236	753
	460-3-60	10.6	75	19.2	147	10.6	75	1.3	6.7	2.2	4.3	None	-	-	-	61.5	80	65	368	65.8	80	70	372
												2EH04502546	23.0	1	28.9	50.0	80	60	368	55.4	80	65	372
												2EH04505046	45.9	2	57.6	85.9	90	79	368	91.3	100	84	372
												2EH04507546	68.9	2	86.5	100.4	110	112	368	105.8	110	117	372
575-3-60	7.7	54	16.7	122	7.7	54	1.1	5.4	1.5	3.5	None	-	-	-	49.1	60	52	285	52.6	60	56	289	
											2EH04502558	23.0	1	23.1	39.4	60	48	285	43.8	60	52	289	
											2EH04505058	45.9	2	46.1	68.1	70	63	285	72.5	80	67	289	
											2EH04507558	68.9	2	69.2	79.7	90	89	285	84.1	90	93	289	
CD28 (27.5)	208-3-60	25.0	164	51.3	300	25.0	164	2.1	19.8	5.0	9.6	None	-	-	-	152.3	200	160	789	161.9	200	171	799
												2EH04502525	18.8	1	52.2	152.3	200	160	789	161.9	200	171	799
												2EH04505025	37.6	2	104.4	167.8	200	160	789	179.8	200	171	799
												2EH04507525	56.3	2	156.3	193.6	200	214	789	205.6	225	225	799
	230-3-60	25.0	164	51.3	300	25.0	164	2.1	19.8	5.0	8.7	None	-	-	-	152.3	200	160	789	161.0	200	170	798
												2EH04502525	23.0	1	57.7	152.3	200	160	789	161.0	200	170	798
												2EH04505025	45.9	2	115.2	181.3	200	167	789	192.1	200	177	798
												2EH04507525	68.9	2	173.0	210.3	225	233	789	221.1	225	243	798
	460-3-60	12.8	100	22.4	150	12.8	100	1.0	9.9	2.2	4.3	None	-	-	-	71.9	90	76	430	76.2	90	81	435
												2EH04502546	23.0	1	28.9	54.0	90	71	430	59.4	90	76	435
												2EH04505046	45.9	2	57.6	89.9	90	83	430	95.3	100	88	435
												2EH04507546	68.9	2	86.5	104.4	110	116	430	109.8	110	121	435
575-3-60	9.6	78	19.9	109	9.6	78	0.9	7.9	1.5	3.5	None	-	-	-	58.6	70	62	330	62.1	80	66	334	
											2EH04502558	23.0	1	23.1	42.5	70	58	330	46.9	80	62	334	
											2EH04505058	45.9	2	46.1	71.3	80	66	330	75.6	80	70	334	
											2EH04507558	68.9	2	69.2	82.8	90	92	330	87.2	90	96	334	

**Table 66: CD15 to CD28 VFD CS standard static with modulating power exhaust**

Size (tons)	Nominal unit voltage	Comp. 1		Comp. 2		Comp. 3		OD fan motors each FLA	Supply blower motor FLA	Pwr exh motor FLA	120V trans FLA	Electric heat option field installed kit				MCA A	Max f/b size A	Min disconnect rating		MCA with 120V trans A	Max f/b size with 120V trans A	Min disconnect rating/120V trans	
		RLA	LRA	RLA	LRA	RLA	LRA					Model	kW	Stages	A			FLA	LRA			FLA	LRA
CD15 (15)	208-3-60	26.9	164	25.0	190			2.1	8.9	6.7	9.6	None	-	-	-	85.1	110	90	439	94.7	110	101	449
												2EH04502525	18.8	1	52.2	93.1	110	90	439	105.1	110	101	449
												2EH04505025	37.6	2	104.4	158.4	175	146	439	170.4	175	157	449
												2EH04507525	56.3	2	156.3	184.2	200	205	439	196.2	200	216	449
	230-3-60	26.9	164	25.0	190			2.1	8.2	6.7	8.7	None	-	-	-	84.4	110	89	446	93.1	110	99	455
												2EH04502525	23.0	1	57.7	99.1	110	91	446	110.0	125	101	455
												2EH04505025	45.9	2	115.2	171.0	175	157	446	181.9	200	167	455
												2EH04507525	68.9	2	173.0	200.0	225	224	446	210.9	225	234	455
	460-3-60	12.0	94	12.2	100			1.0	4.1	3.4	4.3	None	-	-	-	40.2	50	43	241	44.5	50	48	245
												2EH04502546	23.0	1	28.9	49.8	50	46	241	55.1	60	51	245
												2EH04505046	45.9	2	57.6	85.6	90	79	241	91.0	100	84	245
												2EH04507546	68.9	2	86.5	100.1	110	112	241	105.5	110	117	245
575-3-60	9.0	65	9.3	72			0.9	3.2	2.7	3.5	None	-	-	-	31.0	40	33	173	34.5	40	37	176	
											2EH04502558	23.0	1	23.1	39.6	40	36	173	44.0	45	40	176	
											2EH04505058	45.9	2	46.1	68.4	70	63	173	72.8	80	67	176	
											2EH04507558	68.9	2	69.2	80.0	90	89	173	84.3	90	93	176	

**Table 66: CD15 to CD28 VFD CS standard static with modulating power exhaust**

Size (tons)	Nominal unit voltage	Comp. 1		Comp. 2		Comp. 3		OD fan motors each FLA	Supply blower motor FLA	Pwr exh motor FLA	120V trans FLA	Electric heat option field installed kit				MCA A	Max f/b size A	Min disconnect rating		MCA with 120V trans A	Max f/b size with 120V trans A	Min disconnect rating/120V trans	
		RLA	LRA	RLA	LRA	RLA	LRA					Model	kW	Stages	A			FLA	LRA			FLA	LRA
CD18 (17.5)	208-3-60	28.8	223	28.2	240			2.1	9.9	6.7	9.6	None	-	-	-	91.7	110	97	559	101.3	125	108	569
												2EH04502525	18.8	1	52.2	94.4	110	97	559	106.4	125	108	569
												2EH04505025	37.6	2	104.4	159.6	175	147	559	171.6	175	158	569
												2EH04507525	56.3	2	156.3	185.4	200	207	559	197.4	200	218	569
	230-3-60	28.8	223	28.2	240			2.1	9.4	6.7	8.7	None	-	-	-	91.2	110	97	567	99.9	125	107	576
												2EH04502525	23.0	1	57.7	100.6	110	97	567	111.5	125	107	576
												2EH04505025	45.9	2	115.2	172.5	175	159	567	183.4	200	169	576
												2EH04507525	68.9	2	173.0	201.5	225	225	567	212.4	225	235	576
	460-3-60	12.5	100	14.7	130			1.0	4.7	3.4	4.3	None	-	-	-	44.4	50	47	283	48.7	60	52	287
												2EH04502546	23.0	1	28.9	50.5	60	47	283	55.9	60	52	287
												2EH04505046	45.9	2	57.6	86.4	90	79	283	91.8	100	84	287
												2EH04507546	68.9	2	86.5	100.9	110	113	283	106.3	110	118	287
575-3-60	9.7	70	11.3	94			0.9	4.3	2.7	3.5	None	-	-	-	35.3	45	37	213	38.8	50	41	217	
											2EH04502558	23.0	1	23.1	41.0	45	38	213	45.4	50	42	217	
											2EH04505058	45.9	2	46.1	69.8	70	64	213	74.1	80	68	217	
											2EH04507558	68.9	2	69.2	81.3	90	91	213	85.7	90	95	217	
CD20 (20)	208-3-60	32.6	240	34.0	240			2.3	13.5	6.7	9.6	None	-	-	-	111.2	125	118	615	120.8	150	129	625
												2EH04502525	18.8	1	52.2	111.2	125	118	615	120.8	150	129	625
												2EH04505025	37.6	2	104.4	164.1	175	151	615	176.1	200	162	625
												2EH04507525	56.3	2	156.3	189.9	200	211	615	201.9	225	222	625
	230-3-60	32.6	240	34.0	240			2.3	13.4	6.7	8.7	None	-	-	-	111.1	125	118	615	119.8	150	128	623
												2EH04502525	23.0	1	57.7	111.1	125	118	615	119.8	150	128	623
												2EH04505025	45.9	2	115.2	177.5	200	163	615	188.4	200	173	623
												2EH04507525	68.9	2	173.0	206.5	225	230	615	217.4	225	240	623
	460-3-60	14.8	130	16.0	140			1.3	6.7	3.4	4.3	None	-	-	-	53.5	60	57	339	57.8	70	62	343
												2EH04502546	23.0	1	28.9	53.0	60	57	339	58.4	70	62	343
												2EH04505046	45.9	2	57.6	88.9	90	82	339	94.3	100	87	343
												2EH04507546	68.9	2	86.5	103.4	110	115	339	108.8	110	120	343
575-3-60	11.1	94	12.9	108			1.1	5.4	2.7	3.5	None	-	-	-	42.4	50	45	256	45.9	50	49	260	
											2EH04502558	23.0	1	23.1	42.4	50	45	256	46.8	50	49	260	
											2EH04505058	45.9	2	46.1	71.1	80	65	256	75.5	80	69	260	
											2EH04507558	68.9	2	69.2	82.7	90	92	256	87.1	90	96	260	
CD25 (25)	208-3-60	22.4	149	41.0	304	22.4	149	2.3	13.5	6.7	9.6	None	-	-	-	132.2	150	140	737	141.8	175	151	747
												2EH04502525	18.8	1	52.2	132.2	150	140	737	141.8	175	151	747
												2EH04505025	37.6	2	104.4	164.1	175	151	737	176.1	200	162	747
												2EH04507525	56.3	2	156.3	189.9	200	211	737	201.9	225	222	747
	230-3-60	22.4	149	41.0	304	22.4	149	2.3	13.4	6.7	8.7	None	-	-	-	132.1	150	140	737	140.8	175	150	745
												2EH04502525	23.0	1	57.7	132.1	150	140	737	140.8	175	150	745
												2EH04505025	45.9	2	115.2	177.5	200	163	737	188.4	200	173	745
												2EH04507525	68.9	2	173.0	206.5	225	230	737	217.4	225	240	745
	460-3-60	10.6	75	19.2	147	10.6	75	1.3	6.7	3.4	4.3	None	-	-	-	63.9	80	68	366	68.2	80	73	370
												2EH04502546	23.0	1	28.9	53.0	80	68	366	58.4	80	73	370
												2EH04505046	45.9	2	57.6	88.9	90	82	366	94.3	100	87	370
												2EH04507546	68.9	2	86.5	103.4	110	115	366	108.8	110	120	370
575-3-60	7.7	54	16.7	122	7.7	54	1.1	5.4	2.7	3.5	None	-	-	-	51.5	60	54	284	55.0	70	58	288	
											2EH04502558	23.0	1	23.1	42.4	60	54	284	46.8	70	58	288	
											2EH04505058	45.9	2	46.1	71.1	80	65	284	75.5	80	69	288	
											2EH04507558	68.9	2	69.2	82.7	90	92	284	87.1	90	96	288	

**Table 66: CD15 to CD28 VFD CS standard static with modulating power exhaust**

Size (tons)	Nominal unit voltage	Comp. 1		Comp. 2		Comp. 3		OD fan motors each FLA	Supply blower motor FLA	Pwr exh motor FLA	120V trans FLA	Electric heat option field installed kit				MCA A	Max f/b size A	Min disconnect rating		MCA with 120V trans A	Max f/b size with 120V trans A	Min disconnect rating/120V trans	
		RLA	LRA	RLA	LRA	RLA	LRA					Model	kW	Stages	A			FLA	LRA			FLA	LRA
		CD28 (27.5)	208-3-60	25.0	164	51.3	300					25.0	164	2.1	19.8			6.7	9.6			None	-
2EH04502525	18.8							1	52.2	155.7	200					164	781			165.3	200	175	791
2EH04505025	37.6							2	104.4	172.0	200					164	781			184.0	200	175	791
2EH04507525	56.3							2	156.3	197.8	200					218	781			209.8	225	229	791
230-3-60	25.0		164	51.3	300	25.0	164	2.1	19.8	6.7	8.7	None	-	-	-	155.7	200	164	781	164.4	200	174	790
												2EH04502525	23.0	1	57.7	155.7	200	164	781	164.4	200	174	790
												2EH04505025	45.9	2	115.2	185.5	200	171	781	196.4	200	181	790
												2EH04507525	68.9	2	173.0	214.5	225	237	781	225.4	250	247	790
460-3-60	12.8		100	22.4	150	12.8	100	1.0	9.9	3.4	4.3	None	-	-	-	74.3	90	79	428	78.6	100	84	432
												2EH04502546	23.0	1	28.9	57.0	90	79	428	62.4	100	84	432
												2EH04505046	45.9	2	57.6	92.9	100	85	428	98.3	100	90	432
												2EH04507546	68.9	2	86.5	107.4	110	119	428	112.8	125	124	432
575-3-60	9.6		78	19.9	109	9.6	78	0.9	7.9	2.7	3.5	None	-	-	-	61.0	80	64	329	64.5	80	68	333
												2EH04502558	23.0	1	23.1	45.5	80	64	329	49.9	80	68	333
												2EH04505058	45.9	2	46.1	74.3	80	68	329	78.6	80	72	333
												2EH04507558	68.9	2	69.2	85.8	90	95	329	90.2	100	99	333

# VFD CS medium static

**Note:**

- MCA = minimum circuit ampacity
- f/b = fuse/breaker
- Fuse is a dual element, time delay type
- Breaker is a HACR type per NEC

**Table 67: CD15 to CD28 VFD CS medium static without power exhaust**

Size (tons)	Nominal unit voltage	Comp. 1		Comp. 2		Comp. 3		OD fan motors each FLA	Supply blower motor FLA	120V trans FLA	Electric heat option field installed kit				MCA A	Max f/b size A	Min disconnect rating		MCA with 120V trans A	Max f/b size with 120V trans A	Min disconnect rating/120V trans	
		RLA	LRA	RLA	LRA	RLA	LRA				Model	kW	Stages	A			FLA	LRA			FLA	LRA
CD15 (15)	208-3-60	26.9	164	25.0	190			2.1	9.9	9.6	None	-	-	-	72.7	90	76	437	82.3	100	87	446
											2EH04502525	18.8	1	52.2	77.6	90	76	437	89.6	100	87	446
											2EH04505025	37.6	2	104.4	142.9	150	131	437	154.9	175	142	446
											2EH04507525	56.3	2	156.3	168.7	200	191	437	180.7	200	202	446
	230-3-60	26.9	164	25.0	190			2.1	9.4	8.7	None	-	-	-	72.2	90	75	445	80.9	100	85	453
											2EH04502525	23.0	1	57.7	83.9	90	77	445	94.8	100	87	453
											2EH04505025	45.9	2	115.2	155.8	175	143	445	166.6	175	153	453
											2EH04507525	68.9	2	173.0	184.8	200	210	445	195.6	225	220	453
	460-3-60	12.0	94	12.2	100			1.0	4.7	4.3	None	-	-	-	34.0	45	36	240	38.3	50	40	244
											2EH04502546	23.0	1	28.9	42.0	45	39	240	47.4	50	44	244
											2EH04505046	45.9	2	57.6	77.9	80	72	240	83.3	90	77	244
											2EH04507546	68.9	2	86.5	92.4	100	105	240	97.8	110	110	244
575-3-60	9.0	65	9.3	72			0.9	4.3	3.5	None	-	-	-	26.7	35	28	181	30.2	35	32	185	
										2EH04502558	23.0	1	23.1	34.3	35	32	181	38.6	40	36	185	
										2EH04505058	45.9	2	46.1	63.0	70	58	181	67.4	70	62	185	
										2EH04507558	68.9	2	69.2	74.6	80	85	181	79.0	90	89	185	
CD18 (17.5)	208-3-60	28.8	223	28.2	240			2.1	13.5	9.6	None	-	-	-	81.9	110	86	576	91.5	110	97	585
											2EH04502525	18.8	1	52.2	82.1	110	86	576	94.1	110	97	585
											2EH04505025	37.6	2	104.4	147.4	150	136	576	159.4	175	147	585
											2EH04507525	56.3	2	156.3	173.2	200	195	576	185.2	200	206	585
	230-3-60	28.8	223	28.2	240			2.1	13.4	8.7	None	-	-	-	81.8	110	86	575	90.5	110	96	584
											2EH04502525	23.0	1	57.7	88.9	110	86	575	99.8	110	96	584
											2EH04505025	45.9	2	115.2	160.8	175	148	575	171.6	175	158	584
											2EH04507525	68.9	2	173.0	189.8	225	214	575	200.6	225	224	584
	460-3-60	12.5	100	14.7	130			1.0	6.7	4.3	None	-	-	-	39.6	50	41	287	43.9	50	46	291
											2EH04502546	23.0	1	28.9	44.5	50	41	287	49.9	50	46	291
											2EH04505046	45.9	2	57.6	80.4	90	74	287	85.8	90	79	291
											2EH04507546	68.9	2	86.5	94.9	110	107	287	100.3	110	112	291
575-3-60	9.7	70	11.3	94			0.9	5.4	3.5	None	-	-	-	31.0	40	32	208	34.5	45	36	212	
										2EH04502558	23.0	1	23.1	35.6	40	33	208	40.0	45	37	212	
										2EH04505058	45.9	2	46.1	64.4	70	59	208	68.8	70	63	212	
										2EH04507558	68.9	2	69.2	76.0	90	86	208	80.3	90	90	212	



**Table 67: CD15 to CD28 VFD CS medium static without power exhaust**

Size (tons)	Nominal unit voltage	Comp. 1		Comp. 2		Comp. 3		OD fan motors each FLA	Supply blower motor FLA	120V trans FLA	Electric heat option field installed kit				MCA A	Max f/b size A	Min disconnect rating		MCA with 120V trans A	Max f/b size with 120V trans A	Min disconnect rating/120V trans	
		RLA	LRA	RLA	LRA	RLA	LRA				Model	kW	Stages	A			FLA	LRA			FLA	LRA
CD20 (20)	208-3-60	32.6	240	34.0	240			2.3	19.8	9.6	None	-	-	-	104.1	125	110	619	113.7	125	121	629
											2EH04502525	18.8	1	52.2	104.1	125	110	619	113.7	125	121	629
											2EH04505025	37.6	2	104.4	155.3	175	143	619	167.3	175	154	629
											2EH04507525	56.3	2	156.3	181.1	200	203	619	193.1	200	214	629
	230-3-60	32.6	240	34.0	240			2.3	19.8	8.7	None	-	-	-	104.1	125	110	619	112.8	125	120	628
											2EH04502525	23.0	1	57.7	104.1	125	110	619	112.8	125	120	628
											2EH04505025	45.9	2	115.2	168.8	175	155	619	179.6	200	165	628
											2EH04507525	68.9	2	173.0	197.8	225	222	619	208.6	225	232	628
	460-3-60	14.8	130	16.0	140			1.3	9.9	4.3	None	-	-	-	49.9	60	53	341	54.2	70	58	345
											2EH04502546	23.0	1	28.9	48.5	60	53	341	53.9	70	58	345
											2EH04505046	45.9	2	57.6	84.4	90	78	341	89.8	90	83	345
											2EH04507546	68.9	2	86.5	98.9	110	111	341	104.3	110	116	345
575-3-60	11.1	94	12.9	108			1.1	7.9	3.5	None	-	-	-	39.5	50	42	262	43.0	50	46	265	
										2EH04502558	23.0	1	23.1	38.8	50	42	262	43.1	50	46	265	
										2EH04505058	45.9	2	46.1	67.5	70	62	262	71.9	80	66	265	
										2EH04507558	68.9	2	69.2	79.1	90	89	262	83.5	90	93	265	
CD25 (25)	208-3-60	22.4	149	41.0	304	22.4	149	2.3	19.8	9.6	None	-	-	-	125.1	150	132	741	134.7	175	143	751
											2EH04502525	18.8	1	52.2	125.1	150	132	741	134.7	175	143	751
											2EH04505025	37.6	2	104.4	155.3	175	143	741	167.3	175	154	751
											2EH04507525	56.3	2	156.3	181.1	200	203	741	193.1	200	214	751
	230-3-60	22.4	149	41.0	304	22.4	149	2.3	19.8	8.7	None	-	-	-	125.1	150	132	741	133.8	150	142	750
											2EH04502525	23.0	1	57.7	125.1	150	132	741	133.8	150	142	750
											2EH04505025	45.9	2	115.2	168.8	175	155	741	179.6	200	165	750
											2EH04507525	68.9	2	173.0	197.8	225	222	741	208.6	225	232	750
	460-3-60	10.6	75	19.2	147	10.6	75	1.3	9.9	4.3	None	-	-	-	60.3	70	64	368	64.6	80	69	372
											2EH04502546	23.0	1	28.9	48.5	70	64	368	53.9	80	69	372
											2EH04505046	45.9	2	57.6	84.4	90	78	368	89.8	90	83	372
											2EH04507546	68.9	2	86.5	98.9	110	111	368	104.3	110	116	372
575-3-60	7.7	54	16.7	122	7.7	54	1.1	7.9	3.5	None	-	-	-	48.6	60	51	290	52.1	60	55	293	
										2EH04502558	23.0	1	23.1	38.8	60	51	290	43.1	60	55	293	
										2EH04505058	45.9	2	46.1	67.5	70	62	290	71.9	80	66	293	
										2EH04507558	68.9	2	69.2	79.1	90	89	290	83.5	90	93	293	
CD28 (27.5)	208-3-60	25.0	164	51.3	300	25.0	164	2.1	25.4	9.6	None	-	-	-	147.9	175	155	806	157.5	200	166	816
											2EH04502525	18.8	1	52.2	147.9	175	155	806	157.5	200	166	816
											2EH04505025	37.6	2	104.4	162.3	175	155	806	174.3	200	166	816
											2EH04507525	56.3	2	156.3	188.1	200	209	806	200.1	225	220	816
	230-3-60	25.0	164	51.3	300	25.0	164	2.1	25.4	8.7	None	-	-	-	147.9	175	155	806	156.6	200	165	815
											2EH04502525	23.0	1	57.7	147.9	175	155	806	156.6	200	165	815
											2EH04505025	45.9	2	115.2	175.8	200	162	806	186.6	200	172	815
											2EH04507525	68.9	2	173.0	204.8	225	228	806	215.6	225	238	815
	460-3-60	12.8	100	22.4	150	12.8	100	1.0	12.7	4.3	None	-	-	-	70.3	90	74	440	74.6	90	79	445
											2EH04502546	23.0	1	28.9	52.0	90	74	440	57.4	90	79	445
											2EH04505046	45.9	2	57.6	87.9	90	81	440	93.3	100	86	445
											2EH04507546	68.9	2	86.5	102.4	110	114	440	107.8	110	119	445
575-3-60	9.6	78	19.9	109	9.6	78	0.9	10.5	3.5	None	-	-	-	58.2	70	61	355	61.7	80	65	358	
										2EH04502558	23.0	1	23.1	42.0	70	61	355	46.4	80	65	358	
										2EH04505058	45.9	2	46.1	70.8	80	65	355	75.1	80	69	358	
										2EH04507558	68.9	2	69.2	82.3	90	92	355	86.7	90	96	358	

**Table 68: CD15 to CD28 VFD CS medium static with on/off power exhaust**

Size (tons)	Nominal unit voltage	Comp. 1		Comp. 2		Comp. 3		OD fan motors each FLA	Supply blower motor FLA	Pwr exh motor FLA	120V trans FLA	Electric heat option field installed kit				MCA A	Max f/b size A	Min disconnect rating		MCA with 120V trans A	Max f/b size with 120V trans A	Min disconnect rating/120V trans	
		RLA	LRA	RLA	LRA	RLA	LRA					Model	kW	Stages	A			FLA	LRA			FLA	LRA
CD15 (15)	208-3-60	26.9	164	25.0	190			2.1	9.9	5.0	9.6	None	-	-	-	82.7	100	87	458	92.3	110	98	467
												2EH04502525	18.8	1	52.2	90.1	100	87	458	102.1	110	98	467
												2EH04505025	37.6	2	104.4	155.4	175	143	458	167.4	175	154	467
												2EH04507525	56.3	2	156.3	181.2	200	203	458	193.2	200	214	467
	230-3-60	26.9	164	25.0	190			2.1	9.4	5.0	8.7	None	-	-	-	82.2	100	87	466	90.9	110	97	474
												2EH04502525	23.0	1	57.7	96.4	100	89	466	107.3	110	99	474
												2EH04505025	45.9	2	115.2	168.3	175	155	466	179.1	200	165	474
												2EH04507525	68.9	2	173.0	197.3	225	221	466	208.1	225	231	474
	460-3-60	12.0	94	12.2	100			1.0	4.7	2.2	4.3	None	-	-	-	38.4	50	41	249	42.7	50	46	253
												2EH04502546	23.0	1	28.9	47.5	50	44	249	52.9	60	49	253
												2EH04505046	45.9	2	57.6	83.4	90	77	249	88.8	90	82	253
												2EH04507546	68.9	2	86.5	97.9	110	110	249	103.3	110	115	253
575-3-60	9.0	65	9.3	72			0.9	4.3	1.5	3.5	None	-	-	-	29.7	35	32	187	33.2	40	36	191	
											2EH04502558	23.0	1	23.1	38.0	40	35	187	42.4	45	39	191	
											2EH04505058	45.9	2	46.1	66.8	70	61	187	71.1	80	65	191	
											2EH04507558	68.9	2	69.2	78.3	90	88	187	82.7	90	92	191	
CD18 (17.5)	208-3-60	28.8	223	28.2	240			2.1	13.5	5.0	9.6	None	-	-	-	91.9	110	97	597	101.5	125	108	606
												2EH04502525	18.8	1	52.2	94.6	110	97	597	106.6	125	108	606
												2EH04505025	37.6	2	104.4	159.9	175	147	597	171.9	175	158	606
												2EH04507525	56.3	2	156.3	185.7	200	207	597	197.7	200	218	606
	230-3-60	28.8	223	28.2	240			2.1	13.4	5.0	8.7	None	-	-	-	91.8	110	97	596	100.5	125	107	605
												2EH04502525	23.0	1	57.7	101.4	110	97	596	112.3	125	107	605
												2EH04505025	45.9	2	115.2	173.3	175	159	596	184.1	200	169	605
												2EH04507525	68.9	2	173.0	202.3	225	226	596	213.1	225	236	605
	460-3-60	12.5	100	14.7	130			1.0	6.7	2.2	4.3	None	-	-	-	44.0	50	46	296	48.3	60	51	300
												2EH04502546	23.0	1	28.9	50.0	60	46	296	55.4	60	51	300
												2EH04505046	45.9	2	57.6	85.9	90	79	296	91.3	100	84	300
												2EH04507546	68.9	2	86.5	100.4	110	112	296	105.8	110	117	300
575-3-60	9.7	70	11.3	94			0.9	5.4	1.5	3.5	None	-	-	-	34.0	45	36	214	37.5	45	40	218	
											2EH04502558	23.0	1	23.1	39.4	45	36	214	43.8	45	40	218	
											2EH04505058	45.9	2	46.1	68.1	70	63	214	72.5	80	67	218	
											2EH04507558	68.9	2	69.2	79.7	90	89	214	84.1	90	93	218	
CD20 (20)	208-3-60	32.6	240	34.0	240			2.3	19.8	5.0	9.6	None	-	-	-	114.1	125	121	640	123.7	150	132	650
												2EH04502525	18.8	1	52.2	114.1	125	121	640	123.7	150	132	650
												2EH04505025	37.6	2	104.4	167.8	175	154	640	179.8	200	165	650
												2EH04507525	56.3	2	156.3	193.6	200	214	640	205.6	225	225	650
	230-3-60	32.6	240	34.0	240			2.3	19.8	5.0	8.7	None	-	-	-	114.1	125	121	640	122.8	150	131	649
												2EH04502525	23.0	1	57.7	114.1	125	121	640	122.8	150	131	649
												2EH04505025	45.9	2	115.2	181.3	200	167	640	192.1	200	177	649
												2EH04507525	68.9	2	173.0	210.3	225	233	640	221.1	225	243	649
	460-3-60	14.8	130	16.0	140			1.3	9.9	2.2	4.3	None	-	-	-	54.3	70	58	350	58.6	70	63	354
												2EH04502546	23.0	1	28.9	54.0	70	53	350	59.4	70	58	354
												2EH04505046	45.9	2	57.6	89.9	90	83	350	95.3	100	88	354
												2EH04507546	68.9	2	86.5	104.4	110	116	350	109.8	110	121	354
575-3-60	11.1	94	12.9	108			1.1	7.9	1.5	3.5	None	-	-	-	42.5	50	45	268	46.0	50	49	272	
											2EH04502558	23.0	1	23.1	42.5	50	42	268	46.9	50	46	272	
											2EH04505058	45.9	2	46.1	71.3	80	66	268	75.6	80	70	272	
											2EH04507558	68.9	2	69.2	82.8	90	92	268	87.2	90	96	272	

**Table 68: CD15 to CD28 VFD CS medium static with on/off power exhaust**

Size (tons)	Nominal unit voltage	Comp. 1		Comp. 2		Comp. 3		OD fan motors each FLA	Supply blower motor FLA	Pwr exh motor FLA	120V trans FLA	Electric heat option field installed kit				MCA A	Max f/b size A	Min disconnect rating		MCA with 120V trans A	Max f/b size with 120V trans A	Min disconnect rating/120V trans	
		RLA	LRA	RLA	LRA	RLA	LRA					Model	kW	Stages	A			FLA	LRA			FLA	LRA
CD25 (25)	208-3-60	22.4	149	41.0	304	22.4	149	2.3	19.8	5.0	9.6	None	-	-	-	135.1	175	144	762	144.7	175	155	772
												2EH04502525	18.8	1	52.2	135.1	175	144	762	144.7	175	155	772
												2EH04505025	37.6	2	104.4	167.8	175	154	762	179.8	200	165	772
												2EH04507525	56.3	2	156.3	193.6	200	214	762	205.6	225	225	772
	230-3-60	22.4	149	41.0	304	22.4	149	2.3	19.8	5.0	8.7	None	-	-	-	135.1	175	144	762	143.8	175	154	771
												2EH04502525	23.0	1	57.7	135.1	175	144	762	143.8	175	154	771
												2EH04505025	45.9	2	115.2	181.3	200	167	762	192.1	200	177	771
												2EH04507525	68.9	2	173.0	210.3	225	233	762	221.1	225	243	771
	460-3-60	10.6	75	19.2	147	10.6	75	1.3	9.9	2.2	4.3	None	-	-	-	64.7	80	69	377	69.0	80	74	381
												2EH04502546	23.0	1	28.9	54.0	80	64	377	59.4	80	69	381
												2EH04505046	45.9	2	57.6	89.9	90	83	377	95.3	100	88	381
												2EH04507546	68.9	2	86.5	104.4	110	116	377	109.8	110	121	381
575-3-60	7.7	54	16.7	122	7.7	54	1.1	7.9	1.5	3.5	None	-	-	-	51.6	60	55	296	55.1	70	59	300	
											2EH04502558	23.0	1	23.1	42.5	60	51	296	46.9	70	55	300	
											2EH04505058	45.9	2	46.1	71.3	80	66	296	75.6	80	70	300	
											2EH04507558	68.9	2	69.2	82.8	90	92	296	87.2	90	96	300	
CD28 (27.5)	208-3-60	25.0	164	51.3	300	25.0	164	2.1	25.4	5.0	9.6	None	-	-	-	157.9	200	167	827	167.5	200	178	837
												2EH04502525	18.8	1	52.2	157.9	200	167	827	167.5	200	178	837
												2EH04505025	37.6	2	104.4	174.8	200	167	827	186.8	200	178	837
												2EH04507525	56.3	2	156.3	200.6	225	220	827	212.6	225	231	837
	230-3-60	25.0	164	51.3	300	25.0	164	2.1	25.4	5.0	8.7	None	-	-	-	157.9	200	167	827	166.6	200	177	836
												2EH04502525	23.0	1	57.7	157.9	200	167	827	166.6	200	177	836
												2EH04505025	45.9	2	115.2	188.3	200	173	827	199.1	200	183	836
												2EH04507525	68.9	2	173.0	217.3	225	240	827	228.1	250	250	836
	460-3-60	12.8	100	22.4	150	12.8	100	1.0	12.7	2.2	4.3	None	-	-	-	74.7	90	79	449	79.0	100	84	454
												2EH04502546	23.0	1	28.9	57.5	90	74	449	62.9	100	79	454
												2EH04505046	45.9	2	57.6	93.4	100	86	449	98.8	100	91	454
												2EH04507546	68.9	2	86.5	107.9	110	119	449	113.3	125	124	454
575-3-60	9.6	78	19.9	109	9.6	78	0.9	10.5	1.5	3.5	None	-	-	-	61.2	80	65	361	64.7	80	69	364	
											2EH04502558	23.0	1	23.1	45.8	80	61	361	50.1	80	65	364	
											2EH04505058	45.9	2	46.1	74.5	80	69	361	78.9	80	73	364	
											2EH04507558	68.9	2	69.2	86.1	90	95	361	90.5	100	99	364	

**Table 69: CD15 to CD28 VFD CS medium static with modulating power exhaust**

Size (tons)	Nominal unit voltage	Comp. 1		Comp. 2		Comp. 3		OD fan motors each FLA	Supply blower motor FLA	Pwr exh motor FLA	120V trans FLA	Electric heat option field installed kit				MCA A	Max f/b size A	Min disconnect rating		MCA with 120V trans A	Max f/b size with 120V trans A	Min disconnect rating/120V trans	
		RLA	LRA	RLA	LRA	RLA	LRA					Model	kW	Stages	A			FLA	LRA			FLA	LRA
CD15 (15)	208-3-60	26.9	164	25.0	190			2.1	9.9	6.7	9.6	None	-	-	-	86.1	110	91	450	95.7	110	102	460
												2EH04502525	18.8	1	52.2	94.4	110	91	450	106.4	110	102	460
												2EH04505025	37.6	2	104.4	159.6	175	147	450	171.6	175	158	460
												2EH04507525	56.3	2	156.3	185.4	200	207	450	197.4	200	218	460
	230-3-60	26.9	164	25.0	190			2.1	9.4	6.7	8.7	None	-	-	-	85.6	110	91	458	94.3	110	101	467
												2EH04502525	23.0	1	57.7	100.6	110	93	458	111.5	125	103	467
												2EH04505025	45.9	2	115.2	172.5	175	159	458	183.4	200	169	467
												2EH04507525	68.9	2	173.0	201.5	225	225	458	212.4	225	235	467
	460-3-60	12.0	94	12.2	100			1.0	4.7	3.4	4.3	None	-	-	-	40.8	50	43	247	45.1	50	48	251
												2EH04502546	23.0	1	28.9	50.5	60	46	247	55.9	60	51	251
												2EH04505046	45.9	2	57.6	86.4	90	79	247	91.8	100	84	251
												2EH04507546	68.9	2	86.5	100.9	110	113	247	106.3	110	118	251
575-3-60	9.0	65	9.3	72			0.9	4.3	2.7	3.5	None	-	-	-	32.1	40	34	186	35.6	40	38	190	
											2EH04502558	23.0	1	23.1	41.0	45	38	186	45.4	50	42	190	
											2EH04505058	45.9	2	46.1	69.8	70	64	186	74.1	80	68	190	
											2EH04507558	68.9	2	69.2	81.3	90	91	186	85.7	90	95	190	

**Table 69: CD15 to CD28 VFD CS medium static with modulating power exhaust**

Size (tons)	Nominal unit voltage	Comp. 1		Comp. 2		Comp. 3		OD fan motors each FLA	Supply blower motor FLA	Pwr exh motor FLA	120V trans FLA	Electric heat option field installed kit				MCA A	Max f/b size A	Min disconnect rating		MCA with 120V trans A	Max f/b size with 120V trans A	Min disconnect rating/120V trans	
		RLA	LRA	RLA	LRA	RLA	LRA					Model	kW	Stages	A			FLA	LRA			FLA	LRA
CD18 (17.5)	208-3-60	28.8	223	28.2	240			2.1	13.5	6.7	9.6	None	-	-	-	95.3	110	101	589	104.9	125	112	599
												2EH04502525	18.8	1	52.2	98.9	110	101	589	110.9	125	112	599
												2EH04505025	37.6	2	104.4	164.1	175	151	589	176.1	200	162	599
												2EH04507525	56.3	2	156.3	189.9	200	211	589	201.9	225	222	599
	230-3-60	28.8	223	28.2	240			2.1	13.4	6.7	8.7	None	-	-	-	95.2	110	101	588	103.9	125	111	597
												2EH04502525	23.0	1	57.7	105.6	110	101	588	116.5	125	111	597
												2EH04505025	45.9	2	115.2	177.5	200	163	588	188.4	200	173	597
												2EH04507525	68.9	2	173.0	206.5	225	230	588	217.4	225	240	597
	460-3-60	12.5	100	14.7	130			1.0	6.7	3.4	4.3	None	-	-	-	46.4	60	49	293	50.7	60	54	298
												2EH04502546	23.0	1	28.9	53.0	60	49	293	58.4	60	54	298
												2EH04505046	45.9	2	57.6	88.9	90	82	293	94.3	100	87	298
												2EH04507546	68.9	2	86.5	103.4	110	115	293	108.8	110	120	298
575-3-60	9.7	70	11.3	94			0.9	5.4	2.7	3.5	None	-	-	-	36.4	45	39	213	39.9	50	43	217	
											2EH04502558	23.0	1	23.1	42.4	45	39	213	46.8	50	43	217	
											2EH04505058	45.9	2	46.1	71.1	80	65	213	75.5	80	69	217	
											2EH04507558	68.9	2	69.2	82.7	90	92	213	87.1	90	96	217	
CD20 (20)	208-3-60	32.6	240	34.0	240			2.3	19.8	6.7	9.6	None	-	-	-	117.5	150	125	633	127.1	150	136	642
												2EH04502525	18.8	1	52.2	117.5	150	125	633	127.1	150	136	642
												2EH04505025	37.6	2	104.4	172.0	175	158	633	184.0	200	169	642
												2EH04507525	56.3	2	156.3	197.8	200	218	633	209.8	225	229	642
	230-3-60	32.6	240	34.0	240			2.3	19.8	6.7	8.7	None	-	-	-	117.5	150	125	633	126.2	150	135	641
												2EH04502525	23.0	1	57.7	117.5	150	125	633	126.2	150	135	641
												2EH04505025	45.9	2	115.2	185.5	200	171	633	196.4	200	181	641
												2EH04507525	68.9	2	173.0	214.5	225	237	633	225.4	250	247	641
	460-3-60	14.8	130	16.0	140			1.3	9.9	3.4	4.3	None	-	-	-	56.7	70	61	348	61.0	70	66	352
												2EH04502546	23.0	1	28.9	57.0	70	61	348	62.4	70	66	352
												2EH04505046	45.9	2	57.6	92.9	100	85	348	98.3	100	90	352
												2EH04507546	68.9	2	86.5	107.4	110	119	348	112.8	125	124	352
575-3-60	11.1	94	12.9	108			1.1	7.9	2.7	3.5	None	-	-	-	44.9	50	48	267	48.4	60	52	271	
											2EH04502558	23.0	1	23.1	45.5	50	48	267	49.9	60	52	271	
											2EH04505058	45.9	2	46.1	74.3	80	68	267	78.6	80	72	271	
											2EH04507558	68.9	2	69.2	85.8	90	95	267	90.2	100	99	271	
CD25 (25)	208-3-60	22.4	149	41.0	304	22.4	149	2.3	19.8	6.7	9.6	None	-	-	-	138.5	175	147	755	148.1	175	158	764
												2EH04502525	18.8	1	52.2	138.5	175	147	755	148.1	175	158	764
												2EH04505025	37.6	2	104.4	172.0	175	158	755	184.0	200	169	764
												2EH04507525	56.3	2	156.3	197.8	200	218	755	209.8	225	229	764
	230-3-60	22.4	149	41.0	304	22.4	149	2.3	19.8	6.7	8.7	None	-	-	-	138.5	175	147	755	147.2	175	157	763
												2EH04502525	23.0	1	57.7	138.5	175	147	755	147.2	175	157	763
												2EH04505025	45.9	2	115.2	185.5	200	171	755	196.4	200	181	763
												2EH04507525	68.9	2	173.0	214.5	225	237	755	225.4	250	247	763
	460-3-60	10.6	75	19.2	147	10.6	75	1.3	9.9	3.4	4.3	None	-	-	-	67.1	80	72	375	71.4	90	77	379
												2EH04502546	23.0	1	28.9	57.0	80	72	375	62.4	90	77	379
												2EH04505046	45.9	2	57.6	92.9	100	85	375	98.3	100	90	379
												2EH04507546	68.9	2	86.5	107.4	110	119	375	112.8	125	124	379
575-3-60	7.7	54	16.7	122	7.7	54	1.1	7.9	2.7	3.5	None	-	-	-	54.0	70	57	295	57.5	70	61	299	
											2EH04502558	23.0	1	23.1	45.5	70	57	295	49.9	70	61	299	
											2EH04505058	45.9	2	46.1	74.3	80	68	295	78.6	80	72	299	
											2EH04507558	68.9	2	69.2	85.8	90	95	295	90.2	100	99	299	

**Table 69: CD15 to CD28 VFD CS medium static with modulating power exhaust**

Size (tons)	Nominal unit voltage	Comp. 1		Comp. 2		Comp. 3		OD fan motors each FLA	Supply blower motor FLA	Pwr exh motor FLA	120V trans FLA	Electric heat option field installed kit				MCA A	Max f/b size A	Min disconnect rating		MCA with 120V trans A	Max f/b size with 120V trans A	Min disconnect rating/120V trans	
		RLA	LRA	RLA	LRA	RLA	LRA					Model	kW	Stages	A			FLA	LRA			FLA	LRA
		CD28 (27.5)	208-3-60	25.0	164	51.3	300					25.0	164	2.1	25.4			6.7	9.6			None	-
2EH04502525	18.8							1	52.2	161.3	200					171	819			170.9	200	182	829
2EH04505025	37.6							2	104.4	179.0	200					171	819			191.0	200	182	829
2EH04507525	56.3							2	156.3	204.8	225					224	819			216.8	225	235	829
230-3-60	25.0		164	51.3	300	25.0	164	2.1	25.4	6.7	8.7	None	-	-	-	161.3	200	171	819	170.0	200	181	828
												2EH04502525	23.0	1	57.7	161.3	200	171	819	170.0	200	181	828
												2EH04505025	45.9	2	115.2	192.5	200	177	819	203.4	225	187	828
												2EH04507525	68.9	2	173.0	221.5	225	244	819	232.4	250	254	828
460-3-60	12.8		100	22.4	150	12.8	100	1.0	12.7	3.4	4.3	None	-	-	-	77.1	90	82	447	81.4	100	87	451
												2EH04502546	23.0	1	28.9	60.5	90	82	447	65.9	100	87	451
												2EH04505046	45.9	2	57.6	96.4	100	89	447	101.8	110	94	451
												2EH04507546	68.9	2	86.5	110.9	125	122	447	116.3	125	127	451
575-3-60	9.6		78	19.9	109	9.6	78	0.9	10.5	2.7	3.5	None	-	-	-	63.6	80	67	360	67.1	80	71	363
												2EH04502558	23.0	1	23.1	48.8	80	67	360	53.1	80	71	363
												2EH04505058	45.9	2	46.1	77.5	80	71	360	81.9	90	75	363
												2EH04507558	68.9	2	69.2	89.1	90	98	360	93.5	100	102	363

# VFD CS high static

**Note:**

- MCA = minimum circuit ampacity
- f/b = fuse/breaker
- Fuse is a dual element, time delay type
- Breaker is a HACR type per NEC

**Table 70: CD15 to CD28 VFD CS high static without power exhaust**

Size (tons)	Nominal unit voltage	Comp. 1		Comp. 2		Comp. 3		OD fan motors each FLA	Supply blower motor FLA	120V trans FLA	Electric heat option field installed kit				MCA A	Max f/b size A	Min disconnect rating		MCA with 120V trans A	Max f/b size with 120V trans A	Min disconnect rating/120V trans	
		RLA	LRA	RLA	LRA	RLA	LRA				Model	kW	Stages	A			FLA	LRA			FLA	LRA
CD15 (15)	208-3-60	26.9	164	25.0	190			2.1	13.5	9.6	None	-	-	-	76.3	100	80	467	85.9	110	91	476
											2EH04502525	18.8	1	52.2	82.1	100	80	467	94.1	110	91	476
											2EH04505025	37.6	2	104.4	147.4	150	136	467	159.4	175	147	476
											2EH04507525	56.3	2	156.3	173.2	200	195	467	185.2	200	206	476
	230-3-60	26.9	164	25.0	190			2.1	13.4	8.7	None	-	-	-	76.2	100	80	466	84.9	110	90	475
											2EH04502525	23.0	1	57.7	88.9	100	82	466	99.8	110	92	475
											2EH04505025	45.9	2	115.2	160.8	175	148	466	171.6	175	158	475
											2EH04507525	68.9	2	173.0	189.8	225	214	466	200.6	225	224	475
	460-3-60	12.0	94	12.2	100			1.0	6.7	4.3	None	-	-	-	36.0	45	38	251	40.3	50	43	255
											2EH04502546	23.0	1	28.9	44.5	45	41	251	49.9	50	46	255
											2EH04505046	45.9	2	57.6	80.4	90	74	251	85.8	90	79	255
											2EH04507546	68.9	2	86.5	94.9	110	107	251	100.3	110	112	255
575-3-60	9.0	65	9.3	72			0.9	5.4	3.5	None	-	-	-	27.8	35	29	181	31.3	40	33	185	
										2EH04502558	23.0	1	23.1	35.6	40	33	181	40.0	45	37	185	
										2EH04505058	45.9	2	46.1	64.4	70	59	181	68.8	70	63	185	
										2EH04507558	68.9	2	69.2	76.0	90	86	181	80.3	90	90	185	
CD18 (17.5)	208-3-60	28.8	223	28.2	240			2.1	19.8	9.6	None	-	-	-	88.2	110	93	593	97.8	125	104	603
											2EH04502525	18.8	1	52.2	90.0	110	93	593	102.0	125	104	603
											2EH04505025	37.6	2	104.4	155.3	175	143	593	167.3	175	154	603
											2EH04507525	56.3	2	156.3	181.1	200	203	593	193.1	200	214	603
	230-3-60	28.8	223	28.2	240			2.1	19.8	8.7	None	-	-	-	88.2	110	93	593	96.9	125	103	602
											2EH04502525	23.0	1	57.7	96.9	110	93	593	107.8	125	103	602
											2EH04505025	45.9	2	115.2	168.8	175	155	593	179.6	200	165	602
											2EH04507525	68.9	2	173.0	197.8	225	222	593	208.6	225	232	602
	460-3-60	12.5	100	14.7	130			1.0	9.9	4.3	None	-	-	-	42.8	50	45	296	47.1	60	50	300
											2EH04502546	23.0	1	28.9	48.5	50	45	296	53.9	60	50	300
											2EH04505046	45.9	2	57.6	84.4	90	78	296	89.8	90	83	300
											2EH04507546	68.9	2	86.5	98.9	110	111	296	104.3	110	116	300
575-3-60	9.7	70	11.3	94			0.9	7.9	3.5	None	-	-	-	33.5	40	35	219	37.0	45	39	222	
										2EH04502558	23.0	1	23.1	38.8	40	36	219	43.1	45	40	222	
										2EH04505058	45.9	2	46.1	67.5	70	62	219	71.9	80	66	222	
										2EH04507558	68.9	2	69.2	79.1	90	89	219	83.5	90	93	222	

**Table 70: CD15 to CD28 VFD CS high static without power exhaust**

Size (tons)	Nominal unit voltage	Comp. 1		Comp. 2		Comp. 3		OD fan motors each FLA	Supply blower motor FLA	120V trans FLA	Electric heat option field installed kit				MCA A	Max f/b size A	Min disconnect rating		MCA with 120V trans A	Max f/b size with 120V trans A	Min disconnect rating/120V trans	
		RLA	LRA	RLA	LRA	RLA	LRA				Model	kW	Stages	A			FLA	LRA			FLA	LRA
CD20 (20)	208-3-60	32.6	240	34.0	240			2.3	25.4	9.6	None	-	-	-	109.7	125	116	657	119.3	150	127	667
											2EH04502525	18.8	1	52.2	109.7	125	116	657	119.3	150	127	667
											2EH04505025	37.6	2	104.4	162.3	175	149	657	174.3	175	160	667
											2EH04507525	56.3	2	156.3	188.1	200	209	657	200.1	225	220	667
	230-3-60	32.6	240	34.0	240			2.3	25.4	8.7	None	-	-	-	109.7	125	116	657	118.4	150	126	666
											2EH04502525	23.0	1	57.7	109.7	125	116	657	118.4	150	126	666
											2EH04505025	45.9	2	115.2	175.8	200	162	657	186.6	200	172	666
											2EH04507525	68.9	2	173.0	204.8	225	228	657	215.6	225	238	666
	460-3-60	14.8	130	16.0	140			1.3	12.7	4.3	None	-	-	-	52.7	60	56	360	57.0	70	61	364
											2EH04502546	23.0	1	28.9	52.0	60	56	360	57.4	70	61	364
											2EH04505046	45.9	2	57.6	87.9	90	81	360	93.3	100	86	364
											2EH04507546	68.9	2	86.5	102.4	110	114	360	107.8	110	119	364
575-3-60	11.1	94	12.9	108			1.1	10.5	3.5	None	-	-	-	42.1	50	45	292	45.6	50	49	296	
										2EH04502558	23.0	1	23.1	42.0	50	45	292	46.4	50	49	296	
										2EH04505058	45.9	2	46.1	70.8	80	65	292	75.1	80	69	296	
										2EH04507558	68.9	2	69.2	82.3	90	92	292	86.7	90	96	296	
CD25 (25)	208-3-60	22.4	149	41.0	304	22.4	149	2.3	25.4	9.6	None	-	-	-	130.7	150	138	779	140.3	175	150	789
											2EH04502525	18.8	1	52.2	130.7	150	138	779	140.3	175	150	789
											2EH04505025	37.6	2	104.4	162.3	175	149	779	174.3	175	160	789
											2EH04507525	56.3	2	156.3	188.1	200	209	779	200.1	225	220	789
	230-3-60	22.4	149	41.0	304	22.4	149	2.3	25.4	8.7	None	-	-	-	130.7	150	138	779	139.4	175	148	788
											2EH04502525	23.0	1	57.7	130.7	150	138	779	139.4	175	148	788
											2EH04505025	45.9	2	115.2	175.8	200	162	779	186.6	200	172	788
											2EH04507525	68.9	2	173.0	204.8	225	228	779	215.6	225	238	788
	460-3-60	10.6	75	19.2	147	10.6	75	1.3	12.7	4.3	None	-	-	-	63.1	80	67	387	67.4	80	72	391
											2EH04502546	23.0	1	28.9	52.0	80	67	387	57.4	80	72	391
											2EH04505046	45.9	2	57.6	87.9	90	81	387	93.3	100	86	391
											2EH04507546	68.9	2	86.5	102.4	110	114	387	107.8	110	119	391
575-3-60	7.7	54	16.7	122	7.7	54	1.1	10.5	3.5	None	-	-	-	51.2	60	54	320	54.7	70	58	324	
										2EH04502558	23.0	1	23.1	42.0	60	54	320	46.4	70	58	324	
										2EH04505058	45.9	2	46.1	70.8	80	65	320	75.1	80	69	324	
										2EH04507558	68.9	2	69.2	82.3	90	92	320	86.7	90	96	324	
CD28 (27.5)	208-3-60	25.0	164	51.3	300	25.0	164	2.1	30.2	9.6	None	-	-	-	152.7	200	161	836	162.3	200	172	846
											2EH04502525	18.8	1	52.2	152.7	200	161	836	162.3	200	172	846
											2EH04505025	37.6	2	104.4	168.3	200	161	836	180.3	200	172	846
											2EH04507525	56.3	2	156.3	194.1	200	214	836	206.1	225	226	846
	230-3-60	25.0	164	51.3	300	25.0	164	2.1	30.2	8.7	None	-	-	-	152.7	200	161	836	161.4	200	171	845
											2EH04502525	23.0	1	57.7	152.7	200	161	836	161.4	200	171	845
											2EH04505025	45.9	2	115.2	181.8	200	167	836	192.6	200	177	845
											2EH04507525	68.9	2	173.0	210.8	225	234	836	221.6	225	244	845
	460-3-60	12.8	100	22.4	150	12.8	100	1.0	15.1	4.3	None	-	-	-	72.7	90	77	455	77.0	90	82	460
											2EH04502546	23.0	1	28.9	55.0	90	77	455	60.4	90	82	460
											2EH04505046	45.9	2	57.6	90.9	100	84	455	96.3	100	89	460
											2EH04507546	68.9	2	86.5	105.4	110	117	455	110.8	110	122	460
575-3-60	9.6	78	19.9	109	9.6	78	0.9	12.0	3.5	None	-	-	-	59.7	70	63	343	63.2	80	67	347	
										2EH04502558	23.0	1	23.1	43.9	70	63	343	48.3	80	67	347	
										2EH04505058	45.9	2	46.1	72.6	80	67	343	77.0	80	71	347	
										2EH04507558	68.9	2	69.2	84.2	90	93	343	88.6	90	97	347	

**Table 71: CD15 to CD28 VFD CS high static with on/off power exhaust**

Size (tons)	Nominal unit voltage	Comp. 1		Comp. 2		Comp. 3		OD fan motors each FLA	Supply blower motor FLA	Pwr exh motor FLA	120V trans FLA	Electric heat option field installed kit				MCA A	Max f/b size A	Min disconnect rating		MCA with 120V trans A	Max f/b size with 120V trans A	Min disconnect rating/120V trans	
		RLA	LRA	RLA	LRA	RLA	LRA					Model	kW	Stages	A			FLA	LRA			FLA	LRA
CD15 (15)	208-3-60	26.9	164	25.0	190			2.1	13.5	5.0	9.6	None	-	-	-	86.3	110	92	488	95.9	110	103	497
												2EH04502525	18.8	1	52.2	94.6	110	92	488	106.6	110	103	497
												2EH04505025	37.6	2	104.4	159.9	175	147	488	171.9	175	158	497
												2EH04507525	56.3	2	156.3	185.7	200	207	488	197.7	200	218	497
	230-3-60	26.9	164	25.0	190			2.1	13.4	5.0	8.7	None	-	-	-	86.2	110	91	487	94.9	110	101	496
												2EH04502525	23.0	1	57.7	101.4	110	93	487	112.3	125	103	496
												2EH04505025	45.9	2	115.2	173.3	175	159	487	184.1	200	169	496
												2EH04507525	68.9	2	173.0	202.3	225	226	487	213.1	225	236	496
	460-3-60	12.0	94	12.2	100			1.0	6.7	2.2	4.3	None	-	-	-	40.4	50	43	260	44.7	50	48	264
												2EH04502546	23.0	1	28.9	50.0	60	46	260	55.4	60	51	264
												2EH04505046	45.9	2	57.6	85.9	90	79	260	91.3	100	84	264
												2EH04507546	68.9	2	86.5	100.4	110	112	260	105.8	110	117	264
575-3-60	9.0	65	9.3	72			0.9	5.4	1.5	3.5	None	-	-	-	30.8	40	33	187	34.3	40	37	191	
											2EH04502558	23.0	1	23.1	39.4	40	36	187	43.8	45	40	191	
											2EH04505058	45.9	2	46.1	68.1	70	63	187	72.5	80	67	191	
											2EH04507558	68.9	2	69.2	79.7	90	89	187	84.1	90	93	191	
CD18 (17.5)	208-3-60	28.8	223	28.2	240			2.1	19.8	5.0	9.6	None	-	-	-	98.2	125	105	614	107.8	125	116	624
												2EH04502525	18.8	1	52.2	102.5	125	105	614	114.5	125	116	624
												2EH04505025	37.6	2	104.4	167.8	175	154	614	179.8	200	165	624
												2EH04507525	56.3	2	156.3	193.6	200	214	614	205.6	225	225	624
	230-3-60	28.8	223	28.2	240			2.1	19.8	5.0	8.7	None	-	-	-	98.2	125	105	614	106.9	125	115	623
												2EH04502525	23.0	1	57.7	109.4	125	105	614	120.3	125	115	623
												2EH04505025	45.9	2	115.2	181.3	200	167	614	192.1	200	177	623
												2EH04507525	68.9	2	173.0	210.3	225	233	614	221.1	225	243	623
	460-3-60	12.5	100	14.7	130			1.0	9.9	2.2	4.3	None	-	-	-	47.2	60	50	305	51.5	60	55	309
												2EH04502546	23.0	1	28.9	54.0	60	50	305	59.4	60	55	309
												2EH04505046	45.9	2	57.6	89.9	90	83	305	95.3	100	88	309
												2EH04507546	68.9	2	86.5	104.4	110	116	305	109.8	110	121	309
575-3-60	9.7	70	11.3	94			0.9	7.9	1.5	3.5	None	-	-	-	36.5	45	39	225	40.0	50	43	229	
											2EH04502558	23.0	1	23.1	42.5	45	39	225	46.9	50	43	229	
											2EH04505058	45.9	2	46.1	71.3	80	66	225	75.6	80	70	229	
											2EH04507558	68.9	2	69.2	82.8	90	92	225	87.2	90	96	229	
CD20 (20)	208-3-60	32.6	240	34.0	240			2.3	25.4	5.0	9.6	None	-	-	-	119.7	150	128	678	129.3	150	139	688
												2EH04502525	18.8	1	52.2	119.7	150	128	678	129.3	150	139	688
												2EH04505025	37.6	2	104.4	174.8	175	161	678	186.8	200	172	688
												2EH04507525	56.3	2	156.3	200.6	225	220	678	212.6	225	231	688
	230-3-60	32.6	240	34.0	240			2.3	25.4	5.0	8.7	None	-	-	-	119.7	150	128	678	128.4	150	138	687
												2EH04502525	23.0	1	57.7	119.7	150	128	678	128.4	150	138	687
												2EH04505025	45.9	2	115.2	188.3	200	173	678	199.1	200	183	687
												2EH04507525	68.9	2	173.0	217.3	225	240	678	228.1	250	250	687
	460-3-60	14.8	130	16.0	140			1.3	12.7	2.2	4.3	None	-	-	-	57.1	70	61	369	61.4	70	66	373
												2EH04502546	23.0	1	28.9	57.5	70	56	369	62.9	70	61	373
												2EH04505046	45.9	2	57.6	93.4	100	86	369	98.8	100	91	373
												2EH04507546	68.9	2	86.5	107.9	110	119	369	113.3	125	124	373
575-3-60	11.1	94	12.9	108			1.1	10.5	1.5	3.5	None	-	-	-	45.1	50	48	299	48.6	60	52	302	
											2EH04502558	23.0	1	23.1	45.8	50	45	299	50.1	60	49	302	
											2EH04505058	45.9	2	46.1	74.5	80	69	299	78.9	80	73	302	
											2EH04507558	68.9	2	69.2	86.1	90	95	299	90.5	100	99	302	



**Table 71: CD15 to CD28 VFD CS high static with on/off power exhaust**

Size (tons)	Nominal unit voltage	Comp. 1		Comp. 2		Comp. 3		OD fan motors each FLA	Supply blower motor FLA	Pwr exh motor FLA	120V trans FLA	Electric heat option field installed kit				MCA A	Max f/b size A	Min disconnect rating		MCA with 120V trans A	Max f/b size with 120V trans A	Min disconnect rating/120V trans	
		RLA	LRA	RLA	LRA	RLA	LRA					Model	kW	Stages	A			FLA	LRA			FLA	LRA
CD25 (25)	208-3-60	22.4	149	41.0	304	22.4	149	2.3	25.4	5.0	9.6	None	-	-	-	140.7	175	150	800	150.3	175	161	810
												2EH04502525	18.8	1	52.2	140.7	175	150	800	150.3	175	161	810
												2EH04505025	37.6	2	104.4	174.8	175	161	800	186.8	200	172	810
												2EH04507525	56.3	2	156.3	200.6	225	220	800	212.6	225	231	810
	230-3-60	22.4	149	41.0	304	22.4	149	2.3	25.4	5.0	8.7	None	-	-	-	140.7	175	150	800	149.4	175	160	809
												2EH04502525	23.0	1	57.7	140.7	175	150	800	149.4	175	160	809
												2EH04505025	45.9	2	115.2	188.3	200	173	800	199.1	200	183	809
												2EH04507525	68.9	2	173.0	217.3	225	240	800	228.1	250	250	809
	460-3-60	10.6	75	19.2	147	10.6	75	1.3	12.7	2.2	4.3	None	-	-	-	67.5	80	72	396	71.8	90	77	400
												2EH04502546	23.0	1	28.9	57.5	80	67	396	62.9	90	72	400
												2EH04505046	45.9	2	57.6	93.4	100	86	396	98.8	100	91	400
												2EH04507546	68.9	2	86.5	107.9	110	119	396	113.3	125	124	400
575-3-60	7.7	54	16.7	122	7.7	54	1.1	10.5	1.5	3.5	None	-	-	-	54.2	70	58	327	57.7	70	62	330	
											2EH04502558	23.0	1	23.1	45.8	70	54	327	50.1	70	58	330	
											2EH04505058	45.9	2	46.1	74.5	80	69	327	78.9	80	73	330	
											2EH04507558	68.9	2	69.2	86.1	90	95	327	90.5	100	99	330	
CD28 (27.5)	208-3-60	25.0	164	51.3	300	25.0	164	2.1	30.2	5.0	9.6	None	-	-	-	162.7	200	172	857	172.3	200	183	867
												2EH04502525	18.8	1	52.2	162.7	200	172	857	172.3	200	183	867
												2EH04505025	37.6	2	104.4	180.8	200	172	857	192.8	200	183	867
												2EH04507525	56.3	2	156.3	206.6	225	226	857	218.6	225	237	867
	230-3-60	25.0	164	51.3	300	25.0	164	2.1	30.2	5.0	8.7	None	-	-	-	162.7	200	172	857	171.4	200	182	866
												2EH04502525	23.0	1	57.7	162.7	200	172	857	171.4	200	182	866
												2EH04505025	45.9	2	115.2	194.3	200	179	857	205.1	225	189	866
												2EH04507525	68.9	2	173.0	223.3	250	245	857	234.1	250	255	866
	460-3-60	12.8	100	22.4	150	12.8	100	1.0	15.1	2.2	4.3	None	-	-	-	77.1	90	82	464	81.4	100	87	469
												2EH04502546	23.0	1	28.9	60.5	90	77	464	65.9	100	82	469
												2EH04505046	45.9	2	57.6	96.4	100	89	464	101.8	110	94	469
												2EH04507546	68.9	2	86.5	110.9	125	122	464	116.3	125	127	469
575-3-60	9.6	78	19.9	109	9.6	78	0.9	12.0	1.5	3.5	None	-	-	-	62.7	80	66	350	66.2	80	70	353	
											2EH04502558	23.0	1	23.1	47.6	80	63	350	52.0	80	67	353	
											2EH04505058	45.9	2	46.1	76.4	80	70	350	80.8	90	74	353	
											2EH04507558	68.9	2	69.2	88.0	90	97	350	92.3	100	101	353	

**Table 72: CD15 to CD28 VFD CS high static with modulating power exhaust**

Size (tons)	Nominal unit voltage	Comp. 1		Comp. 2		Comp. 3		OD fan motors each FLA	Supply blower motor FLA	Pwr exh motor FLA	120V trans FLA	Electric heat option field installed kit				MCA A	Max f/b size A	Min disconnect rating		MCA with 120V trans A	Max f/b size with 120V trans A	Min disconnect rating/120V trans	
		RLA	LRA	RLA	LRA	RLA	LRA					Model	kW	Stages	A			FLA	LRA			FLA	LRA
CD15 (15)	208-3-60	26.9	164	25.0	190			2.1	13.5	6.7	9.6	None	-	-	-	89.7	110	95	480	99.3	125	106	490
												2EH04502525	18.8	1	52.2	98.9	110	95	480	110.9	125	106	490
												2EH04505025	37.6	2	104.4	164.1	175	151	480	176.1	200	162	490
												2EH04507525	56.3	2	156.3	189.9	200	211	480	201.9	225	222	490
	230-3-60	26.9	164	25.0	190			2.1	13.4	6.7	8.7	None	-	-	-	89.6	110	95	479	98.3	125	105	488
												2EH04502525	23.0	1	57.7	105.6	110	97	479	116.5	125	107	488
												2EH04505025	45.9	2	115.2	177.5	200	163	479	188.4	200	173	488
												2EH04507525	68.9	2	173.0	206.5	225	230	479	217.4	225	240	488
	460-3-60	12.0	94	12.2	100			1.0	6.7	3.4	4.3	None	-	-	-	42.8	50	46	257	47.1	50	51	262
												2EH04502546	23.0	1	28.9	53.0	60	49	257	58.4	60	54	262
												2EH04505046	45.9	2	57.6	88.9	90	82	257	94.3	100	87	262
												2EH04507546	68.9	2	86.5	103.4	110	115	257	108.8	110	120	262
575-3-60	9.0	65	9.3	72			0.9	5.4	2.7	3.5	None	-	-	-	33.2	40	36	186	36.7	45	40	190	
											2EH04502558	23.0	1	23.1	42.4	45	39	186	46.8	50	43	190	
											2EH04505058	45.9	2	46.1	71.1	80	65	186	75.5	80	69	190	
											2EH04507558	68.9	2	69.2	82.7	90	92	186	87.1	90	96	190	

**Table 72: CD15 to CD28 VFD CS high static with modulating power exhaust**

Size (tons)	Nominal unit voltage	Comp. 1		Comp. 2		Comp. 3		OD fan motors each FLA	Supply blower motor FLA	Pwr exh motor FLA	120V trans FLA	Electric heat option field installed kit				MCA A	Max f/b size A	Min disconnect rating		MCA with 120V trans A	Max f/b size with 120V trans A	Min disconnect rating/120V trans	
		RLA	LRA	RLA	LRA	RLA	LRA					Model	kW	Stages	A			FLA	LRA			FLA	LRA
CD18 (17.5)	208-3-60	28.8	223	28.2	240			2.1	19.8	6.7	9.6	None	-	-	-	101.6	125	109	606	111.2	125	120	616
												2EH04502525	18.8	1	52.2	106.8	125	109	606	118.8	125	120	616
												2EH04505025	37.6	2	104.4	172.0	175	158	606	184.0	200	169	616
												2EH04507525	56.3	2	156.3	197.8	200	218	606	209.8	225	229	616
	230-3-60	28.8	223	28.2	240			2.1	19.8	6.7	8.7	None	-	-	-	101.6	125	109	606	110.3	125	119	615
												2EH04502525	23.0	1	57.7	113.6	125	109	606	124.5	125	119	615
												2EH04505025	45.9	2	115.2	185.5	200	171	606	196.4	200	181	615
												2EH04507525	68.9	2	173.0	214.5	225	237	606	225.4	250	247	615
	460-3-60	12.5	100	14.7	130			1.0	9.9	3.4	4.3	None	-	-	-	49.6	60	53	302	53.9	60	58	307
												2EH04502546	23.0	1	28.9	57.0	60	53	302	62.4	70	58	307
												2EH04505046	45.9	2	57.6	92.9	100	85	302	98.3	100	90	307
												2EH04507546	68.9	2	86.5	107.4	110	119	302	112.8	125	124	307
575-3-60	9.7	70	11.3	94			0.9	7.9	2.7	3.5	None	-	-	-	38.9	50	42	224	42.4	50	46	228	
											2EH04502558	23.0	1	23.1	45.5	50	42	224	49.9	50	46	228	
											2EH04505058	45.9	2	46.1	74.3	80	68	224	78.6	80	72	228	
											2EH04507558	68.9	2	69.2	85.8	90	95	224	90.2	100	99	228	
CD20 (20)	208-3-60	32.6	240	34.0	240			2.3	25.4	6.7	9.6	None	-	-	-	123.1	150	132	671	132.7	150	143	680
												2EH04502525	18.8	1	52.2	123.1	150	132	671	132.7	150	143	680
												2EH04505025	37.6	2	104.4	179.0	200	165	671	191.0	200	176	680
												2EH04507525	56.3	2	156.3	204.8	225	224	671	216.8	225	235	680
	230-3-60	32.6	240	34.0	240			2.3	25.4	6.7	8.7	None	-	-	-	123.1	150	132	671	131.8	150	142	679
												2EH04502525	23.0	1	57.7	123.1	150	132	671	131.8	150	142	679
												2EH04505025	45.9	2	115.2	192.5	200	177	671	203.4	225	187	679
												2EH04507525	68.9	2	173.0	221.5	225	244	671	232.4	250	254	679
	460-3-60	14.8	130	16.0	140			1.3	12.7	3.4	4.3	None	-	-	-	59.5	70	64	367	63.8	70	69	371
												2EH04502546	23.0	1	28.9	60.5	70	64	367	65.9	70	69	371
												2EH04505046	45.9	2	57.6	96.4	100	89	367	101.8	110	94	371
												2EH04507546	68.9	2	86.5	110.9	125	122	367	116.3	125	127	371
575-3-60	11.1	94	12.9	108			1.1	10.5	2.7	3.5	None	-	-	-	47.5	60	51	298	51.0	60	55	301	
											2EH04502558	23.0	1	23.1	48.8	60	51	298	53.1	60	55	301	
											2EH04505058	45.9	2	46.1	77.5	80	71	298	81.9	90	75	301	
											2EH04507558	68.9	2	69.2	89.1	90	98	298	93.5	100	102	301	
CD25 (25)	208-3-60	22.4	149	41.0	304	22.4	149	2.3	25.4	6.7	9.6	None	-	-	-	144.1	175	154	793	153.7	175	165	802
												2EH04502525	18.8	1	52.2	144.1	175	154	793	153.7	175	165	802
												2EH04505025	37.6	2	104.4	179.0	200	165	793	191.0	200	176	802
												2EH04507525	56.3	2	156.3	204.8	225	224	793	216.8	225	235	802
	230-3-60	22.4	149	41.0	304	22.4	149	2.3	25.4	6.7	8.7	None	-	-	-	144.1	175	154	793	152.8	175	164	801
												2EH04502525	23.0	1	57.7	144.1	175	154	793	152.8	175	164	801
												2EH04505025	45.9	2	115.2	192.5	200	177	793	203.4	225	187	801
												2EH04507525	68.9	2	173.0	221.5	225	244	793	232.4	250	254	801
	460-3-60	10.6	75	19.2	147	10.6	75	1.3	12.7	3.4	4.3	None	-	-	-	69.9	80	75	394	74.2	90	80	398
												2EH04502546	23.0	1	28.9	60.5	80	75	394	65.9	90	80	398
												2EH04505046	45.9	2	57.6	96.4	100	89	394	101.8	110	94	398
												2EH04507546	68.9	2	86.5	110.9	125	122	394	116.3	125	127	398
575-3-60	7.7	54	16.7	122	7.7	54	1.1	10.5	2.7	3.5	None	-	-	-	56.6	70	60	326	60.1	70	64	329	
											2EH04502558	23.0	1	23.1	48.8	70	60	326	53.1	70	64	329	
											2EH04505058	45.9	2	46.1	77.5	80	71	326	81.9	90	75	329	
											2EH04507558	68.9	2	69.2	89.1	90	98	326	93.5	100	102	329	

**Table 72: CD15 to CD28 VFD CS high static with modulating power exhaust**

Size (tons)	Nominal unit voltage	Comp. 1		Comp. 2		Comp. 3		OD fan motors each FLA	Supply blower motor FLA	Pwr exh motor FLA	120V trans FLA	Electric heat option field installed kit				MCA A	Max f/b size A	Min disconnect rating		MCA with 120V trans A	Max f/b size with 120V trans A	Min disconnect rating/120V trans	
		RLA	LRA	RLA	LRA	RLA	LRA					Model	kW	Stages	A			FLA	LRA			FLA	LRA
		CD28 (27.5)	208-3-60	25.0	164	51.3	300					25.0	164	2.1	30.2			6.7	9.6			None	-
2EH04502525	18.8							1	52.2	166.1	200					176	849			175.7	225	187	859
2EH04505025	37.6							2	104.4	185.0	200					176	849			197.0	225	187	859
2EH04507525	56.3							2	156.3	210.8	225					230	849			222.8	225	241	859
230-3-60	25.0		164	51.3	300	25.0	164	2.1	30.2	6.7	8.7	None	-	-	-	166.1	200	176	849	174.8	225	186	858
												2EH04502525	23.0	1	57.7	166.1	200	176	849	174.8	225	186	858
												2EH04505025	45.9	2	115.2	198.5	200	183	849	209.4	225	193	858
												2EH04507525	68.9	2	173.0	227.5	250	249	849	238.4	250	259	858
460-3-60	12.8		100	22.4	150	12.8	100	1.0	15.1	3.4	4.3	None	-	-	-	79.5	100	85	462	83.8	100	90	466
												2EH04502546	23.0	1	28.9	63.5	100	85	462	68.9	100	90	466
												2EH04505046	45.9	2	57.6	99.4	100	91	462	104.8	110	96	466
												2EH04507546	68.9	2	86.5	113.9	125	125	462	119.3	125	130	466
575-3-60	9.6		78	19.9	109	9.6	78	0.9	12.0	2.7	3.5	None	-	-	-	65.1	80	69	349	68.6	80	73	352
												2EH04502558	23.0	1	23.1	50.6	80	69	349	55.0	80	73	352
												2EH04505058	45.9	2	46.1	79.4	80	73	349	83.8	90	77	352
												2EH04507558	68.9	2	69.2	91.0	100	100	349	95.3	100	104	352



Figure 5: 15 to 17.5 ton 2-stage unit without reheat - elementary diagram control circuit

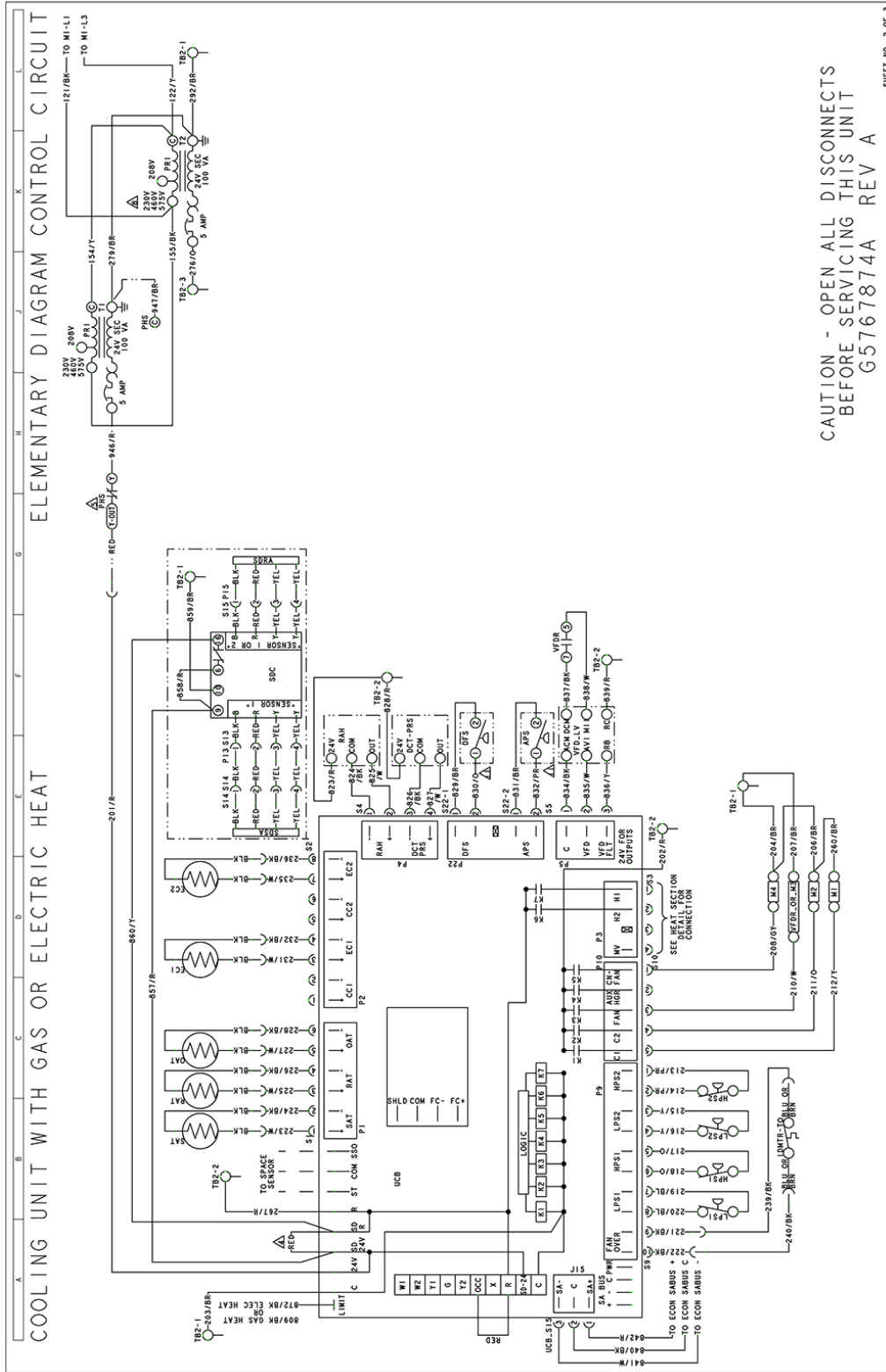








Figure 8: 15 to 17.5 ton 2-stage unit with reheat - elementary diagram control circuit

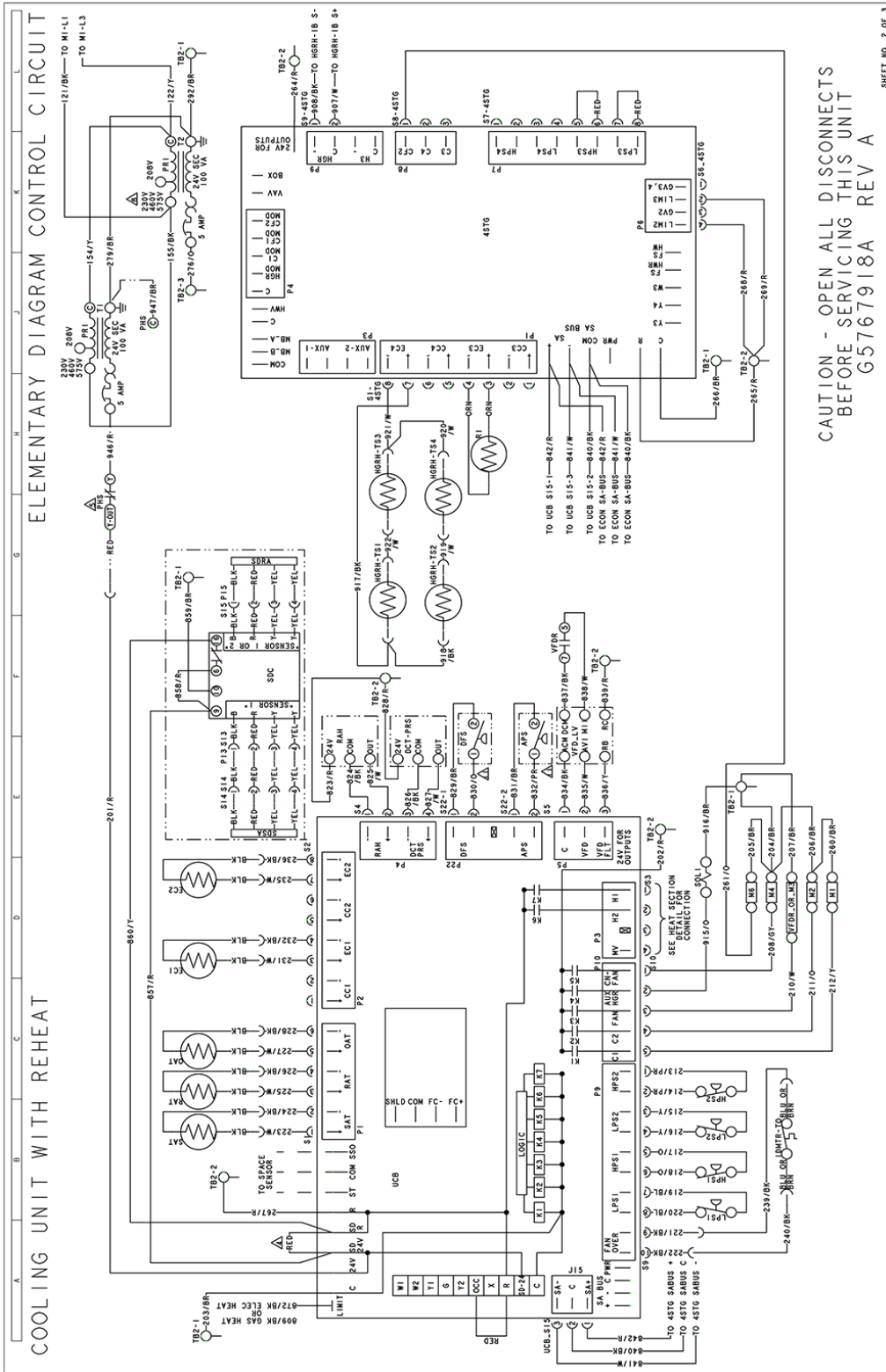
















Figure 14: 15 to 17.5 ton 4-stage unit with reheat - elementary diagram control circuit

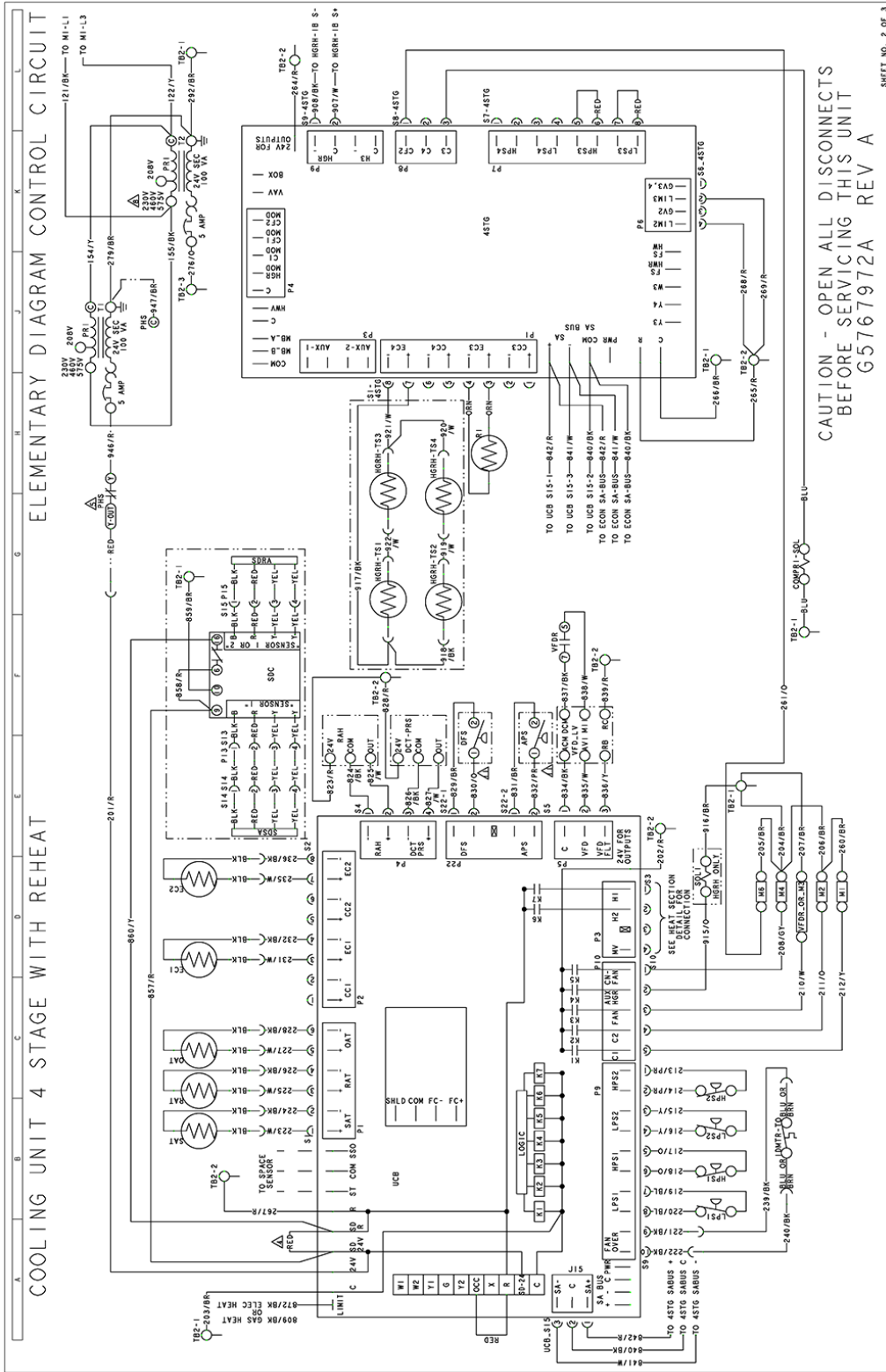








Figure 17: 20 to 27.5 ton 2-stage unit without reheat - elementary diagram control circuit

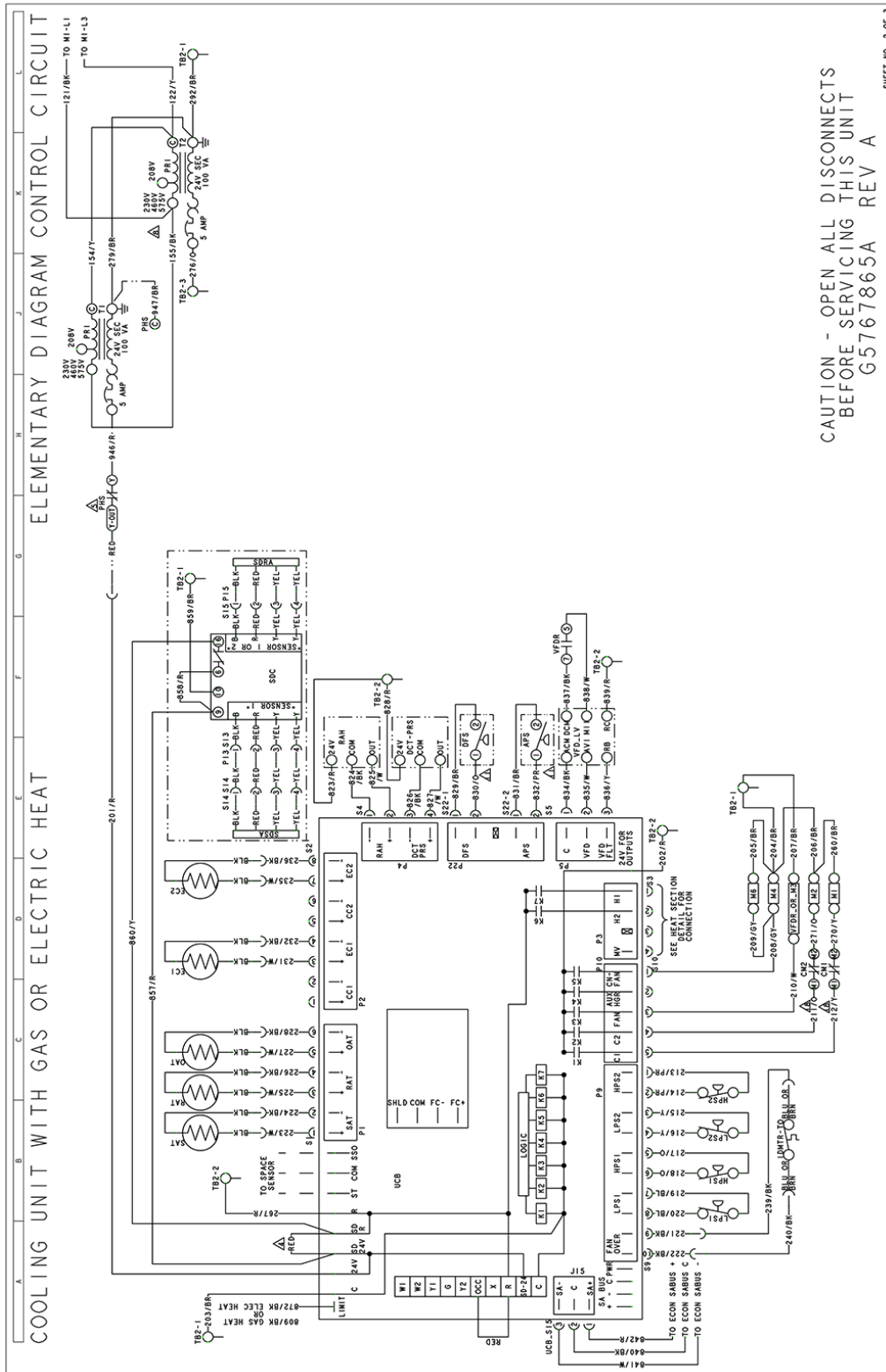


Figure 18: 20 to 27.5 ton 2-stage unit without reheat - elementary diagram control circuit continued

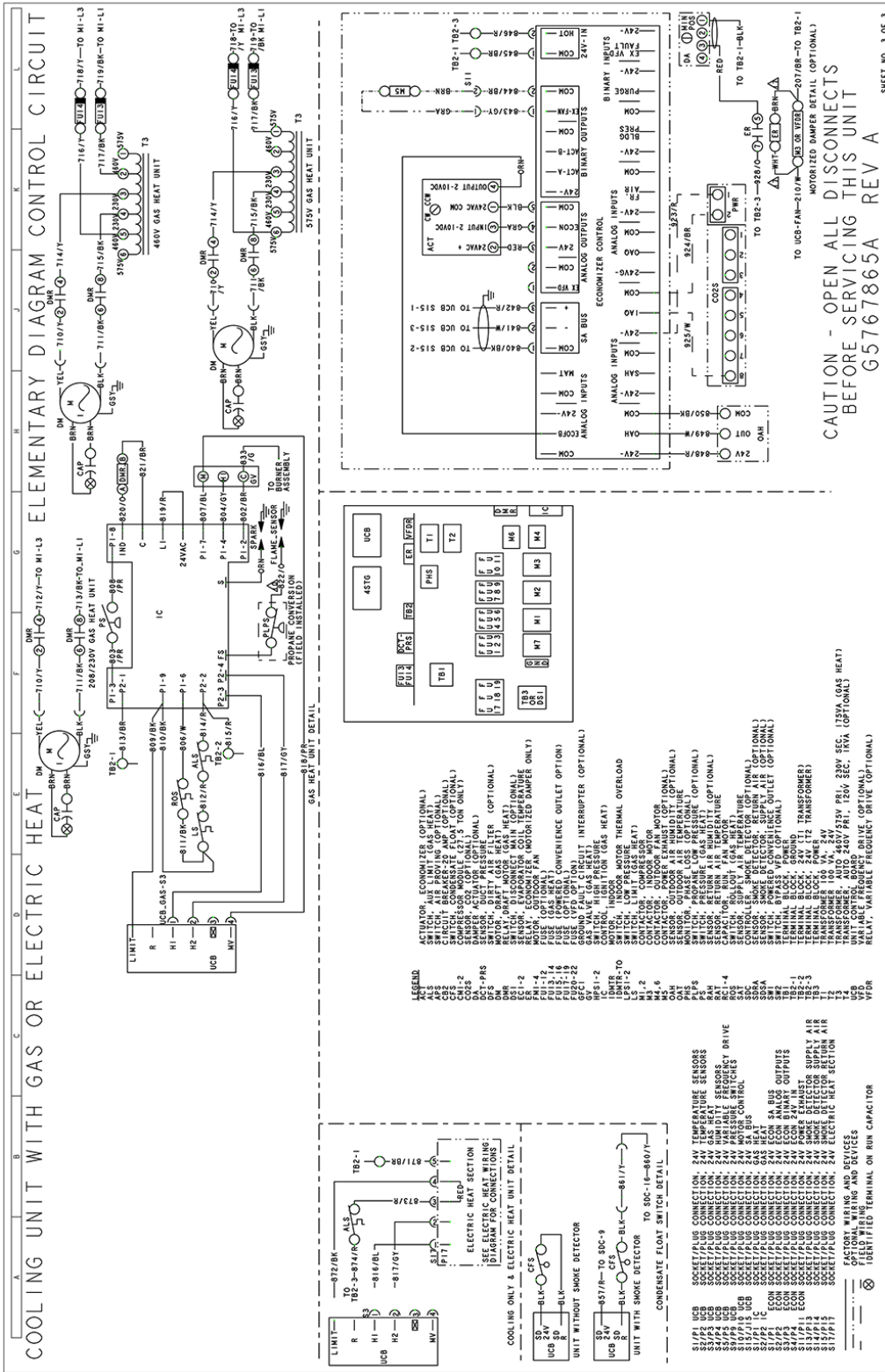






Figure 21: 20 to 27.5 ton 2-stage unit with reheat - elementary diagram control circuit continued

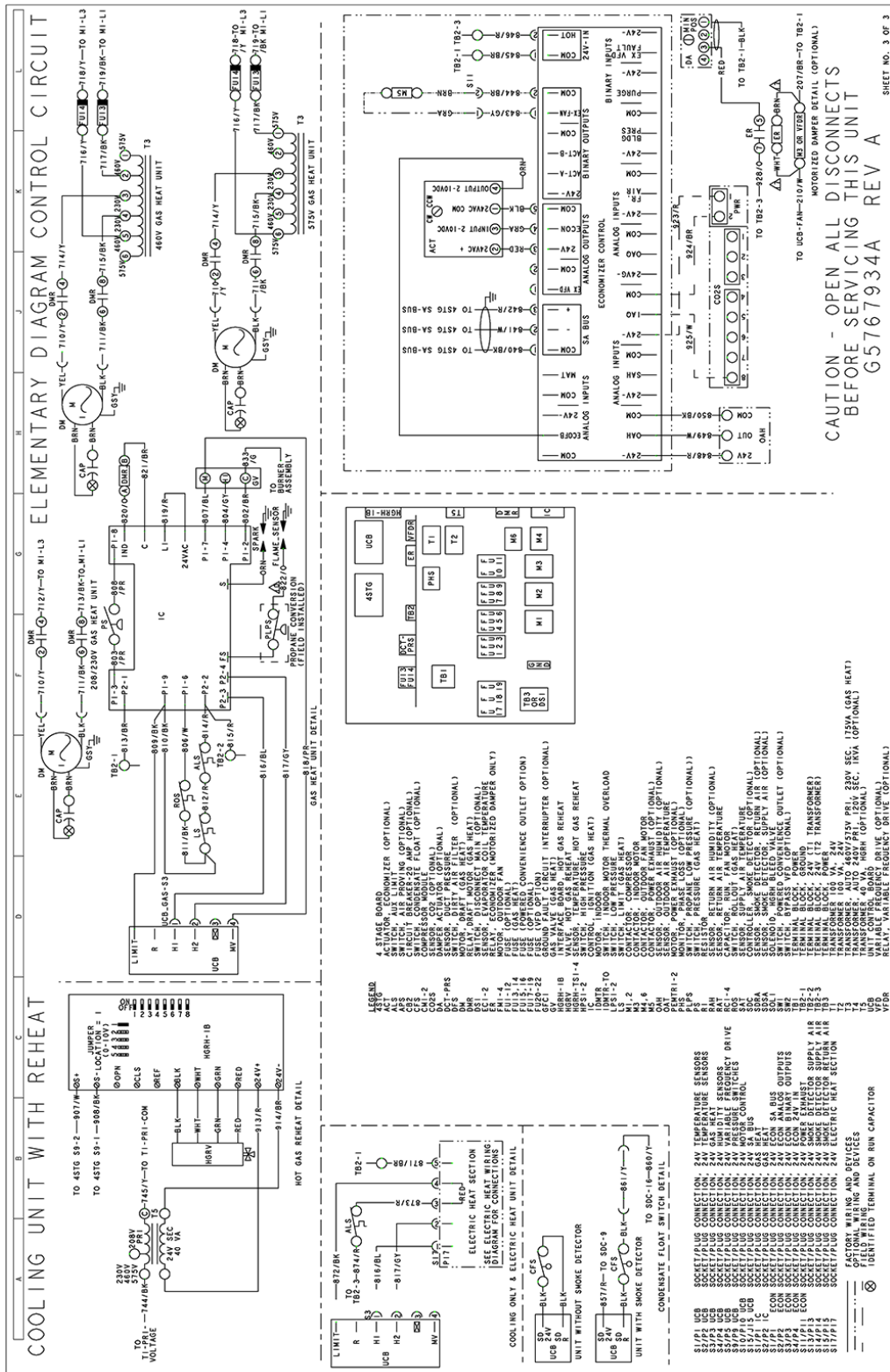








Figure 24: 20 ton 4-stage unit with or without reheat - elementary diagram control circuit continued

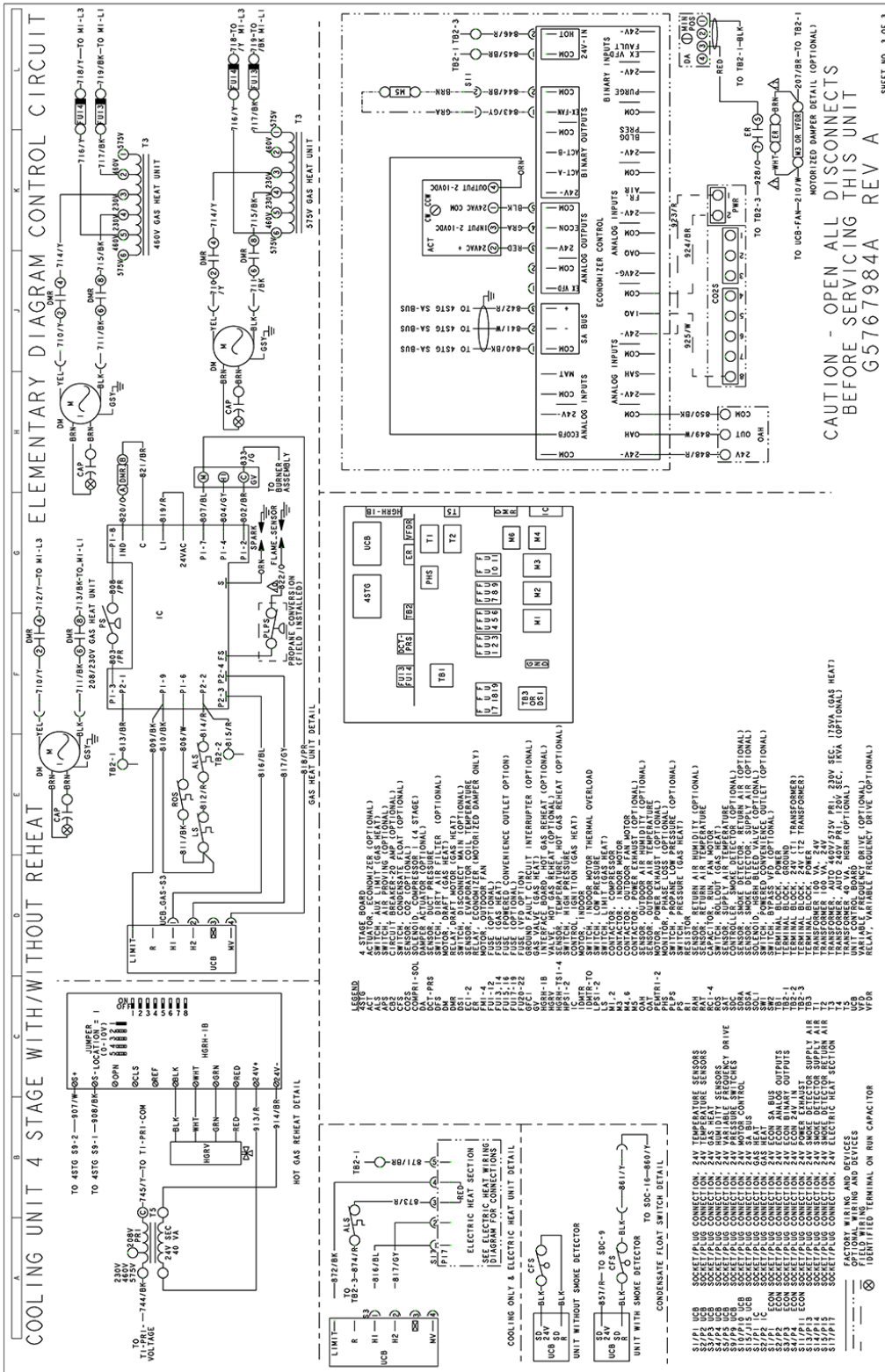




Figure 25: 25 to 27.5 ton 4-stage unit with or without reheat - elementary diagram power circuit

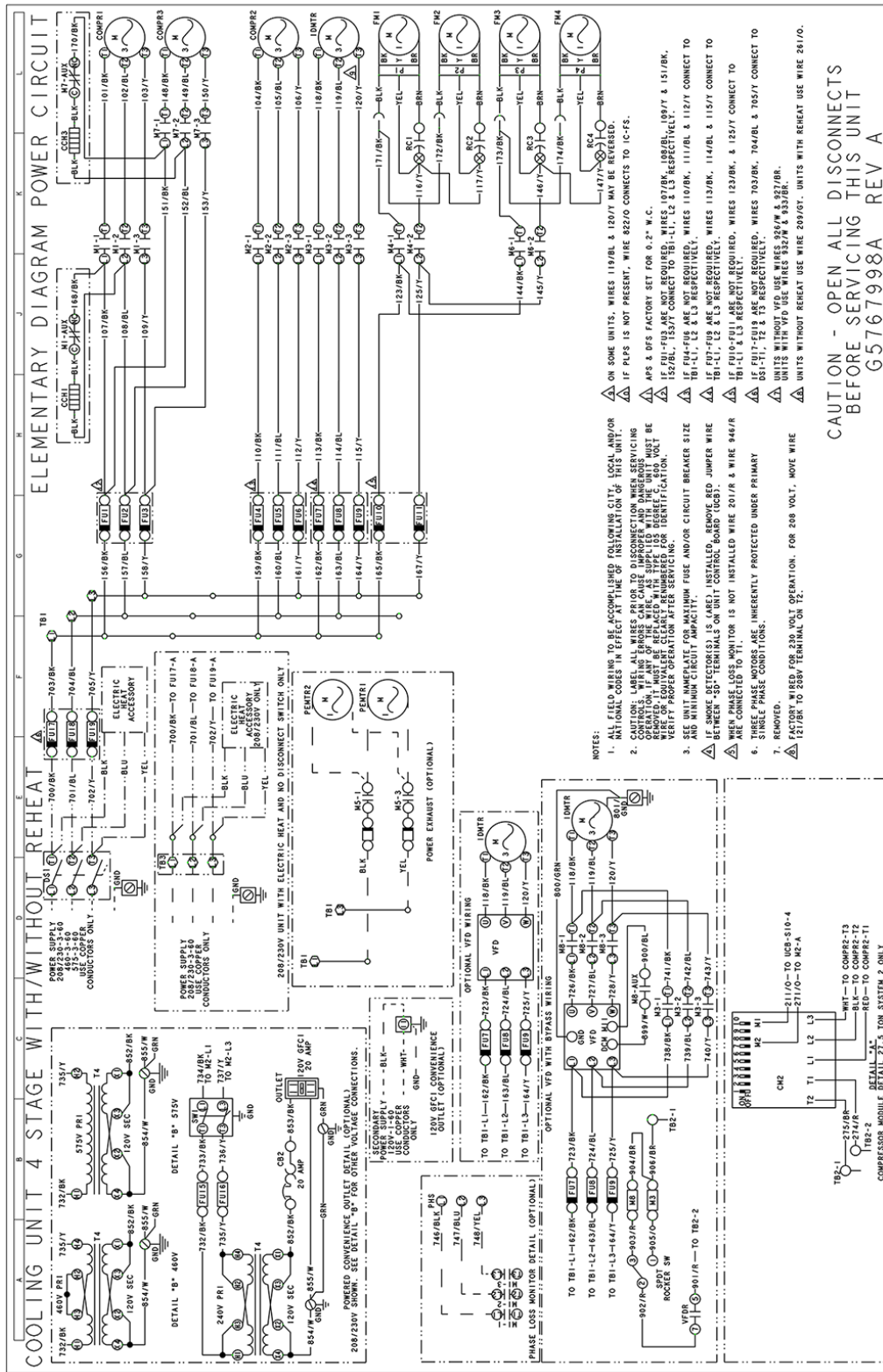
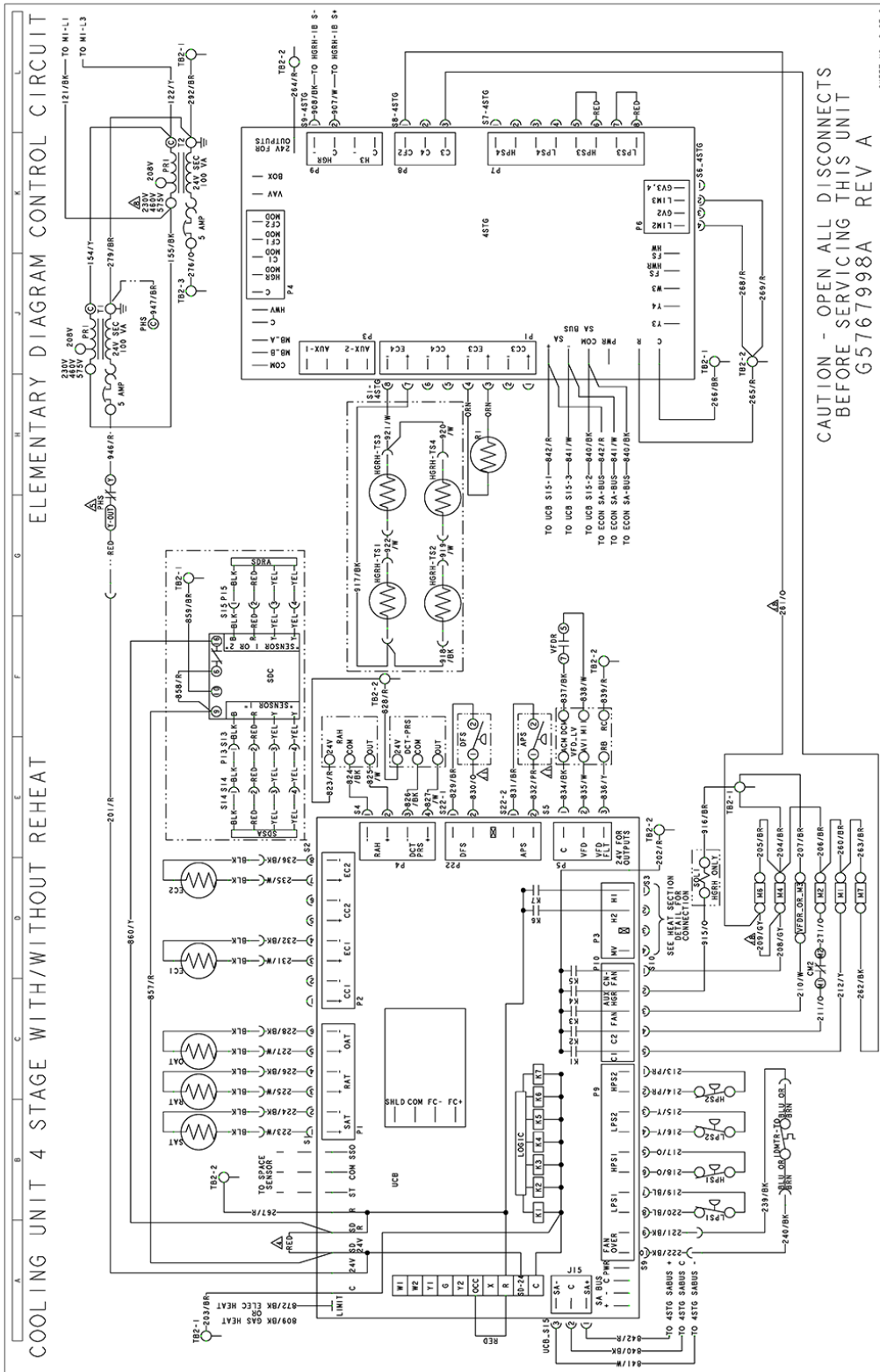


Figure 26: 25 to 27.5 ton 4-stage unit with or without reheat - elementary diagram control circuit





# Weights and dimensions

Figure 28: CD15 and CD18 physical dimensions

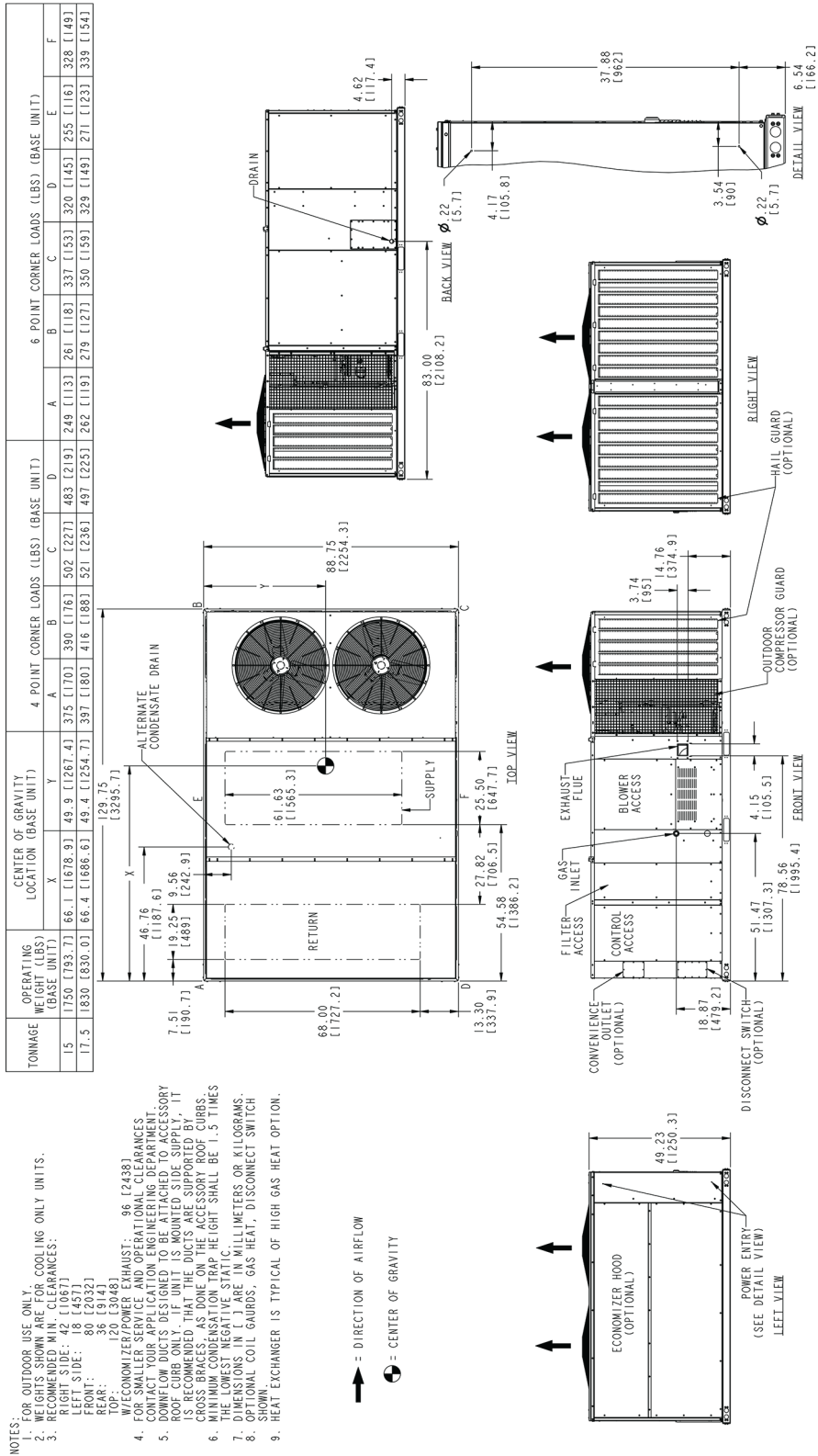


Figure 29: CD20 physical dimensions

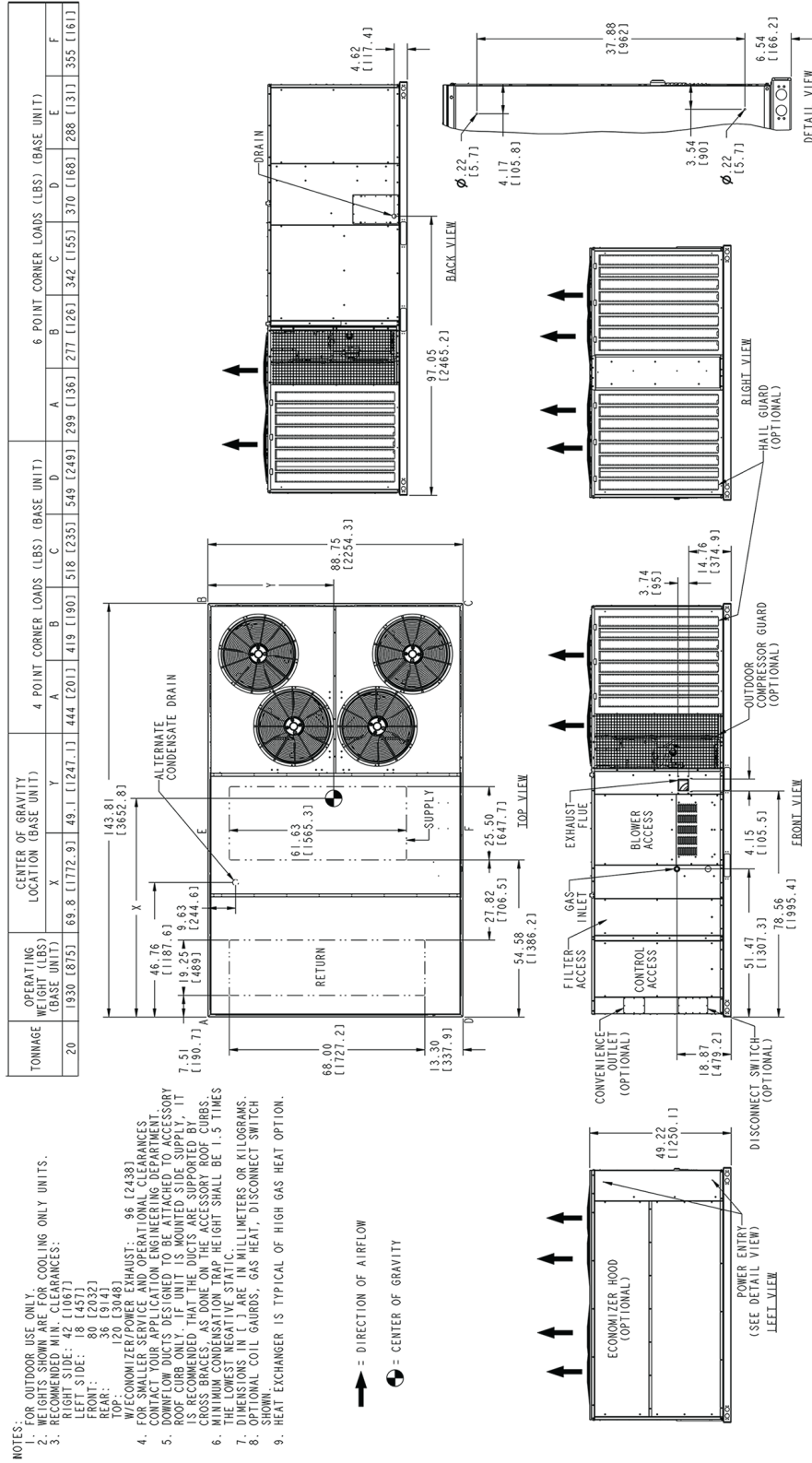
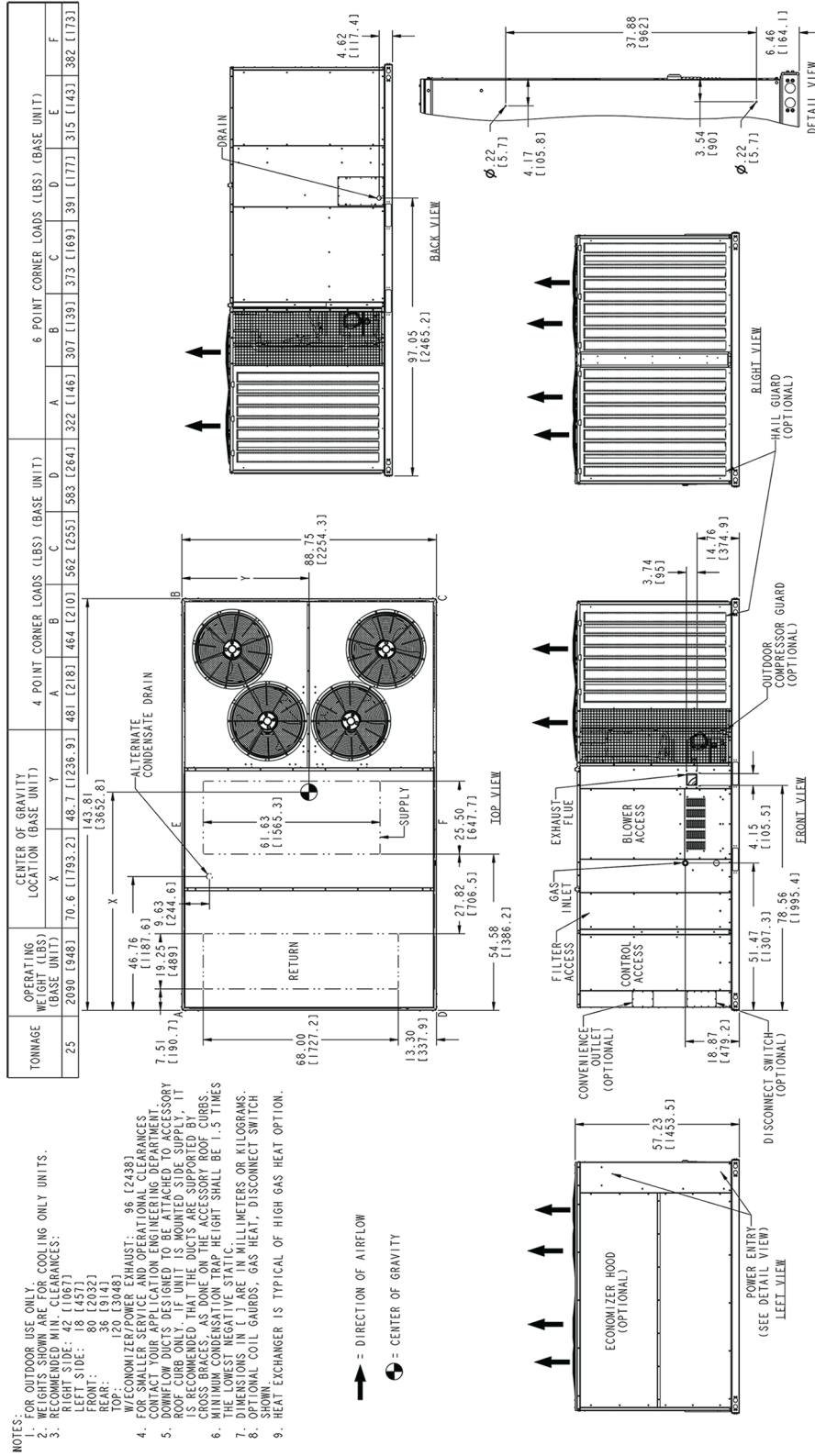


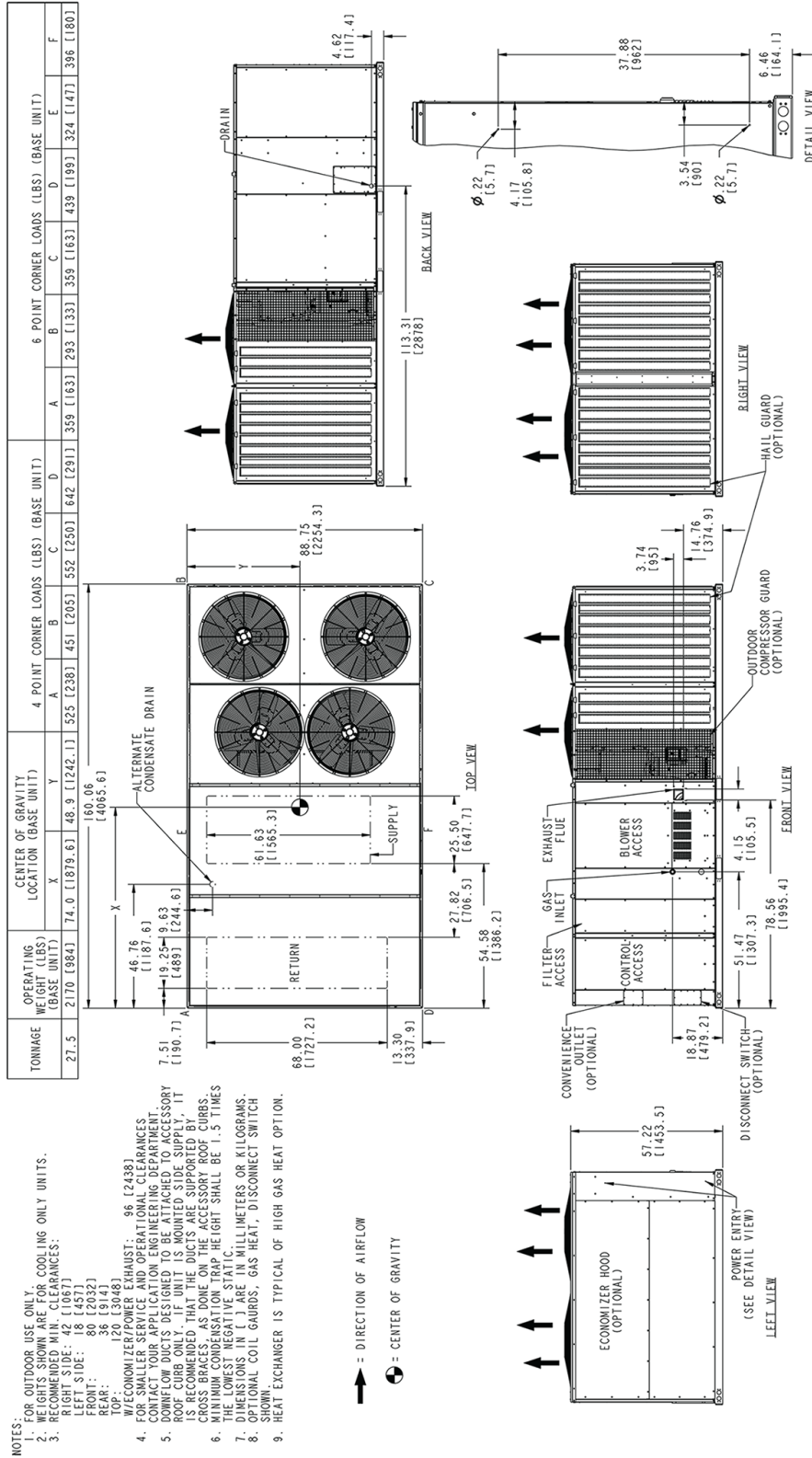


Figure 30: CD25 physical dimensions



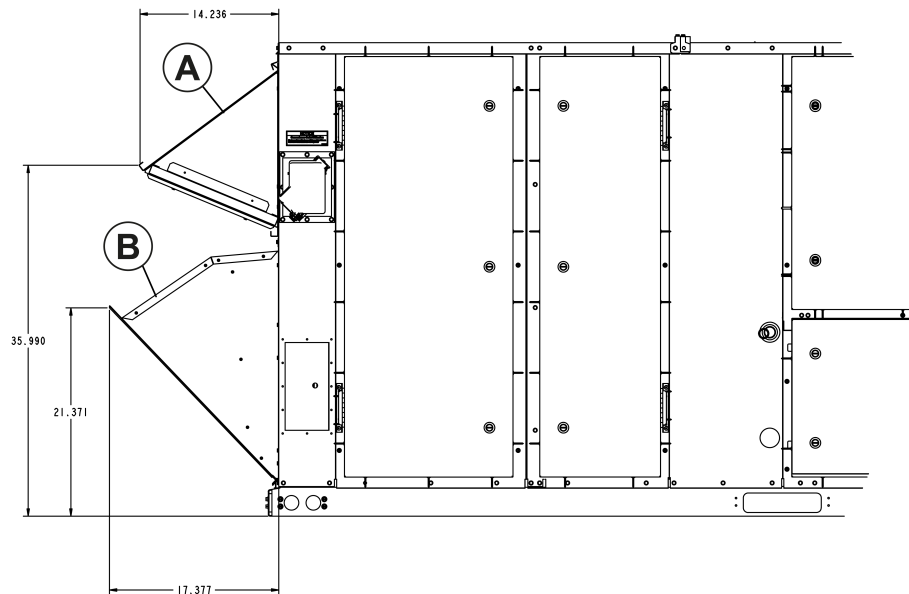
- NOTES:**
- FOR OUTDOOR USE ONLY.
  - WEIGHTS SHOWN ARE FOR COOLING ONLY UNITS.
  - RECOMMENDED MIN. CLEARANCES:  
 RIGHT SIDE: 42 (1067)  
 FRONT: 80 (2032)  
 REAR: 36 (914)  
 TOP: 120 (3048)
  - W/ECONOMIZER/POWER EXHAUST: 96 (2438)
  - FOR SMALLER SERVICE AND OPERATIONAL CLEARANCES, DOWNFLOW DUCTS DESIGNED TO BE ATTACHED TO ACCESSORY ROOF CURB ONLY. IF UNIT IS MOUNTED SIDE SUPPLY, IT IS RECOMMENDED THAT THE DUCTS ARE SUPPORTED BY CROSS BRACES, AS DONE ON THE ACCESSORY ROOF CURBS.
  - MINIMUM CONDENSATION TRAP HEIGHT SHALL BE 1.5 TIMES THE UNIT'S NEGATIVE STATIC HEAD IN MILLIMETERS OR KILOGRAMS.
  - OPTIONAL COIL GUARDS, GAS HEAT, DISCONNECT SWITCH SHOWN.
  - HEAT EXCHANGER IS TYPICAL OF HIGH GAS HEAT OPTION.

Figure 31: CD28 physical dimensions



## Rain hood dimensions

**Figure 32: Rain hood dimensions**



**Table 73: Rain hood components**

Item	Description
A	Economizer, manual damper, and motorized damper rain hood
B	Power exhaust rain hood

## Utilities entry

**Table 74: Utilities entry**

Entry description		Opening size diameter (in.)
Control wiring	Left	Field drilled <sup>1</sup> to maximum of 7/8 in.
	Bottom	Field drilled <sup>1</sup> to maximum of 7/8 in.
Power wiring	Left	Field drilled <sup>1</sup> to maximum of 3 in.
	Bottom	Field drilled <sup>1</sup> to maximum of 3 in.
Gas piping	Left <sup>2, 3</sup>	2-in. hole with 3/4-in. grommet
	Bottom <sup>2</sup>	1-1/4 in. hole
Condensate drain	Front <sup>4</sup>	1-1/2-in. hole
	Bottom <sup>3, 4</sup>	2-in. hole with 1-1/4-in. grommet

1 Factory provided dimples show the hole location to facilitate the drilling of entry holes.

2 3/4 in. NPT gas piping is required.

3 You must insert the piping through the factory-installed grommet for a watertight seal.

4 1 in. NPT female connection piping is required.

**Note:** You must field seal all entry holes to prevent rain water entry into the building.



## Accessory weights

**Table 75: Unit accessory weights**

Unit accessory	Unit size			
	15 to 17.5 ton	20 ton	25 ton	27.5 ton
Economizer	145	145	165	165
Motorized damper	65	65	75	75
Power exhaust	75	75	75	75
Barometric damper	50	50	50	50
Electric heat (75 kW)	75	75	75	75
Gas heat (largest)	155	155	155	155
Hail guards	75	80	100	125
Wood skid and shipping brackets	60	70	70	80
Roof curb	215	230	230	250

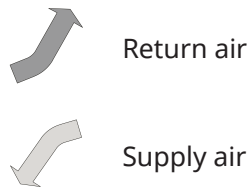
**Table 76: Supply fan VFD weights**

Supply fan motor	208/230V	460V	575V
2.9 HP	10	10	10
3.7 HP	10	10	10
5.3 HP	10	10	10
7.5 HP	15	15	15
10 HP	20	15	15
12 HP	20	15	15

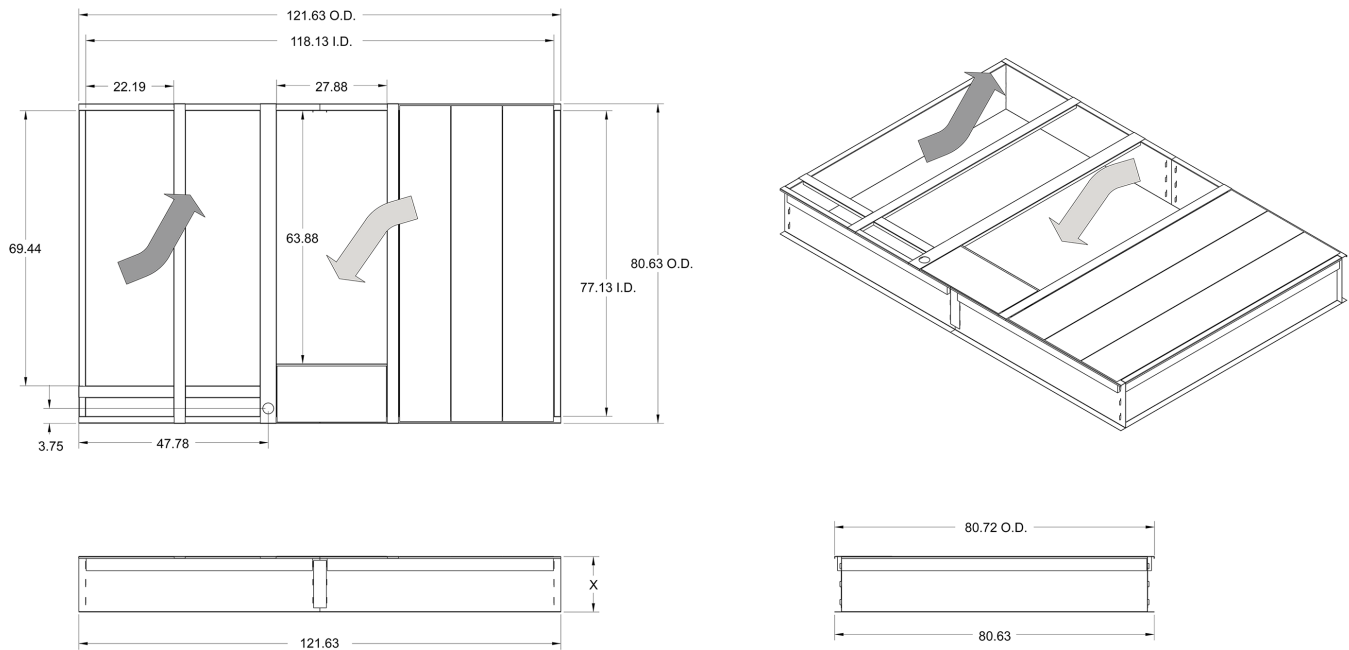
① **Note:** Add 5 lbs. to the supply fan VFD weights if there is a bypass.

## Roof curbs

The following figures show the roof curbs for the units. All dimensions are in inches.



**Figure 33: 1RC0443 and 1RC0446 roof curb dimensions**



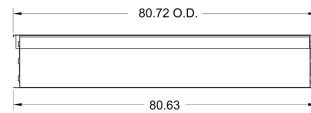
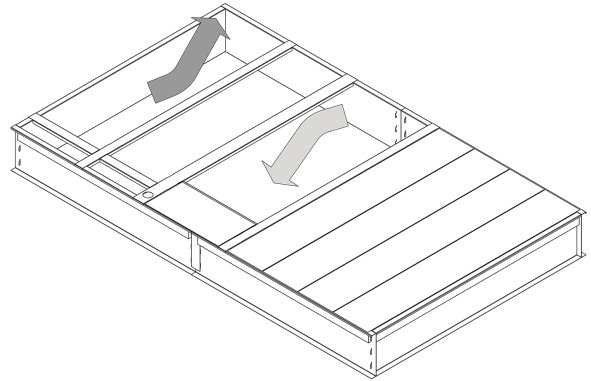
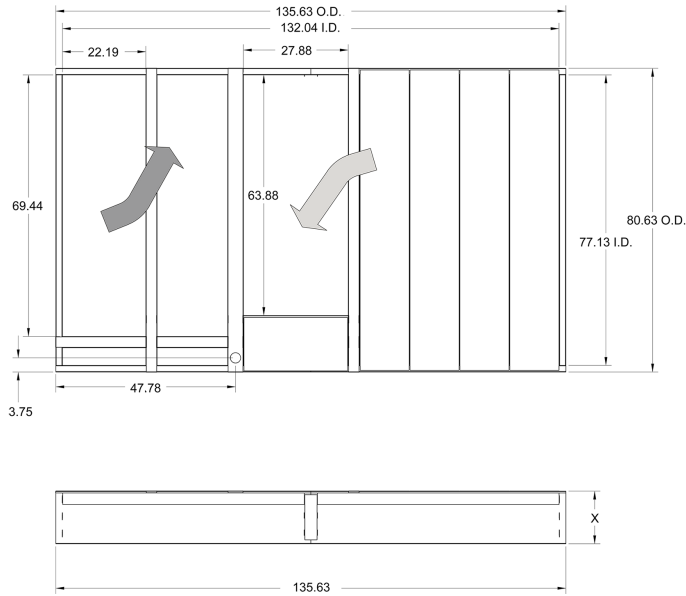
**Table 77: 1RC0443 and 1RC0446 dimensions**

Roof curb	X measurement (in.)
1RC0443	14
1RC0446	24

The following units are compatible with 1RC0443 and 1RC0446 roof curbs.

- CD15
- CD18

**Figure 34: 1RC0444 and 1RC0447 roof curb dimensions**



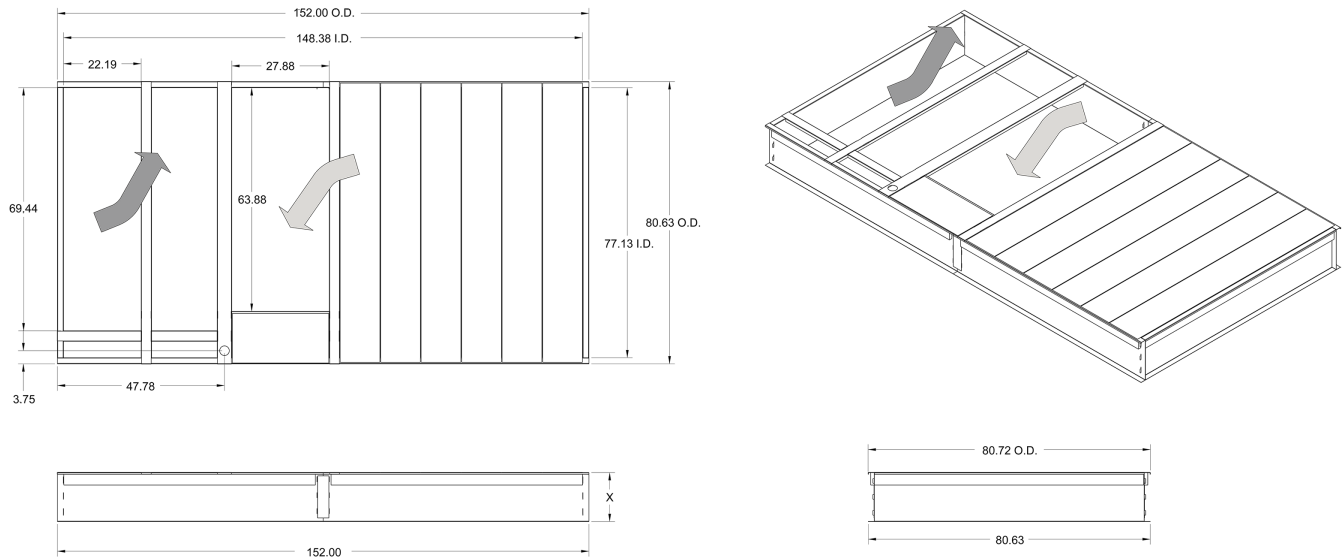
**Table 78: 1RC0444 and 1RC0447 dimensions**

Roof curb	X measurement (in.)
1RC0444	14
1RC0447	24

The following units are compatible with 1RC0444 and 1RC0447 roof curbs.

- CD20
- CD25

**Figure 35: 1RC0445 and 1RC0448 roof curb dimensions**



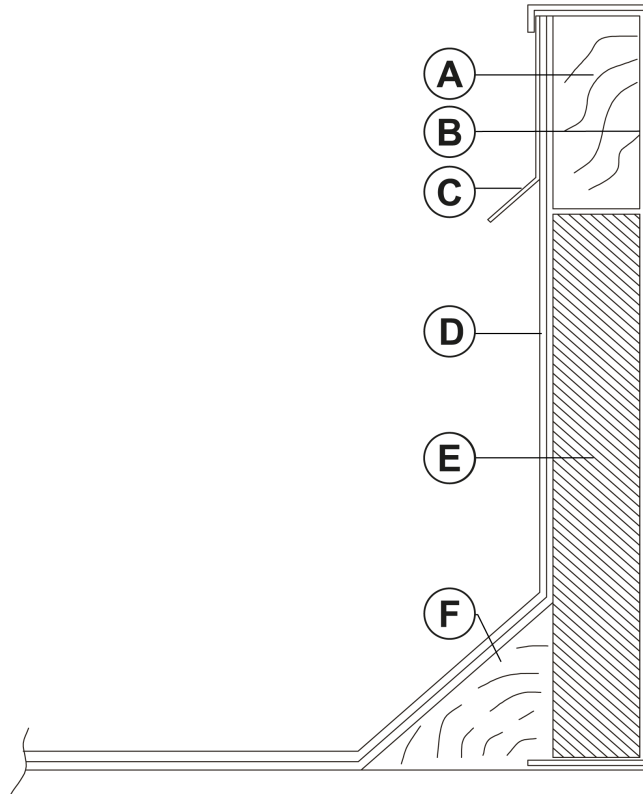
**Table 79: 1RC0445 and 1RC0448 dimensions**

Roof curb	X measurement (in.)
1RC0445	14
1RC0448	24

The following unit is compatible with 1RC0445 and 1RC0448 roof curbs.

- CD28

**Figure 36: Roof curb cutaway**



**Table 80: Roof curb cutaway components**

Item	Description	Item	Description
A	Wood nailer	D	Roof felt (field supplied)
B	Curb frame	E	Rigid insulation (field supplied)
C	Counter flashing (field supplied)	F	Cant strip (field supplied)

# Economizer options

**Figure 37: Economizer options**



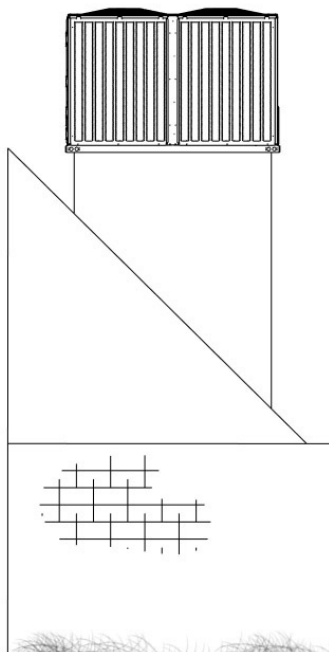
**Table 81: Economizer components**

Item	Description
A	Fresh air hood
B	Power exhaust hood
C	Power exhaust damper
D	Power exhaust
E	Low leak economizer

## Typical installation

The following figures show the typical installations for the unit.

**Figure 38: Roof jack installation**



**Figure 39: Roof curb installation**

