



BROAN HRV90

Part no. HRV90T (TOP PORTS)

Part no. HRV90S (SIDE PORTS)

47 to 90 CFM (0.4 in. w.g.)



VB0263

A CUBE WITH AN ATTITUDE

The Broan HRV90 airflow allows to cover ventilation needs of larger applications while being as easy to install as the other models taking part of the same series. Indeed, with its compact size and 4-inch vertical or horizontal ports, it can be installed in small spaces such as a closet or mechanical room above a hot water tank.

The HRV90 has just one blower and is therefore quieter than any other similar HRV on the market.

- At just 30 lb. (13.6 kg), it can be installed without opening the unit
- Features pressure taps, balancing dampers, integrated hooks and port straps to simplify installation
- Removable terminal block for quicker wall control connections
- ENERGY STAR® qualified

REPAIRS AND MAINTENANCE

All parts of the HRV90 that could need maintenance can be removed in less than five minutes, allowing direct access for easy repairs. The PSC motor is permanently lubricated.

WARRANTY

The HRV90 is protected by a 5-year warranty on parts only. The heat recovery core is covered by a limited lifetime warranty, with the original proof of purchase.

Available at:

This product earned the ENERGY STAR® by meeting strict energy efficiency guidelines set by Natural Resources Canada and the US EPA. It meets ENERGY STAR requirements only when used in Canada.

HEAT RECOVERY VENTILATOR

Controls

- This unit is very simple to operate. Once it is installed, press on its push button, located on the unit top left side, to select high speed, low speed or to stop it (the blower is off but will turn on in response to a wall control signal). The LED (located under the push button) will then show which mode the unit is in.
- For more convenience, this unit can also be controlled by an optional main control. For a complete list of optional main and auxiliary controls available, refer to the **Wall Control Compatibility Chart** on last pages of wall controls specification sheet, available at www.broan.com.
- For more details about controls, refer to the **Main and auxiliary wall controls** user guide, also available at www.broan.com.

Options

- Complete line of registers and diffusers
- Exclusive wall mounting bracket no. VACCWMK

Defrosting System

The HRV90 uses a unique recirculation defrost method, which maintains balanced air pressure in the home. If there is a call for ventilation from an auxiliary wall control during the defrost cycle, the defrost is put "on hold" while air is exchanged, ensuring that no humid air is recirculated.

OUTDOOR TEMPERATURE		DEFROST CYCLE MIN./ OPERATING MIN.
°C	°F	
WARMER THAN -5	WARMER THAN 23	NO DEFROST
-5 TO -15	23 TO 5	5/30
-15 TO -27	5 TO -17	5/20
-27 AND LESS	-17 AND LESS	7/15

Heat Recovery Core

Dimensions: 10" x 10" x 5.5" (25.4 cm x 25.4 cm x 14 cm)

Exchange surface: 42.3 ft.² (3.9 m²)

Weight: 4 lb. (1.8 kg)

Material: Polypropylene

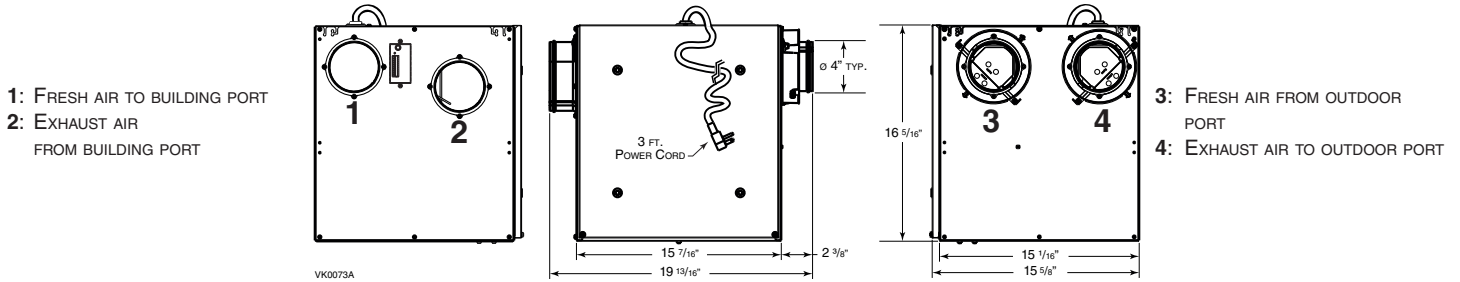
Type: Cross flow

Warranty: Limited lifetime

Requirements and standards

- Complies with the UL 1812 requirements regulating the installation of Heat Recovery Ventilators
- Complies with the CSA C22.2 no. 113 Standard applicable to ventilators
- Complies with CSA F326 requirements regulating the installation of Heat Recovery Ventilators
- Technical data was obtained from published results of tests relating to CSA C439 Standards
- HVI certified and ENERGY STAR® qualified

DIMENSIONS: HRV90S (SIDE PORTS)

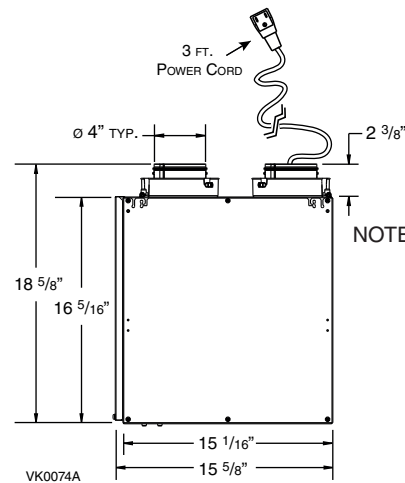
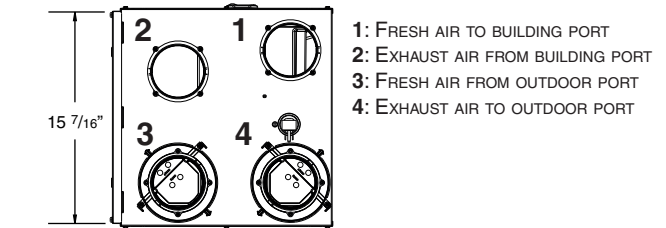


NOTE: ALL UNITS PORTS WERE CREATED TO BE CONNECTED TO DUCTS HAVING A MINIMUM OF 4" DIAMETER, BUT IF NEED BE, THEY CAN BE CONNECTED TO BIGGER SIZED DUCTS BY USING AN APPROPRIATE TRANSITION (E.G.: 4" DIAMETER TO 5" DIAMETER TRANSITION).

VENTILATION PERFORMANCE

EXTERNAL STATIC PRESSURE		NET SUPPLY AIR FLOW			GROSS AIR FLOW					
PA	IN. W.G.	L/S	CFM	M ³ /H	SUPPLY			EXHAUST		
					L/S	CFM	M ³ /H	L/S	CFM	M ³ /H
25	0.1	47	100	168	47	100	170	46	97	166
50	0.2	45	95	161	45	95	163	44	93	158
75	0.3	44	93	158	44	93	160	43	91	155
100	0.4	42	89	153	43	91	155	41	87	148
125	0.5	40	85	143	40	85	144	39	83	140
150	0.6	37	78	133	37	78	134	37	78	133
175	0.7	35	74	126	35	74	126	35	74	126
200	0.8	33	70	117	33	70	119	33	70	119
225	0.9	30	64	107	30	64	108	31	66	112

HRV90T (TOP PORTS)



NOTE: ALL UNITS PORTS WERE CREATED TO BE CONNECTED TO DUCTS HAVING A MINIMUM OF 4" DIAMETER, BUT IF NEED BE, THEY CAN BE CONNECTED TO BIGGER SIZED DUCTS BY USING AN APPROPRIATE TRANSITION (E.G.: 4" DIAMETER TO 5" DIAMETER TRANSITION).

ENERGY PERFORMANCE

SUPPLY TEMPERATURE		NET AIR FLOW			POWER CONSUMED WATTS	SENSIBLE RECOVERY EFFICIENCY	ADJUSTED SENSIBLE RECOVERY EFFICIENCY	APPARENT SENSIBLE EFFECTIVENESS*	LATENT RECOVERY/MOISTURE TRANSFER
°C	°F	L/S	CFM	M ³ /H					
HEATING									
0	32	22	47	80	39	66	71	75	0.00
0	32	30	64	109	55	63	68	72	0.00
-25	-13	23	49	82	49	60	63	78	0.04
-25	-13	30	64	109	63	55	59	70	0.05

*Data not certified by HVI.

NOTE: All specifications are subject to change without notice.

SPECIFICATIONS

- Model: HRV90
- Part Number Top Ports: HRV90T
- Part Number Side Ports: HRV90S
- Total Assembled Weight (including polypropylene core): 30 lb. (13.6 kg)
- Round 4" ports
- Drain: 1/2" (1.2 cm) fitting with 10 ft. (3 m) PVC drain hose
- Core Filters: 2 washable foam filters, 30 ppi 9.2" x 5.75" x 0.38" (23.4 cm x 16.6 cm x 1 cm)
- Housing: Pre-painted steel
- Insulation: Expanded polystyrene
- Mounting: Suspension by chains and spring or optional wall bracket
- Supply and Exhaust Blower Motor: 1 motor
 - Protection type: Thermally protected
 - Insulation class: B
- Speed Control on Unit:
 - Low speed and high speed
 - Other modes available with optional wall controls
- Heat Recovery Core:
 - Heat Exchange Surface Area: 42.3 ft.² (3.9 m²)
 - Type: Crossflow
 - Material: Polypropylene
- Unit Electrical Characteristics:

Volts	Frequency	Ampere	Watts
120	60 Hz	0.6	72

Project:	REMARKS
Location:	
Part no.:	
Qty.:	
Submitted by:	Date:



Broan-NuTone LLC, 926 West State Street, Hartford, WI 53027 (1-877-862-7626)



www.broan.com

HRV90d20_01