

FSA1BE Series

High Efficiency Air Conditioner 14 SEER Residential System 1-1/2 – 5 Ton Capacity

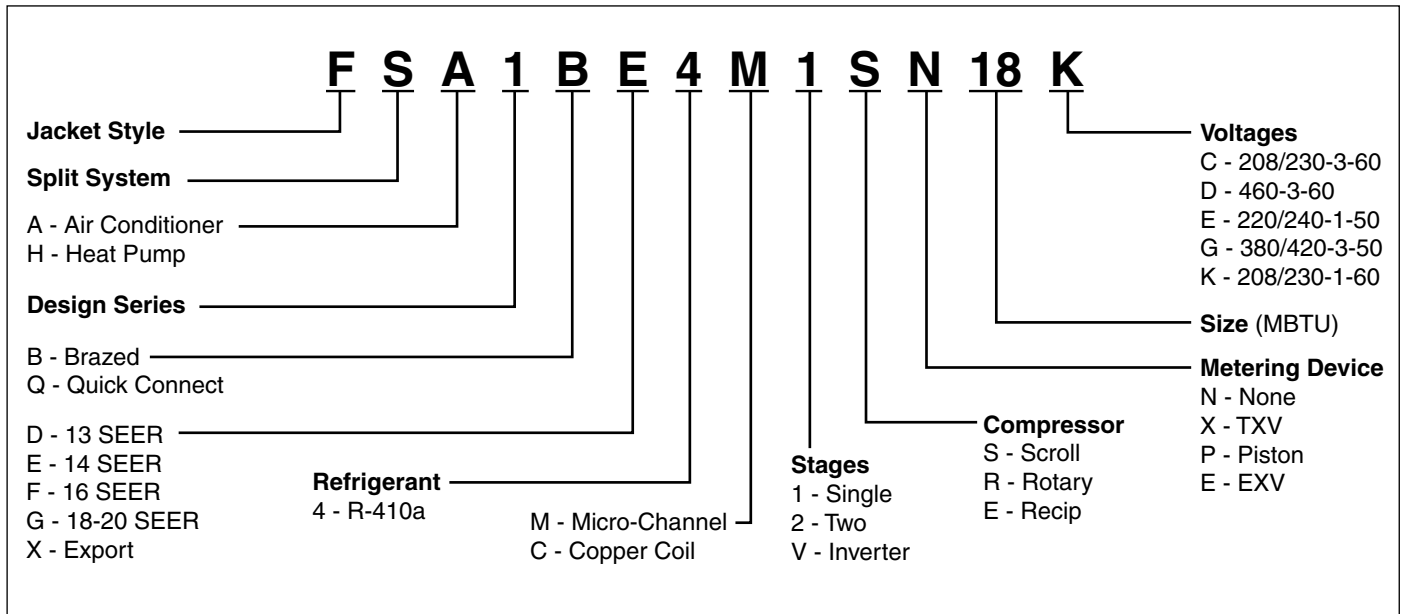
The FSA1BE Series of air conditioners offers exceptional performance. The unit, when combined with our engineered coils or air handlers, offers a full line of quality, split system cooling equipment.



FEATURES and BENEFITS

- **Designed Using Galvanized Steel:** With a polyester urethane coat finish, it passes 950 hours of salt spray per ASTM Std. B117.
- **Permanently Lubricated Motor:** A heavy duty PSC motor for long lasting reliability and quiet operation. Requires no maintenance and is completely protected from rain and snow.
- **Removable Top Grille Assembly:** Allows ease of service from the top without disconnecting fan motor leads.
- **High Pressure Switch:** Protects against abnormally high system pressures. Auto-reset feature prevents nuisance service visits.
- **Liquid Line Filter Drier:** Included with unit, field installed.
- **One Piece Top/Orifice:** Designed for maximum airflow and quiet operation.
- **Easy Compressor and Control Access:** Designed to make servicing easier for the contractor, access panels are provided to all controls and the compressor from the side of the unit.
- **Composite Base Pan:** Absorbs sound and is corrosion resistant. Composite is also stronger and lighter than steel.
- **Swept Wing Fan Blade:** Designed to significantly reduce unwanted noise.
- **Micro-Channel Coils:** All aluminum coils in all models which provides high corrosion resistance.
- **Servicer-Friendly Jacket:** Side panels can be easily removed and replaced without removing the top grill.

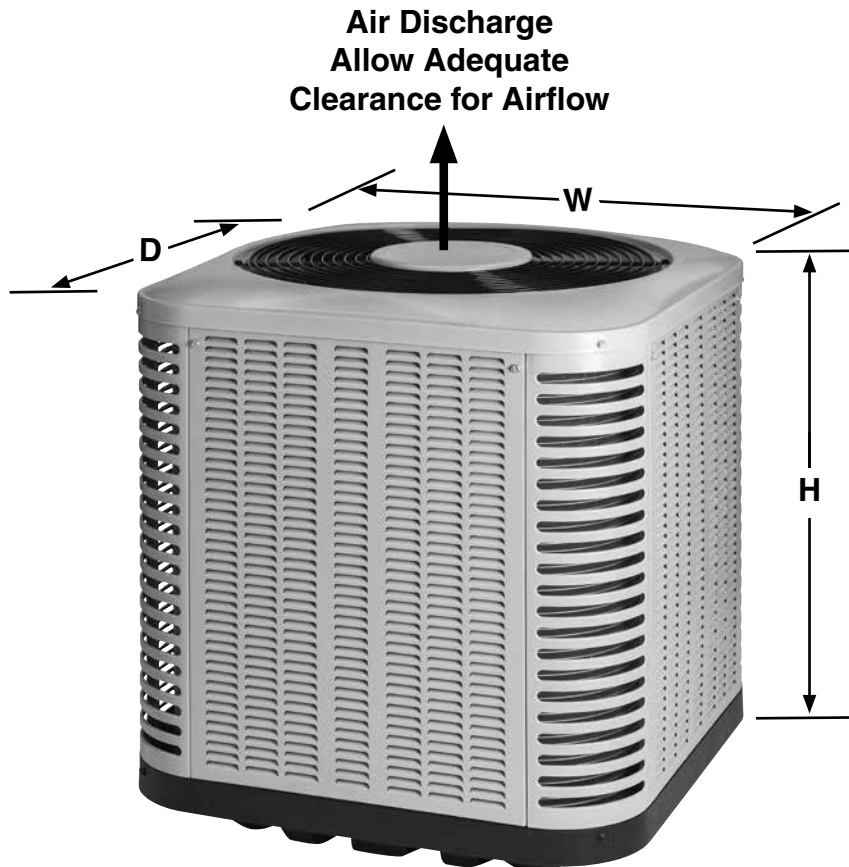
MODEL IDENTIFICATION CODES



DIMENSIONS

AIR CONDITIONER OUTDOOR SECTION

FSA1BE	18K	24K	30K	36K	42K	48K	60K
H	28.5	32.5	29.25	37.25	41.25	41.25	45.25
W	23.75	23.75	31.75	31.75	31.75	31.75	31.75
D	23.75	23.75	31.75	31.75	31.75	31.75	31.75



PHYSICAL AND ELECTRICAL SPECIFICATIONS / OUTDOOR UNITS

14 SEER — High Efficiency — Single Phase

Model Number FSA1BE		18K	24K	30K	36K	42K	48K	60K	
Electrical Data	Volts-Cycles-Phase (1)	208/230-60-1							
	Total Amps	9.9	14.4	15.0	15.1	19.4	21.3	29.0	
	Delay Fuse Max. (2)	20	30	30	30	40	45	60	
	Min. Circuit Ampacity	12.1	17.7	18.5	18.6	23.9	26.3	35.6	
Component Data	Fan Motor	Type	PSC						BLDC
		Amps	0.9	0.9	0.9	1.0	1.5	1.5	2.6
		HP	0.13	0.13	0.13	0.20	0.25	0.25	0.33
	Compressor Data	RLA	9.0	13.4	14.1	14.1	17.9	19.8	26.4
		LRA	48.0	58.3	73.0	77.0	112.0	109.0	134.0
Refrigerant suction line O.D. NOTE: Liquid line is 3/8" O.D. for entire length.		0-24 ft.	3/4"	3/4"	3/4"	3/4"	7/8"	7/8"	7/8"
		25-39 ft.	3/4"	3/4"	3/4"	7/8" (3)	7/8"	7/8"	1-1/8" (4)
		40-75 ft.	3/4"	3/4"	3/4"	7/8" (3)	7/8"	7/8"	1-1/8" (4)
Approximate Weight (lbs.)		Net	139	140	173	194	222	222	251
		Ship	148	148	183	205	234	234	264
Sound Rating db			73	73	72	75	75	75	75

(1) Operating Voltage Range: 187v min. — 253v max.

(2) HACR Type Circuit Breakers may be used.

(3) Requires 7/8" to 3/4" reducer from line to unit.

(4) Requires 7/8" to 1-1/8" reducer from line to unit.

(5) Additional charge for line sets above 15 feet.

Values based on suction line as follows with 3/8" liquid line.

a) 3/4" = 0.6 oz. per additional foot.

b) 7/8" = 0.7 oz. per additional foot.

c) 1-1/8" = 0.8 oz per additional foot.

(6) For additional charging instructions please refer to the QRD.

ACCESSORIES - Condensing Unit

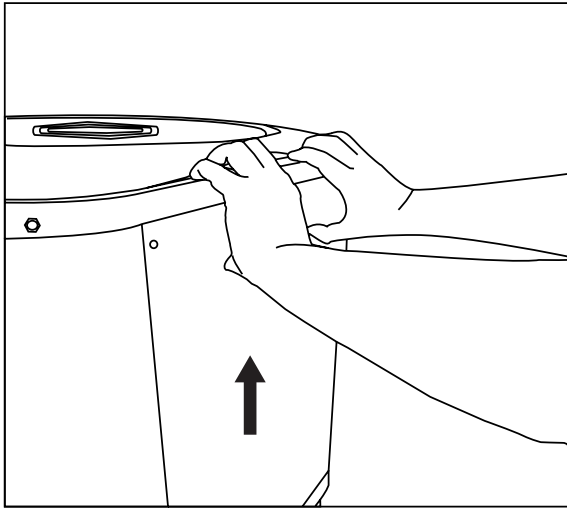
Start Assist Kit - 912933

Provides additional starting torque for the compressor motor when operating with low line voltage or high operating temperatures.

Extreme Wind Condition Mounting Kit - 1017210

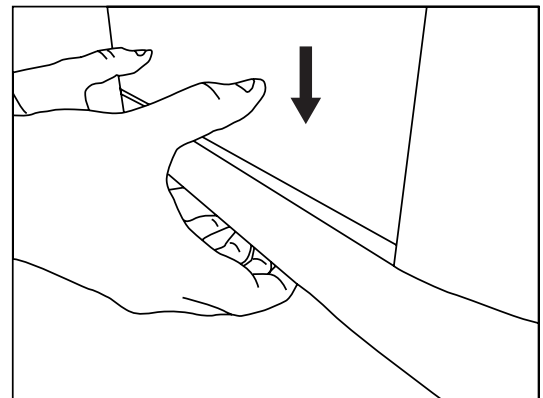
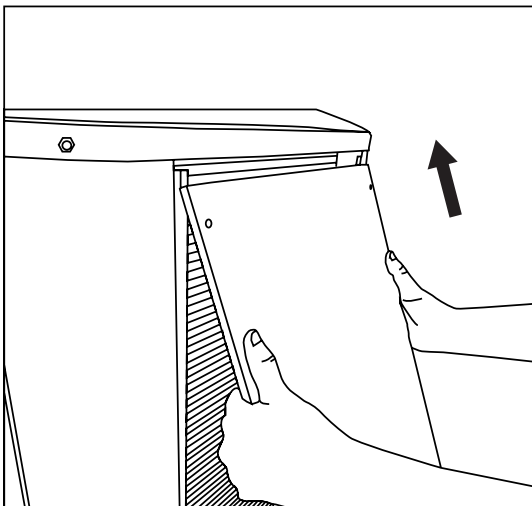
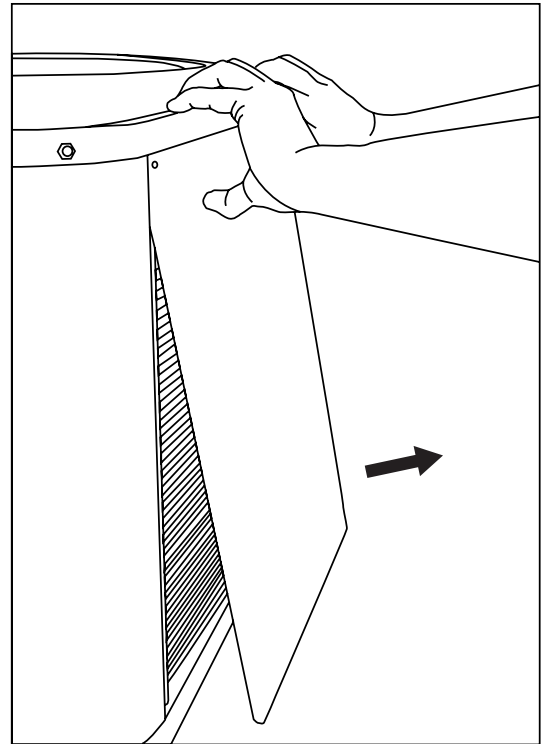
Low Ambient Kit - 918837

PANEL REMOVAL AND REPLACEMENT INSTRUCTIONS



Removing Panels:

1. Remove screws.
2. Pull up on panel.
3. Rotate bottom of panel out.
4. Pull panel off.



Reinstalling Panels:

1. Place panel back in towards top of unit.
2. Rotate bottom of panel inwards.
3. Push panel down until it fills gap at bottom of unit.
4. Replace screws.

SYSTEM COOLING CAPACITIES

14 SEER — High Efficiency — Single Phase

Outdoor Unit	Indoor Unit	BTUH	SEER	EER	CFM
FSA1BE4M1SN18K	C7B(A,H)M01824(C,U)-A + TXV	18,000	14	12.2	680
FSA1BE4M1SN18K	C7B(A,H)M01824(C,U)-B + TXV	18,000	14	12.2	680
FSA1BE4M1SN24K	C7B(A,H)M01824(C,U)-A + TXV	24,000	14	12.2	845
FSA1BE4M1SN24K	C7B(A,H)M01824(C,U)-B + TXV	24,000	14	12.2	845
FSA1BE4M1SN30K	C7B(A,H)M03036(C,U)-A + TXV	29,000	14	12.0	945
FSA1BE4M1SN30K	C7B(A,H)M03036(C,U)-B + TXV	29,000	14	12.0	945
FSA1BE4M1SN36K	C7B(A,H)M03642(C,U)-B + TXV	34,800	14	12.2	1110
FSA1BE4M1SN36K	C7B(A,H)M03648(C,U)-C + TXV	34,800	14	12.2	1110
FSA1BE4M1SN42K	C7B(A,H)M03642(C,U)-B + TXV	40,500	14	12.2	1305
FSA1BE4M1SN42K	C7B(A,H)M03648(C,U)-C + TXV	40,500	14	12.2	1305
FSA1BE4M1SN48K	C7B(A,H)M048(C,U)-C + TXV	45,500	14	11.7	1525
FSA1BE4M1SN48K	C7B(A,H)M048(C,U)-D + TXV	45,500	14	11.7	1525
FSA1BE4M1SN60K	C7B(A,H)M060(C,U)-C + TXV	57,000	14	11.7	1540
FSA1BE4M1SN60K	C7B(A,H)M060(C,U)-D + TXV	57,000	14	11.7	1540

Outdoor Unit	Indoor Unit	BTUH	SEER	EER	CFM
FSA1BE4M1SN18K	B6BMMX24K-A	18,000	14	12.2	600
FSA1BE4M1SN24K	B6BMMX24K-A	23,600	14	12.2	715
FSA1BE4M1SN24K	B6BMMX24K-B	23,600	14	12.2	715
FSA1BE4M1SN30K	B6BMMX30K-A	30,000	14	12.2	945
FSA1BE4M1SN30K	B6BMMX30K-B	30,000	14	12.2	1015
FSA1BE4M1SN36K	B6BMMX36K-B	33,200	14	12.2	1190
FSA1BE4M1SN42K	B6BMMX42K-B	40,500	14	12.2	1375
FSA1BE4M1SN48K	B6BMMX48K-C	47,500	14	11.7	1670
FSA1BE4M1SN60K	B6BMMX60K-C	58,000	14	11.7	1545

See current AHRI Directory for certified combinations and ratings. All ratings are with time delay relay.
www.ahridirectory.org

COOLING EXPANDED RATINGS WITH COIL

FSA1BE4M1SN18K with C7B(A,H)M01824(C,U)-A + TXV Kit

O.D.T			65°F			75°F			85°F			95°F			105°F			115°F		
CFM	E.D.B.	E.W.B.	T.C.	S.C.	K.W.	T.C.	S.C.	K.W.	T.C.	S.C.	K.W.	T.C.	S.C.	K.W.	T.C.	S.C.	K.W.	T.C.	S.C.	K.W.
525	80	62	19.7	14.7	1.08	19.0	14.6	1.22	18.2	15.0	1.36	17.3	14.8	1.51	16.36	15.63	1.69	15.31	14.63	1.89
	80	67	21.7	12.2	1.08	20.8	12.1	1.22	19.9	12.2	1.36	18.9	12.0	1.52	17.80	11.75	1.71	16.69	10.92	1.90
	80	72	23.9	9.6	1.08	22.9	9.5	1.22	21.9	9.7	1.38	20.7	9.4	1.54	19.57	9.26	1.72	18.37	9.48	1.91
	75	62	19.7	12.3	1.08	18.9	12.2	1.22	18.1	12.3	1.36	17.2	12.1	1.51	16.21	11.04	1.69	15.13	11.88	1.89
600	80	62	20.3	16.2	1.11	19.5	16.6	1.25	18.7	16.2	1.39	17.8	16.0	1.54	16.75	15.99	1.72	15.88	15.75	1.92
	80	67	22.3	13.0	1.11	21.4	13.4	1.25	20.4	13.0	1.39	19.3	12.9	1.55	18.13	12.83	1.74	16.98	12.81	1.93
	80	72	24.5	10.0	1.11	23.5	10.5	1.25	22.3	10.1	1.41	21.1	10.0	1.57	19.94	10.08	1.75	18.68	10.13	1.94
	75	62	20.2	13.1	1.11	19.4	13.5	1.25	18.5	13.1	1.39	17.6	12.9	1.54	16.53	12.87	1.72	15.42	12.78	1.92
675	80	62	20.8	17.6	1.14	20.0	17.7	1.28	19.1	17.4	1.42	18.2	17.2	1.57	17.34	16.75	1.76	16.38	16.31	1.95
	80	67	22.7	14.0	1.13	21.7	14.1	1.27	20.7	13.8	1.42	19.6	13.7	1.59	18.40	13.56	1.77	17.21	13.61	1.96
	80	72	25.0	10.8	1.13	23.9	11.0	1.28	22.7	10.6	1.44	21.5	10.6	1.61	20.21	10.54	1.78	18.92	10.68	1.97
	75	62	20.6	14.1	1.14	19.7	14.2	1.28	18.8	13.9	1.42	17.9	13.8	1.57	16.75	13.59	1.75	15.69	13.95	1.95

FSA1BE4M1SN24K with C7B(A,H)M01824(C,U)-A+TXV Kit

O.D.T			65°F			75°F			85°F			95°F			105°F			115°F		
CFM	E.D.B.	E.W.B.	T.C.	S.C.	K.W.	T.C.	S.C.	K.W.	T.C.	S.C.	K.W.	T.C.	S.C.	K.W.	T.C.	S.C.	K.W.	T.C.	S.C.	K.W.
700	80	62	25.2	19.8	1.38	24.3	19.7	1.55	23.2	19.8	1.72	22.1	19.5	1.91	20.90	20.47	2.12	19.63	19.23	2.38
	80	67	27.5	15.9	1.38	26.4	15.8	1.55	25.2	16.0	1.73	23.9	15.7	1.93	22.50	15.39	2.15	21.14	14.48	2.39
	80	72	30.2	12.3	1.39	28.9	12.3	1.56	27.6	12.5	1.75	26.1	12.2	1.96	24.69	11.99	2.17	23.18	12.29	2.41
	75	62	25.0	16.2	1.38	24.1	16.0	1.55	23.0	16.1	1.72	21.9	15.8	1.91	20.63	14.50	2.12	19.27	15.60	2.38
800	80	62	25.9	21.4	1.42	24.8	21.8	1.59	23.8	21.3	1.76	22.6	21.1	1.95	21.54	20.82	2.18	20.40	20.23	2.42
	80	67	28.1	17.0	1.42	26.9	17.5	1.59	25.7	17.0	1.77	24.4	16.8	1.97	22.92	16.81	2.20	21.48	16.80	2.43
	80	72	30.8	13.0	1.43	29.5	13.6	1.60	28.1	13.1	1.80	26.6	13.0	2.00	25.07	13.06	2.22	23.50	13.14	2.45
	75	62	25.6	17.2	1.42	24.6	17.6	1.59	23.4	17.2	1.76	22.3	17.0	1.95	21.05	17.28	2.16	19.65	17.17	2.42
900	80	62	26.4	23.2	1.46	25.4	23.3	1.63	24.4	22.7	1.80	23.4	22.2	1.99	22.17	21.42	2.23	20.99	20.90	2.47
	80	67	28.6	18.3	1.46	27.4	18.5	1.63	26.1	18.0	1.81	24.7	18.0	2.01	23.18	17.79	2.23	21.77	18.30	2.47
	80	72	31.3	13.9	1.47	30.0	14.2	1.64	28.5	13.8	1.84	26.9	13.7	2.04	25.34	13.70	2.26	23.71	13.87	2.49
	75	62	26.1	18.5	1.46	25.0	18.6	1.62	23.9	18.6	1.80	22.7	18.5	1.99	21.31	18.34	2.21	19.92	18.33	2.46

FSA1BE4M1SN30K with C7B(A,H)M03036(C,U)-A+TXV Kit

O.D.T			65°F			75°F			85°F			95°F			105°F			115°F		
CFM	E.D.B.	E.W.B.	T.C.	S.C.	K.W.	T.C.	S.C.	K.W.	T.C.	S.C.	K.W.	T.C.	S.C.	K.W.	T.C.	S.C.	K.W.	T.C.	S.C.	K.W.
875	80	62	31.2	24.6	1.69	30.0	24.4	1.88	28.8	24.5	2.07	27.5	24.1	2.30	26.09	25.15	2.56	24.56	23.67	2.85
	80	67	33.8	20.2	1.71	32.4	20.1	1.90	31.1	20.3	2.10	29.6	19.9	2.32	28.04	19.63	2.58	26.32	18.48	2.88
	80	72	36.8	15.4	1.73	35.3	15.4	1.92	33.7	15.7	2.12	32.1	15.4	2.35	30.34	15.14	2.62	28.44	15.49	2.92
	75	62	31.1	20.6	1.70	29.8	20.4	1.87	28.6	20.5	2.07	27.2	20.1	2.30	25.80	18.54	2.55	24.23	19.89	2.85
1000	80	62	31.9	26.3	1.75	30.7	26.8	1.93	29.4	26.1	2.13	28.0	25.8	2.35	26.63	25.50	2.61	25.15	24.94	2.91
	80	67	34.4	21.5	1.76	33.0	22.1	1.94	31.6	21.6	2.15	30.0	21.3	2.37	28.42	21.33	2.63	26.59	21.28	2.94
	80	72	37.3	16.3	1.79	35.8	17.0	1.97	34.2	16.5	2.18	32.5	16.4	2.40	30.62	16.47	2.67	28.64	16.55	2.97
	75	62	31.6	21.8	1.74	30.3	22.3	1.92	29.1	21.8	2.12	27.7	21.5	2.35	26.17	21.45	2.60	24.56	21.34	2.90
1125	80	62	32.5	28.2	1.80	31.2	28.2	1.98	29.9	27.5	2.18	28.6	27.1	2.40	27.22	26.30	2.66	25.73	25.62	2.97
	80	67	34.9	23.1	1.81	33.4	23.3	2.00	31.9	22.7	2.20	30.3	22.7	2.42	28.67	22.54	2.68	26.82	22.58	2.99
	80	72	37.7	17.4	1.84	36.1	17.8	2.02	34.4	17.3	2.23	32.7	17.3	2.46	30.79	17.23	2.73	28.84	17.43	3.03
	75	62	32.1	23.4	1.79	30.7	23.5	1.97	29.4	23.0	2.17	28.0	22.9	2.40	26.47	22.63	2.65	24.84	22.60	2.95

FSA1BE4M1SN36K with C7B(A,H)M03642(C,U)-B+TXV Kit

O.D.T			65°F			75°F			85°F			95°F			105°F			115°F		
CFM	E.D.B.	E.W.B.	T.C.	S.C.	K.W.	T.C.	S.C.	K.W.	T.C.	S.C.	K.W.	T.C.	S.C.	K.W.	T.C.	S.C.	K.W.	T.C.	S.C.	K.W.
1050	80	62	36.2	28.7	2.03	34.9	28.5	2.25	33.4	28.6	2.48	31.9	28.1	2.75	30.10	29.26	3.05	28.39	27.60	3.39
	80	67	39.8	23.6	2.04	38.2	23.5	2.26	36.5	23.7	2.50	34.7	23.3	2.77	32.88	22.98	3.06	30.92	21.39	3.39
	80	72	43.7	18.2	2.05	41.9	18.1	2.28	40.0	18.5	2.53	38.1	18.1	2.78	36.09	17.85	3.07	33.94	18.31	3.40
	75	62	36.1	24.0	2.03	34.7	23.8	2.25	33.2	23.9	2.49	31.7	23.5	2.75	29.85	21.61	3.05	28.08	23.18	3.39
1200	80	62	37.1	30.7	2.09	35.6	31.3	2.31	34.1	30.6	2.54	32.5	30.1	2.81	30.80	29.72	3.11	29.24	28.99	3.44
	80	67	40.6	25.2	2.10	38.9	25.9	2.32	37.2	25.3	2.56	35.3	25.0	2.83	33.37	25.08	3.12	31.33	24.99	3.45
	80	72	44.5	19.2	2.11	42.7	20.0	2.34	40.7	19.4	2.59	38.7	19.3	2.84	36.59	19.44	3.13	34.39	19.59	3.46
	75	62	36.9	25.5	2.09	35.4	26.1	2.31	33.8	25.4	2.55	32.1	25.1	2.81	30.34	24.99	3.11	28.48	24.90	3.44
1350	80	62	37.8	32.9	2.15	36.3	33.0	2.37	34.8	32.1	2.60	33.2	31.5	2.87	31.67	30.60	3.16	30.04	29.92	3.50
	80	67	41.2	27.1	2.15	39.5	27.4	2.37	37.6	26.8	2.62	35.7	26.7	2.89	33.76	26.44	3.17	31.67	26.56	3.50
	80	72	45.2	20.6	2.17	43.2	21.0	2.40	41.2	20.4	2.64	39.1	20.4	2.90	36.95	20.38	3.19	34.67	20.65	3.51
	75	62	37.5	27.3	2.15	35.9	27.5	2.37	34.3	26.8	2.60	32.5	26.6	2.87	30.72	26.40	3.16	28.81	26.39	3.50

COOLING EXPANDED RATINGS WITH COIL (CONTINUED)

FSA1BE4M1SN42K with C7B(A,H)M03642(C,U)-B+TXV Kit

O.D.T		65°F			75°F			85°F			95°F			105°F			115°F			
CFM	E.D.B.	E.W.B.	T.C.	S.C.	K.W.	T.C.	S.C.	K.W.	T.C.	S.C.	K.W.	T.C.	S.C.	K.W.	T.C.	S.C.	K.W.	T.C.	S.C.	K.W.
1225	80	62	43.0	33.1	2.53	41.5	32.9	2.77	39.6	33.0	3.05	37.8	32.4	3.36	35.86	34.03	3.71	33.77	32.04	4.10
	80	67	47.1	27.4	2.54	45.2	27.2	2.79	43.3	27.5	3.07	41.3	27.0	3.38	39.10	26.61	3.73	36.83	24.74	4.13
	80	72	51.6	21.2	2.58	49.6	21.1	2.82	47.5	21.5	3.10	45.2	21.1	3.41	42.81	20.81	3.77	40.30	21.37	4.16
	75	62	42.9	27.8	2.53	41.3	27.6	2.76	39.5	27.7	3.05	37.6	27.2	3.36	35.65	25.20	3.71	33.59	27.00	4.10
1400	80	62	44.0	35.4	2.60	42.4	36.1	2.83	40.5	35.2	3.12	38.5	34.8	3.43	36.55	34.53	3.78	34.45	34.11	4.18
	80	67	48.1	29.1	2.61	46.2	30.0	2.86	44.1	29.2	3.15	42.0	28.9	3.45	39.72	28.95	3.80	37.36	28.97	4.20
	80	72	52.6	22.3	2.64	50.5	23.3	2.89	48.2	22.6	3.17	45.9	22.4	3.48	43.38	22.63	3.84	40.74	22.80	4.23
	75	62	43.9	29.5	2.60	42.2	30.2	2.83	40.2	29.4	3.12	38.3	29.1	3.43	36.24	29.03	3.78	34.05	28.80	4.17
1575	80	62	44.9	37.9	2.67	43.1	38.1	2.91	41.2	37.2	3.19	39.2	36.7	3.50	37.27	36.01	3.85	35.39	35.24	4.25
	80	67	48.8	31.2	2.69	46.8	31.6	2.93	44.7	30.8	3.21	42.5	30.7	3.52	40.20	30.55	3.87	37.76	30.72	4.27
	80	72	53.3	23.8	2.71	51.1	24.4	2.95	48.8	23.7	3.24	46.3	23.7	3.55	43.76	23.63	3.91	41.12	23.95	4.30
	75	62	44.6	31.6	2.66	42.8	31.9	2.90	40.8	31.1	3.18	38.8	30.9	3.50	36.72	30.46	3.85	34.47	30.48	4.24

FSA1BE4M1SN48K with C7B(A,H)M048(C,U)-C+TXV Kit

O.D.T		65°F			75°F			85°F			95°F			105°F			115°F			
CFM	E.D.B.	E.W.B.	T.C.	S.C.	K.W.	T.C.	S.C.	K.W.	T.C.	S.C.	K.W.	T.C.	S.C.	K.W.	T.C.	S.C.	K.W.	T.C.	S.C.	K.W.
1400	80	62	48.1	37.3	2.77	46.2	37.0	3.07	44.2	37.2	3.39	42.1	36.5	3.75	39.87	38.15	4.16	37.61	35.99	4.60
	80	67	52.3	30.8	2.81	50.3	30.6	3.10	48.1	30.9	3.41	45.8	30.3	3.78	43.45	29.85	4.18	40.99	27.77	4.64
	80	72	57.5	23.9	2.84	55.1	23.8	3.12	52.7	24.3	3.44	50.1	23.8	3.81	47.38	23.48	4.21	44.45	24.10	4.66
	75	62	47.9	31.3	2.77	45.9	31.0	3.06	44.0	31.2	3.38	41.9	30.5	3.75	39.63	28.24	4.16	37.33	30.24	4.60
1600	80	62	49.1	39.9	2.86	47.1	40.6	3.15	45.0	39.6	3.47	42.9	39.1	3.83	40.67	38.73	4.24	38.45	38.13	4.69
	80	67	53.4	32.7	2.89	51.2	33.6	3.17	49.0	32.8	3.49	46.6	32.4	3.86	44.16	32.43	4.26	41.59	32.44	4.72
	80	72	58.4	25.2	2.92	55.9	26.3	3.20	53.1	25.5	3.53	50.5	25.3	3.88	47.84	25.41	4.29	45.09	25.56	4.74
	75	62	48.8	33.2	2.85	46.9	33.9	3.14	44.8	33.0	3.46	42.6	32.6	3.83	40.28	32.51	4.24	37.87	32.38	4.68
1800	80	62	49.9	42.7	2.94	47.9	42.8	3.23	45.8	41.7	3.55	43.7	41.1	3.91	41.56	40.15	4.32	39.48	39.31	4.77
	80	67	54.2	35.0	2.97	52.0	35.4	3.25	49.7	34.6	3.57	47.2	34.4	3.94	44.67	34.18	4.34	42.00	34.34	4.80
	80	72	58.8	26.9	3.00	56.4	27.4	3.28	53.8	26.6	3.59	51.2	26.6	3.96	48.40	26.45	4.37	45.55	26.76	4.82
	75	62	49.6	35.5	2.94	47.6	35.7	3.23	45.4	34.8	3.54	43.1	34.6	3.91	40.76	34.07	4.32	38.30	34.07	4.76

FSA1BE4M1SN60K with C7B(A,H)M060(C,U)-C+TXV Kit

O.D.T		65°F			75°F			85°F			95°F			105°F			115°F			
CFM	E.D.B.	E.W.B.	T.C.	S.C.	K.W.	T.C.	S.C.	K.W.	T.C.	S.C.	K.W.	T.C.	S.C.	K.W.	T.C.	S.C.	K.W.	T.C.	S.C.	K.W.
1750	80	62	60.6	46.3	3.54	58.4	45.6	3.90	56.1	45.9	4.31	53.7	45.2	4.76	51.10	47.35	5.29	48.37	44.82	5.89
	80	67	66.0	38.3	3.59	63.6	38.0	3.96	61.0	38.5	4.36	58.4	37.8	4.82	55.56	37.26	5.35	52.57	34.81	5.95
	80	72	72.5	29.9	3.65	69.8	29.8	4.03	66.9	30.4	4.43	63.8	29.9	4.89	60.47	29.54	5.41	56.92	30.37	6.01
	75	62	60.3	38.8	3.54	58.1	38.5	3.90	55.8	38.8	4.30	53.3	38.0	4.76	50.80	35.41	5.29	48.02	37.85	5.89
2000	80	62	62.0	49.1	3.65	59.7	50.0	4.01	57.3	48.9	4.41	54.8	48.4	4.87	52.13	48.19	5.40	49.29	47.81	6.00
	80	67	67.4	40.5	3.70	65.0	41.8	4.07	62.2	40.7	4.47	59.4	40.4	4.93	56.51	40.44	5.45	53.42	40.51	6.05
	80	72	73.7	31.4	3.75	70.6	32.9	4.13	67.4	31.9	4.54	64.4	31.7	4.99	61.21	31.94	5.51	57.88	32.19	6.12
	75	62	61.6	41.1	3.64	59.4	42.1	4.01	56.9	41.1	4.41	54.4	40.6	4.87	51.65	40.57	5.40	48.82	40.49	5.99
2250	80	62	63.1	52.6	3.75	60.8	52.9	4.12	58.2	51.6	4.52	55.7	51.2	4.98	52.99	50.41	5.51	50.14	49.93	6.10
	80	67	68.6	43.4	3.81	65.9	43.9	4.17	63.2	42.9	4.58	60.3	42.8	5.03	57.25	42.58	5.55	54.05	42.86	6.16
	80	72	74.4	33.5	3.86	71.4	34.2	4.24	68.4	33.2	4.65	65.3	33.3	5.10	61.96	33.19	5.62	58.52	33.68	6.23
	75	62	62.7	43.9	3.75	60.3	44.3	4.11	57.8	43.2	4.51	55.2	43.1	4.97	52.39	42.71	5.50	49.39	42.45	6.09

COOLING EXPANDED RATINGS WITH AIR HANDLER

FSA1BE4M1SN18K with B6BMMX24K-A

O.D.T			65°F			75°F			85°F			95°F			105°F			115°F		
CFM	E.D.B.	E.W.B.	T.C.	S.C.	K.W.	T.C.	S.C.	K.W.	T.C.	S.C.	K.W.	T.C.	S.C.	K.W.	T.C.	S.C.	K.W.	T.C.	S.C.	K.W.
525	80	62	19.4	15.6	1.05	18.5	15.5	1.19	17.7	15.6	1.33	16.7	15.3	1.48	15.78	15.51	1.65	14.82	14.57	1.85
	80	67	21.2	12.7	1.05	20.2	12.6	1.19	19.3	12.7	1.33	18.2	12.5	1.49	17.04	12.24	1.67	15.89	11.54	1.86
	80	72	23.2	9.7	1.05	22.2	9.6	1.19	21.1	9.8	1.34	19.8	9.5	1.51	18.61	9.37	1.68	17.36	9.57	1.87
	75	62	19.3	12.9	1.05	18.5	12.8	1.19	17.6	12.9	1.33	16.6	12.6	1.48	15.63	11.44	1.65	14.47	12.38	1.85
600	80	62	19.9	17.0	1.08	19.0	17.3	1.21	18.1	16.9	1.35	17.3	16.3	1.51	16.36	15.80	1.68	15.38	15.25	1.88
	80	67	21.6	13.7	1.07	20.7	14.1	1.22	19.6	13.7	1.36	18.5	13.5	1.52	17.31	13.50	1.70	16.12	13.46	1.89
	80	72	23.7	10.3	1.07	22.6	10.7	1.22	21.4	10.4	1.37	20.1	10.2	1.54	18.90	10.28	1.71	17.60	10.31	1.90
	75	62	19.8	13.9	1.08	18.9	14.2	1.21	17.9	13.8	1.35	16.9	13.7	1.51	15.89	13.58	1.68	14.71	13.46	1.88
675	80	62	20.5	18.6	1.10	19.7	18.3	1.24	18.8	17.5	1.38	17.9	16.9	1.54	16.83	16.26	1.72	15.84	15.77	1.91
	80	67	22.1	14.9	1.10	21.0	15.0	1.24	19.9	14.7	1.39	18.8	14.6	1.55	17.51	14.43	1.73	16.30	14.45	1.91
	80	72	24.1	11.1	1.10	22.9	11.3	1.25	21.7	11.0	1.40	20.4	10.9	1.57	19.09	10.86	1.74	17.76	10.95	1.93
	75	62	20.3	15.2	1.10	19.3	15.3	1.24	18.3	14.9	1.38	17.3	14.8	1.53	16.18	14.62	1.71	14.98	14.55	1.91

FSA1BE4M1SN24K with B6BMMX24K-A

O.D.T			65°F			75°F			85°F			95°F			105°F			115°F		
CFM	E.D.B.	E.W.B.	T.C.	S.C.	K.W.	T.C.	S.C.	K.W.	T.C.	S.C.	K.W.	T.C.	S.C.	K.W.	T.C.	S.C.	K.W.	T.C.	S.C.	K.W.
700	80	62	25.5	20.7	1.36	24.5	20.5	1.53	23.4	20.6	1.70	22.3	20.2	1.90	21.07	20.72	2.12	19.94	19.60	2.38
	80	67	27.8	16.8	1.36	26.6	16.6	1.54	25.4	16.8	1.72	24.1	16.5	1.91	22.66	16.32	2.15	21.30	15.46	2.39
	80	72	30.4	12.8	1.37	29.1	12.7	1.55	27.8	13.0	1.74	26.3	12.7	1.95	24.83	12.49	2.17	23.35	12.82	2.42
	75	62	25.4	17.0	1.36	24.4	17.0	1.53	23.2	17.1	1.70	22.1	16.7	1.90	20.84	15.37	2.12	19.48	16.53	2.38
800	80	62	26.2	22.4	1.39	25.1	22.8	1.56	24.0	22.3	1.74	23.0	21.7	1.93	21.85	21.11	2.16	20.66	20.49	2.42
	80	67	28.3	18.0	1.40	27.1	18.6	1.57	25.8	18.1	1.75	24.5	18.0	1.95	23.06	17.91	2.18	21.64	17.90	2.43
	80	72	31.0	13.6	1.41	29.7	14.2	1.59	28.2	13.7	1.77	26.7	13.6	1.99	25.19	13.70	2.21	23.63	13.80	2.45
	75	62	25.9	18.4	1.39	24.8	18.8	1.56	23.7	18.3	1.73	22.5	18.1	1.93	21.23	18.02	2.15	19.83	17.91	2.41
900	80	62	26.8	24.3	1.42	25.8	24.1	1.59	24.8	23.1	1.77	23.7	22.5	1.97	22.46	21.70	2.21	21.26	21.17	2.45
	80	67	28.8	19.6	1.43	27.5	19.8	1.60	26.2	19.3	1.78	24.8	19.3	1.98	23.35	19.09	2.21	21.91	19.16	2.46
	80	72	31.5	14.7	1.44	30.1	15.0	1.61	28.6	14.5	1.81	27.0	14.5	2.02	25.41	14.47	2.24	23.81	14.67	2.48
	75	62	26.4	19.9	1.42	25.3	20.0	1.59	24.1	19.5	1.76	22.8	19.4	1.96	21.53	19.20	2.18	20.10	19.16	2.44

FSA1BE4M1SN30K with B6BMMX30K-A

O.D.T			65°F			75°F			85°F			95°F			105°F			115°F		
CFM	E.D.B.	E.W.B.	T.C.	S.C.	K.W.	T.C.	S.C.	K.W.	T.C.	S.C.	K.W.	T.C.	S.C.	K.W.	T.C.	S.C.	K.W.	T.C.	S.C.	K.W.
875	80	62	32.3	25.9	1.74	31.0	25.7	1.94	29.5	25.8	2.15	28.0	25.3	2.39	26.48	26.03	2.67	24.94	24.52	2.99
	80	67	34.9	20.9	1.76	33.3	20.8	1.96	31.8	21.0	2.17	30.1	20.6	2.41	28.40	20.29	2.68	26.53	19.28	3.01
	80	72	37.6	15.9	1.78	36.0	15.8	1.98	34.3	16.1	2.19	32.5	15.7	2.44	30.63	15.46	2.71	28.60	15.79	3.03
	75	62	32.2	21.5	1.74	30.8	21.2	1.93	29.4	21.4	2.15	27.9	20.9	2.39	26.24	19.18	2.67	24.49	20.67	2.99
1000	80	62	33.0	28.0	1.79	31.5	28.4	1.99	30.1	27.8	2.20	28.7	27.1	2.44	27.29	26.37	2.72	25.73	25.51	3.04
	80	67	35.5	22.5	1.81	33.9	23.1	2.01	32.2	22.5	2.22	30.5	22.3	2.46	28.75	22.27	2.74	26.82	22.22	3.06
	80	72	38.2	16.8	1.83	36.5	17.5	2.03	34.7	17.0	2.25	32.9	16.8	2.49	30.95	16.88	2.77	28.87	16.94	3.09
	75	62	32.8	23.0	1.79	31.3	23.5	1.99	29.9	22.9	2.20	28.3	22.6	2.44	26.61	22.50	2.71	24.81	22.36	3.04
1125	80	62	33.6	30.2	1.84	32.2	30.0	2.04	30.9	28.8	2.25	29.5	28.0	2.50	27.98	27.04	2.77	26.35	26.24	3.10
	80	67	35.9	24.3	1.86	34.2	24.6	2.06	32.6	24.0	2.27	30.8	23.9	2.51	29.00	23.72	2.79	27.04	23.77	3.11
	80	72	38.6	18.1	1.88	36.8	18.4	2.08	35.0	17.8	2.30	33.1	17.8	2.54	31.17	17.77	2.82	29.05	17.95	3.14
	75	62	33.2	24.8	1.84	31.7	24.9	2.04	30.2	24.3	2.25	28.6	24.2	2.49	26.89	23.93	2.76	25.07	23.87	3.09

FSA1BE4M1SN36K with B6BMMX36K-B

O.D.T			65°F			75°F			85°F			95°F			105°F			115°F		
CFM	E.D.B.	E.W.B.	T.C.	S.C.	K.W.	T.C.	S.C.	K.W.	T.C.	S.C.	K.W.	T.C.	S.C.	K.W.	T.C.	S.C.	K.W.	T.C.	S.C.	K.W.
1050	80	62	37.0	30.5	2.06	35.5	30.3	2.29	34.0	30.4	2.54	32.3	29.9	2.81	30.63	30.12	3.14	29.07	28.58	3.49
	80	67	40.3	24.8	2.07	38.6	24.6	2.30	36.8	24.8	2.55	34.9	24.4	2.83	32.98	24.05	3.14	30.96	22.88	3.50
	80	72	43.9	18.8	2.08	42.0	18.7	2.32	40.0	19.0	2.58	38.0	18.6	2.86	35.92	18.37	3.15	33.74	18.83	3.50
	75	62	36.9	25.2	2.06	35.3	25.0	2.29	33.7	25.1	2.54	32.0	24.6	2.81	30.16	22.72	3.14	28.29	24.42	3.49
1200	80	62	37.9	33.0	2.11	36.4	33.5	2.34	34.9	32.5	2.59	33.3	31.5	2.88	31.75	30.67	3.18	30.08	29.82	3.54
	80	67	41.0	26.6	2.12	39.3	27.4	2.35	37.4	26.7	2.60	35.4	26.4	2.88	33.47	26.48	3.19	31.39	26.48	3.55
	80	72	44.7	19.9	2.13	42.7	20.8	2.37	40.7	20.2	2.63	38.6	20.0	2.90	36.44	20.14	3.21	34.19	20.28	3.55
	75	62	37.6	27.1	2.11	36.0	27.6	2.34	34.3	27.0	2.58	32.5	26.6	2.87	30.66	26.57	3.18	28.74	26.47	3.54
1350	80	62	38.8	35.3	2.16	37.4	34.9	2.39	35.9	33.5	2.64	34.3	32.6	2.93	32.65	31.54	3.23	30.90	30.77	3.59
	80	67	41.6	28.9	2.17	39.8	29.2	2.40	37.8	28.5	2.66	35.9	28.4	2.93	33.84	28.25	3.24	31.73	28.37	3.59
	80	72	45.3	21.5	2.18	43.2	21.9	2.43	41.1	21.3	2.68	38.9	21.3	2.96	36.74	21.26	3.26	34.44	21.55	3.60
	75	62	38.2	29.2	2.16	36.5	29.5	2.39	34.8	28.8	2.64	32.9	28.6	2.92	31.05	28.30	3.23	29.11	28.28	3.59

COOLING EXPANDED RATINGS WITH AIR HANDLER (CONTINUED)

FSA1BE4M1SN42K with B6BMMX42K-B

O.D.T			65°F			75°F			85°F			95°F			105°F			115°F		
CFM	E.D.B.	E.W.B.	T.C.	S.C.	K.W.	T.C.	S.C.	K.W.	T.C.	S.C.	K.W.	T.C.	S.C.	K.W.	T.C.	S.C.	K.W.	T.C.	S.C.	K.W.
1225	80	62	42.9	35.3	2.48	41.3	35.0	2.71	39.3	35.1	2.99	37.4	34.5	3.29	35.50	34.90	3.64	33.65	33.08	4.03
	80	67	46.7	28.7	2.50	44.7	28.5	2.74	42.6	28.8	3.01	40.3	28.2	3.31	38.05	27.84	3.65	35.72	26.54	4.04
	80	72	50.9	21.7	2.52	48.7	21.6	2.76	46.5	22.0	3.03	44.0	21.6	3.34	41.61	21.25	3.68	39.02	21.76	4.07
	75	62	42.7	29.2	2.48	40.9	28.9	2.71	38.9	29.1	2.98	36.9	28.5	3.29	34.84	26.23	3.64	32.66	28.17	4.02
1400	80	62	44.0	38.2	2.55	42.2	38.8	2.78	40.4	37.7	3.06	38.6	36.5	3.37	36.76	35.52	3.71	34.80	34.50	4.10
	80	67	47.5	30.9	2.56	45.3	31.7	2.81	43.3	30.9	3.08	41.0	30.6	3.38	38.67	30.58	3.72	36.20	30.53	4.11
	80	72	51.8	23.1	2.59	49.6	24.1	2.82	47.2	23.4	3.10	44.7	23.2	3.41	42.14	23.29	3.75	39.43	23.42	4.13
	75	62	43.5	31.3	2.54	41.7	32.0	2.78	39.6	31.2	3.06	37.6	30.8	3.36	35.41	30.65	3.70	33.17	30.51	4.09
1575	80	62	45.1	41.0	2.62	43.4	40.5	2.85	41.6	38.8	3.14	39.8	37.8	3.44	37.80	36.52	3.78	35.72	35.57	4.17
	80	67	48.2	33.5	2.63	46.0	33.8	2.88	43.8	33.0	3.14	41.5	32.8	3.45	39.11	32.59	3.79	36.62	32.69	4.18
	80	72	52.5	24.9	2.66	50.2	25.4	2.89	47.7	24.7	3.17	45.1	24.7	3.48	42.50	24.59	3.82	39.73	24.89	4.20
	75	62	44.2	33.8	2.61	42.3	34.1	2.85	40.2	33.2	3.12	38.1	33.0	3.43	35.86	32.63	3.77	33.65	32.60	4.16

FSA1BE4M1SN48K with B6BMMX48K-C

O.D.T			65°F			75°F			85°F			95°F			105°F			115°F		
CFM	E.D.B.	E.W.B.	T.C.	S.C.	K.W.	T.C.	S.C.	K.W.	T.C.	S.C.	K.W.	T.C.	S.C.	K.W.	T.C.	S.C.	K.W.	T.C.	S.C.	K.W.
1400	80	62	47.6	38.2	2.72	45.7	37.9	3.01	43.8	38.1	3.31	41.8	37.4	3.67	39.76	39.03	4.06	37.62	36.93	4.49
	80	67	51.6	31.0	2.76	49.6	30.8	3.03	47.4	31.1	3.34	45.2	30.5	3.69	42.81	30.06	4.08	40.38	28.39	4.52
	80	72	57.0	23.9	2.79	54.8	23.8	3.06	52.3	24.3	3.37	49.8	23.8	3.72	47.11	23.53	4.11	44.31	24.17	4.55
	75	62	47.1	31.4	2.72	45.2	31.1	3.00	43.2	31.3	3.31	41.2	31.0	3.66	39.07	28.73	4.06	36.82	30.75	4.49
1600	80	62	48.8	41.2	2.80	46.9	41.8	3.08	45.0	40.9	3.39	42.9	40.4	3.74	41.09	39.70	4.14	39.06	38.73	4.58
	80	67	52.8	33.1	2.83	50.7	34.0	3.10	48.5	33.2	3.41	46.0	32.8	3.76	43.61	33.20	4.15	41.09	33.21	4.59
	80	72	58.2	25.3	2.86	55.7	26.5	3.13	53.1	25.7	3.44	50.4	25.5	3.79	47.43	25.68	4.18	44.63	25.81	4.61
	75	62	48.1	33.9	2.79	46.2	34.6	3.07	44.2	33.8	3.38	42.0	33.4	3.73	39.78	33.25	4.13	37.50	33.14	4.56
1800	80	62	49.9	44.4	2.87	48.0	44.5	3.15	46.3	43.1	3.46	44.4	42.1	3.82	42.32	40.89	4.21	40.18	40.01	4.65
	80	67	53.7	35.7	2.90	51.5	36.1	3.17	49.2	35.6	3.48	46.7	35.5	3.83	44.23	35.24	4.22	41.64	35.41	4.66
	80	72	58.9	27.2	2.93	56.1	27.8	3.20	53.4	27.0	3.51	50.8	27.0	3.86	48.03	26.85	4.25	45.17	27.16	4.68
	75	62	49.0	36.5	2.86	47.0	36.7	3.14	44.9	35.8	3.45	42.7	35.6	3.80	40.41	35.27	4.20	38.04	35.27	4.63

FSA1BE4M1SN60K with B6BMMX60K-C

O.D.T			65°F			75°F			85°F			95°F			105°F			115°F		
CFM	E.D.B.	E.W.B.	T.C.	S.C.	K.W.	T.C.	S.C.	K.W.	T.C.	S.C.	K.W.	T.C.	S.C.	K.W.	T.C.	S.C.	K.W.	T.C.	S.C.	K.W.
1500	80	62	60.0	46.4	3.45	57.7	46.0	3.83	55.3	46.3	4.26	52.8	45.5	4.75	50.18	47.93	5.30	47.44	45.31	5.94
	80	67	65.2	37.9	3.50	62.6	37.6	3.89	60.1	38.2	4.32	57.3	37.6	4.80	54.33	37.09	5.36	51.31	34.87	5.98
	80	72	71.1	29.3	3.57	68.2	29.1	3.96	65.4	29.7	4.39	62.3	29.1	4.87	59.25	28.78	5.42	55.95	29.60	6.06
	75	62	59.8	38.7	3.45	57.5	38.4	3.83	55.0	38.7	4.26	52.4	38.0	4.74	49.76	35.34	5.30	46.96	37.86	5.93
1650	80	62	61.1	49.0	3.51	58.8	50.0	3.89	56.3	48.9	4.31	53.7	48.4	4.80	51.08	48.33	5.36	48.46	48.00	5.99
	80	67	66.3	40.0	3.56	63.6	41.2	3.95	60.9	40.2	4.37	58.0	39.8	4.85	55.04	39.97	5.41	51.86	40.08	6.03
	80	72	72.3	30.4	3.63	69.3	31.9	4.01	66.3	30.9	4.44	63.2	30.7	4.92	59.95	30.98	5.47	56.52	31.28	6.11
	75	62	60.8	40.7	3.50	58.4	41.7	3.88	55.8	40.7	4.31	53.2	40.2	4.80	50.51	40.21	5.35	47.62	40.15	5.98
1800	80	62	62.2	52.2	3.56	59.7	52.5	3.94	57.2	51.4	4.37	54.6	51.1	4.85	52.13	50.36	5.41	49.60	49.39	6.05
	80	67	67.2	42.6	3.61	64.4	43.1	3.99	61.6	42.1	4.42	58.6	42.0	4.90	55.56	41.84	5.46	52.37	42.14	6.09
	80	72	73.2	32.3	3.67	70.2	33.0	4.07	67.1	32.1	4.50	63.8	32.2	4.98	60.50	32.16	5.52	57.02	32.71	6.16
	75	62	61.6	43.2	3.55	59.2	43.6	3.94	56.6	42.5	4.36	53.9	42.4	4.85	51.12	42.06	5.40	48.17	42.19	6.03



GENERAL TERMS OF LIMITED WARRANTY

Nortek Global HVAC, LLC will furnish a replacement for any part of this product which fails in normal use and service within the terms and conditions of the warranty.

For complete details of the Limited Warranty, including applicable terms and conditions, see your local installer or contact the Nortek Global HVAC, LLC warranty department for a copy.

Before purchasing this appliance, read important energy cost and efficiency information available from your retailer. Specifications and illustrations subject to change without notice and without incurring obligations. Printed in U.S.A (05/2017)