

TECHNICAL SPECIFICATIONS

DF6SF Series Rev B

Two-Stage Heat/Two-Stage Cool with Variable Speed Blower iHybrid™ Dual Fuel Package Units

**DF6SF 15 SEER, 81% AFUE, 8.0 HSPF
2 Ton thru 5 Ton Units**

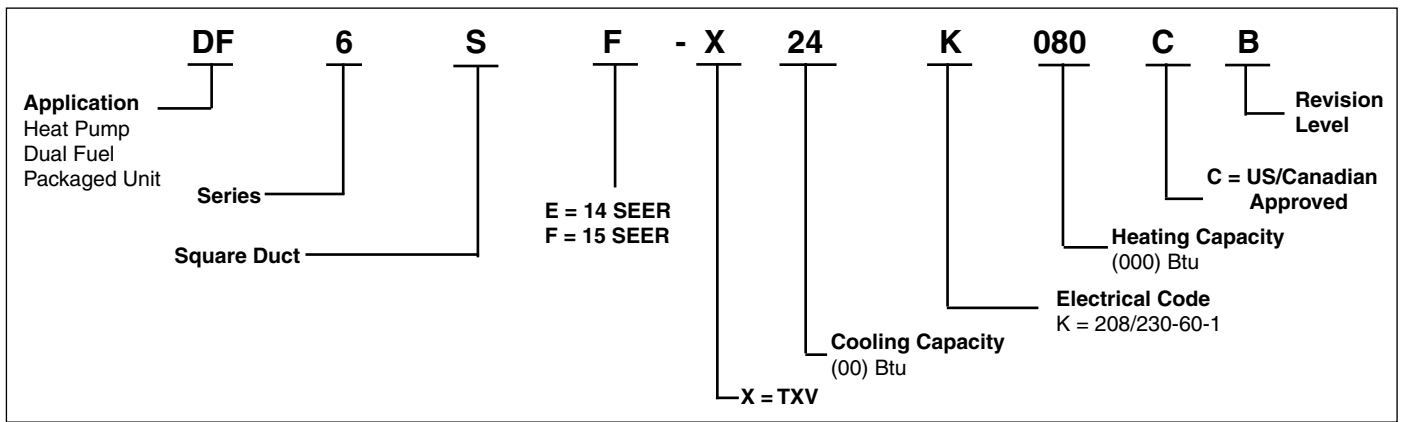
These dual fuel package units are high efficiency self contained heating and cooling systems that can be installed on the roof or on a slab. The convertible unit design makes installations simple in all applications. Units are ETL and ETLc listed.



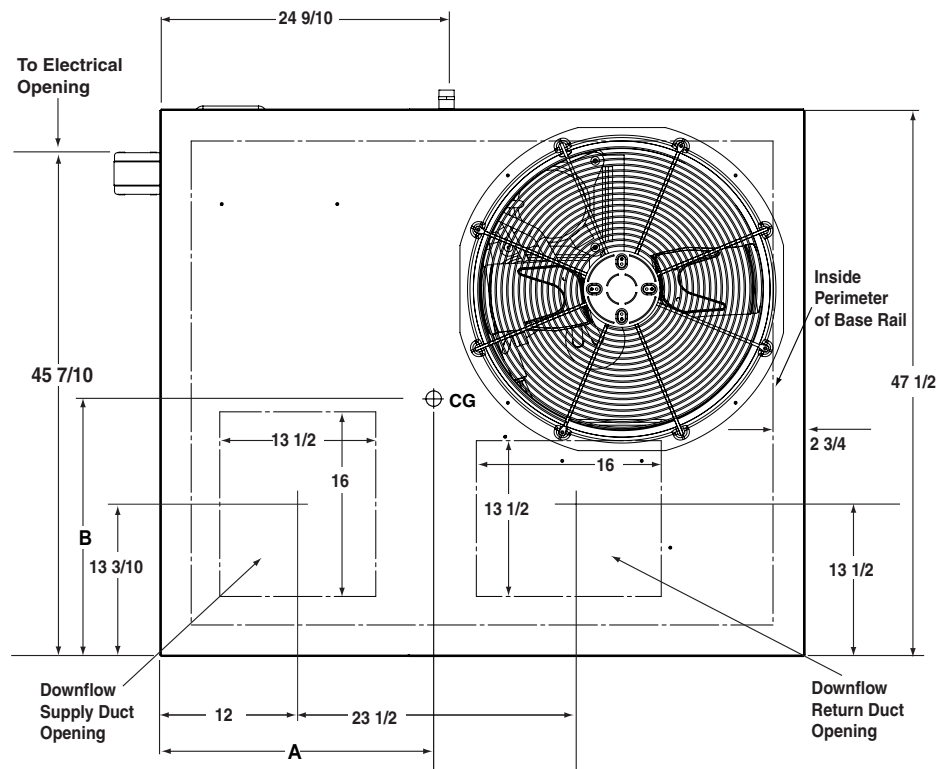
FEATURES and BENEFITS

- **Copeland Ultra-Tech Scroll Compressor:** State of the art two stage compressor is standard equipment.
- **Quiet Operation and Low Vibration:** Swept-wing fan blade combined with custom venturi condenser fan.
- **Compressor Sound Blanket:** Is standard equipment.
- **Wire Guard Coated with Earth Friendly Epoxy and Plastic Mesh Hail Guard:** A guard that will never rust and protects the units coil from being damaged.
- **Anteater® Coil Technology:** For increased resistance against formicary corrosion, the number one cause of evaporator coil failures.
- **Designed using Galvanized Steel:** With a polyester urethane coat finish. The 950 hour salt spray finish is 1.5 mil thick and resists corrosion 50% better than comparable units.
- **Smaller Panels, Great Fit and Finish, Total Seal:** Well-designed, quality construction.
- **One Piece Top Pan:** With drip edge on top panels whisks away rainwater.
- **Embossed Bottom Pan:** Keeps blower component compartment dry.
- **Permanently Lubricated Condenser Motor:** A heavy duty PSC motor for long lasting reliability and quiet operation. Requires no maintenance and is protected from rain and snow.
- **Thermostatic Expansion Valve:** Factory installed externally equalized thermostatic expansion valves provides precise refrigerant control under varying load conditions in heat pump or cooling mode.
- **Hi/Low Pressure Switches:** Ensure long compressor life.
- **Externally Accessible, High Flow Service Ports:** Quick access to refrigeration system.
- **Liquid Line Filter Drier:** Factory installed at a convenient location for service.
- **Suction Accumulator:** Protection from liquid flood back and future compressor failures.
- **Two-Stage Gas Heat Operation:** Featuring a two-stage gas valve and two speed inducer motor.
- **Choice of Heating Control:** Two stage thermostat or single stage heat thermostat with on the control board timing of 5 or 10 minute delay for second stage of heat.
- **Low voltage Transformer:** Includes 5 Amp fuse to protect low voltage circuit.
- **Corrosion-Resistant Drain Pan:** Quickly drains away evaporator condensate.
- **ECM Variable Speed Blower Motor:** Advanced technology allows the motor to automatically adjust to different static loads. The variable speed motor allows for extra quiet operation and improved air quality.
- **Extra Dehumidification in Cooling Mode:** The blower motor can adjust speed, allowing more moisture removal from the home's air, providing better comfort.
- **Demand Defrost Standard:** Provides additional energy savings in heating by defrosting only when necessary.
- **Three Minute Restart Time Delay:** When the unit shuts down, a three minute delay keeps the unit from restarting, eliminating the highest cause for compressor failure.
- **Heavy-Gauge, Full Perimeter Base Rails:** Facilitates forklift handling and curb mounting.
- **Convertible Air Delivery:** Horizontal or downflow to accommodate rooftop or horizontal applications.
- **Easy Compressor and Control Access:** Designed to make servicing easier for the contractor, access panels are provided to all controls and the compressor from the side of the unit.
- **Removable Top Grille Assembly:** Allows ease of service to the fan motor.
- **Duct Flanges:** Reduce installation costs.
- **Proven, Industry Standard Components:** Easier service and availability.
- **SmartLite® Control Board:** Provides extended life to igniters using hot surface ignition technology. Programmed to learn the heat-up characteristics of the igniter, then adapt the ignition time to the characteristics of the furnace so the igniter is energized appropriately.
- **Accessories:** Roof curbs and more.

MODEL IDENTIFICATION CODE

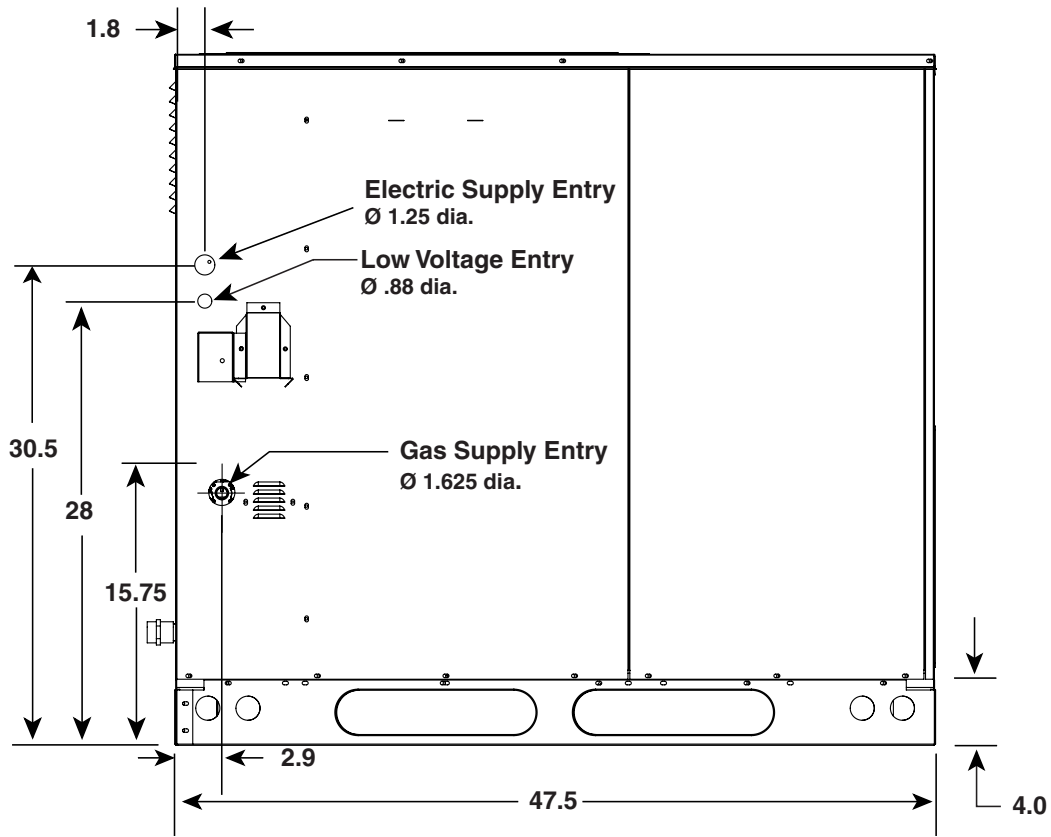


DIMENSIONS

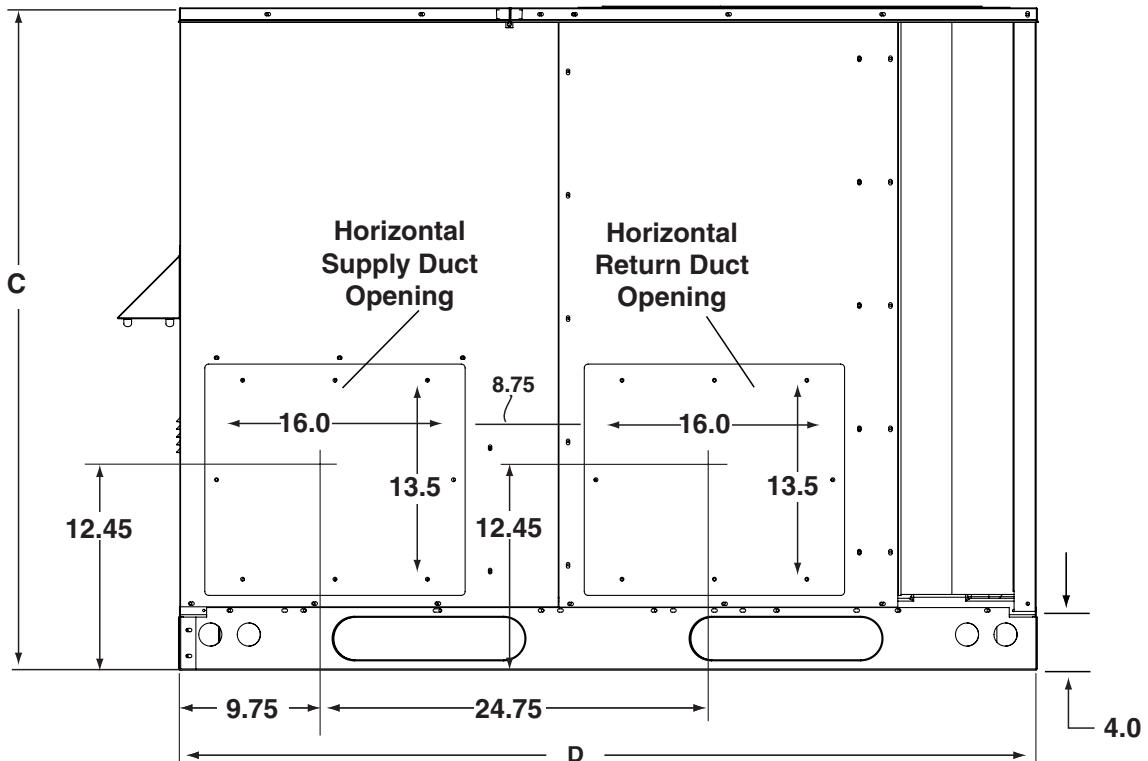


| Model Number DF6SF | Unit Weight | Shipping Weight | Center of Gravity | | Height (in inches) C | | D Length |
|-----------------------|-------------|-----------------|-------------------|------|----------------------|--------------------|----------|
| | | | A | B | with base rails | without base rails | |
| X24K***CB | 480 | 490 | 26.0 | 27.0 | 39.0 | 35.3 | 55.8 |
| X36K***CB | 480 | 490 | 26.0 | 27.0 | 43.0 | 39.3 | 55.8 |
| X48K***CB | 612 | 622 | 27.0 | 26.5 | 43.0 | 39.3 | 55.8 |
| X60K***CB | 612 | 622 | 30.0 | 26.5 | 47.0 | 43.3 | 63.6 |

DIMENSIONS (Continued)



Side View



Back View

SPECIFICATIONS AND ELECTRICAL DATA

SINGLE PHASE

| MODEL | DF6SF-X24K080CB | DF6SF-X36K100CB | DF6SF-X48K120CB | DF6SF-X60K120CB |
|----------------------------------|-----------------|-----------------|-----------------|-----------------|
| Performance (Gas) | | | | |
| Heating Input High/Low Btuh | 80,000 / 52,000 | 100,000/65,000 | 120,000 /78,000 | 120,000/78,000 |
| Heating Output High/Low Btuh | 64,800 / 42,120 | 81,000/52,650 | 97,200 / 63,180 | 97,200/63,180 |
| AFUE | 81 | 81 | 81 | 81 |
| Performance (Electric) | | | | |
| Efficiency -- SEER | 15.00 | 15.0 | 15.00 | 15.00 |
| Efficiency -- EER (Btuh/Watt) | 12.0 | 12.0 | 12.0 | 12.0 |
| Capacity - Heating | 22,000 | 32,000 | 45,000 | 56,000 |
| Efficiency - HSPF | 8.0 | 8.0 | 8.0 | 8.0 |
| Capacity - Cooling | 24,000 | 35,000 | 46,000 | 55,500 |
| Electrical Rating - 60 Hz | | | | |
| Phase | 1 | 1 | 1 | 1 |
| Operating Voltage Range | 187 - 253 | 187-253 | 187 - 253 | 187-253 |
| Minimum Circuit Ampacity | 20.8 | 29 | 38.6 | 47 |
| Max. Overcurrent Protection | 30 | 40 | 50 | 70 |
| Compressor Data | | | | |
| Volts | 208 / 230 | 208/230 | 208 / 230 | 208/230 |
| Rated Load Amps | 11.7 | 15.3 | 21.2 | 28.8 |
| Lock Rotor Amps | 58.3 | 83 | 104 | 152.9 |
| Indoor Blower | | | | |
| Wheel Diameter | 10 x 10 | 10 x 10 | 11 x 10 | 11 x 10 |
| Motor Type | Variable Speed | Variable Speed | Variable Speed | Variable Speed |
| Motor HP | 1/2 | 3/4 | 1 | 1 |
| Motor Amps | 4.3 | 6.8 | 9.1 | 9.1 |
| Outdoor Fan | | | | |
| Motor HP | 1/8 | 1/3 | 1/3 | 1/4 |
| Motor Amps | .9 | 2.6 | 2.6 | 1.46 |
| Fan Diameter/CFM | 24" / 3200 | 24" / 4000 | 24" / 4000 | 24"/4000 |
| Refrigerant Charge (oz) | 128 | 160 | 240 | 272 |
| Sound Ratings db | 77 | 76 | 76 | 78 |

AIRFLOW DATA

Nominal Airflow Rates and Temperature Rise for Gas Heating

| Model Number | Heating Input (Btuh) | Heating Output (Btuh) | CFM Range | Heating Rise Range (°F) | Cooling Output (Btuh) | Blower Size | Motor (HP) |
|--------------|----------------------|-----------------------|-------------|-------------------------|-----------------------|-------------|------------|
| X24K080CB | 80,000 | 64,800 | 1100 - 1350 | 35-65 | 24,000 | 10 X 10 | 1/2 |
| | 52,000 | 42,120 | 750 - 1050 | | | | |
| X36K100CB | 100,000 | 81,000 | 1200 - 1600 | 40-70 | 35,000 | 10 X 10 | 1/2 |
| | 65,000 | 52,650 | 900 - 1200 | | | | |
| X48K120CB | 120,000 | 97,200 | 1350 - 2000 | 40-70 | 46,000 | 11 X 10 | 1 |
| | 78,000 | 63,180 | 950 - 1300 | | | | |
| X60K120CB | 120,000 | 97,200 | 1350 - 2000 | 40-70 | 55,500 | 11 X 10 | 1 |
| | 78,000 | 63,180 | 950 - 1300 | | | | |

NOTE: CFM and Rise are independent of ESP in a variable speed blower.

Airflow Settings for Cooling

| 2 TON UNITS | | | | 3 TON UNITS | | | | 4 - 5 TON UNITS | | | | |
|-------------------------|--------|------------------------------------|---------|-------------------------|--------|------------------------------------|--------|-------------------------|--------|------------------------------------|-------|------|
| BLOWER SELECTOR SETTING | | RECOMMENDED A/C AIRFLOW RATE (CFM) | | BLOWER SELECTOR SETTING | | RECOMMENDED A/C AIRFLOW RATE (CFM) | | BLOWER SELECTOR SETTING | | RECOMMENDED A/C AIRFLOW RATE (CFM) | | |
| COOL | ADJUST | | | COOL | ADJUST | | | COOL | ADJUST | | | |
| TAP "A" | -10% | 2 TON | 685 | TAP "A" | -10% | 3 TON | 840 | TAP "A" | -10% | 4 TON | 5 TON | 1485 |
| | Normal | | 760 | | Normal | | 930 | | Normal | | | 1650 |
| | +10% | | 835 | | +10% | | 1025 | | +10% | | | 1815 |
| TAP "B" | -10% | | 840 | TAP "B" | -10% | | 975 | TAP "B" | -10% | | | 1620 |
| | Normal | | 930 | | Normal | | 1080 | | Normal | | | 1800 |
| | +10% | | 1025 | | +10% | | 1190 | | +10% | | | 1980 |
| TAP "C" | -10% | 975 | TAP "C" | -10% | 1110 | TAP "C" | -10% | 1665 | | | | |
| | Normal | 1080 | | Normal | 1230 | | Normal | 1850 | | | | |
| | +10% | 1190 | | +10% | 1350 | | +10% | 2035 | | | | |
| TAP "D" | -10% | 1110 | TAP "D" | -10% | 1290 | TAP "D" | -10% | 1800 | | | | |
| | Normal | 1230 | | Normal | 1430 | | Normal | 2000 | | | | |
| | +10% | 1350 | | +10% | 1575 | | +10% | 2200 | | | | |

NOTE: Blower "ADJUST" tap non-functional in Heating mode.

Airflow Settings for Gas Heating

| Blower HEAT Selector Setting | 2 TON | | | | 3 TON | | | | 4 & 5 TON | | | |
|------------------------------|------------|-----------|-------------|-----------|-------------|-----------|-------------|-----------|-------------|-----------|-------------|-----------|
| | Low Input | | High Input | | Low Input | | High Input | | Low Input | | High Input | |
| | 52,000 | | 80,000 | | 65,000 | | 100,000 | | 78,000 | | 120,000 | |
| | CFM | Rise | CFM | Rise | CFM | Rise | CFM | Rise | CFM | Rise | CFM | Rise |
| TAP "A" | 750 | 51 | 1100 | 55 | 900 | 53 | 1200 | 63 | 950 | 61 | 1350 | 67 |
| TAP "B" | 850 | 45 | 1150 | 53 | 1000 | 48 | 1300 | 58 | 1050 | 55 | 1500 | 61 |
| TAP "C" | 950 | 41 | 1250 | 49 | 1100 | 44 | 1400 | 54 | 1150 | 50 | 1700 | 54 |
| TAP "D" | 1050 | 37 | 1350 | 45 | 1200 | 40 | 1600 | 47 | 1300 | 44 | 2000 | 46 |

NOTES:

1. Recommended temperature rises are highlighted in **bold**. Use of any other setting may result in nuisance trips.
2. Temperature rises in the table are approximate. Actual temperature rises may vary.

DF6SF ACCESSORIES

| Description | Part Number |
|--|-------------|
| Roof Curb (8") | 547830A |
| Roof Curb (14") | 547831A |
| Roof Curb (18") | 547850A |
| Roof Curb (24") | 547851A |
| Cap, Duct Adapter, 12" Round | 913811A |
| Cap, Duct Adapter, 14" Round | 913812A |
| Low Ambient Kit | 918837 |
| U.S. LP Gas Conversion Kit (0 ft to 10,000 ft above sea level) | 904404A |
| Canadian LP Gas Conversion Kit (0 to 4,500 ft above sea level) | 904405A |
| Universal Hard Start Kit | 912933 |
| Dual Fuel Capable Thermostat (outdoor sensor required) | 919766 |
| Thermostat - Outdoor Sensor | 919008 |
| Skirt Trim Kit 24, 36, 48 | 919729 |
| Skirt Trim Kit 60 | 920936 |
| Freezestat Kit | 917108 |
| Supply/Return Transition, 16" | 547834 |
| Supply/Return Transition, 18" | 547835 |
| Concentric Diffuser, Flush, 16" | 547836 |
| Concentric Diffuser, Flush, 18" | 547837 |
| Concentric Diffuser, Step Down 16" | 547838 |
| Concentric Diffuser, Step Down 18" | 547839 |
| Duct Smoke Detector Photo Elec | 558863 |
| Sampling Tube DST3, 2-4ft | 558864 |
| Sampling Tube DST5, 4-8ft | 558865 |
| Hood Type Hail Guard Coil Dim 35x76 2 Ton | 547846 |
| Hood Type Hail Guard Coil Dim 35x76 3-5 Ton | 547847 |

COOLING EXPANDED RATINGS

DF6SF-X24KB - High Speed

| O.D.T | | | 65°F | | | 75°F | | | 85°F | | | 95°F | | | 105°F | | | 115°F | | |
|-------|--------|--------|------|------|------|------|------|------|------|------|------|------|------|------|-------|------|------|-------|------|------|
| CFM | E.D.B. | E.W.B. | T.C. | S.C. | K.W. | T.C. | S.C. | K.W. | T.C. | S.C. | K.W. | T.C. | S.C. | K.W. | T.C. | S.C. | K.W. | T.C. | S.C. | K.W. |
| 700 | 80 | 62 | 25.4 | 20.5 | 1.46 | 24.5 | 20.3 | 1.61 | 23.4 | 20.4 | 1.79 | 22.1 | 20.0 | 1.99 | 20.8 | 20.5 | 2.22 | 19.6 | 19.2 | 2.47 |
| | 80 | 67 | 27.5 | 16.7 | 1.47 | 26.5 | 16.6 | 1.63 | 25.3 | 16.7 | 1.81 | 23.9 | 16.4 | 2.02 | 22.5 | 16.1 | 2.25 | 20.9 | 15.1 | 2.50 |
| | 80 | 72 | 30.2 | 12.8 | 1.49 | 29.0 | 12.8 | 1.66 | 27.6 | 13.0 | 1.84 | 26.1 | 12.7 | 2.05 | 24.4 | 12.4 | 2.28 | 22.6 | 12.6 | 2.54 |
| | 75 | 62 | 25.3 | 17.0 | 1.46 | 24.3 | 16.9 | 1.61 | 23.2 | 17.0 | 1.79 | 21.9 | 16.6 | 1.99 | 20.6 | 15.1 | 2.22 | 19.1 | 16.3 | 2.47 |
| 850 | 80 | 62 | 26.5 | 23.0 | 1.47 | 25.5 | 23.4 | 1.62 | 24.4 | 22.7 | 1.80 | 23.3 | 22.0 | 2.01 | 22.0 | 21.3 | 2.24 | 20.7 | 20.5 | 2.50 |
| | 80 | 67 | 28.5 | 18.6 | 1.48 | 27.4 | 19.1 | 1.64 | 26.1 | 18.6 | 1.82 | 24.7 | 18.4 | 2.03 | 23.2 | 18.3 | 2.26 | 21.5 | 18.2 | 2.51 |
| | 80 | 72 | 31.0 | 14.0 | 1.50 | 29.6 | 14.6 | 1.66 | 28.2 | 14.2 | 1.85 | 26.7 | 14.0 | 2.06 | 25.0 | 14.0 | 2.29 | 23.2 | 13.9 | 2.55 |
| | 75 | 62 | 26.2 | 18.9 | 1.47 | 25.2 | 19.4 | 1.62 | 24.0 | 18.9 | 1.80 | 22.7 | 18.6 | 2.00 | 21.3 | 18.5 | 2.23 | 19.7 | 18.3 | 2.48 |
| 1000 | 80 | 62 | 27.6 | 25.1 | 1.47 | 26.6 | 24.8 | 1.63 | 25.5 | 23.8 | 1.81 | 24.3 | 23.1 | 2.02 | 23.0 | 22.2 | 2.26 | 21.5 | 21.4 | 2.51 |
| | 80 | 67 | 29.3 | 20.7 | 1.49 | 28.1 | 20.9 | 1.64 | 26.7 | 20.4 | 1.83 | 25.3 | 20.3 | 2.04 | 23.7 | 20.1 | 2.27 | 21.9 | 20.1 | 2.52 |
| | 80 | 72 | 31.5 | 15.4 | 1.50 | 30.3 | 15.8 | 1.67 | 28.8 | 15.3 | 1.86 | 27.2 | 15.2 | 2.07 | 25.5 | 15.1 | 2.31 | 23.6 | 15.1 | 2.56 |
| | 75 | 62 | 26.9 | 21.1 | 1.47 | 25.9 | 21.2 | 1.62 | 24.6 | 20.7 | 1.80 | 23.3 | 20.5 | 2.01 | 21.8 | 20.2 | 2.24 | 20.2 | 20.0 | 2.49 |

DF6SF-X24KB - Low Speed

| O.D.T | | | 65°F | | | 75°F | | | 85°F | | | 95°F | | | 105°F | | | 115°F | | |
|-------|--------|--------|------|------|------|------|------|------|------|------|------|------|------|------|-------|------|------|-------|------|------|
| CFM | E.D.B. | E.W.B. | T.C. | S.C. | K.W. | T.C. | S.C. | K.W. | T.C. | S.C. | K.W. | T.C. | S.C. | K.W. | T.C. | S.C. | K.W. | T.C. | S.C. | K.W. |
| 550 | 80 | 62 | 18.6 | 15.6 | 0.99 | 17.9 | 15.5 | 1.09 | 17.1 | 15.6 | 1.21 | 16.3 | 15.3 | 1.34 | 15.5 | 15.2 | 1.49 | 14.5 | 14.3 | 1.66 |
| | 80 | 67 | 20.1 | 12.6 | 1.00 | 19.4 | 12.5 | 1.10 | 18.5 | 12.6 | 1.22 | 17.6 | 12.4 | 1.35 | 16.5 | 12.2 | 1.51 | 15.3 | 11.6 | 1.68 |
| | 80 | 72 | 22.0 | 9.6 | 1.00 | 21.1 | 9.6 | 1.11 | 20.1 | 9.8 | 1.23 | 19.0 | 9.5 | 1.37 | 17.9 | 9.4 | 1.53 | 16.6 | 9.5 | 1.70 |
| | 75 | 62 | 18.5 | 12.9 | 0.99 | 17.8 | 12.8 | 1.09 | 17.0 | 12.9 | 1.20 | 16.1 | 12.7 | 1.34 | 15.1 | 11.5 | 1.49 | 14.0 | 12.4 | 1.65 |
| 650 | 80 | 62 | 19.3 | 17.3 | 0.99 | 18.7 | 17.4 | 1.09 | 17.9 | 16.7 | 1.21 | 17.1 | 16.2 | 1.35 | 16.2 | 15.7 | 1.50 | 15.2 | 15.1 | 1.68 |
| | 80 | 67 | 20.7 | 13.9 | 1.00 | 19.9 | 14.2 | 1.10 | 19.0 | 13.9 | 1.22 | 18.0 | 13.7 | 1.36 | 16.9 | 13.7 | 1.51 | 15.7 | 13.6 | 1.68 |
| | 80 | 72 | 22.4 | 10.4 | 1.01 | 21.5 | 10.8 | 1.11 | 20.5 | 10.5 | 1.24 | 19.4 | 10.4 | 1.38 | 18.2 | 10.4 | 1.53 | 16.9 | 10.4 | 1.71 |
| | 75 | 62 | 19.0 | 14.1 | 0.99 | 18.3 | 14.5 | 1.09 | 17.5 | 14.2 | 1.21 | 16.5 | 13.9 | 1.34 | 15.5 | 13.9 | 1.49 | 14.4 | 13.7 | 1.66 |
| 750 | 80 | 62 | 20.1 | 18.3 | 1.00 | 19.4 | 18.1 | 1.10 | 18.7 | 17.4 | 1.22 | 17.8 | 16.9 | 1.36 | 16.8 | 16.3 | 1.51 | 15.8 | 15.7 | 1.69 |
| | 80 | 67 | 21.2 | 15.3 | 1.00 | 20.4 | 15.5 | 1.10 | 19.4 | 15.1 | 1.23 | 18.4 | 15.0 | 1.36 | 17.2 | 14.9 | 1.52 | 16.0 | 14.9 | 1.69 |
| | 80 | 72 | 22.8 | 11.4 | 1.01 | 21.9 | 11.6 | 1.12 | 20.9 | 11.2 | 1.24 | 19.8 | 11.2 | 1.38 | 18.5 | 11.1 | 1.54 | 17.2 | 11.2 | 1.71 |
| | 75 | 62 | 19.5 | 15.6 | 1.00 | 18.7 | 15.8 | 1.09 | 17.9 | 15.4 | 1.21 | 16.9 | 15.2 | 1.35 | 15.9 | 15.0 | 1.50 | 14.8 | 14.7 | 1.67 |

DF6SF-X36KB - High Speed

| O.D.T | | | 65°F | | | 75°F | | | 85°F | | | 95°F | | | 105°F | | | 115°F | | |
|-------|--------|--------|------|------|------|------|------|------|------|------|------|------|------|------|-------|------|------|-------|------|------|
| CFM | E.D.B. | E.W.B. | T.C. | S.C. | K.W. | T.C. | S.C. | K.W. | T.C. | S.C. | K.W. | T.C. | S.C. | K.W. | T.C. | S.C. | K.W. | T.C. | S.C. | K.W. |
| 1000 | 80 | 62 | 36.3 | 29.0 | 2.13 | 35.0 | 28.8 | 2.36 | 33.5 | 28.9 | 2.62 | 31.8 | 28.4 | 2.91 | 30.0 | 29.5 | 3.24 | 28.2 | 27.7 | 3.61 |
| | 80 | 67 | 39.4 | 23.7 | 2.16 | 37.9 | 23.6 | 2.39 | 36.3 | 23.8 | 2.66 | 34.5 | 23.3 | 2.94 | 32.5 | 23.0 | 3.27 | 30.3 | 21.6 | 3.64 |
| | 80 | 72 | 42.9 | 18.0 | 2.20 | 41.3 | 18.0 | 2.43 | 39.5 | 18.4 | 2.69 | 37.6 | 18.0 | 2.98 | 35.4 | 17.7 | 3.31 | 33.0 | 18.1 | 3.69 |
| | 75 | 62 | 36.2 | 24.2 | 2.14 | 34.8 | 24.0 | 2.37 | 33.3 | 24.1 | 2.63 | 31.6 | 23.7 | 2.91 | 29.8 | 21.6 | 3.24 | 27.8 | 23.4 | 3.62 |
| 1150 | 80 | 62 | 37.4 | 31.5 | 2.14 | 36.0 | 32.1 | 2.37 | 34.4 | 31.3 | 2.63 | 32.8 | 30.8 | 2.92 | 31.1 | 30.1 | 3.25 | 29.3 | 29.1 | 3.63 |
| | 80 | 67 | 40.4 | 25.5 | 2.17 | 38.9 | 26.3 | 2.40 | 37.1 | 25.7 | 2.67 | 35.3 | 25.5 | 2.95 | 33.2 | 25.4 | 3.28 | 30.9 | 25.3 | 3.66 |
| | 80 | 72 | 43.9 | 19.2 | 2.21 | 42.2 | 20.1 | 2.44 | 40.4 | 19.6 | 2.70 | 38.3 | 19.4 | 2.99 | 36.1 | 19.5 | 3.32 | 33.6 | 19.6 | 3.69 |
| | 75 | 62 | 37.2 | 26.0 | 2.15 | 35.7 | 26.9 | 2.38 | 34.1 | 26.0 | 2.64 | 32.4 | 25.7 | 2.92 | 30.5 | 25.8 | 3.25 | 28.4 | 25.6 | 3.63 |
| 1300 | 80 | 62 | 38.3 | 34.1 | 2.15 | 36.9 | 34.1 | 2.38 | 35.4 | 33.1 | 2.64 | 33.9 | 32.2 | 2.93 | 32.2 | 31.1 | 3.26 | 30.3 | 30.2 | 3.64 |
| | 80 | 67 | 41.2 | 27.7 | 2.18 | 39.6 | 28.1 | 2.41 | 37.8 | 27.5 | 2.67 | 35.9 | 27.4 | 2.96 | 33.8 | 27.2 | 3.28 | 31.4 | 27.3 | 3.66 |
| | 80 | 72 | 44.6 | 20.8 | 2.22 | 42.9 | 21.3 | 2.45 | 41.0 | 20.8 | 2.71 | 38.9 | 20.8 | 3.00 | 36.5 | 20.7 | 3.32 | 34.0 | 20.9 | 3.70 |
| | 75 | 62 | 37.9 | 28.4 | 2.15 | 36.5 | 28.5 | 2.38 | 34.8 | 27.9 | 2.64 | 33.0 | 27.7 | 2.93 | 31.0 | 27.5 | 3.26 | 28.9 | 27.3 | 3.63 |

DF6SF-X36KB - Low Speed

| O.D.T | | | 65°F | | | 75°F | | | 85°F | | | 95°F | | | 105°F | | | 115°F | | |
|-------|--------|--------|------|------|------|------|------|------|------|------|------|------|------|------|-------|------|------|-------|------|------|
| CFM | E.D.B. | E.W.B. | T.C. | S.C. | K.W. | T.C. | S.C. | K.W. | T.C. | S.C. | K.W. | T.C. | S.C. | K.W. | T.C. | S.C. | K.W. | T.C. | S.C. | K.W. |
| 750 | 80 | 62 | 25.1 | 20.8 | 1.27 | 24.2 | 20.7 | 1.42 | 23.1 | 20.7 | 1.59 | 22.0 | 20.3 | 1.76 | 20.8 | 20.5 | 1.96 | 19.6 | 19.3 | 2.18 |
| | 80 | 67 | 27.1 | 16.8 | 1.28 | 26.1 | 16.7 | 1.44 | 24.9 | 16.8 | 1.60 | 23.7 | 16.5 | 1.78 | 22.3 | 16.2 | 1.97 | 20.8 | 15.4 | 2.20 |
| | 80 | 72 | 29.4 | 12.9 | 1.30 | 28.7 | 13.0 | 1.38 | 28.0 | 13.5 | 1.45 | 27.4 | 13.4 | 1.53 | 26.8 | 13.5 | 1.62 | 26.1 | 14.1 | 1.70 |
| | 75 | 62 | 24.9 | 17.2 | 1.27 | 24.5 | 17.4 | 1.34 | 24.0 | 17.6 | 1.42 | 23.4 | 17.5 | 1.50 | 22.9 | 17.2 | 1.58 | 22.3 | 18.2 | 1.67 |
| 850 | 80 | 62 | 25.8 | 22.4 | 1.27 | 24.8 | 22.8 | 1.43 | 23.8 | 22.2 | 1.59 | 22.7 | 21.5 | 1.77 | 21.6 | 20.9 | 1.97 | 20.3 | 20.1 | 2.19 |
| | 80 | 67 | 27.7 | 17.9 | 1.29 | 26.6 | 18.4 | 1.44 | 25.4 | 18.0 | 1.60 | 24.1 | 17.7 | 1.78 | 22.7 | 17.7 | 1.98 | 21.2 | 17.6 | 2.20 |
| | 80 | 72 | 29.7 | 13.6 | 1.31 | 29.1 | 14.4 | 1.38 | 28.6 | 14.2 | 1.46 | 27.9 | 14.3 | 1.54 | 27.3 | 14.6 | 1.62 | 26.6 | 15.1 | 1.71 |
| | 75 | 62 | 25.5 | 18.4 | 1.27 | 25.0 | 19.1 | 1.35 | 24.5 | 18.9 | 1.43 | 23.9 | 18.8 | 1.51 | 23.4 | 19.1 | 1.59 | 22.8 | 19.4 | 1.67 |
| 950 | 80 | 62 | 26.4 | 24.0 | 1.28 | 25.5 | 23.8 | 1.43 | 24.5 | 22.9 | 1.60 | 23.4 | 22.2 | 1.78 | 22.2 | 21.5 | 1.97 | 20.9 | 20.8 | 2.20 |
| | 80 | 67 | 28.2 | 19.4 | 1.29 | 27.1 | 19.6 | 1.45 | 25.8 | 19.1 | 1.61 | 24.5 | 19.0 | 1.79 | 23.1 | 18.8 | 1.98 | 21.5 | 18.7 | 2.20 |
| | 80 | 72 | 30.2 | 14.6 | 1.31 | 29.6 | 15.1 | 1.38 | 29.0 | 14.8 | 1.46 | 28.3 | 15.1 | 1.54 | 27.6 | 15.3 | 1.62 | 26.9 | 15.8 | 1.71 |
| | 75 | 62 | 25.9 | 20.0 | 1.28 | 25.4 | 20.2 | 1.35 | 24.9 | 20.0 | 1.43 | 24.4 | 20.2 | 1.51 | 23.8 | 20.4 | 1.59 | 23.2 | 20.8 | 1.68 |

COOLING EXPANDED RATINGS

DF6SF-X48KB - High Speed

| O.D.T | | | 65°F | | | 75°F | | | 85°F | | | 95°F | | | 105°F | | | 115°F | | |
|-------|--------|--------|------|------|------|------|------|------|------|------|------|------|------|------|-------|------|------|-------|------|------|
| CFM | E.D.B. | E.W.B. | T.C. | S.C. | K.W. | T.C. | S.C. | K.W. | T.C. | S.C. | K.W. | T.C. | S.C. | K.W. | T.C. | S.C. | K.W. | T.C. | S.C. | K.W. |
| 1350 | 80 | 62 | 47.9 | 38.7 | 2.90 | 46.2 | 38.5 | 3.19 | 44.3 | 38.7 | 3.50 | 42.2 | 38.1 | 3.83 | 39.9 | 39.2 | 4.21 | 37.5 | 36.9 | 4.62 |
| | 80 | 67 | 52.1 | 31.6 | 2.94 | 50.3 | 31.5 | 3.23 | 48.1 | 31.8 | 3.55 | 45.8 | 31.3 | 3.88 | 43.2 | 30.8 | 4.25 | 40.4 | 28.9 | 4.66 |
| | 80 | 72 | 56.9 | 24.1 | 2.99 | 54.8 | 24.1 | 3.28 | 52.6 | 24.6 | 3.60 | 50.0 | 24.1 | 3.94 | 47.2 | 23.8 | 4.30 | 44.1 | 24.3 | 4.72 |
| | 75 | 62 | 47.9 | 32.1 | 2.94 | 46.1 | 32.3 | 3.21 | 44.1 | 32.3 | 3.51 | 41.8 | 31.7 | 3.83 | 39.4 | 28.9 | 4.19 | 36.6 | 31.3 | 4.58 |
| 1500 | 80 | 62 | 49.1 | 41.3 | 2.91 | 47.3 | 42.1 | 3.20 | 45.3 | 41.2 | 3.51 | 43.2 | 40.6 | 3.85 | 41.1 | 39.7 | 4.22 | 38.8 | 38.5 | 4.65 |
| | 80 | 67 | 53.2 | 33.5 | 2.95 | 51.2 | 34.5 | 3.24 | 49.1 | 33.8 | 3.56 | 46.6 | 33.5 | 3.89 | 44.0 | 33.5 | 4.26 | 41.0 | 33.4 | 4.67 |
| | 80 | 72 | 57.9 | 25.3 | 3.00 | 55.8 | 26.6 | 3.29 | 53.4 | 25.8 | 3.61 | 50.8 | 25.7 | 3.95 | 47.8 | 25.8 | 4.32 | 44.6 | 25.9 | 4.72 |
| | 75 | 62 | 49.0 | 34.3 | 2.95 | 47.1 | 35.0 | 3.22 | 45.0 | 34.3 | 3.52 | 42.6 | 33.9 | 3.84 | 40.1 | 33.9 | 4.19 | 37.3 | 33.6 | 4.59 |
| 1650 | 80 | 62 | 50.1 | 44.2 | 2.92 | 48.3 | 44.4 | 3.21 | 46.4 | 43.2 | 3.53 | 44.4 | 42.2 | 3.86 | 42.3 | 40.9 | 4.24 | 39.9 | 39.7 | 4.65 |
| | 80 | 67 | 54.1 | 35.9 | 2.95 | 52.1 | 36.5 | 3.25 | 49.8 | 35.7 | 3.57 | 47.3 | 35.6 | 3.90 | 44.6 | 35.4 | 4.27 | 41.6 | 35.5 | 4.68 |
| | 80 | 72 | 58.7 | 27.1 | 3.01 | 56.5 | 27.8 | 3.30 | 54.1 | 27.1 | 3.62 | 51.4 | 27.1 | 3.96 | 48.4 | 27.0 | 4.32 | 45.2 | 27.3 | 4.73 |
| | 75 | 62 | 49.9 | 36.9 | 2.96 | 47.9 | 37.0 | 3.23 | 45.7 | 36.2 | 3.53 | 43.3 | 35.9 | 3.85 | 40.7 | 35.7 | 4.20 | 37.9 | 35.4 | 4.61 |

DF6SF-X48KB - Low Speed

| O.D.T | | | 65°F | | | 75°F | | | 85°F | | | 95°F | | | 105°F | | | 115°F | | |
|-------|--------|--------|------|------|------|------|------|------|------|------|------|------|------|------|-------|------|------|-------|------|------|
| CFM | E.D.B. | E.W.B. | T.C. | S.C. | K.W. | T.C. | S.C. | K.W. | T.C. | S.C. | K.W. | T.C. | S.C. | K.W. | T.C. | S.C. | K.W. | T.C. | S.C. | K.W. |
| 850 | 80 | 62 | 32.7 | 25.5 | 1.83 | 31.6 | 25.3 | 2.03 | 30.4 | 25.5 | 2.24 | 29.0 | 25.1 | 2.47 | 27.4 | 26.5 | 2.73 | 25.7 | 24.8 | 3.01 |
| | 80 | 67 | 35.8 | 20.8 | 1.84 | 34.6 | 20.8 | 2.05 | 33.2 | 21.0 | 2.26 | 31.7 | 20.7 | 2.49 | 30.0 | 20.4 | 2.75 | 28.1 | 18.9 | 3.03 |
| | 80 | 72 | 39.2 | 16.1 | 1.87 | 37.8 | 16.1 | 2.07 | 36.3 | 16.5 | 2.29 | 34.7 | 16.2 | 2.52 | 32.8 | 15.9 | 2.77 | 30.8 | 16.3 | 3.06 |
| | 75 | 62 | 32.7 | 21.2 | 1.83 | 31.6 | 21.2 | 2.03 | 30.3 | 21.3 | 2.24 | 28.9 | 21.1 | 2.47 | 27.3 | 19.4 | 2.73 | 25.6 | 20.8 | 3.01 |
| 1000 | 80 | 62 | 34.0 | 28.1 | 1.83 | 32.8 | 28.7 | 2.04 | 31.5 | 28.1 | 2.26 | 30.1 | 27.8 | 2.48 | 28.5 | 27.5 | 2.73 | 27.0 | 26.7 | 3.02 |
| | 80 | 67 | 37.0 | 22.8 | 1.86 | 35.7 | 23.5 | 2.06 | 34.3 | 23.0 | 2.27 | 32.7 | 22.8 | 2.50 | 30.9 | 22.9 | 2.75 | 28.9 | 22.8 | 3.04 |
| | 80 | 72 | 40.3 | 17.3 | 1.88 | 39.0 | 18.2 | 2.09 | 37.4 | 17.7 | 2.30 | 35.7 | 17.6 | 2.53 | 33.7 | 17.8 | 2.78 | 31.5 | 17.8 | 3.07 |
| | 75 | 63 | 33.8 | 23.3 | 1.84 | 32.6 | 23.9 | 2.04 | 31.3 | 23.5 | 2.26 | 29.8 | 23.1 | 2.48 | 28.2 | 23.0 | 2.73 | 26.3 | 22.9 | 3.02 |
| 1150 | 80 | 62 | 35.0 | 30.8 | 1.84 | 33.8 | 31.0 | 2.05 | 32.6 | 30.3 | 2.26 | 31.2 | 29.6 | 2.49 | 29.8 | 28.8 | 2.74 | 28.1 | 28.0 | 3.03 |
| | 80 | 67 | 37.9 | 25.0 | 1.86 | 36.6 | 25.4 | 2.07 | 35.1 | 24.9 | 2.28 | 33.4 | 24.9 | 2.51 | 31.6 | 24.7 | 2.76 | 29.5 | 24.8 | 3.04 |
| | 80 | 72 | 41.2 | 18.9 | 1.89 | 39.8 | 19.4 | 2.09 | 38.1 | 18.9 | 2.30 | 36.3 | 19.0 | 2.53 | 34.3 | 19.0 | 2.79 | 32.1 | 19.2 | 3.08 |
| | 75 | 62 | 34.7 | 25.7 | 1.84 | 33.5 | 25.9 | 2.04 | 32.1 | 25.4 | 2.25 | 30.6 | 25.3 | 2.49 | 28.8 | 25.0 | 2.74 | 26.9 | 24.9 | 3.02 |

DF6SF-X60KB - High Speed

| O.D.T | | | 65°F | | | 75°F | | | 85°F | | | 95°F | | | 105°F | | | 115°F | | |
|-------|--------|--------|------|------|------|------|------|------|------|------|------|------|------|------|-------|------|------|-------|------|------|
| CFM | E.D.B. | E.W.B. | T.C. | S.C. | K.W. | T.C. | S.C. | K.W. | T.C. | S.C. | K.W. | T.C. | S.C. | K.W. | T.C. | S.C. | K.W. | T.C. | S.C. | K.W. |
| 1600 | 80 | 62 | 58.3 | 46.5 | 3.55 | 56.2 | 46.2 | 3.85 | 53.7 | 46.4 | 4.20 | 50.9 | 45.5 | 4.62 | 47.9 | 47.1 | 5.11 | 44.8 | 44.1 | 5.65 |
| | 80 | 67 | 63.3 | 38.1 | 3.59 | 60.8 | 37.9 | 3.90 | 58.1 | 38.2 | 4.25 | 55.0 | 37.4 | 4.67 | 51.7 | 36.7 | 5.15 | 48.1 | 34.4 | 5.70 |
| | 80 | 72 | 69.5 | 29.2 | 3.66 | 66.7 | 29.1 | 3.96 | 63.7 | 29.6 | 4.32 | 60.4 | 29.0 | 4.74 | 56.7 | 28.4 | 5.22 | 52.7 | 28.9 | 5.76 |
| | 75 | 62 | 57.9 | 38.8 | 3.55 | 55.8 | 38.5 | 3.85 | 53.3 | 38.5 | 4.20 | 50.5 | 37.8 | 4.63 | 47.5 | 34.4 | 5.11 | 44.1 | 37.2 | 5.65 |
| 1750 | 80 | 62 | 59.5 | 49.2 | 3.55 | 57.2 | 50.1 | 3.86 | 54.7 | 49.0 | 4.21 | 51.9 | 48.3 | 4.64 | 49.0 | 47.4 | 5.12 | 46.1 | 45.7 | 5.67 |
| | 80 | 67 | 64.3 | 40.0 | 3.60 | 61.8 | 41.2 | 3.91 | 59.0 | 40.1 | 4.26 | 55.8 | 39.6 | 4.69 | 52.5 | 39.5 | 5.16 | 48.8 | 39.2 | 5.71 |
| | 80 | 72 | 70.5 | 30.4 | 3.67 | 67.7 | 31.8 | 3.97 | 64.6 | 30.9 | 4.33 | 61.1 | 30.5 | 4.75 | 57.3 | 30.6 | 5.23 | 53.1 | 30.6 | 5.77 |
| | 75 | 62 | 59.1 | 40.8 | 3.56 | 56.8 | 41.6 | 3.86 | 54.2 | 40.8 | 4.21 | 51.3 | 40.3 | 4.64 | 48.2 | 39.8 | 5.12 | 44.8 | 39.5 | 5.66 |
| 1900 | 80 | 62 | 60.5 | 52.3 | 3.56 | 58.2 | 52.7 | 3.87 | 55.6 | 51.4 | 4.22 | 53.0 | 50.3 | 4.65 | 50.2 | 48.5 | 5.13 | 47.2 | 47.0 | 5.69 |
| | 80 | 67 | 65.2 | 42.5 | 3.61 | 62.7 | 43.0 | 3.92 | 59.8 | 42.0 | 4.27 | 56.6 | 41.7 | 4.69 | 53.1 | 41.3 | 5.17 | 49.3 | 41.2 | 5.72 |
| | 80 | 72 | 71.2 | 32.3 | 3.68 | 68.4 | 33.1 | 3.97 | 65.2 | 32.1 | 4.34 | 61.6 | 32.1 | 4.76 | 57.7 | 31.9 | 5.22 | 53.0 | 32.0 | 5.77 |
| | 75 | 62 | 60.0 | 43.2 | 3.56 | 57.7 | 43.4 | 3.87 | 55.0 | 42.5 | 4.22 | 52.0 | 42.1 | 4.65 | 48.8 | 41.8 | 5.12 | 45.4 | 41.5 | 5.67 |

DF6SF-X60KB - Low Speed

| O.D.T | | | 65°F | | | 75°F | | | 85°F | | | 95°F | | | 105°F | | | 115°F | | |
|-------|--------|--------|------|------|------|------|------|------|------|------|------|------|------|------|-------|------|------|-------|------|------|
| CFM | E.D.B. | E.W.B. | T.C. | S.C. | K.W. | T.C. | S.C. | K.W. | T.C. | S.C. | K.W. | T.C. | S.C. | K.W. | T.C. | S.C. | K.W. | T.C. | S.C. | K.W. |
| 1050 | 80 | 62 | 40.8 | 31.5 | 2.29 | 39.4 | 31.3 | 2.50 | 37.8 | 31.5 | 2.74 | 36.1 | 31.0 | 3.01 | 34.1 | 32.6 | 3.33 | 31.9 | 30.5 | 3.70 |
| | 80 | 67 | 44.2 | 26.0 | 2.33 | 42.7 | 25.8 | 2.53 | 41.0 | 26.1 | 2.77 | 39.0 | 25.6 | 3.04 | 36.9 | 25.1 | 3.35 | 34.5 | 23.5 | 3.72 |
| | 80 | 72 | 48.5 | 20.0 | 2.38 | 46.8 | 20.0 | 2.57 | 44.9 | 20.5 | 2.81 | 42.7 | 20.0 | 3.08 | 40.3 | 19.7 | 3.39 | 37.4 | 20.1 | 3.76 |
| | 75 | 62 | 41.7 | 28.4 | 2.31 | 40.3 | 28.2 | 2.52 | 38.6 | 28.3 | 2.75 | 36.8 | 27.9 | 3.02 | 34.7 | 25.5 | 3.34 | 32.4 | 27.3 | 3.70 |
| 1200 | 80 | 62 | 42.0 | 34.1 | 2.31 | 40.6 | 34.8 | 2.52 | 38.9 | 34.1 | 2.75 | 37.1 | 33.7 | 3.02 | 35.0 | 33.4 | 3.34 | 33.0 | 32.7 | 3.71 |
| | 80 | 67 | 45.4 | 27.8 | 2.34 | 43.8 | 28.7 | 2.54 | 42.0 | 28.0 | 2.78 | 40.0 | 27.6 | 3.05 | 37.7 | 27.6 | 3.36 | 35.2 | 27.4 | 3.73 |
| | 80 | 72 | 49.5 | 21.2 | 2.39 | 47.8 | 22.3 | 2.58 | 45.7 | 21.7 | 2.82 | 43.2 | 21.5 | 3.08 | 40.6 | 21.6 | 3.39 | 37.9 | 21.5 | 3.76 |
| | 75 | 62 | 42.7 | 30.3 | 2.31 | 41.2 | 31.0 | 2.52 | 39.4 | 30.1 | 2.75 | 37.5 | 29.8 | 3.03 | 35.3 | 29.5 | 3.34 | 33.0 | 29.4 | 3.71 |
| 1350 | 80 | 62 | 43.0 | 37.0 | 2.31 | 41.5 | 37.2 | 2.52 | 39.9 | 36.4 | 2.76 | 38.0 | 36.0 | 3.03 | 36.1 | 34.9 | 3.35 | 34.1 | 33.9 | 3.72 |
| | 80 | 67 | 46.3 | 30.0 | 2.35 | 44.7 | 30.4 | 2.55 | 42.8 | 29.7 | 2.78 | 40.7 | 29.6 | 3.05 | 38.4 | 29.3 | 3.37 | 35.8 | 29.4 | 3.73 |
| | 80 | 72 | 50.1 | 22.9 | 2.40 | 48.1 | 23.5 | 2.59 | 46.0 | 22.8 | 2.82 | 43.7 | 22.8 | 3.09 | 41.3 | 22.6 | 3.40 | 38.5 | 22.7 | 3.76 |
| | 75 | 62 | 39.2 | 26.3 | 2.50 | 37.6 | 26.4 | 2.74 | 35.8 | 25.5 | 3.01 | 33.8 | 25.3 | 3.33 | 31.6 | 24.9 | 3.70 | 33.4 | 28.2 | 3.71 |

HEATING EXPANDED RATINGS FOR HEAT PUMP

DF6SF-X24KB - High Speed

OUTDOOR TEMPERATURE (Deg. F)

| CFM | Indoor T. Deg.F | 10 | | | 17 | | | 20 | | | 30 | | | 40 | | | 47 | | | 50 | | | 60 | | |
|-----|--------------------|------|------|------|------|------|------|------|------|------|------|------|------|------|------|------|------|------|------|------|------|------|------|------|------|
| | | MBH | COP | kW | MBH | COP | kW | MBH | COP | kW | MBH | COP | kW | MBH | COP | kW | MBH | COP | kW | MBH | COP | kW | MBH | COP | kW |
| 700 | 60 | 11.1 | 2.01 | 1.62 | 13.5 | 2.40 | 1.65 | 14.5 | 2.56 | 1.66 | 17.8 | 3.09 | 1.70 | 21.2 | 3.59 | 1.73 | 23.6 | 3.93 | 1.76 | 24.6 | 4.07 | 1.77 | 27.9 | 4.53 | 1.81 |
| | 70 | 10.6 | 1.96 | 1.58 | 12.8 | 2.30 | 1.63 | 13.7 | 2.44 | 1.64 | 16.8 | 2.90 | 1.70 | 19.9 | 3.32 | 1.76 | 22.1 | 3.59 | 1.80 | 23.0 | 3.71 | 1.82 | 26.2 | 4.08 | 1.88 |
| | 80 | 10.0 | 1.87 | 1.57 | 12.0 | 2.18 | 1.61 | 12.9 | 2.31 | 1.64 | 15.7 | 2.71 | 1.70 | 18.6 | 3.08 | 1.77 | 20.6 | 3.32 | 1.82 | 21.5 | 3.42 | 1.84 | 24.4 | 3.74 | 1.91 |
| 800 | 60 | 11.2 | 1.97 | 1.66 | 13.6 | 2.36 | 1.69 | 14.6 | 2.52 | 1.70 | 18.0 | 3.05 | 1.73 | 21.4 | 3.56 | 1.77 | 23.8 | 3.90 | 1.79 | 24.9 | 4.04 | 1.80 | 28.3 | 4.51 | 1.84 |
| | 70 | 10.7 | 1.92 | 1.63 | 12.9 | 2.27 | 1.67 | 13.9 | 2.41 | 1.69 | 17.0 | 2.86 | 1.74 | 20.2 | 3.29 | 1.80 | 22.4 | 3.57 | 1.84 | 23.3 | 3.69 | 1.86 | 26.5 | 4.06 | 1.91 |
| | 80 | 10.1 | 1.84 | 1.60 | 12.2 | 2.15 | 1.65 | 13.0 | 2.28 | 1.68 | 16.0 | 2.68 | 1.75 | 18.9 | 3.05 | 1.82 | 21.0 | 3.29 | 1.87 | 21.9 | 3.39 | 1.89 | 24.8 | 3.71 | 1.96 |
| 900 | 60 | 11.3 | 1.95 | 1.71 | 13.7 | 2.33 | 1.73 | 14.8 | 2.50 | 1.74 | 18.2 | 3.02 | 1.77 | 21.7 | 3.53 | 1.80 | 24.1 | 3.88 | 1.82 | 25.1 | 4.03 | 1.83 | 28.6 | 4.50 | 1.86 |
| | 70 | 10.8 | 1.90 | 1.67 | 13.0 | 2.24 | 1.71 | 14.0 | 2.39 | 1.72 | 17.2 | 2.84 | 1.78 | 20.4 | 3.27 | 1.83 | 22.7 | 3.56 | 1.87 | 23.7 | 3.67 | 1.89 | 26.9 | 4.06 | 1.94 |
| | 80 | 10.2 | 1.82 | 1.64 | 12.3 | 2.13 | 1.69 | 13.2 | 2.25 | 1.72 | 16.1 | 2.65 | 1.79 | 19.1 | 3.01 | 1.86 | 21.2 | 3.25 | 1.91 | 22.1 | 3.35 | 1.93 | 25.0 | 3.67 | 2.00 |

DF6SF-X24KB - Low Speed

OUTDOOR TEMPERATURE (Deg. F)

| CFM | Indoor T. Deg.F | 10 | | | 17 | | | 20 | | | 30 | | | 40 | | | 47 | | | 50 | | | 60 | | |
|-----|--------------------|-----|------|------|-----|------|------|-----|------|------|------|------|------|------|------|------|------|------|------|------|------|------|------|------|------|
| | | MBH | COP | kW | MBH | COP | kW | MBH | COP | kW | MBH | COP | kW | MBH | COP | kW | MBH | COP | kW | MBH | COP | kW | MBH | COP | kW |
| 550 | 60 | 6.7 | 1.49 | 1.32 | 8.6 | 1.93 | 1.31 | 9.5 | 2.12 | 1.31 | 12.2 | 2.77 | 1.29 | 14.9 | 3.43 | 1.28 | 16.8 | 3.90 | 1.27 | 17.6 | 4.10 | 1.26 | 20.4 | 4.79 | 1.25 |
| | 70 | 6.3 | 1.49 | 1.24 | 8.0 | 1.89 | 1.24 | 8.7 | 2.06 | 1.24 | 11.2 | 2.62 | 1.25 | 13.6 | 3.18 | 1.26 | 15.4 | 3.56 | 1.26 | 16.1 | 3.73 | 1.27 | 18.6 | 4.27 | 1.27 |
| | 80 | 5.7 | 1.41 | 1.17 | 7.2 | 1.79 | 1.18 | 7.9 | 1.94 | 1.19 | 10.1 | 2.46 | 1.20 | 12.3 | 2.97 | 1.21 | 13.8 | 3.32 | 1.22 | 14.5 | 3.47 | 1.23 | 16.7 | 3.95 | 1.24 |
| 800 | 60 | 6.8 | 1.45 | 1.36 | 8.7 | 1.89 | 1.35 | 9.6 | 2.08 | 1.35 | 12.3 | 2.72 | 1.33 | 15.1 | 3.37 | 1.32 | 17.1 | 3.84 | 1.31 | 17.9 | 4.04 | 1.30 | 20.7 | 4.72 | 1.29 |
| | 70 | 6.4 | 1.45 | 1.29 | 8.1 | 1.84 | 1.29 | 8.9 | 2.01 | 1.29 | 11.4 | 2.57 | 1.30 | 13.9 | 3.12 | 1.31 | 15.7 | 3.51 | 1.31 | 16.4 | 3.67 | 1.31 | 18.9 | 4.21 | 1.32 |
| | 80 | 5.8 | 1.40 | 1.21 | 7.4 | 1.76 | 1.23 | 8.1 | 1.92 | 1.23 | 10.3 | 2.42 | 1.25 | 12.6 | 2.91 | 1.27 | 14.2 | 3.25 | 1.28 | 14.9 | 3.39 | 1.29 | 17.2 | 3.85 | 1.31 |
| 750 | 60 | 7.0 | 1.45 | 1.41 | 9.0 | 1.88 | 1.40 | 9.8 | 2.06 | 1.39 | 12.6 | 2.69 | 1.37 | 15.4 | 3.34 | 1.35 | 17.3 | 3.80 | 1.34 | 18.1 | 4.00 | 1.33 | 20.9 | 4.69 | 1.31 |
| | 70 | 6.5 | 1.43 | 1.33 | 8.3 | 1.82 | 1.33 | 9.0 | 1.99 | 1.33 | 11.6 | 2.54 | 1.34 | 14.2 | 3.09 | 1.34 | 16.0 | 3.47 | 1.35 | 16.7 | 3.63 | 1.35 | 19.3 | 4.17 | 1.36 |
| | 80 | 5.9 | 1.38 | 1.26 | 7.5 | 1.74 | 1.27 | 8.2 | 1.88 | 1.28 | 10.5 | 2.37 | 1.30 | 12.8 | 2.84 | 1.32 | 14.4 | 3.16 | 1.33 | 15.1 | 3.30 | 1.34 | 17.4 | 3.74 | 1.36 |

DF6SF-X36KB - High Speed

OUTDOOR TEMPERATURE (Deg. F)

| CFM | Indoor T. Deg.F | 10 | | | 17 | | | 20 | | | 30 | | | 40 | | | 47 | | | 50 | | | 60 | | |
|------|--------------------|------|------|------|------|------|------|------|------|------|------|------|------|------|------|------|------|------|------|------|------|------|------|------|------|
| | | MBH | COP | kW | MBH | COP | kW | MBH | COP | kW | MBH | COP | kW | MBH | COP | kW | MBH | COP | kW | MBH | COP | kW | MBH | COP | kW |
| 1000 | 60 | 15.8 | 2.15 | 2.15 | 19.0 | 2.54 | 2.20 | 20.4 | 2.70 | 2.22 | 25.1 | 3.22 | 2.29 | 29.8 | 3.71 | 2.35 | 33.1 | 4.04 | 2.40 | 34.5 | 4.18 | 2.42 | 39.2 | 4.61 | 2.49 |
| | 70 | 15.1 | 2.02 | 2.20 | 18.2 | 2.37 | 2.25 | 19.6 | 2.52 | 2.28 | 24.1 | 2.98 | 2.36 | 28.5 | 3.42 | 2.45 | 31.6 | 3.70 | 2.51 | 33.0 | 3.82 | 2.53 | 37.5 | 4.20 | 2.61 |
| | 80 | 14.5 | 1.89 | 2.26 | 17.5 | 2.21 | 2.33 | 18.8 | 2.34 | 2.35 | 23.0 | 2.76 | 2.44 | 27.3 | 3.15 | 2.54 | 30.2 | 3.41 | 2.60 | 31.5 | 3.51 | 2.63 | 35.7 | 3.85 | 2.72 |
| 1100 | 60 | 15.8 | 2.12 | 2.19 | 19.1 | 2.52 | 2.23 | 20.6 | 2.68 | 2.25 | 25.3 | 3.21 | 2.32 | 30.1 | 3.70 | 2.38 | 33.4 | 4.04 | 2.43 | 34.8 | 4.18 | 2.45 | 39.6 | 4.62 | 2.51 |
| | 70 | 15.2 | 2.00 | 2.23 | 18.4 | 2.36 | 2.29 | 19.8 | 2.50 | 2.31 | 24.3 | 2.97 | 2.39 | 28.8 | 3.41 | 2.47 | 32.0 | 3.70 | 2.53 | 33.3 | 3.82 | 2.55 | 37.8 | 4.21 | 2.63 |
| | 80 | 14.6 | 1.87 | 2.29 | 17.7 | 2.20 | 2.36 | 18.9 | 2.33 | 2.38 | 23.2 | 2.75 | 2.48 | 27.5 | 3.15 | 2.57 | 30.6 | 3.41 | 2.63 | 31.9 | 3.52 | 2.66 | 36.2 | 3.86 | 2.75 |
| 1200 | 60 | 15.9 | 2.10 | 2.22 | 19.3 | 2.49 | 2.27 | 20.7 | 2.66 | 2.28 | 25.5 | 3.19 | 2.35 | 30.3 | 3.69 | 2.41 | 33.7 | 4.03 | 2.45 | 35.1 | 4.17 | 2.47 | 39.9 | 4.62 | 2.53 |
| | 70 | 15.4 | 1.99 | 2.27 | 18.6 | 2.35 | 2.32 | 19.9 | 2.49 | 2.34 | 24.5 | 2.97 | 2.42 | 29.1 | 3.41 | 2.50 | 32.3 | 3.70 | 2.55 | 33.6 | 3.83 | 2.58 | 38.2 | 4.22 | 2.66 |
| | 80 | 14.8 | 1.86 | 2.33 | 17.8 | 2.18 | 2.39 | 19.1 | 2.32 | 2.42 | 23.4 | 2.74 | 2.50 | 27.7 | 3.14 | 2.59 | 30.8 | 3.40 | 2.66 | 32.1 | 3.51 | 2.68 | 36.4 | 3.85 | 2.77 |

DF6SF-X36KB - Low Speed

OUTDOOR TEMPERATURE (Deg. F)

| CFM | Indoor T. Deg.F | 10 | | | 17 | | | 20 | | | 30 | | | 40 | | | 47 | | | 50 | | | 60 | | |
|-----|--------------------|-----|------|------|------|------|------|------|------|------|------|------|------|------|------|------|------|------|------|------|------|------|------|------|------|
| | | MBH | COP | kW | MBH | COP | kW | MBH | COP | kW | MBH | COP | kW | MBH | COP | kW | MBH | COP | kW | MBH | COP | kW | MBH | COP | kW |
| 750 | 60 | 6.3 | 1.27 | 1.46 | 9.7 | 1.86 | 1.52 | 11.1 | 2.10 | 1.55 | 16.0 | 2.84 | 1.65 | 20.8 | 3.49 | 1.75 | 24.2 | 3.91 | 1.81 | 25.6 | 4.08 | 1.84 | 30.5 | 4.61 | 1.94 |
| | 70 | 5.8 | 1.22 | 1.40 | 9.0 | 1.78 | 1.49 | 10.4 | 2.00 | 1.52 | 15.0 | 2.66 | 1.65 | 19.5 | 3.23 | 1.77 | 22.7 | 3.58 | 1.86 | 24.1 | 3.72 | 1.90 | 28.7 | 4.15 | 2.03 |
| | 80 | 5.2 | 1.12 | 1.36 | 8.2 | 1.66 | 1.46 | 9.5 | 1.87 | 1.50 | 13.9 | 2.48 | 1.64 | 18.2 | 2.99 | 1.79 | 21.3 | 3.30 | 1.89 | 22.6 | 3.43 | 1.93 | 26.9 | 3.81 | 2.07 |
| 850 | 60 | 6.3 | 1.24 | 1.50 | 9.8 | 1.83 | 1.57 | 11.2 | 2.07 | 1.59 | 16.1 | 2.81 | 1.69 | 21.0 | 3.47 | 1.78 | 24.5 | 3.89 | 1.85 | 25.9 | 4.06 | 1.87 | 30.8 | 4.60 | 1.97 |
| | 70 | 5.9 | 1.20 | 1.45 | 9.2 | 1.75 | 1.53 | 10.5 | 1.97 | 1.57 | 15.2 | 2.63 | 1.69 | 19.8 | 3.20 | 1.81 | 23.0 | 3.56 | 1.90 | 24.4 | 3.70 | 1.93 | 29.0 | 4.14 | 2.06 |
| | 80 | 5.3 | 1.12 | 1.40 | 8.4 | 1.65 | 1.50 | 9.7 | 1.85 | 1.54 | 14.1 | 2.46 | 1.69 | 18.5 | 2.97 | 1.83 | 21.6 | 3.28 | 1.93 | 22.9 | 3.41 | 1.97 | 27.3 | 3.78 | 2.12 |
| 950 | 60 | 6.6 | 1.24 | 1.55 | 10.0 | 1.82 | 1.61 | 11.5 | 2.06 | 1.63 | 16.4 | 2.79 | 1.72 | 21.3 | 3.45 | 1.81 | 24.7 | 3.87 | 1.87 | 26.2 | 4.04 | 1.90 | 31.1 | 4.59 | 1.99 |
| | 70 | 6.0 | 1.19 | 1.49 | 9.3 | 1.74 | 1.57 | 10.7 | 1.95 | 1.61 | 15.4 | 2.61 | 1.73 | 20.1 | 3.19 | 1.85 | 23.3 | 3.55 | 1.93 | 24.7 | 3.69 | 1.97 | 29.4 | 4.14 | 2.09 |
| | 80 | 5.5 | 1.11 | 1.44 | 8.6 | 1.63 | 1.54 | 9.9 | 1.83 | 1.58 | 14.3 | 2.43 | 1.73 | 18.7 | 2.93 | 1.87 | 21.8 | 3.24 | 1.97 | 23.1 | 3.37 | 2.01 | 27.5 | 3.74 | 2.16 |

HEATING EXPANDED RATINGS FOR HEAT PUMP

DF6SF-X48KB - High Speed

OUTDOOR TEMPERATURE (Deg. F)

| CFM | Indoor T. Deg.F | 10 | | | 17 | | | 20 | | | 30 | | | 40 | | | 47 | | | 50 | | | 60 | | |
|------|--------------------|------|------|------|------|------|------|------|------|------|------|------|------|------|------|------|------|------|------|------|------|------|------|------|------|
| | | MBH | COP | kW | MBH | COP | kW | MBH | COP | kW | MBH | COP | kW | MBH | COP | kW | MBH | COP | kW | MBH | COP | kW | MBH | COP | kW |
| 1500 | 60 | 22.4 | 1.88 | 3.49 | 26.6 | 2.24 | 3.48 | 28.5 | 2.40 | 3.48 | 34.5 | 2.92 | 3.46 | 40.6 | 3.45 | 3.45 | 44.9 | 3.83 | 3.44 | 46.7 | 3.99 | 3.43 | 52.8 | 4.53 | 3.42 |
| | 70 | 21.6 | 1.68 | 3.76 | 25.7 | 2.02 | 3.74 | 27.5 | 2.16 | 3.73 | 33.4 | 2.65 | 3.70 | 39.3 | 3.14 | 3.67 | 43.4 | 3.49 | 3.65 | 45.2 | 3.64 | 3.64 | 51.1 | 4.15 | 3.61 |
| | 80 | 21.1 | 1.52 | 4.05 | 25.0 | 1.83 | 4.02 | 26.7 | 1.96 | 4.01 | 32.4 | 2.40 | 3.96 | 38.1 | 2.85 | 3.92 | 42.1 | 3.17 | 3.88 | 43.8 | 3.31 | 3.87 | 49.4 | 3.79 | 3.83 |
| 1650 | 60 | 22.5 | 1.80 | 3.66 | 26.9 | 2.16 | 3.65 | 28.7 | 2.31 | 3.64 | 34.9 | 2.82 | 3.62 | 41.1 | 3.34 | 3.61 | 45.4 | 3.70 | 3.59 | 47.2 | 3.86 | 3.59 | 53.4 | 4.39 | 3.57 |
| | 70 | 21.8 | 1.63 | 3.92 | 26.0 | 1.96 | 3.90 | 27.8 | 2.10 | 3.89 | 33.8 | 2.57 | 3.86 | 39.7 | 3.05 | 3.82 | 43.9 | 3.39 | 3.80 | 45.7 | 3.54 | 3.79 | 51.7 | 4.03 | 3.76 |
| | 80 | 21.2 | 1.47 | 4.22 | 25.3 | 1.77 | 4.19 | 27.0 | 1.90 | 4.17 | 32.7 | 2.33 | 4.12 | 38.5 | 2.78 | 4.07 | 42.6 | 3.10 | 4.03 | 44.3 | 3.24 | 4.01 | 50.1 | 3.70 | 3.96 |
| 1800 | 60 | 22.6 | 1.71 | 3.86 | 27.0 | 2.05 | 3.85 | 28.9 | 2.20 | 3.84 | 35.1 | 2.69 | 3.82 | 41.4 | 3.19 | 3.81 | 45.8 | 3.54 | 3.79 | 47.7 | 3.69 | 3.79 | 54.0 | 4.20 | 3.77 |
| | 70 | 22.1 | 1.56 | 4.13 | 26.3 | 1.88 | 4.10 | 28.1 | 2.01 | 4.09 | 34.1 | 2.34 | 4.27 | 40.1 | 2.93 | 4.02 | 44.4 | 3.26 | 3.99 | 46.2 | 3.40 | 3.98 | 52.2 | 3.88 | 3.94 |
| | 80 | 21.4 | 1.42 | 4.42 | 25.5 | 1.70 | 4.38 | 27.2 | 1.83 | 4.36 | 33.0 | 2.13 | 4.54 | 38.9 | 2.68 | 4.25 | 42.9 | 2.99 | 4.21 | 44.7 | 3.12 | 4.20 | 50.5 | 3.57 | 4.14 |

DF6SF-X48KB - Low Speed

OUTDOOR TEMPERATURE (Deg. F)

| CFM | Indoor T. Deg.F | 10 | | | 17 | | | 20 | | | 30 | | | 40 | | | 47 | | | 50 | | | 60 | | |
|------|--------------------|------|------|------|------|------|------|------|------|------|------|------|------|------|------|------|------|------|------|------|------|------|------|------|------|
| | | MBH | COP | kW | MBH | COP | kW | MBH | COP | kW | MBH | COP | kW | MBH | COP | kW | MBH | COP | kW | MBH | COP | kW | MBH | COP | kW |
| 850 | 60 | 12.9 | 1.88 | 2.01 | 16.5 | 2.35 | 2.06 | 18.1 | 2.54 | 2.08 | 23.3 | 3.16 | 2.16 | 28.5 | 3.74 | 2.23 | 32.1 | 4.12 | 2.29 | 33.7 | 4.27 | 2.31 | 38.8 | 4.78 | 2.38 |
| | 70 | 12.3 | 1.77 | 2.03 | 15.8 | 2.20 | 2.10 | 17.3 | 2.38 | 2.13 | 22.2 | 2.93 | 2.22 | 27.2 | 3.44 | 2.31 | 30.6 | 3.78 | 2.38 | 32.1 | 3.91 | 2.41 | 37.1 | 4.35 | 2.50 |
| | 80 | 11.7 | 1.65 | 2.08 | 15.0 | 2.05 | 2.15 | 16.4 | 2.21 | 2.18 | 21.2 | 2.72 | 2.28 | 25.9 | 3.18 | 2.39 | 29.2 | 3.48 | 2.46 | 30.6 | 3.61 | 2.49 | 35.4 | 4.00 | 2.59 |
| 1000 | 60 | 13.0 | 1.85 | 2.06 | 16.7 | 2.32 | 2.11 | 18.3 | 2.51 | 2.13 | 23.6 | 3.14 | 2.20 | 28.9 | 3.72 | 2.28 | 32.6 | 4.11 | 2.32 | 34.1 | 4.27 | 2.35 | 39.4 | 4.78 | 2.42 |
| | 70 | 12.5 | 1.75 | 2.09 | 16.0 | 2.18 | 2.16 | 17.5 | 2.35 | 2.18 | 22.5 | 2.91 | 2.27 | 27.6 | 3.43 | 2.36 | 31.1 | 3.77 | 2.42 | 32.6 | 3.91 | 2.45 | 37.6 | 4.36 | 2.53 |
| | 80 | 11.9 | 1.63 | 2.13 | 15.3 | 2.03 | 2.20 | 16.7 | 2.19 | 2.23 | 21.5 | 2.70 | 2.34 | 26.3 | 3.17 | 2.44 | 29.7 | 3.48 | 2.51 | 31.2 | 3.60 | 2.54 | 36.0 | 4.00 | 2.64 |
| 1150 | 60 | 13.2 | 1.83 | 2.12 | 16.9 | 2.30 | 2.16 | 18.5 | 2.49 | 2.18 | 23.9 | 3.11 | 2.25 | 29.2 | 3.70 | 2.31 | 33.0 | 4.09 | 2.36 | 34.6 | 4.26 | 2.38 | 39.9 | 4.78 | 2.45 |
| | 70 | 12.7 | 1.73 | 2.14 | 16.2 | 2.16 | 2.20 | 17.8 | 2.34 | 2.23 | 22.9 | 2.90 | 2.31 | 28.0 | 3.42 | 2.40 | 31.6 | 3.77 | 2.46 | 33.1 | 3.91 | 2.48 | 38.2 | 4.36 | 2.57 |
| | 80 | 12.1 | 1.62 | 2.19 | 15.5 | 2.01 | 2.26 | 16.9 | 2.17 | 2.29 | 21.8 | 2.68 | 2.38 | 26.7 | 3.15 | 2.48 | 30.1 | 3.46 | 2.55 | 31.5 | 3.59 | 2.58 | 36.4 | 3.99 | 2.68 |

DF6SF-X60KB - High Speed

OUTDOOR TEMPERATURE (Deg. F)

| CFM | Indoor T. Deg.F | 10 | | | 17 | | | 20 | | | 30 | | | 40 | | | 47 | | | 50 | | | 60 | | |
|------|--------------------|------|------|------|------|------|------|------|------|------|------|------|------|------|------|------|------|------|------|------|------|------|------|------|------|
| | | MBH | COP | kW | MBH | COP | kW | MBH | COP | kW | MBH | COP | kW | MBH | COP | kW | MBH | COP | kW | MBH | COP | kW | MBH | COP | kW |
| 1600 | 60 | 29.4 | 2.34 | 3.69 | 34.7 | 2.67 | 3.81 | 37.0 | 2.81 | 3.86 | 44.6 | 3.24 | 4.04 | 52.3 | 3.63 | 4.22 | 57.6 | 3.89 | 4.34 | 59.9 | 4.00 | 4.39 | 67.5 | 4.33 | 4.57 |
| | 70 | 28.5 | 2.10 | 3.97 | 33.7 | 2.41 | 4.10 | 35.9 | 2.54 | 4.15 | 43.4 | 2.95 | 4.32 | 50.9 | 3.32 | 4.50 | 56.1 | 3.56 | 4.62 | 58.4 | 3.66 | 4.67 | 65.9 | 3.98 | 4.85 |
| | 80 | 28.0 | 1.92 | 4.28 | 33.1 | 2.20 | 4.40 | 35.2 | 2.32 | 4.46 | 42.5 | 2.69 | 4.64 | 49.8 | 3.03 | 4.82 | 54.9 | 3.25 | 4.95 | 57.0 | 3.34 | 5.00 | 64.3 | 3.64 | 5.18 |
| 1800 | 60 | 29.7 | 2.34 | 3.72 | 35.1 | 2.68 | 3.83 | 37.4 | 2.82 | 3.88 | 45.1 | 3.27 | 4.05 | 52.9 | 3.68 | 4.21 | 58.3 | 3.95 | 4.33 | 60.6 | 4.06 | 4.38 | 68.4 | 4.42 | 4.54 |
| | 70 | 28.8 | 2.11 | 4.00 | 34.1 | 2.43 | 4.11 | 36.4 | 2.56 | 4.16 | 43.9 | 2.98 | 4.32 | 51.5 | 3.37 | 4.49 | 56.8 | 3.62 | 4.60 | 59.1 | 3.73 | 4.65 | 66.6 | 4.06 | 4.81 |
| | 80 | 28.2 | 1.92 | 4.31 | 33.4 | 2.21 | 4.42 | 35.6 | 2.33 | 4.47 | 42.9 | 2.72 | 4.64 | 50.3 | 3.08 | 4.80 | 55.5 | 3.31 | 4.91 | 57.7 | 3.41 | 4.96 | 65.1 | 3.73 | 5.12 |
| 2000 | 60 | 29.7 | 2.32 | 3.75 | 35.2 | 2.67 | 3.86 | 37.6 | 2.82 | 3.91 | 45.5 | 3.28 | 4.07 | 53.4 | 3.70 | 4.23 | 58.9 | 3.98 | 4.34 | 61.3 | 4.09 | 4.39 | 69.2 | 4.46 | 4.55 |
| | 70 | 29.2 | 2.12 | 4.04 | 34.5 | 2.44 | 4.14 | 36.8 | 2.58 | 4.19 | 44.4 | 3.00 | 4.34 | 52.1 | 3.40 | 4.49 | 57.4 | 3.66 | 4.60 | 59.7 | 3.77 | 4.65 | 67.3 | 4.11 | 4.80 |
| | 80 | 28.5 | 1.92 | 4.34 | 33.7 | 2.22 | 4.45 | 35.9 | 2.35 | 4.49 | 43.4 | 2.74 | 4.64 | 50.8 | 3.11 | 4.79 | 56.1 | 3.36 | 4.90 | 58.3 | 3.46 | 4.94 | 65.7 | 3.79 | 5.09 |

DF6SF-X60KB - Low Speed

OUTDOOR TEMPERATURE (Deg. F)

| CFM | Indoor T. Deg.F | 10 | | | 17 | | | 20 | | | 30 | | | 40 | | | 47 | | | 50 | | | 60 | | |
|------|--------------------|------|------|------|------|------|------|------|------|------|------|------|------|------|------|------|------|------|------|------|------|------|------|------|------|
| | | MBH | COP | kW | MBH | COP | kW | MBH | COP | kW | MBH | COP | kW | MBH | COP | kW | MBH | COP | kW | MBH | COP | kW | MBH | COP | kW |
| 1000 | 60 | 18.1 | 2.00 | 2.65 | 22.1 | 2.35 | 2.75 | 23.8 | 2.50 | 2.79 | 29.5 | 2.94 | 2.94 | 35.1 | 3.34 | 3.08 | 39.1 | 3.60 | 3.18 | 40.8 | 3.71 | 3.22 | 46.5 | 4.04 | 3.37 |
| | 70 | 17.4 | 1.84 | 2.78 | 21.2 | 2.16 | 2.89 | 22.9 | 2.29 | 2.93 | 28.3 | 2.69 | 3.09 | 33.8 | 3.05 | 3.25 | 37.6 | 3.29 | 3.36 | 39.3 | 3.38 | 3.40 | 44.7 | 3.68 | 3.56 |
| | 80 | 16.9 | 1.69 | 2.92 | 20.5 | 1.98 | 3.04 | 22.1 | 2.10 | 3.09 | 27.3 | 2.46 | 3.26 | 32.6 | 2.79 | 3.43 | 36.2 | 3.00 | 3.54 | 37.8 | 3.08 | 3.59 | 43.3 | 3.64 | 3.76 |
| 1150 | 60 | 18.3 | 1.99 | 2.69 | 22.3 | 2.34 | 2.79 | 24.0 | 2.49 | 2.83 | 29.8 | 2.94 | 2.97 | 35.5 | 3.36 | 3.10 | 39.6 | 3.63 | 3.20 | 41.3 | 3.74 | 3.24 | 46.4 | 4.42 | 3.38 |
| | 70 | 17.6 | 1.83 | 2.82 | 21.5 | 2.16 | 2.92 | 23.2 | 2.29 | 2.97 | 28.7 | 2.70 | 3.12 | 34.2 | 3.07 | 3.27 | 38.1 | 3.31 | 3.37 | 39.8 | 3.41 | 3.42 | 45.3 | 3.72 | 3.57 |
| | 80 | 17.0 | 1.68 | 2.97 | 20.8 | 1.98 | 3.08 | 22.3 | 2.10 | 3.13 | 27.7 | 2.47 | 3.29 | 33.0 | 2.81 | 3.45 | 36.7 | 3.03 | 3.56 | 38.3 | 3.12 | 3.61 | 43.7 | 3.40 | 3.77 |
| 1300 | 60 | 18.4 | 1.97 | 2.74 | 22.5 | 2.33 | 2.83 | 24.2 | 2.47 | 2.87 | 30.0 | 2.94 | 3.00 | 35.9 | 3.36 | 3.13 | 40.0 | 3.63 | 3.23 | 41.7 | 3.75 | 3.27 | 47.6 | 4.10 | 3.40 |
| | 70 | 17.8 | 1.83 | 2.86 | 21.8 | 2.15 | 2.96 | 23.4 | 2.29 | 3.01 | 29.0 | 2.70 | 3.15 | 34.6 | 3.08 | 3.29 | 38.6 | 3.33 | 3.39 | 40.2 | 3.43 | 3.44 | 45.8 | 3.75 | 3.58 |
| | 80 | 17.2 | 1.68 | 3.01 | 21.0 | 1.98 | 3.12 | 22.6 | 2.10 | 3.16 | 28.0 | 2.47 | 3.31 | 33.3 | 2.82 | 3.47 | 37.1 | 3.04 | 3.58 | 38.7 | 3.13 | 3.62 | 44.1 | 3.42 | 3.77 |



GENERAL TERMS OF LIMITED WARRANTY

Nortek Global HVAC, LLC will furnish a replacement for any part of this product which fails in normal use and service within the terms and conditions of the warranty.

For complete details of the Limited Warranty, including applicable terms and conditions, see your local installer or contact the Nortek Global HVAC, LLC warranty department for a copy.

Before purchasing this appliance, read important energy cost and efficiency information available from your retailer. Specifications and illustrations subject to change without notice and without incurring obligations. Printed in U.S.A (05/2018)