

TECHNICAL SPECIFICATIONS

B6BW Series

Air Handler 13 SEER Residential or Multi-Family System 1.5 - 3.0 Tons (Air Conditioner)

The B6BW Series air handler, when combined with our heat pump or air conditioner, offers a full line of quality, split system heating and cooling equipment.



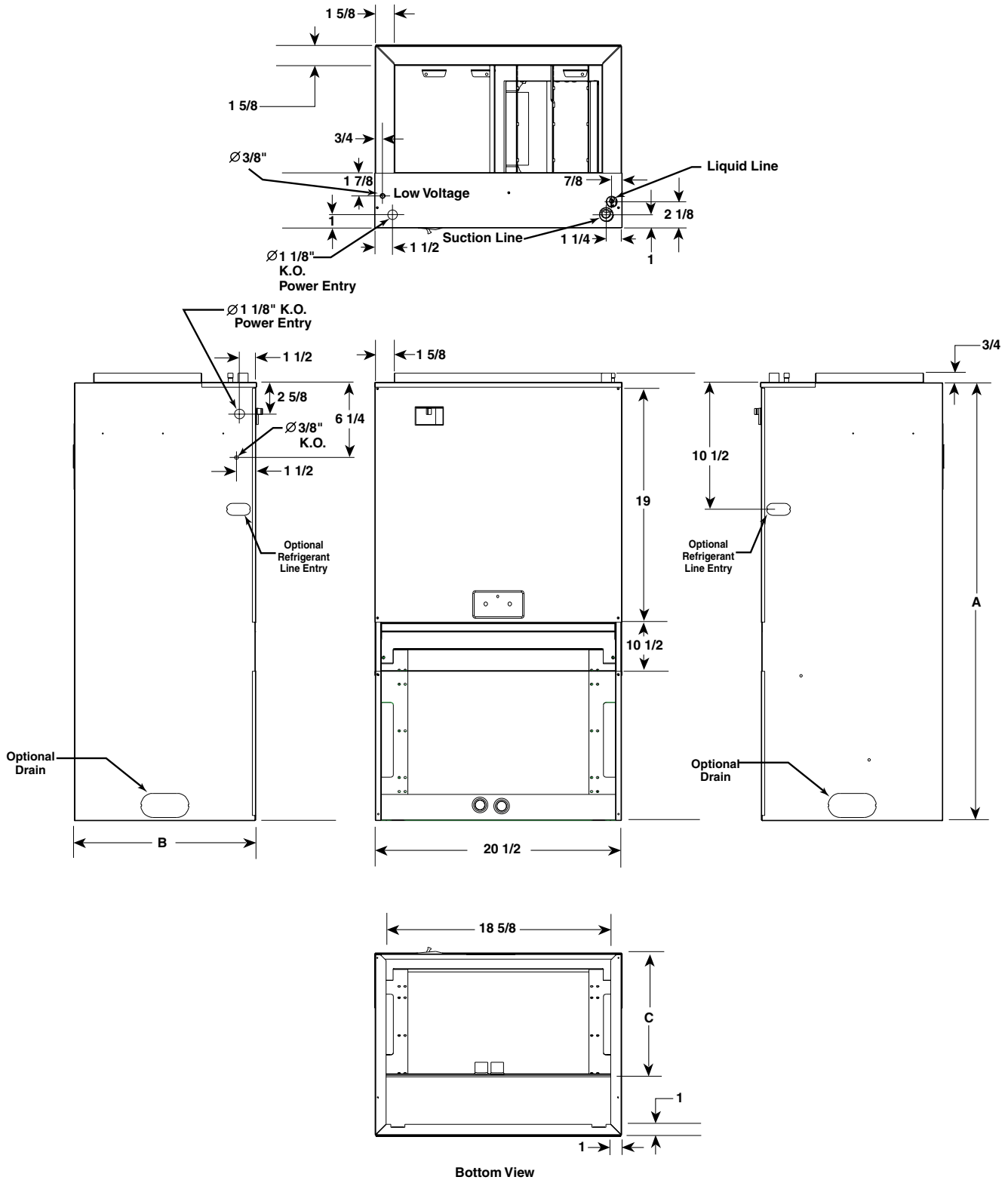
Shown in Bottom
Return Application

FEATURES and BENEFITS

- **Durable, Attractive Cabinet:** Designed using galvanized steel with optional white decorative panel. The injection molded drain pan is corrosion resistant.
- **Multi-speed:** Gives flexibility of installation.
- **Blower Control Board:** Incorporating blower time delay.
- **Ease-of-Service:** Plug-in wire connections and built-in filter rack makes the air handler easy to service.
- **Heater Kits Installed:** Available in 5kw, 8kw & 10kw.
- **Breaker Accessibility:** Breaker accessible from front of unit.
- **Fully insulated Cabinet:** for quiet operation.
- **Front and/or Bottom Return air**
- **Offset Hanging Bracket for Easy Installation**

DIMENSIONS

| Model Number B6BW- | Refrigerant Connections | | Filter Size | Supply Air Duct Dimension | A | B | C |
|-----------------------|-------------------------|-------------|----------------|------------------------------|--------|----|--------|
| | Suction Dia. | Liquid Dia. | | | | | |
| 018 | 3/4 | 3/8 | 16 x 20 x 1 | 9 x 17 1/4 | 36 3/8 | 15 | 9 1/2 |
| 019 | 3/4 | 3/8 | 20 x 20 x 1 | 9 x 17 1/4 | 43 1/2 | 15 | 9 1/2 |
| 024 | 3/4 | 3/8 | 16 x 20 x 1 | 9 x 17 1/4 | 36 3/8 | 15 | 9 1/2 |
| 030 | 3/4 | 3/8 | 20 x 20 x 1 | 9 x 17 1/4 | 43 1/2 | 15 | 9 1/2 |
| 036 | 3/4 | 3/8 | 20 x 24 x 1 | 15 x 17 1/4 | 43 1/2 | 21 | 15 1/2 |



SPECIFICATIONS

| Model Number B6BW- | 018 | 019 | 024 | 030 | 036 |
|---|-------------|-------------|-------------|-------------|-------------|
| Nominal Cooling Capacity - Btuh (1) | 17,200 | 17,200 | 24,000 | 27,600 | 33,000 |
| Refrigerant Flow Control | Orifice | Orifice | Orifice | Orifice | Orifice |
| Orifice Size as Shipped | .048 | .050 | .057 | .060 | .069 |
| Available Heat (kw) | 5, 8 | 5, 8 | 5, 8, 10 | 5, 8, 10 | 5, 8, 10 |
| Nominal Blower Size (D x W) | 10 x 6 | 10 x 6 | 10 x 6 | 10 x 6 | 10 x 8 |
| (H.P. - Speed - Type) | 1/9-2-PSC | 1/9-2-PSC | 1/5-2-PSC | 1/4-3-PSC | 1/2-5-PSC |
| Rated External Static Pressure (in. W.C.) | .30 | .30 | .30 | .30 | .30 |
| Filter Size (see note below) | 16 x 20 x 1 | 20 x 20 x 1 | 16 x 20 x 1 | 20 x 20 x 1 | 20 x 24 x 1 |
| Approximate Shipping Weight (lbs.) | 80 | 88 | 80 | 88 | 92 |

(1) See current AHRI Directory for certified combinations and ratings.

SYSTEM AIR FLOW DATA

| | | Dry Coil ESP | 0.10 | 0.20 | 0.30 | 0.40 | 0.50 | 0.60 | | |
|------|----------|--------------|------|------|------|------|------|------|------|------|
| 018K | Low | | 665 | 645 | 592 | 521 | 422 | 326 | | |
| | High | | 769 | 719 | 656 | 565 | 459 | 347 | | |
| | | Dry Coil ESP | 0.10 | 0.20 | 0.30 | 0.40 | 0.50 | 0.60 | | |
| 019K | Low | | 683 | 663 | 605 | 529 | 442 | 307 | | |
| | High | | 783 | 733 | 665 | 576 | 484 | 350 | | |
| | | Dry Coil ESP | 0.10 | 0.20 | 0.30 | 0.40 | 0.50 | 0.60 | 0.70 | 0.80 |
| 024K | Low | | 846 | 795 | 756 | 707 | 668 | 589 | 533 | 467 |
| | High | | 926 | 890 | 845 | 791 | 732 | 672 | 603 | 536 |
| | | Dry Coil ESP | 0.10 | 0.20 | 0.30 | 0.40 | 0.50 | 0.60 | 0.70 | 0.80 |
| 030K | Low | | 869 | 832 | 795 | 758 | 704 | 639 | 579 | 507 |
| | Medium | | 933 | 903 | 866 | 820 | 770 | 714 | 640 | 576 |
| | High | | 1014 | 971 | 929 | 884 | 833 | 780 | 714 | 640 |
| | | Dry Coil ESP | 0.10 | 0.20 | 0.30 | 0.40 | 0.50 | 0.60 | 0.70 | 0.80 |
| 036K | Low | | 936 | 901 | 891 | 840 | 789 | 739 | 688 | 613 |
| | Med-Low | | 1160 | 1122 | 1087 | 1046 | 1001 | 950 | 899 | 855 |
| | Medium | | 1287 | 1253 | 1213 | 1178 | 1142 | 1092 | 1049 | 1002 |
| | Med-High | | 1434 | 1394 | 1353 | 1328 | 1297 | 1248 | 1220 | 1202 |
| | High | | 1550 | 1515 | 1495 | 1457 | 1429 | 1416 | 1388 | 1355 |

Notes:

- 1) Airflow is shown in cfm, +/- 5%.
- 2) External static pressure is shown in inches w.c.
- 3) All airflows are measured with filter and with dry coil. For wet coil, subtract .1" external static pressure.
- 4) See unit nameplate or installation instructions for maximum recommended external static pressure.

ELECTRICAL DATA

| Model Number B6BW- | 018-05 / 019-05 | | 018-08 / 019-08 | |
|---|-----------------|------|-----------------|------|
| Voltage | 208 | 240 | 208 | 240 |
| KW (nominal) | 3.8 | 5 | 6 | 8 |
| Min. Circuit Ampacity (single circuit) | 22.8 | 26.1 | 34.8 | 40.2 |
| Max. Over-Current Protection (single circuit) | 25 | 30 | 40 | 45 |

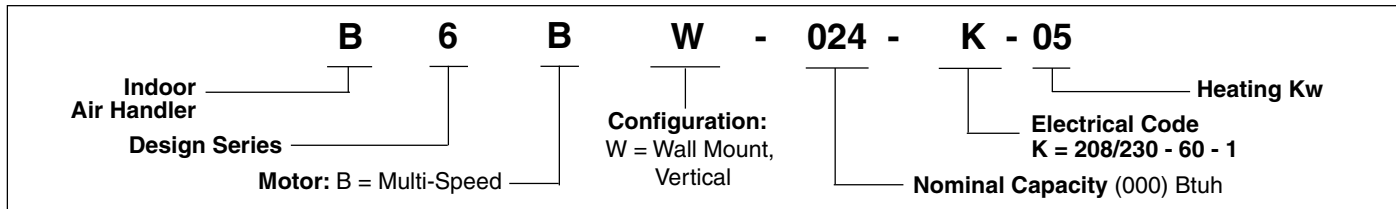
| Model Number B6BW- | 024-05 | | 024-08 | | 024-10 | |
|---|--------|------|--------|------|--------|------|
| Voltage | 208 | 240 | 208 | 240 | 208 | 240 |
| KW (nominal) | 3.8 | 5 | 6 | 8 | 7.5 | 10 |
| Min. Circuit Ampacity (single circuit) | 23.1 | 26.5 | 35.1 | 40.6 | 44.8 | 51.5 |
| Max. Over-Current Protection (single circuit) | 25 | 30 | 40 | 45 | 45 | 60 |

ELECTRICAL DATA

| Model Number B6BW- | 030-05 | | 030-08 | | 030-10 | |
|---|--------|------|--------|------|--------|------|
| Voltage | 208 | 240 | 208 | 240 | 208 | 240 |
| KW (nominal) | 3.8 | 5 | 6 | 8 | 7.5 | 10 |
| Min. Circuit Ampacity (single circuit) | 23.2 | 26.6 | 35.2 | 40.8 | 44.9 | 51.6 |
| Max. Over-Current Protection (single circuit) | 25 | 30 | 40 | 45 | 45 | 60 |

| Model Number B6BW- | 036-05 | | 036-08 | | 036-10 | |
|---|--------|------|--------|------|--------|------|
| Voltage | 208 | 240 | 208 | 240 | 208 | 240 |
| KW (nominal) | 3.8 | 5 | 6 | 8 | 7.5 | 10 |
| Min. Circuit Ampacity (single circuit) | 26.2 | 29.8 | 38.8 | 44.3 | 47.8 | 54.8 |
| Max. Over-Current Protection (single circuit) | 30 | 30 | 40 | 45 | 50 | 60 |

MODEL IDENTIFICATION CODE



ACCESSORIES

| Description | SKU |
|---|--------|
| Decorative Louvered Panel - 018/024 | 903892 |
| Decorative Louvered Panel - 019/030/036 | 919583 |



GENERAL TERMS OF LIMITED WARRANTY

Nortek Global HVAC, LLC will furnish a replacement for any part of this product which fails in normal use and service within the terms and conditions of the warranty.

For complete details of the Limited Warranty, including applicable terms and conditions, see your local installer or contact the Nortek Global HVAC, LLC warranty department for a copy.

Before purchasing this appliance, read important energy cost and efficiency information available from your retailer. Specifications and illustrations subject to change without notice and without incurring obligations. Printed in U.S.A (12/2017)