



THE B120DHV

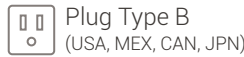
DELIVERS DEHUMIDIFIED VENTILATION AND FEATURES A HORIZONTAL CONFIGURATION TO FIT ANY ATTIC, BASEMENT OR CRAWL SPACE INSTALLATION.

PERFORMANCE

Water Removal	121 Pints / 15.125 Gallons
Efficiency	6.1 Pints/kWh
Energy Factor	2.95 L/kWh
Blower	350 CFM @ 0.0" WG 285 CFM @ 0.2" WG 210 CFM @ 0.4" WG
Operating Temperature	49°F Min., 95°F Max.
Sizing	Up to 3,000 Sq. Ft. / 30,000 Cu. Ft.

ELECTRICAL

Power	840 watts @ 80°F and 60% RH
Supply Voltage	115 volt – 1 phase – 60 Hz
Current Draw	7.3 amps
Power Cord	9', 115 VAC, Ground
Circuit Requirement	15 Amps

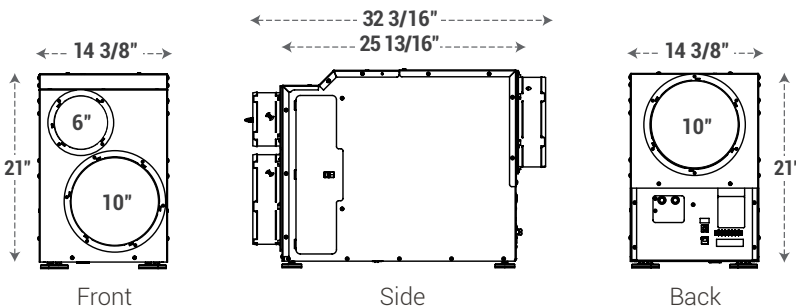


SPECIFICATIONS

Duct Connections	6" Round Inlet, 10" Round Inlet, 10" Round Outlet
Drain Connection	3/4" Threaded Female NPT
Refrigerant	R410A, 1 lb. 10 oz.
Unit Dimensions	14.375"W x 21"H x 32.1875"D
Unit Weight	91 lbs.

SHIPPING

Shipping Dimensions	18.5"W x 23.5"H x 40"D
Shipping Weight	101 lbs.
Pallet Quantity	4 per pallet
Shipping Options	LTL



FEATURES

- + Features a horizontal configuration with optional vertical discharge
- + Designed for quiet operation
- + Engineered for low temperature operation providing comfort year round
- + Use of DEH 3000/R digital control for outdoor air ventilation and humidity control
- + Superior MERV-13 filtration to improve indoor air quality
- + Ducting option for fresh outdoor air ventilation
- + Push button reset for transformer protection

Project:	
Location:	
Qty:	
Architect:	
Engineer:	
Contractor:	
Submitted by:	Date:
Remarks:	



FILTRATION



MERV-13 FILTER

- + Designed to trap particles down to 0.3 microns
- + 90% ASHRAE Dust Spot
- + 14" x 17.5" x 1.75"

INSTALLATION



DEH 3000 DIGITAL CONTROL

- + Precise monitoring and control of moisture levels
- + Manages fresh air filtration with optional damper
- + Activates air filtration



HANG KIT

- + One person set up
- + Minimal parts
- + Ideal for tight spaces or spaces prone to flooding and standing water

PART NO. ITEM

DHA4037722 MERV-13 Filter

PART NO. ITEM

DHA4028539 DEH 3000 Digital Control

DHA4028407 DEH 3000R Digital Control
(Includes Remote Sensor)

PART NO. ITEM

DHA4036695 Hang Kit

PARTS

S4020924	Fan Relay	S4034431	Impeller
S4022484	Comp Relay	S4035235-02	Fan Capacitor
S4022487	Transformer	S4034033	Compressor Overload
S4029510	Filter Drier	S4033032-04	Comp Run Capacitor
S4036559	Circuit Breaker	S4036967	Defrost Thermostat
S4026221	Leveling Feet		



926 West State Street, Hartford, WI 53027

www.Broan-Nutone.com 800-558-1711