

GreenSource i Series Model SV Water Source Heat Pump 1/2 to 6 Ton

Engineering
Submittal
Sheet



BOSCH

Overview and Certifications



Standard Features, Factory Installed Options, and Field Install Accessories

Standard Features

- ▶ **Available in Horizontal and Vertical Cabinets**
 - Constructed using galvanized steel
 - Standard hanging bracket kits on HZ units for suspending the unit from field supplied hanger rods
- ▶ **Single Stage Compact**
 - Up to 16.9 EER (GLHP)
 - PSC blower motors for all sizes
- ▶ **Unit Configuration**
 - Left hand or right hand return air
 - Top or end supply air
 - Copper or Cupro-Nickel Coaxial Coil
- ▶ **Standard 1" Throwaway Filter with 2 side Filter Rack**
- ▶ **1/2" Dual Density Fiber Insulation**
 - Non-combustible, non-hydroscopic and does not support fungal growth
 - Meets NFPA 90A and 90B for fire protection
 - Meets the GREENGUARD Indoor Air Quality Standard
 - All panels are insulated using 1.5 lb./cu.ft. density micromat fiberglass insulation for both thermal insulation and noise reduction
- ▶ **Compressors**
 - Floating compressor base pan for quiet operation
 - Rotary type compressors on sizes 007 through 018
 - Scroll type compressors on sizes 024 through 070
- ▶ **TXV (Thermal Expansion Valve)**
 - Improves refrigerant management and efficiencies

GreenSource i Series Model SV

Water Source Heat Pump ½ to 6 Ton



Standard Features, Factory Installed Options, and Field Install Accessories continued..

► Reliability - Durability - Serviceability

- Tin plated coil
- UPM circuit board with communicating features
- Completely serviceable from front of unit as well as insulated bulkheads allow the unit to be serviced during operation

► DuoGuard™ Evaporator Coil

- Tin Electro-Plated Copper Tubing Hair Pins with high-tech polymer coated Aluminum fins will protect the evaporator coil from most forms of corrosive elements in the airstream

► Electronic Circuit Board UPM

- The electronic circuit board provides protection with:
 - Random Start of Unit
 - Anti-Short Cycling (5 minute delay)
 - Alarm communicating output
 - Low pressure switch bypass at cold water start up
- It also monitors and communicates standard safety features/alerts/operation/protection:
 - Low Pressure Switch
 - High Pressure Switch
 - Evaporator Freeze Protection
 - Water Coil Freeze Switch
 - Condensate Overflow Switch
- This circuit board can communicate with a Bosch thermostat that alerts the customer of adverse conditions

► 75 VA Transformer

► Warranty

- 1 year all parts limited warranty
- 5 year compressor limited warranty
- For full warranty details: <https://www.bosch-homecomfort.com/us/en/residential/service/product-warranty-library/heat-pump-geothermal-warranty-documents/>

► Field Configurable Horizontal Discharge Air Conversion

- The horizontal conversion allows end blow to straight through conversion of discharge air, as factory installed straight through configuration for HZ units is no longer available.

► Water Connections

- All water connections are heavy duty bronze FPT fittings securely fastened to the unit corner post

Factory Installed Options

► Cupro-nickel Coil

- Recommended in conditions anticipating moderate scale formation or in brackish water

Field Install Options

► Thermostats

- Bosch thermostats are fully customized to meet your individual needs. Bosch offers communicating thermostats that can display alert messages without having to go to the unit.

► Externally Mounted Duct Heater Kits

► Swivel Water Connections

- ¾" or 1" FPT Swivel Water Connection

► Pump/Valve Relay Kit

- This relay is used to energize a supply pump or solenoid valve when there is a call for compressor operation. This relay can be used to switch either high or low voltage power.

► SmartStart Assist Kit

- An option which provides a means of reducing inrush currents at compressor startup. Light flickering is eliminated, and a smooth start is achieved (only available on scroll compressor models).

► Stainless Steel Hose Kits

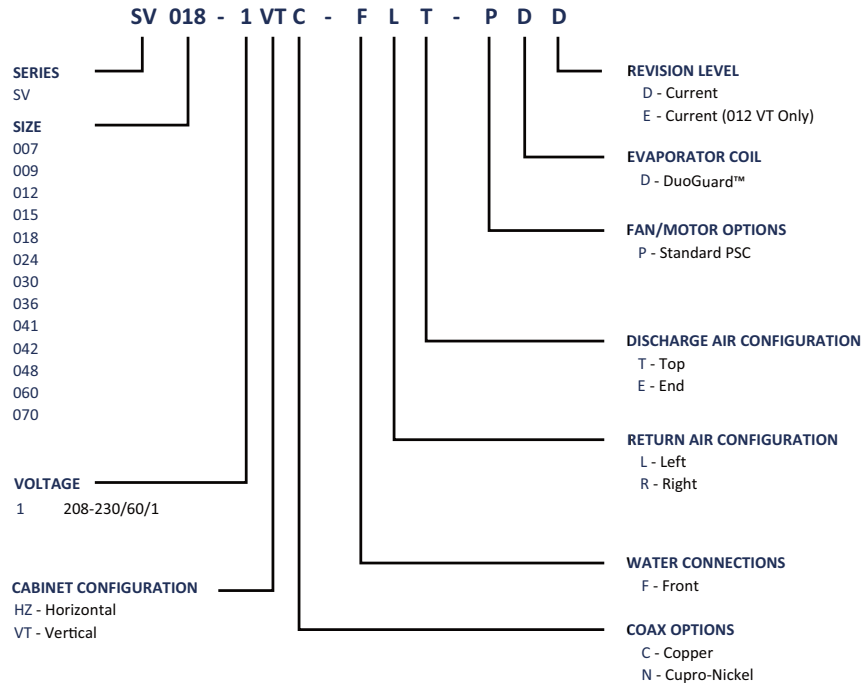
- Available in various lengths and diameters depending on the need for your application.

► Flow Center Kits

Greensource i Series Model SV Water Source Heat Pump ½ to 6 Ton



Model Nomenclature



AHRI/ANSI 13256-1 Capacity and Efficiency Data

Models	Motor Option	Water Loop Heat Pump				Ground Loop Heat Pump				CFM	GPM
		Cooling 86 °F		Heating 68 °F		Cooling 77 °F		Heating 32 °F			
		Capacity (Btuh)	EER (Btuh/W)	Capacity (Btuh)	COP	Capacity (Btuh)	EER (Btuh/W)	Capacity (Btuh)	COP		
007	PSC	6,100	13.20	7,800	5.10	6,800	15.10	4,900	3.40	300	2.0
009 HZ	PSC	8,150	12.40	10,700	4.70	8,700	14	6,900	3	300	2.5
009 VT	PSC	8,150	12.40	10,700	4.70	8,700	14.40	6,900	3.20	330	2.5
012 HZ	PSC	10,900	12.20	13,000	4.30	11,800	14.10	8,700	3.20	375	3
012 VT	PSC	10,900	12.20	13,800	4.30	11,500	14.10	8,800	3.20	375	3
015	PSC	14,200	12.80	16,100	4.40	14,200	14.60	11,300	3.30	500	4
018	PSC	18,200	14.10	20,200	4.60	19,200	16.15	14,300	3.50	600	5
024	PSC	24,300	14.20	27,400	5.00	25,400	16.90	18,100	3.55	800	6
030	PSC	28,200	13.40	32,600	4.70	29,500	15.60	21,500	3.40	950	7
036	PSC	36,250	14.30	38,800	4.65	38,000	16.65	27,100	3.55	1200	9
041	PSC	35,600	14.15	39,100	4.45	37,300	16.20	27,400	3.30	1240	9
042	PSC	39,500	13.65	42,800	4.45	41,200	15.90	30,000	3.25	1380	10
048	PSC	46,200	13.95	58,600	4.65	48,400	16.35	39,300	3.40	1640	12
060 HZ	PSC	59,200	13.60	74,200	4.80	61,900	15.50	49,200	3.80	1700	15
060 VT	PSC	59,100	13.60	77,800	4.80	61,600	15.80	53,400	3.75	1900	15
070	PSC	64,000	13.30	72,800	4.40	66,400	15.00	50,800	3.40	2000	16

Greensource i Series Model SV

Water Source Heat Pump ½ to 6 Ton



BOSCH

Physical Data								
Description	Unit	Value						
		SV007	SV009	SV012	SV015	SV018	SV024	SV030
Compressor Type (Qty 1)	—	Rotary	Rotary	Rotary	Rotary	Rotary	Scroll	Scroll
Max Water Working Pressure	PSIG/kPa	400	400	400	400	400	400	400
PSC Fan Motor & Blower								
Fan Motor Type/Speeds	—	PSC/3	PSC/3	PSC/3	PSC/3	PSC/3	PSC/3	PSC/3
Fan Motor	HP	1/10	1/10	1/10	1/6	1/4	1/4	1/4
Blower Wheel Size	Inch (Dia. x W)	4.5 x 4.5	4.5 x 4.5	5.5 x 4.5	9 x 7	9 x 7	9 x 7	9 x 7
Water Connection Size								
FPT	Inch	¾	¾	¾	¾	¾	¾	¾
Coaxial Coil Volume	Gal	0.06	0.08	0.08	0.09	0.14	0.24	0.24
Vertical Cabinet								
Refrigeration Charge	Oz	16	19	19 (Cu) 25 (CuNi)	19 (Cu) 17 (CuNi)	23 (Cu) 25 (CuNi)	35 (Cu) 33 (CuNi)	35 (Cu) 33 (CuNi)
Air Coil Dimensions	Inch (H x W)	10 x 14	10 x 14	10 x 14	12 x 16.5	16 x 16.5	20 x 16.5	20 x 16.5
Standard Filter - 1"	Inch (L x H)	10 x 16	10 x 16	10 x 16	16 x 20	16 x 20	20 x 20	20 x 20
Optional Filter - 2" MERV 8 or 13	Inch (L x H)	10 x 16	10 x 16	10 x 16	16 x 20	16 x 20	20 x 20	20 x 20
Weight - Operating	lbs	98	105	105	123	173	177	190
Weight - Shipping	lbs	126	132	132	151	201	205	217
Horizontal Cabinet								
Refrigeration Charge	Oz	16 (Cu) 19 (CuNi)	19	19 (Cu) 25 (CuNi)	19 (Cu) 22 (CuNi)	24 (Cu) 25 (CuNi)	35 (Cu) 33 (CuNi)	35 (Cu) 33 (CuNi)
Air Coil Dimensions	Inch (H x W)	10 x 14	10 x 14	10 x 14	12 x 16.5	16 x 16.5	16 x 20.5	16 x 20.5
Standard Filter - 1"	Inch (L x H)	10 x 16	10 x 16	10 x 16	16 x 20	16 x 20	16 x 25	16 x 25
Optional Filter - 2" MERV 7 or 13	Inch (L x H)	10 x 16	10 x 16	10 x 16	16 x 20	16 x 20	16 x 25	16 x 25
Weight - Operating	lbs	96	105	105	136	174	181	190
Weight - Shipping	lbs	128	134	134	158	208	212	224

Greensource i Series Model SV

Water Source Heat Pump ½ to 6 Ton



BOSCH

Physical Data							
Description	Unit	Value					
		SV036	SV041	SV042	SV048	SV060	SV070
Compressor Type (Qty 1)	—	Scroll	Scroll	Scroll	Scroll	Scroll	Scroll
Max Water Working Pressure	PSIG/kPa	400	400	400	400	400	400
PSC Fan Motor & Blower							
Fan Motor Type/Speeds	—	PSC/3	PSC/3	PSC/3	PSC/3	PSC/3	PSC/3
Fan Motor	HP	1/2	3/4	1/2	3/4	3/4	3/4
Blower Wheel Size	Inch (Dia. x W)	9 x 7	10 x 8	10 x 8	10 x 8	11 x 9	11 x 9
Water Connection Size							
FPT	Inch	¾	¾	¾	1	1	1
Coaxial Coil Volume	Gal	0.27	0.27	0.27	0.49	0.62	0.62
Vertical Cabinet							
Refrigeration Charge	Oz	44 (Cu) 40 (CuNi)	41	47	52	59	64
Air Coil Dimensions	Inch (H x W)	24x20.2	20x16	24x20.2	24x26.75	24x26.75	32x26.2
Standard Filter - 1"	Inch (L x H)	24x24	20x20	24x24	24x30	24x30	16x30 (2)
Optional Filter - 2" MERV 8 or 13	Inch (L x H)	24x24	20x20	24x24	24x30	24x30	16x30 (2)
Weight - Operating	lbs	229	217	239	287	307	336
Weight - Shipping	lbs	255	243	265	312	331	360
Horizontal Cabinet							
Refrigeration Charge	Oz	40	N/A	43 (Cu) 42 (CuNi)	51	62	61
Air Coil Dimensions	Inch (H x W)	18x27.5	N/A	18x27.5	20x32	20x32	20x42
Standard Filter - 1"	Inch (L x H)	18x30	N/A	18x30	20x34.5	20x34.5	20x24 (2)
Optional Filter - 2" MERV 7 or 13	Inch (L x H)	18x30	N/A	18x30	20x34.5	20x34.5	20x24 (2)
Weight - Operating	lbs	226	N/A	231	274	288	316
Weight - Shipping	lbs	270	N/A	264	299	318	365

Greensource i Series Model SV

Water Source Heat Pump ½ to 6 Ton



BOSCH

Operating Limits - Cooling & Heating	
Description	Standard Unit
COOLING	
Minimum ambient air temperature °F	50
Maximum ambient air temperature °F	100
Minimum evaporator entering air db/wb °F	68/57
Rated air coil entering air db/wb °F	80/67
Maximum evaporator entering air db/wb °F	95/85
Minimum water coil entering fluid temperature °F	50
Water loop typical coil entering fluid range temperature °F	70/90
Maximum water coil entering fluid temperature °F	110
HEATING	
Minimum ambient air temperature °F	40
Maximum ambient air temperature °F	85
Minimum evaporator entering air db °F	50
Rated air coil entering air °F	68
Maximum evaporator entering air db °F	80
Normal water coil entering fluid range °F	25*-80
Minimum water coil entering Fluid °F	20*

* antifreeze solution is required at these fluid temperatures.



Units are designed to be installed in an air conditioned space. Maximum and minimum conditions may not be combined. Should one value be at the maximum or minimum, the other can not exceed the normal condition. Maximum and minimum conditions are at rated flow rates.

Greensource i Series Model SV

Water Source Heat Pump ½ to 6 Ton



BOSCH

Horizontal Cabinet Corner Weights										
Configuration			Left Hand Evaporator				Right Hand Evaporator			
Model	Unit	Total	Left Front*	Right Front*	Left Back	Right Back	Left Front*	Right Front*	Left Back	Right Back
SVH 007	Lbs	98.4	28.0	21.5	25.3	23.7	21.5	28.0	23.7	25.3
	kg	44.6	12.7	9.7	11.5	10.7	9.7	12.7	10.7	11.5
SVH 009	Lbs	103.0	28.9	23.6	26.4	25.8	23.6	28.9	25.8	26.4
	kg	46.7	13.1	10.7	12.0	11.7	10.7	13.1	11.7	12.0
SVH 012	Lbs	104.8	28.9	23.6	26.4	25.8	23.6	28.9	25.8	26.4
	kg	47.5	13.1	10.7	12.0	11.7	10.7	13.1	11.7	12.0
SVH 015	Lbs	126.9	35.8	28.3	33.6	29.1	28.3	35.8	29.1	33.6
	kg	57.5	16.2	12.8	15.3	13.2	12.8	16.2	13.2	15.3
SVH 018	Lbs	177.4	56.9	35.9	47.5	37.1	35.9	56.9	37.1	47.5
	kg	80.5	25.8	16.3	21.5	16.8	16.3	25.8	16.8	21.5
SVH 024	Lbs	181.0	57.8	36.8	48.4	38.0	36.8	57.8	38.0	48.4
	kg	82.1	26.2	16.7	22.0	17.2	16.7	26.2	17.2	22.0
SVH 030	Lbs	194.3	61.1	40.5	51.8	40.9	40.5	61.1	40.9	51.8
	kg	88.1	27.7	18.4	23.5	18.6	18.4	27.7	18.6	23.5
SVH 036	Lbs	237.0	70.5	48.6	65.9	52.0	48.6	70.5	52.0	65.9
	kg	107.5	32.0	22.1	29.9	23.6	22.1	32.0	23.6	29.9
SVH 042	Lbs	231.0	69.6	46.7	64.5	50.2	46.7	69.6	50.2	64.5
	kg	104.8	31.6	21.2	29.2	22.8	21.2	31.6	22.8	29.2
SVH 048	Lbs	268.0	86.7	59.6	61.6	60.0	59.6	86.7	60.0	61.6
	kg	121.6	39.3	27.0	28.0	27.2	27.0	39.3	27.2	28.0
SVH 060	Lbs	288.0	87.7	64.7	69.4	66.2	64.7	87.7	66.2	69.4
	kg	130.6	39.8	29.4	31.5	30.0	29.4	39.8	30.0	31.5
SVH 070	Lbs	316.0	97.6	71.5	76.5	70.4	71.5	97.6	70.4	76.5
	kg	143.3	44.3	32.4	34.7	32.0	32.4	44.3	32.0	34.7

*Front is control box end

GreenSource i Series Model SV

Water Source Heat Pump ½ to 6 Ton



BOSCH

Electrical Data - PSC Standard Blower Motor																			
Model	Voltage Code	Voltage/ Hz/ Phase	Voltage Min/ Max	Compressor				Blower Motor			Single Point Power			Dual Point Power					
				Compressor model	QTY	RLA	LRA	FLA	HP	Total Unit FLA	Min. Circuit Amps	MOP CALC	MOP	Compressor Circuit			Blower Motor Circuit		
														Min. Circuit Amps	MOP CALC	MOP	Min. Circuit Amps	MOP CALC	MOP
SV007	1	208-230/1/60	197/253	R/HGA5453BXD	1	2.5	17.7	0.96	0.1	3.5	4.1	6.6	15	3.1	5.6	15	1.2	2.2	15
SV009	1	208-230/1/60	197/253	R/HGA5471BXD	1	3.4	22.2	0.96	0.1	4.4	5.2	8.6	15	4.3	7.7	15	1.2	2.2	15
SV012	1	208-230/1/60	197/253	R/HGA5494BXD	1	4.6	27.9	0.96	0.1	5.6	6.7	11.3	15	5.8	10.4	15	1.2	2.2	15
SV015	1	208-230/1/60	197/253	RGA5512BXD	1	5.6	29.0	1.10	0.17	6.7	8.1	13.7	15	7.0	12.6	15	1.4	2.5	15
SV018	1	208-230/1/60	197/253	GK151KAAA3	1	7.4	33	1.8	0.25	9.2	11.1	18.5	15	9.3	16.7	15	2.3	4.1	15
SV024	1	208-230/1/60	197/253	ZP20K5EPFV	1	13.5	58.3	1.8	0.25	15.3	18.7	32.2	30	16.9	30.4	30	2.3	4.1	15
SV030	1	208-230/1/60	197/253	ZP24K5EPFV	1	12.8	64	1.8	0.25	14.6	17.8	30.6	30	16.0	28.8	25	2.3	4.1	15
SV036	1	208-230/1/60	197/253	ZP31K6EPFV	1	15.4	83.9	4.4	0.5	19.8	23.7	39.1	35	19.3	34.7	30	5.5	9.9	15
SV041	1	208-230/1/60	197/253	ZP31K6EPFV	1	15.4	83.9	4.4	0.75	19.8	23.7	39.1	35	19.3	34.7	30	5.5	9.9	15
SV042	1	208-230/1/60	197/253	ZP34K6EPFV + OLR*	1	16.2	109	4.4	0.5	20.6	24.7	40.9	40	20.3	36.5	35	5.5	9.9	15
SV048	1	208-230/1/60	197/253	ZP42K6EPFV	1	19.6	130	4.4	0.75	24.0	28.9	48.5	45	24.5	44.1	40	5.5	9.9	15
SV060	1	208-230/1/60	197/253	ZP54K6EPFV	1	24.7	166	5.5	0.75	30.2	36.4	61.1	60	30.9	55.6	50	6.9	12.4	15
SV070	1	208-230/1/60	197/253	ZP57K5EPFV	1	28.3	178.0	5.5	0.75	33.8	40.9	69.2	60	35.4	63.7	60	6.9	12.4	15

OLR* = additional overload relay/ lower RLA

Greensource i Series Model SV

Water Source Heat Pump ½ to 6 Ton



BOSCH

Blower Performance CFM (PSC Standard Motor Blower)														
Model	Available External Static Pressure (in. wc. Wet coil and filter included)													
	Motor Speed	Default factory motor setting	0.10	0.20	0.30	0.40	0.50	0.60	0.70	0.80	0.90	1.00	1.10	1.20
SV007	Low		370	340	295	250	-	-	-	-	-	-	-	-
	Med	X	390	360	330	300	260	-	-	-	-	-	-	-
	Hi		410	380	350	315	280	210	-	-	-	-	-	-
SV009	Low		295	270	245	220	-	-	-	-	-	-	-	-
	Med		315	290	265	235	205	-	-	-	-	-	-	-
	Hi	X	330	300	275	245	220	180	-	-	-	-	-	-
SV012	Low		300	290	290	300	-	-	-	-	-	-	-	-
	Med		380	380	360	330	290	-	-	-	-	-	-	-
	Hi	X	420	400	380	360	340	320	-	-	-	-	-	-
SV015	Low		500	450	400	-	-	-	-	-	-	-	-	-
	Med		560	520	480	430	400	-	-	-	-	-	-	-
	Hi	X	700	650	600	550	500	450	400	-	-	-	-	-
SV018	Low		630	590	560	-	-	-	-	-	-	-	-	-
	Med	X	810	790	760	730	680	590	-	-	-	-	-	-
	Hi		1010	970	920	870	800	680	530	-	-	-	-	-
SV024	Low		740	730	700	660	610	-	-	-	-	-	-	-
	Med		830	810	770	730	680	620	-	-	-	-	-	-
	Hi	X	1000	950	900	830	750	690	630	-	-	-	-	-
SV030	Low		740	730	700	660	610	-	-	-	-	-	-	-
	Med		830	810	770	730	680	620	-	-	-	-	-	-
	Hi	X	1000	950	900	830	750	690	630	-	-	-	-	-
SV036	Low		1290	1250	1200	1150	1080	1000	-	-	-	-	-	-
	Med		1410	1350	1290	1220	1150	1060	900	-	-	-	-	-
	Hi	X	1500	1440	1370	1290	1210	1120	1000	900	-	-	-	-
SV041	Low		950	900	840	780	720	700	-	-	-	-	-	-
	Med		1200	1140	1080	1010	930	870	820	-	-	-	-	-
	Hi	X	1490	1400	1320	1240	1160	1080	990	910	-	-	-	-
SV042	Low		1210	1210	1190	1160	1120	1080	-	-	-	-	-	-
	Med		1460	1450	1430	1390	1330	1250	1160	-	-	-	-	-
	Hi	X	1750	1710	1670	1620	1560	1460	1330	1210	1080	-	-	-
SV048 208/230V	Low		1450	1440	1420	1400	1360	1320	-	-	-	-	-	-
	Med		1700	1670	1630	1580	1530	1470	1400	-	-	-	-	-
	Hi	X	1930	1870	1810	1740	1670	1600	1520	1430	1340	-	-	-
SV048 460V	Low		1886	1853	1818	1773	1724	1654	1562	1481	1386	1299	883	-
	Med		2029	1993	1946	1897	1837	1763	1662	1564	1460	1360	1254	-
	Hi	X	2225	2170	2105	2032	1961	1885	1793	1666	1541	1435	1298	-
SV060	Low		1560	1550	1540	1530	1505	1475	1440	1400	-	-	-	-
	Med		1890	1880	1870	1860	1825	1790	1730	1670	1590	1500	-	-
	Hi	X	2220	2200	2150	2100	2050	2000	1940	1870	1800	1700	1590	-
SV070	Low		1570	1560	1550	1540	1530	1505	1475	1440	1400	-	-	-
	Med		1900	1890	1880	1870	1860	1825	1790	1730	1670	1590	1500	-
	Hi	X	2240	2220	2200	2150	2100	2050	2000	1940	1870	1800	1700	1590

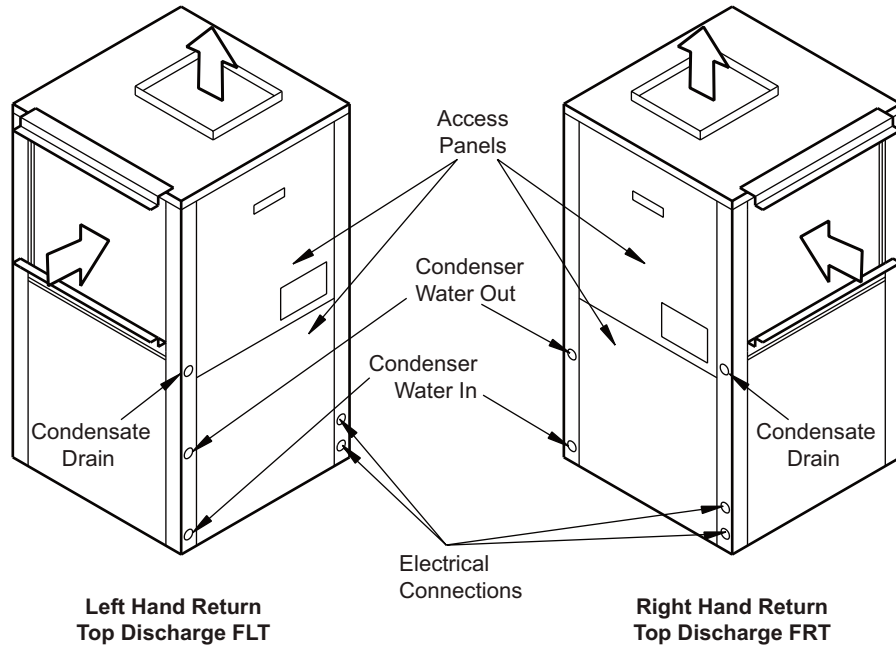
GreenSource i Series Model SV
 Water Source Heat Pump ½ to 6 Ton



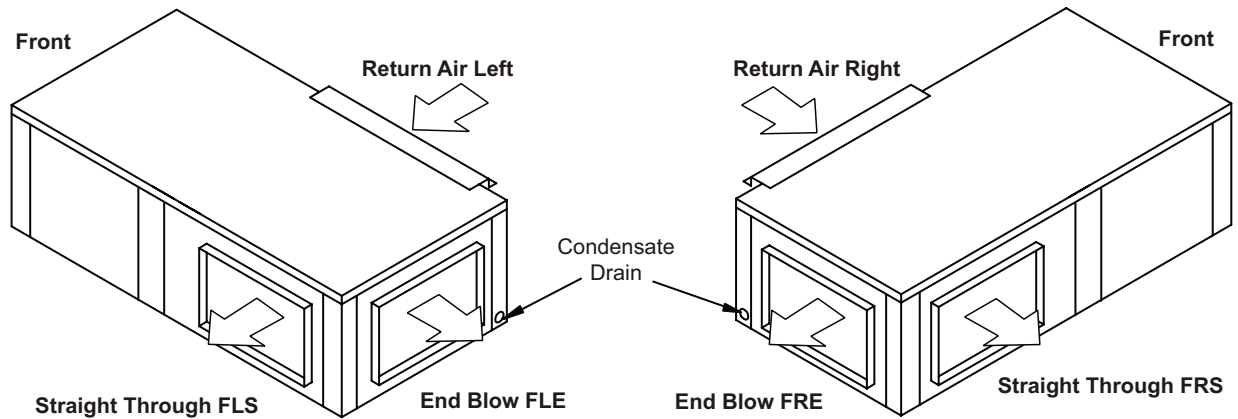
BOSCH

Horizontal Cabinet Corner Weights										
Configuration			Left Hand Evaporator				Right Hand Evaporator			
Model	Unit	Total	Left Front*	Right Front*	Left Back	Right Back	Left Front*	Right Front*	Left Back	Right Back
SV007	Lbs	98.4	28.0	21.5	25.3	23.7	21.5	28.0	23.7	25.3
	kg	44.6	12.7	9.7	11.5	10.7	9.7	12.7	10.7	11.5
SV009	Lbs	103.0	28.9	23.6	26.4	25.8	23.6	28.9	25.8	26.4
	kg	46.7	13.1	10.7	12.0	11.7	10.7	13.1	11.7	12.0
SV012	Lbs	104.8	28.9	23.6	26.4	25.8	23.6	28.9	25.8	26.4
	kg	47.5	13.1	10.7	12.0	11.7	10.7	13.1	11.7	12.0
SV015	Lbs	126.9	35.8	28.3	33.6	29.1	28.3	35.8	29.1	33.6
	kg	57.5	16.2	12.8	15.3	13.2	12.8	16.2	13.2	15.3
SV018	Lbs	177.4	56.9	35.9	47.5	37.1	35.9	56.9	37.1	47.5
	kg	80.5	25.8	16.3	21.5	16.8	16.3	25.8	16.8	21.5
SV024	Lbs	181.0	57.8	36.8	48.4	38.0	36.8	57.8	38.0	48.4
	kg	82.1	26.2	16.7	22.0	17.2	16.7	26.2	17.2	22.0
SV030	Lbs	194.3	61.1	40.5	51.8	40.9	40.5	61.1	40.9	51.8
	kg	88.1	27.7	18.4	23.5	18.6	18.4	27.7	18.6	23.5
SV036	Lbs	237.0	70.5	48.6	65.9	52.0	48.6	70.5	52.0	65.9
	kg	107.5	32.0	22.1	29.9	23.6	22.1	32.0	23.6	29.9
SV042	Lbs	231.0	69.6	46.7	64.5	50.2	46.7	69.6	50.2	64.5
	kg	104.8	31.6	21.2	29.2	22.8	21.2	31.6	22.8	29.2
SV048	Lbs	268.0	86.7	59.6	61.6	60.0	59.6	86.7	60.0	61.6
	kg	121.6	39.3	27.0	28.0	27.2	27.0	39.3	27.2	28.0
SV060	Lbs	288.0	87.7	64.7	69.4	66.2	64.7	87.7	66.2	69.4
	kg	130.6	39.8	29.4	31.5	30.0	29.4	39.8	30.0	31.5
SV070	Lbs	316.0	97.6	71.5	76.5	70.4	71.5	97.6	70.4	76.5
	kg	143.3	44.3	32.4	34.7	32.0	32.4	44.3	32.0	34.7

Vertical Unit Configurations



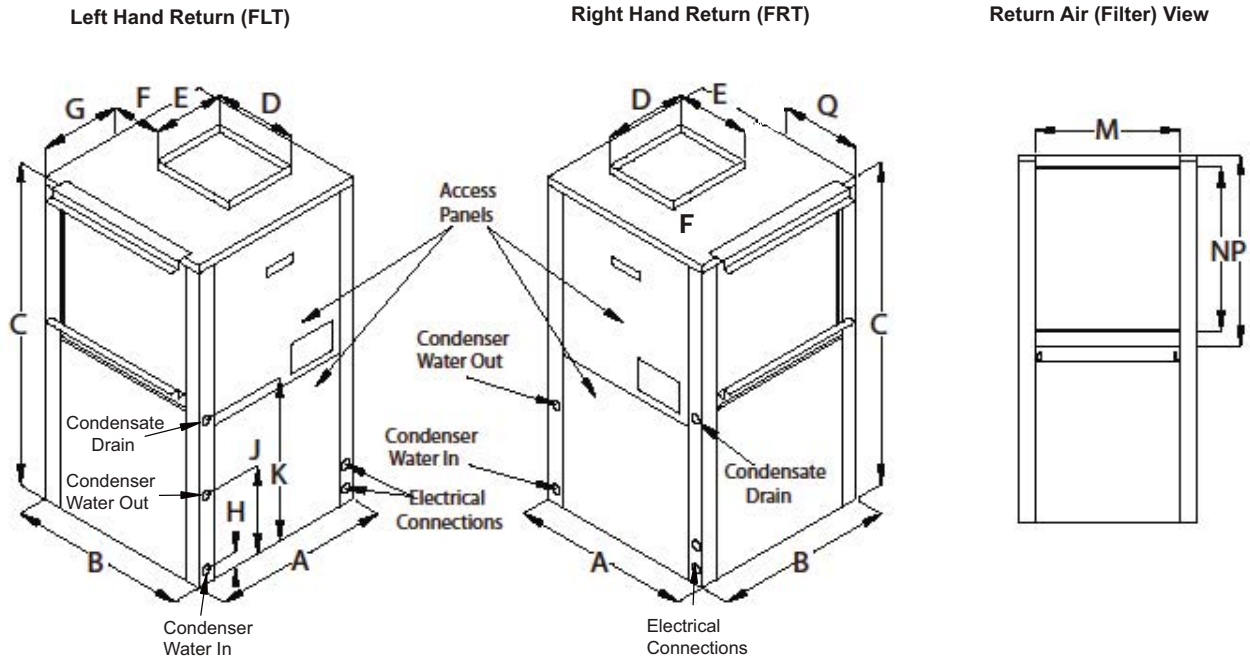
Horizontal Unit Configurations



Greensource i Series Model SV Water Source Heat Pump ½ to 6 Ton



SV Vertical Unit Dimensions and Connections



SV Vertical Unit Dimensions

Model	A	B	C	D	E	F	G	H	J	K	M	N	P	Q	Condenser Water Connections	Recommended Replacement Nominal Filter Size
	Width	Depth	Height	Discharge Depth	Discharge Width	Cabinet Edge to Discharge	Left Side to Discharge	Water Inlet	Water Outlet	Condensate Drain	R/A Duct Width	R/A Duct Flange Height	Filter Rack Height	Cabinet Edge to Discharge		
SV007	19.0	19.0	24.25	10.0	8.0	4.5	9.3	2.44	9.68	13.87	16.0	8.0	10.0	5.4	3/4"FPT	10 × 16 × 1
SV009	19.0	19.0	24.25	10.0	8.0	4.5	9.3	2.44	9.68	13.87	16.0	8.0	10.0	5.4	3/4"FPT	10 × 16 × 1
SV012	19.0	19.0	24.25	10.0	8.0	4.5	9.3	2.44	9.68	13.87	16.0	8.0	10.0	5.4	3/4"FPT	10 × 16 × 1
SV015	21.5	21.5	32.25	14.0	14.0	3.1	5.2	2.85	8.45	15.87	20.0	14.0	16.0	5.2	3/4"FPT	16 × 20 × 1
SV018	21.5	21.5	32.25	14.0	14.0	3.1	5.2	2.85	8.45	15.87	20.0	14.0	16.0	5.2	3/4"FPT	16 × 20 × 1
SV024	21.5	21.5	39.25	14.0	14.0	3.1	5.2	2.80	8.45	18.87	20.0	18.0	20.0	5.2	3/4"FPT	20 × 20 × 1
SV030	21.5	21.5	39.25	14.0	14.0	3.1	5.2	2.80	8.45	18.87	20.0	18.0	20.0	5.2	3/4"FPT	20 × 20 × 1
SV036	21.5	26.0	43.25	16.0	14.0	4.0	5.0	2.75	10.77	18.87	24.0	22.0	24.0	5.0	3/4"FPT	24 × 24 × 1
SV041	21.5	21.5	39.25	16.0	14.0	1.7	4.7	2.80	8.45	18.87	20.0	18.0	20.0	4.7	3/4"FPT	20 × 20 × 1
SV042	21.5	26.0	44.25	16.0	14.0	4.0	5.0	2.75	10.77	18.87	24.0	22.0	24.0	5.0	3/4"FPT	24 × 24 × 1
SV048	24.0	32.5	45.25	18.0	14.0	7.0	6.2	3.26	13.20	20.87	30.0	22.0	24.0	6.2	1"FPT	24 × 30 × 1
SV060	24.0	32.5	45.25	18.0	14.0	7.0	6.2	3.26	13.20	20.87	30.0	22.0	24.0	6.2	1"FPT	24 × 30 × 1
SV070	26.0	33.25	58.25	18.0	16.0	7.8	7.2	2.92	13.36	25.87	30.0	30.0	32.0	7.2	1"FPT	16 × 30 × 1 (2)

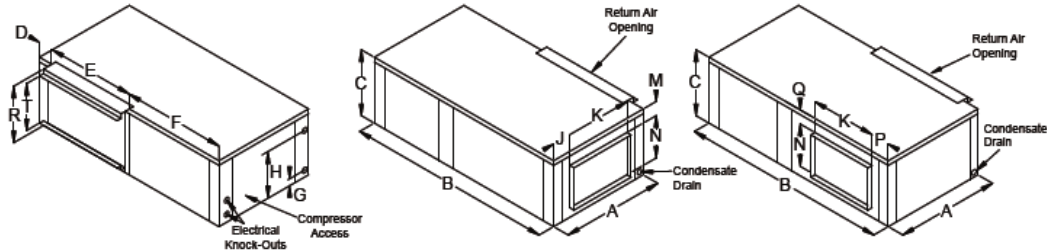
All dimensions within ± 0.125 ". All condensate drain connections are 3/4" FPT. Specifications subject to change without notice. 1" filter rack extends 1.23" beyond the side of the unit. 2" filter rack extends 2.89" beyond the side of the unit. The 2" filter rack is 4 sided with a filter access door on one end and can accept either a 1" or 2" filter. LV015-070 can be field converted between end blow and straight through supply air configurations.

Greensource i Series Model SV

Water Source Heat Pump ½ to 6 Ton



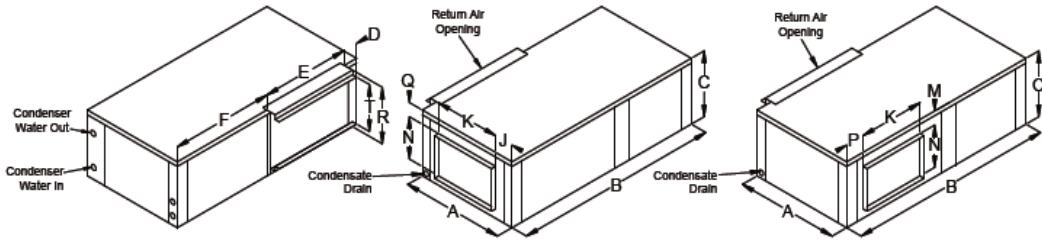
SV Horizontal Unit Dimensions and Connections



Left Hand Return End Blow (FLE)

Left Hand Return Straight Through (FLS)

NOTE: Models SV048 & 060 Left Hand Return units have condenser water connections on the front right and electrical knockouts on the front left.



Right Hand Return End Blow (FRE)

Right Hand Return Straight Through (FRS)

SV Horizontal Unit Dimensions

Model	A	B	C	D	E	F	G	H	J	K	M	N	P	Q	R	T	Condenser Water Connections	Recommended Replacement Nominal Filter Size
	Width	Depth	Height	Cabinet End to Filter Rack	R/A Duct Width	Cab Front to Filter Rack	Water Inlet	Water Outlet	Side to Discharge (End)	Discharge Width	Top to Discharge (FLE & FRS)	Discharge Height	End to Discharge (Straight)	Top to Discharge (FRE & FLS)	Filter Rack Height	R/A Duct Flange Height		
SV007	19.0	33.0	11.5	1.5	16.15	15.35	2.38	9.5	5.375	6.3	5.97	4.1	4.875	1.41	11.3	8.6	3/4" FPT	10 × 16 × 1
SV009	19.0	33.0	11.5	1.5	16.15	15.35	2.38	9.5	5.375	6.3	5.97	4.1	4.875	1.41	11.3	8.6	3/4" FPT	10 × 16 × 1
SV012	19.0	33.0	11.5	1.5	16.15	15.35	2.38	9.5	5.25	6.43	6.31	4.1	4.75	1.14	11.3	8.6	3/4" FPT	10 × 16 × 1
SV015 (Cu)	22.0	43.0	17.0	1.5	20.15	21.35	2.86	15.0	5.42	9.13	6.11	9.65	4.92	1.23	16.8	15.0	3/4" FPT	16 × 20 × 1
SV015 (CuNi)	22.0	43.0	17.0	1.5	20.15	21.35	2.86	14.13*	5.42	9.13	6.11	9.65	4.92	1.23	16.8	15.0	3/4" FPT	16 × 20 × 1
SV018	22.0	43.0	17.0	1.5	20.15	21.35	2.86	14.13	5.42	9.13	6.11	9.65	4.92	1.23	16.8	15.0	3/4" FPT	16 × 20 × 1
SV024	22.0	43.0	18.0	1.5	25.0	16.5	2.86	14.13	5.42	9.13	6.11	9.65	4.92	1.23	16.8	15.0	3/4" FPT	16 × 25 × 1
SV030	22.0	43.0	18.0	1.5	25.0	16.5	2.47	15.0	5.42	9.13	6.11	9.65	4.92	1.23	16.8	15.0	3/4" FPT	16 × 25 × 1
SV036	22.0	54.5	19.0	1.5	30.15	22.85	2.86	16.13	6.47	9.13	7.5	10.28	5.97	1.21	18.8	17.0	3/4" FPT	18 × 30 × 1
SV042	22.0	54.5	19.0	1.5	30.15	22.85	2.86	16.13	5.27	10.45	6.46	11.3	4.77	1.22	18.8	17.0	3/4" FPT	18 × 30 × 1
SV048	25.0	54.5	21.0	1.5	34.6	18.4	2.86	18.52	7.25	10.45	7.46	11.36	6.75	2.16	20.8	19.0	1" FPT	20 × 34.5 × 5 × 1
SV060	25.0	54.5	21.0	1.5	34.6	18.4	2.86	18.52	6.32	11.76	6.81	12.5	5.82	1.68	20.8	19.0	1" FPT	20 × 34.5 × 5 × 1
SV070	25.0	65.0	21.0	1.5	48.1	15.4	2.86	18.52	6.32	11.76	6.81	12.5	5.82	1.68	20.8	19.0	1" FPT	20 × 24 × 1 (2)

* LV015* is with CuNi water coil option

All dimensions within ± 0.125". All condensate drain connections are 3/4" FPT. Specifications subject to change without notice. 1" filter rack extends 1.23" beyond the side of the unit. 2" filter rack extends 2.89" beyond the side of the unit. The 2" filter rack is 4 sided with a filter access door on one end and can accept either a 1" or 2" filter. LV015-070 can be field converted between end blow and straight through supply air configurations.

Greensource i Series Model SV

Water Source Heat Pump ½ to 6 Ton



Capacity Data SV007 (300 CFM)															
Cooling									Heating						
Entering Water Temp (°F)	Water flow (GPM)	Pressure Drop PSI (FOH)	Entering Air Temp DB/WB (°F)	Total Capacity (MBTUH)	Sensible Capacity (MBTUH)	Heat of Rejection (MBTUH)	Power (kW)	EER	Entering Fluid Temp (°F)	Pressure Drop PSI (FOH)	Entering Air Temp (°F)	Total Capacity (MBTUH)	Heat of Absorption (MBTUH)	Power Input (kW)	COP
50	1.5	0.7	75/63	7.6	6.6	8.9	0.4	19.2	30	0.8	60	4.5	3.4	0.4	3.1
			80/67	8.1	6.9	9.4	0.4	20.6			70	4.3	3.2	0.5	2.8
			85/71	8.6	7.1	9.9	0.4	22.1			80	4.2	2.9	0.5	2.5
	2.3	1.5	75/63	7.8	6.7	9.1	0.4	21.2		60	4.7	3.6	0.4	3.2	
			80/67	8.3	7.0	9.6	0.4	23.0		70	4.5	3.3	0.5	2.9	
			85/71	8.9	7.3	10.1	0.4	24.8		80	4.4	3.1	0.5	2.6	
	3	2.5	75/63	7.9	6.7	9.2	0.4	22.3		60	4.8	3.7	0.4	3.2	
			80/67	8.5	7.0	9.7	0.3	24.3		70	4.6	3.4	0.5	2.9	
			85/71	9.0	7.3	10.3	0.3	26.5		80	4.4	3.1	0.5	2.6	
60	1.5	0.7	75/63	7.2	6.4	8.6	0.4	16.3	40	0.7	60	5.3	4.1	0.4	3.5
			80/67	7.6	6.7	9.1	0.4	17.4			70	5.1	3.9	0.5	3.2
			85/71	8.1	7.0	9.6	0.4	18.6			80	4.9	3.6	0.5	2.9
	2.3	1.5	75/63	7.4	6.5	8.8	0.4	17.8		60	5.5	4.4	0.4	3.7	
			80/67	7.9	6.8	9.3	0.4	19.2		70	5.3	4.1	0.5	3.3	
			85/71	8.4	7.1	9.8	0.4	20.6		80	5.1	3.8	0.5	3.0	
	3	2.4	75/63	7.5	6.5	8.8	0.4	18.6		60	5.6	4.5	0.4	3.8	
			80/67	8.0	6.9	9.4	0.4	20.2		70	5.4	4.2	0.5	3.4	
			85/71	8.6	7.1	9.9	0.4	21.9		80	5.2	3.9	0.5	3.0	
70	1.5	0.7	75/63	6.7	6.3	8.3	0.5	13.9	50	0.7	60	6.0	4.9	0.4	4.0
			80/67	7.2	6.5	8.8	0.5	14.8			70	5.9	4.6	0.5	3.6
			85/71	7.7	6.8	9.3	0.5	15.8			80	5.7	4.3	0.5	3.2
	2.3	1.4	75/63	6.9	6.3	8.4	0.5	15.0		60	6.3	5.2	0.4	4.2	
			80/67	7.4	6.6	8.9	0.5	16.2		70	6.1	4.9	0.5	3.7	
			85/71	7.9	6.9	9.4	0.5	17.3		80	5.9	4.5	0.5	3.3	
	3	2.4	75/63	7.0	6.4	8.5	0.4	15.7		60	6.5	5.4	0.4	4.3	
			80/67	7.6	6.6	9.0	0.4	16.9		70	6.3	5.0	0.5	3.8	
			85/71	8.1	7.0	9.5	0.4	18.2		80	6.1	4.6	0.5	3.4	
80	1.5	0.7	75/63	6.3	6.1	8.0	0.5	11.9	60	0.7	60	6.9	5.7	0.4	4.5
			80/67	6.7	6.4	8.4	0.5	12.6			70	6.6	5.4	0.5	4.0
			85/71	7.2	6.6	8.9	0.5	13.4			80	6.5	5.0	0.5	3.6
	2.3	1.4	75/63	6.5	6.1	8.1	0.5	12.8		60	7.2	6.1	0.4	4.7	
			80/67	7.0	6.4	8.6	0.5	13.7		70	7.0	5.7	0.5	4.2	
			85/71	7.4	6.8	9.1	0.5	14.6		80	6.7	5.3	0.5	3.7	
	3	2.3	75/63	6.6	6.2	8.2	0.5	13.3		60	7.4	6.2	0.4	4.9	
			80/67	7.1	6.5	8.7	0.5	14.3		70	7.1	5.9	0.5	4.3	
			85/71	7.6	6.8	9.2	0.5	15.3		80	6.9	5.5	0.5	3.8	
90	1.5	0.6	75/63	5.9	5.7	7.7	0.6	10.2	70	0.7	60	7.7	6.6	0.4	5.0
			80/67	6.3	6.0	8.1	0.6	10.8			70	7.5	6.2	0.5	4.5
			85/71	6.7	6.3	8.6	0.6	11.4			80	7.2	5.8	0.5	4.0
	2.3	1.4	75/63	6.1	5.8	7.8	0.6	10.9		60	8.1	7.0	0.4	5.3	
			80/67	6.5	6.3	8.3	0.6	11.6		70	7.8	6.6	0.5	4.7	
			85/71	6.9	6.6	8.7	0.6	12.4		80	7.6	6.2	0.5	4.1	
	3	2.3	75/63	6.1	6.0	7.9	0.5	11.2		60	8.3	7.2	0.4	5.4	
			80/67	6.6	6.3	8.3	0.5	12.0		70	8.0	6.8	0.5	4.8	
			85/71	7.1	6.6	8.8	0.5	12.9		80	7.8	6.4	0.5	4.3	
100	1.5	0.6	75/63	5.5	5.5	7.4	0.6	8.7	80	0.7	60	8.6	7.4	0.4	5.6
			80/67	5.8	5.8	7.8	0.6	9.2			70	8.3	7.0	0.5	5.0
			85/71	6.2	6.1	8.2	0.6	9.8			80	8.1	6.7	0.5	4.4
	2.3	1.3	75/63	5.6	5.6	7.5	0.6	9.3		60	9.0	7.9	0.4	5.9	
			80/67	6.0	5.9	7.9	0.6	9.9		70	8.7	7.5	0.5	5.2	
			85/71	6.4	6.2	8.4	0.6	10.5		80	8.5	7.1	0.5	4.6	
	3	2.3	75/63	5.7	5.6	7.6	0.6	9.5		60	9.3	8.2	0.4	6.1	
			80/67	6.1	5.9	8.0	0.6	10.2		70	9.0	7.7	0.5	5.3	
			85/71	6.5	6.2	8.5	0.6	10.9		80	8.7	7.3	0.5	4.7	
110	1.5	0.6	75/63	5.1	5.1	7.1	0.7	7.5	Extended Range - Anti-freeze required	0.7	60	8.6	7.4	0.4	5.6
			80/67	5.4	5.4	7.5	0.7	7.9			70	8.3	7.0	0.5	5.0
			85/71	5.8	5.8	7.9	0.7	8.4			80	8.1	6.7	0.5	4.4
	2.3	1.3	75/63	5.2	5.2	7.2	0.7	7.9		60	9.0	7.9	0.4	5.9	
			80/67	5.6	5.6	7.6	0.7	8.4		70	8.7	7.5	0.5	5.2	
			85/71	5.9	5.9	8.0	0.7	8.9		80	8.5	7.1	0.5	4.6	
	3	2.2	75/63	5.3	5.3	7.3	0.6	8.1		60	9.3	8.2	0.4	6.1	
			80/67	5.6	5.6	7.7	0.7	8.7		70	9.0	7.7	0.5	5.3	
			85/71	6.0	6.0	8.1	0.7	9.2		80	8.7	7.3	0.5	4.7	

Extended Range - Anti-freeze required
 AHR/ISO13256-1 certified performance is rated at entering air conditions of 80.6°F DB and 66.2°F WB in cooling and 68°F DB in heating.
 Tabulated unit performance does not include fan or pump power corrections required for AHR/ISO standard performance ratings.
 Unit performance may be interpolated. Extrapolation is not allowed.
 For conditions other than rating conditions provided, consult the BST selection software.
 Ratings below 40°F are with a methanol solution.
DISCLAIMER: The performance reported herein is based on testing by FHP. Variations in the installation and operational environment may alter performance. Bosch disclaims all warranties, express and implied, that the performance will be as reported, including the warranty of merchantability and fitness for purpose. In addition, continuous research and development may result in a change to an appliances design and specifications at the time of order, which Bosch may change without notice. Before purchase, confirm the design specifications of the appliance.

Greensource i Series Model SV

Water Source Heat Pump ½ to 6 Ton



Capacity Data SV009 HZ (300 CFM)																
Cooling									Heating							
Entering Water Temp (°F)	Water flow (GPM)	Pressure Drop PSI (FOH)	Entering Air Temp DB/WB (°F)	Total Capacity (MBTUH)	Sensible Capacity (MBTUH)	Heat of Rejection (MBTUH)	Power (kW)	EER	Entering Fluid Temp (°F)	Pressure Drop PSI (FOH)	Entering Air Temp (°F)	Total Capacity (MBTUH)	Heat of Absorption (MBTUH)	Power Input (kW)	COP	
50	1	1.0	75/63	8.6	6.9	10.4	0.5	16.0	30	1.1	60	60	6.0	4.5	0.6	3.16
			80/67	9.1	7.1	11.0	0.5	16.9				70	5.9	4.2	0.6	2.91
			85/71	9.7	7.3	11.5	0.5	17.9				80	5.8	4.0	0.6	2.68
			75/63	9.0	7.0	10.6	0.5	18.5				60	6.4	4.8	0.6	3.33
			80/67	9.6	7.3	11.2	0.5	19.8				70	6.3	4.6	0.6	3.03
			85/71	10.2	7.5	11.9	0.5	21.1				80	6.2	4.3	0.6	2.79
	1.5	2.1	75/63	9.3	7.2	10.8	0.4	21.0		5.5	60	60	6.8	5.2	0.6	3.5
			80/67	9.9	7.4	11.5	0.4	22.7				70	6.6	4.9	0.6	3.17
			85/71	10.6	7.7	12.1	0.4	24.6				80	6.5	4.6	0.7	2.9
			75/63	7.8	6.9	9.9	0.6	13.3				60	6.9	5.3	0.6	3.56
			80/67	8.3	7.2	10.4	0.6	13.9				70	6.8	5.1	0.6	3.23
			85/71	8.7	7.4	10.9	0.6	14.6				80	6.7	4.8	0.7	2.97
60	1	1.0	75/63	8.3	7.1	10.2	0.5	15.3	40	1.1	60	60	7.2	5.5	0.6	3.4
			80/67	9.1	7.1	10.9	0.5	16.7				70	7.2	5.5	0.6	3.1
			85/71	9.7	7.3	11.5	0.5	17.8				80	7.1	5.2	0.7	3.1
			75/63	8.8	7.0	10.5	0.5	17.6				60	7.9	6.2	0.6	3.94
			80/67	9.5	7.2	11.2	0.5	19.0				70	7.7	5.9	0.6	3.57
			85/71	10.1	7.5	11.8	0.5	20.4				80	7.5	5.6	0.7	3.23
	1.5	2.1	75/63	7.4	6.7	9.6	0.6	11.4		5.4	60	60	7.8	6.2	0.6	3.93
			80/67	7.8	7.0	10.1	0.7	12.0				70	7.7	5.9	0.6	3.58
			85/71	8.3	7.3	10.6	0.7	12.6				80	7.6	5.6	0.7	3.26
			75/63	7.7	6.9	9.8	0.6	12.9				60	8.4	6.8	0.6	4.17
			80/67	8.2	7.1	10.3	0.6	13.6				70	8.3	6.4	0.6	3.78
			85/71	8.7	7.4	10.9	0.6	14.4				80	8.1	6.1	0.7	3.43
70	1	1.0	75/63	8.0	7.0	10.0	0.6	14.3	50	1.1	60	60	9.0	7.3	0.6	4.41
			80/67	8.7	7.3	10.7	0.6	15.6				70	8.8	6.9	0.6	3.96
			85/71	9.6	7.3	11.5	0.6	17.1				80	8.6	6.5	0.7	3.59
			75/63	6.8	6.5	9.2	0.7	9.8				60	8.4	6.8	0.6	4.27
			80/67	7.4	6.7	10.2	0.7	11.3				70	8.3	6.5	0.6	3.85
			85/71	7.6	7.0	10.2	0.7	10.7				80	8.2	6.2	0.7	3.5
	1.5	2.0	75/63	7.9	5.7	9.9	0.7	11.9		2.1	60	60	9.1	7.4	0.6	4.54
			80/67	7.7	7.0	10.0	0.7	11.7				70	8.9	7.1	0.6	4.07
			85/71	8.2	7.2	10.6	0.7	12.3				80	8.7	6.7	0.7	3.68
			75/63	7.6	6.8	9.7	0.6	12.1				60	9.7	8.0	0.6	4.8
			80/67	8.1	7.1	10.3	0.6	12.9				70	9.4	7.6	0.6	4.28
			85/71	8.6	7.4	10.8	0.6	13.7				80	9.2	7.2	0.7	3.85
80	1	1.0	75/63	6.6	6.1	9.0	0.8	8.7	60	1.0	60	60	9.4	7.8	0.6	4.68
			80/67	7.1	6.4	9.5	0.8	9.2				70	9.2	7.4	0.6	4.21
			85/71	7.2	6.9	9.9	0.8	9.3				80	9.0	7.1	0.7	3.8
			75/63	6.9	6.2	9.2	0.7	9.6				60	10.1	8.5	0.6	4.99
			80/67	7.1	6.7	9.5	0.7	9.8				70	9.9	8.1	0.6	4.46
			85/71	7.3	6.8	10.0	0.7	10.0				80	9.7	7.7	0.7	4.01
	1.5	2.0	75/63	6.8	6.5	9.2	0.7	10.0		2.1	60	60	10.8	9.2	0.6	5.3
			80/67	7.3	6.8	9.7	0.7	10.6				70	10.5	8.7	0.7	4.71
			85/71	7.7	7.1	10.1	0.7	11.2				80	10.3	8.3	0.7	4.21
			75/63	6.2	5.9	8.8	0.8	7.6				60	10.4	8.7	0.6	5.11
			80/67	6.6	6.2	9.3	0.8	8.0				70	10.2	8.4	0.7	4.57
			85/71	6.8	6.8	9.6	0.8	8.2				80	10.0	8.0	0.7	4.11
90	1	0.9	75/63	6.5	6.1	8.9	0.8	8.3	70	1.0	60	60	11.2	9.5	0.6	5.46
			80/67	6.9	6.2	9.2	0.7	9.6				70	10.9	9.1	0.7	4.86
			85/71	7.1	6.7	9.5	0.7	9.8				80	10.7	8.7	0.7	4.35
			75/63	6.5	6.1	8.9	0.8	8.3				60	12.0	10.3	0.6	5.82
			80/67	6.9	6.3	9.4	0.8	8.8				70	11.7	9.8	0.7	5.14
			85/71	7.2	6.9	9.9	0.8	9.1				80	11.4	9.3	0.7	4.57
	1.5	1.9	75/63	6.7	6.1	9.1	0.7	9.0		2.0	60	60	10.4	8.7	0.6	5.11
			80/67	7.2	6.9	9.9	0.8	9.1				70	10.9	9.1	0.7	4.86
			85/71	7.5	7.1	10.1	0.7	10.6				80	10.7	8.7	0.7	4.35
			75/63	6.2	5.9	8.8	0.8	7.6				60	12.0	10.3	0.6	5.82
			80/67	6.6	6.2	9.3	0.8	8.0				70	11.7	9.8	0.7	5.14
			85/71	6.8	6.8	9.6	0.8	8.2				80	11.4	9.3	0.7	4.57
100	1	0.9	75/63	6.2	5.9	8.8	0.8	7.6	80	1.0	60	60	10.4	8.7	0.6	5.11
			80/67	6.6	6.2	9.3	0.8	8.0				70	10.2	8.4	0.7	4.57
			85/71	6.8	6.8	9.6	0.8	8.2				80	10.0	8.0	0.7	4.11
			75/63	6.5	6.1	8.9	0.8	8.3				60	11.2	9.5	0.6	5.46
			80/67	6.9	6.3	9.4	0.8	8.8				70	10.9	9.1	0.7	4.86
			85/71	7.2	6.9	9.9	0.8	9.1				80	10.7	8.7	0.7	4.35
	1.5	1.9	75/63	6.7	6.1	9.1	0.7	9.0		2.0	60	60	12.0	10.3	0.6	5.82
			80/67	7.2	6.9	9.9	0.8	9.1				70	11.7	9.8	0.7	5.14
			85/71	7.5	7.1	10.1	0.7	10.6				80	11.4	9.3	0.7	4.57
			75/63	6.2	5.9	8.8	0.8	7.6				60	10.4	8.7	0.6	5.11
			80/67	6.6	6.2	9.3	0.8	8.0				70	10.9	9.1	0.7	4.86
			85/71	6.8	6.8	9.6	0.8	8.2				80	10.7	8.7	0.7	4.35
110	1	0.9	75/63	6.2	6.0	8.8	0.8	7.7	50	1.1	60	60	10.4	8.7	0.6	5.11
			80/67	6.7	6.2	9.3	0.8	8.2				70	10.2	8.4	0.7	4.57
			85/71	6.9	6.4	9.6	0.9	8.0				80	10.0	8.0	0.7	4.11
			75/63	6.2	6.0	8.8	0.8	7.7				60	11.2	9.5	0.6	5.46
			80/67	6.7	6.2	9.3	0.8	8.2				70	10.9	9.1	0.7	4.86
			85/71	6.9	6.8	9.7	0.8	8.4				80	10.7	8.7	0.7	4.35
	1.5	1.9	75/63	5.8	5.8	8.6	0.9	6.6		5.0	60	60	10.4	8.7	0.6	5.11
			80/67	6.1	6.0	9.0	0.9	6.9				70	10.2	8.4	0.7	4.57
			85/71	6.6	6.2	9.4	0.9	7.3				80	10.0	8.0	0.7	4.11
			75/63	6.0	5.9	8.7	0.8	7.1				60	11.2	9.5	0.6	5.46
			80/67	6.4	6.1	9.1	0.9	7.5				70	10.9	9.1	0.7	4.86
			85/71	6.9	6.4	9.6	0.9	8.0				80	10.7	8.7	0.7	4.35
2.5	4.6	75/63	6.2	6.0	8.8	0.8	7.7	5.0	60	60	12.0	10.3	0.6	5.82		
		80/67	6.7	6.2	9.3	0.8	8.2			70	11.7	9.8	0.7	5.14		
		85/71	6.9	6.8	9.7	0.8	8.4			80	11.4	9.3	0.7	4.57		

Extended Range - Anti-freeze required
 AHRI/ISO13256-1 certified performance is rated at entering air conditions of 80.6°F DB and 66.2°F WB in cooling and 68°F DB in heating.
 Tabulated unit performance does not include fan or pump power corrections required for AHRI/ISO standard performance ratings.
 Unit performance may be interpolated. Extrapolation is not allowed.
 For conditions other than rating conditions provided, consult the BST selection software.
 Ratings below 40°F are with a methanol solution.

DISCLAIMER: The performance reported herein is based on testing by FHP. Variations in the installation and operational environment may alter performance. Bosch disclaims all warranties, express and implied, that the performance will be as reported, including the warranty of merchantability and fitness for purpose. In addition, continuous research and development may result in a change to an appliances design and specifications at the time of order, which Bosch may change without notice. Before purchase, confirm the design specifications of the appliance.

Greensource i Series Model SV

Water Source Heat Pump ½ to 6 Ton



Capacity Data SV009 VT (330 CFM)																	
Cooling									Heating								
Entering Water Temp (°F)	Water flow (GPM)	Pressure Drop PSI (FOH)	Entering Air Temp DB/WB (°F)	Total Capacity (MBTUH)	Sensible Capacity (MBTUH)	Heat of Rejection (MBTUH)	Power (kW)	EER	Entering Fluid Temp (°F)	Pressure Drop PSI (FOH)	Entering Air Temp (°F)	Total Capacity (MBTUH)	Heat of Absorption (MBTUH)	Power Input (kW)	COP		
50	1	1.0	75/63	9.1	6.5	10.8	0.6	16.3	30	1.1	60	6.1	4.5	0.6	3.11		
			80/67	8.9	7.8	10.9	0.6	16.0			70	6.0	4.3	0.6	2.87		
			85/71	9.4	8.1	11.5	0.6	16.8			80	6.0	4.0	0.7	2.64		
	1.5	2.1	75/63	8.8	7.7	10.7	0.5	17.6		60	6.5	4.9	0.6	3.28			
			80/67	9.4	8.0	11.2	0.5	18.7		70	6.4	4.6	0.6	2.99			
			85/71	9.9	8.3	11.8	0.5	19.9		80	6.3	4.3	0.7	2.75			
	2.5	5.2	75/63	9.9	7.0	11.3	0.5	21.6		60	6.9	5.2	0.6	3.44			
			80/67	9.8	8.1	11.5	0.5	21.7		70	6.7	4.9	0.6	3.12			
			85/71	11.3	7.1	12.6	0.4	25.6		80	6.6	4.6	0.7	2.86			
	60	1	1.0	75/63	8.1	7.3	10.2	0.6		13.3	40	1.1	60	7.0	5.4	0.6	3.49
				80/67	8.4	7.6	10.6	0.6		13.7			70	6.9	5.1	0.6	3.18
				85/71	8.8	7.9	11.1	0.6		14.3			80	6.8	4.8	0.7	2.93
1.5		2.1	75/63	8.4	7.5	10.4	0.6	14.9	60	7.5		5.8	0.6	3.69			
			80/67	8.9	7.8	10.9	0.6	15.8	70	7.4		5.5	0.6	3.36			
			85/71	9.4	8.1	11.5	0.6	16.7	80	7.2		5.2	0.7	3.05			
2.5		5.1	75/63	8.7	7.6	10.6	0.5	16.8	60	8.0		6.3	0.6	3.9			
			80/67	9.3	7.9	11.2	0.5	18.0	70	7.8		5.9	0.7	3.53			
			85/71	9.9	8.2	11.8	0.5	19.3	80	7.7		5.6	0.7	3.2			
70		1	1.0	75/63	7.8	6.9	10.0	0.7	11.6	50		1.1	60	8.0	6.3	0.6	3.88
				80/67	8.3	7.2	10.5	0.7	12.2				70	7.9	6.0	0.7	3.54
				85/71	8.8	7.4	11.1	0.7	12.8				80	7.7	5.7	0.7	3.23
	1.5	2.0	75/63	8.2	7.1	10.2	0.6	13.1	60		8.6	6.8	0.6	4.12			
			80/67	8.4	7.6	10.6	0.6	13.4	70		8.4	6.5	0.7	3.73			
			85/71	8.8	7.9	11.1	0.6	14.1	80		8.2	6.1	0.7	3.39			
	2.5	5.0	75/63	8.9	6.4	10.7	0.6	15.4	60		9.1	7.4	0.6	4.37			
			80/67	8.8	7.7	10.9	0.6	15.1	70		8.9	7.0	0.7	3.92			
			85/71	9.3	8.0	11.4	0.6	16.1	80		8.7	6.6	0.7	3.55			
	80	1	1.0	75/63	7.3	6.8	9.7	0.7	10.0		60	1.0	60	8.7	7.0	0.6	4.2
				80/67	7.8	7.0	10.2	0.7	10.5				70	8.6	6.7	0.7	3.79
				85/71	8.3	7.3	10.7	0.7	11.0				80	8.5	6.4	0.7	3.45
1.5		2.0	75/63	7.7	6.9	9.9	0.7	11.2	60	9.4		7.6	0.6	4.48			
			80/67	8.2	7.2	10.5	0.7	11.9	70	9.2		7.3	0.7	4.01			
			85/71	8.7	7.4	11.0	0.7	12.6	80	9.0		6.9	0.7	3.63			
2.5		4.9	75/63	8.0	7.0	10.1	0.6	12.4	60	10.0		8.3	0.6	4.75			
			80/67	8.6	7.3	10.7	0.6	13.2	70	9.8		7.8	0.7	4.24			
			85/71	8.7	7.8	11.0	0.6	13.5	80	9.5		7.4	0.7	3.8			
90		1	0.9	75/63	6.7	6.5	9.3	0.8	8.4	70		1.0	60	9.7	8.0	0.6	4.61
				80/67	7.2	6.8	9.8	0.8	8.9				70	9.5	7.6	0.7	4.15
				85/71	7.6	7.0	10.3	0.8	9.3				80	9.4	7.3	0.7	3.74
	1.5	1.9	75/63	7.1	6.7	9.5	0.8	9.3	60		10.4	8.7	0.6	4.93			
			80/67	7.5	6.9	10.0	0.8	9.9	70		10.2	8.3	0.7	4.4			
			85/71	8.0	7.2	10.5	0.8	10.4	80		10.0	7.9	0.7	3.95			
	2.5	4.8	75/63	7.3	6.8	9.7	0.7	10.2	60		11.2	9.4	0.6	5.25			
			80/67	7.8	7.0	10.2	0.7	10.9	70		10.9	9.0	0.7	4.66			
			85/71	8.4	7.3	10.7	0.7	11.6	80		10.7	8.5	0.8	4.16			
	100	1	0.9	75/63	6.3	6.3	9.0	0.9	7.3		80	1.0	60	10.7	8.9	0.6	5.04
				80/67	6.7	6.7	9.5	0.9	7.7				70	10.5	8.6	0.7	4.51
				85/71	7.1	6.9	10.0	0.9	8.1				80	10.3	8.2	0.7	4.05
1.5		1.9	75/63	6.6	6.5	9.2	0.8	8.0	60	11.5		9.8	0.6	5.4			
			80/67	7.0	6.8	9.7	0.8	8.5	70	11.3		9.4	0.7	4.8			
			85/71	7.5	7.0	10.2	0.8	9.0	80	11.1		8.9	0.8	4.29			
2.5		4.7	75/63	6.8	6.6	9.4	0.8	8.7	60	12.4		10.7	0.6	5.78			
			80/67	7.3	6.8	9.9	0.8	9.3	70	12.1		10.1	0.7	5.1			
			85/71	7.8	7.1	10.4	0.8	9.9	80	11.8		9.6	0.8	4.53			
110		1	0.9	75/63	6.0	6.0	8.9	0.9	6.4	Extended Range - Anti-freeze required		1.0	60	10.7	8.9	0.6	5.04
				80/67	6.3	6.3	9.3	0.9	6.7				70	10.5	8.6	0.7	4.51
				85/71	6.7	6.7	9.7	0.9	7.0				80	10.3	8.2	0.7	4.05
	1.5	1.9	75/63	6.2	6.2	9.0	0.9	7.0	60		11.5	9.8	0.6	5.4			
			80/67	6.5	6.5	9.4	0.9	7.3	70		11.3	9.4	0.7	4.8			
			85/71	7.0	6.7	9.9	0.9	7.7	80		11.1	8.9	0.8	4.29			
2.5	4.6	75/63	6.4	6.4	9.1	0.9	7.5	60	12.4	10.7	0.6	5.78					
		80/67	6.8	6.7	9.6	0.9	7.9	70	12.1	10.1	0.7	5.1					
		85/71	7.3	6.9	10.1	0.9	8.4	80	11.8	9.6	0.8	4.53					

Extended Range - Anti-freeze required
 AHRI/ISO13256-1 certified performance is rated at entering air conditions of 80.6°F DB and 66.2°F WB in cooling and 68°F DB in heating.
 Tabulated unit performance does not include fan or pump power corrections required for AHRI/ISO standard performance ratings.
 Unit performance may be interpolated. Extrapolation is not allowed.
 For conditions other than rating conditions provided, consult the BST selection software.
 Ratings below 40°F are with a methanol solution.

DISCLAIMER: The performance reported herein is based on testing by FHP. Variations in the installation and operational environment may alter performance. Bosch disclaims all warranties, express and implied, that the performance will be as reported, including the warranty of merchantability and fitness for purpose. In addition, continuous research and development may result in a change to an appliances design and specifications at the time of order, which Bosch may change without notice. Before purchase, confirm the design specifications of the appliance.

Greensource i Series Model SV

Water Source Heat Pump ½ to 6 Ton



Capacity Data SV012 (375 CFM)															
Cooling									Heating						
Entering Water Temp (°F)	Water flow (GPM)	Pressure Drop PSI (FOH)	Entering Air Temp DB/WB (°F)	Total Capacity (MBTUH)	Sensible Capacity (MBTUH)	Heat of Rejection (MBTUH)	Power (kW)	EER	Entering Fluid Temp (°F)	Pressure Drop PSI (FOH)	Entering Air Temp (°F)	Total Capacity (MBTUH)	Heat of Absorption (MBTUH)	Power Input (kW)	COP
50	1.5	1.2	75/63	11.9	9.2	14.4	7.3	16.3	30	1.3	60	7.7	5.6	0.8	2.9
			80/67	12.7	9.5	15.2	7.4	17.2			70	7.6	5.3	0.8	2.7
			85/71	13.5	9.9	16.0	7.5	18.1			80	7.5	4.9	0.9	2.5
	2.3	2.5	75/63	12.4	9.4	14.7	6.7	18.5		60	8.1	6.0	0.8	3.1	
			80/67	13.3	9.7	15.6	6.7	19.8		70	7.9	5.6	0.8	2.8	
			85/71	14.1	10.0	16.4	6.7	21.1		80	7.8	5.2	0.9	2.6	
	3	4.1	75/63	12.7	9.5	14.9	6.4	19.9		60	8.4	6.2	0.8	3.1	
			80/67	13.5	9.8	15.7	6.3	21.4		70	8.2	5.8	0.8	2.9	
			85/71	14.4	10.2	16.6	6.3	22.9		80	8.0	5.4	0.9	2.6	
60	1.5	1.1	75/63	11.3	9.0	14.0	8.1	14.0	40	1.2	60	8.9	6.6	0.8	3.3
			80/67	12.1	9.3	14.8	8.2	14.8			70	8.7	6.2	0.9	3.0
			85/71	12.8	9.5	15.6	8.3	15.5			80	8.5	5.9	0.9	2.7
	2.3	2.5	75/63	11.8	9.1	14.3	7.5	15.8		60	9.4	7.1	0.8	3.4	
			80/67	12.6	9.5	15.1	7.5	16.8		70	9.1	6.7	0.9	3.1	
			85/71	13.4	9.8	16.0	7.6	17.8		80	8.9	6.3	0.9	2.8	
	3	4.0	75/63	12.0	9.2	14.5	7.2	16.8		60	9.6	7.4	0.8	3.5	
			80/67	12.9	9.6	15.3	7.2	17.9		70	9.4	6.9	0.9	3.2	
			85/71	13.7	9.9	16.2	7.2	19.2		80	9.1	6.5	0.9	2.9	
70	1.5	1.1	75/63	10.7	8.7	13.7	8.9	12.1	50	1.2	60	10.0	7.7	0.8	3.6
			80/67	11.4	9.0	14.4	9.0	12.7			70	9.8	7.3	0.9	3.3
			85/71	12.2	9.3	15.2	9.1	13.4			80	9.6	6.9	0.9	3.0
	2.3	2.4	75/63	11.2	8.9	13.9	8.3	13.5		60	10.6	8.3	0.8	3.8	
			80/67	11.9	9.2	14.7	8.4	14.3		70	10.3	7.8	0.9	3.4	
			85/71	12.7	9.6	15.6	8.4	15.1		80	10.1	7.4	1.0	3.1	
	3	3.8	75/63	11.4	9.0	14.1	8.0	14.2		60	11.0	8.6	0.8	3.9	
			80/67	12.2	9.3	14.9	8.0	15.2		70	10.7	8.1	0.9	3.5	
			85/71	13.0	9.7	15.7	8.0	16.2		80	10.4	7.6	1.0	3.2	
80	1.5	1.1	75/63	10.1	8.4	13.3	9.7	10.5	60	1.1	60	11.2	8.9	0.8	4.0
			80/67	10.8	8.7	14.0	9.8	11.0			70	11.0	8.4	0.9	3.6
			85/71	11.5	9.1	14.8	9.9	11.5			80	10.8	8.0	1.0	3.3
	2.3	2.3	75/63	10.5	8.6	13.5	9.1	11.6		60	12.0	9.6	0.8	4.2	
			80/67	11.3	8.9	14.3	9.2	12.3		70	11.7	9.1	0.9	3.8	
			85/71	12.0	9.3	15.1	9.3	12.9		80	11.4	8.5	1.0	3.4	
	3	3.7	75/63	10.7	8.7	13.7	8.8	12.2		60	12.3	10.0	0.8	4.3	
			80/67	11.5	9.0	14.5	8.9	13.0		70	12.1	9.4	0.9	3.9	
			85/71	12.3	9.3	15.3	8.9	13.8		80	11.7	8.9	1.0	3.5	
90	1.5	1.0	75/63	9.5	8.2	12.9	10.5	9.1	70	1.1	60	12.5	10.1	0.8	4.3
			80/67	10.1	8.5	13.6	10.6	9.5			70	12.2	9.6	0.9	3.9
			85/71	10.8	8.9	14.4	10.8	10.0			80	12.0	9.1	1.0	3.5
	2.3	2.2	75/63	9.9	8.3	13.2	9.9	10.0		60	13.3	10.9	0.9	4.5	
			80/67	10.6	8.7	13.9	10.1	10.5		70	13.0	10.4	0.9	4.1	
			85/71	11.3	9.0	14.7	10.2	11.1		80	12.7	9.8	1.0	3.7	
	3	3.6	75/63	10.1	8.4	13.3	9.7	10.4		60	13.8	11.4	0.9	4.7	
			80/67	10.8	8.8	14.0	9.8	11.1		70	13.5	10.8	0.9	4.2	
			85/71	11.5	9.2	14.8	9.9	11.7		80	13.1	10.2	1.0	3.8	
100	1.5	1.0	75/63	8.8	8.0	12.5	11.3	7.8	80	1.1	60	13.8	11.3	0.9	4.7
			80/67	9.4	8.3	13.2	11.5	8.2			70	13.5	10.8	0.9	4.2
			85/71	10.1	8.6	13.9	11.7	8.6			80	13.2	10.3	1.0	3.8
	2.3	2.1	75/63	9.2	8.1	12.8	10.8	8.5		60	14.7	12.3	0.9	4.9	
			80/67	9.9	8.4	13.5	11.0	9.0		70	14.4	11.7	1.0	4.4	
			85/71	10.6	8.8	14.2	11.1	9.5		80	14.1	11.1	1.0	4.0	
	3	3.4	75/63	9.4	8.2	12.9	10.6	8.9		60	15.3	12.8	0.9	5.1	
			80/67	10.1	8.5	13.6	10.7	9.5		70	14.9	12.2	1.0	4.5	
			85/71	10.8	8.8	14.4	10.8	10.0		80	14.5	11.5	1.0	4.1	
110	1.5	1.0	75/63	8.2	7.6	12.2	12.1	6.8	Extended Range - Anti-freeze required	1.1	60	13.8	11.3	0.9	4.7
			80/67	8.8	8.0	12.8	12.4	7.1			70	13.5	10.8	0.9	4.2
			85/71	9.4	8.3	13.5	12.6	7.5			80	13.2	10.3	1.0	3.8
	2.3	2.1	75/63	8.5	7.8	12.3	11.7	7.3		60	14.7	12.3	0.9	4.9	
			80/67	9.2	8.2	13.0	11.9	7.7		70	14.4	11.7	1.0	4.4	
			85/71	9.8	8.5	13.8	12.0	8.2		80	14.1	11.1	1.0	4.0	
	3	3.3	75/63	8.7	7.9	12.4	11.5	7.6		60	15.3	12.8	0.9	5.1	
			80/67	9.3	8.3	13.2	11.6	8.0		70	14.9	12.2	1.0	4.5	
			85/71	10.0	8.6	13.9	11.8	8.5		80	14.5	11.5	1.0	4.1	

Extended Range - Anti-freeze required
 AHR/ISO13256-1 certified performance is rated at entering air conditions of 80.6°F DB and 66.2°F WB in cooling and 68°F DB in heating.
 Tabulated unit performance does not include fan or pump power corrections required for AHR/ISO standard performance ratings.
 Unit performance may be interpolated. Extrapolation is not allowed.
 For conditions other than rating conditions provided, consult the BST selection software.
 Ratings below 40°F are with a methanol solution.

DISCLAIMER: The performance reported herein is based on testing by FHP. Variations in the installation and operational environment may alter performance. Bosch disclaims all warranties, express and implied, that the performance will be as reported, including the warranty of merchantability and fitness for purpose. In addition, continuous research and development may result in a change to an appliances design and specifications at the time of order, which Bosch may change without notice. Before purchase, confirm the design specifications of the appliance.

Greensource i Series Model SV

Water Source Heat Pump ½ to 6 Ton



Capacity Data SV015 (375 CFM)																
Cooling									Heating							
Entering Water Temp (°F)	Water flow (GPM)	Pressure Drop PSI (FOH)	Entering Air Temp DB/WB (°F)	Total Capacity (MBTUH)	Sensible Capacity (MBTUH)	Heat of Rejection (MBTUH)	Power (kW)	EER	Entering Fluid Temp (°F)	Pressure Drop PSI (FOH)	Entering Air Temp (°F)	Total Capacity (MBTUH)	Heat of Absorption (MBTUH)	Power Input (kW)	COP	
50	2	2.0	75/63	14.8	11.4	17.6	0.8	18.0	30	2.1	60	9.6	6.9	0.9	3.0	
			80/67	15.8	11.9	18.6	0.8	19.2			70	9.4	6.5	1.0	2.7	
			85/71	16.9	12.3	19.7	0.8	20.7			80	9.2	6.1	1.1	2.5	
	3	4.1	75/63	15.3	11.7	17.9	0.8	20.3		60	10.0	7.3	0.9	3.1		
			80/67	16.4	12.1	18.9	0.7	21.9		70	9.8	6.6	1.0	2.8		
			85/71	17.5	12.5	20.1	0.7	23.9		80	9.5	6.4	1.1	2.6		
			75/63	15.6	11.8	18.1	0.7	21.6		60	10.3	7.7	1.0	3.2		
			80/67	16.7	12.2	19.1	0.7	23.5		70	10.0	7.0	1.0	2.9		
			85/71	17.9	12.7	20.3	0.7	25.9		80	9.7	6.6	1.1	2.6		
	4	6.9	75/63	14.1	11.2	17.2	0.9	15.3		60	11.0	8.3	1.0	3.3		
			80/67	15.0	11.6	18.1	0.9	16.3		70	10.8	7.7	1.0	3.0		
			85/71	16.0	12.0	19.2	0.9	17.4		80	10.5	7.3	1.1	2.8		
75/63			14.6	11.3	17.5	0.9	17.0	60	11.6	8.7	1.0	3.5				
80/67			15.6	11.7	18.5	0.9	18.3	70	11.3	8.1	1.1	3.1				
85/71			16.7	12.2	19.5	0.8	19.8	80	11.0	7.6	1.1	2.8				
60	2	1.9	75/63	14.8	11.4	17.6	0.8	18.1	40	2.1	60	11.9	9.0	1.0	3.6	
			80/67	15.9	11.9	18.7	0.8	19.5			70	11.6	8.4	1.1	3.2	
			85/71	17.0	12.4	19.7	0.8	21.3			80	11.1	7.9	1.1	2.9	
	3	4.1	75/63	13.3	10.8	16.7	1.0	13.1		60	12.5	9.6	1.0	3.7		
			80/67	14.2	11.3	17.7	1.0	13.9		70	12.2	9.1	1.1	3.3		
			85/71	15.2	11.7	18.6	1.0	14.8		80	11.9	8.5	1.2	3.0		
			75/63	13.8	11.0	17.0	1.0	14.4		60	13.2	10.2	1.0	3.9		
			80/67	14.8	11.4	18.0	1.0	15.5		70	12.9	9.6	1.1	3.5		
			85/71	15.8	11.9	19.0	1.0	16.6		80	12.5	9.0	1.2	3.1		
	4	6.8	75/63	14.0	11.1	17.2	0.9	15.2		60	13.6	10.5	1.0	3.9		
			80/67	15.1	11.5	18.2	0.9	16.4		70	13.2	9.9	1.1	3.5		
			85/71	16.1	12.0	19.2	0.9	17.7		80	12.7	9.3	1.2	3.1		
75/63			12.6	10.5	16.3	1.1	11.2	60	14.0	11.1	1.0	4.0				
80/67			13.4	11.0	17.2	1.1	11.9	70	13.7	10.5	1.1	3.6				
85/71			14.3	11.4	18.1	1.1	12.6	80	13.3	9.9	1.2	3.3				
70	2	1.9	75/63	13.0	10.7	16.6	1.1	12.3	50	2.1	60	14.8	11.8	1.0	4.2	
			80/67	14.0	11.1	17.5	1.1	13.1			70	14.4	11.2	1.1	3.7	
			85/71	14.9	11.6	18.5	1.1	14.0			80	14.0	10.5	1.2	3.4	
	3	4.0	75/63	13.3	10.8	16.7	1.0	12.9		60	15.2	12.3	1.0	4.3		
			80/67	14.2	11.2	17.7	1.0	13.8		70	14.8	11.4	1.1	3.8		
			85/71	15.2	11.7	18.7	1.0	14.9		80	14.3	10.8	1.2	3.4		
			75/63	14.0	11.1	17.2	0.9	15.2		60	16.0	12.8	1.1	4.1		
			80/67	15.1	11.5	18.2	0.9	16.4		70	15.6	12.1	1.2	3.7		
			85/71	16.1	12.0	19.2	0.9	17.7		80	15.2	11.5	1.2	3.5		
	4	6.6	75/63	12.3	10.3	16.1	1.2	10.5		60	16.5	13.5	1.1	4.6		
			80/67	13.1	10.8	17.0	1.2	11.2		70	16.0	12.8	1.1	4.1		
			85/71	14.0	11.2	18.0	1.2	11.9		80	15.6	12.1	1.2	3.7		
75/63			12.5	10.4	16.2	1.1	11.0	60	17.0	14.0	1.1	4.7				
80/67			13.4	10.9	17.2	1.1	11.7	70	16.5	13.3	1.2	4.2				
85/71			14.3	11.3	18.1	1.1	12.6	80	16.0	12.5	1.2	3.8				
80	2	1.9	75/63	11.1	9.8	15.4	1.3	8.3	60	2.0	60	17.2	14.2	1.1	4.8	
			80/67	11.8	10.2	16.3	1.3	8.8			70	16.8	13.5	1.2	4.3	
			85/71	12.6	10.7	17.1	1.4	9.3			80	16.4	12.8	1.3	3.8	
	3	3.9	75/63	11.4	10.0	15.6	1.3	9.0		60	18.3	15.3	1.1	5.0		
			80/67	12.3	10.4	16.5	1.3	9.6		70	17.7	14.5	1.2	4.5		
			85/71	13.1	10.9	17.4	1.3	10.2		80	17.3	13.8	1.3	4.0		
			75/63	11.6	10.1	15.8	1.2	9.3		60	18.9	15.9	1.1	5.2		
			80/67	12.5	10.5	16.7	1.3	10.0		70	18.3	15.0	1.2	4.6		
			85/71	13.4	11.0	17.6	1.3	10.6		80	17.8	14.2	1.3	4.1		
	4	6.5	75/63	10.3	9.4	15.0	1.4	7.2		60	20.0	17.0	1.0	5.5		
			80/67	11.0	9.9	15.8	1.5	7.6		70	19.5	16.3	1.1	5.0		
			85/71	11.8	10.4	16.6	1.5	8.0		80	19.0	15.6	1.2	4.5		
75/63			10.6	9.6	15.2	1.4	7.7	60	21.0	18.0	1.0	6.0				
80/67			11.4	10.1	16.0	1.4	8.2	70	20.5	17.3	1.1	5.5				
85/71			12.2	10.5	16.9	1.4	8.7	80	20.0	16.6	1.2	5.0				
90	2	1.8	75/63	10.8	9.7	15.3	1.4	7.9	70	4.1	60	22.0	19.0	1.0	6.5	
			80/67	11.6	10.1	16.1	1.4	8.4			70	21.5	18.3	1.1	6.0	
			85/71	12.4	10.5	16.9	1.4	8.9			80	21.0	17.6	1.2	5.5	
	3	3.8	75/63	10.6	9.6	15.2	1.4	7.7		60	23.0	20.0	1.0	7.0		
			80/67	11.4	10.0	16.0	1.4	8.2		70	22.5	19.3	1.1	6.5		
			85/71	12.2	10.4	16.8	1.4	8.7		80	22.0	18.6	1.2	6.0		
			75/63	10.4	9.5	15.0	1.4	7.5		60	24.0	21.0	1.0	7.5		
			80/67	11.2	9.9	15.8	1.4	8.0		70	23.5	20.3	1.1	7.0		
			85/71	12.0	10.3	16.6	1.4	8.5		80	23.0	19.6	1.2	6.5		
	4	6.4	75/63	10.8	9.7	15.3	1.4	7.9		60	25.0	22.0	1.0	8.0		
			80/67	11.6	10.1	16.1	1.4	8.4		70	24.5	21.3	1.1	7.5		
			85/71	12.4	10.5	16.9	1.4	8.9		80	24.0	20.6	1.2	7.0		
75/63			10.8	9.7	15.3	1.4	7.9	60	26.0	23.0	1.0	8.5				
80/67			11.6	10.1	16.1	1.4	8.4	70	25.5	22.3	1.1	8.0				
85/71			12.4	10.5	16.9	1.4	8.9	80	25.0	21.6	1.2	7.5				
100	2	1.8	75/63	10.3	9.4	15.0	1.4	7.2	80	1.9	60	27.0	24.0	1.0	9.0	
			80/67	11.0	9.9	15.8	1.5	7.6			70	26.5	23.3	1.1	8.5	
			85/71	11.8	10.4	16.6	1.5	8.0			80	26.0	22.6	1.2	8.0	
	3	3.7	75/63	10.6	9.6	15.2	1.4	7.7		60	28.0	25.0	1.0	9.5		
			80/67	11.4	10.0	16.0	1.4	8.2		70	27.5	24.3	1.1	9.0		
			85/71	12.2	10.4	16.8	1.4	8.7		80	27.0	23.6	1.2	8.5		
			75/63	10.4	9.5	15.0	1.4	7.5		60	29.0	26.0	1.0	10.0		
			80/67	11.2	9.9	15.8	1.4	8.0		70	28.5	25.3	1.1	9.5		
			85/71	12.0	10.3	16.6	1.4	8.5		80	28.0	24.6	1.2	9.0		
	4	6.2	75/63	10.8	9.7	15.3	1.4	7.9		60	30.0	27.0	1.0	10.5		
			80/67	11.6	10.1	16.1	1.4	8.4		70	29.5	26.3	1.1	10.0		
			85/71	12.4	10.5	16.9	1.4	8.9		80	29.0	25.6	1.2	9.5		
75/63			10.8	9.7	15.3	1.4	7.9	60	31.0	28.0	1.0	11.0				
80/67			11.6	10.1	16.1	1.4	8.4	70	30.5	27.3	1.1	10.5				
85/71			12.4	10.5	16.9	1.4	8.9	80	30.0	26.6	1.2	10.0				
110	2	1.8	75/63	10.3	9.4	15.0	1.4	7.2	90	6.6	60	32.0	29.0	1.0	11.5	
			80/67	11.0	9.9	15.8	1.5	7.6			70	31.5	28.3	1.1	11.0	
			85/71	11.8	10.4	16.6	1.5	8.0			80	31.0	27.6	1.2	10.5	
	3	3.7	75/63	10.6	9.6	15.2	1.4	7.7		60	33.0	30.0	1.0	12.0		
			80/67	11.4	10.0	16.0	1.4	8.2		70	32.5	29.3	1.1	11.5		
			85/71	12.2	10.4	16.8	1.4	8.7		80	32.0	28.6	1.2	11.0		
			75/63	10.8	9.7	15.3	1.4	7.9		60	34.0	31.0	1.0	12.5		
			80/67	11.6	10.1	16.1	1.4	8.4		70	33.5	30.3	1.1	12.0		
			85/71	12.4	10.5	16.9	1.4	8.9		80	33.0	29.6	1.2	11.5		
	4	6.1	75/63	10.8	9.7	15.3	1.4	7.9		60	35.0	32.0	1.0	13.0		
			80/67	11.6	10.1	16.1	1.4	8.4								

Greensource i Series Model SV

Water Source Heat Pump ½ to 6 Ton



Capacity Data SV018 (600 CFM)																
Cooling									Heating							
Entering Water Temp (°F)	Water flow (GPM)	Pressure Drop PSI (FOH)	Entering Air Temp DB/WB (°F)	Total Capacity (MBTUH)	Sensible Capacity (MBTUH)	Heat of Rejection (MBTUH)	Power (kW)	EER	Entering Fluid Temp (°F)	Pressure Drop PSI (FOH)	Entering Air Temp (°F)	Total Capacity (MBTUH)	Heat of Absorption (MBTUH)	Power Input (kW)	COP	
50	2.3	1.3	75/63	19.2	14.9	23.1	1.2	16.5	30	1.3	60	12.9	9.6	1.2	3.3	
			80/67	20.4	15.4	24.4	1.2	17.6			70	12.6	9.1	1.2	3.1	
			85/71	21.8	15.8	25.7	1.1	19.0			80	12.3	8.5	1.3	2.8	
	3.4	2.6	75/63	19.9	15.1	23.8	1.1	17.5		60	13.6	10.2	1.2	3.4		
			80/67	21.2	15.8	25.0	1.1	19.0		70	13.3	9.6	1.2	3.1		
			85/71	22.7	16.1	26.4	1.1	20.8		80	12.9	8.9	1.3	2.9		
	4.5	4.2	75/63	20.3	15.3	24.1	1.1	17.9		60	14.0	10.6	1.2	3.4		
			80/67	21.7	15.8	25.4	1.1	19.6		70	13.6	9.8	1.3	3.2		
			85/71	23.1	16.3	26.8	1.1	21.5		80	13.3	9.2	1.3	2.9		
60	2.3	1.2	75/63	18.4	14.5	22.5	1.2	14.9	40	1.3	60	14.7	11.2	1.2	3.5	
			80/67	19.6	15.0	23.7	1.2	15.8			70	14.4	10.6	1.3	3.3	
			85/71	20.8	15.5	25.0	1.2	16.9			80	14.1	10.0	1.4	3.0	
	3.4	2.5	75/63	19.1	14.8	23.0	1.2	16.2		60	15.6	11.9	1.3	3.6		
			80/67	20.3	15.3	24.3	1.2	17.4		70	15.1	11.3	1.3	3.4		
			85/71	21.7	15.8	25.6	1.2	18.8		80	14.8	10.5	1.4	3.1		
	4.5	4.2	75/63	19.4	15.0	23.3	1.2	16.8		60	16.0	12.4	1.3	3.7		
			80/67	20.7	15.4	24.6	1.1	18.2		70	15.6	11.7	1.3	3.4		
			85/71	22.1	16.0	25.9	1.1	19.8		80	15.1	11.0	1.4	3.1		
70	2.3	1.2	75/63	17.5	14.2	21.9	1.3	13.2	50	1.3	60	16.6	12.9	1.3	3.8	
			80/67	18.7	14.7	23.1	1.3	14.0			70	16.2	12.2	1.4	3.5	
			85/71	19.8	15.2	24.3	1.3	14.8			80	15.9	11.6	1.4	3.2	
	3.4	2.5	75/63	18.2	14.5	22.3	1.3	14.5		60	17.6	13.8	1.3	4.0		
			80/67	19.4	14.9	23.6	1.3	15.5		70	17.1	13.1	1.4	3.7		
			85/71	20.6	15.6	24.8	1.2	16.5		80	16.7	12.4	1.5	3.3		
	4.5	4.1	75/63	18.5	14.6	22.6	1.2	15.2		60	18.2	14.2	1.3	4.1		
			80/67	19.8	15.1	23.8	1.2	16.3		70	17.7	13.6	1.4	3.7		
			85/71	21.1	15.7	25.1	1.2	17.6		80	17.2	12.9	1.5	3.4		
80	2.3	1.2	75/63	16.6	13.8	21.4	1.4	11.6	60	1.3	60	18.5	14.7	1.3	4.1	
			80/67	17.7	14.3	22.5	1.5	12.1			70	18.1	14.0	1.4	3.8	
			85/71	18.8	14.9	23.7	1.5	12.7			80	17.8	13.3	1.5	3.5	
	3.4	2.4	75/63	17.2	13.8	21.7	1.4	12.7		60	19.7	15.8	1.3	4.3		
			80/67	18.4	14.6	22.9	1.4	13.5		70	19.2	15.0	1.4	4.0		
			85/71	19.7	15.1	24.2	1.4	14.4		80	18.8	14.3	1.5	3.6		
	4.5	4.0	75/63	17.6	14.2	22.0	1.3	13.4		60	20.3	16.4	1.3	4.5		
			80/67	18.7	14.8	23.1	1.3	14.2		70	19.8	15.7	1.4	4.1		
			85/71	20.1	15.2	24.5	1.3	15.3		80	19.4	14.9	1.5	3.7		
90	2.3	1.1	75/63	15.7	13.1	20.8	1.6	10.1	70	1.2	60	20.5	16.6	1.3	4.5	
			80/67	16.7	14.0	21.9	1.6	10.5			70	20.0	15.9	1.4	4.1	
			85/71	17.8	14.5	23.1	1.6	11.0			80	19.7	15.1	1.5	3.8	
	3.4	2.3	75/63	16.3	13.8	21.2	1.5	11.0		60	21.8	17.9	1.3	4.7		
			80/67	17.4	14.3	22.3	1.5	11.6		70	21.3	17.1	1.4	4.3		
			85/71	18.6	14.8	23.6	1.5	12.3		80	20.9	16.3	1.6	3.9		
	4.5	3.9	75/63	16.7	13.4	21.4	1.4	11.6		60	22.6	18.7	1.4	4.9		
			80/67	17.8	14.4	22.6	1.4	12.3		70	22.1	17.8	1.5	4.5		
			85/71	18.9	15.0	23.8	1.5	13.0		80	21.5	16.9	1.6	4.0		
100	2.3	1.1	75/63	14.8	12.7	20.3	1.7	8.7	80	1.2	60	22.5	18.6	1.4	4.9	
			80/67	15.7	13.3	21.4	1.7	9.1			70	22.1	17.8	1.5	4.5	
			85/71	16.7	13.7	22.5	1.8	9.5			80	21.6	17.0	1.6	4.0	
	3.4	2.3	75/63	15.4	12.9	20.7	1.6	9.5		60	24.1	20.1	1.4	5.2		
			80/67	16.4	13.5	21.8	1.6	10.0		70	23.5	19.2	1.5	4.7		
			85/71	17.4	14.5	22.9	1.7	10.5		80	23.0	18.3	1.6	4.2		
	4.5	3.9	75/63	15.7	13.1	20.8	1.6	10.0		60	25.0	21.0	1.4	5.3		
			80/67	16.7	14.0	22.0	1.6	10.5		70	24.4	20.1	1.5	4.8		
			85/71	17.8	14.6	23.1	1.6	11.1		80	23.8	19.0	1.6	4.3		
110	2.3	1.1	75/63	13.9	12.3	19.8	1.8	7.6	Extended Range - Anti-freeze required	1.1	60	25.5	21.5	1.4	5.4	
			80/67	14.7	12.9	20.9	1.9	7.9			70	25.0	20.6	1.5	4.9	
			85/71	15.6	13.4	21.9	1.9	8.2			80	24.5	19.7	1.6	4.4	
	3.4	2.3	75/63	14.4	12.5	20.1	1.8	8.2		60	26.5	22.5	1.4	5.6		
			80/67	15.3	13.1	21.2	1.8	8.6		70	26.0	21.6	1.5	5.1		
			85/71	16.3	13.7	22.3	1.8	9.0		80	25.5	20.7	1.6	4.6		
	4.5	3.8	75/63	14.7	12.7	20.3	1.7	8.6		60	27.5	23.5	1.4	5.8		
			80/67	15.6	13.2	21.4	1.7	9.0		70	27.0	22.6	1.5	5.3		
			85/71	16.7	13.8	22.5	1.8	9.4		80	26.5	21.7	1.6	4.8		

Extended Range - Anti-freeze required

AHRI/ISO13256-1 certified performance is rated at entering air conditions of 80.6°F DB and 66.2°F WB in cooling and 68°F DB in heating.

Tabulated unit performance does not include fan or pump power corrections required for AHRI/ISO standard performance ratings.

Unit performance may be interpolated. Extrapolation is not allowed.

For conditions other than rating conditions provided, consult the BST selection software.

Ratings below 40°F are with a methanol solution.

DISCLAIMER: The performance reported herein is based on testing by FHP. Variations in the installation and operational environment may alter performance. Bosch disclaims all warranties, express and implied, that the performance will be as reported, including the warranty of merchantability and fitness for purpose. In addition, continuous research and development may result in a change to an appliances design and specifications at the time of order, which Bosch may change without notice. Before purchase, confirm the design specifications of the appliance.

Greensource i Series Model SV

Water Source Heat Pump ½ to 6 Ton



Capacity Data SV024 (800 CFM)																		
Cooling									Heating									
Entering Water Temp (°F)	Water flow (GPM)	Pressure Drop PSI (FOH)	Entering Air Temp DB/WB (°F)	Total Capacity (MBTUH)	Sensible Capacity (MBTUH)	Heat of Rejection (MBTUH)	Power (kW)	EER	Entering Fluid Temp (°F)	Pressure Drop PSI (FOH)	Entering Air Temp (°F)	Total Capacity (MBTUH)	Heat of Absorption (MBTUH)	Power Input (kW)	COP			
50	3	1.2	75/63	25.6	19.1	30.0	1.3	19.2	30	1.3	60	60	16.7	12.2	1.4	3.4		
			80/67	27.2	19.8	31.8	1.4	20.1				70	16.6	12.1	1.6	3.1		
			85/71	28.9	20.4	33.6	1.4	20.9				80	15.8	10.7	1.7	2.7		
	4.5	2.5	75/63	26.5	19.6	30.6	1.2	21.8		60	17.4	12.9	1.5	3.5				
			80/67	28.2	20.3	32.4	1.2	23.0		70	17.4	12.9	1.6	3.2				
			85/71	30.0	20.9	34.3	1.2	24.2		80	16.7	11.2	1.8	2.8				
	6	4.2	75/63	26.9	19.8	30.9	1.2	23.3		60	17.9	13.2	1.5	3.6				
			80/67	28.8	20.5	32.8	1.2	24.7		70	17.7	13.4	1.6	3.2				
			85/71	30.6	21.2	34.7	1.2	26.1		80	17.6	12.0	1.8	2.9				
	60	3	1.2	75/63	24.4	18.7	29.3	1.5		16.5	40	1.3	60	60	18.8	14.2	1.5	3.7
				80/67	26.0	19.3	31.0	1.5		17.3				70	18.4	13.5	1.6	3.3
				85/71	27.6	19.9	32.8	1.5		18.0				80	18.0	12.3	1.8	3.0
4.5		2.5	75/63	25.3	19.0	29.9	1.4	18.5	60	19.9		14.9	1.5	3.9				
			80/67	27.0	19.7	31.7	1.4	19.6	70	19.5		15.1	1.7	3.5				
			85/71	28.7	20.4	33.5	1.4	20.5	80	19.2		13.6	1.8	3.1				
6		4.1	75/63	25.8	19.2	30.2	1.3	19.7	60	20.4		16.0	1.5	4.0				
			80/67	27.5	20.0	32.0	1.3	20.9	70	19.8		14.8	1.7	3.5				
			85/71	29.3	20.5	33.9	1.3	22.0	80	19.2		13.6	1.8	3.1				
70		3	1.2	75/63	23.2	18.1	28.7	1.6	14.2	50		1.1	60	60	21.1	16.4	1.5	4.1
				80/67	24.7	18.8	30.3	1.7	14.9					70	20.4	15.5	1.7	3.6
				85/71	26.3	19.5	32.0	1.7	15.5					80	20.3	14.7	1.8	3.2
	4.5	2.4	75/63	24.1	18.5	29.2	1.5	15.8	60		22.4	17.3	1.5	4.3				
			80/67	25.7	19.1	30.9	1.5	16.7	70		21.8	16.9	1.7	3.8				
			85/71	27.4	19.9	32.6	1.6	17.5	80		21.7	16.3	1.9	3.4				
	6	4.0	75/63	24.5	18.7	29.4	1.5	16.7	60		23.5	19.0	1.6	4.4				
			80/67	26.2	19.4	31.2	1.5	17.7	70		22.7	17.8	1.7	3.9				
			85/71	27.9	20.1	33.0	1.5	18.7	80		22.5	16.8	1.9	3.5				
	80	3	1.2	75/63	22.0	17.6	28.0	1.8	12.2		60	1.0	60	60	23.5	18.7	1.6	4.4
				80/67	23.5	18.3	29.6	1.8	12.7					70	23.1	17.7	1.7	3.9
				85/71	25.0	18.9	31.2	1.9	13.3					80	22.6	16.7	1.9	3.5
4.5		2.4	75/63	22.9	17.9	28.5	1.7	13.5	60	25.0		20.2	1.6	4.6				
			80/67	24.4	18.6	30.1	1.7	14.2	70	24.3		19.8	1.8	4.0				
			85/71	26.0	19.4	31.8	1.7	15.0	80	24.0		17.8	1.9	3.6				
6		3.9	75/63	23.3	18.1	28.7	1.6	14.2	60	25.9		21.1	1.6	4.7				
			80/67	24.9	18.8	30.4	1.6	15.1	70	25.2		19.6	1.8	4.2				
			85/71	26.5	19.6	32.1	1.7	15.9	80	24.9		19.4	2.0	3.7				
90		3	1.1	75/63	20.8	17.0	27.4	2.0	10.4	70		1.0	60	60	26.1	21.1	1.6	4.7
				80/67	22.2	17.8	28.9	2.0	10.9					70	25.6	20.2	1.8	4.2
				85/71	23.6	18.4	30.5	2.1	11.3					80	25.2	19.1	2.0	3.7
	4.5	2.2	75/63	21.6	17.4	27.8	1.9	11.5	60		27.9	22.9	1.7	4.9				
			80/67	23.0	18.1	29.3	1.9	12.1	70		27.3	21.6	1.8	4.4				
			85/71	24.6	18.8	31.0	1.9	12.7	80		26.8	20.5	2.0	3.9				
	6	3.7	75/63	22.0	17.6	28.0	1.8	12.1	60		29.0	23.8	1.7	5.1				
			80/67	23.5	18.2	29.6	1.8	12.8	70		28.3	22.6	1.8	4.5				
			85/71	25.1	18.9	31.3	1.9	13.5	80		27.6	21.5	2.0	4.0				
	100	3	1.1	75/63	19.6	16.5	26.9	2.2	8.8		80	1.0	60	60	28.7	23.7	1.7	5.1
				80/67	20.9	17.1	28.3	2.3	9.2					70	28.3	22.7	1.8	4.5
				85/71	22.3	17.8	29.9	2.3	9.7					80	27.8	21.5	2.0	4.1
4.5		2.2	75/63	20.3	16.9	27.2	2.1	9.7	60	30.9		25.8	1.7	5.3				
			80/67	21.7	17.6	28.7	2.1	10.2	70	30.3		24.6	1.9	4.7				
			85/71	23.2	18.3	30.3	2.1	10.8	80	29.6		23.4	2.0	4.2				
6		3.7	75/63	20.7	16.9	27.3	2.0	10.2	60	32.2		26.8	1.7	5.5				
			80/67	22.1	17.7	28.9	2.1	10.8	70	31.4		25.7	1.9	4.9				
			85/71	23.6	18.5	30.5	2.1	11.4	80	29.0		24.6	2.0	4.3				
110		3	1.1	75/63	18.4	15.9	26.5	2.5	7.4	Extended Range - Anti-freeze required		1.0	60	60	28.7	23.7	1.7	5.1
				80/67	19.7	16.6	27.9	2.5	7.9					70	28.3	22.7	1.8	4.5
				85/71	21.0	17.3	29.3	2.5	8.3					80	27.8	21.5	2.0	4.1
	4.5	2.2	75/63	19.0	16.2	26.7	2.3	8.1	60		30.9	25.8	1.7	5.3				
			80/67	20.4	16.9	28.2	2.4	8.6	70		30.3	24.6	1.9	4.7				
			85/71	21.8	17.8	29.6	2.4	9.2	80		29.6	23.4	2.0	4.2				
	6	3.6	75/63	19.3	16.4	26.8	2.3	8.5	60		32.2	26.8	1.7	5.5				
			80/67	20.7	17.2	28.3	2.3	9.0	70		31.4	25.7	1.9	4.9				
			85/71	22.2	17.9	29.8	2.3	9.6	80		29.0	24.6	2.0	4.3				

Extended Range - Anti-freeze required

AHRI/ISO13256-1 certified performance is rated at entering air conditions of 80.6°F DB and 66.2°F WB in cooling and 68°F DB in heating.

Tabulated unit performance does not include fan or pump power corrections required for AHRI/ISO standard performance ratings.

Unit performance may be interpolated. Extrapolation is not allowed.

For conditions other than rating conditions provided, consult the BST selection software.

Ratings below 40°F are with a methanol solution.

DISCLAIMER: The performance reported herein is based on testing by FHP. Variations in the installation and operational environment may alter performance. Bosch disclaims all warranties, express and implied, that the performance will be as reported, including the warranty of merchantability and fitness for purpose. In addition, continuous research and development may result in a change to an appliances design and specifications at the time of order, which Bosch may change without notice. Before purchase, confirm the design specifications of the appliance.

Greensource i Series Model SV

Water Source Heat Pump ½ to 6 Ton



BOSCH

Capacity Data SV030 (950 CFM)																	
Cooling									Heating								
Entering Water Temp (°F)	Water flow (GPM)	Pressure Drop PSI (FOH)	Entering Air Temp DB/WB (°F)	Total Capacity (MBTUH)	Sensible Capacity (MBTUH)	Heat of Rejection (MBTUH)	Power (kW)	EER	Entering Fluid Temp (°F)	Pressure Drop PSI (FOH)	Entering Air Temp (°F)	Total Capacity (MBTUH)	Heat of Absorption (MBTUH)	Power Input (kW)	COP		
50	3.8	1.8	75/63	30.0	22.5	35.5	1.6	18.5	30	1.6	60	19.9	14.6	1.7	3.4		
			80/67	32.0	23.3	37.5	1.6	19.7			70	19.3	13.6	1.9	3.0		
			85/71	34.0	24.2	39.6	1.6	20.9			80	18.8	12.4	2.1	2.7		
	6.3	4.4	75/63	31.2	23.2	36.2	1.5	21.1		60	21.0	15.7	1.7	3.6			
			80/67	33.3	24.0	38.4	1.5	22.6		70	20.3	14.6	1.9	3.1			
			85/71	35.6	24.8	40.6	1.5	24.1		80	19.5	13.3	2.1	2.7			
	7.5	6.1	75/63	31.5	23.3	36.5	1.4	21.8		60	21.4	16.0	1.7	3.6			
			80/67	33.7	24.1	38.7	1.4	23.4		70	20.7	14.7	1.9	3.2			
			85/71	36.0	24.9	40.9	1.4	25.1		80	20.1	13.7	2.1	2.8			
	60	3.8	1.7	75/63	28.6	21.9	34.6	1.8		16.1	40	1.6	60	22.3	16.9	1.8	3.7
				80/67	30.6	22.7	36.6	1.8		17.1			70	21.8	15.8	1.9	3.3
				85/71	32.5	23.6	38.6	1.8		18.2			80	21.4	14.8	2.1	2.9
6.3		4.3	75/63	29.8	22.5	35.3	1.6	18.2	60	23.8		18.2	1.8	3.9			
			80/67	31.9	23.3	37.5	1.6	19.5	70	23.2		17.1	2.0	3.4			
			85/71	34.0	24.2	39.6	1.6	20.9	80	22.6		15.9	2.2	3.1			
7.5		6.0	75/63	30.1	22.7	35.5	1.6	18.8	60	24.2		18.6	1.8	3.9			
			80/67	32.3	23.4	37.7	1.6	20.2	70	23.6		17.5	2.0	3.5			
			85/71	34.4	24.4	39.9	1.6	21.7	80	23.0		16.3	2.2	3.1			
70		3.8	1.7	75/63	27.2	21.4	33.8	2.0	13.8	50		1.8	60	25.1	19.4	1.8	4.0
				80/67	29.1	22.1	35.7	2.0	14.8				70	24.6	18.3	2.0	3.6
				85/71	31.1	22.9	37.7	2.0	15.7				80	24.1	17.2	2.2	3.2
	6.3	4.2	75/63	28.4	21.9	34.4	1.8	15.7	60		26.8	21.1	1.9	4.2			
			80/67	30.4	22.7	36.5	1.8	16.9	70		26.2	19.9	2.1	3.7			
			85/71	32.5	23.5	38.6	1.8	18.1	80		25.6	18.6	2.3	3.3			
	7.5	5.9	75/63	28.7	22.0	34.6	1.8	16.2	60		27.3	21.6	1.9	4.3			
			80/67	30.7	22.8	36.7	1.8	17.4	70		26.6	20.3	2.1	3.8			
			85/71	32.9	23.6	38.8	1.8	18.7	80		26.1	19.1	2.3	3.4			
	80	3.8	1.7	75/63	25.8	20.8	33.0	2.2	11.9		60	1.7	60	28.0	22.1	1.9	4.3
				80/67	27.7	21.5	34.9	2.2	12.7				70	27.4	21.0	2.1	3.9
				85/71	29.5	22.4	36.8	2.2	13.5				80	27.0	19.8	2.3	3.5
6.3		4.2	75/63	26.9	21.3	33.6	2.0	13.4	60	30.1		24.1	1.9	4.6			
			80/67	28.9	22.1	35.6	2.0	14.5	70	29.4		22.9	2.1	4.1			
			85/71	30.9	23.0	37.6	2.0	15.5	80	28.9		21.7	2.3	3.7			
7.5		5.8	75/63	27.2	21.4	33.8	2.0	13.9	60	30.7		24.7	1.9	4.6			
			80/67	29.2	22.3	35.8	2.0	14.9	70	30.0		23.5	2.1	4.2			
			85/71	31.3	23.0	37.9	1.9	16.1	80	29.4		22.2	2.3	3.7			
90		3.8	1.6	75/63	24.4	20.0	32.4	2.4	10.2	70		1.7	60	31.0	25.0	1.9	4.7
				80/67	26.2	21.0	34.2	2.4	10.9				70	30.4	23.9	2.1	4.2
				85/71	27.9	21.9	36.0	2.4	11.6				80	29.9	22.7	2.3	3.8
	6.3	4.1	75/63	25.4	20.5	32.8	2.2	11.4	60		33.5	27.4	2.0	5.0			
			80/67	27.3	21.5	34.7	2.2	12.3	70		32.8	26.2	2.2	4.5			
			85/71	29.3	22.2	36.7	2.2	13.2	80		32.2	24.9	2.4	4.0			
	7.5	5.7	75/63	25.7	20.7	33.0	2.2	11.8	60		34.3	28.2	2.0	5.1			
			80/67	27.6	21.6	34.9	2.2	12.7	70		33.5	26.9	2.2	4.5			
			85/71	29.7	22.3	36.9	2.2	13.7	80		32.8	25.5	2.4	4.1			
	100	3.8	1.6	75/63	23.0	19.5	31.8	2.7	8.7		80	1.7	60	34.2	28.1	2.0	5.0
				80/67	24.7	20.4	33.6	2.7	9.2				70	33.6	26.9	2.2	4.5
				85/71	26.4	21.1	35.4	2.7	9.8				80	33.0	25.6	2.4	4.1
6.3		4.0	75/63	24.0	19.8	32.2	2.5	9.7	60	37.1		31.0	2.0	5.4			
			80/67	25.7	20.9	34.0	2.5	10.4	70	36.3		29.6	2.2	4.8			
			85/71	27.7	21.6	35.9	2.5	11.2	80	35.6		28.1	2.4	4.3			
7.5		5.5	75/63	24.2	20.0	32.3	2.4	9.9	60	38.0		31.7	2.0	5.5			
			80/67	26.1	20.8	34.2	2.4	10.7	70	37.2		30.3	2.2	4.9			
			85/71	27.9	21.9	36.0	2.4	11.5	80	36.3		28.9	2.4	4.4			
110		3.8	1.6	75/63	21.7	18.9	31.4	2.9	7.4	Extended Range - Anti-freeze required		1.6	60	39.0	33.0	2.0	6.0
				80/67	23.4	19.7	33.2	3.0	7.9				70	38.0	31.0	2.2	5.5
				85/71	25.0	20.5	34.9	3.0	8.4				80	37.0	29.0	2.4	5.0
	6.3	3.9	75/63	22.6	19.3	31.7	2.8	8.2	60		40.0	34.0	2.0	6.5			
			80/67	24.3	20.0	33.4	2.8	8.8	70		39.0	32.0	2.2	6.0			
			85/71	26.0	21.1	35.2	2.8	9.4	80		38.0	30.0	2.4	5.5			
7.5	5.5	75/63	22.8	19.3	31.7	2.7	8.4	60	41.0	35.0	2.0	7.0					
		80/67	24.5	20.1	33.5	2.7	9.0	70	40.0	33.0	2.2	6.5					
		85/71	26.3	21.2	35.3	2.7	9.7	80	39.0	31.0	2.4	6.0					

Extended Range - Anti-freeze required
 AHRI/ISO13256-1 certified performance is rated at entering air conditions of 80.6°F DB and 66.2°F WB in cooling and 68°F DB in heating.
 Tabulated unit performance does not include fan or pump power corrections required for AHRI/ISO standard performance ratings.
 Unit performance may be interpolated. Extrapolation is not allowed.
 For conditions other than rating conditions provided, consult the BST selection software.
 Ratings below 40°F are with a methanol solution.
DISCLAIMER: The performance reported herein is based on testing by FHP. Variations in the installation and operational environment may alter performance. Bosch disclaims all warranties, express and implied, that the performance will be as reported, including the warranty of merchantability and fitness for purpose. In addition, continuous research and development may result in a change to an appliances design and specifications at the time of order, which Bosch may change without notice. Before purchase, confirm the design specifications of the appliance.

Greensource i Series Model SV

Water Source Heat Pump ½ to 6 Ton



Capacity Data SV036 (1200 CFM)															
Cooling									Heating						
Entering Water Temp (°F)	Water flow (GPM)	Pressure Drop PSI (FOH)	Entering Air Temp DB/WB (°F)	Total Capacity (MBTUH)	Sensible Capacity (MBTUH)	Heat of Rejection (MBTUH)	Power (kW)	EER	Entering Fluid Temp (°F)	Pressure Drop PSI (FOH)	Entering Air Temp (°F)	Total Capacity (MBTUH)	Heat of Absorption (MBTUH)	Power Input (kW)	COP
50	4.5	1.5	75/63	38.8	29.9	46.1	0.1	18.4	30	1.7	60	24.7	17.9	2.1	3.4
			80/67	41.4	30.9	48.9	2.1	19.5			70	23.9	17.0	2.3	3.0
			85/71	44.0	32.0	51.6	2.1	20.7			80	23.9	16.0	2.6	2.7
	6	2.6	75/63	39.9	30.3	46.9	2.0	19.6		60	25.2	18.9	2.1	3.5	
			80/67	42.6	31.3	49.7	2.0	20.8		70	24.7	18.1	2.4	3.1	
			85/71	45.3	32.5	52.5	2.0	22.2		80	25.0	16.8	2.6	2.8	
	9	5.2	75/63	41.1	30.9	47.6	1.9	20.3		60	26.7	21.1	2.2	3.6	
			80/67	44.0	31.9	50.5	2.0	21.7		70	26.0	19.2	2.4	3.2	
			85/71	46.9	32.8	53.5	2.0	23.1		80	25.9	16.9	2.6	2.9	
60	4.5	1.5	75/63	37.0	29.1	45.1	2.3	16.1	40	1.6	60	27.7	21.0	2.2	3.7
			80/67	39.5	30.2	47.7	2.3	17.2			70	27.3	19.5	2.4	3.3
			85/71	42.0	31.4	50.4	2.3	18.2			80	27.0	18.8	2.7	3.0
	6	2.5	75/63	38.1	29.5	45.7	2.2	17.1		60	28.7	21.9	2.2	3.8	
			80/67	40.7	30.7	48.4	2.2	18.3		70	28.4	20.4	2.4	3.4	
			85/71	43.4	31.7	51.2	2.2	19.5		80	27.5	19.1	2.7	3.0	
	9	5.1	75/63	39.3	30.0	46.4	2.1	17.8		60	30.0	22.9	2.2	4.0	
			80/67	42.0	31.0	49.3	2.1	19.0		70	29.2	21.9	2.4	3.5	
			85/71	44.9	32.1	52.2	2.1	20.3		80	28.5	20.0	2.7	3.1	
70	4.5	1.5	75/63	35.2	28.3	44.0	2.5	14.1	50	1.5	60	31.1	24.1	2.2	4.1
			80/67	37.5	29.6	46.5	2.5	15.0			70	30.7	22.7	2.5	3.7
			85/71	40.0	30.7	49.1	2.5	16.0			80	30.0	21.5	2.7	3.2
	6	2.4	75/63	36.2	28.8	44.6	2.4	15.0		60	32.4	25.3	2.3	4.2	
			80/67	38.7	30.0	47.2	2.4	16.0		70	31.9	23.9	2.5	3.8	
			85/71	41.4	30.8	50.0	2.4	17.1		80	31.2	22.4	2.7	3.3	
	9	5.0	75/63	37.3	29.3	45.3	2.3	15.5		60	33.9	26.6	2.3	4.3	
			80/67	40.0	30.2	48.0	2.3	16.6		70	33.1	25.3	2.5	3.8	
			85/71	42.8	31.3	50.9	2.3	17.8		80	32.3	24.1	2.8	3.4	
80	4.5	1.5	75/63	33.3	27.6	43.0	2.7	12.3	60	1.5	60	34.8	27.6	2.3	4.4
			80/67	35.7	28.5	45.5	2.7	13.1			70	34.1	26.2	2.5	3.9
			85/71	37.9	30.0	48.0	2.7	13.9			80	33.8	24.7	2.8	3.6
	6	2.4	75/63	34.4	27.9	43.6	2.6	13.0		60	36.3	29.0	2.3	4.6	
			80/67	36.8	29.0	46.2	2.6	13.9		70	35.6	27.6	2.6	4.1	
			85/71	39.2	30.4	48.7	2.6	14.9		80	35.0	25.9	2.8	3.7	
	9	4.9	75/63	35.4	28.3	44.2	2.5	13.5		60	38.1	30.8	2.4	4.7	
			80/67	38.0	29.6	46.8	2.5	14.5		70	37.3	29.1	2.6	4.2	
			85/71	40.7	30.6	49.6	2.5	15.5		80	36.7	27.5	2.8	3.8	
90	4.5	1.4	75/63	31.5	26.7	42.2	3.0	10.5	70	1.5	60	38.6	31.3	2.4	4.8
			80/67	33.7	28.0	44.6	3.0	11.3			70	38.0	29.9	2.6	4.3
			85/71	35.9	29.2	47.0	3.0	12.0			80	37.4	28.3	2.9	3.8
	6	2.3	75/63	32.5	27.1	42.6	2.9	11.2		60	40.5	33.1	2.4	4.9	
			80/67	34.8	28.2	45.1	2.9	12.0		70	39.7	31.5	2.6	4.4	
			85/71	37.1	29.6	47.6	2.9	12.8		80	39.0	29.9	2.9	4.0	
	9	4.7	75/63	33.4	27.7	43.1	2.8	11.6		60	42.7	35.1	2.4	5.1	
			80/67	35.9	28.8	45.6	2.8	12.5		70	41.7	33.5	2.7	4.6	
			85/71	38.4	30.1	48.2	2.8	13.4		80	40.8	31.7	2.9	4.1	
100	4.5	1.4	75/63	29.6	25.9	41.5	3.3	9.0	80	1.5	60	42.7	35.1	2.4	5.1
			80/67	31.7	27.3	43.7	3.3	9.6			70	42.0	33.6	2.7	4.6
			85/71	33.8	28.6	46.0	3.3	10.3			80	41.3	32.1	2.9	4.1
	6	2.2	75/63	30.5	26.3	41.8	3.1	9.6		60	44.9	37.2	2.5	5.3	
			80/67	32.7	27.7	44.1	3.1	10.3		70	44.0	35.6	2.7	4.8	
			85/71	34.9	29.0	46.5	3.1	11.0		80	43.2	33.9	3.0	4.3	
	9	4.6	75/63	31.4	26.9	42.2	3.1	9.9		60	47.4	39.6	2.5	5.5	
			80/67	33.9	27.9	44.7	3.1	10.7		70	46.4	37.8	2.8	4.9	
			85/71	36.2	29.3	47.1	3.1	11.4		80	45.4	36.0	3.0	4.4	
110	4.5	1.3	75/63	27.7	25.4	40.9	3.6	7.6	Extended Range - Anti-freeze required	1.5	60	42.7	35.1	2.4	5.1
			80/67	29.7	26.6	43.1	3.6	8.2			70	42.0	33.6	2.7	4.6
			85/71	31.9	27.7	45.3	3.6	8.7			80	41.3	32.1	2.9	4.1
	6	2.2	75/63	28.6	25.5	41.1	3.5	8.0		60	44.9	37.2	2.5	5.3	
			80/67	30.7	26.8	43.4	3.5	8.7		70	44.0	35.6	2.7	4.8	
			85/71	32.8	28.3	45.6	3.5	9.3		80	43.2	33.9	3.0	4.3	
	9	4.5	75/63	29.4	26.0	41.4	3.4	8.4		60	47.4	39.6	2.5	5.5	
			80/67	31.7	27.3	43.7	3.4	9.0		70	46.4	37.8	2.8	4.9	
			85/71	33.9	28.6	46.1	3.4	9.7		80	45.4	36.0	3.0	4.4	

Extended Range - Anti-freeze required
 AHRI/ISO13256-1 certified performance is rated at entering air conditions of 80.6°F DB and 66.2°F WB in cooling and 68°F DB in heating.
 Tabulated unit performance does not include fan or pump power corrections required for AHRI/ISO standard performance ratings.
 Unit performance may be interpolated. Extrapolation is not allowed.
 For conditions other than rating conditions provided, consult the BST selection software.
 Ratings below 40°F are with a methanol solution.

DISCLAIMER: The performance reported herein is based on testing by FHP. Variations in the installation and operational environment may alter performance. Bosch disclaims all warranties, express and implied, that the performance will be as reported, including the warranty of merchantability and fitness for purpose. In addition, continuous research and development may result in a change to an appliances design and specifications at the time of order, which Bosch may change without notice. Before purchase, confirm the design specifications of the appliance.

Greensource i Series Model SV

Water Source Heat Pump ½ to 6 Ton



Capacity Data SV041 (1240 CFM)															
Cooling									Heating						
Entering Water Temp (°F)	Water flow (GPM)	Pressure Drop PSI (FOH)	Entering Air Temp DB/WB (°F)	Total Capacity (MBTUH)	Sensible Capacity (MBTUH)	Heat of Rejection (MBTUH)	Power (kW)	EER	Entering Fluid Temp (°F)	Pressure Drop PSI (FOH)	Entering Air Temp (°F)	Total Capacity (MBTUH)	Heat of Absorption (MBTUH)	Power Input (kW)	COP
50	6	3.0	75/63	38.3	28.8	45.5	2.1	18.4	30	3.3	60	25.8	18.5	2.3	3.3
			80/67	40.9	29.9	48.2	2.1	19.5			70	25.4	17.4	2.5	2.9
			85/71	43.7	30.8	51.0	2.1	20.7			80	25.0	16.3	2.8	2.7
	8	4.9	75/63	39.1	29.1	46.0	2.0	19.6		60	26.5	19.1	2.3	3.3	
			80/67	41.8	30.3	48.8	2.0	20.8		70	26.0	18.0	2.5	3.0	
			85/71	44.7	31.3	51.7	2.0	22.2		80	25.6	16.7	2.8	2.7	
	10	7.2	75/63	39.6	29.3	46.4	1.9	20.3		60	27.0	19.5	2.3	3.4	
			80/67	42.4	30.5	49.2	2.0	21.7		70	26.5	18.4	2.6	3.0	
			85/71	45.3	31.6	52.2	2.0	23.1		80	25.9	17.0	2.8	2.7	
60	6	2.8	75/63	36.6	28.1	44.4	2.3	16.1	40	3.1	60	29.3	21.7	2.4	3.6
			80/67	39.1	29.2	47.0	2.3	17.2			70	28.7	20.5	2.6	3.2
			85/71	41.7	30.2	49.7	2.3	18.2			80	28.3	19.3	2.9	2.9
	8	4.6	75/63	37.3	28.4	44.9	2.2	17.1		60	30.2	22.5	2.4	3.7	
			80/67	40.0	29.5	47.6	2.2	18.3		70	29.5	21.2	2.6	3.3	
			85/71	42.7	30.6	50.4	2.2	19.5		80	29.0	20.0	2.9	3.0	
	10	6.9	75/63	37.8	28.6	45.2	2.1	17.8		60	30.8	23.0	2.4	3.7	
			80/67	40.5	29.7	47.9	2.1	19.0		70	30.0	21.7	2.6	3.3	
			85/71	43.4	30.7	50.8	2.1	20.3		80	29.5	20.4	2.9	3.0	
70	6	2.7	75/63	34.8	27.4	43.3	2.5	14.1	50	3.0	60	32.9	25.1	2.5	3.9
			80/67	37.2	28.5	45.8	2.5	15.0			70	32.3	23.8	2.7	3.5
			85/71	39.8	29.5	48.4	2.5	16.0			80	31.6	22.4	2.9	3.2
	8	4.4	75/63	35.5	27.8	43.7	2.4	15.0		60	34.0	26.1	2.5	4.0	
			80/67	38.1	28.8	46.3	2.4	16.0		70	33.3	24.7	2.7	3.6	
			85/71	40.7	29.9	49.0	2.4	17.1		80	32.7	23.3	3.0	3.2	
	10	6.6	75/63	36.0	27.9	44.0	2.3	15.5		60	34.7	26.8	2.5	4.1	
			80/67	38.6	29.1	46.7	2.3	16.6		70	34.0	25.3	2.7	3.7	
			85/71	41.3	30.1	49.4	2.3	17.8		80	33.2	23.8	3.0	3.3	
80	6	2.6	75/63	33.1	26.5	42.3	2.7	12.3	60	2.8	60	36.8	28.7	2.5	4.2
			80/67	35.3	27.9	44.6	2.7	13.1			70	36.1	27.3	2.8	3.8
			85/71	37.8	28.7	47.1	2.7	13.9			80	35.4	25.8	3.0	3.4
	8	4.2	75/63	33.8	26.8	42.7	2.6	13.0		60	38.1	29.9	2.6	4.3	
			80/67	36.1	28.2	45.1	2.6	13.9		70	37.2	28.4	2.8	3.9	
			85/71	38.7	29.1	47.7	2.6	14.9		80	36.6	26.9	3.0	3.5	
	10	6.3	75/63	34.2	27.0	42.9	2.5	13.5		60	39.0	30.7	2.6	4.4	
			80/67	36.7	28.1	45.5	2.5	14.5		70	38.1	29.2	2.8	4.0	
			85/71	39.3	29.4	48.0	2.5	15.5		80	37.3	27.7	3.0	3.6	
90	6	2.5	75/63	31.2	25.9	41.3	3.0	10.5	70	2.7	60	40.9	32.6	2.6	4.6
			80/67	33.5	26.9	43.6	3.0	11.3			70	40.0	31.1	2.8	4.2
			85/71	35.7	28.1	45.9	3.0	12.0			80	39.3	29.6	3.1	3.7
	8	4.1	75/63	31.9	26.2	41.6	2.9	11.2		60	42.4	34.1	2.6	4.7	
			80/67	34.3	27.2	44.0	2.9	12.0		70	41.5	32.4	2.9	4.3	
			85/71	36.7	28.2	46.5	2.9	12.8		80	40.5	30.8	3.1	3.8	
	10	5.9	75/63	32.3	26.4	41.9	2.8	11.6		60	43.5	35.0	2.6	4.8	
			80/67	34.7	27.6	44.3	2.8	12.5		70	42.4	33.3	2.9	4.3	
			85/71	37.2	28.4	46.8	2.8	13.4		80	41.4	31.6	3.1	3.9	
100	6	2.4	75/63	29.4	24.9	40.5	3.3	9.0	80	2.6	60	45.2	36.7	2.7	5.0
			80/67	31.5	26.3	42.6	3.3	9.6			70	44.2	35.1	2.9	4.5
			85/71	33.7	27.2	44.9	3.3	10.3			80	43.3	33.4	3.1	4.0
	8	3.9	75/63	30.1	25.2	40.8	3.1	9.6		60	47.0	38.4	2.7	5.1	
			80/67	32.3	26.6	43.0	3.1	10.3		70	45.8	36.6	2.9	4.6	
			85/71	34.6	27.5	45.3	3.1	11.0		80	44.8	34.9	3.2	4.2	
	10	5.8	75/63	30.5	25.4	40.9	3.1	9.9		60	48.2	39.5	2.7	5.2	
			80/67	32.7	26.7	43.2	3.1	10.7		70	46.9	37.6	2.9	4.7	
			85/71	35.1	27.7	45.6	3.1	11.4		80	45.7	35.7	3.2	4.2	
110	6	2.3	75/63	27.5	24.3	39.7	3.6	7.6	Extended Range - Anti-freeze required	3.4	60	50.0	40.0	2.5	5.5
			80/67	29.5	25.5	41.8	3.6	8.2			70	48.0	38.0	2.7	5.0
			85/71	31.6	26.4	43.9	3.6	8.7			80	46.0	36.0	2.9	4.5
	8	3.8	75/63	28.1	24.6	39.9	3.5	8.0		60	52.0	42.0	2.4	6.0	
			80/67	30.2	25.6	42.1	3.5	8.7		70	50.0	40.0	2.6	5.5	
			85/71	32.4	26.7	44.3	3.5	9.3		80	48.0	38.0	2.8	5.0	
	10	5.6	75/63	28.5	24.7	40.1	3.4	8.4		60	54.0	44.0	2.3	6.5	
			80/67	30.7	25.8	42.3	3.4	9.0		70	52.0	42.0	2.5	6.0	
			85/71	32.9	27.1	44.5	3.4	9.7		80	50.0	40.0	2.7	5.5	

Extended Range - Anti-freeze required
 AHRI/ISO13256-1 certified performance is rated at entering air conditions of 80.6°F DB and 66.2°F WB in cooling and 68°F DB in heating.
 Tabulated unit performance does not include fan or pump power corrections required for AHRI/ISO standard performance ratings.
 Unit performance may be interpolated. Extrapolation is not allowed.
 For conditions other than rating conditions provided, consult the BST selection software.
 Ratings below 40°F are with a methanol solution.

DISCLAIMER: The performance reported herein is based on testing by FHP. Variations in the installation and operational environment may alter performance. Bosch disclaims all warranties, express and implied, that the performance will be as reported, including the warranty of merchantability and fitness for purpose. In addition, continuous research and development may result in a change to an appliances design and specifications at the time of order, which Bosch may change without notice. Before purchase, confirm the design specifications of the appliance.

Greensource i Series Model SV

Water Source Heat Pump ½ to 6 Ton



Capacity Data SV042 (1380 CFM)															
Cooling									Heating						
Entering Water Temp (°F)	Water flow (GPM)	Pressure Drop PSI (FOH)	Entering Air Temp DB/WB (°F)	Total Capacity (MBTUH)	Sensible Capacity (MBTUH)	Heat of Rejection (MBTUH)	Power (kW)	EER	Entering Fluid Temp (°F)	Pressure Drop PSI (FOH)	Entering Air Temp (°F)	Total Capacity (MBTUH)	Heat of Absorption (MBTUH)	Power Input (kW)	COP
50	6	3.0	75/63	41.7	32.4	49.7	2.4	17.7	30	3.3	60	28.6	20.7	2.5	3.4
			80/67	44.5	34.4	52.6	2.4	18.8			70	28.2	19.6	2.7	3.0
			85/71	47.3	34.8	55.5	2.4	19.9			80	27.7	18.5	3.0	2.7
	8	4.9	75/63	42.7	32.8	50.3	2.3	18.9		60	29.4	21.7	2.5	3.4	
			80/67	45.6	34.9	53.3	2.3	20.2		70	29.0	20.3	2.8	3.1	
			85/71	48.6	35.9	56.4	2.3	21.5		80	28.6	19.1	3.0	2.8	
	10	7.2	75/63	43.3	33.0	50.7	2.2	19.7		60	30.0	22.1	2.5	3.5	
			80/67	46.3	35.2	53.8	2.2	21.1		70	29.5	20.8	2.8	3.1	
			85/71	49.4	36.2	56.9	2.2	22.5		80	29.1	19.6	3.0	2.8	
60	6	2.8	75/63	39.9	31.6	48.5	2.6	15.5	40	3.1	60	32.3	24.0	2.6	3.6
			80/67	42.5	33.0	51.2	2.6	16.4			70	31.9	22.8	2.8	3.3
			85/71	45.2	34.2	54.0	2.6	17.4			80	31.4	21.5	3.1	3.0
	8	4.6	75/63	40.8	32.0	49.1	2.5	16.6		60	33.3	25.2	2.6	3.7	
			80/67	43.6	33.9	52.0	2.5	17.7		70	32.7	23.7	2.9	3.3	
			85/71	46.4	34.5	54.9	2.5	18.8		80	32.3	22.4	3.1	3.0	
	10	6.9	75/63	41.4	32.2	49.5	2.4	17.3		60	34.1	25.7	2.6	3.8	
			80/67	44.3	34.2	52.4	2.4	18.5		70	33.4	24.4	2.9	3.4	
			85/71	47.3	34.5	55.4	2.4	19.7		80	32.9	23.0	3.1	3.1	
70	6	2.7	75/63	37.9	31.0	47.3	2.8	13.5	50	3.0	60	32.1	24.0	2.6	3.7
			80/67	40.5	33.0	50.0	2.8	14.3			70	31.8	22.8	2.8	3.3
			85/71	43.0	33.4	52.6	2.8	15.2			80	31.3	21.5	3.1	3.0
	8	4.4	75/63	38.8	32.2	47.9	2.7	14.4		60	33.2	25.2	2.6	3.8	
			80/67	41.6	32.3	50.6	2.7	15.4		70	32.6	23.7	2.8	3.4	
			85/71	44.2	33.7	53.4	2.7	16.4		80	32.1	22.4	3.1	3.0	
	10	6.6	75/63	39.4	31.6	48.2	2.6	15.0		60	33.9	25.7	2.6	3.8	
			80/67	42.2	32.5	51.1	2.6	16.1		70	33.3	24.4	2.8	3.4	
			85/71	45.1	33.7	53.9	2.6	17.2		80	32.8	23.0	3.1	3.1	
80	6	2.6	75/63	36.0	30.0	46.3	3.1	11.7	60	2.8	60	36.2	27.6	2.7	4.0
			80/67	38.5	32.0	48.8	3.1	12.5			70	35.5	26.3	2.9	3.6
			85/71	41.0	33.3	51.3	3.1	13.2			80	35.0	25.0	3.2	3.2
	8	4.2	75/63	36.9	30.4	46.8	3.0	12.5		60	37.4	28.8	2.7	4.0	
			80/67	39.4	32.6	49.3	3.0	13.3		70	36.8	27.5	2.9	3.7	
			85/71	42.0	33.9	52.0	3.0	14.2		80	36.1	26.1	3.2	3.3	
	10	6.3	75/63	37.4	30.6	47.1	2.9	13.0		60	38.3	29.7	2.7	4.1	
			80/67	40.0	32.8	49.7	2.9	13.9		70	37.6	28.3	3.0	3.7	
			85/71	42.7	33.1	52.4	2.9	14.8		80	36.9	26.8	3.2	3.4	
90	6	2.5	75/63	34.1	29.0	45.3	3.4	10.1	70	2.7	60	36.0	27.6	2.6	4.0
			80/67	36.3	30.5	47.6	3.4	10.7			70	35.4	26.3	2.9	3.6
			85/71	38.6	31.9	50.0	3.4	11.3			80	34.8	25.0	3.1	3.2
	8	4.1	75/63	34.9	29.6	45.7	3.2	10.8		60	37.2	28.8	2.7	4.1	
			80/67	37.4	30.7	48.2	3.3	11.5		70	36.6	27.5	2.9	3.7	
			85/71	39.8	32.0	50.7	3.3	12.2		80	36.0	26.1	3.2	3.3	
	10	5.9	75/63	35.4	29.8	45.9	3.2	11.2		60	38.1	29.7	2.7	4.2	
			80/67	37.9	31.1	48.5	3.2	12.0		70	37.5	28.3	2.9	3.8	
			85/71	40.4	32.3	51.0	3.2	12.8		80	36.8	26.8	3.2	3.4	
100	6	2.4	75/63	31.9	28.5	44.2	3.7	8.6	80	2.6	60	40.1	31.5	2.7	4.3
			80/67	34.2	29.6	46.6	3.7	9.2			70	39.5	30.1	3.0	3.9
			85/71	36.3	31.1	48.8	3.7	9.7			80	39.0	28.6	3.3	3.5
	8	3.9	75/63	32.9	28.5	44.7	3.6	9.2		60	41.8	33.0	2.8	4.4	
			80/67	35.1	30.0	47.0	3.6	9.8		70	41.0	31.5	3.0	4.0	
			85/71	37.3	31.5	49.3	3.6	10.4		80	40.4	30.0	3.3	3.6	
	10	5.8	75/63	33.3	28.9	44.9	3.5	9.6		60	42.9	34.1	2.8	4.5	
			80/67	35.7	30.2	47.3	3.5	10.2		70	42.0	32.5	3.0	4.1	
			85/71	38.1	31.5	49.7	3.5	10.9		80	41.3	30.8	3.3	3.7	
110	6	2.3	75/63	29.9	27.7	43.4	4.1	7.3	Extended Range - Anti-freeze required	3.0	60	45.0	36.0	2.7	4.6
			80/67	32.0	28.8	45.6	4.1	7.8			70	44.0	34.5	2.9	4.2
			85/71	34.0	30.3	47.7	4.1	8.3			80	43.0	33.0	3.1	3.8
	8	3.8	75/63	30.6	28.0	43.7	3.9	7.8		60	46.0	37.0	2.6	4.7	
			80/67	32.8	29.3	45.9	3.9	8.3		70	45.0	35.5	2.8	4.3	
			85/71	35.0	30.6	48.2	4.0	8.8		80	44.0	34.0	3.0	3.9	
	10	5.6	75/63	31.1	28.1	43.9	3.9	8.1		60	47.0	38.0	2.5	4.8	
			80/67	33.5	29.1	46.2	3.9	8.7		70	46.0	36.5	2.7	4.4	
			85/71	35.6	30.7	48.5	3.9	9.2		80	45.0	35.0	2.9	4.0	

Extended Range - Anti-freeze required
 AHR/ISO13256-1 certified performance is rated at entering air conditions of 80.6°F DB and 66.2°F WB in cooling and 68°F DB in heating.
 Tabulated unit performance does not include fan or pump power corrections required for AHR/ISO standard performance ratings.
 Unit performance may be interpolated. Extrapolation is not allowed.
 For conditions other than rating conditions provided, consult the BST selection software.
 Ratings below 40°F are with a methanol solution.

DISCLAIMER: The performance reported herein is based on testing by FHP. Variations in the installation and operational environment may alter performance. Bosch disclaims all warranties, express and implied, that the performance will be as reported, including the warranty of merchantability and fitness for purpose. In addition, continuous research and development may result in a change to an appliances design and specifications at the time of order, which Bosch may change without notice. Before purchase, confirm the design specifications of the appliance.

Greensource i Series Model SV

Water Source Heat Pump ½ to 6 Ton



Capacity Data SV048 (1640 CFM)																	
Cooling									Heating								
Entering Water Temp (°F)	Water flow (GPM)	Pressure Drop PSI (FOH)	Entering Air Temp DB/WB (°F)	Total Capacity (MBTUH)	Sensible Capacity (MBTUH)	Heat of Rejection (MBTUH)	Power (kW)	EER	Entering Fluid Temp (°F)	Pressure Drop PSI (FOH)	Entering Air Temp (°F)	Total Capacity (MBTUH)	Heat of Absorption (MBTUH)	Power Input (kW)	COP		
50	6	1.0	75/63	49.3	36.9	59.1	2.8	17.5	30	1.1	60	36.0	25.8	3.3	3.16		
			80/67	52.6	38.2	62.4	2.9	18.5			70	35.5	24.4	3.7	2.83		
			85/71	55.9	39.4	65.9	2.9	19.4			80	35.2	22.9	4.0	2.55		
	8	1.7	75/63	50.6	37.5	59.9	2.7	18.8		60	37.2	26.9	3.4	3.23			
			80/67	54.0	38.8	63.4	2.7	20.0		70	36.7	25.3	3.7	2.9			
			85/71	57.5	40.0	66.9	2.7	21.1		80	36.2	23.8	4.1	2.6			
	12	3.5	75/63	51.9	38.0	60.7	2.6	20.3		60	38.5	28.1	3.4	3.32			
			80/67	55.5	39.4	64.4	2.6	21.7		70	38.0	26.4	3.7	2.99			
			85/71	59.1	40.5	68.1	2.6	23.0		80	37.5	24.7	4.1	2.68			
	60	6	1.0	75/63	47.2	36.0	57.7	3.1		15.3	40	1.1	60	40.6	29.9	3.4	3.45
				80/67	50.3	37.3	61.0	3.1		16.2			70	40.1	28.4	3.8	3.12
				85/71	53.5	38.5	64.3	3.1		17.1			80	39.7	27.0	4.1	2.81
8		1.7	75/63	48.4	36.5	58.5	2.9	16.5	60	41.9		31.3	3.5	3.54			
			80/67	51.7	37.9	61.8	3.0	17.5	70	41.7		29.6	3.8	3.22			
			85/71	55.0	39.0	65.3	3.0	18.5	80	41.1		27.9	4.2	2.89			
12		3.5	75/63	49.7	37.1	59.3	2.8	17.8	60	43.7		33.0	3.5	3.65			
			80/67	53.1	38.3	62.8	2.8	19.0	70	43.0		31.3	3.8	3.29			
			85/71	56.6	39.6	66.4	2.8	20.2	80	42.6		29.6	4.2	2.97			
70		6	1.0	75/63	44.9	35.1	56.4	3.4	13.3	50		2.1	60	45.6	34.4	3.5	3.78
				80/67	48.0	36.1	59.6	3.4	14.1				70	44.9	33.0	3.9	3.4
				85/71	51.0	37.5	62.7	3.4	14.9				80	44.5	31.5	4.3	3.06
	8	1.7	75/63	46.1	35.6	57.1	3.2	14.3	60		47.3	36.3	3.6	3.88			
			80/67	49.3	36.6	60.4	3.2	15.3	70		46.7	34.7	3.9	3.5			
			85/71	52.5	38.1	63.6	3.2	16.2	80		46.1	33.0	4.3	3.15			
	12	3.4	75/63	47.5	35.9	57.9	3.1	15.5	60		49.4	38.4	3.6	4.01			
			80/67	50.8	37.2	61.3	3.1	16.6	70		48.7	36.6	4.0	3.61			
			85/71	54.1	38.5	64.7	3.1	17.6	80		48.0	34.8	4.3	3.24			
	80	6	1.0	75/63	42.6	34.1	55.2	3.7	11.5		60	2.1	60	50.9	39.4	3.6	4.11
				80/67	45.5	35.3	58.2	3.7	12.2				70	50.4	37.8	4.0	3.71
				85/71	48.3	36.8	61.2	3.8	12.9				80	49.6	36.2	4.4	3.32
8		1.6	75/63	43.9	34.3	55.9	3.5	12.4	60	53.0		41.6	3.7	4.22			
			80/67	46.8	35.8	58.9	3.6	13.2	70	52.3		39.9	4.0	3.8			
			85/71	49.8	37.3	62.1	3.6	14.0	80	51.6		38.1	4.4	3.42			
12		3.3	75/63	45.1	34.9	56.5	3.4	13.4	60	55.6		44.1	3.7	4.37			
			80/67	48.2	36.3	59.7	3.4	14.3	70	54.8		42.2	4.1	3.93			
			85/71	51.4	37.8	63.0	3.4	15.2	80	53.9		40.2	4.5	3.53			
90		6	0.9	75/63	40.3	33.0	54.1	4.1	9.9	70		2.0	60	56.5	44.6	3.7	4.43
				80/67	43.0	34.5	56.9	4.1	10.5				70	55.8	42.9	4.1	3.99
				85/71	45.7	35.8	59.8	4.1	11.1				80	55.2	41.1	4.5	3.59
	8	1.5	75/63	41.4	33.5	54.6	3.9	10.6	60		59.1	47.1	3.8	4.58			
			80/67	44.2	35.0	57.5	3.9	11.3	70		58.2	45.3	4.2	4.1			
			85/71	47.1	36.3	60.6	3.9	12.0	80		57.3	43.4	4.6	3.68			
	12	3.2	75/63	42.6	33.9	55.2	3.7	11.5	60		62.1	50.2	3.8	4.72			
			80/67	45.6	35.5	58.2	3.7	12.3	70		61.1	48.0	4.2	4.24			
			85/71	48.8	36.5	61.5	3.7	13.1	80		60.0	45.9	4.6	3.8			
	100	6	0.9	75/63	37.8	32.2	53.0	4.5	8.4		80	2.0	60	62.2	50.0	3.8	4.74
				80/67	40.4	33.6	55.7	4.5	8.9				70	61.5	48.2	4.2	4.26
				85/71	43.0	35.0	58.5	4.6	9.4				80	60.7	46.2	4.6	3.83
8		1.5	75/63	38.9	32.6	53.5	4.3	9.1	60	65.3		52.9	3.9	4.89			
			80/67	41.6	34.0	56.3	4.3	9.6	70	64.4		50.8	4.3	4.4			
			85/71	44.4	35.4	59.2	4.3	10.2	80	63.1		48.9	4.7	3.93			
12		3.1	75/63	40.1	33.0	54.0	4.1	9.8	60	69.0		56.1	4.0	5.08			
			80/67	42.9	34.5	56.9	4.1	10.4	70	67.6		54.2	4.4	4.54			
			85/71	45.9	35.8	59.9	4.1	11.2	80	66.2		51.8	4.8	4.05			
110		6	0.9	75/63	35.5	30.9	52.2	5.0	7.2	Extended Range - Anti-freeze required		6.7	60	66.2	51.8	4.8	4.05
				80/67	38.0	32.2	54.8	5.0	7.6				70	65.3	50.0	5.0	3.7
				85/71	40.4	33.8	57.4	5.0	8.1				80	64.4	48.2	5.4	3.3
	8	1.5	75/63	36.4	31.5	52.5	4.8	7.7	60		70.0	56.1	4.0	5.08			
			80/67	39.1	32.7	55.2	4.8	8.2	70		69.0	54.2	4.4	4.54			
			85/71	41.7	34.1	57.9	4.8	8.7	80		68.1	52.4	4.8	4.05			
	12	3.1	75/63	37.5	32.0	52.9	4.6	8.2	60		73.0	59.9	3.6	4.89			
			80/67	40.2	33.5	55.7	4.6	8.8	70		72.0	58.0	4.0	4.40			
			85/71	43.0	34.7	58.5	4.6	9.4	80		71.1	56.1	4.4	3.93			

Extended Range - Anti-freeze required
 AHR/ISO13256-1 certified performance is rated at entering air conditions of 80.6°F DB and 66.2°F WB in cooling and 68°F DB in heating.
 Tabulated unit performance does not include fan or pump power corrections required for AHR/ISO standard performance ratings.
 Unit performance may be interpolated. Extrapolation is not allowed.
 For conditions other than rating conditions provided, consult the BST selection software.
 Ratings below 40°F are with a methanol solution.
DISCLAIMER: The performance reported herein is based on testing by FHP. Variations in the installation and operational environment may alter performance. Bosch disclaims all warranties, express and implied, that the performance will be as reported, including the warranty of merchantability and fitness for purpose. In addition, continuous research and development may result in a change to an appliances design and specifications at the time of order, which Bosch may change without notice. Before purchase, confirm the design specifications of the appliance.

Greensource i Series Model SV

Water Source Heat Pump ½ to 6 Ton



Capacity Data SV060 (1900 CFM)																	
Cooling									Heating								
Entering Water Temp (°F)	Water flow (GPM)	Pressure Drop PSI (FOH)	Entering Air Temp DB/WB (°F)	Total Capacity (MBTUH)	Sensible Capacity (MBTUH)	Heat of Rejection (MBTUH)	Power (kW)	EER	Entering Fluid Temp (°F)	Pressure Drop PSI (FOH)	Entering Air Temp (°F)	Total Capacity (MBTUH)	Heat of Absorption (MBTUH)	Power Input (kW)	COP		
50	7.5	2.0	75/63	63.1	46.7	73.3	3.4	5.5	30	2.1	60	46.1	32.7	4.3	3.2		
			80/67	67.6	48.1	77.9	3.4	5.8			70	45.4	30.8	4.6	2.9		
			85/71	72.0	49.4	82.5	3.5	6.0			80	44.8	28.9	5.1	2.6		
	12	4.6	75/63	65.8	47.5	75.1	3.1	6.2		60	48.7	34.8	4.3	3.3			
			80/67	70.3	49.2	79.8	3.2	6.5		70	47.8	33.0	4.7	3.0			
			85/71	74.9	50.7	84.6	3.2	6.8		80	47.3	30.5	5.1	2.7			
	15	6.8	75/63	66.6	47.9	75.8	3.1	6.3		60	49.6	36.0	4.4	3.3			
			80/67	71.2	49.6	80.5	3.1	6.7		70	49.0	33.6	4.7	3.0			
			85/71	76.0	51.1	85.5	3.2	7.1		80	48.0	31.3	5.2	2.7			
	60	7.5	2.0	75/63	60.6	45.2	71.8	3.7		4.8	40	2.0	60	51.5	37.7	4.4	3.4
				80/67	64.6	46.8	76.1	3.8		5.0			70	50.9	35.7	4.8	3.1
				85/71	68.8	48.3	80.5	3.8		5.2			80	50.3	33.7	5.2	2.8
12		4.5	75/63	63.0	46.2	73.3	3.5	5.3	60	54.9		40.4	4.5	3.6			
			80/67	67.5	47.9	78.1	3.5	5.7	70	53.7		38.6	4.9	3.2			
			85/71	72.0	49.5	82.7	3.5	6.0	80	53.1		36.4	5.3	2.9			
15		6.7	75/63	63.7	46.8	74.0	3.4	5.5	60	56.1		41.5	4.5	3.6			
			80/67	68.4	48.4	78.8	3.4	5.8	70	55.0		39.7	4.9	3.3			
			85/71	73.1	49.9	83.6	3.5	6.1	80	54.2		37.4	5.3	3.0			
70		7.5	1.9	75/63	57.9	44.1	70.3	4.1	4.1	50		2.0	60	57.5	43.2	4.6	3.7
				80/67	61.8	45.6	74.5	4.2	4.4				70	56.7	41.2	5.0	3.4
				85/71	65.8	47.1	78.8	4.2	4.6				80	56.3	38.8	5.4	3.1
	12	4.4	75/63	60.2	45.0	71.8	3.8	4.6	60		61.5	47.0	4.7	3.9			
			80/67	64.4	46.7	76.1	3.9	4.9	70		60.6	44.8	5.0	3.5			
			85/71	68.7	48.3	80.6	3.9	5.2	80		59.6	42.6	5.5	3.2			
	15	6.5	75/63	61.0	45.4	72.4	3.8	4.8	60		63.2	48.2	4.7	4.0			
			80/67	65.3	47.0	76.8	3.8	5.0	70		62.0	46.2	5.1	3.6			
			85/71	69.6	49.2	81.4	3.8	5.3	80		61.3	43.3	5.5	3.3			
	80	7.5	2.0	75/63	55.0	42.7	68.9	4.5	3.6		60	2.0	60	64.0	49.1	4.7	4.0
				80/67	58.7	44.4	72.8	4.6	3.8				70	63.2	47.1	5.1	3.6
				85/71	62.3	46.5	76.8	4.6	3.9				80	62.4	45.0	5.5	3.3
12		3.3	75/63	57.1	44.1	70.0	4.2	4.0	60	69.0		53.6	4.8	4.2			
			80/67	61.4	45.6	74.4	4.2	4.2	70	67.8		51.4	5.2	3.8			
			85/71	65.5	47.2	78.8	4.3	4.5	80	67.0		48.5	5.7	3.5			
15		4.9	75/63	58.2	44.1	70.9	4.2	4.1	60	71.0		55.3	4.9	4.3			
			80/67	62.3	45.9	75.1	4.2	4.4	70	69.6		53.2	5.3	3.9			
			85/71	66.5	47.5	79.5	4.2	4.6	80	68.4		50.5	5.7	3.5			
90		7.5	1.4	75/63	51.8	41.8	67.3	5.0	3.1	70		1.9	60	70.9	55.5	4.9	4.3
				80/67	55.7	43.3	71.3	5.0	3.2				70	69.9	53.4	5.3	3.9
				85/71	59.4	44.6	75.3	5.1	3.4				80	69.1	51.1	5.7	3.5
	12	3.2	75/63	54.4	42.4	68.7	4.7	3.4	60		76.8	60.8	5.0	4.5			
			80/67	58.2	44.0	72.7	4.7	3.6	70		75.3	58.4	5.4	4.1			
			85/71	62.1	45.7	76.8	4.7	3.8	80		74.1	55.7	5.9	3.7			
	15	4.7	75/63	55.1	42.7	69.2	4.6	3.5	60		79.1	62.9	5.0	4.6			
			80/67	59.0	44.6	73.3	4.6	3.7	70		77.6	60.1	5.5	4.2			
			85/71	63.3	46.3	77.7	4.7	4.0	80		76.1	57.6	5.9	3.8			
	100	7.5	1.4	75/63	49.1	40.2	66.3	5.5	2.6		80	2.0	60	78.1	62.2	5.0	4.6
				80/67	52.5	41.8	69.9	5.6	2.8				70	77.1	59.7	5.4	4.1
				85/71	55.9	43.5	73.6	5.7	2.9				80	75.9	57.4	5.9	3.8
12		3.1	75/63	51.2	41.1	67.2	5.2	2.9	60	84.9		68.4	5.2	4.8			
			80/67	55.0	42.9	71.2	5.2	3.1	70	83.3		65.4	5.6	4.4			
			85/71	58.7	44.7	75.1	5.2	3.3	80	81.8		62.7	6.1	3.9			
15		4.6	75/63	51.8	41.8	67.6	5.1	3.0	60	87.6		70.7	5.3	4.9			
			80/67	55.8	43.3	71.8	5.1	3.2	70	85.8		67.6	5.7	4.4			
			85/71	59.7	45.0	75.8	5.2	3.4	80	84.0		64.8	6.1	4.0			
110		7.5	1.3	75/63	46.1	38.7	65.3	6.1	2.2	Extended Range - Anti-freeze required		2.0	60	84.0	64.8	6.1	4.0
				80/67	48.7	41.7	68.5	6.2	2.3				70	82.5	62.1	6.5	3.6
				85/71	51.6	44.2	71.8	6.2	2.4				80	81.0	59.4	7.0	3.2
	12	3.1	75/63	47.9	40.0	65.9	5.8	2.4	60		89.5	73.5	5.7	4.7			
			80/67	51.6	41.6	69.8	5.8	2.6	70		88.0	70.8	6.2	4.3			
			85/71	55.1	43.2	73.5	5.8	2.8	80		86.5	68.1	6.7	3.9			
	15	4.5	75/63	48.8	40.1	66.5	5.7	2.5	60		91.0	76.0	5.4	5.1			
			80/67	52.4	41.9	70.2	5.7	2.7	70		89.5	73.3	5.9	4.7			
			85/71	56.0	43.5	74.0	5.7	2.9	80		88.0	70.6	6.4	4.3			

Extended Range - Anti-freeze required
 AHR/ISO13256-1 certified performance is rated at entering air conditions of 80.6°F DB and 66.2°F WB in cooling and 68°F DB in heating.
 Tabulated unit performance does not include fan or pump power corrections required for AHR/ISO standard performance ratings.
 Unit performance may be interpolated. Extrapolation is not allowed.
 For conditions other than rating conditions provided, consult the BST selection software.
 Ratings below 40°F are with a methanol solution.
DISCLAIMER: The performance reported herein is based on testing by FHP. Variations in the installation and operational environment may alter performance. Bosch disclaims all warranties, express and implied, that the performance will be as reported, including the warranty of merchantability and fitness for purpose. In addition, continuous research and development may result in a change to an appliances design and specifications at the time of order, which Bosch may change without notice. Before purchase, confirm the design specifications of the appliance.

Greensource i Series Model SV

Water Source Heat Pump ½ to 6 Ton



Capacity Data SV070 (2000 CFM)															
Cooling									Heating						
Entering Water Temp (°F)	Water flow (GPM)	Pressure Drop PSI (FOH)	Entering Air Temp DB/WB (°F)	Total Capacity (MBTUH)	Sensible Capacity (MBTUH)	Heat of Rejection (MBTUH)	Power (kW)	EER	Entering Fluid Temp (°F)	Pressure Drop PSI (FOH)	Entering Air Temp (°F)	Total Capacity (MBTUH)	Heat of Absorption (MBTUH)	Power Input (kW)	COP
50	9	2.1	75/63	66.6	48.3	80.1	3.9	17.0	30	2.3	60	5.5	4.0	0.6	2.9
			80/67	71.1	50.0	84.8	4.0	17.9			70	5.4	3.8	0.6	2.7
			85/71	75.7	51.6	89.6	4.0	18.8			80	5.3	3.6	0.6	2.5
	13.5	4.4	75/63	68.8	49.3	81.4	3.7	18.7		60	5.9	4.4	0.6	3.1	
			80/67	73.5	51.0	86.3	3.7	19.8		70	5.7	4.1	0.6	2.8	
			85/71	78.4	52.6	91.4	3.8	20.9		80	5.6	3.9	0.6	2.6	
	18	7.3	75/63	69.9	49.8	82.1	3.5	19.7		60	6.2	4.7	0.6	3.3	
			80/67	74.9	51.3	87.2	3.6	20.9		70	6.1	4.4	0.6	2.9	
			85/71	79.8	53.3	92.3	3.6	22.1		80	6.0	4.2	0.6	2.7	
60	9	2.1	75/63	63.6	47.1	78.3	4.3	14.9	40	2.2	60	6.4	4.8	0.6	3.3
			80/67	67.9	48.9	82.8	4.3	15.7			70	6.2	4.6	0.6	3.0
			85/71	72.4	50.3	87.5	4.4	16.5			80	6.1	4.3	0.7	2.8
	13.5	4.2	75/63	65.7	48.2	79.5	4.0	16.4		60	6.8	5.3	0.6	3.5	
			80/67	70.3	49.9	84.3	4.1	17.3		70	6.7	5.0	0.6	3.2	
			85/71	75.0	51.5	89.2	4.1	18.3		80	6.5	4.7	0.7	2.9	
	18	7.1	75/63	66.8	48.7	80.2	3.9	17.2		60	7.3	5.7	0.6	3.7	
			80/67	71.6	50.3	85.1	3.9	18.3		70	7.1	5.4	0.6	3.3	
			85/71	76.5	51.8	90.1	4.0	19.3		80	6.9	5.0	0.7	3.0	
70	9	2.0	75/63	60.5	46.0	76.4	4.7	13.0	50	2.1	60	7.2	5.7	0.6	3.7
			80/67	64.5	47.9	80.7	4.7	13.7			70	7.1	5.4	0.6	3.3
			85/71	69.0	49.0	85.4	4.8	14.4			80	7.0	5.1	0.7	3.0
	13.5	4.2	75/63	62.6	46.9	77.6	4.4	14.3		60	7.8	6.2	0.6	3.9	
			80/67	67.0	48.6	82.2	4.4	15.1		70	7.6	5.9	0.6	3.5	
			85/71	71.6	50.0	87.0	4.5	16.0		80	7.4	5.5	0.7	3.2	
	18	6.9	75/63	63.7	47.3	78.3	4.3	15.0		60	8.3	6.7	0.6	4.1	
			80/67	68.3	48.8	83.0	4.3	15.9		70	8.1	6.3	0.6	3.7	
			85/71	72.8	50.8	87.8	4.3	16.8		80	7.9	6.0	0.7	3.3	
80	9	2.0	75/63	57.3	44.9	74.7	5.1	11.3	60	2.1	60	8.1	6.5	0.6	4.1
			80/67	61.4	46.1	79.0	5.1	11.9			70	8.0	6.2	0.6	3.7
			85/71	65.4	47.7	83.3	5.2	12.5			80	7.8	5.9	0.7	3.3
	13.5	4.1	75/63	59.4	45.5	75.8	4.8	12.4		60	8.8	7.1	0.6	4.3	
			80/67	63.7	47.0	80.3	4.8	13.1		70	8.6	6.8	0.6	3.9	
			85/71	67.9	49.0	84.7	4.9	13.9		80	8.4	6.4	0.7	3.5	
	18	6.8	75/63	60.4	46.0	76.4	4.7	13.0		60	9.4	7.8	0.6	4.6	
			80/67	64.9	47.5	80.9	4.7	13.8		70	9.2	7.4	0.7	4.1	
			85/71	69.2	49.5	85.5	4.7	14.6		80	8.9	7.0	0.7	3.7	
90	9	1.9	75/63	54.0	43.6	73.1	5.6	9.7	70	2.0	60	9.0	7.4	0.6	4.4
			80/67	57.9	45.1	77.2	5.6	10.3			70	8.9	7.1	0.7	4.0
			85/71	61.6	47.1	81.1	5.7	10.8			80	8.7	6.8	0.7	3.6
	13.5	3.9	75/63	56.1	44.1	74.1	5.3	10.6		60	9.8	8.2	0.6	4.8	
			80/67	60.0	46.2	78.2	5.3	11.3		70	9.6	7.8	0.7	4.3	
			85/71	64.3	47.3	82.6	5.4	12.0		80	9.4	7.4	0.7	3.9	
	18	6.5	75/63	57.2	44.3	74.7	5.1	11.2		60	10.5	8.9	0.6	5.1	
			80/67	61.3	46.1	78.9	5.2	11.9		70	10.3	8.5	0.7	4.5	
			85/71	65.4	48.3	83.3	5.2	12.6		80	10.0	8.0	0.7	4.1	
100	9	1.9	75/63	50.7	42.2	71.6	6.1	8.3	80	2.0	60	10.0	8.4	0.6	4.9
			80/67	54.1	44.2	75.4	6.2	8.7			70	9.8	8.0	0.7	4.4
			85/71	57.8	45.8	79.3	6.3	9.3			80	9.6	7.6	0.7	3.9
	13.5	3.8	75/63	52.6	43.0	72.4	5.8	9.1		60	10.8	9.2	0.6	5.2	
			80/67	56.4	44.9	76.4	5.8	9.7		70	10.6	8.8	0.7	4.7	
			85/71	60.3	46.4	80.5	5.9	10.3		80	10.4	8.4	0.7	4.2	
	18	6.4	75/63	53.6	43.4	72.9	5.6	9.5		60	11.7	10.1	0.6	5.6	
			80/67	57.6	45.0	77.0	5.7	10.1		70	11.4	9.6	0.7	5.0	
			85/71	61.7	46.6	81.2	5.7	10.8		80	11.1	9.1	0.7	4.5	
110	9	1.8	75/63	47.6	40.6	70.6	6.8	7.0	Extended Range - Anti-freeze required	2.0	60	10.0	8.4	0.6	4.9
			80/67	50.9	43.7	74.1	6.8	7.5			70	9.8	8.0	0.7	4.4
			85/71	54.1	44.4	77.7	6.9	7.9			80	9.6	7.6	0.7	3.9
	13.5	3.8	75/63	49.3	41.2	71.1	6.4	7.7		60	10.8	9.2	0.6	5.2	
			80/67	52.6	44.9	74.7	6.5	8.1		70	10.6	8.8	0.7	4.7	
			85/71	56.5	44.9	78.7	6.5	8.7		80	10.4	8.4	0.7	4.2	
	18	6.3	75/63	50.2	41.4	71.5	6.3	8.0		60	11.7	10.1	0.6	5.6	
			80/67	53.8	43.7	75.2	6.3	8.6		70	11.4	9.6	0.7	5.0	
			85/71	57.7	45.3	79.2	6.3	9.1		80	11.1	9.1	0.7	4.5	

Extended Range - Anti-freeze required
 AHR/ISO13256-1 certified performance is rated at entering air conditions of 80.6°F DB and 66.2°F WB in cooling and 68°F DB in heating.
 Tabulated unit performance does not include fan or pump power corrections required for AHR/ISO standard performance ratings.
 Unit performance may be interpolated. Extrapolation is not allowed.
 For conditions other than rating conditions provided, consult the BST selection software.
 Ratings below 40°F are with a methanol solution.

DISCLAIMER: The performance reported herein is based on testing by FHP. Variations in the installation and operational environment may alter performance. Bosch disclaims all warranties, express and implied, that the performance will be as reported, including the warranty of merchantability and fitness for purpose. In addition, continuous research and development may result in a change to an appliances design and specifications at the time of order, which Bosch may change without notice. Before purchase, confirm the design specifications of the appliance.

GreenSource i Series Model SV
Water Source Heat Pump ½ to 6 Ton



BOSCH

Antifreeze Correction							
Antifreeze Type	Antifreeze %	Cooling			Heating		WPD Correction Factor EWT 30 °F
		EWT 90 Deg.F			EWT 30 Deg. F		
		Total Cap.	Sens. Cap	Power	Htg. Cap	Power	
Water	0	1.000	1.000	1.000	1.000	1.000	1.000
Propylene Glycol	5	0.997	0.997	1.004	0.989	0.997	1.060
	10	0.994	0.994	1.006	0.986	0.995	1.125
	15	0.990	0.990	1.009	0.978	0.988	1.190
	25	0.983	0.983	1.016	0.960	0.979	1.300
Methanol	5	0.997	0.997	1.003	0.990	0.997	1.060
	10	0.996	0.996	1.005	0.979	0.993	1.100
	15	0.994	0.994	1.008	0.970	0.990	1.140
Ethanol	5	0.998	0.998	1.002	0.981	0.994	1.160
	10	0.996	0.996	1.004	0.960	0.988	1.230
	15	0.992	0.992	1.006	0.944	0.983	1.280
	25	0.986	0.986	1.009	0.917	0.974	1.400
Ethylene Glycol	5	0.997	0.997	1.003	0.993	0.998	1.060
	10	0.995	0.995	1.004	0.986	0.996	1.120
	15	0.992	0.992	1.005	0.980	0.993	1.190
	25	0.988	0.988	1.009	0.970	0.990	1.330
	30	0.985	0.985	1.012	0.965	0.987	1.400

Greensource i Series Model SV

Water Source Heat Pump ½ to 6 Ton



Field Installed Accessory - Pump/Valve Relay Kit																												
Part Number	SV007		SV009		SV012		SV015		SV018		SV024		SV030		SV036		SV041		SV042		SV048		SV060		SV070			
	VT	HZ	VT	HZ	VT	HZ	VT	HZ	VT	HZ	VT	HZ	VT	HZ	VT	HZ	VT	HZ	VT	HZ	VT	HZ	VT	HZ	VT	HZ	VT	HZ
7738003204	•	•	•	•	•	•	•	•	•	•	•	•	•	•	•	•	•	•	•	•	•	•	•	•	•	•	•	•

Field Installed Accessory - Flow Proving Switch (Differential Pressure) Kit																												
Part Number	SV007		SV009		SV012		SV015		SV018		SV024		SV030		SV036		SV041		SV042		SV048		SV060		SV070			
	VT	HZ	VT	HZ	VT	HZ	VT	HZ	VT	HZ	VT	HZ	VT	HZ	VT	HZ	VT	HZ	VT	HZ	VT	HZ	VT	HZ	VT	HZ	VT	HZ
8733920264	•	•	•	•	•	•	•	•	•	•	•	•	•	•	•	•	•	•	•	•	•	•	•	•	•	•	•	•

Field Installed Accessory - Swivel Connector Kit (two connectors per package)																											
Order Number	Type & Size	SV007		SV009		SV012		SV015		SV018		SV024		SV030		SV036		SV041		SV042		SV048		SV060		SV070	
		VT	HZ	VT	HZ	VT	HZ	VT	HZ	VT	HZ	VT	HZ	VT	HZ	VT	HZ	VT	HZ	VT	HZ	VT	HZ	VT	HZ	VT	HZ
Where Used																											
7738003200	Male 3/4" NPT	•	•	•	•	•	•	•	•	•	•	•	•	•	•	•	•	•	•	•	•	•	•				
7738003201	Male 1" NPT																							•	•	•	•

Field Installed Accessory - SmartStart Assist Kit																												
Part Number	SV007		SV009		SV012		SV015		SV018		SV024		SV030		SV036		SV041		SV042		SV048		SV060		SV070			
	VT	HZ	VT	HZ	VT	HZ	VT	HZ	VT	HZ	VT	HZ	VT	HZ	VT	HZ	VT	HZ	VT	HZ	VT	HZ	VT	HZ	VT	HZ	VT	HZ
8733957159											•	•	•	•	•	•	•	•										
8733957160																			•	•	•	•	•	•	•	•	•	•

Field Installed Accessory - Duct Mounted Electric Heaters 208/230V							
Nominal BTUH	Order #				Nominal CFM	Duct Flange Connection in Inches	Nominal Dimension in Inches
	5 kW	10 kW	15 kW	20 kW			
18000	7738002745	N/A	N/A	N/A	600	13.75 x 13.75	14 x 14
24000	7738002746	7738002747	N/A	N/A	800	13.75 x 13.75	14 x 14
30000	7738002748	7738002749	N/A	N/A	1000	15.75 x 15.75	16 x 16
36000	7738002748	7738002749	N/A	N/A	1200	15.75 x 15.75	16 x 16
42000	7738002747	7738002751	7738002752	N/A	1400	17.75 x 17.75	18 x 18
48000	7738002747	7738002751	7738002752	N/A	1600	17.75 x 17.75	18 x 18
60000	7738002747	7738002751	7738002752	7738002753	2000	17.75 x 17.75	18 x 18
70000	7738002747	7738002751	7738002752	7738002753	2200	17.75 x 17.75	18 x 18

i Duct mounted heaters are only available in single phase 208/230 V. Please refer to Manufacturer's Installation and Operation Manual for proper installation and guidelines. It is recommended to use a seven (7) conductor cables for thermostat interface. It is required for the duct mounted heater to have an independent power supply. In fiberglass duct systems, a metal sleeve MUST be used as an insert and support to the heater.

Greensource i Series Model SV

Water Source Heat Pump ½ to 6 Ton



BOSCH

Field Installed Accessory - Stainless Steel Hose Kits						
Options	Option 1	Option 2	Option 3**	Option 4**,***	Option 5**, ***	Option 6**, ***
Hose Size (Length, Diameter)	Hoses Only with Swivel	Hose Kit Hoses with Ported Ball Valves, Swivel and One P/T*	Hose Kit with Automatic Flow Valve (AFV)*	Hose kit with AFV, Y-Strainer & Blow Down Valve*	Hose Kit with AFV and Electric Valve*	Hose Kit with AFV, Y-Strainer, BDV and Electric Valve*
	Part #	Part #	Part #	Part #	Part #	Part #
12 Inch						
1/2" L	T111H02121	T111H02122	T111H02123	T111H02124	T111H02125	T111H02126
24 Inch						
3/4" S	T111H03241	T111H03242	T111H03243	T111H03244	T111H03245	T111H03246
1" L	T111H04241	T111H04242	T111H04243	T111H04244	T111H04245	T111H04246
1" S	T111H04241	T111H04242	T111H04247	T111H04248	T111H04249	T111H04240
1 - 1/4" S	T111H05241	T111H05242	T111H05243	T111H05244	T111H05245	T111H05246
1 - 1/2" L	T111H06241	T111H06242	T111H06243	T111H06244	T111H06245	T111H06246
1 - 1/2" S	T111H06241	T111H06242	T111H06247	T111H06248	T111H06249	T111H06240
2" S	T111H08241	T111H08242	T111H08243	T111H08244	T111H08245	T111H08246
36 Inch						
3/4" S	T111H03361	T111H03362	T111H03363	T111H03364	T111H03365	T111H03366
1" L	T111H04361	T111H04362	T111H04363	T111H04364	T111H04365	T111H04366
1" S	T111H04361	T111H04362	T111H04367	T111H04368	T111H04369	T111H04360
1 - 1/4" S	T111H05361	T111H05362	T111H05363	T111H05364	T111H05365	T111H05366
1 - 1/2" L	T111H06361	T111H06362	T111H06363	T111H06364	T111H06365	T111H06366
1 - 1/2" S	T111H06361	T111H06362	T111H06367	T111H06368	T111H06369	T111H06360
2" S	T111H08361	T111H08362	T111H08363	T111H08364	T111H08365	T111H08366

* All Hose Kits include S/R ported ball valves with swivel and P/T port.

** 'L' and 'S' only apply to kit options 3 through 6

*** GMP's are required for hose kits in options 3-6

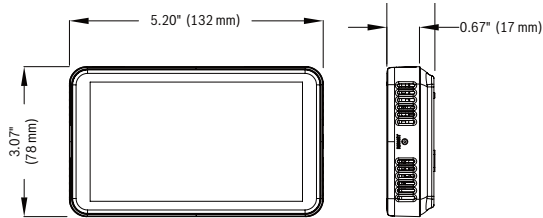
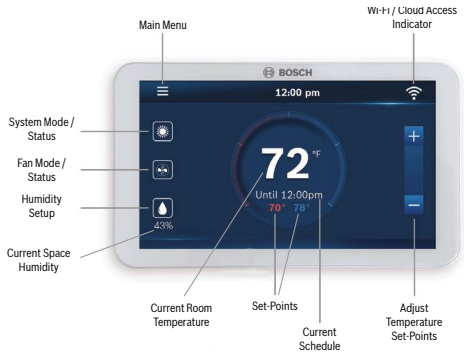
Hose Kit Flow Rates by Size

Please see Technical Service Bulletin: Heat Pump Hose Kits – Water Flow Rates.
This document is located at www.bosch-climate.us under Support Center > Downloads > Downloads for Bosch Products > Service Bulletins.

Greensource i Series Model SV Water Source Heat Pump ½ to 6 Ton



Field Installed Accessory - Bosch Connected Control Wi-Fi Thermostat



Description	Part Number	Heat	Cool	Humidity
Bosch Connected Control (BCC100)	8733948009	4	2	Yes

Specifications

- 5 Inch Touch Screen 854 x 480 Pixels
- 7 Relay Outputs (Terminals) G, Y1, Y2, W1, W2, O/B, H/dH
- 1 Data Input (Pulse signals from Bosch WSHP)
- Displays Bosch Water Source Heat Pump Fault Messages
- Wi-Fi (802.11 a/b/g/n) 2.4GHz (not compatible with 5GHz)
- FCC and IC Certification
- 5 Year Limited Warranty (see website for details: <https://www.bosch-homecomfort.com/us/en/residential/service/product-warranty-library/thermostats-controls-warranty-documents/>)

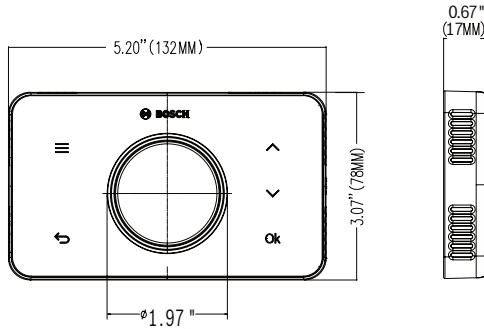
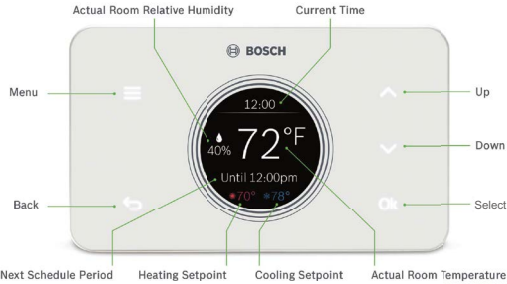
Compatibility

- Conventional (Gas, Oil, Electric): Up to 2 Heat / 2 Cool
- Heat Pump (O/B to energize reversing valve in cool/heat): Up to 4 Heat / 2 Cool
- Supports up to 1 Accessory Unit: Humidifier or Dehumidifier (not provided by Bosch)
- Unit Modes: Heat, Cool, Auto, Off, Emergency Heat
- Fan Modes: Auto, On, Circulate
- Supports 2 Transformer Systems (Rh and Rc)
- C-Wire Required for Installation
- Supports Active and Passive Dehumidification without the need for external relays, such as Bosch Water Source Heat Pump products equipped with a Hot Gas Reheat Coil and/or ECM motor

Greensource i Series Model SV Water Source Heat Pump ½ to 6 Ton



Field Installed Accessory - Bosch Connected Control Wi-Fi Thermostat



Description	Part Number	Heat	Cool	Humidity
Bosch Connected Control (BCC50)	8-733-952-994	3	2	Yes

Specifications

- 2.8 Inch Non-Touch LCD Screen 240 x 320 Pixels
- 5 Back-lit Touch Buttons
- 6 Relay Terminals: G, Y1, Y2, W/E/AUX, O/B/W2, H/DH
- Wi-Fi (802.11b/g/n) 2.4GHz (not compatible with 5GHz)
- FCC and IC Certification
- 3 Year Limited Warranty (see <https://www.bosch-homecomfort.com/us/en/residential/service/product-warranty-library/thermostats-controls-warranty-documents/> for details)

Compatibility

- Conventional (Gas, Oil, Electric): Up to 2 Heat / 2 Cool
- Heat Pump (O/B/W2 to energize reversing valve in cool/heat): Up to 3 Heat / 2 Cool
- Supports up to 1 Accessory Unit: Humidifier or Dehumidifier (not provided by Bosch)
- Unit Modes: Heat, Cool, Auto, Em Heat (Heat Pump & Dual Fuel only), Off
- Fan Modes: Auto, On, Circulate
- Supports 2 Transformer Systems (Rh and Rc)
- C-Wire Required for Installation
- Supports Active and Passive Dehumidification without the need for external relays, such as Bosch Water Source Heat Pump products equipped with a Hot Gas Reheat Coil and/or ECM motor