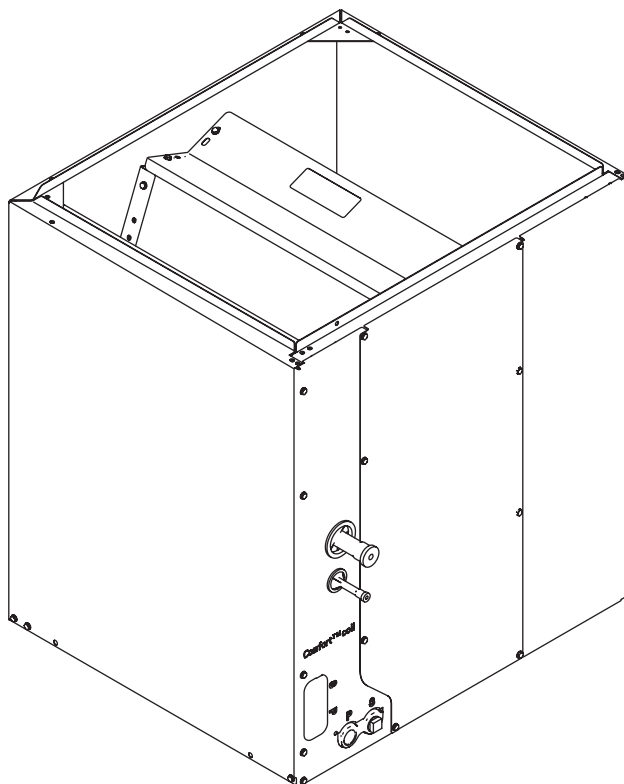


Cased Aluminum Dedicated Upflow / Downflow Coils Convertible to Horizontal with Kit

4PXC

Heat Pump /Cooling Coils for R-410A
1-1/2 - 5 Ton



Aluminum Heat Pump Coil Nomenclature

Heat Pump/ Cooling Coils

1 2 3 4 5 6 7 8 9 10 11 12 13 14 15
4 T X C B 0 3 6 A C 3 H C A A
▲ ▲ ▲ ▲ ▲ ▲ ▲ ▲ ▲ ▲ ▲ ▲ ▲ ▲ ▲

Refrigerant Type _____

4 = R-410A

Series _____

T = Premium (Heat Pump)
N = Premium (Cooling and HP)
P = Premium High Efficiency - Dedicated
position (Cooling and HP)
C = Standard (Cooling Only)
F = Entry Level (Cooling Only)

Coil Design _____

X = Direct Expansion Evaporator Coil

Coil Feature _____

C = Cased A Coil
A = Uncased A Coil
F = Cased Horizontal Flat Coil

Coil Width (Cased/Uncased) _____

A = 14.5" / 13.3"
B = 17.5" / 16.3"
C = 21.0" / 19.8"
D = 24.5" / 23.3"
H = 10.5"

**Refrigerant Line Coupling /
Airflow Configuration** _____

0 = Brazed
U = Upflow only, convertible to Horizontal Left
D = Downflow only, convertible to Horizontal Right

**Nominal Capacity in 1000's (BTUH) /
Model Number Distinguisher** _____

Major Design Change _____

Efficiency _____

C = Standard
S = High Efficiency (derived from 10 SEER products)
Z = High Efficiency (TXV modulates to 50%)

Refrigerant Control _____

3 = TXV - Non-Bleed

Coil Circuitry _____

H = Heat Pump
C = Cooling

Airflow Configuration _____

A = Upflow
U = Upflow /Downflow
D = Downflow
R = Downflow / Horizontal Right
H = Horizontal Left/Right
C = Convertible - Upflow, Downflow, Left or Right

Minor Design Change _____

Service Digit - Not Orderable _____

General Data

PRODUCT SPECIFICATIONS^[1] -- 4 PXC - SPLIT SYSTEM HEAT PUMP / COOLING CASED DEDICATED UPFLOW COMFORT™ COILS ^[2]

Model	4PXCAU18AC3HAA	4PXCBU18AC3HAA	4PXCAU24AC3HAA	4PXCBU24AC3HAA
INDOOR COIL -- Type	PLATE FIN	PLATE FIN	PLATE FIN	PLATE FIN
Rows / F.P.I.	2 / 20	2 / 20	2 / 20	2 / 20
Face Area (sq.ft.)	3.0	3.0	3.0	3.0
Tube Size	3/8	3/8	3/8	3/8
Refrigerant Control	Non-Bleed TXV	Non-Bleed TXV	Non-Bleed TXV	Non-Bleed TXV
Internal check valve	Yes	Yes	Yes	Yes
Drain Conn. Size (in.)	3/4 NPT	3/4 NPT	3/4 NPT	3/4 NPT
Duct Connections	See outline drawing	See outline drawing	See outline drawing	See outline drawing
REFRIGERANT CONNECTIONS	R-410A BRAZED	R-410A BRAZED	R-410A BRAZED	R-410A BRAZED
Line Size -- Gas (in.)	3/4	3/4	3/4	3/4
Line Size -- Liquid (in.)	3/8	3/8	3/8	3/8
DIMENSIONS (in.)	H X W X D	H X W X D	H X W X D	H X W X D
Crated (H x W x D)	21.35 x 17.5 x 26.5	21.35 x 20.5 x 26.5	21.35 x 17.5 x 26.5	21.35 x 20.5 x 26.5
Uncrated	17.6 x 14.5 x 21.5	17.6 x 17.5 x 21.5	17.6 x 14.5 x 21.5	17.6 x 17.5 x 21.5
WEIGHT (lbs)				
Shipping -- Net	39 / 31	42 / 34	39 / 31	42 / 34
Model	4PXCBU30AC3HAA	4PXCCU30AC3HAA	4PXCBU36AC3HAA	4PXCCU36AC3HAA
INDOOR COIL -- Type	PLATE FIN	PLATE FIN	PLATE FIN	PLATE FIN
Rows / F.P.I.	3 / 14	3 / 14	3 / 12	3 / 12
Face Area (sq.ft.)	3.5	3.5	5.0	5.0
Tube Size	3/8	3/8	3/8	3/8
Refrigerant Control	Non-Bleed TXV	Non-Bleed TXV	Non-Bleed TXV	Non-Bleed TXV
Internal check valve	Yes	Yes	Yes	Yes
Drain Conn. Size (in.)	3/4 NPT	3/4 NPT	3/4 NPT	3/4 NPT
Duct Connections	See outline drawing	See outline drawing	See outline drawing	See outline drawing
REFRIGERANT CONNECTIONS	R-410A BRAZED	R-410A BRAZED	R-410A BRAZED	R-410A BRAZED
Line Size -- Gas (in.)	3/4	3/4	7/8	7/8
Line Size -- Liquid (in.)	3/8	3/8	3/8	3/8
DIMENSIONS (in.)	H X W X D	H X W X D	H X W X D	H X W X D
Crated (H x W x D)	21.35 x 20.5 x 26.5	21.35 x 24 x 26.5	26.35 x 20.5 x 26.5	26.35 x 24 x 26.5
Uncrated	17.6 x 17.5 x 21.5	17.6 x 21 x 21.5	22.6 x 17.5 x 21.5	22.6 x 21 x 21.5
WEIGHT (lbs)				
Shipping -- Net	47 / 39	49 / 41	54 / 46	56 / 48

[1] These indoor coils are A.H.R.I. certified with various split system air conditioners and heat pumps (A.H.R.I. Standard 210/240).

Refer to the Split System Outdoor product information site or www.ahrinet.org

[2] Convertible to Horizontal Left with Kit

General Data

PRODUCT SPECIFICATIONS^[1] -- 4 PXC - SPLIT SYSTEM HEAT PUMP / COOLING CASED DEDICATED UPFLOW COMFORT™ COILS ^[2]

Model	4PXCBU42AC3HAA	4PXCCU42AC3HAA	4PXCBU48AC3HAA	4PXCCU48AC3HAA
INDOOR COIL -- Type	PLATE FIN	PLATE FIN	PLATE FIN	PLATE FIN
Rows / F.P.I.	3 / 14	3 / 14	3 / 14	3 / 14
Face Area (sq.ft.)	5.5	5.5	6.0	6.0
Tube Size	3/8	3/8	3/8	3/8
Refrigerant Control	Non-Bleed TXV	Non-Bleed TXV	Non-Bleed TXV	Non-Bleed TXV
Internal check valve	Yes	Yes	Yes	Yes
Drain Conn. Size (in.)	3/4 NPT	3/4 NPT	3/4 NPT	3/4 NPT
Duct Connections	See outline drawing	See outline drawing	See outline drawing	See outline drawing
REFRIGERANT CONNECTIONS	R-410A BRAZED	R-410A BRAZED	R-410A BRAZED	R-410A BRAZED
Line Size -- Gas (in.)	7/8	7/8	7/8	7/8
Line Size -- Liquid (in.)	3/8	3/8	3/8	3/8
DIMENSIONS (in.)	H X W X D	H X W X D	H X W X D	H X W X D
Crated (H x W x D)	30.65 x 20.5 x 26.5	30.65 x 24 x 26.5	30.65 x 20.5 x 26.5	30.65 x 24 x 26.5
Uncrated	26.9 x 17.5 x 21.5	26.9 x 21 x 21.5	26.9 x 17.5 x 21.5	26.9 x 21 x 21.5
WEIGHT (lbs)				
Shipping -- Net	61 / 53	64 / 56	61 / 53	64 / 56

Model	4PXC48AC3HAA	4PXCCU60AC3HAA	4PXC60AC3HAA
INDOOR COIL -- Type	PLATE FIN	PLATE FIN	PLATE FIN
Rows / F.P.I.	3 / 14	3 / 12	3 / 12
Face Area (sq.ft.)	6.0	6.0	6.0
Tube Size	3/8	3/8	3/8
Refrigerant Control	Non-Bleed TXV	Non-Bleed TXV	Non-Bleed TXV
Internal check valve	Yes	Yes	Yes
Drain Conn. Size (in.)	3/4 NPT	3/4 NPT	3/4 NPT
Duct Connections	See outline drawing	See outline drawing	See outline drawing
REFRIGERANT CONNECTIONS	R-410A BRAZED	R-410A BRAZED	R-410A BRAZED
Line Size -- Gas (in.)	7/8	3/4	7/8
Line Size -- Liquid (in.)	3/8	3/8	3/8
DIMENSIONS (in.)	H X W X D	H X W X D	H X W X D
Crated (H x W x D)	30.65 x 27.5 x 26.5	34.45 x 24 x 26.5	34.45 x 27.5 x 26.5
Uncrated	26.9 x 24.5 x 21.5	30.7 x 21 x 21.5	30.7 x 24.5 x 21.5
WEIGHT (lbs)			
Shipping -- Net	68 / 60	73 / 65	77 / 69

[1] These indoor coils are A.H.R.I. certified with various split system air conditioners and heat pumps (A.H.R.I. Standard 210/240). Refer to the Split System Outdoor product information site or www.ahrinet.org

[2] Convertible to Horizontal Left with Kit

General Data

PRODUCT SPECIFICATIONS^[1] -- 4 PXC - SPLIT SYSTEM HEAT PUMP / COOLING CASED DEDICATED DOWNFLOW COMFORT™ COILS^[2]

Model	4PXCAD18AC3HDA	4PXCBD18AC3HDA	4PXCAD24AC3HDA	4PXCBD24AC3HDA
INDOOR COIL -- Type	PLATE FIN	PLATE FIN	PLATE FIN	PLATE FIN
Rows / F.P.I.	2 / 20	2 / 20	2 / 20	2 / 20
Face Area (sq.ft.)	3.0	3.0	3.0	3.0
Tube Size	3/8	3/8	3/8	3/8
Refrigerant Control	Non-Bleed TXV	Non-Bleed TXV	Non-Bleed TXV	Non-Bleed TXV
Internal check valve	Yes	Yes	Yes	Yes
Drain Conn. Size (in.)	3/4 NPT	3/4 NPT	3/4 NPT	3/4 NPT
Duct Connections	See outline drawing	See outline drawing	See outline drawing	See outline drawing
REFRIGERANT CONNECTIONS	R-410A BRAZED	R-410A BRAZED	R-410A BRAZED	R-410A BRAZED
Line Size -- Gas (in.)	3/4	3/4	3/4	3/4
Line Size -- Liquid (in.)	3/8	3/8	3/8	3/8
DIMENSIONS (in.)	H X W X D	H X W X D	H X W X D	H X W X D
Crated (H x W x D)	21.35 x 17.5 x 26.5	21.35 x 20.5 x 26.5	21.35 x 17.5 x 26.5	21.35 x 20.5 x 26.5
Uncrated	17.6 x 14.5 x 21.5	17.6 x 17.5 x 21.5	17.6 x 14.5 x 21.5	17.6 x 17.5 x 21.5
WEIGHT (lbs)				
Shipping -- Net	39 / 31	42 / 34	39 / 31	42 / 34
Model	4PXCBD30AC3HDA	4PXCDD30AC3HDA	4PXCBD36AC3HDA	4PXCDD36AC3HDA
INDOOR COIL -- Type	PLATE FIN	PLATE FIN	PLATE FIN	PLATE FIN
Rows / F.P.I.	3 / 14	3 / 14	3 / 12	3 / 12
Face Area (sq.ft.)	3.5	3.5	5.0	5.0
Tube Size	3/8	3/8	3/8	3/8
Refrigerant Control	Non-Bleed TXV	Non-Bleed TXV	Non-Bleed TXV	Non-Bleed TXV
Internal check valve	Yes	Yes	Yes	Yes
Drain Conn. Size (in.)	3/4 NPT	3/4 NPT	3/4 NPT	3/4 NPT
Duct Connections	See outline drawing	See outline drawing	See outline drawing	See outline drawing
REFRIGERANT CONNECTIONS	R-410A BRAZED	R-410A BRAZED	R-410A BRAZED	R-410A BRAZED
Line Size -- Gas (in.)	3/4	3/4	7/8	7/8
Line Size -- Liquid (in.)	3/8	3/8	3/8	3/8
DIMENSIONS (in.)	H X W X D	H X W X D	H X W X D	H X W X D
Crated (H x W x D)	21.35 x 20.5 x 26.5	21.35 x 24 x 26.5	26.35 x 20.5 x 26.5	26.35 x 24 x 26.5
Uncrated	17.6 x 17.5 x 21.5	17.6 x 21 x 21.5	22.6 x 17.5 x 21.5	22.6 x 21 x 21.5
WEIGHT (lbs)				
Shipping -- Net	47 / 39	49 / 41	54 / 46	56 / 48

[1] These indoor coils are A.H.R.I. certified with various split system air conditioners and heat pumps (A.H.R.I. Standard 210/240). Refer to the Split System Outdoor product information site or www.ahrinet.org

[2] Convertible to Horizontal Right with Kit

General Data

PRODUCT SPECIFICATIONS^[1] -- 4 PXC - SPLIT SYSTEM HEAT PUMP / COOLING CASED DEDICATED DOWNFLOW COMFORT™ COILS ^[2]

Model	4PXCBD42AC3HDA	4PXCCD42AC3HDA	4PXCBD48AC3HDA	4PXCCD48AC3HDA
INDOOR COIL -- Type	PLATE FIN	PLATE FIN	PLATE FIN	PLATE FIN
Rows / F.P.I.	3 / 14	3 / 14	3 / 14	3 / 14
Face Area (sq.ft.)	5.5	5.5	6.0	6.0
Tube Size	3/8	3/8	3/8	3/8
Refrigerant Control	Non-Bleed TXV	Non-Bleed TXV	Non-Bleed TXV	Non-Bleed TXV
Internal check valve	Yes	Yes	Yes	Yes
Drain Conn. Size (in.)	3/4 NPT	3/4 NPT	3/4 NPT	3/4 NPT
Duct Connections	See outline drawing	See outline drawing	See outline drawing	See outline drawing
REFRIGERANT CONNECTIONS	R-410A BRAZED	R-410A BRAZED	R-410A BRAZED	R-410A BRAZED
Line Size -- Gas (in.)	7/8	7/8	7/8	7/8
Line Size -- Liquid (in.)	3/8	3/8	3/8	3/8
DIMENSIONS (in.)	H X W X D	H X W X D	H X W X D	H X W X D
Crated (H x W x D)	30.65 x 20.5 x 26.5	30.65 x 24 x 26.5	30.65 x 20.5 x 26.5	30.65 x 24 x 26.5
Uncrated	26.9 x 17.5 x 21.5	26.9 x 21 x 21.5	26.9 x 17.5 x 21.5	26.9 x 21 x 21.5
WEIGHT (lbs)				
Shipping -- Net	61 / 53	64 / 56	61 / 53	64 / 56

Model	4PXCDD48AC3HDA	4PXCCD60AC3HDA	4PXCDD60AC3HDA
INDOOR COIL -- Type	PLATE FIN	PLATE FIN	PLATE FIN
Rows / F.P.I.	3 / 14	3 / 12	3 / 12
Face Area (sq.ft.)	6.0	6.0	6.0
Tube Size	3/8	3/8	3/8
Refrigerant Control	Non-Bleed TXV	Non-Bleed TXV	Non-Bleed TXV
Internal check valve	Yes	Yes	Yes
Drain Conn. Size (in.)	3/4 NPT	3/4 NPT	3/4 NPT
Duct Connections	See outline drawing	See outline drawing	See outline drawing
REFRIGERANT CONNECTIONS	R-410A BRAZED	R-410A BRAZED	R-410A BRAZED
Line Size -- Gas (in.)	7/8	3/4	7/8
Line Size -- Liquid (in.)	3/8	3/8	3/8
DIMENSIONS (in.)	H X W X D	H X W X D	H X W X D
Crated (H x W x D)	30.65 x 27.5 x 26.5	34.45 x 24 x 26.5	34.45 x 27.5 x 26.5
Uncrated	26.9 x 24.5 x 21.5	30.7 x 21 x 21.5	30.7 x 24.5 x 21.5
WEIGHT (lbs)			
Shipping -- Net	68 / 60	73 / 65	77 / 69

[1] These indoor coils are A.H.R.I. certified with various split system air conditioners and heat pumps (A.H.R.I. Standard 210/240).

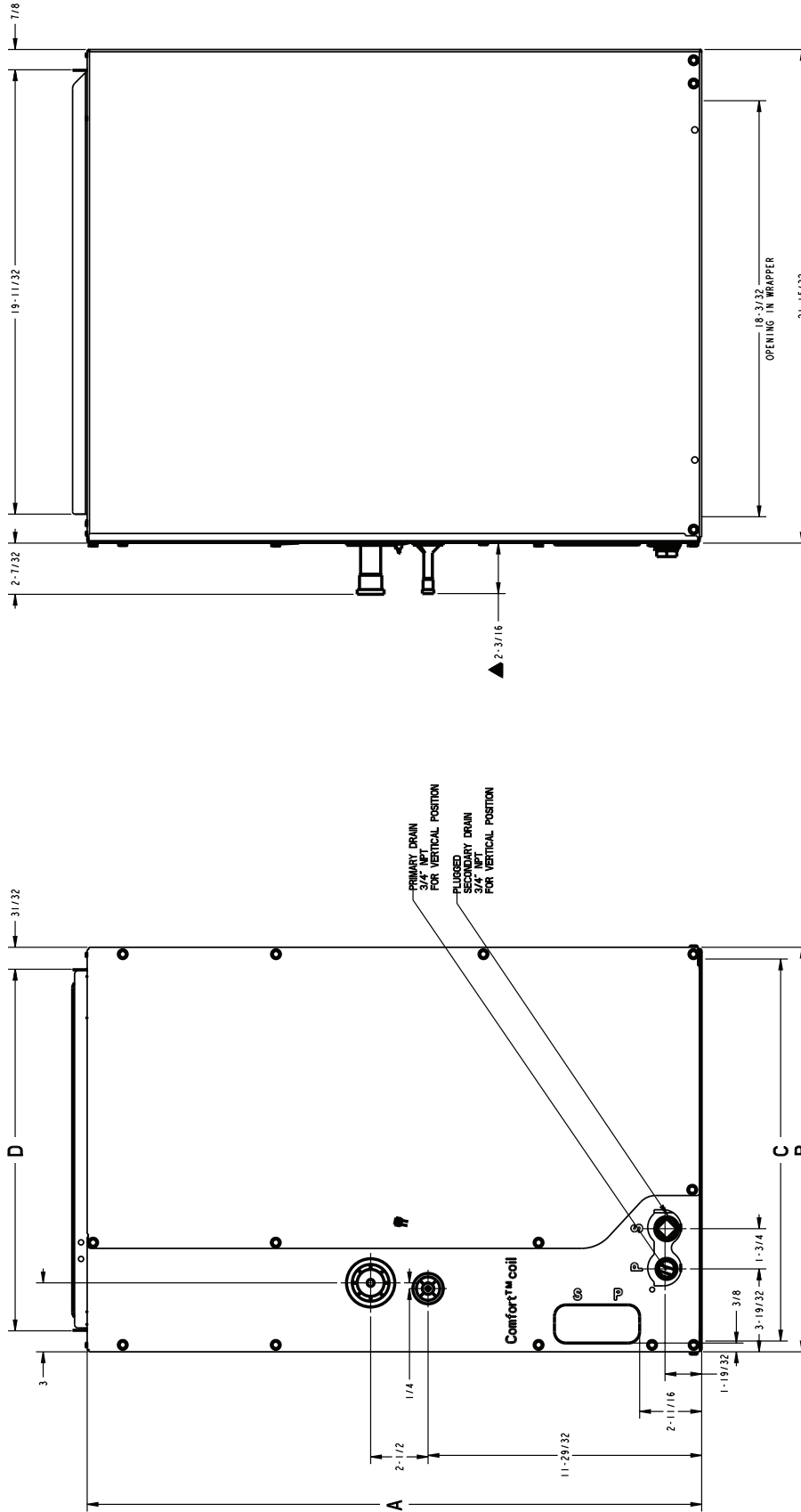
Refer to the Split System Outdoor product information site or www.ahrinet.org

[2] Convertible to Horizontal Right with Kit

Performance Data

PRESSURE DROP CHARACTERISTICS FOR COOLING AND HEAT PUMP COILS							
AIRFLOW (SCFM) VS. PRESSURE DROP ACROSS WET COIL							
PRESSURE DROP (INCHES OF WATER COLUMN)							
MODEL	0.1	0.15	0.2	0.25	0.3	0.35	0.4
4PXCAD18AC3HDA 4PXCAD24AC3HDA	315	405	480	545	610	670	725
4PXCAU18AC3HAA 4PXCAU24AC3HAA	340	430	510	585	650	715	775
4PXCBD18AC3HDA 4PXCBD24AC3HDA	405	520	615	705	785	860	935
4PXCBD30AC3HDA	510	645	760	865	965	1055	1140
4PXCBD36AC3HDA	645	810	950	1080	1200	1305	1410
4PXCBD42AC3HDA	585	745	880	1000	1115	1220	1315
4PXCBD48AC3HDA	605	765	905	1035	1150	1255	1360
4PXCBU18AC3HAA 4PXCBU24AC3HAA	435	555	660	755	840	920	995
4PXCBU30AC3HAA	525	665	790	900	1000	1095	1180
4PXCBU36AC3HAA	655	825	970	1100	1220	1330	1435
4PXCBU42AC3HAA	625	790	935	1065	1185	1295	1400
4PXCBU48AC3HAA	640	815	965	1095	1220	1335	1445
4PXCCD30AC3HDA	520	660	780	885	985	1080	1165
4PXCCD36AC3HDA	760	955	1125	1275	1415	1540	1665
4PXCCD42AC3HDA	695	880	1040	1185	1315	1440	1555
4PXCCD48AC3HDA	715	910	1075	1225	1360	1490	1610
4PXCCD60AC3HDA	720	920	1095	1250	1390	1525	1655
4PXCCU30AC3HAA	540	680	805	920	1020	1120	1210
4PXCCU36AC3HAA	770	970	1145	1300	1440	1570	1696
4PXCCU42AC3HAA	735	930	1105	1255	1400	1530	1655
4PXCCU48AC3HAA	760	965	1140	1300	1445	1580	1710
4PXCCU60AC3HAA	740	940	1120	1280	1425	1565	1695
4PXCDD48AC3HDA	820	1035	1225	1395	1555	1700	1840
4PXCDD60AC3HDA	815	1040	1235	1410	1575	1725	1870
4PXCDU48AC3HAA	870	1100	1300	1485	1650	1805	1950
4PXCDU60AC3HAA	835	1065	1265	1445	1615	1770	1915

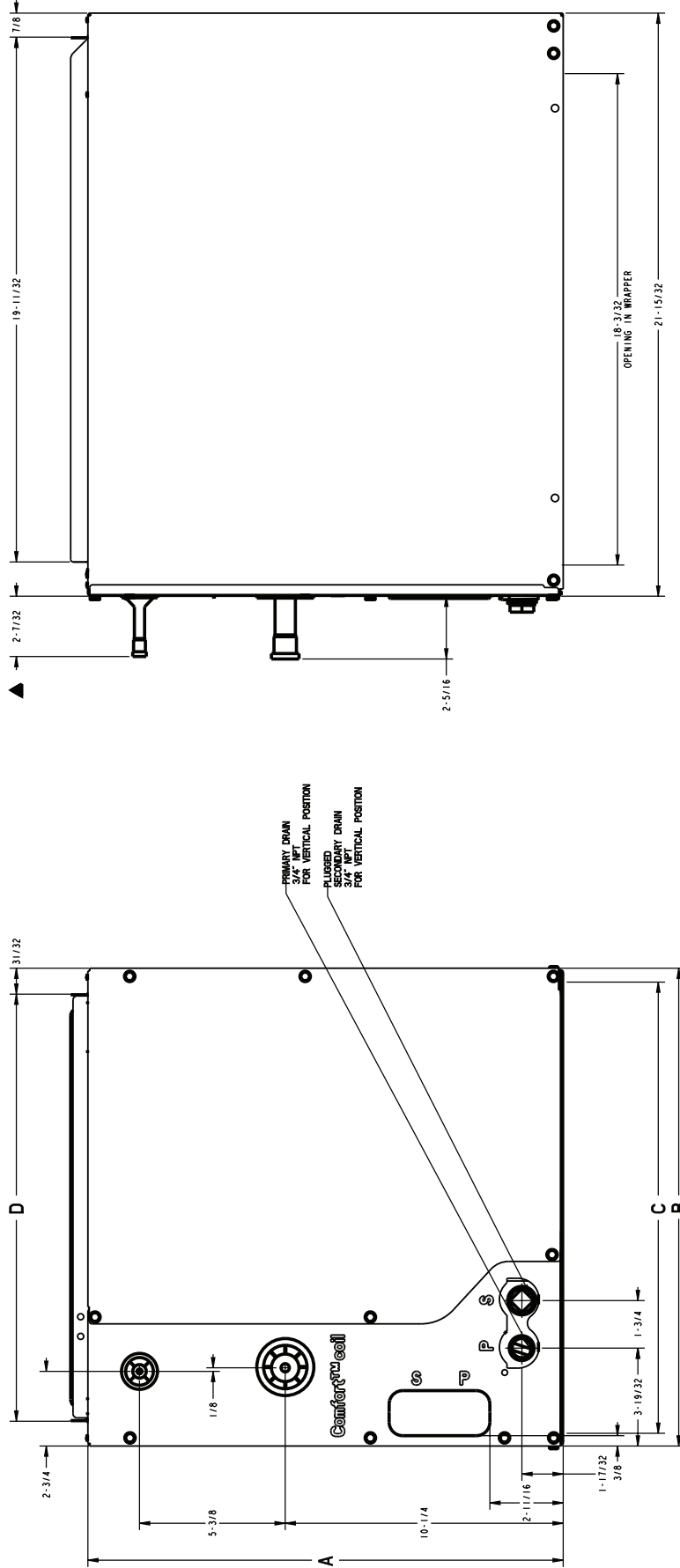
Outline Drawing for Upflow models: 4PXCAD18AC3HAA, 4PXCAD24AC3HAA, 4PXCAD36AC3HAA, 4PXCAD42AC3HAA, 4PXCAD48AC3HAA, 4PXCAD60AC3HAA, 4PXCAD18AC3HDA, 4PXCAD24AC3HDA, 4PXCAD36AC3HDA, 4PXCAD42AC3HDA, 4PXCAD48AC3HDA, 4PXCAD60AC3HDA, 4PXCBD18AC3HAA, 4PXCBD24AC3HAA, 4PXCBD36AC3HAA, 4PXCBD42AC3HAA, 4PXCBD48AC3HAA, 4PXCBD60AC3HAA, 4PXCBD18AC3HDA, 4PXCBD24AC3HDA, 4PXCBD36AC3HDA, 4PXCBD42AC3HDA, 4PXCBD48AC3HDA, 4PXCBD60AC3HDA, 4PXCBD18AC3HAA, 4PXCBD24AC3HAA, 4PXCBD36AC3HAA, 4PXCBD42AC3HAA, 4PXCBD48AC3HAA, 4PXCBD60AC3HAA, 4PXCBD18AC3HDA, 4PXCBD24AC3HDA, 4PXCBD36AC3HDA, 4PXCBD42AC3HDA, 4PXCBD48AC3HDA, 4PXCBD60AC3HDA



MODEL	4PXCAD18AC3HAA 4PXCAD24AC3HAA 4PXCAD36AC3HAA 4PXCAD42AC3HAA 4PXCAD48AC3HAA 4PXCAD60AC3HAA	4PXCBD18AC3HAA 4PXCBD24AC3HAA 4PXCBD36AC3HAA 4PXCBD42AC3HAA 4PXCBD48AC3HAA 4PXCBD60AC3HAA	4PXCAD18AC3HDA 4PXCAD24AC3HDA 4PXCAD36AC3HDA 4PXCAD42AC3HDA 4PXCAD48AC3HDA 4PXCAD60AC3HDA	4PXCBD18AC3HDA 4PXCBD24AC3HDA 4PXCBD36AC3HDA 4PXCBD42AC3HDA 4PXCBD48AC3HDA 4PXCBD60AC3HDA	4PXCAD18AC3HAA 4PXCAD24AC3HAA 4PXCAD36AC3HAA 4PXCAD42AC3HAA 4PXCAD48AC3HAA 4PXCAD60AC3HAA	4PXCBD18AC3HAA 4PXCBD24AC3HAA 4PXCBD36AC3HAA 4PXCBD42AC3HAA 4PXCBD48AC3HAA 4PXCBD60AC3HAA	4PXCAD18AC3HDA 4PXCAD24AC3HDA 4PXCAD36AC3HDA 4PXCAD42AC3HDA 4PXCAD48AC3HDA 4PXCAD60AC3HDA	4PXCBD18AC3HDA 4PXCBD24AC3HDA 4PXCBD36AC3HDA 4PXCBD42AC3HDA 4PXCBD48AC3HDA 4PXCBD60AC3HDA
WEIGHT (LBS.)	39	42	54	56	61	64	73	73
REFRIGERANT CONTROL	TXV (NON-BLEED)							
HEIGHT "A" (IN.)	17-1/2	17-1/2	22-1/2	22-1/2	26-7/8	26-7/8	30-11/16	30-11/16
OVERALL WIDTH "B" (IN.)	14-1/2	17-1/2	17-1/2	21	17-1/2	21	21	21
OPENING WIDTH "C" (IN.)	13-5/8	16-5/8	16-5/8	20-1/8	16-5/8	20-1/8	20-1/8	20-1/8
TOP OPENING "D" (IN.)	12-3/4	15-3/4	15-3/4	19-1/4	15-3/4	19-1/4	19-1/4	19-1/4
GAS CONNECTION	3/4	3/4	7/8	7/8	7/8	7/8	7/8	7/8
LIQUID CONNECTION	3/8	3/8	3/8	3/8	3/8	3/8	3/8	3/8
MATCHED FURNACE WIDTH (NO ADAPTER REQUIRED)	14-1/2	17-1/2	17-1/2	21	17-1/2	21	21	21
DRAIN PAN	PLASTIC							

From Dwg. D345397 RevC

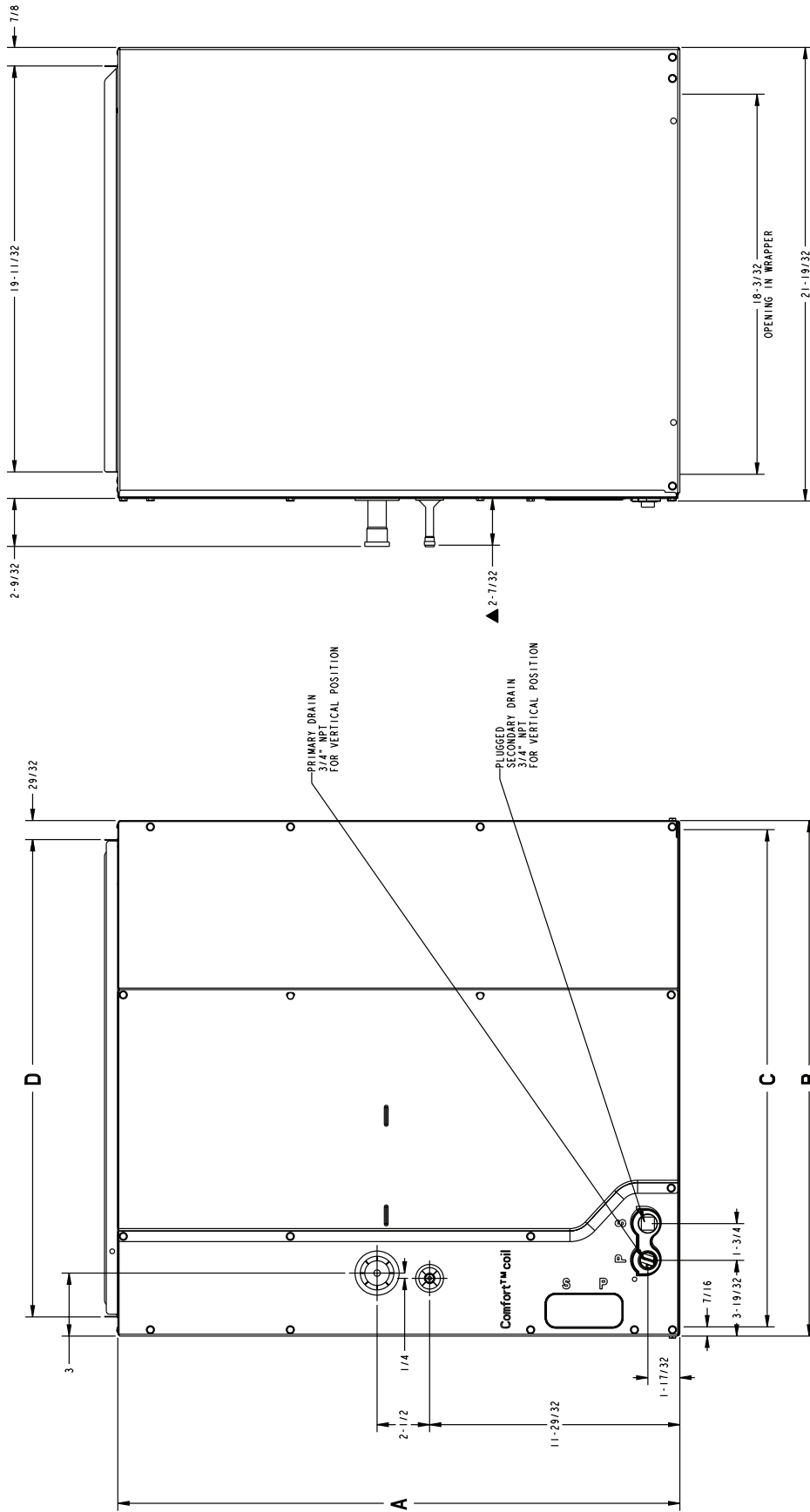
Outline Drawing for Upflow models: 4PXCBU30AC3HAA, 4PXCCU30AC3HAA,
and Downflow models: 4PXCBD30AC3HDA, 4PXCCD30AC3HDA



MODEL	4PXCBU30AC3HAA 4PXCBD30AC3HDA	4PXCCU30AC3HAA 4PXCCD30AC3HDA
WEIGHT (LBS.)	47	49
REFRIGERANT CONTROL	TXV (NON-BLEED)	
HEIGHT (IN.)	17-1/2	17-1/2
OVERALL WIDTH (IN.)	17-1/2	21
OPENING WIDTH (IN.)	16-5/8	20-1/8
TOP OPENING	15-3/4	19-1/4
GAS CONNECTION	3/4	3/4
LIQUID CONNECTION	3/8	3/8
MATCHED FURNACE WIDTH (NO ADAPTER REQUIRED)	17-1/2	21
DRAIN PAN	PLASTIC	

From Dwg. D345398 RevB

Outline Drawing for Upflow models: 4PXCDU48AC3HAA, 4PXCDU60AC3HAA,
and Downflow models: 4PXCDD48AC3HDA, 4PXCDD60AC3HDA



MODEL	4PXCDU48AC3HAA 4PXCDD48AC3HDA	4PXCDU60AC3HAA 4PXCDD60AC3HDA
WEIGHT (LBS.)	68	77
REFRIGERANT CONTROL	TXV (NON-BLEED)	
HEIGHT (IN.)	26-7/8	30-11/16
OVERALL WIDTH (IN.)	24-1/2	24-1/2
OPENING WIDTH (IN.)	23-5/8	23-5/8
TOP OPENING	22-3/4	22-3/4
GAS CONNECTION	7/8	7/8
LIQUID CONNECTION	3/8	3/8
MATCHED FURNACE WIDTH (NO ADAPTER REQUIRED)	24-1/2	24-1/2
DRAIN PAN		PLASTIC

From Dwg. D345408 RevB

General Data

HORIZONTAL CONVERSION KIT LISTED BY COIL MATCH

Model Number		Horizontal Kit No.
4PXCAU18AC3HAA	4PXCAD18AC3HDA	BAYCONV18A
4PXCBU18AC3HAA	4PXCBD18AC3HDA	
4PXCAU24AC3HAA	4PXCAD24AC3HDA	
4PXCBU24AC3HAA	4PXCBD24AC3HDA	
4PXCBU30AC3HAA	4PXCBD30AC3HDA	
4PXCCU30AC3HAA	4PXCCD30AC3HDA	
4PXCBU36AC3HAA	4PXCBD36AC3HDA	BAYCONV23A
4PXCCU36AC3HAA	4PXCCD36AC3HDA	
4PXCBU42AC3HAA	4PXCBD42AC3HDA	BAYCONV27A
4PXCCU42AC3HAA	4PXCCD42AC3HDA	
4PXCBU48AC3HAA	4PXCBD48AC3HDA	
4PXCCU48AC3HAA	4PXCCD48AC3HDA	
4PXCDD48AC3HAA	4PXCDD48AC3HDA	
4PXCCU60AC3HAA	4PXCCD60AC3HDA	BAYCONV30A
4PXCDD60AC3HAA	4PXCDD60AC3HDA	

American Standard
HEATING & AIR CONDITIONING

American Standard
Heating & Air Conditioning
6200 Troup Highway
Tyler, TX 75707
www.americanstandardair.com

For more information contact
your local dealer (distributor)



Literature Order Number	12-1363-1
File Number	12-1363-1
Supersedes	New
Date	08/14

Since **American Standard Heating & Air Conditioning** has a policy of continuous product improvement, it reserves the right to change design and specifications without notice.