

S-SERIES

UP TO 17.2 SEER2
1½ TO 5 TONS

AMANA S - SERIES
HIGH-EFFICIENCY,
COMMUNICATING, VARIABLE-SPEED,
R-32 INVERTER DRIVEN SIDE DISCHARGE
SPLIT SYSTEM AIR CONDITIONER

■ Contents

Nomenclature.....	2
Product Specifications.....	3
Expanded Cooling Data.....	4
Performance Data.....	27
Sound Data	
Sound Power.....	31
Sound Pressure.....	32
Quiet Mode.....	33
AHRI Ratings (see note).....	34
Wiring Diagram.....	35
Dimensions.....	38
Accessories.....	40



R32

■ Standard Features

- Variable-speed swing compressors
- Quiet digitally commutated fan motor
- High-density compressor sound blanket
- Compatible with Amana Smart Thermostat and other Amana communicating equipment
- Proprietary control algorithmic logic
- In communicating mode, only two low-voltage wires to outdoor unit required
- Diagnostic indicator lights, seven-segment LED display, and fault code storage
- Proprietary Inside intelligence for diagnostics
- Quiet-mode - provides enhanced acoustical comfort, up to 3 different sound levels (as low as 45dBA)
- Field-selectable boost mode increases compressor speed during unusually high loads
- Field-installed bi-flow filter drier
- Coil and ambient temperature sensors
- Suction pressure transducer
- Sweat connection service valves with easy access to gauge ports
- AHRI Certified; ETL Listed

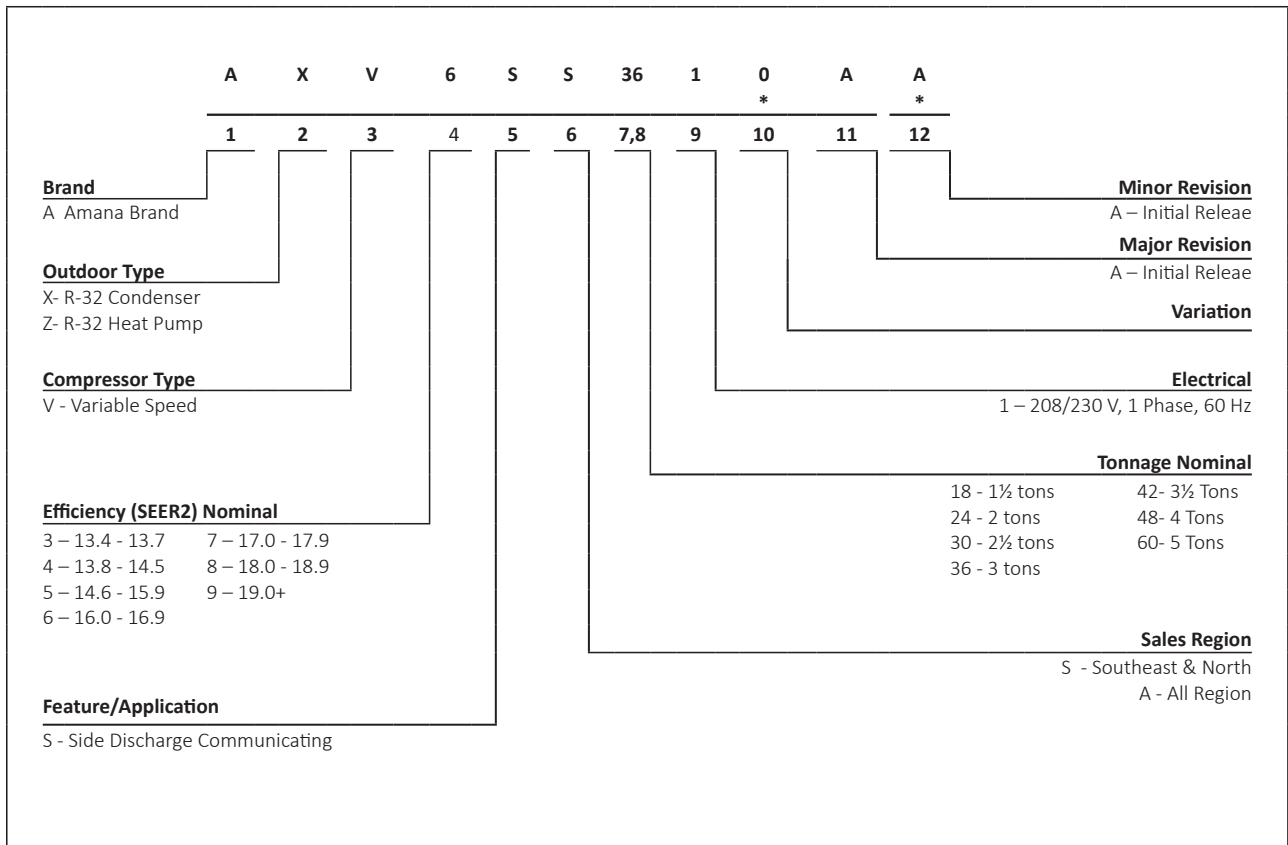
■ Cabinet Features

- Heavy-gauge galvanized steel cabinet with grille-style sound control side design
- Custom Ivory white powder-paint finish
- High corrosion-resistant (ZAM®), unpainted steel bottom frame and legs
- 500-hour salt-spray tested
- Wire fan discharge grille
- Top and side maintenance access
- When properly anchored, meets the 2023 Florida Building Code unit integrity requirements for hurricane-type winds (Anchor bracket kits available.)



* Complete warranty details available from your local dealer or at www.amana-hac.com. To receive the Lifetime Unit Replacement Limited Warranty (good for as long as you own your home) and 10-Year Parts Limited Warranty, online registration must be completed within 60 days of installation. Online registration is not required in California or Québec. The duration of warranty coverages in Texas and Florida differs in some cases.

NOMENCLATURE



	AXV6SS 1810A*	AXV6SS 2410A*	AXV6SS 3010A*	AXV6SS 3610A*	AXV6SS 4210A*	AXV6SS 4810A*	AXV6SS 6010A*
CAPACITIES (AHRI RATED)							
Max. Cooling (BTU/h)	17,100	23,200	28,400	34,200	41,000	45,500	53,500
AMBIENT OPERATION RANGE COOLING (*FDB(*CDB))	0 to 115 (-17.8 to 46.1)						
COMPRESSOR							
Type	Swing	Swing	Swing	Swing	Swing	Swing	Swing
CONDENSER FAN MOTOR							
Horsepower	0.09	0.09	0.20	0.20	0.36	0.36	0.36
REFRIGERATION SYSTEM							
Refrigerant Line Size ¹							
Liquid Line Size ("O.D.)	3/8"	3/8"	3/8"	3/8"	3/8"	3/8"	3/8"
Suction Line Size ("O.D.)	3/4"	3/4"	7/8"	7/8"	1 1/8"	1 1/8"	1 1/8"
Refrigerant Connection Size							
Liquid Valve Size ("O.D.)	3/8"	3/8"	3/8"	3/8"	3/8"	3/8"	3/8"
Suction Valve Size ("O.D.)	3/4"	3/4"	7/8"	7/8"	7/8"	7/8"	7/8"
Valve Connection Type	Front Sealing	Front Sealing	Front Sealing	Front Sealing	Front and Back Sealing	Front and Back Sealing	Front and Back Sealing
Refrigerant Charge (oz.)	74	74	76	83	100	100	118
Expansion Device	EEV	EEV	EEV	EEV	EEV	EEV	EEV
Superheat at Service Valve	Auto-control	Auto-control	Auto-control	Auto-control	Auto-control	Auto-control	Auto-control
Subcooling at Service Valve	10±1°F	12±1°F	14±1°F	15±1°F	8±1°F	9±1°F	9±1°F
ELECTRICAL DATA							
Voltage / Phase (60 Hz)	208-230/1	208-230/1	208-230/1	208-230/1	208-230/1	208-230/1	208-230/1
Fan/Compressor Inverter Drive Input	8.1	13.3	17.6	17.6	25.4	25.4	30
Minimum Circuit Ampacity ²	12.8	16.8	22.4	22.4	31.8	31.8	37.5
Max. Overcurrent Protection ³	15	20	25	25	35	35	40
Min / Max Volts	197/253	197/253	197/253	197/253	197/253	197/253	197/253
Electrical Conduit Size	1/2"	1/2"	1/2"	1/2"	1/2" or 3/4"	1/2" or 3/4"	1/2" or 3/4"
EQUIPMENT WEIGHT (LBS)	119	119	129	133	163	163	174
SHIP WEIGHT (LBS)	133	133	143	148	183	183	196

¹ Tested and rated in accordance with ANSI/AHRI Standard 210/240

² Wire size should be determined in accordance with National Electrical Codes; extensive wire runs will require larger wire sizes

³ Must use time-delay fuses or HACR-type circuit breakers of the same size as noted.

NOTES

- Always check the S&R plate for electrical data on the unit being installed.
- Installer will need to supply 3/8" to 1 1/8" adapters for suction line connections.
- Unit is charged with refrigerant for 15' of 3/8" liquid line. System charge must be adjusted per Installation Instructions Final Charge Procedure. (See table below for allowable line set diameter)

UNIT TONS	ALLOWABLE LINE SET DIAMETER						
	LIQUID			SUCTION			
	1/4"	5/16"	3/8"	1/2"	5/8"	3/4"	1"
1.5	x	x	x	x*	x		
2.0		x	x	x*	x		
2.5		x	x		x*	x	
3.0		x	x		x*	x	
3.5			x			x	x
4.0			x			x	x
5.0			x			x	x

x: Allowable combination

* For marked combinations, if normal ambient operation temperature is less than 14°F, limit line set length to 50 ft. max.

OUTDOOR UNIT	AXV6S*361*A*	
INDOOR UNIT	A*VT960403B/0603B A*VM970603B A*VT800603B/0803B MBVK12BP A*VS960603BU	TRIM MORE THAN 10% SETTINGS ARE INVALID. TRIMMED UP CFM MAKES MISS MATCHING ERROR.
OUTDOOR UNIT	AXV6S*601*A*	
INDOOR UNIT	A*VT960804C A*VM970804C A*VT800804C	TRIM MORE THAN 5% SETTINGS ARE INVALID. TRIMMED UP CFM MAKES MISS MATCHING ERROR.

PRODUCT SPECIFICATIONS

	AXV6SA 1810A*	AXV6SA 2410A*	AXV6SA 3010A*	AXV6SA 3610A*
CAPACITIES (AHRI RATED)				
Max. Cooling (BTU/h)	17,100	23,200	28,400	33,000
AMBIENT OPERATION RANGE COOLING (°FDB(°CDB))	0 to 115 (-17.8 to 46.1)			
COMPRESSOR				
Type	Swing	Swing	Swing	Swing
CONDENSER FAN MOTOR				
Horsepower	0.09	0.09	0.20	0.20
REFRIGERATION SYSTEM				
Refrigerant Line Size ¹				
Liquid Line Size ("O.D.)	3/8"	3/8"	3/8"	3/8"
Suction Line Size ("O.D.)	3/4"	3/4"	7/8"	7/8"
Refrigerant Connection Size				
Liquid Valve Size ("O.D.)	3/8"	3/8"	3/8"	3/8"
Suction Valve Size ("O.D.)	3/4"	3/4"	7/8"	7/8"
Valve Connection Type	Front Sealing	Front Sealing	Front Sealing	Front Sealing
Refrigerant Charge (oz.)	74	74	76	83
Expansion Device	EEV	EEV	EEV	EEV
Superheat at Service Valve	Auto-control	Auto-control	Auto-control	Auto-control
Subcooling at Service Valve	10±1°F	12±1°F	14±1°F	13±1°F
ELECTRICAL DATA				
Voltage / Phase (60 Hz)	208-230/1	208-230/1	208-230/1	208-230/1
Fan/Compressor Inverter Drive Input	8.1	13.3	17.6	17.6
Minimum Circuit Ampacity ²	12.8	16.8	22.4	22.4
Max. Overcurrent Protection ³	15	20	25	25
Min / Max Volts	197/253	197/253	197/253	197/253
Electrical Conduit Size	1/2"	1/2"	1/2"	1/2"
EQUIPMENT WEIGHT (LBS)	119	119	129	133
SHIP WEIGHT (LBS)	133	133	143	148

¹ Tested and rated in accordance with ANSI/AHRI Standard 210/240

² Wire size should be determined in accordance with National Electrical Codes; extensive wire runs will require larger wire sizes

³ Must use time-delay fuses or HACR-type circuit breakers of the same size as noted.

NOTES

- Always check the S&R plate for electrical data on the unit being installed.
- Installer will need to supply 3/8" to 1 1/8" adapters for suction line connections.
- Unit is charged with refrigerant for 15' of 3/8" liquid line. System charge must be adjusted per Installation Instructions Final Charge Procedure.

EXPANDED COOLING DATA — AXV6SS1810A* / AHVE24BP1300A*

IDB	AIRFLOW	OUTDOOR AMBIENT TEMPERATURE																							
		65°F				75°F				85°F				95°F				105°F				115°F			
		59	63	67	71	59	63	67	71	59	63	67	71	59	63	67	71	59	63	67	71	59	63	67	71
70	MBh	17.8	18.6	19.1	17.8	18.1	18.6	17.0	17.2	17.8	15.8	16.1	16.6	14.6	14.8	15.3	13.4	13.7	14.2						
	S/T	0.62	0.52	0.38	0.60	0.52	0.38	0.62	0.54	0.41	0.63	0.56	0.42	0.65	0.58	0.44	0.70	0.63	0.49						
	ΔT	22	18	14	19	17	14	19	17	14	18	16	13	17	16	13	18	16	14						
	kW	0.85	0.93	0.93	1.08	1.07	1.07	1.24	1.24	1.24	1.43	1.43	1.43	1.64	1.64	1.64	1.89	1.89	1.89						
	Amps	3.6	3.9	3.9	4.4	4.4	4.4	5.0	4.9	4.9	5.6	5.6	5.6	6.5	6.5	6.5	7.7	7.7	7.7						
	Hi/PR	234	237	238	277	278	279	321	322	323	369	370	371	421	423	424	479	480	482						
Lo/PR	121	122	129	125	128	135	130	133	141	134	137	145	137	141	148	142	146	153							
610	MBh	18.6	18.9	19.4	18.1	18.3	18.9	17.2	17.5	18.0	16.1	16.4	16.9	14.8	15.1	15.6	13.7	13.9	14.4						
	S/T	0.67	0.59	0.46	0.67	0.59	0.46	0.69	0.62	0.48	0.71	0.63	0.50	0.73	0.65	0.52	0.99	0.70	0.57						
	ΔT	18	16	13	18	16	13	18	16	13	17	15	12	16	15	12	17	15	12						
	kW	0.94	0.94	0.93	1.08	1.08	1.08	1.25	1.25	1.25	1.44	1.44	1.44	1.65	1.65	1.65	1.90	1.90	1.90						
	Amps	3.9	3.9	3.9	4.4	4.4	4.4	5.0	5.0	5.0	5.7	5.7	5.7	6.6	6.5	6.5	7.7	7.7	7.7						
	Hi/PR	238	239	241	279	280	282	323	324	326	371	372	374	424	425	427	481	482	484						
Lo/PR	121	124	131	127	130	138	132	135	143	136	139	147	139	143	151	144	148	156							
700	MBh	19.0	19.2	19.8	18.4	18.7	19.2	17.6	17.8	18.4	16.4	16.7	17.2	15.2	15.4	15.9	14.0	14.2	14.7						
	S/T	0.71	0.63	0.49	0.71	0.63	0.50	0.73	0.65	0.52	0.75	0.67	0.54	0.76	0.69	0.56	0.99	0.74	0.60						
	ΔT	17	15	12	17	15	12	17	15	12	16	14	11	15	14	11	16	14	11						
	kW	0.94	0.94	0.94	1.09	1.09	1.09	1.26	1.26	1.25	1.44	1.44	1.44	1.66	1.65	1.65	1.91	1.91	1.91						
	Amps	4.0	3.9	3.9	4.4	4.4	4.4	5.0	5.0	5.0	5.7	5.7	5.7	6.6	6.6	6.6	7.8	7.8	7.8						
	Hi/PR	240	241	243	281	283	284	325	327	328	374	375	376	426	428	429	484	485	487						
Lo/PR	123	127	134	129	133	140	134	138	145	138	142	149	142	145	153	146	150	158							

520	MBh	17.8	18.6	19.1	17.8	18.1	18.6	17.0	17.2	17.8	15.9	16.1	16.6	14.6	14.8	15.3	13.4	13.7	14.2
	S/T	0.76	0.64	0.51	0.72	0.65	0.51	0.75	0.67	0.54	1.00	0.69	0.55	1.00	0.70	0.57	0.99	0.75	0.62
	ΔT	26	22	18	23	21	18	23	21	18	14	22	17	21	19	16	22	20	17
	kW	0.85	0.93	0.93	1.07	1.07	1.07	1.24	1.24	1.24	1.43	1.43	1.42	1.64	1.64	1.64	1.89	1.89	1.90
	Amps	3.6	3.9	3.9	4.4	4.4	4.4	4.9	4.9	4.9	5.6	5.6	5.6	6.5	6.5	6.5	7.7	7.7	7.7
	Hi/PR	234	237	238	277	278	280	321	322	324	328	369	370	372	422	423	424	479	480
Lo/PR	121	122	129	125	128	135	130	133	141	153	134	137	145	137	141	148	142	146	154
610	MBh	18.6	18.9	19.4	18.1	18.3	18.9	17.3	17.5	18.0	16.1	16.4	16.9	14.9	15.1	15.6	13.7	13.9	14.4
	S/T	0.80	0.72	0.58	0.80	0.72	0.59	0.82	0.75	0.61	1.00	0.76	0.63	1.00	0.78	0.65	0.99	0.83	0.69
	ΔT	22	20	17	22	20	17	21	20	16	13	21	16	20	18	15	20	19	16
	kW	0.94	0.93	0.93	1.08	1.08	1.08	1.25	1.25	1.25	1.44	1.43	1.43	1.65	1.65	1.65	1.90	1.90	1.90
	Amps	3.9	3.9	3.9	4.4	4.4	4.4	5.0	5.0	5.0	5.7	5.7	5.7	6.6	6.5	6.5	7.7	7.7	7.8
	Hi/PR	238	239	241	279	280	282	323	324	326	330	371	372	374	424	425	427	482	483
Lo/PR	121	124	131	127	130	138	132	135	143	155	136	139	147	139	143	151	144	148	156
700	MBh	19.0	19.2	19.8	18.4	18.7	19.2	17.6	17.8	18.4	16.5	16.7	17.2	15.2	15.4	15.9	14.0	14.3	14.8
	S/T	0.83	0.76	0.62	0.84	0.76	0.63	1.01	0.78	0.65	1.00	0.80	0.66	1.00	0.82	0.68	0.99	0.86	0.73
	ΔT	21	19	16	20	19	15	20	19	15	12	20	18	19	17	14	19	18	15
	kW	0.94	0.94	0.94	1.09	1.09	1.09	1.26	1.25	1.25	1.44	1.44	1.44	1.66	1.65	1.65	1.91	1.91	1.90
	Amps	3.9	3.9	3.9	4.4	4.4	4.4	5.0	5.0	5.0	5.7	5.7	5.7	6.6	6.6	6.6	7.8	7.8	7.8
	Hi/PR	241	242	243	282	283	284	326	327	328	333	374	375	377	427	428	430	484	485
Lo/PR	123	127	134	129	133	140	134	138	145	157	138	142	149	142	145	153	147	150	158

IDB = Entering Indoor Dry Bulb Temperature
 High and low pressures are measured at the liquid and suction service valves.
 Shaded area is ACCA (TVA) conditions.
 kW = Total system power
 Amps = outdoor unit amps (comp.+fan)

EXPANDED COOLING DATA — AXV6SS1810A* / AHVE24BP1300A* (CONT.)

IDB	AIRFLOW	OUTDOOR AMBIENT TEMPERATURE																							
		65°F				75°F				85°F				95°F				105°F				115°F			
		59	63	67	71	59	63	67	71	59	63	67	71	59	63	67	71	59	63	67	71	59	63	67	71
80	MBh	18.4	18.7	19.2	20.1	17.9	18.2	18.7	19.5	17.1	17.3	17.9	18.7	15.9	16.2	16.7	17.5	14.7	14.9	15.4	16.2	13.5	13.8	14.3	15.0
	S/T	0.85	0.77	0.63	0.49	1.01	0.77	0.64	0.50	1.01	0.79	0.66	0.52	1.00	0.81	0.68	0.53	1.00	0.83	0.69	0.55	0.99	0.99	0.74	0.60
	ΔT	27	26	22	19	27	25	22	18	26	25	21	18	25	24	21	17	25	23	20	17	25	23	21	17
	kW	0.93	0.93	0.93	0.93	1.07	1.07	1.07	1.08	1.24	1.24	1.24	1.25	1.43	1.43	1.43	1.43	1.64	1.64	1.64	1.65	1.89	1.89	1.89	1.90
	Amps	3.9	3.9	3.9	3.9	4.4	4.4	4.4	4.4	5.0	4.9	4.9	5.0	5.6	5.6	5.6	5.6	6.5	6.5	6.5	6.5	7.7	7.7	7.7	7.7
	Hi PR	236	237	239	243	277	278	280	284	321	322	324	328	369	370	372	376	422	423	425	429	479	480	482	487
Lo PR	119	123	130	141	125	129	136	148	130	134	141	153	134	138	145	157	138	141	149	161	143	146	154	166	
80	MBh	18.7	19.0	19.5	20.4	18.2	18.4	19.0	19.8	17.3	17.6	18.1	18.9	16.2	16.5	17.1	17.8	14.9	15.2	15.7	16.5	13.8	14.0	14.5	15.3
	S/T	0.92	0.85	0.71	0.57	1.01	0.85	0.71	0.57	1.01	0.87	0.73	0.59	1.00	0.88	0.75	0.61	1.00	0.90	0.77	0.63	0.99	0.99	0.82	0.68
	ΔT	26	24	21	17	25	24	20	17	25	23	20	17	24	23	20	16	23	22	19	16	24	22	19	16
	kW	0.94	0.94	0.93	0.94	1.08	1.08	1.08	1.09	1.25	1.25	1.25	1.26	1.44	1.44	1.44	1.44	1.65	1.65	1.65	1.66	1.90	1.90	1.90	1.91
	Amps	3.9	3.9	3.9	4.0	4.4	4.4	4.4	4.4	5.0	5.0	5.0	5.0	5.7	5.7	5.7	5.7	6.6	6.5	6.5	6.6	7.7	7.7	7.7	7.8
	Hi PR	239	240	241	245	280	281	282	287	324	325	326	331	372	373	375	379	425	426	428	432	482	483	485	489
Lo PR	121	125	132	144	127	131	138	150	132	136	143	155	136	140	150	160	140	144	151	163	145	148	156	169	
700	MBh	19.1	19.3	19.9	20.7	18.5	18.8	19.3	20.1	17.7	17.9	18.5	19.3	16.5	16.8	17.3	18.1	15.3	15.5	16.0	16.8	14.1	14.3	14.8	15.6
	S/T	1.01	0.88	0.75	0.61	1.01	0.89	0.75	0.61	1.01	0.91	0.77	0.63	1.00	0.92	0.79	0.65	1.00	1.00	0.81	0.67	0.99	0.99	0.85	0.71
	ΔT	25	23	20	16	24	23	19	16	24	22	19	16	23	22	18	15	22	21	18	15	23	21	18	15
	kW	0.94	0.94	0.94	0.95	1.09	1.09	1.09	1.10	1.26	1.26	1.26	1.26	1.44	1.44	1.44	1.45	1.66	1.65	1.65	1.66	1.91	1.91	1.91	1.92
	Amps	4.0	3.9	3.9	4.0	4.4	4.4	4.4	4.4	5.0	5.0	5.0	5.0	5.7	5.7	5.7	5.7	6.6	6.6	6.6	6.6	7.8	7.8	7.8	7.8
	Hi PR	241	242	244	248	282	283	285	289	326	327	329	333	374	375	377	381	427	428	430	434	484	486	487	492
Lo PR	124	127	134	146	130	133	141	153	135	138	146	158	139	142	150	162	142	146	153	166	147	151	158	171	

520	MBh	18.7	19.0	19.5	20.4	18.2	18.5	19.0	19.8	17.4	17.6	18.1	19.0	16.2	16.5	17.0	17.8	15.0	15.2	15.7	16.5	13.8	14.0	14.5	15.3
	S/T	1.01	0.87	0.74	0.59	1.01	0.87	0.74	0.60	1.01	1.01	0.76	0.62	1.00	1.00	0.78	0.63	1.00	1.00	0.79	0.65	0.99	0.99	0.84	0.70
	ΔT	31	29	26	22	30	28	25	22	30	28	25	21	29	27	24	21	28	26	23	20	28	27	24	21
	kW	0.93	0.93	0.93	0.94	1.08	1.08	1.07	1.08	1.24	1.24	1.24	1.25	1.43	1.43	1.43	1.44	1.64	1.64	1.64	1.65	1.90	1.89	1.89	1.90
	Amps	3.9	3.9	3.9	3.9	4.4	4.4	4.4	4.4	5.0	5.0	4.9	5.0	5.6	5.6	5.6	5.7	6.5	6.5	6.5	6.6	7.7	7.7	7.7	7.7
	Hi PR	237	238	240	244	278	279	281	285	322	323	325	329	371	372	373	378	423	424	426	430	481	482	483	488
Lo PR	121	125	132	143	127	131	138	150	132	136	143	155	136	140	147	159	140	143	151	163	144	148	156	168	
610	MBh	19.0	19.3	19.8	20.7	18.5	18.7	19.3	20.1	17.6	17.9	18.4	19.2	16.5	16.7	17.3	18.1	15.2	15.5	16.0	16.7	14.1	14.3	14.8	15.5
	S/T	1.01	0.95	0.81	0.67	1.01	0.95	0.81	0.67	1.01	1.01	0.84	0.69	1.00	1.00	0.85	0.71	1.00	1.00	0.87	0.73	0.99	0.99	0.92	0.78
	ΔT	121	122	129	141	125	128	135	147	130	133	141	153	134	137	145	157	137	141	148	161	142	146	154	166
	kW	0.94	0.94	0.94	0.94	1.08	1.08	1.08	1.09	1.25	1.25	1.25	1.26	1.44	1.44	1.44	1.45	1.65	1.65	1.65	1.66	1.90	1.90	1.90	1.91
	Amps	3.9	3.9	3.9	4.0	4.4	4.4	4.4	4.4	5.0	5.0	5.0	5.0	5.7	5.7	5.7	5.7	6.6	6.6	6.6	6.6	7.8	7.8	7.7	7.7
	Hi PR	240	241	242	247	281	282	284	288	325	326	328	332	373	374	376	380	426	427	429	433	483	484	486	490
Lo PR	236	237	239	243	277	278	280	284	321	322	324	328	369	370	372	376	422	423	425	429	479	480	482	487	
700	MBh	19.4	19.6	20.2	21.0	18.8	19.1	19.6	20.4	18.0	18.2	18.8	19.6	16.8	17.1	17.6	18.4	15.6	15.8	16.3	17.1	14.4	14.6	15.1	15.9
	S/T	1.01	0.99	0.85	0.71	1.01	0.99	0.85	0.71	1.01	1.01	0.87	0.73	1.00	1.00	0.89	0.75	1.00	1.00	0.91	0.77	0.99	0.99	0.99	0.81
	ΔT	28	27	23	20	28	26	23	19	27	26	22	19	26	25	22	19	26	24	21	18	26	24	21	18
	kW	0.94	0.94	0.94	0.95	1.09	1.09	1.09	1.10	1.26	1.26	1.26	1.27	1.45	1.44	1.44	1.45	1.66	1.66	1.66	1.66	1.91	1.91	1.91	1.92
	Amps	4.0	4.0	3.9	4.0	4.4	4.4	4.4	4.5	5.0	5.0	5.0	5.0	5.7	5.7	5.7	5.7	6.6	6.6	6.6	6.6	7.8	7.8	7.8	7.8
	Hi PR	242	243	245	249	283	284	286	290	327	328	330	334	375	377	378	383	428	429	431	435	486	487	489	493
Lo PR	126	129	136	148	132	135	142	155	136	140	148	160	140	144	152	164	144	148	155	168	149	152	160	173	

IDB = Entering Indoor Dry Bulb Temperature
 High and low pressures are measured at the liquid and suction service valves.
 Shaded area is AHRI conditions.
 kW = Total system power
 Amps = outdoor unit amps (comp.+fan)

EXPANDED COOLING DATA — AXV6SS2410A* / AHVE24BP1300A*

IDB	AIRFLOW	OUTDOOR AMBIENT TEMPERATURE												115°F																	
		65°F						75°F						85°F						95°F						105°F					
		59	63	67	71	71	71	59	63	67	71	71	71	59	63	67	71	71	71	59	63	67	71	71	71	59	63	67	71	71	71
70	MBh	20.3	25.6	26.3	26.3	26.3	24.4	24.7	25.5	25.5	26.6	23.1	23.5	24.2	24.2	21.5	21.8	22.5	22.5	22.5	19.7	20.0	20.7	18.0	18.3	19.0					
	S/T	0.63	0.51	0.37	0.37	0.37	0.59	0.51	0.38	0.38	0.40	0.61	0.53	0.40	0.40	0.63	0.55	0.42	0.42	0.42	0.64	0.57	0.44	0.69	0.62	0.49					
	ΔT	22	19	15	15	15	20	18	15	15	15	20	18	15	15	19	17	14	14	14	18	16	13	19	17	14					
	kW	1.09	1.57	1.56	1.56	1.56	1.78	1.78	1.78	1.78	1.78	2.02	2.02	2.01	2.01	2.28	2.27	2.27	2.27	2.27	2.57	2.56	2.56	2.91	2.90	2.90					
	Amps	4.4	6.0	6.0	6.0	6.0	6.8	6.8	6.8	6.8	6.8	7.8	7.8	7.8	7.8	8.9	8.9	8.9	8.9	8.9	10.0	10.0	9.9	10.1	10.2	10.2					
	Hi PR	243	261	263	263	263	303	304	306	306	306	349	350	352	352	399	401	402	402	402	454	455	457	513	514	516					
	Lo PR	120	119	126	126	126	121	125	132	132	132	126	130	138	138	130	134	141	141	141	133	137	145	138	142	150					
	MBh	23.2	26.0	26.7	26.7	26.7	24.8	25.1	25.8	25.8	26.6	23.5	23.8	24.6	24.6	21.8	22.2	22.9	22.9	22.9	20.0	20.3	21.0	18.3	18.7	19.3					
	S/T	0.69	0.58	0.45	0.45	0.45	0.66	0.59	0.45	0.45	0.48	0.68	0.61	0.48	0.48	0.70	0.62	0.49	0.49	0.49	0.72	0.64	0.51	0.76	0.69	0.56					
	ΔT	21	17	14	14	14	19	17	13	13	13	18	17	13	13	18	16	13	13	13	17	15	12	17	16	13					
kW	1.28	1.58	1.58	1.58	1.58	1.79	1.79	1.79	1.79	1.79	2.03	2.03	2.03	2.03	2.29	2.29	2.28	2.28	2.28	2.58	2.58	2.57	2.92	2.92	2.91						
Amps	5.0	6.0	6.0	6.0	6.0	6.9	6.9	6.8	6.8	6.8	7.9	7.9	7.9	7.9	9.0	9.0	9.0	9.0	9.0	10.0	10.0	10.0	10.1	10.1	10.1						
Hi PR	251	263	265	265	265	306	307	309	309	309	352	353	355	355	402	403	405	405	405	457	458	460	516	517	519						
Lo PR	120	121	129	129	129	123	127	135	135	135	128	132	140	140	131	136	144	144	144	135	139	147	140	144	152						
MBh	26.1	26.5	27.2	27.2	27.2	25.2	25.6	26.3	26.3	26.3	24.0	24.3	25.0	25.0	22.3	22.6	23.3	23.3	23.3	20.4	20.8	21.4	18.8	19.1	19.7						
S/T	0.70	0.62	0.49	0.49	0.49	0.70	0.62	0.49	0.49	0.51	0.72	0.65	0.51	0.51	0.74	0.66	0.53	0.53	0.53	0.75	0.68	0.55	0.80	0.73	0.60						
ΔT	18	16	13	13	13	17	16	12	12	12	17	15	12	12	16	15	12	12	12	16	14	11	16	15	12						
kW	1.59	1.59	1.59	1.59	1.59	1.80	1.80	1.80	1.80	1.80	2.04	2.04	2.04	2.04	2.30	2.30	2.29	2.29	2.29	2.59	2.59	2.58	2.93	2.93	2.92						
Amps	6.1	6.1	6.1	6.1	6.1	6.9	6.9	6.9	6.9	6.9	7.9	7.9	7.9	7.9	9.1	9.0	9.0	9.0	9.0	10.0	10.0	10.0	10.1	10.1	10.1						
Hi PR	265	266	268	268	268	308	310	311	311	311	355	356	358	358	405	406	408	408	408	459	461	463	518	520	522						
Lo PR	119	124	131	131	131	125	129	137	137	137	130	134	142	142	134	138	146	146	146	137	142	150	142	146	154						

75	MBh	20.3	25.6	26.3	27.5	27.5	24.4	24.7	25.5	26.6	23.1	23.5	24.2	25.3	25.3	21.5	21.8	22.5	23.6	23.6	19.7	20.0	20.7	18.0	18.3	19.0	
	S/T	0.77	0.64	0.50	0.36	0.36	0.71	0.64	0.51	0.36	0.36	0.74	0.66	0.53	0.46	0.82	0.75	0.68	0.54	0.41	0.77	0.70	0.56	0.99	0.74	0.61	
	ΔT	26	23	19	16	16	24	22	19	15	15	24	22	18	15	23	21	18	14	14	22	20	17	22	20	17	
	kW	1.09	1.57	1.56	1.58	1.58	1.78	1.78	1.77	1.79	1.79	2.02	2.01	2.01	2.03	2.27	2.27	2.27	2.29	2.29	2.56	2.56	2.56	2.90	2.90	2.91	
	Amps	4.4	6.0	6.0	6.0	6.0	6.8	6.8	6.8	6.8	6.8	7.8	7.8	7.8	7.9	8.9	8.9	8.9	9.0	9.0	10.0	10.0	9.9	10.2	10.2	10.1	
	Hi PR	244	261	263	267	267	303	304	306	311	311	349	351	352	357	400	401	403	407	407	454	455	457	513	514	516	
	Lo PR	120	119	126	138	138	121	125	133	144	144	126	130	138	149	130	134	142	153	153	133	138	145	138	142	150	
	MBh	23.2	26.0	26.7	27.9	27.9	24.8	25.1	25.9	27.0	27.0	23.5	23.9	24.6	25.7	25.7	21.9	22.2	22.9	24.0	24.0	20.0	20.3	21.0	18.4	18.7	19.3
	S/T	0.83	0.71	0.58	0.44	0.44	0.79	0.71	0.58	0.44	0.44	0.81	0.73	0.60	0.46	0.82	0.75	0.62	0.48	0.48	1.00	0.77	0.64	0.99	0.82	0.68	
	ΔT	25	21	18	14	14	23	21	17	14	14	22	20	17	14	21	20	16	13	13	20	19	16	21	19	16	
kW	1.28	1.58	1.58	1.59	1.59	1.79	1.79	1.79	1.80	1.80	2.03	2.03	2.02	2.04	2.29	2.29	2.28	2.30	2.30	2.58	2.58	2.57	2.92	2.92	2.91		
Amps	5.0	6.0	6.0	6.1	6.1	6.9	6.8	6.8	6.9	6.9	7.9	7.9	7.8	7.9	9.0	9.0	9.0	9.0	9.0	10.0	10.0	10.0	10.1	10.1	10.1		
Hi PR	251	264	265	270	270	306	307	309	314	314	352	353	355	360	402	403	405	410	410	457	458	460	516	517	519		
Lo PR	120	121	129	140	140	123	127	135	146	146	128	132	140	151	132	136	144	155	155	135	140	147	140	144	152		
MBh	26.1	26.5	27.2	28.4	28.4	25.2	25.6	26.3	27.5	27.5	24.0	24.3	25.0	26.1	26.1	22.3	22.6	23.3	24.4	24.4	20.5	20.8	21.5	18.8	19.1	19.8	
S/T	0.82	0.75	0.61	0.47	0.47	0.83	0.75	0.62	0.48	0.48	0.85	0.77	0.64	0.50	0.82	0.75	0.66	0.52	0.52	1.00	0.81	0.67	0.99	0.85	0.72		
ΔT	22	20	17	13	13	21	20	16	13	13	21	19	16	13	20	19	15	12	12	19	18	15	20	18	15		
kW	1.59	1.59	1.59	1.60	1.60	1.80	1.80	1.80	1.81	1.81	2.04	2.04	2.04	2.05	2.30	2.30	2.29	2.31	2.31	2.59	2.59	2.58	2.93	2.93	2.92		
Amps	6.1	6.1	6.1	6.1	6.1	6.9	6.9	6.9	7.0	7.0	7.9	7.9	7.9	8.0	9.0	9.0	9.0	9.1	9.1	10.0	10.0	10.0	10.1	10.1	10.1		
Hi PR	265	266	268	273	273	309	310	312	316	316	355	356	358	362	405	406	408	413	413	460	461	463	519	520	522		
Lo PR	119	124	131	142	142	125	129	137	149	149	130	134	142	154	134	138	146	158	158	137	142	150	142	147	154		

IDB = Entering Indoor Dry Bulb Temperature

High and low pressures are measured at the liquid and suction service valves.

Shaded area is ACCA (TVA) conditions.

kW = Total system power
Amps = outdoor unit amps (comp.+fan)

EXPANDED COOLING DATA — AXV6SS2410A* / AHVE24BP1300A* (CONT.)

IDB	AIRFLOW	OUTDOOR AMBIENT TEMPERATURE												ENTERING INDOOR WET BULB TEMPERATURE											
		65°F				75°F				85°F				95°F				105°F				115°F			
		59	63	67	71	59	63	67	71	59	63	67	71	59	63	67	71	59	63	67	71	59	63	67	71
80	MBh	21.9	25.7	26.5	27.6	24.5	24.9	25.6	26.7	23.3	23.6	24.3	25.4	21.6	21.9	22.6	23.7	19.8	20.1	20.8	21.8	18.1	18.4	19.1	20.1
	S/T	0.89	0.76	0.63	0.48	0.84	0.76	0.63	0.49	1.01	0.78	0.65	0.51	1.00	0.80	0.67	0.53	1.00	0.82	0.69	0.55	0.99	0.86	0.73	0.59
	ΔT	31	27	23	20	28	26	23	19	27	26	22	19	26	25	21	18	25	24	21	17	26	24	21	18
	kW	1.19	1.57	1.56	1.58	1.78	1.78	1.78	1.79	2.02	2.02	2.01	2.03	2.28	2.27	2.27	2.29	2.56	2.56	2.56	2.58	2.90	2.90	2.90	2.92
	Amps	4.7	6.0	6.0	6.0	6.8	6.8	6.8	6.9	7.8	7.8	7.8	7.9	8.9	8.9	8.9	9.0	10.0	10.0	9.9	10.0	10.2	10.2	10.2	10.1
	Hi/PR	247	261	263	268	304	305	307	311	350	351	353	358	400	401	403	408	455	456	458	462	514	515	517	522
Lo/PR	120	120	127	138	121	126	133	144	126	131	138	150	130	134	142	154	134	138	146	158	138	143	151	163	
80	MBh	25.2	26.1	26.9	28.0	24.9	25.2	26.0	27.1	23.6	24.0	24.7	25.8	22.0	22.3	23.2	24.1	20.1	20.5	21.1	22.2	18.5	18.8	19.4	20.5
	S/T	0.95	0.83	0.70	0.56	1.01	0.84	0.70	0.56	1.01	0.86	0.72	0.58	1.00	0.87	0.74	0.60	1.00	0.89	0.76	0.62	0.99	0.94	0.81	0.67
	ΔT	30	25	22	18	27	25	21	18	26	24	21	18	25	23	20	17	24	23	19	16	25	23	20	17
	kW	1.42	1.58	1.58	1.59	1.79	1.79	1.79	1.80	2.03	2.03	2.03	2.04	2.29	2.29	2.27	2.30	2.58	2.58	2.57	2.59	2.92	2.92	2.91	2.93
	Amps	5.5	6.0	6.0	6.1	6.9	6.9	6.8	6.9	7.9	7.9	7.9	7.9	9.0	9.0	9.0	9.1	10.0	10.0	10.0	10.0	10.1	10.1	10.1	10.1
	Hi/PR	255	264	266	270	306	308	309	314	353	354	356	360	403	404	407	411	458	459	461	465	517	518	520	524
Lo/PR	119	122	129	140	123	128	135	147	128	133	140	152	132	136	146	156	136	140	148	160	140	145	153	165	
920	MBh	26.2	26.6	27.4	28.5	25.4	25.7	26.5	27.6	24.1	24.4	25.2	26.3	22.4	22.8	23.5	24.5	20.6	20.9	21.6	22.6	18.9	19.2	19.9	20.9
	S/T	0.95	0.87	0.74	0.60	1.01	0.87	0.74	0.60	1.01	0.89	0.76	0.62	1.00	0.91	0.78	0.64	1.00	0.93	0.80	0.66	0.99	0.99	0.84	0.70
	ΔT	26	24	21	17	25	24	20	17	25	23	20	17	24	22	19	16	23	22	18	15	24	22	19	16
	kW	1.59	1.59	1.59	1.60	1.80	1.80	1.80	1.81	2.04	2.04	2.04	2.05	2.30	2.30	2.29	2.31	2.59	2.59	2.58	2.60	2.93	2.93	2.92	2.94
	Amps	6.1	6.1	6.1	6.1	6.9	6.9	6.9	7.0	7.9	7.9	7.9	8.0	9.1	9.0	9.0	9.1	10.0	10.0	10.0	10.1	10.1	10.1	10.1	10.1
	Hi/PR	266	267	269	273	309	310	312	317	355	356	358	363	405	407	408	413	460	461	463	468	519	520	522	527
Lo/PR	120	124	131	143	126	130	138	149	130	135	143	154	134	139	146	158	138	142	150	162	142	147	155	167	

680	MBh	23.4	26.1	26.9	28.1	24.9	25.3	26.0	27.1	23.7	24.0	24.7	25.8	22.0	22.3	23.0	24.1	20.2	20.5	21.2	22.2	18.5	18.8	19.5	20.5
	S/T	1.01	0.86	0.73	0.58	1.01	0.86	0.73	0.59	1.01	0.88	0.75	0.61	1.00	1.00	0.77	0.63	1.00	1.00	0.78	0.65	0.99	0.99	0.83	0.69
	ΔT	35	31	27	23	31	30	26	23	31	29	26	22	30	28	25	22	29	27	24	21	29	27	24	21
	kW	1.27	1.57	1.57	1.58	1.78	1.78	1.78	1.79	2.02	2.02	2.02	2.03	2.28	2.28	2.27	2.29	2.57	2.57	2.56	2.58	2.91	2.91	2.90	2.92
	Amps	5.0	6.0	6.0	6.0	6.8	6.8	6.8	6.9	7.8	7.8	7.8	7.9	9.0	9.0	8.9	9.0	10.0	10.0	10.0	10.0	10.1	10.1	10.1	10.1
	Hi/PR	250	263	265	269	305	306	308	313	351	352	354	359	401	402	404	409	456	457	459	464	515	516	518	523
Lo/PR	120	121	129	140	123	127	135	146	128	132	140	152	132	136	144	156	135	140	148	159	140	144	152	164	
800	MBh	26.2	26.5	27.3	28.4	25.3	25.7	26.4	27.5	24.0	24.4	25.1	26.2	22.4	22.7	23.4	24.5	20.5	20.8	21.5	22.6	18.8	19.2	19.8	20.8
	S/T	1.01	0.93	0.80	0.66	1.01	0.94	0.80	0.66	1.01	0.96	0.82	0.68	1.00	1.00	0.84	0.70	1.00	1.00	0.86	0.72	0.99	0.99	0.90	0.77
	ΔT	120	119	126	138	121	125	133	144	126	130	138	149	130	134	142	153	133	138	145	157	138	142	150	162
	kW	1.59	1.58	1.58	1.60	1.80	1.80	1.79	1.81	2.03	2.03	2.03	2.05	2.29	2.29	2.29	2.30	2.58	2.58	2.58	2.59	2.92	2.92	2.92	2.93
	Amps	6.1	6.1	6.0	6.1	6.9	6.9	6.9	6.9	7.9	7.9	7.9	7.9	9.0	9.0	9.0	9.1	10.0	10.0	10.0	10.0	10.1	10.1	10.1	10.1
	Hi/PR	264	265	267	272	308	309	311	315	354	355	357	361	404	405	407	412	459	460	462	467	518	519	521	526
Lo/PR	247	261	263	268	304	305	307	311	350	351	353	358	400	401	403	408	455	456	458	462	514	515	517	522	
920	MBh	26.7	27.0	27.8	28.9	25.8	26.1	26.9	28.0	24.5	24.8	25.6	26.7	22.8	23.2	23.9	24.9	21.0	21.3	22.0	23.0	19.3	19.6	20.3	21.3
	S/T	1.01	0.97	0.84	0.70	1.01	0.97	0.84	0.70	1.01	1.01	0.86	0.72	1.00	1.00	0.88	0.74	1.00	1.00	0.89	0.76	0.99	0.99	0.94	0.80
	ΔT	30	28	25	21	29	27	24	20	29	27	23	20	27	26	23	19	26	25	22	18	27	25	22	19
	kW	1.60	1.59	1.59	1.61	1.81	1.81	1.80	1.82	2.05	2.04	2.04	2.06	2.30	2.30	2.30	2.31	2.59	2.59	2.59	2.60	2.93	2.93	2.93	2.94
	Amps	6.1	6.1	6.1	6.1	6.9	6.9	6.9	7.0	7.9	7.9	7.9	8.0	9.1	9.1	9.0	9.1	10.0	10.0	10.0	10.1	10.1	10.1	10.1	10.1
	Hi/PR	267	268	270	274	310	311	313	318	356	358	359	364	407	408	410	414	461	463	464	469	520	522	524	528
Lo/PR	122	126	133	145	127	132	139	151	132	137	144	156	136	140	148	160	139	144	152	164	144	149	157	169	

IDB = Entering Indoor Dry Bulb Temperature
 High and low pressures are measured at the liquid and suction service valves.
 Shaded area is AHRI conditions.
 kW = Total system power
 Amps = outdoor unit amps (comp.-fan)

EXPANDED COOLING DATA — AXV6SS3010A* / AHVE36CP1300A*

IDB	AIRFLOW	OUTDOOR AMBIENT TEMPERATURE												ENTERING INDOOR WET BULB TEMPERATURE												
		65°F				75°F				85°F				95°F				105°F				115°F				
		59	63	67	71	59	63	67	71	59	63	67	71	59	63	67	71	59	63	67	71	59	63	67	71	
860	MBH	31.0	31.3	32.2	32.7	29.8	30.3	31.2	31.6	28.3	28.7	29.6	30.1	26.3	26.7	27.5	28.0	24.0	24.4	25.3	25.7	22.0	22.4	23.2	-	
		S/T	0.60	0.52	0.38	0.46	0.60	0.60	0.52	0.46	0.39	0.63	0.55	0.41	0.65	0.57	0.44	0.51	0.68	0.60	0.46	0.73	0.66	0.52		
		ΔT	22	18	15	13	20	18	14	14	14	19	18	14	19	17	14	12	17	15	12	18	17	14		
	1010	kW	1.82	2.03	2.02	2.04	2.27	2.27	2.27	2.28	2.29	2.54	2.54	2.54	2.83	2.83	2.83	2.84	3.15	3.15	3.15	3.15	3.53	3.52	3.52	
		Amps	6.7	7.6	7.5	7.6	8.6	8.6	8.6	8.7	8.6	9.8	9.8	9.8	11.0	11.0	11.0	11.1	12.4	12.4	12.4	12.4	13.9	13.9	13.9	
		Hi/PR	274	275	277	280	317	318	320	323	323	362	364	365	411	411	412	414	464	464	465	467	520	521	523	
	1160	Lo/PR	119	120	126	133	123	126	133	133	133	127	131	138	131	135	142	144	135	138	145	145	140	143	150	
		MBh	31.5	31.8	32.7	31.6	30.3	30.7	31.6	31.6	28.3	28.8	29.2	30.1	26.7	27.1	28.0	28.0	24.5	24.9	25.7	25.7	22.4	22.8	23.6	
		S/T	0.68	0.59	0.46	0.46	0.68	0.60	0.46	0.46	0.39	0.71	0.63	0.49	0.73	0.65	0.51	0.51	0.76	0.68	0.54	0.81	0.73	0.59		
	1160	ΔT	21	17	13	13	18	16	13	13	13	18	16	13	17	16	12	12	17	15	12	17	16	13		
		kW	1.84	2.04	2.04	2.04	2.29	2.29	2.28	2.28	2.29	2.56	2.55	2.55	2.85	2.85	2.86	2.86	3.17	3.17	3.16	3.16	3.54	3.54	3.54	
		Amps	6.8	7.6	7.6	7.7	8.7	8.7	8.7	8.7	8.7	9.9	9.9	9.8	11.1	11.1	11.1	11.1	12.5	12.4	12.4	12.4	14.0	14.0	14.0	
1160	Hi/PR	277	278	280	282	320	321	323	323	365	366	368	414	414	415	417	417	467	468	470	472	523	524	526		
	Lo/PR	121	122	129	131	125	128	135	135	132	135	142	142	136	139	146	146	137	140	147	147	144	145	152		
	MBh	32.0	32.4	33.3	32.2	30.9	31.3	32.2	32.2	28.3	29.3	29.7	30.6	27.3	27.7	28.5	28.5	25.0	25.4	26.2	26.2	23.0	23.3	24.2		
1160	S/T	0.71	0.63	0.49	0.50	0.72	0.64	0.50	0.50	0.37	0.74	0.67	0.53	0.77	0.69	0.55	0.55	0.79	0.72	0.58	1.01	0.77	0.63			
	ΔT	18	16	12	12	17	15	12	12	12	17	15	12	16	15	11	11	16	14	11	16	15	12			
	kW	2.06	2.06	2.05	2.05	2.30	2.30	2.30	2.30	2.29	2.57	2.57	2.57	2.86	2.86	2.86	2.86	3.18	3.18	3.18	3.18	3.55	3.55	3.55		
1160	Amps	7.7	7.7	7.7	7.7	8.8	8.7	8.7	8.7	8.7	9.9	9.9	9.9	11.2	11.1	11.1	11.1	12.5	12.5	12.5	12.5	14.1	14.1	14.0		
	Hi/PR	279	280	282	282	323	324	326	326	368	369	371	417	417	418	420	420	469	471	472	472	526	527	529		
	Lo/PR	121	124	131	131	127	130	137	137	132	135	142	142	136	139	146	146	139	143	150	150	144	147	155		
860	MBH	31.0	31.3	32.3	33.7	29.9	30.3	31.2	32.6	28.3	28.7	29.6	31.0	26.3	26.7	27.6	28.9	24.1	24.5	25.3	26.6	22.0	22.4	24.5	25.5	
		S/T	0.73	0.64	0.51	0.37	0.76	0.68	0.55	0.40	0.37	0.76	0.68	0.55	0.40	0.78	0.71	0.57	0.42	1.01	0.73	0.59	0.45	1.01	0.79	0.65
		ΔT	27	22	19	15	24	22	18	15	15	23	21	18	15	22	21	17	14	21	20	17	14	22	20	17
	1010	kW	1.82	2.03	2.02	2.04	2.27	2.27	2.27	2.29	2.29	2.54	2.54	2.54	2.56	2.83	2.83	2.83	2.84	3.15	3.15	3.14	3.16	3.52	3.52	3.54
		Amps	6.7	7.5	7.5	7.6	8.6	8.6	8.6	8.7	8.7	9.8	9.8	9.8	11.0	11.0	11.0	11.1	12.4	12.4	12.4	12.4	13.9	13.9	14.0	
		Hi/PR	274	275	277	282	317	318	320	325	325	363	364	366	370	411	413	415	419	464	465	467	472	520	521	523
	1160	Lo/PR	119	120	127	138	123	126	133	144	144	127	131	138	149	131	135	142	153	135	138	145	157	140	143	162
		MBh	31.5	31.8	32.7	34.2	30.3	30.8	31.7	33.0	28.3	28.8	29.2	30.1	31.4	26.7	27.1	28.0	29.3	24.5	24.9	25.7	27.0	22.5	22.8	24.9
		S/T	0.81	0.72	0.58	0.44	0.84	0.76	0.62	0.48	0.45	0.84	0.76	0.62	0.48	1.00	0.78	0.64	0.50	1.01	0.81	0.67	0.52	1.01	0.87	0.73
	1160	ΔT	25	21	18	14	22	20	17	14	14	22	20	17	13	21	19	16	13	20	19	15	12	21	19	16
		kW	1.84	2.04	2.04	2.06	2.29	2.29	2.28	2.30	2.30	2.56	2.55	2.57	2.57	2.85	2.85	2.84	2.86	3.17	3.17	3.16	3.18	3.54	3.54	3.55
		Amps	6.8	7.6	7.6	7.7	8.7	8.7	8.7	8.7	8.7	9.9	9.8	9.8	9.9	11.1	11.1	11.1	11.1	12.4	12.4	12.4	12.5	14.0	14.0	14.1
1160	Hi/PR	277	278	280	285	320	321	323	328	328	365	367	368	373	414	415	417	422	467	468	470	475	523	524	526	
	Lo/PR	121	122	129	140	125	128	135	146	146	130	133	140	151	133	137	144	155	137	140	147	159	142	145	164	
	MBh	32.0	32.4	33.3	34.8	30.9	31.3	32.2	33.6	28.3	29.4	29.8	30.6	32.0	27.3	27.7	28.6	29.9	25.0	25.4	26.3	27.5	23.0	23.4	25.4	
1160	S/T	0.83	0.76	0.62	0.48	0.85	0.77	0.63	0.49	0.49	0.87	0.80	0.66	0.52	1.00	0.82	0.68	0.54	1.01	0.85	0.71	0.56	1.01	0.90	0.77	
	ΔT	22	20	16	13	21	19	16	12	12	21	19	16	12	20	18	15	12	19	18	14	11	20	18	15	
	kW	2.06	2.06	2.05	2.07	2.30	2.30	2.30	2.32	2.32	2.57	2.57	2.57	2.59	2.86	2.86	2.85	2.87	3.18	3.18	3.17	3.19	3.55	3.55	3.57	
1160	Amps	7.7	7.7	7.7	7.7	8.7	8.7	8.7	8.8	8.8	9.9	9.9	9.9	10.0	11.1	11.1	11.1	11.2	12.5	12.5	12.5	12.6	14.1	14.0	14.1	
	Hi/PR	279	281	283	287	323	324	326	331	331	368	369	371	376	417	418	420	425	470	471	473	477	526	527	529	
	Lo/PR	121	124	131	142	127	130	137	149	149	132	135	142	154	136	139	146	158	139	143	150	162	144	147	155	

Shaded area is ACCA (TVA) conditions.

IDB = Entering Indoor Dry Bulb Temperature
High and low pressures are measured at the liquid and suction service valves.

kW = Total system power
Amps = outdoor unit amps (comp.+fan)

EXPANDED COOLING DATA — AXV6SS3010A* / AHVE36CP1300A* (CONT.)

IDB	AIRFLOW	OUTDOOR AMBIENT TEMPERATURE												ENTERING INDOOR WET BULB TEMPERATURE												
		65°F				75°F				85°F				95°F				105°F				115°F				
		59	63	67	71	59	63	67	71	59	63	67	71	59	63	67	71	59	63	67	71	59	63	67	71	
860	31.2	31.5	32.4	33.8	30.0	30.4	31.3	32.7	28.5	28.9	29.8	31.1	26.4	26.9	27.7	29.0	24.2	24.6	25.4	26.7	22.2	22.6	23.4	24.6	25.7	
	S/T	0.86	0.77	0.63	0.49	0.99	0.78	0.64	0.50	1.00	0.81	0.67	0.53	1.00	0.83	0.70	0.55	1.01	0.86	0.72	0.58	1.01	0.92	0.78	0.63	
	ΔT	31	26	23	19	27	26	22	19	27	25	22	19	26	24	21	18	25	23	20	17	25	24	21	18	
	kW	1.82	2.03	2.02	2.04	2.27	2.27	2.27	2.29	2.54	2.54	2.54	2.56	2.83	2.83	2.83	2.85	3.15	3.15	3.15	3.17	3.53	3.52	3.52	3.54	
	Amps	6.7	7.6	7.5	7.6	8.6	8.6	8.6	8.7	9.8	9.8	9.8	9.8	11.0	11.0	11.0	11.1	12.4	12.4	12.4	12.4	13.9	13.9	13.9	14.0	
	Hi PR	274	276	278	282	318	319	321	326	363	364	366	371	412	413	415	420	465	466	466	468	472	521	522	524	529
	Lo PR	120	120	120	127	138	123	126	133	144	128	131	138	150	132	135	142	154	135	139	146	158	140	144	151	163
	MBh	31.5	32.0	32.9	34.3	30.5	30.9	31.8	33.2	28.9	29.4	30.2	31.6	26.9	27.3	28.4	29.5	24.6	25.0	25.9	27.1	22.6	23.0	23.8	25.0	
	S/T	0.92	0.85	0.71	0.57	0.99	0.86	0.72	0.58	1.00	0.89	0.75	0.60	1.00	0.91	0.77	0.63	1.01	0.94	0.80	0.65	1.01	1.01	0.86	0.71	
	ΔT	27	25	22	18	26	24	21	18	26	24	21	17	25	23	20	17	24	22	19	16	24	23	20	17	
kW	2.05	2.04	2.04	2.06	2.29	2.29	2.28	2.30	2.56	2.56	2.55	2.57	2.85	2.85	2.84	2.86	3.17	3.17	3.16	3.18	3.54	3.54	3.53	3.55		
Amps	7.6	7.6	7.6	7.7	8.7	8.7	8.7	8.8	9.9	9.9	9.8	9.9	11.1	11.1	11.1	11.2	12.5	12.4	12.4	12.5	14.0	14.0	14.0	14.1		
Hi PR	277	278	280	285	321	322	324	328	366	367	369	374	415	416	415	423	467	469	470	475	524	525	527	531		
Lo PR	119	122	129	140	125	128	135	147	130	133	140	152	134	137	146	156	137	141	148	160	142	146	153	165		
MBh	32.1	32.6	33.5	34.9	31.1	31.5	32.4	33.8	29.5	29.9	30.8	32.1	27.4	27.8	28.7	30.0	25.2	25.6	26.4	27.7	23.1	23.5	24.3	25.5		
S/T	0.96	0.88	0.75	0.61	0.99	0.89	0.76	0.61	1.00	0.92	0.79	0.64	1.00	0.95	0.81	0.67	1.01	0.98	0.84	0.69	1.01	1.01	0.89	0.75		
ΔT	26	24	20	17	25	23	20	16	25	23	20	16	24	22	19	16	23	21	18	15	23	22	19	16		
kW	2.06	2.06	2.05	2.07	2.30	2.30	2.30	2.32	2.57	2.57	2.57	2.59	2.86	2.86	2.86	2.88	3.18	3.18	3.18	3.19	3.55	3.55	3.55	3.57		
Amps	7.7	7.7	7.7	7.8	8.8	8.7	8.7	8.8	9.9	9.9	9.9	10.0	11.2	11.1	11.1	11.2	12.5	12.5	12.5	12.6	14.1	14.1	14.0	14.1		
Hi PR	280	281	283	288	323	324	326	331	369	370	372	376	417	419	419	421	425	470	471	473	478	526	527	529	534	
Lo PR	122	125	132	143	127	131	138	149	132	136	143	154	136	139	147	158	140	143	150	162	144	148	155	167		
MBh	32.1	32.5	33.4	34.8	31.0	31.4	32.3	33.7	29.4	29.8	30.7	32.1	27.4	27.8	28.6	29.9	25.1	25.5	26.3	27.6	23.1	23.4	24.2	25.5		
S/T	0.99	0.95	0.81	0.67	0.99	0.96	0.82	0.68	1.00	0.99	0.85	0.71	1.00	1.00	0.88	0.73	1.01	1.01	0.90	0.76	1.01	1.01	0.96	0.81		
ΔT	119	120	127	138	123	126	133	144	127	131	138	149	131	135	142	153	135	138	145	157	140	143	150	162		
kW	2.05	2.05	2.04	2.06	2.30	2.29	2.29	2.31	2.57	2.56	2.56	2.58	2.85	2.85	2.85	2.87	3.17	3.17	3.17	3.19	3.55	3.54	3.54	3.56		
Amps	7.7	7.6	7.6	7.7	8.7	8.7	8.7	8.8	9.9	9.9	9.9	9.9	11.1	11.1	11.1	11.2	12.5	12.5	12.4	12.5	14.0	14.0	14.0	14.1		
Hi PR	279	280	282	286	322	323	325	330	367	368	370	375	416	417	419	424	469	470	472	477	525	526	528	533		
Lo PR	274	276	278	282	318	319	321	326	363	364	366	371	412	413	415	420	465	466	468	472	521	522	524	529		
MBh	32.7	33.1	34.0	35.4	31.6	32.0	32.9	34.3	30.0	30.4	31.3	32.6	27.9	28.3	29.2	30.5	25.6	26.0	26.9	28.1	23.6	24.0	24.8	26.0		
S/T	0.99	0.99	0.85	0.71	0.99	0.99	0.86	0.72	1.00	1.00	0.89	0.75	1.00	1.00	0.91	0.77	1.01	1.01	0.94	0.79	1.01	1.01	1.00	0.85		
ΔT	29	28	24	21	29	27	23	20	28	26	23	20	27	25	22	19	26	24	21	18	26	25	22	19		
kW	2.06	2.06	2.06	2.08	2.31	2.31	2.30	2.32	2.58	2.58	2.57	2.59	2.87	2.87	2.86	2.88	3.19	3.18	3.18	3.20	3.56	3.56	3.55	3.57		
Amps	7.7	7.7	7.7	7.8	8.8	8.8	8.7	8.8	9.9	9.9	9.9	10.0	11.2	11.2	11.1	11.2	12.5	12.5	12.5	12.6	14.1	14.1	14.1	14.1		
Hi PR	281	282	284	289	325	326	328	332	370	371	373	378	419	420	422	427	471	473	475	479	528	529	531	535		
Lo PR	123	127	133	145	129	132	139	151	134	137	144	156	138	141	148	160	141	145	152	164	146	150	157	169		

IDB = Entering Indoor Dry Bulb Temperature
 High and low pressures are measured at the liquid and suction service valves.
 Shaded areas is AHRI conditions.
 kW = Total system power
 Amps = outdoor unit amps (comp.+fan)

EXPANDED COOLING DATA — AXV6SS3610A* / AHVE36CP1300A*

IDB	AIRFLOW	OUTDOOR AMBIENT TEMPERATURE												ENTERING INDOOR WET BULB TEMPERATURE														
		65°F				75°F				85°F				95°F				105°F				115°F						
		59	63	67	71	59	63	67	71	59	63	67	71	59	63	67	71	59	63	67	71	59	63	67	71			
70	MBh	30.3	34.1	39.0	36.0	36.5	37.6	34.0	34.5	35.5	31.4	31.9	32.9	28.6	29.1	30.1	26.7	27.1	28.1	31.4	31.9	32.9	28.6	29.1	30.1	26.7	27.1	28.1
	S/T	0.65	0.55	0.39	0.61	0.53	0.39	0.63	0.56	0.42	0.65	0.57	0.44	0.67	0.59	0.46	1.00	0.66	0.52	0.65	0.57	0.44	0.67	0.59	0.46	1.00	0.66	0.52
	ΔT	21	20	14	19	17	14	19	17	14	18	16	13	17	15	12	20	18	15	18	16	13	17	15	12	20	18	15
	kW	1.75	1.99	2.68	3.03	3.03	3.03	3.42	3.42	3.41	3.83	3.83	3.83	4.30	4.29	4.29	4.38	4.38	4.37	3.83	3.83	3.83	4.30	4.29	4.29	4.38	4.38	4.37
	Amps	6.3	7.2	10.0	11.5	11.4	11.4	13.1	13.1	13.0	14.8	14.8	14.7	16.6	16.6	16.6	16.9	16.9	16.9	14.8	14.8	14.7	16.6	16.6	16.6	16.9	16.9	16.9
	Hi PR	282	287	295	333	334	336	375	376	378	420	421	423	466	468	469	514	515	517	420	421	423	466	468	469	514	515	517
	Lo PR	119	119	121	120	123	129	127	130	136	133	135	142	149	148	148	147	150	157	133	135	142	149	148	148	147	150	157
	MBh	32.5	37.5	39.6	36.5	37.0	38.1	34.5	35.0	36.1	32.0	32.5	33.5	29.2	29.6	30.6	27.2	27.6	28.6	32.0	32.5	33.5	29.2	29.6	30.6	27.2	27.6	28.6
	S/T	0.73	0.63	0.47	0.69	0.61	0.47	0.71	0.63	0.49	0.73	0.65	0.51	0.75	0.67	0.53	1.00	0.74	0.60	0.73	0.65	0.51	0.75	0.67	0.53	1.00	0.74	0.60
	ΔT	20	18	13	18	16	13	17	16	12	16	15	12	16	14	11	18	17	13	16	15	12	16	14	11	18	17	13
	kW	1.89	2.27	2.70	3.06	3.05	3.05	3.44	3.44	3.43	3.86	3.85	3.85	4.32	4.32	4.31	4.40	4.40	4.39	3.86	3.85	3.85	4.32	4.32	4.31	4.40	4.40	4.39
	Amps	6.8	8.3	10.0	11.6	11.5	11.5	13.2	13.2	13.2	14.9	14.9	14.9	16.7	16.7	16.7	17.0	17.0	16.9	14.9	14.9	14.9	16.7	16.7	16.7	17.0	17.0	16.9
Hi PR	287	293	298	336	337	339	378	379	381	422	424	426	469	470	472	517	518	520	422	424	426	469	470	472	517	518	520	
Lo PR	120	119	123	122	125	131	129	132	138	137	140	147	143	146	153	151	154	161	135	138	144	143	143	150	149	152	159	
75	MBh	30.3	34.1	39.0	36.0	36.5	37.6	34.0	34.5	35.6	31.5	31.9	33.0	28.7	29.1	30.1	26.7	27.1	28.1	31.5	31.9	33.0	28.7	29.1	30.1	26.7	27.1	28.1
	S/T	0.80	0.69	0.52	0.74	0.66	0.53	0.77	0.69	0.55	0.78	0.71	0.57	1.00	0.73	0.59	1.00	0.80	0.66	0.78	0.71	0.57	1.00	0.73	0.59	1.00	0.80	0.66
	ΔT	26	24	18	23	21	17	22	21	17	14	21	20	17	13	10	23	22	15	21	20	17	20	19	16	23	22	15
	kW	1.75	1.98	2.68	3.03	3.03	3.03	3.42	3.41	3.41	3.83	3.83	3.82	4.30	4.29	4.29	4.38	4.37	4.37	3.83	3.83	3.82	4.30	4.29	4.29	4.38	4.37	4.37
	Amps	6.3	7.2	9.9	11.4	11.4	11.4	13.1	13.0	13.0	14.8	14.7	14.7	16.6	16.6	16.6	16.9	16.9	17.0	14.8	14.7	14.7	16.6	16.6	16.6	16.9	16.9	17.0
	Hi PR	282	287	295	333	334	336	375	377	379	420	421	423	467	468	470	514	515	517	420	421	423	467	468	470	514	515	517
	Lo PR	119	119	121	120	123	129	127	130	136	133	136	142	149	148	148	147	150	157	133	136	142	149	148	148	147	150	157
	MBh	32.5	37.5	39.6	36.5	37.1	38.1	34.6	35.1	36.1	32.0	32.5	33.5	29.2	29.6	30.6	27.2	27.6	28.6	32.0	32.5	33.5	29.2	29.6	30.6	27.2	27.6	28.6
	S/T	0.87	0.77	0.60	0.82	0.74	0.60	0.84	0.76	0.63	0.84	0.78	0.64	1.00	0.80	0.66	1.00	0.87	0.73	0.84	0.76	0.63	1.00	0.80	0.66	1.00	0.87	0.73
	ΔT	24	23	17	21	20	16	21	20	16	13	20	18	15	12	12	22	20	17	20	18	15	22	20	17	22	20	17
	kW	1.88	2.27	2.70	3.05	3.05	3.05	3.44	3.44	3.43	3.85	3.85	3.85	4.32	4.31	4.31	4.40	4.39	4.41	3.85	3.85	3.85	4.32	4.31	4.31	4.40	4.39	4.41
	Amps	6.8	8.3	10.0	11.5	11.5	11.5	13.1	13.1	13.1	14.8	14.8	14.9	16.7	16.7	16.7	17.0	17.0	17.0	14.8	14.8	14.9	16.7	16.7	16.7	17.0	17.0	17.0
Hi PR	287	293	298	336	337	339	378	380	382	420	421	423	467	468	471	517	518	520	420	421	423	467	468	471	517	518	520	
Lo PR	120	119	123	122	125	131	129	132	138	137	140	147	143	146	153	151	154	161	135	138	144	143	143	150	149	152	159	

IDB = Entering Indoor Dry Bulb Temperature
 High and low pressures are measured at the liquid and suction service valves.
 Shaded area is ACCA (TVA) conditions.
 kW = Total system power
 Amps = outdoor unit amps (comp.+fan)

EXPANDED COOLING DATA — AXV6SS3610A* / AHVE36CP1300A* (CONT.)

IDB	AIRFLOW	OUTDOOR AMBIENT TEMPERATURE												ENTERING INDOOR WET BULB TEMPERATURE												
		65°F				75°F				85°F				95°F				105°F				115°F				
		59	63	67	71	59	63	67	71	59	63	67	71	59	63	67	71	59	63	67	71	59	63	67	71	
80	MBh	30.5	34.3	39.2	40.9	36.2	36.7	37.8	39.4	34.2	34.7	35.8	37.4	31.6	32.1	33.1	34.7	28.8	29.3	30.3	31.8	26.8	27.3	28.3	29.8	
	S/T	0.93	0.83	0.65	0.50	0.87	0.79	0.65	0.51	1.01	0.82	0.68	0.53	1.00	0.83	0.69	0.55	1.00	0.85	0.72	0.57	1.00	1.00	0.79	0.64	
	ΔT	30	28	22	19	26	25	22	18	26	24	21	18	25	23	20	17	24	22	19	16	27	25	22	19	
	kW	1.75	1.98	2.68	2.71	3.03	3.03	3.02	3.05	3.42	3.42	3.41	3.44	3.83	3.83	3.82	3.85	4.30	4.29	4.29	4.31	4.38	4.38	4.37	4.39	
	Amps	6.3	7.2	9.9	10.1	11.5	11.4	11.4	11.5	13.1	13.0	13.0	13.1	14.8	14.7	14.7	14.8	16.6	16.6	16.6	16.7	16.9	16.9	16.9	17.0	
	Hi PR	283	288	296	301	334	335	337	342	376	377	379	384	420	422	423	428	467	468	470	475	515	516	518	522	
	Lo PR	120	120	122	132	121	123	130	141	128	130	137	148	133	136	143	154	139	142	149	161	147	150	157	169	
	MBh	34.3	37.7	39.8	41.5	36.7	37.2	38.3	40.0	34.7	35.2	36.3	37.9	32.2	32.7	33.2	34.2	29.4	29.8	30.8	32.3	27.4	27.8	28.8	30.3	
	S/T	0.99	0.90	0.73	0.58	1.01	0.87	0.73	0.58	1.01	0.89	0.75	0.61	1.00	0.91	0.77	0.63	1.00	0.93	0.79	0.65	1.00	1.00	0.86	0.72	
	ΔT	29	27	21	18	25	23	20	17	25	23	20	17	24	22	19	16	23	21	18	15	26	24	21	18	
kW	2.00	2.27	2.70	2.73	3.06	3.05	3.05	3.07	3.44	3.44	3.43	3.46	3.86	3.85	3.80	3.87	4.32	4.32	4.31	4.34	4.40	4.39	4.39	4.41		
Amps	7.3	8.3	10.0	10.2	11.5	11.5	11.5	11.6	13.2	13.1	13.1	13.2	14.9	14.8	14.8	14.9	16.7	16.7	16.7	16.8	17.0	17.0	16.9	17.0		
Hi PR	289	294	299	304	337	338	340	345	379	380	382	387	423	424	426	431	470	471	473	478	517	519	521	525		
Lo PR	120	120	124	134	123	125	132	143	130	132	139	150	135	138	146	156	141	144	151	163	149	152	159	172		
1450	MBh	37.9	39.4	40.5	42.2	37.4	38.0	39.0	40.7	35.4	35.9	37.0	38.6	32.8	33.3	34.3	35.9	30.0	30.5	31.5	33.0	28.0	28.5	29.4	30.9	
	S/T	1.01	0.90	0.77	0.62	1.01	0.91	0.77	0.62	1.01	0.93	0.79	0.65	1.00	0.95	0.81	0.67	1.00	1.00	0.83	0.69	1.00	1.00	0.90	0.76	
	ΔT	28	23	20	16	24	22	19	16	24	22	19	16	23	21	18	15	22	20	17	14	25	23	20	17	
	kW	2.29	2.73	2.72	2.75	3.07	3.07	3.07	3.09	3.46	3.46	3.45	3.48	3.87	3.87	3.87	3.89	4.34	4.33	4.33	4.35	4.41	4.41	4.41	4.43	
	Amps	8.4	10.2	10.1	10.2	11.6	11.6	11.6	11.7	13.2	13.2	13.2	13.3	14.9	14.9	14.9	15.0	16.8	16.8	16.7	16.8	17.0	17.0	17.0	17.1	
	Hi PR	296	300	302	307	340	341	343	348	382	383	385	390	426	427	429	434	473	474	476	481	520	521	523	528	
	Lo PR	120	120	126	137	125	128	134	145	132	134	141	152	138	140	147	159	144	146	153	165	152	154	162	174	
	1070	MBh	34.4	37.8	39.8	41.5	36.8	37.3	38.4	40.0	34.8	35.3	36.3	38.0	32.2	32.7	33.7	35.3	29.4	29.9	30.9	32.4	27.4	27.9	28.8	30.3
		S/T	1.01	0.93	0.75	0.61	1.01	0.90	0.76	0.61	1.01	0.92	0.78	0.63	1.00	1.00	0.80	0.65	1.00	1.00	0.82	0.67	1.00	1.00	1.00	0.74
		ΔT	34	33	26	22	30	28	25	22	29	28	24	21	28	26	23	20	27	25	22	19	30	29	26	22
kW		1.99	2.26	2.69	2.71	3.04	3.04	3.03	3.06	3.42	3.42	3.42	3.44	3.84	3.84	3.83	3.86	4.30	4.30	4.29	4.32	4.38	4.38	4.38	4.40	
Amps		7.2	8.2	10.0	10.1	11.5	11.5	11.4	11.6	13.1	13.1	13.1	13.2	14.8	14.8	14.8	14.9	16.6	16.6	16.6	16.7	16.9	16.9	16.9	17.0	
Hi PR		288	292	297	302	335	336	338	343	377	378	380	385	422	423	425	430	468	470	472	476	516	517	519	524	
Lo PR		119	120	124	134	123	125	131	142	129	132	138	150	135	138	144	156	141	144	151	162	149	152	159	171	
1260		MBh	37.8	39.3	40.4	42.1	37.3	37.9	38.9	40.6	35.3	35.8	36.9	38.5	32.7	33.2	34.3	35.8	29.9	30.4	31.4	32.9	27.9	28.4	29.4	30.9
		S/T	1.01	0.97	0.83	0.68	1.01	0.97	0.83	0.69	1.01	1.00	0.86	0.71	1.00	1.00	0.87	0.73	1.00	1.00	0.89	0.75	1.00	1.00	1.00	0.82
		ΔT	119	119	121	132	120	123	129	140	127	130	136	147	133	136	142	154	139	141	148	160	147	150	157	169
	kW	2.28	2.71	2.71	2.74	3.06	3.06	3.05	3.08	3.45	3.44	3.44	3.47	3.86	3.86	3.85	3.88	4.33	4.32	4.32	4.34	4.40	4.40	4.40	4.42	
	Amps	8.3	10.1	10.1	10.2	11.6	11.6	11.5	11.7	13.2	13.2	13.1	13.3	14.9	14.9	14.8	15.0	16.7	16.7	16.7	16.8	17.0	17.0	17.0	17.1	
	Hi PR	294	298	300	305	338	339	341	346	380	381	383	388	425	426	428	433	471	472	474	479	519	520	522	527	
	Lo PR	283	288	296	301	334	335	337	342	376	377	379	384	420	422	423	428	467	468	470	475	515	516	518	522	
	1450	MBh	39.5	40.0	41.1	42.8	38.1	38.6	39.7	41.3	36.0	36.5	37.6	39.2	33.4	33.9	34.9	36.5	30.6	31.0	32.0	33.5	28.5	29.0	30.0	31.5
		S/T	1.01	1.01	0.87	0.72	1.01	1.01	0.87	0.73	1.01	1.01	0.90	0.75	1.00	1.00	0.91	0.77	1.00	1.00	0.93	0.79	1.00	1.00	1.00	0.86
		ΔT	28	27	23	20	28	26	23	19	27	25	22	19	26	24	21	18	25	23	20	17	28	26	23	20
kW		2.74	2.73	2.73	2.75	3.08	3.08	3.07	3.10	3.47	3.46	3.46	3.48	3.88	3.88	3.87	3.90	4.34	4.34	4.33	4.36	4.42	4.42	4.41	4.44	
Amps		10.2	10.2	10.2	10.3	11.7	11.6	11.6	11.7	13.3	13.2	13.2	13.3	15.0	14.9	14.9	15.0	16.8	16.8	16.8	16.9	17.1	17.1	17.0	17.1	
Hi PR		300	301	303	308	341	342	344	349	383	384	386	391	427	428	430	435	474	475	477	482	521	523	525	529	
Lo PR		119	122	128	139	127	129	136	147	134	136	143	154	139	142	149	161	145	148	155	167	154	156	163	176	

IDB = Entering Indoor Dry Bulb Temperature
 High and low pressures are measured at the liquid and suction service valves.
 Shaded areas is AHRI conditions.
 kW = Total system power
 Amps = outdoor unit amps (comp.+fan)

EXPANDED COOLING DATA — AXV6SS4210A* / AHVE48DP1300A*

IDB	AIRFLOW	OUTDOOR AMBIENT TEMPERATURE												ENTERING INDOOR WET BULB TEMPERATURE											
		65°F				75°F				85°F				95°F				105°F				115°F			
		59	63	67	71	59	63	67	71	59	63	67	71	59	63	67	71	59	63	67	71	59	63	67	71
70	MBh	33.5	42.3	43.6	43.1	41.3	41.9	43.1	41.9	40.1	40.7	41.9	41.9	38.1	38.7	40.0	40.0	35.8	36.3	37.6	37.6	29.5	30.0	31.1	31.1
	S/T	0.59	0.50	0.37	0.37	0.58	0.50	0.37	0.40	0.60	0.53	0.40	0.40	0.62	0.54	0.41	0.41	0.64	0.56	0.43	0.43	0.70	0.62	0.49	0.49
	ΔT	21	19	15	15	20	19	15	15	21	19	15	15	20	18	15	15	20	18	15	15	22	20	16	16
	kW	1.66	3.32	3.31	3.69	3.70	3.70	3.69	4.09	4.11	4.10	4.09	4.09	4.53	4.53	4.52	4.52	4.99	4.99	4.98	4.98	3.11	3.11	3.10	3.10
	Amps	8.2	14.7	14.7	15.8	15.9	15.8	15.8	16.8	16.9	16.9	16.8	16.8	17.7	17.7	17.7	17.7	18.5	18.5	18.4	18.4	11.1	11.1	11.0	11.0
	Hi PR	261	280	282	327	324	325	327	374	371	372	374	374	422	423	425	425	477	478	480	480	514	515	517	517
	Lo PR	119	119	127	133	120	125	133	137	124	129	137	137	127	132	140	140	130	136	144	144	138	144	152	152
	MBh	37.8	43.0	44.2	43.8	41.9	42.5	43.8	42.6	40.7	41.3	42.6	42.6	38.8	39.4	40.6	40.6	36.4	37.0	38.2	38.2	30.1	30.6	31.7	31.7
	S/T	0.65	0.57	0.44	0.45	0.65	0.58	0.45	0.47	0.67	0.60	0.47	0.47	0.69	0.62	0.49	0.49	0.71	0.64	0.51	0.51	0.77	0.70	0.57	0.57
	ΔT	20	17	14	14	19	17	14	14	19	17	14	14	19	17	14	14	19	17	13	13	20	19	15	15
	kW	1.99	3.35	3.34	3.72	3.73	3.72	3.72	4.12	4.13	4.13	4.12	4.12	4.56	4.55	4.55	4.55	5.02	5.01	5.01	5.01	3.12	3.12	3.12	3.12
	Amps	9.4	14.9	14.9	15.9	16.0	16.0	15.9	17.0	17.0	17.0	17.0	17.0	17.9	17.8	17.8	17.8	18.6	18.6	18.5	18.5	11.1	11.1	11.1	11.1
Hi PR	271	283	285	330	327	328	330	377	374	375	377	377	425	426	428	428	480	481	483	483	517	518	520	520	
Lo PR	120	121	129	131	122	127	135	144	126	131	139	139	129	134	142	142	132	137	146	146	140	146	154	154	
MBh	42.9	43.8	45.0	44.6	42.7	43.3	44.6	43.4	41.5	42.1	43.4	43.4	39.6	40.2	41.4	41.4	37.2	37.8	39.0	39.0	30.8	31.3	32.4	32.4	
S/T	0.67	0.61	0.48	0.48	0.69	0.61	0.48	0.51	0.71	0.64	0.51	0.51	0.73	0.65	0.52	0.52	0.75	0.67	0.54	0.54	0.81	0.73	0.60	0.60	
ΔT	19	16	13	13	18	16	13	13	18	16	13	13	18	16	12	12	17	16	12	12	19	17	14	14	
kW	2.42	3.37	3.37	3.74	3.75	3.75	3.74	4.15	4.16	4.15	4.15	4.15	4.58	4.58	4.57	4.57	5.04	5.04	5.03	5.03	3.13	3.13	3.13	3.13	
Amps	10.9	15.0	15.0	16.0	16.1	16.1	16.0	17.1	17.1	17.1	17.1	17.1	17.9	17.9	17.9	17.9	18.7	18.6	18.6	18.6	11.2	11.1	11.1	11.1	
Hi PR	283	286	288	333	330	331	333	380	377	378	380	380	428	429	431	431	483	484	486	486	519	521	522	522	
Lo PR	120	124	131	137	124	129	137	148	128	133	142	142	131	137	145	145	134	140	148	148	142	148	157	157	
75	MBh	33.5	42.4	43.6	45.5	41.3	41.9	43.1	45.0	40.1	40.7	41.9	43.8	38.2	38.7	40.0	40.0	35.8	36.4	37.6	37.6	29.6	30.1	31.2	31.2
	S/T	0.72	0.62	0.49	0.35	0.70	0.63	0.50	0.36	0.72	0.65	0.52	0.38	0.74	0.67	0.54	0.40	0.76	0.69	0.56	0.42	1.00	0.75	0.62	0.48
	ΔT	25	23	19	16	25	23	19	16	25	23	19	16	24	22	19	15	24	22	19	15	26	24	21	17
	kW	1.66	3.32	3.31	3.34	3.70	3.69	3.69	3.72	4.10	4.10	4.09	4.13	4.53	4.52	4.52	4.55	4.99	4.98	4.98	5.01	3.11	3.10	3.10	3.12
	Amps	8.2	14.7	14.7	14.9	15.8	15.8	15.8	16.0	16.9	16.9	16.8	17.0	17.7	17.7	17.7	17.8	18.5	18.5	18.4	18.5	11.1	11.1	11.0	11.0
	Hi PR	261	281	282	287	324	325	327	332	371	373	374	379	422	423	425	430	477	479	481	485	514	515	517	522
	Lo PR	119	119	127	138	120	125	133	144	124	129	137	148	127	133	140	152	130	136	144	155	138	144	152	164
	MBh	37.8	43.0	44.3	46.2	41.9	42.5	43.8	45.7	40.8	41.3	42.6	44.5	38.8	39.4	40.6	42.5	36.4	37.0	38.2	40.1	30.1	30.6	31.7	33.4
	S/T	0.78	0.70	0.57	0.43	0.78	0.70	0.57	0.43	0.80	0.72	0.59	0.46	0.81	0.74	0.61	0.47	0.83	0.76	0.63	0.49	1.00	0.82	0.69	0.55
	ΔT	24	21	18	14	23	21	18	14	23	21	18	14	23	21	18	14	23	21	17	14	25	23	19	15
	kW	1.99	3.35	3.34	3.37	3.72	3.72	3.71	3.75	4.13	4.13	4.12	4.15	4.55	4.55	4.54	4.58	5.01	5.01	5.00	5.04	3.12	3.12	3.11	3.13
	Amps	9.4	14.9	14.8	15.0	16.0	16.0	15.9	16.1	17.0	17.0	16.9	17.1	17.8	17.8	17.9	18.6	18.6	18.6	18.5	18.6	11.1	11.1	11.1	11.0
Hi PR	272	283	285	290	327	328	330	335	374	375	377	382	425	426	428	433	480	481	483	488	517	518	520	525	
Lo PR	120	121	129	140	122	127	135	146	126	131	139	151	129	134	143	154	132	138	146	157	140	146	154	166	
MBh	42.9	43.8	45.1	47.0	42.8	43.3	44.6	46.5	41.6	42.1	43.4	45.3	39.6	40.2	41.4	43.3	37.2	37.8	39.0	40.9	30.8	31.3	32.4	34.1	
S/T	0.80	0.73	0.60	0.46	0.81	0.74	0.61	0.47	0.83	0.76	0.63	0.49	0.85	0.78	0.65	0.51	1.00	0.80	0.67	0.53	1.00	0.86	0.73	0.59	
ΔT	24	20	17	13	22	20	17	13	22	20	17	13	22	20	16	13	21	20	16	13	24	22	18	14	
kW	2.41	3.37	3.36	3.40	3.75	3.74	3.74	3.77	4.15	4.15	4.14	4.18	4.58	4.57	4.57	4.60	5.04	5.03	5.03	5.06	3.13	3.13	3.13	3.14	
Amps	10.9	15.0	15.0	15.1	16.1	16.1	16.0	16.2	17.1	17.1	17.0	17.2	17.9	17.9	17.9	18.0	18.6	18.6	18.6	18.7	11.1	11.1	11.1	11.0	
Hi PR	283	286	288	293	330	331	333	338	377	378	380	385	428	429	431	436	483	484	486	491	520	521	523	527	
Lo PR	120	124	132	143	124	129	137	148	128	133	142	153	131	137	145	156	134	140	148	160	142	148	157	169	

IDB = Entering Indoor Dry Bulb Temperature
 High and low pressures are measured at the liquid and suction service valves.
 Shaded area is ACCA (TVA) conditions
 kW = Total system power
 Amps = outdoor unit amps (comp.+fan)

EXPANDED COOLING DATA — AXV6SS4210A* / AHVE48DP1300A* (CONT.)

IDB	AIRFLOW	OUTDOOR AMBIENT TEMPERATURE												ENTERING INDOOR WET BULB TEMPERATURE													
		65°F				75°F				85°F				95°F				105°F				115°F					
		59	63	67	71	59	63	67	71	59	63	67	71	59	63	67	71	59	63	67	71	59	63	67	71		
80	1120	MBh	34.9	42.6	43.8	45.7	41.5	42.1	43.4	45.3	40.3	40.9	42.2	44.1	38.4	39.0	40.2	42.1	36.0	36.6	37.8	39.7	34.9	35.7	37.0	38.9	
		S/T	0.84	0.75	0.61	0.48	0.82	0.75	0.62	0.48	1.00	0.77	0.64	0.50	1.00	0.79	0.66	0.52	1.00	0.81	0.68	0.54	1.00	0.87	0.74	0.60	
		ΔT	30	27	23	20	29	27	23	20	29	27	23	20	28	27	23	20	28	26	23	19	30	28	25	21	
	1320	kW	1.76	3.32	3.31	3.35	3.70	3.70	3.69	3.72	4.11	4.10	4.09	4.13	4.53	4.53	4.52	4.55	4.99	4.99	4.98	5.01	5.01	5.01	5.01	5.01	
		Amps	8.6	14.7	14.7	14.9	15.9	15.8	15.8	16.0	16.9	16.9	16.8	17.0	17.7	17.7	17.7	17.8	18.5	18.5	18.4	18.6	18.6	18.6	18.6	18.6	
		Hi/PR	264	281	283	288	325	326	328	333	372	373	375	380	423	424	426	431	478	479	481	486	515	516	518	522	
	1520	Lo/PR	119	120	127	138	120	125	133	144	124	130	138	149	128	133	141	152	131	136	144	156	139	144	153	165	
		MBh	38.0	43.2	44.5	46.4	42.2	42.8	44.0	45.9	41.0	41.6	42.8	44.7	39.0	39.6	41.0	42.7	36.6	37.2	38.5	40.4	30.3	30.8	31.9	33.6	
		S/T	0.90	0.82	0.69	0.55	0.90	0.82	0.69	0.55	1.00	0.85	0.71	0.58	1.00	0.86	0.73	0.63	1.00	0.88	0.75	0.61	1.00	1.00	0.81	0.67	
	85	1120	ΔT	29	26	22	18	27	25	22	18	27	26	22	18	27	25	22	18	27	25	21	18	29	27	23	20
			kW	1.99	3.35	3.34	3.38	3.73	3.72	3.72	3.75	4.13	4.13	4.12	4.16	4.56	4.55	4.56	4.58	5.02	5.01	5.01	5.04	5.04	5.04	5.04	5.04
			Amps	9.4	14.9	14.8	15.0	16.0	16.0	15.9	16.1	17.0	17.0	17.0	17.1	17.9	17.8	17.8	18.0	18.6	18.6	18.5	18.7	18.7	18.7	18.7	18.7
1320		Hi/PR	272	284	286	291	328	329	331	336	375	376	378	383	426	427	429	434	481	482	484	489	517	519	520	525	
		Lo/PR	120	122	130	141	122	127	135	147	126	132	140	151	130	135	145	155	133	138	146	158	141	146	155	167	
		MBh	43.4	44.0	45.3	47.2	43.0	43.6	44.8	46.7	41.8	42.4	43.6	45.5	39.8	40.4	41.6	43.5	37.4	38.0	39.3	41.2	31.0	31.5	32.6	34.3	
1520		S/T	0.93	0.86	0.72	0.59	1.01	0.86	0.73	0.59	1.00	0.88	0.75	0.61	1.00	0.90	0.77	0.63	1.00	0.92	0.79	0.65	1.00	1.00	0.85	0.71	
		ΔT	26	24	21	17	26	24	21	17	26	24	21	17	26	24	21	17	26	24	20	17	28	26	22	19	
		kW	3.38	3.37	3.36	3.40	3.75	3.75	3.74	3.77	4.16	4.15	4.14	4.18	4.58	4.58	4.57	4.60	5.04	5.03	5.03	5.06	5.07	5.07	5.07	5.07	
85		1120	Amps	15.0	15.0	15.0	15.1	16.1	16.1	16.0	16.2	17.1	17.1	17.1	17.2	17.9	17.9	17.9	18.0	18.7	18.6	18.6	18.7	11.2	11.1	11.1	11.0
			Hi/PR	285	287	289	294	330	332	333	338	377	379	381	386	428	430	432	437	484	485	487	492	520	521	523	528
			Lo/PR	119	124	132	143	124	130	138	149	129	134	142	154	132	137	145	157	135	140	148	160	143	149	157	169
1320	MBh	38.1	43.3	44.5	46.4	42.2	42.8	44.1	46.0	41.0	41.6	42.9	44.8	39.1	39.7	40.9	42.8	36.7	37.3	38.5	40.4	30.4	30.9	32.0	33.6		
	S/T	1.01	0.84	0.71	0.57	1.01	0.85	0.72	0.58	1.00	0.87	0.74	0.60	1.00	0.89	0.76	0.62	1.00	1.00	0.78	0.64	1.00	1.00	0.84	0.70		
	ΔT	34	31	27	23	32	30	27	23	32	31	27	24	32	30	27	23	32	30	26	23	34	32	29	25		
1520	kW	1.98	3.33	3.32	3.36	3.71	3.70	3.70	3.73	4.11	4.11	4.10	4.14	4.54	4.53	4.53	4.56	5.00	4.99	4.99	5.02	5.02	5.02	5.02	5.02		
	Amps	9.3	14.8	14.7	14.9	15.9	15.9	15.8	16.0	16.9	16.9	16.9	17.0	17.8	17.8	17.7	17.9	18.5	18.5	18.5	18.6	11.1	11.1	11.1	11.0		
	Hi/PR	271	282	284	289	326	327	329	334	373	374	376	381	424	425	427	432	479	480	482	487	516	517	519	524		
85	1320	Lo/PR	120	122	129	140	122	127	135	146	126	131	139	151	129	135	143	154	132	138	146	157	141	146	155	167	
		MBh	43.0	43.9	45.2	47.1	42.9	43.5	44.7	46.6	41.7	42.3	43.5	45.4	39.7	40.3	41.5	43.4	37.3	37.9	39.2	41.1	30.9	31.4	32.5	34.2	
		S/T	1.01	0.92	0.79	0.65	1.01	0.92	0.79	0.65	1.00	0.94	0.81	0.67	1.00	1.00	0.83	0.69	1.00	1.00	0.85	0.71	1.00	1.00	0.91	0.77	
1520	ΔT	119	119	127	138	120	125	133	144	124	129	137	148	127	133	140	152	130	136	144	155	138	144	152	164		
	kW	2.40	3.36	3.35	3.38	3.74	3.73	3.72	3.76	4.14	4.14	4.13	4.16	4.56	4.56	4.55	4.59	5.02	5.02	5.02	5.05	5.05	5.05	5.05	5.05		
	Amps	10.9	14.9	14.9	15.1	16.0	16.0	16.0	16.1	17.0	17.0	17.0	17.1	17.9	17.9	17.8	18.0	18.6	18.6	18.6	18.7	11.1	11.1	11.1	11.0		
85	1520	Hi/PR	282	285	287	292	329	330	332	337	376	377	379	384	427	428	430	435	482	483	485	490	519	520	522	526	
		Lo/PR	264	281	283	288	325	326	328	333	372	373	375	380	423	424	426	431	478	479	481	486	515	516	518	522	
		MBh	44.1	44.7	46.0	47.9	43.7	44.3	45.5	47.4	42.5	43.1	44.3	46.2	40.5	41.1	42.3	44.2	38.1	38.7	40.0	41.9	31.6	32.1	33.2	34.9	
85	1520	S/T	1.01	0.95	0.82	0.68	1.01	0.96	0.83	0.69	1.00	1.00	0.85	0.71	1.00	1.00	0.87	0.73	1.00	1.00	0.88	0.75	1.00	1.00	1.00	0.81	
		ΔT	30	28	25	21	30	28	24	21	30	28	25	21	30	28	24	21	29	27	24	20	32	30	26	22	
		kW	3.38	3.38	3.37	3.41	3.76	3.75	3.75	3.78	4.16	4.16	4.15	4.19	4.59	4.58	4.58	4.61	5.05	5.04	5.04	5.07	5.07	5.07	5.07	5.07	
85	1520	Amps	15.1	15.0	15.0	15.2	16.1	16.1	16.1	16.2	17.1	17.1	17.1	17.2	18.0	18.0	17.9	18.1	18.7	18.7	18.6	18.8	11.2	11.2	11.1	11.0	
		Hi/PR	287	288	290	295	332	333	335	340	379	380	382	387	430	431	433	438	485	486	488	493	521	523	524	529	
		Lo/PR	121	126	134	145	126	131	139	151	130	136	144	155	133	139	147	159	136	142	150	162	145	150	159	171	

IDB = Entering Indoor Dry Bulb Temperature
 High and low pressures are measured at the liquid and suction service valves.
 Shaded area is AHRI conditions.
 kW = Total system power
 Amps = outdoor unit amps (comp.+fan)

EXPANDED COOLING DATA — AXV6SS4810A* / AHVE48DP1300A*

IDB	AIRFLOW	OUTDOOR AMBIENT TEMPERATURE												ENTERING INDOOR WET BULB TEMPERATURE											
		65°F				75°F				85°F				95°F				105°F				115°F			
		59	63	67	71	59	63	67	71	59	63	67	71	59	63	67	71	59	63	67	71	59	63	67	71
70	MBh	41.8	49.6	51.1	53.4	48.3	48.2	49.7	51.9	45.3	46.0	47.4	49.6	42.3	42.9	44.3	46.4	38.9	39.5	40.9	43.0	29.7	30.2	31.3	33.0
	S/T	0.56	0.49	0.36	0.34	0.55	0.49	0.37	0.35	0.59	0.52	0.39	0.38	0.62	0.54	0.41	0.40	0.64	0.57	0.44	0.42	0.70	0.62	0.49	0.48
	ΔT	23	20	17	17	23	20	16	16	22	20	16	17	21	19	15	15	20	18	15	15	21	20	16	17
	kW	2.24	3.71	3.70	3.74	3.38	4.10	4.10	4.13	4.53	4.53	4.52	4.55	4.97	4.96	4.96	4.99	5.43	5.43	5.42	5.45	5.43	5.43	5.42	5.45
	Amps	9.6	14.8	14.8	14.8	13.6	16.5	16.5	16.6	18.3	18.3	18.3	18.4	20.0	20.0	20.0	20.1	21.6	21.6	21.6	21.7	21.6	21.6	21.6	21.7
	Hi PR	280	293	295	303	343	337	339	345	382	383	385	390	431	432	434	439	483	484	486	489	513	514	516	519
	Lo PR	119	122	130	132	120	123	132	134	120	126	134	145	121	128	136	147	123	129	137	147	132	138	147	158
	MBh	47.3	50.4	51.9	54.1	48.3	49.0	50.4	52.6	46.0	46.7	48.1	50.3	43.0	43.7	45.0	47.2	39.6	40.2	41.6	43.7	30.3	30.8	31.9	33.6
	S/T	0.61	0.56	0.43	0.42	0.64	0.57	0.44	0.42	0.67	0.59	0.46	0.45	0.69	0.62	0.49	0.47	0.71	0.64	0.51	0.50	0.77	0.70	0.57	0.56
	ΔT	22	19	15	14	20	18	15	15	20	18	15	15	20	18	14	14	19	17	13	13	20	18	15	15
	kW	2.73	3.74	3.73	3.77	4.14	4.14	4.13	4.15	4.56	4.56	4.55	4.58	5.00	4.99	4.99	4.99	5.46	5.46	5.45	5.45	5.46	5.46	5.45	5.45
	Amps	11.2	14.9	14.9	15.0	16.7	16.6	16.6	16.7	18.5	18.4	18.4	18.5	20.1	20.1	20.1	20.1	21.7	21.7	21.7	21.7	21.7	21.7	21.7	21.7
Hi PR	293	296	298	301	339	340	342	345	385	386	388	391	434	435	437	438	486	487	489	490	516	517	519	520	
Lo PR	120	124	132	133	119	126	134	136	122	128	136	145	123	130	138	147	124	131	139	147	133	140	149	158	
MBh	51.4	51.3	52.8	54.1	49.2	49.9	51.3	53.5	47.0	47.6	49.0	50.3	43.9	44.5	45.9	48.1	40.5	41.1	42.5	44.5	31.0	31.5	32.6	34.3	
S/T	0.64	0.59	0.47	0.46	0.68	0.60	0.47	0.46	0.70	0.63	0.50	0.49	0.73	0.65	0.52	0.50	0.75	0.68	0.55	0.53	0.81	0.73	0.60	0.59	
ΔT	21	18	14	14	19	17	13	13	19	17	13	13	18	16	13	13	18	16	12	12	19	17	14	14	
kW	3.11	3.77	3.76	3.79	4.17	4.16	4.15	4.16	4.59	4.58	4.58	4.58	5.02	5.02	5.01	5.01	5.49	5.48	5.48	5.48	5.49	5.48	5.48	5.48	
Amps	12.5	15.1	15.0	15.0	16.8	16.8	16.7	16.7	18.6	18.6	18.5	18.5	20.2	20.2	20.2	20.2	21.8	21.8	21.7	21.7	21.8	21.8	21.8	21.8	
Hi PR	304	299	301	306	342	343	345	345	388	389	391	391	437	438	440	440	489	490	492	492	519	520	522	522	
Lo PR	120	124	132	133	122	128	136	136	124	130	139	145	125	132	140	140	126	133	141	141	136	142	151	152	
75	MBh	41.9	49.7	51.1	53.4	48.3	48.2	49.7	51.9	45.3	46.0	47.4	49.6	42.3	43.0	44.3	46.4	38.9	39.6	40.9	43.0	29.7	30.3	31.4	33.0
	S/T	0.68	0.61	0.48	0.34	0.67	0.62	0.49	0.35	0.72	0.65	0.52	0.38	0.74	0.67	0.54	0.40	0.77	0.69	0.56	0.42	0.82	0.75	0.62	0.48
	ΔT	28	25	21	17	28	24	21	17	26	24	20	17	25	23	20	16	24	22	19	15	26	24	20	17
	kW	2.24	3.70	3.70	3.74	3.37	4.10	4.09	4.13	4.53	4.53	4.52	4.55	4.97	4.96	4.95	4.99	5.43	5.43	5.42	5.46	5.43	5.43	5.42	5.46
	Amps	9.6	14.8	14.7	14.9	13.5	16.5	16.5	16.6	18.3	18.3	18.3	18.4	20.0	20.0	20.0	20.1	21.6	21.6	21.6	21.7	21.6	21.6	21.6	21.7
	Hi PR	281	293	295	300	343	337	339	345	382	383	385	390	431	432	434	439	483	485	487	492	513	515	516	521
	Lo PR	120	120	128	138	120	124	132	142	120	126	134	145	122	128	136	147	123	129	137	147	132	138	147	158
	MBh	47.3	50.4	51.9	54.1	48.3	49.0	50.4	52.6	46.1	46.7	48.1	50.3	43.0	43.7	45.1	47.2	39.6	40.3	41.6	43.7	30.3	30.8	31.9	33.6
	S/T	0.73	0.68	0.55	0.42	0.76	0.69	0.56	0.42	0.79	0.72	0.59	0.45	0.81	0.74	0.61	0.47	0.84	0.77	0.63	0.50	1.01	0.82	0.69	0.55
	ΔT	27	23	20	16	25	23	19	15	25	23	19	15	24	22	18	15	23	21	18	14	24	22	19	15
	kW	2.73	3.74	3.73	3.77	4.14	4.13	4.12	4.16	4.56	4.56	4.55	4.58	4.99	4.99	4.98	5.02	5.46	5.46	5.45	5.48	5.46	5.46	5.45	5.48
	Amps	11.2	14.9	14.9	15.1	16.7	16.6	16.6	16.8	18.5	18.4	18.4	18.6	20.1	20.1	20.1	20.2	21.7	21.7	21.7	21.8	21.7	21.7	21.7	21.8
Hi PR	293	296	298	303	339	340	342	348	385	386	388	393	434	435	437	442	486	488	490	494	516	517	519	524	
Lo PR	119	122	130	141	119	126	134	145	122	128	136	147	123	130	138	149	124	131	139	149	133	140	149	160	
MBh	51.5	51.4	52.8	55.1	49.2	49.9	51.3	53.5	47.0	47.6	49.1	51.2	43.9	44.6	46.0	48.1	40.5	41.1	42.5	44.5	31.0	31.5	32.6	34.3	
S/T	0.76	0.72	0.59	0.45	0.80	0.73	0.60	0.46	0.83	0.75	0.62	0.49	0.85	0.78	0.65	0.51	0.88	0.80	0.67	0.53	1.01	0.86	0.73	0.59	
ΔT	26	22	18	14	24	22	18	14	23	21	18	14	23	21	17	13	22	20	16	13	23	21	18	14	
kW	3.10	3.76	3.75	3.79	4.16	4.16	4.15	4.19	4.58	4.58	4.57	4.61	5.02	5.02	5.01	5.04	5.48	5.48	5.47	5.51	5.48	5.48	5.47	5.51	
Amps	12.5	15.0	15.0	15.2	16.8	16.7	16.7	16.9	18.6	18.5	18.5	18.7	20.2	20.2	20.2	20.3	21.8	21.8	21.7	21.9	21.8	21.8	21.8	21.9	
Hi PR	304	299	301	306	342	343	345	350	388	389	391	396	437	438	440	445	489	490	492	497	519	520	522	527	
Lo PR	120	124	132	143	122	128	136	147	124	130	139	150	125	132	140	151	126	133	141	152	136	142	151	162	

IDB = Entering Indoor Dry Bulb Temperature
 High and low pressures are measured at the liquid and suction service valves.
 Shaded area is ACCA (TVA) conditions
 kW = Total system power
 Amps = outdoor unit amps (comp.+fan)

EXPANDED COOLING DATA — AXV6SS4810A* / AHVE48DP1300A* (CONT.)

IDB	AIRFLOW	OUTDOOR AMBIENT TEMPERATURE												ENTERING INDOOR WET BULB TEMPERATURE																
		65°F				75°F				85°F				95°F				105°F				115°F								
		59	63	67	71	59	63	67	71	59	63	67	71	59	63	67	71	59	63	67	71	59	63	67	71					
80	MBh	42.1	49.9	51.4	53.6	48.5	48.5	49.9	52.1	45.6	46.3	47.7	49.8	42.6	43.2	44.6	46.7	39.2	39.8	41.1	43.2	39.2	39.8	41.1	43.2	29.9	30.4	31.5	33.2	
	S/T	0.80	0.73	0.60	0.46	0.78	0.74	0.61	0.47	0.84	0.76	0.64	0.50	0.86	0.79	0.66	0.52	1.01	0.81	0.68	0.54	1.01	0.81	0.68	0.54	1.01	0.87	0.74	0.60	
	ΔT	33	29	26	22	33	29	25	21	30	28	25	21	29	28	24	20	29	27	23	20	29	27	23	20	30	28	24	21	
	kW	2.24	3.71	3.70	3.74	3.38	4.10	4.09	4.13	4.53	4.53	4.52	4.56	4.97	4.96	4.96	4.99	5.43	5.43	5.42	5.46	5.43	5.43	5.42	5.46	5.43	5.43	5.33	3.34	
	Amps	9.6	14.8	14.8	14.9	13.6	16.5	16.5	16.6	18.3	18.3	18.3	18.4	20.0	20.0	20.0	20.1	21.6	21.6	21.6	21.7	21.6	21.6	21.6	21.7	21.6	21.6	21.7	13.7	
	Hi PR	281	294	296	301	343	338	340	345	383	384	386	391	432	433	435	440	484	485	487	492	484	485	487	492	514	515	517	522	
	Lo PR	120	120	128	139	120	124	132	143	121	127	135	146	122	128	136	147	123	129	137	148	123	129	137	148	132	139	147	158	
	MBh	48.5	50.7	52.2	54.4	48.6	49.2	50.7	52.9	46.3	47.0	48.4	50.5	43.3	43.9	45.5	47.4	39.9	40.5	41.8	43.9	39.9	40.5	41.8	43.9	30.5	31.0	32.1	33.8	
	S/T	0.85	0.80	0.67	0.53	0.88	0.81	0.68	0.54	0.91	0.84	0.71	0.57	1.00	0.86	0.73	0.59	1.01	0.89	0.76	0.62	1.01	0.89	0.76	0.62	1.01	0.95	0.81	0.67	
	ΔT	32	28	24	20	29	27	24	20	29	27	23	20	28	26	23	19	27	25	22	18	27	25	22	18	28	26	23	19	
kW	2.83	3.74	3.73	3.77	4.14	4.14	4.13	4.16	4.56	4.56	4.55	4.59	5.00	4.99	5.00	5.02	5.46	5.46	5.45	5.49	5.46	5.46	5.45	5.49	5.34	5.34	3.34	3.36		
Amps	11.5	14.9	14.9	15.1	16.7	16.6	16.6	16.8	18.5	18.4	18.4	18.6	20.1	20.1	20.1	20.2	21.7	21.7	21.7	21.8	21.7	21.7	21.7	21.8	13.7	13.7	13.7	13.8		
Hi PR	296	297	299	304	340	341	343	348	386	387	389	394	434	436	437	443	487	488	490	495	487	488	490	495	517	518	520	524		
Lo PR	119	122	130	141	120	126	134	145	122	129	137	148	124	130	138	149	125	131	139	150	125	131	139	150	134	141	149	160		
1590	MBh	51.7	51.6	53.1	55.3	49.5	50.2	51.6	53.8	47.2	47.9	49.3	51.4	44.2	44.8	46.2	48.3	40.7	41.4	42.7	44.8	40.7	41.4	42.7	44.8	31.2	31.7	32.8	34.5	
	S/T	0.87	0.83	0.71	0.57	0.92	0.84	0.72	0.58	0.99	0.87	0.74	0.61	1.00	0.90	0.77	0.63	1.01	0.92	0.79	0.65	1.01	0.92	0.79	0.65	1.01	0.98	0.85	0.71	
	ΔT	31	27	23	19	28	26	22	18	28	26	22	18	27	25	21	18	26	24	21	17	26	24	21	17	27	25	22	18	
	kW	3.11	3.77	3.76	3.80	4.16	4.16	4.15	4.19	4.59	4.58	4.58	4.61	5.02	5.02	5.01	5.05	5.49	5.48	5.48	5.51	5.49	5.48	5.48	5.51	3.36	3.36	3.35	3.37	
	Amps	12.5	15.1	15.0	15.2	16.8	16.8	16.7	16.9	18.6	18.5	18.5	18.7	20.2	20.2	20.2	20.3	21.8	21.8	21.7	21.9	21.8	21.8	21.7	21.9	13.8	13.8	13.8	13.8	
	Hi PR	304	300	302	307	343	344	346	351	388	390	392	397	437	439	441	446	490	491	493	498	490	491	493	498	519	521	522	527	
	Lo PR	121	125	133	144	122	128	137	148	125	131	139	150	126	132	140	151	127	133	141	152	127	133	141	152	136	143	151	163	
	1170	MBh	48.5	50.8	52.2	54.5	48.6	49.3	50.7	52.9	46.4	47.0	48.5	50.6	43.3	44.0	45.4	47.5	39.9	40.6	41.9	44.0	39.9	40.6	41.9	44.0	30.5	31.1	32.2	33.8
		S/T	0.98	0.82	0.69	0.56	0.99	0.83	0.70	0.57	0.99	0.86	0.73	0.60	1.00	0.89	0.75	0.62	1.01	0.91	0.78	0.64	1.01	0.91	0.78	0.64	1.01	1.01	0.84	0.70
		ΔT	38	33	30	26	35	33	29	25	34	32	29	25	33	31	28	24	32	30	27	23	32	30	27	23	33	32	28	24
kW		2.82	3.72	3.71	3.75	4.12	4.11	4.10	4.14	4.54	4.54	4.53	4.57	4.98	4.97	4.96	5.00	5.44	5.44	5.43	5.47	5.44	5.44	5.43	5.47	3.33	3.33	3.33	3.35	
Amps		11.4	14.8	14.8	15.0	16.6	16.5	16.5	16.7	18.4	18.4	18.3	18.5	20.1	20.1	20.0	20.2	21.6	21.6	21.6	21.7	21.6	21.6	21.6	21.7	13.7	13.7	13.7	13.7	
Hi PR		295	295	297	302	338	339	341	346	384	385	387	392	433	434	436	441	485	486	488	493	485	486	488	493	515	516	518	523	
Lo PR		119	122	130	141	120	126	134	145	122	128	137	148	124	130	138	149	125	131	139	150	125	131	139	150	134	140	149	160	
1380		MBh	51.6	51.5	53.0	55.2	49.4	50.0	51.5	53.7	47.1	47.8	49.2	51.3	44.0	44.7	46.1	48.2	40.6	41.3	42.6	44.7	40.6	41.3	42.6	44.7	31.1	31.6	32.7	34.4
		S/T	0.98	0.89	0.77	0.63	0.99	0.91	0.78	0.64	0.99	0.93	0.80	0.67	1.00	0.96	0.83	0.69	1.01	0.98	0.85	0.72	1.01	0.98	0.85	0.72	1.01	1.01	0.91	0.77
		ΔT	120	120	128	138	120	124	132	142	120	126	134	145	122	128	136	147	123	129	137	147	123	129	137	147	132	138	147	158
	kW	3.09	3.75	3.74	3.78	4.15	4.14	4.14	4.17	4.57	4.57	4.56	4.60	5.01	5.00	4.99	5.03	5.47	5.47	5.46	5.50	5.47	5.47	5.46	5.50	3.35	3.35	3.34	3.36	
	Amps	12.4	15.0	14.9	15.1	16.7	16.7	16.7	16.8	18.5	18.5	18.4	18.6	20.2	20.2	20.1	20.3	21.7	21.7	21.7	21.8	21.7	21.7	21.7	21.8	13.8	13.7	13.7	13.8	
	Hi PR	303	298	300	305	341	342	344	349	387	388	390	395	436	437	439	444	488	489	491	496	488	489	491	496	518	519	521	526	
	Lo PR	281	294	296	301	343	338	340	345	383	384	386	391	432	433	435	440	484	485	487	492	484	485	487	492	514	515	517	522	
	1590	MBh	51.8	52.5	53.9	56.2	50.3	51.0	52.4	54.6	48.0	48.7	50.1	52.2	44.9	45.6	47.0	49.1	41.5	42.1	43.5	45.5	41.5	42.1	43.5	45.5	31.8	32.3	33.4	35.1
		S/T	0.98	0.93	0.80	0.67	0.99	0.94	0.81	0.68	0.99	0.97	0.84	0.70	1.00	0.99	0.86	0.73	1.01	1.01	0.89	0.75	1.01	1.01	0.89	0.75	1.01	1.01	0.95	0.81
		ΔT	33	31	27	23	32	30	26	22	32	30	26	22	31	29	25	21	30	28	24	21	30	28	24	21	31	29	25	22
kW		3.78	3.78	3.77	3.81	4.17	4.17	4.16	4.20	4.60	4.59	4.58	4.62	5.03	5.03	5.02	5.05	5.50	5.49	5.48	5.52	5.50	5.49	5.48	5.52	3.36	3.36	3.36	3.37	
Amps		15.1	15.1	15.1	15.2	16.8	16.8	16.8	16.9	18.6	18.6	18.6	18.7	20.3	20.3	20.2	20.4	21.8	21.8	21.8	21.9	21.8	21.8	21.8	21.9	13.8	13.8	13.8	13.9	
Hi PR		300	301	303	308	344	345	347	352	390	391	393	398	439	440	442	447	491	492	494	499	491	492	494	499	521	522	524	528	
Lo PR		120	126	135	146	124	130	138	150	126	133	141	152	127	134	142	153	128	135	143	154	128	135	143	154	138	144	153	165	

IDB = Entering Indoor Dry Bulb Temperature
 High and low pressures are measured at the liquid and suction service valves.
 Shaded areas is AHRI conditions.
 kW = Total system power
 Amps = outdoor unit amps (comp. fan)

EXPANDED COOLING DATA – AXV6SS6010A* / AHVE60DP1300A* (CONT.)

IDB	AIRFLOW	OUTDOOR AMBIENT TEMPERATURE												ENTERING INDOOR WET BULB TEMPERATURE															
		65°F				75°F				85°F				95°F				105°F				115°F							
		59	63	67	71	59	63	67	71	59	63	67	71	59	63	67	71	59	63	67	71	59	63	67	71				
80	MBh	31.7	45.0	59.6	62.2	40.0	56.4	58.1	60.6	47.7	54.0	55.7	58.2	49.9	50.7	52.3	54.8	42.5	43.2	44.6	46.9	42.5	43.2	44.6	46.9	33.5	34.1	35.3	37.2
	S/T	0.92	0.76	0.60	0.46	0.85	0.73	0.60	0.47	0.84	0.76	0.63	0.49	0.85	0.77	0.65	0.51	1.00	0.81	0.68	0.54	1.00	0.81	0.68	0.54	1.00	0.88	0.75	0.61
	ΔT	29	29	25	21	30	28	24	20	31	27	24	20	28	27	23	20	30	28	24	20	30	28	24	20	29	27	24	20
	kW	1.72	2.60	4.12	4.16	2.62	4.68	4.67	4.72	4.09	5.30	5.29	5.33	5.97	5.97	5.96	6.00	5.87	5.86	5.86	5.89	5.87	5.86	5.86	5.89	5.09	5.09	5.08	5.11
	Amps	7.0	10.4	16.3	16.4	10.6	18.6	18.6	18.7	16.2	21.2	21.1	21.3	24.0	24.0	23.9	24.1	23.6	23.6	23.5	23.7	23.6	23.6	23.5	23.7	20.5	20.5	20.4	20.6
	Hi PR	254	272	299	304	309	344	346	351	372	393	395	400	444	445	447	452	484	485	487	492	484	485	487	492	519	520	522	527
	Lo PR	119	119	123	133	120	120	129	139	120	125	133	144	121	128	137	148	125	132	141	152	125	132	141	152	133	141	151	162
	MBh	34.0	50.3	60.4	63.0	43.9	57.3	59.0	61.5	54.1	54.9	56.5	59.0	50.8	51.5	53.5	55.6	43.2	43.9	45.4	47.6	43.2	43.9	45.4	47.6	34.1	34.7	35.9	37.8
	S/T	0.98	0.82	0.67	0.53	0.92	0.80	0.68	0.54	0.90	0.83	0.70	0.56	1.00	0.85	0.72	0.58	1.00	0.88	0.75	0.61	1.00	0.88	0.75	0.61	1.00	0.96	0.82	0.68
	ΔT	28	28	23	19	29	26	23	19	28	26	22	19	27	25	22	18	28	26	23	19	28	26	23	19	28	26	23	19
kW	1.83	3.01	4.15	4.20	2.95	4.72	4.71	4.75	5.34	5.34	5.33	5.37	6.01	6.00	5.94	6.03	5.90	5.90	5.89	5.92	5.90	5.90	5.89	5.92	5.12	5.11	5.11	5.14	
Amps	7.5	12.0	16.4	16.6	11.8	18.8	18.7	18.9	21.4	21.3	21.3	21.5	24.2	24.1	24.0	24.3	23.7	23.7	23.7	23.8	23.7	23.7	23.7	23.8	20.6	20.6	20.5	20.7	
Hi PR	259	281	302	307	316	347	349	354	394	396	398	403	447	448	447	455	487	488	490	495	487	488	490	495	522	523	525	530	
Lo PR	119	119	125	135	120	122	131	141	119	127	135	146	123	130	141	150	127	134	143	155	127	134	143	155	135	143	153	164	
MBh	40.1	57.2	61.5	64.1	51.6	58.4	60.0	62.6	55.2	55.9	57.6	60.1	51.8	52.6	54.2	56.6	44.2	44.9	46.3	48.6	44.2	44.9	46.3	48.6	34.9	35.5	36.7	38.6	
S/T	0.97	0.85	0.71	0.57	0.93	0.84	0.71	0.58	0.93	0.86	0.73	0.60	1.00	0.88	0.75	0.62	1.00	0.92	0.79	0.65	1.00	0.92	0.79	0.65	1.00	1.00	0.86	0.72	
ΔT	28	27	22	18	29	25	21	18	27	25	21	18	26	24	21	17	27	25	21	18	27	25	21	18	27	25	22	18	
kW	2.19	3.60	4.18	4.23	3.67	4.75	4.74	4.78	5.37	5.37	5.36	5.40	6.03	6.03	6.02	6.06	5.92	5.92	5.91	5.95	5.92	5.92	5.91	5.95	5.14	5.13	5.13	5.15	
Amps	8.9	14.2	16.5	16.7	14.6	18.9	18.8	19.0	21.5	21.5	21.4	21.6	24.3	24.3	24.2	24.4	23.8	23.8	23.8	23.9	23.8	23.8	23.8	23.9	20.7	20.6	20.6	20.7	
Hi PR	268	293	305	310	331	350	352	357	397	399	401	406	450	451	453	458	490	491	493	498	490	491	493	498	525	526	528	532	
Lo PR	119	119	127	138	119	124	133	144	122	129	138	149	125	133	142	153	129	137	146	157	129	137	146	157	137	145	155	167	
85	MBh	34.0	50.4	60.5	63.1	44.0	57.4	59.0	61.6	54.2	55.0	56.6	59.1	50.8	51.6	53.2	55.7	43.3	44.0	45.5	47.7	43.3	44.0	45.5	47.7	34.2	34.8	36.0	37.9
	S/T	1.00	0.85	0.69	0.56	1.00	0.83	0.70	0.56	1.00	0.85	0.72	0.59	1.00	0.87	0.74	0.61	1.00	0.91	0.78	0.64	1.00	0.91	0.78	0.64	1.00	1.00	0.85	0.71
	ΔT	33	34	28	25	34	31	28	24	33	31	28	24	32	30	27	23	33	31	28	24	33	31	28	24	33	31	28	24
	kW	1.82	2.99	4.13	4.17	2.93	4.69	4.68	4.73	5.32	5.31	5.30	5.34	5.98	5.98	5.97	6.01	5.88	5.87	5.87	5.90	5.88	5.87	5.87	5.90	5.10	5.10	5.09	5.12
	Amps	7.4	11.9	16.3	16.5	11.8	18.6	18.6	18.8	21.3	21.2	21.2	21.4	24.0	24.0	24.0	24.2	23.6	23.6	23.6	23.7	23.6	23.6	23.6	23.7	20.5	20.5	20.5	20.6
	Hi PR	258	280	301	306	314	345	347	352	393	394	396	401	445	447	449	454	485	487	489	494	485	487	489	494	520	522	523	528
	Lo PR	119	119	124	135	120	122	130	141	119	126	135	146	123	130	139	150	126	134	143	154	126	134	143	154	135	143	152	164
	MBh	38.6	53.5	61.4	64.0	49.2	58.2	59.9	62.4	55.0	55.8	57.5	60.0	51.7	52.4	54.0	56.5	44.1	44.7	46.2	48.4	44.1	44.7	46.2	48.4	34.8	35.4	36.6	38.5
	S/T	1.00	0.91	0.77	0.63	1.00	0.90	0.77	0.64	1.00	0.92	0.79	0.66	1.00	0.94	0.81	0.68	1.00	1.00	0.85	0.71	1.00	1.00	0.85	0.71	1.00	1.00	0.92	0.78
	ΔT	121	120	122	133	119	120	128	139	119	124	133	144	121	128	137	148	124	132	141	152	124	132	141	152	133	141	150	162
kW	2.09	3.24	4.16	4.21	3.40	4.73	4.72	4.76	5.35	5.35	5.34	5.38	6.02	6.01	6.00	6.05	5.91	5.91	5.90	5.93	5.91	5.91	5.90	5.93	5.12	5.12	5.11	5.14	
Amps	8.5	12.8	16.5	16.6	13.5	18.8	18.8	18.9	21.4	21.4	21.3	21.5	24.2	24.2	24.1	24.3	23.7	23.7	23.7	23.9	23.7	23.7	23.7	23.9	20.6	20.6	20.6	20.7	
Hi PR	265	286	304	309	325	348	350	355	396	397	399	404	448	450	452	457	488	490	492	497	488	490	492	497	523	524	526	531	
Lo PR	254	272	299	304	309	344	346	351	372	393	395	400	444	445	447	452	484	485	487	492	484	485	487	492	519	520	522	527	
MBh	44.8	60.8	62.5	65.1	55.9	59.3	61.0	63.5	56.1	56.9	58.5	61.0	52.7	53.5	55.1	57.6	45.0	45.7	47.2	49.4	45.0	45.7	47.2	49.4	35.6	36.2	37.4	39.3	
S/T	1.00	0.93	0.80	0.67	1.00	0.93	0.81	0.67	1.00	0.96	0.83	0.70	1.00	0.98	0.85	0.71	1.00	1.00	0.89	0.75	1.00	1.00	0.89	0.75	1.00	1.00	0.96	0.82	
ΔT	32	30	26	22	33	29	25	22	30	29	25	21	30	28	24	21	31	29	25	21	31	29	25	21	30	29	25	22	
kW	2.50	4.20	4.19	4.24	4.07	4.76	4.75	4.79	5.38	5.38	5.37	5.41	6.05	6.04	6.03	6.07	5.93	5.93	5.92	5.96	5.93	5.93	5.92	5.96	5.14	5.14	5.13	5.16	
Amps	10.0	16.6	16.6	16.8	16.1	18.9	18.9	19.1	21.5	21.5	21.5	21.7	24.3	24.3	24.3	24.5	23.9	23.8	23.8	24.0	23.9	23.8	23.8	24.0	20.7	20.7	20.6	20.8	
Hi PR	275	304	306	312	338	351	353	358	399	400	402	407	451	453	455	460	491	492	494	499	491	492	494	499	526	527	529	534	
Lo PR	119	120	129	140	119	126	135	146	123	131	139	150	127	134	143	154	130	138	147	159	130	138	147	159	139	147	157	169	

IDB = Entering Indoor Dry Bulb Temperature
 High and low pressures are measured at the liquid and suction service valves.
 Shaded areas is AHRI conditions.
 kW = Total system power
 Amps = outdoor unit amps (comp.+fan)

EXPANDED COOLING DATA – AXV6SA1810A* / AHVE24BP1300A*

IDB	AIRFLOW	OUTDOOR AMBIENT TEMPERATURE												ENTERING INDOOR WET BULB TEMPERATURE											
		65°F				75°F				85°F				95°F				105°F				115°F			
		59	63	67	71	59	63	67	71	59	63	67	71	59	63	67	71	59	63	67	71	59	63	67	71
70	MBh	17.8	18.6	19.1	19.4	17.8	18.1	18.6	19.2	17.0	17.2	17.8	18.4	15.8	16.1	16.6	17.2	14.6	14.8	15.3	15.9	13.4	13.7	14.2	14.7
	S/T	0.62	0.52	0.38	0.46	0.60	0.52	0.38	0.46	0.62	0.54	0.41	0.48	0.63	0.56	0.42	0.50	0.65	0.58	0.44	0.52	0.70	0.63	0.49	0.57
	ΔT	22	18	14	14	19	17	14	14	19	17	14	14	18	16	13	13	17	16	13	12	18	16	14	12
	kW	0.85	0.93	0.93	0.93	1.08	1.07	1.07	1.08	1.24	1.24	1.24	1.25	1.43	1.43	1.43	1.43	1.64	1.64	1.64	1.65	1.89	1.89	1.89	1.90
	Amps	3.6	3.9	3.9	3.9	4.4	4.4	4.4	4.4	5.0	4.9	4.9	5.0	5.6	5.6	5.6	5.7	6.5	6.5	6.5	6.5	7.7	7.7	7.7	7.7
	Hi PR	234	237	238	238	277	278	279	282	321	322	323	326	369	370	371	374	421	423	424	427	479	480	482	484
	Lo PR	121	122	129	131	125	128	135	141	130	133	141	143	134	137	145	147	137	141	148	151	142	146	153	156
	MBh	18.6	18.9	19.4	19.4	18.1	18.3	18.9	19.2	17.2	17.5	18.0	18.4	16.1	16.4	16.9	17.2	14.8	15.1	15.6	15.9	13.7	13.9	14.4	14.7
	S/T	0.67	0.59	0.46	0.46	0.67	0.59	0.46	0.46	0.69	0.62	0.48	0.52	0.71	0.63	0.50	0.54	0.73	0.65	0.52	0.56	0.99	0.70	0.57	0.60
	ΔT	18	16	13	13	18	16	13	13	18	16	13	13	17	15	12	12	16	15	12	12	17	15	12	12
	kW	0.94	0.94	0.93	0.94	1.08	1.08	1.08	1.08	1.25	1.25	1.25	1.25	1.44	1.44	1.43	1.43	1.65	1.65	1.65	1.65	1.90	1.90	1.90	1.90
	Amps	3.9	3.9	3.9	3.9	4.4	4.4	4.4	4.4	5.0	5.0	5.0	5.0	5.7	5.7	5.7	5.7	6.6	6.5	6.5	6.5	7.7	7.7	7.7	7.7
Hi PR	238	239	241	241	279	280	282	284	323	324	326	326	371	372	374	376	424	425	427	427	481	482	484	484	
Lo PR	123	127	134	134	127	130	138	140	132	135	143	145	136	139	147	149	139	143	151	151	144	148	156	156	
MBh	19.0	19.2	19.8	19.8	18.4	18.7	19.2	19.2	17.6	17.8	18.4	18.4	16.4	16.7	17.2	17.2	15.2	15.4	15.9	15.9	14.0	14.2	14.7	14.7	
S/T	0.71	0.63	0.49	0.49	0.71	0.63	0.50	0.50	0.73	0.65	0.52	0.52	0.75	0.67	0.54	0.54	0.76	0.69	0.56	0.56	0.99	0.74	0.60	0.60	
ΔT	17	15	12	12	17	15	12	12	17	15	12	12	16	14	11	11	15	14	11	11	16	14	11	11	
kW	0.94	0.94	0.94	0.94	1.09	1.09	1.09	1.09	1.26	1.26	1.25	1.25	1.44	1.44	1.44	1.44	1.66	1.65	1.65	1.65	1.91	1.91	1.91	1.91	
Amps	4.0	3.9	3.9	3.9	4.4	4.4	4.4	4.4	5.0	5.0	5.0	5.0	5.7	5.7	5.7	5.7	6.6	6.6	6.6	6.6	7.8	7.8	7.8	7.8	
Hi PR	240	241	243	243	281	283	284	284	325	327	328	328	374	375	376	376	426	428	429	429	484	485	487	487	
Lo PR	123	127	134	134	129	133	140	140	134	138	145	145	138	142	149	149	142	145	153	153	146	150	158	158	
75	MBh	17.8	18.6	19.1	20.0	17.8	18.1	18.6	19.4	17.0	17.2	17.8	18.6	15.9	16.1	16.6	17.4	14.6	14.8	15.3	16.1	13.4	13.7	14.2	14.9
	S/T	0.76	0.64	0.51	0.37	0.72	0.65	0.51	0.37	0.75	0.67	0.54	0.39	1.00	0.69	0.55	0.41	1.00	0.70	0.57	0.43	0.99	0.75	0.62	0.48
	ΔT	26	22	18	15	23	21	18	14	23	21	18	14	22	20	17	14	21	19	16	13	22	20	17	14
	kW	0.85	0.93	0.93	0.93	1.07	1.07	1.07	1.08	1.24	1.24	1.24	1.25	1.43	1.43	1.42	1.43	1.64	1.64	1.64	1.65	1.89	1.89	1.89	1.90
	Amps	3.6	3.9	3.9	3.9	4.4	4.4	4.4	4.4	4.9	4.9	4.9	5.0	5.6	5.6	5.6	5.7	6.5	6.5	6.5	6.5	7.7	7.7	7.7	7.7
	Hi PR	234	237	238	243	277	278	280	284	321	322	324	328	369	370	372	376	422	423	424	429	479	480	482	486
	Lo PR	121	122	129	141	125	128	135	147	130	133	141	153	134	137	145	157	137	141	148	161	142	146	154	166
	MBh	18.6	18.9	19.4	20.3	18.1	18.3	18.9	19.7	17.3	17.5	18.0	18.8	16.1	16.4	16.9	17.7	14.9	15.1	15.6	16.4	13.7	13.9	14.4	15.2
	S/T	0.80	0.72	0.58	0.44	0.80	0.72	0.59	0.45	0.82	0.75	0.61	0.47	1.00	0.76	0.63	0.49	1.00	0.78	0.65	0.50	0.99	0.83	0.69	0.55
	ΔT	22	20	17	14	22	20	17	13	21	20	16	13	21	19	16	13	20	18	15	12	20	19	16	13
	kW	0.94	0.93	0.93	0.94	1.08	1.08	1.08	1.09	1.25	1.25	1.25	1.26	1.44	1.43	1.43	1.44	1.65	1.65	1.65	1.66	1.90	1.90	1.90	1.91
	Amps	3.9	3.9	3.9	3.9	4.4	4.4	4.4	4.4	5.0	5.0	5.0	5.0	5.7	5.7	5.7	5.7	6.6	6.5	6.5	6.6	7.7	7.7	7.7	7.8
Hi PR	238	239	241	245	279	280	282	286	323	324	326	330	371	372	374	379	424	425	427	431	482	483	484	489	
Lo PR	121	124	131	143	127	130	138	150	132	135	143	155	136	139	147	159	139	143	151	163	144	148	156	168	
MBh	19.0	19.2	19.8	20.6	18.4	18.7	19.2	20.0	17.6	17.8	18.4	19.2	16.5	16.7	17.2	18.0	15.2	15.4	15.9	16.7	14.0	14.3	14.8	15.5	
S/T	0.83	0.76	0.62	0.48	0.84	0.76	0.63	0.48	1.01	0.78	0.65	0.51	1.00	0.80	0.66	0.52	1.00	0.82	0.68	0.54	0.99	0.86	0.73	0.59	
ΔT	21	19	16	12	20	19	15	12	20	19	15	12	20	18	15	12	19	17	14	11	19	18	15	12	
kW	0.94	0.94	0.94	0.95	1.09	1.09	1.09	1.09	1.26	1.25	1.25	1.26	1.44	1.44	1.44	1.45	1.66	1.65	1.65	1.66	1.91	1.91	1.91	1.91	
Amps	3.9	3.9	3.9	4.0	4.4	4.4	4.4	4.4	5.0	5.0	5.0	5.0	5.7	5.7	5.7	5.7	6.6	6.6	6.6	6.6	7.8	7.8	7.8	7.8	
Hi PR	241	242	243	247	282	283	284	289	326	327	328	333	374	375	377	381	427	428	430	434	484	485	487	491	
Lo PR	123	127	134	146	129	133	140	152	134	138	145	157	138	142	149	161	142	145	153	165	147	150	158	171	

IDB = Entering Indoor Dry Bulb Temperature
 High and low pressures are measured at the liquid and suction service valves.
 Shaded area is ACCA (TVA) conditions
 kW = Total system power
 Amps = outdoor unit amps (comp.+fan)

EXPANDED COOLING DATA – AXV6SA1810A* / AHVE24BP1300A* (CONT.)

IDB	AIRFLOW	OUTDOOR AMBIENT TEMPERATURE												ENTERING INDOOR WET BULB TEMPERATURE											
		65°F				75°F				85°F				95°F				105°F				115°F			
		59	63	67	71	59	63	67	71	59	63	67	71	59	63	67	71	59	63	67	71	59	63	67	71
80	MBh	18.4	18.7	19.2	20.1	17.9	18.2	18.7	19.5	17.1	17.3	17.9	18.7	15.9	16.2	16.7	17.5	14.7	14.9	15.4	16.2	13.5	13.8	14.3	15.0
	S/T	0.85	0.77	0.63	0.49	1.01	0.79	0.66	0.52	1.00	0.81	0.68	0.53	1.00	0.83	0.69	0.55	1.00	0.83	0.69	0.55	0.99	0.99	0.74	0.60
	ΔT	27	26	22	19	27	25	22	18	26	25	21	18	25	24	21	17	25	23	20	17	25	23	21	17
	kW	0.93	0.93	0.93	0.93	1.07	1.07	1.07	1.08	1.24	1.24	1.24	1.25	1.43	1.43	1.43	1.43	1.64	1.64	1.64	1.65	1.89	1.89	1.89	1.90
	Amps	3.9	3.9	3.9	3.9	4.4	4.4	4.4	4.4	5.0	5.0	5.0	5.0	5.6	5.6	5.6	5.7	6.5	6.5	6.5	6.5	7.7	7.7	7.7	7.7
	Hi/PR	236	237	239	243	277	278	280	284	321	322	324	328	369	370	372	376	422	423	425	429	479	480	482	487
Lo/PR	119	123	130	141	125	129	136	148	130	134	141	153	134	138	145	157	138	141	149	161	143	146	154	166	
85	MBh	18.7	19.0	19.5	20.4	18.2	18.4	19.0	19.8	17.3	17.6	18.1	18.9	16.2	16.5	17.1	17.8	14.9	15.2	15.7	16.5	13.8	14.0	14.5	15.3
	S/T	0.92	0.85	0.71	0.57	1.01	0.87	0.73	0.59	1.00	0.88	0.75	0.61	1.00	0.90	0.77	0.63	1.00	0.90	0.77	0.63	0.99	0.99	0.82	0.68
	ΔT	26	24	21	17	25	24	20	17	25	23	20	17	24	23	20	16	23	22	19	16	24	22	19	16
	kW	0.94	0.94	0.93	0.94	1.08	1.08	1.08	1.09	1.25	1.25	1.25	1.26	1.44	1.44	1.44	1.44	1.65	1.65	1.65	1.66	1.90	1.90	1.90	1.91
	Amps	3.9	3.9	3.9	4.0	4.4	4.4	4.4	4.4	5.0	5.0	5.0	5.0	5.7	5.7	5.7	5.7	6.6	6.5	6.5	6.6	7.7	7.7	7.7	7.8
	Hi/PR	239	240	241	245	280	281	282	287	324	325	326	331	372	373	375	379	425	426	428	432	482	483	485	489
Lo/PR	121	125	132	144	127	131	138	150	132	136	143	155	136	140	147	160	140	144	151	163	145	148	156	169	
85	MBh	19.1	19.3	19.9	20.7	18.5	18.8	19.3	20.1	17.7	17.9	18.5	19.3	16.5	16.8	17.3	18.1	15.3	15.5	16.0	16.8	14.1	14.3	14.8	15.6
	S/T	1.01	0.88	0.75	0.61	1.01	0.89	0.75	0.61	1.01	0.91	0.77	0.63	1.00	0.92	0.79	0.65	1.00	1.00	0.81	0.67	0.99	0.99	0.85	0.71
	ΔT	25	23	20	16	24	23	19	16	24	22	19	16	23	22	18	15	22	21	18	15	23	21	18	15
	kW	0.94	0.94	0.94	0.95	1.09	1.09	1.09	1.10	1.26	1.26	1.25	1.26	1.44	1.44	1.44	1.45	1.66	1.65	1.65	1.66	1.91	1.91	1.91	1.92
	Amps	4.0	3.9	3.9	4.0	4.4	4.4	4.4	4.4	5.0	5.0	5.0	5.0	5.7	5.7	5.7	5.7	6.6	6.6	6.6	6.6	7.8	7.8	7.8	7.8
	Hi/PR	241	242	244	248	282	283	285	289	326	327	329	333	374	375	377	381	427	428	430	434	484	486	487	492
Lo/PR	124	127	134	146	130	133	141	153	135	138	146	158	139	142	150	162	142	146	153	166	147	151	158	171	
85	MBh	18.7	19.0	19.5	20.4	18.2	18.5	19.0	19.8	17.4	17.6	18.1	19.0	16.2	16.5	17.0	17.8	15.0	15.2	15.7	16.5	13.8	14.0	14.5	15.3
	S/T	1.01	0.87	0.74	0.59	1.01	0.87	0.74	0.60	1.01	1.01	0.76	0.62	1.00	1.00	0.78	0.63	1.00	1.00	0.79	0.65	0.99	0.99	0.84	0.70
	ΔT	31	29	26	22	30	28	25	22	30	28	25	21	29	27	24	21	28	26	23	20	28	27	24	21
	kW	0.93	0.93	0.93	0.94	1.08	1.08	1.07	1.08	1.24	1.24	1.24	1.25	1.43	1.43	1.43	1.44	1.64	1.64	1.64	1.65	1.90	1.89	1.89	1.90
	Amps	3.9	3.9	3.9	3.9	4.4	4.4	4.4	4.4	5.0	5.0	4.9	5.0	5.6	5.6	5.6	5.7	6.5	6.5	6.5	6.6	7.7	7.7	7.7	7.7
	Hi/PR	237	238	240	244	278	279	281	285	322	323	325	329	371	372	373	378	423	424	426	430	481	482	483	488
Lo/PR	121	125	132	143	127	131	138	150	132	136	143	155	136	140	147	159	140	143	151	163	144	148	156	168	
85	MBh	19.0	19.3	19.8	20.7	18.5	18.7	19.3	20.1	17.6	17.9	18.4	19.2	16.5	16.7	17.3	18.1	15.2	15.5	16.0	16.7	14.1	14.3	14.8	15.5
	S/T	1.01	0.95	0.81	0.67	1.01	0.95	0.81	0.67	1.01	1.01	0.84	0.69	1.00	1.00	0.85	0.71	1.00	1.00	0.87	0.73	0.99	0.99	0.92	0.78
	ΔT	121	122	129	141	125	128	135	147	130	133	141	153	134	137	145	157	137	141	148	161	142	146	154	166
	kW	0.94	0.94	0.94	0.94	1.08	1.08	1.08	1.09	1.25	1.25	1.25	1.26	1.44	1.44	1.44	1.45	1.65	1.65	1.65	1.66	1.90	1.90	1.90	1.91
	Amps	3.9	3.9	3.9	4.0	4.4	4.4	4.4	4.4	5.0	5.0	5.0	5.0	5.7	5.7	5.7	5.7	6.6	6.6	6.6	6.6	7.8	7.8	7.7	7.8
	Hi/PR	240	241	242	247	281	282	284	288	325	326	328	332	373	374	376	380	426	427	429	433	483	484	486	490
Lo/PR	236	237	239	243	277	278	280	284	321	322	324	328	369	370	372	376	422	423	425	429	479	480	482	487	
85	MBh	19.4	19.6	20.2	21.0	18.8	19.1	19.6	20.4	18.0	18.2	18.8	19.6	16.8	17.1	17.6	18.4	15.6	15.8	16.3	17.1	14.4	14.6	15.1	15.9
	S/T	1.01	0.99	0.85	0.71	1.01	0.99	0.85	0.71	1.01	1.01	0.87	0.73	1.00	1.00	0.89	0.75	1.00	1.00	0.91	0.77	0.99	0.99	0.99	0.81
	ΔT	28	27	23	20	28	26	23	19	27	26	22	19	26	25	22	19	26	24	21	18	26	24	21	18
	kW	0.94	0.94	0.94	0.95	1.09	1.09	1.09	1.10	1.26	1.26	1.26	1.27	1.45	1.44	1.44	1.45	1.66	1.66	1.66	1.66	1.91	1.91	1.91	1.92
	Amps	4.0	4.0	3.9	4.0	4.4	4.4	4.4	4.5	5.0	5.0	5.0	5.0	5.7	5.7	5.7	5.7	6.6	6.6	6.6	6.6	7.8	7.8	7.8	7.8
	Hi/PR	242	243	245	249	283	284	286	290	327	328	330	334	375	377	378	383	428	429	431	435	486	487	489	493
Lo/PR	126	129	136	148	132	135	142	155	136	140	148	160	140	144	152	164	144	148	155	168	149	152	160	173	

IDB = Entering Indoor Dry Bulb Temperature
 High and low pressures are measured at the liquid and suction service valves.
 Shaded areas is AHRI conditions.
 kW = Total system power
 Amps = outdoor unit amps (comp. fan)

EXPANDED COOLING DATA – AXV6SA2410A* / AHVE24BP1300A*

IDB	AIRFLOW	OUTDOOR AMBIENT TEMPERATURE												ENTERING INDOOR WET BULB TEMPERATURE											
		65°F				75°F				85°F				95°F				105°F				115°F			
		59	63	67	71	59	63	67	71	59	63	67	71	59	63	67	71	59	63	67	71	59	63	67	71
70	MBh	20.3	25.6	26.3	27.5	24.4	24.7	25.5	26.6	23.1	23.5	24.2	24.6	21.5	21.8	22.5	22.9	19.7	20.0	20.7	21.0	18.0	18.3	19.0	19.3
	S/T	0.63	0.51	0.37	0.38	0.59	0.51	0.38	0.40	0.61	0.53	0.40	0.48	0.63	0.55	0.42	0.49	0.64	0.57	0.44	0.51	0.69	0.62	0.49	0.56
	ΔT	22	19	15	15	20	18	15	15	20	18	15	13	19	17	14	13	18	16	13	12	19	17	14	13
	kW	1.09	1.57	1.56	1.78	1.78	1.78	1.78	1.78	2.02	2.02	2.01	2.03	2.28	2.27	2.27	2.28	2.57	2.56	2.56	2.57	2.91	2.90	2.90	2.91
	Amps	4.4	6.0	6.0	6.8	6.8	6.8	6.8	6.8	7.8	7.8	7.8	7.9	8.9	8.9	8.9	8.9	10.0	10.0	9.9	10.0	10.1	10.2	10.2	10.2
	Hi PR	243	261	263	306	303	304	306	306	349	350	352	355	399	401	402	402	454	455	457	460	513	514	516	516
	Lo PR	120	119	126	132	121	125	132	138	126	130	138	140	130	134	141	141	133	137	145	147	138	142	150	150
	MBh	23.2	26.0	26.7	28.4	24.8	25.1	25.8	26.3	23.5	23.8	24.6	25.0	21.8	22.2	22.9	23.3	20.0	20.3	21.0	21.4	18.3	18.7	19.3	19.7
	S/T	0.69	0.58	0.45	0.48	0.66	0.59	0.45	0.49	0.68	0.61	0.48	0.51	0.70	0.62	0.49	0.53	0.72	0.64	0.51	0.55	0.76	0.69	0.56	0.60
	ΔT	21	17	14	14	19	17	13	13	18	17	13	13	18	16	13	12	17	15	12	11	17	16	13	13
	kW	1.28	1.58	1.58	1.79	1.79	1.79	1.79	1.79	2.03	2.03	2.03	2.03	2.29	2.29	2.28	2.28	2.58	2.58	2.57	2.57	2.92	2.92	2.91	2.91
	Amps	5.0	6.0	6.0	6.8	6.9	6.9	6.8	6.9	7.9	7.9	7.9	7.9	9.0	9.0	9.0	9.0	10.0	10.0	10.0	10.0	10.1	10.1	10.1	10.1
Hi PR	251	263	265	309	306	307	309	309	352	353	355	355	402	403	405	405	457	458	460	460	516	517	519	519	
Lo PR	120	121	129	138	123	127	135	140	128	132	140	142	131	136	144	144	135	139	147	147	140	144	152	152	
MBh	26.1	26.5	27.2	28.4	25.2	25.6	26.3	26.3	24.0	24.3	25.0	25.0	22.3	22.6	23.3	23.3	20.4	20.8	21.4	21.4	18.8	19.1	19.7	19.7	
S/T	0.70	0.62	0.49	0.49	0.70	0.62	0.49	0.49	0.72	0.65	0.51	0.51	0.74	0.66	0.53	0.53	0.75	0.68	0.55	0.55	0.80	0.73	0.60	0.60	
ΔT	18	16	13	13	17	16	12	12	17	15	12	12	16	15	12	12	16	14	11	11	16	15	12	12	
kW	1.59	1.59	1.59	1.80	1.80	1.80	1.80	1.80	2.04	2.04	2.04	2.04	2.30	2.30	2.29	2.29	2.59	2.59	2.58	2.58	2.93	2.93	2.92	2.92	
Amps	6.1	6.1	6.1	6.9	6.9	6.9	6.9	6.9	7.9	7.9	7.9	7.9	9.1	9.0	9.0	9.0	10.0	10.0	10.0	10.0	10.1	10.1	10.1	10.1	
Hi PR	265	266	268	311	308	310	311	311	355	356	358	358	405	406	408	408	459	461	463	463	518	520	522	522	
Lo PR	119	124	131	140	125	129	137	142	130	134	142	142	134	138	146	146	137	142	150	150	142	146	154	154	
75	MBh	20.3	25.6	26.3	27.5	24.4	24.7	25.5	26.6	23.1	23.5	24.2	24.6	21.5	21.8	22.5	22.9	19.7	20.0	20.7	21.0	18.0	18.3	19.0	19.3
	S/T	0.77	0.64	0.50	0.36	0.71	0.64	0.51	0.36	0.74	0.66	0.53	0.39	0.75	0.68	0.54	0.41	0.77	0.70	0.56	0.42	0.99	0.74	0.61	0.47
	ΔT	26	23	19	16	24	22	19	15	24	22	18	15	23	21	18	14	22	20	17	14	22	20	17	14
	kW	1.09	1.57	1.56	1.58	1.78	1.78	1.77	1.79	2.02	2.01	2.01	2.03	2.27	2.27	2.27	2.29	2.56	2.56	2.56	2.57	2.90	2.90	2.90	2.91
	Amps	4.4	6.0	6.0	6.0	6.8	6.8	6.8	6.8	7.8	7.8	7.8	7.9	8.9	8.9	8.9	9.0	10.0	9.9	9.9	10.0	10.2	10.2	10.2	10.1
	Hi PR	244	261	263	267	303	304	306	311	349	351	352	357	400	401	403	407	454	455	457	462	513	514	516	521
	Lo PR	120	119	126	138	121	125	133	144	126	130	138	149	130	134	142	153	133	138	145	157	138	142	150	162
	MBh	23.2	26.0	26.7	27.9	24.8	25.1	25.9	27.0	23.5	23.9	24.6	25.7	21.9	22.2	22.9	24.0	20.0	20.3	21.0	22.1	18.4	18.7	19.3	20.3
	S/T	0.83	0.71	0.58	0.44	0.79	0.71	0.58	0.44	0.81	0.73	0.60	0.46	0.82	0.75	0.62	0.48	1.00	0.77	0.64	0.50	0.99	0.82	0.68	0.55
	ΔT	25	21	18	14	23	21	17	14	22	20	17	14	21	20	16	13	20	19	16	12	21	19	16	13
	kW	1.28	1.58	1.58	1.59	1.79	1.79	1.79	1.80	2.03	2.03	2.02	2.04	2.29	2.29	2.28	2.30	2.58	2.58	2.57	2.59	2.92	2.92	2.91	2.93
	Amps	5.0	6.0	6.0	6.1	6.9	6.8	6.8	6.9	7.9	7.9	7.8	7.9	9.0	9.0	9.0	9.0	10.0	10.0	10.0	10.0	10.1	10.1	10.1	10.1
Hi PR	251	264	265	270	306	307	309	314	352	353	355	360	402	403	405	410	457	458	460	465	516	517	519	524	
Lo PR	120	121	129	140	123	127	135	146	128	132	140	151	132	136	144	155	135	140	147	159	140	144	152	164	
MBh	26.1	26.5	27.2	28.4	25.2	25.6	26.3	27.5	24.0	24.3	25.0	26.1	22.3	22.6	23.3	24.4	20.5	20.8	21.5	22.5	18.8	19.1	19.8	20.8	
S/T	0.82	0.75	0.61	0.47	0.83	0.75	0.62	0.48	0.85	0.77	0.64	0.50	1.00	0.79	0.66	0.52	1.00	0.81	0.67	0.54	0.99	0.85	0.72	0.58	
ΔT	22	20	17	13	21	20	16	13	21	19	16	13	20	19	15	12	19	18	15	11	20	18	15	12	
kW	1.59	1.59	1.59	1.60	1.80	1.80	1.80	1.81	2.04	2.04	2.04	2.05	2.30	2.30	2.29	2.31	2.59	2.59	2.58	2.60	2.93	2.93	2.92	2.94	
Amps	6.1	6.1	6.1	6.1	6.9	6.9	6.9	7.0	7.9	7.9	7.9	8.0	9.0	9.0	9.0	9.1	10.0	10.0	10.0	10.1	10.1	10.1	10.1	10.1	
Hi PR	265	266	268	273	309	310	312	316	355	356	358	362	405	406	408	413	460	461	463	467	519	520	522	526	
Lo PR	119	124	131	142	125	129	137	149	130	134	142	154	134	138	146	158	137	142	150	162	142	147	154	167	

IDB = Entering Indoor Dry Bulb Temperature
 High and low pressures are measured at the liquid and suction service valves.
 Shaded area is ACCA (TVA) conditions
 kW = Total system power
 Amps = outdoor unit amps (comp.+fan)

EXPANDED COOLING DATA – AXV6SA2410A* / AHVE24BP1300A* (CONT.)

IDB	AIRFLOW	OUTDOOR AMBIENT TEMPERATURE												ENTERING INDOOR WET BULB TEMPERATURE												
		65°F				75°F				85°F				95°F				105°F				115°F				
		59	63	67	71	59	63	67	71	59	63	67	71	59	63	67	71	59	63	67	71	59	63	67	71	
80	MBh	21.9	25.7	26.5	27.6	24.5	24.9	25.6	26.7	23.3	23.6	24.3	25.4	21.6	21.9	22.6	23.7	19.8	20.1	20.8	21.8	18.1	18.4	19.1	20.1	
	S/T	0.89	0.76	0.63	0.48	0.84	0.76	0.63	0.49	1.01	0.78	0.65	0.51	1.00	0.80	0.67	0.53	1.00	0.82	0.69	0.55	0.99	0.86	0.73	0.59	
	ΔT	31	27	23	20	28	26	23	19	27	26	22	19	26	25	21	18	25	24	21	17	26	24	21	18	
	kW	1.19	1.57	1.56	1.58	1.78	1.78	1.78	1.79	2.02	2.02	2.01	2.03	2.28	2.27	2.27	2.29	2.56	2.56	2.56	2.58	2.90	2.90	2.90	2.92	
	Amps	4.7	6.0	6.0	6.0	6.8	6.8	6.8	6.9	7.8	7.8	7.8	7.9	8.9	8.9	8.9	9.0	10.0	10.0	10.0	10.0	10.2	10.2	10.2	10.1	
	Hi PR	247	261	263	268	304	305	307	311	350	351	353	358	400	401	403	408	455	456	458	462	514	515	517	522	
	Lo PR	120	120	127	138	124	126	133	144	126	131	138	150	130	134	142	154	134	138	146	158	138	143	151	163	
	MBh	25.2	26.1	26.9	28.0	24.9	25.2	26.0	27.1	23.6	24.0	24.7	25.8	22.0	22.3	23.2	24.1	20.1	20.5	21.1	22.2	18.5	18.8	19.4	20.5	
	S/T	0.95	0.83	0.70	0.56	1.01	0.84	0.70	0.56	1.01	0.86	0.72	0.58	1.00	0.87	0.74	0.60	1.00	0.89	0.76	0.62	0.99	0.94	0.81	0.67	
	ΔT	30	25	22	18	27	25	21	18	26	24	21	18	25	23	20	17	24	23	19	16	25	23	20	17	
kW	1.42	1.58	1.58	1.59	1.79	1.79	1.79	1.80	2.03	2.03	2.03	2.04	2.29	2.29	2.29	2.30	2.58	2.58	2.57	2.59	2.92	2.92	2.91	2.93		
Amps	5.5	6.0	6.0	6.1	6.9	6.9	6.8	6.9	7.9	7.9	7.9	7.9	9.0	9.0	9.0	9.1	10.0	10.0	10.0	10.0	10.1	10.1	10.1	10.1		
Hi PR	255	264	266	270	306	308	309	314	353	354	356	360	403	404	407	411	458	459	461	465	517	518	520	524		
Lo PR	119	122	129	140	123	128	135	147	128	133	140	152	132	136	146	156	136	140	148	160	140	145	153	165		
920	MBh	26.2	26.6	27.4	28.5	25.4	25.7	26.5	27.6	24.1	24.4	25.2	26.3	22.4	22.8	23.5	24.5	20.6	20.9	21.6	22.6	18.9	19.2	19.9	20.9	
	S/T	0.95	0.87	0.74	0.60	1.01	0.87	0.74	0.60	1.01	0.89	0.76	0.62	1.00	0.91	0.78	0.64	1.00	0.93	0.80	0.66	0.99	0.99	0.84	0.70	
	ΔT	26	24	21	17	25	24	20	17	25	23	20	17	24	22	19	16	23	22	18	15	24	22	19	16	
	kW	1.59	1.59	1.59	1.60	1.80	1.80	1.80	1.81	2.04	2.04	2.04	2.05	2.30	2.30	2.29	2.31	2.59	2.59	2.58	2.60	2.93	2.93	2.92	2.94	
	Amps	6.1	6.1	6.1	6.1	6.9	6.9	6.9	7.0	7.9	7.9	7.9	8.0	9.1	9.0	9.0	9.1	10.0	10.0	10.0	10.1	10.1	10.1	10.1	10.1	
	Hi PR	266	267	269	273	309	310	312	317	355	356	358	363	405	407	408	413	460	461	463	468	519	520	522	527	
	Lo PR	120	124	131	143	126	130	138	149	130	135	143	154	134	139	146	158	138	142	150	162	142	147	155	167	
	85	MBh	23.4	26.1	26.9	28.1	24.9	25.3	26.0	27.1	23.7	24.0	24.7	25.8	22.0	22.3	23.0	24.1	20.2	20.5	21.2	22.2	18.5	18.8	19.5	20.5
		S/T	1.01	0.86	0.73	0.58	1.01	0.86	0.73	0.59	1.01	0.88	0.75	0.61	1.00	1.00	0.77	0.63	1.00	1.00	0.78	0.65	0.99	0.99	0.83	0.69
		ΔT	35	31	27	23	31	30	26	23	31	29	26	22	30	28	25	22	29	27	24	21	29	27	24	21
kW		1.27	1.57	1.57	1.58	1.78	1.78	1.78	1.79	2.02	2.02	2.02	2.03	2.28	2.28	2.27	2.29	2.57	2.57	2.56	2.58	2.91	2.91	2.90	2.92	
Amps		5.0	6.0	6.0	6.0	6.8	6.8	6.8	6.9	7.8	7.8	7.8	7.9	9.0	9.0	8.9	9.0	10.0	10.0	10.0	10.0	10.1	10.1	10.2	10.1	
Hi PR		250	263	265	269	305	306	308	313	351	352	354	359	401	402	404	409	456	457	459	464	515	516	518	523	
Lo PR		120	121	129	140	123	127	135	146	128	132	140	152	132	136	144	156	135	140	148	159	140	144	152	164	
MBh		26.2	26.5	27.3	28.4	25.3	25.7	26.4	27.5	24.0	24.4	25.1	26.2	22.4	22.7	23.4	24.5	20.5	20.8	21.5	22.6	18.8	19.2	19.8	20.8	
S/T		1.01	0.93	0.80	0.66	1.01	0.94	0.80	0.66	1.01	0.96	0.82	0.68	1.00	1.00	0.84	0.70	1.00	1.00	0.86	0.72	0.99	0.99	0.90	0.77	
ΔT		120	119	126	138	121	125	133	144	126	130	138	149	130	134	142	153	133	138	145	157	138	142	150	162	
kW	1.59	1.58	1.58	1.60	1.80	1.80	1.79	1.81	2.03	2.03	2.03	2.05	2.29	2.29	2.29	2.30	2.58	2.58	2.58	2.59	2.92	2.92	2.92	2.93		
Amps	6.1	6.1	6.0	6.1	6.9	6.9	6.9	6.9	7.9	7.9	7.9	7.9	9.0	9.0	9.0	9.1	10.0	10.0	10.0	10.0	10.1	10.1	10.1	10.1		
Hi PR	264	265	267	272	308	309	311	315	354	355	357	361	404	405	407	412	459	460	462	467	518	519	521	526		
Lo PR	247	261	263	268	304	305	307	311	350	351	353	358	400	401	403	408	455	456	458	462	514	515	517	522		
920	MBh	26.7	27.0	27.8	28.9	25.8	26.1	26.9	28.0	24.5	24.8	25.6	26.7	22.8	23.2	23.9	24.9	21.0	21.3	22.0	23.0	19.3	19.6	20.3	21.3	
	S/T	1.01	0.97	0.84	0.70	1.01	0.97	0.84	0.70	1.01	1.01	0.86	0.72	1.00	1.00	0.88	0.74	1.00	1.00	0.89	0.76	0.99	0.99	0.94	0.80	
	ΔT	30	28	25	21	29	27	24	20	29	27	23	20	27	26	23	19	26	25	22	18	27	25	22	19	
	kW	1.60	1.59	1.59	1.61	1.81	1.81	1.80	1.82	2.05	2.04	2.04	2.06	2.30	2.30	2.30	2.31	2.59	2.59	2.59	2.60	2.93	2.93	2.93	2.94	
	Amps	6.1	6.1	6.1	6.1	6.9	6.9	6.9	7.0	7.9	7.9	7.9	8.0	9.1	9.1	9.0	9.1	10.0	10.0	10.0	10.1	10.1	10.1	10.1	10.1	
	Hi PR	267	268	270	274	310	311	313	318	356	358	359	364	407	408	410	414	461	463	464	469	520	522	524	528	
	Lo PR	122	126	133	145	127	132	139	151	132	137	144	156	136	140	148	160	139	144	152	164	144	149	157	169	

IDB = Entering Indoor Dry Bulb Temperature
 High and low pressures are measured at the liquid and suction service valves.
 Shaded area is AHRI conditions.
 kW = Total system power
 Amps = outdoor unit amps (comp.+fan)

EXPANDED COOLING DATA – AXV6SA3010A* / AHVE36CP1300A*

IDB	AIRFLOW	OUTDOOR AMBIENT TEMPERATURE												ENTERING INDOOR WET BULB TEMPERATURE												85°F												95°F												105°F												115°F											
		65°F				75°F				85°F				95°F				105°F				115°F				65°F				75°F				85°F				95°F				105°F				115°F																											
		59	63	67	71	59	63	67	71	59	63	67	71	59	63	67	71	59	63	67	71	59	63	67	71	59	63	67	71	59	63	67	71	59	63	67	71	59	63	67	71																																
70	MBh	31.0	31.3	32.2	32.2	29.8	30.3	31.2	31.2	28.3	28.7	29.6	29.6	26.3	26.7	27.5	27.5	24.0	24.4	25.3	25.3	24.0	24.4	25.3	25.3	22.0	22.4	23.2	23.2	22.0	22.4	23.2	23.2	22.0	22.4	23.2	23.2	22.0	22.4	23.2	23.2																																
	S/T	0.60	0.52	0.38	0.38	0.60	0.52	0.39	0.39	0.63	0.55	0.41	0.41	0.65	0.57	0.44	0.44	0.68	0.60	0.46	0.46	0.68	0.60	0.46	0.46	0.73	0.66	0.52	0.52	0.73	0.66	0.52	0.52	0.73	0.66	0.52	0.52	0.73	0.66	0.52	0.52																																
	ΔT	22	18	15	15	20	18	14	14	19	18	14	14	19	17	14	14	18	16	13	13	18	16	13	13	18	17	14	14	18	17	14	14	18	17	14	14	18	17	14	14																																
	kW	1.82	2.03	2.02	2.02	2.27	2.27	2.27	2.27	2.54	2.54	2.54	2.54	2.83	2.83	2.83	2.83	3.15	3.15	3.15	3.15	3.15	3.15	3.15	3.15	3.53	3.52	3.52	3.52	3.53	3.52	3.52	3.52	3.53	3.52	3.52	3.52	3.53	3.52	3.52	3.52																																
	Amps	6.7	7.6	7.5	7.5	8.6	8.6	8.6	8.6	9.8	9.8	9.8	9.8	11.0	11.0	11.0	11.0	12.4	12.4	12.4	12.4	12.4	12.4	12.4	12.4	13.9	13.9	13.9	13.9	13.9	13.9	13.9	13.9	13.9	13.9	13.9	13.9	13.9	13.9	13.9	13.9																																
	Hi PR	274	275	277	277	317	318	320	320	362	364	365	365	411	412	414	414	464	465	467	467	464	465	467	467	520	521	523	523	520	521	523	523	520	521	523	523	520	521	523	523																																
	Lo PR	119	120	126	126	123	126	133	133	127	131	138	138	131	135	142	142	135	138	145	145	135	138	145	145	140	143	150	150	140	143	150	150	140	143	150	150	140	143	150	150																																
	MBh	31.5	31.8	32.7	32.7	30.3	30.7	31.6	31.6	28.8	29.2	30.1	30.1	26.7	27.1	28.0	28.0	24.5	24.9	25.7	25.7	24.5	24.9	25.7	25.7	22.4	22.8	23.6	23.6	22.4	22.8	23.6	23.6	22.4	22.8	23.6	23.6	22.4	22.8	23.6	23.6																																
	S/T	0.68	0.59	0.46	0.46	0.68	0.60	0.46	0.46	0.71	0.63	0.49	0.49	0.73	0.65	0.51	0.51	0.76	0.68	0.54	0.54	0.76	0.68	0.54	0.54	0.81	0.73	0.59	0.59	0.81	0.73	0.59	0.59	0.81	0.73	0.59	0.59	0.81	0.73	0.59	0.59																																
	ΔT	21	17	13	13	18	16	13	13	18	16	13	13	17	16	12	12	17	15	12	12	17	15	12	12	17	16	13	13	17	16	13	13	17	16	13	13	17	16	13	13																																
	kW	1.84	2.04	2.04	2.04	2.29	2.29	2.28	2.28	2.56	2.56	2.55	2.55	2.85	2.85	2.84	2.84	3.17	3.17	3.16	3.16	3.17	3.17	3.16	3.16	3.54	3.54	3.54	3.54	3.54	3.54	3.54	3.54	3.54	3.54	3.54	3.54	3.54	3.54	3.54	3.54																																
	Amps	6.8	7.6	7.6	7.6	8.7	8.7	8.7	8.7	9.9	9.9	9.8	9.8	11.1	11.1	11.1	11.1	12.5	12.5	12.5	12.5	12.5	12.5	12.5	12.5	14.0	14.0	14.0	14.0	14.0	14.0	14.0	14.0	14.0	14.0	14.0	14.0	14.0	14.0	14.0	14.0																																
Hi PR	277	278	280	280	320	321	323	323	365	366	368	368	414	415	417	417	467	468	470	470	467	468	470	470	523	524	526	526	523	524	526	526	523	524	526	526	523	524	526	526																																	
Lo PR	121	122	129	129	125	128	135	135	129	133	140	140	133	137	144	144	137	140	147	147	137	140	147	147	142	145	152	152	142	145	152	152	142	145	152	152	142	145	152	152																																	
MBh	32.0	32.4	33.3	33.3	30.9	31.3	32.2	32.2	29.3	29.7	30.6	30.6	27.3	27.7	28.5	28.5	25.0	25.4	26.2	26.2	25.0	25.4	26.2	26.2	23.0	23.3	24.2	24.2	23.0	23.3	24.2	24.2	23.0	23.3	24.2	24.2	23.0	23.3	24.2	24.2																																	
S/T	0.71	0.63	0.49	0.49	0.72	0.64	0.50	0.50	0.74	0.67	0.53	0.53	0.77	0.69	0.55	0.55	0.79	0.72	0.58	0.58	0.79	0.72	0.58	0.58	1.01	0.77	0.63	0.63	1.01	0.77	0.63	0.63	1.01	0.77	0.63	0.63	1.01	0.77	0.63	0.63																																	
ΔT	18	16	12	12	17	15	12	12	17	15	12	12	16	15	11	11	16	14	11	11	16	14	11	11	16	15	12	12	16	15	12	12	16	15	12	12	16	15	12	12																																	
kW	2.06	2.06	2.05	2.05	2.30	2.30	2.30	2.30	2.57	2.57	2.57	2.57	2.86	2.86	2.86	2.86	3.18	3.18	3.18	3.18	3.18	3.18	3.18	3.18	3.55	3.55	3.55	3.55	3.55	3.55	3.55	3.55	3.55	3.55	3.55	3.55	3.55	3.55	3.55	3.55																																	
Amps	7.7	7.7	7.7	7.7	8.8	8.7	8.7	8.7	9.9	9.9	9.9	9.9	11.2	11.1	11.1	11.1	12.5	12.5	12.5	12.5	12.5	12.5	12.5	12.5	14.1	14.1	14.0	14.0	14.1	14.1	14.0	14.0	14.1	14.1	14.0	14.0	14.1	14.1	14.0	14.0																																	
Hi PR	279	280	282	282	323	324	326	326	368	369	371	371	417	418	420	420	469	471	472	472	469	471	472	472	526	527	529	529	526	527	529	529	526	527	529	529	526	527	529	529																																	
Lo PR	121	124	131	131	127	130	137	137	132	135	142	142	136	139	146	146	139	143	150	150	139	143	150	150	144	147	155	155	144	147	155	155	144	147	155	155	144	147	155	155																																	
75	MBh	31.0	31.3	32.3	33.7	29.9	30.3	31.2	32.6	28.3	28.7	29.6	31.0	26.3	26.7	27.6	28.9	24.1	24.5	25.3	26.6	24.1	24.5	25.3	26.6	22.0	22.4	23.2	24.5	22.0	22.4	23.2	24.5	22.0	22.4	23.2	24.5																																				
	S/T	0.73	0.64	0.51	0.37	0.73	0.65	0.52	0.37	0.76	0.68	0.55	0.40	0.78	0.71	0.57	0.42	1.01	0.73	0.59	0.45	1.01	0.73	0.59	0.45	1.01	0.79	0.65	0.50	1.01	0.79	0.65	0.50	1.01	0.79	0.65	0.50																																				
	ΔT	27	22	19	15	24	22	18	15	23	21	18	15	22	21	17	14	21	20	17	14	21	20	17	14	22	20	17	14	22	20	17	14	22	20	17	14																																				
	kW	1.82	2.03	2.02	2.04	2.27	2.27	2.27	2.29	2.54	2.54	2.54	2.56	2.83	2.83	2.83	2.84	3.15	3.15	3.14	3.16	3.15	3.15	3.14	3.16	3.52	3.52	3.52	3.54	3.52	3.52	3.52	3.54	3.52	3.52	3.52	3.54																																				
	Amps	6.7	7.5	7.5	7.6	8.6	8.6	8.6	8.7	9.8	9.8	9.8	9.8	11.0	11.0	11.0	11.1	12.4	12.4	12.4	12.4	12.4	12.4	12.4	12.4	13.9	13.9	13.9	14.0	13.9	13.9	13.9	14.0	13.9	13.9	13.9	14.0																																				
	Hi PR	274	275	277	282	317	318	320	325	363	364	366	370	411	413	415	419	464	465	467	472	464	465	467	472	520	521	523	528	520	521	523	528	520	521	523	528																																				
	Lo PR	119	120	127	138	123	126	133	144	127	131	138	149	131	135	142	153	135	138	145	157	135	138	145	157	140	143	150	162	140	143	150	162	140	143	150	162																																				
	MBh	31.5	31.8	32.7	34.2	30.3	30.8	31.7	33.0	28.8	29.2	30.1	31.4	26.7	27.1	28.0	29.3	24.5	24.9	25.7	27.0	24.5	24.9	25.7	27.0	22.5	22.8	23.6	24.9	22.5	22.8	23.6	24.9	22.5	22.8	23.6	24.9																																				
	S/T	0.81	0.72	0.58	0.44	0.81	0.73	0.59	0.45	0.84	0.76	0.62	0.48	1.00	0.78	0.64	0.50	1.01	0.81	0.67	0.52	1.01	0.81	0.67	0.52	1.01	0.87	0.73	0.58	1.01	0.87	0.73	0.58	1.01	0.87	0.73	0.58																																				
	ΔT	25	21	18	14	22	20	17	14	22	20	17	13	21	19	16	13	20	19	15	12	20	19	15	12	21	19	16	13	21	19	16	13	21	19	16	13																																				
	kW	1.84	2.04	2.04	2.06	2.29	2.29	2.28	2.30	2.56	2.56	2.55	2.57	2.85	2.85	2.84	2.86	3.17	3.17	3.16	3.18	3.17	3.17	3.16	3.18	3.54	3.54	3.53	3.55	3.54	3.54	3.53	3.55	3.54	3.54	3.53	3.55																																				
	Amps	6.8	7.6	7.6	7.7	8.7	8.7	8.7	8.7	9.9	9.9	9.8	9.9	11.1	11.1	11.1	11.1	12.4	12.4	12.4	12.5	12.4	12.4	12.4	12.5	14.0	14.0	14.0	14.1	14.0	14.0	14.0	14.1	14.0	14.0	14.0	14.1																																				
Hi PR	277	278	280	285	320	321	323	328	365	367	368	373	414	415	417	422	467	468	470	475																																																					

EXPANDED COOLING DATA – AXV6SA3010A* / AHVE36CP1300A* (CONT.)

IDB	AIRFLOW	OUTDOOR AMBIENT TEMPERATURE												ENTERING INDOOR WET BULB TEMPERATURE											
		65°F				75°F				85°F				95°F				105°F				115°F			
		59	63	67	71	59	63	67	71	59	63	67	71	59	63	67	71	59	63	67	71	59	63	67	71
80	MBh	31.2	31.5	32.4	33.8	30.0	30.4	31.3	32.7	28.5	28.9	29.8	31.1	26.4	26.9	27.7	29.0	24.2	24.6	25.4	26.7	22.2	22.6	23.4	24.6
	S/T	0.86	0.77	0.63	0.49	0.99	0.78	0.64	0.50	1.00	0.81	0.67	0.53	1.00	0.83	0.70	0.55	1.01	0.86	0.72	0.58	1.01	0.92	0.78	0.63
	ΔT	31	26	23	19	27	26	22	19	27	25	22	19	26	24	21	18	25	23	20	17	25	24	21	18
	kW	1.82	2.03	2.02	2.04	2.27	2.27	2.27	2.29	2.54	2.54	2.54	2.56	2.83	2.83	2.83	2.85	3.15	3.15	3.15	3.17	3.53	3.52	3.52	3.54
	Amps	6.7	7.6	7.5	7.6	8.6	8.6	8.6	8.7	9.8	9.8	9.8	9.8	11.0	11.0	11.0	11.1	12.4	12.4	12.4	12.4	13.9	13.9	13.9	14.0
	Hi PR	274	276	278	282	318	319	321	326	363	364	366	371	412	413	415	420	465	466	466	472	521	522	524	529
	Lo PR	120	120	127	138	123	126	133	144	138	131	138	150	132	135	142	154	135	139	146	158	140	144	151	163
	MBh	31.5	32.0	32.9	34.3	30.5	30.9	31.8	33.2	28.9	29.4	30.2	31.6	26.9	27.3	28.4	29.5	24.6	25.0	25.9	27.1	22.6	23.0	23.8	25.0
	S/T	0.92	0.85	0.71	0.57	0.99	0.86	0.72	0.58	1.00	0.89	0.75	0.60	1.00	0.91	0.77	0.63	1.01	0.94	0.80	0.65	1.01	1.01	0.86	0.71
	ΔT	27	25	22	18	26	24	21	18	26	24	21	17	25	23	20	17	24	22	19	16	24	23	20	17
kW	2.05	2.04	2.04	2.06	2.29	2.29	2.28	2.30	2.56	2.56	2.55	2.57	2.85	2.85	2.84	2.86	3.17	3.17	3.16	3.18	3.54	3.54	3.53	3.55	
Amps	7.6	7.6	7.6	7.7	8.7	8.7	8.7	8.8	9.9	9.9	9.8	9.9	11.1	11.1	11.0	11.2	12.5	12.4	12.4	12.5	14.0	14.0	14.0	14.1	
Hi PR	277	278	280	285	321	322	324	328	366	367	369	374	415	416	415	423	467	469	470	475	524	525	527	531	
Lo PR	119	122	129	140	125	128	135	147	130	133	140	152	134	137	146	156	137	141	148	160	142	146	153	165	
MBh	32.1	32.6	33.5	34.9	31.1	31.5	32.4	33.8	29.5	29.9	30.8	32.1	27.4	27.8	28.7	30.0	25.2	25.6	26.4	27.7	23.1	23.5	24.3	25.5	
S/T	0.96	0.88	0.75	0.61	0.99	0.89	0.76	0.61	1.00	0.92	0.79	0.64	1.00	0.95	0.81	0.67	1.01	0.98	0.84	0.69	1.01	1.01	0.89	0.75	
ΔT	26	24	20	17	25	23	20	16	25	23	20	16	24	22	19	16	23	21	18	15	23	22	19	16	
kW	2.06	2.06	2.05	2.07	2.30	2.30	2.30	2.32	2.57	2.57	2.57	2.59	2.86	2.86	2.86	2.88	3.18	3.18	3.18	3.19	3.55	3.55	3.55	3.57	
Amps	7.7	7.7	7.7	7.8	8.8	8.7	8.7	8.8	9.9	9.9	9.9	10.0	11.2	11.1	11.1	11.2	12.5	12.5	12.5	12.6	14.1	14.1	14.0	14.1	
Hi PR	280	281	283	288	323	324	326	331	369	370	372	376	417	419	419	421	425	470	471	473	478	526	527	529	534
Lo PR	122	125	132	143	127	131	138	149	132	136	143	154	136	139	147	158	140	143	150	162	144	148	155	167	
MBh	31.7	32.0	32.9	34.4	30.5	31.0	31.9	33.2	29.0	29.4	30.3	31.6	26.9	27.3	28.2	29.5	24.7	25.1	25.9	27.2	22.6	23.0	23.8	25.1	
S/T	0.99	0.87	0.74	0.59	0.99	0.88	0.75	0.60	1.00	0.91	0.78	0.63	1.00	1.00	0.80	0.65	1.01	1.01	0.82	0.68	1.01	1.01	0.88	0.73	
ΔT	35	30	27	23	31	29	26	22	30	29	25	22	29	28	25	21	28	27	24	20	29	27	24	21	
kW	1.83	2.03	2.03	2.05	2.28	2.28	2.27	2.29	2.55	2.55	2.54	2.56	2.84	2.84	2.83	2.85	3.16	3.16	3.15	3.17	3.53	3.53	3.52	3.54	
Amps	6.8	7.6	7.6	7.6	8.6	8.6	8.6	8.7	9.8	9.8	9.8	9.9	11.1	11.0	11.0	11.1	12.4	12.4	12.4	12.5	14.0	14.0	13.9	14.0	
Hi PR	276	277	279	284	319	320	322	327	364	366	367	372	413	414	416	421	466	467	469	474	522	523	525	530	
Lo PR	122	122	129	140	125	128	135	146	130	133	140	151	134	137	144	156	137	141	148	159	142	145	153	164	
MBh	32.1	32.5	33.4	34.8	31.0	31.4	32.3	33.7	29.4	29.8	30.7	32.1	27.4	27.8	28.6	29.9	25.1	25.5	26.3	27.6	23.1	23.4	24.2	25.5	
S/T	0.99	0.95	0.81	0.67	0.99	0.96	0.82	0.68	1.00	0.99	0.85	0.71	1.00	1.00	0.88	0.73	1.01	1.01	0.90	0.76	1.01	1.01	0.96	0.81	
ΔT	119	120	127	138	123	126	133	144	127	131	138	149	131	135	142	153	135	138	145	157	140	143	150	162	
kW	2.05	2.05	2.04	2.06	2.30	2.29	2.29	2.31	2.57	2.56	2.56	2.58	2.85	2.85	2.85	2.87	3.17	3.17	3.17	3.19	3.55	3.54	3.54	3.56	
Amps	7.7	7.6	7.6	7.7	8.7	8.7	8.7	8.8	9.9	9.9	9.9	9.9	11.1	11.1	11.1	11.2	12.5	12.5	12.4	12.5	14.0	14.0	14.0	14.1	
Hi PR	279	280	282	286	322	323	325	330	367	368	370	375	416	417	419	424	469	470	472	477	525	526	528	533	
Lo PR	274	276	278	282	318	319	321	326	363	364	366	371	412	413	415	420	465	466	468	472	521	522	524	529	
MBh	32.7	33.1	34.0	35.4	31.6	32.0	32.9	34.3	30.0	30.4	31.3	32.6	27.9	28.3	29.2	30.5	25.6	26.0	26.9	28.1	23.6	24.0	24.8	26.0	
S/T	0.99	0.99	0.85	0.71	0.99	0.99	0.86	0.72	1.00	1.00	0.89	0.75	1.00	1.00	0.91	0.77	1.01	1.01	0.94	0.79	1.01	1.01	1.00	0.85	
ΔT	29	28	24	21	29	27	23	20	28	26	23	20	27	25	22	19	26	24	21	18	26	25	22	19	
kW	2.06	2.06	2.06	2.08	2.31	2.31	2.30	2.32	2.58	2.58	2.57	2.59	2.87	2.87	2.86	2.88	3.19	3.18	3.18	3.20	3.56	3.56	3.55	3.57	
Amps	7.7	7.7	7.7	7.8	8.8	8.8	8.7	8.8	9.9	9.9	9.9	10.0	11.2	11.2	11.1	11.2	12.5	12.5	12.5	12.6	14.1	14.1	14.1	14.1	
Hi PR	281	282	284	289	325	326	328	332	370	371	373	378	419	420	422	427	471	473	475	479	528	529	531	535	
Lo PR	123	127	133	145	129	132	139	151	134	137	144	156	138	141	148	160	141	145	152	164	146	150	157	169	

IDB = Entering Indoor Dry Bulb Temperature
 High and low pressures are measured at the liquid and suction service valves.
 Shaded areas is AHRI conditions.
 kW = Total system power
 Amps = outdoor unit amps (comp.+fan)

EXPANDED COOLING DATA – AXV6SA3610A* / CAPEA3626*3A* + MBVK16CP1***A*

IDB	AIRFLOW	OUTDOOR AMBIENT TEMPERATURE												ENTERING INDOOR WET BULB TEMPERATURE																			
		65°F				75°F				85°F				95°F				105°F				115°F											
		59	63	67	71	59	63	67	71	59	63	67	71	59	63	67	71	59	63	67	71	59	63	67	71								
70	MBh	29.0	32.6	37.0	34.4	34.9	36.0	32.8	33.3	34.3	30.6	31.1	32.0	28.1	28.6	29.5	26.7	27.1	28.1	28.1	28.6	29.5	26.7	27.1	28.1	0.68	0.61	0.47	1.00	0.66	0.52		
	S/T	0.66	0.55	0.39	0.62	0.54	0.40	0.64	0.57	0.43	0.66	0.58	0.44	0.68	0.61	0.47	1.00	0.66	0.52	0.68	0.61	0.47	1.00	0.66	0.52	17	16	13	18	16	13		
	ΔT	20	19	14	19	17	14	19	17	14	18	16	13	17	16	13	18	16	13	17	16	13	18	16	13	4.38	4.38	4.37	4.38	4.38	4.37		
	kW	1.56	1.77	2.31	2.64	2.64	2.63	3.00	2.99	2.99	3.38	3.38	3.38	3.82	3.82	3.81	4.38	4.38	4.37	3.82	3.82	3.81	4.38	4.38	4.37	14.9	14.9	14.9	17.2	17.2	17.1		
	Amps	5.7	6.5	8.6	10.0	10.0	9.9	11.5	11.5	11.4	13.1	13.1	13.1	14.9	14.9	14.9	17.2	17.2	17.1	14.9	14.9	14.9	17.2	17.2	17.1	510	512	513	510	512	513		
	Hi PR	283	288	292	330	331	333	372	373	375	416	417	419	462	463	465	510	512	513	462	463	465	510	512	513	510	512	513	510	512	513		
	Lo PR	120	120	124	124	126	132	131	133	139	137	139	146	143	145	152	150	152	159	143	145	152	150	152	159	150	152	159	150	152	159		
	MBh	32.7	36.5	37.6	35.0	35.5	36.5	33.3	33.8	34.8	31.1	31.6	32.6	28.6	29.1	30.0	27.2	27.6	28.6	28.6	29.1	30.0	27.2	27.6	28.6	1.00	0.68	0.54	1.00	0.74	0.60		
	S/T	0.72	0.61	0.47	0.70	0.62	0.48	0.72	0.64	0.50	0.74	0.66	0.52	1.00	0.68	0.54	1.00	0.74	0.60	1.00	0.68	0.54	1.00	0.74	0.60	17	15	12	17	15	12		
	ΔT	19	16	13	18	16	13	17	16	13	17	15	12	16	15	12	17	15	12	16	15	12	17	15	12	4.40	4.40	4.39	4.40	4.40	4.39		
	kW	1.78	2.34	2.33	2.66	2.66	2.65	3.01	3.01	3.01	3.40	3.40	3.40	3.84	3.84	3.83	4.40	4.40	4.39	3.84	3.84	3.83	4.40	4.40	4.39	17.2	17.2	17.2	17.2	17.2	17.2		
	Amps	6.6	8.7	8.7	10.1	10.0	10.0	11.6	11.6	11.5	13.2	13.2	13.2	15.0	15.0	15.0	17.2	17.2	17.2	15.0	15.0	15.0	17.2	17.2	17.2	513	514	516	513	514	516		
Hi PR	289	293	295	333	334	336	375	376	378	419	420	422	465	466	468	513	514	516	465	466	468	513	514	516	513	514	516	513	514	516			
Lo PR	120	120	126	126	128	134	133	135	142	141	143	150	147	147	154	152	155	162	145	147	154	152	155	162	152	155	162	152	155	162			
1450	MBh	36.7	37.2	38.3	35.6	36.1	37.2	34.0	34.5	35.5	31.7	32.2	33.2	29.2	29.7	30.7	27.8	28.3	29.3	29.2	29.7	30.7	27.8	28.3	29.3	1.00	0.72	0.58	1.00	0.77	0.63		
	S/T	0.73	0.65	0.51	0.74	0.66	0.52	0.76	0.68	0.54	0.78	0.70	0.56	1.00	0.72	0.58	1.00	0.77	0.63	1.00	0.72	0.58	1.00	0.77	0.63	15	14	11	16	14	11		
	ΔT	17	15	12	17	15	12	16	15	12	16	14	11	15	14	11	16	14	11	15	14	11	16	14	11	3.85	3.85	3.85	4.42	4.41	4.41		
	kW	2.36	2.35	2.35	2.67	2.67	2.67	3.03	3.03	3.02	3.42	3.42	3.41	3.85	3.85	3.85	4.42	4.41	4.41	3.85	3.85	3.85	4.42	4.41	4.41	17.3	17.3	17.3	17.3	17.3	17.3		
	Amps	8.8	8.8	8.7	10.1	10.1	10.1	11.6	11.6	11.6	13.3	13.3	13.2	15.1	15.0	15.0	17.3	17.3	17.3	15.1	15.0	15.0	17.3	17.3	17.3	516	517	519	516	517	519		
	Hi PR	295	296	298	336	337	339	377	379	381	421	423	425	468	469	471	516	517	519	468	469	471	516	517	519	516	517	519	516	517	519		
	Lo PR	121	123	129	128	130	137	135	137	144	141	143	150	147	147	156	155	157	164	147	147	156	155	157	164	155	157	164	155	157	164		
	1070	MBh	29.1	32.6	37.1	34.4	34.9	36.0	32.8	33.3	34.3	30.6	31.1	32.1	28.1	28.6	29.6	26.7	27.1	28.1	28.1	28.6	29.6	26.7	27.1	28.1	0.80	0.75	0.50	1.00	0.79	0.65	0.50
		S/T	0.80	0.69	0.53	0.75	0.68	0.53	0.78	0.70	0.56	0.78	0.70	0.56	1.00	0.82	0.68	1.00	0.79	0.65	1.00	0.74	0.60	1.00	0.79	0.65	21	20	17	21	20	17	
		ΔT	24	23	18	23	21	18	22	21	18	22	21	18	22	21	18	21	20	17	21	19	16	21	20	17	3.83	3.83	3.83	4.38	4.38	4.37	
		kW	1.56	1.77	2.31	2.64	2.63	2.63	2.99	2.99	2.99	3.38	3.38	3.37	3.82	3.81	3.81	4.38	4.38	4.37	3.82	3.81	3.81	4.38	4.38	4.37	14.9	14.9	14.9	17.2	17.2	17.2	
		Amps	5.7	6.5	8.6	10.0	10.0	9.9	11.5	11.5	11.4	13.1	13.1	13.1	14.9	14.9	14.9	17.2	17.2	17.2	14.9	14.9	14.9	17.2	17.2	17.2	511	512	514	511	512	514	
Hi PR		283	288	293	330	331	333	372	373	375	416	417	419	462	464	465	511	512	514	462	464	465	511	512	514	511	512	514	511	512	514		
Lo PR		120	120	124	124	126	132	131	133	139	137	139	146	143	145	152	150	153	159	143	145	152	150	153	159	150	153	159	150	153	159		
1260		MBh	32.7	36.6	37.6	35.0	35.5	36.5	33.3	33.8	34.8	31.1	31.6	32.6	28.6	29.1	30.1	27.2	27.6	28.6	28.6	29.1	30.1	27.2	27.6	28.6	1.00	0.68	0.54	1.00	0.74	0.60	
		S/T	0.85	0.75	0.61	0.83	0.75	0.61	0.86	0.78	0.64	0.86	0.78	0.64	1.00	0.82	0.68	1.00	0.74	0.60	1.00	0.82	0.68	1.00	0.74	0.60	17	15	12	17	15	12	
		ΔT	24	20	17	21	20	16	21	21	19	20	16	13	20	18	15	20	19	16	20	18	15	20	19	16	3.85	3.85	3.85	4.40	4.40	4.41	
		kW	1.78	2.34	2.33	2.66	2.65	2.65	3.01	3.01	3.01	3.40	3.40	3.39	3.84	3.83	3.83	4.40	4.40	4.39	3.84	3.83	3.83	4.40	4.40	4.39	14.9	14.9	14.9	17.2	17.2	17.3	
		Amps	6.6	8.7	8.7	10.0	10.0	10.0	11.6	11.5	11.5	13.2	13.2	13.2	15.0	15.0	14.9	17.2	17.2	17.3	15.0	15.0	14.9	17.2	17.2	17.3	513	515	516	513	515	516	
	Hi PR	289	293	295	333	334	336	375	376	378	419	420	422	465	466	468	513	515	516	465	466	468	513	515	516	513	515	516	513	515	516		
	Lo PR	120	120	126	126	128	134	133	135	142	141	143	150	147	147	156	155	157	164	147	147	156	155	157	164	155	157	164	155	157	164		
	1450	MBh	36.7	37.2	38.3	35.6	36.1	37.2	34.0	34.5	35.5	31.7	32.2	33.2	29.2	29.7	30.7	27.8	28.3	29.3	29.2	29.7	30.7	27.8	28.3	29.3	1.00	0.72	0.58	1.00	0.77	0.63	
		S/T	0.73	0.65	0.51	0.74	0.66	0.52	0.76	0.68	0.54	0.78	0.70	0.56	1.00	0.72	0.58	1.00	0.77	0.63	1.00	0.72	0.58	1.00	0.77	0.63	15	14	11	16	14	11	
		ΔT	17	15	12	17	15	12	16	15	12	16	14	11	15	14	11	16	14	11	15	14	11	16	14	11	3.85	3.85	3.85	4.42	4.41	4.41	
		kW	2.36	2.35	2.35	2.67	2.67	2.67	3.03	3.03	3.02	3.42	3.42	3.41	3.85	3.85	3.85	4.42	4.41	4.41	3.85	3.85	3.85	4.42	4.41	4.41	17.3	17.3	17.3	17.3	17.3	17.3	
		Amps	8.8	8.8	8.7	10.1	10.1	10.1	11.6	11.6	11.6	13.3	13.3	13.2	15.1	15.0	15.0	17.3	17.3	17.3	15.1	15.0	15.0	17.3	17.3	17.3	516	517	519	516	517	519	
Hi PR		295	296	298	336	337	339	377	379	381	421	423	425	468	469	471	516	517	519	468	469	471	516	517	519	516	517	519	516	517	519		
Lo PR		121	123	129	128	130	137	135	137	144	141	143	150	147	147	156	155	157	164	147	147	156	155	157	164	155	157	164	155	157	164		

IDB = Entering Indoor Dry Bulb Temperature
 High and low pressures are measured at the liquid and suction service valves.
 Shaded area is ACCA (TVA) conditions
 kW = Total system power
 Amps = outdoor unit amps (comp.+fan)

EXPANDED COOLING DATA – AXV6SA3610A* / CAPEA3626*3A* + MBVK16CP1***A* (CONT.)

IDB	AIRFLOW	OUTDOOR AMBIENT TEMPERATURE												ENTERING INDOOR WET BULB TEMPERATURE												
		65°F				75°F				85°F				95°F				105°F				115°F				
		59	63	67	71	59	63	67	71	59	63	67	71	59	63	67	71	59	63	67	71	59	63	67	71	
80	MBh	30.6	32.8	37.3	38.9	34.6	35.1	36.2	37.7	33.0	33.5	34.5	36.0	30.8	31.2	32.2	33.8	28.3	28.8	29.7	31.2	26.9	27.3	28.3	29.8	
	S/T	0.92	0.83	0.66	0.51	1.01	0.81	0.66	0.52	1.00	0.83	0.69	0.54	1.00	0.85	0.71	0.56	1.00	1.00	0.73	0.58	1.00	1.00	0.78	0.63	
	ΔT	29	27	22	19	26	25	22	18	26	24	21	18	25	24	21	17	25	23	20	17	25	23	20	17	
	kW	1.65	1.77	2.31	2.34	2.64	2.64	2.63	2.65	2.99	2.99	2.99	3.01	3.38	3.38	3.38	3.40	3.82	3.82	3.81	3.83	4.38	4.38	4.37	4.40	
	Amps	6.1	6.5	8.6	8.7	10.0	10.0	9.9	10.0	11.5	11.5	11.4	11.5	13.1	13.1	13.1	13.2	14.9	14.9	14.9	15.0	17.2	17.2	17.1	17.2	
	Hi PR	285	288	293	298	331	332	334	339	373	374	376	381	417	418	420	425	463	464	466	471	511	512	514	519	
	Lo PR	120	120	125	136	125	127	133	144	131	134	140	152	137	140	146	158	143	146	152	165	151	153	160	173	
	MBh	32.9	36.7	37.8	39.4	35.2	35.7	36.7	38.3	33.5	34.0	35.0	36.6	31.3	31.8	33.0	34.3	28.8	29.3	30.2	31.7	27.4	27.8	28.8	30.3	
	S/T	0.99	0.88	0.74	0.59	1.01	0.88	0.74	0.59	1.00	0.91	0.77	0.62	1.00	0.93	0.79	0.64	1.00	1.00	0.81	0.66	1.00	1.00	0.86	0.71	
	ΔT	28	24	21	17	25	23	20	17	25	23	20	17	24	22	19	16	23	22	19	16	24	22	19	16	
kW	1.78	2.34	2.33	2.36	2.66	2.66	2.65	2.67	3.01	3.01	3.01	3.03	3.40	3.40	3.37	3.42	3.84	3.84	3.83	3.85	4.40	4.40	4.39	4.42		
Amps	6.6	8.7	8.7	8.8	10.1	10.0	10.0	10.1	11.6	11.6	11.5	11.6	13.2	13.2	13.0	13.3	15.0	15.0	15.0	15.1	17.2	17.2	17.2	17.3		
Hi PR	290	294	296	301	334	335	337	342	375	377	379	384	419	421	423	427	466	467	469	474	514	515	517	522		
Lo PR	120	121	127	138	127	129	135	146	134	136	142	154	140	142	150	160	146	148	155	167	153	155	162	175		
1450	MBh	36.9	37.4	38.5	40.1	35.8	36.3	37.4	39.0	34.2	34.7	35.7	37.2	31.9	32.4	33.4	34.9	29.4	29.9	30.9	32.3	28.0	28.5	29.4	30.9	
	S/T	1.00	0.92	0.78	0.63	1.01	0.92	0.78	0.63	1.00	0.95	0.81	0.66	1.00	0.97	0.83	0.68	1.00	1.00	0.85	0.70	1.00	1.00	0.90	0.75	
	ΔT	25	23	20	16	24	22	19	16	24	22	19	16	23	21	18	15	22	21	18	15	23	21	18	15	
	kW	2.36	2.35	2.35	2.37	2.67	2.67	2.67	2.69	3.03	3.03	3.02	3.05	3.42	3.42	3.41	3.43	3.85	3.85	3.85	3.87	4.42	4.41	4.41	4.43	
	Amps	8.8	8.8	8.7	8.8	10.1	10.1	10.1	10.2	11.6	11.6	11.6	11.7	13.3	13.2	13.2	13.3	15.1	15.0	15.0	15.1	17.3	17.3	17.3	17.4	
	Hi PR	296	297	299	304	337	338	340	345	378	379	381	386	422	423	425	430	468	470	472	476	517	518	520	524	
	Lo PR	121	123	129	140	129	131	137	149	136	138	145	156	142	144	151	163	148	150	157	169	155	158	165	177	
	1070	MBh	32.9	36.8	37.8	39.5	35.2	35.7	36.7	38.3	33.6	34.0	35.1	36.6	31.3	31.8	32.8	34.3	28.8	29.3	30.3	31.8	27.4	27.9	28.9	30.3
		S/T	1.01	0.91	0.77	0.62	1.01	0.91	0.77	0.62	1.00	0.93	0.79	0.65	1.00	1.00	0.81	0.66	1.00	1.00	0.83	0.69	1.00	1.00	1.00	0.74
		ΔT	33	29	26	22	30	28	25	22	29	28	25	21	29	27	24	21	28	26	23	20	28	26	24	20
kW		1.77	2.32	2.32	2.34	2.64	2.64	2.64	2.66	3.00	3.00	2.99	3.02	3.39	3.39	3.38	3.40	3.82	3.82	3.82	3.84	4.39	4.38	4.38	4.40	
Amps		6.6	8.6	8.6	8.7	10.0	10.0	10.0	10.1	11.5	11.5	11.5	11.6	13.1	13.1	13.1	13.2	14.9	14.9	14.9	15.0	17.2	17.2	17.2	17.3	
Hi PR		288	292	294	299	332	333	335	340	374	375	377	382	418	419	421	426	464	465	467	472	512	514	515	520	
Lo PR		120	121	127	138	126	128	135	146	133	135	142	153	139	141	148	160	145	147	154	167	153	155	162	175	
1260		MBh	36.8	37.3	38.4	40.0	35.8	36.2	37.3	38.9	34.1	34.6	35.6	37.1	31.9	32.3	33.3	34.8	29.3	29.8	30.8	32.3	27.9	28.4	29.4	30.9
		S/T	1.01	0.99	0.84	0.70	1.01	0.99	0.85	0.70	1.00	1.00	0.87	0.72	1.00	1.00	0.89	0.74	1.00	1.00	0.91	0.76	1.00	1.00	1.00	0.82
		ΔT	120	120	124	135	124	126	132	144	131	133	139	151	137	139	146	158	143	145	152	164	150	153	159	172
	kW	2.35	2.34	2.34	2.36	2.66	2.66	2.66	2.68	3.02	3.02	3.01	3.04	3.41	3.41	3.40	3.42	3.84	3.84	3.84	3.86	4.41	4.40	4.40	4.42	
	Amps	8.7	8.7	8.7	8.8	10.1	10.1	10.1	10.1	11.6	11.6	11.6	11.7	13.2	13.2	13.2	13.3	15.0	15.0	15.0	15.1	17.3	17.3	17.2	17.3	
	Hi PR	294	295	297	302	335	336	338	343	377	378	380	385	421	422	424	429	467	468	470	475	515	516	518	523	
	Lo PR	285	288	293	298	331	332	334	339	373	374	376	381	417	418	420	425	463	464	466	471	511	512	514	519	
	1450	MBh	37.5	38.0	39.1	40.7	36.4	36.9	38.0	39.5	34.8	35.2	36.3	37.8	32.5	33.0	34.0	35.5	30.0	30.4	31.4	32.9	28.5	29.0	30.0	31.5
		S/T	1.01	1.01	0.88	0.73	1.01	1.01	0.89	0.74	1.00	1.00	0.91	0.76	1.00	1.00	0.93	0.78	1.00	1.00	1.00	0.80	1.00	1.00	1.00	0.85
		ΔT	28	26	23	20	28	26	23	19	27	25	22	19	26	25	22	18	26	24	21	18	26	24	21	18
kW		2.36	2.36	2.35	2.38	2.68	2.68	2.67	2.70	3.04	3.03	3.03	3.05	3.42	3.42	3.42	3.44	3.86	3.86	3.85	3.88	4.42	4.42	4.41	4.44	
Amps		8.8	8.8	8.8	8.9	10.1	10.1	10.1	10.2	11.7	11.6	11.6	11.7	13.3	13.3	13.2	13.3	15.1	15.1	15.0	15.1	17.3	17.3	17.3	17.4	
Hi PR		297	298	300	305	338	339	341	346	380	381	383	388	423	425	427	431	470	471	473	478	518	519	521	526	
Lo PR		123	125	131	142	131	133	139	151	138	140	146	158	144	146	153	165	150	152	159	171	157	159	166	179	

IDB = Entering Indoor Dry Bulb Temperature
 High and low pressures are measured at the liquid and suction service valves.
 Shaded areas is AHRI conditions.
 kW = Total system power
 Amps = outdoor unit amps (comp.+fan)

AXV6SS1810A* / AHVE24BP1300A*				
DESIGN SUBCOOLING @ AHRI 95 °F CONDITIONS, 9-11 °F				
- 100 % DEMAND				
OUTDOOR TEMP. °F	TOTAL BTU/H	SENSIBLE BTU/H	LATENT BTU/H	TOTAL WATTS
75°	19,000	13,500	5,500	1,080
80°	18,600	13,400	5,200	1,165
85°	18,100	13,200	4,900	1,250
90°	17,600	13,000	4,600	1,340
95°	17,100	12,800	4,300	1,430
100°	16,400	12,500	3,900	1,540
105°	15,700	12,100	3,600	1,650
110°	15,100	12,000	3,100	1,775
115°	14,500	11,900	2,600	1,900
TVA Conditions @ 95° OD DB, 75° ID, 63° ID WB				
95°	16,400	12,500	3,900	1,430

AXV6SS1810A* / AHVE24BP1300A*				
DESIGN SUBCOOLING @ AHRI 95 °F CONDITIONS, 9-11 °F				
- BOOST MODE				
OUTDOOR TEMP. °F	TOTAL BTU/H	SENSIBLE BTU/H	LATENT BTU/H	TOTAL WATTS
75°	20,500	14,800	5,700	1,100
80°	20,000	14,600	5,400	1,200
85°	19,500	14,400	5,100	1,300
90°	18,900	14,200	4,700	1,400
95°	18,300	13,900	4,400	1,450
100°	17,600	13,600	4,000	1,600
105°	16,900	13,200	3,700	1,700
110°	16,300	13,100	3,200	1,800
115°	15,700	13,000	2,700	1,950
TVA Conditions @ 95° OD DB, 75° ID, 63° ID WB				
95°	17,600	13,600	4,000	1,450

AXV6SS2410A* / AHVE24BP1300A*				
DESIGN SUBCOOLING @ AHRI 95 °F CONDITIONS, 11-13 °F				
- 100 % DEMAND				
OUTDOOR TEMP. °F	TOTAL BTU/H	SENSIBLE BTU/H	LATENT BTU/H	TOTAL WATTS
75°	26,000	18,200	7,800	1,790
80°	25,400	18,000	7,400	1,910
85°	24,700	17,800	6,900	2,030
90°	24,000	17,500	6,500	2,150
95°	23,200	17,200	6,000	2,270
100°	22,200	16,600	5,600	2,420
105°	21,100	16,000	5,100	2,570
110°	20,300	15,900	4,400	2,740
115°	19,400	15,700	3,700	2,910
TVA Conditions @ 95° OD DB, 75° ID, 63° ID WB				
95°	22,200	16,700	5,500	2,290

AXV6SS2410A* / AHVE24BP1300A*				
DESIGN SUBCOOLING @ AHRI 95 °F CONDITIONS, 11-13 °F				
- BOOST MODE				
OUTDOOR TEMP. °F	TOTAL BTU/H	SENSIBLE BTU/H	LATENT BTU/H	TOTAL WATTS
75°	28,300	20,100	8,200	1,900
80°	27,600	19,900	7,700	2,000
85°	26,900	19,600	7,300	2,150
90°	26,000	19,200	6,800	2,300
95°	25,100	18,800	6,300	2,400
100°	24,100	18,300	5,800	2,600
105°	23,000	17,700	5,300	2,700
110°	22,100	17,600	4,500	2,900
115°	21,200	17,400	3,800	3,100
TVA Conditions @ 95° OD DB, 75° ID, 63° ID WB				
95°	24,200	18,400	5,800	2,400

AXV6SS3010A* / AHVE36CP1300A*				
DESIGN SUBCOOLING @ AHRI 95 °F CONDITIONS, 13-15 °F				
- 100 % DEMAND"				
OUTDOOR TEMP. °F	TOTAL BTU/H	SENSIBLE BTU/H	LATENT BTU/H	TOTAL WATTS
75°	31,800	22,900	8,900	2,280
80°	31,000	22,800	8,200	2,415
85°	30,200	22,700	7,500	2,550
90°	29,300	22,300	7,000	2,695
95°	28,400	21,900	6,500	2,840
100°	27,200	21,300	5,900	3,000
105°	25,900	20,700	5,200	3,160
110°	24,900	20,600	4,300	3,345
115°	23,800	20,500	3,300	3,530
TVA Conditions @ 95° OD DB, 75° ID, 63° ID WB				
95°	27,100	21,100	6,000	2,850

AXV6SS3010A* / AHVE36CP1300A*				
DESIGN SUBCOOLING @ AHRI 95 °F CONDITIONS, 13-15 °F				
- BOOST MODE				
OUTDOOR TEMP. °F	TOTAL BTU/H	SENSIBLE BTU/H	LATENT BTU/H	TOTAL WATTS
75°	34,700	24,600	10,100	2,350
80°	33,900	24,500	9,400	2,500
85°	33,000	24,400	8,600	2,600
90°	31,900	23,900	8,000	2,800
95°	30,700	23,300	7,400	2,900
100°	29,500	22,800	6,700	3,100
105°	28,200	22,300	5,900	3,250
110°	27,100	22,100	5,000	3,400
115°	26,000	21,800	4,200	3,600
TVA Conditions @ 95° OD DB, 75° ID, 63° ID WB				
95°	29,600	22,800	6,800	2,900

PERFORMANCE DATA FOR STANDARD OPERATING MODE (CONT.)

AXV6SS3610A* / AHVE36CP1300A*				
DESIGN SUBCOOLING @ AHRI 95 °F CONDITIONS, 14-16 °F				
- 100 % DEMAND				
OUTDOOR TEMP. °F	TOTAL BTU/H	SENSIBLE BTU/H	LATENT BTU/H	TOTAL WATTS
75°	38,300	28,000	10,300	3,050
80°	37,300	27,600	9,700	3,240
85°	36,300	27,200	9,100	3,430
90°	35,300	26,800	8,500	3,615
95°	34,200	26,300	7,900	3,800
100°	32,500	25,300	7,200	4,055
105°	30,800	24,300	6,500	4,310
110°	29,800	24,600	5,200	4,350
115°	28,800	24,800	4,000	4,390
TVA Conditions @ 95° OD DB, 75° ID, 63° ID WB				
95°	32,500	25,400	7,100	3,850

AXV6SS3610A* / AHVE36CP1300A*				
DESIGN SUBCOOLING @ AHRI 95 °F CONDITIONS, 14-16 °F				
- BOOST MODE				
OUTDOOR TEMP. °F	TOTAL BTU/H	SENSIBLE BTU/H	LATENT BTU/H	TOTAL WATTS
75°	41,200	30,100	11,100	3,100
80°	40,100	29,700	10,400	3,300
85°	39,000	29,300	9,700	3,450
90°	37,600	28,600	9,000	3,700
95°	36,200	27,900	8,300	3,900
100°	34,700	27,000	7,700	4,100
105°	33,100	26,100	7,000	4,350
110°	31,000	25,500	5,500	4,400
115°	28,800	24,800	4,000	4,400
TVA Conditions @ 95° OD DB, 75° ID, 63° ID WB				
95°	34,900	27,200	7,700	3,900

AXV6SS4210A* / AHVE48DP1300A*				
DESIGN SUBCOOLING @ AHRI 95 °F CONDITIONS, 7-9 °F				
- 100 % DEMAND				
OUTDOOR TEMP. °F	TOTAL BTU/H	SENSIBLE BTU/H	LATENT BTU/H	TOTAL WATTS
75°	44,000	30,400	13,600	3,720
80°	43,400	30,400	13,000	3,920
85°	42,800	30,400	12,400	4,120
90°	41,900	30,200	11,700	4,340
95°	41,000	29,900	11,100	4,560
100°	39,800	29,400	10,400	4,785
105°	38,500	28,900	9,600	5,010
110°	35,200	27,400	7,800	4,065
115°	31,900	25,800	6,100	3,120
TVA Conditions @ 95° OD DB, 75° ID, 63° ID WB				
95°	39,400	29,200	10,200	4,550

AXV6SS4210A* / AHVE48DP1300A*				
DESIGN SUBCOOLING @ AHRI 95 °F CONDITIONS, 7-9 °F				
- BOOST MODE				
OUTDOOR TEMP. °F	TOTAL BTU/H	SENSIBLE BTU/H	LATENT BTU/H	TOTAL WATTS
75°	47,600	31,900	15,700	3,100
80°	47,000	31,900	15,100	3,300
85°	46,300	31,900	14,400	3,450
90°	45,300	31,700	13,600	3,600
95°	44,200	31,400	12,800	3,800
100°	42,900	30,900	12,000	4,000
105°	41,600	30,400	11,200	4,150
110°	36,800	28,100	8,700	3,700
115°	31,900	25,800	6,100	3,150
TVA Conditions @ 95° OD DB, 75° ID, 63° ID WB				
95°	42,600	30,700	11,900	3,800

AXV6SS4810A* / AHVE48DP1300A*				
DESIGN SUBCOOLING @ AHRI 95 °F CONDITIONS, 8-10 °F				
- 100 % DEMAND				
OUTDOOR TEMP. °F	TOTAL BTU/H	SENSIBLE BTU/H	LATENT BTU/H	TOTAL WATTS
75°	50,700	34,500	16,200	4,130
80°	49,600	34,500	15,100	4,340
85°	48,400	34,400	14,000	4,550
90°	47,000	33,800	13,200	4,775
95°	45,500	33,200	12,300	5,000
100°	43,700	32,500	11,200	5,225
105°	41,800	31,800	10,000	5,450
110°	37,000	28,900	8,100	4,395
115°	32,100	26,000	6,100	3,340
TVA Conditions @ 95° OD DB, 75° ID, 63° ID WB				
95°	43,700	32,300	11,400	4,990

AXV6SS4810A* / AHVE48DP1300A*				
DESIGN SUBCOOLING @ AHRI 95 °F CONDITIONS, 8-10 °F				
- BOOST MODE				
OUTDOOR TEMP. °F	TOTAL BTU/H	SENSIBLE BTU/H	LATENT BTU/H	TOTAL WATTS
75°	56,000	35,800	20,200	4,100
80°	54,800	35,600	19,200	4,300
85°	53,500	35,300	18,200	4,500
90°	51,800	35,000	16,800	4,700
95°	50,100	34,600	15,500	4,950
100°	48,200	33,800	14,400	5,200
105°	46,300	32,900	13,400	5,400
110°	39,200	29,500	9,700	4,400
115°	32,100	26,000	6,100	3,350
TVA Conditions @ 95° OD DB, 75° ID, 63° ID WB				
95°	48,300	33,300	15,000	4,950

PERFORMANCE DATA FOR STANDARD OPERATING MODE (CONT.)

AXV6SS6010A* / AHVE60DP1300A*				
DESIGN SUBCOOLING @ AHRI 95 °F CONDITIONS, 8-10 °F				
- 100 % DEMAND				
OUTDOOR TEMP. °F	TOTAL BTU/H	SENSIBLE BTU/H	LATENT BTU/H	TOTAL WATTS
75°	59,000	40,100	18,900	4,710
80°	57,800	39,900	17,900	5,020
85°	56,500	39,600	16,900	5,330
90°	55,000	39,100	15,900	5,635
95°	53,500	38,500	15,000	5,940
100°	49,500	36,300	13,200	5,915
105°	45,400	34,100	11,300	5,890
110°	40,700	31,800	8,900	5,500
115°	35,900	29,400	6,500	5,110
TVA Conditions @ 95° OD DB, 75° ID, 63° ID WB				
95°	51,200	37,400	13,800	6,000

AXV6SS6010A* / AHVE60DP1300A*				
DESIGN SUBCOOLING @ AHRI 95 °F CONDITIONS, 8-10 °F				
- BOOST MODE				
OUTDOOR TEMP. °F	TOTAL BTU/H	SENSIBLE BTU/H	LATENT BTU/H	TOTAL WATTS
75°	65,000	42,300	22,700	5,950
80°	63,700	42,000	21,700	6,350
85°	62,300	41,700	20,600	6,700
90°	59,900	41,000	18,900	6,950
95°	57,500	40,300	17,200	7,300
100°	51,500	37,200	14,300	6,550
105°	45,400	34,000	11,400	5,900
110°	40,700	31,800	8,900	5,550
115°	35,900	29,500	6,400	5,150
TVA Conditions @ 95° OD DB, 75° ID, 63° ID WB				
95°	55,400	39,300	16,100	7,300

AXV6SA1810A* / AHVE24BP1300A*				
DESIGN SUBCOOLING @ AHRI 95 °F CONDITIONS, 9-11 °F				
- 100 % DEMAND				
OUTDOOR TEMP. °F	TOTAL BTU/H	SENSIBLE BTU/H	LATENT BTU/H	TOTAL WATTS
75°	19,000	13,500	5,500	1,080
80°	18,600	13,400	5,200	1,165
85°	18,100	13,200	4,900	1,250
90°	17,600	13,000	4,600	1,340
95°	17,100	12,800	4,300	1,430
100°	16,400	12,500	3,900	1,540
105°	15,700	12,100	3,600	1,650
110°	15,100	12,000	3,100	1,775
115°	14,500	11,900	2,600	1,900
TVA Conditions @ 95° OD DB, 75° ID, 63° ID WB				
95°	16,400	12,500	3,900	1,430

AXV6SA1810A* / AHVE24BP1300A*				
DESIGN SUBCOOLING @ AHRI 95 °F CONDITIONS, 9-11 °F				
- BOOST MODE				
OUTDOOR TEMP. °F	TOTAL BTU/H	SENSIBLE BTU/H	LATENT BTU/H	TOTAL WATTS
75°	20,500	14,800	5,700	1,100
80°	20,000	14,600	5,400	1,200
85°	19,500	14,400	5,100	1,300
90°	18,900	14,200	4,700	1,400
95°	18,300	13,900	4,400	1,450
100°	17,600	13,600	4,000	1,600
105°	16,900	13,200	3,700	1,700
110°	16,300	13,100	3,200	1,800
115°	15,700	13,000	2,700	1,950
TVA Conditions @ 95° OD DB, 75° ID, 63° ID WB				
95°	17,600	13,600	4,000	1,450

AXV6SA2410A* / AHVE24BP1300A*				
DESIGN SUBCOOLING @ AHRI 95 °F CONDITIONS, 11-13 °F				
- 100 % DEMAND				
OUTDOOR TEMP. °F	TOTAL BTU/H	SENSIBLE BTU/H	LATENT BTU/H	TOTAL WATTS
75°	26,000	18,200	7,800	1,790
80°	25,400	18,000	7,400	1,910
85°	24,700	17,800	6,900	2,030
90°	24,000	17,500	6,500	2,150
95°	23,200	17,200	6,000	2,270
100°	22,200	16,600	5,600	2,420
105°	21,100	16,000	5,100	2,570
110°	20,300	15,900	4,400	2,740
115°	19,400	15,700	3,700	2,910
TVA Conditions @ 95° OD DB, 75° ID, 63° ID WB				
95°	22,200	16,700	5,500	2,290

AXV6SA2410A* / AHVE24BP1300A*				
DESIGN SUBCOOLING @ AHRI 95 °F CONDITIONS, 11-13 °F				
- BOOST MODE				
OUTDOOR TEMP. °F	TOTAL BTU/H	SENSIBLE BTU/H	LATENT BTU/H	TOTAL WATTS
75°	28,300	20,100	8,200	1,900
80°	27,600	19,900	7,700	2,000
85°	26,900	19,600	7,300	2,150
90°	26,000	19,200	6,800	2,300
95°	25,100	18,800	6,300	2,400
100°	24,100	18,300	5,800	2,600
105°	23,000	17,700	5,300	2,700
110°	22,100	17,600	4,500	2,900
115°	21,200	17,400	3,800	3,100
TVA Conditions @ 95° OD DB, 75° ID, 63° ID WB				
95°	24,200	18,400	5,800	2,400

PERFORMANCE DATA FOR STANDARD OPERATING MODE (CONT.)

AXV6SA3010A* / AHVE36CP1300A*				
DESIGN SUBCOOLING @ AHRI 95 °F CONDITIONS, 13-15 °F				
- 100 % DEMAND				
OUTDOOR TEMP. °F	TOTAL BTU/H	SENSIBLE BTU/H	LATENT BTU/H	TOTAL WATTS
75°	31,800	22,900	8,900	2,280
80°	31,000	22,800	8,200	2,415
85°	30,200	22,700	7,500	2,550
90°	29,300	22,300	7,000	2,695
95°	28,400	21,900	6,500	2,840
100°	27,200	21,300	5,900	3,000
105°	25,900	20,700	5,200	3,160
110°	24,900	20,600	4,300	3,345
115°	23,800	20,500	3,300	3,530
TVA Conditions @ 95° OD DB, 75° ID, 63° ID WB				
95°	27,100	21,100	6,000	2,850

AXV6SA3010A* / AHVE36CP1300A*				
DESIGN SUBCOOLING @ AHRI 95 °F CONDITIONS, 13-15 °F				
- BOOST MODE				
OUTDOOR TEMP. °F	TOTAL BTU/H	SENSIBLE BTU/H	LATENT BTU/H	TOTAL WATTS
75°	34,700	24,600	10,100	2,350
80°	33,900	24,500	9,400	2,500
85°	33,000	24,400	8,600	2,600
90°	31,900	23,900	8,000	2,800
95°	30,700	23,300	7,400	2,900
100°	29,500	22,800	6,700	3,100
105°	28,200	22,300	5,900	3,250
110°	27,100	22,100	5,000	3,400
115°	26,000	21,800	4,200	3,600
TVA Conditions @ 95° OD DB, 75° ID, 63° ID WB				
95°	29,600	22,800	6,800	2,900

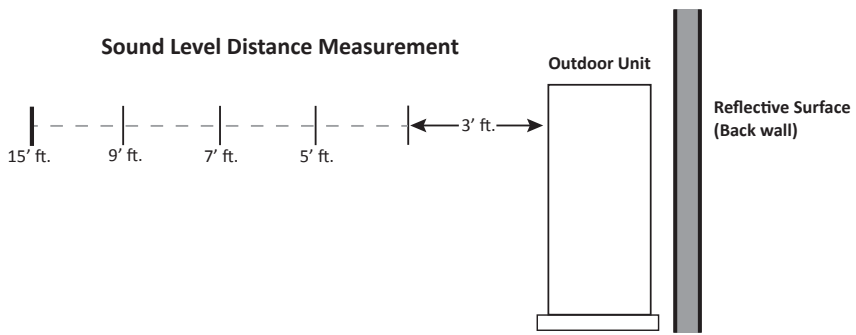
AXV6SA3610A* / CAPEA3626*3A* + MBVK16CP1***A*				
DESIGN SUBCOOLING @ AHRI 95 °F CONDITIONS, 12-14 °F				
- 100 % DEMAND				
OUTDOOR TEMP. °F	TOTAL BTU/H	SENSIBLE BTU/H	LATENT BTU/H	TOTAL WATTS
75°	36,700	27,200	9,500	2,650
80°	35,900	27,100	8,800	2,830
85°	35,000	27,000	8,000	3,010
90°	34,000	26,600	7,400	3,190
95°	33,000	26,100	6,900	3,370
100°	31,600	25,300	6,300	3,600
105°	30,200	24,500	5,700	3,830
110°	29,100	24,300	4,800	4,090
115°	28,800	24,800	4,000	4,400
TVA Conditions @ 95° OD DB, 75° ID, 63° ID WB				
95°	31,600	25,300	6,300	3,400

AXV6SA3610A* / CAPEA3626*3A* + MBVK16CP1***A*				
DESIGN SUBCOOLING @ AHRI 95 °F CONDITIONS, 12-14 °F				
- BOOST MODE				
OUTDOOR TEMP. °F	TOTAL BTU/H	SENSIBLE BTU/H	LATENT BTU/H	TOTAL WATTS
75°	41,200	30,100	11,100	3,100
80°	40,100	29,700	10,400	3,300
85°	39,000	29,300	9,700	3,450
90°	37,600	28,600	9,000	3,700
95°	36,200	27,900	8,300	3,900
100°	34,700	27,000	7,700	4,100
105°	33,100	26,100	7,000	4,350
110°	31,000	25,500	5,500	4,400
115°	28,800	24,800	4,000	4,400
TVA Conditions @ 95° OD DB, 75° ID, 63° ID WB				
95°	34,900	27,200	7,700	3,900

NORMAL MODE		SOUND POWER LEVEL ¹						
TONNAGE	TOTAL UNIT SOUND RATING (dBA)	OCTAVE BAND SPECTRUM FREQUENCY (Hz) ANALYSIS (dB)						
		125	250	500	1000	2000	4000	8000
1.5-ton	61	47.7	53.0	56.9	54.8	48.4	41.2	36.5
2-ton	64	47.8	57.9	60.7	55.8	48.9	43.4	39.1
2.5-ton	66	56.9	57.4	62.0	60.2	54.2	47.4	40.3
3-ton	68	55.9	59.6	63.9	61.0	56.5	53.4	45.4
3.5-ton	70	59.7	63.9	64.6	65.2	60.3	53.8	47.5
4-ton	72	63.5	64.9	65.6	65.4	60.4	55.8	48.8
5-ton	71	61.2	64.7	65.3	65.6	61.3	57.2	48.9

¹Compliant with AHRI 270.

²Compliant with AHRI 220.



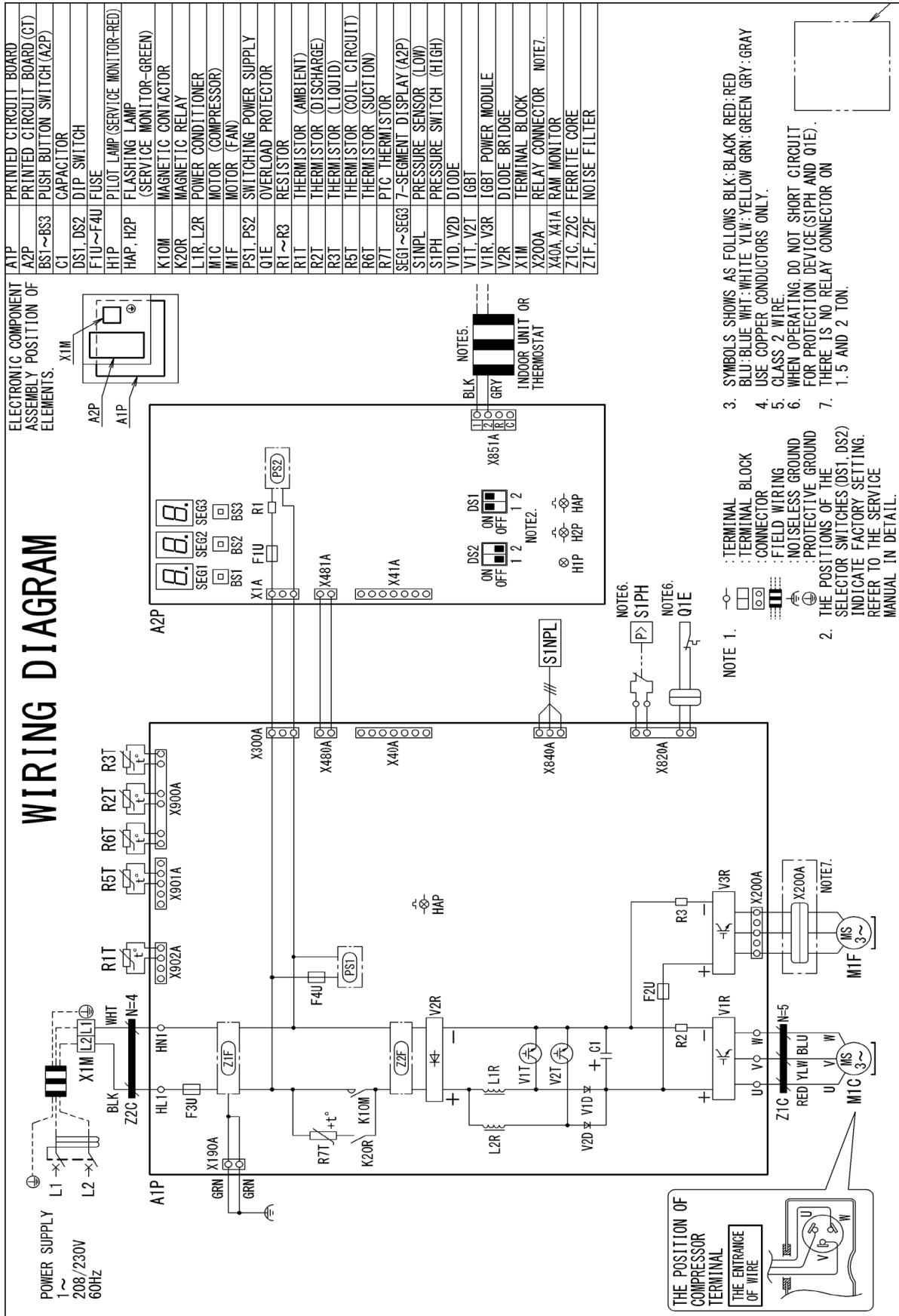
		SOUND PRESSURE (dBA) COOLING MODE ¹				
		DISTANCE FROM PROPERTY LINE				
TONNAGE	REFLECTIVE SURFACE QTY.	3'	5'	7'	9'	15'
1.5 Ton	0	59	54	51	49	45
	1	62	57	54	52	48
	2	65	60	57	55	51
2.0 Ton	0	60	55	52	50	46
	1	63	58	55	53	49
	2	66	61	58	56	52
2.5 Ton	0	61	56	53	51	47
	1	64	59	56	54	50
	2	67	62	59	57	53
3.0 Ton	0	61	56	53	51	47
	1	64	59	56	54	50
	2	67	62	59	57	53
3.5 Ton	0	65	60	57	55	51
	1	68	63	60	58	54
	2	71	66	63	61	57
4.0 Ton	0	65	60	57	55	51
	1	68	63	60	58	54
	2	71	66	63	61	57
5.0 Ton	0	67	62	59	57	53
	1	70	65	62	60	56
	2	73	68	65	63	59

¹ Compliant with AHRI 275 utilizing standard mode, total sound levels

QUIET MODE			
TONNAGE	SOUND SUPPRESSION LEVEL	SOUND POWER LEVEL (dBA) ¹	SOUND PRESSURE LEVEL (dBA) ²
1.5-ton	LV.1	63	46
	LV.2	60	43
	LV.3	57	40
2-ton	LV.1	64	47
	LV.2	61	44
	LV.3	58	41
2.5-ton	LV.1	65	51
	LV.2	62	48
	LV.3	59	45
3-ton	LV.1	65	51
	LV.2	62	48
	LV.3	59	45
3.5-ton	LV.1	67	55
	LV.2	62	50
	LV.3	57	45
4-ton	LV.1	67	55
	LV.2	62	50
	LV.3	57	45
5-ton	LV.1	68	55
	LV.2	63	50
	LV.3	58	45

¹Quiet Mode Sound Power and Sound Pressure levels determined at a distance of 3 [ft].

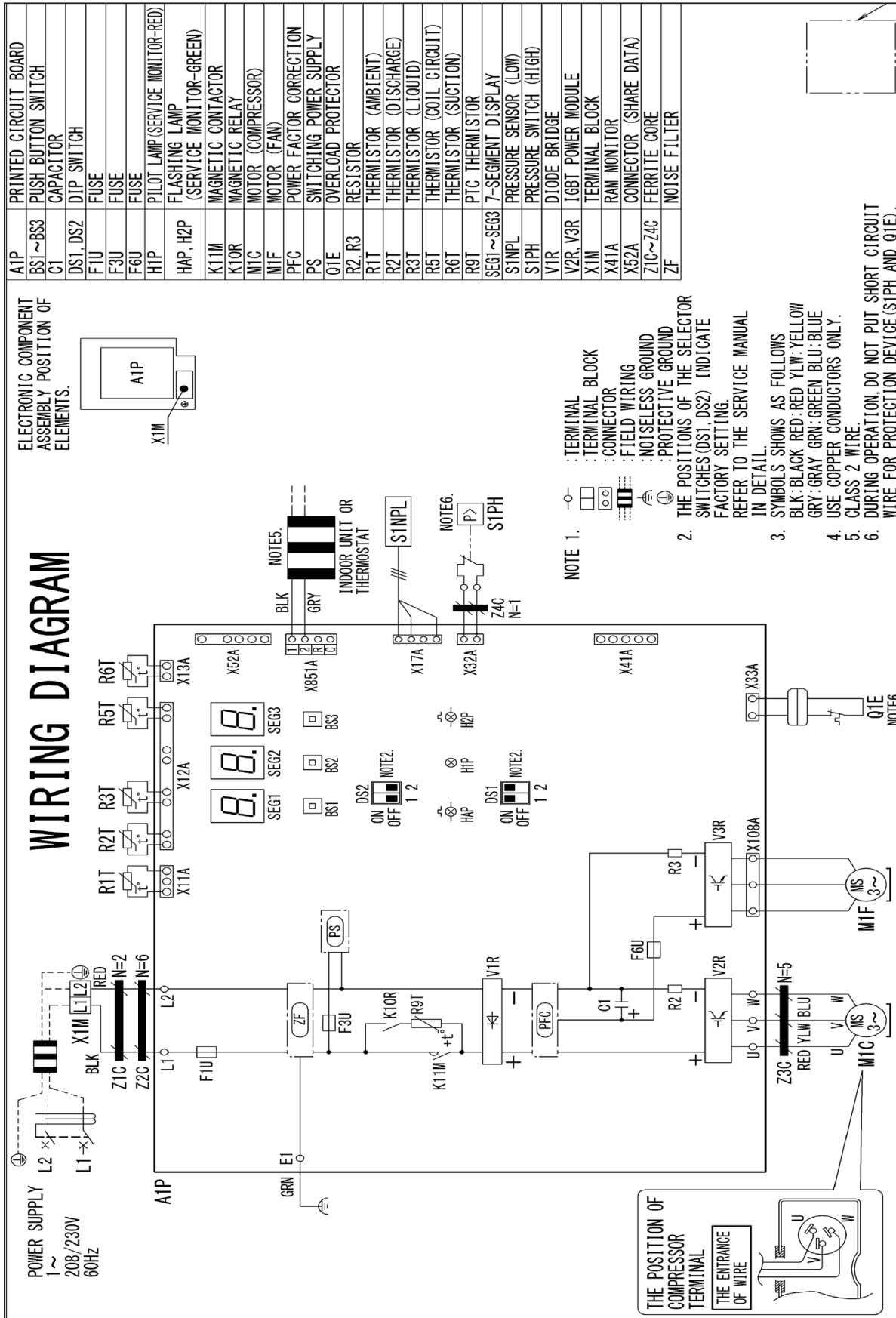
All AHRI system ratings are accessible in the System Configurator tool via PartnerLink.



Wiring is subject to change. Always refer to the wiring diagram or the unit for the most up-to-date wiring.

WARNING

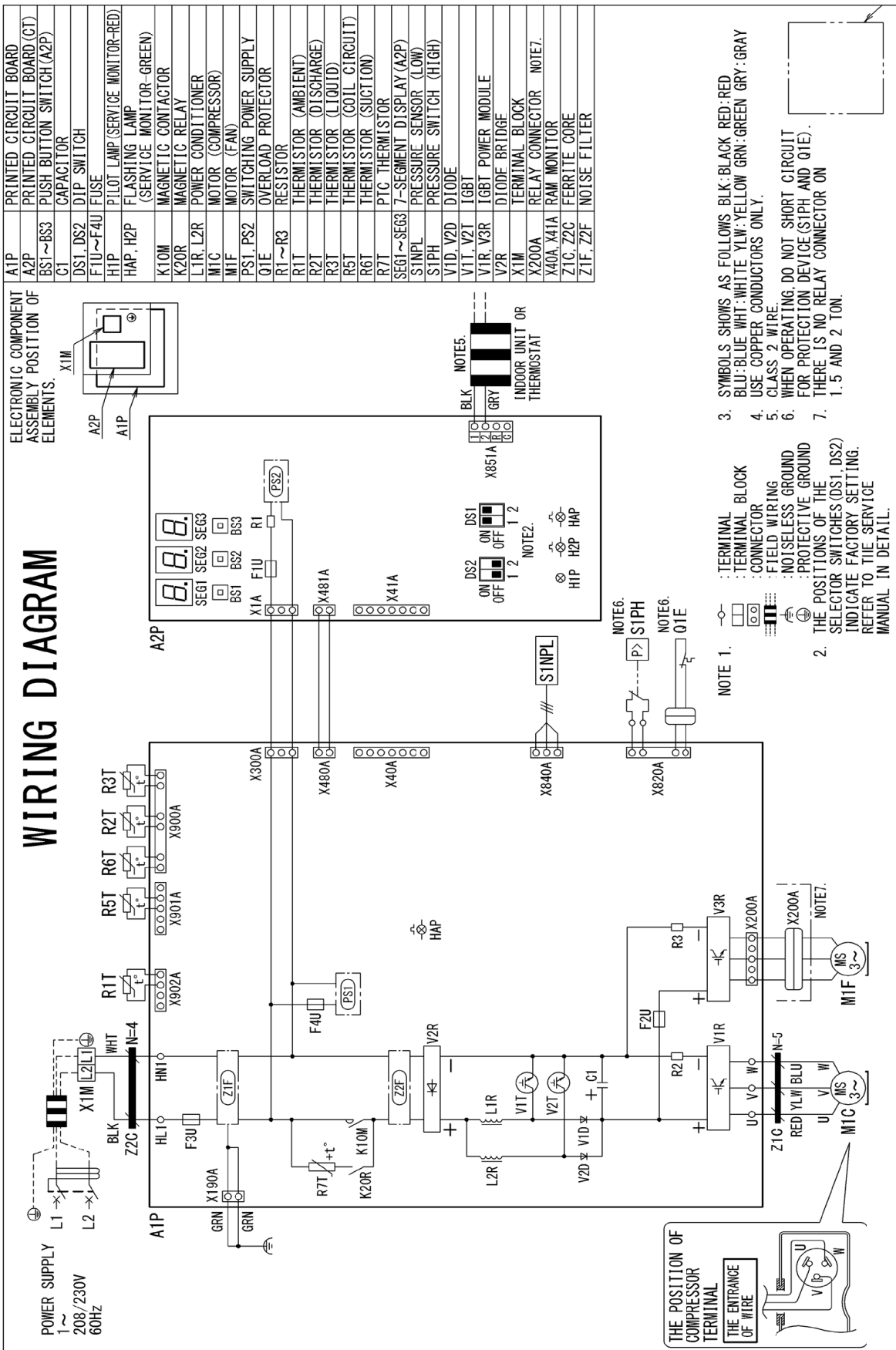
High Voltage: Disconnect all power before servicing or installing this unit. Multiple power sources may be present. Failure to do so may cause property damage, personal injury, or death.



WARNING

High Voltage: Disconnect all power before servicing or installing this unit. Multiple power sources may be present. Failure to do so may cause property damage, personal injury, or death.

Wiring is subject to change. Always refer to the wiring diagram or the unit for the most up-to-date wiring.



Wiring is subject to change. Always refer to the wiring diagram on the unit for the most up-to-date wiring.



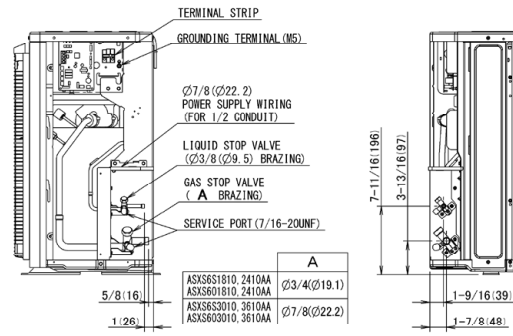
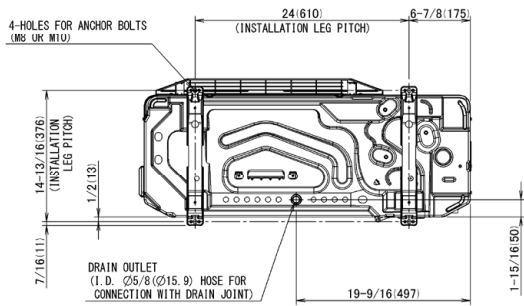
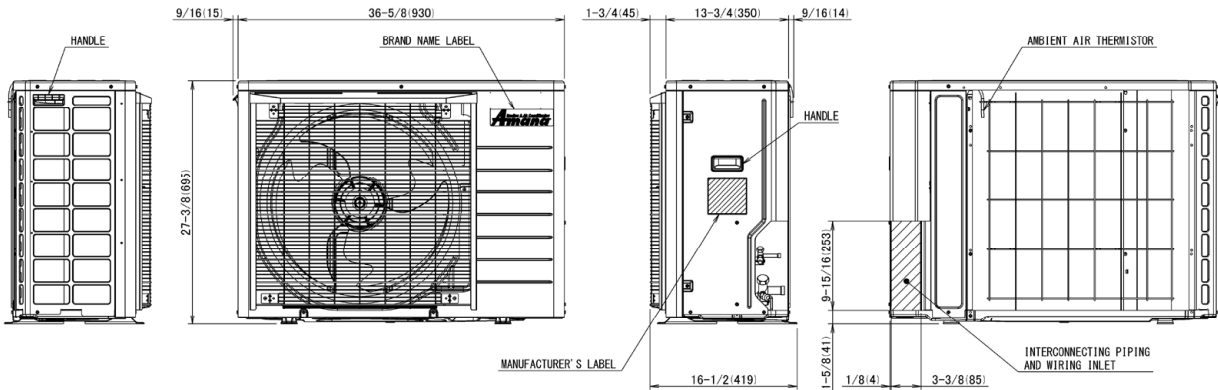
WARNING

High Voltage: Disconnect all power before servicing or installing this unit. Multiple power sources may be present. Failure to do so may cause property damage, personal injury, or death.



DIMENSIONS

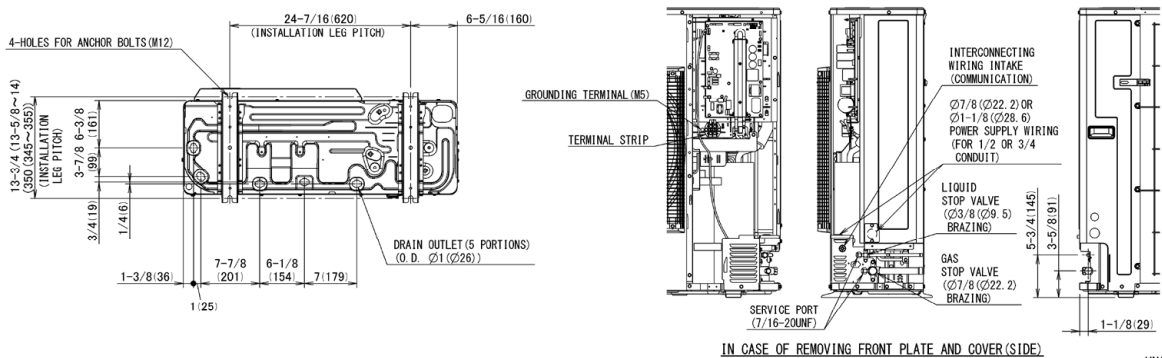
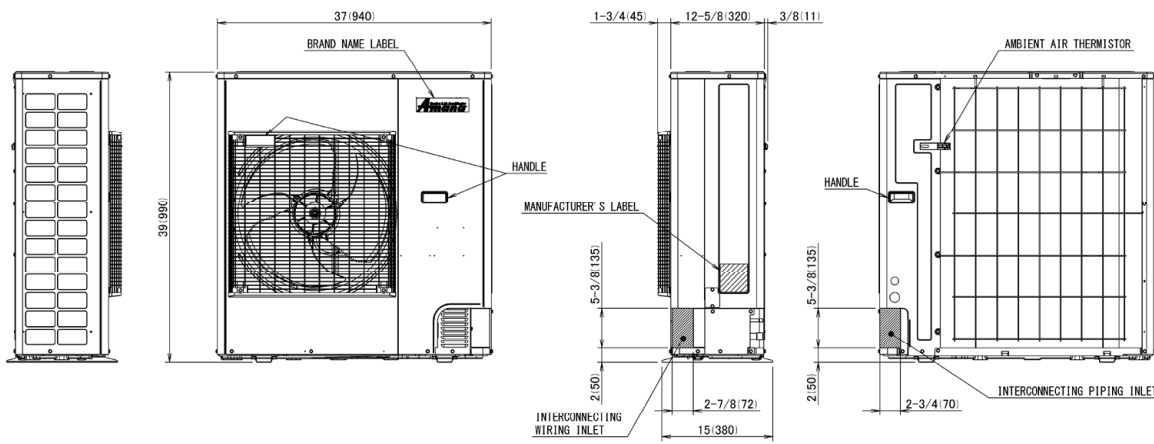
MODEL	DIMENSIONS		
	W"	D"	H"
AXV6SS1810A*/AXV6SA1810A*	36 $\frac{3}{8}$	13 $\frac{3}{4}$	27 $\frac{3}{8}$
AXV6SS2410A*/AXV6SA2410A*	36 $\frac{3}{8}$	13 $\frac{3}{4}$	27 $\frac{3}{8}$
AXV6SS3010A*/AXV6SA3010A*	36 $\frac{3}{8}$	13 $\frac{3}{4}$	27 $\frac{3}{8}$
AXV6SS3610A*/AXV6SA3610A*	36 $\frac{3}{8}$	13 $\frac{3}{4}$	27 $\frac{3}{8}$



IN CASE OF REMOVING RIGHT SIDE PLATE

UNIT: inch (mm)

MODEL	DIMENSIONS		
	W"	D"	H"
AXV6SS4210A*	37	12 $\frac{5}{8}$	39
AXV6SS4810A*	37	12 $\frac{5}{8}$	39
AXV6SS6010A*	37	12 $\frac{5}{8}$	39



IN CASE OF REMOVING FRONT PLATE AND COVER (SIDE)

UNIT: inch (mm)

ACCESSORIES

MODEL	DESCRIPTION	AXV6SS 1810A*	AXV6SS 2410A*	AXV6SS 3010A*	AXV6SS 3610A*	AXV6SS 4210A*	AXV6SS 4810A*	AXV6SS 6010A*	AXV6SA 1810A*	AXV6SA 2410A*	AXV6SA 3010A*	AXV6SA 3610A*
KPW5G112	Wind Baffle	X	X	X	X	X	X	X	X	X	X	X
130-DK-006	Hail Guard	X	X	X	X				X	X	X	X
130-DK-008	Hail Guard					X	X	X				
DACA-WB-3	Powder Coated Wall-Mounted Bracket	X	X	X	X	X	X	X	X	X	X	X
DTA119A71	D24V Gateway											

Amana® is a registered trademark of Maytag Corporation or its related companies and is used under license. All rights reserved.

Our continuing commitment to quality products may mean a change in specifications without notice.

©2024 **DAIKIN COMFORT TECHNOLOGIES MANUFACTURING, L.P.** • Houston, Texas • Printed in the USA.