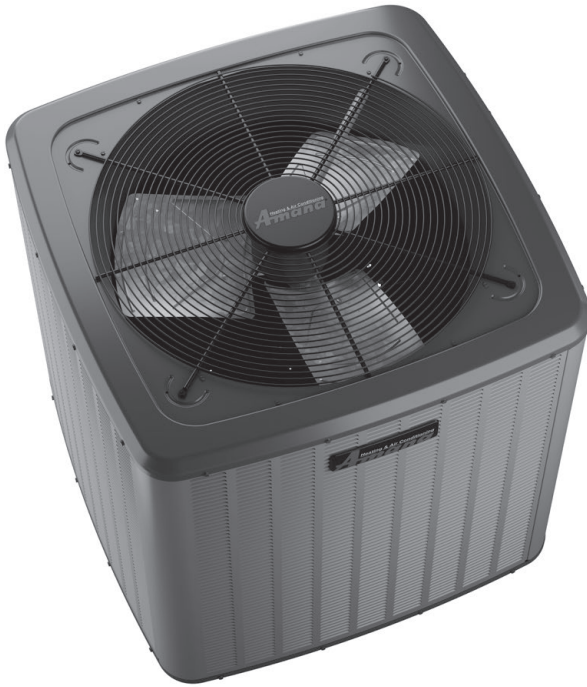


**ENERGY-EFFICIENT
 SPLIT SYSTEM AIR CONDITIONER
 UP TO 13.4 SEER2
 1½ TO 5 TONS**



Contents

Nomenclature 2
 Product Specifications 3
 Expanded Cooling Data 4
 Performance Data 18
 Wiring Diagram 20
 Dimensions 21
 Accessories 21

Standard Features

- Energy-efficient scroll compressor
- High-density foam compressor sound blanket
- Advanced Copeland® CoreSense™ Technology
- Copper tube/ enhanced aluminum fin coil- 5mm diameter
- Single-speed PSC condenser fan motor
- Factory-installed filter drier
- Sweat connection service valves with easy access to gauge ports
- Contactor with lug connection
- Ground lug connection
- AHRI Certified; ETL Listed

Cabinet Features

- Removable grille-style top design compliant with UL 60335-2-40
- Venturi for increased velocity of airflow
- Attractive Architectural Gray powder-paint finish with 500-hour salt-spray approval
- Wire fan discharge grille
- Steel louver coil guard
- Top and side maintenance access
- Single-panel access to controls with space provided for field-installed accessories



COMPANY WITH
 QUALITY SYSTEM
 CERTIFIED BY DNV GL
 = ISO 9001 =

COMPANY WITH
 ENVIRONMENTAL SYSTEM
 CERTIFIED BY DNV GL
 = ISO 14001 =

* Complete warranty details available from your local dealer or at www.amana-hac.com. To receive the 10-Year Parts Limited Warranty, online registration must be completed within 60 days of installation. Online registration is not required in California or Quebec. The duration of warranty coverages in Texas differs in some cases.

NOMENCLATURE

	A	S	X	H	3	0	36	1	0	A	A	
	1	2	3	4	5	6	7,8	9		11	12	
Brand	A - Amana® Brand										Minor Rev	A
Product Category	S Split System R-410A										Major Rev	A
Unit Type	X Condenser Z Heat Pump										Electrical	1 208/230 V, 1 Phase, 60 Hz
Feature	N Value C Premium H Enhanced V Ultimate										Nominal Tonnage	18 - 1½ tons 36 - 3.0 Tons 24 - 2 tons 42 - 3.5 Tons 30 - 2½ tons 48 - 4.0 Tons 60 - 5.0 Tons
SEER2	13.4 - 13.7 = 3 16.6 - 17.5 = 7 13.8 - 14.5 = 4 17.6 - 18.5 = 8 14.6 - 15.5 = 5 18.6 - 19.5 = 9 15.6 - 16.5 = 6 19.6 + = 0										Sales Region	N - North S - Southeast & North 0 - All Region

	ASXH3 N1810A*	ASXH3 N2410A*	ASXH3 N3010A*	ASXH3 N3610A*	ASXH3 N4210A*	ASXH3 N4810A*	ASXH3 N6010A*
COOLING CAPACITY							
Nominal Cooling (BTU/h)	18,000	24,000	30,000	36,000	42,000	48,000	60,000
Decibels (dBA)	68.0	68.0	72.0	70.0	69.0	73.0	73.0
COMPRESSOR							
RLA	9.0	11.5	12.8	14.1	17.7	18.5	25.6
LRA	47.5	59.5	67.8	87.4	110.2	124	150
Stage	Single	Single	Single	Single	Single	Single	Single
Type	Scroll	Scroll	Scroll	Scroll	Scroll	Scroll	Scroll
CONDENSER FAN MOTOR							
Motor Type	PSC	PSC	PSC	PSC	PSC	PSC	PSC
Horsepower (RPM)	1/8	1/8	1/6	1/6	1/6	1/4	1/4
FLA	0.70	0.70	0.95	0.95	0.95	1.30	1.30
REFRIGERATION SYSTEM							
Refrigerant Line Size ¹							
Liquid Line Size ("O.D.)	3/8"	3/8"	3/8"	3/8"	3/8"	3/8"	3/8"
Suction Line Size ("O.D.)	3/4"	3/4"	3/4"	7/8"	1 1/8"	1 1/8"	1 1/8"
Refrigerant Connection Size							
Liquid Valve Size ("O.D.)	3/8"	3/8"	3/8"	3/8"	3/8"	3/8"	3/8"
Suction Valve Size ("O.D.) ^{2,3}	3/4"	3/4"	3/4"	3/4"	7/8"	7/8"	7/8"
Valve Connection Type	Sweat	Sweat	Sweat	Sweat	Sweat	Sweat	Sweat
Refrigerant Charge ⁴	62	75	78	71	115	120	130
ELECTRICAL DATA							
Voltage-Phase	208/230-1	208/230-1	208/230-1	208/230-1	208/230-1	208/230-1	208/230-1
Minimum Circuit Ampacity ⁵	12.0	15.1	17.0	18.6	23.1	24.4	33.3
Max. Overcurrent Protection ⁶	20	25	25	30	40	40	50
Min / Max Volts	197/253	197/253	197/253	197/253	197/253	197/253	197/253
Electrical Conduit Size	1/2" or 3/4"	1/2" or 3/4"	1/2" or 3/4"	1/2" or 3/4"	1/2" or 3/4"	1/2" or 3/4"	1/2" or 3/4"
Equipment Weight (lbs)	122	136	151	153	188	215	227
Ship Weight (lbs)	135	149	166	168	203	235	247

¹ Line sizes denoted for 25' line sets, tested and rated in accordance with AHRI Standard 210/240. For other line-set lengths or sizes, refer to the installation & Operating instructions and/or the long line-set guidelines.

² Wire size should be determined in accordance with National Electrical Codes; extensive wire runs will require larger wire sizes

³ Must use time-delay fuses or HACR-type circuit breakers of the same size as noted.

⁴ Installer will need to supply 3/4" to 7/8" adapters for suction line connections.

⁵ Installer will need to supply 3/8" to 1 1/8" adapters for suction line connections.

⁶ Must use time-delay fuses or HACR-type circuit breakers of the same size as noted.

NOTES

- Always check the S&R plate for electrical data on the unit being installed.

EXPANDED COOLING DATA — ASXH3N1810A*/CA*FA1818*6A* + EEP

IDB	AIRFLOW	OUTDOOR AMBIENT TEMPERATURE																							
		65				75				85				95				105				115			
		59	63	67	71	59	63	67	71	59	63	67	71	59	63	67	71	59	63	67	71	59	63	67	71
70	MBh	17.5	17.7	18.3	-	17.3	17.6	18.1	-	16.9	17.1	17.7	-	16.1	16.3	16.9	-	15.1	15.4	15.9	-	14.3	14.5	15.0	-
	S/T	0.62	0.54	0.40	-	0.62	0.55	0.41	-	1.00	0.57	0.43	-	1.00	0.59	0.45	-	1.00	0.61	0.48	-	1.00	0.67	0.53	-
	ΔT	20	18	14	-	19	18	14	-	20	18	15	-	19	18	14	-	19	17	14	-	20	19	15	-
	KW	1.15	1.15	1.14	-	1.27	1.27	1.26	-	1.40	1.40	1.40	-	1.54	1.54	1.54	-	1.70	1.70	1.70	-	1.89	1.89	1.89	-
	Amps	4.0	4.0	4.0	-	4.5	4.5	4.5	-	5.1	5.1	5.1	-	5.8	5.8	5.8	-	6.5	6.5	6.5	-	7.4	7.4	7.4	-
	Hi/PR	243	244	245	-	281	282	284	-	321	322	324	-	364	365	367	-	411	412	414	-	460	461	463	-
Lo/PR	129	130	133	-	136	138	141	-	143	145	148	-	149	151	154	-	155	156	160	-	162	163	167	-	
70	MBh	17.7	18.0	18.5	-	17.6	17.8	18.3	-	17.1	17.4	17.9	-	16.3	16.6	17.1	-	15.4	15.6	16.1	-	14.5	14.7	15.3	-
	S/T	0.68	0.60	0.46	-	0.68	0.61	0.47	-	1.00	0.63	0.49	-	1.00	0.65	0.51	-	1.00	0.68	0.54	-	1.00	1.00	0.59	-
	ΔT	18	17	13	-	18	17	13	-	19	17	13	-	18	17	13	-	18	16	13	-	19	17	14	-
	KW	1.15	1.15	1.15	-	1.27	1.27	1.27	-	1.41	1.40	1.40	-	1.55	1.55	1.55	-	1.71	1.71	1.71	-	1.90	1.90	1.90	-
	Amps	4.0	4.0	4.0	-	4.5	4.5	4.5	-	5.2	5.1	5.1	-	5.8	5.8	5.8	-	6.5	6.5	6.5	-	7.4	7.4	7.4	-
	Hi/PR	245	246	247	-	283	284	286	-	323	324	326	-	366	367	369	-	413	414	416	-	462	464	465	-
Lo/PR	130	132	135	-	138	140	143	-	145	147	150	-	151	152	156	-	157	158	161	-	164	165	169	-	
70	MBh	18.0	18.3	18.8	-	17.8	18.1	18.6	-	17.4	17.6	18.2	-	16.6	16.9	17.4	-	15.6	15.9	16.4	-	14.8	15.0	15.5	-
	S/T	0.71	0.64	0.50	-	0.72	0.64	0.50	-	1.00	0.67	0.53	-	1.00	0.69	0.55	-	1.00	0.71	0.57	-	1.00	1.00	0.62	-
	ΔT	17	16	12	-	17	16	12	-	18	16	13	-	17	16	12	-	17	15	12	-	18	17	13	-
	KW	1.16	1.16	1.16	-	1.28	1.28	1.27	-	1.41	1.41	1.41	-	1.55	1.55	1.55	-	1.72	1.71	1.71	-	1.90	1.90	1.90	-
	Amps	4.0	4.0	4.0	-	4.6	4.6	4.6	-	5.2	5.2	5.2	-	5.8	5.8	5.8	-	6.6	6.6	6.6	-	7.4	7.4	7.4	-
	Hi/PR	247	248	249	-	285	286	288	-	325	326	328	-	368	369	371	-	415	416	418	-	464	466	467	-
Lo/PR	132	134	137	-	140	142	145	-	147	149	152	-	153	155	158	-	159	160	163	-	166	167	171	-	

75	MBh	17.5	17.8	18.3	19.1	17.4	17.6	18.1	18.9	16.9	17.1	17.7	18.5	16.1	16.4	16.9	17.7	15.1	15.4	15.9	16.7	14.3	14.5	15.0	15.8
	S/T	0.75	0.67	0.53	0.4	1.00	0.68	0.54	0.4	1.00	0.76	0.63	0.5	1.00	0.72	0.58	0.4	1.00	1.00	0.61	0.5	1.00	1.00	0.66	0.5
	ΔT	23	22	18	15	23	22	18	15	24	22	19	15	23	22	18	15	23	21	18	15	24	22	19	16
	KW	1.15	1.14	1.14	1.2	1.27	1.26	1.26	1.3	1.40	1.40	1.40	1.4	1.54	1.54	1.54	1.5	1.70	1.70	1.70	1.7	1.89	1.89	1.89	1.9
	Amps	4.0	4.0	3.9	4.0	4.5	4.5	4.5	4.5	5.1	5.1	5.1	5.1	5.8	5.8	5.8	5.8	6.5	6.5	6.5	6.5	7.4	7.4	7.4	7.4
	Hi/PR	243	244	246	249.8	281	282	284	288.1	321	322	324	328.2	364	365	367	371.4	411	412	414	417.9	461	462	463	467.6
Lo/PR	129	130	133	138.9	136	138	141	146.7	143	145	148	153.5	149	151	154	159.3	155	156	160	165.0	162	163	167	172.1	
75	MBh	17.7	18.0	18.5	19.3	17.6	17.8	18.4	19.2	17.1	17.4	17.9	18.7	16.3	16.6	17.1	17.9	15.4	15.6	16.1	16.9	14.5	14.7	15.3	16.1
	S/T	0.81	0.73	0.59	0.4	1.00	0.74	0.60	0.5	1.00	0.76	0.63	0.5	1.00	0.78	0.65	0.5	1.00	1.00	0.67	0.5	1.00	1.00	0.72	0.6
	ΔT	22	21	17	14	22	21	17	14	23	21	17	14	22	21	17	14	22	20	17	13	23	21	18	15
	KW	1.15	1.15	1.15	1.16	1.27	1.27	1.27	1.28	1.40	1.40	1.40	1.41	1.55	1.55	1.55	1.55	1.71	1.71	1.71	1.72	1.90	1.90	1.90	1.91
	Amps	4.0	4.0	4.0	4.0	4.5	4.5	4.5	4.6	5.1	5.1	5.1	5.2	5.8	5.8	5.8	5.8	6.5	6.5	6.5	6.6	7.4	7.4	7.4	7.4
	Hi/PR	245	246	248	251.9	283	284	286	290.2	323	324	326	330.3	366	368	369	373.4	413	414	416	420.0	463	464	465	469.7
Lo/PR	130	132	135	140.8	138	140	143	148.6	145	147	150	155.4	151	152	156	161.2	157	158	161	166.9	164	165	169	174.0	
75	MBh	18.0	18.3	18.8	19.6	17.9	18.1	18.6	19.4	17.4	17.6	18.2	19.0	16.6	16.9	17.4	18.2	15.7	15.9	16.4	17.2	14.8	15.0	15.5	16.3
	S/T	0.84	0.77	0.63	0.5	1.00	0.77	0.64	0.5	1.00	0.80	0.66	0.5	1.00	0.82	0.68	0.5	1.00	1.00	0.70	0.6	1.00	1.00	0.76	0.6
	ΔT	21	20	16	13	21	20	16	13	22	20	16	13	21	20	16	13	21	19	16	12	22	20	17	14
	KW	1.16	1.16	1.15	1.2	1.28	1.28	1.27	1.3	1.41	1.41	1.41	1.4	1.55	1.55	1.55	1.6	1.72	1.71	1.71	1.7	1.90	1.90	1.90	1.9
	Amps	4.0	4.0	4.0	4.0	4.6	4.6	4.5	4.6	5.2	5.2	5.2	5.2	5.8	5.8	5.8	5.9	6.6	6.6	6.6	6.6	7.4	7.4	7.4	7.5
	Hi/PR	247	248	250	253.9	285	286	288	292.2	325	326	328	332.3	368	370	371	375.4	415	416	418	422.0	465	466	467	471.7
Lo/PR	133	134	137	142.9	140	142	145	150.7	147	149	152	157.5	153	155	158	163.3	159	160	164	169.0	166	167	171	176.1	

IDB: Entering Indoor Dry Bulb Temperature
 High and low pressures are measured at the liquid and suction service valves.
 Shaded area reflects ACCA (TVA) conditions
 kW = Total system power
 Amps = outdoor unit amps (comp.+fan)

EXPANDED COOLING DATA – ASXH3N1810A*/CA*FA1818*6A* + EEP (CONT.)

IDB	AIRFLOW	OUTDOOR AMBIENT TEMPERATURE																							
		65				75				85				95				105				115			
		59	63	67	71	59	63	67	71	59	63	67	71	59	63	67	71	59	63	67	71	59	63	67	71
80	MBh	17.6	17.8	18.4	19.2	17.4	17.7	18.2	19.0	17.0	17.2	17.8	18.6	16.2	16.4	17.0	17.8	15.2	15.5	16.0	16.8	14.4	14.6	15.1	15.9
	S/T	1.00	0.80	0.66	0.5	1.00	0.81	0.67	0.5	1.00	1.00	0.69	0.5	1.00	1.00	0.71	0.6	1.00	1.00	0.74	0.6	1.00	1.00	1.00	0.6
	ΔT	27	26	22	19	27	26	22	19	28	26	22	19	27	26	22	19	27	25	22	18	28	26	23	20
	kW	1.15	1.15	1.14	1.2	1.27	1.26	1.26	1.3	1.40	1.40	1.40	1.4	1.54	1.54	1.54	1.5	1.70	1.70	1.70	1.7	1.89	1.89	1.89	1.9
	Amps	4.0	4.0	4.0	4.0	4.5	4.5	4.5	4.5	5.1	5.1	5.1	5.1	5.8	5.8	5.8	5.8	6.5	6.5	6.5	6.5	7.4	7.4	7.4	7.4
	Hi-PR	243	244	246	250.3	282	283	284	288.5	322	323	324	328.6	365	366	368	371.8	411	412	414	418.4	461	462	464	468.1
Lo-PR	129	131	134	139.4	137	139	142	147.3	144	145	149	154.1	150	151	154	159.9	155	157	160	165.6	162	164	167	172.7	
80	MBh	17.8	18.1	18.6	19.4	17.7	17.9	18.4	19.2	17.2	17.5	18.0	18.8	16.4	16.7	17.2	18.0	15.5	15.7	16.2	17.0	14.6	14.8	15.4	16.2
	S/T	1.00	0.86	0.72	0.6	1.00	0.87	0.73	0.6	1.00	1.00	0.75	0.6	1.00	1.00	0.77	0.6	1.00	1.00	0.80	0.7	1.00	1.00	1.00	0.7
	ΔT	26	25	21	18	26	25	21	18	27	25	21	18	26	25	21	18	26	24	21	17	27	25	22	19
	kW	1.15	1.15	1.15	1.16	1.27	1.27	1.27	1.28	1.41	1.40	1.40	1.41	1.55	1.55	1.55	1.56	1.71	1.71	1.71	1.71	1.90	1.90	1.90	1.91
	Amps	4.0	4.0	4.0	4.0	4.5	4.5	4.5	4.6	5.1	5.1	5.1	5.2	5.8	5.8	5.8	5.8	6.5	6.5	6.5	6.6	7.4	7.4	7.4	7.4
	Hi-PR	245	246	248	252.3	284	285	286	290.6	324	325	326	330.7	367	368	370	373.9	413	415	416	420.5	463	464	466	470.1
Lo-PR	131	133	136	141.3	139	140	144	149.1	146	147	151	156.0	151	153	156	161.8	157	159	162	167.5	164	166	169	174.6	
80	MBh	18.1	18.4	18.9	19.7	17.9	18.2	18.7	19.5	17.5	17.7	18.3	19.1	16.7	17.0	17.5	18.3	15.7	16.0	16.5	17.3	14.9	15.1	15.6	16.4
	S/T	1.00	0.89	0.76	0.6	1.00	0.90	0.76	0.6	1.00	1.00	0.79	0.6	1.00	1.00	0.81	0.7	1.00	1.00	0.83	0.7	1.00	1.00	1.00	0.7
	ΔT	25	24	20	17	25	24	20	17	26	24	20	17	25	24	20	17	25	23	20	16	26	24	21	18
	kW	1.16	1.16	1.15	1.2	1.28	1.28	1.27	1.3	1.41	1.41	1.41	1.4	1.55	1.55	1.55	1.6	1.72	1.71	1.71	1.7	1.90	1.90	1.90	1.9
	Amps	4.0	4.0	4.0	4.0	4.6	4.6	4.6	4.6	5.2	5.2	5.2	5.2	5.8	5.8	5.8	5.8	6.6	6.6	6.6	6.6	7.4	7.4	7.4	7.5
	Hi-PR	247	248	250	254.3	286	287	288	292.6	326	327	328	332.7	369	370	372	375.9	415	417	418	422.5	465	466	468	472.1
Lo-PR	133	135	138	143.4	141	142	146	151.2	148	149	153	158.1	154	155	158	163.9	159	161	164	169.6	166	168	171	176.7	

85	MBh	17.9	18.1	18.7	19.5	17.7	18.0	18.5	19.3	17.3	17.5	18.1	18.8	16.5	16.7	17.3	18.1	15.5	15.8	16.3	17.1	14.7	14.9	15.4	16.2
	S/T	1.00	0.90	0.76	0.6	1.00	1.00	0.77	0.6	1.00	1.00	0.80	0.7	1.00	1.00	0.82	0.7	1.00	1.00	1.00	0.7	1.00	1.00	1.00	0.7
	ΔT	31	29	26	22	31	29	26	22	31	29	26	23	31	29	26	22	31	29	26	22	32	30	27	23
	kW	1.15	1.15	1.15	1.2	1.27	1.27	1.27	1.3	1.40	1.40	1.40	1.4	1.55	1.54	1.54	1.6	1.71	1.71	1.71	1.7	1.90	1.89	1.89	1.9
	Amps	4.0	4.0	4.0	4.0	4.5	4.5	4.5	4.6	5.1	5.1	5.1	5.2	5.8	5.8	5.8	5.8	6.5	6.5	6.5	6.6	7.4	7.4	7.4	7.4
	Hi-PR	244	245	247	251.4	283	284	285	289.7	323	324	326	329.8	366	367	369	373.0	413	414	415	419.5	462	463	465	469.2
Lo-PR	131	133	136	141.4	139	140	144	149.2	146	147	151	156.0	151	153	156	161.8	157	159	162	167.5	164	166	169	174.6	
85	MBh	18.1	18.4	18.9	19.7	18.0	18.2	18.7	19.5	17.5	17.8	18.3	19.1	16.7	17.0	17.5	18.3	15.8	16.0	16.5	17.3	14.9	15.1	15.7	16.5
	S/T	1.00	0.96	0.83	0.7	1.00	1.00	0.83	0.7	1.00	1.00	0.86	0.7	1.00	1.00	0.88	0.7	1.00	1.00	1.00	0.8	1.00	1.00	1.00	0.8
	ΔT	30	28	25	21	30	28	25	21	30	28	25	21	30	28	25	21	30	28	24	21	31	29	26	22
	kW	1.16	1.15	1.15	1.16	1.27	1.27	1.27	1.28	1.41	1.41	1.40	1.41	1.55	1.55	1.55	1.56	1.71	1.71	1.71	1.72	1.90	1.90	1.90	1.91
	Amps	4.0	4.0	4.0	4.0	4.6	4.5	4.5	4.6	5.2	5.2	5.1	5.2	5.8	5.8	5.8	5.8	6.6	6.6	6.5	6.6	7.4	7.4	7.4	7.5
	Hi-PR	246	248	249	253.5	285	286	288	291.7	325	326	328	331.8	368	369	371	375.0	415	416	417	421.6	464	465	467	471.3
Lo-PR	133	135	138	143.3	141	142	146	151.1	148	149	152	157.9	153	155	158	163.7	159	161	164	169.4	166	168	171	176.5	
85	MBh	18.4	18.6	19.2	20.0	18.2	18.5	19.0	19.8	17.8	18.0	18.6	19.4	17.0	17.2	17.8	18.6	16.0	16.3	16.8	17.6	15.2	15.4	15.9	16.7
	S/T	1.00	1.00	0.86	0.7	1.00	1.00	0.87	0.7	1.00	1.00	0.89	0.7	1.00	1.00	0.90	0.8	1.00	1.00	1.00	0.8	1.00	1.00	1.00	0.8
	ΔT	29	27	24	20	29	27	24	20	29	27	24	21	29	27	24	20	29	27	24	20	30	28	25	21
	kW	1.16	1.16	1.16	1.2	1.28	1.28	1.28	1.3	1.41	1.41	1.41	1.4	1.56	1.56	1.55	1.6	1.72	1.72	1.72	1.72	1.91	1.91	1.91	1.9
	Amps	4.0	4.0	4.0	4.1	4.6	4.6	4.6	4.6	5.2	5.2	5.2	5.2	5.8	5.8	5.8	5.9	6.6	6.6	6.6	6.6	7.4	7.4	7.4	7.5
	Hi-PR	248	250	251	255.5	287	288	290	293.7	327	328	330	333.8	370	371	373	377.0	417	418	419	423.6	466	467	469	473.3
Lo-PR	135	137	140	145.3	143	144	148	153.2	150	151	155	160.0	155	157	160	165.8	161	163	166	171.5	168	170	173	178.6	

IDB: Entering Indoor Dry Bulb Temperature
 High and low pressures are measured at the liquid and suction service valves.
 Shaded area reflects AHRI conditions
 kW = Total system power
 Amps = outdoor unit amps (comp.+fan)

EXPANDED COOLING DATA — ASXH3N2410A*/CA*FA2422*6A* + EEP

IDB	AIRFLOW	OUTDOOR AMBIENT TEMPERATURE																							
		65				75				85				95				105				115			
		59	63	67	71	59	63	67	71	59	63	67	71	59	63	67	71	59	63	67	71	59	63	67	71
70	MBh	23.5	23.8	24.5	-	23.3	23.6	24.3	-	22.7	23.0	23.7	-	21.6	22.0	22.7	-	20.4	20.7	21.4	-	19.2	19.5	20.2	-
	S/T	0.64	0.57	0.44	-	0.64	0.57	0.44	-	0.67	0.60	0.47	-	0.69	0.61	0.48	-	1.00	0.64	0.51	-	1.00	0.68	0.55	-
	ΔT	18	16	13	-	18	16	13	-	18	16	13	-	18	16	13	-	17	16	12	-	18	17	13	-
	KW	1.51	1.51	1.50	-	1.67	1.67	1.67	-	1.86	1.85	1.85	-	2.05	2.05	2.05	-	2.28	2.28	2.27	-	2.54	2.54	2.53	-
	Amps	5.3	5.2	5.2	-	6.0	6.0	6.0	-	6.8	6.8	6.8	-	7.8	7.8	7.7	-	8.8	8.8	8.8	-	10.0	10.0	10.0	-
Hi PR	250	251	253	-	289	290	292	-	330	331	333	-	375	376	377	-	422	423	425	-	473	474	476	-	
Lo PR	121	123	126	-	128	130	133	-	135	136	139	-	140	142	145	-	146	147	150	-	152	154	157	-	
800	MBh	23.8	24.1	24.8	-	23.6	23.9	24.6	-	23.0	23.3	24.0	-	21.9	22.3	23.0	-	20.7	21.0	21.7	-	19.5	19.8	20.5	-
	S/T	0.67	0.59	0.46	-	0.67	0.60	0.47	-	0.70	0.62	0.49	-	0.72	0.64	0.51	-	1.00	0.66	0.53	-	1.00	0.71	0.58	-
	ΔT	17	15	12	-	17	15	12	-	17	15	12	-	17	15	12	-	17	15	12	-	18	16	13	-
	KW	1.51	1.51	1.51	-	1.68	1.68	1.67	-	1.86	1.86	1.86	-	2.06	2.06	2.06	-	2.28	2.28	2.28	-	2.54	2.54	2.54	-
	Amps	5.3	5.3	5.3	-	6.0	6.0	6.0	-	6.9	6.9	6.9	-	7.8	7.8	7.8	-	8.8	8.8	8.8	-	10.0	10.0	10.0	-
Hi PR	252	253	255	-	291	292	294	-	332	333	335	-	376	377	379	-	424	425	427	-	475	476	477	-	
Lo PR	123	124	127	-	130	132	135	-	136	138	141	-	142	143	146	-	147	149	152	-	154	155	158	-	
900	MBh	24.3	24.6	25.3	-	24.1	24.4	25.1	-	23.5	23.8	24.5	-	22.4	22.7	23.4	-	21.1	21.5	22.2	-	20.0	20.3	21.0	-
	S/T	0.68	0.61	0.48	-	0.69	0.61	0.48	-	0.71	0.64	0.51	-	1.00	0.66	0.53	-	1.00	0.68	0.55	-	1.00	0.73	0.60	-
	ΔT	16	14	11	-	16	14	11	-	16	15	11	-	16	14	11	-	16	14	11	-	17	15	12	-
	KW	1.52	1.52	1.52	-	1.68	1.68	1.68	-	1.87	1.87	1.86	-	2.07	2.07	2.06	-	2.29	2.29	2.29	-	2.55	2.55	2.55	-
	Amps	5.3	5.3	5.3	-	6.1	6.1	6.0	-	6.9	6.9	6.9	-	7.8	7.8	7.8	-	8.8	8.8	8.8	-	10.0	10.0	10.0	-
Hi PR	254	255	257	-	293	294	296	-	334	335	337	-	379	380	381	-	426	427	429	-	477	478	480	-	
Lo PR	125	127	130	-	132	134	137	-	139	140	143	-	144	146	149	-	149	151	154	-	156	158	161	-	

725	MBh	23.5	23.8	24.5	25.6	23.3	23.6	24.3	25.4	22.7	23.0	23.7	24.8	21.7	22.0	22.7	23.7	20.4	20.7	21.4	22.5	19.2	19.6	20.2	21.3
	S/T	0.76	0.69	0.56	0.4	0.77	0.70	0.57	0.4	1.00	0.72	0.59	0.5	1.00	0.74	0.61	0.5	1.00	0.76	0.63	0.5	1.00	0.81	0.68	0.5
	ΔT	21	20	17	13	21	20	16	13	22	20	17	13	21	20	16	13	21	19	16	13	22	21	17	14
	KW	1.51	1.50	1.50	1.5	1.67	1.67	1.67	1.7	1.85	1.85	1.85	1.9	2.05	2.05	2.05	2.1	2.28	2.28	2.27	2.3	2.54	2.54	2.53	2.5
	Amps	5.2	5.2	5.2	5.3	6.0	6.0	6.0	6.0	6.8	6.8	6.8	6.9	7.8	7.8	7.7	7.8	8.8	8.8	8.8	8.8	10.0	10.0	10.0	10.0
Hi PR	250	252	253	257.6	290	291	292	296.7	331	332	333	337.7	375	376	378	381.9	422	423	425	429.5	473	474	476	480.3	
Lo PR	121	123	126	130.8	129	130	133	138.1	135	136	139	144.5	140	142	145	149.9	146	147	150	155.1	152	154	157	161.7	
800	MBh	23.8	24.1	24.8	25.9	23.6	23.9	24.6	25.7	23.0	23.3	24.0	25.1	22.0	22.3	23.0	24.0	20.7	21.0	21.7	22.8	19.5	19.8	20.5	21.6
	S/T	0.79	0.72	0.59	0.5	0.80	0.72	0.59	0.5	1.00	0.75	0.62	0.5	1.00	0.77	0.64	0.5	1.00	0.79	0.66	0.5	1.00	1.00	0.71	0.6
	ΔT	21	19	16	12	21	19	16	12	21	19	16	13	21	19	16	12	20	19	15	12	22	20	17	13
	KW	1.51	1.51	1.51	1.52	1.68	1.68	1.67	1.69	1.86	1.86	1.86	1.87	2.06	2.06	2.06	2.07	2.28	2.28	2.28	2.29	2.54	2.54	2.54	2.55
	Amps	5.3	5.3	5.3	5.3	6.0	6.0	6.0	6.1	6.9	6.9	6.9	6.9	7.8	7.8	7.8	7.8	8.8	8.8	8.8	8.8	10.0	10.0	10.0	10.0
Hi PR	252	253	255	259.3	291	292	294	298.4	332	333	335	339.4	376	378	379	383.6	424	425	427	431.2	475	476	478	482.0	
Lo PR	123	124	127	132.4	130	132	135	139.7	136	138	141	146.1	142	143	146	151.4	147	149	152	156.7	154	155	158	163.3	
900	MBh	24.3	24.6	25.3	26.4	24.1	24.4	25.1	26.2	23.5	23.8	24.5	25.6	22.4	22.8	23.5	24.5	21.2	21.5	22.2	23.2	20.0	20.3	21.0	22.1
	S/T	0.81	0.73	0.60	0.5	0.81	0.74	0.61	0.5	1.00	0.76	0.63	0.5	1.00	0.78	0.65	0.5	1.00	0.80	0.67	0.5	1.00	1.00	0.72	0.6
	ΔT	20	18	15	12	20	18	15	12	20	18	15	12	20	18	15	11	20	18	15	11	21	19	16	12
	KW	1.52	1.52	1.51	1.5	1.68	1.68	1.68	1.7	1.87	1.87	1.86	1.9	2.07	2.07	2.06	2.1	2.29	2.29	2.29	2.3	2.55	2.55	2.55	2.6
	Amps	5.3	5.3	5.3	5.3	6.1	6.1	6.0	6.1	6.9	6.9	6.9	6.9	7.8	7.8	7.8	7.9	8.8	8.8	8.8	8.9	10.0	10.0	10.0	10.1
Hi PR	254	255	257	261.6	294	295	296	300.7	335	336	337	341.7	379	380	382	385.9	426	427	429	433.5	477	478	480	484.3	
Lo PR	125	127	130	134.8	132	134	137	142.1	139	140	143	148.5	144	146	149	153.9	150	151	154	159.1	156	158	161	165.7	

IDB: Entering Indoor Dry Bulb Temperature
 High and low pressures are measured at the liquid and suction service valves.
 Shaded area reflects ACCA (TVA) conditions
 kW = Total system power
 Amps = outdoor unit amps (comp.+fan)

EXPANDED COOLING DATA — ASXH3N2410A*/CA*FA2422*6A* + EEP (CONT.)

IDB	AIRFLOW	OUTDOOR AMBIENT TEMPERATURE												105												115											
		65				75				85				95				105				115															
		59	63	67	71	59	63	67	71	59	63	67	71	59	63	67	71	59	63	67	71	59	63	67	71												
80	MBh	23.6	24.0	24.7	25.7	23.4	23.8	24.4	25.5	22.8	23.1	23.8	24.9	21.8	22.1	22.8	23.9	20.5	20.8	21.5	22.6	19.3	19.7	20.4	21.4												
	S/T	0.88	0.81	0.68	0.5	1.00	0.82	0.69	0.5	1.00	0.84	0.71	0.6	1.00	0.86	0.73	0.6	1.00	1.00	0.75	0.6	1.00	1.00	0.80	0.7												
	ΔT	25	24	20	17	25	24	20	17	25	24	21	17	25	24	20	17	25	23	20	17	26	24	21	18												
	kW	1.51	1.51	1.50	1.5	1.67	1.67	1.67	1.7	1.86	1.85	1.85	1.9	2.05	2.05	2.05	2.1	2.28	2.28	2.27	2.3	2.54	2.54	2.53	2.5												
	Amps	5.3	5.2	5.2	5.3	6.0	6.0	6.0	6.0	6.8	6.8	6.8	6.9	7.8	7.8	7.7	7.8	8.8	8.8	8.8	8.8	10.0	10.0	10.0	10.0												
	Hi PR	251	252	254	258.0	290	291	293	297.2	331	332	334	338.2	375	376	378	382.4	423	424	426	430.0	474	475	476	480.8												
	Lo PR	122	123	126	131.4	129	131	134	138.6	135	137	140	145.0	141	142	145	150.4	146	148	151	155.7	153	154	157	162.3												
	MBh	23.9	24.3	25.0	26.0	23.7	24.1	24.7	25.8	23.1	23.4	24.1	25.2	22.1	22.4	23.1	24.2	20.8	21.1	21.8	22.9	19.6	20.0	20.7	21.7												
	S/T	1.00	0.84	0.71	0.6	1.00	0.84	0.71	0.6	1.00	0.87	0.74	0.6	1.00	0.89	0.76	0.6	1.00	1.00	0.78	0.6	1.00	1.00	0.83	0.7												
	ΔT	25	23	20	16	25	23	20	16	25	23	20	16	24	23	20	16	24	23	19	16	25	24	20	17												
kW	1.51	1.51	1.51	1.52	1.68	1.68	1.67	1.69	1.86	1.86	1.86	1.87	2.06	2.06	2.06	2.07	2.28	2.28	2.28	2.29	2.54	2.54	2.54	2.55													
Amps	5.3	5.3	5.3	5.3	6.0	6.0	6.0	6.1	6.9	6.9	6.9	6.9	7.8	7.8	7.8	7.8	8.8	8.8	8.8	8.8	10.0	10.0	10.0	10.0													
Hi PR	253	254	255	259.7	292	293	295	298.9	333	334	336	339.9	377	378	380	384.0	425	426	427	431.7	475	476	478	482.5													
Lo PR	123	125	128	133.0	131	132	135	140.2	137	138	142	146.6	142	144	147	152.0	148	149	152	157.3	154	156	159	163.9													
MBh	24.4	24.7	25.4	26.5	24.2	24.5	25.2	26.3	23.6	23.9	24.6	25.7	22.6	22.9	23.6	24.6	21.3	21.6	22.3	23.4	20.1	20.4	21.1	22.2													
S/T	1.00	0.85	0.72	0.6	1.00	0.86	0.73	0.6	1.00	0.88	0.75	0.6	1.00	1.00	0.77	0.6	1.00	1.00	0.79	0.7	1.00	1.00	0.84	0.7													
ΔT	24	22	19	15	24	22	19	15	24	22	19	16	24	22	19	15	23	22	18	15	24	23	20	16													
kW	1.52	1.52	1.52	1.5	1.68	1.68	1.68	1.7	1.87	1.87	1.86	1.9	2.07	2.07	2.06	2.1	2.29	2.29	2.29	2.3	2.55	2.55	2.55	2.6													
Amps	5.3	5.3	5.3	5.4	6.1	6.1	6.0	6.1	6.9	6.9	6.9	6.9	7.8	7.8	7.8	7.9	8.8	8.8	8.8	8.9	10.0	10.0	10.0	10.1													
Hi PR	255	256	258	262.0	294	295	297	301.2	335	336	338	342.2	379	380	382	386.4	427	428	430	434.0	478	479	480	484.8													
Lo PR	126	127	130	135.4	133	135	138	142.6	139	141	144	149.0	145	146	149	154.4	150	152	155	159.7	157	158	161	166.3													
85	MBh	24.0	24.4	25.0	26.1	23.8	24.1	24.8	25.9	23.2	23.5	24.2	25.3	22.2	22.5	23.2	24.2	20.9	21.2	21.9	23.0	19.7	20.1	20.8	21.8												
	S/T	1.00	0.91	0.78	0.6	1.00	0.91	0.78	0.6	1.00	1.00	0.81	0.7	1.00	1.00	0.83	0.7	1.00	1.00	0.85	0.7	1.00	1.00	1.00	0.8												
	ΔT	29	27	24	20	29	27	24	20	29	27	24	21	29	27	24	20	28	27	23	20	29	28	25	21												
	kW	1.51	1.51	1.51	1.5	1.67	1.67	1.67	1.7	1.86	1.86	1.85	1.9	2.06	2.06	2.05	2.1	2.28	2.28	2.28	2.3	2.54	2.54	2.54	2.6												
	Amps	5.3	5.3	5.2	5.3	6.0	6.0	6.0	6.1	6.9	6.9	6.8	6.9	7.8	7.8	7.8	7.8	8.8	8.8	8.8	8.8	10.0	10.0	10.0	10.0												
	Hi PR	252	253	255	259.2	291	292	294	298.3	332	333	335	339.4	376	377	379	383.5	424	425	427	431.1	475	476	478	482.0												
	Lo PR	124	125	128	133.2	131	132	135	140.4	137	139	142	146.8	143	144	147	152.2	148	149	152	157.5	154	156	159	164.1												
	MBh	24.3	24.7	25.3	26.4	24.1	24.4	25.1	26.2	23.5	23.8	24.5	25.6	22.5	22.8	23.5	24.5	21.2	21.5	22.2	23.3	20.0	20.4	21.1	22.1												
	S/T	1.00	0.94	0.81	0.7	1.00	0.94	0.81	0.7	1.00	1.00	0.84	0.7	1.00	1.00	0.85	0.7	1.00	1.00	0.88	0.7	1.00	1.00	1.00	0.8												
	ΔT	28	26	23	20	28	26	23	20	28	26	23	20	28	26	23	20	28	26	23	19	29	27	24	20												
kW	1.52	1.51	1.51	1.52	1.68	1.68	1.68	1.69	1.86	1.86	1.86	1.87	2.06	2.06	2.06	2.07	2.29	2.29	2.28	2.29	2.55	2.55	2.54	2.56													
Amps	5.3	5.3	5.3	5.3	6.0	6.0	6.0	6.1	6.9	6.9	6.9	6.9	7.8	7.8	7.8	7.8	8.8	8.8	8.8	8.9	10.0	10.0	10.0	10.1													
Hi PR	254	255	257	260.9	293	294	296	300.0	334	335	337	341.1	378	379	381	385.2	426	427	429	432.8	477	478	479	483.6													
Lo PR	125	127	130	134.8	132	134	137	142.0	139	140	143	148.4	144	146	149	153.8	149	151	154	159.0	156	158	161	165.7													
MBh	24.8	25.1	25.8	26.9	24.6	24.9	25.6	26.7	24.0	24.3	25.0	26.1	22.9	23.3	24.0	25.0	21.7	22.0	22.7	23.7	20.5	20.8	21.5	22.6													
S/T	1.00	0.95	0.82	0.7	1.00	1.00	0.83	0.7	1.00	1.00	0.85	0.7	1.00	1.00	0.87	0.7	1.00	1.00	0.89	0.8	1.00	1.00	1.00	0.8													
ΔT	27	25	22	19	27	25	22	19	27	26	22	19	27	25	22	19	27	25	22	18	28	26	23	20													
kW	1.52	1.52	1.52	1.5	1.69	1.69	1.68	1.7	1.87	1.87	1.87	1.9	2.07	2.07	2.07	2.1	2.29	2.29	2.29	2.3	2.55	2.55	2.55	2.6													
Amps	5.3	5.3	5.3	5.4	6.1	6.1	6.1	6.1	6.9	6.9	6.9	7.0	7.8	7.8	7.8	7.9	8.9	8.8	8.8	8.9	10.0	10.0	10.0	10.1													
Hi PR	256	257	259	263.2	295	296	298	302.3	336	337	339	343.4	380	381	383	387.5	428	429	431	435.1	479	480	482	486.0													
Lo PR	128	129	132	137.2	135	136	139	144.4	141	143	146	150.8	147	148	151	156.2	152	153	156	161.5	158	160	163	168.1													

IDB: Entering Indoor Dry Bulb Temperature
 High and low pressures are measured at the liquid and suction service valves.
 Shaded area reflects AHRI conditions
 kW = Total system power
 Amps = outdoor unit amps (comp.+fan)

EXPANDED COOLING DATA — ASXH3N3010A*/CA*FA3626*6A* + EEP

IDB	Airflow	Outdoor Ambient Temperature																							
		65				75				85				95				105				115			
		59	63	67	71	59	63	67	71	59	63	67	71	59	63	67	71	59	63	67	71	59	63	67	71
70	MBh	28.5	28.9	29.7	-	28.2	28.6	29.5	-	27.5	27.9	28.7	-	26.2	26.6	27.4	-	24.6	25.0	25.9	-	23.2	23.6	24.4	-
	S/T	0.56	0.48	0.34	-	0.56	0.48	0.35	-	0.59	0.51	0.37	-	1.00	0.53	0.39	-	1.00	0.55	0.41	-	1.00	0.60	0.47	-
	ΔT	20	18	15	-	20	18	15	-	20	18	15	-	20	18	15	-	19	18	14	-	20	19	15	-
	kW	1.88	1.88	1.87	-	2.09	2.08	2.08	-	2.32	2.32	2.31	-	2.57	2.57	2.56	-	2.85	2.85	2.84	-	3.18	3.18	3.17	-
	Amps	6.5	6.5	6.5	-	7.5	7.5	7.5	-	8.5	8.5	8.5	-	9.7	9.7	9.7	-	11.0	11.0	10.9	-	12.5	12.5	12.5	-
	Hi PR	249	250	252	-	288	289	291	-	330	331	333	-	374	375	377	-	422	424	425	-	474	475	477	-
Lo PR	124	126	129	-	132	133	136	-	138	140	143	-	144	145	149	-	149	151	154	-	156	158	161	-	
1000	MBh	28.8	29.2	30.0	-	28.5	28.9	29.8	-	27.8	28.2	29.0	-	26.5	26.9	27.7	-	24.9	25.3	26.2	-	23.5	23.9	24.7	-
	S/T	0.63	0.55	0.42	-	0.64	0.56	0.42	-	0.66	0.59	0.45	-	1.00	0.61	0.47	-	1.00	0.63	0.49	-	1.00	0.68	0.54	-
	ΔT	19	17	14	-	18	17	14	-	19	17	14	-	18	17	13	-	18	17	13	-	19	18	14	-
	kW	1.89	1.89	1.88	-	2.10	2.09	2.09	-	2.33	2.33	2.32	-	2.58	2.58	2.57	-	2.86	2.86	2.86	-	3.19	3.19	3.18	-
	Amps	6.6	6.6	6.6	-	7.5	7.5	7.5	-	8.6	8.6	8.6	-	9.7	9.7	9.7	-	11.0	11.0	11.0	-	12.5	12.5	12.5	-
	Hi PR	251	252	254	-	290	292	293	-	332	333	335	-	376	378	379	-	425	426	427	-	476	477	479	-
Lo PR	126	127	130	-	133	135	138	-	140	141	145	-	145	147	150	-	151	153	156	-	158	159	163	-	
1105	MBh	29.1	29.5	30.3	-	28.8	29.2	30.1	-	28.1	28.5	29.3	-	26.8	27.2	28.0	-	25.2	25.6	26.5	-	23.8	24.2	25.0	-
	S/T	0.67	0.60	0.46	-	0.68	0.60	0.47	-	0.71	0.63	0.49	-	1.00	0.65	0.51	-	1.00	0.67	0.53	-	1.00	0.72	0.59	-
	ΔT	18	16	13	-	18	16	13	-	18	16	13	-	18	16	13	-	17	16	12	-	19	17	14	-
	kW	1.90	1.89	1.89	-	2.10	2.10	2.10	-	2.34	2.33	2.33	-	2.59	2.59	2.58	-	2.87	2.87	2.86	-	3.20	3.20	3.19	-
	Amps	6.6	6.6	6.6	-	7.6	7.6	7.5	-	8.6	8.6	8.6	-	9.8	9.8	9.8	-	11.1	11.1	11.0	-	12.6	12.6	12.5	-
	Hi PR	253	254	255	-	292	293	295	-	333	335	336	-	378	379	381	-	426	427	429	-	477	478	480	-
Lo PR	127	129	132	-	135	136	139	-	141	143	146	-	147	148	152	-	152	154	157	-	159	161	164	-	

75	MBh	28.5	28.9	29.8	31.1	28.2	28.6	29.5	30.8	27.5	27.9	28.7	30.1	26.2	26.6	27.5	28.8	24.6	25.0	25.9	27.2	23.2	23.6	24.4	25.8
	S/T	0.69	0.61	0.47	0.3	0.69	0.62	0.48	0.3	1.00	0.72	0.58	0.4	1.00	0.66	0.52	0.4	1.00	0.68	0.55	0.4	1.00	1.00	0.60	0.5
	ΔT	23	22	18	15	23	22	18	15	24	22	19	15	23	22	18	15	23	21	18	15	24	23	19	16
	kW	1.88	1.87	1.87	1.9	2.08	2.08	2.08	2.1	2.32	2.31	2.31	2.3	2.57	2.57	2.56	2.6	2.85	2.85	2.84	2.9	3.18	3.18	3.17	3.2
	Amps	6.5	6.5	6.5	6.6	7.5	7.5	7.4	7.5	8.5	8.5	8.5	8.6	9.7	9.7	9.7	9.7	11.0	11.0	10.9	11.0	12.5	12.5	12.4	12.5
	Hi PR	249	250	252	256.3	289	290	291	295.8	330	331	333	337.2	375	376	377	381.8	423	424	426	429.9	474	475	477	481.2
Lo PR	124	126	129	134.1	132	133	136	141.7	138	140	143	148.3	144	145	149	154.0	149	151	154	159.5	156	158	161	166.4	
1000	MBh	28.8	29.2	30.1	31.4	28.5	28.9	29.8	31.1	27.8	28.2	29.0	30.4	26.5	26.9	27.8	29.1	24.9	25.3	26.2	27.5	23.5	23.9	24.7	26.1
	S/T	0.76	0.68	0.55	0.4	1.00	0.69	0.55	0.4	1.00	0.72	0.58	0.4	1.00	0.74	0.60	0.5	1.00	0.76	0.62	0.5	1.00	1.00	0.67	0.5
	ΔT	22	21	17	14	22	21	17	14	23	21	18	14	22	21	17	14	22	20	17	14	23	21	18	15
	kW	1.89	1.89	1.88	1.90	2.10	2.09	2.09	2.11	2.33	2.33	2.32	2.34	2.58	2.58	2.57	2.59	2.86	2.86	2.85	2.87	3.19	3.19	3.18	3.20
	Amps	6.6	6.6	6.5	6.6	7.5	7.5	7.5	7.6	8.6	8.6	8.6	8.6	9.7	9.7	9.7	9.8	11.0	11.0	11.0	11.1	12.5	12.5	12.5	12.6
	Hi PR	251	252	254	258.4	291	292	294	297.9	332	333	335	339.3	377	378	380	383.9	425	426	428	431.9	476	477	479	483.2
Lo PR	126	127	130	135.7	133	135	138	143.3	140	141	145	149.9	146	147	150	155.6	151	153	156	161.1	158	160	163	168.0	
1105	MBh	29.1	29.5	30.3	31.7	28.8	29.2	30.1	31.4	28.1	28.5	29.3	30.6	26.8	27.2	28.1	29.4	25.2	25.6	26.5	27.8	23.8	24.2	25.0	26.3
	S/T	0.81	0.73	0.59	0.4	1.00	0.73	0.60	0.5	1.00	0.76	0.62	0.5	1.00	0.78	0.64	0.5	1.00	0.80	0.66	0.5	1.00	1.00	0.72	0.6
	ΔT	22	20	17	13	22	20	17	13	22	20	17	13	22	20	17	13	21	20	16	13	22	21	17	14
	kW	1.90	1.89	1.89	1.9	2.10	2.10	2.10	2.1	2.34	2.33	2.33	2.3	2.59	2.58	2.58	2.6	2.87	2.87	2.86	2.9	3.20	3.19	3.19	3.2
	Amps	6.6	6.6	6.6	6.7	7.6	7.5	7.5	7.6	8.6	8.6	8.6	8.7	9.8	9.8	9.7	9.8	11.1	11.0	11.0	11.1	12.6	12.6	12.5	12.6
	Hi PR	253	254	256	260.0	292	293	295	299.5	334	335	337	340.9	378	379	381	385.5	426	427	429	433.5	478	479	480	484.8
Lo PR	127	129	132	137.1	135	136	139	144.7	141	143	146	151.3	147	148	152	157.0	152	154	157	162.5	159	161	164	169.4	

IDB: Entering Indoor Dry Bulb Temperature
 High and low pressures are measured at the liquid and suction service valves.
 Shaded area reflects ACCA (TVA) conditions
 kW = Total system power
 Amps = outdoor unit amps (comp. + fan)

EXPANDED COOLING DATA — ASXH3N3010A*/CA*FA3626*6A* + EEP (CONT.)

IDB	Airflow	Outdoor Ambient Temperature												105												115																							
		65						75						85						95						105						115																	
		59	63	67	71	75	79	59	63	67	71	75	79	59	63	67	71	75	79	59	63	67	71	75	79	59	63	67	71	75	79	59	63	67	71	75	79												
80	MBh	28.6	29.0	29.9	31.2	28.4	28.8	29.6	31.0	27.6	28.0	28.9	30.2	26.3	26.7	27.6	28.9	24.8	25.2	26.0	27.3	23.3	23.7	24.6	25.9	28.6	29.0	29.9	31.2	28.4	28.8	29.6	31.0	27.6	28.0	28.9	30.2	26.3	26.7	27.6	28.9	24.8	25.2	26.0	27.3	23.3	23.7	24.6	25.9
	S/T	1.00	0.74	0.60	0.5	1.00	0.74	0.61	0.5	1.00	0.77	0.63	0.5	1.00	1.00	0.65	0.5	1.00	1.00	0.67	0.5	1.00	1.00	0.72	0.6	1.00	0.74	0.60	0.5	1.00	0.74	0.61	0.5	1.00	1.00	0.65	0.5	1.00	1.00	0.67	0.5	1.00	1.00	0.72	0.6				
	ΔT	27	26	22	19	27	26	22	19	27	26	23	19	27	26	22	19	27	25	22	19	28	26	23	20	27	26	22	19	27	26	22	19	27	25	22	19	28	26	23	20								
	kW	1.88	1.88	1.87	1.9	2.08	2.08	2.08	2.1	2.32	2.32	2.31	2.3	2.57	2.57	2.56	2.6	2.85	2.85	2.84	2.9	3.18	3.18	3.17	3.2	1.88	1.88	1.87	1.9	2.08	2.08	2.08	2.1	2.32	2.32	2.31	2.3	2.57	2.57	2.56	2.6	2.85	2.85	2.84	2.9	3.18	3.18	3.17	3.2
	Amps	6.5	6.5	6.5	6.6	7.5	7.5	7.4	7.5	8.5	8.5	8.5	8.6	9.7	9.7	9.7	9.7	11.0	11.0	11.0	11.0	12.5	12.5	12.5	12.6	6.5	6.5	6.5	6.6	7.5	7.5	7.4	7.5	8.5	8.5	8.5	8.6	9.7	9.7	9.7	9.7	11.0	11.0	11.0	11.0	12.5	12.5	12.5	12.6
	Hi PR	250	251	252	256.8	289	290	292	296.3	333	332	333	337.7	375	376	378	382.3	423	424	426	430.3	474	476	477	481.6	250	251	252	256.8	289	290	292	296.3	333	332	333	337.7	375	376	378	382.3	423	424	426	430.3	474	476	477	481.6
Lo PR	125	126	129	134.6	132	134	137	142.2	139	140	144	148.9	144	146	149	154.5	150	152	155	160.1	157	158	162	167.0	125	126	129	134.6	132	134	137	142.2	139	140	144	148.9	144	146	149	154.5	150	152	155	160.1	157	158	162	167.0	
1000	MBh	28.9	29.3	30.2	31.5	28.7	29.1	29.9	31.3	27.9	28.3	29.2	30.5	26.6	27.1	27.9	29.2	25.1	25.5	26.3	27.6	23.6	24.0	24.9	26.2	28.9	29.3	30.2	31.5	28.7	29.1	29.9	31.3	27.9	28.3	29.2	30.5	26.6	27.1	27.9	29.2	25.1	25.5	26.3	27.6	23.6	24.0	24.9	26.2
	S/T	1.00	0.81	0.67	0.5	1.00	0.82	0.68	0.5	1.00	0.84	0.71	0.6	1.00	1.00	0.73	0.6	1.00	1.00	0.75	0.6	1.00	1.00	0.80	0.7	1.00	0.81	0.67	0.5	1.00	0.82	0.68	0.5	1.00	0.84	0.71	0.6	1.00	1.00	0.73	0.6	1.00	1.00	0.75	0.6	1.00	1.00	0.80	0.7
	ΔT	26	24	21	18	26	24	21	18	26	25	21	18	26	24	21	18	26	24	21	18	27	25	22	19	26	24	21	18	26	24	21	18	26	24	21	18	26	24	21	18	27	25	22	19				
	kW	1.89	1.89	1.88	1.90	2.10	2.09	2.09	2.11	2.33	2.33	2.32	2.34	2.58	2.58	2.57	2.59	2.86	2.86	2.86	2.87	3.19	3.19	3.18	3.20	1.89	1.89	1.88	1.90	2.10	2.09	2.09	2.11	2.33	2.33	2.32	2.34	2.58	2.58	2.57	2.59	2.86	2.86	2.86	2.87	3.19	3.19	3.18	3.20
	Amps	6.6	6.6	6.6	6.6	7.5	7.5	7.5	7.6	8.6	8.6	8.6	8.6	9.7	9.7	9.7	9.7	11.0	11.0	11.0	11.1	12.5	12.5	12.5	12.6	6.6	6.6	6.6	6.6	7.5	7.5	7.5	7.6	8.6	8.6	8.6	8.6	9.7	9.7	9.7	9.7	11.0	11.0	11.0	11.1	12.5	12.5	12.5	12.6
	Hi PR	252	253	254	258.8	291	292	294	298.4	333	334	335	339.8	377	378	380	384.3	425	426	428	432.4	476	478	479	483.7	252	253	254	258.8	291	292	294	298.4	333	334	335	339.8	377	378	380	384.3	425	426	428	432.4	476	478	479	483.7
Lo PR	126	128	131	136.2	134	135	138	143.8	140	142	145	150.5	146	148	151	156.1	152	153	156	161.7	159	160	163	168.6	126	128	131	136.2	134	135	138	143.8	140	142	145	150.5	146	148	151	156.1	152	153	156	161.7	159	160	163	168.6	
1105	MBh	29.2	29.6	30.5	31.8	29.0	29.4	30.2	31.5	28.2	28.6	29.5	30.8	26.9	27.3	28.2	29.5	25.4	25.8	26.6	27.9	23.9	24.3	25.2	26.5	29.2	29.6	30.5	31.8	29.0	29.4	30.2	31.5	28.2	28.6	29.5	30.8	26.9	27.3	28.2	29.5	25.4	25.8	26.6	27.9	23.9	24.3	25.2	26.5
	S/T	1.00	0.86	0.72	0.6	1.00	0.86	0.72	0.6	1.00	0.89	0.75	0.6	1.00	1.00	0.77	0.6	1.00	1.00	0.79	0.6	1.00	1.00	0.84	0.7	1.00	0.86	0.72	0.6	1.00	0.86	0.72	0.6	1.00	0.89	0.75	0.6	1.00	1.00	0.77	0.6	1.00	1.00	0.79	0.6	1.00	1.00	0.84	0.7
	ΔT	25	24	20	17	25	24	20	17	26	24	21	17	25	24	20	17	25	23	20	17	26	24	21	18	25	24	20	17	25	24	20	17	26	24	21	17	25	23	20	17	26	24	21	18	27	25	22	19
	kW	1.90	1.89	1.89	1.9	2.10	2.10	2.10	2.1	2.34	2.33	2.33	2.3	2.59	2.59	2.58	2.58	2.87	2.87	2.86	2.9	3.20	3.20	3.19	3.2	1.90	1.89	1.89	1.9	2.10	2.10	2.10	2.1	2.34	2.33	2.33	2.3	2.59	2.59	2.58	2.58	2.87	2.87	2.86	2.9	3.20	3.20	3.19	3.2
	Amps	6.6	6.6	6.6	6.7	7.6	7.6	7.5	7.6	8.6	8.6	8.6	8.7	9.8	9.8	9.8	9.8	11.1	11.1	11.0	11.1	12.6	12.6	12.5	12.6	6.6	6.6	6.6	6.7	7.6	7.6	7.5	7.6	8.6	8.6	8.6	8.7	9.8	9.8	9.8	9.8	11.1	11.1	11.0	11.1	12.6	12.6	12.5	12.6
	Hi PR	253	254	256	260.5	293	294	296	300.0	334	335	337	341.4	379	380	382	385.9	427	428	430	434.0	478	479	481	485.3	253	254	256	260.5	293	294	296	300.0	334	335	337	341.4	379	380	382	385.9	427	428	430	434.0	478	479	481	485.3
Lo PR	128	129	132	137.6	135	137	140	145.2	142	143	147	151.9	147	149	152	157.5	153	155	158	163.1	160	161	165	170.0	128	129	132	137.6	135	137	140	145.2	142	143	147	151.9	147	149	152	157.5	153	155	158	163.1	160	161	165	170.0	

IDB	Airflow	Outdoor Ambient Temperature												105												115																							
		65						75						85						95						105						115																	
		59	63	67	71	75	79	59	63	67	71	75	79	59	63	67	71	75	79	59	63	67	71	75	79	59	63	67	71	75	79	59	63	67	71	75	79												
875	MBh	29.1	29.5	30.4	31.7	28.9	29.3	30.1	31.4	28.1	28.5	29.4	30.7	26.8	27.2	28.1	29.4	25.3	25.7	26.5	27.8	23.8	24.2	25.1	26.4	29.1	29.5	30.4	31.7	28.9	29.3	30.1	31.4	28.1	28.5	29.4	30.7	26.8	27.2	28.1	29.4	25.3	25.7	26.5	27.8	23.8	24.2	25.1	26.4
	S/T	1.00	0.84	0.70	0.6	1.00	1.00	0.71	0.6	1.00	1.00	0.73	0.6	1.00	1.00	0.75	0.6	1.00	1.00	0.78	0.6	1.00	1.00	0.77	0.6	1.00	0.84	0.70	0.6	1.00	1.00	0.71	0.6	1.00	1.00	0.73	0.6	1.00	1.00	0.75	0.6	1.00	1.00	0.77	0.6				
	ΔT	31	29	26	22	31	29	26	22	31	29	26	23	31	29	26	22	31	29	25	22	32	30	27	23	31	29	26	22	31	29	26	22	31	29	26	23	31	29	25	22	32	30	27	23				
	kW	1.88	1.88	1.88	1.9	2.09	2.09	2.08	2.1	2.32	2.32	2.32	2.3	2.57	2.57	2.57	2.6	2.85	2.85	2.85	2.9	3.18	3.18	3.18	3.2	1.88	1.88	1.88	1.9	2.09	2.09	2.08	2.1	2.32	2.32	2.32	2.3	2.57	2.57	2.57	2.6	2.85	2.85	2.85	2.9	3.18	3.18	3.18	3.2
	Amps	6.5	6.5	6.5	6.6	7.5	7.5	7.5	7.5	8.6	8.5	8.5	8.6	9.7	9.7	9.7	9.7	11.0	11.0	11.0	11.0	12.5	12.5	12.5	12.5	6.5	6.5	6.5	6.6	7.5	7.5	7.5	7.5	8.6	8.5	8.5	8.6	9.7	9.7	9.7	9.7	11.0	11.0	11.0	11.0	12.5	12.5	12.5	12.5
	Hi PR	251	252	254	258.0	290	291	293	297.5	332	333	335	338.9	376	377	379	383.5	424	425	427	431.5	476	477	478	482.8	251	252	254	258.0	290	291	293	297.5	332	333	335	338.9	376	377	379	383.5	424	425	427	431.5	476	477	478	482.8
Lo PR	126	128	131	136.5	134	136	139	144.1	141	142	145	150.8	146	148	151	156.4	152	153																															

EXPANDED COOLING DATA — ASXH3N3610A*/CA*FA4226*6A* + EEP

IDB	AIRFLOW	OUTDOOR AMBIENT TEMPERATURE																							
		65				75				85				95				105				115			
		59	63	67	71	59	63	67	71	59	63	67	71	59	63	67	71	59	63	67	71	59	63	67	71
70	MBh	34.6	35.1	36.2	-	34.3	34.8	35.9	-	33.4	33.9	34.9	-	31.9	32.3	33.4	-	29.9	30.4	31.5	-	28.2	28.7	29.7	-
	S/T	0.58	0.50	0.36	-	0.58	0.51	0.37	-	0.61	0.53	0.40	-	0.63	0.55	0.42	-	1.00	0.57	0.44	-	1.00	0.63	0.49	-
	ΔT	21	19	16	-	21	19	16	-	21	19	16	-	21	19	16	-	21	19	15	-	22	20	17	-
	kW	2.21	2.21	2.21	-	2.47	2.47	2.46	-	2.75	2.75	2.75	-	3.06	3.06	3.06	-	3.41	3.41	3.40	-	3.82	3.81	3.81	-
	Amps	7.9	7.9	7.8	-	9.0	9.0	9.0	-	10.3	10.3	10.3	-	11.8	11.8	11.7	-	13.3	13.3	13.3	-	15.2	15.2	15.2	-
	Hi PR	256	257	259	-	296	297	299	-	339	340	341	-	384	385	387	-	433	435	436	-	486	487	489	-
	Lo PR	121	123	126	-	129	130	133	-	135	137	140	-	141	142	145	-	146	148	151	-	153	155	158	-
	MBh	35.3	35.7	36.8	-	34.9	35.4	36.5	-	34.0	34.5	35.6	-	32.5	33.0	34.0	-	30.6	31.0	32.1	-	28.8	29.3	30.3	-
	S/T	0.67	0.59	0.46	-	0.67	0.60	0.46	-	0.70	0.62	0.49	-	1.00	0.64	0.51	-	1.00	0.67	0.53	-	1.00	0.72	0.58	-
	ΔT	19	18	14	-	19	17	14	-	20	18	14	-	19	17	14	-	19	17	14	-	20	18	15	-
kW	2.23	2.23	2.23	-	2.49	2.49	2.48	-	2.77	2.77	2.77	-	3.08	3.08	3.08	-	3.43	3.43	3.42	-	3.83	3.83	3.83	-	
Amps	8.0	7.9	7.9	-	9.1	9.1	9.1	-	10.4	10.4	10.4	-	11.9	11.8	11.8	-	13.4	13.4	13.4	-	15.3	15.3	15.3	-	
Hi PR	259	260	262	-	299	300	302	-	342	343	345	-	387	388	390	-	437	438	439	-	489	490	492	-	
Lo PR	124	125	129	-	131	133	136	-	138	139	142	-	143	145	148	-	149	150	153	-	155	157	160	-	
MBh	35.5	36.0	37.0	-	35.2	35.7	36.7	-	34.3	34.8	35.8	-	32.7	33.2	34.3	-	30.8	31.3	32.4	-	29.1	29.6	30.6	-	
S/T	0.69	0.61	0.48	-	0.69	0.62	0.48	-	0.72	0.64	0.51	-	1.00	0.66	0.53	-	1.00	0.69	0.55	-	1.00	0.74	0.60	-	
ΔT	19	17	13	-	19	17	13	-	19	17	14	-	19	17	13	-	19	17	13	-	20	18	14	-	
kW	2.24	2.24	2.23	-	2.49	2.49	2.49	-	2.78	2.78	2.77	-	3.09	3.09	3.08	-	3.43	3.43	3.43	-	3.84	3.84	3.83	-	
Amps	8.0	8.0	8.0	-	9.2	9.1	9.1	-	10.5	10.5	10.4	-	11.9	11.9	11.8	-	13.5	13.5	13.4	-	15.3	15.3	15.3	-	
Hi PR	260	261	263	-	300	301	303	-	343	344	346	-	388	389	391	-	438	439	440	-	490	491	493	-	
Lo PR	125	126	129	-	132	134	137	-	139	140	143	-	144	146	149	-	150	151	154	-	156	158	161	-	

75	MBh	34.7	35.2	36.2	37.8	34.3	34.8	35.9	37.5	33.4	33.9	35.0	36.6	31.9	32.4	33.4	35.0	30.0	30.5	31.5	33.1	28.2	28.7	29.8	31.3
	S/T	0.71	0.63	0.49	0.4	0.71	0.64	0.50	0.4	1.00	0.66	0.53	0.4	1.00	0.68	0.54	0.4	1.00	0.70	0.57	0.4	1.00	0.75	0.62	0.5
	ΔT	25	23	20	16	25	23	20	16	26	24	20	16	25	23	20	16	25	23	20	16	26	24	21	17
	kW	2.21	2.21	2.20	2.2	2.47	2.47	2.46	2.5	2.75	2.75	2.75	2.8	3.06	3.06	3.06	3.1	3.41	3.41	3.40	3.4	3.81	3.81	3.81	3.8
	Amps	7.9	7.9	7.8	7.9	9.0	9.0	9.0	9.1	10.3	10.3	10.3	10.4	11.8	11.7	11.7	11.8	13.3	13.3	13.3	13.4	15.2	15.2	15.2	15.3
	Hi PR	256	257	259	263.3	296	297	299	303.7	339	340	342	346.2	384	386	387	391.8	434	435	437	441.1	486	487	489	493.6
	Lo PR	121	123	126	131.3	129	130	134	138.7	135	137	140	145.2	141	142	146	150.7	146	148	151	156.1	153	155	158	162.9
	MBh	35.3	35.8	36.8	38.4	35.0	35.5	36.5	38.1	34.1	34.5	35.6	37.2	32.5	33.0	34.0	35.6	30.6	31.1	32.1	33.7	28.8	29.3	30.4	32.0
	S/T	0.80	0.72	0.59	0.4	0.80	0.73	0.59	0.4	1.00	0.75	0.62	0.5	1.00	0.77	0.64	0.5	1.00	0.79	0.66	0.5	1.00	1.00	0.71	0.6
	ΔT	24	22	18	14	24	22	18	14	24	22	18	15	24	22	18	14	23	21	18	14	24	23	19	15
kW	2.23	2.23	2.22	2.24	2.49	2.48	2.48	2.50	2.77	2.77	2.77	2.79	3.08	3.08	3.08	3.09	3.43	3.43	3.42	3.44	3.83	3.83	3.83	3.85	
Amps	7.9	7.9	7.9	8.0	9.1	9.1	9.1	9.2	10.4	10.4	10.4	10.5	11.8	11.8	11.8	11.9	13.4	13.4	13.4	13.5	15.3	15.3	15.3	15.3	
Hi PR	259	260	262	266.3	299	301	302	306.8	342	343	345	349.2	388	389	390	394.9	437	438	440	444.1	489	490	492	496.7	
Lo PR	124	125	129	133.7	131	133	136	141.2	138	139	142	147.7	143	145	148	153.2	149	150	153	158.6	156	157	160	165.3	
MBh	35.5	36.0	37.1	38.7	35.2	35.7	36.8	38.3	34.3	34.8	35.8	37.4	32.8	33.2	34.3	35.9	30.8	31.3	32.4	34.0	29.1	29.6	30.6	32.2	
S/T	0.82	0.74	0.61	0.5	0.82	0.75	0.61	0.5	1.00	0.77	0.64	0.5	1.00	0.79	0.66	0.5	1.00	0.81	0.68	0.5	1.00	1.00	0.73	0.6	
ΔT	23	21	18	14	23	21	18	14	23	21	18	14	23	21	18	14	23	21	17	14	24	22	19	15	
kW	2.24	2.23	2.23	2.2	2.49	2.49	2.49	2.5	2.78	2.78	2.77	2.8	3.09	3.09	3.08	3.1	3.43	3.43	3.43	3.4	3.84	3.84	3.83	3.9	
Amps	8.0	8.0	7.9	8.0	9.1	9.1	9.1	9.2	10.5	10.4	10.4	10.5	11.9	11.9	11.8	11.9	13.5	13.4	13.4	13.5	15.3	15.3	15.3	15.4	
Hi PR	260	261	263	267.4	300	302	303	307.9	343	344	346	350.3	389	390	391	396.0	438	439	441	445.2	490	491	493	497.7	
Lo PR	125	126	130	134.7	132	134	137	142.1	139	140	143	148.6	144	146	149	154.1	150	151	154	159.5	156	158	161	166.3	

IDB: Entering Indoor Dry Bulb Temperature
 High and low pressures are measured at the liquid and suction service valves.
 Shaded area reflects ACCA (TVA) conditions
 kW = Total system power
 Amps = outdoor unit amps (comp.+fan)

EXPANDED COOLING DATA — ASXH3N3610A*/CA*FA4226*6A* + EEP (CONT.)

IDB		OUTDOOR AMBIENT TEMPERATURE												105												115											
		65						75						85						95						105						115					
		AIRFLOW		59	63	67	71	59	63	67	71	59	63	67	71	59	63	67	71	59	63	67	71	59	63	67	71	59	63	67	71						
80	MBh	34.8	35.3	36.4	38.0	34.5	35.0	36.1	37.6	33.6	34.1	35.1	36.7	32.1	32.5	33.6	35.2	30.1	30.6	31.7	33.3	28.4	28.9	29.9	31.5												
	S/T	0.83	0.76	0.62	0.5	1.00	0.76	0.63	0.5	1.00	0.79	0.65	0.5	1.00	0.81	0.67	0.5	1.00	1.00	0.69	0.5	1.00	1.00	0.74	0.6												
	ΔT	30	28	24	20	29	28	24	20	30	28	24	21	29	28	24	20	29	27	24	20	30	28	25	21												
	kW	2.21	2.21	2.21	2.2	2.47	2.47	2.46	2.5	2.75	2.75	2.75	2.8	3.06	3.06	3.06	3.1	3.41	3.41	3.40	3.4	3.81	3.81	3.81	3.8												
	Amps	7.9	7.9	7.8	7.9	9.0	9.0	9.0	9.1	10.3	10.3	10.3	10.4	11.8	11.8	11.7	11.8	13.3	13.3	13.3	13.4	15.2	15.2	15.2	15.3												
	Hi PR	256	257	259	263.7	297	298	300	304.2	339	340	342	346.6	385	386	388	392.3	434	435	437	441.5	487	488	490	494.1												
	Lo PR	122	124	127	131.8	129	131	134	139.2	136	137	141	145.7	141	143	146	151.2	147	148	151	156.6	154	155	158	163.4												
	MBh	35.5	35.9	37.0	38.6	35.1	35.6	36.7	38.3	34.2	34.7	35.8	37.4	32.7	33.2	34.2	35.8	30.8	31.2	32.3	33.9	29.0	29.5	30.5	32.1												
	S/T	1.00	0.85	0.71	0.6	1.00	0.85	0.72	0.6	1.00	0.88	0.74	0.6	1.00	1.00	0.76	0.6	1.00	1.00	0.78	0.6	1.00	1.00	0.84	0.7												
	ΔT	28	26	22	19	28	26	22	19	28	26	23	19	28	26	22	19	28	26	22	18	29	27	23	20												
kW	2.23	2.23	2.23	2.25	2.49	2.49	2.48	2.50	2.77	2.77	2.77	2.79	3.08	3.08	3.08	3.10	3.43	3.43	3.42	3.44	3.83	3.83	3.83	3.85													
Amps	8.0	7.9	7.9	8.0	9.1	9.1	9.1	9.2	10.4	10.4	10.4	10.5	11.8	11.8	11.8	11.9	13.4	13.4	13.4	13.5	15.3	15.3	15.3	15.3													
Hi PR	259	261	262	266.8	300	301	303	307.3	342	343	345	349.7	388	389	391	395.4	437	438	440	444.6	490	491	493	497.1													
Lo PR	124	126	129	134.3	132	133	137	141.7	138	140	143	148.2	144	145	149	153.7	149	151	154	159.1	156	158	161	165.9													
MBh	35.7	36.2	37.2	38.8	35.4	35.9	36.9	38.5	34.5	35.0	36.0	37.6	32.9	33.4	34.5	36.1	31.0	31.5	32.6	34.1	29.3	29.8	30.8	32.4													
S/T	1.00	0.87	0.73	0.6	1.00	0.87	0.74	0.6	1.00	0.90	0.76	0.6	1.00	1.00	0.78	0.6	1.00	1.00	0.80	0.7	1.00	1.00	0.86	0.7													
ΔT	27	25	22	18	27	25	22	18	28	26	22	18	27	25	22	18	27	25	22	18	28	26	23	19													
kW	2.24	2.24	2.23	2.3	2.49	2.49	2.49	2.5	2.78	2.78	2.77	2.8	3.09	3.09	3.08	3.1	3.43	3.43	3.43	3.4	3.84	3.84	3.83	3.9													
Amps	8.0	8.0	8.0	8.0	9.2	9.1	9.1	9.2	10.5	10.5	10.4	10.5	11.9	11.9	11.8	11.9	13.5	13.4	13.4	13.5	15.3	15.3	15.3	15.4													
Hi PR	260	262	263	267.9	301	302	304	308.4	343	344	346	350.8	389	390	392	396.4	438	439	441	445.7	491	492	494	498.2													
Lo PR	125	127	130	135.2	133	134	137	142.7	139	141	144	149.2	145	146	149	154.7	150	152	155	160.1	157	159	162	166.8													

85	MBh	35.4	35.9	37.0	38.5	35.1	35.6	36.6	38.2	34.2	34.7	35.7	37.3	32.6	33.1	34.2	35.8	30.7	31.2	32.3	33.9	29.0	29.5	30.5	32.1
	S/T	1.00	0.86	0.72	0.6	1.00	0.86	0.73	0.6	1.00	1.00	0.75	0.6	1.00	1.00	0.77	0.6	1.00	1.00	0.79	0.7	1.00	1.00	1.00	0.7
	ΔT	33	31	28	24	33	31	28	24	33	32	28	24	33	31	28	24	33	31	27	24	34	32	29	25
	kW	2.22	2.22	2.21	2.2	2.47	2.47	2.47	2.5	2.76	2.76	2.75	2.8	3.07	3.07	3.06	3.1	3.41	3.41	3.41	3.4	3.82	3.82	3.81	3.8
	Amps	7.9	7.9	7.9	7.9	9.1	9.1	9.1	9.1	10.4	10.4	10.3	10.4	11.8	11.8	11.8	11.8	13.4	13.4	13.4	13.4	15.2	15.2	15.2	15.3
	Hi PR	258	259	260	264.9	298	299	301	305.4	340	342	343	347.8	386	387	389	393.5	435	436	438	442.7	488	489	491	495.3
	Lo PR	124	125	128	133.6	131	133	136	141.1	138	139	142	147.6	143	145	148	153.1	149	150	153	158.5	155	157	160	165.2
	MBh	36.0	36.5	37.6	39.2	35.7	36.2	37.3	38.8	34.8	35.3	36.3	37.9	33.3	33.7	34.8	36.4	31.3	31.8	32.9	34.5	29.6	30.1	31.1	32.7
	S/T	1.00	0.95	0.81	0.7	1.00	0.96	0.82	0.7	1.00	1.00	0.84	0.7	1.00	1.00	0.86	0.7	1.00	1.00	0.89	0.7	1.00	1.00	1.00	0.8
	ΔT	32	30	26	22	32	30	26	22	32	30	26	23	32	30	26	22	31	29	26	22	32	31	27	23
kW	2.24	2.23	2.23	2.25	2.49	2.49	2.49	2.51	2.78	2.78	2.77	2.79	3.09	3.09	3.08	3.10	3.43	3.43	3.43	3.45	3.84	3.84	3.83	3.85	
Amps	8.0	8.0	7.9	8.0	9.1	9.1	9.1	9.2	10.5	10.4	10.4	10.5	11.9	11.9	11.8	11.9	13.5	13.4	13.4	13.5	15.3	15.3	15.3	15.4	
Hi PR	261	262	264	268.0	301	302	304	308.5	344	345	346	350.9	389	390	392	396.6	438	440	441	445.8	491	492	494	498.3	
Lo PR	126	128	131	136.1	134	135	138	143.5	140	142	145	150.0	146	147	150	155.5	151	153	156	160.9	158	159	162	167.7	
MBh	36.3	36.8	37.8	39.4	36.0	36.5	37.5	39.1	35.1	35.6	36.6	38.2	33.5	34.0	35.1	36.6	31.6	32.1	33.1	34.7	29.9	30.4	31.4	33.0	
S/T	1.00	0.97	0.83	0.7	1.00	1.00	0.84	0.7	1.00	1.00	0.86	0.7	1.00	1.00	0.88	0.7	1.00	1.00	0.91	0.8	1.00	1.00	1.00	0.8	
ΔT	31	29	26	22	31	29	26	22	31	29	26	22	31	29	26	22	31	29	25	22	32	30	26	23	
kW	2.24	2.24	2.24	2.3	2.50	2.50	2.49	2.5	2.78	2.78	2.78	2.8	3.09	3.09	3.09	3.1	3.44	3.44	3.43	3.5	3.84	3.84	3.84	3.9	
Amps	8.0	8.0	8.0	8.1	9.2	9.2	9.1	9.2	10.5	10.5	10.5	10.5	11.9	11.9	11.9	12.0	13.5	13.5	13.5	13.5	15.3	15.3	15.3	15.4	
Hi PR	262	263	265	269.1	302	303	305	309.6	345	346	347	352.0	390	391	393	397.6	439	441	442	446.9	492	493	495	499.4	
Lo PR	127	129	132	137.1	135	136	139	144.5	141	143	146	151.0	147	148	151	156.5	152	154	157	161.9	159	160	163	168.7	

IDB: Entering Indoor Dry Bulb Temperature
 High and low pressures are measured at the liquid and suction service valves.
 Shaded area reflects AHRI conditions
 kW = Total system power
 Amps = outdoor unit amps (comp.+fan)

EXPANDED COOLING DATA — ASXH3N4210A*/CA*F4961*6A* + EEP

IDB	AIRFLOW	OUTDOOR AMBIENT TEMPERATURE												ENTERING INDOOR WET BULB TEMPERATURE											
		65				75				85				95				105				115			
		59	63	67	71	59	63	67	71	59	63	67	71	59	63	67	71	59	63	67	71	59	63	67	71
70	MBh	40.1	40.6	41.8	-	39.7	40.3	41.5	-	38.6	39.2	40.4	-	36.8	37.4	38.6	-	34.6	35.2	36.4	-	32.6	33.2	34.4	-
	S/T	0.58	0.50	0.37	-	0.58	0.51	0.37	-	0.61	0.53	0.40	-	0.63	0.55	0.42	-	1.00	0.57	0.44	-	1.00	0.62	0.49	-
	ΔT	21	19	16	-	21	19	15	-	21	19	16	-	21	19	15	-	21	19	15	-	22	20	16	-
	KW	2.55	2.55	2.54	-	2.85	2.84	2.84	-	3.18	3.18	3.17	-	3.54	3.54	3.53	-	3.94	3.94	3.94	-	4.42	4.42	4.41	-
	Amps	9.1	9.0	9.0	-	10.4	10.4	10.4	-	12.0	11.9	11.9	-	13.6	13.6	13.6	-	15.5	15.4	15.4	-	17.6	17.6	17.6	-
	Hi/PR	264	266	267	-	306	307	309	-	350	351	353	-	397	398	400	-	448	449	451	-	502	504	505	-
Lo/PR	122	123	126	-	129	131	134	-	136	137	140	-	141	143	146	-	146	148	151	-	153	155	158	-	
1225	MBh	40.7	41.3	42.5	-	40.4	40.9	42.1	-	39.3	39.9	41.1	-	37.5	38.1	39.3	-	35.3	35.9	37.1	-	33.3	33.8	35.0	-
	S/T	0.66	0.58	0.45	-	0.66	0.59	0.45	-	0.69	0.61	0.48	-	1.00	0.63	0.50	-	1.00	0.65	0.52	-	1.00	0.70	0.57	-
	ΔT	19	18	14	-	19	17	14	-	20	18	14	-	19	17	14	-	19	17	14	-	20	18	15	-
	KW	2.57	2.57	2.56	-	2.87	2.86	2.86	-	3.20	3.20	3.19	-	3.56	3.56	3.55	-	3.96	3.96	3.96	-	4.44	4.44	4.43	-
	Amps	9.2	9.1	9.1	-	10.5	10.5	10.5	-	12.0	12.0	12.0	-	13.7	13.7	13.7	-	15.5	15.5	15.5	-	17.7	17.7	17.7	-
	Hi/PR	267	269	270	-	309	310	312	-	353	354	356	-	400	401	403	-	451	452	454	-	505	507	508	-
Lo/PR	124	125	129	-	131	133	136	-	138	139	142	-	143	145	148	-	149	150	153	-	156	157	160	-	
1575	MBh	41.1	41.7	42.9	-	40.7	41.3	42.5	-	39.7	40.3	41.5	-	37.9	38.5	39.7	-	35.7	36.2	37.4	-	33.7	34.2	35.4	-
	S/T	0.68	0.61	0.47	-	0.69	0.61	0.48	-	0.71	0.64	0.50	-	1.00	0.66	0.52	-	1.00	0.68	0.54	-	1.00	0.73	0.59	-
	ΔT	19	17	13	-	19	17	13	-	19	17	14	-	19	17	13	-	18	17	13	-	20	18	14	-
	KW	2.58	2.57	2.57	-	2.88	2.87	2.87	-	3.21	3.21	3.20	-	3.57	3.57	3.56	-	3.97	3.97	3.97	-	4.45	4.44	4.44	-
	Amps	9.2	9.2	9.2	-	10.6	10.5	10.5	-	12.1	12.1	12.1	-	13.7	13.7	13.7	-	15.6	15.6	15.5	-	17.7	17.7	17.7	-
	Hi/PR	269	270	272	-	311	312	314	-	354	356	357	-	402	403	405	-	452	454	455	-	507	508	510	-
Lo/PR	125	127	130	-	133	134	137	-	139	141	144	-	145	146	149	-	150	151	155	-	157	158	161	-	

75	MBh	40.1	40.6	41.8	43.7	39.7	40.3	41.5	43.3	38.7	39.2	40.4	42.3	36.9	37.4	38.6	40.5	34.7	35.2	36.4	38.3	32.6	33.2	34.4	36.2
	S/T	0.70	0.63	0.49	0.4	0.71	0.63	0.50	0.4	1.00	0.66	0.52	0.4	1.00	0.68	0.54	0.4	1.00	0.70	0.57	0.4	1.00	1.00	0.62	0.5
	ΔT	25	23	20	16	25	23	20	16	25	23	20	16	25	23	20	16	25	23	19	16	26	24	21	17
	KW	2.55	2.54	2.54	2.6	2.84	2.84	2.84	2.9	3.18	3.18	3.17	3.2	3.54	3.54	3.53	3.6	3.94	3.94	3.93	4.0	4.42	4.41	4.41	4.4
	Amps	9.0	9.0	9.0	9.1	10.4	10.4	10.4	10.5	11.9	11.9	11.9	12.0	13.6	13.6	13.6	13.7	15.4	15.4	15.4	15.5	17.6	17.6	17.6	17.7
	Hi/PR	265	266	268	272.3	306	308	310	314.1	350	351	353	358.0	398	399	401	405.1	448	450	451	456.0	503	504	506	510.3
Lo/PR	122	123	126	131.5	129	131	134	138.9	136	137	140	145.4	141	143	146	150.9	146	148	151	156.3	153	155	158	163.1	
1225	MBh	40.7	41.3	42.5	44.3	40.4	40.9	42.1	44.0	39.3	39.9	41.1	42.9	37.5	38.1	39.3	41.1	35.3	35.9	37.1	38.9	33.3	33.9	35.1	36.9
	S/T	0.78	0.71	0.58	0.4	0.79	0.72	0.58	0.4	1.00	0.74	0.61	0.5	1.00	0.76	0.63	0.5	1.00	0.78	0.65	0.5	1.00	1.00	0.70	0.6
	ΔT	24	22	18	14	24	22	18	14	24	22	18	15	24	22	18	14	23	21	18	14	25	23	19	15
	KW	2.57	2.56	2.56	2.58	2.87	2.86	2.86	2.88	3.20	3.20	3.19	3.21	3.56	3.56	3.55	3.58	3.96	3.96	3.96	3.98	4.44	4.43	4.43	4.45
	Amps	9.1	9.1	9.1	9.2	10.5	10.5	10.5	10.6	12.0	12.0	12.0	12.1	13.7	13.7	13.7	13.8	15.5	15.5	15.5	15.6	17.7	17.7	17.7	17.8
	Hi/PR	268	269	271	275.2	309	311	312	317.1	353	354	356	360.9	400	402	403	408.1	451	452	454	459.0	506	507	509	513.3
Lo/PR	124	125	129	133.8	131	133	136	141.2	138	139	143	147.7	143	145	148	153.2	149	150	153	158.6	156	157	160	165.4	
1460	MBh	41.1	41.7	42.9	44.7	40.8	41.3	42.5	44.4	39.7	40.3	41.5	43.3	37.9	38.5	39.7	41.5	35.7	36.3	37.5	39.3	33.7	34.3	35.5	37.3
	S/T	0.81	0.73	0.60	0.5	0.81	0.74	0.61	0.5	1.00	0.76	0.63	0.5	1.00	0.78	0.65	0.5	1.00	0.81	0.67	0.5	1.00	1.00	0.72	0.6
	ΔT	23	21	18	14	23	21	17	14	23	21	18	14	23	21	17	14	23	21	17	14	24	22	18	15
	KW	2.57	2.57	2.57	2.6	2.87	2.87	2.87	2.9	3.21	3.20	3.20	3.2	3.57	3.57	3.56	3.6	3.97	3.97	3.97	3.96	4.44	4.44	4.44	4.5
	Amps	9.2	9.2	9.1	9.3	10.6	10.5	10.5	10.6	12.1	12.1	12.0	12.1	13.7	13.7	13.7	13.8	15.6	15.6	15.5	15.6	17.7	17.7	17.7	17.8
	Hi/PR	269	270	272	276.6	311	312	314	318.4	355	356	358	362.3	402	402	403	409.5	453	454	456	460.3	507	508	510	514.6
Lo/PR	125	127	130	135.0	133	134	137	142.4	139	141	144	148.9	145	146	149	154.4	150	152	155	159.8	157	158	161	166.6	

IDB: Entering Indoor Dry Bulb Temperature
 High and low pressures are measured at the liquid and suction service valves.
 Shaded area reflects ACCA (TVA) conditions
 kW = Total system power
 Amps = outdoor unit amps (comp.+fan)

EXPANDED COOLING DATA — ASXH3N4210A*/CA*F4961*6A* + EEP (CONT.)

IDB		OUTDOOR AMBIENT TEMPERATURE												105												115											
		65				75				85				95				105				115															
		AIREFLOW			59	63	67	71	75			59	63	67	71	95			59	63	67	71	105			59	63	67	71								
80	1225	MBh	40.3	40.9	42.1	43.9	39.9	40.5	41.7	43.5	38.9	39.4	40.6	42.5	37.1	37.6	38.8	40.7	34.9	35.4	36.6	38.5	32.8	33.4	34.6	36.4											
		S/T	0.83	0.75	0.62	0.5	1.00	0.76	0.62	0.5	1.00	0.78	0.65	0.5	1.00	0.80	0.67	0.5	1.00	1.00	0.69	0.5	1.00	1.00	0.74	0.6											
		ΔT	29	27	24	20	29	27	24	20	30	28	24	20	29	27	24	20	29	27	24	20	30	28	25	21											
		kW	2.55	2.54	2.54	2.6	2.85	2.84	2.84	2.9	3.18	3.18	3.17	3.2	3.54	3.54	3.53	3.6	3.94	3.94	3.94	4.0	4.42	4.41	4.41	4.4											
		Amps	9.1	9.0	9.0	9.1	10.4	10.4	10.4	10.5	12.0	11.9	11.9	12.0	13.6	13.6	13.6	13.7	15.4	15.4	15.4	15.5	17.6	17.6	17.6	17.7											
	1460	Hi PR	265	266	268	272.8	307	308	310	314.6	351	352	354	358.4	398	399	401	405.6	449	450	452	456.5	503	504	506	510.8											
		Lo PR	122	124	127	132.0	130	131	134	139.4	136	138	141	146.0	142	143	146	151.5	147	149	152	156.9	154	155	158	163.6											
		MBh	40.9	41.5	42.7	44.5	40.6	41.2	42.4	44.2	39.5	40.1	41.3	43.1	37.7	38.3	39.5	41.3	35.5	36.1	37.3	39.1	33.5	34.1	35.3	37.1											
		S/T	1.00	0.83	0.70	0.6	1.00	0.84	0.71	0.6	1.00	0.86	0.73	0.6	1.00	1.00	0.75	0.6	1.00	1.00	0.77	0.6	1.00	1.00	0.82	0.7											
		ΔT	28	26	22	19	28	26	22	19	28	26	23	19	28	26	22	19	28	26	22	18	29	27	23	20											
1575	kW	2.57	2.57	2.56	2.58	2.87	2.86	2.86	2.88	3.20	3.20	3.19	3.22	3.56	3.56	3.55	3.58	3.96	3.96	3.96	3.98	4.44	4.44	4.44	4.45												
	Amps	9.2	9.1	9.1	9.2	10.5	10.5	10.5	10.6	12.0	12.0	12.0	12.1	13.7	13.7	13.7	13.8	15.5	15.5	15.5	15.6	17.7	17.7	17.7	17.8												
	Hi PR	268	269	271	275.7	310	311	313	317.6	354	355	357	361.4	401	402	404	408.6	452	453	455	459.5	506	507	509	513.8												
	Lo PR	124	126	129	134.3	132	133	137	141.7	138	140	143	148.2	144	145	149	153.7	149	151	154	159.1	156	158	161	165.9												
	MBh	41.3	41.9	43.1	44.9	41.0	41.5	42.7	44.6	39.9	40.5	41.7	43.5	38.1	38.7	39.9	41.7	35.9	36.5	37.7	39.5	33.9	34.5	35.7	37.5												

IDB		OUTDOOR AMBIENT TEMPERATURE												105												115											
		65				75				85				95				105				115															
		AIREFLOW			59	63	67	71	75			59	63	67	71	95			59	63	67	71	105			59	63	67	71								
85	1225	MBh	41.0	41.5	42.7	44.6	40.6	41.2	42.4	44.2	39.6	40.1	41.3	43.2	37.7	38.3	39.5	41.3	35.5	36.1	37.3	39.1	33.5	34.1	35.3	37.1											
		S/T	1.00	0.85	0.72	0.6	1.00	0.86	0.73	0.6	1.00	0.89	0.75	0.6	1.00	1.00	0.77	0.6	1.00	1.00	0.80	0.7	1.00	1.00	0.85	0.7											
		ΔT	33	31	28	24	33	31	28	24	33	31	28	24	33	31	28	24	33	31	27	24	34	32	29	25											
		kW	2.55	2.55	2.55	2.6	2.85	2.85	2.84	2.9	3.19	3.18	3.18	3.2	3.55	3.54	3.54	3.6	3.95	3.95	3.94	4.0	4.42	4.42	4.42	4.4											
		Amps	9.1	9.1	9.0	9.2	10.5	10.4	10.4	10.5	12.0	12.0	11.9	12.0	13.6	13.6	13.6	13.7	15.5	15.5	15.4	15.5	17.6	17.6	17.6	17.7											
	1460	Hi PR	266	268	269	274.0	308	309	311	315.9	352	353	355	359.7	399	400	402	406.9	450	451	453	457.8	504	506	507	512.1											
		Lo PR	124	126	129	133.8	131	133	136	141.3	138	139	143	147.8	143	145	148	153.3	149	150	153	158.7	156	157	160	165.4											
		MBh	41.6	42.2	43.4	45.2	41.3	41.8	43.0	44.9	40.2	40.8	42.0	43.8	38.4	39.0	40.2	42.0	36.2	36.8	38.0	39.8	34.2	34.8	36.0	37.8											
		S/T	1.00	0.93	0.80	0.7	1.00	0.94	0.81	0.7	1.00	1.00	0.83	0.7	1.00	1.00	0.85	0.7	1.00	1.00	0.87	0.7	1.00	1.00	1.00	0.8											
		ΔT	32	30	26	22	32	30	26	22	32	30	26	23	32	30	26	22	31	29	26	22	32	31	27	23											
1575	kW	2.57	2.57	2.57	2.59	2.87	2.87	2.86	2.89	3.21	3.20	3.20	3.22	3.57	3.56	3.56	3.58	3.97	3.97	3.96	3.99	4.44	4.44	4.44	4.46												
	Amps	9.2	9.2	9.1	9.2	10.5	10.5	10.5	10.6	12.1	12.1	12.0	12.1	13.7	13.7	13.7	13.8	15.6	15.6	15.5	15.6	17.7	17.7	17.7	17.8												
	Hi PR	269	270	272	277.0	311	312	314	318.8	355	356	358	362.6	402	403	405	409.8	453	454	456	460.7	507	509	510	515.0												
	Lo PR	126	128	131	136.1	134	135	138	143.6	140	142	145	150.1	146	147	150	155.6	151	153	156	161.0	158	159	163	167.7												
	MBh	42.0	42.6	43.8	45.6	41.6	42.2	43.4	45.3	40.6	41.2	42.4	44.2	38.8	39.4	40.6	42.4	36.6	37.2	38.4	40.2	34.6	35.1	36.3	38.2												

IDB: Entering Indoor Dry Bulb Temperature
 High and low pressures are measured at the liquid and suction service valves.
 Shaded area reflects AHRI conditions
 kW = Total system power
 Amps = outdoor unit amps (comp.+fan)

EXPANDED COOLING DATA — ASXH3N4810A*/CA*F4961*6A* + EEP

IDB	AIRFLOW	OUTDOOR AMBIENT TEMPERATURE												ENTERING INDOOR WET BULB TEMPERATURE											
		65				75				85				95				105				115			
		59	63	67	71	59	63	67	71	59	63	67	71	59	63	67	71	59	63	67	71	59	63	67	71
70	MBh	45.7	46.3	47.7	-	45.3	45.9	47.3	-	44.1	44.7	46.1	-	42.0	42.7	44.0	-	39.5	40.2	41.5	-	37.2	37.9	39.2	-
	S/T	0.60	0.52	0.39	-	0.61	0.53	0.39	-	0.63	0.55	0.42	-	0.65	0.57	0.44	-	1.00	0.60	0.46	-	1.00	0.65	0.51	-
	ΔT	21	19	16	-	21	19	16	-	22	20	16	-	21	19	16	-	21	19	15	-	22	20	17	-
	KW	2.97	2.97	2.97	-	3.32	3.31	3.31	-	3.70	3.69	3.69	-	4.11	4.11	4.10	-	4.57	4.57	4.56	-	5.11	5.11	5.10	-
	Amps	10.6	10.6	10.6	-	12.2	12.2	12.1	-	13.9	13.9	13.9	-	15.8	15.8	15.8	-	17.9	17.9	17.9	-	20.4	20.4	20.3	-
	Hi PR	256	257	259	-	297	298	300	-	339	340	342	-	385	386	388	-	434	435	437	-	486	488	489	-
Lo PR	120	122	125	-	127	129	132	-	134	135	138	-	139	141	144	-	145	146	149	-	151	153	156	-	
1480	MBh	46.4	47.0	48.4	-	46.0	46.6	48.0	-	44.8	45.4	46.8	-	42.7	43.4	44.7	-	40.2	40.9	42.2	-	37.9	38.6	39.9	-
	S/T	0.67	0.60	0.46	-	0.68	0.60	0.47	-	0.71	0.63	0.49	-	0.72	0.65	0.51	-	1.00	0.67	0.53	-	1.00	0.72	0.59	-
	ΔT	20	18	14	-	20	18	14	-	20	18	15	-	20	18	14	-	20	18	14	-	21	19	15	-
	KW	3.00	2.99	2.99	-	3.34	3.33	3.33	-	3.72	3.72	3.71	-	4.13	4.13	4.12	-	4.59	4.59	4.58	-	5.13	5.13	5.12	-
	Amps	10.7	10.7	10.7	-	12.3	12.3	12.2	-	14.0	14.0	14.0	-	15.9	15.9	15.9	-	18.0	18.0	18.0	-	20.5	20.5	20.4	-
	Hi PR	259	260	262	-	299	300	302	-	342	343	345	-	387	388	390	-	436	438	439	-	489	490	492	-
Lo PR	122	124	127	-	129	131	134	-	136	137	140	-	141	143	146	-	147	148	151	-	153	155	158	-	
1800	MBh	46.9	47.6	49.0	-	46.5	47.2	48.5	-	45.3	46.0	47.3	-	43.3	43.9	45.3	-	40.8	41.4	42.8	-	38.5	39.1	40.5	-
	S/T	0.70	0.63	0.49	-	0.71	0.63	0.49	-	0.73	0.66	0.52	-	0.75	0.68	0.54	-	1.00	0.70	0.56	-	1.00	0.75	0.61	-
	ΔT	19	17	14	-	19	17	13	-	19	17	14	-	19	17	13	-	19	17	13	-	20	18	14	-
	KW	3.01	3.00	3.00	-	3.35	3.35	3.34	-	3.73	3.73	3.72	-	4.14	4.14	4.13	-	4.60	4.60	4.59	-	5.14	5.14	5.14	-
	Amps	10.8	10.7	10.7	-	12.3	12.3	12.3	-	14.1	14.1	14.0	-	16.0	15.9	15.9	-	18.1	18.1	18.1	-	20.5	20.5	20.5	-
	Hi PR	260	261	263	-	301	302	304	-	343	344	346	-	389	390	392	-	438	439	441	-	491	492	494	-
Lo PR	124	125	128	-	131	132	135	-	137	139	142	-	143	144	147	-	148	150	153	-	155	156	159	-	

IDB	AIRFLOW	OUTDOOR AMBIENT TEMPERATURE												ENTERING INDOOR WET BULB TEMPERATURE											
		65				75				85				95				105				115			
		59	63	67	71	59	63	67	71	59	63	67	71	59	63	67	71	59	63	67	71	59	63	67	71
75	MBh	45.7	46.4	47.7	49.8	45.3	46.0	47.3	49.4	44.1	44.8	46.1	48.2	42.1	42.7	44.1	46.2	39.5	40.2	41.6	43.6	37.2	37.9	39.3	41.3
	S/T	0.73	0.65	0.52	0.4	0.74	0.66	0.52	0.4	1.00	0.68	0.55	0.4	1.00	0.70	0.57	0.4	1.00	0.73	0.59	0.4	1.00	0.78	0.64	0.5
	ΔT	26	24	20	16	26	24	20	16	26	24	20	16	26	24	20	16	25	23	20	16	27	25	21	17
	KW	2.97	2.97	2.96	3.0	3.31	3.31	3.31	3.3	3.69	3.69	3.69	3.7	4.11	4.10	4.10	4.1	4.57	4.57	4.56	4.6	5.11	5.11	5.10	5.1
	Amps	10.6	10.6	10.6	10.7	12.2	12.1	12.1	12.2	13.9	13.9	13.9	14.0	15.8	15.8	15.8	15.9	17.9	17.9	17.9	18.0	20.4	20.4	20.3	20.5
	Hi PR	256	257	259	263.7	297	298	300	304.2	339	340	342	346.6	385	386	388	392.3	434	435	437	441.5	487	488	490	494.1
Lo PR	120	122	125	129.7	127	129	132	137.1	134	135	138	143.5	139	141	144	148.9	145	146	149	154.2	151	153	156	160.9	
1480	MBh	46.4	47.1	48.4	50.5	46.0	46.6	48.0	50.1	44.8	45.5	46.8	48.9	42.7	43.4	44.8	46.9	40.2	40.9	42.2	44.3	37.9	38.6	40.0	42.0
	S/T	0.80	0.73	0.59	0.4	0.81	0.73	0.60	0.5	1.00	0.76	0.62	0.5	1.00	0.78	0.64	0.5	1.00	0.80	0.66	0.5	1.00	1.00	0.72	0.6
	ΔT	24	22	19	15	24	22	19	15	24	22	19	15	24	22	19	15	24	22	18	15	25	23	20	16
	KW	2.99	2.99	2.98	3.01	3.33	3.33	3.33	3.35	3.72	3.71	3.71	3.73	4.13	4.13	4.12	4.15	4.59	4.59	4.58	4.61	5.13	5.13	5.12	5.15
	Amps	10.7	10.7	10.7	10.8	12.3	12.2	12.2	12.3	14.0	14.0	14.0	14.1	15.9	15.9	15.9	16.0	18.0	18.0	18.0	18.1	20.5	20.5	20.4	20.6
	Hi PR	259	260	262	266.3	299	301	302	306.8	342	343	345	349.2	387	389	390	394.9	437	438	440	444.1	489	490	492	496.6
Lo PR	122	124	127	131.8	129	131	134	139.1	136	137	140	145.5	141	143	146	151.0	147	148	151	156.3	153	155	158	162.9	
1640	MBh	47.0	47.6	49.0	51.1	46.6	47.2	48.6	50.7	45.4	46.0	47.4	49.5	43.3	43.9	45.3	47.4	40.8	41.4	42.8	44.9	38.5	39.1	40.5	42.6
	S/T	0.83	0.76	0.62	0.5	0.84	0.76	0.63	0.5	1.00	0.79	0.65	0.5	1.00	0.81	0.67	0.5	1.00	0.83	0.69	0.5	1.00	1.00	0.74	0.6
	ΔT	23	21	18	14	23	21	18	14	24	22	18	14	23	21	18	14	23	21	17	14	24	22	19	15
	KW	3.01	3.00	3.00	3.0	3.35	3.34	3.34	3.4	3.73	3.73	3.72	3.7	4.14	4.14	4.13	4.2	4.60	4.60	4.59	4.6	5.14	5.14	5.13	5.2
	Amps	10.7	10.7	10.7	10.8	12.3	12.3	12.3	12.4	14.1	14.0	14.0	14.1	15.9	15.9	15.9	16.0	18.1	18.0	18.0	18.1	20.5	20.5	20.5	20.6
	Hi PR	261	262	263	268.0	301	302	304	308.4	343	345	346	350.9	389	390	392	396.5	438	439	441	445.7	491	492	494	498.3
Lo PR	124	125	128	133.3	131	132	136	140.6	137	139	142	147.0	143	144	147	152.5	148	150	153	157.8	155	156	159	164.4	

IDB: Entering Indoor Dry Bulb Temperature
 High and low pressures are measured at the liquid and suction service valves.
 Shaded area reflects ACCA (TVA) conditions
 kW = Total system power
 Amps = outdoor unit amps (comp.+fan)

EXPANDED COOLING DATA — ASXH3N4810A*/CA*F4961*6A* + EEP (CONT.)

IDB	AIREFLOW	OUTDOOR AMBIENT TEMPERATURE												ENTERING INDOOR WET BULB TEMPERATURE											
		65				75				85				95				105				115			
		59	63	67	71	59	63	67	71	59	63	67	71	59	63	67	71	59	63	67	71	59	63	67	71
80	MBh	46.0	46.6	48.0	50.1	45.5	46.2	47.6	49.6	44.3	45.0	46.4	48.5	42.3	42.9	44.3	46.4	39.8	40.4	41.8	43.9	37.5	38.1	39.5	41.6
	S/T	0.86	0.78	0.64	0.5	1.00	0.79	0.65	0.5	1.00	0.81	0.67	0.5	1.00	0.83	0.69	0.5	1.00	1.00	0.72	0.6	1.00	1.00	0.77	0.6
	ΔT	30	28	24	21	30	28	24	21	30	28	25	21	30	28	24	20	30	28	24	20	31	29	25	21
	kW	2.97	2.97	2.97	3.0	3.32	3.21	3.31	3.3	3.70	3.69	3.69	3.7	4.11	4.11	4.10	4.1	4.57	4.57	4.56	4.6	5.11	5.11	5.10	5.1
	Amps	10.6	10.6	10.6	10.7	12.2	12.2	12.1	12.3	13.9	13.9	13.9	14.0	15.8	15.8	15.8	15.9	17.9	17.9	17.9	18.0	20.4	20.4	20.4	20.5
	Hi PR	257	258	260	264.2	297	298	300	304.7	340	341	343	347.1	385	386	388	392.8	435	436	438	442.0	487	488	490	494.5
Lo PR	121	122	125	130.3	128	129	132	137.6	134	136	139	144.0	140	141	144	149.4	145	147	150	154.7	152	153	156	161.4	
1480	MBh	46.6	47.3	48.7	50.8	46.2	46.9	48.3	50.3	45.0	45.7	47.1	49.1	43.0	43.6	45.0	47.1	40.5	41.1	42.5	44.6	38.2	38.8	40.2	42.3
	S/T	1.00	0.85	0.72	0.6	1.00	0.86	0.72	0.6	1.00	0.89	0.75	0.6	1.00	0.91	0.77	0.6	1.00	1.00	0.79	0.6	1.00	1.00	0.84	0.7
	ΔT	29	27	23	19	28	27	23	19	29	27	23	19	28	27	23	19	28	26	23	19	29	27	24	20
	kW	3.00	2.99	2.99	3.01	3.34	3.33	3.33	3.35	3.72	3.72	3.71	3.74	4.13	4.13	4.12	4.15	4.59	4.59	4.58	4.61	5.13	5.13	5.12	5.15
	Amps	10.7	10.7	10.7	10.8	12.3	12.3	12.2	12.3	14.0	14.0	14.0	14.1	15.9	15.9	15.9	16.0	18.0	18.0	18.0	18.1	20.5	20.5	20.4	20.6
	Hi PR	259	261	262	266.8	300	301	303	307.3	342	343	345	349.7	388	389	391	395.3	437	438	440	444.6	490	491	493	497.1
Lo PR	123	124	127	132.3	130	131	135	139.7	136	138	141	146.1	142	143	146	151.5	147	149	152	156.8	154	155	158	163.5	
1800	MBh	47.2	47.8	49.2	51.3	46.8	47.4	48.8	50.9	45.6	46.2	47.6	49.7	43.5	44.2	45.6	47.6	41.0	41.7	43.0	45.1	38.7	39.4	40.7	42.8
	S/T	1.00	0.88	0.75	0.6	1.00	0.89	0.75	0.6	1.00	0.91	0.78	0.6	1.00	0.93	0.80	0.7	1.00	1.00	0.82	0.7	1.00	1.00	0.87	0.7
	ΔT	28	26	22	18	28	26	22	18	28	26	22	19	28	26	22	18	27	25	22	18	29	27	23	19
	kW	3.01	3.00	3.00	3.0	3.35	3.35	3.34	3.4	3.73	3.73	3.72	3.7	4.14	4.14	4.13	4.2	4.60	4.60	4.59	4.6	5.14	5.14	5.14	5.2
	Amps	10.8	10.7	10.7	10.8	12.3	12.3	12.3	12.4	14.1	14.1	14.0	14.1	16.0	15.9	15.9	16.0	18.1	18.1	18.0	18.1	20.5	20.5	20.5	20.6
	Hi PR	261	262	264	268.4	302	303	304	308.9	344	345	347	351.3	390	391	393	397.0	439	440	442	446.2	491	492	494	498.8
Lo PR	124	126	129	133.8	131	133	136	141.2	138	139	142	147.6	143	145	148	153.0	149	150	153	158.3	155	157	160	165.0	

1400	MBh	46.7	47.4	48.7	50.8	46.3	47.0	48.3	50.4	45.1	45.8	47.1	49.2	43.1	43.7	45.1	47.2	40.5	41.2	42.6	44.7	38.3	38.9	40.3	42.4
	S/T	1.00	0.88	0.75	0.6	1.00	0.89	0.75	0.6	1.00	0.90	0.78	0.6	1.00	1.00	0.80	0.7	1.00	1.00	0.82	0.7	1.00	1.00	0.87	0.7
	ΔT	34	32	28	24	34	32	28	24	34	32	28	25	34	32	28	24	33	31	28	24	35	33	29	25
	kW	2.98	2.98	2.97	3.0	3.32	3.32	3.31	3.3	3.70	3.70	3.69	3.7	4.12	4.11	4.11	4.1	4.58	4.57	4.57	4.6	5.12	5.11	5.11	5.1
	Amps	10.6	10.6	10.6	10.7	12.2	12.2	12.2	12.3	13.9	13.9	13.9	14.0	15.8	15.8	15.8	15.9	17.9	17.9	17.9	18.0	20.4	20.4	20.4	20.5
	Hi PR	258	259	261	265.4	299	300	301	305.9	341	342	344	348.3	387	388	390	394.0	436	437	439	443.2	488	489	491	495.7
Lo PR	122	124	127	132.1	130	131	134	139.4	136	138	141	145.8	142	143	146	151.2	147	148	151	156.5	154	155	158	163.2	
1640	MBh	47.4	48.1	49.4	51.5	47.0	47.7	49.0	51.1	45.8	46.5	47.8	49.9	43.8	44.4	45.8	47.9	41.2	41.9	43.3	45.3	38.9	39.6	41.0	43.1
	S/T	1.00	0.96	0.82	0.7	1.00	0.96	0.83	0.7	1.00	0.97	0.85	0.7	1.00	1.00	0.87	0.7	1.00	1.00	0.89	0.7	1.00	1.00	1.00	0.8
	ΔT	32	30	27	23	32	30	27	23	33	31	27	23	32	30	27	23	32	30	26	23	33	31	28	24
	kW	3.00	3.00	2.99	3.02	3.34	3.34	3.33	3.36	3.72	3.72	3.72	3.74	4.14	4.13	4.13	4.15	4.60	4.59	4.59	4.62	5.14	5.14	5.13	5.16
	Amps	10.7	10.7	10.7	10.8	12.3	12.3	12.3	12.4	14.0	14.0	14.0	14.1	15.9	15.9	15.9	16.0	18.0	18.0	18.0	18.1	20.5	20.5	20.5	20.6
	Hi PR	261	262	264	268.0	301	302	304	308.5	343	345	346	350.9	389	390	392	396.5	438	440	441	445.8	491	492	494	498.3
Lo PR	124	126	129	134.1	132	133	136	141.5	138	140	143	147.9	144	145	148	153.3	149	150	153	158.6	156	157	160	165.3	
1800	MBh	48.0	48.6	50.0	52.1	47.6	48.2	49.6	51.7	46.4	47.0	48.4	50.5	44.3	45.0	46.3	48.4	41.8	42.4	43.8	45.9	39.5	40.1	41.5	43.6
	S/T	1.00	0.99	0.85	0.7	1.00	0.99	0.85	0.7	1.00	1.00	0.88	0.7	1.00	1.00	0.90	0.8	1.00	1.00	0.92	0.8	1.00	1.00	1.00	0.8
	ΔT	32	30	26	22	32	30	26	22	32	30	26	22	32	30	26	22	31	29	26	22	32	31	27	23
	kW	3.01	3.01	3.00	3.0	3.35	3.35	3.35	3.4	3.74	3.73	3.73	3.8	4.15	4.15	4.14	4.2	4.61	4.61	4.60	4.6	5.15	5.15	5.14	5.2
	Amps	10.8	10.8	10.7	10.9	12.4	12.3	12.3	12.4	14.1	14.1	14.1	14.2	16.0	16.0	15.9	16.1	18.1	18.1	18.1	18.2	20.6	20.6	20.5	20.6
	Hi PR	262	263	265	269.6	303	304	306	310.1	345	346	348	352.5	391	392	394	398.2	440	441	443	447.4	493	494	495	500.0
Lo PR	126	127	131	135.6	133	135	138	143.0	140	141	144	149.4	145	147	150	154.8	150	152	155	160.1	157	159	162	166.8	

IDB: Entering Indoor Dry Bulb Temperature
 High and low pressures are measured at the liquid and suction service valves.
 Shaded area reflects AHRI conditions
 kW = Total system power
 Amps = outdoor unit amps (comp.+fan)

EXPANDED COOLING DATA — ASXH3N6010A*/CA*T4961*4A* + EEP

IDB	AIRFLOW	OUTDOOR AMBIENT TEMPERATURE												105												115											
		65						75						85						95						105						115					
		59	63	67	71	59	63	67	71	59	63	67	71	59	63	67	71	59	63	67	71	59	63	67	71	59	63	67	71								
70	MBh	55.7	56.4	58.1	-	55.2	55.9	57.6	-	53.7	54.5	56.2	-	51.3	52.0	53.7	-	48.2	49.0	50.7	-	45.5	46.3	47.9	-												
	S/T	0.61	0.54	0.42	-	0.62	0.55	0.42	-	0.64	0.57	0.45	-	1.00	0.59	0.47	-	1.00	0.61	0.49	-	1.00	0.66	0.53	-												
	ΔT	22	20	16	-	22	19	16	-	22	20	16	-	22	19	16	-	21	19	15	-	23	21	17	-												
	kW	3.69	3.68	3.68	-	4.14	4.14	4.13	-	4.65	4.64	4.64	-	5.20	5.19	5.18	-	5.81	5.80	5.80	-	6.53	6.52	6.52	-												
	Amps	13.9	13.9	13.8	-	16.0	15.9	15.9	-	18.3	18.3	18.2	-	20.8	20.8	20.7	-	23.6	23.6	23.5	-	26.9	26.9	26.8	-												
	Hi PR	281	282	284	-	325	326	328	-	371	372	374	-	421	422	424	-	474	475	477	-	531	532	534	-												
	Lo PR	127	129	132	-	135	137	140	-	142	143	147	-	147	149	152	-	153	155	158	-	160	161	165	-												
	MBh	57.8	58.6	60.2	-	57.3	58.1	59.8	-	55.9	56.7	58.3	-	53.4	54.2	55.9	-	50.4	51.2	52.8	-	47.7	48.4	50.1	-												
	S/T	0.66	0.59	0.46	-	0.66	0.59	0.47	-	1.00	0.61	0.49	-	1.00	0.63	0.51	-	1.00	0.65	0.53	-	1.00	1.00	0.57	-												
	ΔT	19	17	13	-	19	17	13	-	20	18	14	-	19	17	13	-	19	17	13	-	20	18	14	-												
kW	3.73	3.72	3.72	-	4.18	4.18	4.17	-	4.69	4.68	4.68	-	5.24	5.23	5.23	-	5.85	5.85	5.84	-	6.57	6.56	6.56	-													
Amps	14.1	14.0	14.0	-	16.1	16.1	16.1	-	18.5	18.4	18.4	-	21.0	21.0	20.9	-	23.8	23.8	23.7	-	27.1	27.0	27.0	-													
Hi PR	286	287	289	-	330	331	333	-	376	377	379	-	426	427	429	-	479	481	482	-	536	538	540	-													
Lo PR	132	134	137	-	140	142	145	-	147	148	151	-	152	154	157	-	158	159	163	-	165	166	170	-													
MBh	59.5	60.3	61.9	-	59.0	59.8	61.4	-	57.6	58.4	60.0	-	55.1	55.9	57.5	-	52.1	52.9	54.5	-	49.4	50.1	51.8	-													
S/T	0.64	0.57	0.44	-	1.00	0.57	0.45	-	1.00	0.59	0.47	-	1.00	0.61	0.49	-	1.00	0.63	0.51	-	1.00	1.00	0.55	-													
ΔT	18	16	12	-	18	16	12	-	19	16	12	-	18	16	12	-	18	16	12	-	19	17	13	-													
kW	3.75	3.74	3.74	-	4.20	4.20	4.19	-	4.71	4.70	4.70	-	5.26	5.25	5.25	-	5.87	5.87	5.86	-	6.59	6.58	6.58	-													
Amps	14.2	14.1	14.1	-	16.2	16.2	16.2	-	18.6	18.5	18.5	-	21.1	21.0	21.0	-	23.9	23.8	23.8	-	27.2	27.1	27.1	-													
Hi PR	290	291	293	-	333	335	337	-	380	381	383	-	429	430	432	-	483	484	486	-	540	541	543	-													
Lo PR	136	138	141	-	144	145	148	-	150	152	155	-	156	158	161	-	162	163	166	-	168	170	173	-													

IDB	AIRFLOW	OUTDOOR AMBIENT TEMPERATURE												105												115											
		65						75						85						95						105						115					
		59	63	67	71	59	63	67	71	59	63	67	71	59	63	67	71	59	63	67	71	59	63	67	71	59	63	67	71								
75	MBh	55.7	56.5	58.1	60.6	55.2	56.0	57.6	60.1	53.8	54.5	56.2	58.7	51.3	52.1	53.7	56.2	48.3	49.1	50.7	53.2	45.5	46.3	47.9	50.5												
	S/T	0.73	0.66	0.54	0.4	1.00	0.67	0.54	0.4	1.00	0.69	0.57	0.4	1.00	0.71	0.58	0.5	1.00	0.73	0.60	0.5	1.00	1.00	0.65	0.5												
	ΔT	26	24	20	16	26	24	20	16	27	24	21	16	26	24	20	16	26	24	20	16	27	25	21	17												
	kW	3.68	3.68	3.67	3.7	4.14	4.13	4.13	4.2	4.64	4.64	4.63	4.7	5.19	5.19	5.18	5.2	5.81	5.80	5.79	5.8	6.52	6.52	6.51	6.5												
	Amps	13.9	13.8	13.8	14.0	15.9	15.9	15.9	16.0	18.3	18.2	18.2	18.4	20.8	20.8	20.7	20.9	23.6	23.6	23.5	23.7	26.9	26.8	26.8	27.0												
	Hi PR	281	282	284	289.3	325	326	328	333.3	371	372	374	379.3	421	422	424	428.9	474	476	478	482.4	531	533	535	539.5												
	Lo PR	127	129	132	137.6	135	137	140	145.2	142	143	147	151.9	147	149	152	157.6	153	155	158	163.1	160	162	165	170.1												
	MBh	57.9	58.6	60.3	62.8	57.4	58.1	59.8	62.3	55.9	56.7	58.4	60.9	53.5	54.2	55.9	58.4	50.4	51.2	52.9	55.4	47.7	48.5	50.1	52.6												
	S/T	0.77	0.70	0.58	0.4	1.00	0.71	0.58	0.5	1.00	0.73	0.61	0.5	1.00	0.75	0.63	0.5	1.00	1.00	0.65	0.5	1.00	1.00	0.69	0.6												
	ΔT	24	22	18	14	24	22	18	14	24	22	18	14	24	22	18	14	24	22	18	14	25	23	19	15												
kW	3.72	3.72	3.71	3.75	4.18	4.18	4.17	4.20	4.69	4.68	4.67	4.71	5.23	5.23	5.22	5.26	5.85	5.84	5.83	5.87	6.56	6.56	6.55	6.59													
Amps	14.1	14.0	14.0	14.2	16.1	16.1	16.1	16.2	18.4	18.4	18.4	18.6	21.0	20.9	20.9	21.1	23.8	23.7	23.7	23.9	27.0	27.0	27.0	27.2													
Hi PR	286	288	290	294.5	330	332	334	338.4	376	378	380	384.5	426	427	429	434.1	480	481	483	487.6	537	538	540	544.7													
Lo PR	132	134	137	142.5	140	142	145	150.2	147	148	151	156.8	152	154	157	162.5	158	160	163	168.1	165	166	170	175.0													
MBh	59.5	60.3	62.0	64.5	59.1	59.8	61.5	64.0	57.6	58.4	60.0	62.5	55.2	55.9	57.6	60.1	52.1	52.9	54.6	57.1	49.4	50.2	51.8	54.3													
S/T	1.00	0.68	0.56	0.4	1.00	0.69	0.56	0.4	1.00	0.71	0.59	0.5	1.00	1.00	0.61	0.5	1.00	1.00	0.63	0.5	1.00	1.00	0.67	0.5													
ΔT	23	21	17	13	23	21	17	13	23	21	17	13	23	21	17	13	23	21	17	12	24	22	18	14													
kW	3.75	3.74	3.73	3.8	4.20	4.20	4.19	4.2	4.71	4.70	4.69	4.7	5.25	5.25	5.24	5.3	5.87	5.86	5.85	5.9	6.58	6.58	6.57	6.6													
Amps	14.1	14.1	14.1	14.3	16.2	16.2	16.2	16.3	18.5	18.5	18.5	18.6	21.0	21.0	21.0	21.2	23.9	23.8	23.8	24.0	27.1	27.1	27.1	27.2													
Hi PR	290	291	293	297.8	334	335	337	341.8	380	381	383	387.8	429	431	433	437.4	483	484	486	490.9	540	541	543	548.0													
Lo PR	136	138	141	146.1	144	145	148	153.8	150	152	155	160.5	156	158	161	166.1	162	163	166	171.7	169	170	173	178.6													

IDB: Entering Indoor Dry Bulb Temperature
 High and low pressures are measured at the liquid and suction service valves.
 Shaded area reflects ACCA (TVA) conditions
 kW = Total system power
 Amps = outdoor unit amps (comp.+fan)

EXPANDED COOLING DATA — ASXH3N6010A*/CA*T4961*4A* + EEP (CONT.)

IDB		OUTDOOR AMBIENT TEMPERATURE												105												115															
		65						75						85						95						105						115									
		AIREFLOW		59	63	67	71	75	59		63	67	71	75	59		63	67	71	75	59		63	67	71	75	59		63	67	71	75	59		63	67	71	75			
ENTERING INDOOR WET BULB TEMPERATURE		59		63		67		71		75		59		63		67		71		75		59		63		67		71		75		59		63		67		71		75	
80	1565	MBh	56.0	56.8	58.4	60.9	60.9	55.5	56.3	57.9	60.4	60.4	54.1	54.8	56.5	59.0	59.0	51.6	52.4	54.0	56.5	56.5	48.6	49.3	51.0	53.5	53.5	45.8	46.6	48.2	50.7	50.7	45.8	46.6	48.2	50.7	50.7				
		S/T	1.00	0.78	0.65	0.5	0.5	1.00	0.78	0.66	0.5	0.5	1.00	0.81	0.68	0.6	0.6	1.00	1.00	0.70	0.6	0.6	1.00	1.00	0.72	0.6	0.6	1.00	1.00	0.72	0.6	0.6	1.00	1.00	0.72	0.6	0.6				
		ΔT	31	29	25	21	21	31	29	25	21	21	31	29	25	21	21	31	29	25	21	21	31	29	25	20	20	32	30	26	22	22	32	30	26	22	22				
		kW	3.69	3.68	3.68	3.7	3.7	4.14	4.14	4.13	4.1	4.1	4.65	4.64	4.64	4.7	4.7	5.20	5.19	5.18	5.2	5.2	5.81	5.80	5.80	5.8	5.8	6.53	6.52	6.51	6.5	6.5	6.53	6.52	6.51	6.5	6.5				
		Amps	13.9	13.9	13.8	14.0	14.0	16.0	15.9	15.9	16.1	16.1	18.3	18.3	18.2	18.4	18.4	20.8	20.8	20.7	20.9	20.9	23.6	23.6	23.5	23.7	23.7	26.9	26.9	26.8	27.0	27.0	26.9	26.9	26.8	27.0	27.0				
		Hi PR	282	283	285	289.8	289.8	326	327	329	333.8	333.8	372	373	375	379.8	379.8	421	423	425	429.4	429.4	475	476	478	482.9	482.9	532	533	535	540.0	540.0	532	533	535	540.0	540.0				
	Lo PR	128	130	133	138.1	138.1	136	137	140	145.8	145.8	142	144	147	152.5	152.5	148	150	153	158.1	158.1	154	155	158	163.7	163.7	161	162	165	170.6	170.6	161	162	165	170.6	170.6					
	2000	MBh	58.1	58.9	60.6	63.1	63.1	57.7	58.4	60.1	62.6	62.6	56.2	57.0	58.6	61.1	61.1	53.7	54.5	56.2	58.7	58.7	50.7	51.5	53.2	55.7	55.7	48.0	48.8	50.4	52.9	52.9	48.0	48.8	50.4	52.9	52.9				
		S/T	1.00	0.82	0.69	0.6	0.6	1.00	0.83	0.70	0.6	0.6	1.00	1.00	0.72	0.6	0.6	1.00	1.00	0.74	0.6	0.6	1.00	1.00	0.76	0.6	0.6	1.00	1.00	0.76	0.6	0.6	1.00	1.00	0.76	0.6	0.6				
		ΔT	29	27	23	19	19	29	27	23	19	19	29	27	23	19	19	29	27	23	19	19	28	26	22	18	18	30	28	24	20	20	30	28	24	20	20				
		kW	3.73	3.72	3.72	3.75	3.75	4.18	4.18	4.17	4.20	4.20	4.69	4.68	4.68	4.71	4.71	5.24	5.23	5.22	5.26	5.26	5.85	5.84	5.84	5.87	5.87	6.57	6.56	6.56	6.59	6.59	6.57	6.56	6.56	6.59	6.59				
		Amps	14.1	14.0	14.0	14.2	14.2	16.1	16.1	16.1	16.2	16.2	18.5	18.4	18.4	18.6	18.6	21.0	21.0	20.9	21.1	21.1	23.8	23.8	23.8	23.9	23.9	27.1	27.0	27.0	27.2	27.2	27.1	27.0	27.0	27.2	27.2				
Hi PR		287	288	290	295.0	295.0	331	332	334	339.0	339.0	377	378	380	385.0	385.0	427	428	430	434.6	434.6	480	481	483	488.1	488.1	537	538	540	545.2	545.2	537	538	540	545.2	545.2					
Lo PR	133	135	138	143.1	143.1	141	142	145	150.7	150.7	147	149	152	157.4	157.4	153	155	158	163.1	163.1	159	160	163	168.6	168.6	165	167	170	175.6	175.6	165	167	170	175.6	175.6						
2250	MBh	59.8	60.6	62.3	64.8	64.8	59.3	60.1	61.8	64.3	64.3	57.9	58.7	60.3	62.8	62.8	55.4	56.2	57.9	60.4	60.4	52.4	53.2	54.8	57.3	57.3	49.7	50.4	52.1	54.6	54.6	49.7	50.4	52.1	54.6	54.6					
	S/T	1.00	0.80	0.67	0.5	0.5	1.00	1.00	0.68	0.5	0.5	1.00	1.00	0.70	0.6	0.6	1.00	1.00	0.72	0.6	0.6	1.00	1.00	0.74	0.6	0.6	1.00	1.00	0.74	0.6	0.6	1.00	1.00	0.74	0.6	0.6					
	ΔT	28	26	22	17	17	28	26	22	17	17	28	26	22	17	17	28	25	22	17	17	27	25	21	17	17	29	27	23	18	18	29	27	23	18	18					
	kW	3.75	3.74	3.74	3.8	3.8	4.20	4.20	4.19	4.2	4.2	4.71	4.70	4.70	4.7	4.7	5.26	5.25	5.24	5.3	5.3	5.87	5.87	5.86	5.9	5.9	6.59	6.58	6.58	6.6	6.6	6.59	6.58	6.58	6.6	6.6					
	Amps	14.2	14.1	14.1	14.3	14.3	16.2	16.2	16.2	16.3	16.3	18.6	18.5	18.5	18.7	18.7	21.1	21.0	21.0	21.2	21.2	23.9	23.8	23.8	24.0	24.0	27.2	27.1	27.1	27.3	27.3	27.2	27.1	27.1	27.3	27.3					
	Hi PR	290	291	293	298.3	298.3	334	335	337	342.3	342.3	380	382	383	388.3	388.3	430	431	433	437.9	437.9	483	485	487	491.4	491.4	540	542	544	548.5	548.5	540	542	544	548.5	548.5					
Lo PR	137	138	141	146.7	146.7	144	146	149	154.3	154.3	151	152	156	161.0	161.0	157	158	161	166.7	166.7	162	164	167	172.2	172.2	169	171	174	179.2	179.2	169	171	174	179.2	179.2						
85	1565	MBh	56.9	57.7	59.3	61.8	61.8	56.4	57.2	58.8	61.3	61.3	55.0	55.8	57.4	59.9	59.9	52.5	53.3	54.9	57.4	57.4	49.5	50.3	51.9	54.4	54.4	46.7	47.5	49.2	51.7	51.7	46.7	47.5	49.2	51.7	51.7				
		S/T	1.00	0.87	0.75	0.6	0.6	1.00	1.00	0.75	0.6	0.6	1.00	1.00	0.78	0.6	0.6	1.00	1.00	0.79	0.7	0.7	1.00	1.00	0.79	0.7	0.7	1.00	1.00	0.79	0.7	0.7	1.00	1.00	0.79	0.7	0.7				
		ΔT	35	33	29	25	25	35	33	29	25	25	35	33	29	25	25	35	33	29	25	25	35	33	29	25	25	36	34	30	26	26	36	34	30	26	26				
		kW	3.70	3.69	3.68	3.7	3.7	4.15	4.15	4.14	4.2	4.2	4.66	4.65	4.64	4.7	4.7	5.20	5.20	5.19	5.2	5.2	5.82	5.81	5.81	5.8	5.8	6.54	6.53	6.52	6.6	6.6	6.54	6.53	6.52	6.6	6.6				
		Amps	13.9	13.9	13.9	14.0	14.0	16.0	16.0	15.9	16.1	16.1	18.3	18.3	18.3	18.4	18.4	20.8	20.8	20.8	20.9	20.9	23.6	23.6	23.6	23.7	23.7	26.9	26.9	26.9	27.0	27.0	26.9	26.9	26.9	27.0	27.0				
		Hi PR	283	284	286	291.1	291.1	327	328	330	335.1	335.1	373	374	376	381.1	381.1	423	424	426	430.7	430.7	476	477	479	484.2	484.2	533	534	536	541.3	541.3	533	534	536	541.3	541.3				
	Lo PR	130	131	135	140.0	140.0	138	139	142	147.6	147.6	144	146	149	154.3	154.3	150	151	155	160.0	160.0	155	157	160	165.6	165.6	162	164	167	172.5	172.5	162	164	167	172.5	172.5					
	2000	MBh	59.1	59.8	61.5	64.0	64.0	58.6	59.4	61.0	63.5	63.5	57.1	57.9	59.6	62.1	62.1	54.7	55.5	57.1	59.6	59.6	51.7	52.4	54.1	56.6	56.6	48.9	49.7	51.3	53.8	53.8	48.9	49.7	51.3	53.8	53.8				
		S/T	1.00	1.00	0.79	0.7	0.7	1.00	1.00	0.79	0.7	0.7	1.00	1.00	0.82	0.7	0.7	1.00	1.00	0.80	0.7	0.7	1.00	1.00	0.80	0.7	0.7	1.00	1.00	0.80	0.7	0.7	1.00	1.00	0.80	0.7	0.7				
		ΔT	33	31	27	23	23	33	31	27	23	23	33	31	27	23	23	33	31	27	23	23	33	30	27	22	22	34	32	28	24	24	34	32	28	24	24				
		kW	3.74	3.73	3.72	3.76	3.76	4.19	4.19	4.18	4.21	4.21	4.70	4.69	4.69	4.72	4.72	5.24	5.24	5.23	5.27	5.27	5.86	5.85	5.85	5.88	5.88	6.58	6.57	6.56	6.60	6.60	6.58	6.57	6.56	6.60	6.60				
		Amps	14.1	14.1	14.1	14.2	14.2	16.2	16.2	16.1	16.3	16.3	18.5	18.5	18.4	18.6	18.6	21.0	21.0	21.0	21.1	21.1	23.8	23.8	23.8	23.9	23.9	27.1	27.1	27.1	27.2	27.2	27.1	27.1	27.1	27.2	27.2				
Hi PR		288	289	291	296.3	296.3	332	333	335	340.3	340.3	378	380	381	386.3	386.3	428	429	431	435.9	435.9	481	483	485	489.4	489.4	538	540	542	546.5	546.5	538	540	542	546.5	546.5					
Lo PR	135	136	140	144.9	144.9	142	144	147	152.6	152.6	149	151	154	159.3	159.3	155	156	160	164.9	164.9	160	162	165	170.5	170.5	167	169	172	177.4	177.4	167	169	172	177.4	177.4						
2250	MBh	60.8	61.5	63.2	65.7	65.7	60.3	61.0	62.7	65.2	65.2	58.8	59.6	61.3	63.8	63.8	56.4	57.1	58.8	61.3	61.3	53.3	54.1	55.8	58.3	58.3	50.6	51.4	53												

PERFORMANCE DATA

ASXH3N1810A*/CA*FA1818*6A*				
CONDITIONS: 80 °F IBD, 67 °F IWB @ 600 CFM				
OUTDOOR TEM. ° F.	TOTAL BTU/H	SENSIBLE BTU/H	LATENT BTU/H	TOTAL WATTS
75	18,450	13,900	4,550	1,270
80	18,250	13,750	4,500	1,340
85	18,000	13,550	4,450	1,400
90	17,600	13,250	4,350	1,480
95	17,200	12,950	4,250	1,550
100	16,750	12,600	4,150	1,630
105	16,250	12,250	4,000	1,710
110	15,800	11,950	3,850	1,810
115	15,350	11,600	3,750	1,900
TVA CONDITIONS @ 95° OD DB, 75° ID DB 63° ID WB				
95°	16,600	13,000	3,600	1,550

ASXH3N2410A*/CA*FA2422*6A*				
CONDITIONS: 80 °F IBD, 67 °F IWB @ 725 CFM				
OUTDOOR TEM. ° F.	TOTAL BTU/H	SENSIBLE BTU/H	LATENT BTU/H	TOTAL WATTS
75	24,450	17,350	7,100	1,670
80	24,150	17,150	7,000	1,760
85	23,850	16,900	6,950	1,850
90	23,350	16,550	6,800	1,950
95	22,800	16,200	6,600	2,050
100	22,200	15,750	6,450	2,160
105	21,550	15,250	6,300	2,270
110	20,950	14,850	6,100	2,400
115	20,350	14,450	5,900	2,530
TVA CONDITIONS @ 95° OD DB, 75° ID DB 63° ID WB				
95°	22,000	11,850	10,150	1,540

ASXH3N3010A*/CA*FA3626*6A*				
CONDITIONS: 80 °F IBD, 67 °F IWB @ 1105 CFM				
OUTDOOR TEM. ° F.	TOTAL BTU/H	SENSIBLE BTU/H	LATENT BTU/H	TOTAL WATTS
75	30,250	22,650	7,600	2,100
80	29,750	21,650	8,100	2,210
85	29,200	20,600	8,600	2,320
90	28,700	20,900	7,800	2,450
95	28,200	21,150	7,050	2,580
100	27,400	20,550	6,850	2,720
105	26,600	19,950	6,650	2,860
110	25,900	19,450	6,450	3,030
115	25,200	18,900	6,300	3,190
TVA CONDITIONS @ 95° OD DB, 75° ID DB 63° ID WB				
95°	27,200	17,800	9,400	2,070

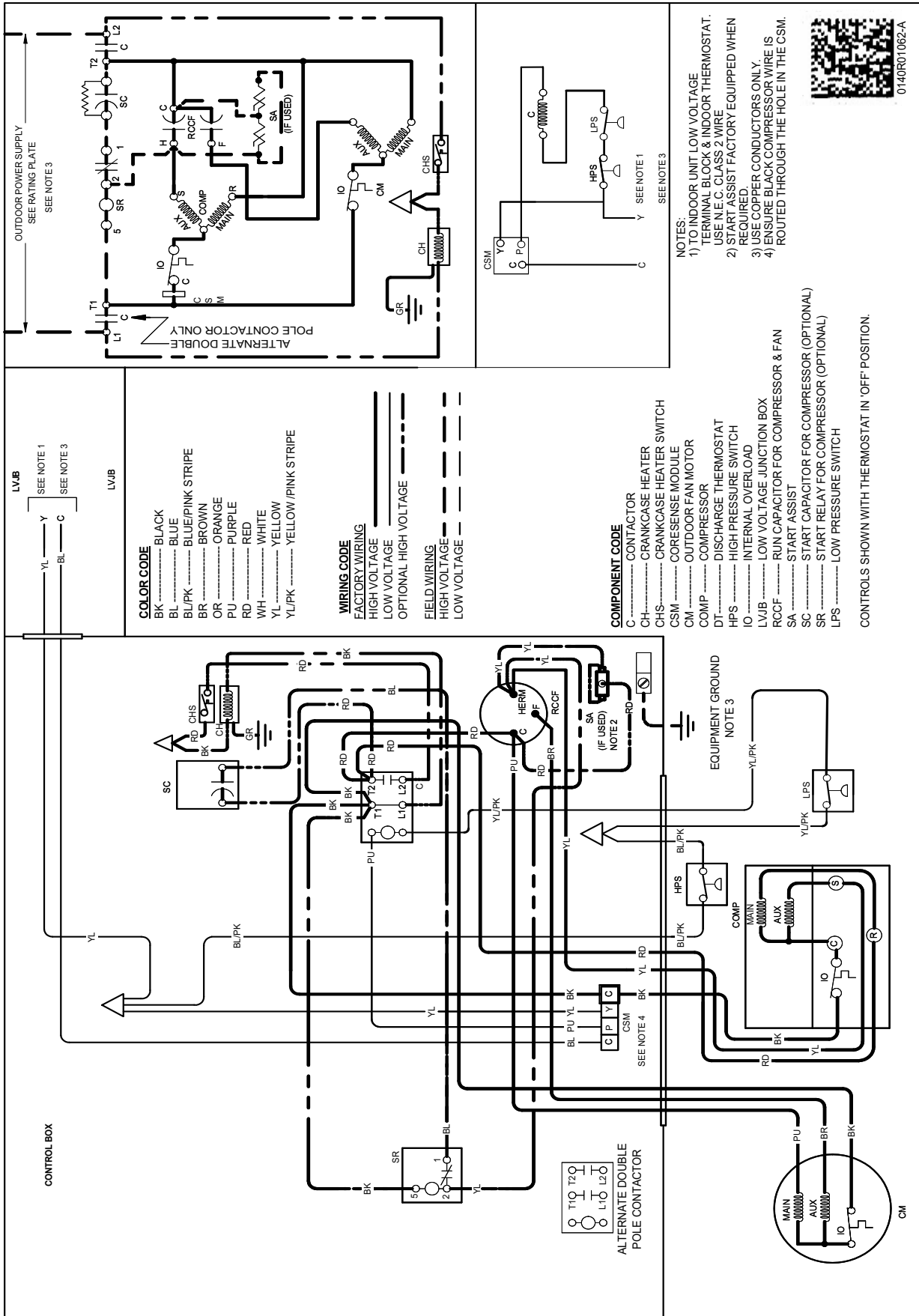
ASXH3N3610A*/CA*FA4226*6A*				
CONDITIONS: 80 °F IBD, 67 °F IWB @ 1270 CFM				
OUTDOOR TEM. ° F.	TOTAL BTU/H	SENSIBLE BTU/H	LATENT BTU/H	TOTAL WATTS
75	36,650	27,250	9,400	2,480
80	36,200	26,900	9,300	2,630
85	35,750	26,550	9,200	2,770
90	35,000	26,000	9,000	2,930
95	34,200	25,400	8,800	3,080
100	33,250	24,700	8,550	3,250
105	32,300	24,000	8,300	3,420
110	31,450	23,350	8,100	3,630
115	30,550	22,700	7,850	3,830
TVA Conditions @ 95° OD DB, 75° ID DB 63° ID WB				
95°	33,000	25,500	7,500	3,080

ASXH3N4210A*/CA*F4961*6A*				
CONDITIONS: 80 °F IBD, 67 °F IWB @ 1460 CFM				
OUTDOOR TEM. ° F.	TOTAL BTUH	SENSIBLE BTUH	LATENT BTUH	TOTAL WATTS
75	42,350	30,950	11,400	2,860
80	41,850	30,600	11,250	3,030
85	41,300	30,200	11,100	3,190
90	40,400	29,550	10,850	3,370
95	39,500	28,850	10,650	3,550
100	38,400	28,050	10,350	3,760
105	37,300	27,250	10,050	3,960
110	36,300	26,500	9,800	4,200
115	35,300	25,750	9,550	4,430
TVA Conditions @ 95° OD DB, 75° ID DB 63° ID WB				
95°	38,100	28,950	9,150	3,560

ASXH3N4810A*/CA*F4961*6A*				
CONDITIONS: 80 °F IBD, 67 °F IWB @ 1640 CFM				
OUTDOOR TEM. ° F.	TOTAL BTUH	SENSIBLE BTUH	LATENT BTUH	TOTAL WATTS
75	48,250	36,100	12,150	3,330
80	47,650	35,700	11,950	3,520
85	47,050	35,250	11,800	3,710
90	46,050	34,500	11,550	3,920
95	45,000	33,700	11,300	4,120
100	43,750	32,750	11,000	4,350
105	42,500	31,800	10,700	4,580
110	41,350	30,950	10,400	4,850
115	40,200	30,100	10,100	5,120
TVA Conditions @ 95° OD DB, 75° ID DB 63° ID WB				
95°	43,400	33,800	9,600	4,130

ASXH3N6010A*/CA*T4961*4A*				
CONDITIONS: 80 °F IBD, 67 °F IWB @ 1565 CFM				
OUTDOOR TEM. ° F.	TOTAL BTUH	SENSIBLE BTUH	LATENT BTUH	TOTAL WATTS
75	57,900	39,500	18,400	4,130
80	57,200	39,050	18,150	4,390
85	56,450	38,550	17,900	4,640
90	55,250	37,700	17,550	4,910
95	54,000	36,850	17,150	5,180
100	52,500	35,850	16,650	5,490
105	51,000	34,800	16,200	5,800
110	49,650	33,850	15,800	6,160
115	48,250	32,900	15,350	6,510
TVA Conditions @ 95° OD DB, 75° ID DB 63° ID WB				
95°	52,050	36,950	15,100	5,190

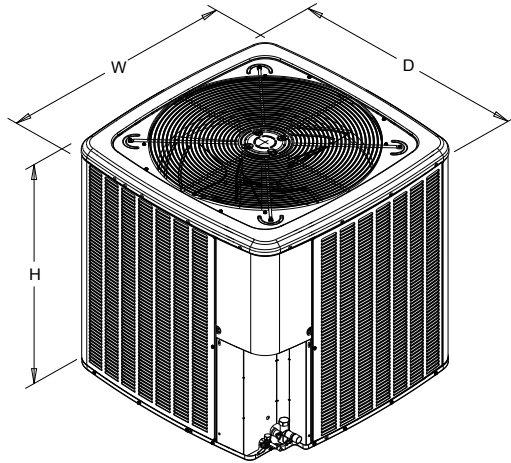
WIRING DIAGRAM



WARNING

⚠

High Voltage: Disconnect all power before servicing or installing this unit. Multiple power sources may be present. Failure to do so may cause property damage, personal injury, or death.



MODEL	DIMENSIONS		
	W"	D"	H"
ASXH3N1810A*	26	26	27
ASXH3N2410A*	26	26	32½
ASXH3N3010A*	29	29	32½
ASXH3N3610A*	29	29	32½
ASXH3N4210A*	29	29	39½
ASXH3N4810A*	35½	35½	35½
ASXH3N6010A*	35½	35½	39½

ACCESSORIES

Model	Description	ASXH3 N1810A*	ASXH3 N2410A*	ASXH3 N3010A*	ASXH3 N3610A*	ASXH3 N4210A*	ASXH3 N4810A*	ASXH3 N6010A*
ABK-20	Anchor Bracket Kit ^	X	X	X	X	X	X	X
ABK-21	Anchor Bracket Kit ^							
ASC-01	Anti-Short Cycle Kit	X	X	X	X	X	X	X
CSR-U-1	Hard-start Kit	X	X	X	X			
CSR-U-2	Hard-start Kit				X	X	X	X
CSR-U-3	Hard-start Kit						X	X
FSK01A ¹	Freeze Protection Kit	X	X	X	X	X	X	X
LSK02A ²	Liquid Line Solenoid Kit	X	X	X	X	X	X	X
LAKT01	Low-Ambient Kit	X	X	X	X	X	X	
0130R00000S	Low-Pressure Switch Kit	X	X	X	X	X	X	X
TXV-FX-KX-2T ²	TXV Kit	X	X					
TXV-FX-KX-3T ²	TXV Kit			X	X			
TXV-FX-KX-5T ²	TXV Kit					X	X	X

⁰ Contains 20 brackets; four brackets needed to anchor unit to pad

¹ Installed on indoor coil

² Condensing units and heat pumps with reciprocating or rotary compressors require the use of start-assist components when used in conjunction with an indoor coil using a non-bleed thermal expansion valve refrigerant metering device or liquid line solenoid kit. The TXV should always be sized based on the tonnage of the outdoor unit.

All AHRI system ratings are accessible in the System Configurator tool via PartnerLink.

