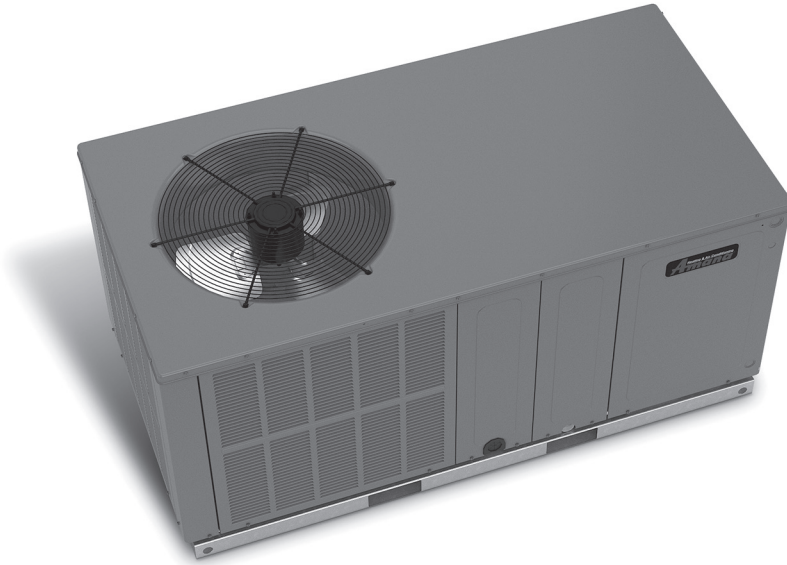


PACKAGED HEAT PUMPS

15.2 SEER2

2 TO 5 TONS



Contents

Nomenclature.....	2
Product Specifications.....	3
Expanded Cooling Data	4
Expanded Heating Data.....	22
Airflow Data	25
Heat Kit Electrical Data.....	26
Dimensions	27
Wiring Diagrams	28
Accessories	30

Standard Features

- High-efficiency scroll compressor
- Variable-speed ECM indoor blower motor
- Quiet horizontal discharge
- All-aluminum evaporator coil
- Copper tube / aluminum fin condenser coils
- Compressor sound blanket
- Totally enclosed, permanently lubricated condenser fan motor
- Fully charged system
- Electric heat kit available as a field-installed option
- AHRI certified; ETL listed

Cabinet Features

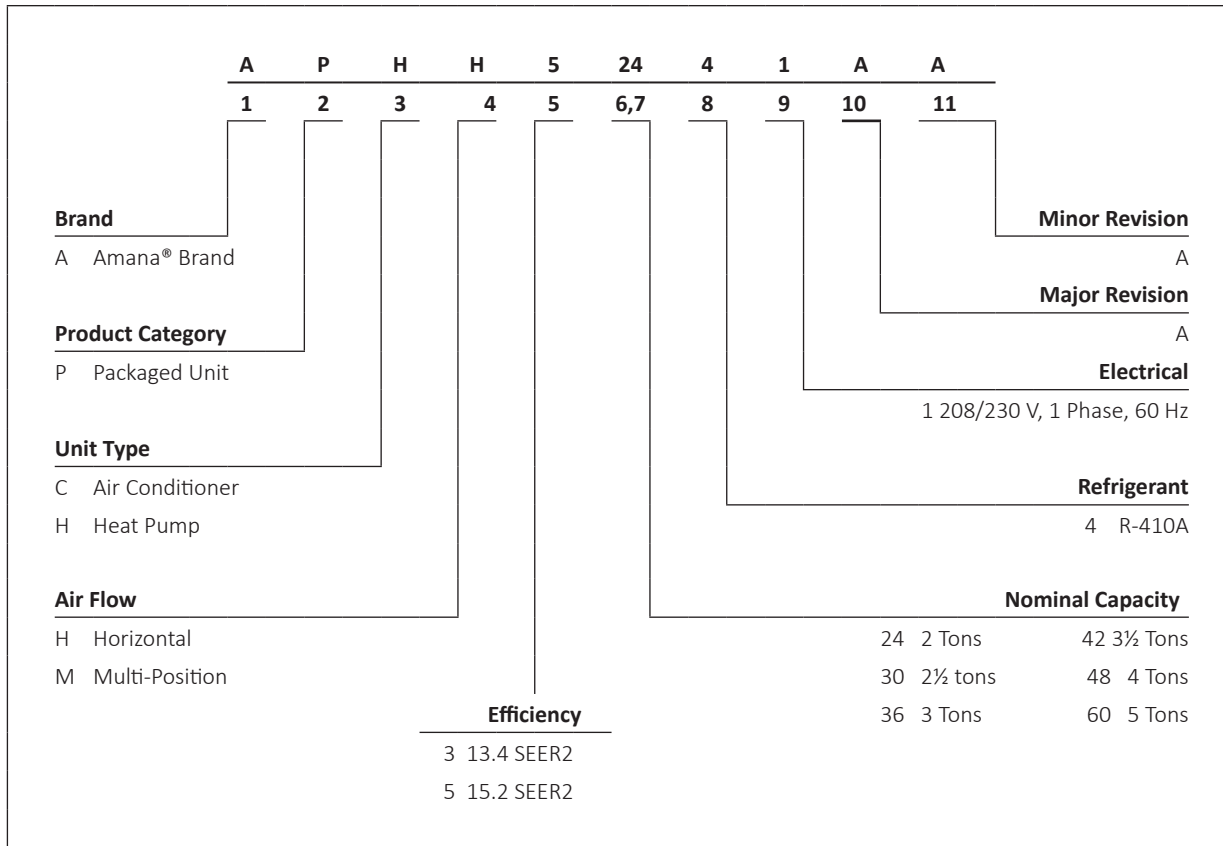
- Heavy-gauge galvanized-steel cabinet
- Attractive architectural gray powder-paint finish
- Aluminum foil-facing internal insulation reinforced with fiberglass scrim
- Meets cabinet air leakage requirements when tested in accordance with ASHRAE standard 193
- Fully insulated blower compartment with convenient access panels
- Louvered condenser coil protection
- One footprint for all tonnages
- When properly anchored, meets the 2020 Florida Building Code unit integrity requirements for hurricane-type winds (Anchor bracket kits available.)



COMPANY WITH
 QUALITY SYSTEM
 CERTIFIED BY DNV GL
 ■ ISO 9001 ■

COMPANY WITH
 ENVIRONMENTAL SYSTEM
 CERTIFIED BY DNV GL
 ■ ISO 14001 ■

* Complete warranty details available from your local dealer or at www.amana-hac.com. To receive the Lifetime Compressor Limited Warranty (good for as long as you own your home) and 10-Year Parts Limited Warranty, online registration must be completed within 60 days of installation. Online registration is not required in California or Quebec. The duration of warranty coverages in Texas differs in some cases.



	APHH5 2441**	APHH5 3041**	APHH5 3641**	APHH5 4241**	APHH5 4841**	APHH5 6041**
COOLING CAPACITY						
Total BTU/h	24,000	27,600	34,800	42,000	46,000	57,250
Sensible BTU/h	18,288	22,411	27,179	31,458	35,788	41,564
SEER2 / EER2	15.0 / 11.4	15.2 / 11.4	15.2 / 11.4	15.2 / 11.4	15.2 / 11.2	15.2 / 11.4
AHRI Numbers	208842410	208842411	208842412	208842413	208842414	208842415
HEATING CAPACITY						
BTU/h (47°F)	22,800	27,600	32,200	40,000	44,000	54,500
C.O.P. (47°F)	3.73	3.26	3.74	3.54	3.55	3.60
BTU/h (17°F)	13,000	14,800	18,300	21,600	26,000	33,200
C.O.P. (17°F)	2.48	2.32	2.34	2.29	2.30	2.40
HSPF2	6.70	6.70	6.70	6.70	6.70	7.00
EVAPORATOR MOTOR						
Type	ECM	ECM	ECM	ECM	ECM	ECM
Wheel (D x W)	10" x 8"	10" x 8"	10" x 8"	10" x 8"	10" x 8"	11" x 8"
Cooling CFM ³	875	1,050	1,200	1,300	1,600	1,700
Fan-Only CFM	800	950	1,100	1,200	1,400	1,600
No. of Speeds	Variable	Variable	Variable	Variable	Variable	Variable
Horsepower - RPM	½ - 1,050	½ - 1,050	½ - 1,050	¾ - 1,050	¾ - 1,050	¾ - 1,050
EVAPORATOR COIL						
Face Area (ft ²)	5.26	5.26	6.23	6.23	6.23	7.01
Rows Deep	4	4	4	4	4	4
Fins per Inch	14	14	14	14	14	14
Metering Device Type	TXV	TXV	TXV	TXV	TXV	TXV
Drain Size (NPT)	¾" - 14 NPT	¾" - 14 NPT	¾" - 14 NPT	¾" - 14 NPT	¾" - 14 NPT	¾" - 14 NPT
Refrigerant Charge (oz.)	116	116	170	170	170	175
CONDENSER FAN						
Horsepower - RPM	1/6 - 810	1/6 - 810	1/6 - 810	1/4 - 1075	1/4 - 1075	1/4 - 1075
Fan Diameter	22	22	22	22	22	22
# of Fan Blades	3	3	4	4	4	4
CONDENSER COIL						
Face Area (ft ²)	14.4	13.92	13.92	16.5	16.5	18.85
Rows Deep	2	2	2	2	2	2
Fins per Inch	16	16	16	16	16	20
Metering Device Type	Piston	Piston	Piston	TXV	TXV	TXV
COMPRESSOR						
Quantity	1	1	1	1	1	1
Type	Scroll	Scroll	Scroll	Scroll	Scroll	Scroll
Stage	Single	Single	Single	Two	Two	Two
SOUND POWER						
dBA	76	76	78	79	80	80
ELECTRICAL DATA						
Compressor RLA/LRA	12.8 / 58.3	14.1 / 67.9	14.1 / 72.2	19.9/150.7	21.2 / 104.0	23.7 / 151.0
Voltage/Phase (60 Hz)	208-230 / 1	208-230 / 1	208-230 / 1	208-230 / 1	208-230 / 1	208-230 / 1
Indoor Blower FLA	4.3	4.3	4.3	4.3	6.8	6.8
Outdoor Fan FLA	0.95	0.95	1.3	1.4	1.4	1.4
M.C.A. ¹	21.3	22.9	23.2	30.6	34.7	40.2
M.O.P. ²	30	35	35	50	50	60
OPERATING WEIGHTS (LBS)						
	315	315	375	375	405	405
SHIPPING WEIGHTS (LBS)						
	324	324	385	385	415	415

¹ Wire size should be determined in accordance with National Electrical Codes. Extensive wire runs will require larger wire sizes.

² Must use time-delay fuses or HACR-type circuit breakers of the same size as noted.

³ Factory

Always check the S&R plate for electrical data on the unit being installed.

IDB	AIRFLOW	OUTDOOR AMBIENT TEMPERATURE																								
		65				75				85				95				105				115				
		59	63	67	71	59	63	67	71	59	63	67	71	59	63	67	71	59	63	67	71	59	63	67	71	
70	MBh	24.2	24.6	25.3	-	24.0	24.4	25.1	-	23.4	23.7	24.5	-	22.3	22.6	23.4	-	21.0	21.3	22.0	-	19.7	20.1	20.8	-	
	S/T	0.56	0.48	0.34	-	0.56	0.49	0.35	-	0.59	0.51	0.38	-	0.61	0.53	0.40	-	1.00	0.55	0.42	-	1.00	0.61	0.47	-	
	ΔT	17.69	16.12	13.18	-	17.65	16.07	13.14	-	17.87	16.30	13.36	-	17.63	16.06	13.12	-	17.42	15.85	12.91	-	18.41	16.83	13.90	-	
	KW	1.51	1.51	1.50	-	1.70	1.70	1.70	-	1.92	1.91	1.91	-	2.15	2.15	2.14	-	2.41	2.41	2.40	-	2.71	2.71	2.71	-	
	Amps	6.01	6.00	5.99	-	6.89	6.89	6.87	-	7.88	7.87	7.86	-	8.94	8.94	8.92	-	10.13	10.13	10.11	-	11.53	11.52	11.51	-	
	Hi PR	242	243	245	-	281	282	283	-	321	322	324	-	364	365	367	-	411	412	414	-	461	462	464	-	
	Lo PR	121	123	126	-	129	130	133	-	135	137	140	-	141	142	145	-	146	148	151	-	153	154	158	-	
	MBh	24.5	24.9	25.6	-	24.3	24.6	25.4	-	23.7	24.0	24.7	-	22.6	22.9	23.6	-	21.2	21.6	22.3	-	20.0	20.3	21.1	-	
	S/T	0.63	0.55	0.42	-	0.64	0.56	0.42	-	0.66	0.59	0.45	-	0.68	0.60	0.47	-	1.00	0.63	0.49	-	1.00	0.68	0.54	-	
	ΔT	16.69	15.12	12.18	-	16.65	15.08	12.14	-	16.87	15.30	12.36	-	16.63	15.06	12.12	-	16.42	14.85	11.91	-	17.41	15.83	12.90	-	
KW	1.52	1.52	1.51	-	1.71	1.71	1.71	-	1.93	1.92	1.92	-	2.16	2.16	2.15	-	2.42	2.42	2.41	-	2.72	2.72	2.72	-		
Amps	6.06	6.05	6.04	-	6.94	6.93	6.92	-	7.93	7.92	7.90	-	8.99	8.98	8.97	-	10.18	10.18	10.16	-	11.58	11.57	11.56	-		
Hi PR	244	245	247	-	283	284	285	-	323	324	326	-	366	367	369	-	413	414	416	-	463	464	466	-		
Lo PR	123	124	128	-	130	132	135	-	137	138	141	-	142	144	147	-	148	149	152	-	155	156	159	-		
80	MBh	24.7	25.1	25.8	-	24.5	24.9	25.6	-	23.9	24.2	25.0	-	22.8	23.1	23.9	-	21.4	21.8	22.5	-	20.2	20.6	21.3	-	
	S/T	0.67	0.59	0.46	-	0.67	0.60	0.46	-	0.70	0.62	0.49	-	1.00	0.64	0.51	-	1.00	0.67	0.53	-	1.00	0.72	0.58	-	
	ΔT	16.06	14.49	11.55	-	16.02	14.44	11.51	-	16.24	14.67	11.73	-	16.00	14.43	11.49	-	15.79	14.22	11.28	-	16.78	15.20	12.27	-	
	KW	1.52	1.52	1.52	-	1.72	1.72	1.71	-	1.93	1.93	1.93	-	2.17	2.16	2.16	-	2.43	2.42	2.42	-	2.73	2.73	2.73	-	
	Amps	6.09	6.08	6.07	-	6.97	6.96	6.95	-	7.96	7.95	7.93	-	9.02	9.02	9.00	-	10.21	10.21	10.19	-	11.61	11.60	11.59	-	
	Hi PR	246	247	248	-	284	285	287	-	324	325	327	-	368	369	370	-	414	415	417	-	464	465	467	-	
	Lo PR	124	126	129	-	132	133	136	-	138	140	143	-	144	145	148	-	149	151	154	-	156	157	160	-	
	875	MBh	24.3	24.6	25.3	26.5	24.0	24.4	25.1	26.2	23.4	23.8	24.5	25.6	22.3	22.7	23.4	24.5	21.0	21.3	22.0	23.2	19.7	20.1	20.8	21.9
		S/T	0.69	0.61	0.47	0.3	0.69	0.62	0.48	0.3	1.00	0.64	0.51	0.4	1.00	0.66	0.52	0.4	1.00	0.68	0.55	0.4	1.00	0.73	0.60	0.5
		ΔT	21.15	19.58	16.64	13.6	21.11	19.53	16.60	13.6	21.33	19.76	16.82	13.8	21.09	19.52	16.58	13.5	20.88	19.31	16.37	13.3	21.87	20.29	17.36	14.3
KW		1.51	1.50	1.50	1.5	1.70	1.70	1.69	1.7	1.91	1.91	1.91	1.9	2.15	2.15	2.14	2.2	2.41	2.41	2.40	2.4	2.71	2.71	2.71	2.7	
Amps		6.00	6.00	5.98	6.0	6.89	6.88	6.86	6.9	7.87	7.86	7.85	7.9	8.94	8.93	8.92	9.0	10.13	10.12	10.11	10.2	11.53	11.52	11.50	11.6	
Hi PR		242	243	245	249.4	281	282	284	287.8	321	322	324	328.1	364	365	367	371.4	411	412	414	418.1	461	462	464	468.0	
Lo PR		121	123	126	131.2	129	130	133	138.6	135	137	140	145.1	141	142	145	150.6	146	148	151	156.1	153	155	158	162.8	
MBh		24.5	24.9	25.6	26.7	24.3	24.7	25.4	26.5	23.7	24.0	24.7	25.9	22.6	22.9	23.6	24.8	21.2	21.6	22.3	23.4	20.0	20.4	21.1	22.2	
S/T		0.76	0.68	0.55	0.4	0.77	0.69	0.55	0.4	1.00	0.71	0.58	0.4	1.00	0.73	0.60	0.5	1.00	0.76	0.62	0.5	1.00	1.00	0.67	0.5	
ΔT		20.15	18.58	15.64	12.6	20.11	18.53	15.60	12.6	20.33	18.76	15.82	12.8	20.09	18.52	15.58	12.5	19.88	18.31	15.37	12.3	20.87	19.29	16.36	13.3	
KW	1.52	1.52	1.51	1.5	1.71	1.71	1.70	1.7	1.92	1.92	1.92	1.9	2.16	2.16	2.15	2.2	2.42	2.42	2.41	2.4	2.72	2.72	2.72	2.7		
Amps	6.05	6.05	6.03	6.1	6.94	6.93	6.91	7.0	7.92	7.91	7.90	8.0	8.99	8.98	8.96	9.0	10.18	10.17	10.15	10.2	11.57	11.57	11.55	11.6		
Hi PR	244	245	247	251.4	283	284	286	289.8	323	324	326	330.1	366	367	369	373.4	413	414	416	420.1	463	464	466	470.0		
Lo PR	123	124	128	132.8	130	132	135	140.2	137	138	142	146.7	142	144	147	152.2	148	149	152	157.6	155	156	159	164.4		
875	MBh	24.8	25.1	25.8	26.9	24.5	24.9	25.6	26.7	23.9	24.2	25.0	26.1	22.8	23.1	23.9	25.0	21.5	21.8	22.5	23.6	20.2	20.6	21.3	22.4	
	S/T	0.80	0.72	0.59	0.4	0.80	0.73	0.59	0.4	1.00	0.75	0.62	0.5	1.00	0.77	0.64	0.5	1.00	0.79	0.66	0.5	1.00	1.00	0.71	0.6	
	ΔT	19.52	17.95	15.01	12.0	19.48	17.90	14.97	11.9	19.70	18.12	15.19	12.1	19.46	17.89	14.95	11.9	19.25	17.68	14.74	11.7	20.24	18.66	15.72	12.7	
	KW	1.52	1.52	1.52	1.5	1.72	1.71	1.71	1.7	1.93	1.93	1.93	1.9	2.16	2.16	2.16	2.2	2.42	2.42	2.42	2.4	2.73	2.73	2.72	2.7	
	Amps	6.08	6.08	6.06	6.1	6.97	6.96	6.94	7.0	7.95	7.94	7.93	8.0	9.02	9.01	8.99	9.1	10.21	10.20	10.19	10.3	11.60	11.60	11.58	11.6	
	Hi PR	246	247	249	252.8	284	285	287	291.2	324	326	327	331.5	368	369	371	374.8	415	416	417	421.5	464	465	467	471.4	
	Lo PR	124	126	129	134.0	132	133	136	141.4	138	140	143	148.0	144	145	148	153.5	149	151	154	158.9	156	157	160	165.7	

IDB	AIRFLOW	OUTDOOR AMBIENT TEMPERATURE																							
		65				75				85				95				105				115			
		59	63	67	71	59	63	67	71	59	63	67	71	59	63	67	71	59	63	67	71	59	63	67	71
70	MBh	24.2	24.6	25.3	-	24.0	24.4	25.1	-	23.4	23.7	24.5	-	22.3	22.6	23.4	-	21.0	21.3	22.0	-	19.7	20.1	20.8	-
	S/T	0.56	0.48	0.34	-	0.56	0.49	0.35	-	0.59	0.51	0.38	-	0.61	0.53	0.40	-	1.00	0.55	0.42	-	1.00	0.61	0.47	-
	ΔT	17.69	16.12	13.18	-	17.65	16.07	13.14	-	17.87	16.30	13.36	-	17.63	16.06	13.12	-	17.42	15.85	12.91	-	18.41	16.83	13.90	-
	KW	1.51	1.51	1.50	-	1.70	1.70	1.70	-	1.92	1.91	1.91	-	2.15	2.15	2.14	-	2.41	2.41	2.40	-	2.71	2.71	2.71	-
	Amps	6.01	6.00	5.99	-	6.89	6.89	6.87	-	7.88	7.87	7.86	-	8.94	8.94	8.92	-	10.13	10.13	10.11	-	11.53	11.52	11.51	-
	Hi PR	242	243	245	-	281	282	283	-	321	322	324	-	364	365	367	-	411	412	414	-	461	462	464	-
	Lo PR	121	123	126	-	129	130	133	-	135	137	140	-	141	142	145	-	146	148	151	-	153	154	158	-
	MBh	24.5	24.9	25.6	-	24.3	24.6	25.4	-	23.7	24.0	24.7	-	22.6	22.9	23.6	-	21.2	21.6	22.3	-	20.0	20.3	21.1	-
	S/T	0.63	0.55	0.42	-	0.64	0.56	0.42	-	0.66	0.59	0.45	-	0.68	0.60	0.47	-	1.00	0.63	0.49	-	1.00	0.68	0.54	-
	ΔT	16.69	15.12	12.18	-	16.65	15.08	12.14	-	16.87	15.30	12.36	-	16.63	15.06	12.12	-	16.42	14.85	11.91	-	17.41	15.83	12.90	-
KW	1.52	1.52	1.51	-	1.71	1.71	1.71	-	1.93																

IDB	AIRFLOW	OUTDOOR AMBIENT TEMPERATURE												ENTERING INDOOR WET BULB TEMPERATURE											
		65				75				85				95				105				115			
		59	63	67	71	59	63	67	71	59	63	67	71	59	63	67	71	59	63	67	71	59	63	67	71
80	MBh	24.4	24.7	25.5	26.6	24.2	24.5	25.2	26.4	23.5	23.9	24.6	25.7	22.4	22.8	23.5	24.6	21.1	21.4	22.2	23.3	19.9	20.2	20.9	22.1
	S/T	0.81	0.74	0.60	0.5	1.00	0.74	0.61	0.5	1.00	0.77	0.63	0.5	1.00	0.79	0.65	0.5	1.00	1.00	1.00	0.67	1.00	1.00	1.00	0.72
	ΔT	24.63	23.06	20.12	17.1	24.59	23.02	20.08	17.0	24.81	23.24	20.30	17.3	24.57	23.00	20.06	17.0	24.36	22.79	19.85	16.8	25.35	23.78	20.84	17.8
	KW	1.51	1.51	1.50	1.5	1.70	1.70	1.69	1.7	1.92	1.91	1.91	1.9	2.15	2.15	2.14	2.2	2.41	2.41	2.40	2.4	2.71	2.71	2.71	2.7
	Amps	6.01	6.00	5.99	6.1	6.89	6.88	6.87	6.9	7.88	7.87	7.85	7.9	8.94	8.94	8.92	9.0	10.13	10.13	10.11	10.2	11.53	11.52	11.51	11.6
	Hi PR	243	244	246	249.8	281	282	284	288.3	321	323	324	328.5	365	366	368	371.8	412	413	414	418.6	461	462	464	468.5
	Lo PR	122	123	127	131.7	129	131	134	139.2	136	137	140	145.7	141	143	146	151.2	147	148	151	156.6	154	155	158	163.4
	MBh	24.7	25.0	25.7	26.8	24.4	24.8	25.5	26.6	23.8	24.1	24.9	26.0	22.7	23.0	23.8	24.9	21.4	21.7	22.4	23.5	20.1	20.5	21.2	22.3
	S/T	1.00	0.81	0.67	0.5	1.00	0.82	0.68	0.5	1.00	0.84	0.70	0.6	1.00	0.86	0.72	0.6	1.00	1.00	1.00	0.75	1.00	1.00	1.00	0.80
	ΔT	23.63	22.06	19.12	16.1	23.59	22.02	19.08	16.0	23.81	22.24	19.30	16.3	23.57	22.00	19.06	16.0	23.36	21.79	18.85	15.8	24.35	22.78	19.84	16.8
875	KW	1.52	1.52	1.51	1.5	1.71	1.71	1.71	1.7	1.93	1.92	1.92	1.9	2.16	2.16	2.15	2.2	2.42	2.42	2.41	2.4	2.72	2.72	2.72	2.7
	Amps	6.06	6.05	6.04	6.1	6.94	6.93	6.92	7.0	7.92	7.92	7.90	8.0	8.99	8.98	8.97	9.0	10.18	10.17	10.16	10.2	11.58	11.57	11.56	11.6
	Hi PR	245	246	248	251.8	283	284	286	290.3	323	325	326	330.5	367	368	370	373.9	414	415	416	420.6	463	464	466	470.5
	Lo PR	123	125	128	133.3	131	132	136	140.7	137	139	142	147.3	143	144	148	152.8	148	150	153	158.2	155	157	160	165.0
	MBh	24.9	25.2	26.0	27.1	24.7	25.0	25.7	26.8	24.0	24.4	25.1	26.2	22.9	23.3	24.0	25.1	21.6	21.9	22.7	23.8	20.4	20.7	21.4	22.5
	S/T	1.00	0.85	0.71	0.6	1.00	0.85	0.72	0.6	1.00	0.88	0.74	0.6	1.00	1.00	0.76	0.6	1.00	1.00	1.00	0.78	1.00	1.00	1.00	0.84
	ΔT	23.00	21.43	18.49	15.4	22.96	21.39	18.45	15.4	23.18	21.61	18.67	15.6	22.94	21.37	18.43	15.4	22.73	21.16	18.22	15.2	23.72	22.14	19.21	16.2
	KW	1.52	1.52	1.52	1.5	1.72	1.72	1.71	1.7	1.93	1.93	1.93	1.9	2.17	2.16	2.16	2.2	2.43	2.42	2.42	2.4	2.73	2.73	2.73	2.7
	Amps	6.09	6.08	6.07	6.1	6.97	6.96	6.95	7.0	7.96	7.95	7.93	8.0	9.02	9.01	9.00	9.1	10.21	10.20	10.19	10.3	11.61	11.60	11.59	11.7
	Hi PR	246	247	249	253.2	285	286	287	291.7	325	326	328	331.9	368	369	371	375.3	415	416	418	422.0	465	466	468	471.9
Lo PR	125	126	129	134.5	132	134	137	142.0	139	140	143	148.5	144	146	149	154.0	150	151	154	159.4	156	158	161	166.2	
85	MBh	24.8	25.1	25.9	27.0	24.6	24.9	25.7	26.8	23.9	24.3	25.0	26.1	22.8	23.2	23.9	25.0	21.5	21.9	22.6	23.7	20.3	20.6	21.4	22.5
	S/T	1.00	0.84	0.70	0.6	1.00	0.84	0.71	0.6	1.00	1.00	0.73	0.6	1.00	1.00	0.75	0.6	1.00	1.00	1.00	0.77	1.00	1.00	1.00	0.7
	ΔT	27.72	26.15	23.21	20.2	27.68	26.11	23.17	20.1	27.90	26.33	23.39	20.3	27.66	26.09	23.15	20.1	27.45	25.88	22.94	19.9	28.44	26.86	23.93	20.9
	KW	1.51	1.51	1.51	1.5	1.70	1.70	1.70	1.7	1.92	1.92	1.91	1.9	2.15	2.15	2.15	2.2	2.41	2.41	2.41	2.4	2.72	2.72	2.71	2.7
	Amps	6.03	6.02	6.00	6.1	6.91	6.90	6.89	7.0	7.89	7.89	7.87	7.9	8.96	8.95	8.94	9.0	10.15	10.14	10.13	10.2	11.55	11.54	11.53	11.6
	Hi PR	244	245	247	251.0	282	283	285	289.4	323	324	325	329.6	366	367	369	373.0	413	414	415	419.7	463	464	465	469.6
	Lo PR	124	125	128	133.5	131	133	136	141.0	138	139	142	147.5	143	145	148	153.0	149	150	153	158.4	155	157	160	165.2
	MBh	25.1	25.4	26.1	27.3	24.8	25.2	25.9	27.0	24.2	24.6	25.3	26.4	23.1	23.5	24.2	25.3	21.8	22.1	22.8	24.0	20.5	20.9	21.6	22.7
	S/T	1.00	0.91	0.77	0.6	1.00	0.92	0.78	0.6	1.00	1.00	0.81	0.7	1.00	1.00	0.83	0.7	1.00	1.00	1.00	0.85	1.00	1.00	1.00	0.8
	ΔT	26.72	25.15	22.21	19.2	26.68	25.11	22.17	19.1	26.90	25.33	22.39	19.3	26.66	25.09	22.15	19.1	26.45	24.88	21.94	18.9	27.44	25.86	22.93	19.9
KW	1.52	1.52	1.52	1.5	1.71	1.71	1.71	1.7	1.93	1.93	1.92	1.9	2.16	2.16	2.16	2.2	2.42	2.42	2.42	2.4	2.73	2.73	2.72	2.7	
Amps	6.07	6.07	6.05	6.1	6.96	6.95	6.93	7.0	7.94	7.93	7.92	8.0	9.01	9.00	8.99	9.1	10.20	10.19	10.18	10.2	11.60	11.59	11.57	11.6	
Hi PR	246	247	249	253.0	284	285	287	291.4	325	326	327	331.7	368	369	371	375.0	415	416	417	421.7	465	466	467	471.6	
Lo PR	125	127	130	135.1	133	134	137	142.6	139	141	144	149.1	145	146	149	154.6	150	152	155	160.0	157	158	162	166.8	
875	MBh	25.3	25.6	26.4	27.5	25.1	25.4	26.1	27.3	24.4	24.8	25.5	26.6	23.3	23.7	24.4	25.5	22.0	22.3	23.1	24.2	20.8	21.1	21.8	23.0
	S/T	1.00	0.95	0.81	0.7	1.00	1.00	0.82	0.7	1.00	1.00	0.84	0.7	1.00	1.00	0.86	0.7	1.00	1.00	1.00	0.89	1.00	1.00	1.00	0.8
	ΔT	26.09	24.52	21.58	18.5	26.05	24.47	21.54	18.5	26.27	24.70	21.76	18.7	26.03	24.46	21.52	18.5	25.82	24.25	21.31	18.3	26.81	25.23	22.30	19.3
	KW	1.53	1.53	1.52	1.5	1.72	1.72	1.72	1.7	1.94	1.93	1.93	1.9	2.17	2.17	2.16	2.2	2.43	2.43	2.42	2.4	2.73	2.73	2.73	2.7
	Amps	6.10	6.10	6.08	6.2	6.99	6.98	6.96	7.0	7.97	7.96	7.95	8.0	9.04	9.03	9.02	9.1	10.23	10.22	10.21	10.3	11.63	11.62	11.60	11.7
	Hi PR	247	248	250	254.4	286	287	289	292.8	326	327	329	333.1	369	370	372	376.4	416	417	419	423.1	466	467	469	473.0
	Lo PR	127	128	131	136.4	134	135	139	143.8	141	142	145	150.3	146	148	151	155.9	151	153	156	161.3	158	160	163	168.0

IDB = Entering Indoor Dry Bulb Temperature

High and low pressures are measured at the liquid and suction access fittings.

Design Subcooling, 5-7 °F @ the liquid access fitting connection AHR1 95 test conditions. Design Superheat 15-18°F @ the compressor suction access fitting connection.

Shaded area reflects AHR1 conditions.

Amps: Unit amps (comp.+ evaporator + condenser fan motors)

KW = Total system power

IDB	AIRFLOW	OUTDOOR AMBIENT TEMPERATURE																							
		65				75				85				95				105				115			
		59	63	67	71	59	63	67	71	59	63	67	71	59	63	67	71	59	63	67	71	59	63	67	71
70	MBh	0.0	28.4	29.2	-	27.7	28.1	29.0	-	27.0	27.4	28.2	-	25.7	26.1	27.0	-	24.2	24.6	25.4	-	22.8	23.2	24.0	-
	S/T	0.62	0.54	0.39	-	0.63	0.54	0.40	-	0.65	0.57	0.43	-	1.00	0.59	0.45	-	1.00	0.62	0.47	-	1.00	0.67	0.53	-
	ΔT	18.23	16.58	13.50	-	18.19	16.54	13.46	-	18.42	16.77	13.69	-	18.17	16.52	13.44	-	17.95	16.30	13.22	-	18.98	17.33	14.25	-
	KW	1.74	1.73	1.73	-	1.96	1.96	1.95	-	2.21	2.20	2.20	-	2.47	2.47	2.47	-	2.77	2.77	2.77	-	3.13	3.12	3.12	-
	Amps	6.84	6.83	6.81	-	7.86	7.85	7.83	-	8.99	8.98	8.97	-	10.22	10.21	10.20	-	11.59	11.59	11.57	-	13.21	13.20	13.18	-
	Hi PR	249	251	252	-	289	290	292	-	330	331	333	-	375	376	378	-	423	424	426	-	474	475	477	-
	Lo PR	124	126	129	-	132	134	137	-	139	140	143	-	144	146	149	-	150	151	155	-	157	158	161	-
	MBh	28.4	28.8	29.7	-	28.2	28.6	29.4	-	27.5	27.9	28.7	-	26.2	26.6	27.4	-	24.7	25.1	25.9	-	23.3	23.6	24.5	-
	S/T	0.71	0.63	0.49	-	0.72	0.64	0.49	-	0.75	0.66	0.52	-	1.00	0.69	0.54	-	1.00	0.71	0.56	-	1.00	0.76	0.62	-
	ΔT	16.85	15.20	12.12	-	16.81	15.16	12.07	-	17.04	15.39	12.31	-	16.79	15.14	12.06	-	16.57	14.92	11.84	-	17.60	15.95	12.87	-
KW	1.75	1.75	1.75	-	1.97	1.97	1.97	-	2.22	2.22	2.22	-	2.49	2.49	2.48	-	2.79	2.79	2.78	-	3.14	3.14	3.14	-	
Amps	6.91	6.90	6.89	-	7.93	7.92	7.90	-	9.06	9.06	9.04	-	10.29	10.29	10.27	-	11.67	11.66	11.64	-	13.28	13.27	13.25	-	
Hi PR	252	253	255	-	292	293	295	-	333	334	336	-	378	379	381	-	426	427	429	-	477	478	480	-	
Lo PR	127	128	132	-	134	136	139	-	141	143	146	-	147	148	151	-	152	154	157	-	159	161	164	-	
MBh	28.7	29.1	29.9	-	28.4	28.8	29.7	-	27.7	28.1	28.9	-	26.4	26.8	27.7	-	24.9	25.3	26.1	-	23.5	23.9	24.7	-	
S/T	0.74	0.65	0.51	-	0.74	0.66	0.52	-	0.77	0.69	0.54	-	1.00	0.71	0.56	-	1.00	0.73	0.59	-	1.00	0.79	0.64	-	
ΔT	16.36	14.71	11.63	-	16.31	14.66	11.58	-	16.55	14.89	11.81	-	16.30	14.65	11.56	-	16.08	14.42	11.34	-	17.11	15.46	12.38	-	
KW	1.76	1.76	1.75	-	1.98	1.98	1.97	-	2.23	2.23	2.22	-	2.50	2.49	2.49	-	2.80	2.79	2.79	-	3.15	3.15	3.14	-	
Amps	6.94	6.93	6.91	-	7.95	7.95	7.93	-	9.09	9.08	9.07	-	10.32	10.31	10.29	-	11.69	11.69	11.67	-	13.30	13.30	13.28	-	
Hi PR	254	255	256	-	293	294	296	-	334	335	337	-	379	380	382	-	427	428	430	-	478	479	481	-	
Lo PR	128	130	133	-	136	137	140	-	142	144	147	-	148	149	153	-	153	155	158	-	160	162	165	-	

75	MBh	28.0	28.4	29.2	30.5	27.7	28.1	29.0	30.3	27.0	27.4	28.2	29.5	25.7	26.1	27.0	28.3	24.2	24.6	25.4	26.7	22.8	23.2	24.0	25.3	
	S/T	0.76	0.68	0.53	0.4	0.76	0.68	0.54	0.4	1.00	0.71	0.56	0.4	1.00	0.73	0.59	0.4	1.00	0.75	0.61	0.5	1.00	1.00	0.66	0.5	
	ΔT	21.86	20.21	17.13	13.9	21.82	20.17	17.08	13.9	22.05	20.40	17.32	14.1	21.80	20.15	17.07	13.9	21.58	19.93	16.85	13.7	22.61	20.96	17.88	14.7	
	KW	1.73	1.73	1.73	1.7	1.96	1.95	1.95	2.0	2.20	2.20	2.20	2.2	2.47	2.47	2.47	2.5	2.77	2.77	2.77	2.8	3.12	3.12	3.12	3.1	
	Amps	6.83	6.82	6.81	6.9	7.85	7.84	7.82	7.9	8.98	8.98	8.96	9.0	10.21	10.21	10.19	10.3	11.59	11.58	11.56	11.6	13.20	13.19	13.17	13.3	
	Hi PR	250	251	253	256.9	289	290	292	296.4	331	332	333	337.8	375	376	378	382.3	423	424	426	430.3	474	475	477	481.6	
	Lo PR	124	126	129	134.5	132	134	137	142.1	139	140	143	148.8	144	146	149	154.4	150	151	155	159.9	157	158	162	166.9	
	MBh	28.5	28.9	29.7	31.0	28.2	28.6	29.4	30.7	27.5	27.9	28.7	30.0	26.2	26.6	27.5	28.7	29.0	24.7	25.1	25.9	27.2	23.3	23.7	24.5	25.8
	S/T	0.85	0.77	0.62	0.5	1.00	0.78	0.63	0.5	1.00	0.80	0.66	0.5	1.00	0.82	0.68	0.5	1.00	0.85	0.70	0.5	1.00	1.00	0.76	0.6	
	ΔT	20.48	18.83	15.75	12.6	20.44	18.79	15.70	12.5	20.67	19.02	15.94	12.7	20.42	18.77	15.69	12.5	20.20	18.55	15.47	12.3	21.23	19.58	16.50	13.3	
KW	1.75	1.75	1.74	1.8	1.97	1.97	1.97	2.0	2.22	2.22	2.21	2.2	2.49	2.49	2.48	2.5	2.79	2.79	2.78	2.8	3.14	3.14	3.14	3.2		
Amps	6.90	6.90	6.88	7.0	7.92	7.91	7.90	8.0	9.06	9.05	9.03	9.1	10.29	10.28	10.26	10.3	11.66	11.65	11.64	11.7	13.27	13.26	13.25	13.3		
Hi PR	253	254	255	259.8	292	293	295	299.3	333	335	336	340.6	378	379	381	385.2	426	427	429	433.2	477	478	480	484.5		
Lo PR	127	128	132	136.9	134	136	139	144.5	141	143	146	151.2	147	148	152	156.8	152	154	157	162.4	159	161	164	169.3		
MBh	28.7	29.1	29.9	31.2	28.5	28.9	29.7	31.0	27.7	28.1	29.0	30.2	26.5	26.9	27.7	29.0	24.9	25.3	26.2	27.4	23.5	23.9	24.7	26.0		
S/T	0.87	0.79	0.65	0.5	1.00	0.80	0.65	0.5	1.00	0.83	0.68	0.5	1.00	0.85	0.70	0.5	1.00	1.00	0.73	0.6	1.00	1.00	0.78	0.6		
ΔT	19.99	18.34	15.25	12.1	19.94	18.29	15.21	12.0	20.17	18.52	15.44	12.2	19.93	18.27	15.19	12.0	19.71	18.05	14.97	11.8	20.74	19.09	16.01	12.8		
KW	1.76	1.75	1.75	1.8	1.98	1.98	1.97	2.0	2.23	2.22	2.22	2.2	2.49	2.49	2.49	2.5	2.79	2.79	2.79	2.8	3.15	3.14	3.14	3.2		
Amps	6.93	6.92	6.91	7.0	7.95	7.94	7.92	8.0	9.08	9.08	9.06	9.1	10.31	10.31	10.29	10.4	11.69	11.68	11.66	11.7	13.30	13.29	13.27	13.4		
Hi PR	254	255	257	261.0	293	294	296	300.4	335	336	337	341.8	379	380	382	386.4	427	428	430	434.4	478	480	481	485.6		
Lo PR	128	130	133	138.1	136	137	140	145.7	142	144	147	152.3	148	149	153	158.0	153	155	158	163.5	160	162	165	170.4		

IDB = Entering Indoor Dry Bulb Temperature
 High and low pressures are measured at the liquid and suction access fittings.
 Design Subcooling, 5-7 °F @ the liquid access fitting connection AHR1 95 test conditions. Design Superheat 15-18°F @ the compressor suction access fitting connection.
 Shaded area reflects AHR1 (TVA) conditions.
 Amps: Unit amps (comp.+ evaporator + condenser fan motors)
 KW = Total system power

IDB	Airflow	Outdoor Ambient Temperature												Entering Indoor Wet Bulb Temperature											
		65°F				75°F				85°F				95°F				105°F				115°F			
		59	63	67	71	59	63	67	71	59	63	67	71	59	63	67	71	59	63	67	71	59	63	67	71
80	MBh	28.1	28.5	29.4	30.6	27.9	28.3	29.1	30.4	27.1	27.5	28.4	29.7	25.9	26.3	27.1	28.4	24.3	24.7	25.6	26.9	22.9	23.3	24.2	25.5
	S/T	1.00	0.81	0.67	0.5	1.00	0.82	0.67	0.5	1.00	0.84	0.70	0.5	1.00	1.00	0.72	0.6	1.00	1.00	0.74	0.6	1.00	1.00	0.80	0.6
	ΔT	25.52	23.87	20.78	17.6	25.47	23.82	20.74	17.5	25.70	24.05	20.97	17.8	25.46	23.80	20.72	17.5	25.23	23.58	20.50	17.3	26.27	24.62	21.54	18.3
	KW	1.73	1.73	1.73	1.7	1.96	1.96	1.95	2.0	2.21	2.20	2.20	2.2	2.47	2.47	2.47	2.5	2.77	2.77	2.77	2.8	3.13	3.12	3.12	3.1
	Amps	6.84	6.83	6.81	6.9	7.85	7.85	7.83	7.9	8.99	8.98	8.96	9.0	10.22	10.21	10.19	10.3	11.59	11.58	11.57	11.6	13.20	13.20	13.18	13.3
	Hi PR	250	251	253	257.4	290	291	292	296.9	331	332	334	338.2	376	377	378	382.8	424	425	426	430.8	475	476	478	482.0
875	Lo PR	125	127	130	135.1	133	134	137	142.7	139	141	144	149.3	145	146	150	155.0	150	152	155	160.5	157	159	162	167.4
	MBh	28.6	29.0	29.8	31.1	28.4	28.8	29.6	30.9	27.6	28.0	28.9	30.1	26.4	26.8	27.6	28.9	24.8	25.2	26.1	27.3	23.4	23.8	24.7	25.9
	S/T	1.00	0.90	0.76	0.6	1.00	0.91	0.76	0.6	1.00	0.94	0.79	0.6	1.00	1.00	0.81	0.7	1.00	1.00	0.84	0.7	1.00	1.00	0.89	0.7
	ΔT	24.14	22.49	19.40	16.2	24.09	22.44	19.36	16.2	24.32	22.67	19.59	16.4	24.07	22.42	19.34	16.1	23.85	22.20	19.12	15.9	24.89	23.24	20.15	17.0
	KW	1.75	1.75	1.75	1.8	1.97	1.97	1.97	2.0	2.22	2.22	2.22	2.2	2.49	2.49	2.48	2.5	2.79	2.79	2.78	2.8	3.14	3.14	3.14	3.2
	Amps	6.91	6.90	6.88	7.0	7.93	7.92	7.90	8.0	9.06	9.06	9.04	9.1	10.29	10.28	10.27	10.3	11.67	11.66	11.64	11.7	13.28	13.27	13.25	13.3
1050	Hi PR	253	254	256	260.2	293	294	295	299.7	334	335	337	341.1	378	380	381	385.6	426	428	429	433.7	478	479	481	484.9
	Lo PR	127	129	132	137.5	135	137	140	145.1	142	143	146	151.7	147	149	152	157.4	153	154	158	162.9	160	161	165	169.8
	MBh	28.9	29.3	30.1	31.4	28.6	29.0	29.8	31.1	27.9	28.3	29.1	30.4	26.6	27.0	27.8	29.1	25.1	25.5	26.3	27.6	23.7	24.1	24.9	26.2
	S/T	1.00	0.93	0.78	0.6	1.00	0.93	0.79	0.6	1.00	0.96	0.82	0.7	1.00	1.00	0.84	0.7	1.00	1.00	0.86	0.7	1.00	1.00	0.91	0.8
	ΔT	23.64	21.99	18.91	15.7	23.60	21.95	18.86	15.7	23.83	22.18	19.10	15.9	23.58	21.93	18.85	15.7	23.36	21.71	18.63	15.4	24.39	22.74	19.66	16.5
	KW	1.76	1.75	1.75	1.8	1.98	1.98	1.97	2.0	2.23	2.23	2.22	2.2	2.50	2.49	2.49	2.5	2.80	2.79	2.79	2.8	3.15	3.15	3.14	3.2
1125	Amps	6.94	6.93	6.91	7.0	7.95	7.95	7.93	8.0	9.09	9.08	9.06	9.1	10.32	10.31	10.29	10.4	11.69	11.68	11.67	11.7	13.30	13.30	13.28	13.4
	Hi PR	254	255	257	261.4	294	295	297	300.9	335	336	338	342.3	380	381	382	386.8	428	429	430	434.8	479	480	482	486.1
	Lo PR	129	130	133	138.6	136	138	141	146.2	143	144	148	152.9	148	150	153	158.5	154	156	159	164.0	161	162	166	171.0
	MBh	28.6	29.0	29.8	31.1	28.4	28.8	29.6	30.9	27.6	28.0	28.9	30.1	26.4	26.8	27.6	28.9	24.8	25.2	26.1	27.3	23.4	23.8	24.6	25.9
	S/T	1.00	0.92	0.77	0.6	1.00	1.00	0.78	0.6	1.00	1.00	0.81	0.7	1.00	1.00	0.83	0.7	1.00	1.00	0.85	0.7	1.00	1.00	1.00	0.8
	ΔT	28.76	27.11	24.03	20.8	28.71	27.06	23.98	20.8	28.95	27.29	24.21	21.0	28.70	27.05	23.96	20.8	28.48	26.82	23.74	20.5	29.51	27.86	24.78	21.6
85	KW	1.74	1.74	1.73	1.8	1.96	1.96	1.96	2.0	2.21	2.21	2.20	2.2	2.48	2.48	2.47	2.5	2.78	2.78	2.77	2.8	3.13	3.13	3.12	3.1
	Amps	6.86	6.85	6.83	6.9	7.87	7.87	7.85	7.9	9.01	9.00	8.98	9.1	10.24	10.23	10.21	10.3	11.61	11.60	11.59	11.7	13.22	13.22	13.20	13.3
	Hi PR	251	252	254	258.5	291	292	294	298.0	332	333	335	339.4	377	378	380	383.9	425	426	428	432.0	476	477	479	483.2
	Lo PR	127	128	132	136.9	134	136	139	144.5	141	143	146	151.2	147	148	152	156.8	152	154	157	162.4	159	161	164	169.3
	MBh	29.1	29.5	30.3	31.6	28.8	29.2	30.1	31.3	28.1	28.5	29.3	30.6	26.8	27.2	28.1	29.4	25.3	25.7	26.5	27.8	23.9	24.3	25.1	26.4
	S/T	1.00	1.00	0.87	0.7	1.00	1.00	0.87	0.7	1.00	1.00	0.90	0.7	1.00	1.00	0.92	0.8	1.00	1.00	1.00	0.8	1.00	1.00	1.00	0.8
1050	ΔT	27.38	25.73	22.64	19.5	27.33	25.68	22.60	19.4	27.56	25.91	22.83	19.6	27.32	25.66	22.58	19.4	27.10	25.44	22.36	19.2	28.13	26.48	23.40	20.2
	KW	1.76	1.75	1.75	1.8	1.98	1.98	1.97	2.0	2.23	2.22	2.22	2.2	2.49	2.49	2.49	2.5	2.79	2.79	2.79	2.8	3.15	3.14	3.14	3.2
	Amps	6.93	6.92	6.90	7.0	7.95	7.94	7.92	8.0	9.08	9.07	9.06	9.1	10.31	10.30	10.29	10.4	11.69	11.68	11.66	11.7	13.30	13.29	13.27	13.3
	Hi PR	254	255	257	261.4	294	295	297	300.9	335	336	338	342.3	380	381	382	386.8	428	429	430	434.8	479	480	482	486.1
	Lo PR	129	131	134	139.4	137	138	142	147.0	144	145	148	153.6	149	151	154	159.3	155	156	159	164.8	162	163	166	171.7
	MBh	29.1	29.7	30.6	31.8	29.1	29.5	30.3	31.6	28.3	28.7	29.6	30.9	27.1	27.5	28.3	29.6	25.5	25.9	26.8	28.1	24.1	24.5	25.4	26.6
1125	S/T	1.00	1.00	0.89	0.7	1.00	1.00	0.90	0.7	1.00	1.00	0.92	0.8	1.00	1.00	0.94	0.8	1.00	1.00	1.00	0.8	1.00	1.00	1.00	0.9
	ΔT	26.88	25.23	22.15	19.0	26.84	25.19	22.10	18.9	27.07	25.42	22.34	19.1	26.82	25.17	22.09	18.9	26.60	24.95	21.87	18.7	27.63	25.98	22.90	19.7
	KW	1.76	1.76	1.76	1.8	1.98	1.98	1.98	2.0	2.23	2.23	2.23	2.2	2.50	2.50	2.49	2.5	2.80	2.80	2.79	2.8	3.15	3.15	3.15	3.2
	Amps	6.96	6.95	6.93	7.0	7.97	7.96	7.95	8.0	9.11	9.10	9.08	9.2	10.34	10.33	10.31	10.4	11.71	11.70	11.69	11.8	13.32	13.31	13.30	13.4
	Hi PR	255	256	258	262.6	295	296	298	302.1	336	337	339	343.5	381	382	384	388.0	429	430	432	436.0	480	481	483	487.3
	Lo PR	130	132	135	140.5	138	140	143	148.1	145	146	149	154.8	150	152	155	160.4	156	157	161	165.9	163	164	168	172.8

IDB	Airflow	Outdoor Ambient Temperature												Entering Indoor Wet Bulb Temperature											
		65°F				75°F				85°F				95°F				105°F				115°F			
		59	63	67	71	59	63	67	71	59	63	67	71	59	63	67	71	59	63	67	71	59	63	67	71
875	MBh	28.6	29.0	29.8	31.1	28.4	28.8	29.6	30.9	27.6	28.0	28.9	30.1	26.4	26.8	27.6	28.9	24.8	25.2	26.1	27.3	23.4	23.8	24.6	25.9
	S/T	1.00	0.92	0.77	0.6	1.00	1.00	0.78	0.6	1.00	1.00	0.81	0.7	1.00	1.00	0.83	0.7	1.00	1.00	0.85	0.7	1.00	1.00	1.00	0.8
	ΔT	28.76	27.11	24.03	20.8	28.71	27.06	23.98	20.8	28.95	27.29	24.21	21.0	28.70	27.05	23.96	20.8	28.48	26.82	23.74	20.5	29.51	27.86	24.78	21.6
	KW	1.74	1.74	1.73	1.8	1.96	1.96	1.96	2.0	2.21	2.21	2.20	2.2	2.48	2.48	2.47	2.5	2.78	2.78	2.77	2.8	3.13	3.13	3.12	3.1
	Amps	6.86	6.85	6.83	6.9	7.87	7.87	7.85	7.9	9.01	9.00	8.98	9.1	10.24	10.23	10.21	10.3	11.61	11.60	11.59	11.7	13.22	13.22	13.20	13.3
	Hi PR	251	252	254	258.5	291	292	294	298.0	332	333	335	339.4	377	378	380	383.9	425	426	428	432.0	476	477	479	483.2
1050	Lo PR	127	128	132	136.9	134	136	139	144.5	141	143	146	151.2	147	148	152	156.8	152	154	157	162.4	159			

IDB	AIRFLOW	OUTDOOR AMBIENT TEMPERATURE												ENTERING INDOOR WET BULB TEMPERATURE											
		65				75				85				95				105				115			
		59	63	67	71	59	63	67	71	59	63	67	71	59	63	67	71	59	63	67	71	59	63	67	71
70	MBh	35.4	35.9	37.0	-	35.1	35.6	36.6	-	34.2	34.7	35.7	-	32.6	33.1	34.1	-	30.6	31.1	32.2	-	28.9	29.4	30.4	-
	S/T	0.62	0.55	0.41	-	0.63	0.55	0.41	-	0.66	0.58	0.44	-	1.00	0.60	0.46	-	1.00	0.62	0.48	-	1.00	0.67	0.53	-
	ΔT	19.20	17.43	14.11	-	19.15	17.38	14.06	-	19.40	17.63	14.31	-	19.14	17.36	14.04	-	18.90	17.12	13.81	-	20.01	18.24	14.92	-
	KW	2.21	2.20	2.20	-	2.48	2.48	2.48	-	2.79	2.79	2.78	-	3.12	3.12	3.12	-	3.50	3.50	3.49	-	3.94	3.93	3.93	-
	Amps	8.85	8.84	8.82	-	10.12	10.11	10.08	-	11.53	11.52	11.50	-	13.06	13.05	13.03	-	14.77	14.76	14.73	-	16.77	16.76	16.74	-
	Hi PR	250	251	253	-	289	290	292	-	331	332	334	-	375	376	378	-	423	424	426	-	474	475	477	-
Lo PR	126	127	130	-	133	135	138	-	140	141	145	-	146	147	150	-	151	153	156	-	158	160	163	-	
70	MBh	35.9	36.4	37.4	-	35.6	36.1	37.1	-	34.6	35.1	36.2	-	33.0	33.5	34.6	-	31.1	31.6	32.7	-	29.3	29.8	30.9	-
	S/T	0.69	0.61	0.47	-	0.69	0.61	0.47	-	0.72	0.64	0.50	-	1.00	0.66	0.52	-	1.00	0.68	0.54	-	1.00	0.73	0.60	-
	ΔT	18.13	16.35	13.04	-	18.08	16.31	12.99	-	18.33	16.56	13.24	-	18.06	16.29	12.97	-	17.83	16.05	12.73	-	18.94	17.16	13.85	-
	KW	2.22	2.22	2.21	-	2.50	2.49	2.49	-	2.81	2.80	2.80	-	3.14	3.14	3.13	-	3.51	3.51	3.51	-	3.95	3.95	3.94	-
	Amps	8.92	8.91	8.88	-	10.18	10.17	10.15	-	11.59	11.58	11.56	-	13.12	13.11	13.09	-	14.83	14.82	14.80	-	16.83	16.82	16.80	-
	Hi PR	252	253	255	-	292	293	294	-	333	334	336	-	377	378	380	-	425	426	428	-	477	478	479	-
Lo PR	127	129	132	-	135	137	140	-	142	143	147	-	147	149	152	-	153	155	158	-	160	161	165	-	
70	MBh	36.4	36.9	38.0	-	36.1	36.6	37.7	-	35.2	35.7	36.7	-	33.6	34.1	35.2	-	31.7	32.2	33.2	-	29.9	30.4	31.4	-
	S/T	0.72	0.64	0.50	-	0.73	0.65	0.51	-	1.00	0.67	0.53	-	1.00	0.69	0.55	-	1.00	0.72	0.58	-	1.00	1.00	0.63	-
	ΔT	17.23	15.45	12.14	-	17.18	15.40	12.09	-	17.43	15.65	12.34	-	17.16	15.38	12.07	-	16.92	15.15	11.83	-	18.04	16.26	12.94	-
	KW	2.23	2.23	2.23	-	2.51	2.51	2.50	-	2.82	2.82	2.81	-	3.15	3.15	3.14	-	3.52	3.52	3.52	-	3.96	3.96	3.96	-
	Amps	8.97	8.96	8.94	-	10.24	10.23	10.20	-	11.65	11.64	11.62	-	13.18	13.17	13.15	-	14.89	14.88	14.85	-	16.89	16.88	16.86	-
	Hi PR	254	255	257	-	294	295	296	-	335	336	338	-	379	380	382	-	427	428	430	-	479	480	481	-
Lo PR	129	131	134	-	137	139	142	-	144	145	149	-	149	151	154	-	155	157	160	-	162	164	167	-	
75	MBh	35.4	35.9	37.0	38.6	35.1	35.6	36.7	38.3	34.2	34.7	35.7	37.4	32.6	33.1	34.2	35.8	30.6	31.1	32.2	33.8	28.9	29.4	30.4	32.0
	S/T	0.76	0.68	0.54	0.4	1.00	0.68	0.54	0.4	1.00	0.71	0.57	0.4	1.00	0.73	0.59	0.4	1.00	0.81	0.68	0.5	1.00	1.00	0.67	0.5
	ΔT	23.11	21.33	18.02	14.6	23.06	21.28	17.97	14.5	23.31	21.53	18.22	14.8	23.04	21.27	17.95	14.5	22.80	21.03	17.71	14.3	23.92	22.14	18.82	15.4
	KW	2.20	2.20	2.20	2.2	2.48	2.48	2.47	2.5	2.79	2.79	2.78	2.8	3.12	3.12	3.12	3.1	3.50	3.49	3.49	3.5	3.93	3.93	3.93	3.9
	Amps	8.84	8.83	8.81	8.9	10.11	10.10	10.08	10.2	11.52	11.51	11.49	11.6	13.05	13.04	13.02	13.1	14.76	14.75	14.73	14.8	16.76	16.75	16.73	16.8
	Hi PR	250	251	253	257.4	290	291	292	296.8	331	332	334	338.2	375	377	378	382.6	423	425	426	430.6	475	476	477	481.8
Lo PR	126	127	130	135.7	133	135	138	143.4	140	142	145	150.1	146	147	150	155.7	151	153	156	161.3	158	160	163	168.2	
75	MBh	35.9	36.4	37.4	39.1	35.6	36.1	37.1	38.7	34.6	35.1	36.2	37.8	33.1	33.6	34.6	36.2	31.1	31.6	32.7	34.3	29.3	29.8	30.9	32.5
	S/T	0.82	0.74	0.60	0.5	1.00	0.75	0.61	0.5	1.00	0.77	0.63	0.5	1.00	0.79	0.65	0.5	1.00	0.81	0.68	0.5	1.00	1.00	0.73	0.6
	ΔT	22.04	20.26	16.94	13.5	21.99	20.21	16.89	13.5	22.24	20.46	17.14	13.7	21.97	20.19	16.88	13.4	21.73	19.96	16.64	13.2	22.84	21.07	17.75	14.3
	KW	2.22	2.22	2.21	2.2	2.49	2.49	2.49	2.5	2.80	2.80	2.80	2.8	3.14	3.14	3.13	3.2	3.51	3.51	3.50	3.5	3.95	3.95	3.94	4.0
	Amps	8.91	8.90	8.88	9.0	10.17	10.16	10.14	10.2	11.59	11.58	11.55	11.7	13.11	13.10	13.08	13.2	14.82	14.81	14.79	14.9	16.83	16.82	16.79	16.9
	Hi PR	252	253	255	259.5	292	293	295	299.0	333	334	336	340.3	378	379	380	384.8	426	427	428	432.7	477	478	480	483.9
Lo PR	127	129	132	137.6	135	137	140	145.2	142	143	147	151.9	147	152	157.6	153	155	158	163.1	160	162	165	170.1		
75	MBh	36.4	36.9	38.0	39.6	36.1	36.6	37.7	39.3	35.2	35.7	36.8	38.4	33.6	34.1	35.2	36.8	31.7	32.2	33.2	34.8	29.9	30.4	31.5	33.1
	S/T	0.85	0.77	0.63	0.5	1.00	0.78	0.64	0.5	1.00	0.81	0.67	0.5	1.00	0.83	0.69	0.5	1.00	1.00	0.71	0.6	1.00	1.00	0.76	0.6
	ΔT	21.13	19.36	16.04	12.6	21.08	19.31	15.99	12.6	21.33	19.56	16.24	12.8	21.07	19.29	15.97	12.5	20.83	19.05	15.74	12.3	21.94	20.16	16.85	13.4
	KW	2.23	2.23	2.22	2.2	2.51	2.50	2.50	2.5	2.82	2.81	2.81	2.8	3.15	3.15	3.14	3.2	3.52	3.52	3.52	3.5	3.96	3.96	3.95	4.0
	Amps	8.96	8.95	8.93	9.0	10.23	10.22	10.20	10.3	11.64	11.63	11.61	11.7	13.17	13.16	13.14	13.2	14.88	14.87	14.85	14.9	16.88	16.87	16.85	16.9
	Hi PR	254	255	257	261.6	294	295	297	301.0	335	336	338	342.3	380	381	382	386.8	428	429	430	434.8	479	480	482	486.0
Lo PR	130	131	134	139.6	137	139	142	147.3	144	145	149	153.9	150	151	154	159.6	155	157	160	165.2	162	164	167	172.1	

IDB = Entering Indoor Dry Bulb Temperature
 High and low pressures are measured at the liquid and suction access fittings.
 Design Subcooling, 9-12 °F @ the liquid access fitting connection AHR1 95 test conditions. Design Superheat 7-11°F @ the compressor suction access fitting connection.
 Shaded area reflects AHR1 (TVA) conditions.
 Amps: Unit amps (comp.+ evaporator + condenser fan motors)
 KW = Total system power

IDB		OUTDOOR AMBIENT TEMPERATURE												ENTERING INDOOR WET BULB TEMPERATURE											
		65				75				85				95				105				115			
		59	63	67	71	59	63	67	71	59	63	67	71	59	63	67	71	59	63	67	71	59	63	67	71
1050	MBh	35.6	36.1	37.2	38.8	35.3	35.8	36.8	38.5	34.4	34.9	35.9	37.5	32.8	33.3	34.3	36.0	30.8	31.3	32.4	34.0	29.1	29.6	30.6	32.2
	S/T	1.00	0.81	0.67	0.5	1.00	0.81	0.67	0.5	1.00	0.84	0.70	0.6	1.00	1.00	0.72	0.6	1.00	1.00	0.74	0.6	1.00	1.00	0.80	0.6
	ΔT	27.04	25.26	21.95	18.5	26.99	25.22	21.90	18.5	27.24	25.46	22.15	18.7	26.97	25.20	21.88	18.4	26.74	24.96	21.64	18.2	27.85	26.07	22.76	19.3
	KW	2.21	2.20	2.20	2.2	2.48	2.48	2.48	2.5	2.79	2.79	2.78	2.8	3.12	3.12	3.12	3.1	3.50	3.50	3.49	3.5	3.94	3.93	3.93	3.9
	Amps	8.85	8.84	8.82	8.9	10.11	10.10	10.08	10.2	11.53	11.52	11.50	11.6	13.06	13.05	13.02	13.1	14.76	14.75	14.73	14.8	16.77	16.76	16.74	16.8
	Hi PR	251	252	253	257.8	290	291	293	297.3	331	332	334	338.6	376	377	379	383.1	424	425	427	431.1	475	476	478	482.3
	Lo PR	126	128	131	136.3	134	135	139	143.9	141	142	145	150.6	146	148	151	156.3	152	153	156	161.8	159	160	163	168.8
	MBh	36.1	36.6	37.6	39.2	35.8	36.3	37.3	38.9	34.8	35.3	36.4	38.0	33.2	33.7	34.8	36.4	31.3	31.8	32.9	34.5	29.5	30.0	31.1	32.7
	S/T	1.00	0.87	0.73	0.6	1.00	0.87	0.74	0.6	1.00	0.90	0.76	0.6	1.00	1.00	0.78	0.6	1.00	1.00	0.80	0.7	1.00	1.00	0.86	0.7
	ΔT	25.97	24.19	20.87	17.4	25.92	24.14	20.83	17.4	26.17	24.39	21.08	17.6	25.90	24.12	20.81	17.4	25.66	23.89	20.57	17.1	26.77	25.00	21.68	18.2
1200	KW	2.22	2.22	2.21	2.2	2.50	2.49	2.49	2.5	2.80	2.80	2.80	2.8	3.14	3.14	3.13	3.2	3.51	3.51	3.51	3.5	3.95	3.95	3.94	4.0
	Amps	8.91	8.90	8.88	9.0	10.18	10.17	10.15	10.2	11.59	11.58	11.56	11.7	13.12	13.11	13.09	13.2	14.83	14.82	14.80	14.9	16.83	16.82	16.80	16.9
	Hi PR	253	254	256	260.0	292	293	295	299.4	334	335	336	340.7	378	379	381	385.2	426	427	429	433.2	477	478	480	484.4
	Lo PR	128	130	133	138.1	136	137	140	145.8	142	144	147	152.5	148	150	153	158.1	154	155	158	163.7	161	162	165	170.6
	MBh	36.6	37.1	38.2	39.8	36.3	36.8	37.9	39.5	35.4	35.9	36.9	38.6	33.8	34.3	35.4	37.0	31.9	32.4	33.4	35.0	30.1	30.6	31.6	33.3
	S/T	1.00	0.90	0.76	0.6	1.00	0.91	0.77	0.6	1.00	1.00	0.80	0.6	1.00	1.00	0.82	0.7	1.00	1.00	0.84	0.7	1.00	1.00	1.00	0.7
	ΔT	25.06	23.29	19.97	16.5	25.01	23.24	19.92	16.5	25.26	23.49	20.17	16.7	25.00	23.22	19.90	16.5	24.76	22.98	19.67	16.2	25.87	24.10	20.78	17.3
	KW	2.23	2.23	2.22	2.2	2.51	2.51	2.50	2.5	2.82	2.81	2.81	2.8	3.15	3.15	3.14	3.2	3.52	3.52	3.52	3.5	3.96	3.96	3.96	4.0
	Amps	8.97	8.96	8.94	9.0	10.23	10.23	10.20	10.3	11.65	11.64	11.62	11.7	13.18	13.17	13.14	13.2	14.88	14.87	14.85	14.9	16.89	16.88	16.86	17.0
	Hi PR	255	256	258	262.0	294	295	297	301.5	336	337	338	342.8	380	381	383	387.3	428	429	431	435.3	479	480	482	486.5
Lo PR	130	132	135	140.2	138	139	142	147.8	144	146	149	154.5	150	152	155	160.2	156	157	160	165.7	163	164	167	172.7	

1050	MBh	36.2	36.7	37.8	39.4	35.9	36.4	37.4	39.1	35.0	35.5	36.5	38.1	33.4	33.9	34.9	36.5	31.4	31.9	33.0	34.6	29.7	30.2	31.2	32.8
	S/T	1.00	0.91	0.77	0.6	1.00	1.00	0.78	0.6	1.00	1.00	0.80	0.7	1.00	1.00	0.82	0.7	1.00	1.00	1.00	0.7	1.00	1.00	1.00	0.8
	ΔT	30.53	28.75	25.43	22.0	30.48	28.70	25.39	22.0	30.73	28.95	25.64	22.2	30.46	28.68	25.37	21.9	30.22	28.45	25.13	21.7	31.33	29.56	26.24	22.8
	KW	2.21	2.21	2.20	2.2	2.49	2.49	2.48	2.5	2.80	2.79	2.79	2.8	3.13	3.13	3.12	3.1	3.50	3.50	3.50	3.5	3.94	3.94	3.93	4.0
	Amps	8.87	8.86	8.84	8.9	10.14	10.13	10.11	10.2	11.55	11.54	11.52	11.6	13.08	13.07	13.05	13.1	14.79	14.78	14.76	14.9	16.79	16.78	16.76	16.9
	Hi PR	252	253	255	259.0	291	292	294	298.5	333	334	335	339.8	377	378	380	384.3	425	426	428	432.3	476	477	479	483.5
	Lo PR	128	130	133	138.2	136	137	140	145.8	142	144	147	152.5	148	150	153	158.2	154	155	158	163.7	161	162	165	170.7
	MBh	36.7	37.2	38.2	39.8	36.4	36.9	37.9	39.5	35.4	35.9	37.0	38.6	33.8	34.3	35.4	37.0	31.9	32.4	33.5	35.1	30.1	30.6	31.7	33.3
	S/T	1.00	0.97	0.83	0.7	1.00	1.00	0.84	0.7	1.00	1.00	0.87	0.7	1.00	1.00	0.89	0.7	1.00	1.00	1.00	0.8	1.00	1.00	1.00	0.8
	ΔT	29.45	27.68	24.36	20.9	29.40	27.63	24.31	20.9	29.65	27.88	24.56	21.1	29.39	27.61	24.29	20.9	29.15	27.37	24.06	20.6	30.26	28.49	25.17	21.7
1200	KW	2.23	2.22	2.22	2.2	2.50	2.50	2.49	2.5	2.81	2.81	2.80	2.8	3.14	3.14	3.14	3.2	3.52	3.52	3.51	3.5	3.96	3.95	3.95	4.0
	Amps	8.94	8.93	8.91	9.0	10.20	10.19	10.17	10.3	11.62	11.61	11.59	11.7	13.15	13.14	13.11	13.2	14.85	14.84	14.82	14.9	16.86	16.85	16.83	16.9
	Hi PR	254	255	257	261.1	293	294	296	300.6	335	336	338	341.9	379	380	382	386.4	427	428	430	434.4	478	479	481	485.6
	Lo PR	130	131	135	140.0	138	139	142	147.6	144	146	149	154.3	150	151	155	160.0	155	157	160	165.6	162	164	167	172.5
	MBh	37.2	37.7	38.8	40.4	36.9	37.4	38.5	40.1	36.0	36.5	37.5	39.2	34.4	34.9	36.0	37.6	32.5	33.0	34.0	35.6	30.7	31.2	32.2	33.9
	S/T	1.00	1.00	0.87	0.7	1.00	1.00	0.87	0.7	1.00	1.00	0.90	0.8	1.00	1.00	0.92	0.8	1.00	1.00	1.00	0.8	1.00	1.00	1.00	0.8
	ΔT	28.55	26.77	23.46	20.0	28.50	26.73	23.41	20.0	28.75	26.98	23.66	20.2	28.48	26.71	23.39	20.0	28.25	26.47	23.15	19.7	29.36	27.58	24.27	20.8
	KW	2.24	2.23	2.23	2.3	2.51	2.51	2.51	2.5	2.82	2.82	2.82	2.8	3.16	3.15	3.15	3.2	3.53	3.53	3.52	3.5	3.97	3.97	3.96	4.0
	Amps	8.99	8.98	8.96	9.1	10.26	10.25	10.23	10.3	11.67	11.66	11.64	11.7	13.20	13.19	13.17	13.3	14.91	14.90	14.88	15.0	16.91	16.90	16.88	17.0
	Hi PR	256	257	259	263.2	295	297	298	302.7	337	338	340	344.0	381	382	384	388.5	429	430	432	436.4	480	482	483	487.6
Lo PR	132	134	137	142.1	140	141	144	149.7	146	148	151	156.4	152	153	157	162.0	158	159	162	167.6	164	166	169	174.6	

IDB = Entering Indoor Dry Bulb Temperature
 High and low pressures are measured at the liquid and suction access fittings.
 Design Subcooling, 9-12 °F @ the liquid access fitting connection AHRI 95 test conditions. Design Superheat 7-11°F @ the compressor suction access fitting connection.
 Shaded area reflects AHRI conditions.
 KW = Total system power
 Amps: Unit amps (comp.+ evaporator + condenser fan motors)

IDB	AIRFLOW	OUTDOOR AMBIENT TEMPERATURE												115																	
		65						75						85						95						105					
		59	63	67	71	59	63	67	71	59	63	67	71	59	63	67	71	59	63	67	71	59	63	67	71	59	63	67	71		
70	1100	MBh	42.6	43.2	44.5	-	42.2	42.8	44.1	-	41.1	41.7	43.0	-	39.2	39.8	41.1	-	36.8	37.5	38.7	-	34.7	35.3	36.6	-					
		S/T	0.58	0.50	0.37	-	0.59	0.51	0.38	-	0.61	0.54	0.40	-	0.63	0.55	0.42	-	1.00	0.58	0.44	-	1.00	0.63	0.49	-					
		ΔT	20.76	18.87	15.34	-	20.71	18.82	15.28	-	20.98	19.08	15.55	-	20.69	18.80	15.27	-	20.44	18.55	15.01	-	21.62	19.73	16.20	-					
		KW	2.66	2.66	2.65	-	2.99	2.99	2.99	-	3.37	3.36	3.36	-	3.77	3.76	3.76	-	4.22	4.21	4.21	-	4.74	4.74	4.73	-					
		Amps	10.12	10.11	10.09	-	11.57	11.56	11.53	-	13.18	13.17	13.15	-	14.93	14.91	14.89	-	16.87	16.86	16.84	-	19.16	19.15	19.13	-					
	1300	Hi PR	259	260	262	-	300	301	303	-	343	344	346	-	389	390	392	-	439	440	442	-	492	493	495	-					
		Lo PR	123	124	127	-	130	132	135	-	137	138	141	-	142	144	147	-	148	149	152	-	154	156	159	-					
		MBh	43.3	43.9	45.2	-	42.9	43.5	44.8	-	41.8	42.4	43.7	-	39.9	40.5	41.8	-	37.5	38.1	39.4	-	35.4	36.0	37.3	-					
		S/T	0.66	0.58	0.45	-	0.66	0.59	0.45	-	0.69	0.61	0.48	-	1.00	0.63	0.50	-	1.00	0.65	0.52	-	1.00	0.70	0.57	-					
		ΔT	19.32	17.43	13.89	-	19.27	17.37	13.84	-	19.53	17.64	14.11	-	19.25	17.35	13.82	-	18.99	17.10	13.57	-	20.18	18.29	14.75	-					
1500	KW	2.68	2.68	2.68	-	3.02	3.01	3.01	-	3.39	3.38	3.38	-	3.79	3.79	3.78	-	4.24	4.23	4.23	-	4.76	4.76	4.75	-						
	Amps	10.22	10.21	10.18	-	11.66	11.65	11.63	-	13.28	13.26	13.24	-	15.02	15.01	14.98	-	16.97	16.96	16.93	-	19.26	19.25	19.22	-						
	Hi PR	262	263	265	-	303	304	306	-	346	347	348	-	392	393	395	-	442	443	444	-	495	496	498	-						
	Lo PR	125	126	129	-	132	134	137	-	139	140	143	-	144	146	149	-	150	151	154	-	157	158	161	-						
	MBh	44.1	44.7	46.0	-	43.8	44.4	45.6	-	42.6	43.2	44.5	-	40.7	41.3	42.6	-	38.4	39.0	40.3	-	36.2	36.8	38.1	-						
75	1100	S/T	0.69	0.62	0.49	-	0.70	0.63	0.49	-	0.73	0.65	0.52	-	1.00	0.67	0.54	-	1.00	0.69	0.56	-	1.00	0.74	0.61	-					
		ΔT	18.15	16.26	12.73	-	18.10	16.21	12.67	-	18.37	16.47	12.94	-	18.08	16.19	12.65	-	17.83	15.93	12.40	-	19.01	17.12	13.59	-					
		KW	2.70	2.70	2.69	-	3.03	3.03	3.03	-	3.40	3.40	3.40	-	3.81	3.80	3.80	-	4.25	4.25	4.25	-	4.78	4.78	4.77	-					
		Amps	10.30	10.28	10.26	-	11.74	11.73	11.70	-	13.35	13.34	13.32	-	15.10	15.09	15.06	-	17.05	17.03	17.01	-	19.33	19.32	19.30	-					
		Hi PR	264	265	267	-	305	306	308	-	348	349	351	-	394	395	397	-	444	445	447	-	497	498	500	-					
	1300	Lo PR	127	129	132	-	135	136	139	-	141	143	146	-	147	148	151	-	152	154	157	-	159	161	164	-					
		MBh	42.6	43.2	44.5	46.5	42.3	42.9	44.1	46.1	41.1	41.7	43.0	45.0	39.2	39.8	41.1	43.1	36.9	37.5	38.8	40.7	34.7	35.3	36.6	38.6					
		S/T	0.71	0.63	0.50	0.36	0.71	0.64	0.50	0.36	1.00	0.66	0.53	0.39	1.00	0.68	0.55	0.41	1.00	0.70	0.57	0.43	1.00	1.00	0.62	0.48					
		ΔT	24.92	23.03	19.50	15.84	24.87	22.98	19.45	15.78	25.14	23.24	19.71	16.05	24.85	22.96	19.43	15.77	24.60	22.71	19.17	15.51	25.78	23.89	20.36	16.70					
		KW	2.66	2.66	2.65	2.68	2.99	2.99	2.98	3.01	3.36	3.36	3.36	3.38	3.76	3.76	3.76	3.78	4.21	4.21	4.20	4.23	4.74	4.74	4.73	4.76					
1500	Amps	10.12	10.10	10.08	10.19	11.56	11.55	11.52	11.63	13.17	13.16	13.14	13.25	14.92	14.90	14.88	14.99	16.87	16.85	16.83	16.94	19.15	19.14	19.12	19.23						
	Hi PR	259	260	262	267	300	301	303	308	343	344	346	350	389	390	392	397	439	440	442	446	492	493	495	500						
	Lo PR	123	124	127	132	130	132	135	140	137	138	141	146	142	144	147	152	148	149	152	157	154	156	159	164						
	MBh	43.3	43.9	45.2	47.1	42.9	43.5	44.8	46.8	41.8	42.4	43.7	45.6	39.9	40.5	41.8	43.7	37.6	38.2	39.4	41.4	35.4	36.0	37.3	39.2						
	S/T	0.78	0.71	0.58	0.43	0.79	0.72	0.58	0.44	1.00	0.74	0.61	0.47	1.00	0.76	0.63	0.48	1.00	0.78	0.65	0.51	1.00	1.00	0.70	0.56						
70	1100	ΔT	23.48	21.59	18.05	14.39	23.43	21.53	18.00	14.34	23.69	21.80	18.27	14.61	23.41	21.52	17.98	14.32	23.15	21.26	17.73	14.07	24.34	22.45	18.91	15.25					
		KW	2.68	2.68	2.67	2.70	3.01	3.01	3.01	3.03	3.39	3.38	3.38	3.40	3.79	3.78	3.78	3.80	4.23	4.23	4.23	4.25	4.76	4.76	4.75	4.78					
		Amps	10.21	10.20	10.17	10.28	11.65	11.64	11.62	11.73	13.27	13.25	13.23	13.34	15.01	15.00	14.97	15.09	16.96	16.95	16.92	17.03	19.25	19.24	19.21	19.32					
		Hi PR	262	263	265	269	303	304	306	310	346	347	349	353	392	393	395	399	442	443	445	449	495	496	498	502					
		Lo PR	125	126	129	135	132	134	137	142	139	140	143	149	144	146	149	154	150	151	154	160	157	158	161	166					
	1300	MBh	44.2	44.8	46.0	48.0	43.8	44.4	45.7	47.6	42.7	43.3	44.5	46.5	40.7	41.4	42.6	44.6	38.4	39.0	40.3	42.2	36.3	36.9	38.1	40.1					
		S/T	0.82	0.75	0.61	0.47	1.00	0.75	0.62	0.48	1.00	0.78	0.64	0.50	1.00	0.80	0.66	0.52	1.00	0.82	0.69	0.54	1.00	1.00	0.74	0.59					
		ΔT	22.31	20.42	16.89	13.23	22.26	20.37	16.83	13.17	22.53	20.63	17.10	13.44	22.24	20.35	16.82	13.15	21.99	20.10	16.56	12.90	23.17	21.28	17.75	14.09					
		KW	2.70	2.70	2.69	2.72	3.03	3.03	3.02	3.05	3.40	3.40	3.39	3.42	3.80	3.80	3.80	3.82	4.25	4.25	4.24	4.24	4.78	4.78	4.77	4.80					
		Amps	10.29	10.27	10.25	10.36	11.73	11.72	11.69	11.80	13.34	13.33	13.31	13.42	15.09	15.08	15.05	15.16	17.04	17.02	17.00	17.11	19.32	19.31	19.29	19.40					
1500	Hi PR	265	266	268	272	305	307	308	313	348	350	351	356	395	396	398	402	444	446	447	452	498	499	500	505						
	Lo PR	127	129	132	137	135	136	139	145	141	143	146	151	147	148	151	157	152	154	157	162	159	161	164	169						
	MBh	44.2	44.8	46.0	48.0	43.8	44.4	45.7	47.6	42.7	43.3	44.5	46.5	40.7	41.4	42.6	44.6	38.4	39.0	40.3	42.2	36.3	36.9	38.1	40.1						
	S/T	0.82	0.75	0.61	0.47	1.00	0.75	0.62	0.48	1.00	0.78	0.64	0.50	1.00	0.80	0.66	0.52	1.00	0.82	0.69	0.54	1.00	1.00	0.74	0.59						
	ΔT	22.31	20.42	16.89	13.23	22.26	20.37	16.83	13.17	22.53	20.63	17.10	13.44	22.24	20.35	16.82	13.15	21.99	20.10	16.56	12.90	23.17	21.28	17.75	14.09						

IDB = Entering Indoor Dry Bulb Temperature
 High and low pressures are measured at the liquid and suction access fittings.
 Design Subcooling, 9-12 °F @ the liquid access fitting connection AHR1 95 test conditions. Design Superheat 7-11°F @ the compressor suction access fitting connection.
 Shaded area reflects AHR1 (TVA) conditions.
 Amps: Unit amps (comp.+ evaporator + condenser fan motors)
 KW = Total system power

IDB	AIRFLOW	OUTDOOR AMBIENT TEMPERATURE												ENTERING INDOOR WET BULB TEMPERATURE											
		65				75				85				95				105				115			
		59	63	67	71	59	63	67	71	59	63	67	71	59	63	67	71	59	63	67	71	59	63	67	71
80	Mbh	42.86	43.46	44.74	46.69	42.48	43.08	44.36	46.31	41.36	41.97	43.24	45.19	39.44	40.05	41.32	43.27	37.10	37.70	38.98	40.93	34.95	35.56	36.83	38.78
	S/T	1.00	0.76	0.62	0.48	1.00	0.76	0.63	0.49	1.00	0.79	0.65	0.51	1.00	0.81	0.67	0.53	1.00	1.00	0.69	0.55	1.00	1.00	0.74	0.60
	ΔT	29.11	27.22	23.69	20.03	29.06	27.17	23.63	19.97	29.33	27.43	23.90	20.24	29.04	27.15	23.61	19.95	28.79	26.90	23.36	19.70	29.97	28.08	24.55	20.89
	kW	2.66	2.66	2.65	2.68	2.99	2.99	2.99	3.01	3.37	3.36	3.36	3.38	3.77	3.76	3.76	3.78	4.21	4.21	4.21	4.23	4.74	4.74	4.74	4.76
	Amps	10.12	10.11	10.09	10.20	11.57	11.56	11.53	11.64	13.18	13.17	13.14	13.25	14.92	14.91	14.89	15.00	16.87	16.86	16.84	16.95	19.16	19.15	19.15	19.23
	Hi PR	259.65	260.78	262.60	267.13	300.60	301.72	303.55	308.07	343.49	344.62	346.44	350.97	389.68	390.81	392.63	397.16	439.49	440.61	442.44	446.96	492.63	493.76	495.58	500.10
	Lo PR	123.10	124.61	127.74	132.98	130.57	132.09	135.22	140.46	137.12	138.64	141.77	147.01	142.66	144.18	147.31	152.55	148.10	149.62	152.75	157.98	154.90	156.42	159.55	164.79
	Mbh	43.54	44.14	45.42	47.37	43.16	43.76	45.04	46.99	42.04	42.64	43.92	45.87	40.12	40.72	42.00	43.95	37.77	38.38	39.65	41.60	35.63	36.24	37.51	39.46
	S/T	1.00	0.83	0.70	0.56	1.00	0.84	0.71	0.56	1.00	0.86	0.73	0.59	1.00	1.00	0.75	0.61	1.00	1.00	0.77	0.63	1.00	1.00	0.82	0.68
	ΔT	27.67	25.78	22.24	18.58	27.62	25.72	22.19	18.53	27.88	25.99	22.46	18.80	27.60	25.70	22.17	18.51	27.34	25.45	21.92	18.26	28.53	26.64	23.10	19.44
kW	2.68	2.68	2.68	2.70	3.02	3.01	3.01	3.03	3.39	3.38	3.38	3.40	3.79	3.79	3.79	3.81	4.24	4.23	4.23	4.25	4.76	4.76	4.75	4.78	
Amps	10.22	10.21	10.18	10.29	11.66	11.65	11.63	11.74	13.27	13.26	13.24	13.35	15.02	15.01	14.98	15.09	16.97	16.96	16.93	17.04	19.25	19.24	19.22	19.33	
Hi PR	262.39	263.52	265.34	269.87	303.34	304.46	306.29	310.81	346.23	347.36	349.18	353.71	392.42	393.55	395.37	399.90	442.23	443.35	445.18	449.70	495.37	496.50	498.32	502.84	
Lo PR	125.30	126.82	129.95	135.19	132.78	134.30	137.43	142.67	139.33	140.85	143.98	149.22	144.87	146.39	149.52	154.75	150.31	151.83	154.96	160.19	157.11	158.63	161.76	167.00	
Mbh	44.39	44.99	46.27	48.22	44.00	44.61	45.88	47.83	42.89	43.49	44.77	46.72	40.97	41.57	42.85	44.80	38.62	39.23	40.50	42.45	36.48	37.08	38.36	40.31	
S/T	1.00	0.87	0.74	0.60	1.00	0.88	0.74	0.60	1.00	0.90	0.77	0.63	1.00	1.00	0.79	0.65	1.00	1.00	0.81	0.67	1.00	1.00	0.86	0.72	
ΔT	26.50	24.61	21.08	17.41	26.45	24.56	21.02	17.36	26.72	24.82	21.29	17.63	26.43	24.54	21.00	17.34	26.18	24.28	20.75	17.09	27.36	25.47	21.94	18.28	
kW	2.70	2.70	2.69	2.72	3.03	3.03	3.03	3.05	3.40	3.40	3.40	3.42	3.81	3.80	3.80	3.82	4.25	4.25	4.25	4.27	4.78	4.78	4.77	4.80	
Amps	10.29	10.28	10.26	10.37	11.74	11.73	11.73	11.81	13.35	13.34	13.31	13.42	15.09	15.08	15.06	15.17	17.04	17.03	17.01	17.12	19.33	19.32	19.29	19.41	
Hi PR	265.03	266.15	267.98	272.50	305.98	307.10	308.93	313.45	348.87	350.00	351.82	356.34	395.06	396.19	398.01	402.53	444.86	445.99	447.81	452.34	498.01	499.13	500.96	505.48	
Lo PR	127.80	129.32	132.45	137.69	135.28	136.80	139.93	145.17	141.83	143.35	146.48	151.72	147.37	148.89	152.02	157.26	152.81	154.33	157.46	162.69	159.61	161.13	164.26	169.50	
Mbh	43.6	44.2	45.5	47.4	43.2	43.8	45.1	47.0	42.1	42.7	44.0	45.9	40.2	40.8	42.0	44.0	37.8	38.4	39.7	41.6	35.7	36.3	37.6	39.5	
S/T	1.00	0.86	0.72	0.58	1.00	0.86	0.73	0.59	1.00	1.00	0.75	0.61	1.00	1.00	0.77	0.63	1.00	1.00	0.79	0.65	1.00	1.00	1.00	0.70	
ΔT	32.83	30.93	27.40	23.74	32.77	30.88	27.35	23.69	33.04	31.15	27.62	23.95	32.76	30.86	27.33	23.67	32.50	30.61	27.08	23.42	33.69	31.79	28.26	24.60	
kW	2.67	2.67	2.66	2.69	3.00	3.00	2.99	3.02	3.37	3.37	3.36	3.39	3.77	3.77	3.76	3.79	4.22	4.22	4.21	4.24	4.75	4.74	4.74	4.76	
Amps	10.15	10.14	10.11	10.22	11.59	11.58	11.56	11.67	13.21	13.20	13.17	13.28	14.95	14.94	14.92	15.03	16.90	16.89	16.86	16.98	19.19	19.18	19.15	19.26	
Hi PR	261	262	264	268	302	303	305	309	345	346	348	352	391	392	394	398	441	442	444	448	494	495	497	501	
Lo PR	125	126	130	135	132	134	137	142	139	140	144	149	145	146	149	154	150	151	155	160	157	158	161	167	
Mbh	44.3	44.9	46.1	48.1	43.9	44.5	45.8	47.7	42.8	43.4	44.6	46.6	40.8	41.4	42.7	44.7	38.5	39.1	40.4	42.3	36.4	37.0	38.2	40.2	
S/T	1.00	0.93	0.80	0.66	1.00	1.00	0.81	0.66	1.00	1.00	0.83	0.69	1.00	1.00	0.85	0.71	1.00	1.00	0.87	0.73	1.00	1.00	1.00	0.78	
ΔT	31.38	29.49	25.96	22.30	31.33	29.44	25.91	22.25	31.60	29.70	26.17	22.51	31.31	29.42	25.89	22.23	31.06	29.17	25.63	21.97	32.24	30.35	26.82	23.16	
kW	2.69	2.69	2.68	2.71	3.02	3.02	3.01	3.04	3.39	3.39	3.39	3.41	3.79	3.79	3.79	3.81	4.24	4.24	4.23	4.26	4.77	4.77	4.76	4.79	
Amps	10.25	10.23	10.21	10.32	11.69	11.68	11.65	11.76	13.30	13.29	13.27	13.38	15.05	15.03	15.01	15.12	17.00	16.98	16.96	17.07	19.28	19.27	19.25	19.36	
Hi PR	264	265	267	271	305	306	308	312	347	349	350	355	394	395	397	401	443	445	446	451	497	498	500	504	
Lo PR	127	129	132	137	135	136	139	145	141	143	146	151	147	148	151	157	152	154	157	162	159	160	164	169	
Mbh	45.1	45.7	47.0	48.9	44.7	45.3	46.6	48.6	43.6	44.2	45.5	47.4	41.7	42.3	43.6	45.5	39.3	39.9	41.2	43.2	37.2	37.8	39.1	41.0	
S/T	1.00	0.97	0.84	0.70	1.00	1.00	0.84	0.70	1.00	1.00	0.87	0.73	1.00	1.00	0.89	0.75	1.00	1.00	1.00	0.77	1.00	1.00	1.00	0.82	
ΔT	30.22	28.32	24.79	21.13	30.16	28.27	24.74	21.08	30.43	28.54	25.00	21.34	30.14	28.25	24.72	21.06	29.89	28.00	24.47	20.81	31.08	29.18	25.65	21.99	
kW	2.71	2.71	2.70	2.73	3.04	3.04	3.03	3.06	3.41	3.41	3.40	3.43	3.81	3.81	3.80	3.83	4.26	4.26	4.25	4.28	4.79	4.78	4.78	4.80	
Amps	10.32	10.31	10.29	10.40	11.77	11.75	11.73	11.84	13.38	13.37	13.34	13.45	15.12	15.11	15.09	15.20	17.07	17.06	17.04	17.15	19.36	19.35	19.32	19.43	
Hi PR	266	267	269	274	307	308	310	315	350	351	353	358	396	397	399	404	446	447	449	454	499	500	502	507	
Lo PR	130	131	134	140	137	139	142	147	144	145	148	154	149	151	154	159	155	156	159	165	161	163	166	171	

IDB = Entering Indoor Dry Bulb Temperature

High and low pressures are measured at the liquid and suction access fittings.

Design Subcooling, 9-12 °F @ the liquid access fitting connection AHRH 95 test conditions. Design Superheat 7-11°F @ the compressor suction access fitting connection.

Shaded area reflects AHRH conditions.

Amps: Unit amps (comp.+ evaporator + condenser fan motors)

KW = Total system power

IDB	AIRFLOW	OUTDOOR AMBIENT TEMPERATURE																							
		65				75				85				95				105				115			
		59	63	67	71	59	63	67	71	59	63	67	71	59	63	67	71	59	63	67	71	59	63	67	71
70	MBh	30.6	31.1	32.0	-	30.4	30.8	31.7	-	29.6	30.0	30.9	-	28.2	28.6	29.5	-	26.5	26.9	27.8	-	25.0	25.4	26.3	-
	S/T	0.60	0.52	0.38	-	0.60	0.52	0.39	-	0.63	0.55	0.41	-	1.00	0.57	0.43	-	1.00	0.59	0.45	-	1.00	0.64	0.51	-
	ΔT	20.04	18.21	14.80	-	19.99	18.16	14.75	-	20.24	18.42	15.01	-	19.97	18.14	14.73	-	19.72	17.90	14.49	-	20.87	19.04	15.63	-
	KW	1.67	1.67	1.67	-	1.88	1.88	1.88	-	2.12	2.12	2.11	-	2.37	2.37	2.36	-	2.65	2.65	2.65	-	2.98	2.98	2.98	-
	Amps	6.37	6.36	6.35	-	7.28	7.27	7.25	-	8.29	8.28	8.27	-	9.39	9.38	9.37	-	10.61	10.61	10.59	-	12.05	12.05	12.03	-
	Hi PR	248	249	250	-	287	288	290	-	328	329	331	-	372	373	375	-	419	421	422	-	470	471	473	-
	Lo PR	126	128	131	-	134	135	138	-	140	142	145	-	146	148	151	-	152	153	156	-	159	160	163	-
	MBh	31.1	31.6	32.5	-	30.9	31.3	32.2	-	30.0	30.5	31.4	-	28.7	29.1	30.0	-	27.0	27.4	28.3	-	25.4	25.9	26.8	-
	S/T	0.67	0.60	0.46	-	0.68	0.60	0.47	-	0.71	0.63	0.49	-	1.00	0.65	0.51	-	1.00	0.67	0.53	-	1.00	0.72	0.59	-
	ΔT	18.64	16.82	13.41	-	18.59	16.77	13.36	-	18.85	17.02	13.61	-	18.57	16.75	13.34	-	18.33	16.50	13.09	-	19.47	17.65	14.24	-
1050	KW	1.69	1.69	1.68	-	1.90	1.90	1.89	-	2.13	2.13	2.13	-	2.38	2.38	2.38	-	2.67	2.66	2.66	-	3.00	2.99	2.99	-
	Amps	6.43	6.42	6.41	-	7.34	7.33	7.31	-	8.35	8.34	8.33	-	9.45	9.44	9.43	-	10.67	10.67	10.65	-	12.11	12.11	12.09	-
	Hi PR	250	251	253	-	289	290	292	-	330	331	333	-	374	376	377	-	422	423	425	-	473	474	476	-
	Lo PR	128	130	133	-	136	137	141	-	143	144	147	-	148	150	153	-	154	155	159	-	161	162	166	-
	MBh	31.7	32.2	33.1	-	31.5	31.9	32.8	-	30.7	31.1	32.0	-	29.3	29.7	30.6	-	27.6	28.0	28.9	-	26.1	26.5	27.4	-
	S/T	0.71	0.64	0.50	-	0.72	0.64	0.51	-	1.00	0.67	0.53	-	1.00	0.69	0.55	-	1.00	0.71	0.57	-	1.00	1.00	0.63	-
	ΔT	17.52	15.69	12.28	-	17.47	15.64	12.23	-	17.72	15.90	12.49	-	17.45	15.62	12.21	-	17.20	15.38	11.97	-	18.35	16.52	13.11	-
	KW	1.70	1.70	1.69	-	1.91	1.91	1.90	-	2.14	2.14	2.14	-	2.39	2.39	2.39	-	2.68	2.67	2.67	-	3.01	3.01	3.00	-
	Amps	6.48	6.47	6.45	-	7.38	7.38	7.36	-	8.40	8.39	8.38	-	9.50	9.49	9.47	-	10.72	10.71	10.70	-	12.16	12.15	12.14	-
	Hi PR	253	254	256	-	292	293	295	-	333	334	336	-	377	378	380	-	425	426	427	-	475	476	478	-
Lo PR	131	132	136	-	138	140	143	-	145	147	150	-	151	152	156	-	156	158	161	-	163	165	168	-	

75	MBh	30.7	31.1	32.0	33.4	30.4	30.8	31.7	33.1	29.6	30.0	30.9	32.3	28.2	28.6	29.6	31.0	26.5	26.9	27.9	29.3	25.0	25.4	26.3	27.7
	S/T	0.73	0.65	0.51	0.37	1.00	0.66	0.52	0.37	1.00	0.68	0.54	0.40	1.00	0.70	0.56	0.42	1.00	0.72	0.59	0.44	1.00	1.00	0.64	0.49
	ΔT	24.05	22.22	18.81	15.28	24.00	22.17	18.76	15.23	24.26	22.43	19.02	15.49	23.98	22.16	18.75	15.21	23.74	21.91	18.50	14.97	24.88	23.05	19.65	16.11
	KW	1.67	1.67	1.67	1.68	1.88	1.88	1.88	1.89	2.12	2.11	2.11	2.13	2.37	2.37	2.36	2.38	2.65	2.65	2.64	2.66	2.98	2.98	2.98	2.99
	Amps	6.36	6.36	6.34	6.41	7.27	7.26	7.25	7.32	8.28	8.28	8.26	8.33	9.38	9.38	9.36	9.43	10.61	10.60	10.59	10.66	12.05	12.04	12.02	12.09
	Hi PR	248	249	251	255	287	288	290	294	328	329	331	335	372	373	375	379	420	421	423	427	470	472	473	478
	Lo PR	126	128	131	136	134	135	138	144	140	142	145	151	146	148	151	156	152	153	156	162	159	160	163	169
	MBh	31.1	31.6	32.5	33.9	30.9	31.3	32.2	33.6	30.1	30.5	31.4	32.8	28.7	29.1	30.0	31.4	27.0	27.4	28.4	29.8	25.5	25.9	26.8	28.2
	S/T	0.81	0.73	0.59	0.45	1.00	0.73	0.60	0.45	1.00	0.76	0.62	0.48	1.00	0.78	0.64	0.50	1.00	1.00	0.66	0.52	1.00	1.00	0.72	0.57
	ΔT	22.66	20.83	17.42	13.89	22.61	20.78	17.37	13.84	22.86	21.04	17.63	14.10	22.59	20.76	17.35	13.82	22.34	20.52	17.11	13.58	23.49	21.66	18.25	14.72
910	KW	1.69	1.69	1.68	1.70	1.90	1.89	1.89	1.91	2.13	2.13	2.12	2.14	2.38	2.38	2.38	2.39	2.66	2.66	2.66	2.67	2.99	2.99	2.99	3.01
	Amps	6.42	6.41	6.40	6.47	7.33	7.32	7.31	7.38	8.34	8.34	8.32	8.39	9.44	9.43	9.42	9.49	10.67	10.66	10.65	10.71	12.11	12.10	12.08	12.15
	Hi PR	250	251	253	258	290	291	292	297	331	332	333	338	375	376	378	382	422	423	425	429	473	474	476	480
	Lo PR	128	130	133	138	136	138	141	146	143	144	147	153	148	150	153	159	154	156	159	164	161	163	166	171
	MBh	31.8	32.2	33.1	34.5	31.5	31.9	32.8	34.2	30.7	31.1	32.0	33.4	29.3	29.7	30.6	32.1	27.6	28.0	29.0	30.4	26.1	26.5	27.4	28.8
	S/T	0.84	0.77	0.63	0.49	1.00	0.77	0.64	0.49	1.00	0.80	0.66	0.52	1.00	0.82	0.68	0.54	1.00	1.00	0.70	0.56	1.00	1.00	0.76	0.61
	ΔT	21.53	19.70	16.30	12.76	21.48	19.65	16.25	12.71	21.74	19.91	16.50	12.97	21.46	19.64	16.23	12.69	21.22	19.39	15.98	12.45	22.36	20.54	17.13	13.59
	KW	1.70	1.70	1.69	1.71	1.91	1.91	1.90	1.92	2.14	2.14	2.14	2.15	2.39	2.39	2.39	2.40	2.67	2.67	2.67	2.69	3.01	3.00	3.00	3.02
	Amps	6.47	6.46	6.45	6.52	7.38	7.37	7.36	7.43	8.39	8.39	8.37	8.44	9.49	9.48	9.47	9.54	10.72	10.71	10.69	10.76	12.15	12.15	12.13	12.20
	Hi PR	253	254	256	260	292	293	295	299	333	334	336	340	377	378	380	384	425	426	428	432	476	477	478	483
Lo PR	131	132	136	141	139	140	143	149	145	147	150	155	151	153	156	161	157	158	161	167	164	165	168	174	

IDB = Entering Indoor Dry Bulb Temperature
 High and low pressures are measured at the liquid and suction access fittings.
 Design Subcooling, 8-12 °F @ the liquid access fitting connection AHR195 test conditions. Design Superheat 8-12°F @ the compressor suction access fitting connection.
 Shaded area reflects AHR1 (TV) conditions.
 Amps: Unit amps (comp.+ evaporator + condenser fan motors)
 KW = Total system power

IDB		OUTDOOR AMBIENT TEMPERATURE												105												115																																																																																																																																																							
		65						75						85						95						105						115																																																																																																																																																	
		59	63	67	71	75	79	59	63	67	71	75	79	59	63	67	71	75	79	59	63	67	71	75	79	59	63	67	71	75	79	59	63	67	71	75	79																																																																																																																																												
770		Mbh	30.8	31.3	32.2	33.6	30.5	31.0	31.9	33.3	29.7	30.2	31.1	32.5	28.4	28.8	29.7	31.1	26.7	27.1	28.0	29.4	25.1	25.6	26.5	27.9	S/T	1.00	0.78	0.64	0.49	1.00	0.81	0.67	0.53	1.00	1.00	0.69	0.55	1.00	1.00	0.71	0.57	1.00	1.00	0.71	0.57	1.00	1.00	0.76	0.62	ΔT	28.09	26.27	22.86	19.32	28.04	26.22	22.81	19.27	28.30	26.47	23.06	19.53	28.02	26.20	22.79	19.26	27.78	25.95	22.54	19.01	28.92	27.10	23.69	20.16	KW	1.67	1.67	1.67	1.69	1.88	1.88	1.88	1.89	2.12	2.12	2.11	2.13	2.37	2.37	2.36	2.38	2.65	2.65	2.65	2.66	2.98	2.98	2.98	2.99	Amps	6.37	6.36	6.36	6.34	6.41	7.28	7.27	7.25	7.32	8.29	8.28	8.27	8.34	9.39	9.38	9.36	9.43	10.61	10.61	10.59	10.66	12.05	12.04	12.03	12.10	Hi PR	248	249	251	255	287	288	290	295	328	329	331	336	373	374	375	380	420	421	423	427	471	472	474	478	Lo PR	129	130	131	137	134	136	139	144	141	143	146	151	147	148	151	157	152	154	157	162	159	161	164	169
80		Mbh	31.3	31.7	32.7	34.1	31.0	31.5	32.4	33.8	30.2	30.7	31.6	33.0	28.8	29.3	30.2	31.6	27.2	27.6	28.5	29.9	25.6	26.1	27.0	28.4	S/T	1.00	0.86	0.72	0.57	1.00	0.86	0.72	0.58	1.00	0.89	0.75	0.60	1.00	1.00	0.77	0.62	1.00	1.00	0.79	0.65	1.00	1.00	0.84	0.70	ΔT	26.70	24.87	21.46	17.93	26.65	24.82	21.41	17.88	26.91	25.08	21.67	18.14	26.63	24.80	21.40	17.86	26.39	24.56	21.15	17.62	27.53	25.70	22.29	18.76	KW	1.69	1.69	1.68	1.70	1.90	1.90	1.89	1.91	2.13	2.13	2.13	2.14	2.38	2.38	2.38	2.39	2.66	2.66	2.66	2.68	3.00	2.99	2.99	3.01	Amps	6.43	6.42	6.40	6.47	7.34	7.33	7.31	7.38	8.35	8.34	8.33	8.40	9.45	9.44	9.42	9.49	10.67	10.67	10.65	10.72	12.11	12.10	12.09	12.16	Hi PR	251	252	254	258	290	291	293	297	331	332	334	338	375	376	378	382	423	424	426	430	474	475	476	481	Lo PR	129	130	133	139	137	138	141	147	143	145	148	153	149	150	154	159	155	156	159	162	162	163	166	172	
1050		Mbh	31.9	32.3	33.3	34.7	31.6	32.1	33.0	34.4	30.8	31.3	32.2	33.6	29.5	29.9	30.8	32.2	27.8	28.2	29.1	30.5	26.2	26.7	27.6	29.0	S/T	1.00	0.89	0.76	0.61	1.00	0.90	0.76	0.62	1.00	1.00	0.79	0.64	1.00	1.00	0.81	0.66	1.00	1.00	0.83	0.69	1.00	1.00	0.84	0.74	ΔT	25.57	23.75	20.34	16.81	25.52	23.70	20.29	16.76	25.78	23.95	20.54	17.01	25.50	23.68	20.27	16.74	25.26	23.43	20.03	16.49	26.40	24.58	21.17	17.64	KW	1.70	1.70	1.69	1.71	1.91	1.91	1.90	1.92	2.14	2.14	2.14	2.15	2.39	2.39	2.39	2.40	2.68	2.67	2.67	2.69	3.01	3.01	3.00	3.02	Amps	6.47	6.47	6.45	6.52	7.38	7.38	7.36	7.43	8.40	8.39	8.37	8.44	9.49	9.49	9.47	9.54	10.72	10.71	10.70	10.77	12.16	12.15	12.14	12.21	Hi PR	253	254	256	261	293	294	295	300	334	335	336	341	378	379	380	385	425	426	428	432	476	477	479	483	Lo PR	131	133	136	142	139	141	144	149	146	147	151	156	151	153	156	162	157	159	162	167	164	166	169	174	
770		Mbh	31.3	31.8	32.7	34.1	31.1	31.5	32.4	33.8	30.3	30.7	31.6	33.0	28.9	29.3	30.2	31.6	27.2	27.6	28.5	29.9	25.6	26.1	27.0	28.4	S/T	1.00	0.88	0.74	0.60	1.00	1.00	0.75	0.60	1.00	1.00	0.77	0.63	1.00	1.00	0.79	0.65	1.00	1.00	0.83	0.69	1.00	1.00	0.84	0.72	ΔT	31.68	29.85	26.44	22.91	31.63	29.80	26.39	22.86	31.88	30.06	26.65	23.12	31.61	29.78	26.37	22.84	31.37	29.54	26.13	22.60	32.51	30.68	27.27	23.74	KW	1.68	1.68	1.67	1.69	1.89	1.89	1.88	1.90	2.12	2.12	2.12	2.13	2.37	2.37	2.37	2.38	2.66	2.65	2.65	2.67	2.99	2.98	2.98	3.00	Amps	6.38	6.38	6.36	6.43	7.29	7.29	7.27	7.34	8.31	8.30	8.28	8.35	9.40	9.40	9.38	9.45	10.63	10.62	10.61	10.68	12.07	12.06	12.05	12.12	Hi PR	249	250	252	257	289	290	291	296	330	331	332	337	374	375	377	381	421	422	424	428	472	473	475	479	Lo PR	128	130	133	139	136	138	141	146	143	144	148	153	149	150	153	159	154	156	159	164	161	163	166	171	
910		Mbh	32.4	32.9	33.8	35.2	32.2	32.6	33.5	34.9	31.4	31.8	32.7	34.1	30.0	30.4	31.3	32.7	28.3	28.7	29.6	31.0	26.7	27.2	28.1	29.5	S/T	1.00	1.00	0.86	0.71	1.00	1.00	0.87	0.72	1.00	1.00	0.89	0.75	1.00	1.00	0.91	0.77	1.00	1.00	0.83	0.69	1.00	1.00	0.84	0.72	ΔT	29.16	27.33	23.92	20.39	29.11	27.28	23.87	20.34	29.37	27.54	24.13	20.60	29.09	27.26	23.85	20.32	28.85	27.02	23.61	20.08	29.99	28.16	24.75	21.22	KW	1.70	1.70	1.70	1.71	1.91	1.91	1.91	1.92	2.15	2.14	2.14	2.16	2.40	2.40	2.39	2.41	2.68	2.68	2.67	2.69	3.01	3.01	3.01	3.02	Amps	6.49	6.48	6.47	6.54	7.40	7.39	7.38	7.45	8.41	8.41	8.39	8.46	9.51	9.50	9.49	9.56	10.74	10.73	10.72	10.78	12.18	12.17	12.15	12.22	Hi PR	255	256	257	262	294	295	296	301	335	336	338	342	379	380	382	386	426	428	429	434	477	478	480	484	Lo PR	133	135	138	143	141	143	146	151	148	149	152	158	153	155	158	164	159	161	164	169	166	168	171	176	
1050		Mbh	32.4	32.9	33.8	35.2	32.2	32.6	33.5	34.9	31.4	31.8	32.7	34.1	30.0	30.4	31.3	32.7	28.3	28.7	29.6	31.0	26.7	27.2	28.1	29.5	S/T	1.00	1.00	0.86	0.71	1.00	1.00	0.87	0.72	1.00	1.00	0.89	0.75	1.00	1.00	0.91	0.77	1.00	1.00	0.83	0.69	1.00	1.00	0.84	0.72	ΔT	29.16	27.33	23.92	20.39	29.11	27.28	23.87	20.34	29.37	27.54	24.13	20.60	29.09	27.26	23.85	20.32	28.85	27.02	23.61	20.08	29.99	28.16	24.75	21.22	KW	1.70	1.70	1.70	1.71	1.91	1.91	1.91	1.92	2.15	2.14	2.14	2.16	2.40	2.40	2.39	2.41	2.68	2.68	2.67	2.69	3.01	3.01	3.01	3.02	Amps	6.49	6.48	6.47	6.54	7.40	7.39	7.38	7.45	8.41	8.41	8.39	8.46	9.51	9.50	9.49	9.56	10.74	10.73	10.72	10.78	12.18	12.17	12.15	12.22	Hi PR	255	256	257	262	294	295	296	301	335	336	338	342	379	380	382	386	426	428	429	434	477	478	480	484	Lo PR	133	135	138	143	141	143	146	151	148	149	152	158	153	155	158	164	159	161	164	169	166	168	171	176	

IDB = Entering Indoor Dry Bulb Temperature
 High and low pressures are measured at the liquid and suction access fittings.
 Design Subcooling, 8-12 °F @ the liquid access fitting connection AHRI 95 test conditions. Design Superheat 8-12 °F @ the compressor suction access fitting connection.
 Shaded area reflects AHRI conditions.
 Amps: Unit amps (comp.+ evaporator + condenser fan motors)
 KW = Total system power

IDB	AIRFLOW	OUTDOOR AMBIENT TEMPERATURE												105												115																		
		65						75						85						95						105						115												
		59	63	67	71	59	63	67	71	59	63	67	71	59	63	67	71	59	63	67	71	59	63	67	71	59	63	67	71															
70	MBh	46.80	47.46	48.86	-	46.38	47.04	48.44	-	45.16	45.82	47.22	-	43.06	43.72	45.12	-	40.49	41.15	42.55	-	38.14	38.80	40.20	-	40.49	41.15	42.55	-	38.14	38.80	40.20	-	40.49	41.15	42.55	-	38.14	38.80	40.20	-			
	S/T	0.62	0.54	0.40	-	0.63	0.55	0.41	-	0.65	0.57	0.44	-	0.67	0.59	0.46	-	1.00	0.62	0.48	-	1.00	0.67	0.53	-	1.00	0.62	0.48	-	1.00	0.67	0.53	-	1.00	0.62	0.48	-	1.00	0.67	0.53	-			
	ΔT	19.52	17.71	14.34	-	19.47	17.66	14.29	-	19.72	17.92	14.55	-	19.45	17.64	14.27	-	19.21	17.40	14.03	-	20.34	18.53	15.16	-	19.21	17.40	14.03	-	20.34	18.53	15.16	-	19.21	17.40	14.03	-	20.34	18.53	15.16	-			
	KW	2.95	2.95	2.94	-	3.31	3.30	3.30	-	3.70	3.70	3.69	-	4.13	4.13	4.12	-	4.61	4.61	4.60	-	5.17	5.17	5.16	-	4.61	4.61	4.60	-	5.17	5.17	5.16	-	4.61	4.61	4.60	-	5.17	5.17	5.16	-			
	Amps	10.75	10.74	10.71	-	12.29	12.28	12.25	-	14.01	14.00	13.98	-	15.88	15.87	15.84	-	17.96	17.95	17.92	-	20.41	20.39	20.37	-	17.96	17.95	17.92	-	20.41	20.39	20.37	-	17.96	17.95	17.92	-	20.41	20.39	20.37	-			
	Hi PR	271.97	273.15	275.06	-	314.89	316.07	317.98	-	359.85	361.03	362.94	-	408.26	409.44	411.35	-	460.46	461.64	463.55	-	516.16	517.34	519.25	-	460.46	461.64	463.55	-	516.16	517.34	519.25	-	460.46	461.64	463.55	-	516.16	517.34	519.25	-			
	Lo PR	122.51	124.02	127.14	-	129.96	131.47	134.59	-	136.49	138.00	141.12	-	142.01	143.52	146.64	-	147.42	148.94	152.06	-	154.21	155.72	158.84	-	147.42	148.94	152.06	-	154.21	155.72	158.84	-	147.42	148.94	152.06	-	154.21	155.72	158.84	-			
	MBh	47.41	48.08	49.47	-	47.00	47.66	49.05	-	45.77	46.43	47.83	-	43.67	44.33	45.73	-	41.10	41.76	43.16	-	38.76	39.42	40.81	-	41.10	41.76	43.16	-	38.76	39.42	40.81	-	41.10	41.76	43.16	-	38.76	39.42	40.81	-			
	S/T	0.68	0.60	0.47	-	0.69	0.61	0.47	-	0.71	0.64	0.50	-	1.00	0.66	0.52	-	1.00	0.68	0.54	-	1.00	0.73	0.59	-	1.00	0.68	0.54	-	1.00	0.73	0.59	-	1.00	0.68	0.54	-	1.00	0.73	0.59	-			
	ΔT	18.43	16.62	13.25	-	18.38	16.57	13.20	-	18.63	16.83	13.46	-	18.36	16.55	13.18	-	18.12	16.31	12.94	-	19.25	17.44	14.07	-	18.12	16.31	12.94	-	19.25	17.44	14.07	-	18.12	16.31	12.94	-	19.25	17.44	14.07	-			
KW	2.97	2.97	2.96	-	3.32	3.32	3.31	-	3.72	3.72	3.71	-	4.15	4.15	4.14	-	4.63	4.62	4.62	-	5.19	5.19	5.18	-	4.63	4.62	4.62	-	5.19	5.19	5.18	-	4.63	4.62	4.62	-	5.19	5.19	5.18	-				
Amps	10.83	10.82	10.79	-	12.37	12.36	12.33	-	14.09	14.08	14.06	-	15.96	15.95	15.92	-	18.04	18.03	18.00	-	20.49	20.47	20.45	-	18.04	18.03	18.00	-	20.49	20.47	20.45	-	18.04	18.03	18.00	-	20.49	20.47	20.45	-				
Hi PR	274.28	275.46	277.37	-	317.20	318.38	320.23	-	362.16	363.34	365.25	-	410.57	411.75	413.66	-	462.77	463.95	465.86	-	518.47	519.65	521.56	-	462.77	463.95	465.86	-	518.47	519.65	521.56	-	462.77	463.95	465.86	-	518.47	519.65	521.56	-				
Lo PR	124.31	125.82	128.94	-	131.76	133.28	136.39	-	138.29	139.80	142.92	-	143.81	145.32	148.44	-	149.23	150.74	153.86	-	158.01	159.52	162.64	-	149.23	150.74	153.86	-	158.01	159.52	162.64	-	149.23	150.74	153.86	-	158.01	159.52	162.64	-				
MBh	48.15	48.81	50.21	-	47.73	48.39	49.79	-	46.51	47.17	48.57	-	44.41	45.07	46.47	-	41.84	42.50	43.90	-	39.49	40.15	41.55	-	41.84	42.50	43.90	-	39.49	40.15	41.55	-	41.84	42.50	43.90	-	39.49	40.15	41.55	-				
S/T	0.72	0.64	0.50	-	0.72	0.65	0.51	-	0.75	0.67	0.53	-	1.00	0.69	0.55	-	1.00	0.71	0.57	-	1.00	0.77	0.63	-	1.00	0.71	0.57	-	1.00	0.77	0.63	-	1.00	0.71	0.57	-	1.00	0.77	0.63	-				
ΔT	17.51	15.70	12.33	-	17.46	15.65	12.28	-	17.71	15.91	12.54	-	17.44	15.64	12.27	-	17.20	15.40	12.03	-	18.33	16.53	13.16	-	17.20	15.40	12.03	-	18.33	16.53	13.16	-	17.20	15.40	12.03	-	18.33	16.53	13.16	-				
KW	2.98	2.98	2.98	-	3.34	3.34	3.33	-	3.74	3.73	3.73	-	4.16	4.16	4.16	-	4.64	4.64	4.63	-	5.21	5.20	5.20	-	4.64	4.64	4.63	-	5.21	5.20	5.20	-	4.64	4.64	4.63	-	5.21	5.20	5.20	-				
Amps	10.90	10.88	10.86	-	12.44	12.43	12.40	-	14.16	14.15	14.12	-	16.03	16.01	15.99	-	18.11	18.10	18.07	-	20.55	20.54	20.51	-	18.11	18.10	18.07	-	20.55	20.54	20.51	-	18.11	18.10	18.07	-	20.55	20.54	20.51	-				
Hi PR	276.52	277.70	279.61	-	319.44	320.62	322.53	-	364.40	365.58	367.49	-	412.81	413.99	415.90	-	465.01	466.19	468.10	-	520.71	521.89	523.81	-	465.01	466.19	468.10	-	520.71	521.89	523.81	-	465.01	466.19	468.10	-	520.71	521.89	523.81	-				
Lo PR	126.30	127.82	130.94	-	133.76	135.27	138.39	-	140.28	141.80	144.92	-	145.80	147.32	150.44	-	151.22	152.73	155.85	-	158.00	159.52	162.64	-	151.22	152.73	155.85	-	158.00	159.52	162.64	-	151.22	152.73	155.85	-	158.00	159.52	162.64	-				
75	MBh	46.83	47.49	48.89	51.02	46.41	47.07	48.47	50.60	45.19	45.85	47.25	49.38	43.08	43.74	45.14	47.28	40.51	41.17	42.57	44.71	38.17	38.83	40.23	42.36	40.51	41.17	42.57	44.71	38.17	38.83	40.23	42.36	40.51	41.17	42.57	44.71	38.17	38.83	40.23	42.36			
	S/T	0.75	0.68	0.54	0.39	0.76	0.68	0.54	0.40	1.00	0.71	0.57	0.42	1.00	0.73	0.59	0.44	1.00	0.75	0.61	0.46	1.00	1.00	1.00	0.66	0.52	1.00	0.75	0.61	0.46	1.00	1.00	1.00	0.66	0.52	1.00	0.75	0.61	0.46	1.00	1.00	1.00	0.66	0.52
	ΔT	23.49	21.68	18.31	14.82	23.44	21.63	18.26	14.77	23.69	21.89	18.52	15.02	23.42	21.61	18.24	14.75	24.31	21.37	18.00	14.51	24.31	22.50	19.13	15.64	23.42	21.61	18.24	14.75	24.31	22.50	19.13	15.64	23.42	21.61	18.24	14.75	24.31	22.50	19.13	15.64			
	KW	2.95	2.94	2.94	2.97	3.30	3.30	3.29	3.32	3.72	3.70	3.69	3.72	4.13	4.13	4.12	4.15	4.61	4.60	4.60	4.63	5.17	5.17	5.16	5.19	4.61	4.60	4.60	4.63	5.17	5.17	5.16	5.19	4.61	4.60	4.60	4.63	5.17	5.17	5.16	5.19			
	Amps	10.74	10.73	10.70	10.82	12.28	12.27	12.24	12.36	14.00	13.99	13.97	14.08	15.87	15.86	15.83	15.95	17.95	17.94	17.91	18.03	20.40	20.38	20.36	20.47	17.95	17.94	17.91	18.03	20.40	20.38	20.36	20.47	17.95	17.94	17.91	18.03	20.40	20.38	20.36	20.47			
	Hi PR	272.21	273.39	275.30	280.04	315.13	316.31	318.22	322.96	360.09	361.27	363.18	367.92	408.50	409.68	411.59	416.33	460.70	461.88	463.79	468.53	516.40	517.58	519.49	524.23	460.70	461.88	463.79	468.53	516.40	517.58	519.49	524.23	460.70	461.88	463.79	468.53	516.40	517.58	519.49	524.23			
	Lo PR	122.54	124.05	127.17	132.39	129.99	131.50	134.62	139.84	136.52	138.03	141.15	146.37	142.04	143.55	146.67	151.89	147.45	148.97	152.09	157.30	154.24	155.75	158.87	164.09	147.45	148.97	152.09	157.30	154.24	155.75	158.87	164.09	147.45	148.97	152.09	157.30	154.24	155.75	158.87	164.09			
	MBh	47.44	48.10	49.50	51.64	47.02	47.68	49.08	51.22	45.80	46.46	47.86	50.00	43.70	44.36	45.76	47.89	41.13	41.79	43.19	45.32	38.78	39.44	40.84	42.98	41.13	41.79	43.19	45.32	38.78	39.44	40.84	42.98	41.13	41.79	43.19	45.32	38.78	39.44	40.84	42.98			
	S/T	0.81	0.74	0.60	0.45	0.82	0.74	0.60	0.46	1.00	0.77	0.63	0.48	1.00	0.79	0.65	0.50	1.00	0.81	0.67	0.53	1.00	1.00	1.00	0.73	0.58	1.00	0.81	0.67	0.53	1.00	1.00	1.00	0.73	0.58	1.00	0.81	0.67	0.53	1.00	1.00	1.00	0.73	0.58
	ΔT	22.40	20.59	17.22	13.73	22.35	20.54	17.17	13.68	22.60	20.80	17.43	13.93	22.33	20.52	17.15	13.66	22.09	20.28	16.91	13.42	23.22	21.41	18.04	14.55	22.09	20.28	16.91	13.42	23.22	21.41	18.04	14.55	22.09	20.28	16.91	13.42	23.22	21.41	18.04	14.55			

IDB	AIRFLOW	OUTDOOR AMBIENT TEMPERATURE												105												115											
		65				75				85				95				105				115															
		59	63	67	71	59	63	67	71	59	63	67	71	59	63	67	71	59	63	67	71	59	63	67	71												
80	1400	MBh	47.1	47.7	49.1	51.3	46.7	47.3	48.7	50.8	45.4	46.1	47.5	49.6	43.3	44.0	45.4	47.5	40.8	41.4	42.8	45.0	38.4	39.1	40.5	42.6											
		S/T	1.00	0.80	0.66	0.52	1.00	0.81	0.67	0.52	1.00	0.84	0.70	0.55	1.00	0.86	0.72	0.57	1.00	1.00	0.74	0.59	1.00	1.00	0.79	0.65											
		ΔT	27.48	25.68	22.31	18.82	27.43	25.63	22.26	18.77	27.69	25.88	22.51	19.02	27.41	25.61	22.24	18.75	27.17	25.37	22.00	18.51	28.30	26.50	23.13	19.64											
		KW	2.95	2.95	2.94	2.97	3.30	3.30	3.30	3.32	3.70	3.70	3.69	3.72	4.13	4.13	4.12	4.15	4.61	4.61	4.60	4.63	5.17	5.17	5.16	5.19											
		Amps	10.75	10.73	10.71	10.83	12.29	12.28	12.25	12.37	14.01	14.00	13.97	14.09	15.88	15.86	15.84	15.96	17.96	17.95	17.92	18.04	20.40	20.39	20.36	20.48											
	Hi PR	273	274	276	281	316	317	319	323	361	362	364	368	409	410	412	417	461	462	464	469	517	518	520	525												
	Lo PR	123	125	128	133	131	132	135	140	137	139	142	147	143	144	147	152	148	150	153	158	155	156	159	165												
	MBh	47.7	48.3	49.7	51.9	47.3	47.9	49.3	51.5	46.0	46.7	48.1	50.2	43.9	44.6	46.0	48.1	41.4	42.0	43.4	45.6	39.0	39.7	41.1	43.2												
	S/T	1.00	0.87	0.73	0.58	1.00	0.87	0.73	0.59	1.00	0.90	0.76	0.61	1.00	1.00	0.78	0.63	1.00	1.00	0.80	0.65	1.00	1.00	0.85	0.71												
	ΔT	26.39	24.59	21.22	17.72	26.34	24.54	21.17	17.68	26.60	24.79	21.42	17.93	26.32	24.52	21.15	17.66	26.08	24.28	20.91	17.42	27.21	25.41	22.04	18.55												
85	1600	KW	2.97	2.97	2.96	2.99	3.32	3.32	3.31	3.34	3.72	3.72	3.71	3.74	4.15	4.15	4.14	4.17	4.63	4.62	4.62	4.65	5.19	5.19	5.18	5.21											
		Amps	10.83	10.81	10.79	10.91	12.37	12.36	12.33	12.45	14.09	14.08	14.05	14.17	15.96	15.94	15.92	16.04	18.04	18.03	18.00	18.12	20.48	20.47	20.44	20.56											
		Hi PR	275	276	278	283	318	319	321	326	363	364	366	371	411	412	414	419	464	465	467	471	519	520	522	527											
		Lo PR	125	126	130	135	132	134	137	142	139	140	143	149	144	146	149	154	150	151	154	160	157	158	161	166											
		MBh	48.4	49.1	50.5	52.6	48.0	48.7	50.1	52.2	46.8	47.4	48.8	51.0	44.7	45.3	46.7	48.9	42.1	42.8	44.2	46.3	39.8	40.4	41.8	44.0											
	S/T	1.00	0.90	0.76	0.61	1.00	0.91	0.77	0.62	1.00	0.93	0.79	0.65	1.00	1.00	0.81	0.67	1.00	1.00	0.84	0.69	1.00	1.00	0.89	0.74												
	ΔT	25.47	23.67	20.30	16.81	25.42	23.62	20.25	16.76	25.68	23.87	20.50	17.01	25.41	23.60	20.23	16.74	25.16	23.36	19.99	16.50	26.29	24.49	21.12	17.63												
	KW	2.98	2.98	2.97	3.00	3.34	3.34	3.33	3.36	3.73	3.73	3.73	3.75	4.16	4.16	4.15	4.18	4.64	4.64	4.63	4.66	5.20	5.20	5.20	5.22												
	Amps	10.89	10.88	10.85	10.97	12.44	12.42	12.40	12.52	14.16	14.15	14.12	14.24	16.02	16.01	15.99	16.10	18.11	18.09	18.07	18.19	20.55	20.54	20.51	20.63												
	Hi PR	277	278	280	285	320	321	323	328	365	366	368	373	414	415	417	421	466	467	469	474	521	523	525	529												
Lo PR	127	128	132	137	134	136	139	144	141	142	145	151	146	148	151	156	152	153	156	162	159	160	163	168													
1400	1400	MBh	47.9	48.5	49.9	52.1	47.4	48.1	49.5	51.6	46.2	46.9	48.3	50.4	44.1	44.8	46.2	48.3	41.5	42.2	43.6	45.7	39.2	39.9	41.3	43.4											
		S/T	1.00	0.91	0.77	0.62	1.00	0.91	0.77	0.63	1.00	1.00	0.80	0.65	1.00	1.00	0.82	0.67	1.00	1.00	0.84	0.70	1.00	1.00	0.80	0.75											
		ΔT	31.03	29.22	25.85	22.36	30.98	29.17	25.80	22.31	31.23	29.43	26.06	22.56	30.96	29.15	25.78	22.29	30.72	28.91	25.54	22.05	31.85	30.04	26.67	23.18											
		KW	2.96	2.95	2.95	2.97	3.31	3.31	3.30	3.33	3.71	3.70	3.70	3.73	4.14	4.13	4.13	4.15	4.62	4.61	4.61	4.63	5.18	5.17	5.17	5.20											
		Amps	10.78	10.76	10.74	10.86	12.32	12.31	12.28	12.40	14.04	14.03	14.00	14.12	15.91	15.89	15.87	15.99	17.99	17.98	17.95	18.07	20.43	20.42	20.39	20.51											
	Hi PR	274	275	277	282	317	318	320	325	362	363	365	370	410	411	413	418	462	464	466	470	518	519	521	526												
	Lo PR	125	126	130	135	132	134	137	142	139	140	144	149	144	146	149	154	150	151	154	160	157	158	161	166												
	MBh	48.5	49.1	50.5	52.7	48.1	48.7	50.1	52.2	46.8	47.5	48.9	51.0	44.7	45.4	46.8	48.9	42.2	42.8	44.2	46.4	39.8	40.5	41.9	44.0												
	S/T	1.00	0.97	0.83	0.68	1.00	1.00	0.84	0.69	1.00	1.00	0.86	0.72	1.00	1.00	0.88	0.74	1.00	1.00	0.90	0.76	1.00	1.00	0.80	0.81												
	ΔT	29.94	28.13	24.76	21.27	29.89	28.08	24.71	21.22	30.14	28.33	24.96	21.47	29.87	28.06	24.69	21.20	29.63	27.82	24.45	20.96	30.76	28.95	25.58	22.09												
KW	2.97	2.97	2.97	2.99	3.33	3.33	3.32	3.35	3.73	3.72	3.72	3.74	4.15	4.15	4.15	4.17	4.63	4.63	4.63	4.65	5.20	5.19	5.19	5.21													
Amps	10.86	10.84	10.82	10.94	12.40	12.39	12.36	12.48	14.12	14.11	14.08	14.20	15.99	15.97	15.95	16.07	18.07	18.06	18.03	18.15	20.51	20.50	20.47	20.59													
Hi PR	276	277	279	284	319	320	322	327	364	365	367	372	413	414	416	420	465	466	468	473	520	522	524	528													
Lo PR	127	128	131	137	134	136	139	144	141	142	145	151	146	148	151	156	152	153	156	161	158	160	163	168													
1600	1600	MBh	49.2	49.9	51.3	53.4	48.8	49.5	50.9	53.0	47.6	48.2	49.6	51.8	45.5	46.1	47.5	49.7	42.9	43.6	45.0	47.1	40.6	41.2	42.6	44.7											
		S/T	1.00	1.00	0.86	0.72	1.00	1.00	0.87	0.72	1.00	1.00	0.90	0.75	1.00	1.00	0.92	0.77	1.00	1.00	0.94	0.79	1.00	1.00	0.80	0.85											
		ΔT	29.02	27.21	23.84	20.35	28.97	27.16	23.79	20.30	29.22	27.42	24.05	20.55	28.95	27.14	23.77	20.28	28.71	26.90	23.53	20.04	29.84	28.03	24.66	21.17											
		KW	2.99	2.99	2.98	3.01	3.35	3.34	3.34	3.36	3.74	3.74	3.73	3.76	4.17	4.17	4.16	4.19	4.65	4.65	4.64	4.67	5.21	5.21	5.20	5.23											
		Amps	10.92	10.91	10.88	11.00	12.47	12.45	12.43	12.55	14.19	14.18	14.15	14.27	16.05	16.04	16.01	16.13	18.14	18.12	18.10	18.22	20.58	20.57	20.54	20.66											
	Hi PR	279	280	282	286	321	323	325	329	366	368	370	374	415	416	418	423	467	468	470	475	523	524	526	531												
	Lo PR	129	130	133	139	136	138	141	146	143	144	147	153	148	150	153	158	154	155	158	163	160	162	165	170												
	MBh	49.2	49.9	51.3	53.4	48.8	49.5	50.9	53.0	47.6	48.2	49.6	51.8	45.5	46.1	47.5	49.7	42.9	43.6	45.0	47.1	40.6	41.2	42.6	44.7												
	S/T	1.00	1.00	0.86	0.72	1.00	1.00	0.87	0.72	1.00	1.00	0.90	0.75	1.00	1.00	0.92	0.77	1.00	1.00	0.94	0.79	1.00	1.00	0.80	0.85												
	ΔT	29.02	27.21	23.84	20.35	28.97	27.16	23.79	20.30	29.22	27.42	24.05	20.55	28.95	27.14	23.77	20.28	28.71	26.90	23.53	20.04	29.84	28.03	24.66	21.17												
KW	2.99	2.99	2.98	3.01	3.35	3.34	3.34	3.36	3.74	3.74	3.73	3.76	4.17	4.17	4.16	4.19	4.65	4.65	4.64	4.67	5.21	5.21	5.20	5.23													
Amps	10.92	10.91	10.88	11.00	12.47	12.45	12.43	12.55	14.19	14.18	14.15	14.27	16.05	16.04	16.01	16.13	18.14	18.12	18.10	18.22	20.58	20.57	20.54	20.66													
Hi PR	279	280	282	286	321	323	325	329	366	368	370	374	415	416	418	423	467	468	470	475	523	524	526	531													
Lo PR	129	130	133	139	136	138	141	146	143	144	147	153	148	150	153	158	154	155	158	163	160	162	165	170													

IDB = Entering Indoor Dry Bulb Temperature

High and low pressures are measured at the liquid and suction access fittings.

Design Subcooling, 8-12 °F @ the liquid access fitting connection AHRI 95 test conditions. Design Superheat 8-12°F @ the compressor suction access fitting connection.

Shaded area reflects AHRI conditions.

IDB	AIRFLOW	OUTDOOR AMBIENT TEMPERATURE																								
		65				75				85				95				105				115				
		59	63	67	71	59	63	67	71	59	63	67	71	59	63	67	71	59	63	67	71	59	63	67	71	
70	980	MBh	33.6	34.1	35.1	-	33.3	33.8	34.8	-	32.5	32.9	33.9	-	31.0	31.4	32.4	-	29.1	29.6	30.6	-	27.4	27.9	28.9	-
		S/T	0.64	0.56	0.41	-	0.64	0.56	0.42	-	0.67	0.59	0.45	-	1.00	0.61	0.47	-	1.00	0.63	0.49	-	1.00	0.69	0.55	-
		ΔT	18.83	17.09	13.84	-	18.79	17.05	13.79	-	19.03	17.29	14.04	-	18.77	17.03	13.78	-	18.54	16.79	13.54	-	19.63	17.89	14.63	-
		KW	1.86	1.85	1.85	-	2.08	2.08	2.07	-	2.33	2.33	2.32	-	2.60	2.60	2.59	-	2.90	2.90	2.89	-	3.25	3.25	3.25	-
		Amps	6.76	6.75	6.74	-	7.73	7.72	7.71	-	8.81	8.81	8.79	-	9.99	9.98	9.96	-	11.30	11.29	11.27	-	12.83	12.83	12.81	-
	1120	Hi PR	260	261	263	-	301	302	304	-	344	345	347	-	390	391	393	-	440	441	443	-	493	495	496	-
		Lo PR	126	127	131	-	134	135	138	-	140	142	145	-	146	148	151	-	152	153	156	-	159	160	163	-
		MBh	34.1	34.6	35.6	-	33.8	34.3	35.3	-	32.9	33.4	34.4	-	31.4	31.9	32.9	-	29.6	30.0	31.0	-	27.9	28.3	29.3	-
		S/T	0.70	0.62	0.48	-	0.71	0.63	0.48	-	0.73	0.65	0.51	-	1.00	0.67	0.53	-	1.00	0.70	0.55	-	1.00	0.75	0.61	-
		ΔT	17.78	16.04	12.79	-	17.73	15.99	12.74	-	17.98	16.24	12.99	-	17.72	15.97	12.72	-	17.48	15.74	12.49	-	18.57	16.83	13.58	-
1260	KW	1.87	1.87	1.86	-	2.09	2.09	2.08	-	2.34	2.34	2.33	-	2.61	2.61	2.60	-	2.91	2.91	2.91	-	3.26	3.26	3.26	-	
	Amps	6.81	6.80	6.79	-	7.78	7.77	7.76	-	8.87	8.86	8.84	-	10.04	10.03	10.01	-	11.35	11.34	11.32	-	12.89	12.88	12.86	-	
	Hi PR	262	263	265	-	303	304	306	-	346	347	349	-	393	394	395	-	442	444	445	-	496	497	499	-	
	Lo PR	128	129	133	-	135	137	140	-	142	144	147	-	148	149	153	-	153	155	158	-	160	162	165	-	
	MBh	34.6	35.1	36.1	-	34.3	34.8	35.8	-	33.4	33.9	34.9	-	31.9	32.4	33.4	-	30.1	30.6	31.6	-	28.4	28.9	29.9	-	

75	980	MBh	33.7	34.1	35.1	36.7	33.4	33.8	34.8	36.4	32.5	33.0	34.0	35.5	31.0	31.5	32.5	34.0	29.1	29.6	30.6	32.1	27.4	27.9	28.9	30.5
		S/T	0.77	0.69	0.55	0.40	1.00	0.70	0.56	0.41	1.00	0.73	0.58	0.43	1.00	0.75	0.60	0.45	1.00	0.77	0.63	0.48	1.00	1.00	0.68	0.53
		ΔT	22.66	20.92	17.67	14.30	22.62	20.87	17.62	14.25	22.86	21.12	17.87	14.50	22.60	20.86	17.60	14.24	22.37	20.62	17.37	14.00	23.46	21.71	18.46	15.09
		KW	1.85	1.85	1.85	1.87	2.08	2.08	2.07	2.09	2.33	2.32	2.32	2.34	2.60	2.59	2.59	2.61	2.90	2.90	2.89	2.91	3.25	3.25	3.25	3.26
		Amps	6.75	6.75	6.73	6.80	7.73	7.72	7.70	7.78	8.81	8.80	8.78	8.86	9.98	9.97	9.96	10.03	11.29	11.28	11.27	11.34	12.83	12.82	12.80	12.88
	1120	Hi PR	260	261	263	268	301	302	304	309	344	345	347	352	391	392	393	398	440	442	443	448	494	495	497	501
		Lo PR	126	128	131	136	134	135	138	144	140	142	145	150	146	148	151	156	152	153	156	162	159	160	163	169
		MBh	34.11	34.6	35.6	37.1	33.8	34.3	35.3	36.8	32.9	33.4	34.4	35.9	31.4	31.9	32.9	34.4	29.6	30.0	31.1	32.6	27.9	28.4	29.4	30.9
		S/T	0.84	0.76	0.61	0.46	1.00	0.76	0.62	0.47	1.00	0.79	0.65	0.50	1.00	0.81	0.67	0.52	1.00	1.00	0.69	0.54	1.00	1.00	0.74	0.59
		ΔT	21.61	19.87	16.62	13.25	21.56	19.82	16.57	13.20	21.81	20.07	16.82	13.45	21.55	19.80	16.55	13.18	21.31	19.57	16.32	12.95	22.40	20.66	17.41	14.04
1260	KW	1.87	1.86	1.86	1.88	2.09	2.09	2.08	2.10	2.34	2.34	2.33	2.35	2.61	2.61	2.60	2.62	2.91	2.91	2.90	2.92	3.26	3.26	3.26	3.27	
	Amps	6.80	6.80	6.78	6.85	7.78	7.77	7.75	7.83	8.86	8.85	8.83	8.91	10.03	10.02	10.01	10.08	11.34	11.33	11.32	11.39	12.88	12.87	12.85	12.93	
	Hi PR	262	264	265	270	303	305	306	311	346	348	349	354	393	394	396	400	443	444	446	450	496	497	499	503	
	Lo PR	128	129	133	138	135	137	140	146	142	144	147	152	148	149	153	158	153	155	158	164	160	162	165	171	
	MBh	34.6	35.1	36.1	37.7	34.3	34.8	35.8	37.4	33.5	33.9	34.9	36.5	31.9	32.4	33.4	35.0	30.1	30.6	31.6	33.1	28.4	28.9	29.9	31.4	

IDB = Entering Indoor Dry Bulb Temperature
 High and low pressures are measured at the liquid and suction access fittings.
 Design Subcooling, 10-13 °F @ the liquid access fitting connection AHR1 95 test conditions. Design Superheat 10-14 °F @ the compressor suction access fitting connection.
 Shaded area reflects AHR1 (TVA) conditions.
 Amps: Unit amps (comp.+ evaporator + condenser fan motors)
 KW = Total system power

IDB		OUTDOOR AMBIENT TEMPERATURE												ENTERING INDOOR WET BULB TEMPERATURE												
		65				75				85				95				105				115				
		59	63	67	71	59	63	67	71	59	63	67	71	59	63	67	71	59	63	67	71	59	63	67	71	
80	AIRFLOW	Mbh	33.8	34.3	35.3	36.9	33.5	34.0	35.0	36.6	32.7	33.1	34.1	35.7	31.2	31.6	32.6	34.2	29.3	29.8	30.8	32.3	27.6	28.1	29.1	30.6
		S/T	1.00	0.83	0.68	0.5	1.00	0.83	0.69	0.5	1.00	0.86	0.72	0.6	1.00	1.00	0.74	0.6	1.00	1.00	0.76	0.6	1.00	1.00	0.81	0.7
		ΔT	26.52	24.78	21.53	18.2	26.47	24.73	21.48	18.1	26.72	24.98	21.72	18.4	26.45	24.71	21.46	18.1	26.22	24.48	21.23	17.9	27.31	25.57	22.32	18.9
		kW	1.86	1.85	1.85	1.87	2.08	2.08	2.07	2.09	2.33	2.33	2.32	2.34	2.60	2.60	2.59	2.61	2.90	2.90	2.89	2.91	3.25	3.25	3.25	3.26
		Amps	6.76	6.75	6.74	6.81	7.73	7.72	7.71	7.78	8.81	8.81	8.79	8.86	9.99	9.98	9.96	10.04	11.30	11.29	11.27	11.35	12.83	12.83	12.81	12.88
		Hi PR	261	262	264	268	302	303	305	309	345	346	348	352	391	392	394	398	441	442	444	448	494	495	497	502
		Lo PR	127	128	131	137	134	136	139	144	141	142	146	151	147	148	151	157	152	154	157	162	159	161	164	169
		Mbh	34.3	34.8	35.8	37.3	34.0	34.5	35.5	37.0	33.1	33.6	34.6	36.1	31.6	32.1	33.1	34.6	29.7	30.2	31.2	32.8	28.1	28.5	29.5	31.1
		S/T	1.00	0.89	0.75	0.6	1.00	0.90	0.75	0.6	1.00	0.92	0.78	0.6	1.00	1.00	0.80	0.6	1.00	1.00	0.82	0.7	1.00	1.00	0.88	0.7
		ΔT	25.47	23.73	20.47	17.1	25.42	23.68	20.43	17.1	25.67	23.92	20.67	17.3	25.40	23.66	20.41	17.0	25.17	23.43	20.18	16.8	26.26	24.52	21.27	17.9
	kW	1.87	1.87	1.86	1.88	2.09	2.09	2.08	2.10	2.34	2.34	2.33	2.35	2.61	2.61	2.60	2.62	2.91	2.91	2.90	2.92	3.26	3.26	3.26	3.28	
	Amps	6.81	6.80	6.79	6.86	7.78	7.77	7.76	7.83	8.86	8.86	8.84	8.91	10.04	10.03	10.01	10.09	11.35	11.34	11.32	11.40	12.88	12.88	12.86	12.93	
	Hi PR	263	264	266	270	304	305	307	311	347	348	350	354	393	394	396	401	443	444	446	451	496	497	499	504	
	Lo PR	128	130	133	139	136	138	141	146	143	144	148	153	148	150	153	159	154	156	159	164	161	163	166	171	
	Mbh	34.8	35.3	36.3	37.8	34.5	35.0	36.0	37.5	33.6	34.1	35.1	36.7	32.1	32.6	33.6	35.1	30.3	30.8	31.8	33.3	28.6	29.1	30.1	31.6	
	S/T	1.00	0.92	0.78	0.6	1.00	0.93	0.79	0.6	1.00	1.00	0.81	0.7	1.00	1.00	0.83	0.7	1.00	1.00	0.86	0.7	1.00	1.00	1.00	0.8	
	ΔT	24.58	22.84	19.59	16.2	24.53	22.79	19.54	16.2	24.78	23.04	19.79	16.4	24.52	22.77	19.52	16.2	24.28	22.54	19.29	15.9	25.37	23.63	20.38	17.0	
	kW	1.88	1.87	1.87	1.89	2.10	2.10	2.09	2.11	2.35	2.35	2.34	2.36	2.62	2.62	2.61	2.63	2.92	2.92	2.91	2.93	3.27	3.27	3.27	3.29	
	Amps	6.85	6.84	6.83	6.90	7.82	7.82	7.80	7.87	8.91	8.90	8.88	8.96	10.08	10.07	10.05	10.13	11.39	11.38	11.36	11.44	12.93	12.92	12.90	12.98	
	Hi PR	265	266	268	273	306	307	309	314	349	350	352	357	395	396	398	403	445	446	448	453	499	500	501	506	
	Lo PR	130	132	135	141	138	140	143	148	145	146	150	155	150	152	155	161	156	158	161	166	163	165	168	173	
	Mbh	34.4	34.9	35.9	37.4	34.1	34.6	35.6	37.1	33.2	33.7	34.7	36.2	31.7	32.2	33.2	34.7	29.9	30.3	31.4	32.9	28.2	28.7	29.7	31.2	
	S/T	1.00	0.93	0.79	0.6	1.00	1.00	0.80	0.6	1.00	1.00	0.82	0.7	1.00	1.00	0.84	0.7	1.00	1.00	0.87	0.7	1.00	1.00	1.00	0.8	
	ΔT	29.94	28.20	24.95	21.6	29.89	28.15	24.90	21.5	30.14	28.40	25.14	21.8	29.87	28.13	24.88	21.5	29.64	27.90	24.65	21.3	30.73	28.99	25.74	22.4	
	kW	1.86	1.86	1.85	1.87	2.08	2.08	2.08	2.09	2.33	2.33	2.33	2.34	2.60	2.60	2.60	2.61	2.90	2.90	2.90	2.91	3.26	3.25	3.25	3.27	
	Amps	6.78	6.77	6.75	6.83	7.75	7.74	7.72	7.80	8.83	8.82	8.81	8.88	10.00	10.00	9.98	10.05	11.32	11.31	11.29	11.37	12.85	12.84	12.83	12.90	
	Hi PR	262	263	265	269	303	304	306	310	346	347	349	353	392	393	395	400	442	443	445	450	495	497	498	503	
	Lo PR	128	130	133	139	136	138	141	146	143	144	148	153	148	150	153	159	154	156	159	164	161	163	166	171	
	Mbh	34.9	35.3	36.3	37.9	34.6	35.0	36.0	37.6	33.7	34.1	35.2	36.7	32.2	32.6	33.6	35.2	30.3	30.8	31.8	33.3	28.6	29.1	30.1	31.6	
	S/T	1.00	1.00	0.85	0.7	1.00	1.00	0.86	0.7	1.00	1.00	0.89	0.7	1.00	1.00	0.91	0.8	1.00	1.00	1.00	0.8	1.00	1.00	1.00	0.8	
	ΔT	28.89	27.15	23.89	20.5	28.84	27.10	23.85	20.5	29.08	27.34	24.09	20.7	28.82	27.08	23.83	20.5	28.59	26.85	23.60	20.2	29.68	27.94	24.69	21.3	
	kW	1.87	1.87	1.87	1.88	2.09	2.09	2.09	2.11	2.34	2.34	2.34	2.36	2.61	2.61	2.61	2.62	2.91	2.91	2.91	2.93	3.27	3.27	3.26	3.28	
	Amps	6.83	6.82	6.80	6.88	7.80	7.79	7.77	7.85	8.88	8.88	8.86	8.93	10.06	10.05	10.03	10.11	11.37	11.36	11.34	11.42	12.90	12.89	12.88	12.95	
	Hi PR	264	265	267	272	305	306	308	313	348	349	351	356	394	396	397	402	444	445	447	452	498	499	501	505	
	Lo PR	130	132	135	140	138	139	143	148	145	146	149	155	150	152	155	160	156	157	161	166	163	164	168	173	
	Mbh	35.4	35.9	36.9	38.4	35.1	35.6	36.6	38.1	34.2	34.7	35.7	37.2	32.7	33.2	34.2	35.7	30.8	31.3	32.3	33.9	29.2	29.6	30.6	32.2	
	S/T	1.00	1.00	0.89	0.7	1.00	1.00	0.89	0.7	1.00	1.00	0.92	0.8	1.00	1.00	0.94	0.8	1.00	1.00	1.00	0.8	1.00	1.00	1.00	0.9	
	ΔT	28.00	26.26	23.01	19.6	27.95	26.21	22.96	19.6	28.20	26.46	23.20	19.8	27.94	26.19	22.94	19.6	27.70	25.96	22.71	19.3	28.79	27.05	23.80	20.4	
	kW	1.88	1.88	1.88	1.89	2.10	2.10	2.10	2.12	2.35	2.35	2.35	2.36	2.62	2.62	2.62	2.63	2.92	2.92	2.92	2.94	3.28	3.28	3.27	3.29	
	Amps	6.87	6.86	6.85	6.92	7.84	7.83	7.82	7.89	8.92	8.92	8.90	8.97	10.10	10.09	10.07	10.15	11.41	11.40	11.38	11.46	12.94	12.94	12.92	12.99	
	Hi PR	266	267	269	274	307	308	310	315	350	351	353	358	397	398	400	404	446	448	449	454	500	501	503	507	
	Lo PR	132	134	137	142	140	142	145	150	147	148	151	157	152	154	157	162	158	159	163	168	165	166	170	175	

IDB = Entering Indoor Dry Bulb Temperature

High and low pressures are measured at the liquid and suction access fittings.

Design Subcooling, -10-13 °F @ the liquid access fitting connection AHRI 95 test conditions. Design Superheat 10-14 °F @ the compressor suction access fitting connection.

Shaded area reflects AHRI conditions.

Amps: Unit amps (comp.+ evaporator + condenser fan motors)

KW = Total system power

IDB	AIRFLOW	OUTDOOR AMBIENT TEMPERATURE												ENTERING INDOOR WET BULB TEMPERATURE												
		65				75				85				95				105				115				
		59	63	67	71	59	63	67	71	59	63	67	71	59	63	67	71	59	63	67	71	59	63	67	71	
70	1500	MbH	58.29	59.11	60.85	-	57.77	58.59	60.33	-	56.24	57.07	58.81	-	53.63	54.45	56.19	-	50.43	51.25	52.99	-	47.51	48.33	50.07	-
		S/T	0.58	0.51	0.38	-	0.59	0.52	0.39	-	0.61	0.54	0.41	-	0.63	0.56	0.43	-	0.65	0.58	0.45	-	1.00	0.63	0.50	-
		ΔT	20.69	18.77	15.19	-	20.64	18.72	15.13	-	20.91	18.99	15.40	-	20.62	18.70	15.11	-	20.36	18.44	14.86	-	21.57	19.65	16.06	-
		KW	3.62	3.62	3.61	-	4.08	4.07	4.07	-	4.59	4.59	4.58	-	5.14	5.14	5.13	-	5.76	5.76	5.75	-	6.49	6.48	6.47	-
		Amps	13.48	13.47	13.43	-	15.48	15.46	15.43	-	17.70	17.68	17.65	-	20.10	20.09	20.05	-	22.79	22.77	22.74	-	25.94	25.93	25.89	-
	1700	Hi PR	280.70	281.92	283.89	-	324.98	326.19	328.17	-	371.36	372.57	374.55	-	421.30	422.52	424.49	-	475.15	476.36	478.34	-	532.61	533.83	535.80	-
		Lo PR	117.85	119.30	122.30	-	125.01	126.47	129.47	-	131.29	132.74	135.74	-	136.59	138.05	141.04	-	141.80	143.25	146.25	-	148.32	149.77	152.77	-
		MbH	59.01	59.83	61.57	-	58.49	59.31	61.05	-	56.97	57.79	59.53	-	54.35	55.17	56.91	-	51.15	51.98	53.72	-	48.23	49.06	50.80	-
		S/T	0.64	0.56	0.43	-	0.64	0.57	0.44	-	0.67	0.59	0.46	-	0.69	0.61	0.48	-	1.00	0.63	0.50	-	1.00	0.68	0.55	-
		ΔT	19.61	17.69	14.10	-	19.55	17.63	14.05	-	19.82	17.90	14.32	-	19.53	17.61	14.03	-	19.28	17.36	13.77	-	20.48	18.56	14.97	-
1900	KW	3.64	3.64	3.63	-	4.10	4.10	4.09	-	4.61	4.61	4.60	-	5.16	5.16	5.15	-	5.78	5.78	5.77	-	6.51	6.50	6.50	-	
	Amps	13.58	13.57	13.53	-	15.57	15.56	15.52	-	17.79	17.78	17.74	-	20.20	20.18	20.15	-	22.89	22.87	22.84	-	26.04	26.02	25.99	-	
	Hi PR	282.94	284.16	286.13	-	327.21	328.43	330.40	-	373.60	374.81	376.79	-	423.54	424.75	426.73	-	477.38	478.60	480.57	-	534.85	536.06	538.04	-	
	Lo PR	119.48	120.94	123.93	-	126.65	128.10	131.10	-	132.92	134.38	137.37	-	138.22	139.68	142.68	-	143.43	144.89	147.88	-	149.95	151.41	154.40	-	
	MbH	59.87	60.69	62.43	-	59.35	60.17	61.91	-	57.83	58.65	60.39	-	55.21	56.03	57.77	-	52.01	52.84	54.58	-	49.09	49.92	51.66	-	
75	1500	S/T	0.67	0.60	0.47	-	0.67	0.60	0.47	-	0.70	0.63	0.50	-	0.72	0.64	0.51	-	1.00	0.66	0.54	-	1.00	0.71	0.58	-
		ΔT	18.68	16.76	13.18	-	18.63	16.71	13.13	-	18.90	16.98	13.39	-	18.61	16.69	13.11	-	18.36	16.43	12.85	-	19.56	17.64	14.05	-
		KW	3.66	3.66	3.65	-	4.12	4.12	4.11	-	4.63	4.63	4.62	-	5.18	5.18	5.17	-	5.80	5.80	5.79	-	6.53	6.52	6.52	-
		Amps	13.66	13.65	13.61	-	15.65	15.64	15.60	-	17.88	17.86	17.83	-	20.28	20.27	20.23	-	22.97	22.95	22.92	-	26.12	26.11	26.07	-
		Hi PR	285.12	286.34	288.31	-	329.39	330.61	332.58	-	375.77	376.99	378.96	-	425.71	426.93	428.90	-	479.56	480.78	482.75	-	537.02	538.24	540.21	-
	1700	Lo PR	121.28	122.73	125.73	-	128.44	129.90	132.90	-	134.72	136.17	139.17	-	140.02	141.48	144.48	-	145.23	146.68	149.68	-	151.75	153.20	156.20	-
		MbH	58.32	59.14	60.88	63.54	57.80	58.62	60.36	63.02	56.28	57.10	58.84	61.50	53.66	54.48	56.22	58.88	50.46	51.29	53.03	55.68	47.54	48.37	50.11	52.76
		S/T	0.71	0.63	0.50	0.37	0.71	0.64	0.51	0.37	0.74	0.66	0.53	0.40	1.00	0.68	0.55	0.42	1.00	0.70	0.57	0.44	1.00	0.81	0.68	0.54
		ΔT	24.92	22.99	19.41	15.69	24.86	22.94	19.36	15.64	25.13	23.21	19.63	15.91	24.84	22.92	19.34	15.62	24.59	22.67	19.08	15.36	25.79	23.87	20.28	16.57
		KW	3.62	3.61	3.61	3.64	4.08	4.07	4.06	4.10	4.59	4.58	4.58	4.61	5.14	5.14	5.13	5.16	5.76	5.75	5.75	5.78	6.48	6.48	6.47	6.51
1900	Amps	13.47	13.46	13.42	13.57	15.46	15.45	15.41	15.57	17.69	17.67	17.64	17.79	20.09	20.07	20.04	20.19	22.78	22.76	22.73	22.88	25.93	25.91	25.88	26.03	
	Hi PR	280.95	282.17	284.14	289.03	325.22	326.44	328.41	333.30	371.60	372.82	374.79	379.69	421.55	422.76	424.74	429.63	475.39	476.61	478.58	483.47	532.86	534.07	536.05	540.94	
	Lo PR	117.88	119.33	122.33	127.34	125.04	126.50	129.49	134.51	131.31	132.77	135.77	140.78	136.62	138.07	141.07	146.09	141.83	143.28	146.28	151.29	148.35	149.80	152.80	157.81	
	MbH	59.04	59.87	61.61	64.26	58.52	59.35	61.09	63.74	57.00	57.82	59.56	62.22	54.39	55.21	56.95	59.61	51.19	52.01	53.75	56.41	48.27	49.09	50.83	53.49	
	S/T	0.76	0.69	0.56	0.42	0.77	0.69	0.56	0.43	0.79	0.72	0.59	0.45	1.00	0.74	0.61	0.47	1.00	0.76	0.63	0.49	1.00	0.81	0.68	0.54	
75	1500	ΔT	23.83	21.91	18.32	14.61	23.78	21.86	18.27	14.56	24.05	22.13	18.54	14.83	23.76	21.84	18.25	14.54	23.50	21.58	17.99	14.28	24.70	22.78	19.20	15.48
		KW	3.64	3.64	3.63	3.66	4.10	4.09	4.09	4.12	4.61	4.61	4.60	4.63	5.16	5.16	5.15	5.19	5.78	5.78	5.77	5.80	6.51	6.50	6.49	6.53
		Amps	13.57	13.55	13.52	13.67	15.56	15.54	15.51	15.66	17.78	17.77	17.73	17.88	20.19	20.14	20.14	20.29	22.87	22.86	22.82	22.98	26.03	26.01	25.98	26.13
		Hi PR	283.19	284.41	286.38	291.27	327.46	328.68	330.65	335.54	373.84	375.06	377.03	381.92	423.79	425.00	426.98	431.87	477.63	478.85	480.82	485.71	535.10	536.31	538.28	543.18
		Lo PR	119.51	120.96	123.96	128.98	126.67	128.13	131.13	136.14	132.95	134.40	137.40	142.42	138.25	139.71	142.71	147.72	143.46	144.91	147.91	152.93	149.98	151.43	154.43	159.45
	1700	MbH	59.90	60.73	62.47	65.12	59.38	60.21	61.95	64.60	57.86	58.68	60.42	63.08	55.25	56.07	57.81	60.47	52.05	52.87	54.61	57.27	49.13	49.95	51.69	54.35
		S/T	0.79	0.72	0.59	0.45	0.80	0.72	0.59	0.46	1.00	0.75	0.62	0.48	1.00	0.77	0.64	0.50	1.00	0.79	0.66	0.52	1.00	0.84	0.71	0.57
		ΔT	22.91	20.99	17.40	13.69	22.85	20.93	17.35	13.63	23.12	21.20	17.62	13.90	22.83	20.91	17.33	13.61	22.58	20.66	17.07	13.36	23.78	21.86	18.27	14.56
		KW	3.66	3.65	3.65	3.68	4.12	4.11	4.10	4.14	4.63	4.62	4.62	4.65	5.18	5.18	5.17	5.20	5.80	5.80	5.79	5.82	6.52	6.52	6.51	6.55
		Amps	13.65	13.63	13.60	13.75	15.64	15.63	15.59	15.74	17.86	17.85	17.81	17.97	20.27	20.25	20.22	20.37	22.96	22.94	22.91	23.06	26.11	26.09	26.06	26.21
1900	Hi PR	285.37	286.58	288.56	293.45	329.64	330.86	332.83	337.72	376.02	377.24	379.21	384.10	425.96	427.18	429.15	434.04	479.81	481.02	483.00	487.89	537.27	538.49	540.46	545.35	
	Lo PR	121.31	122.76	125.76	130.78	128.47	129.93	132.92	137.94	134.75	136.20	139.20	144.21	140.05	141.51	144.50	149.52	145.26	146.71	149.71	154.73	151.78	153.23	156.23	161.24	
	MbH	59.04	59.87	61.61	64.26	58.52	59.35	61.09	63.74	57.00	57.82	59.56	62.22	54.39	55.21	56.95	59.61	51.19	52.01	53.75	56.41	48.27	49.09	50.83	53.49	
	S/T	0.76	0.69	0.56	0.42	0.77	0.69	0.56	0.43	0.79	0.72	0.59	0.45	1.00	0.74	0.61	0.47	1.00	0.76	0.63	0.49	1.00	0.81	0.68	0.54	
	ΔT	23.83	21.91	18.32	14.61	23.78	21.86	18.27	14.56	24.05	22.13	18.54	14.83	23.76	21.84	18.25	14.54	23.50	21.58	17.99	14.28	24.70	22.78	19.20	15.48	

Shaded area reflects AHRI (TVA) conditions.
 KW = Total system power
 Amps: Unit amps (comp.+ evaporator + condenser fan motors)
 IDB = Entering Indoor Dry Bulb Temperature
 High and low pressures are measured at the liquid and suction access fittings.
 Design Subcooling, 5-7 °F @ the liquid access fitting connection ARI 95 test conditions. Design Superheat 15-18°F @ the compressor suction access fitting connection.

IDB	AIRFLOW	OUTDOOR AMBIENT TEMPERATURE												ENTERING INDOOR WET BULB TEMPERATURE											
		65				75				85				95				105				115			
		59	63	67	71	59	63	67	71	59	63	67	71	59	63	67	71	59	63	67	71	59	63	67	71
80	Mbh	58.62	59.45	61.19	63.84	58.10	58.92	60.66	63.32	56.58	57.40	59.14	61.80	53.96	54.79	56.53	59.18	50.77	51.59	53.33	55.99	47.85	48.67	50.41	53.07
	S/T	0.83	0.75	0.62	0.49	1.00	0.76	0.63	0.49	1.00	0.78	0.65	0.52	1.00	0.80	0.67	0.54	1.00	0.82	0.69	0.56	1.00	1.00	0.74	0.61
	ΔT	29.17	27.25	23.66	19.94	29.11	27.19	23.61	19.89	29.38	27.46	23.88	20.16	29.09	27.17	23.59	19.87	28.84	26.92	23.33	19.62	30.04	28.12	24.53	20.82
	KW	3.62	3.62	3.61	3.64	4.08	4.07	4.07	4.10	4.59	4.59	4.58	4.61	5.14	5.14	5.13	5.17	5.76	5.76	5.75	5.78	6.49	6.48	6.47	6.51
	Amps	13.48	13.47	13.43	13.58	15.47	15.46	15.42	15.58	17.70	17.68	17.65	17.80	20.10	20.08	20.05	20.20	22.79	22.77	22.74	22.89	25.94	25.92	25.89	26.04
	Hi PR	281.47	282.69	284.66	289.55	325.74	326.96	328.93	333.82	372.12	373.34	375.31	380.20	422.06	423.28	425.25	430.14	475.91	477.13	479.10	483.99	533.37	534.59	536.56	541.45
	Lo PR	118.40	119.85	122.85	127.86	125.56	127.02	130.01	135.03	131.84	133.29	136.29	141.30	137.14	138.59	141.59	146.61	142.35	143.80	146.80	151.81	148.87	150.32	153.32	158.33
	Mbh	59.35	60.17	61.91	64.57	58.82	59.65	61.39	64.05	57.30	58.13	59.87	62.53	54.69	55.51	57.25	59.91	51.49	52.31	54.05	56.71	48.57	49.39	51.13	53.79
	S/T	0.88	0.81	0.68	0.54	1.00	0.81	0.68	0.55	1.00	0.84	0.71	0.57	1.00	0.86	0.73	0.59	1.00	1.00	0.75	0.61	1.00	1.00	0.80	0.66
	ΔT	28.08	26.16	22.57	18.86	28.03	26.11	22.52	18.81	28.30	26.38	22.79	19.08	28.01	26.09	22.50	18.79	27.75	25.83	22.25	18.53	28.96	27.03	23.45	19.73
1700	KW	3.64	3.64	3.63	3.67	4.10	4.10	4.09	4.12	4.61	4.61	4.60	4.63	5.16	5.16	5.15	5.19	5.78	5.78	5.77	5.81	6.51	6.50	6.50	6.53
	Amps	13.58	13.56	13.53	13.68	15.57	15.55	15.52	15.67	17.79	17.78	17.74	17.89	20.20	20.18	20.15	20.30	22.88	22.87	22.83	22.99	26.04	26.02	25.99	26.14
	Hi PR	283.71	284.92	286.90	291.79	327.98	329.20	331.17	336.06	374.36	375.58	377.55	382.44	424.30	425.52	427.49	432.38	478.15	479.37	481.34	486.23	535.61	536.83	538.80	543.69
	Lo PR	120.03	121.48	124.48	129.50	127.19	128.65	131.65	136.66	133.47	134.92	137.92	142.94	138.77	140.23	143.23	148.24	143.98	145.43	148.43	153.45	150.50	151.95	154.95	159.97
	Mbh	60.21	61.03	62.77	65.43	59.68	60.51	62.25	64.91	58.16	58.99	60.73	63.38	55.55	56.37	58.11	60.77	52.35	53.17	54.91	57.57	49.43	50.25	51.99	54.65
	S/T	0.91	0.84	0.71	0.57	1.00	0.84	0.71	0.58	1.00	0.87	0.74	0.60	1.00	0.89	0.76	0.62	1.00	1.00	0.78	0.64	1.00	1.00	0.83	0.69
	ΔT	27.16	25.24	21.65	17.94	27.11	25.19	21.60	17.88	27.38	25.46	21.87	18.15	27.09	25.17	21.58	17.86	26.83	24.91	21.32	17.61	28.03	26.11	22.53	18.81
	KW	3.66	3.66	3.65	3.68	4.12	4.12	4.11	4.14	4.63	4.63	4.62	4.65	5.18	5.18	5.17	5.21	5.80	5.80	5.79	5.82	6.53	6.52	6.51	6.55
	Amps	13.66	13.64	13.61	13.76	15.65	15.64	15.60	15.75	17.87	17.86	17.82	17.98	20.28	20.26	20.23	20.38	22.97	22.95	22.92	23.07	26.12	26.10	26.07	26.22
	Hi PR	285.88	287.10	289.07	293.96	330.16	331.37	333.35	338.24	376.54	377.75	379.73	384.62	426.48	427.70	429.67	434.56	480.32	481.54	483.51	488.40	537.79	539.00	540.98	545.87
Lo PR	121.83	123.28	126.28	131.30	128.99	130.45	133.45	138.46	135.27	136.72	139.72	144.73	140.57	142.03	145.02	150.04	145.78	147.23	150.23	155.25	152.30	153.75	156.75	161.76	
85	Mbh	59.60	60.43	62.17	64.82	59.08	59.91	61.65	64.30	57.56	58.38	60.12	62.78	54.94	55.77	57.51	60.17	51.75	52.57	54.31	56.97	48.83	49.65	51.39	54.05
	S/T	1.00	0.85	0.72	0.58	1.00	0.86	0.73	0.59	1.00	0.88	0.75	0.61	1.00	1.00	0.77	0.63	1.00	1.00	0.79	0.65	1.00	1.00	0.84	0.70
	ΔT	32.94	31.02	27.43	23.72	32.88	30.96	27.38	23.66	33.15	31.23	27.65	23.93	32.87	30.94	27.36	23.64	32.61	30.69	27.10	23.39	33.81	31.89	28.30	24.59
	KW	3.63	3.63	3.62	3.65	4.09	4.08	4.08	4.11	4.60	4.59	4.59	4.62	5.15	5.15	5.14	5.17	5.77	5.77	5.76	5.79	6.49	6.49	6.48	6.52
	Amps	13.52	13.50	13.47	13.62	15.51	15.50	15.46	15.61	17.73	17.72	17.68	17.84	20.14	20.12	20.09	20.24	22.83	22.81	22.78	22.93	25.98	25.96	25.93	26.08
	Hi PR	282.79	284.01	285.98	290.87	327.06	328.28	330.25	335.14	373.44	374.66	376.63	381.52	423.38	424.60	426.57	431.46	477.23	478.45	480.42	485.31	534.69	535.91	537.88	542.77
	Lo PR	120.16	121.62	124.61	129.63	127.33	128.78	131.78	136.79	133.60	135.06	138.05	143.07	138.91	140.36	143.36	148.37	144.11	145.57	148.56	153.58	150.63	152.09	155.08	160.10
	Mbh	60.33	61.15	62.89	65.55	59.81	60.63	62.37	65.03	58.29	59.11	60.85	63.51	55.67	56.49	58.23	60.89	52.47	53.29	55.03	57.69	49.55	50.37	52.11	54.77
	S/T	1.00	0.90	0.77	0.64	1.00	0.91	0.78	0.64	1.00	1.00	0.80	0.67	1.00	1.00	0.82	0.69	1.00	1.00	0.84	0.71	1.00	1.00	0.89	0.76
	ΔT	31.85	29.93	26.35	22.63	31.80	29.88	26.29	22.58	32.07	30.15	26.56	22.85	31.78	29.86	26.27	22.56	31.52	29.60	26.02	22.30	32.73	30.81	27.22	23.50
KW	3.65	3.65	3.64	3.67	4.11	4.11	4.10	4.13	4.62	4.62	4.61	4.64	5.17	5.17	5.16	5.20	5.79	5.79	5.78	5.81	6.52	6.51	6.50	6.54	
Amps	13.62	13.60	13.57	13.72	15.61	15.59	15.56	15.71	17.83	17.81	17.78	17.93	20.24	20.22	20.19	20.34	22.92	22.91	22.87	23.03	26.08	26.06	26.03	26.18	
Hi PR	285.03	286.24	288.22	293.11	329.30	330.52	332.49	337.38	375.68	376.90	378.87	383.76	425.62	426.84	428.81	433.70	479.47	480.68	482.66	487.55	536.93	538.15	540.12	545.01	
Lo PR	121.80	123.25	126.25	131.26	128.96	130.41	133.41	138.43	135.23	136.69	139.69	144.70	140.54	141.99	144.99	150.01	145.75	147.20	150.20	155.21	152.26	153.72	156.72	161.73	
1900	Mbh	61.19	62.01	63.75	66.41	60.67	61.49	63.23	65.89	59.15	59.97	61.71	64.37	56.53	57.35	59.09	61.75	53.33	54.15	55.89	58.55	50.41	51.23	52.97	55.63
	S/T	1.00	0.94	0.81	0.67	1.00	0.94	0.81	0.67	1.00	1.00	0.84	0.70	1.00	1.00	0.85	0.72	1.00	1.00	0.88	0.74	1.00	1.00	1.00	0.79
	ΔT	30.93	29.01	25.42	21.71	30.88	28.96	25.37	21.65	31.15	29.23	25.64	21.92	30.86	28.94	25.35	21.64	30.60	28.68	25.09	21.38	31.80	29.88	26.30	22.58
	KW	3.67	3.67	3.66	3.69	4.13	4.12	4.12	4.15	4.64	4.64	4.63	4.66	5.19	5.19	5.18	5.22	5.81	5.81	5.80	5.83	6.54	6.53	6.52	6.56
	Amps	13.70	13.68	13.65	13.80	15.69	15.67	15.64	15.79	17.91	17.90	17.86	18.01	20.32	20.30	20.27	20.42	23.00	22.99	22.95	23.11	26.16	26.14	26.11	26.26
	Hi PR	287.20	288.42	290.39	295.28	331.47	332.69	334.66	339.56	377.86	379.07	381.05	385.94	427.80	429.01	430.99	435.88	481.64	482.86	484.83	489.72	539.11	540.32	542.30	547.19
	Lo PR	123.59	125.05	128.05	133.06	130.76	132.21	135.21	140.23	137.03	138.49	141.49	146.50	142.34	143.79	146.79	151.80	147.54	149.00	152.00	157.01	154.06	155.52	158.52	163.53

IDB = Entering Indoor Dry Bulb Temperature
 High and low pressures are measured at the liquid and suction access fittings.
 Design Subcooling, 5-7 °F @ the liquid access fitting connection ARI 95 test conditions. Design Superheat 15-18°F @ the compressor suction access fitting connection.
 Shaded area reflects AHRI conditions.
 Amps: Unit amps (comp.+ evaporator + condenser fan motors)
 KW = Total system power

IDB	AIRFLOW	OUTDOOR AMBIENT TEMPERATURE																							
		65				75				85				95				105				115			
		59	63	67	71	59	63	67	71	59	63	67	71	59	63	67	71	59	63	67	71	59	63	67	71
70	MBh	41.91	42.50	43.75	-	41.53	42.12	43.38	-	40.44	41.03	42.28	-	38.56	39.15	40.40	-	36.26	36.85	38.10	-	34.16	34.75	36.00	-
	S/T	0.60	0.52	0.39	-	0.61	0.53	0.40	-	0.63	0.56	0.42	-	0.65	0.57	0.44	-	1.00	0.60	0.46	-	1.00	0.65	0.51	-
	ΔT	19.97	18.11	14.65	-	19.92	18.06	14.60	-	20.18	18.32	14.86	-	19.90	18.04	14.58	-	19.65	17.80	14.34	-	20.81	18.96	15.50	-
	KW	2.28	2.27	2.27	-	2.57	2.56	2.56	-	2.89	2.88	2.88	-	3.23	3.23	3.23	-	3.62	3.62	3.62	-	4.08	4.08	4.07	-
	Amps	8.48	8.47	8.45	-	9.73	9.72	9.70	-	11.13	11.12	11.10	-	12.64	12.64	12.61	-	14.34	14.33	14.30	-	16.32	16.31	16.29	-
	Hi PR	268.35	269.52	271.40	-	310.68	311.84	313.73	-	355.02	356.18	358.07	-	402.76	403.93	405.81	-	454.24	455.40	457.29	-	509.17	510.34	512.22	-
	Lo PR	121.15	122.64	125.73	-	128.51	130.01	133.09	-	134.96	136.46	139.54	-	140.42	141.91	144.99	-	145.77	147.26	150.35	-	152.47	153.97	157.05	-
	MBh	42.43	43.02	44.27	-	42.05	42.65	43.90	-	40.96	41.55	42.80	-	39.08	39.67	40.92	-	36.78	37.37	38.62	-	34.68	35.27	36.52	-
	S/T	0.65	0.58	0.45	-	0.66	0.59	0.45	-	0.68	0.61	0.48	-	0.70	0.63	0.50	-	1.00	0.65	0.52	-	1.00	0.70	0.57	-
	ΔT	18.92	17.07	13.61	-	18.87	17.02	13.56	-	19.13	17.28	13.82	-	18.85	17.00	13.54	-	18.60	16.75	13.29	-	19.76	17.91	14.45	-
1190	KW	2.29	2.29	2.28	-	2.58	2.58	2.57	-	2.90	2.90	2.89	-	3.25	3.25	3.24	-	3.64	3.64	3.63	-	4.09	4.09	4.09	-
	Amps	8.54	8.53	8.51	-	9.79	9.78	9.76	-	11.19	11.18	11.16	-	12.71	12.70	12.67	-	14.40	14.39	14.36	-	16.38	16.37	16.35	-
	Hi PR	270.49	271.66	273.54	-	312.82	313.98	315.87	-	357.16	358.32	360.21	-	404.90	406.07	407.95	-	456.38	457.54	459.43	-	511.31	512.48	514.36	-
	Lo PR	122.83	124.32	127.40	-	130.19	131.69	134.77	-	136.64	138.14	141.22	-	142.10	143.59	146.67	-	147.45	148.94	152.03	-	154.15	155.64	158.73	-
	MBh	43.05	43.64	44.89	-	42.67	43.26	44.51	-	41.58	42.17	43.42	-	39.70	40.29	41.54	-	37.40	37.99	39.24	-	35.30	35.89	37.14	-
	S/T	0.69	0.61	0.48	-	0.69	0.62	0.48	-	0.72	0.64	0.51	-	1.00	0.66	0.53	-	1.00	0.68	0.55	-	1.00	0.73	0.60	-
	ΔT	18.03	16.18	12.72	-	17.98	16.13	12.67	-	18.24	16.39	12.93	-	17.96	16.11	12.65	-	17.71	15.86	12.40	-	18.87	17.02	13.56	-
	KW	2.30	2.30	2.30	-	2.59	2.59	2.58	-	2.91	2.91	2.91	-	3.26	3.26	3.25	-	3.65	3.65	3.64	-	4.11	4.10	4.10	-
	Amps	8.59	8.58	8.56	-	9.85	9.84	9.82	-	11.24	11.23	11.21	-	12.76	12.75	12.73	-	14.45	14.44	14.42	-	16.43	16.42	16.40	-
	Hi PR	272.57	273.74	275.62	-	314.90	316.06	317.95	-	359.24	360.40	362.29	-	406.98	408.15	410.03	-	458.46	459.62	461.51	-	513.39	514.56	516.44	-
Lo PR	124.68	126.17	129.25	-	132.04	133.54	136.62	-	138.49	139.99	143.07	-	143.94	145.44	148.52	-	149.30	150.79	153.87	-	156.00	157.49	160.58	-	

1050	MBh	41.93	42.52	43.78	45.69	41.56	42.15	43.40	45.31	40.46	41.06	42.31	44.22	38.58	39.17	40.43	42.34	36.28	36.87	38.13	40.04	34.18	34.78	36.03	37.94
	S/T	0.73	0.65	0.52	0.38	0.73	0.66	0.52	0.38	1.00	0.68	0.55	0.41	1.00	0.70	0.57	0.43	1.00	0.72	0.59	0.45	1.00	0.77	0.64	0.50
	ΔT	24.04	22.19	18.73	15.14	23.99	22.14	18.68	15.09	24.25	22.40	18.94	15.35	23.97	22.12	18.66	15.07	23.73	21.87	18.41	14.83	24.89	23.03	19.57	15.99
	KW	2.28	2.27	2.27	2.29	2.56	2.56	2.56	2.58	2.88	2.88	2.88	2.90	3.23	3.23	3.23	3.25	3.62	3.62	3.61	3.64	4.08	4.08	4.07	4.09
	Amps	8.47	8.46	8.44	8.54	9.73	9.72	9.69	9.79	11.12	11.11	11.09	11.19	12.64	12.63	12.61	12.70	14.33	14.32	14.30	14.39	16.31	16.30	16.28	16.37
	Hi PR	268.59	269.75	271.64	276.31	310.91	312.08	313.96	318.64	355.25	356.42	358.30	362.98	403.00	404.16	406.05	410.72	454.48	455.64	457.53	462.20	509.41	510.57	512.46	517.14
	Lo PR	121.18	122.67	125.75	130.91	128.54	130.04	133.12	138.27	134.99	136.49	139.57	144.72	140.44	141.94	145.02	150.18	145.80	147.29	150.37	155.53	152.50	153.99	157.08	162.23
	MBh	42.45	43.04	44.30	46.21	42.08	42.67	43.92	45.83	40.98	41.58	42.83	44.74	39.10	39.69	40.95	42.86	36.80	37.40	38.65	40.56	34.70	35.30	36.55	38.46
	S/T	0.78	0.71	0.57	0.43	0.79	0.71	0.58	0.44	1.00	0.74	0.60	0.46	1.00	0.76	0.62	0.48	1.00	0.78	0.64	0.50	1.00	1.00	0.69	0.55
	ΔT	23.00	21.14	17.68	14.10	22.95	21.09	17.63	14.05	23.21	21.35	17.89	14.31	22.93	21.07	17.61	14.03	22.68	20.83	17.36	13.78	23.84	21.99	18.53	14.94
1190	KW	2.29	2.29	2.28	2.30	2.58	2.58	2.57	2.59	2.90	2.90	2.89	2.91	3.25	3.24	3.24	3.26	3.64	3.63	3.63	3.65	4.09	4.09	4.08	4.11
	Amps	8.53	8.52	8.50	8.60	9.79	9.78	9.76	9.85	11.18	11.17	11.15	11.25	12.70	12.69	12.67	12.76	14.39	14.38	14.36	14.45	16.37	16.36	16.34	16.44
	Hi PR	270.73	271.89	273.78	278.45	313.05	314.22	316.10	320.78	357.39	358.56	360.44	365.12	405.14	406.30	408.19	412.86	456.62	457.78	459.67	464.34	511.55	512.71	514.60	519.28
	Lo PR	122.86	124.35	127.43	132.59	130.22	131.72	134.80	139.95	136.67	138.17	141.25	146.40	142.12	143.62	146.70	151.86	147.48	148.97	152.05	157.21	154.18	155.67	158.76	163.91
	MBh	43.07	43.66	44.91	46.82	42.70	43.29	44.54	46.45	41.60	42.19	43.45	45.36	39.72	40.31	41.56	43.47	37.42	38.01	39.26	41.18	35.32	35.91	37.17	39.08
	S/T	0.81	0.74	0.60	0.46	0.82	0.74	0.61	0.47	1.00	0.77	0.64	0.50	1.00	0.79	0.65	0.51	1.00	0.81	0.68	0.54	1.00	1.00	0.73	0.59
	ΔT	22.11	20.25	16.79	13.21	22.05	20.20	16.74	13.16	22.31	20.46	17.00	13.42	22.04	20.18	16.72	13.14	21.79	19.93	16.47	12.89	22.95	21.09	17.63	14.05
	KW	2.30	2.30	2.29	2.32	2.59	2.59	2.58	2.60	2.91	2.91	2.90	2.93	3.26	3.26	3.25	3.27	3.65	3.65	3.64	3.66	4.10	4.10	4.10	4.12
	Amps	8.59	8.58	8.55	8.65	9.84	9.83	9.81	9.90	11.24	11.23	11.20	11.30	12.75	12.74	12.72	12.81	14.44	14.43	14.41	14.50	16.42	16.41	16.39	16.49
	Hi PR	272.81	273.97	275.86	280.54	315.13	316.30	318.18	322.86	359.47	360.64	362.52	367.20	407.22	408.38	410.27	414.94	458.70	459.86	461.75	466.42	513.63	514.79	516.68	521.36
Lo PR	124.70	126.20	129.28	134.44	132.07	133.56	136.65	141.80	138.52	140.01	143.10	148.25	143.97	145.47	148.55	153.71	149.32	150.82	153.90	159.06	156.03	157.52	160.60	165.76	

Shaded area reflects AHRI (TVA) conditions.
 KW = Total system power
 Amps: Unit amps (comp.+ evaporator + condenser fan motors)
 IDB = Entering Indoor Dry Bulb Temperature
 High and low pressures are measured at the liquid and suction access fittings.
 Design Subcooling, 5-7 °F @ the liquid access fitting connection ARI 95 test conditions. Design Superheat 15-18°F @ the compressor suction access fitting connection.

IDB	AIRFLOW	OUTDOOR AMBIENT TEMPERATURE												105												115											
		65				75				85				95				105				115															
		59	63	67	71	59	63	67	71	59	63	67	71	59	63	67	71	59	63	67	71	59	63	67	71												
80	Mbh	42.15	42.74	43.99	45.90	41.77	42.37	43.62	45.53	40.68	41.27	42.52	44.43	38.80	39.39	40.64	42.55	36.50	37.09	38.34	40.25	34.40	34.99	36.24	38.15												
	S/T	0.85	0.77	0.64	0.50	1.00	0.78	0.65	0.51	1.00	0.81	0.67	0.53	1.00	0.82	0.69	0.55	1.00	1.00	0.71	0.57	1.00	1.00	0.76	0.62												
	ΔT	28.15	26.29	22.83	19.25	28.10	26.24	22.78	19.20	28.36	26.50	23.04	19.46	28.08	26.22	22.76	19.18	27.83	25.98	22.51	18.93	28.99	27.14	23.67	20.09												
	KW	2.28	2.27	2.27	2.29	2.56	2.56	2.56	2.58	2.89	2.88	2.88	2.90	3.23	3.23	3.23	3.25	3.62	3.62	3.62	3.64	4.08	4.08	4.07	4.09												
	Amps	8.48	8.47	8.45	8.54	9.73	9.72	9.70	9.80	11.13	11.12	11.10	11.20	12.64	12.63	12.61	12.71	14.33	14.32	14.30	14.40	16.32	16.31	16.29	16.38												
	Hi PR	269.08	270.25	272.13	276.81	311.41	312.57	314.46	319.13	355.75	356.91	358.80	363.47	403.49	404.66	406.54	411.22	454.97	456.13	458.02	462.69	509.90	511.07	512.95	517.63												
	Lo PR	121.71	123.21	126.29	131.44	129.08	130.57	133.65	138.81	135.53	137.02	140.10	145.26	140.98	142.48	145.56	150.71	146.33	147.83	150.91	156.06	153.03	154.53	157.61	162.77												
	Mbh	42.67	43.26	44.51	46.42	42.29	42.89	44.14	46.05	41.20	41.79	43.04	44.95	39.32	39.91	41.16	43.07	37.02	37.61	38.86	40.77	34.92	35.51	36.76	38.67												
	S/T	1.00	0.83	0.70	0.56	1.00	0.84	0.70	0.56	1.00	0.86	0.73	0.59	1.00	0.88	0.75	0.61	1.00	1.00	0.77	0.63	1.00	1.00	0.82	0.68												
	ΔT	27.10	25.25	21.78	18.20	27.05	25.19	21.73	18.15	27.31	25.46	21.99	18.41	27.03	25.18	21.72	18.13	26.78	24.93	21.47	17.88	27.94	26.09	22.63	19.04												
KW	2.29	2.29	2.28	2.31	2.58	2.58	2.57	2.59	2.90	2.90	2.89	2.92	3.25	3.25	3.25	3.26	3.64	3.63	3.63	3.65	4.09	4.09	4.09	4.11													
Amps	8.54	8.53	8.51	8.61	9.79	9.78	9.76	9.86	11.19	11.18	11.16	11.26	12.70	12.69	12.67	12.77	14.39	14.38	14.36	14.46	16.38	16.37	16.35	16.44													
Hi PR	271.22	272.39	274.27	278.95	313.55	314.71	316.60	321.27	357.89	359.05	360.94	365.61	405.63	406.80	408.68	413.36	457.11	458.27	460.16	464.83	512.04	513.21	515.09	519.77													
Lo PR	123.39	124.89	127.97	133.12	130.76	132.25	135.33	140.49	137.21	138.70	141.78	146.94	142.66	144.15	147.24	152.39	148.01	149.51	152.59	157.74	154.71	156.21	159.29	164.45													
Mbh	43.29	43.88	45.13	47.04	42.91	43.50	44.76	46.67	41.82	42.41	43.66	45.57	39.94	40.53	41.78	43.69	37.64	38.23	39.48	41.39	35.54	36.13	37.38	39.29													
S/T	1.00	0.86	0.73	0.59	1.00	0.87	0.73	0.59	1.00	0.89	0.76	0.62	1.00	1.00	0.78	0.64	1.00	1.00	0.80	0.66	1.00	1.00	0.85	0.71													
ΔT	26.21	24.35	20.89	17.31	26.16	24.30	20.84	17.26	26.42	24.56	21.10	17.52	26.14	24.28	20.82	17.24	25.89	24.04	20.58	16.99	27.05	25.20	21.74	18.15													
KW	2.30	2.30	2.30	2.32	2.59	2.59	2.58	2.61	2.91	2.91	2.91	2.93	3.26	3.26	3.25	3.28	3.65	3.65	3.64	3.66	4.11	4.10	4.10	4.12													
Amps	8.59	8.58	8.56	8.66	9.84	9.83	9.81	9.91	11.24	11.23	11.21	11.31	12.76	12.75	12.72	12.82	14.45	14.44	14.41	14.51	16.43	16.42	16.40	16.49													
Hi PR	273.30	274.47	276.35	281.03	315.63	316.79	318.68	323.35	359.97	361.13	363.02	367.69	407.71	408.88	410.76	415.44	459.19	460.35	462.24	466.91	514.13	515.29	517.17	521.85													
Lo PR	125.24	126.73	129.82	134.97	132.60	134.10	137.18	142.34	139.05	140.55	143.63	148.79	144.51	146.00	149.09	154.24	149.86	151.36	154.44	159.59	156.56	158.06	161.14	166.29													
Mbh	42.86	43.45	44.70	46.61	42.48	43.07	44.32	46.23	41.39	41.98	43.23	45.14	39.51	40.10	41.35	43.26	37.21	37.80	39.05	40.96	35.11	35.70	36.95	38.86													
S/T	1.00	0.87	0.74	0.60	1.00	0.88	0.75	0.61	1.00	1.00	0.77	0.63	1.00	1.00	0.79	0.65	1.00	1.00	0.81	0.67	1.00	1.00	1.00	0.72													
ΔT	31.78	29.93	26.47	22.89	31.73	29.88	26.42	22.82	31.99	30.14	26.68	23.10	31.71	29.86	26.40	22.82	31.47	29.61	26.15	22.57	32.63	30.77	27.31	23.73													
KW	2.28	2.28	2.28	2.30	2.57	2.57	2.56	2.59	2.89	2.89	2.88	2.91	3.24	3.24	3.24	3.25	3.63	3.63	3.62	3.64	4.08	4.08	4.08	4.10													
Amps	8.50	8.49	8.47	8.57	9.76	9.75	9.73	9.82	11.15	11.14	11.12	11.22	12.67	12.66	12.64	12.73	14.36	14.35	14.33	14.42	16.34	16.33	16.31	16.41													
Hi PR	270.35	271.51	273.40	278.07	312.67	313.83	315.72	320.39	357.01	358.17	360.06	364.73	404.75	405.92	407.80	412.48	456.23	457.39	459.28	463.96	511.17	512.33	514.22	518.89													
Lo PR	123.53	125.02	128.10	133.26	130.89	132.39	135.47	140.62	137.34	138.84	141.92	147.07	142.79	144.29	147.37	152.53	148.15	149.64	152.72	157.88	154.85	156.34	159.43	164.58													
Mbh	43.38	43.97	45.22	47.13	43.00	43.59	44.84	46.75	41.91	42.50	43.75	45.66	40.03	40.62	41.87	43.78	37.73	38.32	39.57	41.48	35.63	36.22	37.47	39.38													
S/T	1.00	0.93	0.80	0.66	1.00	0.93	0.80	0.66	1.00	1.00	0.83	0.69	1.00	1.00	0.85	0.70	1.00	1.00	0.87	0.73	1.00	1.00	1.00	0.78													
ΔT	30.74	28.88	25.42	21.84	30.69	28.83	25.37	21.79	30.95	29.09	25.63	22.05	30.67	28.81	25.35	21.77	30.42	28.57	25.11	21.52	31.58	29.73	26.27	22.68													
KW	2.30	2.29	2.29	2.31	2.58	2.58	2.58	2.60	2.91	2.90	2.90	2.92	3.25	3.25	3.25	3.27	3.64	3.64	3.64	3.66	4.10	4.10	4.10	4.11													
Amps	8.56	8.56	8.53	8.63	9.82	9.81	9.79	9.88	11.22	11.21	11.18	11.28	12.73	12.72	12.70	12.79	14.42	14.41	14.39	14.48	16.40	16.39	16.37	16.47													
Hi PR	272.49	273.65	275.54	280.21	314.81	315.97	317.86	322.53	359.15	360.31	362.20	366.87	406.89	408.06	409.94	414.62	458.37	459.53	461.42	466.10	513.31	514.47	516.36	521.03													
Lo PR	125.21	126.70	129.78	134.94	132.57	134.07	137.15	142.30	139.02	140.52	143.60	148.75	144.47	145.97	149.05	154.21	149.83	151.32	154.40	159.56	156.53	158.02	161.11	166.26													
Mbh	43.99	44.59	45.84	47.75	43.62	44.21	45.46	47.37	42.53	43.12	44.37	46.28	40.64	41.24	42.49	44.40	38.34	38.94	40.19	42.10	36.25	36.84	38.09	40.00													
S/T	1.00	0.96	0.83	0.69	1.00	1.00	0.83	0.69	1.00	1.00	0.86	0.72	1.00	1.00	0.88	0.74	1.00	1.00	0.90	0.76	1.00	1.00	1.00	0.81													
ΔT	29.85	27.99	24.53	20.95	29.80	27.94	24.48	20.90	30.06	28.20	24.74	21.16	29.78	27.92	24.46	20.88	29.53	27.68	24.22	20.63	30.69	28.84	25.38	21.79													
KW	2.31	2.31	2.30	2.32	2.60	2.59	2.59	2.61	2.92	2.92	2.91	2.93	3.27	3.26	3.26	3.28	3.65	3.65	3.65	3.67	4.11	4.11	4.10	4.13													
Amps	8.62	8.61	8.59	8.68	9.87	9.86	9.84	9.93	11.27	11.26	11.24	11.33	12.78	12.77	12.75	12.84	14.47	14.46	14.44	14.53	16.45	16.44	16.42	16.52													
Hi PR	274.57	275.73	277.62	282.29	316.89	318.05	319.94	324.61	361.23	362.39	364.28	368.95	408.97	410.14	412.02	416.70	460.45	461.62	463.50	468.18	515.39	516.55	518.44	523.11													
Lo PR	127.05	128.55	131.63	136.79	134.42	135.91	139.00	144.15	140.87	142.36	145.45	150.60	146.32	147.82	150.90	156.05	151.67	153.17	156.25	161.41	158.38	159.87	162.95	168.11													

IDB = Entering Indoor Dry Bulb Temperature
 High and low pressures are measured at the liquid and suction access fittings.
 Design Subcooling, 5-7 °F @ the liquid access fitting connection ARI 95 test conditions. Design Superheat 15-18°F @ the compressor suction access fitting connection.
 Shaded area reflects AHRI conditions.
 Amps: Unit amps (comp.+ evaporator + condenser fan motors)
 KW = Total system power

EXPANDED HEATING DATA

APHH52441

	OUTDOOR AMBIENT TEMPERATURE																
	65	60	55	50	47	45	40	35	30	25	20	17	15	10	5	0	-5
MBh	29.83	27.86	25.92	24.02	22.80	21.89	19.59	17.47	15.75	14.47	13.51	13.00	12.35	10.71	9.08	7.45	5.81
T/R	30.35	28.62	26.89	25.17	24.13	23.16	20.73	18.49	16.67	15.31	14.30	13.76	13.07	11.34	9.61	7.88	6.15
kW	1.97	1.92	1.88	1.83	1.81	1.79	1.74	1.70	1.65	1.61	1.56	1.54	1.52	1.47	1.43	1.38	1.34
Amps	7.17	6.97	6.78	6.58	6.46	6.39	6.19	5.99	5.80	5.60	5.41	5.29	5.21	5.02	4.82	4.63	4.43
COP	4.44	4.25	4.05	3.84	3.70	3.59	3.29	3.02	2.79	2.64	2.53	2.48	2.38	2.13	1.86	1.58	1.27
HI PR	393.02	380.24	367.45	354.67	347.00	341.89	329.10	316.32	303.54	290.75	277.97	270.30	265.19	252.40	239.62	226.84	214.05
LO PR	140.46	131.72	122.98	114.24	109.00	105.50	96.77	88.03	79.29	70.55	61.81	56.57	53.07	44.33	35.59	26.86	18.12

AGPHH53041

	OUTDOOR AMBIENT TEMPERATURE																
	65	60	55	50	47	45	40	35	30	25	20	17	15	10	5	0	-5
MBh	36.66	34.14	31.63	29.17	27.60	26.39	23.37	20.64	18.41	16.74	15.48	14.80	13.95	11.81	9.68	7.55	5.41
T/R	31.11	29.23	27.35	25.47	24.34	23.27	20.61	18.20	16.24	14.76	13.65	13.05	12.30	10.42	8.54	6.65	4.77
kW	2.85	2.75	2.64	2.54	2.48	2.44	2.34	2.24	2.13	2.03	1.93	1.87	1.83	1.73	1.63	1.52	1.42
Amps	10.72	10.27	9.83	9.39	9.12	8.94	8.50	8.06	7.62	7.17	6.73	6.46	6.29	5.84	5.40	4.96	4.51
COP	3.77	3.64	3.51	3.36	3.26	3.17	2.93	2.70	2.53	2.41	2.35	2.32	2.23	2.00	1.75	1.45	1.12
HI PR	406.61	393.39	380.16	366.94	359.00	353.71	340.48	327.26	314.03	300.81	287.58	279.65	274.36	261.13	247.91	234.68	221.45
LO PR	132.73	124.47	116.21	107.95	103.00	99.70	91.44	83.18	74.92	66.67	58.41	53.45	50.15	41.89	33.63	25.38	17.12

APHH53641

	OUTDOOR AMBIENT TEMPERATURE																
	65	60	55	50	47	45	40	35	30	25	20	17	15	10	5	0	-5
MBh	42.16	39.37	36.62	33.93	32.20	30.91	27.64	24.64	22.20	20.38	19.03	18.30	17.37	15.06	12.74	10.42	8.11
T/R	31.28	29.50	27.71	25.92	24.85	23.85	21.33	19.02	17.13	15.73	14.68	14.12	13.41	11.62	9.83	8.04	6.25
kW	2.66	2.62	2.59	2.55	2.52	2.51	2.47	2.43	2.39	2.35	2.32	2.29	2.28	2.24	2.20	2.16	2.12
Amps	9.67	9.50	9.33	9.17	9.07	9.00	8.83	8.66	8.50	8.33	8.16	8.06	7.99	7.83	7.66	7.49	7.32
COP	4.64	4.40	4.15	3.90	3.74	3.61	3.28	2.97	2.72	2.54	2.41	2.34	2.24	1.97	1.70	1.41	1.12
HI PR	371.50	359.42	347.33	335.25	328.00	323.17	311.08	299.00	286.92	274.83	262.75	255.50	250.67	238.58	226.50	214.41	202.33
LO PR	139.17	130.51	121.85	113.20	108.00	104.54	95.88	87.22	78.56	69.90	61.24	56.05	52.58	43.93	35.27	26.61	17.95

APHH54241

HIGH STAGE

	OUTDOOR AMBIENT TEMPERATURE																
	65	60	55	50	47	45	40	35	30	25	20	17	15	10	5	0	-5
MBh	48.42	45.28	42.19	39.15	37.20	35.76	32.10	28.72	25.97	23.93	22.41	21.60	20.56	17.96	15.36	12.76	10.16
T/R	33.16	31.31	29.46	27.61	26.50	25.47	22.86	20.46	18.50	17.04	15.96	15.38	14.64	12.79	10.94	9.09	7.24
KW	3.25	3.21	3.16	3.12	3.09	3.07	3.02	2.98	2.93	2.89	2.84	2.81	2.80	2.75	2.70	2.66	2.61
AMPS	12.08	11.88	11.68	11.49	11.37	11.29	11.09	10.89	10.69	10.49	10.29	10.17	10.09	9.89	9.69	9.49	9.29
COP	4.36	4.14	3.91	3.68	3.53	3.41	3.11	2.83	2.60	2.43	2.31	2.25	2.16	1.91	1.67	1.41	1.14
Hi PR	399.82	386.81	373.81	360.80	353.00	347.80	334.79	321.79	308.78	295.78	282.78	274.97	269.77	256.77	243.76	230.76	217.75
LO PR	134.02	125.68	117.34	109.00	104.00	100.66	92.33	83.99	75.65	67.31	58.98	53.97	50.64	42.30	33.96	25.62	17.29

Calculations are based on nominal CFM and 70 °F indoor dry bulb.

Amps = Outdoor unit amps (comp.+fan) motor)

Note: Shaded area is AHRI Rating Conditions at 47°F outdoor ambient temperature

kW = Total system power

APHH54241

LOW STAGE

	OUTDOOR AMBIENT TEMPERATURE																
	65	60	55	50	47	45	40	35	30	25	20	17	15	10	5	0	-5
MBh	35.64	33.21	30.92	28.42	26.84	25.59	22.50	19.73	17.48	15.78	14.49	13.79	12.92	10.75	8.57	6.40	4.22
T/R	30.54	28.63	26.71	24.79	23.64	22.54	19.83	17.38	15.40	13.90	12.76	12.15	11.38	9.47	7.55	5.64	3.72
KW	1.99	1.93	1.88	1.82	1.78	1.76	1.70	1.65	1.59	1.53	1.47	1.44	1.41	1.36	1.30	1.24	1.18
AMPS	7.00	6.74	6.49	6.24	6.09	5.99	5.74	5.49	5.23	4.98	4.73	4.58	4.48	4.23	3.98	3.72	3.47
COP	5.24	5.03	4.83	4.58	4.41	4.26	3.87	3.51	3.23	3.02	2.88	2.81	2.68	2.32	1.94	1.51	1.05
Hi PR	387.48	374.87	362.27	349.67	342.10	337.06	324.46	311.86	299.25	286.65	274.05	266.49	261.44	248.84	236.24	223.63	211.03
LO PR	131.66	123.47	115.28	107.09	102.17	98.90	90.70	82.51	74.32	66.13	57.94	53.02	49.75	41.56	33.36	25.17	16.98

APHH54841

HIGH STAGE

	OUTDOOR AMBIENT TEMPERATURE																
	65	60	55	50	47	45	40	35	30	25	20	17	15	10	5	0	-5
MBh	56.16	52.62	49.13	45.70	43.50	41.90	37.80	34.00	30.89	28.59	26.91	26.00	24.83	21.92	19.00	16.08	13.17
T/R	31.25	29.56	27.88	26.19	25.18	24.25	21.88	19.68	17.88	16.55	15.57	15.05	14.37	12.68	10.99	9.31	7.62
KW	3.76	3.71	3.67	3.62	3.59	3.57	3.53	3.48	3.43	3.39	3.34	3.31	3.29	3.25	3.20	3.16	3.11
AMPS	13.80	13.60	13.40	13.20	13.08	12.99	12.79	12.59	12.39	12.19	11.99	11.87	11.79	11.58	11.38	11.18	10.98
COP	4.38	4.15	3.93	3.70	3.55	3.44	3.14	2.86	2.64	2.47	2.36	2.30	2.21	1.98	1.74	1.49	1.24
Hi PR	391.89	379.14	366.39	353.65	346.00	340.90	328.15	315.41	302.66	289.91	277.17	269.52	264.42	251.67	238.93	226.18	213.43
LO PR	131.44	123.26	115.08	106.91	102.00	98.73	90.55	82.37	74.20	66.02	57.84	52.93	49.66	41.49	33.31	25.13	16.95

APHH54841

LOW STAGE

	OUTDOOR AMBIENT TEMPERATURE																
	65	60	55	50	47	45	40	35	30	25	20	17	15	10	5	0	-5
MBh	41.68	38.83	36.03	33.19	31.38	29.97	26.49	23.34	20.77	18.85	17.38	16.60	15.61	13.15	10.69	8.22	5.76
T/R	33.01	30.99	28.97	26.95	25.74	24.58	21.72	19.14	17.04	15.46	14.26	13.61	12.81	10.78	8.76	6.74	4.72
KW	2.30	2.24	2.18	2.11	2.07	2.05	1.99	1.92	1.86	1.79	1.73	1.69	1.67	1.60	1.54	1.48	1.41
AMPS	8.23	7.95	7.67	7.40	7.23	7.12	6.84	6.56	6.29	6.01	5.73	5.57	5.45	5.18	4.90	4.62	4.35
COP	5.30	5.08	4.85	4.60	4.43	4.29	3.91	3.56	3.28	3.08	2.94	2.88	2.75	2.40	2.03	1.63	1.20
Hi PR	379.79	367.44	355.09	342.73	335.32	330.38	318.03	305.67	293.32	280.97	268.61	261.20	256.26	243.91	231.55	219.20	206.85
LO PR	129.13	121.10	113.06	105.03	100.21	96.99	88.96	80.93	72.89	64.86	56.82	52.00	48.79	40.76	32.72	24.69	16.66

APHH56041

HIGH STAGE

	OUTDOOR AMBIENT TEMPERATURE																
	65	60	55	50	47	45	40	35	30	25	20	17	15	10	5	0	-5
MBh	69.97	65.64	61.38	57.20	54.50	52.55	47.59	42.94	39.14	36.34	34.30	33.20	31.78	28.23	24.68	21.13	17.58
T/R	36.65	34.71	32.78	30.85	29.69	28.63	25.92	23.39	21.32	19.79	18.68	18.08	17.31	15.38	13.44	11.51	9.57
KW	4.61	4.55	4.49	4.43	4.40	4.38	4.32	4.26	4.20	4.15	4.09	4.05	4.03	3.97	3.92	3.86	3.80
AMPS	17.34	17.09	16.83	16.58	16.43	16.33	16.08	15.83	15.58	15.33	15.08	14.93	14.83	14.58	14.33	14.08	13.83
COP	4.45	4.23	4.00	3.78	3.63	3.52	3.23	2.95	2.73	2.57	2.46	2.40	2.31	2.08	1.85	1.61	1.36
Hi PR	397.55	384.62	371.69	358.76	351.00	345.83	332.90	319.97	307.04	294.10	281.17	273.41	268.24	255.31	242.38	229.45	216.52
LO PR	122.42	114.80	107.19	99.57	95.00	91.95	84.34	76.72	69.10	61.49	53.87	49.30	46.26	38.64	31.02	23.41	15.79

GP HH56041

LOW STAGE

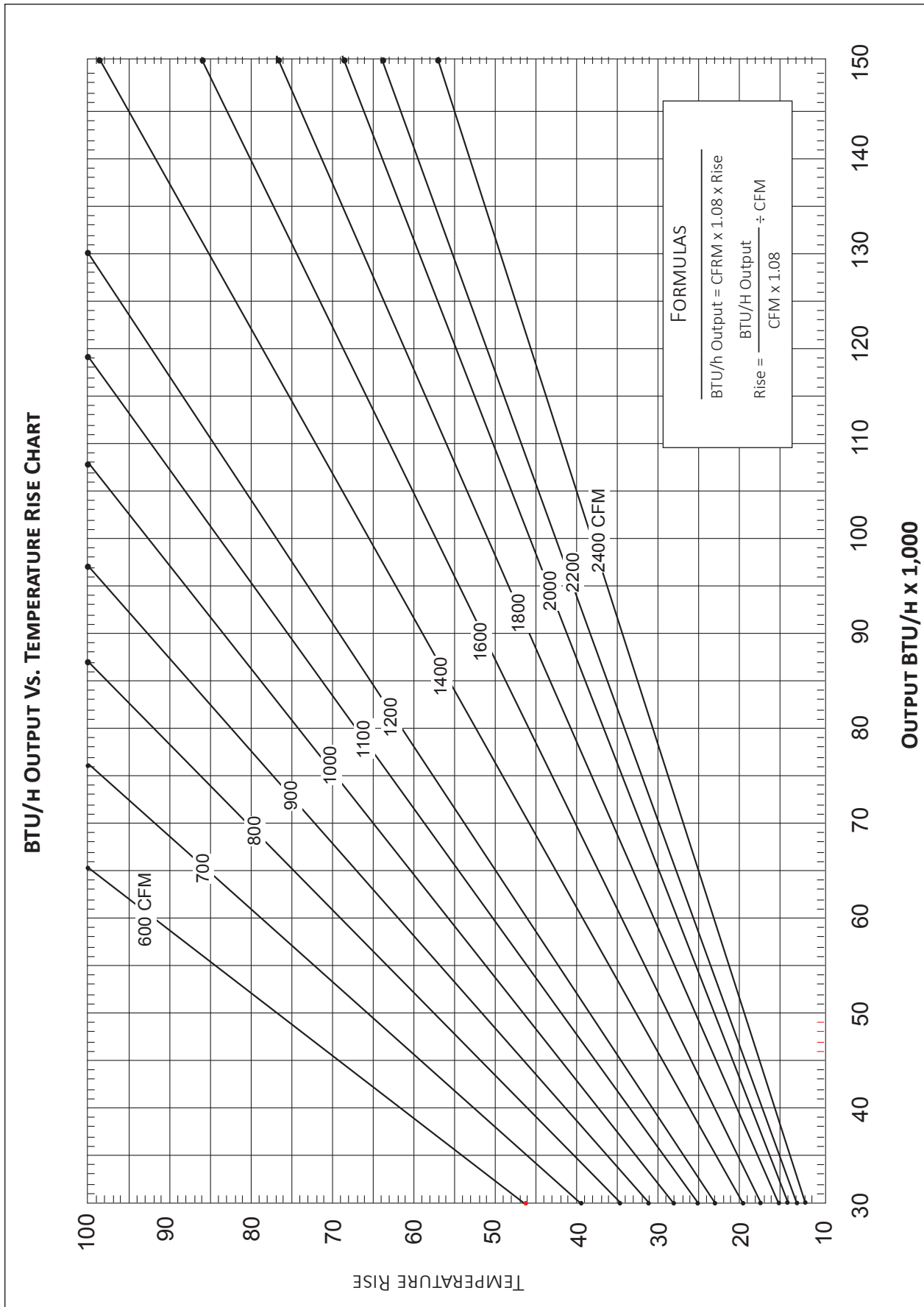
	OUTDOOR AMBIENT TEMPERATURE																
	65	60	55	50	47	45	40	35	30	25	20	17	15	10	5	0	-5
MBh	52.20	48.58	45.03	41.54	39.32	37.60	33.33	29.46	26.31	23.94	22.15	21.20	19.99	16.97	13.95	10.93	7.91
T/R	34.25	32.19	30.13	28.07	26.83	25.66	22.74	20.10	17.95	16.34	15.12	14.46	13.64	11.58	9.52	7.46	5.39
KW	2.82	2.75	2.67	2.59	2.54	2.51	2.43	2.35	2.28	2.20	2.12	2.07	2.04	1.96	1.88	1.80	1.73
AMPS	10.13	9.79	9.45	9.10	8.90	8.76	8.42	8.08	7.74	7.40	7.05	6.85	6.71	6.37	6.03	5.69	5.35
COP	5.42	5.18	4.95	4.70	4.53	4.39	4.02	3.67	3.39	3.19	3.07	3.00	2.87	2.54	2.17	1.78	1.34
Hi PR	385.28	372.75	360.22	347.69	340.17	335.15	322.62	310.09	297.56	285.03	272.49	264.98	259.96	247.43	234.90	222.37	209.84
LO PR	120.27	112.78	105.30	97.82	93.33	90.34	82.85	75.37	67.89	60.41	52.92	48.44	45.44	37.96	30.48	22.99	15.51

Calculations are based on nominal CFM and 70 °F indoor dry bulb.

Amps = Outdoor unit amps (comp.+fan) motor)

Note: Shaded area is AHRI Rating Conditions at 47°F outdoor ambient temperature

kW = Total system power



APHH52441					
COOLING/ HP SPEED	ADJUST TAP	CFM*	ELECTRIC HEAT	ADJUST TAP	CFM*
D	Minus	858	D	Minus	858
	Normal	953		Normal	953
	Plus	1,048		Plus	1,048
C	Minus	800	C	Minus	800
	Normal	905		Normal	905
	Plus	986		Plus	986
B	Minus	743	B	Minus	743
	Normal	847		Normal	847
	Plus	939		Plus	939
A	Minus	714	A	Minus	714
	Normal	815		Normal	815
	Plus**	903		Plus**	903

* @ 0.1 - 0.8 ESP **Factory Default

APHH53041					
COOLING/ HP SPEED	ADJUST TAP	CFM*	ELECTRIC HEAT	ADJUST TAP	CFM*
D	Minus	969	D	Minus	969
	Normal**	1,073		Normal**	1,073
	Plus	1,180		Plus	1,180
C	Minus	930	C	Minus	930
	Normal	1,032		Normal	1,032
	Plus	1,135		Plus	1,135
B	Minus	834	B	Minus	834
	Normal	984		Normal	984
	Plus	1,101		Plus	1,101
A	Minus	833	A	Minus	833
	Normal	937		Normal	937
	Plus	1,036		Plus	1,036

* @ 0.1 - 0.8 ESP **Factory Default

APHH53641					
COOLING/ HP SPEED	ADJUST TAP	CFM*	ELECTRIC HEAT	ADJUST TAP	CFM*
D	Minus	1,135	D	Minus	1,135
	Normal**	1,270		Normal**	1,270
	Plus	1,371		Plus	1,371
C	Minus	1,042	C	Minus	1,042
	Normal	1,178		Normal	1,178
	Plus	1,307		Plus	1,307
B	Minus	932	B	Minus	932
	Normal	1,065		Normal	1,065
	Plus	1,181		Plus	1,181
A	Minus	823	A	Minus	823
	Normal	952		Normal	952
	Plus	1,080		Plus	1,080

* @ 0.1 - 0.8 ESP **Factory Default

APHH54241					
COOLING/ HP SPEED	ADJUST TAP	CFM*	ELECTRIC HEAT	ADJUST TAP	CFM*
D	Minus	1,289	D	Minus	1,289
	Normal	1,392		Normal	1,392
	Plus	1,440		Plus	1,440
C	Minus	1,219	C	Minus	1,219
	Normal	1,323		Normal	1,323
	Plus	1,419		Plus	1,419
B	Minus	1,182	B	Minus	1,182
	Normal	1,294		Normal	1,294
	Plus	1,384		Plus	1,384
A	Minus	1,105	A	Minus	1,105
	Normal	1,219		Normal	1,219
	Plus**	1,304		Plus**	1,304

* @ 0.1 - 0.9 ESP **Factory Default is "C" Normal

APHH54841					
COOLING/ HP SPEED	ADJUST TAP	CFM*	ELECTRIC HEAT	ADJUST TAP	CFM*
D	Minus	1,506	D	Minus	1,506
	Normal	1,699		Normal	1,699
	Plus	1,872		Plus	1,872
C	Minus	1,420	C	Minus	1,420
	Normal	1,596		Normal	1,596
	Plus	1,764		Plus	1,764
B	Minus	1,323	B	Minus	1,323
	Normal	1,491		Normal	1,491
	Plus**	1,642		Plus**	1,642
A	Minus	1,217	A	Minus	1,217
	Normal	1,385		Normal	1,385
	Plus	1,537		Plus	1,537

* @ 0.1 - 0.8 ESP **Factory Default

APHH56041					
COOLING/ HP SPEED	ADJUST TAP	CFM*	ELECTRIC HEAT	ADJUST TAP	CFM*
D	Minus	1,506	D	Minus	1,506
	Normal	1,699		Normal	1,699
	Plus	1,872		Plus	1,872
C	Minus	1,420	C	Minus	1,420
	Normal	1,596		Normal	1,596
	Plus**	1,764		Plus**	1,764
B	Minus	1,323	B	Minus	1,323
	Normal	1,491		Normal	1,491
	Plus	1,642		Plus	1,642
A	Minus	1,217	A	Minus	1,217
	Normal	1,385		Normal	1,385
	Plus	1,537		Plus	1,537

* @ 0.1 - 0.8 ESP **Factory Default

HEAT KIT ELECTRICAL DATA (BLOWER ONLY, HEAT MODE)

MODEL AND HEAT KIT USAGE	CIRCUIT #1		CIRCUIT #2		SINGLE-POINT KIT		ACTUAL kW / BTU@ 240V
	MCA ¹	MOP ²	MCA ¹	MOP ²	MCA ¹	MOP ²	
APHH52441**	4.3	---	---	---	--	--	---
HKP-05C*	21 / 25	25 / 25	---	---	46	50	4.75 / 16,200
HKR-08C*	32 / 36	35 / 40	---	---	58	60	7 / 23,800
HKP-10C*	43 / 49	45 / 50	---	---	71	80	9.5 / 32,400
APHH53041**	4.3	---	---	---	--	--	---
HKP-05C*	21 / 25	25 / 25	---	---	48	50	4.75 / 16,200
HKR-08C*	32 / 36	35 / 40	---	---	60	60	7 / 23,800
HKP-10C*	43 / 49	45 / 50	---	---	73	80	9.5 / 32,400
HKP-15C*	43 / 49	45 / 50	21 / 25	25 / 25	97	100	14.25 / 48,600
APHH53641**	4.3	---	---	---	--	--	---
HKP-05C*	21 / 25	25 / 25	---	---	51	60	4.75 / 16,200
HKR-08C*	32 / 36	35 / 40	---	---	63	70	7 / 23,800
HKP-10C*	43 / 49	45 / 50	---	---	76	80	9.5 / 32,400
HKP-15C*	43 / 49	45 / 50	21 / 25	25 / 25	101	110	14.25 / 48,600
APHH54241**	4.3	---	---	---	--	--	---
HKP-05C*	21 / 25	25 / 25	---	---	53	60	4.75 / 16,200
HKR-08C*	32 / 36	35 / 40	---	---	65	70	7 / 23,800
HKP-10C*	43 / 49	45 / 50	---	---	78	80	9.5 / 32,400
HKP-15C*	43 / 49	45 / 50	21 / 25	25 / 25	102	110	14.25 / 48,600
APHH54841**	5.4	---	---	---	--	--	---
HKP-05C*	21 / 25	25 / 25	---	---	59	70	4.75 / 16,200
HKR-08C*	32 / 36	35 / 40	---	---	71	80	7 / 23,800
HKP-10C*	43 / 49	45 / 50	---	---	84	90	9.5 / 32,400
HKP-15C*	43 / 49	45 / 50	21 / 25	25 / 25	109	110	14.25 / 48,600
APHH56041**	6.8	---	---	---	--	--	---
HKP-05C*	21 / 25	25 / 25	---	---	59	70	4.75 / 16,200
HKR-08C*	32 / 36	35 / 40	---	---	71	80	7 / 23,800
HKP-10C*	43 / 49	45 / 50	---	---	84	90	9.5 / 32,400
HKP-15C*	43 / 49	45 / 50	21 / 25	25 / 25	109	110	14.25 / 48,600
HKP-20C	43 / 49	45 / 50	43 / 49	45 / 50	134	150	19.0 / 64,800

¹ Minimum Circuit Ampacity @ 208 / 240 V

² Maximum Overcurrent Protection Device @ 208 / 240 V

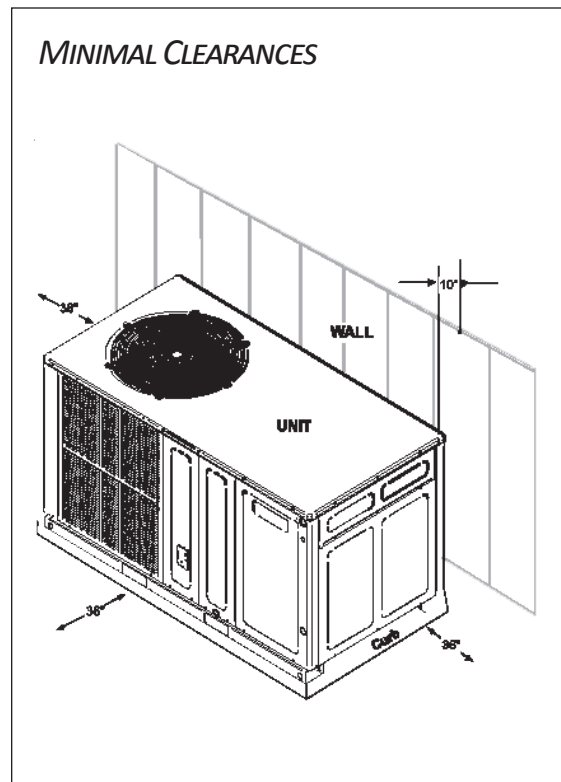
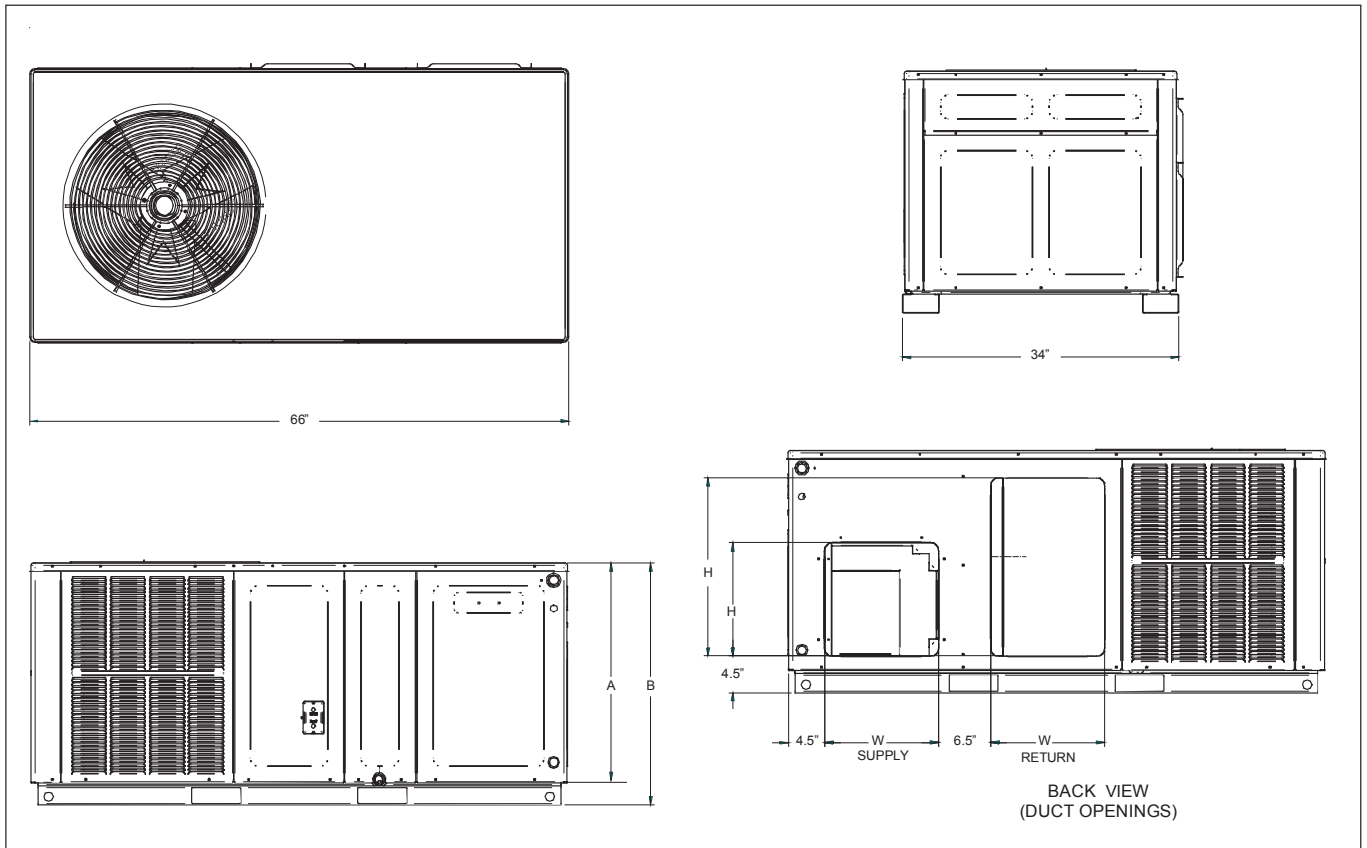
* Revision level that may or may not be designated

C Circuit breaker option

^ Heat Kit requires three-phase power supply

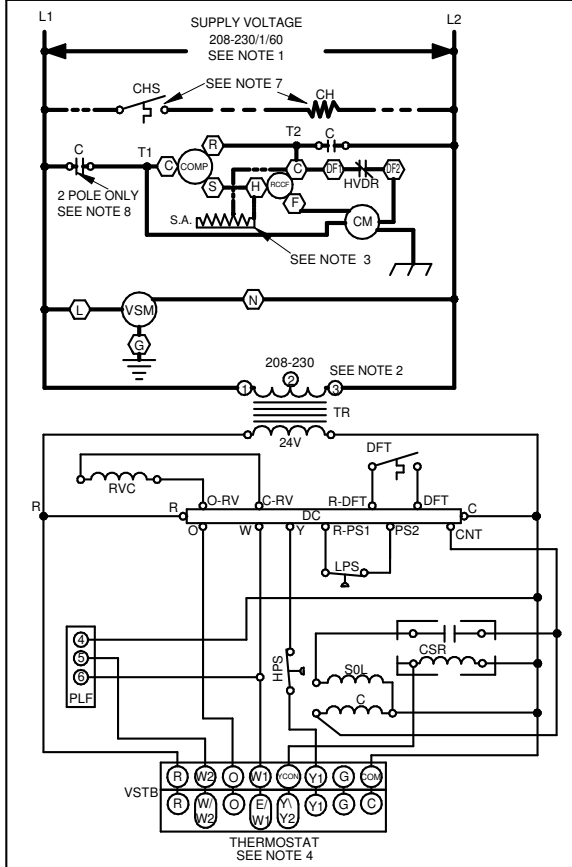
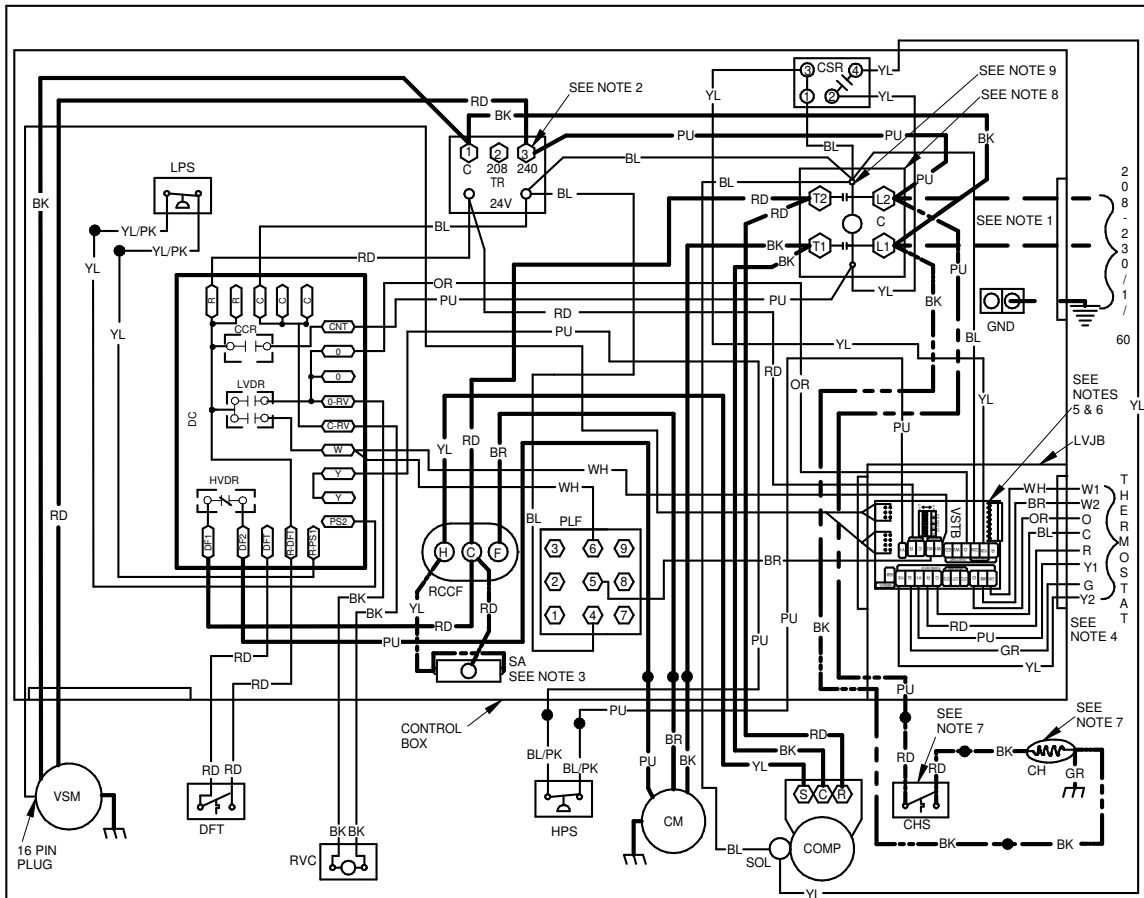
HKP-15C and HKP-20C replace HKR-15C and HKR-20C respectively to meet new UL1995 requirements.

DIMENSIONS



MODEL	UNIT DIMENSIONS				CHASSIS SIZE
			HEIGHT		
	W	D	A	B	
APHH52441**	66	34	27½	30	Small
APHH53041**	66	34	27½	30	Small
APHH53641**	66	34	32½	35	Medium
APHH54241**	66	34	32½	35	Medium
APHH54841**	66	34	32½	35	Medium
APHH56041**	66	34	36	38½	Large

MODEL	DUCT OPENINGS			
	SUPPLY		RETURN	
	W	H	W	H
APHH52441**	14	14	14	22
APHH53041**	14	14	14	22
APHH53641**	14	14	14	24
APHH54241**	14	14	14	24
APHH54841**	14	14	14	24
APHH56041**	14	14	14	24



COMPONENT LEGEND		FACTORY WIRING	
C	CONTACTOR	—	LINE VOLTAGE
CCR	COMPRESSOR CONTACTOR RELAY	- - -	LOW VOLTAGE
CH	CRANKCASE HEATER	- - - -	OPTIONAL HIGH VOLTAGE
CHS	CRANKCASE HEATER SWITCH		
CM	CONDENSER MOTOR		
COMP	COMPRESSOR		
CSR	COMPRESSOR SOLENOID RELAY		
DC	DEFROST CONTROL		
DFT	DEFROST THERMOSTAT		
DVT	DEFROST THERMOSTAT		
HPS	HIGH PRESSURE SWITCH		
HVDR	HIGH VOLTAGE DEFROST RELAY		
LPS	LOW PRESSURE SWITCH		
LVDR	LOW VOLTAGE DEFROST RELAY		
LVJB	LOW VOLTAGE JUNCTION BOX		
PLF	FEMALE PLUG / CONNECTOR		
RVC	REVERSING VALVE COIL		
RCCF	RUN CAPACITOR FOR COMPRESSOR AND FAN		
SA	START ASSIST		
SOL	HI STAGE SOLENOID		
VSM	VARIABLE SPEED MOTOR		
VSTB	VARIABLE SPEED TERM BLOCK		

FIELD WIRING		WIRE CODE	
—	HIGH VOLTAGE	BK	BLACK
- - -	LOW VOLTAGE	BL	BLUE
		BR	BROWN
		GR	GREEN
		OR	ORANGE
		PU	PURPLE
		RD	RED
		WH	WHITE
		YL	YELLOW

- NOTES:**
- REPLACEMENT WIRE MUST BE SAME SIZE AND TYPE INSULATION AS ORIGINAL (AT LEAST 105°C) USE COPPER CONDUCTOR ONLY.
 - FOR 208 VOLT TRANSFORMER OPERATION MOVE PURPLE AND RED WIRES FROM TERMINAL 3 TO TERMINAL 2 ON TRANSFORMER.
 - START ASSIST FACTOR EQUIPPED WHEN REQUIRED
 - USE COPPER CONDUCTORS ONLY
 - SET DIP SWITCH 4 ON VSTB TO OFF POSITION
 - REFER TO IO FOR FAN SPEED SETTINGS
 - CRANKCASE HEATER AND CRANKCASE HEATER SWITCH FACTORY EQUIPPED WHEN REQUIRED.
 - DOUBLE POLE CONTACTOR SHOWN. SINGLE POLE CONTACTOR COULD BE FACTORY EQUIPPED AS AN ALTERNATE CONFIGURATION.
 - COMMON SIDE OF CONTACTOR CAN NOT BE GROUNDED OR CONNECTED TO ANY OTHER COMMON (24V).
- SEE UNIT RATING PLATE FOR TYPE AND SIZE OF OVER CURRENT PROTECTION

High Voltage: Disconnect all power before servicing or installing this unit. Multiple power sources may be present. Failure to do so may cause property damage, personal injury, or death.

WARNING

Wiring is subject to change. Always refer to the wiring diagram or the unit for the most up-to-date wiring.



ACCESSORY DESCRIPTION	ITEM NUMBER	
	SMALL CHASSIS	MEDIUM/LARGE CHASSIS
Downflow Economizer (use w/PCCP roof curb)	DDNECNJPCHHA	DDNECNJPCHHA
Downflow Plenum Kit (use w/PCCP roof curb)	PCP101-103	PCP101-103
Downflow Plenum Kit (R-8) (use w/PCCP roof curb)	PCP101-103 R8	PCP101-103 R8
Elbow Flashing w/R-8 Liner	PCEF101-103	PCEF101-103
Economizer Wiring Harness	0259G00213	0259G00213
External Horizontal Filter Rack	DPHFRA	DPHFRA
Horizontal Economizer	DHZECNJPCHM	DHZECNJPCHM
Inline Fuse Kit	INFKPKG01	INFKPKG01
Isolation Relay Kit (req'd with Economizer)	IRKT-01	IRKT-01
Manual Damper	PCMD101-103	PCMD101-103
Manual Damper - Horizontal	GPHMD101-103	GPHMD101-103
Motorized Damper	PCMDM101-103	PCMDM101-103
Outdoor Thermostat Kit w/ Lockout Stat	OT18-60A	OT18-60A
Roof Curb	PCCP101-103	PCCP101-103
Square to Round Downflow (use w/PCCP roof curb)	SQRPC101	SQRPC102-103
Square to Round Horizontal	SQRPCH101	SQRPCH102-103

SINGLE-POINT KIT ACCESSORY KITS

Select the single-point kit accessory based on the unit model.

MODEL	SINGLE-POINT KIT
APHH52441**	SPK-30
APHH53041**	SPK-35
APHH53641**	SPK-40
APHH54241**	SPK-45
APHH54841**	SPK-50
APHH56041**	SPK-60

