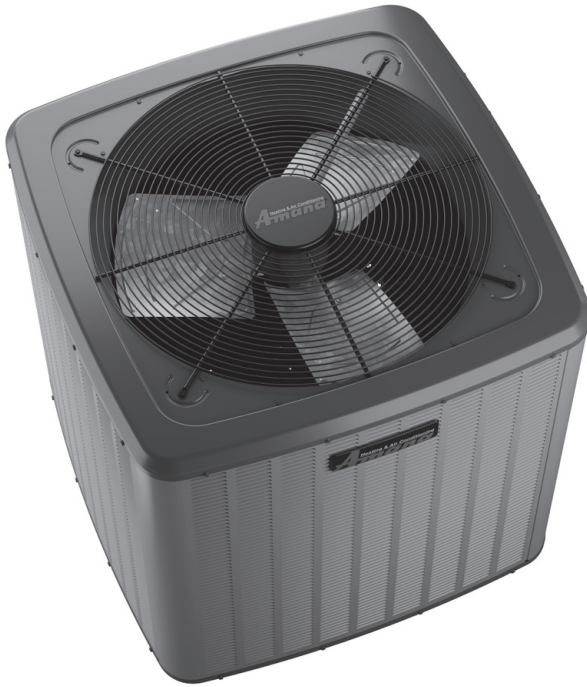


**ENERGY-EFFICIENT**  
**R-32 SPLIT SYSTEM AIR CONDITIONER**  
**UP TO 15.2 SEER2**  
**1½ TO 5 TONS**



**Contents**

Nomenclature ..... 2  
 Product Specifications ..... 3  
 Expanded Cooling Data ..... 4  
 Performance Data ..... 18  
 Wiring Diagram ..... 20  
 Dimensions ..... 22  
 Accessories ..... 22

**R32**

**Standard Features**

- High efficiency scroll compressor
- High-density foam compressor sound blanket
- Advanced Copeland® CoreSense™ Technology
- Fully charged for 15' of tubing length
- Copper tube/ enhanced aluminum fin coil- 5mm diameter
- Factory-installed filter drier
- Sweat connection service valves with easy access to gauge ports
- Enclosed contactor
- High-pressure switch
- Ground lug connection
- Capacitors with extended life
- AHRI Certified
- ETL Listed

**Cabinet Features**

- Removable grille-style top design compliant with UL 60335-2-40
- Venturi for increased velocity of airflow
- Attractive Architectural Gray powder-paint finish with 500-hour salt-spray approval
- Wire fan discharge grille
- Steel louver coil guard
- Top and side maintenance access
- Single-panel access to controls with space provided for field-installed accessories
- When properly anchored, meets the 2023 Florida Building Code unit integrity requirements for hurricane-type winds (Anchor bracket kits available.)

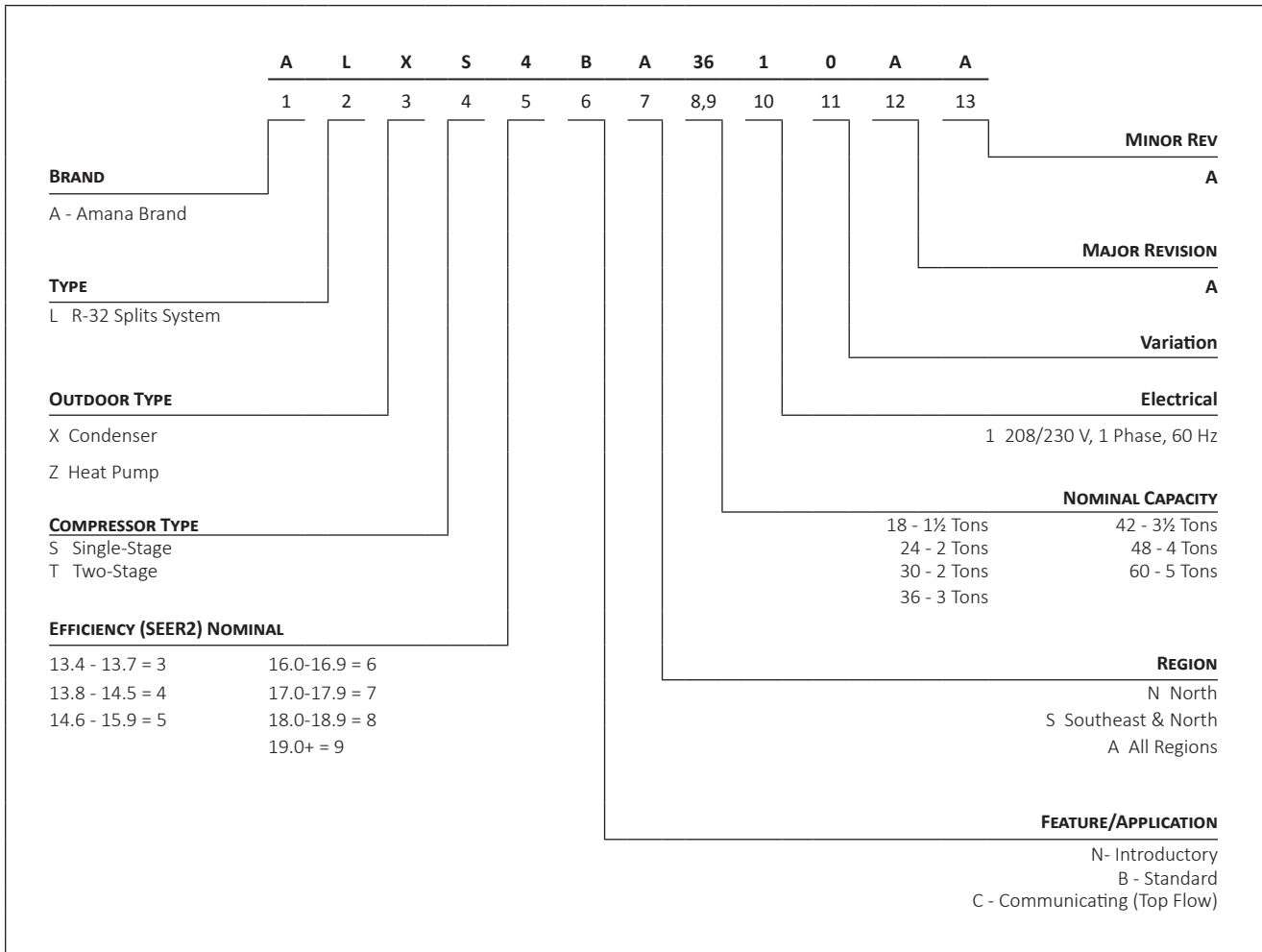


COMPANY WITH QUALITY SYSTEM CERTIFIED BY DNV GL = ISO 9001 =

COMPANY WITH ENVIRONMENTAL SYSTEM CERTIFIED BY DNV GL = ISO 14001 =

\* Complete warranty details available from your local dealer or at [www.amana-hac.com](http://www.amana-hac.com). To receive the 10-Year Parts Limited Warranty, online registration must be completed within 60 days of installation. Online registration is not required in California or Québec. The duration of warranty coverages in Texas and Florida differs in some cases.

**NOMENCLATURE**



	ALXS4B A1810A*	ALXS4B A2410A*	ALXS4B A3010A*	ALXS4B A3610A*	ALXS4B A4210A*	ALXS4B A4810A*	ALXS4B A6010A*
<b>COOLING CAPACITY</b>							
Nominal Cooling (BTU/h)	18,000	24,000	30,000	36,000	42,000	48,000	60,000
Decibels (dBA)	71.0	68.0	68.0	66.0	71.0	72.0	75.0
<b>COMPRESSOR</b>							
RLA	8.3	10.2	11.5	13.4	14.4	19.4	23.9
LRA	44.3	59.3	66.3	83.3	112.2	127.7	148.0
Stage	Single	Single	Single	Single	Single	Single	Single
Type	Scroll	Scroll	Scroll	Scroll	Scroll	Scroll	Scroll
<b>CONDENSER FAN MOTOR</b>							
Motor Type	PSC	PSC	PSC	PSC	PSC	PSC	ECM
Horsepower (RPM)	1/8	1/8	1/6	1/6	1/6	1/6	1/3
FLA	0.70	0.70	0.95	0.95	0.95	0.95	2.6
<b>REFRIGERATION SYSTEM</b>							
Refrigerant Line Size <sup>1</sup>							
Liquid Line Size ("O.D.)	3/8"	3/8"	3/8"	3/8"	3/8"	3/8"	3/8"
Suction Line Size ("O.D.)	3/4"	3/4"	3/4"	7/8"	1 1/8"	1 1/8"	1 1/8"
Refrigerant Connection Size							
Liquid Valve Size ("O.D.)	3/8"	3/8"	3/8"	3/8"	3/8"	3/8"	3/8"
Suction Valve Size ("O.D.) <sup>2</sup>	3/4"	3/4"	7/8"	7/8"	7/8"	7/8"	7/8"
Valve Connection Type	Sweat	Sweat	Sweat	Sweat	Sweat	Sweat	Sweat
Refrigerant Charge <sup>3</sup>	54	58	64	69	83	91	94
<b>ELECTRICAL DATA</b>							
Voltage-Phase	208/230-1	208/230-1	208/230-1	208/230-1	208/230-1	208/230-1	208/230-1
Minimum Circuit Ampacity <sup>4</sup>	11.1	13.5	15.4	17.8	19.0	25.2	32.4
Max. Overcurrent Protection <sup>5</sup>	15.0	15.0	25.0	30.0	30.0	40.0	50.0
Min / Max Volts	197/253	197/253	197/253	197/253	197/253	197/253	197/253
Electrical Conduit Size	1/2" or 3/4"	1/2" or 3/4"	1/2" or 3/4"	1/2" or 3/4"	1/2" or 3/4"	1/2" or 3/4"	1/2" or 3/4"
Equipment Weight (lbs)	129	136	152	158	210	211	224
Ship Weight (lbs)	144	151	167	173	225	226	239

<sup>1</sup> Line sizes denoted for 25' line sets, tested and rated in accordance with AHRI Standard 210/240. For other line set lengths or sizes, refer to the Installation Instructions and/or the Long Line Set Applications guide.

<sup>2</sup> Any suction line adapter will need to be supplied by the field.

<sup>3</sup> Unit is factory charged with refrigerant for 15' of 3/8" liquid line. System charge must be adjusted per the Final Charge Adjustment procedure found in the Installation Instructions.

<sup>4</sup> Wire size should be determined in accordance with National Electrical Codes; extensive wire runs will require larger wire sizes

<sup>5</sup> Must use time-delay fuses or HACR-type circuit breakers of the same size as noted.

**NOTES**

- Always check the S&R plate for electrical data on the unit being installed.

EXPANDED COOLING DATA — ALXS4BA1810A\*+ CAPTA2422A\*

IDB		OUTDOOR AMBIENT TEMPERATURE																																			
		65						75						85						95						105						115					
		AIRFLOW				59		63		67		71		ENTERING INDOOR WET BULB TEMPERATURE				59		63		67		71		59				63		67		71			
<b>525</b>	MBh	18.1	18.4	18.9	-	18.0	18.2	18.8	-	17.5	17.8	18.3	-	16.7	17.0	17.5	-	15.7	16.0	16.5	-	14.8	15.1	15.6	-												
	S/T	0.62	0.55	0.42	-	0.63	0.56	0.43	-	0.65	0.58	0.45	-	0.67	0.60	0.47	-	0.69	0.62	0.49	-	1.00	0.67	0.54	-												
	ΔT	21	19	15	-	21	19	15	-	21	19	15	-	21	19	15	-	20	18	14	-	22	20	16	-												
	kW	1.12	1.11	1.11	-	1.24	1.24	1.23	-	1.37	1.37	1.37	-	1.52	1.52	1.52	-	1.68	1.68	1.68	-	1.87	1.87	1.87	-												
	Amps	4.0	4.0	4.0	-	4.6	4.6	4.6	-	5.2	5.2	5.2	-	5.9	5.9	5.9	-	6.6	6.6	6.6	-	7.5	7.5	7.5	-												
<b>600</b>	MBh	18.5	18.7	19.3	-	18.3	18.6	19.1	-	17.8	18.1	18.6	-	17.0	17.3	17.8	-	16.1	16.3	16.8	-	15.2	15.4	15.9	-												
	S/T	0.66	0.58	0.46	-	0.66	0.59	0.46	-	0.69	0.61	0.49	-	0.70	0.63	0.51	-	0.72	0.65	0.53	-	1.00	0.70	0.57	-												
	ΔT	19	17	14	-	19	17	14	-	20	18	14	-	19	17	14	-	19	17	13	-	20	18	15	-												
	kW	1.12	1.12	1.12	-	1.24	1.24	1.24	-	1.38	1.38	1.37	-	1.52	1.52	1.52	-	1.69	1.69	1.69	-	1.88	1.88	1.88	-												
	Amps	4.1	4.1	4.1	-	4.6	4.6	4.6	-	5.2	5.2	5.2	-	5.9	5.9	5.9	-	6.7	6.7	6.7	-	7.5	7.5	7.5	-												
<b>675</b>	MBh	18.9	19.1	19.7	-	18.7	19.0	19.5	-	18.2	18.5	19.0	-	17.4	17.7	18.2	-	16.5	16.7	17.2	-	15.6	15.8	16.3	-												
	S/T	0.66	0.59	0.47	-	0.67	0.60	0.47	-	0.69	0.62	0.49	-	0.71	0.64	0.51	-	1.00	0.66	0.53	-	1.00	0.71	0.58	-												
	ΔT	18	16	13	-	18	16	13	-	19	17	13	-	18	16	13	-	18	16	12	-	19	17	14	-												
	kW	1.13	1.13	1.12	-	1.25	1.25	1.24	-	1.38	1.38	1.38	-	1.53	1.53	1.53	-	1.69	1.69	1.69	-	1.89	1.88	1.88	-												
	Amps	4.1	4.1	4.1	-	4.6	4.6	4.6	-	5.3	5.3	5.3	-	5.9	5.9	5.9	-	6.7	6.7	6.7	-	7.6	7.6	7.6	-												

<b>525</b>	MBh	18.2	18.4	18.9	19.8	18.0	18.2	18.8	19.6	17.5	17.8	18.3	19.1	16.7	17.0	17.5	18.3	15.7	16.0	16.5	17.3	14.8	15.1	15.6	16.4
	S/T	0.74	0.67	0.54	0.4	0.75	0.68	0.55	0.4	0.77	0.70	0.57	0.4	1.00	0.72	0.59	0.5	1.00	0.74	0.61	0.5	1.00	0.79	0.66	0.5
	ΔT	25	23	19	15	25	23	19	15	25	23	20	16	25	23	19	15	25	23	19	15	26	24	20	16
	kW	1.11	1.11	1.11	1.1	1.24	1.23	1.23	1.2	1.37	1.37	1.37	1.4	1.52	1.52	1.51	1.5	1.68	1.68	1.68	1.7	1.87	1.87	1.87	1.9
	Amps	4.0	4.0	4.0	4.1	4.6	4.6	4.6	4.6	5.2	5.2	5.2	5.2	5.9	5.9	5.9	5.9	6.6	6.6	6.6	6.7	7.5	7.5	7.5	7.5
<b>600</b>	MBh	18.5	18.7	19.3	20.1	18.3	18.6	19.1	19.9	17.9	18.1	18.6	19.5	17.0	17.3	17.8	18.7	16.1	16.3	16.9	17.7	15.2	15.4	16.0	16.8
	S/T	0.78	0.71	0.58	0.4	0.78	0.71	0.58	0.5	0.81	0.73	0.61	0.5	1.00	0.75	0.63	0.5	1.00	0.77	0.65	0.5	1.00	0.82	0.69	0.6
	ΔT	24	22	18	14	24	22	18	14	24	22	18	14	24	22	18	14	24	22	18	14	25	23	19	15
	kW	1.12	1.12	1.12	1.13	1.24	1.24	1.24	1.25	1.38	1.38	1.37	1.38	1.52	1.52	1.52	1.53	1.69	1.69	1.68	1.69	1.88	1.88	1.88	1.89
	Amps	4.1	4.1	4.1	4.1	4.6	4.6	4.6	4.6	5.2	5.2	5.2	5.3	5.9	5.9	5.9	5.9	6.7	6.7	6.6	6.7	7.5	7.5	7.5	7.6
<b>675</b>	MBh	18.9	19.1	19.7	20.5	18.7	19.0	19.5	20.3	18.3	18.5	19.0	19.9	17.4	17.7	18.2	19.1	16.5	16.7	17.3	18.1	15.6	15.8	16.4	17.2
	S/T	0.78	0.71	0.59	0.5	0.79	0.72	0.59	0.5	0.81	0.74	0.62	0.5	1.00	0.76	0.63	0.5	1.00	0.78	0.65	0.5	1.00	0.83	0.70	0.6
	ΔT	23	21	17	13	23	21	17	13	23	21	17	13	23	21	17	13	23	21	17	13	24	22	18	14
	kW	1.13	1.12	1.12	1.1	1.25	1.25	1.24	1.3	1.38	1.38	1.38	1.4	1.53	1.53	1.53	1.5	1.69	1.69	1.69	1.7	1.88	1.88	1.88	1.9
	Amps	4.1	4.1	4.1	4.1	4.6	4.6	4.6	4.7	5.3	5.3	5.3	5.3	5.9	5.9	5.9	6.0	6.7	6.7	6.7	6.7	7.6	7.6	7.6	7.6

IDB: Entering Indoor Dry Bulb Temperature  
 High and low pressures are measured at the liquid and suction service valves.  
 Shaded area reflects ACCA (TVA) conditions  
 kW = Total system power  
 Amps = outdoor unit amps (comp.+fan)

EXPANDED COOLING DATA — ALXS4BA1810A\*+ CAPTA2422A\* (CONT.)

IDB		OUTDOOR AMBIENT TEMPERATURE																																			
		65						75						85						95						105						115					
		59	63	67	71	75	79	59	63	67	71	75	79	59	63	67	71	75	79	59	63	67	71	75	79	59	63	67	71	75	79						
		ENTERING INDOOR WET BULB TEMPERATURE																																			
AIRFLOW		18.2	18.5	19.0	19.8	18.1	18.3	18.9	19.7	17.6	17.9	18.4	19.2	16.8	17.1	17.6	18.4	15.8	16.1	16.6	17.4	14.9	15.2	15.7	16.5												
525		MBh	0.86	0.79	0.66	0.5	1.00	0.82	0.69	0.6	1.00	0.84	0.71	0.6	1.00	0.84	0.71	0.6	1.00	0.86	0.73	0.6	1.00	0.86	0.73	0.6											
		ΔT	30	28	24	20	29	27	24	20	30	28	24	20	29	27	24	20	29	27	23	19	30	28	25	21											
		kW	1.11	1.11	1.11	1.1	1.24	1.24	1.23	1.2	1.37	1.37	1.37	1.4	1.52	1.52	1.52	1.5	1.68	1.68	1.68	1.68	1.7	1.87	1.87	1.87	1.9										
		Amps	4.0	4.0	4.0	4.1	4.6	4.6	4.6	4.6	5.2	5.2	5.2	5.2	5.9	5.9	5.9	5.9	6.6	6.6	6.6	6.6	6.7	7.5	7.5	7.5	7.5										
80		MBh	18.6	18.8	19.4	20.2	18.4	18.7	19.2	20.0	17.9	18.2	18.7	19.5	17.1	17.4	17.9	18.7	16.2	16.4	16.9	17.8	15.3	15.5	16.0	16.9											
		S/T	0.89	0.82	0.70	0.6	1.00	0.83	0.70	0.6	1.00	0.85	0.72	0.6	1.00	0.87	0.74	0.6	1.00	0.89	0.76	0.6	1.00	0.90	0.81	0.7											
		ΔT	28	26	23	19	28	26	23	19	29	27	23	19	28	26	23	19	28	26	22	18	29	27	24	20											
		kW	1.12	1.12	1.12	1.13	1.24	1.24	1.24	1.25	1.38	1.38	1.37	1.38	1.52	1.52	1.52	1.53	1.69	1.69	1.68	1.68	1.88	1.88	1.88	1.89											
		Amps	4.1	4.1	4.1	4.1	4.6	4.6	4.6	4.7	5.2	5.2	5.2	5.3	5.9	5.9	5.9	5.9	6.7	6.7	6.7	6.7	7.5	7.5	7.5	7.6											
		MBh	19.0	19.2	19.8	20.6	18.8	19.1	19.6	20.4	18.3	18.6	19.1	20.0	17.5	17.8	18.3	19.1	16.6	16.8	17.3	18.2	15.7	15.9	16.4	17.3											
		S/T	0.90	0.83	0.70	0.6	1.00	0.84	0.71	0.6	1.00	0.86	0.73	0.6	1.00	0.88	0.75	0.6	1.00	0.90	0.77	0.6	1.00	0.90	0.82	0.7											
		ΔT	27	25	22	18	27	25	22	18	28	26	22	18	27	25	21	18	27	25	21	17	28	26	22	19											
		kW	1.13	1.13	1.12	1.1	1.25	1.25	1.24	1.3	1.38	1.38	1.38	1.4	1.53	1.53	1.53	1.5	1.69	1.69	1.69	1.69	1.89	1.88	1.88	1.89											
		Amps	4.1	4.1	4.1	4.1	4.6	4.6	4.6	4.7	5.3	5.3	5.3	5.3	5.9	5.9	5.9	6.0	6.7	6.7	6.7	6.7	7.6	7.6	7.6	7.6											

85		MBh	18.5	18.8	19.3	20.2	18.4	18.6	19.2	20.0	17.9	18.2	18.7	19.5	17.1	17.4	17.9	18.7	16.1	16.4	16.9	17.7	15.2	15.5	16.0	16.8
		S/T	1.00	0.88	0.76	0.6	1.00	0.89	0.76	0.6	1.00	0.91	0.79	0.7	1.00	1.00	0.80	0.7	1.00	1.00	0.82	0.7	1.00	1.00	0.87	0.7
		ΔT	34	31	28	24	33	31	28	24	34	32	28	24	33	31	28	24	33	31	27	23	34	32	29	25
		kW	1.12	1.12	1.11	1.1	1.24	1.24	1.24	1.2	1.37	1.37	1.37	1.4	1.52	1.52	1.52	1.5	1.68	1.68	1.68	1.68	1.88	1.88	1.88	1.87
		Amps	4.1	4.0	4.0	4.1	4.6	4.6	4.6	4.6	5.2	5.2	5.2	5.3	5.9	5.9	5.9	5.9	6.6	6.6	6.6	6.7	7.5	7.5	7.5	7.6
		MBh	18.9	19.1	19.7	20.5	18.7	19.0	19.5	20.3	18.2	18.5	19.0	19.9	17.4	17.7	18.2	19.0	16.5	16.7	17.2	18.1	15.6	15.8	16.3	17.2
		S/T	1.00	0.92	0.79	0.7	1.00	0.92	0.80	0.7	1.00	0.95	0.82	0.7	1.00	1.00	0.84	0.7	1.00	1.00	0.86	0.7	1.00	1.00	0.91	0.8
		ΔT	32	30	27	23	32	30	26	23	33	31	27	23	32	30	26	23	32	30	26	22	33	31	27	24
		kW	1.12	1.12	1.12	1.13	1.24	1.24	1.24	1.25	1.38	1.38	1.38	1.39	1.53	1.53	1.52	1.53	1.69	1.69	1.69	1.70	1.88	1.88	1.88	1.89
		Amps	4.1	4.1	4.1	4.1	4.6	4.6	4.6	4.7	5.3	5.3	5.2	5.3	5.9	5.9	5.9	6.0	6.7	6.7	6.7	6.7	7.6	7.6	7.6	7.6
		MBh	19.3	19.5	20.1	20.9	19.1	19.4	19.9	20.7	18.6	18.9	19.4	20.3	17.8	18.1	18.6	19.4	16.9	17.1	17.6	18.5	16.0	16.2	16.8	17.6
		S/T	1.00	0.92	0.80	0.7	1.00	0.93	0.80	0.7	1.00	1.00	0.83	0.7	1.00	1.00	0.84	0.7	1.00	1.00	0.87	0.7	1.00	1.00	0.91	0.8
		ΔT	31	29	26	22	31	29	25	22	32	30	26	22	31	29	25	22	31	29	25	21	32	30	26	23
		kW	1.13	1.13	1.13	1.1	1.25	1.25	1.25	1.3	1.39	1.38	1.38	1.4	1.53	1.53	1.53	1.5	1.70	1.69	1.69	1.7	1.89	1.89	1.88	1.9
		Amps	4.1	4.1	4.1	4.1	4.7	4.7	4.6	4.7	5.3	5.3	5.3	5.3	5.9	5.9	5.9	6.0	6.7	6.7	6.7	6.7	7.6	7.6	7.6	7.6

IDB: Entering Indoor Dry Bulb Temperature  
 High and low pressures are measured at the liquid and suction service valves.  
 Shaded area reflects AHRI conditions  
 kW = Total system power  
 Amps = outdoor unit amps (comp.+fan)

EXPANDED COOLING DATA — ALXS4BA2410A\*+ CAPTA2422A\*

IDB		OUTDOOR AMBIENT TEMPERATURE																																			
		65						75						85						95						105						115					
		AIRFLOW				ENTERING INDOOR WET BULB TEMPERATURE				ENTERING INDOOR WET BULB TEMPERATURE				ENTERING INDOOR WET BULB TEMPERATURE				ENTERING INDOOR WET BULB TEMPERATURE				ENTERING INDOOR WET BULB TEMPERATURE				ENTERING INDOOR WET BULB TEMPERATURE				ENTERING INDOOR WET BULB TEMPERATURE							
	59	63	67	71	59	63	67	71	59	63	67	71	59	63	67	71	59	63	67	71	59	63	67	71	59	63	67	71									
<b>700</b>	MBh	24.2	24.5	25.2	-	23.9	24.3	25.0	-	23.3	23.6	24.4	-	22.2	22.6	23.3	-	20.9	21.3	22.0	-	19.7	20.0	20.8	-	19.7	20.1	20.8	21.9								
	S/T	0.61	0.53	0.41	-	0.61	0.54	0.41	-	0.64	0.56	0.44	-	0.66	0.58	0.45	-	0.68	0.60	0.48	-	1.00	0.65	0.52	-	1.00	0.65	0.52	0.5								
	ΔT	20	18	15	-	20	18	15	-	21	19	15	-	20	18	15	-	20	18	14	-	21	19	16	-	21	19	16	16								
	kW	1.48	1.48	1.48	-	1.65	1.64	1.64	-	1.83	1.83	1.83	-	2.03	2.03	2.03	-	2.26	2.25	2.25	-	2.52	2.52	2.51	-	2.52	2.52	2.51	2.5								
	Amps	5.3	5.3	5.2	-	6.0	6.0	6.0	-	6.9	6.9	6.9	-	7.8	7.8	7.8	-	8.8	8.8	8.8	-	10.0	10.0	10.0	-	10.0	10.0	10.0	10.1								
<b>750</b>	MBh	24.3	24.7	25.4	-	24.1	24.4	25.2	-	23.5	23.8	24.5	-	22.4	22.7	23.5	-	21.1	21.4	22.1	-	19.9	20.2	20.9	-	19.9	20.2	20.9	21.6								
	S/T	0.63	0.56	0.43	-	0.64	0.57	0.44	-	0.66	0.59	0.46	-	0.68	0.61	0.48	-	0.70	0.63	0.50	-	1.00	0.68	0.55	-	1.00	0.68	0.55	0.5								
	ΔT	20	18	14	-	20	18	14	-	20	18	14	-	20	18	14	-	19	18	14	-	21	19	15	-	21	19	15	15								
	kW	1.48	1.48	1.48	-	1.65	1.65	1.65	-	1.84	1.83	1.83	-	2.04	2.04	2.03	-	2.26	2.26	2.26	-	2.52	2.52	2.52	-	2.52	2.52	2.52	2.5								
	Amps	5.3	5.3	5.3	-	6.0	6.0	6.0	-	6.9	6.9	6.9	-	7.8	7.8	7.8	-	8.8	8.8	8.8	-	10.0	10.0	10.0	-	10.0	10.0	10.0	10.1								
<b>900</b>	MBh	25.0	25.3	26.0	-	24.8	25.1	25.8	-	24.1	24.5	25.2	-	23.0	23.4	24.1	-	21.7	22.1	22.8	-	20.5	20.9	21.6	-	20.5	20.9	21.6	21.6								
	S/T	0.68	0.60	0.47	-	0.68	0.61	0.48	-	0.71	0.63	0.50	-	0.72	0.65	0.52	-	0.74	0.67	0.54	-	1.00	0.72	0.59	-	1.00	0.72	0.59	0.5								
	ΔT	18	16	13	-	18	16	13	-	18	17	13	-	18	16	13	-	18	16	12	-	19	17	14	-	19	17	14	14								
	kW	1.50	1.49	1.49	-	1.66	1.66	1.66	-	1.85	1.85	1.84	-	2.05	2.05	2.04	-	2.27	2.27	2.27	-	2.53	2.53	2.53	-	2.53	2.53	2.53	2.5								
	Amps	5.3	5.3	5.3	-	6.1	6.1	6.1	-	6.9	6.9	6.9	-	7.9	7.9	7.8	-	8.9	8.9	8.9	-	10.1	10.1	10.1	-	10.1	10.1	10.1	10.1								

IDB		OUTDOOR AMBIENT TEMPERATURE																																			
		65						75						85						95						105						115					
		AIRFLOW				ENTERING INDOOR WET BULB TEMPERATURE				ENTERING INDOOR WET BULB TEMPERATURE				ENTERING INDOOR WET BULB TEMPERATURE				ENTERING INDOOR WET BULB TEMPERATURE				ENTERING INDOOR WET BULB TEMPERATURE				ENTERING INDOOR WET BULB TEMPERATURE				ENTERING INDOOR WET BULB TEMPERATURE							
	59	63	67	71	59	63	67	71	59	63	67	71	59	63	67	71	59	63	67	71	59	63	67	71	59	63	67	71									
<b>700</b>	MBh	24.2	24.5	25.2	26.3	23.9	24.3	25.0	26.1	23.3	23.7	24.4	25.5	22.2	22.6	23.3	24.4	20.9	21.3	22.0	23.1	19.7	20.1	20.8	21.9	19.7	20.1	20.8	21.9								
	S/T	0.73	0.66	0.53	0.4	0.74	0.66	0.53	0.4	0.76	0.69	0.56	0.4	0.78	0.71	0.58	0.4	1.00	0.73	0.60	0.5	1.00	0.78	0.65	0.5	1.00	0.78	0.65	0.5								
	ΔT	25	23	19	15	25	23	19	15	25	23	19	15	25	23	19	15	24	22	19	15	26	24	20	16	26	24	20	16								
	kW	1.48	1.48	1.48	1.5	1.65	1.64	1.64	1.7	1.83	1.83	1.83	1.8	2.03	2.03	2.03	2.0	2.25	2.25	2.25	2.3	2.52	2.52	2.51	2.5	2.52	2.52	2.51	2.5								
	Amps	5.3	5.3	5.2	5.3	6.0	6.0	6.0	6.1	6.9	6.9	6.8	6.9	7.8	7.8	7.8	7.8	8.8	8.8	8.8	8.8	10.0	10.0	10.0	10.0	10.0	10.0	10.0	10.0								
<b>750</b>	MBh	24.3	24.7	25.4	26.5	24.1	24.5	25.2	26.3	23.5	23.8	24.6	25.6	22.4	22.8	23.5	24.6	21.1	21.4	22.2	23.3	19.9	20.2	21.0	22.0	19.9	20.2	21.0	22.0								
	S/T	0.76	0.68	0.56	0.4	0.76	0.69	0.56	0.4	0.79	0.71	0.59	0.4	0.81	0.73	0.60	0.5	1.00	0.75	0.63	0.5	1.00	0.80	0.67	0.5	1.00	0.80	0.67	0.5								
	ΔT	24	22	18	15	24	22	18	15	24	22	19	15	24	22	18	15	24	22	18	14	25	23	19	16	25	23	19	16								
	kW	1.48	1.48	1.48	1.49	1.65	1.65	1.65	1.66	1.83	1.83	1.83	1.84	2.04	2.04	2.03	2.04	2.26	2.26	2.26	2.27	2.52	2.52	2.52	2.53	2.52	2.52	2.52	2.53								
	Amps	5.3	5.3	5.3	5.3	6.0	6.0	6.0	6.1	6.9	6.9	6.9	6.9	7.8	7.8	7.8	7.8	8.8	8.8	8.8	8.9	10.0	10.0	10.0	10.1	10.0	10.0	10.0	10.1								
<b>900</b>	MBh	25.0	25.3	26.0	27.1	24.8	25.1	25.8	26.9	24.1	24.5	25.2	26.3	23.1	23.4	24.1	25.2	21.7	22.1	22.8	23.9	20.5	20.9	21.6	22.7	20.5	20.9	21.6	22.7								
	S/T	0.80	0.73	0.60	0.5	0.80	0.73	0.60	0.5	0.83	0.76	0.63	0.5	1.00	0.77	0.65	0.5	1.00	0.80	0.67	0.5	1.00	0.84	0.72	0.6	1.00	0.84	0.72	0.6								
	ΔT	23	21	17	13	22	21	17	13	23	21	17	13	22	21	17	13	22	20	17	13	23	21	18	14	23	21	18	14								
	kW	1.49	1.49	1.49	1.5	1.66	1.66	1.66	1.7	1.85	1.84	1.84	1.9	2.05	2.05	2.04	2.1	2.27	2.27	2.27	2.3	2.53	2.53	2.53	2.5	2.53	2.53	2.53	2.5								
	Amps	5.3	5.3	5.3	5.4	6.1	6.1	6.1	6.1	6.9	6.9	6.9	7.0	7.9	7.8	7.8	7.9	8.9	8.9	8.9	8.9	10.1	10.1	10.1	10.1	10.1	10.1	10.1	10.1								

IDB: Entering Indoor Dry Bulb Temperature  
 High and low pressures are measured at the liquid and suction service valves.  
 Shaded area reflects ACCA (TVA) conditions  
 kW = Total system power  
 Amps = outdoor unit amps (comp.+fan)

EXPANDED COOLING DATA — ALXS4BA2410A\*+ CAPTA2422A\* (CONT.)

IDB	AIRFLOW	OUTDOOR AMBIENT TEMPERATURE																							
		65				75				85				95				105				115			
		59	63	67	71	59	63	67	71	59	63	67	71	59	63	67	71	59	63	67	71	59	63	67	71
80	MBh	24.3	24.6	25.3	26.4	24.1	24.4	25.1	26.2	23.4	23.8	24.5	25.6	22.4	22.7	23.4	24.5	21.0	21.4	22.1	23.2	21.0	21.4	22.1	23.2
	S/T	0.85	0.78	0.65	0.5	0.86	0.78	0.65	0.5	1.00	0.81	0.68	0.5	1.00	0.83	0.70	0.6	1.00	0.85	0.72	0.6	1.00	0.85	0.72	0.6
	ΔT	29	27	23	20	29	27	23	20	29	27	24	20	29	27	23	20	29	27	23	19	30	28	24	21
	kW	1.48	1.48	1.48	1.5	1.65	1.64	1.64	1.7	1.83	1.83	1.83	1.8	2.03	2.03	2.03	2.0	2.26	2.25	2.25	2.3	2.52	2.52	2.51	2.5
	Amps	5.3	5.3	5.2	5.3	6.0	6.0	6.0	6.1	6.9	6.9	6.8	6.9	7.8	7.8	7.8	7.8	8.8	8.8	8.8	8.9	10.0	10.0	10.0	10.1
750	MBh	24.5	24.8	25.5	26.6	24.2	24.6	25.3	26.4	23.6	24.0	24.7	25.8	22.5	22.9	23.6	24.7	21.2	21.6	22.3	23.4	20.0	20.4	21.1	22.2
	S/T	0.88	0.80	0.68	0.5	0.88	0.81	0.68	0.5	1.00	0.83	0.70	0.6	1.00	0.85	0.72	0.6	1.00	0.87	0.74	0.6	1.00	1.00	0.79	0.7
	ΔT	28	26	23	19	28	26	23	19	29	27	23	19	28	26	23	19	28	26	22	19	29	27	24	20
	kW	1.48	1.48	1.48	1.49	1.65	1.65	1.65	1.66	1.84	1.83	1.83	1.84	2.04	2.03	2.03	2.04	2.26	2.26	2.26	2.27	2.52	2.52	2.52	2.53
	Amps	5.3	5.3	5.3	5.3	6.0	6.0	6.0	6.1	6.9	6.9	6.9	6.9	7.8	7.8	7.8	7.8	8.8	8.8	8.8	8.9	10.0	10.0	10.0	10.1
900	MBh	25.1	25.4	26.2	27.3	24.9	25.2	25.9	27.0	24.3	24.6	25.3	26.4	23.2	23.5	24.2	25.3	21.9	22.2	22.9	24.0	20.7	21.0	21.7	22.8
	S/T	0.92	0.85	0.72	0.6	1.00	0.85	0.72	0.6	1.00	0.88	0.75	0.6	1.00	0.89	0.76	0.6	1.00	0.91	0.79	0.6	1.00	1.00	0.83	0.7
	ΔT	27	25	21	18	27	25	21	17	27	25	21	18	27	25	21	17	26	25	21	17	28	26	22	18
	kW	1.50	1.49	1.49	1.5	1.66	1.66	1.66	1.7	1.85	1.85	1.84	1.9	2.05	2.05	2.04	2.1	2.27	2.27	2.27	2.3	2.53	2.53	2.53	2.5
	Amps	5.3	5.3	5.3	5.4	6.1	6.1	6.1	6.1	6.9	6.9	6.9	7.0	7.9	7.9	7.8	7.9	8.9	8.9	8.9	8.9	10.1	10.1	10.1	10.1

IDB	AIRFLOW	OUTDOOR AMBIENT TEMPERATURE																							
		65				75				85				95				105				115			
		59	63	67	71	59	63	67	71	59	63	67	71	59	63	67	71	59	63	67	71	59	63	67	71
700	MBh	24.7	25.0	25.7	26.8	24.5	24.8	25.5	26.6	23.9	24.2	24.9	26.0	22.8	23.1	23.8	24.9	21.5	21.8	22.5	23.6	20.3	20.6	21.3	22.4
	S/T	1.00	0.87	0.74	0.6	1.00	0.88	0.75	0.6	1.00	0.90	0.77	0.6	1.00	1.00	0.79	0.7	1.00	1.00	0.81	0.7	1.00	1.00	0.86	0.7
	ΔT	33	31	27	23	33	31	27	23	33	31	27	24	33	31	27	23	32	30	27	23	34	32	28	24
	kW	1.48	1.48	1.48	1.5	1.65	1.65	1.65	1.7	1.83	1.83	1.83	1.8	2.04	2.03	2.03	2.0	2.26	2.26	2.25	2.3	2.52	2.52	2.52	2.5
	Amps	5.3	5.3	5.3	5.3	6.0	6.0	6.0	6.1	6.9	6.9	6.9	6.9	7.8	7.8	7.8	7.8	8.8	8.8	8.8	8.9	10.0	10.0	10.0	10.1
750	MBh	24.9	25.2	25.9	27.0	24.7	25.0	25.7	26.8	24.0	24.4	25.1	26.2	22.9	23.3	24.0	25.1	21.6	22.0	22.7	23.8	20.4	20.8	21.5	22.6
	S/T	1.00	0.90	0.77	0.6	1.00	0.91	0.78	0.6	1.00	0.93	0.80	0.7	1.00	1.00	0.82	0.7	1.00	1.00	0.84	0.7	1.00	1.00	0.89	0.8
	ΔT	32	30	27	23	32	30	27	23	32	30	27	23	32	30	27	23	32	30	26	23	33	31	27	24
	kW	1.49	1.49	1.48	1.50	1.65	1.65	1.65	1.66	1.84	1.84	1.83	1.85	2.04	2.04	2.04	2.05	2.26	2.26	2.26	2.27	2.53	2.52	2.52	2.53
	Amps	5.3	5.3	5.3	5.3	6.1	6.0	6.0	6.1	6.9	6.9	6.9	6.9	7.8	7.8	7.8	7.9	8.8	8.8	8.8	8.9	10.0	10.0	10.0	10.1
900	MBh	25.5	25.8	26.6	27.7	25.3	25.6	26.4	27.4	24.7	25.0	25.7	26.8	23.6	23.9	24.6	25.7	22.3	22.6	23.3	24.4	21.1	21.4	22.1	23.2
	S/T	1.00	0.94	0.81	0.7	1.00	0.95	0.82	0.7	1.00	0.97	0.84	0.7	1.00	1.00	0.86	0.7	1.00	1.00	0.88	0.7	1.00	1.00	0.93	0.8
	ΔT	31	29	25	21	31	29	25	21	31	29	25	22	31	29	25	21	30	28	25	21	32	30	26	22
	kW	1.50	1.50	1.49	1.5	1.66	1.66	1.66	1.7	1.85	1.85	1.85	1.9	2.05	2.05	2.05	2.1	2.27	2.27	2.27	2.3	2.54	2.54	2.53	2.5
	Amps	5.3	5.3	5.3	5.4	6.1	6.1	6.1	6.1	7.0	6.9	6.9	7.0	7.9	7.9	7.9	7.9	8.9	8.9	8.9	8.9	10.1	10.1	10.1	10.1

IDB: Entering Indoor Dry Bulb Temperature  
 High and low pressures are measured at the liquid and suction service valves.  
 Shaded area reflects AHRI conditions  
 kW = Total system power  
 Amps = outdoor unit amps (comp.+fan)

EXPANDED COOLING DATA — ALXS4BA3010A\*+ CAPTA3626A\*

IDB		OUTDOOR AMBIENT TEMPERATURE																																			
		65						75						85						95						105						115					
		AIRFLOW				ENTERING INDOOR WET BULB TEMPERATURE				ENTERING INDOOR WET BULB TEMPERATURE				ENTERING INDOOR WET BULB TEMPERATURE				ENTERING INDOOR WET BULB TEMPERATURE				ENTERING INDOOR WET BULB TEMPERATURE				ENTERING INDOOR WET BULB TEMPERATURE				ENTERING INDOOR WET BULB TEMPERATURE							
	59	63	67	71	59	63	67	71	59	63	67	71	59	63	67	71	59	63	67	71	59	63	67	71	59	63	67	71									
<b>70</b>	MBh	29.1	29.5	30.3	-	28.8	29.2	30.1	-	28.1	28.5	29.3	-	26.8	27.2	28.0	-	25.2	25.6	26.5	-	23.8	24.2	25.0	-	23.8	24.2	25.0	-								
	S/T	0.65	0.57	0.44	-	0.66	0.58	0.45	-	0.68	0.61	0.47	-	0.70	0.62	0.49	-	0.72	0.65	0.51	-	0.77	0.70	0.56	-	0.77	0.70	0.56	-								
	ΔT	20	18	14	-	20	18	14	-	20	18	14	-	20	18	14	-	19	17	14	-	21	19	15	-	21	19	15	-								
	kW	1.78	1.77	1.77	-	1.97	1.97	1.97	-	2.19	2.19	2.19	-	2.43	2.43	2.43	-	2.70	2.70	2.70	-	3.01	3.01	3.01	-	3.01	3.01	3.01	-								
	Amps	6.3	6.3	6.3	-	7.2	7.2	7.2	-	8.2	8.2	8.2	-	9.3	9.3	9.3	-	10.5	10.5	10.5	-	12.0	12.0	12.0	-	12.0	12.0	12.0	-								
<b>1000</b>	MBh	29.5	29.9	30.7	-	29.2	29.6	30.5	-	28.5	28.9	29.7	-	27.2	27.6	28.4	-	25.6	26.0	26.9	-	24.2	24.6	25.4	-	24.2	24.6	25.4	-								
	S/T	0.68	0.61	0.47	-	0.69	0.61	0.48	-	0.71	0.64	0.50	-	0.73	0.65	0.52	-	0.75	0.68	0.54	-	1.00	0.73	0.59	-	1.00	0.73	0.59	-								
	ΔT	19	17	13	-	19	17	13	-	19	17	14	-	19	17	13	-	19	17	13	-	20	18	14	-	20	18	14	-								
	kW	1.78	1.78	1.78	-	1.98	1.98	1.98	-	2.20	2.20	2.20	-	2.44	2.44	2.44	-	2.71	2.71	2.70	-	3.02	3.02	3.02	-	3.02	3.02	3.02	-								
	Amps	6.3	6.3	6.3	-	7.3	7.2	7.2	-	8.3	8.3	8.2	-	9.4	9.3	9.3	-	10.6	10.6	10.6	-	12.0	12.0	12.0	-	12.0	12.0	12.0	-								
<b>1125</b>	MBh	30.1	30.5	31.3	-	29.8	30.2	31.1	-	29.1	29.5	30.3	-	27.8	28.2	29.0	-	26.2	26.6	27.5	-	24.8	25.2	26.0	-	24.8	25.2	26.0	-								
	S/T	0.69	0.62	0.49	-	0.70	0.62	0.49	-	0.72	0.65	0.52	-	0.74	0.67	0.54	-	0.76	0.69	0.56	-	1.00	0.74	0.61	-	1.00	0.74	0.61	-								
	ΔT	18	16	12	-	18	16	12	-	18	16	13	-	18	16	12	-	18	16	12	-	19	17	13	-	19	17	13	-								
	kW	1.79	1.79	1.79	-	1.99	1.99	1.98	-	2.21	2.21	2.21	-	2.45	2.45	2.44	-	2.72	2.71	2.71	-	3.03	3.03	3.02	-	3.03	3.03	3.02	-								
	Amps	6.4	6.4	6.4	-	7.3	7.3	7.3	-	8.3	8.3	8.3	-	9.4	9.4	9.4	-	10.6	10.6	10.6	-	12.0	12.0	12.0	-	12.0	12.0	12.0	-								

IDB		OUTDOOR AMBIENT TEMPERATURE																																			
		65						75						85						95						105						115					
		AIRFLOW				ENTERING INDOOR WET BULB TEMPERATURE				ENTERING INDOOR WET BULB TEMPERATURE				ENTERING INDOOR WET BULB TEMPERATURE				ENTERING INDOOR WET BULB TEMPERATURE				ENTERING INDOOR WET BULB TEMPERATURE				ENTERING INDOOR WET BULB TEMPERATURE				ENTERING INDOOR WET BULB TEMPERATURE							
	59	63	67	71	59	63	67	71	59	63	67	71	59	63	67	71	59	63	67	71	59	63	67	71	59	63	67	71									
<b>75</b>	MBh	29.1	29.5	30.3	31.7	28.8	29.2	30.1	31.4	28.1	28.5	29.3	30.6	26.8	<b>27.2</b>	28.1	29.4	25.2	25.6	26.5	27.8	23.8	24.2	25.0	26.3	23.8	24.2	25.0	26.3								
	S/T	0.77	0.70	0.57	0.4	0.78	0.71	0.57	0.4	0.81	0.73	0.60	0.5	0.82	<b>0.75</b>	0.62	0.5	1.00	0.77	0.64	0.5	1.00	0.82	0.69	0.6	1.00	0.82	0.69	0.6								
	ΔT	24	22	18	15	24	22	18	15	24	22	19	15	24	<b>22</b>	18	15	24	22	18	14	25	23	19	16	25	23	19	16								
	kW	1.77	1.77	1.77	1.8	1.97	1.97	1.97	2.0	2.19	2.19	2.19	2.2	2.43	<b>2.43</b>	2.43	2.4	2.70	2.70	2.69	2.7	3.01	3.01	3.01	3.0	3.01	3.01	3.01	3.0								
	Amps	6.3	6.3	6.3	6.4	7.2	7.2	7.2	7.3	8.2	8.2	8.2	8.3	9.3	<b>9.3</b>	9.3	9.4	10.5	10.5	10.5	10.6	12.0	12.0	11.9	12.0	12.0	12.0	11.9	12.0								
<b>900</b>	MBh	29.5	29.9	30.7	32.1	29.2	29.6	30.5	31.8	28.5	28.9	29.7	31.0	27.2	27.6	28.4	29.8	25.6	26.0	26.9	28.2	24.2	24.6	25.4	26.7	24.2	24.6	25.4	26.7								
	S/T	0.81	0.73	0.60	0.5	0.81	0.74	0.61	0.5	0.84	0.76	0.63	0.5	1.00	0.78	0.65	0.5	1.00	0.80	0.67	0.5	1.00	0.85	0.72	0.6	1.00	0.85	0.72	0.6								
	ΔT	23	21	18	14	23	21	18	14	23	21	18	14	23	21	18	14	23	21	17	14	24	22	18	15	24	22	18	15								
	kW	1.78	1.78	1.78	1.79	1.98	1.98	1.98	1.99	2.20	2.20	2.20	2.21	2.44	2.44	2.43	2.45	2.71	2.71	2.70	2.72	3.02	3.02	3.01	3.03	3.02	3.02	3.01	3.03								
	Amps	6.3	6.3	6.3	6.4	7.2	7.2	7.2	7.3	8.3	8.2	8.2	8.3	9.3	9.3	9.3	9.4	10.6	10.6	10.5	10.6	12.0	12.0	12.0	12.0	12.0	12.0	12.0	12.0								
<b>1000</b>	MBh	30.1	30.5	31.3	32.7	29.8	30.2	31.1	32.4	29.1	29.5	30.3	31.6	27.8	28.2	29.0	30.4	26.2	26.6	27.5	28.8	24.8	25.2	26.0	27.3	24.8	25.2	26.0	27.3								
	S/T	0.82	0.74	0.61	0.5	0.82	0.75	0.62	0.5	0.85	0.78	0.64	0.5	1.00	0.79	0.66	0.5	1.00	0.82	0.68	0.5	1.00	0.87	0.73	0.6	1.00	0.87	0.73	0.6								
	ΔT	22	20	17	13	22	20	17	13	22	20	17	13	22	20	17	13	22	20	16	13	23	21	17	14	23	21	17	14								
	kW	1.79	1.79	1.79	1.8	1.99	1.99	1.98	2.0	2.21	2.21	2.20	2.2	2.45	2.45	2.44	2.5	2.72	2.71	2.71	2.72	3.03	3.03	3.02	3.0	3.03	3.03	3.02	3.0								
	Amps	6.4	6.4	6.4	6.4	7.3	7.3	7.3	7.3	8.3	8.3	8.3	8.3	9.4	9.4	9.4	9.4	10.6	10.6	10.6	10.7	12.0	12.0	12.0	12.1	12.0	12.0	12.0	12.1								

IDB: Entering Indoor Dry Bulb Temperature  
 High and low pressures are measured at the liquid and suction service valves.  
 Shaded area reflects ACCA (TVA) conditions  
 kW = Total system power  
 Amps = outdoor unit amps (comp.+fan)



EXPANDED COOLING DATA — ALXS4BA3010A\*+ CAPTA3626A\* (CONT.)

IDB		OUTDOOR AMBIENT TEMPERATURE																																															
		65								75								85								95								105								115							
		AIRFLOW		59	63	67	71	59	63	67	71	ENTERING INDOOR WET BULB TEMPERATURE		59	63	67	71	ENTERING INDOOR WET BULB TEMPERATURE		59	63	67	71	ENTERING INDOOR WET BULB TEMPERATURE		59	63	67	71	ENTERING INDOOR WET BULB TEMPERATURE		59	63	67	71														
<b>80</b>	MBh	29.2	29.6	30.5	31.8	29.0	29.4	30.2	31.5	28.2	28.6	29.5	30.8	26.9	27.3	28.2	29.5	25.4	25.8	26.6	27.9	23.9	24.3	25.2	26.5	23.9	24.3	25.2	26.5	23.9	24.3	25.2	26.5																
	S/T	0.90	0.82	0.69	0.6	0.90	0.83	0.70	0.6	1.00	0.85	0.72	0.6	1.00	0.87	0.74	0.6	1.00	0.89	0.76	0.6	1.00	0.94	0.81	0.7	1.00	0.94	0.81	0.7	1.00	0.94	0.81	0.7																
	ΔT	28	26	23	19	28	26	23	19	29	27	23	19	28	26	23	19	28	26	22	19	29	27	24	20	29	27	24	20	29	27	24	20																
	kW	1.78	1.77	1.77	1.8	1.97	1.97	1.97	2.0	2.19	2.19	2.19	2.2	2.43	2.43	2.43	2.4	2.70	2.70	2.70	2.7	3.01	3.01	3.01	3.0	3.01	3.01	3.01	3.0	3.01	3.01	3.01	3.0																
	Amps	6.3	6.3	6.3	6.4	7.2	7.2	7.2	7.3	8.2	8.2	8.2	8.3	9.3	9.3	9.3	9.4	10.5	10.5	10.5	10.6	12.0	12.0	12.0	12.0	12.0	12.0	12.0	12.0	12.0	12.0	12.0	12.0																
<b>1000</b>	MBh	29.6	30.0	30.9	32.2	29.4	29.8	30.6	31.9	28.6	29.0	29.9	31.2	27.3	27.7	28.6	29.9	25.8	26.2	27.0	28.3	24.3	24.7	25.6	26.9	24.3	24.7	25.6	26.9	24.3	24.7	25.6	26.9																
	S/T	0.93	0.85	0.72	0.6	1.00	0.86	0.73	0.6	1.00	0.88	0.75	0.6	1.00	0.90	0.77	0.6	1.00	0.92	0.79	0.7	1.00	1.00	0.84	0.7	1.00	1.00	0.84	0.7	1.00	1.00	0.84	0.7																
	ΔT	27	25	22	18	27	25	22	18	28	26	22	18	27	25	22	18	27	25	22	18	28	26	23	19	28	26	23	19	28	26	23	19																
	kW	1.78	1.78	1.78	1.79	1.98	1.98	1.98	1.99	2.20	2.20	2.20	2.21	2.44	2.44	2.44	2.45	2.71	2.71	2.71	2.72	3.02	3.02	3.02	3.03	3.02	3.02	3.02	3.03	3.02	3.02	3.02	3.03																
	Amps	6.3	6.3	6.3	6.4	7.2	7.2	7.2	7.3	8.3	8.3	8.2	8.3	9.4	9.3	9.3	9.4	10.6	10.6	10.6	10.6	12.0	12.0	12.0	12.1	12.0	12.0	12.0	12.1	12.0	12.0	12.0	12.1																
<b>1125</b>	MBh	30.2	30.6	31.5	32.8	30.0	30.4	31.2	32.5	29.2	29.6	30.5	31.8	27.9	28.3	29.2	30.5	26.4	26.8	27.6	28.9	24.9	25.3	26.2	27.5	24.9	25.3	26.2	27.5	24.9	25.3	26.2	27.5																
	S/T	0.94	0.87	0.73	0.6	1.00	0.87	0.74	0.6	1.00	0.90	0.77	0.6	1.00	0.92	0.78	0.6	1.00	0.94	0.81	0.7	1.00	1.00	0.86	0.7	1.00	1.00	0.86	0.7	1.00	1.00	0.86	0.7																
	ΔT	26	25	21	17	26	24	21	17	27	25	21	17	26	24	21	17	26	24	21	17	27	25	22	18	27	25	22	18	27	25	22	18																
	kW	1.79	1.79	1.79	1.8	1.99	1.99	1.98	2.0	2.21	2.21	2.21	2.2	2.45	2.45	2.44	2.5	2.72	2.71	2.71	2.7	3.03	3.03	3.03	3.0	3.03	3.03	3.03	3.0	3.03	3.03	3.03	3.0																
	Amps	6.4	6.4	6.4	6.4	7.3	7.3	7.3	7.3	8.3	8.3	8.3	8.3	9.4	9.4	9.4	9.4	10.6	10.6	10.6	10.7	12.0	12.0	12.0	12.1	12.0	12.0	12.0	12.1	12.0	12.0	12.0	12.1																

<b>900</b>	MBh	29.7	30.1	31.0	32.3	29.5	29.9	30.7	32.0	28.7	29.1	30.0	31.3	27.4	27.8	28.7	30.0	25.8	26.3	27.1	28.4	24.4	24.8	25.7	27.0	24.4	24.8	25.7	27.0
	S/T	1.00	0.92	0.79	0.7	1.00	0.93	0.80	0.7	1.00	0.95	0.82	0.7	1.00	0.97	0.84	0.7	1.00	1.00	0.86	0.7	1.00	1.00	0.91	0.8	1.00	1.00	0.91	0.8
	ΔT	32	30	27	23	32	30	26	23	32	30	27	23	32	30	26	23	32	30	26	22	33	31	27	24	33	31	27	24
	kW	1.78	1.78	1.77	1.8	1.98	1.98	1.97	2.0	2.20	2.20	2.19	2.2	2.44	2.44	2.43	2.4	2.70	2.70	2.70	2.7	3.02	3.02	3.01	3.0	3.02	3.02	3.01	3.0
	Amps	6.3	6.3	6.3	6.4	7.2	7.2	7.2	7.3	8.2	8.2	8.2	8.3	9.3	9.3	9.3	9.4	10.6	10.5	10.5	10.6	12.0	12.0	12.0	12.0	12.0	12.0	12.0	12.0
<b>1000</b>	MBh	30.1	30.5	31.4	32.7	29.9	30.3	31.1	32.4	29.1	29.5	30.4	31.7	27.8	28.2	29.1	30.4	26.2	26.6	27.5	28.8	24.8	25.2	26.1	27.4	24.8	25.2	26.1	27.4
	S/T	1.00	0.95	0.82	0.7	1.00	0.96	0.83	0.7	1.00	0.98	0.85	0.7	1.00	1.00	0.87	0.7	1.00	1.00	0.89	0.8	1.00	1.00	0.94	0.8	1.00	1.00	0.94	0.8
	ΔT	31	29	26	22	31	29	26	22	31	29	26	22	31	29	26	22	31	29	25	22	32	30	27	23	32	30	27	23
	kW	1.79	1.79	1.78	1.80	1.98	1.98	1.98	2.00	2.21	2.20	2.20	2.22	2.44	2.44	2.44	2.45	2.71	2.71	2.71	2.72	3.02	3.02	3.02	3.03	3.02	3.02	3.02	3.03
	Amps	6.4	6.4	6.3	6.4	7.3	7.3	7.2	7.3	8.3	8.3	8.3	8.3	9.4	9.4	9.3	9.4	10.6	10.6	10.6	10.6	12.0	12.0	12.0	12.1	12.0	12.0	12.0	12.1
<b>1125</b>	MBh	30.7	31.1	32.0	33.3	30.5	30.9	31.7	33.0	29.7	30.1	31.0	32.3	28.4	28.8	29.7	31.0	26.8	27.2	28.1	29.4	25.4	25.8	26.7	28.0	25.4	25.8	26.7	28.0
	S/T	1.00	0.97	0.83	0.7	1.00	0.97	0.84	0.7	1.00	1.00	0.86	0.7	1.00	1.00	0.88	0.7	1.00	1.00	0.90	0.8	1.00	1.00	0.95	0.8	1.00	1.00	0.95	0.8
	ΔT	30	28	25	21	30	28	25	21	30	29	25	21	30	28	25	21	30	28	24	21	31	29	26	22	31	29	26	22
	kW	1.80	1.79	1.79	1.8	1.99	1.99	1.99	2.0	2.21	2.21	2.21	2.2	2.45	2.45	2.45	2.5	2.72	2.72	2.71	2.7	3.03	3.03	3.03	3.0	3.03	3.03	3.03	3.0
	Amps	6.4	6.4	6.4	6.4	7.3	7.3	7.3	7.4	8.3	8.3	8.3	8.4	9.4	9.4	9.4	9.5	10.6	10.6	10.6	10.7	12.1	12.1	12.1	12.1	12.1	12.1	12.1	12.1

IDB: Entering Indoor Dry Bulb Temperature  
 High and low pressures are measured at the liquid and suction service valves.  
 Shaded area reflects AHRI conditions  
 kW = Total system power  
 Amps = outdoor unit amps (comp.+fan)

EXPANDED COOLING DATA — ALXS4BA3610A\*+ CAPTA3626A\*

IDB		OUTDOOR AMBIENT TEMPERATURE																																			
		65						75						85						95						105						115					
		AIRFLOW		59	63	67	71	59	63	67	71	59	63	67	71	59	63	67	71	59	63	67	71	59	63	67	71										
<b>1050</b>	MBh	35.0	35.5	36.5	-	34.6	35.1	36.2	-	33.7	34.2	35.3	-	32.2	32.7	33.7	-	30.3	30.8	31.8	-	28.5	29.0	30.1	-												
	S/T	0.63	0.55	0.42	-	0.64	0.56	0.42	-	0.66	0.58	0.45	-	0.68	0.60	0.47	-	0.70	0.63	0.49	-	0.75	0.68	0.54	-												
	ΔT	20	18	15	-	20	18	15	-	21	19	15	-	20	18	15	-	20	18	14	-	21	19	16	-												
	kW	2.14	2.14	2.14	-	2.38	2.38	2.38	-	2.65	2.65	2.65	-	2.94	2.94	2.94	-	3.27	3.27	3.26	-	3.65	3.65	3.65	-												
	Amps	7.5	7.5	7.5	-	8.6	8.6	8.6	-	9.8	9.8	9.8	-	11.2	11.2	11.1	-	12.7	12.7	12.6	-	14.4	14.4	14.4	-												
<b>1138</b>	MBh	35.3	35.7	36.8	-	34.9	35.4	36.5	-	34.0	34.5	35.6	-	32.5	33.0	34.0	-	30.6	31.0	32.1	-	28.8	29.3	30.3	-												
	S/T	0.66	0.59	0.45	-	0.67	0.59	0.46	-	0.69	0.62	0.48	-	0.71	0.64	0.50	-	0.74	0.66	0.52	-	1.00	0.71	0.58	-												
	ΔT	20	18	14	-	20	18	14	-	20	18	14	-	20	18	14	-	19	17	14	-	20	19	15	-												
	kW	2.15	2.15	2.14	-	2.39	2.39	2.38	-	2.66	2.66	2.65	-	2.95	2.95	2.95	-	3.28	3.27	3.27	-	3.66	3.66	3.65	-												
	Amps	7.5	7.5	7.5	-	8.6	8.6	8.6	-	9.9	9.9	9.8	-	11.2	11.2	11.2	-	12.7	12.7	12.7	-	14.5	14.4	14.4	-												
<b>1350</b>	MBh	36.1	36.6	37.6	-	35.8	36.3	37.3	-	34.9	35.4	36.4	-	33.3	33.8	34.9	-	31.4	31.9	32.9	-	29.7	30.2	31.2	-												
	S/T	0.70	0.63	0.49	-	0.71	0.63	0.50	-	0.74	0.66	0.52	-	0.75	0.68	0.54	-	0.78	0.70	0.57	-	1.00	0.75	0.62	-												
	ΔT	18	16	13	-	18	16	13	-	18	16	13	-	18	16	13	-	18	16	12	-	19	17	14	-												
	kW	2.16	2.16	2.16	-	2.41	2.40	2.40	-	2.67	2.67	2.67	-	2.97	2.96	2.96	-	3.29	3.29	3.29	-	3.67	3.67	3.67	-												
	Amps	7.6	7.6	7.6	-	8.7	8.7	8.7	-	9.9	9.9	9.9	-	11.3	11.3	11.3	-	12.8	12.8	12.7	-	14.5	14.5	14.5	-												

IDB		OUTDOOR AMBIENT TEMPERATURE																																			
		65						75						85						95						105						115					
		AIRFLOW		59	63	67	71	59	63	67	71	59	63	67	71	59	63	67	71	59	63	67	71	59	63	67	71										
<b>1050</b>	MBh	35.0	35.5	36.5	38.1	34.7	35.2	36.2	37.8	33.8	34.3	35.3	36.9	32.2	32.7	33.7	35.3	30.3	30.8	31.8	33.4	28.5	29.0	30.1	31.7												
	S/T	0.76	0.68	0.55	0.4	0.76	0.69	0.55	0.4	0.79	0.71	0.58	0.4	0.81	0.73	0.60	0.5	1.00	0.75	0.62	0.5	1.00	0.81	0.67	0.5												
	ΔT	25	23	19	15	24	23	19	15	25	23	19	16	24	23	19	15	24	22	19	15	25	23	20	16												
	kW	2.14	2.14	2.13	2.2	2.38	2.38	2.38	2.4	2.65	2.65	2.64	2.7	2.94	2.94	2.94	3.0	3.27	3.27	3.26	3.3	3.65	3.65	3.64	3.7												
	Amps	7.5	7.5	7.5	7.6	8.6	8.6	8.6	8.7	9.8	9.8	9.8	9.9	11.2	11.2	11.1	11.2	12.7	12.7	12.6	12.7	14.4	14.4	14.4	14.5												
<b>1138</b>	MBh	35.3	35.8	36.8	38.4	35.0	35.5	36.5	38.1	34.1	34.5	35.6	37.2	32.5	<b>33.0</b>	34.0	35.6	30.6	31.1	32.1	33.7	28.8	29.3	30.4	32.0												
	S/T	0.79	0.72	0.58	0.4	0.80	0.72	0.59	0.4	0.82	0.75	0.61	0.5	0.84	<b>0.77</b>	0.63	0.5	1.00	0.79	0.65	0.5	1.00	0.84	0.70	0.6												
	ΔT	24	22	18	15	24	22	18	15	24	22	19	15	24	<b>22</b>	18	15	23	22	18	14	25	23	19	15												
	kW	2.15	2.15	2.14	2.16	2.39	2.39	2.38	2.40	2.66	2.66	2.65	2.67	2.95	<b>2.95</b>	2.94	2.96	3.28	3.27	3.27	3.29	3.66	3.66	3.65	3.67												
	Amps	7.5	7.5	7.5	7.6	8.6	8.6	8.6	8.7	9.9	9.9	9.8	9.9	11.2	<b>11.2</b>	11.2	11.3	12.7	12.7	12.7	12.8	14.4	14.4	14.4	14.5												
<b>1350</b>	MBh	36.1	36.6	37.7	39.2	35.8	36.3	37.3	38.9	34.9	35.4	36.4	38.0	33.3	<b>33.8</b>	34.9	36.5	31.4	31.9	33.0	34.6	29.7	30.2	31.2	32.8												
	S/T	0.83	0.76	0.62	0.5	0.84	0.76	0.63	0.5	0.86	0.79	0.65	0.5	1.00	<b>0.81</b>	0.67	0.5	1.00	0.83	0.69	0.6	1.00	0.88	0.75	0.6												
	ΔT	22	20	17	13	22	20	17	13	23	21	17	13	22	<b>20</b>	17	13	22	20	17	13	23	21	18	14												
	kW	2.16	2.16	2.16	2.2	2.40	2.40	2.40	2.4	2.67	2.67	2.67	2.7	2.96	<b>2.96</b>	2.96	3.0	3.29	3.29	3.28	3.3	3.67	3.67	3.67	3.7												
	Amps	7.6	7.6	7.6	7.7	8.7	8.7	8.7	8.8	9.9	9.9	9.9	10.0	11.3	<b>11.3</b>	11.2	11.3	12.8	12.8	12.7	12.8	14.5	14.5	14.5	14.6												

IDB: Entering Indoor Dry Bulb Temperature  
 High and low pressures are measured at the liquid and suction service valves.  
 Shaded area reflects ACCA (TVA) conditions  
 kW = Total system power  
 Amps = outdoor unit amps (comp.+fan)

EXPANDED COOLING DATA — ALXS4BA3610A\*+ CAPTA3626A\* (CONT.)

IDB		OUTDOOR AMBIENT TEMPERATURE																																								
		65						75						85						95						105						115										
		AIRFLOW	59	63	67	71	75	59	63	67	71	75	59	63	67	71	75	59	63	67	71	75	59	63	67	71	75	59	63	67	71	75										
		ENTERING INDOOR WET BULB TEMPERATURE																																								
80	1050	MBh	35.2	35.7	36.7	38.3	34.8	35.3	36.4	38.0	33.9	34.4	35.5	37.1	32.4	32.9	33.9	35.5	30.5	31.0	32.0	33.6	28.7	29.2	30.3	31.8	1.00	0.93	0.80	0.7	30	28	24	20	3.65	3.65	3.65	3.7	14.4	14.4	14.4	14.5
	S/T	0.88	0.81	0.67	0.5	0.89	0.81	0.68	0.5	1.00	0.84	0.70	0.6	1.00	0.86	0.72	0.6	1.00	0.88	0.74	0.6	1.00	0.93	0.80	0.7	1.00	0.93	0.80	0.7	1.00	0.93	0.80	0.7	1.00	0.96	0.83	0.7					
	ΔT	29	27	23	20	29	27	23	19	29	27	23	20	29	27	23	19	28	27	23	19	30	28	24	20	30	28	24	20	30	28	24	20	30	28	24	20					
	kW	2.14	2.14	2.14	2.2	2.38	2.38	2.38	2.4	2.65	2.65	2.65	2.7	2.94	2.94	2.94	3.0	3.27	3.27	3.26	3.3	3.66	3.66	3.66	3.7	3.66	3.66	3.66	3.7	3.66	3.66	3.66	3.7	3.66	3.66	3.66	3.7					
	Amps	7.5	7.5	7.5	7.6	8.6	8.6	8.6	8.7	9.8	9.8	9.8	9.9	11.2	11.2	11.1	11.2	12.7	12.7	12.6	12.7	14.4	14.4	14.4	14.5	14.4	14.4	14.4	14.5	14.4	14.4	14.4	14.5	14.4	14.4	14.4	14.5					
1138	MBh	35.5	35.9	37.0	38.6	35.1	35.6	36.7	38.3	34.2	34.7	35.8	37.4	32.7	33.2	34.2	35.8	30.8	31.2	32.3	33.9	29.0	29.5	30.5	32.1	1.00	0.96	0.83	0.7	1.00	0.96	0.83	0.7	1.00	0.96	0.83	0.7					
	S/T	0.92	0.84	0.71	0.6	0.92	0.85	0.71	0.6	1.00	0.87	0.74	0.6	1.00	0.89	0.76	0.6	1.00	0.91	0.78	0.6	1.00	0.96	0.83	0.7	1.00	0.96	0.83	0.7	1.00	0.96	0.83	0.7	1.00	0.96	0.83	0.7					
	ΔT	28	26	23	19	28	26	23	19	28	26	23	19	28	26	22	19	28	26	22	19	29	27	23	20	29	27	23	20	29	27	23	20	29	27	23	20					
	kW	2.15	2.15	2.14	2.16	2.39	2.39	2.38	2.40	2.66	2.66	2.65	2.67	2.95	2.95	2.94	2.96	3.28	3.27	3.27	3.29	3.66	3.66	3.66	3.67	3.66	3.66	3.66	3.67	3.66	3.66	3.66	3.67	3.66	3.66	3.66	3.67					
	Amps	7.5	7.5	7.5	7.6	8.6	8.6	8.6	8.7	9.9	9.9	9.8	9.9	11.2	11.2	11.2	11.3	12.7	12.7	12.7	12.8	14.4	14.4	14.4	14.5	14.4	14.4	14.4	14.5	14.4	14.4	14.4	14.5	14.4	14.4	14.4	14.5					
1350	MBh	36.3	36.8	37.8	39.4	36.0	36.5	37.5	39.1	35.1	35.6	36.6	38.2	33.5	34.0	35.1	36.6	31.6	32.1	33.1	34.7	29.9	30.4	31.4	33.0	1.00	0.95	0.82	0.7	1.00	0.95	0.82	0.7	1.00	0.95	0.82	0.7					
	S/T	0.96	0.88	0.75	0.6	1.00	0.89	0.75	0.6	1.00	0.91	0.78	0.6	1.00	0.93	0.80	0.7	1.00	0.95	0.82	0.7	1.00	0.96	0.83	0.7	1.00	0.96	0.83	0.7	1.00	0.96	0.83	0.7	1.00	0.96	0.83	0.7					
	ΔT	27	25	21	17	27	25	21	17	27	25	21	18	27	25	21	17	26	24	21	17	28	26	22	18	28	26	22	18	28	26	22	18	28	26	22	18					
	kW	2.16	2.16	2.16	2.2	2.41	2.40	2.40	2.4	2.67	2.67	2.67	2.7	2.97	2.96	2.96	3.0	3.29	3.29	3.29	3.3	3.67	3.67	3.67	3.7	3.67	3.67	3.67	3.7	3.67	3.67	3.67	3.7	3.67	3.67	3.67	3.7					
	Amps	7.6	7.6	7.6	7.7	8.7	8.7	8.7	8.8	9.9	9.9	9.9	10.0	11.3	11.3	11.3	11.3	12.8	12.8	12.7	12.8	14.5	14.5	14.5	14.6	14.5	14.5	14.5	14.6	14.5	14.5	14.5	14.6	14.5	14.5	14.5	14.6					

85	1050	MBh	35.7	36.2	37.3	38.9	35.4	35.9	37.0	38.6	34.5	35.0	36.1	37.6	33.0	33.5	34.5	36.1	31.1	31.5	32.6	34.2	29.3	29.8	30.8	32.4	1.00	0.90	0.8	1.00	0.90	0.8	1.00	0.90	0.8		
	S/T	1.00	0.91	0.77	0.6	1.00	0.91	0.78	0.6	1.00	0.94	0.80	0.7	1.00	0.96	0.82	0.7	1.00	0.98	0.84	0.7	1.00	1.00	0.90	0.8	1.00	0.96	0.83	0.7	1.00	0.96	0.83	0.7	1.00	0.96	0.83	0.7
	ΔT	33	31	27	23	32	31	27	23	33	31	27	24	32	31	27	23	32	30	27	23	33	31	28	24	33	31	28	24	33	31	28	24	33	31	28	24
	kW	2.15	2.14	2.14	2.2	2.39	2.39	2.38	2.4	2.66	2.65	2.65	2.7	2.95	2.95	2.94	3.0	3.27	3.27	3.27	3.3	3.66	3.65	3.65	3.7	3.66	3.65	3.65	3.7	3.66	3.65	3.65	3.7	3.66	3.65	3.65	3.7
	Amps	7.5	7.5	7.5	7.6	8.6	8.6	8.6	8.7	9.9	9.9	9.8	9.9	11.2	11.2	11.2	11.3	12.7	12.7	12.7	12.7	14.4	14.4	14.4	14.5	14.4	14.4	14.4	14.5	14.4	14.4	14.4	14.5	14.4	14.4	14.4	14.5
1138	MBh	36.0	36.5	37.6	39.2	35.7	36.2	37.3	38.8	34.8	35.3	36.3	37.9	33.3	33.7	34.8	36.4	31.3	31.8	32.9	34.5	29.6	30.1	31.1	32.7	1.00	0.93	0.8	1.00	0.93	0.8	1.00	0.93	0.8			
	S/T	1.00	0.94	0.81	0.7	1.00	0.95	0.81	0.7	1.00	0.97	0.84	0.7	1.00	1.00	0.86	0.7	1.00	1.00	0.88	0.7	1.00	1.00	0.93	0.8	1.00	0.96	0.83	0.7	1.00	0.96	0.83	0.7	1.00	0.96	0.83	0.7
	ΔT	32	30	26	23	32	30	26	23	32	30	27	23	32	30	26	23	32	30	26	22	33	31	27	23	33	31	27	23	33	31	27	23	33	31	27	23
	kW	2.15	2.15	2.15	2.17	2.39	2.39	2.39	2.41	2.66	2.66	2.66	2.68	2.96	2.95	2.95	2.97	3.28	3.28	3.28	3.29	3.66	3.66	3.66	3.68	3.66	3.66	3.66	3.68	3.66	3.66	3.66	3.68	3.66	3.66	3.66	3.68
	Amps	7.6	7.6	7.5	7.6	8.7	8.7	8.6	8.7	9.9	9.9	9.9	10.0	11.2	11.2	11.2	11.3	12.7	12.7	12.7	12.8	14.5	14.5	14.5	14.6	14.5	14.5	14.5	14.6	14.5	14.5	14.5	14.6	14.5	14.5	14.5	14.6
1350	MBh	36.9	37.4	38.4	40.0	36.6	37.1	38.1	39.7	35.7	36.2	37.2	38.8	34.1	34.6	35.6	37.2	32.2	32.7	33.7	35.3	30.5	30.9	32.0	33.6	1.00	0.97	0.8	1.00	0.97	0.8	1.00	0.97	0.8			
	S/T	1.00	0.98	0.85	0.7	1.00	0.99	0.85	0.7	1.00	1.00	0.88	0.7	1.00	1.00	0.90	0.8	1.00	1.00	0.92	0.8	1.00	1.00	0.97	0.8	1.00	0.96	0.83	0.7	1.00	0.96	0.83	0.7	1.00	0.96	0.83	0.7
	ΔT	30	29	25	21	30	28	25	21	31	29	25	21	30	28	25	21	30	28	25	21	31	29	26	22	31	29	26	22	31	29	26	22	31	29	26	22
	kW	2.17	2.17	2.16	2.2	2.41	2.41	2.40	2.4	2.68	2.68	2.67	2.7	2.97	2.97	2.96	3.0	3.30	3.29	3.29	3.3	3.68	3.68	3.68	3.7	3.68	3.68	3.68	3.7	3.68	3.68	3.68	3.7	3.68	3.68	3.68	3.7
	Amps	7.6	7.6	7.6	7.7	8.7	8.7	8.7	8.8	10.0	10.0	9.9	10.0	11.3	11.3	11.3	11.4	12.8	12.8	12.8	12.8	14.5	14.5	14.5	14.6	14.5	14.5	14.5	14.6	14.5	14.5	14.5	14.6	14.5	14.5	14.5	14.6

IDB: Entering Indoor Dry Bulb Temperature  
 High and low pressures are measured at the liquid and suction service valves.  
 Shaded area reflects AHRI conditions  
 kW = Total system power  
 Amps = outdoor unit amps (comp.+fan)

EXPANDED COOLING DATA — ALXS4BA4210A\*+ CAPTA4230A\*

IDB		OUTDOOR AMBIENT TEMPERATURE																																			
		65						75						85						95						105						115					
		AIRFLOW				ENTERING INDOOR WET BULB TEMPERATURE				ENTERING INDOOR WET BULB TEMPERATURE				ENTERING INDOOR WET BULB TEMPERATURE				ENTERING INDOOR WET BULB TEMPERATURE				ENTERING INDOOR WET BULB TEMPERATURE				ENTERING INDOOR WET BULB TEMPERATURE				ENTERING INDOOR WET BULB TEMPERATURE							
	59	63	67	71	59	63	67	71	59	63	67	71	59	63	67	71	59	63	67	71	59	63	67	71	59	63	67	71									
<b>70</b>	MBh	40.6	41.2	42.4	44.3	40.2	40.8	42.0	44.0	39.2	39.8	41.0	42.0	37.4	37.9	39.1	40.3	35.1	35.7	36.9	38.1	38.7	39.9	41.1	33.1	33.7	34.9	36.1	36.7								
	S/T	0.60	0.53	0.39	0.25	0.61	0.53	0.39	0.25	0.63	0.56	0.42	0.28	0.65	0.58	0.44	0.30	0.68	0.60	0.46	0.32	0.18	0.04	0.10	0.73	0.65	0.51	0.37	0.29								
	ΔT	20	18	15	12	20	18	15	12	20	19	15	12	20	18	15	12	20	18	15	12	20	18	15	12	21	19	16	14	12							
	kW	2.51	2.51	2.50	2.54	2.79	2.79	2.78	2.80	3.10	3.10	3.09	3.11	3.12	3.43	3.43	3.43	3.44	3.81	3.81	3.80	3.81	3.81	3.80	3.80	4.25	4.25	4.24	4.24	4.24							
	Amps	8.6	8.6	8.6	8.7	9.9	9.9	9.8	9.9	11.3	11.3	11.3	11.4	12.8	12.8	12.8	12.9	14.5	14.5	14.5	14.5	14.5	14.5	14.5	16.5	16.5	16.5	16.5	16.5	16.5							
<b>1225</b>	MBh	41.2	41.8	43.0	45.4	40.9	41.4	42.7	44.7	39.8	40.4	41.6	42.7	38.0	38.5	39.8	41.1	35.7	36.3	37.5	38.7	39.3	40.5	41.7	33.7	34.3	35.5	36.7	37.3								
	S/T	0.68	0.60	0.46	0.32	0.68	0.61	0.47	0.33	0.71	0.63	0.49	0.35	0.73	0.65	0.51	0.37	0.75	0.67	0.54	0.40	0.26	0.12	0.18	1.00	0.73	0.59	0.45	0.31								
	ΔT	19	17	14	11	19	17	13	10	19	17	14	11	19	17	13	10	19	17	13	10	17	13	10	20	18	14	12	10								
	kW	2.53	2.53	2.52	2.56	2.81	2.80	2.80	2.81	3.12	3.11	3.11	3.12	3.45	3.45	3.44	3.44	3.83	3.82	3.82	3.82	3.82	3.82	3.82	4.27	4.26	4.26	4.26	4.26	4.26							
	Amps	8.7	8.7	8.6	8.7	9.9	9.9	9.9	9.9	11.4	11.4	11.3	11.4	12.9	12.9	12.9	12.9	14.6	14.6	14.6	14.6	14.6	14.6	14.6	16.6	16.6	16.6	16.6	16.6	16.6							
<b>1575</b>	MBh	41.7	42.3	43.5	45.9	41.4	41.9	43.1	45.5	40.3	40.9	42.1	43.3	38.5	39.0	40.3	41.5	36.2	36.8	38.0	39.2	39.8	41.0	42.2	34.2	34.8	36.0	37.2	37.8								
	S/T	0.71	0.63	0.49	0.35	0.71	0.63	0.50	0.36	0.74	0.66	0.52	0.38	0.76	0.68	0.54	0.40	0.78	0.70	0.56	0.42	0.28	0.14	0.20	1.00	0.75	0.62	0.48	0.34								
	ΔT	18	16	13	10	18	16	13	10	18	16	13	10	18	16	13	10	18	16	12	12	12	12	12	19	17	14	12	10								
	kW	2.54	2.54	2.53	2.57	2.82	2.81	2.81	2.82	3.13	3.12	3.12	3.12	3.46	3.46	3.45	3.45	3.84	3.83	3.83	3.83	3.83	3.83	3.83	4.27	4.27	4.27	4.27	4.27	4.27							
	Amps	8.7	8.7	8.7	8.7	10.0	10.0	10.0	10.0	11.4	11.4	11.4	11.4	12.9	12.9	12.9	12.9	14.7	14.6	14.6	14.6	14.6	14.6	14.6	16.7	16.7	16.7	16.7	16.7	16.7							

IDB		OUTDOOR AMBIENT TEMPERATURE																																			
		65						75						85						95						105						115					
		AIRFLOW				ENTERING INDOOR WET BULB TEMPERATURE				ENTERING INDOOR WET BULB TEMPERATURE				ENTERING INDOOR WET BULB TEMPERATURE				ENTERING INDOOR WET BULB TEMPERATURE				ENTERING INDOOR WET BULB TEMPERATURE				ENTERING INDOOR WET BULB TEMPERATURE				ENTERING INDOOR WET BULB TEMPERATURE							
	59	63	67	71	59	63	67	71	59	63	67	71	59	63	67	71	59	63	67	71	59	63	67	71	59	63	67	71									
<b>75</b>	MBh	40.6	41.2	42.4	44.3	40.3	40.8	42.1	43.9	39.2	39.8	41.0	42.9	37.4	38.0	39.2	41.0	35.1	35.7	36.9	38.1	38.7	39.9	41.1	33.1	33.7	34.9	36.1	36.7								
	S/T	0.73	0.66	0.52	0.38	0.74	0.66	0.52	0.38	0.77	0.69	0.55	0.41	0.79	0.71	0.57	0.43	1.00	0.73	0.59	0.45	0.31	0.17	0.23	1.00	0.78	0.64	0.50	0.36								
	ΔT	24	22	19	15	24	22	19	15	24	23	19	16	24	22	19	15	24	22	19	15	12	08	14	24	22	18	15	12								
	kW	2.51	2.51	2.50	2.54	2.79	2.78	2.78	2.8	3.10	3.09	3.09	3.1	3.43	3.43	3.43	3.4	3.81	3.80	3.80	3.80	3.80	3.80	3.80	4.25	4.24	4.24	4.24	4.24								
	Amps	8.6	8.6	8.6	8.7	9.9	9.9	9.8	9.9	11.3	11.3	11.2	11.3	12.8	12.8	12.8	12.9	14.5	14.5	14.5	14.5	14.5	14.5	14.5	16.5	16.5	16.5	16.5	16.5								
<b>1225</b>	MBh	41.3	41.8	43.0	44.9	40.9	41.5	42.7	44.5	39.8	40.4	41.6	43.5	38.0	38.6	39.8	41.6	35.8	36.3	37.6	38.8	39.4	40.6	41.8	33.7	34.3	35.5	36.7	37.3								
	S/T	0.81	0.73	0.59	0.45	0.81	0.74	0.60	0.46	0.84	0.76	0.62	0.48	0.86	0.78	0.64	0.50	1.00	0.80	0.67	0.53	0.39	0.25	0.31	1.00	0.86	0.72	0.58	0.44								
	ΔT	23	21	18	14	23	21	18	14	23	21	18	14	23	21	18	14	23	21	17	14	11	07	13	24	22	18	15	12								
	kW	2.53	2.52	2.52	2.54	2.80	2.80	2.80	2.82	3.11	3.11	3.11	3.13	3.45	3.45	3.44	3.46	3.82	3.82	3.82	3.82	3.84	3.84	3.84	4.26	4.26	4.26	4.26	4.28								
	Amps	8.7	8.7	8.6	8.7	9.9	9.9	9.9	10.0	11.4	11.3	11.3	11.4	12.9	12.9	12.9	13.0	14.6	14.6	14.6	14.6	14.7	14.7	14.7	16.6	16.6	16.6	16.6	16.7								
<b>1435</b>	MBh	41.7	42.3	43.5	45.4	41.4	42.0	43.2	45.0	40.3	40.9	42.1	44.0	38.5	39.1	40.3	42.1	36.3	36.8	38.0	39.2	39.9	41.1	42.3	34.2	34.8	36.0	37.2	37.8								
	S/T	0.84	0.76	0.62	0.48	0.84	0.77	0.63	0.49	0.87	0.79	0.65	0.51	1.00	0.81	0.67	0.53	1.00	0.83	0.70	0.56	0.42	0.28	0.34	1.00	0.89	0.75	0.61	0.47								
	ΔT	22	20	17	13	22	20	17	13	22	21	17	13	22	20	17	13	22	20	17	13	10	06	12	23	21	18	14	10								
	kW	2.54	2.53	2.53	2.56	2.81	2.81	2.81	2.8	3.12	3.12	3.12	3.1	3.46	3.46	3.45	3.5	3.83	3.83	3.83	3.83	3.8	3.8	3.8	4.27	4.27	4.27	4.27	4.3								
	Amps	8.7	8.7	8.7	8.8	10.0	10.0	10.0	10.0	11.4	11.4	11.4	11.5	12.9	12.9	12.9	13.0	14.6	14.6	14.6	14.6	14.7	14.7	14.7	16.7	16.7	16.6	16.6	16.7								

IDB: Entering Indoor Dry Bulb Temperature  
 High and low pressures are measured at the liquid and suction service valves.  
 Shaded area reflects ACCA (TVA) conditions  
 kW = Total system power  
 Amps = outdoor unit amps (comp.+fan)

EXPANDED COOLING DATA — ALXS4BA4210A\*+ CAPTA4230A\* (CONT.)

IDB		OUTDOOR AMBIENT TEMPERATURE																																			
		65						75						85						95						105						115					
		59	63	67	71	75	79	59	63	67	71	75	79	59	63	67	71	75	79	59	63	67	71	75	79	59	63	67	71	75	79	59	63	67	71	75	79
		ENTERING INDOOR WET BULB TEMPERATURE																																			
AIRFLOW																																					
80	MBh	40.8	41.4	42.6	44.5	40.5	41.1	42.3	44.1	39.4	40.0	41.2	43.1	37.6	38.2	39.4	41.2	35.4	35.9	37.1	39.0	33.3	33.9	35.1	37.0												
	S/T	0.86	0.78	0.65	0.5	0.87	0.79	0.65	0.5	1.00	0.82	0.68	0.5	1.00	0.84	0.70	0.6	1.00	0.86	0.72	0.6	1.00	0.91	0.77	0.6												
	ΔT	28	26	23	19	28	26	23	19	29	27	23	20	28	26	23	19	28	26	23	19	29	27	24	20												
	kW	2.51	2.51	2.50	2.5	2.79	2.79	2.78	2.8	3.10	3.10	3.09	3.1	3.43	3.43	3.43	3.4	3.81	3.81	3.80	3.8	4.25	4.25	4.24	4.3												
	Amps	8.6	8.6	8.6	8.7	9.9	9.9	9.8	9.9	11.3	11.3	11.3	11.4	12.8	12.8	12.8	12.9	14.5	14.5	14.5	14.6	16.5	16.5	16.5	16.6												
80	MBh	41.5	42.0	43.3	45.1	41.1	41.7	42.9	44.7	40.0	40.6	41.8	43.7	38.2	38.8	40.0	41.9	36.0	36.5	37.8	39.6	33.9	34.5	35.7	37.6												
	S/T	0.94	0.86	0.72	0.6	0.94	0.86	0.73	0.6	1.00	0.89	0.75	0.6	1.00	0.91	0.77	0.6	1.00	0.93	0.79	0.6	1.00	1.00	0.85	0.7												
	ΔT	27	25	22	18	27	25	22	18	27	25	22	18	27	25	22	18	27	25	21	18	28	26	23	19												
	kW	2.53	2.53	2.52	2.54	2.81	2.80	2.80	2.82	3.12	3.11	3.11	3.13	3.45	3.45	3.44	3.47	3.83	3.82	3.82	3.84	4.26	4.26	4.26	4.28												
	Amps	8.7	8.7	8.6	8.7	9.9	9.9	9.9	10.0	11.4	11.4	11.3	11.4	12.9	12.9	12.9	13.0	14.6	14.6	14.6	14.7	16.6	16.6	16.6	16.7												
80	MBh	42.0	42.5	43.7	45.6	41.6	42.2	43.4	45.2	40.5	41.1	42.3	44.2	38.7	39.3	40.5	42.3	36.5	37.0	38.3	40.1	34.4	35.0	36.2	38.1												
	S/T	0.96	0.89	0.75	0.6	1.00	0.89	0.76	0.6	1.00	0.92	0.78	0.6	1.00	0.94	0.80	0.7	1.00	0.96	0.82	0.7	1.00	1.00	0.88	0.7												
	ΔT	26	24	21	17	26	24	21	17	26	25	21	18	26	24	21	17	26	24	21	17	27	25	22	18												
	kW	2.54	2.54	2.53	2.6	2.82	2.81	2.81	2.8	3.13	3.12	3.12	3.1	3.46	3.46	3.45	3.5	3.83	3.83	3.83	3.8	4.27	4.27	4.27	4.3												
	Amps	8.7	8.7	8.7	8.8	10.0	10.0	10.0	10.1	11.4	11.4	11.4	11.5	12.9	12.9	12.9	13.0	14.7	14.6	14.6	14.7	16.7	16.7	16.7	16.8												

85	MBh	41.5	42.1	43.3	45.2	41.2	41.7	43.0	44.8	40.1	40.7	41.9	43.8	38.3	38.9	40.1	41.9	36.0	36.6	37.8	39.7	34.0	34.6	35.8	37.7
	S/T	1.00	0.89	0.75	0.6	1.00	0.89	0.76	0.6	1.00	0.92	0.78	0.6	1.00	0.94	0.80	0.7	1.00	1.00	0.82	0.7	1.00	1.00	0.88	0.7
	ΔT	32	30	27	23	32	30	27	23	32	30	27	23	32	30	27	23	32	30	26	23	33	31	27	24
	kW	2.52	2.51	2.51	2.5	2.79	2.79	2.79	2.8	3.10	3.10	3.10	3.1	3.44	3.44	3.43	3.5	3.81	3.81	3.81	3.8	4.25	4.25	4.25	4.3
	Amps	8.6	8.6	8.6	8.7	9.9	9.9	9.9	10.0	11.3	11.3	11.3	11.4	12.8	12.8	12.8	12.9	14.6	14.5	14.5	14.6	16.6	16.6	16.5	16.6
85	MBh	42.2	42.7	43.9	45.8	41.8	42.4	43.6	45.4	40.7	41.3	42.5	44.4	38.9	39.5	40.7	42.5	36.7	37.2	38.5	40.3	34.6	35.2	36.4	38.3
	S/T	1.00	0.96	0.82	0.7	1.00	0.97	0.83	0.7	1.00	0.99	0.86	0.7	1.00	1.00	0.87	0.7	1.00	1.00	0.90	0.8	1.00	1.00	0.95	0.8
	ΔT	31	29	25	22	31	29	25	22	31	29	26	22	31	29	25	22	30	28	25	21	31	30	26	23
	kW	2.53	2.53	2.53	2.55	2.81	2.81	2.80	2.83	3.12	3.12	3.11	3.14	3.46	3.45	3.45	3.47	3.83	3.83	3.82	3.84	4.27	4.27	4.26	4.28
	Amps	8.7	8.7	8.7	8.8	10.0	10.0	9.9	10.0	11.4	11.4	11.4	11.5	12.9	12.9	12.9	13.0	14.6	14.6	14.6	14.7	16.6	16.6	16.6	16.7
85	MBh	42.6	43.2	44.4	46.3	42.3	42.9	44.1	45.9	41.2	41.8	43.0	44.9	39.4	40.0	41.2	43.0	37.2	37.7	38.9	40.8	35.1	35.7	36.9	38.8
	S/T	1.00	0.99	0.85	0.7	1.00	1.00	0.86	0.7	1.00	1.00	0.88	0.7	1.00	1.00	0.90	0.8	1.00	1.00	0.93	0.8	1.00	1.00	0.98	0.8
	ΔT	30	28	25	21	30	28	25	21	30	28	25	21	30	28	24	21	30	28	24	21	31	29	25	22
	kW	2.54	2.54	2.54	2.6	2.82	2.82	2.81	2.8	3.13	3.13	3.12	3.1	3.47	3.46	3.46	3.5	3.84	3.84	3.83	3.9	4.28	4.28	4.27	4.3
	Amps	8.7	8.7	8.7	8.8	10.0	10.0	10.0	10.1	11.4	11.4	11.4	11.5	13.0	13.0	13.0	13.0	14.7	14.7	14.6	14.7	16.7	16.7	16.7	16.8

IDB: Entering Indoor Dry Bulb Temperature  
 High and low pressures are measured at the liquid and suction service valves.  
 Shaded area reflects AHRI conditions  
 kW = Total system power  
 Amps = outdoor unit amps (comp.+fan)

EXPANDED COOLING DATA — ALXS4BA4810A\*+ CAPTA6030A\*

IDB		OUTDOOR AMBIENT TEMPERATURE																																																											
		75												85												95												105												115											
		65				75				85				95				105				115				125				135				145				155																							
AIRFLOW		59	63	67	71	59	63	67	71	59	63	67	71	59	63	67	71	59	63	67	71	59	63	67	71	59	63	67	71	59	63	67	71	59	63	67	71																								
<b>70</b>	MBh	46.9	47.6	48.9	-	46.5	47.1	48.5	-	45.3	45.9	47.3	-	43.2	43.9	45.2	-	40.7	41.3	42.7	-	38.3	39.0	40.4	-	35.8	36.5	37.9	-	33.3	34.0	35.4	-	30.8	31.5	32.9	-	28.3	29.0	30.4	-																				
	S/T	0.63	0.56	0.43	-	0.64	0.57	0.44	-	0.66	0.59	0.46	-	0.68	0.61	0.48	-	0.70	0.63	0.50	-	0.75	0.68	0.55	-	0.79	0.72	0.59	-	0.84	0.77	0.64	-	0.89	0.82	0.69	-	0.94	0.87	0.74	-																				
	ΔT	20	18	14	-	20	18	14	-	20	18	15	-	20	18	14	-	20	18	14	-	21	19	15	-	21	19	14	-	21	19	15	-	21	19	15	-	21	19	15	-																				
	kW	2.84	2.84	2.83	-	3.17	3.16	3.16	-	3.53	3.53	3.52	-	3.93	3.92	3.92	-	4.37	4.37	4.36	-	4.89	4.88	4.88	-	5.41	5.40	5.39	-	5.93	5.92	5.91	-	6.45	6.44	6.43	-	6.97	6.96	6.95	-																				
	Amps	10.2	10.2	10.1	-	11.7	11.7	11.6	-	13.3	13.3	13.3	-	15.1	15.1	15.1	-	17.2	17.2	17.1	-	19.5	19.5	19.5	-	21.9	21.9	21.9	-	24.3	24.3	24.3	-	26.7	26.7	26.7	-	29.1	29.1	29.1	-																				
MBh	47.7	48.4	49.8	-	47.3	48.0	49.4	-	46.1	46.8	48.2	-	44.0	44.7	46.1	-	41.5	42.2	43.5	-	39.2	39.8	41.2	-	36.7	37.4	38.8	-	34.2	34.9	36.3	-	31.7	32.4	33.8	-	29.2	29.9	31.3	-																					
S/T	0.67	0.60	0.47	-	0.68	0.60	0.47	-	0.70	0.63	0.50	-	0.72	0.65	0.52	-	0.74	0.67	0.54	-	0.79	0.72	0.59	-	0.84	0.77	0.64	-	0.89	0.82	0.69	-	0.94	0.87	0.74	-																									
ΔT	19	17	13	-	19	17	13	-	19	17	14	-	19	17	13	-	19	17	13	-	20	18	14	-	20	18	14	-	20	18	14	-	20	18	14	-																									
kW	2.85	2.85	2.85	-	3.18	3.18	3.17	-	3.55	3.54	3.54	-	3.94	3.94	3.93	-	4.39	4.38	4.38	-	4.90	4.90	4.90	-	5.41	5.40	5.39	-	5.93	5.92	5.91	-	6.45	6.44	6.43	-																									
Amps	10.2	10.2	10.2	-	11.7	11.7	11.7	-	13.4	13.4	13.4	-	15.2	15.2	15.2	-	17.2	17.2	17.2	-	19.6	19.6	19.6	-	22.0	22.0	22.0	-	24.4	24.4	24.4	-	26.8	26.8	26.8	-																									
MBh	48.8	49.4	50.8	-	48.4	49.0	50.4	-	47.2	47.8	49.2	-	45.1	45.7	47.1	-	42.5	43.2	44.6	-	40.2	40.9	42.3	-	37.7	38.4	39.8	-	35.3	36.0	37.4	-	32.9	33.6	35.0	-																									
S/T	0.68	0.60	0.48	-	0.68	0.61	0.48	-	0.71	0.63	0.50	-	0.73	0.65	0.52	-	0.75	0.67	0.54	-	1.00	0.72	0.59	-	1.00	0.72	0.59	-	1.00	0.72	0.59	-																													
ΔT	18	16	12	-	18	16	12	-	18	16	13	-	18	16	12	-	18	16	12	-	19	17	13	-	19	17	13	-	19	17	13	-																													
kW	2.87	2.87	2.86	-	3.20	3.19	3.19	-	3.56	3.56	3.55	-	3.96	3.95	3.95	-	4.40	4.40	4.39	-	4.92	4.92	4.91	-	5.44	5.44	5.43	-	5.96	5.96	5.95	-																													
Amps	10.3	10.3	10.3	-	11.8	11.8	11.8	-	13.5	13.5	13.4	-	15.3	15.3	15.2	-	17.3	17.3	17.3	-	19.7	19.7	19.7	-	22.1	22.1	22.1	-	24.5	24.5	24.5	-																													

IDB		OUTDOOR AMBIENT TEMPERATURE																																																											
		75												85												95												105												115											
		65				75				85				95				105				115				125				135				145				155																							
AIRFLOW		59	63	67	71	59	63	67	71	59	63	67	71	59	63	67	71	59	63	67	71	59	63	67	71	59	63	67	71	59	63	67	71	59	63	67	71																								
<b>75</b>	MBh	46.9	47.6	49.0	51.1	46.5	47.2	48.5	50.7	45.3	46.0	47.3	49.5	43.2	43.9	45.3	47.4	40.7	41.3	42.7	44.8	38.4	39.0	40.4	42.5	35.9	36.6	38.0	40.1	33.4	34.1	35.5	37.6	30.9	31.6	33.0	35.1																								
	S/T	0.76	0.68	0.56	0.4	0.76	0.69	0.56	0.4	0.79	0.71	0.59	0.4	0.81	0.73	0.60	0.5	1.00	0.75	0.63	0.5	1.00	0.80	0.67	0.5	1.00	0.84	0.71	0.6	1.00	0.88	0.75	0.6																												
	ΔT	24	22	19	15	24	22	19	15	25	23	19	15	24	22	19	15	24	22	18	15	25	23	20	16	25	23	20	16	25	23	20	16																												
	kW	2.84	2.83	2.83	2.9	3.16	3.16	3.16	3.2	3.53	3.53	3.52	3.5	3.92	3.92	3.92	3.9	4.37	4.36	4.36	4.4	4.89	4.88	4.88	4.9	5.41	5.40	5.39	5.4	5.93	5.92	5.91	5.9																												
	Amps	10.2	10.1	10.1	10.2	11.7	11.6	11.6	11.7	13.3	13.3	13.3	13.4	15.1	15.1	15.1	15.2	17.2	17.2	17.1	17.2	19.5	19.5	19.5	19.6	21.9	21.9	21.9	22.0	24.3	24.3	24.3	24.4																												
MBh	47.8	48.4	49.8	51.9	47.4	48.0	49.4	51.5	46.1	46.8	48.2	50.3	44.1	44.7	46.1	48.2	41.5	42.2	43.6	45.7	39.2	39.9	41.2	43.4	36.7	37.4	38.8	40.9	34.2	34.9	36.3	38.4																													
S/T	0.79	0.72	0.59	0.5	0.80	0.73	0.60	0.5	0.82	0.75	0.62	0.5	0.84	0.77	0.64	0.5	1.00	0.79	0.66	0.5	1.00	0.84	0.71	0.6	1.00	0.88	0.75	0.6	1.00	0.92	0.79	0.6																													
ΔT	23	21	18	14	23	21	18	14	24	22	18	14	23	21	18	14	23	21	17	14	24	22	19	15	24	22	19	15	24	22	19	15																													
kW	2.85	2.85	2.84	2.87	3.18	3.18	3.17	3.20	3.55	3.54	3.54	3.56	3.94	3.93	3.93	3.96	4.38	4.38	4.37	4.40	4.90	4.90	4.89	4.92	5.41	5.40	5.39	5.4	5.93	5.92	5.91	5.9																													
Amps	10.2	10.2	10.2	10.3	11.7	11.7	11.7	11.8	13.4	13.4	13.4	13.5	15.2	15.2	15.2	15.3	17.2	17.2	17.2	17.3	19.6	19.6	19.6	19.7	22.0	22.0	22.0	22.1	24.4	24.4	24.4	24.5																													
MBh	48.8	49.5	50.9	53.0	48.4	49.1	50.4	52.5	47.2	47.8	49.2	51.3	45.1	45.8	47.1	49.3	42.6	43.2	44.6	46.7	40.2	40.9	42.3	44.4	37.7	38.4	39.8	41.9	35.3	36.0	37.4	39.5																													
S/T	0.80	0.73	0.60	0.5	0.81	0.73	0.60	0.5	0.83	0.76	0.63	0.5	0.85	0.78	0.65	0.5	1.00	0.80	0.67	0.5	1.00	0.85	0.72	0.6	1.00	0.89	0.76	0.6	1.00	0.93	0.80	0.6																													
ΔT	22	20	17	13	22	20	17	13	23	21	17	13	22	20	17	13	22	20	16	13	23	21	18	14	23	21	18	14	23	21	18	14																													
kW	2.87	2.86	2.86	2.9	3.19	3.19	3.19	3.2	3.56	3.56	3.55	3.6	3.96	3.95	3.95	4.0	4.40	4.39	4.39	4.4	4.92	4.91	4.91	4.9	5.44	5.44	5.43	5.4	5.96	5.96	5.95	5.9																													
Amps	10.3	10.3	10.3	10.4	11.8	11.8	11.8	11.9	13.5	13.5	13.4	13.5	15.3	15.3	15.2	15.4	17.3	17.3	17.3	17.4	19.7	19.7	19.7	19.8	22.1	22.1	22.1	22.2	24.5	24.5	24.5	24.6																													

IDB: Entering Indoor Dry Bulb Temperature  
 High and low pressures are measured at the liquid and suction service valves.  
 Shaded area reflects ACCA (TVA) conditions  
 kW = Total system power  
 Amps = outdoor unit amps (comp.+fan)

EXPANDED COOLING DATA — ALXS4BA4810A\*+ CAPTA6030A\* (CONT.)

IDB		OUTDOOR AMBIENT TEMPERATURE																																															
		65								75								85								95								105								115							
		AIRFLOW		59	63	67	71	59	63	67	71	ENTERING INDOOR WET BULB TEMPERATURE				59	63	67	71	ENTERING INDOOR WET BULB TEMPERATURE				59	63	67	71	ENTERING INDOOR WET BULB TEMPERATURE				59	63	67	71														
<b>80</b>	MBh	47.2	47.8	49.2	51.3	46.8	47.4	48.8	50.9	45.5	46.2	47.6	49.7	43.5	44.1	45.5	47.6	40.9	41.6	43.0	45.1	38.6	39.3	40.6	42.8																								
	S/T	0.88	0.80	0.68	0.5	0.88	0.81	0.68	0.5	1.00	0.83	0.70	0.6	1.00	0.85	0.72	0.6	1.00	0.87	0.74	0.6	1.00	0.92	0.79	0.7																								
	ΔT	29	27	23	19	29	27	23	19	29	27	23	20	29	27	23	19	28	26	23	19	30	28	24	20																								
	kW	2.84	2.84	2.83	2.9	3.17	3.16	3.16	3.2	3.53	3.53	3.52	3.5	3.93	3.92	3.92	3.9	4.37	4.37	4.36	4.4	4.89	4.88	4.88	4.9																								
	Amps	10.2	10.2	10.1	10.2	11.7	11.7	11.6	11.7	13.3	13.3	13.3	13.4	15.1	15.1	15.1	15.2	17.2	17.2	17.1	17.2	19.5	19.5	19.5	19.6																								
<b>1400</b>	MBh	48.0	48.7	50.0	52.2	47.6	48.3	49.6	51.7	46.4	47.0	48.4	50.5	44.3	45.0	<b>46.3</b>	48.5	41.8	42.4	43.8	45.9	39.4	40.1	41.5	43.6																								
	S/T	0.91	0.84	0.71	0.6	0.92	0.85	0.72	0.6	1.00	0.87	0.74	0.6	1.00	0.89	<b>0.76</b>	0.6	1.00	0.91	0.78	0.6	1.00	0.96	0.83	0.7																								
	ΔT	28	26	22	18	28	26	22	18	28	26	22	18	28	26	<b>22</b>	18	27	25	22	18	29	27	23	19																								
	kW	2.85	2.85	2.85	2.87	3.18	3.18	3.17	3.20	3.55	3.54	3.54	3.56	3.94	3.94	<b>3.93</b>	3.96	4.38	4.38	4.38	4.40	4.90	4.90	4.90	4.92																								
	Amps	10.2	10.2	10.2	10.3	11.7	11.7	11.7	11.8	13.4	13.4	13.4	13.5	15.2	15.2	<b>15.2</b>	15.3	17.2	17.2	17.2	17.3	19.6	19.6	19.6	19.7																								
<b>1800</b>	MBh	49.1	49.7	51.1	53.2	48.6	49.3	50.7	52.8	47.4	48.1	49.5	51.6	45.4	46.0	47.4	49.5	42.8	43.5	44.8	47.0	40.5	41.1	42.5	44.6																								
	S/T	0.92	0.85	0.72	0.6	1.00	0.85	0.72	0.6	1.00	0.88	0.75	0.6	1.00	0.90	0.77	0.6	1.00	0.92	0.79	0.7	1.00	1.00	0.84	0.7																								
	ΔT	27	25	21	17	27	25	21	17	27	25	21	17	27	25	21	17	26	24	21	17	28	26	22	18																								
	kW	2.87	2.87	2.86	2.9	3.20	3.19	3.19	3.2	3.56	3.56	3.55	3.6	3.96	3.95	3.95	4.0	4.40	4.40	4.39	4.4	4.92	4.91	4.91	4.9																								
	Amps	10.3	10.3	10.3	10.4	11.8	11.8	11.8	11.9	13.5	13.5	13.4	13.6	15.3	15.3	15.2	15.4	17.3	17.3	17.3	17.4	19.7	19.7	19.7	19.8																								

IDB		OUTDOOR AMBIENT TEMPERATURE																																															
		65								75								85								95								105								115							
		AIRFLOW		59	63	67	71	59	63	67	71	ENTERING INDOOR WET BULB TEMPERATURE				59	63	67	71	ENTERING INDOOR WET BULB TEMPERATURE				59	63	67	71	ENTERING INDOOR WET BULB TEMPERATURE				59	63	67	71														
<b>85</b>	MBh	47.9	48.6	50.0	52.1	47.5	48.2	49.6	51.7	46.3	47.0	48.4	50.5	44.2	44.9	46.3	48.4	41.7	42.4	43.7	45.9	39.4	40.0	41.4	43.5																								
	S/T	1.00	0.90	0.77	0.6	1.00	0.91	0.78	0.6	1.00	0.93	0.80	0.7	1.00	0.95	0.82	0.7	1.00	1.00	0.84	0.7	1.00	1.00	0.89	0.8																								
	ΔT	33	31	27	23	33	31	27	23	33	31	27	23	33	31	27	23	32	30	27	23	34	32	28	24																								
	kW	2.84	2.84	2.84	2.9	3.17	3.17	3.16	3.2	3.54	3.53	3.53	3.6	3.93	3.93	3.92	3.9	4.37	4.37	4.37	4.4	4.89	4.89	4.89	4.9																								
	Amps	10.2	10.2	10.2	10.3	11.7	11.7	11.7	11.8	13.4	13.4	13.3	13.4	15.2	15.2	15.1	15.3	17.2	17.2	17.2	17.3	19.6	19.6	19.6	19.6																								
<b>1600</b>	MBh	48.8	49.4	50.8	52.9	48.4	49.0	50.4	52.5	47.2	47.8	49.2	51.3	45.1	45.7	47.1	49.2	42.5	43.2	44.6	46.7	40.2	40.9	42.3	44.4																								
	S/T	1.00	0.94	0.81	0.7	1.00	0.94	0.81	0.7	1.00	0.97	0.84	0.7	1.00	0.98	0.86	0.7	1.00	1.00	0.88	0.7	1.00	1.00	0.93	0.8																								
	ΔT	32	30	26	22	31	30	26	22	32	30	26	22	31	29	26	22	31	29	26	22	32	30	27	23																								
	kW	2.86	2.86	2.85	2.88	3.19	3.19	3.18	3.20	3.55	3.55	3.55	3.57	3.95	3.95	3.94	3.97	4.39	4.39	4.38	4.41	4.91	4.91	4.90	4.93																								
	Amps	10.3	10.3	10.2	10.3	11.8	11.8	11.7	11.8	13.4	13.4	13.4	13.5	15.2	15.2	15.2	15.3	17.3	17.3	17.2	17.3	19.6	19.6	19.6	19.7																								
<b>1800</b>	MBh	49.8	50.5	51.9	54.0	49.4	50.1	51.5	53.6	48.2	48.9	50.2	52.4	46.1	<b>46.8</b>	48.2	50.3	43.6	44.2	45.6	47.7	41.3	41.9	43.3	45.4																								
	S/T	1.00	0.94	0.81	0.7	1.00	0.95	0.82	0.7	1.00	0.97	0.84	0.7	1.00	1.00	0.86	0.7	1.00	1.00	0.88	0.7	1.00	1.00	0.93	0.8																								
	ΔT	31	29	25	21	30	29	25	21	31	29	25	21	30	<b>28</b>	25	21	30	28	25	21	31	29	26	22																								
	kW	2.87	2.87	2.87	2.9	3.20	3.20	3.19	3.2	3.57	3.56	3.56	3.6	3.96	3.96	3.95	4.0	4.41	4.40	4.40	4.4	4.92	4.92	4.92	4.9																								
	Amps	10.3	10.3	10.3	10.4	11.8	11.8	11.8	11.9	13.5	13.5	13.5	13.6	15.3	15.3	15.3	15.4	17.3	17.3	17.3	17.4	19.7	19.7	19.7	19.8																								

IDB: Entering Indoor Dry Bulb Temperature  
 High and low pressures are measured at the liquid and suction service valves.  
 Shaded area reflects AHRI conditions  
 kW = Total system power  
 Amps = outdoor unit amps (comp.+fan)





EXPANDED COOLING DATA — ALXS4BA6010A\*+ CAPTA6030A\* (CONT.)

IDB	AIRFLOW	OUTDOOR AMBIENT TEMPERATURE																							
		65				75				85				95				105				115			
		59	63	67	71	59	63	67	71	59	63	67	71	59	63	67	71	59	63	67	71	59	63	67	71
80	MBh	59.1	59.9	61.6	64.3	58.6	59.4	61.1	63.8	57.1	57.9	59.6	62.3	54.4	55.3	57.0	59.6	51.3	52.1	53.8	56.5	48.4	49.2	50.9	53.6
	S/T	0.83	0.76	0.64	0.5	0.84	0.77	0.64	0.5	0.86	0.79	0.67	0.5	1.00	0.81	0.68	0.6	1.00	0.83	0.70	0.6	1.00	0.87	0.75	0.6
	ΔT	31	29	25	21	31	29	25	21	32	29	25	21	31	29	25	21	31	29	25	21	32	30	26	22
	kW	3.66	3.65	3.65	3.7	4.10	4.10	4.09	4.1	4.60	4.60	4.59	4.6	5.14	5.14	5.13	5.2	5.74	5.74	5.73	5.8	6.45	6.45	6.44	6.5
	Amps	13.7	13.7	13.7	13.8	15.7	15.7	15.7	15.9	18.0	18.0	18.0	18.1	20.5	20.5	20.4	20.6	23.3	23.2	23.2	23.4	26.5	26.5	26.4	26.6
	MBh	61.9	62.8	64.5	67.1	61.4	62.2	64.0	66.6	59.9	60.7	62.5	65.1	57.3	58.1	59.9	62.5	54.1	54.9	56.7	59.3	51.2	52.0	53.8	56.4
	S/T	0.87	0.80	0.68	0.5	0.87	0.80	0.68	0.6	1.00	0.83	0.70	0.6	1.00	0.84	0.72	0.6	1.00	0.86	0.74	0.6	1.00	0.91	0.79	0.7
	ΔT	29	27	23	18	29	27	23	18	29	27	23	19	29	26	22	18	28	26	22	18	30	28	24	19
	kW	3.70	3.70	3.69	3.73	4.15	4.15	4.14	4.17	4.65	4.65	4.64	4.67	5.19	5.18	5.18	5.21	5.79	5.79	5.78	5.81	6.50	6.49	6.49	6.52
	Amps	13.9	13.9	13.9	14.0	16.0	15.9	15.9	16.1	18.2	18.2	18.2	18.4	20.7	20.7	20.7	20.8	23.5	23.5	23.4	23.6	26.7	26.7	26.7	26.8
MBh	64.0	64.8	66.5	69.2	63.4	64.3	66.0	68.6	61.9	62.7	64.5	67.1	59.3	60.1	61.9	64.5	56.1	57.0	58.7	61.3	53.2	54.1	55.8	58.4	
S/T	0.83	0.77	0.64	0.5	0.84	0.77	0.65	0.5	1.00	0.79	0.67	0.5	1.00	0.81	0.69	0.6	1.00	0.83	0.71	0.6	1.00	0.88	0.76	0.6	
ΔT	28	25	21	17	27	25	21	17	28	26	22	17	27	25	21	17	27	25	21	17	29	26	22	18	
kW	3.72	3.72	3.71	3.7	4.17	4.17	4.16	4.2	4.67	4.67	4.66	4.7	5.21	5.20	5.20	5.2	5.81	5.81	5.80	5.8	6.52	6.51	6.51	6.5	
Amps	14.0	14.0	14.0	14.1	16.1	16.0	16.0	16.2	18.3	18.3	18.3	18.4	20.8	20.8	20.8	20.9	23.6	23.5	23.5	23.7	26.8	26.8	26.7	26.9	

IDB	AIRFLOW	OUTDOOR AMBIENT TEMPERATURE																							
		65				75				85				95				105				115			
		59	63	67	71	59	63	67	71	59	63	67	71	59	63	67	71	59	63	67	71	59	63	67	71
85	MBh	60.1	60.9	62.6	65.3	59.5	60.4	62.1	64.7	58.0	58.8	60.6	63.2	55.4	56.2	58.0	60.6	52.2	53.1	54.8	57.4	49.3	50.2	51.9	54.5
	S/T	0.92	0.85	0.73	0.6	1.00	0.86	0.74	0.6	1.00	0.88	0.76	0.6	1.00	0.90	0.78	0.6	1.00	0.92	0.80	0.7	1.00	1.00	0.84	0.7
	ΔT	36	33	29	25	36	33	29	25	36	34	30	26	36	33	29	25	35	33	29	25	37	34	30	26
	kW	3.66	3.66	3.65	3.7	4.11	4.11	4.10	4.1	4.61	4.61	4.60	4.6	5.15	5.15	5.14	5.2	5.75	5.75	5.74	5.8	6.46	6.46	6.45	6.5
	Amps	13.7	13.7	13.7	13.8	15.8	15.8	15.7	15.9	18.1	18.1	18.0	18.2	20.5	20.5	20.5	20.6	23.3	23.3	23.2	23.4	26.5	26.5	26.5	26.6
	MBh	62.9	63.7	65.5	68.1	62.4	63.2	65.0	67.6	60.9	61.7	63.4	66.1	58.3	59.1	60.8	63.5	55.1	55.9	57.7	60.3	52.2	53.0	54.7	57.4
	S/T	1.00	0.89	0.77	0.6	1.00	0.89	0.77	0.6	1.00	0.92	0.80	0.7	1.00	0.93	0.81	0.7	1.00	0.95	0.83	0.7	1.00	1.00	0.88	0.8
	ΔT	33	31	27	23	33	31	27	23	33	31	27	23	33	31	27	23	33	30	26	22	34	32	28	24
	kW	3.71	3.71	3.70	3.74	4.16	4.16	4.15	4.18	4.66	4.65	4.65	4.68	5.20	5.19	5.19	5.22	5.80	5.80	5.79	5.82	6.51	6.50	6.50	6.53
	Amps	14.0	13.9	13.9	14.1	16.0	16.0	16.0	16.1	18.3	18.3	18.2	18.4	20.8	20.7	20.7	20.9	23.5	23.5	23.5	23.6	26.7	26.7	26.7	26.9
MBh	64.9	65.8	67.5	70.1	64.4	65.2	67.0	69.6	62.9	63.7	65.5	68.1	60.3	61.1	62.9	65.5	57.1	57.9	59.7	62.3	54.2	55.0	56.8	59.4	
S/T	1.00	0.86	0.74	0.6	1.00	0.86	0.74	0.6	1.00	0.89	0.76	0.6	1.00	0.90	0.78	0.7	1.00	1.00	0.80	0.7	1.00	1.00	0.85	0.7	
ΔT	32	30	26	21	32	30	26	21	32	30	26	22	32	30	26	21	31	29	25	21	33	31	27	22	
kW	3.73	3.73	3.72	3.8	4.18	4.18	4.17	4.2	4.68	4.67	4.67	4.7	5.22	5.21	5.21	5.2	5.82	5.82	5.81	5.8	6.53	6.52	6.52	6.5	
Amps	14.1	14.0	14.0	14.2	16.1	16.1	16.0	16.2	18.4	18.4	18.3	18.5	20.8	20.8	20.8	21.0	23.6	23.6	23.6	23.7	26.8	26.8	26.8	26.9	

IDB: Entering Indoor Dry Bulb Temperature  
 High and low pressures are measured at the liquid and suction service valves.  
 Shaded area reflects AHRI conditions  
 kW = Total system power  
 Amps = outdoor unit amps (comp.+fan)

PERFORMANCE DATA

ALXS4BA1810*/CAPTA2422*				
CONDITIONS: 80 °F IBD, 67 °F IWB @ 525 CFM				
OUTDOOR TEM. ° F.	TOTAL BTU/H	SENSIBLE BTU/H	LATENT BTU/H	TOTAL WATTS
75	18,870	12,590	6,280	1,230
80	18,635	12,650	5,985	1,300
85	18,400	12,710	5,690	1,370
90	18,000	12,590	5,410	1,445
<b>95</b>	<b>17,600</b>	<b>12,470</b>	<b>5,130</b>	<b>1,520</b>
100	17,110	12,295	4,815	1,600
105	16,620	12,120	4,500	1,680
110	16,170	12,170	4,000	1,775
115	15,720	12,220	3,500	1,870
TVA CONDITIONS @ 95° OD DB, 75° ID DB 63° ID WB				
95°	16,970	12,190	4,780	1,520

ALXS4BA2410*/CAPTA2422*				
CONDITIONS: 80 °F IBD, 67 °F IWB @ 750 CFM				
OUTDOOR TEM. ° F.	TOTAL BTU/H	SENSIBLE BTU/H	LATENT BTU/H	TOTAL WATTS
75	25,310	17,230	8,080	1,650
80	24,995	17,315	7,680	1,740
85	24,680	17,400	7,280	1,830
90	24,140	17,235	6,905	1,930
<b>95</b>	<b>23,600</b>	<b>17,070</b>	<b>6,530</b>	<b>2,030</b>
100	22,940	16,830	6,110	2,145
105	22,280	16,590	5,690	2,260
110	21,680	16,660	5,020	2,390
115	21,080	16,730	4,350	2,520
TVA CONDITIONS @ 95° OD DB, 75° ID DB 63° ID WB				
95°	22,760	16,680	6,080	2,030

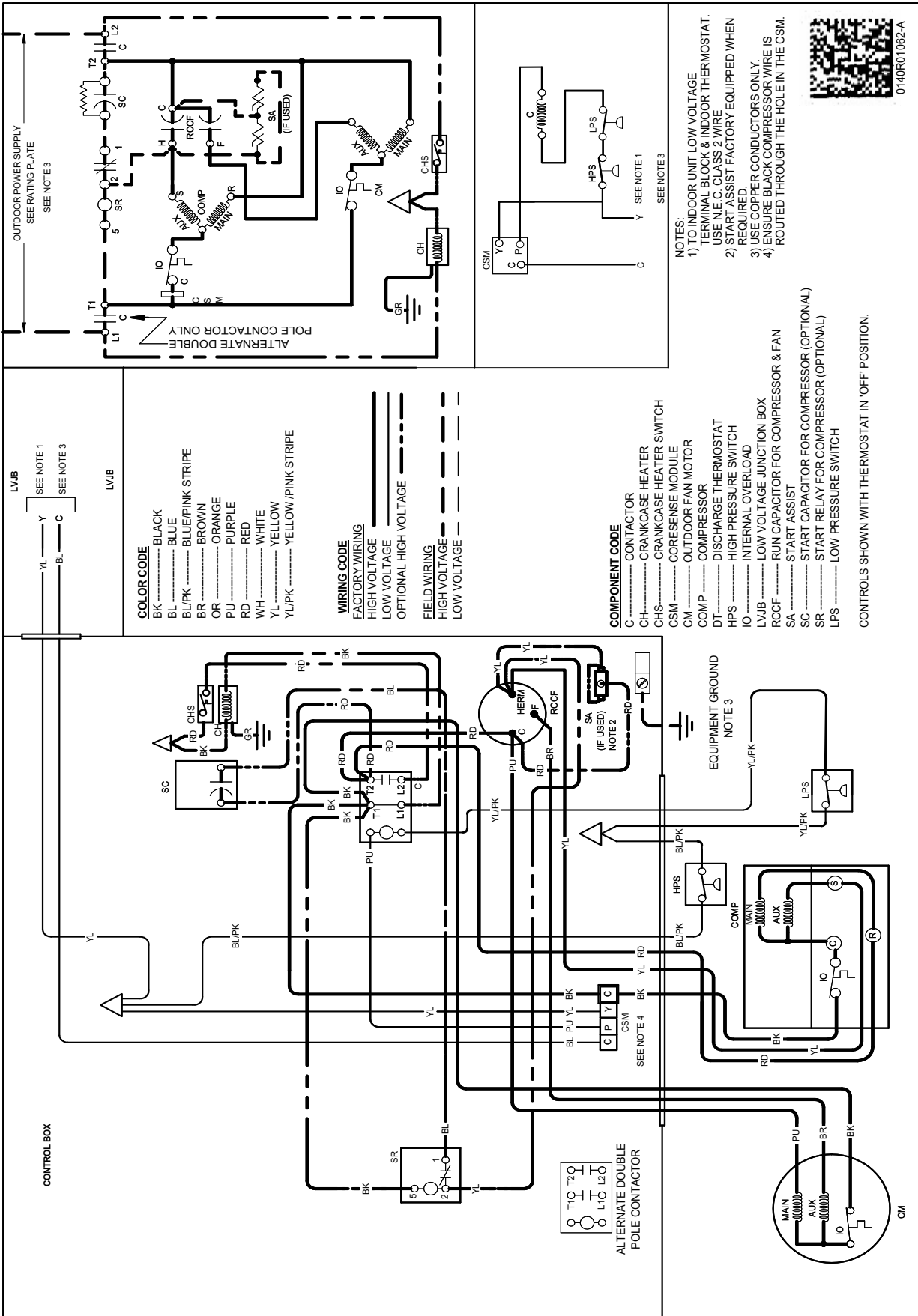
ALXS4BA3010*/CAPTA3026*				
CONDITIONS: 80 °F IBD, 67 °F IWB @ 900 CFM				
OUTDOOR TEM. ° F.	TOTAL BTU/H	SENSIBLE BTU/H	LATENT BTU/H	TOTAL WATTS
75	30,240	21,070	9,170	1,970
80	29,865	21,170	8,695	2,080
85	29,490	21,270	8,220	2,190
90	28,845	21,075	7,770	2,310
<b>95</b>	<b>28,200</b>	<b>20,880</b>	<b>7,320</b>	<b>2,430</b>
100	27,410	20,580	6,830	2,565
105	26,620	20,280	6,340	2,700
110	25,905	20,365	5,540	2,855
115	25,190	20,450	4,740	3,010
TVA CONDITIONS @ 95° OD DB, 75° ID DB 63° ID WB				
95°	27,190	20,400	6,790	2,430

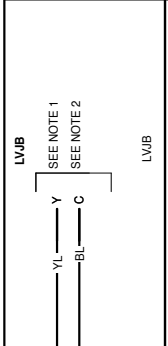
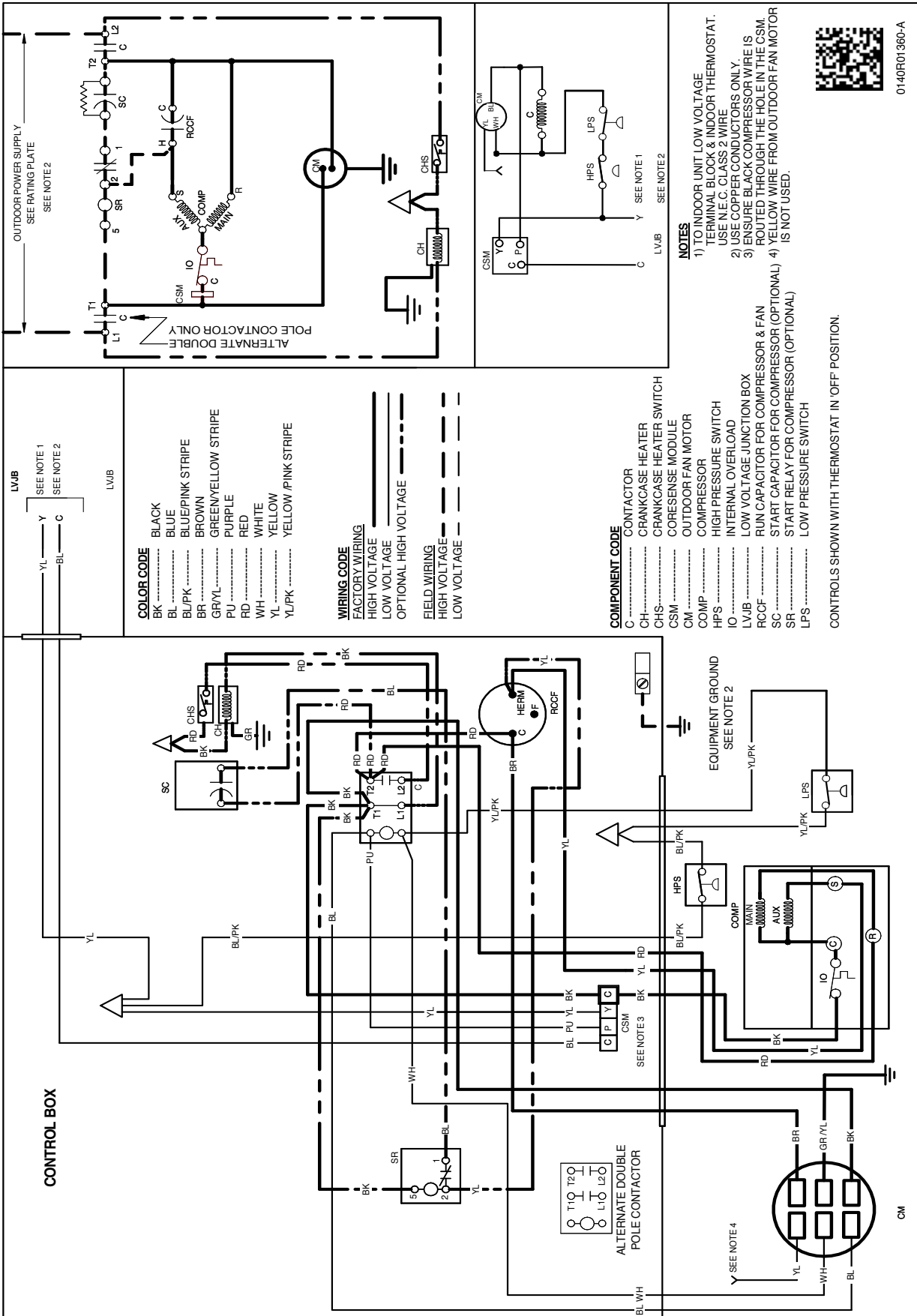
ALXS4BA3610*/CAPTA3626*				
CONDITIONS: 80 °F IBD, 67 °F IWB @ 1138 CFM				
OUTDOOR TEM. ° F.	TOTAL BTU/H	SENSIBLE BTU/H	LATENT BTU/H	TOTAL WATTS
75	36,670	26,080	10,590	2,380
80	36,215	26,205	10,010	2,515
85	35,760	26,330	9,430	2,650
90	34,980	26,085	8,895	2,795
<b>95</b>	<b>34,200</b>	<b>25,840</b>	<b>8,360</b>	<b>2,940</b>
100	33,245	25,475	7,770	3,105
105	32,290	25,110	7,180	3,270
110	31,420	25,215	6,205	3,460
115	30,550	25,320	5,230	3,650
TVA Conditions @ 95° OD DB, 75° ID DB 63° ID WB				
95°	32,980	25,250	7,730	2,950

ALXS4BA4210*/CAPTA4230*				
CONDITIONS: 80 °F IBD, 67 °F IWB @ 1435 CFM				
OUTDOOR TEM. ° F.	TOTAL BTUH	SENSIBLE BTUH	LATENT BTUH	TOTAL WATTS
75	42,890	31,170	11,720	2,800
80	42,360	31,315	11,045	2,955
85	41,830	31,460	10,370	3,110
90	40,915	31,170	9,745	3,275
<b>95</b>	<b>40,000</b>	<b>30,880</b>	<b>9,120</b>	<b>3,440</b>
100	38,885	30,440	8,445	3,630
105	37,770	30,000	7,770	3,820
110	36,750	30,125	6,625	4,040
115	35,730	30,250	5,480	4,260
TVA Conditions @ 95° OD DB, 75° ID DB 63° ID WB				
95°	38,570	30,180	8,390	3,450

ALXS4BA4810*/CAPT6030*				
CONDITIONS: 80 °F IBD, 67 °F IWB @ 1400 CFM				
OUTDOOR TEM. ° F.	TOTAL BTUH	SENSIBLE BTUH	LATENT BTUH	TOTAL WATTS
75	48,790	33,230	15,560	3,160
80	48,185	33,385	14,800	3,340
85	47,580	33,540	14,040	3,520
90	46,540	33,230	13,310	3,720
<b>95</b>	<b>45,500</b>	<b>32,920</b>	<b>12,580</b>	<b>3,920</b>
100	44,230	32,455	11,775	4,140
105	42,960	31,990	10,970	4,360
110	41,800	32,120	9,680	4,620
115	40,640	32,250	8,390	4,880
TVA Conditions @ 95° OD DB, 75° ID DB 63° ID WB				
95°	43,880	32,170	11,710	3,920

ALXS4BA6010*/CAPTA6030*				
CONDITIONS: 80 °F IBD, 67 °F IWB @ 1500 CFM				
OUTDOOR TEM. ° F.	TOTAL BTUH	SENSIBLE BTUH	LATENT BTUH	TOTAL WATTS
75	61,120	39,380	21,740	4,090
80	60,360	39,565	20,795	4,340
85	59,600	39,750	19,850	4,590
90	58,300	39,380	18,920	4,860
<b>95</b>	<b>57,000</b>	<b>39,010</b>	<b>17,990</b>	<b>5,130</b>
100	55,410	38,460	16,950	5,430
105	53,820	37,910	15,910	5,730
110	52,365	38,065	14,300	6,085
115	50,910	38,220	12,690	6,440
TVA Conditions @ 95° OD DB, 75° ID DB 63° ID WB				
95°	54,970	38,130	16,840	5,130





**COLOR CODE**

BK	.....	BLACK
BL	.....	BLUE
BL/PK	.....	BLUE/PINK STRIPE
BR	.....	BROWN
GR/YL	.....	GREEN/YELLOW STRIPE
PU	.....	PURPLE
RD	.....	RED
WH	.....	WHITE
YL	.....	YELLOW
YL/PK	.....	YELLOW/PINK STRIPE

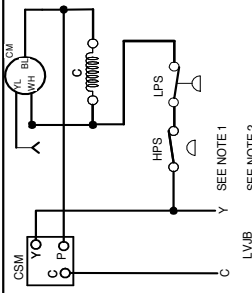
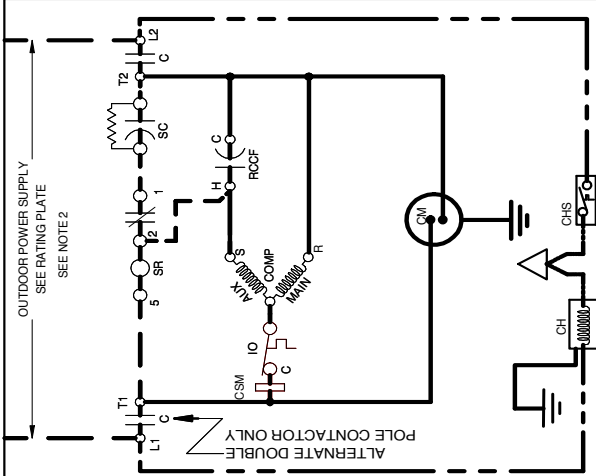
**WIRING CODE**

—————	FACTORY WIRING
—————	HIGH VOLTAGE
—————	LOW VOLTAGE
-----	OPTIONAL HIGH VOLTAGE
—————	FIELD WIRING
—————	HIGH VOLTAGE
-----	LOW VOLTAGE

**COMPONENT CODE**

C	.....	CONTACTOR
CH	.....	CRANKCASE HEATER
CHS	.....	CRANKCASE HEATER SWITCH
CSM	.....	CORESENSE MODULE
CM	.....	COMPRESSOR
COMP	.....	COMPRESSOR
HPS	.....	HIGH PRESSURE SWITCH
IO	.....	INTERNAL OVERLOAD
LVJB	.....	LOW VOLTAGE JUNCTION BOX
RCCF	.....	RUN CAPACITOR FOR COMPRESSOR & FAN
SC	.....	START RELAY FOR COMPRESSOR (OPTIONAL)
SR	.....	START RELAY FOR COMPRESSOR (OPTIONAL)
LPS	.....	LOW PRESSURE SWITCH

CONTROLS SHOWN WITH THERMOSTAT IN 'OFF' POSITION.



**NOTES**

- 1) TO INDOOR UNIT LOW VOLTAGE TERMINAL BLOCK & INDOOR THERMOSTAT. USE N.E.C. CLASS 2 WIRE
- 2) USE COPPER CONDUCTORS ONLY
- 3) ENSURE BLACK COMPRESSOR WIRE IS ROUTED THROUGH THE HOLE IN THE CSM
- 4) YELLOW WIRE FROM OUTDOOR FAN MOTOR IS NOT USED.



0140F01360-A

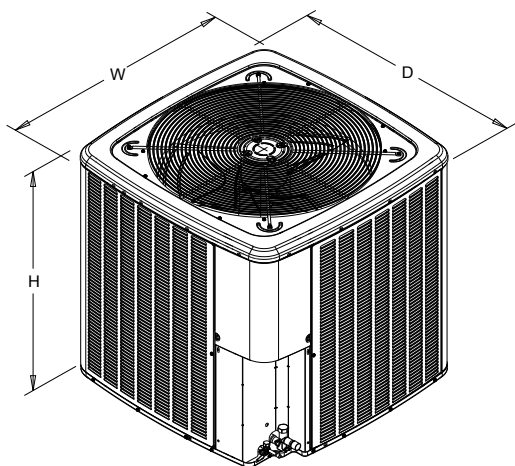
Wiring is subject to change. Always refer to the wiring diagram or the unit for the most up-to-date wiring.



**WARNING**

**High Voltage:** Disconnect all power before servicing or installing this unit. Multiple power sources may be present. Failure to do so may cause property damage, personal injury, or death.

## DIMENSIONS



MODEL	DIMENSIONS		
	W"	D"	H"
ALXS4BA1810A*	26	26	27
ALXS4BA2410A*	26	26	32½
ALXS4BA3010A*	29	29	35¾
ALXS4BA3610A*	29	29	39½
ALXS4BA4210A*	35½	35½	35¾
ALXS4BA4810A*	35½	35½	35¾
ALXS4BA6010A*	35½	35½	39¾

## ACCESSORIES

Model	Description	ALXS4B A1810A*	ALXS4B A2410A*	ALXS4B A3010A*	ALXS4B A3610A*	ALXS4B A4210A*	ALXS4B A4810A*	ALXS4B A6010A*
ABK-20	Anchor Bracket Kit ^	X	X	X	X	X	X	X
ASC01A	Anti-Short Cycle Kit	X	X	X	X	X	X	X
CSR-U-1	Hard-start Kit	X	X	X	X			
CSR-U-2	Hard-start Kit					X	X	X
CSR-U-3	Hard-start Kit						X	X
FSK01A <sup>1</sup>	Freeze Protection Kit	X	X	X	X	X	X	X
LSK02A <sup>2</sup>	Liquid Line Solenoid Kit	X	X	X	X	X	X	X
LAKT01	Low-Ambient Kit	X	X	X	X	X	X	
0130R00000S	Low-Pressure Switch Kit	X	X	X	X	X	X	X

<sup>0</sup> Contains 20 brackets; four brackets needed to anchor unit to pad

<sup>1</sup> Installed on indoor coil

<sup>2</sup> Condensing units and heat pumps with reciprocating or rotary compressors require the use of start-assist components when used in conjunction with an indoor coil using a non-bleed thermal expansion valve refrigerant metering device or liquid line solenoid kit. The TXV should always be sized based on the tonnage of the outdoor unit.

**All AHRI system ratings are accessible in the System Configurator tool via PartnerLink.**



