

# PRPDF16

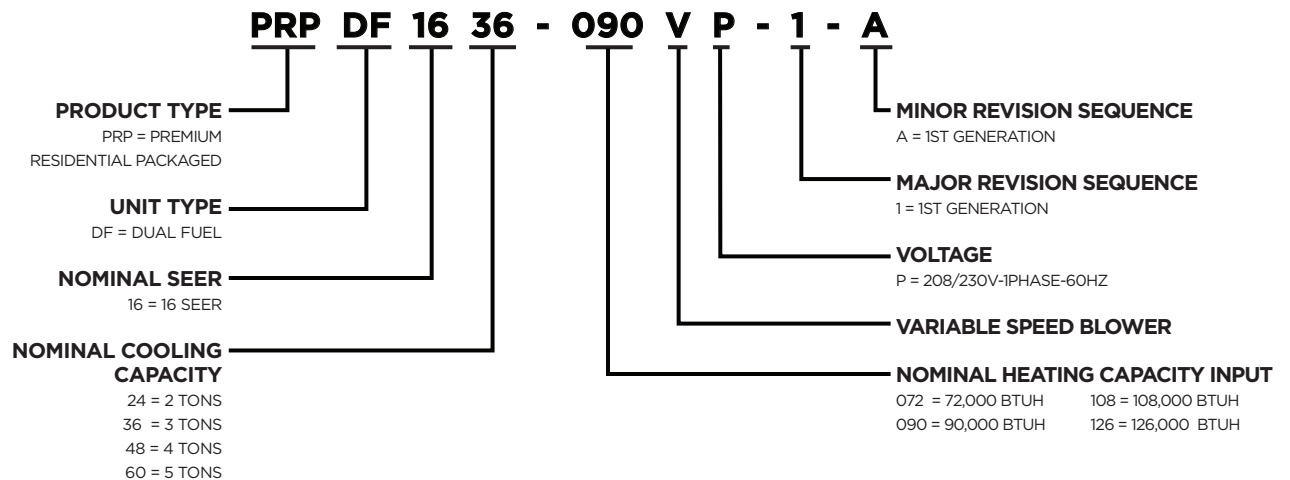
## PRODUCT SPECIFICATIONS

SINGLE STAGE GAS VALVE  
TWO STAGE COMPRESSOR  
VARIABLE SPEED BLOWER

FORM NO. PRPDF16-100 (11/2022)



### MODEL NUMBER



## FEATURES AND BENEFITS

### WARRANTY

10 year limited parts and compressor warranty available. See limited warranty document for details.

### APPLICATIONS

Designed for outdoor installations at ground level or rooftop for residential and light commercial applications.

### APPROVALS

AHRI Certified to AHRI Standard 210/240-2008.

Units are design certified by ETL Intertek.

Heating ratings are according to Department of Energy (DOE) test procedures and Federal Trade Commission (FTC) labeling regulations and are Certified by AHRI.

Cooling system rated according to DOE test procedures.

Units are ETL certified for the U.S. and Canada.

Packaged unit and components within bonded for grounding to meet safety standards required by UL.

Each unit test operated at the factory before shipment ensuring dependable operation at start-up.

Seismic Certification (with Seismic Strapping Kit applied): Latest Edition of International Building Code, California Building Code, and ASCE 7-16.

#### California Only

*If installed in South Coast Air Quality Management District (SCAQMD) only: This furnace does not meet the SCAQMD Rule 1111 NOx emission limit (14 ng/J), and thus is subject to a mitigation fee of up to \$450. This furnace is not eligible for the Clean Air Furnace Rebate Program: [www.CleanAirFurnaceRebate.com](http://www.CleanAirFurnaceRebate.com).*

*If installed in San Joaquin Valley Air Pollution Control District (SJVAPCD) only: This furnace does not meet the SJVAPCD Rule 4905 NOx emission limit (14 ng/J), and thus is subject to a mitigation fee of up to \$450.*

### HEATING SYSTEM

#### Heat Exchanger

Aluminized tubular steel for superior resistance to corrosion and oxidation.

Round surfaces create minimum air resistance and allow air to surround all surfaces for excellent heat transfer.

Heat exchanger has been laboratory life cycle tested.

#### Tri-Diamond Technology

This unique, advanced design allows more air to contact the tubular heat exchanger, providing greater heat transfer and efficiency.

Optimal heat exchange allows for a more compact and energy-efficient design.

The Tri-Diamond design eliminates issues caused by condensation developed during the cooling season leading to reliable startup every season.

Without a fresh air intake, Tri-Diamond also reduces oxide formation and corrosion caused by recirculation.

#### Inshot Burners

Aluminized steel inshot burners provide efficient trouble free operation.

Burner venturi mixes air and gas in correct proportion for proper combustion.

Burner assembly is removable from the unit as a single component for ease of service and each burner may be removed individually.

#### Single-Stage Gas Control Valve

24 volt redundant combination single -stage gas control valve combines manual shut off valve (On-Off), automatic electric valve and gas pressure regulation into a compact combination control.

#### Single-Stage Combustion Air Inducer

Heavy duty combustion air inducer prepurges heat exchanger and safely vents flue products.

Blower is controlled by the ignition control board.

Pressure switch proves blower operation before allowing gas valve to open.

Combustion air inducer operates during heating cycle.

Inducer also operates for the first 10 seconds of every cooling cycle to prevent insects from nesting in the flue outlet during cooling season.

#### Limit Controls

Automatic reset, primary limit is accurately located.

Primary limit factory installed behind heat exchanger access panel.

#### Flame Rollout Switch

Manual reset switch is factory installed on burner box.

Switch provides protection from abnormal operating conditions.

#### Ignition Control Board

Ignition control board with LED diagnostics.

### Optional Accessories

#### LPG/Propane Conversion Kit

Required for field changeover from natural gas to LPG/Propane.

#### Bottom Gas Entry Kit

Allows gas piping connection through the unit base pan.

### REFRIGERATION SYSTEM

#### R-410A Refrigerant

Non-chlorine, ozone friendly, R-410A.

Unit pre-charged with refrigerant.

See Specification table.

#### Insulated Antimicrobial Evaporator Coil Drain Pan

Antimicrobial additive resists growth of mold and mildew on drain pan which improves indoor air quality and reduces drain line blockage.

Insulated to reduce condensation.

Includes drain pan overflow switch. Monitors condensate level in drain pan, shuts down unit if drain becomes clogged.

#### Outdoor Coil Fan

Weather protected heavy duty condenser fan motor with coated steel swept wing fan blades for long life.

Internally mounted.

Totally enclosed motor.

Fan guard constructed of corrosion-resistant coated steel.

#### Reversing Valve

4-way interchange reversing valve effects a rapid change in direction of refrigerant flow resulting in quick changeover from cooling to heating and vice versa.

#### High Pressure Switch

Shuts off unit if abnormal operating conditions cause the discharge pressure to rise above setting.

#### Loss of Charge Switch

Provides loss of charge protection by shutting off unit if liquid pressure falls below setting.

### SCROLL COMPRESSOR

#### Two-Stage Compressor

Compressor features high efficiency with uniform suction flow, constant discharge flow, high volumetric efficiency and quiet operation.

Compressor consists of two involute spiral scrolls matched together to generate a series of crescent shaped gas pockets between them.

During compression, one scroll remains stationary while the other scroll orbits around it.

Gas is drawn into the outer pocket, the pocket is sealed as the scroll rotates.

As the spiral movement continues, gas pockets are pushed to the center of the scrolls. Volume between the pockets is simultaneously reduced.

When the pocket reaches the center, gas is now at high pressure and is forced out of a port located in the center of the fixed scrolls. During compression, several pockets are compressed simultaneously resulting in a smooth continuous compression cycle.

Continuous flank contact, maintained by centrifugal force, minimizes gas leakage and maximizes efficiency.

Scroll compressor is tolerant to the effects of slugging and contaminants. If this occurs, scrolls separate, allowing liquid or contaminants to be worked toward the center and discharged.

During the compression process, there are several pockets in the scroll that are compressing gas. Modulation is achieved by venting a portion of the gas in the first suction pocket back to the low side of the compressor thereby reducing the effective displacement of the compressor.

A 24-volt DC solenoid valve inside the compressor controls staging. When the 3-way solenoid is energized it moves the lift ring assembly to block the ports and the compressor operates at full-load or 100% capacity. When the solenoid is de-energized the lift ring assembly moves to unblock the compressor ports and the compressor operates at part-load or approximately 67% of its full-load capacity.

The “loading” and “unloading” of the two stage scroll is done “on the fly” without shutting off the single-speed compressor motor between stages.

Low gas pulses during compression reduces operational sound levels.

Compressor motor is internally protected from excessive current and temperature.

Compressor is installed in the unit on specially formulated, resilient rubber mounts for better sound dampening and vibration free operation.

#### **Heavy Duty Compressor Blanket**

Durable PVC outer cover with sound insulating inner polyester fiber.

#### **Optional Accessories**

##### **Compressor Hard Start Kit**

Single-phase units are equipped with a PSC compressor motor. This type of motor normally doesn't need a potential relay and start capacitor.

In conditions such as low voltage, this kit may be required to increase the compressor starting torque.

##### **Compressor Timed-Off Control**

Prevents compressor short-cycling and allows time for suction and discharge pressure to equalize. Permits compressor start-up in an unloaded condition. Automatic reset with 5 minute delay between compressor shut-off and start-up.

##### **Freezestat**

Senses suction line temperature.

Cycles compressor off when suction line temperature falls below its setpoint.

##### **Low Ambient Kit**

Cycles the outdoor fan while allowing compressor operation in the cooling cycle.

This intermittent fan operation allows the system to operate without icing the evaporator coil and losing capacity.

Designed for use in ambient temperatures no lower than 0°F.

NOTE - Crankcase heater and freezestat are recommended on compressor equipped with a low ambient kit.

#### **SUPPLY AIR BLOWER**

##### **Direct Drive Blower**

Each blower wheel statically and dynamically balanced.

Multi-speed operation is achieved by the use of an ECM (Electronically Commutated Motor) variable speed motor.

See Blower Performance tables.

Blower assembly easily removed for servicing.

#### **ECM Variable Speed Blower Motor**

Variable speed motor maintains specified air volume from 0 though 0.80 in. w.g. static range.

Motor is controlled by the blower control.

Change in blower speed is easily accomplished by simple jumper pin change on blower control.

Motor is resiliently mounted.

#### **CONTROLS**

##### **Electronic Blower Control**

Two stages - HEAT and COOL (with four different air volume selections for each) are made by simple jumper pins.

ADJUST jumper pin allows approximately 10% higher, normal or 10% lower motor speed selection within (COOL) speeds selected for fine tuning air volume. See Blower Data tables.

NOTE - HEAT speeds are not affected by jumper change.

Cooling Airflow Ramp Up - At the beginning of a call for cooling, the blower will run at 82% of full airflow for 7.5 minutes. This improves the system's moisture removal and saves blower power during cooling start.

Reduced Airflow Operation - For situations where humidity control is an issue, the variable speed motor can be connected to operate at a 25% reduction in the normal airflow rate. The variable speed motor interface provides for connection of a thermostat with humidity control or a humidistat on the HUM terminal. When connected, the dehumidifier resistor on the interface must be cut. The control should be wired to open during high humidity, which will reduce blower airflow.

##### **Defrost Control**

Defrost control furnished as standard equipment.

Gives a defrost cycle for every 30, 60 or 90 minutes (adjustable) of compressor “on” time at outdoor coil temperatures below freezing.

Units are quiet-shift enabled. The compressor is de-energized entering and exiting the defrost cycle, reducing system sounds.

Sensor mounted on liquid line determines when defrost cycle is required and also when to terminate cycle.

Anti-short cycle, timed-off control incorporated into the board.

##### **24 Volt Transformer**

40VA transformer furnished and factory installed in control area.

##### **Equipment Interface Module (EIM)**

Allows the Comfort Sync® Thermostat to be used with residential packaged units.

Contains all necessary relays and controls to operate the system and communicate with the Comfort Sync® Thermostat.

##### **Comfort Sync® Wi-Fi Thermostat**

The Comfort Sync® Wi-Fi® Thermostat recognizes and connects conventional heating/cooling products to automatically configure and control the system (based on user-specified settings) for the highest level of comfort, performance and efficiency.

Wi-Fi remote temperature monitoring and adjustment through a home wireless network for desktop PCs, laptops and apps for smartphones or tablets. Also displays service alerts and reminders.

A simple easy-to-use touchscreen allows complete system configuration. Scheduled maintenance alerts, system warnings and troubleshooting are also displayed on thermostat screen.

One-Touch Away Mode - A quick and easy way to set the cooling and heating setpoints while away.

Weather-On-Demand - Live up-to-date weather data and five-day forecasts.

Easy to read 7-inch color screen (measured diagonally).

See the Comfort Sync Wi-Fi® Thermostat Product Specifications bulletin in the Controls section for more information.

**CABINET**

Conditioned areas insulated with foil faced insulation to minimize heat loss and reduce operating sound levels.

Pre-Painted galvanized steel for maximum durability.

Full perimeter heavy-gauge galvanized steel base rails.

Base rails have rigging holes.

Two sides of the base rails have forklift slots.

Raised edges around duct and power entry openings in the bottom of the unit for water protection.

Easy service access.

Steel louvered panels provides complete coil protection.

**Airflow Choice**

Units are shipped with horizontal and downflow duct covers provided with unit for installation flexibility.

**Electrical Inlets and Service Valves**

Field wiring inlets are located in one central area of the cabinet. See dimension drawing.

Gauge ports located inside compressor service compartment of the cabinet.

**Optional Accessories****Bottom Entry Power Kit**

Allows high and low voltage wiring connections through the unit base pan.

**Base Rail Openings Closure Kit**

Kit consists of panels and hardware to cover rigging holes and forklift slots in unit base rails.

**Square to Round Duct Adapter Kits**

Downflow or horizontal kits available.

Converts square supply and return air openings on unit cabinet to round 14 in. diameter.

**ROOF CURBS****Field Installed****Clip Curb (Full Perimeter)**

Interlocking tabs fasten corners together.

No tools required.

Fully gasketed around curb perimeter and supply and return openings.

Available in 8, 14, 18 and 24 inch heights.

Shipped knocked down.

**Adjustable Pitch Roof Curb (Full Perimeter) - Standard Curb**

Fully adjustable pitch curb provides a level platform for packaged units.

Allows flexible installations on roofs with sloped or uneven angles.

Adjustable from 2/12 to 6/12 pitch.

Constructed of heavy-gauge galvanized steel with fully welded seams and corners.

Rounded corners on flange prevent damage to roof shingles.

Built-in drip edge.

IAPMO/UMC listed.

**All Clip and Adjustable Pitch Curbs**

IBC 2018 compliant.

CBC 2019 compliant.

Seismic rating - SDS 2.0g, z/h=1, Ip=1.5.

Wind rating - 240 mph (Lateral), 214 mph (Uplift).

Maximum load rating - 800 lbs.

**Adaptor Curbs (not shown)**

Curbs are regionally sourced.

Dimensions vary based upon the source.

NOTE - Contact your local sales representative for a detailed cut sheet with applicable dimensions.

**Strapping Kit - Hurricane**

Galvanized steel .07 in. thick minimum.

Attaches unit base rails to host structure.

**Strapping Kit - Seismic**

Heavy-gauge galvanized steel.

Kit contains 4 brackets and mounting hardware.

**INDOOR AIR QUALITY****Internal Filter Rack Kits**

Available for 1 in. thick filters. Kit contains filter rails for mounting filters internal to unit. Filters are not furnished and must be field provided.

NOTE - The Internal Filter Rack Kit cannot be used with the PCO Accessory.

NOTE - Maximum acceptable filter efficiency is MERV 11.

**SPECIFICATIONS**

GENERAL DATA	MODEL NO.		PRPDF1624	PRPDF1636	PRPDF1648	PRPDF1660
	NOMINAL TONNAGE		2	3	4	5
<b>GAS HEAT AVAILABLE - SEE PAGE 7</b>			<b>- 72</b>	<b>- 90</b>	<b>- 108</b>	<b>- 126</b>
<b>COOLING / HEATING PERFORMANCE</b>	Cooling	Total capacity - Btuh (SEER)	23,000	35,000	47,000	57,000
		Total capacity - Btuh (SEER2)	23,000	34,300	45,000	55,500
		Total unit watts	1910	3050	3910	5180
		<sup>1</sup> SEER / EER (Btuh/Watt)	16.0/12.0	16.0/12.0	16.0/12.0	15.5/11.5
		<sup>1</sup> SEER2 / EER2 (Btuh/Watt)	15.2/12.0	14.5/11.2	15.2/11.4	14.2/10.7
	High Temp. Heat	Total capacity - Btuh (HSPF)	22,000	34,000	46,000	56,000
		Total capacity - Btuh (HSPF2)	21,400	33,400	45,500	58,000
		Total unit watts	1,800	2,980	3,930	5,030
		COP	3.49	3.29	3.46	3.51
	HSPF / HSPF2 Region IV		8.2/6.7			
	Low Temp. Heat	Total capacity - Btuh (HSPF)	11,900	19,700	26,600	37,200
		Total capacity - Btuh (HSPF2)	11,900	18,500	24,700	35,700
		Total unit watts	1,660	2,610	3,460	4,470
COP		2.10	2.08	2.09	2.34	
<sup>2</sup> Sound Rating Number (dB)		71	71	74	74	
<b>REFRIGERANT</b>	Type	R-410A	R-410A	R-410A	R-410A	
	Charge	5 lbs. 0 oz.	7 lbs. 6 oz.	10 lbs. 8 oz.	10 lbs. 8 oz.	
<b>CONDENSATE DRAIN SIZE (FPT) - IN.</b>			3/4	3/4	3/4	3/4
<b>OUTDOOR COIL</b>	Net Face Area - sq. ft.	16.3	15.5	18.6	18.6	
	Tube diameter - in.	5/16	5/16	5/16	5/16	
	Number of Rows	1	2	2	2	
	Fins per in.	22	22	22	22	
<b>OUTDOOR COIL FAN</b>	Motor horsepower	1/2	1/2	1/2	1/2	
	Diameter - in.	22	22	24	24	
	Number of blades	3	3	3	3	
<b>INDOOR COIL</b>	Net Face Area - sq. ft.	4.4	4.4	6.8	6.8	
	Tube Diameter - in.	5/16	3/8	3/8	3/8	
	Number of Rows	3	3	3	3	
	Fins per Inch	15	15	15	15	
<b>INDOOR BLOWER</b>	Blower wheel size dia. x width - in.	10 x 6	10 x 8	10 x 10	12 x 10	
	Motor horsepower	1/2	1/2	3/4	1	
<b>NET WEIGHT OF BASIC UNIT - LBS.</b>			411	446	526	541
<b>SHIPPING WEIGHT OF BASIC UNIT (1 PKG.) - LBS.</b>			421	456	536	551
<b>ELECTRICAL CHARACTERISTICS (60 HZ)</b>			208/230V-1ph-60hz			

<sup>1</sup> AHRI Certified to AHRI Standard 210/240:

**Cooling Ratings** - 95°F outdoor air temperature and 80°F db/67°F wb entering indoor coil air.

**High Temperature Heating Ratings** - 47°F db/43°F wb outdoor air temperature and 70°F entering indoor coil air.

**Low Temperature Heating Ratings** - 17°F db/15°F wb outdoor air temperature and 70°F entering indoor coil air.

<sup>2</sup> Sound Rating Number rated in accordance with test conditions included in AHRI Standard 270.

**ACCESSORIES**

DESCRIPTION	WHERE USED	KIT NUMBER	
Compressor Hard Start Kit	All	10J42	
Compressor Timed-Off Control	All	47J28	
Low Ambient Kit	All	21D20	
LPG/Propane Conversion Kit	All Models Before Serial Number 1621B16144	21V12 and 22B87	
	All Models After Serial Number 1621B16145	22B87	
Internal Filter Rack Kit	24, 30, 36	11U73	
	42, 48, 60	11U74	
8" Height Full Perimeter Curb	24, 30, 36	21J13	
	42, 48, 60	21J17	
14" Height Full Perimeter Curb	24, 30, 36	21J14	
	42, 48, 60	21J19	
18" Height Full Perimeter Curb	24, 30, 36	21J15	
	42, 48, 60	21J20	
24" Height Full Perimeter Curb	24, 30, 36	21J16	
	42, 48, 60	21J25	
Adjustable Pitch Roof Curb (Knock-Down Style)	24, 30, 36	21J26	
	42, 48, 60	21U04	
Adjustable Pitch Roof Curb (Welded Style)	24, 30, 36	22V54	
	42, 48, 60	22V55	
Strapping Kit - Hurricane	All	21J74	
Strapping Kit - Seismic	All	21J75	
Duct Adapter Kit - Horizontal	14 in. dia.	24, 30, 36	21J92
	14 in. dia.	42, 48, 60	21D24
	16 in. dia.	42, 48, 60	22U78
	18 in. dia.	42, 48, 60	22U79
Duct Adapter Kit - Downflow	14 in. dia.	24, 30, 36	20X82
	14 in. dia.	42, 48, 60	21D26
Bottom Power Entry Kit	All	21J78	
Base Rail Openings - Closure Kit	All	21J84	
Comfort Sync® Wi-Fi Thermostat	All	1.841226	
Equipment Interface Module (EIM) - Required with Comfort Sync thermostat	All	R104785-01	
Outdoor Air Temperature Sensor	All	X2658	
Discharge Air Temperature Sensor	All	88K38	

**SPECIFICATIONS - GAS HEAT**

		PRPDF1624	PRPDF1636	PRPDF1648	PRPDF1660
<b>HEATING INPUT</b>		-072	-090	-108	-126
<b>HEATING CAPACITY BTUH</b>	Input	72,000	90,000	108,000	126,000
	Output	58,000	73,000	88,000	102,000
<b><sup>1</sup> AFUE</b>		81%	81%	81%	81%
<b>TEMPERATURE RISE - °F</b>	Second Stage	40-70	40-70	40-70	45-75
<b>GAS SUPPLY CONNECTION (FPT) - IN.</b>		1/2	1/2	1/2	1/2
<b>MIN. RECOMMENDED GAS SUPPLY PRESSURE</b>		5 in. w.g. Natural Gas, 11 in. w.g. LPG/Propane			

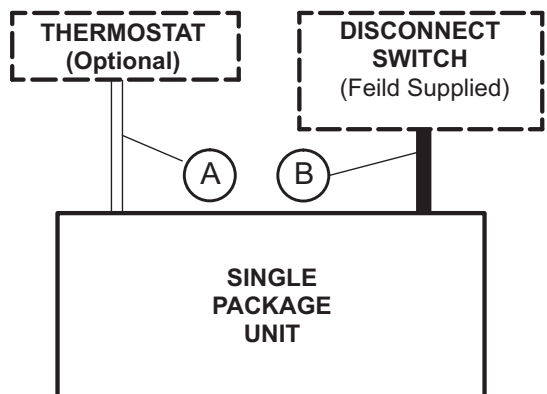
<sup>1</sup> Annual Fuel Utilization Efficiency based on U.S. DOE test procedures and FTC labeling regulations.

**HIGH ALTITUDE DERATE**

Units may be installed at altitudes up to 4500 feet above sea level without any modification. At altitudes above 4500 feet, units must be derated 4% for every 1000 feet above sea level. Example - At an altitude of 6000 feet the unit would require a derate of 24%.

NOTE - This is the only permissible derate for these units.

**FIELD WIRING**



A – Seven Wire Low Voltage (Electronic)

B – Two Wire Power (See Electrical Data Table)

– Field Wiring Not Furnished –

**COOLING RATINGS**

2 TON - PRPDF1624 (1ST STAGE)																					
ENTERING WET BULB TEMP.	TOTAL AIR VOLUME	OUTDOOR AIR TEMPERATURE ENTERING OUTDOOR COIL																			
		75°F					85°F					95°F					105°F				
		TOTAL COOL CAP.	COMP. MOTOR INPUT	SENSIBLE TO TOTAL RATIO (S/T)			TOTAL COOL CAP.	COMP. MOTOR INPUT	SENSIBLE TO TOTAL RATIO (S/T)			TOTAL COOL CAP.	COMP. MOTOR INPUT	SENSIBLE TO TOTAL RATIO (S/T)			TOTAL COOL CAP.	COMP. MOTOR INPUT	SENSIBLE TO TOTAL RATIO (S/T)		
				DRY BULB					DRY BULB					DRY BULB					DRY BULB		
CFM	KBTUH	KW	75°F	80°F	85°F	KBTUH	KW	75°F	80°F	85°F	KBTUH	KW	75°F	80°F	85°F	KBTUH	KW	75°F	80°F	85°F	
63°F	400	15.7	4.6	.71	.82	.94	15.1	4.4	.71	.84	.96	14.2	4.2	.73	.86	.98	13.4	3.9	.75	.89	1.00
	550	17.1	5.0	.77	.91	1.00	16.3	4.8	.78	.93	1.00	15.4	4.5	.80	.96	1.00	14.4	4.2	.83	.99	1.00
	700	18.0	5.3	.83	.99	1.00	17.2	5.0	.85	1.00	1.00	16.3	4.8	.88	1.00	1.00	15.4	4.5	.91	1.00	1.00
67°F	400	16.7	4.9	.55	.68	.79	16.0	4.7	.57	.69	.81	15.1	4.4	.58	.70	.83	14.2	4.2	.59	.73	.85
	550	18.1	5.3	.59	.74	.88	17.3	5.1	.61	.76	.90	16.3	4.8	.63	.78	.93	15.2	4.5	.64	.81	.96
	700	19.0	5.6	.64	.81	.96	18.1	5.3	.65	.83	.99	17.0	5.0	.67	.86	1.00	15.9	4.7	.69	.89	1.00
71°F	400	17.6	5.2	.44	.54	.65	16.9	5.0	.44	.55	.66	16.0	4.7	.43	.56	.67	15.0	4.4	.44	.58	.70
	550	19.1	5.6	.45	.58	.72	18.2	5.3	.45	.59	.73	17.2	5.0	.46	.61	.76	16.1	4.7	.46	.63	.78
	700	20.0	5.9	.46	.62	.78	19.1	5.6	.46	.64	.81	18.0	5.3	.48	.66	.83	16.8	4.9	.49	.68	.87

NOTE: Values based on 0.50" w.c. external static pressure

2 TON - PRPDF1624 (2ND STAGE)																					
ENTERING WET BULB TEMP.	TOTAL AIR VOLUME	OUTDOOR AIR TEMPERATURE ENTERING OUTDOOR COIL																			
		85°F					95°F					105°F					115°F				
		TOTAL COOL CAP.	COMP. MOTOR INPUT	SENSIBLE TO TOTAL RATIO (S/T)			TOTAL COOL CAP.	COMP. MOTOR INPUT	SENSIBLE TO TOTAL RATIO (S/T)			TOTAL COOL CAP.	COMP. MOTOR INPUT	SENSIBLE TO TOTAL RATIO (S/T)			TOTAL COOL CAP.	COMP. MOTOR INPUT	SENSIBLE TO TOTAL RATIO (S/T)		
				DRY BULB					DRY BULB					DRY BULB					DRY BULB		
CFM	KBTUH	KW	75°F	80°F	85°F	KBTUH	KW	75°F	80°F	85°F	KBTUH	KW	75°F	80°F	85°F	KBTUH	KW	75°F	80°F	85°F	
63°F	600	22.0	6.4	.73	.86	.98	21.0	6.2	.74	.88	1.00	19.9	5.8	.76	.90	1.00	18.7	5.5	.78	.93	1.00
	820	23.6	6.9	.80	.95	1.00	22.4	6.6	.82	.98	1.00	21.2	6.2	.84	1.00	1.00	20.0	5.9	.87	1.00	1.00
	1000	24.6	7.2	.85	1.00	1.00	23.6	6.9	.88	1.00	1.00	22.4	6.6	.91	1.00	1.00	21.0	6.2	.94	1.00	1.00
67°F	600	23.4	6.9	.57	.70	.83	22.2	6.5	.59	.72	.85	21.0	6.2	.60	.74	.87	19.7	5.8	.61	.76	.90
	820	25.0	7.3	.62	.77	.92	23.6	6.9	.63	.80	.95	22.4	6.6	.65	.82	.98	20.8	6.1	.67	.85	1.00
	1000	25.8	7.6	.65	.83	.99	24.4	7.2	.67	.86	1.00	23.0	6.7	.69	.89	1.00	21.4	6.3	.71	.92	1.00
71°F	600	24.6	7.2	.44	.56	.68	23.4	6.9	.44	.57	.69	22.2	6.5	.45	.59	.71	20.8	6.1	.45	.60	.74
	820	26.2	7.7	.45	.61	.75	25.0	7.3	.46	.62	.77	23.6	6.9	.47	.64	.80	22.0	6.4	.48	.66	.83
	1000	27.0	7.9	.47	.65	.81	25.6	7.5	.48	.66	.84	24.2	7.1	.48	.68	.86	22.6	6.6	.49	.71	.90

NOTE: Values based on 0.50" w.c. external static pressure

2 TON - PRPDF1624 (1ST STAGE)																					
ENTERING WET BULB TEMP.	TOTAL AIR VOLUME	OUTDOOR AIR TEMPERATURE ENTERING OUTDOOR COIL																			
		75°F					85°F					95°F					105°F				
		TOTAL COOL CAP.	COMP. MOTOR INPUT	SENSIBLE TO TOTAL RATIO (S/T)			TOTAL COOL CAP.	COMP. MOTOR INPUT	SENSIBLE TO TOTAL RATIO (S/T)			TOTAL COOL CAP.	COMP. MOTOR INPUT	SENSIBLE TO TOTAL RATIO (S/T)			TOTAL COOL CAP.	COMP. MOTOR INPUT	SENSIBLE TO TOTAL RATIO (S/T)		
				DRY BULB					DRY BULB					DRY BULB					DRY BULB		
CFM	KBTUH	KW	75°F	80°F	85°F	KBTUH	KW	75°F	80°F	85°F	KBTUH	KW	75°F	80°F	85°F	KBTUH	KW	75°F	80°F	85°F	
63°F	400	15.7	4.6	.71	.82	.94	15.1	4.4	.71	.84	.96	14.2	4.2	.73	.86	.98	13.4	3.9	.75	.89	1.00
	550	17.1	5.0	.77	.91	1.00	16.3	4.8	.78	.93	1.00	15.4	4.5	.80	.96	1.00	14.4	4.2	.83	.99	1.00
	700	18.0	5.3	.83	.99	1.00	17.2	5.0	.85	1.00	1.00	16.3	4.8	.88	1.00	1.00	15.4	4.5	.91	1.00	1.00
67°F	400	16.7	4.9	.55	.68	.79	16.0	4.7	.57	.69	.81	15.1	4.4	.58	.70	.83	14.2	4.2	.59	.73	.85
	550	18.1	5.3	.59	.74	.88	17.3	5.1	.61	.76	.90	16.3	4.8	.63	.78	.93	15.2	4.5	.64	.81	.96
	700	19.0	5.6	.64	.81	.96	18.1	5.3	.65	.83	.99	17.0	5.0	.67	.86	1.00	15.9	4.7	.69	.89	1.00
71°F	400	17.6	5.2	.44	.54	.65	16.9	5.0	.44	.55	.66	16.0	4.7	.43	.56	.67	15.0	4.4	.44	.58	.70
	550	19.1	5.6	.45	.58	.72	18.2	5.3	.45	.59	.73	17.2	5.0	.46	.61	.76	16.1	4.7	.46	.63	.78
	700	20.0	5.9	.46	.62	.78	19.1	5.6	.46	.64	.81	18.0	5.3	.48	.66	.83	16.8	4.9	.49	.68	.87

NOTE: Values based on 0.58" w.c. external static pressure

2 TON - PRPDF1624 (2ND STAGE)																					
ENTERING WET BULB TEMP.	TOTAL AIR VOLUME	OUTDOOR AIR TEMPERATURE ENTERING OUTDOOR COIL																			
		85°F					95°F					105°F					115°F				
		TOTAL COOL CAP.	COMP. MOTOR INPUT	SENSIBLE TO TOTAL RATIO (S/T)			TOTAL COOL CAP.	COMP. MOTOR INPUT	SENSIBLE TO TOTAL RATIO (S/T)			TOTAL COOL CAP.	COMP. MOTOR INPUT	SENSIBLE TO TOTAL RATIO (S/T)			TOTAL COOL CAP.	COMP. MOTOR INPUT	SENSIBLE TO TOTAL RATIO (S/T)		
				DRY BULB					DRY BULB					DRY BULB					DRY BULB		
CFM	KBTUH	KW	75°F	80°F	85°F	KBTUH	KW	75°F	80°F	85°F	KBTUH	KW	75°F	80°F	85°F	KBTUH	KW	75°F	80°F	85°F	
63°F	600	22.0	6.4	.73	.86	.98	21.0	6.2	.74	.88	1.00	19.9	5.8	.76	.90	1.00	18.7	5.5	.78	.93	1.00
	820	23.6	6.9	.80	.95	1.00	22.4	6.6	.82	.98	1.00	21.2	6.2	.84	1.00	1.00	20.0	5.9	.87	1.00	1.00
	1000	24.6	7.2	.85	1.00	1.00	23.6	6.9	.88	1.00	1.00	22.4	6.6	.91	1.00	1.00	21.0	6.2	.94	1.00	1.00
67°F	600	23.4	6.9	.57	.70	.83	22.2	6.5	.59	.72	.85	21.0	6.2	.60	.74	.87	19.7	5.8	.61	.76	.90
	820	25.0	7.3	.62	.77	.92	23.6	6.9	.63	.80	.95	22.4	6.6	.65	.82	.98	20.8	6.1	.67	.85	1.00
	1000	25.8	7.6	.65	.83	.99	24.4	7.2	.67	.86	1.00	23.0	6.7	.69	.89	1.00	21.4	6.3	.71	.92	1.00
71°F	600	24.6	7.2	.44	.56	.68	23.4	6.9	.44	.57	.69	22.2	6.5	.45	.59	.71	20.8	6.1	.45	.60	.74
	820	26.2	7.7	.45	.61	.75	25.0	7.3	.46	.62	.77	23.6	6.9	.47	.64	.80	22.0	6.4	.48	.66	.83
	1000	27.0	7.9	.47	.65	.81	25.6	7.5	.48	.66	.84	24.2	7.1	.48	.68	.86	22.6	6.6	.49	.71	.90

NOTE: Values based on 0.58" w.c. external static pressure



**COOLING RATINGS**

3 TON - PRPDF1636 (1ST STAGE)																									
ENTERING WET BULB TEMP.	TOTAL AIR VOLUME	OUTDOOR AIR TEMPERATURE ENTERING OUTDOOR COIL																							
		75°F						85°F						95°F						105°F					
		TOTAL COOL CAP.	COMP. MOTOR INPUT	SENSIBLE TO TOTAL RATIO (S/T)			TOTAL COOL CAP.	COMP. MOTOR INPUT	SENSIBLE TO TOTAL RATIO (S/T)			TOTAL COOL CAP.	COMP. MOTOR INPUT	SENSIBLE TO TOTAL RATIO (S/T)			TOTAL COOL CAP.	COMP. MOTOR INPUT	SENSIBLE TO TOTAL RATIO (S/T)						
				DRY BULB					DRY BULB					DRY BULB					DRY BULB						
CFM	KBTUH	KW	75°F	80°F	85°F	KBTUH	KW	75°F	80°F	85°F	KBTUH	KW	75°F	80°F	85°F	KBTUH	KW	75°F	80°F	85°F					
63°F	800	27.8	8.1	.76	.90	1.00	26.6	7.8	.77	.92	1.00	25.4	7.4	.79	.95	1.00	23.8	7.0	.81	.98	1.00				
	900	28.4	8.3	.79	.94	1.00	27.2	8.0	.80	.96	1.00	26.0	7.6	.82	.99	1.00	24.6	7.2	.85	1.00	1.00				
	1000	29.0	8.5	.81	.98	1.00	27.8	8.1	.83	.99	1.00	26.6	7.8	.85	1.00	1.00	25.4	7.4	.88	1.00	1.00				
67°F	800	29.4	8.6	.60	.74	.87	28.2	8.3	.61	.75	.89	26.8	7.9	.62	.77	.91	25.2	7.4	.63	.79	.94				
	900	30.0	8.8	.61	.76	.91	28.8	8.4	.63	.78	.93	27.4	8.0	.64	.80	.95	25.8	7.6	.65	.82	.99				
	1000	30.6	9.0	.63	.79	.94	29.2	8.6	.64	.81	.97	27.8	8.1	.66	.83	.99	26.2	7.7	.67	.86	1.00				
71°F	800	30.8	9.0	.45	.58	.71	29.6	8.7	.46	.60	.73	28.2	8.3	.46	.61	.74	26.6	7.8	.46	.62	.77				
	900	31.6	9.3	.45	.60	.74	30.2	8.9	.45	.61	.76	28.8	8.4	.47	.63	.78	27.2	8.0	.47	.64	.80				
	1000	32.2	9.4	.46	.62	.77	30.8	9.0	.47	.63	.78	29.4	8.6	.47	.65	.81	27.6	8.1	.49	.66	.84				

NOTE: Values based on 0.50" w.c. external static pressure

3 TON - PRPDF1636 (2ND STAGE)																									
ENTERING WET BULB TEMP.	TOTAL AIR VOLUME	OUTDOOR AIR TEMPERATURE ENTERING OUTDOOR COIL																							
		85°F						95°F						105°F						115°F					
		TOTAL COOL CAP.	COMP. MOTOR INPUT	SENSIBLE TO TOTAL RATIO (S/T)			TOTAL COOL CAP.	COMP. MOTOR INPUT	SENSIBLE TO TOTAL RATIO (S/T)			TOTAL COOL CAP.	COMP. MOTOR INPUT	SENSIBLE TO TOTAL RATIO (S/T)			TOTAL COOL CAP.	COMP. MOTOR INPUT	SENSIBLE TO TOTAL RATIO (S/T)						
				DRY BULB					DRY BULB					DRY BULB					DRY BULB						
CFM	KBTUH	KW	75°F	80°F	85°F	KBTUH	KW	75°F	80°F	85°F	KBTUH	KW	75°F	80°F	85°F	KBTUH	KW	75°F	80°F	85°F					
63°F	1100	35.2	10.3	.76	.91	1.00	33.6	9.8	.78	.93	1.00	31.8	9.3	.80	.96	1.00	29.8	8.7	.83	.99	1.00				
	1200	35.8	10.5	.78	.93	1.00	34.2	10.0	.80	.96	1.00	32.4	9.5	.82	.99	1.00	30.4	8.9	.85	1.00	1.00				
	1400	36.8	10.8	.82	.98	1.00	35.2	10.3	.84	1.00	1.00	33.6	9.8	.87	1.00	1.00	31.6	9.3	.90	1.00	1.00				
67°F	1100	37.2	10.9	.60	.74	.88	35.4	10.4	.61	.76	.90	33.4	9.8	.62	.78	.93	31.2	9.1	.64	.81	.96				
	1200	37.8	11.1	.62	.76	.90	36.0	10.6	.62	.78	.93	33.8	9.9	.64	.80	.96	31.6	9.3	.65	.83	.99				
	1400	38.5	11.3	.64	.80	.96	36.8	10.8	.65	.82	.98	34.6	10.1	.67	.85	1.00	32.4	9.5	.69	.88	1.00				
71°F	1100	39.0	11.4	.44	.59	.72	37.2	10.9	.45	.60	.73	35.2	10.3	.45	.61	.75	32.8	9.6	.46	.63	.78				
	1200	39.5	11.6	.45	.60	.74	37.8	11.1	.46	.61	.76	35.6	10.4	.46	.63	.78	33.4	9.8	.47	.64	.81				
	1400	40.5	11.9	.47	.63	.78	38.5	11.3	.47	.64	.80	36.4	10.7	.48	.66	.83	34.0	10.0	.49	.68	.86				

NOTE: Values based on 0.50" w.c. external static pressure

3 TON - PRPDF1636 (1ST STAGE)																									
ENTERING WET BULB TEMP.	TOTAL AIR VOLUME	OUTDOOR AIR TEMPERATURE ENTERING OUTDOOR COIL																							
		75°F						85°F						95°F						105°F					
		TOTAL COOL CAP.	COMP. MOTOR INPUT	SENSIBLE TO TOTAL RATIO (S/T)			TOTAL COOL CAP.	COMP. MOTOR INPUT	SENSIBLE TO TOTAL RATIO (S/T)			TOTAL COOL CAP.	COMP. MOTOR INPUT	SENSIBLE TO TOTAL RATIO (S/T)			TOTAL COOL CAP.	COMP. MOTOR INPUT	SENSIBLE TO TOTAL RATIO (S/T)						
				DRY BULB					DRY BULB					DRY BULB					DRY BULB						
CFM	KBTUH	KW	75°F	80°F	85°F	KBTUH	KW	75°F	80°F	85°F	KBTUH	KW	75°F	80°F	85°F	KBTUH	KW	75°F	80°F	85°F					
63°F	800	27.8	8.1	.76	.90	1.00	26.6	7.8	.77	.92	1.00	25.4	7.4	.79	.95	1.00	23.8	7.0	.81	.98	1.00				
	900	28.4	8.3	.79	.94	1.00	27.2	8.0	.80	.96	1.00	26.0	7.6	.82	.99	1.00	24.6	7.2	.85	1.00	1.00				
	1000	29.0	8.5	.81	.98	1.00	27.8	8.1	.83	.99	1.00	26.6	7.8	.85	1.00	1.00	25.4	7.4	.88	1.00	1.00				
67°F	800	29.4	8.6	.60	.74	.87	28.2	8.3	.61	.75	.89	26.8	7.9	.62	.77	.91	25.2	7.4	.63	.79	.94				
	900	30.0	8.8	.61	.76	.91	28.8	8.4	.63	.78	.93	27.4	8.0	.64	.80	.95	25.8	7.6	.65	.82	.99				
	1000	30.6	9.0	.63	.79	.94	29.2	8.6	.64	.81	.97	27.8	8.1	.66	.83	.99	26.2	7.7	.67	.86	1.00				
71°F	800	30.8	9.0	.45	.58	.71	29.6	8.7	.46	.60	.73	28.2	8.3	.46	.61	.74	26.6	7.8	.46	.62	.77				
	900	31.6	9.3	.45	.60	.74	30.2	8.9	.45	.61	.76	28.8	8.4	.47	.63	.78	27.2	8.0	.47	.64	.80				
	1000	32.2	9.4	.46	.62	.77	30.8	9.0	.47	.63	.78	29.4	8.6	.47	.65	.81	27.6	8.1	.49	.66	.84				

NOTE: Values based on 0.58" w.c. external static pressure

3 TON - PRPDF1636 (2ND STAGE)																									
ENTERING WET BULB TEMP.	TOTAL AIR VOLUME	OUTDOOR AIR TEMPERATURE ENTERING OUTDOOR COIL																							
		85°F						95°F						105°F						115°F					
		TOTAL COOL CAP.	COMP. MOTOR INPUT	SENSIBLE TO TOTAL RATIO (S/T)			TOTAL COOL CAP.	COMP. MOTOR INPUT	SENSIBLE TO TOTAL RATIO (S/T)			TOTAL COOL CAP.	COMP. MOTOR INPUT	SENSIBLE TO TOTAL RATIO (S/T)			TOTAL COOL CAP.	COMP. MOTOR INPUT	SENSIBLE TO TOTAL RATIO (S/T)						
				DRY BULB					DRY BULB					DRY BULB					DRY BULB						
CFM	KBTUH	KW	75°F	80°F	85°F	KBTUH	KW	75°F	80°F	85°F	KBTUH	KW	75°F	80°F	85°F	KBTUH	KW	75°F	80°F	85°F					
63°F	1100	35.2	10.3	.76	.91	1.00	33.6	9.8	.78	.93	1.00	31.8	9.3	.80	.96	1.00	29.8	8.7	.83	.99	1.00				
	1200	35.8	10.5	.78	.93	1.00	34.2	10.0	.80	.96	1.00	32.4	9.5	.82	.99	1.00	30.4	8.9	.85	1.00	1.00				
	1400	36.8	10.8	.82	.98	1.00	35.2	10.3	.84	1.00	1.00	33.6	9.8	.87	1.00	1.00	31.6	9.3	.90	1.00	1.00				
67°F	1100	37.2	10.9	.60	.74	.88	35.4	10.4	.61	.76	.90	33.4	9.8	.62	.78	.93	31.2	9.1	.64	.81	.96				
	1200	37.8	11.1	.62	.76	.90	36.0	10.6	.62	.78	.93	33.8	9.9	.64	.80	.96	31.6	9.3	.65	.83	.99				
	1400	38.5	11.3	.64	.80	.96	36.8	10.8	.65	.82	.98	34.6	10.1	.67	.85	1.00	32.4	9.5	.69	.88	1.00				
71°F	1100	39.0	11.4	.44	.59	.72	37.2	10.9	.45	.60	.73	35.2	10.3	.45	.61	.75	32.8	9.6	.46	.63	.78				
	1200	39.5	11.6	.45	.60	.74	37.8	11.1	.46	.61	.76	35.6	10.4	.46	.63	.78	33.4	9.8	.47	.64	.81				
	1400	40.5	11.9	.47	.63	.78	38.5	11.3	.47	.64	.80	36.4	10.7	.48	.66	.83	34.0	10.0	.49	.68	.86				

NOTE: Values based on 0.58" w.c. external static pressure

**COOLING RATINGS**

4 TON - PRPDF1648 (1ST STAGE)																									
ENTERING WET BULB TEMP.	TOTAL AIR VOLUME	OUTDOOR AIR TEMPERATURE ENTERING OUTDOOR COIL																							
		75°F						85°F						95°F						105°F					
		TOTAL COOL CAP.	COMP. MOTOR INPUT	SENSIBLE TO TOTAL RATIO (S/T)			TOTAL COOL CAP.	COMP. MOTOR INPUT	SENSIBLE TO TOTAL RATIO (S/T)			TOTAL COOL CAP.	COMP. MOTOR INPUT	SENSIBLE TO TOTAL RATIO (S/T)			TOTAL COOL CAP.	COMP. MOTOR INPUT	SENSIBLE TO TOTAL RATIO (S/T)						
				DRY BULB					DRY BULB					DRY BULB					DRY BULB						
CFM	KBTUH	KW	75°F	80°F	85°F	KBTUH	KW	75°F	80°F	85°F	KBTUH	KW	75°F	80°F	85°F	KBTUH	KW	75°F	80°F	85°F					
63°F	900	34.8	10.2	.73	.86	.97	33.2	9.7	.74	.88	.99	31.4	9.2	.76	.90	1.00	29.2	8.6	.78	.93	1.00				
	1100	36.6	10.7	.77	.92	1.00	35.0	10.3	.79	.94	1.00	33.0	9.7	.81	.97	1.00	30.8	9.0	.84	.99	1.00				
	1200	37.4	11.0	.79	.94	1.00	35.6	10.4	.81	.97	1.00	33.6	9.8	.83	.99	1.00	31.6	9.3	.86	1.00	1.00				
67°F	900	37.2	10.9	.58	.70	.82	35.4	10.4	.59	.72	.84	33.4	9.8	.60	.73	.87	31.2	9.1	.61	.76	.90				
	1100	39.0	11.4	.61	.75	.88	37.2	10.9	.62	.77	.91	35.2	10.3	.63	.79	.94	32.6	9.6	.64	.81	.97				
	1200	40.0	11.7	.62	.77	.91	37.8	11.1	.63	.79	.93	35.6	10.4	.64	.81	.96	33.2	9.7	.66	.84	.99				
71°F	900	39.5	11.6	.44	.56	.68	37.6	11.0	.44	.57	.69	35.6	10.4	.45	.58	.71	33.2	9.7	.45	.59	.73				
	1100	41.5	12.2	.45	.59	.72	39.5	11.6	.45	.60	.74	37.4	11.0	.46	.61	.76	34.8	10.2	.46	.63	.79				
	1200	42.0	12.3	.45	.60	.74	40.0	11.7	.46	.61	.76	38.0	11.1	.46	.63	.78	35.4	10.4	.47	.65	.81				

NOTE: Values based on 0.50" w.c. external static pressure

4 TON - PRPDF1648 (2ND STAGE)																									
ENTERING WET BULB TEMP.	TOTAL AIR VOLUME	OUTDOOR AIR TEMPERATURE ENTERING OUTDOOR COIL																							
		85°F						95°F						105°F						115°F					
		TOTAL COOL CAP.	COMP. MOTOR INPUT	SENSIBLE TO TOTAL RATIO (S/T)			TOTAL COOL CAP.	COMP. MOTOR INPUT	SENSIBLE TO TOTAL RATIO (S/T)			TOTAL COOL CAP.	COMP. MOTOR INPUT	SENSIBLE TO TOTAL RATIO (S/T)			TOTAL COOL CAP.	COMP. MOTOR INPUT	SENSIBLE TO TOTAL RATIO (S/T)						
				DRY BULB					DRY BULB					DRY BULB					DRY BULB						
CFM	KBTUH	KW	75°F	80°F	85°F	KBTUH	KW	75°F	80°F	85°F	KBTUH	KW	75°F	80°F	85°F	KBTUH	KW	75°F	80°F	85°F					
63°F	1400	46.0	13.5	.76	.90	1.00	43.5	12.7	.77	.92	1.00	41.0	12.0	.79	.95	1.00	38.5	11.3	.82	.98	1.00				
	1600	47.5	13.9	.79	.94	1.00	45.0	13.2	.81	.96	1.00	42.5	12.5	.83	.99	1.00	40.0	11.7	.86	1.00	1.00				
	1750	48.0	14.1	.81	.97	1.00	45.5	13.3	.83	.99	1.00	43.5	12.7	.86	1.00	1.00	41.0	12.0	.89	1.00	1.00				
67°F	1400	48.5	14.2	.60	.73	.87	46.5	13.6	.61	.75	.89	43.5	12.7	.62	.77	.92	41.0	12.0	.63	.80	.95				
	1600	50.0	14.7	.62	.77	.91	47.5	13.9	.63	.78	.93	44.5	13.0	.64	.81	.96	41.5	12.2	.66	.84	.99				
	1750	51.0	14.9	.63	.79	.94	48.0	14.1	.64	.81	.97	45.5	13.3	.66	.84	.99	42.0	12.3	.68	.87	1.00				
71°F	1400	51.5	15.1	.45	.58	.71	49.0	14.4	.45	.59	.73	46.0	13.5	.46	.61	.75	43.0	12.6	.46	.62	.78				
	1600	52.5	15.4	.45	.60	.74	50.0	14.7	.46	.62	.76	47.0	13.8	.47	.63	.79	44.0	12.9	.48	.65	.82				
	1750	53.5	15.7	.46	.62	.77	51.0	14.9	.46	.63	.79	47.5	13.9	.48	.65	.82	44.5	13.0	.48	.67	.85				

NOTE: Values based on 0.50" w.c. external static pressure

4 TON - PRPDF1648 (1ST STAGE)																									
ENTERING WET BULB TEMP.	TOTAL AIR VOLUME	OUTDOOR AIR TEMPERATURE ENTERING OUTDOOR COIL																							
		75°F						85°F						95°F						105°F					
		TOTAL COOL CAP.	COMP. MOTOR INPUT	SENSIBLE TO TOTAL RATIO (S/T)			TOTAL COOL CAP.	COMP. MOTOR INPUT	SENSIBLE TO TOTAL RATIO (S/T)			TOTAL COOL CAP.	COMP. MOTOR INPUT	SENSIBLE TO TOTAL RATIO (S/T)			TOTAL COOL CAP.	COMP. MOTOR INPUT	SENSIBLE TO TOTAL RATIO (S/T)						
				DRY BULB					DRY BULB					DRY BULB					DRY BULB						
CFM	KBTUH	KW	75°F	80°F	85°F	KBTUH	KW	75°F	80°F	85°F	KBTUH	KW	75°F	80°F	85°F	KBTUH	KW	75°F	80°F	85°F					
63°F	900	34.8	10.2	.73	.86	.97	33.2	9.7	.74	.88	.99	31.4	9.2	.76	.90	1.00	29.2	8.6	.78	.93	1.00				
	1100	36.6	10.7	.77	.92	1.00	35.0	10.3	.79	.94	1.00	33.0	9.7	.81	.97	1.00	30.8	9.0	.84	.99	1.00				
	1200	37.4	11.0	.79	.94	1.00	35.6	10.4	.81	.97	1.00	33.6	9.8	.83	.99	1.00	31.6	9.3	.86	1.00	1.00				
67°F	900	37.2	10.9	.58	.70	.82	35.4	10.4	.59	.72	.84	33.4	9.8	.60	.73	.87	31.2	9.1	.61	.76	.90				
	1100	39.0	11.4	.61	.75	.88	37.2	10.9	.62	.77	.91	35.2	10.3	.63	.79	.94	32.6	9.6	.64	.81	.97				
	1200	40.0	11.7	.62	.77	.91	37.8	11.1	.63	.79	.93	35.6	10.4	.64	.81	.96	33.2	9.7	.66	.84	.99				
71°F	900	39.5	11.6	.44	.56	.68	37.6	11.0	.44	.57	.69	35.6	10.4	.45	.58	.71	33.2	9.7	.45	.59	.73				
	1100	41.5	12.2	.45	.59	.72	39.5	11.6	.45	.60	.74	37.4	11.0	.46	.61	.76	34.8	10.2	.46	.63	.79				
	1200	42.0	12.3	.45	.60	.74	40.0	11.7	.46	.61	.76	38.0	11.1	.46	.63	.78	35.4	10.4	.47	.65	.81				

NOTE: Values based on 0.58" w.c. external static pressure

4 TON - PRPDF1648 (2ND STAGE)																									
ENTERING WET BULB TEMP.	TOTAL AIR VOLUME	OUTDOOR AIR TEMPERATURE ENTERING OUTDOOR COIL																							
		85°F						95°F						105°F						115°F					
		TOTAL COOL CAP.	COMP. MOTOR INPUT	SENSIBLE TO TOTAL RATIO (S/T)			TOTAL COOL CAP.	COMP. MOTOR INPUT	SENSIBLE TO TOTAL RATIO (S/T)			TOTAL COOL CAP.	COMP. MOTOR INPUT	SENSIBLE TO TOTAL RATIO (S/T)			TOTAL COOL CAP.	COMP. MOTOR INPUT	SENSIBLE TO TOTAL RATIO (S/T)						
				DRY BULB					DRY BULB					DRY BULB					DRY BULB						
CFM	KBTUH	KW	75°F	80°F	85°F	KBTUH	KW	75°F	80°F	85°F	KBTUH	KW	75°F	80°F	85°F	KBTUH	KW	75°F	80°F	85°F					
63°F	1400	46.0	13.5	.76	.90	1.00	43.5	12.7	.77	.92	1.00	41.0	12.0	.79	.95	1.00	38.5	11.3	.82	.98	1.00				
	1600	47.5	13.9	.79	.94	1.00	45.0	13.2	.81	.96	1.00	42.5	12.5	.83	.99	1.00	40.0	11.7	.86	1.00	1.00				
	1750	48.0	14.1	.81	.97	1.00	45.5	13.3	.83	.99	1.00	43.5	12.7	.86	1.00	1.00	41.0	12.0	.89	1.00	1.00				
67°F	1400	48.5	14.2	.60	.73	.87	46.5	13.6	.61	.75	.89	43.5	12.7	.62	.77	.92	41.0	12.0	.63	.80	.95				
	1600	50.0	14.7	.62	.77	.91	47.5	13.9	.63	.78	.93	44.5	13.0	.64	.81	.96	41.5	12.2	.66	.84	.99				
	1750	51.0	14.9	.63	.79	.94	48.0	14.1	.64	.81	.97	45.5	13.3	.66	.84	.99	42.0	12.3	.68	.87	1.00				
71°F	1400	51.5	15.1	.45	.58	.71	49.0	14.4	.45	.59	.73	46.0	13.5	.46	.61	.75	43.0	12.6	.46	.62	.78				
	1600	52.5	15.4	.45	.60	.74	50.0	14.7	.46	.62	.76	47.0	13.8	.47	.63	.79	44.0	12.9	.48	.65	.82				
	1750	53.5	15.7	.46	.62	.77	51.0	14.9	.46	.63	.79	47.5	13.9	.48	.65	.82	44.5	13.0	.48	.67	.85				

NOTE: Values based on 0.58" w.c. external static pressure

**COOLING RATINGS**

5 TON - PRPDF1660 (1ST STAGE)																					
ENTERING WET BULB TEMP.	TOTAL AIR VOLUME	OUTDOOR AIR TEMPERATURE ENTERING OUTDOOR COIL																			
		75°F					85°F					95°F					105°F				
		TOTAL COOL CAP.	COMP. MOTOR INPUT	SENSIBLE TO TOTAL RATIO (S/T)			TOTAL COOL CAP.	COMP. MOTOR INPUT	SENSIBLE TO TOTAL RATIO (S/T)			TOTAL COOL CAP.	COMP. MOTOR INPUT	SENSIBLE TO TOTAL RATIO (S/T)			TOTAL COOL CAP.	COMP. MOTOR INPUT	SENSIBLE TO TOTAL RATIO (S/T)		
				DRY BULB					DRY BULB					DRY BULB					DRY BULB		
CFM	KBTUH	KW	75°F	80°F	85°F	KBTUH	KW	75°F	80°F	85°F	KBTUH	KW	75°F	80°F	85°F	KBTUH	KW	75°F	80°F	85°F	
63°F	1030	43.0	12.6	.72	.84	.96	40.5	11.9	.73	.86	.98	38.0	11.1	.75	.89	1.00	35.4	10.4	.77	.92	1.00
	1200	44.5	13.0	.75	.88	1.00	42.0	12.3	.76	.90	1.00	39.5	11.6	.78	.94	1.00	36.8	10.8	.81	.97	1.00
	1340	45.5	13.3	.77	.91	1.00	43.5	12.7	.79	.94	1.00	40.5	11.9	.81	.97	1.00	37.6	11.0	.84	1.00	1.00
67°F	1030	45.5	13.3	.57	.69	.81	43.5	12.7	.58	.71	.83	40.5	11.9	.59	.72	.85	37.8	11.1	.60	.75	.89
	1200	47.5	13.9	.59	.72	.85	45.0	13.2	.60	.74	.87	42.0	12.3	.61	.76	.90	39.0	11.4	.63	.79	.94
	1340	48.5	14.2	.61	.74	.88	46.0	13.5	.62	.77	.91	43.0	12.6	.63	.79	.94	40.0	11.7	.65	.82	.98
71°F	1030	48.5	14.2	.43	.55	.67	46.0	13.5	.44	.56	.68	43.0	12.6	.44	.57	.70	40.0	11.7	.44	.59	.72
	1200	50.0	14.7	.44	.57	.70	47.5	13.9	.45	.59	.72	44.5	13.0	.45	.60	.74	41.5	12.2	.45	.61	.76
	1340	51.5	15.1	.45	.59	.72	48.5	14.2	.46	.60	.74	45.5	13.3	.46	.62	.77	42.5	12.5	.46	.64	.79

NOTE: Values based on 0.50" w.c. external static pressure

5 TON - PRPDF1648 (2ND STAGE)																					
ENTERING WET BULB TEMP.	TOTAL AIR VOLUME	OUTDOOR AIR TEMPERATURE ENTERING OUTDOOR COIL																			
		85°F					95°F					105°F					115°F				
		TOTAL COOL CAP.	COMP. MOTOR INPUT	SENSIBLE TO TOTAL RATIO (S/T)			TOTAL COOL CAP.	COMP. MOTOR INPUT	SENSIBLE TO TOTAL RATIO (S/T)			TOTAL COOL CAP.	COMP. MOTOR INPUT	SENSIBLE TO TOTAL RATIO (S/T)			TOTAL COOL CAP.	COMP. MOTOR INPUT	SENSIBLE TO TOTAL RATIO (S/T)		
				DRY BULB					DRY BULB					DRY BULB					DRY BULB		
CFM	KBTUH	KW	75°F	80°F	85°F	KBTUH	KW	75°F	80°F	85°F	KBTUH	KW	75°F	80°F	85°F	KBTUH	KW	75°F	80°F	85°F	
63°F	1600	56.5	16.6	.74	.88	.99	54.0	15.8	.76	.90	1.00	51.0	14.9	.78	.93	1.00	47.5	13.9	.80	.95	1.00
	1800	58.0	17.0	.77	.92	1.00	55.0	16.1	.78	.94	1.00	52.0	15.2	.80	.96	1.00	49.0	14.4	.83	.99	1.00
	2000	59.0	17.3	.79	.95	1.00	56.5	16.6	.81	.97	1.00	53.5	15.7	.84	.99	1.00	50.0	14.7	.87	1.00	1.00
67°F	1600	59.5	17.4	.59	.72	.85	57.0	16.7	.60	.74	.87	54.0	15.8	.61	.75	.89	50.5	14.8	.62	.78	.93
	1800	61.0	17.9	.60	.75	.88	58.5	17.1	.61	.76	.91	55.0	16.1	.63	.78	.93	51.5	15.1	.65	.81	.97
	2000	62.5	18.3	.62	.77	.92	59.5	17.4	.63	.79	.94	56.0	16.4	.64	.82	.97	52.5	15.4	.67	.85	.99
71°F	1600	63.0	18.5	.44	.58	.70	60.0	17.6	.44	.58	.71	57.0	16.7	.44	.59	.73	53.0	15.5	.46	.61	.75
	1800	64.5	18.9	.45	.59	.72	61.5	18.0	.45	.60	.74	58.0	17.0	.45	.61	.76	54.5	16.0	.46	.64	.79
	2000	66.0	19.3	.45	.61	.75	62.5	18.3	.46	.62	.77	59.0	17.3	.46	.63	.80	55.0	16.1	.48	.66	.83

NOTE: Values based on 0.50" w.c. external static pressure

5 TON - PRPDF1660 (1ST STAGE)																					
ENTERING WET BULB TEMP.	TOTAL AIR VOLUME	OUTDOOR AIR TEMPERATURE ENTERING OUTDOOR COIL																			
		75°F					85°F					95°F					105°F				
		TOTAL COOL CAP.	COMP. MOTOR INPUT	SENSIBLE TO TOTAL RATIO (S/T)			TOTAL COOL CAP.	COMP. MOTOR INPUT	SENSIBLE TO TOTAL RATIO (S/T)			TOTAL COOL CAP.	COMP. MOTOR INPUT	SENSIBLE TO TOTAL RATIO (S/T)			TOTAL COOL CAP.	COMP. MOTOR INPUT	SENSIBLE TO TOTAL RATIO (S/T)		
				DRY BULB					DRY BULB					DRY BULB					DRY BULB		
CFM	KBTUH	KW	75°F	80°F	85°F	KBTUH	KW	75°F	80°F	85°F	KBTUH	KW	75°F	80°F	85°F	KBTUH	KW	75°F	80°F	85°F	
63°F	1030	43.0	12.6	.72	.84	.96	40.5	11.9	.73	.86	.98	38.0	11.1	.75	.89	1.00	35.4	10.4	.77	.92	1.00
	1200	44.5	13.0	.75	.88	1.00	42.0	12.3	.76	.90	1.00	39.5	11.6	.78	.94	1.00	36.8	10.8	.81	.97	1.00
	1340	45.5	13.3	.77	.91	1.00	43.5	12.7	.79	.94	1.00	40.5	11.9	.81	.97	1.00	37.6	11.0	.84	1.00	1.00
67°F	1030	45.5	13.3	.57	.69	.81	43.5	12.7	.58	.71	.83	40.5	11.9	.59	.72	.85	37.8	11.1	.60	.75	.89
	1200	47.5	13.9	.59	.72	.85	45.0	13.2	.60	.74	.87	42.0	12.3	.61	.76	.90	39.0	11.4	.63	.79	.94
	1340	48.5	14.2	.61	.74	.88	46.0	13.5	.62	.77	.91	43.0	12.6	.63	.79	.94	40.0	11.7	.65	.82	.98
71°F	1030	48.5	14.2	.43	.55	.67	46.0	13.5	.44	.56	.68	43.0	12.6	.44	.57	.70	40.0	11.7	.44	.59	.72
	1200	50.0	14.7	.44	.57	.70	47.5	13.9	.45	.59	.72	44.5	13.0	.45	.60	.74	41.5	12.2	.45	.61	.76
	1340	51.5	15.1	.45	.59	.72	48.5	14.2	.46	.60	.74	45.5	13.3	.46	.62	.77	42.5	12.5	.46	.64	.79

NOTE: Values based on 0.58" w.c. external static pressure

5 TON - PRPDF1648 (2ND STAGE)																					
ENTERING WET BULB TEMP.	TOTAL AIR VOLUME	OUTDOOR AIR TEMPERATURE ENTERING OUTDOOR COIL																			
		85°F					95°F					105°F					115°F				
		TOTAL COOL CAP.	COMP. MOTOR INPUT	SENSIBLE TO TOTAL RATIO (S/T)			TOTAL COOL CAP.	COMP. MOTOR INPUT	SENSIBLE TO TOTAL RATIO (S/T)			TOTAL COOL CAP.	COMP. MOTOR INPUT	SENSIBLE TO TOTAL RATIO (S/T)			TOTAL COOL CAP.	COMP. MOTOR INPUT	SENSIBLE TO TOTAL RATIO (S/T)		
				DRY BULB					DRY BULB					DRY BULB					DRY BULB		
CFM	KBTUH	KW	75°F	80°F	85°F	KBTUH	KW	75°F	80°F	85°F	KBTUH	KW	75°F	80°F	85°F	KBTUH	KW	75°F	80°F	85°F	
63°F	1600	56.5	16.6	.74	.88	.99	54.0	15.8	.76	.90	1.00	51.0	14.9	.78	.93	1.00	47.5	13.9	.80	.95	1.00
	1800	58.0	17.0	.77	.92	1.00	55.0	16.1	.78	.94	1.00	52.0	15.2	.80	.96	1.00	49.0	14.4	.83	.99	1.00
	2000	59.0	17.3	.79	.95	1.00	56.5	16.6	.81	.97	1.00	53.5	15.7	.84	.99	1.00	50.0	14.7	.87	1.00	1.00
67°F	1600	59.5	17.4	.59	.72	.85	57.0	16.7	.60	.74	.87	54.0	15.8	.61	.75	.89	50.5	14.8	.62	.78	.93
	1800	61.0	17.9	.60	.75	.88	58.5	17.1	.61	.76	.91	55.0	16.1	.63	.78	.93	51.5	15.1	.65	.81	.97
	2000	62.5	18.3	.62	.77	.92	59.5	17.4	.63	.79	.94	56.0	16.4	.64	.82	.97	52.5	15.4	.67	.85	.99
71°F	1600	63.0	18.5	.44	.58	.70	60.0	17.6	.44	.58	.71	57.0	16.7	.44	.59	.73	53.0	15.5	.46	.61	.75
	1800	64.5	18.9	.45	.59	.72	61.5	18.0	.45	.60	.74	58.0	17.0	.45	.61	.76	54.5	16.0	.46	.64	.79
	2000	66.0	19.3	.45	.61	.75	62.5	18.3	.46	.62	.77	59.0	17.3	.46	.63	.80	55.0	16.1	.48	.66	.83

NOTE: Values based on 0.58" w.c. external static pressure

**HEATING RATINGS**

MODEL	OUTDOOR TEMP - DB/WB °F									
	0/0		17/15		35/33		47/43		62/56	
	BTUH	KW	BTUH	KW	BTUH	KW	BTUH	KW	BTUH	KW
PRPDF1624	9,300	1.60	11,900	1.67	17,700	1.76	21,400	1.82	26,400	1.89
PRPDF1636	14,400	2.46	18,500	2.61	27,500	2.82	33,400	2.96	40,900	3.13
PRPDF1648	19,800	3.43	24,700	3.49	37,700	3.76	46,000	3.94	57,200	4.16
PRPDF1660	26,900	4.12	35,500	4.33	50,800	4.76	58,000	5.04	73,600	5.40

INSTALLATION CLEARANCES		
	IN.	MM
Front (heat exchanger access)	24	610
Right Side (blower access)	24	610
Left Side (evaporator coil access)	24	610
Back	0	0
Top	48	1219

MINIMUM CLEARANCE TO COMBUSTIBLE MATERIAL		
	IN.	MM
Front	0	0
Back	0	0
Right Side (vent cover)	12	305
Left Side	0	0
Top	0	0
Below Unit	0	0

**BLOWER DATA**

PRPDF1624 BLOWER PERFORMANCE 0 THROUGH 0.80 IN. W.G. EXTERNAL STATIC PRESSURE RANGE												
"ADJUST" JUMPER SETTING	BLOWER CONTROL JUMPER SPEED POSITIONS											
	"COOL / HEAT PUMP" SPEED - CFM				"GAS HEAT" SPEED - CFM				"CONTINUOUS FAN" SPEED - CFM			
	A	<sup>1</sup> B	C	D	A	<sup>1</sup> B	C	D	A	B	C	D
+	1100	880	660	440	---	---	---	---	550	440	330	220
NORM	1000	800	600	400	1220	1100	1000	900	500	400	300	200
—	900	720	540	360	---	---	---	---	450	360	270	180

<sup>1</sup> Factory Settings.

NOTE - All air data is measured external to unit without air filters.

NOTE - 1st Stage airflow is 70% of 2nd Stage airflow (full capacity) in cooling mode.

PRPDF1636 BLOWER PERFORMANCE 0 THROUGH 0.80 IN. W.G. EXTERNAL STATIC PRESSURE RANGE												
"ADJUST" JUMPER SETTING	BLOWER CONTROL JUMPER SPEED POSITIONS											
	"COOL / HEAT PUMP" SPEED - CFM				"GAS HEAT" SPEED - CFM				"CONTINUOUS FAN" SPEED - CFM			
	A	<sup>1</sup> B	C	D	A	<sup>1</sup> B	C	D	A	B	C	D
+	1430	1320	1100	880	---	---	---	---	715	660	550	440
NORM	1300	1200	1000	800	1400	1330	1220	1080	650	600	500	400
—	1170	1080	900	720	---	---	---	---	585	540	450	360

<sup>1</sup> Factory Settings.

NOTE - All air data is measured external to unit without air filters.

NOTE - 1st Stage airflow is 70% of 2nd Stage airflow (full capacity) in cooling mode.

PRPDF1648 BLOWER PERFORMANCE 0 THROUGH 0.80 IN. W.G. EXTERNAL STATIC PRESSURE RANGE												
"ADJUST" JUMPER SETTING	BLOWER CONTROL JUMPER SPEED POSITIONS											
	"COOL / HEAT PUMP" SPEED - CFM				"GAS HEAT" SPEED - CFM				"CONTINUOUS FAN" SPEED - CFM			
	A	<sup>1</sup> B	C	D	A	<sup>1</sup> B	C	D	A	B	C	D
+	1980	1760	1540	1320	---	---	---	---	990	880	770	660
NORM	1800	1600	1400	1200	1640	1460	1380	1220	900	800	700	600
—	1620	1440	1260	1080	---	---	---	---	810	720	630	540

<sup>1</sup> Factory Settings.

NOTE - All air data is measured external to unit without air filters.

NOTE - 1st Stage airflow is 70% of 2nd Stage airflow (full capacity) in cooling mode.

PRPDF1660 BLOWER PERFORMANCE 0 THROUGH 0.80 IN. W.G. EXTERNAL STATIC PRESSURE RANGE												
"ADJUST" JUMPER SETTING	BLOWER CONTROL JUMPER SPEED POSITIONS											
	"COOL / HEAT PUMP" SPEED - CFM				"GAS HEAT" SPEED - CFM				"CONTINUOUS FAN" SPEED - CFM			
	A	<sup>1</sup> B	C	D	A	<sup>1</sup> B	C	D	A	B	C	D
+	2200	1980	1760	1540	---	---	---	---	1100	990	880	770
NORM	2000	1800	1600	1400	1800	1680	1550	1440	1000	900	800	700
—	1800	1620	1440	1260	---	---	---	---	900	810	720	630

<sup>1</sup> Factory Settings.

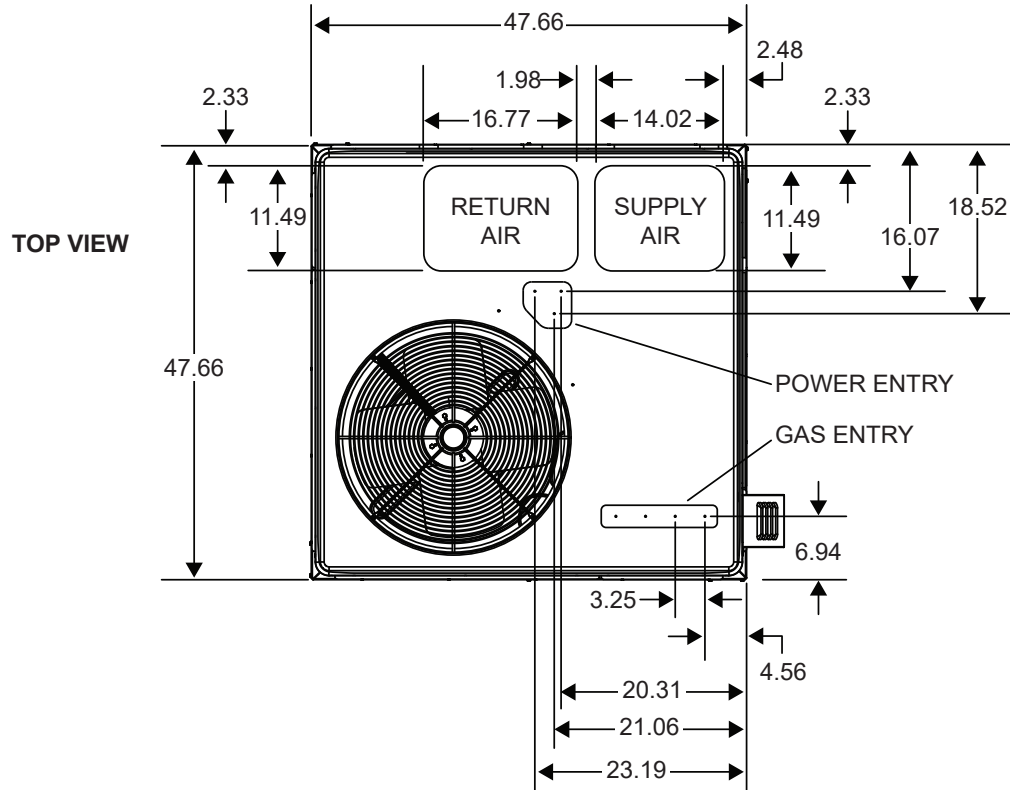
NOTE - All air data is measured external to unit without air filters.

NOTE - 1st Stage airflow is 70% of 2nd Stage airflow (full capacity) in cooling mode.

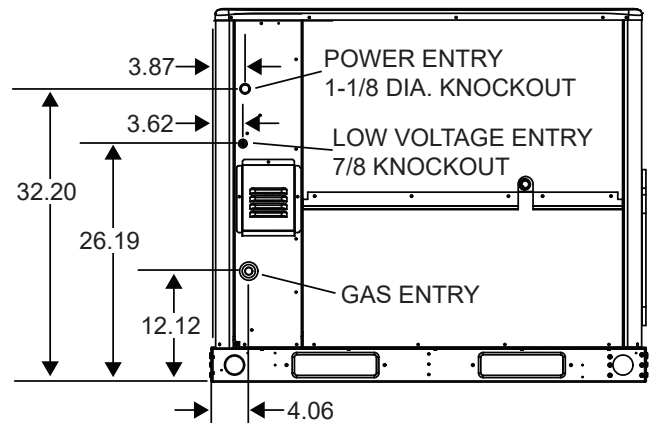
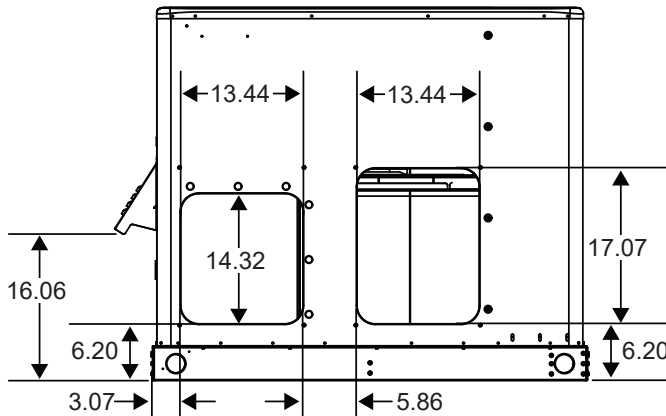
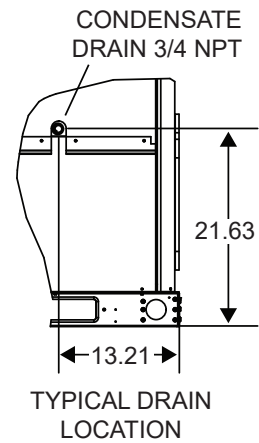
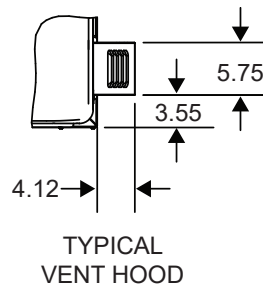
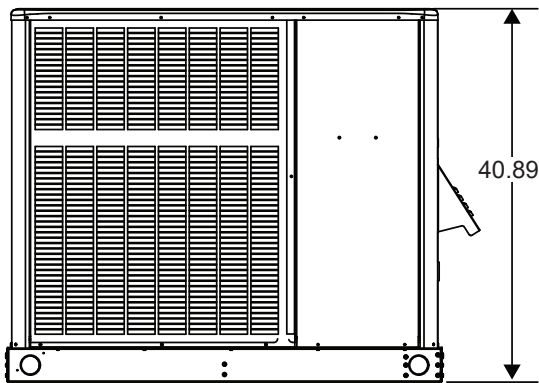
**ACCESSORY AIR RESISTANCE DATA - in. w.g.**

AIR VOLUME CFM	RECTANGULAR TO ROUND DUCT ADAPTOR KITS					
	DOWNFLOW		HORIZONTAL			
	14 in. Diameter		14 in. Diameter		16 in. Diameter	18 in. Diameter
	24, 30, 36	42, 48, 60	24, 30, 36	42, 48, 60	42, 48, 60	42, 48, 60
500	0.03	---	0.04	---	---	---
600	0.05	---	0.07	---	---	---
700	0.08	0.13	0.08	0.13	---	---
800	0.10	0.17	0.12	0.16	---	---
900	0.12	0.21	0.15	0.21	---	---
1000	0.17	0.24	0.19	0.25	0.11	0.03
1100	0.18	0.30	0.23	0.30	0.11	0.03
1200	0.20	0.36	0.29	0.37	0.13	0.03
1300	0.26	0.43	0.31	0.43	0.17	0.03
1400	0.31	0.50	0.39	0.51	0.20	0.03
1500	---	0.57	---	0.57	0.21	0.05
1600	---	0.63	---	0.65	0.26	0.05
1700	---	0.71	---	0.72	0.30	0.06
1800	---	0.80	---	0.81	0.30	0.06
1900	---	0.91	---	0.90	0.40	0.06
2000	---	0.99	---	1.01	0.41	0.06

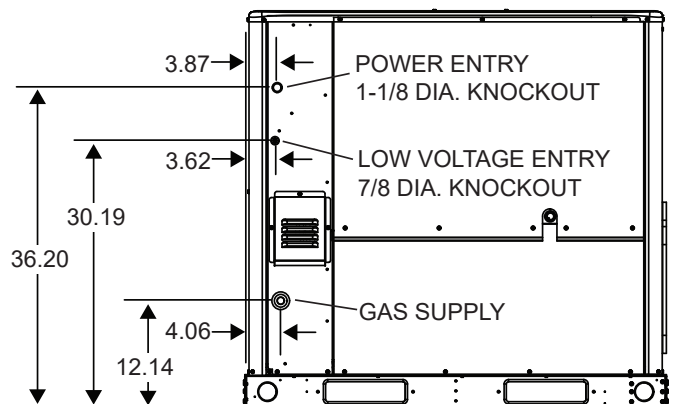
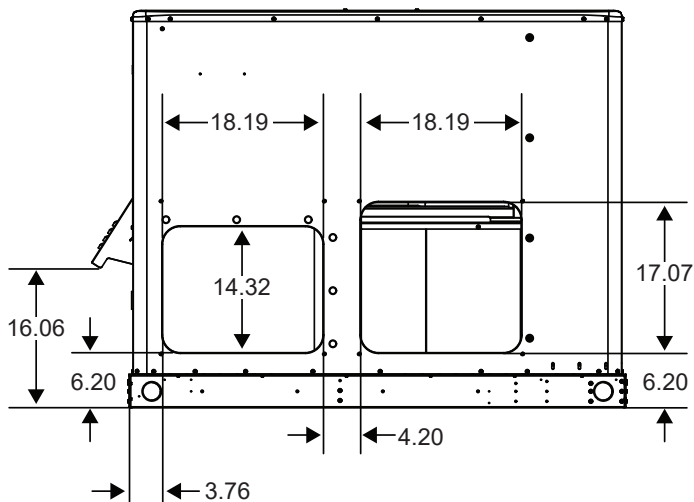
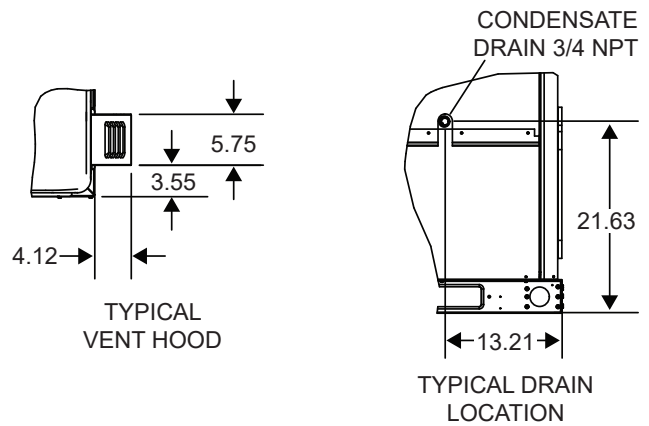
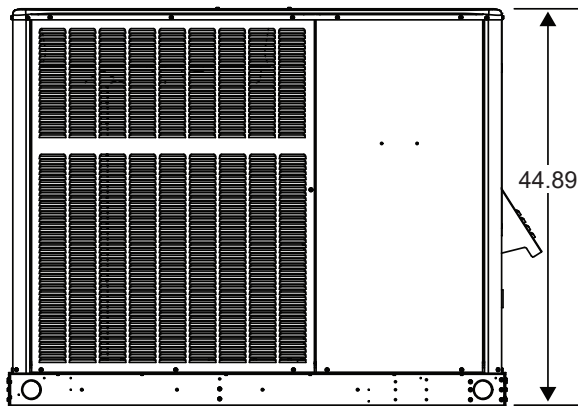
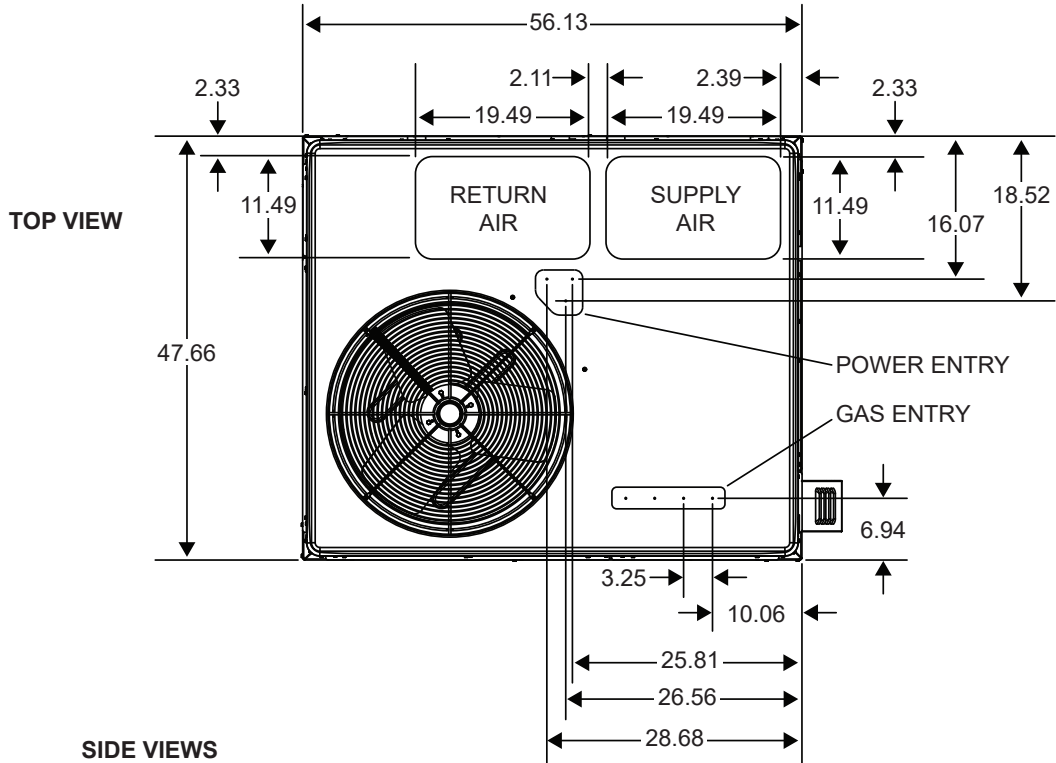
**DIMENSIONS (IN.) - SMALL BASE**



**SIDE VIEWS**

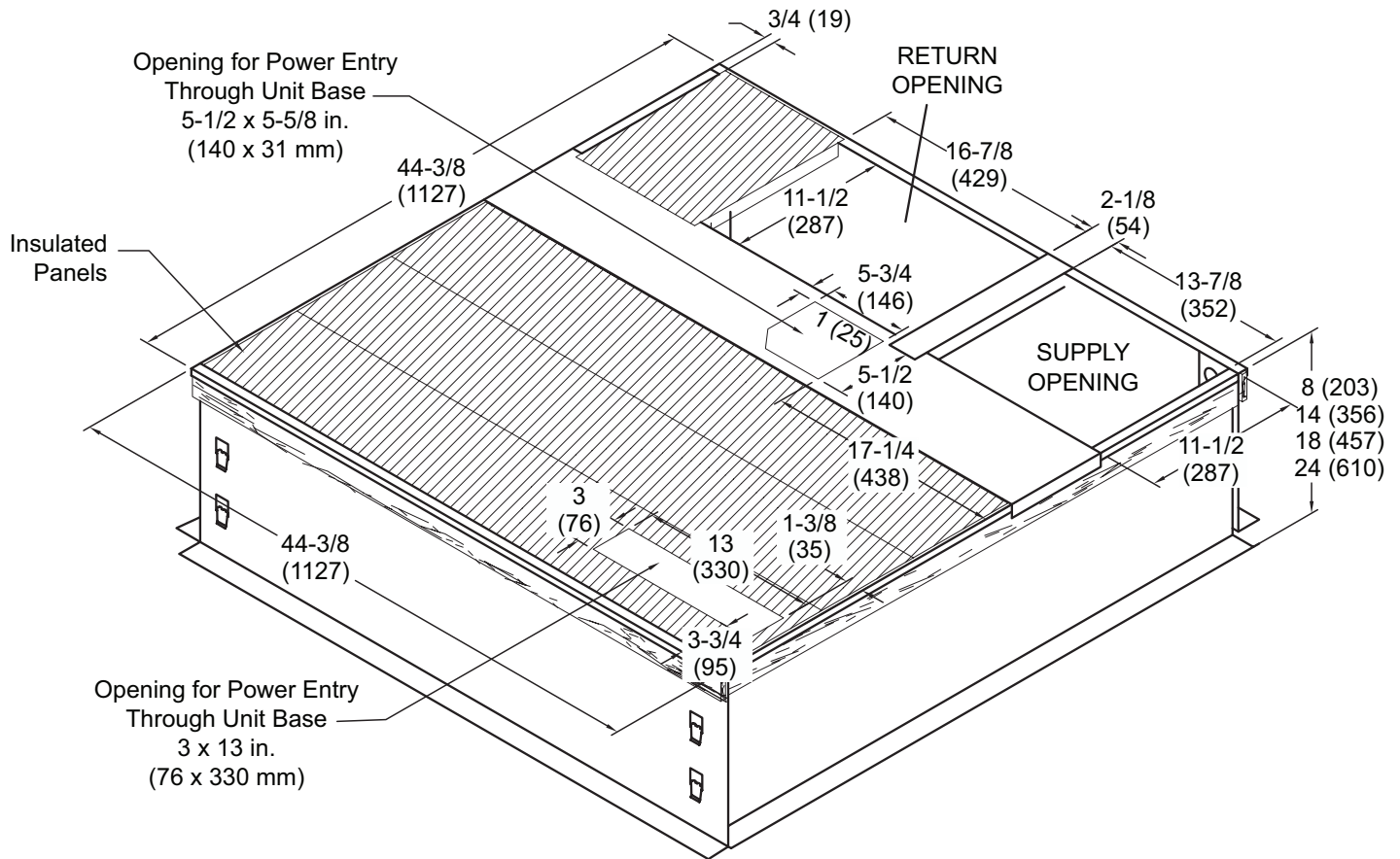


**DIMENSIONS (IN.) - LARGE BASE**





## ROOF CURB DIMENSIONS - SMALL BASE



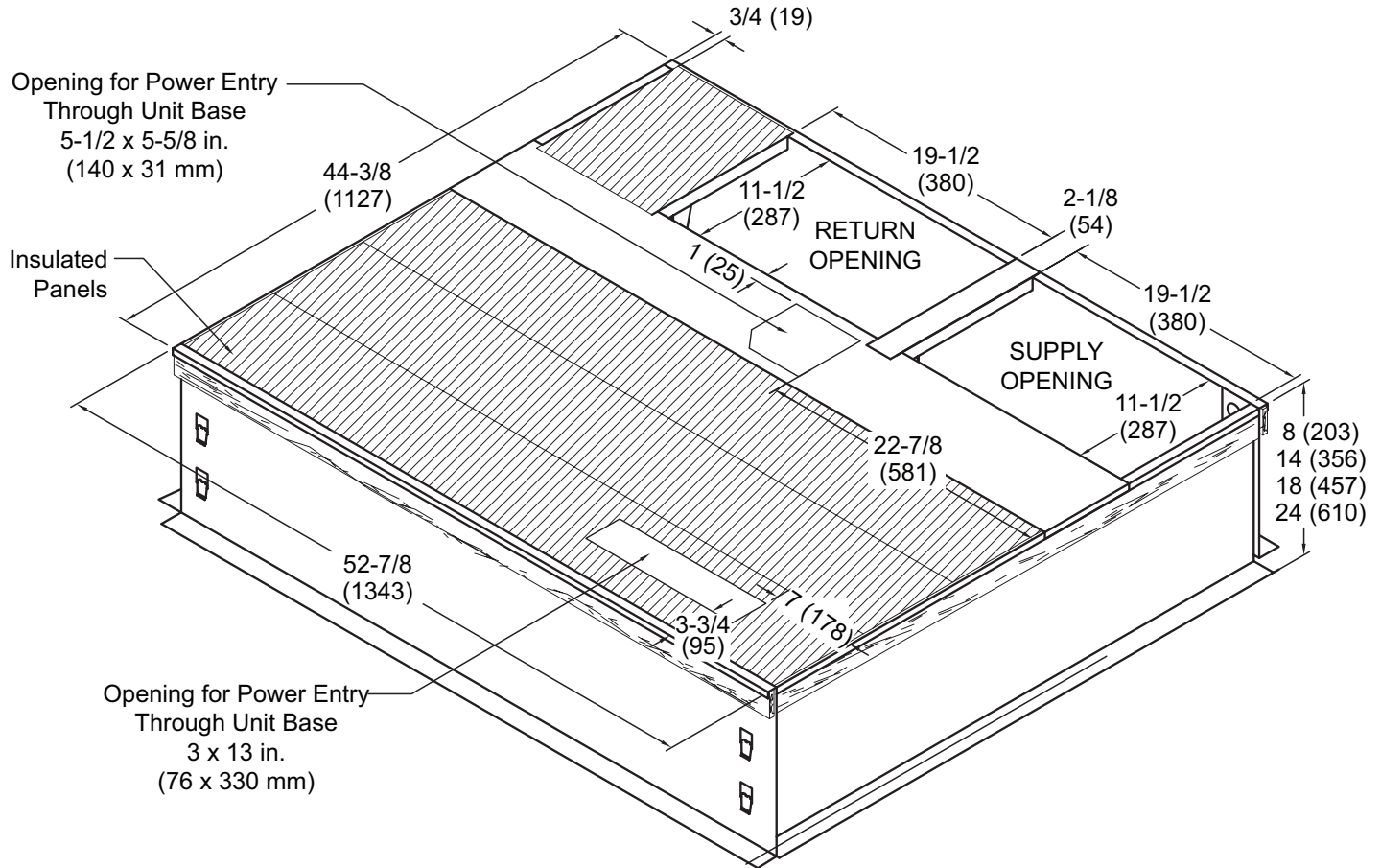
NOTE - If bottom entry is used, condensate from the heat exchanger may leak during warm ambient temperatures in humid climates. Ensure that bottom entry is watertight, if used.

NOTE - Roof deck may be omitted within confines of curb.

NOTE - All Curbs::

- IBC 2018 compliant
- CBC 2019 compliant
- Seismic rating - SDS 2.0g, z/h=1, I<sub>p</sub>=1.5
- Wind rating - 240 mph (Lateral), 214 mph (Uplift)
- Maximum load rating - 800 lbs.
- Tool-less filter access panels NOT for seismic-rated applications

## ROOF CURB DIMENSIONS - LARGE BASE



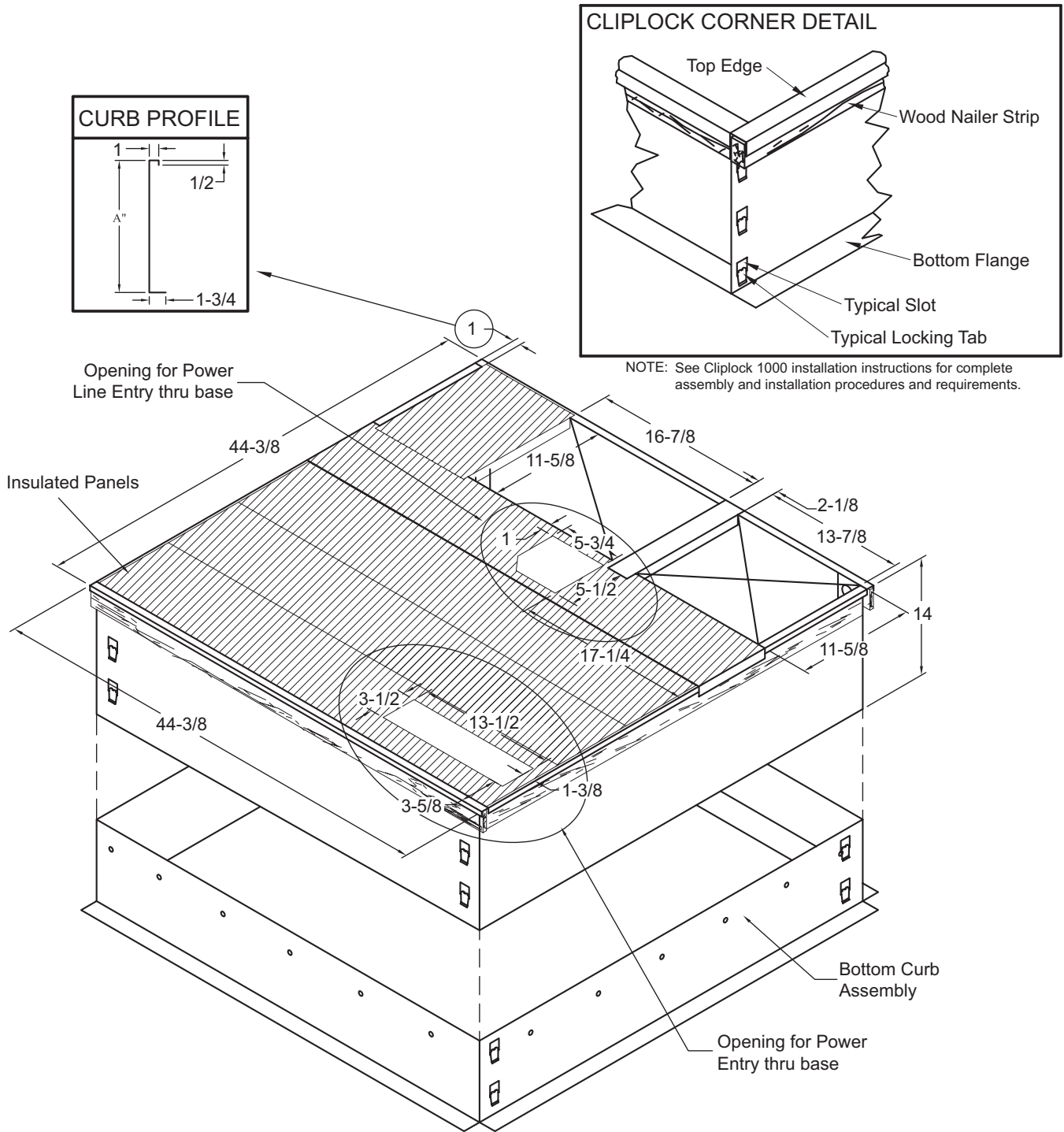
NOTE - If bottom entry is used, condensate from the heat exchanger may leak during warm ambient temperatures in humid climates. Ensure that bottom entry is watertight, if used.

NOTE - Roof deck may be omitted within confines of curb.

NOTE - All Curbs::

- IBC 2018 compliant
- CBC 2019 compliant
- Seismic rating - SDS 2.0g, z/h=1, Ip=1.5
- Wind rating - 240 mph (Lateral), 214 mph (Uplift)
- Maximum load rating - 800 lbs.
- Tool-less filter access panels NOT for seismic-rated applications

**ADJUSTABLE CURB (KNOCK-DOWN STYLE) DIMENSIONS - SMALL BASE**



NOTE - If bottom entry is used, condensate from the heat exchanger may leak during warm ambient temperatures in humid climates. Ensure that bottom entry is watertight, if used.

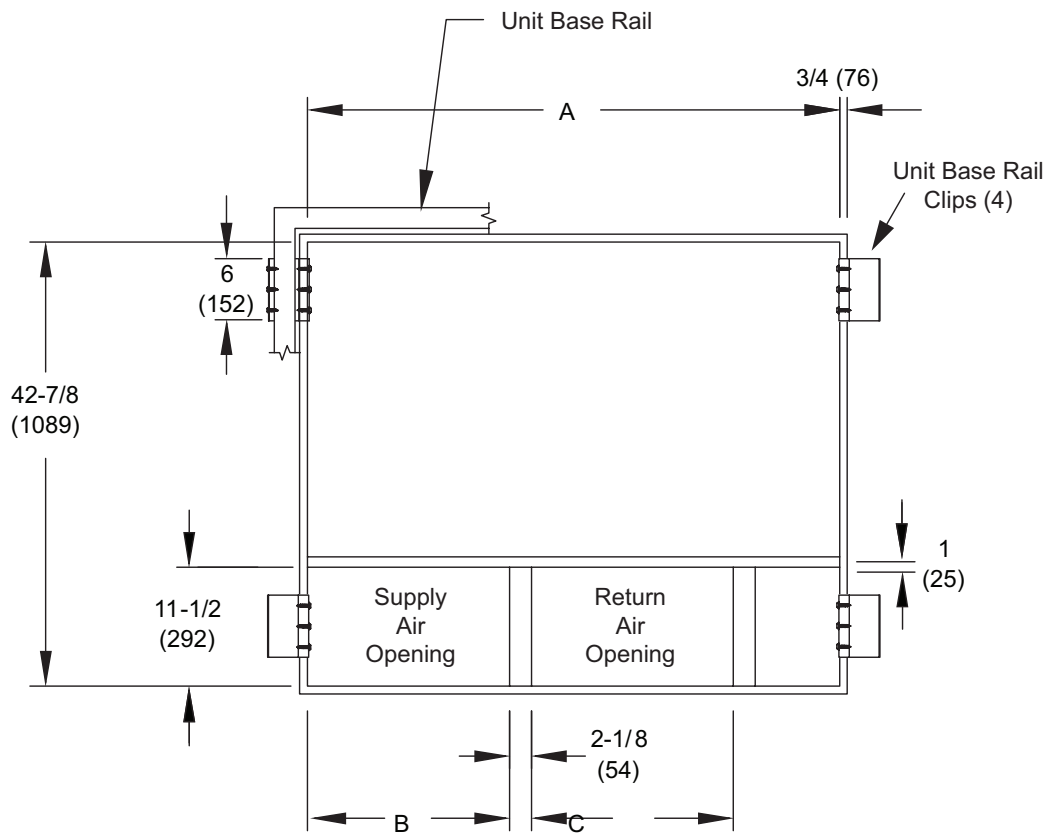
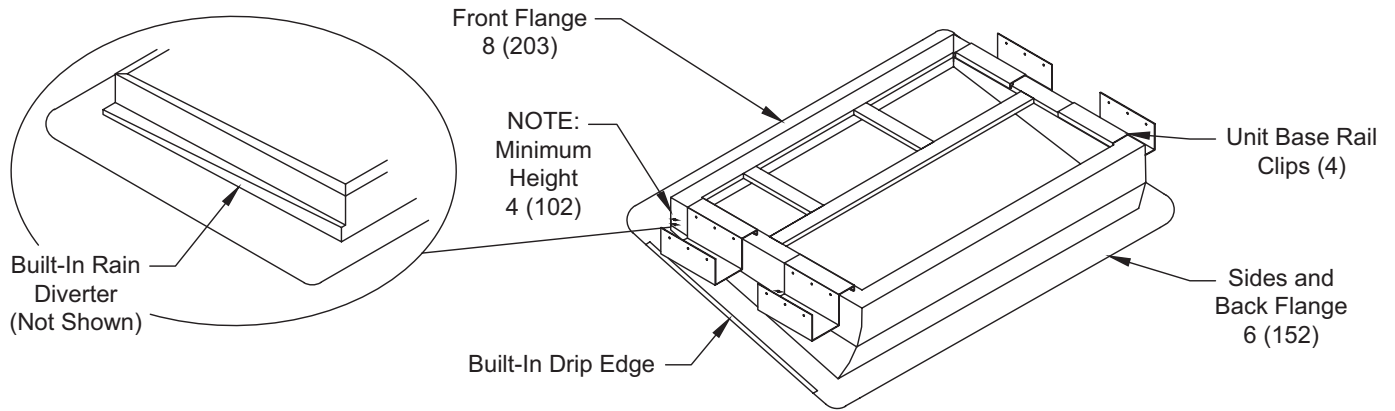
NOTE - Roof deck may be omitted within confines of curb.

NOTE - All Curbs::

- IBC 2018 compliant
- CBC 2019 compliant
- Seismic rating - SDS 2.0g, z/h=1, I<sub>p</sub>=1.5
- Wind rating - 240 mph (Lateral), 214 mph (Uplift)
- Maximum load rating - 800 lbs.
- Tool-less filter access panels NOT for seismic-rated applications



**ADJUSTABLE CURB (WELDED STYLE) DIMENSIONS**



USAGE	A		B		C	
	IN.	MM	IN.	MM	IN.	MM
24,30,36	42-7/8	1089	13-7/8	352	16-7/8	429
42,48,60	51-3/8	1305	19-1/2	495	19-1/2	495



1-800-448-5872

All specifications and illustrations subject to change without notice and without incurring obligations.