

# BCE7S

## PRODUCT SPECIFICATIONS

# ENHANCED AIR HANDLER WITH VARIABLE SPEED AND COMMUNICATING CONTROLS

FORM NO. BCE7S-100 (01/2021)



### APPLICATION

- 2 - 5 ton systems
- Upflow, horizontal, and downflow capable
- Sequenced for demand management
- External access to heater circuit breakers

### INSTALLATION

- Shipped in one piece, but may be disassembled into two separate pieces for ease of installation
- Multiposition - Factory ready for upflow, downflow, and horizontal left/right applications
- No external screw heads on the sides of the unit to fit in tight spaces

### CABINET

- Thick foil faced insulation
- Improved gasketing on doors for better fit
- Filter rack with thumb screws for easy access and removal
- Baked polyester paint finished over galvanized steel for maximum durability
- Thick rubber gaskets between each section insure tight seal when converted to downflow
- High-strength, UV and heat resistant polymer drain pan designed for corrosion resistance
- Antimicrobial polymer drain pan built to resist mold and mildew growth
- 2% or less air leakage

### COILS

- Omniguard™ total corrosion protection technology designed coil
- Enhanced tube-and-fin coil design featuring MHT™ Technology
- Lanced fins for maximum heat transfer
- Factory tested for leakproof construction and precharged with nitrogen holding charge

### COMPONENTS

- Efficient ECM variable speed motor
- 70 VA transformer
- Field installed 5 - 25kW electric heat kits with easy plug connections
- Built-in blower time delay for increased efficiency
- Sleeves on distributor tubing for added protection

### CONTROLS

- Communicating control enabled
- Thermostat flexibility: works with the Comfort Sync® T-Stat or a conventional 24V T-Stat
- Self diagnostics saves last 10 fault codes regardless of power interruption

### WARRANTY

10 year limited warranty on all parts, extended warranty available\*

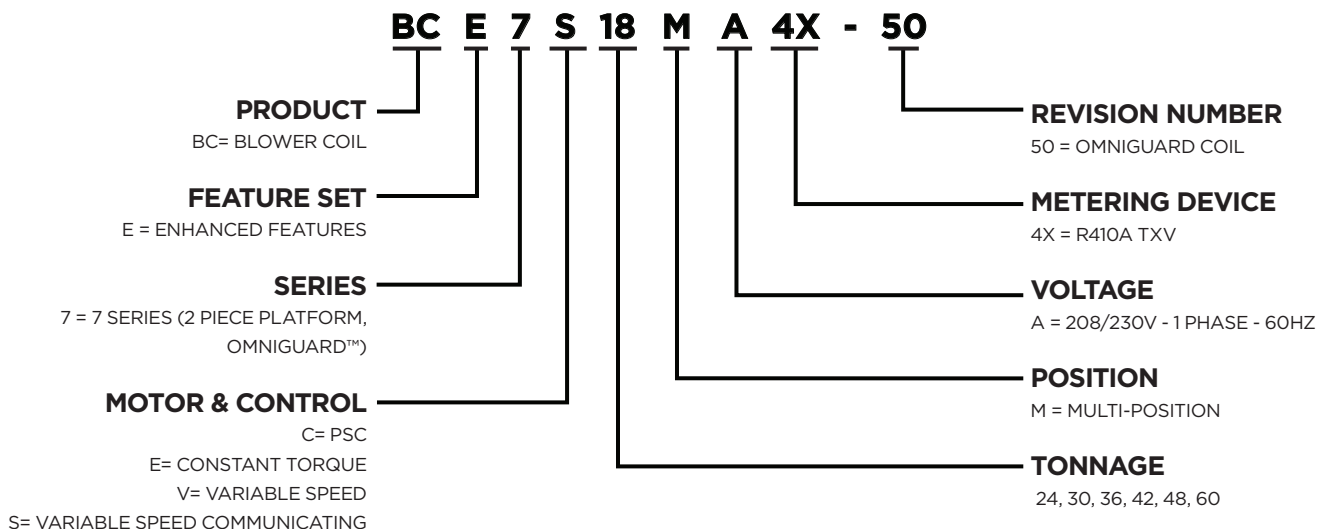
*\*Warranty provides for a total of 10 years of limited warranty coverage (Standard 5-year limited parts warranty plus an additional 5-year limited extended parts warranty). Warranty must be registered online within 60 days of installation to qualify for 10-year coverage. Unregistered equipment defaults to 5-year coverage. See full warranty at [www.alliedair.com](http://www.alliedair.com) for terms, conditions, and exclusions.*



### NOTE:

For the latest AHRI system matches, please visit [www.alliedratings.com](http://www.alliedratings.com) or [www.AHRIdirectory.org](http://www.AHRIdirectory.org)

**MODEL NUMBER GUIDE**



**PHYSICAL**

Model	Volts/Hz/Phase	Max. Elec. Heat Available (kW)	Transformer Size & Type	Filter Size (in.)	Refrigerant Connection (IDS)		Installed TXV Size	Weight (lbs.)
					Suction (in.)	Liquid (in.)		
BCE7S24	208/230/60/1	9	70VA	(1) 20 x 20 x 1	3/4	3/8	12J18	141
BCE7S30	208/230/60/1	15	70VA	(1) 20 x 20 x 1	3/4	3/8	12J18	154
BCE7S36	208/230/60/1	20	70VA	(1) 20 x 20 x 1	3/4	3/8	12J19	159
BCE7S42	208/230/60/1	20	70VA	(1) 20 x 24 x 1	7/8	3/8	12J20	189
BCE7S48	208/230/60/1	25	70VA	(1) 20 x 24 x 1	7/8	3/8	12J20	189
BCE7S60	208/230/60/1	25	70VA	(1) 20 x 24 x 1	7/8	3/8	12J20	199

**INSTALLATION CLEARANCES WITH ELECTRIC HEAT**

Cabinet	0 in. (0 mm)
To Plenum	0 in. (0mm)
To Outlet Duct within 3 ft. (914mm)	0 in. (0 mm)
Floor	See Note #1
Service / Maintenance	See Note #2

*1 Units installed on combustible floors in the downflow position with electric heat require optional downflow combustible flooring base.*

*2 Front service access - 24 in. (610 mm) minimum.*

*Note - If cabinet depth is more than 24 in. (610mm), allow a minimum of the cabinet depth plus 2 in. (51 mm).*

**ACCESSORIES**

Description	Where Used	Catalog Number
Circuit Breaker Cover Kit	All Models	82W01
Downflow Combustible Flooring Base	All Models	44K15
Horizontal Support Frame Kit	All Models	56J18
Side Return Unit Stand (Upflow)	All Models	45K32
Single-Point Power Source Control Box	All Models	21H39
Wall Hanging Bracket Kit (Upflow)	All Models	45K30
Remote Outdoor Sensor	All Models	X2658
Comfort Sync® A3 Thermostat	All models	1.841226
Comfort Sync® Zoning Controller	All models	1.851399
Comfort Sync® Zone Sensor	All models	1.851422

**ELECTRIC HEAT**

Size	Model	C/B Size *	WHERE USED	Cat #
<b>Electric Heat Kits with Circuit Breaker</b>				
<b>5 kW</b>	ECB27-5CB-P	35A	24, 30, 36, 42, 48, 60	17D47
<b>9 kW</b>	ECB27-9CB-P	60A	24, 30, 36, 42, 48, 60	17D52
<b>12.5 kW</b>	ECB27-12.5CB-P	30A + 45A	30, 36, 42, 48, 60	17D53
<b>15 kW</b>	ECB27-15CB-P	35A + 60A	30, 36, 42, 48, 60	17D54
<b>20 kW</b>	ECB27-20CB-P	60A + 60A	36, 42, 48, 60	17D55
<b>25 kW</b>	ECB27-25CB-P	60A + 45A + 45A	48, 60	17D56

<b>Replacement Circuit Breakers (2 pole)</b>		
Volts	Size	Cat #
208/240V- 1 phase	25A	41K13
	30A	17K70
	35A	72K07
	40A	49K14
	45A	17K71
	50A	41K12
	60A	17K72

\* Circuit breaker must match rated "Max C/B Size"; replace breaker as necessary.

**ELECTRICAL**

Model	Heater Model	Electric Heat Capacity				Blower Motor Full Load Amps <sup>2</sup>	Minimum Circuit Ampacity (240/208 Volts) <sup>3</sup>			Maximum Overcurrent Protection (240/208 Volts) <sup>4,5</sup>			Single Point Power Source		
		kW Input		Btuh Input <sup>1</sup>			CKT-1	CKT-2	CKT-3	CKT-1	CKT-2	CKT-3	Minimum Circuit Amp <sup>5</sup>	Maximum Overcurrent Protection <sup>5</sup>	
		240 Volts	208 Volts	240 Volts	208 Volts										
BCE7S-24MA4X-50	NONE	---	---	---	---	4	5/5	---	---	15/15	---	---	---	---	
	ECB27-5CB-P	5	3.8	17100	12,800		31/28	---	---	35/30	---	---	31/28	35/30	
	ECB27-9CB-P	9	6.8	30700	23,100		52/46	---	---	60/50	---	---	52/46	60/50	
BCE7S-30MA4X-50	NONE	---	---	---	---	3.9	5/5	---	---	15/15	---	---	---	---	
	ECB27-5CB-P	5	3.8	17100	12800			31/28	---	---	35/30	---	---	31/28	35/30
	ECB27-9CB-P	9	6.8	30700	23100			52/46	---	---	60/50	---	---	52/46	35/30
	ECB27-12.5CB-P	12.5	9.4	42600	32000			27/24	44/38	---	30/25	45/40	---	71/61	80/70
	ECB27-15CB-P	15	11.3	51200	38400			31/28	52/45	---	35/30	60/45	---	83/72	90/80
BCE7S-36MA4X-50	NONE	---	---	---	---	5.2	5/5	---	---	15/15	---	---	---	---	
	ECB27-5CB-P	5	3.8	17100	12800			33/29	---	---	35/30	---	---	33/29	35/30
	ECB27-9CB-P	9	6.8	30700	23100			53/47	---	---	60/50	---	---	53/47	60/50
	ECB27-12.5CB-P	12.5	9.4	42600	32000			28/25	44/38	---	35/30	45/40	---	72/63	80/70
	ECB27-15CB-P	15	11.3	51200	38400			33/29	52/45	---	35/30	60/45	---	85/74	90/80
	ECB27-20CB-P	20	15	68200	51200			53/47	57/50	---	60/50	60/50	---	111/97	125/100
BCE7S-42MA4X-50	NONE	---	---	---	---	7.4	10/10	---	---	20/20	---	---	---	---	
	ECB27-5CB-P	5	3.8	17100	12800			35/31	---	---	35/35	---	---	35/31	35/35
	ECB27-9CB-P	9	6.8	30700	23100			56/49	---	---	60/50	---	---	56/49	60/50
	ECB27-12.5CB-P	12.5	9.4	42600	32000			31/27	44/38	---	35/30	45/40	---	74/65	80/70
	ECB27-15CB-P	15	11.3	51200	38400			35/31	52/45	---	35/35	60/45	---	87/76	90/80
	ECB27-20CB-P	20	15	68200	51200			56/49	57/50	---	60/50	60/50	---	113/99	125/100
BCE7S-48MA4X-50	NONE	---	---	---	---	6.9	10/10	---	---	20/20	---	---	---	---	
	ECB27-5CB-P	5	3.8	17100	12800			35/31	---	---	35/35	---	---	35/31	35/35
	ECB27-9CB-P	9	6.8	30700	23100			56/49	---	---	60/50	---	---	56/49	60/50
	ECB27-12.5CB-P	12.5	9.4	42600	32000			31/27	44/38	---	35/30	45/40	---	74/65	80/70
	ECB27-15CB-P	15	11.3	51200	38400			35/31	52/45	---	35/35	60/45	---	87/76	90/80
	ECB27-20CB-P	20	15	68200	51200			56/49	57/50	---	60/50	60/50	---	113/99	125/100
	ECB27-25CB-P	25	18.8	85300	64100			52/46	44/38	44/38	60/50	45/40	45/40	140/122	150/125
BCE7S-60MA4X-50	NONE	---	---	---	---	6.9	10/10	---	---	20/20	---	---	---	---	
	ECB27-5CB-P	5	3.8	17100	12800			35/31	---	---	35/35	---	---	35/31	35/35
	ECB27-9CB-P	9	6.8	30700	23100			56/49	---	---	60/50	---	---	56/49	60/50
	ECB27-12.5CB-P	12.5	9.4	42600	32000			31/27	44/38	---	35/30	45/40	---	74/65	80/70
	ECB27-15CB-P	15	11.3	51200	38400			35/31	52/45	---	35/35	60/45	---	87/76	90/80
	ECB27-20CB-P	20	15	68200	51200			56/49	57/50	---	60/50	60/50	---	113/99	125/100
	ECB27-25CB-P	25	18.8	85300	64100			52/46	44/38	44/38	60/50	45/40	45/40	140/122	150/125

NOTE - Circuit 1 Minimum Circuit Ampacity includes the Blower Motor Full Load Amps.  
<sup>1</sup> Electric heater capacity only - does not include additional blower motor heat capacity.  
<sup>2</sup> Amps shown are for blower motor only  
<sup>3</sup> Refer to National or Canadian Electrical Code manual to determine wire, fuse and disconnect size requirements. Use wires suitable for at least 167°F.  
<sup>4</sup> 208 Volt applications must replace circuit breakers with size noted in table.  
<sup>5</sup> HACR type circuit breaker or fuse.

**BLOWER**

BCE7S24 BLOWER PERFORMANCE								
0 through 0.80 In. w.g. External Static Pressure Range								
"ADJUST" Jumper Setting	Jumper Speed Positions							
	"HEAT" Speed				"COOL" Speed			
	1 cfm	2 cfm	3 cfm	4 cfm	1 cfm	2 cfm	3 cfm	4 cfm
+	460	685	885	1050	460	685	885	1050
NORM	400	575	795	940	400	575	795	940
-	365	515	715	830	365	515	715	830

NOTES - The effect of static pressure, filter and electric heater resistance is included in the air volumes listed. First stage cooling air volume is 70% of COOL speed setting. Continuous fan speed is approximately 28%, 38%, 70% and 100% (Jumper selectable) of the same second-stage COOL speed selected, minimum 250 cfm. Zoning System applications - minimum blower speed is 250 cfm.

BCE7S24 BLOWER WATTS									
AT "+" (Plus) SETTING ("Adjust" Jumper at "+" Setting)									
Jumper Speed Positions		Motor Watts @ Various External Static Pressures - In. w.g.							
		0.1	0.2	0.3	0.4	0.5	0.6	0.7	0.8
"HEAT" Speed	Tap 1	32	44	58	71	90	104	131	145
	Tap 2	56	85	103	121	139	165	190	207
	Tap 3	105	131	161	183	202	241	263	292
	Tap 4	164	194	220	253	277	310	330	360
"COOL" Speed	Tap 1	32	44	58	71	90	104	131	145
	Tap 2	56	85	103	121	139	165	190	207
	Tap 3	105	131	161	183	202	241	263	292
	Tap 4	164	194	220	253	277	310	330	360

AT "NORM" SETTING ("Adjust" Jumper at "NORM" Setting)									
Jumper Speed Positions		Motor Watts @ Various External Static Pressures - In. w.g.							
		0.1	0.2	0.3	0.4	0.5	0.6	0.7	0.8
"HEAT" Speed	Tap 1	27	42	52	59	79	99	114	133
	Tap 2	44	59	77	95	117	137	152	183
	Tap 3	79	108	126	159	181	199	231	252
	Tap 4	117	145	167	197	228	254	273	313
"COOL" Speed	Tap 1	27	42	52	69	79	99	114	133
	Tap 2	44	59	77	95	117	137	152	183
	Tap 3	79	108	126	159	181	199	231	252
	Tap 4	117	145	167	197	228	254	273	313

AT "-" (Minus) SETTING ("Adjust" Jumper at "-" Setting)									
Jumper Speed Positions		Motor Watts @ Various External Static Pressures - In. w.g.							
		0.1	0.2	0.3	0.4	0.5	0.6	0.7	0.8
"HEAT" Speed	Tap 1	24	40	48	60	76	94	106	117
	Tap 2	37	48	68	93	106	129	145	157
	Tap 3	70	85	106	129	153	181	203	222
	Tap 4	90	117	138	162	190	216	236	265
"COOL" Speed	Tap 1	24	40	48	60	76	94	106	117
	Tap 2	37	48	68	93	106	129	145	157
	Tap 3	70	85	106	129	153	181	203	222
	Tap 4	90	117	138	162	190	216	236	265

**BLOWER**

BCE7S30 BLOWER PERFORMANCE								
0 through 0.80 In. w.g. External Static Pressure Range								
"ADJUST" Jumper Setting	Jumper Speed Positions							
	"HEAT" Speed				"COOL" Speed			
	1 cfm	2 cfm	3 cfm	4 cfm	1 cfm	2 cfm	3 cfm	4 cfm
<b>+</b>	630	875	1095	1315	630	875	1095	1315
<b>NORM</b>	545	785	995	1195	545	785	995	1195
<b>-</b>	510	700	890	1075	510	700	890	1075

NOTES - The effect of static pressure, filter and electric heater resistance is included in the air volumes listed. First stage cooling air volume is 70% of COOL speed setting. Continuous fan speed is approximately 28%, 38%, 70% and 100% (Jumper selectable) of the same second-stage COOL speed selected, minimum 250 cfm. Zoning System applications - minimum blower speed is 250 cfm.

BCE7S30 BLOWER WATTS									
AT "+" (Plus) SETTING ("Adjust" Jumper at "+" Setting)									
Jumper Speed Positions		Motor Watts @ Various External Static Pressures - In. w.g.							
		0.1	0.2	0.3	0.4	0.5	0.6	0.7	0.8
"HEAT" Speed	Tap 1	35	55	76	95	116	138	164	179
	Tap 2	80	100	122	148	171	194	214	239
	Tap 3	140	167	189	216	237	273	291	322
	Tap 4	231	262	295	328	355	377	412	441
"COOL" Speed	Tap 1	35	55	76	95	116	138	164	179
	Tap 2	80	100	122	148	171	194	214	239
	Tap 3	140	167	189	216	237	273	291	322
	Tap 4	231	262	295	328	355	377	412	441

AT "NORM" SETTING ("Adjust" Jumper at "NORM" Setting)									
Jumper Speed Positions		Motor Watts @ Various External Static Pressures - In. w.g.							
		0.1	0.2	0.3	0.4	0.5	0.6	0.7	0.8
"HEAT" Speed	Tap 1	36	48	61	80	92	114	124	139
	Tap 2	61	84	104	122	143	169	186	210
	Tap 3	109	134	153	178	203	231	254	281
	Tap 4	174	205	238	264	284	310	338	372
"COOL" Speed	Tap 1	36	48	61	80	92	114	124	139
	Tap 2	61	84	104	122	143	169	186	210
	Tap 3	109	134	153	178	203	231	254	281
	Tap 4	174	205	238	264	284	310	338	372

AT "-" (Minus) SETTING ("Adjust" Jumper at "-" Setting)									
Jumper Speed Positions		Motor Watts @ Various External Static Pressures - In. w.g.							
		0.1	0.2	0.3	0.4	0.5	0.6	0.7	0.8
"HEAT" Speed	Tap 1	29	43	58	77	88	102	119	134
	Tap 2	44	64	89	106	125	157	174	202
	Tap 3	85	104	129	152	176	199	219	239
	Tap 4	133	157	185	207	231	258	285	317
"COOL" Speed	Tap 1	29	43	58	77	88	102	119	134
	Tap 2	44	64	89	106	125	157	174	202
	Tap 3	85	104	129	152	176	199	219	239
	Tap 4	133	157	185	207	231	258	285	317

**BLOWER**

<b>BCE7S36 BLOWER PERFORMANCE</b>								
0 through 0.80 In. w.g. External Static Pressure Range								
"ADJUST" Jumper Setting	Jumper Speed Positions							
	"HEAT" Speed				"COOL" Speed			
	1 cfm	2 cfm	3 cfm	4 cfm	1 cfm	2 cfm	3 cfm	4 cfm
<b>+</b>	920	1255	1410	1580	920	1255	1410	1580
<b>NORM</b>	815	1165	1315	1435	815	1165	1315	1435
<b>-</b>	720	1010	1155	1285	720	1010	1155	1285

NOTES - The effect of static pressure, filter and electric heater resistance is included in the air volumes listed. First stage cooling air volume is 70% of COOL speed setting. Continuous fan speed is approximately 28%, 38%, 70% and 100% (Jumper selectable) of the same second-stage COOL speed selected, minimum 250 cfm. Zoning System applications - minimum blower speed is 250 cfm.

<b>BCE7S36 BLOWER WATTS</b>									
AT "+" (Plus) SETTING ("Adjust" Jumper at "+" Setting)									
Jumper Speed Positions		Motor Watts @ Various External Static Pressures - In. w.g.							
		0.1	0.2	0.3	0.4	0.5	0.6	0.7	0.8
"HEAT" Speed	Tap 1	88	108	132	161	190	208	234	248
	Tap 2	174	212	237	269	304	328	370	385
	Tap 3	232	282	314	341	374	410	343	473
	Tap 4	332	365	409	438	480	520	546	576
"COOL" Speed	Tap 1	88	108	132	161	190	208	234	248
	Tap 2	174	212	237	269	304	328	370	386
	Tap 3	232	282	314	341	374	410	434	473
	Tap 4	332	365	409	438	480	520	546	576

<b>AT "NORM" SETTING ("Adjust" Jumper at "NORM" Setting)</b>									
Jumper Speed Positions		Motor Watts @ Various External Static Pressures - In. w.g.							
		0.1	0.2	0.3	0.4	0.5	0.6	0.7	0.8
"HEAT" Speed	Tap 1	70	89	113	137	155	188	199	233
	Tap 2	145	168	201	221	258	279	316	348
	Tap 3	200	223	265	293	316	359	374	403
	Tap 4	259	291	309	251	390	429	447	488
"COOL" Speed	Tap 1	70	89	113	137	155	188	199	233
	Tap 2	145	168	201	221	258	279	316	348
	Tap 3	200	223	265	293	316	359	374	403
	Tap 4	259	291	309	351	390	429	447	488

<b>AT "-" (Minus) SETTING ("Adjust" Jumper at "-" Setting)</b>									
Jumper Speed Positions		Motor Watts @ Various External Static Pressures - In. w.g.							
		0.1	0.2	0.3	0.4	0.5	0.6	0.7	0.8
"HEAT" Speed	Tap 1	50	78	97	119	144	163	185	199
	Tap 2	105	130	156	177	212	239	264	280
	Tap 3	144	167	197	224	255	281	316	340
	Tap 4	191	229	253	283	310	339	366	398
"COOL" Speed	Tap 1	50	78	97	119	144	163	185	199
	Tap 2	105	130	156	177	212	239	264	280
	Tap 3	144	167	197	224	255	281	316	340
	Tap 4	191	229	253	283	310	339	366	398

**BLOWER**

BCE7S42 BLOWER PERFORMANCE								
0 through 0.80 In. w.g. External Static Pressure Range								
"ADJUST" Jumper Setting	Jumper Speed Positions							
	"HEAT" Speed				"COOL" Speed			
	1 cfm	2 cfm	3 cfm	4 cfm	1 cfm	2 cfm	3 cfm	4 cfm
+	1100	1320	1540	1760	1100	1320	1540	1760
NORM	1000	1200	1400	1600	1000	1200	1400	1600
-	900	1080	1260	1440	900	1080	1260	1440

NOTES - The effect of static pressure, filter and electric heater resistance is included in the air volumes listed. First stage cooling air volume is 70% of COOL speed setting. Continuous fan speed is approximately 28%, 38%, 70% and 100% (Jumper selectable) of the same second-stage COOL speed selected, minimum 250 cfm. Zoning System applications - minimum blower speed is 250 cfm.

BCE7S42 BLOWER WATTS									
AT "+" (Plus) SETTING ("Adjust" Jumper at "+" Setting)									
Jumper Speed Positions		Motor Watts @ Various External Static Pressures - In. w.g.							
		0.1	0.2	0.3	0.4	0.5	0.6	0.7	0.8
"HEAT" Speed	Tap 1	121	154	177	199	233	252	283	315
	Tap 2	189	221	247	282	310	344	370	403
	Tap 3	283	312	341	382	422	454	481	515
	Tap 4	407	446	488	528	567	583	646	671
"COOL" Speed	Tap 1	121	154	177	199	233	252	283	315
	Tap 2	189	221	247	282	310	344	370	403
	Tap 3	283	312	341	382	422	454	481	515
	Tap 4	407	446	488	528	567	583	646	671

AT "NORM" SETTING ("Adjust" Jumper at "NORM" Setting)									
Jumper Speed Positions		Motor Watts @ Various External Static Pressures - In. w.g.							
		0.1	0.2	0.3	0.4	0.5	0.6	0.7	0.8
"HEAT" Speed	Tap 1	104	134	153	184	207	236	257	286
	Tap 2	142	171	203	234	253	298	327	351
	Tap 3	212	240	269	308	337	371	408	429
	Tap 4	309	341	367	406	441	476	516	559
"COOL" Speed	Tap 1	104	134	153	184	207	236	257	286
	Tap 2	142	171	203	234	253	298	327	351
	Tap 3	212	240	269	308	337	371	408	429
	Tap 4	309	341	367	406	441	476	516	559

AT "-" (Minus) SETTING ("Adjust" Jumper at "-" Setting)									
Jumper Speed Positions		Motor Watts @ Various External Static Pressures - In. w.g.							
		0.1	0.2	0.3	0.4	0.5	0.6	0.7	0.8
"HEAT" Speed	Tap 1	78	104	126	155	175	199	209	247
	Tap 2	115	139	168	196	218	247	274	309
	Tap 3	165	192	220	247	290	316	360	376
	Tap 4	237	269	301	327	356	407	430	481
"COOL" Speed	Tap 1	78	104	126	155	175	199	209	247
	Tap 2	115	139	168	196	218	247	274	309
	Tap 3	165	192	220	247	290	316	360	376
	Tap 4	237	269	301	327	356	407	430	481



**BLOWER**

BCE7S48 BLOWER PERFORMANCE								
0 through 0.80 In. w.g. External Static Pressure Range								
"ADJUST" Jumper Setting	Jumper Speed Positions							
	"HEAT" Speed				"COOL" Speed			
	1 cfm	2 cfm	3 cfm	4 cfm	1 cfm	2 cfm	3 cfm	4 cfm
+	1670	1870	2100	2200	1670	1870	2100	2200
NORM	1460	1670	1870	2100	1460	1670	1870	2100
-	1230	1410	1600	1800	1230	1410	1600	1800

NOTES - The effect of static pressure, filter and electric heater resistance is included in the air volumes listed. First stage cooling air volume is 70% of COOL speed setting. Continuous fan speed is approximately 28%, 38%, 70% and 100% (Jumper selectable) of the same second-stage COOL speed selected, minimum 250 cfm. Zoning System applications - minimum blower speed is 250 cfm.

BCE7S48 BLOWER WATTS									
AT "+" (Plus) SETTING ("Adjust" Jumper at "+" Setting)									
Jumper Speed Positions		Motor Watts @ Various External Static Pressures - In. w.g.							
		0.1	0.2	0.3	0.4	0.5	0.6	0.7	0.8
"HEAT" Speed	Tap 1	335	374	399	436	495	518	572	611
	Tap 2	459	502	537	586	644	689	724	759
	Tap 3	668	738	778	845	881	957	996	1019
	Tap 4	808	865	922	975	1003	1025	1017	987
"COOL" Speed	Tap 1	335	374	399	463	495	518	572	611
	Tap 2	459	502	537	586	644	689	724	759
	Tap 3	668	738	778	845	881	957	996	1019
	Tap 4	808	865	922	975	1003	1025	1017	987

AT "NORM" SETTING ("Adjust" Jumper at "NORM" Setting)									
Jumper Speed Positions		Motor Watts @ Various External Static Pressures - In. w.g.							
		0.1	0.2	0.3	0.4	0.5	0.6	0.7	0.8
"HEAT" Speed	Tap 1	225	264	289	336	358	396	432	464
	Tap 2	320	374	398	434	484	523	558	610
	Tap 3	451	489	529	583	619	682	721	768
	Tap 4	643	699	731	795	848	919	966	998
"COOL" Speed	Tap 1	225	264	289	336	358	396	432	464
	Tap 2	320	374	398	434	484	523	558	610
	Tap 3	451	489	529	583	619	682	721	768
	Tap 4	643	699	731	795	848	919	966	998

AT "-" (Minus) SETTING ("Adjust" Jumper at "-" Setting)									
Jumper Speed Positions		Motor Watts @ Various External Static Pressures - In. w.g.							
		0.1	0.2	0.3	0.4	0.5	0.6	0.7	0.8
"HEAT" Speed	Tap 1	146	178	207	227	265	299	317	359
	Tap 2	207	243	272	305	345	371	419	438
	Tap 3	290	347	383	412	447	486	525	548
	Tap 4	410	440	491	528	572	613	651	694
"COOL" Speed	Tap 1	146	178	207	227	265	299	317	359
	Tap 2	207	243	272	305	345	371	419	438
	Tap 3	290	347	383	412	447	486	525	548
	Tap 4	410	440	491	528	572	613	651	694

**BLOWER**

BCE7S60 BLOWER PERFORMANCE								
0 through 0.80 In. w.g. External Static Pressure Range								
"ADJUST" Jumper Setting	Jumper Speed Positions							
	"HEAT" Speed				"COOL" Speed			
	1 cfm	2 cfm	3 cfm	4 cfm	1 cfm	2 cfm	3 cfm	4 cfm
<b>+</b>	1695	1890	2140	2210	1695	1890	2140	2210
<b>NORM</b>	1525	1680	1850	2075	1525	1680	1850	2075
<b>-</b>	1300	1450	1630	1800	1300	1450	1630	1800

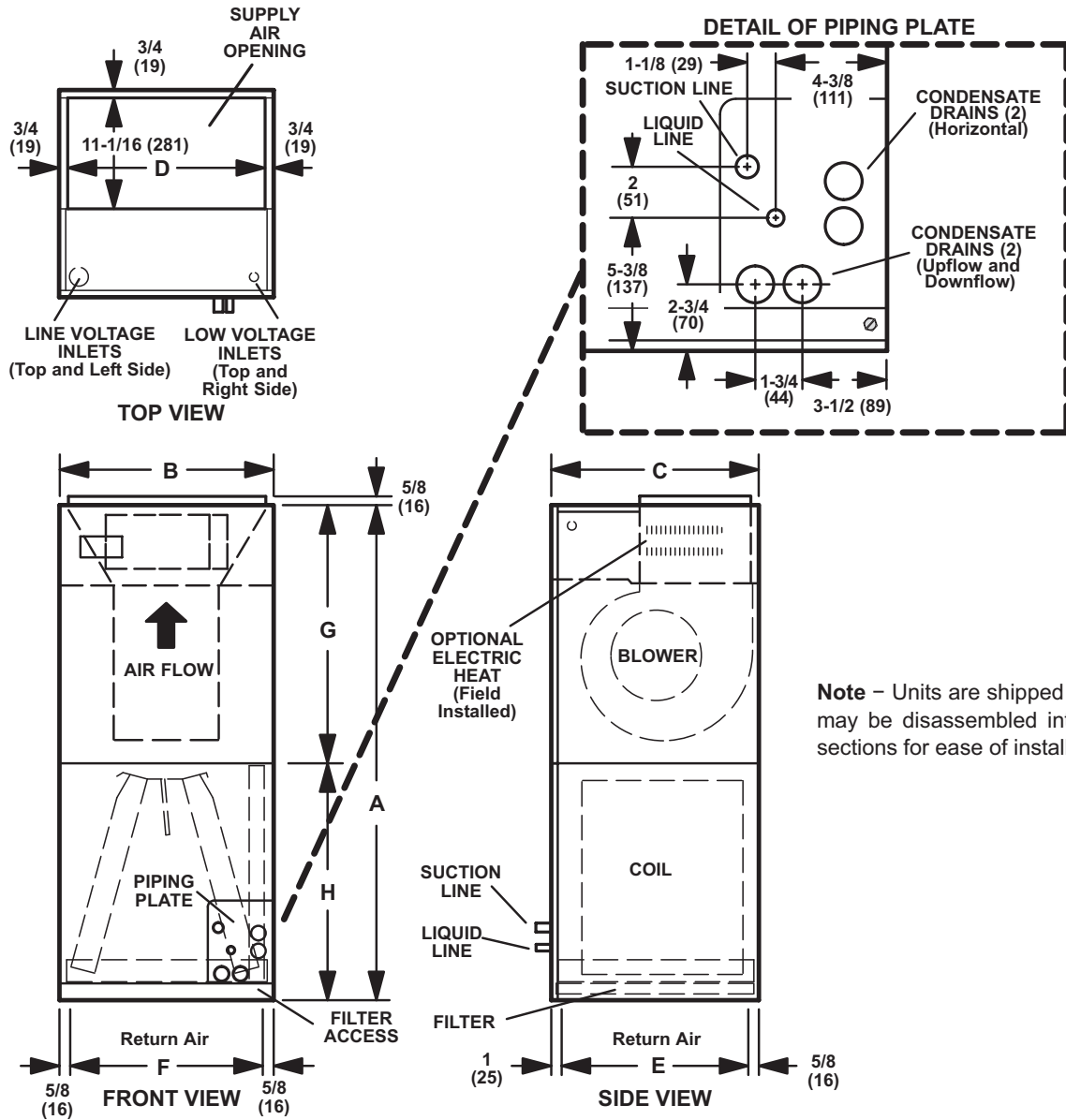
NOTES - The effect of static pressure, filter and electric heater resistance is included in the air volumes listed. First stage cooling air volume is 70% of COOL speed setting. Continuous fan speed is approximately 28%, 38%, 70% and 100% (Jumper selectable) of the same second-stage COOL speed selected, minimum 250 cfm. Zoning System applications - minimum blower speed is 250 cfm.

BCE7S60 BLOWER WATTS									
AT "+" (Plus) SETTING ("Adjust" Jumper at "+" Setting)									
Jumper Speed Positions		Motor Watts @ Various External Static Pressures - In. w.g.							
		0.1	0.2	0.3	0.4	0.5	0.6	0.7	0.8
"HEAT" Speed	Tap 1	334	368	412	449	491	532	557	603
	Tap 2	462	511	549	601	640	681	720	762
	Tap 3	670	710	765	820	868	921	963	1005
	Tap 4	757	810	853	909	961	1001	1034	1026
"COOL" Speed	Tap 1	334	368	412	449	491	532	557	603
	Tap 2	462	511	549	601	640	681	720	762
	Tap 3	670	710	765	820	868	921	963	1005
	Tap 4	757	810	853	909	961	1001	1034	1026

AT "NORM" SETTING ("Adjust" Jumper at "NORM" Setting)									
Jumper Speed Positions		Motor Watts @ Various External Static Pressures - In. w.g.							
		0.1	0.2	0.3	0.4	0.5	0.6	0.7	0.8
"HEAT" Speed	Tap 1	245	285	319	350	398	425	462	497
	Tap 2	330	368	414	443	469	505	558	600
	Tap 3	442	497	515	554	603	643	685	735
	Tap 4	600	653	701	752	798	842	889	935
"COOL" Speed	Tap 1	245	285	319	350	398	425	462	497
	Tap 2	330	368	414	443	469	505	558	600
	Tap 3	442	497	515	554	603	643	685	735
	Tap 4	600	653	701	752	798	842	889	935

AT "-" (Minus) SETTING ("Adjust" Jumper at "-" Setting)									
Jumper Speed Positions		Motor Watts @ Various External Static Pressures - In. w.g.							
		0.1	0.2	0.3	0.4	0.5	0.6	0.7	0.8
"HEAT" Speed	Tap 1	181	204	235	261	304	332	357	383
	Tap 2	218	259	283	315	357	390	422	457
	Tap 3	300	333	365	395	443	476	527	559
	Tap 4	400	430	470	515	543	592	639	678
"COOL" Speed	Tap 1	181	204	235	261	304	332	357	383
	Tap 2	218	259	283	315	357	390	422	457
	Tap 3	300	333	365	395	443	476	527	559
	Tap 4	400	430	470	515	543	592	639	678

**UNIT DIMENSIONS - IN. (MM)**



Dimension	24		30		36		42/48		60	
	in.	mm	in.	mm	in.	mm	in.	mm	in.	mm
A	49.25	1251	51	1295	51	1295	58.5	1486	62.5	1588
B	21.25	540	21.25	540	21.25	540	21.25	540	21.25	540
C	20.63	524	22.625	575	22.625	575	24.625	625	24.625	625
D	19.75	502	19.75	502	19.75	502	19.75	502	19.75	502
E	19	483	21	533	21	533	23	584	23	584
F	20	508	20	508	20	508	20	508	20	508
G	24.625	625	26.375	670	26.375	670	27.875	708	27.875	708
H	24.625	625	24.625	625	24.625	625	30.625	778	34.625	879

All specifications and illustrations subject to change without notice and without incurring obligations.



1-800-448-5872

All specifications and illustrations subject to change without notice and without incurring obligations.